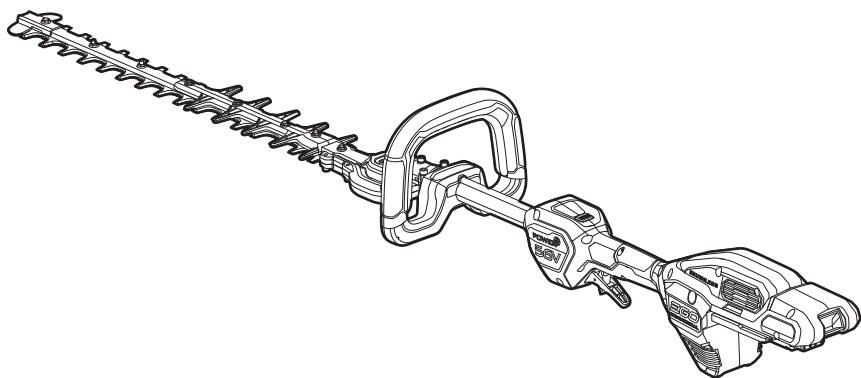


# EGO™

## COMMERCIAL



OPERATOR'S MANUAL

# 56-VOLT LITHIUM-ION COMMERCIAL 21" SHORT POLE HEDGE TRIMMER

Français p. 35

Español p. 75

MODEL NUMBER HTX5300-P/HTX5300-P-FC

**⚠ WARNING:** To reduce the risk of injury, the user must read and understand the Operator's Manual before using this product. Save these instructions for future reference.



## TABLE OF CONTENTS

FCC Statement . . . . .	4
Safety Symbols . . . . .	5
Safety Instructions . . . . .	6-13
Introduction . . . . .	14
Specifications . . . . .	14
Description . . . . .	15-17
Assembly . . . . .	18
Operation . . . . .	19-27
Maintenance . . . . .	28-30
Troubleshooting . . . . .	31-32
EGO Limited Warranty . . . . .	33-34

# READ ALL INSTRUCTIONS!



READ & UNDERSTAND  
INSTRUCTION MANUAL

**⚠ WARNING:** Drilling, sawing, sanding or machining wood products can expose you to wood dust, a substance known to the State of California to cause cancer. Avoid inhaling wood dust or use a dust mask or other safeguards for personal protection. For more information go to [www.P65Warnings.ca.gov/wood](http://www.P65Warnings.ca.gov/wood).

**⚠ WARNING:** Some dust created by power cutting contains chemicals known to the state of California to cause cancer, birth defects or other reproductive harm. Some examples of these chemicals are:

- Lead from lead-based paints.
- Crystalline silica from bricks, cement, and other masonry products.
- Arsenic and chromium from chemically-treated lumber.

Your risk from these exposures varies, depending upon how often you do this type of work. To reduce your exposure to these chemicals:

- Work in a well-ventilated area.
- Work with approved safety equipment, such as dust masks that are specially designed to filter out microscopic particles.
- Avoid prolonged contact with dust from power sanding, sawing, grinding, drilling, and other construction activities. Wear protective clothing and wash exposed areas with soap and water. Allowing dust to get into your mouth or eyes or to lie on the skin may promote absorption of harmful chemicals.



## FCC STATEMENT

1. This device complies with Part 15 of the FCC Rules. Operation is subject to the following two conditions
  - 1) This device may not cause harmful interference.
  - 2) This device must accept any interference received, including interference that may cause undesired operation.
2. Changes or modifications not expressly approved by the party responsible for compliance could void the user's authority to operate the equipment.

**NOTICE:** This equipment has been tested and found to comply with the limits for a Class B digital device, pursuant to Part 15 of the FCC Rules. These limits are designed to provide reasonable protection against harmful interference in a residential installation. This equipment generates, uses, and can radiate radio frequency energy and, if not installed and used in accordance with the instructions, may cause harmful interference to radio communications. However, there is no guarantee that interference will not occur in a particular installation. If this equipment does cause harmful interference to radio or television reception, which can be determined by turning the equipment off and on, the user is encouraged to try to correct the interference by one or more of the following measures: Reorient or relocate the receiving antenna. Increase the separation between the equipment and receiver. Connect the equipment into an outlet on a circuit different from that to which the receiver is connected. Consult the dealer or an experienced radio/TV technician for help.

## SAFETY SYMBOLS

The purpose of safety symbols is to attract your attention to possible dangers. The safety symbols and the explanations with them deserve your careful attention and understanding. The symbol warnings do not, by themselves, eliminate any danger. The instructions and warnings they give are no substitutes for proper accident prevention measures.

**⚠ WARNING:** Be sure to read and understand all safety instructions in this Operator's Manual, including all safety alert symbols such as "DANGER," "WARNING," and "CAUTION" before using this machine. Failure to following all instructions listed below may result in electric shock, fire, and/or serious personal injury.

### SYMBOL MEANING

**⚠ SAFETY ALERT SYMBOL:** Indicates DANGER, WARNING, or CAUTION. May be used in conjunction with other symbols or pictographs.




**⚠ WARNING:** The operation of any machines can result in foreign objects being thrown into your eyes, which can result in severe eye damage. Before beginning machine operation, always wear safety goggles or safety glasses with side shield and a full face shield when needed. We recommend a Wide Vision Safety Mask for use over eyeglasses or standard safety glasses with side shields. Always use eye protection which is marked to comply with ANSI Z87.1.

# SAFETY INSTRUCTIONS

This page depicts and describes safety symbols that may appear on this product. Read, understand, and follow all instructions on the machine before attempting to assemble and operate it.

	<p>Caution</p>	<p>Indicates a potential personal injury hazard.</p>
	<p>Read the Operator's Manual</p>	<p>To reduce the risk of injury, user must read and understand the operator's manual before using this product. Failure to do so can result in serious injury to the operator and/or bystander.</p>
	<p>Wear Eye Protection</p>	<p>Always wear safety goggles or safety glasses with side shields that comply with ANSI Z87.1 when operating this product.</p>
	<p>Wear Head Protection</p>	<p>Wear an approved safety hard hat to protect your head.</p>
	<p>Danger- Keep Hands Away from Blades</p>	<p>Contact with blade will result in serious personal injury.</p>
	<p>Battery Recycle Symbol</p>	<p>This product uses lithium-ion (Li-ion) batteries. Local, state, or federal laws may prohibit disposal of batteries in ordinary trash. Call the number on the symbol (1-800-822-8837) for information about recycling. Consult your local waste authority for information regarding available recycling and/or disposal options.</p>
	<p>Bluetooth®</p>	<p>Bluetooth® Symbol</p>

IPXX	Ingress Protection (IP) Rating	Classifies the degree of protection provided by an enclosure, for electrical equipment.
V	Volt	Voltage
	Direct Current (DC)	Type or a characteristic of current
SPM	Strokes per minute	Stroke speed
cm	Centimeter	Length or size
mm	Millimeter	Length or size
in.	Inch	Length or size
kg	Kilogram	Weight
lb	Pound	Weight
°C	Degrees Celsius	Temperature
°F	Degrees Fahrenheit	Temperature

## GENERAL BATTERY-OPERATED MACHINE SAFETY WARNINGS

**⚠ WARNING:** Read all safety warnings, instructions, illustrations and specifications provided with this machine. Failure to follow all instructions listed below may result in electric shock, fire and/or serious injury.

### SAVE ALL WARNINGS AND INSTRUCTIONS FOR FUTURE REFERENCE.

The term “machine” in the warning refers to your mains-operated (corded) machine or battery-operated (cordless) machine.

## WORK AREA SAFETY

- **Keep work area clean and well lit.** Cluttered or dark areas invite accidents.
- **Do not operate machines in explosive atmospheres, such as in the presence of flammable liquids, gases or dust.** Machines create sparks which may ignite the dust or fumes.
- **Keep children and bystanders away while operating a machine.** Distractions can cause you to lose control.

## ELECTRICAL SAFETY

- **Machine plugs must match the outlet. Never modify the plug in any way. Do not use any adapter plugs with earthed (grounded) machines.** Unmodified plugs and matching outlets will reduce risk of electric shock.
- **Avoid body contact with earthed or grounded surfaces, such as pipes, radiators, ranges and refrigerators.** There is an increased risk of electric shock if your body is earthed or grounded.
- **Do not operate the machine in rain or wet conditions.** Water entering the machine may increase the risk of electric shock or malfunction that could result in personal injury.
- **Do not abuse the cord. Never use the cord for carrying, pulling or unplugging the machine. Keep cord away from heat, oil, sharp edges or moving parts.** Damaged or entangled cords increase the risk of electric shock.
- **When operating a machine outdoors, use an extension cord suitable for outdoor use.** Use of a cord suitable for outdoor use reduces the risk of electric shock.



- **If operating a machine in a damp location is unavoidable, use a ground fault circuit interrupter (GFCI) protected supply.** Use of a GFCI reduces the risk of electric shock.

## PERSONAL SAFETY

- **Stay alert, watch what you are doing and use common sense when operating a machine. Do not use a machine while you are tired or under the influence of drugs, alcohol or medication.** A moment of inattention while operating machines may result in serious personal injury.
- **Use personal protective equipment. Always wear eye protection.** Protective equipment such as a dust mask, non-skid safety shoes, hard hat or hearing protection used for appropriate conditions will reduce personal injuries.
- **Prevent unintentional starting. Ensure the switch is in the off-position before connecting to power source and/or battery pack, picking up or carrying the machine.** Carrying machines with your finger on the switch or energizing machines that have the switch on invites accidents.
- **Remove any adjusting key or wrench before turning the machine on.** A wrench or a key left attached to a rotating part of the machine may result in personal injury.
- **Do not overreach. Keep proper footing and balance at all times.** This enables better control of the machine in unexpected situations.
- **Dress properly. Do not wear loose clothing or jewelry. Keep your hair and clothing away from moving parts.** Loose clothes, jewelry or long hair can be caught in moving parts.
- **If devices are provided for the connection of dust extraction and collection facilities, ensure these are connected and properly used.** Use of dust collection can reduce dust-related hazards.
- **Do not let familiarity gained from frequent use of machines allow you to become complacent and ignore machine safety principles.** A careless action can cause severe injury within a fraction of a second.

## MACHINE USE AND CARE

- **Do not force the machine. Use the correct machine for your application.** The correct machine will do the job better and safer at the rate for which it was designed.

- **Do not use the machine if the switch does not turn it on and off.** Any machine that cannot be controlled with the switch is dangerous and must be repaired.
- **Disconnect the plug from the power source and/or remove the battery pack, if detachable, from the machine before making any adjustments, changing accessories, or storing machines.** Such preventive safety measures reduce the risk of starting the machine accidentally.
- **Store idle machines out of the reach of children and do not allow persons unfamiliar with the machine or these instructions to operate the machine.** Machines are dangerous in the hands of untrained users.
- **Maintain machines and accessories. Check for misalignment or binding of moving parts, breakage of parts and any other condition that may affect the machine's operation. If damaged, have the machine repaired before use.** Many accidents are caused by poorly maintained machines.
- **Keep cutting machines sharp and clean.** Properly maintained cutting machines with sharp cutting edges are less likely to bind and are easier to control.
- **Use the machine, accessories and machine bits, etc. in accordance with these instructions, taking into account the working conditions and the work to be performed.** Use of the machine for operations different from those intended could result in a hazardous situation.
- **Keep handles and grasping surfaces dry, clean and free from oil and grease.** Slippery handles and grasping surfaces do not allow for safe handling and control of the machine in unexpected situations.

## BATTERY MACHINE USE AND CARE

- **Recharge only with the charger specified by the manufacturer.** A charger that is suitable for one type of battery pack may create a risk of fire when used with another battery pack.
- **Use machines only with specifically designated battery packs.** Use of any other battery packs may create a risk of injury and fire.
- **When battery pack is not in use, keep it away from other metal objects, like paper clips, coins, keys, nails, screws or other small metal objects, that can make a connection from one terminal to another.** Shorting the battery terminals together may cause burns or a fire.

- **Under abusive conditions, liquid may be ejected from the battery; avoid contact. If contact accidentally occurs, flush with water. If liquid contact eyes, additionally seek medical help.** Liquid ejected from the battery may cause irritation or burns.
- **Do not use a battery pack or machine that is damaged or modified.** Damaged or modified batteries may exhibit unpredictable behavior resulting in fire, explosion or risk of injury.
- **Do not expose a battery pack or machine to fire or excessive temperature.** Exposure to fire or temperature above 265 °F (130 °C) may cause explosion.
- **Follow all charging instructions and do not charge the battery pack or machine outside the temperature range specified in the instructions.** Charging improperly or at temperatures outside the specified range may damage the battery and increase the risk of fire.

## SERVICE

- **Have your machine serviced by a qualified repair person using only identical replacement parts.** This will ensure that the safety of the machine is maintained.
- **Never service damaged battery packs.** Service of battery packs should only be performed by the manufacturer or authorized service providers.

## HEDGE TRIMMER SAFETY WARNINGS

- **Keep all power cords and cables away from cutting area.** Power cords or cables may be hidden in hedges or bushes and can be accidentally cut by the blade.
- **Hold the hedge trimmer by insulated gripping surfaces only, because the blade may contact hidden wiring.** Blades contacting a “live” wire may make exposed metal parts of the hedge trimmer “live” and could give the operator an electric shock.
- **Keep all parts of the body away from the blade. Do not remove cut material or hold material to be cut when blades are moving.** Blades continue to move after the switch is turned off. A moment of inattention while operating the hedge trimmer may result in serious personal injury.

- **When clearing jammed material or servicing the unit, make sure all power switches are off and the battery pack is removed or disconnected.** Unexpected actuation of the hedge trimmer while clearing jammed material or servicing may result in serious personal injury.
- **Carry the hedge trimmer by the handle with the blade stopped and taking care not to operate any power switch.** Proper carrying of the hedge trimmer will decrease the risk of inadvertent starting and resultant personal injury from the blades.
- **When transporting or storing the hedge trimmer, always fit the blade cover.** Proper handling of the hedge trimmer will decrease the risk of personal injury from the blades.

## IMPORTANT SAFETY INSTRUCTIONS

- **Do not charge the battery pack in rain or in wet locations.**
- **Use only with the battery packs and chargers listed below:**

BATTERY PACK	CHARGER
BA1400, BA1400-FC, BA2800, BA2800-FC, BA4200, BA4200-FC, BA1400T, BA1400T-FC, BA2242T, BA2242T-FC, BA2800T, BA2800T-FC, BA3360T, BA3360T-FC, BA4200T, BA4200T-FC, BA4480T, BA4480T-FC, BA5600T, BA5600T-FC, BA6720T, BA6720T-FC	CH2100, CH2100-FC, CH3200, CH3200-FC, CH5500, CH5500-FC, CH2800D, CH2800D-FC, CH7000, CH7000-FC

- **Do not grasp the exposed cutting blades or cutting edges when picking up or holding the hedge trimmer.**
- **Do not use on a ladder, rooftop, tree, or other unstable support.** Stable footing on a solid surface enables better control of the hedge trimmer in unexpected situations.
- **Never allow children to operate the hedge trimmer.**
- **Never remove or tamper with safety devices. Check their proper operation regularly. Never do anything to interfere with the intended function of a safety device or to reduce the protection provided by a safety device.**
- **Never operate the hedge trimmer without proper guards, plates, or other safety protective devices in place.**

- **Check damaged parts before further use of the hedge trimmer. A guard or other part that is damaged should be carefully checked to determine that it will operate properly and perform its intended function. Check for alignment of moving parts, binding of moving parts, breakage of parts, mounting, and any other condition that may affect its operation.** A guard or other part that is damaged should be properly repaired or replaced by an authorized service center unless indicated elsewhere in this manual.
- **Check the blade and motor mounting bolts at frequent intervals for proper tightness. Also, visually inspect blade for damage (e.g., bent, cracked, and worn). Replace the blade only with an EGO™ blade.** An unbalanced blade causes vibration that could damage the motor drive unit or cause personal injury.
- **Replace the blade if it is bent or cracked.** An unbalanced blade causes vibration that could damage the motor drive unit or cause personal injury.
- **If the equipment should start to vibrate abnormally, stop the motor and check immediately for the cause.** Vibration is generally a warning of trouble.
- **The hedge trimmer shall be used to cut stems less than 1.1 in. (28 mm) thick.**
- **Trim only in daylight or in good artificial light.**
- **Remove or disconnect battery before servicing, cleaning, or removing material from the hedge trimmer.**
- **Do not wash with a hose; avoid getting water in motor and electrical connections.**
- **When servicing use only identical replacement parts listed in this manual.** Use of parts which do not meet the original equipment specifications may lead to improper performance and compromised safety.
- **Do not incinerate the machine even if it is severely damaged.** The batteries can explode in a fire.
- **Follow instructions for lubricating and changing accessories.**
- **Keep handles dry, clean and free from oil and grease.**
- **Check the hedges and bushes for foreign objects, e.g. wire fences and hidden wiring before operating the machine.**
- **Save these instructions.** Refer to them frequently and use them to instruct others who may use this machine. If you loan this machine to someone else, also loan these instructions to them to prevent misuse of the product and possible injury.

**SAVE THESE INSTRUCTIONS!**



## INTRODUCTION


Congratulations on your selection of the new EGO COMMERCIAL 56V Lithium-ion hedge trimmer. It has been designed, engineered and manufactured to give you the best possible dependability and performance.

Should you experience any problem you cannot easily remedy, please contact EGO customer service center 1-855-EGO-5656.

This manual contains important information on the safe assembly, operation and maintenance of your hedge trimmer. Read it carefully before using the hedge trimmer. Keep this manual handy so you can refer to it at any time.

SERIAL NUMBER _____	DATE OF PURCHASE _____
YOU SHOULD RECORD BOTH SERIAL NUMBER AND DATE OF PURCHASE AND KEEP IN A SAFE PLACE FOR FUTURE REFERENCE	

## SPECIFICATIONS

Voltage	56V 
Maximum Speed	Low: 3200 SPM Medium: 3600 SPM High: 4000 SPM
Cutting Length	21 in (530 mm)
Cutting Capacity	1.1 in (28 mm)
Ingress Protection Rating	IPX5* (Protected against water jets)
Recommended Operating Temperature	32 – 104°F (0 – 40°C)
Recommended Storage Temperature	-4 – 158°F (-20 – 70°C)
Weight (Without battery pack, blade sheath)	9.24 lb. (4.2 kg)

\* **NOTE:** IPX5 rating is based on the machine and battery being used together as a system.

### Recommended Accessory

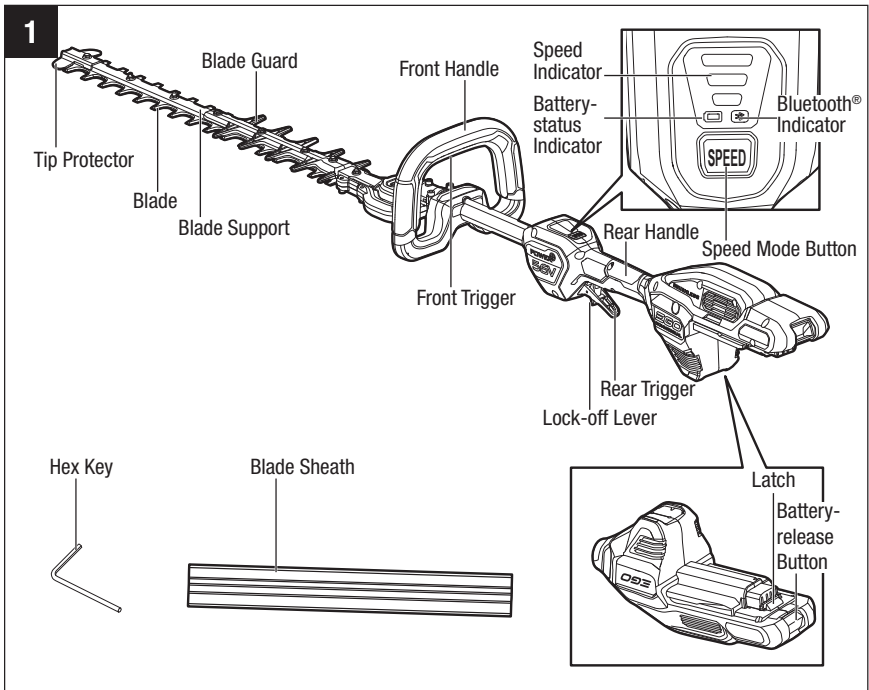
PART NAME	MODEL NUMBER
Hedge Trimmer Blade Set	AHB5300P

**NOTE:** Use only recommended EGO™ replacement blades. This blade set should only be installed by authorized EGO service dealers or qualified service technicians.

# DESCRIPTION

## KNOW YOUR HEDGE TRIMMER (Fig. 1)

The safe use of this product requires an understanding of the information on the machine and in this operator's manual, as well as knowledge of the project you are attempting. Before using this product, familiarize yourself with all operating features and safety rules.



## **Front Handle**

For easy and safe control of the machine.

## **Rear Handle**

Ergonomic handle with overmold improves comfort and grip.

## **Lock-off Lever**

Helps to prevent accidental or unauthorized activation of the trigger. It must be moved forward before pressing the rear trigger.

## **Front Trigger/Rear Trigger**

The hedge trimmer can be started only if both triggers (on the front and rear handles) are depressed at the same time.

## **Blades**

Hardened steel blades for cutting hedges and shrubs.

## **Blade Support (or Rail)**

Carbon fiber blade support improves durability.

## **Blade Sheath**

The blade sheath keeps the operator from coming in contact with the sharp blades when the machine is not in use. It also helps keep the blades from being nicked or damaged when the machine is in being transported or stored.

## **Tip Protector**

Protects the outer tip of the blade.

## **Battery-release Button**

Press to release the battery pack from the machine.

## **Speed Mode Button**

Switches between high, medium, or low speed mode for different tasks at hand.



## **Battery-status Indicator**

Indicates the charge level of the battery pack and the working status of the battery.

## **Bluetooth® Indicator**

Indicates the Bluetooth® connection status.

**NOTE:** The Bluetooth® word mark and logos are registered trademarks owned by Bluetooth SIG, inc. and any use of such marks by EGO is under license.

## ASSEMBLY

**⚠ WARNING:** If any parts are damaged or missing, do not operate this product until the parts are replaced. Use of this product with damaged or missing parts could result in serious personal injury.

**⚠ WARNING:** Do not attempt to modify this product or create accessories not recommended for use with this hedge trimmer. Any such alteration or modification is misuse and could result in a hazardous condition leading to possible serious personal injury.

**⚠ WARNING:** To prevent accidental starting that could cause serious personal injury, always remove the battery pack from the machine when assembling parts.

## UNPACKING

This product has been shipped completely assembled.

- Carefully remove the product and any accessories from the box. Make sure that all items listed in the packing list are included.
- Inspect the machine carefully to make sure that no breakage or damage occurred during shipping.
- Do not discard the packing material until you have carefully inspected and satisfactorily operated the machine.
- If any parts are damaged or missing, please return the product to the place of purchase.

## PACKING LIST

PART NAME	QUANTITY
Hedge Trimmer	1
Blade Sheath	1
Hex Key (4 mm)	1
Operator's Manual	1

## OPERATION

**⚠ WARNING:** Do not allow familiarity with this product to make you careless. Remember that a careless fraction of a second is sufficient to inflict serious injury.

**⚠ WARNING:** Always wear eye protection comply with ANSI Z87.1. Failure to do so could result in objects being thrown into your eyes and other possible serious injuries.

**⚠ WARNING:** Do not use any attachments or accessories not recommended by the manufacturer of this product. The use of attachments or accessories not recommended can result in serious personal injury.

**⚠ WARNING:** To prevent serious personal injury, remove the battery pack from the machine before servicing, cleaning, changing attachments or removing material from the unit.

Before each use, inspect the entire product for damaged, missing, or loose parts such as screws, nuts, bolts, caps, etc. Securely tighten all fasteners and caps and do not operate this product until all missing or damaged parts are replaced.

## APPLICATION

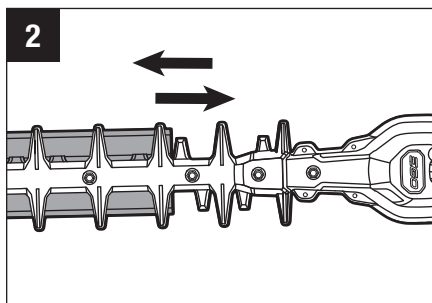
You may use this product for trimming hedges, shrubs, and bushes with a branch diameter of less than 1.1 in. (28 mm).

**NOTE:** The machine is to be used only for its prescribed purpose. Any other use is deemed a misuse.

## REMOVING/INSTALLING THE BLADE SHEATH (Fig. 2)

**⚠ WARNING:** Always remove the battery pack from the product when you are assembling parts, making adjustments, cleaning, or when the product is not in use.

**⚠ WARNING:** Always wear gloves when removing or installing the blade sheath. Be careful with the blade and protect your hands from being injured by the blade.



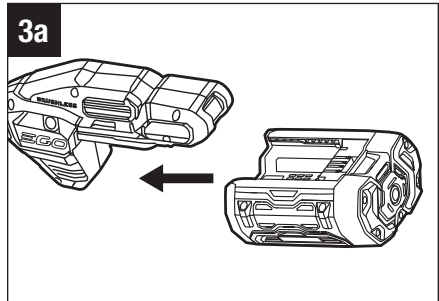
1. The hedge trimmer is shipped with the blade sheath installed. Before use, slide the blade sheath off along the blade ridge and remove it.
2. After using and before storing or transporting the hedge trimmer, clean the blade and slide the blade sheath onto the blade; cover the entire length of the blade and make sure that the open side is facing upward.

## ATTACHING/DETACHING THE BATTERY PACK

**NOTE:** Fully charge battery pack before first use.

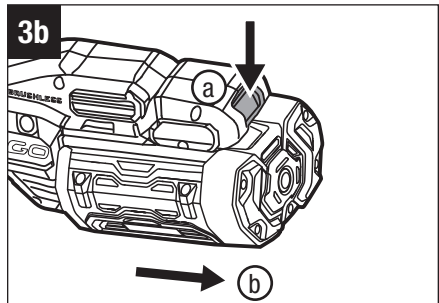
### To Attach

Align the battery ribs with the mounting slots in the machine's battery port and slide the battery pack until it snaps into position (Fig. 3a).



### To Detach

**⚠ WARNING:** Always be aware for the location of your feet, children, or pets when pressing the battery-release button. Serious injury could result if the battery pack falls. NEVER remove the battery pack at a high location.

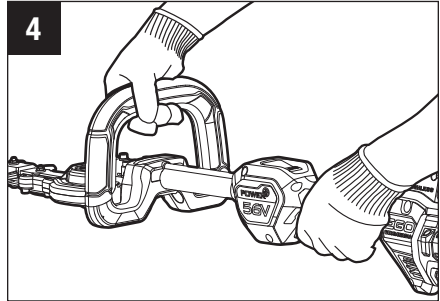


1. Depress the battery-release button and the battery pack will disengage from the latch (Fig. 3b).
2. Grasp the battery pack and remove it from the machine.

## HOLDING THE HEDGE TRIMMER (Fig. 4)

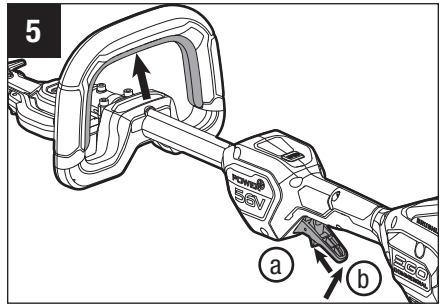
The unit has both front and rear handles. With the blade directed away from you, hold the unit by both handles. One hand on the rear handle and one hand on the top side of the front handle.

**⚠ WARNING:** Always keep both hands on the hedge trimmer handles. Never hold shrubs with one hand and operate the hedge trimmer with the other. Failure to heed this warning may result in serious injury.



## STARTING/STOPPING THE HEDGE TRIMMER

Before operating, remove the blade sheath and hold the trimmer with both hands, one hand on the rear handle and the other on the front handle. Then check for balanced footing, upright standing and a proper cutting distance. Make sure that the cutting blade is not touching the ground or any other objects.



### To start the machine (Fig. 5)

1. Install the battery pack.
2. Squeeze and hold the front trigger with one hand.
3. Move the lock-off lever forward and then press the rear trigger to start the machine with the other hand. The speed of the hedge trimmer is controlled with the rear trigger. More pressure on the trigger results in higher speed; less pressure on the trigger results in lower speed. Adjust the speed to suit the task at hand.

## To stop the machine

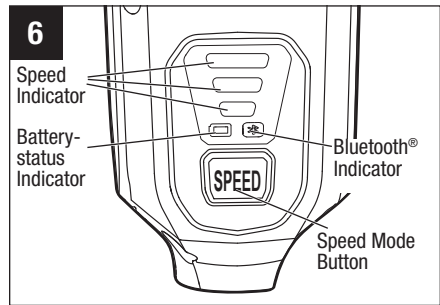
Move the machine away from the cutting area and release either of the triggers to stop it.

**⚠ WARNING:** Always remove the battery pack from the machine during work breaks and after finishing work.

## CHANGING SPEED MODE (Fig. 6)

This machine features three speed modes. The speed mode will change with every press of the speed mode button.

The speed indicator will display the active speed mode: one light for low speed, two lights for medium speed, three lights for high speed. The low speed mode provides better control of the machine and longer operating time per charge.












**NOTICE:** The speed mode can be set before the machine is turned on OR during operation.

When the machine is re-started after a break, the speed mode will return to the previous speed.

## BATTERY-STATUS INDICATOR AND SPEED INDICATOR (Fig. 6)

The battery-status indicator shows the charge level and the working status of the battery pack, and the speed indicator shows the working status of the machine as shown in the chart below. The battery-status indicator and the speed indicator will illuminate when the machine is started OR the speed mode button is pressed.

Indicator Lights		Meaning
<b>Battery-status Indicator</b>	Solid green	 Battery charge level of 20% to 100%
	Flashing green	 Battery charge level of 10% to 20%
	Solid red	 Battery charge level of less than 10%
	Flashing red	 The battery pack charge is nearly depleted and needs to be charged immediately.
	Solid orange	 The battery pack is overheated. Cool the battery pack until the temperature drops below 152 °F (67 °C). See " <b>Battery High-temperature Protection</b> " below.
	Flashing red/green alternately	 The battery pack electronics error. Replace the battery pack or contact EGO customer service center. See " <b>Battery Electronics Error Protection</b> " below.
<b>Speed Indicator (the illustration shows the high speed)</b>	Solid green	 The machine is working properly.
	Solid orange	 The machine is overheated. Cool the machine until the temperature drops below 176 °F (80 °C). See " <b>Machine High-temperature Protection</b> " below.
	Flashing orange	 The machine is overloaded. See " <b>Machine Overload Protection</b> " below.



## **Battery High-temperature Protection**

If the battery temperature exceeds 158 °F (70 °C) during operation, the temperature-protection circuit will immediately shut off the machine to protect the battery pack from overheating damage. The battery-status indicator will glow solid orange. Release either of the triggers and wait until the overheated battery cools down and the indicator turns green, then restart the machine.

## **Battery Electronics Error Protection**

When the battery pack electronics error occurs, the battery-status indicator will flash red/green alternately and the machine will shut off in 3 seconds. Replace the battery pack or contact EGO customer service center.

## **Machine Overload Protection**


This machine features a built-in overload circuit protection. When the machine is overloaded, the motor will stop and the speed indicator will flash orange. Remove the battery pack from the machine, then reattach the battery pack and restart the machine. Decrease the load on the machine, avoid cutting too much at a time or oversize cutting thickness or cutting on the heavy/woody shrubs.

## **Machine High-temperature Protection**

If the machine temperature exceeds 194 °F (90 °C) during operation, the temperature-protection circuit will immediately shut off the machine to prevent overheating damage. The speed indicator will glow solid orange. Release the trigger and wait until the overheated machine cools down and the speed indicator turns green, then restart the machine.

## **BLUETOOTH® WIRELESS TECHNOLOGY**

Products with built-in Bluetooth® wireless technology can connect to mobile devices. Please visit [www.egopowerplus.com/commercial](http://www.egopowerplus.com/commercial) for instructions on how to use the Bluetooth® function.

The Bluetooth® symbol  will light up when the machine is connected to your mobile device.

## USING THE HEDGE TRIMMER

**⚠ DANGER:** If the blade jams on any electrical cord or line, **DO NOT TOUCH THE BLADES! IT CAN BECOME ELECTRICALLY LIVE AND VERY DANGEROUS.** Continue to hold the hedge trimmer by the insulated rear handle or lay it down and away from you in a safe manner. Disconnect the electrical service to the damaged line or cord before attempting to free the blades from the line or cord.

Failure to heed this warning will result in serious personal injury or possible death.

**⚠ WARNING:** If any parts are missing, damaged or broken, do not operate your trimmer until they have been replaced. Failure to do so could result in possibly serious personal injury.

**⚠ WARNING:** To prevent serious personal injury, always use both the front handle and the rear handle to hold the hedge trimmer during operation.

**⚠ WARNING:** To prevent serious personal injury, keep hands away from blades. Do not attempt to remove cut material or hold material to be cut when the blades are moving. Make sure that the blades have completely stopped and the battery pack is removed before clearing jammed material from blades. Do not grasp the exposed cutting blades or cutting edges when picking up or holding the unit.

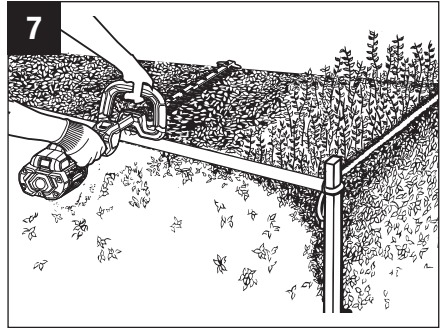
**⚠ WARNING:** Clear the area to be cut before each use. Remove all objects, such as cords, lights, wire, or string which can become entangled in the cutting blade and create a risk of serious personal injury.

- Before starting the hedge trimmer, maintain proper footing and balance and do not overreach. Do not operate the trimmer in a tree, on a ladder, from a rooftop, or any unstable support. Wear safety goggles, non-skid footwear and rubber gloves. Hold the unit with both hands, with the cutting blade directed away from you.
- Do not trim too much at a time. This can cause the blades to bind and slow down, reducing the cutting efficiency.
- Do not force the hedge trimmer through heavy shrubbery. This can cause the blades to bind and slow down. If the blades slow down, reduce the pace of your work.
- When trimming new growth, use a wide sweeping action, so that the stems are fed directly into the cutting blade. Older growth will have thicker stems and will be trimmed most easily by using a back-and-forth motion.

- Always cut stems or twigs that are less than 1.1 in (28 mm) thick. Use a non-powered hand saw or pruning saw to trim large stems.

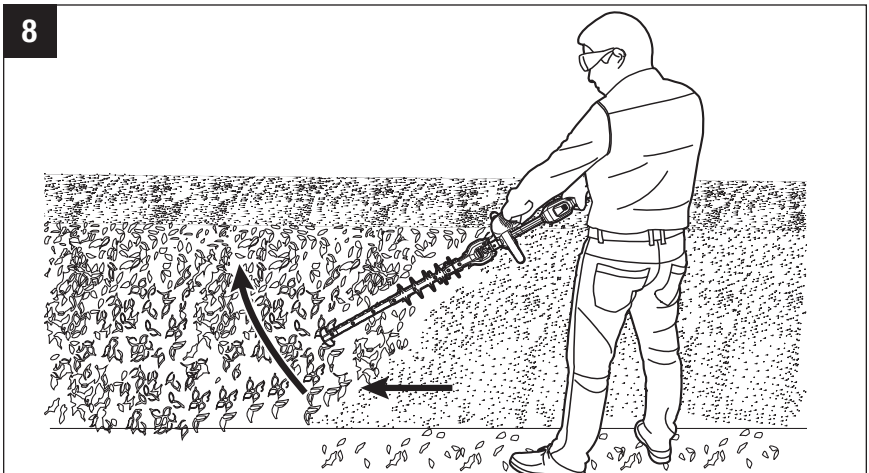
## TOP CUTTING

Use a wide sweeping motion. A slight downward tilt of the cutting blades in the direction of motion gives the best cutting results. For a better cutting effect, you may use the string to guide the hedge level (Fig. 7).



## SIDE CUTTING

When trimming the sides of the hedge, begin at the bottom and cut upwards (Fig. 8). Trim the side of a hedge so that it will be slightly narrower at the top. This shape will expose more of the hedge to sunlight, resulting in a more uniform growth.



## MAINTENANCE

**⚠ WARNING:** When servicing, only use identical replacement parts. Use of any other parts may create a hazard or cause product damage. To ensure safety and reliability, all repairs should be performed by a qualified service technician.

**⚠ WARNING:** To avoid serious personal injury, always remove the battery pack from the product when cleaning or performing any maintenance.

### CLEANING

- Use a soft brush to remove debris from all air intakes and cutting blade.
- To remove pitch and other sticky residue, spray the blades with resin solvent. Run the motor briefly so that the solvent is evenly distributed, then wipe the surface with a dry cloth.

**⚠ WARNING:** Never use water for cleaning your trimmer. Avoid using solvents when cleaning plastic parts. Most plastics are susceptible to damage from various types of commercial solvents. Use clean cloths to remove dirt, dust, oil, grease, etc.

### SHARPENING THE BLADES

When cutting performance and behavior begin to deteriorate, re-sharpen the blades. It is recommended to have the blades re-sharpened by a qualified service technician.

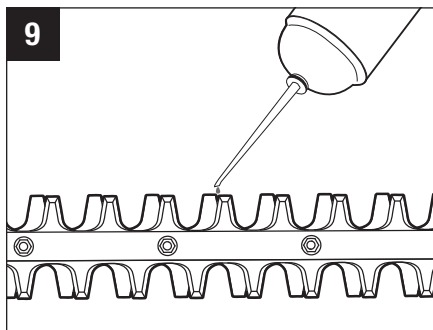
**NOTICE:** Do not operate your hedge trimmer with dull or damaged blades. This may cause overload and will give unsatisfactory cutting results.

### LUBRICATING THE BLADES

#### (Fig. 9)

For best operation and longer blade life, lubricate the hedge trimmer blades with light-weight machine oil before and after each use.

1. Remove the battery pack from the hedge trimmer.
2. Lay the hedge trimmer on a flat surface. Apply some light-weight machine oil along the edge of the top blades. If you



will be using the hedge trimmer for an extended time, it is advisable to take a break, remove the battery, and oil the blades.

If the upper blades are aligned completely with the lower ones, start the hedge trimmer and then stop it to offset the blades before lubrication

**⚠ WARNING:** Do not oil while the hedge trimmer is running.

**⚠ WARNING:** Blades are sharp. When handling the blade assembly, wear non-slip, heavy-duty protective gloves. Do not place your hand or fingers between blades or in any position where they could get pinched or cut. NEVER touch blades or service the unit with battery pack installed.

## TRANSMISSION GEARS LUBRICATION

The transmission gears in the cutting head and power head assemblies need to be lubricated periodically with gear grease. Check the gear case grease level approximately every 50 hours of operation by removing the sealing bolts. There are three sealing bolts: two on the cutting head assembly (Fig. 10a) and one on the power head assembly (Fig. 10b).

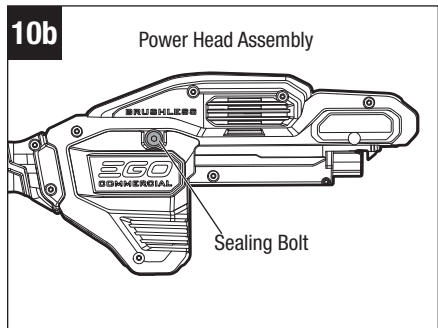
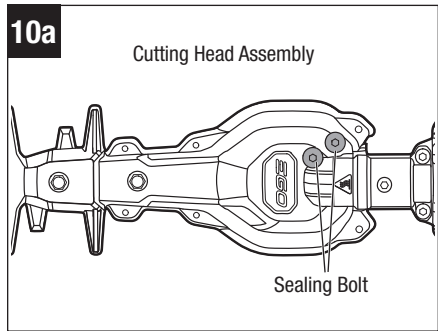
If no grease can be seen on the flanks of the gear, follow the steps below to fill with gear grease to 3/4 capacity. Do not completely fill the transmission gear case.

1. Depending on which bolt you are removing, lay the hedge trimmer on its back or hold it on its side so that the sealing bolt to be removed is facing upwards (Fig. 10a & 10b).

2. Use the included hex key to loosen and remove the sealing bolt.

3. Use a grease gun (not included) to inject some grease into the bolt hole; do not exceed 3/4 capacity.

4. Tighten the sealing bolt(s) after injection.



The grease should meet the following requirements:

- NLGI Grade Penetration: NLGI-2;
- Thickener Type: Polyurea;
- Recommended Operating Temperature Range: -40°F to 356°F (-40°C to 180°C);
- Other than above, the grease should also be shear stable with exceptional pressure characteristics and excellent anti-wear property, and perfect oxidation stability.

## **TRANSPORTING AND STORING**

- Remove the battery pack from the hedge trimmer.
- Always place the blade sheath on the blade before storing or transporting the hedge trimmer. Use caution to avoid the sharp teeth of the blade.
- Clean the hedge trimmer thoroughly before storing.
- Store the hedge trimmer indoors, in a dry place that is inaccessible to children.
- Keep away from corrosive agents such as garden chemicals and deicing salts.

# TROUBLESHOOTING

PROBLEM	CAUSE	SOLUTION
<p>Hedge trimmer doesn't work.</p>	<ul style="list-style-type: none"> <li>■ The battery pack is not attached to the hedge trimmer.</li> <li>■ No electrical contact between the hedge trimmer and battery pack.</li> <li>■ The battery pack charge is depleted.</li> <li>■ The battery pack is too hot. See the chapter "<b>Battery High-temperature Protection</b>".</li> <li>■ The hedge trimmer is too hot. See the chapter "<b>Machine High-temperature Protection</b>".</li> <li>■ The front and rear triggers are not depressed simultaneously.</li> <li>■ The blade is jammed.</li> <li>■ The battery pack has electronics error. See the chapter "<b>Battery Electronics Error Protection</b>".</li> </ul>	<ul style="list-style-type: none"> <li>■ Attach the battery pack to the hedge trimmer.</li> <li>■ Remove the battery, check contacts, and reinstall the battery pack.</li> <li>■ Charge the battery pack.</li> <li>■ Remove the battery pack and cool the battery pack until the temperature drops below 152°F (67°C).</li> <li>■ Remove the battery pack and cool the hedge trimmer until the temperature drops below 176 °F (80 °C).</li> <li>■ Press and hold the front trigger first, move the lock-off lever forward, and then press the rear trigger.</li> <li>■ Remove the battery pack from the machine, remove the obstruction carefully, then reinsert the battery pack and restart the machine.</li> <li>■ Replace the battery pack or contact EGO customer service center.</li> </ul>

PROBLEM	CAUSE	SOLUTION
Excessive vibration or noise.	<ul style="list-style-type: none"><li data-bbox="267 269 522 293">■ Dry or corroded blades.</li><li data-bbox="267 396 522 448">■ Blade or blade support is bent.</li><li data-bbox="267 524 522 548">■ Bent or damaged teeth.</li><li data-bbox="267 625 522 649">■ Loose blade bolts.</li></ul>	<ul style="list-style-type: none"><li data-bbox="582 269 948 378">■ Lubricate the blades, following the instructions in the “<b>LUBRICATING THE BLADES</b>” section in this manual.</li><li data-bbox="582 396 932 505">■ Replace with a new blade or support. Contact EGO service center for blade or blade support replacement.</li><li data-bbox="582 524 948 607">■ Replace with a new blade. Contact EGO service center for blade replacement.</li><li data-bbox="582 625 932 734">■ Tighten the blade bolts. Use an adjustable wrench and the included hex key to tighten the blade bolts clockwise.</li></ul>





---

# EGO LIMITED WARRANTY

## WARRANTY POLICY TERMS AND DURATION

Chervon North America, Inc. (“Chervon North America”) provides the following Limited Warranty for EGO products to the original purchaser of EGO products.

The detailed warranty period for each EGO product can be found online at <http://egopowerplus.com/warranty-policy>.

**Please contact EGO Customer Service Toll-Free at 1-855-EGO-5656** any time you have questions or warranty claims or would like a hard copy of the warranty.

## LIMITED SERVICE WARRANTY

EGO products are warranted against defects in material or workmanship from the date of original retail purchase for the applicable warranty period. For any properly and timely submitted warranty claim, if Chervon North America determines a product to be defective during the warranty period, the product will receive free repair or replacement as determined by Chervon North America.

## HOW TO OBTAIN SERVICE

For warranty service, within the applicable warranty period, please contact EGO customer service toll-free at **1-855-EGO-5656**. When requesting warranty service, you must present the original dated sales receipt. An authorized service center will be selected to evaluate and repair the product if defective according to the stated warranty terms. When bringing your product to the authorized service center, there may be a small deposit that will be required when dropping off your tool. This deposit is refundable when the repair service is deemed to be covered under warranty.

## ADDITIONAL LIMITATIONS & EXCLUSIONS

This limited warranty applies only to the original purchaser from an authorized EGO retailer and is not transferable. EGO products shall not be considered defective, and this warranty will not apply, where the claimed defect is attributable to any cause other than the above-defined defects. This warranty shall be void if the product has been used for rental purposes. This warranty shall not apply to damage caused by accident, abuse, misuse, alteration, modification, unauthorized repair, liquid contact, fire, earthquake or other external cause; operating the product outside EGO’s instructions, specifications or guidelines; or failure to properly service or maintain the product. This warranty also does not apply to cosmetic damage, including but not limited to scratches or dents; defects caused by normal wear and tear or otherwise due to the normal aging of the product.



THIS EXPRESS WARRANTY IS GIVEN IN LIEU OF ALL OTHER WARRANTIES, EXPRESS OR IMPLIED, INCLUDING, BUT NOT LIMITED TO, ANY WARRANTIES OF MERCHANTABILITY OR FITNESS FOR PARTICULAR PURPOSE OR USE, WHICH ARE DISCLAIMED. Any implied warranties, including warranties of merchantability or fitness for a particular purpose, that cannot be disclaimed under state law are limited to the applicable warranty period defined at the beginning of this article. The sole and exclusive remedy in connection with the purchase, installation, use, and/or performance of the EGO products is repair or replacement of the product as determined by Chervon North America. Chervon North America's maximum liability shall not in any case exceed the purchase price paid for the product. CHERVON NORTH AMERICA SHALL NOT BE LIABLE TO THE USER OR TO ANYONE ELSE FOR CONSEQUENTIAL, INCIDENTAL, SPECIAL, EXEMPLARY, INDIRECT, OR PUNITIVE DAMAGES ARISING FROM USE OF THE PRODUCTS, INCLUDING BUT NOT LIMITED TO PERSONAL INJURY, DEATH, PROPERTY DAMAGE, LOST PROFITS, OR OTHER ECONOMIC INJURY. This warranty gives you specific legal rights, and you may also have other rights which vary from state to state. Some states do not allow limitations on how long an implied warranty lasts, the exclusion or limitation of incidental or consequential damages, or the limitations on time to bring certain actions, so such limitations contained herein do not apply to individual consumers in those states.

This warranty is subject to and shall be interpreted according to Michigan law without regard to principles of conflicts of laws. No legal action shall be brought against Chervon North America unless filed within one (1) year after the basis for such legal action becomes known, or with the exercise of reasonable diligence should have become known. Any action not timely filed shall be deemed waived.

For customer service contact us toll-free at: **1-855-EGO-5656** or

**EGOPOWERPLUS.COM.**

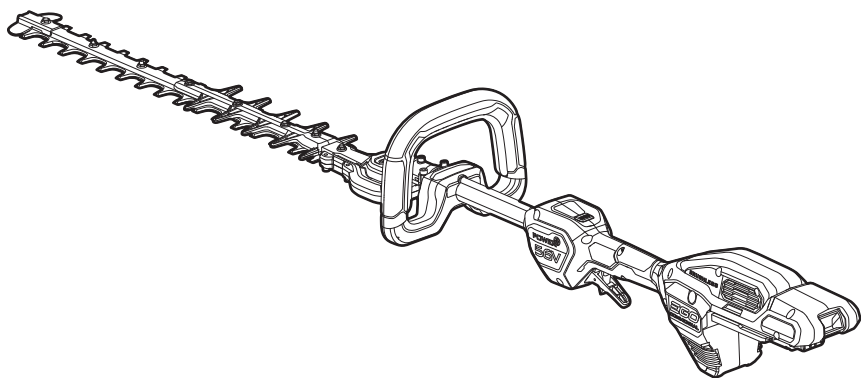
EGO Customer Service

769 Seward Ave. NW, Suite 102

Grand Rapids, Michigan 49504.

# EGO™

## COMMERCIAL



GUIDE D'UTILISATION

# TAILLE-HAIE COMMERCIAL DE 56 VOLTS, 21 PO AU LITHIUM-ION À MANCHE COURT

NUMÉRO DE MODÈLE HTX5300-P/HTX5300-P-FC

**⚠ ADVERTENCIA:** Para reducir el riesgo de lesiones, el usuario debe leer y comprender el Manual del usuario antes de usar este producto. Guarde estas instrucciones para referencia futura.

## **TABLE DES MATIÈRES**

Déclaration de conformité FCC .....	38
Symboles relatifs à la sécurité .....	39
Consignes de sécurité .....	40-49
Introduction .....	50
Spécifications .....	50
Description .....	51-53
Assemblage .....	54
Fonctionnement .....	55-64
Maintenance .....	65-68
Recherche de la cause des problèmes .....	69-70
Garantie limitée EGO .....	71-73

# LISEZ TOUTES LES INSTRUCTIONS !



**ASSUREZ-VOUS DE LIRE ET DE  
COMPRENDRE LE GUIDE D'UTILISATION**

**⚠ AVERTISSEMENT:** Le perçage, le sciage, le ponçage ou l'usinage de produits en bois peuvent vous exposer à de la poussière de bois, une substance qui, selon l'État de Californie, est susceptible de causer des cancers. Évitez d'inhaler de la sciure de bois, ou utilisez un masque antipoussière ou d'autres dispositifs de protection individuelle. Pour obtenir plus d'informations, rendez-vous sur le site [www.P65Warnings.ca.gov/wood](http://www.P65Warnings.ca.gov/wood).

**⚠ AVERTISSEMENT:** Des travaux de ponçage, de sciage, de meulage et de perçage réalisés avec un outil électrique et d'autres travaux de construction peuvent produire des poussières qui, selon l'État de Californie, contiennent des produits chimiques qui sont des causes reconnues de cancer, de malformation congénitale ou d'autres problèmes reproductifs. Ces produits chimiques sont, par exemple :

- du plomb provenant de peinture au plomb,
- des cristaux de silice provenant des briques et du ciment, et d'autres produits de maçonnerie, et.
- de l'arsenic et du chrome provenant de bois de construction traité par des produits chimiques.

Le niveau de risque causé par de telles expositions varie en fonction de la fréquence de ces types de travaux. Pour réduire votre exposition à ces produits chimiques :

- Travaillez toujours dans un endroit bien ventilé.
- Portez un équipement de sécurité approprié tel que certains masques conçus spécialement pour filtrer les particules microscopiques.
- Évitez tout contact prolongé avec la poussière produite par le ponçage, le sciage, le meulage, le perçage et d'autres activités de construction avec des outils électriques. Portez des vêtements de protection et lavez les surfaces de la peau ayant été exposées avec de l'eau et du savon. Si vous laissez de la poussière pénétrer dans votre bouche ou dans vos yeux, ou rester sur votre peau, cela risquerait de promouvoir l'absorption de produits chimiques toxiques.

## DÉCLARATION DE CONFORMITÉ FCC

1. Ce dispositif est conforme à la Partie 15 des Règlements de la FCC. Son utilisation est autorisée moyennant le respect des deux conditions suivantes :
  - 1) Ce dispositif ne doit pas causer d'interférences préjudiciables.
  - 2) Ce dispositif doit accepter toute interférence reçue, y compris les interférences qui risquent de causer un fonctionnement indésirable de l'équipement.
2. Toute modification ou altération de ce dispositif n'ayant pas été approuvée expressément par la partie responsable de la conformité pourrait annuler le droit de l'utilisateur de se servir de cet équipement.

**AVIS :** Ce luminaire a été testé et jugé conforme aux limites pour un équipement numérique de Classe B en vertu de la Partie 15 des Règlements de la FCC. Ces limites sont conçues pour assurer une protection raisonnable contre les interférences nuisibles dans une installation résidentielle. Cet équipement émet, utilise et peut rayonner de l'énergie de fréquence radio et, s'il n'est pas installé et utilisé conformément aux instructions, il pourrait causer des interférences nuisibles aux communications radio. Cependant, il n'existe aucune garantie qu'aucune interférence ne se produira dans une installation particulière. Si cet équipement cause des interférences nuisibles pour la réception de programmes à la radio ou à la télévision, ce qui peut être déterminé en allumant et en éteignant à plusieurs reprises l'équipement en question, l'utilisateur est encouragé à corriger l'interférence en prenant une ou plusieurs des mesures suivantes : Réorienter ou déplacer l'antenne de réception. Augmenter la distance entre l'équipement et le récepteur. Connecter l'équipement à une prise de courant raccordée à un circuit différent de celui auquel le récepteur est connecté. Consulter le détaillant ou un technicien radio ou télévision expérimenté pour lui demander conseil.

# SYMBOLES RELATIFS À LA SÉCURITÉ

La raison d'être des symboles relatifs à la sécurité est d'attirer votre attention sur des dangers possibles. Il est important de vous familiariser avec les symboles relatifs à la sécurité et les explications qui les accompagnent afin de bien les comprendre. Les avertissements et les symboles associés ne suffisent pas à éliminer tous les dangers. Les instructions et les avertissements qu'ils donnent ne sauraient remplacer des mesures de prévention des accidents appropriées.

**⚠ AVERTISSEMENT** : Lisez toutes les consignes de sécurité qui sont contenue dans ce Mode d'emploi, y compris tous les symboles d'alerte relatifs à la sécurité tels que « **DANGER** », « **AVERTISSEMENT** » et « **MISE EN GARDE** », et assurez-vous que vous les comprenez bien avant de commencer à utiliser cette machine. La non-observation de toutes les instructions figurant ci-après pourrait causer un choc électrique, un incendie et/ou des blessures personnelles graves.

## SIGNIFICATION DES SYMBOLES

**⚠ SYMBOLE D'ALERTE DE SÉCURITÉ** : Indique **DANGER**, **AVERTISSEMENT** ou **MISE EN GARDE**. Peut être utilisé en conjonction avec d'autres symboles ou pictogrammes.





**⚠ AVERTISSEMENT** : Pendant leur fonctionnement, les machines peuvent projeter des corps étrangers dans les yeux de leur utilisateur et lui infliger de graves blessures aux yeux. Portez toujours des lunettes de protection ou des lunettes de sécurité à écrans latéraux et un masque couvrant tout le visage si besoin est avant de commencer à utiliser cette machine. Nous recommandons de porter un masque de sécurité à vision latérale large au-dessus des lunettes ordinaires ou des lunettes de sécurité standard avec des écrans de protection sur les côtés. Utilisez toujours un équipement de protection des yeux indiquant qu'il est conforme à la norme ANSI Z87.1.

# CONSIGNES DE SÉCURITÉ

Cette page représente et décrit les symboles de sécurité qui peuvent figurer sur ce produit. Lisez attentivement et suivez toutes les instructions figurant sur la machine avant de l'assembler et de commencer à l'utiliser.

	Mise en garde	Indique un risque de blessure.
	Lisez le mode d'emploi.	Pour réduire le risque de blessure, l'utilisateur doit lire le mode d'emploi et s'assurer qu'il le comprend avant de commencer à utiliser ce produit. Sinon, il existerait un risque de blessures graves pour l'utilisateur et/ou des personnes se trouvant à proximité.
	Portez toujours des lunettes de sécurité.	Portez toujours des lunettes de protection ou des lunettes de sécurité à écrans latéraux conformes à la norme ANSI Z87.1 lors de l'utilisation de ce produit.
	Portez un casque.	Portez un casque dur de sécurité agréé pour protéger votre tête.
	Danger- Keep Hands Away from Blades	Tout contact avec la lame causerait une blessure grave.
	Symbole de recyclage des piles	Ce produit utilise des piles au lithium-ion (Li-ion). Les lois et règlements locaux, provinciaux et fédéraux interdisent peut-être de jeter des piles au lithium-ion dans les ordures ordinaires. Appelez le numéro figurant sur le symbole (1-800-822-8837) pour obtenir des informations sur le recyclage. Consultez votre service municipal responsable de la gestion des déchets pour déterminer quelles sont les options de recyclage et/ou d'élimination possibles.



	Bluetooth®	Symbole Bluetooth®
IPXX	Indice de protection pour la pénétration (PP)	Classifie le degré de protection fourni par un boîtier pour les équipements électriques.
V	Volt	Tension
	Courant continu (c.c.)	Type ou caractéristique du courant
SPM	Coups par minute	Fréquence de frappe
cm	Centimètre	Longueur ou la taille
mm	Millimètre	Longueur ou la taille
in.	Pouce	Longueur ou la taille
kg	Kilogramme	Poids
lb	Livre	Poids
°C	Degrés Celsius	Température
°F	Degrés Fahrenheit	Température

## AVERTISSEMENTS GÉNÉRAUX RELATIFS À LA SÉCURITÉ POUR LES MACHINES ÉLECTRIQUES À PILES

**⚠ AVERTISSEMENT** : Lisez tous les avertissements relatifs à la sécurité, ainsi que toutes les instructions, les illustrations et les spécifications fournies avec cette machine. Le non-respect de toutes les instructions figurant ci-après pourrait causer un choc électrique, un incendie et/ou des blessures graves.

**CONSERVEZ TOUS LES AVERTISSEMENTS ET TOUTES LES INSTRUCTIONS POUR RÉFÉRENCE FUTURE.**

Le terme « machine » dans les avertissements fait référence à votre machine à cordon électrique branché dans une prise secteur ou à votre machine à piles (sans fil).

### SÉCURITÉ DE LA ZONE DE TRAVAIL

- **Gardez votre zone de travail propre et bien éclairée.** Des zones encombrées ou sombres sont propices aux accidents.
- **N'utilisez pas de machines dans une atmosphère explosive, par exemple en présence de liquides, de gaz ou de poussières inflammables.** Les machines produisent des étincelles qui risquent de mettre feu aux poussières ou aux fumées.
- **Gardez les enfants et les autres personnes présentes à une distance suffisante lorsque vous utilisez une machine.** Des distractions risqueraient de vous faire perdre le contrôle.

### SÉCURITÉ ÉLECTRIQUE

- **Les fiches de la machine doivent correspondre à la prise de courant. Ne modifiez jamais la fiche de quelque façon que ce soit. N'utilisez pas d'adaptateurs de fiches avec des machines mises à la terre (à la masse).** L'emploi de fiches non modifiées et de prises de courant correspondant naturellement aux fiches réduira le risque de choc électrique.
- **Évitez tout contact de votre corps avec des surfaces mises à la terre ou à la masse telles que des surfaces de tuyaux, de radiateurs, de cuisinières et de réfrigérateurs.** Il existe un risque accru de choc électrique si votre corps est en contact avec la terre ou la masse.
- **N'exposez pas la machine à la pluie ou à un environnement humide.** La pénétration d'eau dans la machine peut augmenter le risque de choc électrique ou de dysfonctionnement pouvant entraîner des blessures corporelles.

- **N'utilisez pas le cordon de façon abusive. N'utilisez jamais le cordon d'alimentation pour porter, tirer ou débrancher la machine. Tenez le cordon à distance de toute source de chaleur, d'huile, de bords tranchants ou de pièces mobiles.** Des cordons endommagés ou entortillés augmentent le risque de choc électrique.
- **Lorsque vous utilisez une machine à l'extérieur, employez un cordon de rallonge approprié pour un emploi à l'extérieur.** L'utilisation d'un cordon approprié pour une utilisation à l'extérieur réduit le risque de choc électrique.
- **S'il est inévitable d'utiliser une machine dans un environnement humide, utilisez une alimentation protégée par un disjoncteur avec circuit de fuite à la terre (GFCI).** L'utilisation d'un circuit GFCI réduit le risque de choc électrique.

## SÉCURITÉ PERSONNELLE

- **Soyez alerte, faites preuve de vigilance et de bon sens, et observez attentivement ce que vous faites lorsque vous utilisez une machine. N'utilisez pas une machine si vous êtes fatigué(e) ou sous l'influence de drogues, d'alcool ou de médicaments.** Un simple moment d'inattention pendant que vous utilisez une machines pourrait causer une blessure corporelle grave.
- **Utilisez des équipements de protection personnelle. Portez toujours des équipements de protection des yeux.** Des équipements de protection tels qu'un masque de protection contre la poussière, des chaussures de sécurité antidérapantes, un casque ou un dispositif de protection de l'ouïe utilisés en fonction des conditions réduiront le nombre des blessures.
- **Prévenez une mise en marche accidentelle. Assurez-vous que l'interrupteur est dans la position d'arrêt avant de connecter cette machine à une source d'alimentation et/ou à un bloc-piles, de la soulever ou de la transporter.** Le fait de transporter des machines avec le doigt sur l'interrupteur ou de les mettre sous tension avec l'interrupteur en position de marche invite les accidents.
- **Retirez toute clé de réglage pouvant être attachée à cette machine avant de la mettre sous tension.** Une clé laissée attachée à une pièce en rotation faisant partie de la machine pourrait causer une blessure.
- **Ne vous penchez pas excessivement au-dessus de cet équipement. Veillez à toujours garder un bon équilibre et un appui stable.** Ceci permet de mieux contrôler la machine dans des situations inattendues.

- **Portez des vêtements appropriés. Ne portez pas de bijoux ou de vêtements amples. Gardez vos cheveux et vos vêtements à une distance suffisante des pièces mobiles.** Les vêtements amples, bijoux ou cheveux longs pourraient être attrapés par des pièces mobiles.
- **Si des dispositifs sont fournis pour le raccordement d'accessoires d'extraction et de collecte de la poussière, assurez-vous qu'ils sont connectés et utilisés de façon appropriée.** L'emploi correct des accessoires de collecte de la poussière peut réduire les dangers associés à la poussière.
- **Ne laissez pas la familiarité résultant de l'utilisation fréquente des machines vous inciter à devenir complaisant(e) et à ignorer les principes de sécurité des machines.** Une action négligente pourrait causer des blessures graves en une fraction de seconde.

## UTILISATION ET ENTRETIEN DE LA MACHINE

- **Ne forcez pas cette machine. Utilisez la machine appropriée pour votre application.** La machine correcte fera le travail plus efficacement et avec plus de sécurité à la vitesse à laquelle elle a été conçue pour fonctionner.
- **N'utilisez pas la machine si l'interrupteur de marche/arrêt ne permet pas de la mettre sous tension/hors tension.** Un équipement qui ne peut pas être contrôlé par son interrupteur est dangereux et doit être réparé.
- **Débranchez la fiche de la prise secteur et/ou retirez le bloc-piles de la machine (s'il est amovible) avant d'y apporter de quelconques modifications, de changer des accessoires ou de ranger la machine.** De telles mesures de sécurité préventives réduisent le risque de démarrage accidentel de la machine.
- **Rangez les machines qui ne sont pas utilisées activement hors de portée des enfants, et ne laissez aucune personne ne connaissant pas la machine ou n'ayant pas lu ces instructions utiliser la machine.** Les machines sont dangereuses quand elles sont entre les mains d'utilisateurs n'ayant pas reçu la formation nécessaire à leur utilisation.
- **Entretien des machines et des accessoires. Assurez-vous que les pièces en mouvement sont bien alignées et qu'elles ne se coincent pas, qu'il n'y a pas de pièces cassées ou qu'il n'existe aucune situation pouvant affecter le fonctionnement de la machine. Si la machine est endommagée, faites-la réparer avant de vous en servir à nouveau.** De nombreux accidents sont causés par des machines mal entretenues.

- **Gardez les machines de coupe tranchantes et propres.** Des machines de coupe entretenues de façon adéquate avec des bords de coupe tranchants sont moins susceptibles de se coincer et sont plus faciles à contrôler.
- **Utilisez la machine, les accessoires, les mèches de perçage de la machine, etc. conformément à ces instructions, en tenant compte des conditions de travail et de la tâche à accomplir.** L'utilisation de la machine pour des opérations différentes de celles pour lesquelles elle est conçue pourrait causer une situation dangereuse.
- **Gardez les poignées et les surfaces de préhension propres, sèches et exemptes de toute trace d'huile ou de graisse.** Les poignées et les surfaces de préhension glissantes ne permettent pas une manipulation et un contrôle sûrs de la machine dans des situations inattendues.

## UTILISATION ET ENTRETIEN DE LA MACHINE ALIMENTÉE PAR DES PILES

- **Ne rechargez cet équipement qu'avec le chargeur indiqué par le fabricant.** Un chargeur qui est approprié pour un type de bloc-piles pourrait créer un risque d'incendie quand il est utilisé avec un autre bloc-piles.
- **Utilisez ces machines exclusivement avec des blocs-piles conçus spécifiquement pour celles-ci.** L'emploi de tout autre bloc-piles risquerait de causer des blessures et un incendie.
- **Lorsque le bloc-piles n'est pas utilisé, gardez-le à une distance suffisante des autres objets en métal, comme des trombones, pièces de monnaie, clés, clous, vis ou autres petits objets en métal qui pourraient établir une connexion entre une borne et une autre.** Le court-circuitage des bornes d'une pile pourrait causer des brûlures ou un incendie.
- **Dans des conditions d'utilisation abusives, du liquide pourrait être éjecté de la pile; évitez tout contact avec ce liquide. En cas de contact accidentel, lavez avec de l'eau. En cas de contact de liquide avec les yeux, consultez un professionnel de santé.** Tout liquide éjecté d'une pile peut causer de l'irritation ou des brûlures.
- **N'utilisez pas un bloc-piles ou une machine qui est endommagé ou qui a été modifié.** Des piles endommagées ou modifiées peuvent se comporter de façon imprévisible et causer un incendie, une explosion ou des blessures.

- **N'exposez pas un bloc-piles ou une machine à un feu ou à une température excessive.** L'exposition à un feu ou à une température supérieure à 130° C / 265° F pourrait causer une explosion.
- **Suivez toutes les instructions relatives à la charge, et ne chargez pas le bloc-piles ou la machine en dehors de la plage de température indiquée dans les instructions.** Une charge dans des conditions appropriées ou à des températures en dehors de la plage spécifiée pourrait endommager la pile et augmenter le risque d'incendie.

## SERVICE APRÈS-VENTE

- **Faites réparer votre machine par un réparateur compétent n'utilisant que des pièces de rechange identiques.** Ceci assurera le maintien de la sécurité de la machine.
- **Ne tentez jamais de réparer des blocs-piles endommagés.** La réparation de blocs-piles ne doit être effectuée que par le fabricant ou un prestataire de services agréé.

## AVERTISSEMENTS RELATIFS À LA SÉCURITÉ POUR LE TAILLE-HAIE

- **Gardez tous les câbles et cordons d'alimentation à distance de la zone de coupe.** Des câbles ou cordons d'alimentation peuvent être cachés dans des haies ou sous des arbustes, et ils pourraient être coupés accidentellement par la lame.
- **Tenez seulement le taille-haie par ses surfaces de préhension isolées, parce que la lame pourrait entrer en contact avec des fils sous tension dissimulés.** L'entrée en contact des lames avec un fil sous tension pourrait rendre conductrices des parties en métal exposées du taille-haie et causer un choc électrique à l'opérateur.
- **Gardez toutes les parties de votre corps à une distance suffisante de la lame. Ne tentez pas de retirer des matériaux coupés ou de tenir des matériaux à couper pendant que les lames sont en mouvement.** Les lames continuent à tourner pendant un certain temps après que vous avez appuyé sur l'interrupteur pour arrêter la scie. Un simple moment d'inattention pendant que vous utilisez ce taille-haie pourrait causer une blessure grave.
- **Lorsque vous retirez des déchets coincés ou lorsque vous effectuez une opération de maintenance de l'équipement, assurez-vous que tous les**

**interrupteurs sont en position d'arrêt et que le bloc-piles a été retiré ou déconnecté.** Une mise en marche inattendue du taille-haie pendant que l'opérateur s'efforce d'en retirer des déchets coincés ou d'effectuer une opération d'entretien pourrait causer une blessure grave.

- **Portez le taille-haie par la poignée après vous être assuré(e) que le lame s'est arrêtée et en faisant attention de ne pas actionner l'interrupteur.** Le fait de porter le taille-haie de façon appropriée réduira le risque de démarrage accidentel et de blessures pouvant être causées par le mouvement des lames en conséquence.
- **Lorsque vous transportez ou rangez le taille-haie, installez toujours le protège-lame.** Le fait de manipuler le taille-haie de façon appropriée réduira le risque de blessures pouvant être causées par les lames.

## CONSIGNES DE SÉCURITÉ IMPORTANTES

- **Ne chargez pas le bloc-piles sus la pluie ou dans des endroits mouillés.**
- **N'utilisez qu'avec les blocs-piles et les chargeurs indiqués ci-dessous :**

BLOC-PILES	CHARGEUR
BA1400, BA1400-FC, BA2800, BA2800-FC, BA4200, BA4200-FC, BA1400T, BA1400T-FC, BA2242T, BA2242T-FC, BA2800T, BA2800T-FC, BA3360T, BA3360T-FC, BA4200T, BA4200T-FC, BA4480T, BA4480T-FC, BA5600T, BA5600T-FC, BA6720T, BA6720T-FC	CH2100, CH2100-FC, CH3200, CH3200-FC, CH5500, CH5500-FC, CH2800D, CH2800D-FC, CH7000, CH7000-FC

- **Ne touchez pas les lames ou les bords de coupe exposés lorsque vous ramassez ou tenez le taille-haie.**
- **Ne l'utilisez pas sur une échelle, sur un toit, sur un arbre ou sur tout autre support instable.** Une assise stable sur une surface solide permet un meilleur contrôle du taille-haie dans des situations inattendues.
- **Ne laissez jamais des enfants utiliser le taille-haie.**
- **Ne retirez jamais de dispositifs de sécurité, et ne les modifiez pas. Vérifiez périodiquement qu'ils fonctionnent correctement. Ne faites jamais rien qui interfère avec la fonction prévue d'un dispositif de sécurité ou pour réduire la protection fournie par un dispositif de sécurité.**

- **N'utilisez jamais le taille-haie sans que les plaques, dispositifs de protection ou autres systèmes de sécurité ne soient en place.**
- **Inspectez toutes les pièces pouvant être endommagées avant de continuer à utiliser le taille-haie. Inspectez tout dispositif de protection ou tout autre composant pouvant être endommagé pour vous assurer qu'il fonctionnera toujours correctement et en remplissant la fonction prévue. Vérifiez que les pièces mobiles sont correctement alignées, qu'elles ne se coincent pas, qu'elles sont bien assujetties et qu'elles ne sont pas brisées, vérifiez leur montage et remédiez à tous autres problèmes qui risqueraient d'affecter le fonctionnement de l'outil.** Un dispositif de protection ou tout autre composant endommagé doit être réparé de façon approprié ou remplacé par un centre de service après-vente agréé, sauf indication contraire par ailleurs dans ce mode d'emploi.
- **Vérifiez fréquemment les boulons de montage de la lame et du moteur pour vous assurer qu'ils sont bien serrés. Inspectez aussi visuellement la lame pour vous assurer qu'elle n'est pas endommagée (p. ex., tordue, fissurée ou usée). Remplacez la lame par une lame EGO™.** Une lame déséquilibrée cause des vibrations qui pourraient endommager le système d'entraînement du moteur ou causer des blessures.
- **Remplacez la lame si elle est tordue ou fissurée.** Une lame déséquilibrée cause des vibrations qui pourraient endommager le système d'entraînement du moteur ou causer des blessures.
- **Si l'équipement commence à vibrer de façon anormale, arrêtez immédiatement le moteur et recherchez la cause du problème.** Des vibrations sont généralement un signe avant-coureur d'un problème.
- **Le taille-haie haie ne doit être utilisé que pour couper des tiges de moins de 1,1 po / 28 mm de diamètre.**
- **N'utilisez le taille-haie que pendant la journée, ou avec un bon éclairage artificiel.**
- **Retirez ou déconnectez le bloc-piles avant toute opération de maintenance ou de nettoyage, ou avant de retirer des matériaux du taille-haie.**
- **Ne lavez pas avec un tuyau flexible ; évitez de faire pénétrer de l'eau dans le moteur et les connexions électriques.**



- **Lors de toute réparation n'utilisez que des pièces de rechange identiques indiquées dans ce mode d'emploi.** L'utilisation de pièces qui ne répondent pas aux spécifications des équipements d'origine pourrait causer une performance inadéquate et compromettre la sécurité.
- **N'incinerez pas la machine, même si elle est gravement endommagée.** Les piles peuvent exploser en cas d'incendie.
- **Suivez les instructions pour le graissage ainsi que pour le changement d'accessoires.**
- **Gardez les poignées propres, sèches et exemptes de toute trace d'huile ou de graisse.**
- **Avant d'utiliser la machine, vérifiez que les haies et les buissons ne contiennent pas de corps étrangers, par exemple des clôtures en fil de fer et des câbles cachés.**
- **Conservez ces instructions.** Consultez-les fréquemment et utilisez-les pour donner les instructions nécessaires à d'autres personnes qui peuvent utiliser cette machine. Si vous prêtez cette machine à quelqu'un d'autre, donnez également ces instructions à la personne à laquelle vous la prêtez pour éviter toute utilisation inappropriée du produit et tout risque de blessure.

**CONSERVEZ CES INSTRUCTIONS.**

## INTRODUCTION


Félicitations pour votre choix du nouveau taille-haie au lithium-ion EGO COMMERCIAL de 56 V. Elle a été conçue, développée et fabriquée pour vous donner le plus possible de fiabilité et de rendement.

Si vous rencontrez un problème auquel vous ne pouvez pas remédier facilement, veuillez contacter le centre de service à la clientèle EGO au 1-855-EGO-5656.

Ce mode d'emploi contient des informations importantes sur l'assemblage, l'utilisation et l'entretien de votre taille-haie en toute sécurité. Lisez-le attentivement avant d'utiliser le taille-haie. Conservez ce mode d'emploi à portée de main afin de pouvoir vous y référer à tout moment.

NUMÉRO DE SÉRIE _____	DATE D'ACHAT _____
VOUS DEVEZ ENREGISTRER LE NUMÉRO DE SÉRIE ET LA DATE D'ACHAT, ET LES CONSERVER EN LIEU SÛR POUR TOUTE RÉFÉRENCE ULTÉRIEURE.	

## SPÉCIFICATIONS

Tension	56V 
Vitesse maximale	Basse : 3 200 CPM Moyenne : 3 600 CPM Élevée : 4 000 CPM
Longueur de coupe	530 mm / 21 po
Capacité de coupe	28 mm / 1,1 po
Indice de protection pour la pénétration	IPX5* (Protection contre les jets d'eau)
Température de fonctionnement recommandée	0 – 40° C / 32 – 104° F
Température de stockage recommandée	-20 – 70° C / -4 – 158° F
Poids (sans le bloc-piles et la gaine de la lame)	4,2 kg / 9,24 lb

\* **REMARQUE** : Le classement IPX5 est basé sur la machine et la pile utilisées ensemble en tant que système.

### Accessoire recommandé

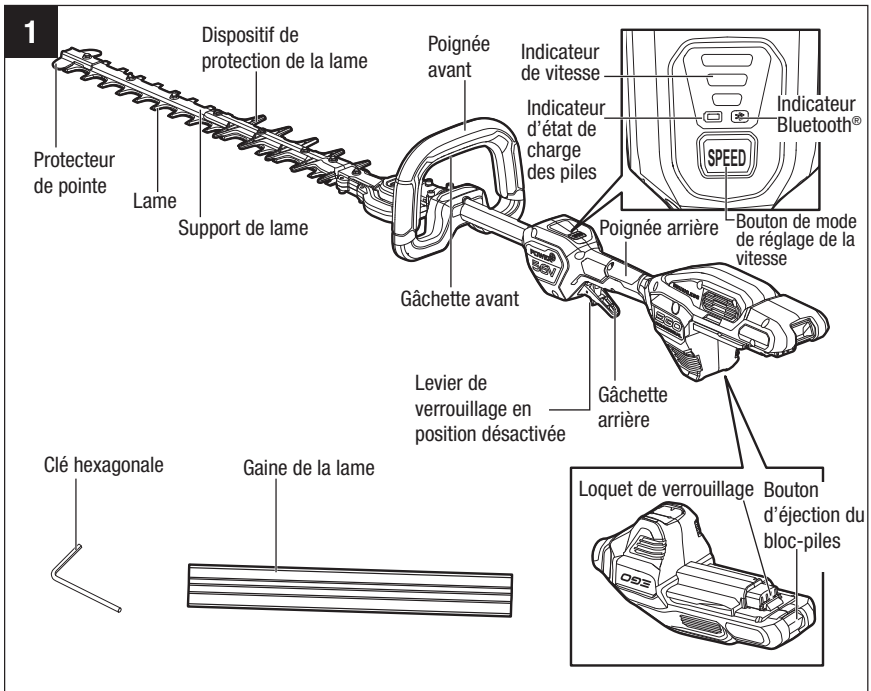
NOM DE LA PIÈCE	NUMÉRO DE MODÈLE
Jeu de lames pour taille-haie	AHB5300P

**REMARQUE** : N'utilisez que les lames de rechange EGO™ recommandées. Ce jeu de lames ne doit être installé que par des revendeurs/réparateurs agréés EGO ou des techniciens qualifiés.

# DESCRIPTION

## FAMILIARISEZ-VOUS AVEC VOTRE TAILLE-HAIE (Fig. 1)

Pour que ce produit puisse être utilisé en toute sécurité, il est nécessaire de comprendre les informations figurant sur la machine et dans son mode d'emploi, et de bien maîtriser le projet que vous voulez réaliser. Avant d'utiliser ce produit, familiarisez-vous avec toutes ses fonctionnalités et les consignes de sécurité qui s'y appliquent.



## **Poignée avant**

Pour contrôler facilement la machine en toute sécurité.

## **Poignée arrière**

La poignée ergonomique avec surmoulage améliore le confort et la préhension.

## **Levier de verrouillage en position désactivée**

Contribue à empêcher une activation accidentelle ou non autorisée de la gâchette. Il doit être déplacé vers l'avant avant d'appuyer sur la gâchette arrière.

## **Gâchette avant/gâchette arrière**

Le taille-haie ne peut être mis en marche que si les leviers des deux interrupteurs (sur les poignées à l'avant et à l'arrière) sont enfoncés en même temps.

## **Lames**

Lames en acier durci pour couper les haies et les arbustes

## **Support de lame (ou rail)**

Le support de lame en fibre de carbone améliore la durabilité.

## **Gaine de la lame**

La gaine de la lame empêche l'opérateur d'entrer en contact avec la lame tranchante lorsque la machine n'est pas utilisée. Elle aide aussi à empêcher les lames d'être ébréchées ou endommagées pendant le transport ou le rangement de la machine.

## **Protecteur de pointe**

Protège la pointe extérieure de la lame.

## **Bouton d'éjection du bloc-piles**

Appuyez sur ce bouton pour détacher le bloc-piles de la machine.

## **Bouton de mode de réglage de la vitesse**

Alterne entre des modes de vitesses élevées, intermédiaires et basses en fonction des différentes tâches à accomplir.

## **Indicateur d'état de charge de la pile**

Indique le niveau de charge du bloc-piles et l'état de fonctionnement de la pile.

## **Indicateur Bluetooth®**

Indiquer la Bluetooth® l'état de connexion.

**REMARQUE** : La marque du mot Bluetooth® et les logos correspondants sont des marques déposées appartenant Bluetooth SIG, Inc., et toute utilisation de ces marques par EGO est effectuée sous licence.

## ASSEMBLAGE

**⚠ AVERTISSEMENT :** Si certaines pièces sont endommagées ou manquantes, n'utilisez pas ce produit avant que ces pièces aient été remplacées. L'utilisation de ce produit avec des pièces endommagées ou manquantes pourrait causer des blessures graves.

**⚠ AVERTISSEMENT :** Ne tentez pas de modifier ce produit ou de créer des accessoires qu'il n'est pas recommandé d'utiliser avec ce taille-haie. Une telle altération ou modification constituerait une utilisation abusive et pourrait créer une situation dangereuse avec risque de blessures graves.

**⚠ AVERTISSEMENT :** Pour empêcher tout démarrage accidentel qui pourrait causer une blessure grave, retirez toujours le bloc-piles de la machine lorsque vous effectuez le montage de pièces.

## DÉBALLAGE

Ce produit é été complètement assemblé avant l'expédition.

- Retirez le produit et tous les accessoires de la boîte en prenant les précautions nécessaires. Assurez-vous que tous les articles indiqués sur la liste des pièces sont inclus.
- Inspectez attentivement la machine pour vous assurer qu'aucun dommage ou bris de pièce(s) ne s'est produit pendant le transport.
- Ne jetez pas les matériaux d'emballage avant d'avoir inspecté attentivement la machine et de l'avoir mise en marche de façon satisfaisante.
- Si une pièce quelconque est endommagée ou manquante, veuillez rapporter le produit dans le magasin où vous l'avez acheté.

## LISTE DES PIÈCES

NOM DE LA PIÈCE	QUANTITÉ
Taille-haie	1
Gaine de la lame	1
Clé hexagonale (4 mm)	1
Mode d'emploi	1

## FONCTIONNEMENT

**⚠ AVERTISSEMENT :** Ne laissez pas l'habitude de l'utilisation de ce produit vous empêcher de prendre toutes les précautions requises. N'oubliez jamais qu'une fraction de seconde d'inattention suffit pour entraîner de graves blessures.

**⚠ AVERTISSEMENT :** Utilisez toujours un équipement de protection des yeux conforme à la norme ANSI Z87.1. Si vous ne portez pas un tel dispositif de protection, vous pourriez subir des blessures graves, y compris en conséquence de la projection d'objets dans vos yeux.

**⚠ AVERTISSEMENT :** N'utilisez pas d'attache­ments ou d'accessoires qui ne sont pas recommandés par le fabricant de ce produit. L'utilisation d'attache­ments ou d'accessoires qui ne sont pas recommandés peut causer des blessures graves.

**⚠ AVERTISSEMENT :** Pour éviter tout risque de blessure grave, retirez le bloc-piles de la machine avant de la réparer ou de la nettoyer, de changer des attache­ments ou de retirer des déchets de la machine.

Avant chaque utilisation, inspectez périodiquement l'intégralité du produit pour vous assurer qu'il n'y a pas de pièces endommagées, manquantes ou desserrées comme des vis, des écrous, des boulons, capuchons, des capuchons, etc. Serrez à fond tous les dispositifs de fixation et capuchons, et ne vous servez pas de ce produit avant que toutes les pièces manquantes ou endommagées aient été remplacées.

## APPLICATION

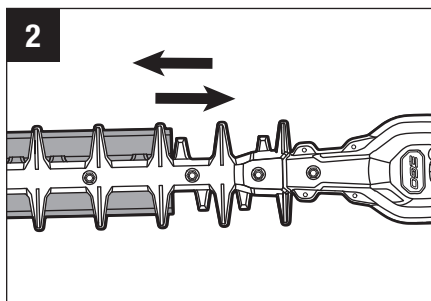
Vous pouvez utiliser ce produit pour élaguer les haies, les arbustes et les buissons dont le diamètre des branches est inférieur à 28 mm /1,1 po.

**REMARQUE :** Cette machine ne doit être utilisée qu'aux fins indiquées. Toute autre utilisation sera considérée comme une utilisation abusive.

## RETRAIT/INSTALLATION DE LA GAINÉ DE LA LAME (Fig. 2)

**⚠ AVERTISSEMENT :** Retirez toujours le bloc-piles de ce produit lorsque vous assemblez des pièces, effectuez des réglages, faites un nettoyage ou n'utilisez pas le produit.

**⚠ AVERTISSEMENT :** Portez toujours des gants lorsque vous retirez ou installez la gaine de la lame. Faites attention à la lame et protégez-vous les mains pour ne pas qu'elles risquent d'être blessées par la lame.



1. Le taille-haie est expédié avec la gaine de la lame installée. Avant l'utilisation, faites glisser la gaine de la lame le long de l'arête de la lame et retirez-la.
2. Après l'utilisation et avant de ranger ou de transporter le taille-haie, nettoyez la lame et faites glisser la gaine sur la lame ; couvrez toute la longueur de la lame et assurez-vous que le côté ouvert est orienté vers le haut.



## ATTACHEMENT / DÉTACHEMENT DU BLOC-PILES

**REMARQUE :** Chargez complètement le bloc-piles avant de vous en servir pour la première fois.

### Pour l'attacher

Alignez les nervures de la pile sur les fentes de montage de l'orifice d'insertion de la pile de la machine et faites glisser le bloc-piles jusqu'à ce qu'il s'enclenche en position (Fig. 3a).

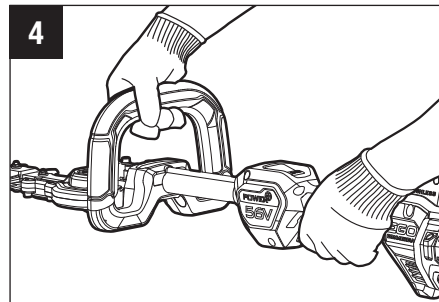
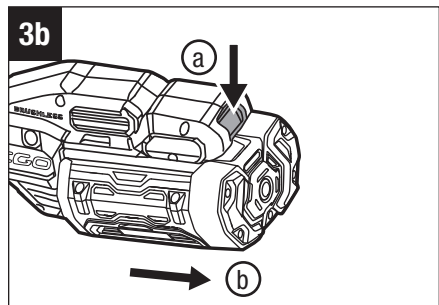
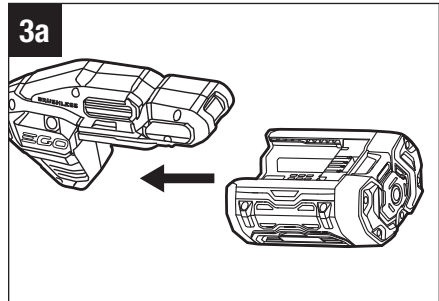
### Pour détacher

**⚠ AVERTISSEMENT :** Contrôlez toujours la position de vos pieds et les endroits où se trouvent les enfants et les animaux domestiques avant d'appuyer sur le bouton d'éjection des piles. La chute du bloc-piles pourrait causer des blessures graves. Ne retirez JAMAIS le bloc-piles lorsque vous vous trouvez à un endroit surélevé.

1. Appuyez sur le bouton d'éjection de la pile ; le bloc-piles se détachera alors du loquet de verrouillage (Fig. 3b).
2. Saisissez le bloc-piles et retirez-le de la machine.

## COMMENT TENIR LE TAILLE-HAIE (Fig. 4)

Cet équipement comporte une poignée avant et une poignée arrière. Tenez-le par les deux poignées avec la lame dirigée dans le sens opposé à vous, une main sur la poignée arrière et l'autre sur le haut de la poignée avant.



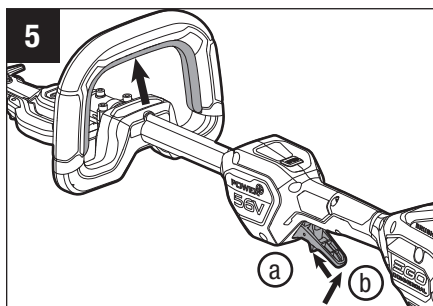
**⚠ AVERTISSEMENT :** Gardez toujours les deux mains sur les poignées du taille-haie. Ne tenez jamais un arbuste d'une main pendant que vous tenez le taille-haie sous tension de l'autre. Si vous ne tenez pas compte de cet avertissement, vous risquez de subir une blessure grave.

## MISE EN MARCHÉ / ARRÊT DU TAILLE-HAIE

Avant de mettre l'outil en marche, retirez la gaine de la lame et tenez le taille-haie des deux mains, une main sur la poignée arrière et l'autre main sur la poignée avant. Puis vérifiez que vous êtes bien stable, en vous tenant tout droit debout et à une distance de coupe appropriée. Assurez-vous que la lame de coupe ne touche pas le sol ou de quelconques autres objets.

### Pour mettre la machine en marche (Fig. 5)

1. Installez le bloc-piles.
2. Appuyez sur la gâchette avant et maintenez-la comprimée d'une main.
3. Déplacez le levier de verrouillage en position d'arrêt vers l'avant, puis appuyez sur la gâchette arrière pour faire démarrer la machine de l'autre main. La vitesse du taille-haie est contrôlée par la gâchette arrière. Une pression plus forte sur la gâchette produit une vitesse plus élevée ; une pression réduite sur la gâchette produit une vitesse plus basse. Réglez la vitesse en fonction de la tâche à accomplir.



**AVIS :** Le taille-haie ne peut être mis en marche que si les leviers des deux interrupteurs sur les poignées à l'avant et à l'arrière sont enfoncés en même temps. Les deux gâchettes doivent être enfoncées pour assurer le fonctionnement continu du taille-haie.

### Arrêt de la machine

Éloignez la machine de la zone de coupe et relâchez l'une des gâchettes pour l'arrêter.

**⚠ AVERTISSEMENT :** Retirez toujours le bloc-piles de la machine pendant les pauses et après avoir fini votre travail.

## CHANGEMENT DU MODE DE RÉGLAGE DE LA VITESSE (Fig. 6)

Cette machine dispose de trois modes de réglage de la vitesse. Le mode de réglage de la vitesse change à chaque fois que vous appuyez sur le bouton du mode de réglage de la vitesse.

L'indicateur de vitesse affichera le mode de réglage de la vitesse actif :  
une lumière pour la vitesse lente, deux

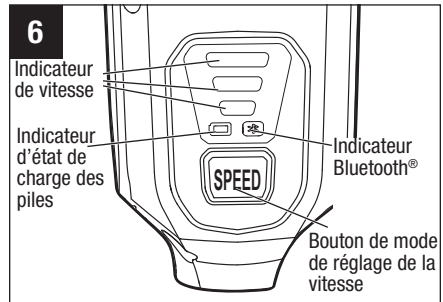
lumières pour la vitesse intermédiaire et trois lumières pour la vitesse rapide. Le mode de vitesse lente permet un meilleur contrôle de la machine et une plus longue durée d'utilisation par charge.

**AVIS :** Le mode de vitesse peut être réglé avant la mise en marche de la machine OU pendant le fonctionnement.

Lorsque la machine est redémarrée après une pause, le mode de vitesse revient à la vitesse précédente.

## INDICATEUR D'ÉTAT DE CHARGE DE LA PILE ET INDICATEUR DE VITESSE (Fig. 6)

L'indicateur d'état de charge de la pile indique le niveau de charge et l'état de fonctionnement du bloc-piles, et l'indicateur de vitesse indique l'état de fonctionnement de la machine, comme le montre le tableau ci-dessous. L'indicateur d'état de charge de la pile et l'indicateur de vitesse s'allument lorsque la machine est mise en marche OU lorsque le bouton de sélection du mode de vitesse est enfoncé.



Voyants lumineux		Signification	
Indicateur d'état de charge de la pile	Allumé continuellement en vert		Niveau de charge de la pile de 20 % à 100 %
	Clignotant en vert		Niveau de charge de la pile de 10% à 20%
	Allumé continuellement en rouge		Niveau de charge de la pile inférieur à 10 %
	Clignotant en rouge		La charge du bloc-piles est presque complètement épuisée, et le bloc-piles doit être rechargé immédiatement.
	Allumé continuellement en orange		Le bloc-piles est en état de surchauffe. Laissez le bloc-piles refroidir jusqu'à ce que la température descende en dessous de 67° C / 152° F. Voir la rubrique intitulée « <b>Protection contre les températures élevées de la pile</b> » ci-dessous.
	Clignotant en rouge/vert en alternance		Erreur électronique du bloc-piles. Remplacez le bloc-piles ou contactez le centre de service à la clientèle d'EGO. Voir la rubrique intitulée « <b>Protection contre les erreurs électroniques de la pile</b> ».
Indicateur de vitesse (l'illustration montre la vitesse élevée)	Allumé continuellement en vert		La machine fonctionne correctement.
	Allumé continuellement en orange		La machine est en état de surchauffe. Laissez la machine refroidir jusqu'à ce que la température descende en dessous de 80° C / 176° F. Voir la rubrique intitulée « <b>Protection contre les températures élevées de la machine</b> » ci-dessous.
	Clignotant en orange		La machine est en état de surcharge. Voir la rubrique intitulée « <b>Protection contre la surcharge de la machine</b> » ci-dessous.

## Protection contre les températures élevée de la pile

Si la température des piles dépasse 70° C / 158° F pendant le fonctionnement, le circuit de protection contre les températures élevées éteint immédiatement la machine pour protéger le bloc-piles contre les dommages causés par la surchauffe. L'indicateur d'état de charge de la pile s'allume et brille continuellement en orange. Relâchez l'une des gâchettes et attendez que la pile surchauffée refroidisse et que l'indicateur devienne vert, puis redémarrez la machine.

## Protection contre les erreurs électroniques de la pile

Lorsque l'erreur électronique du bloc-pile se produit, le témoin d'état de charge de la pile clignote alternativement en rouge et vert, et la machine s'éteint au bout de trois secondes. Remplacez le bloc-piles ou contactez le centre de service à la clientèle d'EGO.

## Protection contre la surcharge de la machine

Cette machine est dotée d'un circuit de protection contre les surcharges intégré. Lorsque la machine est en état de surcharge, le moteur s'arrête et l'indicateur de vitesse clignote en orange. Retirez le bloc-piles de la machine, puis remettez-le en place et redémarrez la machine. Diminuez la charge sur la machine, évitez de couper une trop grande quantité à la fois, de surdimensionner l'épaisseur de coupe ou de couper des branches d'arbustes lourds ou ligneux.

## Protection contre les températures élevées de la machine

Si la température de la machine dépasse 90°C / 194°F pendant le fonctionnement, le circuit de protection contre les températures élevées éteint immédiatement la machine pour la protéger contre les dommages causés par une chaleur excessive. L'indicateur de vitesse s'allume et brille continuellement en orange. Relâchez la gâchette et attendez que la machine surchauffée refroidisse et que l'indicateur de vitesse devienne vert, puis redémarrez la machine.

## TECHNOLOGIE SANS FIL BLUETOOTH®

Les produits dotés de la technologie sans fil Bluetooth® intégrée peuvent se connecter aux appareils mobiles. Veuillez consulter le site [www.egopowerplus.com/commercial](http://www.egopowerplus.com/commercial) pour obtenir des instructions sur l'utilisation de la fonction Bluetooth®.

Le symbole Bluetooth®  s'allume lorsque la machine est connectée à votre appareil mobile.

## UTILISATION DU TAILLE-HAIE

**⚠ DANGER :** Si la lame se coince sur un fil ou un cordon électrique, **NE TOUCHEZ PAS LA LAME ! ELLE POURRAIT ÊTRE CONDUCTRICE D'ÉLECTRICITÉ ET CECI POURRAIT CRÉER UNE SITUATION TRÈS DANGEREUSE.** Continuez à tenir le taille-haie par sa poignée arrière isolée, ou posez-le sur le sol aussi loin de vous que possible en prenant toutes les précautions appropriées. Déconnectez l'alimentation électrique du fil ou du cordon endommagé avant de tenter de détacher la lame du fil ou du cordon.

Si vous ne tenez pas compte de cet avertissement, vous risquez de vous blesser grièvement, ou même de mourir.

**⚠ AVERTISSEMENT :** S'il manque des pièces ou si des pièces sont endommagées ou cassées, ne vous servez pas de votre taille-haie avant d'avoir installé des pièces neuves pour les remplacer. Si vous ne respectez pas cette consigne de sécurité, vous risqueriez de causer ou de subir des blessures graves.

**⚠ AVERTISSEMENT :** Pour prévenir toute blessure grave, utilisez toujours à la fois la poignée avant et la poignée arrière pour tenir le taille-haie pendant son utilisation.

**⚠ AVERTISSEMENT :** Pour prévenir des blessures graves, gardez toujours les mains à une distance suffisante des lames. Ne tentez pas de retirer des matériaux coupés ou de tenir des matériaux à couper pendant que les lames sont en mouvement. Assurez-vous que les lames se sont arrêtées complètement et que le bloc-piles a été retiré avant de détacher les matériaux coincés sur les lames. Ne touchez pas les bords de coupe ou les lames exposées lorsque vous ramassez ou tenez cet équipement.

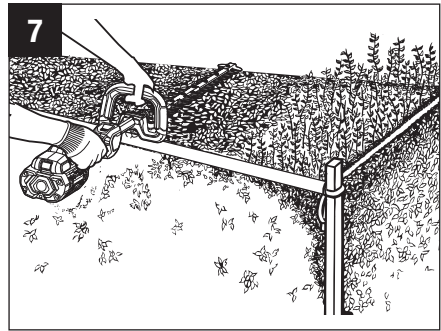
**⚠ AVERTISSEMENT :** Dégagez la zone à couper avant chaque utilisation. Retirez tous les objets tels que les cordons, les lampes, les fils électriques ou les ficelles/ cordes pouvant être attrapés par la lame pendant la coupe, ce qui créerait un risque de blessure grave.

- Avant de mettre le taille-haie en marche, assurez-vous que vous être bien équilibré(e) et stable sur vos pieds, et ne vous penchez pas excessivement vers l'avant. N'utilisez pas le taille-haie dans un arbre, sur une échelle, depuis un toit ou sur tout support instable. Portez des lunettes de sécurité, des chaussures de travail antidérapantes et des gants en caoutchouc. Tenez l'équipement des deux mains, avec la lame de coupes dirigée dans le sens opposé à vous.
- Ne coupez pas trop de matériau en même temps. Ceci pourrait avoir pour effet que les lames se coinceraient et fonctionneraient moins vite, ce qui réduirait votre efficacité de coupe.

- N'exercez pas une pression excessive sur le taille-haie en essayant de couper une végétation très dense. Ceci pourrait causer le coincement des lames et leur ralentissement. Si les lames ralentissent, essayez de travailler moins vite.
- Lorsque vous coupez de la végétation qui vient de sortir de terre, utilisez un mouvement très large de telle sorte que les tiges soient exposées directement à la lame de coupe. Les plantes plus anciennes auront des tiges plus épaisses, et il sera plus facile de les couper par un mouvement de va-et-vient.
- Coupez seulement des tiges ou des brindilles ayant un diamètre inférieur à 28 mm /1,1 po. Utilisez une scie à main non électrique ou une scie à élaguer pour couper les tiges de diamètre supérieur.

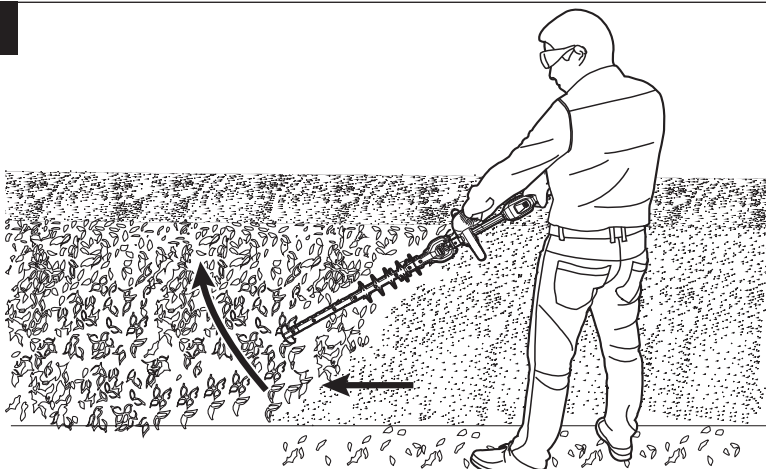
## TAILLE DU HAUT DE LA HAIE

Utilisez un large mouvement de balayage. Une légère inclinaison vers le bas des lames de coupe dans le sens du mouvement produit les meilleurs résultats de coupe. Pour produire un meilleur effet de coupe, vous pouvez utiliser le cordon pour guider le niveau du taille-haie (Fig. 7).



## TAILLE DES CÔTÉS DE LA HAIE

Lorsque vous voulez tailler les côtés de la haie, commencez par le bas et remontez progressivement (Fig. 8). Taillez le côté de la haie de façon qu'elle soit légèrement plus étroite au sommet. Cette forme permettra d'exposer davantage la haie au soleil, ce qui produira une croissance plus uniforme.

**8**



## MAINTENANCE

**⚠ AVERTISSEMENT :** Lors de toute réparation, n'utilisez que des pièces de rechange identiques. L'utilisation de toutes autres pièces de rechange pourrait créer un danger ou endommager le produit. Pour assurer la sécurité et la fiabilité, toutes les réparations doivent être effectuées par un technicien de service qualifié.

**⚠ AVERTISSEMENT :** Pour éviter des blessures graves, retirez toujours le bloc-piles de l'équipement lorsque vous le nettoyez ou quand vous effectuez des travaux de maintenance.

## NETTOYAGE

- Utilisez une brosse souple pour retirer les débris de tous les événements d'aération et de la lame de coupe.
- Pour retirer de la poix et d'autres résidus collants, vaporisez du solvant à la résine sur les lames. Faites fonctionner brièvement le moteur pour que le solvant soit distribué uniformément, puis essuyez la surface avec un chiffon sec.

**⚠ AVERTISSEMENT :** N'utilisez jamais d'eau pour nettoyer votre taille-bordure/coupe-herbe. Évitez d'utiliser des solvants lorsque vous nettoyez des pièces en plastique. La plupart des plastiques sont susceptibles d'être endommagés par divers types de solvants commerciaux. Utilisez des chiffons propres pour retirer les saletés, la poussière, l'huile, la graisse, etc.

## AFFÛTAGE DES LAMES

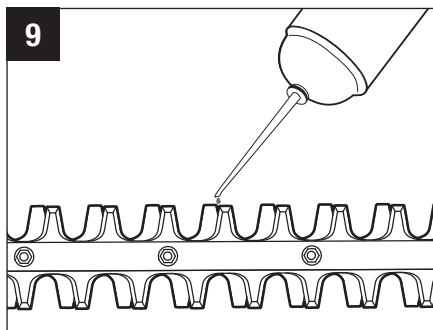
Lorsque les performances et le comportement de coupe commencent à se détériorer, réaffûtez les lames. Il est recommandé de faire réaffûter les lames par un technicien qualifié.

**AVIS :** Ne vous servez pas de votre taille-haie si les lames de sont émoussées ou endommagées. Ceci pourrait causer une surcharge, ce qui produirait des résultats de coupe non satisfaisants.

## LUBRIFICATION DES LAMES (Fig. 9)

Pour permettre le meilleur fonctionnement possible, ainsi que pour prolonger la durée de vie de la lame, lubrifiez la lame du taille-haie avec de l'huile légère pour machines avant et après chaque emploi.

1. Détachez le bloc-piles du taille-haie.
2. Posez le taille-haie sur une surface plate. Appliquez de l'huile légère pour machines le long du bord de la lame du haut. Si vous comptez utiliser le taille-haie pendant une période prolongée, il est conseillé de faire une pause de temps en temps, de retirer le bloc-piles et de lubrifier les lames.



Si les lames supérieures sont complètement alignées sur les lames inférieures, démarrez le taille-haie, puis arrêtez-le pour décaler les lames avant la lubrification.

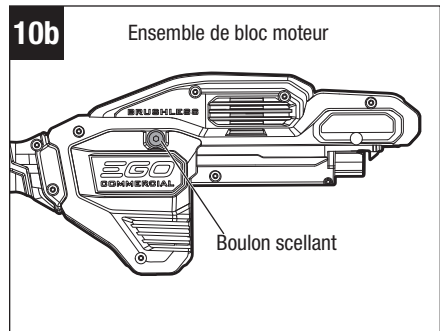
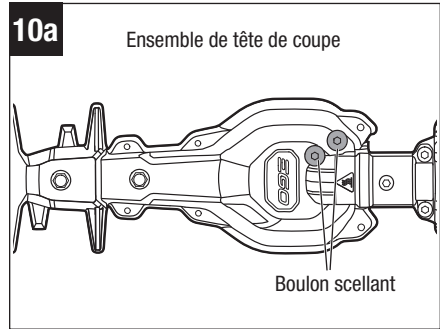
**⚠ AVERTISSEMENT :** Ne lubrifiez pas pendant que le taille-haie est en train de fonctionner.

**⚠ AVERTISSEMENT :** Les lames sont tranchantes. Lorsque vous manipulez l'ensemble de lames, portez des gants de protection robustes et antidérapants. Ne placez pas votre main ou vos doigts entre des lames ou à n'importe quel endroit où ils pourraient être pincés ou coupés. Ne touchez JAMAIS des lames et n'effectuez aucune opération d'entretien alors que le bloc-piles est à sa place dans le taille-haie.

## LUBRIFICATION DES ENGRENAGES DE LA BOÎTE DE VITESSES

Les engrenages de la boîte de vitesses dans les ensembles de tête de coupe et de bloc moteur doivent être lubrifiés périodiquement avec de la graisse pour engrenages. Vérifiez le niveau de graisse de la boîte de vitesses environ toutes les 50 heures de fonctionnement en retirant les boulons scellants. Il y a trois boulons scellants : deux sur l'ensemble de tête de coupe (Fig. 10a) et un sur l'ensemble de bloc moteur (Fig. 10b).

Si vous ne voyez pas de graisse sur les côtés des engrenages, suivez les étapes ci-dessous pour remplir de graisse la boîte de vitesses jusqu'aux 3/4 de sa capacité. Ne remplissez pas complètement la boîte de vitesses de graisse.



1. En fonction du boulon que vous retirez, posez le taille-haie sur le dos ou tenez-le sur le côté de manière à ce que le boulon scellant à retirer soit tourné vers le haut (Fig. 10a et 10b).
2. Utilisez la clé hexagonale fournie pour desserrer et retirer le boulon scellant.
3. Utilisez un pistolet à graisse (non inclus) pour injecter de la graisse dans le trou du boulon ; ne dépassez pas les 3/4 de la capacité.
4. Serrez le(s) boulon(s) scellant(s) après l'injection.

La graisse doit répondre aux exigences suivantes :

- Pénétration Grade NLGI : NLGI-2 ;
- Type d'épaississeur : polyurée ;
- Plage de températures de fonctionnement recommandée : -40° C à 180° C / -40° F à 356° F ;

- En dehors de ce qui précède, la graisse doit également être stable au cisaillement avec des caractéristiques de pression exceptionnelles, d'excellentes propriétés de résistance à l'usure et une stabilité parfaite à l'oxydation.

## **TRANSPORT ET RANGEMENT**

- Enlevez le bloc-pile de du taille-haie.
- Placez toujours le gaine de la lame sur la lame avant de ranger ou de transporter le taille-haie. Faites attention de ne pas toucher les dents tranchantes de la lame.
- Nettoyez soigneusement le taille-haie avant de le ranger.
- Rangez le taille-haie à l'intérieur, dans un endroit sec qui est hors de portée des enfants.
- Tenez-le à distance des agents corrosifs tels que des produits chimiques de jardins et des sels pour faire fondre la glace.

## RECHERCHE DE LA CAUSE DES PROBLÈMES

PROBLÈME	CAUSE	SOLUTION
Le taille-haie ne fonctionne pas.	<ul style="list-style-type: none"> <li>■ Le bloc-piles n'est pas attaché au taille-haie.</li> <li>■ Il n'y a pas de contact électrique entre le taille-haie et le bloc-piles.</li> <li>■ Le bloc-piles est déchargé.</li> <li>■ Le bloc-piles est trop chaud. Voir le chapitre intitulé « <b>Protection contre les températures élevées des piles</b> ».</li> <li>■ Le taille-haie est trop chaud. Voir le chapitre intitulé « <b>Protection contre les températures élevées de la machine</b> ».</li> <li>■ Les gâchettes à l'avant et à l'arrière ne sont pas enfoncées en même temps.</li> <li>■ La lame est coincée.</li> <li>■ Erreur de l'électronique du bloc-piles. Voir le chapitre intitulé « <b>Protection contre les températures élevées des piles</b> ».</li> </ul>	<ul style="list-style-type: none"> <li>■ Attachez le bloc-piles au taille-haie.</li> <li>■ Retirez les piles, inspectez les contacts et réinstallez le bloc-piles.</li> <li>■ Chargez le bloc-piles.</li> <li>■ Retirez le bloc-piles et refroidissez le taille-haie jusqu'à ce que sa température descende en dessous de 67 °C / 152 °F.</li> <li>■ Retirez le bloc-piles et refroidissez le taille-haie jusqu'à ce que sa température descende en dessous de 80 °C / 176 °F.</li> <li>■ Appuyez sur la gâchette avant en premier et maintenez-la enfoncée, puis déplacez le levier de verrouillage en position d'arrêt vers l'avant, et enfin appuyez sur la gâchette arrière.</li> <li>■ Retirez le bloc-piles de la machine, retirez délicatement l'obstruction et réinsérez les piles, puis redémarrez la machine.</li> <li>■ Remplacez le bloc-piles ou contactez le centre de service à la clientèle d'EGO.</li> </ul>

PROBLÈME	CAUSE	SOLUTION
Vibrations ou bruit excessif.	<ul style="list-style-type: none"><li>■ Les lames sont sèches ou corrodées.</li><li>■ La lame ou le support de la lame est tordue.</li><li>■ Les dents sont endommagées ou tordues.</li><li>■ Les boulons de fixation des lames ne sont pas assez serrés.</li></ul>	<ul style="list-style-type: none"><li>■ Lubrifiez les lames en suivant les instructions figurant sous la rubrique « <b>LUBRIFICATION DE LA LAME</b> » de ce mode d'emploi.</li><li>■ Remplacez par une nouvelle lame ou un nouveau support. Contactez le centre de service après-vente EGO pour obtenir une nouvelle lame ou un nouveau support de lame.</li><li>■ Remplacez par une lame neuve. Contactez le centre de service après-vente EGO pour obtenir une lame de rechange.</li><li>■ Serrez les boulons de fixation de la lame. Utilisez une clé ajustable et la clé hexagonale incluse pour serrer les boulons de fixation de la lame en tournant dans le sens des aiguilles d'une montre.</li></ul>

# GARANTIE LIMITÉE D'EGO

## CONDITIONS ET DURÉE DE LA POLITIQUE DE GARANTIE

Chervon North America, Inc. (« Chervon North America ») accorde la Garantie limitée suivante pour les produits EGO à l'acheteur initial de produits EGO.

La période de garantie détaillée de chaque produit EGO est indiquée en ligne à l'adresse <http://egopowerplus.com/warranty-policy>.

**Veillez contacter le Service à la clientèle d'EGO en téléphonant au 1-855-EGO-5656 (appel gratuit)** à tout moment en cas de questions, si vous voulez vous prévaloir de la garantie ou si vous souhaitez obtenir une version sur papier de la garantie.

## GARANTIE LIMITÉE DE SERVICE APRÈS-VENTE

Les produits EGO sont garantis contre tout défaut de matériel ou de fabrication à partir de la date d'achat au détail originale et pendant la période de garantie applicable. Pour toute demande de garantie soumise correctement et dans les délais, si Chervon North America détermine qu'un produit est défectueux pendant la période de garantie, le produit sera réparé ou remplacé gratuitement, selon ce qui aura été déterminé par Chervon North America.

## COMMENT OBTENIR DE L'ASSISTANCE DANS LE CADRE DU SERVICE APRÈS-VENTE

Pour obtenir de l'assistance dans le cadre de la garantie (pendant la période de garantie applicable), veuillez contacter le service à la clientèle d'EGO en téléphonant au **1-855-EGO-5656** (appel gratuit). Lorsque vous demandez de l'assistance dans le cadre de la garantie, vous devez présenter le reçu de vente original daté. Un centre de service après-vente agréé sera sélectionné pour évaluer et réparer le produit défectueux conformément aux conditions de garantie énoncées. Lorsque vous apportez votre produit au centre de service après-vente agréé, il se peut qu'une petite caution vous soit demandée lors du dépôt de votre outil. Cette caution est remboursable lorsque le service de réparation est considéré comme étant couvert par la garantie.

## LIMITATIONS ET EXCLUSIONS SUPPLÉMENTAIRES

Cette garantie limitée ne s'applique qu'à l'acheteur initial d'un produit à un revendeur agréé EGO, et elle ne peut pas être cédée. Les produits EGO ne sont pas considérés comme défectueux et la présente garantie ne s'applique pas lorsque le défaut invoqué est imputable à une cause autre que les défauts définis ci-dessus. Cette garantie est nulle et non avenue si le produit a été utilisé à des fins de location. La présente garantie ne s'applique pas aux dommages causés par un accident, un abus, une mauvaise utilisation, une altération, une modification, une réparation non autorisée, un contact avec un liquide, un incendie, un tremblement de terre ou toute autre cause externe ; par une utilisation du produit en dehors des instructions, spécifications ou directives d'EGO ; ou par un manquement à l'entretien ou à la maintenance convenable du produit. Cette garantie ne s'applique pas non plus aux dommages esthétiques, y compris, mais sans s'y limiter, les rayures ou les bosses, ainsi qu'aux défauts causés par l'usure normale ou autrement dus au vieillissement normal du produit.

CETTE GARANTIE EXPRESSE EST DONNÉE EN LIEU ET PLACE DE TOUTE AUTRE GARANTIE, EXPRESSE OU IMPLICITE, Y COMPRIS, MAIS SANS S'Y LIMITER, TOUTE GARANTIE DE QUALITÉ MARCHANDE OU D'ADÉQUATION À UN USAGE PARTICULIER, QUI EST REJETÉE. Toute garantie implicite, y compris la garantie de qualité marchande ou d'adéquation à un usage particulier qui ne peut être rejetée en vertu de la loi de l'État ou de la province est limitée à la période de garantie applicable définie au début de cet article. Le seul et unique recours en rapport avec l'achat, l'installation, l'utilisation et/ou la performance des produits EGO est la réparation ou le remplacement du produit selon la décision de Chervon North America. La responsabilité maximale de Chervon North America ne dépassera en aucun cas le prix d'achat payé pour le produit. CHERVON NORTH AMERICA NE SERA PAS RESPONSABLE ENVERS L'UTILISATEUR OU TOUTE AUTRE PERSONNE DES DOMMAGES CONSÉCUTIFS, ACCIDENTELS, SPÉCIAUX, EXEMPLAIRES, INDIRECTS OU PUNITIFS RÉSULTANT DE L'UTILISATION DES PRODUITS, Y COMPRIS, MAIS SANS S'Y LIMITER, LES PRÉJUDICES CORPORELS, LA MORT, LES DOMMAGES MATÉRIELS, LA PERTE DE BÉNÉFICES OU TOUT AUTRE DOMMAGE ÉCONOMIQUE. Cette garantie vous confère des garanties juridiques particulières, et vous pouvez aussi avoir d'autres droits, qui varient selon l'État ou la province. Étant donné que certains États et certaines provinces ne permettent pas de limitations quant à la durée d'une garantie implicite ou ne permettent pas l'exclusion ou la limitation des dommages indirects ou secondaires, ou le délai de prescription pour intenter certaines actions, il est possible que les limitations contenues aux présentes ne s'appliquent pas à consommateurs dans ces États ou provinces.





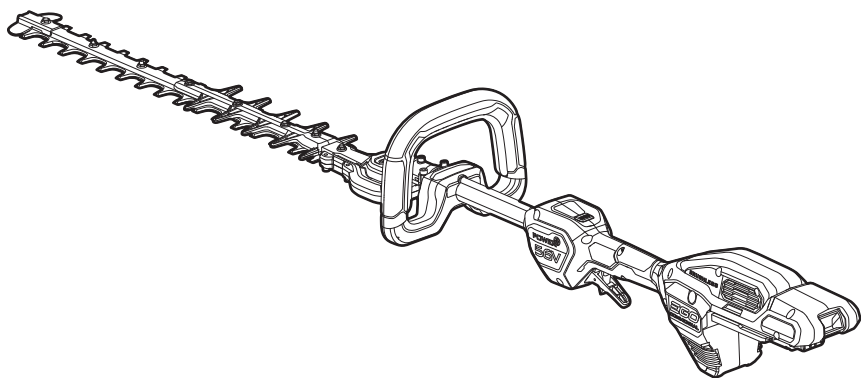
Cette garantie est soumise au droit du Michigan et doit être interprétée conformément au droit du Michigan sans tenir compte des principes de conflits de lois. Aucune action en justice ne pourra être intentée contre Chervon North America si elle n'est pas déposée dans un délai d'un (1) an après que le fondement de cette action en justice aura été connu, ou qu'il aurait dû l'être si une diligence raisonnable avait été exercée. Toute action non intentée dans les délais est réputée abandonnée.

Pour le service à la clientèle, contactez-nous en téléphonant au numéro suivant (appel gratuit) : **1-855-EGO-5656** ou **EGOPOWERPLUS.COM**.  
EGO Customer Service,  
769 Seward Ave. NW, Suite 102,  
Grand Rapids, Michigan 49504.



# EGO™

## COMMERCIAL



MANUAL DEL OPERADOR

# ORILLADORA DE ARBUSTOS COMERCIAL DE 21 PULGADAS CON PÉRTIGA CORTA DE ION LITIO DE 56 V

MODELO NÚMERO HTX5300-P/HTX5300-P-FC

**⚠ ADVERTENCIA:** para reducir el riesgo de lesiones, el usuario debe leer y comprender el Manual del usuario antes de usar este producto. Guarde estas instrucciones para consultarlas en el futuro.

# ÍNDICE

Declaración de la FCC .....	78
Símbolos de seguridad .....	79
Instrucciones de seguridad .....	80-89
Introducción .....	90
Especificaciones .....	90
Descripción .....	91-93
Ensamblaje .....	94
Utilización .....	95-103
Mantenimiento .....	104-107
Resolución de problemas .....	108-109
Garantía Limitada de EGO .....	110-112

# ¡LEA TODAS LAS INSTRUCCIONES!



LEA Y COMPRENDA  
EL MANUAL DEL OPERADOR

**⚠ ADVERTENCIA :** El taladrado, el aserrado, el lijado o el maquinado de productos de madera puede exponerlo a usted a polvo de madera, una sustancia que el Estado de California sabe que causa cáncer. Evite inhalar el polvo de madera o utilice una máscara antipolvo u otras salvaguardas de protección personal. Para obtener más información, visite [www.P65Warnings.ca.gov/wood](http://www.P65Warnings.ca.gov/wood).

**⚠ ADVERTENCIA :** Cierta polvo generado por las operaciones de lijado, aserrado, amolado y taladrado con herramientas eléctricas, así como por otras actividades de construcción, contiene sustancias químicas que el estado de California sabe que causan cáncer, defectos de nacimiento u otros daños sobre la reproducción. Algunos ejemplos de estas sustancias químicas son:

- Plomo procedente de pinturas a base de plomo.
- Sílice cristalina procedente de ladrillos y cemento, así como de otros productos de mampostería.
- Arsénico y cromo procedentes de madera de construcción tratada químicamente.

El riesgo para usted por causa de estas exposiciones varía, dependiendo de qué tan a menudo realice este tipo de trabajo. Para reducir su exposición a estas sustancias químicas:

- Trabaje en un área bien ventilada.
- Trabaje con equipo de seguridad aprobado, tal como máscaras antipolvo que estén diseñadas especialmente para impedir mediante filtración el paso de partículas microscópicas.
- Evite el contacto prolongado con el polvo procedente de las operaciones de lijado, aserrado, amolado y taladrado con herramientas eléctricas, así como de otras actividades de construcción. Use ropa protectora y lave las áreas expuestas del cuerpo con agua y jabón. Si deja que le entre polvo en la boca o en los ojos, o que le quede polvo en la piel, es posible que se promueva la absorción de sustancias químicas perjudiciales.

## DECLARACIÓN DE LA FCC

1. Este dispositivo cumple con la Parte 15 de las Reglas de la FCC. Su utilización está sujeta a las dos condiciones siguientes:
  - 1) Este dispositivo no podrá causar interferencia perjudicial.
  - 2) Este dispositivo debe aceptar cualquier interferencia que reciba, incluyendo interferencia que pueda causar un funcionamiento no deseado.
2. Los cambios o las modificaciones no aprobados expresamente por la parte responsable del cumplimiento de la normativa podrían anular la autoridad del usuario para utilizar el equipo.

**AVISO:** Este equipo ha sido sometido a pruebas y se ha demostrado que cumple con los límites para un dispositivo digital de Clase B, conforme a la Parte 15 de las Reglas de la FCC. Estos límites están diseñados para proporcionar una protección razonable contra la interferencia perjudicial en una instalación doméstica. Este equipo genera, utiliza y puede irradiar energía de radiofrecuencia y, si no se instala y se utiliza de acuerdo con las instrucciones, es posible que cause interferencia perjudicial para las radiocomunicaciones. Sin embargo, no hay garantía de que no se vaya a producir interferencia en una instalación en particular. Si este equipo efectivamente causa interferencia perjudicial para la recepción de radio o televisión, lo cual se puede determinar apagando y encendiendo el equipo, se insta al usuario a que intente corregir la interferencia mediante una o más de las siguientes medidas: Reoriente o reubique la antena receptora. Aumente la separación entre el equipo y el receptor. Conecte el equipo a un tomacorriente de un circuito diferente al circuito al cual el receptor esté conectado. Para obtener ayuda, consulte con el distribuidor o con un técnico de radio y televisión experimentado.

## SÍMBOLOS DE SEGURIDAD

La finalidad de los símbolos de seguridad es atraer la atención del usuario hacia posibles peligros. Los símbolos de seguridad y las explicaciones que los acompañan merecen que usted preste una atención detenida y logre una comprensión profunda. Las advertencias con símbolo no eliminan por sí mismas ningún peligro. Las instrucciones y las advertencias que dan no son sustitutos de las medidas adecuadas de prevención de accidentes.

**⚠ ADVERTENCIA :** Asegúrese de leer y entender todas las instrucciones de seguridad contenidas en este manual del operador, incluyendo todos los símbolos de alerta de seguridad, tales como “**PELIGRO**”, “**ADVERTENCIA**” y “**PRECAUCIÓN**”, antes de utilizar esta máquina. Si no se siguen todas las instrucciones que se indican a continuación, es posible que el resultado sea descargas eléctricas, incendio y/o lesiones corporales graves.

### SIGNIFICADO DE LOS SÍMBOLOS

**⚠ SÍMBOLO DE ALERTA DE SEGURIDAD :** Indica **PELIGRO**, **ADVERTENCIA** o **PRECAUCIÓN**. Es posible que se utilice en combinación con otros símbolos o pictogramas.



**⚠ ADVERTENCIA :** La utilización de cualquier máquina puede hacer que se lancen objetos extraños hacia los ojos del operador, lo cual puede causar daños oculares graves. Antes de comenzar a utilizar una máquina, use siempre gafas de seguridad o anteojos de seguridad con escudos laterales y una careta completa cuando sea necesario.



Recomendamos usar una máscara de seguridad de visión amplia sobre anteojos o gafas de seguridad estándar con escudos laterales. Use siempre protección ocular que esté marcada para cumplir con la norma ANSI Z87.1.

# INSTRUCCIONES DE SEGURIDAD

Esta página muestra y describe los símbolos de seguridad que es posible que aparezcan en este producto. Lea, entienda y siga todas las instrucciones que se encuentran en la máquina antes de intentar ensamblarla y utilizarla.

	<p>Precaución</p>	<p>Indica un peligro potencial de lesiones corporales.</p>
	<p>Lea y entienda el manual del operador</p>	<p>Para reducir el riesgo de lesiones, el usuario debe leer y entender el manual del operador antes de utilizar este producto. Si no se hace así, el resultado puede ser lesiones graves al operador y/o a las personas que estén presentes.</p>
	<p>Use protección ocular</p>	<p>Use siempre anteojos de seguridad o gafas de seguridad con escudos laterales que cumplan con la norma ANSI Z87.1 cuando utilice este producto.</p>
	<p>Use protección de la cabeza</p>	<p>Use un casco de seguridad aprobado para proteger la cabeza.</p>
	<p>Peligro: Mantenga las manos alejadas de las hojas</p>	<p>El contacto con la hoja causará lesiones corporales graves.</p>
	<p>Símbolo de reciclaje de baterías</p>	<p>Este producto utiliza baterías de ion litio (ion Li). Es posible que las leyes locales, estatales o federales prohíban la eliminación de las baterías en la basura ordinaria. Llame al número que se encuentra en el símbolo (1-800-822-8837) para obtener información sobre el reciclaje. Consulte a su autoridad local de eliminación de residuos para obtener información sobre las opciones de reciclaje y/o eliminación disponibles.</p>



	Bluetooth®	Símbolo de Bluetooth®
IPXX	Grado de protección contra la penetración (IP)	Clasifica el grado de protección proporcionado por un recinto cerrado para equipos eléctricos.
V	Voltio	Tensión
	Corriente continua (CC)	Tipo o característica de corriente
SPM	Carreras por minuto	Velocidad de carrera
cm	Centímetro	Longitud o tamaño
mm	Milímetro	Longitud o tamaño
in.	Pulgada	Longitud o tamaño
kg	Kilogramo	Peso
lb	Libra	Peso
°C	Grados Celsius	Temperatura
°F	Grados Fahrenheit	Temperatura

## ADVERTENCIAS GENERALES DE SEGURIDAD PARA MÁQUINAS ALIMENTADAS POR BATERÍAS

**⚠ ADVERTENCIA :** Lea todas las advertencias de seguridad, instrucciones, ilustraciones y especificaciones suministradas con esta máquina. Si no se siguen todas las instrucciones que se indican a continuación, es posible que el resultado sea descargas eléctricas, incendio y/o lesiones graves.

### GUARDE TODAS LAS ADVERTENCIAS E INSTRUCCIONES PARA REFERENCIA FUTURA.

El término “máquina” que se incluye en las advertencias se refiere a su máquina alimentada por la red eléctrica (alámbrica) o su máquina alimentada por baterías (inalámbrica).

## SEGURIDAD EN EL ÁREA DE TRABAJO

- **Mantenga el área de trabajo limpia y bien iluminada.** Las áreas desordenadas u oscuras invitan a que se produzcan accidentes.
- **No utilice máquinas en atmósferas explosivas, tales como las existentes en presencia de líquidos, gases o polvos inflamables.** Las herramientas eléctricas generan chispas que es posible que prendan los polvos o los vapores.
- **Mantenga alejados a los niños y los curiosos mientras esté utilizando una máquina.** Las distracciones pueden hacer que usted pierda el control de la máquina.

## SEGURIDAD ELÉCTRICA

- **Los enchufes de las máquinas deben coincidir con el tomacorriente. No modifique nunca el enchufe de ninguna manera. No utilice enchufes adaptadores con máquinas conectadas a tierra (puestas a masa).** Los enchufes no modificados y los tomacorrientes coincidentes reducirán el riesgo de descargas eléctricas.
- **Evite el contacto del cuerpo con las superficies conectadas a tierra o puestas a masa, tales como tuberías, radiadores, estufas de cocina y refrigeradores.** Hay un mayor riesgo de descargas eléctricas si su cuerpo está conectado a tierra o puesto a masa.
- **No utilice la máquina en la lluvia ni en condiciones mojadas.** Es posible que la entrada de agua en la máquina aumente el riesgo de descargas eléctricas o funcionamiento incorrecto que podrían causar lesiones corporales.

- **No maltrate el cable. No utilice nunca el cable para transportar, jalar o desenchufar la máquina. Mantenga el cable alejado del calor, el aceite, los bordes afilados o las piezas móviles.** Los cables dañados o enredados aumentan el riesgo de descargas eléctricas.
- **Cuando utilice una máquina a la intemperie, use un cable de extensión que sea adecuado para uso a la intemperie.** La utilización de un cable de extensión adecuado para uso a la intemperie reduce el riesgo de descargas eléctricas.
- **Si es inevitable utilizar una máquina en un lugar húmedo, utilice una fuente de alimentación protegida por un interruptor de circuito accionado por corriente de pérdida a tierra (GFCI, por sus siglas en inglés).** El uso de un GFCI reduce el riesgo de descargas eléctricas.

## SEGURIDAD PERSONAL

- **Manténgase alerta, fíjese en lo que está haciendo y use el sentido común cuando utilice una máquina. No utilice una máquina cuando esté cansado o bajo la influencia de drogas, alcohol o medicamentos.** Es posible que un momento de desatención mientras se estén utilizando máquinas cause resultado lesiones corporales graves.
- **Use equipo de protección personal. Use siempre protección ocular.** El equipo de protección, tal como una máscara antipolvo, zapatos de seguridad antideslizantes, casco o protección de la audición, utilizado según lo requieran las condiciones, reducirá las lesiones corporales.
- **Prevenga los arranques accidentales. Asegúrese de que el interruptor esté en la posición de apagado antes de conectar la máquina a la fuente de alimentación y/o al paquete de batería, levantar la máquina o transportarla.** Si se transportan máquinas con el dedo en el interruptor o si se suministra corriente a máquinas que tengan el interruptor en la posición de encendido se invita a que se produzcan accidentes.
- **Retire todas las llaves de ajuste o de tuerca antes de encender la máquina.** Es posible que una llave de ajuste o de tuerca que se deje sujeta a una pieza rotativa de la máquina cause lesiones corporales.
- **No intente alcanzar demasiado lejos. Mantenga un apoyo de los pies y un equilibrio adecuados en todo momento.** Esto permite un mejor control de la máquina en situaciones inesperadas.

- **Vístase adecuadamente. No use ropa holgada ni joyas. Mantenga el pelo y la ropa alejados de las piezas móviles.** La ropa holgada, las joyas o el pelo largo pueden quedar atrapados en las piezas móviles.
- **Si se proporcionan dispositivos para la conexión de instalaciones de extracción y recolección de polvo, asegúrese de que dichos dispositivos estén conectados y se utilicen correctamente.** El uso de dispositivos de recolección de polvo puede reducir los peligros relacionados con el polvo.
- **No deje que la familiaridad obtenida del uso frecuente de las máquinas le permita volverse complaciente e ignorar los principios de seguridad de las máquinas.** Una acción descuidada puede causar lesiones graves en una fracción de segundo.

## USO Y CUIDADO DE LA MÁQUINA

- **No fuerce la máquina. Utilice la máquina correcta para la aplicación que vaya a realizar.** La máquina correcta hará el trabajo mejor y de manera más segura a la capacidad nominal para la que fue diseñada.
- **No utilice la máquina si el interruptor no la enciende y apaga.** Cualquier máquina que no se pueda controlar con el interruptor es peligrosa y debe ser reparada.
- **Desconecte el enchufe de la fuente de alimentación y/o retire el paquete de batería de la máquina, si es retirable, antes de hacer cualquier ajuste, cambiar accesorios o almacenar máquinas.** Dichas medidas preventivas de seguridad reducen el riesgo de arrancar accidentalmente la máquina.
- **Guarde las máquinas inactivas fuera del alcance de los niños y no deje que las personas que no estén familiarizadas con la máquina o con estas instrucciones utilicen la máquina.** Las máquinas son peligrosas en las manos de los usuarios que no hayan recibido capacitación.
- **Realice mantenimiento de las máquinas y los accesorios. Compruebe si hay desalineación o atoramiento de las piezas móviles, rotura de piezas y cualquier otra situación que pueda afectar al funcionamiento de la máquina. Si la máquina está dañada, haga que la reparen antes de utilizarla.** Muchos accidentes son causados por máquinas que reciben un mantenimiento deficiente.
- **Mantenga las máquinas de corte afiladas y limpias.** Las máquinas de corte mantenidas adecuadamente, con bordes de corte afilados, tienen menos probabilidades de atorarse y son más fáciles de controlar.

- **Utilice la máquina, los accesorios, las brocas de la máquina, etc., de acuerdo con estas instrucciones, teniendo en cuenta las condiciones de trabajo y el trabajo que se vaya a realizar.** El uso de la máquina para operaciones distintas a las previstas podría causar una situación peligrosa.
- **Mantenga los mangos y las superficies de agarre secos, limpios y libres de aceite y grasa.** Es posible que los mangos resbalosos y las superficies de agarre resbalosas no permitan un manejo y un control seguros de la máquina en situaciones inesperadas.

## USO Y CUIDADO DE LAS MÁQUINAS A BATERÍA

- **Recargue las baterías solo con el cargador especificado por el fabricante.** Es posible que un cargador que sea adecuado para un tipo de paquete de batería cree un riesgo de incendio cuando se utilice con otro paquete de batería.
- **Utilice las máquinas solo con paquetes de batería designados específicamente.** Es posible que el uso de cualquier otro paquete de batería cree un riesgo de lesiones e incendio.
- **Cuando el paquete de batería no se esté utilizando, manténgalo alejado de otros objetos metálicos, tales como clips sujetapapeles, monedas, llaves, clavos, tornillos u otros objetos metálicos pequeños, que puedan hacer una conexión de un terminal al otro.** Si se cortocircuitan juntos los terminales de la batería, es posible que se causen quemaduras o un incendio.
- **En condiciones abusivas es posible que se expulse líquido de la batería; evite el contacto. Si se produce contacto accidentalmente, enjuáguese con agua. Si el líquido entra en contacto con los ojos, obtenga además ayuda médica.** Es posible que el líquido expulsado de la batería cause irritación o quemaduras.
- **No utilice un paquete de batería o una máquina que estén dañados o modificados.** Es posible que las baterías dañadas o modificadas exhiban un comportamiento imprevisible que cause incendio, explosión o riesgo de lesiones.
- **No exponga un paquete de batería o una máquina a un fuego o a una temperatura excesiva.** Es posible que la exposición a un fuego o a una temperatura superior a 265 °F (130 °C) cause una explosión.
- **Siga todas las instrucciones de carga y no cargue el paquete de batería ni la máquina fuera del intervalo de temperatura especificado en las instrucciones.** Es posible que la realización de la carga de manera inadecuada o a temperaturas

que estén fuera del intervalo especificado dañe la batería y aumente el riesgo de incendio.

## SERVICIO DE AJUSTES Y REPARACIONES

- **Haga que su máquina reciba servicio de ajustes y reparaciones por un técnico de reparaciones calificado que utilice únicamente piezas de repuesto idénticas.** Esto garantizará que se mantenga la seguridad de la máquina.
- **No haga nunca servicio de ajustes y reparaciones de paquetes de batería dañados.** El servicio de ajustes y reparaciones de los paquetes de batería deberá ser realizado solo por el fabricante o por proveedores de servicio autorizados.

## ADVERTENCIAS DE SEGURIDAD PARA LA ORILLADORA DE ARBUSTOS

- **Mantenga todos los cables de alimentación y otros cables alejados del área de corte.** Es posible que haya cables de alimentación u otros cables ocultos en los arbustos o setos y dichos cables pueden ser cortados accidentalmente por la hoja.
- **Agarre la orilladora de arbustos solo por las superficies de agarre con aislamiento, porque es posible que la hoja entre en contacto con cables ocultos.** Es posible que las hojas que entren en contacto con un cable con corriente hagan que las partes metálicas de la orilladora de arbustos que estén al descubierto tengan corriente, lo cual podría causar una descarga eléctrica al operador.
- **Mantenga todas las partes del cuerpo alejadas de la hoja. No retire material cortado ni agarre material que se vaya a cortar cuando las hojas se estén moviendo.** Las hojas continúan moviéndose después de poner el interruptor en la posición de apagado. Es posible que un momento de desatención mientras se esté utilizando la orilladora de arbustos cause lesiones corporales graves.
- **Cuando despeje material atorado o haga servicio de ajustes y reparaciones de la unidad, asegúrese de que todos los interruptores de alimentación estén en la posición de apagado y que el paquete de batería se haya retirado o esté desconectado.** Es posible que un accionamiento inesperado de la orilladora de arbustos mientras se esté retirando material atorado o haciendo servicio de ajustes y reparaciones tenga como resultado lesiones corporales graves.

- **Lleve la orilladora de arbustos por la empuñadura con la hoja detenida y teniendo cuidado de no accionar ningún interruptor de alimentación.** Un transporte adecuado de la orilladora de arbustos reducirá el riesgo de arranques accidentales y las lesiones corporales resultantes causadas por las hojas.
- **Cuando transporte o almacene la orilladora de arbustos, instale siempre la cubierta de la hoja.** Un manejo adecuado de la orilladora de arbustos reducirá el riesgo de lesiones corporales causadas por las hojas.

## INSTRUCCIONES DE SEGURIDAD IMPORTANTES

- **No cargue el paquete de batería en la lluvia ni en lugares mojados.**
- **Utilice la unida solo con los paquetes de batería y los cargadores que se indican a continuación:**

PAQUETE DE BATERÍA	CARGADOR
BA1400, BA1400-FC, BA2800, BA2800-FC, BA4200, BA4200-FC, BA1400T, BA1400T-FC, BA2242T, BA2242T-FC, BA2800T, BA2800T-FC, BA3360T, BA3360T-FC, BA4200T, BA4200T-FC, BA4480T, BA4480T-FC, BA5600T, BA5600T-FC, BA6720T, BA6720T-FC	CH2100, CH2100-FC, CH3200, CH3200-FC, CH5500, CH5500-FC, CH2800D, CH2800D-FC, CH7000, CH7000-FC

- **No agarre las hojas de corte ni los bordes de corte que estén al descubierto cuando levante o agarre la orilladora de arbustos.**
- **No utilice la orilladora de arbustos subido a una escalera de mano, un tejado, un árbol u otro soporte inestable.** Un apoyo estable de los pies sobre una superficie sólida permite un mejor control de la orilladora de arbustos en situaciones inesperadas.
- **No deje nunca que los niños utilicen la orilladora de arbustos.**
- **No retire ni manipule indebidamente nunca los dispositivos de seguridad. Compruebe regularmente si funcionan correctamente. No haga nunca nada para interferir con la función prevista de un dispositivo de seguridad ni para reducir la protección ofrecida por un dispositivo de seguridad.**

- **No utilice nunca la orilladora de arbustos sin tener los protectores, las placas u otros dispositivos protectores de seguridad adecuados instalados en la posición correcta.**
- **Compruebe las piezas dañadas antes de seguir utilizando la orilladora de arbustos. Un protector u otra pieza que presente daños se deberá comprobar cuidadosamente para determinar si funcionará correctamente y realizará su función prevista. Compruebe la alineación de las piezas móviles, si hay atoramiento de piezas móviles, si hay rotura de piezas, el montaje y cualquier otra situación que pueda afectar a su funcionamiento.** Un protector u otra pieza que presente daños deberá ser reparado o reemplazado adecuadamente por un centro de servicio autorizado, a menos que se indique otra cosa en otro lugar de este manual.
- **Revise los pernos de montaje de la hoja y del motor a intervalos frecuentes para comprobar si están apretados correctamente. Además, inspeccione visualmente la hoja para determinar si está dañada (p. ej., doblada, agrietada y desgastada). Reemplace la hoja solo por una hoja EGO™.** Una hoja desequilibrada causa vibración que podría dañar la unidad de accionamiento del motor o causar lesiones corporales.
- **Reemplace la hoja si está doblada o agrietada.** Una hoja desequilibrada causa vibración que podría dañar la unidad de accionamiento del motor o causar lesiones corporales.
- **Si el equipo comienza a vibrar anormalmente, pare el motor y realice una comprobación inmediata para determinar la causa.** Generalmente, la vibración es una advertencia de problemas.
- **La orilladora de arbustos se utilizará para cortar tallos de menos de 1,1 pulgadas (28 mm) de grosor.**
- **Orille solo con luz diurna o buena luz artificial.**
- **Retire o desconecte la batería antes de hacer servicio de ajustes y reparaciones, realizar limpieza o retirar material de la orilladora de arbustos.**
- **No lave la unidad con una manguera; evite que entre agua en el motor y en las conexiones eléctricas.**
- **Cuando haga servicio de ajustes y reparaciones, utilice únicamente piezas de repuesto idénticas indicadas en este manual.** Es posible que el uso de piezas que no cumplan con las especificaciones del equipo original cause un rendimiento inadecuado y ponga en peligro la seguridad.



- **No incinere la máquina incluso si está severamente dañada.** Las baterías pueden explotar en un fuego.
- **Siga las instrucciones de lubricación y cambio de accesorios.**
- **Mantenga los mangos secos, limpios y libres de aceite y grasa.**
- **Revise los arbustos y los matorrales para comprobar si hay objetos extraños, p. ej., cercas de alambre y cables ocultos, antes de utilizar la máquina.**
- **Guarde estas instrucciones.** Consúltelas frecuentemente y úselas para instruir a otras personas que puedan utilizar esta máquina. Si le presta esta máquina a otra persona, préstele también estas instrucciones para evitar un uso incorrecto del producto y posibles lesiones.

**GUARDE ESTAS INSTRUCCIONES !**

## INTRODUCCIÓN


Felicitaciones por su selección de la nueva orilladora de arbustos EGO COMERCIAL de ion litio de 56 V. Esta orilladora de arbustos ha sido diseñada, concebida y fabricada para ofrecerle a usted la mejor confiabilidad y el mejor rendimiento posibles.

En caso de que tenga algún problema que no pueda resolver fácilmente, sírvase contactar al centro de servicio al cliente de EGO llamando al 1-855-EGO-5656.

Este manual contiene información importante sobre el ensamblaje, la utilización y el mantenimiento seguros de su orilladora de arbustos. Léalo detenidamente antes de utilizar la orilladora de arbustos. Tenga este manual al alcance de la mano para poder consultarlo en cualquier momento.

NÚMERO DE SERIE _____	FECHA DE COMPRA _____
USTED DEBERÍA ANOTAR TANTO EL NÚMERO DE SERIE COMO LA FECHA DE COMPRA Y GUARDARLOS EN UN LUGAR SEGURO PARA REFERENCIA FUTURA.	

## ESPECIFICACIONES

Tensión	56V 
Velocidad máxima	Baja: 3200 CPM Intermedia: 3600 CPM Alta: 4000 CPM
Longitud de corte	21 pulgadas (530 mm)
Capacidad de corte	1,1 pulgadas (28 mm)
Grado de protección contra la penetración	IPX5* (protegida contra los chorros de agua).
Temperatura de funcionamiento recomendada	32 – 104 °F (0 – 40 °C)
Temperatura de almacenamiento recomendada	-4 – 158 °F (-20 – 70 °C)
Peso (sin paquete de batería ni funda de la hoja)	9,24 lb (4,2 kg)

\* **NOTA:** La calificación IPX5 se basa en que la máquina y la batería se utilicen juntas como un sistema.

### Accesorio recomendado

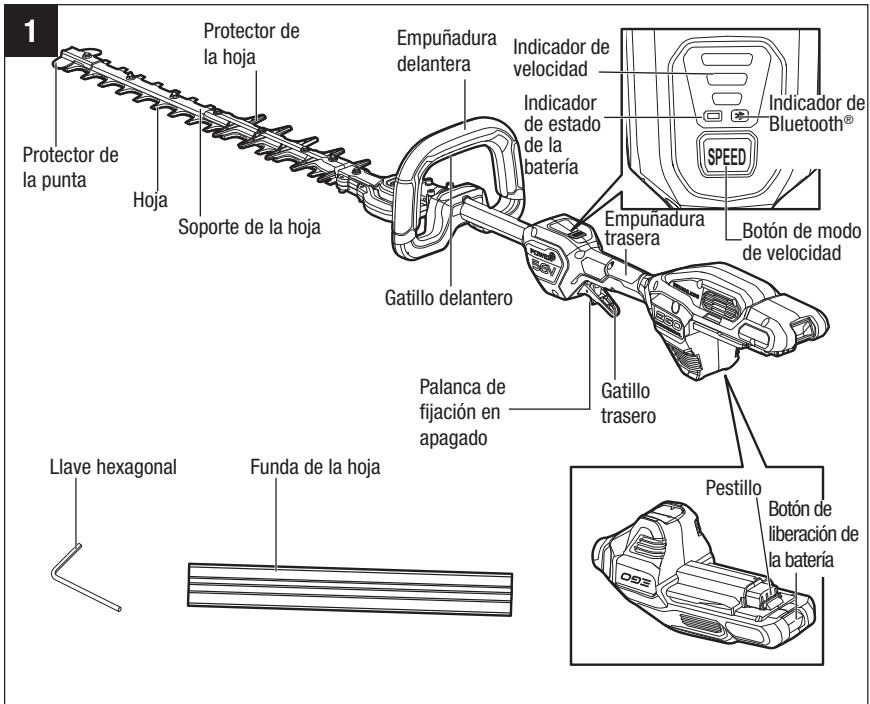
NOMBRE DE LA PIEZA	MODELO NÚMERO
Conjunto de hoja de orilladora de arbustos	AHB5300P

**NOTA:** Utilice solo hojas de repuesto EGO™ recomendadas. Este conjunto de hoja deberá ser instalado solo por distribuidores de servicio EGO autorizados o por técnicos de servicio calificados.

# DESCRIPCIÓN

## CONOZCA SU ORILLADORA DE ARBUSTOS (Fig. 1)

El uso seguro de este producto requiere entender la información que se encuentra en la máquina y en este manual del operador, así como tener conocimiento del proyecto que se esté intentando realizar. Antes de utilizar este producto, familiarícese con todas las características de funcionamiento y todas las normas de seguridad.



## **Empuñadura delantera**

Para controlar la máquina de manera fácil y segura.

## **Empuñadura trasera**

La empuñadura ergonómica con sobremoldura mejora la comodidad y el agarre.

## **Palanca de fijación en apagado**

Ayuda a prevenir la activación accidental o no autorizada del gatillo. Se debe mover hacia delante antes de presionar el gatillo trasero.

## **Gatillo delantero/gatillo trasero**

La orilladora de arbustos se puede arrancar solo si ambos gatillos (ubicados en las empuñaduras delantera y trasera) se presionan al mismo tiempo.

## **Hojas**

Hojas de acero endurecido para cortar arbustos y setos.

## **Soporte de la hoja (o riel)**

El soporte de la hoja, hecho de fibra de carbono, mejora la durabilidad.

## **Funda de la hoja**

La funda de la hoja impide que el operador entre en contacto con las hojas afiladas cuando la herramienta no se esté utilizando. También ayuda a evitar que las hojas se mellen o se dañen cuando la herramienta esté siendo transportada o esté almacenada.

## **Protector de la punta**

Protege la punta exterior de la hoja.

## **Botón de liberación de la batería**

Presiónelo para liberar el paquete de batería de la máquina.

## **Botón de modo de velocidad**

Cambia entre el modo de velocidad alta, intermedia o baja para las diferentes tareas que se vayan a realizar.

## **Indicador de estado de la batería**

Indica el nivel de carga del paquete de batería y el estado de funcionamiento de la batería.

## **Indicador de Bluetooth®**

Indicar la Bluetooth® estado de conexión.

**NOTA:** La marca denominativa y los logotipos Bluetooth® son marcas registradas pertenecientes a Bluetooth SIG, Inc., y cualquier uso de dichas marcas por EGO es bajo licencia.

## ENSAMBLAJE

**⚠ ADVERTENCIA :** Si alguna de las piezas está dañada o falta, no utilice este producto hasta que las piezas hayan sido reemplazadas. El uso de este producto con piezas dañadas o si le faltan piezas podría tener como resultado lesiones corporales graves.

**⚠ ADVERTENCIA :** No intente modificar este producto ni crear accesorios no recomendados para utilizarse con esta orilladora de arbustos. Cualquiera de dichas alteraciones o modificaciones constituye un uso incorrecto y podría provocar una situación peligrosa que cause posibles lesiones corporales graves.

**⚠ ADVERTENCIA :** Para prevenir arranques accidentales que podrían causar lesiones corporales graves, retire siempre el paquete de batería de la máquina cuando ensamble piezas.

## DESEMPAQUETADO

Este producto se ha enviado completamente ensamblado.

- Saque cuidadosamente el producto y todos los accesorios de la caja. Asegúrese de que todos los artículos indicados en la lista de empaquetamiento estén incluidos.
- Inspeccione minuciosamente la máquina para asegurarse de que no se hayan producido roturas o daños durante el envío.
- No deseche el material de empaquetamiento hasta que haya inspeccionado minuciosamente y utilizado satisfactoriamente la máquina.
- Si alguna de las piezas está dañada o falta, sírvase devolver el producto al lugar de compra.

## LISTA DE EMPAQUETAMIENTO

NOMBRE DE LA PIEZA	CANTIDAD
Orilladora de arbustos	1
Funda de la hoja	1
Llave hexagonal (4 mm)	1
Manual del operador	1

## UTILIZACIÓN

**⚠ ADVERTENCIA :** No deje que la familiaridad con este producto le haga descuidarse. Recuerde que una fracción de segundo de descuido es suficiente para causar lesiones graves.

**⚠ ADVERTENCIA :** Use siempre protección ocular que cumpla con la norma ANSI Z87.1 Si no se hace así, el resultado podría ser que se lancen objetos hacia los ojos del operador y otras posibles lesiones graves.

**⚠ ADVERTENCIA :** No utilice aditamentos o accesorios no recomendados por el fabricante de este producto. El uso de aditamentos o accesorios no recomendados puede tener como resultado lesiones corporales graves.

**⚠ ADVERTENCIA :** Para prevenir lesiones corporales graves, retire el paquete de batería de la máquina antes de hacer servicio de ajustes y reparaciones, realizar limpieza, cambiar aditamentos o retirar material de la unidad.

Antes de cada uso, inspeccione todo el producto para determinar si hay piezas dañadas, si faltan piezas o si hay piezas flojas, tales como tornillos, tuercas, pernos, tapas, etc. Apriete firmemente todos los sujetadores y todas las tapas y no utilice este producto hasta que todas las piezas que falten o que estén dañadas hayan sido reemplazadas.

## APLICACIÓN

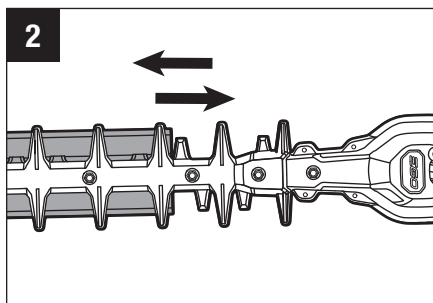
Usted puede utilizar este producto para orillar arbustos, setos y matorrales con un diámetro de rama de menos de 1,1 pulgadas (28 mm).

**NOTA:** La máquina se debe utilizar solo para su propósito previsto. Cualquier otro uso se considera un uso incorrecto.

## DESINSTALACIÓN/INSTALACIÓN DE LA FUNDA DE LA HOJA (Fig. 2)

**⚠ ADVERTENCIA :** Retire siempre el paquete de batería del producto cuando ensamble piezas, haga ajustes o realice limpieza, o cuando el producto no se esté utilizando.

**⚠ ADVERTENCIA :** Use siempre guantes cuando retire o instale la funda de la hoja. Tenga cuidado con la hoja y protéjase las manos para que la hoja no las lesione.



1. La orilladora de arbustos se envía con la funda de la hoja instalada. Antes de cada uso, deslice la funda de la hoja a lo largo del saliente de la hoja y retirela.
2. Después de utilizar la orilladora de arbustos y antes de almacenarla o transportarla, limpie la hoja y deslice la funda de la hoja sobre esta; cubra toda la longitud de la hoja y asegúrese de que el lado abierto esté orientado hacia arriba.

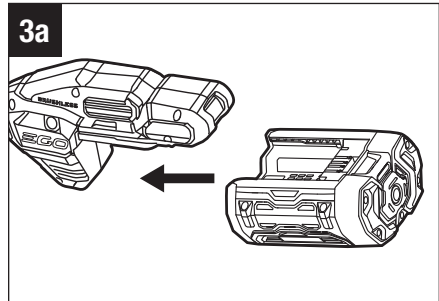


## INSTALACIÓN/DESINSTALACIÓN DEL PAQUETE DE BATERÍA

**NOTA:** Cargue completamente el paquete de batería antes del primer uso.

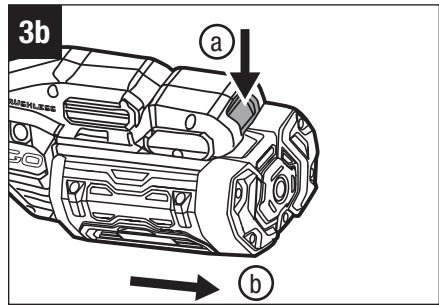
### Para instalar

Alinee las costillas de la batería con las ranuras de montaje ubicadas en el puerto de la batería de la máquina y deslice el paquete de batería hasta que se acople a presión en la posición correcta (Fig. 3a).



### Para desinstalar

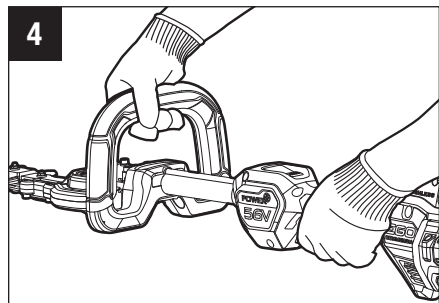
**⚠ ADVERTENCIA :** Esté atento siempre a la ubicación de los pies, los niños o los animales domésticos cuando presione el botón de liberación de la batería. Se podrían producir lesiones graves si el paquete de batería se cae. No retire NUNCA el paquete de batería en una ubicación elevada.



1. Presione el botón de liberación de la batería y el paquete de batería se desacoplará del pestillo (Fig. 3b).
2. Agarre el paquete de batería y retírelo de la máquina.

## CÓMO AGARRAR LA ORILLADORA DE ARBUSTOS (Fig. 4)

La unidad tiene empuñaduras tanto delantera como trasera. Con la hoja dirigida alejándose de usted, agarre la unidad por las dos empuñaduras. Una mano en la empuñadura trasera y la otra mano en el lado superior de la empuñadura delantera.



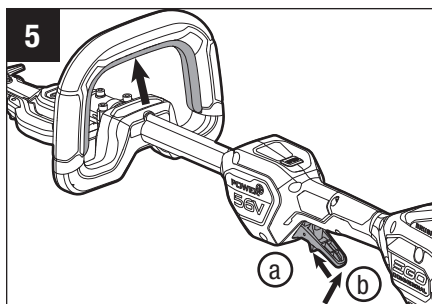
**⚠ ADVERTENCIA :** Mantenga siempre las dos manos en las empuñaduras de la orilladora de arbustos. No agarre nunca los setos con una mano y utilice la orilladora de arbustos con la otra mano. Si no se hace caso de esta advertencia, es posible que el resultado sea lesiones graves.

## ARRANQUE/PARADA DE LA ORILLADORA DE ARBUSTOS

Antes de utilizar la orilladora de arbustos, retire el protector de la hoja y agarre la orilladora con las dos manos, colocando una mano en la empuñadura trasera y la otra en la empuñadura delantera. Luego, compruebe que el apoyo de los pies sea equilibrado, que su posición sea de pie y erguida, y que la distancia de corte sea adecuada. Asegúrese de que la hoja de corte no esté tocando el piso ni otros objetos.

### Para arrancar la máquina (Fig. 5)

1. Instale el paquete de batería.
2. Apriete y mantenga apretado el gatillo delantero con una mano.
3. Mueva hacia delante la palanca de fijación en apagado y luego presione el gatillo trasero para arrancar la máquina con la otra mano. La velocidad de la orilladora de arbustos se controla con el gatillo trasero. Más presión en el gatillo produce una velocidad más alta; menos presión en el gatillo produce una velocidad más baja. Ajuste la velocidad para adaptarse a la tarea que se esté realizando.



**AVISO:** La orilladora de arbustos solo se puede arrancar si los gatillos delantero y trasero se presionan al mismo tiempo. Hay que presionar ambos gatillos para lograr un funcionamiento continuo de la orilladora de arbustos.

### Para detener la máquina

Mueva la máquina alejándola del área de corte y suelte cualquiera de los dos gatillos para detener la máquina.

**⚠ ADVERTENCIA :** Retire siempre el paquete de batería de la máquina durante las pausas de descanso del trabajo y después de acabar el trabajo.

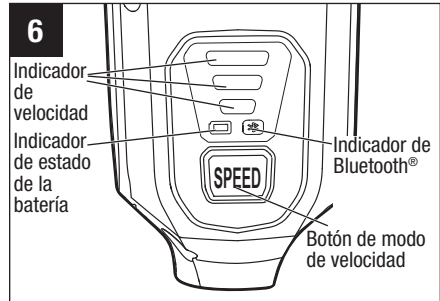
## CAMBIO DEL MODO DE VELOCIDAD (Fig. 6)

Esta máquina cuenta con tres modos de velocidad. El modo de velocidad cambiará con cada pulsación del botón de modo de velocidad.

El indicador de velocidad muestra el modo de velocidad activo: una luz para velocidad baja, dos luces para velocidad intermedia y tres luces para velocidad alta. El modo de velocidad baja proporciona un mejor control de la máquina y un tiempo de funcionamiento más prolongado por carga.










**AVISO:** El modo de velocidad se puede ajustar antes de encender la máquina O durante su utilización.

Cuando la máquina se reanque después de una pausa, el modo de velocidad regresará a la velocidad previa.



## INDICADOR DE ESTADO DE LA BATERÍA E INDICADOR DE VELOCIDAD (Fig. 6)

El indicador de estado de la batería muestra el nivel de carga y el estado de funcionamiento del paquete de batería, y el indicador de velocidad muestra el estado de funcionamiento de la máquina, tal y como se muestra en el cuadro que aparece a continuación. El indicador de estado de la batería y el indicador de velocidad se iluminarán al arrancar la máquina O al presionar el botón de modo de velocidad.

Luces indicadoras		Significado
Indicador de estado de la batería	Verde continuo	 Nivel de carga de la batería del 20% al 100%
	Verde parpadeante	 Nivel de carga de la batería del 10% al 20%
	Rojo continuo	 Nivel de carga de la batería de menos del 10%
	Rojo parpadeante	 La carga del paquete de batería está casi agotada y es necesario cargar inmediatamente dicho paquete.
	Naranja continuo	 El paquete de batería está sobrecalentado. Enfríe el paquete de batería hasta que la temperatura descienda por debajo de 152 °F (67 °C). Consulte " <b>Protección contra altas temperaturas de la batería</b> " más adelante.
	Rojo/verde parpadeante alternadamente	 Error del sistema electrónico del paquete de batería. Reemplace el paquete de batería o contacte a un centro de servicio al cliente de EGO. Consulte " <b>Protección contra errores del sistema electrónico de la batería</b> " más adelante.
Indicador de velocidad (la ilustración muestra la velocidad alta)	Verde continuo	 La máquina está funcionando correctamente.
	Naranja continuo	 La máquina está sobrecalentada. Enfríe la máquina hasta que la temperatura descienda por debajo de 176 °F (80 °C). Consulte " <b>Protección contra altas temperaturas de la máquina</b> " más adelante.
	Naranja parpadeante	 La máquina está sobrecargada. Consulte " <b>Protección contra sobrecargas de la máquina</b> " más adelante.

## **Protección contra altas temperaturas de la batería**

Si la temperatura de la batería excede 158 °F (70 °C) durante la utilización de la máquina, el circuito de protección contra altas temperaturas apagará inmediatamente la máquina para proteger el paquete de batería contra daños por sobrecalentamiento. El indicador de estado de la batería se iluminará en naranja continuo. Suelte el gatillo y espere hasta que la batería sobrecalentada se enfríe y el indicador se ponga verde, y luego rearranque la máquina.

## **Protección contra errores del sistema electrónico de la batería**

Cuando se produzca un error del sistema electrónico del paquete de batería, el indicador de estado de la batería parpadeará en rojo/verde alternadamente y la máquina se apagará en 3 segundos. Reemplace el paquete de batería o contacte a un centro de servicio al cliente de EGO.

## **Protección contra sobrecargas de la máquina**


Esta máquina cuenta con protección de circuitos contra sobrecargas incorporada. Cuando la máquina esté sobrecargada, el motor se detendrá y el indicador de estado de la batería parpadeará en naranja. Retire el paquete de batería de la máquina y luego reinstálelo y rearranque la máquina. Reduzca la carga de trabajo de la máquina, evite cortar demasiado a la vez o un grosor de corte de tamaño demasiado grande, o cortar en arbustos pesados/leñosos.

## **Protección contra altas temperaturas de la máquina**

Si la temperatura de la máquina excede 194 °F (90 °C) durante su utilización, el circuito de protección contra altas temperaturas apagará inmediatamente la máquina para prevenir daños por sobrecalentamiento. El indicador de velocidad se iluminará en naranja continuo. Suelte el gatillo y espere hasta que la máquina sobrecalentada se enfríe y el indicador de velocidad se ponga verde, y luego rearranque la máquina.

## **TECNOLOGÍA INALÁMBRICA BLUETOOTH®**

Los productos con tecnología inalámbrica Bluetooth® incorporada se pueden conectar a dispositivos móviles. Sírvase visitar [www.egopowerplus.com/commercial](http://www.egopowerplus.com/commercial) para obtener instrucciones sobre cómo utilizar la función Bluetooth®.

El símbolo de Bluetooth®  se iluminará cuando la máquina se conecte al dispositivo móvil del operador.

## UTILIZACIÓN DE LA ORILLADORA DE ARBUSTOS

**⚠ PELIGRO :** Si la hoja se atora en cualquier cable eléctrico o línea eléctrica, **¡NO TOQUE LAS HOJAS! ESTAS PUEDEN TENER CORRIENTE ELÉCTRICA Y SER MUY PELIGROSAS.** Continúe agarrando la orilladora de arbustos por la empuñadura trasera con aislamiento o déjela en algún lugar alejado de usted de manera segura. Desconecte el servicio eléctrico a la línea o al cable dañados antes de intentar liberar las hojas de la línea o del cable.

Si no se sigue esta advertencia, el resultado será lesiones corporales graves o posible muerte.

**⚠ ADVERTENCIA :** Si alguna de las piezas está dañada, falta o está rota, no utilice la orilladora hasta que las piezas hayan sido reemplazadas. Si no se hace así, el resultado podría ser lesiones corporales posiblemente graves.

**⚠ ADVERTENCIA :** Para prevenir lesiones corporales graves, utilice siempre tanto la empuñadura delantera como la empuñadura trasera para agarrar la orilladora de arbustos durante su utilización.

**⚠ ADVERTENCIA :** Para prevenir lesiones corporales graves, mantenga las manos alejadas de las hojas. No intente retirar material cortado ni agarrar el material que se vaya a cortar cuando las hojas se estén moviendo. Asegúrese de que las hojas se hayan detenido por completo y que el paquete de batería se haya retirado antes de liberar material atorado de las hojas. No agarre las hojas ni los bordes de corte que estén al descubierto cuando levante o agarre la unidad.

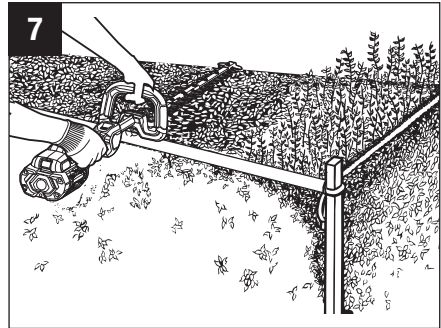
**⚠ ADVERTENCIA :** Despeje el área que se vaya a cortar antes de cada uso. Retire todos los objetos, tales como cables, luces, alambres o cordeles, que se puedan enganchar en la hoja de corte y crear un riesgo de lesiones corporales graves.

- Antes de arrancar la orilladora de arbustos, mantenga un apoyo de los pies y un equilibrio adecuados y no intente alcanzar demasiado lejos. No utilice la orilladora en un árbol, subido a una escalera de mano, desde un tejado o en cualquier soporte inestable. Use anteojos de seguridad, calzado antideslizante y guantes de caucho. Agarre la unidad con las dos manos, con la hoja de corte dirigida alejándose de usted.
- No orille demasiado a la vez. Esto puede hacer que las hojas se atoren y pierdan velocidad, con lo cual se reducirá la eficacia de corte.
- No fuerce la orilladora de arbustos a través de arbustos gruesos. Esto puede hacer que las hojas se atoren y pierdan velocidad. Si las hojas pierden velocidad, reduzca el ritmo de su trabajo.

- Cuando orille brotes nuevos, utilice una acción de barrido ancho, para que los tallos se hagan avanzar directamente hacia la hoja de corte. Los brotes más viejos tendrán tallos más gruesos y se orillarán de la manera más fácil posible utilizando un movimiento hacia detrás y hacia delante.
- Corte siempre tallos o ramitas que midan menos de 1,1 pulgadas (28 mm) de grosor. Utilice una sierra de mano o una sierra podadora no eléctricas para orillar los tallos grandes.

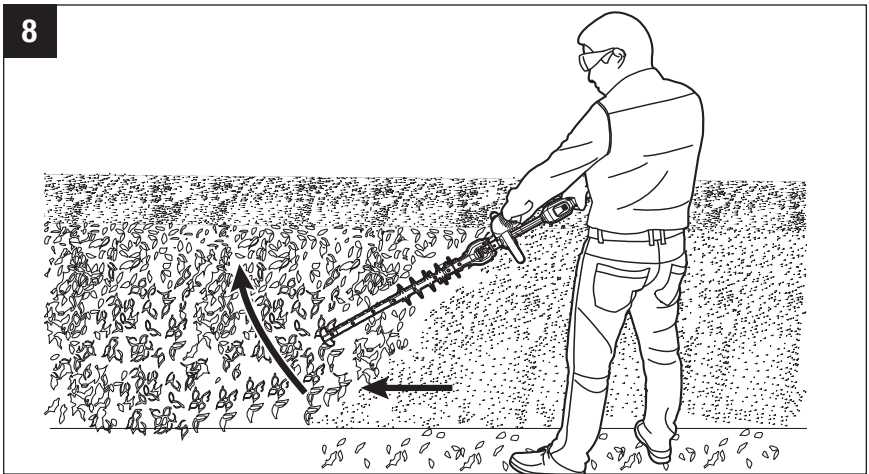
## CORTE SUPERIOR

Utilice un movimiento de barrido ancho. Una ligera inclinación hacia abajo de las hojas de corte en el sentido de movimiento produce los mejores resultados de corte. Para lograr un mejor efecto de corte, usted puede utilizar un cordel para guiar el nivel del arbusto (Fig. 7).



## CORTE LATERAL

Cuando orille los lados del arbusto, comience en la parte inferior y corte hacia arriba (Fig. 8). Orille el lado de un arbusto de manera que sea ligeramente más estrecho en la parte superior. Esta forma expondrá mayor cantidad de arbusto a la luz solar, lo cual tendrá como resultado un crecimiento más uniforme.



## MANTENIMIENTO

**⚠ ADVERTENCIA :** Cuando haga servicio de ajustes y reparaciones, utilice únicamente piezas de repuesto idénticas. El uso de cualquier otra pieza podría crear un peligro o causar daños al producto. Para garantizar la seguridad y la confiabilidad, todas las reparaciones deberán ser realizadas por un técnico de servicio calificado.

**⚠ ADVERTENCIA :** Para evitar lesiones corporales graves, retire siempre el paquete de batería del producto cuando realice limpieza o haga cualquier mantenimiento.

### LIMPIEZA

- Utilice un cepillo blando para retirar los residuos de todas las entradas de aire y de la hoja de corte.
- Para retirar resina y otros residuos pegajosos, rocíe las hojas con solvente de resina. Tenga en funcionamiento brevemente el motor para que el solvente se distribuya uniformemente y luego limpie la superficie con un paño seco.

**⚠ ADVERTENCIA :** No utilice nunca agua para limpiar la orilladora. Evite utilizar solventes cuando limpie piezas de plástico. La mayoría de los plásticos son susceptibles de sufrir daños causados por diversos tipos de solventes comerciales. Use paños limpios para retirar la suciedad, el polvo, el aceite, la grasa, etc.

### AFILADO DE LAS HOJAS

Cuando el rendimiento y el comportamiento de corte comiencen a deteriorarse, reafile las hojas. Se recomienda que las hojas sean reafiladas por un técnico de servicio calificado.

**AVISO:** No utilice la orilladora de arbustos con hojas desafiladas o dañadas. Es posible que esto cause sobrecarga y con ello dé unos resultados de corte insatisfactorios.



## LUBRICACIÓN DE LAS HOJAS (Fig. 9)

Para obtener el mejor funcionamiento y una vida útil más larga de las hojas, lubrique las hojas de la orilladora de arbustos con aceite ligero para máquinas antes y después de cada uso.

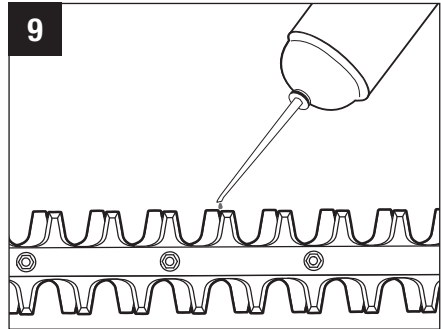
1. Retire el paquete de batería de la orilladora de arbustos.

2. Acueste la orilladora de arbustos sobre una superficie plana. Aplique un poco de aceite ligero para máquinas a lo largo del borde de las hojas superiores. Si va a utilizar la orilladora de arbustos durante un período de tiempo prolongado, es aconsejable hacer una pausa, retirar la batería y engrasar las hojas con aceite.

Si las hojas superiores están completamente alineadas con las inferiores, arranque la orilladora de arbustos y luego deténgala para alternar las hojas antes de realizar la lubricación.

**⚠ ADVERTENCIA :** No lubrique las hojas mientras la orilladora de arbustos esté en funcionamiento.

**⚠ ADVERTENCIA :** Las hojas están afiladas. Cuando maneje el ensamblaje de la hoja, use guantes protectores gruesos antideslizantes. No ponga la mano ni los dedos entre las hojas o en ninguna posición en la que podrían resultar aplastados o cortados. No toque NUNCA las hojas ni haga servicio de ajustes y reparaciones de la unidad con el paquete de batería instalado.



## LUBRICACIÓN DE LOS ENGRANAJES DE TRANSMISIÓN

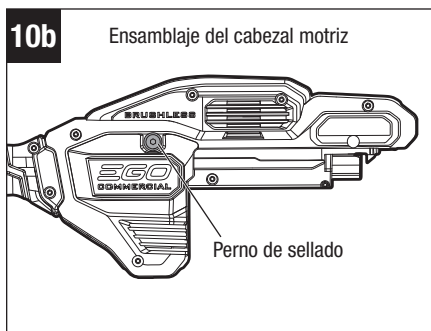
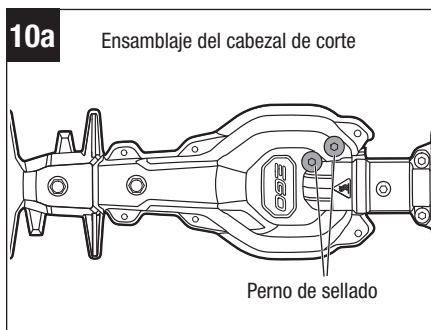
Los engranajes de transmisión ubicados en los ensamblajes del cabezal de corte y del cabezal motriz necesitan ser lubricados periódicamente con grasa para engranajes. Compruebe el nivel de grasa de la caja de engranajes aproximadamente cada 50 horas de funcionamiento retirando los pernos de sellado. Hay tres pernos de sellado: dos en el ensamblaje del cabezal de corte (Fig. 10a) y uno en el ensamblaje del cabezal motriz (Fig. 10b).

Si no se puede ver grasa en los lados del engranaje, siga los pasos que se indican a continuación para llenar la caja de engranajes con grasa para engranajes hasta 3/4 de su capacidad. No llene completamente la caja de engranajes de transmisión.

1. Dependiendo de qué perno esté retirando, acueste la orilladora de arbustos sobre su parte posterior o sosténgala sobre un lado de manera que el perno de sellado que se vaya a retirar esté orientado hacia arriba (Fig. 10a y 10b).
2. Utilice la llave hexagonal incluida para aflojar y retirar el perno de sellado.
3. Utilice una pistola engrasadora (no incluida) para inyectar un poco de grasa en el agujero para el perno. No exceda 3/4 de la capacidad.
4. Apriete el perno (los pernos) de sellado después de la inyección.

La grasa deberá cumplir con los siguientes requisitos:

- Penetración de grado NLGI: NLGI-2;
- Tipo de espesante: Poliurea;
- Intervalo de temperatura de funcionamiento recomendado: -40 a 356 °F (-40 a 180 °C);



- Además de lo anterior, la grasa también deberá ser estable al cizallamiento con excepcionales características de resistencia a la presión y excelentes propiedades antidesgaste, así como una estabilidad perfecta a la oxidación.

## **TRANSPORTE Y ALMACENAMIENTO**

- Retire la batería de la cortadora de orillas.
- Coloque siempre la funda de la hoja sobre la hoja antes de almacenar o transportar la orilladora de arbustos. Tenga precaución para evitar los dientes afilados de la hoja.
- Limpie minuciosamente la orilladora de arbustos antes de almacenarla.
- Almacene la orilladora de arbustos en un lugar interior seco que sea inaccesible para los niños.
- Mantenga la unidad alejada de los agentes corrosivos, tales como productos químicos de jardín y sales anticongelantes.

## RESOLUCIÓN DE PROBLEMAS

PROBLEMA	CAUSA	SOLUCIÓN
La orilladora de arbustos no funciona.	<ul style="list-style-type: none"> <li>■ El paquete de batería no está instalado en la orilladora de arbustos.</li> <li>■ No hay contacto eléctrico entre la orilladora de arbustos y el paquete de batería.</li> <li>■ La carga del paquete de batería está agotada.</li> <li>■ El paquete de batería está demasiado caliente. Consulte el capítulo "<b>Protección contra altas temperaturas de la batería</b>".</li> <li>■ La orilladora de arbustos está demasiado caliente. Consulte el capítulo "<b>Protección contra altas temperaturas de la máquina</b>".</li> <li>■ Los gatillos delantero y trasero no se presionan simultáneamente.</li> <li>■ La hoja está atorada.</li> <li>■ El paquete de batería tiene un error del sistema electrónico. Consulte el capítulo "<b>Protección contra errores del sistema electrónico de la batería</b>".</li> </ul>	<ul style="list-style-type: none"> <li>■ Instale el paquete de batería en la orilladora de arbustos.</li> <li>■ Retire la batería, compruebe los contactos y reinstale el paquete de batería.</li> <li>■ Cargue el paquete de batería.</li> <li>■ Retire el paquete de batería y enfríe la orilladora de arbustos hasta que la temperatura descienda por debajo de 152 °F (67 °C).</li> <li>■ Retire el paquete de batería y enfríe la orilladora de arbustos hasta que la temperatura descienda por debajo de 176 °F (80 °C).</li> <li>■ Presione y mantenga presionado primero el gatillo delantero, mueva hacia delante la palanca de fijación en apagado y luego presione el gatillo trasero.</li> <li>■ Retire el paquete de batería de la orilladora de arbustos, retire cuidadosamente la obstrucción y luego reinstale el paquete de batería y re arranque la máquina.</li> <li>■ Reemplace el paquete de batería o contacte al centro de servicio al cliente de EGO.</li> </ul>

PROBLEMA	CAUSA	SOLUCIÓN
<p>Vibración o ruido excesivos.</p>	<ul style="list-style-type: none"> <li>■ Hojas secas o corroídas.</li> <li>■ La hoja o el soporte de la hoja están doblados.</li> <li>■ Dientes doblados o dañados.</li> <li>■ Pernos de la hoja flojos.</li> </ul>	<ul style="list-style-type: none"> <li>■ Lubrique las hojas, siguiendo las instrucciones de la sección <b>“LUBRICACIÓN DE LAS HOJAS”</b> de este manual.</li> <li>■ Reemplace la hoja o el soporte por una hoja nueva o un soporte nuevo. Contacte al centro de servicio EGO para obtener un reemplazo de la hoja o del soporte de la hoja.</li> <li>■ Reemplace la hoja por una hoja nueva. Contacte al centro de servicio EGO para obtener un reemplazo de la hoja.</li> <li>■ Apriete los pernos de la hoja. Utilice una llave de tuerca ajustable y la llave hexagonal incluida para apretar los pernos de la hoja en el sentido de las agujas del reloj.</li> </ul>

# GARANTÍA LIMITADA DE EGO

## TÉRMINOS Y DURACIÓN DE LA PÓLIZA DE GARANTÍA

Chervon North America, Inc. (“Chervon North America”), proporciona la siguiente Garantía Limitada para los productos EGO al comprador original de productos EGO.

El período de garantía detallado de cada producto EGO se puede encontrar en línea en <http://egopowerplus.com/warranty-policy>.

**Sírvase contactar a Servicio al Cliente de EGO llamando gratis al 1-855-EGO-5656** en cualquier momento en que tenga preguntas o reclamos de garantía, o si desea obtener una copia impresa de la garantía.

## GARANTÍA LIMITADA DE SERVICIO

Los productos EGO están garantizados contra defectos de material o de fabricación a partir de la fecha de compra minorista original durante el período de garantía aplicable. Para cualquier reclamo de garantía presentado de manera adecuada y oportuna, si Chervon North America determina que un producto presenta algún defecto durante el período de garantía, dicho producto recibirá una reparación o un remplazo gratuitos, según lo determine Chervon North America.

## CÓMO OBTENER SERVICIO

Para obtener servicio de garantía, dentro del período de garantía aplicable, sírvase contactar a servicio al cliente de EGO llamando gratis al **1-855-EGO-5656**. Cuando solicite servicio de garantía, deberá presentar el recibo de venta fechado original. Se seleccionará un centro de servicio autorizado para evaluar y reparar el producto si el mismo presenta algún defecto de acuerdo con los términos establecidos en la garantía. Cuando lleve su producto al centro de servicio autorizado, es posible que se requiera un pequeño depósito cuando deje allí su herramienta. Este depósito es reembolsable cuando se considere que el servicio de reparaciones esté cubierto bajo garantía.

## LIMITACIONES Y EXCLUSIONES ADICIONALES

Esta garantía limitada se aplica solo al comprador original que realice la compra a un minorista EGO autorizado y no es transferible. Los productos EGO no serán considerados defectuosos, y esta garantía no se aplicará, en los casos en que el

defecto por el que se presente el reclamo sea atribuible a cualquier causa que no sean los defectos definidos anteriormente en este documento. Esta garantía quedará anulada si el producto se ha utilizado para fines de alquiler. Esta garantía no se aplicará a daños causados por accidente, abuso, uso incorrecto, alteración, modificación, reparación no autorizada, contacto con líquidos, incendio, terremoto u otra causa externa; utilización del producto sin seguir las instrucciones, especificaciones o pautas de EGO; o no hacer servicio de ajustes y reparaciones o no mantener adecuadamente el producto. Esta garantía tampoco se aplica a los daños cosméticos, incluyendo, pero sin limitarse a ello, rasguñaduras o abolladuras; defectos causados por el desgaste por el uso normal o defectos que de alguna otra manera se deban al envejecimiento normal del producto.

ESTA GARANTÍA EXPRESA SE DA EN LUGAR DE TODAS LAS DEMÁS GARANTÍAS, EXPRESAS O IMPLÍCITAS, INCLUYENDO, PERO SIN LIMITARSE A ELLO, TODAS LAS GARANTÍAS DE COMERCIABILIDAD O IDONEIDAD PARA UN PROPÓSITO O USO ESPECÍFICO, LAS CUALES QUEDAN EXCLUIDAS. Todas las garantías implícitas, incluyendo las garantías de comerciabilidad o idoneidad para un propósito específico, que no se puedan excluir bajo la ley estatal, están limitadas al período de garantía aplicable definido al comienzo de este artículo. El remedio único y exclusivo en conexión con la compra, instalación, uso y/o rendimiento de los productos EGO es la reparación o el reemplazo del producto tal y como lo determine Chervon North America. La responsabilidad máxima de North America no excederá en ningún caso el precio de compra pagado por el producto. CHERVON NORTH AMERICA NO SERÁ RESPONSABLE ANTE EL USUARIO NI ANTE NADIE MÁS POR DAÑOS EMERGENTES, INCIDENTALES, ESPECIALES, EJEMPLARES, INDIRECTOS O PUNITIVOS QUE SURJAN DEL USO DE LOS PRODUCTOS, INCLUYENDO, PERO SIN LIMITARSE A ELLO, LESIONES CORPORALES, MUERTE, DAÑOS MATERIALES, GANANCIAS PERDIDAS U OTROS PERJUICIOS ECONÓMICOS. Esta garantía le confiere a usted derechos legales específicos y es posible que usted tenga también otros derechos que varían de un estado a otro. Algunos estados no permiten limitaciones en cuanto a la duración de una garantía implícita, la exclusión o limitación de los daños incidentales o emergentes, o las limitaciones al tiempo para emprender ciertas acciones legales, por lo que las limitaciones contenidas en el presente documento no se aplican a los consumidores individuales de esos estados.

Esta garantía está sujeta a la ley de Michigan y se interpretará de acuerdo con dicha ley, con independencia de los principios sobre conflictos de leyes. No se emprenderá ninguna acción legal contra Chervon North America a menos que se presente dentro



del plazo de un (1) año después de que se tenga conocimiento de la base de dicha acción legal o de la cual se debiera haber tenido conocimiento con el ejercicio de una diligencia razonable. Se considerará que se ha renunciado a cualquier acción legal que no se presente oportunamente.

Para obtener servicio al cliente, contáctenos llamando gratis al **1-855-EGO-5656** o en **EGOPOWERPLUS.COM**.

EGO Customer Service,  
769 Seward Ave. NW, Suite 102,  
Grand Rapids, Michigan 49504.