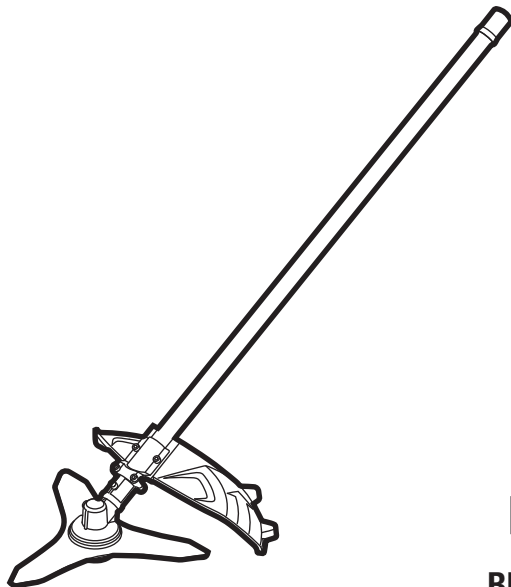


EGO™

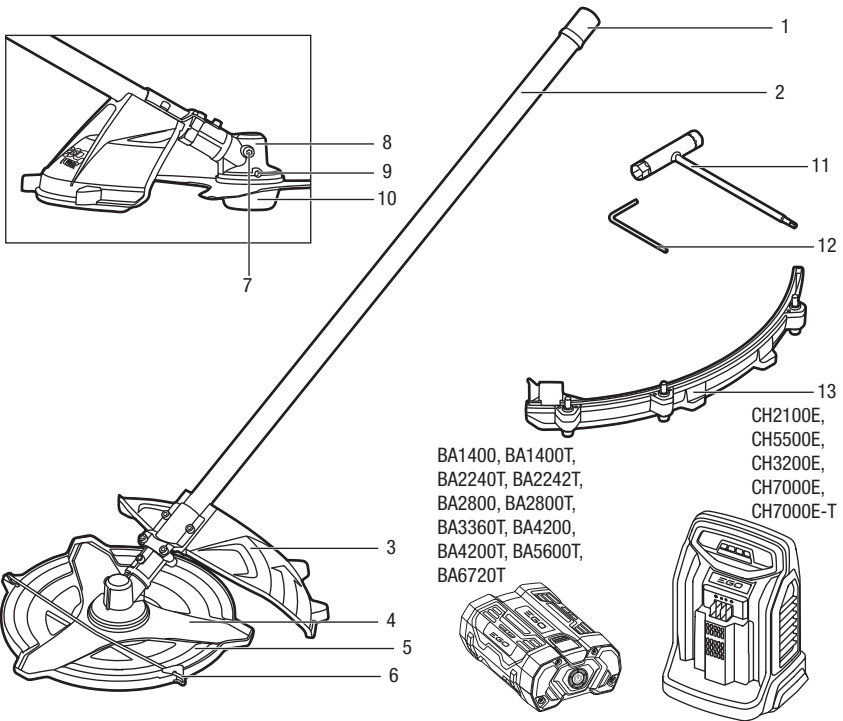
POWER⁺ BRUSH CUTTER ATTACHMENT

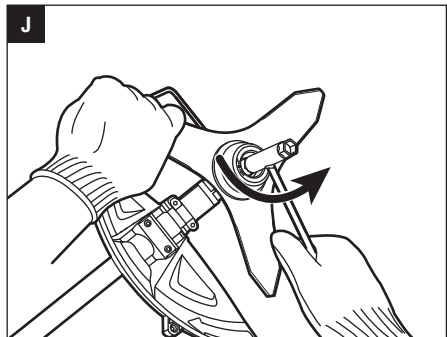
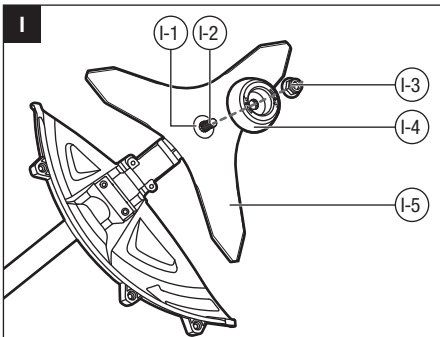
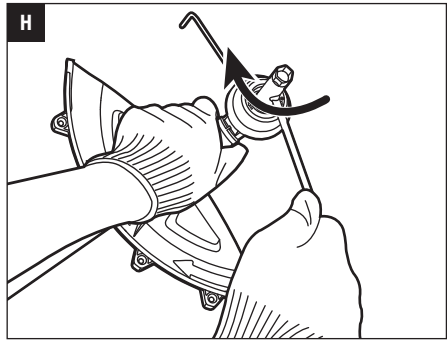
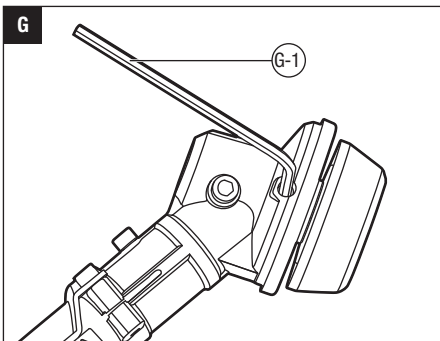
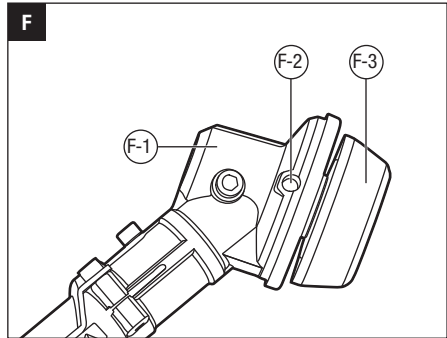
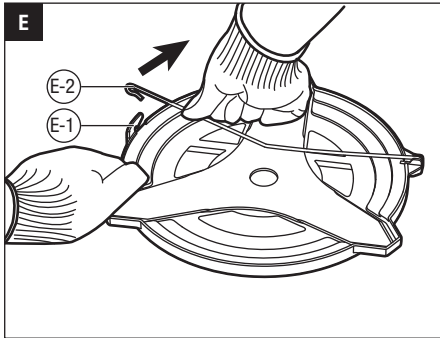
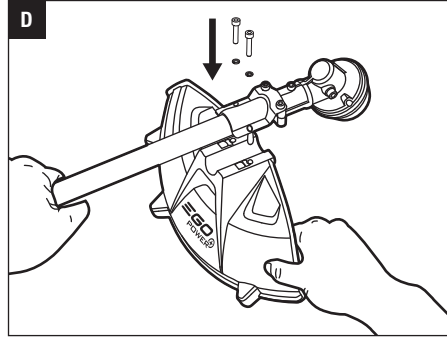
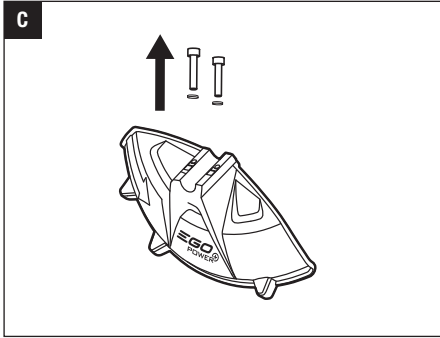


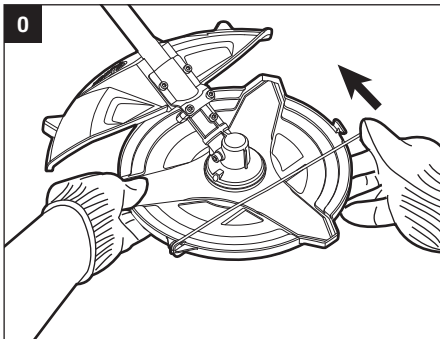
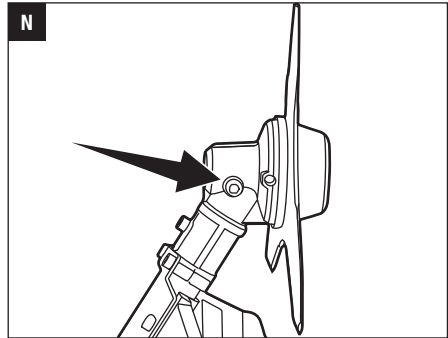
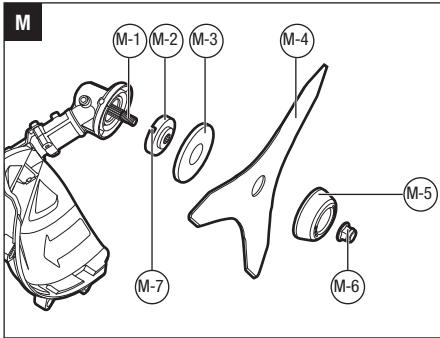
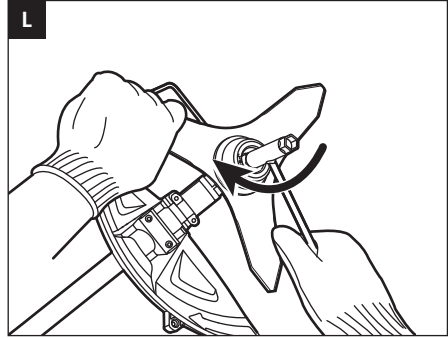
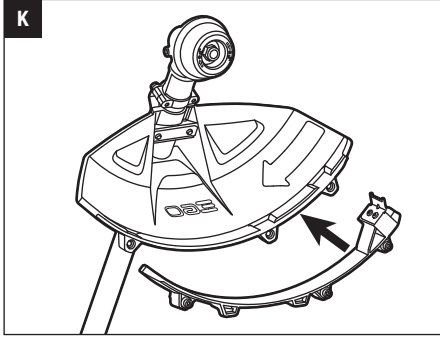
BCA1200 BRUSH CUTTER ATTACHMENT

FOR USE ONLY WITH THE 56V LITHIUM-ION POWER HEAD PH1400E/PH1420E/PHX1600

EN	Brush cutter attachment	5	HU	Fűkasza alkatrész	163
DE	Gestrüppschneideraufsatz	15	RO	Accesoriu trimmer pentru tufişuri	173
FR	Accessoire pour Débroussaillouse	26	SL	Priključek z obrezovalnikom grmičevja	184
ES	Herramienta desbrozadora	37	LT	Krūmapjovės priedas	194
PT	Acessório de roçadeira	48	LV	Krūmgrieža pierīce	204
IT	Accessorio decespugliatore a lama	58	GR	Προσάρτημα θάμνοκοπτικού	214
NL	Multitool bosmaaier accessoire	69	TR	Çalılı kesici aksesuarı	226
DK	Buskryddertilbehør	80	ET	Tarvik: võsalõikur	236
SE	Tillsats för busktrimmer	90	UK	Насадка-кущоріз	246
FI	Raivaussahalisäosa	100	BG	Приставка храсторез	257
NO	Vegetasjonssklipper	110	HR	Priključak čistača šikare	268
RU	Насадка кустореза	120	KA	მისამაგრებელი ბუჩქის საკრეჭი	278
PL	Końcówka kosa do zarośli	132	SR	Dodatak motorne kose	293
CZ	Nástavec na křovinorez	143	BS	Priključak čistača šikare	303
SK	Nástavec na křovinorez	153	HE	אביזר גוזם מברשת	331
			AR	ملح قاطع الأغصان	322

A**B**





READ ALL INSTRUCTIONS!



READ OPERATOR'S MANUAL

WARNING: To ensure safety and reliability, all repairs and replacements should be performed by a qualified service technician.

SAFETY SYMBOLS

The purpose of safety symbols is to attract your attention to possible dangers. The safety symbols and the explanations with them deserve your careful attention and understanding. The symbol warnings do not, by themselves, eliminate any danger. The instructions and warnings they give are no substitutes for proper accident prevention measures.

WARNING: Be sure to read and understand all safety instructions in this Operator's Manual, including all safety alert symbols such as "**DANGER**," "**WARNING**," and "**CAUTION**" before using this tool. Failure to follow all instructions listed below may result in electric shock, fire, and/or serious personal injury.

SYMBOL MEANING

SAFETY ALERT SYMBOL: Indicates **DANGER**, **WARNING**, OR **CAUTION**. May be used in conjunction with other symbols or pictographs.





WARNING: The operation of any power tools can result in foreign objects being thrown into your eyes, which can result in severe eye damage. Before beginning power tool operation, always wear safety goggles or safety glasses with side shields and a full face shield when needed. We recommend a Wide Vision Safety Mask for use over eyeglasses or standard safety glasses with side shields.

SAFETY INSTRUCTIONS

This page depicts and describes safety symbols that may appear on this product. Read, understand, and follow all instructions on the machine before attempting to assemble and operate it.

	Safety Alert	Indicates a potential personal injury hazard.
	Read Operator's Manual	To reduce the risk of injury, user must read the operator's manual.
	Wear Eye Protection	Always wear safety goggles or safety glasses with side shields and a full face shield when operating this product.
	Wear Ear Protection	Always wear sound barriers (ear plugs or ear muffs) to protect your hearing.
	Wear Head Protection	Wear an approved safety hard hat to protect your head.
	Wear Protective Gloves	Protect your hands with gloves when handling saw and saw chain. Heavy-duty, nonslip gloves improve your grip and protect your hands.
	Wear Safety Footwear	Wear non-slip safety footwear when using this equipment.
	Cutting Width	The Max. cutting width of brush cutter
	Beware of blade thrust	Warn the operator of the danger of blade thrust.
	Keep Bystanders Away	The distance between the machine and bystanders shall be at least 15 m.
	Beware of thrown objects	Thrown objects can ricochet and result in personal injury or property damage.
	Disconnect battery before maintenance.	Disconnect the battery pack from the line trimmer before carrying out maintenance or cleaning work.
	CE	This product is in accordance with applicable EC directives.
	UKCA	This product is in accordance with applicable UK legislation.

	WEEE	Waste electrical products should not be disposed of with household waste. Take to an authorized recycler.
	Noise	Guaranteed sound power level. Noise emission to the environment according to the European community's Directive.
V	Volt	Voltage
mm	Millimeter	Length or size
cm	Centimeter	Length or size
kg	Kilogram	Weight
n_0	No Load Speed	Rotational speed, at no load
min ⁻¹	Per Minute	Revolutions per minute

GENERAL MACHINE SAFETY WARNINGS

⚠ WARNING! Read all safety warnings, instructions, illustrations and specifications provided with this machine. Failure to follow all instructions listed below may result in electric shock, fire and/or serious injury.

SAVE ALL WARNINGS AND INSTRUCTIONS FOR FUTURE REFERENCE.

The term "machine" in the warnings refers to your mains-operated (corded) machine or battery-operated (cordless) machine.

WORK AREA SAFETY

- **Keep work area clean and well lit.** Cluttered or dark areas invite accidents.
- **Do not operate machines in explosive atmospheres, such as in the presence of flammable liquids, gases or dust.** Machines create sparks which may ignite the dust or fumes.
- **Keep children and bystanders away while operating a machine.** Distractions can cause you to lose control.

ELECTRICAL SAFETY

- **Machine plugs must match the outlet. Never modify the plug in any way. Do not use any adapter plugs with earthed (grounded) machines.** Unmodified plugs and matching outlets will reduce risk of electric shock.

- **Avoid body contact with earthed or grounded surfaces, such as pipes, radiators, ranges and refrigerators.** There is an increased risk of electric shock if your body is earthed or grounded.
- **Do not operate the machine in rain or wet conditions.** Water entering the machine may increase the risk of electric shock or malfunction that could result in personal injury.
- **Do not abuse the cord. Never use the cord for carrying, pulling or unplugging the machine. Keep cord away from heat, oil, sharp edges or moving parts.** Damaged or entangled cords increase the risk of electric shock.
- **When operating a machine outdoors, use an extension cord suitable for outdoor use.** Use of a cord suitable for outdoor use reduces the risk of electric shock.
- **If operating a machine in a damp location is unavoidable, use a ground fault circuit interrupter (GFCI) protected supply.** Use of a GFCI reduces the risk of electric shock.

PERSONAL SAFETY

- **Stay alert, watch what you are doing and use common sense when operating a machine. Do not use a machine while you are tired or under the influence of drugs, alcohol or medication.** A moment of inattention while operating machines may result in serious personal injury.
- **Use personal protective equipment. Always wear eye protection.** Protective equipment such as a dust mask, non-skid safety shoes, hard hat or hearing protection used for appropriate conditions will reduce personal injuries.
- **Prevent unintentional starting. Ensure the switch is in the off-position before connecting to power source and/or battery pack, picking up or carrying the machine.** Carrying machines with your finger on the switch or energizing machines that have the switch on invites accidents.
- **Remove any adjusting key or wrench before turning the machine on.** A wrench or a key left attached to a rotating part of the machine may result in personal injury.
- **Do not overreach. Keep proper footing and balance at all times.** This enables better control of the machine in unexpected situations.
- **Dress properly. Do not wear loose clothing or jewelry. Keep your hair and clothing away from moving parts.** Loose clothes, jewelry or long hair can be caught in moving parts.

- **If devices are provided for the connection of dust extraction and collection facilities, ensure these are connected and properly used.** Use of dust collection can reduce dust-related hazards.
- **Do not let familiarity gained from frequent use of machines allow you to become complacent and ignore machine safety principles.** A careless action can cause severe injury within a fraction of a second.

MACHINE USE AND CARE

- **Do not force the machine. Use the correct machine for your application.** The correct machine will do the job better and safer at the rate for which it was designed.
- **Do not use the machine if the switch does not turn it on and off.** Any machine that cannot be controlled with the switch is dangerous and must be repaired.
- **Disconnect the plug from the power source and/or remove the battery pack, if detachable, from the machine before making any adjustments, changing accessories, or storing machines.** Such preventive safety measures reduce the risk of starting the machine accidentally.
- **Store idle machines out of the reach of children and do not allow persons unfamiliar with the machine or these instructions to operate the machine.** Machines are dangerous in the hands of untrained users.
- **Maintain machines and accessories. Check for misalignment or binding of moving parts, breakage of parts and any other condition that may affect the machine's operation. If damaged, have the machine repaired before use.** Many accidents are caused by poorly maintained machines.
- **Keep cutting machines sharp and clean.** Properly maintained cutting machines with sharp cutting edges are less likely to bind and are easier to control.
- **Use the machine, accessories and machine bits etc. in accordance with these instructions, taking into account the working conditions and the work to be performed.** Use of the machine for operations different from those intended could result in a hazardous situation.
- **Keep handles and grasping surfaces dry, clean and free from oil and grease.** Slippery handles and grasping surfaces do not allow for safe handling and control of the machine in unexpected situations.

BATTERY MACHINE USE AND CARE

- **Recharge only with the charger specified by the manufacturer.** A charger that is suitable for one type of battery pack may create a risk of fire when used with another battery pack.
- **Use machines only with specifically designated**

battery packs. Use of any other battery packs may create a risk of injury and fire.

- **When battery pack is not in use, keep it away from other metal objects, like paper clips, coins, keys, nails, screws or other small metal objects, that can make a connection from one terminal to another.** Shorting the battery terminals together may cause burns or a fire.
- **Under abusive conditions, liquid may be ejected from the battery; avoid contact. If contact accidentally occurs, flush with water. If liquid contacts eyes, additionally seek medical help.** Liquid ejected from the battery may cause irritation or burns.
- **Do not use a battery pack or machine that is damaged or modified.** Damaged or modified batteries may exhibit unpredictable behavior resulting in fire, explosion or risk of injury.
- **Do not expose a battery pack or machine to fire or excessive temperature.** Exposure to fire or temperature above 130 °C may cause explosion.
- **Follow all charging instructions and do not charge the battery pack or machine outside the temperature range specified in the instructions.** Charging improperly or at temperatures outside the specified range may damage the battery and increase the risk of fire.

⚠ WARNING: Read all safety warnings, instructions, illustrations and specifications provided with this power tool. Failure to follow all instructions listed below may result in electric shock, fire and/or serious injury. Save all warnings and instructions for future reference.

Save all warnings and instructions for future reference.

TRAINING

- Read the instructions carefully. Be familiar with the controls and the proper use of the machine.
- Never allow people unfamiliar or children with these instructions to use the appliance. Local regulations can restrict the age of the operator.
- Keep in mind that the operator or user is responsible for accidents or hazards occurring to other people or their property.

PREPARATION

- Never operate the machine while people, especially children, or pets are nearby.
- Wear eye protection and stout shoes at all times while operating the machine.



EN

- The distance between the machine and bystanders shall be at least 15m.
- Never operate the machine while the operator is tired, ill or under the influence of alcohol or other drugs.

OPERATION

- Use the machine only in daylight or good artificial light.
- Never operate the machine with damaged guards or shields or without guards or shields in place.
- Switch on the motor only when the hands and feet are away from the cutting means.
- Always disconnect the machine from the power supply (i.e. remove the battery pack).
 - whenever leaving the machine unattended;
 - before clearing a blockage;
 - before checking, cleaning or working on the machine.
 - after striking a foreign object;
 - whenever the machine starts vibrating abnormally.
- Take care against injury to feet and hands from the cutting means.
- Always ensure that the ventilation openings are kept clear of debris.

MAINTENANCE AND STORAGE

- Disconnect the machine from the power supply (i.e. remove the battery pack) before carrying out maintenance or cleaning work.
- Use only the manufacturer's recommended replacement parts and accessories.
- Inspect and maintain the machine regularly. Have the machine repaired only by an authorized repairer.
- When not in use, store the machine out of the reach of children.

OTHER SAFETY WARNINGS

- **Avoid Dangerous Environments** – Don't use appliances on damp or wet slope.
- **Keep guards in place and in working order.**
- **Keep hands and feet away from the cutting area.**
- **To reduce the risk of injury, never work on a ladder or on any other insecure support. Never hold the cutting unit above waist height.**
- **Check the cutting unit at regular short intervals during operation, or immediately if there is a noticeable change in cutting behavior.**
- **For best results, your battery should be charged in a location where the temperature is greater than 5° C**

and less than 40° C. Do not store it outside or in vehicles.

- **If you are approached, stop the motor and cutting unit.**
- **Warn the operator of the danger of blade thrust (only using with 3-teeth blade).**
 - Blade thrust may occur when the spinning blade contacts an object that it does not immediately cut.
 - Blade thrust can be violent enough to cause the unit and/or operator to be propelled in any direction, and possibly lose control of the unit.
 - Blade thrust can occur without warning if the blade snags, stalls or binds.
 - Blade thrust is more likely to occur in areas where it is difficult to see the material being cut.
- **Do not attach any blade to a unit without proper installation of all required parts. Failure to use the proper parts can cause the blade to fly off and seriously injure the operator and/or bystanders. Discard blades that are bent, warped, cracked, broken, or damaged in any way. Use a sharp blade. A dull blade is more likely to snag and thrust (only using with 3-teeth blade).**
- **A coasting blade/line can cause injury while it continues to spin after the motor is stopped or trigger is released. Maintain proper control until the blade/line has completely stopped rotating.**
- **Battery tools do not have to be plugged into an electrical outlet; therefore, they are always in operating condition.** Be aware of possible hazards even when the tool is not operating. Take care when performing maintenance or service.
- **Do not wash with a hose; avoid getting water in motor and electrical connections.**
- **If situations occur that are not covered in this manual, use care and good judgment. Contact the EGO Customer Service Center for assistance.**
- Use only with EGO's battery packs and chargers listed in fig.A.

SAVE THESE INSTRUCTIONS!

SPECIFICATIONS

Cutting Width	30 cm
No-Load Speed	5000/6000 min ⁻¹
Weight	1.82 kg
Recommended Operating Temperature	0°C-40°C
Recommended Storage Temperature	-20°C-70°C

Measured sound power level L_{WA}	96.5 dB(A) K=1.88 dB(A) (PH1400E)	
	93.2 dB(A) K=0.35 dB(A) (PH1420E)	
	91 dB(A) K=1.1 dB(A) (PHX1600)	
Sound pressure level at operator's ear L_{PA}	84.5 dB(A) K=3 dB(A) (PH1400E)	
	83.9 dB(A) K=3 dB(A) (PH1420E)	
	83 dB(A) K=3 dB(A) (PHX1600)	
Guaranteed sound power level L_{WA} (measured according to 2000/14/EC)	98 dB(A)	
Valuation of vibration a_{hV} :	Front-assist handle	2.8 m/s ² K=1.6 m/s ² (PH1400E)
		4.14 m/s ² K=1.5 m/s ² (PH1420E)
		6.64 m/s ² K=1.5 m/s ² (PHX1600)
	Rear handle	3.1 m/s ² K=1.6 m/s ² (PH1400E)
		1.88 m/s ² K=1.5 m/s ² (PH1420E)
		2.61 m/s ² K=1.5 m/s ² (PHX1600)

- The above parameters are tested and measured equipped with power head PH1400E/PH1420E/PHX1600;
- The declared vibration total value has been measured in accordance with a standard test method and may be used for comparing one tool with another;
- The declared vibration total value may also be used in a preliminary assessment of exposure.

NOTICE: The vibration emission during actual use of the power tool can differ from the declared value in which the tool is used; In order to protect the operator, user should wear gloves and ear protectors in the actual conditions of use.

Recommended Blade

PART NAME	MODEL NUMBER
Brush Butter Blade	ABB1203

PACKING LIST

PART NAME	QUANTITY
Brush Cutter Attachment	1
Blade and Blade Sheath Set	1
Guard	1
Guard Accessory (For use with trimmer head ONLY)	1
Hex Wrench	1
Multi-Function Wrench	1
Operator's Manual	1

DESCRIPTION

KNOW YOUR BRUSH CUTTER ATTACHMENT (Fig. A)

1. End Cap
2. Brush Cutter Shaft
3. Guard
4. Blade
5. Blade Sheath
6. Clamp Wire
7. Sealing Screw
8. Gear Case
9. Shaft-locking Hole
10. Outer Flange
11. Multi-Function Wrench
12. Hex Wrench
13. Guard Accessory (For use with trimmer head ONLY)

⚠ WARNING: Never operate the tool without the guard firmly in place. The guard must always be on the tool to protect the user.

⚠ WARNING: When the tool is used as a line trimmer, equipped with a trimmer head, the guard accessory should be mounted onto the guard. Failure to comply could result in an overly long cutting line and motor overload.

EN ASSEMBLY

⚠ WARNING: If any parts are damaged or missing, do not operate this product until the parts are replaced. Use of this product with damaged or missing parts could result in serious personal injury.

⚠ WARNING: Do not attempt to modify this product or create accessories not recommended for use with this brush cutter. Any such alteration or modification is misuse and could result in a hazardous condition leading to possibly serious personal injury.

⚠ WARNING: To prevent accidental starting that could cause serious personal injury, always remove the battery pack from the machine when assembling parts.

⚠ WARNING: When the machine is equipped with brush cutter head, the safety barrier bar shall be mounted.

MOUNTING THE GUARD

⚠ WARNING: Always wear gloves when mounting or replacing the guard. Take care of the blade on the guard and protect your hand from cutting.

⚠ WARNING: Never operate the machine without the guard firmly in place. The guard must always be on the machine to protect the user! When the guard is fixed, never attempt to remove or adjust the guard, if a replacement is needed, it should be performed by a qualified service technician!

Loosen and remove the two screws from the guard (Fig. C), align the guard mounting holes with the assembly holes and then lock the guard onto the shaft base with the two screws, together with two spring washers (Fig. D).

Make sure the guard is fixed according to Fig. C & D, any reverse fixing will cause great danger!

MOUNTING THE BLADE

1. The blade is shipped with a sheath. Before mounting the blade onto the brush cutter, the sheath should be removed by undoing the clamp wire from the hook on the sheath (Fig. E).

Fig. E parts description see below:

E-1	Hook
E-2	Clamp Wire

2. Rotate the outer flange to align the slot in the inner flange with the shaft-locking hole in the gear case (Fig. F).

3. Insert the hex wrench provided into the aligned holes to act as a stabilizer (Fig. G).

Fig. F & G parts description see below:

F-1	Gear Case	F-3	Outer Flange
F-2	Aligned Shaft-locking Holes	G-1	Stabilizer

4. Position the brush cutter head against a solid surface for support. With one hand grasping the brush cutter shaft and use the other hand to grasp the multi-function wrench provided to loosen the nut in the direction of the arrow marked on the outer flange and remove the nut and the outer flange. Save them for reassembly (Fig. H).
5. Mount the blade onto the motor shaft, ensuring that the surface of the blade is flush with the surface of the inner flange bulge. Go on mounting the outer flange and the nut (Fig. I). Pre-tighten the nut in **COUNTERCLOCKWISE** by hand.

Fig. I parts description see below:

I-1	Inner Flange Bulge	I-4	Outer Flange
I-2	Motor Shaft	I-5	Blade
I-3	Nut		

6. Rotate the outer flange to align the slot in the inner flange with the shaft-locking hole in the gear case and insert the hex wrench provided into the aligned holes to act as a stabilizer as previous step 2 & 3 shown.
7. Position the brush cutter head against a solid surface for support. With one hand grasping the blade and use the other hand to grasp the multi-function wrench provided to tighten the nut opposite the direction of the arrow marked on the outer flange (Fig. J).

Use of Guard Accessory

NOTICE: When the tool is used as a line trimmer equipped with a trimmer head, the guard accessory must be mounted onto the guard (Fig. K).

Secure the guard accessory onto the guard by tightening the three screws with the hex wrench provided. Failure to comply could result in an overly long cutting line and motor overload.

CONNECTING THE BRUSH CUTTER ATTACHMENT TO THE POWER HEAD

This brush cutter attachment is designed for use with EGO Power Head PH1400E/PH1420E/PHX1600.

See **"INSTALLING AN ATTACHMENT TO THE POWER HEAD"** section in the power head PH1400E/PH1420E/PHX1600 operator's manual.

OPERATION

⚠ WARNING: Do not allow familiarity with this product to make you careless. Remember that a careless fraction of a second is sufficient to inflict serious injury.

⚠ WARNING: Always wear eye protection, along with hearing protection. Failure to do so could result in objects being thrown into your eyes and other possible serious injuries.

APPLICATIONS

You may use this product for the purpose listed below:

- Cutting malted grass, weeds, wild growth and scrub, thinning young stands with a maximum stem diameter of 2cm.

NOTICE: The tool is to be used only for its prescribed purpose. Any other use is deemed to be a case of misuse.

USING THE BRUSH CUTTER WITH POWER HEAD

⚠ WARNING: Dress properly to reduce the risk of injury when operating this tool. Do not wear loose clothing or jewelry. Wear eye and ear/hearing protection. Wear heavy, long pants, boots and gloves. Do not wear short pants or sandals or go barefoot.

For safe and better operation, put on the shoulder strap across the shoulder. Adjust the shoulder strap in a comfortable operating position. Hold the brush cutter with one hand on the rear handle and the other hand on the front-assist handle. Keep a firm grip with both hands while in operation. The brush cutter should be held at a comfortable position with the rear handle about hip height. Maintain your grip and balance on both feet. Position yourself so that you will not be drawn off balance by the kickback reaction of the cutting blade (Fig. B).

⚠ WARNING: The shoulder strap is also a quick release mechanism in hazardous situation. When emergency occurs, take it off from your shoulder immediately, no matter what way the strap is in.

To cut wild growth and scrub, lower the rotating blade down onto the growth to achieve a chopping effect. Use the brush cutter like a scythe (sweep it to the right and left) at ground level. Do not use the cutting attachment above waist height.

⚠ WARNING: The higher the cutting attachment is off the ground, the greater the risk of injury from cuttings being thrown sideways.

⚠ WARNING: When cutting young stands or other woody materials up to 2cm in diameter, use the left side of the blade to avoid blade thrust situations. Do not attempt to cut woody material with a larger diameter, since the blade may catch or jerk the brush cutter forward. This may cause damage to the blade or the brush cutter or loss of control of the brush cutter, resulting personal injury.

⚠ WARNING: Improper use of a brush cutter blade may cause it to crack, chip, or shatter.

Thrown parts may seriously injure the operator or bystander. To reduce the risk of personal injury, it is essential to take the following precautions:

- Avoid contact with hard or solid foreign objects such as stones, rocks or pieces of metal.
- Never cut wood or shrubs with a stem diameter of more than 2cm.
- Inspect the blade at a regular short intervals for signs of damage. Do not continue working with a damaged blade.
- Resharpener the blade regularly (when it has dulled noticeably) and have it balanced if necessary (performed by a qualified service technician).

BLADE THRUST

Exercise extreme caution when using the blade with this unit. Blade thrust is the reaction that may occur when the spinning blade contacts anything it cannot cut. This contact may cause the blade to stop for an instant and suddenly “thrust” the unit away from the object that was hit. This reaction can be violent enough to cause the operator to lose control of the unit. Blade thrust can occur without warning if the blade snags, stalls, or binds. This is more likely to occur in areas where it is difficult to see the material being cut. For cutting ease and safety, approach the weeds being cut with the brush cutter from the right to the left. In the event an unexpected object or woody stock is encountered, this practice could minimize the blade thrust reaction.

Before each use check for damaged/worn parts

Check the blade, guard and front-assist handle and replace any parts that are cracked, warped, bent, or damaged in any way.

The edge of the blade can dull over time. It is recommended that you turn over the blade to extend the life of the blade and periodically sharpen it (performed by a qualified service technician) or replace it with a new blade when necessary.

Clean the brush cutter after each use

See the **MAINTENANCE** section for cleaning instructions.

⚠ WARNING: Ensure the blade has come to a complete stop before cleaning or servicing the brush cutter. Failure to comply could result in possible serious personal injury.

TO START/STOP THE TOOL

See **“STARTING/STOPPING THE POWER HEAD”** section in the power head PH1400E/PH1420E/PHX1600 operator’s manual.

MAINTENANCE

⚠ WARNING: Before inspecting, cleaning or servicing the unit, stop the motor, wait for all moving parts to stop, and remove the battery pack. Failure to follow these instructions can result in serious personal injury or property damage.

⚠ WARNING: When servicing, use only identical replacement parts. Use of any other parts may create a hazard or cause product damage. To ensure safety and reliability, all repairs should be performed by a qualified service technician.

⚠ WARNING: Always wear heavy gloves when installing or removing the blade or performing any maintenance on the blade. Be careful of the blade and protect your hands from being injured by the blade.

GENERAL MAINTENANCE

Avoid using solvents when cleaning plastic parts. Most plastics are susceptible to damage from various types of commercial solvents and may be damaged by their use. Use clean cloths to remove dirt, dust, oil, grease, etc.

CLEAN THE UNIT

- Remove the battery
- After each use, clean the debris, clogged soils or grass on the blade and guard with a soft brush.
- Wipe the tool surface with a clean cloth moistened with a mild soap solution.
- Use a small brush or a small vacuum cleaner to clean the air vents on the rear housing.
- Keep the air vents free of obstructions.

When the blade becomes dull, both of the edges of the blade are dull, please sharpen it performed by a qualified service technician or replace with a new blade as necessary.

REPLACING THE BLADE

⚠ WARNING: A worn, cracked, or damaged blade can break and pieces of the damaged blade can become dangerous projectiles. Thrown objects can cause serious injury. Inspect the blade regularly and do not operate the brush cutter with a worn or damaged blade.

⚠ WARNING: Use proper eye protection while removing, sharpening, and installing the blade.

To remove the blade

1. Remove the battery.
2. Rotate the outer flange to align the slot in the inner flange with the shaft-locking hole in the gear case and insert the hex wrench provided into the aligned holes to act as a stabilizer as steps 2 & 3 shown in **“MOUNTING THE BLADE”** section.
3. Position the brush cutter head against a solid surface for support. With one hand grasping the blade and use the other hand to grasp the multi-function wrench provided to loosen the nut in the direction of the arrow marked on the outer flange and remove the nut, the outer flange and the worn blade (Fig. L).
4. Check and replace the inner flange and the flange cover if they are worn (Fig. M).

Fig. M parts description see below:

M-1	Motor Shaft	M-5	Outer Flange
M-2	Inner Flange	M-6	Nut
M-3	Flange Cover	M-7	Slot in the Flange
M-4	Blade		

5. Install the new blade onto the motor shaft as sequence shown in Fig. M. Details follow the steps instructed in step 5, 6 & 7 in **“MOUNTING THE BLADE”** section.

TRANSMISSION GEARS LUBRICATION

The transmission gears in the gear case need be lubricated periodically with gear grease. Check the gear case grease level about every 50 hours of operation by removing the sealing screw on the side of the case.

If no grease can be seen on the flanks of the gear, follow the steps below to fill with gear grease up to 3/4 capacity.

Do not completely fill the transmission gears.

1. Hold the brush cutter making the sealing screw is facing upwards (Fig. N).
2. Use the multi-function wrench provided to loosen and remove the sealing screw.

3. Use a grease syringe (not included) to inject some grease into the screw hole.
4. Tighten the sealing screw after injection.

STORING THE UNIT

- Remove the battery pack from the tool.
- Wear heavy gloves to clean the tool thoroughly.
- Mount the blade sheath onto the blade for safe saving (Fig. 0).
- Remove the brush cutter attachment from the power head and cover the end cap onto the attachment shaft terminal, if necessary.
- Store the unit in a dry, well-ventilated area, locked-up or up high, out of the reach of children. Do not store the unit on or adjacent to fertilizers, gasoline, or other chemicals.

Protecting the environment

Do not dispose of electrical equipment, used battery and charger into household waste! Take this product to an authorized recycler and make it available for separate collection. Electric machines must be returned to an environmentally compatible recycling facility.

EN TROUBLESHOOTING

PROBLEM	CAUSE	SOLUTION
Brush cutter fails to start.	<ul style="list-style-type: none">■ The battery pack is not attached to the power head.■ No electrical contact between the power head and the battery pack.■ The battery pack is depleted.■ The lock-off lever and trigger are not depressed simultaneously.	<ul style="list-style-type: none">■ Attach the battery pack to the power head.■ Remove battery, check contacts and reinstall the battery pack until it snaps into place.■ Charge the battery pack with EGO chargers listed in this manual.■ Press down the lock-off lever and hold it, then depress the trigger to turn on the brush cutter.
Brush cutter stops while cutting.	<ul style="list-style-type: none">■ The motor is overloaded.■ The battery pack or the power head is too hot.■ The battery pack is disconnected from the tool.■ The battery pack is depleted.	<ul style="list-style-type: none">■ The motor will recover when the load is removed. For continuous working, decrease the load on the power head.■ Allow the battery pack or the power head to cool until the temperature drops below 67°C.■ Re-install the battery pack.■ Charge the battery pack with EGO chargers listed in this manual.

WARRANTY**EGO WARRANTY POLICY**

Please visit the website egopowerplus.eu for full terms and conditions of the EGO Warranty policy.

LESEN SIE ALLE ANWEISUNGEN!



LESEN SIE DIE BEDIENUNGSANLEITUNG

⚠️ WARNUNG: Um die Sicherheit und Zuverlässigkeit zu gewährleisten, sollten alle Reparaturen und der Austausch von Teilen nur von qualifizierten Servicetechnikern durchgeführt werden.

SICHERHEITSSYMBOL

Der Zweck von Warnsymbolen besteht darin, Ihre Aufmerksamkeit auf mögliche Gefahren zu lenken. Die Warnsymbole und deren Erklärungen verdienen Ihre vollste Aufmerksamkeit und Beachtung. Durch die Warnsymbole allein sind die Gefahren noch nicht ausgeschaltet. Die Anweisungen und Warnhinweise stellen keinen Ersatz für angemessene Unfallverhütungsmaßnahmen dar.

⚠️ WARNUNG: Achten Sie darauf, dass Sie, bevor Sie das Gerät benutzen, alle Sicherheitsanweisungen dieser Bedienungsanleitung gelesen und verstanden haben, einschließlich aller Gefahrenzeichen wie „**VORSICHT**“, „**WARNUNG**“ und „**ACHTUNG**“. Die Nichtbeachtung der unten angeführten Anweisungen kann zu Stromschlägen, Feuer und/oder schweren Personenschäden führen.

SYMBOLBEDEUTUNG

⚠️ SYMBOL FÜR SICHERHEITSWARNUNGEN: Weist auf **GEFAHR**, eine **WARNUNG** oder **VORSICHT** hin. Kann zusammen mit anderen Symbolen oder Bildern verwendet werden.



⚠️ WARNUNG: Die Bedienung von Elektrogeräten kann dazu führen, dass Fremdkörper in Ihre Augen geschleudert werden und Sie dadurch schwerwiegende Augenschäden davontragen. Tragen Sie immer eine Schutzbrille, wenn möglich mit Seitenschutz, oder, falls nötig, einen vollen Gesichtsschutz, bevor Sie Arbeiten mit dem Elektrowerkzeug verrichten. Wir empfehlen Ihnen, einen Gesichtsschutz über Ihrer eigenen Brille oder eine herkömmliche Schutzbrille mit Seitenschutz zu tragen.

SICHERHEITSHINWEISE

Diese Seite zeigt und beschreibt die Sicherheitssymbole, die auf diesem Produkt erscheinen können. Lesen, verstehen und befolgen Sie die Anleitungen auf der Maschine, bevor Sie versuchen, die Maschine zusammenzubauen oder zu bedienen.

	Sicherheitswarnung	Weist auf mögliche Verletzungsgefahr hin.
	Lesen Sie die Bedienungsanleitung	Um das Verletzungsrisiko zu verringern, muss der Benutzer die Bedienungsanleitung lesen.
	Augenschutz tragen	Tragen Sie immer eine Schutzbrille, möglichst mit Seitenschutz, und einen Gesichtsschutz, wenn Sie das Gerät bedienen.
	Gehörschutz tragen	Tragen Sie immer einen Schallschutz (Ohrstöpsel oder Ohrschützer), um Ihr Gehör zu schützen.
	Kopfschutz tragen	Tragen Sie einen geprüften Helm, um Ihren Kopf zu schützen.
	Schutzhandschuhe tragen	Schützen Sie Ihre Hände mit Handschuhen, wenn Sie die Säge und die Sägekette anfassen. Robuste, rutschfeste Handschuhe verbessern Ihre Griffsicherheit und schützen Ihre Hände.
	Schutzschuhe tragen	Tragen Sie rutschfestes Schuhwerk bei der Benutzung dieses Gerätes.
	Schnittbreite	Die max. Schnittbreite des Gestrüppschneiders
	Vorsicht - Rückschlaggefahr	Warnen Sie den Benutzer vor der Rückschlaggefahr.
	Unbefugte Personen fernhalten	Zwischen dem Gerät und Passanten muss ein Abstand von mindestens 15 m eingehalten werden.

	Vorsicht vor herausgeschleuderten Gegenständen	Weggeschleuderte Gegenstände können abprallen und zu Personen- oder Sachschäden führen.
	Akku vor der Wartung abnehmen	Entfernen Sie den Akku vom Fadentrimmer, bevor Sie Wartungs- oder Reinigungsarbeiten durchführen.
	CE	Dieses Produkt erfüllt die anwendbaren EG-Richtlinien.
	UKCA	Dieses Produkt entspricht den geltenden Vorschriften des Vereinigten Königreichs.
	WEEE	Elektro- und Elektronik-Altgeräte dürfen nicht im Hausmüll entsorgt werden. Bringen Sie das Gerät zu einem zugelassenen Recyclinghof.
	Geräusch	Garantierter Schalleistungspegel. Geräuschemission an die Umgebung gemäß Richtlinie der Europäischen Gemeinschaft.
V	Volt	Spannung
mm	Millimeter	Länge oder Größe
cm	Zentimeter	Länge oder Größe
kg	Kilogramm	Gewicht
n ₀	Leerlaufdrehzahl	Drehzahl im Leerlauf
min ⁻¹	pro Minute	Umdrehungen pro Minute

ALLGEMEINE WARNUNGEN ZUR MASCHINENSICHERHEIT

⚠️ WARNUNG! Beachten Sie alle Sicherheitshinweise, Anweisungen, Abbildungen und technischen Daten, die diesem Gerät beiliegen. Die Nichtbeachtung der unten aufgeführten Anweisungen kann zu Stromschlägen, Bränden und/oder schweren Verletzungen führen.

BEWAHREN SIE ALLE WARNHINWEISE UND BEDIENTUNGSANWEISUNGEN FÜR NACHSCHLAGEZWECKE AUF.

Der Begriff „Gerät“ in den Warnhinweisen bezieht sich auf netzbetriebene (kabelgebundene) oder akkubetriebene (kabellose) Geräte.

SICHERHEIT IM ARBEITSBEREICH

- Halten Sie den Arbeitsbereich stets sauber und gut beleuchtet. Unaufgeräumte oder dunkle Bereiche können Unfälle provozieren.
- Das Gerät darf nicht in einer explosionsgefährdeten Atmosphäre eingesetzt werden, wie z.B. in der Nähe zündfähiger Flüssigkeiten, Gase oder Stäube. Geräte erzeugen Funken, die Stäube oder Dämpfe entzünden können.
- Halten Sie Kinder und Schaulustige während des Gerätebetriebs fern. Ablenkungen können dazu führen, dass Sie die Kontrolle verlieren.

ELEKTRISCHE SICHERHEIT

- Der Netzstecker des Geräts muss in die Steckdose passen. Der Netzstecker darf unter keinen Umständen modifiziert werden. Keine Adapterstecker an geerdeten Geräten benutzen. Nicht modifizierte Stecker und passende Steckdosen reduzieren die Stromschlaggefahr.
- Vermeiden Sie den Körperkontakt zu geerdeten Flächen wie zum Beispiel Rohrleitungen, Heizkörpern, Herden und Kühlschränken. Es besteht erhöhte Stromschlaggefahr, wenn Ihr Körper geerdet ist.
- Betreiben Sie das Gerät nicht bei Regen oder Nässe. Wasser, das in die Maschine eindringt, kann das Risiko eines Stromschlags oder einer Fehlfunktion erhöhen, die zu Verletzungen führen kann.
- Das Netzkabel darf nicht zweckentfremdet werden. Das Netzkabel darf nicht zum Tragen, Ziehen oder Herausziehen des Elektrowerkzeugs aus der Steckdose verwendet werden. Das Netzkabel muss vor Hitze, Öl, scharfen Kanten oder beweglichen Teilen ferngehalten werden. Durch beschädigte oder verknotete Kabel besteht erhöhte Stromschlaggefahr.
- Bei Gerätebetrieb im Freien muss ein für den Außeneinsatz geeignetes Verlängerungskabel verwendet werden. Die Stromschlaggefahr verringert sich bei Gebrauch eines Netzkabels, das für den Einsatz im Freien geeignet ist.
- Wenn sich der Einsatz des Geräts an einem feuchten Ort nicht vermeiden lässt, benutzen Sie eine Steckdose, die mit einem FI-

Schalter gesichert ist. Die Verwendung einer Fehlerstromschutzeinrichtung reduziert die Stromschlaggefahr.

PERSÖNLICHE SICHERHEIT

- **Seien Sie wachsam, geben Sie darauf Acht, was Sie tun, und benutzen Sie Ihren gesunden Menschenverstand beim Betrieb eines Geräts. Benutzen Sie die Maschine nicht, wenn Sie müde sind oder unter dem Einfluss von Drogen, Alkohol oder Medikamenten stehen.** Ein Moment der Unachtsamkeit kann beim Gerätebetrieb zu ernsthaften Verletzungen führen.
- **Tragen Sie eine persönliche Schutzausrüstung. Tragen Sie immer einen Augenschutz.** Durch eine für die jeweiligen Bedingungen geeignete Schutzausrüstung wie etwa eine Staubschutzmaske, rutschfeste Schuhe, Helm oder Gehörschutz lässt sich die Verletzungsgefahr verringern.
- **Ungewollten Anlauf verhindern. Vor dem Anschließen an eine Steckdose und/oder einen Akku sowie vor dem Aufnehmen oder Transportieren des Geräts immer kontrollieren, ob der Hauptschalter in ausgeschalteter Position ist.** Unfälle sind vorprogrammiert, wenn Sie Geräte mit einem Finger am Hauptschalter tragen oder Elektrowerkzeuge mit aktiviertem Hauptschalter an eine Steckdose anschließen.
- **Ziehen Sie vor dem Einschalten des Geräts Einstellschlüssel oder Schraubenschlüssel ab.** Wird ein Schraubenschlüssel oder Schlüssel am rotierenden Geräteteil gelassen, besteht Verletzungsgefahr.
- **Nicht überstrecken. Achten Sie stets auf einen festen Stand und halten Sie das Gleichgewicht.** Dies ermöglicht in unerwarteten Situationen eine bessere Kontrolle über das Gerät.
- **Tragen Sie angemessene Kleidung. Tragen Sie keine weite Kleidung oder Schmuck. Halten Sie Ihr Haar und Ihre Kleidung von den beweglichen Teilen fern.** Weite Kleidung, Schmuck oder langes Haar können sich in den beweglichen Teilen verfangen.
- **Wenn Komponenten zum Anschluss an eine Absauganlage und an Auffangvorrichtungen mitgeliefert werden, achten Sie darauf, dass diese ordnungsgemäß befestigt und benutzt werden.** Die Verwendung einer Staubauffangvorrichtung kann Gefahren durch Staub reduzieren.
- **Auch wenn Sie sich wegen des häufigen Gebrauchs mit dem Gerät auskennen, sollten Sie sich nicht zu einer gewissen Nachlässigkeit verleiten und die Grundsätze der Maschinensicherheit außer**

Acht lassen. Eine fahrlässige Handlung kann bereits im Bruchteil einer Sekunde zu schweren Verletzungen führen.

MASCHINENGEBRAUCH UND PFLEGE

- **Nicht zu viel Druck auf das Gerät ausüben. Stets das richtige Gerät für die jeweiligen Arbeiten benutzen.** Durch das passende Gerät lassen sich die Arbeiten besser und sicherer in dem jeweils vorgesehenen Tempo erledigen.
- **Verwenden Sie das Gerät nicht, wenn es sich mit dem Schalter weder ein- noch ausschalten lässt.** Ein Gerät, das sich nicht mehr ein- oder ausschalten lässt, ist gefährlich und muss repariert werden.
- **Ziehen Sie den Netzstecker aus der Steckdose bzw. nehmen Sie den Akku vom Gerät ab, sofern dies möglich ist, bevor Sie Einstellungen vornehmen, das Zubehör wechseln oder das Gerät verstauen.** Diese vorbeugenden Sicherheitsmaßnahmen verringern das Risiko eines unbeabsichtigten Anlaufs.
- **Unbenutzte Geräte sollten nicht in Reichweite von Kindern aufbewahrt werden. Personen, die das Gerät oder diese Anleitung nicht kennen, sollte die Benutzung des Geräts untersagt werden.** In den Händen ungeschulter Benutzer sind Geräte gefährlich.
- **Wartung von Geräten und Zubehör. Achten Sie auf falsch ausgerichtete oder fest sitzende Teile, Bruchstellen und sonstige Umstände, die den Gerätebetrieb beeinträchtigen können. Lassen Sie das Gerät bei Beschädigung vor dem Gebrauch reparieren.** Viele Unfälle entstehen durch schlecht gewartete Geräte.
- **Halten Sie Schneidegeräte scharf und sauber.** Sachgemäß gewartete Schneidegeräte mit scharfen Schneiden neigen weniger zum Festfahren und sind leichter zu kontrollieren.
- **Benutzen Sie das Gerät, Zubehör, Geräteteile usw. gemäß diesen Anweisungen und berücksichtigen Sie dabei die Arbeitsbedingungen und die auszuführenden Arbeiten.** Die Verwendung der Maschine für andere als die vorgesehenen Arbeiten kann zu einer gefährlichen Situation führen.
- **Halten Sie die Griffe und Griffflächen trocken, sauber und frei von Öl und Fett.** Rutschige Griffe und Griffflächen beeinträchtigen die sichere Handhabung des Geräts und führen in unerwarteten Situationen zum Verlust der Kontrolle über das Gerät.

BENUTZUNG UND WARTUNG DES AKKUS

- **Laden Sie den Akku nur mit dem vom Hersteller vorgegebenen Ladegerät auf.** Ein Ladegerät, das für

einem bestimmten Akkutyp geeignet ist, kann bei der Benutzung eines anderen Akkus zu einer Brandgefahr werden.

- **Verwenden Sie das Gerät nur mit den eigens dafür vorgesehenen Akkus.** Bei Verwendung anderer Akkus besteht Verletzungs- und Brandgefahr.
- **Wenn der Akku nicht benutzt wird, halten Sie ihn von anderen metallischen Gegenständen fern, wie etwa Büroklammern, Münzen, Schlüssel, Nägel, Schrauben oder anderen kleinen Metallgegenständen, die eine Verbindung zwischen den Polen herstellen können.** Das Kurzschließen der Pole kann Verbrennungen oder Brände verursachen.
- **Bei unsachgemäßer Anwendung kann Flüssigkeit aus dem Akku austreten; Kontakt vermeiden. Falls Sie versehentlich mit Akkusäure in Berührung gekommen sind, spülen Sie mit Wasser. Falls Akkusäure in die Augen geraten ist, suchen Sie zudem einen Arzt auf.** Aus dem Akku austretende Flüssigkeit kann Reizungen oder Verätzungen verursachen.
- **Benutzen Sie keine beschädigten oder modifizierten Akkus oder Geräte.** Beschädigte oder modifizierte Akkus können sich unvorhergesehen verhalten und einen Brand, eine Explosion oder eine Verletzung hervorrufen.
- **Akkus oder Geräte vor Feuer oder extremen Temperaturen schützen.** Brände oder Temperaturen über 130 °C können eine Explosion verursachen.
- **Befolgen Sie alle Ladeanweisungen und laden Sie den Akku oder das Gerät nicht außerhalb des Temperaturbereichs auf, der in der Anleitung angegeben ist.** Das unsachgemäße Aufladen oder Laden außerhalb des angegebenen Temperaturbereichs kann den Akku beschädigen und die Brandgefahr erhöhen.

⚠️ WARNUNG: Beachten Sie alle Warnhinweise, Anleitungen, Abbildungen und technischen Daten, die diesem Elektrowerkzeug beigelegt sind. Die Nichtbeachtung der unten aufgeführten Anleitungen kann zu Stromschlägen, Feuer und/oder schweren Verletzungen führen. Bewahren Sie alle Warn- und Bedienhinweise für Nachschlagezwecke auf. **Bewahren Sie alle Warn- und Bedienhinweise für Nachschlagezwecke auf.**

TRAINING

- Lesen Sie die Anweisungen aufmerksam. Machen Sie sich mit den Bedienelementen und der richtigen Handhabung des Gerätes vertraut.

- Allen Personen, denen die vorliegenden Anweisungen nicht bekannt sind, sowie Kindern muss die Nutzung des Geräts untersagt werden. Für das Mindestalter des Benutzers gelten örtliche Vorschriften.
- Beachten Sie, dass für Unfälle, Personen- oder Sachschäden Dritter der Bediener oder Nutzer des Geräts verantwortlich ist.

VORBEREITUNG

- Setzen Sie das Gerät nie in Betrieb, solange sich noch Personen, insbesondere Kinder, oder Haustiere in der Nähe aufhalten.
- Tragen Sie immer einen Augenschutz und robustes Schuhwerk, während Sie das Gerät benutzen.
- Zwischen dem Gerät und Passanten muss ein Sicherheitsabstand von Mindestens 15 m eingehalten werden.
- Bei Müdigkeit, Krankheit oder unter Alkohol- oder Drogeneinfluss darf das Gerät auf keinen Fall in Betrieb gesetzt werden.

BEDIENUNG

- Nur bei Tageslicht oder unter gutem künstlichen Licht mit dem Gerät arbeiten.
- Bei beschädigten, fehlenden oder nicht angebrachten Schutzvorrichtungen darf das Gerät nicht in Betrieb gesetzt werden.
- Schalten Sie den Motor nur ein, wenn Hände und Füße nicht in der Nähe der Schneidwerkzeuge sind.
- Trennen Sie das Gerät immer von der Stromversorgung (d. h. entfernen Sie den Akku):
 - Wenn das Gerät unbeaufsichtigt hinterlassen wird
 - Beim Beseitigen von Blockaden
 - Vor dem Prüfen, Reinigen oder Arbeiten am Gerät
 - Nach einem Zusammenstoß mit einem Fremdkörper
 - Wenn das Gerät ungewöhnlich vibriert
- Schützen Sie Ihre Füße und Hände vor Verletzungen durch das Schneidwerkzeug.
- Stellen Sie immer sicher, dass die Lüftungsöffnungen frei von Ablagerungen bleiben.

WARTUNG UND LAGERUNG

- Trennen Sie das Gerät von der Stromversorgung (d. h. nehmen Sie den Akku heraus), bevor Sie das Gerät warten oder reinigen.
- Verwenden Sie nur vom Hersteller empfohlene Ersatzteile und Zubehör.

- Prüfen und warten Sie das Gerät regelmäßig. Lassen Sie das Gerät nur von einer autorisierten Servicewerkstatt reparieren.
- Wenn das Gerät nicht benutzt wird, lagern Sie es außer Reichweite von Kindern.

SONSTIGE SICHERHEITSHINWEISE

- **Vermeiden Sie gefährliche Umgebungen** – Benutzen Sie das Gerät nicht an feuchten oder nassen Böschungen.
- **Alle Schutzvorrichtungen müssen angebracht und intakt sein.**
- **Halten Sie Hände und Füße von dem Schneidbereich fern.**
- **Um das Verletzungsrisiko zu reduzieren, arbeiten Sie nie auf einer Leiter oder einem anderen wackeligen Untergrund. Halten Sie das Schneidwerk niemals über Taillenhöhe.**
- **Überprüfen Sie das Schneidwerk in regelmäßigen Abständen während des Betriebs und sobald Sie eine Veränderung beim Schnitverhalten bemerken.**
- **Um die besten Ergebnisse zu erzielen, sollte Ihr Akku an einem Ort aufgeladen werden, an dem die Temperatur höher als 5° C und niedriger als 40° C ist.** Lagern Sie den Akku nicht draußen oder in Fahrzeugen.
- **Wenn jemand auf Sie zukommt, stellen Sie den Motor und das Schneidwerk ab.**
- **Warnen Sie den Benutzer vor der Rückschlaggefahr (nur mit einem 3-zahnigen Messer benutzen).**
 - Zu einem Rückschlag kann es kommen, wenn das rotierende Messer auf ein Objekt stößt, dass es nicht sofort schneiden kann.
 - Ein Rückschlag kann so heftig sein, dass das Gerät und/oder der Benutzer in jede Richtung geschleudert werden können und der Benutzer möglicherweise die Kontrolle über das Gerät verliert.
 - Ein Rückschlag kann plötzlich auftreten, wenn das Messer stecken bleibt, blockiert oder sich verklemmt.
 - Ein Rückschlag kann eher an Stellen auftreten, wo es schwierig ist, das zu schneidende Material zu sehen.
- **Befestigen Sie kein Messer an einem Gerät, ohne alle erforderlichen Teile sachgemäß zu installieren. Das Messer könnte sich lösen und dem Benutzer und/oder Umstehenden schwere Verletzungen zufügen, wenn nicht die richtigen Teile benutzt werden. Entsorgen Sie verbogene, verformte, gerissene, gebrochene oder in irgendeiner Weise**

beschädigte Messer. Benutzen Sie ein scharfes Messer. Ein stumpfes Messer wird eher stecken bleiben und einen Rückschlag verursachen (nur mit einem 3-zahnigen Messer benutzen).

- **Ein auslaufendes Messer/auslaufender Mähfaden kann Verletzungen verursachen, während es/er sich noch dreht, nachdem der Motor angehalten oder der Ein-/Ausschalter losgelassen wurde. Halten Sie das Gerät gut fest, bis das Messer/der Mähfaden vollkommen stillsteht.**
- **Akkubetriebene Werkzeuge müssen nicht an eine Steckdose angeschlossen werden; sie sind daher immer einsatzbereit.** Seien Sie sich möglicher Gefahren bewusst, selbst wenn das Werkzeug nicht eingeschaltet ist. Lassen Sie bei Wartungsarbeiten oder Reparaturen Vorsicht walten.
- **Waschen Sie das Gerät nicht mit dem Wasserschlauch; lassen Sie kein Wasser in den Motor und die elektrischen Verbindungen gelangen.**
- **Falls Situationen auftreten, die nicht in dieser Bedienungsanleitung behandelt werden, gehen Sie vorsichtig und vernünftig vor. Reparaturanfragen richten Sie bitte an das EGO-Kundendienstzentrum.**
- Nur mit akkus und ladegeräten verwenden, die in abb. A aufgeführt sind.

HEBEN SIE DIESE ANLEITUNG AUF

TECHNISCHE DATEN

Schnittbreite	30 cm
Leerlaufdrehzahl	5000/6000 min ⁻¹
Gewicht (ohne Akku)	1,82 kg
Recommended Operating Temperature	0°C-40°C
Recommended Storage Temperature	-20°C-70°C
Gemessener Schallleistungspegel L _{WA}	96,5 dB(A) K=1,88 dB(A) (PH1400E)
	93,2 dB(A) K=0,35 dB(A) (PH1420E)
	91 dB(A) K=1,1 dB(A) (PHX1600)

Schalldruckpegel am Ohr des Bedieners L_{PA}	84,5 dB(A) K=3 dB(A) (PH1400E)	
	83,9 dB(A) K=3 dB(A) (PH1420E)	
	83 dB(A) K=3 dB(A) (PHX1600)	
Garantierter Schalleistungspegel L_{WA} (nach 2000/14/EG gemessen)	98 dB(A)	
Vibration a_h	Vorderer Haltegriff	2,8 m/s ² K=1,6 m/s ² (PH1400E)
		4,14 m/s ² K=1,5 m/s ² (PH1420E)
		6,64 m/s ² K=1,5 m/s ² (PHX1600)
	Hinterer Griff	3,1 m/s ² K=1,6 m/s ² (PH1400E)
		1,88 m/s ² K=1,5 m/s ² (PH1420E)
		2,61 m/s ² K=1,5 m/s ² (PHX1600)

- Die oben genannten Parameter wurden mit dem Kombimotor PH1400E/PH1420E/PHX1600 getestet und gemessen;
- Der angegebene Schwingungs-Gesamtwert wurde in Übereinstimmung mit einer Standard-Testmethode gemessen und kann verwendet werden, um Werkzeuge miteinander zu vergleichen.
- Der angegebene Schwingungs-Gesamtwert kann auch als einleitende Feststellung der Belastung verwendet werden.

HINWEIS: Die beim Einsatz des Elektrowerkzeugs entstehenden Istvibrationen können von dem angegebenen Wert abweichen. Zum Schutz des Benutzers sollten Handschuhe und ein Gehörschutz während des Geräteeinsatzes getragen werden.

Empfohlenes Messer

TEILEBEZEICHNUNG	MODELLNUMMER
Gestrüppschneidermesser	ABB1203

PACKLISTE

TEILEBEZEICHNUNG	MENGE
Gestrüppschneideraufsatz	1
Messer mit Messerhülle	1
Fadenschutz	1
Anbauteil für die Schutzabdeckung (NUR für die Benutzung mit dem Mähkopf)	1
Sechskantschlüssel	1
Multifunktionsschlüssel	1
Bedienungsanleitung	1

BESCHREIBUNG

BESCHREIBUNG IHRES GESTRÜPPSCHNEIDERAUFSATZES (Abb. A)

- Endkappe
- Gestrüppschneiderwelle
- Fadenschutz
- Messer
- Messerhülle
- Klammerdraht
- Dichtungsschraube
- Getriebegehäuse
- Wellen-Einrastöffnung
- Außenflansch
- Multifunktionsschlüssel
- Inbusschlüssel
- Anbauteil für die Schutzabdeckung (NUR für die Benutzung mit dem Mähkopf)

⚠️ WARNUNG: Setzen Sie das Werkzeug nur in Betrieb, wenn die Schutzabdeckung fest angebracht ist. Die Schutzabdeckung muss zum dauerhaften Schutz des Benutzers immer am Werkzeug befestigt sein!

⚠️ WARNUNG: Wenn das Gerät mit einem Mähkopf ausgestattet ist und als Fadenmäher benutzt wird, muss das Anbauteil für die Schutzabdeckung auf der Schutzabdeckung montiert werden. Andernfalls könnte der Mähfaden übermäßig lang und der Motor überlastet werden.

MONTAGE

⚠️ WARNUNG: Wenn Teile beschädigt sind oder fehlen, darf das Gerät erst in Betrieb genommen werden, wenn alle Teile vollständig angebracht sind. Die Verwendung des Geräts mit beschädigten oder fehlenden Teilen kann zu schweren Verletzungen führen.

⚠️ WARNUNG: Versuchen Sie nicht, dieses Produkt zu verändern oder Zubehörteile zu verwenden, die für den Einsatz des Rasentrimmers nicht empfohlen werden. Derartige Änderungen oder Umbauten stellen eine Zweckentfremdung dar und können gefährliche Arbeitsbedingungen hervorrufen, bei denen eine schwere Verletzungsgefahr besteht.

⚠️ WARNUNG: Um einen unbeabsichtigten Anlauf und dadurch hervorgerufene schwere Verletzungen zu verhindern, muss der Akku beim Montieren von Teilen immer zuerst vom Gerät abgenommen werden.

⚠️ WARNUNG: Wenn das Gerät mit einem Freischneideaufsatz ausgestattet ist, muss der Schneidschutz montiert werden.

MONTIEREN DES FADENSCHUTZES

⚠️ WARNUNG: „Tragen Sie beim Anbringen oder Auswechseln des Schneidschutzes immer Handschuhe. Achten Sie auf das Messer am Schneidschutz und schützen Sie Ihre Hände vor Schnitten.“

⚠️ WARNUNG: „Setzen Sie das Werkzeug nur in Betrieb, wenn der Schneidschutz fest angebracht ist. Der Schneidschutz muss zum Schutz des Benutzers immer am Gerät befestigt sein! Wenn der Schneidschutz montiert ist, darf er weder entfernt noch justiert werden. Falls dieser ersetzt werden muss, wenden Sie sich an eine qualifizierte Werkstatt!“

Lösen Sie die beiden Schrauben am Schaftende (Abb. C) und lassen Sie die Befestigungslöcher des Fadenschutzes mit den Halterungsöffnungen fluchten. Schrauben Sie den Fadenschutz anschließend mit den beiden Schrauben und zwei Federscheiben am Schaftende an (Abb. D).

Achten Sie darauf, dass der Fadenschutz wie in Abb. C & D montiert ist. Wird er falsch herum montiert, besteht große Gefahr!

MONTIEREN DES MESSERS

- Das Messer wird mit einer Hülle geliefert. Bevor Sie das Messer am Gestrüppschneider montieren, sollte die Hülle entfernt werden, indem Sie den Klammerdraht vom Haken der Hülle lösen (Abb. E).

Teilebeschreibung zu Abb. E, siehe unten:

E-1	Haken
E-2	Klammerdraht

- Drehen Sie den Außenflansch so, dass die Aussparung im Innenflansch mit der Einrastöffnung der Welle im Getriebegehäuse übereinstimmt (Abb. F).
- Stecken Sie den im Lieferumfang enthaltenen Inbusschlüssel als Stabilisator in die aufeinander ausgerichteten Öffnungen (Abb. G).

Teilebezeichnung der Abb. F & G:

F-1	Getriebegehäuse	F-3	Außenflansch
F-2	Aufeinander ausgerichtete Einrastöffnungen der Welle	G-1	Stabilisator

- Stützen Sie den Gestrüppschneiderkopf an einer festen Fläche ab. Halten Sie mit einer Hand die Gestrüppschneiderwelle und mit der anderen Hand den mitgelieferten Multifunktionsschlüssel, um die Mutter in Pfeilrichtung (Markierung auf dem Außenflansch) zu lösen und die Mutter sowie den Außenflansch zu entfernen. Bewahren Sie die Elemente an einem sicheren Ort auf, um sie später wieder zu montieren (Abb. H).
- Montieren Sie das Messer an der Antriebswelle und stellen Sie dabei sicher, dass die Oberfläche des Messers mit der Oberfläche der Ausbuchtung des Innenflansches bündig ist. Fahren Sie mit der Montage des Außenflansches und der Mutter fort (Abb. I). Ziehen Sie die Mutter **GEGEN DEN UHRZEIGSINN** handfest an.

Teilebeschreibung zu Abb. I siehe unten:

I-1	Ausbuchtung des Innenflansches
I-2	Antriebswelle
I-3	Mutter
I-4	Außenflansch
I-5	Messer

- Drehen Sie den Außenflansch so, dass die Aussparung im Innenflansch mit der Einrastöffnung der Welle im Getriebegehäuse übereinstimmt und stecken Sie den im Lieferumfang enthaltenen Inbusschlüssel als Stabilisator in die aufeinander ausgerichteten Öffnungen, wie in Schritt 2 und 3 gezeigt.
- Stützen Sie den Gestrüppschneiderkopf an einer festen Fläche ab. Halten Sie mit einer Hand das Messer und mit der anderen Hand den im Lieferumfang enthaltenen Multifunktionsschlüssel, um die Mutter in die entgegengesetzte Richtung der Pfeilmarkierung am Außenflansch anzuziehen (Abb. J).

Benutzung des Anbauteils für die Schutzabdeckung

HINWEIS: Wenn das Gerät mit einem Mähkopf ausgestattet ist und als Fadenmäher benutzt wird, muss das Anbauteil für die Schutzabdeckung auf der Schutzabdeckung montiert werden (Abb. K).

Fixieren Sie das Anbauteil für die Schutzabdeckung an der Schutzabdeckung, indem Sie die drei Schrauben mit dem mitgelieferten Inbusschlüssel anziehen. Andernfalls könnte der Mähfaden übermäßig lang und der Motor überlastet werden.

INSTALLATION DES GESTRÜPPSCHNEIDERAUFSATZES AM KOMBIMOTOR

Dieser Gestrüppschneideraufsatz ist zur Verwendung mit dem EGO Kombimotor PH1400E/PH1420E/PHX1600 bestimmt.

Siehe Abschnitt „**INSTALLATION EINES ANBAUWERKZEUGS AN DEN KOMBIMOTOR**“ in der Betriebsanleitung des Kombimotors PH1400E/PH1420E/PHX1600.

BEDIENUNG

⚠️ WARNUNG: Vermeiden Sie es, dass die Vertrautheit mit dem Produkt zu Nachlässigkeit führt. Denken Sie daran, dass ein kurzer Moment der Unachtsamkeit zu ernsthaften Verletzungen führen kann.

⚠️ WARNUNG: Tragen Sie immer einen Augenschutz mit Seitenschutz sowie einen Hörschutz. Wenn Sie das unterlassen, kann es dazu kommen, dass Objekte in Ihre Augen geschleudert werden oder dass Ihnen andere mögliche ernsthafte Verletzungen zugefügt werden.

ANWENDUNGEN

Sie können dieses Produkt für den unten aufgeführten Zweck einsetzen:

- Schneiden von Gras, Unkraut, Wildwuchs und Gestrüpp, Durchforsten von Jungwuchs mit einem maximalen Stammdurchmesser von 2 cm.

HINWEIS: Das Gerät darf nur für seinen vorgeschriebenen Zweck verwendet werden. Jeder andere Geräteeinsatz gilt als Zweckentfremdung.

VERWENDUNG DES GESTRÜPPSCHNEIDERS MIT DEM KOMBIMOTOR

⚠️ WARNUNG: Tragen Sie geeignete Kleidung, um das Verletzungsrisiko bei der Benutzung dieses Geräts zu reduzieren. Tragen Sie keine weite Kleidung oder

Schmuck. Tragen Sie einen Augen- und Gehörschutz. Tragen Sie robuste lange Hosen, Stiefel und Handschuhe. Tragen Sie keine kurze Hose oder Sandalen und gehen Sie nicht barfuß.

Legen Sie zum sicheren und einfacheren Arbeiten den Schultergurt an. Stellen Sie den Schultergurt so ein, dass die Arbeitsposition bequem ist. Halten Sie den Gestrüppschneider mit einer Hand am hinteren Griff und der anderen Hand am vorderen Haltegriff. Halten Sie das Werkzeug beim Betrieb mit beiden Händen gut fest. Der Gestrüppschneider ist in einer bequemen Position zu halten, der hintere Griff befindet sich dabei etwa in Hüfthöhe. Lockern Sie Ihren Griff nicht und halten Sie Ihr Gleichgewicht auf beiden Füßen.

Stellen Sie sich so hin, dass Sie nicht durch den Rückschlageffekt des Messers aus dem Gleichgewicht gebracht werden (Abb. B).

⚠️ WARNUNG: Der Schultergurt ist zudem ein Schnelllösemechanismus in gefährlichen Situationen. Nehmen Sie ihn bei einem Notfall sofort von Ihrer Schulter, ganz gleich in welcher Weise der Schultergurt umgelegt ist.

Um Wildwuchs und Gestrüpp zu schneiden, senken Sie das rotierende Messer auf das Gestrüpp, um einen abhackenden Effekt zu erzielen. Benutzen Sie den Gestrüppschneider wie eine Sense (schwingen Sie ihn nach links und rechts) auf Bodenebene. Benutzen Sie das Schneidwerkzeug nicht über Tailenhöhe.

⚠️ WARNUNG: Je höher sich das Schneidwerkzeug über dem Boden befindet, umso größer ist die Verletzungsgefahr durch Schnittabfälle, die seitlich weggeschleudert werden.

⚠️ WARNUNG: Wenn Sie Jungwuchs oder anderes Holzmaterial mit einem Durchmesser bis zu 2 cm schneiden, benutzen Sie die linke Seite des Messers, um einen Rückschlag zu vermeiden. Versuchen Sie nicht Holzmaterial mit einem größeren Durchmesser zu schneiden, da das Messer stecken bleiben oder den Gestrüppschneider ruckartig vorwärts ziehen könnte. Das Messer oder der Gestrüppschneider könnten dadurch beschädigt werden oder Sie könnten die Kontrolle über den Gestrüppschneider verlieren und sich verletzen.

⚠️ WARNUNG: Der unsachgemäße Gebrauch eines Gestrüppschneidermessers kann dazu führen, dass es bricht, absplittert oder zerspringt.

Herumgeschleuderte Teile können den Benutzer oder Umstehende verletzen. Um die Verletzungsgefahr zu reduzieren, ist es wichtig, die folgenden Vorsichtsmaßnahmen zu befolgen:

- Vermeiden Sie, harte oder feste Objekte, wie Steine, Felsen oder Metallstücke, zu berühren.
- Schneiden Sie niemals Holz oder Gestrüpp mit einem Stammdurchmesser von über 2 cm.
- Untersuchen Sie das Messer in regelmäßigen, kurzen Abständen auf Anzeichen von Beschädigungen. Arbeiten Sie mit einem beschädigten Messer nicht weiter.
- Schärfen Sie das Messer regelmäßig (wenn es merklich stumpf geworden ist) und lassen Sie es gegebenenfalls abgleichen (von einem qualifizierten Servicetechniker).

RÜCKSCHLAG

Seien Sie äußerst vorsichtig, wenn Sie das Messer mit diesem Gerät benutzen. Ein Rückschlag ist die Reaktion, die auftreten kann, wenn das rotierende Messer auf etwas trifft, das es nicht schneiden kann. Bei diesem Kontakt kann das Messer einen kurzen Moment stoppen und dann plötzlich das Gerät von dem Objekt, das getroffen wurde, „wegstoßen“. Diese Reaktion kann so heftig sein, dass der Benutzer die Kontrolle über das Gerät verliert. Ein Rückschlag kann plötzlich auftreten, wenn das Messer stecken bleibt, blockiert oder festklemmt. Diese Situation kann eher an Stellen eintreten, wo es schwierig ist, das zu schneidende Material zu sehen. Um das Schneiden zu erleichtern und Ihre Sicherheit zu gewährleisten, schneiden Sie das Gestrüpp, das Sie entfernen möchten, mit dem Gestrüppschneider von rechts nach links. Falls Sie auf ein unerwartetes Objekt oder holziges Material stoßen, kann diese Methode den Rückschlageffekt minimieren.

Prüfen Sie vor jedem Gebrauch auf Schäden/ abgenutzte Teile

Prüfen Sie das Messer, die Schutzabdeckung und den vorderen Haltegriff und ersetzen Sie gerissene, verzogene, verbogene oder anders beschädigte Teile.

Die Klinge des Messers kann im Laufe der Zeit stumpf werden. Es empfiehlt sich, das Messer umzudrehen, um die Lebensdauer des Messers zu verlängern, und es regelmäßig schärfen zu lassen (von einem qualifizierten Kundendienst-Techniker) oder es durch ein neues Messer zu ersetzen, falls notwendig.

Reinigen Sie den Gestrüppschneider nach jedem Gebrauch.

Siehe dazu die Reinigungsanweisungen im Abschnitt **WARTUNG**.

⚠️ WARNUNG: Achten Sie darauf, dass das Messer komplett zum Stillstand kommt, bevor Sie den Gestrüppschneider reinigen oder warten. Andernfalls kann es zu möglichen schweren Verletzungen kommen.

START/STOPP DES WERKZEUGS

Siehe Abschnitt „**STARTEN/STOPPEN DES KOMBI-MOTORS**“ in der Betriebsanleitung des Kombimotors PH1400E/PH1420E/PHX1600.

WARTUNG

⚠️ WARNUNG: Vor Überprüfung, Reinigung oder Reparatur des Geräts den Motor ausschalten, warten, bis alle beweglichen Teile zum Stillstand gekommen sind, und Akku abnehmen. Bei Nichtbeachtung dieser Anweisungen kann es zu schweren Verletzungen oder Sachschäden kommen.

⚠️ WARNUNG: Verwenden Sie für die Wartung nur identische Ersatzteile. Die Verwendung anderer Teile kann Unfälle und Schäden am Gerät hervorrufen. Um die Sicherheit und Zuverlässigkeit zu gewährleisten, sollten alle Reparaturen nur von qualifizierten Servicetechnikern durchgeführt werden.

⚠️ WARNUNG: Tragen Sie immer dicke Handschuhe, wenn Sie das Messer installieren oder entfernen oder Wartungsarbeiten am Messer durchführen. Lassen Sie im Umgang mit dem Messer Vorsicht walten und schützen Sie Ihre Hände vor Verletzungen durch das Messer.

LAUFENDE WARTUNGSARBEITEN

Verwenden Sie keine Lösungsmittel zum Reinigen von Kunststoffteilen. Die verschiedenen handelsüblichen Lösungsmittel greifen die meisten Kunststoffe an. Verwenden Sie zum Entfernen von Schmutz, Staub, Öl, Fett usw. saubere Lappen.

REINIGEN DES GERÄTES

- Entfernen des Akkus
- Reinigen Sie nach jedem Gebrauch das Messer und den Messerschutz mit einer weichen Bürste von Erd- und Grasresten.
- Wischen Sie die Oberfläche des Werkzeugs mit einem sauberen Tuch ab, das Sie mit einer milden Seifenlösung anfeuchten.
- Reinigen Sie die Lüftungsschlitze am hinteren Getriebegehäuse mit einer kleinen Bürste oder einem kleinen Staubsauger.

- Halten Sie die Lüftungsschlitze frei von Blockaden.
- Wenn das Messer stumpf geworden ist; das heißt, beide Kanten des Messers sind stumpf; lassen Sie es bitte von einem qualifizierten Servicetechniker schärfen oder ersetzen Sie es durch ein neues Messer, falls notwendig.

MESSERWECHSEL

⚠️ WARNUNG: Ein abgenutztes, gesprungenes oder beschädigtes Messer kann brechen und Stücke des beschädigten Messers können zu gefährlichen Geschossen werden. Weggeschleuderte Objekte können schwere Verletzungen verursachen. Untersuchen Sie das Messer regelmäßig und benutzen Sie den Gestrüppschneider nicht mit einem abgenutzten oder beschädigten Messer.

⚠️ WARNUNG: Tragen Sie einen geeigneten Augenschutz, wenn Sie das Messer entfernen, schärfen und installieren.

Entfernen des Messers

1. Entfernen Sie den Akku.
2. Drehen Sie den Außenflansch so, dass sich die Aussparung im Innenflansch über Einrastöffnung der Welle im Getriebegehäuse befindet, und stecken Sie den mitgelieferten Inbusschlüssel als Stabilisator in die übereinanderliegenden Öffnungen, wie in den Schritten 2 und 3 im Abschnitt „**MONTIEREN DES MESSERS**“ gezeigt.
3. Stützen Sie den Gestrüppschneiderkopf an einer festen Fläche ab. Halten Sie mit einer Hand das Messer und mit der anderen Hand den mitgelieferten Multifunktionsschlüssel, um die Mutter in Pfeilrichtung (Markierung auf dem Außenflansch) zu lösen und die Mutter, den Außenflansch und das abgenutzte Messer zu entfernen (Abb. L).
4. Prüfen und wechseln Sie den Innenflansch und die Flanschabdeckung aus, wenn diese abgenutzt sind (Abb. M).

Teilebezeichnung der Abb. M:

M-1	Antriebswelle
M-2	Innenflansch
M-3	Flanschabdeckung
M-4	Messer
M-5	Außenflansch
M-6	Mutter
M-7	Aussparung im Flansch

5. Installieren Sie das neue Messer auf der Antriebswelle in der Reihenfolge, wie in Abb. M gezeigt. Folgen Sie den Schritten wie in Schritt 5, 6, und 7 im Abschnitt „**MONTIEREN DES MESSERS**“ beschrieben.

SCHMIERUNG DES GETRIEBES

Das Getriebe im Getriebegehäuse muss regelmäßig mit Getriebefett geschmiert werden. Entfernen Sie etwa alle 50 Betriebsstunden die Dichtungsschraube auf der Gehäuseseite und überprüfen Sie den Schmiermittelstand im Getriebegehäuse.

Ist auf den Seiten des Getriebes kein Fett zu sehen, füllen Sie das Getriebe gemäß den untenstehenden Schritten zu 3/4 mit Getriebefett.

Getriebe nicht vollständig befüllen.

1. Halten Sie den Gestrüppschneider so, dass die Dichtungsschraube nach oben zeigt (Abb. N).
2. Lockern Sie die Dichtungsschraube mit dem im Lieferumfang enthaltenen Multifunktionsschlüssel und nehmen Sie sie ab.
3. Befüllen Sie das Gehäuse durch das Schraubenloch mit einer Fettspritze (nicht enthalten).
4. Ziehen Sie die Dichtungsschraube nach dem Fetteinspritzen wieder fest.

AUFBEWAHREN DES GERÄTES

- Nehmen Sie den Akku aus dem Werkzeug.
- Tragen Sie dicke Handschuhe, um das Werkzeug gründlich zu reinigen.
- Setzen Sie die Messerhülle auf das Messer, um es sicher aufzubewahren (Abb. O).
- Entfernen Sie den Gestrüppschneideraufsatz vom Kombimotor und setzen Sie gegebenenfalls die Endkappe auf den Anschluss des Aufsatzschafes.
- Lagern Sie das Gerät an einem trockenen, gut belüfteten Ort, der sich abschließen lässt oder hoch gelegen und für Kinder unerreichbar ist. Lagern Sie das Gerät nicht auf oder neben Düngemitteln, Benzin oder anderen Chemikalien.

Schutz der Umwelt



Elektrogeräte, alte Akkus und Ladegeräte dürfen nicht im Hausmüll entsorgt werden! Das Gerät muss einer offiziellen Recycling-Sammelstelle zur getrennten Entsorgung zugeführt werden.

Elektrogeräte müssen bei einem umweltfreundlichen Recycling-Betrieb abgegeben werden

FEHLERBEHEBUNG

DE

PROBLEM	URSACHE	LÖSUNG
Gestrüppschneider lässt sich nicht starten.	<ul style="list-style-type: none"> ■ Der Akku ist nicht am Kombimotor angebracht. ■ Kein elektrischer Kontakt zwischen Kombimotor und Akku. ■ Der Akku ist leer. ■ Der Hebel zum Entriegeln und der Auslöser werden nicht gleichzeitig gedrückt. 	<ul style="list-style-type: none"> ■ Akku in den Kombimotor einsetzen. ■ Akku abnehmen, Kontakte überprüfen und wiedereinsetzen, bis er einrastet. ■ Akku mit den in dieser Anleitung aufgeführten EGO-Ladegeräten aufladen. ■ Halten Sie den Hebel zum Entriegeln gedrückt und drücken Sie dann den Ein-/Ausschalter, um den Gestrüppschneider einzuschalten.
Gestrüppschneider stoppt während des Schneidens.	<ul style="list-style-type: none"> ■ Der Motor ist überlastet. ■ Akku oder Kombimotor sind zu heiß. ■ Der Akkusatz ist nicht mit dem Werkzeug verbunden. ■ Der Akkusatz ist leer. 	<ul style="list-style-type: none"> ■ Der Motor kommt wieder in Schwung, wenn die Last abgenommen wird. Für durchgehendes Arbeiten die Last des Kombimotors verringern. ■ Lassen Sie den Akku und den Kombimotor unter 67° C abkühlen. ■ Setzen Sie den Akkusatz wieder ein. ■ Akku mit den in dieser Anleitung aufgeführten EGO-Ladegeräten aufladen.

GARANTIE

EGO GEWÄHRLEISTUNGSRICHTLINIE

Bitte besuchen Sie unsere website egopowerplus.eu mit den kompletten EGO Garantiebedingungen.

LISEZ TOUTES LES INSTRUCTIONS!

FR


LISEZ LA NOTICE D'UTILISATION.

⚠ AVERTISSEMENT : Pour garantir la sécurité et la fiabilité, toutes les réparations et tous les changements de pièce doivent être effectués par un réparateur qualifié.

SYMBOLES DE SÉCURITÉ

L'objectif des symboles de sécurité est d'attirer votre attention sur des dangers potentiels. Les symboles de sécurité et les explications les accompagnant doivent être lus avec attention et compris. Les symboles de mise en garde ne permettent pas par eux-mêmes d'éliminer les dangers. Les consignes et mises en garde ne se substituent pas à des mesures de prévention appropriées des accidents.

⚠ AVERTISSEMENT : Avant d'utiliser cet outil, veillez à lire et à comprendre toutes les consignes de sécurité du guide d'utilisation, notamment tous les symboles d'alerte de sécurité comme « **DANGER** », « **AVERTISSEMENT** » et « **MISE EN GARDE** ». Ne pas respecter toutes les consignes listées ci-après peut provoquer un choc électrique, un incendie et/ou des blessures corporelles graves.

SIGNIFICATION DES SYMBOLES

⚠ SYMBOLE DE MISE EN GARDE DE SÉCURITÉ : Indique un **DANGER**, un **AVERTISSEMENT** ou une **PRÉCAUTION**. Peut être utilisé en conjonction d'autres symboles ou pictogrammes.



⚠ AVERTISSEMENT : L'utilisation d'un outil électrique peut provoquer la projection d'objets étrangers dans vos yeux, ce qui peut provoquer des lésions oculaires graves. Avant de mettre un outil électrique en marche, portez toujours un masque de sécurité ou des lunettes de sécurité avec boucliers latéraux, ou un masque facial intégral quand cela est nécessaire. Nous vous recommandons de porter un Masque de Sécurité à Vision Panoramique par-dessus des lunettes de vue ou des lunettes de sécurité standards avec boucliers latéraux.

CONSIGNES DE SÉCURITÉ

Cette page décrit des symboles de sécurité pouvant être présents sur le produit. Lisez, comprenez et respectez toutes les instructions présentes sur l'outil avant d'essayer de l'assembler et de l'utiliser.

	Alerte de sécurité	Indique un danger potentiel de blessure corporelle.
	Lire le manuel d'utilisation	Pour réduire le risque de blessures, l'utilisateur doit lire la notice d'utilisation.
	Porter une protection oculaire	Toujours porter un masque de sécurité ou des lunettes de sécurité avec boucliers latéraux et un masque facial intégral lors de l'utilisation de ce produit.
	Porter une protection auditive	Toujours porter des barrières auditives (bouchons d'oreille ou casque anti-bruit) pour protéger vos capacités auditives.
	Porter une protection de la tête.	Porter un casque de sécurité homologué pour protéger votre tête.
	Porter des gants protecteurs.	Protéger vos mains avec des gants pendant la manipulation de l'outil et de la lame. Les gants antidérapants pour travaux lourds améliorent votre préhension et protègent vos mains.
	Porter des chaussures de sécurité.	Porter des chaussures de sécurité antidérapantes pendant l'utilisation de cet équipement.
	Largeur de coupe	Largeur de coupe maximale de la débroussailleuse.
	Prendre garde au rebond de lame.	Mettre en garde l'opérateur contre le danger de rebond de lame.

	Maintenir les autres personnes éloignées	La distance entre la machine et les autres personnes doit être d'au moins 15 m.
	Attention à la projection d'objets	Les objets projetés peuvent ricocher et causer des blessures ou des dommages matériels.
	Déconnectez la batterie avant l'entretien	Débranchez la batterie du taille-bordures avant d'effectuer des travaux d'entretien ou de nettoyage.
	CE	Ce produit est conforme aux directives CE applicables.
	UKCA	Ce produit est conforme à la législation britannique applicable.
	WEEE	Les déchets de produits électriques ne doit pas être jetés avec les ordures ménagères. Jetez-les dans un dans un centre de triage agréé.
	Bruit	Niveau de puissance acoustique garanti. Émission sonore dans l'environnement conforme à la directive de la communauté européenne.
V	Volt	Tension
mm	Millimètre	Longueur ou taille
cm	Centimètre	Longueur ou taille
kg	Kilogramme	Poids
n_0	Régime à vide	Vitesse de rotation sans charge
min ⁻¹	Par minute	Tours par minute

CONSIGNES DE SÉCURITÉ GÉNÉRALES POUR LA MACHINE

⚠ AVERTISSEMENT! Lisez toutes les mises en garde, consignes, illustrations et spécifications fournies avec cette machine. Le non-respect des consignes figurant ci-dessous peut provoquer un choc électrique, un incendie et/ou des blessures graves.

CONSERVEZ TOUTES LES CONSIGNES DE SÉCURITÉ ET TOUTES LES INSTRUCTIONS POUR POUVOIR VOUS Y RÉFÉRER ULTÉRIEUREMENT.

Le terme « machine » utilisé dans les consignes de sécurité désigne votre machine fonctionnant sur le secteur (filaire) ou sur batterie (sans fil).

SÉCURITÉ DE L'AIRE DE TRAVAIL

- **Maintenez l'aire de travail propre et bien éclairée.** Les endroits sombres ou désordonnés augmentent les risques d'accident.
- **N'utilisez pas les machines dans des atmosphères explosives, par exemple en présence de liquides, de gaz ou de poussières inflammables.** Les machines génèrent des étincelles pouvant enflammer poussières et vapeurs.
- **Veillez à ce que les enfants et les passants restent éloignés de la machine pendant l'utilisation.** Un moment d'inattention peut vous faire perdre le contrôle de l'outil.

SÉCURITÉ ÉLECTRIQUE

- **La fiche de la machine doit correspondre à la prise électrique. Ne modifiez jamais la prise de quelque manière que ce soit. N'utilisez jamais d'adaptateur avec des machines pourvues d'une mise à la terre.** Les fiches non modifiées et les prises électriques appropriées réduisent le risque de choc électrique.
- Évitez tout contact physique avec des surfaces mises à la terre ou mises à la masse, telles que tuyaux, radiateurs, fours et réfrigérateurs. Il y a un risque accru de choc électrique si votre corps est relié à la terre ou à la masse, directement ou indirectement.
- **N'utilisez pas la machine sous la pluie ou dans des conditions humides.** La pénétration d'eau dans la machine peut augmenter le risque de choc électrique ou de dysfonctionnement pouvant entraîner des blessures corporelles.
- **Prenez soin du câble d'alimentation. N'utilisez jamais le cordon d'alimentation pour porter, tirer ou débrancher la machine. Veillez à ce que le câble d'alimentation n'entre jamais en contact avec de l'huile, des pièces mobiles, des arêtes tranchantes, et ne soit jamais exposé à de la chaleur.** Les câbles d'alimentation endommagés ou emmêlés augmentent le risque de choc électrique.
- **Quand vous utilisez une machine en extérieur, utilisez une rallonge électrique adaptée à un usage en extérieur.** L'utilisation d'une rallonge conçue pour un usage en extérieur permet de réduire le risque de choc électrique.

- **S'il est impossible d'éviter d'utiliser une machine dans un endroit humide, utilisez une alimentation protégée par un disjoncteur de fuite à la terre (DDFT).** L'utilisation d'un DDFT réduit le risque de choc électrique.

SÉCURITÉ DES PERSONNES

- **Faites preuve de vigilance et de concentration sur ce que vous faites et exercez votre bon sens lors de l'utilisation d'une machine. N'utilisez pas une machine quand vous êtes fatigué(e), sous l'emprise de l'alcool, de stupéfiants ou de médicaments.**

Un moment d'inattention pendant l'utilisation d'une machine peut provoquer des blessures corporelles graves.

- **Utilisez des équipements de protection individuelle. Portez toujours une protection oculaire.** L'utilisation d'équipements de protection appropriés aux conditions de travail, tels qu'un masque anti-poussières, des chaussures de sécurité antidérapantes, un casque et des protections auditives, permet de réduire les risques de blessures corporelles.
- Évitez les démarrages accidentels. Vérifiez que l'interrupteur marche/arrêt est dans la position arrêt avant de brancher la machine dans une prise électrique et/ou d'insérer la batterie, de le saisir ou de le transporter. Transporter des machines avec le doigt sur l'interrupteur marche/arrêt ou mettre sous tension des machines dont l'interrupteur est en position marche augmente le risque d'accidents.
- **Retirez toutes les clés de réglage et de serrage avant de mettre la machine en marche.** Une clé de réglage ou de serrage laissée sur une pièce rotative de la machine peut provoquer des blessures corporelles.
- **N'essayez pas de travailler des endroits difficiles à atteindre. Conservez en permanence des appuis des pieds solides et un bon équilibre.** Cela permet un meilleur contrôle de la machine en cas de situations inattendues.
- **Portez une tenue adaptée. Ne portez pas de vêtement ample ni de bijou. Maintenez vos cheveux et vos vêtements éloignés des pièces mobiles.** Les vêtements amples, les bijoux et les cheveux longs peuvent se prendre dans les pièces mobiles.
- **Si un outil est conçu pour être utilisé avec des dispositifs d'extraction et de récupération des poussières, veillez à ce que ces dispositifs soient raccordés et correctement utilisés.** L'utilisation de dispositifs de récupération des poussières permet de réduire les risques liés aux poussières.
- **Continuez à respecter les principes de sécurité**

même si vous vous sentez familiarisé(e) à l'utilisation de la machine. La négligence peut provoquer des blessures graves en une fraction de seconde.

UTILISATION ET ENTRETIEN DE LA MACHINE

- **Ne forcez pas sur la machine. Utilisez une machine adaptée à votre travail.** L'utilisation d'une machine qui convient au travail à effectuer permet de réaliser ce travail plus efficacement, avec une sécurité accrue et au rythme pour lequel la machine a été conçue.
- **N'utilisez pas la machine si son interrupteur marche/arrêt ne permet pas de l'allumer et de l'éteindre.** Une machine qui ne peut pas être contrôlée avec son interrupteur marche/arrêt est dangereuse et doit être réparée.
- **Débranchez la fiche de l'alimentation électrique et/ou retirez la batterie, si amovible, de la machine avant tout réglage ou changement d'accessoire, et avant de ranger la machine.** De telles mesures de sécurité préventives réduisent le risque de démarrage accidentel de la machine.
- **Conservez la machine à l'arrêt hors de portée des enfants et ne laissez pas des personnes non familiarisées avec la machine ou les présentes consignes utiliser la machine.** Les machines sont dangereuses dans les mains d'utilisateurs non formés.
- **Entretenez les machines et les accessoires. Contrôlez la machine pour vérifier qu'aucune pièce mobile n'est grippée ou mal alignée, qu'aucune pièce n'est cassée, et pour tout autre problème qui pourrait affecter son fonctionnement. Si elle est endommagée, faites réparer la machine avant utilisation.** De nombreux accidents sont dus à des machines mal entretenues.
- **Veillez à ce que les machines de coupe restent affûtées et propres.** Des machines de coupe bien entretenues et affûtées risquent moins de se coincer et sont plus faciles à contrôler.
- **Utilisez la machine, ses accessoires, mèches/embouts et toutes les autres pièces conformément au présent mode d'emploi, en prenant en compte les conditions d'utilisation et le travail à effectuer.** L'utilisation de la machine à d'autres finalités que celles pour lesquelles elle a été conçue peut engendrer des situations dangereuses.
- **Maintenez les poignées et surfaces de préhension propres, sèches et exemptes d'huile et de graisse.** Les poignées et surfaces de préhension glissantes ne permettent pas de tenir et de contrôler la machine de manière sûre en cas de situations inattendues.

UTILISATION ET ENTRETIEN DE LA MACHINE SUR BATTERIE

- **Rechargez la batterie exclusivement avec le chargeur spécifié par le fabricant.** Un chargeur adapté à un type de batterie en particulier peut présenter un risque d'incendie s'il est utilisé avec un type de batterie différent.
- **Utilisez les machines uniquement avec la batterie indiquée.** L'utilisation de toute autre batterie peut engendrer un risque de blessures et d'incendie.
- **Lorsque la batterie n'est pas utilisée, elle doit être rangée à l'écart de tout objet métallique, tel que les trombones, pièces de monnaie, clés, clous, vis et tous les autres petits objets métalliques pouvant mettre en contact ses bornes.** Mettre en court-circuit les bornes de la batterie peut provoquer des brûlures et un incendie.
- **Si la batterie est soumise à des conditions d'utilisation excessives, du liquide peut s'en échapper. Évitez tout contact avec ce liquide. En cas de contact accidentel, rincez à grande eau. En cas de contact avec les yeux, vous devez en outre consulter un médecin.** Le liquide qui s'échappe de la batterie peut provoquer des irritations et des brûlures.
- **N'utilisez pas une batterie ou une machine endommagée ou modifiée.** Les batteries modifiées ou endommagées peuvent avoir un comportement imprévisible susceptible de provoquer un incendie, une explosion ou un risque de blessure.
- **N'exposez pas la batterie ou la machine à des flammes ou à une température excessive.** L'exposition au feu ou à des températures supérieures à 130 °C peut provoquer une explosion.
- **Respectez toutes les consignes de recharge et ne rechargez pas la batterie ou la machine hors de la plage de température spécifiée dans les consignes.** La recharge incorrecte ou à des températures hors de la plage spécifiée peut endommager la batterie et accroître le risque d'incendie.

⚠ AVERTISSEMENT: Lisez toutes les consignes de sécurité, les instructions, les illustrations et les spécifications de sécurité fournies avec cet outil électrique. Le non-respect de l'ensemble des consignes listées ci-après est susceptible d'entraîner un risque de choc électrique, d'incendie et/ou de blessures graves. Conservez toutes les mises en garde et instructions pour consultation ultérieure. **Conservez toutes les mises en garde et instructions pour consultation ultérieure.**

APPRENTISSAGE

- Lisez attentivement le manuel d'utilisation. Familiarisez-vous avec les commandes et l'utilisation correcte de l'outil.
- Ne laissez jamais des enfants ou des personnes non familiarisées avec les présentes instructions utiliser l'outil. Les réglementations locales peuvent restreindre l'âge de l'opérateur.
- Nous vous rappelons que l'opérateur ou l'utilisateur est responsable en cas d'accidents ou de dangers impliquant d'autres personnes ou leurs biens.

PRÉPARATION

- N'utilisez jamais l'outil si des personnes, notamment des enfants, ou des animaux de compagnies sont à proximité.
- Portez en permanence des protections oculaires et des chaussures robustes pendant l'utilisation de l'outil.
- La distance entre la machine et les passants doit être d'au moins 15 m.
- N'utilisez jamais la machine lorsque l'opérateur est fatigué, malade ou sous l'influence de l'alcool ou d'autres drogues.

FONCTIONNEMENT

- Utilisez l'outil exclusivement à la lumière du jour ou sous une lumière artificielle suffisante.
- N'utilisez jamais la machine si ses boucliers/dispositifs de protection ne sont pas assemblés ou sont endommagés.
- Mettez le moteur en marche uniquement quand vos mains et pieds sont éloignés des accessoires de coupe.
- Débranchez toujours la machine de l'alimentation électrique (c-à-d retirez la batterie).
 - Chaque fois que vous laissez l'outil sans surveillance.
 - Avant d'éliminer un bourrage.
 - Avant d'inspecter, de nettoyer ou de travailler sur l'outil.
 - Après avoir percuté un objet étranger.
- Si l'outil se met à vibrer anormalement.
- Prenez garde à ce que vos pieds et vos mains ne soient pas blessés par les pièces de coupe.
- Veillez à ce que les ouïes de ventilation ne soient jamais bouchées par des débris.

ENTRETIEN ET RANGEMENT

- Débranchez la machine de l'alimentation (c-à-d retirez la batterie) avant d'effectuer des travaux de maintenance ou d'entretien.

- Utilisez exclusivement les pièces et accessoires de rechange recommandés par le fabricant.
- Inspectez et entretenez l'outil régulièrement. Faites réparer l'outil exclusivement par un réparateur agréé.
- Rangez l'outil hors de portée des enfants quand vous ne l'utilisez pas.

CONSIGNES DE SECURITE COMPLEMENTAIRES

- **Évitez les environnements dangereux** – N'utilisez pas les taille-bordures sur des pentes mouillées et détrempées.
- **Les dispositifs de protection doivent toujours être assemblés et en bon état de marche.**
- **Maintenez vos mains et vos pieds éloignés de la zone de coupe.**
- **Pour réduire le risque de blessures, ne travaillez jamais sur une échelle ou un autre support non sûr. Ne positionnez jamais l'unité de coupe plus haut que votre taille.**
- **Inspectez l'unité de coupe à intervalles courts et réguliers pendant l'utilisation ou immédiatement si vous constatez un changement notable dans son comportement de coupe.**
- **Pour des résultats optimaux, votre batterie doit être rechargée dans un endroit où la température est supérieure à 5°C et inférieure à 40°C.** Ne la stockez pas à l'extérieur ou dans un véhicule.
- **Si une personne s'approche de vous, éteignez immédiatement le moteur et l'unité de coupe.**
- **Avertissez l'opérateur des dangers du rebond de lame (uniquement avec la lame à 3 dents).**
 - Un rebond de lame peut se produire si la lame en rotation entre en contact avec un objet qu'elle ne coupe pas immédiatement.
 - Le rebond de lame peut être suffisamment violent pour projeter l'outil et/ou l'opérateur dans n'importe quelle direction et provoquer la perte de contrôle de l'outil.
 - Le rebond de lame peut se produire sans avertissement si la lame se coince, se bloque ou s'accroche.
 - Un rebond de lame a une plus forte probabilité de se produire dans les endroits où il est difficile de voir le matériau à couper.
- **N'assemblez jamais une lame sur un outil sans correctement installer toutes les pièces requises. Ne pas utiliser les pièces appropriées peut provoquer la désolidarisation et la projection de la lame, et des blessures graves chez l'opérateur et/**

ou d'autres personnes. Jetez les lames tordues, voilées, fissurées, cassées ou présentant la moindre détérioration. Utilisez une lame affûtée. Une lame émoussée a une plus forte probabilité de se coincer et de provoquer un rebond (uniquement pour la lame à 3 dents).

- **Un fil/lame en roue libre peut provoquer des blessures pendant qu'il reste en rotation après que vous ayez relâché l'interrupteur-gâchette ou après l'arrêt du moteur. Maintenez un contrôle approprié jusqu'à ce que le fil/lame se soit complètement arrêté de tourner.**
- **Les outils alimentés par batterie n'ont pas à être branchés dans une prise électrique, ils sont donc toujours prêts à fonctionner.** Prenez garde aux dangers potentiels même quand l'outil n'est pas en fonctionnement. Faites attention pendant l'entretien ou la réparation.
- **Ne lavez pas l'outil avec un tuyau. Évitez que de l'eau ne pénètre dans le moteur et sur les connexions électriques.**
- **Si des situations non couvertes par ce manuel se produisent, faites preuve de prudence et de bon sens. Contactez le centre de réparation EGO pour lui demander conseil.**
- Utilisez exclusivement les batteries et les chargeurs listes à la fig. A.

CONSERVEZ CE MANUEL D'UTILISATION!

SPÉCIFICATIONS

Largeur de coupe	30 cm
Régime à vide	5000/6000 min ⁻¹
Poids	1,82 kg
Température d'utilisation recommandée	0°C-40°C
Température de stockage recommandée	-20°C-70°C
Niveau de puissance acoustique mesuré L _{wa}	96,5 dB(A) K=1,88 dB(A) (PH1400E)
	93,2 dB(A) K=0,35 dB(A) (PH1420E)
	91 dB(A) K=1,1 dB(A) (PHX1600)

Niveau de pression acoustique au niveau des oreilles de l'opérateur L_{PA}	84,5 dB(A) K=3 dB(A) (PH1400E)	
	83,9 dB(A) K=3 dB(A) (PH1420E)	
	83 dB(A) K=3 dB(A) (PHX1600)	
Niveau de puissance acoustique garanti L_{WA} (conformément à la norme 2000/14/CE)	98 dB(A)	
Vibration a_h	Poignée auxiliaire avant	2,8 m/s ² K=1,6 m/s ² (PH1400E)
		4,14 m/s ² K=1,5 m/s ² (PH1420E)
		6,64 m/s ² K=1,5 m/s ² (PHX1600)
	Poignée arrière	3,1 m/s ² K=1,6 m/s ² (PH1400E)
		1,88 m/s ² K=1,5 m/s ² (PH1420E)
		2,61 m/s ² K=1,5 m/s ² (PHX1600)

- Les paramètres ci-dessus ont été testés et mesurés avec la tête alimentée PH1400E/PH1420E/PHX1600.
- La valeur totale des vibrations indiquée a été mesurée selon une procédure conforme à une méthode de test standardisée et peut servir pour comparer différents outils.
- La valeur totale des vibrations indiquée peut également servir pour effectuer une première évaluation de l'exposition.

REMARQUE : L'émission de vibrations pendant l'utilisation réelle de l'outil électrique est fonction de la manière dont il est utilisé et peut différer de la valeur indiquée. Pour se protéger, l'opérateur doit porter des gants et un casque antibruit dans les conditions actuelles d'utilisation.

Lame Recommandée

NOM DE PIÈCE	NUMÉRO DE MODÈLE
Lame de Débroussailleuse	ABB1203

FR

CONTENU DE L'EMBALLAGE

NOM DE PIÈCE	QUANTITÉ
Accessoire pour Débroussailleuse	1
Set Lame et Protège-lame	1
Capot de protection	1
Capot additionnel (usage EXCLUSIVE-MENT avec le coupe-herbe)	1
Clé 6 pans	1
Clé Multifonction	1
Manuel d'utilisation	1

DESCRIPTION

DESCRIPTION DE VOTRE ACCESSOIRE POUR DÉBROUSSAILLEUSE (Image A)

- Capuchon d'extrémité
- Manche de débroussailleuse
- Capot de protection
- Lame
- Protège-lame
- Tige de serrage
- Vis d'étanchéité
- Boîtier d'engrenage
- Trou de blocage de la broche
- Bride externe
- Clé Multifonction
- Clé six pans
- Capot additionnel (usage EXCLUSIVEMENT avec le coupe-herbe)

⚠ AVERTISSEMENT : N'utilisez jamais l'outil sans son capot de protection solidement assemblé. Le capot de protection doit toujours être assemblé sur l'outil pour protéger l'utilisateur.

⚠ AVERTISSEMENT : Quand l'outil est utilisé comme coupe-herbe équipé d'une tête de coupe, le capot additionnel doit être assemblé sur le capot de protection. Ne pas respecter cette exigence peut entraîner une longueur excessive du fil de coupe et mettre le moteur en surcharge.

ASSEMBLAGE

FR

⚠ AVERTISSEMENT : Si une pièce est manquante ou endommagée, n'utilisez pas cet outil tant qu'elle n'a pas été remplacée. Utiliser cet outil avec des pièces endommagées ou manquantes peut provoquer des blessures corporelles graves.

⚠ AVERTISSEMENT : Pour éviter un démarrage accidentel pouvant provoquer des blessures graves, retirez toujours la batterie de la machine avant d'assembler des pièces.

⚠ AVERTISSEMENT : Um einen unbeabsichtigten Anlauf und dadurch hervorgerufene schwere Verletzungen zu verhindern, muss der Akku beim Montieren von Teilen immer zuerst vom Gerät abgenommen werden.

⚠ AVERTISSEMENT : Lorsque la machine est équipée d'une tête de débroussaillieuse, la barre de sécurité doit être montée.

ASSEMBLER LE CAPOT DE PROTECTION

⚠ AVERTISSEMENT : Portez toujours des gants pour assembler ou remplacer le carter de protection. Prenez garde à la lame lorsque vous montez le carter de protection et protégez votre main pour éviter de vous couper.

⚠ AVERTISSEMENT : N'utilisez jamais la machine sans que son carter de protection ne soit bien en place. Le carter de protection doit toujours être monté sur la machine pour protéger l'utilisateur ! Une fois que le carter a été fixé, n'essayez jamais de le démonter ou de le régler. S'il doit être remplacé, cela doit être fait par un réparateur qualifié !

Desserrez et retirez les deux vis de la base du manche (Image C), alignez les trous du capot de protection avec les trous d'assemblage, puis fixez-le sur la base du manche avec les deux vis et deux rondelles élastiques (Image D).

Vérifiez que le capot de protection est fixé comme montré sur les images C et D, un montage inversé est très dangereux !

ASSEMBLER LA LAME

1. La lame est fournie avec un protège-lame. Avant d'assembler la lame sur la débroussaillieuse, le protège-lame doit être retiré en défaisant la tige de serrage du crochet du protège-lame (Image E).

Images E Description des pièces, voir ci-dessous :

E-1	Crochet
E-2	Tige de serrage

2. Tournez la bride externe pour aligner la rainure de la bride interne avec le trou de blocage de la broche du boîtier d'engrenage (Image F).
3. Insérez la clé six pans fournie dans les trous alignés pour bloquer les pièces (Image G).

Images F et G Description des pièces, voir ci-dessous :

F-1	Boîtier d'engrenage	F-3	Bride externe
F-2	Trous de blocage de la broche alignés	G-1	Stabilisateur

4. Positionnez la tête de débroussaillieuse contre une surface solide servant de support. Tenez l'axe de la débroussaillieuse d'une main et, de l'autre main, desserrez l'écrou avec la clé multifonction fournie dans le sens de la flèche marquée sur la bride externe, puis retirez l'écrou et la bride externe. Conservez-les pour le réassemblage (Image H).
5. Insérez la lame sur la broche du moteur en veillant à ce que la surface de la lame soit au ras de la surface du renflement de la bride interne. Puis assemblez la bride externe et l'écrou (Image I). Serrez l'écrou dans le **SENS ANTIHORAIRE** à la main.

Images I Description des pièces, voir ci-dessous :

I-1	Renflement de la bride interne	I-4	Bride externe
I-2	Broche du moteur	I-5	Lame
I-3	Écrou		

6. Tournez la bride externe pour aligner la rainure de la bride interne avec le trou de blocage de la broche du boîtier d'engrenage et insérez la clé six pans fournie dans les trous alignés pour bloquer les pièces comme montré sur les étapes précédentes 2 et 3.
7. Positionnez la tête de débroussaillieuse contre une surface solide servant de support. Tenez la lame d'une main et, de l'autre main, serrez l'écrou avec la clé multifonction fournie dans le sens contraire de la flèche marquée sur la bride externe (Image J).

Utiliser le capot additionnel

REMARQUE : Quand l'outil est utilisé comme coupe-herbe avec une tête de coupe, le capot additionnel doit être assemblé sur le capot de protection (Image K).

Fixez le capot additionnel sur le capot de protection en serrant les trois vis avec la clé six pans fournie. Ne pas respecter cette exigence peut entraîner une longueur excessive du fil de coupe et mettre le moteur en surcharge.

ASSEMBLER L'ACCESSOIRE POUR DÉBROUSSAILLEUSE SUR LA TÊTE ALIMENTÉE

Cet accessoire pour débroussailleuse est conçu pour être utilisé avec la tête alimentée EGO PH1400E/PH1420E/PHX1600.

Consultez le chapitre « **ASSEMBLER UN ACCESSOIRE SUR LA TÊTE ALIMENTÉE** » du manuel d'utilisation de la tête alimentée PH1400E/PH1420E/PHX1600.

UTILISATION

⚠ AVERTISSEMENT : Veillez à ne pas devenir moins prudent au fur et à mesure que vous vous familiarisez avec cet outil. Gardez à l'esprit qu'une seconde d'inattention peut suffire pour provoquer des blessures graves.

⚠ AVERTISSEMENT : Portez toujours une protection oculaire avec boucliers latéraux. Et portez toujours une protection auditive. Sans ce type de protection, des objets peuvent être projetés dans vos yeux et d'autres blessures graves peuvent se produire.

APPLICATIONS

Vous pouvez utiliser ce produit aux finalités suivantes :

- Couper les herbes enchevêtrées, les mauvaises herbes, la végétation sauvage et les broussailles, et éclaircir les jeunes arbustes ayant une tige d'un diamètre maximal de 2 cm.

REMARQUE : L'outil ne doit être utilisé qu'à sa finalité prévue. Tout autre usage est considéré impropre.

UTILISER LA DÉBROUSSAILLEUSE AVEC LA TÊTE ALIMENTÉE

⚠ AVERTISSEMENT : Quand vous utilisez cet outil, portez une tenue appropriée pour réduire le risque de blessures. Ne portez pas de vêtement ample ni de bijou. Porter des protections oculaires et auditives. Portez un pantalon long et épais, des chaussures montantes et des gants. Ne portez pas de shorts ni de sandales et ne soyez pas pieds nus.

Pour un usage sûr et meilleur, placez la sangle d'épaule en travers de vos épaules. Réglez la sangle d'épaule dans une position d'utilisation confortable. Tenez toujours la débroussailleuse avec une main sur la poignée arrière et l'autre main sur la poignée auxiliaire avant. Tenez toujours fermement l'outil à deux mains pendant l'utilisation. La débroussailleuse doit être tenue dans une position confortable avec sa poignée arrière à peu près à la hauteur de la hanche de l'opérateur. Tenez en permanence fermement l'outil et maintenez un excellent équilibre sur vos deux pieds. Positionnez-vous en sorte de ne pas être déséquilibré en cas de rebond de la lame (Image B).

⚠ AVERTISSEMENT : La sangle d'épaule est aussi un mécanisme de retrait rapide en cas de situation dangereuse. En cas d'urgence, retirez-la immédiatement de votre épaule, quelle que soit la manière dont elle est portée.

Pour couper la végétation sauvage et les broussailles, abaissez la lame rotative vers le bas sur la végétation pour créer un effet de hachage. Utilisez la débroussailleuse comme une faux (balancez-la à droite et à gauche) au niveau du sol. N'utilisez pas l'accessoire de coupe plus haut que votre taille.

⚠ AVERTISSEMENT : Plus l'accessoire de coupe est haut par rapport au sol, plus il y a de risques de blessures dues aux projections latérales de végétaux coupés.

⚠ AVERTISSEMENT : Lors de la coupe de jeunes arbustes ou d'autres matériaux en bois d'un diamètre allant jusqu'à 2 cm, utilisez le côté gauche de la lame pour éviter des rebonds de lame. N'essayez pas de couper des matériaux en bois d'un diamètre supérieur, car la lame risque de s'accrocher ou de renvoyer les végétaux coupés vers l'avant. Cela peut provoquer la détérioration de la lame ou de la débroussailleuse, vous en faire perdre le contrôle et provoquer des blessures corporelles.

⚠ AVERTISSEMENT : L'usage impropre d'une lame de débroussailleuse peut la fissurer, l'ébrécher ou la faire éclater.

Les morceaux projetés peuvent gravement blesser l'opérateur ou les autres personnes. Pour réduire le risque de blessures corporelles, il est essentiel de prendre les précautions suivantes :

- Évitez le contact avec des objets étrangers durs ou rigides, par exemple des pierres, des cailloux ou des morceaux de métal.
- Ne coupez jamais d'arbustes ou de broussailles dont le diamètre est supérieur à 2 cm.
- Inspectez la lame à intervalles courts et réguliers pour vérifier qu'elle n'est pas endommagée. Ne continuez pas à travailler avec une lame endommagée.
- Réaffûtez la lame régulièrement (quand elle est visiblement émoussée) et faites-la équilibrer si nécessaire (cela doit être fait par un réparateur qualifié).

REBOND DE LAME

Faites extrêmement attention lors de l'utilisation de la lame avec cet outil. Le rebond de lame est une réaction pouvant se produire quand la lame en rotation entre en contact avec quelque chose qu'elle ne peut pas couper. Ce contact peut stopper la lame instantanément et brusquement projeter l'outil loin de l'objet touché. Cette réaction peut être suffisamment violente pour faire perdre

le contrôle de l'outil à l'opérateur. Un rebond de lame peut se produire sans avertissement si la lame se coince, se bloque ou s'accroche. Cela a une plus forte probabilité de se produire dans les endroits où il est difficile de voir le matériau en train d'être coupé. Pour couper facilement et de manière sûre, approchez des végétaux à couper avec la débroussailleuse de droite à gauche. En cas de contact avec des végétaux épais ou des objets imprévus, cette méthode permet normalement de minimiser le rebond de lame.

Avant chaque utilisation, inspectez l'outil pour vérifier qu'aucune de ses pièces n'est endommagée/usée.

Inspectez la lame, le capot de protection et la poignée auxiliaire avant, et remplacez toutes les pièces fissurées, voilées, tordues ou présentant une autre détérioration.

Le bord de la lame s'érouisse avec le temps. Il est recommandé de retourner la lame pour prolonger sa durée de vie et de la réaffûter régulièrement (cela doit être fait par un réparateur qualifié) ou de la remplacer par une lame neuve si nécessaire.

Nettoyez la débroussailleuse après chaque utilisation.

Consultez le chapitre **ENTRETIEN** pour connaître les instructions de nettoyage.

⚠ AVERTISSEMENT : Vérifiez que la lame s'est complètement arrêtée avant de nettoyer ou d'entretenir la débroussailleuse. Ne pas respecter cette exigence peut provoquer des blessures corporelles graves.

ALLUMER/ÉTEINDRE L'OUTIL

Consultez le chapitre « **ALLUMER/ÉTEINDRE LA TÊTE ALIMENTÉE** » du manuel d'utilisation de la tête alimentée PH1400E/PH1420E/PHX1600.

ENTRETIEN

⚠ AVERTISSEMENT : Avant d'inspecter, de nettoyer ou de réparer l'outil, éteignez le moteur, attendez que toutes les pièces mobiles se soient arrêtées et retirez la batterie. Ne pas respecter ces instructions peut provoquer des blessures corporelles graves et des dommages matériels.

⚠ AVERTISSEMENT : L'outil ne doit être réparé qu'avec des pièces de rechange identique. L'utilisation de toute autre pièce peut créer un danger ou détériorer l'outil. Pour garantir la sécurité et la fiabilité, toutes les réparations doivent être effectuées par un réparateur qualifié.

⚠ AVERTISSEMENT : Portez toujours des gants épais pendant l'assemblage et le démontage de la lame, et pendant toutes les opérations de maintenance de la lame. Prenez garde à la lame et protégez vos mains des blessures dues à la lame.

ENTRETIEN GÉNÉRAL

N'utilisez pas de solvant pour nettoyer les pièces en plastique. La plupart des plastiques peuvent être détériorés par de nombreux solvants différents vendus dans le commerce. Utilisez des chiffons propres pour enlever les saletés, les poussières, l'huile, la graisse, etc.

NETTOYER L'OUTIL

- Retirez la batterie.
- Après chaque utilisation, enlevez les débris, la terre et les herbes accumulées sur la lame et le capot de protection avec une brosse douce.
- Essuyez la surface de l'outil avec un chiffon propre humidifié d'une solution de savon doux.
- Avec une petite brosse ou un petit aspirateur, nettoyez les ouïes de ventilation du boîtier arrière.
- Veillez à ce que les ouïes de ventilation restent exemptes d'obstruction.

Quand la lame est émoussée, les deux bords de la lame sont émoussés, faites-la affûter par un réparateur qualifié ou remplacez-la par une lame neuve si nécessaire.

CHANGER LA LAME

⚠ AVERTISSEMENT : Une lame usée, fissurée ou endommagée peut se briser et les morceaux de la lame peuvent devenir des projectiles dangereux. Les objets projetés peuvent provoquer des blessures graves. Inspectez régulièrement la lame et n'utilisez pas la débroussailleuse avec une lame usée ou endommagée.

⚠ AVERTISSEMENT : Portez une protection oculaire appropriée lors du démontage, de l'affûtage et de l'assemblage de la lame.

Démonter la lame

1. Retirez la batterie.
2. Tournez la bride externe pour aligner la rainure de la bride interne avec le trou de blocage de la broche du boîtier d'engrenage et insérez la clé six pans fournie dans les trous alignés pour bloquer les pièces comme montré sur les étapes précédentes 2 et 3 du chapitre « **ASSEMBLER LA LAME** ».

- Positionnez la tête de débroussailleuse contre une surface solide servant de support. Tenez la lame d'une main et, de l'autre main, desserrez l'écrou avec la clé multifonction fournie dans le sens de la flèche marquée sur la bride externe, puis retirez l'écrou, la bride externe et la lame usée (Image L).
- Inspectez et remplacez la bride interne et la rondelle de bride pour vérifier qu'ils ne sont pas endommagés (Image M).

Image M Description des pièces, voir ci-dessous :

M-1	Broche du moteur	M-5	Bride externe
M-2	Bride interne	M-6	Écrou
M-3	Rondelle de bride	M-7	Rainure de bride
M-4	Lame		

- Assemblez une lame neuve sur la broche du moteur dans l'ordre montré sur l'image M. Pour plus de détails, lisez les instructions des étapes 5, 6 et 7 du chapitre « **ASSEMBLER LA LAME** ».

LUBRIFICATION DES ENGRENAGES DE TRANSMISSION

Les engrenages de transmission dans le boîtier d'engrenage doivent être lubrifiés régulièrement avec de la graisse à engrenage. Contrôlez le niveau de graisse dans le boîtier d'engrenage toutes les 50 h d'utilisation en retirant la vis d'étanchéité sur le côté du boîtier.

Si vous ne voyez pas de graisse sur les flancs des engrenages, procédez comme suit pour remplir le boîtier de graisse jusqu'au 3/4 de sa capacité.

Ne remplissez pas complètement les engrenages de transmission.

- Positionnez la débroussailleuse en sorte que la vis d'étanchéité soit dirigée vers le haut (Image N).
- Utilisez la clé multifonction fournie pour desserrer et retirer la vis d'étanchéité.
- Avec une seringue à graisse (non fournie), injectez un peu de graisse dans le trou de vis.
- Revissez complètement la vis d'étanchéité après l'injection.

RANGER L'OUTIL

- Retirez la batterie de l'outil.
- Portez des gants épais pour nettoyer intégralement l'outil.
- Insérez le protège-lame sur la lame pour la protéger (Image O).
- Retirez l'accessoire pour débroussailleuse de la tête alimentée et insérez le capuchon d'extrémité sur le bout du manche de l'accessoire, si nécessaire.

- Rangez l'outil dans un endroit sec, bien aéré, fermé à clé ou en hauteur, et hors de portée des enfants. Ne rangez pas l'outil sur ou à côté d'engrais, d'essence ou d'autres substances chimiques.

Protection de l'environnement



Ne jetez pas les équipements électriques, les batteries et les chargeurs usagés avec les ordures ménagères ! Apportez ce produit chez un recycleur agréé et rendez-le disponible pour une collecte séparée. Les machines électriques doivent être ramenées dans un centre de recyclage.

FR

DÉPANNAGE

FR

PROBLÈME	CAUSE	SOLUTION
La débroussailleuse ne démarre pas.	<ul style="list-style-type: none"> ■ La batterie n'est pas insérée sur la tête alimentée. ■ Il n'y a pas de contact électrique entre la tête alimentée et la batterie. ■ La batterie est déchargée. ■ Le levier de déverrouillage et l'interrupteur-gâchette ne sont pas tous les deux appuyés. 	<ul style="list-style-type: none"> ■ Insérez la batterie sur la tête alimentée. ■ Retirez la batterie, contrôlez les contacts, puis réinsérez la batterie jusqu'à ce qu'elle s'encastre. ■ Rechargez la batterie avec les chargeurs EGO listés dans ce manuel d'utilisation. ■ Appuyez sur le levier de déverrouillage et maintenez-le appuyé, puis appuyez sur l'interrupteur-gâchette pour allumer la débroussailleuse.
La débroussailleuse s'arrête pendant la coupe.	<ul style="list-style-type: none"> ■ Le moteur est en surcharge. ■ La batterie ou la tête alimentée est trop chaude. ■ La batterie est déconnectée de l'outil. ■ La batterie est déchargée. 	<ul style="list-style-type: none"> ■ Le moteur pourra redémarrer quand la charge aura été retirée. Pour un usage continu, réduisez la charge sur la tête alimentée. ■ Laissez la batterie ou la tête alimentée refroidir jusqu'à ce que sa température baisse sous 67°C. ■ Réinstallez la batterie. ■ Rechargez la batterie avec les chargeurs EGO listés dans ce manuel d'utilisation.

GARANTIE

POLITIQUE DE GARANTIE EGO

Veuillez consulter le site egopowerplus.eu pour trouver l'ensemble des modalités et conditions de la politique de garantie EGO

¡LEA TODAS LAS INSTRUCCIONES!



LEA EL MANUAL DEL USUARIO

⚠ ADVERTENCIA: Para garantizar la seguridad y fiabilidad de la herramienta, confíe cualquier reparación y sustitución de piezas que sea necesaria a personal técnico cualificado.

SÍMBOLOS RELACIONADOS CON LA SEGURIDAD

El propósito de los símbolos de seguridad es el de atraer su atención hacia los posibles peligros que conlleva la utilización del producto. Los símbolos de seguridad y las explicaciones que los acompañan requieren su máxima atención y comprensión. Por sí solos, los símbolos de advertencia no eliminan los posibles peligros que pudieran existir. Las instrucciones y advertencias que aquí se incluyen no son sustitutas en modo alguno de las medidas de prevención adecuadas que deben tomarse para evitar posibles accidentes.

⚠ ADVERTENCIA: Antes de utilizar esta herramienta, asegúrese de haber leído y entendido perfectamente todas las instrucciones incluidas en este Manual del usuario, incluidos todos los símbolos de aviso sobre seguridad, tales como **PELIGRO**, **ADVERTENCIA** y **PRECAUCIÓN**. De no observarse todas las instrucciones proporcionadas a continuación podría existir un riesgo de incendio, electrocución, así como de lesiones físicas graves.

SIGNIFICADO DE LOS DISTINTOS SÍMBOLOS

⚠ SÍMBOLO DE AVISO DE SEGURIDAD: señala algún tipo de **PELIGRO**, **ADVERTENCIA** o **PRECAUCIÓN** a tener en cuenta. Este símbolo podrá utilizarse de manera conjunta con otros símbolos o pictogramas.



⚠ ADVERTENCIA: Es posible que, cuando se utilizan herramientas eléctricas, salgan despedidos objetos que podrían causar lesiones oculares severas si no se utiliza equipo de protección personal adecuado. Antes de empezar a usar herramientas eléctricas, póngase siempre gafas de seguridad, gafas con cristales anti-impacto que cuenten con pantallas de protección lateral, o bien una máscara facial que proteja completamente la cara. Recomendamos la utilización de máscaras de seguridad de amplia visión que pueden utilizarse encima de gafas graduadas, o bien gafas normales de seguridad equipadas con pantallas laterales.

ES

INSTRUCCIONES RELACIONADAS CON LA SEGURIDAD

Esta página muestra y describe los símbolos de seguridad que puede haber en este producto. Asegúrese de leer, entender perfectamente y observar todas las instrucciones estampadas o proporcionadas con el producto antes de proceder a su montaje y utilización.

	Aviso de seguridad	Indica un peligro potencial de lesiones personales.
	Leer el Manual del usuario	Para reducir el riesgo de lesiones, el usuario debe leer el manual de instrucciones.
	Utilizar protección ocular	Utilice siempre utilice gafas de seguridad, gafas con cristales anti-impacto que cuenten con pantallas de protección lateral, o bien una máscara facial que proteja completamente la cara cuando se sirva de este producto.
	Utilizar protección auditiva	Utilice siempre protección contra el ruido (tapones para los oídos u orejeras) para proteger sus oídos.
	Utilizar protección para la cabeza	Lleve puesto casco de seguridad para protegerse la cabeza de posibles impactos.

	Utilizar guantes de protección	Utilice guantes para proteger sus manos a la hora de manipular la motosierra o la cadena. Utilice guantes resistentes y antideslizantes que mejoran el agarre y le protegen las manos.
	Utilizar calzado de seguridad	Lleve calzado de seguridad antideslizante siempre que utilice este equipo.
	Anchura de corte	La anchura de corte máxima de la desbrozadora
	Tener cuidado con el contragolpe de las cuchillas	Advierta al usuario del peligro de contragolpe de las cuchillas.
	Mantenga a terceros apartados de la zona donde se esté utilizando la herramienta	La distancia entre la máquina y otras personas debe ser al menos 15 m.
	Cuidado con los objetos arrojados	los objetos lanzados pueden rebotar y provocar lesiones personales o daños materiales.
	Desconecte la batería antes de realizar el mantenimiento	Desconecte la batería del cortabordes de hilo antes de realizar trabajos de mantenimiento o limpieza.
	CE	Este producto está en conformidad con las directivas de la CE aplicables.
	UKCA	Este producto cumple la legislación aplicable del Reino Unido.

	RAEE	Los residuos eléctricos no deberán ser desechados con el resto de la basura doméstica. Líveelos a un punto limpio autorizado.
	Ruido	Nivel de potencia acústica garantizado. Emisiones de ruido al medio ambiente en conformidad con la Directiva de la Unión Europea.
V	Voltios	Tensión
mm	Milímetro	Longitud o tamaño
cm	Centímetro	Longitud o tamaño
kg	Kilogramo	Peso
n ₀	Velocidad sin carga	Velocidad de giro, sin carga
min ⁻¹	Por minuto	Revoluciones por minuto

ADVERTENCIAS DE SEGURIDAD GENERALES DE LA MÁQUINA

⚠ ¡ADVERTENCIA! Lea todas las advertencias de seguridad, instrucciones, ilustraciones y especificaciones incluidas con esta máquina. Si no se cumplen todas las instrucciones que se enumeran a continuación, pueden producirse descargas eléctricas, incendios o lesiones graves.

CONSERVE TODAS LAS INSTRUCCIONES Y ADVERTENCIAS PARA PODER CONSULTARLAS EN EL FUTURO.

El término «máquina» que aparece en las advertencias se refiere a la máquina que funciona conectada a la red eléctrica (con cable) o a la máquina a batería (sin cable).

SEGURIDAD EN LA ZONA DE TRABAJO

- **Mantenga la zona de trabajo limpia y bien iluminada.** Las áreas de trabajo desordenadas y oscuras favorecen los accidentes.
- **No utilice máquinas en entornos explosivos, por ejemplo, en presencia de líquidos, gases o polvo inflamables.** Las máquinas crean chispas que pueden encender el polvo o los humos.
- **Mantenga a los niños y las demás personas alejados cuando esté utilizando una máquina.** Las distracciones podrían hacerle perder el control de la herramienta.

PAUTAS DE SEGURIDAD ELÉCTRICA

- **Los enchufes de las máquinas deben coincidir con la toma de corriente. No modifique nunca el enchufe de ningún modo. Nunca utilice enchufes adaptadores o ladrones de corriente con máquinas equipadas con conexión a tierra.** Si no se modifican los enchufes y estos corresponden con las tomas de corriente, se reducirán enormemente los riesgos de electrocución.
- **Evite cualquier contacto corporal con superficies conectadas a tierra, como tuberías, radiadores, hornillos eléctricos y frigoríficos.** Existe un mayor riesgo de descarga eléctrica si su cuerpo tiene conexión a tierra.
- **No utilice la máquina en condiciones de lluvia o humedad.** La entrada de agua en la máquina puede aumentar el riesgo de descarga eléctrica o de mal funcionamiento, lo cual podría provocar lesiones personales.
- **No maltrate el cable. Nunca utilice el cable para transportar, arrastrar, o desenchufar la máquina. Mantenga el cable alejado del calor, el aceite, los bordes afilados o las piezas móviles.** Los cables dañados o enredados aumentan el riesgo de descarga eléctrica.
- **Cuando use una máquina al aire libre, utilice un cable alargador adecuado para uso en exteriores.** Si se usa un cable adecuado para exteriores, se reducirá el riesgo de descarga eléctrica.
- **Si es inevitable usar una máquina en un entorno húmedo, utilice una alimentación con un interruptor de protección diferencial (GFCI, por sus siglas en inglés).** La utilización de un interruptor de protección diferencial reducirá el riesgo de descarga eléctrica.

SEGURIDAD PERSONAL

- **Manténgase alerta, preste atención a lo que está haciendo y aplique el sentido común durante el uso de una máquina. No utilice una máquina si está cansado o se encuentra bajo los efectos de estupefacientes, alcohol o fármacos.** Cualquier momento de descuido durante la utilización de máquinas podría provocar lesiones físicas graves.
- **Utilice equipo de protección personal. Utilice siempre protección ocular.** El equipo de protección, como máscaras antipolvo, calzado de seguridad antideslizante, casco protector o protección auditiva, cuando se utiliza adecuadamente, reduce las lesiones personales.
- **Evite la puesta en marcha accidental de la herramienta. Asegúrese de que el interruptor de encendido se encuentra en la posición de apagado antes de enchufar la máquina a la red eléctrica y/o de acoplar la batería, así como al agarrar o transportar la máquina.** Transportar máquinas con el dedo en el interruptor o con el interruptor en la posición de encendido aumenta el riesgo de accidente.
- **Retire cualquier llave de ajuste o llave inglesa de la máquina antes de encenderla.** Una llave inglesa o una llave de ajuste enganchada a una parte giratoria de la máquina puede producir lesiones.
- **No se estire demasiado para alcanzar lugares de difícil acceso. Mantenga una posición firme y equilibrada en todo momento.** Esto permite un mejor control de la máquina en situaciones inesperadas.
- **Utilice ropa adecuada. No lleve puesta ropa holgada ni joyas. Mantenga el pelo, la ropa y los guantes alejados de las piezas móviles.** La ropa holgada, así como las joyas o el pelo, largo podrían engancharse en las partes móviles de la herramienta.
- **Si se incluyen dispositivos de conexión a extractores y colectores de polvo, asegúrese de conectarlos y utilizarlos adecuadamente.** El uso de un colector de polvo puede reducir los riesgos asociados con el polvo.
- **El hecho de haberse familiarizado con la máquina por el uso frecuente no debe hacer que se descuide e ignore los principios de seguridad de la misma.** Una distracción puede provocar lesiones graves en una fracción de segundo.

USO Y CUIDADO DE LA MÁQUINA

- **No fuerce la máquina. Utilice la máquina correcta para su aplicación.** La máquina correcta funcionará mejor y con más seguridad a la velocidad para la que ha sido diseñada.
- **No use la máquina si el interruptor no funciona para encenderla y apagarla.** Cualquier máquina que no pueda controlarse mediante su interruptor, supondrá un peligro y deberá repararse antes de poder utilizarse.
- **Desconecte el enchufe de la toma de corriente y/o retire la batería de la máquina antes de realizar algún ajuste, cambiar de accesorios o guardarla.** Estas medidas de seguridad preventivas reducen el riesgo de arranque accidental de la máquina.
- **Cuando no se utilice la máquina, guárdela fuera del alcance de los niños y no permita que la use ninguna persona que no esté familiarizada con la máquina o con estas instrucciones.** Las máquinas son peligrosas en manos de usuarios no entrenados.

- **Realice el mantenimiento de las máquinas y los accesorios. Compruebe si hay elementos móviles desalineados o trabados, piezas rotas u otra circunstancia que pueda afectar al funcionamiento de la máquina. Si la máquina está dañada, llévela a reparar antes de usarla.** Muchos accidentes se deben a un mantenimiento deficiente de las máquinas.
- **Mantenga las máquinas de corte afiladas y limpias.** Las máquinas de corte bien afiladas tienen menos probabilidades de atascarse y son más fáciles de controlar.
- **Use la máquina, los accesorios, las brocas, etc., siguiendo las instrucciones y teniendo en cuenta las condiciones de trabajo y la tarea a realizar.** El uso de la máquina para fines diferentes a los previstos podría provocar situaciones de peligro.
- **Mantenga las asas y las superficies de agarre secas, limpias y libres de aceite y grasa.** Si las asas y las superficies de agarre están resbaladizas, no se puede manejar la máquina de forma segura ni mantener el control en las situaciones inesperadas.

USO Y CUIDADO DE LA MÁQUINA A BATERÍA

- **Recargue únicamente con el cargador especificado por el fabricante.** Un cargador que es adecuado para un tipo de batería podría ocasionar un incendio si se utiliza con una batería distinta.
- **Utilice las máquinas solo con las baterías diseñadas específicamente para ellas.** El uso de cualquier otro tipo de batería puede provocar riesgo de lesiones e incendio.
- **Cuando no se esté utilizando la batería, manténgala apartada de objetos metálicos como clips para papeles, monedas, llaves, clavos, tornillos, o cualquier otro objeto metálico pequeño que pudiera provocar un cortocircuito en sus terminales de corriente.** Si se provoca el cortocircuito en los terminales de la batería, podrían producirse quemaduras o incendios.
- **En condiciones de uso intensivo, es posible que se produzca una fuga de líquido de la batería; evite el contacto. Enjuague con agua si se produce un contacto accidental. Si el líquido entra en contacto con los ojos, solicite también atención médica.** El líquido que emana de la batería puede provocar irritaciones o quemaduras.
- **No utilice una batería o una máquina que haya sido modificada o que esté dañada.** Las baterías dañadas o modificadas pueden tener un comportamiento impredecible y provocar un incendio, explosión o riesgo de lesiones.

- **No exponga la batería ni la máquina al fuego ni a una temperatura excesiva.** La exposición al fuego o a una temperatura superior a 130 °C podría provocar una explosión.
- **Siga todas las instrucciones de carga y no cargue la batería ni la máquina fuera del rango de temperatura especificado en las instrucciones.** Una carga incorrecta o a temperaturas fuera del rango especificado puede dañar la batería y aumentar el riesgo de incendio.

⚠ ADVERTENCIA: Lea todas las advertencias, instrucciones, ilustraciones y especificaciones incluidas con esta herramienta eléctrica. Si no se cumplen todas las instrucciones que se enumeran a continuación, pueden producirse descargas eléctricas, incendios o lesiones graves. Guarde todas las instrucciones y advertencias para consultarlas en el futuro.

Guarde todas las instrucciones y advertencias para consultarlas en el futuro.

FORMACIÓN

- Lea atentamente estas instrucciones. Familiarícese con los mandos y con la manera correcta de utilizar el aparato.
- Nunca permita que utilicen la herramienta las personas que no estén familiarizadas con estas instrucciones ni los niños. Es posible que las normativas locales limiten la edad de los usuarios.
- Tenga en cuenta que el usuario es responsable de los accidentes o riesgos causados a otras personas o a sus propiedades.

PREPARACIÓN

- Nunca utilice la herramienta cuando haya cerca otras personas, especialmente niños, o animales domésticos.
- Utilice siempre protección ocular y calzado robusto cuando use la herramienta.
- La distancia entre la máquina y otras personas debe ser al menos 15 m.
- No use nunca la máquina estando cansado, enfermo o bajo los efectos del alcohol u otras drogas.

INSTRUCCIONES DE USO

- Utilice la herramienta únicamente a plena luz del día o cuando exista iluminación artificial adecuada.
- No use nunca la herramienta si los dispositivos de protección están dañados o no están instalados en su lugar.
- No ponga en marcha el motor hasta haberse asegurado de tener las manos y los pies lo suficientemente

apartados de los elementos de corte.

- Desconecte siempre la herramienta de la fuente de alimentación (es decir, quite la batería):
 - siempre que vaya a dejarla sin vigilancia;
 - antes de eliminar cualquier obstrucción;
 - antes de comprobar, limpiar o llevar a cabo cualquier operación en la máquina;
 - después de golpear un objeto extraño;
 - en cuanto se observen vibraciones anormales en la herramienta.
- Extreme las precauciones para evitar sufrir lesiones en los pies y las manos debido a la acción de los elementos de corte.
- Asegúrese siempre de que los orificios de ventilación están libres de residuos.

MANTENIMIENTO Y ALMACENAMIENTO

- Desconecte la herramienta de la alimentación eléctrica (es decir, quite la batería) antes de realizar trabajos de mantenimiento o limpieza.
- Utilice únicamente piezas de repuesto y accesorios recomendados por el fabricante.
- Examine la herramienta regularmente y lleve a cabo las operaciones de mantenimiento. Cualquier reparación de la herramienta debe realizarla un servicio técnico autorizado.
- Cuando no la esté utilizando, guarde la herramienta fuera del alcance de niños.

OTRAS ADVERTENCIAS DE SEGURIDAD

- **Evite los entornos peligrosos** - No utilice aparatos en una pendiente mojada o húmeda.
- **Mantenga los dispositivos de protección en su lugar y en buen estado de funcionamiento.**
- **Mantenga las manos y los pies alejados de la zona de corte.**
- **Para reducir el riesgo de lesiones, nunca utilice la herramienta subido a una escalera ni a otra base insegura. Nunca eleve el accesorio de corte por encima de su cintura.**
- **Compruebe el elemento de corte con frecuencia mientras utiliza la herramienta o inmediatamente si observa cualquier cambio notable en la eficacia de corte.**
- **Para obtener resultados óptimos, deberá recargar la batería en lugares donde la temperatura ambiente sea mayor que 5°C y menor que 40°C.** No la almacene en el exterior ni dentro de vehículos.
- **Pare el motor y el elemento de corte si alguien se le acerca.**

- **Advierta al usuario del peligro de contragolpe de la cuchilla (solo cuando se usa la cuchilla de 3 dientes).**
 - Puede producirse contragolpe de las cuchillas cuando la cuchilla giratoria entra en contacto con un objeto que no corta inmediatamente.
 - El contragolpe de las cuchillas puede ser lo bastante violento para provocar que el aparato y/o el usuario salgan impulsados en cualquier dirección, con la posibilidad de perder el control de la herramienta.
 - El contragolpe de las cuchillas se puede producir sin previo aviso si la cuchilla se queda trabada, se para o se engancha.
 - Es más probable que se produzca contragolpe de las cuchillas en zonas en las que resulta difícil ver el material que se está cortando.
- **No instale ninguna cuchilla a una unidad sin colocar correctamente todas las piezas necesarias. Si no se utilizan las piezas adecuadas, la cuchilla podría salir despedida y provocar lesiones graves al usuario o a otras personas. Deseche las cuchillas que estén dobladas, deformadas, agrietadas, rotas o dañadas de cualquier otro modo. Utilice una cuchilla afilada. Una cuchilla embotada tiene más probabilidades de trabarse y de sufrir contragolpes (solo cuando se usa la cuchilla de 3 dientes).**
- **Una cuchilla/hilo que se mueve en inercia puede provocar lesiones mientras sigue girando tras haber parado el motor o soltado el gatillo. Mantenga un control adecuado hasta que la cuchilla/hilo haya dejado de girar completamente.**
- **Las herramientas que funcionan a batería no requieren enchufarse en una toma de corriente. Por lo tanto, siempre están listas para funcionar.** Sea consciente de los posibles peligros, incluso cuando la herramienta no está funcionando. Preste especial atención al efectuar reparaciones u operaciones de mantenimiento en la herramienta.
- **No limpie la herramienta utilizando una manguera. Evite que penetre agua en el motor y en las conexiones eléctricas.**
- **Si se produce alguna situación que no esté incluida en este manual, actúe con cuidado y sentido común. Póngase en contacto con el departamento de atención al cliente de EGO para solicitar ayuda.**
- Utilizar solo con los acumuladores y cargadores enumerados en la fig. A.

CONSERVE ESTAS INSTRUCCIONES EN UN LUGAR SEGURO!

ES

ESPECIFICACIONES

Anchura de corte		30 cm
Revoluciones del motor en vacío		5000/6000 min ⁻¹
Peso		1,82 kg
Temperatura de funcionamiento recomendada		0°C-40°C
Temperatura de almacenamiento recomendada		-20°C-70°C
Nivel de potencia acústica ponderado L _{WA}		96,5 dB(A) K=1,88 dB(A) (PH1400E)
		93,2 dB(A) K=0,35 dB(A) (PH1420E)
		91 dB(A) K=1,1 dB(A) (PHX1600)
Nivel de presión acústica medido a la altura del oído del usuario L _{PA}		84,5 dB(A) K=3 dB(A) (PH1400E)
		83,9 dB(A) K=3 dB(A) (PH1420E)
		83 dB(A) K=3 dB(A) (PHX1600)
Nivel de potencia acústica garantizado L _{WA} (medido según 2000/14/CE)		98 dB(A)
Nivel de vibraciones a _v	Empuñadura auxiliar delantera	2,8 m/s ² K=1,6 m/s ² (PH1400E)
		4,14 m/s ² K=1,5 m/s ² (PH1420E)
		6,64 m/s ² K=1,5 m/s ² (PHX1600)
	Empuñadura trasera	3,1 m/s ² K=1,6 m/s ² (PH1400E)
		1,88 m/s ² K=1,5 m/s ² (PH1420E)
		2,61 m/s ² K=1,5 m/s ² (PHX1600)

- Los parámetros anteriores se han comprobado y medido equipando un conjunto de motor PH1400E/PH1420E/PHX1600;
- El nivel total de vibraciones especificado ha sido medido conforme al método de prueba estándar empleado en la industria y puede utilizarse para efectuar comparaciones entre herramientas.
- Asimismo, el nivel total de vibraciones declarado podrá utilizarse para efectuar una evaluación preliminar de la exposición del usuario a los niveles de vibración generados por la herramienta.

AVISO: Las vibraciones generadas durante el uso real de la herramienta eléctrica podrán diferir del valor declarado en función de la manera en que se utilice. A modo de protección, el usuario deberá utilizar guantes y protectores auditivos en condiciones reales de uso.

Cuchilla recomendada

DENOMINACIÓN DE PIEZA	N.º DE MODELO:
Cuchilla para desbrozadora	ABB1203

LISTA DE EMBALAJE

DENOMINACIÓN DE PIEZA	CANTIDAD
Herramienta desbrozadora	1
Conjunto de cuchilla y funda	1
Guarda de protección	1
Accesorio protector (SOLO para el uso con cabezal de cortabordes)	1
Llave hexagonal	1
Llave multifunción	1
Manual de instrucciones	1

DESCRIPCIÓN

FAMILIARÍCESE CON LA HERRAMIENTA DESBROZADORA (fig. A)

- Tapón
- tubo de la desbrozadora
- Guarda de protección
- Cuchilla
- Funda de la cuchilla
- Alambre de sujeción
- Tornillo de sellado
- Caja de engranajes
- Orificio de bloqueo del tubo

10. Brida exterior
11. Llave multifunción
12. Llave hexagonal
13. Accesorio protector (SOLO para el uso con cabezal de cortabordes)

⚠ ADVERTENCIA: Nunca utilice la herramienta sin la protección instalada y firmemente sujeta en su sitio. La protección deberá estar siempre instalada en la herramienta a fin de ofrecer protección al usuario.

⚠ ADVERTENCIA: Cuando se utilice la herramienta como cortabordes de hilo, equipado con un cabezal cortabordes, deberá instalarse el accesorio protector sobre la protección. De lo contrario, podría producirse un hilo de corte excesivamente largo y una sobrecarga del motor.

CONJUNTO

⚠ ADVERTENCIA: Si alguna pieza falta o está rota, no utilice el producto hasta haber sustituido las piezas rotas o instalado las que faltan. Podrían producirse lesiones físicas graves en caso de utilizar el producto si alguna de sus piezas falta o está dañada.

⚠ ADVERTENCIA: No intente modificar esta herramienta en modo alguno ni fabricar accesorios no recomendados para su uso en este cortabordes con cabezal de hilo. Cualquier alteración o modificación se considerará uso indebido y podría provocar una situación peligrosa con riesgo de sufrir lesiones graves.

⚠ ADVERTENCIA: Para evitar una puesta en marcha accidental que podría causar lesiones graves, quite siempre la batería de la máquina antes de montar piezas.

⚠ ADVERTENCIA: Si la máquina está equipada con cabezal de desbrozadora, debe instalarse la barrera de seguridad.

MONTAJE DE LA GUARDA DE PROTECCIÓN

⚠ ADVERTENCIA: Utilice siempre guantes al instalar o sustituir la protección. Tenga cuidado con la cuchilla instalada en la protección y protéjase las manos adecuadamente para evitar cortarse.

⚠ ADVERTENCIA: Nunca utilice la máquina sin la protección instalada y firmemente sujeta en su sitio. ¡La protección deberá estar siempre instalada en la máquina para proteger al usuario! Cuando la protección esté fijada, no intente nunca quitarla o ajustarla. ¡En caso de que haya que sustituirla, deberá hacerlo un técnico cualificado!

Afloje los dos tornillos de la base del tubo y quítelos (fig. C), alinee los orificios de montaje de la guarda

de protección con los orificios de instalación y, a continuación, bloquee la guarda de protección sobre la base del tubo utilizando los dos tornillos, junto con dos arandelas elásticas (fig. D).

Asegúrese de que la guarda esté fijada tal como se muestra en las fig. C y D. ¡Se fija de forma inversa provocará una situación de peligro grave!

MONTAJE DE LA CUCHILLA

1. La cuchilla se suministra con una funda. Antes de instalar la cuchilla en la desbrozadora, hay que quitar la funda soltando el alambre de sujeción del gancho de la funda (fig. E).

Fig. E, ver abajo la descripción de las piezas:

E-1	Gancho
E-2	Alambre de sujeción

2. Gire la brida exterior para alinear la ranura en la brida interior con el orificio de bloqueo del tubo en la caja de engranajes (fig. F).
3. Inserte la llave hexagonal suministrada en los orificios alineados para que actúe como un estabilizador (fig. G).

Fig. F y G, ver a continuación la descripción de las piezas:

F-1	Caja de engranajes	F-3	Brida exterior
F-2	Orificios de bloqueo del tubo alineados	G-1	Estabilizador

4. Coloque el cabezal de la desbrozadora contra una superficie sólida como apoyo. Sujete con una mano el tubo de la desbrozadora y con la otra mano la llave multifuncional suministrada, para soltar la tuerca en la dirección de la flecha marcada en la brida exterior, y quite la tuerca y la brida exterior. Guárdelas para volver a montarlas después (fig. H).
5. Instale la cuchilla en el eje del motor, asegurándose de que la superficie de la cuchilla esté a nivel con la superficie del saliente de la brida interior. Continúe montando la brida exterior y la tuerca (fig. I). Apriete previamente la tuerca a mano **EN SENTIDO ANTIHORARIO**.

Fig. I, ver abajo la descripción de las piezas:

I-1	Saliente de la brida interior
I-2	Eje del motor
I-3	Tuerca
I-4	Brida exterior
I-5	Cuchilla

6. Gire la brida exterior para alinear la ranura de la brida interior con el orificio de bloqueo del tubo en la caja de engranajes, e inserte la llave hexagonal

suministrada en los orificios alineados para que actúe como estabilizador, como se indica en los pasos 2 y 3 anteriores.

7. Coloque el cabezal de la desbrozadora contra una superficie sólida como apoyo. Sujete con una mano la cuchilla y con la otra mano la llave multifuncional suministrada, para apretar la tuerca en la dirección contraria a la flecha marcada en la brida exterior (fig. J).

ES

Uso del accesorio protector

AVISO: Cuando se utilice la herramienta como cortabordes de hilo equipado con un cabezal cortabordes, deberá instalarse el accesorio protector sobre la protección (fig. K).

Sujete el accesorio protector sobre la protección apretando los tres tornillos con la llave hexagonal suministrada. De lo contrario, podría producirse un hilo de corte excesivamente largo y una sobrecarga del motor.

CONEXIÓN DE LA HERRAMIENTA DESBROZADORA AL CONJUNTO DE MOTOR

Esta herramienta desbrozadora está diseñada para su uso con el conjunto de motor EGO PH1400E/PH1420E/PHX1600.

Consulte el apartado "INSTALACIÓN DE UN ACCESORIO EN EL CONJUNTO DE MOTOR" del manual del usuario del conjunto de motor PH1400E/PH1420E/PHX1600.

UTILIZACIÓN

⚠ ADVERTENCIA: No permita que la confianza que supone el hecho de estar familiarizado con el producto dé lugar a descuidos. Recuerde que cualquier distracción de una fracción de segundos es suficiente para sufrir o provocar lesiones graves.

⚠ ADVERTENCIA: Utilice siempre gafas de seguridad con pantallas de protección lateral, así como protección auditiva. De lo contrario, los objetos despedidos por la acción de la herramienta podrían alcanzar sus ojos y provocar lesiones graves oculares o de otro tipo.

APLICACIONES

Este producto podrá utilizarse para los fines indicados a continuación:

- Cortar malas hierbas, plantas silvestres y broza, ralea ejemplares jóvenes con un diámetro del tallo máximo de 2 cm.

AVISO: La herramienta debe utilizarse únicamente para el fin previsto. Cualquier otro uso se considerará uso indebido.

UTILIZACIÓN DE LA DESBROZADORA CON EL CONJUNTO DE MOTOR

⚠ ADVERTENCIA: Utilice ropa adecuada cuando trabaje con esta herramienta, para reducir el riesgo de lesiones. No lleve puesta ropa holgada ni joyas. Utilice protección ocular y auditiva. Utilice pantalones largos, botas y guantes resistentes. No lleve pantalones cortos, sandalias, ni vaya descalzo.

Para un funcionamiento mejor y más seguro, póngase la correa bandolera cruzada desde el hombro. Ajuste la correa bandolera en una posición cómoda para utilizar la herramienta. Sujete la desbrozadora con una mano sobre la empuñadura trasera y la otra mano sobre la empuñadura auxiliar delantera. Mantenga un agarre firme con las dos manos mientras utiliza la herramienta. La desbrozadora deberá sujetarse en una posición cómoda con la empuñadura trasera aproximadamente a la altura de la cadera. Mantenga un buen agarre y equilibre el peso entre los dos pies. Colóquese de tal forma que no pierda el equilibrio debido a la reacción de retroceso de la cuchilla de corte (fig. B).

⚠ ADVERTENCIA: La correa bandolera también es un mecanismo de liberación rápida si se produce una situación peligrosa. En caso de emergencia, quítesela del hombro inmediatamente, sin importar cómo esté colocada la correa.

Para cortar plantas silvestres y broza, baje la cuchilla giratoria sobre el suelo para lograr un efecto de trituración. Utilice la desbrozadora como una guadaña (con un movimiento de barrido a derecha e izquierda) al nivel del suelo. Nunca utilice el elemento de corte por encima de su cintura.

⚠ ADVERTENCIA: Cuanto más levantado del suelo esté el elemento de corte, mayor será el riesgo de lesiones por el lanzamiento lateral del material cortado.

⚠ ADVERTENCIA: Cuando corte árboles jóvenes u otro material de madera hasta 2 cm de diámetro, use el lado izquierdo de la cuchilla para evitar situaciones de contragolpe de la cuchilla. No intente cortar material de madera con un diámetro más grande, ya que la cuchilla podría engancharse o sacudir hacia delante la desbrozadora. Esto podría provocar daños en la cuchilla o en la desbrozadora, o hacerle perder el control de la herramienta y provocar lesiones.

⚠ ADVERTENCIA: El uso incorrecto de la cuchilla de una desbrozadora puede hacer que se agriete, se desportille o se quiebre.

Si algún pedazo sale despedido puede lesionar gravemente al usuario o a otras personas. Para reducir el riesgo de lesiones, es esencial adoptar las precauciones siguientes:

- Evite el contacto con objetos extraños duros o macizos, como piedras, rocas o trozos de metal.
- No corte nunca madera ni arbustos que tengan un diámetro mayor que 2 cm.
- Inspeccione la cuchilla a intervalos regulares cortos para detectar cualquier signo de desgaste. No siga utilizando una cuchilla dañada.
- Afíle la cuchilla regularmente (cuando esté notablemente embotada) y llévela a que la equilibren cuando sea necesario (a un técnico de servicio cualificado).

CONTRAGOLPE DE LA CUCHILLA

Extreme las precauciones cuando utilice la cuchilla con esta herramienta. El contragolpe de la cuchilla es la reacción que se puede producir cuando la cuchilla giratoria entra en contacto con algo que no puede cortar. Este contacto puede hacer que la cuchilla se pare durante un instante y produzca un “contragolpe” repentino de la unidad en la dirección contraria al objeto golpeado. Esta reacción puede ser lo bastante violenta para que el usuario pierda el control del aparato. El contragolpe de las cuchillas se puede producir sin previo aviso si la cuchilla se queda trabada, se para o se engancha. Es más probable que esto ocurra en zonas en las que resulta difícil ver el material que se está cortando. Para facilitar el corte y aumentar la seguridad, acérquese a las hierbas a cortar con la desbrozadora desde la derecha hacia la izquierda. En caso de encontrar un palo de madera o un objeto inesperado, de este modo podrá minimizar la reacción de contragolpe de la cuchilla.

Antes de cada utilización, examine la herramienta por si hubiera piezas dañadas o desgastadas.

Examine la cuchilla, la protección y la empuñadura auxiliar delantera. Sustituya cualquier pieza que esté agrietada, deformada, doblada o presente cualquier tipo de daño.

Con el tiempo, el filo de la cuchilla puede llegar a embotarse. Se recomienda darle la vuelta a la cuchilla para alargar su vida útil y afilarla periódicamente (debe hacerlo un técnico de servicio cualificado), o sustituirla por una nueva cuando sea necesario.

Limpie la desbrozadora después de cada uso

Consulte las instrucciones de limpieza en el apartado **MANTENIMIENTO**.

⚠ ADVERTENCIA: Asegúrese de que la cuchilla se haya detenido completamente antes de realizar tareas de limpieza o mantenimiento de la desbrozadora. De lo contrario, podría sufrir lesiones físicas graves.

PARA PONER EN MARCHA/PARAR LA HERRAMIENTA

Consulte el apartado **“PUESTA EN MARCHA/PARADA DEL CONJUNTO DE MOTOR”** del manual del usuario del conjunto de motor PH1400E/PH1420E/PHX1600.

MANTENIMIENTO

⚠ ADVERTENCIA: Antes de inspeccionar, limpiar o reparar la unidad, apague el motor, espere a que se detengan todas las partes móviles y quite el acumulador. El incumplimiento de estas instrucciones podría tener como resultado lesiones personales graves o daños materiales.

⚠ ADVERTENCIA: Cuando efectúe reparaciones en la herramienta, utilice únicamente piezas idénticas a las originales. La utilización de piezas diferentes o no homologadas podría suponer un peligro o causar daños en el producto. Para garantizar la seguridad y fiabilidad del producto, confíe cualquier reparación que sea necesaria a personal técnico cualificado.

⚠ ADVERTENCIA: Lleve siempre guantes resistentes cuando instale o quite la cuchilla o cuando realice cualquier tarea de mantenimiento en la cuchilla. Tenga cuidado con la cuchilla y proteja sus manos para evitar cortarse con ella.

MANTENIMIENTO GENERAL

Evite utilizar disolventes para limpiar los elementos plásticos del producto. La mayoría de las piezas de plástico utilizadas son susceptibles de sufrir daños si se limpian con algunos de los tipos de disolventes disponibles en el mercado. Utilice paños limpios para eliminar la suciedad y los residuos de polvo, aceite, grasa, etc.

LIMPIEZA DE LA HERRAMIENTA

- Quite la batería
- Después de cada uso, limpie los restos, la tierra o la hierba atascados en la cuchilla y en la protección, utilizando un cepillo suave.
- Limpie la superficie de la herramienta con un paño limpio, humedecido con una solución de agua y jabón suave.
- Utilice un cepillo pequeño o una aspiradora para limpiar los orificios de ventilación de la carcasa trasera.
- Mantenga los orificios de ventilación libres de obstrucciones.

Cuando la cuchilla se embote porque los dos filos de la cuchilla estén romos, llévela a afilar a un técnico de servicio cualificado o cámbiela por una nueva en caso necesario.

SUSTITUCIÓN DE LA CUCHILLA

⚠ ADVERTENCIA: Una cuchilla desgastada, agrietada o dañada puede llegar a romperse y sus trozos podrían convertirse en proyectiles peligrosos. Los objetos lanzados por la acción de la herramienta podrían causar lesiones graves. Examine la cuchilla regularmente y no utilice la desbrozadora si la cuchilla está desgastada o dañada.

ES

⚠ ADVERTENCIA: Utilice protección ocular adecuada al desmontar, afilar y volver a instalar la cuchilla.

Desmontaje de la cuchilla

1. Quite la batería.
2. Gire la brida exterior para alinear la ranura de la brida interior con el orificio de bloqueo del tubo en la caja de engranajes, e inserte la llave hexagonal suministrada en los orificios alineados para que actúe como estabilizador, igual que en los pasos 2 y 3 del apartado **"MONTAJE DE LA CUCHILLA"**.
3. Coloque el cabezal de la desbrozadora contra una superficie sólida como apoyo. Sujete con una mano la cuchilla y con la otra mano la llave multifuncional suministrada, para soltar la tuerca en la dirección de la flecha marcada en la brida exterior, y quite la tuerca, la brida exterior y la cuchilla desgastada (fig. L).
4. Compruebe si están desgastadas la brida interior y la cubierta de la brida, y sustitúyalas en caso necesario (fig. M).

Fig. M, ver abajo la descripción de las piezas:

M-1	Eje del motor	M-5	Brida exterior
M-2	Brida interior	M-6	Tuerca
M-3	Cubierta de la brida	M-7	Ranura en la brida
M-4	Cuchilla		

5. Instale la nueva cuchilla en el eje del motor en el orden que se indica en la fig. M. Siga las instrucciones detalladas en los pasos 5, 6 y 7 del apartado **"MONTAJE DE LA CUCHILLA"**.

LUBRICACIÓN DE LOS ENGRANAJES DE TRANSMISIÓN

Los engranajes de transmisión de la caja de engranajes deberán lubricarse periódicamente con grasa para engranajes. Compruebe el nivel de grasa de la caja de engranajes aproximadamente cada 50 horas de uso retirando el tornillo de sellado del lateral de la caja.

Si no se ve grasa en los flancos de los engranajes, siga los pasos que se indican a continuación para rellenar con grasa para engranajes hasta 3/4 de la capacidad.

No rellene por completo los engranajes de transmisión con grasa.

1. Sujete la desbrozadora de forma que el tornillo de sellado esté hacia arriba (fig. N).
2. Emplee la llave multifunción suministrada para aflojar y retirar el tornillo de sellado.
3. Utilice una jeringa de engrase (no incluida) para inyectar la grasa en el orificio del tornillo.
4. Apriete el tornillo de sellado tras la inyección.

ALMACENAMIENTO DE LA HERRAMIENTA

- Quite el acumulador de la herramienta.
- Utilice guantes resistentes para limpiar a fondo la herramienta.
- Coloque la funda sobre la cuchilla para guardarla de forma segura (fig. O).
- Quite la herramienta desbrozadora del conjunto de motor y, en caso necesario, coloque el tapón en el extremo del tubo de la herramienta.
- Almacene la herramienta en un lugar seco y bien ventilado, ya sea cerrado o a una altura suficiente que impida que los niños puedan alcanzarla. No la guarde encima ni cerca de fertilizantes, gasolina u otros productos químicos.

Protección del medio ambiente



¡No elimine aparatos eléctricos, baterías usadas ni cargadores de baterías junto con los desperdicios domésticos! Lleve este producto a un punto de reciclaje autorizado y deposítelo por separado según corresponda. Las máquinas eléctricas se deben llevar a un punto de reciclaje c

RESOLUCIÓN DE PROBLEMAS

PROBLEMA	CAUSA	SOLUCIÓN
La desbrozadora no arranca.	<ul style="list-style-type: none"> ■ El acumulador no está acoplado al conjunto de motor. ■ No hay contacto eléctrico entre el conjunto de motor y el acumulador. ■ El acumulador está agotado. ■ No ha presionado simultáneamente la palanca de desbloqueo y el gatillo interruptor. 	<ul style="list-style-type: none"> ■ Instale el acumulador en el conjunto de motor. ■ Quite la batería, compruebe los contactos eléctricos y vuelva a instalar el acumulador de modo que encaje en su sitio. ■ Cargue el acumulador con los cargadores EGO indicados en este manual. ■ Mantenga presionada hacia abajo la palanca de desbloqueo y apriete el gatillo interruptor para poner en marcha la desbrozadora.
La desbrozadora se para cuando está cortando.	<ul style="list-style-type: none"> ■ El motor se ha sobrecargado ■ El acumulador o el conjunto de motor se han sobrecalentado. ■ El acumulador se ha desconectado de la herramienta. ■ El acumulador está agotado. 	<ul style="list-style-type: none"> ■ El motor se recuperará cuando se retire la carga. Para un trabajo continuo, reduzca la carga del conjunto de motor. ■ Espere a que el acumulador o el conjunto de motor se hayan enfriado lo suficiente para que su temperatura sea inferior a 67°C. ■ Vuelva a instalar en su sitio el acumulador. ■ Cargue el acumulador con los cargadores EGO indicados en este manual.

ES

GARANTÍA

POLITICA DE GARANTÍA EGO

Por favor visite nuestra página web egopowerplus.eu para los terminos y las condiciones completas de la politica de garantía EGO.

LEIA TODAS AS INSTRUÇÕES!



LEIA O MANUAL DE INSTRUÇÕES

PT

⚠️ AVISO: Para assegurar a segurança e bom funcionamento, todas as reparações e substituições deverão ser efetuadas por um técnico de reparação qualificado.

SÍMBOLOS DE SEGURANÇA

O objetivo dos símbolos de segurança é chamar a atenção para possíveis perigos. Os símbolos de segurança e as respectivas explicações apresentadas requerem a sua atenção e compreensão. Os avisos de segurança, só por si, não eliminam o perigo. As instruções e avisos dados não são substitutos para medidas de prevenção adequadas a acidentes.

⚠️ AVISO: Certifique-se de que lê e compreende todas as instruções de segurança neste manual do utilizador, incluindo todos os símbolos de alerta de segurança, como **“PERIGO”**, **“AVISO”**, e **“CUIDADO”** antes de utilizar esta ferramenta. Não seguir todas as instruções apresentadas abaixo pode resultar em choque elétrico, incêndio e/ou lesões graves.

SIGNIFICADO DOS SÍMBOLOS

⚠️ SÍMBOLO DE ALERTA DE SEGURANÇA: Indica **PERIGO**, **AVISO** ou **CUIDADO**. Pode ser usado juntamente com outros símbolos ou imagens.



⚠️ AVISO: O funcionamento de qualquer ferramenta elétrica pode dar origem ao ressalto de quaisquer objetos estranhos que podem atingir os olhos, podendo dar origem a sérias lesões oculares. Antes de começar a utilizar a ferramenta elétrica, utilize sempre óculos de segurança com proteções laterais e uma proteção completa para o rosto, quando necessário. Recomendamos a utilização de máscaras de segurança com visão panorâmica por cima dos óculos ou óculos de segurança padrão com proteção lateral.

INSTRUÇÕES DE SEGURANÇA

Esta página retrata e descreve os símbolos de segurança que podem aparecer neste produto. Leia, compreenda e siga todas as instruções na máquina antes de a tentar montar e utilizar.

	Alerta de segurança	Precauções que envolvam a sua segurança.
	Leia o manual do utilizador	De modo a reduzir os riscos de ferimentos, o utilizador deve ler o manual do utilizador.
	Utilize proteção ocular	Utilize sempre óculos de segurança com proteção lateral e, se necessário, uma proteção completa do rosto, quando utilizar este produto.
	Utilize proteção auditiva	Use sempre proteções auditivas para proteger a sua audição.
	Use proteção para a cabeça	Use um chapéu de proteção aprovado para proteger a cabeça.
	Use luvas de proteção	Proteja as suas mãos com luvas quando manusear a serra e a corrente da serra. As luvas resistentes e anti-derrapantes melhoram a aderência e protegem as suas mãos.
	Use calçado de segurança.	Use calçado de segurança anti-derrapante quando usar este equipamento.
	Largura de corte	A largura máx. de corte da roçadeira
	Cuidado com o impulso da lâmina.	Avise o operador do perigo de impulso da lâmina.

	Mantenha terceiros afastados	A distância entre a máquina e terceiros deve ser de, pelo menos, 15 m.
	Tenha cuidado com os objetos atirados.	Objetos podem ressaltar e causar ferimentos ou danos materiais.
	Desligue a bateria antes da manutenção	Desligue a bateria da roçadora antes de efetuar trabalhos de limpeza ou manutenção.
	CE	Este produto encontra-se em conformidade com as diretivas CE aplicáveis.
	UKCA	Este produto está em conformidade com a legislação aplicável do Reino Unido.
	WEEE	Os produtos elétricos residuais não deverão ser eliminados juntamente com o lixo doméstico comum. Entregue-os num centro de reciclagem autorizado.
	Ruído	Nível de potência do som garantido. Emissão de ruído para o ambiente de acordo com a diretiva da Comunidade Europeia.
V	Volts	Tensão
mm	Milímetro	Comprimento ou tamanho
cm	Centímetro	Comprimento ou tamanho
kg	Quilograma	Peso
n_v	Velocidade sem carga	Velocidade de rotação, sem carga
min^{-1}	Por minuto	Rotações por minuto

AVISOS GERAIS DE SEGURANÇA DA MÁQUINA

AVISO: Leia todos os avisos de segurança, instruções, ilustrações e especificações fornecidas com esta máquina. Não seguir todas as instruções apresentadas abaixo pode resultar em choque elétrico, incêndio e/ou ferimentos graves.

GUARDE TODOS OS AVISOS E INSTRUÇÕES PARA FUTURAS REFERÊNCIAS.

O termo “máquina” nos avisos diz respeito à sua máquina alimentada pela rede (com fio) ou com bateria (sem fio).

SEGURANÇA NA ÁREA DE TRABALHO

- **Mantenha a área de trabalho limpa e bem iluminada.** Áreas desarrumadas ou escuras são propícias a acidentes.
- **Não utilize máquinas em atmosferas explosivas, tal como na presença de líquidos inflamáveis, gases ou pó.** As máquinas produzem faíscas que podem atear o pó ou fumos.
- **Mantenha as crianças e pessoas que passem afastadas enquanto utilizar uma máquina.** As distrações podem fazer com que perca o controlo.

SEGURANÇA ELÉTRICA

- **A ficha tem de corresponder à tomada. Nunca modifique uma ficha de forma alguma. Não utilize qualquer adaptador com máquinas com ligação à terra.** Fichas não modificadas e tomadas correspondentes reduzirão o risco de choque elétrico.
- **Evite o contacto corporal com superfícies com ligação à terra, tais como tubos, radiadores, faixas e frigoríficos.** Existe um risco acrescido de choque elétrico se o seu corpo estiver ligado à terra.
- **Não utilize a máquina à chuva ou em condições húmidas.** A entrada de água na máquina pode aumentar o risco de choque elétrico ou mau funcionamento que pode dar origem a ferimentos.
- **Não force o fio da alimentação. Nunca utilize o fio para transportar, puxar ou desligar a máquina. Mantenha o fio afastado do calor, óleo, arestas afiadas ou peças móveis.** Fios danificados ou presos aumentam o risco de choque elétrico.
- **Quando estiver a trabalhar com uma máquina ao ar livre, utilize uma extensão adequada para a utilização no exterior.** A utilização de um fio adequado ao exterior reduz o risco de choque elétrico.
- **Se for inevitável trabalhar com a máquina num local húmido, use um Interruptor de Circuito de Falha de Ligação à Terra (GFCI).** A utilização de um ICFLT reduz o risco de choque elétrico.

SEGURANÇA PESSOAL

- **Mantenha-se alerta, observe o que está a fazer e use senso comum quando estiver a trabalhar com uma máquina. Não utilize a máquina enquanto estiver cansado ou sob o efeito de drogas, álcool**

ou medicação. Um momento de falta de atenção enquanto utiliza a máquina pode dar origem a ferimentos sérios.

- **Use equipamento pessoal de proteção. Use sempre proteção ocular.** O equipamento de segurança, tal como máscara respiratória, calçado de segurança antiderrapante, capacete de segurança ou proteção auditiva, utilizado nas condições adequadas reduzirá a hipótese de ferimentos.
- **Evite ligações sem intenção. Certifique-se de que o interruptor se encontra na posição de desligado antes de ligar à alimentação e/ou bateria e antes de pegar ou transportar a máquina.** Transportar a máquina com o seu dedo no interruptor ou fornecer energia à máquina que tenha o interruptor na posição de ligado convida a acidentes.
- **Retire qualquer chave de ajuste ou chave de fendas antes de ligar a máquina.** Uma chave de fendas ou uma chave deixada ligada a uma peça rotativa da máquina pode dar origem a ferimentos.
- **Não se estique. Mantenha sempre a base e o equilíbrio adequados.** Isso proporciona um melhor controlo da máquina em situações inesperadas.
- **Vista-se adequadamente. Não use roupa larga nem joalheria. Mantenha o seu cabelo e roupa afastados das peças móveis.** Roupa larga, joias ou cabelo comprido podem ser apanhados pelas peças em movimento.
- **Se forem fornecidos dispositivos para a ligação de extração de pó e facilidades de recolha, certifique-se de que estes estão ligados e de que são devidamente utilizados.** A utilização de dispositivos de extração de pó pode reduzir os perigos relacionados com o pó.
- **Não permita que a familiarização ganhe com a utilização de máquinas o torne mais complacente e ignore os princípios de segurança da máquina.** Uma ação descuidada pode causar graves ferimentos numa fração de segundo.

UTILIZAÇÃO E CUIDADOS COM A MÁQUINA

- **Não force a máquina. Utilize a máquina correta para a sua aplicação.** A máquina correta fará o trabalho melhor e de forma mais segura à taxa para a qual foi concebida.
- **Não utilize a máquina se o interruptor não der para ligar e desligar.** Qualquer máquina que não possa ser controlada com o interruptor é perigosa e deve ser reparada.
- **Desligue a ficha da alimentação e/ou retire a bateria da máquina, se amovível, antes de fazer quaisquer**

ajustes, mudar de acessórios ou armazenar a máquina. Tais medidas preventivas de segurança reduzem o risco de ligar a máquina acidentalmente.

- **Guarde a máquina desligada fora do alcance de crianças e não permita que pessoas estranhas à máquina ou a estas instruções trabalhem com a máquina.** As máquinas são perigosas nas mãos de utilizadores sem formação.
- **Proceda à manutenção das máquinas e respetivos acessórios. Verifique se existem desalinhamentos ou colagem das peças móveis, quebra de peças e qualquer outra condição que possa afetar o funcionamento da máquina. Se estiver danificada, leve a máquina para ser reparada antes da utilização.** Muitos acidentes são causados por máquinas mantidas de forma deficiente.
- **Mantenha as máquinas de corte afiadas e limpas.** Máquinas de corte devidamente mantidas e com arestas de corte afiadas têm uma menor probabilidade de prender e são mais fáceis de controlar.
- **Use a máquina, acessórios e brocas, etc., de acordo com estas instruções, tendo em conta as condições de trabalho e o trabalho a ser efetuado.** A utilização da máquina para operações diferentes das pretendidas pode resultar numa situação perigosa.
- **Mantenha as pegas e superfícies de prensão secas, limpas e sem óleo ou gordura.** Pegas e superfícies de prensão escorregadias não permitem o manuseamento seguro nem o controlo da máquina em situações inesperadas.

CUIDADOS E UTILIZAÇÃO DA BATERIA

- **Recarregue apenas com os carregadores especificados pelo fabricante.** Um carregador que seja adequado para um tipo de bateria pode criar um risco de incêndio quando usado com outra bateria.
- **Utilize máquinas apenas com as baterias especificamente designadas.** A utilização de outras baterias pode criar um risco de ferimentos e incêndio.
- **Quando não usar a bateria, mantenha-a afastada de outros objetos de metal, como cliques de papel, moedas, chaves, pregos, parafusos ou outros pequenos objetos de metal que possam fazer a ligação entre os dois terminais.** Colocar os terminais da bateria em curto-circuito pode dar origem a queimaduras ou fogo.
- **Sob condições abusivas, pode ser ejetado líquido da bateria; evite o contacto. Se ocorrer um contacto accidental, lave com água abundante. Se o líquido entrar em contacto com os olhos, procure ajuda médica.** O líquido ejetado da bateria pode provocar irritação ou queimaduras.

- **Não use a bateria nem a máquina se estiverem danificadas ou modificadas.** Baterias danificadas ou modificadas podem apresentar comportamentos imprevisíveis, dando origem a fogo, explosão ou risco de ferimentos.
- **Não exponha a bateria ou a máquina ao fogo ou temperatura excessiva.** A exposição ao fogo ou a temperaturas acima dos 130 °C pode causar uma explosão.
- **Siga todas as instruções de carregamento e não carregue a bateria nem a máquina a uma temperatura fora dos parâmetros especificados nas instruções.** Carregar incorretamente ou a temperaturas fora dos parâmetros especificados pode danificar a bateria e aumentar o risco de fogo.

⚠ AVISO: Leia todos os avisos de segurança, instruções, ilustrações e especificações fornecidas com esta ferramenta elétrica. Não seguir todas as instruções apresentadas abaixo pode resultar em choque elétrico, incêndio e/ou lesões graves. Guarde todos os avisos e instruções para futuras referências.
Guarde todos os avisos e instruções para futuras referências.

TREINO

- Leia atentamente o manual de instruções. Familiarize-se com os controles e utilização adequada deste equipamento.
- Nunca permita que pessoas ou crianças que não estejam familiarizadas com as instruções utilizem o aparelho. Há a possibilidade de existirem regulamentos locais que restrinjam a idade do operador.
- Tenha em conta que o operador ou utilizador é o responsável por acidentes ou perigos que ocorram a outras pessoas ou à sua propriedade.

PREPARAÇÃO

- Nunca utilize o aparelho com pessoas, especialmente crianças ou animais por perto.
- Utilize sempre proteção ocular e calçado resistente enquanto utiliza a máquina.
- A distância entre a máquina e terceiros deve ser de pelo menos 15 m.
- Nunca utilize a máquina quando o operador estiver cansado, doente ou sob a influência de álcool ou outras drogas.

FUNCIONAMENTO

- Use a máquina apenas à luz do dia ou com boa luz artificial.

- Nunca utilize a máquina com proteções danificadas ou sem as proteções montadas.
- Ligue o motor apenas quando as mãos e pés estiverem afastados de meios de corte.
- Desligue sempre a máquina da alimentação (retire a bateria).
 - Sempre que deixe a máquina sem supervisão;
 - Antes de limpar uma peça bloqueada;
 - Antes de inspecionar, limpar ou efetuar trabalhos na máquina;
 - Após bater num objeto estranho;
 - Sempre que a máquina comece a vibrar anormalmente.
- Tenha cuidado para não se magoar nos pés nem nas mãos durante o corte.
- Certifique-se sempre de que as aberturas de ventilação são mantidas sem lixo.

MANUTENÇÃO E ARRUMAÇÃO

- Desligue a máquina da alimentação (retire a bateria) antes de efetuar quaisquer trabalhos de manutenção ou de limpeza.
- Utilize apenas peças sobresselentes e acessórios recomendados pelo fabricante.
- Inspeccione e efetue a manutenção da máquina com regularidade. A máquina só pode ser reparada por um reparador autorizado.
- Quando não em uso, armazene a máquina fora do alcance das crianças.

AVISOS ADICIONAIS DE SEGURANÇA

- **Evite ambientes perigosos.** Não utilize aparelhos em locais húmidos ou molhados.
- **Mantenha as proteções no lugar e em bom estado de funcionamento.**
- **Mantenha as mãos e pés afastados da área de corte.**
- **Para reduzir o risco de lesões, nunca trabalhe em cima de uma escada ou noutro suporte inseguro. Nunca segure a unidade de corte acima da altura da cintura.**
- **Verifique regularmente a unidade de corte durante a utilização ou imediatamente após reparar qualquer alteração no comportamento de corte.**
- **Para melhores resultados, a sua bateria deverá ser carregada num local onde a temperatura seja superior a 5 °C e inferior a 40 °C.** Não guarde no exterior nem dentro de veículos.

- **Se alguém se aproximar, desligue o motor e a unidade de corte.**
- **Avise o operador do perigo de impulso da lâmina (usar apenas com lâminas de 3 dentes).**
 - O impulso da lâmina pode ocorrer quando a lâmina giratória entrar em contacto com um objeto que não corte imediatamente.
 - O impulso da lâmina pode ser suficientemente violento para fazer com que a unidade e/ou operador seja ressaltado em qualquer direção e possivelmente perca o controlo da unidade.
 - O impulso da lâmina pode ocorrer sem aviso, caso a lâmina bata, fique presa ou limitada.
 - O impulso é mais provável em áreas onde seja difícil ver o material a ser cortado.
- **Não fixe qualquer lâmina numa unidade sem a instalação adequada de todas as peças necessárias. Não usar as peças adequadas pode fazer com que a lâmina se solte e lesione seriamente o operador e/ou outras pessoas. Elimine as lâminas dobradas, torcidas, rachadas, partidas ou danificadas de algum modo. Use uma lâmina afiada. Uma lâmina que não esteja afiada tem mais probabilidades de ficar presa e sofrer um impulso (use apenas lâminas com 3 dentes).**
- **Uma lâmina/linha solta pode causar lesões enquanto continua a girar após o motor parar ou libertar o gatilho. Mantenha o controlo adequado até que a lâmina/linha pare de rodar por completo.**
- **As ferramentas que funcionam a bateria não têm de ser ligadas a uma tomada. Assim, estão sempre em estado de funcionamento.** Tenha cuidado com possíveis perigos quando o aparelho não estiver a funcionar. Tenha cuidado quando efetuar a manutenção ou reparações.
- **Não lave com uma mangueira. Evite que entre água no motor e nas ligações elétricas.**
- **Se ocorrerem situações que não sejam abrangidas por este manual, tenha cuidado e faça uso do bom senso. Contacte o centro de reparação da EGO para obter assistência.**
- Utilize apenas com as baterias e carregadores listados na imagem A.

GUARDE ESTAS INSTRUÇÕES!
ESPECIFICAÇÕES

Largura de corte	30 cm	
Velocidade sem carga	5000/6000 min ⁻¹	
Peso	1,82 kg	
Temperatura de funcionamento recomendada	0°C-40°C	
Temperatura de armazenamento recomendada	-20°C-70°C	
Nível de potência do som medido L _{WA}	96,5 dB(A) K=1,88 dB(A) (PH1400E)	
	93,2 dB(A) K=0,35 dB(A) (PH1420E)	
	91 dB(A) K=1,1 dB(A) (PHX1600)	
Nível da pressão do som no ouvido do operador L _{PA}	84,5 dB(A) K=3 dB(A) (PH1400E)	
	83,9 dB(A) K=3 dB(A) (PH1420E)	
	83 dB(A) K=3 dB(A) (PHX1600)	
Nível de potência acústica garantido L _{WA} (medido de acordo com 2000/14/CE)		
Vibração a _h	Pega dianteira	2,8 m/s ² K=1,6 m/s ² (PH1400E)
		4,14 m/s ² K=1,5 m/s ² (PH1420E)
		6,64 m/s ² K=1,5 m/s ² (PHX1600)
	Pega traseira	3,1 m/s ² K=1,6 m/s ² (PH1400E)
		1,88 m/s ² K=1,5 m/s ² (PH1420E)
		2,61 m/s ² K=1,5 m/s ² (PHX1600)

- As definições apresentadas anteriormente são testadas e medidas equipadas com a cabeça motora PH1400E/PH1420E/PHX1600.
- O valor total declarado da vibração foi medido de acordo com um método de teste padrão e pode ser usado para comparar duas ferramentas;
- O valor total declarado da vibração também pode ser usado numa avaliação preliminar da exposição.

AVISO: A emissão de vibrações durante a utilização da ferramenta elétrica pode diferir do valor declarado em que a ferramenta é usada. De modo a proteger o utilizador, este deverá utilizar luvas e proteção auditiva nas condições atuais de utilização.

Lâmina recomendada

NOME DA PEÇA	NÚMERO DO MODELO
Lâmina da roçadeira	ABB1203

LISTA DE PEÇAS

NOME DA PEÇA	QUANTIDADE
Acessório de roçadeira	1
Conjunto da lâmina e cobertura	1
Proteção	1
Proteção (para usar APENAS com a sua roçadeira)	1
Chave hexagonal	1
Chave multifunções	1
Manual de funcionamento	1

DESCRIÇÃO

CONHEÇA O SEU ACESSÓRIO DE ROÇADEIRA (Imagem A)

1. Tampão da extremidade
2. Eixo da roçadeira
3. Proteção
4. Lâmina
5. Cobertura da lâmina
6. Fio da braçadeira
7. Parafuso vedante
8. Caixa do carreto
9. Orifício de fixação do eixo
10. Rebordo exterior
11. Chave multifunções
12. Chave sextavada
13. Proteção (para usar APENAS com a sua roçadeira)

AVISO: Nunca utilize o aparelho sem a proteção bem colocada. A proteção tem de estar sempre no aparelho para proteger o utilizador.

AVISO: Quando a ferramenta for usada como aparador de linha, equipado com uma cabeça de aparar, deverá montar o acessório de proteção. Não fazê-lo pode dar origem a uma linha de corte demasiado comprida e sobrecarga do motor.

MONTAR

AVISO: Se quaisquer peças estiverem danificadas ou em falta não utilize este produto até as peças serem substituídas. Utilizar este produto com peças danificadas ou em falta pode dar origem a lesões pessoais sérias.

AVISO: Não tente modificar este produto nem criar acessórios que não sejam recomendados para utilizar com este aparador de fio. Qualquer alteração ou modificação é considerada uma má utilização e pode dar origem a perigos, que podem levar a possíveis lesões pessoais sérias.

AVISO: Para evitar um arranque acidental que possa causar ferimentos sérios, retire sempre a bateria da máquina durante a montagem das peças.

AVISO: Quando a máquina vier equipada com uma cabeça de motorroçadora, deverá montar a barra de barreira de segurança.

MONTAGEM DA PROTEÇÃO

AVISO: Use sempre luvas quando montar ou substituir a proteção. Tenha cuidado com a lâmina na proteção e proteja a sua mão contra cortes.

AVISO: Nunca utilize a máquina sem a proteção bem colocada. A proteção tem de estar sempre na máquina para proteger o utilizador. Quando a proteção estiver fixada, nunca tente retirar nem ajustar a proteção. Se for necessário substituí-la, isso deverá ser efetuado por um técnico de reparação qualificado!

Solte e retire os dois parafusos da base do eixo (Fig. C), alinhe os orifícios de montagem da proteção com os orifícios de montagem e, depois, bloqueie a proteção na base do eixo com dois parafusos, juntamente com duas anilhas de pressão (Fig. D).

Certifique-se de que a proteção está fixada de acordo com a Fig. C e D, qualquer fixação inversa irá provocar um grande perigo!

MONTAR A LÂMINA

1. A lâmina é enviada com uma proteção. Antes de montar a lâmina na roçadeira, a proteção deverá ser retirada, libertando o fio da braçadeira do gancho na proteção (Imagem E).

Fig. E descrição das peças apresentada abaixo:

E-1	Gancho
E-2	Fio da braçadeira

2. Rode o rebordo exterior para alinhar a ranhura no rebordo interior com o orifício de fixação do eixo na estrutura do carreto (Imagem F).
3. Insira a chave sextavada fornecida nos orifícios alinhados para agir como estabilizador (Imagem G).

Consulte a Imagem F e G em baixo para a descrição das peças:

F-1	Estrutura do carreto
F-2	Orifícios alinhados de bloqueio do eixo
F-3	Rebordo exterior
G-1	Estabilizador

4. Coloque a cabeça da roçadeira contra uma superfície sólida para a suportar. Com uma mão a segurar o eixo da roçadeira, use a outra mão para segurar a chave multifunções fornecida para desapertar a porca na direção da seta assinalada no rebordo exterior, e retire a porca e o rebordo exterior. Guarde para voltar a montar (Imagem H).
5. Monte a lâmina no eixo do motor, certificando-se de que a superfície da lâmina fica nivelada com a superfície da saliência do rebordo interior. Monte o rebordo exterior e a porca (Imagem I). Aperte à mão a porca no **SENTIDO INVERSO AO DOS PONTEIROS DO RELÓGIO**.

Fig. I descrição das peças apresentada abaixo:

I-1	Saliência do rebordo interior
I-2	Eixo do motor
I-3	Porca
I-4	Rebordo exterior
I-5	Lâmina

6. Rode o rebordo exterior para alinhar a ranhura no rebordo interior com o orifício de fixação do eixo na caixa do carreto, e insira a chave sextavada fornecida nos orifícios alinhados para agir como estabilizador, conforme apresentado nos passos anteriores 2 e 3.
7. Coloque a cabeça da roçadeira contra uma superfície sólida para a suportar. Com uma mão a segurar a lâmina, use a outra mão para segurar a chave multifunções fornecida para apertar a porca na direção oposta à direção da seta assinalada no rebordo exterior (Imagem J).

Utilização do acessório de proteção

AVISO: Quando a ferramenta for usada como aparador de linha, equipado com uma cabeça de aparar, deverá montar o acessório de proteção (Imagem K).

Fixe o acessório de proteção apertando os três parafusos com a chave sextavada fornecida. Não fazê-lo pode dar origem a uma linha de corte demasiado comprida e sobrecarga do motor.

LIGAR O ACESSÓRIO DA ROÇADEIRA À CABEÇA MOTORA

Este acessório da roçadeira foi criado para ser usado com a cabeça motora EGO Power PH1400E/PH1420E/PHX1600.

Consulte a secção “**INSTALAR UM ACESSÓRIO NA CABEÇA MOTORA**” no manual de utilização da cabeça motora PH1400E/PH1420E/PHX1600.

FUNCIONAMENTO

AVISO: Não deixe que a sua familiaridade com o produto o torne descuidado. Lembre-se, uma fração de segundo de desatenção é suficiente para infligir ferimentos graves.

AVISO: Utilize sempre proteções oculares com escudos laterais. Juntamente com proteção auditiva. O não cumprimento pode resultar na projeção de objetos para os olhos e outros possíveis ferimentos graves.

APLICAÇÕES

Pode utilizar este produto com os intuitos listados em baixo:

- Cortar erva, ervas daninhas, arbustos selvagens e mato, desbastar árvores jovens com um diâmetro máximo do caule de 2 cm.

AVISO: A ferramenta tem de ser usada apenas conforme descrito. Qualquer outra utilização será considerada má utilização.

USAR A ROÇADEIRA COM A CABEÇA MOTORA

AVISO: Vista-se adequadamente para reduzir o risco de lesões quando utilizar este aparelho. Não utilize roupa larga ou jóias. Use proteções oculares e auditivas. Use calças compridas e resistentes, mangas compridas, botas e luvas. Não utilize roupa curta, sandálias nem ande descalço.

Por razões de segurança e para um melhor funcionamento, coloque a alça para os ombros. Ajuste a alça numa posição de funcionamento confortável. Segure

a roçadeira com uma mão na pega traseira e a outra mão na pega auxiliar dianteira. Agarre firmemente com ambas as mãos durante a utilização. Deve segurar a roçadeira numa posição confortável, mantendo a pega traseira sensivelmente à altura da anca. Mantenha a segurança e equilíbrio em ambos os pés.

Posicione-se de modo a não perder o equilíbrio devido a um ressalto da lâmina de corte (Imagem B).

AVISO: A alça para o ombro é também um mecanismo de libertação rápida em situações perigosas. Quando ocorre uma emergência, retire-a imediatamente do seu ombro, não importa o modo como a alça se encontra.

Para cortar arbustos selvagens e mato, baixe a lâmina rotativa até ao mato para obter um efeito de corte. Use a roçadeira como uma gadanha (deslize-a para a esquerda e para a direita) ao nível do chão. Não use o acessório de corte acima da altura da cintura.

AVISO: Quanto mais alto o acessório de corte estiver do chão, maior será o risco de lesões devido a ressaltos do material cortado.

AVISO: Quando cortar pequenas árvores ou outros materiais de madeira até 2 cm de diâmetro, use o lado esquerdo da lâmina para evitar possíveis ressaltos. Não tente cortar material de madeira com um diâmetro mais largo, pois a lâmina pode ficar presa ou atirar a roçadeira para a frente. Isto pode danificar a lâmina ou a roçadeira, ou fazer com que perca o controlo e sofra lesões pessoais.

AVISO: A utilização incorreta da lâmina da roçadeira pode fazer com que se rache, lasque ou estilhaçe.

As peças atiradas podem lesionar seriamente o operador ou terceiros. Para reduzir o risco de lesões pessoais, é essencial tomar as seguintes precauções:

- Evite o contacto com objetos estranhos duros ou sólidos, como pedras, rochas ou pedaços de metal.
- Nunca corte madeira nem arbustos com um caule com mais de 2 cm de diâmetro.
- Inspeccione regularmente a lâmina quanto a sinais de danos. Não continue a trabalhar com uma lâmina danificada.
- Afie a lâmina regularmente (quando notar que não está afiada) e leve-a para ser equilibrada, se necessário (efetuado por um técnico qualificado).

RESSALTO DA LÂMINA

Tenha muito cuidado quando usar a lâmina com esta unidade. O ressalto da lâmina é a reação que pode ocorrer quando uma lâmina a girar entra em contacto com algo que não consiga cortar. Este contacto pode fazer com que a lâmina pare durante um momento e lançar de repente a unidade para

longe do objeto que atingiu. Esta reação pode ser violenta o suficiente para fazer com que o operador perca o controlo da unidade. O ressalto da lâmina pode ocorrer sem aviso, caso a lâmina bata, fique presa ou limitada. Isto é mais provável em áreas onde seja difícil ver o material a ser cortado. Para facilidade e segurança de corte, aproxime-se das ervas a serem cortadas com a roçadeira da direita para a esquerda. No caso de encontrar um objeto inesperado ou monte de madeira, esta prática pode minimizar a reação de ressalto da lâmina.

Antes de cada utilização, verifique se existem peças gastas ou danificadas.

Verifique a lâmina, proteção e pega auxiliar dianteira e substitua as peças rachadas, torcidas, dobradas ou danificadas de algum modo.

A extremidade da lâmina pode deixar de ficar afiada com o passar do tempo. Recomendamos que vire a lâmina para prolongar o tempo de vida da lâmina, e para a afiar periodicamente (efetuado por um técnico qualificado) ou substitua-a por uma lâmina nova quando necessário.

Limpe a roçadeira após cada utilização.

Consulte a secção **MANUTENÇÃO** para obter instruções de limpeza.

AVISO: Certifique-se de que a lâmina parou por completo antes de limpar ou afiar a roçadeira. O não seguimento das instruções pode dar origem a lesões pessoais sérias.

LIGAR/DESLIGAR A FERRAMENTA

Consulte a secção "**LIGAR/DESLIGAR A CABEÇA MOTORA**" no manual de utilização da cabeça motora PH1400E/PH1420E/PHX1600.

MANUTENÇÃO

AVISO: Antes de inspecionar, limpar ou reparar a unidade, pare o motor, espere que todas as peças móveis parem por completo e retire a bateria. O não seguimento destas instruções pode dar origem a lesões corporais sérias ou danos de propriedade.

AVISO: Quando fizer reparações, utilize apenas peças de substituição idênticas. A utilização de outras peças pode dar origem a perigos ou danos no produto. Para assegurar a segurança e bom funcionamento, todas as reparações deverão ser efetuadas por um técnico de reparação qualificado.

AVISO: Use sempre luvas resistentes quando instalar ou retirar a lâmina ou fazer qualquer manutenção na lâmina. Tenha cuidado com a lâmina e proteja as suas mãos de lesões devido à lâmina.

MANUTENÇÃO GERAL

Evite usar solventes quando limpar peças de plástico. Grande parte dos plásticos é susceptível a danos devido a vários tipos de solventes comerciais. Use panos limpos para retirar a sujidade, pó, óleo, gordura, etc.

LIMPEZA DA UNIDADE

- Retire a bateria.
- Após cada utilização, limpe os resíduos, obstruções ou relva na lâmina e na proteção com uma escova suave.
- Limpe a superfície da ferramenta com um pano limpo embebido numa solução neutra de sabão.
- Use uma pequena escova ou um pequeno aspirador para limpar as entradas de ar na estrutura traseira.
- Mantenha a área de trabalho livre de obstruções.

Quando a lâmina deixar de estar afiada, ambas as extremidades da lâmina deixam de estar afiadas. Leve-a para ser afiada por um técnico qualificado ou substitua-a por uma lâmina nova, conforme necessário.

SUBSTITUIÇÃO DA LÂMINA

⚠ AVISO: Uma lâmina gasta, rachada ou danificada pode partir, e os pedaços da lâmina danificada podem tornar-se projectéis perigosos. Os objetos atirados podem causar lesões sérias. Inspeccione regularmente a lâmina e não utilize a roçadeira com uma lâmina gasta ou danificada.

⚠ AVISO: Use proteção ocular adequada enquanto retira, afia ou instala a lâmina.

Para retirar a lâmina

1. Retirar a bateria.
2. Rode o rebordo exterior para alinhar a ranhura no rebordo interior com o orifício de fixação do eixo na caixa do carreto, e insira a chave sextavada fornecida nos orifícios alinhados para agir como estabilizador, conforme apresentado nos passos 2 e 3 na secção “MONTAGEM DA LÂMINA”.
3. Coloque a cabeça da roçadeira contra uma superfície sólida para a suportar. Com uma mão a segurar a lâmina, use a outra mão para segurar a chave multifunções fornecida para desapertar a porca na direção da seta assinalada no rebordo exterior, e retire a porca, o rebordo exterior e a lâmina gasta (Imagem L).
4. Verifique e substitua o rebordo interior e a cobertura do rebordo se estiverem gastos (Imagem M). Consulte a Imagem M em baixo para a descrição das peças:

M-1	Eixo do motor
M-2	Rebordo interior
M-3	Cobertura do rebordo
M-4	Lâmina
M-5	Rebordo exterior
M-6	Porca
M-7	Ranhura no rebordo

5. Instale a lâmina nova no eixo do motor em sequência, conforme apresentado na Imagem M. Os detalhes apresentam os passos ensinados no passo 5, 6 e 7 na secção “MONTAGEM DA LÂMINA”.

LUBRIFICAÇÃO DOS CARRETOS DE TRANSMISSÃO

Os carretos de transmissão na caixa dos carretos têm de ser lubrificados periodicamente com lubrificante para carretos. Verifique o nível de lubrificação da caixa dos carretos a cada 50 horas de funcionamento, retirando o parafuso vedante na parte lateral da caixa.

Se não vir qualquer lubrificante nas partes laterais do carreto, siga os passos apresentados em baixo para atestar com lubrificante para carretos até 3/4 da capacidade.

Não encha completamente os carretos de transmissão.

1. Segure a roçadeira, certificando-se de que o parafuso vedante fica virado para cima (Imagem N).
2. Use a chave multifunções fornecida para desapertar e retirar o parafuso vedante.
3. Use uma seringa lubrificante (não incluída) para injetar algum lubrificante no orifício do parafuso.
4. Aperte o parafuso vedante após a injeção.

GUARDAR A UNIDADE

- Retire a bateria da ferramenta.
- Use luvas resistentes para limpar bem a ferramenta.
- Monte a proteção da lâmina para a guardar em segurança (Imagem O).
- Retire o acessório da roçadeira da cabeça motora e, se necessário, cubra a tampa da extremidade no terminal do eixo do acessório.
- Guarde a unidade num local seco, bem ventilado, trancado ou elevado, fora do alcance das crianças. Não armazene a unidade em cima ou perto de fertilizantes, gasolina ou outros químicos.

Proteção do ambiente



Não elimine equipamento elétrico, bateria gasta nem carregador juntamente com o lixo doméstico comum! Leve este produto a um centro de reciclagem autorizado para que possa haver uma separação das peças. As máquinas elétricas têm de ser devolvidas em instalações de

RESOLUÇÃO DE PROBLEMAS

PROBLEMA	CAUSA	SOLUÇÃO
A roçadeira não pega.	<ul style="list-style-type: none">■ A bateria não foi colocada na cabeça motora.■ Não existe contacto elétrico entre a cabeça motora e a bateria.■ A bateria está gasta.■ A alavanca de bloqueio e o gatilho não foram premidos em simultâneo.	<ul style="list-style-type: none">■ Fixe a bateria na cabeça motora.■ Retire a bateria, verifique os contactos e volte a instalar a bateria até ficar fixada no respetivo lugar.■ Carregue a bateria com carregadores EGO listados neste manual.■ Prima a alavanca de bloqueio e mantenha premida, depois prima o gatilho para ligar a roçadeira.
A roçadeira pára durante o corte.	<ul style="list-style-type: none">■ O motor está sobrecarregado.■ A bateria ou cabeça motora estão muito quentes.■ A bateria foi retirada da ferramenta.■ A bateria está gasta.	<ul style="list-style-type: none">■ O motor recupera quando a carga for retirada. Para um funcionamento contínuo, diminua a carga da cabeça motora.■ Deixe a bateria ou a cabeça motora arrefecer até que a temperatura atinja menos de 67°C.■ Volte a colocar a bateria.■ Carregue a bateria com carregadores EGO listados neste manual.

PT

GARANTIA

POLÍTICA DE GARANTIA EGO

Por favor, visite o website egopowerplus.eu para saber todos os termos e condições da política de garantia EGO.

LEGGERE TUTTE LE ISTRUZIONI!



LEGGERE IL MANUALE DI ISTRUZIONI

AVVERTENZA! Per garantire sicurezza e affidabilità, tutte le riparazioni e sostituzioni devono essere eseguite da un tecnico qualificato.

IT

SIMBOLI DI SICUREZZA

Lo scopo dei simboli di sicurezza è attirare l'attenzione dell'operatore su possibili pericoli. I simboli di sicurezza e le relative spiegazioni richiedono la massima attenzione e comprensione da parte dell'operatore. Le avvertenze espresse dai simboli, da sole, non eliminano tutti i rischi. Le istruzioni e le avvertenze non sostituiscono le adeguate misure di prevenzione contro gli incidenti.

AVVERTENZA! Accertarsi di aver letto e compreso tutte le istruzioni di sicurezza in questo manuale, inclusi tutti i simboli di avvertenza come "PERICOLO", "AVVERTENZA" e "ATTENZIONE", prima di usare questo apparecchio. Il mancato rispetto di tutte le istruzioni elencate di seguito comporta il rischio di scossa elettrica, incendio e/o lesioni gravi.

SIGNIFICATO DEI SIMBOLI

AVVERTENZA DI SICUREZZA: Indica **PERICOLO**, **AVVERTENZA** o **ATTENZIONE**. Può essere usato in combinazione con altri simboli.



AVVERTENZA! L'uso di apparecchi elettrici può causare il lancio di oggetti estranei verso l'operatore, con il rischio di gravi lesioni agli occhi. Durante l'uso dell'apparecchio, indossare sempre occhiali protettivi o occhiali di sicurezza con protezioni laterali e, se necessario, una maschera facciale. Si consiglia di indossare una maschera di sicurezza con ampio campo visivo sopra gli occhiali o gli occhiali di sicurezza standard con protezioni laterali.

ISTRUZIONI DI SICUREZZA

Questa pagina illustra e descrive i simboli di sicurezza che possono comparire sul prodotto. Leggere, comprendere e seguire tutte le istruzioni sull'apparecchio prima di tentare di assemblarlo e ripararlo.

	Avvertenza di sicurezza	Indica un potenziale rischio di infortunio.
	Leggere il manuale di istruzioni	Per ridurre il rischio di infortuni, leggere il manuale di istruzioni.
	Indossare protezioni per gli occhi	Durante l'uso del prodotto, indossare sempre occhiali protettivi o occhiali di sicurezza con protezioni laterali e una maschera facciale.
	Indossare protezioni per le orecchie	Indossare sempre dispositivi di protezione dell'udito (tappi per orecchie o cuffie).
	Indossare protezioni per la testa	Indossare un casco di sicurezza omologato per proteggere la testa.
	Indossare guanti di sicurezza	Proteggere le mani con i guanti durante la manipolazione della sega e della catena. Guanti robusti e antiscivolo migliorano la presa e proteggono le mani dell'operatore.
	Indossare calzature di sicurezza	Indossare calzature di sicurezza antiscivolo durante l'uso di questo apparecchio.
	Ampiezza di taglio	Ampiezza di taglio max. del decespugliatore
	Fare attenzione al rischio di contraccolpo	Avverte l'operatore del pericolo di contraccolpo della lama.
	Tenere lontane le altre persone	Distanza minima tra l'apparecchio e le persone presenti: 15 metri

	Fare attenzione agli oggetti proiettati dall'apparecchio	Gli oggetti lanciati possono rimbalzare e causare danni o lesioni.
	Scollegare la batteria prima della manutenzione	Scollegare il gruppo batteria del decespugliatore prima di effettuare le operazioni di pulizia o manutenzione.
	CE	Questo prodotto è conforme alle direttive europee applicabili.
	UKCA	Questo prodotto è conforme alla legislazione britannica pertinente.
	RAEE	I prodotti elettrici non devono essere smaltiti insieme ai rifiuti domestici. Portarli presso un centro di riciclaggio autorizzato.
	Rumore	Livello di potenza sonora garantito. Emissione di rumore nell'ambiente conforme alla direttiva dell'Unione europea.
V	Volt	Voltaggio
mm	Millimetro	Lunghezza o dimensioni
cm	Centimetro	Lunghezza o dimensioni
kg	Chilogrammo	Peso
n_0	Velocità a vuoto	Velocità di rotazione, senza carico
min^{-1}	Al minuto	Rotazioni al minuto

AVVERTENZE DI SICUREZZA GENERICHE

⚠ AVVERTENZA! Consultare tutte le avvertenze di sicurezza, le istruzioni, le illustrazioni e le specifiche fornite insieme a questo apparecchio. Il mancato rispetto delle istruzioni sotto riportate comporta il rischio di scossa elettrica, incendio e/o gravi infortuni.

CONSERVARE TUTTE LE AVVERTENZE E LE ISTRUZIONI PER FUTURO RIFERIMENTO.

Il termine "apparecchio" utilizzato nelle avvertenze indica un apparecchio alimentato tramite rete elettrica (con cavo) o batterie (senza cavo).

IT

SICUREZZA DELL'AREA DI LAVORO

- **Mantenere l'area di lavoro pulita e ben illuminata.** Il disordine e la scarsa illuminazione favoriscono gli incidenti.
- **Non usare l'apparecchio in atmosfere esplosive, ad esempio in presenza di liquidi, gas o polveri infiammabili.** Gli apparecchi elettrici producono scintille suscettibili di dare fuoco a polveri o vapori.
- **Durante l'uso dell'apparecchio, tenere a distanza i bambini e le persone presenti.** Le distrazioni possono far perdere il controllo dell'apparecchio.

SICUREZZA ELETTRICA

- **Le spine degli apparecchi elettrici devono essere adatte al tipo di presa. Non modificare la spina in alcun modo. Non usare adattatori con gli apparecchi dotati di messa a terra (collegati a massa).** L'uso di spine originali corrispondenti al tipo di presa riduce il rischio di scossa elettrica.
- **Evitare il contatto del corpo con superfici collegate a terra come tubi, radiatori, fornelli elettrici e frigoriferi.** Il rischio di scossa elettrica aumenta se il proprio corpo è collegato a terra.
- **Non esporre l'apparecchio a pioggia o umidità.** L'infiltrazione di acqua all'interno dell'apparecchio aumenta il rischio di scossa elettrica, malfunzionamenti e lesioni personali.
- **Non utilizzare il cavo in modo improprio. Non utilizzare il cavo per trasportare, spostare o scollegare l'apparecchio. Tenere il cavo al riparo da calore, olio, bordi taglienti o parti in movimento.** La presenza di cavi danneggiati o aggrovigliati aumenta il rischio di scossa elettrica.
- **Durante l'uso di un apparecchio elettrico all'aperto, utilizzare una prolunga idonea per ambienti esterni.** L'uso di un cavo idoneo riduce il rischio di scossa elettrica.

- **Se è necessario lavorare in un luogo umido, utilizzare un circuito elettrico dotato di interruttore differenziale (RCD).** L'uso di un interruttore differenziale (RCD) riduce il rischio di scossa elettrica.

SICUREZZA PERSONALE

- **Durante l'uso di un apparecchio elettrico, prestare sempre la massima attenzione e utilizzare il buon senso. Non usare l'apparecchio se si è stanchi o sotto l'effetto di droghe, alcol o farmaci.** Anche un solo momento di disattenzione durante l'uso dell'apparecchio comporta il rischio di lesioni gravi.
- **Indossare dispositivi di protezione individuale. Indossare dispositivi di protezione per gli occhi.** I dispositivi di protezione individuale come maschere antipolvere, calzature antiscivolo, caschi e cuffie per le orecchie, se utilizzati quando le circostanze lo richiedono, riducono il rischio di infortuni.
- **Prevenire l'avvio accidentale. Assicurarsi che l'interruttore sia in posizione di spegnimento prima di sollevare, trasportare o collegare l'apparecchio alla presa di corrente e/o alla batteria.** Per ridurre il rischio di incidenti, non trasportare l'apparecchio tenendo le dita sull'interruttore e non collegarlo alla presa di corrente se l'interruttore è in posizione di accensione.
- **Rimuovere eventuali chiavi di regolazione o avvitalimento prima di avviare l'apparecchio.** Una chiave di serraggio rimasta inserita in un elemento mobile dell'apparecchio comporta il rischio di infortuni.
- **Non allungarsi eccessivamente. Mantenere sempre un buon equilibrio evitando posizioni instabili.** Ciò assicura un miglior controllo dell'apparecchio in situazioni impreviste.
- **Vestirsi in modo adeguato. Non indossare indumenti ampi o gioielli. Tenere capelli e indumenti lontani dalle parti in movimento.** Indumenti ampi, gioielli o capelli lunghi possono rimanere impigliati nelle parti in movimento.
- **Se sono disponibili dei dispositivi per l'estrazione e la raccolta della polvere, assicurarsi che siano collegati e utilizzati correttamente.** L'uso di tali dispositivi può ridurre i rischi derivanti dalla polvere.
- **Non lasciare che la familiarità con l'apparecchio (derivata da un uso frequente) abbassi il livello di attenzione.** Anche una minima distrazione può causare gravi infortuni.

USO E MANUTENZIONE DELL'APPARECCHIO

- **Non forzare l'apparecchio. Usare l'apparecchio più adatto al lavoro da svolgere.** L'apparecchio è più

sicuro ed efficace se utilizzato alla velocità per la quale è stato progettato.

- **Non usare l'apparecchio se l'interruttore non funziona.** Un apparecchio che non può essere controllato dall'interruttore è pericoloso e deve essere riparato.
- **Rimuovere il gruppo batteria, se removibile, e/o scollegare l'apparecchio dalla rete elettrica prima di regolarlo, riporlo o sostituire gli accessori.** Tali misure preventive riducono il rischio di avvio accidentale dell'apparecchio.
- **Riporre l'apparecchio fuori dalla portata dei bambini e non permetterne l'uso a persone che non hanno familiarità con l'apparecchio o con queste istruzioni.** Gli apparecchi elettrici sono pericolosi se utilizzati da persone non competenti.
- **Sottoporre l'apparecchio e gli accessori a una regolare manutenzione. Verificare che le parti mobili non siano disallineate o piegate e che non siano presenti danni o altre condizioni suscettibili di compromettere il funzionamento dell'apparecchio. Se l'apparecchio è danneggiato, farlo riparare prima di usarlo nuovamente.** Molti incidenti sono provocati da apparecchi in cattive condizioni.
- **Mantenere gli accessori di taglio puliti e affilati.** Un'adeguata manutenzione e affilatura degli accessori da taglio riduce il rischio di inceppamento e facilita il controllo dell'apparecchio.
- **Usare l'apparecchio, gli accessori, le punte ecc. conformemente a queste istruzioni, tenendo conto delle condizioni dell'area di lavoro e del tipo di lavoro da svolgere.** L'uso dell'apparecchio per operazioni diverse da quelle per cui è progettato può comportare situazioni di pericolo.
- **Mantenere le impugnature e le superfici di presa asciutte, pulite e prive di olio o grasso.** Impugnature e superfici di presa scivolose non garantiscono l'uso sicuro e il controllo dell'apparecchio in situazioni impreviste.

USO E MANUTENZIONE DEGLI APPARECCHI A BATTERIA

- **Ricaricare la batteria esclusivamente con il caricabatteria specificato dal costruttore.** Un caricabatteria adatto a un certo tipo di gruppo batteria comporta il rischio di incendio se utilizzato con gruppi batteria di tipo diverso.
- **Usare esclusivamente gruppi batteria progettati specificamente per questo apparecchio.** L'uso di altri gruppi batteria comporta il rischio di incendio e infortunio.

- **Quando il gruppo batteria non è in uso, tenerlo lontano da piccoli oggetti metallici, ad esempio graffette, monete, chiavi, chiodi, viti ecc. poiché potrebbero creare un collegamento tra i due terminali.** Il cortocircuito dei terminali della batteria comporta il rischio di incendio o ustioni.
- **L'utilizzo improprio può causare fuoriuscite di liquido dalla batteria: evitare il contatto con tale liquido. In caso di contatto accidentale, lavare con acqua. Se il liquido entra a contatto con gli occhi, consultare un medico.** Il liquido fuoriuscito dalla batteria può causare irritazioni o ustioni.
- **Non usare gruppi batteria o apparecchi danneggiati o modificati.** Le batterie danneggiate o modificate possono manifestare comportamenti imprevisti, con il rischio di incendio, esplosione o infortunio.
- **Non esporre il gruppo batteria o l'apparecchio a fiamme o temperature eccessive.** L'esposizione a fiamme o temperature superiori a 130°C comporta il rischio di esplosione.
- **Rispettare tutte le istruzioni relative alla ricarica e non ricaricare il gruppo batteria o l'apparecchio a temperature diverse da quelle specificate nelle istruzioni.** Una ricarica eseguita in modo improprio o a temperature diverse da quelle specificate può danneggiare la batteria e aumentare il rischio di incendio.

⚠ AVVERTENZA! Leggere tutte le avvertenze di sicurezza, istruzioni, illustrazioni e specifiche fornite insieme a questo utensile elettrico. Il mancato rispetto delle istruzioni sotto riportate comporta il rischio di scossa elettrica, incendio e/o gravi infortuni. Conservare tutte le avvertenze e le istruzioni per futuro riferimento.

Conservare tutte le avvertenze e le istruzioni per futuro riferimento.

FORMAZIONE ALL'USO

- Leggere attentamente le istruzioni. Familiarizzare con tutti i comandi e l'uso corretto della macchina.
- Non consentire l'uso dell'apparecchio a bambini o persone che non hanno letto queste istruzioni. Le normative locali possono limitare l'uso in base all'età dell'operatore.
- Tenere presente che l'operatore o utente è responsabile per incidenti o rischi causati ad altre persone o proprietà.

PREPARAZIONE

- Non azionare mai l'apparecchio se sono presenti persone, soprattutto bambini, o animali nelle vicinanze.
- Indossare sempre dispositivi di protezione per gli occhi e scarpe robuste durante l'uso dell'apparecchio.

- La distanza tra l'apparecchio e le altre persone presenti deve essere almeno 15 metri.
- Non usare l'apparecchio se si è stanchi, malati o sotto l'effetto di alcol, droghe o medicinali.

UTILIZZO

- Usare l'apparecchio solo alla luce del giorno o con una buona illuminazione artificiale.
- Non usare l'apparecchio se la protezione parasassi o altri dispositivi di sicurezza sono danneggiati o mancanti.
- Accendere il motore esclusivamente quando mani e piedi sono lontani dall'accessorio di taglio.
- Scollegare l'apparecchio dalla fonte di alimentazione (ad es. rimuovere il gruppo batteria):
 - prima di lasciare l'apparecchio incustodito;
 - prima di eliminare un'ostruzione;
 - prima di controllare, pulire o eseguire lavori sull'apparecchio;
 - dopo aver urtato un oggetto estraneo;
 - se l'apparecchio comincia a vibrare in modo anomalo.
- Fare attenzione a evitare lesioni a mani e piedi dovute all'accessorio di taglio.
- Verificare sempre che le aperture di ventilazione siano prive di detriti.

IT

MANUTENZIONE E CONSERVAZIONE

- Scollegare l'apparecchio dalla fonte di alimentazione (ovvero rimuovere il gruppo batteria) prima di effettuare le operazioni di manutenzione o pulizia.
- Usare esclusivamente accessori e parti di ricambio originali.
- Ispezionare l'apparecchio ed effettuare la manutenzione regolarmente. Affidare la riparazione dell'apparecchio esclusivamente a personale autorizzato.
- Quando l'apparecchio non è in uso, riporlo fuori dalla portata dei bambini.

AVVERTENZE DI SICUREZZA AGGIUNTIVE

- **Evitare gli ambienti pericolosi.** Non usare l'apparecchio in ambienti umidi o bagnati.
- **Mantenere la protezione parasassi dell'apparecchio installata e in buono stato.**
- **Tenere mani e piedi lontani dall'area di taglio.**
- **Per ridurre il rischio di infortunio, non lavorare mai su scale o su altri supporti instabili. Non tenere mai l'unità di taglio sopra l'altezza della vita.**

- **Ispezionare l'unità di taglio a brevi e regolari intervalli durante l'uso o immediatamente dopo aver rilevato un evidente cambiamento nell'efficienza di taglio.**
- **Per i migliori risultati, ricaricare la batteria in locali in cui la temperatura è superiore a 5°C e inferiore a 40°C.** Non conservarla all'aperto o all'interno di veicoli.
- **Se un'altra persona si avvicina, arrestare immediatamente il motore e l'unità di taglio.**
- **Fare attenzione al pericolo di contraccolpo della lama (solo per lame a 3 denti).**
 - Il contraccolpo della lama può verificarsi quando la lama in movimento entra a contatto con un oggetto che non riesce a tagliare immediatamente.
 - Il contraccolpo della lama può essere così violento da spingere l'unità e/o l'operatore in qualsiasi direzione, causando la perdita di controllo dell'unità.
 - Il contraccolpo della lama può verificarsi senza preavviso se la lama si inceppa, si blocca o si piega.
 - Il contraccolpo può verificarsi maggiormente in aree in cui è difficile vedere il materiale da tagliare.
- **Non fissare alcuna lama all'unità senza aver installato correttamente tutti i componenti necessari. Il mancato utilizzo dei componenti corretti può causare il distacco della lama, con il conseguente rischio di lesioni per l'operatore e/o le persone presenti. Gettare lame piegate, deformate, incrinata, rotte o danneggiate in qualsiasi modo. Usare una lama affilata. Una lama smussata ha più probabilità di incepparsi e causare contraccolpi (solo per lame a 3 denti).**
- **La lama/il filo di taglio può causare lesioni anche dopo l'arresto del motore o il rilascio dell'interruttore a grilletto perché continua a ruotare. Mantenere il controllo dell'apparecchio finché la lama/il filo di taglio non si ferma completamente.**
- **Gli apparecchi a batteria non hanno bisogno di essere collegati a un impianto elettrico; pertanto sono sempre in condizioni operative.** Tenere a mente i possibili rischi anche quando l'apparecchio non è in funzione. Prestare attenzione durante le operazioni di manutenzione o riparazione.
- **Non pulire l'apparecchio con tubi per innaffiare; evitare le infiltrazioni d'acqua nel motore e nelle connessioni elettriche.**
- **In caso di situazioni non contemplate in questo manuale, agire con cautela e usare il buon senso. Contattare il centro di assistenza EGO per assistenza.**

- Usare esclusivamente con i gruppi batteria e i caricabatteria elencati in fig. A.

CONSERVARE QUESTE ISTRUZIONI!

SPECIFICHE TECNICHE

Ampiezza di taglio	30 cm
Velocità a vuoto	5000/6000 min ⁻¹
Peso	1,82 kg
Temperatura di esercizio raccomandata	0°C-40°C
Temperatura di conservazione raccomandata	-20°C-70°C
Livello di potenza sonora misurato L _{WA}	96,5 dB(A) K=1,88 dB(A) (PH1400E)
	93,2 dB(A) K=0,35 dB(A) (PH1420E)
	91 dB(A) K=1,1 dB(A) (PHX1600)
Livello di pressione sonora a livello dell'orecchio dell'operatore L _{PA}	84,5 dB(A) K=3 dB(A) (PH1400E)
	83,9 dB(A) K=3 dB(A) (PH1420E)
	83 dB(A) K=3 dB(A) (PHX1600)
Livello di potenza sonora garantito L _{WA} (misurato conformemente a 2000/14/EC)	98 dB(A)

Vibrazioni a_h	Impugnatura anteriore ausiliaria	2,8 m/s ² K=1,6 m/s ² (PH1400E)
		4,14 m/s ² K=1,5 m/s ² (PH1420E)
		6,64 m/s ² K=1,5 m/s ² (PHX1600)
	Impugnatura posteriore	3,1 m/s ² K=1,6 m/s ² (PH1400E)
		1,88 m/s ² K=1,5 m/s ² (PH1420E)
		2,61 m/s ² K=1,5 m/s ² (PHX1600)

- I parametri sopra riportati sono stati collaudati e misurati in combinazione con la testa motore PH1400E/PH1420E/PHX1600.
- Il valore totale di vibrazioni indicato è stato misurato tramite il metodo di collaudo standard e può essere utilizzato per confrontare l'apparecchio con altri prodotti analoghi.
- Il valore totale di vibrazioni indicato può essere utilizzato anche per una valutazione preliminare dei livelli di esposizione.

NOTA: L'emissione di vibrazioni durante l'uso effettivo dell'apparecchio può variare rispetto al valore indicato in base a come viene utilizzato l'utensile. Per proteggersi, l'operatore deve indossare guanti e dispositivi di protezione per le orecchie in base alle reali condizioni d'uso.

Lama raccomandata

DENOMINAZIONE DEL COMPONENTE	NUMERO MODELLO
Lama per decespugliatore a lama	ABB1203

CONTENUTO DELLA CONFEZIONE

DENOMINAZIONE DEL COMPONENTE	QUANTITÀ
Accessorio decespugliatore a lama	1
Set lama e coprilama	1
Protezione parasassi	1
Accessorio per cuffia (SOLO per l'uso con la testa del decespugliatore a filo)	1
Chiave esagonale	1
Chiave multifunzione	1
Manuale di istruzioni	1

IT

DESCRIZIONE

DESCRIZIONE DELL'ACCESSORIO DECESPUGLIATORE A LAMA (Fig. A)

1. Cappuccio terminale
2. Asta del decespugliatore
3. Protezione parasassi
4. Lama
5. Coprilama
6. Cavo di fissaggio
7. Vite sigillante
8. Scatola degli ingranaggi
9. Foro di bloccaggio dell'asta
10. Flangia esterna
11. Chiave multifunzione
12. Chiave esagonale
13. Accessorio per cuffia (SOLO per l'uso con la testa del decespugliatore a filo)

⚠ AVVERTENZA! Non usare l'apparecchio se la protezione parasassi non è posizionata correttamente e saldamente. La protezione parasassi deve essere sempre installata per proteggere l'operatore.

⚠ AVVERTENZA! Quando l'utensile è utilizzato come decespugliatore a filo con apposita di testa di taglio, l'accessorio per cuffia deve essere montato sulla protezione parasassi, per evitare un'eccessiva lunghezza del filo di taglio e il sovraccarico del motore.

ASSEMBLAGGIO

⚠ AVVERTENZA! In caso di componenti danneggiati o mancanti, non usare l'apparecchio finché i componenti non vengono sostituiti. L'uso dell'apparecchio con componenti danneggiati o mancanti comporta il rischio di lesioni gravi.

AVVERTENZA! Non tentare di modificare l'apparecchio o creare accessori non raccomandati per l'uso con questo decespugliatore. Tali alterazioni o modifiche costituiscono un uso improprio e comportano condizioni pericolose e il rischio di lesioni gravi.

AVVERTENZA! Per evitare l'avvio accidentale e il conseguente rischio di lesioni gravi, rimuovere sempre il gruppo batteria dall'apparecchio durante l'assemblaggio dei componenti.

AVVERTENZA! Quando sull'apparecchio è installata la testa di taglio con lama, è necessario installare anche la barra di protezione.

ASSEMBLARE LA PROTEZIONE PARASASSI

AVVERTENZA! Indossare sempre i guanti durante l'installazione o la sostituzione della cuffia di protezione. Fare attenzione alla lama sulla cuffia di protezione e proteggere le mani dal rischio di lesioni.

AVVERTENZA! Non usare l'apparecchio se la cuffia di protezione non è posizionata e saldamente. La cuffia di protezione deve essere sempre installata per proteggere l'operatore. Dopo aver installato la cuffia di protezione, non tentare di rimuoverla o regolarla. Se è necessario sostituirla, affidare l'operazione a un tecnico qualificato.

Allentare e rimuovere le due viti dalla base dell'albero (Fig. C). Allineare i fori di montaggio della cuffia con i fori di assemblaggio, quindi bloccare la cuffia sulla base dell'albero con le due viti (Fig. D).

Accertarsi che la cuffia sia fissata come illustrato in Fig. C e D; un fissaggio invertito comporta gravi rischi!

INSTALLAZIONE DELLA LAMA

1. La lama è protetta dal coprilama. Prima di installare la lama sul decespugliatore, rimuovere il coprilama rimuovendo il cavo di fissaggio dal gancio sul coprilama (Fig. E).

Descrizione delle parti in Fig. E:

E-1	Gancio
E-2	Cavo di fissaggio

2. Ruotare la flangia esterna per allineare la fessura nella flangia interna con il foro di bloccaggio dell'asta nella scatola degli ingranaggi (Fig. F).
3. Inserire la chiave esagonale fornita nei fori allineati come stabilizzatore (Fig. G).

Descrizione delle parti in Fig. F e G:

F-1	Scatola degli ingranaggi
F-2	Fori di bloccaggio dell'asta allineati
F-3	Flangia esterna
G-1	Stabilizzatore

4. Posizionare la testa del decespugliatore contro una superficie solida che lo supporti. Afferrare l'asta del decespugliatore con una mano, e con l'altra mano afferrare la chiave multifunzione fornita e allentare il dado nella direzione della freccia riportata sulla flangia esterna; quindi rimuovere il dado e la flangia esterna. Conservarli per il riassetto (Fig. H).
5. Installare la lama sull'albero motore, assicurandosi che la superficie della lama sia a filo con la superficie della sporgenza della flangia interna. Proseguire installando la flangia esterna e il dado (Fig. I). Pre-serrare il dado a mano in senso **ANTIORARIO**.

Descrizione delle parti in Fig. I:

I-1	Sporgenza della flangia interna
I-2	Albero motore
I-3	Dado
I-4	Flangia esterna
I-5	Lama

6. Ruotare la flangia esterna per allineare la fessura nella flangia interna con il foro di bloccaggio dell'asta nella scatola degli ingranaggi, e inserire la chiave esagonale fornita nei fori allineati come stabilizzatore, come indicato nei precedenti passaggi 2 e 3.
7. Posizionare la testa del decespugliatore contro una superficie solida che lo supporti. Afferrare la lama con una mano, e con l'altra mano afferrare la chiave multifunzione fornita e serrare il dado nella direzione contraria rispetto alla freccia riportata sulla flangia esterna (Fig. J).

Utilizzo dell'accessorio per cuffia

ATTENZIONE! Quando l'utensile è utilizzato come decespugliatore a filo con apposita di testa di taglio, l'accessorio per cuffia deve essere montato sulla protezione parasassi (Fig. K).

Fissare l'accessorio della cuffia sulla protezione parasassi serrando le tre viti con la chiave esagonale fornita, per evitare un'eccessiva lunghezza del filo di taglio e il sovraccarico del motore.

COLLEGARE L'ACCESSORIO DECESPUGLIATORE ALL'UNITÀ MOTORE

Questo accessorio decespugliatore è progettato per l'uso con l'unità motore a batteria EGO LI-ION 56 volt PH1400E/PH1420E/PHX1600.

Consultare la sezione “**INSTALLARE UN ACCESSORIO SULL'UNITÀ MOTORE**” nel manuale di istruzioni dell'unità motore PH1400E/PH1420E/PHX1600.

FUNZIONAMENTO

AVVERTENZA! La familiarità con questo apparecchio non deve rendere l'operatore disattento. Anche un solo momento di disattenzione comporta il rischio di lesioni gravi.

AVVERTENZA! Indossare sempre occhiali di sicurezza con protezioni laterali. Indossare anche protezioni per le orecchie. Il mancato rispetto di questa istruzione comporta il rischio di oggetti proiettati verso gli occhi dell'operatore e altre lesioni gravi.

DESTINAZIONE D'USO

Questo prodotto può essere usato per gli scopi elencati di seguito.

- Tagliare erba, erbaccia, cespugli e pianticelle selvatiche e sfoltire giovani soprassuoli con stelo non superiore a 2 cm di diametro.

ATTENZIONE! Usare l'apparecchio esclusivamente per gli scopi previsti. Altri utilizzi sono da considerarsi uso improprio.

USARE L'ACCESSORIO DECESPUGLIATORE CON L'UNITÀ MOTORE

AVVERTENZA! Vestirsi adeguatamente per ridurre il rischio di infortunio durante l'uso dell'apparecchio. Non indossare indumenti ampi o gioielli. Indossare dispositivi di protezione per gli occhi/orecchie. Indossare pantaloni lunghi e pesanti, stivali e guanti. Non indossare pantaloni corti o sandali e non usare l'apparecchio a piedi nudi.

Per un funzionamento efficiente e sicuro, indossare la tracolla sulla spalla. Regolare la tracolla in una posizione operativa comoda. Tenere sempre il decespugliatore con una mano sull'impugnatura posteriore e l'altra mano sull'impugnatura ausiliaria anteriore. Mantenere una presa salda con entrambe le mani durante l'uso dell'apparecchio. Tenere il decespugliatore in una posizione confortevole con l'impugnatura posteriore all'altezza del fianco. Mantenere l'impugnatura e l'equilibrio su entrambi i piedi. Posizionarsi in modo da non perdere l'equilibrio in caso di contraccolpo della lama (Fig. B).

AVVERTENZA! La tracolla funziona anche da meccanismo di rilascio rapido in situazioni di pericolo. In caso di emergenza, sfilarla immediatamente dalla spalla, indipendentemente dalla sua modalità di fissaggio.

Per tagliare cespugli e pianticelle selvatiche, abbassare la lama in rotazione verso la pianticella per tagliarla. Usare il decespugliatore come una falce (facendolo dondolare verso destra e sinistra) a livello del terreno. Non usare l'accessorio di taglio sopra l'altezza della vita.

AVVERTENZA! Maggiore è la distanza dell'accessorio di taglio dal terreno, maggiore è il rischio di lesioni dovute ai residui di taglio lanciati lateralmente.

AVVERTENZA! Durante il taglio di giovani soprassuoli o altri materiali legnosi fino a 2 cm di diametro, usare il lato sinistro della lama per evitare il rischio di contraccolpo. Non tentare di tagliare materiali legnosi di diametro maggiore, perché la lama può incepparsi o spingere il decespugliatore in avanti. Ciò può danneggiare la lama o al decespugliatore o causare la perdita di controllo del decespugliatore con il rischio di lesioni.

AVVERTENZA! L'uso improprio della lama del decespugliatore può causarne l'incrinatura, la scheggiatura o la rottura.

Le parti lanciate possono ferire gravemente l'operatore o le persone presenti. Per ridurre il rischio di lesioni personali, è essenziale rispettare le precauzioni elencate di seguito.

- Evitare il contatto con oggetti estranei duri come pietre, sassi o pezzi di metallo.
- Non tagliare legno o cespugli con gambo di oltre 2 cm di diametro.
- Ispezionare la lama a brevi intervalli regolari per verificare che non sia danneggiata. Interrompere il lavoro se la lama è danneggiata.
- Riaffilare la lama regolarmente (se si è sensibilmente smussata) e farla equilibrare se necessario (l'operazione deve essere effettuata da un tecnico qualificato).

CONTRACCOLPO DELLA LAMA

Prestare particolare attenzione durante l'uso della lama con questa unità. Il contraccolpo della lama è una reazione che può verificarsi quando la lama in rotazione entra a contatto con un oggetto che non riesce a tagliare. Tale contatto può causare l'arresto momentaneo della lama, e un'improvvisa “spinta” dell'unità lontano dall'oggetto colpito. Tale reazione può essere così violenta da causare la perdita di controllo dell'unità. Il contraccolpo della lama può verificarsi senza preavviso se la lama si inceppa, si blocca o si piega. Il contraccolpo può verificarsi maggiormente in aree in cui è difficile vedere il materiale da tagliare. Per una taglio facile e sicuro, avvicinare il decespugliatore all'erba da tagliare da destra verso sinistra. Questa direzione di taglio può minimizzare

la reazione di contraccolpo se il decespugliatore colpisce improvvisamente un oggetto o un pezzo di legno

Prima di ogni utilizzo, verificare l'assenza di componenti danneggiati/usurati

Ispezionare la lama, la protezione parasassi e l'impugnatura frontale ausiliaria e sostituire i componenti incrinati, deformati, piegati o danneggiati in qualsiasi modo.

IT

Il bordo della lama può smussarsi col tempo. Si raccomanda di capovolgere la lama per estendere la durata di vita della lama, di affilarla periodicamente (l'operazione deve essere effettuata da un tecnico qualificato) o di sostituirla con una lama nuova quando necessario.

Pulire il decespugliatore dopo ogni utilizzo.

Consultare la sezione **MANUTENZIONE** per le istruzioni relative alla pulizia.

AVVERTENZA! Assicurarsi che la lama si sia fermata completamente prima di effettuare le operazioni di pulizia o manutenzione sul decespugliatore per evitare il rischio di lesioni gravi.

AVVIO/ARRESTO DELL'APPARECCHIO

Consultare la sezione "**AVVIO/ARRESTO DELL'UNITÀ MOTORE**" nel manuale di istruzioni dell'unità motore PH1400E/PH1420E/PHX1600.

MANUTENZIONE

AVVERTENZA! Prima di ispezionare, pulire o regolare l'unità, arrestare il motore, attendere che tutte le parti mobili si arrestino e rimuovere il gruppo batteria. Il mancato rispetto di questa avvertenza comporta il rischio di danni o lesioni gravi.

AVVERTENZA! Per la riparazione dell'apparecchio, usare esclusivamente parti di ricambio identiche. L'uso di altri ricambi comporta situazioni pericolose o il rischio di danni all'apparecchio. Per garantire sicurezza e affidabilità, tutte le riparazioni e sostituzioni devono essere eseguite da un tecnico qualificato.

AVVERTENZA! Indossare sempre i guanti durante l'installazione o la sostituzione della lama o durante le operazioni di manutenzione della lama. Fare attenzione alla lama e proteggere le mani dal rischio di lesioni.

MANUTENZIONE GENERALE

Evitare l'uso di solventi durante la pulizia delle parti in plastica. La maggior parte dei materiali plastici può essere danneggiata da diversi tipi di solventi in commercio. Usare

un panno pulito per rimuovere sporczia, polvere, olio, grasso, ecc.

PULIZIA DELL'APPARECCHIO

- Rimuovere la batteria
- Dopo ogni utilizzo, rimuovere detriti, terreno o erba dalla lama e dalla protezione parasassi con una spazzola morbida.
- Pulire la superficie dell'apparecchio con un panno pulito inumidito con acqua saponata.
- Usare una piccola spazzola o un piccolo aspirapolvere per pulire le aperture di ventilazione sul rivestimento posteriore.
- Mantenere le aperture di ventilazione prive di ostruzioni.

Quando la lama diventa smussata ed entrambi i bordi della lama sono smussati, affilarla (l'operazione deve essere effettuata da un tecnico qualificato) o sostituirla con una lama nuova.

SOSTITUZIONE DELLA LAMA

AVVERTENZA! Una lama usurata, incrinata o danneggiata può rompersi, e i pezzi della lama danneggiata possono diventare proiettili pericolosi. Eventuali oggetti lanciati dall'apparecchio possono causare lesioni gravi. Ispezionare la lama regolarmente e non usare il decespugliatore con una lama usurata o danneggiata.

AVVERTENZA! Indossare protezioni per gli occhi adeguate durante la rimozione, l'affilatura e l'installazione della lama.

Rimuovere la lama

1. Rimuovere la batteria.
2. Ruotare la flangia esterna per allineare la fessura nella flangia interna con il foro di bloccaggio dell'asta nella scatola degli ingranaggi, e inserire la chiave esagonale fornita nei fori allineati come stabilizzatore, come indicato nei passaggi 2 e 3 della sezione "**INSTALLAZIONE DELLA LAMA**".
3. Posizionare la testa del decespugliatore contro una superficie solida che lo supporti. Afferrare la lama con una mano, e con l'altra mano afferrare la chiave multifunzione fornita e allentare il dado nella direzione della freccia riportata sulla flangia esterna; quindi rimuovere il dado, la flangia esterna e la lama usurata (Fig. L).
4. Controllare e sostituire la flangia interna e la copertura della flangia se sono usurate (Fig. M).

Descrizione delle parti in Fig. M:

M-1	Albero motore	M-5	Flangia esterna
M-2	Flangia interna	M-6	Dado
M-3	Copertura della flangia	M-7	Fessura nella flangia
M-4	Lama		

5. Installare la nuova lama sull'albero motore nella sequenza illustrata in Fig. M. Per i dettagli, seguire i passaggi 5, 6 e 7 della sezione **"INSTALLAZIONE DELLA LAMA"**.

LUBRIFICAZIONE DEGLI INGRANAGGI DI TRASMISSIONE

Gli ingranaggi di trasmissione nella scatola degli ingranaggi devono essere lubrificati periodicamente con del grasso per ingranaggi. Controllare il livello del grasso della scatola degli ingranaggi ogni 50 ore di utilizzo rimuovendo la vite sigillante sul lato della scatola.

Se ai lati dell'ingranaggio non è visibile del grasso, seguire i passaggi riportati di seguito per riempirlo di grasso fino ai 3/4 della sua capacità.

Non riempire completamente gli ingranaggi di trasmissione.

1. Posizionare il decespugliatore in verticale affinché la vite sigillante sia rivolta verso l'alto (Fig. N).
2. Usare la chiave multifunzione fornita per allentare e rimuovere la vite sigillante.
3. Usare una siringa per grasso (non inclusa) per iniettare del grasso nel foro della vite.
4. Serrare la vite sigillante dopo il riempimento.

CONSERVAZIONE DELL'APPARECCHIO

- Rimuovere il gruppo batteria dall'apparecchio.
- Indossare guanti di protezione robusti durante la pulizia dell'apparecchio.
- Installare il coprilama sulla lama per sicurezza (Fig. O).
- Rimuovere l'accessorio decespugliatore dall'unità motore e posizionare il cappuccio terminare sull'estremità dell'asta dell'accessorio, se necessario.
- Conservare l'apparecchio in un luogo asciutto, ben ventilato, elevato o chiuso a chiave, e fuori dalla portata dei bambini. Non conservare l'apparecchio sopra o in prossimità di fertilizzanti, benzina o altre sostanze chimiche.

Protecting the environment



Non smaltire apparecchi elettrici, caricabatteria e batterie insieme ai rifiuti domestici. Portare il prodotto presso un centro di riciclaggio autorizzato affinché venga raccolto separatamente. Gli apparecchi elettrici devono essere portati presso un centro di riciclaggio ecocompatibile.

IT

RISOLUZIONE DEI PROBLEMI**IT**

PROBLEMA	CAUSA	SOLUZIONE
Il decespugliatore non si avvia.	<ul style="list-style-type: none">■ Il gruppo batteria non è installato sull'unità motore.■ Nessun contatto elettrico tra l'unità motore e il gruppo batteria.■ Il gruppo batteria è scarico.■ La leva di sbloccaggio e l'interruttore a grilletto non sono stati premuti contemporaneamente.	<ul style="list-style-type: none">■ Installare il gruppo batteria sull'unità motore.■ Rimuovere la batteria, ispezionare i contatti e reinstallare il gruppo batteria.■ Ricaricare il gruppo batteria con i caricabatteria EGO elencati in questo manuale.■ Tenere premuta la leva di sbloccaggio contemporaneamente all'interruttore a grilletto.
Il decespugliatore si arresta durante il taglio.	<ul style="list-style-type: none">■ Il motore è sovraccarico.■ Il gruppo batteria o l'unità motore sono troppo caldi.■ Il gruppo batteria non è installato sul decespugliatore.■ Il gruppo batteria è scarico.	<ul style="list-style-type: none">■ Il motore si riavvierà alla rimozione del carico. Per l'uso continuo, diminuire il carico sull'unità motore.■ Attendere che la temperatura del gruppo batteria o dell'unità motore scenda al di sotto di 67°C .■ Reinstallare il gruppo batteria.■ Ricaricare il gruppo batteria con i caricabatteria EGO elencati in questo manuale.

GARANZIA**CONDIZIONI DELLA GARANZIA EGO**

Visitare il sito web egopowerplus.eu per consultare le condizioni complete della garanzia EGO.

LEES ALLE INSTRUCTIES!



LEES DE GEBRUIKSAANWIJZING

⚠ WAARSCHUWING: Om een continue veiligheid en betrouwbaarheid te waarborgen, dienen alle reparaties en vervangingen van onderdelen uitgevoerd te worden door een vakbekwame reparateur.

VEILIGHEIDSSYMBOLEN

Het doel van de veiligheidssymbolen is om u te wijzen op mogelijke gevaren. Besteed daarom voldoende aandacht hieraan en begrijp de veiligheidssymbolen en bijbehorende uitleg. De symbolowaarschuwingen op zich elimineren geen enkel gevaar. De gegeven instructies en waarschuwingen gelden niet als vervanging voor gepaste voorzorgsmaatregelen tegen ongevallen.

⚠ WAARSCHUWING: Lees en begrijp alle veiligheidsinstructies die in deze gebruikershandleiding zijn vermeld, waaronder alle veiligheidssymbolen zoals “**GEVAAR**”, “**WAARSCHUWING**”, en “**OPGELET**” voordat u dit apparaat in gebruik neemt. Het negeren van onderstaande instructies kan leiden tot elektrische schokken, brand en/of ernstig persoonlijk letsel.

BETEKENIS VAN DE SYMBOLEN

⚠ WAARSCHUWINGSSYMBOL: Geeft **GEVAAR**, **WAARSCHUWING** of **OPGELET** aan. Kan worden gebruikt in combinatie met andere symbolen of pictogrammen.




⚠ WAARSCHUWING: De werking van het apparaat kan leiden tot het rondslingeren van (vreemde) objecten die in uw ogen kunnen terechtkomen. Dit kan leiden tot ernstig oogletsel. Wanneer u elektrische apparaten gebruikt, zorg er dan voor dat u altijd een veiligheidsbril (met zijschermen) of een gelaatsscherm draagt. We bevelen aan om een gelaatsscherm over uw bril of standaard veiligheidsbril met zijschermen te gebruiken.

VEILIGHEIDSVORSCHRIFTEN

Deze pagina toont en beschrijft alle veiligheidssymbolen die zich op dit product kunnen bevinden. Lees, begrijp en volg alle instructies op de machine voordat u deze in elkaar zet en gebruikt.

	Veiligheidsaanschuwing	Geeft een risico op persoonlijk letsel aan.
	Lees de gebruiksaanwijzing	8De gebruiker moet de gebruiksaanwijzing lezen om het risico op letsel te beperken.
	Draag oogbescherming	Draag altijd een veiligheidsbril met zijschermen en een gelaatsscherm als u dit product gebruikt.
	Draag oorbescherming	Draag altijd gehoorbescherming (oordopjes of geluiddempers) om uw gehoor te beschermen.
	Draag hoofdbescherming	Draag een goedgekeurde veiligheidshelm om uw hoofd te beschermen.
	Draag beschermende handschoenen	Bescherm uw handen met handschoenen bij de omgang met zaag en zaagketting. Robuuste, niet glijdende handschoenen verbeteren uw grip en beschermen uw handen.
	Draag veiligheidsschoenen	Draag slipvrije veiligheidschoenen als u dit apparaat gebruikt.
	Snijbreedte	De max. snijbreedte van de bosmaaier

NL

	Houd rekening met de druk van het mes	Waarschuw de gebruiker voor gevaar door de druk van het mes.
	Houd omstanders uit de buurt	De afstand tussen het apparaat en de omstanders mag niet minder dan 15 m zijn.
	Pas op voor weg-slingerde voorwerpen.	Wegslingerende voorwerpen kunnen afketsen en persoonlijk letsel of materiële schade tot gevolg hebben.
	Koppel de accu los alvorens onderhoud uit te voeren.	Koppel het accupack los van de gras trimmer voordat u onderhouds- of reinigingswerkzaamheden uitvoert.
	CE	Dit product is in overeenstemming met de EG-richtlijnen.
	UKCA	Dit product is in overeenstemming met de geldende wetgeving van het VK.
	WEEE	Gooi elektrisch afval niet via het huishoudelijk afval weg. Breng het naar een geautoriseerd recyclingbedrijf.
	Geluidniveau	Gewaarborgd geluidsvermogensniveau. Geluidsemisatie voor de omgeving in overeenstemming met de richtlijnen van de Europese Unie.
V	Volt	Spanning
mm	Millimeter	Lengte of afmeting
cm	Centimeter	Lengte of afmeting
kg	Kilogram	Gewicht
n_0	Snelheid zonder belasting	Draaisnelheid, zonder belasting
min ⁻¹	Per minuut	Toeren per minuut

ALGEMENE VEILIGHEIDSVORSCHRIFTEN VOOR GEREEDSCHAP

⚠ WAARSCHUWINGEN! Lees alle veiligheids waarschuwingen, instructies, illustraties en specificaties die met deze machine worden geleverd. Het niet opvolgen van alle onderstaande instructies kan leiden tot elektrische schokken en/of ernstig letsel.

BEWAAR ALLE WAARSCHUWINGEN EN INSTRUCTIES VOOR TOEKOMSTIG GEBRUIK.

De term “gereedschap” in de waarschuwingen verwijst naar uw op het voedingsnet aangedreven (met snoer) gereedschap of accu aangedreven (snoerloos) gereedschap.

VEILIGHEID OP DE WERKPLAATS

- **Houd uw werkplaats schoon en goed verlicht.** Rommelige of donkere ruimten kunnen ongevallen veroorzaken.
- **Gebruik de machine niet in een explosieve omgeving, zoals in de aanwezigheid van ontvlambare vloeistoffen, gasen of stof.** De machine veroorzaakt vonken en deze kan stof of dampen ontsteken.
- **Houd kinderen en omstanders uit de buurt wanneer u een machine bedient.** Aflleiding kan tot controleverlies leiden.

ELEKTRISCHE VEILIGHEID

- **De stekker van de machine moet in het stopcontact passen. Pas de stekker op geen enkele manier aan. Gebruik geen adapterstekker met gearde machines.** Niet aangepaste stekkers en overeenkomstige stopcontacten beperken het risico op elektrische schokken.
- **Vermijd lichamelijk contact met gearde oppervlakken, zoals pipleidingen, radiatoren, fornuizen of koelkasten.** Het risico op een elektrische schok is groter als uw lichaam geaard is.
- **Gebruik het gereedschap niet in regen of natte omstandigheden.** Water dat het gereedschap binnendringt, kan het risico op een elektrische schok of storingen met persoonlijk letsel tot gevolg hebben, vergroten.
- **Gebruik de kabel niet op een verkeerde manier. Gebruik de kabel nooit om de machine te dragen of mee te trekken of om de stekker uit het stopcontact te halen. Houd de kabel uit de buurt van hitte, olie, scherpe randen of bewegende onderdelen.** Beschadigde of verstrikte kabels vergroten het risico op een elektrische schok.

- **Wanneer u een machine buitenshuis bedient, gebruik dan een verlengkabel die geschikt is voor gebruik buitenshuis.** Het gebruik van een kabel die voor gebruik buitenshuis geschikt is, verkleint het risico op een elektrische schok.
- **Als het gebruik van een gereedschap in een vochtige omgeving onvermijdbaar is, gebruik dan een aardlekschakelaar (ALS).** Het gebruik van een ALS verkleint het risico op een elektrische schok.

PERSOONLIJKE VEILIGHEID

- **Wees waakzaam, let op wat u doet en gebruik uw gezond verstand wanneer u een machine gebruikt. Gebruik geen machine niet als u moe bent of onder de invloed bent van drugs, alcohol of medicijnen.** Een moment van onoplettendheid tijdens het gebruik van de machine kan leiden tot ernstig persoonlijk letsel.
- **Gebruik persoonlijke beschermingsmiddelen. Draag altijd oogbescherming.** Beschermingsmiddelen zoals een stofmasker, slipvaste veiligheidsschoenen, veiligheidshelm of gehoorbescherming afhankelijk van de aard en het gebruik van het gereedschap verkleint het risico op persoonlijk letsel.
- **Vermijd dat de machine per ongeluk wordt gestart. Zorg dat de schakelaar op de stand 'Uit' is ingesteld voordat u de machine op een stroombron en/of accu aansluit, vastneemt of draagt.** Het dragen van een gereedschap met uw vinger op de schakelaar of het activeren van een gereedschap met de schakelaar op 'aan', leidt tot ongelukken.
- **Verwijder instelsleutels of moersleutels voordat u de machine inschakelt.** Een instelsleutel of moersleutel in een draaiend deel van de machine achterlaten kan leiden tot persoonlijk letsel.
- **Reik niet te ver. Zorg er altijd voor dat u stevig en stabiel staat.** Dit zorgt ervoor dat u de machine in onverwachte situaties beter onder controle kunt houden.
- **Draag passende kleding. Draag geen los hangende kleding of sieraden. Houd uw haar en kleding uit de buurt van bewegende onderdelen.** Los hangende kleding, sieraden en lang haar kunnen in bewegende onderdelen verstrikt raken.
- **Wanneer de montage van stofafzuiging- of stofopvangvoorzieningen mogelijk is, dient u ervoor te zorgen dat deze juist aangesloten en gebruikt worden.** Het gebruik van een stofopvang kan helpen om het risico in verband met stof te verlagen.
- **Word niet zelfingenomen door de ervaring die u hebt opgedaan door frequent gebruik, waardoor u dan de veiligheids waarschuwingen negeert.** Een achteloze actie kan binnen een fractie van een seconde ernstig letsel veroorzaken.

GEbruik EN ONDERHOUD VAN HET GEREEDSCHAP

- **Overbelast de machine niet. Gebruik de juiste machine voor uw toepassing.** Met de juiste machine werkt u beter en veiliger binnen het aangegeven vermogensbereik.
- **Gebruik de machine niet als de schakelaar niet kan worden in- en uitgeschakeld.** Een machine die niet met de schakelaar kan worden bediend is gevaarlijk en moet worden gerepareerd.
- **Trek de stekker uit de stroomvoorziening en/of verwijder de accu, indien deze kan worden verwijderd, uit het gereedschap voordat u deze instelt, accessoires vervangt of het gereedschap opbergt.** Deze preventieve voorzorgsmaatregelen beperken het risico op onbedoeld starten van de machine.
- **Bewaar de niet-gebruikte machine buiten het bereik van kinderen en laat de machine niet bedienen door personen die niet bekend zijn met de machine of deze instructies.** Machines zijn gevaarlijk wanneer ze door onervaren personen worden gebruikt.
- **Onderhoud van machines en toebehoren. Controleer of de bewegende onderdelen correct functioneren en niet vastklemmen en/of de onderdelen zodanig gebroken of beschadigd zijn dat de werking van de machine nadelig wordt beïnvloedt. Als de machine beschadigd is, laat deze voor gebruik repareren.** Vele ongevallen worden veroorzaakt door een slecht onderhouden machine.
- **Houd snij-gereedschap scherp en schoon.** Zorgvuldig onderhouden snij-gereedschap met scherpe snijranden klemt minder snel vast en is gemakkelijker te beheersen.
- **Gebruik het gereedschap, de accessoires, het inzetgereedschap, etc. in overeenstemming met deze instructies en houd hierbij rekening met de werkomstandigheden en de uit te voeren werkzaamheden.** Het gebruik van de machine voor andere dan de beoogde toepassingen kan een gevaarlijke situatie tot gevolg hebben.
- **Houd de handgrepen en greepvlakken droog, schoon en vrij van olie en smeervet.** Glibberige handgrepen en greepvlakken maken een veilige omgang en de controle over de machine in onverwachte situaties onmogelijk.

GEbruik EN ONDERHOUD VAN HET ACCU-GEREEDSCHAP

- **Opladen alleen met de lader die door de fabrikant is aangegeven.** Een lader die geschikt is voor een bepaald type accu kan tot brandgevaar leiden wanneer deze gebruikt wordt met een ander accu.
- **Gebruik machines alleen met de specifiek vermelde accu's.** Het gebruik van andere accupacks kan risico op letsel en brandgevaar veroorzaken.
- **Wanneer u het accupack niet gebruikt, houd het uit de buurt van andere metalen voorwerpen zoals paperclips, munten, sleutels, spijkers, schroeven of andere kleine metalen voorwerpen die de twee aansluitklemmen kunnen verbinden.** Het kortsluiten van de aansluitklemmen kan brandwonden of brand veroorzaken.
- **Bij verkeerd gebruik kan er vloeistof uit de accu worden gespoten; vermijd elk contact. Als aanraking met de vloeistof toevallig plaatsvindt, spoel het dan af met water. Als de vloeistof in de ogen komt, dient u onmiddellijk een arts te consulteren.** Vloeistof dat uit de accu wordt gespoten kan irritatie of brandwonden veroorzaken.
- **Gebruik geen accu of machine de is beschadigd of aangepast.** Beschadigde of aangepaste accu's kunnen resulteren in onvoorzien gedrag zoals brand, explosie of het risico op letsel.
- **Stel een accu of machine niet bloot aan vuur of excessieve temperaturen.** Blootstelling aan vuur of temperaturen boven 130 °C kunnen leiden tot een explosie.
- **Neem alle laad instructies in acht en laad de accu of de machine niet buiten het gespecificeerde temperatuurbereik in de handleiding op.** Het onjuist laden of bij een temperatuur buiten het temperatuurbereik kan de accu beschadigen en er bestaat een gevaar op brand.

⚠ WAARSCHUWING: Lees alle veiligheids waarschuwingen, instructies, illustraties en specificaties die met het elektrisch gereedschap zijn meegeleverd. Het niet opvolgen van de waarschuwingen en instructies kan leiden tot elektrische schokken, brand en/of ernstig letsel. Bewaar alle waarschuwingen en instructies voor toekomstig gebruik.
Bewaar alle waarschuwingen en instructies voor toekomstig gebruik.

TRAINING

- Lees de instructies aandachtig door. Maak u vertrouwd met de bedieningsknoppen en het juiste gebruik van de apparaat.

- Personen of kinderen die deze instructies niet kennen mogen het gereedschap nooit gebruiken. De lokale wetgeving kan de leeftijd van de bediener begrenzen.
- Onthoud dat de bediener of gebruiker verantwoordelijk is voor ongevallen of gevaren die zich bij ander personen of hun eigendommen voordoen.

VOORBEREIDING

- Gebruik het gereedschap nooit als zich mensen, in het bijzonder kinderen of huisdieren, in de buurt bevinden.
- Draag altijd oogbescherming en stevige schoenen wanneer het gereedschap in werking is.
- De afstand tussen het gereedschap en de omstanders mag niet minder dan 15m bedragen.
- Gebruik het gereedschap nooit als de operator moe of ziek is of onder invloed is van alcohol of andere drugs.

GEbruik

- Gebruik het gereedschap alleen bij daglicht of voldoende kunstmatig licht.
- Gebruik het gereedschap nooit met beschadigde schermen of zonder dat de schermen gemonteerd zijn.
- Schakel de motor alleen in wanneer uw handen en voeten zich uit de buurt van het snijelement bevinden.
- Ontkoppel het gereedschap altijd van de voeding (verwijder bijvoorbeeld het accupack).
 - wanneer het gereedschap zonder toezicht wordt achtergelaten;
 - voor het verwijderen van een verstopping;
 - voor het controleren, reinigen of onderhouden van het gereedschap.
 - na het raken van een vreemd voorwerp;
 - telkens het gereedschap overmatig trilt.
- Zorg dat u geen letsel oploopt aan uw voeten en handen en voeten door hetsnijelement.
- Zorg dat de ventilatieopeningen altijd vrij van vuil zijn.

ONDERHOUD EN OPSLAG

- Ontkoppel het gereedschap van de voeding (verwijder bijvoorbeeld het accupack) alvorens reinigings- of onderhoudswerkzaamheden uit te voeren.
- Gebruik alleen reserveonderdelen of accessoires die door de fabrikant zijn aanbevolen.
- Controleer en onderhoud het gereedschap regelmatig. Laat het gereedschap alleen door een erkende reparateur repareren.
- Wanneer niet in gebruik, berg het gereedschap op buiten het bereik van kinderen.

ANDERE VEILIGHEIDSWAARSCHUWINGEN

- Vermijd een gevaarlijke omgeving – Gebruik het gereedschap niet ope een vochtige of natte helling.
- Houd de schermen op hun plaats en in een goede staat.
- Houd handen en voeten uit de buurt van het snijbereik.
- Om het risico op letsel te voorkomen, mag u nooit op een ladder of een andere onveilige steun werken. Houd de snij-eenheid nooit boven heuphoogte.
- Controleer de snij-eenheid regelmatig tijdens het gebruik of onmiddellijk nadat een duidelijke wijziging van de snijprestaties optreedt.
- Voor het beste resultaat dient de accu in een ruimte te worden geladen waar de temperatuur hoger is dan 5°C en lager dan 40°C. Bewaar hem niet buiten of in een voertuig.
- Als iemand in de buurt komt, dient u de motor en snij-eenheid te stoppen.
- Waarschuw de bediener voor het gevaar dat het blad terug kaatst (alleen voor het gebruik met 3-tands mes).
 - Een terugkaatsen van het mes kan gebeuren als het draaiende mes contact heeft met een voorwerp dat niet direct kan worden gesneden.
 - Het terugkaatsen van het mes kan ernstig genoeg zijn om het apparaat en/of de gebruiker in een willekeurige richting te slingeren, waardoor de controle over het apparaat kan worden verloren.
 - Het terugkaatsen van het mes kan zonder waarschuwing gebeuren als het mes ergens aan vast blijft hangen, afslaat of vast raakt.
 - Het terugkaatsen van het mes gebeurt eerder in een gebied waar het moeilijk te zien is, welk materiaal wordt gesneden.
- Bevestig geen mes aan een eenheid zonder een correcte installatie van alle benodigde onderdelen. Door niet de juiste onderdelen te gebruiken, kan het mes eraf vliegen en ernstig letsel veroorzaken bij de gebruiker en/of omstanders. Verwijder gebogen, vervormde, gescheurde, gebroken of op welke manier dan ook beschadigde messen. Gebruik een scherp mes. Een bot mes klemt eerder vast of kaatst terug (gebruik alleen een 3-tands mes).
- Een mes/draad met naloop kan letsel veroorzaken terwijl het nog verder draait nadat de motor is uitgeschakeld of de schakelaar is losgelaten. Zorg voor een goede controle totdat het mes/de draad compleet stil staat.
- Accugereedschap moet niet op een stopcontact worden aangesloten en is daarom altijd gereed voor gebruik. Let op voor mogelijke gevaren, zelfs

wanneer het gereedschap niet in gebruik is. Let op wanneer u onderhoud aan het gereedschap uitvoert.

- Reinig het gereedschap niet met een slang. Zorg dat de motor of elektrische componenten niet met water in aanraking komen.
- Als er zich situaties voordoen die niet in deze handleiding worden behandeld, dient u uw gezond verstand te gebruiken. Neem contact op met het EGO klantenservice als u hulp nodig heeft.
- Gebruik alleen met in afb. A vermelde accupacks en opladers.

BEWAAR DEZE GEBRUIKSAANWIJZING!

NL

SPECIFICATIES

Snijbreedte	30 cm
Snelheid zonder belasting	5000/6000 min ⁻¹
Gewicht	1,82 kg
Aanbevolen werkingstemperatuur	0°C-40°C
Aanbevolen opslagtemperatuur	-20°C-70°C
Gemeten geluidsvermogensniveau L _{WA}	96,5 dB(A) K=1,88 dB(A) (PH1400E)
	93,2 dB(A) K=0,35 dB(A) (PH1420E)
	91 dB(A) K=1,1 dB(A) (PHX1600)
Geluidsdruk niveau aan het oor van de bediener L _{PA}	84,5 dB(A) K=3 dB(A) (PH1400E)
	83,9 dB(A) K=3 dB(A) (PH1420E)
	83 dB(A) K=3 dB(A) (PHX1600)
Gegarandeerd geluidsvermogensniveau L _{WA} (gemeten volgens 2000/14/EG)	98 dB(A)

Vibratie a_h	Voorste handvat	2,8 m/s ² K=1,6 m/s ² (PH1400E)
		4,14 m/s ² K=1,5 m/s ² (PH1420E)
		6,64 m/s ² K=1,5 m/s ² (PHX1600)
	Achterste handvat	3,1 m/s ² K=1,6 m/s ² (PH1400E)
		1,88 m/s ² K=1,5 m/s ² (PH1420E)
		2,61 m/s ² K=1,5 m/s ² (PHX1600)

- De bovengenoemde parameters werden getest en gemeten met de basis machine PH1400E/PH1420E/PHX1600;
- De opgegeven totale vibratiewaarde is gemeten volgens de standaard testmethode en kan worden gebruikt om het apparaat met een ander apparaat te vergelijken;
- De opgegeven totale vibratiewaarde kan ook worden gebruikt in een voorafgaande beoordeling op blootstelling.

MEDEDELING: De vibratie-afgifte tijdens het werkelijk gebruik van het elektrisch gereedschap kan verschillen van de opgegeven totale waarde; Om de bediener te beschermen dient de gebruiker tijdens het gebruik handschoenen en gehoorbescherming te dragen.

Aanbevolen mes

NAAM ONDERDEEL	MODELNUMMER
Bosmaaier mes	ABB1203

INHOUD VAN DE VERPAKKING

NAAM ONDERDEEL	AANTAL
Multitool bosmaaier accessoire	1
Mes en mesbeschermingsset	1
Schermbeschermer	1
Beschermingsaccessoire (voor als de tapcut maalkop ALLEEN wordt gebruikt)	1
Inbussleutel	1
Multifunctionele sleutel	1
Gebruikershandleiding	1

BESCHRIJVING

KEN UW BOSMAAIER ACCESSOIRE (afb. A)

- Einddop
- Bosmaaier schacht
- Schermbeschermer
- Blad
- Mesbescherming
- Klemblok
- Afdichtschroef
- Tandwielkast
- Schachtvergrendelingsgat
- Buitenflens
- Multifunctionele sleutel
- Binnenzeskantsleutel
- Beschermingsaccessoire (voor als de tapcut maalkop ALLEEN wordt gebruikt)

WAARSCHUWING: Gebruik het gereedschap nooit zonder juist gemonteerd scherm. Het scherm moet zich altijd op het gereedschap bevinden om de gebruiker te beschermen.

WAARSCHUWING: Als het gereedschap wordt gebruikt als grastrimmer, voorzien van een trimmerkop, dient het beschermingsaccessoire te worden bevestigd op de bescherming. Als u dit niet in acht neemt, kan dit tot een extreem lange snijdraad en een overbelasting van de motor leiden.

MONTAGE

WAARSCHUWING: Als er onderdelen beschadigd zijn of ontbreken, gebruik dit product niet totdat alle onderdelen vervangen of aanwezig zijn. Dit product gebruiken met beschadigde of ontbrekende onderdelen kan ernstig persoonlijk letsel veroorzaken.

⚠ WAARSCHUWING: Probeer niet om dit product aan te passen of accessoires te maken die niet voor gebruik met deze grastrimmer zijn aanbevolen. Een dergelijke aanpassing of wijziging is verkeerd en kan leiden tot gevaar en een ernstig persoonlijk letsel.

⚠ WAARSCHUWING: Om het toevallig starten van het gereedschap, dat ernstig persoonlijk letsel kan veroorzaken, te voorkomen, verwijder altijd de accu uit het gereedschap voordat u onderdelen monteert.

⚠ WAARSCHUWING: Als het gereedschap is uitgerust van een bosmaaierkop, moet de veiligheidsbarrière worden gemonteerd.

DE BESCHERMING MONTEREN

⚠ WAARSCHUWING: Draag altijd handschoenen wanneer u de bescherming monteert of vervangt. Let op voor het mes op de bescherming zodat u geen letsel oploopt.

⚠ WAARSCHUWING: Gebruik het gereedschap nooit zonder juist gemonteerde bescherming. De bescherming moet zich altijd op het gereedschap bevinden om de gebruiker te beschermen! Als de bescherming is vastgemaakt, mag u nooit pogen de bescherming te verwijderen of aan te passen. Als u een vervanging nodig heeft, dient dit te worden uitgevoerd door een gekwalificeerde onderhoudsmonteur!

Maak de twee schroeven los en verwijder ze van de basis (afb. C), breng de bevestigingsgaten in één lijn met de montagegaten en maak vervolgens de bescherming vast met de twee schroeven, samen met de onderlegplaatjes (afb. D).

Zorg ervoor dat het scherm volgens afb. C & D is bevestigd; een andere bevestiging kan groot gevaar veroorzaken!

HET MES MONTEREN

1. Het mes wordt getransporteerd met een bescherming. Voordat u het mes monteert aan de bosmaaier, dient u de bescherming te verwijderen door de klemblok van de haak aan de bescherming te verwijderen (afb. E).

Afb. E beschrijving van de onderdelen zie beneden:

E-1	Haak
E-2	Klemblok

2. Draai de buitenste flens om de sleuf in de binnenste flens met het gat in de schachtvergrendelingsgat in de tandwielkast in één lijn te brengen (afb. F).
3. Steek de meegeleverde binnenzeskantsleutel in de zich op een lijn bevindende gaten zodat deze als stabilisator kan fungeren (afb. G).

Afb. F & G beschrijving van de onderdelen zie beneden:

F-1	Tandwielkast
F-2	In lijn bevindende schachtvergrendelingsgaten
F-3	Buitenflens
G-1	Stabilisator

4. Positioneer de bosmaaier kop tegen een stevig oppervlak voor steun. Met één hand pakt u de bosmaaier schacht vast en met de andere de multifunctionele sleutel die wordt meegeleverd om de moer aan de buitenflens in de richting van de pijl los te maken en de moer en de buitenflens te verwijderen. Bewaar deze voor de hernieuwde montage (afb. H).
5. Monteer het mes op de motorschacht, zorg ervoor dat het oppervlak van het mes in lijn is met het oppervlak van de binnenflens uitstulping. Ga verder met de montage van de buitenflens en de moer (afb. I). Maak de moer alvast met de hand **LINKSOM** vast.

Afb. I beschrijving van de onderdelen zie beneden:

I-1	Binnenflens uitstulping
I-2	Motorschacht
I-3	Moer
I-4	Buitenflens
I-5	Mes

6. Draai de buitenflens om de sleuf in de binnenflens in één lijn te brengen met de schachtvergrendelingsgat in de tandwielkast en steek de meegeleverde binnenzeskantsleutel in de zich in lijn bevindende gaten om als een stabilisator te dienen zoals weergegeven in de vorige stappen 2 & 3.
7. Positioneer de bosmaaier kop tegen een stevig oppervlak voor steun. Met één hand pakt u het mes vast en met de andere de multifunctionele sleutel die wordt meegeleverd om de moer aan de buitenflens in tegengestelde richting van de pijl vast te maken (afb. J).

Gebruik van beschermingsaccessoire

OPMERKING: Als het gereedschap wordt gebruikt als grastrimmer, voorzien van een trimmerkop, moet het beschermingsaccessoire te worden bevestigd op de bescherming (afb. K).

Beveilig het beschermingsaccessoire op de bescherming door de drie schroeven met de meegeleverde binnenzeskantsleutel vast te draaien. Als u dit niet in acht neemt, kan dit tot een extreem lange snijdraad en een overbelasting van de motor leiden.

AANSLUITEN VAN HET BOSMAAIER ACCESSOIRE AAN DE BASIS MACHINE

Dit bosmaaier accessoire is ontworpen voor het gebruik met de EGO basis machine PH1400E/PH1420E/PHX1600.

Zie hoofdstuk "INSTALLEREN VAN ACCESSOIRES AAN DE BASIS MACHINE" in de gebruiksaanwijzing van de basis machine PH1400E/PH1420E/PHX1600.

BEDIENING

NL

⚠ WAARSCHUWING: Vertrouwdheid kan leiden tot onvoorzichtigheid. Opgelet, één seconde van onvoorzichtigheid kan ernstig letsel teweegbrengen.

⚠ WAARSCHUWING: Draag altijd een veiligheidsbril met zijschermen. In combinatie met gehoorbescherming. Het niet dragen van deze beschermingsuitrusting kan ertoe leiden dat voorwerpen in uw ogen terechtkomen of kan een ander ernstig letsel veroorzaken.

APPLICATIES

U kunt dit product gebruiken voor onderstaand vermeld doeleinde:

- Snijden van gras, onkruid, wildgroei en struikgewas, uitdunnen van jonge planten met een maximale diameter van 2 cm.

OPMERKING: Het gereedschap mag alleen voor het voorheen genoemde doeleinde worden gebruikt. Ieder ander gebruik is in dit geval misbruik.

GEbruik VAN DE BOSMAAIER MET BASIS MACHINE

⚠ WAARSCHUWING: Draag gepaste kleding om het risico op letsel tijdens gebruik van dit gereedschap te beperken. Draag geen los hangende kleding of juwelen. Draag oog- en oorbescherming. Draag een stevige lange broek, laarzen en handschoenen. Draag geen korte broek of sandalen of ga niet blootsvoets.

Voor een veiliger en beter gebruik draagt u de schouderriem over uw schouder. Pas de schouderriem aan zodat u een comfortabele werkpositie bereikt. Houd de bosmaaier met één hand op het achterste handvat en de andere hand op het voorste ondersteunende handvat vast. Zorg tijdens het gebruik voor een stevige greep met beide handen. De bosmaaier dient op een prettige manier te worden vastgehouden met het achterste handvat ongeveer op heuphoogte. Houd uw greep en het evenwicht op beide voeten. Ga zo staan, dat u niet uit balans kunt raken door een terugslag van het mes (afb. B).

⚠ WAARSCHUWING: De schouderriem heeft ook een snelontspanningsmechanisme voor gevaarlijke situaties. Als er sprake is van een noodgeval, haalt u hem direct van de schouder, ongeacht hoe de riem zit.

Om wildgroei en struikgewas te snijden, laat u het blad op de groei zakken om een snij-effect te bereiken. Gebruik de bosmaaier als een zeis (veeg hem van rechts naar links) boven de grond. Gebruik het snij-accessoire nooit boven uw middel.

⚠ WAARSCHUWING: Hoe hoger het mes van de grond is, des te groter is het risico op letsel door wegslingerend snijafval.

⚠ WAARSCHUWING: Als u jonge planten of houtachtig materiaal met een diameter van maximaal 2 cm zaagt, dient u de linkerkant van het mes te gebruiken om te voorkomen dat het mes terugkaatst. Probeer niet houtachtig materiaal met een grotere diameter te snijden, aangezien het mes vast kan raken of de bosmaaier naar voren kan trekken. Dit kan schade aan het blad of de bosmaaier veroorzaken of ervoor zorgen, dat u de controle over de bosmaaier verliest, wat kan resulteren in persoonlijk letsel.

⚠ WAARSCHUWING: Onjuist gebruik van het bosmaaier blad kan scheuren, afbreken of breken tot gevolg hebben.

Rondslingerende onderdelen kunnen ernstig letsel bij de gebruiker of omstanders veroorzaken. Om het risico op persoonlijk letsel te verminderen, is het van essentieel belang dat de volgende voorzorgsmaatregelen worden getroffen:

- Voorkom contact met harde of stevige vreemde voorwerpen zoals stenen, keien of stukken metaal.
- Snijd nooit hout of struiken met een stamdiameter van meer dan 2 cm.
- Inspecteer het mes in regelmatige, korte intervallen op tekenen van beschadigingen. Werk niet verder met een beschadigd mes.
- Slijp het mes regelmatig (als het duidelijk bot wordt) en laat het indien nodig uitbalanceren (uitgevoerd door een gekwalificeerde service-technicus).

TERUGSLAG VAN HET MES

Wees bijzonder voorzichtig als u het mes met deze eenheid gebruikt. Terugslag van het mes is de reactie die kan voorkomen als het draaiende blad in contact komt met iets dat het niet kan snijden. Dit contact kan ervoor zorgen dat het mes eventjes stopt en plotseling de eenheid "terugslaat", weg van het voorwerp dat is geraakt. Deze reactie kan ernstig genoeg zijn om ervoor te zorgen dat de gebruiker de controle over de eenheid verliest. Het terugkaatsen van het mes kan zonder waarschuwing gebeuren als het mes ergens aan vast blijft hangen, afslaat of vast raakt. Dit gebeurt eerder

in een gebied waar het moeilijk te zien is, welk materiaal wordt gesneden. Om eenvoudig en veilig te snijden, gaat u van rechts naar links met de bosmaaier naar het te maaien onkruid toe. Voor het geval dat een onverwacht voorwerp of stok wordt geraakt, kan deze beweging de terugslag-reactie verminderen.

Voor elk gebruik, controleer op beschadigde/versleten onderdelen

Controleer het mes, scherm en voorste handvat en vervang alle onderdelen die gebarsten, scheef getrokken, gebogen of beschadigd zijn.

De rand van het mes kan met de tijd bot worden. Wij raden u aan dat u het mes draait voor een verlengde levensduur van het mes en het mes regelmatig slijpt (uitgevoerd door een gekwalificeerde servicetechnicus) of het indien nodig vervangt door een nieuw mes.

Maak de bosmaaier na elk gebruik schoon.

Kijk in het hoofdstuk **Onderhoud** voor de reinigingsinstructies.

WAARSCHUWING: Zorg ervoor dat het mes compleet stil staat voordat u reinigingswerkzaamheden of onderhoud uitvoert aan de bosmaaier. Het niet in acht nemen kan dit leiden tot ernstig persoonlijk letsel.

HET GEREEDSCHAP STARTEN/STOPPEN

Zie hoofdstuk "**STARTEN/STOPPEN VAN DE BASIS MACHINE**" in de gebruiksaanwijzing van de basis machine PH1400E/PH1420E/PHX1600.

ONDERHOUD

WAARSCHUWING: Voor het inspecteren, reinigen of onderhouden van het apparaat dient u de motor te stoppen, te wachten totdat alle bewegende onderdelen tot stilstand zijn gekomen en het accupack te verwijderen. Het negeren van deze instructies kan ernstig persoonlijk letsel of materiële schade tot gevolg hebben.

WAARSCHUWING: Bij reparatie, gebruik uitsluitend identieke reserve-onderdelen. Het gebruik van andere onderdelen kan gevaar opleveren of schade aan het product veroorzaken. Laat alle reparaties uitvoeren door een vakbekwame reparateur om een continue veiligheid en betrouwbaarheid te waarborgen.

WAARSCHUWING: Draag altijd stevige handschoenen als u het mes installeert of verwijdert of als u het mes onderhoudt. Wees voorzichtig bij het mes en bescherm uw handen tegen letsel door het mes.

ALGEMEEN ONDERHOUD

Maak de kunststof onderdelen niet schoon met oplosmiddelen. De meeste kunststoffen kunnen worden

beschadigd wanneer ze in contact komen met commerciële oplosmiddelen. Gebruik een schone doek voor het verwijderen van vuil, stof, olie, smeer, etc.

HET APPARAAT SCHOONMAKEN

- Verwijder de accu
- Na ieder gebruik dient u het mes en de beschermer met een zachte borstel te ontdoen van vuil, opgehoopte aarde of gras.
- Veeg het oppervlak van het gereedschap schoon met een vochtige doek en een mild zeepsopje.
- Maak de ventilatieopeningen aan de achterkant van de motorbehuizing schoon met een kleine borstel of een stofzuiger.
- Houd de ventilatieopeningen vrij en schoon.
- Als het mes bot wordt, beide zijden van het mes bot zijn, kunt u het laten slijpen door een gekwalificeerde servicetechnicus of indien nodig door een nieuw mes vervangen.

HET MES VERVANGEN

WAARSCHUWING: Een versleten, gescheurd of beschadigd mes kan breken. Stukken van het beschadigde mes kunnen daardoor gevaarlijke projectielen worden. Weggeslingerde voorwerpen kunnen ernstig letsel veroorzaken. Inspecteer het mes regelmatig en gebruik de bosmaaier niet als het mes versleten of beschadigd is.

WAARSCHUWING: Gebruik geschikte oogbescherming terwijl u het mes verwijdert, slijpt en installeert.

Verwijderen van het mes

1. Verwijder de accu.
2. Draai de buitenflens om de sleuf in de binnenflens in één lijn te brengen met de schachtvergrendelingsgat in de tandwielkast en steek de meegeleverde binnenzekantsleutel in de zich in lijn bevindende gaten om als een stabilisator te dienen zoals weergegeven in de stappen 2 & 3 "**HET MES BEVESTIGEN**".
3. Positioneer de bosmaaier kop tegen een stevig oppervlak voor steun. Met één hand pakt u het mes vast en met de andere de multifunctionele sleutel die wordt meegeleverd om de moer aan de buitenflens in de richting van de pijl los te maken en verwijdert u de moer, de buitenflens en het versleten mes (afb. L).
4. Controleer en vervang de binnenflens en de buitenflens afdekking indien deze zijn versleten (afb. M)
Afb. M beschrijving van de onderdelen zie beneden:

M-1	Motorschacht	M-5	Buitenflens
M-2	Binnenflens	M-6	Moer
M-3	Flensafdekking	M-7	Sleuf in de flens
M-4	Mes		

5. Installeer het nieuwe mes op de motorschacht in de op afb. M getoonde volgorde. Gedetailleerde instructies ziet u in stap 5, 6 & 7 van “**HET MES BEVESTIGEN**”.

SMEREN VAN DE VERSNELLING

NL

De versnelling in de tandwielkast dient regelmatig met smeervet voor versnellingen te worden gevet. Controleer het vetniveau van de versnellingsbak ongeveer alle 50 uur van gebruik door de vergrendelschroef aan de zijkant van de bak te verwijderen.

Als u geen vet meer ziet aan de flanken van de versnelling, dient u de onderstaande stappen te volgen voor het tot 3/4 bijvullen van het vet.

Vul de versnellingen niet helemaal.

1. Houd de bosmaaier vast zodat de vergrendelschroef naar boven is gericht (afb. N).
2. Gebruik de meegeleverde multifunctionele sleutel en verwijder de vergrendelschroef.
3. Gebruik een vetspuit (niet inbegrepen) om een beetje vet in het schroefgat te spuiten.
4. Maak de vergrendelschroef na het injecteren weer vast.

HET APPARAAT OPBERGEN

- Haal het accupack uit het gereedschap.
- Draag stevige handschoenen om het gereedschap grondig te reinigen.
- Bevestig de mesbescherming op het mes voor een veilige opberging (afb. O).
- Verwijder het bosmaaier-accessoire van de basis machine en steek indien nodig de einddop op de schacht van het accessoire.
- Berg het apparaat op in een droge, goed geventileerde en afsluitbare ruimte of op een hoge hoogte en buiten het bereik van kinderen. Berg het apparaat niet op in de buurt van meststoffen, benzine of andere chemicaliën.

Het milieu beschermen



Gooi geen elektrische apparatuur, gebruikte accu's en laders weg via het huishoudelijk afval! Geef dit product af bij een geautoriseerd recyclingbedrijf en zorg dat het apart kan worden ingezameld.

Elektrisch gereedschap moet worden geretourneerd voor een milieuvriendelijke recycling.

PROBLEEMOPLOSSING

PROBLEEM	OORZAAK	OPLOSSING
De bosmaaier start niet.	<ul style="list-style-type: none"> ■ Het accupack is niet op de basis machine aangesloten. ■ Er is geen elektrisch contact tussen de basis machine en het accupack. ■ Het accupack is uitgeput. ■ De ontgrendelingshendel en trekker zijn niet gelijktijdig ingedruwd. 	<ul style="list-style-type: none"> ■ Sluit het accupack aan op de basis machine. ■ Verwijder het accupack, controleer de aansluitklemmen en plaats het accupack terug totdat deze vast klikt. ■ Laat het accupack op met de EGO lader die in deze gebruiksaanwijzing wordt vermeld. ■ Om de bosmaaier te starten, duw de ontgrendelingshendel omlaag en houd op deze positie. Duw vervolgens de trekker in.
Bosmaaier stopt tijdens het snijden.	<ul style="list-style-type: none"> ■ De motor is overbelast. ■ Het accupack of de basis machine is te warm. ■ Het accupack is niet met het gereedschap verbonden. ■ Het accupack is uitgeput. 	<ul style="list-style-type: none"> ■ De motor herstelt weer zodra de belasting is verdwenen. Voor continu gebruik dient u het vermogen op de basis machine te verlagen. ■ Laat het accupack of de basis machine afkoelen totdat de temperatuur lager dan 67°C is. ■ Installeer het accupack opnieuw. ■ Laat het accupack op met de EGO lader die in deze gebruiksaanwijzing wordt vermeld.

NL

GARANTIE

EGO GARANTIEVOORWAARDEN

Bezoek onze website egopowerplus.eu voor alle voorwaarden van de EGO garantie.

LÆS ALLE ANVISNINGER!



LÆS BRUGANVISNING

⚠ ADVARSEL: For at sikre sikkerhed og pålidelighed, bør alle reparationer og udskiftninger udføres af en kvalificeret servicetekniker.

DK

SIKKERHEDSSYMBOLER

Formålet med sikkerhedssymboler er at gøre dig opmærksom på mulige farer. Du bør være meget opmærksom på sikkerhedssymbolerne og forklaringer til dem og lære at forstå dem. Symboladvarsel fjerner ikke i sig selv eventuelle farer. Anvisningerne og advarslerne er ingen erstatning for korrekte forebyggelsesforanstaltninger mod ulykker.

⚠ ADVARSEL: Sørg for at læse og forstå alle sikkerhedsanvisninger i denne brugsanvisning, inklusive alle sikkerhedssymboler, såsom "FARE", "ADVARSEL" og "FORSIGTIG", før du bruger dette værktøj. Hvis du ikke følger advarslere og anvisninger, kan det resultere i elektrisk stød, brand og/eller alvorlig personskade.

SYMBOLBETYDNING

⚠ SYMBOL FOR SIKKERHEDSVARSEL: Angiver **FARE**, **ADVARSEL** eller **FORSIGTIG**. Kan anvendes i kombination med andre symboler eller piktogrammer.



⚠ ADVARSEL: Brugen af et elværktøj kan resultere i, at du får fremmedlegemer i øjnene, hvilket kan give alvorlige øjenskader. Inden du begynder at bruge et elværktøj, skal du altid bære beskyttelsesbriller eller sikkerhedsbriller med sidebeskyttelse og om nødvendigt en fuld ansigtsmaske. Vi anbefaler en maske med bredt udsyn til brug over briller eller standard sikkerhedsbriller med sidebeskyttelse.

SIKKERHEDSANVISNINGER

Denne side viser og beskriver sikkerhedssymboler, der kan forekomme på dette produkt. Læs, forstå, og følg alle anvisninger på apparatet, før du forsøger at samle og betjene det.

	Sikkerhedsvarsel	Angiver en potentiel fare for personskade.
	Læs brugsanvisningen	For at mindske risikoen for skader skal brugeren læse brugsanvisningen.
	Bær beskyttelsesbriller	Bær altid beskyttelsesbriller eller sikkerhedsbriller med sidebeskyttelse og om nødvendigt en fuld ansigtsmaske.
	Brug høreværn	Bær altid høreværn (ørepropper eller ørebeskyttere) for at beskytte din hørelse.
	Brug hjelm	Bær en godkendt sikkerhedshjelm til at beskytte dit hoved.
	Brug beskyttelseshandsker	Beskyt dine hænder med handsker, når du håndterer saven og savkæden. Kraftige, skridsikre handsker forbedrer dit greb og beskytter dine hænder.
	Benyt sikkerhedsfodtøj	Benyt skridsikkert sikkerhedsfodtøj, når du bruger dette udstyr.
	Trimmebredde	Buskrydderens maks. klippebredde
	Pas på ryk i kniven	Advar brugeren om faren for ryk i kniven.
	Hold omkringstående på afstand	Afstanden mellem apparatet og omkringstående skal være mindst 15 meter.
	Pas på kastede genstande	Smågenstande kan slynges ud og føre til personskader eller materielle skader.

	Afbyrd batteriet for vedligeholdelse	Tag batteripakken ud af kantsklipperen, før vedligeholdelses- eller rengøringsarbejdet udføres.
	Det Eu-ropæiske Fællesskab	Dette produkt er i overensstemmelse med gældende EU-direktiver.
	UKCA	Dette produkt overholder gældende britisk lovgivning.
	WEEE	Affald fra elektriske produkter bør ikke bortskaffes sammen med husholdningsaffald. Bring det til en godkendt genbrugsplads.
	Støj	Garanteret lydniveau. Støjmission til miljøet opfylder EF-direktivet.
V	Volt	Spænding
mm	Millimeter	Længde eller størrelse
cm	Centimeter	Længde eller størrelse
kg	Kg	Vægt
n_0	Hastighed uden belastning	Rotationshastighed, uden belastning
min^{-1}	Per minut	Omdrejninger per minut

GENERELLE SIKKERHEDSADVARSLER TIL MASKINEN

⚠ ADVARSEL! Læs alle sikkerhedsadvarsler, instruktioner, billeder og specifikationer, der følger med denne maskine. Hvis anvisningerne nedenfor ikke følges, kan det føre til elektrisk stød, brand og/eller alvorlig personskade.

GEM ALLE ADVARSLER OG INSTRUKTIONER TIL FREMTIDIG REFERENCE.

Udtrykket "maskine" i advarselne henviser til din netdrevne (med ledning) maskine eller batteridrevne (ledningsfri) maskine.

SIKKERHED PÅ ARBEJDSPLADSEN

- Sørg for, at arbejdsområdet er rent og godt belyst. Et rodet eller mørkt område kan føre til ulykker.
- Maskinen må ikke bruges i eksplosionsfarlig atmosfære, såsom i nærheden af brændbare væsker, gasser eller støv. Maskinen danner gnister, der kan antænde støv eller dampe.

- Hold børn og tilskuere på afstand, når en maskine er i brug. Distractioner kan medføre, at du mister kontrollen.

ELEKTRISK SIKKERHED

- Maskinens stik skal passe til stikkontakten. Stikket må på ingen måde ændres. Brug ikke adapterstik med jordforbundne maskiner. Uændrede stik, der passer til stikkontakterne, nedsætter risikoen for elektrisk stød.
- Undgå kropskontakt med jordforbundne overflader, såsom rør, radiatorer, komfurer og køleskabe. Der er øget risiko for elektrisk stød, hvis din krop er jordforbundet.
- Maskinen må ikke bruges i regn eller våde forhold. Der kan trænge vand ind i maskinen, som kan øge risikoen for elektrisk stød eller funktionsfejl, og som kan føre til personskader.
- Ledningen må ikke mishandles. Brug aldrig ledningen til at bære eller trække maskinen, eller til at trække stikket ud. Hold ledningen væk fra varme, olie, skarpe kanter og bevægelige dele. Beskadigede eller sammenfiltrede ledninger, øger risikoen for elektrisk stød.
- Hvis maskinen bruges udendørs, skal der bruges en forlængerledning, der er egnet til udendørs brug. Brug af en egnet ledning til udendørs brug, reducerer risikoen for elektrisk stød.
- Hvis en maskine skal bruges på et fugtigt sted, skal du bruge en strømforsyning med et fejlstrømsrelæ (GFCI)¹⁾. Brug af et fejlstrømsrelæ, reduceres risikoen for elektrisk stød.

DK

PERSONLIG SIKKERHED

- Vær forsigtig, hold øje med hvad du laver, og brug din sunde fornuft, når du bruger maskinen. Maskinen må ikke bruges, hvis du er træt eller er påvirket af narkotika, alkohol eller medicin. Et øjeblik uopmærksomhed under brugen af maskinen kan føre til alvorlige personskader.
- Brug personligt beskyttelsesudstyr. Brug altid beskyttelsesbriller. Værnemidler, såsom støvmaske, skridsikre sikkerhedssko, hjelm eller høreværn, der anvendes under passende betingelser, nedsætter risikoen for personskade.
- Forhindre utilsigtet start. Sørg for, at tænd/sluk-knappen er slukket, inden maskinen slutes til strømkilden eller batteripakken, samt inden den løftes op eller bæres rundt. Undgå, at bære maskiner med fingeren på tænd/sluk-knappen eller strømforbundne maskiner, hvor tænd/sluk-knappen er

- tændt, da dette kan føre til ulykker.
- **Fjern indstillingsværktøj eller skruenøgler, før maskinen startes.** Hvis en skruenøgle eller en nøgle sidder i en drejende del på maskinen, kan den føre til personskader.
 - **Undgå at række for langt frem. Sørg altid for at stå ordentligt fast og i god balance.** Dette giver bedre kontrol over maskinen i uventede situationer.
 - **Brug passende tøj. Undgå, at bære løstsiddende tøj eller smykker. Hold hår og tøj fra bevægelige dele.** Løse tøj, smykker eller langt hår kan blive fanget i bevægelige dele.
 - **Hvis der monteres tilbehør til opsamling af støv eller andet, skal det sikres, at disse monteres og bruges korrekt.** Brug af støvindsamlingsenheder, kan reducere støv-relaterede risici.
 - **Selvom du ofte bruger og har et godt kendskab til maskinen, må du ikke være overmodig eller glemme sikkerhedsprincipperne.** En uagtsom handling kan forårsage alvorlig skade i en brøkdæl af et sekund.

BRUG OG PLEJE AF MASKINEN

- **Tving ikke maskinen. Brug den rigtige maskine til opgaven.** Den rigtige maskine gør arbejdet bedre og mere sikkert, da det er beregnet til formålet.
 - **Maskinen må ikke bruges, hvis tænd/sluk-knappen ikke kan tænde og slukke.** En maskine, hvor tænd/sluk-knappen ikke dur, er farlig og skal repareres.
 - **Træk stikket til maskinens strømforsyning ud af stikkontakten og/eller fjern batteripakken hvis dette er muligt, inden du foretager justeringer, skifter tilbehør eller lægger maskinen til opbevaring.** Sådanne forebyggende sikkerhedsforanstaltninger mindsker risikoen for, at maskinen startes ved et uheld.
 - **Maskiner, der ikke bruges, skal holdes ude af børns rækkevidde. Lad ikke personer, der ikke er bekendt med maskinen eller disse instruktioner, bruge maskinen.** Maskinen er farlig i hænderne på brugere, der ikke ved, hvordan det skal bruges.
 - **Vedligehold maskinen og tilbehøret. Kontrollér, at de bevægelige dele ikke er fejljusterede eller binder eller er i en tilstand, der kan påvirke maskinens drift. Hvis maskinen er beskadiget, skal den repareres, inden den tages i brug.** Mange ulykker skyldes dårligt vedligeholdte maskiner.
 - **Hold skæremaskinerne skarpe og rene.** Skæremaskiner med skarpe kanter, der vedligeholdes ordentligt, er mindre tilbøjelige til at binde og er lettere at styre.
- **Maskinen, tilbehør og bits osv. skal bruges i overensstemmelse med disse instruktioner, hvor arbejdsforholdene og arbejdet, der skal udføres, skal tages i betragtning.** Maskinen må ikke bruges til andet end dens tiltænkte formål, da dette kan føre til en farlig situation.
 - **Hold håndtag og gribeblader tørre, rene og fri for olie og fedt.** Glatte håndtag og glatte overflader, der holdes i, gør maskinen farligt at bruge i uventede situationer.

BRUG OG PLEJE AF DENNE BATTERIDREVNEN MASKINE

- **Genoplad kun med opladeren er angivet af fabrikanten.** Hvis en oplader, der er egnet til én slags batteri, bruges med en anden slags batteri, kan det føre til brand.
- **Brug kun maskiner med særligt udpegede batteripakker.** Brug af andre batterier kan skabe risiko for personskade og brand.
- **Når batteripakken ikke er i brug, skal den holdes væk fra andre metalgenstande som papirclips, mønter, nøgler, søm, skruer eller andre små metalgenstande, der kan skabe forbindelse fra en pol til en anden.** Shorting batteripolerne sammen kan forårsage forbrændinger eller brand.
- **Ved forkert anvendelse kan der slippe væske ud af batteriet: Undgå kontakt. Hvis det alligevel skulle ske, skal området skylles med vand. Hvis væsken kommer i øjnene, skal man søge læge.** Væske fra batteriet kan forårsage irritation eller forbrændinger.
- **Brug ikke et batteri eller en maskine, der er beskadiget eller modificeret.** Beskadigede eller modificerede batterier kan opføre sig uforudsigeligt og forårsage brand, eksplosion eller risiko for personskade.
- **Udsæt ikke et batteri eller en maskine for ild eller for høj temperatur.** Udsættelse for ild eller temperaturer over 130 °C kan forårsage eksplosion.
- **Følg alle anvisninger vedrørende opladning, og oplad ikke batteriet eller maskinen uden for temperaturområdet, der står i anvisningerne.** Forkert opladning eller temperaturer uden for det angivne område kan beskadige batteriet og øge risikoen for brand.

⚠ ADVARSEL: Læs alle sikkerhedsadvarsler, anvisninger, illustrationer og specifikationer, der følger med dette elværktøj. Hvis anvisningerne nedenfor ikke følges, kan det føre til elektrisk stød, brand og/eller alvorlig personskade. Gem alle advarsler og instruktioner til fremtidig reference.

Gem alle advarsler og instruktioner til fremtidig reference.

UDDANNELSE

- Læs anvisningerne grundigt igennem. Bliv fortrolig med alle knapper og den korrekte brug af apparatet.
- Lad aldrig personer, der ikke kender disse anvisninger, bruge apparatet. Lokale forskrifter kan sætte aldersgrænser for en operatør.
- Husk, at operatøren eller brugeren er ansvarlig, hvis andre personer eller andres ejendom udsættes for ulykke eller fare.

FORBEREDELSE

- Brug aldrig maskinen i nærheden af andre, især børn eller kæledyr.
- Bær altid øjenbeskyttelse og solide sko, mens du betjener apparatet.
- Afstanden mellem apparatet og omkringstående skal være mindst 15 m.
- Betjen aldrig maskinen, mens operatøren over sig, er syg eller påvirket af alkohol eller andre rusmidler.

BETJENING

- Brug kun apparatet i dagslys eller godt kunstigt lys.
- Anvend aldrig apparatet med defekte kapper eller skærme eller uden kapper eller skærme monteret.
- Tænd kun for motoren, når hænder og fødder er væk fra trimmerdelen.
- Afbryd altid maskinen fra strømforsyningen (dvs. fjern batteripakken).
 - Når apparatet forlades uden opsyn.
 - Før en blokering fjernes.
 - Før kontrol, rengøring eller arbejde på maskinen.
 - Efter at have ramt et fremmedlegeme.
 - Når apparatet begynder at vibrere unormalt.
- Pas på skade på hænder og fødder fra trimmerdelen.
- Sørg altid for, at ventilationsåbningerne holdes fri for snavs og skidt.

VEDLIGEHOLDELSE OG OPBEVARING

- Afbryd maskinen fra strømforsyningen (dvs. fjern batteripakken), inden du udfører vedligeholdelse- eller rengøringsarbejde.
- Brug kun fabrikantens anbefalede reservedele og tilbehør.
- Efterse og vedligehold apparatet regelmæssigt. Få kun apparatet repareret af en autoriseret reparatør.
- Når apparatet ikke er i brug, opbevar maskinen utilgængeligt for børn.

ANDRE SIKKERHEDSADVARSLER

- **Undgå farlige omgivelser** – Brug ikke apparatet på fugtige eller våde skråninger.
- **Hold kapper på plads og i orden.**
- **Hold hænder og fødder væk fra klippeområdet.**
- **For at mindske risikoen for personskade, må du aldrig arbejde på en stige eller på noget andet usikkert underlag. Hold aldrig klippedelen over hoftehøjde.**
- **Se regelmæssigt klippedele efter brug, eller omgående, hvis der er en mærkbar forandring i måden, hvorpå apparatet klipper.**
- **For at opnå de bedste resultater bør dit batteri oplades et sted, hvor temperaturen er over 5 °C og under 40 °C.** Opbevar det ikke uden for eller i køretøjer.
- **Hvis nogen nærmer sig, så stop straks motoren og klippedelen.**
- **Advar brugeren om fare tilbageslag, når savklingen bruges (kun klingens med 3 tænder).**
 - Savklingen kan give tilbageslag, hvis den saver ind i en genstand, som den umiddelbart ikke kan save over.
 - Et tilbageslag kan være voldsomt nok til at slynge enheden og/eller brugeren i alle retninger, og derved muligvis miste kontrollen over enheden.
 - Et tilbageslag kan opstå uden varsel, hvis savklingen rammer en knast, stopper eller kommer i klemme.
 - Tilbageslag er mere tilbøjelige til at forekomme i områder, hvor det er vanskeligt at se materialer, der beskæres.
- **Der må ikke sættes nogen savklinger på enheden, før alle de nødvendige dele først er sat på. Hvis de rigtige dele ikke bruges, kan savklingen flyve af, og forårsage alvorlig skade på brugeren og/eller personer i nærheden. Savklinger, der er bøje, skæve, revnede, ødelagt eller på nogen måde beskadigede, skal smides ud. Brug en skarp savklinge. En døv savklinge er mere tilbøjelige til at sidde fast og give tilbageslag (kun, når der bruges savklinger med 3 tænder).**
- **En belagt savklinge/tråden kan forårsage skade, hvis den fortsætter med at køre rundt efter motoren er stoppet eller gashåndtaget er sluppet. Kontrollér apparatet ordentligt indtil klingens/trådens er hold helt op med at dreje rundt.**
- **Batteridrevne værktøjer behøver ikke at være tilsluttet en stikkontakt, derfor er de altid driftsklar.** Vær opmærksom på mulige farer, selv når værktøjet ikke arbejder. Vær forsigtig, når du udfører vedligeholdelse eller service.

- Undlad at vaske med en slange; undgå at få vand i motor og elektriske forbindelser.
- Ved situationer, der ikke er dækket i denne vejledning: Vær forsigtig, og arbejd med omtanke. Kontakt Egos servicecenter for at få hjælp.
- Produktet må kun bruges med batteripakkerne og opladerne, der står på listen i fig. A.

GEM DISSE ANVISNINGER!

SPECIFIKATIONER

Trimmebredde	30 cm
Ubelastet hastighed	5000/6000 min ⁻¹
Vægt (uden batteripakke)	1,82 kg
Anbefalet driftstemperatur	0°C-40°C
Anbefalet opbevaringstemperatur	-20°C-70°C
Målt lydeffektniveau L _{WA}	96,5 dB(A) K=1,88 dB(A) (PH1400E)
	93,2 dB(A) K=0,35 dB(A) (PH1420E)
	91 dB(A) K=1,1 dB(A) (PHX1600)
Lydtryk ved brugerens øre L _{PA}	84,5 dB(A) K=3 dB(A) (PH1400E)
	83,9 dB(A) K=3 dB(A) (PH1420E)
	83 dB(A) K=3 dB(A) (PHX1600)
Garanteret lydeffektniveau L _{WA} (målt i henhold til 2000/14/EC)	98 dB(A)

DK

Vibration a _h	Hjælpehåndtag	2,8 m/s ² K=1,6 m/s ² (PH1400E)
		4,14 m/s ² K=1,5 m/s ² (PH1420E)
		6,64 m/s ² K=1,5 m/s ² (PHX1600)
	Bageste håndtag	3,1 m/s ² K=1,6 m/s ² (PH1400E)
		1,88 m/s ² K=1,5 m/s ² (PH1420E)
		2,61 m/s ² K=1,5 m/s ² (PHX1600)

- Ovenstående parametre er blevet testet og målt under anvendelse af motordel PH1400E/PH1420E/PHX1600.
- Den samlede værdi af angivne vibrationer er målt i overensstemmelse med en standardiseret prøvningsmetode og kan anvendes til at sammenligne et værktøj med et andet
- Den samlede angivne værdi for vibrationer kan også anvendes ved en foreløbig vurdering af eksponeringen.

BEMÆRK: Udsendelsen af vibrationer ved faktisk brug af elværktøjet kan afvige fra den angivne værdi, der hvor værktøjet anvendes. For at beskytte operatøren, bør vedkommende bære handsker og høreværn under de faktiske brugsbetingelser.

Anbefalet kniv

DELENS NAVN	MODELNUMMER
Kniv til buskrydder	ABB1203

PAKKELISTE

DELENS NAVN	ANTAL
Buskryddertilbehør	1
Sæt med kniv og skede	1
Kappe	1
Skærmtilbehør (KUN til brug med trimmerhoved)	1
Unbrakonøgle	1
Multifunktions-skruenøgle	1
Brugsanvisning	1

BESKRIVELSE

LÆR DIT BUSKRYDDERTILBEHØR AT KENDE (fig. A)

1. Endedæksel
2. Buskrydderskaft
3. Kappe
4. Kniv
5. Skede til kniv
6. Spændebånd
7. Lukkeskrue
8. Gearhus
9. Hul til låsning af skaft
10. Ydre flange
11. Multifunktions-skruenøgle
12. Unbrakonøgle
13. Skærmtilbehør (KUN til brug med trimmerhoved)

⚠ ADVARSEL: Brug aldrig værktøjet uden skærmen solidt på plads. Skærmen skal altid være på værktøjet for at beskytte brugeren.

⚠ ADVARSEL: Når værktøjet bruges som græstrimmer og er udstyret med et trimmerhoved, skal skærmtilbehøret være monteret på skærmen. Manglende overholdelse kan resultere i en for lang skæreline og overbelastning af motoren.

MONTERING

⚠ ADVARSEL: Hvis der er dele, der er beskadigede eller mangler, anvendes apparatet ikke, før delene er udskiftet. Brug af dette produkt med beskadigede eller manglende dele kan medføre alvorlig personskade.

⚠ ADVARSEL: Forsøg ikke at ændre dette produkt eller fremstille tilbehør, der ikke anbefales til brug med denne græstrimmer. Enhver sådan ændring eller modifikation er misbrug og kan resultere i en farlig situation, der fører til eventuel alvorlig personskade.

⚠ ADVARSEL: For at forebygge utilsigtet start, der kan forårsage alvorlige personskader, skal batteripakken altid tages ud af maskinen, når delene sættes på.

⚠ ADVARSEL: Når buskrydderhovedet sættes på maskinen, skal beskyttelsesbøjlen sættes på.

MONTERING AF KAPPE

⚠ ADVARSEL: Brug altid handsker ved montering eller udskiftning af skærmen. Vær forsigtig med klingens og skærmen, og undgå at skære dig på hånden.

⚠ ADVARSEL: NBrug aldrig maskinen uden skærmen solidt på plads. Skærmen skal altid være på værktøjet for at beskytte brugeren! Når skærmen sættes på, må du aldrig prøve at fjerne eller tilpasse den. Hvis den skal skiftes, skal det gøres af en kvalificeret servicetekniker!

Løsn, og fjern de to skruer fra skaftets nederste kant (fig. C), flugt kappens monteringshuller med enhedens huller; sæt derefter kappen fast på skaftet med de to skruer sammen med to fjederskiver (fig. D).

Sørg for, at kappen sidder som på fig. C og D. Hvis monteringen gøres omvendt kan det forårsage stor fare!

MONTERING AF KNIVEN

1. Kniven leveres med en skede. Før montering af kniven på buskrydderen skal skeden fjernes ved at løsne spændebåndet fra krogen på skeden (fig. E).

Beskrivelse af dele på fig. E, se nedenfor:

E-1	Krog
E-2	Spændebånd

2. Drej den ydre flange for at flugte noten i den indre flange med hullet til låsning af skaftet i gearhuset (fig. F).

3. Indsæt den medfølgende unbrakonøgle som stabilisator i de flugtende huller (fig. G).

Beskrivelse af dele i fig. F og G, se nedenfor:

F-1	Gearhus	F-3	Ydre flange
F-2	Flugtende huller til låsning af skaft	G-1	Stabilisator

4. Anbring buskrydderhovedet mod en fast overflade for støtte. Med den ene hånd holdes skaftet på buskrydderen fast, og i den anden hånd holdes den medfølgende multifunktions-skruenøgle; løsne møtrikken i pilens retning markeret på den ydre flange, og fjern møtrikken og den ydre flange. De skal bruges igen ved samlingen (fig. H).
5. Monter kniven på motorakslen, så knivfladen flugter med forhøjningen på den indre flange. Fortsæt med at montere den ydre flange og møtrikken (fig. I). Forspænd møtrikken med fingrene **MOD URET**.

Beskrivelse af dele på fig. I, se nedenfor:

I-1	Forhøjning på indre flange	I-4	Ydre flange
I-2	Motorskaft	I-5	Kniv
I-3	Møtrik		

DK

6. Drej den ydre flange, så noten i den indre flange flugter med hullet til låsning af skaftet i gearhuset, og sæt den medfølgende unbrakonøgle i de flugtende huller som stabilisator som vist i forrige trin 2 og 3.
7. Anbring buskrydderhovedet mod en fast overflade for støtte. Med den ene hånd holdes kniven fast, og i den anden hånd holdes den medfølgende multifunktions-skruenøgle; stram møtrikken modsat pilens retning markeret på den ydre flange (fig. J).

Brug af skærmtilbehør

BEMÆRK: Når værktøjet bruges som græstrimmer og er udstyret med et trimmerhoved, skal skærmtilbehøret være monteret på skærmen (fig. K).

Fastgør skærmtilbehøret på skærmen ved at spænde de 3 skruer med den medfølgende unbrakonøgle. Manglende overholdelse kan resultere i en for lang skæreline og overbelastning af motoren.

TILSLUTNING AF BUSKRYDDERTILBEHØRET TIL MOTORDELEN

Dette buskryddertilbehør er beregnet til brug med EGO motordel PH1400E/PH1420E/PHX1600.

Se afsnittet **“MONTERING AF TILBEHØR PÅ MOTORDEL”** i brugsanvisningen til motordel PH1400E/PH1420E/PHX1600.

BETJENING

⚠ ADVARSEL: Selvom du kender dette produkt, så bliv ikke skodesløs. Husk, at skodesløshed i en brøkdæl af et sekund kan forvolde betydelig personskade.

⚠ ADVARSEL: Bær altid beskyttelsesbriller med sidebeskyttelse. Sammen med høreværn. Uden disse kan man blive ramt af genstande, der kastes ind i øjnene eller forårsager andre alvorlige skader.

ANVENDELSE

Du kan bruge dette produkt til de formål, der er nævnt nedenfor:

- Rydning af filtret græs, ukrudt, vildtvoksende buskads og krat, udtynning af unge bevoksninger med en maksimal diameter på 2 cm.

BEMÆRK: Værktøjet skal kun bruges til det formål, det er beregnet til. Enhver anden anvendelse anses for at være et tilfælde af fejlbrug.

BRUG AF BUSKRYDDEREN MED MOTORDELEN

⚠ ADVARSEL: Bær rigtig påklædning for at mindske risikoen for skader, når du betjener dette værktøj. Bær ikke løst tøj eller smykker. Bær øjen- og øre- / høreværn. Bær kraftige, lange bukser, støvler og handsker. Gå ikke i korte bukser, sandaler eller på bare fødder.

Betjeningen gøres sikker og behagelig ved at benytte skulderremmen. Justér skulderremmen, så den giver en behagelig arbejdsstilling. Hold altid buskrydderen med den ene hånd på det bagerste håndtag og den anden hånd på det forreste hjælpehåndtag. Hold godt fast med begge hænder under arbejdet. Buskrydderen bør bæres i en behagelig stilling med bagerste håndtag i hoftehøjde. Hold fast, og find en god balance på begge fødder. Stil dig, så du ikke mister balancen ved ryk i kniven (fig. B).

⚠ ADVARSEL: Skulderremmen er også en mekanisme til hurtigt frigørelse i farlige situationer. Når der opstår en fare, så tag den straks af skulderen, uanset hvordan remmen er sat på.

Når der ryddes vildtvoksende buskads og krat, sænkes kniven ned mod planterne for at klippe dem i småstykker. Brug buskrydderen som en le (fej fra side til side) i jordhøjde. Brug aldrig knivdelen over hoftehøjde.

⚠ ADVARSEL: Jo højere knivdelen er løftet fra jorden, jo større risiko er der for at blive ramt af stumper, der kastes ud til siderne.

⚠ ADVARSEL: Når der ryddes unge bevoksninger eller andet træagtigt op til 2 centimeters tykkelse, bruges venstre side af kniven for at undgå ryk i kniven. Forsøg ikke at skære træagtige vækster, der er tykkere, da kniven kan sætte sig fast, eller buskrydderen kan give et kraftigt ryk. Dette kan beskadige kniven eller buskrydderen, eller man kan miste kontrollen over buskrydderen med personskade til følge.

⚠ ADVARSEL: U hensigtsmæssig brug af buskrydderkniven kan medføre, at den revner, at der laves skår i den eller at den splintres.

Dele, der slynges ud, kan medføre alvorlig personskade på brugeren eller omkringstående. For at reducere risikoen for personskade er det vigtigt at tage følgende forholdsregler:

- Undgå kontakt med hårde eller massive genstande som grus, store sten eller metalstykker.
- Skær aldrig i træ eller buske med en diameter på mere end 2 cm.
- Undersøg kniven regelmæssigt og ofte for tegn på skader. Fortsæt ikke arbejdet med en beskadiget kniv.

- Skarp kniven regelmæssigt (når den er blevet mærkbart sløv), og få den om nødvendigt afbalanceret (udføres på kvalificeret værksted).

RYK I KNIVEN

Vær yderst forsigtig, når du bruger kniven sammen med denne enhed. Det kan give et ryk i kniven, når den roterende kniv rammer noget, den ikke kan skære igennem. Når det sker, kan det få kniven til at stoppe et øjeblik og pludselig give et hårdt ryk i enheden væk fra den genstand, der blev ramt. Dette hårde ryk kan være kraftigt nok til, at brugeren mister kontrollen over enheden. Ryk i kniven kan forekomme uden varsel, hvis kniven hager sig fast, går i stå eller binder. Det kan ske oftere på steder, hvor det er vanskeligt at se det, der bliver ryddet. For at lette rydningen og øge sikkerheden, så føres buskrydderen hen mod ukrudtet der skal ryddes, fra højre mod venstre. Hvis man rammer en uventet genstand eller en træstamme, vil denne fremgangsmåde kunne mindske risikoen for ryk.

Før hver anvendelse undersøges for skader / slidte dele

Tjek kniv, skærm og forreste hjælpehåndtag, og udskift de dele, der er revnede, skæve, bøjedede eller beskadigede på nogen måde.

Knivens æg kan blive sløv med tiden. Det anbefales at du vender kniven for at forlænge dens levetid og med jævne mellemrum skærper den (udføres af et kvalificeret værksted), eller udskift den med en ny kniv, når det er nødvendigt.

Rengør buskrydderen efter hver brug

Se afsnittet **Vedligeholdelse** for oplysninger om rengøring.

⚠ ADVARSEL: Sørg for, at kniven er standset helt før rengøring eller udførelse af service på buskrydderen. Manglende overholdelse af anvisningerne vil kunne medføre alvorlig personskade.

START/STOP AF VÆRKTØJET

Se afsnittet **"START / STOP AF MOTORDELEN"** i brugsanvisningen til motordel PH1400E/PH1420E/PHX1600.

VEDLIGEHOLDELSE

⚠ ADVARSEL: Før eftersyn, rengøring eller service på enheden standses motoren. Vent til alle bevægelige dele er standset, og fjern batteripakken. Efterkommes disse anvisninger ikke, kan det medføre alvorlig personskade eller materielle skader.

⚠ ADVARSEL: Ved service må der kun bruges originale reservedele. Brug af andre reservedele kan medføre fare eller forårsage skader på produktet. For at sikre sikkerhed og pålidelighed skal alle reparationer udføres af en kvalificeret servicetekniker.

⚠ ADVARSEL: Bær altid kraftige handsker, når du installerer eller fjerner kniven eller skærmen eller udfører vedligeholdelsesarbejde på kniven. Vær forsigtig med kniven, og beskyt dine hænder mod at blive skåret af kniven.

ALMINDELIG VEDLIGEHOLDELSE

Undgå at bruge opløsningsmidler ved rengøring af plastdele. De fleste plastmaterialer risikerer at blive ødelagt ved brug af forskellige typer af alment tilgængelige opløsningsmidler. Brug rene klude til at fjerne snavs, støv, olie, fedt osv.

RENGØRING AF APPARATET

- Fjern batteriet
- Efter hver brug skal du fjerne snavs, jord- eller græsklumper på kniven og skærmen med en blød børste.
- Tør værktøjets overflade af med en ren klud, fugtet med en mild sæbeopløsning.
- Brug en lille børste eller en lille støvsuger til at rengøre lufthullerne på det bagerste kabinet.
- Hold lufthullerne fri for forhindringer.

Når kniven bliver sløv, dvs. begge knivens æg er sløve, så lad den skærpe på et kvalificeret værksted, eller udskift med en ny kniv efter behov.

UDSKIFTNING AF KNIVEN

⚠ ADVARSEL: En slidt, revnet eller beskadiget kniv kan gå i stykker, og stykker af den beskadigede kniv kan blive farlige som projektiler. Genstande, der slynges ud, kan føre til alvorlige kvæstelser. Undersøg kniven regelmæssigt, og lad være med at bruge buskrydderen med en slidt eller beskadiget kniv.

⚠ ADVARSEL: Brug korrekt øjenbeskyttelse, når kniven tages af, skærpes og monteres.

Aftagning af kniven

1. Fjern batteriet.
2. Drej den ydre flange, så noten i den indre flange flugter med hullet til låsning af skaftet i gearhuset, og sæt den medfølgende unbrakonøgle i de flugtende huller som stabilisator som vist i afsnittet **"MONTERING AF KNIVEN"**.

DK

- Anbring buskrydderhovedet mod en fast overflade for støtte. Med den ene hånd holdes kniven, og i den anden hånd holdes den medfølgende multifunktions-skruenøgle; løsn møtrikken i pilens retning markeret på den ydre flange, og fjern møtrikken og den ydre flange samt den slidte kniv (fig. L).
- Undersøg og udskift den indre flange og flangekappen, hvis de er slidte (fig. M).

Beskrivelse af dele på fig. M, se nedenfor:

M-1	Motorskaft	M-5	Ydre flange
M-2	Indre flange	M-6	Møtrik
M-3	Flangekappe	M-7	Not i den indre flange
M-4	Kniv		

- Montér den nye kniv på motorakslen i rækkefølgen vist i fig. M. Følg beskrivelsen i trin 5, 6 og 7 i afsnittet "MONTERING AF KNIVEN".

TRANSMISSIONSGEARENES SMØRING

Transmissionsgearene i gearkassen skal smøres regelmæssigt med gearfedt. Kontrollér oliestanden i gearkassen for hver ca. 50 timers drift ved at fjerne lukkeskruen på siden af gearkassen.

Hvis der ikke er fedt på siderne af gearret, skal du følge trinnene nedenfor og fylde 3/4 op med fedt.

Fyld ikke transmissionsgearene helt op.

- Hold buskrydderen, så lukkeskruen vender opad (fig. N).
- Brug multifunktions-skruenøglen til at løsne og fjerne låseskruen.
- Brug en fedtsprøjte (medfølger ikke) til at pumpe fedt ind i skruenhullet.
- Når der er presset fedt ind, spændes lukkeskruen.

OPBEVARING AF APPARATET

- Fjern batteripakken fra værktøjet.
- Brug kraftige handsker til grundig rengøring af værktøjet.
- Sæt knivens skede på kniven for sikker opbevaring (fig. O).
- Tag buskryddertilbehøret af motordelen, og sæt om nødvendigt endedækslet på tilbehørsskaffet.
- Opbevar apparatet på et tørt og godt ventileret sted, der er låst og utilgængeligt for børn. Opbevar ikke apparatet på eller ved siden af kunstgødning, benzin eller andre kemikalier.

Beskyttelse af miljøet



Elektrisk udstyr, batterioplader og batterier må ikke smides ud sammen med almindelig husholdningsaffald! Tag dette produkt til en autoriseret genbrugsplads, og sørg for at det sendes til genbrug. Elektriske maskiner skal bortskaffes på en genbrugsplads.

FEJLFINDING

PROBLEM	ÅRSAG	LØSNING
Buskrydderen vil ikke starte.	<ul style="list-style-type: none"> ■ Batteripakken er ikke sat i motordelen. ■ Ingen elektrisk kontakt mellem motordel og batteripakke. ■ Batteripakken er afladet. ■ Låsehåndtag og startknappen er ikke blevet trykket ned samtidigt. 	<ul style="list-style-type: none"> ■ Sæt batteripakken i motordelen. ■ Tag batteriet ud, kontrollér kontakterne, og sæt batteripakken i igen, indtil den klikker på plads. ■ Oplad batteriet med de opladere fra EGO, der er anført i denne vejledning. ■ Tryk låsehåndtaget ned, og hold det, tryk derefter på startknappen for at starte buskrydderen.
Buskrydderen stopper under arbejdet.	<ul style="list-style-type: none"> ■ Motoren er overbelastet. ■ Batteripakken eller motordelen er for varm. ■ Batteripakken er taget af værktøjet. ■ Batteripakken er afladet. 	<ul style="list-style-type: none"> ■ Motoren vil begynde at køre igen, når belastningen ophører. Formidsk belastningen på motordelen, når der arbejdes igen. ■ Lad batteripakken eller motordelen køle ned, indtil temperaturen kommer under 67°C. ■ Sæt batteripakken på plads igen. ■ Oplad batteriet med de opladere fra EGO, der er anført i denne brugsanvisning.

DK

GARANTI

EGO's GARANTIPOLITIK

Besøg venligst hjemmesiden egopowerplus.eu for fuldstændige vilkår og betingelser for EGO's garantipolitik.

LÄS IGENOM ALLA INSTRUKTIONER!



LÄS IGENOM BRUKSANVISNINGEN

⚠ VARNING! Alla reparationer bör utföras av en kvalificerad servicetekniker för att upprätthålla produktens säkerhet och driftssäkerhet.

SÄKERHETSSYMBOLER

SE

Syftet med säkerhetssymboler är att fästa din uppmärksamhet på eventuella risker. Säkerhetssymbolerna och deras betydelser bör uppmärksammas noga och förstås. Själva varningssymboler kan dock inte förebygga någon fara. De instruktioner och varningar som de hänvisar till kan aldrig ersätta lämpliga olycksförebyggande åtgärder.

⚠ VARNING! Se till att läsa igenom och förstå alla säkerhetsinstruktioner i bruksanvisningen, inklusive alla varningssymboler såsom **“RISK”**, **“VARNING”** och **“VAR FÖRSIKTIG”**, innan produkten tas i bruk. Underlåtenhet att följa alla nedan angivna instruktioner kan leda till elstöt, brand och/eller svår personskada.

YMBOLERNAS BETYDELSE

⚠ SÄKERHETSRELATERAD VARNINGSSYMBOL: Betecknar **RISK**, **VARNING** eller **VAR FÖRSIKTIG**. Kan förekomma i samband med andra symboler eller piktogram.



⚠ VARNING! Arbeta med eldrivna verktyg kan medföra att främmande föremål slungas upp i ögonen vilket kan orsaka svåra ögonskador. Ta alltid på dig skyddsglasögon eller skyddsglasögon med sidoskydd och vid behov ett komplett ansiktsskydd innan du börjar arbeta med eldrivna verktyg. Vi rekommenderar att använda en Bred skyddsmask ovanpå glasögon eller vanliga skyddsglasögon med sidoskydd.

SÄKERHETSINSTRUKTIONER

På denna sida anges säkerhetssymboler som kan förekomma på produkten. Alla instruktioner som anges på enheten bör granskas, förstås och följas innan du försöker montera och använda den.

	Säkerhetsvarning	Indikerar en potentiell risk för personskador.
	Läs igenom bruksanvisningen	För att minska risken för skador måste användaren läsa bruksanvisningen.
	Använd skyddsglasögon!	Ha alltid på dig skyddsglasögon eller skyddsglasögon med sidoskydd och ett komplett ansiktsskydd under arbete med denna produkt.
	Använd hörselskydd	Använd alltid bullerskydd (öronproppar eller hörselkåpor) för att skydda din hörsel.
	Använd skyddshjälm	Använd en godkänd skyddshjälm för att skydda huvudet.
	Använd skyddshandskar	Skydda dina händer med handskar när sågen och sågkedjan hanteras. Kraftiga och halkfria handskar förbättrar ditt grepp och skyddar dina händer.
	Använd skyddsskor	Använd halkfria skyddsskor vid användning av denna utrustning.
	Klippbredd	Max. skärbredd för busktrimmern
	Var försiktig med maskinens kastbenägenhet	Varna användaren för faran med maskinens kastbenägenhet.
	Håll åskådare borta	Avståndet mellan maskinen och åskådare måste vara minst 15 meter.

	Akta dig för ivägslungade objekt	Föremål som slungas ut kan studsas och orsaka skador på person eller egendom.
	Koppla ifrån batteriet innan underhåll utförs	Koppla ifrån batteripaketet från trädtrimmern innan du utför något underhåll eller rengöringsarbeten.
	CE	Denna produkt är i enlighet med gällande EC-direktiv.
	UKCA	Denna produkt uppfyller tillämplig lagstiftning i Storbritannien.
	WEEE	Förbrukade elektriska produkter får inte kastas i hushållssoptorna. Lämnas in dem till en auktoriserad återvinningsstation.
	Brus	Garanterad ljudeffektnivå. Bulleremissioner för omgivningen enligt EU-direktivet.
V	Volt	Spänning
mm	Millimeter	Längd eller storlek
cm	Centimeter	Längd eller storlek
kg	Kilogram	Vikt
n_0	Tomgång-shastighet	Rotationshastighet utan belastning
min ⁻¹	Per minut	Varv per minut

ALLMÄNNA VARNINGAR FÖR MASKINSÄKERHET

⚠ VARNING: Läs igenom alla säkerhetsvarningar, instruktioner, illustrationer och specifikationer som medföljer denna maskin. Underlåtenhet att följa alla instruktioner som listas nedan kan resultera i elektriska stötar, brand och/eller allvarliga personskador.

SPARA ALLA VARNINGAR OCH INSTRUKTIONER FÖR FRAMTIDA REFERENS.

Termen "maskin" i varningarna syftar på din nätdrivna (sladdanslutna) maskin eller batteridrivna (sladdlösa) maskin.

ARBETSPLATSSÄKERHET

- **Håll arbetsområdet rent och ordentligt upplyst.** Belamrade eller mörka områden inbjuder till olyckor.
- **Använd inte maskiner i explosiva miljöer som t.ex.** i närvaron av brandfarliga vätskor, gaser eller damm. Maskiner skapar gnistor som kan antända damm eller ångor.

- **Håll barn och åskådare borta medan maskinen arbetar.** Störningarna kan göra att du tappar kontrollen.

ELEKTRISK SÄKERHET

- **Maskinens stickkontakt måste matcha uttaget.** Modifiera aldrig kontakten på något sätt. Använd inte någon adapterkontakt med motordrivna verktyg som är jordade. Stickkontakter som inte modifierats och passar i eluttaget minskar risken för elektriska stötar.
- **Undvik kroppskontakt med jordanslutna eller jordade ytor såsom rör, värmeelement, spisar och kylskåp.** Det finns en ökad risk för elektrisk stöt om din kropp är jordansluten eller jordad.
- **Använd inte maskinen vid regn eller under våta förhållanden.** Vatten som kommer in i maskinen kan öka risken för elektriska stötar eller funktionsfel som kan leda till personskada.
- **Vanvärda inte kabeln. Använd aldrig kabeln för att bära, släpa eller för att koppla ur maskinen.** Håll kabeln borta från värme, olja, skarpa kanter och rörliga delar. Skadade eller tilltrasslade sladdar ökar risken för elektrisk stöt.
- **Vid användning av en maskin utomhus, använd en förlängningskabel som är avsedd för utomhusbruk.** Användning av en sladd som passar för utomhusanvändning minskar risken för elektrisk stöt.
- **Om arbete med ett elverktyg i en fuktig lokal är oundvikligt, använd ett uttag som är skyddat med jordfelsbrytare.** Användning av en jordfelsbrytare minskar risken för elektriska stötar.

SE

PERSONLIG SÄKERHET

- **Var uppmärksam och observant samt använd sunt förnuft när du använder en maskin. Använd inte en maskin om du är trött eller under påverkan av droger, alkohol eller medicin.** Ett ögonblicks uppmärksamhet vid användning av maskiner kan leda till allvarliga personskador
- **Använd personlig skyddsutrustning. Använd alltid skyddsglasögon.** Minska risken för personskador genom att använda skyddsutrustning som t.ex. ansiktsmask, halkfria skyddsskor, hjälm och hörselskydd.
- **Förebygg oavsiktlig start. Se till att strömbrytaren är i frånläge innan du ansluter till strömkällan och/eller batteripaketet, plockar upp eller bär verktyget.** Att bära maskiner med fingret på strömbrytaren eller strömsatta maskiner som har strömbrytaren påslagen inbjuder till olyckor.
- **Ta bort inställningsnycklar eller skiftnycklar innan maskinen slås på.** En skiftnyckel eller en nyckel

som sitter kvar på en roterande del av maskinen kan resultera i personskada.

- **Sträck dig inte för långt.** Ha ordentligt fotfäste och balans hela tiden. Detta möjliggör bättre kontroll av maskinen i oväntade situationer.
- **Klä dig på lämpligt sätt. Bär inte löst sittande kläder eller smycken.** Håll hår och klädsel på avstånd från de rörliga delarna. Löst sittande kläder, smycken och långt hår kan fastna i rörliga delar.
- **Om enheter har anslutning för dammuppsamlare och anslutningsmöjligheter, se till att de är anslutna och används på korrekt sätt.** Användning av dammuppsamlare kan minska dammrelaterade faror.
- **Låt inte vana efter regelbunden användning av apparaten göra att du blir självsäker och ignorerar verktygets säkerhetsprinciper.** En vårdslös handling kan orsaka allvarliga personsador inom bråkdelen av en sekund.

SE

MASKINANVÄNDNING OCH SKÖTSEL

- **Tvinga inte maskinen. Använd rätt maskin för ditt arbete.** En korrekt maskin utför jobbet bättre och säkrare med den hastighet som den designats för.
- **Använd inte maskinen om strömbrytaren inte kan slås på eller stängas av.** Alla maskiner som inte kan kontrolleras med strömbrytaren är farliga och måste repareras.
- **Koppla ur kontakten från strömkällan och/eller ta bort batteripaketet, om det är löstagbart, från maskinen innan du utför justeringar, byter tillbehör eller förvarar maskiner.** Dessa förebyggande säkerhetsåtgärder minskar risken för att elverktyget startas oavsiktligt.
- **Förvara maskiner som går på tomgång utom räckhåll för barn och låt inte personer som är ovana med apparaten eller dessa instruktioner använda maskinen.** Maskiner är farliga i händerna på utbildade användare.
- **Underhålla maskiner och tillbehör. Kontrollera efter felinställning eller kärvande rörliga delar, brott på delar och alla andra tillstånd som kan påverka funktionen hos maskinen.** Om maskinen är skadad ska den repareras före användning. Många olyckor beror på dåligt underhållna maskiner.
- **Håll kapmaskiner vassa och rena.** Ordentligt underhållna kapmaskiner med vassa sågkanter är mindre sannolika att fastna och är lättare att kontrollera.
- **Använd maskinen, tillbehör, verktygsbits osv. i enlighet med dessa instruktioner och ta hänsyn till arbetsförhållanden och det arbete som ska utföras.**

Om maskinen används för andra arbeten än det är avsett för kan det resultera i farliga situationer.

- **Håll handtagen och greppytorna torra, rena och fria från olja och fett.** Hala handtag och greppytorna förhindrar säker hantering och kontroll av maskinen vid oväntade situationer.

ANVÄNDNING OCH SKÖTSEL AV BATTERIDRIVEN MASKIN

- **Ladda endast med den laddare som rekommenderas av tillverkaren.** En laddare som är lämplig för en typ av batteripaket kan skapa en risk för brand när den används med ett annat batteripaket.
- **Använd endast maskiner med specifikt designade batteripaket.** Användning av andra batteripaket kan medföra risk för personsador och eld.
- **När batteripaketet inte används, håll det borta från metallobjekt som t.ex. pappersgem, mynt, nycklar, spikar, skruvar och andra små metallobjekt som kan bilda en anslutning från en batterikontakt till den andra.** Kortslutning av batteriets terminaler kan orsaka brännskador eller en brand.
- **Under olämpliga förhållanden kan vätska spruta ut från batteriet. Undvik kontakt.** Vid oavsiktlig kontakt, spola med vatten. Om vätskan kommer i kontakt med ögonen, sök också läkarhjälp. Vätska som sprutar ur batteriet kan orsaka sveda och brännskador.
- **Använd inte ett batteripaket eller maskin som skadats eller modifierats.** Skadade eller modifierade batterier kan leda till oförutsägbart uppträdande som leder till brand, explosion eller risk för personsador.
- **Utsätt inte batteripaketet eller maskinen för eld eller extrema temperaturer.** Exponering av eld eller temperaturer över 130 °C kan orsaka explosion.
- **Följ alla laddningsinstruktioner och ladda inte batteripaketet eller maskinen utanför det temperaturområde som anges i instruktionerna.** Felaktig laddning eller vid temperaturer utanför angivet temperaturområde kan skada batteriet och ökar risken för brand.

⚠ WARNING: Läs igenom alla säkerhetsvarningar, instruktioner, illustrationer och specifikationer som medföljer detta motordrivna verktyg. Underlåtenhet att följa alla instruktioner som listas nedan kan resultera i elektriska stötar, brand och/eller allvarliga personsador. Spara alla varningar och instruktioner för framtida bruk.
Spara alla varningar och instruktioner för framtida bruk.

UTBILDNING

- Läs igenom instruktionerna noga. Bekanta dig med kontrollerna och korrekt användning av maskinen.
- Låt aldrig personer som är obekanta med dessa instruktioner eller barn använda apparaten. Lokala föreskrifter kan begränsa åldern för användare.
- Kom ihåg att operatören eller användaren är ansvarig för olyckor och faror som drabbar andra personer eller deras egendom.

FÖRBEREDELSE

- Använd aldrig maskinen när personer, i synnerhet barn, eller husdjur är i närheten.
- Använd alltid ögonskydd och kraftiga skor vid användning av maskinen.
- Avståndet mellan maskinen och åskådare måste vara minst 15 meter.
- Använd aldrig maskinen om du är trött, sjuk eller under påverkan av alkohol eller andra droger.

DRIFT

- Använd endast maskinen i dagsljus eller i bra artificiellt ljus.
- Använd aldrig maskinen med skadade skydd eller sköldar, eller utan skydd och sköldar på plats.
- Slå endast på motorn när händer och fötter inte är i närheten av skärenheten.
- Koppla alltid ur maskinen från strömförsörjningen (t.ex. ta bort batteripaket).
 - När maskinen lämnas obevakad.
 - Före en blockering åtgärdas.
 - Före kontroll, rengöring eller arbete utförs på apparaten.
 - Efter att ett främmande objekt träffats.
 - När maskinen börjar vibrera på ett onormalt sätt.
- Var försiktig med fötterna och händerna i närheten av skärenheten.
- Se alltid till att ventilationsöppningarna är fria från skärp.

UNDERHÅLL OCH FÖRVARING

- Koppla ur maskinen från strömförsörjningen (t.ex. ta bort batteripaket) innan underhåll eller rengöring utförs.
- Använd endast utbytesdelar och tillbehör som rekommenderas av tillverkaren.
- Inspektera och underhåll maskinen regelbundet. Överlåt reparation av maskinen till en auktoriserad reparatör.
- Förvara maskinen utom räckhåll för barn när den inte används.

ÖVRIGA SÄKERHETSVARNINGAR

- **Undvik farliga miljöer** – Använd inte apparater i fuktiga eller våta sluttningar.
- **Håll skydden på plats och funktionsdugliga.**
- **Håll händer och fötter borta från röjningsområdet.**
- **För att minska risken för personskador ska du aldrig arbeta från en stege eller annat ostadigt stöd. Håll aldrig skärenheten ovanför midjehöjd.**
- **Kontrollera skärenheten med regelbundna, korta intervall eller omgående om skäregenskaperna förändras märkbart.**
- **För bästa resultat, ladda batteriet på en plats där temperaturen är högre än 5 °C och mindre än 40 °C.** Förvara det inte utomhus eller i ett fordon.
- **Om någon närmar sig, stoppa motorn och skärenheten.**
- **Varna operatören för faran med klingans slungkraft (enbart vid användning av 3-tandad klinga).**
 - Klingans slungkraft kan uppträda när den roterande klingan kommer i kontakt med ett föremål, som den inte skär omedelbart.
 - Klingans slungkraft kan vara tillräckligt våldsam för att enheten och/eller operatören kastas iväg åt något håll och ev förlorar kontrollen över enheten.
 - Klingans slungkraft kan frigöras utan varning om klingan fastnar, överstegras eller kärvar.
 - Det är mer sannolikt att klingans slungkraft utlöses i områden, där det är svårt att se det material som beskårs.
- **Montera inte någon klinga på en enhet utan att alla erforderliga delar installeras. Underlåtenhet att använda rätta delar kan försäkra att klinga lossnar och allvarligt skadar operatören och/eller åskådare. Kassera klingor som är böjda, skeva, spruckna, trasiga eller skadade på något sätt. Använd en vass klinga. Det är mer sannolikt att en slö klinga fastnar och kastar (enbart vid användning av 3-tandad klinga).**
- **Aktiverad klinga/tråd kan orsaka personskada så länge som den fortsätter att rotera sedan motorn stoppats eller avtryckaren släppts upp. Bibehåll ordentlig kontroll ända tills klingan/tråden helt slutat rotera.**
- **Batteridrivna verktyg behöver inte vara anslutna till ett eluttag och är därför alltid redo för användning.** Var medveten om eventuella faror även när verktyget inte är igång. Var försiktig när du utför underhåll eller service.
- **Tvätta inte av den med en slang; låt inte vatten tränga in i motorn och de elektriska anslutningarna.**

SE

- Om en situation som inte beskrivs i bruksanvisningen uppstår, använd försiktighet och gott omdöme. Kontakta EGO kundtjänstcenter för hjälp.
- Använd endast med de batteripack och laddare som listas i bild A.

SPARA DESSA INSTRUKTIONER!

SPECIFIKATIONER

Klippbredd	30 cm
Obelastad hastighet	5000/6000 min ⁻¹
Vikt (utan batteripack)	1,82 kg
Rekommenderad drifttemperatur	0°C-40°C
Rekommenderad förvaringstemperatur	-20°C-70°C
Uppmätt ljudeffektnivå L _{WA}	96,5 dB(A) K=1,88 dB(A) (PH1400E)
	93,2 dB(A) K=0,35 dB(A) (PH1420E)
	91 dB(A) K=1,1 dB(A) (PHX1600)
Ljudtrycksnivå vid operatörens öra L _{PA}	84,5 dB(A) K=3 dB(A) (PH1400E)
	83,9 dB(A) K=3 dB(A) (PH1420E)
	83 dB(A) K=3 dB(A) (PHX1600)
Garanterad ljudeffektnivå L _{WA} (uppmätt i enlighet med 2000/14/EC)	98 dB(A)

SE

Vibration a _h	Främre handtag	2,8 m/s ² K=1,6 m/s ² (PH1400E)
		4,14 m/s ² K=1,5 m/s ² (PH1420E)
		6,64 m/s ² K=1,5 m/s ² (PHX1600)
	Bakre handtag	3,1 m/s ² K=1,6 m/s ² (PH1400E)
		1,88 m/s ² K=1,5 m/s ² (PH1420E)
		2,61 m/s ² K=1,5 m/s ² (PHX1600)

- Ovanstående parametrar har testats och utmätts med motorenhet PH1400E/PH1420E/PHX1600.
- Det angivna totalvärdet för vibration är uppmätt enligt standardprovningmetoden och kan användas för att jämföra olika verktyg;
- Det angivna totalvärdet för vibration kan även användas vid preliminär utvärdering av exponering.

OBS! Den verkliga vibrationen under arbete med det eldrivna verktyget kan avvika från det angivna värdet. Användaren bör ha på sig lämpliga handskar och hörselskydd för de aktuella arbetsförhållandena för att skydda sig.

Rekommenderat skärblad

ARTIKELNAMN	MODELLNUMMER
Skärblad för buskskärare	ABB1203

LEVERANSLISTA

ARTIKELNAMN	ANTAL
Tillsats för busktrimmer	1
Sats med skärblad och slida	1
Skydd	1
Skyddstillbehör (ENDAST för användning med trimmerhuvud)	1
Sexkantnyckel	1
Multifunktionell skiftnyckel	1
Bruksanvisning	1

BESKRIVNING

LÄR KÄNNA DIN TILLSATS FÖR BUSKTRIMMER (bild A)

1. Ändlock
2. Axel för busktrimmer
3. Skydd
4. Skärblad
5. Slida för skärblad
6. Vajerklammer
7. Tätningsskruv
8. Växelhus
9. Låsningshål för axel
10. Yttre fläns
11. Multifunktionell skiftnyckel
12. Insexnyckel
13. Skyddstillbehör (ENDAST för användning med trimmerhuvud)

⚠ VARNING! Använd aldrig verktyget utan att skyddet är korrekt på plats. Skyddet måste alltid vara monterat på verktyget för att skydda användaren.

⚠ VARNING! När verktyget används som en kantrimmer, monterad med ett trimmerhuvud, bör skyddstillbehöret vara monterat på skyddet. Underlåtenhet att följa detta kan resultera i en för lång skärtråd och att motorn överbelastas.

MONTERING

⚠ VARNING! För att förhindra oavsiktlig start som kan orsaka allvariga personskador skall alltid batteripaketet tas bort från verktyget innan delar monteras.

⚠ VARNING! När verktyget är utrustat med röjsågens huvud måste skyddsstängens monteras.

MONTERA SKYDDET

⚠ VARNING! Använd alltid handskar vid montering eller utbyte av skyddet. Var försiktig med röjsågsbladet på skyddet och skydda din hand.

⚠ VARNING! Använd aldrig maskinen utan att skyddet är korrekt på plats. Skyddet måste alltid vara monterat på verktyget för att skydda användaren! När skyddet är fastsatt, försök aldrig att ta bort eller justera det, om utbyte krävs måste det utföras av en kvalificerad servicetekniker!

Lossa och ta bort de två skruvarna från axelns bas (bild C), rikta in skyddets fästhål mot monteringshålen och lås sedan fast skyddet till axelns bas med de två skruvarna och fjäderbrickorna (bild D).

Säkerställ att skyddet är korrekt fastsatt enligt bild C och D. En omvänd fastsättning är mycket farligt!

MONTERA SKÄRBLADET

1. Skärbladet levereras med en slida. Innan du monterar skärbladet på busktrimmern bör slidan tas bort genom att ta bort vajerklammern från slidans ögla (bild E).

Bild E. Se nedan för beskrivning av delar:

E-1	Ögla
E-2	Vajerklammer

SE

2. Roter den yttre flänsen för att rikta in skåran i den inre flänsen med låsningshålet för axeln på växelhuset (bild F).
3. För in insexnyckeln (medföljer) i de inriktade hålen för att fungera som en stabilisator (bild G).

Bild F och G. Se nedan för beskrivning av delar:

F-1	Växelhus	F-3	Yttre fläns
F-2	Inriktade låsningshål för axeln	G-1	Stabilisator

4. Positionera busktrimmerns huvud mot en fast yta för support. Ta tag i busktrimmerns axel med ena handen och den multifunktionella skiftnyckeln (medföljer) med den andra handen, för att lossa på muttern i pilens riktning som hittas på den yttre flänsen och ta sedan bort muttern och den yttre flänsen. Spara dem för återmontering (bild H).
5. Montera skärbladet på motoraxeln, säkerställ att skärbladets yta är i jämnhöjd med ytan på den inre flänsens utbuktning. Montera den yttre flänsen och muttern (bild I). Dra åt muttern MOTURS för hand.

Bild I Se nedan för beskrivning av delar:

I-1	Utbuktning på inre fläns	I-4	Yttre fläns
I-2	Motoraxel	I-5	Skärblad
I-3	Mutter		

6. Vrid den yttre flänsen för att rikta in hålet i den inre flänsen med låshålet på axeln i växelhuset, för sedan in insexnyckeln (medföljer) i de inriktade hålen för att fungera som en stabilisator som tidigare visats i steg 2 och 3.

- Positionera busktrimmerns huvud mot en fast yta för support. Ta tag i skärbladet med ena handen och den multifunktionella skiftnyckeln (medföljer) med den andra handen, för att dra åtmuttern i pilens motsatta riktning som markeras på den yttre flänsen (bild J).

Använda skyddstillbehöret

OBS! När verktyget används som en kantrimmer, monterad med ett trimmerhuvud, måste skyddstillbehöret vara monterat på skyddet (bild K).

Säkerställ skyddstillbehöret till skyddet genom att dra åt de tre skruvarna med medföljande insexnyckel. Underlåtenhet att följa detta kan resultera i en för lång skärtråd och att motorn överbelastas.

SE

ANSLUTA TILLSATSEN FÖR BUSKTRIMMERN TILL MOTORENHETEN

Denna tillsats för busktrimmer är utvecklad för användning med EGO-motorenhet PH1400E/PH1420E/PHX1600.

Se avsnittet "MONTERA ETT TILLBEHÖR TILL MOTORENHETEN" i bruksanvisningen för motorenhet PH1400E/PH1420E/PHX1600.

ANVÄNDNING

⚠ VARNING! Var aldrig vårdslös, även om du är väl förtrogen med verktyget. Glöm inte att en bråkdel av en sekund av ouppmärksamhet är tillräcklig för att orsaka svåra personskador

⚠ VARNING! Ha alltid på dig skyddsglasögon med sidoskydd och även hörselskydd. Underlåtenhet att följa denna regel kan leda till ögonskador pga utslungade föremål och andra svåra personskador.

TILLÄMPNINGAR

Du kan använda denna produkt för de tillämpningar som listas nedan:

- Skära gräs, ogräs, vilda tillväxter och buskar, gallring ungskog med en maximal stamdiameter på 2 cm.

OBS! Verktyget får endast användas för sitt avsedda ändamål. All annan användning bedöms som felaktig användning.

ANVÄNDA TILLSATSEN FÖR BUSKTRIMMER MED MOTORENHETEN

⚠ VARNING! Använd korrekta kläder för att minska risken för personskador vid användning av detta verktyg. Använd inte löst sittande kläder eller smycken. Använd ögon- och öron-/hörselskydd. Använd rejäla långbyxor, kängor och handskar. Använd inte kortbyxor, sandaler eller gå barfota.

För en säkrare och bättre användning, använd axelremmen över din axel. Justera axelremmen för ett bekvämt arbetsläge. Håll busktrimmern med ena handen på det bakre handtaget och den andra handen på det främre handtaget. Håll verktyget stadigt med båda händerna vid användning. busktrimmern bör hållas i ett bekvämt läge med det bakre handtaget kring höfthöjd. Se till att du har ett bra grepp och god balans med båda fötterna. Positionera dig så att du inte tappar balansen av rekylen från skärbladet (bild B).

⚠ VARNING! Axelremmen är även en snabb frigöringsmekanisk vid farliga situationer. När ett nödläge inträffar, ta omedelbart av den från axeln oavsett vilket läge som remmen är i.

För att skära vilda tillväxter och buskar, sänk ner det roterande skärbladet till tillväxten för att uppnå en hackande effekt. Använd busktrimmern som en lie (svep till höger och vänster) i marknivå. Använd inte skärenheten ovanför midjehöjd.

⚠ VARNING! Ju högre upp skärenheten hålls från marken, desto större risk för personskador på grund av utslungade objekt från sidan.

⚠ VARNING! Vid skärning av ungskog eller annat träbaserat material med upp till 2 cm diameter, använd skärbladets vänstra sida för att förhindra maskinens kastbenägenhet. Försök inte att skära trämaterial med en större diameter, eftersom skärbladet kan fastna eller rycka busktrimmern framåt. Detta kan orsaka skada på skärbladet eller busktrimmern eller innebära att du tappar kontrollen av busktrimmern, vilket kan leda till personskador.

⚠ VARNING! Felaktig användning av busktrimmern kan få den att knäckas, bli kantstött eller spricka.

Utslungade delar kan skada användaren eller åskådare allvarligt. För att minska risken för personskador är det mycket viktigt att utföra följande försiktighetsåtgärder:

- Undvik kontakt med hårda eller fasta främmande föremål som t.ex. stenar, klippor och metalldelar.
- Skär aldrig trä eller buskar med en diameter som överstiger 2 cm.

- Inspektera skärbladet efter skador med korta regelbundna intervaller. Fortsätt inte arbeta med ett skadat skärblad.
- Vässa skärbladet regelbundet (när det är uppenbart slött) och balansera det om nödvändigt (överlåt till en behörig servicetekniker).

MASKINENS KASTBENÄGENHET

Var extremt försiktig när du använder skärbladet med denna enhet. Maskinens kastbenägenhet är reaktionen som kan inträffa när det snurrande skärbladet får kontakt med något som inte kan skäras. Denna kontakt kan få skärbladet att tillfälligt stoppas och plötsligt "kasta" enheten från objektet som träffades. Detta kast kan vara kraftigt nog för att användaren tappar kontrollen över enheten. Maskinens kastbenägenhet kan inträffa utan förvarning om bladet fastnar, stannar eller binds fast. Det är större risk för att detta inträffar i områden där det är svårt att se materialet som beskärs. För enkel och säker beskärning, svep busktrimmern från höger till vänster över ogräset som ska klippas. Vid händelse av att ett oväntat objekt eller en trästock träffas kan detta förfarande minimera skärbladets kastbenägenhet.

Kontrollera efter skadade/slitna delar före varje användning.

Kontrollera skärbladet, skyddet och det främre handtaget och byt ut delar som är spruckna, skeva, böjda eller skadade på något sätt.

Skärbladets egg kan bli slött efter ett tag. Det rekommenderas att du vänder på skärbladet för att utöka dess livslängd och periodvis vässa det (överlåt till en behörig servicetekniker) eller byta ut det mot ett nytt skärblad vid behov.

Rengör busktrimmern efter varje användning

Se avsnittet **UNDERHÅLL** för rengöringsinstruktioner.

⚠ VARNING! Säkerställ att skärbladet har stannat helt före rengöring eller service utförs på busktrimmer. Underlåtenhet att följa detta kan resultera i allvarliga personskador.

STARTA/STOPPA VERKTYGET

Se avsnittet **"STARTA/STOPPA MOTORENHETEN"** i bruksanvisningen för motorenhet PH1400E/PH1420E/PHX1600.

UNDERHÅLL

⚠ VARNING! Före inspektion, rengöring eller service av enheten, stoppa motorn, vänta tills alla rörliga delar har stoppats och ta sedan ut batteripacket. Underlåtenhet att följa dessa instruktioner kan resultera i allvarliga personskador eller skada på egendom.

⚠ VARNING! Vid service, används endast identiska utbytesdelar. Om andra delar används kan det skapa en fara eller orsaka produktskador. För att garantera en säker och pålitlig användning måste alla reparationer utföras av en kvalificerad servicetekniker.

⚠ VARNING! Använd alltid kraftiga handskar vid montering eller borttagning av skärbladet eller vid underhåll av skärbladet. Var försiktig med skärbladet och skydda dina händer från att skadas av skärbladet.

ALLMÄNT UNDERHÅLL

Använd inte lösningsmedel när du rengör plastdelarna. De flesta plaster är känsliga för skador från olika typer av kommersiella lösningsmedel och kan skadas av dess användning. Använd rena trasor för att ta bort smuts, damm, olja, fett osv.

RENGÖRING AV MASKINEN

- Ta ut batteriet
- Efter varje användning, ta bort skräp, stockad jord eller gräs från skärbladet och skyddet med en mjuk borste.
- Torka av verktygets yta med en ren trasa fuktad med en mild tvållösning.
- Använd en liten borste eller en liten dammsugare för att rengöra luftventilerna på det bakre höljet.
- Se till att luftventilerna inte blockeras.

När skärbladet blir slött är bägge eggarna slöa. Vässa det hos en behörig servicetekniker eller byt ut mot ett nytt skärblad om nödvändigt.

BYTA UT SKÄRBLADET

⚠ VARNING! Ett slitet, sprucket eller skadat skärblad kan gå sönder och delar av det skadade skärbladet kan bli farliga projektiler. Slungade objekt iväg kan orsaka allvarliga personskador. Inspektera skärbladet regelbundet och använd inte busktrimmern med ett slitet eller skadat skärblad.

⚠ VARNING! Använd lämpligt ögonskydd vid borttagning, vässning och montering av skärbladet.

För att ta bort skärbladet

1. Ta ut batteriet.
2. Vrid den yttre flänsen för att rikta in hålet i den inre flänsen med låshålet på axeln i växelhuset, för sedan in insexnyckeln (medföljer) i de inriktade hålen för att fungera som en stabilisator. Se steg 2 och 3 i avsnittet **"MONTERA SKÄRBLADET"**.

SE

- Positionera busktrimmerns huvud mot en fast yta för support. Ta tag i skärbladet med ena handen och den multifunktionella skiftnyckeln (medföljer) med den andra handen, för att lossa på muttern i pilens riktning som hittas på den yttre flänsen och ta sedan bort muttern, den yttre flänsen och det slitna skärbladet (bild L).
- Kontrollera och byt ut den inre flänsen och flänsskyddet om de är slitna (bild M).

Bild M. Se nedan för beskrivning av delar:

M-1 Motoraxel	M-5 Yttre fläns
M-2 Inre fläns	M-6 Mutter
M-3 Flänsskydd	M-7 Skåra i flänsen
M-4 Skärblad	

SE

- Montera det nya skärbladet på motoraxeln i sekvensen som visas i bild M. Följ stegen som instrueras i steg 5, 6 och 7 i avsnittet "**MONTERA SKÄRBLADET**".

SMÖRJNING AV VÄXELLÅDAN

Växellådan i växelhuset måste smörjas regelbundet med växellådsolja. Kontrollera växellådans fettnivå efter varje 50 timmars användning genom att ta bort tätningsskruven på sidan av växelhuset.

Om inget fett kan ses på sidorna av växellådan, följ stegen nedan för att fylla på med växellådsolja upp till 3/4 kapacitet.

Fyll inte upp den fullt.

- Håll busktrimmern så att tätningsskruven är riktad uppåt (bild N).
- Använd den multifunktionella skiftnyckeln (medföljer) för att lossa och ta bort tätningsskruven.
- Använd en fettspruta (medföljer ej) för att applicera lite fett i skruvhålet.
- Dra åt tätningsskruven efter appliceringen.

FÖRVARA ENHETEN

- Ta bort batteriet från verktyget.
- Använd kraftiga handskar vid ordentlig rengöring av verktyget.
- Montera skärbladets slida på skärbladet för säker hantering (bild O).
- Ta bort tillsatsen för busktrimmern från motorenheten och montera ändlocket på tillbehörets axel vid behov.
- Förvara enheten på en torr, välventilerad plats, inlåst eller högt upp, utom räckhåll för barn. Förvara inte enheten på eller i anslutning till gödningsmedel, bensin eller andra kemikalier.

Miljöskydd



Kasta inte elektrisk utrustning, använt batteri och laddare i hushållssoporna! Ta denna produkt till en auktoriserad återvinnare och gör den tillgänglig för separat insamling. Elektriska verktyg måste returneras till en miljöanpassad återvinningsanläggning.

FELSÖKNING

PROBLEM	ORSAK	ÅTGÄRD
Busktrimmern startar inte.	<ul style="list-style-type: none">■ Batteripacket är inte monterat på motorenheten.■ Det saknas elektrisk kontakt mellan motorenheten och batteripacket.■ Batteripacket är urladdat.■ Säkringen och avtryckaren är inte nedtryckta samtidigt.	<ul style="list-style-type: none">■ Montera batteripacket på motorenheten.■ Ta bort batteriet, kontrollera kontaktarna och sätt tillbaka batteripacket tills det klickar på plats.■ Ladda batteripacket med EGO-laddarna som listas i denna bruksanvisning.■ Tryck in startspärren och håll den nertryckt, tryck sedan in gasreglaget för att slå på busktrimmern.
Busktrimmern stoppas vid beskärning.	<ul style="list-style-type: none">■ Motorn är överbelastad.■ Batteripacket eller motorenheten är överhettad.■ Batteripacket är inte anslutet till verktyget■ Batteripacket är urladdat.	<ul style="list-style-type: none">■ Motorn hämtar igen sig när belastningen har tagits bort. För kontinuerlig användning, minska motorenhetens belastning.■ Låt batteripacket eller motorenheten svalna tills temperaturen sjunker under 67°C.■ Anslut batteripacket igen.■ Ladda batteripacket med EGO-laddarna som listas i denna bruksanvisning.

SE

GARANTI

GARANTIVILLKOREN AV EGO

Var god besök webbplatsen egopowerplus.eu för att se de fullständiga garantivillkoren av EGO.

LAS IGENOM OCH FÖRSTA BRUKSANVISNINGEN!



LUE KÄYTTÄJÄN KÄSIKIRJA

⚠️ WARNING! Alla reparationer bör utföras av en kvalificerad servicetekniker för att upprätthålla produktens säkerhet och driftssäkerhet.

SÄKERHETSSYMBOLER

FI

Syftet med säkerhetssymboler är att fästa din uppmärksamhet på eventuella risker. Säkerhetssymbolerna och deras betydelser bör uppmärksammas noga och förstås. Själva varningssymboler kan dock inte förebygga någon fara. De instruktioner och varningar som de hänvisar till kan aldrig ersätta lämpliga olycksförebyggande åtgärder.

⚠️ WARNING! Se till att läsa igenom och förstå alla säkerhetsinstruktioner i bruksanvisningen, inklusive alla varningssymboler såsom **“RISK”**, **“WARNING”** och **“VAR FÖRSIKTIG”**, innan produkten tas i bruk. Underlåtenhet att följa alla nedan angivna instruktioner kan leda till elstöt, brand och/eller svår personskada

YMBOLERNAS BETYDELSE

⚠️ SÄKERHETSRELATERAD VARNINGSSYMBOL: Betecknar **RISK**, **WARNING** eller **VAR FÖRSIKTIG**. Kan förekomma i samband med andra symboler eller piktogram.



⚠️ WARNING! Vierasesineitä voi sähkötyökalujen käytön seurauksena lentää silmiin, ja ne voivat aiheuttaa vakavan silmävamman. Käytä aina suojalaseja tai turvalaseja sivusuojilla ja tarvittaessa kokokasvosuojusta ennen sähkötyökalun käytön aloittamista. Suosittelemme laajan näkökentän kasvosuojusta silmälasien päälle tai vakioturvalaseja sivusuojilla.

SÄKERHETSINSTRUKTIONER

På denna sida anges säkerhetssymboler som kan förekomma på produkten. Alla instruktioner som anges på enheten bör granskas, förstås och följas innan du försöker montera och använda den.

	Säkerhetsvarning	Osoittaa mahdollista henkilövahinkojen vaaraa.
	Lue Käyttäjän Käsikirja	Käyttäjän on luettava käyttöopas loukkaantumisvaaran vähentämiseksi.
	Använd skydds-glasögon!	Käytä aina suojalaseja tai turvalaseja sivusuojilla ja kokokasvosuojusta, kun käytät tätä tuotetta.
	Använd hörselskydd	Käytä aina äänenesteitä (korvatulpat tai kuulonsuojaimet) suojaamassa kuuloasi.
	Käytä suojakypärää	Käytä hyväksyttyä suojakypärää suojataksesi pääsi.
	Käytä suojakäsineitä	Suojaa kätesi hansikkain, kun käsittelet sahaa ja teräketjuja. Kestävät, liukumattomat hansikkaat parantavat otetta ja suojaavat käsiäsi.
	Käytä turvajalkineita	Käytä luistamattomia turvajalkineita varusteen käytön aikana.
	Klippbredd	Raivaussahan maksimi leikkuleveys
	Varo terän työntövoimaa	Varoita käyttäjää terän takaiskun vaarallisuudesta.
	Pidä sivulliset loitolla	Koneen ja sivullisten välillä tulisi olla vähintään 15 metrin etäisyys.
	Varo sinkoutuvia kohteita	Sinkoutuvat esineet voivat kimmota ja aiheuttaa henkilö- tai omaisuusvahingon.

	Irrota akku ennen huoltotoi-menpiteitä	Irrota akku siimaleikkurista ennen huolto- tai puhdistustöiden suorittamista.
	CE	Tämä tuote vastaa sovellettavia EU-direktiivejä.
	UKCA	Tämä tuote on Yhdistyneen kuningaskunnan lainsäädännön mukainen.
	WEEE	Vanhoja sähkölaitteita ei saa hävittää kotitalous-jätteen mukana. Vie laita valtuutettuun kierrätysla-itokseen.
	Melu	Taattu äänen tehotaso. Melupäästöt ympäristöön Euroopan yhteisön direktiivin mukaiset.
V	Volt	Jännite
mm	Millimetri	Pituus tai koko
cm	Senttimetri	Pituus tai koko
kg	Kilogramma	Paino
n ₀	Tyhjäkäyn-ti-nopeus	Pyörimisnopeus ilman kuormaa
min ⁻¹	per minuutti	Kierrosta minuutissa

YLIEISET KONETURVALLISUUSVAROITUKSET

VAROITUS: Lue kaikki tämän koneen mukana tulleet turvallisuusvaroitukset, ohjeet, piirustukset ja tekniset tiedot. Jos kaikkia alla olevia ohjeita ei noudateta, seurauksena saattaa olla sähköisku, tulipalo ja/tai vakava loukkaantuminen.

SÄILYTÄ KAIKKI VAROITUKSET JA OHJEET MYÖHEMPÄÄ KÄYTTÖÄ VARTEN.

Varoituksissa termillä "kone" tarkoitetaan verkkovirtakäyttöistä (johdollista) tai akkukäyttöistä (johdotonta) konetta.

TYÖALUEEN TURVALLISUUS

- Pidä työskentelyalue siistinä ja hyvin valaistuna. Sotkuiset tai hämärät alueet aiheuttavat onnettomuuksia.
- Älä käytä koneita räjähdysherkässä ympäristössä, kuten esimerkiksi syttyvien nesteiden, kaasujen tai pölyjen lähellä. Koneet saattavat aiheuttaa kipinöitä, jotka voivat sytyttää pölyn tai höyryt.

- Älä päästä lapsia tai sivullisia lähelle, kun käytät konetta. Häiriötekijät voivat aiheuttaa hallinnan menettämisen.

SÄHKÖTURVALLISUUS

- Koneen pistokkeiden on vastattava pistorasiaa. Älä ikinä muokkaa pistotulppaa millään tavalla. Älä käytä minkäänlaisia sovitinpistokkeita maadoitettujen koneiden kanssa. Muokkaamattomat pistokkeet ja niihin sopivat pistorasiat vähentävät sähköiskun vaaraa.
- Vältä koskemasta vartalollasi maadoitettuihin pintoihin, kuten putkiin, lämmityspattereihin, liesiin ja jääkaappeihin. Sähköiskun riski kasvaa, jos kehosi on maadoitettu.
- Älä käytä konetta sateessa tai märissä olosuhteissa. Koneeseen pääsevä vesi voi lisätä sähköiskun tai toimintahäiriöiden riskiä, joka voi johtaa henkilövahinkoihin.
- Älä väärinkäytä johtoa. Älä ikinä käytä johtoa koneen kantamiseen, vetämiseen tai pistokkeen irrottamiseen. Pidä johto poissa tullen, öljyn, terävien reunojen tai liikkuvien osien läheltä. Vahingoittuneet tai sotkeutuneet johdot lisäävät sähköiskun vaaraa.
- Kun käytät konetta ulkona, käytä ulkokäyttöön tarkoitettua jatkojohtoa. Ulkokäyttöön tarkoitettun jatkojohtoon käyttö vähentää sähköiskun riskiä.
- Jos et voi välttää sähkötyökoneen käyttöä kosteissa olosuhteissa, käytä vikavirtasuojajakytkimellä (vvs) varustettua pistorasiaa. Vikavirtasuojajakytkimen käyttö vähentää sähköiskuriskiä.

FI

HENKILÖKOHTAINEN TURVALLISUUS

- Ole valpas, tarkkaavainen ja käytä maalaisjärkeä, kun käytät konetta. Älä käytä konetta, kun olet väsynyt tai kun olet huumeiden, alkoholin tai lääkityksen vaikutuksen alaisena. Hetkellinenkin huomion herpaantuminen koneita käytettäessä saattaa aiheuttaa vakavan henkilövahingon.
- Käytä henkilönsuojaimia. Käytä aina silmäsuojaimia. Suojavarusteiden, kuten hengityssuojaimen, luistamattomien turvakengien, suojakypärän tai kuulosuojaimien, käyttö tarvittaessa vähentää loukkaantumisvaaraa.
- Estä vahingossa käynnistyminen. Varmista, että kytkin on off-asennossa, ennen kuin liität virtalähteen ja/tai akun, nostaat koneen tai kannat sitä. Koneiden kantaminen sormi virtakytkimellä tai virta kytkettyä olevan koneen liittäminen pistorasiaan muodostaa onnettomuusvaaran.

- **Poista kaikki säätöön käytetyt avaimet tai kiintoavaimet ennen kuin käynnistät koneen.** Koneen pyöriivään osaan jätetty avain tai kiintoavain saattaa aiheuttaa henkilövahingon.
- **Älä kurkottele. Säilytä aina tukeva asento ja hyvä tasapaino.** Näin hallitset koneen parhaalla mahdollisella tavalla odottamattomissa tilanteissa.
- **Pukeudu asianmukaisesti. Älä käytä väljiä vaatteita tai koruja.** Pidä hiukset ja vaatteet etäällä liikkuvista osista. Väljät vaatteet, korut tai pitkät hiukset voivat takertua liikkuviin osiin.
- **Jos laitteissa on liitännät pölynpoistolaitteille ja keräilylaitteille, varmista, että ne on liitetty ja niitä käytetään oikein.** Pölynpoistolaitteiden käyttö vähentää pölyyn liittyviä vaaroja.
- **Älä anna koneiden tuttuuden toistuvan käytön takia tehdä sinua liian itsevarmaksi, äläkä jätä koneiden turvallisuusohjeita noudattamatta.** Huolimaton toiminta voi aiheuttaa vakavan henkilövahingon sekunnin murto-osassa.

FI

KONEEN KÄYTTÖ JA HOITO

- **Älä pakota konetta.** Käytä omaan käyttötarkoitukseesi soveltuvaa konetta. Oikea kone suoriutuu parhaiten ja turvallisimmin tehtävästä sille tarkoitettulla nopeudella.
- **Älä käytä konetta, jos sitä ei saa käynnistettyä ja sammutettua kytkimellä.** Koneen, jota ei voida hallita kytkimellä, käyttö on vaarallista ja se on korjattava.
- **Irrota pistotulppa virtalähteestä ja/tai irrota akku koneesta, jos irrotettavissa, ennen kuin teet mitään säätöjä, vaihdat apuvälineitä tai laitat koneen varastoon.** Nämä ennaltaehkäisevät turvallisuustoimenpiteet vähentävät koneen vahingossa käynnistymisen riskiä.
- **Säilytä käyttämättömänä oleva kone lasten ulottumattomissa, äläkä anna henkilöiden, jotka eivät tunne konetta tai näitä ohjeita, käyttää konetta.** Koneet ovat vaarallisia kokemattomien käyttäjien käsissä.
- **Pidä koneet ja lisävarusteet kunnossa. Tarkista, että liikkuvat osat ovat kunnolla paikallaan, että osat ovat ehjiä, ja että koneessa ei ole muita ongelmia, jotka saattaisivat vaikuttaa sen toimintaan.** Jos kone on vaurioitunut, korjauta se ennen käyttöä. Monet onnettomuudet johtuvat huonosti huolletuista koneista.
- **Pidä leikkuukoneet terävinä ja puhtaina.** Oikein huolletut leikkuukoneet, joissa on terävät leikkuureunat, eivät todennäköisesti jumiuudu, ja niitä on helpompi hallita.

- **Käytä konetta, lisävarusteita ja koneen teriä ym. näiden ohjeiden mukaisesti ja siten, että otat huomioon käyttöolosuhteet ja tehtävän työn.** Koneen käyttö muuhun kuin sille suunniteltuun tarkoitukseen saattaa aiheuttaa vaaratilanteen.
- **Pidä kahvat ja tartuntapinnat kuivina, puhtaina, öljyttöminä ja rasvattomina.** Liukkaat kahvat ja tartuntapinnat eivät mahdollista koneen turvallista käsittelyä ja hallintaa odottamattomissa tilanteissa.

AKKUKONEEN KÄYTTÖ JA HOITO

- **Lataa vain valmistajan määrittelemällä laturilla.** Laturi, joka sopii yhdyntyyppiselle akulle voi aiheuttaa tulipalovaaran, jos sitä käytetään toisenlaisen akun kanssa.
- **Käytä koneissa vain erityisesti niihin tarkoitettuja akkuja.** Muunlaisten akkujen käyttö saattaa aiheuttaa henkilövahingon tai tulipalon vaaran.
- **Kun akku ei ole käytössä, pidä se erillään metalliesineistä, kuten paperiliittimet, kolikot, avaimet, naulat, ruuvit ja muut pienet metalliesineet, jotka voivat yhdistää akun navat toisiinsa.** Akun napojen oikosulku voi aiheuttaa palovammoja tai tulipalon.
- **Akusta voi valua nestettä väärästä käytöstä johtuen. Vältä kosketusta nesteeseen.** Jos kosket nesteeseen vahingossa, huuhtelee vedellä. Jos nestettä pääsee silmiin, hakeudu lääkärin hoitoon. Akusta valuva neste voi aiheuttaa ärsytystä tai palovammoja.
- **Älä käytä akkua tai konetta, joka on vaurioitunut tai jota on muutettu.** Vaurioituneet tai muutetut akut voivat käyttäytyä arvaamattomasti ja aiheuttaa tulipalon, räjähdyksen tai henkilövahingon vaaran.
- **Älä altista akkua tai konetta tulelle tai äärimmäisille lämpötiloille.** Altiistaminen yli 130 °C:n lämpötilalle voi aiheuttaa räjähdyksen.
- **Noudata kaikkia latausohjeita, äläkä lataa akkua tai konetta lämpötilassa, joka ei ole ohjeissa ilmoitetun lämpötila-alueen sisällä.** Virheellinen lataaminen tai lataaminen ilmoitetun lämpötila-alueen ulkopuolella olevassa lämpötilassa voi vaurioittaa akkua ja lisätä palovaaraa.

⚠ VAROITUS: Lue kaikki tämän sähkötyökalun mukana tulleet turvallisuusvaroitukset, ohjeet, piirustukset ja tekniset tiedot. Jos kaikkia alla olevia ohjeita ei noudateta, seurauksena saattaa olla sähköisku, tulipalo ja/tai vakava loukkaantuminen. Säilytä kaikki varoitukset ja ohjeet myöhempää käyttöä varten. Säilytä kaikki varoitukset ja ohjeet myöhempää käyttöä varten.

OPETTELU

- Lue ohjeet huolellisesti. Tutustu säätimiin ja koneen oikeaan käyttöön.
- Älä anna ohjeisiin perehtymättömien henkilöiden tai lasten käyttää laitetta. Paikalliset määräykset saattavat rajoittaa käyttäjän ikää.
- Muista, että käyttäjä on vastuussa onnettomuuksista tai vaaratilanteista, jotka kohdistuvat sivullisiin tai omaisuuteen.

VALMISTELU

- Älä ikinä käytä laitetta, kun lähellä on ihmisiä, erityisesti lapsia, tai lemmikkieläimiä.
- Käytä aina silmäsuojaimia ja suojaavia kenkiä, kun käytät laitetta.
- Laitteen ja sivullisten välillä tulisi olla vähintään 15 metrin etäisyys.
- Älä käytä konetta, jos olet väsynyt, sairastunut alkoholin tai lääkkeiden vaikutuksen alaisena.

KÄYTTÄMINEN

- Käytä laitetta vain päivänvalossa tai hyvässä keinovalaisuksessa.
- Älä ikinä käytä laitetta, jonka suojat tai suojukset ovat vahingoittuneet tai jossa ei ole lainkaan suoja- tai suojuksia.
- Käynnistä moottori vasta silloin, kun kädet ja jalat ovat etäällä leikkaavista osista.
- Irrota siimaleikkuri aina virtalähteestä (eli irrota akku).
 - kun jätät laitteen vartioimatta;
 - ennen kuin puhdistat tukoksen;
 - ennen kuin tarkistat tai puhdistat laitteen tai teet sille jotain muuta;
 - kun olet osunut vieraaseen esineeseen;
 - kun laite alkaa väristä epänormaalisti.
- Varo, etteivät kätesi tai jalkasi vahingoitu leikkuuteristä.
- Varmista, että tuuletusaukot ovat aina puhtaat roskista.

KUNNOSSAPITO JA SÄILYTYS

- Irrota kone aina virtalähteestä (eli irrota akku) ennen kunnossapitotoimenpiteitä tai puhdistamista.
- Käytä vain valmistajan suosittelemia varaosia ja lisävarusteita.
- Tarkasta laite ja kunnossapidä sitä säännöllisesti. Anna vain valtuutettujen korjaajien korjata laite.
- Kun laite ei ole käytössä, säilytä sitä lasten ulottumattomissa.

MUUT TURVALLISUUSVAROITUKSET

- **Vältä vaarallisia olosuhteita** – älä käytä laitteita kosteissa tai märissä rinteissä.
- **Pidä suojukset paikallaan ja toimintakuntoisina.**
- **Pidä kätesi ja jalkasi etäällä leikkuualueesta.**
- **Älä koskaan työskentele tikkailla tai muilla epävakaailla alustoilla henkilövahinkojen vaaran välttämiseksi. Älä ikinä pidä leikkuuterää vyötärötasoa korkeammalla.**
- **Tarkasta leikkuuterä säännöllisin väliajoin käytön aikana tai heti, jos laitteen leikkuuteho muuttuu merkittävästi.**
- **Parhaan tuloksen saat, kun akku ladataan tilassa, jonka lämpötila on yli 5°C, mutta alle 40°C. Älä säilytä ulkona tai ajoneuvoissa.**
- **Jos joku lähestyy sinua, sammuta moottori ja leikkuulaite.**
- **Varoita käyttäjää terän takapotkun aiheuttamasta vaarasta (vain käytettäessä 3-hampaista terää).**
 - Takapotku saattaa tapahtua, kun pyörivä terä osuu kohteeseen, joka ei heti katkea.
 - Terän takapotku voi olla niin voimakas, että laite ja/tai käyttäjä lennähtävät mihin tahansa suuntaan ja käyttäjä voi menettää laitteen hallinnan.
 - Terän takapotku tapahtuu ilman varoitusta, jos terä jää kiinni ja pysähtyy.
 - Takapotku tapahtuu usein alueilla, joissa sahattavaa materiaalia on vaikea nähdä.
- **Älä kiinnitä terää laitteeseen, ellei kaikkia tarvittavia osia ole kiinnitetty kunnolla. Asianmukaisten osien käytön laiminlyönti voi aiheuttaa terän sinkoutumisen irti ja aiheuttaa vakavan henkilövahingon käyttäjälle ja/tai sivullisille. Hävityä taipuneet, vääntyneet, murtuneet, rikkoutuneet tai muulla tavalla vaurioituneet terät. Käytä terävää terää. Tylsä terä jää kiinni helpommin ja aiheuttaa takapotkun (käytettäessä 3-hampaista terää).**
- **Liikkuva terä/siima voi aiheuttaa henkilövahingon, jos se jatkaa pyörimistä moottorin sammuttamisen tai liipaisimen vapauttamisen jälkeen. Pidä työkalu kunnolla hallinnassa, kunnes terä/siima on täysin pysähtynyt**
- **Akkutyökaluja ei tarvitse liittää sähköverkkoon. Tästä syystä ne ovat aina käyttökunnossa. Huomioi mahdolliset vaarat myös silloin, kun työkalu ei ole käynnissä. Ole varovainen tehdessäsi kunnossapito- tai huoltotoimenpiteitä.**

- Älä puhdista letkulla; välttä veden pääsemistä moottoriin ja sähköliitäntöihin.
- Jos kohtaat tilanteen, jota ei tässä käyttöoppaassa käsitellä, toimi varoen ja käytä omaa harkintakykyäsi. Pyydä lisäohjeita EGO-asiakaspalvelusta.
- Käytä vain kuvassa A lueteltujen akkujen ja latureiden kanssa.

SÄILYÄ NÄMÄ OHJEET!

SPECIFIKATIONER

Klippbredd	30 cm
Tyhjäkäyntinopeus	5000/6000 min ⁻¹
Vikt	1,82 kg
Suosittelut käyttölämpötila	0°C-40°C
Suosittelut säilytyslämpötila	-20°C-70°C
Uppmätt ljudeffektnivå L_{WA}	96,5 dB(A) K=1,88 dB(A) (PH1400E)
	93,2 dB(A) K=0,35 dB(A) (PH1420E)
	91 dB(A) K=1,1 dB(A) (PHX1600)
Ljudtrycksnivå vid operatörens öra L_{PA}	84,5 dB(A) K=3 dB(A) (PH1400E)
	83,9 dB(A) K=3 dB(A) (PH1420E)
	83 dB(A) K=3 dB(A) (PHX1600)
Garanterad ljudeffektnivå L_{WA} (mitattu 2000/14/EC:n mukaisesti)	98 dB(A)

FI

Vibration a_h	Fremre handtag	2,8 m/s ² K=1,6 m/s ² (PH1400E)
		4,14 m/s ² K=1,5 m/s ² (PH1420E)
		6,64 m/s ² K=1,5 m/s ² (PHX1600)
	Bakre handtag	3,1 m/s ² K=1,6 m/s ² (PH1400E)
		1,88 m/s ² K=1,5 m/s ² (PH1420E)
		2,61 m/s ² K=1,5 m/s ² (PHX1600)

- Edellä esitetyt parametrit on testattu ja mitattu akkupään PH1400E/PH1420E/PHX1600 kanssa.
- Det angivna totalvärdet för vibration är uppmätt enligt standardprovningmetoden och kan användas för att jämföra olika verktyg;
- Det angivna totalvärdet för vibration kan även användas vid preliminär utvärdering av exponering.

OBS! Den verkliga vibrationen under arbete med det eldrivna verktyget kan avvika från det angivna värdet. Användaren bör ha på sig lämpliga handskar och hörselskydd för de aktuella arbetsförhållandena för att skydda sig.

Suosittelut terä

ARTIKELNAMN	MALLIN NUMERO
Raivaussahan terä	ABB1203

LEVERANSLISTA

ARTIKELNAMN	ANTAL
Raivaussahalisäosa	1
Terä ja teränsuojus	1
Skydd	1
Suojuslisäosa (VAIN trimmeripäähän)	1
Sexkantnyckel	1
Monitoimiavain	1
Bruksanvisning	1

BESKRIVNING

RAIVAUSSAHALISÄOSAN OSAT (kuva A)

1. Päätytulppa
2. Raivaussahan varsi
3. Skydd
4. Terä
5. Teränsuojus
6. Kiinnityslanka
7. Tiivistysruuvi
8. Vaihteistokotelo
9. Varren lukitusreikä
10. Ulkolaippa
11. Monitoimiavain
12. Kuusiokoloavain
13. Suojuslisäosa (VAIN trimmeripäähän)

VAROITUS: Älä koskaan käytä työkalua ilman, että suoja on kunnolla paikallaan. Suojan on aina oltava työkalussa käyttäjän suojaamiseksi.

VAROITUS: Suojuslisäosa tulee asentaa suojukseen, jos työkalua käytetään siimaleikkurina, joka on varustettu trimmeripäällä. Tämän noudattamatta jättäminen voi aiheuttaa liian pitkä leikkuusiiman ja moottorin ylikuormittumisen.

KOKOONPANO

VAROITUS: Jos jokin osa on vahingoittunut tai puuttuu, älä käytä tuotetta ennen kuin osat on vaihdettu. Tuotteen käyttö silloin, kun siinä on vahingoittuneita osia tai osia puuttuu, saattaa aiheuttaa vakavan henkilövamman.

VAROITUS: Älä yritä muokata tätä laitetta tai luoda sille lisävarusteita, joita ei suositella käytettäväksi tämän siimaleikkurin kanssa. Mikä tahansa tällainen muokkaus tai muutos on vääriinkäyttö ja saattaa aiheuttaa vaarallisen tilan, joka saattaa johtaa vakavaan henkilövammaan.

VAROITUS: Poista akku koneesta aina, kun kokoat osia. Näin varmistat, ettei laite käynnisty vahingossa eikä aiheuta vakavia henkilövahinkoja.

VAROITUS: Turvaestetanko on asennettava, jos kone on varustettu pensasleikkuripäällä.

SUOJUKSEN KIINNITTÄMINEN

VAROITUS: Käytä aina käsineitä, kun kiinnität tai vaihdat suojusta. Varo suojuksen terää ja suojaa kätesi leikkautumiselta.

VAROITUS: Älä koskaan käytä konetta ilman, että suojuus on kunnolla paikallaan. Suojuksen on aina oltava koneessa käyttäjän suojaamiseksi! Kun suojuus on kiinnitetty, älä poista tai säädä sitä. Jos suojuksen vaihtaminen on tarpeen, vain asiantunteva huoltoteknikko saa tehdä sen!

Löystä ja poista kaksi yhdistelmäruuvia varren tyvestä (kuva C). Linjaa suojuksen kiinnitysaukot kokoonpanoaukkojen kanssa ja lukitse suojuus sitten varren tyveen ruuvien ja jousialuslaattojen kanssa (kuva D).

Varmista, että suojuus on paikallaan kuvien C ja D mukaisesti, käänteinen kiinnitys aiheuttaa merkittävän vaaran!

FI

TERÄN ASENTAMINEN

1. Terän mukana toimitetaan suojuus. Ennen kuin asennat terän raivaussahaan, poista suojuus kiertämällä kiinnityslanka irti suojuksen koukusta (kuva E).

Kuvien E osien kuvaus alla:

E-1	Koukku
E-2	Kiinnityslanka

2. Käännä ulkolaippaa ja kohdistaa sisälaipan kolo varren lukitusreikään vaihteistokotelossa (kuva F).
3. Työnnä mukana toimitettu kuusiokoloavain kohdistettujen reikien läpi toimimaan vakaimena (kuva G).

Kuvien F ja G osien kuvaus alla:

F-1	Vaihekotelo	F-3	Ulkolaippa
F-2	Kohdistetut varren lukitusreiät	G-1	Vakain

4. Aseta raivaussahan pää kiinteää pintaa vasten. Tartu toisella kädellä raivaussahan varteen ja pidä toisessa kädessä mukana toimitettua monitoimiavainta ja kierrä ulkolaipan mutteri irti nuolella merkittyyn suuntaan. Poista mutteri ja ulkolaippa. Laita ne talteen takaisin asentamista varten (kuva H).
5. Asenna terä moottorin karaan. Varmista, että terän pinta on sisälaipan ulokkeen tasossa. Asenna ulkolaippa ja mutteri (kuva I). Esikiristä mutteri **VASTAPÄIVÄÄN** sormikireyteen.

Kuvien I osien kuvaus alla:

I-1	Sisälaipan uloke	I-4	Ulkolaippa
I-2	Moottorin kara	I-5	Terä
I-3	Mutteri		

- Käänä ulkolaippaa ja kohdista sisälaipan kolo varren lukitusreikään vaihteistokotelossa ja työnnä mukana toimitettu kuusioloavain kohdistettujen reikien läpi toimimaan vakaimena, kuten edellä kohdissa 2 ja 3 on näytetty.
- Aseta raivaussahan pää kiinteää pintaa vasten. Tartu toisella kädellä terään ja pidä toisessa kädessä mukana toimitettua monitoimiavainta ja kiristä mutteri vastakkaiseen suuntaan kuin ulkolaippaan merkitty nuoli (kuva J).

FI Suojuslisäosan käyttäminen

HUOMAA: Suojuslisäosa tulee asentaa suojukseen, jos työkalua käytetään siimaleikkurina, joka on varustettu trimmeripäällä (kuva K).

Kiinnitä suojuslisäosa suojukseen kiristämällä kolme ruuvia mukana tulleella kuusioloavaimella. Tämän noudattamatta jättäminen voi aiheuttaa liian pitkää leikkuusiiman ja moottorin ylikuormittumisen.

RAIVAUSSAHALISÄOSAN KIINNITTÄMINEN AKKUPÄÄHÄN

Tämä raivaussahalisisäosa on suunniteltu käytettäväksi EGO-akkupään PH1400E/PH1420E/PHX1600 kanssa.

Katso akkupään PH1400E/PH1420E/PHX1600 käyttöoppaasta kohta "LISÄOSAN ASENTAMINEN AKKUPÄÄHÄN".

KÄYTTÖ

VAROITUS: Älä anna perehtyneisyyden tuotteeseen saada sinua huolimattomaksi. Muista, että sekunnin murto-osa huolimattomuutta riittää aikaansaamaan vakavan henkilövahingon.

VAROITUS: Käytä aina suojalaseja sivusuojilla. Yhdessä kuulosuojaimien kanssa. Muussa tapauksessa silmiin voi lentää roskia ja muita mahdollisia vakavia vahinkoja tapahtua.

KÄYTTÄMINEN

Voit käyttää laitetta alla lueteltuihin tarkoituksiin:

- heiniä, rikkaruohojen, villiintyneen kasvuston ja nuoren metsikön, enintään 2 cm varsi, harventamiseen

HUOMAA: Laitetta tulee käyttää vain sille tarkoitettuun tarkoitukseen. Kaikki muu käyttö katsotaan väärinkäytöksi.

RAIVAUSSAHAN KÄYTTÄMINEN AKKUPÄÄN KANSSA

VAROITUS: Pukeudu asianmukaisesti, niin vähennät loukkaantumisvaaraa tätä laitetta käyttäessäsi. Älä käytä väljiä vaatteita tai koruja. Käytä suojalaseja ja kuulosuojaimia. Käytä paksuja, pitkälahkeisia housuja, kunnollisia jalkineita ja suojakäsineitä. Älä käytä lyhytlahkeisia housuja, sandaaleita tai ole paljain jaloin.

Käytön turvallisuuden ja sujuvuuden takia laita olkahihna olan yli. Säädä olkahihnaa, kunnes käyttöasento on mukava. Pidä raivaussahasta kiinni aina niin, että toinen kätesi on takakahvalla ja toinen kätesi etuapukahvalla. Pidä kummallakin kädellä kunnon ote käytön aikana. Raivaussahaa tulee pitää miellyttävässä asennossa ja takakahva noin lonkan korkeudella. Säilytä ote ja pidä tasapaino molempien jalkojen varassa.

Asetu siten, että et menetä tasapainoasi terän takapotkun takia (kuva B).

VAROITUS: Olkahihna on myös nopea vapautusmekanismi vaaratilanteissa. Kun on hätätilanne, ota laite olaltasi välittömästi riippumatta hihnan asennosta.

Kun leikkaat villiintynyttä kasvustoa, laske pyörivät terä kasvun tasolle, jotta saat silpuamistoiminnon. Käytä raivaussahaa kuin viikatetta (heilauta oikealle ja vasemmalle) maan tasolle. Älä koskaan käytä leikkuutyökalua yötörätasoa korkeammalla.

VAROITUS: Mitä korkeammalla maasta leikkuutyökalu on, sitä suuremman vaaran sinkoutuvat leikkuujätteet aiheuttavat.

VAROITUS: Kun leikkaat nuorta kasvua tai halkaisijaltaan enintään 2 cm puumaisia kasveja, käytä terän vasenta sivua, jotta vältät takapotkut. Älä yritä leikata paksampia puita, koska terä voi jäädä kiinni ja iskeä raivaussahaa eteenpäin. Tämä saattaa vaurioittaa terää tai raivaussahaa tai voit menettää raivaussahan hallinnan. Tämä voi johtaa henkilövahinkoon.

VAROITUS: Raivaussahan virheellinen käyttö voi aiheuttaa terän murtumisen, säröilyn tai rikkoutumisen.

Sinkoutuvat osat voivat aiheuttaa vakavan henkilövahingon käyttäjälle tai sivullisille. Henkilövahinkojen välttämiseksi toimi seuraavalla tavalla:

- Vältä kosketusta koviin tai kiinteisiin kohteisiin, kuten kiviin tai metallipaloihin.

- Älä leikkaa yli 2 cm läpimittaisia puumaisia kasveja tai pensaita.
- Tarkasta terä säännöllisin väliajoin vaurioiden varalta. Älä jatka työskentelyä vaurioituneella terällä.
- Teroita terä säännöllisesti (kun se on selvästi tylsä) ja anna se tasapainotettavaksi tarvittaessa (ammattitaitoiselle asentajalle).

TAKAPOTKU

Ole erityisen varovainen, kun käytät laitteen terää. Takapotku saattaa tapahtua, kun pyörivä terä osuu kohteeseen, jota se ei saa katkaistua. Tämä saattaa aiheuttaa terän pysähtymisen hetkeksi ja nopean "ponnahduksen" pois kohteesta, johon se osui. Tämä reaktio voi olla niin voimakas, että käyttäjä menettää laitteen hallinnan. Terän takapotku tapahtuu ilman varoitusta, jos terä jää kiinni ja pysähtyy. Takapotku tapahtuu usein alueilla, joissa sahattavaa materiaalia on vaikea nähdä. Työskentely on helpompaa ja turvallisempaa, jos lähestyt leikkattavia kohteita raivaussahalla oikealta vasemmalle. Jos työkalu osuu odottamattomaan kohteeseen tai kantoon, tämä käytäntö minimoi terän takapotkun vaikutuksen.

Tarkasta ennen jokaista käyttöä vaurioituneiden/kuluneiden osien varalta.

Tarkasta terä, suojus ja etuapukahva. Vaihda murtuneet, väänntyneet, taipuneet tai muulla tavoin vaurioituneet osat.

Terän reuna voi tulla ajan myötä tylsäksi. Suosittelemme kääntämään terän käyttöiän pidentämiseksi ja teroitamaan terän silloin tällöin (ammattitaitoisen asentajan tekemänä) tai vaihtamaan uuden terän tarvittaessa.

Puhdista raivaussaha jokaisen käyttökerran jälkeen

Katso puhdistusohjeet kohdasta **KUNNOSSAPITO**.

VAROITUS: Varmista, että terä on täysin pysähtynyt ennen kuin puhdistat tai huollat raivaussahaa. Tämän noudattamatta jättäminen saattaa aiheuttaa vakavan henkilövahingon.

TYÖKALUN KÄYNNISTÄMINEN/SAMMUTTAMINEN

Katso akkupäähän PH1400E/PH1420E/PHX1600 käyttöoppaasta kohta "AKKUPÄÄN KÄYNNISTÄMINEN/SAMMUTTAMINEN".

HUOLTO

VAROITUS: Pysäytä moottori, odota kaikkien liikkuvien osien pysähtymistä ja poista akku ennen laitteen tarkastamista, puhdistamista tai huoltamista. Näiden ohjeiden noudattamatta jättäminen saattaa johtaa vakavaan henkilövahinkoon tai omaisuusvahinkoon.

VAROITUS: Käytä huollon yhteydessä vain identtisiä varaosia. Muiden osien käyttö saattaa aiheuttaa vaaran tai tuotteen vaurioitumisen. Anna asiantuntevan huoltoteknikon tehdä kaikki korjaukset, jotta laite on varmasti turvallinen ja luotettava.

VAROITUS: Käytä aina paksuja käsineitä, kun asennat tai poistat terän tai teet muita toimenpiteitä terälle. Varo terää, suojaa kätesi terän aiheuttamilta vammoilta.

YLEINEN KUNNOSSAPITO

Vältä liuotinaineiden käyttöä, kun puhdistat muoviosia. Useimmat muovit ovat herkkiä vaurioitumaan erilaisista kaupallisista liuottimista. Poista lika, pöly, öljy, rasva jne. puhtaalla liinalla.

LAITTEEN PUHDISTUS

- Poista akku
- Puhdista lika, tukokset ja ruoho terästä ja suojuksesta pehmeällä harjalla joka käyttökerran jälkeen.
- Pyyhi työkalun pinta puhtaalla miettoon saippualluokseen kostutetulla liinalla.
- Puhdista takakotelon tuuletusaukot pienellä harjalla tai pölynimurilla.
- Pidä tuuletusaukot esteettöminä

Kun terän molemmat reunat ovat tylsiä, vie se ammattitaitoiselle asentajalle teroitettavaksi tai vaihda terä tarvittaessa uuteen.

TERÄN VAIHTAMINEN

VAROITUS: Kulunut, murtunut tai vaurioitunut terä voi rikkoutua ja vaurioituneen terän palat voivat sinkoutua vaarallisesti. Sinkoutuneet kohteet saattavat aiheuttaa vakavan henkilövahingon. Tarkasta terä säännöllisesti, äläkä käytä raivaussahaa, jos sen terä on kulunut tai vaurioitunut.

VAROITUS: Käytä kunnollisia suojalaseja, kun poistat terän, teroitat tai asennat sen takaisin.

Terän poistaminen

1. Poista akku.
2. Käännä ulkolaippaa ja kohdista sisälaijan kolo varren lukitusreikään vaihteistokotelossa ja työnnä mukana toimitettu kuusiokoloavain kohdistettujen reikien läpi toimimaan vakaimena, kuten edellä kohdissa 2 ja 3 kappaleessa "TERÄN ASENTAMINEN" on näytetty.

3. Aseta raivaussahan pää kiinteää pintaa vasten. Tartu toisella kädellä terään ja pidä toisessa kädessä mukana toimitettua monitoimiavainta ja kierrä ulkolaipan mutteri irti nuolella merkittyyn suuntaan. Poista mutteri, ulkolaippa ja kulunut terä (kuva L).
4. Tarkasta sisälaippa ja laipan suojus ja vaihda ne tarvittaessa, jos ne ovat kuluneet (kuva M).

Kuvien M osien kuvaus alla:

M-1	Moottorin kara	M-5	Ulkolaippa
M-2	Sisälaippa	M-6	Mutteri
M-3	Laipan suojus	M-7	Laipan kolo
M-4	Terä		

5. Asenna terä moottorin karaan järjestyksessä, joka näytetään kuvassa M. Noudata vaiheiden 5, 6 ja 7 ohjeita kappaleessa "TERÄN ASENTAMINEN".

FI

VAIHDEPYÖRÄN VOITELU

Vaihdekotelossa oleva vaihdepyörä tulee voidella säännöllisesti vaihderasvalla. Tarkasta vaihdekotelon rasvan taso noin 50 käyttötunnin välein poistamalla kotelon sivussa oleva tiivistysruuvi.

Jos vaihteen sivuilla ei näy rasvaa, lisää vaihderasvaa enintään 3/4 kapasiteetista seuraavien ohjeiden mukaisesti.

Älä täytä vaihdepyörää kokonaan rasvalla.

1. Aseta raivaussaha pystyyn siten, että tiivistysruuvi on ylöspäin (kuva N).
2. Löysää tiivistysruuvia mukana toimitetulla monitoimiavaimella ja poista ruuvi.
3. Käytä rasvaruiskua (ei mukana) ja ruiskuta jonkin verran rasvaa ruuvin reikään.
4. Kiristä tiivistysruuvi ruiskutuksen jälkeen.

LAITTEEN VARASTOINTI

- Irrota akku työkalusta.
- Käytä paksuja käsineitä puhdistaessasi työkalua.
- Asenna teränsuojus terään turvallisuuden takia (kuva O).
- Irrota raivaussahalisäosa akkupäästä ja kiinnitä päätytulppa lisäosan varteen tarvittaessa.
- Säilytä laite kuivassa, hyvin ilmastoidussa, lukitussa paikassa tai korkealla, poissa lasten ulottuvilta Älä säilytä laitetta lannoitteiden, bensiinin tai muiden kemikaalien päällä tai vieressä.

Ympäristönsuojelu



Älä hävitä sähkölaitteita, käytettyjä akkuja tai laturia kotitalousjätteen seassa! Vie tämä tuote hyväksytyyn kierrätyspaikkaan tai anna se erilliseen keräilyyn. Sähkökoneet tulee palauttaa asianmukaiseen ympäristöstävälliseen kierrätyslaitokseen.

VIANETSINTÄ

ONGELMA	SYY	RATKAISU
Raivaussaha ei käynnisty.	<ul style="list-style-type: none"> ■ Akkua ei ole liitetty akkupäähän. ■ Akkupään ja akun välillä ei ole sähköliitäntää. ■ Akkuyksikkö on tyhjä ■ Lukitusvipua ja liipaisinta ei paineta samanaikaisesti. 	<ul style="list-style-type: none"> ■ Kiinnitä akku akkupäähän. ■ Poista akku, tarkasta liitäntäkohdat ja asenna akku takaisin, kunnes se naksahtaa paikalleen. ■ Lataa akku käyttöoppaan luettelossa olevalla EGO-laturilla. ■ Paina lukituksenpoistokytkin alas ja pidä sitä painettuna, käynnistä raivaussaha sen jälkeen painamalla liipaisinta.
Raivaussaha pysähtyy kesken leikkaamisen.	<ul style="list-style-type: none"> ■ Moottori on ylikuormittunut. ■ Akku tai akkupää on ylikuumentunut. ■ Akku on irronnut työkalusta. ■ Akku on tyhjä. 	<ul style="list-style-type: none"> ■ Moottori tunnistaa, kun kuorma poistetaan. Vähennä akkupään kuormitusta jatkuvassa käytössä. ■ Anna akun tai akkupään jäähtyä, kunnes lämpötila laskee alle 67°C. ■ Aseta akku uudelleen paikalleen. ■ Lataa akku käyttöoppaan luettelossa olevalla EGO-laturilla.

FI

TAKUU

EGO-TAKUUKÄYTÄNTÖ

Katso verkkosivuilta osoitteesta egopowerplus.eu EGO-takuukäytännön ehdot ja edellytykset kokonaisuudessaan.

LES ALLE INSTRUKSJONER!



LES BRUKERMANUALEN

⚠ ADVARSEL: For sikre både sikkerheten og påliteligheten, skal alle reparasjoner utføres av en kvalifisert servicetekniker.

SIKKERHETSSYMBOLER

Formålet med sikkerhetssymbolene er å trekke oppmerksomheten din mot mulige faresituasjoner. Sikkerhetssymbolene og forklaringene krever din fulle oppmerksomhet og forståelse. Symbolvarslene eliminerer ikke farer på egen hånd. Instruksjonene og advarslene som finnes i dem er ikke erstatninger for passende ulykkesforebyggende tiltak.

⚠ ADVARSEL: Sørg for å lese og forstå alle sikkerhetsanvisningene i denne bruksanvisningen, inkludert alle sikkerhetsvarselssymboler så som «**FARE**», «**ADVARSEL**» og «**FORSIKTIG**» før du bruker dette verktøyet. Hvis du ikke følger alle instruksjonene nedenfor, kan det føre til elektriske støt, brann og/eller alvorlig personskade.

SYMBOLFORKLARINGER

⚠ SIKKERHETSSYMBOL: Indikerer **FARE**, **ADVARSEL** eller **FORSIKTIG**. Kan brukes sammen med andre symboler eller piktogrammer.



⚠ ADVARSEL: Bruk av hvilke som helst elektroverktøy kan føre til at fremmedlegemer blir kastet mot øynene, og dette kan føre til alvorlig øyeskader. Før du begynner å bruke elektroverktøyet, skal du alltid bruke vernebriller eller vernebriller med sidebeskyttelse, og en full ansiktsskjerm der det trengs. Vi anbefaler en sikkerhetsmaske med bredt synsfelt til bruk over briller, eller standard vernebriller med sidebeskyttelse.

SIKKERHETSINSTRUKSJONER

Denne siden viser og beskriver sikkerhetssymboler som finnes på produktet. Les, forstå og følg alle instruksjoner på maskinen før begynner montering og bruk.

	Sikkerhetsvarsel	Indikerer fare for mulig personskade.
	Les brukermanualen.	For å redusere risikoen for skader må brukeren lese bruksanvisningen.
	Bruk vernebriller	Bruk alltid vernebriller eller vernebriller med sidebeskyttelse, og full ansiktsskjerm når du bruker dette produktet.
	Bruk hørselvern	Bruk alltid hørselsvern (øreplugg/ørreklokker) for å beskytte hørselen.
	Bruk hodevern	Bruk en godkjent, sterk vernehjelm på hodet.
	Bruk vernehansker	Beskytt hendene med hansker når du håndterer klipperen. Kraftige sklisikre hansker gir bedre grep og beskytter hendene.
	Bruk verneskotøy	Bruk sklisikre vernesko når du benytter utstyret.
	Klippebredde	Maks. skjærebredde for vegetasjonsklipper
	Vær på vakt mot forskyvning av skjærebånd	Varsle operatøren om faren for forskyvning av skjærebånd.
	Hold tilskuere på avstand	Avstanden mellom maskinen og tilskuere skal være minst 15 m.
	Pass deg for gjenstander som kastes	Gjenstander som kastes kan rikosjettere og føre til personskade eller skade på eiendom.

	Koble fra batteriet før vedlikehold	Koble batteripakken fra linjetrimmeren før du utfører vedlikeholds- eller rengjøringsarbeid.
	CE	Dette produktet er utformet i tråd med gjeldende EC-direktiver.
	UKCA	Dette produktet er i samsvar med gjeldende britisk lovgivning.
	WEEE	Elektrisk avfall må ikke kastes sammen med vanlig husholdningsavfall. Må avleveres på en godkjent gjenvinningsstasjon.
	Støy	Garantert lydteknisk nivå. Støy i omgivelsene er i henhold til EUs direktiv.
V	Volt	Spenning
mm	Millimeter	Lengde eller størrelse
cm	Centimeter	Lengde eller størrelse
kg	Kilogram	Vekt
n ₀	Hastighet uten last	Rotasjons hastighet, uten last
min ⁻¹	Per minutt	Omdreining per minutt

GENERELLE MASKINSIKKERHETSADVARSLER

⚠ ADVARSEL: Les alle sikkerhetsadvarsler, instruksjoner, illustrasjoner og spesifikasjoner som følger med denne maskinen. Unnlataelse av å følge alle instruksjonene nedenfor kan føre til elektrisk støt, brann og/eller alvorlig skade.

LAGRE ALLE ADVARSLER OG INSTRUKSJONER FOR FREMTIDIG REFERANSE.

Begrepet "maskin" i advarslene refererer til din nettdrevne (med ledning) maskin eller batteridrevne (trådløse) maskin.

SIKKERHET PÅ ARBEIDSRÅDET

- Hold arbeidsområdet rent og godt opplyst. Rotete eller mørke områder inviterer til ulykker.
- Ikke bruk maskiner i eksplosive atmosfærer, for eksempel i nærvær av brennbare væsker, gasser eller støv. Maskiner lager gnister som kan antenne støv eller røyk.
- Hold barn og tilskuere unna mens du bruker en maskin. Distraksjoner kan føre til at du mister kontrollen.

ELEKTRISK SIKKERHET

- **Maskinpluggene må passe til stikkkontakten.** Modifiser aldri støpselet på noen måte. Ikke bruk noen adapterplugg med jordede (jordede) maskiner. Umodifiserte støpsler og matchende stikkontakter vil redusere risikoen for elektrisk støt.
- **Unngå kroppskontakt med jordete overflater som rør, radiatorer, komfyrer og kjøleskap.** Det er økt risiko for elektrisk støt hvis kroppen din er jordet.
- **Ikke bruk maskinen i regn eller under våte forhold.** Vann som kommer inn i maskinen kan øke risikoen for elektrisk støt eller funksjonsfeil som kan føre til personskade.
- **Ikke utsett ledningen for feil behandling. Bruk aldri ledningen til å bære, trekke eller koble fra maskinen.** Hold ledningen unna varme, olje, skarpe kanter eller bevegelige deler. Skadede eller sammenflettede ledninger øker risikoen for elektrisk støt.
- **Når du bruker en maskin utendørs, bruk en skjøteledning som er egnet for utendørs bruk.** Bruk av en ledning egnet for utendørs bruk reduserer risikoen for elektrisk støt.
- **Hvis det er uunngåelig å bruke en maskin på et fuktig sted, bruk en jordfeilbryter (GFCI) beskyttet forsyning.** Bruk av en GFCI reduserer risikoen for elektrisk støt.

NO

PERSONLIG SIKKERHET

- **Vær på vakt, se hva du gjør og bruk sunn fornuft når du bruker en maskin.** Ikke bruk en maskin mens du er trøtt eller påvirket av narkotika, alkohol eller medisiner. Et øyeblikks uoppmerksomhet under bruk av maskiner kan føre til alvorlig personskade.
- **Bruk personlig verneutstyr. Bruk alltid vernebriller.** Verneutstyr som støvmaske, sklislire vernesko, hjelm eller hørselsvern når omgivelsene krever det, reduserer risikoen for personskader.
- **Forhindre utilsiktet start. Sørg for at bryteren er i av-posisjon før du kobler til strømkilden og/eller batteripakken, plukker opp eller bærer maskinen.** Å bære maskiner med fingeren på bryteren eller energigivende maskiner som har bryteren på, inviterer til ulykker.
- **Fjern eventuell justeringsnøkkel eller skiftenøkkel før du slår på maskinen.** En skiftenøkkel eller en nøkkel som er festet til en roterende del av maskinen kan føre til personskade.
- **Ikke overdriv. Hold riktig fotfeste og balanse til enhver tid.** Dette gir bedre kontroll over maskinen i uventede situasjoner.

- **Kle deg skikkelig. Ikke bruk løstsittende klær eller smykker.** Hold hår og klær på avstand fra bevegelige deler. Løse klær, smykker eller langt hår kan sette seg fast i bevegelige deler.
- **Hvis det leveres enheter for tilkobling av støvavsug og oppsamlingsanlegg, sørg for at disse er tilkoblet og riktig brukt.** Bruk av støvopsamling kan redusere støvrelaterte farer.
- **Ikke la kjennskap oppnådd ved hyppig bruk av maskiner tillate deg å bli selvtilfreds og ignorere maskinsikkerhetsprinsipper.** En uforsiktig handling kan forårsake alvorlig skade i løpet av en brøkdødel av et sekund.

MASKINBRUK OG -VEDLIKEHOLD

- **Ikke tving maskinen. Bruk riktig maskin for din applikasjon.** Riktig maskin vil gjøre jobben bedre og sikrere med den hastigheten den ble designet for.
- **Ikke bruk maskinen hvis bryteren ikke slår den av og på.** Enhver maskin som ikke kan kontrolleres med bryteren er farlig og må repareres.
- **Koble støpselet fra strømkilden og/eller fjern batteripakken, hvis den kan tas av, fra maskinen før du foretar justeringer, skifter tilbehør eller oppbevarer maskiner.** Slike forebyggende sikkerhetstiltak reduserer risikoen for å starte maskinen ved et uhell.
- **Oppbevar inaktive maskiner utilgjengelig for barn og la ikke personer som ikke er kjent med maskinen eller disse instruksjonene bruke maskinen.** Maskiner er farlige i hendene på utrente brukere.
- **Vedlikehold maskiner og tilbehør. Sjekk for feiljustering eller binding av bevegelige deler, brudd på deler og andre forhold som kan påvirke maskinens drift.** Hvis den er skadet, få maskinen reparert før bruk. Mange ulykker er forårsaket av dårlig vedlikeholdte maskiner.
- **Hold skjæremaskiner skarpe og rene.** Riktig vedlikeholdte skjæremaskiner med skarpe skjærekanter har mindre sannsynlighet for å binde seg og er lettere å kontrollere.
- **Bruk maskinen, tilbehør og maskinbits etc. i samsvar med disse instruksjonene, og ta hensyn til arbeidsforholdene og arbeidet som skal utføres.** Bruk av maskinen til andre operasjoner enn de tiltenkte kan føre til en farlig situasjon.
- **Hold håndtak og gripeflater tørre, rene og fri for olje og fett.** Glatte håndtak og gripeflater tillater ikke sikker håndtering og kontroll av maskinen i uventede situasjoner.

BRUK OG VEDLIKEHOLD AV BATTERIMASKIN

- **Lad kun med laderen spesifisert av produsenten.** En lader som er egnet for én type batteripakke kan skape brannfare når den brukes med en annen batteripakke.
- **Bruk kun maskiner med spesifikt utpekte batteripakker.** Bruk av andre batteripakker kan skape risiko for skader og brann.
- **Når batteriet ikke er i bruk skal det holdes unna andre metallgjenstander som binders, mynter, nøkler, spikere, skruer eller andre små metallgjenstander som kan lage forbindelse fra én terminal til en annen.** Kortslutning av batteripolene kan forårsake brannskader eller brann.
- **Under farlige forhold kan væske komme ut av batteriet. Unngå kontakt med denne. Hvis kontakt oppstår ved et uhell, skyll med vann.** Får du væske i øynene, skal det i tillegg søkes medisinsk hjelp. Væske som blir slynget ut av batteriet, kan forårsake irritasjon eller brannskader.
- **Ikke bruk en batteripakke eller maskin som er skadet eller modifisert.** Skadde eller modifiserte batterier kan oppføre seg uforutsigbart og medføre brann, eksplosjon eller risiko for personskade.
- **Ikke utsett en batteripakke eller maskin for brann eller høy temperatur.** Eksponering for ild eller temperaturer over 130 °C kan forårsake eksplosjon.
- **Følg alle ladeinstruksjoner og ikke lad batteripakken eller maskinen utenfor temperaturområdet spesifisert i instruksjonene.** Feil lading eller ved temperaturer utenfor spesifisert område kan skade batteriet og øke risikoen for brann.

⚠ ADVARSEL: Gjør deg kjent med alle sikkerhetsadvarslene, instruksjonene, illustrasjonene og spesifikasjonene som følger med dette elektroverktøyet. Manglende etterlevelse av alle instruksjonene under kan resultere i elektrisk støt, brann og/eller alvorlig skade. Ta vare på alle advarsler og instruksjoner for fremtidig bruk. **Ta vare på alle advarsler og instruksjoner for fremtidig bruk.**

OPPLÆRING

- Les instruksjonene nøye. Gjør deg kjent med betjeningsinnretningene og måten maskinen skal brukes på.
- Du må aldri la barn eller personer som ikke er kjent med disse instruksjonene, få bruke produktet. En aldersgrense for operatøren kan være fastsatt i lokale regelverk.
- Husk at operatøren eller brukeren er ansvarlig for ulykker eller farer som berører andre mennesker eller andres eiendeler.

NO

FORBEREDELSE

- Bruk aldri maskinen mens folk, og spesielt barn eller kjæledyr, er i nærheten.
- Bruk vernebriller og solide sko hele tiden mens du bruker maskinen.
- Avstanden mellom maskinen og tilskuere skal være minst 15 meter.
- Bruk aldri maskinen mens du er trett, syk eller påvirket av alkohol, legemidler eller andre stoffer.

BRUK

- Maskinen skal bare brukes i dagslys eller med god kunstig belysning.
- Bruk aldri maskinen med skadede skjermer eller skjold, eller uten skjermer eller skjold på plass.
- Motoren skal bare slås på når hender og føtter er borte fra skjæredelene.
- Koble alltid kantklipperen fra strømkilden (dvs. ta ut batteripakken)
 - når du skal forlate maskinen uten tilsyn;
 - før du fjerner en blokkering;
 - før du kontrollerer, rengjør eller utfører arbeid på maskinen;
 - etter å ha støtt borti et fremmedlegeme;
 - hvis maskinen begynner å vibrere unormalt.
- Pass på at hender og føtter ikke skades av skjæredelene.
- Pass alltid på at ventilasjonsåpningene holdes frie for rusk.

VEDLIKEHOLD OG LAGRING

- Koble maskinen fra strømkilden (dvs. ta ut batteripakken) før du utfører vedlikeholds- eller rengjøringsarbeid.
- Bruk bare produsentens anbefalte reservedeler og tilbehør.
- Maskinen må etterses og vedlikeholdes regelmessig. Reparasjoner må kun utføres ved et autorisert verksted.
- Når den ikke er i bruk, skal maskinen oppbevares utilgjengelig for barn.

ANDRE SIKKERHETSADVARSLER

- **Unngå farlige omgivelser** – ikke bruk apparatet i fuktige eller våte skråninger.
- **Hold skjermene på plass og i fungerende stand.**
- **Hold hendene og føttene på avstand fra beskæringsområdet.**

- **For å redusere risikoen for skader må du aldri bruke trimmeren mens du står på en stige eller et annet ustabil underlag. Hold aldri skjæretilbehøret over hofte høyde.**
- **Kontroller skjæretilbehøret med jevne, korte intervaller under bruk, eller umiddelbart hvis det oppstår en merkbart endring i skjæreatferden.**
- **Du får best resultat dersom batteriet lades på et sted der temperaturen er over 5 °C og under 40 °C.** Ikke oppbevar batteriet utendørs eller i kjøretøy.
- **Hvis andre personer kommer bort til eller henvender seg til deg, må du stoppe motoren og skjærestyret umiddelbart.**
- **Advar operatøren om faren forbundet med tilbakeslag (gjelder bare ved bruk av 3-tannet blad).**
 - **Tilbakeslag kan inntreffe når det roterende bladet kommer i kontakt med en gjenstand som det ikke umiddelbart klarer å skjære seg gjennom.**
 - **Tilbakeslaget kan være voldsomt nok til å få enheten og/eller operatøren til å bevege seg i en hvilken som helst retning, og operatøren står dermed i fare for å miste kontrollen over enheten.**
 - **Tilbakeslag kan inntreffe uten forvarsel dersom bladet hekter seg fast, stopper eller henger seg opp.**
 - **Tilbakeslag har større sannsynlighet for å forekomme i områder der det er vanskelig å se materialet som skjæres.**
- **Ikke fest et blad til trimmeren uten at alle påkrevde deler er korrekt montert. Manglende bruk av de påkrevde delene medfører risiko for at bladet blir slynget ut i luften og påfører operatøren og/eller personer i nærheten alvorlige skader. Blader som er bøyd, vridd, sprukket, ødelagt eller skadet på noen måte, må kasseres. Bruk et skarpt blad. Et sløvt blad har større sannsynlighet for å henge seg opp og utløse tilbakeslag (gjelder bare ved bruk av 3-tannet blad).**
- **Bladet / tråden vil fortsetter å rotere og kan dermed forårsake skader en stund etter at motoren har stanset eller bryteren er sluppet ut. Sørg for å holde god kontroll helt til bladet/tråden har sluttet helt å rotere.**
- **Batteridrevne verktøy trenger ikke å være tilkoblet strømuttak for å fungere, og er derfor alltid klare for bruk.** Vær oppmerksom på mulige farer, selv når verktøyet ikke er i drift. Vær forsiktig når du utfører vedlikehold eller service.
- **Ikke vask med hageslange; unngå å få vann i motoren og i elektriske kontakter.**

NO

- Hvis situasjoner oppstår som ikke er dekket i denne håndboken, må du utvise forsiktighet og god dømmekraft. Kontakt EGOs servicesenter for å få hjelp.
- Bruk kun med batteripakker og ladere som oppført i fig. A.

TA VARE PÅ DISSE INSTRUKSJONENE!

SPESIFIKASJONER

Klippebredde	30 cm
Hastighet uten last	5000/6000 min ⁻¹
Vekt	1,82 kg
Anbefalt driftstemperatur	0°C-40°C
Anbefalt lagringstemperatur	-20°C-70°C
Målt lydeffektnivå L _{WA}	96,5 dB(A) K=1,88 dB(A) (PH1400E)
	93,2 dB(A) K=0,35 dB(A) (PH1420E)
	91 dB(A) K=1,1 dB(A) (PHX1600)
Lydtrykknivå ved brukerens øre L _{PA}	84,5 dB(A) K=3 dB(A) (PH1400E)
	83,9 dB(A) K=3 dB(A) (PH1420E)
	83 dB(A) K=3 dB(A) (PHX1600)
Garantert lydeffektnivå L _{WA} (målt i henhold til 2000/14/EC)	98 dB(A)

NO

Vibrasjon a _h	Fremre hjelpehåndtak	2,8 m/s ² K=1,6 m/s ² (PH1400E)
		4,14 m/s ² K=1,5 m/s ² (PH1420E)
		6,64 m/s ² K=1,5 m/s ² (PHX1600)
	Bakre håndtak	3,1 m/s ² K=1,6 m/s ² (PH1400E)
		1,88 m/s ² K=1,5 m/s ² (PH1420E)
		2,61 m/s ² K=1,5 m/s ² (PHX1600)

- Parametrene over er testet og målt sammen med motorenheten PH1400E/PH1420E/PHX1600.
- Den deklarerte totale vibrasjonsverdien er målt i overensstemmelse med en standard testmetode, og kan brukes til å sammenligne ett verktøy med et annet.
- Den deklarerte totale vibrasjonsverdien kan også brukes i en foreløpig vurdering av eksponering.

MERK: Vibrasjoner under faktisk bruk av elektroverktøyet kan variere fra den opplyste verdien der verktøyet brukes; For å beskytte brukeren, skal det brukes hansker og hørselsvern under de faktiske bruksforholdene.

Anbefalt skjæreblad

NAVN PÅ DEL	MODELLNUMMER
Skjæreblad Til Vegetasjonsklipper	ABB1203

PAKKELISTE

NAVN PÅ DEL	MENGDE
Vegetasjonsklipper	1
Skjæreblad og sliresett	1
Skjerming	1
Bladvern (skal KUN brukes med trimmerhode)	1
Sekskantnøkkel	1
Flerbruksnøkkel	1
Bruksanvisning	1

BESKRIVELSE

BLI KJENT MED VEGETASJONSKLIPPEREN (Fig. A)

1. Endekapsel
2. Stang til vegetasjonsklipper
3. Skjerming
4. Skjæreblad
5. Bladslire
6. Kabelklemme
7. Forseglingsskrue
8. Girkasse
9. Låsehull til stang
10. Ytre flens
11. Flerbruksnøkkel
12. Unbraconøkkel
13. Bladvern (skal KUN brukes med trimmerhode)

⚠ ADVARSEL: Bruk aldri verktøyet uten at bladvernet er på plass. Bladvernet må alltid være påmontert verktøyet for å beskytte brukeren.

⚠ ADVARSEL: Når verktøyet brukes som kantklipper, utstyrt med et trimmerhode, skal bladvern monteres. Hvis dette ikke gjøres, kan det føre til alvorlig skjæretråd og overbelastning av motoren.

ENHET

⚠ ADVARSEL: Hvis noen av delene er skadet eller mangler, må du ikke bruke dette produktet før delene er skiftet ut. Bruk av dette produktet med skadede eller mangler deler kan føre til alvorlig personskade.

⚠ ADVARSEL: Ikke forsøk å modifisere dette produktet eller lage tilbehør som ikke er anbefalt for bruk med denne gresstrimmeren. Enhver slik endring eller modifisering er misbruk, og kan føre til farlige situasjoner og mulige alvorlige personskader

⚠ ADVARSEL: For å forhindre utilsiktet start som kan forårsake alvorlig personskade, må du alltid fjerne batteripakken fra maskinen når du monterer deler.

⚠ ADVARSEL: Når maskinen er utstyrt med børstekutterhode, skal sikkerhetsbarrieren monteres.

MONTERING AV SKJERMEN

⚠ ADVARSEL: Bruk alltid hansker når du monterer eller bytter beskyttelse. Legg merke til hvor knivbladet er på bladvernet, og beskytt hendene dine så de ikke blir skadet.

⚠ ADVARSEL: Aldri bruk maskinen uten at vernet er godt på plass. Vekten må alltid være på maskinen for å beskytte brukeren! Når bladvernet sitter fast, må du ikke forsøke å fjerne eller justere det. Hvis det trengs å byttes, må dette gjøres av en kvalifisert fagperson!

Løsne og fjern de to skruene fra nedre del av skaftet (fig.C). Juster skjermmonteringshullene sammen med monteringshullene, og lås skjermen på skaftbasen med de to skruene, og to fjærskiver (fig. D).

Sørg for at skjermen er festet slik fig. C og D viser. Omvendt festing kan forårsake stor skade!

PÅSETTING AV SKJÆREBLAD

1. Skjærebladet leveres med en slire. Før du monterer bladet på vegetasjonsklipperen, skal sliren fjernes ved at du løsner kabelklemmen fra kroken på sliren (Fig. E).

Fig. E delebeskrivelse, se nedenfor:

E-1	Krok
E-2	Kabelklemme

2. Drei på ytre flens så spalten i indre flens er på linje med låsehullet for stangen i girkassen (Fig. F).
3. Sett medfølgende unbraconøkkel inn i tilhørende hull for å fungere som stabilisator (Fig. G).

Se Fig. F og G under for beskrivelse av delene:

F-1	Girkasse	F-3	Ytre flens
F-2	Justerte låsehull for stang	G-1	Stabilisator

4. Len hodet på vegetasjonsklipperen mot et fast underlag for å få støtte. Bruk en hånd til å holde i stangen på vegetasjonsklipperen og den andre til å løse mutteren med medfølgende multifunksjonsnøkkel i retning av den merkede pilen på ytre flens, og ta av mutteren og ytre flens. Ta vare på dem til senere montering (Fig. H).
5. Sett skjærebladet på motorakselen, og pass på at bladflaten er på linje med utbulingen på indre flens. Fortsett med å sette på den ytre flensen og mutteren (Fig. I). Stram mutteren midlertidig for hånd i retning **MOT KLOKKEN**.

Fig. I delebeskrivelse, se nedenfor:

I-1	Utbuling på indre flens
I-2	Motoraksel
I-3	Mutter
I-4	Ytre flens
I-5	Skjæreblad

NO

- Drei på ytre flens så spalten i indre flens er på linje med låsehullet til stangen i girkassen, og sett medfølgende unbraconøkkel inn i de justerte hullene som stabilisator slik trinn 2 og 3 over viser.
- Len hodet på vegetasjonsklipperen mot et fast underlag for å få støtte. Bruk en hånd til å holde i skjærebladet og den andre til å stramme mutteren med den medfølgende multifunksjonsnøkkelen i motsatt retning av den merkede pilen på ytre flens (Fig. J).

Bruk av bladvern

MERK: Når verktøyet brukes som kantklipper med trimmerhode, skal tilbehøret til bladvernet monteres på vernet (Fig. K).

Fest bladverntilbehøret på bladvernet ved å stramme de tre skruene med den medfølgende unbraconøkkelen. Hvis dette ikke gjøres, kan det føre til altfor lang skjæretråd og overbelastning av motoren.

NO

MONTERE VEGETASJONSKLIPPEREN PÅ MOTORENHETEN

Denne vegetasjonsklipperen er beregnet til bruk med motorenheten EGO PH1400E/PH1420E/PHX1600.

Se avsnittet "MONTERE TILBEHØR PÅ MOTORENHETEN" i håndboken til motorenheten PH1400E/PH1420E/PHX1600.

DRIFT

⚠ ADVARSEL: Ikke la fortrolighet med dette produktet gjøre deg uforsiktig. Husk at et uforsiktig tiendedel av et sekund er nok til å forårsake alvorlige skader.

⚠ ADVARSEL: Bruk alltid vernebriller med sidebeskyttelse. Sammen med hørselsvern. Unnlatelse av å gjøre dette kan resultere i at gjenstander som blir kastet kommer inn i øynene, og andre mulige og alvorlige skader.

BRUKSOMRÅDER

Du kan bruke dette produktet til nevnte oppgaver:

- Slåing av gress og ugress, kutting av busker, tynning av ungskog med en stamme på maksimum 2 cm.

MERK: Verktøyet skal bare brukes til sitt foreskrevne formål. All annen bruk er feil.

BRUKE VEGETASJONSKLIPPEREN MED MOTORENHETEN

⚠ ADVARSEL: Kle deg riktig for å redusere risikoen for skader når du bruker dette verktøyet. Ikke bruk

løstsittende klær eller smykker. Bruk vernebriller og øre-/hørselsvern. Bruk solide og lange bukser, støvler og hansker. Ikke bruk korte bukser eller sandaler, og ikke gå barbert.

For sikker og bedre drift bør remmen legges over skulderen. Juster skulderremmen så du får en behagelig arbeidsstilling. Hold vegetasjonsklipperen med en hånd på det bakre håndtaket og den andre hånden på det fremre hjelpehåndtaket. Ha et fast grep med begge hender når du bruker verktøyet. Vegetasjonsklipperen skal holdes i en behagelig stilling med det bakre håndtaket omtrent i hofte høyde. Hold godt fast i verktøyet og stå med beina støtt på underlaget.

Plasser deg slik at du ikke mister balansen dersom skjærebladet skulle kastes tilbake (Fig. B).

⚠ ADVARSEL: Skulderremmen er også en rask utløsermekanisme i farlige situasjoner. Når en nødssituasjon oppstår, ta apparatet av skulderen umiddelbart, uansett hvordan remmen er satt inn.

Senk det roterende skjærebladet ned i vegetasjon og busker så du oppnår en hakkeeffekt. Bruk vegetasjonsklipperen som en ljå (slå til venstre og høyre side) nede ved bakken. Klipperen må aldri brukes over midjehøyde.

⚠ ADVARSEL: Jo høyere klipperen er over bakken, desto større er risikoen for å bli skadet fra avskjær som kastes sidelengs.

⚠ ADVARSEL: Når du kutter ungskudd eller annet tremateriale opptil 2 cm i diameter, skal du bruke venstre side av skjærebladet for å unngå blodutskyving. Unngå å kutte trær med større diameter da skjærebladet kan sette seg fast eller rykke vegetasjonsklipperen fremover. Dette kan gi skader på skjæreblad eller vegetasjonsklipper eller få deg til å miste kontrollen over verktøyet, og personskaade kan oppstå.

⚠ ADVARSEL: Feil bruk av skjærebladet kan medføre at det får sprekker, skaller av eller splintres.

Biter som faller av, kan påføre både operatør og tilskuere alvorlig skade. For å redusere risikoen for personskaade er det svært viktig å ta følgende forholdsregler:

- Unngå kontakt med harde eller massive fremmedlegemer som steiner eller metallbiter.
- Kutt aldri ungskudd eller busker som har en diameter på mer enn 2 cm.
- Inspiser skjærebladet hyppig for tegn på skader. Unngå å arbeide med et blad som er skadet.
- Skjærebladet bør skjerpes jevnlig (når det er blitt markert sløvere), og det bør balanseres ved behov (må gjøres av kvalifisert fagperson).

UTSKYVING AV SKJÆREBLAD

Vær ekstremt forsiktig når du bruker skjærebladet med dette verktøyet. Skjærebladet kan skyves ut når det roterende bladet kommer i kontakt med alt som ikke lar seg kutte. Denne kontakten kan føre til at skjærebladet stanser et øyeblikk og plutselig skyver verktøyet bort fra gjenstanden som ble truffet. Reaksjonen kan være såpass voldsom at operatøren mister kontrollen over verktøyet. Utskyving av blad kan forekomme uten forvarsel dersom bladet plutselig brekker, stanses eller henger seg opp. Mest sannsynlig skjer dette på områder der det er vanskelig å se materialet som blir kuttet. For å gjøre det enkelt og trygt å kutte skal du slå buskas og ugress fra høyre mot venstre. Skulle du støte på en uventet gjenstand eller trestokk, vil denne fremgangsmåten sørge for at utskyvingsreaksjonen blir så liten som mulig.

Kontroller om noen deler er ødelagte eller utslitte før bruk

Sjekk skjæreblad, bladvern og fremre hjelpehåndtak og erstatt det som er sprukket, skjevt, bøyd eller ødelagt på annen måte.

Kanten av skjærebladet kan sløves over tid. Det anbefales at du snur bladet for å forlenge levetiden og skjerper det med jevne mellomrom (må gjøres av kvalifisert fagperson) eller bytter det om nødvendig med et nytt blad.

Rengjør vegetasjonsklipperen hver gang den har vært i bruk

Se avsnittet **VEDLIKEHOLD** for rengjøringsinstrukser.

⚠ ADVARSEL: Sørg for at skjærebladet har stanset helt opp før du rengjør eller vedlikeholder vegetasjonsklipperen. Hvis du ikke gjør det, kan det resultere i alvorlig personskade.

SLIK STARTER/STOPPER DU VERKTØYET

Se avsnittet **"STARTE/STOPPE MOTORENHETEN"** i håndboken for PH1400E/PH1420E/PHX1600.

VEDLIKEHOLD

⚠ ADVARSEL: Før du etterser, rengjør eller vedlikeholder verktøyet, må du stoppe motoren, vente på at alle deler har stanset, og så ta ut batteripakken. Hvis du ikke retter deg etter disse instruksene, kan det resultere i alvorlig personskade eller skade på eiendeler.

⚠ ADVARSEL: Når verktøyet trenger service, må bare identiske reservedeler benyttes. Bruk av uoriginale deler kan forårsake fare eller skade produktet. For å sikre trygg og pålitelig bruk må alle reparasjoner utføres av en kvalifisert fagperson.

⚠ ADVARSEL: Bruk alltid kraftige hansker når du installerer eller fjerner skjærebladet eller utfører vedlikehold på det. Vær forsiktig med skjærebladet, og beskytt hendene dine så de ikke blir skadet.

GENERELT VEDLIKEHOLD

Unngå bruk av løsemidler når plastdeler skal rengjøres. De fleste plasttyper kan ta skade av ulike typer løsemidler som er i salg, og kan dermed bli ødelagt. Bruk rene kluter for å fjerne skitt, støv, olje, fett, etc.

RENGJØRING AV ENHETEN

- Fjern batteriet
- Etter hver gangs bruk fjerner du rusk og rask, jordklumper eller gress fra skjæreblad og bladvern med en myk børste.
- Tørk av overflaten på verktøyet med en ren klut, fuktet med mildt såpevann.
- Bruk en liten støvsuger til å rengjøre ventilene på bakre deksel.
- Hold alle luftventiler fri for hindringer.

Når skjærebladet blir sløvt, er begge bladeggene sløve. Bladet må skjerpes av en kvalifisert fagperson eller om nødvendig byttes med et nytt blad.

BYTTING AV SKJÆREBLAD

⚠ ADVARSEL: Et slitt, sprukket eller ødelagt skjæreblad kan brikke, og deler av det ødelagte bladet kan bli til farlige prosjektiler. Objekter som farer gjennom luften, kan forårsake alvorlige skader. Inspiser bladet regelmessig, og unngå å bruke vegetasjonsklipperen dersom skjærebladet er slitt eller ødelagt.

⚠ ADVARSEL: Bruk ordentlig øyebeskyttelse når du fjerner, skjerper eller monterer bladet.

Slik fjerner du skjærebladet

1. Fjern batteriet.
2. Drei på ytre flens så spalten i indre flens er på linje med låsehullet til stangen i gir-kassen, og sett den medfølgende unbraconøkkel inn i de justerte hullene som stabilisator slik det vises i trinn 2 og 3 i avsnittet **"MONTERING AV SKJÆREBLAD"**.
3. Len hodet på vegetasjonsklipperen mot et fast underlag for å få støtte. Bruk en hånd til å holde i skjærebladet og den andre til å løse mutteren med den medfølgende multifunksjonsnøkkel i retning av pilen merket på ytre flens, og ta av mutteren, ytre flens og det slitte skjærebladet (Fig. L).

NO

4. Etterse og bytt den indre flensen og flensdekslet hvis de er slitte (Fig. M).

Se Fig. M under for beskrivelse av delene:

M-1	Motoraksel	M-5	Ytre flens
M-2	Indre flens	M-6	Mutter
M-3	Flensdeksel	M-7	Spalte i flens
M-4	Skjæreblad		

5. Monter det nye skjærebladet på motorakselen i rekkefølgen som vises i Fig. M. Følg trinn 5, 6 og 7 i detalj i avsnittet **"MONTERING AV SKJÆREBLAD"**.

SMØRING AV GIRDREDET

Girdrevet i girkassen må smøres med jevne mellomrom med girolje. Sjekk nivået på oljen i girkassen ca. hver 50. driftstime ved å ta av forseglingskruen på siden av kassen.

NO

Hvis du ikke ser noe olje langs sidene av giret, følger du trinnene under for å fylle girolje til 3/4 av kapasiteten.

Girdrevet må ikke fylles helt opp.

1. Plasser vegetasjonsklipperen på siden slik at forseglingskruen vender opp (Fig. N).
2. Bruk den medfølgende flerbruksnøkkelen til å løsne og ta av forseglingskruen.
3. Bruk en oljesprøyte (følger ikke med) til å sprøyte inn olje i skruehullet.
4. Stram til forseglingskruen når du er ferdig.

LAGRING AV ENHETEN

- Fjern batteripakken fra verktøyet.
- Bruk kraftige hansker og rengjør verktøyet grundig.
- Skyv sliren inn på skjærebladet for sikker oppbevaring (Fig. O).
- Ta vegetasjonsklipperen av motorenheten og sett endekapselen på verktøystangen hvis nødvendig.
- Oppbevar verktøyet på et tørt og godt ventilert sted, innelåst eller høyt plassert, og utilgjengelig for barn. Unngå å oppbevare verktøyet på eller ved siden av gjødningsmidler, bensin eller andre kjemikalier.

Beskytt miljøet



Ikke kast elektrisk utstyr, brukt batteri og lader i husholdningsavfallet! Ta dette produktet til en autorisert gjenvinner og gjør det tilgjengelig for separat innsamling. Elektriske maskiner må returneres til et miljøvennlig gjenvinningssanlegg.

FEILSØKING

PROBLEM	ÅRSAK	LØSNING
Vegetasjonsklipperen starter ikke.	<ul style="list-style-type: none"> ■ Batteripakken er ikke satt inn i motorenheten. ■ Ingen elektrisk kontakt mellom motorenheten og batteripakken. ■ Batteripakken er tom. ■ Låsespaken og utløseren ble ikke trykket inn samtidig. 	<ul style="list-style-type: none"> ■ Fest batteripakken til motorenheten. ■ Fjern batteriet, sjekk kontakter og installer batteripakken igjen. Forsikre deg om at den knepper på plass. ■ Lad batteripakken med EGO-ladere som står oppført i denne håndboken. ■ Trykk ned låsespaken og hold den inne, og trykk deretter på utløseren for å slå på vegetasjonsklipperen.
Vegetasjonsklipperen stopper under kutting.	<ul style="list-style-type: none"> ■ Motoren er overbelastet. ■ Batteripakken eller motorenheten er for varm. ■ Batteripakken er koblet fra verktøyet. ■ Batteripakken er tom. 	<ul style="list-style-type: none"> ■ Motoren vil fungere igjen når lasten er fjernet. For kontinuerlig drift bør du minske belastningen på motorenheten. ■ La batteripakken eller motorenheten kjøle seg ned til temperaturen kommer under 67°C. ■ Installer batteripakken på nytt. ■ Lad batteripakken med EGO-ladere som står oppført i denne håndboken.

NO

GARANTI

EGOs GARANTIREGLER

Besøk nettsiden egopowerplus.eu for å se fullstendige vilkår og betingelser for EGO-garantireglene.

ПРОЧИТАЙТЕ ВСЕ ИНСТРУКЦИИ!



ВНИМАТЕЛЬНО ПРОЧИТАЙТЕ РУКОВОДСТВО ПОЛЬЗОВАТЕЛЯ.

⚠ ПРЕДУПРЕЖДЕНИЕ. Чтобы обеспечить безопасность и надежность устройства, его ремонт и замену частей должен выполнять квалифицированный специалист.

СИМВОЛЫ БЕЗОПАСНОСТИ

Символы безопасности предназначены для привлечения внимания к возможным рискам. Символы безопасности, а также объяснения к ним, требуют особого внимания и понимания. Предупреждения по технике безопасности сами по себе не устраняют опасность. Инструкции и предупреждения не заменяют соответствующие меры по предотвращению несчастных случаев.

⚠ ПРЕДУПРЕЖДЕНИЕ. Перед использованием устройства внимательно прочитайте все инструкции в данном руководстве пользователя и ознакомьтесь с предупреждающими символами безопасности, такими как «**ОПАСНОСТЬ**», «**ПРЕДУПРЕЖДЕНИЕ**» и «**ВНИМАНИЕ**». Несоблюдение всех приведенных ниже инструкций может привести к поражению электрическим током, возникновению пожара и/или получению серьезных травм.

ЗНАЧЕНИЕ СИМВОЛОВ

⚠ ПРЕДУПРЕЖДАЮЩИЙ СИМВОЛ УВЕДОМЛЕНИЯ, ПРЕДУПРЕЖДЕНИЯ И ПРЕДОСТЕРЕЖЕНИЯ. Может использоваться с другими символами или изображениями.



⚠ ПРЕДУПРЕЖДЕНИЕ. В результате работы электроинструмента в глаза могут попасть посторонние предметы, что приведет к серьезному повреждению глаз. Перед началом использования электроинструмента всегда надевайте защитную маску или защитные очки с боковыми щитками и полнопрофильную защитную маску (при необходимости). Поверх очков или стандартных защитных очков рекомендуется надевать защитную маску с широким обзором.

ИНСТРУКЦИИ ПО ТЕХНИКЕ БЕЗОПАСНОСТИ

Далее приведено изображение и описание символов безопасности, которые могут присутствовать на данном устройстве. Перед сборкой или использованием внимательно прочитайте все инструкции, приведенные на устройстве, и соблюдайте их.

	Предупреждение об опасности	Указывает на потенциальную опасность получения травмы.
	Внимательно прочитайте руководство пользователя.	Прочитайте руководство по эксплуатации, чтобы уменьшить риск
	Надевайте защитные очки.	При работе с данным устройством всегда используйте защиту для глаз или защитные очки с боковыми щитками и полнопрофильную защитную маску.
	Используйте средства защиты органов слуха.	Всегда используйте средства защиты органов слуха (наушники или беруши).
	Используйте защитный головной убор.	Используйте надежную каску для защиты головы.
	Используйте защитные перчатки.	При работе с пилой и пыльной цепью надевайте защитные перчатки. Прочные перчатки из нескользящих материалов улучшат захват инструмента и защитят руки.
	Используйте надежную обувь.	При использовании устройства надевайте надежную нескользящую обувь.
	Ширина резания	Макс. ширина резания кустореза

RU

	Остерегайтесь отдачи режущего элемента.	Предупредите оператора об опасности отдачи режущего элемента.
	Не позволяйте посторонним людям находиться поблизости.	Расстояние между устройством и посторонними лицами должно составлять не менее 15 м.
	Остерегайтесь выбрасываемых объектов	Отброшенные предметы могут отскочить и привести к травмам или повреждению имущества.
	Извлекайте аккумулятор перед выполнением технического обслуживания	Перед чисткой или обслуживанием извлеките из триммера с лесной аккумулятор.
	CE	Соответствует основным требованиям стандартов безопасности Европейских директив.
	UKCA	данный продукт соответствует действующему законодательству Великобритании.
	WEEE	Неисправные электрические устройства нельзя выбрасывать вместе с бытовым мусором. Сдавайте их в авторизованные пункты сбора и утилизации.
	Шум	Гарантированный уровень звуковой мощности. Уровень шума в окружающей среде в соответствии с директивой ЕС.
V	Вольт	Напряжение
mm	Миллиметр	Длина или размер
cm	Сантиметр	Длина или размер

kg	Килограмм	Масса
n_0	Скорость работы без нагрузки	Скорость вращения без нагрузки
min^{-1}	В минуту	Оборотов в минуту

ОБЩИЕ ПРАВИЛА ТЕХНИКИ БЕЗОПАСНОСТИ ПРИ ИСПОЛЬЗОВАНИИ УСТРОЙСТВА

⚠ ПРЕДУПРЕЖДЕНИЕ. Прочитайте все правила безопасности, инструкции, иллюстрации и спецификации, прилагаемые к этому устройству. Невыполнение изложенных ниже инструкций может привести к поражению электрическим током, пожару и (или) тяжелым травмам.

СОХРАНИТЕ ВСЕ ПРЕДУПРЕЖДЕНИЯ И ИНСТРУКЦИИ ДЛЯ ИСПОЛЬЗОВАНИЯ В БУДУЩЕМ.

Термин «устройство» в предупреждениях означает электроинструмент с питанием от сети (с кабелем) или с питанием от аккумулятора (без кабеля).

RU

БЕЗОПАСНОСТЬ РАБОЧЕГО МЕСТА

- **Обеспечьте чистоту и освещенность рабочего места.** Загроможденные и плохо освещенные места служат причиной несчастных случаев.
- **Не используйте устройство во взрывоопасных местах, например вблизи горючих жидкостей, газов или пыли.** Устройство генерирует искры, которые могут воспламенить пыль или испарения.
- **Не позволяйте детям и посторонним находиться вблизи работающего устройства.** Отвлекающие факторы могут привести к потере контроля.

ЭЛЕКТРОТЕХНИЧЕСКАЯ БЕЗОПАСНОСТЬ

- **Вилка устройства должна соответствовать розетке. Никогда не переделывайте вилку.** Не используйте никакие переходники для вилок заземленных устройств. Использование оригинальных вилок и соответствующих им розеток уменьшает риск поражения электрическим током.
- **Избегайте прикосновений к заземленным объектам, таким как трубы, радиаторы, плиты и холодильники.** Риск поражения электрическим током выше, когда тело заземлено.
- **Не эксплуатируйте устройство во время дождя или в условиях высокой влажности.** Попадание воды внутрь устройства повышает риск поражения электрическим током и возникновения неисправностей, которые могут привести к травмам.

- **Обращайтесь с кабелем аккуратно. Никогда не переносите, не тяните и не выключайте устройство за кабель. Держите кабель подальше от источников тепла, масла, острых предметов или движущихся частей.** Поврежденные и запутанные кабели повышают риск поражения электрическим током.
- **Для работы с устройством вне помещения используйте предназначенный для этого удлинительный кабель.** Использование кабеля, подходящего для использования вне помещения, снижает риск поражения электрическим током.
- **Если использование устройства в сыром месте неизбежно, подключайте его через выключатель короткого замыкания на землю (ВКЗЗ).** Использование ВКЗЗ уменьшает риск поражения электрическим током.

ЛИЧНАЯ БЕЗОПАСНОСТЬ

- **При использовании устройства будьте бдительны, следите за своими действиями и следуйте здравому смыслу. Не пользуйтесь устройством, если вы устали или находитесь под воздействием наркотиков, алкоголя или медикаментов.** Даже кратковременная невнимательность при работе с устройством может привести к тяжелым травмам.
- **Используйте средства индивидуальной защиты. Всегда используйте защитные средства для глаз.** Защитное оборудование, такое как противопылевая маска, нескользкая предохранительная обувь, жесткая каска или устройства защиты органов слуха в соответствующих условиях уменьшает риск травмирования.
- **Не допускайте непредвиденных запусков. Перед подключением устройства к сети питания (или аккумулятора) и перед его переноской убедитесь, что выключатель находится в выключенном положении.** Не держите палец на выключателе при переноске устройства и не подключайте к источнику питания, если устройство включено. Это может привести к несчастному случаю.
- **Перед включением устройства снимите с него регулировочные инструменты и гаечные ключи.** Регулировочный инструмент или гаечный ключ, оставленный на вращающейся части устройства, может стать причиной травмы.

- **Не тянитесь. Всегда сохраняйте устойчивое положение и равновесие.** Это позволит лучше контролировать устройство в непредвиденных ситуациях.
- **Одевайтесь надлежащим образом. Не надевайте свободную одежду и украшения.** Держите волосы и одежду подальше от движущихся частей. Свободная одежда, украшения и длинные волосы могут попасть в движущиеся части.
- **При наличии устройств для отвода и сбора пыли убедитесь, что они подключены и правильно работают.** Использование пылеулавливающих устройств снижает вред, причиняемый пылью.
- **Не допускайте небрежности, которая может возникнуть из-за частого использования устройства и повлечь за собой самоуверенность и игнорирование правил безопасности.** Неосторожное действие может причинить серьезную травму за доли секунды.

ИСПОЛЬЗОВАНИЕ И ОБСЛУЖИВАНИЕ УСТРОЙСТВА

- **Не прилагайте к устройству чрезмерных усилий. Используйте подходящее для ваших задач устройство.** Правильно выбранное устройство более эффективно и безопасно при номинальной нагрузке.
- **Не используйте устройство, если его выключатель неисправен.** Устройство с неисправным выключателем опасно и подлежит ремонту.
- **Перед регулировкой, сменой аксессуаров или хранением отключите устройство от сети питания и (или) извлеките аккумулятор, если это возможно.** Такие меры предосторожности уменьшают риск случайного запуска устройства.
- **Храните неиспользуемое устройство в недоступном для детей месте и не доверяйте устройство лицам, не знакомым с ним и с этими инструкциями.** Такие устройства опасны в руках неподготовленных пользователей.
- **Выполняйте техническое обслуживание устройства и принадлежностей. Проверьте выравнивание и сцепление подвижных деталей, наличие поломок и прочие условия, которые могут повлиять на работу устройства. Если устройство повреждено, перед использованием его необходимо отремонтировать.** Многие несчастные случаи вызваны неправильным техобслуживанием устройств.

RU

- **Храните режущие устройства в чистоте и заточенном состоянии.** Правильно обслуживаемые и хорошо заточенные режущие устройства меньше заклинивают и лучше контролируются.
- **Используйте устройство, аксессуары, насадки и т. п. в соответствии с этими инструкциями, учитывая условия и специфику выполняемой работы.** Использование устройства для выполнения непредусмотренных операций может привести к опасным ситуациям.
- **Следите за тем, чтобы рукоятки и поверхности захвата были сухими и чистыми и на них не было масла или смазочного материала.** Скользкие рукоятки и поверхности захвата не позволяют безопасно использовать устройство и контролировать его в непредвиденных ситуациях.
- **Не подвергайте аккумуляторную батарею и устройство воздействию огня и высокой температуры.** Воздействие огня или температуры выше 130 °C может привести к взрыву.
- **Следуйте всем инструкциям по зарядке и не заряжайте аккумулятор и устройство при температуре, выходящей за пределы указанного диапазона.** Если зарядка выполняется неправильно или в условиях неподходящей температуры, это может привести к повреждению аккумулятора и возгоранию.

⚠ ПРЕДУПРЕЖДЕНИЕ. Прочитайте все правила безопасности, инструкции, иллюстрации и спецификации, прилагаемые к этому электроинструменту. Невыполнение изложенных ниже инструкций может привести к поражению электрическим током, пожару и (или) тяжелым травмам. Сохраните все предупреждения и инструкции для использования в будущем.

ЭКСПЛУАТАЦИЯ И ОБСЛУЖИВАНИЕ АККУМУЛЯТОРНОГО УСТРОЙСТВА

- **Заряжайте аккумуляторы только с помощью зарядного устройства, указанного изготовителем.** Зарядное устройство, предназначенное для одного типа аккумуляторных батарей, может стать причиной пожара при использовании с другим типом батарей.
- **Используйте устройство только со специально предназначенными для него аккумуляторами.** Использование любого другого вида аккумуляторных батарей может стать причиной несчастных случаев или пожара.
- **Когда аккумулятор не используется, храните его отдельно от металлических предметов — канцелярских скрепок, монет, ключей, гвоздей, винтов и др. — они могут соединить контакты.** Короткое замыкание контактов аккумуляторной батареи может стать причиной ожогов или пожара.
- **При неблагоприятных обстоятельствах из аккумулятора может потечь электролит; избегайте контакта с ним. При случайном контакте промойте водой.** Если жидкость попала в глаза, обратитесь к врачу. Жидкость из аккумуляторной батареи может вызвать раздражение и ожоги.
- **Не используйте аккумулятор и устройство, если они повреждены или подвергались модификациям.** Поведение поврежденных или модифицированных аккумуляторов может быть непредсказуемым, что приведет к возгоранию, взрыву и риску получения травм.

Сохраните все предупреждения и инструкции для использования в будущем.

RU

ОБУЧЕНИЕ

- Внимательно прочитайте инструкцию. Ознакомьтесь со всеми элементами управления и научитесь правильно использовать оборудование.
- Не разрешайте пользоваться устройством лицам, не прочитавшим настоящие инструкции, а также детям. Местные нормы могут ограничивать возраст оператора.
- Помните, что оператор или владелец несут ответственность за несчастные случаи и ущерб, нанесенный другим людям или их имуществу.

ПОДГОТОВКА

- Не используйте устройство, если рядом находятся люди (особенно дети) или животные.
- При работе с устройством надевайте защитные очки и прочную обувь.
- Расстояние между устройством и посторонними лицами должно составлять не менее 15 м.
- Никогда не пользуйтесь устройством, если вы устали, больны или находитесь в состоянии алкогольного или наркотического опьянения.

ЭКСПЛУАТАЦИЯ

- Используйте инструмент только при дневном свете или хорошем искусственном освещении.
- Не используйте инструмент, если щитки повреждены или не установлены.

- Перед запуском двигателя убедитесь, что режущие элементы находятся на достаточном расстоянии от рук и ног.
- Всегда отключайте устройство от источника питания (т. е. извлекайте аккумулятор) в следующих случаях:
 - если инструмент остается без присмотра;
 - перед очисткой засорения;
 - перед проверкой, очисткой или обслуживанием устройства.
 - после столкновения с посторонним предметом;
 - в случае чрезмерной вибрации устройства.
- Чтобы не допустить получения травм, руки и ноги должны находиться на безопасном расстоянии от режущих частей.
- Следите за тем, чтобы вентиляционные отверстия не были засорены.

ОБСЛУЖИВАНИЕ И ХРАНЕНИЕ

- Прежде чем выполнять обслуживание или очистку, всегда отключайте устройство от источника питания (т. е. извлекайте аккумулятор).
- Используйте только запасные части и дополнительные приспособления, рекомендованные производителем.
- Регулярно проверяйте устройство и выполняйте его обслуживание. Ремонт устройства должен выполнять только квалифицированный специалист.
- Если инструмент не используется, храните его в недоступном для детей месте.

ДОПОЛНИТЕЛЬНЫЕ ПРЕДУПРЕЖДЕНИЯ ПО ТЕХНИКЕ БЕЗОПАСНОСТИ

- Не допускайте работы в опасных условиях. Не используйте устройство на влажных и мокрых склонах.
- Защитные ограждения должны быть установлены и находиться в рабочем состоянии.
- Всегда держите руки и ноги подальше от режущих частей.
- Чтобы снизить риск получения травм, никогда не работайте на стремянке или на любой другой неустойчивой поверхности. Никогда не поднимайте режущий элемент выше уровня талии.
- Регулярно проверяйте режущий элемент во время использования, а также сразу после обнаружения серьезных изменений в работе устройства.
- Для достижения наилучших результатов аккумулятор следует заряжать при температуре окружающей среды от 5 до 40 °C. Не храните его вне помещения или в транспортном средстве.

- В случае приближения к препятствиям или посторонним лицам остановите двигатель и режущий элемент.
- Предупредите оператора об опасности отдачи режущего элемента (только при использовании режущего элемента с тремя зубцами).
 - Отдача возникает при контакте вращающегося режущего элемента с объектом, который он не может сразу разрезать.
 - Отдача может быть достаточно сильной, чтобы оттолкнуть устройство и/или оператора в любом направлении и привести к потере контроля над устройством.
 - Отдача может возникнуть внезапно, если режущий элемент зацепился, застрял или зажался.
 - Отдача наиболее вероятна в таких ситуациях, когда обрабатываемый материал плохо видно.
- Не прикрепляйте никакие режущие элементы к устройству без надлежащей установки всех необходимых частей. Несоблюдение рекомендаций по установке надлежащих частей может привести к отлетанию режущего элемента и нанесению серьезных травм оператору и/или посторонним лицам. Заменяйте погнутые, изношенные, треснувшие, сломанные или как-либо иначе поврежденные режущие элементы. Используйте только острые режущие элементы. Тупой режущий элемент чаще застревает и провоцирует отдачи (только при использовании режущего элемента с тремя зубцами).
- Режущий элемент или леска по инерции могут нанести травмы во время вращения даже при остановке двигателя или отпуске курка. Сохраняйте полный контроль над устройством, пока режущий элемент или леска полностью не остановится.
- Работающие от аккумуляторов инструменты не требуются подключать к розетке электросети, поэтому они всегда готовы к использованию. Помните о возможности возникновения опасных ситуаций даже когда устройство не используется. Соблюдайте осторожность при выполнении технического обслуживания или ремонта.
- Не мойте устройство из шланга. Избегайте попадания воды в двигатель и электрические соединения.

- При возникновении ситуаций, не описанных в данном руководстве, соблюдайте осторожность и руководствуйтесь здравым смыслом. Обратитесь в сервисный центр EGO за помощью.
- Используйте только аккумуляторы и зарядные устройства, указанные на рис. А.

СОХРАНИТЕ ДАННЫЕ ИНСТРУКЦИИ!

ТЕХНИЧЕСКИЕ ХАРАКТЕРИСТИКИ

Ширина резания	30 см
Скорость работы без нагрузки	5000/6000 мин ⁻¹
Масса	1,82 кг
Рекомендуемая рабочая температура	От 0 до -40°C
Рекомендуемая температура хранения	от -20 до -70°C
Измеренный уровень звуковой мощности L_{WA}	96,5 дБ (А) K=1,88 дБ (А) (PH1400E)
	93,2 дБ (А) K=0,35 дБ (А) (PH1420E)
	91 дБ (А) K=1,1 дБ (А) (PHX1600)
Уровень звукового давления на уши оператора L_{PA}	84,5 дБ (А) K=3 дБ (А) (PH1400E)
	83,9 дБ (А) K=3 дБ (А) (PH1420E)
	83 дБ (А) K=3 дБ (А) (PHX1600)
Гарантированный уровень звуковой мощности L_{WA} (измерен в соответствии с 2000/14/ЕС)	98 дБ (А)

Вибрация a_h	Передняя вспомогательная рукоятка	2,8 м/с ² K=1,6 м/с ² (PH1400E)
		4,14 м/с ² K=1,5 м/с ² (PH1420E)
		6,64 м/с ² K=1,5 м/с ² (PHX1600)
	Задняя рукоятка	3,1 м/с ² K=1,6 м/с ² (PH1400E)
2,61 м/с ² K=1,5 м/с ² (PHX1600)		

- Вышеуказанные параметры протестированы и измерены при использовании с приводным блоком PH1400E/PH1420E/PHX1600.
- Указанный общий показатель уровня вибрации был определен с помощью стандартного теста и может быть использован для сравнения разных инструментов.
- Указанный общий уровень вибрации может использоваться также для предварительной оценки уровня воздействия.

ПРИМЕЧАНИЕ. Реальное вибрационное воздействие электроинструмента может отличаться от указанного в зависимости от способа использования. В целях безопасности оператор должен надевать перчатки и средства защиты органов слуха во время использования устройства.

Рекомендуемый режущий элемент

НАЗВАНИЕ ДЕТАЛИ	НОМЕР МОДЕЛИ
Режущий элемент кустореза	ABB1203

RU

УПАКОВОЧНЫЙ ЛИСТ

название детали	количество
Насадка кустореза	1
Режущий элемент с чехлом	1
Щиток	1
Защитный элемент (ТОЛЬКО для использования с головкой триммера)	1
Шестигранный ключ	1
Многофункциональный гаечный ключ	1
Руководство по эксплуатации	1

ОПИСАНИЕ

ЧАСТИ НАСАДКИ КУСТОРЕЗА (Рис. А)

1. Концевой колпачок
2. Вал кустореза
3. Щиток
4. Режущий элемент
5. Чехол режущего элемента
6. Проволочный зажим
7. Уплотнительный винт
8. Корпус редуктора
9. Отверстие блокировки вала
10. Внешний фланец
11. Многофункциональный гаечный ключ
12. Шестигранный ключ
13. Защитный элемент (ТОЛЬКО для использования с головкой триммера)

⚠ ПРЕДУПРЕЖДЕНИЕ. Никогда не используйте устройство без надежно установленного щитка. Щиток всегда должен быть установлен на устройство для защиты пользователя.

⚠ ПРЕДУПРЕЖДЕНИЕ. При использовании устройства в качестве триммера с леской, оснащенного головкой триммера, защитный элемент должен устанавливаться поверх щитка. В противном случае это может привести к чрезмерному вытягиванию режущей лески и перегрузке двигателя.

СБОРКА

⚠ ПРЕДУПРЕЖДЕНИЕ. Если какие-либо части повреждены или отсутствуют, не используйте устройство, пока они не будут заменены. Использование устройства в случае повреждения или отсутствия частей может привести к получению серьезной травмы.

⚠ ПРЕДУПРЕЖДЕНИЕ. Не пытайтесь изменить конструкцию триммера или создать не рекомендованные для него дополнительные приспособления. Подобное изменение считается ненадлежащим использованием и способствует возникновению опасной ситуации, которая приведет к получению серьезной травмы.

⚠ ПРЕДУПРЕЖДЕНИЕ. Чтобы предотвратить случайное включение устройства и получение серьезной травмы, перед сборкой извлеките аккумулятор.

⚠ ПРЕДУПРЕЖДЕНИЕ. Если устройство оборудовано головкой кустореза, необходимо установить защитное ограждение.

УСТАНОВКА ЩИТКА

⚠ ПРЕДУПРЕЖДЕНИЕ. Всегда надевайте перчатки при установке и демонтаже щитка. Остерегайтесь лезвия на щитке и берегите руки от порезов.

⚠ ПРЕДУПРЕЖДЕНИЕ. Никогда не используйте устройство без надежно установленного щитка. Щиток всегда должен быть установлен на устройство для защиты пользователя! Не пытайтесь снимать или регулировать установленный щиток. Если щиток необходимо заменить, эту работу должен выполнить квалифицированный специалист по обслуживанию!

Открутите и удалите два винта с основания вала (Рис. С), совместите крепежные отверстия щитка с отверстиями для установки, а затем зафиксируйте щиток на основании вала при помощи двух винтов и двух пружинных шайб (Рис. D).

Убедитесь, что щиток установлен так, как показано на Рис. С и D. Любое другое положение установки может быть очень опасным!

УСТАНОВКА РЕЖУЩЕГО ЭЛЕМЕНТА

1. Режущий элемент поставляется с чехлом. Перед установкой режущего элемента на кусторез необходимо снять с него чехол, сняв проволочный зажим с крючка на чехле (Рис. E).

Описание частей на Рис. E

E-1	Крючок
E-2	Проволочный зажим

RU

2. Проверьте внешний фланец, чтобы совместить отверстие на внутреннем фланце с отверстием блокировки вала на корпусе редуктора (Рис. F).
3. Вставьте прилагаемый шестигранный ключ в совмещенные отверстия в качестве фиксатора (Рис. G).

Описание частей на Рис. F и G

F-1	Корпус редуктора	F-3	Внешний фланец
F-2	Совмещенные отверстия блокировки вала	G-1	Фиксатор

4. Положите головку кустореза на твердую поверхность для опоры. Одной рукой возьмитесь за вал кустореза, а другой рукой при помощи прилагаемого многофункционального гаечного ключа открутите гайку в направлении, указанном стрелкой на внешнем фланце, а затем снимите гайку и внешний фланец. Отложите их для последующей сборки (Рис. H).
5. Установите режущий элемент на вал двигателя и убедитесь, что поверхность режущего элемента плотно прилегает к выпуклой части внутреннего фланца. Установите на место внешний фланец и гайку (Рис. I). Предварительно затяните гайку ПРОТИВ ЧАСОВОЙ СТРЕЛКИ вручную.

Описание частей на Рис. I

I-1	Выпуклая часть внутреннего фланца	I-4	Внешний фланец
I-2	Вал двигателя	I-5	Режущий элемент
I-3	Гайка		

6. Проверьте внешний фланец, чтобы совместить отверстие на внутреннем фланце с отверстием блокировки вала на корпусе редуктора, и вставьте прилагаемый шестигранный ключ в совмещенные отверстия в качестве фиксатора, как показано в предыдущих пунктах 2 и 3.
7. Положите головку кустореза на твердую поверхность для опоры. Одной рукой возьмитесь за режущий элемент, а другой рукой при помощи прилагаемого многофункционального гаечного ключа затяните гайку в направлении, противоположном указанному стрелкой на внешнем фланце (Рис. J).

Использование защитного элемента

ПРИМЕЧАНИЕ. При использовании устройства в качестве триммера с леской, оснащенного головкой триммера, защитный элемент должен устанавливаться поверх щитка (Рис. K).

Закрепите защитный элемент на щитке, затянув три винта при помощи прилагаемого шестигранного ключа. В противном случае это может привести к чрезмерному вытягиванию режущей лески и перегрузке двигателя.

УСТАНОВКА НАСАДКИ КУСТОРЕЗА НА ПРИВОДНОЙ БЛОК

Эта насадка кустореза предназначена для использования с приводным блоком EGO PH1400E/PH1420E/PHX1600.

См. раздел «УСТАНОВКА ИНСТРУМЕНТА НА ПРИВОДНОЙ БЛОК» в руководстве пользователя приводного блока PH1400E/PH1420E/PHX1600.

ИСПОЛЬЗОВАНИЕ

⚠ ПРЕДУПРЕЖДЕНИЕ. Не допускайте небрежности и беспечности при работе с устройством. Помните, что потери бдительности на долю секунды достаточно для получения серьезной травмы.

⚠ ПРЕДУПРЕЖДЕНИЕ. Всегда надевайте защитные очки с боковыми щитками, а также средства защиты органов слуха. В противном случае выбрасываемые предметы попадут в глаза, что может привести к получению серьезной травмы.

ПРИМЕНЕНИЕ

Данное устройство можно использовать в следующих целях:

- срезания травы, сорняков, дикой поросли и кустарников, прореживания молодых растений с диаметром стебля не более 2 см.

ПРИМЕЧАНИЕ. Инструмент должен использоваться только по назначению. Любое другое использование, кроме упомянутого, считается ненадлежащим.

RU

ИСПОЛЬЗОВАНИЕ КУСТОРЕЗА С ПРИВОДНЫМ БЛОКОМ

⚠ ПРЕДУПРЕЖДЕНИЕ. Одевайтесь надлежащим образом, чтобы снизить риск получения травм при использовании данного инструмента. Не надевайте свободную одежду и украшения. Используйте средства защиты органов зрения и слуха. Надевайте плотные длинные брюки, прочную обувь и перчатки. Не надевайте шорты, сандалии и не работайте босиком.

Для более безопасной и удобной работы используйте наплечный ремень. Отрегулируйте наплечный ремень до удобного положения. Удерживайте кусторез одной рукой за заднюю рукоятку, а другой — за переднюю вспомогательную рукоятку. Во время работы крепко держите устройство обеими руками. Кусторез необходимо держать в удобном положении так, чтобы задняя рукоятка была расположена на уровне бедра. Обеспечьте надежный захват и сохраняйте устойчивое положение на обеих ногах.

Расположитесь таким образом, чтобы отдача режущего элемента не могла нарушить вашего равновесия (Рис. В).

⚠ ПРЕДУПРЕЖДЕНИЕ. Наплечный ремень также является быстроразъемным механизмом, использующимся в опасных ситуациях. В случае возникновения чрезвычайной ситуации немедленно снимите его с плеча любым способом.

Для резки дикой поросли и кустарника опустите вращающийся режущий элемент на растительность для достижения измельчающего эффекта. Используйте кусторез как косу (перемещайте справа налево) на уровне земли. Никогда не поднимайте режущий элемент выше уровня талии.

⚠ ПРЕДУПРЕЖДЕНИЕ. Чем выше режущий элемент над землей, тем выше риск получения травмы от отбрасываемых в стороны обрезков.

⚠ ПРЕДУПРЕЖДЕНИЕ. При резке молодой растительности или других древесных материалов со стеблем диаметром не более 2 см используйте левую сторону режущего элемента для предотвращения риска отдачи. Не пытайтесь срезать древесные материалы большего диаметра, так как режущий элемент может застрять и отбросить кусторез вперед. Это может привести к повреждению режущего элемента или кустореза, а также к потере контроля над кусторезом и травмам.

⚠ ПРЕДУПРЕЖДЕНИЕ. Неправильное использование режущего элемента кустореза может привести к его растрескиванию, раскалыванию и повреждению.

Отбрасываемые части могут нанести серьезные травмы оператору и посторонним лицам. Чтобы снизить риск получения травм, необходимо принять следующие меры предосторожности.

- Избегайте контакта режущего элемента с твердыми посторонними предметами, такими как камни или фрагменты металла.
- Никогда не режьте растительность с диаметром стебля более 2 см.
- Регулярно проверяйте режущий элемент на предмет повреждений. Не продолжайте работу с поврежденным режущим элементом.
- Регулярно затачивайте режущий элемент (когда он заметно затупляется) и выполняйте его балансировку, если требуется (с помощью квалифицированного специалиста).

ОТДАЧА РЕЖУЩЕГО ЭЛЕМЕНТА

Проявляйте крайнюю осторожность при использовании режущего элемента с этим устройством. Отдача режущего элемента — это реакция, которая может возникнуть при контакте вращающегося режущего элемента с препятствием, которое он не может разрезать. В результате этого контакта режущий элемент на мгновение останавливается и затем внезапно отскакивает от объекта, с которым столкнулся. Эта реакция может быть достаточно сильной, чтобы привести к потере контроля над устройством. Отдача может возникнуть внезапно, если режущий элемент зацепился, застрял или зажался. Отдача наиболее вероятна в таких ситуациях, когда обрабатываемый материал плохо видно. Для легкой и безопасной резки работайте кусторезом справа налево. В случае столкновения с посторонним предметом такая техника позволит минимизировать реакцию отдачи.

Перед каждым использованием проверяйте устройство на наличие поврежденных и изношенных частей.

Проверьте режущий элемент, щиток и переднюю вспомогательную рукоятку и замените все треснувшие, деформированные, изогнутые или поврежденные части.

Кромка режущего элемента может со временем затупляться. Рекомендуется переворачивать режущий элемент, чтобы продлить срок его службы, а также периодически затачивать (при помощи квалифицированного специалиста) или заменять на новый, если требуется.

Очищайте кусторез после каждого использования.

Инструкции по очистке см. в разделе «ОБСЛУЖИВАНИЕ».

⚠ ПРЕДУПРЕЖДЕНИЕ. Перед очисткой или ремонтом кустореза убедитесь, что режущий элемент полностью остановился. В противном случае это может привести к серьезным травмам.

ВКЛЮЧЕНИЕ И ВЫКЛЮЧЕНИЕ ИНСТРУМЕНТА

См. раздел «ВКЛЮЧЕНИЕ И ВЫКЛЮЧЕНИЕ ПРИВОДНОГО БЛОКА» в руководстве пользователя приводного блока PH1400E/PH1420E/PHX1600.

ОБСЛУЖИВАНИЕ

⚠ ПРЕДУПРЕЖДЕНИЕ. Прежде чем выполнять проверку, очистку или обслуживание устройства, выключите двигатель, дождитесь, пока все движущиеся детали полностью остановятся, а затем извлеките аккумулятор. Несоблюдение данных инструкций может привести к серьезным травмам или материальному ущербу.

⚠ ПРЕДУПРЕЖДЕНИЕ. При ремонте используйте только идентичные запасные части. Использование других запасных частей может привести к возникновению опасной ситуации или повреждению устройства. Чтобы обеспечить безопасность и надежность устройства, его ремонт должен выполнять квалифицированный специалист.

⚠ ПРЕДУПРЕЖДЕНИЕ. Всегда надевайте прочные перчатки при установке или извлечении режущего элемента, а также при выполнении каких-либо работ по обслуживанию режущего элемента. Остерегайтесь режущего элемента и берегите руки от порезов.

ОБЩЕЕ ОБСЛУЖИВАНИЕ

Не используйте растворители для очистки пластиковых частей. Большинство пластиковых частей чувствительны к различным бытовым растворителям и могут быть повреждены. Для очистки от грязи, пыли, масла, смазки и т. п. используйте чистую ткань.

ОЧИСТКА УСТРОЙСТВА

- Извлеките аккумулятор.
- После каждого использования удаляйте мусор, налипшую почву и траву с режущего элемента и щитка при помощи мягкой щетки.
- Очищайте поверхность инструмента чистой тканью, смоченной в слабом мыльном растворе.

- С помощью маленькой щетки или небольшого пылесоса очистите вентиляционные отверстия на задней стороне корпуса.

- Следите за тем, чтобы вентиляционные отверстия не были засорены.

Если режущий элемент затупился, то затупились оба его края. Заточите его у квалифицированного специалиста или замените на новый режущий элемент, если требуется.

ЗАМЕНА РЕЖУЩЕГО ЭЛЕМЕНТА

⚠ ПРЕДУПРЕЖДЕНИЕ. Изношенные, треснувшие или поврежденные режущие элементы могут поломаться и их фрагменты могут опасно разлетаться в стороны. Отбрасываемые предметы могут нанести серьезные травмы. Регулярно проверяйте режущий элемент и не используйте кусторез с изношенным или поврежденным режущим элементом.

⚠ ПРЕДУПРЕЖДЕНИЕ. При демонтаже, заточке и установке режущего элемента используйте подходящие средства защиты глаз.

RU

Извлечение режущего элемента

1. Извлеките аккумулятор.
2. Проверните внешний фланец, чтобы совместить отверстие на внутреннем фланце с отверстием блокировки вала на корпусе редуктора, и вставьте прилагаемый шестигранный ключ в совмещенные отверстия в качестве фиксатора, как показано в пунктах 2 и 3 в разделе «УСТАНОВКА РЕЖУЩЕГО ЭЛЕМЕНТА».
3. Положите головку кустореза на твердую поверхность для опоры. Одной рукой возьмитесь за режущий элемент, а другой рукой при помощи прилагаемого многофункционального гаечного ключа открутите гайку в направлении, указанном стрелкой на внешнем фланце, а затем снимите гайку, внешний фланец и изношенный режущий элемент (Рис. L).
4. Проверьте и замените внутренний фланец и крышку фланца, если они изношены (Рис. M).

Описание частей на Рис. M

M-1	Вал двигателя	M-5	Внешний фланец
M-2	Внутренний фланец	M-6	Гайка
M-3	Крышка фланца	M-7	Отверстие фланца
M-4	Режущий элемент		

5. Установите новый режущий элемент на вал двигателя в порядке, показанном на Рис. М. В точности следуйте шагам, описанным в пунктах 5, 6 и 7 в разделе «УСТАНОВКА РЕЖУЩЕГО ЭЛЕМЕНТА».

СМАЗКА ШЕСТЕРНЕЙ РЕДУКТОРА

Шестерни в редукторе необходимо периодически смазывать трансмиссионной смазкой. Проверьте уровень смазки каждые 50 часов работы, сняв уплотнительный винт на боковой стороне корпуса.

Если по бокам шестерней не видно следов смазки, выполните указанные ниже действия, чтобы залить трансмиссионную смазку на 3/4 объема.

Не заливайте шестерни редуктора полностью.

1. Удерживайте кусторез таким образом, чтобы уплотнительный винт был направлен вверх (Рис. N).
2. Используйте прилагаемый многофункциональный гаечный ключ, чтобы открутить и извлечь уплотнительный винт.
3. Используйте смазочный шприц (не входит в комплект), чтобы впрыснуть немного смазки в отверстие для винта.
4. Закрутите уплотнительный винт после смазки.

ХРАНЕНИЕ УСТРОЙСТВА

- Извлеките аккумулятор из устройства.
- Наденьте прочные перчатки и выполните тщательную очистку устройства.
- Для безопасного хранения наденьте чехол на режущий элемент (Рис. O).
- Снимите насадку кустореза с приводного блока и наденьте концевой колпачок на вал насадки, если требуется.
- Храните устройство в сухом, хорошо проветриваемом, закрытом или высоком месте, недоступном для детей. Не храните устройство рядом с удобрениями, бензином или другими химическими веществами.

Защита окружающей среды



Не выбрасывайте электроприборы, зарядные устройства и аккумуляторные батареи вместе с бытовыми отходами! Отправьте данное изделие на переработку в специализированное предприятие или сдайте его для раздельного сбора. Устройства должны быть возвращены на перерабатывающее предприятие, не наносящее ущерба окружающей среде.

УСТРАНЕНИЕ НЕИСПРАВНОСТЕЙ

ПРОБЛЕМА	ПРИЧИНА	РЕШЕНИЕ
Кусторез не запускается.	<ul style="list-style-type: none"> ■ Аккумулятор не установлен в приводной блок. ■ Нет электрического контакта между приводным блоком и аккумулятором. ■ Аккумулятор разряжен. ■ Рычаг блокировки и курковый переключатель не зажаты одновременно. 	<ul style="list-style-type: none"> ■ Установите аккумулятор в приводной блок. ■ Извлеките аккумулятор, проверьте контакты и установите аккумулятор на место до щелчка. ■ Зарядите аккумулятор с помощью зарядного устройства EGO, указанного в данном руководстве. ■ Нажмите на рычаг блокировки и удерживайте его, затем зажмите курковый переключатель, чтобы включить кусторез.
Кусторез остановился во время резки.	<ul style="list-style-type: none"> ■ Двигатель перегружен. ■ Аккумулятор или приводной блок перегрелся. ■ Аккумулятор не подключен к устройству. ■ Аккумулятор разряжен. 	<ul style="list-style-type: none"> ■ Двигатель начнет работать снова, как только нагрузка уменьшится. При длительной работе снизьте нагрузку на приводной блок. ■ Дайте аккумулятору или приводному блоку остыть, пока его температура не упадет ниже 67°C. ■ Установите аккумулятор. ■ Зарядите аккумулятор с помощью зарядного устройства EGO, указанного в данном руководстве.

RU

ГАРАНТИЯ

ГАРАНТИЙНАЯ ПОЛИТИКА EGO

Посетите веб-сайт egopowerplus.eu, чтобы ознакомиться со всеми условиями и сроками гарантийной политики EGO.

PRZECZYTAJ WSZYSTKIE INSTRUKCJE!



PRZECZYTAJ INSTRUKCJĘ OPERATORA

⚠ OSTRZEŻENIE: Aby zagwarantować bezpieczeństwo i niezawodność, wszystkie naprawy i wymiany części powinny być wykonywane przez wykwalifikowanych techników serwisu.

SYMBOLE BEZPIECZEŃSTWA

Celem symboli bezpieczeństwa jest zwrócenie uwagi użytkownika na możliwe zagrożenia. Symbole bezpieczeństwa i objaśnienia do nich zasługują na to, by je uważnie przestudiować i zrozumieć. Symbole bezpieczeństwa nie eliminują same z siebie jakichkolwiek zagrożeń. Podawane w nich instrukcje i ostrzeżenia nie zastępują odpowiednich środków zapobiegania wypadkom.

PL

⚠ OSTRZEŻENIE: Przed użyciem narzędzia prosimy przeczytać i zrozumieć wszystkie instrukcje dotyczące bezpieczeństwa podane w podręczniku użytkownika, łącznie z wszystkimi symbolami ostrzegawczymi takimi jak „**NIEBEZPIECZEŃSTWO**”, „**OSTRZEŻENIE**” i „**UWAGA**”. Niestosowanie się do wszystkich podanych niżej instrukcji może doprowadzić do porażenia prądem, pożaru i/lub poważnych obrażeń.

ZNACZENIE SYMBOLI

⚠ SYMBOL OSTRZEGAWCZY: Oznacza **NIEBEZPIECZEŃSTWO**, **OSTRZEŻENIE** lub **PRZESTROGĘ**. Może być używany razem z innymi symbolami lub piktogramami.



⚠ OSTRZEŻENIE: Praca elektronarzędziami może spowodować wyrzucenie ciał obcych w oczy użytkownika, co może doprowadzić do poważnych urazów oczu. Przed rozpoczęciem pracy elektronarzędziem należy zawsze założyć gogle ochronne lub okulary z osłonami bocznymi, a w stosownych przypadkach także pełną osłonę na twarz. Zalecamy nakładanie na zwykłe okulary maski zabezpieczającej o szerokim polu widzenia lub stosowanie standardowych okularów zabezpieczających z osłonami bocznymi.

INSTRUKCJE DOTYCZĄCE BEZPIECZEŃSTWA

Na tej stronie pokazano i opisano symbole bezpieczeństwa, które mogą występować na produkcie. Przed podjęciem próby złożenia i użycia urządzenia należy przeczytać i zrozumieć wszystkie instrukcje dotyczące urządzenia oraz zastosować się do nich.

	Ostrzeżenie dotyczące bezpieczeństwa	Wskazuje na potencjalne ryzyko urazów ciała.
	Przeczytaj instrukcję operatora	Aby ograniczyć ryzyko urazów, użytkownik musi przeczytać instrukcję operatora.
	Noś okulary ochronne	Podczas używania produktu należy zawsze nosić gogle ochronne lub okulary ochronne z osłonami bocznymi, a także pełną osłonę na twarz.
	Noś ochronniki słuchu	W celu ochrony słuchu należy zawsze nosić ochronniki słuchu (zatyczki do uszu lub nauszniki).
	Noś kask ochronny	Aby chronić głowę, należy nosić atestowany kask ochronny.
	Noś rękawice ochronne	Na czas prac przy pile i łańcuchu tnącym należy zabezpieczyć ręce rękawicami. Wytrzymałe rękawice antypoślizgowe poprawiają uchwyt i chronią dłonie.
	Noś obuwie ochronne	Podczas używania urządzenia należy nosić obuwie ochronne z podeszwami antypoślizgowymi.
	Średnica żyłki	Maks. szerokość koszenia kosą do zarośli
	Uwaga na możliwość odbicia ostrza	Prosimy ostrzec operatora o ryzyku związanym z odbiciem ostrza.

	Osoby postronne trzymaj z daleka	Odległość między narzędziem a osobami postronnymi musi wynosić co najmniej 15 metrów
	Uwaga na przedmioty wyrzucane w powietrze	Przedmioty wyrzuczone w powietrze mogą się odbić rykoszetem i doprowadzić do urazów lub strat materialnych.
	Przed przystąpieniem do czynności konserwacyjnych należy odłączyć akumulator	Przed przystąpieniem do czynności konserwacyjnych lub czyszczenia od podkaszarki należy odłączyć akumulator.
	CE	Produkt jest zgodny z obowiązującymi dyrektywami WE.
	UKCA	Produkt jest zgodny z obowiązującym ustawodawstwem Wielkiej Brytanii.
	WEEE	Zużyte urządzenia elektryczne nie należy wyrzucać razem ze zwykłymi odpadami domowymi. Należy je oddać do autoryzowanego punktu recyklingu.
	Hałas	Gwarantowany poziom mocy akustycznej. Emisja hałasu do środowiska zgodnie z dyrektywą Wspólnoty Europejskiej.
V	Wolt	Napięcie
mm	Milimetr	Długość lub rozmiar
cm	Centymetr	Długość lub rozmiar
kg	Kilogram	Ciężar
n_0	Prędkość bez obciążenia	Prędkość obrotowa bez obciążenia
min ⁻¹	Na minutę	Obroty na minutę

OGÓLNE OSTRZEŻENIA DOTYCZĄCE BEZPIECZEŃSTWA UŻYWANIA MASZYNY

⚠ OSTRZEŻENIE: Prosimy przeczytać wszystkie ostrzeżenia i instrukcje oraz przestudiować specyfikację i ilustracje dostarczone wraz z maszyną. Niestosowanie się do wszystkich podanych niżej instrukcji może doprowadzić do porażenia prądem, pożaru i/lub poważnych obrażeń.

WSZYSTKIE OSTRZEŻENIA I INSTRUKCJE NALEŻY ZACHOWAĆ NA PRZYSZŁOŚĆ.

Termin „maszyna” występujący w ostrzeżeniach dotyczy maszyny elektrycznej o zasilaniu sieciowym (przewodowej) lub akumulatorowym (bezprowodowej).

BEZPIECZEŃSTWO W MIEJSCU PRACY

- **Należy dbać o czystość i dobre oświetlenie w miejscu pracy.** Bałagan i złe oświetlenie sprzyjają wypadkom.
- **Maszyn nie należy używać w miejscach zagrożonych wybuchem, np. w obecności łatwopalnych cieczy, gazów lub pyłu.** Maszyny wytwarzają iskry, które mogą zapalić pył lub opary.
- **W czasie pracy maszynę należy trzymać z dala od dzieci i osób postronnych.** Chwila nieuwagi może spowodować utratę kontroli nad urządzeniem.

BEZPIECZEŃSTWO ELEKTRYCZNE

- **Wtyczki maszyny muszą pasować do gniazdka. Nigdy w jakikolwiek sposób nie wolno przerabiać wtyczki.** Do maszyn wymagających uziemienia nie należy używać przejściówek. Oryginalne wtyczki i pasujące do nich gniazdka zmniejszają ryzyko porażenia prądem.
- **Należy unikać dotykania ciałem powierzchni uziemionych, takich jak np. rury, kaloryfery, kuchenki i lodówki.** Uziemienie ciała zwiększa ryzyko porażenia prądem.
- **Maszyny nie należy używać podczas deszczu lub w warunkach dużej wilgotności.** Woda dostająca się do maszyny może zwiększyć ryzyko porażenia prądem lub awarii, która może doprowadzić do urazów ciała.
- **Nie należy nadwyreżać przewodu. Nigdy nie należy używać przewodu do noszenia lub ciągnięcia maszyny; nie wolno chwycić za przewód, aby wyjąć wtyczkę z kontaktu.** Przewód należy chronić przed gorącym, ropą, olejem, ostrymi krawędziami i poruszającymi się częściami. Zaplątane lub uszkodzone przewody zwiększają ryzyko porażenia prądem.
- **Podczas używania maszyny na dworze należy stosować przedłużacz nadający się do używania na dworze.** Używanie przewodu przeznaczonego do stosowania na dworze zmniejsza ryzyko porażenia prądem.
- **Jeżeli użycie maszyny w miejscu o dużej wilgotności jest nieuniknione, należy stosować zasilanie zabezpieczone wyłącznikiem różnicowoprądowym.** Używanie wyłącznika różnicowoprądowego zmniejsza ryzyko porażenia prądem.

PL

BEZPIECZEŃSTWO OSOBISTE

- Podczas używania maszyny należy zachowywać czujność, patrzeć, co się robi i kierować się zdrowym rozsądkiem. Nie należy używać maszyny, gdy użytkownik jest zmęczony, albo pod wpływem narkotyków, alkoholu lub leków. Chwila nieuwagi w czasie posługiwania się maszyną może spowodować poważne urazy.
- Należy używać środków ochrony osobistej. Należy zawsze nosić okulary ochronne. Stosowanie w odpowiednich warunkach sprzętu ochronnego takiego jak np. maska przeciwpyłowa, obuwie ochronne z podeszwami antypoślizgowymi, kask lub ochronniki słuchu zmniejszy ewentualne obrażenia.
- Nie należy dopuszczać do przypadkowego włączenia. Należy pilnować, aby przed podłączeniem maszyny do zasilania i/lub baterii akumulatorowej oraz przed podniesieniem i przeniesieniem przełącznik był ustawiony w pozycji „wylączone”. Trzymanie palca na przełączniku włączającym w czasie przenoszenia maszyn lub podłączanie ich do zasilania, gdy przełącznik ustawiony jest w pozycji „włączone”, może doprowadzić do wypadku.
- Przed włączeniem maszyny należy usunąć wszystkie klucze regulacyjne i inne narzędzia. Klucz zaczepiony o obracającą się część maszyny może spowodować obrażenia.
- Nie należy sięgać za daleko. Należy zawsze dbać o utrzymanie równowagi i pewne podparcie nóg. W nieprzewidzianych sytuacjach zapewnia to lepszą kontrolę nad maszyną.
- Należy nosić odpowiednią odzież. Nie powinno się nosić luźnych ubrań ani biżuterii. Włosy i odzież należy trzymać w bezpiecznej odległości od poruszających się części. Luźne ubrania, biżuteria lub długie włosy mogą zaczepić się o poruszające się części.
- Jeżeli urządzenie jest przystosowane do podłączania do odsysacza pyłu i urządzenia zbierającego, należy dopilnować, aby systemy te były podłączone i właściwie stosowane. Używanie systemów służących do pochłaniania pyłu może zmniejszyć zagrożenia związane z pyłem.
- Nie wolno dopuścić do tego, aby poczucie znajomości maszyn wynikające z ich częstego używania doprowadziło do lekceważenia i ignorowania zasad bezpieczeństwa. Jedno lekkomyślne działanie może w ułamku sekundy doprowadzić do ciężkich urazów.

UŻYWANIE I PIELEGNACJA MASZYN

- Maszyny nie należy forsować. Należy używać maszyny odpowiedniej do wykonywanej pracy. Odpowiednia maszyna wykona pracę lepiej i bezpieczniej, gdy pozwoli się jej pracować z prędkością/obrotami do jakich została zaprojektowana.
- Nie należy używać maszyny, jeżeli przełącznik zasilania nie włącza jej lub nie wylącza. Maszyna, której nie da się kontrolować przełącznikiem, jest potencjalnie niebezpieczna i wymaga naprawy.
- Przed przystąpieniem do regulacji maszyny oraz przed wymianą akcesoriów lub odłożeniem maszyny na miejsce, należy odłączyć ją od zasilania i/lub wyjąć akumulator. Tego typu zapobiegawcze środki ostrożności zmniejszają ryzyko przypadkowego włączenia się maszyny.
- Nieużywane maszyny należy przechowywać w miejscu niedostępnym dla dzieci. Nie wolno dopuszczać do obsługiwanie maszyny przez osoby, które nie znają maszyny lub nie zapoznały się z niniejszą instrukcją. W rękach nieprzeszkolonych użytkowników maszyny mogą stanowić zagrożenie.
- Maszyny i akcesoria należy utrzymywać w dobrym stanie. Należy kontrolować, czy części ruchome nie są odchylone od osi, nie zacinają się i nie są pęknięte lub uszkodzone w inny sposób, który mógłby wpłynąć na działanie maszyny. Jeśli maszyna jest uszkodzona, przed użyciem należy ją naprawić. Wiele wypadków wynika ze złej konserwacji maszyn.
- Należy dbać o czystość i naostrzenie maszyn tnących. Odpowiednio utrzymane maszyny tnące z ostrymi krawędziami tnącymi są mniej narażone na zakleszczanie się i łatwiej jest je kontrolować.
- Maszyny, akcesoriów, wiertel, bitów, itp. należy używać zgodnie z niniejszą instrukcją, z uwzględnieniem warunków i rodzaju wykonywanej pracy. Korzystanie z maszyny niezgodnie z przeznaczeniem może doprowadzić do niebezpiecznych sytuacji.
- Należy dbać o to, aby uchwyty i powierzchnie do trzymania były suche, czyste i niezaplamione olejem lub smarem. Śliskie uchwyty nie pozwalają w bezpieczny sposób kontrolować maszyny w nieprzewidzianych sytuacjach.

UŻYWANIE I PIELEGNACJA MASZYN AKUMULATOROWEJ

- Do ładowania należy używać wyłącznie ładowarki wskazanej przez producenta. Użycie ładowarki pochodzącej od jednego akumulatora do ładowania innego akumulatora grozi pożarem.

- **Maszyn należy używać wyłącznie z dedykowanymi do nich akumulatorami.** Użycie jakichkolwiek innych akumulatorów grozi obrażeniami i pożarem.
- **Jeżeli akumulator nie jest używany, należy go przechowywać z dala od innych przedmiotów metalowych, np. spinaczy, monet, kluczy, gwoździ, śrub i innych drobnych przedmiotów metalowych, które mogłyby spowodować zwarcie wyprowadzeń akumulatora.** Zwarcie wyprowadzeń akumulatora może doprowadzić do oparzeń lub pożaru.
- **W niesprzyjających warunkach może dojść do wycieku cieczy z akumulatora. Należy wtedy unikać wszelkiego kontaktu z tą cieczą. W razie przypadkowego kontaktu ze skórą, zabrudzone miejsce należy obficie przemyć wodą.** Jeżeli płyn dostanie się do oczu, należy dodatkowo zasięgnąć porady lekarza. Płyn wyciekający z akumulatora może powodować podrażnienie lub oparzenia.
- **Nie należy używać akumulatorów lub maszyn, które są uszkodzone lub zostały poddane przeróbkom.** Uszkodzone lub zmodyfikowane akumulatory mogą zachowywać się w sposób nieprzewidywalny, co może doprowadzić do pożaru lub wybuchu lub stwarzać ryzyko urazów.
- **Nie należy narażać akumulatora lub maszyny na kontakt z ogniem lub zbyt wysokimi temperaturami.** Ogień lub temperatury przekraczające 130°C mogą doprowadzić do wybuchu.
- **Należy przestrzegać wszystkich instrukcji ładowania.** Nie należy ładować akumulatora lub maszyny poza przedziałem temperatur podanym w instrukcji. Ładowanie w sposób nieprawidłowy lub w temperaturze wykraczającej poza określony zakres może doprowadzić do uszkodzenia akumulatora i zwiększa ryzyko pożaru.

⚠ OSTRZEŻENIE: Prosimy przeczytać wszystkie ostrzeżenia i instrukcje oraz przestudiować specyfikację i ilustracje dostarczone wraz z elektronarzędziem. Niestosowanie się do wszystkich podanych niżej instrukcji może doprowadzić do porażenia prądem, pożaru i/lub poważnych obrażeń. Prosimy zachować na przyszłość wszystkie ostrzeżenia i instrukcje.

Prosimy zachować na przyszłość wszystkie ostrzeżenia i instrukcje.

SZKOLENIE

- Prosimy uważnie przeczytać instrukcję. Należy zapoznać się z elementami sterującymi i metodami poprawnej obsługi urządzenia

- Nigdy nie należy pozwalać używać urządzenia osobom nieobeznanym z niniejszą instrukcją lub dzieciom. Przepisy lokalne mogą nakładać ograniczenia dotyczące wieku operatora.
- Należy pamiętać, że operator lub użytkownik ponosi odpowiedzialność za wypadki lub zagrożenia dotyczące osób trzecich lub ich własności.

PRZYGOTOWANIE

- Nigdy nie należy używać urządzenia, gdy w pobliżu znajdują się ludzie (zwłaszcza dzieci) lub zwierzęta domowe.
- W czasie używania urządzenia należy nosić okulary i solidne buty.
- Odległość między maszyną a osobami postronnymi musi wynosić co najmniej 15 metrów.
- Nigdy nie należy używać narzędzia, gdy operator jest zmęczony, chory albo pod wpływem alkoholu lub narkotyków.

UŻYTKOWANIE

- Urządzenia należy używać tylko przy świetle dziennym lub przy dobrym oświetleniu sztucznym.
- Urządzenia nie należy nigdy używać z uszkodzonymi osłonami lub bez założonych osłon.
- Silnik wolno włączyć dopiero wtedy, gdy ręce i stopy znajdują się z dala od urządzenia tnącego.
- W następujących sytuacjach urządzenie należy zawsze odłączyć od zasilania (tj. wyjąć z niego akumulator):
 - za każdym razem, gdy urządzenie zostaje pozostawione bez nadzoru;
 - przed odblokowaniem zablokowanego mechanizmu;
 - Przed kontrolą, czyszczeniem lub wykonywaniem prac przy urządzeniu.
 - po uderzeniu w dowolny przedmiot;
 - za każdym razem, gdy urządzenie wpada w nietypowe wibracje.
- Należy uważać na ryzyko skaleczenia stóp i rąk elementem tnącym.
- Otwory wentylacyjne muszą być zawsze drożne.

KONSERWACJA I PRZECHOWYWANIE

- Przed czyszczeniem i czynnościami konserwacyjnymi, urządzenie należy odłączyć od zasilania (tj. wyjąć z niego akumulator).
- Należy używać wyłącznie części zamiennych i akcesoriów zalecanych przez producenta.
- Urządzenie należy regularnie kontrolować i konserwować. Naprawy urządzenia powinny być wykonywane wyłącznie przez serwisanta z odpowiednimi uprawnieniami.

- Gdy urządzenie nie jest używane, należy je przechowywać w miejscu niedostępnym dla dzieci.

POZOSTAŁE OSTRZEŻENIA

- Należy unikać pracy w niebezpiecznych warunkach – Nie używać urządzeń na podmokłych lub wilgotnych powierzchniach.
- Oslony zabezpieczające muszą być zawsze założone i sprawne.
- Ręce i stopy należy trzymać z dala od strefy koszenia.
- Aby ograniczyć ryzyko urazów, nigdy nie należy pracować na drabinie lub innych niebezpiecznych podporach. Końcówki tnącej nie wolno nigdy trzymać powyżej poziomu pasa.
- W czasie użytkowania końcówkę tnącą należy sprawdzać w regularnych odstępach czasu. W przypadku zauważalnej zmiany w sposobie koszenia kontrolę należy przeprowadzić natychmiast.
- Aby uzyskać najlepsze wyniki, akumulator należy ładować w miejscu, w którym temperatura mieści się w przedziale od 5°C do 40°C. Nie przechowywać na dworze lub w pojazdach.
- Jeśli do użytkownika zbliży się jakaś osoba, należy wyłączyć silnik i zatrzymać końcówkę tnącą.
- Prosimy ostrzec operatora o ryzyku związanym z odbiciem ostrza (dotyczy tylko przypadku używania narzędzia z ostrzem z 3 zębami).
 - Gdy kręcące się ostrze dotknie przedmiotu, który nie poddaje się natychmiastowemu przecięciu, może pojawić się siła odbicia ostrza.
 - Siła odbicia ostrza może być na tyle gwałtowna, że może spowodować odepchnięcie maszyny i/lub operatora w dowolną stronę, z możliwością utraty kontroli nad narzędziem.
 - Jeśli ostrze zaczepi się o coś, zablokuje się lub zaklinuje, do odbicia może dojść bez jakiegokolwiek ostrzeżenia.
 - Odbicie ostrza zdarza się częściej w miejscach, w których trudno jest zobaczyć koszony materiał.
- Nie należy zakładać żadnego ostrza do urządzenia bez prawidłowego zainstalowania wszystkich wymaganych części. Bez użycia odpowiednich części mogłyby dojść do wyrzucenia ostrza w powietrze i do poważnych urazów operatora lub osób postronnych. Ostrza, które ulegną skrzywieniu, skręceniu, pęknięciu, nadłamaniu lub innemu uszkodzeniu należy zawsze wyrzucić. Używane ostrze musi być ostre. Tępe ostrze łatwiej klinuje się i ulega odbiciu (dotyczy tylko przypadku używania narzędzia z ostrzem z 3 zębami).

- Ostrze/żyłka tnąca obracające/-a się na luzie po wyłączeniu silnika lub puszczeniu spustu może spowodować urazy. Do momentu całkowitego zatrzymania się ostrza tnącego/żyłki należy pilnować narzędzia.
- Narzędzia akumulatorowe nie wymagają podłączenia do kontaktu elektrycznego i dlatego są zawsze gotowe do pracy. Należy więc mieć świadomość możliwych zagrożeń, występujących nawet wtedy, gdy narzędzie nie jest używane. Podczas wykonywania czynności konserwacyjnych lub serwisowych należy zachować ostrożność.
- Nie należy czyścić urządzenia węzłem; należy unikać zachlapywania wodą silnika i połączeń elektrycznych.
- W sytuacjach, które nie zostały przewidziane w niniejszej instrukcji należy zachować ostrożność i kierować się własnym zdrowym rozsądkiem. W celu uzyskania pomocy prosimy skontaktować się z centrum obsługi klienta EGO.
- W urządzeniu należy używać wyłącznie akumulatorów i ładowarek podanych na rys. A.

INSTRUKCJI NIE NALEŻY WYRZUCAĆ!

SPECYFIKACJA

Szerokość koszenia	30 cm
Prędkość bez obciążenia	5000/6000 min ⁻¹
Waga (bez akumulatora)	1,82 kg
Zalecana temperatura pracy	0°C-40°C
Zalecana temperatura składowania	-20°C-70°C
Zmierzony poziom mocy akustycznej L _{WA}	96,5 dB(A) K=1,88 dB(A) (PH1400E)
	93,2 dB(A) K=0,35 dB(A) (PH1420E)
	91 dB(A) K=1,1 dB(A) (PHX1600)

Poziom ciśnienia akustycznego przy uchu operatora L_{PA}	84,5 dB(A) K=3 dB(A) (PH1400E)	
	83,9 dB(A) K=3 dB(A) (PH1420E)	
	83 dB(A) K=3 dB(A) (PHX1600)	
Gwarantowany poziom mocy akustycznej L_{WA} (zmierzony zgodnie z dyrektywą 2000/14/WE)	98 dB(A)	
Drgania a_n	Przedni uchwyt pomocniczy	2,8 m/s ² K=1,6 m/s ² (PH1400E)
		4,14 m/s ² K=1,5 m/s ² (PH1420E)
		6,64 m/s ² K=1,5 m/s ² (PHX1600)
	Uchwyt tylny	3,1 m/s ² K=1,6 m/s ² (PH1400E)
		1,88 m/s ² K=1,5 m/s ² (PH1420E)
		2,61 m/s ² K=1,5 m/s ² (PHX1600)

- Powyższe parametry są testowane i mierzone na głowicy uniwersalnej PH1400E/PH1420E/PHX1600.
- Deklarowana całkowita wartość drgań została zmierzona zgodnie ze standardowymi metodami testowania i może służyć do porównywania różnych narzędzi.
- Deklarowana całkowita wartość drgań może również służyć do wstępnej oceny narażenia na drgania.

UWAGA: W zależności od sposobu eksploatacji, emisja wibracji podczas faktycznego użytkowania elektronarzędzia może się różnić od wartości deklarowanej. Aby chronić operatora, w rzeczywistych warunkach użytkowania użytkownik powinien nosić rękawice i naszki ochronne.

Zalecane ostrze

NAZWA CZĘŚCI	NUMER MODELU
Ostrze kosy do zarośli	ABB1203

LISTA ELEMENTÓW W OPAKOWANIU

NAZWA CZĘŚCI	ILOŚĆ
Końcówka kosa do zarośli	1
Zestaw ostrze i osłona na ostrze	1
Oslona	1
Oslona – osprzęt dodatkowy (do używania TYLKO z głowicą podkaszarki)	1
Klucz imbusowy	1
Klucz wielofunkcyjny	1
Instrukcja operatora	1

OPIS

POZNAJ SWOJĄ KOŚĘ DO ZAROŚLI (Rys. A)

1. Zaślepka
2. Walek kosy do zarośli
3. Osłona
4. Ostrze
5. Pokrowiec na ostrze
6. Druk zaciskowy
7. Śruba uszczelniająca
8. Obudowa przekładni
9. Otwór na walek blokujący
10. Kołnier zewnątrz
11. Klucz wielofunkcyjny
12. Klucz imbusowy
13. Osłona – osprzęt dodatkowy (do używania TYLKO z głowicą podkaszarki)

⚠️ OSTRZEŻENIE: Nigdy nie należy włączać narzędzia bez mocno założonej osłony. Aby chronić użytkownika, osłona musi być zawsze założona na narzędzie!

⚠️ OSTRZEŻENIE: Podczas używania narzędzia jako podkaszarki z głowicą tnącą, na osłonie należy zamontować osprzęt osłony. Nieprzestrzeganie tego zalecenia może skutkować nadmierną długością żyłki tnącej i przecięciem silnika.

PL

MONTAŻ

⚠️ OSTRZEŻENIE: W przypadku braku lub uszkodzenia którejs z części nie należy uruchamiać urządzenia aż do momentu wymiany lub naprawy części. Używanie urządzenia z uszkodzonymi lub brakującymi częściami może doprowadzić do poważnych urazów ciała.

⚠️ OSTRZEŻENIE: Nie należy próbować przerabiać urządzenia lub tworzyć akcesoriów, które nie są zalecane do używania w podkaszarce. Wszelkie tego typu zmiany lub modyfikacje są niedozwolone i mogą prowadzić do niebezpiecznych sytuacji oraz poważnych urazów ciała.

⚠️ OSTRZEŻENIE: Aby zapobiec przypadkowemu włączeniu, które mogłoby spowodować urazy ciała, na czas mocowania części należy zawsze wyjmować z maszyny akumulator.

⚠️ OSTRZEŻENIE: Jeżeli maszyna jest wyposażona w głowicę kosi do zarośli, na osłonie należy zamontować pałąk zabezpieczający.

PL

MONTAŻ OSŁONY

⚠️ OSTRZEŻENIE: Podczas zakładania lub wymieniania osłony należy mieć zawsze założone rękawice. Należy uważać na ostrze na osłonie – ryzyko skażenia dłoni.

⚠️ OSTRZEŻENIE: Nigdy nie należy włączać maszyny bez mocno założonej osłony. Aby chronić użytkownika, osłona musi być zawsze założona na maszynę! Jeśli osłona jest założona, nie należy nigdy próbować jej zdejmować lub regulować. Jeśli potrzebna jest wymiana, powinien jej dokonać wykwalifikowany technik!

Odkręcić i wyjąć dwie śruby z trzonka podstawy (Rys. C), wyrównać otwory mocujące osłony względem otworów montażowych i dwiema śrubami z dwiema podkładkami sprężynującymi zablokować osłonę na podstawie trzonka (Rys. D).

Upewnić się, że osłona jest zamocowana zgodnie z Rys. C i D, jakiegokolwiek rodzaju montaż odwrotną stroną stanowi poważne zagrożenie!

MONTAŻ OSTRZA

1. Ostrze jest dostarczane w osłonie. Przed zamontowaniem ostrza w kosie do zarośli należy zdjąć osłonę – zdjąć drut zaciskowy z haka na osłonie (Rys. E).

Rys. E opis części patrz poniżej:

E-1	Hak
E-2	Drut zaciskowy

2. Obrócić kołnierz zewnętrzny tak, aby otwór w kołnierzu wewnętrznym dopasować do otworu na wałek blokujący w obudowie przekładni (Rys. F).
3. Przełożyć klucz imbusowy przez obydwa otwory – klucz będzie pełnił rolę stabilizatora (Rys. G).

Rys. F i G – opis części patrz poniżej:

F-1	Obudowa przekładni	F-3	Kołnierz zewnętrzny
F-2	Dopasowane do siebie otwory na wałek blokujący	G-1	Stabilizator

4. Położyć i oprzeć głowicę kosi do zarośli na solidnej powierzchni. Jedną ręką chwycić wałek kosi do zarośli, a drugą dostarczoną w zestawie kluczem wielofunkcyjnym odkręcić nakrętkę w kierunku zaznaczonym strzałką na kołnierzu zewnętrznym. Zdjąć nakrętkę i zdjąć kołnierz zewnętrzny. Zachować je do ponownego montażu (Rys. H).
5. Zamocować ostrze na wałku silnika, dopilnować, aby powierzchnia ostrza znalazła się na jednej wysokości z powierzchnią wybruzszenia kołnierza wewnętrznego. Założyć następnie kołnierz zewnętrzny i nakrętkę (Rys. I). Wstępnie dokręcić nakrętkę ręką **W LEWO (PRZECIWNIE DO KIERUNKU RUCHU WSKAZÓWEK ZEGARA)**.

Rys. I opis części patrz poniżej:

I-1	Wybruszenie kołnierza wewnętrznego	I-4	Kołnierz zewnętrzny
I-2	Wałek silnika	I-5	Ostrze
I-3	Nakrętka		

6. Obrócić kołnierz zewnętrzny tak, aby otwór w kołnierzu wewnętrznym dopasować do otworu na wałek blokujący w obudowie przekładni i przełożyć klucz imbusowy przez obydwa otwory, aby pełnił rolę stabilizatora, tak jak poprzednio w krokach 2 i 3.
7. Położyć i oprzeć głowicę kosi do zarośli na solidnej powierzchni. Jedną ręką chwycić ostrze, a drugą dostarczoną w zestawie kluczem wielofunkcyjnym dokręcić nakrętkę w kierunku odwrotnym do zaznaczonego strzałką na kołnierzu zewnętrznym (Rys. J).

Używanie osprzętu osłony

UWAGA: Podczas używania narzędzia jako podkaszarki z głowicą tnącą, na osłonie musi być zamontowany osprzęt osłony (Rys. K).

Zamocować osprzęt osłony na osłonie – dokręcić trzy śruby dostarczonym kluczem imbusowym. Nieprzestrzeżenie tego zalecenia może skutkować nadmierną długością żyłki tnącej i przeciążeniem silnika.

PODŁĄCZANIE KOŃCÓWKI KOSA DO ZAROŚLI DO GŁOWICY UNIWERSALNEJ

Ta końcówka kosa do zarośli została zaprojektowana do używania z głowicą uniwersalną EGO model PH1400E/PH1420E/PHX1600.

Więcej informacji – patrz część „ZAKŁADANIE KOŃCÓWKI NA GŁOWICĘ UNIWERSALNĄ” w instrukcji do głowicy uniwersalnej PH1400E/PH1420E/PHX1600.

UŻYTKOWANIE

⚠ OSTRZEŻENIE: Nie wolno dopuścić do tego, aby znajomość narzędzia doprowadziła do nieuwagi. Należy pamiętać, że do spowodowania poważnych obrażeń wystarczy zaledwie chwila nieuwagi.

⚠ OSTRZEŻENIE: Należy zawsze nosić okulary ochronne z osłonami bocznymi. Ponadto należy też nosić nauszki ochronne. Nieprzestrzeżenie tego zalecenia może doprowadzić do poważnych obrażeń oczu odłamkiem lub skrawkiem materiału wyrzuconym przez pracujące narzędzie, a także grozi innymi możliwymi urazami.

ZASTOSOWANIA

Urządzenia można używać wyłącznie do celów podanych poniżej:

- Koszenie trawy, chwastów, zarośli i chaszczy, przerzedanie młodych kęp pędów o maksymalnej średnicy pnia 2 cm.

UWAGA: Narzędzia należy używać tylko do celów zgodnych z przeznaczeniem. Wszelkie inne zastosowania uznaje się za niezgodne z przeznaczeniem.

UŻYWANIE KOSY DO ZAROŚLI ZAŁOŻONEJ NA GŁOWICĘ UNIWERSALNĄ

⚠ OSTRZEŻENIE: Aby ograniczyć ryzyko obrażeń, podczas pracy narzędziem należy nosić odpowiednią odzież. Nie należy nosić luźnych ubrań ani biżuterii. Należy nosić środki ochrony oczu i ochronniki słuchu. Należy nosić ciężkie długie spodnie, solidne buty i rękawice. Nie należy nosić krótkich spodni lub sandałów ani używać narzędzia na boso.

Aby bezpieczniej i lepiej pracować narzędziem, należy przelożyć przez ramię pasek na ramię. Pasek wyregulować w taki sposób, aby zagwarantować wygodną pozycję pracy. Kosę do zarośli należy trzymać jedną ręką na uchwycie tylnym, a drugą na przednim uchwycie pomocniczym. Podczas pracy narzędziem należy mocno trzymać uchwyty obiema rękoma. Kosę do zarośli należy trzymać wygodnie z tylnym uchwytem znajdującym się mniej więcej na wysokości bioder. Zawsze należy dbać o utrzymanie równowagi na obu nogach i o dobrą przyczepność.

Należy przyjąć taką pozycję, aby nie stracić równowagi i nie dać się zbić z nóg siłami odbicia ostrza tnącego (Rys. B).

⚠ OSTRZEŻENIE: Pasek na ramię jest także mechanizmem szybkiego odczepiania w niebezpiecznych sytuacjach. W sytuacji awaryjnej należy go natychmiast zdjąć z ramienia, niezależnie od sposobu założenia paska.

Aby przyciąć zarośla i chaszczę, należy opuścić kręcące się ostrze na zarośla i w ten sposób uzyskać efekt szatkowania. Kosy do zarośli należy używać tak jak zwykłej kosy (należy nią przemiać w lewo i w prawo) na wysokości podłoża. Końcówki tnącej nie wolno nigdy używać powyżej pasa.

⚠ OSTRZEŻENIE: Im wyżej końcówka tnąca znajduje się nad ziemią, tym większe jest ryzyko urazów spowodowanych wyrzuceniem ścinek na boki.

⚠ OSTRZEŻENIE: Podczas ścinania młodych odrostów lub innych zdrewniałych pędów o średnicy do 2 cm należy używać lewej strony ostrza, aby nie dopuścić do sytuacji grozących odbiciem. Nie należy próbować zdrewniałych pędów o większej średnicy, ponieważ ostrze mogłoby zakleszczyć się lub szarpnąć kosą do przodu. Mogłoby to doprowadzić do uszkodzenia ostrza lub kosy lub spowodować utratę kontroli nad kosą, co w efekcie mogłoby doprowadzić do urazów.

⚠ OSTRZEŻENIE: Niewłaściwe używanie ostrza kosy do zarośli może doprowadzić do jego pęknięcia, wyszczerbienia lub zniszczenia.

Wyrzucone części mogą doprowadzić do ciężkich urazów operatora lub osób postronnych. Aby ograniczyć ryzyko obrażeń ciała, bardzo ważne jest podjęcie następujących środków ostrożności:

- Należy unikać kontaktu z twardymi przedmiotami lub ciałami stałymi takimi jak kamienie i kawałki skał lub metalu.
- Nigdy nie należy ciąć drewna o średnicy powyżej 2 cm.
- Ostrze kontrolować w regulacjach, krótkich odstępach czasu. Nie kontynuować pracy, gdy ostrze jest uszkodzone.

- Ostrze należy regularnie ostrzyć (gdy się wyraźnie stępi).
W razie potrzeby należy je też wyważyć (czynność tę powinien wykonać wykwalifikowany technik serwisu).

ODBICIE OSTRZA

Podczas używania ostrza należy zachować maksymalną ostrożność. Odbicie jest reakcją, która może nastąpić, gdy kręcące się ostrze dotknie przedmiotu, którego nie jest w stanie przeciąć. Dotknięcie to może spowodować chwilowe zatrzymanie się ostrza i nagle „szarpnięcie” urządzenia w kierunku od uderzonego przedmiotu. Reakcja może być na tyle gwałtowna, że operator może utracić kontrolę nad narzędziem. Jeśli ostrze zaczepi się o coś, zablokuje się lub zaklinuje, do odbicia może dojść bez jakiegokolwiek ostrzeżenia. Odbicie ostrza zdarza się częściej w miejscach, w których trudno jest zobaczyć koszony materiał. Aby kosić łatwo i bezpiecznie, należy podchodzić do koszonych chwastów z kosą do zarośli przesuwającą się od prawej do lewej. W przypadku niespodziewanego natrafienia na jakiś przedmiot lub kawałek drewna, takie postępowanie ogranicza szarpnięcie ostrzem do minimum.

PL

Przed każdym użyciem należy sprawdzić, czy jakiegokolwiek części nie są uszkodzone/zużyte

Skontrolować ostrze, osłonę i przedni uchwyt pomocniczy oraz wymienić części pęknięte, wypaczone, skrzywione lub uszkodzone w jakikolwiek sposób.

Krawędź ostrza może się z czasem stępić. Zaleca się, aby odwracać ostrze w celu przedłużenia jego żywotności i okresowo je ostrzyć (czynność tę powinien wykonać wykwalifikowany serwisant). W razie potrzeby ostrze należy wymienić na nowe.

Czyszczenie kosi do zarośli po każdym użyciu

Instrukcje dotyczące czyszczenia – patrz część zatytułowana **KONSERWACJA**.

⚠ OSTRZEŻENIE: Przed czyszczeniem i serwisowaniem należy odczekać, aż ostrze całkowicie się zatrzyma. Nieprzestrzeganie tego zalecenia może doprowadzić do poważnych obrażeń ciała.

WŁĄCZANIE/WYŁĄCZANIE NARZĘDZIA

Więcej informacji – patrz część „**WŁĄCZANIE/WYŁĄCZANIE GŁOWICY UNIWERSALNEJ**” w instrukcji do głowicy uniwersalnej PH1400E/PH1420E/PHX1600.

KONSERWACJA

⚠ OSTRZEŻENIE: Przed kontrolą, czyszczeniem lub serwisowaniem urządzenia należy wyłączyć silnik, odczekać aż wszystkie poruszające części zatrzymają się i wyjąć akumulator. Niezastosowanie się do powyższych instrukcji może doprowadzić do poważnych obrażeń ciała lub do uszkodzenia mienia.

⚠ OSTRZEŻENIE: Podczas serwisowania należy używać wyłącznie części zamiennych identycznych z oryginalnymi. Używanie jakichkolwiek innych części stwarza ryzyko i może spowodować usterkę produktu. Aby zagwarantować bezpieczeństwo i niezawodność, wszystkie naprawy powinny być wykonywane przez wykwalifikowanych techników serwisu.

⚠ OSTRZEŻENIE: Na czas mocowania lub zdejmowania ostrza oraz podczas wykonywania przy ostrzu czynności konserwacyjnych należy zawsze zakładać solidne rękawice. Należy uważać na ostrze i chronić dłonie przed skałeczeniem ostrzem.

KONSERWACJA OGÓLNA

Podczas czyszczenia części plastikowych należy unikać używania rozpuszczalników. Pod wpływem kontaktu z różnego rodzaju rozpuszczalnikami dostępnymi w handlu większość tworzyw może ulec uszkodzeniu. Do usuwania zabrudzeń, kurzu, oleju, smaru itp. należy używać czystych ściereczek.

CZYSZCZENIE URZĄDZENIA

- Wyjąć akumulator.
- Po każdym użyciu usunąć miękką szczoteczką zanieczyszczenia, ziemię lub trawę zapychające ostrze i jego osłonę.
- Powierzchnię narzędzia przetrzeć czystą szmatką zwilżoną roztworem mydła.
- Do czyszczenia otworów wentylacyjnych z tylnej części obudowy używać małej szczoteczki lub małego odkurzacza.
- Dbać o to, aby otwory wentylacyjne były drożne

Gdy ostrze się stępi i obie jego krawędzie są tępe, należy oddać ostrze wykwalifikowanemu serwisantowi do naostrzenia. W razie potrzeby ostrze należy wymienić na nowe.

WYMIANA OSTRZA

⚠ OSTRZEŻENIE: Zużyte, spękanе lub uszkodzone ostrze może się rozpaść na kawałki, a części uszkodzonego ostrza mogą się zmienić w niebezpieczne pociski. Wyrzucone przedmioty mogą spowodować poważne obrażenia. Należy regularnie kontrolować ostrze i nie używać kosi do zarośli ze zużytym lub uszkodzonym ostrzem.

⚠ OSTRZEŻENIE: Podczas zdejmowania, ostrzenia i zakładania ostrza należy używać odpowiednich środków ochrony oczu.

Zdejmowanie ostrza

1. Wyjąć akumulator.
2. Obrócić kołnierz zewnętrzny tak, aby otwór w kołnierzu wewnętrznym dopasować do otworu na wałek blokujący w obudowie przekładni i przełożyć klucz imbusowy przez obydwa otwory, aby pełnił rolę stabilizatora, tak jak w krokach 2 i 3 w części „MONTAŻ OSTRZA”.
3. Położyć i oprzeć głowicę kosi do zarośli na solidnej powierzchni. Jedną ręką chwycić ostrze, a drugą dostarczoną w zestawie kluczem wielofunkcyjnym odkręcić nakrętkę w kierunku zaznaczonym strzałką na kołnierzu zewnętrznym. Zdjąć nakrętkę, kołnierz zewnętrzny i zużyte ostrze (Rys. L).
4. Sprawdzić i wymienić kołnierz wewnętrzny i pokrywę kołnierza, o ile są zużyte (Rys. M).

Rys. M opis części patrz poniżej:

M-1	Wałek silnika	M-5	Kołnierz zewnętrzny
M-2	Kołnierz wewnętrzny	M-6	Nakrętka
M-3	Pokrywa kołnierza	M-7	Szczelina w kołnierzu
M-4	Ostrze		

5. Zainstalować nowe ostrze na wałek silnika w kolejności pokazanej na Rys. M. Szczegóły – postępować zgodnie z instrukcjami podanymi w krokach 5, 6 i 7 w części „MONTAŻ OSTRZA”.

SMAROWANIE PRZEKŁADNI TRANSMISYJNEJ

Przekładnia transmisyjna wymaga okresowego smarowania smarem do przekładni. Co 50 godzin pracy, należy kontrolować stan smaru w obudowie przekładni: w tym celu należy zdjąć śrubę uszczelniającą z boku obudowy.

Jeśli po bokach przekładni nie widać w ogół smaru, należy wykonać kroki podane poniżej w celu napełnienia obudowy smarem do 3/4 pojemności.

Przekładni transmisyjnej nie należy całkowicie napełniać.

1. Przytrzymać kosę do zarośli tak, aby śruba uszczelniająca była skierowana do góry (Rys. N).
2. Kluczem wielofunkcyjnym odkręcić i zdjąć śrubę uszczelniającą.
3. Użyć strzykawki olejowej (do dokupienia osobno), aby wstrzyknąć odrobinę smaru w otwór na śrubę.
4. Po wstrzyknięciu smaru dokręcić śrubę uszczelniającą.

PRZECHOWYWANIE URZĄDZENIA

- Wyjąć akumulator z narzędzia.
- Aby móc dokładnie wyczyścić urządzenie należy nosić mocne rękawice.
- Aby bezpiecznie przechowywać ostrze, należy na nie założyć osłonę (Rys. O).
- Zdjąć końcówkę-kosę o zarośli z głowicy uniwersalnej i w razie potrzeby założyć zaślepkę na wałek końcówki.
- Urządzenie należy przechowywać w suchym i przewiewnym miejscu niedostępnym dla dzieci: albo pod kluczem, albo wystarczająco wysoko. Urządzenia nie należy używać na nawozach lub w ich pobliżu, to samo dotyczy podłoży zanieczyszczonych benzyną i substancjami chemicznymi.

Ochrona środowiska



Urządzeń elektrycznych, zużytych akumulatorów i ładowarki nie należy wyrzucać do zwykłych zmieszanych śmieci domowych! Produkt należy oddać do zbiórki selektywnej w autoryzowanym punkcie recyklingu. Maszyny elektryczne należy oddawać do przyjaznych dla środowiska zakładów recyklingu.

PL

ROZWIĄZYWANIE PROBLEMÓW

PROBLEM	PRZYCZYNA	ROZWIĄZANIE
Kosa do zarośli nie włącza się.	<ul style="list-style-type: none"> ■ Akumulator nie jest podłączony do głowicy. ■ Głowica uniwersalna i akumulator nie kontaktują. ■ Akumulator jest rozładowany. ■ Dźwignia odblokowująca i przełącznik spustowy nie zostały wciśnięte jednocześnie. 	<ul style="list-style-type: none"> ■ Włożyć akumulator do głowicy. ■ Wyjąć akumulator, sprawdzić styki i założyć akumulator z powrotem aż do oporu. ■ Naładować akumulator jedną z ładowarek EGO podanych w niniejszym podręczniku. ■ Aby włączyć kosę do zarośli, wcisnąć i przytrzymać dźwignię odblokowującą, a następnie nacisnąć przełącznik spustowy.
Kosa do zarośli wyłącza się podczas koszenia.	<ul style="list-style-type: none"> ■ Silnik jest przeciążony. ■ Akumulator lub głowica są zbyt gorące. ■ Akumulator jest odłączony od narzędzia. ■ Akumulator jest rozładowany. 	<ul style="list-style-type: none"> ■ Gdy tylko obciążenie zostanie usunięte, silnik wznowi pracę. Do pracy ciągłej należy zmniejszyć obciążenie głowicy uniwersalnej. ■ Pozwolić, aby akumulator lub głowica ostygły do temperatury poniżej 67°C. ■ Ponownie założyć akumulator. ■ Naładować akumulator jedną z ładowarek EGO podanych w niniejszym podręczniku.

PL

GWARANCJA

POLITYKA GWARANCYJNA EGO

W celu zapoznania się z wszystkimi warunkami polityki gwarancyjnej EGO prosimy odwiedzić stronę egopowerplus.eu.

PŘEČTĚTE SI VŠECHNY POKYNY!



PŘEČTĚTE SI NÁVOD K OBSLUZE

VAROVÁNÍ: Z důvodu bezpečnosti by měl všechny opravy a výměny provádět kvalifikovaný servisní technik.

BEZPEČNOSTNÍ SYMBOLY

Účelem bezpečnostních symbolů je upoutat vaši pozornost k případným nebezpečím. Bezpečnostní symboly a jejich vysvětlení vyžadují vaši zvýšenou pozornost a porozumění. Výstražné symboly samy o sobě nevyvolávají žádné nebezpečí. Pokyny a varování nejsou náhradou vhodných opatření pro prevenci úrazů.

VAROVÁNÍ: Před použitím tohoto nástroje si přečtěte a seznamte se se všemi bezpečnostními pokyny v tomto návodu k obsluze včetně veškerých výstražných symbolů, jako např. „**NEBEZPEČÍ**“, „**VAROVÁNÍ**“ nebo „**UPOZORNĚNÍ**“. Nedodržení níže uvedených pokynů může mít za následek úraz elektrickým proudem, požár a nebo vážná poranění osob.

VÝZNAM SYMBOLŮ

BEZPEČNOSTNÍ VÝSTRAŽNÉ SYMBOLY: Upozorňují na **NEBEZPEČÍ**, **VAROVÁNÍ**, nebo **UPOZORNĚNÍ**. Lze je používat ve spojení s jinými symboly nebo piktogramy.



UPOZORNĚNÍ: Při použití elektrického nářadí může dojít k vyvrstvení cizích těles do očí, což může způsobit jejich závažné poškození. Před použitím elektrického nářadí si vždy nasadte ochranné brýle, ochranné brýle s bočními kryty nebo v případě potřeby obličejový štít. Na brýle nebo standardní ochranné brýle s bočními kryty doporučujeme použít ochrannou masku.

BEZPEČNOSTNÍ POKYNY

Na této stránce jsou zobrazeny a popsány bezpečnostní symboly, které se mohou objevit na výrobku. Před montáží a provozem si přečtěte, seznamte se a dodržujte veškeré pokyny ke stroji.

	Bezpečnostní upozornění	Upozorňuje na možné riziko úrazu.
	Přečtěte si návod k obsluze	Z důvodu snížení rizika úrazu si musí uživatel přečíst návod k obsluze.
	Použijte ochranu očí	Vždy noste ochranné brýle, ochranné brýle s bočními kryty nebo obličejový štít při použití tohoto výrobku.
	Použijte chrániče sluchu	Vždy používejte ochranu sluchu (špunty do uší nebo sluchátka), která chrání váš sluch.
	Použijte ochranu hlavy	K ochraně hlavy používejte schválenou pevnou ochrannou přilbu.
	Použijte ochranné rukavice	Při manipulaci s řetězovou pilou chraňte ruce rukavicemi. Odolné protiskluzové rukavice zlepšují váš úchop a chrání ruce.
	Použijte ochrannou obuv.	Při použití tohoto zařízení noste protiskluzovou bezpečnostní obuv.
	Šířka sekání	Max. šířka sekání křovinořezu
	Dejte si pozor na zpětný ráz	Upozorněte obsluhu na nebezpečí zpětného rázu.
	Udržujte ostatní osoby v bezpečné vzdálenosti	Vzdálenost mezi nářadím a ostatními osobami musí být nejméně 15 m.
	Pozor na odhobené předměty	Vyvrstvené předměty se mohou odrazit a způsobit zranění osob nebo poškození majetku.

GZ

	Před údržbou odpojte akumulátor	Před prováděním údržby nebo čištěním odpojte akumulátor od sekačky na trávu.
	CE	Tento výrobek je v souladu s platnými směnicemi ES.
	UKCA	Tento výrobek je v souladu s příslušnou britskou legislativou.
	WEEE	Odpadní elektrické výrobky se nesmí likvidovat s domovním odpadem. Odevzdejte do autorizovaného recyklačního střediska.
	Hlučnost	Garantovaná hladina akustického výkonu. Emise hluku do prostředí dle direktivy Evropského společenství.
V	Voltů	Napětí
mm	Milimetr	Délka nebo velikost
cm	Centimetr	Délka nebo velikost
kg	Kilogram	Hmotnost nůžek
n_0	Rychlost při chodu naprázdno	Otáčky při chodu naprázdno
min^{-1}	Za minutu	Otáčky za minutu

CZ

OBECNÁ BEZPEČNOSTNÍ UPOZORNĚNÍ STROJE

VAROVÁNÍ: Přečtěte si všechny bezpečnostní výstrahy, pokyny, ilustrace a technické údaje dodané s tímto strojem. Nedodržení všech níže uvedených pokynů může vést k úrazu elektrickým proudem, požáru a/nebo vážnému úrazu.

VŠECHNA VAROVÁNÍ A POKYNY USCHOVEJTE PRO BUDOUCÍ POUŽITÍ.

Výraz „stroj“ v upozorněních označuje stroj napájený ze sítě (kabelový) nebo bateriový (akumulátorový).

BEZPEČNOST NA PRACOVIŠTI

- Udržujte pracovní prostor v čistotě a dobře osvětlený. Nepořádek nebo neosvětlené pracovní oblasti bývají příčinou úrazů.
- Nepoužívejte stroje ve výbušném prostředí, například v přítomnosti hořlavých kapalin, plynů

nebo prachu. Stroje jsou zdrojem jiskření, které může zapálit prach nebo výparu.

- Při práci se strojem udržujte děti a přihlížející osoby v bezpečné vzdálenosti. Nesoustředěnost může způsobit ztrátu kontroly.

ELEKTRICKÁ BEZPEČNOST

- Zástrčky stroje musí odpovídat zásuvce. V žádném případě nikdy neupravujte zástrčku. Nepoužívejte žádné adaptérové zástrčky s uzemňovacími stroji. Neupravené zástrčky a vhodné zásuvky snižují riziko úrazu elektrickým proudem.
- Zabraňte kontaktu těla s uzemňovacími povrchy, jako jsou potrubí, radiátory, sporáky a ledničky. Existuje zvýšené riziko úrazu elektrickým proudem, pokud je vaše tělo uzemněno.
- Neprovazujte stroj v dešti nebo za mokra. Voda vstupující do stroje může zvýšit riziko úrazu elektrickým proudem nebo poruchy, která by mohla mít za následek zranění osob.
- Nepoužívejte kabel nevhodným způsobem. Nikdy nepoužívejte kabel k přenášení, vytahování nebo odpojování stroje z elektrické sítě. Udržujte kabel daleko od tepla, oleje, ostrých hran nebo pohyblivých částí. Poškozené nebo spletené kabely zvyšují riziko úrazu elektrickým proudem.
- Při práci se strojem venku používejte prodlužovací kabel vhodný pro venkovní použití. Použití kabelu vhodného pro venkovní použití snižuje riziko úrazu elektrickým proudem.
- Pokud musíte se strojem pracovat ve vlhkém prostředí, použijte přerušovač zemního spojení (GFCI). Použití přerušovače zemního obvodu (GFCI) snižuje riziko úrazu elektrickým proudem.

OSOBNÍ BEZPEČNOST

- Při práci se strojem buďte stále pozorní, sledujte, co děláte a používejte zdravý rozum. Nepoužívejte stroj, jste-li unaveni nebo pod vlivem drog, alkoholu nebo léků. Jediná chvilka nepozornosti při práci se strojem může mít za následek vážný úraz.
- Používejte osobní ochranné pracovní prostředky. Vždy používejte ochranu očí. Ochranné pomůcky, jako např. respirátor, protiskluzová bezpečnostní obuv, pevná přilba nebo chrániče sluchu používané ve vhodném prostředí sníží riziko úrazu.
- Zabraňte náhodnému spuštění. Před připojením ke zdroji napětí a/nebo akumulátoru, zvedáním nebo přenášením stroje se ujistěte, že vypínač je ve vypnuté poloze. Přenášení strojů s prstem na spínači nebo zapínání strojů se zapnutým spínačem vybízí k nehodám.

- **Před zapnutím stroje odstraňte seřizovací klíče nebo nářadí.** Nářadí nebo klíč, který zůstane upevněn k otáčející se části stroje, může způsobit zranění.
- **Nenahýbejte se. Vždy udržujte pevný postoj a rovnováhu.** To umožní lepší ovládání stroje v nečekaných situacích.
- **Používejte vhodný oděv. Nenoste volný oděv ani šperky.** Udržujte své vlasy a oblečení mimo dosah pohyblivých se částí. Volný oděv, šperky nebo dlouhé vlasy se mohou zachytit do pohyblivých dílů.
- **Pokud je zařízení vybaveno adaptérem pro připojení odsávání prachu a sběrnými zařízeními, zajistěte jejich správné připojení a řádnou funkci.** Použití odsávání prachu může snížit nebezpečí týkající se prachu.
- **Nedovoľte, abyste se po získání zkušeností častým používáním strojů stali neobezřetnými a ignorovali zásady bezpečnosti.** Nedbalá činnost může způsobit vážné zranění za zlomek sekundy.

POUŽITÍ A PÉČE O STROJ

- **Nevyvíjejte na stroj násilí. Použijte správný stroj pro danou aplikaci.** Správný stroj bude pracovat lépe a bezpečněji rychlostí, pro kterou byl navržen.
- **Nepoužívejte stroj v případě, že vypínač nefunguje.** Stroj, který nelze ovládat spínačem, je nebezpečný a musí se opravit.
- **Před seřizováním, výměnou příslušenství nebo uskladněním stroje odpojte zástrčku ze zdroje napájení a/nebo vyjměte akumulátor, pokud je odnímatelný, ze stroje.** Tato preventivní bezpečnostní opatření snižují riziko náhodného spuštění stroje.
- **Nečinné stroje skladujte mimo dosah dětí a nedovoľte osobám, které nejsou obeznámeny se zařízením nebo s těmito pokyny, aby jej obsluhovaly.** Stroje jsou v rukou nekalifikované obsluhy nebezpečné.
- **Provádějte údržbu strojů a příslušenství. Kontrolujte případnou nesouosost nebo ohyb pohyblivých se částí, narušení dílů a ostatní podmínky, které mohou ovlivnit provoz stroje.** V případě poškození nechte stroj před použitím opravit. Mnoho nehod a úrazů je způsobeno nedostatečně udržovanými stroji.
- **Udržujte žací stroje ostré a čisté.** Řádně udržované žací stroje s ostrými řeznými hranami nemají tendenci se ohýbat a lépe se ovládají.
- **Používejte stroj, příslušenství a strojové hroty atd. v souladu s těmito pokyny s přihlédnutím k pracovním podmínkám a práci, která má být provedena.** Použití stroje na činnosti jiné, než je určující použití, může vést k nebezpečným situacím.

- **Udržujte rukojeti a uchopovací plochy suché, čisté, bez oleje a maziva.** Kluzké rukojeti a plochy pro uchopení neumožňují bezpečnou manipulaci se strojem a jeho ovládání v nečekaných situacích.

POUŽITÍ A PÉČE O AKUMULÁTOROVÝ STROJ

- **K nabíjení používejte pouze nabíječku doporučenou výrobcem.** Nabíječka vhodná pro jeden typ akumulátoru může způsobit riziko požáru při použití s jiným akumulátorem.
- **Stroje používejte pouze se specifikovanými akumulátory.** Použití jiných akumulátorů může způsobit riziko úrazu a požáru.
- **Pokud akumulátor nepoužíváte, držte jej z dosahu kovových předmětů, jako jsou kancelářské sponky na papír, mince, klíče, hřebíky, šroubky nebo další drobné kovové předměty, které mohou propojit kontakty baterie.** Zkratování kontaktů baterie může způsobit spálení nebo požár.
- **V nevhodných podmínkách může z baterie unikat kapalina. Zabraňte kontaktu. Při náhodném kontaktu opláchněte zasažené místo vodou.** Při zasažení očí kapalinou vyhledejte lékařskou pomoc. Unikající kapalina z akumulátoru může způsobit podráždění pokožky nebo popálení.
- **Nepoužívejte akumulátor nebo stroj, který je poškozen nebo upraven.** Poškozené nebo upravené akumulátory se mohou chovat nepředvídatelně, což může vést k požáru, výbuchu nebo nebezpečí zranění.
- **Nevystavujte akumulátor ani stroj ohni nebo příliš vysoké teplotě.** Při vystavení ohni nebo teplotě nad 130 ° C může dojít k výbuchu.
- **Dodržujte všechny pokyny pro nabíjení a nenabíjejte akumulátor nebo stroj mimo rozsah teplot uvedených v pokynech.** Nesprávné nabíjení nebo nabíjení při teplotách mimo stanovený rozsah může poškodit akumulátor a zvýšit riziko požáru.

⚠ VAROVÁNÍ: Přečtěte si všechny bezpečnostní výstrahy, pokyny, ilustrace a technické údaje dodané s tímto elektrickým nářadím. Nedodržení všech níže uvedených pokynů může vést k úrazu elektrickým proudem, požáru a/nebo vážnému úrazu. Všechna varování a pokyny si uschovejte pro budoucí použití.

Všechna varování a pokyny si uschovejte pro budoucí použití.

ŠKOLENÍ

- **Pečlivě si přečtěte tyto pokyny.** Seznamte se s ovládacími prvky a správným použitím stroje.

GZ

- Osoby nebo děti, které se neseznámily s těmito pokyny, nesmí zařízení používat. Místní předpisy mohou omezovat věk obsluhy.
- Nezapomínejte, že obsluha nebo uživatel je zodpovědný za nehody nebo ohrožení jiných osob nebo jejich majetku.

PŘÍPRAVA

- Stroj nikdy nepoužívejte, pokud jsou v blízkosti osoby, zejména děti, nebo domácí zvířata.
- Při práci se strojem vždy používejte ochranu očí a nosní pevnou obuv.
- Vzdálenost mezi strojem a ostatními osobami nesmí být menší než 15 m.
- Nikdy neprovazujte stroj, pokud jste unavení, nemocní nebo pod vlivem alkoholu nebo jiných drog.

OBSLUHA

- Stroj použijte pouze za denního světla nebo při dobrém umělém osvětlení.
- Nikdy stroj nepoužívejte, pokud jsou poškozené kryty nebo štíty, nebo když nejsou instalované.
- Motor zapněte pouze v případě, že jsou ruce a nohy v bezpečné vzdálenosti od řezacího nástroje.
- Stroj vždy odpojte od zdroje napájení (tj. vyjměte akumulátor).
 - kdykoliv je stroj bez dozoru;
 - před odstraněním překážky;
 - před kontrolou, čištěním nebo prací na stroji.
 - po nárazu do cizího tělesa;
 - vždy, když začne stroj abnormálně vibrovat.
- Dávejte pozor na poranění nohou a rukou řezným nástrojem.
- Dbejte, aby větrací otvory byly vždy udržovány v čistotě.

ÚDRŽBA A SKLADOVÁNÍ

- Před provedením údržby nebo čištění stroj vždy odpojte od elektrické sítě (tj. vyjměte akumulátor).
- Používejte pouze náhradní díly a příslušenství doporučené výrobcem.
- Pravidelně stroj kontrolujte a udržujte. Opravu stroje svěřte pouze autorizovanému opraváři.
- Pokud se nepoužívá, skladujte stroj mimo dosah dětí.

DALŠÍ BEZPEČNOSTNÍ VAROVÁNÍ

- **Vyhnete se nebezpečným prostředím** – Nepoužívejte přístroje ve vlhkém nebo mokřem prostředí.
- **Veškeré kryty musejí být instalovány na příslušných místech a musejí být v dobrém stavu.**

- **Udržujte ruce a nohy v bezpečné vzdálenosti od řezacího prostoru.**
- **Pro snížení rizika úrazu nikdy nepracujte na žebříku nebo jiné nestabilní podpoře. Nikdy nedržte řezací jednotku nad úrovní pasu.**
- **Řezací jednotku kontrolujte v pravidelných intervalech při práci, nebo okamžitě v případě zjevné změny v chodu řezání.**
- **Pro dosažení nejlepších výsledků baterii nabíjejte na místě, kde je teplota vyšší než 5 ° C a nižší než 40 ° C. Neskladujte ji ve vnějším prostředí ani ve vozidlech.**
- **Pokud se k vám někdo blíží, okamžitě vypněte motor a řezací jednotku.**
- **Upozorněte obsluhu na nebezpečí zpětného rázu čepele (pouze u 3-zubé čepele).**
 - Ke zpětnému rázu může dojít při kontaktu otáčejícího se ostří s objektem, který není okamžitě přeřiznutý.
 - Zpětný ráz může být dost silný, aby způsobil pohyb přístroje a/nebo provozovatele v libovolném směru a může taky vést ke ztrátě kontroly nad přístrojem.
 - Ke zpětnému rázu může dojít bez varování, jestliže se čepel zadrhne, zastaví nebo zasekne.
 - Zpětný ráz je pravděpodobnější v oblastech, kde je obtížné vidět řezaný materiál.
- **Nepřipojujte žádnou čepel na přístroj bez řádné instalace všech potřebných dílů. Pokud se nepoužijí správné díly, může dojít k odletění čepele a vážnému poranění obsluhy a/nebo kolemjdoucích. Vyhodte čepel, které jsou ohnuté, zdeformované, popraskané, rozbité nebo jinak jakkoli poškozené. Používejte ostré čepel. Tupá čepel se více pravděpodobně zachytí a provede zpětný ráz (pouze u 3-zubé čepele).**
- **Volnoběžná čepel/struna může způsobit zranění, když se dále otáčí potom, co je motor zastaven nebo spouštěč uvolněn. Dodržujte řádnou kontrolu, dokud čepel/struna zcela nezastaví svoje otáčení.**
- **Akumulátorové nářadí se nemusí zapojovat do elektrické zásuvky, proto jsou vždy v provozním stavu. Nezapomínejte na možná rizika ani v případě, že je nářadí vypnuté. Dávejte pozor při provádění údržby nebo opravy.**
- **Nemýjte hadiči; dbejte, aby se do motoru a elektrických přípojek nedostala voda.**
- **Pokud nastane situace, která není popsána v tomto návodu, použijte pečlivý a zdravý úsudek. Obrat'te se na zákaznické servisní středisko EGO se žádostí o pomoc.**
- Používejte pouze akumulátory a nabíječky uvedené na obr. A.

TYTO POKYNY USCHOVEJTE PRO BUDOUCÍ POUŽITÍ!

SPECIFIKACE

Šířka sekání	30 cm	
Rychlost při chodu naprázdno	5000/6000 min ⁻¹	
Hmotnost nůžek (bez akumulátoru)	1,82 kg	
Doporučovaná provozní teplota	0°C-40°C	
Doporučovaná teplota skladování	-20°C-70°C	
Měřená hladina akustického výkonu L _{WA}	96,5 dB(A) K=1,88 dB(A) (PH1400E)	
	93,2 dB(A) K=0,35 dB(A) (PH1420E)	
	91 dB(A) K=1,1 dB(A) (PHX1600)	
Hladina akustického tlaku na sluch obsluhy L _{PA}	84,5 dB(A) K=3 dB(A) (PH1400E)	
	83,9 dB(A) K=3 dB(A) (PH1420E)	
	83 dB(A) K=3 dB(A) (PHX1600)	
Zaručená úroveň akustického výkonu L _{WA} (měřeno podle směrnice 2000/14/ES)	98 dB(A)	
Vibrace a _h	Přední pomocná rukojeť	2,8 m/s ² K=1,6 m/s ² (PH1400E)
		4,14 m/s ² K=1,5 m/s ² (PH1420E)
		6,64 m/s ² K=1,5 m/s ² (PHX1600)
	Zadní rukojeť	3,1 m/s ² K=1,6 m/s ² (PH1400E)
		1,88 m/s ² K=1,5 m/s ² (PH1420E)
		2,61 m/s ² K=1,5 m/s ² (PHX1600)

- Výše uvedené parametry jsou testovány a měřeny s nástrojem vybaveným pohonnou hlavou PH1400E/PH1420E/PHX1600.
- Celková deklarovaná hodnota vibrací byla naměřena podle standardní zkušební metody a lze ji použít ke srovnání s jiným nářadím;
- Celkovou deklarovanou hodnotu vibrací lze použít také k předběžnému stanovení expozičních limitů.

POZNÁMKA: Emise vibrací při konkrétním použití elektrického nářadí se mohou lišit od deklarované hodnoty, při které se nářadí používá; z důvodu ochrany provozovatele by měl uživatel ve skutečných pracovních podmínkách nosit rukavice a chrániče sluchu.

Doporučená čepel

NÁZEV DÍLU	ČÍSLO MODELU
Čepel křovinořezu	ABB1203

OBSAH BALENÍ

NÁZEV DÍLU	MNOŽSTVÍ
Nástavec na křovinořez	1
Čepel a souprava čepelového pouzdra	1
Kryt	1
Příslušenství chrániče (použití pouze se strunovou hlavou)	1
Šestihranný klíč	1
Multifunkční klíč	1
Návod k obsluze	1

GZ

POPIS

SEZNAMTE SE S NÁSTAVCEM NA KŘOVINOŘEZ (obr. A)

1. Koncovka
2. Hřídel křovinořezu
3. Kryt
4. Čepel
5. Pouzdro křovinořezu
6. Upínací drát
7. Těsnící šroub
8. Převodová skříň
9. Otvor pro zajištění hřídele
10. Vnější příruba
11. Multifunkční klíč

12. Imbusový klíč
13. Příslušenství chrániče (použití pouze se strunovou hlavou)

VAROVÁNÍ: Nářadí nikdy nepoužívejte bez řádně nainstalovaného chrániče. Chránič musí být vždy na nářadí z důvodu ochrany uživatele.

VAROVÁNÍ: Když je nástroj použit jako strunová sekačka, která je vybavena strunovou hlavou, musí být příslušenství chrániče namontováno na krytu. Nedodržení tohoto pokynu může mít za následek příliš dlouhou řeznou linii a přetížení motoru.

MONTÁŽ

VAROVÁNÍ: Pokud jsou některé díly poškozené, nebo chybí, nepoužívejte výrobek, dokud se díly nevymění. Použití tohoto výrobku s poškozenými nebo chybějícími díly může vést k vážnému úrazu.

VAROVÁNÍ: Nepokoušejte se výrobek upravovat ani vytvářet příslušenství, které se k této strunové sekačce nedoporučuje. Každá taková změna nebo úprava je nesprávná a může vést k nebezpečné situaci, která může zapříčinit vážný úraz.

VAROVÁNÍ: Pokud provádíte montáž dílů, vždy vyjměte akumulátor ze stroje, aby nedošlo k neúmyslnému spuštění, které může způsobit vážný úraz.

VAROVÁNÍ: Když je stroj vybaven hlavou křovinořezu, je třeba namontovat bezpečnostní zábranu.

MONTÁŽ KRYTU

VAROVÁNÍ: Při montáži nebo výměně krytu vždy používejte rukavice. Pozor na nůž na krytu, chraňte si ruce před požezáním.

VAROVÁNÍ: Nikdy nepoužívejte stroj bez řádně nainstalovaného krytu. Kryt musí být vždy na stroji z důvodu ochrany uživatele! Pokud je kryt instalovaný napevno, nikdy se jej nepokoušejte odstranit nebo upravit; pokud je nezbytná výměna, musí být provedena kvalifikovaným servisním technikem!

Uvolněte a vyšroubujte dva šrouby ze spodní části hřídele (obr. C), srovnějte upevňovací otvory krytu s montážními otvory a upevněte kryt ke spodní části hřídele s pomocí dvou šroubů a dvou pružinových podložek (obr. D).

Zkontrolujte, zda je kryt upevněn podle obr. C a D, obrácené upevnění představuje vysoké riziko!

MONTÁŽ ČEPELE

1. Čepel je dodávána s pouzdrém. Před montáží čepele na křovinořez sundejte pouzdro uvolněním upínacího drátu z háku na pouzdrě (obr. E).

Obr. E, následuje popis dílů:

E-1	Hák
E-2	Upínací drát

2. Otočte vnější přírubu a vyrovnejte štěrbinu ve vnitřní přírubě s otvorem pro zajištění hřídele v převodové skříní (obr. F).
3. Vložte dodaný imbusový klíč do vyrovnaných otvorů jako stabilizátor (obr. G).

obr. F a G s popisem dílů:

F-1	Převodová skříní	F-3	Vnější příruba
F-2	Vyrovnané otvory pro zajištění hřídele	G-1	Stabilizátor

4. Položte hlavu křovinořezu na pevnou podložku pro podporu. Jednou rukou uchopte hřídel křovinořezu a druhou rukou uchopte multifunkční klíč dodaný pro povolení matice ve směru šipky vyznačené na vnější přírubě a odstraňte matici a vnější přírubu. Uložte je pro opětovnou montáž (obr. H).
5. Namontujte čepel na hřídel motoru tak, aby povrch čepele byl v jedné rovině s povrchem vyboulení vnitřní příruby. Přejděte na montáž vnější příruby a matice (obr. I). Utáhněte předběžně matici **PROTI SMĚRU** hodinových ručiček rukou.

Obr. I, následuje popis dílů:

I-1	Vyboulení vnitřní příruby	I-4	Vnější příruba
I-2	Motorová hřídel	I-5	Čepel
I-3	Matice		

6. Otáčejte vnější přírubu tak, abyste zarovnali štěrbinu ve vnitřní přírubě s otvorem pro zajištění hřídele v převodové skříní a vložte dodaný imbusový klíč do vyrovnaných otvorů, aby působil jako stabilizátor jako v předchozím znázorněném kroku 2 a 3.
7. Položte hlavu křovinořezu na pevnou podložku pro podporu. Jednou rukou uchopte čepel a druhou rukou uchopte multifunkční klíč dodaný pro utažení matice proti směru šipky vyznačené na vnější přírubě (obr. J).

Použití příslušenství chrániče

POZNÁMKA: Když je nástroj použit jako strunová sekačka, která je vybavena strunovou hlavou, musí být příslušenství chrániče namontováno na krytu (obr. K).

Příslušenství chrániče připevněte na kryt utažením tří šroubů s dodaným imbusovým klíčem. Nedodržení tohoto pokynu může mít za následek příliš dlouhou řeznou linii a přetížení motoru.

PŘIPOJENÍ NÁSTAVCE PRO KŘOVINOŘEZ NA POHONNOU HLAVU

Tento nástavec pro křovinořez je určen pro použití s pohonnou hlavou EGO PH1400E/PH1420E/PHX1600.

Viz část „**INSTALACE NÁSTAVCE NA POHONNOU HLAVU**“ v příručce pro obsluhu pohonné hlavy PH1400E/PH1420E/PHX1600.

POUŽITÍ

VAROVÁNÍ: Dbejte, abyste se po seznámení s výrobkem nestali neopatrní. Nezapomínejte, že stačí chvíle nepozornosti a může se stát vážný úraz.

VAROVÁNÍ: Vždy používejte ochranu očí s bočními kryty. Spolu s chráničem sluchu. Pokud tak neučiníte, může dojít k vyvrstvení předmětu do očí, nebo případně jiným vážným úrazům.

APLIKACE

Výrobek lze použít k následujícím účelům:

- Řezání trávy, plevelu, divokého porostu a křovin, prořezávání mladých porostů s maximálním průměrem kmene 2 cm.

POZNÁMKA: Nářadí se smí používat pouze k vyhrazenému účelu. Jakékoliv jiné použití se považuje za nesprávné.

POUŽITÍ KŘOVINOŘEZU S POHONNOU HLAVOU

VAROVÁNÍ: Pro práci s tímto nářadím se vhodně oblékněte, abyste snížili riziko úrazu. Nenoste volný oděv ani šperky. Používejte ochranu očí a chrániče sluchu. Noste odolné, dlouhé kalhoty, pevné boty a rukavice. Nenoste krátké kalhoty, sandály ani nechodte bosí.

Pro bezpečnější a lepší používání si dejte ramenní popruh přes rameno. Upravte ramenní popruh do pohodlné pracovní polohy. Uchopte křovinořez jednou rukou za zadní rukojeť a druhou rukou za přední rukojeť. Udržujte pevný úchop oběma rukama při provozu. Křovinořez by se měl držet v pohodlné poloze se zadní rukojetí ve výšce kyčelního kloubu. Udržujte váš úchop a rovnováhu na obou nohách. Postavte se tak, abyste nebyli vyvedeni z rovnováhy při zpětném rázu řezné čepěle (obr. B).

VAROVÁNÍ: Ramenní popruh je vybaven rychlé vypínací mechanizm pro nebezpečné situace. Dojde-li k nouzové situaci, okamžitě si odepněte popruh ze svého ramene bez ohledu na to, jakým způsobem je popruh připnutý.

Když chcete ořezat divoký porost a křoviny, snižte rotující čepel k porostu, aby se dosáhlo účinku sekání. Použijte

křovinořez jako kosu (pojždějte vpravo a vlevo) na úrovni terénu. Nedržte řezací nástavec nad úrovní pasu.

VAROVÁNÍ: Čím výše je řezací nástavec nad zemí, tím větší je riziko zranění z řízků vyvrstvených do stran.

VAROVÁNÍ: Při řezání mladých porostů nebo jiných dřevitých materiálů až do 2 cm v průměru použijte levou stranu čepěle, aby se zabránilo situacím se zpětným rázem. Nepokoušejte se řezat dřevní hmoty s větším průměrem, protože se čepel může zachytit nebo šknout křovinořez dopředu. Mohlo by dojít k poškození čepěle nebo křovinořezu nebo ke ztrátě kontroly nad křovinořezem, což vede ke zranění osob.

VAROVÁNÍ: Nesprávné použití čepěle křovinořezu může vést k jejímu prasknutí, odštěpení nebo roztržení.

Vyvrstvené části mohou vážně poranit obsluhu či kolemjdoucího. Aby se snížilo riziko poranění osob, je nutné přijmout následující opatření:

- Vyhybte se kontaktu s tvrdými nebo cizími pevnými objekty, jako jsou kameny, skály nebo kusy kovu.
- Nikdy neřežte dřevo nebo keře s průměrem kmene více než 2 cm.
- Kontrolujte čepel v pravidelných krátkých intervalech, zda není poškozena. Nepokračujte v práci s poškozenou čepelí.
- Pravidelně brusťe čepel (pokud se nápadně otupila) a mějte ji vyváženou v případě potřeby (provádí pouze kvalifikovaný servisní technik).

ZPĚTNÝ RÁZ ČEPELE

Budte velmi opatrní při použití čepěle s tímto přístrojem. Zpětný ráz je reakce, která může nastat, když se otáčející čepel dostane do kontaktu s něčím, co nedokáže přefézet. Tento kontakt může způsobit, že čepel se na okamžik zastaví a následně „odhodí“ přístroj do větší vzdálenosti od předmětu, který byl zasážen. Tato reakce může být dostatečně prudká, aby způsobila ztrátu kontroly obsluhu nad přístrojem. Ke zpětnému rázu může dojít bez varování, jestliže se čepel zadrhne, zastaví nebo zasekne. K tomu může častěji dojít v oblastech, kde je obtížné vidět řezaný materiál. Pro jednoduchost a bezpečnost řezání se přibližte k řezané pleveli s křovinořezem zprava doleva. V případě kontaktu s neočekávaným objektem nebo dřevěným špalkem by tato praxe mohla minimalizovat zpětný ráz čepěle.

Před každým použitím zkontrolujte poškozené/opotřeбенé díly

Zkontrolujte čepel, kryt, přední pomocnou rukojeť a vyměňte díly, které jsou prasklé, zdeformované, ohnuté nebo jinak poškozené.

Hrana čepele se může otupit v průběhu času. Doporučujeme, abyste otáčeli čepel pro prodloužení její životnosti a pravidelně ji ostřete (provádí pouze kvalifikovaný servisní technik), nebo ji vyměňte za novou čepel v případě potřeby.

Vyčistěte křovinořez po každém použití

Viz část **ÚDRŽBA** pro pokyny k čištění.

VAROVÁNÍ: Před čištěním nebo údržbou křovinořezu se ujistěte, že došlo k úplnému zastavení čepele. Nedodržení tohoto pokynu může vést k možnému vážnému poranění.

ZAPNUTÍ/VYPNUTÍ NÁSTROJE

Viz část **ZAPNUTÍ/VYPNUTÍ Pohonné hlavy** v příručce pro obsluhu pohonné hlavy PH1400E/PH1420E/PHX1600.

ÚDRŽBA

VAROVÁNÍ: Před kontrolou, čištěním nebo údržbou přístroje zastavte motor, počkejte, až se všechny pohyblivé díly zastaví a vyjměte baterii. Nedodržení těchto instrukcí může vést k vážnému zranění nebo poškození majetku.

VAROVÁNÍ: Při opravách používejte pouze originální náhradní díly. Použití jiných dílů může být rizikem nebo způsobit poškození výrobku. Z důvodu bezpečnosti by měl všechny opravy provádět kvalifikovaný servisní technik.

VAROVÁNÍ: Vždy používejte pevné rukavice při instalaci nebo odstraňování čepele nebo provádění jakékoliv údržby na čepeli. Dávejte pozor na čepel a chráňte svoje ruce před poraněním čepelí.

CELKOVÁ ÚDRŽBA

K čištění plastových dílů nepoužívejte rozpouštědla. Většina plastů je náchylná k poškození různými typy komerčních rozpouštědel a jejich použití je může poškodit. K odstranění nečistot, prachu, oleje, maziva atd. použijte čistý hadr.

ČIŠTĚNÍ NÁŘADÍ

- Vyjměte akumulátor
- Po každém použití odstraňte měkkým kartáčkem suť, ucpanou zeminu nebo trávu na čepeli a chrániči.
- Otřete povrch přístroje čistým hadrem navlhčeným ve slabém mýdlovém roztoku.
- K čištění větracích otvorů na zadní části pouzdra použijte malý kartáč nebo malý vysavač.
- Udržujte větrací otvory prosté překážek.

Když se čepel otupí (oba okraje čepele jsou tupé), nechte čepel zostrit pouze u kvalifikovaného servisního technika, nebo vyměňte podle potřeby za novou čepel.

VÝMĚNA ČEPELE

VAROVÁNÍ: Opatřovaná, prasklá nebo poškozená čepel se může zlomit a kousky poškozené čepele se mohou stát nebezpečnými projektily. Vymrštěné předměty mohou způsobit vážný úraz. Čepel pravidelně kontrolujte a nepoužívejte křovinořez s opotřebenou nebo poškozenou čepelí.

VAROVÁNÍ: Používejte ochranu očí při demontáži, ostření a instalaci čepele.

Demontáž čepele

1. Vyjměte akumulátor.
2. Otáčejte vnější přírubu tak, abyste zarovnali štěrbinu ve vnitřní přírubě s otvorem pro zajištění hřídele v převodové skříně a vložte dodaný imbusový klíč do vyrovnaných otvorů, aby působil jako stabilizátor jako v krocích 2 a 3 v části „**MONTÁŽ ČEPELE**“.
3. Položte hlavu křovinořezu na pevnou podložku pro podporu. Jednou rukou uchopte čepel a druhou rukou uchopte multifunkční klíč dodaný pro povolení matice ve směru šipky vyznačené na vnější přírubě a odstraňte matici, vnější přírubu a opotřebenou čepel (obr. L).
4. Zkontrolujte a vyměňte vnitřní přírubu a kryt příruby, jsou-li opotřebené (obr. M).
Opis částí na obr. M viz níže:

M-1	Motorová hřídel	M-5	Vnější přírubu
M-2	Vnitřní přírubu	M-6	Matice
M-3	Kryt příruby	M-7	Drážka v přírubě
M-4	Čepel		

5. Nainstalujte novou čepel na hřídel motoru podle pořadí na obr. M. Podrobný postup je uveden v pokynech kroků 5, 6 a 7 v části „**MONTÁŽ ČEPELE**“.

MAZÁNÍ PŘEVODOVKY

Převody v převodové skříně se musí pravidelně mazat převodovkovým tukem. Zkontrolujte hladinu převodového maziva v převodovce přibližně každých 50 hodin provozu odstraněním těsnícího šroubu na boku skříně.

Pokud na bocích převodovky není vidět žádný tuk, postupujte podle pokynů pro naplnění převodovým mazivem až do 3/4 kapacity.

Nezaplížte zcela převody.

1. Umístěte křovinořez tak, aby těsnicí šroub směřoval nahoru (obr. N).
2. Pomocí dodaného multifunkčního klíče povolte a odstraňte těsnicí šroub.
3. Použijte mazací stříkačku (není součástí dodávky) pro zavedení maziva do otvoru pro šroub.
4. Po naplnění utáhněte těsnicí šroub.

SKLADOVÁNÍ NÁŘADÍ

- Vyměňte akumulátor z přístroje.
- Použijte pevné rukavice pro důkladné vyčištění přístroje.
- Založte pouzdro čepele na čepel pro bezpečné uložení (obr. O).
- Sejměte nástavec pro křovinořez z pohonné hlavy a namontujte koncovku na hřídel nástavce, pokud je to nutné.
- Nářadí skladujte na suchém, dobře větraném, uzamčeném nebo vyvýšeném místě mimo dosah dětí. Nářadí neskladujte v blízkosti hnojiv, benzínu nebo jiných chemických látek.

Ochrana životního prostředí



Elektrické zařízení, použité akumulátory a nabíječku nevhazujte do domovního odpadu! Tento výrobek předejte autorizované recyklační společnosti ke tříděnému sběru. Elektrické stroje musí být odevzdány do recyklačního zařízení na ekologicky šetrnou likvidaci.

GZ

ODSTRAŇOVÁNÍ PROBLÉMŮ

PROBLÉM	PŘÍČINA	ŘEŠENÍ
Křovinořez se nespustí.	<ul style="list-style-type: none"> ■ Akumulátor není připojen k pohonné hlavě. ■ Bez elektrického kontaktu mezi pohonnou hlavou a akumulátorem. ■ Akumulátor je vybitý. ■ Páka pojistky a spoušť nejsou stisknuté současně. 	<ul style="list-style-type: none"> ■ Připojte akumulátor na pohonnou hlavou. ■ Vyjměte baterii, zkontrolujte kontakty a vložte akumulátor, dokud nezapadne na své místo. ■ Nabijte akumulátor pomocí nabíječek EGO, které jsou uvedeny v tomto návodu k obsluze. ■ Zatlačte páčku pojistky, podržte ji a stisknutím spouště zapněte křovinořez.
Při sekání se křovinořez zastaví.	<ul style="list-style-type: none"> ■ Motor je přetížen. ■ Akumulátor nebo pohonná hlava jsou příliš horké. ■ Akumulátor je odpojený od nářadí. ■ Akumulátor je vybitý. 	<ul style="list-style-type: none"> ■ Motor se zotaví po odstranění zátěže. Pro kontinuální práci snižte zatížení pohonné hlavy. ■ Nechejte akumulátor nebo pohonnou hlavu zchladnout, dokud teplota neklesne pod 67 °C. ■ Znovu nainstalujte akumulátor. ■ Nabijte akumulátor pomocí nabíječek EGO, které jsou uvedeny v tomto návodu k obsluze.

CZ

ZÁRUKA

ZÁRUKA SPOLEČNOSTI EGO

Úplné záruční podmínky společnosti EGO naleznete na webové stránce egopowerplus.eu.

PREČÍTAJTE SI VŠETKY POKYNY!



PREČÍTAJTE SI NÁVOD NA OBSLUHU.

VAROVANIE: Pre zaistenie bezpečnosti a spoľahlivosti je nevyhnutné, aby všetky opravy a výmeny vykonával len kvalifikovaný servisný technik.

BEZPEČNOSTNÉ SYMBOLY

Účelom bezpečnostných symbolov je upozorniť vás na možné nebezpečenstvá. Venujte príslušnú pozornosť a pochopte bezpečnostné symboly a ich vysvetlenia. Varovné symboly, samy o sebe, nedokážu eliminovať nebezpečenstvo. Pokyny a varovania, ktoré obsahujú, nie sú náhradou za vhodné opatrenia na prevenciu úrazov.

VAROVANIE: Pred použitím tohto nástroja si prečítajte a pochopte všetky bezpečnostné pokyny v tomto návode na obsluhu, vrátane všetkých bezpečnostných výstražných symbolov, ako sú „**NEBEZPEČENSTVO**“, „**VAROVANIE**“ a „**UPOZORNENIE**“. Nedodržanie nižšie uvedených pokynov môže mať za následok úraz elektrickým prúdom, požiar a / alebo vážne zranenie.

VÝZNAM SYMBOLU

VAROVANIE: Označuje **NEBEZPEČENSTVO**, **VAROVANIE**, alebo **UPOZORNENIE**. Môže byť použitý v spojení s inými symbolmi alebo piktogramami.





VAROVANIE: Prevádzka akéhokoľvek elektrického náradia môže viesť k vyršteniu cudzích predmetov do vašich očí, čo môže spôsobiť vážne poškodenie zraku. Skôr, ako začnete používať elektrické náradie, si vždy nasadte ochranné okuliare alebo ochranné okuliare s postrannými krytmi a prípadne celotvárový štít. Odporúčame použiť bezpečnostnú masku so širokým priehľadom cez okuliare alebo štandardné bezpečnostné okuliare s postrannými krytmi.

BEZPEČNOSTNÉ POKYNY

Táto strana zobrazuje a popisuje bezpečnostné symboly, ktoré sa objavujú na tomto výrobku. Pred pokusom o zostavenie a prevádzkovanie si prečítajte, pochopte a dodržiavajte všetky pokyny na stroji.

	Bezpečnostné upozornenie	Upozorňuje na potenciálne nebezpečenstvo úrazu.
	Prečítajte si návod na obsluhu.	Používateľ si musí prečítať návod na obsluhu, aby znížil riziko úrazu.
	Používajte ochranu zraku.	Pri práci s týmto výrobkom vždy nosite ochranné okuliare alebo ochranné okuliare s postrannými krytmi a celotvárový štít.
	Používajte ochranu sluchu.	Vždy používajte ochranu sluchu (špunty do uší alebo slúchadlá), ktoré chránia váš sluch.
	Používajte ochranu hlavy	Používajte schválenú bezpečnostnú prilbu na ochranu hlavy.
	Používajte ochranné rukavice	Pri manipulácii s pilou a reťazou si chráňte ruky rukavicami. Pevné a protišmykové rukavice zlepšujú uchopenie a chránia ruky.
	Používajte ochrannú obuv.	Pri používaní tohto zariadenia nosite protišmykovú bezpečnostnú obuv.
	Rezná šírka	Max. rezná šírka krovínorezu
	Pozor na spätný ráz	Upozornite obsluhu na nebezpečenstvo spätného rázu.
	Udržiavajte okolo stojace osoby v bezpečnej vzdialenosti.	Vzdialenosť medzi strojom a okolostojacimi osobami musí byť najmenej 15 m.

SK

	Pred údržbou odpojte akumulátor	Pred vykonaním údržby alebo čistenia odpojte akumulátor od strunovej kosačky.
	CE	Tento výrobok je v súlade s platnými smernicami ES.
	UKCA	Tento výrobok je v súlade s príslušnou britskou legislatívou.
	WEEE	Nepotrebné elektrické výrobky sa nesmú likvidovať spolu s domovým odpadom. Odovzdajte do autorizovaného recyklačného strediska.
	Hlučnosť	Garantovaná hladina akustického výkonu. Emisie hluku do prostredia podľa smernice Európskeho spoločenstva.
V	Volt	Napätie
mm	Milimeter	Dĺžka alebo veľkosť
cm	Centimeter	Dĺžka alebo veľkosť
kg	Kilogram	Hmotnosť
n_0	Rýchlosť bez zaťaženia	Rýchlosť otáčania, bez záťaže
min ⁻¹	Za minútu	Otáčky za minútu

SK

VŠEOBECNÉ BEZPEČNOSTNÉ UPOZORNENIA TÝKAJÚCE SA STROJA

VAROVANIE: Prečítajte si všetky bezpečnostné varovania, pokyny, ilustrácie a špecifikácie dodané s týmto strojom. Nedodržanie nižšie uvedených pokynov môže mať za následok úraz elektrickým prúdom, požiar a/alebo vážne zranenie.

ODLOŽTE SI VŠETKY VAROVANIA A POKYNY PRE BUDÚCE POUŽITIE.

Pojem „stroj“ v upozorneniach sa vzťahuje na stroj napájaný zo siete (so šnúrou) alebo na stroj napájaný z akumulátora (bezšnúrový).

BEZPEČNOSŤ PRACOVNÉHO PRIESTORU

- Udržiavajte pracovisko čisté a dobre osvetlené. Neporiadok alebo tmavé miesta spôsobujú nehody.
- Nepoužívajte stroje vo výbušnom prostredí, napríklad v prítomnosti horľavých kvapalín, plynov alebo prachu. Stroje vytvárajú iskry, ktoré môžu zapáliť prach alebo výpary.

- Pri používaní stroja udržiavajte deti a okolostojace osoby mimo pracoviska. Rozptyľovanie pozornosti môže viesť ku strate kontroly.

ELEKTRICKÁ BEZPEČNOSŤ

- Zástrčka stroja musí zodpovedať elektrickej zásuvke. Nikdy a žiadnym spôsobom nemodifikujte zástrčku. Nepoužívajte žiadne rozbočovacie zástrčky s uzemneným strojom. Neupravené zástrčky a vhodné zásuvky obmedzia nebezpečenstvo úrazu elektrickým prúdom.
- Zabráňte kontaktu tela s uzemnenými povrchmi, ako sú rúry, radiátory, sporáky a chladničky. Dochádza k zvýšeniu rizika úrazu elektrickým prúdom, ak je vaše telo uzemnené.
- Neprevádzkujte stroj v daždi alebo vo vlhkom prostredí. Voda vstupujúca do stroja môže zvýšiť riziko úrazu elektrickým prúdom alebo poruchy, ktorá by mohla mať za následok zranenie osôb.
- Nepoužívajte kábel nesprávnym spôsobom. Nikdy nepoužívajte kábel na nosenie, ťahanie alebo odpájanie stroja. Udržujte kábel v dostatočnej vzdialenosti od zdrojov tepla, oleja, ostrých hrán alebo pohyblivých častí. Poškodená alebo zamotaná šnúra zvyšuje riziko zasiahnutia elektrickým prúdom.
- Ak sa chystáte stroj použiť v exteriéroch, použite výhradne predlžovací šnúru vhodnú na použitie v exteriéroch. Použitie šnúry vhodnej pre použitie v exteriéroch znižuje riziko úrazu elektrickým prúdom.
- Ak je používanie stroja vo vlhkom prostredí nevyhnutné, použite napájanie chránené prerušovačom obvodu uzemnenia (GFCI). Použitie GFCI znižuje riziko úrazu elektrickým prúdom.

OSOBNÁ BEZPEČNOSŤ

- Buďte pozorní, sledujte to, čo robíte a používajte zdravý rozum pri práci so strojom. Nepoužívajte stroj, ak ste unavení alebo pod vplyvom drog, alkoholu alebo liekov. Chvilková nepozornosť pri práci so strojnami môže mať za následok vážne zranenie.
- Používajte osobné ochranné pomôcky. Vždy používajte ochranu očí. Ochranné prostriedky ako respirátor, protišmyková bezpečnostná obuv, prilba alebo chrániče sluchu použité za vhodných podmienok znižujú nebezpečenstvo zranenia.
- Zabráňte neúmyselnému uvedeniu do prevádzky. Pred pripojením k zdroju napájania a/alebo akumulátoru, pri zdvíhaní alebo prenášaní stroja sa uistite, že prepínač je vo vypnutej polohe. Prenášanie strojov s prstom na vypínači alebo zapájanie strojov, ktoré majú vypínač zapnutý, môže viesť k nehodám.

- **Pred spustením stroja vždy odstráňte nastavovací kľúč alebo náradie.** Kľúč alebo náradie, ktoré necháte pripovené k otáčajúcej sa časti stroja, môže spôsobiť zranenie osôb.
- **Nenakláňajte sa. Pri práci vždy dodržujte správny postoj a rovnováhu.** To umožňuje lepšiu ovládateľnosť stroja v nečakaných situáciách.
- **Noste vhodné oblečenie. Nenoste šperky alebo voľný odev.** Udržujte vlasy a oblečenie mimo dosah pohybujuúcich sa častí. Voľný odev, šperky alebo dlhé vlasy môžu byť zachytené pohybujuúcimi sa dielmi.
- **Pokiaľ je náradie vybavené zariadením na zachytávanie prachu a úlomkov materiálu, skontrolujte, či je k náradiu správne pripravené.** Použitie odsávania prachu môže znížiť nebezpečenstvo, ktoré súvisí s prachom.
- **Nedovoľte, aby ste sa po získaní skúseností častým používaním stroja stali neobozretnými a ignorovali zásady bezpečnosti.** Nedbalá činnosť môže spôsobiť vážne zranenie za zlomok sekundy.

POUŽÍVANIE A STAROSTLIVOSŤ O STROJ

- **Netlačte na stroj silou. Použite správny stroj pre vašu aplikáciu.** Stroj bude pracovať lepšie a bezpečnejšie pri rýchlosti, na ktorú bol navrhnutý.
- **Nepoužívajte stroj, ak sa nedá zapnúť a vypnúť použitím vypínača.** Stroj, ktorý sa nedá ovládať vypínačom, je nebezpečný a musí sa opraviť.
- **Pred akýmkoľvek úpravami, výmenou príslušenstva alebo uskladnením stroja odpojte zástrčku od zdroja napájania a/alebo vyberte zo stroja akumulátor, ak je odpojiteľný.** Takéto preventívne bezpečnostné opatrenia znižujú riziko náhodného spustenia stroja.
- **Nečinný stroj skladujte mimo dosahu detí a nedovoľte osobám, ktoré nie sú oboznámené so strojom alebo s týmto návodom, aby stroj obsluhovali.** Stroje sú v rukách nevyškolených používateľov nebezpečné.
- **Vykonávajte údržbu strojov a príslušenstva. Kontrolujte nastavenie pohyblivých častí, poškodenie dielov a akékoľvek ďalšie okolnosti, ktoré môžu mať vplyv na funkciu stroja.** Ak je poškodený, nechajte ho pred použitím opraviť. Mnoho nehôd spôsobujú zle udržiavané stroje.
- **Rezacie stroje udržiavajte ostré a čisté.** Starostlivo ošetrované rezacie stroje s ostrými čepeľami menej pravdepodobne uviaznu a jednoduchšie sa ovládajú.
- **Používajte stroj, príslušenstvo, nadstavce apod. podľa týchto pokynov a rešpektujte pritom pracovné podmienky a vykonávanú činnosť.**

Použitie stroja na iné ako určené účely môže viesť k nebezpečným situáciám.

- **Udržujte rukoväť a uchopovacie plochy suché, čisté, bez oleja a maziva.** Klzké držadlá a uchopovacie plochy neumožňujú bezpečnú manipuláciu so strojom a jeho ovládanie v nečakaných situáciách.

POUŽÍVANIE A STAROSTLIVOSŤ O AKUMULÁTOROVÝ STROJ

- **Nabíjajte len pomocou nabíjačky špecifikovanej výrobcom.** Nabíjačka, ktorá je vhodná pre jeden typ batérie, môže predstavovať pri nabíjaní iného typu batérie nebezpečenstvo.
- **Používajte stroje a s výslovné určenými akumulátormi.** Použitie iných typov akumulátorov môže spôsobiť riziko úrazu a požiaru.
- **Ak sa akumulátor nepoužíva, držte ho mimo iných kovových predmetov, ako sú sponky, mince, kľúče, kince, skrutkovače alebo iné malé kovové predmety, ktoré by mohli navzájom prepojiť kontakty akumulátora.** Skratovanie kontaktov akumulátora môže spôsobiť popáleniny alebo požiar.
- **Za nevhodných podmienok môže z akumulátora uniknúť kvapalina. Zabráňte kontaktu. Pri náhodnom kontakte opláchnite vodou. Pri zasiahnutí očí vyhľadajte lekársku pomoc.** Unikajúca kvapalina z akumulátora môže spôsobiť podráždenie pokožky alebo popáleniny.
- **Nepoužívajte akumulátor alebo stroj, ktoré sú poškodené alebo upravené.** Poškodené alebo upravené batérie majú nepredvídateľné chovanie, ktoré môže viesť k požiaru, výbuchu alebo nebezpečenstvu poranenia.
- **Nevystavujte akumulátor ani stroj ohňu alebo nadmernej teplote.** Pri vystavení ohňu alebo teplote nad 130 ° C môže dôjsť k výbuchu.
- **Dodržujte všetky pokyny pre nabíjanie a nenabíjajte akumulátor alebo stroj mimo teplotného rozsahu uvedeného v pokynoch.** Nesprávne nabíjanie alebo nabíjanie pri teplotách mimo stanovený rozsah môže poškodiť akumulátor a zvýšiť riziko požiaru.

VAROVANIE: Prečítajte si všetky bezpečnostné výstrahy, pokyny, ilustrácie a technické údaje dodané s týmto elektrickým nástrojom. Nedodržanie nižšie uvedených pokynov môže mať za následok úraz elektrickým prúdom, požiar a/alebo vážne zranenie. Všetky varovania a pokyny si ponechajte pre prípadnú potrebu v budúcnosti.

Všetky varovania a pokyny si ponechajte pre prípadnú potrebu v budúcnosti.

SK

ŠKOLENIE

- Pozorne si prečítajte návod. Zoznámte sa s ovládacími prvkami a správnym používaním stroja.
- Nikdy nedovoľte používať zariadenie osobám alebo deťom, ktoré nie sú oboznámené s týmito pokynmi. Miestne predpisy môžu obmedziť vek prevádzkovateľa.
- Majte na pamäti, že prevádzkovateľ alebo používateľ je zodpovedný za nehody alebo riziká, ktoré vzniknú iným osobám alebo za ujmu na ich majetku.

PRÍPRAVA

- Nikdy nepoužívajte stroj za prítomnosti osôb, najmä detí, alebo zvierat v jeho blízkosti.
- Používajte ochranu očí a hrubé topánky po celú dobu používania stroja.
- Vzdialenosť medzi prístrojom a okolostojacimi osobami musí byť najmenej 15 m.
- Nikdy nepoužívajte stroj, keď je prevádzkovateľ unavený, chorý alebo pod vplyvom alkoholu či iných drog.

PREVÁDZKA

- Stroj používajte iba za denného svetla alebo pri dobrom umelom osvetlení.
- Nikdy nepoužívajte stroj s poškodenými krytmi alebo štítmí, alebo bez nasadených krytov alebo štítov.
- Motor zapnite až vtedy, keď sú ruky a nohy mimo dosahu rezacích prostriedkov.
- Vždy odpojte strunovú kosačku od napájacieho zdroja (t.j. vyberte akumulátor):
 - vždy, keď necháte stroj bez dozoru;
 - pred odstránením blokovania;
 - pred kontrolou, čistením alebo prácou na stroji.
 - po zasiahnutí cudzím predmetom;
 - vždy, keď stroj začne neobvykle vibrovať.
- Dávajte pozor na poranenia nôh a rúk rezacími prostriedkami.
- Zabezpečte, aby ventilačné otvory boli čisté.

ÚDRŽBA A SKLADOVANIE

- Pred vykonávaním údržby alebo čistením odpojte stroj od napájacieho zdroja (t.j. vyberte akumulátor).
- Používajte len príslušenstvo a náhradné diely odporúčané výrobcom.
- Pravidelne kontrolujte a udržiavajte stroj. Nechajte stroj opraviť len u autorizovaného odborníka.
- Keď stroj nepoužívate, uskladnite ho mimo dosahu detí.

ĎALŠIE BEZPEČNOSTNÉ VAROVANIA

- **Vyhňte sa nebezpečným prostrediam** - Nepoužívajte

spotrebič na vlhkom alebo mokrom svahu.

- **Majte chrániče nasadené a vo funkčnom stave.**
- **Udržujte ruky a nohy v bezpečnej vzdialenosti od rezacieho priestoru.**
- **Za účelom zníženia rizika zranenia nikdy nepracujte na rebríku alebo na inom nestabilnom podklade. Nikdy nedržte rezáciu jednotku nad úrovňou pásu.**
- **Počas prevádzky kontrolujte rezáciu jednotku v pravidelných krátkych intervaloch, alebo ihneď, ak vznikne nápadná zmena v charakteristike rezania.**
- **Pre dosiahnutie najlepších výsledkov je potrebné batériu nabíjať na mieste s teplotou vyššou ako 5 °C a nižšou ako 40 °C. Neskladujte vonku alebo vo vozidlách.**
- **Ak sa k vám niekto blíži, ihneď vypnite motor a rezáciu jednotku.**
- **Upozornite obsluhu na nebezpečenstvo spätného rázu čepele (len pre 3-zubovú čepeľ).**
 - K spätnému rázu môže dôjsť pri kontakte otáčajúcej sa čepele s objektom, ktorý nie je okamžite prerazaný.
 - Spätný ráz môže byť dosť silný, aby spôsobil pohyb prístroja a/alebo používateľa v ľubovoľnom smere a môže tiež viesť k strate kontroly nad prístrojom.
 - K spätnému rázu môže dôjsť bez varovania, ak sa čepeľ zadrhne, zastaví alebo zasekne.
 - Spätný ráz je pravdepodobnejší v oblastiach, kde je náročné vidieť rezaný materiál.
- **Nepripojujte žiadnu čepeľ na prístroj bez správnej inštalácie všetkých potrebných dielov. Ak sa nepoužívajú správne diely, môže dôjsť k odleteniu čepele a vážnemu poraneniu obsluhy a/alebo okoloidúcich. Vyhodte čepele, ktoré sú ohnuté, zdeformované, popraskané, rozbité alebo inak akokoľvek poškodené. Používajte ostré čepele. Tupá čepeľ sa viac pravdepodobne zachytí a vykoná spätný ráz (len pre 3-zubovú čepeľ).**
- **Voľnobežná čepeľ/struna môže spôsobiť zranenie, keď sa ďalej otáča potom, čo je motor zastavený alebo spúšť uvoľnená. Dodržujte náležitú kontrolu, pokiaľ čepeľ/struna celkom nezastaví svoje otáčanie.**
- **Nástroje na batérie nemusia byť zapojené do elektrickej zásuvky; preto sú vždy v prevádzkovom stave. Buďte si vedomí možných rizík, aj keď sa nástroj nepoužíva. Buďte opatrní pri vykonávaní údržby alebo servisu.**
- **Neumývajte s hadicou; zabráňte tomu, aby sa voda dostala do motora a elektrických prípojok.**
- **Ak sa vyskytnú situácie, ktoré nie sú zahrnuté v tomto návode, dávajte pozor a použite zdravý úsudok. Obráťte sa na zákaznicke servisné stredisko EGO pre pomoc.**
- Používajte iba s akumulátormi a nabíjačkami, ktoré sú uvedené na obr. A.

ODLOŽTE SI TIETO POKYNY!

TECHNICKÉ ÚDAJE

Rezná šírka	30 cm
Rýchlosť naprázdno	5000/6000 min ⁻¹
Hmotnosť (bez akumulátora)	1,82 kg
Odporúčaná prevádzková teplota	0°C-40°C
Odporúčaná skladovacia teplota	-20°C-70°C
Hladina akustického výkonu L _{WA}	96,5 dB(A) K=1,88 dB(A) (PH1400E)
	93,2 dB(A) K=0,35 dB(A) (PH1420E)
	91 dB(A) K=1,1 dB(A) (PHX1600)
Hladina akustického tlaku pri uchu obsluhy L _{PA}	84,5 dB(A) K=3 dB(A) (PH1400E)
	83,9 dB(A) K=3 dB(A) (PH1420E)
	83 dB(A) K=3 dB(A) (PHX1600)
Garantovaná hladina akustického výkonu L _{WA} (meraná podľa 2000/14/EC)	98 dB(A)

Vibrácie _h	Predná pomocná rukoväť	2,8 m/s ² K=1,6 m/s ² (PH1400E)
		4,14 m/s ² K=1,5 m/s ² (PH1420E)
		6,64 m/s ² K=1,5 m/s ² (PHX1600)
	Zadná rukoväť	3,1 m/s ² K=1,6 m/s ² (PH1400E)
		1,88 m/s ² K=1,5 m/s ² (PH1420E)
		2,61 m/s ² K=1,5 m/s ² (PHX1600)

- Vyššie uvedené parametre sú testované a merané s nástrojom vybaveným pohonnou hlavou PH1400E/PH1420E/PHX1600.
- Uvádzaná celková hodnota vibrácií bola meraná v súlade so štandardnou skúšobnou metódou a môže byť použitá na porovnanie jedného zariadenia s iným;
- Uvádzaná celková hodnota vibrácie sa môže použiť aj na predbežný odhad expozície.

POZNÁMKA: Emisia vibrácií pri skutočnom používaní náradia sa môže odlišovať od deklarovanej hodnoty, pri akej sa nástroj používa; Za účelom ochrany obsluhy má používateľ v skutočných podmienkach použitia nosiť rukavice a ochranu sluchu.

Odporúčaná čepeľ

NÁZOV DIELU	ČÍSLO MODELU
Čepeľ krovinoresu	ABB1203

OBSAH BALENIA

NÁZOV DIELU	MNOŽSTVO
Nástavec na krovinores	1
Čepeľ a súprava čepeľového puzdra	1
Chránič	1
Príslušenstvo chrániča (použitie len so strunovou hlavou)	1
Šesťhranný kľúč	1
Multifunkčný kľúč	1
Návod na obsluhu	1

SK

POPIS

ZOZNÁMTE SA S NÁSTAVCOM NA KROVINOREZ

(obr. A)

1. Koncovka
2. Hriadeľ krovinozezu
3. Chránič
4. Čepeľ
5. Puzdro krovinozezu
6. Upínací drôt
7. Tesniaca skrutka
8. Prevodová skriňa
9. Otvor pre zaistenie hriadeľa
10. Vonkajšia prírubka
11. Multifunkčný kľúč
12. Imbusový kľúč
13. Príslušenstvo chrániča
(použitie len so strunovou hlavou)

VAROVANIE: Nikdy nepoužívajte náradie bez nasadeného ochranného krytu. Chránič musí byť vždy na nástroji pre ochranu používateľa.

VAROVANIE: Ak sa nástroj používa ako strunová kosačka, ktorá je vybavená strunovou hlavou, musí byť príslušenstvo chrániča namontované na kryte. Nedodržanie tohto pokynu môže mať za následok príliš dlhú reznú líniu a preťaženie motora.

ZOSTAVA

VAROVANIE: Ak akýkoľvek diel chýba, alebo je poškodený, nepoužívajte tento výrobok, kým nie sú vymenené diely. Ak používate tento výrobok s poškodenými alebo chýbajúcimi časťami, môže dôjsť k vážnemu zraneniu.

VAROVANIE: Nepokúšajte sa upravovať tento výrobok alebo vytvoriť príslušenstvo, ktoré nie je odporúčané pre použitie s touto strunovou kosačkou. Každá takáto zmena alebo úprava je zneužitím a môže viesť k nebezpečnému stavu spôsobujúcemu vážne poranenie.

VAROVANIE: Pri montáži dielov vždy vyberte akumulátor zo stroja, aby ste zabránili náhodnému spusteniu, ktoré by mohlo spôsobiť vážne zranenia.

VAROVANIE: Ak je nástroj vybavený hlavou krovinozezu, musí sa namontovať bezpečnostná bariéra.

MONTÁŽ CHRÁNIČA

VAROVANIE: Pri montáži alebo výmene chrániča vždy používajte rukavice. Dajte si pozor na ostré hrany na chrániči a chráňte si ruky pred porezaním.

VAROVANIE: Nikdy nepoužívajte náradie bez nasadeného ochranného krytu. Chránič musí byť vždy na stroji pre ochranu používateľa! Keď je chránič pripravený, nikdy sa nepokúšajte ho odobrať alebo upraviť. Ak je nutná výmena, nechajte ju vykonať oprávnenému servisnému technikovi!

Povoľte a odstráňte dve skrutky zo základne hriadeľa (obr. C), vyrovnajte montážne otvory chrániča s montážnymi otvormi a pripievte chránič na základňu hriadeľa s dvoma skrutkami a dvoma pružnými podložkami (obr. D). Zabezpečte, aby bol chránič pripavený podľa obr. C a D. Akékoľvek iné upevnenie spôsobí veľké nebezpečenstvo!

MONTÁŽ ČEPELE

1. Čepeľ sa dodáva s puzdrom. Pred montážou čepele na krovinoz zložte puzdro uvoľnením upínacieho drôtu z háku na puzdre (obr. E).

Popis dielov na obr. E si pozrite nižšie:

E-1	Hák
E-2	Upínací drôt

2. Otočte vonkajšiu prírubu a vyrovnajte štrbinu vo vnútornej prírubke s otvorom pre zaistenie hriadeľa v prevodovej skriní (obr. F).
3. Vložte dodaný imbusový kľúč do zarovnaných otvorov ako stabilizátor (obr. G).

Obr. F a G s popisom dielov:

F-1	Prevodová skriňa	F-3	Vonkajšia prírubka
F-2	Vyrovnané otvory pre zaistenie hriadeľa	G-1	Stabilizátor

4. Položte hlavu krovinozezu na pevnú podložku pre podporu. Jednou rukou uchopte hriadeľ krovinozezu a druhou rukou uchopte multifunkčný kľúč dodaný na povolenie matice v smere šípky vyznačenej na vonkajšej prírubke a odstráňte maticu a vonkajšiu prírubu. Odložte si ich pre opätovnú montáž (obr. H).
5. Namontujte čepeľ na hriadeľ motora tak, aby povrch čepele bol v jednej rovine s povrchom výklenku vnútornej prírubky. Prejdite na montáž vonkajšej prírubky a matice (obr. I). Uťahnete predbežne maticu **PROTI SMERU** hodinových ručičiek rukou.

Popis dielov na obr. I si pozrite nižšie:

I-1	Výklenok vnútornej príruby	I-4	Vonkajšia príruha
I-2	Motorový hriadeľ	I-5	Čepeľ
I-3	Matica		

- Otáčajte vonkajšiu prírubu tak, aby ste zarovnali štrbinu vo vnútornej príрубе s otvorom pre zaistenie hriadeľa v prevodovej skrini a vložte dodaný imbusový kľúč do vyrovnaných otvorov, aby pôsobil ako stabilizátor ako v predošlom znázornenom kroku 2 a 3.
- Položte hlavu krovinoresu na pevnú podložku pre podporu. Jednou rukou uchopíte čepeľ a druhou rukou uchopíte multifunkčný kľúč dodaný pre utiahnutie matice proti smeru šípky vyznačenej na vonkajšej príрубе (obr. J).

Použitie príslušenstva chrániča

POZNÁMKA: Ak sa nástroj používa ako strunová kosačka, ktorá je vybavená strunovou hlavou, musí byť príslušenstvo chrániča namontované na kryte (obr. K).

Príslušenstvo chrániča pripevnite na kryt dotiahnutím troch skrutiek s dodaným imbusovým kľúčom. Nedodržanie tohto pokynu môže mať za následok príliš dlhú reznú líniu a preťaženie motora.

PRIPOJENIE NÁSTAVCA PRE KROVINOREZ NA Pohonnú Hlavu

Tento nástavec pre krovinores je určený na použitie s pohonnou hlavou EGO PH1400E/PH1420E/PHX1600.

Pozrite si časť „INŠTALÁCIA NÁSTAVCA NA Pohonnú Hlavu“ v návode na obsluhu pohonnej hlavy PH1400E/PH1420E/PHX1600.

OBSLUHA

VAROVANIE: Nedovoľte, aby ste sa po zoznámení s týmto výrobkom stali neopatrnými. Zapamätajte si, že zlomok sekundy neopatrnosti postačuje na spôsobenie vážneho poranenia.

VAROVANIE: Vždy používajte ochranu zraku s bočnými ochrannými krytmi. Spolu s ochranou sluchu. Ak tak neurobíte, môže dôjsť k vymršteniu predmetov do očí a iným možným vážnym zraneniam.

APLIKÁCIE

Tento výrobok môžete použiť na nižšie uvedené účely:

- Rezanie trávy, buriny, divokého porastu a krovín, prerezávanie mladých porastov s maximálnym priemerom kmeňa 2 cm.

POZNÁMKA: Nástroj sa musí používať len na predpísané účely. Každé iné použitie sa považuje za prípad zneužitia.

POUŽITÍ KROVINOREZU S Pohonnou Hlavou

VAROVANIE: Oblečte sa vhodne pri práci s týmto náradím, aby sa znížilo riziko poranenia. Nenoste šperky alebo voľný odev. Používajte ochranu očí a sluchu. Oblečte si odolné, dlhé nohavice, vysoké topánky a rukavice. Nenoste krátke nohavice, sandále alebo nebudte naboso.

Pre bezpečnejšie a lepšie používanie si dajte ramenný popruh cez rameno. Upravte ramenný popruh do pohodlnej pracovnej polohy. Uchopte krovinores jednou rukou za zadnú rukoväť a druhou rukou za prednú rukoväť. Udržujte pevný úchop obomi rukami pri používaní naradia. Krovinores sa má držať v pohodlnej polohe so zadnou rukoväťou vo výške bedrového kĺbu. Udržujte váš úchop a rovnováhu na oboch nohách.

Postavte sa tak, aby ste neboli vyvedení z rovnováhy pri spätnom ráze rezacej čepele (obr. B).

VAROVANIE: Ramenný popruh má takisto rýchlovyvinací mechanizmus pre nebezpečné situácie. Ak dôjde k núdzovej situácii, ihneď si popruh odopnite zo svojho ramena bez ohľadu na to, akým spôsobom je popruh pripnutý.

AK chcete orezať divoký porast a kroviny, znížte rotujúcu čepeľ k porastu, aby sa dosiahol účinok sekania. Použite krovinores ako kosu (prechádzajte vpravo a vľavo) na úrovni terénu. Nikdy nedržte rezací nástavec nad úrovňou pásu.

VAROVANIE: Čím vyššie je rezací nástavec nad zemou, tým väčšie je riziko poranenia z odrezkov vymrštených do strán.

VAROVANIE: Pri rezaní mladých porastov alebo iných drevných materiálov až do 2 cm v priemere použite ľavú stranu čepele, aby sa zabránilo situáciám so spätným rázom. Nepokúšajte sa rezať drevné hmoty s väčším priemerom, pretože sa čepeľ môže zachytiť alebo šklbnúť krovinores dopredu. Mohlo by dôjsť k poškodeniu čepele alebo krovinoresu alebo k strate kontroly nad krovinoresom, čo vedie k poraneniu osôb.

VAROVANIE: Nesprávne použitie čepele krovinoresu môže viesť k jej prasknutiu, odštiepeniu alebo roztrženiu.

Vymrštené časti môžu vážne poraniť obsluhu či okoloidúceho. Aby sa znížilo riziko poranenia osôb, je nutné prijať nasledujúce opatrenia:

- Vyhýbajte sa kontaktu s tvrdými alebo cudzími pevnými objektmi, ako sú kamene, skaly alebo kusy kovu.

SK

- Nikdy nerežte drevo alebo kríky s priemerom kmeňa väčším ako 2 cm.
- Kontrolujte čepeľ v pravidelných krátkych intervaloch, či nie je poškodená. Nepokračujte v práci s poškodenou čepeľou.
- Pravidelne brúste čepeľ (ak sa nápadne otúpila) a majte ju vyváženú v prípade potreby (vykonáva iba kvalifikovaný servisný technik).

SPÄTNÝ RÁZ ČEPELE

Budte veľmi opatrní pri použití čepele s týmto prístrojom. Spätňý ráz je reakcia, ktorá môže nastáť, keď sa otáčajúca čepeľ dostane do kontaktu s niečím, čo nedokáže prerezať. Tento kontakt môže spôsobiť, že čepeľ sa na okamih zastaví a naraz „odhodí“ prístroj do väčšej vzdialenosti od predmetu, ktorý bol zasiahnutý. Táto reakcia môže byť dostatočne prudká, aby spôsobila stratu kontroly obsluhy nad prístrojom. K spätnému rázu môže dôjsť bez varovania, ak sa čepeľ zadrhne, zastaví alebo zasekne. K tomu môže častejšie dôjsť v oblastiach, kde je náročné vidieť rezaný materiál. Pre jednoduchosť a bezpečnosť rezania sa priblížte k rezanej burine s krovinnorezom sprava doľava. V prípade kontaktu s neočakávaným objektom alebo dreveným prikom by táto prax mohla minimalizovať spätňý ráz čepele.

SK **Pred každým použitím skontrolujte, či nie sú poškodené / opotrebované diely**

Skontrolujte čepeľ, chránič a prednú pomocnú rukoväť a vymeňte diely, ktoré sú prasknuté, zdeformované, ohnuté, alebo inak poškodené.

Hrana čepele sa môže otupiť v priebehu času. Odporúčame, aby ste otáčali čepeľ na predĺženie jej životnosti a pravidelne ju ostríte (vykonáva iba kvalifikovaný servisný technik), alebo ju vymeňte za novú čepeľ v prípade potreby.

Vyčistite krovinnorez po každom použití

Pozrite si časť **ÚDRŽBA** pre pokyny na čistenie.

VAROVANIE: Pred čistením alebo údržbou krovinnorezu sa uistite, že došlo k úplnému zastaveniu čepele. Nedodržanie tohto pokynu môže viesť k možnému vážnemu poraneniu.

ZAPNUTIE/VYPNUTIE NÁSTROJA

Pozrite si časť **ZAPNUTIE/VYPNUTIE POHONNEJ HLAVY** v návode na obsluhu pohonnej hlavy PH1400E/PH1420E/PHX1600.

ÚDRŽBA

VAROVANIE: Pred kontrolou, čistením alebo údržbou prístroja zastavte motor, počkajte, kým sa všetky pohyblivé diely zastavia a vyberte akumulátor. Nedodržanie týchto pokynov môže viesť k vážnemu zraneniu alebo poškodeniu majetku.

VAROVANIE: Pri servise používajte iba identické náhradné diely. Použitie iných častí môže vyvolať nebezpečenstvo, alebo spôsobiť poškodenie výrobku. Pre zaistenie bezpečnosti a spoľahlivosti je nevyhnutné, aby všetky opravy vykonával len kvalifikovaný servisný technik.

VAROVANIE: Vždy používajte pevné rukavice pri inštalácii alebo odstraňovaní čepele alebo vykonávaní akejkoľvek údržby na čepeľi. Dávajte pozor na čepeľ a chráňte svoje ruky pred poranením ostrím.

CELKOVÁ ÚDRŽBA

Na čistenie plastových dielov nepoužívajte rozpúšťadlá. Väčšina plastov je náchylná na poškodenie z rôznych typov komerčných rozpúšťadiel a môžu sa poškodiť, ak sa použijú. Použite čisté handry na odstránenie nečistôt, prachu, oleja, maziva, atď.

ČISTENIE PRÍSTROJA

- Vyberte akumulátor
- Po každom použití odstráňte mäkkou kefou sutinu, upchanú zeminu alebo trávu na čepeľi a chrániči.
- Utrite povrch prístroja čistou handrou navlhčenou v slabom mydlovom roztoku.
- Použite malú kefu alebo malý vysávač na vyčistenie vetracích otvorov na zadnom kryte.
- Udržujte vetracie otvory bez prekážok.

Keď sa čepeľ otupí (oba okraje čepele sú tupé), nechajte čepeľ zostriť len u kvalifikovaného servisného technika, alebo vymeňte podľa potreby za novú čepeľ.

VÝMENA ČEPELE

VAROVANIE: Opatrebovaná, prasknutá alebo poškodená čepeľ sa môže zlomiť a kúsky poškodenej čepele sa môžu stať nebezpečnými projektilmi. Vymrštené predmety môžu spôsobiť vážny úraz. Čepeľ pravidelne kontrolujte a nepoužívajte krovinnorez s opotrebovanou alebo poškodenou čepeľou.

VAROVANIE: Používajte ochranu očí pri demontáži, ostrení a inštalácii čepele.

Demontáž čepele

1. Vyberte akumulátor.
2. Otáčajte vonkajšiu prírubu tak, aby ste zarovnali štrbinu vo vnútornej prírubе s otvorom pre zaistenie hriadeľa v prevodovej skrini a vložte dodaný imbusový kľúč do vyrovnaných otvorov, aby pôsobil ako stabilizátor ako v predošlom znázornenom kroku 2 v časti „**MONTÁŽ ČEPELE**“.
3. Položte hlavu krovinorezu na pevnú podložku pre podporu. Jednou rukou uchopte čepeľ a druhou rukou uchopte multifunkčný kľúč dodaný na povolenie matice v smere šípky vyznačenej na vonkajšej prírubе a odstráňte maticu, vonkajšiu prírubu a opotrebovanú čepeľ (obr. L).
4. Skontrolujte a vymeňte vnútornú prírubu a kryt príruby, ak sú opotrebované (obr. M).

Popis dielov na obr. M si pozrite nižšie:

M-1	Motorový hriadeľ	M-5	Vonkajšia prírubа
M-2	Vnútorná prírubа	M-6	Matica
M-3	Kryt príruby	M-7	Drážka v prírubе
M-4	Čepeľ		

5. Nainštalujte novú čepeľ na hriadeľ motora podľa poradia na obr. M. Podrobný postup je uvedený v pokynoch krokov 5, 6 a 7 v časti „**MONTÁŽ ČEPELE**“.

MAZANIE PREVODOVKY

Prevody v prevodovej skrini sa musia pravidelne mazať prevodovým mazivom. Skontrolujte hladinu prevodového maziva v prevodovke približne každých 50 prevádzkových hodín odstránením tesniacej skrutky na boku skrine.

Ak na stranách prevodov nie je vidno žiadne mazivo, postupujte podľa pokynov pre naplnenie prevodovým mazivom až do 3/4 kapacity.

Nezapíňte celkom prevody.

1. Umiestnite krovinorez tak, aby tesniaca skrutka smerovala hore (obr. N).
2. Pomocou dodaného multifunkčného kľúča povolte a odstráňte tesniacu skrutku.
3. Použite mazacu striekačku (nie je súčasťou dodávky) na zavedenie maziva do otvoru pre skrutku.
4. Po naplnení utiahnete tesniacu skrutku.

USKLADNENIE PRÍSTROJA

- Vyberte akumulátor z prístroja.
- Použite pevné rukavice na dôkladné vyčistenie prístroja.
- Založte puzdro čepele na čepeľ pre bezpečné uskladnenie (obr. O).
- Zložte nástavec pre krovinorez z pohonnej hlavy a namontujte koncovku na hriadeľ nástavca, ak je to nutné.
- Prístroj skladujte na suchom a dobre vetranom uzamknutom alebo vyvýšenom mieste mimo dosahu detí. Nástroje neskladujte v blízkosti hnojív, benzínu alebo iných chemikálií.

Ochrana životného prostredia



Nevyhadzujte elektrické zariadenia, nabíjačku a použité akumulátory do domového odpadu! Tento výrobok odnesť na autorizované recyklačné miesto a poskytnite ho na separovaný zber. Elektrické stroje sa musia odovzdať do príslušného zariadenia na ekologicky šetrnú recykliáciu.

SK

ODSTRÁŇOVANIE PROBLÉMOV

PROBLÉM	PRÍČINA	RIEŠENIE
Krovinorez sa nespustí.	<ul style="list-style-type: none"> ■ Akumulátor nie je pripojený na pohonnú hlavu. ■ Bez elektrického kontaktu medzi pohonnou hlavou a akumulátorom. ■ Akumulátor je vybitý. ■ Poistná páčka a spínač nie sú súčasne stlačené. 	<ul style="list-style-type: none"> ■ Pripojte akumulátor na pohonnú hlavu. ■ Vyberte batériu, skontrolujte kontakty a vložte akumulátor, pokiaľ nezapadne na svoje miesto. ■ Nabite akumulátor pomocou nabíjačiek EGO, ktoré sú uvedené v tomto návode na obsluhu. ■ Pre zapnutie krovinorezu zatlačte poistnú páčku a podržte ju, potom stlačte vypínač.
Krovinorez sa zastaví pri rezaní.	<ul style="list-style-type: none"> ■ Motor je preťažný. ■ Akumulátor alebo pohonná hlava sú príliš horúce. ■ Akumulátor je odpojený od nástroja. ■ Akumulátor je vybitý. 	<ul style="list-style-type: none"> ■ Motor sa zotaví po odstránení záťaže. Pre kontinuálnu prácu znížte zaťaženie pohonnej hlavy. ■ Nechajte akumulátor alebo pohonnú hlavu vychladnúť, pokiaľ teplota neklesne pod 67°C. ■ Znovu vložte akumulátor. ■ Nabite akumulátor pomocou nabíjačiek EGO, ktoré sú uvedené v tomto návode na obsluhu.

SK

ZÁRUKA

ZÁRUČNÁ POLITIKA EGO

Navštívte webové stránky egopowerplus.eu pre úplné podmienky záručnej politiky spoločnosti EGO.

OLVASSA EL AZ ÖSSZES UTASÍTÁST!



OLVASSA EL A HASZNÁLATI ÚTMUTATÓT

▲ FIGYELMEZTETÉS: A biztonságosság és megbízhatóság biztosítása érdekében minden javítást szakképzett szerviztechnikus hajtson végre.

BIZTONSÁGI SZIMBÓLUMOK

A biztonsági szimbólumok célja, hogy felhívják a figyelmet az esetleges veszélyekre. Nagyon figyeljen a biztonsági szimbólumokra és magyarázatokra, ill. ezek megértésére. A szimbólumok figyelmeztetéseik önmagukban nem hárítják el a veszélyeket. Az utasítások és figyelmeztetések nem helyettesítik a megfelelő balesetmegelőző intézkedéseket.

▲ FIGYELMEZTETÉS: A szerszám használata előtt feltétlenül olvassa el a jelen használati útmutató minden biztonsági utasítását, a „VESZÉLY”, „FIGYELMEZTETÉS” és „FIGYELEM” biztonsági szimbólumokat is. Az alább felsorolt utasítások be nem tartása áramütést, tűzveszélyt és/vagy súlyos személyi sérülést idézhet elő.

SZIMBÓLUM JELENTÉSE

▲ BIZTONSÁGI SZIMBÓLUM: VESZÉLYT vagy **FIGYELMEZTETÉST** jelöl. Más szimbólumokkal vagy rajzokkal együtt használható.






▲ FIGYELMEZTETÉS: Bármely elektromos kéziszerszám működtetése azzal járhat, hogy idegen tárgyak szembe kerülnek, amely súlyos szemsérüléseket okozhat. Az elektromos kéziszerszám működtetése előtt, mindig vegyen fel oldalsó védőlemezrel ellátott védőszemüveget és a teljes védőálarcot, ha szükséges. Javasoljuk, hogy viseljen széles látóterű biztonsági maszkot (védőálarc) a védőszemüveg fölött vagy standard védőszemüveget oldalsó védőlemezrel.

BIZTONSÁGI UTASÍTÁSOK

Ezen az oldalon olyan biztonsági szimbólumok láthatók és olvashatók, amelyek megjelenhetnek a terméken. Az összeszerelés vagy működtetés előtt olvassa el, értse meg és tartsa be a gép minden utasítását.

	Biztonsági figyelmeztetés	Potenciális személyi sérülés veszélyét jelzi.
	Olvassa el a használati útmutatót	A sérülések kockázatának csökkentése érdekében használónak el kell olvasnia a használati útmutatót.
	Viseljen szemvédőt	Mindig viseljen védőszemüveget vagy oldalsó védőlemezrel ellátott védőszemüveget és teljes védőálarcot a termék működtetése közben.
	Viseljen fülvédőt	Mindig viseljen hallásvédőt (füldugót vagy hallásvédőt) a hallása védelme érdekében.
	Viseljen fejdédőt	Viseljen hivatalos biztonsági kemény sisakot a feje védelme érdekében.
	Viseljen védőkesztyűt	Védje a kezét kesztyűvel, amikor a láncfűrész vagy a fűrészláncot kezeli. A nagy teherbírású, csúszásmentes kesztyű segít a fogásban, és védi a kezét.
	Viseljen védő lábbelit.	Viseljen csúszásgátló cipőt, amikor a készüléket használja.
	Vágásszélesség	A fűkasza max. vágásszélessége
	Ügyeljen a penge lököerejére	Figyelmeztesse a kezelőt a penge lököerejére.
	Tartsa távol a nézelődőket	A gép és a közelben tartózkodók között legalább 15 m távolság legyen.
	A karbantartás előtt válassza le az akkumulátort	A karbantartási és tisztítási munkák elvégzése előtt válassza le az akkumulátort a damilos fűkaszárról

HU

	CE	A termék megfelel az érvényes EK irányelveknek.
	UKCA	Ez a termék megfelel az alkalmazandó brit jogszabályoknak.
	WEEE	Az elhasznált elektromos termékek nem helyezhetők a háztartási hulladék közé. Vigye hivatalos újrahasznosító telephelyre.
	Zaj	Garantált hangteljesítményszint. Környezetre ható zajkibocsátás a Európai Közösség irányelve szerint.
V	volt	Feszültség
mm	milliméter	Hossz vagy méret
cm	centiméter	Hossz vagy méret
kg	kilogramm	Súly
n_0	Üresjárat fordulatszám	Forgási sebesség üresjáraton
min ⁻¹	Percenként	Fordulat percenként

HU

ÁLTALÁNOS GÉPBIZTONSÁGI FIGYELMEZTETÉSEK

▲ FIGYELMEZTETÉS: Olvassa el a szerszámhoz mellékelt összes biztonsági figyelmeztetést, utasítást, illusztrációt és specifikációt. Az alább felsorolt utasítások be nem tartása áramütést, tűzveszélyt és/vagy súlyos sérülést idézhet elő.

ŐRIZZEN MEG MINDEN UTASÍTÁST ÉS FIGYELMEZTETÉST, HOGY KÉSŐBB IS ELŐ TUDJA MAJD VENNI.

A figyelmeztetésekből szereplő „szerszám” kifejezés az Ön hálózati (vezetékes) vagy akkumulátoros (vezeték nélküli) gépre vonatkozik.

MUNKATERÜLET BIZTONSÁGA

- A munkaterület legyen tiszta és jól megvilágított. A munkaterületen uralkodó rendtelenségnek vagy a rossz megvilágításnak baleset lehet a következménye.
- Ne használja a szerszámot robbanásveszélyes környezetben, például olyan helyen, ahol éghető

folyadékok, gázok vagy porok találhatóak. A szerszám szikrákat képez, amelyek meggyújthatják a port vagy gázt.

- **Tartsa távol a gyermekeket és a közelben tartózkodó személyeket, amikor a szerszámmal dolgozik.** Ha megzavarják, elveszítheti uralmát a készülék felett.

ELEKTROMOS BIZTONSÁG

- **A szerszám csatlakozóinak illeszkedniük kell az aljzathoz. Soha és semmiképpen se módosítsa a csatlakozódugót. Ne használjon adapteres csatlakozódugókat a (földelt) szerszámokhoz.** Az eredeti csatlakozódugó és megfelelő hálózati aljzat alkalmazásával megelőzi az áramütés veszélyét.
- **Ne érjen földelt felületekhez, ilyenek pl. a csövek, fűtőtestek, tűzhelyek vagy hűtőszekrények.** Az áramütés kockázata nagyobb, ha a teste le van földelve.
- **Ne működtesse a gépet esőben vagy nedves körülmények között.** A gépbe jutó víz növelheti az áramütés és a személyi sérülést okozó meghibásodás kockázatát.
- **Ne használja a kábelt helytelen módon. Soha ne a vezetéknel fogva hordozza, húzza, vagy válassza le a szerszámot. Tartsa távol a vezetékét hőtől, olajtól, éles szegélyektől és mozgó alkatrészekről.** A sérült vagy összegabalyodott hálózati kábelek megnövelik az áramütés veszélyét.
- **A szerszám szabadtéri üzemeltetéséhez használjon szabadtéren használható hosszabbító kábelt.** A szabadtéren használható kábel alkalmazása csökkenti az áramütés kockázatát.
- **Ha elkerülhetetlen, hogy a szerszámot nedves helyen használják, használjon földelő áramkört megszakítóval (GFCI) ellátott tápellátást.** A GFCI használata csökkenti az áramütés veszélyét.

SZEMÉLYES BIZTONSÁG

- **Legyen éber, ügyeljen rá, mit csinál, és járjon el a józanul a szerszám használata során. Ne használja a szerszámot, ha fáradtnak érzi magát, vagy ha kábítószert, alkoholt vagy gyógyszerek hatása alatt áll.** A szerszámok üzemeltetése közben egy pillanatnyi figyelmetlenség is súlyos személyi sérülést okozhat.
- **Használjon egyéni védőfelszerelést. Mindig viseljen védőszemüveget.** A védőfelszerelések – mint például porvédő maszk, csúszásmentes lábbeli, sisak és hallásvédő – rendeltetésszerű használata révén elkerüli a személyi sérüléseket.
- **Akadályozza meg a véletlen indítást. Ügyeljen arra, hogy a kapcsoló kikapcsolt állásban legyen, mielőtt az áramforráshoz és/vagy az akkumulátoregységhez**

csatlakoztatja, felveszi vagy viszi a szerszámot. Balesethez vezethet, ha a hálózatra csatlakoztatott szerszámot úgy viszi, vagy a hálózati csatlakozódugót úgy csatlakoztatja az aljzathoz, hogy közben az ujjá a bekapcsoló gombon van.

- **A szerszám bekapcsolása előtt távolítson el minden beállító kulcsot vagy csavarkulcsot.** Személyi sérülést okozhat, ha a szerszámban felejtett csavarkulcs vagy beállító kulcs forgó alkatrészhez ér.
- **Ne hajoljon a készülék fölé. Vegyen fel stabil testhelyzetet, és mindig tartsa meg az egyensúlyát.** Ez lehetővé teszi a szerszám jobb irányítását váratlan helyzetekben.
- **Viseljen megfelelő ruházatot. Ne viseljen laza ruházatot vagy ékszereket.** A haj és a ruházat ne érjen a mozgó részekhez. A laza ruházatot, az ékszert vagy a hosszú hajat becsíphetik a mozgó alkatrészek.
- **Ha az elektromos szerszámot pórelszívó vagy porlefogó eszközzel szerelik fel, akkor győződjön meg arról, hogy ezek előírászerűen vannak-e csatlakoztatva, és használja őket a rendeltetésüknek megfelelően.** Porgyűjtő használata csökkentheti a porral járó veszélyeket.
- **Ne hagyja, hogy a rendszeres használat során megszerzett tapasztalat miatt túl magabiztossá váljon, és emiatt figyelmen kívül hagyja a biztonsági irányelveket.** Egy óvatlan cselekedet a másodperc töredéke alatt súlyos sérülést okozhat.

A GÉP HASZNÁLATA ÉS GONDOZÁSA

- **Ne erőltesse a gépet. Használja az alkalmazásának megfelelő szerszámot.** A megfelelő szerszámmal jobban és biztonságosabban dolgozhat a megadott teljesítményhatárokon belül.
- **Ne használja a szerszámot, ha nem lehet a bekapcsoló gombbal be- vagy kikapcsolni.** Az olyan szerszám, amely nem irányítható a kapcsolóval, veszélyes és javításra szorul.
- **Húzza ki a hálózati csatlakozó dugót az aljzathól és/ vagy, ha lehet, vegye ki az akkumulátoregységet az elektromos szerszámból, mielőtt beállításokat végezne, tartozékokat cserélne vagy az elektromos szerszámot elrakná.** A megelőző biztonsági óvintézkedések csökkentik a szerszám véletlen beindításának kockázatát.
- **A használaton kívüli szerszámot tartsa gyermekek elől elzár helyen, és ne engedje, hogy olyanok használják a szerszámot, akik nem ismerik a szerszámot vagy a jelen használati útmutatót.** A szerszám veszélyt jelent, ha gyakorlatlan felhasználó kezébe kerül.

- **Gépek és tartozékok karbantartása. Ellenőrizze a mozgó alkatrészek beállítását és rögzítését, vizsgáljon meg minden alkatrészt, hogy nem sérült-e, és ellenőrizze, nem állnak-e fenn olyan körülmények, amelyek befolyásolhatják a szerszám működését.** Ha sérült, használat előtt javíttassa meg a szerszámot. A rosszul karbantartott szerszám sok balesetet okoz.
- **Tartsa a vágógépeket éles, tiszta állapotban.** A megfelelően karbantartott és megélezett vágóélekkel rendelkező vágószerszámok kevésbé hajlamosak az elgömbülésre, valamint könnyebben kezelhetők.
- **A szerszámot, tartozékokat és szerszámfejeket, stb. mindig a biztonsági utasításoknak megfelelően használja, figyelembe véve a munkakörülményeket és az elvégezni kívánt munkafolyamatot.** A szerszám rendeltetési céltől eltérő használata veszélyes helyzetet eredményezhet.
- **Tartsa szárazon, tisztán, olajtól és zsírtól mentesen a fogantyúkat és a tartófelületeket.** A csúszós fogantyúk és markolatok miatt a szerszám kezelése és vezérlése váratlan helyzetekben nem biztonságos.

AZ AKKUMULÁTOROS SZERSZÁM HASZNÁLATA ÉS GONDOZÁSA

- **Csak a gyártó által meghatározott töltőt használja.** Az olyan töltő, amely egy típusú akkumulátoregységhez alkalmas, tűzveszélyt okozhat, ha más típusú akkumulátoregységhez használja.
- **A készülékeket csak a kifejezetten hozzá készült akkumulátoregységekkel használja.** Bármely más akkumulátoregység használata sérülés- vagy tűzveszélyt okozhat.
- **Amikor nem használja az akkumulátoregységet, tartsa távol más fémtárgyaktól, például gemkapcsoktól, érméktől, kulcsoktól, szögektől, csavaroktól vagy más kis fémtárgyaktól, amelyek kapcsolatba léphetnek vele.** Az akkumulátorok kapcsainak rövidzárlata égési sérülést vagy tüzet okozhat.
- **Nem megfelelő körülmények között folyadék szívárogathat az akkumulátorból; ügyeljen rá, hogy ne kerüljön érintkezésbe vele. Amennyiben véletlenül hozzáérne, mossa le vízzel.** Ha ez a folyadék szembe kerül, forduljon orvoshoz. Az akkumulátorból kiszivárgó folyadék irritációt vagy égési sérülést okozhat.
- **Ne használjon sérült, módosított akkumulátoregységet vagy szerszámot.** A sérült vagy módosított akkumulátorok előre nem látható módon viselkedhetnek, aminek eredménye tűz, robbanás vagy sérülésveszély lehet.

HU

■ Ne tegye ki az akkumulátoregységet és a szerszámot tűznek vagy túl magas hőmérsékletnek.

Ha tűznek, vagy 130 °C feletti hőmérsékletnek teszi ki, akkor felrobbanhat.

- **Tartsa be a töltésre vonatkozó utasításokat, és ne töltse az akkumulátoregységet vagy a szerszámot az utasításokban meghatározott hőmérséklet-tartományon kívül.** A nem megfelelő vagy a meghatározott hőmérséklet-tartományon kívüli töltés károsíthatja az akkumulátort, és növeli a tűzveszélyt.

▲ FIGYELMEZTETES: Olvassa el az elektromos kéziszerszámhoz mellékelt összes biztonsági figyelmeztetést, utasítást, ábrát és specifikációt. Az alább felsorolt utasítások be nem tartása áramütést, tűzveszélyt és/vagy súlyos sérülést idézhet elő. Őrizzen meg minden figyelmeztetést és utasítást, hogy később is elő tudja majd venni.

Őrizzen meg minden figyelmeztetést és utasítást, hogy később is elő tudja majd venni.

GYAKORLÁS

- Körültekintően olvassa el az utasításokat. Ismerje meg a gép szabályozását és helyes használatát.
- Ne engedélyezze a készülék használatát gyermekeknek vagy olyan személyeknek, akik nem ismerkedtek meg az utasításokkal. A helyi rendelkezések korlátozásokat tartalmazhatnak a szerszám működtetőjének életkorára vonatkozóan.
- Ne feledje, hogy a szerszám működtetője a felelős azokért a balesetekért vagy veszélyekért, amelyek más embereket érintenek vagy mások vagyontárgyait érintik.

ELŐKÉSZÜLETEK

- Soha ne működtesse a gépet, ha emberek, különösen gyermekek, vagy kis állatok vannak a közelben.
- A gép működtetése közben mindig viseljen védőszemüveget és vastag talpú cipőt.
- A gép és a nézelődők közötti távolság legalább 15 m legyen.
- Ne működtesse a gépet, ha a gépkezelő fáradt, beteg, illetve ha alkohol vagy kábítószer hatása alatt áll.

MŰKÖDÉS

- Csak nappali világosságnál vagy megfelelő mesterséges megvilágítás mellett használja a terméket.
- Soha ne üzemeltesse a gépet sérült védőelemekkel vagy pajzsokkal vagy a helyükön lévő védőelemek és pajzsok nélkül.
- A motort csak akkor kapcsolja be, ha a kezei és lábai távol vannak a vágóeszközöktől.

- Mindig válassza le a gépet a tápellátásról (azaz vegye le az akkumulátoregységet),
 - ha a gépet felüvelet nélkül hagyja;
 - mielőtt megszüntetné az eltömődést;
 - mielőtt ellenőrizi, tisztítja vagy bármilyen más munkát végez a gépen;
 - ha idegen tárgyba ütközik;
 - ha a termék szokatlan módon elkezd rázkódni.
- Legyen óvatos, nehogy a vágószerszám megsebesítse a kezét vagy lábát.
- Mindig gondoskodjon arról, hogy a szellőzőnyílások hulladéktól mentesek legyenek.

KARBANTARTÁS ÉS TÁROLÁS

- Mindig válassza le a gépet a hálózati aljzatról (pl. távolítsa el az akkumulátoregységet) karbantartás vagy tisztítás előtt.
- Csak a gyártó által javasolt pótalkatrészeket és tartozékokat használja.
- Rendszeresen ellenőrizze a gépet, és végezzen karbantartást. A gép javítását csak felhatalmazott szerelő végezheti el.
- Gyermekek által hozzá nem férhető helyen tárolja a gépet, amikor nem használja azt.

EGYÉB BIZTONSÁGI UTASÍTÁSOK

- **Kerülje a veszélyes környezetet** – ne használja a berendezéseket nedves vagy vizes lejtől.
- **Tartsa a helyén és működőképesen a védőburkolatot.**
- **A kezét és lábát tartsa távol a vágási területtől.**
- **A sérülések kockázatának csökkentése érdekében soha ne dolgozzon létrán vagy más nem biztonságos támasztékon. Soha ne tartsa a vágóegységet derékmagasságon felül.**
- **Működés közben ellenőrizze a vágóegységet rendszeresen, rövid időközönként, vagy azonnal, ha látható a vágás láthatóan megváltozik.**
- **A legjobb eredmény elérése érdekében az akkumulátort olyan helyiségben töltsen, ahol a hőmérséklet 5 °C-nál magasabb és 40 °C-nál alacsonyabb.** Ne tárolja kültéren vagy járművekben.
- **Amikor Ön felé közeledik valaki, állítsa le a motort és a vágóegységet.**
- **Figyelmeztesse a kezelőt a penge lökőerejére (csak 3 fogú pengére szerelhető).**
 - A penge akkor kaphat lökést, ha olyan tárgyba ütközik, amelyet nem tud azonnal elválni.
 - A penge lökése révén az egység és/vagy a kezelő bármely irányba elfordulhat, és egyensúlyát veszítheti.

- A penge előzetes jel nélkül is lökőerőt fejthet ki, ha a penge elakad, leáll vagy megakad.
- A penge nagyobb valószínűséggel fejt ki lökőerőt, olyan területeken, ahol nehezen látható a vágandó anyag.
- **Ne csatlakoztasson pengét az egységre, amíg minden szükséges alkatrész megfelelően fel nincs szerelve. Amennyiben nem megfelelő alkatrészeket használ, akkor a penge lerepülhet, és súlyos sérüléseket okozhat a kezelőnek és/vagy nézelődőknek. A behajolt, repedt, törött vagy sérült pengét ártalmatlanítsa. Használjon éles pengét. A tompa penge nagyobb valószínűséggel akad el, és fejt ki lökőerőt (csak 3 fogú pengével való használat).**
- A leálló penge/vágószál sérülést okozhat, miközben még forog, miután a motor leállt, vagy megnyomta a triggert. Tartsa meg az irányítást, amíg a penge/vágószál teljesen abba nem hagyta a forgást.
- Az akkumulátorral működő szerszámokat nem kell hálózati aljzathoz csatlakoztatni; ezért mindig működőképés állapotban vannak. Ügyeljen a lehetséges veszélyekre, akkor is, ha a szerszám nem működik. Legyen óvatos karbantartás és szervizelés közben.
- **Ne mossa tömlővel; ne kerüljön víz a motorba és az elektromos csatlakozásokba.**
- Amennyiben olyan helyzet adódik, amely nem szerepel a jelen használati útmutatóban, akkor óvatosan és kellő mérlegeléssel cselekedjen. Forduljon az EGO ügyfélszolgálatához segítségért.
- Csak az A.ábrán felsorolt akkumulátoregységeket és töltőket használja.

ŐRIZZE MEG EZEKET AZ UTASÍTÁSOKAT

MŰSZAKI ADATOK

Vágásszélesség	30 cm
Üresjáratú fordulatszám	5000/6000 min ⁻¹
Súly (lánc ánc tokkal)	1,82 kg
Működési hőmérséklet	0°C-40°C
JTárolási hőmérséklet	-20°C-70°C

Mért hangteljesítményszint L_{WA}		96,5 dB(A) K=1,88 dB(A) (PH1400E)
		93,2 dB(A) K=0,35 dB(A) (PH1420E)
		91 dB(A) K=1,1 dB(A) (PHX1600)
Max. Hangnyomásszint a kezelő fülénél L_{PA}		84,5 dB(A) K=3 dB(A) (PH1400E)
		83,9 dB(A) K=3 dB(A) (PH1420E)
		83 dB(A) K=3 dB(A) (PHX1600)
Nivel de putere sonoră garantat L_{WA} (măsurat în conformitate cu 2000/14/CE)		98 dB(A)
Vibrații a_h	Elülső segédfogantyú	2,8 m/s ² K=1,6 m/s ² (PH1400E)
		4,14 m/s ² K=1,5 m/s ² (PH1420E)
		6,64 m/s ² K=1,5 m/s ² (PHX1600)
	Hátsó fogantyú	3,1 m/s ² K=1,6 m/s ² (PH1400E)
		1,88 m/s ² K=1,5 m/s ² (PH1420E)
		2,61 m/s ² K=1,5 m/s ² (PHX1600)

HU

- A fenti paraméterek PH1400E/PH1420E/PHX1600 meghajtófejjel felszerelve kerültek tesztelésre és mérésre.
- Valoarea totală declarată a vibrațiilor a fost măsurată în conformitate cu o metodă standard de testare și poate fi utilizată pentru compararea sculelor între ele;
- Valoarea totală declarată poate fi utilizată în evaluarea preliminară a expunerii.

OBSERVAȚIE: Vibrațiile emise în timpul utilizării efective a sculei electrice pot diferi față de valoarea celor declarate pentru scula utilizată. Pentru protejarea operatorului, utilizatorul trebuie să poarte mănuși și protecții auditive în timpul utilizării efective a produsului.

Javasolt penge

DENUMIRE PIEȘĂ	MODELLSZÁM
Fűkasza penge	ABB1203

CONȚINUTUL AMBALAJULUI

DENUMIRE PIEȘĂ	CANTITATE
Fűkasza alkatrész	1
Penge és penge tok szett	1
Védőburkolat	1
Védőburkolat tartozék (CSAK fűkasza fejjel való használatra)	1
Imbuszkulcs	1
Multifunkciós csavarkulcs	1
Manual de instrucțiuni	1

DESCRIERE

HU

ISMERJE MEG A FŰKASZA ALKATRÉSZEIT (A. ábra)

- Zárósapka
- Fűkasza tengely
- Védőburkolat
- Penge
- Penge tok
- Vezetéktartó kapocs
- Rögzítőcsavar
- Szerelvényburkolat
- Tengelyrögzítő lyuk
- Külső perem
- Multifunkciós csavarkulcs
- Imbuszkulcs
- Védőburkolat tartozék (CSAK fűkasza fejjel való használatra)

⚠ FIGYELMEZTETÉS: Soha ne működtesse a szerszámot, ha a védőburkolat nincs megfelelően a helyén. A védőburkolatnak mindig a szerszámon kell lennie a használó védelme érdekében.

⚠ FIGYELMEZTETÉS: Amikor a szerszámot fűkaszaként használja, és fűkasza fejjel van felszerelve, akkor a védőburkolat tartozékot fel kell szerelni a védőburkolatra. Amennyiben nem ezt teszi, akkor túl hosszú lehet a vágószál, és túlterheli a motort.

ÖSSZESZERELÉS

⚠ FIGYELMEZTETÉS: Ha bármely alkatrész sérült vagy hiányzik, akkor ne működtesse a terméket, amíg az alkatrészeket ki nem cserélik. Sérült vagy hiányzó alkatrészekkel való használat súlyos személyes sérülést okozhat.

⚠ FIGYELMEZTETÉS: Ne próbálja megváltoztatni a fűkaszát, és ne készítsen hozzá tartozékokat, amelyek nem javasoltak ehhez a láncfűrészhez. Bármilyen módosítás vagy változtatás helytelen használatnak minősül, és veszélyes feltételeket teremthet, amely súlyos személyi sérüléssel végződhet.

⚠ FIGYELMEZTETÉS: Az akár súlyos személyi sérülést okozó véletlenszerű indítás elkerülése érdekében mindig vegye ki az akkumulátoregységet a szerszámból, amikor összeszereli az alkatrészeket.

⚠ FIGYELMEZTETÉS: Ha a szerszám keféssé bozótvágó fejjel van felszerelve, a biztonsági zárórudat fel kell szerelni.

A VÉDŐBURKOLAT ÖSSZESZERELÉSE

⚠ FIGYELMEZTETÉS: Mindig viseljen kesztyűt, amikor felszereli vagy kicseréli a védőburkolatot. Legyen óvatos a védőburkolat alatti pengével, és óvja a kezét vágástól.

⚠ FIGYELMEZTETÉS: Soha ne működtesse a szerszámot, ha a védőburkolat nincs megfelelően a helyén. A védőburkolatnak mindig a szerszámon kell lennie a felhasználó védelme érdekében! Ha a védőburkolat rögzítve van, akkor soha ne próbálja meg eltávolítani vagy beállítani, ha ki kell cserélni, akkor azt szakképzett szerviztechnikus végezze!

Lazítsa meg, és vegye le a két csavart a tengely talpán (C ábra), illessze a rögzítőfuratokat a szerelési lyukakba, majd rögzítse a védőburkolatot a tengely talpához a két csavarral és két rugós alátéttel (D ábra).

Ellenőrizze, hogy a védőburkolat a C és D ábrának megfelelően rögzítve van-e, a fordított rögzítés nagy veszélyt okozhat!

PENGE FELSZERELÉSE

- A pengét tokkal szállítjuk. Mielőtt felszereli a pengét a fűkaszára, a tokot le kell venni, ehhez akassza ki a rögzítőkapcsot a tokon lévő kampóból (E ábra).

Az E ábra alkatrészeinek leírását lásd lent:

E-1	Kampó
E-2	Rögzítőkapocs

- Fordítsa el a külső peremet, hogy a belső peremen lévő nyílást a tengelyrögzítő lyukkal szerelvényburkolathoz illessze (F ábra).
- Helyezze a mellékelt imbuszkulcsot az összeillesztett nyílásokba, hogy stabilizálóként használja (G ábra).

Az F és G ábra alkatrészeinek leírását lásd lent:

F-1	Szerelvényburkolat	F-3	Külső perem
F-2	Összeillesztett tengelyrögzítő lyukak	G-1	Stabilizátor

- Helyezze a fűkasza fejet erős felületre a támasztás érdekében. Az egyik kezével fogja meg a fűkasza tengelyt, a másik kezével pedig fogja meg a mellékelt multifunkciós csavarkulcsot az anya kilazításához, amelynek iránya a külső peremen látható, és vegye le az anyát a külső peremről. Tegye el ezeket a visszaszereléshez (H ábra).
- Szerelje fel a pengét a motor tengelyre, a penge felülete a belső perem szélénél legyen. Folytassa a külső perem és anya felszerelését (I ábra). Kézzel húzza meg kissé az anyát az **ÓRAMUTATÓ JÁRÁSÁVAL ELLENKEZŐ IRÁNYBA**.

Az I ábra alkatrészeinek leírását lásd lent:

I-1	Belső perem széle	I-4	Külső perem
I-2	Motortengely	I-5	Penge
I-3	Csavar		

- Fordítsa el a külső perem szélét, hogy a belső perem nyílását a tengelyrögzítő lyukhoz illessze a szerelvényburkolaton, és helyezze a mellékelt csavarkulcsot az összeillesztett lyukakba a stabilizálás érdekében, az előző 2. és 3. lépések szerint.
- Helyezze a fűkasza fejet erős felületre a támasztás érdekében. Az egyik kezével fogja meg a pengét, a másik kezével pedig fogja meg a mellékelt multifunkciós csavarkulcsot az anya ellenkező irányba történő meghúzásához, amelynek iránya a külső peremen látható (J ábra).

Védőburkolat tartozék használata

MEGJEGYZÉS: Amikor a szerszámot fűkaszaként használja, és fűkasza fejfel van felszerelve, akkor a védőburkolat tartozékokat fel kell szerelni a védőburkolatra (K ábra).

Rögzítse a védőburkolat tartozékokat a védőburkolatra, húzza meg a csavarokat a mellékelt csavarkulccsal. Amennyiben nem ezt teszi, akkor túl hosszú lehet a vágószál, és túlterheli a motort.

A FŰKASZA TARTOZÉK RÖGZÍTÉSE A MEGHAJTÓFEJRE

A fűkasza tartozékokat EGO PH1400E/PH1420E/PHX1600 meghajtófejhez tervezték.

Lásd az „**ALKATRÉSZ CSATLAKOZTATÁSA A MEGHAJTÓFEJHEZ**” fejezetet a PH1400E/PH1420E/PHX1600 meghajtófej használati útmutatójában.

MŰKÖDTETÉS

⚠ FIGYELMEZTETÉS: Ne hagyja, hogy a termékkel szerzett jártassága miatt óvatlanná váljon. Emlékezzon arra, hogy a másodperc töredéke alatt történő óvatlanság súlyos sérülést okozhat.

⚠ FIGYELMEZTETÉS: Mindig viseljen oldalsó védőlemezzel ellátott védőszemüveget. Hallásvédővel együtt. Amennyiben nem ezt teszi, tárgyak repülhetnek a szemébe, és más komoly sérülések keletkezhetnek.

ALKALMAZÁSOK

A terméket az alábbi célokra használhatja:

- Amennyiben fűvet, dudvát, vadhajást és bozótot vág, akkor legfeljebb 2 cm vastag szárazakat vágjon.

MEGJEGYZÉS: A szerszámot csak az előírt célokra használja. Bármilyen más használat helytelen használatnak minősül.

FŰKASZA TARTOZÉK HASZNÁLATA A MEGHAJTÓFEJJEL

⚠ FIGYELMEZTETÉS: Megfelelően öltözzön fel a sérülések kockázatának csökkentése érdekében, amikor a szerszámot működteti. Ne viseljen laza ruházatot vagy ékszereket. Viseljen védőszemüveget és fülvédőt. Viseljen erős, hosszú szárú nadrágot, cipőt és kesztyűt. Ne viseljen rövidnadrágot vagy szandált, és ne járjon mezítalán.

A biztonságos és jobb működés érdekében helyezze fel a vállszíjat a vállán keresztben. A vállszíjat kényelmes működési pozícióba állítsa. A fűkaszáat mindig az egyik kezével a hátsó fogantyún és a másik kezével az első fogantyún tartsa. A szerszámot működtetés közben mindig erősen fogja. A fűkaszáat kényelmes pozícióban tartsa, a hátsó fogantyú körülbelül csípőmagasságban legyen. Fogja meg, és a két lábán egyensúlyozzon.

Olyan testtartást vegyen fel, amelyben nem tudja elveszíteni az egyensúlyát a vágóegység visszarúgása esetén (B ábra).

⚠ FIGYELMEZTETÉS: A vállszíj gyorskioldó mechanizmus is veszélyes helyzetben. Ha vészhelyzet adódik, akkor azonnal vegye le a válláról, függetlenül attól, hogy van feltéve a szíj.

A vadhajítás és bozót vágásához állítsa lejjebb a pengét, hogy daraboló hatása legyen. Úgy használja a fűkaszt, mint egy kaszát (lengesse jobbról balra) a talaj felett. Soha ne használja a vágóegységet derékmagasságon felül.

▲ FIGYELMEZTETÉS: Minél magasabban van a vágóegység a talajtól, annál nagyobb a kockázata annak, hogy a levágott darabok oldalra repülnek.

▲ FIGYELMEZTETÉS: Amikor fiatal hajtásokat vagy más fás anyagokat vág, amelyek átmérője legfeljebb 2 cm, akkor használja a penge bal oldalát a penge ütközése elkerülése érdekében. Ne próbáljon meg nagyobb átmérőjű fás anyagot vágni, mivel a penge elakadhat vagy elkezdheti rángatni a fűkaszát. Ez a penge vagy a fűkasza sérülését okozhatja, vagy Ön elveszítheti az uralmát a fűkasza felett, amelynek személyi sérülés lehet a vége.

▲ FIGYELMEZTETÉS: A fűkasza penge nem megfelelő használata repedést vagy törést okozhat.

A repülő alkatrészek súlyosan megsebesíthetik a kezelőt vagy a nézelődőket. A személyi sérülések kockázatának csökkentése érdekében mindenképpen tartsa be a következő óvintézkedéseket:

- Ne érjen kemény idegen tárgyakhoz, pl. kövekhez, vagy fém tárgyakhoz.
- Soha ne vágjon 2 cm-nél nagyobb átmérőjű fát vagy sövényt.
- Rendszeres időközönként ellenőrizze a pengét sérülések szempontjából. Sérült pengével ne folytassa a munkát.
- Rendszeresen élezze meg a pengét (ha érzékelhetően tompa), és szükség esetén egyensúlyozza ki (szakképzett szakszerviz szakember végezze el).

PENGE LÖKÉSE

Legyen rendkívül óvatos, amikor a pengét ezzel az egységgel használja. A penge lökése olyan reakció, amely akkor lép fel, ha a forgó penge hozzáér valamihez, és nem tud vágni. Amikor hozzáér valamihez, akkor a penge azonnal leáll, és „ellöki” az egységet attól a tárgytól, amelynek ütközött. Ez a reakció elég veszélyes ahhoz, hogy a kezelő elveszítse az uralmát az egység felett. A penge előzetes jel nélkül is lököerőt fejthet ki, ha a penge elakad, leáll vagy megakad. Ez nagyobb valószínűséggel fordul elő olyan területeken, ahol nehezen látható a vágandó anyag. A könnyű és biztonságos vágás érdekében jobbról balra közelítse meg a fűkaszával a vágandó dudrát. Amennyiben váratlanul tárgyba vagy fatörzsbe ütközik, akkor ez a gyakorlat minimalizálja a penge lökési reakcióját.

A sérült/kopott alkatrészek ellenőrzése minden használat előtt

Ellenőrizze a pengét, védőburkolatot és első segédfogantyút, és cserélje ki a repedt, behajolt vagy sérült alkatrészeket.

A penge széle idővel tompul. Javasoljuk, hogy fordítsa meg a pengét az élettartamának meghosszabbítása érdekében, és időnként élezze meg (szakképzett szakszerviz szakember végezze el), vagy szükség esetén cserélje ki.

Minden használat után közvetlenül tisztítsa meg a fűkaszát

Lásd a **KARBANTARTÁS** fejezetben lévő tisztítási utasításokat.

▲ FIGYELMEZTETÉS: Ellenőrizze, hogy a penge teljesen leáll-e, mielőtt megtisztítja vagy szervizeli a fűkaszát. Amennyiben ezt nem tartja be, akkor súlyos személyi sérülést okozhat.

A KÉSZÜLÉK INDÍTÁSA/LEÁLLÍTÁSA

Lásd „**A MEGHAJTÓFEJ INDÍTÁSA/LEÁLLÍTÁSA**” fejezetet a PH1400E/PH1420E/PHX1600 meghajtófej használati útmutatójában.

KARBANTARTÁS

▲ FIGYELMEZTETÉS: Az egység ellenőrzése, tisztítása vagy szervizelése előtt állítsa le a motort, várjon, amíg minden mozgó alkatrész leáll, és vegye ki az akkumulátoregységet. A jelen utasítások be nem tartása súlyos személyi sérülést vagy anyagi kárt eredményezhet.

▲ FIGYELMEZTETÉS: Javitáskor használjon azonos pótalkatrészeket. Más alkatrészek használata veszélyt okozhat, vagy megrongálhatja a terméket. A biztonságosság és megbízhatóság biztosítása érdekében minden javítást szakképzett szerviztechnikus hajtson végre.

▲ FIGYELMEZTETÉS: Mindig viseljen kesztyűt, amikor a pengét fel- vagy leszereli, vagy karbantartást végez a pengén. Legyen óvatos a pengével, és védje a kezét a penge vágásától.

ÁLTALÁNOS KARBANTARTÁS

A műanyag alkatrészek tisztításához ne használjon oldószereket. A legtöbb műanyag a vegyi oldószerek által deformálódás általi sérülésnek van kitéve, ezek megrongálhatják őket. Használjon tiszta ruhát a szennyeződés, por, olaj, zsír stb. eltávolításához.

AZ EGYSÉG TISZTÍTÁSA

- Vegye ki az akkumulátort.
- Minden használat után tisztítsa le a hulladékot, a beakadt fűvet a pengéről és a védőburkolatról egy puha kefével.

- Törölje le a szerszám felületét egy tiszta, kímélő szappanos oldattal megnedvesített ruhával.
- Használjon kis kefét vagy kis porszívó kefét a hátsó burkolat szellőzőnyílásainak megtisztításához.
- Tartsa akadályoktól szabadon a szellőzőnyílásokat.

Amikor a penge tompává válik, a penge mindkét széle tompa, akkor kérjük, szakképzett szakszerviz szakemberrel éleztesse meg, vagy szükség esetén cseréltesse ki új pengére.

PENGE CSERÉJE

▲ FIGYELMEZTETÉS: Az elkopott, repedt vagy megsérült penge eltörhet, és a szétröppenő penge darabjai veszélyesek lehetnek. A kilökődő tárgyak súlyos sérüléseket okozhatnak. Rendszeresen ellenőrizze a pengét, és ne működtesse a fűkaszát elkopott vagy sérült pengével.

▲ FIGYELMEZTETÉS: Használjon megfelelő védőszemüveget a penge levételénél, élezésénél és visszahelyezésénél.

A penge levétele

1. Vegye ki az akkumulátort.
2. Fordítsa el a külső perem szélét, hogy a belső perem nyílását a tengelyrögzítő lyukhoz illessze a szerelvényburkolaton, és helyezze a mellékelt csavarkulcsot az összeillesztett lyukakba a stabilizálás érdekében, az előző „**A PENGE FELSZERELÉSE**” fejezet 2. és 3. lépései szerint.
3. Helyezze a fűkasza fejet erős felületre a támasztás érdekében. Az egyik kezével fogja meg a pengét, a másik kezével pedig fogja meg a mellékelt multifunkciós csavarkulcsot az anya kilazításához, amelynek iránya a külső peremen látható, és vegye le az anyát, a külső peremet és az elkopott pengét (L ábra).
4. Ellenőrizze és cserélje ki a belső peremet és a penge burkolatot, ha azok elhasználódtak (M ábra).

Az M ábra alkatrészeinek leírását lásd lent:

M-1	Motortengely	M-5	Belső perem
M-2	Belső perem	M-6	Csavar
M-3	Perem burkolat	M-7	Perem nyílása
M-4	Penge		

5. Szerelje fel a pengét a motor tengelyre az M ábrán látható módon. Kövesse „**A PENGE FELSZERELÉSE**” fejezet 5., 6. és 7. lépéseit.

SEBESSÉGVÁLTÓ OLAJOZÁSA

A szerelvényburkolatban lévő sebességváltót időnként be kell olajozni kenőanyaggal. Ellenőrizze a szerelvényburkolat kenőanyag szintjét minden 50. működési óra után, úgy, hogy leveszi a burkolat oldalán lévő rögzítőcsavart.

Ha nem lát kenőanyagot a burkolat oldalán, akkor kövesse a lenti lépéseket, hogy feltöltsa a térfogat 3/4-éig kenőanyaggal.

Ne tölts fel teljesen a sebességváltót.

1. Tartsa egyenesen a fűkaszát, hogy a rögzítőcsavar felfelé nézzen (N ábra).
2. Használja a mellékelt multifunkciós csavarkulcsot a rögzítőcsavar meglazításához és levételéhez.
3. Használjon zsírozó fecskendő (nem tartozék), hogy kenőanyagot vigyen fel a csavar nyílásra.
4. Befecskendezés után húzza meg a rögzítőcsavart.

AZ EGYSÉG TÁROLÁSA

- Vegye ki az akkumulátoregységet a szerszámból.
- Viseljen kesztyűt a szerszám alaposan tisztításához.
- Szerelje fel a penge tokot a pengére a biztonságos tárolás érdekében (O ábra).
- Vegye le a fűkasza alkatrészt a meghajtófejről, és szükség esetén helyezze fel a zárósapkát a tartozék tengelyre.
- Az egységet száraz, jól szellőző, elzárt vagy magas helyen tárolja, ahol gyermekek nem érik el. Ne tárolja az egységet benzín vagy más vegyszerek mellett.

A környezet védelme



Ne dobja az elektromos felszerelést, az elhasznált akkumulátort és a töltőt a háztartási hulladékok közé! Vigye hivatalos újrahasznosító telephelyre, és tegye hozzáférhetővé a szelektív gyűjtéshez. Az elektromos eszközöket a megfelelő, környezetbarát újrahasznosító üzembe kell visszavinni.

HIBAELHÁRÍTÁS

PROBLÉMA	A PROBLÉMA OKA	MEGOLDÁS
A fűkasza nem indul el.	<ul style="list-style-type: none"> ■ Az akkumulátoregység nincs csatlakoztatva a meghajtófejhez. ■ Nincs elektromos kapcsolat a meghajtófej és az akkumulátoregység között. ■ Az akkumulátoregység lemerült. ■ A kapcsoló gomb és a trigger nem egyidejűleg van megnyomva. 	<ul style="list-style-type: none"> ■ Csatlakoztassa az akkumulátoregységet a meghajtófejhez. ■ Vegye ki az akkumulátoregységet, ellenőrizze a csatlakozást, és helyezze vissza az akkumulátoregységet, amíg a helyén nincsen. ■ Töltse fel az akkumulátoregységet EGO a jelen útmutatóban megadott töltővel ■ Nyomja meg és tartsa lenyomva a kapcsoló gombot, majd oldja ki a triggert a fűkasza bekapcsolásához.
A fűkasza leáll vágás közben.	<ul style="list-style-type: none"> ■ A motor túlterhelt ■ Az akkumulátoregység vagy a meghajtófej túl forró. ■ Az akkumulátoregység ki van véve a szerszámból. ■ Az akkumulátoregység lemerült. 	<ul style="list-style-type: none"> ■ A motor újra működőképes, ha a terhet eltávolítja. A folyamatos működés érdekében csökkentse a meghajtófej teljesítményét. ■ Hagyja kihűlni az akkumulátoregységet vagy a meghajtófejet 67°C alatti hőmérsékletre. ■ Helyezze vissza az akkumulátoregységet. ■ Töltse fel az akkumulátoregységet EGO a jelen útmutatóban megadott töltővel

HU

GARANCIA

EGO GARANCIÁLIS FELTÉTELEK

Kérjük, látogasson el az egopowerplus.eu oldalra, ahol megtalálja a részletes EGO garanciális feltételeket.

CITIȚI TOATE INSTRUCȚIUNILE!



CITIȚI MANUALUL DE INSTRUCȚIUNI

⚠️ AVERTISMENT: Pentru siguranța și fiabilitatea produsului, toate reparațiile ar trebui efectuate de către un tehnician de service autorizat.

SIMBOLURI PRIVIND SIGURANȚA

Scopul simbolurilor privind siguranța este să vă atragă atenția asupra pericolelor posibile. Simbolurile privind siguranța și explicațiile furnizate cu acestea merită atenția și înțelegerea dumneavoastră. Simbolurile de avertizare, ele singure, nu elimină niciun pericol. Instrucțiunile și avertismentele pe care le oferă nu pot înlocui măsurile corecte de prevenire a accidentelor.

⚠️ AVERTISMENT: Asigurați-vă că ați citit și înțelegiți toate instrucțiunile privind siguranța din acest Manual de utilizare, inclusiv toate simbolurile de alertă privind siguranța precum “PERICOL,” “AVERTISMENT,” și “ATENȚIE” înainte de a utiliza această sculă. Nerespectarea tuturor avertismentelor și instrucțiunilor poate duce la electrocutare, incendiu și/sau răniiri grave.

SEMNIȚAȚIA SIMBOLURILOR

⚠️ SIMBOL DE AVERTIZARE PRIVIND

SIGURANȚA: Indică PERICOL, AVERTISMENT, sau ATENȚIE. Poate fi utilizat împreună cu alte avertismente sau pictograme.









⚠️ AVERTISMENT: Operarea oricăror scule electrice poate rezulta în proiectarea înspre ochii dumneavoastră a unor obiecte străine, ceea ce poate duce la vătămări grave ale ochilor. Înainte de a începe să utilizați scula electrică, întotdeauna purtați ochelari de protecție cu apărători laterale și vizieră facială completă când este nevoie. Vă recomandăm să purtați o Vizieră lată de protecție peste ochelarii de vedere sau ochelari de protecție standard cu apărători laterale.

INSTRUCȚIUNI PRIVIND SIGURANȚA

Această pagină descrie simbolurile de siguranță ce pot apărea pe acest produs. Citiți, înțelegeți, și respectați toate instrucțiunile de pe mașină înainte de asamblare și operare.

	Alertă privind siguranța	Indică un risc posibil de vătămare personală.
	Citiți manualul de instrucțiuni	Pentru a reduce riscul de accidentări, utilizatorul trebuie să citească manualul de instrucțiuni.
	Purtați echipament de protecție oculară	Purtați întotdeauna ochelari de protecție sau ochelari de protecție cu apărători laterale și o vizieră facială completă când utilizați acest produs.
	Purtați echipament de protecție auditivă	Întotdeauna purtați protecții auditive (dopuri de urechi sau antifoane) pentru a vă proteja auzul.
	Purtați echipament de protecție a capului	Purtați o cască de protecție aprobată pentru a vă proteja capul.
	Purtați mănuși de protecție	Protejați-vă mâinile cu mănuși când manevezați ferăstrăul și lanțul de ferăstrău. Mănușile super rezistente, nealunecoase vă îmbunătățesc aderența și vă protejează mâinile.
	Purtați încălțăminte de protecție	Purtați încălțăminte antiderapantă când utilizați acest echipament.
	Lățime de tăiere	Lățimea maximă de tăiere a trimmerului pentru tufișuri
	Ferțiți-vă de propulsarea lamei	Avertizați operatorul asupra pericolului propulsiei lamei.

RO

	Keep Bystanders Away	Distanța dintre produs și trecători ar trebuie să fie de cel puțin 15 m.
	Deconectați bateria înainte de întreținere	Deconectați pachetul de baterii de la trimmerul cu fir înainte de a efectua lucrări de întreținere sau curățare
	CE	Acest produs este în conformitate cu directivele europene aplicabile.
	UKCA	Acest produs este în conformitate cu legislația aplicabilă din Marea Britanie.
	DEEE	Deșeurile produselor electrice nu trebuie să fie eliminate împreună cu deșeurile menajere. Predați-le unui punct de reciclare autorizat.
	Zgomot	Nivelul puterii sunetului garantat. Emisii sonore în mediul înconjurător conform Directivei comunitare europene.
V	Volt	Voltaj
mm	Milimetru	Lungime sau dimensiuni
cm	Centimetru	Lungime sau dimensiuni
kg	Kilogram	Greutate
n ₀	Turație de mers în gol	Turație de mers în gol
min ⁻¹	Pe minut	rotații pe minut

AVERTIZĂRI GENERALE DE SIGURANȚĂ PENTRU MAȘINI

⚠️ AVERTISMENT: Citiți toate avertizările de siguranță, instrucțiunile, ilustrațiile și specificațiile livrate împreună cu această mașină. Nerespectarea tuturor instrucțiunilor enumerate mai jos se poate solda cu șoc electric, incendiu și/sau vătămare corporală gravă.

Păstrați toate avertismentele și instrucțiunile pentru consultare ulterioară.

Termenul „mașină” din avertizări se referă la mașina dumneavoastră electrică (cu cablu) alimentată de la rețeaua electrică sau mașina (fără cablu de alimentare) care funcționează cu acumulator.

SIGURANȚA ZONEI DE LUCRU

- **Păstrați zona de lucru curată și bine iluminată.** Zonele dezordonate și întunecoase predispun la accidente.
- **Nu puneți în funcțiune mașini în atmosfere explozive, cum ar fi în prezența lichidelor, gazelor sau prafurilor inflamabile.** Mașinile creează scântei, care pot aprinde praful sau gazele.
- **Țineți copiii și persoanele prezente la distanță atunci când utilizați o mașină.** Distragerea atenției vă poate face să pierdeți controlul.

SIGURANȚA ELECTRICĂ

- **Ștecherile mașinilor trebuie să corespundă cu priza electrică. Nu modificați niciodată ștecherul în vreun fel. Nu utilizați ștechere adaptoare de priză cu mașinile echipate cu împământare.** Ștecherele nemodificate și prizele adecvate vor reduce riscul de electrocutare.
- **Evitați contactul corpului cu suprafețele legate la împământare, cum sunt țevile, caloriferele, mașinile de gătit și frigiderale.** Acest lucru reprezintă un risc sporit de electrocutare în cazul care corpul dumneavoastră este împământat.
- **Nu utilizați sculă în condiții de ploaie sau umezeală.** Pătrunderea apei în sculă poate crește riscul de electrocutare sau defecțiuni care ar putea duce la vătămări corporale.
- **Nu folosiți în mod abuziv cablul de alimentare. Nu utilizați niciodată cablul de alimentare pentru transportul, tragerea sau scoaterea din priză a mașinii. Țineți cablul de alimentare departe de căldură, ulei, margini tăioase sau piese în mișcare.** Cablurile electrice deteriorate sau încălcite cresc riscul de electrocutare.
- **Când utilizați o mașină în aer liber utilizați un cablu prelungitor adecvat pentru utilizarea în aer liber.** Utilizarea unui cablu adecvat pentru utilizare în aer liber reduce riscul de electrocutare.
- **În cazul în care este inevitabilă utilizarea unei mașini într-o locație umeză, utilizați o sursă de întrerupător de circuit cu împământare (GFCI).** Utilizarea unui întrerupător GFCI reduce riscul de electrocutare.

SIGURANȚA PERSONALĂ

- **Păstrați-vă vigilența, urmăriți ceea ce faceți și apelați la bunul simț când utilizați o mașină. Nu utilizați o mașină când sunteți obosit(ă), sau sub influența medicamentelor, a alcoolului ori a medicației.** Un moment de neatenție în timp ce utilizați mașini se poate solda cu vătămări grave.

- **Utilizați echipamente individuale de protecție. Purtați întotdeauna echipament de protecție oculară.** Echipamentele de protecție, cum ar fi masca de praf, bocancii de protecție antiderapanți, casca sau antifonanele utilizate în condiții corespunzătoare, vor reduce vătămările corporale.
- **Preveniți pornirea accidentală. Asigurați-vă că întrerupătorul este în poziția oprit înainte de a conecta mașina la o sursă de alimentare și/sau set de acumulatori, înainte de a ridica sau de a transporta mașina.** Transportul mașinilor cu degetul pe întrerupător sau acționarea mașinilor alimentate electric, predispune la accidente.
- **Îndepărtați orice cheie de reglare sau cheie fixă înainte de a porni mașina.** O cheie lăsată într-o piesă rotativă a sculei electrice poate duce la vătămări.
- **Nu încercați să ajungeți în locuri inaccesibile. Păstrați-vă stabilitatea și echilibrul în orice moment.** Astfel veți avea un control mai bun asupra mașinii în situații neașteptate.
- **Îmbrăcați-vă corespunzător. Nu purtați haine largi sau bijuterii. Păstrați-vă părul și îmbrăcămintea departe de componentele în mișcare.** Îmbrăcămintea largă, bijuteriile sau părul lung pot fi prinse de piesele în mișcare.
- **Dacă sunt furnizate dispozitive pentru conectarea sistemelor de extragere și colectare a prafului, asigurați-vă că acestea sunt conectate și utilizate corespunzător.** Utilizarea dispozitivelor de colectare a prafului poate reduce pericolele legate de praf.
- **Nu permiteți ca familiaritatea dobândită în urma utilizării frecvente a mașinilor să vă facă să neglijați sau să nesocotiți principiile de siguranță ale sculei.** O operație neglijentă poate cauza vătămări grave într-o fracțiune de secundă.

UTILIZAREA ȘI ÎNGRIJIREA MAȘINII

- **Nu forțați mașina. Utilizați mașina potrivitivă pentru aplicația dumneavoastră.** Mașina corectă va face o treabă mai bună și mai sigură când este utilizată conform specificațiilor pentru care a fost concepută.
- **Nu utilizați mașina dacă întrerupătorul nu comută pe pozițiile pornit și oprit.** Orice mașină care nu poate fi controlată cu întrerupătorul este periculoasă și trebuie reparată.
- **Deconectați ștecherul de la sursa de alimentare și/sau scoateți setul de acumulatori, dacă este detașabil, de la mașină înainte de a efectua ajustări, de a schimba accesoriile sau de a depozita mașinile.** Astfel de măsuri preventive reduc riscul de pornire accidentală a mașinii.
- **Păstrați mașinile inactive într-un loc inaccesibil copiilor și nu permiteți persoanelor care nu sunt familiarizate cu mașina sau cu aceste instrucțiuni să opereze mașina.** Mașinile sunt periculoase în mâinile utilizatorilor neinstruiți.
- **Întrețineți mașina și accesoriile. Verificați dacă există abateri de la coaxialitate sau gripiări ale pieselor în mișcare, avarii ale pieselor și orice altă situație care poate afecta funcționarea mașinii. Dacă este deteriorată, reparați mașina înainte de utilizare.** Multe accidente sunt cauzate de mașini prost întreținute.
- **Păstrați mașinile de tăiat ascuțite și curate.** Mașinile așchietoare întreținute corespunzător și cu muchii de tăiere ascuțite riscă mai puțin să se îndoie și sunt mai ușor de controlat.
- **Utilizați mașina, accesoriile și biturile de mașină etc. în conformitate cu aceste instrucțiuni, ținând cont de condițiile de lucru și lucrarea de efectuat.** Utilizarea mașinii pentru operații diferite de cele intenționate s-ar putea solda cu o situație periculoasă.
- **Mențineți mânerul și suprafețele de apucare uscate, curate și fără ulei și vaselină.** Mânerul și suprafețele de apucare alunecoase nu permit manevrarea în siguranță și controlul asupra mașinii în situații neașteptate.

UTILIZAREA ȘI ÎNGRIJIREA MAȘINILOR CU BATERIE

- **Reîncărcați numai cu încărcătorul specificat de producător.** Un încărcător adecvat pentru un tip de set de acumulatori poate prezenta risc de incendiu dacă este utilizat cu alt set de acumulatori.
- **Utilizați mașinile numai cu seturile de acumulatori special menționate.** Utilizarea oricărui alt set de acumulatori prezintă risc de accidente și incendiu.
- **Când nu se utilizează setul de acumulatori, țineți-l departe de alte obiecte metalice precum clamele de hârtie, monedele, cheile, cuiele, șuruburile sau alte obiecte metalice mici care pot realiza o conexiune între borne.** Scurtcircuitarea bornelor acumulatorului poate produce arsuri sau un incendiu.
- **În condiții abuzive se poate scurge lichid din acumulator; evitați contactul. Dacă are loc contactul accidental, clătiți cu apă. Dacă lichidul intră în contact cu ochii, efectuați suplimentar un consult medical.** Lichidul scurs din acumulator poate produce iritații sau arsuri.
- **Nu utilizați un set de acumulatori sau o mașină deteriorată ori modificată.** Acumulatorii deteriorați sau modificați pot prezenta comportament imprevizibil, care poate duce la incendiu, explozie sau risc de vătămare.

RO

- **Nu expuneți setul de acumulatori la foc sau mașina la temperaturi excesive.** Expunerea la foc sau la temperaturi de peste 130°C poate provoca explozie.
- **Respectați instrucțiunile de încărcare și nu încărcați setul de acumulatori sau mașina în afara intervalului de temperatură specificat în instrucțiuni.** Încărcarea necorespunzătoare sau la temperaturi în afara domeniului specificat poate duce la deteriorarea acumulatorului și la creșterea riscului de incendiu.

⚠ AVERTIZARE: Citiți toate instrucțiunile, avertizările de siguranță, ilustrațiile și specificațiile livrate împreună cu această sculă electrică. Nerespectarea tuturor instrucțiunilor enumerate mai jos se poate solda cu șoc electric, incendiu și/sau vătămare corporală gravă. Păstrați toate avertizările și instrucțiunile pentru consultare ulterioară.

Păstrați toate avertizările și instrucțiunile pentru consultare ulterioară.

INSTRUIRE

- Citiți cu atenție instrucțiunile. Familiarizați-vă cu comenzile și cu utilizarea corectă a mașinii.
- Nu permiteți niciodată persoanelor nefamiliarizate cu aceste instrucțiuni sau copiilor să utilizeze aparatul. Reglementările locale pot restricționa vârsta operatorului.
- Rețineți că operatorul sau utilizatorul este responsabil de accidentele sau pericolele la care sunt supuse alte persoane sau bunurile acestora.

PREGĂTIRE

- Nu utilizați niciodată mașina în timp ce sunt oameni, mai ales copii, sau animale în apropiere.
- Purtați în permanență echipament de protecție oculară și încălțăminte rezistentă când utilizați mașina.
- Distanța dintre produs și trecători trebuie să fie de cel puțin 15 m.
- Nu utilizați mașina dacă sunteți obosit, bolnav sau sub influența alcoolului sau a medicamentelor.

FUNCȚIONARE

- Utilizați mașina numai pe timp de zi sau în condiții de lumină artificială bună.
- Nu puneți niciodată mașina în funcțiune cu apărătorile sau scuturile deteriorate sau fără apărători ori scuturi montate pe poziție.
- Porniți motorul numai atunci când mâinile și picioarele sunt la distanță de elementele de tăiere.
- Deconectați întotdeauna cositoarea de la sursa de alimentare (de ex. îndepărtați setul de acumulatori).

- de fiecare dată când lăsați mașina nesupravegheată;
- înainte de eliminarea unui blocaj;
- înainte de verificarea, curățarea sau orice intervenție adusă mașinii,
- după lovirea unui obiect străin;
- ori de câte ori mașina începe să vibreze anormal.
- Aveți grijă să nu vă vătămați picioarele și mâinile de la dispozitivul de tăiere.
- Asigurați-vă întotdeauna că orificiile de ventilație nu sunt blocate de reziduuri.

ÎNȚREȚINERE ȘI DEPOZITARE

- Deconectați mașina de la sursa de alimentare (de ex. îndepărtați setul de acumulatori) înainte de a efectua orice lucrări de întreținere sau curățare.
- Folosiți numai piese de schimb și accesorii recomandate de producător.
- Inspectați și efectuați întreținerea mașinii cu regularitate. Dați mașina la reparat numai unui reparator autorizat.
- Când nu este utilizată, nu lăsați mașina la îndemâna copiilor.

ALTE AVERTIZĂRI SUPLIMENTARE DE SIGURANȚĂ

- **Evitați mediile periculoase** - Nu utilizați aparate electrice pe pante ude sau cu umezeală.
- **Păstrați apărătorile instalate și în stare de funcționare.**
- **Țineți mâinile și picioarele departe de zona de tundere.**
- **Pentru a reduce riscul de rănire, nu lucrați niciodată stând pe o scară sau pe orice alt suport nesigur. Nu țineți niciodată accesoriul de tăiere la înălțime deasupra taliei.**
- **Verificați accesoriul de tăiere la intervale scurte regulate în timpul utilizării, sau imediat dacă observați o modificare vizibilă a modului de tăiere.**
- **Pentru rezultate optime, acumulatorul trebuie încărcat într-o locație în care temperatura este mai mare de 5°C și mai mică de 40°C. Nu îl depozitați în exterior sau în vehicule.**
- **Dacă cineva se apropie de dumneavoastră, oprți imediat motorul și accesoriul de tăiere.**
- **Avertizați operatorul asupra pericolului propulsiei lamei (valabil numai pentru produsul echipat cu o lamă cu 3 dinți).**
 - Propulsarea lamei poate avea loc când lama rotativă intră în contact cu un obiect care nu este tăiat imediat.

- Propulsarea lamei poate să fie suficient de violentă încât să cauzeze propulsarea sculei și/sau a operatorului în orice direcție, și eventual poate cauza pierderea controlului asupra trimmerului.
- Propulsarea lamei poate avea loc fără avertisment dacă lama întâmpină dificultăți, se blochează sau este prinsă.
- Propulsarea are șanse mai mari să apară în zone unde materialul ce trebuie tăiat este greu de văzut.
- Nu instalați lama pe un trimmer fără a instala corect toate piesele necesare. Neutilizarea componentelor adecvate poate cauza proiectarea lamei și rănirea grave a operatorului și/sau a trecătorilor. Eliminați lamele îndoite, exfoliate, crăpate, fisurate sau avariate în vreun fel. Utilizați o lamă ascuțită. O lamă tocită are șanse mai mari să provoace dificultăți și să fie propulsată. (utilizați numai o lamă cu 3 dinți).
- O lamă de debitare/fir poate cauza răniri în cazul care continuă să se rotească după oprirea motorului sau eliberarea trăgaciului. Mențineți un control adecvat asupra trimmerului până la oprirea completă a lamei/firului.
- Sculele electrice alimentate cu baterii nu trebuie să fie racordate la o priză electrică, de aceea, acestea sunt întotdeauna în stare de funcționare. Atenție la eventualele riscuri chiar și când scula nu este în funcțiune. Aveți grijă când efectuați operații de întreținere sau de service.
- Nu spălați trimmerul cu furtunul de grădină; evitați pătrunderea apei în motor și în conexiunile electrice.
- În cazul situațiilor care nu sunt adresate în acest manual, utilizați grijă și raționament. Contactați centrul de service pentru clienți EGO pentru asistență.
- Utilizați numai seturile de acumulatori și încărcătorii din fig.A.

PĂSTRAȚI ACESTE INSTRUCȚIUNI!

SPECIFICAȚII

Lățime de tăiere	30 cm
Turație la mers în gol	5000/6000 min ⁻¹
Greutate (fără set de acumulatori)	1,82 kg
Temperatură de funcționare recomandată	0°C-40°C

Temperatură de stocare recomandată	-20°C-70°C	
Nivel de putere sonoră măsurat L _{WA}	96,5 dB(A) K=1,88 dB(A) (PH1400E)	
	93,2 dB(A) K=0,35 dB(A) (PH1420E)	
	91 dB(A) K=1,1 dB(A) (PHX1600)	
Max. Nivel de presiune sonoră la urechea operatorului L _{PA}	84,5 dB(A) K=3 dB(A) (PH1400E)	
	83,9 dB(A) K=3 dB(A) (PH1420E)	
	83 dB(A) K=3 dB(A) (PHX1600)	
Nivel de putere sonoră garantată L _{WA} (măsurat în conformitate cu 2000/14/CE)	98 dB(A)	
Vibrații a _h	Mâner frontal de operare	2,8 m/s ² K=1,6 m/s ² (PH1400E)
		4,14 m/s ² K=1,5 m/s ² (PH1420E)
		6,64 m/s ² K=1,5 m/s ² (PHX1600)
	Mâner posterior	3,1 m/s ² K=1,6 m/s ² (PH1400E)
		1,88 m/s ² K=1,5 m/s ² (PH1420E)
		2,61 m/s ² K=1,5 m/s ² (PHX1600)

RO

- Parametrii de mai sus sunt testați și măsurați când scula este echipată cu capul de alimentare PH1400E/PH1420E/PHX1600;
- Valoarea totală declarată a vibrațiilor a fost măsurată în conformitate cu o metodă standard de testare și poate fi utilizată pentru compararea sculelor între ele;
- Valoarea totală declarată poate fi utilizată în evaluarea preliminară a expunerii.

OBSERVAȚIE: Vibrațiile emise în timpul utilizării efective a sculei electrice pot diferi față de valoarea celor declarate pentru scula utilizată; Pentru protejerea operatorului, utilizatorul trebuie să poarte mănuși și protecții auditive în timpul utilizării efective a produsului.

Lamă recomandată

DENUMIRE PIESĂ	NUMĂR MODEL
Lamă trimmer de tuns tufișuri	ABB1203

CONȚINUTUL AMBALAJULUI

DENUMIRE PIESĂ	CANTITATE
Accesoriu trimmer pentru tufișuri	1
Set Lamă și scut de lamă	1
Apărătoare	1
Accesoriu apărătoare (A se utiliza NUMAI cu capul trimmerului)	1
Cheie hexagonală	1
Cheie multifuncțională	1
Manual de instrucțiuni	1

DESCRIERE

RO

DESCRIEREA TRIMMERULUI DUMNEAVOASTRĂ PENTRU TUFIȘURI (Fig. A)

- Dop
- Tijă trimmer pentru tufișuri
- Apărătoare
- Lamă
- Scut lamă
- Sârmă de prindere
- Șurub de etanșeizare
- Carcasă angrenaj
- Gaură de blocare tijă
- Flanșă exterioră
- Cheie multifuncțională
- Cheie hexagonală
- Accesoriu apărătoare
(A se utiliza NUMAI cu capul trimmerului)

AVERTISMENT: Nu utilizați niciodată scula fără apărătoarea bine fixată. Apărătoarea trebuie să fie întotdeauna instalată pe sculă pentru a proteja utilizatorul.

AVERTISMENT: Când scula este utilizată ca și trimmer cu fir, echipată cu un cap de trimmer, accesoriul apărătorii trebuie montat pe apărătoare. Nerespectarea acestor instrucțiuni poate duce la un fir de tăiere excesiv de lung și la suprasolicitarea motorului.

AȘAMBLAREA

AVERTISMENT: În caz de piese avariate sau care lipsesc, nu utilizați acest produs dacă piesele nu sunt înlocuite. Utilizarea acestui produs cu piese avariate sau lipsă poate rezulta în vătămări personale grave.

AVERTISMENT: Nu încercați să modificați acest produs sau să creați accesorii nerecomandate pentru acest trimmer cu fir. Orice alterare sau modificare este considerată utilizare greșită și poate duce la condiții periculoase ce pot rezulta în vătămări personale grave.

AVERTISMENT: Pentru a preveni pomirea accidentală care ar putea cauza vătămări personale grave, întotdeauna scoateți setul de acumulatori din mașină când asamblați componente.

AVERTISMENT: Atunci când mașina este echipată cu cap perie de tăiere, trebuie montată bara de siguranță.

ATAȘAREA APĂRĂTORII

AVERTISMENT: Purtați întotdeauna mănuși când montați sau înlocuiți apărătoarea. Aveți grijă la lama de pe apărătoare și protejați-vă mâna împotriva tăieturilor.

AVERTISMENT: Nu utilizați niciodată mașina fără apărătoarea bine fixată. Apărătoarea trebuie să fie întotdeauna instalată pe mașină pentru a proteja utilizatorul! Când apărătoarea este atașată, nu încercați niciodată să o îndepărtați sau să o reglați; dacă este nevoie să fie înlocuită, această operație trebuie executată de un tehnician de service autorizat!

Slăbiți și îndepărtați cele două șuruburi de la baza tije (Fig. B), aliniați orificiile de montare ale apărătorii cu orificiile de asamblare și blocați apărătoarea pe baza tije cu ajutorul celor două șuruburi, împreună cu cele două șaibe elastice (Fig. C).

Asigurați-vă că apărătoarea este fixată conform ilustrațiilor din Fig. C & D, orice fixare inversată va cauza un mare pericol!

INSTALAREA LAMEI

- Lama este furnizată cu un scut. Înainte de a monta lama pe trimmer, scutul trebuie îndepărtat prin desfacerea sârmei de prindere de pe cârligul situat pe scut (Fig. E).

Fig. E pentru descrierea pieselor consultați tabelul de mai jos:

E-1	Cârlig
E-2	Sârmă de prindere

- Rotiți flanșă exterioră pentru a alinia canelura din flanșă interioară cu orificiul de blocare a tije din cutia de viteze (Fig. F).

3. Introduceți cheia hexagonală furnizată în orificiile aliniate pentru a se comporta ca un stabilizator (Fig. G).

Fig. F și G pentru descrierea pieselor consultați tabelul de mai jos:

F-1	Cutie de viteze	F-3	Flanșă exterioră
F-2	Orificii aliniate de blocare a tije	G-1	Stabilizator

4. Pentru suport, sprijiniți capul trimmerului pentru tufişuri de o suprafață solidă. Cu o mână apucând de tija trimmerului, utilizați cealaltă mână pentru a apuca cheia multifuncțională furnizată pentru a slăbi piulița în direcția săgeții marcată pe flanșa exterioră și îndepărtați piulița și flanșa exterioră. Păstrați-le pentru reasamblare (Fig. H).
5. Montați lama pe axul motorului, asigurându-vă că suprafața lamei este la același nivel cu suprafața proeminenței flanșei interioare. Continuați montarea flanșei exterioare și a piuliței (Fig. I). Strângeți în prealabil piulița în **SENS ANTIORAR** cu mâna.

Fig. I pentru descrierea pieselor consultați tabelul de mai jos:

I-1	Proeminență flanșă interioară	I-4	Flanșă exterioră
I-2	Ax motor	I-5	Lamă
I-3	Piuliță		

6. Rotiți flanșa exterioră pentru a alinia canelura din flanșa interioară cu orificiul de blocare a tije din cutia de viteze și introduceți cheia hexagonală furnizată în orificiile aliniate pentru a se comporta ca un stabilizator conform indicațiilor din pașii precedenți 2 și 3 ilustrați.
7. Pentru suport, sprijiniți capul trimmerului pentru tufişuri de o suprafață solidă. Cu o mână apucând de lamă, utilizați cealaltă mână pentru a apuca cheia multifuncțională furnizată pentru a strânge piulița în direcția opusă săgeții marcată pe flanșa exterioră (Fig. J).

Utilizarea accesoriului apărătoare

OBSERVAȚIE: Când scula este utilizată ca și trimmer cu fir, echipată cu un cap de trimmer, accesoriul apărătorii trebuie montat pe apărătoare (Fig. K).

Fixați accesoriul apărătoare pe apărătoare strângând cele trei șuruburi cu cheia hexagonală furnizată. Nerespectarea acestor instrucțiuni poate duce la un fir de tăiere excesiv de lung și la suprasolicitarea motorului.

CONECTAREA ACCESORIULUI DE TRIMMER PENTRU TUFISURI LA CAPUL DE ALIMENTARE

Acest accesoriu de trimmer pentru tufişuri este conceput pentru a fi utilizat cu Capul de alimentare EGO Power PH1400E/PH1420E/PHX1600.

Consultați secțiunea privind “**INSTALAREA UNUI ACCESORIU LA CAPUL DE ALIMENTARE**” din manualul de instrucțiuni al capului de alimentare PH1400E/PH1420E/PHX1600.

FUNȚIONAREA

⚠ AVERTISMENT: Nu permiteți ca familiarizarea cu acest produs să vă facă neglijent. Amintiți-vă că o fracțiune de secundă de neglijență este suficientă pentru a provoca vătămări grave.

⚠ AVERTISMENT: Purtați întotdeauna ochelari de protecție cu apărători laterale. Împreună cu protecții auditive. Nerespectarea acestei instrucțiuni ar putea avea ca rezultat proiectarea în ochi a obiectelor și alte posibile vătămări grave.

APLICAȚII

Puteți utiliza acest produs în scopul menționat mai jos:

- Tăierea ierburilor, a buruienilor, tufişurilor și arbuștilor crescuiți fără control, lăstarilor tineri subțiri cu diametrul de maxim 2cm.

OBSERVAȚIE: Scula trebuie utilizată numai în scopul pentru care a fost proiectată. Orice altă utilizare este considerată a fi caz de utilizare necorespunzătoare.

UTILIZAREA TRIMMERULUI PENTRU TUFISURI CU CAPUL DE ALIMENTARE

⚠ AVERTISMENT: Îmbrăcați-vă corespunzător pentru a reduce riscul de rănire când utilizați această sculă. Nu purtați haine largi sau bijuterii. Purtați echipament de protecție/oculari și auditiv/pentru urechi. Purtați pantaloni lungi rezistenți, cizme și mănuși. Nu purtați pantaloni scurți, sandale sau să stați desculți.

Pentru o utilizare mai sigură și mai bună, așezați-vă pe umăr cureaua de umăr. Reglați curea de umăr într-o poziție confortabilă de lucru. Țineți întotdeauna trimmerul pentru tufişuri cu o mână pe mânerul posterior și cu cealaltă mână pe mânerul frontal de operare. Apucați ferm cu ambele mâini în timpul utilizării sculei. Trimmerul pentru tufişuri trebuie menținut într-o poziție confortabilă cu mânerul posterior aproximativ la înălțimea șoldului. Apucați cu fermitate și mențineți-vă echilibrul pe ambele picioare. Poziționați-vă astfel încât să nu riscați să fiți dezechilibrați de reacția de recul a lamei de tăiere (Fig. B).

RO

⚠️ AVERTISMENT: Cureaua de umăr este și un mecanism rapid de detașare în situații periculoase. În caz de urgență, îndepărtați imediat cureaua de pe umăr, indiferent de modul de instalare al curelei.

Pentru a tăia tufșurile și arbuști sălbaticiți, coborâți lama rotativă în jos pe vegetație pentru a obține efectul de tăiere. Utilizați trimmerul pentru tufșuri ca o coasă (măturați cu el înspre dreapta și stânga) la nivelul solului. Nu țineți niciodată accesoriul de tăiere deasupra taliei.

⚠️ AVERTISMENT: Cu cât accesoriul de tăiere este mai sus de sol, cu atât crește riscul de rănire provocat de resturile ejectate în lateral.

⚠️ AVERTISMENT: Când tăiați lăstari sau alte materiale lemnoase cu diametrul maxim de 2cm, utilizați partea stângă a lamei pentru a evita propulsarea acesteia. Nu încercați să tăiați material lemnos cu diametrul mai mare, deoarece lama poate prinde sau poate arunca trimmerul pentru tufșuri înainte. Acest lucru poate avaria lama sau trimmerul pentru tufșuri, ori cauza pierderea controlului trimmerului pentru tufșuri, rezultând în răni.

⚠️ AVERTISMENT: Utilizarea inadecvată a lamei trimmerului pentru tufșuri, poate duce la crăparea, ciobirea sau spargerea lamei.

Piese aruncate pot răni grav operatorul sau trecătorii.

Pentru a reduce riscul de rănire, este esențial să respectați următoarele măsuri:

- Evitați contactul cu obiecte dure sau solide străine, precum pietre, bolovani sau bucăți de metal.
- Nu tăiați niciodată lemn sau tufșuri cu tulpina ce depășește 2cm.
- Inspectați lama la intervale scurte periodice pentru semne de avariere. Nu continuați să lucrați cu o lamă avariata.
- Reascuțiți lama periodic (când este tocită evident) și dacă este nevoie, echilibrați-o (operație efectuată de un tehnician autorizat de service).

PROPULSAREA LAMEI

Acordați atenție extremă când utilizați lama cu acest produs. Propulsarea lamei este reacția care poate avea loc când lama rotativă intră în contact cu un obiect pe care nu-l poate tăia. Acest contact poate cauza oprirea lamei pentru un moment și propulsarea bruscă a trimmerului dinspre obiectul care a fost lovit. Această reacție poate fi suficient de violentă încât să cauzeze operatorului pierderea controlului asupra trimmerului. Propulsarea lamei poate avea loc fără avertisment dacă lama întâmpină dificultăți, se blochează sau este prinsă. Propulsarea are șanse mai mari să apară în zone unde materialul ce trebuie tăiat

este greu de văzut. Pentru tăierea ușoară și în siguranță, apropiați-vă de burueniile ce trebuie tăiate cu trimmerul dinspre dreapta spre stânga. În cazul întâlnirii unui obiect neașteptat sau a unei tulpini de lemn, această abordare ar putea diminua reacția de propulsare.

Înainte de fiecare utilizare, verificați pentru depistarea pieselor uzate/avariate.

Verificați lama, apărătoarea și mânerul frontal de operare și înlocuiți piesele care sunt fisurate distorsionate, îndoite sau avariate în vreun fel.

Muchia lamei se poate tocii cu timpul. Se recomandă să întoarceți lama pe partea cealaltă pentru a-i prelungi durata de viață și să o ascuțiți periodic (operație efectuată de un tehnician autorizat de service) sau să o înlocuiți cu o lamă nouă când este nevoie.

Curățați trimmerul pentru tufșuri după fiecare utilizare.

Consultați secțiunea **ÎNȚREȚINEREA** pentru instrucțiuni privind curățarea.

⚠️ AVERTISMENT: Asigurați-vă că lama este complet oprită înainte de a curăța sau de a efectua operații de service asupra trimmerului pentru tufșuri. Nerespectarea acestei instrucțiuni poate duce la eventuale accidente grave.

PORNIREA/OPRIREA SCULEI

Consultați secțiunea privind " PORNIREA/OPRIREA CAPULUI DE ALIMENTARE " din manualul de instrucțiuni al capului de alimentare PH1400E/PH1420E/PHX1600.

ÎNȚREȚINEREA

⚠️ AVERTISMENT: Înainte de a inspecta, curăța sau de efectua operațiuni de service asupra aparatului, opriți motorul, asigurați-vă că toate componentele mobile sunt oprite și îndepărtați setul de acumulatori dacă este nevoie. Nerespectarea acestor instrucțiuni se poate solda cu vătămări corporale grave sau distrugerea bunurilor.

⚠️ AVERTISMENT: Când efectuați operații de service, utilizați doar piese de schimb identice. Utilizarea oricăror altor piese poate crea un pericol sau poate produce o deteriorare. Pentru siguranța și fiabilitatea produsului, toate reparațiile ar trebui efectuate de către un tehnician de service autorizat.

⚠️ AVERTISMENT: Întotdeauna purtați mănuși rezistente când instalați sau îndepărtați lama ori când efectuați orice operație de întreținere asupra lamei de tăiere. Atenție la lama și protejați-vă mâinile pentru a nu fi rănite de lamă.

ÎNȚREȚINERE GENERALĂ

Evitați utilizarea solvenților când curățați piese din plastic. Majoritatea pieselor din plastic sunt susceptibile să se deterioreze de la diverse tipuri de solvenți comerciali și se pot defecta prin utilizarea acestora. Utilizați cărpe curate pentru a îndepărta murdăria, praful, uleiul, vaselina etc.

CURĂȚAREA PRODUSULUI

- Îndepărtați acumulatorul.
- După fiecare utilizare, curățați, solul acumulat sau lama de pe lamă și de pe apărătoare, utilizând o perie moale.
- Ștergeți suprafața sculei cu o cârpă curată, umezită cu o soluție ce conține un detergent slab.
- Utilizați o perie mică sau un aspirator mic pentru a curăța fantele de aerisire de pe carcasa posterioară.
- Păstrați fantele de aerisire neobstrucționate.

Când lama devine tocită, ambele muchii ale lamei sunt tocite, vă rugăm ascuțiți-o apelând la un tehnician de service autorizat sau înlocuiți-o cu o lamă nouă după cum este necesar.

ÎNLOCUIREA LAMEI

⚠️ AVERTISMENT: O lamă uzată, crăpată sau avariată se poate sparge și piesele provenite din lama avariată pot deveni proiectile periculoase. Obiectele ejectate pot cauza răni grave. Inspectați lama periodic și nu operați trimmerul pentru tufișuri cu o lamă uzată sau avariată.

⚠️ AVERTISMENT: Utilizați protecție oculară adecvată când îndepărtați, ascuțiți și instalați lama.

Pentru scoaterea lamei

1. Îndepărtați acumulatorul.
2. Rotiți flanșa exterioră pentru a alinia canelura din flanșa interioară cu orificiul de blocare a tijei din cutia de viteze și introduceți cheia hexagonală furnizată în orificiile aliniate pentru a se comporta ca un stabilizator conform indicațiilor din pașii precedenți 2 și 3 ilustrați în secțiunea "INSTALAREA LAMEI" .

3. Pentru suport, sprijiniți capul trimmerului pentru tufișuri de o suprafață solidă. Cu o mână apucând de lamă, utilizați cealaltă mână pentru a apuca cheia multifuncțională furnizată pentru a slăbi piulița în direcția săgeții marcată pe flanșa exterioră și îndepărtați piulița, flanșa exterioră și lama uzată (Fig. L).
4. Verificați și înlocuiți flanșa interioară și capacul flanșei dacă acestea sunt uzate (Fig. M).

Fig. M pentru descrierea pieselor consultați tabelul de mai jos:

M-1	Ax motor	M-5	Flanșă exterioră
M-2	Flanșă interioară	M-6	Piuliță
M-3	Capac flanșă	M-7	Fantă din flanșă
M-4	Lamă		

5. Instalați lama nouă pe axul motorului în ordinea indicată în Fig. M. Instrucțiunile detaliate a pașilor 5, 6 & 7 se găsesc în secțiunea "INSTALAREA LAMEI" .

LUBRIFIEREA ANGRENAJELOR DE TRANSMISIE

Angrenajele de transmisie din carcasa cutiei de viteze trebuie lubrifiate periodic cu unsoare pentru angrenaj. Verificați nivelul unsoarei din carcasa cutiei de viteze la fiecare 50 de ore de utilizare îndepărtând șurubul de etanșeizare de pe latura carcasei.

Dacă pe laturile angrenajului nu se vede unsoare, urmați pașii de mai jos pentru a umple cu unsoare de angrenaj 3/4 din capacitate.

Nu umpleți complet angrenajele de transmisie.

1. Poziționați trimmerul vertical, astfel încât șurubul de etanșeizare este îndreptat în sus (Fig. N).
2. Utilizați cheia multifuncțională furnizată pentru a slăbi și îndepărta șurubul de etanșeizare.
3. Utilizați o seringă (neinclusă) pentru a injecta o cantitate de unsoare în orificiul șurubului.
4. După injectare, strângeți șurubul de etanșeizare.

DEPOZITAREA PRODUSULUI

- Detașați setul de acumulatori de pe trimmerul pentru tufișuri.
- Purtați mănuși super rezistente pentru a curăța bine scula.
- Montați scutul lamei pe lamă pentru protecție vitală (Fig. O)

RO

- Detașați accesoriul de trimmer pentru tufișuri de capul de alimentare și acoperiți capătul terminal de pe terminalul țijeii accesoriului dacă este nevoie.
- Depozitați aparatul într-un loc uscat, bine aerisit, închis cu cheia sau la înălțime, în care copiii nu au acces. Nu depozitați produsul pe sau lângă fertilizanți, benzină sau alte chimicale.

Protejarea mediului înconjurător



Nu eliminați echipamentul electric, acumulatorul epuizat și încărcătorul de acumulator împreună cu deșeurile menajere! Predați acest produs unui punct de reciclare autorizat și puneți-l la dispoziția colectării separate. Mașina electrică trebuie returnată unui centru de reciclare ecologic.

GHID DE DEPANARE

PROBLEMĂ	CAUZĂ	SOLUȚIE
Trimmerul pentru tufișuri nu pornește.	<ul style="list-style-type: none"> ■ Setul de acumulatori nu este atașat de capul de alimentare. ■ Nu există contact electric între capul de alimentare și setul de acumulatori. ■ Setul de acumulatori este descărcat. ■ Maneta de blocare și trăgaciul nu sunt apăstate simultan. 	<ul style="list-style-type: none"> ■ Atașați setul de acumulatori de capul de alimentare. ■ Îndepărtați acumulatorul, verificați contactele și reinstalați setul de acumulatori până când acesta se anclanșează în poziție. ■ Încărcați acest set de acumulatori cu încărcătorii EGO menționați în acest manual. ■ Apăsăți în jos maneta de blocare și țineți-o apăsată, după care apăsați trăgaciul declanșator pentru a porni trimmerul pentru tufișuri.
Trimmerul pentru tufișuri se oprește în timpul tăierii.	<ul style="list-style-type: none"> ■ Motorul este suprasolicitat. ■ Setul de acumulatori sau capul de alimentare sunt prea fierbinți. ■ Setul de acumulatori este deconectat de la sculă. ■ Setul de acumulatori este descărcat. 	<ul style="list-style-type: none"> ■ Motorul își va reveni după ce sarcina este îndepărtată. Pentru lucru continuu, diminueați sarcina capului de alimentare. ■ Lăsați setul de acumulatori sau capul de alimentare să se răcească până când temperatura scade sub 67°C . ■ Reinstalați setul de acumulatori. ■ Încărcați acest set de acumulatori cu încărcătorii EGO menționați în acest manual.

RO

GARANȚIA

POLITICA DE GARANȚIE EGO

Vă rugăm consultați website-ul egopowerplus.eu pentru termenii și condițiile complete ale politicii de garanție EGO.

PREBERITE VSA NAVODILA!



PREBERITE PRIROČNIK Z NAVODILI ZA UPORABO.

⚠ OPOZORILO: Za zagotovitev varnosti in zanesljivosti mora vsa popravila izvesti usposobljen serviser.

VARNOSTNI SIMBOLI

Namen varnostnih simbolov je, da pritegnejo vašo pozornost na morebitne nevarnosti. Varnostni simboli in njihova pojasnila si zaslužijo vašo pozornost in razumevanje. Opozorilni simboli sami ne odpravljajo nobene nevarnosti. Navodila in opozorila niso nadomestilo za ustrezne ukrepe za preprečevanje nesreč.

⚠ OPOZORILO: Poskrbite, da boste pred uporabo orodja prebrali in razumeli vsa varnostna navodila v priročniku z navodili za uporabo, vključno z vsemi simboli za varnostna opozorila, kot so »NEVARNOST«, »OPOZORILO«, in »SVARILLO«. Neupoštevanje spodaj navedenih navodil se lahko odrazi v električnem udaru, požaru in/ali resnih telesnih poškodbah.

POMEN SIMBOLOV

⚠ SIMBOL VARNOSTNEGA OPOZORILA: Nakazuje NEVARNOST, OPOZORILO ali SVARILLO. Uporablja se lahko skupaj z drugimi simboli ali piktogrami.



⚠ OPOZORILO: Delovanje katerega koli električnega orodja lahko povzroči metanje tujkov v vaše oči, kar lahko povzroči resne poškodbe očesa. Pred začetkom dela z električnim orodjem vedno nosite zaščitna očala ali varnostna očala s stranskimi zaščitami in kadar je treba tudi ščit za celoten obraz. Priporočamo vam uporabo varnostne maske Wide Vision Safety Mask za uporabo preko očal ali standardnih varnostnih očal s stransko zaščito.

SL

VARNOSTNA NAVODILA

Na tej strani so prikazani in opisani varnostni simboli, ki se lahko pojavijo na tem izdelku. Preberite, osvojite in sledite navodilom na stroju preden ga boste poskušali sestaviti in upravljati.

	Varnostno opozorilo	Označuje potencialno nevarnost telesnih poškodb.
	Preberite priročnik z navodili za uporabo	Za zmanjšanje nevarnosti telesnih poškodb je pomembno, da uporabnik prebere priročnik z navodili za uporabo.
	Nosite zaščito za oči	Pri upravljanju tega izdelka vedno nosite zaščitna očala ali varnostna očala s stransko zaščito in zaščito za celoten obraz.
	Nosite zaščito za ušesa	Za zaščito sluha vedno uporabljajte protihrupne pripomočke (čepke za ušesa ali glušnike).
	Nosite zaščito za glavo	Za zaščito glave nosite odobreno varnostno čelado.
	Nosite zaščitne rokavice	Pri rokovanju z žago in njeno verigo dlani zaščitite z rokavicami. Robustne in protizdrsne rokavice izboljšajo vaš prijem in zaščitijo vaše dlani.
	Nosite zaščitno obutev	Nosite nestrsečo zaščitno obutev, ko uporabljate to opremo.
	Širina košnje	Največja širina rezanja z obrezovalnikom grmičevja
	Pazite na sunek rezila	Upraviteljca opozorite na nevarnost sunka rezila.
	Opazovalci naj bodo varno oddaljeni	Razdalja med napravo in drugimi prisotnimi ljudmi mora biti najmanj 15 m.
	Pred vzdrževalnimi deli odklopite baterijo	Pred začetkom vzdrževanja ali čiščenja s kosilnice z nitko odklopite baterijski sklop.

	CE	Ta izdelek je v skladu z veljavnimi direktivami ES.
	UKCA	Ta izdelek je v skladu z veljavno zakonodajo Združenega kraljestva.
	Odpadna električna in elektronska oprema (OEEO)	Odpadnih električnih izdelkov se ne sme odlagati med gospodinjne odpadke. Odnosite jih k pooblaščenemu izvajalcu postopka recikliranja.
	Hrup	Zajamčena raven zvočnega tlaka. Emisije hrupa v okolico so v skladu z direktivo Evropske skupnosti.
V	Volt	Napetost
mm	Milimeter	Dolžina ali velikost
cm	Centimeter	Dolžina ali velikost
kg	Kilogram	Teža
n_0	Hitrost brez obremenitve	Vrtlina hitrost brez obremenitve
min ⁻¹	Na minuto	Število vrtljajev na minuto

SPLOŠNA VARNOSTNA NAVODILA ZA STROJ

⚠ OPOZORILO: Preberite vsa varnostna opozorila, navodila, slike in tehnične podatke, ki so priloženi tej napravi. Zaradi neupoštevanja spodaj navedenih navodil lahko pride do električnega udara, požara in/ali hudih telesnih poškodb.

Vsa opozorila in navodila shranite za kasnejšo uporabo.

izraz »stroj« v opozorilih se nanaša na stroj, ki ga poganja električni tok (žični), ali na baterijski (brežžični) stroj.

VARNOST NA OBMOČJU DELA.

- **Delovno območje naj bo čisto in dobro osvetljeno.**
Na neurejenih ali temnih območjih se hitro zgodijo nesreče.
- **Naprav ne upravljajte v eksplozivnih atmosferah, na primer ob prisotnosti vnetljivih tekočin, plinov ali prahu.** Naprave ustvarjajo iskre, ki lahko povzročijo vžig prahu ali hlajev.

- **Med uporabo naprave poskrbite, da otroci in mimoidoči ne bodo v bližini.** Zaradi motenj lahko izgubite nadzor.

ELEKTRIČNA VARNOST

- **Vtiči naprave se morajo prilegati vtičnicam. Vtiča nikoli ne smete spreminjati na kakršen koli način. Z ozemljenimi napravami ne uporabljajte nikakršnih adapterskih vtičev.** Nespremenjeni vtiči in pripadajoče vtičnice bodo zmanjšali tveganje električnega udara.
- **Izogibajte se telesnemu stiku z ozemljenimi površinami, kot so cevi, radiatorji, štedilniki in hladilniki.** Če je vaše telo ozemljeno, obstaja povečano tveganje električnega udara.
- **Naprave ne uporabljajte v dežju ali mokrih pogojih.** Voda, ki pride v napravo, lahko poveča tveganje za električni udar ali okvaro, kar bi lahko povzročilo telesne poškodbe.
- **Ne poškodujte električnega kabla.** Kabla ne uporabljajte za nošenje, vlečenje ali odklop naprave. Kabel hranite stran od vročine, olja, ostrih robov ali premikajočih se delov. Poškodovani ali zapleteni kabli zvišujejo tveganje električnega udara.
- **Med uporabo naprave na prostem uporabite podaljšek, ki je primeren za uporabo na prostem.** Uporaba kabla, primerne za zunanjo uporabo, znižuje tveganje električnega udara.
- **Če je uporaba naprave na vlažnem mestu neizogibna, uporabite stikalo za prekinitev napajanja pri najmanjšem okvarnem toku (GFCI).** Uporaba stikala bo zmanjšala nevarnost električnega udara.

SL

OSEBNA VARNOST

- **Med uporabo naprave bodite pozorni, spremljajte potek dela in uporabljajte zdrav razum. Naprave ne uporabljajte, kadar ste utrujeni oziroma pod vplivom drog, alkohola ali zdravil.** Trenutek nepazljivosti med uporabo naprave lahko povzroči hude telesne poškodbe.
- **Uporabljajte osebno varovalno opremo. Vedno nosite zaščito za oči.** Če v določenih okoliščinah nosite ustrezno zaščitno opremo, kot so maska proti prahu, zaščitna obutev z nedersečim podplatom, trdno pokrivalo glave in zaščita za sluh, zmanjšate možnost telesnih poškodb.
- **Preprečite neželen zagon. Pred priklopom na vir napajanja in/ali priklopom baterijskega sklopa ter pred dvigovanjem ali nošenjem naprave se prepričajte, da je stikalo v položaju za izklop.** Prenašanje naprav s prstom na stikalo ali vklop naprav,

pri katerih je stikalo v položaju za vklop, povzroči tveganje za nesreče.

- **Pred vklopom naprave odstranite morebitne nastavitvene ali viličaste ključe.** Viličasti ali drug ključ, ki je pritrjen na vrtljivi del naprave, lahko povzroči telesne poškodbe.
- **Ne stegujte se preveč. Pazite, da ves čas stojite stabilno in ohranate ravnotežje.** To omogoča boljši nadzor nad napravo v nepričakovanih situacijah.
- **Bodite primerno oblečeni. Ne nosite ohlapnih oblačil ali nakita. Pazite, da lasje in oblačila ne pridejo v bližino gibljivih delov.** Ohlapna oblačila, nakit ali dolgi lasje se lahko zapletejo v gibljive dele.
- **Če imate na voljo naprave za sesanje in zbiranje prahu, preverite, ali so priklučene in ali se ustrezno uporabljajo.** Uporaba naprav za zbiranje prahu lahko zmanjša nevarnosti, povezane s prahom.
- **Čeprav dobro poznate napravo zaradi pogoste uporabe, ne postanite brezbržni in ne prezrite varnostnih načel naprave.** Nepazljivost pri uporabi lahko povzroči hude telesne poškodbe v delcu sekunde.

UPORABA IN NEGA STROJA

- **Naprave orodja ne preobremenjujte. Uporabite napravo, ki je primerno za vaše delo.** Ustrezna naprava bo nalogo opravila bolje in varneje pri zmogljivosti, za katero je bila zasnovana.
- **Naprave ne uporabljajte, če je ni mogoče vklopiti in izklopiti s stikalom.** Naprava, ki je ni mogoče upravljati s stikalom, je nevarna in jo je treba popraviti.
- **Pred kakršnimi koli nastavitvami, menjavo dodatne opreme ali shranjevanjem stroja izključite vtič iz vira napajanja in/ali iz naprave odstranite baterijski sklop, če ga je mogoče odstraniti.** Tak preventivni varnostni ukrepi zmanjšujejo tveganje nenamernega zagona naprave.
- **Neaktivne naprave shranjujte zunaj dosega otrok in osebam, ki niso seznanjene z napravo ali s temi navodili, preprečite upravljanje naprave.** Naprave so v rokah neusposobljenih uporabnikov nevarni.
- **Poskrbite za vzdrževanje naprave in dodatne opreme. Preverite, ali so gibljivi deli nepravilno poravnani ali povezani, ali so deli polomljeni oziroma obstaja kakršno koli drugo stanje, ki bi lahko vplivalo na delovanje naprave. Če je naprava poškodovana, jo pred uporabo popravite.** Veliko nesreč je posledica slabo vzdrževanih naprav.
- **Rezalne naprave naj bodo vedno nabrušene in čiste.** Pravilno vzdrževane rezalne naprave z ostrimi rezili se

težje zaskočijo in jih je lažje nadzirati.

- **Napravo, dodatno opremo, dele naprave itd. uporabljajte v skladu s temi navodili, pri tem pa upoštevajte delovne pogoje in delo, ki ga boste opravljali.** Če boste napravo uporabljali za postopke, ki niso predvideni, lahko pride do nevarnih situacij.
- **Ročaji in prijemalne površine naj bodo suhe, čiste in brez madežev olja ali masti.** Drseči ročaji in prijemalne površine ne omogočajo varne uporabe in upravljanja naprave v nepričakovanih situacijah.

UPORABA IN NEGA BATERIJSKE NAPRAVE

- **Baterijo polnite le s polnilnikom, ki ga določa proizvajalec.** Polnilnik, ki je primeren za eno vrsto baterijskih sklopov, morda lahko povzroči nevarnost požara, če z njim polnite drugo vrsto baterijskih sklopov.
 - **Naprave uporabljajte samo s predpisano vrsto baterijskih sklopov.** Uporaba katerih koli drugih baterijskih sklopov lahko povzroči tveganje za telesne poškodbe in požar.
 - **Ko baterijski sklop ni v uporabi, ga hranite ločeno od drugih kovinskih predmetov, kot so sponke za papir, kovanci, ključi, žebliji, vijaki ali drugi majhni kovinski predmeti, ki lahko povzročijo stik med enim in drugim kontaktom.** Kratek stik zaradi povezanih kontaktov baterije lahko povzroči opekline ali požar.
 - **Ob zlorabi baterije lahko iz nje brizgne tekočina, stik s katero preprečite. Če se nehoti dotaknete tekočine, mesto stika sperite z vodo. Če pride tekočina v stik z očmi, poleg tega poiščite zdravstveno pomoč.** Tekočina, ki brizgne iz baterije, lahko povzroči draženje ali opekline.
 - **Ne uporabljajte poškodovanega ali spremenjenega baterijskega sklopa ali naprave.** Poškodovane ali spremenjene baterije lahko nepredvidljivo delujejo, zaradi česar lahko pride do požara, eksplozije ali nevarnosti telesnih poškodb.
 - **Baterijskega sklopa ali naprave ne izpostavljajte ognju ali previsokim temperaturam.** Izpostavljanje ognju ali temperaturam nad 130 °C lahko povzroči eksplozijo.
 - **Upoštevajte vsa navodila za polnjenje in baterijskega sklopa ali naprave ne polnite zunaj temperaturnega razpona, navedenega v navodilih.** Zaradi nepravilnega polnjenja ali temperature zunaj navedenega razpona lahko pride do poškodb baterije in povečanega tveganja za požar.
- ⚠ OPOZORILO: preberite vsa varnostna opozorila, navodila, slike in tehnične podatke, ki so priloženi temu električnemu orodju.** Zaradi neupoštevanja spodaj

navedenih navodil lahko pride do električnega udara, požara in/ali hudih telesnih poškodb. Vsa opozorila in navodila shranite za kasnejšo uporabo.

Vsa opozorila in navodila shranite za kasnejšo uporabo.

USPOSABLJANJE

- Pozorno preberite navodila. Seznanite se s kontrolami in pravilno uporabo naprave.
- Ljudem, ki niso seznanjeni s temi navodili, ali otrokom nikoli ne dovolite uporabljati naprave. Lokalni predpisi morda omejujejo starost upravljavca.
- Ne pozabite, da je upravljavca ali uporabnik orodja odgovoren za nevarnosti ali tveganja za druge ljudi in lastnino, do katerih lahko pride.

PRIPRAVA

- Če so v bližini ljudje, še posebej otroci ali domače živali, naprave ne uporabljajte.
- Nosite zaščito za oči in robustne čevlje ves čas upravljanja stroja.
- Razdalja med napravo in drugimi prisotnimi ljudmi mora biti najmanj 15 m.
- Naprave ne uporabljajte, kadar je upravljavca utrujen, bolan oziroma pod vplivom alkohola ali drugih drog.

UPRAVLJANJE

- Stroj uporabljajte le podnevi ali ob dobri umetni svetlobi.
- Stroja nikoli ne upravljajte, če so ščitniki poškodovani, ali če niso na mestu.
- Motor vklopite šele takrat, ko roke in noge niso v stiku s komponentami za košnjo.
- Stroj vedno odklopite iz napajanja (npr. odstranite baterijski sklop):
 - kadar koli pustite stroj brez nadzora;
 - pred čiščenjem blokade;
 - pred pregledom, čiščenjem ali delom na napravi;
 - potem, ko zadenete ob tujek;
 - kadar koli začne stroj nenormalno vibrirati.
- Pazite na morebitne poškodbe dlani iz stopal z rezili.
- Vedno poskrbite, da so odprtine za zračenje čiste.

VZDRŽEVANJE IN SHRANJEVANJE

- Stroj vedno ločite od vira napajanja (na primer odstranite baterijski sklop) pred vzdrževanjem ali čiščenjem naprave.
- Uporabljajte samo nadomestne dele in dodatke, ki jih priporoča proizvajalec.

- Stroj redno preverjajte in vzdržujte. Stroj naj popravlja le pooblaščen serviser.
- Ko ni v uporabi, stroj pospravite izven dosega otrok.

DRUGA VARNOSTNA OPOZORILA

- **Izogibajte se uporabi na nevarnih območjih.** Naprave ne uporabljajte na vlažnem ali mokrem klancu.
- **Poskrbite, da bodo varovala nameščena in ustrezno delujoča.**
- **Ne segajte v območje košnje z rokami in nogami.**
- **Nikoli ne delajte na lestvi ali na drugi nestabilni podpori.** Tako boste znatno zmanjšali nevarnost poškodb. Enote za košnjo nikoli ne dvigujte nad višino pasu.
- **Enoto za košnjo med uporabo redno preverjajte v kratkih intervalih ali nemudoma po tem, ko opazite spremenjeno učinkovitost košnje.**
- **Za najboljše rezultate baterijo polnite na mestu, kjer je temperatura višja od 5 °C in nižja od 40 °C.** Baterije ne shranjujte zunaj ali v vozilih.
- **Če pristopite, takoj ustavite motor in enoto za košnjo.**
- **Upravljavca opozorite na nevarnost sunka rezila (samo za trizobo rezilo).**
 - Do sunka rezila lahko pride takrat, ko vrteče rezilo zadene ob predmet, ki ga ne prereže takoj.
 - Sunek rezila je lahko tako močan, da enoto in/ali upravljavca vrže v katero koli smer, ta pa pri tem izgubi nadzor nad enoto.
 - Do sunka rezila lahko pride brez vnaprejšnjega opozorila, če se rezilo zatakne, zaustavi med vrtenjem ali ukrivi.
 - Večja verjetnost je, da do sunka rezila pride v območjih, kjer težko vidite material, ki ga režete.
- **Ne pritrjujte na komponento rezila, če pred tem ne namestite vseh zahtevanih delov.** Če ne uporabite ustreznih delov, lahko rezilo odleti proč in resno poškoduje upravljavca in/ali mimoidoče. Zavržite vsa skrivljena, zvita, počena, zlomljena ali kakor koli drugače poškodovana rezila. Uporabite ostro rezilo. Veliko bolj verjetno je, da bo počilo topo rezilo (samo za trizobo rezilo).
- **Rezilo/nitka z vztrajnim momentom lahko povzroči poškodbo, ker se vrti tudi po zaustavitvi motorja ali po sprostitvi sprožilca.** Obdržite nadzor toliko časa, da se rezilo/nitka popolnoma ustavi.
- **Baterijskih orodij ni potrebno priklopiti v električno vtičnico, zato so vedno v stanju delovanja.** Zavedajte se mogočih nevarnosti tudi, ko orodje ne deluje. Bodite previdni pri vzdrževanju ali servisiranju.
- **Naprave ne umivajte s cevjo.** Voda naj ne pride v motor ali električne priključke.

SL

- Če pride do situacij, ki niso zajete v tem priročniku, bodite pazljivi in uporabite dobro presojo. Za pomoč stopite v stik servisnim centrom EGO.
- Napravo uporabljajte le z akumulatorskimi baterijami in polnilniki, navedenimi v sliki A.

TA NAVODILA SHRANITE!

TEHNIČNI PODATKI

Širina košnje	30 cm
Hitrost brez obremenitve	5000/6000 min ⁻¹
Teža	1,82 kg
Priporočena delovna temperatura	0°C-40°C
Priporočena temperatura za shranjevanje	-20°C-70°C
Izmerjena raven zvočnega tlaka L _{WA}	96,5 dB(A) K=1,88 dB(A) (PH1400E)
	93,2 dB(A) K=0,35 dB(A) (PH1420E)
	91 dB(A) K=1,1 dB(A) (PHX1600)
Raven zvočnega tlaka v ušesu upravljavca L _{PA}	84,5 dB(A) K=3 dB(A) (PH1400E)
	83,9 dB(A) K=3 dB(A) (PH1420E)
	83 dB(A) K=3 dB(A) (PHX1600)
Zajamčena raven zvočnega tlaka L _{WA} (glede na 2000/14/EC)	98 dB(A)

Vibracije a _h	Sprednji ročaj za prijem	2,8 m/s ² K=1,6 m/s ² (PH1400E)
		4,14 m/s ² K=1,5 m/s ² (PH1420E)
		6,64 m/s ² K=1,5 m/s ² (PHX1600)
	Zadnji ročaj	3,1 m/s ² K=1,6 m/s ² (PH1400E)
		1,88 m/s ² K=1,5 m/s ² (PH1420E)
		2,61 m/s ² K=1,5 m/s ² (PHX1600)

- Zgornji parametri so preskušeni in izmerjeni z nameščeno pogonsko glavo PH1400E/PH1420E/PHX1600.
- Deklarirana skupna vrednost vibracij je bila izmerjena v skladu s standardno preskusno metodo in se lahko uporabi za medsebojno primerjavo različnih orodij;
- Navedena skupna vrednost vibracij se lahko uporabi za predhodne ocene izpostavljenosti.

OPOMBA: Emisije vibracij se lahko med dejansko uporabo električnega orodja razlikujejo od deklarirane vrednosti, pri kateri se orodje uporablja. Z namenom zaščite upravljavca mora uporabnik v dejanskih pogojih uporabe nositi rokavice in zaščito za ušesa.

Priporočeno rezilo

IME DELA	ŠTEVILKA MODELA
Rezilo obrezovalnika grmičevja	ABB1203

SL

SEZNAM PAKIRANJA

IME DELA	KOLIČINA
Priključek z obrezovalnikom grmičevja	1
Komplet rezila in zaščite za rezilo	1
Ščitnik	1
Nastavek ščitnika (SAMO za uporabo z glavo kosilnice)	1
Šestrobi ključ	1
Večnamenski ključ	1
Priročnik z navodili za uporabo	1

OPIŠ

SPNOZAJTE SVOJ PRIKLJUČEK Z OBREZOVALNIKOM GRMIČEVJA (slika A)

1. Pokrovček
2. Držalo obrezovalnika grmičevja
3. Ščitnik
4. Rezilo
5. Zaščita za rezilo
6. Pritrdilna žica
7. Tesnilni vijak
8. Ohišje zobnikov
9. Odprtina za zaklep držala
10. Zunanja prirobnica
11. Večnamenski ključ
12. Imbusni ključ
13. Nastavek ščitnika (SAMO za uporabo z glavo kosilnice)

⚠ OPOZORILO: Orodja nikoli ne upravljajte brez trdno nameščenega ščitnika. Ščitnik mora biti vedno nameščen na orodju za zaščito uporabnika.

⚠ OPOZORILO: Kadar orodje uporabljate kot kosilnico z nitko, opremljeno z glavo kosilnice, je treba nastavek ščitnika namestiti na ščitnik. V nasprotnem primeru se lahko zgodi, da je nitka predolga in je motor preobremenjen.

SESTAVA

⚠ OPOZORILO: Če so deli poškodovani ali manjkajo, izdelka ne uporabljajte, dokler deli niso zamenjani. Če ta izdelek uporabljate s poškodovanimi ali manjkajočimi deli, se lahko resno poškodujete.

⚠ OPOZORILO: Tega izdelka ne poskušajte spreminjati in ne poskušajte izdelovati dodatkov, ki niso priporočeni za uporabo s to kosilnico z nitko. Vsako tako spreminjanje je zloraba in lahko privede do tveganj, ta pa do hudih telesnih poškodb.

⚠ OPOZORILO: Pri nameščanju delov vedno odstranite baterijski sklop, da preprečite nenamerni zagon, ki bi lahko povzročil resno telesno poškodbo.

⚠ OPOZORILO: Kadar je stroj opremljen z glavo obrezovalnika grmičevja, mora biti nameščen varnostni pregradni drog.

MONTAŽA ŠČITNIKA

⚠ OPOZORILO: Pri montaži ali zamenjavi ščitnika vedno nosite rokavice. Bodite pozorni na rezilo na ščitniku in zaščitite dlan, da se ne poškodujete.

⚠ OPOZORILO: Stroja nikoli ne upravljajte brez ščitnika, varno pritrjenega na mestu. Ščitnik mora biti vedno pritrjen na orodju za zaščito uporabnika! Ko je ščitnik pritrjen, ga ne poskušajte odstraniti ali prilagoditi. Če ga morate zamenjati, naj delo izvede kvalificiran serviser!

Odvijte vijaka z osnove gredi (sl. B), poravnajte odprtine za montažo zaščite z odprtinami na delu in pritržite zaščito na osnovo gredi z vijakoma ter dvema vzmetnima podložkama (sl. C).

Prepričajte se, da je ščitnik pritrjen v skladu s slikama C in D. Kakršna koli drugačna namestitvev bo povzročila veliko nevarnost.

SL

NAMESTITEV REZILA

1. Rezilo je dobavljeno z zaščito za rezilo. Pred namestitvijo rezila na obrezovalnik grmičevja je treba odstraniti zaščito, tako da snamete pritrtilno žico s kljukice na zaščiti (slika E).

Sliki E: za opis delov glejte spodaj:

E-1	Kljukica
E-2	Pritrdilna žica

2. Zavrtite zunanjo prirobnico, da poravnate režo v notranji prirobnici z odprtino za zaklep držala v ohišju zobnikov (slika F).
3. Priloženi imbusni ključ vstavite v poravnani odprtini, da deluje kot stabilizator (slika G).

Za opis delov na slikah F in G glejte spodaj:

F-1	Ohišje zobnikov	F-3	Zunanja prirobnica
F-2	Poravnani odprtini za zaklep držala	G-1	Stabilizator

4. Glavo obrezovalnika grmičevja prislonite na trdno površino za podporo. Z eno roko držite držalo obrezovalnika grmičevja, z drugo roko pa primate priloženi večnamenski ključ, da odvijete matico v smeri puščice, ki je označena na zunanji prirobnici. Odstranite matico in zunanjo prirobnico. Shranite ju za ponovno montažo (slika H).

5. Rezilo namestite na gred motorja, pri čemer mora biti površina rezila poravnana s površino izbokline notranje prirobnice. Namestite zunanjo prirobnico in matico (slika I). Z roko privijete matico v **NASPROTNI SMERI URNEGA KAZALCA**.

Sliki I: za opis delov glejte spodaj:

I-1	Izboklina notranje prirobnice	I-4	Zunanja prirobnica
I-2	Gred motorja	I-5	Rezilo
I-3	Matica		

6. Zavrtite zunanjo prirobnico, da poravnate režo v notranji prirobnici z odprtino za zaklep držala v ohišju zobnikov ter vstavite priloženi imbusni ključ v poravnani odprtini, da deluje kot stabilizator, kot prikazujeta 2. in 3. korak.
7. Glavo obrezovalnika grmičevja prislonite na trdno površino za podporo. Z eno roko držite rezilo, z drugo roko pa primate priloženi večnamenski ključ, da privijete matico v nasprotni smeri puščice, ki je označena na zunanji prirobnici (slika J).

SL

Uporaba nastavka ščitnika

OPOMBA: Kadar orodje uporabljate kot kosilnico z nitko, opremljeno z glavo kosilnice, je treba nastavek ščitnika namestiti na ščitnik (slika K).

Nastavek ščitnika pritrdite na ščitnik, tako da tri vijake privijete s priloženimi imbusnim ključem. V nasprotnem primeru se lahko zgodi, da je nitka predolga in je motor preobremenjen.

NAMESTITEV PRIKLJUČKA Z OBREZOVALNIKOM GRMIČEVJA NA POGONSKO GLAVO

Ta priključek z obrezovalnikom grmičevja je zasnovan za uporabo s pogonsko glavo EGO PH1400E/PH1420E/PHX1600.

Glejte razdelek »**NAMESTITEV PRIKLJUČKA NA POGONSKO GLAVO**« v uporabniškem priročniku pogonske glave PH1400E/PH1420E/PHX1600.

DELOVANJE

⚠ OPOZORILO: Četudi se odobna seznanite s tem izdelkom, pri rokovanju z njim ne postanite neprevidni. Pomnite, da je brezskrbni delec sekunde dovolj za resno poškodbo.

⚠ OPOZORILO: Vedno nosite zaščito za oči, ki ima varovanje tudi s strani. Prav tako nosite zaščito za sluh. Če tega ne storite, vam lahko v oči priletijo predmeti ali pa se lahko zgodijo druge hude poškodbe.

NAMENI UPORABE

Ta izdelek lahko uporabljate za naslednje namene:

- rezanje trave, plevela, divjega rastlinja in grmičevja ter redčenje mladih sestojev z največjim premerom stebela 2 cm.

OPOMBA: Orodje se lahko uporablja samo za predpisan namen. Kakršna koli druga uporaba se smatra za nepravilno uporabo.

UPORABA OBREZOVALNIKA GRMIČEVJA S POGONSKO GLAVO

⚠ OPOZORILO: Za upravljanje tega orodja se primerno oblecite, da zmanjšate nevarnost poškodb. Ne nosite ohlapnih oblačil ali nakita. Nosite zaščito za oči in sluh. Nosite robustne dolge hlače, škornje in rokavice. Ne nosite kratkih hlač, sandal in ne bodite bosi.

Za varno in boljše upravljanje si preko rame nadenite ramenski pas. Ramenski pas nastavite v udoben položaj za upravljanje. Obrezovalnik grmičevja držite z eno roko na zadnjem ročaju in z drugo roko na sprednjem ročaju. Med upravljanjem orodje čvrsto držite z obema rokama. Obrezovalnik grmičevja držite v udobnem položaju z zadnjim ročajem približno v višini pasu. Ohranajte čvrst prijem in ravnotežje na obeh stopalih. Postavite se tako, da ne boste izgubili ravnotežja v primeru povratnega udara rezila (slika B).

⚠ OPOZORILO: Ramenski pas je tudi hiter mehanizem za sprostitve v nevarnih situacijah. V nujnih primerih ga nemudoma snemite z rame, ne glede na to, kako je vstavljen.

Za rezanje divjega rastlinja in grmičevja spustite vrteče rezilo do rastlinja, da dosežete učinek sekanja. Obrezovalnik grmičevja uporabljajte kot koso (premikajte ga levo in desno) ob tleh. Priključka za rezanje ne uporabljajte nad višino pasu.

⚠ OPOZORILO: Višje nad tlemi je priključek za rezanje, večja je nevarnost poškodb zaradi izvrženega odrezanega rastlinja.

⚠ OPOZORILO: Za rezanje mladih sestojev ali drugega lesnatega rastlinja s premerom do 2 cm uporabite levo stran rezila, da preprečite sunke rezila. Ne poskušajte rezati lesnatega rastlinja z večjim premerom, ker se rezilo lahko zatakne ali obrezovalnik grmičevja sune naprej. To lahko povzroči poškodbe rezila ali obrezovalnika grmičevja ali izgubo nadzora nad obrezovalnikom grmičevja in posledično vpliva na telesne poškodbe.

⚠ OPOZORILO: Nepravilna uporaba rezila obrezovalnika grmičevja lahko povzroči, da rezilo razpoka, se okruši ali razleti.

Izvršeni deli lahko resno poškodujejo upravljavca ali opazovalce. Za zmanjšanje tveganja za telesne poškodbe je pomembno, da upoštevate naslednje previdnostne ukrepe:

- Preprečite stik s trdimi ali masivnimi tujki, kot so kamni, skale ali kovinski kosi.
- Nikoli ne režite lesa ali grmičevja s premerom stebela, ki je večji od 2 cm.
- V rednih kratkih intervalih preverjajte, ali so na rezilu vidne poškodbe. Poškodovanega rezila ne uporabljajte.
- Rezilo redno brusite (ko postane opazno topo) in ga po potrebi uravnotežite (to naj izvede usposobljen serviser).

SUNEK REZILA

Pri uporabi rezila s to enoto bodite izjemno previdni. Sunek rezila je odziv, do katerega lahko pride, ko se vrteče rezilo dotakne katerega koli materiala, ki ga ne more odrezati. Ta stik lahko povzroči, da se rezilo za trenutek zaustavi in nenadoma »sune« enoto stran od predmeta, ki ga je zadelo. Ta povratni odziv je lahko dovolj močan, da povzroči izgubo upravljavčevega nadzora nad enoto. Do sunka rezila lahko pride brez opozorila, če se rezilo zatika, ustavlja ali zapleta. Večja verjetnost za to je na območjih, kjer je težko videti material, ki ga režete. Za enostavno in varno rezanje se z obrezovalnikom grmičevja plevelu, ki ga režete, približajte z desne proti levi. Če naletite na nepričakovan predmet ali kos lesa, boste na ta način zmanjšali možnost sunka rezila.

Pred vsako uporabo napravo pregledjte za poškodovane/obrabljene dele

Preglejte rezilo, ščitnik in sprednji ročaj ter zamenjajte dele, ki so razpokani, zviti, upognjeni ali kakor koli poškodovani.

Rob rezila lahko sčasoma postane top. Priporočljivo je, da rezilo obrnete naokrog, da podaljšate njegovo življenjsko dobo, in ga redno brusite (to naj izvede usposobljen serviser) ali ga po potrebi zamenjate z novim rezilom.

Po vsaki uporabi obrezovalnik grmičevja očistite

Navodila za čiščenje najdete v razdelku **VZDRŽEVANJE**.

⚠ OPOZORILO: Pred čiščenjem ali popravilom obrezovalnika grmičevja se prepričajte, da se je rezilo povsem ustavilo. Neupoštevanje tega navodila lahko povzroči resne telesne poškodbe.

ZAGON/ZAUSTAVITEV ORODJA

Glejte razdelek »**ZAGON/ZAUSTAVITEV POGONSKE GLAVE**« v uporabniškem priročniku pogonske glave PH1400E/PH1420E/PHX1600.

VZDRŽEVANJE

⚠ OPOZORILO: Pred pregledom, čiščenjem ali popravilom enote zaustavite motor, počakajte, da se zaustavijo vsi premikajoči se deli, in odstranite baterijski sklop. Neupoštevanje teh navodil lahko povzroči hude telesne poškodbe ali materialno škodo.

⚠ OPOZORILO: Za popravila uporabljajte le identične nadomestne dele. Uporaba drugih delov je tvegana in lahko poškoduje izdelek. Za zagotovitev varnosti in zanesljivosti mora vsa popravila izvesti usposobljen serviser.

⚠ OPOZORILO: Med namestitvijo in odstranjevanjem rezila oziroma med vzdrževanjem rezila vedno nosite robustne rokavice. Pazite na rezilo in zaščitite dlani, da se ne poškodujete.

SPLOŠNO VZDRŽEVANJE

Pri čiščenju plastičnih delov se izogibajte uporabi topil. Večina vrst plastike se lahko pri uporabi različnih komercialnih topil poškoduje. Za odstranjevanje umazanije, prahu, olja, masti itd. uporabite čiste krpe.

ČIŠČENJE ENOTE

- Odstranite baterijo.
- Po vsaki uporabi z mehko krtačo očistite ostanke, zemljo ali travo na rezilu ter ščitniku.
- Površino orodja obrišite s čisto in vlažno krpo ter z blago milnico.
- Zračne odprtine v zadnjem delu ohišja očistite z majhno krtačo ali majhnim sesalnikom.
- Zračne odprtine ne smejo biti zamašene.

Ko rezilo postane topo oz. oba robova rezila postaneta topa, naj ga usposobljen serviser nabrusi ali po potrebi zamenja z novim rezilom.

MENJAVA REZILA

⚠ OPOZORILO: Obrabljeno, razpokano ali poškodovano rezilo se lahko zlomi, koščki poškodovanega rezila pa se lahko odtrgajo in predstavljajo nevarnost. Izvršeni predmeti lahko povzročijo resne telesne poškodbe. Rezilo redno preverjajte in ne uporabljajte obrezovalnika

grmičevja z obrabljenim ali poškodovanim rezilom.
⚠ OPOZORILO: Med odstranjevanjem, brušenjem in namestitvijo rezila nosite ustrezno zaščito za oči.

Odstranjevanje rezila

1. Odstranite baterijo.
2. Zavrtite zunanjo prirobnico, da poravnate rezo v notranji prirobnici z odprtino za zaklep držala v ohišju zobnikov ter vstavite priloženi imbusni ključ v poravnani odprtini, da deluje kot stabilizator, kot prikazujeta 2. in 3. korak v razdelku »NAMESTITEV REZILA«.
3. Glavo obrezovalnika grmičevja pristonite na trdno površino za podporo. Z eno roko držite rezilo, z drugo roko pa primate priloženi večnamenski ključ, da odvijete matico v smeri puščice, ki je označena na zunanji prirobnici. Odstranite matico, zunanjo prirobnico in obrabljeno rezilo (slika L).
4. Preverite notranjo prirobnico in pokrov prirobnice ter ju zamenjajte, če sta obrabljena (slika M).

Slika M: za opis delov glejte spodaj:

M-1	Gred motorja	M-5	Zunanja prirobnica
M-2	Notranja prirobnica	M-6	Matica
M-3	Pokrov prirobnice	M-7	Reža v prirobnici
M-4	Rezilo		

5. Novo rezilo namestite na gred motorja v zaporedju, ki ga prikazuje slika M. Natančno sledite 5., 6. in 7. koraku, ki so opisani v razdelku »NAMESTITEV REZILA«.

SL

MAZANJE ZOBNIKOV

Zobnike v ohišju je treba redno mazati z mazivom za zobnike. Raven maziva preverite približno vsakih 50 ur delovanja, tako da odstranite tesnilni vijak ob strani ohišja.

Če ob strani zobnikov ne vidite maziva, sledite spodnjim korakom in ohišje napolnite z mazivom do 3/4 prostornine.

Ohišja z zobniki ne napolnite povsem.

1. Obrezovalnik grmičevja držite tako, da je tesnilni vijak obrnjen navzgor (slika N).
2. S priloženim večnamenskim ključem odvijte tesnilni vijak in ga odstranite.
3. Z brizgalko (ni priložena) vbrizgajte nekaj maziva v luknjo vijaka.
4. Privijte tesnilni vijak.

SHRANJEVANJE ENOTE

- Odstranite baterijski sklop z orodja.
- Pri temeljitem čiščenju orodja nosite robustne rokavice.
- Zaščito za rezilo namestite na rezilo za varno shranjevanje (slika O).
- Priključek za obrezovalnik grmičevja odstranite s pogonske glave in po potrebi namestite pokrovček na konec držala priključka.
- Enoto shranite v suhem in dobro zračenem prostoru, ki se zaklepa ali je dvignjen, da ne bo na dosegu otrok. Enoto ne shranjujte na ali v bližini gnojil, bencina ali drugih kemikalij.

VAROVANJE OKOLJA



Električne opreme, rabljene baterije in polnilnika ne odvrzite med gospodinjske odpadke. Izdelek odnesite v pooblaščen obrat za recikliranje in ga zavrzite ločeno. Električne stroje je treba odnesti na obrat za recikliranje in jih reciklirati na okolju prijazen način.

ODPRAVLJANJE TEŽAV

TEŽAVA	VZROK	REŠITEV
Obrezovalnik grmičevja se ne vklopi.	<ul style="list-style-type: none"> ■ Baterijski sklop ni nameščen na pogonsko glavo. ■ Med pogonsko glavo in baterijskim sklopom ni električnega stika. ■ Baterijski sklop je izpraznjen. ■ Vzvod za odklepanje in sprožilec nista bila pritisnjena hkrati. 	<ul style="list-style-type: none"> ■ Baterijski sklop namestite na pogonsko glavo. ■ Odstranite baterijo, preverite kontakte in ponovno namestite baterijski sklop, tako da se zaskoči. ■ Baterijski sklop polnite s polnilniki EGO, ki so navedeni v tem priročniku. ■ Vzvod za odklepanje pritisnite navzdol in ga pridržite, nato pritisnite sprožilec, da vključite obrezovalnik grmičevja.
Obrezovalnik grmičevja se ustavi med rezanjem.	<ul style="list-style-type: none"> ■ Motor je preobremenjen. ■ Baterijski sklop ali pogonska glava je prevroča. ■ Baterijski sklop je odklopljen iz orodja. ■ Baterijski sklop je izpraznjen. 	<ul style="list-style-type: none"> ■ Motor bo zopet deloval, ko boste odpravili obremenitev. Za neprekinjeno delovanje zmanjšajte obremenitev pogonske glave. ■ Počakajte, da se baterijski sklop ali pogonska glava ohladi do temperature pod 67°C. ■ Ponovno namestite baterijski sklop. ■ Baterijski sklop polnite s polnilniki EGO, ki so navedeni v tem priročniku.

GARANCIJA

SL

GARANCIJSKA POLITIKA DRUŽBE EGO

Za popolne pogoje garancijske politike družbe EGO obiščite spletno stran egopowerplus.eu.

PERSKAITYKITE VISĄ INSTRUKCIJĄ!



PERSKAITYKITE NAUDOJIMO INSTRUKCIJĄ

⚠️ ĮSPĖJIMAS: Norint užtikrinti saugų ir patikimą gaminio naudojimą, visus remonto ir keitimo darbus turi atlikti kvalifikuotas techninės priežiūros specialistas.

SAUGOS SIMBOLIAI

Šių simbolių paskirtis – atkreipti dėmesį į galimus pavojus. Gerai susipažinkite su saugos simboliais bei jų paaiškinimais ir juos įsidėmėkite. Simbolių įspėjimai patys savaime negali apsaugoti nuo pavojų. Jais žymimi nurodymai ir įspėjimai neatstoja tinkamų nelaimingų atsitikimų prevencijos priemonių.

⚠️ ĮSPĖJIMAS: Prieš pradėdami naudoti šį gaminį perskaitykite visus šioje naudojimo instrukcijoje pateiktus saugos nurodymus, taip pat susipažinkite su visais saugos įspėjimaisiais simboliais, tokiais kaip „PAVOJUS“, „ĮSPĖJIMAS“, ir „PERSPĖJIMAS“, ir įsitikinkite, kad juos supratote. Nesilaikant visų toliau išdėstytų nurodymų galima patirti elektros smūgį, sukelti gaisrą ir (arba) sunkiai susižeisti.

SIMBOLIO REIKŠMĖ

⚠️ SAUGOS ĮSPĖJAMASIS SIMBOLIS: nurodo PAVOJŲ, ĮSPĖJIMĄ, arba PERSPĖJIMĄ. Gali būti panaudotas su kitais simboliais arba piktogramomis.



⚠️ ĮSPĖJIMAS: Naudojant bet kokius elektros prietaisus gali būti išsviesti ir pataikyti į akis pašaliniai objektai, galintys sunkiai sužeisti akis. Prieš pradėdami naudoti elektros prietaisą, visada užsidėkite apsauginius akinius arba apsauginius akinius su šonine apsauga ir, kai reikia, visą veidą dengiantį skydelį. Rekomenduojame naudoti platų matymo lauką užtikrinančią apsauginę kaukę ant akinių arba standartinius apsauginius akinius su šonine apsauga.

SAUGOS NURODYMAI

Šiame puslapyje pavaizduoti ir aprašyti saugos simboliai, kurių gali būti ant šio gaminio. Prieš pradėdami surinkti ir naudoti prietaisą, perskaitykite visus ant jo pateiktus nurodymus, įsitikinkite, kad juos supratote, ir jais vadovaukitės.

	Saugos įspėjimas	Nurodo galimą sužalojimo pavojų.
	Perskaitykite naudojimo instrukciją	Norėdamas sumažinti susižalojimo pavojų, naudotojas privalo perskaityti naudojimo instrukciją.
	Dėvėkite akių apsaugos priemones	Naudodami šį gaminį visada užsidėkite apsauginius akinius arba apsauginius akinius su šonine apsauga ir visą veidą dengiantį skydelį.
	Dėvėkite ausų apsaugos priemones	Visada naudokite triukšmo slopintuvus (ausų kamščius ar ausines su triukšmo slopinimu), kad apsaugotumėte savo klausą.
	Užsidėkite galvos apsaugos priemonę	Galvai apsaugoti užsidėkite patvirtintą apsauginį šalną.
	Mūvėkite apsaugines pirštines	Kai dirbate su grandininio pjūklų arba tvarkote grandinę, apsaugokite rankas pirštėmis. Tvirtos neslidžios pirštinės leidžia geriau sumti ir apsaugo rankas.
	Mūvėkite apsauginę avalynę.	Naudodami šią įrangą mūvėkite neslidžią avalynę.
	Pjovimo plotis	Didžiausias galimas pjovimo krūmajovė plotis.
	Saugokitės peilio atoveiksmio	Įspėkite operatorių apie peilio atoveiksmio keliamą pavojų.
	Neleiskite artintis pašaliniais asmenims	Visi pašaliniai asmenys nuo įrenginio turi būti atitraukę ne mažesniu kaip 15 m atstumu.

LT

	Prieš vykdant techninės priežiūros darbus atjunkite bateriją	Prieš atlikdami techninės priežiūros ar valymo darbus nuo styginės Zoliapjovės atjunkite akumuliatorių.
	CE	Šis gaminytis atitinka taikomas EB direktyvas.
	UKCA	Šis gaminytis atitinka jam taikomus JK reglamentus.
	WEEE	Elektros prietaisų atliekas draudžiama utilizuoti kartu su buitinėmis atliekomis. Perduoti įgaliotam perdirbėjui.
	Triukšmas	Garantuojamas garso galios lygis. Triukšmo sklaida į aplinką atitinka Europos Bendrijos direktyvą.
V	Voltsas	Įtampa
mm	Milimetras	Ilgis arba dydis
cm	Centimetras	Ilgis arba dydis
kg	Kilogramas	Svoris
n_0	Sūkiiai be apkrovos	Sukimosi greitis be apkrovos
min^{-1}	Per minutę	Sūkiiai per minutę

BENDRIEJI ĮRENGINIO SAUGOS ĮSPĖJIMAI

⚠ ĮSPĖJIMAS: Perskaitykite ir peržiūrėkite visus su šiuo įrenginiu pateiktus saugos nurodymus, instrukcijas, paveikslėlius ir specifikacijas. Nesilaikant visų toliau išdėstytų nurodymų galima patirti elektros smūgį, sukelti gaisrą ir (ar) sunkiai susižaloti.

Išsaugokite visas instrukcijas su įspėjimais, nes jų gali prireikti ateityje.

Įspėjimuose vartojamu terminu „įrenginys“ vadinamas iš elektros lizdo maitinamas (laidinis) arba akumuliatorinis įrenginys.

SAUGA DARBO ZONOJE

- Darbo vieta turi būti švari ir gerai apšviesta. Jei darbo vieta netvarkinga ar blogai apšviesta, gali įvykti nelaimingas atsitikimas.
- Nedirbkite su įrenginiu sprogioje aplinkoje, pvz., ten, kur yra degiųjų skysčių, dujų arba dulkių. Įrenginys kibirkščiuoja, o kibirkštys gali uždegti dulkes arba garus.

- Dirbdami su elektriniu įrenginiu, neleiskite artintis vaikams ir pašaliniais asmenims. Dėl dėmesio blaškymo galite nesuvaldyti įrenginio.

ELEKTROS SAUGA

- Elektrinio įrenginio kištukas turi tiktai elektros lizdui. Niekada jokiais būdais kištuko neperdarykite. Su įžemintais elektriniais įrenginiais nenaudokite jokių kištuko adapterių. Originalūs kištukai, tiksliai tinkantys elektros tinklo lizdui, sumažina elektros smūgio pavojų.
- Nesilieskite prie įžemintų paviršių, pavyzdžiui, vamzdžių, radiatorių, viryklių ir šaldytuvų. Jei jūsų kūnas bus įžemintas, padidės elektros smūgio pavojus.
- Nenaudokite įrenginio lyjant ar drėgmės sąlygomis. Į įrenginį patekęs vanduo gali padidinti elektros smūgio arba gedimo pavojų, dėl kurio galite susižaloti.
- Atsargiai elkitės su maitinimo laidu. Niekada nenaudokite laido nešimui, traukimui arba įkrovikliu atjungimui nuo maitinimo tinklo. Saugokite laidą nuo kaitros šaltinių, alyvos, aštrių briaunų ir judančių dalių. Pažeidus arba supainiojus laidus išauga pavojus patirti elektros smūgį.
- Kai su elektriniu įrenginiu dirbate lauke, naudokite laukui skirtą laido ilgintuvą. Naudojant laukui skirtą maitinimo laidą, sumažėja pavojus patirti elektros smūgį.
- Jei nėra galimybės išvengti elektrinio įrenginio naudojimo drėgnoje vietoje, naudokite maitinimo šaltinį, apsaugotą nuotėkio rele. Nuotėkio relė sumažina pavojų patirti elektros smūgį.

ASMENINĖ SAUGA

- Naudodami įrenginį būkite budrus, stebėkite, ką darote, ir vadovaukitės sveika nuovoka. Nedirbkite su įrenginiu, jei esate pavargę arba vartojote narkotikus, alkoholį ar medikamentus. Neatidumo akimirka dirbant su įrenginiais gali lemti sunkią traumą.
- Naudokite asmeninės apsaugos priemones. Visada būkite su apsauginiais akiniais. Atitinkamomis sąlygomis naudojamos apsaugos priemonės, pvz., respiratorius, neslidūs apsauginiai batai, šalmas arba ausinės, sumažina pavojų susižaloti.
- Apsisaugokite nuo atsitiktinio įjungimo. Prieš jungdami įrenginį prie maitinimo šaltinio ir (ar) sudėtinės baterijos, prieš įrenginį keldami arba nešdami įsitikinkite, kad jungiklis yra išjungimo padėtyje. Nešant elektrinius įrenginius uždejęs pirštą ant jungiklio arba netyčia įjungiant įrenginį su įjungtu jungikliu, gali įvykti nelaimingas atsitikimas.
- Prieš įjungdami įrenginį patraukite į šalį visus reguliavimo raktus ir veržliarakčius. Įrenginio sukamojoje dalyje likus raktui ar veržliarakčiui galima susižaloti.

LT

- **Nesistenkite pasiekti pernelyg toli. Visada stovėkite tvirtai ir išlaikykite pusiausvyrą.** Taip geriau suvaldysite įrenginį netikėtose situacijose.
- **Dėvėkite tinkamus drabužius. Nedėvėkite laisvų drabužių ir nenešiotkite laisvai kabančių papuošalų. Saugokite savo plaukus ir drabužius nuo judančių dalių.** Laisvus drabužius, papuošalus ar ilgus plaukus gali įtraukti judančios dalys.
- **Jeį yra įtaisai, skirti dulkių išsiurbimo ir surinkimo įtaisams prijungti, tinkamai juos prijunkite ir naudokite.** Naudojant dulkių surinkimo įrenginius, gali sumažėti su dulėmis susijusių pavojų.
- **Net ir dažnai naudodami įrenginius, pernelyg savimi nepasitikėkite ir nepraraskite budrumo, laikykitės saugaus įrenginio naudojimo taisyklių.** Užtenka akimirkos išsiblaškyimo, kad dėl neatsargaus veiksmo sunkiai susižalotumėte.

ĮRENGINIO NAUDOJIMAS IR PRIEŽIŪRA

- **Įrenginio pernelyg nespauskite. Naudokite jūsų darbiui tinkamą įrenginį.** Veikdamas numatytuoj greičiu, tinkamas įrenginys darbą atlieka veiksmingiau ir saugiau.
- **Nenaudokite įrenginio, jeigu jo negalima įjungti ar išjungti jungikliu.** Įrenginys, kurio jungiklis neveikia, yra pavojingas ir jį būtina sutaisyti.
- **Prieš reguliuodami įrenginį, keisdami jo priedus arba padėdami jį į laikymo vietą, atjunkite kištuką nuo maitinimo šaltinio ir (ar) išimkite sudėtinę bateriją.** Tokia saugumo priemonė apsaugos jus nuo netyčinio įrenginio įjungimo.
- **Nenaudojamą įrenginį laikykite vaikams neprieinamoje vietoje ir neleiskite įrenginio naudoti asmenims, kurie nėra susipažinę su jo naudojimu ar šiomis instrukcijomis.** Neapmokytų žmonių naudojami įrenginiai kelia pavojų.
- **Vykdykite įrenginio ir priedų techninę priežiūrą. Patikrinkite, ar judančios dalys suderintos ir nestringa, ar nėra lūžusių dalių, ar nėra kitų sąlygų, galinčių turėti įtakos įrenginio veikimui. Jei įrenginys pažeistas, prieš naudodami jį sutaisykite.** Dauguma nelaimingų atsitikimų įvyksta dėl prastai prižiūrimų įrenginių.
- **Pjovimo įrenginiai turi būti aštrūs ir švarūs.** Tinkamai prižiūrimi pjovimo įrenginiai su aštriais peiliais rečiau stringa ir lengviau valdomi.
- **Įrenginį, priedus, antgalius ir kitas dalis naudokite pagal šią instrukciją, atsižvelgdami į darbo sąlygas ir atliekamą darbą.** Naudojant įrenginį ne pagal paskirtį gali susidaryti pavojingos aplinkybės.
- **Rankenos ir sugriebimo paviršiai turi būti sausi, švarūs ir neištepti alyva ar tepalu.** Dėl slidžių rankenų

ir laikymo paviršių įrenginį sunku saugiai valdyti ir jis gali išsprūsti netikėtomis aplinkybėmis.

AKUMULIATORINIO ĮRENGINIO NAUDOJIMAS IR PRIEŽIŪRA

- **Kraukite naudodami tik gamintojo nurodytą įkroviklį.** Įkroviklis, tinkamas vieno tipo sudėtinei baterijai, gali kelti gaisro pavojų, jei naudojamas su kito tipo sudėtine baterija.
- **Įrenginius naudokite tik su jiems skirtomis sudėtinėmis baterijomis.** Naudojant kitokias sudėtines baterijas gali kilti sužalojimų ir gaisro pavojus.
- **Nenaudojama sudėtinė baterija turi būti laikoma atokiau nuo metalinių daiktų, tokių kaip sąvaržėlės, monetos, raktai, viny, varžtai ar kiti smulkūs metaliniai daiktai, galintys sujungti abu baterijos gnybtus.** Įvykus trumpajam jungimui tarp baterijos gnybtų galima nusideginti ar gali kilti gaisras.
- **Dėl netinkamų sąlygų iš baterijos gali ištėkėti skystis – nelieskite jo.** Skysčiui atsitiktinai patekus ant odos, nedelsiant nuplaukite vandeniu. Jeigu skysčio pateko į akis, kreipkitės ir į gydytojus. Iš baterijos ištėkęs skystis gali dirginti arba nudeginti.
- **Nenaudokite pažeistos ar modifikuotos baterijos ar įrenginio.** Pažeistos ar modifikuotos baterijos gali kelti gaisro, sprogimo ar sužalojimo pavojų.
- **Sudėtinės baterijos ar įrenginio negalima deginti ar kaitinti.** Bateriją deginant ar įkaitinus virš 130 °C ji gali sprogti.
- **Laikykitės įrenginio ar sudėtinės baterijos įkrovimo instrukcijų ir juos kraukite nurodytame temperatūrų diapazone.** Priešingu atveju galite sugadinti bateriją ar net sukelti gaisrą.

⚠ ĮSPĖJIMAS. Perskaitykite ir peržiūrėkite visus su šiuo elektriniu įrankiu pateiktus saugos nurodymus, instrukcijas, iliustracijas ir specifikacijas. Nesilaikant visų toliau išdėstytų nurodymų galima patirti elektros smūgį, sukelti gaisrą ir (arba) sunkiai susižaloti. Visus įspėjimus ir instrukcijas saugokite vėlesniam naudojimui.

Visus įspėjimus ir instrukcijas saugokite vėlesniam naudojimui.

MOKYMAI

- Atidžiai perskaitykite instrukciją. Susipažinkite su valdikiiais ir nurodymais, kaip tinkamai naudoti įrenginį.
- Įrankio niekada neleiskite naudoti asmenims arba vaikams, nesusipažinusiems su šia instrukcija. Vietiniai teisės aktai gali riboti operatoriaus amžių.

- Atsiminkite, kad operatorius arba naudotojas atsako už nelaimingus atsitikimus ir pavojus, keliamus kitiems žmonėms ir jų turtui.

PASIRUOŠIMAS

- Niekada nenaudokite įrenginio, kai netoliese yra žmonių, ypač vaikų, arba augintinių.
- Dirbdami su elektriniu įrankiu visą laiką dėvėkite akių apsaugą ir tvirtą avalynę.
- Visi pašaliniai asmenys turi būti laikyti bent 15 m atstumu nuo įrenginio.
- Niekada nedirbkite su įrenginiu, jeigu operatorius yra pavargęs, serga arba yra veikiamas alkoholio arba vaistų.

NAUDOJIMAS

- Veją pjaukite tik dieną arba esant tinkamam dirbtiniam apšvietimui.
- Niekada nenaudokite įrenginio, kai saugos priemonės ar skydeliai yra sugadinti arba neuždėti.
- Variklį įjunkite tik rankas ir kojas laikydami atokiau nuo pjovimo priemonių.
- Visada įrenginį atjunkite nuo maitinimo šaltinio (t. y. išimkite akumuliatorių):
 - kai paliekate įrenginį be priežiūros;
 - prieš patraukdami kliūtį;
 - prieš tikrindami, valydami įrenginį arba dirbdami prie jo;
 - kliudę pašalinį daiktą;
 - jei įrenginys pradeda neįprastai vibruoti.
- Būkite atsargūs, kad pjovimo priemonės nesusižalotų pėdų ir rankų.
- Užtikrinkite, kad ventiliacijos angose niekada nebūtų pašalinių objektų.

TECHNINĖ PRIEŽIŪRA IR LAIKYMAS

- Prieš vykdami techninės priežiūros ar valymo darbus atjunkite įrenginį nuo maitinimo šaltinio (t. y. išimkite akumuliatorių).
- Naudokite tik gamintojo rekomenduojamas atsargines dalis ir priedus.
- Įrenginį reguliariai apžiūrėkite ir tvarkykite. Įrenginio remontą patikėkite tik įgaliotam remonto centrui.
- Kai nenaudojamas, laikykite įrenginį vaikams nepasiekiamoje vietoje.

KITI SAUGOS ĮSPĖJIMAI

- Venkite pavojingos aplinkos – nenaudokite įrenginio ant drėgnų arba šlapių šlaitų.

- Nenuimkite uždėtų techniškai tvarkingų apsaugos priemonių.
- Atitraukite rankas ir kojas nuo pjovimo zonos.
- Kad sumažintumėte susižalojimo pavojų, niekada nedirbkite stovėdami ant kopėčių ar ant kito nestabilaus pagrindo. Niekada pjovimo priedo nelaikykite išklėję aukščiau juosmens lygio.
- Darbo metu pjovimo priedą tikrinkite reguliariai arba tuoj pat, jei pastebite pasikeitusį pjovimo pobūdį.
- Siekiant geriausių rezultatų, akumuliatorius turėtų būti įkraunamas vietoje, kurioje temperatūra yra didesnė nei 5 °C ir mažesnė nei 40 °C. Nelaikykite jo lauke arba transporto priemonėse.
- Jeigu link jūsų artėja asmuo, nedelsdami išjunkite variklį ir sustabdykite pjovimo priedą.
- Įspėkite operatorių apie pjovimo galvutės atatranksos pavojų (tik naudojant tridantį diską).
 - Atatranka gali įvykti, kai besisukantis pjovimo diskas prisiliečia prie kliūtis, kurios jis negali iš karto perpjauti.
 - Pjovimo disko atatranka gali būti gana stipri ir atstumti įrankį ir (ar) operatorių bet kuria kryptimi (galima nesuvaldyti įrankio).
 - Pjovimo disko atatranka gali įvykti netikėtai, jei diskas užkliūna ar įstringa.
 - Tokia atatranka dažniausiai įvyksta tokiose vietose, kur sunku įžiūrėti pjaunamą medžiagą.
- Netvirtinkite prie pjovimo galvutės jokių diskų, tinkamai neuždėję visų būtinų dalių. Neuždėjus reikiamų dalių diskas gali atitrūkti ir skriedamas sunkiai sužaloti patį operatorių ir (ar) pašalinius asmenis. Išmeskite sulinkusius, deformuotus, įtrūkusius, sulūžusius ar kitaip pažeistus pjovimo diskus. Naudokite išgaląstus diskus. Atšipę diskai dažniau stringa ir atšoka (tik naudojant tridantį diską).
- Iš inercijos besisukantis pjovimo diskas (lynelis) gali sužaloti, kai jis sukasi atleidus jungiklį ir išjungus variklį. Nepraraskite budrumo, kol pjovimo diskas (lynelis) visiškai sustos.
- Akumuliatorinių įrankių nereikia jungti į elektros lizdą; dėl to jie visada yra darbinėje būklėje. Net įrankiui neveikiant neužmirškite apie jo keliamus pavojus. Atlikdami remonto arba techninės priežiūros darbus, būkite atidūs.
- Neplaukite vandens žarna. Saugokite, kad vandens nepatektų ant variklio ir elektros jungčių.

- Susidarius šioje instrukcijoje neaprašytoms aplinkybėms, būkite atsargūs ir vadovaukitės sveika nuovoka. Pagalbos kreipkitės į EGO klientų aptarnavimo centrą.
- Naudokite tik su A paveiksle nurodytomis sudėtinėmis baterijomis ir įkrovikliais.

ĮŠSAUGOKITE ŠIAS INSTRUKCIJAS!

TECHNINIAI DUOMENYS

Pjovimo plotis	30 cm
Sūčiai be apkrovos	5000/6000 min ⁻¹
Svoris	1,82 kg
Rekomenduojama darbo temperatūra	0°C-40°C
Rekomenduojama laikymo temperatūra	-20°C-70°C
Išmatuotas garso galios lygis L _{WA}	96,5 dB(A) K=1,88 dB(A) (PH1400E)
	93,2 dB(A) K=0,35 dB(A) (PH1420E)
	91 dB(A) K=1,1 dB(A) (PHX1600)
Garso slėgio lygis ties operatoriaus ausimi L _{PA}	84,5 dB(A) K=3 dB(A) (PH1400E)
	83,9 dB(A) K=3 dB(A) (PH1420E)
	83 dB(A) K=3 dB(A) (PHX1600)
Garantuojamas garso galios lygis L _{WA} (išmatuotas pagal 2000/14/EB)	98 dB(A)

LT

Vibracija a _h	Priekinė pagalbinė rankena	2,8 m/s ² K=1,6 m/s ² (PH1400E)
		4,14 m/s ² K=1,5 m/s ² (PH1420E)
		6,64 m/s ² K=1,5 m/s ² (PHX1600)
	Galinė rankena	3,1 m/s ² K=1,6 m/s ² (PH1400E)
		1,88 m/s ² K=1,5 m/s ² (PH1420E)
		2,61 m/s ² K=1,5 m/s ² (PHX1600)

- Nurodyti parametrai patikrinti ir išmatuoti su elektrine galvute PH1400E/PH1420E/PHX1600;
- Nurodyta bendroji vibracijos vertė išmatuota taikant standartinį bandymo metodą, todėl pagal ją galima palyginti skirtingus įrenginius.
- Nurodytą bendrąją vibracijos vertę taip pat galima naudoti pirminiam poveikio vertinimui.

PASTABA: Naudojant įrenginį realiomis sąlygomis, skleidžiamos vibracijos stiprumo vertė gali skirtis nuo nurodytos. Kad apsaugotų dirbdamas realiomis sąlygomis, naudotojas turi mūvėti pirštines ir naudoti ausų apsaugos priemones.

Rekomenduojamas peilis

DALIES PAVADINIMAS	MODELIO NUMERIS
Krūmapjovės peilis	ABB1203

PAKUOTĖS TURINIO SĄRAŠAS

DALIES PAVADINIMAS	SKAIČIUS
Krūmapjovės priedas	1
Peilio ir dėklo rinkinys	1
Apsaugos priemonė	1
Apsauginis priedas (skirtas naudoti TIK su žoliapjovės galvute)	1
šešiakampis raktas	1
Universalus veržliaraktis	1
Naudojimo instrukcija	1

APRAŠAS

SUSIPAŽINKITESU KRŪMAPJOVĖS PRIEDU (A pav.)

1. Kamštelis
2. Krūmapjovės velenas
3. Apsaugos priemonė
4. Peilis
5. Peilio dėklas
6. Sąvarža
7. Sandarinimo varžtas
8. Reduktoriaus korpusas
9. Veleno fiksavimo kiaurymė
10. Išorinė jungė
11. Universalus veržliaraktis
12. Šešiabriaunis raktas
13. Apsauginis priedas
(skirtas naudoti TIK su žoliapjovės galvute)

⚠️ ĮSPĖJIMAS: niekada nenaudokite įrenginio, kai jo apsaugos priemonė nėra tvirtai užfiksuota tinkamoje padėtyje. Apsauginis gaubtas visada turi būti ant įrankio, kad apsaugotų naudotoją.

⚠️ ĮSPĖJIMAS: Kai įrankis naudojamas kaip žoliapjovė su valu su pjovimo galvute, apsauginį priedą reikia sumontuoti ant apsauginio gaubto. To nepaisant gali išsitraukti per ilgą valo galas ir perkrauti variklį.

SURINKIMAS

⚠️ ĮSPĖJIMAS: jeigu bet kuri dalis yra sugadinta arba jos trūksta, nenaudokite šio įrenginio, kol ji nebus pakeista. Jeigu įrenginys naudojamas, kai dalys yra sugadintos arba jų trūksta, galima sunkiai susižeisti.

⚠️ ĮSPĖJIMAS: nebandykite keisti šio įrenginio arba kurti priedus, kurių nerekomenduojama naudoti su šia žoliapjove. Bet koks pakeitimas arba modifikavimas yra laikomas netinkamu naudojimu, dėl kurio gali susidaryti pavojingos sąlygos, kurių metu galite sunkiai susižaloti.

⚠️ ĮSPĖJIMAS: Kad išvengtumėte atsitiktinio įrenginio paleidimo ir galimo sunkaus sužalojimo, surinkdami įrenginio dalis visada iš jo išimkite sudėtinę bateriją.

⚠️ ĮSPĖJIMAS: Kai įrenginys naudojamas su krūmapjovės galvute, turi būti sumontuotas apsauginis ribotuvas.

APSAUGOS PRIEMONĖS MONTAVIMAS

⚠️ ĮSPĖJIMAS: Tvirtindami arba keisdami apsaugą būtinai mūvėkite pirštines. Saugokitės prie apsaugos pritvirtinto peilio ir saugokite rankas nuo įpjovimo.

⚠️ ĮSPĖJIMAS: Niekada nenaudokite įrenginio be savo vietoje pritvirtintos apsaugos. Apsauga visada turi būti ant įrenginio, kad apsaugotų naudotoją! Po to, kai apsauga pritvirtinama, niekada nebandykite jos nuimti ar reguliuoti. Jeigu apsaugą reikia pakeisti, tai turi atlikti kvalifikuotas techninės priežiūros specialistas!

Atlaisvinkite ir nuimkite du varžtus nuo veleno pagrindo (C pav.), sulyginkite apsaugos priemonės tvirtinimo skylės su bloko skylėmis, tada pritvirtinkite apsaugos priemonę ant veleno pagrindo dviem varžtais kartu su dviem spyruoklinėmis poveržlėmis (D pav.).

Įsitikinkite, kad apsaugos priemonė pritvirtinta pagal C & D pav., nes dėl bet kokio pritvirtinimo atvirksčiai kils didelis pavojus!

PEILIO MONTAVIMAS

1. Peilis išsiunčiamas dėkle. Prieš sumontuodami peilį ant krūmapjovės nuo peilio reikia nuimti dėklą (atsukant sąvaržą nuo kablo, esančio ant dėklo) (E pav.).

Toliau pateiktas E pav. parodytų dalių aprašas:

E-1	Kablys
E-2	Sąvarža

2. Sukdami išorinį antbriaunį sutapdinkite vidiniame antbriaunyje esančią išdrožą su reduktoriaus korpuso veleno fiksavimo kiauryme (F pav.).
3. Į sutapdintas kiaurymes įkiškite pridėdamą šešiabriaunį raktą kaip stabilizatorių (G pav.).

F ir G pav. pavaizduotų dalių aprašymas:

F-1	Reduktoriaus korpusas	F-3	Išorinis antbriaunis
F-2	Sutapdintos veleno fiksavimo kiaurymės	G-1	Fiksatorius

4. Atremkite krūmapjovės galvutę į kieto paviršų. Viena ranka suimkite krūmapjovės veleną ir kita ranka paimkite pridėdamą universalų raktą ir rodyklės ant išorinio antbriaunio kryptimi atlaisvinkite veržlę, ją atsukite ir nuimkite išorinį antbriaunį. Pasidėkite šias dalis, kad galėtumėte sumontuoti atgal (H pav.).
5. Uždėkite peilį ant variklio veleno taip, kad peilio paviršius būtų sulig vidinio antbriaunio išsikišimu. Po to sumontuokite išorinį antbriaunį ir užsukite veržlę (I pav.). Priveržkite veržlę ranka **PRIEŠ LAIKRODŽIO RODYKLĘ**.

Toliau pateiktas I pav. parodytų dalių aprašas:

I-1	Vidinio antbriaunio išsikišimas	I-4	Išorinis antbriaunis
I-2	Variklio velenas	I-5	Peilis
I-3	Veržlė		

LT

6. Sukdami išorinį antbriaunį sutapdinkite vidinio antbriaunio išdrožą su reduktoriaus korpuso veleno fiksavimo kiauryme ir į sutapdintas kiaurymes įkiškite pridėdamą šešiabriaunį veržliaraktį kaip fiksatorių (kaip parodyta ankstesniuose 2 ir 3 punktuose).
7. Atremkite krūmapjovės galvutę į kieto paviršių. Viena ranka suimkite peilį ir kita ranka paimkite pridėdamą universalų raktą ir priešinga rodyklei ant išorinio antbriaunio kryptimi priveržkite veržlę. (J pav.).

Apsauginio priedo naudojimas

PASTABA: kai įrankis naudojamas kaip žoliapjovė su valu su pjovimo galvute, apsauginį priedą būtina sumontuoti ant apsauginio gaubto (K pav.).

Apsauginį priedą pridėdamu šešiabriauniu veržliaraktiu pritvirtinkite ant apsauginio gaubto trimis varžtais. To nepaisant gali išsitraukti per ilgą valo galas ir perkrauti variklį.

KRŪMAPJOVĖS PRIEDO SUJUNGIMAS SU ELEKTRINE GALVUTE

Šis krūmapjovės priedas skirtas naudoti su EGO elektrine galvute PH1400E/PH1420E/PHX1600.

Žr. „PRIEDO SUJUNGIMAS SU ELEKTRINE GALVUTE“ skyrių elektrinės galvutės PH1400E/PH1420E/PHX1600 operatoriaus vadove.

NAUDOJIMAS

⚠️ ĮSPĖJIMAS: mokėjimas naudotis įrenginiu nesuteikia teisės dirbti nerūpestingai. Atsiminkite, kad trumpam atitraukę dėmesį galite sunkiai susižaloti.

⚠️ ĮSPĖJIMAS: visada dėvėkite apsauginius akinius su šoniniais skydeliais. Taip pat dėvėkite ausų apsaugą. Nesilaikant šio nurodymo, objektai gali būti sviedžiami jums į akis arba galite būti kitaip sunkiai sužaloti.

NAUDOJIMAS

Šį gaminį galite naudoti toliau tekste nurodyta paskirtimi:

- Priplaktos žolės, piktžolių, atžalų ir krūmokšnių pjovimas, jaunų miško želdinių, kurių kamieno skersmuo 2 cm, retinimas.

PASTABA: įrankį naudoti tik pagal numatytąją paskirtį. Naudojimas bet koku kitu tikslu laikomas netinkamu naudojimu.

KRŪMAPJOVĖS NAUDOJIMAS SU ELEKTRINE GALVUTE

⚠️ ĮSPĖJIMAS: dirbdami su šiuo įrankiu tinkamai apsirenkite, kad sumažintumėte traumų pavojų. Nedėvėkite laisvų drabužių ir nenešiokite laisvai kabančių papuošalų. Būkite užsidėję akių ir ausų / klausos organų apsaugos priemonės. Mūvėkite tvirtos medžiagos ilgas kelnes ir pirštines, avėkite tinkamus batus. Nedirbkite su trumpomis kelnėmis, su sandalais ar basomis.

Kad dirbti būtų saugiau ir geriau, peties diržą uždėkite skersai peties. Pakoreguokite diržą per petį, kad jis atsidurtų patogioje darbinėje padėtyje. Laikykite krūmapjovę viena ranka už galinės rankenos, kita – už priekinės pagalbinės rankenos. Dirbdami laikykite tvirtai paėmę abiem rankomis. Krūmapjovę reikia laikyti patogioje padėtyje taip, kad galinė rankena būtų maždaug klubų aukštyje. Įrankį laikykite išlaikydami pusiausvyrą ant abiejų kojų. Pasirinkite tokią padėtį, kad jūsų neišmuštų iš pusiausvyros pjovimo peilio atatranks reakcija (B pav.).

⚠️ ĮSPĖJIMAS: Peties diržas kartu yra greitai atjungiamas mechanizmas pavojingoje situacijoje. Susidarius kritinei situacijai nedelsiant nuimkite peties diržą, nepaisydami kokioje padėtyje yra diržas.

Norėdami pjauti atžalas ir krūmokšnius nuleiskite besisukančią peilį ant augalo, kad pasiektumėte kapojimo efektą. Žemės paviršiaus lygyje krūmapjovę naudokite kaip dalį (mojuokite juo į dešinę ir į kairę). Nenaudokite pjovimo priedo virš juosmens aukščio.

⚠️ ĮSPĖJIMAS: Kuo pjovimo priedas aukščiau nuo žemės paviršiaus, tuo didesnis į šonus išmetamų nuopjovų keliamas traumų pavojus.

⚠️ ĮSPĖJIMAS: Pjaudami jaunuosius ar kitą medinę medžiagą iki 2 cm skersmens naudokite kairiąją peilio pusę, kad išvengtumėte peilio atoveiksmio situacijų. Nebandykite pjauti didesnio skersmens medinės medžiagos, nes peilis gali įstrigti ar trūktelėti krūmapjovę pirmyn. Dėl to gali būti pažeistas peilis ar krūmapjovė arba galite prarasti krūmapjovės kontrolę ir susižeisti.

⚠️ ĮSPĖJIMAS: Netinkamai naudojant krūmapjovės peilį jis gali įtrūkti, išsidažyti arba ištrupėti.

Išsviestos dalys gali sunkiai sužeisti operatorių arba pašalinį asmenį. Norint sumažinti traumų pavojų svarbiausia imtis šių atsargumo priemonių:

- Vengti kontaktų su kietais ar tvirtais pašaliniais objektais, tokiais kaip akmenimis, uolomis ar metalo gabalais.
- Niekada nepjaukite medelių ar krūmokšnių, kurių kamieno skersmuo didesnis kaip 2 cm.

- Reguliariai, trumpais laiko intervalais tikrinkite peilį, ar nėra pažeidimų požymių. Nedirbkite su pažeistu peiliu.
- Reguliariai galaškite peilį (jam pastebimai atšipus) ir, jei reikia, subalansuokite jį (tai turi atlikti kvalifikuotas techninės priežiūros specialistas).

PEILIO ATOVEIKSMIS

Naudodami peilį su šiuo įrankiu būkite itin atsargūs. Peilio atoveiksmis yra reakcija, kuri susidaro, kai besisukantis peilis atsitrenkia į kažką, ko negali perpjauti. Dėl šio kontakto peilis gali akimirksniu sustoti ir staigiai „pastumti“ įrankį tolyn nuo objekto, į kurį atsitrenkė. Ši reakcija gali būti pakankamai staigi, kad operatorius prarastų įrankio kontrolę. Peilio atoveiksmis gali įvykti be jokio įspėjimo, jei peilis užklius, įstrigs ar bus suspaustas. Tai labiau tikėtina vietose, kuriose sunku matyti pjaunamą medžiagą. Norėdami pjauti lengviau ir saugiau prie pjaunamų piktžolių krūmapjovę artinkite iš dešinės į kairę. Jeigu netyčia susidursite su netikėtu objektu ar medienos gabalu, toks metodas sumažins peilio atoveiksmio reakciją.

Kaskart prieš naudodami įrankį patikrinkite, ar nėra pažeistų ir (arba) sudilusių dalių.

Patikrinkite peilį, apsauginį gaubtą ir priekinę pagalbinę rankeną ir pakeiskite dalis, kurios yra įtrūkusios, deformuotos, sulinkusios ar kitaip pažeistos.

Per tam tikrą laiką peilio galas gali atšipti. Rekomenduojama apverstį peilį, kad pratęstumėte jo tarnavimo laiką, ir periodiškai jį galaštumėte (tai turi atlikti kvalifikuotas techninės priežiūros specialistas) arba, esant reikalui, jį pakeistumėte.

Kaskart pasinaudoję krūmapjovę ją išvalykite

Valymo instrukcijas žr. **TECHNINĖ PRIEŽIŪRA** skyriuje.

⚠ ĮSPĖJIMAS: Prieš valydami krūmapjovę ar atlikdami jos techninę priežiūrą įsitikinkite, kad peilis visiškai sustojęs. To nepaisant galite patirti sunkią traumą.

KAIP ĮJUNGTI / SUSTABDYTI ĮRANKĮ

Žr. elektrinės galvutės PH1400E/PH1420E/PHX1600 naudojimo instrukcijos skyrių **ELEKTRINĖS GALVUTĖS PALEIDIMAS IR SUSTABDYMAS**.

TECHNINĖ PRIEŽIŪRA

⚠ ĮSPĖJIMAS: Prieš tikrindami, valydami įrankį ar atlikdami techninę o priežiūrą sustabdykite variklį, palaukite, kol sustos visos judančios dalys, ir išimkite akumuliatorių bateriją. Nesilaikydami šių nurodymų galite sunkiai arba net mirtinai susižaloti arba sugadinti turtą.

⚠ ĮSPĖJIMAS: Atlikdami techninės priežiūros darbus, naudokite tik identišką atsarginę dalis. Naudojant bet kokias kitas dalis, gali kilti pavojus arba sugesti gaminys. Norint užtikrinti saugų ir patikimą gaminio naudojimą visus remonto darbus turi atlikti kvalifikuotas techninės priežiūros specialistas.

⚠ ĮSPĖJIMAS: Visada sumontuodami ar nuimdami peilį ar atlikdami peilio priežiūros darbus mūvėkite tvirtos medžiagos pirštines. Atidžiai stebėkite peilį ir saugokite savo rankas, kad nesusižeistumėte į peilį.

BENDROJI TECHNINĖ PRIEŽIŪRA

Valydami plastikines dalis venkite naudoti tirpiklius. Įvairūs komerciniai tirpikliai gali pažeisti daugelį plastikų ir neturėtų būti naudojami, nes gali sugadinti gaminį. Purvą, dulkes, alyvą, tepalus ir t. t. valykite švariu audeklu.

ĮRENGINIO VALYMAS

- Išimkite akumuliatorių bateriją.
- Kaskart pasinaudoję įrankiu minkštu šepetėliu nuvalykite ant peilio susikaupusias atliekas, žemę ar žolę
- Įrankio paviršius nušluostykite švariu audeklu, suvilgytu silpname muilo tirpale.
- Reduktoriaus korpuso angas išvalykite mažu šepetėliu ar dulkių siurbliu.
- Užtikrinkite, kad oro angose nebūtų jokių kliūčių.

Atšipus peiliui, abiemis jo galams, jį pagalašti turi kvalifikuotas techninės priežiūros specialistas arba, jei reikia, pakeisti.

PEILIO KEITIMAS

⚠ ĮSPĖJIMAS: Sudilęs, įtrūkęs ar pažeistas peilis gali sutrūkti į dalis, kurios gali tapti pavojingomis skeveldromis. Išsviesti objektai gali sunkiai sužeisti. Reguliariai tikrinkite peilį ir nenaudokite krūmapjovės su sudilusiu ar pažeistu peiliu.

⚠ ĮSPĖJIMAS: Išimdami, galašdami ir sumontuodami peilį naudokite tinkamas akių apsaugos priemones.

Peilio išėmimas

1. Išimkite akumuliatorių bateriją.
2. Sukdami išorinį antbriaunį sutapdinkite vidinio antbriaunio išdrožą su reduktoriaus korpuso veleno fiksavimo kiuryme ir į sutapdintas kiurymes įkiškite pridėdamą šešiabriaunį veržliaraktį kaip fiksatorių, kaip parodyta 2 ir 3 skyriaus „**PEILIO MONTAVIMAS**“ punktuose.

3. Atremkite krūmapjovės galvutę į kieto paviršių. Viena ranka suimkite peilį ir kita ranka paimkite pridėdamą universalų raktą ir rodyklės ant išorinio antbriaunio kryptimi atlaisvinkite veržlę, ją atsukite ir nuimkite išorinį antbriaunį ir sudilusį peilį (L pav.).
4. Jei sudilęs vidinis antbriaunis ir antbriaunio gaubtas, pakeiskite juos (M pav.).

Toliau pateiktas M pav. parodytų dalių aprašas:

M-1	Variklio velenas	M-5	Išorinis antbriaunis
M-2	Vidinis antbriaunis	M-6	Veržlė
M-3	Antbriaunio gaubtas	M-7	Antbriaunio išdroža
M-4	Peilis		

5. Sumontuokite naują peilį veiksmų seka, pavaizduota M pav. Išsamiai veiksmai aprašomi 5, 6 ir 7 „**PEILIO MONTAVIMAS**“ skyriaus punktuose.

TRANSMISIJOS REDUKTORIAUSTEPIMAS

Reduktoriaus korpuse sumontuotus perdavimo krumpliciaračius būtina reguliariai tepti reduktorių tepalu. Tepalo lygį reduktoriaus korpuse tikrinkite maždaug kas 50 darbo valandų, tai galite atlikti išsukdami korpuso šone esantį sandarinimo varžtą.

Jei ant krumpliciaračių šonų nesimato tepalo, atlikite toliau nurodytus veiksmus, kad pripildytumėte iki 3/4 tepalo talpos.

Visiškai nepripildykite perdavimo reduktoriaus.

1. Laikykite krūmapjovę taip, kad sandarinimo varžtas būtų viršuje (N pav.).
2. Universaliu veržliarakčiu atlaisvinkite ir išsukite sandarinimo varžtą.
3. Tepalo švirkštu (nepridedamas) įstumkite tepalą į varžto kiaurymę.
4. Baigę užveržkite sandarinimo varžtą.

ĮRENGINIO SANDĒLIAVIMAS

- Nuo įrankio nuimkite akumuliatorių bateriją.
- Norėdami kruopščiai išvalyti įrankį mūvėkite tvirto audinio pirštines.
- Uždėję dėklą ant peilio saugiai laikykite peilį (O pav.).
- Nuimkite krūmapjovės priedą nuo elektrinės galvutės ir, jei reikia, ant priedo veleno galo uždėkite kamštėlį.
- Įrenginį sandėliuokite sausoje, gerai vėdinamoje, rakinamoje patalpoje arba aukštai, vaikams nepasiekiamoje vietoje. Nelaikykite įrankio ant arba prie trąšų, benzino ar kitų cheminių medžiagų.

Aplinkos apsauga



Neišmeskite elektros įrangos, panaudotų baterijų ir įkroviklio kartu su buitinėmis atliekomis! Šias atliekas reikia pristatyti į jų surinkimo vietą ar įgaliotam perdirbėjui. Elektrinius įrenginius reikia grąžinti į tokių atliekų perdirbimo įmonę.

TRIKČIŲ ŠALINIMAS

PROBLEMA	PRIEŽASTIS	SPRENDIMAS
Neįsijungia krūmapjovė	<ul style="list-style-type: none"> ■ Akumuliatorius neprijungtas prie elektrinės galvutės. ■ Nėra elektros kontakto tarp elektrinės galvutės ir akumuliatoriaus. ■ Akumuliatorius visiškai išsekęs. ■ Nenuspausta fiksavimo svirtis ir gaidukas. 	<ul style="list-style-type: none"> ■ Prijunkite akumuliatorių prie elektrinės galvutės. ■ Išimkite akumuliatorių, patikrinkite kontaktus ir įdėkite akumuliatorių bateriją atgal, kol ji užsifiksuos. ■ Įkraukite akumuliatorių šioje naudojimo instrukcijoje nurodytais EGO įkrovikliais. ■ Akumuliatorių bateriją įkraukite naudodami aprašyme išvardintus EGO įkroviklius.
Pjaunant sustoja krūmapjovė.	<ul style="list-style-type: none"> ■ Perkrautas variklis. ■ Akumuliatorius arba elektrinė galvutė pernelyg įkaitusi. ■ Sudėtinė baterija arba žoliapjovė yra per daug įkaitusios. ■ Sudėtinė baterija yra atjungta nuo įrenginio. 	<ul style="list-style-type: none"> ■ Variklis atsigaus pašalinus apkrovą. Dirbdami nepertraukiamai sumažinkite elektrinės galvutės apkrovą. ■ Palaukite, kol akumuliatorių baterijos ar elektrinės galvutės temperatūra sumažės iki mažesnės už 67°C temperatūros. ■ Vėl įstatykite akumuliatorių. ■ Įkraukite akumuliatorių šioje naudojimo instrukcijoje nurodytais EGO įkrovikliais.

LT

GARANTIJA

EGO GARANTINIS POLISAS

Norėdami sužinoti visas „EGO“ garantinio poliso sąlygas, apsilankykite interneto svetainėje egopowerplus.eu.

IZLASIET VISUS NORĀDĪJUMUS!



IZLASIET LIETOTĀJA ROKASGRĀMATU

▲ BRĪDINĀJUMS. Lai garantētu drošību un uzticamību, ierīces remontu un tās detaļu nomaiņu veikt drīkst tikai kvalificēts apkopes tehniķis.

DROŠĪBAS APZĪMĒJUMI

Drošības apzīmējumu nolūks ir pievērst uzmanību iespējamam apdraudējumam. Drošības apzīmējumiem un to skaidrojumiem jāpievērš īpaša uzmanība, un tie pilnībā jāizprot. Apzīmējumu brīdinājumi paši par sevi nenovērš apdraudējumu. Apzīmējumos iekļautie norādījumi un brīdinājumi neaizstāj atbilstošus darba drošības pasākumus.

▲ BRĪDINĀJUMS. Pirms šī darbarīka lietošanas noteikti izlasiet un izprotiet visus šajā lietošanas rokasgrāmatā iekļautos norādījumus, tostarp visus drošības brīdinājumu apzīmējumus, piemēram, „**BĪSTAMI**”, „**BRĪDINĀJUMS**” un „**UZMANĪBU!**”. Neievērojot tālāk uzskaitītos norādījumus, var rasties elektrotrauma, aizdegšanās un/vai smaga trauma.

APZĪMĒJUMA NOZĪME

▲ DROŠĪBAS BRĪDINĀJUMA APZĪMĒJUMS: Atbilst norādei **BĪSTAMI**, **BRĪDINĀJUMS** vai **UZMANĪBU!** Var tikt izmantots kopā ar citiem apzīmējumiem un piktogramām.

LV



▲ RĪDINĀJUMS. Mehānizēto darbarīku lietošanas laikā acis var iekļūt svešķermeņi, kas savukārt var radīt smagu acu traumu. Pirms mehānizētā darbarīka izmantošanas vienmēr uzlieciet aizsargbrilles vai aizsargbrilles ar sānu aizsargiem un pilnu sejas aizsargu (ja nepieciešams). Uz parastajām brillēm vai standarta aizsargbrillēm ar sānu aizsargiem ieteicams uzlikt plata skata leņķa drošības masku.

DROŠĪBAS NORĀDĪJUMI

Šajā lappusē ir parādīti un aprakstīti drošības apzīmējumi, kas var atrasties uz izstrādājuma. Pirms ierīces salikšanas un lietošanas izlasiet, izprotiet un izpildiet visus norādījumus.

	Drošības brīdinājums	Norāda uz iespējamu ievainojumu gūšanas risku.
	Izlasiet ekspluatācijas rokasgrāmatu	Lai mazinātu traumu gūšanas bīstamību, lietotājam jāizlasa lietotāja rokasgrāmata.
	Izmantojiet acu aizsarglīdzekļus	Lietojot šo izstrādājumu, vienmēr izmantojiet aizsargbrilles vai aizsargbrilles ar sānu aizsargiem un pilnu sejas aizsargu.
	Izmantojiet dzirdes aizsarglīdzekļus	Vienmēr valkājiet trokšņu slāpētājus (ausu ieliktnus vai kašņē), lai aizsargātu dzirdi.
	Lietojiet galvas aizsarglīdzekļus	Valkājiet apstiprinātu cieta aizsargcepurīti, lai pasargātu savu galvu.
	Lietojiet aizsargcimdus	Aizsargājiet savas rokas, valkājot cimdus, kad darbojaties ar zāģi vai tā ķēdi. Neslīdoši augstākās aizsardzības pakāpes aizsargcimdi palīdz iegūt labāku satvērienu un aizsargāt jūsu rokas.
	Valkājiet drošības apavus	Lietojot šo aprīkojumu, valkājiet drošības apavus ar neslīdošu zoli.
	Griešanas platums	Maksimālais krūmgrieža griešanas platums
	Sargieties no asmens atsitiena	Brīdiniet operatoru par asmens atsitiena briesmām.
	Neļaujiet tuvoties nepiederošām personām	Attālumam starp iekārtu un tuvumā esošām personām jābūt vismaz 15 m.
	Uzmanieties no atsviestiem priekšmetiem	Priekšmeti, ko izmet iekārta, var atlēkt atpakaļ un izraisīt lietotājam traumu vai sabojāt īpašumu.

	Akumulators pirms apkopes darbu veikšanas ir jāatvieno	Pirms apkopes vai tīrīšanas darbu veikšanas atvienojiet akumulatora bloku no auklas trimmera.
	CE	Šis izstrādājums atbilst piemērojamajām Eiropas Komisijas (EK) direktīvām.
	UKCA	Šis produkts atbilst spēkā esošajiem Apvienotās Karalistes tiesību aktiem.
	EEIA	Elektriskos izstrādājumus nedrīkst utilizēt kopā ar sadzīves atkritumiem. Nogādājiet tos pilnvarotam atkritumu pārstrādātājam.
	Troksnis	Garantētais trokšņa jaudas līmenis. Trokšņa emisija vidē atbilst Eiropas Komisijas direktīvas prasībām.
V	Volti	Spriegums
mm	Milimetrs	Garums vai izmērs
cm	Centimetrs	Garums vai izmērs
kg	Kilograms	Svars
n ₀	Apgriezienu skaits bez slodzes	Rotācijas ātrums bez slodzes
min ⁻¹	Minūtē	Apgriezieni minūtē

VISPĀRĪGI DROŠĪBAS BRĪDINĀJUMI ATTIECĪBĀ UZ IEKĀRTU

▲ BRĪDINĀJUMS! Izlasiet visus šīs iekārtas dokumentācijā norādītos drošības brīdinājumus, norādījumus, specifikācijas un aplūkojiet attēlus. Visu turpmāk uzskaitīto norādījumu neievērošana var izraisīt elektriskās strāvas triecienu, aizdegšanos un/vai smagus savainojumus.

Saglabājiet visus brīdinājumus un instrukcijas turpmākai atsaucei.

brīdinājumos lietotais termins „iekārta” attiecas uz elektriski darbināmu iekārtu, kuras barošanu nodrošina elektrotīkls (ar elektrokabeļi) vai akumulators (bez elektrokabeļa).

DARBA ZONAS DROŠĪBA

- **Uzturiet darba zonu tīru un labi apgaismotu.** Nesakārtotā un slikti apgaismotā darba zonā var notikt nelaimes gadījumi.
- **Nedarbiniet instrumentus eksplozīvās vidēs, piemēram, uzliesmojošu šķidrums, gāzu vai putekļu klātbūtnē.** Instrumenti var radīt dzirksteles, kas var aizdedzināt putekļus vai tvaikus.
- **Neļaujiet bērniem un klātesošajiem atrasties instrumenta tuvumā, kamēr tas darbojas.** Apjukuma brīdī jūs varat zaudēt vadību pār ierīci.

ELEKTRISKĀ DROŠĪBA

- **Instrumenta kontaktdakšai ir jāatbilst kontaktlīdždam.** Nekad nekādā veidā nepārveidojiet kontaktdakšu. Neizmantojiet adaptera kontaktdakšas kopā ar iezemētiem instrumentiem. Lietojot nepārveidotas kontaktdakšas un atbilstošas kontaktlīdždas, tiek samazināts elektriskās strāvas trieciena risks.
- **Nepieskarieties sazemētām virsmām, piemēram cauruļvadiem, radiatoriem, plīšim un ledusskapjiem.** Ķermenim saņemoties, tiek palielināts elektriskās strāvas trieciena risks.
- **Nedarbiniet iekārtu lietū vai mitros apstākļos.** Ūdens, kas iekļūst iekārtā, var palielināt elektriskās strāvas trieciena vai darbības traucējumu risku, kas var izraisīt miesas bojājumus.
- **Nebojājiet strāvas vadu. Nekādā gadījumā nenesiet, nevelciet vai neatvienojiet instrumentu aiz strāvas vada. Sargājiet strāvas vadu no karstuma, eļļas, asām malām vai kustīgām daļām.** Bojāti vai sapinušies strāvas vadi palielina elektriskās strāvas trieciena risku.
- **Strādājot ar instrumentu ārpus telpām, izmantojiet tikai tādas pagarinātājus, kas ir paredzēti lietošanai ārpus telpām.** Āra darbiem paredzēta vadu pagarinātāja izmantošana samazina elektriskās strāvas trieciena risku.
- **Ja tomēr iekārtas darbināšana mitrā vidē ir neizbēgama, izmantojiet ar zemslēguma ķēžu pārtraucēju (GFCI) aizsargātu avotu.** Izmantojot GFCI, tiek samazināts elektriskās strāvas trieciena risks.

PERSONĪGĀ DROŠĪBA

- **Izmantojot instrumentu, esiet modri, sekojiet līdzi savām darbībām un rīkojieties saprātīgi.** Nelietojiet instrumentu, ja esat noguruši vai atrodaties apreibinošu vielu, alkohola vai medikamentu ietekmē. Brīdis neuzmanības, darbojoties ar instrumentiem, var izraisīt smagus savainojumus.

LV

- **Izmantojiet individuālos aizsarglīdzekļus. Vienmēr valkājiet acu aizsarglīdzekļus.** Ja tiek lietots darba specifikai atbilstošs aizsargaprīkojums, piemēram, maska ar putekļu filtru, neslīdoši darba apavi, ķivere vai austiņas, samazinās traumu gūšanas risks.
- **Novērsiet nejaūšas ieslēgšanas iespējamību. Pirms instrumenta pievienošanas strāvas avotam un/vai akumulatoram pārliecinieties, ka slēdzis atrodas izslēgšanas pozīcijā.** Pārnēsājot iekārtu ar pirkstu uz slēdža vai iedarbinot iekārtot, kas jau ir ieslēgtā stāvoklī, var notikt nelaimes gadījums.
- **Pirms instrumenta ieslēgšanas noņemiet visas regulēšanas vai uzgriežņu atslēgas.** Uzgriežņu vai regulēšanas atslēga, kas palikusi piestiprināta pie instrumenta rotējošās daļas, var radīt savainojumus.
- **Nepārvērtējiet savas spējas. Ieņemiet pareizu stāju un vienmēr saglabājiet līdzsvaru.** Tas ļauj labāk kontrolēt instrumentu neparedzētās situācijās.
- **Valkājiet atbilstošu apģērbu. Nevalkājiet vaļīgu apģērbu vai rotaslietas. Sargājiet matus, apģērbu un cimdus no kustīgajām daļām.** Vaļīgs apģērbs, rotaslietas vai gari mati var iekerties iekārtas kustīgajās daļās.
- **Ja iekārtas ir paredzētas savienošanai ar putekļu nosūkšanas un savākšanas iekārtām, pārliecinieties, vai tās ir pieslēgtas un tiek izmantotas pareizi.** Putekļu savākšanas ierīču izmantošana var samazināt ar putekļiem saistītos apdraudējumus.
- **Nepieļaujiet, ka instrumenta bieža lietošana izraisa nevērīgu attieksmi darbā ar to, un neignorējiet ar instrumenta lietošanu saistītos drošības principus.** Viens brīdis neuzmanības var izraisīt nopietnas traumas.

IEKĀRTAS LIETOŠANA UN KOPŠANA

LV

- **Nepiespiediet instrumentu ar spēku. Izmantojiet lietojuma nolūkam atbilstošu instrumentu.** Pareizais instruments nodrošinās labākus rezultātus un būs drošāks darba ātrumā, kuram tas ir paredzēts.
- **Nelietojiet instrumentu, ja slēdzis to neieslēdz un neizslēdz.** Instruments, ko nevar ieslēgt un izslēgt ar slēdži, ir bīstams un jāsalabo.
- **Pirms jebkādu pielāgojumu veikšanas, piederumu maiņas vai iekārtas novietošanas glabāšanā atvienojiet kontaktdakšu no barošanas avota un/ vai izņemiet no iekārtas akumulatoru, ja tas ir iespējams.** Šie drošības pasākumi palīdzēs izvairīties nejaūšas instrumenta ieslēgšanas riska.
- **Ja instruments kādu laiku netiek lietots, uzglabājiet to bērniem nepieejamā vietā un neļaujiet ar instrumentu darboties personām, kas to nepārzina vai nav izlasījušas šo instrukciju.** Instrumenti ir bīstami, ja ar tiem darbojas neapmācīti lietotāji.
- **Uzturiet instrumentus un piederumus darba kārtībā. Pārbaudiet, vai kustīgās daļas nav zaudējušas savienojuma precizitāti, vai kāda detaļa nav salūzusi vai nav kāda cita kļūme, kas var ietekmēt instrumenta darbību. Ja ir radušies bojājumi, pirms lietošanas lieciet salabot instrumentu.** Daudzus nelaimes gadījumus izraisa slikti uzturēti instrumenti.
- **Griezējinstrumentiem jābūt asiem un tīriem.** Rūpīgi kopti griezējinstrumenti ar asām griezējmalām retāk iestrēgst un ir vieglāk vadāmi.
- **Lietojiet iekārtu, tās piederumus un uzgaļus atbilstoši šiem norādījumiem, ņemot vērā darba apstākļus un veicamo uzdevumu.** Instrumenta lietošana neparedzētiem mērķiem var radīt bīstamu situāciju.
- **Rokturim un satveršanas daļām jābūt sausām, tīrām un uz tām nedrīkst būt eļļa vai smērviela.** Ja rokturi un satveršanas daļas ir mitras, tās novērsīs drošu instrumenta vadāmību un kontroli neparedzētās situācijās.

AKUMULATORA IEKĀRTAS LIETOŠANA UN KOPŠANA

- **Uzlādējiet instrumentu tikai ar ražotāja noteikto lādētāju.** Lādētājs, kas paredzēts lietošanai tikai ar viena veida akumulatoru bloku, var radīt aizdegšanās draudus, ja to izmanto kopā ar citu akumulatoru bloku.
- **Lietojiet instrumentus kopā tikai ar tiem paredzētiem akumulatoriem.** Jebkura cita akumulatoru bloka lietošana var radīt traumu gūšanas un aizdegšanās risku.
- **Kad akumulatoru bloks netiek izmantots, neglabājiet to citu metāla priekšmetu, piemēram, papīra saspaužu, monētu, atslēgu, naglu, skrūvju vai citu sīku metāla priekšmetu, kas var veidot savienojumu starp spailēm, tuvumā.** Akumulatora spaiļu īsslēgums var izraisīt aizdegšanos vai ugunsgrēku.
- **Nepareizas rīcības gadījumā no akumulatora var izteciēt šķidrums; izvairieties no saskares ar to. Ja tas nejaūši nokļuvis uz ādas, noskalojiet ar ūdeni. Ja šķidrums iekļuvis acīs, nekavējoties meklējiet medicīnisko palīdzību.** No akumulatora izkļušūšais šķidrums var izraisīt kairinājumu vai apdegumus.
- **Nelietojiet bojātu vai pārveidotu akumulatoru vai instrumentu.** Bojātu vai pārveidotu akumulatoru izmantošana var radīt neparedzamus apstākļus, kas rada aizdegšanās, sprādziena vai traumas gūšanas draudus.
- **Nepakļaujiet akumulatoru vai instrumentu uguns liesmu vai pārmērīgas temperatūras iedarbībai.** Uguns liesmu iedarbība vai temperatūra virs 130 °C var izraisīt sprādzienus.
- **Izpildiet visas uzlādēšanas instrukcijas un neuzlādējiet akumulatoru vai instrumentu ārpus instrukcijās norādītajām temperatūras vērtībām.**

Ja iekārta tiek uzlādēta nepareizi vai tiek pārsniegtas instrukcijās norādītās uzlādēšanas temperatūras vērtības, akumulators var sabojāties un palielināt aizdegšanās risku.

- **⚠ BRĪDINĀJUMS!** Izlasiet visus ar šo elektroinstrumentu saistītos drošības brīdinājumus, norādījumus, specifikācijas un aplūkojiet attēlus. Visu turpmāk uzskaitīto norādījumu neievērošana var izraisīt elektriskās strāvas triecienu, aizdegšanos un/vai nopietnas traumas. Saglabājiet visus brīdinājumus un instrukcijas turpmākai atsaucēi.

SAGLABĀJIET VISUS BRĪDINĀJUMUS UN INSTRUKCIJAS TURPMĀKAI ATSAUCEI.

INSTRUMENTA LIETOŠANAS APGŪŠANA

- Rūpīgi izlasiet instrukcijas. Iepazīstieties ar instrumenta vadības elementiem un pareizu lietošanu.
- Nekad neļaujiet cilvēkiem, kuri nav iepazinušies ar šīm instrukcijām, kā arī bērniem, lietot šo instrumentu. Vietējie noteikumi var ierobežot instrumenta lietotāja vecumu.
- Ņemiet vērā, ka instrumenta lietotājs vai operators ir atbildīgs par negadījumiem vai apdraudējumiem, kas var rasties citiem cilvēkiem vai īpašumam.

SAGATAVOŠANĀS DARBAM

- Nelietojiet instrumentu, ja tuvumā ir cilvēki, it īpaši bērni vai mājdzīvnieki.
- Izmantojot instrumentu, vienmēr lietojiet acu aizsarglīdzekļus un izturīgus apavus.
- Attālumam starp instrumentu un tuvumā esošām nepiederošām personām jābūt vismaz 15 m.
- Nedarbināt instrumentu, ja operators ir noguris, saslimis vai atrodas alkohola vai citu apreibinošu vielu ietekmē.

EKSPLUATĀCIJA

- Lietojiet instrumentu tikai dienas laikā vai labā mākslīgā apgaismojumā.
- Nekādā gadījumā neizmantojiet instrumentu ar bojātiem aizsargiem vai pārsegumiem vai bez aizsargiem un pārsegumiem.
- Iedarbiniet motoru tikai tad, ja rokas un kājas neatrodas griezējelementu tuvumā.
- Vienmēr atvienojiet instrumentu no barošanas avota (proti, izņemiet akumulatoru bloku) šādos gadījumos:
 - atstājot instrumentu bez uzraudzības;
 - pirms nosprostojuma iztīrīšanas;
 - pirms veicat instrumentam pārbaudes, tīrīšanas vai apkopes darbus;
 - pēc elektroinstrumenta sadursmes ar svešķermeni;
 - ja instruments sāk neparasti vibrēt.

- Nepieļaujiet traumu rašanos, kājām un rokām saskaroties ar griezējelementiem.
- Gādājiet, lai ventilācijas atverēs nebūtu gružu.

APKOPE UN UZGLABĀŠANA

- Pirms instrumenta apkopes vai tīrīšanas darbu veikšanas atvienojiet to no barošanas avota (proti, izņemiet akumulatoru bloku).
- Izmantojiet tikai ražotāja ieteiktās rezerves daļas un piederumus.
- Regulāri pārbaudiet instrumentu un veiciet tam apkopi. Uzticiet instrumenta remontdarbus tikai pilnvarotam remonta tehnikim.
- Ja instrumentu nelietojat, novietojiet to bērniem neaizsniedzamā vietā.

CITI DROŠĪBAS BRĪDINĀJUMI

- **Izvairieties no bīstamas vides** — nelietojiet instrumentu mitrās vai slapjās vietās slīpumā.
- **Aizsargiem jābūt uzstādītiem tiem paredzētajās vietās un jābūt labā darba stāvoklī.**
- **Neturiet rokas un kājas griešanas zonā.**
- **Lai mazinātu traumu rašanās iespējamību, nekādā gadījumā nestrādājiet, stāviet uz trepēm vai uz cita nedroša balsta. Nekad neturiet griešanas ierīci augstāk par ķermeņa vidukli.**
- **Darbarīka lietošanas laikā regulāri pārbaudiet griešanas ierīci vai arī dariet to uzreiz, līdzko konstatējat būtiskas izmaiņas griešanas darbībā.**
- **Lai sasniegtu vislabākos rezultātus, uzlādējiet akumulatoru vietā, kur temperatūra ir augstāka par 5 °C un zemāka par 40 °C.** Neuzglabājiet to ārpus telpām vai transportlīdzeklī.
- **Ja strādājot ar ierīci kāds jums tuvojas, apturiet motoru un griešanas ierīci.**
- **Brīdiniet operatoru par briesmām, ko var radīt asmens atsitiens (tikai griežot ar 3 zobu asmeni).**
 - Asmens atsitiens var rasties, ja rotējošs asmens saskaras ar priekšmetu, ko tas uzreiz nesagriež.
 - Asmens atsitiens var būt pietiekami spēcīgs, lai pagrūstu ierīci un/vai operatoru jebkurā virzienā, un, iespējams, zaudētu vadību pār ierīci.
 - Asmens atsitiens var atgadīties pēkšņi, ja asmens ieķeras, saķeras vai apstājas motors.
 - Asmens atsitiens biežāk rodas zonās, kur ir grūti saskatīt zāgējamo materiālu.
 - **Nepiestipriniet asmeni pie ierīces, ja nav atbilstoši uzstādītas visas nepieciešamās**

detaļas. Ja netiek izmantotas atbilstošas detaļas, asmens var nokrist no ierīces un nopietni savainot operatoru un/vai apkārtējos cilvēkus. Atbrīvojieties no asmeņiem, kas jebkādā veidā ir saliekti, likumaini, ieplaisājuši, salūzuši vai sabojāti. Izmantojiet asu asmeni. Neass asmens var iekļerties un izraisīt atsitenu (tikai griežot ar 3 zobu asmeni).

- **Kustīgs asmens / aukla, kas pēc motora apturēšanas vai sprūda atlaišanas turpina griezties, var radīt traumas. Nenovērsiet uzmanību no asmeņiem / auklas, līdz tie nav pilnībā pārstājuši griezties.**
- **Akumulatora darbarīkus nav nepieciešams pieslēgt elektrotīklam, tādēļ tie vienmēr ir darbības stāvoklī.** Pat, ja darbarīks nedarbojas, vienmēr sargieties no iespējama apdraudējuma. Ievērojiet piesardzību, veicot apkopes vai uzturēšanas darbus.
- **Nemazgājiet ar šļūteni; nepieļaujiet ūdens iekļūšanu motorā un elektriskajos savienojumos.**
- **Gadījumos, kas nav aprakstīti šajā rokasgrāmatā, esiet uzmanīgi un rīkojieties prātīgi.** Lai saņemtu palīdzību, sazinieties ar EGO klientu apkalpošanas centru.
- Izmantojiet tikai A attēlā uzskaitītos akumulatora blokus un lādētājus.

SAGLABĀJIET ŠOS NORĀDĪJUMUS!

SPECIFIKĀCIJAS

Griešanas platums	30 cm
Ātrums, strādājot bez slodzes	5000/6000 min ⁻¹
Svars (bez akumulatora bloka)	1,82 kg
Ieteicamā darba temperatūra	0°C-40°C
Ieteicamā uzglabāšanas temperatūra	-20°C-70°C
Izmērītais skaņas jaudas līmenis L _{WA}	96,5 dB(A) K=1,88 dB(A) (PH1400E)
	93,2 dB(A) K=0,35 dB(A) (PH1420E)
	91 dB(A) K=1,1 dB(A) (PHX1600)

Skaņas spiediena līmenis pie operatora auss L _{PA}	84,5 dB(A) K=3 dB(A) (PH1400E)	
	83,9 dB(A) K=3 dB(A) (PH1420E)	
	83 dB(A) K=3 dB(A) (PHX1600)	
Garantētais skaņas jaudas līmenis L _{WA} (mērīts saskaņā ar 2000/14/EK)	98 dB(A)	
Vibrācija a _h	Priekšējais paltgrotkuris	2,8 m/s ² K=1,6 m/s ² (PH1400E)
		4,14 m/s ² K=1,5 m/s ² (PH1420E)
		6,64 m/s ² K=1,5 m/s ² (PHX1600)
	Aizmugurējais rokturis	3,1 m/s ² K=1,6 m/s ² (PH1400E)
		1,88 m/s ² K=1,5 m/s ² (PH1420E)
		2,61 m/s ² K=1,5 m/s ² (PHX1600)

- Iepriekš minētie parametri ir pārbaudīti un izmērīti kopā ar instrumentgalvu PH1400E/PH1420E/PHX1600.
- Norādītā kopējā vibrācijas vērtība tika mērīta saskaņā ar parastu mērīšanas paņēmieni; tā var tikt izmantota darbarīku salīdzināšanai.
- Norādīto kopējo vibrācijas vērtību var izmantot arī sākotnējai ietekmes izvērtēšanai.

PIEZĪME: Vibrācijas līmenis mehanizētā darbarīka lietošanas laikā var atšķirties no norādītās vērtības, ar kādu tiek lietots darbarīks. Lai aizsargātu operatoru, jāizmanto cimdi un dzirdes aizsarglīdzekļi.

Ieteicamais asmens

DAĻAS NOSAUKUMS	MODEĻA NUMURS
Krūmgrieža asmens	ABB1203

LV

KOMPLEKTĀCIJA

DAĻAS NOSAUKUMS	DAUDZUMS
Krūmgrieža pierīce	1
Asmens un asmens futrālis	1
Aizsargs	1
Aizsargs (lietošanai kopā TIKAI ar trimera galvu)	1
Sešstūru Uzgriežņu Atslēga	1
Daudzfunkciju uzgriežņu atslēga	1
Lietošanas rokasgrāmata	1

APRAKSTS

PĀRZINIET SAVA KRŪMGRIEŽA PIERĪCI (A att.)

1. Uzgalis
2. Krūmgrieža vārpsta
3. Aizsargs
4. Asmens
5. Asmens futrālis
6. Stieplu skava
7. Blīvējuma skrūve
8. Pāresumkārbā
9. Vārpstas bloķēšanas atvere
10. Ārējais atloks
11. Daudzfunkciju uzgriežņu atslēga
12. Sešskaldņu uzgriežņu atslēga
13. Aizsarga piederums (lietošanai kopā TIKAI ar trimera galvu)

⚠ BRĪDINĀJUMS! Nekādā gadījumā nelietojiet darbarīku, ja nav nostiprināts aizsargs. Aizsargam vienmēr jāatrodas uz darbarīka, lai aizsargātu lietotāju!

⚠ BRĪDINĀJUMS! Ja darbarīks tiek izmantots kā auklas trimers, kas aprīkots ar trimera galvu, aizsargam jāuzstāda aizsarga piederums. Šo noteikumu neievērošanas rezultātā var tikt padota pārāk gara griešanas aukla un motoram var rasties pārslodze.

MONTĀŽA

⚠ BRĪDINĀJUMS. Ja kāda no daļām trūkst vai ir bojāta, nelietojiet šo izstrādājumu, līdz daļas ir nomainītas. Izmantojot šo izstrādājumu, ja trūkst kāda no daļām vai arī tā ir bojāta, var rasties smagas traumas.

⚠ BRĪDINĀJUMS. Nemēģiniet pārveidot šo izstrādājumu vai pievienot piederumus, kuru izmantošana šajā auklas trimērī nav ieteicama. Jebkādas šādas

izmaiņas vai pārveidojumi ir ierīces neatbilstoša lietošana un var izraisīt bīstamu situāciju un smagu traumu.

⚠ BRĪDINĀJUMS. Lai nepieļautu nejaušu iekārtas ieslēgšanos, kas var radīt smagas traumas, to saliekot, vienmēr izņemiet no tās akumulatoru bloku.

⚠ BRĪDINĀJUMS. Ja iekārtai tiek uzstādīta krūmgrieža galva, uzstādiet arī drošības barjeras stieni.

AIZSARGA UZSTĀDĪŠANA

⚠ BRĪDINĀJUMS. Uzstādot vai nomainot aizsargu, vienmēr valkājiet cimdus. Sargieties no asmens, kas atrodas uz aizsarga, un aizsargājiet rokas pret sagriešanos.

⚠ BRĪDINĀJUMS. Nekādā gadījumā nedarbiniet iekārtu, ja nav nostiprināts aizsargs. Aizsargam vienmēr jābūt uzstādītam uz iekārtas, lai aizsargātu lietotāju! Kad aizsargs ir piestiprināts, nekad nemēģiniet to noņemt vai regulēt; ja aizsargs ir jānomaina, nogādājiet to kvalificētam apkopes tehnikim!

Atskrūvējiet un izņemiet abas skrūves no trimmera kāta pamatnes (C att.), novietojiet aizsarga montāžas caurumus vienā līmenī ar pamatnes caurumiem, pēc tam piestipriniet aizsargu kāta pamatnei kopā ar abām atspēru paplāksnēm (D att.).

Pārliecinieties, ka aizsargs ir piestiprināts pareizi tā, kā norādīts C un D attēlos; nepareiza montāža ir ļoti bīstama!

ASMENS MONTĀŽA

1. Asmens tiek piegādāts kopā ar futrāli. Futrālis ir jānoņem pirms asmens uzstādīšanas uz krūmgrieža, atskrūvējot stieplu skavu no futrāļa āķa (E att.).

D un E attēla detaļu aprakstu skatiet tālāk.

E-1	Āķis
E-2	Stieplu skava

2. Pagrieziet ārējo atloku, lai salāgotu spraugu iekšējā atlokā ar vārpstas bloķēšanas atveri pāresumkārbā (F att.).
3. Ievietojiet salāgotajās atverēs komplektācijā iekļauto sešskaldņu uzgriežņu atslēgu, kas funkcionē kā stabilizators (G att.).

F un G attēla detaļu aprakstu skatīt zemāk:

F-1	Pāresumkārbā	F-3	Ārējais atloks
F-2	Salāgotas vārpstas bloķēšanas atveres	G-1	Stabilizators

4. Atbalstiet krūmgrieži galvu pret cietu virsmu. Ar vienu roku satveriet krūmgrieža vārpstu un ar otru roku

LV

— komplektācijā iekļauto daudzfunkciju uzgriežņu atslēgu, lai atskrūvētu uzgriezni bultņiņas virzienā, kas atzīmēta uz ārējā atloka, un noņemiet uzgriezni un ārējo atloku. Saglabājiet tos, lai pēc tam varētu vēlreiz salikt kopā (H att.).

- Uzstādiēt asmeni uz motora vārpstas tā, lai asmens virsma atrastos vienā līmenī ar iekšējā atloka virsmas izliekumu. Pēc tam uzstādiēt ārējo atloku un uzgriezni (I att.). Pievelciet uzgriezni ar roku **PRETĒJI PULKSTENRĀDĪTĀJA KUSTĪBAS VIRZĪENAM**.

D un I attēla detaļu aprakstu skatiet tālāk.

I-1	Iekšējā atloka izliekums	I-4	Ārējais atloks
I-2	Motora vārpsta	I-5	Asmens
I-3	Uzgrieznis		

- Lai salāgotu spraugu iekšējā atlokā ar vārpstas bloķēšanas atveri pārnesumkārbā, pagrieziet ārējo atloku un ievietojiet salāgotajās atverēs komplektācijā iekļauto sešskaldņu uzgriežņu atslēgu, lai tā funkcionētu kā stabilizators, kā tas iepriekš norādīts 2. un 3. punktā.
- Atbalstiet krūmgrieži galvu pret cietu virsmu. Ar vienu roku satveriet asmeni un ar otru roku — komplektācijā iekļauto daudzfunkciju uzgriežņu atslēgu, lai pieskrūvētu uzgriezni bultņiņas virzienā, kas atzīmēta uz ārējā atloka (J att.).

Aizsarga piederuma izmantošana

PIEZĪME. Ja darbarīks tiek izmantots kā auklas trimēris, kas aprīkots ar trimera galvu, aizsarga piederumam ir jābūt uzstādītam uz aizsarga.

Nostipriniet aizsarga piederumu uz aizsarga, pievelkot trīs skrūves ar komplektācijā iekļauto sešskaldņu uzgriežņu atslēgu. Šo noteikumu neievērošanas rezultātā var tikt padota pārāk gara griešanas aukla un motoram var rasties pārslodze.

KRŪMGRIEŽA PIERĪCES PIESTIPRINĀŠANA INSTRUMENTGALVAI

Šī krūmgrieža pierīce ir paredzēta lietošanai kopā ar EGO instrumentgalvu PH1400E/PH1420E/PHX1600.

Skatiet instrumentgalvas PH1400E/PH1420E/PHX1600 operatora rokasgrāmatā sadaļā „**PIERĪCES PIESTIPRINĀŠANA INSTRUMENTGALVAI**”.

LIETOŠANA

⚠ BRĪDINĀJUMS. Iepazīstot darbu ar šo ierīci, nekļūstiet nolaidīgs. Atcerieties, ka neuzmanība sekundes daļā var radīt smagu traumu.

⚠ BRĪDINĀJUMS. Vienmēr izmantojiet acu aizsarglīdzekļus ar sānu aizsargiem. Kopā ar dzirdes aizsarglīdzekļiem. To nedarot, acis var tikt iesviesti svešķermeņi, kā arī rasties citas smagas traumas.

PIELIETOJUMS

Šo izstrādājumu var lietot tālāk norādītajam mērķim —

- stiebrzāles, nezāles savvaļas audzes un krūmāju apgriešana, aunaudzēšanas, kuriem maksimālais kāta diametrs ir 2 cm.

PIEZĪME. Darbarīku drīkst izmantot tikai aprakstītajam mērķim. Izmantošana jebkādā citā veidā tiks uzskatīta par neatbilstošu lietošanu.

KRŪMGRIEŽA LIETOŠANA KOPĀ AR INSTRUMENTGALVU

⚠ BRĪDINĀJUMS! Ģērbieties atbilstīgi, lai mazinātu traumu rašanās draudus, lietojot šo darbarīku. Nevalkājiet vaļīgu apģērbu vai rotaslietas. Izmantojiet acu un dzirdes aizsarglīdzekļus. Valkājiet izturīgas, garas bikses, apavus un cimdus. Nevalkājiet Tsās bikses, sandales; netaigājiet basām kājām.

Uzlieciet plecu siksnu ekspluatācijai labākā un drošākā stāvoklī. Noregulējiet siksnu ērtā darba pozīcijā. Turiet krūmgriezi ar vienu roku uz aizmugurējā roktura, savukārt ar otru roku — priekšējā paltgrotura. Strādājot ar darbarīku, turiet to stingri ar abām rokām. Turiet krūmgriezi ērtā pozīcijā, aizmugurējam rokturim atrodoties gurnu augstumā. Turiet darbarīku stingri un saglabājiet līdzsvaru, stāvot uz abām kājām. Nostājieties tā, lai griešanas asmens atsitiena brīdī neizjauktu jūsu stājas līdzsvaru (B att.).

⚠ BRĪDINĀJUMS! Plecu siksnai ir arī ātrās atbrīvošanas mehānisms bīstamām situācijām. Avārijas situācijas gadījumā nekavējoties noņemiet siksnu no pleca neatkarīgi no tā, kādā pozīcijā tā atrodas.

Lai apgrieztu savvaļas audzi un krūmājus, nolaidiet rotējošo asmeni lejā virs audzes, šādi iegūstot kapāšanas efektu. Griežot pie zemes, izmantojiet krūmgriezi kā izkapti (plaujot pa labi un pa kreisi). Nekad neizmantojiet griešanas pierīci augstāk par ķermeņa vidukli.

⚠ BRĪDINĀJUMS! Jo augstāk no zemes atradīsies griešanas pierīce, jo lielāks būs nogriezta materiāla, kas tiek izsviests uz sāniem, izraisīts traumas risks.

⚠ BRĪDINĀJUMS! Grieziēt jaunaudzes vai citu koksnes materiālu līdz 2 cm diametrā ar asmens kreiso pusi, lai izvairītos no asmens atsitiena. Nemēģiniet griezt koksnī,

kurai ir lielāks diametrs, jo asmens var ieķerties vai paraut krūmgriezi uz priekšu. Tas var sabojāt asmeni vai krūmgriezi, vai arī jūs varat zaudēt vadību pār krūmgriezi, kas izraisa miesas bojājumus.

⚠ BRĪDINĀJUMS! Nepareizas krūmgrieža asmens lietošanas rezultātā asmens var saplaisāt, sasāķēties vai saplīst.

Izsviestās daļas var nopietni savainot operatoru vai blakus stāvošu cilvēku. Lai samazinātu traumu risku, ir svarīgi veikt turpmāk norādītos piesardzības pasākumus.

- Izvairieties no saskares ar cietiem svešķermeņiem, piemēram, akmeņiem, laukakmeņiem vai metāla daļām.
- Nekad nezāģējiet kokmateriālus vai krūmus, kuru kāta diametrs pārsniedz 2 cm.
- Regulāri ik pēc neilga laika pārbaudiet, vai asmenim nav redzamu bojājumu pazīmju. Neturpiniet strādāt ar bojātu asmeni.
- Regulāri uzasiniet asmeni (ja tas acīmredzami kļuvis neass), un nepieciešamības gadījumā sabalansējiet to (veic kvalificēts servisa speciālists).

ASMENS ATSIETIENS

Esiet īpaši piesardzīgi, izmantojot asmeni kopā ar šo ierīci. Asmens atsietiens ir reakcija, kas var rasties, ja rotējošs asmens saskaras ar materiālu, kuru tas nevar sagriezt. Šāda saskare var uz mirkli apturēt asmens griešanos un pēkšņi „pagrūst” ierīci projām no objekta, pret kuru asmens atsiētās. Šī reakcija var būt pietiekami spēcīga, lai operators zaudētu vadību pār ierīci. Asmens atsietiens var atgadīties pēkšņi, ja asmens ieķeras, saķeras vai apstājas motors. Tas biežāk rodas zonās, kur ir grūti saskatīt zāģējamo materiālu. Lai griešana būtu vienkāršāka un drošāka, pļaujiet ar krūmgriezi nezāli virzienā no labās uz kreiso pusi. Ja asmens negaidīti iestrēgst priekšmetā vai kokmateriālā, šis paņēmieni var mazināt asmens atsietiena reakciju.

Pirms katras lietošanas reizes pārbaudiet, vai nav bojātu / nodilūšu daļu

Pārbaudiet asmeni, aizsargu un priekšējo rokturi un nomainiet detaļas, ja tās ir saplaisājušas, savijušas, salocījušas vai bojātas.

Asmens mala laika gaitā var kļūt neasa. Tāpēc ieteicams apgriezt asmeni otrādi, lai pagarinātu asmens kalpošanas laiku, un periodiski uzasināt to (veic kvalificēts servisa speciālists), vai nepieciešamības gadījumā aizstāt to ar jaunu asmeni.

Izīriet krūmgriezi pēc katras lietošanas reizes

Tīrīšanas norādījumus skatīt sadaļā **APKOPE**.

⚠ BRĪDINĀJUMS! Asmenim ir jāapstājas pilnībā pirms krūmgrieziem tiek veikti tīrīšanas vai apkopes darbi. Šo noteikumu neievērošanas rezultātā darbarīks var izraisīt smagus miesas bojājumus.

DARBARĪKA PALAIŠANA / APTURĒŠANA

Skatiet instrumentgalvas PH1400E/PH1420E/PHX1600 operatora rokasgrāmatā sadaļu „**INSTRUMENTGALVAS PALAIŠANA / APTURĒŠANA**”.

APKOPE

⚠ BRĪDINĀJUMS! Pirms ierīces pārbaudīšanas, tīrīšanas vai apkopes darbu veikšanas apturiet motoru, pagaidiet, līdz apstājas visas kustīgās daļas, un izņemiet akumulatora bloku. Šo norādījumu neievērošana var radīt smagus miesas bojājumus vai kaitējumu īpašumam.

⚠ BRĪDINĀJUMS! Veicot ierīces apkopi, izmantojiet tikai identiskas rezerves daļas. Jebkuru citu daļu izmantošana var radīt apdraudējumu vai izstrādājuma bojājumus. Lai garantētu drošību un uzticamību, visi remontdarbi jāveic kvalificētam servisa speciālistam.

⚠ BRĪDINĀJUMS! Uzstādot vai noņemot asmeni, vai veicot tam apkopi, vienmēr valkājiet izturīgus cimdus. Esiet piesardzīgi, rīkojoties ar asmeni, un sargiet savas rokas no traumām, ko var izraisīt asmens.

VISPĀRĒJĀ APKOPE

Tirot plastikāta detaļas, izvairieties no šķīdinātāju lietošanas. Vairums plastmasu ir uzņēmīgas pret dažāda veida komerciālu šķīdinātāju bojājumiem un, tos izmantojot, var tikt sabojātas. Lai notīrītu netīrumus, putekļus, eļļu, smērvielas u.c., izmantojiet tīras drāniņas.

IERĪCES TĪRĪŠANA

- Izņemiet akumulatoru
- Ar mīkstu suku notīriet pie asmens un aizsarga pielīpušos gruvešus, augsni vai zāli pēc katras lietošanas reizes.
- Noslaukiet darbarīka virsmu ar tīru drānu, kas samitrināta ar maigu ziepju šķīdumu.
- Ventilācijas atveru tīrīšanai korpusa aizmugurē izmantojiet nelielu suku vai nelielu putekļsūcēju.
- Ventilācijas atveres nedrīkst būt nosprostotas.

Kad asmens un abas asmens malas kļuvušas neasas, lūdzu, nogādājiet tās kvalificētam servisa speciālistam, kurš tās uzasinās, vai nepieciešamības gadījumā nomainiet asmeni.

ASMENS NOMAIŅA

⚠ BRĪDINĀJUMS! Nodilis, ieplaisājis vai bojāts asmens var salūzt un bojāta asmens atsviestās daļas var būt bīstamas. Izsviesti priekšmeti var izraisīt nopietnas traumas. Regulāri pārbaudiet asmeni un nelietojiet krūmgriezi ar nodilušu vai bojātu asmeni.

⚠ BRĪDINĀJUMS! Noņemot, asinot un uzstādot asmeni, izmantojiet atbilstošus acu aizsarglīdzekļus.

Lai noņemtu asmeni

1. Izņemiet akumulatoru.
2. Lai salāgotu spraugu iekšējā atlokā ar vārpstas bloķēšanas atveri pārnēsūmkārbā, pagrieziet ārējo atloku un ievietojiet salāgotajās atverēs komplektācijā iekļauto sešskaldņu uzgriežņu atslēgu, lai tā funkcionētu kā stabilizators, kā tas norādīts sadaļas „ASMENS UZSTĀDĪŠANA” 2. un 3. punktā.
3. Atbalstiet krūmgriezi galvu pret cietu virsmu. Ar vienu roku satveriet asmeni un ar otru roku — komplektācijā iekļauto daudzfunkciju uzgriežņu atslēgu, lai atskrūvētu uzgriezni bultiņas virzienā, kas atzīmēta uz ārējā atloka, un noņemiet uzgriezni, ārējo atloku un nodilušo asmeni (L att.)
4. Pārbaudiet iekšējo atloku un atloka vāciņu un nomainiet tos, ja tie ir nodiluši (M att.).

W un M attēla detaļu aprakstu skatiet tālāk.

M-1	Motora vārpsta	M-5	Ārējais atloks
M-2	Iekšējais atloks	M-6	Uzgrieznis
M-3	Atloka vāciņš	M-7	Atloka sprauga
M-4	Asmens		

LV

5. Uzstādi uz motora vārpstas jaunu asmeni tādā secībā, kāda norādīta M attēlā. Izpildiet sadaļā „ASMENS UZSTĀDĪŠANA” norādīto 5., 6. un 7. punktu.

REDUKTORU EĻĻOŠANA

Reduktorus pārnēsūmkārbā ir periodiski jāieeļļo ar reduktoru smērvielu. Pārbaudiet pārnēsūmkārbā smērvielas līmeni ik pēc 50 darba stundām, noņemot kārbas pusē esošo blīvējuma skrūvi.

Ja uz reduktora malām nav redzama smērviela, tad, lai uzpildītu reduktoru smērvielu līdz 3/4 ietilpības, izpildiet tālāk redzamās darbības.

Neiepildiet smērvielu reduktoros līdz augšai.

1. Turiet krūmgriezi ar blīvējuma skrūvi vērstu virzienā uz augšu (N att.).
2. Atskrūvēšanai izmantojiet komplektācijā iekļauto daudzfunkciju uzgriežņu atslēgu un izņemiet blīvējuma skrūvi.
3. Izmantojiet smērvielas šļirci (komplektācijā nav iekļauta), lai iepildītu smērvielu caur skrūves atveri.
4. Pēc iepildīšanas aizskrūvējiet blīvējuma skrūvi.

IERĪCES UZGLABĀŠANA

- Izņemiet darbarīka akumulatoru.
- Lai kārtīgi notīrītu darbarīku, valkājiet izturīgus cimdus.
- Uzglabājiet asmeni drošā veidā, uzliekot tam futrāli (O att.).
- Noņemiet krūmgrieža pierīci no instrumentgalvas un nepieciešamības gadījumā uzlieciet pierīces vārpstas izvadkanālam uzgali.
- Uzglabājiet ierīci sausā, labi vēdināmā, aizslēdzamā vai augstā — bērniem nepieejamā — vietā. Neuzglabājiet ierīci blakus mēslojumam, benzīnam vai citām ķīmikālijām.

Apkārtējās vides aizsardzība



Neutilizējiet elektrisko aprīkojumu, izlietoto akumulatoru un lādētāju sadzīves atkritumos! Nogādājiet šo produktu uz pilnvarotu pārstrādes punktu un sagatavojiet atkritumu šķirošanai. Elektriskās iekārtas ir jānogādā videi nekaitīgā pārstrādes rūpnīcā.

KĻŪMJU NOVĒRŠANA

PROBLĒMA	CĒĻONIS	RISINĀJUMS
Krūmgriezis neieslēdzas.	<ul style="list-style-type: none"> ■ Instrumentgalvā nav akumulatora bloka. ■ Starp instrumentgalvu un akumulatoru bloku nav elektriskā savienojuma. ■ Akumulatora bloks ir izlādējies. ■ Vienlaikus nav nospiesta bloķēšanas svira un pārslēdzējs. 	<ul style="list-style-type: none"> ■ Ievietojiet instrumentgalvā akumulatora bloku. ■ Izņemiet akumulatoru, pārbaudiet kontaktus un ievietojiet to atpakaļ, līdz tas nofiksējas. ■ Uzlādējiet akumulatora bloku ar šajā rokasgrāmatā norādītajiem EGO lādētājiem. ■ Nospiediet bloķēšanas sviru un turiet to, tad nospiediet pārslēdzēju, lai ieslēgtu krūmgriezi.
Krūmgriezis apstājas griešanas laikā.	<ul style="list-style-type: none"> ■ Motora pārslodze. ■ Akumulatora bloks vai instrumentgalva ir pārāk karsta. ■ Akumulatora bloks ir atvienots no darbarīka. ■ Akumulatora bloks ir izlādējies. 	<ul style="list-style-type: none"> ■ Motors pēc noslogojuma atbrīvošanas atsāks darboties. Lai tas darbotos nepārtraukti, samaziniet instrumentgalvai slodzi. ■ Ļaujiet akumulatoram vai instrumentgalvai atdzist, līdz temperatūra nokrītas zemāk par 67°C. ■ Uzstādiet atpakaļ akumulatora bloku. ■ Uzlādējiet akumulatora bloku ar šajā rokasgrāmatā norādītajiem EGO lādētājiem.

GARANTĪJA

EGO GARANTĪJAS POLITIKA

Lūdzu, apmeklējiet tīmekļa vietni egopowerplus.eu, kur pieejama pilna EGO Garantijas politikas noteikumu un nosacījumu versija.

LV

ΔΙΑΒΑΣΤΕ ΟΛΕΣ ΤΙΣ ΟΔΗΓΙΕΣ!



ΔΙΑΒΑΣΤΕ ΤΟ ΕΓΧΕΙΡΙΔΙΟ ΧΡΗΣΗΣ

⚠ ΠΡΟΕΙΔΟΠΟΙΗΣΗ: Για να διασφαλίσετε την ασφάλεια και την αξιοπιστία, όλες οι επισκευές πρέπει να διεξάγονται από εξειδικευμένο τεχνικό του σέρβις.

ΣΥΜΒΟΛΑ ΑΣΦΑΛΕΙΑΣ

Ο σκοπός των συμβόλων ασφαλείας είναι να σας τραβήξουν την προσοχή για ενδεχόμενους κινδύνους. Προσέξτε και κατανοήστε τα σύμβολα ασφαλείας και τις επεξηγήσεις που τα συνοδεύουν. Οι προειδοποιήσεις συμβόλων από μόνες τους δεν εξαλείφουν κανέναν κίνδυνο. Οι οδηγίες και οι προειδοποιήσεις που παρέχουν δεν υποκαθιστούν τα μέτρα σωστής πρόληψης ατυχημάτων.

⚠ ΠΡΟΕΙΔΟΠΟΙΗΣΗ: Βεβαιωθείτε ότι έχετε διαβάσει και κατανοήσει όλες τις οδηγίες ασφαλείας στο παρόν Εγχειρίδιο χειριστή, συμπεριλαμβανομένων όλων των συμβόλων ασφαλείας όπως «**ΚΙΝΔΥΝΟΣ**», «**ΠΡΟΕΙΔΟΠΟΙΗΣΗ**» και «**ΠΡΟΣΟΧΗ**», προτού χρησιμοποιήσετε αυτό το εργαλείο. Η μη τήρηση όλων των παρακάτω οδηγιών μπορεί να οδηγήσει σε ηλεκτροπληξία, πυρκαγιά ή/και σοβαρό ατομικό τραυματισμό.

ΣΗΜΑΣΙΑ ΣΥΜΒΟΛΩΝ

⚠ ΣΥΜΒΟΛΟ ΕΙΔΟΠΟΙΗΣΗΣ ΑΣΦΑΛΕΙΑΣ: Υποδηλώνει **ΚΙΝΔΥΝΟ**, **ΠΡΟΕΙΔΟΠΟΙΗΣΗ** ή **ΠΡΟΣΟΧΗ**. Μπορεί να χρησιμοποιείται σε συνδυασμό με άλλα σύμβολα ή εικονογράμματα.



⚠ ΠΡΟΕΙΔΟΠΟΙΗΣΗ: Η λειτουργία ηλεκτρικών εργαλείων μπορεί να επιφέρει εκτόξευση ξένων αντικειμένων στα μάτια σας, με αποτέλεσμα σοβαρή βλάβη σε αυτά. Προτού ξεκινήσετε τη λειτουργία του ηλεκτρικού εργαλείου φοράτε πάντα προστατευτικά γυαλιά ή γυαλιά με πλευρική προστασία και εφόσον απαιτείται πλήρη προστατευτική προσωπίδα. Συστήνουμε μια προσωπίδα ασφαλείας ευρείας όρασης για χρήση πάνω από γυαλιά ή συνήθη προστατευτικά γυαλιά με πλευρική προστασία.

ΟΔΗΓΙΕΣ ΑΣΦΑΛΕΙΑΣ

Αυτή η σελίδα απεικονίζει και περιγράφει τα σύμβολα ασφαλείας που υπάρχουν ενδεχομένως σε αυτό το προϊόν. Διαβάστε, κατανοήστε και ακολουθείτε όλες τις οδηγίες στη μηχανή προτού προσπαθήσετε να διεξάγετε εργασίες συναρμολόγησης και λειτουργίας.

	Ειδοποίηση ασφαλείας	Υποδηλώνει ενδεχόμενο κίνδυνο ατομικού τραυματισμού.
	Διαβάστε το εγχειρίδιο χρήσης	Προκειμένου να μειωθεί ο κίνδυνος τραυματισμού, ο χρήστης πρέπει να διαβάσει το εγχειρίδιο χρήσης.
	Φοράτε προστατευτικά γυαλιά	Φοράτε πάντοτε προστατευτικά γυαλιά ή γυαλιά ασφαλείας με πλευρική προστασία και πλήρη προστατευτική προσωπίδα κατά τη λειτουργία αυτού του προϊόντος.
	Φοράτε προστατευτικά ακοής	Φοράτε πάντα υψοασπίδες για την προστασία της ακοής σας.
	Φοράτε προστασία για το κεφάλι	Φοράτε ένα εγκεκριμένο για την ασφάλεια σκληρό καπέλο για την προστασία του κεφαλιού σας.
	Φοράτε προστατευτικά γάντια	Προστατεύετε τα χέρια σας με γάντια κατά το χειρισμό της αλυσίδας και του αλυσοπρίονου. Τα ανθεκτικά, αντιολισθητικά γάντια βελτιώνουν το κράτημα και προστατεύουν τα χέρια σας.
	Φοράτε υποδήματα ασφαλείας	Φοράτε αντιολισθητικά υποδήματα ασφαλείας όταν χρησιμοποιείτε αυτό τον εξοπλισμό.
	Πλάτος κοπής	Μέγ. πλάτος κοπής θαμνοκοπτικού

GR

	Προσέχετε την αναπήδηση της λεπίδας	Ο χειριστής πρέπει να έχει πάντα το νου του στον κίνδυνο από την αναπήδηση της λεπίδας.
	Διατηρείτε μακριά τους παρευρισκόμενους	Η απόσταση μεταξύ του μηχανήματος και παριστάμενων πρέπει να είναι τουλάχιστον 15 m.
	Προσοχή στα πεταμένα αντικείμενα	Αντικείμενα που εκσφενδονίζονται μπορεί να εξοστρακιστούν, προκαλώντας τραυματισμό ή υλικές ζημιές.
	Αποσυνδέετε την μπαταρία πριν τη συντήρηση	Αποσυνδέετε τη συστοιχία μπαταριών από το χλοοκοπτικό με μεσινέζα προτού εκτελέσετε εργασίες συντήρησης ή καθαρισμού.
	CE	Αυτό το προϊόν συμφώνει με τις ισχύουσες οδηγίες της ΕΚ.
	UKCA	Αυτό το προϊόν συμμορφώνεται με την ισχύουσα νομοθεσία του ΗΒ.
	ΑΗΗΕ (WEEE)	Τα άχρηστα ηλεκτρικά προϊόντα δεν πρέπει να απορρίπτονται στα οικιακά απόβλητα. Παραδίδετέ τα σε μια εξουσιοδοτημένη εταιρεία ανακύκλωσης.
	Θόρυβος	Εγγυημένη στάθμη ηχητικής ισχύος. Εκπομπές θορύβου στο περιβάλλον σύμφωνα με την οδηγία της Ευρωπαϊκής Ένωσης.
V	Volt	Τάση
mm	Χιλιοστό	Μήκος ή διαστάσεις
cm	Εκατοστό	Μήκος ή διαστάσεις
kg	Κιλό	Βάρος
n_b	Ταχύτητα χωρίς φορτίο	Ταχύτητα περιστροφής, χωρίς φορτίο
min^{-1}	Ανά λεπτό	Στροφές ανά λεπτό

ΓΕΝΙΚΕΣ ΠΡΟΕΙΔΟΠΟΙΗΣΕΙΣ ΑΣΦΑΛΕΙΑΣ ΜΗΧΑΝΩΝ

⚠️ ΠΡΟΕΙΔΟΠΟΙΗΣΗ: Μελετήστε όλες τις προειδοποιήσεις ασφάλειας, τις οδηγίες, τις εικόνες και τις προδιαγραφές που συνοδεύουν αυτή τη μηχανή. Εάν δεν τηρηθούν όλες οι οδηγίες που αναφέρονται παρακάτω, μπορεί να προκληθεί ηλεκτροπληξία, πυρκαγιά και/ή σοβαρός τραυματισμός.

Φυλάξτε όλες τις προειδοποιήσεις και τις οδηγίες για μελλοντική αναφορά.

ο όρος «μηχανή» στις προειδοποιήσεις αναφέρεται στη μηχανή σας που λειτουργεί με ρεύμα (ενύρματη) ή μπαταρία (ασύρματη).

ΑΣΦΑΛΕΙΑ ΣΤΟ ΧΩΡΟ ΕΡΓΑΣΙΑΣ

- Διατηρείτε την περιοχή εργασίας καθαρή και καλά φωτισμένη. Οι ακατάστατοι χώροι και οι χώροι με κακό φωτισμό ενισχύουν την πιθανότητα ατυχημάτων.
- Μην χρησιμοποιείτε μηχανές σε εκρηκτικές ατμόσφαιρες, για παράδειγμα, παρουσία εύφλεκτων υγρών, αερίων ή σκόνης. Οι μηχανές δημιουργούν σπινθήρες που μπορεί να αναφλέξουν σκόνη ή αναθυμιάσεις.
- Διατηρείτε τα παιδιά και τους παρευρισκόμενους μακριά, όταν χρησιμοποιείτε τη μηχανή. Εάν κάτι αποσπάσει την προσοχή σας, μπορεί να χάσετε τον έλεγχο.

ΗΛΕΚΤΡΙΚΗ ΑΣΦΑΛΕΙΑ

- Το φως της μηχανής πρέπει να ταιριάζει στην πρίζα. Μην τροποποιήσετε ποτέ και με κανέναν τρόπο το φως. Μην χρησιμοποιείτε κανενός είδους προσαρμογείς πριζών με γειωμένες μηχανές. Τα μη τροποποιημένα φως και οι κατάλληλες πριζες μειώνουν τον κίνδυνο ηλεκτροπληξίας.
- Αποφύγετε την επαφή με γειωμένες επιφάνειες, όπως σωλήνες, θερμαντικά σώματα, εστίες και ψυγεία. Υπάρχει αυξημένος κίνδυνος ηλεκτροπληξίας όταν το σώμα σας είναι γειωμένο.
- Μην χρησιμοποιείτε το μηχάνημα υπό βροχή ή υγρές συνθήκες. Η εισχώρηση νερού στο μηχάνημα μπορεί να αυξήσει τον κίνδυνο ηλεκτροπληξίας ή δυσλειτουργίας, οδηγώντας σε τραυματισμό.
- Μην κακομεταχειρίζεστε το καλώδιο. Μην χρησιμοποιείτε ποτέ το καλώδιο για να μεταφέρετε, να τραβήξετε ή να αποσυνδέσετε τη μηχανή από την πρίζα. Διατηρείτε το καλώδιο μακριά από θερμότητα, λάδια, αιχμηρές γωνίες ή κινούμενα εξαρτήματα. Τα κατεστραμμένα ή μπλεγμένα καλώδια αυξάνουν τον κίνδυνο ηλεκτροπληξίας.
- Όταν χρησιμοποιείτε μια μηχανή σε εξωτερικό χώρο, χρησιμοποιείτε καλώδιο πρόεκτασης κατάλληλο για χρήση σε εξωτερικούς χώρους. Τα

GR

καλώδια που είναι κατάλληλα για εξωτερικούς χώρους περιορίζουν τον κίνδυνο ηλεκτροπληξίας.

- **Εφόσον δεν μπορείτε να αποφύγετε τη χρήση της μηχανής σε περιοχή με υγρασία, χρησιμοποιείτε τροφοδοσία με διακόπτη κυκλώματος βλάβης γείωσης (GFCI).** Η χρήση ενός διακόπτη κυκλώματος βλάβης γείωσης περιορίζει τον κίνδυνο ηλεκτροπληξίας.

ΠΡΟΣΩΠΙΚΗ ΑΣΦΑΛΕΙΑ

- **Να βρίσκεστε πάντα σε εγρήγορση, να προσέχετε τι κάνετε και να εφαρμόζετε κοινή λογική όταν χρησιμοποιείτε μηχανή. Μην χρησιμοποιείτε καμία μηχανή όταν είστε κουρασμένοι ή υπό την επήρεια ναρκωτικών, αλκοόλ ή φαρμάκων.** Μια στιγμή απροσεξίας κατά τη χρήση μηχανής μπορεί να οδηγήσει σε σοβαρό τραυματισμό.
- **Χρησιμοποιείτε μέσα ατομικής προστασίας. Φοράτε πάντα προστατευτικά για τα μάτια.** Η χρήση των κατάλληλων μέσων ατομικής προστασίας, όπως, μάσκα προστασίας από τη σκόνη, αντιολισθητικών παπουτσιών ασφαλείας, κράνους ή ωτοασπίδων, μειώνει τον κίνδυνο τραυματισμού.
- **Λαμβάνετε μέτρα για να μην ενεργοποιηθεί κατά λάθος η συσκευή. Βεβαιώστε ότι ο διακόπτης βρίσκεται στη θέση απενεργοποίησης προτού συνδέσετε τη μηχανή στην παροχή ρεύματος ή/και στη συστοιχία μπαταριών, ή όταν σηκώνετε ή μεταφέρετε τη μηχανή.** Μην μεταφέρετε μηχανές έχοντας το δάκτυλο πάνω στο διακόπτη και μην τις συνδέετε στην παροχή ρεύματος με ενεργοποιημένο το διακόπτη, διότι αυξάνεται ο κίνδυνος ατυχήματος.
- **Προτού ενεργοποιήσετε τη μηχανή, απομακρύνετε κάθε εργαλείο ή κλειδί ρύθμισης.** Εάν το εργαλείο ή το κλειδί ρύθμισης παραμείνει επάνω στο περιστρεφόμενο μέρος της μηχανής, μπορεί να προκληθεί τραυματισμός.
- **Μην τεντώνετε υπερβολικά για να πραγματοποιήσετε την εργασία. Πατάτε πάντα σταθερά και διατηρείτε την ισορροπία σας.** Έτσι θα ελέγχετε καλύτερα τη μηχανή, σε περίπτωση απροσδόκτων καταστάσεων.
- **Φοράτε κατάλληλα ρούχα. Μην φοράτε φαρδιά ρούχα ή κοσμήματα. Διατηρείτε τα μαλλιά και τα ρούχα σας μακριά από κινούμενα μέρη.** Τα φαρδιά ρούχα, τα κοσμήματα ή τα μακριά μαλλιά ενδέχεται να εμπλακούν σε κινούμενα μέρη.
- **Εάν υπάρχει δυνατότητα σύνδεσης συσκευών απομάκρυνσης και συλλογής σκόνης, βεβαιωθείτε ότι αυτές οι συσκευές έχουν συνδεθεί και χρησιμοποιούνται σωστά.** Αυτές οι συσκευές μπορούν να περιορίσουν τους κινδύνους που σχετίζονται με τη σκόνη.

GR

- **Ακόμα κι εάν χρησιμοποιείτε συχνά μηχανές, μην εφησυχάζετε και μην παραβλέπετε τις βασικές αρχές ασφαλείας.** Μια στιγμή απροσεξίας μπορεί να οδηγήσει σε σοβαρό τραυματισμό.

ΧΡΗΣΗ ΚΑΙ ΦΡΟΝΤΙΔΑ ΤΟΥ ΜΗΧΑΝΗΜΑΤΟΣ

- **Μην πιέζετε το μηχανήμα. Χρησιμοποιήστε τη σωστή μηχανή για την εκάστοτε εργασία.** Η εργασία θα πραγματοποιηθεί καλύτερα και ασφαλέστερα εάν χρησιμοποιηθεί η κατάλληλη μηχανή και στην ταχύτητα για την οποία έχει σχεδιαστεί.
- **Μην χρησιμοποιείτε τη μηχανή εάν δεν μπορείτε να την ενεργοποιήσετε και να την απενεργοποιήσετε από το διακόπτη.** Οποιαδήποτε μηχανή δεν μπορεί να ελεγχθεί με το διακόπτη είναι επικίνδυνη και πρέπει να επισκευαστεί.
- **Αποσυνδέετε το φως από την πηγή ρεύματος και/ή αφαιρείτε τη συστοιχία μπαταριών, εφόσον είναι αποσπώμενη, από τη μηχανή προτού κάνετε οποιαδήποτε ρύθμιση, αλλάζετε παρελκόμενα ή αποθηκεύσετε τη μηχανή.** Αυτά τα προληπτικά μέτρα ασφαλείας μειώνουν τον κίνδυνο ακούσιας εκκίνησης της μηχανής.
- **Εφόσον δεν τη χρησιμοποιείτε, αποθηκεύετε τη μηχανή σε σημείο όπου δεν έχουν πρόσβαση τα παιδιά και μην επιτρέπετε σε άτομα που δεν είναι εξοικειωμένα με αυτήν ή με αυτές τις οδηγίες να τη χρησιμοποιήσουν.** Οι μηχανές είναι επικίνδυνες στα χέρια ατόμων που δεν έχουν εκπαιδευτεί στη χρήση τους.
- **Συντήρηση μηχανών και παρελκόμενων. Ελέγχετε για κακή ευθυγράμμιση ή εμπλοκή των κινούμενων εξαρτημάτων, για στασμένα εξαρτήματα και για κάθε άλλη κατάσταση που μπορεί να επηρεάσει τη λειτουργία της μηχανής. Σε περίπτωση ζημιάς, επισκευάστε τη μηχανή πριν από τη χρήση.** Πολλά ατυχήματα προκαλούνται εξαιτίας πλημμελώς συντηρημένων μηχανών.
- **Διατηρείτε τις μηχανές κοπής κοφτερές και καθαρές.** Οι μηχανές κοπής που συντηρούνται σωστά και διαθέτουν αιχμηρές κόψεις είναι λιγότερο πιθανό να μπλοκάρουν, ενώ είναι ευκολότερες στο χειρισμό.
- **Χρησιμοποιείτε τη μηχανή, τα παρελκόμενα, τις μύτες, κτλ., σύμφωνα με αυτές τις οδηγίες, λαμβάνοντας υπόψη τις συνθήκες εργασίας και την προς εκτέλεση εργασία.** Η χρήση της μηχανής για σκοπούς διαφορετικούς από τους προβλεπόμενους μπορεί να οδηγήσει σε επικίνδυνες καταστάσεις.
- **Διατηρείτε τις λαβές και τις επιφάνειες συγκράτησης στεγνές και καθαρές, χωρίς λάδια και γράσα.** Εάν οι λαβές και οι επιφάνειες συγκράτησης είναι ολισθηρές δεν θα μπορούσατε να χειριστείτε με ασφάλεια τη μηχανή, ούτε θα μπορούσατε να την ελέγξετε σε περίπτωση που προκύψει κάποια απροσδόκητη κατάσταση.

ΧΡΗΣΗ ΚΑΙ ΦΡΟΝΤΙΔΑ ΜΗΧΑΝΩΝ ΜΠΑΤΑΡΙΑΣ

- Επαναφορτίζετε το ηλεκτρικό εργαλείο μόνο με το φορτιστή που έχει καθορίσει ο κατασκευαστής. Οι φορτιστές που είναι κατάλληλοι για έναν συγκεκριμένο τύπο συστοιχίας μπαταριών μπορεί να προκαλέσουν πυρκαγιά εάν χρησιμοποιηθούν για κάποιον άλλον τύπο.
- Χρησιμοποιείτε τη μηχανή μόνο με τις συστοιχίες μπαταριών που προορίζονται ειδικά για αυτήν. Εάν χρησιμοποιηθεί οποιαδήποτε άλλη συστοιχία μπαταριών, μπορεί να προκληθεί τραυματισμός και πυρκαγιά.
- Όταν η συστοιχία μπαταριών δεν χρησιμοποιείται, φυλάσσετε την μακριά από μεταλλικά αντικείμενα, όπως συνδετήρες, κέρματα, κλειδιά, καρφιά, βίδες ή άλλα μικρά μεταλλικά αντικείμενα, τα οποία μπορεί να δημιουργήσουν σύνδεση μεταξύ των ακροδεκτών. Το βραχυκύκλωμα των ακροδεκτών της συστοιχίας μπαταριών μεταξύ τους ενδέχεται να προκαλέσει εγκαύματα ή πυρκαγιά.
- Σε συνθήκες κακής χρήσης, μπορεί να διαρρεύσει υγρό από τη συστοιχία μπαταριών. Αποφύγετε την επαφή με αυτό. Σε περίπτωση τυχαίας επαφής, ξεπλύνετε καλά με νερό. Εάν το υγρό έρθει σε επαφή με τα μάτια, αναζητήστε επιπλέον ιατρική βοήθεια. Το υγρό που διαρρέει από τη συστοιχία μπαταριών μπορεί να προκαλέσει ερεθισμό ή εγκαύματα.
- Μην χρησιμοποιείτε τη συστοιχία μπαταριών ή τη μηχανή εάν έχουν υποστεί ζημιά ή έχουν τροποποιηθεί. Οι συστοιχίες μπαταριών που έχουν υποστεί ζημιά ή έχουν τροποποιηθεί μπορεί να έχουν απρόβλεπτη συμπεριφορά και να προκαλέσουν πυρκαγιά, έκρηξη ή τραυματισμό.
- Μην εκθέτετε τη συστοιχία μπαταριών ή τη μηχανή σε φωτιά ή υπερβολικά υψηλές θερμοκρασίες. Η έκθεση σε φωτιά ή θερμοκρασία πάνω από 130 °C μπορεί να προκαλέσει έκρηξη.
- Τηρείτε όλες τις οδηγίες φόρτισης και μη φορτίζετε τη συστοιχία μπαταριών ή τη μηχανή εκτός του εύρους θερμοκρασίας που καθορίζεται στις οδηγίες. Εάν η φόρτιση δε γίνει σωστά ή πραγματοποιηθεί σε θερμοκρασία εκτός του καθορισμένου εύρους, η συστοιχία μπαταριών μπορεί να υποστεί ζημιά και να αυξηθεί ο κίνδυνος πυρκαγιάς.

▲ ΠΡΟΕΙΔΟΠΟΙΗΣΗ: Μελετήστε όλες τις προειδοποιήσεις ασφάλειας, τις οδηγίες, τις εικόνες και τις προδιαγραφές που συνοδεύουν αυτό το ηλεκτρικό εργαλείο. Εάν δεν τηρηθούν όλες οι οδηγίες που αναφέρονται παρακάτω, μπορεί να προκληθεί ηλεκτροπληξία, φωτιά και/ή σοβαρός τραυματισμός. Φυλάσσετε όλες τις προειδοποιήσεις και τις οδηγίες για μελλοντική αναφορά.

Φυλάσσετε όλες τις προειδοποιήσεις και τις οδηγίες για μελλοντική αναφορά.

ΕΚΠΑΙΔΕΥΣΗ

- Διαβάστε με προσοχή όλες τις οδηγίες. Εξοικειωθείτε με τα χειριστήρια και τη σωστή χρήση του μηχανήματος.
- Μην επιτρέψετε ποτέ σε άτομα ή παιδιά που δεν είναι εξοικειωμένα με αυτές τις οδηγίες να χρησιμοποιήσουν τη συσκευή. Οι τοπικοί κανονισμοί ενδέχεται να επιβάλλουν περιορισμό στην ηλικία του χειριστή.
- Έχετε υπόψη σας ότι ο χειριστής ή ο χρήστης ευθύνεται αποκλειστικά για ατυχήματα ή κινδύνους που προκύπτουν για τρίτους ή την περιουσία τους.

ΠΡΟΕΤΟΙΜΑΣΙΑ

- Μην χρησιμοποιείτε ποτέ τη συσκευή όταν βρίσκονται κοντά άτομα, ιδίως παιδιά ή κατοικίδια.
- Χρησιμοποιείτε προστατευτικά για τα μάτια και ανθεκτικά υποδήματα συνεχώς όταν χρησιμοποιείτε το μηχανήμα.
- Η απόσταση μεταξύ του μηχανήματος και των παριστάμενων πρέπει να είναι τουλάχιστον 15 m.
- Να μη χρησιμοποιηθεί ποτέ το μηχανήμα εάν ο χειριστής είναι κουρασμένος, άρρωστος, υπό την επήρεια αλκοόλ ή ναρκωτικών ουσιών.

ΛΕΙΤΟΥΡΓΙΑ

- Χρησιμοποιείτε το μηχανήμα μόνο με φυσικό φως ή με καλό τεχνητό φως.
- Μην χρησιμοποιείτε ποτέ το μηχανήμα εάν οι καλύπτρες ή οι θωρακίσεις είναι χαλασμένα ή δεν έχουν τοποθετηθεί.
- Ενεργοποιείτε τον κινητήρα μόνο, όταν τα χέρια και τα πόδια σας βρίσκονται μακριά από τα μέσα κοπής.
- Αποσυνδέετε πάντα το γλοοκοπτικό με νήμα από την τροφοδοσία ισχύος (για παράδειγμα, αφαιρείτε τη συστοιχία μπαταριών).
 - όποτε αφήνετε το μηχανήμα χωρίς επίβλεψη,
 - προτού καθαρίσετε κάποια εμπλοκή,
 - πριν από έλεγχο, καθαρισμό ή άλλη εργασία πάνω στο μηχανήμα,
 - σε περίπτωση που χτυπήσετε σε ξένο αντικείμενο,
 - εάν το μηχανήμα αρχίζει να δονείται αφύσικα.
- Προσέχετε να μην τραυματιστείτε στα πόδια και χέρια από τα μέσα κοπής.
- Φροντίζετε τα ανοίγματα εξερισμού να είναι πάντα καθαρά, χωρίς σκουπίδια.

GR

ΣΥΝΤΗΡΗΣΗ ΚΑΙ ΑΠΟΘΗΚΕΥΣΗ

- Αποσυνδέστε το μηχανήμα από την ηλεκτρική τροφοδοσία (δηλ. αφαιρέστε τη συστοιχία μπαταριών) προτού να πραγματοποιήσετε εργασίες συντήρησης ή καθαρισμού.
- Χρησιμοποιείτε μόνο τα ανταλλακτικά και αξεσουάρ που συνιστώνται από τον κατασκευαστή.
- Ελέγχετε και συντηρείτε τακτικά το μηχανήμα. Οι επισκευές του μηχανήματος πρέπει πάντοτε να πραγματοποιούνται σε εξουσιοδοτημένο κέντρο επισκευής.
- Όταν δεν χρησιμοποιείτε το μηχανήμα, αποθηκεύτέ το σε σημείο μακριά από τα παιδιά.

ΑΛΛΕΣ ΠΡΟΕΙΔΟΠΟΙΗΣΕΙΣ ΑΣΦΑΛΕΙΑΣ

- Αποφεύγετε επικίνδυνα περιβάλλοντα – Μη χρησιμοποιείτε τις συσκευές σε βρεγμένες ή υγρές πλαγιές.
- Τα προστατευτικά πρέπει να παραμένουν στη θέση τους και σε άψογη κατάσταση λειτουργίας.
- Διατηρείτε τα χέρια και τα πόδια πάντα μακριά από τον τομέα κοπής.
- Για μείωση του κινδύνου τραυματισμού, ποτέ μην εργάζεστε επάνω σε σκάλα ή σε οποιαδήποτε άλλη μη ασφαλή υποστήριξη. Ποτέ μην κρατάτε τη μονάδα κοπής πάνω από το ύψος μέσης.
- Ελέγχετε τη μονάδα κοπής ανά τακτά χρονικά διαστήματα κατά τη λειτουργία ή αμέσως, εάν υπάρχει αισθητή αλλαγή στη συμπεριφορά κοπής.
- Για καλύτερα αποτελέσματα, η μπαταρία σας πρέπει να φορτίζεται υπό θερμοκρασία μεγαλύτερη από 5° C και μικρότερη από 40° C. Μην την αποθηκεύετε σε εξωτερικό χώρο ή σε οχήματα.
- Εάν σας προσεγγίσουν, σταματήστε το μοτέρ και τη μονάδα κοπής.
- Προειδοποιείτε το χειριστή για τον κίνδυνο από την αναπήδηση της λεπίδας (ισχύει μόνο κατά τη χρήση με λεπίδα 3 οδοντώσεων).
 - Η ανάκρουση λεπίδας μπορεί να προκύψει όταν η περιστρεφόμενη λεπίδα έρθει σε επαφή με ένα αντικείμενο που δεν κόβει απευθείας.
 - Η ανάκρουση του δίσκου κοπής μπορεί να είναι τόσο απότομη, ώστε να νιάζει τη μονάδα και/ή το χειριστή προς οποιαδήποτε κατεύθυνση, με κίνδυνο να χαθεί ο έλεγχος της μονάδας.
 - Η ανάκρουση του δίσκου κοπής μπορεί να συμβεί απροειδοποίητα, αν η λεπίδα πάθει εμπλοκή, σβήσει ή κολλήσει.
 - Η ανάκρουση του δίσκου κοπής είναι πιθανότερο να συμβεί σε περιοχές όπου δεν διακρίνεται καλά το υλικό που κόβει το μηχανήμα.

- Μην προσαρτάτε λεπίδες σε μια μονάδα χωρίς σωστή εγκατάσταση των απαιτούμενων εξαρτημάτων. Εάν δεν χρησιμοποιούνται τα σωστά εξαρτήματα μπορεί να προκληθεί εκτόξευση της λεπίδας και σοβαρός τραυματισμός του χειριστή ή/και των παρευρισκόμενων. Απορρίψτε τις λεπίδες που έχουν λυγίσει, στραβώσει, ραγίσει, σπάσει ή καταστραφεί με οποιονδήποτε τρόπο. Χρησιμοποιείτε αιχμηρές λεπίδες. Μια στομωμένη λεπίδα έχει περισσότερες πιθανότητες να σκαλώσει και να αναπηδήσει (χρήση μόνο λεπίδας 3 οδοντώσεων).
- Μια λεπίδα/Ενα νήμα που κινείται ελεύθερα μπορεί να προκαλέσει τραυματισμό όταν συνεχίζει να περιστρέφεται αφού σβήσει ο κινητήρας ή απελευθερωθεί η σκανδάλη. Διατηρείτε καλό έλεγχο μέχρι να σταματήσει τελείως η περιστροφή της λεπίδας/του νήματος.
- Τα εργαλεία μπαταρίας δεν πρέπει να συνδέονται σε ηλεκτρική πρίζα. Γι' αυτό βρίσκονται πάντα σε κατάσταση λειτουργίας. Προσέχετε πιθανούς κινδύνους ακόμα και όταν το εργαλείο δεν λειτουργεί. Προσέχετε όταν διεξάγετε συντήρηση ή σέρβις.
- Μην πλένετε με λάστιχο. Αποφεύγετε να εισέρχεται νερό στον κινητήρα και στις ηλεκτρικές συνδέσεις.
- Εάν προκύψουν καταστάσεις που δεν καλύπτονται στο παρόν εγχειρίδιο, να είστε προσεκτικοί και να κρίνετε σωστά. Επικοινωνήστε με το κέντρο σέρβις πελατών της EGO για βοήθεια.
- Να χρησιμοποιείται μόνο με τις συστοιχίες μπαταριών και τους φορτιστές που αναφέρονται στην εικ. Α.

ΦΥΛΑΞΤΕ ΑΥΤΕΣ ΤΙΣ ΟΔΗΓΙΕΣ!

ΠΡΟΔΙΑΓΡΑΦΕΣ

Πλάτος κοπής	30 εκ
Ταχύτητα χωρίς φορτίο	5000/6000 MIN ⁻¹
Βάρος	1,82 κιλά
Προτεινόμενη θερμοκρασία λειτουργίας	0°C-40°C
Προτεινόμενη θερμοκρασία αποθήκευσης	-20°C-70°C

Μετρημένη στάθμη ηχητικής ισχύος L_{WA}	96,5 dB(A) K=1,88 dB(A) (PH1400E)	
	93,2 dB(A) K=0,35 dB(A) (PH1420E)	
	91 dB(A) K=1,1 dB(A) (PHX1600)	
Στάθμη ηχητικής πίεσης στη θέση χειριστή L_{PA}	84,5 dB(A) K=3 dB(A) (PH1400E)	
	83,9 dB(A) K=3 dB(A) (PH1420E)	
	83 dB(A) K=3 dB(A) (PHX1600)	
Εγγυημένο επίπεδο ισχύος ήχου L_{WA} (σύμφωνα με 2000/14/EC)	98 dB(A)	
Δονήσεις a_h	Λαβή μπροστινής υποβολήθησης	2,8 m/s ² K=1,6 m/s ² (PH1400E)
		4,14 m/s ² K=1,5 m/s ² (PH1420E)
		6,64 m/s ² K=1,5 m/s ² (PHX1600)
	Μπροστινή λαβή	3,1 m/s ² K=1,6 m/s ² (PH1400E)
		1,88 m/s ² K=1,5 m/s ² (PH1420E)
		2,61 m/s ² K=1,5 m/s ² (PHX1600)

- Οι παραπάνω παράμετροι έχουν ελεγχθεί και μετρηθεί με εξοπλισμό ηλεκτρικής κεφαλής PH1400E/PH1420E/PHX1600.
- Η αναφερόμενη συνολική τιμή κραδασμών έχει μετρηθεί σύμφωνα με την πρότυπη μέθοδο ελέγχου και μπορεί να χρησιμοποιηθεί για τη σύγκριση ενός εργαλείου με κάποιο άλλο.
- Η αναφερόμενη συνολική τιμή κραδασμών μπορεί να χρησιμοποιηθεί επίσης για την προκαταρκτική αξιολόγηση της έκθεσης.

ΣΗΜΕΙΩΣΗ: Οι εκπομπές κραδασμών κατά τη διάρκεια της πραγματικής χρήσης του ηλεκτρικού εργαλείου μπορεί να διαφέρουν από τη δηλωμένη τιμή στην οποία χρησιμοποιείται το εργαλείο. Για την προστασία του χειριστή, πρέπει να χρησιμοποιούνται γάντια και προστασία της ακοής στις πραγματικές συνθήκες χρήσης.

Προτεινόμενη λεπίδα

ΟΝΟΜΑ ΕΞΑΡΤΗΜΑΤΟΣ	ΑΡΙΘΜΟΣ ΜΟΝΤΕΛΟΥ
Λεπίδα θαμνοκοπτικού	ABB1203

ΚΑΤΑΛΟΓΟΣ ΕΞΑΡΤΗΜΑΤΩΝ ΣΥΣΚΕΥΑΣΙΑΣ

ΟΝΟΜΑ ΕΞΑΡΤΗΜΑΤΟΣ	ΠΟΣΟΤΗΤΑ
Προσάρτημα θαμνοκοπτικού	1
Σετ λεπίδας και θήκης λεπίδας	1
Προστατευτικό	1
Αξεσουάρ προστατευτικού (για χρήση ΜΟΝΟ με την κεφαλή χλοοκοπτικού)	1
Εξάγωνο κλειδί	1
Κλειδί πολλαπλών λειτουργιών	1
Εγχειρίδιο χρήσης	1

ΠΕΡΙΓΡΑΦΗ

ΓΝΩΡΙΣΤΕ ΤΟ ΠΡΟΣΑΡΤΗΜΑ ΘΑΜΝΟΚΟΠΤΙΚΟΥ (Εικ. Α)

1. Τερματικό πώμα
2. Άξονας θαμνοκοπτικού
3. Προστατευτικό
4. Λεπίδα
5. Θήκη λεπίδας
6. Σύσφιξη καλωδίου
7. Βίδα στεγανοποίησης
8. Κιβώτιο γραναζιών
9. Οπή ασφάλισης άξονα
10. Εξωτερική φλάντζα
11. Κλειδί πολλαπλών λειτουργιών
12. Εξάγωνο κλειδί
13. Αξεσουάρ προστατευτικού (για χρήση ΜΟΝΟ με την κεφαλή χλοοκοπτικού)

⚠️ ΠΡΟΕΙΔΟΠΟΙΗΣΗ: Ποτέ μη χειρίζεστε το εργαλείο χωρίς το προστατευτικό στη θέση του. Το προστατευτικό πρέπει να βρίσκεται πάντα στο εργαλείο για την προστασία του χρήστη.

GR

⚠️ ΠΡΟΕΙΔΟΠΟΙΗΣΗ: Όταν το εργαλείο χρησιμοποιείται ως χλοοκοπτικό, εξοπλισμένο με κεφαλή χλοοκοπτικού, το παρελκόμενο προστασίας πρέπει να τοποθετείται επάνω στο προστατευτικό. Μη συμμόρφωση μπορεί να επιφέρει μια εξαιρετικά μακριά γραμμή κοπής και υπερφόρτωση του μοτέρ.

ΣΥΝΑΡΜΟΛΟΓΗΣΗ

⚠️ ΠΡΟΕΙΔΟΠΟΙΗΣΗ: Σε περίπτωση που κάποια από τα εξαρτήματα έχουν υποστεί ζημιά ή λείπουν, μη χρησιμοποιήσετε το μηχάνημα, μέχρι να αντικατασταθούν. Η χρήση αυτού του προϊόντος με φθαρμένα ή ελλιπή εξαρτήματα μπορεί να έχει σαν αποτέλεσμα σοβαρό ατομικό τραυματισμό.

⚠️ ΠΡΟΕΙΔΟΠΟΙΗΣΗ: Μην επιχειρήσετε να τροποποιήσετε αυτό το εργαλείο ή να χρησιμοποιήσετε εξαρτήματα που δεν συστήνονται για χρήση με αυτό το χλοοκοπτικό με νήμα. Οποιαδήποτε τέτοια μετατροπή ή τροποποίηση μπορεί να προκαλέσει επικίνδυνες συνθήκες με επακόλουθο σοβαρό τραυματισμό

⚠️ ΠΡΟΕΙΔΟΠΟΙΗΣΗ: Για να εμποδίσετε τυχαία εκκίνηση που θα μπορούσε να προκαλέσει σοβαρό τραυματισμό, απομακρύνετε πάντα τη συστοιχία μπαταριών από τη μηχανή όταν συναρμολογείτε εξαρτήματα."

⚠️ ΠΡΟΕΙΔΟΠΟΙΗΣΗ: Όταν το εργαλείο είναι εξοπλισμένο με κεφαλή θαμνοκόπτη πρέπει να προσαρτάται η μπάρα ασφάλειας."

ΤΟΠΟΘΕΤΗΣΗ ΤΟΥ ΠΡΟΣΤΑΤΕΥΤΙΚΟΥ

⚠️ ΠΡΟΕΙΔΟΠΟΙΗΣΗ: Φοράτε πάντα γάντια κατά την προσάρτηση ή αντικατάσταση της συστοιχίας της λεπίδας της καλύπτρας και προστατεύετε το χέρι σας από κοπή."

⚠️ ΠΡΟΕΙΔΟΠΟΙΗΣΗ: Μην χρησιμοποιήσετε ποτέ τη μηχανή χωρίς να είναι καλά τοποθετημένη η καλύπτρα. Η καλύπτρα πρέπει να βρίσκεται πάντα προσαρτημένη στη μηχανή για την προστασία του χρήστη! Εφόσον έχει προσαρτηθεί η καλύπτρα, μην επιχειρήσετε ποτέ να την αφαιρέσετε ή να τη ρυθμίσετε. Εφόσον απαιτηθεί αντικατάσταση, αυτή θα πρέπει να διεξαχθεί από εξειδικευμένο τεχνικό σέρβις!"

Ξεβιδώστε τις δυο βίδες από τη βάση του άξονα (Εικ. Β) και αφαιρέστε τις. Ευθυγραμμίστε τις οπές εγκατάστασης του προστατευτικού με τις οπές της συναρμολόγησης και ασφαλίστε το προστατευτικό πάνω στη βάση του άξονα, με τη βοήθεια των δυο βιδών και δύο ελατηριωτών ροδελών (Εικ. C).

Εξασφαλίστε ότι το προστατευτικό έχει σφίχτει σύμφωνα με τις Εικ. C & D, οποιαδήποτε αντίστροφη στερέωση θα προκαλέσει εξαιρετικά σοβαρό κίνδυνο!.

ΤΟΠΟΘΕΤΗΣΗ ΤΗΣ ΛΕΠΙΔΑΣ

1. Η λεπίδα αποστέλλεται με μια θήκη. Προτού τοποθετήσετε τη λεπίδα επάνω στο θαμνοκοπτικό, η θήκη πρέπει να αφαιρείται αφαιρώντας τη σύσφιξη καλωδίου από το άγκιστρο στη θήκη (Εικ. E).

Εικ. E Για την περιγραφή των εξαρτημάτων δείτε παρακάτω:

E-1	Άγκιστρο
E-2	Σύσφιξη καλωδίου

2. Περιστρέψτε την εξωτερική φλάντζα για να ευθυγραμμίσετε την υποδοχή στην εσωτερική φλάντζα με την οπή στο κιβώτιο γραναζιών (Εικ. F).
3. Εισαγάγετε το παρεχόμενο εξάγωνο κλειδί μέσα στις ευθυγραμμισμένες οπές, ώστε να ενεργήσει ως σταθεροποιητής (Εικ. G).

Εικ. F & G Περιγραφή εξαρτημάτων, δείτε παρακάτω:

F-1	Κιβώτιο γραναζιών
F-2	Ευθυγραμμισμένες οπές ασφάλισης άξονα
F-3	Εξωτερική φλάντζα
G-1	Σταθεροποιητής

4. Τοποθετήστε την κεφαλή θαμνοκοπτικού κόντρα σε μια στερεή επιφάνεια για υποστήριξη. Πιάστε με το ένα χέρι τον άξονα θαμνοκοπτικού και χρησιμοποιήστε το άλλο χέρι για να πιάσετε το κλειδί πολλαπλών λειτουργιών που παρέχεται για να λασκάρτε το παξιμάδι στην κατεύθυνση του επισημασμένου βέλους στην εξωτερική φλάντζα και να αφαιρέσετε το παξιμάδι και την εξωτερική φλάντζα. Φυλάξτε τα για την επανασυναρμολόγηση (Εικ. H).
5. Τοποθετήστε τη λεπίδα επάνω στον άξονα μοτέρ εξασφαλίζοντας ότι η επιφάνεια της λεπίδας είναι ισοπέδη με την επιφάνεια της προεξοχής εσωτερικής φλάντζας. Συνεχίστε με την τοποθέτηση της εξωτερικής φλάντζας και του παξιμαδιού (Εικ. I). Σφίξτε αρχικά το παξιμάδι **ΑΡΙΣΤΕΡΟΣΤΡΟΦΑ** με το χέρι.

Εικ. I Για την περιγραφή των εξαρτημάτων δείτε παρακάτω:

I-1	Προεξοχή εσωτερικής φλάντζας
I-2	Άξονας μοτέρ
I-3	Παξιμάδι
I-4	Εξωτερική φλάντζα
I-5	Λεπίδα

6. Περιστρέψτε την εξωτερική φλάντζα για να ευθυγραμμίσετε την υποδοχή στην εσωτερική φλάντζα με την οπή ασφάλισης άξονα στο κιβώτιο γραναζιών και εισαγάγετε το παρεχόμενο εξάγωνο κλειδί μέσα στις ευθυγραμμισμένες οπές ως σταθεροποιητή, όπως φαίνεται στα προηγούμενα βήματα 2 & 3.
7. Τοποθετήστε την κεφαλή θαμνοκοπτικού κόντρα σε μια στερεή επιφάνεια για υποστήριξη. Πιάστε με το ένα χέρι τη λεπίδα και χρησιμοποιήστε το άλλο χέρι για να πιάσετε το κλειδί πολλαπλών λειτουργιών που παρέχεται για να σφίξετε το παξιμάδι στην αντίθετη κατεύθυνση του επισημασμένου βέλους στην εξωτερική φλάντζα (Εικ. J).

Χρήση του παρελκόμενου προστασίας

ΣΗΜΕΙΩΣΗ: Όταν το εργαλείο χρησιμοποιείται ως χλοοκοπτικό, εξοπλισμένο με κεφαλή χλοοκοπτικού, το παρελκόμενο προστασίας πρέπει να τοποθετείται επάνω στο προστατευτικό (Εικ. K).

Ασφαλίστε το παρελκόμενο προστασίας επάνω στο προστατευτικό σφίγγοντας τις τρεις βίδες με το παρεχόμενο εξάγωνο κλειδί. Μη συμμόρφωση μπορεί να επιφέρει μια εξαιρετικά μακριά γραμμή κοπής και υπερφόρτωση του μοτέρ.

ΣΥΝΔΕΣΗ ΤΟΥ ΠΡΟΣΑΡΤΗΜΑΤΟΣ ΘΑΜΝΟΚΟΠΤΙΚΟΥ ΣΤΗΝ ΗΛΕΚΤΡΙΚΗ ΚΕΦΑΛΗ

Αυτό το προσάρτημα θαμνοκοπτικού έχει σχεδιαστεί για χρήση με την ηλεκτρική κεφαλή EGO PH1400E/PH1420E/PHX1600.

Δείτε το απόσπασμα «ΕΓΚΑΤΑΣΤΑΣΗ ΕΝΟΣ ΠΡΟΣΑΡΤΗΜΑΤΟΣ ΣΤΗΝ ΗΛΕΚΤΡΙΚΗ ΚΕΦΑΛΗ» στο εγχειρίδιο χρήσης της ηλεκτρικής κεφαλής PH1400E/PH1420E/PHX1600.

ΛΕΙΤΟΥΡΓΙΑ

⚠️ ΠΡΟΕΙΔΟΠΟΙΗΣΗ: Η εξοικειώσή σας με αυτό το προϊόν δε θα πρέπει να σας κάνει λιγότερο προσεκτικούς. Θυμηθείτε πως ένα κλάσμα δευτερολέπτου απροσεξίας μπορεί να προκαλέσει σοβαρό τραυματισμό.

⚠️ ΠΡΟΕΙΔΟΠΟΙΗΣΗ: Φοράτε πάντα προστασία για τα μάτια με πλαϊνά προστατευτικά, μαζί με προστασία για την ακοή. Σε αντίθετη περίπτωση, είναι πιθανό να υπάρξει εκτόξευση αντικειμένων στα μάτια σας και άλλοι πιθανοί σοβαροί τραυματισμοί.

ΕΦΑΡΜΟΓΕΣ

Μπορείτε να χρησιμοποιήσετε αυτό το προϊόν για τους κατωτέρω αναφερόμενους σκοπούς:

- Κοπή γρασιδιού, αγριόχορτων, άγριας βλάστησης και θάμνων, καθαρισμό νέων φυτών με μέγιστο διάμετρο στελέχους 2 εκ.

ΣΗΜΕΙΩΣΗ: Το εργαλείο πρέπει να χρησιμοποιείται αποκλειστικά για τη σκοπούμενη χρήση. Οποιαδήποτε άλλη χρήση θα χαρακτηριστεί ως περίπτωση κακής χρήσης.

ΧΡΗΣΗ ΤΟΥ ΘΑΜΝΟΚΟΠΤΙΚΟΥ ΜΕ ΤΗΝ ΗΛΕΚΤΡΙΚΗ ΚΕΦΑΛΗ

⚠️ ΠΡΟΕΙΔΟΠΟΙΗΣΗ: Ντύνεστε κατάλληλα για τη μείωση κινδύνου τραυματισμού κατά τη λειτουργία αυτού του εργαλείου. Μη φοράτε φαρδιά ρούχα ή κοσμήματα. Φοράτε προστατευτικά γυαλιά και προστατευτικό αφτιών/ακοής. Φοράτε βοριά, μακριά παντελόνια, μπότες και γάντια. Μην φοράτε κοντά παντελόνια, σανδάλια και μην είστε ξυπόλυτοι.

Για μια ασφαλή και καλύτερη λειτουργία, τοποθετήστε τον μάντα ώμου εγκάρσια στον ώμο. Ρυθμίστε τον μάντα ώμου σε μια άνετη θέση λειτουργίας. Κρατάτε το θαμνοκοπτικό με το ένα χέρι στην οπίσθια χειρολαβή και το άλλο χέρι στη λαβή μπροστινής υποβοήθησης. Κρατάτε σφιχτά και με τα δύο χέρια κατά τη λειτουργία. Το θαμνοκοπτικό πρέπει να κρατιέται σε άνετη θέση με την πίσω λαβή περίπου στο ύψος των γοφών. Διατηρείτε καλή στάση και ισορροπία και στα δύο πόδια. Να έχετε τέτοια θέση ώστε να μην χάσετε την ισορροπία σας από αντίδραση λακτίσματος της λεπίδας κοπής (Εικ. B).

⚠️ ΠΡΟΕΙΔΟΠΟΙΗΣΗ: Ο μάντας ώμου είναι επίσης ένας μηχανισμός γρήγορης αποδέσμευσης σε επικίνδυνη κατάσταση. Σε επείγουσα κατάσταση αφαιρέστε τον από τον ώμο σας αμέσως, ανεξάρτητα από τη θέση του μάντα.

Για την κοπή άγριας βλάστησης και θάμνων χαμηλώστε την περιστρεφόμενη λεπίδα επάνω στη βλάστηση για να επιτύχετε το αποτέλεσμα κοπής. Χρησιμοποιήστε το θαμνοκοπτικό σαν δρεπάνι (σαρώνετε δεξιά και αριστερά) στο επίπεδο του εδάφους. Μη χρησιμοποιείτε το προσάρτημα κοπής πάνω από το ύψος μέσης.

⚠️ ΠΡΟΕΙΔΟΠΟΙΗΣΗ: Όσο πιο ψηλά είναι το προσάρτημα κοπής από το έδαφος, τόσο μεγαλύτερος είναι ο κίνδυνος τραυματισμού από κομμένα κομμάτια που πετούν στα πλάγια.

⚠️ ΠΡΟΕΙΔΟΠΟΙΗΣΗ: Όταν κόβετε νέα βλάστηση ή άλλα ξύλινα υλικά διαμέτρου έως 2 εκ., χρησιμοποιείτε την αριστερή πλευρά της λεπίδας ώστε να αποφεύγετε καταστάσεις ανάκρουσης λεπίδας. Μην προσπαθείτε να κόβετε ξύλινα υλικά με μεγαλύτερη διάμετρο, καθώς η λεπίδα μπορεί να μαγκώσει ή το θαμνοκοπτικό μπορεί να πεταχτεί προς τα εμπρός. Αυτό μπορεί να προκαλέσει

ζημιά στη λεπίδα ή το θαμνοκοπτικό ή απώλεια του ελέγχου θαμνοκοπτικού, με αποτέλεσμα ατομικό τραυματισμό.

⚠ ΠΡΟΕΙΔΟΠΟΙΗΣΗ: Ακατάλληλη χρήση μιας λεπίδας θαμνοκοπτικού μπορεί να προκαλέσει ρωγμή, κοπή ή σπάσιμο της.

Αντικείμενα που πετάγονται μπορεί να προκαλέσουν σοβαρό τραυματισμό στο χειριστή ή παρευρισκόμενους. Για να μειώσετε τον κίνδυνο ατομικού τραυματισμού είναι σημαντικό να τηρείτε τα εξής προληπτικά μέτρα:

- Αποφεύγετε επαφή με σκληρά ή στερεά ξένα αντικείμενα όπως μικρές ή μεγάλες πέτρες ή μεταλλικά τεμάχια.
- Ποτέ μην κόβετε ξύλο ή θάμνους με μια διάμετρο στελέχους μεγαλύτερη από 2 εκ.
- Ελέγχετε τη λεπίδα ανά τακτά χρονικά διαστήματα για σημάδια ζημιάς. Μη συνεχίζετε την εργασία με φθαρμένη λεπίδα.
- Επαναπροχίζετε τακτικά τη λεπίδα (όταν έχει στομώσει αισθητά) και εάν απαιτείται διεξάγετε ευθυγράμμιση της (η εργασία αυτή πρέπει να διεξάγεται από εξειδικευμένο τεχνικό του σέρβις).

ΑΝΑΚΡΟΥΣΗ ΛΕΠΙΔΑΣ

Να είστε ιδιαίτερα προσεκτικοί όταν χρησιμοποιείτε τη λεπίδα με αυτή τη μονάδα. Η ανάκρουση λεπίδας είναι η αντίδραση που μπορεί να προκύψει όταν η περιστρεφόμενη λεπίδα έρθει σε επαφή με οτιδήποτε δεν μπορεί να κόψει. Αυτή η επαφή μπορεί να κάνει τη λεπίδα να σταματήσει για λίγο και η μονάδα μπορεί ξαφνικά να ωθηθεί μακριά από το αντικείμενο που χτυπήθηκε. Η αντίδραση μπορεί να είναι τόσο βίαιη ώστε να κάνει το χειριστή να χάσει τον έλεγχο της μονάδας. Η ανάκρουση του δίσκου κοπής μπορεί να συμβεί απροειδοποίητα, αν το μηχάνημα πάθει εμπλοκή, σβήσει ή κολλήσει. Αυτό είναι πιθανότερο να συμβεί σε περιοχές όπου δεν διακρίνεται καλά το υλικό που κόβει το μηχάνημα. Για την ευκολία και ασφάλεια κατά τις κοπές, προσεγγίζετε τα αγριόχορτα που θα κοπούν με το θαμνοκοπτικό από τα δεξιά προς τα αριστερά. Στην περίπτωση που συναντήσετε απρόσμενα κάποιο αντικείμενο ή ξύλινο βλαστό, με αυτή την τακτική μπορεί να ελαχιστοποιηθεί η αντίδραση ανάκρουσης λεπίδας.

Πριν από κάθε χρήση ελέγχετε για εξαρτήματα με ζημιές/φθορές

Ελέγχετε τη λεπίδα, το προστατευτικό και τη λαβή μπροστινής υποβοήθησης και αντικαθιστάτε τα εξαρτήματα που έχουν ρωγμές, παραμόρφωση, λυγίσματα ή ζημιές οποιουδήποτε είδους.

Η ακμή της λεπίδας μπορεί να στομώσει με την πάροδο

του χρόνου. Συστήνεται να αναποδογυρίζετε τη λεπίδα για να παρατείνεται η διάρκεια ζωής της και να την τροχίζετε περιοδικά (η εργασία αυτή διεξάγεται από εξειδικευμένο τεχνικό του σέρβις) ή να την αντικαθιστάτε με μια νέα εφόσον απαιτείται.

Καθαρίζετε το θαμνοκοπτικό μετά από κάθε χρήση

Δείτε το απόσπασμα **ΣΥΝΤΗΡΗΣΗ** για οδηγίες καθαρισμού.

⚠ ΠΡΟΕΙΔΟΠΟΙΗΣΗ: Εξασφαλίστε ότι η λεπίδα έχει σταματήσει εντελώς προτού καθαρίσετε ή συντηρήσετε το θαμνοκοπτικό. Σε μη συμμόρφωση μπορεί να επέλθει πιθανός σοβαρός ατομικός τραυματισμός.

ΕΝΑΡΞΗ/ΣΤΑΜΑΤΗΜΑ ΤΟΥ ΕΡΓΑΛΕΙΟΥ

Δείτε το απόσπασμα «ΕΝΑΡΞΗ/ΣΤΑΜΑΤΗΜΑ ΤΗΣ ΗΛΕΚΤΡΙΚΗΣ ΚΕΦΑΛΗΣ» στο εγχειρίδιο χρήσης της ηλεκτρικής κεφαλής PH1400E/PH1420E/PHX1600.

ΣΥΝΤΗΡΗΣΗ

⚠ ΠΡΟΕΙΔΟΠΟΙΗΣΗ: Πριν τον έλεγχο, τον καθαρισμό ή τη συντήρηση της μονάδας, σταματήστε το μοτέρ, περιμένετε να σταματήσουν όλα τα κινούμενα εξαρτήματα και απομακρύνετε τη συστοιχία μπαταριών. Η μη τήρηση των οδηγιών μπορεί να οδηγήσει σε σοβαρό τραυματισμό ή υλικές ζημιές.

⚠ ΠΡΟΕΙΔΟΠΟΙΗΣΗ: Όταν κάνετε συντήρηση του εργαλείου, χρησιμοποιείτε μόνο ίδια ανταλλακτικά. Η χρήση οποιωνδήποτε άλλων εξαρτημάτων μπορεί να προκαλέσει κίνδυνο ή υλικές ζημιές. Για να διασφαλίσετε την ασφάλεια και την αξιοπιστία, όλες οι επισκευές πρέπει να διεξάγονται από εξειδικευμένο τεχνικό του σέρβις.

⚠ ΠΡΟΕΙΔΟΠΟΙΗΣΗ: Φοράτε πάντα ανθεκτικά γάντια κατά την εγκατάσταση ή απομάκρυνση της λεπίδας ή διεξάγετε συντήρηση στη λεπίδα. Προσέχετε τη λεπίδα και προστατεύετε τα χέρια σας από τραυματισμό λόγω της λεπίδας.

ΓΕΝΙΚΗ ΣΥΝΤΗΡΗΣΗ

Αποφύγετε τη χρήση διαλυτών κατά τον καθαρισμό των πλαστικών εξαρτημάτων. Τα περισσότερα πλαστικά είναι ευπαθή στη χρήση διαφόρων τύπων διαλυτών του εμπορίου και καταστρέφονται από τη χρήση τους. Χρησιμοποιείτε καθαρό πανί για την απομάκρυνση βρωμιάς, σκόνης, λαδιού, γράσου κτλ.

ΚΑΘΑΡΙΣΜΟΣ ΤΗΣ ΜΟΝΑΔΑΣ

- Αφαίρεση της μπαταρίας
- Μετά από κάθε χρήση καθαρίζετε τα υπολείμματα, χρώμα που έχει μπλοκάρει ή γρασίδι στη λεπίδα και το προστατευτικό χρησιμοποιώντας μια μαλακιά βούρτσα.
- Σκουπίστε την επιφάνεια εργαλείου με ένα καθαρό πανί νοτισμένο με ένα ήπιο διάλυμα σαπουνάδας.
- Χρησιμοποιείτε μια μικρή βούρτσα ή μια μικρή ηλεκτρική αναρροφητική σκούπα για να καθαρίζετε τις οπές αερισμού στο πίσω περίβλημα.
- Διατηρείτε τα ανοίγματα αερισμού χωρίς εμπόδια.

Όταν η λεπίδα στομώσει και οι δύο ακμές της λεπίδας είναι στομωμένες, αναθέστε το τρόχισμα σε έναν εξειδικευμένο τεχνικό του σέρβις ή αντικαταστήστε με μια νέα λεπίδα εφόσον απαιτείται.

ΑΝΤΙΚΑΤΑΣΤΑΣΗ ΤΗΣ ΛΕΠΙΔΑΣ

▲ ΠΡΟΕΙΔΟΠΟΙΗΣΗ: Μια φθαρμένη, ραγισμένη ή χαλασμένη λεπίδα μπορεί να σπάσει και κομμάτια αυτής της κινδυνεύουν να εκτοξευτούν. Αντικείμενα που πετάγονται μπορεί να προκαλέσουν σοβαρό τραυματισμό. Ελέγχετε τη λεπίδα τακτικά και μη θέτετε σε λειτουργία το θαμνοκοπτικό με μια φθαρμένη ή χαλασμένη λεπίδα.

▲ ΠΡΟΕΙΔΟΠΟΙΗΣΗ: Χρησιμοποιείτε σωστή προστασία για τα μάτια όταν αφαιρείτε, τροχίζετε και εγκαθιστάτε τη λεπίδα.

Για να αφαιρέσετε τη λεπίδα

1. Αφαιρέστε τη μπαταρία.
2. Περιστρέψτε την εξωτερική φλάντζα για να ευθυγραμμίσετε την υποδοχή στην εσωτερική φλάντζα με την οπή ασφάλισης άξονα στο κιβώτιο γραναζιών και εισαγάγετε το παρεχόμενο εξάγωνο κλειδί μέσα στις ευθυγραμμισμένες οπές ως σταθεροποιητή, όπως φαίνεται στα βήματα 2 & 3 στο απόσπασμα «**ΤΟΠΟΘΕΤΗΣΗ ΤΗΣ ΛΕΠΙΔΑΣ**».
3. Τοποθετήστε την κεφαλή θαμνοκοπτικού κόντρα σε μια στερεή επιφάνεια για υποστήριξη. Πιάστε με το ένα χέρι τη λεπίδα και χρησιμοποιήστε το άλλο χέρι για να πιάσετε το κλειδί πολλαπλών λειτουργιών που παρέχεται για να λασκάρετε το παξιμάδι στην κατεύθυνση του επισημασμένου βέλους στην εξωτερική φλάντζα και να αφαιρέσετε το παξιμάδι, την εξωτερική φλάντζα και τη φθαρμένη λεπίδα (Εικ. L).
4. Ελέγχετε και αντικαθιστάτε την εσωτερική φλάντζα και το κάλυμμα φλάντζας εάν έχουν φθαρεί (Εικ. M).

Εικ. M Για την περιγραφή των εξαρτημάτων δείτε παρακάτω:

M-1	Άξονας μοτέρ
M-2	Εσωτερική φλάντζα
M-3	Κάλυμμα φλάντζας
M-4	Λεπίδα
M-5	Εξωτερική φλάντζα
M-6	Παξιμάδι
M-7	Υποδοχή στη φλάντζα

5. Εγκαταστήστε τη νέα λεπίδα επάνω στον άξονα μοτέρ με τη σειρά που φαίνεται στην Εικ. M. Για λεπτομέρειες ακολουθήστε τα βήματα που αναφέρονται στα βήματα 5, 6 & 7 στο απόσπασμα «**ΤΟΠΟΘΕΤΗΣΗ ΤΗΣ ΛΕΠΙΔΑΣ**».

ΛΙΠΑΝΣΗ ΣΥΣΤΗΜΑΤΟΣ ΟΔΟΝΤΟΤΡΟΧΩΝ

Το σύστημα οδοντοτροχών στο κιβώτιο γραναζιών πρέπει να λιπαίνεται περιοδικά με το γράσο μειωτήρων. Ελέγχετε σχεδόν κάθε 50 ώρες λειτουργίας τη στάθμη γράσου στο κιβώτιο γραναζιών αφαιρώντας τη βίδα στεγανοποίησης στα πλάγια του κιβωτίου.

Εάν δεν φαίνεται γράσο στις πλευρικές επιφάνειες του μειωτήρα, ακολουθήστε τα παρακάτω βήματα για να γεμίσετε με γράσο μειωτήρων έως την ένδειξη 3/4.

Μην γεμίσετε έως πάνω το σύστημα οδοντοτροχών.

1. Κρατήστε το θαμνοκοπτικό έτσι ώστε η βίδα στεγανοποίησης να βλέπει προς τα επάνω (Εικ. N).
2. Χρησιμοποιήστε το παρεχόμενο κλειδί πολλαπλών λειτουργιών για να λασκάρετε και να απομακρύνετε τη βίδα στεγανοποίησης.
3. Χρησιμοποιήστε μια σύριγγα γράσου (δεν περιλαμβάνεται) για να εισαγάγετε λίγο γράσο μέσα στην οπή βίδας.
4. Σφίξτε τη βίδα στεγανοποίησης μετά την έγχυση γράσου.

ΑΠΟΘΗΚΕΥΣΗ ΤΗΣ ΜΟΝΑΔΑΣ

- Απομακρύνετε τη συστοιχία μπαταριών από το εργαλείο.
- Φοράτε ανθεκτικά γάντια για να καθαρίζετε το εργαλείο σχολαστικά.
- Τοποθετείτε τη θήκη λεπίδας επάνω στη λεπίδα για μια ασφαλή αποθήκευση (Εικ. O).
- Απομακρύνετε το προσάρτημα θαμνοκοπτικού από την ηλεκτρική κεφαλή και τοποθετήστε το τερματικό καπάκι επάνω στον τερματικό άξονα προσάρτηματος εφόσον απαιτείται.

GR

- Αποθηκεύετε τη μονάδα σε έναν στεγνό, καλά αεριζόμενο χώρο, κλειδωμένο ή σε ψηλό σημείο, εκτός εμβέλειας παιδιών. Μην αποθηκεύετε τη μονάδα επάνω ή δίπλα σε λιπάσματα, βενζίνη ή άλλες χημικές ουσίες.

Προστασία του περιβάλλοντος



Μην απορρίπτετε ηλεκτρικό εξοπλισμό, παλιές μπαταρίες και φορτιστές στα οικιακά απορρίμματα! Μεταφέρετε αυτό το προϊόν σε εξουσιοδοτημένο κέντρο ανακύκλωσης και διαθέστε το για ξεχωριστή συλλογή. Οι ηλεκτρικές μηχανές πρέπει να επιστρέφονται σε περιβαλλοντικά συμβατή μονάδα ανακύκλωσης.

ΑΝΤΙΜΕΤΩΠΙΣΗ ΠΡΟΒΛΗΜΑΤΩΝ

ΠΡΟΒΛΗΜΑ	ΑΙΤΙΑ	ΕΠΙΛΥΣΗ
Το θαμνοκοπτικό δεν εκκινείται.	<ul style="list-style-type: none"> ■ Η συστοιχία μπαταριών δεν έχει προσαρτηθεί στην ηλεκτρική κεφαλή. ■ Δεν υπάρχει ηλεκτρική επαφή μεταξύ της ηλεκτρικής κεφαλής και της συστοιχίας μπαταριών. ■ Η συστοιχία μπαταριών έχει εξαντληθεί. ■ Ο μοχλός ασφάλισης και η σκανδάλη δεν πατήθηκαν ταυτόχρονα. 	<ul style="list-style-type: none"> ■ Τοποθετήστε τη συστοιχία μπαταριών στην ηλεκτρική κεφαλή. ■ Απομακρύνετε τη μπαταρία, ελέγξτε τις επαφές και επανεγκαταστήστε τη συστοιχία μπαταριών, έως ότου κουμπώσει στη θέση της. ■ Φορτίζετε τη συστοιχία μπαταριών με τους φορτιστές EGO που παρατίθενται στο παρόν εγχειρίδιο. ■ Πατήστε κάτω το μοχλό ασφάλισης και κρατήστε τον, κατόπιν πιέστε τη σκανδάλη για να ενεργοποιήσετε το θαμνοκοπτικό.
Το θαμνοκοπτικό σταματάει κατά την κοπή.	<ul style="list-style-type: none"> ■ Το μοτέρ έχει υπερφορτωθεί. ■ Η συστοιχία μπαταριών ή η ηλεκτρική κεφαλή είναι πολύ καυτή. ■ Η συστοιχία μπαταριών έχει αποσυνδεθεί από το εργαλείο. ■ Η συστοιχία μπαταριών έχει εξαντληθεί. 	<ul style="list-style-type: none"> ■ Το μοτέρ θα επανέλθει όταν αφαιρεθεί το φορτίο. Για συνεχή εργασία, μειώστε το φορτίο της ηλεκτρικής κεφαλής. ■ Επιτρέψτε η συστοιχία μπαταριών ή η ηλεκτρική κεφαλή να κρύνουν, έως ότου η θερμοκρασία πέσει κάτω από τους 67°C . ■ Επανεγκαταστήστε τη συστοιχία μπαταριών. ■ Φορτίζετε τη συστοιχία μπαταριών με τους φορτιστές EGO που παρατίθενται στο παρόν εγχειρίδιο.

ΕΓΓΥΗΣΗ

ΠΟΛΙΤΙΚΗ ΕΓΓΥΗΣΗΣ EGO

Επισκεφθείτε την ιστοσελίδα egopowerplus.eu για όλους τους όρους και τις προϋποθέσεις της πολιτικής εγγύησης EGO.

GR

TÜM TALIMATLARI OKUYUN!



KULLANIM KILAVUZUNU OKUYUN

UYARI: Güvenliği ve güvenilirliği sağlamak için, tüm onarım işlemleri yetkili bir servis teknisyeni tarafından gerçekleştirilmelidir.

GÜVENLİK SEMBOLLERİ

Güvenlik sembollerinin amacı olası tehnelere dikkatinizi çekmektir. Güvenlik sembolleri ve yanlarındaki açıklamalar özel dikkat ve anlayış göstermenizi gerektirir. Uyarı sembolleri kendi başlarına herhangi bir tehlikeyi gidermez. Sundukları talimat ve uyarılar uygun kaza önleme önlemlerinin yerine geçmez.

UYARI: Bu aleti kullanmadan önce, “**TEHLİKE**”, “**UYARI**” ve “**DİKKAT**” gibi tüm güvenlik uyarı ve sembollerini içeren bu Kullanım Kılavuzu içerisindeki tüm güvenlik talimatlarını okuyup anladığınızdan emin olun. Aşağıdaki talimatların tamamına uyulmaması elektrik çarpması, yangın ve/veya ciddi kişisel yaralanma ile sonuçlanabilir.

SEMBOLÜN ANLAMI

GÜVENLİK UYARI SEMBOLÜ: TEHLİKE, UYARI veya DİKKAT edilmesi gereken durumları gösterir. Diğer semboller veya resimlerle birlikte kullanılabilir.



UYARI: Herhangi bir elektrikli aletin kullanımı yabancı nesnelere gözlerinize fırlatılması sonucunu doğurabilir, bu da gözlerde ciddi hasara yol açabilir. Elektrikli aleti kullanmaya başlamadan önce, daima göz koruması veya yan siperleri olan koruyucu gözlük takın ve gerektiğinde tam yüz siperi kullanın. Gözlük üzerine kullanım için Geniş Görüşlü Koruyucu Maske ya da yan siperleri olan standart koruyucu gözlükleri tavsiye ederiz.

TR

GÜVENLİK TALIMATLARI

Bu sayfada, bu ürün üzerinde görülebilecek güvenlik sembolleri gösterilmekte ve açıklanmaktadır. Makineyi monte etmeye ve kullanmaya başlamadan önce, makineye ilişkin tüm talimatları okuyup anlayın ve bu talimatlara uyun.

	Güvenlik Uyarısı	Potansiyel bir kişisel yaralanma tehlikesini gösterir.
	Kullanım Kılavuzunu Okuyun	Yaralanma riskini azaltmak için kullanıcı, kullanma kılavuzunu mutlaka okumalıdır.
	Koruyucu Gözlük Takın	Bu ürünü çalıştırırken daima göz koruması, yan siperleri olan koruyucu gözlük ya da tam yüz maskesi kullanın.
	Kulak Koruması Takın	Kulaklarınızı korumak için daima kulak koruyucu (kulak tıkacı veya kulaklık) kullanın.
	Koruyucu Kask Takın	Başınızı korumak için onaylanmış bir kask takın.
	Koruyucu Eldiven Takın	Testere ve testere zincirine dokunurken eldiven giyerek ellerinizi koruyun. Dayanıklı, kaymaz eldivenler daha iyi tutuş sağlarken ellerinizi de korur.
	Koruyucu Ayakkabı Giyin	Bu cihazı kullanırken kaymaz emniyet ayakkabıları giyin.
	Kesim Genişliği	Çalı kesicinin maks. kesim genişliği
	Bıçağın kuvvetle itilmesine karşı dikkatli olun	Operatörü bıçağın kuvvetle itilme tehlikesine karşı uyarın.
	Üçüncü Şahısları Uzak Tutun	Makine ile çevredeki insanlar arasında en az 15 m mesafe olmalıdır.

	Fırlayan nesnelere dikkat edin	Fırlayan nesnelere sekebilir ve yaralanmaya veya maddi hasara neden olabilir.
	Bakım yapmadan önce aküyü çıkarın	Bakım veya temizlik işleri yapmadan önce bataryayı misinalı çim biçme makinesinden ayırın.
	CE	Bu ürün geçerli AB direktiflerine uygundur.
	UKCA	Bu ürün, yürürlükteki Birleşik Krallık yasalarına uygundur.
	WEEE	Atık elektrikli ürünler, evsel atıklar ile birlikte imha edilmemelidir. Yetkili bir geri dönüşüm merkezine götürün.
	Gürültü	Garanti edilen ses gücü seviyesi. Avrupa Birliği Direktifi'ne göre çevre ses emisyonu.
V	Volt	Voltaj
mm	Milimetre	Uzunluk veya boyut
cm	Santimetre	Uzunluk veya boyut
kg	Kilogram	Ağırlık
n ₀	Yüksüz Hız	Yüksüz dönüş hızı
min ⁻¹	Dakika Başına	Dakika başına dönüş

MAKİNE İÇİN GENEL GÜVENLİK UYARILARI

⚠ UYARI: Bu makine ile birlikte verilen tüm güvenlik uyarılarını, talimatları, resimli açıklamaları ve teknik özellikleri okuyun. Aşağıdaki talimatların tamamına uyulmaması elektrik çarpması, yangın ve/veya ciddi yaralanma ile sonuçlanabilir.

Tüm uyarı ve talimatları gelecekte başvuru amacıyla muhafaza edin.

uyarılarda geçen "makine" terimi, elektrikle çalışan (kablolu) veya akü ile çalışan (kablosuz) makinenizi ifade eder.

ÇALIŞMA ALANI GÜVENLİĞİ

- Çalışma alanını temiz tutun ve yeterli aydınlatma sağlayın. Karışık veya karanlık alanlar kazalara yol açar.
- Makineleri yanıcı sıvıların, gazların veya tozların bulunduğu patlayıcı ortamlarda çalıştırmayın. Makineler, tozları veya dumanları tutuşturabilecek kıvılcımlar oluşturur.
- Bir makineyi kullanırken çocukların ve etraftaki kişilerin makineden uzakta olduğundan emin olun. Dikkatinizin dağılması kontrolü kaybetmenize neden olabilir.

ELEKTRİK GÜVENLİĞİ

- Makine fişleri prize uygun olmalıdır. Fiş üzerinde asla değişiklik yapmayın. Topraklı (topraklamalı) makineler için herhangi bir adaptör fişi kullanmayın. Üzerinde değişiklik yapılmamış fişler ve uygun prizler elektrik çarpması riskini azaltır.
- Boru, radyatör, fırınlı ocak ve buzdolabı gibi topraklanmış yüzeylerle temastan kaçınınız. Topraklanmış yerlerle temas etmeniz halinde elektrik çarpması riski artar.
- Makineyi yağmurda veya ıslak koşullarda çalıştırmayın. Makineye giren su, yaralanmaya neden olabilecek elektrik çarpması veya arıza riskini artırabilir.
- Kabloyu hatalı kullanmayın. Kabloyu asla makineyi taşımak, çekmek veya fişi prizden çıkarmak için kullanmayın. Kabloyu sıcaktan, yağdan, keskin kenarlardan veya hareketli parçalardan uzak tutun. Hasarlı veya birbirine dolaşmış kablolar elektrik çarpması riskini artırır.
- Bir makineyi açık havada kullanırken, uygun bir dış mekan uzatma kablosu kullanın. Dış mekan için uygun bir kablolu kullanılması elektrik çarpması riskini azaltır.
- Makinenin rutubetli bir ortamda kullanılması gerekirse kaçak akım rölesi (GFCI) bulunan bir şebeke kullanın. GFCI kullanmak elektrik çarpması riskini azaltır.

TR

KİŞİSEL GÜVENLİK

- Makineyi kullanırken daima dikkatli olun, yaptığınız işe yoğunlaşın ve sağduyulu davranın. Makineyi yorgunken ya da uyuşturucu, alkol ya da ilaç etkisi altındayken kullanmayın. Makineleri kullanırken bir anlık dikkatsizlik ciddi kişisel yaralanmayla sonuçlanabilir.

- **Kişisel koruyucu ekipman kullanın. Daima koruyucu gözlük takın.** Koşullara uygun toz maskesi, kaymaz emniyet ayakkabıları, kask veya işitme koruması gibi koruyucu ekipman kullanılması yaralanmaları azaltır.
- **Yanlışlıkla çalıştırmaktan kaçının. Makinenin güç kaynağı ve/veya akü ile bağlantısını yapmadan, kaldırmadan veya taşımadan önce açma/kapatma düğmesinin kapalı olduğundan emin olun.** Parmağınız açma/kapatma düğmesinin üzerindeki veya çalışır haldeyken makineleri taşımak kazalara davetiye çıkarır.
- **Makineye takılı herhangi bir alyan veya anahtar varsa makineyi çalıştırmadan önce bunları çıkarın.** Makinenin döner parçalarına takılı bir alyan veya anahtar yaralanmalara neden olabilir.
- **Dengesiz bir duruşla çalışma yapmayın. Çalışma süresince ayaklarınızı sağlam basın ve dengeyi koruyun.** Bu sayede baklanmedik durumlarda makine daha iyi kontrol edilebilir.
- **Uygun bir şekilde giyinin. Bol giysiler giymeyin veya takı takmayın. Saçlarınızı ve elbiselerinizi hareketli parçalardan uzak tutun.** Bol giysiler, takılar veya uzun saçlar hareketli parçalara takılabilir.
- **Toz emme ve toplama araçlarının bağlantısı için sağlanan cihazlar varsa bunların takılı olduğundan ve düzgün bir biçimde kullanıldığından emin olun.** Toz toplama araçlarının kullanımı tozdan kaynaklanabilecek tehlikeleri azaltabilir.
- **Makineleri sık kullanarak edindiğiniz alışkanlık rahat olmanıza ve makinelerin güvenlik ilkelerini göz ardı etmenize neden olmamalıdır.** Dikkatsiz bir hareket, bir saniyeden daha kısa bir sürede ağır yaralanmalara neden olabilir.

MAKİNE KULLANIMI VE BAKIMI

- **Makineyi zorlamayın. Uygulamanız için doğru makineyi kullanın.** Doğru makine, tasarımına uygun değerlerde kullanıldığında daha iyi ve daha güvenli çalışır.
- **Açma/kapatma düğmesi çalışmıyorsa makineyi kullanmayın.** Açma/kapama düğmesi ile kontrol edilemeyen bir makine tehlikelidir ve onarılması gerekir.
- **Herhangi bir ayar işlemi, aksesuar değişimi veya makinenin depoya kaldırılması öncesinde fişi prizden çekin ve/veya eğer çıkarılabiliyorsa aküyü makineden çıkarın.** Bu tür önleyici güvenlik tedbirleri, makinenin yanlışlıkla çalıştırılması riskini azaltır.
- **Kullanılmayan makineleri çocukların erişmeyeceği bir yerde saklayın ve makine veya bu talimatlar hakkında bilgi sahibi olmayan kişilerin makineyi çalıştırmasına izin vermeyin.** Makineler eğitimsiz kullanıcıların elinde tehlikelidir.

- **Makinelerin ve aksesuarların bakımını yapın. Hareketli parçaların kusursuz olarak işlev görüp görmediğini ve sıkışıp sıkışmadığını, parçaların hasarlı olup olmadığını ve makinenin çalışmasını etkileyebilecek tüm diğer koşulları kontrol edin. Hasar görmüşse kullanmadan önce makineyi tamir ettirin.** Kazaların çoğu, makine bakımının yeterli şekilde yapılmamasından kaynaklanır.
- **Kesici makineleri keskin ve temiz tutun.** Keskin kesim kenarlarına sahip, bakımı düzgün yapılmış kesim makineleri daha az sorun çıkarır ve kontrolü kolaydır.
- **Makineyi, aksesuarlarını ve makine uçlarını vb. çalışma şartlarını ve yapılacak işi dikkate alarak bu talimatlara uygun şekilde kullanın.** Makinenin kullanım amacı dışındaki işlerde kullanılması tehlikeli durumlara neden olabilir.
- **Tutma kollarını ve kavrama yüzeylerini kuru, temiz, benzin ve yağdan uzak tutun.** Kaygan tutma kolları ve kavrama yüzeyleri, makinenin beklenmeyen durumlarda güvenli bir şekilde tutulmasına ve kontrol edilmesine izin vermez.

AKÜ İLE ÇALIŞAN MAKİNE KULLANIMI VE BAKIMI

- **Sadece üretici tarafından belirtilen şarj cihazı ile şarj edin.** Bir akü türü için uygun olan şarj cihazı, başka bir akü ile kullanıldığında yangın riski oluşturabilir.
- **Makineleri sadece özel olarak tasarlanan akülerle birlikte kullanın.** Başka akü türlerinin kullanımı yaralanma ve yangın tehlikesi oluşturabilir.
- **Akünün kullanımında olmadığı durumlarda aküyü atas, bozuk para, anahtar, çivi, vida veya akü kutupları arasında kısa devre yapabilecek diğer metal nesnelere uzak tutun.** Akü kutuplarının kısa devre yapılması yangın veya yanıklara neden olabilir.
- **Kötü şartlar altında aküden sıvı akışı olabilir; bu sıvı ile temas etmekten kaçının. Yanlışlıkla temas edilirse etkilenen bölgeyi su ile yıkayın. Sıvı göze temas ederse ayrıca tıbbi yardım alın.** Aküden akan sıvı tahriş veya yanıklara neden olabilir.
- **Hasarlı veya üzerinde değişiklik yapılmış bir aküyü veya makineyi kullanmayın.** Hasarlı veya üzerinde değişiklik yapılmış aküler yangın, patlama veya yaralanma riskine neden olacak şekilde beklenmeyen davranışlar gösterebilir.
- **Aküyü veya makineyi ateşe veya aşırı sıcaklıklara maruz bırakmayın.** Ateşe veya 130°C'nin üzerindeki sıcaklıklara maruz kalması patlamaya neden olabilir.
- **Tüm şarj talimatlarına uyun ve aküyü veya makineyi talimatlarda belirtilen sıcaklık aralığının dışındaki sıcaklıklarda şarj etmeyin.** Hatalı veya belirtilen sıcaklık aralığının dışındaki sıcaklıklarda şarj etmek, aküye hasar verebilir ve yangın riskini artırır.

⚠ UYARI: Bu elektrikli aletle birlikte verilen tüm güvenlik uyarılarını, talimatları, resimli açıklamaları ve teknik özellikleri okuyun. Aşağıdaki talimatların tamamına uyulmaması elektrik çarpması, yangın ve/veya ciddi yaralanma ile sonuçlanabilir. Tüm uyarı ve talimatları gelecekte başvuru amacıyla muhafaza edin.

Tüm uyarı ve talimatları gelecekte başvuru amacıyla muhafaza edin.

EĞİTİM

- Talimatları dikkatle okuyun. Cihazın kumandalarını ve uygun kullanım şeklini öğrenin.
- Kullanım talimatları hakkında yeterli bilgiye sahip olmayan kişilerin veya çocukların cihazı kullanmasına asla izin vermeyin. Yerel yönetmelikler kullanıcının yaşını kısıtlayabilir.
- Operatör veya kullanıcının, diğer kişilerin veya eşyaların başına gelebilecek yaralanma veya hasarlardan sorumlu olduğunu unutmayın.

HAZIRLIK

- Makineyi asla yakınızdaki başkaları, özellikle de çocuklar veya evcil hayvanlar varken kullanmayın.
- Cihazı çalıştırırken daima göz koruması ve sağlam ayakkabı kullanın.
- Makine ile çevredeki insanlar arasında en az 15 m mesafe olmalıdır.
- Makineyi asla operatör hasta veya alkol veya diğer uyuşturucuların etkisi altındayken çalıştırmayın.

ÇALIŞMA

- Makineyi sadece gün ışığında veya iyi suni aydınlatma altında kullanın.
- Makineyi asla hasarlı koruyucu donanımla veya koruyucu donanım takılı değilken kullanmayın.
- Motoru sadece el ve ayaklar kesim araçlarından uzakta olduğunda çalıştırın.
- Makineyi daima güç kaynağından ayırın (örn. aküyü çıkarın).
 - makineyi gözetimsiz bıraktığınızda;
 - bir tıkanıklığı gidermeden önce;
 - makineyi kontrol etmeden, temizlemeye veya makine üzerinde çalışmaya başlamadan önce;
 - yabancı bir cisme çarptıktan sonra;
 - makine anormal bir sarsıntı gösterdiğinde.
- Kesme aletinden ellerde ve ayaklarda oluşabilecek yaralanmalara karşı özen gösterin.

- Havalandırma boşluklarında artık olmadığından emin olun.

BAKIM VE SAKLAMA

- Herhangi bir bakım veya temizlik işlemi gerçekleştirmeden önce, makinenin fişini prizden çekin (veya aküyü çıkartın).
- Sadece üretici tarafından önerilen yedek parça ve aksesuarları kullanın.
- Makineyi düzenli olarak kontrol edin ve bakımını yapın. Makinenin sadece yetkili bir uzman tarafından tamir edilmesini sağlayın.
- Kullanmadığınız zaman, makineyi çocukların ulaşamayacağı bir yerde saklayın.

DİĞER GÜVENLİK UYARILARI

- **Tehlikeli ortamlardan kaçının** – Cihazları nemli veya ıslak yerlerde kullanmayın.
- **Koruyucu donanımı yerinde ve çalışır durumda tutun.**
- **Ellerinizi ve ayaklarınızı kesim alanından uzak tutun.**
- **Yaralanma riskini azaltmak için, asla merdiven üzerinde ya da diğer herhangi bir güvenli olmayan destek üzerinde çalışmayın. Asla kesim ünitesini bel yüksekliğinin üzerinde tutmayın.**
- **Çalışma sırasında kesim ünitesini kısa aralıklarla düzenli olarak veya kesim işlevinde gözle görülür bir değişim varsa derhal kontrol edin.**
- **En iyi sonuçlar için akü, sıcaklığın 5°C'nin üzerinde ve 40°C'nin altında olduğu bir ortamda şarj edilmelidir. Açık havada veya araç içinde saklamayın.**
- **Çalışırken yanınıza yaklaşan kimselerin olması durumunda, motoru ve kesim ünitesini durdurun.**
- **Operatörü bıçağın kuvvetle itilme tehlikesine karşı uyarın (sadece 3 dişli bıçak ile kullanımda).**
 - Bıçağın kuvvetle itilmesi, döner bıçağın hemen kesemediği bir nesneyle temas etmesi durumunda meydana gelebilir.
 - Bıçağın kuvvetle itilmesi, cihazın ve/veya operatörün herhangi bir yönde itilerek cihaz kontrolünün kaybedilebileceği şiddette olabilir.
 - Bıçak takılır, durur veya dönmesi engellenirse uyarı olmaksızın bıçak kuvvetle itilebilir.
 - Bıçağın kuvvetle itilmesi olayı, kesilen malzemeyi görmenin zor olduğu bölgelerde daha çok meydana gelebilir.
- **Gerekli tüm parçaları düzgün bir şekilde monte etmeden makineye herhangi bir bıçak takmayın. Uygun parçaların kullanılmaması, bıçağın çıkararak**

TR

fırlamasına ve kullanıcı ve/veya üçüncü şahısların ciddi şekilde yaralanmasına neden olabilir. Kıvrılmış, bükülmüş, çatlaklı, kırılmış veya herhangi bir şekilde hasar görmüş bıçakları atın. Keskin bir bıçak kullanın. Kör bir bıçağın takılıp kuvvetle itilme olasılığı daha fazladır (sadece 3 dişli bıçak ile kullanımda).

- Boşta dönen bir bıçak/misina, motor durdurulduktan veya tetik bırakıldıktan sonra da dönmeye devam ettiğinden yaranamalara neden olabilir. Bıçak/misina tamamen duruncaya kadar cihazın kontrolünü bırakmayın.
- Pille çalışan aletlerin elektrik prizine takılmalarına gerek yoktur; bu nedenle bu tür aletler daima çalışmaya hazır durumdadır. Alet kullanılmadığı zaman dahi oluşabilecek muhtemel tehlikelere karşı dikkatli olun. Bakım veya onarım işlemleri sırasında dikkatli olun.
- Hortumla yıkamayın; motor ve elektrik bağlantılarına su kaçırılmaya dikkat edin.
- Bu kılavuzda yer almayan durumlar meydana gelirse, dikkatli ve sağlıklı davranın. Yardım için EGO Müşteri Hizmetleri Merkeziyle iletişime geçin.
- Sadece şek. A'da listelenen pil paketi ve şarj cihazlarını kullanın.

BU TALİMATLARI SAKLAYIN!

TEKNİK ÖZELLİKLER

Kesim Genişliği	30 cm
Yüksüz hız	5000/6000 min ⁻¹
Ağırlık	1,82 kg
Tavsiye Edilen Çalışma Sıcaklığı	0°C-40°C
Tavsiye Edilen Depolama Sıcaklığı	-20°C-70°C
Ölçülen ses güç düzeyi L _{WA}	96,5 dB(A) K=1,88 dB(A) (PH1400E)
	93,2 dB(A) K=0,35 dB(A) (PH1420E)
	91 dB(A) K=1,1 dB(A) (PHX1600)

TR

Operatör konumundaki ses güç düzeyi L _{PA}	84,5 dB(A) K=3 dB(A) (PH1400E)	
	83,9 dB(A) K=3 dB(A) (PH1420E)	
	83 dB(A) K=3 dB(A) (PHX1600)	
Garanti edilen ses güç düzeyi L _{WA} (2000/14/EC uyarınca ölçülmüş)	98 dB(A)	
Titreşim a _n	Ön Tutma Sapı	2,8 m/s ² K=1,6 m/s ² (PH1400E)
		4,14 m/s ² K=1,5 m/s ² (PH1420E)
		6,64 m/s ² K=1,5 m/s ² (PHX1600)
	Arka Tutma Sapı	3,1 m/s ² K=1,6 m/s ² (PH1400E)
		1,88 m/s ² K=1,5 m/s ² (PH1420E)
		2,61 m/s ² K=1,5 m/s ² (PHX1600)

- Yukarıdaki parametreler, PH1400E/PH1420E/PHX1600 elektrikli alet başlığı takılı olarak test edilmiş ve ölçülmüştür.
- Bildirilen toplam titreşim değeri standart test yöntemine uygun olarak ölçülmüştür ve bir cihazı diğer bir cihaz ile karşılaştırmak için kullanılabilir.
- Bildirilen toplam titreşim değeri ayrıca ön maruz kalma değerlendirmesinde de kullanılabilir.

UYARI: Elektrikli aletin gerçek kullanımı sırasında meydana gelen titreşim emisyonu aletin kullanım şekline bağlı olarak bildirilen değerden farklı olabilir; Operatörü korumak için, kullanıcı gerçek kullanım koşullarında eldiven ve kulak koruması takmalıdır.

Tavsiye Edilen Bıçak

PARÇAADI	MODEL NUMARASI
Çalı kesici bıçağı	ABB1203

AMBALAJ LİSTESİ

PARÇA ADI	MİKTAR
Çalı kesici aksesuarı	1
Bıçak ve bıçak kılıfı seti	1
Koruma	1
Koruyucu Aksesuar (SADECE budama başlığı ile kullanım için)	1
Alyen anahtar	1
Çok İşlevli Anahtar	1
Kullanma kılavuzu	1

AÇIKLAMA

ÇALI KESİCİNİZİ TANIYIN (Şek. A)

1. Uç Kapak
2. Çalı kesici mili
3. Koruma
4. Bıçak
5. Bıçak kılıfı
6. Kelepçeli Tel
7. Conta Vidası
8. Dişli Kutusu
9. Mil kilitleme deliği
10. Dış Flanş
11. Çok İşlevli Anahtar
12. Alyen Anahtar
13. Koruyucu Aksesuar (SADECE budama başlığı ile kullanım için)

⚠ UYARI: Aleti asla koruması düzgün şekilde takılı değilken kullanmayın. Koruyucu, kullanıcıyı korumak için daima alete takılı durumda olmalıdır!

⚠ UYARI: Cihaz misinalı biçme makinesi olarak kullanıldığında, bir kesim başlığı ile donatıldığında, koruma donanımı üzerine bir koruyucu monte edilmelidir. Böyle yapılmaması, aşırı uzun kesim ipine ve motorun aşırı yüklenmesine neden olabilir.

MONTAJ

⚠ UYARI: Hasarlı veya eksik parça varsa, bu parçalar değiştirilmeye kadar ürünü çalıştırmayın. Bu ürünün hasarlı veya eksik parçalar ile kullanılması ciddi kişisel yaralanmalara yol açabilir.

⚠ UYARI: Bu ürün üzerinde değişiklik yapmaya veya bu misinalı çim biçme makinesi ile kullanılması önerilmeyen aksesuarlar oluşturmaya çalışmayın. Bu tür değişiklikler veya modifikasyonlar hatalı kullanımdır ve ciddi kişisel yaralanmalara neden olabilen tehlikeli bir duruma sebep olabilir.

⚠ UYARI: Ciddi kişisel yaralanmalara neden olabilen yanlışlıkla çalışmayı önlemek için parçaları monte ederken aküyü mutlaka makineden çıkarın.

⚠ UYARI: Makinede çalı kesici başlığı varsa, emniyet bariyeri çubuğu monte edilmelidir.

KORUYUCUNUN MONTE EDİLMESİ

⚠ UYARI: Siperi monte ederken veya değiştirirken daima eldiven takın. Siper üzerindeki bıçağa ve elinizin kesilmemesine dikkat edin.

⚠ UYARI: Siper düzgün şekilde takılı değilken asla makineyi kullanmayın. Siper, kullanıcıyı korumak için daima makineye takılı durumda olmalıdır! Siper takılıyken, asla siperi çıkarmaya veya ayarlamaya çalışmayın, değiştirilmesi gerekirse, yetkili bir servis teknisyeni tarafından gerçekleştirilmelidir!

Mil tabanından iki vidayı gevşetin ve çıkarın (Şek. B), muhafaza montaj delikleri ile aksam deliklerini hizalayın ve ardından muhafazayı mil tabanına iki yaylı rondela ve iki vida ile sabitleyin (Şek. C).

Koruyucunun Şek. C ve D'ye uygun olarak monte edildiğinden emin olun, hatalı bir montaj büyük tehlikeye yol açar!

BIÇAĞIN TAKILMASI

1. Bıçak bir kılıf ile teslim edilir. Bıçağı çalı kesiciye monte etmeden önce kelepçeli tel, kılıf üzerindeki kancadan alınarak kılıf çıkarılmalıdır (Şek. E).

Şek. E parça açıklaması aşağıdaki gibidir:

E-1	Kanca
E-2	Kelepçeli Tel

2. İç flanştaki yuvayı vites kutusundaki mil kilitleme deliği ile hizalamak için dış flanş çevirin (Şek. F).

3. Sabitleyici olarak kullanmak için hizalanmış deliklere ürünle birlikte verilen alyen anahtarları yerleştirin (Şek. G).

Şek. F ve G parça açıklaması aşağıdaki gibidir:

F-1	Dişli Kutusu	F-3	Dış Flanş
F-2	Hizalanmış Mil-Kilit Delikleri	G-1	Sabitleyici

TR

4. Çalı kesici başlığını destek için sağlam bir yüzey üzerine yerleştirin. Bir elinizle çalı kesici milini, diğer elinizle çok işlevli anahtarı tutarak ve somunu dış flanşın üzerinde işaretli ok yönünde gevşeterek somunu ve dış flanşı çıkarın. Bu parçaları tekrar montaj için muhafaza edin (Şek. H).
5. Bıçak yüzeyinin iç flanş çıkıntısının yüzeyi ile aynı hizada olmasını sağlayarak bıçağı motor miline monte edin. Daha sonra dış flanşı ve somunu monte edin (Şek. I). Somunu **SAAT YÖNÜNÜN TERSİ YÖNDE** elle sıkın.

Şek. I parça açıklaması aşağıdaki gibidir:

I-1	İç Flanş Çıkıntısı	I-4	Dış Flanş
I-2	Motor Mili	I-5	Bıçak
I-3	Somun		

6. Dış flanşı döndürerek iç flanştaki yuvayı dışlı kutusundaki mil kilitleme deliği ile hizalayın ve alyen anahtarı önceki adımlarda (2 ve 3) gösterildiği gibi sabitleyici olarak kullanmak üzere hizalanan deliklere yerleştirin.
7. Çalı kesici başlığını destek için sağlam bir yüzey üzerine yerleştirin. Bir elinizle bıçağı, diğer elinizle çok işlevli anahtarı tutarak ve somunu dış flanşın üzerinde işaretli ok yönünün tersi yönde sıkarak sabitleyin (Şek. J).

Koruyucu Aksesuar Kullanımı

DİKKAT: Cihaz misinalı biçme makinesi olarak kullanıldığında, bir kesim başlığı ile donatıldığında, koruma donanımı üzerine bir koruyucu monte edilmelidir (Şek. K).

Koruyucu aksesuarı ürünle birlikte verilen alyen anahtar ile üç vidayı sıkarak koruyucu donanım üzerine sabitleyin. Böyle yapılmaması, aşırı uzun kesim ipine ve motorun aşırı yüklenmesine neden olabilir.

ÇALI KESİCİ AKSESUARININ ELEKTRİKLİ ALET BAŞLIĞINA BAĞLANMASI

Bu çalı kesici aksesuarı EGO Elektrikli Alet Başlığı PH1400E/PH1420E/PHX1600 ile kullanılmak üzere tasarlanmıştır.

PH1400E/PH1420E/PHX1600 elektrikli alet başlığı kullanım kılavuzunda yer alan **"ELEKTRİKLİ ALET BAŞLIĞINA AKSESUAR TAKMA"** bölümüne bakın.

ÇALIŞTIRMA

UYARI: Ürüne aşına olmanız sizi dikkatsiz yapmasın. İkinci dereceden bir dikkatsizliğin ciddi yaralanmalara neden olmak için yeterli olduğunu unutmayın.

UYARI: Daima yan siperleri olan göz koruması kullanın. Kulak koruması ile birlikte kullanın. Böyle yapılmaması sonucu gözlerinize fırlayan nesnelere ciddi kişisel yaralanmalara neden olabilir.

UYGULAMALAR

Bu ürünü aşağıdaki işlemler için kullanabilirsiniz:

- Maltlanmış çim, yabani ot, yabani bodur çalı ve makileri kesmek, maksimum kök çapı 2 cm olan genç ağaçları inceltmek.

DİKKAT: Makine sadece belirtilen kullanım amacına uygun kullanılmalıdır. Diğer kullanım şekilleri hatalı kullanım olarak kabul edilir.

ÇALI KESİCİ AKSESUARININ ELEKTRİKLİ ALET BAŞLIĞI İLE KULLANIMI

UYARI: Bu cihazı kullanırken yaralanma riskini azaltmak için uygun şekilde giyinin. Bol giysiler giymeyin veya takı takmayın. Göz ve kulak/işitme koruması takın. Dayanıklı, uzun pantolon, eldiven ve bot giyin. Kısa pantolon, sandalet giymeyin veya çıplak ayakla çalışmayın.

Güvenli ve daha iyi çalışma için, omzunuza omuz askısını takın. Omuz askısını rahat bir çalışma konumuna ayarlayın. Çalı kesiciyi bir elinizle arka tutma sapından ve diğer elinizle ön destek sapından tutarak kullanın. Çalışma sırasında makineyi her iki elinizle sıkıca tutun. Çalı kesici, arka tutma sapı kalça hizasında olacak şekilde rahat bir konumda tutulmalıdır. Tutuşunuzu ve her iki ayak üzerinde dengeyi koruyun.

Kesim bıçağının geri tepmesi ile dengeyi kaybetmeyecek şekilde kendinizi konumlandırın (Şek. B).

UYARI: Omuz askısı ayrıca tehlikeli durumlarda hızla çıkarılabilen bir mekanizmadır. Acil bir durumda, askıyı hangi şekilde takılı olursa olsun derhal omzunuzdan çıkarın.

Yabani bodur çalı ve makileri kesmek için, döner bıçağı çalıların üzerine indirerek doğrama etkisi elde edin. Çalı kesiciyi zemin seviyesinde normal tırpan gibi (sağa ve sola doğru süpürme hareketi ile) kullanın. Kesim aksesuarını bel yüksekliğinin üzerinde kullanmayın.

UYARI: Kesim aksesuarı yerden ne kadar yüksek tutulursa, yanal olarak yapılan kesimlerden yaralanma riski de o kadar artar.

⚠ UYARI: 2 cm'ye kadar çapa sahip genç ağaç/çalıları veya diğer ağaçları bitkileri keserken bıçağın kuvvetle itilmesini önlemek için bıçağın sol tarafını kullanın. Bıçak sıkışabileceği veya çalı kesiciyi ileri fırlatabileceği için daha büyük çapa sahip ağaçları bitkileri kesmeye çalışmayın. Aksi takdirde bıçak veya çalı kesici hasar görebilir veya çalı kesici kontrolü kaybedilerek kişisel yaralanmalar meydana gelebilir.

⚠ UYARI: Çalı kesici bıçağının hatalı kullanımı bıçağın çatlamasına, kırılmasına veya parçalanmasına neden olabilir.

Fırlayan parçalar operatörü veya üçüncü şahısları ciddi şekilde yaralayabilir. Kişisel yaralanma riskini azaltmak için, aşağıdaki önlemleri almanız önemlidir:

- Taş, kaya veya metal parçalar gibi sert veya katı yabancı nesnelere temastan kaçının.
- Asla 2 cm'den daha büyük kök çapına sahip odun veya çalılar kesmeyin.
- Düzenli aralıklarla bıçakta hasar izi olup olmadığını kontrol edin. Hasarlı bir bıçakla çalışmaya devam etmeyin.
- Bıçağı düzenli olarak bileyin (belirgin bir şekilde körelendiğinde) ve gerekirse balans ayarını yaptırın (uzman bir servis teknisyeni tarafından gerçekleştirilir).

BİÇAĞIN İTİLMESİ

Bıçağı bu cihazla birlikte kullanırken çok dikkatli olun. Bıçağın kuvvetle itilmesi, döner bıçak tarafından kesilemeyen herhangi bir şeyle temas durumunda ortaya çıkabilecek bir reaksiyondur. Bu temas, bıçağın anında durmasına ve cihazın çarptığı nesneden ani olarak uzağa "itilmesine" neden olabilir. Bu reaksiyon, operatörün cihaz üzerindeki kontrolünü kaybetmesine neden olacak şiddette olabilir. Bıçak takılır, durur veya dönmesi engellenirse uyarı olmaksızın bıçak itiş meydana gelebilir. Bu olay, kesilen malzemeyi görmenin zor olduğu bölgelerde daha çok olabilir. Kolay ve güvenli bir kesim için, çalı kesiciyle kesilen yabancı otlara sağdan sola doğru ilerleyerek yaklaşın. Beklenmeyen bir nesne veya odunsu çalı gövdesi ile karşılaştığında, bu uygulama bıçağın kuvvetle itilmesi reaksiyonunu en aza indirebilir.

Her kullanımdan önce hasarlı/aşınmış parça olup olmadığını kontrol edin.

Bıçağı, koruyucuyu ve ön tutma kolunu kontrol edin ve çatlak, kıvrılmış, eğik veya hasarlı parçaları değiştirin.

Bıçağın kenarı zamanla körelebilir. Bıçağın ömrünü uzatmak için bıçağı ters çevirmeniz veya periyodik olarak bilemeniz (uzman bir servis teknisyeni tarafından gerçekleştirilir) veya gerekirse yenisiyle değiştirmeniz önerilir.

Çalı kesiciyi her kullanımdan sonra temizleyin.

Temizleme talimatları için **BAKIM** bölümüne bakın.

⚠ UYARI: Çalı kesiciyi temizlemeden veya bakım-onarım işlemlerinden önce, bıçağın tamamen durduğundan emin olun. Aksi takdirde, ciddi kişisel yaralanmalar meydana gelebilir.

CİHAZI ÇALIŞTIRMA/DURDURMA

Elektrikli alet başlığı PH1400E/PH1420E/PHX1600'nin kullanım kılavuzundaki "ELEKTRİKLİ ALET BAŞLIĞINI ÇALIŞTIRMA/DURDURMA" bölümüne bakın.

BAKIM

⚠ UYARI: Cihazın kontrol, temizlik veya bakımından önce motoru durdurun ve tüm hareketli parçaların durmasını bekleyin, ardından pil takımını çıkarın. Bu talimatlara uyulmaması ciddi kişisel yaralanmalara veya maddi hasara yol açabilir.

⚠ UYARI: Bakım ve onarım sırasında birebir aynı yedek parçaları kullanın. Diğer parçaların kullanılması tehlike oluşturabilir veya ürünün hasar görmesine neden olabilir. Güvenliği ve güvenilirliği sağlamak için, tüm onarım işlemleri yetkili bir servis teknisyeni tarafından gerçekleştirilmelidir.

⚠ UYARI: Bıçağı takarken veya çıkarırken veya bıçak üzerinde herhangi bir bakım işlemi sırasında daima koruyucu eldivenler giyin. Bıçağa dikkat edin ve ellerinizi bıçak yaralanmalarından koruyun.

GENEL BAKIM

Plastik parçaları temizlerken çözücü maddeler kullanmaktan kaçının. Çoğu plastik malzeme çeşitli ticari çözücü türlerinden etkilenmeye yatkındır ve bu çözücü maddelerin kullanılması durumunda zarar görebilirler. Kir, toz, yağ, gres, vb. gidermek için temiz bez kullanın.

CİHAZIN TEMİZLENMESİ

- Pil paketini çıkarın
- Her kullanımdan sonra, bıçak ve muhafazanın üzerindeki kalıntıları, tıkanmış toprakları ya da çimleri yumuşak bir fırça ile temizleyin.

- Cihazın yüzeyini, yumuşak sabun çözümü ile nemlendirilmiş temiz bir bezle silin.
- Arka gövde üzerindeki hava deliklerini temizlemek için küçük bir fırça veya küçük elektrikli süpürge kullanın.
- Hava deliklerini tıkanmalara karşı temiz tutun.

Bıçak körelendiğinde (bıçağın her iki kenarı da keskinliğini kaybettiğinde) uzman bir servis teknisyeni tarafından bilenmesini sağlayın veya gerekirse yenisiyle değiştirin.

BIÇAĞI DEĞİŞTİRME

⚠ UYARI: Aşınmış, çatlamış veya hasarlı bir bıçak kırılabilir ve hasar görmüş bıçak parçaları mermi gibi fırlayarak tehlikeli olabilir. Fırlatılan nesnelere ciddi yaralanmalara yol açabilir. Bıçağı düzenli olarak kontrol edin ve çalı kesiciyi aşınmış veya hasarlı bir bıçakla çalıştırmayın.

⚠ UYARI: Bıçağı çıkarırken, bilerken ve takarken uygun göz koruması kullanın.

Bıçağı çıkarmak için

1. PİL paketini çıkarın.
2. Dış flanşı döndürerek iç flanştaki yuvayı dişli kutusundaki mil kilitleme deliği ile hizalayın ve alyen anahtarı önceki adımlarda ("**BIÇAĞIN TAKILMASI**") bölümü, adım 2 ve 3) gösterildiği gibi sabitleyici olarak kullanmak üzere hizalanan deliklere yerleştirin.
3. Çalı kesici başlığını destek için sağlam bir yüzey üzerine yerleştirin. Bir elinizle bıçağı, diğer elinizle çok işlevli anahtarı tutarak ve somunu dış flanşın üzerinde işaretli ok yönünde gevşeterek somunu, dış flanş ve aşınmış bıçağı çıkarın (Şek. L).
4. İç flanş ve flanş kapağını kontrol edin, aşınmışlarsa değiştirin (Şek. M).

Şek. M parça açıklaması aşağıdaki gibidir:

M-1	Motor Mili	M-5	Dış Flanş
M-2	İç Flanş	M-6	Somun
M-3	Flanş Kapağı	M-7	Flanştaki Yarık
M-4	Bıçak		

5. Yeni bıçağı, Şek. M içinde gösterilen sırayla motor miline takın. Ayrıntılı bilgi "**BIÇAĞIN TAKILMASI**" bölümü, adım 5, 6 ve 7 içinde verilmiştir.

TRANSMİSYON DIŞLİLERİNİN YAĞLANMASI

Dişli kutusundaki transmisyon dişlileri periyodik olarak dişli gres yağı ile yağlanmalıdır. Dişli kutusunun gres seviyesini her 50 saatlik çalışmada bir kutunun yanındaki sızdırmazlık vidasını sökerek kontrol edin.

Dişli kenarlarında hiçbir gres görülemezse, aşağıdaki adımları izleyerek dişliye 3/4 kapasiteye kadar gres basın.

Transmisyon dişlilerini tamamen doldurmayın.

1. Çalı kesiciyi conta vidası yukarı bakacak şekilde dik olarak tutun (Şek. N).
2. Verilen çok işlevli anahtarı kullanarak sızdırmazlık vidasını gevşetin ve sökün.
3. Vida deliğine az miktarda gres enjekte etmek için bir gres şırıngası (ürüne dahil değildir) kullanın.
4. Enjeksiyondan sonra sızdırmazlık vidasını sıkın.

CİHAZIN SAKLANMASI

- PİL takımını cihazdan çıkarın.
- Cihazı ayrıntılı olarak temizlemek için ağır hizmet eldivenleri giyin.
- Güvenli koruma sağlamak için bıçak kılıfını bıçağa takın (Şek. O).
- Çalı kesici aksesuarını elektrikli alet başlığından çıkarın ve gerekirse aksesuar mili terminaline uç kapağı takın.
- Cihazı çocukların ulaşamayacağı kuru, iyi havalandırılmış, kilitli veya yüksek bir yerde muhafaza edin. Cihazı gübre, benzin veya diğer kimyasal maddelerin yakınında saklamayın.

Çevre koruması



Elektrikli cihazları, kullanılmış aküleri ve şarj cihazını evsel atıklarla bertaraf etmeyin! Bu ürün yetkili bir geri dönüşüm merkezine götürün ve ayrı bir şekilde toplanmasını sağlayın. Elektrikli makineler çevreyle uyumlu bir geri dönüşüm tesisine iade edilmelidir.

SORUN GİDERME

SORUN	NEDENİ	ÇÖZÜM
Çalı kesici çalıştırılmıyor.	<ul style="list-style-type: none">■ Pil takımı elektrikli alet başlığına takılı değil.■ Elektrikli alet başlığı ve pil takımı arasında elektrik bağlantısı yok.■ Pil paketi boş.■ Kilitleme kolu ve tetiğe aynı anda basılmıyor.	<ul style="list-style-type: none">■ Pil takımını elektrikli alet başlığına takın.■ Pil takımını çıkarın, temas noktalarını kontrol edin ve yerine oturana kadar pil takımını yeniden takın.■ Pil takımını bu kılavuzda belirtilen EGO şarj cihazları ile şarj edin.■ Kilitleme kolunu basılı tutun, ardından tetiğe basarak çalı kesiciyi çalıştırın.
Çalı kesici kesim sırasında duruyor.	<ul style="list-style-type: none">■ Motor aşırı yüklenmiş.■ Pil takımı veya elektrikli alet başlığı çok sıcak.■ Pil paketi ile aletin bağlantısı kesilmiş.■ Pil paketi boş.	<ul style="list-style-type: none">■ Yük kaldırdığınızda motor normale dönecektir. Sürekli çalışma için elektrikli alet başlığının yükünü azaltın.■ Pil takımı veya elektrikli alet başlığı sıcaklığının 67°C 'nin altına düşmesini ve soğumasını bekleyin.■ Pil paketini yeniden takın.■ Pil takımını bu kılavuzda belirtilen EGO şarj cihazları ile şarj edin.

GARANTİ

EGO GARANTİ POLİTİKASI

EGO Garanti politikasına ilişkin tüm hüküm ve koşullar için, lütfen egopowerplus.eu adresindeki web sitemizi ziyaret edin.

TR

LUGEGE KÕIKI JUHISEID!



LUGEGE KASUTUSJUHENDIT

⚠ HOIATUS: Ohutuse ja töökindluse tagamiseks tohivad seda seadet remontida ainult vastava kvalifikatsiooniga hooldustehnikud.

OHUTUSSÜMBOLID

Ohutussümbolite eesmärk on tõmmata teie tähelepanu võimalikele ohtudele. Ohutussümbolitele ja nende juures olevatele seletustele tuleb korralikult tähelepanu pöörata ja need endale selgeks teha. Ohutussümbolid iseenesest ei kõrvalda ohu olemasolu. Nendega kaasnevad juhendid ja hoiatused ei asenda korralikke õnnetuste vältimise meetmeid.

⚠ HOIATUS: Enne käesoleva seadme kasutamist lugege kindlasti läbi ja tehke endale selgeks kõik Kasutusjuhendis toodud ohutusjuhised, sh kõik ohutussümbolid nagu „OHT”, „HOIATUS”, ja „ETTEVAATUST”. Kui te ei järgi kõiki allpool toodud juhiseid, võib tekkida elektrilöögi, tulekahju ja/või raske kehavigastuse oht.

SÜMBOLITE TÄHENDUSED

⚠ TURVATEATE SÜMBOL Tähistusega OHT, HOIATUS, või ETTEVAATUST. Võidakse kasutada koos teiste sümbolite või piktograafidega.



⚠ HOIATUS: Mis tahes elektriliste tööriistade kasutamine võib põhjustada võõrkehade paiskumist silma, mis võib põhjustada tõsiseid silmakahjustusi. Kandke elektriliste tööriistade kasutamise ajal alati külgkaitsetega kaitseprille ja vajadusel täielikku näokaitset. Soovitame kanda prillide peal laia vaatealaga kaitsemaski või tavalisi külgkaitsetega kaitseprille.

ET

OHUTUSJUHISED

Sel lehel on kujutatud ja kirjeldatud ohutusesümboliteid, mida võib käesolevalt tootelt leida. Enne, kui üritate masinat kokku panna ja kasutada, lugege, tehke omale selgeks ja järgige kõiki juhiseid.

	Ohutus-teade	Viitab kehavigastuste ohule.
	Lugege kasutus-juhendit	Vigastusohu vähendamiseks peab kasutaja enne toote kasutamist kasutusjuhendit lugema.
	Kandke kaitseprille	Kandke selle toote kasutamise ajal alati kaitseprille või külgkaitsetega kaitseprille ja täielikku näokaitset.
	Kasutage kõrvade kaitsevahendeid	Kuulmise kaitsmiseks kandke alati müratakistajaid (kõrvatroppesid või kõrvaklappe).
	Kandke tugevat peakatet	Pea kaitsmiseks kandke nõuetekohast tugevat materjalist peakatet.
	Kandke töökindaid	Sae ja saeketiga töötades kandke käte kaitsmiseks kindaid. Tugevad ja mittelibisevad materjalist kindad tugevdavad haaret ja kaitsevad käsi.
	Kandke turvajalanõusid	Tööriista kasutamisel kandke mittelibisevaid turvajalanõusid.
	Lõikelaius	Võsaloikuri maksimaalne lõikelaius
	Ettevaatust tera tagasilöögiga	Hoiatage seadme operaatortit tera tagasilöögi ohu eest.
	Ärge laske kellelgi töö ajal enda lähedal seista	Vahemaa seadme ja kõrvaliste isikute vahel peab olema vähemalt 15 m.

	Hoiduge viskuvate esemete eest	Võõrkehad võivad rikošetiga eemale paiskuda ja selle tagajärjeks võivad olla kehalised vigastused või vara kahjustumine.
	CE	Toode vastab rakendatavatele EÜ direktiividele.
	Enne hooldust ühendage aku lahti.	Enne hooldus- või puhastus- toimingu alustamist eemaldage jõhvtrimmerilt akuplokk.
	UKCA	See toode vastab asjakohastele UK seadustele.
	WEEE	Elektritoodete jäätmetest ei tohi vabaneda olmejäätmete seas. Viige heaks kiidetud taaskäitleja juurde.
	Müra	Tagatud helivõimsuse tase. Müraemissioon keskkonda vastavalt Euroopa Ühenduse direktiividele.
V	Volti	Pinge
mm	Millimeeter	Pikkus või suurus
cm	Sentimeeter	Pikkus või suurus
kg	Kilogramm	Kaal
n_0	Tühikäigu kiirus	Tühikäigu pöörlemiskiirus
min ⁻¹	Minutis	Pööret minutis

ÜLDISED MASINA OHUTUSHOIATUSED

⚠ HOIATUS! Lugege läbi kõik seadmega kaasas olevad hoiatused, juhised, joonised ja andmed. Alltoodud juhiste eiramine võib põhjustada elektrilööki, tulekahju ja/või tõsisid vigastusi.

SÄILITAGE HOIATUSED JA JUHISED HILISEMAKS KASUTUSEKS.

Hoiatuses olev mõiste „masin“ viitab teie vooluvõrguga juhitavale (juhtmega) masinale või akutoitega (juhtmeta) masinale.

TÖÖPIIRKONNA OHUTUS

- **Tööpiirkond peab olema puhas ja hästi valgustatud.** Täis kuhjatud või valgustamata tööpiirkonnad võivad põhjustada õnnetusi.
- **Ärge kasutage masinaid plahvatusohtlikus keskkonnas, kus leidub nt tuleohtlikke vedelikke, gaase või tolmu.** Masinad tekitavad sädemeid, mis võivad süüdata tolmu või aurusi.
- **Elektritööriistadega töötamisel hoidke lapsed ja kõrvalised isikud eemal.** Tähelepanu hajumisel võite kaotada kontrolli seadme üle.

ELEKTRIOHUTUS

- **Elektritööriistad tuleb ühendada sobivasse pistikupesasse. Ärge kunagi modifitseerige pistikut mitte mingil viisil. Ärge kasutage maandatud pistikuadapereid koos Modifitseerimata pistikut ja sobivad pistikupesad vähendavad elektrilöögi ohtu.**
- **Vältige kehalist kontakti maandatud pindadega (nt torud, radiaatorid, katted, külmikud).** Kui teie keha on maandatud, suureneb elektrilöögi oht.
- **Ärge kasutage seadet vihmase ega niisketes tingimustes.** Seadmesse sattuv vesi võib suurendada ohtu elektrilöögiks või seadme rikkeks, mis võivad põhjustada kehavigastusi.
- **Ärge kahjustage juhet. Ärge kasutage juhet laadija kandmiseks või tõmbamiseks ja ärge tõmmake juhtmest, kui soovite pistikut pistikupesast eemaldada.** Vältige juhtme kokkupuudet kuumade esemete, õli, teravate servade või liikuvate osadega. Kahjustatud või puntras juhe suurendab elektrilöögi ohtu.
- **Elektritööriistaga välitingimustes töötamiseks kasutage välitingimustes sobivat pikendusjuhet.** Välitingimustes sobiva juhtme kasutamine vähendab elektrilöögi ohtu.
- **Kui peate kindlasti seadet märjas kohas kasutama, kasutage toiteallikat, millel on rikkevoolukaitselüliti (GFCI).** Rikkevoolukaitselüliti kasutamine vähendab elektrilöögi ohtu.

ET

ISIKLIK OHUTUS

- **Olge tähelepanelik, töötage hoolikalt ja kasutage tervet mõistust.** Ärge kasutage elektritööriista, kui olete väsinud, või rohtude, alkoholi või narkootikumide mõju all. Isegi hetkeline tähelepanematus masina kasutamise ajal võib põhjustada tõsisid vigastusi.
- **Kasutage isikukaitsevahendeid. Kandke alati silmakaitsevahendeid.** Töötingimustele vastava kaitsevarustuse (nt tolmu maski, mittelibivate turvajalanõude, kiivri või kuulmiskaitsevahendite) kasutamine vähendab kehavigastuste ohtu.

- **Vältige seadme tahtmatut käivitamist.** Enne tööriista vooluvõrgu ja/või akuplokiga ühendamist ning enne tööriista kandmist või üles tõstmist veenduge, et lüliti on mitteaktiivses asendis. Seadmete kandmine sõrme lülilil hoides või aktiivses olekus lülitiga põhjustab õnnetusi.
 - **Enne tööriista sisselülitamist eemaldage sellelt kõik reguleerimis- ja mutrivõtmed.** Elektritööriista pöörleva osa külge unustatud võtmed vms tööriistad võivad põhjustada kehavigastusi.
 - **Ärge küünitage liiga kaugele.** Töötage ainult kindlal pinnal ja kohtades, kus pole ohtu tasakaalu kaotada. Nii säilitate ootamatutes olukordades elektritööriista üle parema kontrolli.
 - **Riietuge asjakohaselt.** Ärge kandke ehteid ega avaraid riideid. Vältige oma juuste ja riiete kokkupuudet liikuvate osadega. Liiga avarad riided, ehted ja pikad juuksed võivad liikuvate osade vahele kinni jääda.
 - **Kui tootega on kaasas vahendid tolmuärastus- ja kogumisseadmete ühendamiseks, siis veenduge, et need seadmed on korralikult ühendatud ja asjakohases kasutuses.** Tolmukogumisseadmete kasutamine vähendab tolmu seotud ohtusid.
 - **Isegi kui seade on teile sagedase kasutamise tulemusel harjumuspäraseks saanud, ärge laske ennast lõdvaks ega ignoreerige tööriista kasutamise ohutusreegleid.** Hooletuse tõttu võite saada tõsisid vigastusi ka sekundi murdosa jooksul.
- ### SEADME KASUTAMINE JA HOOLDUS
- **Ärge avaldage seadmele jõudu.** Kasutage konkreetseks tööks sobivat elektritööriista. Sobiva elektritööriistaga sobival kiirusel töötades saate töö tehtud kiiresti ja ohutult.
 - **Ärge kasutage seadet, mida ei saa lülitist sisse ega välja lülitada.** Tööriist, mille lüliti ei tööta, on ohtlik ja tuleb parandada.
 - **Eemaldage pistik vooluvõrgust ja/või akuplokk seadme küljest, kui see on eemaldatav, enne seadme kohandamist, tarvikute vahetamist või elektritööriista hoiustamist.** Selliste ohutusmeetmete rakendamisel vähendate elektritööriista tahtmatu käivitamise ohtu.
 - **Hoidke seisvat seadet lastele kättesaamatus kohas ja ärge lubage seadet kasutada isikutel, kes ei tunne seadet ega neid juhiseid.** Seadmed on väljaõppeta isikute käes ohtlikud.
 - **Hooldage nii elektritööriista kui tarvikuid.** Kontrollige, kas komponendid on korrektsest joondatud ja ega ükski osa paindunud pole ning jälgige ka muid aspekte, mis võiksid masina omadusi mõjutada. Kui see on kahjustatud, laske masin enne kasutamist parandada. Paljude õnnetuste põhjuseks on kehvasti hooldatud masinad.
 - **Hoidke löiketööriistad teravad ja puhtad.** Korralikult hooldatud ja teravate servadega löiketööriistad ei kiilu nii kergesti kinni ja on lihtsamini kontrollitavad.
 - **Kasutage seadet, selle tarvikuid, tööriistaosi jm vastavalt käesolevale juhendile, võttes arvesse töötingimusi ja teostatavat tööd.** Masina mittesihipärane kasutamine võib põhjustada ohtlikke olukordi.
 - **Hoidke käepidemed ja haardepinnad kuivad ja puhtad ning vältige neile õli ja rasva sattumist.** Libedad käepidemed ja haardepinnad takistavad seadme ohutut kasutamist ning ootamatutes olukordades käsitsemist.
- ### AKUSEADME KASUTAMINE JA HOOLDUS
- **Kasutage laadimiseks ainult tootja poolt ette nähtud laadijaid.** Akulaadija, mis sobib teatud tüüpi akuplokkidele, võib põhjustada tulekahju ohtu, kui kasutada seda mõne teise akuplokiga.
 - **Kasutage seadmeid ainult nende jaoks ette nähtud akuplokkidega.** Mõne muu akuploki kasutamine võib põhjustada vigastuste ja tulekahju ohtu.
 - **Kui akut ei kasutata, hoidke seda eemal muudest metallesemetest nagu kirjaklambrid, mündid, võtmed, naelad, kruvid ja muud väikesed metallesemad, mis võivad klemmide vahel ühenduse luua.** Akuklemmide lühiühendus võib põhjustada põletushaavu ja tulekahju ohtu.
 - **Valedes tingimustes kasutamisel võib akut vedelikku välja tulla; vältige kokkupuudet sellega.** Kokkupuute korral loputage veega. Kui vedelik satub silma, pöörduge lisaks ka arsti poole. Akust erituv vedelik võib põhjustada ärritust või põletusi.
 - **Ärge kasutage kahjustunud või modifitseeritud akuplokki või tööriista.** Kahjustunud või modifitseeritud akud võivad toimida ettearvamatu, mille tagajärjeks võib olla tulekahju, plahvatus või vigastuste oht.
 - **Vältige akuploki või tööriista kokkupuudet tule või liiga kõrge temperatuuriga.** Kokkupuude lahtise tule või temperatuuriga üle 130 °C võib põhjustada plahvatuse.
 - **Järgige kõiki laadimisjuhiseid ja ärge laadige akuplokki või tööriista vale temperatuuri juures (vt juhiseid).** Valesi või valel temperatuuril laadimine võib kahjustada akut ja suurendada tulekahju ohtu.

⚠ HOIATUS! Lugege läbi kõik elektritööriistaga kaasas olevad hoiatused, juhised, joonised ja andmed. Alltöödud juhiste eiramine võib põhjustada elektrilööki, tulekahju ja/või tõsiseid vigastusi. Säilitage hoiatused ja juhised hilisemaks kasutuseks.

Säilitage hoiatused ja juhised hilisemaks kasutuseks.

KOOLITUS

- Lugege juhend hoolikalt läbi. Tutvuge juhtseadmetega ja seadme korrektse kasutamise põhimõtetega.
- Ärge lubage seadet kasutada inimestel, kes pole tutvunud käesoleva juhendiga, ega lastel. Kohalikud seadused võivad seada seadme kasutajatele vanusepiiranguid.
- Pidage meeles, et seadme kasutaja vastutab teiste inimeste või nende varaga juhtuvate õnnetuste eest.

ETTEVALMISTUS

- Ärge kasutage seadet teiste inimeste, eriti laste või loomade läheduses.
- Töö ajal kasutage alati silmade kaitsevahendeid ja tugevaid jalanõusid.
- Vahemaa seadme ja kõrvaliste isikute vahel peab olema vähemalt 15m.
- Seadet ei tohi kasutada, kui selle kasutaja on väsinud, haige või alkoholi või teiste ainete/ravimite mõju all.

SEADME KASUTAMINE

- Kasutage seadet ainult päevasel ajal või hea kunstliku valgustusega.
- Ärge kasutage seadet, mille kaitsepiirded või -katted on kahjustatud või puuduvad.
- Mootori sisselülitamisel hoidke käed ja jalad lõikedetailidest eemal.
- Ühendage seade alati toiteallikast lahti (st. eemaldage akuplokk):
 - kui jätate selle järelevalveta.
 - enne ummistuse eemaldamist;
 - enne seadme kontrollimist, puhastamist või seadistamist;
 - pärast vöörikehaga pörkimist;
 - kui seade hakkab ebanormaalselt vibreerima.
- Jälgige, et lõikeseadmed ei vigastaks teie käsi või jalgu.
- Jälgige, et ventilatsioonivad oleksid kogu aeg puhtad.

HOOLDUS JA HOIUSTAMINE

- Enne hooldus- või puhastustoimingute alustamist eemaldage seade toiteallikast (s.t eemaldage akuplokk).

- Kasutage ainult tootja soovitatud varuosi ja tarvikuid.
- Kontrollige ja hooldage seadet regulaarselt. Laske seadet remontida ainult volitatud remonditöökojas.
- Kui seadet ei kasutata, hoidke seda lastele kättesaamatus kohas.

MUUD OHUTUSHOIATUS

- Vältige ohtlikke keskkondi – ärge kasutage seadmeid niisketel või märgadel kallakutel.
- Hoidke piirded omal kohal ja töökorras.
- Hoidke käed ja jalad tööpiirkonnast eemal.
- Vigastuste esinemise ohu vähendamiseks ärge kunagi kasutage seda seadet, kui seisate redelil või muul ebakindlal pinnal. Ärge kunagi hoidke lõiketarvikut vöökohast kõrgemal.
- Kontrollige lõiketarviku seisukorda töötamise ajal regulaarselt ja sagedasti või kohe, kui ilmneb märgatav muutus lõikeseadmete töös.
- Parimate tulemuste saavutamiseks tuleks laadida akut keskkonnas, mille temperatuur jääb vahemikku 5° C kuni 40° C. Ärge hoiustage akut välitingimustes või sõidukites.
- Kui keegi teile läheneb, seisake mootor ja lõiketarvik kohe.
- Hoiatage seadmega töötavat inimest tera tagasilöögi ohu eest (ainult 3-teralise lõiketera kasutamisel).
 - Tera tagasilöök võib esineda siis, kui pöörlev lõiketera puutub kokku esemega, mida see kohe läbi ei löika.
 - Tera tagasilöök võib olla piisavalt tugev, et tööriista ja/või sellega töötavat isikut suvalises suunas paisata ning võib juhtuda, et töötaja kaotab seadme üle kontrolli.
 - Tera tagasilöök võib tekkida ootamatult, kui tera puruneb, seiskub või paindub.
 - Tera tagasilöögi esinemine on tõenäolisem piirkondades, kus löigatavat materjali on raske näha.
- Ärge paigaldage seadme külge ühtegi tera ilma kõigi nõutavate osadeta. Õigete osade kasutamata jätmise korral võib tera seadme küljest minema paiskuda ning sellega töötavat isikut ja/või kõrvalisi isikuid tõsiselt vigastada. Visake ära kõik paindunud, kõverdunud, pragunenud, katkised või muul moel kahjustunud terad. Kasutage teravaid lõiketerasid. Nüri lõiketera võib kergemini puruneda või tagasilööki anda (ainult 3-teralise lõiketera kasutamisel).
- Tühikäigul pöörlev tera võib tekitada vigastusi, sest see jätkab pöörlemist ka siis, kui mootor on peatunud ja päästik vabastatud. Säilitage kontroll seadme üle kuni tera on pöörlemise täielikult lõpetanud.

- Akuga töötavaid tööriistu pole vaja vooluvõrku ühendada, seega on nad alati töörežiimis. Olge teadlik võimalikest ohtudest ka ajal, mil tööriist pole sisse lülitatud. Seadme hooldamise või remontimise ajal olge ettevaatlik.
- Ärge peske seadet vooliku abil, vältige vee sattumist mootoris ja elektriühenduste peale.
- Kui esineb olukordi, mida pole käesolevas juhendis kirjeldatud käituge hoolsalt ja lähtuge tervest mõistusest. Küsige abi EGO hoolduskeskusest.
- Kasutage ainult joonisel A esitatud akuplokke ja laadijaid.

HOIDKE SEE KASUTUSJUHEND ALLES!

SPETSIFIKATSIOONID

Lõikelaius	30 cm
Tühikäigu kiirus	5000/6000 min ⁻¹
Mass	1,82 kg
Soovituslik töökeskkonna temperatuur	0°C-40°C
Soovituslik hoiustamise temperatuur	-20°C-70°C
Möödetud helirõhu tase L _{WA}	96,5 dB(A) K=1,88 dB(A) (PH1400E)
	93,2 dB(A) K=0,35 dB(A) (PH1420E)
	91 dB(A) K=1,1 dB(A) (PHX1600)
Helirõhk seadme operaatori kõrva juures L _{PA}	84,5 dB(A) K=3 dB(A) (PH1400E)
	83,9 dB(A) K=3 dB(A) (PH1420E)
	83 dB(A) K=3 dB(A) (PHX1600)
Garanteeritud helirõhk L _{WA} (möödetud vastavalt 2000/14/EN)	98 dB(A)

ET

Vibratsioon a _h	Eesmine abikäepide	2,8 m/s ² K=1,6 m/s ² (PH1400E)
		4,14 m/s ² K=1,5 m/s ² (PH1420E)
		6,64 m/s ² K=1,5 m/s ² (PHX1600)
	Tagumine käepide	3,1 m/s ² K=1,6 m/s ² (PH1400E)
		1,88 m/s ² K=1,5 m/s ² (PH1420E)
		2,61 m/s ² K=1,5 m/s ² (PHX1600)

- Ülaltoodud parameetreid on testitud ja mõõdetud rakendatud tööriistapeaga PH1400E/PH1420E/PHX1600;
- Ametlik vibratsioonitaseme näit on mõõdetud standardsete testmeetodite kohaselt ja seda võidakse kasutada erinevate tööriistade võrdlemiseks.
- Ametiikku vibratsioonitaseme näitu võib kasutada ka algse kokkupuutehinnangu andmiseks.

MÄRKUS: Tegelikul kasutamisel tekkiv vibratsioonitase või ametlikult märgitust erineda; turvalisuse eesmärgil peaks seadme kasutaja kandma kindaid ja kuulmiskaitsemeid.

Soovituslik tera

OSA NIMI	MUDELI NUMBER
Võsalõikuri tera	ABB1203

PAKENDI LOEND

OSA NIMI	KOGUS
Tarvik: võsalõikur	1
Terade ja terakatete komplekt	1
Piire	1
Kaitse lisatarvik (kasutamiseks AINULT trimmeripeaga)	1
Õlarihm	1
Multifunktsionaalne mutrivõti	1
Kasutusjuhend	1

KIRJELDUS

TUNNE OMA TARVIKUT – VÕSALÕIKUR (Joon. A)

1. Otsakork
2. Võsalõikuri vars
3. Piire
4. Tera
5. Tera kaitse
6. Kinnitustraad
7. Kinnituskruvi
8. Ülekandesüsteemi korpus
9. Varre fikseerimise auk
10. Välimine äärrik
11. Mitmefunktsiooniline mutrivõti
12. Kuuskantvõti
13. Kaitse lisatarvik
(kasutamiseks AINULT trimmeripeaga)

⚠ HOIATUS: Ärge kasutage tööriista, mille turvapiire pole korrektselt paigaldatud. Kasutaja kaitsmiseks peab kaitse alati tööriista küljes olema.

⚠ HOIATUS: Kui kasutate tööriista trimmeripea ja jõhviga varustatud trimmerina, tuleb kaitsele paigaldada ka kaitse lisatarvik. Lisatarviku paigaldamata jätmise tulemuseks võib olla liiga pikk jõhv ning mootori ülekoormus.

SEADE

⚠ HOIATUS: Kui mõni osa on kahjustatud või puudub, ärge kasutage seadet enne kui see osa on parandatud. Kasutades kahjustatud või vajalike komponentideta seadet, võite saada raskeid vigastusi.

⚠ HOIATUS: Ärge üritage seadet ümber ehitada ega kasutada lisaseadmeid, mis pole mõeldud kasutamiseks selle trimmeriga. Kõik niisugused muudatused loetakse väärkasutuseks ja need võivad põhjustada ohtlikke olukordi, mis lõppevad raskete vigastustega.

⚠ HOIATUS: Raskeid vigastusi põhjustada võiva juhusliku käivitamise vältimiseks eemaldage masina osade kokkupaneku ajaks alati akuplokk.

⚠ HOIATUS: Kui masin on varustatud võsalõikuri peaga, siis tuleb paigaldada ka kaitsetõkke moodul.

PIIRDE PAIGALDAMINE

⚠ HOIATUS: Piirde paigaldamise või vahetamise ajal kasutage alati kindaid. Jälgige tera liikumist ja olge ettevaatlik, et te ei vigastaks oma käsi.

⚠ HOIATUS: Ärge kasutage masinat, mille kaitsepiire pole korrektselt paigaldatud. Kasutaja turvalisuse huvides peab kaitsepiire masinale kogu aeg kinnitatud olema. Kaitsepiirde paigaldamise järgselt ärge kunagi üritage seda eemaldada ega kohandada. Väljavahetamise vajaduse korral peab seda tegema kvalifitseeritud tehnik!

Kruvige lahti kaks võlli aluse (joon. C) küljes olevat kruvi, joondage aluse kinnitusaugud kaitse detaili aukudega ja kinnitage kaitse detail aluse külge kahe kruvi ja kahe seibiga (joon. D)

Veenduge, et kaitse detail on kinnitatud vastavalt joonistele C ja D antud juhistele. Juhiste mittejärgimine tekitab väga ohtliku olukorra!

TERA PAIGALDAMINE

1. Tera tarnitakse koos kaitsmega. Enne tera võsalõikuri külge paigaldamist tuleb eemaldada kaitse ja selleks tuleb kinnitustraad kaitsmel oleva konksu tagant lahti ühendada (Joon. E).

Jooniste E osade kirjeldus, vt allpool:

E-1	Konks
E-2	Kinnitustraad

2. Keerake välimist äärrikut, et joondada sisemine äärrik ülekandesüsteemi korpus oleva varda fikseerimise auguga (Joon. F).
3. Sisestage seadmega kaasas olev kuuskantvõti joondatud aukudesse, et see funktsioneeriks stabilisaatorina (Joon. G).

Joon. F ja G osade kirjeldus:

F-1	Ülekandesüsteemi korpus	F-3	Välimine äärrik
F-2	Joondatud varda fikseerimise augud	G-1	Stabilisaator

4. Asetage võsalõikuri pea toetamise eesmärgil kindla pinna vastu. Hoidke ühe käega võsalõikuri varrest ja haarake teise käega seadmega kaasas olev multifunktsionaalne mutrivõti, et vabastada mutter välimisele äärrikule märgitud noole suunas ning eemaldage mutter ja välimine äärrik. Hoidke need taaskoostamise jaoks alles (Joon. H).
5. Paigaldage lõiketera mootoriosa külge ja veenduge, et tera pind on sisemise äärriku kumerusega ühetasa. Jätkake välimise äärriku ja mutri paigaldamisega (Joon. I). Keerake mutrit käsitsi **VASTUPÄEVA**.

Jooniste I osade kirjeldus, vt allpool:

I-1	Sisemise äärriku kumerus	I-4	Välimine äärrik
I-2	Mootoriosa	I-5	Tera
I-3	Mutter		

ET

6. Keerake välimist äärikut, et joondada sisemine äärik ülekandesteemi korpuses oleva varda fikseerimise auguga ning sisestage seadmega kaasas olev kuuskantvõti joondatud aukudesse, et see funktsioneeriks stabilisaatorina, samamoodi kui eelnevas 2. ja 3. juhises.
7. Asetage võsalõikuri pea toetamise eesmärgil kindla pinna vastu. Hoidke ühe käega lõiketerast ja haarake teise käega seadmega kaasas olev multifunktsionaalne mutrivõti, et keerata kinni mutter välimisele äärikule märgitud noole suhtes vastassuunas (Joon. J).

Kaitse lisatarviku kasutamine

MÄRKUS: Kui kasutate tööriista trimmeripea ja jõhviga varustatud trimmerina, tuleb kaitsele paigaldada ka kaitse lisatarvik (Joon. K).

Kinnitage kaitse lisatarviku kaitsme külge, keerates seadmega kaasas oleva kuuskantvõtme abil kinni kolm kruvi. Lisatarviku paigaldamata jätmise tulemuseks võib olla liiga pikk jõhv ning mootori ülekoormus.

VÕSALÕIKURI ÜHENDAMINE TÖÖRIISTAPEAGA

See võsalõikur on mõeldud kasutamiseks EGO tööriista-peaga PH1400E/PH1420E/PHX1600.

Lugege tööriistapea PH1400E/PH1420E/PHX1600 kasutusjuhendist jaotist "TARVIKU PAIGALDAMINE TÖÖRIISTAPEA KÜLGE".

KASUTAMINE

⚠ HOIATUS: Ärge muutuge toodet tundma õppides hooletuks. Pidage meeles, et raskeid vigastusi põhjustavaks õnnetuseks piisab ka sekundi murdosa pikkusest tähelepanematuses.

⚠ HOIATUS: Kandke alati küljekaitsega turvaprilile. Koos kuulmiskaitsega. Vastasel korral võib teile midagi silma lennata ja võite saada ka muud laadi raskeid vigastusi.

RAKENDUSED

Seda toodet võib kasutada järgnevatel eesmärkidel:

- Rohu, umbrohu, metsiku juurdekasvu ja võsa lõikamine, maksimaalselt 2 cm tüveläbimõõduga noorte puistute harvendamine.

MÄRKUS: Seadet tohib kasutada vaid käesolevas juhendis lubatud eesmärgil. Igasugust muud kasutust loetakse väärkasutuseks.

VÕSALÕIKURI KASUTAMINE KOOS TÖÖRIISTAPEAGA

⚠ HOIATUS: Kandke sobivat riietust, et vältida trimmeri kasutamise käigus vigastuste teket. Ärge kandke ehteid ega avaraid riideid. Kandke nägemis- ja kuulmiskaitsevahendeid. Kandke tugevast materjalist pikki pükse, saapaid ja kindaid. Ärge kandke lühikesi pükse või sandaale ega töötage paljajalu.

Ohutu ja parema kasutamiskogemuse jaoks asetage õlarihm üle õla. Kohandage õlarihma nii, et teil oleks mugav töötada. Hoidke võsalõikurit ühe käega tagumisesest käepidemest ja teise käega eesmisest abikäepidemest. Seadmega töötamise ajal hoidke mõlema käega kindlalt käepidemetest kinni. Hoidke võsalõikurit mugavas asendis, nii et tagumine käepide jääb umbes puusade kõrgusele. Säilitage haare ja tasakaal mõlemal jalal. Paigutage ennast nii, et lõiketera tagasiööki ei lükkaks teid tasakaalust välja (Joon. B).

⚠ HOIATUS: Õlarihm on ohusituatsioonides ka kiirvabastusmehhanismiks. Õnnetuse korral võtke see koheselt ära, ükskõik millises asendis rihm on.

Metsiku juurdekasvu ja võsa lõikamiseks liigutage pöörlevat tera otse allapoole võsa kohale ja saavutate hakkimise efekti. Maapinnal saate kasutada võsalõikurit vikatina (liigutage seda paremale ja vasakule). Ärge kasutage lõiketarvikut vöökohast kõrgemal.

⚠ HOIATUS: Mida kõrgemal maapinnast on lõiketarvik, seda suurem on küljele lendavate tükkide tekitatud vigastuste esinemise oht.

⚠ HOIATUS: Kuni 2 cm läbimõõduga noorte puistute või muude puiste materjalide lõikamisel kasutage tera tagasiöögi ennetamiseks tera vasakut poolt. Ärge katsetage suurema läbimõõduga puise materjali lõikamist, sest tera võib kinni jääda või võsalõikurit ettepoole tõmmata. See võib kahjustada tera või võsalõikurit või põhjustada kontrolli kaotamist võsalõikuri üle või tekitada vigastusi inimestele.

⚠ HOIATUS: Võsalõikuri tera ebasobiv kasutamine võib põhjustada selle pragunemist, murdumist või purunemist.

Lendavad osad võivad seadme operaatorit või kõrvalisi isikuid tõsiselt vigastada. Vigastuste ennetamiseks on oluline järgida järgmisi ettevaatusabinõusid:

- Vältige kontakti kõvade ja tugevate võõrkehade, nt kivide, kaljunukkide või metallitükkidega.
- Ärge kunagi lõigake puitu või võsa, mille läbimõõt on suurem kui 2 cm.
- Kontrollige tera võimalikku kahjustumist regulaarselt, väikeste intervallidega. Ärge jätkake töötamist kahjustunud teraga.

- Teritage tera regulaarselt (kui see on märgatavalt nüriks muutunud) ning vajadusel laske seda tasakaalustada (ametlikus hoolduskeskuses).

TERA TAGASILÖÖK

Selle seadme ja teraga töötamisel tuleb olla äärmiselt ettevaatlik. Tera tagasilöök võib esineda siis, kui pöörlev tera puutub vastu objekti, mida see ei suuda lõigata. See kokkupuude võib põhjustada tera hetkelist peatumist ning äkilist tabatud objektist eemale tõukumist. See võib olla piisavalt tugev, et võib juhtuda, et operaator kaotab seadme üle kontrolli. Tera tagasilöök võib tekkida ootamatult, kui tera puruneb, seiskub või paindub. Selle esinemine on tõenäolisem piirkondades, kus lõigatavat materjali on raske näha Lõikamise lihtsustamise ja ohutuse seisukohalt tuleb võsalõikuriga lõigatavale umbrohule läheneda suunaga paremalt vasakule. Ootamatu eseme või puise materjaliga kokkupuutumisel võib see praktika tera tagasilööki minimeerida.

Enne iga kasutuskorda kontrollige seadme kahjustumist / kulumist.

Kontrollige tera, kaitset ja eesmist abikäepidet ning vahetage välja kõik pragunenud, kõverdunud, paindunud või ükskõik millisel moel kahjustunud osad.

Tera võib aja jooksul nüriks muutuda. Tera eluea pikendamiseks soovime seda ümber keerata ja regulaarselt teritada (ametlikus hoolduskeskuses) või vajadusel tera välja vahetada.

Puhastage võsalõikurit pärast iga kasutuskorda.

Puhastamise juhised leiате jaotisest **HOOLDUS**.

⚠ HOIATUS: Enne võsalõikuri puhastamist või hooldamist veenduge, et tera on täielikult peatunud. Nõude mittejärgimine võib tuua kaasa võimalikud tõsised vigastused.

TÖÖRIISTA KÄIVITAMINE / PEATAMINE

Lugege tööriistapea PH1400E/PH1420E/PHX1600 kasutusjuhendist jaotist "**TÖÖRIISTAPEA KÄIVITAMINE / PEATAMINE**".

HOOLDUS

⚠ HOIATUS: enne seadme kontrolli, puhastamist või hooldust tuleb mootor peatada ja oodata kõigi liikuvate osade peatumist ja eemaldada akupakk. Juhiste mittejärgimine võib põhjustada tõsise vigastuse või varalise kahju.

⚠ HOIATUS: Remontimisel kasutage vaid originaalvaruosi. Mis tahes muude osade kasutamine võib põhjustada ohtlikke olukordi või seadet vigastada. Ohutuse ja töökindluse tagamiseks tohivad seda seadet remontida ainult vastava kvalifikatsiooniga hooldustehnikud.

⚠ HOIATUS: Tera või kaitse paigaldamisel või eemaldamisel ning tera hooldustööde teostamisel kandke alati tugevast materjalist kindaid. Olge teraga ettevaatlik ja kaitske oma käsi lõikevigastuste eest.

ÜLDINE HOOLDUS

Vältige plastosade kasutamisel lahustite kasutamist. Enamik plastmasse on kaubanduslike lahustite suhtes tundlikud ja võivad nende kasutamisel kahjustada saada. Kasutage mustuse, tolm, õli, rasva jm eemaldamiseks puhast lappi.

SEADME PUHASTAMINE

- Eemaldage aku
- Pärast iga kasutuskorda puhastage tera ja kaitse prahist, kinni jäänud mullast või rohusid pehme harjaga.
- Pühkige tööriista pinda leebes seebilehuses niisutatud puhta lapiga.
- Korpuse tagumisel küljel asuvate ventilatsioonivade puhastamiseks kasutage väikest harja või väikest tolmumejat.
- Ärge blokeerige ventilatsioonivavasid.

Kui tera muutub nüriks, st. tera mõlemad pooled on nürid, siis palun laske seda teritada ametlikus hoolduskeskuses või vajadusel vahetage see uue tera vastu välja.

TERA VÄLJA VAHETAMINE

⚠ HOIATUS: Kulunud, pragunenud või kahjustunud tera võib puruneda ja kahjustunud tera tükid võivad ohtlikult laiali lennata. Lendavad esemed võivad põhjustada tõsiseid vigastusi. Kontrollige tera regulaarselt ja ärge kasutage võsalõikurit kulunud või kahjustunud teraga.

⚠ HOIATUS: Tera eemaldamisel, teritamisel ja paigaldamisel kasutage asjakohaseid silmakaitsevahendeid.

Tera eemaldamiseks

1. Eemaldage aku.
2. Keerake välimist äärikut, et joondada sisemine äärik ülekandesteemi korpuses oleva varda fikseerimise auguga ning sisestage seadmega kaasas olev kuuskantvõti joondatud aukudesse, et see funktsioneeriks stabiilsaatorina, samamoodi kui 2. ja 3. juhises jaotises "**TERA PAIGALDAMINE**".
3. Asetage võsalõikuri pea toetamise eesmärgil kindla pinna vastu. Hoidke ühe käega võsalõikuri varrest ja haarake teise käega seadmega kaasas olev multifunktsionaalne mutrivõti, et vabastada mutter välimisele äärikule märgitud noole suunas ning eemaldage mutter, välimine äärik ning kulunud tera (Joon. L).

ET

4. Kontrollige sisemist äärikut ja ääriku katet ning kui need on kulunud, vahetage need välja (Joon. M).

Jooniste M osade kirjeldus, vt allapoolse:

M-1	Mootoriosa	M-5	Välimine äärik
M-2	Sisemine äärik	M-6	Mutter
M-3	Ääriku kate	M-7	Äärikus olev auk
M-4	Tera		

5. Paigaldage uus tera mootoriosa külge joonisel M näidatud järjekorras. Järgige jaotises "TERA PAIGALDAMINE" esitatud juhiseid 5, 6 ja 7.

ÜLEKANDESÜSTEEMI MÄÄRIMINE

Ülekandesüsteemi korpuses olevaid ülekandesüsteemi osi peab regulaarselt määrima. Kontrollige ülekandesüsteemi määrdeaset iga 50 töötunni järel, eemaldades kinnituskrui ja korpuse külje.

Kui ülekandesüsteemi osadel ei ole nähtavat määret, siis järgige allpool esitatud juhiseid ning lisage ülekandesüsteemile määrdeainet 3/4 ulatuses.

Ärge ülekandesüsteemi täies ulatuses määrige.

1. Hoidke võsalõikurit nii, et kinnituskrui on suunatud ülespoole (Joon. N).
2. Kinnituskrui vabastamiseks ja eemaldamiseks kasutage seadmega kaasas olevat multifunktsionaalset mutrivõtit.
3. Kasutage määrdesüstalt (ei ole tootega kaasas) ning lisage kruviauku veidi määret.
4. Pärast määrimist keerake kinnituskrui kinni.

SEADME HOIUSTAMINE

- Eemaldage tööriistalt aku.
- Tööriista põhjalikul puhastamisel kandke tugevast materjalist kindaid.
- Ohutuks hoiustamiseks paigaldage terale kaitse (Joon. O).
- Eemaldage võsalõikur tööriistapeast ning vajadusel paigaldage otsakork tarviku varre otsa.
- Hoidke tööriista kuivas ja kõrges lukustatud ning lastele ligipääsmatus kohas. Ärge hoiustage seadet väetiste, bensiini või muude kemikaalide peal või lähedal.

Keskkonnakaitse



Ärge visake elektriseadmeid, kasutatud akut ega laadurit olmeprügi hulka! Viige toode volitatud taaskäitleja juurde ja võimaldage selle komponendid sorteerituna kõrvaldada. Elektritööriistad tuleb viia keskkonnakaitseasutuste järgivasse jäätmekäitluskeskusesse.

TÖRKEOTSING

PROBLEEM	PÕHJUS	LAHENDUS
Võsalõikur ei käivitu.	<ul style="list-style-type: none"> ■ Aku on tööriistapea külge ühendamata. ■ Tööriistapea ja aku vahel puudub elektriühendus. ■ Akuplokk on tühi. ■ Lukustushooba ja päästikut ei vajutatud samaaegselt. 	<ul style="list-style-type: none"> ■ Ühendage aku tööriistapeaga. ■ Eemaldage aku, kontrollige kontakte ja paigaldage aku uuesti nii, et see kinnitub klõpsuga. ■ Laadige akut käesolevas juhendis loetletud EGO laadijate abil. ■ Vajutage lukustuskangi allapoole ja hoidke seda; seejärel vabastage päästik ning käivitage võsalõikur.
Võsalõikur peatub lõikamise ajal.	<ul style="list-style-type: none"> ■ Mootor on ülekoormatud. ■ Aku või tööriistapea on liiga kuum. ■ Akuplokk on tööriista küljest lahti ühendatud. ■ Akuplokk on tühi. 	<ul style="list-style-type: none"> ■ Mootori võimsus taastub koormuse eemaldamisel. Järjepidevaks töötamiseks vähendage tööriistapea koormust. ■ Laske akul või tööriistapeal jahtuda temperatuurini alla 67°C. ■ Paigaldage akuplokk tagasi. ■ Laadige akut käesolevas juhendis loetletud EGO laadijate abil.

GARANTII

EGA GARANTIIPÕHIMÕTTED

Täielikud EGO garantiitingimused leiате veebilehelt egopowerplus.eu.

ET

ПРОЧИТАЙТЕ ВСІ ІНСТРУКЦІЇ!



ПРОЧИТАЙТЕ ПОСІБНИК З ЕКСПЛУАТАЦІЇ

⚠ ПОПЕРЕДЖЕННЯ. Для гарантування безпеки та надійності всі роботи з ремонту та заміни повинен проводити кваліфікований технічний спеціаліст.

СИМВОЛИ, ЩО СТОСУЮТЬСЯ БЕЗПЕКИ

Мета символів, пов'язаних із безпекою, – привернути вашу увагу до можливих небезпек. Символи безпеки та їхнє пояснення заслуговують на вашу пильну увагу та розуміння. Символи попереджень самі по собі не усувають будь-якої небезпеки. Інструкції та попередження, які вони надають, не замінюють належних заходів щодо запобігання аваріям.

⚠ ПОПЕРЕДЖЕННЯ. Перш ніж користуватися цим інструментом, обов'язково ознайомтеся з усіма інструкціями з безпеки, наведеними в цьому посібнику користувача, зокрема з усіма символами попереджень, такими як «**НЕБЕЗПЕКА**», «**ПОПЕРЕДЖЕННЯ**» та «**ЗАСТЕРЕЖЕННЯ**». Недотримання наведених нижче вказівок може спричинити ураження електричним струмом, пожежу та/або серйозні травми.

ЗНАЧЕННЯ СИМВОЛУ

⚠ СИМВОЛ ПОПЕРЕДЖЕННЯ ЩОДО БЕЗПЕКИ:

Вказує на НЕБЕЗПЕКУ, ПОПЕРЕДЖЕННЯ АБО

ЗАСТЕРЕЖЕННЯ. Може використовуватися разом з іншими символами або піктограмами.



⚠ ПОПЕРЕДЖЕННЯ. Використання будь-яких електроінструментів може призвести до потрапляння сторонніх предметів в очі, що може спричинити серйозне пошкодження очей. Перед початком експлуатації електроінструмента завжди надягайте закриті захисні окуляри або відкриті захисні окуляри з бічними щитами та, якщо потрібно, повнопрофільну захисну маску. Ми рекомендуємо захисну маску широкого розміру для використання поверх окулярів або стандартні відкриті захисні окуляри з бічними щитами.

UK

ВКАЗІВКИ З ТЕХНІКИ БЕЗПЕКИ

На цій сторінці зображено та описано символи, пов'язані з безпекою, які можуть відображатися на цьому виробі. Перш ніж намагатися зібрати та експлуатувати його, ознайомтеся з усіма інструкціями на машині та дотримуйтесь їх.

	Попередження щодо безпеки	Вказує на потенційну небезпеку травмування.
	Прочитайте посібник користувача	З метою зменшення ризику отримання травм користувач повинен прочитати посібник з експлуатації.
	Надягайте засоби захисту очей	Працюючи з цим виробом, завжди носіть закриті захисні окуляри чи відкриті захисні окуляри з бічними щитами або повнопрофільну захисну маску.
	Надягайте засоби захисту органів слуху	Завжди використовуйте звукові бар'єри (вушні пробки) або глушники для вух), щоб захистити слух.
	Надягайте засоби захисту голови	Носіть схвалений захисний шолом для захисту голови.
	Надягайте захисні рукавиці.	Під час роботи з пилюкою та її ланцюгом одягайте рукавиці для захисту рук. Міцні рукавички з неслизького матеріалу поліпшують хват і захищають руки.
	Надягайте захисне взуття	Використовуючи таке обладнання, одягайте неслизьке захисне взуття.
	Ширина різання	Макс. ширина різання кущоріза

	Остерігайтеся упору леза	Попередьте оператора про небезпеку упору леза.
	Тримайте сторонніх подалі	Відстань між інструментом і сторонніми спостерігачами має бути не менше 15 м.
	Остерігайтеся кинутих предметів	відкинуті предмети можуть відрикошетитися і призвести до травм або пошкоджень майна.
	Від'єднайте акумулятор перед обслуговуванням	Від'єднайте акумулятор від лісового тримера перед виконанням робіт із технічного обслуговування або очищення.
	CE	Цей виріб відповідає чинним директивам ЄС.
	UKCA	Цей продукт відповідає чинному законодавству Великобританії.
	WEEE	Відходи електричних виробів не слід викидати разом із побутовим сміттям. Зверніться до авторизованого пункту переробки.
	Шум	Гарантований рівень звукової потужності. Розповсюдження шуму в навколишнє середовище згідно з директивою Європейського співтовариства.
V	Вольти	Напруга
mm	Міліметр	Довжина або розмір
cm	Сантиметр	Довжина або розмір
kg	Кілограм	Маса
n ₀	Швидкість холостого ходу	Обертова швидкість без навантаження
min ⁻¹	На хвилину	Обертів на хвилину

ЗАГАЛЬНІ ВКАЗІВКИ З ТЕХНІКИ БЕЗПЕКИ

⚠ ПОПЕРЕДЖЕННЯ. Прочитайте всі попередження безпеки, інструкції, ілюстрації та характеристики, надані з цим інструментом. Недотримання наведених нижче інструкцій може спричинити ураження електричним струмом, пожежу та/або серйозні травми.

ЗБЕРІГАЙТЕ ВСІ ПОПЕРЕДЖЕННЯ ТА ІНСТРУКЦІЇ ДЛЯ ВИКОРИСТАННЯ В МАЙБУТЬОМУ.

Термін «електроінструмент» у попередженнях стосується електричного інструмента, що працює від електромережі (через шнур) або від акумулятора (без шнура).

БЕЗПЕКА РОБОЧОЇ ЗОНИ

- **Робоче місце має бути чистим і гарно освітленим.** Неприбрана або погано освітлена робоча зона може стати причиною нещасного випадку.
- **Не працюйте з інструментом у вибухонебезпечному середовищі, наприклад за наявності легкозаймистих рідин, газів або пилу.** Під час роботи інструмента утворюються іскри, від яких можуть зайнятися пил або пари.
- **Дітям і спостерігачам заборонено перебувати поруч з електроінструментом, що працює.** Це може відволікати вас і призвести до втрати контролю.

ЕЛЕКТРОБЕЗПЕКА

- **Штепсельні вилки електроінструмента мають підходити до розеток.** Заборонено модифікувати вилку будь-яким чином. Не використовуйте жодні перехідники для роботи із заземленими електроінструментами. Використання штепсельів і розеток, у які не вносилися зміни, зменшує ризик ураження електричним струмом.
- **Уникайте контакту частин тіла із заземленими поверхнями, такими як труби, батареї, плити й холодильники.** У разі заземлення тіла збільшується ризик ураження електричним струмом.
- **Не експлуатуйте інструмент під час дощу або у вологих умовах.** потрапляння води в інструмент може збільшити ризик ураження електричним струмом або несправності, які можуть призвести до травмування.
- **Поводьтесь обережно зі шнуром живлення.** Ніколи не використовуйте шнур живлення для перенесення, перетягування або вимкнення інструмента. Бережіть шнур живлення від джерел тепла, мастил, гострих країв та рухомих частин. Пошкоджені або заплутані шнури живлення підвищують ризик ураження електричним струмом.

UK

- Під час роботи з електроінструментом надворі використовуйте подовжувач, призначений для зовнішніх робіт. Використання подовжувача, призначеного для зовнішніх робіт, зменшує ризик ураження електричним струмом.
- Якщо роботи з інструментом у вологому середовищі не уникнути, скористайтеся вимикачем короткого замикання на землю (ВКЗЗ). Використання ВКЗЗ зменшує ризик ураження електричним струмом.

ОСОБИСТА БЕЗПЕКА

- Під час роботи з інструментом будьте уважні, стежте за своїми діями та мисліть розсудливо. Не працюйте з електроінструментом, якщо ви втомлені або перебуваєте під дією наркотичних речовин, алкоголю чи ліків. Навіть миттєва неухважність під час роботи з інструментом може призвести до серйозної травми.
- Використовуйте засоби особистого захисту. Завжди носіть засоби захисту очей. Використання у відповідних умовах таких захисних засобів, як протипиловий респіратор, неслизьке захисне взуття, шолом-каска і навушники допоможе зменшити ризик травмування.
- Уникайте випадкового запуску інструмента. Перш ніж підключати електроінструмент до мережі живлення чи акумулятора, брати або переносити його, перевірте, чи встановлено перемикач у положення «вимкнено». Якщо переносити електроінструмент, тримаючи палець на вимикачі, або підключати його до джерела живлення, коли вимикач перебуває в положенні «увімкнено», це може призвести до травмування.
- Перш ніж вмикати інструмент, слід зняти всі регулювальні клинці або гайкові ключі. Якщо залишити такий ключ на рухомій частині інструмента, це може призвести до травмування.
- Не дотягуйтеся. Завжди міцно стійте на ногах і втримуйте рівновагу. Це дає змогу краще керувати інструментом у разі виникнення непередбачуваних ситуацій.
- Одягайтеся належним чином. Не носіть вільного одягу або прикрас. Стежте за тим, щоб волосся та одяг не потрапили на рухомі частини. Вільний одяг, прикраси або довге волосся можуть потрапити в рухомі частини.
- Якщо пристрої обладнано системою видалення пилу, переконайтеся, що її правильно підключено і що ви використовуєте її належним чином. Використання пристрою для збирання пилу може зменшити небезпеку, пов'язану з пилом.
- Не дозволяйте навичкам, отриманим після частого використання інструментів, змусити вас стати самовпевненими та ігнорувати принципи безпеки інструмента. Недбала дія може спричинити серйозну травму протягом доли секунди.

ВИКОРИСТАННЯ ІНСТРУМЕНТА ТА ДОГЛЯД ЗА НИМ

- Не застосовуйте силу до інструмента. Використовуйте належний електроінструмент відповідно до потреби. Правильно підібраний електроінструмент допоможе краще та безпечніше зробити роботу зі швидкістю, яка для нього передбачена.
- Не використовуйте інструмент, якщо вимикач не вмикає або не вимикає його. Усі електроінструменти, якими неможливо керувати за допомогою перемикача, становлять небезпеку й підлягають ремонту.
- Перш ніж проводити будь-які регулювання, замінювати приладдя або перед зберіганням слід вийняти штепсель з джерела живлення та/або вийняти з інструмента акумулятор, якщо він знімний. Такі запобіжні заходи безпеки зменшують ризик випадкового вмикання інструмента.
- Зберігайте інструменти, що не використовуються у недоступному для дітей місці та не дозволяйте особам, які не знайомі з інструментом або цими інструкціями, керувати ним. Електроінструменти становлять небезпеку в руках недосвідчених користувачів.
- Обслуговуйте інструменти та приладдя. Перевіряйте їх на предмет розладнання чи блокування рухомих частин, а також будь-яких обставин, які можуть вплинути на роботу інструмента. У разі пошкодження електроінструмент слід здати в ремонт, перш ніж користуватися ним. Часто нещасні випадки трапляються внаслідок неналежного технічного обслуговування інструментів.
- Тримайте різальні інструменти гострими й чистими. Належним чином доглянуті різальні інструменти з гострими ріжучими краями рідше блокуються, та ними легше керувати.
- Користуйтеся електроінструментом, приладдям і насадками для інструмента згідно з цією інструкцією, зважаючи на робочі умови та роботу, яку слід виконати. Використання електроінструмента не за призначенням може стати причиною виникнення небезпечних ситуацій.
- Підтримуйте ручки та захватні поверхні сухими, чистими, без жиру та бруду. Слизькі ручки та

захватні поверхні не дають змоги безпечно тримати та керувати інструментом у непередбачених ситуаціях.

ВИКОРИСТАННЯ АКУМУЛЯТОРНОГО ІНСТРУМЕНТА ТА ДОГЛЯД ЗА НИМ

- **Заряджайте лише за допомогою зарядного пристрою, вказаного виробником.** Зарядний пристрій, який підходить для акумуляторів одного виду, може спричинити ризик пожежі у випадку його використання з іншим акумулятором.
- **З інструментом слід використовувати лише призначені для нього акумуляторні батареї.** Використання будь-яких інших акумуляторних батарей може призвести до травми або пожежі.
- **Коли батарея не використовується, її слід тримати окремо від металевих предметів – затискачів паперу, монет, ключів, цвяхів, шурупів та інших дрібних предметів, які можуть замкнути клема.** Коротке замикання клем акумулятора може стати причиною опіків чи пожежі.
- **У надто важких умовах експлуатації з акумулятора може витікати рідина; не доторкайтесь до неї. Якщо випадково ви все ж торкнулися її, слід промити це місце водою.** Якщо рідина потрапила в очі, слід також звернутися до лікаря. Рідина, яка виступає з акумулятора, може спричинити подразнення або опіки.
- **Не використовуйте акумуляторну батарею або інструмент, які пошкоджені або змінені.** Пошкоджені або змінені батареї можуть мати непередбачувану поведінку, що може спричинити пожежу, вибух або ризик травмування.
- **Не піддавайте акумуляторну батарею або інструмент дії вогню або високих температур.** Вогонь або температура вище 130°C може спричинити вибух.
- **Дотримуйтесь усіх інструкцій щодо зарядження та не заряджайте акумуляторну батарею або інструмент за межами температурного діапазону, зазначеного в інструкціях.** Зарядження неналежним чином або при температурах за межами вказаного діапазону може пошкодити акумулятор і збільшити ризик виникнення пожежі.

⚠ ПОПЕРЕДЖЕННЯ. Прочитайте всі попередження безпеки, інструкції, ілюстрації та характеристики, надані з цим електроінструментом. Недотримання наведених нижче вказівок може спричинити ураження електричним струмом, пожежу та/або серйозні травми. Зберігайте всі попередження та інструкції для використання у майбутньому.

Зберігайте всі попередження та інструкції для подальшого використання.

НАВЧАННЯ

- Уважно ознайомтеся з інструкцією. Ознайомтеся з органами керування та правилами належного користування куцорізом.
- Не дозволяйте користуватися цим інструментом особам, які не ознайомилися з інструкцією з експлуатації, або дітям. Місцеві нормативні акти можуть обмежувати вік оператора.
- Пам'ятайте, що оператор або користувач несе відповідальність за нещасні випадки або збитки, заподіяні іншим особам чи їхньому майну.

ПІДГОТОВКА

- Ніколи не використовуйте прилад, якщо поблизу є люди, особливо діти, чи домашні тварини.
- Завжди одягайте засоби захисту очей і захисне взуття під час роботи з інструментом.
- Відстань між інструментом і сторонніми спостерігачами має бути не менше 15 м.
- Ніколи не працюйте з інструментом, якщо ви втомлені або перебуваєте під дією алкоголю чи інших речовин.

ЕКСПЛУАТАЦІЯ

- Працюйте з інструментом лише при денному світлі або при гарному штучному світлі.
- Ніколи не користуйтеся інструментом із пошкодженими захисними пристроями чи щитками або без установлених захисних щитків.
- Вмикаючи мотор, упевніться, що ви тримаєте руки та ноги на відстані від ріжучих елементів.
- Завжди відключайте інструмент від джерела живлення (тобто виймайте акумуляторну батарею).
 - Коли інструмент залишається без нагляду;
 - перед очищенням засмічення;
 - перед перевіркою, очищенням інструмента або роботою з ним;
 - після зіткнення зі стороннім предметом;
 - коли інструмент починає незвично вібрувати.
- Остерігайтеся травмування ніг і рук різальними засобами.
- Завжди стежте за тим, щоб вентиляційні отвори були чистими й не засміченими.

UK

ТЕХНІЧНЕ ОБСЛУГОВУВАННЯ ТА ЗБЕРІГАННЯ

- Перед проведенням будь-яких операцій з обслуговування або очищення інструмента від'єднайте його від джерела живлення (тобто виймайте батарею).
- Використовуйте лише рекомендовані виробником запасні деталі та приладдя.
- Регулярно оглядайте інструмент і виконуйте його обслуговування. Доручайте ремонт інструмента лише вповноваженому спеціалісту з ремонту.
- Коли інструмент не використовується, тримайте його в недоступному для дітей місці.

ІНШІ ПОПЕРЕДЖЕННЯ ЩОДО БЕЗПЕКИ

- Уникайте небезпечних середовищ. Не використовуйте прилади на вологих або мокрих схилах.
- Запобіжники мають бути на місці та в робочому стані.
- Тримайте руки та ноги подалі від місця різання.
- Щоб зменшити ризик отримання травми, ніколи не слід працювати на драбині або на будь-якій іншій небезпечній опорі. Ніколи не тримайте ріжучий пристрій вище висоти пояса.
- Регулярно перевіряйте ріжучий пристрій через короткі проміжки часу під час роботи, або негайно, якщо помітна зміна в способі різання.
- Для досягнення найкращих результатів акумулятор потрібно заряджати при температурі від 5 °C до 40 °C. Не зберігайте його за межами приміщення або в автомобілі.
- Перед наближенням зупиніть мотор і ріжучий пристрій.
- Попередьте оператора про небезпеку відкидання леза (лише в разі використання леза з 3 зубцями).
- Упор леза може мати місце, коли обертове лезо контактує з предметом, який він не зрізає негайно.
 - Упор леза може бути достатньо сильним і відштовхнути прилад і/або користувача в будь-якому напрямку, і, можливо, призвести до втрати контролю над приладом.
 - Упор леза може статися без попередження, якщо лезо налетить на корчі, застопориться або заплутається.
 - Упор леза частіше відбуваються в областях, де важко побачити матеріал, що зрізається.
- Не прикріплюйте лезо до приладу без належного встановлення всіх необхідних частин. Використання невідповідних деталей може призвести до вильоту леза та серйозного пошкодження оператора та/або сторонніх спостерігачів. Викидайте лезо, якщо воно зігнулося, деформувалося, тріснуло, зламалося або його пошкоджено будь-яким іншим чином. Використовуйте гостре лезо. Тупе лезо частіше зачіплюється і відкидається (лише в разі використання леза з 3 зубцями).
- Лезо/ліска, що рухається, може спричинити пошкодження, коли продовжує обертатися після зупинки мотора або звільнення тригера. Підтримуйте належний контроль, доки лезо/ліска повністю не припинить обертатися.
- Акумуляторні інструменти не потрібно підключати до електричної розетки; отже, вони завжди в робочому стані. Будьте в курсі можливих небезпек, навіть якщо інструмент не працює. Будьте обережні, виконуючи технічне обслуговування чи догляд.
- Не мийте шлангом; уникайте потрапляння води в мотор та електричні з'єднання.
- Якщо виникають ситуації, які не розглядаються в цьому посібнику, проявляйте обережність і розсудливість. Зверніться до сервісного центру для клієнтів EGO по допомогу.
- Використовуйте лише акумулятори та зарядні пристрої, перелічені на рис. А.

ЗБЕРЕЖІТЬ ЦЮ ІНСТРУКЦІЮ!

СПЕЦИФІКАЦІЇ

Ширина різання	30 см
Швидкість холостого ходу	5000/6000 ХВ ⁻¹
Вага	1,82 кг
Діапазон рекомендованих робочих температур	0°C–40°C
Діапазон рекомендованих температур зберігання	-20°C–70°C

UK

Вимірний рівень звукової потужності L_{WA}	96,5 дБ(A) K=1,88 дБ(A) (РН1400E)	
	93,2 дБ(A) K=0,35 дБ(A) (РН1420E)	
	91 дБ(A) K=1,1 дБ(A) (РНХ1600)	
Рівень звукового тиску на місці вуха оператора L_{PA}	84,5 дБ(A) K=3 дБ(A) (РН1400E)	
	83,9 дБ(A) K=3 дБ(A) (РН1420E)	
	83 дБ(A) K=3 дБ(A) (РНХ1600)	
Гарантований рівень звукової потужності L_{WA} (відповідно до стандарту 2000/14/ЄС)		
Оцінка вібрації a_n	Передня допоміжна ручка	2,8 м/с ² K=1,6 м/с ² (РН1400E)
		4,14 м/с ² K=1,5 м/с ² (РН1420E)
		6,64 м/с ² K=1,5 м/с ² (РНХ1600)
	Задня ручка	3,1 м/с ² K=1,6 м/с ² (РН1400E)
		1,88 м/с ² K=1,5 м/с ² (РН1420E)
		2,61 м/с ² K=1,5 м/с ² (РНХ1600)

- Зазначені вище параметри випробувано та виміряно з приводною голівкою РН1400Е/РН1420Е/РНХ1600;
- Вказане загальне значення вібрації виміряне за стандартним методом тестування і може використовуватися для порівняння одного інструмента з іншим;
- Заявлене сумарне значення вібрації може також використовуватися для попередньої оцінки впливу.

ПРИМІТКА. Емісія вібрації під час фактичного використання електроінструмента може відрізнятися від заявленої величини, у якій використовується інструмент. Щоб захистити оператора, користувач повинен вдягати рукавички та захисні навушники в реальних умовах використання.

Рекомендоване лезо

НАЗВА ДЕТАЛІ	НОМЕР МОДЕЛІ
Лезо для кущоріза	ABB1203

ПАКУВАЛЬНИЙ СПИСОК

НАЗВА ДЕТАЛІ	КІЛЬКІСТЬ
Насадка-кущоріз	1
Набір леза з футляром	1
Щиток	1
Аксесуар щитка (ТІЛЬКИ для використання з тримерною голівкою)	1
Шестигранний ключ	1
Багатофункціональний ключ	1
Посібник користувача	1

ОПИС

ОЗНАЙОМЛЕННЯ З НАСАДКОЮ-КУЩОРИЗОМ (рис. А)

1. Торцевий ковпачок
2. Вал кущоріза
3. Щиток
4. Ніж
5. Футляр леза
6. Затискний дріт
7. Герметичний гвинт
8. Корпус редуктора
9. Отвір фіксації вала
10. Зовнішній фланець
11. Багатофункціональний ключ
12. Шестигранний ключ
13. Аксесуар щитка (ТІЛЬКИ для використання з тримерною голівкою)

UK

⚠ ПОПЕРЕДЖЕННЯ. Ніколи не використовуйте інструмент, якщо щиток міцно не закріплено. Щиток завжди має бути на інструменті для захисту користувача.

⚠ ПОПЕРЕДЖЕННЯ. Коли інструмент використовується як лісовий тример, обладнаний тримерною головкою, насадка для щитка має бути встановлена на захисний щиток. Недотримання може призвести до того, що ріжуча ліска буде занадто довга, і до перевантаження мотора.

ЗБИРАННЯ

⚠ ПОПЕРЕДЖЕННЯ. Якщо якісь частини пошкоджені або відсутні, не користуйтеся цим інструментом, доки вони не будуть замінені. Використання цього виробу з пошкодженими або відсутніми деталями може призвести до серйозних травм.

⚠ ПОПЕРЕДЖЕННЯ. Не намагайтеся вдосконалити цей кущоріз або застосувати приладдя, не рекомендоване для нього. Кожна така заміна чи переробка є фактом неправильного користування, створює небезпечні умови й загрожує серйозними травмами.

⚠ ПОПЕРЕДЖЕННЯ. Щоб запобігти випадковому запуску, що може спричинити серйозні травми, завжди виймайте акумуляторну батарею з інструмента під час монтажу деталей."

⚠ ПОПЕРЕДЖЕННЯ. Якщо інструмент обладнано насадкою-кущорізом, слід установити захисний бар'єр."

УСТАНОВЛЕННЯ ЩИТКА

⚠ ПОПЕРЕДЖЕННЯ. Під час установлення або заміни щитка завжди слід носити рукавички. Остерігайтеся леза на щитку та захистіть руку від травм."

⚠ ПОПЕРЕДЖЕННЯ. Ніколи не використовуйте інструмент, якщо щиток міцно не закріплено. Щиток завжди має бути на інструменті для захисту користувача! Коли щиток зафіксовано, ніколи не намагайтеся зняти або відрегулювати щиток. Якщо потрібно замінити його, це має виконувати кваліфікований технічний персонал!"

Відкрутіть і зніміть два гвинти з основи вала (рис. С), вирівняйте захисні монтажні отвори з отворами для збирання, а потім закріпіть щиток на основі вала за

допомогою двох гвинтів разом із двома пружинними шайбами (рис. D).

Переконайтесь, що захисний щиток закріплений відповідно до рисунків С і D, і будь-яке зворотне кріплення може призвести до великої небезпеки!

УСТАНОВЛЕННЯ ЛЕЗА

1. Лезо поставляється з футляром. Перш ніж установлювати лезо на кущоріз, необхідно зняти футляр, від'єднавши затискний дріт від гачка на футлярі (рис. E).

Рис. E див. опис деталей нижче:

E-1	Гачок
E-2	Затискний дріт

2. Поверніть зовнішній фланець, щоб вирівняти гніздо внутрішнього фланця з отвором кріплення вала в корпусі редуктора (рис. G).
3. Вставте шестигранний гайковий ключ, що входить у комплект, у вирівняні отвори для стабілізації (рис. G).

Рис. F і G див. опис деталей нижче:

F-1	Корпус редуктора	F-3	Зовнішній фланець
F-2	Вирівняні отвори для кріплення вала	G-1	Стабілізатор

4. Поставте головку кущоріза на тверду поверхню для опори. Однією рукою візьміть вал кущоріза, а іншою рукою зафіксуйте багатофункціональний гайковий ключ, що входить у комплект, щоб послабити гайку в напрямку стрілки, позначеної на зовнішньому фланці, і зніміть гайку та зовнішній фланець. Збережіть їх для повторного збирання (рис. H).
5. Установіть лезо на приводний вал, переконавшись, що поверхня леза врівень із поверхнею випуклості внутрішнього фланця. Продовжуйте встановлення зовнішнього фланця та гайки (рис. I). Попередньо закрутіть гайку **ПРОТИ ГОДИННИКОВОЇ СТРІЛКИ** вручну.

Рис. I див. опис деталей нижче:

I-1	Випуклість внутрішнього фланця	I-4	Зовнішній фланець
I-2	Вал мотора	I-5	Лезо
I-3	Гайка		

UK

6. Поверніть зовнішній фланець, щоб вирівняти гніздо внутрішнього фланця з отвором кріплення вала в корпусі редуктора, і вставте шестигранний гайковий ключ у вирівняні отвори для стабілізації, як показано на попередньому етапі 2 і 3.
7. Поставте головку кущоріза на тверду поверхню для опори. Однією рукою візьміть лезо, а іншою рукою зафіксуйте багатофункціональний гайковий ключ, що входить у комплект, щоб затягнути гайку проти напрямку стрілки, позначеної на зовнішньому фланці (рис. J).

Використання аксесуарів для щитка

ПРИМІТКА. Коли інструмент використовується як лісовий тример, обладнаний тримерною головкою, насадка для щитка має бути встановлена на захисний щиток (рис. K).

Закріпіть аксесуар для щитка на щиток, затягнувши три гвинти за допомогою шестигранного ключа. Недотримання може призвести до того, що ріжуча ліска буде занадто довга, і до перевантаження мотора.

ПІД'ЄДНАННЯ НАСАДКИ-КУЩОРІЗА ДО ПРИВІДНОЇ ГОЛОВКИ

Ця насадка-кущоріз призначена для використання з приводною головкою EGO PH1400E/PH1420E/PHX1600.

Див. розділ «УСТАНОВЛЕННЯ НАСАДКИ НА ПРИВІДНУ ГОЛОВКУ» в посібнику користувача приводної головки PH1400E/PH1420E/PHX1600.

ЕКСПЛУАТАЦІЯ

⚠ ПОПЕРЕДЖЕННЯ. Знання виробу не має робити вас небалим. Пам'ятайте, що півсекунди неувважності досить для серйозної травми.

⚠ ПОПЕРЕДЖЕННЯ. Завжди носіть засоби захисту органів зору та слуху. Без окулярів ви ризикуєте травмами очей від викинутих предметів та іншими серйозними травмами.

ЗАСТОСУВАННЯ

Ви можете використовувати цей виріб для цілі, зазначеної нижче:

- Вирізання насінної трави, бур'янів, диких рослин та кущів, вирубання молодих дерев із максимальним діаметром стовбура 2 см.

ПРИМІТКА. Цей інструмент має використовуватись тільки за призначенням. Будь-яке інше використання вважається випадком використання не за призначенням.

ВИКОРИСТАННЯ НАСАДКИ-КУЩОРІЗА З ПРИВІДНОЮ ГОЛОВКОЮ

⚠ ПОПЕРЕДЖЕННЯ. Одягайтеся правильно, щоб зменшити ризик травми під час роботи з цим інструментом. Не носіть вільного одягу або прикрас. Одягайте захисні окуляри та навушники. Носіть важкі, довгі штани, міцне взуття та рукавички. Не носіть шорти, сандалі, не працюйте босоніж.

Для безпечної та кращої роботи надягайте ремінець через плече. Відрегулюйте плечовий ремінець у зручному робочому положенні. Тримайте кущоріз однією рукою за задню ручку, а іншою рукою за передню допоміжну ручку. Під час експлуатації інструмента тримайте його міцно обома руками. Кущоріз необхідно тримати в зручному положенні, при чому задня ручка має бути на висоті стегна. Зберігайте хват і рівновагу на обох ногах.

Станьте таким чином, щоб вас не вибила з рівноваги реакція віддачі леза (рис B).

⚠ ПОПЕРЕДЖЕННЯ. Плечовий ремінь також є механізмом швидкого звільнення в небезпечній ситуації. Коли трапляється надзвичайна ситуація, негайно зніміть його з плеча, незалежно від того, у який спосіб одягнуто ремінь.

Щоб обрізати дикі рослини та кущі, опустіть лезо, що обертається, вниз на рослини, щоб досягти ефекту подрібнення. Використовуйте кущоріз як косу (водіть ним вправо і вліво) на рівні землі. Не використовуйте ріжучий пристрій вище висоти пояса.

⚠ ПОПЕРЕДЖЕННЯ. Що вище ріжучий пристрій піднято над землею, то більший ризик травмування відкинутими вбік обрізками.

⚠ ПОПЕРЕДЖЕННЯ. Під час зрізання молодих дерев або інших деревних матеріалів діаметром до 2 см використовуйте ліву частину леза, щоб уникнути ситуації упору леза. Не намагайтеся розрізати деревний матеріал із більшим діаметром, оскільки лезо може застрягнути чи відштовхнути кущоріз уперед. Це може призвести до пошкодження леза чи кущоріза або втрати контролю над кущорізом, що спричинить травмування.

⚠ ПОПЕРЕДЖЕННЯ. Неправильне використання леза кущоріза може спричинити його розтріскування, розколювання або розламування.

Відкинуті деталі можуть серйозно пошкодити оператора або сторонніх спостерігачів. Щоб зменшити ризик травмування, необхідно вжити таких запобіжних заходів:

- Уникайте контакту з жорсткими або твердими сторонніми предметами, такими як каміння або шматки металу.
- Ніколи не обрізайте дерева або кущі з діаметром стовбура більше 2 см.
- Регулярно перевіряйте лезо через короткі проміжки часу на наявність ознак пошкодження. Не продовжуйте працювати з пошкодженим лезом.
- Регулярно заточуйте лезо (коли воно помітно затупилося), і, якщо необхідно, забезпечте його балансування (виконується кваліфікованим технічним працівником).

УПОР ЛЕЗА

Будьте надзвичайно обережними під час використання леза з цим приладом. Упор леза – це реакція, яка може статися, коли лезо, що обертається, контактує з будь-чим, що воно не може розрізати. Цей контакт може призвести до зупинки леза на мить і раптового «відштовхування» приладу від предмета, на який на який він натрапив. Ця реакція може бути достатньо сильною, щоб оператор утратив контроль над приладом. Упор леза може статися без попередження, якщо лезо налетить на корчі, застопориться або заплутається. Це частіше відбуваються в областях, де важко побачити матеріал, що зрізається. Для полегшення різання та безпеки наближайтеся до бур'янів, які ви зрізаєте куцюрізом, справа наліво. У випадку натраплення на непередбачений предмет або деревну колоду це може звести до мінімуму реакцію упору леза.

Перед кожним використанням перевірте наявність пошкоджених/зношених деталей

Перевірте лезо, запобіжник і передню ручку, а також замініть будь-які частини, які тріснули, викривлені, зігнуті або пошкоджені.

Кромка леза може затуплятися з часом.

Рекомендується перевернути лезо, щоб продовжити його термін служби, і періодично заточувати його (виконується кваліфікованим технічним спеціалістом) або замінити його новим лезом у разі потреби.

Очищайте куцюрізі після кожного використання

Див. розділ «ТЕХНІЧНЕ ОБСЛУГОВУВАННЯ» для отримання вказівок з очищення

⚠ ПОПЕРЕДЖЕННЯ. Перед чищенням чи обслуговуванням куцюріза переконайтеся, що лезо повністю зупинилося. Недотримання цієї вимоги може призвести до серйозних травм.

ЗАПУСК/ЗУПИНКА ІНСТРУМЕНТА

Див. розділ «ЗАПУСК/ЗУПИНКА ПРИВІДНОЇ ГОЛОВКИ» в посібнику користувача приводної головки PH1400E/PH1420E/PHX1600.

ТЕХНІЧНЕ ОБСЛУГОВУВАННЯ

⚠ ПОПЕРЕДЖЕННЯ. Перед оглядом, чищенням або обслуговуванням пристрою зупиніть двигун, почекайте доки всі рухомі частини зупиняться, і вийміть акумуляторну батарею. Недотримання цих інструкцій може призвести до серйозних персональних травм або пошкодження майна.

⚠ ПОПЕРЕДЖЕННЯ. Використовуйте для технічного обслуговування лише ідентичні запчастини. Використання будь-яких інших частин створює небезпеку або може призвести до поломки виробу. Для гарантування безпеки та надійності всі ремонтні роботи повинні проводити кваліфікований технічний спеціаліст.

⚠ ПОПЕРЕДЖЕННЯ. Завжди носіть міцні рукавички під час установлення або зняття леза або виконання будь-якого технічного обслуговування леза. Будьте обережні та оберігайте руки від травмування лезом.

ЗАГАЛЬНИЙ ТЕХНІЧНИЙ ДОГЛЯД

Не застосовуйте розчинники, коли чистите пластмасові деталі. Більшість пластмас чутливі до різноманітних промислових розчинників і можуть бути ними пошкоджені. Для видалення бруду, пилу, мастила тощо користуйтеся чистою ганчіркою.

ОЧИЩЕННЯ ПРИЛАДУ

- Вийміть батарею
- Після кожного використання очистьте сміття, забиті ґрунт або траву на ножі та запобіжнику м'якою щіткою.
- Протріть поверхню інструмента чистою тканиною, змоченою м'яким розчином мила.
- Використовуйте невелику щітку або невеликий пілосос для очищення вентиляційних отворів ззаду на корпусі.
- Не допускайте перекриття вентиляційних отворів.

Коли лезо стає тупим, при чому обидві кромки леза затупилися, заточіть його (виконується кваліфікованим технічним персоналом) або замініть його на нове лезо.

ЗАМІНА ЛЕЗА

⚠ ПОПЕРЕДЖЕННЯ. Зношене, тріснуте або пошкоджене лезо може зламатися, а шматки пошкодженого леза можуть стати небезпечними снарядами. Відкинути предмети можуть призвести до серйозних травм. Регулярно оглядайте лезо і не використовуйте куцюріз зі зношеними лезами.

⚠ ПОПЕРЕДЖЕННЯ. Використовуйте належні засоби захисту очей під час зняття, заточення та встановлення леза.

Знімання леза

1. Виймання батареї.
2. Поверніть зовнішній фланець, щоб вивіряти гніздо внутрішнього фланця з отвором кріплення вала в корпусі редуктора, і вставте шестигранний гайковий ключ у вивіряні отвори для стабілізації, як показано на етапах 2 і 3 в розділі **УСТАНОВЛЕННЯ ЛЕЗА**.
3. Поставте головку куцюріза на тверду поверхню для опори. Однією рукою візьміть лезо, а іншою рукою зафіксуйте багатофункціональний гайковий ключ, що входить у комплект, щоб послабити гайку в напрямку стрілки, позначеної на зовнішньому фланці, і зніміть гайку, зовнішній фланець і зношене лезо (рис. L).
4. Перевірте та замініть внутрішній фланець і кришку фланця, якщо вони зношені (рис. M).

Рис. M див. опис деталей нижче:

M-1	Вал мотора	M-5	Зовнішній фланець
M-2	Внутрішній фланець	M-6	Гайка
M-3	Кришка фланця	M-7	Отвір у фланці
M-4	Лезо		

5. Установіть нове лезо на вал мотора відповідно до послідовності, показаної на рис. M. Докладніше див. у вказівках, описаних у кроках 5, 6 та 7 розділу **«УСТАНОВЛЕННЯ ЛЕЗА»**.

ЗМАЩЕННЯ ЗУБЧАСТИХ ПЕРЕДАЧ

Зубчасті передачі в корпусі редуктора необхідно періодично змащувати трансмісійним мастилом. Перевіряйте рівень змащення корпусу редуктора приблизно кожні 50 годин роботи, знявши гвинт із гнізда на боці корпусу.

Якщо на боках редуктора не видно мастила, виконайте кроки нижче, щоб залити трансмісійне мастило на 3/4 ємності.

Не заповнюйте редуктори повністю.

1. Тримайте куцюріз таким чином, щоб герметичний гвинт був спрямований вгору (рис. N).
2. Використовуйте багатофункціональний гайковий ключ, який входить у комплект, щоб відкрутити та зняти герметичний гвинт.
3. Використовуйте шприц для змащення (не входить у комплект), щоб влити мастило в отвір.
4. Затягніть герметичний гвинт після вливання.

ЗБЕРІГАННЯ ПРИЛАДУ

- Вийміть акумуляторну батарею з інструмента.
- Одягніть міцні рукавички, щоб ретельно очистити інструмент.
- Засуньте лезо у футляр для безпечного зберігання (рис. O).
- Якщо необхідно, зніміть насадку-куцюріз із приводної головки та надягніть торцевий ковпачок на місце кріплення насадки.
- Зберігайте пристрій у сухому, добре вентиляваному, закритому або високо розташованому недоступному для дітей місці. Не зберігайте пристрій біля мінеральних добрив, бензину та інших хімікатів.

Захист довкілля



Не викидайте електричне обладнання, акумулятор і зарядний пристрій у побутові відходи! Віднесіть цей виріб авторизованому переробнику й надайте його для роздільного збирання. Електроінструменти необхідно повернути в підприємство, що займається екологічно безпечною переробкою.



УСУНЕННЯ НЕСПРАВНОСТЕЙ

НЕСПРАВНІСТЬ	ПРИЧИНА	ВИРІШЕННЯ
Кущоріз не запускається.	<ul style="list-style-type: none">■ Акумуляторна батарея не приєднана до приводної головки.■ Немає електричного контакту між приводною головкою та акумуляторною батареєю.■ Акумуляторна батарея розряджена.■ Важіль блокування та тригер не натиснуто одночасно.	<ul style="list-style-type: none">■ Прикріпіть акумулятор до приводної головки.■ Вийміть акумулятор, перевірте контакти та встановіть акумулятор знову, доки він не зафіксується.■ Заряджайте акумулятор зарядними пристроями EGO, переліченими в цьому посібнику.■ Натисніть важіль блокування та утримуйте її, а потім натисніть на тригер, щоб увімкнути кущоріз.
Кущоріз зупиняється під час різання.	<ul style="list-style-type: none">■ Мотор перевантажено.■ Акумулятор або приводна головка занадто гаряча.■ Акумулятор від'єднано від інструмента.■ Акумуляторна батарея розряджена.	<ul style="list-style-type: none">■ Мотор відновить роботу, коли навантаження буде усунуто. Для безперервної роботи зменште навантаження на приводну головку.■ Дайте акумуляторній батареї або приводній головці охолонути, доки температура не опуститься нижче 67°C.■ Знову встановіть акумуляторну батарею.■ Заряджайте акумулятор зарядними пристроями EGO, переліченими в цьому посібнику.

ГАРАНТІЯ

ПРАВИЛА ГАРАНТІЇ EGO

Будь ласка, відвідайте веб-сайт egopowerplus.eu для отримання повних умов гарантійної політики EGO.

UK

ПРОЧЕТЕТЕ ВСИЧКИ ИНСТРУКЦИИ!



ПРОЧЕТЕТЕ РЪКОВОДСТВОТО НА ОПЕРАТОРА

▲ ПРЕДУПРЕЖДЕНИЕ: За да осигурите безопасността и надеждността, всички поправки и подмени трябва да се извършват от квалифициран сервизен техник.

СИМВОЛИ ЗА БЕЗОПАСНОСТ

Целта на символите за безопасност е да превличат вниманието към възможни опасности. Символите за безопасност и обясненията към тях заслужават вашето повишено внимание и осъзнаване. Символите за безопасност сами по себе си не елиминират каквато и да е опасност. Инструкциите и предупрежденията, които предоставят не са заместители за подходящите мерки за предотвратяване на инцидент.

▲ ПРЕДУПРЕЖДЕНИЕ: Уверете се, че сте прочели и осъзнали всички инструкции за безопасност в това Ръководство на оператора, включително всички известяващи символи за безопасност, като **“ОПАСНОСТ”**, **“ПРЕДУПРЕЖДЕНИЕ”**, и **“ВНИМАНИЕ”** преди да използвате този инструмент. Неспазването на всички инструкции изброени долу може да доведе до електрически шок, пожар и/или сериозно нараняване.

ЗНАЧЕНИЕ НА СИМВОЛИТЕ

▲ СИМВОЛ СИГНАЛИЗИРАЩ ЗА

БЕЗОПАСНОСТ: Показва **ОПАСНОСТ, ПРЕДУПРЕЖДЕНИЕ, ИЛИ ВНИМАНИЕ.** Могат да бъдат използвани във връзка с други символи или пиктограми.



▲ ПРЕДУПРЕЖДЕНИЕ:

Експлоатацията на всички електрически инструменти, може да доведе до изхвърляне на чужди предмети към вашите очи, което може да доведе до сериозно нараняване на окото. Преди започване на работа с електрически инструмент, винаги носете предпазни очила със странична защита и визьор за цялото лице, когато е необходимо. Ние препоръчваме предпазна маска с широк визьор за употреба над очила или стандартни предпазни очила със странична защита.

ИНСТРУКЦИИ ЗА БЕЗОПАСНОСТ

Тази страница изобразява и описва символите за безопасност, които може да се появят по този продукт. Прочетете, осъзнайте и следвайте всички инструкции по машината преди предприемане на сплобяване или работа.

	Сигнал за безопасност	Показва риска от потенциално нараняване на човек.
	Прочетете ръководството на оператора	За намаляване на опасността от нараняване, потребителят трябва да прочете ръководството на оператора.
	Носете защита за очите	Винаги носете предпазни очила със странична защита и предпазен екран за цялото лице, когато работите с този продукт.
	Носете защита за слуха	Винаги носете звукова защита (тапи за уши или антифони) за да защитите вашия слух.
	Носете защита за главата	Носете одобрена предпазна каска с твърдо бомбе за да предпазите главата.
	Носете защитни ръкавици	Защитете ръцете си с ръкавици, когато боравите с триона и веригата на триона. Неплъзгащите се ръкавици за тежка работа подобряват вашия захват и защитават ръцете.
	Носете предпазни ръкавици	Носете неплъзгащи се обувки за безопасност, когато използвате това оборудване.
	Ширина нарязане	Максималната режеща ширина на хросторез.
	Пазете се от тласкане на ножа	Предупредете оператора за опасност от тласкане на ножа.

BG

	Дръжте околните хора надалеч	Разстоянието между машината и околните хора трябва да бъде минимум 15 м.
	Пазете се от хвърлени предмети	Изхвърлените обекти могат да рикошират и да доведат до нараняване или щети по собствеността.
	Разкачване на батерията преди поддръжка	Разединете акумулаторната батерия от кордовия тример, преди да извършите работа по поддръжка или почистване.
	CE	Този продукт е в съответствие с приложимите директиви на ЕС.
	UKCA	Този продукт е в съответствие с приложимото законодателство на Великобритания.
	WEEE	Отпадъчните електрически продукти не трябва да бъдат изхвърляни заедно с домакинския отпадък. Отнесете го до упълномощено място за рециклиране.
	Шум	Гарантирано ниво на мощност на звука. Звуковите емисии към околната среда са в съответствие с директивите на европейската общност.
V	Волта	Напрежение
mm	Милиметър	Дължина или размер
cm	Сантиметър	Дължина или размер
kg	Килограм	Тегло
n_0	Скорост без натоварване	Скорост на въртене без товар
min ⁻¹	В минута	Обороти в минута

Общи предупреждения за безопасност на машината

⚠ ПРЕДУПРЕЖДЕНИЕ: Прочетете всички предупреждения за безопасност, инструкции, илюстрации и спецификации предоставени с тази машина. Неспазването на всички инструкции изброени долу може да доведе до токов удар, пожар и/или сериозно нараняване.

ЗАПАЗЕТЕ ВСИЧКИ ПРЕДУПРЕЖДЕНИЯ И ИНСТРУКЦИИ ЗА БЪДЕЩА СПРАВКА.

Терминът “машина” в предупрежденията се отнася до вашата машина, захранвана от електрическата мрежа (с кабел) или от батерия (без кабел).

Безопасност на работната зона

- Поддържайте работната зона чиста и добре осветена. Разхвърляни или тъмни работни зони пораждават инциденти.
- Не работете с машини в експлозивна атмосфера, като например в присъствието на запалими течности, газ или прах. Машините създават искри, които могат да възпламенят прах или изпарения.
- Дръжте на разстояние децата и страничните лица, докато работите с машина. Разсейването може да причини загуба на контрол.

Електрическа безопасност

- Щепселите на машината трябва да съответстват на контакта. Никога не модифицирайте щепсела по какъвто и да е начин. Не използвайте какъвто и да е адаптер със заземени (замасени) машини. Немодифицираните щепсели и съответстващите контакти ще намалят риска от електрически шок.
- Избягвайте контакт на тялото със заземени повърхности, като тръби, радиатори, кухненски печки и хладилници. Съществува повишена опасност от токов удар, ако тялото Ви е заземено.
- Не работете с машината при дъждовни или мокри условия. Водата, влизаща в машината, може да увеличи риска от токов удар или неизправност, които могат да доведат до телесна повреда.
- Не злоупотребявайте с кабела. Никога не използвайте кабела за пренасяне, изтегляне или изключване от контакта на машината. Дръжте кабела настрана от топлина, масло, остри ръбове или движещи се части. Повредени или оплетени кабели увеличават риска от електрически удар.
- Когато работите с машина на открито, използвайте удължителен кабел подходящ за употреба на открито. Употребата на кабел

подходящ за употреба на открито намалява риска от електрически удар.

- Ако работата с машината на влажно място е неизбежна, използвайте захранване със защитен прекъсвач на веригата при неизправно заземяване (GFCI). Употребата на GFCI намалява риска от електрически удар.

Лична безопасност

- Внимавайте, гледайте какво правите и използвайте здрав разум, когато работите с машина. Не използвайте машината, когато сте уморени или когато сте под влияние на наркотици, алкохол или лекарства. Момент невнимание по време на работата с машини може да доведе до сериозно нараняване.
- Използвайте лични предпазни средства. Винаги носете защита за очите. Защитно оборудване като прахови маски, не плъзгащи се безопасно обувки, твърда каска или защита за слуха използвана при подходящи условия ще намали риска от лични наранявания.
- Предотвратете непреднамерено пускане. Уверете се, че ключът е в изключена позиция, преди да свържете към захранване и/или батерия, повдигайки или носейки машината. Пренасянето на машини с пръст върху превключвателя или включването на машини, които са с включен превключвател, води до злополуки.
- Извадете всеки регулиращ ключ или гаечен ключ, преди да включите машината. Гаечен или друг ключ оставен закачен към въртящите се части на машината може да доведе до лично нараняване.
- Не се протягайте. Запазете правилна стойка и баланс по всяко време. Това позволява по-добър контрол върху машината в непредвидени ситуации.
- Облечете се подходящо. Не носете отпуснати дрехи или бижута. Дръжте косата и дрехите си далеч от движещи се части. Отпуснати дрехи, бижута или дълга коса, могат да бъдат хванати в движещите се части.
- Ако са предоставени устройства за свързване на прахоуловител или съоръжения за събиране, уверете се, че те са свързани и са правилно използвани. Употребата на устройства за събиране на прах може да намали рисковете свързани с прах.
- Не позволявайте на рутината, придобита от честата употреба на машини, да позволи небрежност небрежни и игнориране на принципите за безопасност при работа с машина. Небрежно действие може да причини сериозно нараняване за части от секундата.

Използване и грижа за машината

- Не насилвайте машината. Използвайте правилната машина за вашето приложение. Правилната машина ще свърши работата по-добре и по-безопасно при капацитета за който е проектирана.
- Не използвайте машината, ако превключвателят не го включва и изключва. Машината, която не може да бъде контролирана от превключвателя, е опасна и трябва да бъде поправена.
- Разкачете щепсела от захранването и/или извадете батерията, ако може да се извади, от машината, преди да извършите настройки, смяна на аксесоари или съхраняване на машините. Такива превантивни мерки за безопасност намаляват риска от случайно стартиране на машината.
- Съхранявайте неизползваните машини далеч от обсега на деца и не позволявайте на лица, които не са запознати с машината или тези инструкции, да работят с машината. Машините са опасни в ръцете на необучени потребители.
- Поддържайте машини и аксесоари. Проверете за разместване или блокиране на подвижни части, счупване на части, и всякакви други условия, които могат да повлияят на работата на машината. Ако е повредена, поправете машината преди употреба. Много злополуки се причиняват от лошо поддържани машини.
- Поддържайте режещите машини остри и чисти. Правилно поддържани режещи машини, с остри режещи ръбове и по-малко вероятно да се заклещат и по-лесно се контролират.
- Използвайте машината, аксесоарите, накрайниците на машината и т.н. в съответствие с тези инструкции, като вземете предвид условията на работа и вида работа, която ще бъде извършвана. Употребата на машината за дейности различни от предназначенията може да доведе до опасни ситуации.
- Дръжте ръкохватките и повърхностите за захващане сухи, чисти и без масло и грес. Хлъзгавите ръкохватки и места за захващане не позволяват безопасно боравене и контролиране на машината при неочаквана ситуация.

Използване и грижа за акумулаторната машина

- Презареждайте само със зарядното устройство определено от производителя. Зарядно устройство, което е подходящо за един вид акумулаторна батерия може да създаде опасност от пожар, когато се използва с друга акумулаторна батерия.
- Използвайте машините само със специфично обозначени акумулаторни батерии. Използването

BG

на всяка друга акумулаторна батерия може да създаде риск от нараняване и пожар.

- **Когато акумулаторните батерии не са в употреба ги дръжте на разстояние от други метални обекти, като кламери, монети, ключове, пирони, отвертки или други малки метални предмети, които могат да направят свързване между клемите.** Свързване на късо на клемите на батерията може да причини изгаряне или пожар.
- **При условия на злоупотреба, може да се изхвърли течност от батерията. Избягвайте контакт. В случай на инцидентен контакт измийте с вода.** Ако течността влезе в контакт с очите, потърсете допълнително медицинска помощ. Течността изхвърлена от батерията може да причини раздразнение или изгаряния.
- **Не използвайте акумулаторна батерия или машина, които са повредени или модифицирани.** Повредените или модифицираните батерии може да проявят непредсказуемо поведение, което да доведе до пожар, експлозия или риск от нараняване.
- **Не излагайте батерията или машината на огън или прекомерна температура.** Излагане на огън или температура над 130°C може да причини експлозия.
- **Следвайте всички инструкции за зареждане и не зареждайте батерията или машината извън температурния обхват зададен в инструкциите.** Неправилното зареждане или зареждане извън определения температурен обхват може да повреди батерията и да повиши риска от пожар.

⚠ ПРЕДУПРЕЖДЕНИЕ: Прочетете всички предупреждения за безопасност, инструкции, илюстрации и спецификации предоставени с този електрически инструмент. Неспазването на всички инструкции изброени долу може да доведе до токов удар, пожар и/или сериозно нараняване. Запазете всички предупреждения и инструкции за бъдеща справка.

Запазете всички предупреждения и инструкции за бъдеща справка.

ОБУЧЕНИЕ

- Прочете внимателно инструкциите. Запознайте се с управлението и правилната употреба на машината.
- Никога не позволявайте на хора или деца, които не са запознати с тези инструкции да използват уреда. Местните разпоредби могат да ограничат възрастта на оператора.
- Не забравяйте, че операторът или потребителят носи отговорност за злополуки или рискове по отношение на други хора или тяхното имущество.

ПОДГОТОВКА

- Никога не работете с машината, докато в близост има хора, особено деца или домашни любимци.
- Носете защита за очите и подсилени обувки по всяко време докато работите с машината.
- Разстоянието между машината и околните хора трябва да бъде минимум 15 м.
- Не използвайте никога машината, когато операторът е уморен, болен или под влияние на алкохол или други упойващи средства.

РАБОТА

- Използвайте машината единствено на дневна светлина или при добра изкуствена светлина.
- Никога не работете с машината с повредени предпазители или екрани или без поставени предпазители или екрани.
- Включете мотора само, когато ръцете и краката са далеч от режещите средства.
- Винаги разединявайте машината от електрическото захранване (примерно махнете акумулаторната батерия).
 - когато оставяте машината без надзор;
 - преди почистване на задръстване;
 - преди проверка, почистване и работа по машината.
 - след удряне на чужд предмет;
 - когато машината започне да вибрира неестествено.
- Вземете предпазни мерки против контузии по краката и ръцете от средствата за рязане.
- Винаги бъдете сигурни, че вентилационните отвори са запазени чисти от отпадъци.

ПОДДРЪЖКА И СЪХРАНЕНИЕ

- Разединете машината от електрическото захранване (примерно извадете батерията), преди да извършите работа по поддръжка или почистване.
- Използвайте единствено препоръчани от производителя резервни части и аксесоари.
- Проверявайте и поддържайте машината редовно. Ремонтирайте машината единствено в оторизиран сервиз.
- Когато не е в употреба, съхранете машината извън достъпа на деца.

ДРУГИ ПРЕДУПРЕЖДЕНИЯ ЗА БЕЗОПАСНОСТ

- **Избягвайте опасни среди** – не използвайте ел. уреди във влажни или мокри места.

- Дръжте предпазителите по местата им в работно състояние.
- Дръжте ръцете и краката далеч от зоната на рязане.
- За да намалите риска от нараняване, никога не работете на стълба или на някаква друга несигурна опора. Никога не дръжте режещия блок над нивото на талията.
- Проверявайте режещия блок на чести кратки интервали по време на работа или незабавно, ако има забележима промяна в поведението при рязане.
- За най-добри резултати, вашата батерия трябва да се зарежда на места, където температурата е по-висока от 5° C и по-ниска от 40° C. Не я съхранявайте на открито или в превозни средства.
- Ако бъдете приближен от човек, спрете мотора и режещия блок.
- Предупредете оператора за опасност от тласкане на ножа (използвайте само с нож с 3 зъба).
 - Тласкане на ножа може да се получи, когато въртящият се нож, влезе в контакт с предмет, който не може да отреже незабавно.
 - Тласкането на ножа може да бъде достатъчно силно за да причини уредът и/или операторът да бъдат изхвърлени на всяка посока и вероятно да се загуби контрол върху уреда.
 - Тласкането на ножа може да се случи без предупреждение, ако ножът се блъсне, заседне или се заклещи.
 - Тласкането на ножа е по вероятно да се случи в зона, където е трудно да видите рязания материал.
- Не закачайте нож на уред, без правилно монтиране на всички необходими части. Неспазването за употреба на правилни части, може да причини излитане на ножа и сериозно да нарани оператора и/или околните стоящите. Изхвърлете от употреба ножове, които са огънати, деформирани, напукани, счупени или повредени по друг начин. Използвайте остър нож. Един тъп нож е по-склонен към заседане или тласкане (използвайте само нож с 3 зъба).
- Движещ се по инерция нож/корда, може да причини нараняване, тъй като продължава да се върти след като моторът е спрял или спусъкът е освободен. Упражнявайте правилен контрол, докато ножът/ кордата напълно спре да се върти.
- Инструментите с батерия не трябва да бъдат закачени към електрически контакт, поради това те винаги са в работно състояние. Бъдете подготвени за възможни опасности, дори когато инструментът не работи. Бъдете внимателни, когато извършвате поддръжка или обслужване.

- Не измивайте с маркуч, избягвайте попадане на вода в мотора и електрическите връзки.
- Ако настъпят събития, които не са засегнати в това ръководство, бъдете предпазливи и използвайте добра преценка. Свържете се с сервисния потребителски център на EGO за помощ.
- Използвайте само с акумулаторни батерии и зарядни устройства изброени на фиг. А.

ЗАПАЗЕТЕ ТЕЗИ ИНСТРУКЦИИ!

СПЕЦИФИКАЦИИ

Ширина на рязане	30 cm
Скорост без натоварване	5000/6000 min ⁻¹
Тегло	1,82 kg
Препоръчителна работна температура	0°C-40°C
Препоръчителна температура на съхранение	-20°C-70°C
Измерено ниво на сила на звука L _{WA}	96,5 dB(A) K=1,88 dB(A) (PH1400E)
	93,2 dB(A) K=0,35 dB(A) (PH1420E)
	91 dB(A) K=1,1 dB(A) (PHX1600)
Ниво на звуково налягане при ухото на оператора L _{PA}	84,5 dB(A) K=3 dB(A) (PH1400E)
	83,9 dB(A) K=3 dB(A) (PH1420E)
	83 dB(A) K=3 dB(A) (PHX1600)
Гарантирано ниво на сила на звука L _{WA} (съгласно 2000/14/EC)	98 dB(A)

BG

Оценка на вибрации _h	Предната спомогателна ръкохватка	2,8 m/s ² K=1,6 m/s ² (PH1400E)
		4,14 m/s ² K=1,5 m/s ² (PH1420E)
		6,64 m/s ² K=1,5 m/s ² (PHX1600)
	Задна ръкохватка	3,1 m/s ² K=1,6 m/s ² (PH1400E)
		1,88 m/s ² K=1,5 m/s ² (PH1420E)
		2,61 m/s ² K=1,5 m/s ² (PHX1600)

- Горните параметри са тествани и измерени оборудвани със захранваща глава PH1400E/PH1420E/PHX1600;
- Деклариранят общ размер на вибрации е измерен в съответствие със стандартния метод за тест и може да бъде използван за сравнение между два инструмента;
- Деклариранят общ размер на вибрации може също така да бъде използван за предварителна оценка на влиянието.

БЕЛЕЖКА: Вибрационните емисии по време на действителната употреба на електрическия инструмент може да се различава от декларираната стойност. С цел да се защити оператора, потребителят трябва да носи ръкавици и антифони в действителни условия на работа.

Препоръчителен нож

ИМЕ НА ЧАСТ	НОМЕР НА МОДЕЛ
Нож за хросторез	ABB1203

ОПАКОВЪЧЕН ЛИСТ

ИМЕ НА ЧАСТ	БРОЙ
Приставка хросторез	1
Комплект нож и капак за нож	1
Предпазител	1
Акcesoари за предпазител (за употреба САМО с тримерна глава)	1
Ключ шестограм	1
Мултифункционален гаечен ключ	1
Ръководство на оператора	1

ВГ

ОПИСАНИЕ

ЗАПОЗНАЙТЕ СЕ С ВАШАТА ПРИСТАВКА ХРАСТОРЕЗ (Фиг. А)

1. Крайна капачка
2. Щанга на хростореза
3. Предпазител
4. Нож
5. Капак за ножа
6. Захващаща тел
7. Уплътняващ винт
8. Предавателна кутия
9. Отвор за заключване на щангата
10. Външен фланец
11. Мултифункционален гаечен ключ
12. Ключ шестограм
13. Акcesoари за предпазител (за употреба САМО с тримерна глава)

⚠ ПРЕДУПРЕЖДЕНИЕ: Никога не работете с инструмента без предпазителя да е здраво на местото си. Предпазителят трябва винаги да е на инструмента за да предпазва потребителя.

⚠ ПРЕДУПРЕЖДЕНИЕ: Когато уредът се използва като кордов тример, оборудван само с тримерна глава, акcesoарите за предпазител трябва да бъдат монтирани в предпазителя. Неспазването на това може да доведе до твърде дълга режеща корда и претоварване на мотора.

МОНТАЖ

⚠ ПРЕДУПРЕЖДЕНИЕ: Ако някои от частите са повредени или липсват, не работете с този продукт, докато частите не се подменят. Използването на този продукт с повредени или липсващи части може да доведе до сериозно лично нараняване.

⚠ ПРЕДУПРЕЖДЕНИЕ: Не се опитвайте да модифицирате този продукт или да създадете акcesoари, които не се препоръчват за употреба с този хросторез. Всяка такава промяна или модификация е злоупотреба и може да доведе до опасни условия с последици от възможни сериозни наранявания.

⚠ ПРЕДУПРЕЖДЕНИЕ: За да предотвратите случайно стартиране, което може да причини сериозно нараняване винаги изваждайте акумулаторната батерия от машината, когато сглобявате частите.

▲ ПРЕДУПРЕЖДЕНИЕ: Когато машината е оборудвана с глава на хросторез, предпазният бариерен прът трябва да бъде монтиран.

МОНТАЖ НА ПРЕДПАЗИТЕЛЯ

▲ ПРЕДУПРЕЖДЕНИЕ: Винаги носете ръкавици, когато монтирате или подменяте предпазителя. Внимавайте за ножа в предпазителя и защитете своята ръка от порязване.

▲ ПРЕДУПРЕЖДЕНИЕ: Никога не работете с машината без предпазителят да е здраво на мястото му. Предпазителят трябва винаги да е на машината, за да предпазва потребителя! Когато предпазителят е фиксиран, никога не се опитвайте да извадите или да регулирате предпазителя, ако е необходима подмяна, трябва да бъде извършена от квалифициран сервизен техник!

Разхлабете и извадете двата винта от основата на щангата (фиг. С), подравнете монтажните отвори на предпазителя с отворите за монтажния механизъм и след това захванете предпазителя в основата на щангата с двата винта, заедно с две пружинни шайби (фиг. D).

Уверете се, че предпазителят е закрепен съгласно фиг. С и D, всяко закрепване на обратно ще причини голяма опасност!

МОНТАЖ НА НОЖА

1. Ножът се доставя с капак. Преди монтиране на ножа към хростореза, капакът трябва да бъде изваден, чрез изваждане на захващащата тел от куката на капака (фиг. E).

Фиг. E описание на части виж долу:

E-1	Кука
E-2	Захващаща тел

2. Завъртете външния фланец за да подравните слота на вътрешния фланец с отвора за закрепване на пръта в предавателната кутия (Фиг. F).
3. Поставете предоставения ключ шестограм в подравнените отвори за да действа като стабилизатор (фиг. G).

Фиг. F и G описание на части виж долу:

F-1	Предавателна кутия	F-3	Външен фланец
F-2	Подравнени отвори за захващане на щангата	G-1	Стабилизатор

4. Поставете главата на хростореза върху твърда повърхност за упора. Хващайки щангата на хростореза с една ръка, използвайте другата ръка за да разхлабите гайките с предоставения мулти-функционален ключ, по посока на стрелката маркирана на външния фланец и извадете гайката и външния фланец. Запазете ги за повторно поставяне (фиг. H).
5. Монтирайте ножа на вала на мотора осигурявайки, че повърхността на ножа е изравнена с повърхността на издатината на външния фланец. Продължете, като монтирате външния фланец и гайката (фиг. I) Затегнете предварително гайката **ОБРАТНО НА ЧАСОВНИКА** на ръка.

Фиг. I описание на части виж долу:

I-1	Издатина на вътрешния фланец	I-4	Външен фланец
I-2	Вал на мотора	I-5	Нож
I-3	Гайка		

6. Завъртете външния фланец за да изравните слота във вътрешния фланец с отвора за закрепване на вала в предавателната кутия и вкарайте предоставения ключ шестограм в подравнените отвори за да действа като стабилизатор, както е показано на предишните стъпки 2 и 3.
7. Поставете главата на хростореза върху твърда повърхност за упора. Хващайки ножа с една ръка, използвайте другата ръка за да затегнете гайките с предоставения мултифункционален ключ, по посока обратна на стрелката маркирана на външния фланец (Фиг. J).

Употреба на аксесоарите за предпазител

БЕЛЕЖКА: Когато уредът се използва като кордов тример, оборудван само с тримерна глава, аксесоарите за предпазителя трябва да бъдат монтирани в предпазителя (фиг. K).

Подсигурете аксесоарите за предпазителя в предпазителя, като затегнете трите винта с предоставения ключ шестограм. Неспазването на това може да доведе до твърде дълга режеща корда и претоварване на мотора.

СВЪРЗВАНЕ НА ПРИСТАВКАТА ХРАСТОРЕЗ КЪМ ЗАХРАНВАЩАТА ГЛАВА

Тази приставка храсторез е проектирана за употреба с EGO захранваща глава PH1400E/PH1420E/PHX1600.

Вижте раздел “**МОНТИРАНЕ НА ПРИСТАВКА КЪМ ЗАХРАНВАЩАТА ГЛАВА**” в ръководството на оператора на захранваща глава PH1400E/PH1420E/PHX1600.

ЕКСПЛОАТАЦИЯ

⚠ ПРЕДУПРЕЖДЕНИЕ: Не позволявайте рутината с този продукт да ви направи непредпазливи. Запомнете, че невнимание за малка част от секундата е достатъчна за да нанесе сериозно нараняване.

⚠ ПРЕДУПРЕЖДЕНИЕ: Винаги носете защита за очите заедно със защита за слуха. Ако не го направите може да доведе до изхвърляне на предмети към очите ви и други възможни сериозни наранявания.

ПРИЛОЖЕНИЯ

Може да използвате този продукт за целите описани долу:

- Рязане на малцова трева, плевели, диворастящи и шубрак, изтъняване на млади насаждения, с максимален диаметър на стъблото от 2 см.

БЕЛЕЖКА: Инструментът трябва да бъде използван само за предназначените цели. Всяка друга употреба се смята за случай на злоупотреба.

ИЗПОЛЗВАНЕ НА ХРАСТОРЕЗ СЪС ЗАХРАНВАЩА ГЛАВА

⚠ ПРЕДУПРЕЖДЕНИЕ: Облечете се правилно за да намалите риска от нараняване, когато работите с този инструмент. Не носете отпуснати дрехи или бижута. Носете защита за очите и защита за очите/слуха. Носете тежки, дълги панталони, ботуши и ръкавици. Не носете къси панталони или сандали или не ходете бос.

За безопасна и по-добра работа, поставете ремъка за рамо през рамото си. Регулирайте ремъка за рамо в удобна работна позиция. Дръжте храстореза с едната си ръка за задната ръкохватка и с другата ръка за предната спомагателна ръкохватка. Поддържайте здрав захват и с двете ръце, докато работите с инструмента. Храсторезът трябва да бъде държан в удобна позиция, като задната ръкохватка е на височината на бедрото. Поддържайте вашия захват и баланс на двата крака.

Позиционирайте се, така че да не бъдете разбалансиран при реакция на откат на режещия нож (фиг. В).

⚠ ПРЕДУПРЕЖДЕНИЕ: Ремъкът за рамо, също е механизъм за бързо освобождаване при опасни ситуации. При наличие на аварийна ситуация, свалете го незабавно от рамото си, независимо по кой начин се намира.

При рязане на диворастящи и шубрак, снижете въртящото острие надолу към растителността, за да постигнете отсичащ ефект. Използвайте храстореза като коса (замахвайте от дясно и от ляво) на нивото на земята. Не използвайте приставката за рязане над нивото на талията.

⚠ ПРЕДУПРЕЖДЕНИЕ: Колкото по-високо е режещата приставка от земята, толкова по-голям е рискът от нараняване от изхвърляне на страни на отрязъци.

⚠ ПРЕДУПРЕЖДЕНИЕ: Когато режете млади насаждения или други дървени материали, до 2 см в диаметър, използвайте лявата страна на ножа, за да избегнете ситуации на тласкане на ножа. Не се опитвайте да режете дървесни материали с по-голям диаметър, тъй като ножът може да се захване или да издърпа храстореза напред. Това може да доведе до повреда на ножа или на храстореза, или загуба на контрол на храстореза, което да доведе до нараняване.

⚠ ПРЕДУПРЕЖДЕНИЕ: Неправилната употреба на ножа на храстореза може да причини напукване, нацърбване или счупване.

Изхвърлените части могат сериозно да наранят оператор или близкостоящ. За да намалите риска от лично нараняване, изключително важно е да вземете следните предпазни мерки:

- Избягвайте контакт с твърди и солидни чужди тела като камъни, скали или парчета метал.
- Никога не режете дърво или храсти с диаметър на стъблото повече от 2 см.
- Проверявайте ножа на чести кратки интервали за знаци на повреда. Не продължавайте да работите с повреден нож.
- Заточвайте ножа редовно (когато е затъпен забележимо) и го дайте за балансиране ако е необходимо (извършва се от квалифициран сервизен техник).

ТЛАСКАНЕ НА НОЖА

Упражнете изключително внимание, когато използвате ножа в този инструмент. Тласкане на ножа е реакция, която може да се получи, когато въртящият се нож влезе в контакт с нещо, което не може да среже. Този контакт може да накара ножът да спре моментално и внезапно да “изтласка” инструмента далеч от обекта, който е ударил. Това действие може да е достатъчно силно за да причини загуба на контрол на инструмента от оператора. Тласкането на ножа може да се случи без предупреждение, ако ножът се блъсне, заседне или се заклещи. Това е по вероятно да се случи в зона, където е трудно да видите рязания материал. За леснота на рязане и безопасност, захождайте от дясно на ляво към плевелите, които трябва да бъдат рязани с хростореза. В случай на среща с неочакван обект или дървен ствол, практиката може да минимизира тласкането на ножа.

Преди всяка употреба проверявайте за повредени/износени части

Проверете ножа, предпазителя и предната спомагателна ръкохватка и подменете всички части, които са напукани, деформирани, изкривени или повредени по някакъв начин.

Ръбът на ножа може да се притъпи в течение на времето. Препоръчва се да обръщате ножа, за да удължите неговия живот и периодично да го заточвате (извършва се от квалифициран сервизен техник) или да го подмените с нов нож, когато е необходимо.

Почистете хростореза след всяка употреба.

Вижте раздел ПОДДРЪЖКА за инструкции за почистване

⚠ ПРЕДУПРЕЖДЕНИЕ: Уверете се, че ножът е напълно спрял, преди почистване и обслужване на хростореза. Неспазването може да доведе до възможно сериозно нараняване.

ЗА ДА СТАРТИРАТЕ/СПРЕТЕ ИНСТРУМЕНТА

Вижте раздел “ СТАРТИРАНЕ/СПИРАНЕ НА ЗАХРАНВАЩАТА ГЛАВА ” в ръководството на оператора на храняваща глава PH1400E/PH1420E/PHX1600.

ПОДДРЪЖКА

⚠ ПРЕДУПРЕЖДЕНИЕ: Преди инспекция, почистване или обслужване на уреда спрете мотора, изчакайте всички движещи части да спрат и извадете

акумулаторната батерия. Неспазването на тези инструкции може да доведе до сериозно нараняване или щети по собствеността.

⚠ ПРЕДУПРЕЖДЕНИЕ: Когато обслужвате, използвайте само идентични резервни части. Употребата на каквито и да е други части може да създаде опасност или да предизвика повреда на продукта. За да осигурите безопасността и надеждността, всички поправки трябва да се извършват от квалифициран сервизен техник.

⚠ ПРЕДУПРЕЖДЕНИЕ: Винаги носете ръкавици за тежки приложения, когато монтирате или изваждате ножа, или когато извършвате някакво обслужване на ножа. Внимавайте за ножа и предпазвайте ръцете си за нараняване от него.

ОБЩА ПОДДРЪЖКА

Избягвайте употребата на разтворители, когато почиствате пластмасовите части. Повечето пластмасови части са уязвими на повреда от различни видове разтворители в търговската мрежа и може да се повредят от тяхната употреба. Използвайте чист плат, за премахване на мръсотия, прах, масло и т.н.

ПОЧИСТВАНЕ НА УРЕДА

- Премахнете батерията
- След всяка употреба почистете натрупванията, запушената почва или трева по ножа и предпазителя с мека четка.
- Избършете повърхността на инструмента с мека кърпа навлажнена с мек сапунен разтвор.
- Използвайте малка четка или малка прахосмукачка за да почистите, вентилационните отвори в задната страна на корпуса.
- Дръжте вентилационните отвори свободни от запушване.

Когато ножът се притъпи (двата ръба на ножа са притъпени), моля дайте до за заточване на квалифициран сервизен техник или го подменете с нов нож ако е необходимо.

ПОДМЯНА НА НОЖА

⚠ ПРЕДУПРЕЖДЕНИЕ: Износен напукан или повреден нож може да се счули и парчетата от повредения нож, могат да се превърнат в опасни летящи предмети. Изхвърлените обекти могат да причинят сериозно нараняване. Редовно проверявайте ножа и не работете с хросторез с износен или повреден нож.

⚠ ПРЕДУПРЕЖДЕНИЕ: Използвайте подходяща защита за очите, когато изваждате, заточвате или монтирате ножа.

За да извадите ножа

1. Премахнете батерията
2. Завъртете външния фланец за да изравните слота във вътрешния фланец с отвора за закрепване на вала в предавателната кутия и вкарайте предоставения ключ шестограм в подравнените отвори за да действа като стабилизатор, както в стъпки 2 и 3, показани в раздел **"МОНТИРАНЕ НА НОЖА"**.
3. Поставете главата на хростореза върху твърда повърхност за упора. Хващайки ножа с една ръка, използвайте другата ръка за да разхлабите гайките с предоставения мултифункционален ключ, по посока на стрелката маркирана на външния фланец и извадете гайката, външния фланец и износения нож (фиг. L).
4. Проверете и подменете външния фланец и капака на фланеца ако са износени (фиг. M).

Фиг. M описание на части виж долу:

M-1	Вал на мотора	M-5	Външен фланец
M-2	Вътрешен фланец	M-6	Гайка
M-3	Капак на фланеца	M-7	Отвор във фланеца
M-4	Нож		

5. Монтирайте новия нож във вала на мотора, както показва последователността на фиг. M. Детайлите следват стъпките с инструкции 5, 6 и 7 в раздел **"МОНТАЖ НА НОЖА"**.

СМАЗВАНЕ НА ПРЕДАВКИТЕ НА ТРАНСМИСИЯТА

Предавките на трансмисията в предавателната кутия трябва да бъдат периодично смазвани със смазка за редукторни предавки. Проверете нивото на смазката в предавателната кутия приблизително на всеки 50 часа работа, като извадите уплътняващия винт от страни на кутията.

Ако не може да бъде видяна смазка по страните на редуктора, следвайте долните стъпки за да запълните с грес за редукторни предавки до 3/4 от капацитета.

Не напълвайте изцяло предавките на трансмисията.

1. Позиционирайте хростореза, така че уплътняващият винт да сочи нагоре (Фиг. N).
2. Използвайте предоставения мултифункционален ключ за да разхлабите и премахнете уплътняващия винт.
3. Използвайте гресьорка (не е включена) за да вкарате малко грес е отвора на винта.
4. Затегнете уплътняващия винт след гресирането.

СЪХРАНЯВАНЕ НА УРЕДА

- Извадете акумулаторната батерия от инструмента.
- Носете ръкавици за тежка употреба за да изчистите цялостно инструмента.
- Монтирайте капака на ножа към ножа за безопасно съхранение (фиг. O).
- Извадете приставката хросторез от хранящата глава и покрийте клемата на пръта на приставката с крайната капачка, ако е необходимо.
- Съхранете уреда в сухо място с добра вентилация, заключен или съхраняван на високо извън достъпа на деца. Не съхранявайте уреда в близост или върху тор, бензин или други химикали.

Опазване на околната среда



Не изхвърляйте електрическо оборудване, използвана батерия или зарядно устройство в домакинския отпадък! Отнесете продукта до упълномощена фирма за рециклиране и го предоставете за разделно събиране. Електрическите машини трябва да бъдат връщани в съоръжения за рециклиране съвместими с околната среда.

ОТСТРАНЯВАНЕ НА НЕИЗПРАВНОСТИ

ПРОБЛЕМА	ПРИЧИНА	РЕШЕНИЕ
Храсторезът не може да запали.	<ul style="list-style-type: none"> ■ Аккумуляторната батерия не е прикрепена към захранващата глава. ■ Няма електрически контакт между захранващата глава и батерията. ■ Аккумуляторната батерия е изтощена. ■ Лостът за отключване и спусъкът не са натиснати едновременно. 	<ul style="list-style-type: none"> ■ Закрепете аккумуляторната батерия към захранващата глава. ■ Извадете батерията, проверете контактите и монтирайте отново докато влезе на местото си. ■ Заредете аккумуляторната батерия със зарядни EGO посочени в това ръководство. ■ Натиснете и задръжте лоста за отключване и след това натиснете спусъка за да включите храстореза.
Храсторезът спира по време на рязане.	<ul style="list-style-type: none"> ■ Моторът е претоварен. ■ Аккумуляторната батерия или захранващата глава са твърде горещи. ■ Аккумуляторната батерия е разединена от инструмента. ■ Аккумуляторната батерия е изтощена. 	<ul style="list-style-type: none"> ■ Моторът ще се възстанови, когато натоварването е отстранено. За продължителна работа намалете натоварването на захранващата глава. ■ Позволете на аккумуляторната батерия или на захранващата глава да се охлади, докато температурата спадне под 67°C . ■ Монтирайте отново аккумуляторната батерия. ■ Заредете аккумуляторната батерия със зарядни EGO посочени в това ръководство.

ГАРАНЦИЯ

ГАРАНЦИОННА ПОЛИТИКА EGO

Моля посетете уебсайта egopowerplus.eu за пълните условия по гаранционната политика на EGO.

BG

PROČITAJTE UPUTE U CIJELOSTI!



PROČITAJTE KORISNIČKI PRIRUČNIK

⚠ UPOZORENJE! Radi osiguranja sigurnosti i pouzdanosti sve popravke i zamjene treba obavljati kvalificirani servisni tehničar.

SIGURNOSNI SIMBOLI

Svrha sigurnosnih simbola je skretanje pozornosti na moguće opasnosti. Sigurnosni simboli i njihova objašnjenja zahtijevaju vašu potpunu pozornost i razumijevanje. Sami simboli upozorenja ne isključuju opasnost. Upute i upozorenja koja pružaju nisu zamjena za propisne mjere za prevenciju nesreća.

⚠ UPOZORENJE! Prije korištenja ovog alata pobrinite se da sve upute u ovom korisničkom priručniku, uključujući sve sigurnosne simbole kao što su **“OPASNOST”**, **“UPOZORENJE”** i **“OPREZ”** pročitate s razumijevanjem. Zanemarivanje svih uputa navedenih u nastavku može rezultirati strujnim udarom, požarom i/ili teškim tjelesnim ozljedama.

ZNAČENJE SIMBOLA

⚠ SIGURNOSNI SIMBOL: ukazuje na **OPASNOST, UPOZORENJE ILI OPREZ**. Može se koristiti u kombinaciji s drugim simbolima ili piktogramima.



⚠ UPOZORENJE! Rukovanje električnim alatima može rezultirati odbacivanjem stranih predmeta u oči što opet može izazvati teška oštećenja očiju. Prije početka rukovanja električnim alatom uvijek nosite zatvorene zaštitne naočale ili zaštitne naočale s bočnim štitnicima, a prema potrebi i štitnik za cijelo lice. Preporučujemo nošenje sigurnosne maske širokog vidnog polja preko naočala, ili nošenje standardnih zaštitnih naočala s bočnim štitnicima.

HR

SIGURNOSNE NAPOMENE

Na ovoj stranici slikovno su prikazani i objašnjeni sigurnosni simboli koji se mogu pojaviti na ovom proizvodu. Prije pokušaja sastavljanja i rukovanja s razumijevanjem pročitajte sve upute na stroju i pridržavajte ih se.

	Simbol upozorenja	Ukazuje na potencijalnu opasnost od tjelesnih ozljeda.
	Pročitajte korisnički priručnik.	Radi smanjenja opasnosti od ozljeda korisnik treba pročitati korisnički priručnik.
	Nosite zaštitu za oči.	Kada rukujete ovim proizvodom, uvijek nosite zatvorene zaštitne naočale ili zaštitne naočale s bočnim štitnicima i štitnik za cijelo lice.
	Nosite zaštitu za sluh.	Radi zaštite sluha uvijek nosite zvučne barijere (čepovi za uši ili štitnici za uši).
	Nosite zaštitu za glavu.	Radi zaštite glave nosite odobrenu sigurnosnu kacigu.
	Nosite zaštitne rukavice.	Kada rukujete pilom i lancem pile zaštitite ruke rukavicama. Neklizajuće rukavice za teške radne uvjete poboljšavaju zahvat i štite ruke.
	Nosite sigurnosnu obuću.	Kada koristite ovu opremu nosite neklizajuću sigurnosnu obuću.
	Širina rezanja	Maks. širina rezanja čistača šikare
	Čuvajte se povratnog udara oštrice.	Upozorite rukovatelja na opasnost od povratnog udara oštrice.
	Promatrače držite na udaljenosti.	Udaljenost između stroja i promatrača mora biti najmanje 15 m.

	Čuvajte se bačenih predmeta	Odbačeni predmeti mogu odskočiti i rezultirati tjelesnim ozljedama ili materijalnom štetom.
	Odvajite bateriju prije održavanja	Prije obavljanja radova na održavanju ili čišćenja, baterijski modul odvojite od šišača s reznom niti.
	CE	Ovaj proizvod je u skladu s primjenjivim Direktivama EU.
	UKCA	ovaj proizvod sukladan je važećim zakonima u UK.
	WEEE	Otpadni električni proizvodi ne smiju se odlagati s otpadom iz kućanstva. Odnosite ih u ovlašteni centar za reciklažu.
	Buka	Zajamčena razina zvučne snage: emisija buke u okruženju u skladu je s Direktivom Europske unije.
V	Volt	Napon
mm	Milimetar	Duljina ili dimenzija
cm	Centimetar	Duljina ili dimenzija
kg	Kilogram	Masa
n_0	Brzina bez opterećenja	Brzina vrtnje u praznom hodu
min ⁻¹	U minuti	Okretaji u minuti

OPĆA SIGURNOSNA UPOZORENJA ZA STROJ

⚠ UPOZORENJE: Pročitajte sva upozorenja, upute, ilustracije u vezi sigurnosti i tehničke podatke isporučene s ovim strojem. Zanemarivanje svih uputa navedenih u nastavku može rezultirati strujnim udarom, požarom i/ili teškim ozljedama.

SAČUVAJTE SVA UPOZORENJA I SVE UPUTE ZA BUDUĆE POTREBE.

Pojam „stroj“ u upozorenjima odnosi se na stroj s napajanjem iz električne mreže (s kabelom) ili na stroj s napajanjem iz baterije (bez kabela).

SIGURNOST RADNOG PODRUČJA

- Radno područje održavajte čistim i dobro osvijetljenim. Pretrpana ili mračna područja izazivaju nesreće.

- Strojeve ne upotrebljavajte u eksplozivnim okruženjima, primjerice u prisutnosti zapaljivih tekućina, plinova ili prašine. Strojevi stvaraju iskre koje mogu zapaliti prašinu ili isparenja.
- Udaljite djecu i promatrače za vrijeme rada sa strojem. Ometanja mogu rezultirati gubitkom kontrole nad alatom.

ELEKTRIČNA SIGURNOST

- Utikači stroja moraju odgovarati utičnici. Nemojte nikada raditi preinake utikača. Utikače s adapterom nemojte koristiti s uzemljenim strojevima. Nepreinačeni utikači i odgovarajuće utičnice smanjit će rizik od električnog udara.
- Izbjegavajte kontakt tijela s uzemljenim površinama, kao što su slavine, radijatori, peći i hladnjaci. Postoji povećan rizik od strujnog udara ako je vaše tijelo uzemljeno.
- Ne upotrebljavajte stroj za vrijeme kiše i na mokrim mjestima. Ulazak vode u stroj može povećati rizik od električnog udara ili kvara koji mogu rezultirati tjelesnom ozljedom.
- Kabel nemojte upotrebljavati nepropisno. Kabel nemojte upotrebljavati za nošenje, povlačenje ili iskopčavanje stroja. Kabel držite podalje od topline, ulja, oštih rubova ili pokretnih dijelova. Oštećeni ili isprepleteni kabeli povećavaju rizik od strujnog udara.
- Kada strojem radite na otvorenom, upotrebljavajte produžni kabel prikladan za upotrebu na otvorenom. Upotrebom kabela prikladnog za upotrebu na otvorenom smanjuje se rizik od strujnog udara.
- Ako je rad sa strojem u vlažnom području neizbježan, upotrebljavajte napajanje s uređajem za zaštitu od dozemnog spoja (GFCI). Uporabom uređaja za zaštitu od dozemnog spoja smanjuje se rizik od električnog udara.

OSOBNA SIGURNOST

- Budite oprezni, gledajte što radite i vodite se načelima zdravog razuma kada radite sa strojem. Nemojte raditi sa strojem ako ste umorni ili pod utjecajem opojnih sredstava, alkohola ili lijekova. Trenutak nepažnje tijekom rada s uređajem može dovesti do teške tjelesne ozljede.
- Upotrebljavajte osobnu zaštitnu opremu. Uvijek nosite zaštitu za oči. Zaštitna oprema poput maske za zaštitu od prašine, protuklizne sigurnosne obuće, kacige ili zaštite za sluh upotrijebljena za prikladne uvjete smanjit će tjelesne ozljede.
- Spriječite nenamjerno pokretanje. Prije spajanja na izvor napajanja i/ili baterijski modul, podizanja

ili nošenja stroja provjerite nalazi li se sklopka u isključenom položaju. Nošenje strojeva s prstom na sklopki ili priključivanje na napajanje strojeva koji imaju uključenu sklopku izaziva nesreće.

- **Prije uključivanja stroja uklonite sve ključeve za podešavanje ili ključeve za stezanje.** Ako se ključ za stezanje ili za podešavanje ostavi na rotacijskom dijelu stroja, to može rezultirati tjelesnim ozljedama.
- **Nemojte se naginjati preko alata. Cijelo vrijeme održavajte propisno držanje i ravnotežu.** To će omogućiti bolju kontrolu nad strojem u neočekivanim situacijama.
- **Obucite se prikladno. Ne nosite široku odjeću ili nakit.** Kosu i odjeću držite dalje od pokretnih dijelova. Široka odjeća, nakit ili duga kosa može se zahvatiti pokretnim dijelovima.
- **Ako su uređaji opremljeni priključkom za odvod i sakupljanje prašine, pobrinite se da se propisno spoje i upotrebljavaju.** Upotrebom sustava za sakupljanje prašine mogu se umanjiti opasnosti koje se odnose na prašinu.
- **Nemojte dopustiti da vas poznavanje stroja stečeno čestom upotrebom učini samodopadnim te da ignorirate sigurnosna načela za stroj.** Nepažljiv rad može rezultirati teškim ozljedama u djeliću sekunde.

UPOTREBA I NJEGA STROJA

- **Nemojte preopterećivati stroj. Koristite odgovarajući stroj za primjenu.** Propisan stroj bolje će i sigurnije obaviti zadatak brzinom za koju je konstruiran.
- **Ne upotrebljavajte stroj ako ga sklopkom ne možete uključiti i isključiti.** Svaki stroj koji ne možete sklopkom uključiti i isključiti je opasan i mora se popraviti.
- **Prije podešavanja, zamjene pribora ili skladištenja strojeva odvojite utikač od izvora napajanja i/ili uklonite baterijski modul, ako je odvojiv.** Takve preventivne sigurnosne mjere smanjuju rizik od slučajnog pokretanja stroja.
- **Neaktivan stroj čuvajte izvan dohvata djece i ne dopustite osobama koje nisu upoznate s uređajem ili ovim uputama da upravljaju strojem.** Strojevi su opasni u rukama neobučениh korisnika.
- **Održavajte strojeve i pribor. Provjerite jesu li pokretni dijelovi centrirani ili spojeni, ima li polomljenih dijelova i postoji li stanje koje može utjecati na rad stroja. Ako je stroj oštećen, popravite ga prije uporabe.** Mnoge nezgode su nastale upravo zbog slabog održavanja stroja.
- **Rezne strojeve održavajte oštirim i čistima.** Propisno održavani rezni strojevi s oštrim reznim bridovima manje su skloni zaglavljivanju i njima se lakše upravlja.

- **Stroj, pribor, strojne nastavke i sl., upotrebljavajte u skladu s ovim uputama, uzimajući u obzir radne uvjete i zadatak koji je potrebno obaviti.** Upotreba stroja za radnje za koje nije namijenjen može rezultirati opasnim situacijama.
- **Rukohvate i površinu rukohvata održavajte suhim, čistim i očišćenim od ulja i masti.** Skliske ručke i površine rukohvata onemogućuju sigurno rukovanje i upravljanje strojem u neočekivanim situacijama.

KORIŠTENJE I NJEGA BATERIJSKOG STROJA

- **Punjenje obavljajte samo s punjačem kojeg je naveo proizvođač.** Punjač koji je prikladan za jedan tip baterijskog modula može izazvati rizik od požara ako ga se upotrebljava s drugim baterijskim modulom.
- **Strojeve upotrebljavajte samo s izričito propisanim baterijskim modulima.** Upotreba drugih baterijskih modula može izazvati rizik od ozljeda i požara.
- **Kad se baterijski modul ne upotrebljava, držite ga podalje od drugih metalnih predmeta poput spajalica za papir, kovanica, ključeva, čavala, vijaka ili drugih malih metalnih predmeta koji mogu međusobno spojiti kontakte.** Kratko spajanje baterijskih kontakata može prouzročiti opeklene ili požar.
- **U slučaju neprimjerene uporabe, baterija može izbaciti tekućinu; izbjegavajte kontakt. Ako slučajno dođe do doticaja, mjesta doticaja isperite vodom. Ako tekućina dođe u doticaj s očima, dodatno potražite pomoć liječnika.** Tekućina koju izbaci baterija može prouzročiti nadražaj kože ili opeklene.
- **Ne upotrebljavajte baterijski modul ili stroj koji je oštećen ili preinačen.** Oštećene ili preinačene baterije mogu pokazati nepredvidivo ponašanje koje može rezultirati požarom, eksplozijom ili opasnošću od ozljeda!
- **Baterijski modul ili stroj ne izlažite vatri ili visokim temperaturama.** Izlaganje vatri ili temperaturi višoj od 130 °C može prouzročiti eksploziju.
- **Pridržavajte se svih uputa za punjenje, a baterijski modul ili stroj nemojte puniti izvan raspona temperature navedenog u uputama.** Nepropisno punjenje ili punjenje pri temperaturama izvan okvira određenog raspona može oštetiti bateriju i povećati opasnost od požara.

⚠ UPOZORENJE: Pročitajte sva upozorenja, upute, ilustracije u vezi sigurnosti i tehničke podatke isporučene s ovim električnim alatom. Zanemarivanje svih uputa navedenih u nastavku može rezultirati strujnim udarom, požarom i/ili teškim ozljedama. Sva upozorenja i upute spremite za buduće potrebe.

Sva upozorenja i upute spremite za buduće potrebe.

OBUKA

- Pozorno pročitajte upute. Upoznajte se s upravljačkim elementima i propisnom uporabom stroja.
- Osobama koje se nisu upoznale s ovim uputama i djeci nemojte dozvoliti upotrebu alata. Lokalni propisi mogu ograničavati starosnu dob rukovatelja.
- Imajte na umu da je rukovatelj ili korisnik odgovoran za nesreće ili opasnosti za druge osobe ili njihovu imovinu.

PRIPREMA

- Strojem ne rukujte kada se u blizini nalaze osobe, a posebno djeca ili kućni ljubimci.
- Nosite zaštitu za oči i čvrstu obuću cijelo vrijeme dok rukujete strojem.
- Udaljenost između stroja i promatrača treba biti najmanje 15 m.
- Nemojte raditi sa strojem ako ste umorni, bolesni ili pod utjecajem alkohola ili ostalih opijata.

RAD

- Stroj koristite samo pri dnevnom svjetlu ili dobrom umjetnom osvjetljenju.
- Strojem ne rukujte ako su štitnici ili zaštitni uređaji oštećeni ili ako nisu na svom mjestu.
- Motor uključite samo kada se ruke i stopala nalaze dalje od reznih elemenata.
- Stroj odvojite od električnog napajanja (tj. uklonite baterijski modul).
 - kada stroj ostavljate bez nadzora;
 - prije uklanjanja blokade;
 - prije provjere, čišćenja ili rada sa strojem.
 - nakon udaranja o strani predmet;
 - kada stroj počne neuobičajeno vibrirati.
- Zaštitite se od ozljeda stopala i ruku od reznih elemenata.
- Pazite da ventilacijski otvori ne budu zapriječeni.

ODRŽAVANJE I SKLADIŠTENJE

- Prije obavljanja radova održavanja ili čišćenja stroj odspojite od strujnog napajanja (tj. uklonite baterijski modul).
- Koristite samo zamjenske dijelove i pribor koje je preporučio proizvođač.
- Redovito obavljajte pregled i održavanje stroja. Popravak stroja prepustite samo ovlaštenom osoblju za popravak.
- Kada ga ne koristite, stroj čuvajte izvan dohvata djece.

OSTALA SIGURNOSNA UPOZORENJA

- **Izbjegavajte opasna okruženja** – ne upotrebljavajte uređaje na vlažnom ili mokrom nagibu.
- **Održavajte štitnike na njihovom mjestu i u radnom stanju.**
- **Ruke i stopala držite podalje od područja rezanja.**
- **Radi smanjenja opasnosti od ozljeda, nikada ne radite na ljestvama ili na nekoj drugoj nesigurnoj podlozi. Rezni priključak nikada ne držite na visini iznad struka.**
- **Rezni alat tijekom rada redovito provjeravajte u kratkim intervalima ili odmah ako uočite primjetnu promjenu u načinu rezanja.**
- **Najbolje rezultate postići ćete ako bateriju punitelje na mjestu gdje je temperatura više od 5 °C i niža od 40 °C. Nemojte ju čuvati na otvorenom prostoru ili u vozilima.**
- **Ako vam netko pride, zaustavite motor i rezni priključak.**
- **Upozorite rukovatelja da postoji opasnost od potiska noža (samo s nožem s 3 zuba).**
 - Povratni udar noža može se dogoditi kada rotirajuća oštrica dođe u doticaj s predmetom kojeg ne može odmah odrezati.
 - Povratni udar noža može biti dovoljno silovit da rezultira odbacivanjem jedinice i/ili rukovatelja u bilo kojem smjeru i mogućim gubitkom kontrole nad jedinicom.
 - Povratni udar noža može se dogoditi bez upozorenja ako oštrica zapne, ako blokira ili se zaglavi.
 - Povratni udar noža prije će se dogoditi u područjima gdje je teško vidjeti materijal koji se reže.
- **Ne pričvršćujte oštricu na jedinicu bez propisnog postavljanja svih potrebnih dijelova. Zanimarivanje uporabe odobrenih dijelova može rezultirati odbacivanjem noža i teškim ozljedama rukovatelja i/ili promatrača. Zbrinite noževe koji su svinuti, deformirani, napuknuti, polomljeni ili oštećeni na bilo koji način. Koristite oštru oštricu. Kod tupog noža postoji veća vjerojatnost da će se zaglaviti i doći do povratnog udara (samo kod noža s 3 zuba).**
- **Nož u praznom hodu može prouzročiti ozljede dok se još okreće nakon zaustavljanja motora ili otpuštanja aktivatora. Održavajte odgovarajuću kontrolu dok se nož u potpunosti ne zaustavi.**
- **Baterijske alate nije potrebno uključivati u električnu utičnicu, stoga su uvijek u radnom stanju. Imajte na umu moguće opasnosti čak i kada alat ne radi. Budite oprezni pri obavljanju radova održavanja ili servisiranja.**
- **Uređaj ne perite sa crijevom; izbjegavajte da voda dospije u motor i električne priključke**

- Ako se pojave situacije koje nisu obuhvaćene ovim priručnikom, postupite oprezno i uz dobru procjenu. Za pomoć se obratite servisnom centru proizvođača EGO.
- Upotrebljavajte samo s baterijskim modulima i punjačima koji su navedeni na sl. A.

SAČUVAJTE OVE UPUTE!

TEHNIČKI PODACI

Širina rezanja	30 cm
Brzina bez opterećenja	5000/6000 min ⁻¹
Masa	1,82 kg
Preporučena radna temperatura	0 °C - 40 °C
Preporučena temperatura skladištenja	-20 °C - 70 °C
Izmjerena razina zvučne snage L _{WA}	96,5 dB(A) K=1,88 dB(A) (PH1400E)
	93,2 dB(A) K=0,35 dB(A) (PH1420E)
	91 dB(A) K=1,1 dB(A) (PHX1600)
Razina zvučnog tlaka kod uha rukovatelja L _{PA}	84,5 dB(A) K=3 dB(A) (PH1400E)
	83,9 dB(A) K=3 dB(A) (PH1420E)
	83 dB(A) K=3 dB(A) (PHX1600)
Zajamčena razina zvučne snage L _{WA} (u skladu s Direktivom 2000/14/EZ)	98 dB(A)

Procjena vibracija a _n	Prednji pomoćni rukohvat	2,8 m/s ² K=1,6 m/s ² (PH1400E)
		4,14 m/s ² K=1,5 m/s ² (PH1420E)
		6,64 m/s ² K=1,5 m/s ² (PHX1600)
	Stražnji rukohvat	3,1 m/s ² K=1,6 m/s ² (PH1400E)
		1,88 m/s ² K=1,5 m/s ² (PH1420E)
		2,61 m/s ² K=1,5 m/s ² (PHX1600)

- Gore navedeni parametri ispitani su i izmjereni za stroj opremljen pogonskom jedinicom;
- Deklarirane ukupne vrijednosti vibracija izmjerene su u skladu sa standardnom metodom ispitivanja i mogu se koristiti za usporedbu jednog alata s drugim.
- Deklarirane ukupne vrijednosti vibracija mogu se koristiti i u preliminarnoj procjeni izloženosti.

NAPOMENA: emisija vibracija tijekom aktualnog korištenja električnog alata može se razlikovati od deklarirane vrijednosti u kojoj se alat koristi; Radi zaštite rukovatelja korisnik treba nositi rukavice i štitnike za uši u aktualnim uvjetima korištenja.

Preporučena oštrica

NAZIV DIJELA	BROJ MODELA
Oštrica čistača šikare	ABB1203

SADRŽAJ PAKIRANJA

NAZIV DIJELA	KOLIČINA
Priključak čistača šikare	1
Set oštrice i ometač oštrice	1
Štitnik	1
Pribor za štitnik (SAMO za korištenje s glavom šišača trave)	1
Inbus ključ	1
Višefunkcijski ključ	1
Korisnički priručnik	1

OPIŠ

UPOZNAJTE PRIKLJUČAK ČISTAČA ŠIKARE (sl. A)

1. Krajnja kapica
2. Držak čistača šikare
3. Štitnik
4. Oštrica
5. Omotač oštrice
6. Stezna žica
7. Brtveni vijak
8. Kućište prijenosnika
9. Otvor za ulijeganje drška
10. Vanjska priрубnica
11. Višefunkcijski ključ
12. Inbus ključ
13. Pribor za štitnik (SAMO za korištenje s glavom šišača trave)

⚠ UPOZORENJE! Alat nikada ne koristite bez dobro pričvršćenog štitnika. Štitnik uvijek mora biti na alatu radi zaštite korisnika.

⚠ UPOZORENJE! Kada se alat koristi kao šišač trave s reznom niti opremljen s glavom šišača trave, na štitnik je potrebno postaviti pribor za štitnik. Nepostupanje u skladu s tim može rezultirati predugačkom reznom niti i preopterećenjem motora.

SASTAVLJANJE

⚠ UPOZORENJE! Ako je bilo koji dio oštećen ili ako nedostaje, ne koristite ovaj proizvod dok ne zamijenite dijelove. Korištenje ovog proizvoda oštećenih dijelova ili dijelova koji nedostaju može rezultirati teškim tjelesnim ozljedama.

⚠ UPOZORENJE! Ne pokušavajte obavljati preinake na ovom proizvodu ili raditi pribor koji nije preporučeno za uporabu s ovim čistačem šikare. Sve takve izmjene ili preinake predstavljaju nepropisno korištenje i mogu rezultirati opasnim stanjima koja mogu dovesti do mogućih teških tjelesnih ozljeda.

⚠ UPOZORENJE! Kako biste spriječili slučajno pokretanje koje može prouzročiti teške tjelesne ozljede, baterijski modul uvijek uklonite iz stroja kada sastavljate dijelove.

⚠ UPOZORENJE! Kada je stroj opremljen glavom obrezivača grmlja, mora se postaviti sigurnosna granična šipka.

POSTAVLJANJE ŠTITNIKA

⚠ UPOZORENJE! Pri postavljanju ili zamjeni štitnika nosite rukavice. Pazite na nož na štitniku i zaštitite ruke od posjeklina.

⚠ UPOZORENJE! Stroj ne upotrebljavajte bez dobro pričvršćenog štitnika. Štitnik mora uvijek biti na stroju radi zaštite korisnika! Kada je štitnik učvršćen, nemojte ga skidati ili podešavati. Ako ga je potrebno zamijeniti, neka to obavi kvalificirani servis!

Otpustite i uklonite dva vijka s kućišta drška (sl. C). Uravnajte montažne provrte na štitniku s montažnim provrtima i štitnik zatim pričvrstite na kućište drška s dvama vijcima i dvjema opružnim podloškama (sl. D).

Uvjerite se da je štitnik pričvršćen u skladu sa slikama C i D. Svako obrnuto pričvršćivanje izazvat će veliku opasnost!

POSTAVLJANJE OŠTRICE

1. Oštrica se isporučuje s omotačem. Prije postavljanja oštrice na čistač šikare omotač je potrebno ukloniti otpuštanjem stezne žice s kukice na omotaču (sl. E).

Opis dijelova na sl. E pogledajte u nastavku:

E-1	Kukica
E-2	Stezna žica

2. Vanjsku priрубnicu okrećite tako da uravnate otvor u unutarnjoj priрубnici s otvorom za ulijeganje drška u kućištu prijenosnika (sl. F).
3. Radi stabiliziranja okretanja oštrice u uravnane provrte utaknite isporučeni inbus ključ (sl. G).

Opis dijelova na sl. F i G pogledajte u nastavku:

F-1	Kućište prijenosnika	F-3	Vanjska priрубnica
F-2	Uravnani provrti za ulijeganje drška	G-1	Stabilizator

4. Poduprite glavu čistača šikare o čvrstu površinu. Jednom rukom obuhvatite držak čistača šikare, a drugom rukom isporučeni višefunkcijski ključ kako biste maticu otpustili u smjeru strelice označene na vanjskoj priрубnici i uklonite maticu i vanjsku priрубnicu. Sačuvajte ih za ponovno sastavljanje (sl. H).
5. Postavite oštricu na vratilo motora vodeći računa da površina oštrice bude u ravnini s površinom izbočenja unutarnje priрубnice. Nastavite s postavljanjem vanjske priрубnice i matice (sl. I). Prethodno ručno pritegnite maticu u SMJERU KRETANJA KAZALJKI NA SATU.

Opis dijelova na sl. I pogledajte u nastavku:

I-1	Izbočina unutarnje prirubnice	I-4	Vanjska prirubnica
I-2	Vratilo motora	I-5	Oštrica
I-3	Matica		

- Okrećite vanjsku prirubnicu kako biste uravnali utor u unutarnjoj prirubnici s otvorom za ulijeganje drška u kućište prijenosnika i umetnite isporučeni inbus ključ u uravnane provrte kako bi djelovao kao stabilizator kako je prikazano u prethodnim koracima 2 i 3.
- Poduprite glavu čistača šikare o čvrstu površinu. Jednom rukom obuhvatite oštricu, a drugom rukom isporučeni višefunkcijski ključ kako biste pritegnuli maticu u smjeru suprotnom smjeru strelice označene na vanjskoj prirubnici (sl. J).

Korištenje pribora za štitnik

NAPOMENA: kada se alat koristi kao šišač trave s reznom niti opremljen s glavom šišača trave, na štitnik je potrebno postaviti pribor za štitnik (sl. K).

Pribor za štitnik pričvrstite na štitnik pritezanjem triju vijaka ispuščenim inbus ključem. Nepostupanje u skladu s tim može rezultirati predugačkom reznom niti i preopterećenjem motora.

PRIKLJUČIVANJE PRIKLJUČKA ČISTAČA ŠIKARE NA POGONSKU JEDINICU

Ovaj priključak čistača šikare predviđen je za korištenje s pogonskom jedinicom PH1400E/PH1420E/PHX1600 proizvođača EGO.

Pogledajte poglavlje "POSTAVLJANJE PRIKLJUČKA NA POGONSKU JEDINICU" u korisničkom priručniku pogonske jedinice PH1400E/PH1420E/PHX1600.

RAD

⚠ UPOZORENJE! Nemojte dopustiti da vas poznavanje ovog proizvoda učini nepažljivim. Imajte na umu da je za nanošenje teških ozljeda dovoljan samo djelić sekunde nepažnje.

⚠ UPOZORENJE! Uvijek nosite zaštitu za oči i sluh. Nepostupanje u skladu s tim može rezultirati odbacivanjem predmeta u oči i drugim mogućim teškim ozljedama.

PRIMJENE

Ovaj proizvod možete koristiti za svrhe navedene u nastavku:

- Rezanje trave, korova, divljeg raslinja i šikare, razrjeđivanje mladog raslinja uz maksimalni osnovni promjer od 2 cm.

NAPOMENA: alat se smije koristiti samo za prethodno opisanu namjenu. Svaka druga uporaba smatra se nepropisnom uporabom.

KORIŠTENJE ČISTAČA ŠIKARE S POGONSKOM JEDINICOM

⚠ UPOZORENJE! Obucite se propisno kako biste smanjili rizik od ozljeda tijekom rukovanja alatom. Ne nosite široku odjeću ili nakit. Nosite zaštitu za oči i uši/sluh. Nosite jake duge hlače, čizme i rukavice. Nemojte nositi kratke hlače ili sandale ili biti bosonogi.

Za siguran i bolji rad preko ramena stavite ramenu traku. Podesite ramenu traku u ugodan radni položaj. Držite čistač šikare jednom rukom na stražnjem rukohvatu, a drugom rukom na prednjem pomoćnom rukohvatu. Tijekom rukovanja rukohvate čvrsto primite objema rukama. Čistač šikare potrebno je držati u ugodnom položaju sa stražnjim rukohvatom u visini kuka. Održavajte zahvat i ravnotežu na oba stopala.

Pozicionirajte se tako da ne budete izbačeni iz ravnoteže uslijed povratnog udara rezne oštrice (sl. B).

⚠ UPOZORENJE! Ramena traka je i mehanizam za brzo otpuštanje u opasnim situacijama. U slučaju nužde ramenu traku odmah skinite s ramena, bez obzira na koji način.

Za rezanje divljeg raslinja i šikare spustite rotirajuću oštricu prema dolje na raslinje kako biste dobili učinak usitnjavanja. Čistač šikare koristite kao kosu (zamahujte njime udesno i ulijevo) na razini tla. Rezni priključak ne koristite na visini iznad struka.

⚠ UPOZORENJE! Što je rezni priključak više iznad tla, veća je opasnost od ozljeda uslijed otpadaka od rezanja koji se odbacuju sa strane.

⚠ UPOZORENJE! Ako režete mlado raslinje ili drugi drveni materijal promjera do 2 cm, koristite lijevu stranu oštrice kako biste izbjegli povratni udar. Ne pokušavajte rezati drveni materijal većeg promjera jer oštrica može zapeti ili čistač šikare uz trzaje povući prema naprijed. Time se može prouzročiti oštećenje oštrice ili čistača šikare ili gubitak kontrole nad čistačem šikare uz tjelesne ozljede.

⚠ UPOZORENJE! Nepropisna uporaba oštrice čistača šikare može prouzročiti njezino pucanje, odlamanje ili rasprsnuće.

Odbačeni dijelovi mogu teško ozlijediti rukovatelja ili promatrača. Radi smanjenja opasnosti od ozljeda važno je poduzeti sljedeće mjere opreza:

- Izbjegavajte doticati čvrste ili krute predmete poput kamena, stijena ili metalnih dijelova.
- Nikada ne režite drvo ili grmove osnovnog promjera većeg od 2 cm.
- Pregledajte nož u redovitim kratkim intervalima na postojanje znakova oštećenja. Nemojte nastaviti raditi s oštećenom oštricom.
- Redovito oštrite oštricu (ako je primjetno tupa) i prema potrebi je uravnotežite (postupak prepustite kvalificiranom servisnom tehničaru).

POVRATNI UDAR OŠTRICE

Budite posebno oprezni kada koristite oštricu s ovom jedinicom. Povratni udar je reakcija koja se može pojaviti kada rotirajuća oštrica udari o nešto što ne može rezati. Ovaj kontakt može prouzročiti kratko zaustavljanje oštrice, a zatim iznenadan "povratni udar" jedinice od predmeta o koji je udarila. Ova reakcija može biti dovoljno silovita da rukovatelj izgubi kontrolu nad jedinicom. Povratni udar oštrice može se dogoditi bez upozorenja ako oštrica zapne, ako blokira ili se zaglavi. To će se prije dogoditi u područjima gdje je teško vidjeti materijal koji se reže. Radi jednostavnog i sigurnog rezanja, korovu koji je potrebno rezati pridite čistačem šikare zdesna nalijevo. U slučaju udara o neočekivani predmet ili drveni materijal, ova metoda može minimizirati učinak povratnog udara.

Prije svake uporabe provjerite oštećene/istrošene dijelove.

Provjerite oštricu, štitnik i prednji pomoćni rukohvat i zamijenite dijelove koji su napukli, deformirani, svinuti ili oštećeni na bilo koji način.

Rub oštrice vremenom može otupjeti. Preporučujemo oštricu okrenuti radi produljenja njezinog životnog vijeka i povremeno je oštriti (postupak prepustite kvalificiranom servisnom tehničaru) ili je prema potrebi zamijeniti novom.

ČISTAČ ŠIKARE OČISTITE NAKON SVAKE UPORABE.

Za upute o čišćenju pogledajte poglavlje **ODRŽAVANJE**

▲ UPOZORENJE! Prije čišćenja ili servisiranja čistača šikare uvjerite se da se oštrica potpuno zaustavila. Nepostupanje u skladu s tim može rezultirati mogućim teškim tjelesnim ozljedama.

POKRETANJE/ZAUSTAVLJANJE ALATA

Pogledajte poglavlje "**POKRETANJE/ZAUSTAVLJANJE POGONSKE JEDINICE**" u korisničkom priručniku pogonske jedinice PH1400E/PH1420E/PHX1600.

ODRŽAVANJE

▲ UPOZORENJE! Prije pregleda, čišćenja ili servisiranja jedinice, zaustavite motor, pričekaite da se svi pokretni dijelovi zaustave i izvadite komplet baterija. Zanemarivanje ovih uputa može rezultirati teškim tjelesnim ozljedama ili materijalnim štetama.

▲ UPOZORENJE! Pri servisiranju koristite samo identične zamjenske dijelove. Korištenje drugih dijelova može izazvati opasnost ili prouzročiti oštećenje proizvoda. Radi osiguranja sigurnosti i pouzdanosti sve popravke treba obavljati kvalificirani servisni tehničar.

▲ UPOZORENJE! Kada postavljate ili uklanjate oštricu ili kada obavljate održavanje oštrice, uvijek nosite čvrste rukavice. Budite oprezni s oštricom i zaštitite ruke od ozljeda od oštrice.

OPĆE ODRŽAVANJE

Pri čišćenju plastičnih dijelova izbjegavajte koristiti otapala. Većina plastika podložne su oštećenju od različitih vrsta komercijalnih otapala i mogu se oštetiti u slučaju njihovog korištenja. Za uklanjanje nečistoće, prašine, ulja, masti i sl. koristite čiste krpe.

ČIŠĆENJE JEDINICE

- Uklonite bateriju.
- Nakon svake uporabe s oštrice i štitnika mekanom četkom uklonite naslage i ostatke tla ili trave.
- Površinu alata obrišite čistom krpom navlaženom u blagoj sapunici.
- Za čišćenje ventilacijskih otvora na stražnjem kućištu koristite malu četku ili mali usisavač.
- Ventilacijske otvore držite slobodnim od zapreka.

Kada oštrica i oba ruba oštrice postanu tupi, postupak oštrenja prepustite kvalificiranom servisnom tehničaru ili prema potrebi zamijenite oštricu novom.

ZAMJENA OŠTRICE

▲ UPOZORENJE! Puknuta, oštećena ili istrošena oštrica može se polomiti, a dijelovi oštećene oštrice postati opasni projektili. Odbačeni predmeti mogu prouzročiti teške ozljede. Redovito pregledavajte oštricu i čistač šikare ne koristite ako je oštrica istrošena ili oštećena.

▲ UPOZORENJE! Tijekom uklanjanja, oštrenja i postavljanja oštrice koristite odgovarajuću zaštitu za oči.

Uklanjanje oštrice

1. Uklonite bateriju.
2. Okrećite vanjsku prirubnicu kako biste uravnali utor u unutarnjoj prirubnici s otvorom za ulijeganje drška u kućište prijenosnika i umetnite isporučeni inbus ključ u uravnane provrte kako bi djelovao kao stabilizator kako je prikazano u koracima 2 i 3 u poglavlju "POSTAVLJANJE OŠTRICE".
3. Poduprite glavu čistača šikare o čvrstu površinu. Jednom rukom obuhvatite oštricu, a drugom rukom isporučeni višefunkcijski ključ kako biste maticu otpustili u smjeru strelice označene na vanjskoj prirubnici i uklonite maticu, vanjsku prirubnicu i istrošenu oštricu (sl. L).
4. Provjerite i zamijenite unutarnju prirubnicu i poklopac prirubnice ako su istrošeni (sl. M).

Opis dijelova na sl. M pogledajte u nastavku:

M-1	Vratilo motora	M-5	Vanjska prirubnica
M-2	Unutarnja prirubnica	M-6	Matica
M-3	Poklopac prirubnice	M-7	Utor u prirubnici
M-4	Oštrica		

5. Postavite novu oštricu na vratilo motora redosljedom prikazanim na sl. M. Slijedite korake kako je navedeno u koracima 5, 6, i 7 u poglavlju "POSTAVLJANJE OŠTRICE".

PODMAZIVANJE PRIJENOSNIKA

Prijenosnike u kućištu potrebno je povremeno podmazivati mašću za prijenosnike. Razinu masti u kućištu prijenosnika provjeravajte svakih 50 radnih sati uklanjanjem brtvenog vijka na strani kućišta.

Ako se na bočnim stranama prijenosnika ne vidi mast, za punjenje s mašću za prijenosnike do 3/4 zapremine slijedite korake u nastavku.

Prijenosnik nemojte puniti u cijelosti.

1. Držite čistač šikare tako da brtveni vijak bude okrenut prema gore (sl. N).
2. Za otpuštanje i uklanjanje brtvenog vijka koristite isporučeni višefunkcijski ključ.
3. Za ubrizgavanje masti kroz otvor vijka koristite brizgaljku za mast (nije u sadržaju isporuke).
4. Brtveni vijak pritegnite nakon ubrizgavanja.

SKLADIŠTENJE JEDINICE

- Izvadite komplet baterija iz alata.
- Za temeljito čišćenje alata nosite čvrste rukavice.
- Radi sigurnog skladištenja na oštricu stavite omotač oštrice (sl. O).
- Uklonite priključak čistača šikare s pogonske jedinice i prema potrebi stavite krajnju kapicu na priključak drška priključka.
- Jedinicu skladištite na suhom, dobro prozračenom mjestu koje je moguće zaključati ili koje je na visini izvan dohvata djece. Jedinicu nemojte skladištiti na gnojivima, benzinu ili drugim kemikalijama ili u njihovoj blizini.

Zaštita okoliša



Električnu opremu, iskorištenu bateriju i punjač ne odlažite u otpad iz kućanstva! Ovaj proizvod odnesite u ovlašteni centar za reciklažu i time omogućite odvojeno sakupljanje. Električne strojeve potrebno je vratiti u ekološki prihvatljiv pogon za reciklažu.

OTKLANJANJE POGREŠKI

PROBLEM	UZROK	RJEŠENJE
Čistač šikare ne pokreće se.	<ul style="list-style-type: none"> ■ Komplet baterija nije pričvršćen na pogonsku jedinicu. ■ Nema električnog kontakta između pogonske jedinice i kompleta baterija. ■ Komplet baterija je ispražnjen. ■ Ručica za deblokadu i okidač ne pritišću se istodobno. 	<ul style="list-style-type: none"> ■ Pričvrstite komplet baterija na pogonsku jedinicu. ■ Uklonite bateriju, provjerite kontakte i ponovo stavite komplet baterija da ulegne. ■ Napunite komplet baterija s punjačima proizvođača EGO koji su navedeni u ovom priručniku. ■ Pritisnite ručicu za deblokadu i držite je pritisnutom, a zatim pritisnite okidač kako biste uključili čistač šikare.
Čistač šikare zaustavlja se tijekom rezanja.	<ul style="list-style-type: none"> ■ Motor je preopterećen. ■ Komplet baterija ili pogonska jedinica je previše vruć/a. ■ Komplet baterija odspojen je od alata. ■ Komplet baterija je ispražnjen. 	<ul style="list-style-type: none"> ■ Motor će se povratiti po uklanjanju opterećenja. Za kontinuirani rad smanjite opterećenje na pogonsku jedinicu. ■ Pričekajte da se komplet baterija ili pogonska jedinice ohlade na temperaturu ispod 67°C. ■ Ponovno stavite komplet baterija. ■ Napunite komplet baterija s punjačima proizvođača EGO koji su navedeni u ovom priručniku.

JAMSTVO

JAMSTVENA POLITIKA PROIZVOĐAČA EGO

Za cjelokupne uvjete jamstvene politike proizvođača EGO posjetite internetsku stranicu egopowerplus.eu.

სრულად გაეცანით ინსტრუქციას!



გაეცანით მომხმარებლის ინსტრუქციას

▲ გაფრთხილება: ხელსაწყოს უსაფრთხოდ და გამართულად მუშაობისთვის საჭიროა მისი ყველა შეკეთება და ნაწილის შეცვლა შესრულდეს კვალიფიციური სერვისის ტექნიკოსის მიერ.

უსაფრთხოების წესის სიმბოლოები

უსაფრთხოების წესის სიმბოლოების მიზანია მიაქციოთ ყურადღება შესაძლო საფრთხეებს. ყურადღებით გაეცანით და შეისწავლეთ უსაფრთხოების წესის სიმბოლოები და მათი შესაბამისი განმარტებები. უსაფრთხოების წესის სიმბოლოების მინიშნებები თავისთავად არ ანეიტრალებს რაიმე საფრთხის არსებობის რისკს. მათ მიერ მოწოდებული ინსტრუქციები და გაფრთხილებები არ არიან შემთხვევის თავიდან აცილების სწორი პროცედურის შემცვლელი.

▲ გაფრთხილება: ხელსაწყოს გამოყენებამდე დაწვრილებით გაეცანით და შეისწავლეთ ყველა უსაფრთხოების წესი მომხმარებლის ა ინსტრუქციაში, მათ შორის ყველა უსაფრთხოების წესის სიმბოლო როგორცაა „საშიშროება“, „გაფრთხილება“ და „ყურადღება“. ქვემოთ ჩამოთვლილი ყველა ინსტრუქციის უგულვებელყოფამ შესაძლოა გამოიწვიოს ელექტრული შოკი, ხანძარი და/ან მოგაყენოთ სერიოზული პირადი ზიანი.



▲ გაფრთხილება:

ელექტრული ხელსაწყოს გამოყენებისას შესაძლოა უცხო სხეულის თვალების მიდამოში მოხვედრა, რამაც შესაძლოა გამოიწვიოს თვალის მნიშვნელოვანი დაზიანება. ელექტრული ხელსაწყოს გამოყენებამდე აუცილებლად მოირგეთ უსაფრთხოების თვალსაფარი ან სათვალე მყარი თვალის დამცავებით და მთლიანი სახის ეკრანით. ჩვენ რეკომენდაციას ვუწევთ Wide Vision-ის უსაფრთხოების ნიღაბს სათვალეებთან ერთად ან სტანდარტულ გვერდითა ეკრანების მქონე უსაფრთხოების სათვალეებს.

უსაფრთხოების წესის ინსტრუქცია

ეს გვერდი აჩვენებს და აღწერს იმ უსაფრთხოების წესის სიმბოლოებს, რომლებიც შესაძლოა აღბეჭდილია მოცემულ პროდუქტზე. წაიკითხეთ, შეისწავლეთ და მიყევით ხელსაწყოს ყველა ინსტრუქციას მის აწყობამდე და ჩართვამდე.

KA

სიმბოლოების მნიშვნელობა

▲ უსაფრთხოების შეტყობინების სიმბოლო: აღნიშნავს - „საშიშროება“.

	უსაფრთხოების ნიშანი	აღნიშნავს შესაძლო პირადი ზიანის საფრთხეს.
	გაეცანით მომხმარებლის ინსტრუქციას	დაზიანების რისკის შესამცირებლად მომხმარებელმა უნდა წაიკითხოს მომხმარებლის სახელმძღვანელო.
	გაიკეთეთ თვალების დამცავი	ყოველთვის მოირგეთ უსაფრთხოების თვალსაფარი ან გვერდითა ეკრანების მქონე უსაფრთხოების სათვალე და მთლიანი სახის ეკრანი ხელსაწყოთი სარგებლობისას.
	გაიკეთეთ ყურების დამცავი	ყოველთვის გამოიყენეთ ზგერის დამზომები (ყურის საცობები ან ყურსაცვამები), რათა დაიცვათ თქვენი სმენა.
	გაიკეთეთ თავის დამცავი საშუალება	გამოიყენეთ აპრობირებული მყარი ჩაფხუტი, რათა დაიცვათ თავის არე.

	ჩაიცვით დამცავი ხელთათმანები	დაიცავით თქვენი ხელები ხელთათმანებით, როდესაც ეხებით ხერხს ან ხერხის ჯაჭვს. მოცურების საწინააღმდეგო, დამცავი ხელთათმანები აუმჯობესებენ ხელის მოჭიდებას და იცავენ თქვენს ხელებს.
	ჩაიცვით უსაფრთხოების დამცავი ფეხსაცმელი	ჩაიცვით მოცურების საწინააღმდეგო ფეხსაცმელი ხელსაწყოთი გამოყენებისას.
	თიბვის სიგანე	ბუჩქის საკრეჭის მაქსიმალური კავვის სიგანე
	მოერიდეთ დანის ზიბგს	გააფრთხილეთ მომხმარებელი დანის ზიბგის საფრთხის შესახებ.
	მოერიდეთ სხვა ადამიანებს	ხელსაწყოთი და სხვა პირებს შორის დისტანცია უნდა იყოს მინიმუმ 15 მ
	მოერიდეთ გამოტყორცნილ საგნებს	შესაძლოა მოხდეს გამოტყორცნილი საგნების რიკომეტი, რამაც შეიძლება გამოიწვიოს პირადი ან ქონებრივი ზიანი.
	გათიშეთ ბატარეა ტექნიკური მომსახურების წინ	მოსხენით აკუმულატორის ბლოკი ბაზისის საკრეჭს ტექნომოსახურებამდე ან წმენდის პროცესის დაწყებამდე.

KA

	CE	ხელსაწყო შეესაბამება ევროკავშირის მიერ წამოყენებულ რეგულაციებს.
	გსცო	ეს პროდუქტი შეესაბამება დიდი ბრიტანეთის მოქმედ კანონმდებლობას.
	WEEE	ელექტრული ხელსაწყოების უტილიზაცია არ უნდა მოხდეს საყოფაცხოვრებო ნარჩენებთან ერთად. წაიღეთ ხელსაწყო ავტორიზირებულ ნარჩენების გადაამუშავებელთან.
	ხმაური	გარანტირებული ხმის სიმძლავრის დონე. გარემოში ხმაურის გავრცელების დონე ევროკავშირის რეგულაციების შესატყვისია.
V	ვოლტი	ძაბვა
mm	მილიმეტრი	სიგრძე ან ზომა
cm	სანტიმეტრი	სიგრძე ან ზომა
kg	კილოგრამი	წონა
n_b	დაუტვირთავი სიჩქარე	დაუტვირთავი ბრუნვის სიჩქარე
min^{-1}	წუთში	ბრუნთა რიცხვი წუთში

ზოგადი გაფრთხილებები უსაფრთხოების შესახებ

KA

⚠ გაფრთხილება! გაეცანით ამ მოწყობილობასთან დაკავშირებულ უსაფრთხოების ყველა მითითებას, ინსტრუქციას, ილუსტრაციას და სპეციფიკაციას. ქვემოთ ჩამოთვლილი ყველა

ინსტრუქციის უგულვებელყოფამ შესაძლოა გამოიწვიოს ელექტრო შოკი, ხანძარი და/ან მოგაყენოთ სერიოზული ზიანი.

შეინახეთ ყველა გაფრთხილება და ინსტრუქცია სამომავლოდ გამოყენებისთვის.

ტერმინი „მოწყობილობა“ უსაფრთხოების ინსტრუქციაში შეესაბამება ქსელიდან (სადენით) ან აკუმულატორით (უსადენო) მიღებულ დენზე მომუშავე მოწყობილობას.

სამუშაო სივრცის უსაფრთხოება

- დაიცავით სამუშაო სივრცის სისუფთავე და იქონიეთ კარგი განათება. ჩახერგილი ან ბნელი სამუშაო სივრცე იწვევს ინციდენტებს.
- არ ამუშაოთ მოწყობილობა ფეთქებადი საშუალებების არსებობისას, როგორცაა აალებადი სითხეები, აირები ან მტვერი. მოწყობილობა წარმოქმნის ნაპერწკალს, რომელმაც შესაძლოა აანთოს მტვერი ან აირი.

- ელექტრო ხელსაწყოთ სარგებლობისას მზარდიდეთ მას ზეგნები და სხვა პირები. ყურადღების გაფანტვას შეუძლია გამოიწვიოს მოწყობილობაზე კონტროლის დაკარგვა.

ელექტრო უსაფრთხოება

- მოწყობილობის დენის ჩარგალი უნდა ერგებოდეს შტეფსელის როზეტს. არასოდეს გაუკეთოთ მოწყობილობის დენის ჩანგალს მოდიფიცირება. არ გამოიყენოთ ადაპტორები ისეთი ხელსაწყოების დენის ჩანგალზე, რომელსაც აქვს დამიწება. არსებული დენის ჩანგალი და მისი შესაბამისი შტეფსელის არსებობა ამცირებს ელექტრული შოკის რისკს.
- მოერიდეთ სხელით დამიწებულ საგნების ზედაპირებთან კონტაქტს, როგორცაა მიწები, რადიატორები, ქურები და მაცივრები. ელექტრული შოკის მიღების რისკი იზრდება თუ თქვენი სხელი დამიწებულია.
- არ გამოიყენოთ ხელსაწყო წვიმაში ან სველ პირობებში. ხელსაწყოში წყლის შესვლამ შეიძლება გაზარდოს ელექტროშოკის ან გაუმართაობის რისკი, რამაც შეიძლება გამოიწვიოს პირადი ზიანი.
- არ დააზიანოთ დენის სადენი.

არასოდეს გამოიყენოთ სადენი ხელსაწყოს სატარებლად, მოსაქარად ან შტუცესელიდან ამოსართველად. დაიცავით დენის სადენი სიმზურვალისგან, ზეთისგან, მჭრელი და მოძრავი საგნებისგან. დაზიანებული ან გადახლართული დენის სადენი ზრდის ელექტრო შოკის რისკს.

- მოწყობილობის გარეთ სარგებლობისთვის გამოიყენეთ დამაგრებელი, რომელიც ვარგისია გარეთ მუშაობისთვის. გარეთ მუშაობისთვის შესაბამისი ელექტრო სადენის გამოყენება ამცირებს ელექტრული შოკის რისკს.
- თუ მოწყობილობის ნესტიან გარემოში მუშაობა გარდაუვალია, გამოიყენეთ დამიწებაზე დამოკლებისას წრედის ამორთვის დაცვის მქონე (GFCI) კვების წყარო. GFCI-ის გამოყენება ამცირებს ელექტრული შოკის რისკს.

პირადი უსაფრთხოება

- მოწყობილობის გამოყენებისას იყავით ფხიზლად, იმოქმედეთ დაკვირვებით და საღი აზრის გათვალისწინებით. არ გამოიყენოთ მოწყობილობა როდესაც ხართ დაღლილი, ან ალკოჰოლის, მედიკამენტების ან ნარკოტიკების ზემოქმედების ქვეშ. მოწყობილობით სარგებლობისას მყისიერმა უყურადღებობამ შეიძლება მოგაყენოთ სერიოზული პირადი ზიანი.
- გამოიყენეთ პერსონალური დამცავი აღჭურვილობა. ყოველთვის გაიკეთეთ თვალის დამცავი. შესაბამის სამუშაო პირობებში დამცავი საშუალებების გამოყენება, როგორცაა მტვრის საწინააღმდეგო ნიღაბი, მოცურების საწინააღმდეგო ფეხსაცმელი, მყარი ჩაფხუტი ან სმენის დამცავი, ამცირებს სამუშაო ტრავმებს.
- მოწყობილობის დაუგეგმავი ჩართვის აღკვეთა. დარწმუნდით, რომ ჩამრთველი არის გამორთულ მდგომარეობაში მოწყობილობის დენში და/ან აკუმულატორთან შეერთებამდე, ხელსაწყოს მაღლა აწევამდე ან ტარებამდე. მოწყობილობის ტარება ჩამრთველის ღილაკზე დადებული თითით, რომელსაც გააქტიურებული აქვს ჩართვის ღილაკი, განაპირობებს უბედურ შემთხვევას.
- მოხსენით ნებისმიერი მიმაგრებული ატრიბუტი ან ქანჩის გასაღები

მოწყობილობის ჩართვამდე. მოწყობილობის მბრუნავ ნაწილზე დამაგრებულმა ქანჩის გასაღებმა ან სხვა ატრიბუტმა შესაძლოა მოგაყენოთ სხეულის დაზიანება.

- ზედმეტად არ გადაიხაროთ. ყოველთვის დაიცავით ბალანსი და მყარად იდგეთ ფეხზე. ეს გაძლევთ საშუალებას, მოახდინოთ მოწყობილობის უკეთესი კონტროლი მოულოდნელ სიტუაციებში.
- ჩაიცვით შესაბამისად. არ ჩაიცვათ განიერი, ფრიალა ტანსაცმელი და არ გაიკეთოთ ძვირფასეულობა. მთარიდეთ თმა და ტანსაცმელი მოძრავ ნაწილებს. თავისუფალი ტანსაცმელი, სამკაულები ან გრძელი თმა შესაძლოა ჩაითრიოს მოძრავმა ნაწილებმა.
- თუ არსებობს მტვრის ან ნარჩენების შემაკავშირებელი მოწყობილობები და შემგროვებელი საშუალებები, დარწმუნდით, რომ ისინი სწორადაა შეერთებული და გამოყენებული. მტვრისთვის შეგროვებისთვის განკუთვნილი საშუალებების გამოყენებამ შესაძლოა შეამციროს მასთან დაკავშირებული საფრთხეები.
- მსგავს მოწყობილობებთან ხშირი მუშაობის დროს არ გათანამდეთ და არ უფლვებელით ხელსაწყოს უსაფრთხოების პრინციპების დაცვა. გაუფრთხილებელმა საქციელმა წამის მეთედშიც კი შესაძლოა მოგიტანოთ სერიოზული ზიანი.

მოწყობილობის გამოყენება და მოვლა

- არ დაატანოთ ძალა მოწყობილობას. გამოიყენეთ მართებული მოწყობილობა თქვენი მიზნებისთვის. მართებული მოწყობილობა უკეთ და უფრო უსაფრთხოდ გააკეთებს იმ საქმეს, რომლისთვისაც განკუთვნილია.
- არ გამოიყენოთ მოწყობილობა, თუ მისი ჩართვა და გამორთვა ჩამრთველით არ ხდება. მოწყობილობა, რომელიც ვერ კონტროლდება ჩამრთველით, სახიფათოა და საჭიროებს შეკეთებას.
- გათიშეთ დენის ჩანგალი შტუცესელიდან და/ან მოხსენით აკუმულატორის ბლოკი მოწყობილობას, თუ ეს შესაძლებელია, ნებისმიერი რეგულირებისას, ნაწილის ცვლილებისას ან ხელსაწყოს შენახვამდე. მსგავსი პრევენციული უსაფრთხოების ზომები ამცირებს მოწყობილობის უცაბედი ჩართვის რისკს.

KA

- **გამორთული მოწყობილობები შეინახეთ ზავშებენისთვის მიუწვდომელ ადგილას და არ მისცეთ მოწყობილობის გამოყენების უფლება მისი სარგებლობის არმცოდნე ან მის ინსტრუქციაში ჩაუხედავ პირებს. მოწყობილობა გამოუყვდელო პირების ხელში სახიფათოა.**
- **გაუფრთხილდით მოწყობილობებს და მის ნაწილებს. შეამოწმეთ მოძრავი და შემაკავშირებელი ნაწილების ურთიერთთანაცვლება, ნაწილების დაზიანება და სხვა მდგომარეობა, რომელმაც შეიძლება გავლენა იქონიოს მოწყობილობის მუშაობაზე. დაზიანების შემთხვევაში, გამოყენებამდე შეაკეთეთ მოწყობილობა. ბევრი ინციდენტი გამოწვეულია ცუდად მოვლილი მოწყობილობის გამო.**
- **სათიბი მოწყობილობები იქონიეთ მოვლის და სუფთა მდგომარეობაში. სათანადოდ მოვლილი სათიბი მოწყობილობები ბასრი პირით ნაკლებად პრობლემურია და მათი კონტროლიც უფრო ადვილია.**
- **გამოიყენეთ ეს მოწყობილობა, მისი ნაწილები, დამჭერები და ა.შ. ინსტრუქციების შესაბამისად, სამუშაო გარემოს და შესასრულებელი სამუშაოს ტიპის გათვალისწინებით. მოწყობილობის არადაზიანებული სახეობის გამოყენებამ შესაძლოა შექმნას სახიფათო სიტუაცია.**
- **სახელურები და ხელის ჩასაჭიდი სხვა ზედაპირები იქონიეთ მშრალ და სუფთა მდგომარეობაში, მათ შორის ცხიმისა და ზეთის გარეშე. სრიალა სახელურები და ხელის ჩასაჭიდი ზედაპირები არ იძლევა მოწყობილობის უსაფრთხოდ გამოყენების და კონტროლის საშუალებას მოულოდნელ სიტუაციებში.**

აკუმულატორის გამოყენება და მოვლა

- **დატენეთ მხოლოდ მწარმოებლის მიერ მითითებული დამტენი მოწყობილობით. დამტენმა მოწყობილობამ, რომელიც თავსებადია ერთი ტიპის აკუმულატორის ბლოკთან, შესაძლოა წარმოშვას ხანძრის გაჩენის რისკი სხვა აკუმულატორზე გამოყენებისას.**
- **გამოიყენეთ მოწყობილობა მხოლოდ სპეციალურად მისთვის განკუთვნილი აკუმულატორის ბლოკებით. სხვა აკუმულატორის ბლოკების გამოყენებამ შესაძლოა წარმოშვას ფიზიკური**

დაზიანების ან ხანძრის რისკი.

- **როდესაც აკუმულატორის ბლოკს არ იყენებთ, მოაცილეთ იგი ლითონის საგნებს, როგორცაა ქაღალდის სამაგრები, მონეტა, გასადები, ლურსმანი, ხრახნი ან სხვა მცირე ზომის ლითონის საგნები, რომელთაც შეუძლიათ მოახდინონ შეერთება ერთი ტერმინალიდან მეორეში. აკუმულატორის კონტაქტების დამოკლებამ შესაძლოა გამოიწვიოს დამწვრობა ან ხანძარი.**
- **არასწორი მოპყრობის შემთხვევაში, სითხემ შესაძლოა გამოჟონოს აკუმულატორიდან; მოერიდეთ მასთან შეხებას. თუ შემთხვევით შეეხებით, ჩამოიხანეთ წყლით. თუ სითხე მოგხვდათ თვალებში, მიმართეთ ექიმს. აკუმულატორიდან გამოჟონილმა სითხემ შესაძლოა გამოიწვიოს გაღიზიანება ან დამწვრობა.**
- **არ გამოიყენოთ აკუმულატორის ბლოკი ან ხელსაწყო, რომელიც დაზიანებული ან გადაკეთებულია. დაზიანებულმა ან გადაკეთებულმა აკუმულატორმა შესაძლოა განაპირობოს გაუთვალისწინებელი ქმედება, რამაც შეიძლება გამოიწვიოს ხანძარი, აფეთქება ან დაზიანების რისკი.**
- **არ მოათავსოთ აკუმულატორის ბლოკი ან ხელსაწყო ცეცხლთან ან მაღალ ტემპერატურაზე. 130°C-ზე მაღალი ტემპერატურის ზემოქმედებამ შესაძლოა აფეთქება გამოიწვიოს.**
- **მიყევით დატენის ინსტრუქციებს და არ დატენოთ აკუმულატორის ბლოკი ინსტრუქციაში მითითებული ტემპერატურის დიაპაზონის გარეთ. აკუმულატორის არასწორი ან ინსტრუქციაში მითითებული ტემპერატურის ფარგლებს მიღმა დამუხტვამ შეიძლება დააზიანოს აკუმულატორი და გაზარდოს ხანძრის რისკი.**

▲ გაფრთხილება: გაეცანით ამ ელექტრულ ხელსაწყოთან დაკავშირებულ ყველა უსაფრთხოების მითითებას, ინსტრუქციას, ილუსტრაციას და სპეციფიკაციას. ქვემოთ ჩამოთვლილი ყველა ინსტრუქციის უგულვებელიყოფამ შესაძლოა გამოიწვიოს ელექტრული შოკი, ხანძარი და/ან მოგაყენოთ სერიოზული ზიანი. შეინახეთ

ყველა მითითება და ინსტრუქცია სამომავლოდ გამოყენებისთვის.

შეინახეთ ყველა მითითება და ინსტრუქცია სამომავლოდ გამოყენებისთვის.

ტრენინგი

- ყურადღებით წიკითხეთ ინსტრუქციები. შეისწავლეთ ხელსაწყო კონტროლის დილაკები და მათი მართებული გამოყენების გზა.
- არასდროს მისცეთ ხელსაწყო გამოყენების უფლება ამ ინსტრუქციების არმცოდნე პირებს ან ბავშვებს. ადგილობრივმა კანონმდებლობამ შესაძლოა შეზღუდოს ხელსაწყო მომხარებლის ასაკი.
- გაითვალისწინეთ რომ ოპერატორი ან მომხმარებელი პასუხისმგებელია იმ შემთხვევებზე ან საფრთხეებზე რაც შესაძლოა წარმოექმნას სხვა პირებს ან მათ ქონებას.

მომზადება

- არასოდეს გამოიყენოთ ხელსაწყო თუ სხვა პირები, განსაკუთრებით ბავშვები ან შინაური ცხოველები არიან ახლოს.
- ყოველთვის გამოიყენეთ თვალის დამცავი საშუალებები და მყარი ფეხსაცმელი ხელსაწყოთი სარგებლობისას.
- ხელსაწყოსა და სხვა პირებს შორის დისტანცია უნდა იყოს მინიმუმ 15 მეტრი.
- არასდროს გამოიყენოთ ხელსაწყო, როდესაც ზრმანდებით დადლილი, იმყოფებით ავად ან ალკოჰოლის ან სხვა ნარკოტიკების გავლენის ქვეშ.

ექსპლუატაცია

- ხელსაწყოთი სარგებლობა ნებადართულია მხოლოდ დღის სინათლეზე ან კარგი ხელოვნური განათების პირობებში.
- არასოდეს გამოიყენოთ ხელსაწყო დაზიანებული დამცავებით ან ეკრანებით, ან დამცავებისა და ეკრანების გარეშე.
- მოტორი ჩართეთ მხოლოდ მაშინ, როდესაც ხელები და ფეხები მოშორებულია მთიბავ ნაწილებს.

- ყოველთვის გამორთეთ ხელსაწყო დენის წყაროდან (ან მოხსენით აკუმულატორი).
- როდესაც სტოვებთ ხელსაწყოს ყურადღების გარეშე;
- გაჭედილი ობიექტებისაგან სათიბის გაწმენდამდე;
- ხელსაწყოს შემოწმებამდე, გაწმენდამდე ან ჩართვამდე.
- უცხო ობიექტზე შეჯახების შემდეგ;
- როდესაც მანქანა იწყებს უჩვეულო ვიბრაციას.
- დაიგავით ხელები და ფეხები მთიბავი ნაწილებისგან გამოწვეული დაზიანებისაგან.
- ყოველთვის დარწმუნდით რომ საპაეროები ნარჩენებისგან ცარიელია.

ექსპლუატაცია და შენახვა

- გამორთეთ ხელსაწყო დენის წყაროდან (ან მოხსენით აკუმულატორი), სანამ შეუდგებოდეთ ხელსაწყოს ტექნიკური სერვისის ან წმენდის პროცესს.
- გამოიყენეთ მხოლოდ მწარმოებლის მიერ რეკომენდირებული ნაწილები ან აქსესუარები.
- გაუკეთეთ ხელსაწყო რეგულარული შემოწმება და ინსპექტირება. ხელსაწყოს შეკეთება მიანდეთ მხოლოდ ავტორიზირებულ ხელოსანს.
- შეინახეთ ხელსაწყო ბავშვებისთვის მიუწვდომელ ადგილას.

სხვა უსაფრთხოების გაფრთხილებები

- მოერიდეთ სამიშ გარემო პირობებს - არ გამოიყენოთ სათიბი ნესტიან ან სველ ფერდობზე.
- დამცავი ეკრანები იქონიეთ ხელსაწყოზე შესაბამის ადგილას და მუშა მდგომარეობაში.
- მთიბავი ხელები და ფეხები მჭრელ ნაწილებს.
- ფიზიკური ზიანის რისკის შესამცირებლად, არასოდეს ამუშაოთ ხელსაწყო კიბზე ან სხვა არამყარი საყრდენის მქონე ობიექტზე დგომისას.

KA

არასოდეს დაიჭიროთ ხელსაწყო მჭრელი ნაწილი წელს ზევით.

- შეამოწმეთ მჭრელი ნაწილი რეგულარული მცირე ინტერვალებით ხელსაწყოთი სარგებლობისას, ან დაუყოვნებლივ, თუ წარმოიქმნა მნიშვნელოვანი ცვლილება თიბვის პროცესის განმავლობაში.
- საუკეთესო შედეგის მისაღებად, თქვენი აკუმულატორი დატენეთ 5°C-დან 40°C-მდე ტემპერატურის პირობებში. არ შეინახოთ ხელსაწყო გარეთ ან ავტომობილში.
- თუ თქვენ სხვა პიროვნება მოგიახლოვდათ, დაუყოვნებლივ გააჩერეთ მოტორი და საკრეჭი მოწყობილობა.
- გააფრთხილეთ მომხმარებელი დანის ბიძგის საფრთხის შესახებ (მხოლოდ 3-კბილანიანი დანის შეთხვევაში).
 - დანის ბიძგი შესაძლოა მოხდეს როდესაც მზრუნავი დანა შეხება ისეთ საგანს, რომელსაც მყისიერად ვერ მოჭრის.
 - დანის ბიძგი შესაძლოა იყოს იმდენად ძლიერი რომ, მოახდინოს ხელსაწყო და/ან მომხმარებლის გაწვევა ნებისმიერი მიმართულებით და შესაძლოა, ასევე გამოიწვიოს ხელსაწყოზე კონტროლის დაკარგვა.
 - დანის ბიძგი შესაძლოა მოხდეს გაფრთხილების გარეშე თუ დანა დაბრკოლდება, გაჩერდება ან გაიხლართება.
 - დანის ბიძგი უფრო სავარაუდოა მოხდეს ისეთ არეში, სადაც რთულია მოჭრადი საგნების დანახვა.
- არ გაუკეთოთ დანა მოწყობილობას აუცილებელი ნაწილების შესაბამისი დამაგრების გარეშე. სათანადო ნაწილების გამოყენების უგულებელყოფამ შესაძლოა გამოიწვიოს დანის მოწყვეტა და სერიოზულად დაზიანოს მომხმარებელი და/ან გვერდზე მდგომი ადამიანი. გადააგდეთ დანები, რომლებიც მოღუწულია, აქვს შეცვლილი

- ფორმა, გაზზარულია, გატეხილია ან დაზიანებულია სხვაგვარად. გამოიყენეთ გალესილი დანა. ზღაგვი დანა მეტად დაბრკოლდება და მიიღებს ბიძგს (მხოლოდ 3-კბილანიანი დანის გამოყენების შემთხვევაში).
- ინერციით მზრუნავმა დანამ/მუამ შესაძლოა მოგაყენოთ ფიზიკური ზიანი მოტორის ან ტრიგერის გათიშვის შემდეგაც. სათანადოდ აკონტროლეთ ხელსაწყო სანამ მზრუნავი დანა/მუა ბოლომდე არ გაჩერდება.
- აკუმულატორიანი ელექტრული ხელსაწყოების ქსელში შეერთება არ არის აუცილებელი; ისინი ყოველთვის მუშა მდგომარეობაში არიან. გაითვალისწინეთ შესაძლო საფრთხეები მაშინაც კი როცა ხელსაწყო არ არის გამოყენებაში. გამოიჩინეთ სიფრთხილე როდესაც ახდენთ ხელსაწყოს შეკეთებას ან ტექნიკურ სერვისს.
- არ გარეცხოთ ხელსაწყო წყლის მილით; მოერიდეთ მოტორში და ელექტრულ შეერთებებში წყლის მოხვედრას.
- თუ ისეთი სიტუაცია შეიქმნა, რომელიც არაა აღწერილი ინსტრუქციაში, გამოიყენეთ სალი აზრი და მიიღეთ ფრთხილი გადაწყვეტილებები. მიმართეთ EGO-ს კლიენტთა მომსახურების ცენტრს დახმარებისთვის.
- გამოიყენეთ მხოლოდ ის აკუმულატორის ბლოკები და დამტენები, რომლებიც მითითებულია სურ. A-ში

შეინახეთ ეს მომხმარებლის ინსტრუქცია!

სპეციფიკაციები

თიბვის სიგანე	30 სმ
დაუტვირთავი ბრუნვის სიჩქარე	5000/6000 ბრ/წთ
წონა	1.82 კგ
რეკომენდირებული საექსპლუატაციო ტემპერატურა	5°C-40°C

KA

რეკომენდირებული დასაწყობების ტემპერატურა	-20°C-70°C	
გაზომილი ხმის სიმძლავრის დონე L_{WA}	96,5 dB(A) K=1,88 dB(A) (PH1400E)	
	93,2 dB(A) K=0,35 dB(A) (PH1420E)	
	91 dB(A) K=1,1 dB(A) (PHX1600)	
ბგერის წნევის დონე მომხმარებლის ყურზე L_{PA}	84,5 dB(A) K=3 dB(A) (PH1400E)	
	83,9 dB(A) K=3 dB(A) (PH1420E)	
	83 dB(A) K=3 dB(A) (PHX1600)	
გარანტირებული ხმის სიმძლავრის დონე L_{WA} (გაზომილი 2000/14/EC რეგულაციის მიხედვით)	98 dB(A)	
ვიბრაციის შეფასება a_h	რეგულირებადი წინა სახელური	2,8 მ/წმ ² K=1,6 მ/წმ ² (PH1400E)
		4,14 მ/წმ ² K=1,5 მ/წმ ² (PH1420E)
		6,64 მ/წმ ² K=1,5 მ/წმ ² (PHX1600)
	უკანა სახელური	3,1 მ/წმ ² K=1,6 მ/წმ ² (PH1400E)
		1,88 მ/წმ ² K=1,5 მ/წმ ² (PH1420E)
		2,61 მ/წმ ² K=1,5 მ/წმ ² (PHX1600)

- მითითებული პარამეტრები ტესტირებული და გაზომილია PH1400E/PH1420E/PHX1600 ელექტრული თავის მიერთებით:

- მითითებული ვიბრაციის სრული მნიშვნელობა გაზომილია სტანდარტული ტესტირების მეთოდით და შესაძლოა გამოყენებულ იქნას ერთი ხელსაწყოს მეორესთან შედარებისას.
- მითითებული ვიბრაციის სრული მნიშვნელობა ასევე შესაძლოა გამოყენებულ იქნას ზემოქმედების პირველადი შეფასებისას.

შენიშვნა: ელექტრული ხელსაწყოს ვიბრაციის ემისია გამოყენებისას შესაძლოა განსხვავდებოდეს მითითებული ოდენობისგან; მომხმარებელმა ხელსაწყოთი სარგებლობისას საჭიროა გამოიყენოს ხელთათმანები და ყურის დამცავი საშუალებები.

რეკომენდებული დანა

ნაწილის დასახელება	მოდელის ნომერი
ბუჩქის საკრეჭი დანა	ABB1203

შეფუთვის ჩამონათვალი

ნაწილის დასახელება	რაოდენობა
მისამაგრებელი ბუჩქის საკრეჭი	1
დანის და დანის ბუდის კომპლექტი	1
დამცავი ეკრანი	1
დამცავი ეკრანის დამატება (გამოიყენება მხოლოდ მთიბავ თავთან ერთად)	1
ქანჩის გასაღები	1
მრავალფუნქციური ქანჩის გასაღები	1
მომხმარებლის ინსტრუქცია	1

აღწერა

შეისწავლეთ თქვენი მისამაგრებელი ბუჩქის საკრეჭი (ნახ. A)

1. ტორსული ხუფი
2. ბუჩქის საკრეჭის ტარი

KA

3. დამცავი ეკრანი
4. დანა
5. დანის ბუდე
6. დამჭერი მავთული
7. დამლუქავი ხრახნი
8. გადაცემათა კოლოფი
9. ტარის ჩამკეტი ხვერილი
10. გარეთა შვერილი
11. მრავალფუნქციური ქანჩის გასაღები
12. ქანჩის გასაღები
13. დამცავი ეკრანის დამატება (გამოიყენება მხოლოდ მთიბავ თავთან ერთად)

⚠ გაფრთხილება: არ გამოიყენოთ ხელსაწყო მჭიდროდ დამაგრებულ დამცავი ეკრანის გარეშე. დამცავი ეკრანი ყოველთვის უნდა იყოს დამაგრებული ხელსაწყოზე, რათა დაიცვას მომხმარებელი.

⚠ გაფრთხილება: როდესაც მოწყობილობა გამოიყენება როგორც ელექტრო სათიბი, დამაგრებული სათიბი თავაკით, დამცავი ეკრანს უნდა დაუმონტაჟდეს დამატება. ამ ინსტრუქციის უგულვებლყოფას შეუძლია გამოიწვიოს სათიბი ძუის უზომოდ დაგრძელება და მოტორის გადატვირთვა.

აწყობა

⚠ გაფრთხილება: თუ რომელიმე ნაწილი დაზიანებულია ან დაკარგულია, არ ისარგებლოთ ხელსაწყოთი სანამ ყველა ნაწილი არ შეიცვლება. ხელსაწყოთი სარგებლობას დაზიანებული ან დანაკლისი ნაწილებით შესაძლოა მოჰყვეს სერიოზული პირადი ზიანი.

⚠ გაფრთხილება: არ სცადოთ ხელსაწყოს გადაკეთება ან ისეთი ნაწილების გამოყენება, რომლებიც არაა რეკომენდირებული ამ ბუჩქის საკრეჭისთვის. ნებისმიერი მსგავსი ცვლილება ან მოდიფიკაცია არის ხელსაწყოს არასათანადო გამოყენება და შესაძლოა წარმოქმნას სახიფათო მდგომარეობა, რომელმაც შეიძლება გამოიწვიოს სერიოზული პირადი ზიანი.

⚠ გაფრთხილება: უცაბედი ჩართვის გამოსარიცხად, რომელმაც შესაძლოა გამოიწვიოს სერიოზული პერსონალური ზიანი, ყოველთვის მოხსენით აკუმულატორი მოწყობილობას, როდესაც ხდება მისი ნაწილების აწყობა.

⚠ გაფრთხილება: როდესაც მოწყობილობაზე დამონტაჟებულია ბუჩქის საკრეჭის თავაკი, მას უნდა მიემარგოს უსაფრთხოების ბარიერის ძელი.

დამცავი ეკრანის დამონტაჟება

⚠ გაფრთხილება: ყოველთვის გამოიყენეთ ხელთათმანები, როდესაც ამონტაჟებთ ან ცვლით დამცავ ფარს. ფრთხილად მოეპყარით დანას და დაიცავით ხელი გაჭრისგან.

⚠ გაფრთხილება: არ გამოიყენოთ ხელსაწყო მჭიდროდ დამაგრებულ დამცავი ფარის გარეშე. დამცავი ფარი ყოველთვის უნდა იყოს დამაგრებული მოწყობილობაზე მომხმარებლის დასაცავად! როდესაც დამცავი დამაგრებულია, არ შეეცადოთ მოხსნათ ან შეასწოროთ დამცავი ფარის პოზიცია, თუ საჭიროა მისი შეცვლა, ეს უნდა შესარულოს კვალიფიციურმა მომსახურე ტექნიკოსმა!

მოუშვით და მოხსენით ორი ხრახნი დამცავი ეკრანს (ნახ. C), გაუსწოროთ დამცავი ეკრანზე არსებული ხვერლები ასაწყობ ხვერლებს და დამაგრეთ ეკრანი ტარის ფუძეზე ორი ხრახნითა და შუასადებით (ნახ. D).

დარწმუნდით რომ დამცავი ეკრანი დამაგრებულია, როგორც ნაჩვენებია ნახ. C და D-ზე, ნებისმიერი სხვაგვარი დამაგრება არის სახიფათო!

დანის დამონტაჟება

1. დანა მოთავსებულია საკუთარ ბუდეში. ბუჩქის საკრეჭზე დანის დამაგრებამდე ბუდე უნდა მოიხსნას მისი კაუჭიდან და დამჭერი მავთულისგან გამოთავისუფლებით (ნახ. E).

ნახ. E ნაჩვენებია ნაწილების აღწერა მოცემულია ქვევით:

E-1	კაუჭი
E-2	დამჭერი მავთული

- დაატრიალეთ გარეთა შვერილი რათა გაუსწოროთ შიდა შვერილზე არსებული ნასვრეტი ლილვის ჩამკვეტ ხვერელს გადაცემათა კოლოფში (ნახ. F).
- ჩასვით ქანჩის გასაღები გასწორებულ ხვერელებში და გამოიყენეთ როგორც სტაბილიზატორი (ნახ. G).

ნახ.F და G ნაჩვენები ნაწილების აღწერა მოცემულია ქვევით:

F-1	გადაცემათა კოლოფი	F-3	გარეთა შვერილი
F-2	გასწორებული ტარის ჩამკვეტი ხვერელები	G-1	სტაბილიზა-ტორი

- მოათავსეთ ბუჩქის საკრეჭი თავი მყარ საყრდენ ზედაპირზე. ერთი ხელით დაიჭირეთ ბუჩქის საკრეჭის ტარი და მეორეთი - არსებული მრავალფუნქციური ქანჩის გასაღები, მოუშვით ქანჩი გარეთა შვერილზე დატანილი ისრის მიმართულებით და მოხსენით ქანჩი და გარეთა შვერილი. შეინახეთ ისინი ხელახალი აწყობისთვის. (ნახ. H).
- დამონტაჟეთ დანა მოტორის ლილვზე, დარწმუნდით რომ დანის ზედაპირი უსწორდება შიდა შვერილის გამოწეულ ზედაპირს. გააგრძელეთ გარეთა შვერილის და ქანჩის დაყენება (ნახ. I). ხელით წინასწარ დაუჭირეთ ქანჩი **სათის ისრის საწინააღმდეგო** მიმართულებით.

ნახ. I ნაჩვენები ნაწილების აღწერა მოცემულია ქვევით:

I-1	შიდა შვერილის გამოწეული ზედაპირი	I-4	გარეთა შვერილი
I-2	მოტორის ლილვი	I-5	დანა
I-3	ქანჩი		

- დაატრიალეთ გარეთა შვერილი რათა გაუსწოროთ შიდა შვერილზე არსებული ნასვრეტი ლილვის ჩამკვეტ ხვერელს გადაცემათა კოლოფში, ჩასვით ქანჩის გასაღები გასწორებულ ნახვრეტებში და გამოიყენეთ როგორც სტაბილიზატორი როგორც აღწერილია ზევით მე-2-ე და მე-3-ე ნაბიჯზე..
- მოათავსეთ ბუჩქის საკრეჭი თავი მყარ საყრდენ ზედაპირზე. ერთი ხელით დაიჭირეთ დანა და მეორეთი - არსებული მრავალფუნქციური ქანჩის გასაღები, დაუჭირეთ ქანჩს გარეთა შვერილზე მითითებული ისრის მიმართულების საწინააღმდეგოდ (ნახ. J).

დამცავი ეკრანის დამატების გამოყენება

შენიშვნა: როდესაც მოწყობილობა გამოიყენება როგორც ელექტრო სათიბი, დამაგრებული სათიბი თავაკით, დამცავი ეკრანს უნდა დაუმონტაჟდეს დამატება (ნახ. K).

დამაგრეთ დამცავი ეკრანის დამატება ეკრანზე არსებული ქანჩის გასაღებისა და სამი ხრახნის გამოყენებით. ამ ინსტრუქციის უგულებელყოფას შეუძლია გამოიწვიოს სათიბი ძუის უზომოდ დაგრძელება და მოტორის გადატვირთვა.

ელექტრულ თავზე ბუჩქის საკრეჭი მოწყობილობის მიმაგრება

ბუჩქის საკრეჭი მისამაგრებელი მოწყობილობა განკუთვნილია EGO PH1400E/PH1420E/PHX1600 ელექტრულ თავთან მუშაობისთვის.

იხილეთ „ხელსაწყოთა თავზე მიმაგრებული მოწყობილობის დამონტაჟება“ სექცია PH1400E/PH1420E/PHX1600 ელექტრული თავის მომხმარებლის ინსტრუქციამში.

ექსპლუატაცია

⚠ გაფრთხილება: შეეცადეთ მსგავსი პროდუქტის გამოყენების გამოცდილებამ არ გამოიწვიოს თქვენი უგულისყურობა. დაიმახსოვრეთ რომ უგულისყურობამ წამის მეათედშიც კი შესაძლოა მოგიტანოთ სერიოზული ზიანი.

KA

▲ გაფრთხილება: ყოველთვის მოირგეთ გვერდითა ეკრანების მქონე უსაფრთხოების სათვალე და სმენის დამცავი საშუალება. ამ ინსტრუქციის უგულვებელყოფამ შესაძლოა გამოიწვიოს სხვადასხვა სხეულის თვალში მოხვედრა და სხვა შესაძლო სერიოზული ზიანი.

გამოყენებები

თქვენ შეგიძლიათ გამოიყენოთ ხელსაწყო ქვემოთ ჩამოთვლილი მიზნებისთვის:

ბალახის, სარეველას, ველური მცენარეების და ბუჩქნარის გასაკაფად, 2 სმ-ზე მცირე დიამეტრის ახლად ამოყრილი ტოტების მოსასხეპად.

შენიშვნა: ხელსაწყოს გამოყენება შესაძლებელია მხოლოდ დანიშნულებისამებრ. სხვა ნებისმიერი სარგებლობა ჩათვლება როგორც არამიზნობრივი გამოყენების შემთხვევა.

ბუჩქის საკრეჭი მიმაგრების გამოყენება ელექტრულ თავზე

▲ გაფრთხილება: ჩაიცვით შესაბამისად, რათა შეამციროთ დაზიანების რისკი ხელსაწყოთი სარგებლობისას. არ ჩაიცვათ განიერი, ფრიალა ტანსაცმელი და ძვირფასეულობა. მოირგეთ თვალის და თვალის/სმენის დამცავი საშუალებები.

ჩაიცვით სამუშაო გრძელი შარვალი, ჩექმა და ხელთათმანები. დაუშვებელია გეცვათ მოკლე შორტი, სანდლები ან იარით ფეხშიშველმა.

უსაფრთხო და უკეთესი მოხმარებისთვის, გადაიკიდეთ ჩამოსაკიდი ღვედი მხარზე. დაარეგულირეთ ღვედი კომფორტულ სამუშაო პოზიციაში. დაიჭირეთ ბუჩქის საკრეჭი ორივე ხელით, მოათავსეთ ერთი ხელი უკანა სახელურზე, ხოლო მეორე ხელი - წინა სახელურზე. მუშაობისას ორივე ხელი მჭიდროდ მოკიდეთ ხელსაწყოს. ბუჩქის საკრეჭი დაიჭირეთ კომფორტულ მდგომარეობაში, უკანა სახელურით დაახლოებით ბარძაყის დონეზე. კარგად ჩაჭიდეთ ხელი ხელსაწყოს და დაიცავით ბალანსი ორივე ფეხზე.

ისე მოახდინეთ თქვენი პოზიცირება, რომ არ დაკარგოთ ბალანსი საჭრელი დანის ბიძგის რეაქციის გამო (ნახ. B).

▲ გაფრთხილება: მხრის ღვედი ასევე წარმოადგენს ხელსაწყოს სწრაფად მოხსნის საშუალებას სახიფათო სიტუაციაში. როდესაც ხდება გაუთვალისწინებელი შემთხვევა, მაშინვე მოიხსენით ღვედი მხრიდან, მიუხედავად იმისა თუ რომელ მხარზე მდებარეობს იგი.

ველური მცენარეების და ბუჩქნარის გასაკრეჭად ჩაწიეთ მბრუნავი დანა მცენარულ საფარში, რათა მიიღოთ გაკაფვის ეფექტი. ბუჩქის საკრეჭი გამოიყენეთ ცელის მაგვარად (ატრიალეთ მარჯვნივ და მარცხნივ) მიწის ზედაპირის გასწვრივ. არ დაიჭიროთ ხელსაწყოს საკრეჭი ნაწილი წელს ზევით.

▲ გაფრთხილება: მჭრელი ნაწილის სიმაღლესთან ერთად იზრდება პირადი ზიანის რისკიც გაკაფული ნაწილების გვერდზე გასროლის შედეგად.

▲ გაფრთხილება: ახლადამოყრილი ბუჩქნარის ან სხვა ხის კონსისტენციის, 2 სმ-მდე დიამეტრის მქონე მცენარეების გაკაფვისას გამოიყენეთ საკრეჭი დანის მარცხენა მხარე, რათა თავიდან აირიდოთ დანაზე ბიძგის მიცემის სიტუაცია. არ შეეცადოთ მოჭრათ დიდი დიამეტრის ტოტები, რადგან დანა შესაძლოა გაიხლართოს და გაქაჩოს ხელსაწყო წინ. ამან შესაძლოა გამოიწვიოს დანის, საკრეჭის დაზიანება ან დაგაკარგვნით კონტროლი ხელსაწყოზე, რამაც შესაძლოა მოგიტანოთ პირადი ზიანი.

▲ გაფრთხილება: ბუჩქის საკრეჭი დანის არასწორმა გამოყენებამ შესაძლოა გაზზაროს, გატეხოს ან დაამტვრიოს იგი გამოსროლილმა ნაწილებმა შეიძლება სერიოზულად დააზიანოს მომხმარებელი ან განზე მდგომი ადამიანი. პირადი ზიანის მიღების რისკის შესამცირებლად აუცილებელია შემდეგი უსაფრთხოების ზომების მიღება:

- მოერიდეთ ხელსაწყოს მაგარ და მყარ ნივთებთან კონტაქტს, როგორცაა ქვები ან ლითონის საგნები.
- არასოდეს გაკაფოთ ხე ან ბუჩქი რომლის ტოტების დიამეტრი 2 სმ-ზე მეტია.
- შეამოწმეთ დანა რეგულარული მცირე ინტერვალებით დაზიანების ნიშნებზე. არ გააგრძელოთ მუშაობა დაზიანებული დანით.
- რეგულარულად გააღესეთ დანა (როდესაც იგი საგრძნობლად დაჩაღუნდება) და დაბალანსირებით იგი (სრულდება კვალიფიციური სერვისის ტექნიკოსის მიერ).

დანის ზიძგი

დაიცავით განსაკუთრებული სიფრთხილე როდესაც იყენებთ დანას ამ ხელსაწყოზე. დანის ზიძგი შესაძლოა წარმოიშვას, როდესაც დანა შეეხება საგანს, რომელსაც ვერ ჭრის. მსგავსმა შეხებამ შესაძლოა გამოიწვიოს დანის მყისიერი გაჩერება და შემდეგ მოულოდნელი „ბიძგი“ მოსაჭრელი საგნიდან. ეს რეაქცია შესაძლოა იყოს იმდენად ძლიერი რომ, მოახდინოს მომხმარებლის მიერ ხელსაწყოზე კონტროლის დაკარგვა. დანის ზიძგი შესაძლოა მოხდეს გაფრთხილების გარეშე თუ დანა დაბრკოლდება, გაჩერდება ან გაიხლართება. ეს უფრო სავარაუდოა მოხდეს ისეთ არეში, სადაც რთულია მოჭრადი საგნების დანახვა. გაკაფვის გამარტივებისა და უსაფრთხოებისთვის, მოსაჭრელ სარეველებს ბუჩქის საკრეჭით მიუახლოვდით მარჯვნიდან მარცხნივ მიმართულებით. მოულოდნელად უცხო საგნის ან მყარი მერქანის აღმოჩენისას ამგვარმა პრაქტიკამ შესაძლოა შეამციროს დანის ზიძგის რეაქცია.

ყოველი გამოყენების წინ შეამოწმეთ დაზიანებული/გაცვეთილი ნაწილების არსებობა.

შეამოწმეთ დანა, დამცავი ეკრანი და რეგულირებადი წინა სახელური, შეცვალოთ ყველა ნაწილი, რომლებიც გაბზარულია, გაღუნულია, აქვს შეცვლილი ფორმა ან დაზიანებულია სხვაგვარად.

დანის პირი შესაძლოა დაჩაღუნდეს დროთა განმავლობაში. რეკომენდირებულია დანის ამოტრიალება, რათა გაიზარდოს მისი ექსპლუატაციის ვადა და ასევე პერიოდულად გააღესინოთ იგი (სრულდება კვალიფიციური სერვისის ტექნიკოსის მიერ) ან შეცვალოთ იგი ახლით საჭიროების შემთხვევაში.

გაწმინდეთ ბუჩქის საკრეჭი ყოველი გამოყენების შემდეგ

იხილეთ სექცია **მოვლის წესი** გაწმენდის ინსტრუქციებისთვის.

⚠ გაფრთხილება: დარწმუნდით რომ დანა ბოლომდე გაჩერდა ბუჩქის საკრეჭის გაწმენდის ან სხვა სერვისის დაწყებამდე. ამ ინსტრუქციის უგულებელყოფამ შესაძლოა მოგიტანოთ სერიოზული პერსონალური ზიანი.

ხელსაწყოს ჩასართავად/გამოსართავად

იხილეთ სექცია „ელექტრული თავის ჩართვა/გამორთვა“ PH1400E/PH1420E/PHX1600 ელექტრული თავის მომხმარებლის ინსტრუქციაში.

ექსპლუატაცია

⚠ გაფრთხილება: ხელსაწყოს შემოწმებამდე, გაწმენდამდე და სერვისამდე, გააჩერეთ მოტორი, დაელოდეთ ყველა მოძრავი ნაწილის გაჩერებას და მოხსენით აკუმულატორი. ჩამოთვლილი ინსტრუქციების უგულებელყოფამ შესაძლოა გამოიწვიოს სერიოზული ფიზიკური ან მატერიალური ზიანი.

⚠ გაფრთხილება: ტექნიკური სერვისისას გამოიყენეთ მხოლოდ იდენტური სათადარიგო ნაწილები. სხვა ნებისმიერი ნაწილის გამოყენებამ შესაძლოა შექმნას საფრთხე ან გამოიწვიოს ხელსაწყოს დაზიანება. ხელსაწყოს უსაფრთხოდ და გამართულად მუშაობისთვის საჭიროა მისი ყველა შეკეთება და ნაწილის შეცვლა შესრულდეს კვალიფიციური სერვისის ტექნიკოსის მიერ.

KA

⚠ გაფრთხილება: ყოველთვის გამოიყენეთ დამცავი ხელთათმანები როდესაც აყენებთ ან ხსნით დანას ან უტარებთ სერვისს მას. უფრთხილდით დანას და დაიცავით ხელები, რათა არ დაიშავოთ ისინი დანის პირზე.

ზოგადი მოვლის წესი

მოერიდეთ გამხსნელების გამოყენებას ხელსაწყოს პლასტმასის ნაწილების გაწმენდისას. უმეტესობა პლასტმასები ადვილად ზიანდება მათზე გამხსნელების გამოყენების შედეგად. გამოიყენეთ სუფთა ტილო ტალახის, მტვრის, ზეთის, ცხიმის და სხვ. მოსაცილებლად.

ხელსაწყო გაწმენდის წესი

- მოხსენით აკუმულატორი.
- ყოველი გამოყენების შემდეგ მოაცილეთ ნარჩენი, დანასა ან დამცავ ეკრანში გაჭედული მიწა ან ბალახი რბილი ფუნჯით.
- გადაწმინდეთ ხელსაწყოს ზედაპირი სუფთა, ნოტიო ქსოვილით და რბილი სარეცხი საშუალებით.
- გამოიყენეთ მცირე ფუნჯი ან პატარა მტვერსასრუტი რათა გაწმინდოთ ხელსაწყოს საპეროები ბუდის უკან მხარეს.
- არ დაახშოთ ხელსაწყოს საპეროები.

როდესაც საჭრელი დანა ჩლუნგდება და დანის ორივე პირი დაჩლუნგებულია, საჭიროების და მიხედვით გთხოვთ გააღესინოთ იგი კვალიფიცირებულ სერვისის ტექნიკოსს ან შეცვალოთ ახლით.

დანის შეცვლა

⚠ გაფრთხილება: გაცვეთილი, გაზხარული ან დაზიანებული დანა შესაძლოა გატყდეს და დაზიანებული დანის ნაწილები შეიძლება სახიფათოდ გამოიტყორცნოს. გამოტყორცნილმა საგნებმა შესაძლოა მოგაყენოთ სერიოზული ზიანი. რეგულარულად შეამოწმეთ დანა და არ მოახდინოთ ბუჩქის საკრეჭის ექსპლუატაცია გაცვეთილი ან დაზიანებული დანით.

⚠ გაფრთხილება: გამოიყენეთ შესაბამისი თვალის დამცავი საშუალებები დანის მოხსნის, გაღსვის და დამონტაჟების დროს.

დანის მოხსნა

1. მოხსენით აკუმულატორი.
2. დაატრიალეთ გარეთა შვერილი რათა გაუსწოროთ შიდა შვერილზე არსებული ნასვრეტი ლილვის ჩამკეტ ხერხელს გადაცემათა კოლოფში, ჩასვით ქანჩის გასაღები გასწორებულ ნახვრეტებში და გამოიყენეთ როგორც სტაბილიზატორი როგორც აღწერილია ინსტრუქციის „დანის დამონტაჟება“ სექციის მე-2-ე და მე-3-ე ნაბიჯზე.
3. მოათავსეთ ბუჩქის საკრეჭი თავი მყარ საყრდენ ზედაპირზე. ერთი ხელით დაიჭირეთ დანა და მეორეთი - არსებული მრავალფუნქციური ქანჩის გასაღები, მოუშვით ქანჩი გარეთა შვერილზე დატანილი ისრის მიმართულებით და მოხსენით ქანჩი, გარეთა შვერილი და გაცვეთილი დანა (ნახ. L).
4. გასინჯეთ და გამოცვალეთ შიდა შვერილი და შვერილის საფარი თუ ისინი გაცვეთილია (ნახ. M).

ნახ. M ნაჩვენებ ნაწილების აღწერა მოცემულია ქვევით:

M-1	მოტორის ლილვი	M-5	გარეთა შვერილი
M-2	შიდა შვერილი	M-6	ქანჩი
M-3	შვერილის საფარი	M-7	შვერილზე არსებული ნასვრეტი
M-4	დანა		

5. დამონტაჟეთ ახალი დანა მოტორის ლილვზე იმ თანმიმდევრობით, როგორც ნაჩვენებია ნახ. M. დეტალურად პროცესი აღწერილია ინსტრუქციის „დანის დამონტაჟება“ სექციის მე-5-ე, მე-6-ე და მე-7-ე ნაბიჯზე.

KA

გადაცემათა კოლოფის კბილანების შეზღვევა

გადაცემათა კოლოფში არსებული კბილანები საჭიროებენ პერიოდულ შეზღვევას სპეციალური საპოხით. შეამოწმეთ გადაცემათა კოლოფის შეზღვევის დონე ექსპლუატაციის ყოველ 50 საათიან პერიოდში კოლოფის გვერდითა მხარეს მოთავსებული დამლუქავი ხრახნის მოხსნით.

თუ კბილანების გვერდებზე საპოხი მასალა არ სჩანს, მიყევით ქვემოთ მოცემულ ინსტრუქციას და შეავსეთ გადაცემათა კოლოფის სივრცე 3/4-ზე საპოხი მასალით.

ბოლომდე არ გაავსოთ გადაცემათა კოლოფი.

1. დაიჭირეთ ბუჩქის საკრეჭი იმგვარად რომ დამლუქავი ხრახნი აღმოჩნდეს ზედა მხარეს (ნახ. N).
2. გამოიყენეთ არსებული მრავალფუნქციური ქანჩის გასადები, რათა მოუშვათ და მოხსნათ დამლუქავი ხრახნი.
3. გამოიყენეთ ზეთის შპრიცი (არ არის კომპლექტში), რათა შეიყვანოთ საპოხი მასალა ხრახნის ნასვრეტში.
4. საპოხის შეყვანის შემდეგ დაუჭირეთ დამლუქავი ხრახნი.

ხელსაწყო მენახვის წესი

- მოხსენით აკუმულატორი ხელსაწყოს.
- ჩაიცვით დამცავი ხელთათმანები და გულდასმით გაწმინდეთ ხელსაწყო.
- დაამაგრეთ დანაზე მისი ბუდე დანის უსაფრთხოდ მენახვის მიზნით (ნახ. O).
- მოხსენით ბუჩქის საკრეჭი მიმაგრება ელექტრულ თავს და დააფარეთ მიმაგრების ტარის ბოლო ხუფი საჭიროების შემთხვევაში.
- შეინახეთ ხელსაწყო მშრალ, კარგად განიავებულ ადგილას ჩაკეტილ და მაღლა მდებარე სათავსოში, ბავშვებისთვის მიუწვდომელ ადგილას. არ შეინახოთ ხელსაწყო სასუქის, ბენზინის და სხვა ქიმიური ნივთიერებების სიახლოვეს.

გარემოს დაცვა



არ მოათავსოთ ელექტრო მოწყობილობა, ნახმარი დამტენი და აკუმულატორი საყოფაცხოვრებო ნაგავში! მიუტანეთ პროდუქტი ნარჩენების ავტორიზირებულ გადამამუშავებელს და უზრუნველყოფით ასეთი ნარჩენის განცალკევებულად შეგროვება. ელექტრო მოწყობილობები უნდა ჩაბარდეს გარემოს თვალსაზრისით თავსებად ნარჩენების გადამამუშავებელ ობიექტს.

გაუმართაობის დიაგნოსტიკა

პრობლემა	მიზეზი	გადაჭრის გზა
ბუჩქის საკრეჭი არ ირთვება.	<ul style="list-style-type: none"> აკუმულატორი არ არის შეერთებული ელექტრულ თავზე. ელექტრულ თავსა და აკუმულატორს შორის არ არის ელექტრული კონტაქტი. აკუმულატორი დაცლილია. ჩამკვეტი ბერკეტი და ტრიგერი ერთდროულად არაა აქტივირებული. 	<ul style="list-style-type: none"> დაამაგრეთ აკუმულატორი ელექტრულ თავზე. მოხსენით აკუმულატორი, შეამოწმეთ კონტაქტები და კვლავ მოათავსეთ იგი უკან, სანამ არ ჩაჯდება თავის ადგილას. დატენეთ აკუმულატორი მხოლოდ EGO-ს მიერ ამ მომხმარებლის ინსტრუქციაში ჩამოთვლილი დამტენი მოწყობილობებით. დააჭირეთ ჩამკვეტ ბერკეტს და გააჩერეთ ამ მდგომარეობაში, შემდეგ დააჭირეთ თითო ტრიგერს რათა ჩართოთ ბუჩქის საკრეჭი.
ბუჩქის საკრეჭი ითიშება მუშაობის პროცესში.	<ul style="list-style-type: none"> მოტორი არის გადატვირთული. აკუმულატორი ან ელექტრული თავი ზედმეტად გაცხელებულია. აკუმულატორი მოხსნილია ხელსაწყოდან. აკუმულატორი დაცლილია. 	<ul style="list-style-type: none"> ხელსაწყო განაახლებს მუშაობას როდესაც დატვირთვა მოიხსნება. განუწყვეტლივ მუშაობისას შეამცირეთ ელექტრულ თავზე დატვირთვა. აცალეთ აკუმულატორს ან ელექტრულ თავს გაგრილება 67°C -ის ქვევით. ხელახლა ჩასვით აკუმულატორი. დატენეთ აკუმულატორი მხოლოდ EGO-ს მიერ ამ მომხმარებლის ინსტრუქციაში ჩამოთვლილი დამტენი მოწყობილობებით.

KA

გარანტია

EGO-ს გარანტიის მომსახურების წესი

გთხოვთ ეწვიოთ ვებ-გვერდს egopowerplus.eu, რათა მიიღოთ EGO-ს საგარანტიო მომსახურების სრული დადგენილებები და პირობები.

PROČITAJTE SVA UPUTSTVA!



PROČITAJTE PRIRUČNIK ZA RUKOVAOCA

⚠ UPOZORENJE: Da bi se osigurala sigurnost i pouzdanost, sve popravke i zamene treba da radi kvalifikovani servisni tehničar.

SIGURNOSNI SIMBOLI

Svrha sigurnosnih simbola je da vam skrenu pažnju na moguće opasnosti. Sigurnosni simboli i objašnjenja uz njih zaslužuju vašu pognu pažnju i shvatanje. Simboli upozorenja, sami po sebi, ne eliminišu nikakve opasnosti. Uputstva i upozorenja koja oni daju nisu zamena za odgovarajuće mere sprečavanja nezgoda.

⚠ UPOZORENJE: Obavezno pročitajte i shvatite sva sigurnosna uputstva u ovom Priručniku za rukovaoca, obuhvatajući i sve simbole sigurnosnih upozorenja poput „OPASNOST“, „UPOZORENJE“ i „OPREZ“ pre korišćenja ovog alata. Nepridržavanje svih dolenavedenih uputstava može da dovede do strujnog udara, požara i/ili ozbiljne telesne povrede.

ZNAČENJE SIMBOLA

⚠ SIMBOL SIGURNOSNOG UPOZORENJA: Ukazuje na OPASNOST, UPOZORENJE ILI OPREZ. Može se koristiti zajedno sa drugim simbolima ili piktogramima.







⚠ UPOZORENJE: Rukovanje svakim električnim alatom može da dovede do izbacivanja stranih tela ka očima, što može da dovede do ozbiljnog oštećenja očiju. Pre započinjanja rada sa električnim alatom, uvek stavite sigurnosne naočare sa bočnim štitnicima ili po potrebi masku za celo lice. Preporučujemo sigurnosnu masku Wide Vision za upotrebu preko naočara ili standardnih sigurnosnih naočara sa bočnim štitnicima.

SIGURNOSNA UPUTSTVA

Ova stranica prikazuje i opisuje sigurnosne simbole koji mogu da se pojave na ovom proizvodu. Pročitajte, shvatite i sledite sva uputstva na mašini pre no što pokušate da je sklopite i da rukujete njom.

	Sigurnosno upozorenje	Označava potencijalnu opasnost od telesne povrede.
	Pročitajte Priručnik za rukovaoca	Radi smanjenja opasnosti od povreda, korisnik treba da pročita priručnik za rukovaoca.
	Nosite zaštitu za oči	Uvek nosite sigurnosne naočare sa bočnim štitnicima ili po potrebi masku za celo lice kad rukujete ovim proizvodom.
	Nosite zaštitu za uši	Uvek nosite zvučne barijere (čepove za uši ili zaštitne slušalice) da biste zaštitili sluh.
	Nosite zaštitu za glavu	Nosite odobreni sigurnosni šlem da biste zaštitili glavu.
	Nosite zaštitne rukavice	Zaštitite ruke rukavicama kada rukujete testerom i lancem testere. Radne rukavice koje se ne klizu poboljšavaju hvat i štite šake.
	Nosite sigurnosnu obuću	Nosite sigurnosnu obuću koja se ne klize kada koristite ovaj uređaj.
	Širina sečenja	Maks. širina sečenja motorne kose
	Čuvajte se odbijanja noža	Upozorite rukovaoca na opasnosti od odbijanja noža.
	Držite prolaznike podalje	Udaljenost između mašine i prolaznika mora biti najmanje 15 m.
	Čuvajte se izbačenih predmeta	Izbačeni predmeti se mogu odbiti i izazvati telesnu povredu ili oštetiti imovinu.
	Odvojite bateriju pre održavanja	Odvojite bateriju od trimera sa strunom pre vršenja operacija održavanja ili čišćenja.

SR

	CE	Ovaj proizvod je u skladu sa primenjivim EC direktivama.
	UKCA	Ovaj proizvod je u skladu sa primenjivim zakonima u UK.
	WEEE	Otpadne električne proizvode ne bi trebalo odlagati zajedno sa otpadom iz domaćinstva. Odnosite ih u ovlašćeni pogon za reciklažu.
	Buka	Garantovan nivo jačine zvuka. Emisija buke u okruženju prema Direktivi Evropske zajednice.
V	Volt	Voltaža
mm	Milimetar	Dužina ili veličina
cm	Centimetar	Dužina ili veličina
kg	Kilogram	Težina
n_0	Brzina bez opterećenja	Rotaciona brzina, bez opterećenja
min ⁻¹	U minutu	Obrtaji u minutu

OPŠTA BEZBEDNOSNA UPOZORENJA O MAŠINAMA

▲ UPOZORENJE! Pročitajte sva sigurnosna upozorenja, uputstva, ilustracije i specifikacije priložene uz ovu mašinu. Nepridržavanje svih dolenađenih uputstava može da dovede do strujnog udara, požara i/ili ozbiljne povrede.

SAČUVAJTE SVA UPOZORENJA I UPUTSTVA ZA BUDUĆU UPOTREBU.

Pojam „mašina“ u upozorenjima označava mašinu (sa žicom) koja se uključuje u utičnicu ili mašinu (bežičnu) na baterije.

BEZBEDNOST RADNOG PODRUČJA

- Održavajte radno područje čistim i dobro osvetljenim. Na pretrpanim ili mračnim područjima su veće šanse da dođe do nezgoda.
- Ne rukujte mašinama u eksplozivnim atmosferama, kao na primer u prisustvu zapaljivih tečnosti,

gasova ili prašine. Mašine stvaraju varnice koje mogu zapaliti prašinu ili isparenja.

- Držite decu i posmatrače podalje dok rukujete mašinom. Ako vam nešto odvraći pažnju, možete izgubiti kontrolu.

ELEKTRIČNA SIGURNOST

- Utikač mašine mora odgovarati utičnici. Nikada ne modifikujete utikač ni na koji način. Ne koristite adapterske utikače sa uzemljenim mašinama. Nemodifikovani utikači i odgovarajuće utičnice će smanjiti rizik od strujnog udara.
- Izbegavajte kontakt delova tela sa uzemljenim površinama, poput cevi, radijatora, šporeta i frižidera. Postoji povećan rizik od strujnog udara ako je vaše telo uzemljeno.
- Ne rukujte mašinom po kiši ili u vlažnim uslovima. Ako voda uđe u mašinu, to može povećati rizik od strujnog udara ili kvara, što bi moglo da dovede do telesne povrede.
- Nemojte zloupotrebljavati kabl. Nikad ne koristite kabl za nošenje, vučenje ili isključivanje mašine iz utičnice. Čuvajte kabl podalje od toplote, nafte, oštirih ivica ili pokretnih delova. Oštećen ili upetljan kabl povećava rizik od strujnog udara.
- Kada rukujete mašinom na otvorenom prostoru, koristite produžni kabl pogodan za korišćenje na otvorenom prostoru. Upotreba kabla pogodnog za korišćenje na otvorenom prostoru smanjuje rizik od strujnog udara.
- Ako je korišćenje mašine na vlažnom mestu neizbežno, koristite izvor napajanja sa zaštitnim uređajem diferencijalne struje (GFCI). Korišćenje GFCI smanjuje rizik od strujnog udara.

LIČNA BEZBEDNOST

- Ostanite u pripravnosti, gledajte ono što radite i koristite zdrav razum kad rukujete mašinom. Ne koristite mašinu kad ste umorni ili pod uticajem droge, alkohola ili lekova. Trenutak nepažnje kad rukujete mašinama je dovoljan da izazove ozbiljne telesne povrede.
- Koristite ličnu zaštitnu opremu. Uvek nosite zaštitu za oči. Zaštitna oprema poput maske za prašinu, radnih cipela koje se ne klizaju, šlema ili zaštite sluha će, kada se koristi za odgovarajuće uslove, smanjiti telesne povrede.
- Sprečite nehotično pokretanje. Osigurajte da prekidač bude u isključenom položaju pre povezivanja na izvor napajanja i/ili bateriju, podizanja ili nošenja mašine. Nošenje mašina sa

prstom na prekidaču ili uključivanje u utičnicu mašina čiji prekidač je u uključenom položaju priziva nezgode.

- **Uklonite sve ključeve za podešavanje pre uključivanja mašine.** Ključ koji ostane pričvršćen za rotacioni deo mašine može da izazove telesnu povredu.
- **Ne presežite. U svakom trenutku održavajte pravilan položaj nogu i ravnotežu.** To omogućava bolju kontrolu nad mašinom u neočekivanim situacijama.
- **Prikladno se obucite. Ne nosite labavu odeću ili nakit.** Držite kosu i odeću dalje od pokretnih delova. Labava odeća, nakit ili duga kosa mogu da se zakače pokretnim delovima.
- **Ako su priloženi uređaji za povezivanje delova za izbacivanje i prikupljanje prašine, osigurajte da oni budu povezani i da se pravilno koriste.** Upotreba kolektora prašine može da smanji opasnosti koje izaziva prašina.
- **Ne dozvolite da zbog poznavanja koje ste stekli kroz čestu upotrebu mašina postanete samozadovoljni i ignorišete principe bezbednosti mašina.** Nemarni postupak može da izazove ozbiljnu povredu u deliću sekunde.

UPOTREBA I ODRŽAVANJE MAŠINE

- **Ne silite mašinu. Koristite odgovarajuću mašinu za ono što radite.** Odgovarajuća mašina uradiće posao bolje i bezbednije onom brzinom za koju je dizajnirana.
- **Ne koristite mašinu ako prekidač ne može da je uključiti i isključiti.** Svaka mašina koja se ne može kontrolisati prekidačem je opasna i mora se popraviti.
- **Izvcite utikač iz izvora napajanja i/ili izvadite bateriju, ako je odvojiva, iz mašine pre bilo kakvog podešavanja, menjanja dodataka ili skladištenja mašina.** Takve preventivne sigurnosne mere smanjuju rizik od nehotičnog pokretanja mašine.
- **Skladištite mašine koje se ne koriste van domašaja dece i ne dozvolite osobama koje nisu upoznate sa ovom mašinom ili ovim uputstvom da rukuju mašinom.** Mašine su opasne u rukama ne kvalifikovanih korisnika.
- **Održavajte mašine i pribor. Proveravajte da li ima nepravilnog poravnanja ili zaglavlivanja pokretnih delova, pucanja delova i svih drugih stanja koja mogu da utiču na rad mašine.** Ako je mašina oštećena, odnesite je na popravku pre upotrebe. Mnoge nezgode su izazvane loše održanim mašinama.
- **Održavajte mašine koje seku oštirim i čistim.** Pravilno održavane mašine za sečenje sa oštirim ivicama za sečenje se ređe zapetljavaju i lakše se kontrolišu.

- **Koristite mašinu, dodatke, burgije itd. u skladu sa ovim uputstvom, uzimajući u obzir radne uslove i rad koji treba obaviti.** Korišćenje mašine za rad drugačiji od predviđenog moglo bi da dovede do opasne situacije.
- **Održavajte drške i površine koje hvatate suvim, čistim i bez ulja i masnoće.** Klizave drške i površine koje hvatate ne omogućavaju bezbedno rukovanje i kontrolu mašine u neočekivanim situacijama.

UPOTREBA I ODRŽAVANJE MAŠINA NA BATERIJE

- **Punite samo punjačem koji navodi proizvođač.** Punjač koji je prikladan za jedan tip baterije može da stvori opasnost od požara kad se koristi sa nekom drugom baterijom.
- **Koristite mašine samo sa konkretno imenovanim baterijama.** Upotreba bilo kakvih drugih baterija može da stvori rizik od povrede i požara.
- **Kad se baterija ne koristi, držite je dalje od drugih metalnih predmeta, poput spajalica, novčića, ključeva, eksera, vijaka ili drugih malih metalnih predmeta koji mogu da naprave spoj jednog terminala sa drugim.** Kratak spoj terminala baterije može da izazove opekotine ili požar.
- **U ekstremnim uslovima može doći do curenja tečnosti iz baterije; izbegavajte kontakt sa njom. Ako dođe do nehotičnog kontakta, isperite vodom.** Ako tečnost dođe u kontakt sa očima, takođe potražite i medicinsku pomoć. Tečnost iz baterije može da izazove iritaciju ili opekotine.
- **Ne koristite bateriju ili mašinu koje su oštećene ili modifikovane.** Oštećene ili modifikovane baterije mogu da ispolje nepredvidivo ponašanje, dovodeći do požara, eksplozije ili rizika od povrede.
- **Ne izlažite bateriju ili mašinu vatri ili previsokoj temperaturi.** Izlaganje vatri ili temperaturi iznad 130 °C može izazvati eksploziju.
- **Pratite sva uputstva za punjenje i ne puniti bateriju ili mašinu izvan temperaturnog opsega navedenog u uputstvima.** Punjenje na nepravilan način ili na temperaturama izvan navedenog opsega može da ošteti bateriju i poveća rizik od požara.

⚠ UPOZORENJE: Pročitajte sva sigurnosna upozorenja, uputstva, ilustracije i specifikacije priložene uz ovaj električni alat. Nepridržavanje svih dolenavedenih uputstava može da dovede do strujnog udara, požara i/ili ozbiljne povrede. Sačuvajte sva upozorenja i uputstva za buduću upotrebu. **Sačuvajte sva upozorenja i uputstva za buduću upotrebu.**

SR

OBUKA

- Pažljivo pročitajte uputstvo. Upoznajte se sa kontrolama i pravilnom upotrebom mašine.
- Nikad ne dozvolite ljudima koji nisu upoznati sa ovim uputstvima ili deci da koriste mašinu. Lokalni propisi mogu da ograniče uzrast rukovaoca.
- Imajte na umu da je rukovalac ili korisnik odgovoran za nezgode ili opasnosti po druge ljude ili njihovu imovinu.

PRIPREMA

- Nikad ne rukujte mašinom dok su ljudi, naročito deca, ili kućni ljubimci u blizini.
- Nosite zaštitne naočare i čvrste cipele sve vreme dok rukujete ovom mašinom.
- Udaljenost između mašine i prolaznika mora biti najmanje 15 m.
- Nikad ne rukujte mašinom ako je rukovalac umoran, bolestan ili pod uticajem alkohola, droga ili lekova.

RUKOVANJE

- Koristite mašinu samo po dnevnom svetlu ili dobrom veštačkom svetlu.
- Nikad ne koristite mašinu sa oštećenim štitnicima ili branicima odnosno bez štitnika ili branika na svom mestu.
- Uključite motor tek kada su šake i stopala udaljena od noža za sečenje.
- Uvek odvojite mašinu od izvora napajanja (tj. izvadite bateriju).
 - svaki put kad ostavljate mašinu bez nadzora;
 - pre čišćenja čepa;
 - pre proveravanja, čišćenja ili rada na mašini;
 - posle nailaženja na strani predmet;
 - svaki put kada mašina počne abnormalno da vibrira.
- Vodite računa da ne povredite stopala i šake nožem za sečenje.
- Uvek osigurajte da ventilacioni otvori budu očišćeni od prljavštine.

ODRŽAVANJE I SKLADIŠTENJE

- Odvojite mašinu od izvora napajanja (tj. izvadite bateriju) pre vršenja održavanja ili čišćenja.
- Koristite samo proizvođačeve preporučene rezervne delove i dodatke.
- Redovno pregledajte i održavajte mašinu. Popravljajte mašinu samo kod ovlašćenih serviseru.
- Kada je ne koristite, čuvajte mašinu van domašaja dece.

OSTALA SIGURNOSNA UPOZORENJA

- **Izbegavajte opasna okruženja** – Ne koristite uređaje na vlažnim ili mokrim nagibima.
- **Držite štitnike na svom mestu i u radnom stanju.**
- **Držite šake i stopala dalje od mesta sečenja.**
- **Da biste smanjili rizik od povreda, nikada nemojte raditi na lestvama ili na bilo kojoj nestabilnoj površini. Nikada nemojte držati jedinicu za sečenje iznad visine struka.**
- **Proveravajte jedinicu za sečenje redovno u kratkim intervalima za vreme korišćenja, ili odmah ako ima приметnih promena u ponašanju sečenje.**
- **Za najbolje rezultate, bateriju treba puniti na mestu gde je temperatura veća od 5 °C i manja od 40 °C.** Ne skladištite je na otvorenom prostoru ili u vozilima.
- **Ako vam neko priđe, zaustavite motor i jedinicu za sečenje.**
- **Upozorite korisnika na opasnosti od odbijanja noža (samo kad se koristi sa 3-zubim nožem).**
 - Do odbijanja noža može doći kada nož koji se okreće dođe u dodir sa predmetom koji ne preseče istog trenutka.
 - Odbijanje noža može biti dovoljno silovito da izazove da jedinica i/ili korisnik budu odgurnuti u bilo kojem smeru, i moguć je gubitak kontrole nad jedinicom.
 - Do odbijanja noža može doći bez upozorenja ako se nož zakači, zaguši ili zaplete.
 - Veće šanse za odbijanje noža postoje na mestima gde je teško videti materijal koji se kosi.
- **Nemojte pričvrstiti nož na jedinicu bez pravilne instalacije svih potrebnih delova. Nekorišćenje odgovarajućih delova može izazvati da nož odleti i ozbiljno povredi operatera i/ili prolaznike. Odbacite noževe koji su savijeni, iskrivljeni, naprsli, polomljeni ili oštećeni na bilo koji način. Koristite oštar nož. Tup nož ima veće šanse da se zakači i odbije (samo kad se koristi sa 3-zubim nožem).**
- **Kretanje noža/strune može da izazove povredu dok nastavlja da se vrti nakon zaustavljanja motora ili puštanja okidača. Održavajte pravilnu kontrolu dok se nož/struna ne zaustavi potpuno.**
- **Alati na baterije ne moraju da budu uključeni u utičnicu; oni su stoga uvek u radnom stanju. Budite svesni mogućih opasnosti čak i kada se alat ne koristi. Budite pažljivi kada održavate ili servisirate.**
- **Ne perite crevom; izbegavajte ulazjenje vode u motor i električne veze.**

- Ako dođe do situacija koje nisu obrađene u ovom priručniku, primenjujte oprez i zdravo rasuđivanje. Obratite se EGO korisničkoj službi za pomoć.
- Koristite samo sa baterijama i punjačima navedenim na slici A.

SAČUVAJTE OVO UPUTSTVO!

SPECIFIKACIJE

Širina sečenja	30 cm
Brzina bez opterećenja	5000/6000 min ⁻¹
Težina	1,82 kg
Preporučena radna temperatura	0°C-40°C
Preporučena temperatura skladištenja	-20°C-70°C
Izmereni nivo jačine zvuka L _{WA}	96,5 dB(A) K=1,88 dB(A) (PH1400E)
	93,2 dB(A) K=0,35 dB(A) (PH1420E)
	91 dB(A) K=1,1 dB(A) (PHX1600)
Nivo zvučnog pritiska kod uha rukovaoca L _{PA}	84,5 dB(A) K=3 dB(A) (PH1400E)
	83,9 dB(A) K=3 dB(A) (PH1420E)
	83 dB(A) K=3 dB(A) (PHX1600)
Garantovan nivo jačine zvuka L _{WA} (izmereno prema 2000/14/EC)	98 dB(A)

Procena vibracije a _v :	Prednja pomoćna drška	2,8 m/s ² K=1,6 m/s ² (PH1400E)
		4,14 m/s ² K=1,5 m/s ² (PH1420E)
		6,64 m/s ² K=1,5 m/s ² (PHX1600)
	Zadnja drška	3,1 m/s ² K=1,6 m/s ² (PH1400E)
1,88 m/s ² K=1,5 m/s ² (PH1420E)		
2,61 m/s ² K=1,5 m/s ² (PHX1600)		

- Gornji parametri su testirani i izmereni sa pogonskom glavom PH1400E/PH1420E/PHX1600;
- Deklarisana ukupna vrednost vibracije je izmerena u skladu sa standardnim metodom testiranja i može se koristiti za upoređivanje jednog alata sa drugim;
- Deklarisana ukupna vrednost vibracije može se koristiti u preliminarnoj proceni izlaganja.

NAPOMENA: Emisija vibracija tokom stvarne upotrebe električnog alata može da se razlikuje od deklarisanе vrednosti u kojoj se alat koristi. Da bi se rukovalac zaštitio, korisnik bi trebalo da nosi rukavice i štitnike za uši u stvarnim uslovima korišćenja.

Preporučeni nož

NAZIV DELA	BROJ MODELA
Nož motorne kose	ABB1203

POPIS PAKOVANJA

NAZIV DELA	KOLIČINA
Dodatak motorne kose	1
Komplet noža i navlake za nož	1
Štitnik	1
Dodatak štitnika (SAMO za upotrebu sa glavom trimera)	1
Inbus ključ	1
Višenamenski ključ	1
Priručnik za rukovaoca	1

SR

OPIS

UPOZNAJTE SVOJ DODATAK MOTORNE KOSE (slika A)

1. Krajnja kapica
2. Vratilo motorne kose
3. Štitnik
4. Nož
5. Navlaka za nož
6. Žičana spona
7. Zaptivni vijak
8. Menjač brzina
9. Rupa za zaključavanje vratila
10. Spoljašnja prirubnica
11. Višenamenski ključ
12. Inbus ključ
13. Dodatak štitnika (SAMO za upotrebu sa glavom trimera)

⚠ UPOZORENJE: Nikada ne koristite alat bez štitnika čvrsto na mestu. Štitnik mora uvek biti na alatu da bi zaštitio korisnika.

⚠ UPOZORENJE: Kada se alat koristi kao trimer sa strunom, opremljen glavom trimera, dodatak štitnika treba da bude postavljen na štitnik. Nepridržavanje toga moglo bi da dovede do predugačke strune za sečenje i preopterećenja motora.

SKLAPANJE

⚠ UPOZORENJE: Ako su neki delovi oštećeni ili nedostaju, nemojte koristiti ovaj proizvod dok delovi ne budu zamenjeni. Korišćenje ovog proizvoda sa oštećenim ili nedostajućim delovima može dovesti do ozbiljnih telesnih povreda.

⚠ UPOZORENJE: Ne pokušavajte da modifikujete ovaj proizvod ili da pravite dodatke koji nisu preporučeni za korišćenje sa ovom motornom kosom. Svaka takva promena ili modifikacija je zloupotreba i može dovesti do opasnih uslova koji mogu da dovedu do ozbiljnih telesnih povreda.

⚠ UPOZORENJE: Da biste sprečili nehotično pokretanje koje bi moglo izazvati ozbiljne telesne povrede, uvek uklonite bateriju iz mašine kada sklapate delove.

⚠ UPOZORENJE: Kada je mašina opremljena glavom sekača žbunja, sigurnosna prečka mora da bude montirana.

MONTIRANJE ŠTITNIKA

⚠ UPOZORENJE: Uvek nosite rukavice kad montirate ili zamenjujete štitnik. Pazite na nož na štitniku i zaštitite šaku od posekotine.

⚠ UPOZORENJE: Nikada ne koristite mašinu bez štitnika čvrsto na mestu. Štitnik mora uvek biti na mašini da bi zaštitio korisnika! Kad je štitnik fiksiran, nikad ne pokušavajte da skinete ili podesite štitnik; ako je potrebna zamena, nju treba da uradi kvalifikovani servisni tehničar!

Olabavite i uklonite dva vijka sa štitnika (slika C), poravnajte montažne rupe štitnika sa rupama na sklopu pa zatim zaključajte štitnik na bazu vratila pomoću dva vijka, zajedno sa dve elastične podloške (slika D).

Proverite da li je štitnik fiksiran prema slici C i D, svako obrnuto fiksiranje će izazvati veliku opasnost!

MONTIRANJE NOŽA

1. Nož se isporučuje sa navlakom. Pre montiranja noža na motornu kosu, navlaku bi trebalo ukloniti tako što ćete otkopčati žičanu sponu sa kukice na navlaci (slika E).

Opis delova sa slike E pogledajte ispod:

E-1	Kukica
E-2	Žičana spona

2. Okrenite spoljašnju prirubnicu da biste poravnali prerez na unutrašnjoj prirubnici sa rupom za zaključavanje vratila na menjaču brzina (slika F).
3. Stavite priloženi inbus ključ u poravnate rupe da bi ih stabilizovao (slika G).

Opis delova sa slike F i G pogledajte ispod:

F-1	Menjač brzina	F-3	Spoljašnja prirubnica
F-2	Poravnate rupe za zaključavanje vratila	G-1	Stabilizator

4. Postavite glavu motorne kose na čvrstu površinu radi podrške. Jednom rukom držite vratilo motorne kose a drugom rukom uhvatite priloženi višenamenski ključ da biste olabavili navrtanj u smeru strelice koja se nalazi na spoljašnjoj prirubnici pa uklonite navrtanj i spoljašnju prirubnicu. Sačuvajte ih za ponovno sklapanje (slika H).
5. Postavite nož na vratilo motora, vodeći računa da površina noža bude u ravni sa površinom izbočine unutrašnje prirubnice. Predite na montiranje spoljašnje prirubnice i navrtnja (slika I). Unapred ručno zategnite navrtanj **SUPROTNO OD SMERA KAZALJKE NA SATU.**

Opis delova sa slike I pogledajte ispod:

I-1	Izbočina unutrašnje prirubnice	I-4	Spoljašnja prirubnica
I-2	Vratilo motora	I-5	Nož
I-3	Navrtanj		

- Okrenite spoljašnju prirubnicu da biste poravnali prerez na unutrašnjoj prirubnici sa rupom za zaključavanje vratila na menjaču brzina pa umetnite priloženi inbus ključ u poravnate rupe da bi ih stabilizovao, kako je prethodno prikazano u koracima 2 i 3.
- Postavite glavu motorne kose na čvrstu površinu radi podrške. Jednom rukom držite nož a drugom rukom uhvatite priloženi višenamenski ključ da biste zategnuli navrtanj u smeru suprotnom strelici koja se nalazi na spoljašnjoj prirubnici (slika J).

Upotreba dodatka štitnika

NAPOMENA: Kada se alat koristi kao trimer sa strunom, opremljen glavom trimera, dodatak štitnika mora da bude postavljen na štitičnik (slika K).

Pričvrstite dodatak štitnika na štitičnik tako što ćete zategnuti tri vijka priloženim inbus ključem. Nepridržavanje toga moglo bi da dovede do predugačke strune za sečenje i preopterećenja motora.

POVEZIVANJE DODATKA MOTORNE KOSE NA POGONSKU GLAVU

Ovaj dodatak motorne kose je dizajniran za korišćenje sa EGO pogonskom glavom PH1400E/PH1420E/PHX1600.

Pogledajte odeljak „**INSTALIRANJE DODATKA NA POGONSKU GLAVU**“ u priručniku za rukovaoca za pogonsku glavu PH1400E/PH1420E/PHX1600.

RUKOVANJE

UPOZORENJE: Ne dozvolite da zbog poznavanja ovog proizvoda postanete nemarni. Zapamtite da je delić sekunde nepažnje dovoljan da nanese ozbiljnu povredu.

UPOZORENJE: Uvek nosite zaštitne naočare i zaštitu za sluh. Nepridržavanje toga može dovesti do predmeta izbačenih prema očima i drugih ozbiljnih povreda.

PRIMENA

Možete koristiti ovaj proizvod za svrhu navedenu ispod:

- Sečenje osušene trave, korova, divljeg rastinja i žbunja, razređivanje mladih zasada drveća sa maksimalnim prečnikom stabiljike od 2 cm.

NAPOMENA: Alat treba koristiti samo za propisanu svrhu. Svaka druga upotreba smatra se slučajem zloupotrebe.

KORIŠĆENJE MOTORNE KOSE SA POGONSKOM GLAVOM

UPOZORENJE: Obucite se prikladno da biste smanjili rizik od povrede dok koristite ovaj alat. Ne nosite labavu odeću ili nakit. Nosite zaštitne naočare i zaštitu uva/sluha. Nosite debele, duge pantalone, duboke cipele i rukavice. Ne nosite kratke pantalone, sandale, papuče i ne radite bos.

Za bezbedan i bolji rad, stavite remen za rame preko ramena. Podesite remen za rame u udoban radni položaj. Držite motornu kosu sa jednom rukom na zadnjoj drški a drugom rukom na prednjoj pomoćnoj drški. Održavajte čvrst hvat sa obe ruke tokom rada. Motornu kosu treba držati u udobnom položaju sa zadnjom drškom približno u visini kuka. Održavajte hvat i ravnotežu na obe noge. Postavite se tako da vas reakcija povratnog udara noža za sečenje neće izbaciti iz ravnoteže (slika B).

UPOZORENJE: Remen za rame ima i mehanizam za brzo otkopčavanje u opasnim situacijama. Kada se desi hitan slučaj, odmah skinite uređaj sa ramena, bez obzira kako je remen namešten.

Za sečenje divljeg rastinja i žbunja, spustite rotirajući nož dole na rastinje da biste postigli efekat seckanja. Koristite motornu kosu kao ručnu kosu (zamahujte desno i levo) u nivou tla. Ne koristite dodatak za sečenje iznad visine struka.

UPOZORENJE: Što je dodatak za sečenje na većoj visini iznad tla, to je veći rizik od povrede bočno izbačenim odsečenim materijalom.

UPOZORENJE: Kad sečete mlade zasade drveća ili drugi drvenasti materijal do 2 cm u prečniku, koristite levu stranu noža da biste izbegli situacije odbijanja noža. Ne pokušavajte da sečete drvenasti materijal većeg prečnika jer se nož može zakačiti ili trznuti motornu kosu unapred. To može izazvati oštećenja noža ili motorne kose ili gubitak kontrole nad motornom kosom, dovodeći do telesne povrede.

UPOZORENJE: Nepravilno korišćenje noža motorne kose može da prouzrokuje da on napsrne, okrnji se ili se rasprsne.

Izbačeni delovi mogu ozbiljno da povrede korisnika ili prolaznika. Da biste smanjili rizik od telesnih povreda, važno je da preduzmete sledeće mere predostrožnosti:

- Izbegavajte kontakt sa tvrdim ili čvrstim stranama predmetima poput kamenja, stena ili komada metala.

- Nikad ne secite drveće ili žbunje sa prečnikom stabiljike većim od 2 cm.
- Redovno u kratkim vremenskim intervalima pregledajte da li je nož oštećen. Ne nastavljajte sa radom ako je nož oštećen.
- Redovno oštrite nož (kad je primetno istupljen) i izbalansirajte ga ako je neophodno (kod kvalifikovanog servisnog tehničara).

ODBIJANJE NOŽA

Budite krajnje pažljivi kad koristite nož sa ovom jedinicom. Odbijanje noža je reakcija do koje može da dođe kad nož koji se okreće dođe u kontakt sa bilo čim što ne može da preseče. Taj kontakt može da izazove zaustavljanje noža na trenutak i iznenadno „odbijanje“ jedinice dalje od predmeta koji je udaren. Ova reakcija može biti dovoljno silovita da izazove korisnikovo gubljenje kontrole nad jedinicom. Do odbijanja noža može doći bez upozorenja ako se nož zakači, zaguši ili zaplete. Veće šanse za to postoje na mestima gde je teško videti materijal koji se seče. Za lakoću i bezbednost sečenja, pristupajte korovu koji sečeće pomerajući motornu kosu sa desne na levu stranu. U slučaju da naiđete na neočekivani predmet ili drvenasto stablo, ova praksa bi mogla da smanji reakciju odbijanja noža.

Pre svake upotrebe proverite da li ima oštećenih/pohabanih delova.

Proverite nož, štitičnik i prednju pomoćnu dršku i zamenite sve delove koji su naprsli, iskrivljeni, savijeni ili na bilo koji način oštećeni.

Ivica noža može vremenom da se istupi. Preporučuje se da obrnete nož da biste mu produžili radni vek i da ga periodično oštrite (kod kvalifikovanog servisnog tehničara) ili da ga zamenite novim nožem kad to bude neophodno.

Očistite motornu kosu posle svake upotrebe

Pogledajte odeljak **ODRŽAVANJE** za uputstva za čišćenje.

⚠ UPOZORENJE: Vodite računa da se nož potpuno zaustavi pre čišćenja ili servisiranja motorne kose. Nepridržavanje toga može izazvati ozbiljne telesne povrede.

ZA POKRETANJE/ZAUSTAVLJANJE ALATA

Pogledajte odeljak „**POKRETANJE/ZAUSTAVLJANJE POGONSKE GLAVE**“ u priručniku za rukovaoca za pogonsku glavu PH1400E/PH1420E/PHX1600.

SR

ODRŽAVANJE

⚠ UPOZORENJE: Pre pregledanja, čišćenja ili servisiranja jedinice, zaustavite motor, sačekajte da se svi pokretni delovi zaustave i izvadite bateriju. Nepoštovanje ovih uputstava može izazvati ozbiljne telesne povrede ili oštećenje imovine.

⚠ UPOZORENJE: Tokom servisiranja, koristite samo identične rezervne delove. Upotreba bilo kakvih drugih delova može da dovede do opasnosti ili da izazove oštećenje proizvoda. Da bi se osigurala sigurnost i pouzdanost, sve popravke treba da radi kvalifikovani servisni tehničar.

⚠ UPOZORENJE: Uvek nosite radne rukavice kada instalirate ili uklanjate nož ili vršite održavanje na nožu. Čuvajte se noža i zaštitite ruke od povrede nožem.

OPŠTE ODRŽAVANJE

Izbegavajte korišćenje rastvarača kada čistite plastične delove. Većina plastike je podložna oštećenjima od raznih tipova komercijalnih rastvarača i može se oštetiti njihovom upotrebom. Koristite čiste krpe da uklonite zemlju, prašinu, ulje, masnoću itd.

ČIŠĆENJE JEDINICE

- Izvadite bateriju
- Posle svake upotrebe, mekom četkom očistite prljavštinu, nagomilanu zemlju ili travu sa noža i štitičnika.
- Obrišite površinu alata čistom krpom navlaženom rastvorom blagog sapuna.
- Pomoću male četke ili malog usisivača očistite otvore za vazduh na zadnjoj strani kućišta.
- Održavajte otvore za vazduh bez prepreka.

Kad se nož istupi, obe iverice noža postanu tupe, naoštrite ga kod kvalifikovanog servisnog tehničara ili ga zamenite novim nožem po potrebi.

ZAMENA NOŽA

⚠ UPOZORENJE: Pohaban, naprsli ili oštećen nož može da pukne a komadi oštećenog noža mogu da postanu opasni projektili. Izbačeni predmeti mogu da izazovu ozbiljnu povredu. Redovno pregledajte nož i ne rukujte motornom kosom sa pohabanim ili oštećenim nožem.

⚠ UPOZORENJE: Koristite odgovarajuću zaštitu za oči dok skidate, oštrite i instalirate nož.

Za skidanje noža

- Izvadite bateriju.
- Okrenite spoljašnju prirubnicu da biste poravnali prerez na unutrašnjoj prirubnici sa rupom za zaključavanje vratila na menjaču brzina pa umetnite priloženi inbus ključ u poravnate rupe da bi ih stabilizovao, kako je prikazano u koracima 2 i 3 u odeljku „**MONTIRANJE NOŽA**“.
- Postavite glavu motorne kose na čvrstu površinu radi podrške. Jednom rukom držite nož a drugom rukom uhvatite priloženi višenamenski ključ da biste olabavili navrtanj u smeru strelice koja se nalazi na spoljašnjoj prirubnici pa uklonite navrtanj, spoljašnju prirubnicu i pohabani nož (slika L).
- Proverite i zamenite unutrašnju prirubnicu i poklopac prirubnice ako su pohabani (slika M).

Opis delova sa slike M pogledajte ispod:

M-1	Vratilo motora	M-5	Spoljašnja prirubnica
M-2	Unutrašnja prirubnica	M-6	Navrtanj
M-3	Poklopac prirubnice	M-7	Prorez u prirubnici
M-4	Nož		

- Instalirajte novi nož na vratilo motora redosledom prikazanim na slici M. Detaljno pratite korake 5, 6 i 7 u odeljku „**MONTIRANJE NOŽA**“ u uputstvu.

PODMAZIVANJE PRENOSNIH ZUPČANIKA

Prenosni zupčaniци u menjaču brzina treba periodično da se podmazuju mazivom za zupčanike. Proveravajte nivo maziva u menjaču brzina na svakih oko 50 sati rada tako što ćete ukloniti zaptivni vijak na bočnoj strani kućišta.

Ako se mazivo ne vidi na bočnim stranama zupčanika, pratite korake ispod da biste sipali mazivo za zupčanike do 3/4 kapaciteta.

Nemojte potpuno napuniti prenosne zupčanike.

- Držite motornu kosu vodeći računa da zaptivni vijak bude okrenut nagore (slika N).
- Pomoću priloženog višenamenskog ključa olabavite zaptivni vijak i uklonite ga.
- Pomoću šprica za mazivo (nije priložen) ubrizgajte malo maziva u rupicu vijka.
- Zategnite zaptivni vijak posle ubrizgavanja.

SKLADIŠTENJE JEDINICE

- Izvadite bateriju iz alata.
- Nosite radne rukavice da biste očistili alat temeljno.
- Montirajte navlaku noža na nož radi bezbednog čuvanja (slika O).
- Skinite dodatak motorne kose sa pogonske glave i stavite krajnju kapicu na kraj vratila dodatka, ako je neophodno.
- Skladištite jedinicu na suvom, dobro provetrenom mestu, zaključanu ili na visini, van domašaja dece. Ne skladištite jedinicu na ili pored đubriva, benzina ili drugih hemikalija.

Zaštita životne sredine



Ne odlažite električnu opremu, potrošene baterije i punjače u kućni otpad! Odnosite ovaj proizvod u ovlašćeni pogon za reciklažu ili ga odvojite od ostalog smeća radi zasebnog prikupljanja. Električne mašine moraju se odneti u ekološki prihvatljiv pogon za reciklažu.

REŠAVANJE PROBLEMA

PROBLEM	UZROK	REŠENJE
Motorna kosa se ne pokreće.	<ul style="list-style-type: none">■ Baterija nije spojena na pogonsku glavu.■ Nema električnog kontakta između pogonske glave i baterije.■ Baterija je prazna.■ Poluga za zaključavanje i okidač nisu pritisnuti istovremeno.	<ul style="list-style-type: none">■ Spojite bateriju na pogonsku glavu.■ Izvadite bateriju, proverite kontakte i ponovo instalirajte bateriju dok ne škljocne na svoje mesto.■ Napunite bateriju EGO punjačima navedenim u ovom priručniku.■ Pritisnite nadole polugu za otključavanje i držite je, zatim pritisnite okidač da biste uključili trimmer.
Motorna kosa se zaustavlja tokom sečenja.	<ul style="list-style-type: none">■ Motor je preopterećen.■ Baterija ili pogonska glava su prevrući.■ Baterija se odvojila od alata.■ Baterija je prazna.	<ul style="list-style-type: none">■ Motor će se ponovo pokrenuti kad se opterećenje ukloni. Za neprestan rad, smanjite opterećenje na pogonsku glavu.■ Ostavite bateriju ili pogonsku glavu da se hlade dok temperatura ne padne ispod 67°C.■ Ponovo instalirajte bateriju.■ Napunite bateriju EGO punjačima navedenim u ovom priručniku.

GARANCIJA

EGO POLITIKA GARANCIJE

Posetite veb-lokaciju egopowerplus.eu za potpune uslove i odredbe EGO politike garancije.

PROČITAJTE UPUTSTVO U CIJELOSTI!



PROČITAJTE KORISNIČKI PRIRUČNIK.

⚠ UPOZORENJE! Radi osiguranja sigurnosti i pouzdanosti, sve popravke i zamjene treba obavljati kvalifikovani servisni tehničar.

SIGURNOSNI SIMBOLI

Svrha sigurnosnih simbola je skretanje pažnje na moguće opasnosti. Sigurnosni simboli i njihova objašnjenja zahtijevaju vašu potpunu pažnju i razumijevanje. Sami simboli upozorenja sami po sebi ne isključuju opasnost. Uputstva i upozorenja koja pružaju nisu zamjena za propisne mjere za prevenciju nesreća.

⚠ UPOZORENJE! Prije upotrebe ovog alata pobrinite se da sva sigurnosna uputstva u ovom korisničkom priručniku, uključujući sve sigurnosne simbole kao što su “OPASNOST”, “UPOZORENJE” i “OPREZ” pročitate s razumijevanjem. Zanemarivanje svih uputstava navedenih u nastavku može rezultirati strujnim udarom, požarom i/ili teškim tjelesnim povredama.

ZNAČENJE SIMBOLA

SIGURNOSNI SIMBOL UPOZORENJA: ukazuje na **OPASNOST**, **UPOZORENJE** ili **OPREZ**. Može se upotrebljavati u kombinaciji s drugim simbolima ili piktogramima.




⚠ UPOZORENJE! Rukovanje električnim alatima može rezultirati odbacivanjem stranih predmeta u oči, što opet može izazvati teška oštećenja očiju. Prije početka rukovanja električnim alatom, uvijek nosite zatvorene zaštitne naočale ili zaštitne naočale s bočnim štitičima, a prema potrebi i štitičnik za cijelo lice. Preporučujemo nošenje sigurnosne maske proizvođača Wide Vision preko naočala, ili nošenje standardnih zaštitnih naočala s bočnim štitičima.

SIGURNOSNA UPUTSTVA

Na ovoj stranici slikovno su prikazani i objašnjeni sigurnosni simboli koji se mogu pojaviti na ovom proizvodu. Prije pokušaja sastavljanja i rukovanja, s razumijevanjem pročitate sva uputstva na proizvodu i pridržavajte ih se.

	Simbol upozorenja	Ukazuje na potencijalnu opasnost od tjelesnih povreda.
	Pročitajte korisnički priručnik.	Radi smanjenja opasnosti od povreda, korisnik treba pročitati korisnički priručnik.
	Nosite zaštitu za oči.	Kada upotrebljavate ovaj proizvod, uvijek nosite zatvorene zaštitne naočale ili zaštitne naočale s bočnim štitičima i štitičnik za cijelo lice.
	Nosite zaštitu za sluh.	Radi zaštite sluha uvijek nosite zvučne barijere (čepovi za uši ili štitičnici za uši).
	Nosite zaštitu za glavu.	Radi zaštite glave nosite odobrenu sigurnosnu kacigu.
	Nosite zaštitne rukavice.	Kada rukujete žagom i lancem žage zaštitite ruke rukavicama. Nekizajuće rukavice za teške uslove rada poboljšavaju zahvat i štite ruke.
	Nosite sigurnosnu obuću.	Kada upotrebljavate ovu opremu nosite nekizajuću sigurnosnu obuću.
	Širina rezanja	Maks. širina rezanja čistača šikare
	Čuvajte se povratnog udara noža.	Upozorite rukovaoca na opasnost od povratnog udara noža.
	Druge prisutne osobe držite na udaljenosti	Razmak između mašine i drugih prisutnih osoba treba biti najmanje 15 m.
	Čuvajte se povratnog udara noža	Odbačeni predmeti mogu odskočiti i rezultirati tjelesnim povredama ili materijalnom štetom.
	Odspojite bateriju prije održavanja	Prije obavljanja radova održavanja ili čišćenja, odvojite komplet baterija od trimera za travu s reznom niti.

BS

	Oznaka CE	Ovaj proizvod je u skladu s primjenjivim Direktivama EU.
	UKCA	Ovaj proizvod je u skladu s važećim zakonodavstvom Ujedinjenog Kraljevstva.
	WEEE	Otpadni električni proizvodi ne smiju se odlagati s otpadom iz domaćinstva. Odnosite ih u ovlašteni centar za reciklažu.
	Buka	Zagarantovani nivo zvučne snage. Emisija buke u okruženju u skladu je s Direktivom Evropske unije.
V	Volt	Napon
mm	Milimetar	Dužina ili dimenzija
cm	Centimetar	Dužina ili dimenzija
kg	Kilogram	Masa
n_0	Brzina vrtnje bez opterećenja	Brzina okretanja, bez opterećenja
min^{-1}	U minuti	Okretaji u minuti

OPĆA SIGURNOSNA UPOZORENJA ZA MAŠINE

⚠ UPOZORENJE! Pročitajte sva sigurnosna upozorenja, uputstva, sve ilustracije i specifikacije isporučene s ovom mašinom. Zanemarivanje svih uputstava navedenih u nastavku može rezultirati strujnim udarom, požarom i/ili teškim povredama.

SACUVAJTE SVA UPOZORENJA I UPUTSTVA ZA BUDUĆE POTREBE.

Pojam "mašina" u upozorenjima odnosi se na vašu mašinu na strujni pogon (s kabelom) ili mašinu na baterijski pogon (bez kabela).

SIGURNOST RADNOG PODRUČJA

- Radno područje održavajte čistim i dobro osvijetljenim. Pretrpana ili mračna područja izazivaju nesreće.

- Mašine nemojte upotrebljavati u eksplozivnim atmosferama, kao na primjer u prisutnosti zapaljivih tekućina, plinova ili prašine. Mašine stvaraju iskre koje mogu zapaliti prašinu ili isparenja.
- Djecu i druge prisutne osobe držite podalje tokom rada mašine. Ometanja mogu rezultirati gubitkom kontrole nad uređajem.

ELEKTRIČNA SIGURNOST

- Utikači mašine moraju odgovarati utičnici. Nemojte modifikovati utikač ni na koji način. Nemojte upotrebljavati utikače adaptera s uzemljenim mašinama. Nemodifikovani utikači i odgovarajuće utičnice umanjit će rizik od strujnog udara.
- Izbjegavajte kontakt tijela s uzemljenim površinama, kao što su slavine, radijatori, peći i frižideri. Postoji povećan rizik od strujnog udara ako je vaše tijelo uzemljeno.
- Mašinu nemojte upotrebljavati na kiši ili u mokrim uslovima. Ako voda dospje u mašinu, postoji opasnost od strujnog udara ili kvara, što može rezultirati tjelesnim povredama.
- Nemojte nepropisno upotrebljavati kabel. Kabel nemojte nikada upotrebljavati za nošenje, povlačenje ili isključivanje mašine iz strujnog napajanja. Kabel držite podalje od topline, ulja, oštih rubova ili pokretnih dijelova. Oštećeni ili isprepleteni kabeli povećavaju rizik od strujnog udara.
- Kada mašinom radite na otvorenom, upotrebljavajte produžni kabel prikladan za upotrebu na otvorenom. Upotrebom kabela prikladnog za upotrebu na otvorenom smanjuje se rizik od strujnog udara.
- Ako je rad s mašinom u vlažnom području neizbježan, upotrebljavajte napajanje sa zaštitnim uređajem diferencijalne struje (ZUDS). Upotrebom zaštitnog uređaja diferencijalne struje smanjuje se rizik od strujnog udara.

LIČNA SIGURNOST

- Budite oprezni, gledajte šta radite i koristite se uobičajenim osjećajem kada upotrebljavate mašinu. Nemojte upotrebljavati mašinu kada ste umorni ili pod uticajem opojnih sredstava, alkohola ili lijekova. Trenutak nepažnje tokom rada mašina može rezultirati teškim tjelesnim povredama.
- Upotrebljavajte ličnu zaštitnu opremu. Uvijek nosite zaštitu za oči. Zaštitna oprema poput maske za zaštitu od prašine, neklizajuće sigurnosne obuće, kacige ili zaštite za sluh upotrijebljena za odgovarajuće uslove smanjit će tjelesne povrede.

- **Spriječite nenamjerno pokretanje.** Prije spajanja na izvor napajanja i/ili komplet baterija, uzimanja ili nošenja mašine uvjerite se da se prekidač nalazi u isključenom položaju. Nošenje mašina s prstom na prekidaču ili napajanje mašina koje imaju uključen prekidač izaziva nesreće.
- **Prije uključivanja mašine uklonite sve ključeve za podešavanje ili nasadne ključeve.** Nasadni ključ ili ključ za podešavanje ostavljen pričvršćen na rotacijski dio mašine može rezultirati tjelesnim povredama.
- **Nemojte se previše naginjati prema naprijed.** Cijelo vrijeme održavajte propisno držanje i ravnotežu. To će omogućiti bolju kontrolu nad mašinom u neočekivanim situacijama.
- **Obucite se prikladno.** Nemojte nositi široku odjeću ili nakit. Kosu i odjeću uvijek držite podalje od dijelova koji se kreću. Dijelovi koji se kreću mogu zahvatiti široku odjeću, nakit ili dugu kosu.
- **Ako su uređaji namijenjeni za spajanje sistema za izvlačenje i sakupljanje prašine, pobrinite se da se propisno spoje i upotrebljavaju.** Upotrebom uređaja za sakupljanje prašine mogu se smanjiti opasnosti koje se odnose na prašinu.
- **Nemojte dozvoliti da vas poznavanje mašina stečeno čestom upotrebom učini samodopadnim pa da zanemarite sigurnosne principe za mašinu.** Nemarne radnje u djeliću sekunde mogu rezultirati teškim povredama.

UPOTREBA I NJEGA MAŠINE

- **Izbjegavajte preveliko opterećenje mašine.** Upotrebljavajte pravilnu mašinu za svoju primjenu. Pravilna mašina bolje će i sigurnije odraditi posao pri brzini za koju je predviđena.
- **Nemojte upotrebljavati mašinu ako se ne uključuje i ne isključuje putem prekidača.** Svaka mašina koja se ne može kontrolisati prekidačem opasna je i potrebno ju je popraviti.
- **Prije obavljanja podešavanja, zamjene dodatne opreme ili skladištenja mašine isključite utikač iz izvora napajanja i/ili komplet baterija iz mašine, ako je odvojitiv.** Takve preventivne sigurnosne mjere smanjuju rizik od iznenadnog pokretanja mašine.
- **Nekorištene mašine skladištite izvan dohvata djece i nemojte dozvoliti da osobe koje ne poznaju mašinu ili ova uputstva upotrebljavaju mašinu.** Mašine su opasne u rukama neobučениh korisnika.
- **Održavajte mašine i dodatnu opremu.** Provjerite jesu li pokretni dijelovi centrirani ili spojeni, ima li polomljenih dijelova i postoji li stanje koje može uticati na rad mašine. Ako je oštećena, mašinu popravite prije upotrebe. Loše održavane mašine uzrok su mnogih nesreća.
- **Rezne mašine održavajte oštroma i čistima.** Propisno održavane rezne mašine s oštrom reznim rubovima manje će se zaglavljivati i lakše su za upravljanje.
- **Mašinu, dodatnu opremu i nastavke mašine, itd., upotrebljavajte u skladu s ovim uputstvima, uzimajući u obzir radne uslove i posao koji je potrebno obaviti.** Upotreba mašine za radove drukčije od namjenskih može rezultirati opasnim situacijama.
- **Rukohvate i površine rukohvata održavajte suhim, čistim i očišćenim od ulja i masti.** Skliski rukohvati i skliske površine rukohvata onemogućuju sigurno rukovanje i upravljanje mašinom u neočekivanim situacijama.

UPOTREBA I NJEGA AKUMULATORSKIH MAŠINA

- **Punjenje obavljajte samo s punjačem kojeg je naveo proizvođač.** Punjač koji je prikladan za jedan tip kompleta baterija može stvoriti rizik od požara ako ga se upotrebljava s drugim kompletom baterija.
- **Mašine upotrebljavajte samo s izričito navedenim kompletima baterija.** Upotreba drugih kompleta baterija može stvoriti rizik od povreda i požara.
- **Kada se komplet baterija ne upotrebljava, držite ga podalje od drugih metalnih predmeta poput spajalica za papir, kovanica, ključeva, eksera, vijaka ili drugih malih metalnih predmeta koji mogu međusobno spojiti kontakte.** Kratko spajanje baterijskih kontakata može uzrokovati opekotine ili požar.
- **U slučaju pogrešne upotrebe, baterija može izbaciti tekućinu; izbjegavajte kontakt. Ako slučajno dođe do kontakta, odnosno mjesta isperite vodom.** Ako tekućina dođe u kontakt s očima, dodatno potražite pomoć ljekara. Tekućina koju izbaci baterija može uzrokovati nadražaj kože ili opekotine.
- **Nemojte upotrebljavati oštećene ili modifikovan komplet baterija niti oštećenu ili modifikovanu mašinu.** Oštećene ili modifikovane baterije mogu pokazati nepredvidivo ponašanje koje može rezultirati požarom, eksplozijom ili opasnošću od povreda.
- **Komplet baterija ili mašinu nemojte izlagati vatri ili previsokoj temperaturi.** Izlaganje vatri ili temperaturi višoj od 130 °C može uzrokovati eksploziju.

- Pridržavajte se svih uputstava za punjenje i komplet baterija ili mašinu nemojte puniti izvan okvira opsega temperature navedenog u uputstvima.

Nepropisno punjenje ili punjenje pri temperaturama izvan okvira određenog opsega može oštetiti bateriju i povećati opasnost od požara.

⚠ UPOZORENJE! Pročitajte sva sigurnosna upozorenja, uputstva, sve ilustracije i specifikacije isporučene s ovim električnim alatom.

Zanemarivanje svih uputstava navedenih u nastavku može rezultirati strujnim udarom, požarom i/ili teškim povredama. Sačuvajte sva upozorenja i uputstva za buduće potrebe.

Sačuvajte sva upozorenja i uputstva za buduće potrebe.

OBUKA

- Pažljivo pročitajte uputstvo. Upoznajte se s upravljačkim elementima i propisnom upotrebom uređaja.
- Nemojte nikada dozvoliti da osobe koje nisu pročitale ova uputstva ili djeca upotrebljavaju uređaj. Lokalni propisi mogu ograničavati starosnu dob rukovaoca.
- Napominjemo da je rukovalac ili korisnik odgovoran za nesreće ili opasnosti za druge osobe ili njihovu imovinu.

PRIPREMA

- Ovaj uređaj nemojte nikada upotrebljavati kada se u blizini nalaze osobe, a posebno djeca ili kućni ljubimci.
- Nosite zaštitu za oči i čvrstu obuću cijelo vrijeme dok upotrebljavate ovaj uređaj.
- Razmak između proizvoda i posmatrača treba biti najmanje 15 m.
- Nemojte nikada upotrebljavati uređaj kada ste umorni, bolesni ili pod uticajem alkohola ili drugih opojnih sredstava.

RAD

- Uređaj upotrebljavajte samo na dnevnom svjetlu ili pri dobrom umjetnom osvjetljenju.
- Uređaj nemojte nikada upotrebljavati ako su štitnici ili zaštitni uređaji oštećeni ili ako nisu na svom mjestu.
- Motor uključite samo kada se ruke i stopala nalaze podalje od reznih elemenata.
- Uređaj uvijek isključite iz strujnog napajanja (tj. izvadite komplet baterija).
 - kada uređaj ostavljate bez nadzora;
 - prije čišćenja blokada;
 - prije provjere, čišćenja ili rada na uređaju;
 - nakon udaranja o strani predmet;

- kada uređaj počne neuobičajeno vibrirati.
- Zaštitite se od povreda stopala i ruku od reznih elemenata.
- Uvijek vodite računa da ventilacijski otvori ne budu zapriječeni.

ODRŽAVANJE I SKLADIŠTENJE

- Prije obavljanja radova održavanja ili čišćenja, uređaj isključite iz strujnog napajanja (tj. izvadite komplet baterija).
- Upotrebljavajte samo zamjenske dijelove i dodatnu opremu koje je preporučio proizvođač.
- Redovno obavljajte pregled i održavanje uređaja. Popravlak proizvoda prepustite samo ovlaštenom osoblju za popravak.
- Kada ga ne upotrebljavate, uređaj skladištite izvan dohvata djece.

OSTALA SIGURNOSNA UPOZORENJA

- **Izbjegavajte opasna okruženja.** – Uređaje nemojte upotrebljavati na vlažnim ili mokrim nagibima.
- **Održavajte štitnike na njihovom mjestu i u radnom stanju.**
- **Ruke i stopala držite podalje od područja rezanja.**
- **Radi smanjenja opasnosti od povreda, nemojte nikada raditi na ljestvama ili na nekoj drugoj nesigurnoj podlozi. Reznu jedinicu nemojte nikada držati na visini iznad struka.**
- **Reznu jedinicu tokom rada redovno provjeravajte u kratkim intervalima ili odmah ako uočite primjetnu promjenu u postupku rezanja.**
- **Za najbolje rezultate bateriju je potrebno puniti na mjestu gdje je temperatura viša od 5 °C i niža od 40 °C.** Bateriju nemojte skladištiti na otvorenom ili u vozilu.
- **Ako vam neko prilazi, zaustavite motor i reznu jedinicu.**
- **Upozorite rukovaoca na opasnost od povratnog udara noža (samo ako upotrebljavate trokraki nož).**
 - Povratni udar noža može se dogoditi kada rotirajući nož dođe u kontakt s predmetom kojeg ne može odmah odrezati.
 - Povratni udar noža može biti dovoljno silovit da rezultira odbacivanjem jedinice i/ili rukovaoca u bilo kojem smjeru i mogućim gubitkom kontrole nad jedinicom.
 - Povratni udar noža može se dogoditi bez upozorenja ako nož zapne, ako blokira ili se zaglavi.
 - Povratni udar noža prije će se dogoditi u područjima gdje je teško vidjeti materijal koji se reže.

- Nemojte pričvršćivati nož na jedinicu bez propisnog postavljanja svih potrebnih dijelova. Zanimarivanje upotrebe propisnih dijelova može rezultirati odbacivanjem noža i teškim povredama rukovaoca i/ili posmatrača. Zbrinite noževe koji su savijeni, deformisani, napuknuti, polomljeni ili oštećeni na bilo koji način. Upotrebljavajte oštar nož. Tup nož prije će zapeti i uzrokovati povratni udar (samo ako upotrebljavate trokraki nož).
- Nož/nit u praznom hodu može uzrokovati povrede dok se još okreće nakon zaustavljanja motora ili otpuštanja okidača. Održavajte propisnu kontrolu dok se nož/nit u potpunosti ne zaustavi.
- Baterijske alate nije potrebno uključivati u električnu utičnicu, stoga su uvijek u radnom stanju. Imajte na umu moguće opasnosti čak i kada alat ne radi. Budite oprezni pri obavljanju radova održavanja ili servisiranja.
- Uređaj nemojte prati crijevom; izbjegavajte da voda dospije u motor i električne priključke.
- Ako se pojave situacije koje nisu obuhvaćene ovim priručnikom, postupite oprezno i uz dobru procjenu. Za pomoć se obratite centru korisničke službe proizvođača EGO.
- Upotrebljavajte samo s kompletima baterija i punjačima koji su navedeni na sl. A.

SAČUVAJTE OVA UPUTSTVA!

TEHNIČKI PODACI

Širina rezanja	30 cm
Brzina vrtnje bez opterećenja	5.000/6.000 o/min
Masa	1,82 kg
Preporučena radna temperatura	0°C-40°C
Preporučena temperatura skladištenja	-20°C-70°C
Izmjereni nivo zvučne snage L_{WA}	96,5 dB(A) K=1,88 dB(A) (PH1400E)
	93,2 dB(A) K=0,35 dB(A) (PH1420E)
	91 dB(A) K=1,1 dB(A) (PHX1600)

Nivo zvučnog pritiska kod uha rukovaoca L_{PA}	84,5 dB(A) K=3 dB(A) (PH1400E)	
	83,9 dB(A) K=3 dB(A) (PH1420E)	
	83 dB(A) K=3 dB(A) (PHX1600)	
Zagarantovani nivo zvučne snage L_{WA} (izmjereno u skladu s Direktivom 2000/14/EZ)	98 dB(A)	
Procjena vibracija a_h :	Prednji pomoćni rukohvat	2,8 m/s ² K=1,6 m/s ² (PH1400E)
		4,14 m/s ² K=1,5 m/s ² (PH1420E)
		6,64 m/s ² K=1,5 m/s ² (PHX1600)
	Stražnji rukohvat	3,1 m/s ² K=1,6 m/s ² (PH1400E)
		1,88 m/s ² K=1,5 m/s ² (PH1420E)
		2,61 m/s ² K=1,5 m/s ² (PHX1600)

- Gore navedeni parametri ispitani su i izmjereno za uređaj opremljen pogonskom jedinicom PH1400E/PH1420E/PHX1600.
- Deklarisane ukupne vrijednosti vibracija izmjerene su u skladu sa standardnom metodom ispitivanja i mogu se primjenjivati za poređenje jednog alata s drugim.
- Deklarisane ukupne vrijednosti vibracija mogu se primjenjivati i u preliminarnoj procjeni izloženosti.

NAPOMENA! Emisija vibracija tokom aktuelne upotrebe električnog alata može se razlikovati od deklarirane vrijednosti u kojoj se alat upotrebljavao; Korisnik radi zaštite treba nositi rukavice i štitnike za uši u aktuelnim uslovima upotrebe.

Preporučeni nož

NAZIV DIJELA	BROJ MODELA
Nož za čistač šikare	ABB1203

LISTA PAKOVANJA

NAZIV DIJELA	KOLIČINA
Priključak čistača šikare	1
Set noževa i navlaka za nož	1
Štitnik	1
Sklop štitnika (SAMO za upotrebu s glavom trimera)	1
Inbus ključ	1
Višefunkcijski ključ	1
Korisnički priručnik	1

OPIS

UPOZNAJTE PRIKLJUČAK ČISTAČA ŠIKARE (sl. A)

1. Krajnja kapica
2. Drška čistača šikare
3. Štitnik
4. Nož
5. Navlaka za nož
6. Žica obujmice
7. Brtveni vijak
8. Kućište prijenosnika
9. Otvor za fiksiranje osovine
10. Vanjska prirubnica
11. Višefunkcijski ključ
12. Inbus ključ
13. Sklop štitnika (SAMO za upotrebu s glavom trimera)

⚠ UPOZORENJE! Alat nemojte nikada upotrebljavati bez dobro pričvršćenog štitnika. Štitnik uvijek mora biti na alatu radi zaštite korisnika.

⚠ UPOZORENJE! Kada se alat koristi kao trimer s reznom niti opremljen s glavom trimera, na štitnik je potrebno postaviti sklop štitnika. Nepostupanje u skladu s tim može rezultirati predugačkom reznom niti i preopterećenjem motora.

SASTAVLJANJE

⚠ UPOZORENJE! Ako je bilo koji dio oštećen ili ako nedostaje, nemojte upotrebljavati ovaj proizvod dok ne zamijenite dijelove. Upotreba ovog proizvoda oštećenih dijelova ili dijelova koji nedostaju može rezultirati teškim tjelesnim povredama.

⚠ UPOZORENJE! Nemojte pokušavati da modifikujete čistač šikare ili da pravite pribor koji nije preporučen za upotrebu s ovim proizvodom. Sve takve izmjene ili modifikacije predstavljaju nepropisnu potrebu i mogu rezultirati opasnim stanjima koja mogu dovesti do mogućih teških tjelesnih povreda.

⚠ UPOZORENJE! Radi sprečavanja iznenadnog pokretanja koje može uzrokovati teške tjelesne povrede, uvijek izvadite komplet baterija iz mašine kada sastavljate dijelove.

⚠ UPOZORENJE! Kada je mašina opremljena glavom čistača šikare, potrebno je postaviti sigurnosnu šipku.

POSTAVLJANJE ŠTITNIKA

⚠ UPOZORENJE! Pri postavljanju štitnika ili zamjeni štitnika uvijek nosite rukavice. Pazite na nož na štitniku i zaštitite ruke od posjekotina.

⚠ UPOZORENJE! Mašinu nemojte nikada upotrebljavati bez čvrsto postavljenog štitnika. Štitnik uvijek mora biti na mašini radi zaštite korisnika! Kada je štitnik pričvršćen, nemojte nikada pokušavati da ga uklanjate ili podešavate. Ako je potrebna zamjena, treba je obaviti kvalifikovani servisni tehničar!

Otpustite i uklonite dva vijka sa štitnika (sl. C). Poravnajte montažne provrte na štitniku s montažnim provrtima i štitnik zatim pričvrstite na kućište drške s dva vijka i dvije opružne podloške (sl. D).

Uvjerite se da je štitnik pričvršćen u skladu sa sl. C i D. Svako obrnuto pričvršćivanje izazvat će veliku opasnost!

POSTAVLJANJE NOŽA

1. Nož se isporučuje s navlakom. Prije postavljanja noža na čistač šikare, navlaku je potrebno ukloniti skidanjem žice obujmice s kuke na navlaci (sl. E).

Opis dijelova na sl. E pogledajte u nastavku:

E-1	Kuka
E-2	Žica obujmice

2. Vanjsku prirubnicu okrećite tako da poravnate otvor u unutrašnjoj prirubnici s otvorom za ulijeganje drške u kućištu prijenosnika (sl. F).

3. Umetnite isporučeni inbus ključ u poravnate otvore kako bi djelovao kao stabilizator (sl. G).

Opis dijelova na sl. F i G pogledajte u nastavku:

F-1	Kučičte prijenosnika	F-3	Vanjska prirubnica
F-2	Poravnati otvori za fiksiranje osovine	G-1	Stabilizator

4. Poduprite glavu čistača šikare o čvrstu površinu. Jednom rukom obuhvatite dršku čistača šikare, a drugom rukom isporučeni višefunkcijski ključ kako biste maticu otpustili u smjeru strelice označene na vanjskoj prirubnici i uklonite maticu i vanjsku prirubnicu. Sačuvajte ih za ponovno sastavljanje (sl. H).
5. Postavite nož na osovinu motora vodeći računa da površina noža bude u ravni s površinom izbočine unutrašnje prirubnice. Nastavite s postavljanjem vanjske prirubnice i matice (sl. I). Rukom pritegnite maticu u SMJERU SUPROTNOM SMJERU KRETANJA KAZALJKI NA SATU.

Opis dijelova na sl. I pogledajte u nastavku:

I-1	Izbočina unutrašnje prirubnice	I-4	Vanjska prirubnica
I-2	Osovina motora	I-5	Nož
I-3	Matica		

6. Okrećite vanjsku prirubnicu kako biste poravnali utor u unutrašnjoj prirubnici s otvorom za ulijeganje drške u kučište prijenosnika i umetnite isporučeni inbus ključ u poravnane provrte da djeluje kao stabilizator kako je prikazano u prethodnim koracima 2 i 3.
7. Poduprite glavu čistača šikare o čvrstu površinu. Jednom rukom obuhvatite nož, a drugom rukom isporučeni višefunkcijski ključ kako biste pritegnuli maticu u smjeru suprotnom smjeru strelice označene na vanjskoj prirubnici (sl. J).

Upotreba sklopa štitnika

NAPOMENA! Kada se alat upotrebljava kao trimmer s reznom niti opremljen glavom trimera, na štitnik je potrebno postaviti sklop štitnika (sl. K).

Sklop štitnika pričvrstite na štitnik pritezanjem triju vijaka ispučenim inbus ključem. Nepostupanje u skladu s tim može rezultirati predugačkom reznom niti i preopterećenjem motora.

PRIKLJUČIVANJE PRIKLJUČKA ČISTAČA ŠIKARE NA POGONSKU JEDINICU

Ovaj priključak šišača šikare predviđen je za upotrebu s pogonskom jedinicom PH1400E/PH1420E/PHX1600 proizvođača EGO.

Pogledajte poglavlje “**POSTAVLJANJE PRIKLJUČKA NA POGONSKU JEDINICU**” u korisničkom priručniku pogonske jedinice PH1400E/PH1420E/PHX1600.

RAD

⚠ UPOZORENJE! Nemojte dozvoliti da vas poznavanje ovog proizvoda učini nepažljivim. Imajte na umu da je za nanošenje teških povreda dovoljan samo djelić sekunde nepažnje.

⚠ UPOZORENJE! Uvijek nosite zaštitu za oči, zajedno sa zaštitom za sluh. Nepostupanje u skladu s tim može rezultirati odbacivanjem predmeta u oči i drugim mogućim teškim povredama.

PRIMJENE

Ovaj proizvod možete upotrebljavati za svrhe navedene u nastavku:

- rezanje trave, korova, divljeg rastinja i šikara, razrjeđivanje mladih grančica maksimalnog prečnika od 2 mm.

NAPOMENA! Alat se smije upotrebljavati samo za prethodno opisanu namjenu. Svaka druga upotreba smatra se nepropisnom upotrebom.

UPOTREBA ČISTAČA ŠIKARE S POGONSKOM JEDINICOM

⚠ UPOZORENJE! Obucite se propisno kako biste smanjili rizik od povreda tokom rukovanja alatom. Nemojte nositi široku odjeću ili nakit. Nosite zaštitu za oči i uši/sluh. Nosite robusne duge hlače, čizme i rukavice. Nemojte nositi kratke hlače, sandale ili biti bosonogi.

Radi sigurnog i boljeg rada stavite ramenu traku preko ramena. Podesite ramenu traku u položaj ugodan za rad. Držite čistač šikare jednom rukom na stražnjem rukohvatu, a drugom rukom na prednjem pomoćnom rukohvatu. Tokom rukovanja rukohvate čvrsto primite objema rukama. Čistač šikare potrebno je držati u ugodnom položaju sa stražnjim rukohvatom u visini kuka. Održavajte zahvat i ravnotežu na oba stopala. Pozicionirajte se tako da ne budete izbačeni iz ravnoteže uslijed povratnog udara reznog noža (sl. B).

⚠ UPOZORENJE! Ramena traka je i mehanizam za brzo otpuštanje u opasnim situacijama. U slučaju nužde ramenu traku odmah skinite s ramena, bez obzira na način na koji je stavljena.

Za rezanje divljeg rastinja i šikara spustite rotirajući nož dolje na rastinje kako biste dobili efekt usitnjavanja. Čistač šikare upotrebljavajte kao kosu (zakrećite ga desno i lijevo) pri tlu. Rezni priključak nemojte upotrebljavati na visini iznad struka.

⚠ UPOZORENJE! Što je rezni priključak više iznad tla, veći je rizik od povreda uslijed odbacivanja odrezanog rastinja sa strana.

⚠ UPOZORENJE! Kada režete mlade grančice ili druge drvenaste materijale prečnika do 2 cm, upotrebljavajte lijevu stranu noža kako biste izbjegli situacije s povratnim udarom noža. Nemojte pokušavati da režete drvenasti materijal većeg prečnika jer se nož može zaglaviti ili naglo potisnuti čistač šikare prema naprijed. To može uzrokovati oštećenje noža ili čistača šikare ili gubitak kontrole nad čistačem šikare, što može rezultirati tjelesnim povredama.

⚠ UPOZORENJE! Nepropisna upotreba čistača šikare može rezultirati naprsnućima, krhotinama ili lomljenjem.

Odbačeni dijelovi mogu teško povrijediti rukovaoca ili drugu prisutnu osobu. Radi smanjenja rizika od tjelesnih povreda, neophodno je poduzeti sljedeće mjere opreza:

- Izbjegavajte kontakt s tvrdim ili krutim stranim predmetima, kao što su kamenje, stijene ili komadi metala.
- Nemojte nikada rezati drvo ili šiblje prečnika grančica većeg od 2 cm.
- Pregledavajte nož u redovnim kratkim intervalima na postojanje znakova oštećenja. Nemojte nastaviti raditi s oštećenim nožem.
- Redovno oštrite nož (kada primjetno otupi) i prema potrebi ga centrirajte (obavlja kvalifikovani servisni tehničar).

POVRATNI UDAR NOŽA

Budite posebno oprezni kada upotrebljavate nož s ovom jedinicom. Povratni udar noža je reakcija koja se može pojaviti kada rotirajući nož dođe u kontakt s nečim što ne može rezati. Taj kontakt može rezultirati zaustavljanjem noža uz trenutno i iznenadno "odbacivanje" jedinice od udarenog predmeta. Ova reakcija može biti dovoljno silovita da uzrokuje gubitak kontrole nad jedinicom. Povratni udar noža može se dogoditi bez upozorenja ako nož zapne, ako blokira ili se zaglavi. To će se prije dogoditi u područjima gdje je teško vidjeti materijal koji se reže. Za jednostavnije i sigurnije rezanje, korovu koji treba rezati prđite sa čistačem šikare s desne na lijevu stranu. Ako naidete na neočekivani predmet ili drvenu kladu, ova praksa može smanjiti reakciju povratnog udara noža.

Prije svake upotrebe provjerite ima li oštećenih/istrošenih dijelova.

Provjerite nož, štitnik i prednji pomoćni rukohvat i zamijenite dijelove koji su napukli, deformisani, savijeni ili oštećeni na bilo koji način.

Rub noža vremenom može otupjeti. Preporučujemo da okrenete nož radi produženja njegovog životnog vijeka i da ga povremeno oštrite (postupak prepustite kvalifikovanom servisnom tehničaru) ili da ga prema potrebi zamijenite novim.

Očistite čistač šikare nakon svake upotrebe.

Za uputstva za čišćenje pogledajte poglavlje **ODRŽAVANJE**.

⚠ UPOZORENJE! Prije čišćenja ili servisiranja čistača šikare uvjerite se da se nož potpuno zaustavi. Nepostupanje u skladu s tim može rezultirati mogućim teškim tjelesnim povredama.

POKRETANJE/ZAUSTAVLJANJE ALATA

Pogledajte poglavlje "POKRETANJE/ZAUSTAVLJANJE POGONSKE JEDINICE" u korisničkom priručniku pogonske jedinice PH1400E/PH1420E/PHX1600.

ODRŽAVANJE

⚠ UPOZORENJE! Prije pregleda, čišćenja ili servisiranja jedinice, zaustavite motor, pričekajte da se svi pokretni dijelovi zaustave i izvadite komplet baterija. Nepostupanje prema ovim uputstvima može rezultirati teškim povredama ili materijalnom štetom.

⚠ UPOZORENJE! Kada obavljate radove servisiranja, upotrebljavajte samo identične zamjenske dijelove. Upotreba drugih dijelova može uzrokovati opasnost ili oštećenje proizvoda. Radi osiguranja sigurnosti i pouzdanosti, sve popravke treba obavljati kvalifikovani servisni tehničar.

⚠ UPOZORENJE! Kada postavljate ili uklanjate nož ili kada obavljate radove održavanja na nožu uvijek nosite rukavice za teške uslove rada. Budite oprezni s nožem i zaštitite ruke od povreda nožem.

OSNOVNO ODRŽAVANJE

Kada čistite plastične dijelove, izbjegavajte upotrebljavati rastvore. Mnoge plastike mogu se oštetiti različitim vrstama komercijalnih rastvora i mogu se oštetiti njihovom upotrebom. Za uklanjanje prljavštine, prašine, ulja, masti i sl. upotrebljavajte čiste krpe.

ČIŠĆENJE JEDINICE

- Izvadite bateriju.
- Nakon svake upotrebe mekanom četkom očistite naslage, začepljenja od zemlje ili trave na nožu i štitičku.
- Površinu alata obrišite čistom krpom navlaženom u blagoj sapunici.
- Za čišćenje zračnih ventilacijskih otvora na stražnjem kućištu upotrebljavajte malu četku ili mali usisivač.
- Ventilacijske otvore držite slobodnim od prepreka.

Kada nož i oba ruba noža postanu tupi, postupak oštrenja prepustite kvalifikovanom servisnom tehničaru ili prema potrebi zamijenite nož novim.

ZAMJENA NOŽA

⚠ UPOZORENJE! Puknut, oštećen ili istrošen nož može se polomiti, a dijelovi oštećenog noža postati opasni projektili. Odbačeni predmeti mogu nanijeti teške povrede. Redovno pregledavajte nož i nemojte upotrebljavati čistač šikare ako je nož istrošen ili oštećen.

⚠ UPOZORENJE! Tokom uklanjanja, oštrenja i postavljanja noža upotrebljavajte odgovarajuću zaštitu za oči.

Skidanje noža

1. Izvadite bateriju.
2. Okrećite vanjsku prirubnicu kako biste poravnali utor u unutrašnjoj prirubnici s otvorom za ulijeganje drške u kućište prijenosnika i umetnite isporučeni inbus ključ u poravnane provrte da djeluje kao stabilizator kako je prikazano u koracima 2 i 3 prikazanim u poglavlju "POSTAVLJANJE NOŽA".
3. Poduprite glavu čistača šikare o čvrstu površinu. Jednom rukom obuhvatite nož, a drugom rukom isporučeni višefunkcijski ključ kako biste maticu otpustili u smjeru strelice označene na vanjskoj prirubnici i uklonite maticu, vanjsku prirubnicu i istrošeni nož (sl. L).
4. Provjerite i zamijenite unutrašnju prirubnicu i poklopac prirubnice ako su istrošeni (sl. M).

Opis dijelova na sl. M pogledajte u nastavku:

M-1	Osovina motora	M-5	Vanjska prirubnica
M-2	Unutrašnja prirubnica	M-6	Matica
M-3	Poklopac prirubnice	M-7	Utor u prirubnici
M-4	Nož		

5. Postavite novi nož na osovinu motora redoslijedom prikazanim na sl. M. Pratite korake kako je navedeno u koracima 5, 6 i 7 u poglavlju "POSTAVLJANJE NOŽA".

PODMAZIVANJE PRIJENOSNIKA

Prijenosnike u kućištu potrebno je povremeno podmazivati mašću za prijenosnike. Nivo masti u kućištu prijenosnika provjeravajte svakih 50 radnih sati uklanjanjem brtvenog vijka na strani kućišta.

Ako se na bočnim stranama prijenosnika ne vidi mast, za punjenje s mašću za prijenosnike do 3/4 zapremine pratite korake u nastavku.

Prijenosnik nemojte puniti u cijelosti.

1. Držite čistač šikare tako da brtveni vijak bude okrenut prema gore (sl. N).
2. Za otpuštanje i uklanjanje brtvenog vijka upotrijebite isporučeni višefunkcijski ključ.
3. Za ubrizgavanje masti u provrt za vijke upotrebljavajte mazalicu (nije u sadržaju isporuke).
4. Brtveni vijak pritegnite nakon ubrizgavanja.

SKLADIŠTENJE JEDINICE

- Izvadite komplet baterija iz alata.
- Za temeljito čišćenje alata nosite rukavice za teške uslove rada.
- Na nož stavite navlaku za nož radi sigurnog skladištenja (sl. O).
- Uklonite priključak čistača šikare s pogonske jedinice i prema potrebi stavite krajnju kapicu na priključak drške priključka.
- Jedinicu skladištite na suhom, dobro prozračenom mjestu koje je moguće zaključati ili koje je na visini van dohvata djece. Jedinicu nemojte skladištiti na gnojivima, benzinu ili drugim hemikalijama ili u njihovoj blizini.

Zaštita životne sredine



Električnu opremu, iskorištenu bateriju i punjač ne odlažite u kućni otpad! Ovaj proizvod odnesite u ovlašteni centar za reciklažu i time omogućite odvojeno sakupljanje. Električne mašine je potrebno vratiti u ekološki prihvatljiv pogon za reciklažu.

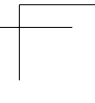
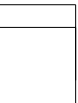
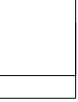
OTKLANJANJE PROBLEMA

PROBLEM	UZROK	RJEŠENJE
Čistač šikare nije moguće pokrenuti.	<ul style="list-style-type: none"> ■ Komplet baterija nije pričvršćen na pogonsku jedinicu. ■ Nema električnog kontakta između pogonske jedinice i kompleta baterija. ■ Komplet baterija je ispražnjen. ■ Ručica za deblokadu i okidač ne pritišću se istovremeno. 	<ul style="list-style-type: none"> ■ Pričvrstite komplet baterija na pogonsku jedinicu. ■ Izvadite bateriju, provjerite kontakte i ponovo stavite komplet baterija tako da zvučno ulegne. ■ Komplet baterija punite punjačima proizvođača EGO koji su navedeni u ovom priručniku. ■ Pritisnite ručicu za deblokadu i držite je pritisnutom, a zatim pritisnite okidač kako biste uključili čistač šikare.
Čistač šikare zaustavlja se tokom rezanja.	<ul style="list-style-type: none"> ■ Motor je preopterećen. ■ Komplet baterija je previše vruć ili je pogonska jedinica previše vruća. ■ Komplet baterija je odspojen od alata. ■ Komplet baterija je ispražnjen. 	<ul style="list-style-type: none"> ■ Motor će se povratiti po uklanjanju opterećenja. Za kontinuirani rad smanjite opterećenje na pogonsku jedinicu. ■ Pričekajte da se komplet baterija ili pogonska jedinica ohlade na temperaturu ispod 67°C. ■ Ponovo stavite komplet baterija. ■ Komplet baterija punite punjačima proizvođača EGO koji su navedeni u ovom priručniku.

GARANCIJA

POLITIKA GARANCIJE PROIZVOĐAČA EGO

Za sve odredbe i uslove politike garancije proizvođača EGO posjetite internetsku stranicu egopowerplus.eu.



استكشاف الأخطاء وإصلاحها

المشكلة	السبب	الحل
لا يمكن بدء تشغيل قاطع الأغصان.	<ul style="list-style-type: none"> مجموعة البطارية غير مركبة في رأس الآلة العاملة بالطاقة. لا يوجد اتصال كهربائي بين رأس الطاقة ومجموعة البطارية. نقد شحن مجموعة البطارية. لم يتم الضغط على ذراع القفل والزناد بشكل متزامن. 	<ul style="list-style-type: none"> قم بتركيب مجموعة البطارية في رأس الطاقة. اخلع البطارية، وافحص التوصيلات، ثم أعد تركيب مجموعة البطارية، إلى أن تنتشك في مكانها. اشحن مجموعة البطارية بشواحن EGO المدرجة في هذا الدليل. اضغط لأسفل مع التثبيت على ذراع القفل، ثم اضغط مع التثبيت على الزناد لتشغيل قاطع الأغصان.
قاطع الأغصان يتوقف أثناء الجز.	<ul style="list-style-type: none"> هناك حمل زائد على المحرك. مجموعة البطارية أو رأس الطاقة ساخنان للغاية. مجموعة البطارية مفصولة من الآلة. نقد شحن مجموعة البطارية. 	<ul style="list-style-type: none"> سيعاود المحرك العمل عند التخلص من الحمل الواقع عليه. للتشغيل المتواصل، قلل الحمل على رأس الطاقة. اترك مجموعة البطارية أو رأس الطاقة يبردان إلى أن تهبط درجة حرارتهم إلى ما دون 67 درجة مئوية. أعد تركيب مجموعة البطارية. اشحن مجموعة البطارية بشواحن EGO المدرجة في هذا الدليل.

الضمان

سياسة ضمان EGO

تفضل بزيارة الموقع الإلكتروني egopowerplus.eu للتعرف على الشروط والأحكام الكاملة الخاصة بسياسة ضمان EGO.

حماية البيئة

للا تتخلص من المعدات الكهربائية أو البطارية المستهلكة أو الشاحن في النفايات المنزلية! بل توجه بهذا المنتج إلى مركز إعادة تدوير معتمد ليكون متاحًا للفرز بشكل منفرد. تجنب إعادة الآلات الكهربائية إلى مرفق إعادة تدوير صديق للبيئة. غذائية، وهو ما يضر بالصحة والعافية.



3. ضع رأس قاطع الأغصان على سطح صلب كي يدعمه. أمسك الشفرة بإحدى يديك، واستخدم اليد الأخرى في الإمساك مفتاح الربط متعدد الوظائف المرفق في حل الصامولة في اتجاه السهم الموضح على الشفة الخارجية، وأدخل الصامولة والشفة الخارجية والشفرة المتأكلة (الشكل L).
 4. افحص الشفة الداخلية وغطاء الشفة، واستبدلهما إذا كانا متآكلين (الشكل M).
- الشكل M انظر أدناه للتعرف على شرح الأجزاء:

M-1	عمود المحرك	M-5	الشفة الخارجية
M-2	الشفة الداخلية	M-6	صامولة
M-3	غطاء الشفة	M-7	فتحة في الشفة
M-4	الشفرة		

5. قم بتركيب الشفرة الجديدة على عمود المحرك وفقًا للتسلسل الموضح في الشكل M. راجع الخطوات الموضحة في الخطوات 5 و6 و7 الواردة في القسم «تركيب الشفرة».

تشحيم علبه التروس

علبة التروس الموجودة في صندوق ناقل الحركة تحتاج للتشحيم بشكل منتظم باستخدام شحم مخصص لذلك. افحص مستوى تشحيم صندوق ناقل الحركة بعد كل 50 ساعة تشغيل عن طريق خلع مسمار القفل الموجود بجانب الصندوق.

إن لم تستطع رؤية أي شحم على أسنان التروس، اتبع الخطوات التالية للتعينة بشحم ناقل الحركة حتى مستوى 4/3 من السعة الداخلية.

لا تملأ ناقل الحركة بالكامل.

1. أمسك قاطع الأغصان بحيث يكون مسمار القفل وجهه لأعلى (الشكل N).
2. استخدم مفتاح الربط متعدد الوظائف المرفق في فك وخلع مسمار القفل.
3. استخدم محقنة تشحيم (غير مرفقة) لحقن بعض الشحم في فتحة المسمار.
4. اربط مسمار القفل بعد الحقن.

تخزين الوحدة

- اخلع مجموعة البطارية من الآلة.
- احرص على ارتداء قفازات قوية لتنظيف الآلة جيدًا.
- قم بتركيب غلاف الشفرة على الشفرة لتخزينها بشكل آمن (الشكل O).
- اخلع ملحق قاطع الأغصان من رأس الطاقة، وقم بتركيب الغطاء الخارجي على طرف عمود الملحق عند اللزوم.
- خزن الوحدة في منطقة جافة جيدة التهوية، بحيث يكون في مكان مغلق أو عالٍ عن سطح الأرض بعيدًا عن متناول أيدي الأطفال.
- لا تقم بتخزين الوحدة على الأسمدة أو البنزين أو المواد الكيميائية الأخرى، أو بجوارها.

الصيانة

⚠ تحذير: قبل فحص الوحدة أو تنظيفها أو صيانتها، أطفئ المحرك، وانتظر إلى أن تتوقف جميع الأجزاء المتحركة، ثم اخلع مجموعة البطارية. لأن عدم اتباع هذه التعليمات قد يؤدي إلى وقوع إصابات شخصية خطيرة أو تلف الممتلكات.

⚠ تحذير: استخدم فقط قطع غيار أصلية عند إجراء أعمال الصيانة. لأن استخدام أي أجزاء أخرى قد ينشأ عنه خطر أو يتسبب في تعرض المنتج للتلف. لضمان السلامة والاعتمادية، يجب تنفيذ جميع أعمال الإصلاح من قبل فني خدمة مؤهل.

⚠ تحذير: احرص دائماً على ارتداء قفازات قوية عند تركيب أو خلع الشفرة، أو تنفيذ أي أعمال صيانة على الشفرة. كن حذراً من الشفرة واحم يدك من التعرض للإصابة بفعل الشفرة.

الصيانة العامة

تجنب استخدام المنظفات عند تنظيف الأجزاء البلاستيكية. غالبية المكونات البلاستيكية تكون سريعة التآثر بالأنواع المختلفة للمنظفات الموجودة بالسوق، وقد تتلف نتيجة استخدامها عليها. استخدم قطعة قماش نظيفة لإزالة الأوساخ والأتربة والزيوت والشح وما شابههم.

تنظيف الوحدة

- اخلع البطارية
- بعد كل استخدام، نظف العوالق وكثل التربة أو النباتات من الشفرة والواقي باستخدام فرشاة ناعمة.
- امسح سطح الآلة بقطعة قماش نظيفة مبللة بمحلول صابون خفيف.
- استخدم فرشاة صغيرة أو مكنتة كهربائية صغيرة في تنظيف فتحات الهواء الموجودة بالهيكل الخلفي.
- حافظ على خلو فتحات الهواء من العوائق.
- عندما تصبح الشفرة غير حادة، وكانت حافتها غير حادتين، يُرجى شحذها من قبل فني صيانة متخصص أو استبدالها بشفرة جديدة عند اللزوم.

استبدال الشفرة

⚠ تحذير: الشفرة المتآكلة أو المشققة أو التالفة قد تنكسر، وتتحول أجزاء الشفرة التالفة إلى مقذوفات خطيرة. لأن الأشياء المتطايرة قد تتسبب في إصابات خطيرة. افحص الشفرة بانتظام، ولا تقم بتشغيل قاطع الأغصان وبه شفرة متآكلة أو تالفة.

⚠ تحذير: استخدام أدوات حماية العينين الملائمة عند خلع الشفرة أو شحذها أو تركيبها.

لخلع الشفرة

1. اخلع البطارية.
2. أدر الشفرة الخارجية لمحاذاة الفتحة الموجودة في الشفة الداخلية مع فتحة قفل العمود في صندوق ناقل الحركة، وأدخل مفتاح الربط السداسي (الآنكيه) المرفق في الفتحات المتحاذية ليعمل كقضيب موازنة على النحو الموضح في الخطوتين 2 و3 في قسم «تركيب الشفرة».

⚠ تحذير: كلما ارتفع ملحق الجرز عن الأرض، كلما زاد خطر التعرض لإصابات من الأشياء المقطوعة المتطايرة على كلا الجانبين.

⚠ تحذير: عند قطع صفوف الأشجار الصغيرة والمواد الخشبية الأخرى التي يصل قطرها حتى 2 سم، استخدم الجانب الأيسر من الشفرة لتجنب حالات ارتداد الآلة. لا تحاول قطع المواد الخشبية التي لها قطر أكبر، حيث أن الشفرة قد تجعل قاطع الأغصان ينحسر أو يهتز. هذا قد يتسبب في تلف الشفرة أو قاطع الأغصان أو فقد السيطرة على قاطع الأغصان، وهو ما يؤدي إلى وقوع إصابات شخصية.

⚠ تحذير: الاستخدام غير المناسب لشفرة قاطع الأغصان قد يؤدي إلى حدوث تشققات أو شظيات أو تهشمات. قد تتسبب الأجزاء المتطايرة في تعرض مشغل الآلة أو المرافقين للإصابات الخطيرة. للحد من خطر التعرض لإصابة شخصية، من الضروري اتباع الإجراءات الاحترازية التالية:

- تجنب ملامسة الأشياء الغريبة الصلبة مثل الأحجار أو الصخور أو قطع المعن.
- لا تقم أبداً بقطع الخشب أو الشجيرات التي قطر جذعها أكبر من 2 سم.
- افحص الشفرات على فترات زمنية منتظمة بحثاً عن أي علامات للتلف. لا تواصل العمل إذا كانت الشفرة تالفة.
- أعد شحذ الشفرة بانتظام (عندما تكون غير حادة بشكل ملحوظ) واضبط توازنها عند اللزوم (يتم تنفيذ ذلك بواسطة فني صيانة متخصص).

اندفاع الشفرة

توخّ الحذر الشديد والحيطه عند استخدام الشفرة مع هذه الوحدة. اندفاع الشفرة هو رد الفعل الذي يحدث عند ملامسة الشفرة الدوّارة لأي شيء لا يمكنها قطعه. هذا التلامس قد يتسبب في توقف الشفرة على الفور و«اندفاع» الوحدة بعيداً عن العرض الذي ارتطمت به. قد يكون رد الفعل هذا عنيفاً بما يكفي للتسبب في فقد تحكم المشغل في الوحدة. قد يحدث اندفاع الشفرة دون إنذار إذا علقت الشفرة أو تباطأت أو انتنت. عادة ما يحدث هذا في المناطق التي يكون من الصعب رؤية المواد التي يتم جزّها. لسهولة وأمان القطع، يكون الاقتراب من العشب الضار المراد قطعه بقاطع الأغصان من اليمين إلى اليسار. في حال الارتطام بشيء غير متوقع أو زرد خشبي، فهذا الأسلوب يقلل من رد الفعل الارتدادي للشفرة.

قبل كل استخدام، افحص الأجزاء التالفة/المتآكلة

افحص الشفرة والواقي ومقبض المساعدة الأمامي، واستبدل أي أجزاء مشققة أو ملتوية أو متآكلة بأي شكل من الأشكال. قد تصبح حافة الشفرة غير حادة مع مرور الوقت. من الموصى به أن تقلب الشفرة لتطليل من عمرها، وحرص على شحذها بانتظام (يتم تنفيذ ذلك من قبل فني صيانة متخصص) أو استبدالها بشفرة جديدة إذا لزم الأمر.

نظف قاطع الأغصان بعد كل استخدام

راجع قسم الصيانة للتعرف على تعليمات التنظيف.

⚠ تحذير: تأكد من توقف الشفرة تماماً قبل تنظيف قاطع الأغصان أو صيانتها. عدم الامتثال لذلك قد يؤدي إلى التعرض المحتمل لإصابات شخصية خطيرة.

لبدء تشغيل/إيقاف الآلة

راجع قسم «تشغيل/إيقاف رأس الطاقة» الموجود في دليل تشغيل رأس الطاقة PH1400E/PH1420E/PH1600.

احرص على تثبيت الواقي وفقاً للشكلين C وD، لأن أي تثبيت يخالف ذلك قد يتسبب في مخاطر كبيرة!

تركيب الشفرة

1. يتم توريد الشفرة وعليها غلاف خاص بها. قبل تركيب الشفرة في قاطع الأغصان، يجب خلع الغلاف عن طريق فك سلك المشبك من الخلف الموجود بالغلاف (الشكل E).

الشكل E انظر أدناه للتعرف على شرح الأجزاء:

E-1	خطاف
E-2	سلك المشبك

2. أدر الشفة الخارجية كي تحاذي الفتحة الموجودة في الشفة الداخلية مع فتحة قفل العمود الموجودة في صندوق ناقل الحركة (الشكل F).
3. أدخل مفتاح الربط السداسي (الأنكيه) المرفق في الفتحات المتحاذية كي يعمل كقضيب موازنة (الشكل G).

الشكل G وF انظر أدناه للتعرف على شرح الأجزاء:

F-1	صندوق ناقل الحركة	F-3	الشفة الخارجية
F-2	فتحات قفل العمود المتحاذية	G-1	قضيب الموازنة

4. ضع رأس قاطع الأغصان على سطح صلب كي يدعمه. أمسك عمود قاطع الأغصان بإحدى يديك، واستخدم اليد الأخرى في الإمساك بمفتاح الربط متعدد الوظائف المرفق في حل الصامولة في اتجاه السهم الموضح على الشفة الخارجية، وألغ الصامولة والشفة الخارجية. احفظهم لتجميعهم عند إعادة التجميع (الشكل H).
5. قم بتركيب الشفرة على عمود المحرك، مع التأكد من استواء سطح الشفرة مع سطح نتوء الشفة الداخلية. تابع تركيب الشفة الخارجية والصامولة (الشكل I). اربط الصامولة بشكل مسبق عكس اتجاه عقارب الساعة باليد.

الشكل I انظر أدناه للتعرف على شرح الأجزاء:

I-1	نتوء الشفة الداخلية	I-4	الشفة الخارجية
I-2	عمود المحرك	I-5	الشفة
I-3	صامولة		

6. أدر الشفرة الخارجية لمحاذاة الفتحة الموجودة في الشفة الداخلية مع فتحة قفل العمود في صندوق ناقل الحركة، وأدخل مفتاح الربط السداسي (الأنكيه) المرفق في الفتحات المتحاذية لي عمل كقضيب موازنة على النحو الموضح في الخطوتين السابقتين 2 و3.
7. ضع رأس قاطع الأغصان على سطح صلب كي يدعمه. أمسك الشفرة بإحدى يديك، واستخدم اليد الأخرى في الإمساك بمفتاح الربط متعدد الوظائف المرفق في ربط الصامولة عكس اتجاه السهم الموضح على الشفة الخارجية (الشكل J).

استخدام ملحق الواقي

ملاحظة: عند استخدام الآلة كجرازة عاملة بالخيط وتجهيزها برأس جرازة، يجب تركيب ملحق الواقي على الواقي (الشكل K).
قم بتأمين ملحق الواقي على الواقي عن طريق ربط ثلاثة مسامير بمفتاح الربط السداسي (الأنكيه) المرفق. عدم الالتزام قد يؤدي إلى خيط جز أطول من اللازم، ما يضع حملاً زائداً على المحرك.

توصيل ملحق قاطع الأغصان برأس الطاقة

قاطع الأغصان هذا مصمم للاستخدام مع رأس الطاقة PH1400E/PH1420E/PHX1600 من شركة EGO. راجع قسم «تركيب ملحق برأس الطاقة» الموجود في دليل تشغيل رأس الطاقة PH1400E/PH1420E/PHX1600.

التشغيل

- ⚠ **تحذير:** لا تسمح لاعتيادك على تشغيل هذا المنتج أن يجعلك مستهتراً عند التعامل معه. ولا تنس أن الاستهترار لجزء من الثانية كافٍ للتسبب في حدوث إصابات خطيرة.
- ⚠ **تحذير:** ارتد بشكل دائم أدوات حماية العينين، بالإضافة إلى أدوات حماية السمع. قد ينجم عن عدم الامتثال لذلك دخول أشياء في عينيك، واحتمالية وقوع إصابات خطيرة.

الاستخدامات

يمكنك استخدام هذا المنتج في الغرض الموضح أدناه:

- جز العشب المبلل، والحشائش الضارة، والبراعم البرية والأغصان، وتقليم صفوف الأشجار الصغيرة بقطر جذع لا يتجاوز 2 سم.

ملاحظة: يجب استخدام الآلة للغرض المحدد لها فقط. أي استخدام آخر يعد حالة من حالات سوء الاستخدام.

استخدام قاطع الأغصان مع رأس الطاقة

- ⚠ **تحذير:** احرص على ارتداء ملابس ملائمة للحد من خطر التعرض لإصابات أثناء تشغيل هذه الآلة. لا ترتد ملابس أو مجوهرات غير ثابتة. ارتد أدوات حماية العينين والأذنين/السمع. احرص على ارتداء بنطال طويل قوي، وحذاء ذي ربة، وقفازات. لا ترتد بناطيل قصيرة أو صنادل أو أن تكون حافي القدمين. للتشغيل بشكل أفضل وأكثر أمناً، ارتد حزام الكتف بحيث يمر عبر الكتف. اضبط حزام الكتف على وضعية تشغيل مريحة. أمسك قاطع الأغصان وإحدى يديك على المقبض الخلفي، واليد الأخرى على مقبض المساعدة الأمامي. أمسك الجهاز بكتلتا يديك بإحكام أثناء التشغيل. ينبغي إمساك قاطع الأغصان في وضع مريح بينما المقبض الخلفي في مستوى الورك. أمسك المقابض بإحكام وحافظ على توازن قدميك.
- اضبط موضع جسمك بحيث لا تفقد توازنك عند حدوث رد فعل ارتدادي لشفرة القطع (الشكل B).
- ⚠ **تحذير:** كما أن حزام الكتف مزود بآلية التحرير السريع في المواقف الخطرة. عند حدوث طارئ، اخلعه عن كتفك على الفور، بغض النظر عن طريقة تثبيته.
- لجزّ البراعم البرية والأغصان، اخفض الشفرة الدوّارة لأسفل على البراعم لفرمها. استخدم قاطع الأغصان كمنجل (بدفعه جهة اليمين واليسار) على وجه الأرض. لا تستخدم ملحق الجزّ أعلى من ارتفاع الخصر.

الوصف

(A) تعرف على ملحق قاطع الأغصان (الشكل

1. غطاء خارجي
2. عمود قاطع الأغصان
3. الواقي
4. الشفرة
5. غلاف الشفرة
6. سلك المشبك
7. مسمار القفل
8. صندوق ناقل الحركة
9. فتحة قفل العمود
10. الشفة الخارجية
11. مفتاح ربط متعدد الوظائف
12. مفتاح ربط سداسي (الأنكيه)
13. ملحق الواقي (للاستخدام مع رأس الجرّازة فقط)

تحذير: لا يجب أبداً تشغيل الآلة دون تثبيت الواقي بإحكام في مكانه. يجب أن يكون الواقي دائماً على الآلة لحماية المستخدم.

تحذير: عند استخدام الآلة كجرّازة عاملة بالخيط وتجهيزها برأس جرّازة، يجب تركيب ملحق الواقي على الواقي. عدم الالتزام قد يؤدي إلى خيط جزّ أطول من اللازم، ما يضع حملاً زائداً على المحرك.

التجميع

تحذير: إذا حدث تلف أو فقد في أي أجزاء، لا تقم بتشغيل هذا المنتج إلا بعد استبدال الأجزاء. استخدام هذا المنتج مع وجود أجزاء تالفة أو مفقود قد يؤدي إلى وقوع إصابات شخصية خطيرة.

تحذير: لا تحاول إجراء أي تعديلات على هذا المنتج أو ابتداء ملحقات غير موصى بها للاستخدام مع قاطع الأغصان هذا. أي تغيير أو تعديل من هذا النوع يعتبر سوء استخدام، وقد يؤدي إلى وضع خطير قد يتسبب في وقوع إصابات شخصية خطيرة محتملة.

تحذير: لمنع بدء التشغيل غير المقصود، والذي قد يؤدي إلى وقوع إصابات شخصية خطيرة، احرص دائماً على خلع مجموعة البطارية من الآلة عند تجميع الأجزاء.

تحذير: قم بتركيب قضيب حاجز الأمان إذا كانت الآلة مجهزة برأس قاطع الأغصان.

تركيب الواقي

تحذير: احرص دائماً على ارتداء قفازات عند تركيب الواقي أو استبداله. كن حذراً من الشفرة الموجودة عند الواقي، واحم يدك من التعرض للجرح.

تحذير: لا يجب مطلقاً تشغيل الآلة من دون تثبيت الواقي بإحكام في مكانه. يجب تركيب الواقي دائماً في الآلة لحماية المستخدم! عندما يكون الواقي مثبتاً، لا تحاول أبداً خلع الواقي أو تعديله، وضعه، وعند الحاجة لاستبداله، ينبغي أن يقوم بذلك فني صيانة متخصص!

فك المسمارين من الواقي (الشكل C) واخلعهما، ثم قم بمحاذاة فتحات تركيب الواقي مع فتحات التجميع، ثم ثبت الواقي على قاعدة العمود بالمسمارين، بالإضافة للوردتين الزنبركيتين (الشكل D).

2.8 م/ثانية ² K=1.6 م/ثانية ² (PH1400E)	مقبض المساعدة الأمامي	القيمة المقدرة للاهنزاز a_n :
4.14 م/ثانية ² K=1.5 م/ثانية ² (PH1420E)		
6.64 م/ثانية ² K=1.5 م/ثانية ² (PHX1600)		
3.1 م/ثانية ² K=1.6 م/ثانية ² (PH1400E)	المقبض الخلفي	
1.88 م/ثانية ² K=1.5 م/ثانية ² (PH1420E)		
2.61 م/ثانية ² K=1.5 م/ثانية ² (PHX1600)		

- تم اختبار المعايير اعلاه وقياسها أثناء تركيب رأس الطاقة PH1400E/PH1420E/PHX1600.
- القيمة الكلية للاهنزاز الموضحة تم قياسها وفقاً لطريقة اختبار قياسية وقد تستخدم لمقارنة أداة بأخرى؛
- كما يمكن استخدام القيمة الكلية للاهنزاز الموضحة في التقييم التمهيدي للتعرض.

ملاحظة: قد تختلف انبعاثات الاهتزاز أثناء الاستخدام الفعلي للآلة العاملة بالطاقة عن القيمة المعلنة التي يتم استخدام الآلة فيها؛ ولحماية مشغل الآلة، ينبغي على المستخدم ارتداء قفازات واقية للأذن في ظروف الاستخدام الفعلية.

الشفرة الموصى بها

اسم القطعة	رقم الطراز
شفرة قاطع الأغصان	ABB1203

قائمة المحتويات

اسم القطعة	الكمية
ملحق قاطع الأغصان	1
طقم الشفرة و غلاف الشفرة	1
الواقي	1
ملحق الواقي (للاستخدام مع رأس الجرّازة فقط)	1
مفتاح ربط سداسي (الأنكيه)	1
مفتاح ربط متعدد الوظائف	1
دليل التشغيل	1

- أخذ تعرض الأقدام والأيدي للإصابة بسبب الأغراض أو الحواف الحادة.
 - أحرص دائماً على خلو فتحات التهوية من أي عوائق.
 - الصيانة والتخزين**
 - أفضل مصدر الطاقة عن الآلة (أي، خلع مجموعة البطارية) قبل إجراء أعمال الصيانة أو التنظيف.
 - استخدم فقط قطع الغيار والملحقات الموصى بها من قبل الشركة الصانعة.
 - قم بفحص وصيانة الآلة بانتظام. يجب إصلاح الآلة بواسطة مركز صيانة معتمد فقط.
 - عند عدم الاستخدام، قم بتخزين الآلة بعيداً عن متناول أيدي الأطفال.
 - لا تستخدم الآلة إلا مع مجموعات البطارية والشواحن المدرجة في الشكل A.
- احفظ هذه التعليمات!**

المواصفات

عرض الجرز	30 سم
السرعة بدون حمل	6000/5000 دقيقة ¹
الوزن	1.82 كجم
درجة حرارة التشغيل الموصى بها	0 - 40 درجة مئوية
درجة حرارة التخزين الموصى بها	20- 70 درجة مئوية
مستوى قوة الصوت المقترن L_{WA}	96.5 ديسيبل (A) 1.88=K ديسيبل (A) (PH1400E)
	93.2 ديسيبل (A) 0.35=K ديسيبل (A) (PH1420E)
	91 ديسيبل (A) 1.1=K ديسيبل (A) (PHX1600)
مستوى ضغط الصوت عند أذن مُشغل الآلة L_{PA}	84.5 ديسيبل (A) 3=K ديسيبل (A) (PH1400E)
	83.9 ديسيبل (A) 3=K ديسيبل (A) (PH1420E)
	83 ديسيبل (A) 3=K ديسيبل (A) (PHX1600)
مستوى قوة الصوت المضمون L_{WA} (تم قياسه وفقاً للمعيار 2000/14/EC)	98 ديسيبل (A)

تحذيرات السلامة الأخرى

- تجنب بيئات العمل الخطيرة - لا تستخدم الأجهزة في المواقع الرطبة أو المبللة.
- حافظ على الواقفات في مكانها وبترتيبها الصحيح.
- أبقي يديك وقدميك بعيداً عن منطقة الجرز.
- لتقليل خطر التعرض لإصابات، لا تعمل أبداً وأنت فوق سلم أو على أي دعامة غير آمنة أخرى. لا تمسك أبداً بوحدة الجرز أعلى من ارتفاع الخصر.
- أفحص وحدة الجرز على فواصل زمنية قصيرة منتظمة أثناء التشغيل، أو على الفور إذا لاحظت وجود تغيير ملحوظ في سلوك الجرز.
- لتحقيق أفضل النتائج، يجب شحن بطاريته في مكان درجة حرارته أكبر من 5 درجة مئوية وأقل من 40 درجة مئوية. لا تقم بتخزين الآلة في مكان خارجي مفتوح أو في السيارات.
- عند اقتراب أي شخص، أوقف المحرك ووحدة الجرز.
- حذر مشغل الآلة من خطر قوة اندفاع الشفرة (عند استخدام الشفرة ثلاثية الأسنان فقط).
- قد يحدث اندفاع للشفرة عند ملامسة الشفرة وهي تدور لشيء لم يتم جزه على الفور.
- قد يكون اندفاع الشفرة عنيفاً بما يكفي لدفع الوحدة و/أو المشغل في أي اتجاه، مع احتمالية فقد السيطرة على الوحدة.
- قد يحدث اندفاع الشفرة دون إنذار إذا علقت الشفرة أو تباطأت أو انثنت.
- عادة ما يحدث اندفاع الشفرة في المناطق التي يكون من الصعب رؤية المواد التي يتم جزها.
- لا تقم بتركيب أي شفرة على أي وحدة دون القيام بتركيب جميع الأجزاء المطلوبة على النحو الصحيح. عدم استخدام الأجزاء الملائمة قد يتسبب في تحرير الشفرة من مكانها، ما قد يؤدي إلى تعرض مشغل الآلة و/أو المراقبين لإصابات خطيرة. تخلص من الشفرات المثبتة أو المتلويحة، أو المشققة، أو المكسورة، أو التالفة بأي حال من الأحوال. استخدم شفرة حادة، لأن الشفرة غير الحادة عادة ما تتنثني وتتسبب في ارتداد في الآلة (عند استخدام الشفرة ثلاثية الأسنان فقط).
- قد يتسبب تحرير الشفرة/الخيط في التعرض لإصابات إذا استمر في الدوران بعد توقف المحرك أو ترك الزناد. حافظ على تحكّمك الملامم في الآلة حتى توقف الشفرة/الخيط تماماً عن الدوران.

- تعديلات على القابس بأي حال من الأحوال. لا تستخدم أي قوايس مهبانية مع الآلات المؤرّضة. ستؤدي القوايس غير المُعدّلة والمقاس المتوافقة إلى الحد من خطر حدوث صدمة كهربائية.
- تجنب ملامسة الجسم لأسطح مؤرّضة مثل الأنابيب والمشعاع والمواقف والثّلاجات. هناك خطر متزايد لحدوث صدمة كهربائية إذا كان جسمك مؤرّضاً.
- لا تشغل الآلة في المطر أو في الأجواء الرطبة. الماء الذي يدخل الجهاز قد يزيد من خطر التعرض لصدمة كهربائية أو حدوث عطل قد يؤدي إلى إصابة بدينية.
- لا تعبت بسلك التيار. لا تقم أبداً باستخدام سلك التيار لحمل الآلة أو سحبها أو فصلها عن التيار. احتفظ بالسلك بعيداً عن مصادر الحرارة أو الزيت أو الحواف الحادة أو الأجزاء المتحركة. تؤدي أسلاك التيار التالفة أو المتشابكة إلى زيادة خطر حدوث صدمة كهربائية.
- عند تشغيل آلة في مكان خارجي مفتوح، استخدم سلك تمديد ملائم للاستخدام الخارجي. استخدم سلك ملائم للاستخدام الخارجي يحد من خطر حدوث صدمة كهربائية.
- إذا كان لا بد عن تشغيل الآلة في مكان رطب، فاستخدم مصدر تيار محمي بقاطع تيار مؤرّض (GFCI). يؤدي استخدام قاطع تيار مؤرّض إلى الحد من خطر حدوث صدمة كهربائية.

السلامة الشخصية

- ابق منتبهاً، وانتبه جيداً لما تفعله، وكن عقلياً عند تشغيل الآلة. لا تستخدم أي آلة وأنت مجهد أو تحت تأثير المخدرات أو الكحوليات أو الأدوية. قد تؤدي لحظة من عدم الانتباه أثناء تشغيل الآلات إلى حدوث إصابات شخصية خطيرة.
- استعن بمعدات الحماية الشخصية. ارتد دائماً أدوات حماية للعينين. سيؤدي استخدام أدوات الحماية كقناع الغبار أو أذنية السلامة المضادة للاهتزاز أو القبعة الصلبة أو أدوات حماية السمع في ظروف مناسبة إلى الحماية من الإصابات الشخصية.
- امنع بدء تشغيل الآلة غير المتعد. احرص على أن يكون مفتاح الطاقة في وضع الإيقاف قبل توصيل الآلة بمصدر التيار أو مجموعة البطاريات، أو التقاط الآلة أو حملها. إذا حملت الآلات وإصبعك على مفتاح التشغيل أو إذا شحنتها والمفتاح على وضع التشغيل، فقد يؤدي ذلك لوقوع حوادث.
- أزل أي مفتاح تعديل أو مفتاح ربط قبل تشغيل الآلة. قد يؤدي ترك مفتاح ربط أو مفتاح عادي مركباً على جزء دوار بالآلة إلى وقوع إصابات شخصية.
- لا تقف في مكان تُضطر لمد يديك بعيداً. قف وأنت ثابت ومتوازن في جميع الأوقات. وهو ما يسمح بتحكم أفضل في الآلة في الظروف غير المتوقعة.
- ارتد الملابس الملائمة. لا ترتد ملابس أو مجوهرات غير ثابتة. احتفظ بشعرك وملابسك بعيداً عن الأجزاء المتحركة. قد تعلق الملابس الضعيفة أو المجوهرات أو الشعر الطويل في الأجزاء المتحركة.
- إذا تم تقديم أجهزة خاصة بتوصيل أدوات استخراج وجمع الغبار، فأحرص على توصيلها واستخدامها على النحو اللازم. قد يؤدي استخدام جمع الغبار إلى الحد من المخاطر المرتبطة به.
- لا تدع الخبرة المكتسبة من الاستخدام المتكرر للآلات يجعلك تتعامل من دون الانتباه اللازم وتتجاهل مبادئ السلامة المتعلقة بالآلة. فقد يتسبب أي إجراء غير مدروس في إصابات خطيرة في جزء من الثانية.

استخدام الآلة والعناية بها

UK CA	تقييم المطابقة UKCA	هذا المنتج متوافق مع تشريعات المملكة المتحدة المعمول بها.
	نفايات المعدات الكهربائية المنزلية والإلكترونية (WEEE)	لا يجب التخلص من الأجهزة الكهربائية المستهلكة في النفايات المنزلية. توجه بالجهاز إلى مركز إعادة تدوير معتمد.
	الضوضاء	مستوى قوة الصوت المضمون. انبعاثات الضوضاء في البيئة وفقاً لتوجيه الاتحاد الأوروبي
V	فولت	الجهد الكهربائي
mm	مليمتر	الطول أو الحجم
cm	سنتيمتر	الطول أو الحجم
kg	كيلوجرام	الوزن
n ₀	السرعة بدون حمل	سرعة الدوران، بدون حمل
min ⁻¹	في الدقيقة	لفة في الدقيقة

تحذيرات السلامة العامة المتعلقة بالآلة العاملة بالطاقة تحذيرات السلامة العامة المتعلقة بالآلة العاملة بالطاقة تحذيرات السلامة الخاصة بالآلة

- تحذير:** اقرأ جميع تحذيرات السلامة والتعليمات والرسوم التوضيحية والمواصفات المرفقة مع هذه الآلة. عدم اتباع جميع التعليمات الواردة أدناه قد يؤدي إلى حدوث صدمة كهربائية أو نشوب حريق أو التعرض للإصابة، أحدهما أو جميعها.
- احتفظ بجميع التحذيرات والتعليمات للرجوع إليها في المستقبل.
- يشير مصطلح "الآلة" في قسم التحذيرات إلى الآلة العاملة بالتيار (الموصولة بسلك تيار) أو الآلة العاملة بالبطارية (غير الموصولة بسلك تيار).

سلامة منطقة العمل

- حافظ على منطقة العمل نظيفة ومضاءة جيداً، حيث عادة ما تتسبب المناطق المظلمة أو التي بها ركام إلى وقوع حوادث.
- لا تقم بتشغيل الآلات في أجواء قابلة للانفجار، على سبيل المثال في وجود سوائل أو غازات أو غبار قابلة للاشتعال. فقد تتسبب الآلات في صدور شرارة، والتي قد تتسبب في اشتعال الغبار أو الأبخرة القابلة للاشتعال.
- احتفظ بالأطفال والمشاهدين بعيداً عن موقع استعمال الآلة. حيث أن الإلهامات قد تجعلك تفقد السيطرة على الآلة.
- السلامة الكهربائية
- ينبغي أن يتوافق قابس الآلة مع مقياس التيار. لا يجب إدخال

اقرأ جميع التعليمات!



⚠ تحذير: لضمان السلامة والاعتمادية، يجب تنفيذ جميع أعمال الإصلاح واستبدال الأجزاء من قبل فني خدمة مؤهل.

رموز السلامة

الغرض من رموز السلامة هو جذب انتباهك إلى المخاطر المحتملة. رموز السلامة والشروح المصاحبة لها تستحق اهتمامك وفهمك الدقيق. تحذيرات كل رمز، بنفسها، لا تمنع وقوع أي خطر. التعليمات والتحذيرات التي تمنحك إياها لا تعد بديلاً عن تطبيق الإجراءات الملائمة لمنع وقوع الحوادث.

⚠ تحذير: احرص على قراءة وفهم جميع تعليمات السلامة في دليل التشغيل هذا، بما في ذلك جميع رموز تنبيهات السلامة، مثل "خطر"، و"تحذير"، و"تنبيه"، قبل استخدام هذه الآلة. عدم اتباع جميع التعليمات الواردة أدناه قد يؤدي إلى حدوث صدمة كهربائية أو نشوب حريق أو التعرض للإصابة الشخصية، أحدها أو جميعها.

معنى الرمز

رمز تنبيه السلامة: يشير إلى خطر أو تحذير، أو تنبيه، وقد يتم استخدامه بشكل متزامن مع الرموز أو الصور الكتابية الأخرى.

⚠ تحذير: قد يؤدي تشغيل أي آلة عاملة بالطاقة إلى دخول أي أشياء غريبة في عينيك، وهو ما قد يؤدي إلى إلحاق أضرار خطيرة بالعين. قبل بدء تشغيل الآلة العاملة بالطاقة، احرص دائماً على ارتداء واقيات العينين أو نظارات حماية العينين ذات دروع جانبية، ودرع واقٍ لكامل الوجه عند اللزوم. نوصي بارتداء قناع السلامة واسع الرؤية لاستخدامه فوق نظارات العين أو نظارات السلامة العادية ذات الدروع الجانبية.

تعليمات السلامة

هذه الصفحة تصف وتشرح رموز السلامة التي قد تظهر على هذا المنتج. اقرأ جميع التعليمات المذكورة على الآلة وافهمها واتبعها قبل محاولة تشغيل الآلة وتشغيلها.

يشير إلى خطر محتمل للتعرض لإصابة شخصية.	تنبيه سلامة	
للحد من خطر التعرض لإصابة، ينبغي على المستخدم قراءة دليل التشغيل.	اقرأ دليل التشغيل	
ارتد دائماً نظارات الحماية المزودة بواقبات على الجانبين، وبنبغي ارتداء واقٍ لكامل الوجه أثناء تشغيل هذا المنتج.	ارتد أدوات حماية العينين	
احرص دائماً على ارتداء واقيات للأذن (سدادات الأذن أو كاتم صوت) لحماية أذنيك.	ارتد أدوات حماية الأذنين	
احرص على ارتداء خوذة أمان صلبة معتمدة لحماية رأسك.	ارتد أدوات حماية الرأس	
احرص على ارتداء قفازات لليدين عند التعامل مع المشمار وسلملة المشمار. كما أن القفازات القوية المانعة للانزلاق تعزز من قدرتك على الإمساك وتحمي يديك.	ارتد قفازات الحماية	
احرص على ارتداء أذنية أمان مانعة للانزلاق عند استخدام هذه الآلة.	ارتد حذاء الحماية	
الحد الأقصى لعرض جزر قاطع الأغصان	عرض الجزر	
حذر مشغل الآلة من خطر قوة انفعاق الشفرة.	احذر من قوة انفعاق الشفرة	
يجب ألا تقل المسافة بين الآلة والأشخاص الواقفين عن ٥١ متراً.	ابق المرافقين بعيداً عن نطاق عمل الآلة	
"دي" إلى إصابات شخصية أو تلف للممتلكات.	احذر الأشياء المتطايرة	
افصل مجموعة البطارية من جزارة الخيط قبل إجراء أعمال الصيانة أو التنظيف.	افصل البطارية قبل إجراء أعمال الصيانة	
هذا المنتج متوافق مع توجيهات شهادة الجودة الأوروبية (CE) المعمول بها.	شهادة الجودة الأوروبية CE	

איתור וטיפול בבעיות

בעיה	סיבה	פתרון
לא ניתן להפעיל את גוזם המברשת.	<ul style="list-style-type: none"> ■ מארז הסוללה איננו מחובר לראש החשמלי. ■ לא מתבצע חיבור חשמלי בין הראש החשמלי למארז הסוללה. ■ קיבולת מארז הסוללה ריקה. ■ דוושת הנעילה וההדק אינם משוחררים בו זמנית. 	<ul style="list-style-type: none"> ■ הצמידו את מארז הסוללה אל הראש החשמלי. ■ הסירו את הסוללה, בדקו את החיבורים והתקינו מחדש את מארז הסוללה עד אשר הוא נמצא במקומו. ■ הטעינו את הסוללה עם מטעני EGO הרשומים במדריך זה. ■ לחצו על דוושת הנעילה כלפי מטה והחזיקו אותה, לאחר מכן שחררו את ההדק על מנת להפעיל את גוזם המברשת.
גוזם המברשת מפסיק את פעולתו בעת החיתוך.	<ul style="list-style-type: none"> ■ ישנו עומס יתר של המנוע. ■ מארז הסוללה או הראש החשמלי חמים מידי. ■ מארז הסוללה מנותק מן המכשיר. ■ קיבולת מארז הסוללה ריקה. 	<ul style="list-style-type: none"> ■ המנוע יחזור לפעילות רגילה ברגע בו העומס יוסר. עבור שימוש ממושך, הפחיתו את העומס על הראש החשמלי. ■ אפשרו למארז הסוללה או למכסחה להתקרר עד לטמפרטורה של פחות מ-67°C. ■ התקינו מחדש את מארז הסוללה. ■ הטעינו את הסוללה עם מטעני EGO הרשומים במדריך זה.

אחריות

מדיניות האחריות של EGO

אנא בקרו באתר egopowerplus.eu עבור התנאים וההתניות השלמים של מדיניות האחריות של EGO.

4. בדוק והחלף את הגליל הפנימי ואת מכסה הגליל אם הם בלויים (איור M).
ראו למטה תיאור חלקים בתמונה M:

M-1	מוט מנוע	M-5	גליל חיצוני
M-2	גליל פנימי	M-6	אום
M-3	מכסה גליל	M-7	חריץ על גבי הגליל
M-4	להב		

5. התקינו את הלהב החדש על מוט המנוע לפי הרצף המוצג באיור M. ניתן למצוא פרטים על שלבי ההוראות 5, 6 ו-7 בסעיף „הרכבת הלהב”.

שימון הילוכי התמסורת

יש לשימן את הילוכי התמסורת בתיבת הילוכים באופן קבוע עם שמן גיר. בדוק את מפלס שמן הגיר מידי 50 שעות של הפעלה על ידי הסרת בורג האיטום שבצד התיבה.

אם לא ניתן לראות שמן על צדי הילוכים, בצעו את השלבים הבאים כדי למלא את שמן הגיר עד 4/3 מהקיבולת.

אין למלא הילוכי התמסורת במלואם.

1. אחזו את גוזם המברשת כשבורג האיטום פונה כלפי מעלה (איור N)
2. השתמש במפתח הברגים הרב שימושי המצורף כדי לשחרר ולהוציא את בורג האיטום.
3. השתמשו במזרק שמן (לא מצורף) כדי להזריק חלק מהשמן לחור הבורג.
4. הדקו את בורג האיטום לאחר ההזרקה.

אחסון היחידה

- הסירו את מארז הסוללה מן המכשיר.
- השתמשו בכפפות כבדות על מנת לנקות את המכשיר ביסודיות.
- הרכיבו את נדן הלהב על גבי הלהב לאחסון בטוח (תמונה O).
- הסירו את אביזר גוזם המברשת מהראש החשמלי וכסו עם מכסה הקצה את מסוף מוט האביזר, במידת הצורך.
- אחסנו את היחידה במקום יבש, מאוורר היטב, נעולה או במקום גבוה, הרחק מהישג ידם של ילדים. אל תאחסנו את היחידה קרוב לחומרי דשן, חומרי דלק או כימיקלים אחרים.

הגנה על הסביבה

אין לזרוק ציוד חשמלי, מטעני סוללות וסוללות ביחד עם אשפה ביתית! יש לקחת מוצר זה למרכז מחזור מוסמך ולוודא שהוא זמין לאיסוף נפרד. יש להחזיר מכשירים אל מתקן מחזור ידיוותי לסביבה.



לגרום לסכנה או נזק למוצר. על מנת להבטיח בטיחות ואמינות, יש לבצע את כל התיקונים וההחלפות בעזרת טכנאי שירות מוסמך.

⚠ אזהרה: לבשו תמיד כפפות כבדות בעת ההתקנה או הסרה של הלהב או בביצוע כל עבודת תחזוקה על הלהב. היזהר מהלהב והגן על ידיך מפציעה מהלהב.

תחזוקה כללית

הימנעו משימוש בממסים כאשר אתם מנקים חלקי פלסטיק. רוב חלקי הפלסטיק עלולים להינזק מסוגים שונים של ממסים מסחריים ועל ידי השימוש בהם. השתמשו במטליות נקיות על מנת להסיר לכלוך, אבק, שמן, חומר סיכה וכו’.

נקו את היחידה

- הסירו את הסוללה
 - לאחר כל שימוש נקו את הפסולת, חלקי קרקע תקועים או דשא על הלהב והמגן עם מברשת רכה. נגבו את שטח הכלי עם מטלית נקייה אשר הוטבלה בתמיסת סבון עדינה.
 - עשו שימוש במברשת קטנה או בשואב אבק קטן על מנת לנקות את פתחי האוויר בתא האחורי.
 - השאירו את פתחי האוויר פנויים מחסימה.
- כאשר הלהב הופך להיות קשה, שני קצות הלהב קשים, חדרו אותו בעזרת טכנאי שירות מוסמך או החליפו בלהב חדש אם יש צורך בכך.

החלפת הלהב

⚠ אזהרה: להב בלוי, סדוק, או פגום יכול להישבר וחלקים של להב פגום יכולים להפוך לקליעים מסוכנים. עצמים נזרקים עלולים לגרום לפציעות אישיות חמורות. בדקו את הלהב באופן קבוע ואל תפעילו את גוזם המברשת עם להב בלוי או פגום.

⚠ אזהרה: השתמשו במגן עיניים הולם בזמן הסרה, השחזה והתקנה של הלהב.

להסרת הלהב

1. הסירו את הסוללה.
2. סובבו את הגליל החיצוני על מנת ליישר את חריץ הגליל הפנימי עם חור הנעילה של המוט בתיבת הילוכים והחדירו את מפתח הברגים המשושה לתוך החורים המקבילים כך שיפעל כמייצב כמוצג בשלבים 2 ו-3 „הרכבת הלהב”
3. הציבו את ראש גוזם המברשת כנגד משטח מוצק לתמיכה. ביד אחת החזיקו הלהב ועם היד השנייה אחזו במפתח הברגים הרב שימושי על מנת לשחרר את האום בכיוון החץ המסומן על גבי הגליל החיצוני והסירו את האום, את הגליל החיצוני ואת הלהב הבלוי (איור L).

- הימנעו ממגע עם עצמים זרים קשים או מוצקים כגון אבנים, סלעים או חלקי מתכת.
- לעולם אל תחטכו עצים או שיחים עם קוטר גבעול העולה על 2 ס"מ.
- בדקו את הלהב בטווחים סדירים וקצרים עבור סימנים של נזק. אל תמשיכו את העבודה עם להב ניזוק.
- חדדו מחדש את הלהב באופן סדיר (כאשר אפשר לראות שהוא קהה) ואזנו בעת הצורך (פעולה המתבצעת על ידי טכנאי שירות מוסמך).

נעיצת להב

היו זהירים במיוחד בעת השימוש בלהב עם יחידה זו. נעיצת להב היא התגובה אשר עלולה להתרחש כאשר הלהב המסתובב בא במגע עם עצם אשר לא ניתן לחיתוך. מגע זה עלול לעצור את הלהב לרגע ולפתע «לנעוץ» את היחידה ולזרוק אותה מן העצם אשר נפגע. תגובה זו עלולה להיות מספיק אלימה על מנת לגרום למפעיל לאבד שליטה על היחידה. נעיצת להב עלולה להתרחש ללא אזהרה אם הלהב נקרע, נתקע או נכרך. נעיצת להב עלולה להתרחש בסביבות בהם קשה לראות את החומר הנחתך. עבור חיתוך קל ובטוח, התקרבו אל העשבים שיש לחתוך עם גוזם המברשת מן הימין אל השמאל. במקרה של מגע עם עצם בלתי צפוי או ענף עץ, תנועה זו יכולה להפחית את תגובת נעיצת הלהב.

לפני כל שימוש, בדקו עבור חלקים עם בלאי/ניזוקים

בדקו את הלהב, את המגן ואת ידית העזר הקדמית והחליפו את החלקים הסדוקים, המלופפים, המעוקלים או הניזוקים בכל צורה שהיא.

קצה הלהב עשוי לקהות עם הזמן. מומלץ לסובב את הלהב כדי להאריך את חי הלהב ולהשיחז אותו בקביעות (פעולה זו מתבצעת על ידי טכנאי שירות מוסמך) או להחליפו בלהב חדש לפי הצורך.

לאחר כל שימוש, נקו את גוזם המברשת

עיינו בסעיף תחזוקה להוראות הניקוי.

⚠ אזהרה: וודא שהלהב הגיע לעצירה מוחלטת לפני ניקוי או טיפול בגוזם המברשת. אי ציות להוראה זו עלולה להביא לפציעה אישית חמורה.

להפעלה/ליכוי של כלי העבודה

עיינו בסעיף „הפעלה/ליכוי של הראש החשמלי” במדריך למשתמש של הראש החשמלי PH14200E/PH1400E/PHX1600

תחזוקה

⚠ אזהרה: לפני בדיקה, ניקיון או עבודות שירות עבור היחידה, עצרו את המנוע, חכו שכל החלקים הנעים יפסיקו את פעולתם והסירו את מארז הסוללה. אי ביצוע הוראות אלה עשוי לגרום לפציעה אישית חמורה או נזק לרכוש.

⚠ אזהרה: במקרה של עבודות תיקון, השתמשו רק בחלקי חילוף זהים. שימוש בחלקי חילוף אחרים עלול

⚠ אזהרה: חבשו תמיד משקפי הגנה, ביחד עם מגני שמיעה. אם לא תעשו זאת עצמים עלולים להיזרק אל תוך העיניים שלכם ועלולות להיגרם פציעות חמורות אחרות.

יישומים

אתם יכולים להשתמש במוצר זה רק עבור המטרה להלן:

- לגיזום דשא לתות, עשבים, צמחייה פראית ושיחים, לצמק צמחייה צעירה עם קוטר גבעול מקסימלי של 2 ס"מ.

הודעה: יש להשתמש במכשיר רק עבור המטרות להן הוא יועד. כל שימוש אחר ייחשב לשימוש בלתי הולם.

שימוש בגוזם המברשת עם הראש החשמלי

⚠ אזהרה: לבשו בגדים מתאימים על מנת להפחית את הסיכון לפציעות בעת השימוש בכלי זה. אל תלבשו בגדים רפויים או תכשיטים. השתמשו בהגנה לעיניים / אוזניים. לבשו מכנסיים כבדים, ארוכים, מגפיים וכפפות. אל תלבשו מכנסיים קצרים או סנדלים ואל תפעילו כאשר אתם יחפים.

עבור הפעלה טובה ובטוחה יותר, העבירו את רצועת הכתף מעל לכתף. התאימו את רצועת הכתף בתנוחת הפעלה נוחה. החזיקו את גוזם המברשת כשיד אחת על הידית האחורית והיד השנייה על ידית העזר הקדמית. שמרו על אחיזה יציבה בשתי ידיים בזמן ההפעלה. יש לאחוז את גוזם המברשת בתנוחה נוחה כשהידיים האחוריות בגובה המותניים. שמרו על אחיזה ואיזון על שתי הרגליים. מקמו את עצמכם כך שלא תצאו מאיזון על ידי תגובת ההדף של להב החיתוך (איור B).

⚠ אזהרה: רצועת הכתף מהווה גם מנגנון שחרור מהיר במצבים מסוכנים. בעת מצב חירום, הסירו אותה מיד, ללא קשר לדרך בה היא חוברה.

על מנת לגזום צמחייה פראית ושיחים, הנמיכו את הלהב המסתובב אל הצמחייה על מנת להשיג את אפקט הקיצוץ. השתמשו בגוזם המברשת כמו בחרמש (טאטאו לימין ולשמאל) ברמת הקרקע. אל תשתמשו באביזר החיתוך מעל לקו המותניים.

⚠ אזהרה: ככל שאביזר החיתוך נמצא גבוה יותר מעל הקרקע, כך הסיכון לפציעה מפני עצמים הנזרקים הצידה גדול יותר.

⚠ אזהרה: בעת חיתוך של צמחייה צעירה או חומרים מעץ בקוטר של פחות מ-2 ס"מ, עשו שימוש בחלק השמאלי של הלהב על מנת לנמנע מצבים של נעיצת להב. אל תנסו לחתוך חומרים מעץ עם קוטר גדול יותר. הלהב עלול להיתפס או לטלטל את גוזם המברשת קדימה.

הדבר עלול לגרום נזק ללהב או לגוזם המברשת או לאבדן שליטה על גוזם המברשת, ולגרום לפציעה אישית.

⚠ אזהרה: שימוש לא נכון בלהב של גוזם מברשת עלול לסדוק, לרסק או לשבור את הלהב.

חלקים הנזרקים עלולים לפצוע באופן חמור את המפעיל או עוברי אורח. על מנת להפחית את הסיכון לפציעה אישית, חשוב מאוד לנקוט באמצעי הבטיחות הבאים:

הרכבה

⚠ אזהרה: אם ישנם חלקים ניזוקים או חסרים, אל תפעילו את המכשיר עד אשר חלקים אלו יוחלפו. שימוש במכשיר זה עם חלקים פגומים או חסרים עלול לגרום לפציעה אישית חמורה.

⚠ אזהרה: אל תנסו לשנות את גוזם המברשת או ליצור אביזרים אשר אינם מומלצים לשימוש ביחד עם גוזם מברשת זה. כל שינוי או הוספה שכזה מהווה שימוש לא נכון במכשיר ועלול לגרום לתנאים מסוכנים אשר יובילו לפציעה אישית חמורה אפשרית.

⚠ אזהרה: לבשו תמיד כפפות כבדות בעת ההתקנה או ההסרה של ההלהב או המגן או בביצוע כל עבודת תחזוקה על הלהב. היזהר מהלהב והגן על ידך מפגיעה מהלהב.

⚠ אזהרה: אל תחבר לראש החשמלי לפני השלמת ההרכבה. אי ציות להוראה זו עלול לגרום להפעלה מקרית ופציעה אישית חמורה.

הודעה: רצף ההרכבה הנכון של אביזר גוזם המברשת הוא הרכבת המגן תחילה ואז הלהב ולבסוף חיבור לראש החשמלי.

⚠ אזהרה: לעולם אין להפעיל את הכלי כאשר המגן וידיית העזרה הקדמית ומוט המחסום נמצאים במקומם. אי ציות להוראה זו עלולה להביא לפציעה אישית חמורה.

הרכבת המגן

שחררו והסירו את שני הברגים מהמגן (תמונה C). יישרו את חורי משענת המגן עם חורי ההרכבה ולאחר מכן נעלו את המגן על המוט בעזרת שני הברגים ביחד עם שני דסקיות הקפיצים (תמונה D).

וודאו שהמגן נעול במקומו בהתאם לתמונות C ו-D, כל נעילה הפוכה תגרום לסכנה גדולה!

הרכבת הלהב

1. הלהב מגיע עם נדן. לפני הרכבת הלהב אל גוזם המברשת, יש להסיר את הנדן על ידי שחרור החוט המהדק מן הנומצא על גבי הנדן (תמונה E).

ראו למטה תיאור חלקים בתמונה E:

E-1	ii
E-2	חוט מהדק

2. סובבו את הגליל החיצוני על מנת ליישר את החריץ בגליל הפנימי עם החור מקבע המוט בתיבת הילוכים (תמונה F)

3. הכניסו את המפתח המשושה המצורף, אל החורים המקבילים על מנת שישמש כמייצב (תמונה G).

ראו למטה תיאור חלקים בתמונות F ו-G:

F-1	תיבת הילוכים	F-3	גליל חיצוני
F-2	חורים מקבעי מוט מיושרים	G-1	מייצב

4. הציבו את ראש גוזם המברשת כנגד משטח מוצק לתמיכה. ביד אחת החזיקו את מוט גוזם המברשת ועם היד השנייה אחוז במפתח הברגים הרב שימושי על מנת להדק את האום בכיוון החץ המסומן על גבי הגליל החיצוני והסירו את האום ואת הגליל החיצוני. שימרו אותם עבור ההרכבה מחדש (איור H).
5. הרכיבו את הלהב אל מוט המנוע, כאשר אתם מוודאים שהשטח של הלהב מיושר עם גבשושית הגליל הפנימי. המשיכו בהרכבת הגליל החיצוני והאום (תמונה I). הדקו מראש את האום נגד כיוון השעון ביד.

ראו למטה תיאור חלקים בתמונה I:

I-1	גבשושית גליל פנימי	I-4	גליל חיצוני
I-2	מוט מנוע	I-5	להב
I-3	אום		

6. סובבו את הגליל החיצוני על מנת ליישר את חריץ הגליל הפנימי עם חור הנעילה של המוט בתיבת הילוכים והחדירו את מפתח הברגים המשושה לתוך החורים המקבילים כך שיפעל כמייצב כמוצג בשלבים הקודמים 2 ו-3.

7. הציבו את ראש גוזם המברשת כנגד משטח מוצק לתמיכה. ביד אחת החזיקו את הלהב ועם היד השנייה אחוז במפתח הברגים הרב שימושי על מנת להדק את האום בכיוון ההפוך מהחץ המסומן על גבי הגליל החיצוני (איור J).

השימוש באביזר המגן

הודעה: כאשר המכשיר משמש כגוזם חוט, מצויד עם ראש גוזם, אביזר המגן צריך להיות מורכב על גבי המגן (איור K).

הבטיחו את אביזר המגן אל המגן על ידי הידוק של שלושת הברגים עם המפתח המשושה המצורף. אי ציות להוראה זו עלול לגרום לחוט חיתוך ארוך מדי ועומס יתר של המנוע.

חיבור אביזר גוזם מברשת לראש החשמלי

אביזר גוזם מברשת זה מיועד לשימוש עם ראש חשמלי EGO PH1400E/PH1420E/PHX1600. עיינו בסעיף „חיבור אביזר לראש החשמלי” במדריך למשתמש של הראש החשמלי/ PH1400E/PH1420E/ PHX1600.

הפעלה

⚠ אזהרה: אל תניחו לעובדה שאתם מכירים את המוצר להפוך אתכם לפחות זהירים. זכרו שחוסר זהירות של שבריר אחד של שניה מספיק לגרום לפציעה אישית חמורה.

הודעה: פליטת הרטט בעת השימוש המעשי בכלי יכולה להיות שונה מן הערך המוצהר כאשר הכלי נמצא בשימוש; על מנת להגן על המפעיל, על המשתמש ללבוש כפפות ומגני אוזניים בעת השימוש למעשה.

להב מומלץ

שם חלק	מספר דגם
להב גוזם מברשת	ABB1203

רשימת אריזה

שם חלק	כמות
אביזר גוזם מברשת	1
ערכת להב ונדן להב	1
מגן	1
אביזר מגן (לשימוש עם ראש גוזם בלבד)	1
מפתח משושה	1
מפתח ברגים רב שימושי	1
מדריך למפעיל	1

תיאור

הכירו את אביזר גוזם המברשת שלכם (תמונה A)

1. מכסה אחורי
2. מוט גוזם מברשת
3. מגן
4. להב
5. נדן הלהב
6. חוט מהדק
7. בורג איטום
8. תיבת הילוכים
9. חור לנעילת המוט
10. גליל חיצוני
11. מפתח ברגים רב שימושי
12. מפתח משושה
13. אביזר מגן (לשימוש עם ראש גוזם בלבד)

⚠ אזהרה: לעולם אין להפעיל את הכלי כאשר המגן איננו נמצא במקומו. על המגן להיות תמיד על גבי הכלי על מנת להגן על המשתמש.

⚠ אזהרה: כאשר המכשיר משמש כגוזם חוט, מצויד עם ראש גוזם, אביזר המגן צריך להיות מורכב על גבי המגן. אי ציוד להוראה זו עלול לגרום לחוט חיתוך ארוך מדי ועומס יתר של המנוע.

טמפרטורת אחסון מומלצת		-20°C-70°C
רמת עוצמת קול נמדדת L_{WA}	96.5 dB(A) K=1.88 dB(A) (PH1400E)	רמת לחץ קול באוזן המפעיל L_{PA}
	93.2 dB(A) K=0.35 dB(A) (PH1420E)	
	91 dB(A) K=1.1 dB(A) (PHX1600)	
רמת עוצמת קול מובטחת L_{WA} (נמדדת על פי 2000/14/EC)	84.5 dB(A) K=3 dB(A) (PH1400E)	הערכת רטט a_n
	83.9 dB(A) K=3 dB(A) (PH1420E)	
	83 dB(A) K=3 dB(A) (PHX1600)	
	98 dB(A)	
ידית עזרה קדמית	2.8 מ'/שנייה ² 1.6 מ'/שנייה ² = K (PH1400E)	ידית אחורית
	4.14 מ'/שנייה ² 1.5 מ'/שנייה ² = K (PH1420E)	
6.64 מ'/שנייה ² 1.5 מ'/שנייה ² = K (PHX1600)		
3.1 מ'/שנייה ² 1.6 מ'/שנייה ² = K (PH1400E)		
1.88 מ'/שנייה ² 1.5 מ'/שנייה ² = K (PH1420E)		
2.61 מ'/שנייה ² 1.5 מ'/שנייה ² = K (PHX1600)		

- הפרמטרים לעיל נבדקים ונמדדים ביחד עם ראש חשמלי PH1400E/PH1420E/PHX1600;
- ערך הרטט הכללי המוצהר נמדד בהתאם לשיטת בדיקה סטנדרטית וניתן להשתמש בו על מנת להשוות ציוד אחד עם ציוד אחר;
- ניתן להשתמש בערך הרטט הכללי המוצהר בהערכה ראשונית של חשיפה.

- המרחק בין המכשיר ובין האנשים הנמצאים בקרבתה צריך להיות לפחות 15 מ'.
 - לעולם אל תפעילו את המכשיר כאשר המפעיל עייף, חולה או תחת השפעת אלכוהול או סמים אחרים.
- הפעלה**
- השתמשו במכשיר רק באור יום או באור מלאכותי חזק.
 - לעולם אל תעשו שימוש במכשיר עם מגנים ניזוקים או מגנים אשר אינם נמצאים במקומם.
 - הפעילו את המנוע רק כאשר הידיים והרגליים נמצאות מחוץ לטווח אמצעי החיתוך.
 - נתקו תמיד את המכשיר ממקור המתח (או הסירו את מארז הסוללה).
 - כאשר אין אף אחד בקרבת המכונה;
 - לפני ניקיון של מחסום;
 - לפני בדיקה, ניקיון או עבודה על המכשיר;
 - לאחר פגיעה בעצם זר;
 - כאשר המכשיר מתחיל לרטוט בצורה שאיננה נורמלית.
 - היו זהירים מפני פציעות של ידיים ורגליים על ידי אמצעי החיתוך.
 - וודאו תמיד שפתחי האוורור נקיים מכל אשפה.
- תחזוקה ואחסון**
- נתקו את מקור המתח מן המכשיר (או הסירו את מארז הסוללה) לפני כל ביצוע של עבודות תחזוקה או ניקיון.
 - השתמשו רק בחלקי חילוף ואביזרים המומלצים על ידי היצרן.
 - בדקו ותחזקו את המכשיר באופן סדיר. תקנו את המכונה רק בעזרת טכנאי המוסמך לכך.
 - כאשר איננה בשימוש, אחסנו את המכונה מחוץ להישג ידם של ילדים.
- אזהרות בטיחות אחרות**
- הימנעו מסביבות מסוכנות - אל תשתמשו במסכת הדשא במקומות לחים או רטובים.
 - שימרו על המגנים במקומם ופועלים כהלכה.
 - שימרו על הידיים והרגליים מחוץ לאזור החיתוך.
 - על מנת להפחית את הסיכון לפציעה, לעולם אל תעבדו על סולם או על עצמים לא בטוחים אחרים.
 - לעולם אל תחזיקו את יחידת החיתוך מעל לקו המותניים.
 - בדקו את יחידת החיתוך בטווחי זמן סדירים בעת ההפעלה, או מיד אם מתרחש שינוי בולט באופן החיתוך.
 - עבור התוצאות הטובות ביותר, הטעינו את הסוללה שלכם במקומות בהם הטמפרטורה גבוהה מ-5°C ונמוכה מ-40°C. אל תאחסנו את המכשיר בחוץ או בכלי רכב.

- אם אתם רואים מישהו מתקרב, עצרו את המנוע ואת יחידת החיתוך מיד.
 - הזהירו את המפעיל מפני הסכנה לנעיצת להב (רק בשימוש עם להב בעל 3 שיניים).
 - נעיצת להב עלולה להתרחש כאשר הלהב המסתובב בא במגע עם עצם אשר הוא לא חותך מיד.
 - נעיצת הלהב יכולה להיות אלימה מספיק על מנת לגרום ליחידה ו/או למפעיל להיזרק בכל כיוון, ולאבד את השליטה על היחידה.
 - נעיצת להב עלולה להתרחש ללא אזהרה עם הלהב נקרע, נתקע או נכרך.
 - נעיצת להב עלולה להתרחש בסביבות בהם קשה לראות את החומר הנחתך.
 - אל תצמידו כל להב אל יחידות ללא התקנה מתאימה של כל החלקים הנדרשים. אי השימוש בחלקים הנכונים עלול לגרום ללהב לעוף ולגרום לפציעה אישית של המפעיל ו/או עוברי אורח. אל תשתמשו בלהבים עקומים, מלופפים, שבורים או ניזוקים בכל דרך שהיא. השתמשו בלהב חד. קרוב לוודאי שלהב קהה ייתפס או יינעץ (רק בשימוש עם להב בעל 3 שיניים).
 - להב/חוט גולש עלול לגרום לפציעה בגלל שהוא ממשיך להסתובב לאחר עצירת המנוע או לאחר שחרור ההדק. שימרו על שליטה מתאימה עד לעצירת המלאה של הלהב/החוט.
 - כלי הסוללה לא צריכים להיות מחוברים אל החשמל; לכן, הם תמיד נמצאים במצב הפעלה. היו מודעים לסכנות גם כאשר המכשיר איננו פועל. היו זהירים בעת ביצוע עבודות תחזוקה או שירות.
 - נא לא לשטוף את המכשיר בעזרת צינור; מנעו ממים להיכנס אל המנוע ואל חיבורי החשמל.
 - אם תיתקלו במצבים שאינם מתוארים במדריך זה, פעלו בזהירות ובעזרת שכל ישר. צרו קשר עם מרכז שירות הלקוחות של EGO לעזרה.
 - השתמשו רק עם מארזי הסוללה והמטענים הרשומים באיור A
- שמירו על הוראות אלו!**

מפרטים

רוחב חיתוך	30 ס"מ
מהירות ללא עומס	6000/5000
משקל	1.82 ק"ג
טמפרטורת הפעלה מומלצת	0°C-40°C

- יש להטעין רק עם המטען המצוין על ידי היצרן. מטען המתאים למארז סוללה אחד עלול ליצור סכנת אש עבור מארז סוללה אחר.
 - יש להשתמש במכשירים אך ורק עם מארזי הסוללה המיועדים להם. השימוש במארזי סוללה אחרים עלול ליצור סיכון לפציעות ושרפות.
 - כאשר מארז הסוללה אינו בשימוש, שימרו עליו במרחק מסוים מעצמים אחרים העשויים ממתכת, כגון מהדקי נייר, מטבעות, מפתחות, מסמרים, ברגים או עצמים קטנים ממתכת העלולים לבצע חיבור של מסוף אחד למשנהו. ביצוע קצר בין מסופי הסוללה עלול לגרום לכוויות או שריפה.
 - בתנאי שימוש לא נאותים, נזל עלול להיפלט מן הסוללה; הימנעו מנגע עמו. אם ישנו מגע מקרי, שטוף את האזור במים. אם מתרחש מגע עם העיניים, פנו לעזרה רפואית. נזל הנפלט מן הסוללה עלול לגרום לפריחה או כוויות.
 - אל תשתמשו במארז סוללה או מכשיר ניזוקים או אשר שונו. סוללות ניזוקות או אשר שונו עלולות להתנהג בצורה לא צפויה אשר עלולה להסתיים בשרפה, פיצוץ או סיכון לפציעה אישית.
 - אל תחשפו את מארז הסוללה או את המכשיר לאש או לטמפרטורות גבוהות. חשיפה אל אש או טמפרטורות הגבוהות מ-130 C עלולה לגרום לפיצוץ.
 - בצעו את כל הוראות ההטענה ואל תטעינו את מארז הסוללה או את המכשיר מחוץ לטווחי הטמפרטורה המצוינים בהוראות אלו. הטענה לא נכונה או מחוץ לטווחי הטמפרטורה המצוינים עלולים לגרום לנזק ולהעלות את הסיכון לשרפה.
- ⚠ אזהרה: קראו את כל אזהרות הבטיחות, את ההוראות, התמונות והמפרטים המסופקים ביחד עם מכשיר חשמלי זה.** אי מילוי אחר כל ההוראות המופיעות למטה יכול לגרום אחריו שוק חשמלי, שרפה ו/או פציעות חמורות. שימרו את כל האזהרות וההוראות לעין עתיד.
- שימרו את כל האזהרות וההוראות לעין עתיד**
- הכשרה**
- קראו את ההוראות בעיון. למדו היטב את הבקורות ואת השימוש המתאים במכשיר.
 - לעולם אל תרשו לאנשים או ילדים אשר אינם מכירים הוראות אלו להשתמש במכשיר. תקנות מקומיות עלולות להגביל את גיל המפעיל.
 - המפעיל או המשתמש אחראיים עבור כל תאונה או סכנה אשר עלולים להתרחש לאנשים אחרים או לרכושם.
- הכנה**
- לעולם אל תפעילו את המכונה כאשר ישנם אנשים, במיוחד ילדים, או חיות מחמד בסביבה.
 - השתמשו בהגנה לעיניים ובנעליים מוצקות בעת השימוש במכשיר.

תכשירים או שיער ארוך עלולים להיתפס בחלקים הנעים.

- אם המכשירים מגיעים ביחד עם חיבור ההוצאת אבק ומתקני איסוף, וודאו שאלו מחוברים כהלכה והשימוש בהם נעשה באופן נכון. השימוש במתקנים לאיסוף אבק יכול להפחית סכנות הקשורות לאבק.
- נקטו זהירות בעת השימוש במכשיר גם לאחר שאתם בקיאים בשימוש, ואל תיתנו לנוחיות השימוש שלכם להפוך אותכם לשאננים ולהתעלם מעקרונות הבטיחות. פעולה לא זהירה עלולה לגרום לפציעה חמורה בשבריר שנייה.

שימוש וטיפול במכונה

- אל תכריח את המכונה. השתמשו במכשיר המיועד למטרה שלכם. המכשיר הנכון יבצע את עבודתו בצורה טובה ובטוחה יותר בקצב בו הוא תוכנן לפעול.
- אין להשתמש במכשיר אם מתג ההפעלה והכיבוי אינו פועל. מכשיר אשר לא ניתן לשלוט בו בעזרת המתג הוא מסוכן ויש לתקן אותו.
- נתקו את התקע ממקור החשמל ו/או הסירו את מארז הסוללה מן המכשיר, אם ניתן, לפני ביצוע כל התאמה, שינוי של אביזרים, או אחסון של מכשירים. אמצעי זהירות למניעה אלו מפחיתים את הסיכון להפעלה מקרית של המכשיר.
- יש לאחסן את המכשיר כשאינו בשימוש מחוץ להישג ידם של ילדים ואין לאפשר לאנשים שאינם מכירים את המכשיר או את ההוראות האלה להפעיל את המכשיר. מכשירים מסוכנים כאשר הם בהישג ידם של אנשים אשר לא הוכשרו להפעיל אותם.
- תחזקו מכונות ואביזרים. בדקו יישור או ליפוף של חלקים נעים, שבירה של חלקים ותנאים אחרים אשר עלולים להשפיע על פעולת המכשיר. במקרה של נזקים, יש לתקן את המכשיר לפני השימוש. תאונות רבות נגרמות כתוצאה מתחזוקה לקייה של מכשירים.
- שמרו על מכונות חיתוך חדות ונקיות. למכשירי חיתוך אשר תוחזקו כהלכה בעלי קצוות חדים יש פחות סיכוי לבצע ליפוף וקל יותר לשלוט בהם.
- השתמשו במכשירים, באביזרים, בביטים של המכשירים וכו' בהתאם להוראות אלו, כאשר אתם לוקחים בחשבון את תנאי העבודה ואת העבודה שיש לבצע. השימוש במכשיר לפעולות שלהן הוא אינו מיועד עלול להוביל למצב מסוכן.
- יש לשמור על הידיות ועל חלקי האחיזה יבשים, נקיים וללא שמן או חומרי סיכה. ידיות ומשטחי אחיזה מחליקים לא מאפשרים טיפול נכון ושליטה במכשיר במצבים לא צפויים.

השימוש והטיפול בסוללת המכשיר

הימנעו ממגע עם משטחים בעלי הארקה, כגון צינורות, רדיאטורים, כיריים ומקררים. יש סיכון גבוה להלם חשמלי אם הגוף שלכם מוארק.

אין להפעיל את המכשיר בתנאי גשם או רטיבות. כניסת מים למכשיר עלולה להגביר את הסיכון לשוק חשמלי או לתקלה העלולים לגרום לפגיעה גופנית.

אל תפעילו לחץ על הכבל. לעולם אל תשתמשו בכבל על מנת לשאת, למשוך או להוציא את המכשיר מן השקע. שימרו על הכבל הרחק ממקורות חום, שמן, קצוות חדים או חלקים נעים. כבלים ניזוקים או מלופפים מגבירים את הסיכון לשוק חשמלי.

בעת הפעלת המכשיר בחוץ, עשו שימוש בכבל מאריך המתאים לשימוש בחוץ. השימוש בכבל מאריך המתאים לשימוש בחוץ מפחית את הסיכון לשוק חשמלי.

אם לא ניתן להימנע מהפעלת המכשיר במקום לח, עשו שימוש במפסק פחת (ICFG) להגנה על המתח. שימוש ב-GFCI מפחית את הסיכון להתחשמלות.

ביטחון אישי

יש להישאר דרוכים ומודעים, ולהשתמש בשכל הישר בעת שימוש במכשיר. נא לא להשתמש במכשיר כאשר אתם עייפים או תחת השפעה של סמים, אלכוהול או תרופות. רגע אחד של חוסר תשומת לב בעת הפעלת מכשירים עלול לגרום לפגיעה אישית חמורה.

השתמשו בציוד הגנה אישי. חבשו תמיד מגני עיניים. כאשר נעשה שימוש בציוד הגנה כגון מסכת אבק, נעלי בטיחות נגד החלקה, כובעים קשים או מגני אוזניים, בתנאים המתאימים, הדבר יפחית את הסיכון לפגיעות אישיות חמורות.

יש להימנע מהפעלה מקרית. וודאו שהמתג נמצא במצב כבוי לפני חיבור של מקור מתח ו/או מארז הסוללה, לפני הרמת המכשיר או נשיאתו. נשיאה של מכשירים כאשר האצבע שלכם ממוקמת על המתג או חיבור מקורות מתח למכשירים הנמצאים במצב פועל, מזמנינים תאונות.

יש להסיר כל כלי כוונון או מפתח ברגים לפני הפעלת המכשיר. מפתח ברגים או כלי כוונון המוצמדים אל רכיב מסתובב של המכשיר עלול לגרום לפגיעה אישית חמורה.

יש להימנע מהשטת יתר. יש לשמור על צעד ואיזון בטוחים בכל עת. הדבר מאפשר שליטה טובה יותר במכשיר במצבים בלתי צפויים.

יש ללבוש בגדים מתאימים. אין ללבוש בגדים רפויים או תכשיטים. יש לשמור על השיער ועל חלקי ביגוד הרחק מחלקים נעים. בגדים רפויים,

מוצר זה הוא בהתאם לחוקים הרלוונטיים בבריטניה.	UKCA	UK CA
אין לדרוק מוצרים חשמליים ביחד עם אשפה ביתית. הביאו את המכשיר למרכז מחזור מוסמך.	WEEE	
רמת עוצמת קול מובטחת. פליטת רעש אל הסביבה בהתאם לתקנת האיחוד האירופי.	רעש	
מתח	וולט	V
אורך או גודל	מילימטר	mm
אורך או גודל	סנטימטר	cm
משקל	קילוגרם	kg
מהירות ללא עומס	מהירות ללא עומס	n ₀
סיבובים לדקה	לדקה	min ⁻¹

אזהרות בטיחות כלליות למכשיר

⚠ אזהרה! קראו את כל האזהרות הבטיחות, את ההוראות, התמונות והמפרטים המסופקים ביחד עם מכשיר זה. אי מילוי כל ההוראות המופיעות למטה עלול לגרום להלם חשמלי, שרפה ו/או פגיעה חמורה.

שימרו את כל האזהרות וההוראות לעיון עתידי.

המושג "מכשיר" בחלק האזהרות מתייחס אל המכשיר שלכם (חוטי) או מכשיר המונע על ידי סוללות (אלחוטי).

בטיחות באזור העבודה

- שימרו על סביבת העבודה נקייה ומוארת כהלכה. סביבות לא מסודרות ואפלות מזמנינות תאונות.
- אל תפעילו מכשירים באזורים דליקים, בנוכחות נוזלים דליקים, גזים או אבק. מכשירים מייצרים ניצוצות העלולים להצית את האבק או האדים.
- בקשו מילדים ומעוברי אורח להתרחק מן המכשיר בעת הפעלתו. הסחות דעת עלולות לגרום לכם לאבד שליטה.

בטיחות חשמל

- התקעים של המכשיר צריכים להיות מתאימים. לשקע. לעולם אל תשנו את התקע בכל צורה שהיא. אל תשתמשו במתאימים עבור תקעים של מכשירים בעלי הארקה. תקעים שלא שנו ושקעים מתאימים יפחיתו את הסיכון לשוק חשמלי.

קראו את כל ההוראות!

קראו את מדריך ההוראות

⚠ אזהרה: על מנת להבטיח בטיחות ואמינות, יש לבצע את כל התיקונים וההחלפות בעזרת טכנאי שירות מוסמך.

סימני בטיחות

מטרתם של סימני הבטיחות היא למשוך את תשומת לבכם אל סכנות אפשריות. סימני הבטיחות וההסברים שלהם דורשים את תשומת הלב וההבנה המלאות שלכם. סימני הבטיחות בעצמם לא ימנעו כל סכנה. ההוראות והאזהרות אותן הם מספקים לא תחלפנה נקיטת אמצעי מניעה מתאימים בעת תאונה.

⚠ אזהרה: וודאו שאתם קוראים ומבינים את כל ההוראות הבטיחות המופיעות במדריך זה למשתמש, כולל את כל סימני התראות הבטיחות כגון „סכנה“, „אזהרה“ ו-„זהירות“ לפני השימוש במכשיר זה. אי מילוי אחר כל ההוראות המופיעות למטה יכול לגרום להלם חשמלי, שרפה ו/או פציעות אישיות חמורות.

פירוש הסימן

⚠ סימן התרעת בטיחות: מעיד על „סכנה“, „אזהרה“ או „זהירות“. יכול להיות מלווה בסימנים או תמונות אחרים.

⚠ אזהרה: הפעלה של כלי עבודה חשמליים עלולה לגרום לעצמים זרים להיזרק אל תוך העיניים, דבר העלול לגרום לנזק חמור לעיניים. לפני ההפעלה של כלי עבודה חשמלי, ענדו תמיד משקפי מגן או משקפי בטיחות עם הגנה צדדית, ובעת הצורך, הגנה עבור כל הפנים. אנו ממליצים על שימוש במסכת בטיחות רחבה מעל למשקפי המגן או על שימוש במשקפי בטיחות עם הגנה צדדית.

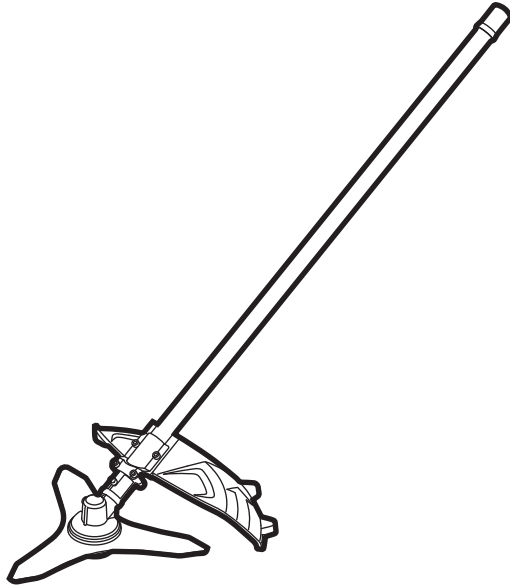
הוראות בטיחות

עמוד זה מציין ומתאר את סימני הבטיחות העשויים להופיע על גבי המוצר. קראו, הבינו ועקבו אחר ההוראות המופיעות על המכשיר לפני כל ניסיון להרכיב ולהשתמש בו.

מראה על סכנת פציעה אישית פוטנציאלית.	התראת בטיחות	
על מנת להפחית את הסיכון לפציעות, על המשתמש לקרוא את המדריך למשתמש.	קראו את מדריך ההוראות	
חבשו תמיד משקפי מגן או משקפי בטיחות עם הגנה צדדית, ובעת הצורך, הגנה עבור כל הפנים, בעת הפעלת מוצר זה.	לבשו מגני עיניים	
השתמשו תמיד בחסמי קול (אזניות או אטמי אוזניים) על מנת להגן על השמיעה שלכם.	לבשו מגני אזניים	
חבשו קסדת בטיחות מאושרת על מנת להגן על הראש שלכם.	לבשו מגני ראש	
הגנו על הידיים שלכם עם כפפות בעת הטיפול במסור ובשרשרת המסור. כפפות כבדות, שאינן מחליקות, משפרות את האחיזה שלכם ומגנות על הידיים שלכם.	לבשו כפפות מגן	
נעלו נעליים בטוחות שאינן מחליקות בעת השימוש בציוד.	לבשו נעליים בטוחות	
רוחב החיתוך המקסימלי של גוזם המברשת	רוחב חיתוך	
הזהירו את המפעיל מפני סכנה של נעיצת להב.	היו זהירים מנעיצת להב	
המרחק בין המכשיר ובין עוברי האורח בקרבתו צריך להיות לפחות 15 מ'.	בקשו מאנשים אחרים להתרחק	
פי ולגרום לפציעה אישית או לנזק לרכוש.	היזהרו מחפצים שנזרקים	
נתק את מארז הסוללות לפני ביצוע כל פעולות תחזוקה או ניקוי.	נתק את הסוללה לפני ביצוע כל פעולות תחזוקה	
מוצר זה תואם לתקנות ה-CE הרלוונטיות.	CE	

EGO™

POWER⁺ BRUSH CUTTER ATTACHMENT



BCA1200

אביזר גוזם מברשת

HE

ملحق قاطع الأغصان

AR

