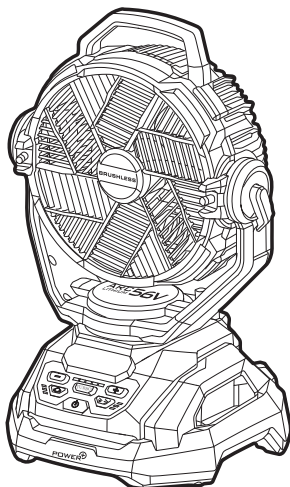


EGO™

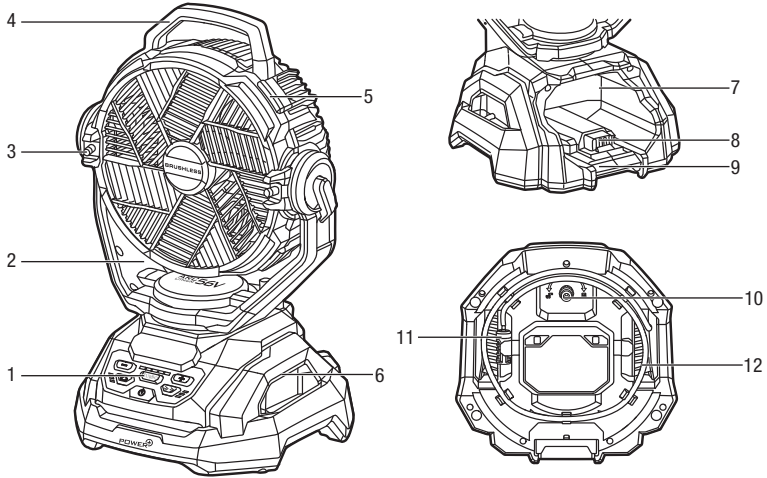
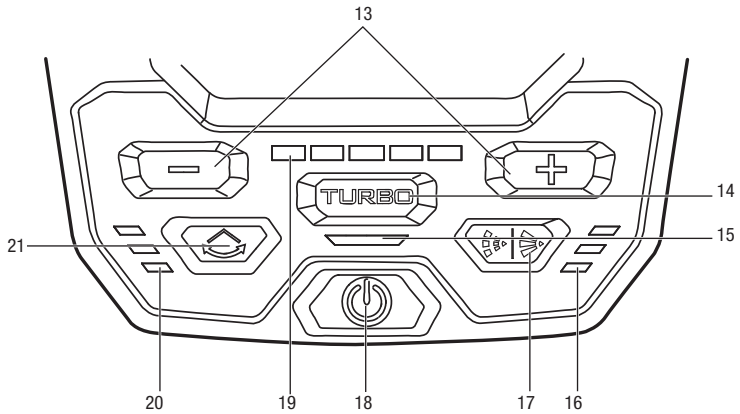
POWER⁺ FAN



FN1000E

56 VOLT LITHIUM-ION CORDLESS MISTING FAN

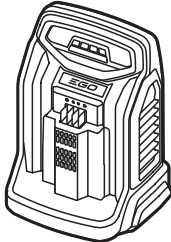
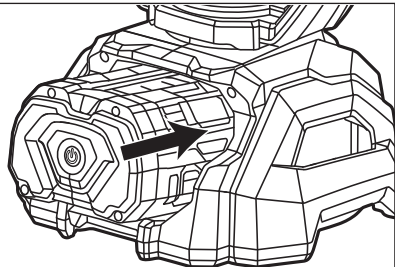
EN	56 Volt lithium-ion cordless misting fan	5	RO	Litiu-ion 56 volti ventilatornebulizator fără fir	167
DE	56-Volt-lithium-ionen kabelloser nebelventilator	15	SL	56-Voltni litij-ionski brezžični ventilator z vodno meglico	177
FR	Lithium-ion 56 volts ventilateur de brumisation sans fil	26	LT	56 V litio jonų belaidis drėkinantis ventiliatorius	186
ES	Ventilador de nebulización inalámbrico con batería de iones de litio de 56 voltios	37	LV	56 Voltu litija jonu bezvadu ventilators ar miglošanas funkciju	196
PT	Ventoinha nebulizadora de 56 volts de ião de lítio	47	GR	Ουταν λιθίου 56 volt ανεμιστήρας σδρονεφασής μπαταρίας	206
IT	Ventilatore nebulizzatore cordless li-ion 56 volt	57	TR	56 Volt litium iyon akülü buharlı vantilatör	217
NL	56 Volt lithium-ion draadloze vernevelingsventilator	67	ET	56 V liitiumioonakuga juhtmeta uduventilaator	226
DK	56 Volt litium-ion ledningsfri forstøverventilator	77	UK	56-Вольтний літій-іонний бездротовий вентилятор із функцією туманоутворення	236
SE	56 Volt litium-jon trådlös inningsfläkt	87	BG	56 Волта литиево-йонна безжичен замъгляващ вентилятор	246
FI	56 Voltin litiumioniakkukäyttöinen sumuttava tuuletin	97	HR	56 V litij-ionski akumulatorski ventilator za zamaglivanje	257
NO	56 Volt litium-ion trådløs duggvifte	107	KA	56 ვოლტიანი ლითიუმ-იონის აკუმულატორიანი წვეთების მაფრქვეველი ვენტოლატორი	267
RU	Беспроводной вентилятор с увлажнителем воздуха и литий-ионным аккумулятором	116	SR	56 Volti litijum-jonski bežični ventilator sa raspršivačem	279
PL	Akumulatorowy wentylator nawilżający li-towo-jonowy 56 v	127	BS	56-Voltni litij-ionski bežični ventilator za raspršivanje vodene maglice	289
CZ	56 V lithium-iontový bezdrátový mlhový ventilátor	137	HE	מערפל אלחוטי עם סוללת ליתיום-יון 56 וולט	319
SK	56 V litium-iónový akumulátorový zahmlievací ventilátor	147	AR	مروحة رذاذ لاسلكية ببطارية ليثيوم-أيون 56 فولت	310
HU	56 Voltos litium-ion vezeték nélküli párasító ventilátor	157			

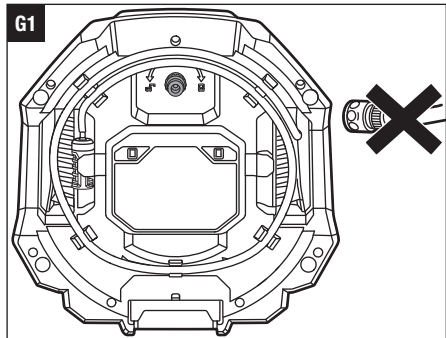
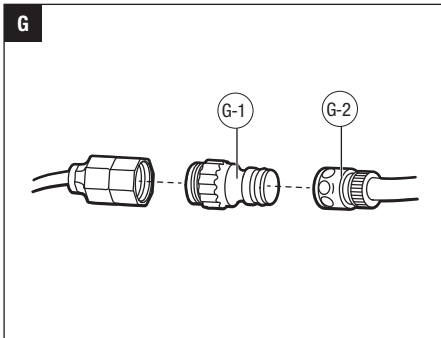
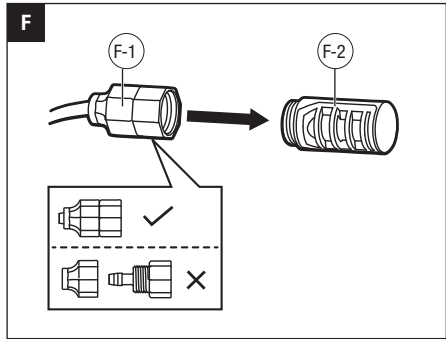
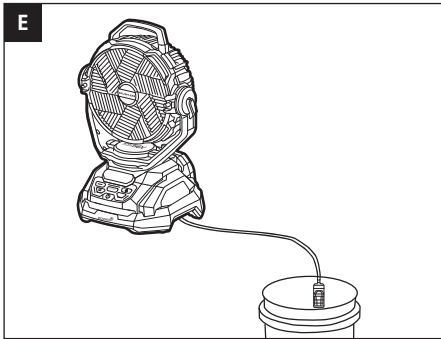
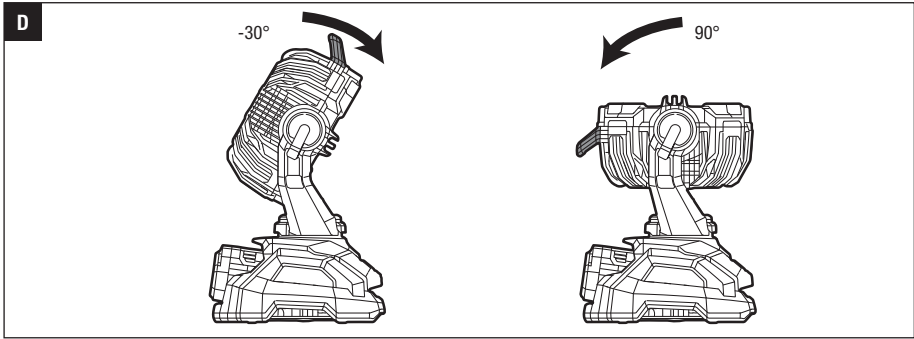
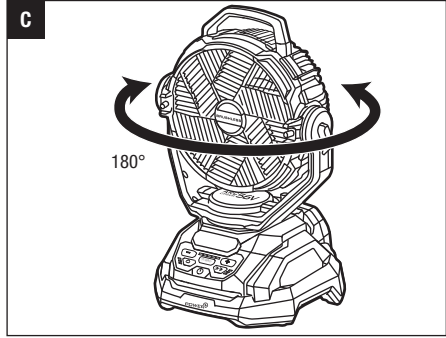
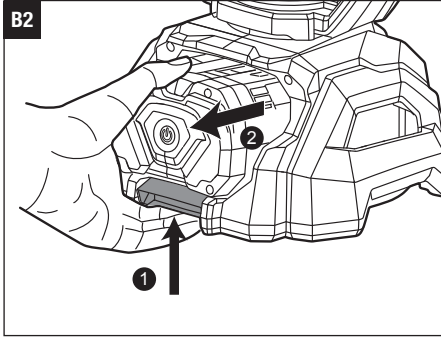
A1**A2****A3**

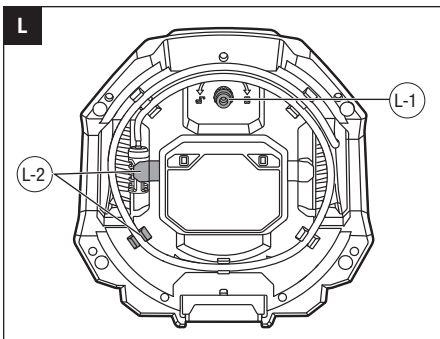
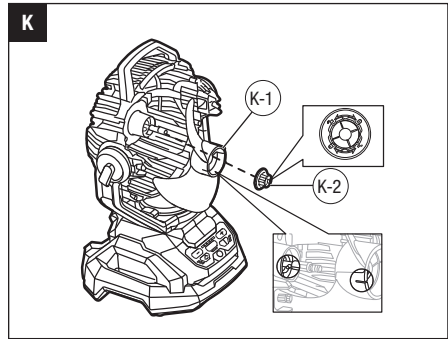
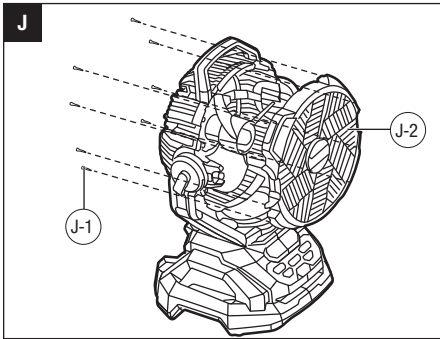
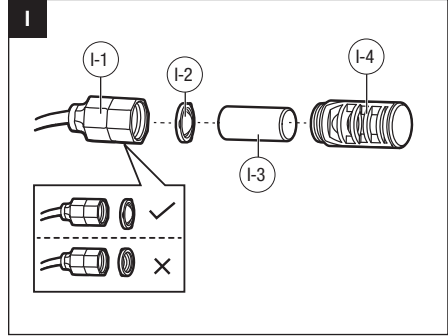
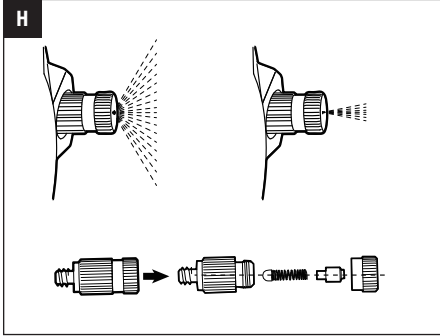
BA1400, BA2800,
BA4200, BA1400T,
BA2240T, BA2242T,
BA2800T, BA3360T,
BA4200T, BA5600T,
BA6720T



CH2100E, CH3200E,
CH5500E, CH7000E,
CH7000E-T

**B1**





READ ALL INSTRUCTIONS!

EN



READ OPERATOR'S MANUAL

⚠ WARNING: To ensure safety and reliability, all repairs should be performed by a qualified service technician.

⚠ WARNING: Be sure to read and understand all safety instructions in this Operator's Manual, including all safety alert symbols such as **"DANGER," "WARNING,"** and **"CAUTION"** before using this appliance. Failure to follow all instructions listed below may result in electric shock, fire, and/or serious personal injury.

SAVE ALL WARNINGS AND INSTRUCTIONS FOR FUTURE REFERENCE.

SAFETY SYMBOLS

⚠ WARNING: The operation of any appliances can result in foreign objects being thrown into your eyes, which can result in severe eye damage. Before beginning appliance operation, always wear safety goggles or safety glasses with side shields and a full face shield when needed. We recommend a Wide Vision Safety Mask for use over eyeglasses or standard safety glasses with side shields.



Safety Alert



To reduce the risk of injury, user must read and understand operator's manual before using this product.



Guaranteed sound power level. Noise emission to the environment according to the European community's Directive.



Bluetooth® Symbol



Waste electrical products should not be disposed of with household waste. Take to an authorized recycler.



This product is in accordance with applicable EC directives.



Direct Current



This product is in accordance with applicable UK legislation.

IPX4 Protection from splashing water

GENERAL SAFETY WARNINGS

⚠ WARNING: To reduce risk of fire, electric shock, or injury:

- **Know your misting fan. Read the instruction manual carefully. Learn the fan's applications and limitations as well as the specific potential hazards related to this fan.** Following this rule will reduce the risk of electric shock, fire or serious injury.
- This appliance can be used by children aged from 8 years and above and persons with reduced physical, sensory or mental capabilities or lack of experience and knowledge if they have been given supervision or instruction concerning use of the appliance in a safe way and understand the hazards involved.
- Children shall not play with the appliance.
- Cleaning and user maintenance shall not be made by children without supervision

WORK AREA SAFETY

- **Do not operate fan in explosive atmospheres, such as in the presence of flammable liquids, gases or dust.**
- **Keep children and bystanders away while operating an appliance.** Distractions can cause you to lose control.
- **Use caution when using in windy conditions.** Winds may carry mists into electrical wiring or devices.
- **Do not expose appliance to rain or wet conditions.** Water entering an appliance will increase the risk of electric shock.

PERSONAL SAFETY

- **Stay alert, watch what you are doing and use common sense when operating appliance. Do not use the appliance while tired, upset, or under the influence of drugs, alcohol, or medication.** A moment of inattention while operating appliance may result in serious personal injury.
- **Prevent unintentional starting. Ensure the switch is in the off-position before connecting to battery pack, picking up or carrying the appliance.** Carrying appliance with your finger on the switch or energizing appliance that have the switch on invites accidents.
- **Remove any adjusting key or wrench before turning the appliance on.** A wrench or a key left attached to a rotating part of the appliance may result in personal injury.
- **Do not overreach. Keep proper footing and balance at all times.** This enables better control of the appliance in unexpected situations.

- **Dress properly. Do not wear loose clothing or jewelry. Keep your hair and clothing away from moving parts.** Loose clothes, jewelry or long hair can be caught in moving parts.
- **Verify that all connections are secure before operating the appliance.**
- **Do not let familiarity gained from frequent use of appliances allow you to become complacent and ignore the appliance safety principles.** A careless action can cause severe injury within a fraction of a second.

USE AND CARE

- **Do not use the appliance if the switch does not turn it on and off.** Any appliance that cannot be controlled with the switch is dangerous and must be repaired.
- **Disconnect the battery pack from the appliance before making any adjustments, changing accessories, or storing appliance.** Such preventive safety measures reduce the risk of starting the appliance accidentally.
- **Store idle appliance out of the reach of children and do not allow persons unfamiliar with the appliance or these instructions to operate the appliance.** Appliances are dangerous in the hands of untrained users.
- **Maintain appliance and accessories. Check for misalignment or binding of moving parts, breakage of parts and any other condition that may affect the appliance's operation. If damaged, have the appliance repaired before use.** Many accidents are caused by poorly maintained appliance.
- **Use the appliance and accessories etc. in accordance with these instructions, taking into account the working conditions and the work to be performed.** Use of the appliance for operations different from those intended could result in a hazardous situation.
- **Keep handles and grasping surfaces dry, clean and free from oil and grease.** Slippery handles and grasping surfaces do not allow for safe handling and control of the appliance in unexpected situations.

⚠ WARNING: To reduce the risk of fire or electric shock, do not use this fan with any solid-state speed control device.

BATTERY APPLIANCE USE AND CARE

- Recharge only with the charger specified by the manufacturer. A charger that is suitable for one type of battery pack may create a risk of fire when used with another battery pack.

- Use appliance only with specifically designated battery packs. Use of any other battery packs may create a risk of injury and fire.
- **When battery pack is not in use, keep it away from other metal objects, like paper clips, coins, keys, nails, screws or other small metal objects, that can make a connection from one terminal to another.** Shorting the battery terminals together may cause burns or a fire.
- **Under abusive conditions, liquid may be ejected from the battery; avoid contact. If contact accidentally occurs, flush with water. If liquid contacts eyes, additionally seek medical help.** Liquid ejected from the battery may cause irritation or burns.
- **Do not use a battery pack or appliance that is damaged or modified.** Damaged or modified batteries may exhibit unpredictable behavior resulting in fire, explosion or risk of injury.
- **Do not expose a battery pack or appliance to fire or excessive temperature.** Exposure to fire or temperature above 130°C may cause explosion.
- **Follow all charging instructions and do not charge the battery pack or appliance outside the temperature range specified in the instructions.** Charging improperly or at temperatures outside the specified range may damage the battery and increase the risk of fire.
- **Children can fall into buckets and drown.** Keep children away from buckets with even a small amount of liquid.
- **ONLY use clean, cold water.**
- **Do not use this misting fan to spray pesticides, liquid fertilizers, chemicals, or any liquids other than clean water.** Spraying these substances could result in serious injury or illness to the operator or bystanders.
- **Never direct mist or water toward any electrical wiring or devices.**
- **Ensure that the battery compartment cover is completely closed to prevent water from contacting battery or entering battery port.**
- **Keep the appliance and its handle dry, clean and free from oil and grease. Always use a clean cloth when cleaning. Never use brake fluids, gasoline, petroleum-based products, or any strong solvents to clean your fan.** Following this rule will reduce the risk of loss of control and deterioration of the enclosure plastic.
- **Batteries can explode in the presence of a source of ignition, such as a pilot light. To reduce the risk of serious personal injury, never use any cordless product in the presence of open flame. An exploded battery can propel debris and chemicals.** If exposed, flush with water immediately.
- **Save these instructions.** Refer to them frequently and use them to instruct others who may use this fan. If you loan this fan to someone else, also loan these instructions to them to prevent misuse of the product and possible injury.

SERVICE

- **Have your appliance serviced by a qualified repair person using only identical replacement parts.** This will ensure that the safety of the appliance is maintained.
- **Never service damaged battery packs.** Service of battery packs should only be performed by the manufacturer or authorized service providers.

SAFETY INSTRUCTIONS FOR CORDLESS

MISTING FAN

- This appliance is not intended for use by persons (including children) with reduced physical, sensory or mental capabilities, or lack of experience and knowledge, unless they have been given supervision or instruction concerning use of the appliance by a person responsible for their safety.
- Children should be supervised to ensure that they do not play with the appliance.
- **Do not allow the fan to be used as a toy.** Close attention is necessary when used by or near children.

- Be aware that high humidity levels may encourage the growth of biological organisms in the environment.
- Do not permit the area around the misting fan to become damp or wet. If dampness occurs, turn the output of the misting fan down. If the misting fan output volume cannot be turned down, use the humidifier intermittently. Do not allow absorbent materials, such as carpeting, curtains, drapes, or tablecloths, to become damp.
- Never leave water in the reservoir when the appliance is not in use.
- Empty and clean the misting fan before storage. Clean the humidifier before next use.


⚠ WARNING: Micro-organisms that may be present in the water or in the environment where the appliance is used or stored, can grow in the water reservoir and be blown in the air causing very serious health risks when the water is not renewed and the tank is not cleaned properly every 3 days.

Rechargeable batteries are to be removed from the appliance before being charged.

- Exhausted batteries are to be removed from the appliance and safely disposed of.
- If the appliance is to be stored unused for a long period, the batteries should be removed.
- The supply terminals are not to be short-circuited.

SAVE THESE INSTRUCTIONS

SPECIFICATIONS

Rated Voltage	56V 
Fan Blade Diameter	25.4 cm
Fan Speed Settings	6 (including "Turbo")
Max. Air Volume	1700 CFM
Max. Air Speed	32.2 km/h
Oscillation Angle	60°, 120°, 180°
Misting Water Volume	High: 5.7 L/h
	Medium: 4.9 L/h
	Low: 2.5 L/h
Weight (without battery pack)	4.7 kg
Recommended Storage Temperature	-20°C-70°C
Bluetooth Operating Frequency Band	2402-2480 MHz
Bluetooth Maximum Transmission Power	4 dBm

- The declared vibration total value has been measured in accordance with a standard test method and may be used for comparing one appliance with another;
- The declared vibration total value may also be used in a preliminary assessment of exposure.

NOTICE: The vibration emission during actual use of the appliance can differ from the declared value in which the appliance is used; In order to protect the operator, user should wear gloves and ear protectors in the actual conditions of use.

PACKING LIST (FIG. A1)

DESCRIPTION

KNOW YOUR BLOWER (Fig. A1 & A2)

1. Control Panel (Fig. A2)
2. Oscillation Frame
3. Misting Nozzle
4. Top Handle
5. Fan Enclosure
6. Side Handle
7. Battery Compartment
8. Electric Contacts
9. Battery-release Button
10. Garden Hose Adaptor
11. Filter
12. Intake Tube
13. Air Speed Adjustment Buttons
14. TURBO Button
15. TURBO Indicator
16. Misting Indicator
17. Misting Mode Button
18. Power Button
19. Air Speed Indicator
20. Oscillating Indicator
21. Oscillating Mode Button

ASSEMBLY

⚠ WARNING: If any parts are damaged or missing, do not operate this product until the parts are replaced. Use of this product with damaged or missing parts could result in serious personal injury.

⚠ WARNING: Do not attempt to modify this product or create accessories not recommended for use with this product. Any such alteration or modification is misuse and could result in a hazardous condition leading to possible serious personal injury.

⚠ WARNING: To prevent accidental starting that could cause serious personal injury, always remove the battery pack from the machine when assembling parts.

- This product has been shipped completely assembled.
- Carefully remove the product and any accessories from the box. Make sure that all items shown in the "Packing List" are included.
- Inspect the product carefully to make sure that no breakage or damage occurred during shipping.

- Do not discard the packing material until you have carefully inspected and satisfactorily operated the product.
- If any parts are damaged or missing, please return the product to the place of purchase.

OPERATION

⚠ WARNING: Do not allow familiarity with this product to make you careless. Remember that a careless fraction of a second is sufficient to inflict serious injury.

⚠ WARNING: To prevent accidental starting that could cause serious personal injury, always remove the battery pack from the fan before servicing, making adjustments, cleaning, changing attachments or when not in use.

⚠ WARNING: Do not use any attachments or accessories not recommended by the manufacturer of this product. The use of attachments or accessories not recommended can result in serious personal injury.

Before each use, inspect the entire product for damaged, missing, or loose parts, such as screws, nuts, bolts, caps, etc. Securely tighten all fasteners and caps and do not operate this product until all missing or damaged parts are replaced.

APPLICATIONS

You may use this product for the purposes listed below:

- General ventilation in most household applications.
- Outdoor cooling while connected to a water source.

NOTICE: The product is to be used only for its prescribed purposes. Any other use is deemed to be a case of misuse.

ATTACHING/DETACHING THE BATTERY PACK

Use only with EGO's battery packs and chargers listed in Fig.A3.

NOTE: Fully charge battery pack before first use.

To Attach

Align the battery ribs with the mounting slots and press the battery pack into the battery compartment until you hear a "click" (Fig. B1).

To Detach

Depress the battery-release button and pull the battery pack out (Fig. B2).

⚠ WARNING: Always be aware for the location of your feet, children, or pets when pressing the battery-release button. Serious injury could result in if the battery pack falls. NEVER remove the battery pack at a high location.

STARTING/STOPPING THE FAN

NOTE: The initial factory setting for the air speed is level 3. The fan will save the last used air speed setting and will revert to it upon restart. Turbo setting will not be saved.

NOTE: The misting and oscillation setting will not be saved, and by default will be off every time the fan is turned on.

Control Panel (Fig. A2)

Power Button

- Press the power button briefly to turn the fan on.
- Press the power button briefly again to turn the fan off.

Air Speed Adjustment

Normal air speed

- Press the "+" air speed adjustment button to accelerate the air speed and press the "-" button to decrease the air speed. There are 5 speed levels.
- The air speed indicator displays green lights corresponding to the current speed levels.

TURBO mode

NOTE: When in "TURBO" mode, the fan will achieve maximum air speed.

- Press the "TURBO" button, the **TURBO** indicator will light up green and the fan will shift into "TURBO" mode, i.e. the highest air speed.
- When in "TURBO" mode, press "TURBO" button again, the **TURBO** indicator will turn off and the fan will resume the previously active air speed.
- When in "TURBO" mode, press "-" button, the **TURBO** indicator will turn off and the fan will shift to the air speed level 5.

OSCILLATING FUNCTION (FIG. C)

- Press the oscillating button once to start the oscillating function of the fan head, the oscillating indicator will light up the bottom green light, and the fan head will rotate 60° from side to side (from -30° to 30°).

- Press the oscillating button the second time, the oscillating indicator will light up two green lights, activating the 120° oscillating range (from -60° to 60°).
- Press the oscillating button the third time, the oscillating indicator will light up three green lights, activating the 180° oscillating range (from -90° to 90°).
- To turn the oscillating function off, press the oscillating button the fourth time.

ADJUSTING THE FAN ANGLE (FIG. D)

The fan head can be set to multiple angles from -30° to 90°. To adjust the direction of the mist/airflow, grasp the fan by the top handle and tilt the fan head forward or backward.

MISTING FUNCTION

Misting Mode Button

- Press the misting mode button once and the misting indicator will light up three green lights which indicates the heavy-flow continuous misting mode – misting a heavy flow of water without stopping.
- Press the misting mode button again and the misting indicator will light up two green lights which indicates the 'continuous' misting mode – misting all the time without stopping.
- Press the misting mode button the third time and the misting indicator will light up the bottom green light which indicates the 'intermittent' misting mode – misting for 10 seconds every 10 seconds.

NOTE: It may take a few seconds before you actually see the mist coming out of the misting nozzles the first time. This delay is due to the time it takes for water to flow from the intake tube to the nozzles.

- When the misting is in 'intermittent' misting mode, press the misting mode button again and the misting indicator lights will turn off and the misting will stop.

NOTE: When the misting operation is finished, disconnect the intake tube of the fan from the water source and run the fan in continuous misting mode until all the water clears from the tube. This helps prevent the residual water in the tube from causing unexpected misting when the fan is started again.

Using the Fan with A Water Bucket or Other Container (Not Included) (Fig. E)

⚠ WARNING: Children can fall into buckets and drown. Keep children away from buckets containing even a small amount of liquid.

NOTICE: Clean the bucket with soap and water before each use.

1. Disconnect the battery pack.
2. Place the bucket on a flat, level surface.
3. Add ONLY clean, cold water into the bucket. Do not overfill.
4. Immerse the filter end of the intake tube down into the water.

NOTICE: Do not bend the intake tube, and always make sure the water flows smoothly through the tube.

5. Install the battery pack.
6. Press the power button to turn the fan on.
7. Press the misting mode button to start misting.

Connecting the Fan to a Water Tap (Fig. F & Fig. G)

1. Unscrew the upper part of the filter in counterclockwise direction and disconnect it from the lower part (Fig. F).

F-1	Filter Lower Part
F-2	Filter Upper Part

NOTICE: Make sure the lower part is not separated into two parts during the upper part disconnection and stays together as a whole for connection to the garden hose adapter.

2. Unscrew (counterclockwise) the garden hose adapter stored at the bottom of the fan. Screw it (clockwise) into the lower part of the filter.
3. Connect the garden hose adapter to a proper garden hose with quick coupler (not provided). Attach the quick coupler to the garden hose adapter until you hear a clear click (Fig. G).

G-1	Garden Hose Adaptor
G-2	Typical Quick Coupler

NOTICE: Do not attempt to connect the garden hose adapter while it is mounted on the bottom of the fan (Fig. G1).

4. Connect the garden hose to the water line.
5. Install the battery pack.
6. Press the power button to turn the fan on.
7. Open the water tap fully, the fan will start misting.

NOTICE: The recommended maximum working pressure should not exceed 80 psi.

NOTE: Even if there is no power, the fan will start misting when the water tap is turned on.

8. Press the misting mode button to select the misting mode for better working results.

NOTE: The small opening in the garden hose adapter makes it susceptible to hard water and mineral deposit build up. Clean the adapter frequently and use white vinegar or other de-scaling agent to remove the buildup.

Using the Fan without Misting

If desired, this product may be used as a fan only, when not connected to a water source. When not in use, always coil the intake tube into its storage area (See section “TRANSPORTATION AND STORAGE” in this manual) to protect it from damage and contamination.

COMMUNICATION TECHNOLOGY

For information on our full range of connected products and services, including connection instructions, please scan QR Code below or visit www.egopowerplus.eu/connect.



ELECTRONICS PROTECTION

When the oscillating function is activated but the fan does not oscillate, the oscillating indicator will display three flashing green lights continuously to remind the operator to check whether the fan head is stuck, and remove any foreign matter that stuck on the fan head before restarting the feature.

When the misting function is activated but no water mist is coming out:

- The water pump will keep running for a short while, and then stop automatically to protect internal electronics.

- The misting indicator will display three flashing green lights continuously as an alert for the operator to:
 - a. Check if the intake tube is properly immersed into water.
 - b. Check if the misting nozzle(s) is clogged, and clean according to the “NOZZLE MAINTENANCE” chapter.
 - c. Press the misting mode selection button to restart misting.

When the battery charge is low, the power button will flash green light to remind the operator to charge or change battery pack.

When the battery pack or fan is too hot, the power button will flash red light to warn the operator to turn off the fan and allow the battery pack or misting fan to cool until the temperature drops to the recommended operating temperature range before restart the fan.

MAINTENANCE

⚠ WARNING: When servicing, use only identical replacement parts. Use of any other parts may create a hazard or cause product damage. To ensure safety and reliability, all repairs should be performed by a qualified service technician.

⚠ WARNING: To avoid serious personal injury, always remove the battery pack from the product when cleaning or performing any maintenance.

GENERAL MAINTENANCE

All misting fan service, other than the items listed in these maintenance instructions, should be performed by competent misting fan service personnel.

Avoid using solvents when cleaning plastic parts. Most plastics are susceptible to damage from various types of commercial solvents and may be damaged by their use. Use clean cloths to remove dirt, dust, oil, grease, etc.

⚠ WARNING: Do not at any time let brake fluids, petrol, petroleum-based products, penetrating oils, etc., come in contact with plastic parts. Chemicals can damage, weaken or destroy plastic which may result in serious personal injury.

⚠ WARNING: When cleaning the misting fan, DO NOT immerse it in water or other liquids.

NOZZLE MAINTENANCE (Fig. H)

⚠ WARNING: Ensure that all misting nozzle maintenance is performed properly to prevent water leaks. The leaks can result in a slippery surface creating a slip and fall hazard or cause property damage.

Irregular mist patterns or leakage may be the result of a clogged or dirty nozzle.

To clear the nozzles

1. Turn off the fan and remove the battery pack.
2. Remove the clogged misting nozzles from the front grill guard of the fan enclosure by rotating them in a counterclockwise direction.
3. Disassemble each affected nozzle into parts.
4. To remove any foreign particles clogging or restricting the nozzles, flush the nozzle parts with water. To remove scale (mineral) buildup, clean the nozzle parts with white vinegar or other de-scaling agent as necessary.
5. Reassemble the nozzles.

NOTICE: To prevent clogging, make sure that the nozzle is assembled exactly as shown in Fig. H.

6. Reattach the clean nozzles to the front grill guard.

FILTER MAINTENANCE (Fig. I)

Periodically examine the filter at the end of the intake tube to make sure that it is in good condition.

1. Turn off the fan and remove the battery pack.
2. Unscrew the upper part from the lower part of the filter.

I-1	Lower Part	I-3	Sponge Mesh
I-2	Metal Mesh	I-4	Upper Part

NOTICE: When unscrewing the upper part, make sure the lower part is not separated into two pieces. The lower part must remain assembled in order to remove the metal mesh.

3. Take out the sponge mesh from the upper part and metal mesh from the lower part.
4. Rinse the metal mesh and the sponge mesh or replace it if necessary.
5. Reassemble the filter.

NOTICE: Make sure the metal mesh is assembled with the raised rim facing outward for easy disassembly next time.

GARDEN HOSE ADAPTER MAINTENANCE

The small opening in the garden hose adapter makes it susceptible to hard water and mineral deposit build up. Clean the adapter frequently and use white vinegar or other de-scaling agent to remove the buildup.

FAN ENCLOSURE MAINTENANCE (Fig. J & Fig. K)

1. Turn off the fan and remove the battery pack.
2. Use a Phillips screwdriver (not included) to unscrew the eight screws from the back of the fan enclosure to remove the front grill guard.

J-1	Screw (x8)
J-2	Front Grill Guard

3. Hold the fan blade assembly to prevent it from rotating and turn the fan blade lock cover clockwise to release the fan blade assembly from the shaft.

K-1	Fan Blade Assembly
K-2	Lock Cover

4. Remove the fan blade assembly.
5. Clean the fan blade and the enclosure interior as necessary.
6. Reassemble them in reverse order, and make sure:

The mark on the fan blade assembly is aligned with crossbar on the shaft.

TRANSPORTATION AND STORING (Fig. L)

- Remove the battery pack.
- Clean the fan thoroughly.
- Empty the intake tube and filter.

NOTICE: Winterizing the fan is essential to protect from freezing temperatures, which can cause damage to the pump, hoses, and other components. **Always disconnect the fan's intake tube from the water source and run the fan in continuous misting mode until there is no residual water in the tube before storing the fan during the winter.**

- Secure the intake tube and filter using clips located on the bottom of the fan base.
- Screw the garden hose adapter onto threaded storage hole located on the bottom of the fan base.

L-1	Garden Hose Adaptor
L-2	Clips

- Carry the fan with the top handle or side handles when transporting it.
- Store the fan indoors, in a well-ventilated place.
- Keep away from corrosive agents such as garden chemicals and de-icing salts.

Protecting the environment

Do not dispose of electrical equipment, used battery and charger into household waste!

Take this product to an authorized recycler and make it available for separate collection. Electric tools must be returned to an environmentally compatible recycling facility.

EN TROUBLESHOOTING

PROBLEM	CAUSE	SOLUTION
The misting fan does not start.	<ul style="list-style-type: none"> ■ The battery pack is not fully inserted into the housing. ■ No electrical contact between the misting fan and battery pack. ■ The battery pack charge is depleted. ■ The battery pack or fan is too hot. 	<ul style="list-style-type: none"> ■ Check if the battery is fully inserted into the housing. ■ Remove battery pack, check contacts, and reinstall the battery pack. ■ Charge the battery pack. ■ Turn off the fan and allow the battery pack or misting fan to cool until the temperature drops to the recommended operating temperature range.
There is no water misting and the misting indicator flashes three green lights.	<ul style="list-style-type: none"> ■ The intake tube pumps no water, activating internal protection of the electric pump inside the fan. ■ The misting nozzle(s) got clogged during operation, activating the internal protection for the electric pump. 	<ul style="list-style-type: none"> ■ Check and ensure that there is enough water in the bucket and the intake tube is properly immersed into the water. ■ Clean the nozzle(s) according to the "NOZZLE MAINTENANCE" chapter and reassemble them as instructed.
The fan stops oscillating and the oscillating indicator flashes three green lights.	<ul style="list-style-type: none"> ■ The fan head is stuck during oscillating. 	<ul style="list-style-type: none"> ■ Remove any foreign matter that prevents the fan head from oscillating.

WARRANTY

EGO WARRANTY POLICY

Please visit the website egopowerplus.eu for full terms and conditions of the EGO Warranty policy.

LESEN SIE ALLE ANWEISUNGEN!



LESEN SIE DIE BETRIEBSANLEITUNG

DE

⚠️ WARNUNG: Um die Sicherheit und Zuverlässigkeit zu gewährleisten, sollten alle Reparaturen nur von qualifizierten Servicetechnikern durchgeführt werden.

⚠️ WARNUNG: Vor der Benutzung des Geräts sollten Sie alle Sicherheitshinweise in dieser Bedienungsanleitung gelesen und verstanden haben. Das gilt auch für die Warnsymbole wie „GEFAHR“, „WARNUNG“ und „VORSICHT“. Die Nichtbeachtung der aufgeführten Hinweise kann zu Stromschlägen, Bränden und/oder schweren Verletzungen führen.

BEWAHREN SIE ALLE WARNHINWEISE UND BEDIENUNGSANWEISUNGEN FÜR NACHSCHLAGEZWECKE AUF.

WARNSYMBOL

⚠️ WARNUNG: Beim Betrieb von manchen Geräten können Fremdkörper in Ihre Augen geschleudert werden, was zu schweren Augenschäden führen kann. Setzen Sie vor dem Einschalten des Geräts immer eine Schutzbrille oder eine Schutzbrille mit Seitenschutz und bei Bedarf einen vollständigen Gesichtsschutz auf. Wir empfehlen Ihnen, einen Gesichtsschutz über Ihrer eigenen Brille oder eine herkömmliche Schutzbrille mit Seitenschutz zu tragen.



Sicherheitshinweis



Um das Verletzungsrisiko zu verringern, muss der Benutzer die Bedienungsanleitung vor der Benutzung des Gerätes gelesen und verstanden haben.



Garantierter Schalleistungspegel.
Geräuschemission an die Umgebung gemäß Richtlinie der Europäischen Gemeinschaft.



Bluetooth® Symbol



Elektrische Altgeräte dürfen nicht im Hausmüll entsorgt werden. Bringen Sie die Maschine zu einem Wertstoffhof bzw. zu einer amtlichen Sammelstelle.



Dieses Produkt erfüllt die einschlägigen CE-Richtlinien.



Gleichstrom



Dieses Produkt erfüllt die einschlägigen Vorschriften in GB.

IPX4 Schutz vor Spritzwasser

ALLGEMEINE SICHERHEITSHINWEISE

DE

⚠️ WARNUNG: Um das Risiko für Feuer, Stromschläge und Verletzungen zu verringern:

- **Lernen Sie Ihren Nebelventilator kennen. Lesen Sie die Bedienungsanleitung sorgfältig durch. Befassen Sie sich mit den Anwendungen und Einschränkungen des Ventilators und seinen möglichen Gefahren.** Dadurch wird das Risiko von Stromschlag, Brand oder schweren Verletzungen verringert.
- Dieses Gerät darf von Kindern ab einem Alter von 8 Jahren sowie von Personen mit verminderten motorischen, sensorischen oder mentalen Fähigkeiten oder mit mangelnden Erfahrungen und Fachkenntnissen benutzt werden, sofern sie dabei beaufsichtigt werden, in die sichere Nutzung des Geräts eingewiesen wurden und sofern ihnen die damit verbundenen Gefahren bewusst sind.
- Kinder dürfen nicht mit dem Gerät spielen.
- Das Reinigen und Pflegen darf Kindern ohne Beaufsichtigung nicht gestattet werden

SICHERHEIT IM ARBEITSBEREICH

- **Verwenden Sie den Ventilator nicht in explosionsgefährdeter Umgebung, beispielsweise mit brennbaren Flüssigkeiten, Gasen oder Stäuben.**
- **Halten Sie Kinder und Zuschauer während des Betriebs eines Geräts fern.** Ablenkungen können dazu führen, dass Sie die Kontrolle verlieren.
- **Seien Sie vorsichtig bei Wind.** Wind kann Nebel in elektrische Leitungen oder Geräte blasen.
- **Halten Sie das Gerät von Regen oder Nässe fern.** Eindringen von Wasser in ein Elektrogerät erhöht das Risiko eines elektrischen Schlags.

PERSONENSICHERHEIT

- **Seien Sie aufmerksam, achten Sie darauf, was Sie tun, und bedienen Sie das Gerät mit Vernunft. Verwenden Sie das Gerät nicht, wenn Sie müde sind, sich unwohl fühlen oder unter dem Einfluss von Drogen, Alkohol oder Medikamenten stehen.** Ein Moment der Unachtsamkeit beim Betrieb des Geräts kann zu ernsthaften Verletzungen führen.
- **Ungewollten Anlauf verhindern. Kontrollieren Sie vor dem Anschließen eines Akkus, vor dem Aufnehmen oder Transportieren des Geräts immer, ob sich der Hauptschalter in Ausschaltposition befindet.** Wenn Sie beim Tragen des Geräts den Finger am Schalter haben oder das Gerät eingeschaltet an die

Stromversorgung anschließen, kann dies zu Unfällen führen.

- **Entfernen Sie Einstellwerkzeuge oder Schraubenschlüssel, bevor Sie das Gerät einschalten.** Ein Werkzeug oder Schlüssel, der sich in einem drehenden Geräteteil befindet, kann zu Verletzungen führen.
- **Nicht überstrecken. Achten Sie stets auf einen festen Stand und halten Sie das Gleichgewicht.** Dadurch können Sie das Gerät in unerwarteten Situationen besser kontrollieren.
- **Tragen Sie angemessene Kleidung. Tragen Sie keine weite Kleidung oder Schmuck. Halten Sie Ihr Haar und Ihre Kleidung von den beweglichen Teilen fern.** Weite Kleidung, Schmuck oder langes Haar können sich in den beweglichen Teilen verfangen.
- **Überprüfen Sie, dass alle Verbindungen sicher sind, bevor Sie das Gerät in Betrieb nehmen.**
- **Wiegen Sie sich nicht in falscher Sicherheit und setzen Sie sich nicht über die Gerätesicherheitsregeln hinweg, selbst wenn Sie nach häufigem Gebrauch mit dem Gerät vertraut sind.** Eine fahrlässige Handlung kann bereits im Bruchteil einer Sekunde zu schweren Verletzungen führen.

GEBRAUCH UND PFLEGE

- **Benutzen Sie das Gerät nicht, wenn der Schalter defekt ist.** Ein Gerät, das sich nicht mehr ein- oder ausschalten lässt, ist gefährlich und muss repariert werden.
- **Nehmen Sie den Akku vom Gerät ab, bevor Sie Einstellungen vornehmen, Zubehörteile wechseln oder das Gerät lagern.** Durch solche Vorsichtsmaßnahmen wird die Gefahr eines unbeabsichtigten Gerätestarts verringert.
- **Bewahren Sie ein nicht benutztes Gerät außer Reichweite von Kindern auf, und lassen Sie Personen, die mit dem Gerät oder dieser Anleitung nicht vertraut sind, das Gerät nicht benutzen.** Elektrogeräte sind gefährlich, wenn sie von unerfahrenen Personen benutzt werden.
- **Halten Sie das Gerät und seine Zubehörteile instand. Kontrollieren Sie, ob bewegliche Teile einwandfrei ausgerichtet sind und nicht klemmen, ob Teile gebrochen oder so beschädigt sind, dass der Gerätebetrieb beeinträchtigt ist. Lassen Sie das Gerät bei Beschädigung vor Gebrauch reparieren.** Viele Unfälle gehen auf unzureichend gewartete Geräte zurück.
- **Verwenden Sie das Gerät, dessen Zubehör**

usw. entsprechend dieser Anleitung und berücksichtigen Sie dabei die Arbeitsbedingungen und die auszuführende Tätigkeit. Der Gebrauch des Geräts für andere als die vorgesehenen Anwendungen kann zu gefährlichen Situationen führen.

- Halten Sie die Griffe und Griffflächen trocken, sauber und frei von Öl und Fett. Rutschige Griffe und Griffflächen beeinträchtigen die sichere Handhabung des Geräts und führen in unerwarteten Situationen zum Verlust der Gerätekontrolle.

⚠️ WARNUNG: Um die Brand- oder Stromschlaggefahr zu verringern, darf dieser Ventilator nicht mit statischen Drehzahlreglern verwendet werden.

VERWENDUNG UND PFLEGE VON AKKUS

- Laden Sie den Akku nur mit dem vom Hersteller vorgegebenen Ladegerät auf. Ein Ladegerät das für einen bestimmten Akkutyp geeignet ist, kann bei der Benutzung eines anderen Akkus zu einer Brandgefahr werden.
- Verwenden Sie das Gerät nur mit den eigens dafür vorgesehenen Akkus. Bei Verwendung anderer Akkus besteht Verletzungs- und Brandgefahr.
- Wenn der Akku nicht benutzt wird, halten Sie ihn von anderen metallischen Gegenständen fern, wie etwa Büroklammern, Münzen, Schlüssel, Nägel, Schrauben oder anderen kleinen Metallgegenständen, die eine Verbindung zwischen den Polen herstellen können. Das Kurzschließen der Pole kann Verbrennungen oder Brände verursachen.
- Bei unsachgemäßer Anwendung kann Flüssigkeit aus dem Akku austreten; Kontakt vermeiden. Falls Sie versehentlich mit Akkusäure in Berührung gekommen sind, spülen Sie mit Wasser. Falls Akkusäure in die Augen geraten ist, suchen Sie zudem einen Arzt auf. Aus dem Akku austretende Flüssigkeit kann Reizungen oder Verätzungen verursachen.
- Benutzen Sie keine beschädigten oder modifizierten Akkus oder Geräte. Beschädigte oder modifizierte Akkus können sich unvorhergesehen verhalten und einen Brand, eine Explosion oder eine Verletzung hervorrufen.
- Den Akku oder das Gerät vor Feuer oder extremen Temperaturen schützen. Feuer oder Temperaturen über 130 °C können eine Explosion verursachen.
- Befolgen Sie alle Ladeanweisungen. Beim Aufladen des Akkus oder Geräts dürfen die in dieser Bedienungsanleitung genannten Temperaturgrenzen nicht überschritten werden. Das unsachgemäße

Aufladen oder Laden außerhalb des angegebenen Temperaturbereichs kann den Akku beschädigen und die Brandgefahr erhöhen.

REPARATUREN

- Lassen Sie Ihr Gerät nur von qualifiziertem Fachpersonal und nur mit Original-Ersatzteilen reparieren. Damit wird gewährleistet, dass die Sicherheit des Geräts erhalten bleibt.
- Reparieren Sie unter keinen Umständen beschädigte Akkus. Akkus sollten ausschließlich vom Hersteller selbst oder einer autorisierten Reparaturwerkstatt repariert werden.

SICHERHEITSHINWEISE FÜR KABELLOSE NEBELVENTILATOREN

- Dieses Gerät ist nicht für die Benutzung durch Personen (einschließlich Kindern) mit eingeschränkten körperlichen, sensorischen oder geistigen Fähigkeiten oder Personen, denen es an Erfahrung und Fachkenntnissen mangelt, vorgesehen; es sei denn, sie werden von einer für deren Sicherheit verantwortlichen Person beaufsichtigt und in die Benutzung des Gerätes eingewiesen.
- Kinder sollten beaufsichtigt werden, um sicherzustellen, dass sie nicht mit dem Gerät spielen.
- Der Ventilator darf nicht als Spielzeug verwendet werden. Besondere Aufmerksamkeit ist erforderlich, wenn Kinder in der Nähe sind.
- Kinder können in Eimer fallen und ertrinken. Halten Sie Kinder von Eimern fern, selbst wenn diese nur wenig Flüssigkeit enthalten.
- Verwenden Sie NUR sauberes, kaltes Wasser.
- Verwenden Sie diesen Nebelventilator nicht zum Versprühen von Pestiziden, flüssigen Düngemitteln, Chemikalien oder anderen Flüssigkeiten als sauberem Wasser. Das Versprühen solcher Stoffe kann zu schweren Verletzungen oder Krankheit des Bedieners oder umstehender Personen führen.
- Nebel oder Wasser niemals auf elektrische Leitungen oder Geräte richten.
- Achten Sie darauf, dass der Deckel des Akkufachs richtig geschlossen ist, damit kein Wasser mit dem Akku in Berührung kommt oder in den Akkuanschluss eindringt.
- Halten Sie das Gerät und den Griff trocken, sauber und frei von Öl oder Fett. Verwenden Sie zum Säubern immer einen sauberen Lappen. Reinigen Sie den Ventilator auf keinen Fall mit

Bremsflüssigkeit, Benzin, Erzeugnissen auf Erdölbasis oder mit starken Lösungsmitteln. Sie laufen dadurch weniger Gefahr, die Kontrolle über das Gerät zu verlieren, und verhindern, dass das Kunststoffgehäuse angegriffen wird.

- **Akkus können in Gegenwart einer Zündquelle, wie z. B. einer Zündflamme, explodieren. In der Gegenwart offener Flammen nie schnurlose Geräte benutzen, um die Gefahr schwerer Verletzungen zu verhindern. Bei einem explodierenden Akku können Schmutz und Chemikalien umhergeschleudert werden.** Bei einer entsprechenden Gefährdung unverzüglich mit Wasser abspülen.
- **Heben Sie diese Anleitung auf.** Schlagen Sie gegebenenfalls darin nach und verwenden Sie sie, um andere in die Verwendung dieses Ventilators einzuweisen. Falls Sie diesen Ventilator anderen Personen überlassen, händigen Sie diesen auch die Anleitung aus, um unsachgemäßem Gebrauch des Geräts und Verletzungen vorzubeugen.
- Beachten Sie, dass hohe Luftfeuchtigkeit das Wachstum biologischer Organismen in der Umgebung fördern kann.
- Achten Sie darauf, dass der Bereich rund um den Nebelventilator nicht feucht oder nass wird. Wenn Feuchtigkeit auftritt, verringern Sie die Leistung des Nebelventilators. Wenn sich die Ausgabemenge des Nebelventilators nicht verringern lässt, verwenden Sie den Luftbefeuchter mit Unterbrechungen. Lassen Sie keine absorbierenden Materialien wie Teppiche, Vorhänge, Gardinen oder Tischdecken feucht werden.
- Lassen Sie niemals Wasser im Behälter, wenn das Gerät nicht verwendet wird.
- Entleeren und reinigen Sie den Nebelventilator vor der Lagerung. Reinigen Sie den Luftbefeuchter vor dem nächsten Gebrauch.

⚠️ WARNUNG: Im Wasser oder in der Umgebung des Geräts vorhandene Mikroorganismen können sich im Wasserbehälter vermehren und in die Luft geblasen werden. Sie sind eine ernste Gefahr für die Gesundheit, wenn das Wasser nicht erneuert und der Behälter nicht alle 3 Tage gründlich gereinigt wird.

Wiederaufladbare Batterien sind vor dem Aufladen aus dem Gerät zu nehmen.

- Leere Batterien müssen aus dem Gerät genommen und sicher entsorgt werden.
- Wenn das Gerät über einen längeren Zeitraum unbenutzt gelagert werden soll, müssen die Akkus herausgenommen werden.

- Die Anschlussklemmen dürfen nicht kurzgeschlossen werden.

HEBEN SIE DIESE ANLEITUNG AUF

TECHNISCHE DATEN

Nennspannung	56V 
Ventilatorblatt-Durchmesser	25,4 cm
Ventilator Drehzahl-Einstellungen	6 (einschließlich „Turbo“)
Max. Luftmenge	1700 cfm
Max. Luftgeschwindigkeit	32,2 km/h
Oszillationswinkel	60°; 120°; 180°
Nebelwasservolumen	Hoch: 5,7 l/h
	Mittel: 4,9 l/h
	Niedrig: 2,5 l/h
Gewicht (ohne Akku)	4,7 kg
Empfohlene Lagertemperatur	-20°C - 70°C
Bluetooth Frequenzband	2402 - 2480 MHz
Maximale Bluetooth-Sendeleistung	4 dBm

- Der angegebene Vibrationsgesamtwert wurde nach einem Standard-Prüfverfahren gemessen und kann zum Vergleich mit einem anderen Geräts herangezogen werden;
- Der angegebene Vibrationsgesamtwert kann auch zur vorläufigen Risikobewertung herangezogen werden.

HINWEIS: Die beim Einsatz des Geräts auftretenden Vibrationen können von dem angegebenen Wert abweichen. Zum Schutz des Bedieners sollten beim eigentlichen Einsatz des Geräts Handschuhe und ein Gehörschutz getragen werden.

PACKLISTE (ABB. A1)

BESCHREIBUNG

AUFBAU (Abb. A1 und A2)

1. Bedienfeld (Abb. A2)
2. Oszillationsrahmen
3. Nebeldüse

4. Oberer Griff
5. Ventilatorgehäuse
6. Seitengriff
7. Akkufach
8. Elektrische Kontakte
9. Akkuentriegelung
10. Gartenschlauchadapter
11. Filter
12. Ansaugschlauch
13. Einstelltasten für Luftstrom
14. TURBO-Taste
15. TURBO-Anzeige
16. Nebelanzeige
17. Nebelmodustaste
18. Hauptschalter
19. Luftstromanzeige
20. Oszillationsanzeige
21. Oszillationsmodustaste

MONTAGE

⚠️ WARNUNG: Gerät nicht in Betrieb setzen, wenn Teile schadhaft sind oder fehlen. Fehlende oder beschädigte Teile zuerst ersetzen. Die Verwendung dieses Produkts mit beschädigten oder fehlenden Teilen kann zu schweren Verletzungen führen.

⚠️ WARNUNG: Nicht versuchen, das Gerät umzubauen oder Zubehör zu produzieren, das für dieses Gerät nicht empfohlen wird. Derartige Umbauten oder Veränderungen stellen eine Zweckentfremdung dar und können zu schweren Verletzungen führen.

⚠️ WARNUNG: Um einen unbeabsichtigten Anlauf und dadurch hervorgerufene schwere Verletzungen zu verhindern, muss der Akku beim Montieren von Teilen immer zuerst von der Maschine abgenommen werden.

- Dieses Produkt wird komplett montiert geliefert.
- Nehmen Sie das Produkt und alle Zubehörteile vorsichtig aus dem Karton. Vergewissern Sie sich, dass alle in der „Packliste“ aufgeführten Teile enthalten sind.
- Prüfen Sie das Produkt sorgfältig, um sicherzustellen, dass es während des Versands zu keinen Brüchen oder Beschädigungen gekommen ist.
- Werfen Sie das Verpackungsmaterial nicht weg, bis Sie

das Produkt sorgfältig inspiziert und ausreichend lange damit gearbeitet haben.

- Wenn Teile beschädigt sind oder fehlen, dann bringen Sie das Produkt bitte zum Verkäufer zurück.

DE

BETRIEB

⚠️ WARNUNG: Auch wenn Sie sich mit dem Gerät auskennen, sollten Sie sich nicht zu einer gewissen Nachlässigkeit verleiten lassen. Denken Sie daran, dass ein kurzer Moment der Unachtsamkeit zu ernsthaften Verletzungen führen kann.

⚠️ WARNUNG: Um einen unbeabsichtigten Geräteanlauf zu vermeiden, der schwere Verletzungen verursachen kann, muss der Akku vor dem Warten, Einstellen, Reinigen, Austauschen von Aufsätzen oder bei Nichtgebrauch des Ventilators entfernt werden.

⚠️ WARNUNG: Verwenden Sie keine Anbauwerkzeuge oder Zubehörteile, die nicht vom Hersteller dieses Produkts empfohlen worden sind. Der Gebrauch von nicht empfohlenen Anbauwerkzeugen oder Zubehör kann zu schweren Verletzungen führen.

Inspizieren Sie das gesamte Produkt vor jeder Benutzung auf beschädigte, fehlende oder lockere Teile, wie z. B. Schrauben, Muttern, Stifte, Kappen usw. Alle Befestigungsmittel und Kappen festziehen und das Gerät erst betätigen, wenn alle beschädigten oder fehlenden Teile ersetzt wurden.

ANWENDUNGEN

Sie können dieses Produkt für die unten aufgeführten Zwecke einsetzen:

- Allgemeine Belüftung in den meisten Haushaltsanwendungen.
- Kühlung im Freien bei Anschluss an eine Wasserquelle.

HINWEIS: Das Gerät darf nur für den dafür vorgesehenen Zweck eingesetzt werden. Jede andere Verwendung gilt als Zweckentfremdung.

ANBRINGEN/ABNEHMEN DES AKKUS

Verwenden Sie nur die in Abb. A3 aufgeführten EGO Akkus und Ladegeräte.

ANMERKUNG: Akku vor dem ersten Gebrauch voll aufladen.

Anbringen

Lassen Sie die Stege am Akkugehäuse mit den Geräteaufnahmen fluchten und drücken Sie den Akku bis zum hörbaren Einrasten in das Akkufach (Abb. B1).

Abnehmen

Die Akku-Entriegelungstaste drücken und den Akku abnehmen (Abb. B2).

⚠ WARNUNG: Seien Sie sich stets bewusst, wo sich Ihre Füße, Kinder oder Haustiere befinden, wenn Sie den Akku-Freigabeknopf drücken. Wenn der Akku herunterfällt, kann dies zu schweren Verletzungen führen. Den Akku NIE in der Höhe abnehmen.

EIN-/AUSSCHALTEN DES VENTILATORS

ANMERKUNG: Die Werkseinstellung für den Luftstrom ist Stufe 3. Der Ventilator speichert die letzte LuftstromEinstellung und verwendet diese beim nächsten Einschalten. Die Turbo-Einstellung wird nicht gespeichert.

ANMERKUNG: Die Nebel- und Oszillationseinstellung wird nicht gespeichert und ist beim Einschalten des Ventilators standardmäßig ausgeschaltet.

Bedienfeld (Abb. A2)

Hauptschalter

- Drücken Sie kurz den Hauptschalter, um den Ventilator einzuschalten.
- Drücken Sie noch einmal kurz den Hauptschalter, um den Ventilator auszuschalten.

Einstellung des Luftstroms

Normale Luftgeschwindigkeit

- Drücken Sie die „+“ Einstelltaste für Luftstrom, um den Luftstrom zu erhöhen, und die „-“ Taste, um den Luftstrom zu verringern. Es gibt 5 Drehzahlstufen.
- Die grünen Lichter der Luftstromanzeige zeigen die eingestellte Drehzahl an.

TURBO-Modus

ANMERKUNG: Im „TURBO“-Modus erreicht der Ventilator die maximale Luftgeschwindigkeit.

- Drücken Sie die „TURBO“-Taste, die **TURBO**-Anzeige leuchtet grün und der Ventilator wechselt in den „TURBO“-Modus mit dem stärksten Luftstrom.
- Durch erneutes Drücken der „TURBO“-Taste wird der „TURBO“-Modus wieder ausgeschaltet. Die

TURBO-Anzeige erlischt und der Ventilator läuft mit der vorherigen Drehzahl weiter.

- Nach Drücken der „+“-Taste im „TURBO“-Modus erlischt die **TURBO**-Anzeige und der Ventilator läuft auf der Drehzahlstufe 5 weiter.

OSZILLATIONSFUNKTION (ABB. C)

- Drücken Sie die Oszillationstaste einmal, um die Oszillationsfunktion des Ventilatorkopfes zu starten. Das untere grüne Licht leuchtet auf der Oszillationsanzeige auf, und der Ventilatorkopf dreht sich von einer Seite zur anderen um 60° (von -30° bis 30°).
- Drücken Sie die Oszillationstaste ein zweites Mal; es leuchten nun zwei grüne Lichter auf der Oszillationsanzeige auf und der 120°-Oszillationsbereich (von -60° bis 60°) wird aktiviert.
- Drücken Sie die Oszillationstaste ein drittes Mal; es leuchten nun drei grüne Lichter auf der Oszillationsanzeige auf und der 180°-Oszillationsbereich (von -90° bis 90°) wird aktiviert.
- Um die Oszillationsfunktion auszuschalten, drücken Sie die Oszillationstaste ein viertes Mal.

NEIGUNGSWINKEL DES VENTILATORS EINSTELLEN (Abb. D)

Der Ventilatorkopf kann in verschiedenen Winkeln von -30° bis 90° eingestellt werden. Um die Richtung des Nebels/Luftstroms einzustellen, fassen Sie den Ventilator am oberen Griff an und kippen Sie den Ventilatorkopf nach vorne oder hinten.

NEBELFUNKTION

Nebelmodustaste

- Drücken Sie die Nebelmodustaste einmal; drei grüne Lichter leuchten daraufhin auf der Nebelanzeige auf und zeigen an, dass der starke Dauernebelmodus (Versprühen einer großen Wassermenge ohne Unterbrechung) aktiviert ist.
- Drücken Sie die Nebelmodustaste erneut; zwei grüne Lichter leuchten nun auf der Nebelanzeige auf und zeigen an, dass der Dauernebelmodus (Nebelerzeugung ohne Unterbrechung) aktiviert ist.
- Drücken Sie die Nebelmodustaste ein drittes Mal; das untere grüne Licht leuchtet auf der Nebelanzeige auf und zeigt den Intervall-Nebelmodus an (alle 10 Sekunden 10 Sekunden lang Nebel).

ANMERKUNG: Es kann beim ersten Mal einige Sekunden dauern, bis Nebel aus den Nebeldüsen

gesprüht wird. Diese Zeit benötigt das Wasser, um von dem Ansaugschlauch zu den Düsen zu fließen.

- Wenn Sie in dem Intervall-Nebelmodus die Nebelmodustaste erneut drücken, schaltet sich die Nebelanzeige aus, und der Nebel wird beendet.

ANMERKUNG: Wenn die Nebelerzeugung beendet ist, trennen Sie den Ansaugschlauch des Ventilators von der Wasserzufuhr und lassen Sie den Ventilator noch so lange im Nebelmodus laufen, bis der Schlauch leer ist. Dadurch wird beim erneuten Einschalten des Ventilators unerwarteter Nebel durch Restwasser im Schlauch verhindert.

Verwendung des Ventilators mit einem Wassereimer oder einem anderen Behälter (nicht im Lieferumfang enthalten) (Abb. E)

⚠️ WARNUNG: Kinder können in Eimer fallen und ertrinken. Halten Sie Kinder von Eimern fern, selbst wenn diese nur wenig Flüssigkeit enthalten.

HINWEIS: Reinigen Sie den Eimer vor jedem Gebrauch mit Wasser und Seife.

1. Nehmen Sie den Akkupack heraus.
2. Stellen Sie den Eimer auf eine ebene Fläche.
3. Geben Sie NUR sauberes, kaltes Wasser in den Eimer. Nicht überfüllen.
4. Tauchen Sie das Filterende des Ansaugschlauchs in den Wassereimer.

HINWEIS: Knicken Sie den Ansaugschlauch nicht und achten Sie immer darauf, dass das Wasser ungehindert durch den Schlauch fließt.

5. Setzen Sie den Akku ein.
6. Drücken Sie den Hauptschalter, um den Ventilator einzuschalten.
7. Drücken Sie die Nebelmodustaste einmal, um den Nebel zu aktivieren.

Anschluss des Ventilators an einen Wasserhahn (Abb. F & Abb. G)

1. Schrauben Sie den oberen Teil des Filters gegen den Uhrzeigersinn ab und trennen Sie ihn vom unteren Teil (Abb. F).

F-1	Unterer Teil des Filters
F-2	Oberer Teil des Filters

HINWEIS: Achten Sie darauf, dass der untere Teil beim Abziehen des oberen Teils nicht in zwei Teile zerlegt wird und beim Anschluss an den Gartenschlauchadapter in einem Stück bleibt.

2. Schrauben Sie den Gartenschlauchadapter (gegen den Uhrzeigersinn), der sich an der Unterseite des Ventilators befindet, ab. Schrauben Sie ihn (im Uhrzeigersinn) in den unteren Teil des Filters.
3. Schließen Sie den Gartenschlauchadapter an einen geeigneten Gartenschlauch mit Schnellkupplung an (nicht mitgeliefert). Befestigen Sie die Schnellkupplung am Gartenschlauchadapter, bis Sie ein deutliches Klicken hören (Abb. G).

G-1	Gartenschlauchadapter
G-2	Typische Schnellkupplung

HINWEIS: Versuchen Sie nicht, den Gartenschlauchadapter anzuschließen, während er an der Unterseite des Ventilators montiert ist (Abb. G1).

4. Schließen Sie den Gartenschlauch an die Wasserleitung an.
5. Setzen Sie den Akku ein.
6. Drücken Sie den Hauptschalter, um den Ventilator einzuschalten.
7. Öffnen Sie den Wasserhahn vollständig; der Ventilator beginnt nun, Nebel zu erzeugen.

HINWEIS: Der empfohlene maximale Arbeitsdruck von 80 psi sollte nicht überschritten werden.

ANMERKUNG: Selbst wenn kein Strom vorhanden ist, beginnt der Ventilator, Nebel zu erzeugen, wenn der Wasserhahn aufgedreht wird.

8. Drücken Sie die Nebelmodustaste, um den Nebelmodus für bessere Ergebnisse auszuwählen.

ANMERKUNG: Die kleine Öffnung im Gartenschlauchadapter macht ihn bei hartem Wasser anfällig für Mineralablagerungen. Reinigen Sie den Adapter regelmäßig und verwenden Sie weißen Essig oder ein anderes Entkalkungsmittel, um die Ablagerungen zu entfernen.

Verwendung des Ventilators ohne Nebelfunktion

Dieses Produkt kann auch lediglich als Ventilator verwendet werden, ohne ihn ans Wasser anzuschließen. Wickeln Sie den Ansaugschlauch bei Nichtgebrauch immer in seinem Aufbewahrungsbereich auf (siehe

Abschnitt „TRANSPORT UND LAGERUNG“ in dieser Bedienungsanleitung), um ihn vor Beschädigung und Schmutz zu schützen.

KOMMUNIKATIONSTECHNIK

Um Informationen über unser gesamtes Angebot an verbundenen Produkten und Dienstleistungen (inklusive Verbindungsanweisungen) zu erhalten, scannen Sie bitte den QR-Code unten oder besuchen Sie www.egopowerplus.eu/connect.



SCHUTZ DER ELEKTRONIK

Wenn die Oszillationsfunktion aktiviert ist, der Ventilator sich jedoch nicht hin und her bewegt, zeigt die Oszillationsanzeige drei kontinuierlich blinkende grüne Lichter an. Dies soll Sie daran erinnern zu überprüfen, ob der Ventilatorkopf fest sitzt, und eventuelle am Ventilatorkopf feststeckende Fremdkörper zu entfernen, bevor Sie die Funktion erneut starten.

Wenn die Nebelfunktion aktiviert ist, aber kein Wassernebel austritt:

- Die Wasserpumpe läuft kurz weiter und stoppt dann automatisch, um die Elektronik zu schützen.
- Die Nebelanzeige zeigt drei blinkende grüne Lichter an, um Sie auf Folgendes aufmerksam zu machen:
 - a. Überprüfen Sie, ob der Ansaugschlauch richtig ins Wasser eintaucht.
 - b. Überprüfen Sie, ob die Nebeldüse(n) verstopft ist/sind, und reinigen Sie sie, wie im Abschnitt „DÜSENREINIGUNG“ beschrieben.
 - c. Drücken Sie die Wahl taste für die Nebelbetriebsart, um die Nebelfunktion erneut zu aktivieren.

Wenn der Ladestand des Akkus niedrig ist, blinkt der Hauptschalter grün, um Sie daran zu erinnern, den Akku aufzuladen oder auszutauschen.

Wenn der Akku oder der Ventilator zu heiß ist, blinkt der Hauptschalter rot, um Sie aufzufordern, den Ventilator auszuschalten und den Akku oder den Ventilator abkühlen zu lassen, bis die Temperatur auf den empfohlenen Betriebstemperaturbereich gesunken ist, bevor Sie den Ventilator neu starten.

WARTUNG

⚠️ WARNUNG: Verwenden Sie für die Wartung nur baugleiche Ersatzteile. Die Verwendung anderer Teile kann Unfälle und Schäden am Gerät hervorrufen. Um die Sicherheit und Zuverlässigkeit zu gewährleisten, sollten alle Reparaturen nur von qualifizierten Servicetechnikern durchgeführt werden.

⚠️ WARNUNG: Um ernsthafte Personenschäden zu vermeiden, entfernen Sie immer den Akku aus dem Produkt, wenn Sie das Gerät säubern oder Wartungsarbeiten vornehmen.

ALLGEMEINE WARTUNG

Alle Wartungsarbeiten am Nebelventilator, die nicht ausdrücklich in dieser Bedienungsanleitung aufgeführt sind, sollten von autorisiertem Kundendienstpersonal durchgeführt werden.

Zum Reinigen von Kunststoffteilen Lösungsmittel vermeiden. Die verschiedenen handelsüblichen Lösungsmittel greifen die meisten Kunststoffe an. Verwenden Sie saubere Lappen zum Entfernen von Schmutz, Staub, Öl, Fett usw.

⚠️ WARNUNG: Achten Sie immer darauf, dass Bremsflüssigkeit, Benzin, Mineralöl-Erzeugnisse, Kriechöle usw. nicht mit den Kunststoffteilen in Kontakt kommen. Chemikalien können Kunststoffe angreifen, schwächen oder zerstören, was zu schweren Verletzungen führen kann.

⚠️ WARNUNG: Wenn Sie den Nebelventilator reinigen, tauchen Sie ihn NICHT in Wasser oder andere Flüssigkeiten.

DÜSENREINIGUNG (Abb. H)

⚠️ WARNUNG: Um Wasserlecks vorzubeugen, müssen die Düsen sorgfältig gereinigt werden. Auslaufendes Wasser kann zu rutschigen Oberflächen führen und damit Rutsch- und Sturzgefahr oder Sachschäden hervorrufen.

Unregelmäßige Sprühmuster oder Leckagen können auf eine verstopfte oder verschmutzte Düse zurückzuführen sein.

Düsen reinigen

1. Schalten Sie den Ventilator aus und nehmen Sie den Akkupack heraus.
2. Entfernen Sie die verstopften Nebeldüsen aus dem vorderen Schutzgitter des Ventilatorgehäuses, indem Sie sie gegen den Uhrzeigersinn drehen.

3. Zerlegen Sie die Düsen in ihre Einzelteile.
4. Zum Entfernen von Fremdkörpern, durch die die Düsen verstopft oder verengt werden, spülen Sie die Düsentteile mit Wasser. Zum Entfernen von Kalkablagerungen werden die Düsentteile je nach Bedarf mit Haushaltsessig oder einem anderen Entkalker gereinigt.
5. Setzen Sie die Düsen wieder zusammen.

HINWEIS: Um Verstopfungen zu vermeiden, ist darauf zu achten, dass die Düsen genau wie in Abb. H gezeigt zusammengesetzt werden.

6. Bringen Sie die sauberen Düsen wieder am vorderen Schutzgitter an.

FILTERREINIGUNG (Abb. I)

Überzeugen Sie sich regelmäßig vom ordnungsgemäßen Zustand des Filters am Ende des Ansaugschlauchs.

1. Schalten Sie den Ventilator aus und nehmen Sie den Akkupack heraus.
2. Schrauben Sie den oberen Teil vom unteren Teil des Filters ab.

I-1	Unterer Teil	I-3	Schwammgewebe
I-2	Metallsieb	I-4	Oberer Teil

HINWEIS: Achten Sie beim Abschrauben des oberen Teils darauf, dass der untere Teil nicht in zwei Teile zerlegt wird. Der untere Teil muss zusammengesetzt bleiben, damit Sie das Metallnetz entfernen können.

3. Nehmen Sie das Schwammnetz aus dem oberen Teil und das Metallnetz aus dem unteren Teil heraus.
4. Spülen Sie das Metallnetz und das Schwammnetz aus oder ersetzen Sie es, falls erforderlich.
5. Setzen Sie den Filter wieder zusammen.

HINWEIS: Vergewissern Sie sich, dass das Metallnetz so eingesetzt ist, dass der erhöhte Rand nach außen zeigt, damit es beim nächsten Mal leichter herausgenommen werden kann.

REINIGUNG DES GARTENSCHLAUCHADAPTERS

Die kleine Öffnung im Gartenschlauchadapter macht ihn bei hartem Wasser anfällig für Mineralablagerungen. Reinigen Sie den Adapter regelmäßig und verwenden Sie weißen Essig oder ein anderes Entkalkungsmittel, um die Ablagerungen zu entfernen.

REINIGUNG DES VENTILATORGEHÄUSES (Abb. J und Abb. K)

1. Schalten Sie den Ventilator aus und nehmen Sie den Akkupack heraus.
2. Verwenden Sie einen Kreuzschlitzschraubendreher (nicht im Lieferumfang enthalten), um die acht Schrauben auf der Rückseite des Ventilatorgehäuses zu lösen und das vordere Schutzgitter zu entfernen.

J-1	Schraube (x 8)
J-2	Vorderes Schutzgitter

3. Halten Sie die Ventilatorblatteinheit fest, um zu verhindern, dass sie sich dreht, und drehen Sie die Blattsicherungsabdeckung im Uhrzeigersinn, um die Ventilatorblatteinheit von der Antriebswelle zu lösen.

K-1	Ventilatorblatteinheit
K-2	Sicherungsmutter

4. Ziehen Sie die Ventilatorblatteinheit von der Antriebswelle ab.
5. Reinigen Sie die Ventilatorflügel und das Innere des Gehäuses nach Bedarf.
6. Setzen Sie die Teile in umgekehrter Reihenfolge wieder zusammen und achten Sie darauf, dass:

Die Markierung auf der Ventilatorblatteinheit ist mit der Querstange auf der Antriebswelle ausgerichtet.

TRANSPORT UND LAGERUNG (Abb. L)

- Entfernen Sie den Akku.
- Lüfter gründlich reinigen.
- Entleeren Sie den Ansaugschlauch und den Filter.

HINWEIS: Es ist unerlässlich, den Ventilator im Winter einzulagern, um die Pumpe, die Schläuche und andere Komponenten vor Frost zu schützen. **Trennen Sie den Ansaugschlauch des Ventilators immer von der Wasserquelle und lassen Sie den Ventilator im Dauernebelmodus laufen, bis sich kein Restwasser mehr im Schlauch befindet, bevor Sie den Ventilator über den Winter einlagern.**

- Sichern Sie den Ansaugschlauch und den Filter mit den Clips an der Unterseite des Ventilatorsockels.
- Schrauben Sie den Gartenschlauchadapter auf die Gewindebohrung an der Unterseite des Ventilatorsockels.

L-1	Gartenschlauchadapter
L-2	Clips

- Tragen Sie den Ventilator am oberen Griff oder an den seitlichen Griffen, wenn Sie ihn transportieren.
- Bewahren Sie den Ventilator drinnen an einem gut belüfteten Ort auf.
- Halten Sie sie von korrosiven Mitteln wie Gartenchemikalien und Streusalz fern.

Schutz der Umwelt



Elektrogeräte, alte Akkus und Ladegeräte dürfen nicht im Hausmüll entsorgt werden!

Das Gerät muss einer offiziellen Recycling-Sammelstelle zur getrennten Entsorgung zugeführt werden. Elektrogeräte müssen bei einem umweltfreundlichen Recycling-Betrieb abgegeben werden.

STÖRUNGSBEHEBUNG

DE

PROBLEM	URSACHE	LÖSUNG
Der Ventilator schaltet sich nicht ein.	<ul style="list-style-type: none"> ■ Der Akku ist nicht vollständig in das Gehäuse eingesetzt. ■ Es besteht kein elektrischer Kontakt zwischen Nebelventilator und Akku. ■ Der Akku ist entladen. ■ Akkupack oder Ventilator ist zu heiß. 	<ul style="list-style-type: none"> ■ Prüfen Sie, ob der Akku vollständig in das Gehäuse eingesetzt ist. ■ Nehmen Sie den Akku ab, prüfen Sie die Kontakte und schließen Sie den Akku wieder an. ■ Laden Sie den Akku auf. ■ Schalten Sie den Ventilator aus und lassen Sie den Akku oder den Nebelventilator abkühlen, bis die Temperatur auf den empfohlenen Betriebstemperaturbereich gefallen ist.
Es wird kein Nebel erzeugt und drei grüne Lichter blinken auf der Nebelanzeige.	<ul style="list-style-type: none"> ■ Der Ansaugschlauch pumpt kein Wasser, wodurch der interne Schutz der elektrischen Pumpe im Ventilator aktiviert wird. ■ Nebeldüse(n) wurde(n) während des Betriebs verstopft und die Schutzvorrichtung für die elektrische Pumpe wurde aktiviert. 	<ul style="list-style-type: none"> ■ Prüfen, dass sich genügend Wasser im Eimer befindet und der Ansaugschlauch richtig in das Wasser eintaucht. ■ Düse(n) gemäß Abschnitt „DÜSENREINIGUNG“ reinigen und wie beschrieben wieder zusammensetzen.
Der Ventilator bewegt sich nicht mehr hin und her, und drei grüne Lichter blinken auf der Oszillationsanzeige.	<ul style="list-style-type: none"> ■ Der Ventilatorkopf klemmt beim Hin- und Herschwingen. 	<ul style="list-style-type: none"> ■ Entfernen Sie alle Fremdkörper, die den Ventilatorkopf am Hin- und Herschwingen hindern.

GARANTIE

EGO-GARANTIEBEDINGUNGEN

Sämtliche EGO-Garantiebedingungen finden Sie auf der Website egopowerplus.eu.

LISEZ TOUTES LES INSTRUCTIONS !

FR

**LISEZ LE MANUEL D'UTILISATION**

⚠ AVERTISSEMENT : Pour garantir la sécurité et la fiabilité, toutes les réparations doivent être effectuées par un réparateur qualifié.

⚠ AVERTISSEMENT : Veuillez à lire et comprendre toutes les consignes de sécurité du présent mode d'emploi, y compris les symboles d'alerte de sécurité tels que « **DANGER** », « **AVERTISSEMENT** » et « **ATTENTION** », avant d'utiliser cet appareil. Le non-respect de toutes les instructions énumérées ci-dessous peut entraîner un choc électrique, un incendie et / ou de graves blessures.

CONSERVEZ TOUTES LES CONSIGNES DE SÉCURITÉ ET TOUTES LES INSTRUCTIONS POUR POUVOIR VOUS Y RÉFÉRER ULTÉRIEUREMENT.

SYMBOLES DE SÉCURITÉ

⚠ AVERTISSEMENT : L'utilisation de tout appareil peut entraîner la projection d'objets étrangers dans vos yeux, ce qui peut provoquer des lésions oculaires graves. Avant de commencer à utiliser l'appareil, portez toujours un masque de sécurité ou des lunettes de sécurité avec des protections latérales et une visière complète si nécessaire. Nous vous recommandons de porter un masque de sécurité à vision panoramique par-dessus des lunettes de vue ou des lunettes de sécurité standards avec des protections latérales.



Alerte de sécurité



Pour réduire le risque de blessures, l'utilisateur doit lire et comprendre le manuel d'utilisation avant d'utiliser ce produit.



Niveau de puissance acoustique garanti.
Émission de bruit dans l'environnement conformément à la directive CE.



Symbole Bluetooth®



Les produits électriques usagés ne doivent pas être jetés avec les ordures ménagères. Apportez-les dans un centre de recyclage agréé.



Ce produit est conforme aux directives CE applicables.



Courant continu



Cette machine est conforme à la législation britannique applicable.

IPX4 Protection contre les éclaboussures d'eau

AVERTISSEMENTS GÉNÉRAUX DE SÉCURITÉ

⚠ AVERTISSEMENT : Pour réduire les risques d'incendie, de choc électrique ou de blessures :

- **Description de votre ventilateur brumisateur. Lisez attentivement le manuel d'utilisation. Renseignez-vous sur les applications et les limites d'utilisation du ventilateur, ainsi que sur les dangers potentiels spécifiques intrinsèques à ce ventilateur.** Le respect de cette règle permet de réduire les risques de choc électrique, d'incendie et de blessures graves.
- Cet appareil peut être utilisé par des enfants âgés d'au moins 8 ans et par des personnes ayant des capacités physiques, sensorielles ou mentales réduites ou dénuées d'expérience ou de connaissance, s'ils (si elles) sont correctement surveillé(e)s ou si des instructions relatives à l'utilisation de l'appareil en toute sécurité leur ont été données et si les risques encourus ont été appréhendés.
- Les enfants ne doivent pas jouer avec l'appareil.
- Le nettoyage et l'entretien par l'utilisateur ne doivent pas être effectués par des enfants sans surveillance

SÉCURITÉ DE L'AIRE DE TRAVAIL

- **N'utilisez pas le ventilateur dans des atmosphères explosives, par exemple en présence de liquides, de gaz ou de poussières inflammables.**
- **Veillez à ce que les enfants et les autres personnes restent éloignés pendant l'utilisation d'un appareil électrique.** Un moment d'inattention peut vous faire perdre le contrôle de l'outil.
- **Soyez prudent(e) lors de l'utilisation dans des conditions de grands vents.** Les vents peuvent déplacer la brume vers des câbles ou des appareils électriques.
- **N'exposez pas l'appareil à la pluie ou à des conditions humides.** Si de l'eau pénètre dans un appareil, ceci accroît le risque de choc électrique.

SÉCURITÉ DES PERSONNES

- **Faites preuve de vigilance et de concentration sur ce que vous faites et exercez votre bon sens lors de l'utilisation d'un appareil. N'utilisez pas l'appareil en cas de fatigue ou de mauvaise humeur ni sous l'emprise d'alcool, de drogues ou de médicaments.** Un moment d'inattention pendant l'utilisation peut provoquer des blessures corporelles graves.
- **Évitez les démarrages accidentels. Vérifiez que l'interrupteur est dans la position arrêt avant de**

brancher l'outil à la batterie, de saisir l'appareil ou de le porter. Porter l'appareil avec le doigt sur l'interrupteur ou le raccorder à l'électricité alors que l'appareil est en position marche augmente le risque d'accident.

- **Retirez toutes les clés de réglage et de serrage avant de mettre l'appareil en marche.** Une clé de réglage ou de serrage laissée sur une pièce rotative de l'appareil peut provoquer des blessures corporelles.
- **N'essayez pas d'atteindre des endroits difficiles d'accès. Conservez en permanence un bon appui et un bon équilibre.** Cela permet un meilleur contrôle de l'appareil en cas de situations inattendues.
- **Portez une tenue adaptée. Ne portez pas de vêtement ample ni de bijou. Maintenez vos cheveux et vos vêtements éloignés des pièces mobiles.** Les vêtements amples, les bijoux et les cheveux longs peuvent se prendre dans les pièces mobiles.
- **Vérifiez que tous les raccords sont bien fixés avant de faire fonctionner l'appareil.**
- **Continuez à respecter les consignes de sécurité même si vous vous sentez familiarisé(e) à l'utilisation de l'appareil.** La négligence peut provoquer de graves blessures en une fraction de seconde.

UTILISATION ET ENTRETIEN

- **N'utilisez pas l'appareil si son interrupteur marche/arrêt ne permet pas de l'allumer et de l'éteindre.** Tout appareil qui ne peut pas être contrôlé avec son interrupteur marche/arrêt est dangereux et doit être réparé.
- **Déconnectez la batterie de l'appareil avant d'effectuer un réglage, de changer un accessoire ou de ranger l'appareil.** Cette mesure de sécurité préventive permet de réduire le risque de démarrage accidentel de l'appareil.
- **Conservez l'appareil à l'arrêt hors de portée des enfants et ne laissez pas des personnes non familiarisées avec l'appareil ou ces consignes utiliser l'appareil.** Les appareils électriques sont dangereux dans les mains de personnes inexpérimentées.
- **Entretenez l'appareil et les accessoires. Contrôlez le ventilateur pour vérifier qu'aucune pièce mobile n'est grippée ou mal alignée, qu'aucune pièce n'est cassée et pour repérer tout autre problème qui pourrait affecter son fonctionnement. S'il est endommagé, faites réparer l'appareil avant de l'utiliser.** De nombreux accidents sont dus à des appareils mal entretenus.

FR

- **Utilisez l'appareil, ses accessoires et toutes les autres pièces conformément aux présentes consignes, en prenant en compte les conditions d'utilisation et le travail à effectuer.** L'utilisation de l'appareil à d'autres finalités que celles pour lesquelles il a été conçu peut engendrer des situations dangereuses.
- **Maintenez les poignées et surfaces de préhension propres, sèches et exemptes d'huile et de graisse.** Des poignées et surfaces de préhension glissantes ne permettent pas de tenir et de contrôler l'appareil de manière sûre en cas de situations inattendues.

⚠ AVERTISSEMENT : Pour réduire le risque d'incendie ou de choc électrique, n'utilisez pas ce ventilateur avec un régulateur de vitesse à semi-conducteur.

UTILISATION ET ENTRETIEN DE LA BATTERIE DE L'APPAREIL

- Rechargez la batterie exclusivement avec le chargeur spécifié par le fabricant. Un chargeur adapté à un type de batterie en particulier peut présenter un risque d'incendie s'il est utilisé avec un type de batterie différent.
- Utilisez l'appareil uniquement avec la batterie indiquée. L'utilisation de toute autre batterie peut engendrer un risque de blessures et d'incendie.
- **Lorsque la batterie n'est pas utilisée, elle doit être rangée à l'écart de tout objet métallique, tel que les trombones, pièces de monnaie, clés, clous, vis et tous les autres petits objets métalliques pouvant mettre en contact ses bornes.** Mettre en court-circuit les bornes de la batterie peut provoquer des brûlures et un incendie.
- **Si la batterie est soumise à des conditions d'utilisation excessives, du liquide peut s'en échapper. Évitez tout contact avec ce liquide.** En cas de contact accidentel, rincez à grande eau. En cas de contact avec les yeux, vous devez en outre consulter un médecin. Le liquide qui s'échappe de la batterie peut provoquer des irritations et des brûlures.
- **N'utilisez pas une batterie ou un appareil endommagé ou modifié.** Les batteries modifiées ou endommagées peuvent avoir un comportement imprévisible susceptible de provoquer un incendie, une explosion ou un risque de blessure.
- **N'exposez pas la batterie ou l'appareil à des flammes ou à une température excessive.** L'exposition au feu ou à des températures supérieures à 130 °C peut provoquer une explosion.

- **Respectez toutes les consignes de recharge et ne rechargez pas la batterie ou l'appareil hors de la plage de température spécifiée dans le mode d'emploi.** La recharge incorrecte ou à des températures hors de la plage spécifiée peut endommager la batterie et accroître le risque d'incendie.

RÉPARATION

- **Faites réparer votre appareil par un professionnel qui n'utilisera que des pièces de rechange identiques.** Ceci permet de garantir la sûreté de l'appareil.
- **Ne réparez jamais les batteries endommagées.** La réparation des batteries doit toujours être effectuée par le fabricant ou des réparateurs agréés.

CONSIGNES DE SÉCURITÉ POUR LE VENTILATEUR BRUMISATEUR SANS FIL

- Cet appareil n'est pas conçu pour être utilisé par des personnes (y compris les enfants) dont les capacités physiques, sensorielles ou mentales sont réduites, ou des personnes dénuées d'expérience ou de connaissance, sauf si elles ont pu bénéficier, par l'intermédiaire d'une personne responsable de leur sécurité, d'une surveillance ou d'instructions préalables concernant l'utilisation de l'appareil.
- Il convient de surveiller les enfants pour s'assurer qu'ils ne jouent pas avec l'appareil.
- **Le ventilateur ne doit jamais être utilisé comme un jouet.** Une supervision étroite est nécessaire quand l'outil est utilisé par ou à proximité d'enfants.
- **Les enfants peuvent tomber dans un seau et s'y noyer.** Tenez les enfants éloignés des seaux contenant ne serait-ce qu'une petite quantité de liquide.
- **Utilisez UNIQUEMENT de l'eau propre et froide.**
- **N'utilisez pas ce ventilateur brumisateuse pour pulvériser des pesticides, des engrais liquides, des produits chimiques ou tout liquide autre que de l'eau propre.** Répandre ces substances peut provoquer des blessures graves chez l'opérateur et les passants.
- **Ne dirigez jamais la brume ou l'eau vers des câbles ou des appareils électriques.**
- **Assurez-vous que le couvercle du compartiment de la batterie est complètement fermé pour éviter que l'eau n'entre en contact avec la batterie ou ne pénètre dans son port.**
- **Veillez à ce que l'appareil et sa poignée restent**

propres, secs et exempts d'huile et de graisse. Utilisez toujours un chiffon propre pour nettoyer l'appareil. N'utilisez jamais de liquide de frein, d'essence, de produit à base de pétrole ni de solvant agressif pour nettoyer votre ventilateur. Le respect de cette règle permet de réduire le risque de perte de contrôle et de détérioration du plastique du boîtier.

- **Les batteries peuvent exploser en présence d'une source d'embrasement, par exemple une flamme pilote. Pour réduire le risque de blessure corporelle grave, n'utilisez jamais aucun produit sans fil en présence d'une flamme nue. Une batterie qui explose peut projeter des débris et des substances chimiques.** En cas d'exposition, rincez immédiatement à grande eau.
- **Conservez ce manuel d'utilisation.** Consultez-le fréquemment et servez-vous-en pour informer les autres personnes souhaitant utiliser ce ventilateur. Si vous prêtez cet appareil à un tiers, prêtez-lui également ce manuel pour éviter une utilisation incorrecte du produit et le risque de blessures potentielles.
- Ayez conscience qu'un taux d'humidité élevé peut favoriser la croissance d'organismes biologiques dans l'environnement.
- Ne laissez pas la zone autour du ventilateur brumisateuseur devenir humide ou mouillée. En cas d'humidité, réduisez la puissance du ventilateur brumisateuseur. Si la puissance du ventilateur brumisateuseur ne peut pas être réduite, utilisez l'humidificateuseur par intermittence. Ne laissez pas les matériaux absorbants, tels que la moquette, les rideaux, les draperies ou les nappes, devenir humides.
- Ne laissez jamais d'eau dans le réservoir lorsque l'appareil n'est pas utilisé.
- Videz et nettoyez le ventilateur brumisateuseur avant de le ranger. Nettoyez l'humidificateuseur avant la prochaine utilisation.

⚠ AVERTISSEMENT : Les micro-organismes qui peuvent être présents dans l'eau ou dans l'environnement où l'appareil est utilisé ou stocké, peuvent se développer dans le réservoir d'eau et être projetés dans l'air entraînant des risques très graves pour la santé lorsque l'eau n'est pas renouvelée et que le réservoir n'est pas correctement nettoyé tous les 3 jours.

Les batteries rechargeables doivent être retirées de l'appareil avant d'être chargées.

- Les piles épuisées doivent être retirées de l'appareil et éliminées en toute sécurité.
- Si l'appareil doit être stocké pendant une période prolongée, retirez-en la batterie.
- Les bornes d'alimentation ne doivent pas être mises en court-circuit.

FR

CONSERVEZ CES INSTRUCTIONS

SPÉCIFICATIONS

Tension nominale	56V
Diamètre de pale de ventilateur	25,4 cm
Réglages de la vitesse du ventilateur	6 (dont "Turbo")
Max. Volume d'air	1700 CFM
Max. Vitesse de l'air	32,2 km/h
Angle d'oscillation	60°, 120°, 180°
Volume d'eau de brumisation	Haut : 5,7 L/h
	Moyen : 4,9 L/h
	Basse : 2,5 L/h
Poids (sans batterie)	4,7 kg
Température de stockage recommandée	-20 °C - 70 °C
Bande de fréquence de fonctionnement Bluetooth	2402-2480 MHz
Puissance de transmission Bluetooth maximale	4 dBm

- La valeur totale des vibrations indiquée a été mesurée selon une procédure conforme à une méthode de test standardisée et peut servir pour comparer différents appareils;
- La valeur totale des vibrations déclarée peut également servir pour effectuer une évaluation préliminaire de l'exposition.

REMARQUE : Le niveau de vibrations lors de l'utilisation réelle de l'appareil peut être différent de la valeur déclarée totale en fonction de la manière dont l'appareil est utilisé ; pour se protéger, l'utilisateur doit porter des gants et des protections auditives en conditions réelles d'utilisation.

CONTENU DE L'EMBALLAGE (FIG. A1)

FR

DESCRIPTION

DESCRIPTION DE VOTRE SOUFFLEUR (Images A1 et A2)

1. Panneau de commande (Fig. A2)
2. Cadre d'oscillation
3. Buse de brumisation
4. Poignée supérieure
5. Boîtier de ventilateur
6. Poignée latérale
7. Compartiment de la batterie
8. Contacts électriques
9. Bouton de déblocage de la batterie
10. Adaptateur de tuyau d'arrosage
11. Filtre
12. Tube d'admission
13. Boutons de réglage de la vitesse de l'air
14. Bouton TURBO
15. Témoin TURBO
16. Indicateur de brumisation
17. Bouton de mode de brumisation
18. Bouton de mise en marche
19. Indicateur de vitesse de l'air
20. Indicateur d'oscillation
21. Bouton du mode d'oscillation

ASSEMBLAGE

⚠ AVERTISSEMENT : Si une ou plusieurs pièces sont manquantes ou endommagées, n'utilisez pas cet outil tant que toutes les pièces n'ont pas été remplacées. Utilisez cet outil avec des pièces endommagées ou manquantes peut provoquer des blessures corporelles graves.

⚠ AVERTISSEMENT : N'essayez pas de modifier ce produit ni de créer des accessoires non recommandés pour être utilisés avec ce produit. De tels modifications et changements constituent un usage impropre et peuvent engendrer des situations dangereuses pouvant conduire à des blessures corporelles graves.

⚠ AVERTISSEMENT : Pour éviter un démarrage accidentel pouvant provoquer des blessures graves, retirez toujours la batterie de la machine avant

d'assembler des pièces.

- Ce produit a été expédié intégralement assemblé.
- Sortez précautionneusement l'outil et ses accessoires de l'emballage. Vérifiez qu'il ne manque aucune des pièces listées dans le «Contenu de l'emballage».
- Inspectez la machine soigneusement pour vérifier qu'aucun bris ou dommage ne s'est produit au cours de l'expédition.
- Ne jetez pas les éléments d'emballage tant que vous n'avez pas soigneusement inspecté le produit et que vous ne l'avez pas utilisé de manière satisfaisante.
- Si une pièce est endommagée ou manquante, retournez le produit à son lieu d'achat.

FONCTIONNEMENT

⚠ AVERTISSEMENT : Veillez à ne pas devenir moins prudent(e) au fur et à mesure que vous vous familiarisez avec cet outil. Gardez à l'esprit qu'une fraction de seconde d'inattention peut suffire pour provoquer des blessures graves.

⚠ AVERTISSEMENT : Afin d'éviter tout démarrage accidentel pouvant entraîner de graves blessures, retirez toujours la batterie du ventilateur avant de procéder à l'entretien, aux réglages, au nettoyage, au changement d'accessoires ou avant de laisser l'appareil inutilisé.

⚠ AVERTISSEMENT : N'utilisez aucun accessoire ou pièce non recommandé par le fabricant de ce produit. L'utilisation d'accessoires ou de pièces non recommandés peut provoquer des blessures corporelles graves.

Avant chaque utilisation, inspectez le produit complet à la recherche de pièces endommagées, manquantes ou desserrées telles que des vis, écrous, boulons, capuchons, etc. Serrez fermement toutes les fixations et capuchons et ne faites pas fonctionner ce produit tant que toutes les pièces manquantes ou endommagées n'ont pas été remplacées.

APPLICATIONS

Vous pouvez utiliser cet outil pour les usages listés ci-dessous :

- Ventilation générale dans la plupart des applications domestiques.
- Ventilation extérieure reliée à une source d'eau.

REMARQUE : Le produit ne doit être utilisé qu'à la finalité pour laquelle il a été conçu. Toute autre utilisation

est considérée comme inappropriée.

INSERTION / RETRAIT DE LA BATTERIE

Utilisez exclusivement les batteries et les chargeurs EGO listés sur la Fig. A3.

REMARQUE : Rechargez la batterie au maximum avant de l'utiliser pour la première fois.

Insertion

Alignez les nervures de la batterie avec les fentes de montage et enfoncez la batterie dans le compartiment jusqu'à entendre un dé clic (Fig. B1).

Retrait

Appuyez sur le bouton de déblocage de la batterie et retirez la batterie (Fig. B2).

⚠ AVERTISSEMENT : Soyez toujours conscient de la position de vos pieds, des enfants et des animaux quand vous appuyez sur les boutons de déverrouillage de la batterie. Risque de blessures graves en cas de chute de la batterie. Ne retirez JAMAIS la batterie depuis une hauteur.

DÉMARRAGE/ARRÊT DU VENTILATEUR

REMARQUE : Le réglage par défaut de la vitesse de l'air est le niveau 3. Le ventilateur enregistre le dernier réglage de vitesse d'air utilisé et y revient au redémarrage. Le réglage du turbo ne sera pas sauvegardé.

REMARQUE : Les réglages de la brumisation et de l'oscillation ne seront pas sauvegardés et, par défaut, ils seront désactivés à chaque démarrage du ventilateur.

Panneau de commande (Fig. A2)

Bouton de mise en marche

- Appuyez brièvement sur le bouton marche/arrêt pour allumer le ventilateur.
- Appuyez à nouveau brièvement sur le bouton marche/arrêt pour éteindre le ventilateur.

Réglage de la vitesse de l'air

Vitesse normale de l'air

- Appuyez sur le bouton de réglage de vitesse « + » pour accélérer la vitesse de l'air et appuyez sur le bouton « - » pour la diminuer. Il existe 5 niveaux de vitesse.
- L'indicateur de vitesse de l'air affiche des voyants verts correspondant à la vitesse actuelle.

Mode TURBO

REMARQUE : En mode « TURBO », le ventilateur atteint sa vitesse d'air maximale.

- Appuyez sur le bouton « TURBO », l'indicateur TURBO s'allume en vert et le ventilateur passe en mode « TURBO », c'est-à-dire à la vitesse d'air la plus élevée.
- En mode « TURBO », réappuyez sur le bouton « TURBO », l'indicateur TURBO s'éteint et le ventilateur reprend sa vitesse précédente.
- En mode « TURBO », appuyez sur le bouton « - », l'indicateur TURBO s'éteint et le ventilateur passe à la vitesse 5.

FONCTION D'OSCILLATION (FIG. C)

- Appuyez une fois sur le bouton d'oscillation pour démarrer la fonction d'oscillation de la tête du ventilateur, l'indicateur d'oscillation allume le voyant vert du bas et la tête du ventilateur tournera de 60° d'un côté à l'autre (de -30° à 30°).
- Appuyez une deuxième fois sur le bouton d'oscillation, l'indicateur d'oscillation allume deux voyants verts, indiquant l'activation de la plage d'oscillation de 120° (de -60° à 60°).
- Appuyez une troisième fois sur le bouton d'oscillation, l'indicateur d'oscillation allume trois voyants verts, indiquant l'activation de la plage d'oscillation de 180° (de -90° à 90°).
- Pour désactiver la fonction d'oscillation, appuyez une quatrième fois sur le bouton d'oscillation.

RÉGLAGE DE L'ANGLE DU VENTILATEUR (FIG. D)

La tête du ventilateur peut être réglée sur plusieurs angles de -30° à 90°. Pour régler la direction de la brume ou du flux d'air, saisissez le ventilateur par la poignée supérieure et inclinez la tête du ventilateur vers l'avant ou vers l'arrière.

FONCTION BRUMISATION

Bouton de mode de brumisation

- Appuyez une fois sur le bouton du mode de brumisation, l'indicateur de brumisation allume trois voyants verts, qui indiquent le mode de brumisation continue à fort débit : brumisation d'un fort débit d'eau continu.
- Appuyez encore sur le bouton de mode de brumisation et l'indicateur de brumisation affiche deux voyants verts, c'est le mode de brumisation « continu », c'est-à-dire une brumisation permanente sans interruption.
- Appuyez une troisième fois sur le bouton du mode

FR

de brumisation, l'indicateur de brumisation allume le voyant vert du bas, qui indique le mode de brumisation « intermittent » - brumisation pendant 10 secondes toutes les 10 secondes.

FR

REMARQUE : Quelques secondes peuvent s'écouler avant que de la brume ne sorte des buses de brumisation la première fois. Ce délai est dû au temps nécessaire à l'eau pour parvenir aux buses depuis le tube d'admission.

- Lorsque la brumisation est en mode intermittent, réappuyez sur le bouton du mode de brumisation, les voyants de brumisation s'éteignent et la brumisation s'arrête.

REMARQUE : Une fois la brumisation terminée, débranchez le tube d'admission du ventilateur de la source d'arrivée d'eau et faites fonctionner le ventilateur en mode de brumisation continue jusqu'à ce que toute l'eau soit évacuée du tube. Ceci permet d'éviter que l'eau résiduelle dans le tube ne provoque une brume inattendue lorsque le ventilateur est remis en marche.

Utilisation du ventilateur avec un seau d'eau ou un autre récipient (non inclus) (Fig. E)

⚠ AVERTISSEMENT : Les enfants peuvent tomber dans un seau et s'y noyer. Tenez les enfants éloignés des seaux contenant même une petite quantité de liquide.

REMARQUE : Nettoyez le seau avec de l'eau et du savon avant chaque utilisation.

1. Déconnectez la batterie.
2. Placez le seau sur une surface plane et horizontale.
3. Ajoutez UNIQUEMENT de l'eau propre et froide dans le seau. Ne remplissez pas le seau à ras bord.
4. Plongez l'extrémité filtrante du tube d'admission dans l'eau.

REMARQUE : Ne pliez pas le tube d'admission et assurez-vous toujours que l'eau s'écoule sans problème dans le tube.

5. Installez la batterie.
6. Appuyez sur le bouton marche/arrêt pour mettre le ventilateur en marche.
7. Appuyez sur le bouton du mode de brumisation pour démarrer la brumisation.

Raccordement du ventilateur à un robinet d'eau (Fig. F et Fig. G)

1. Dévissez la partie supérieure du filtre dans le sens inverse des aiguilles d'une montre et détachez-la de

la partie inférieure (Fig. F).

F-1	Partie inférieure du filtre
F-2	Partie supérieure du filtre

REMARQUE : Assurez-vous que la partie inférieure n'est pas séparée en deux parties lors de la déconnexion de la partie supérieure et reste dans son ensemble pour le raccordement à l'adaptateur de tuyau d'arrosage.

2. Dévissez (dans le sens inverse des aiguilles d'une montre) l'adaptateur de tuyau d'arrosage rangé au bas du ventilateur. Vissez-la (dans le sens des aiguilles d'une montre) dans la partie inférieure du filtre.
3. Raccordez l'adaptateur de tuyau d'arrosage à un tuyau d'arrosage approprié avec un raccord rapide (non fourni). Fixez le raccord rapide à l'adaptateur de tuyau d'arrosage jusqu'à entendre un déclic clairement audible (Fig. G).

G-1	Adaptateur de tuyau d'arrosage
G-2	Coupleur rapide typique

REMARQUE : N'essayez pas de raccorder l'adaptateur de tuyau d'arrosage lorsqu'il est monté sur le bas du ventilateur (Fig. G1).

4. Raccordez le tuyau d'arrosage à la conduite d'eau.
5. Installez la batterie.
6. Appuyez sur le bouton marche/arrêt pour mettre le ventilateur en marche.
7. Ouvrez à fond le robinet d'eau, le ventilateur commencera à brumiser.

REMARQUE : La pression de travail maximale recommandée ne doit pas dépasser 80 psi.

REMARQUE : Même hors tension, le ventilateur commencera à brumiser lorsque le robinet d'eau sera ouvert.

8. Appuyez sur le bouton du mode de brumisation pour sélectionner ce mode pour de meilleurs résultats de travail.

REMARQUE : La petite ouverture dans l'adaptateur de tuyau d'arrosage le rend vulnérable aux eaux dures et à l'accumulation de dépôts minéraux. Nettoyez fréquemment l'adaptateur et utilisez du vinaigre blanc ou un autre agent détartrant pour éliminer les dépôts.

Utilisation du ventilateur sans brumisation

Si vous le souhaitez, ce produit peut être utilisé comme un ventilateur uniquement, lorsqu'il n'est pas relié à une source d'eau. Quand vous avez fini de l'utiliser, enrroulez toujours le tube d'admission dans son espace de rangement (voir la section « **TRANSPORT ET RANGEMENT** » du présent mode d'emploi) pour le protéger des dommages et de la contamination.

TECHNOLOGIE DE COMMUNICATION

Pour plus d'informations sur notre gamme complète de produits et services connectés, y compris les instructions de connexion, veuillez scanner le code QR ci-dessous ou consultez

www.egopowerplus.eu/connect.



PROTECTION DES ÉLÉMENTS ÉLECTRONIQUES

Si la fonction d'oscillation est activée et si le ventilateur n'oscille pas, l'indicateur d'oscillation affiche trois voyants verts clignotant en continu pour vous rappeler de vérifier si la tête du ventilateur est bloquée et d'enlever les éventuels corps étranger collés sur la tête du ventilateur avant de redémarrer la fonction.

Lorsque la fonction de brumisation est activée mais qu'aucune brume n'est produite :

- La pompe à eau continue de fonctionner pendant un court instant, puis s'arrête automatiquement pour protéger l'électronique interne.
- Les trois voyants verts de l'indicateur de brumisation clignotent en continu pour vous alerter qu'il faut :
 - a. Vérifier si le tube d'admission est correctement immergé dans l'eau.
 - b. Vérifier qu'aucune buse de brumisation n'est bouchée, sinon nettoyez-la comme indiqué au chapitre « **ENTRETIEN DES BUSES** ».
 - c. Appuyez sur le bouton de sélection du mode de brumisation pour relancer la brumisation.

Lorsque la batterie est bientôt épuisée, le bouton marche/arrêt clignote en vert pour vous rappeler de charger ou de changer la batterie.

Lorsque la batterie ou le ventilateur chauffe trop, le bouton marche/arrêt clignote en rouge pour vous avertir d'éteindre le ventilateur et de laisser la

batterie ou le ventilateur refroidir jusqu'à ce que la température descende dans la plage de température de fonctionnement recommandée avant de redémarrer le ventilateur.

ENTRETIEN

⚠ AVERTISSEMENT : La machine ne doit être réparée qu'avec des pièces de rechange identiques. L'utilisation de toute autre pièce peut présenter un danger ou détériorer le produit. Pour garantir la sécurité et la fiabilité, toutes les réparations doivent être effectuées par un réparateur qualifié.

⚠ AVERTISSEMENT : Pour vous prémunir contre des blessures corporelles graves, retirez toujours la batterie de l'outil avant toute opération de nettoyage ou d'entretien.

ENTRETIEN GÉNÉRAL

Tous les travaux d'entretien sur le ventilateur brumisateur, autres que ceux énumérés dans les présentes consignes d'entretien, doivent être réalisés par des professionnels.

N'utilisez pas de solvant pour nettoyer les pièces en plastique. La plupart des plastiques peuvent être détériorés par de nombreux types de solvants vendus dans le commerce. Utilisez des chiffons propres pour enlever les saletés, les poussières, l'huile, la graisse, etc.

⚠ AVERTISSEMENT : Veillez à ce que les pièces en plastique de l'outil n'entrent jamais en contact avec du liquide de frein, de l'essence, des produits à base de pétrole, du dégrissant, etc. Les produits chimiques peuvent endommager, fragiliser ou détruire les pièces en plastique, ce qui peut provoquer des blessures corporelles graves.

⚠ AVERTISSEMENT : Lors du nettoyage du ventilateur brumisateur, NE L'IMMERGEZ PAS dans de l'eau ni dans aucun autre liquide.

ENTRETIEN DES BUSES (Fig. H)

⚠ AVERTISSEMENT : Veillez à ce que l'entretien des buses de brumisation soit effectué correctement pour éviter les fuites d'eau. Ces fuites peuvent rendre la surface glissante et créer un risque de glissade et de chute ou causer des dommages matériels.

Des motifs de brouillard irréguliers ou des fuites peuvent être la conséquence d'une buse obstruée ou sale.

Pour déboucher les buses

1. Éteignez le ventilateur et retirez la batterie.
2. Enlevez les buses de brumisation obstruées de la grille de protection avant du boîtier du ventilateur en les faisant tourner dans le sens inverse des aiguilles d'une montre.
3. Démontez chaque buse concernée en pièces détachées.
4. Pour éliminer la saleté qui obstrue les buses, rincez les différentes pièces des buses avec de l'eau. Pour éliminer l'accumulation de tartre, nettoyez les pièces de la buse avec du vinaigre blanc ou un autre produit détartrant si nécessaire.
5. Remontez les buses.

REMARQUE : Afin d'éviter toute obstruction, veillez à ce que la buse soit assemblée exactement comme indiqué sur la figure H.

6. Refixez les buses propres sur la grille de protection avant.

ENTRETIEN DU FILTRE (Fig. I)

Examinez régulièrement le filtre à l'extrémité du tube d'admission pour vous assurer qu'il est en bon état.

1. Éteignez le ventilateur et retirez la batterie.
2. Dévissez la partie supérieure de la partie inférieure du filtre.

I-1	Partie inférieure	I-3	Maillage
I-2	Treillis métallique	I-4	Partie supérieure

REMARQUE : Lors du dévissage de la partie supérieure, veillez à ce que la partie inférieure ne soit pas séparée en deux parties. La partie inférieure doit rester assemblée afin de permettre le retrait du treillis métallique.

3. Retirez le maillage de la partie supérieure et la maille métallique de la partie inférieure.
4. Rincez le treillis métallique et le maillage ou remplacez-les si nécessaire.
5. Remontez le filtre.

REMARQUE : Assurez-vous que le treillis métallique est assemblé avec le bord surélevé orienté vers l'extérieur pour faciliter le démontage la fois d'après.

ENTRETIEN DE L'ADAPTATEUR DE TUYAU D'ARROSAGE

La petite ouverture dans l'adaptateur du tuyau d'arrosage

le rend vulnérable aux eaux dures et à l'accumulation de dépôts minéraux. Nettoyez fréquemment l'adaptateur et utilisez du vinaigre blanc ou un autre agent détartrant pour éliminer les dépôts.

ENTRETIEN DU BOÎTIER DU VENTILATEUR (Fig. J & Fig. K)

1. Éteignez le ventilateur et retirez la batterie.
2. Utilisez un tournevis cruciforme (non inclus) pour dévisser les huit vis à l'arrière du boîtier du ventilateur afin de retirer la grille de protection avant.

J-1	Vis (x8)
J-2	Grille de protection avant

3. Maintenez le bloc des pales du ventilateur pour l'empêcher de tourner et tournez le couvercle de verrouillage des pales du ventilateur dans le sens des aiguilles d'une montre pour libérer le bloc de l'arbre.

K-1	Bloc des pales du ventilateur
K-2	Couvercle de blocage

4. Retirez le bloc des pales du ventilateur.
5. Nettoyez la pale du ventilateur et l'intérieur du boîtier le cas échéant.
6. Remontez-les dans l'ordre inverse et assurez-vous que :

La marque sur le bloc des pales du ventilateur est alignée avec la barre transversale sur l'arbre.

TRANSPORT ET RANGEMENT (Fig. L)

- Retirez la batterie.
- Nettoyez soigneusement le ventilateur.
- Videz le tube d'admission et le filtre.

REMARQUE : L'hivernage du ventilateur est essentiel pour le protéger des températures négatives qui peuvent endommager la pompe, les tuyaux et d'autres composants. **Débranchez toujours le tube d'admission du ventilateur de la source d'arrivée d'eau et faites fonctionner le ventilateur en mode de brumisation continue jusqu'à ce qu'il n'y ait plus d'eau résiduelle dans le tube avant de ranger le ventilateur pour l'hiver.**

- Fixez le tube d'admission et le filtre à l'aide des clips situés sous la base du ventilateur.
- Vissez l'adaptateur de tuyau d'arrosage sur le trou de rangement fileté situé au bas de la base du ventilateur.

L-1	Adaptateur de tuyau d'arrosage
L-2	Attaches

- Transportez le ventilateur en le tenant par la poignée supérieure ou les poignées latérales lors du transport.
- Rangez le ventilateur à l'intérieur, dans un endroit bien aéré.
- Veillez à ce qu'il reste à l'écart de produits corrosifs, par exemple les produits chimiques de jardinage et les sels de déverglacement.

Protection de l'environnement

Ne jetez pas les équipements électriques, les batteries et les chargeurs usagés avec les ordures ménagères !

Apportez ce produit chez un recycleur agréé et rendez-le disponible pour une collecte séparée. Les outils électriques doivent être amenés dans un centre de recyclage pour assurer le respect de l'environnement.

GUIDE DE DÉPANNAGE

FR

PROBLÈME	CAUSE	SOLUTION
Le ventilateur brumisateur ne démarre pas.	<ul style="list-style-type: none"> ■ La batterie n'est pas complètement insérée dans le boîtier. ■ Aucun contact électrique entre le ventilateur brumisateur et la batterie. ■ La batterie est déchargée. ■ La batterie ou le ventilateur est trop chaud. 	<ul style="list-style-type: none"> ■ Vérifiez si la batterie est complètement insérée dans le boîtier. ■ Retirez la batterie, inspectez les contacts, puis réinsérez la batterie. ■ Rechargez la batterie. ■ Éteignez le ventilateur brumisateur et laissez refroidir la batterie ou le ventilateur jusqu'à ce que la température descende dans la plage de température de fonctionnement recommandée.
Il n'y a pas de brume et les trois voyants verts de l'indicateur de brumisation clignotent.	<ul style="list-style-type: none"> ■ Le tube d'admission ne pompe pas d'eau, activant la protection interne de la pompe électrique à l'intérieur du ventilateur. ■ La ou les buses de brumisation se sont bouchées pendant le fonctionnement, activant la protection interne de la pompe électrique. 	<ul style="list-style-type: none"> ■ Assurez-vous qu'il y a suffisamment d'eau dans le seau et que le tube d'admission est correctement immergé dans l'eau. ■ Nettoyez la ou les buses conformément au chapitre « ENTRETIEN DES BUSES » et remontez-les en suivant les consignes.
Le ventilateur cesse d'osciller et les trois voyants verts de l'indicateur d'oscillation clignotent.	<ul style="list-style-type: none"> ■ La tête du ventilateur se bloque pendant l'oscillation. 	<ul style="list-style-type: none"> ■ Retirez les éventuels corps étrangers qui empêchent la tête du ventilateur d'osciller.

GARANTIE

POLITIQUE DE GARANTIE EGO

Rendez-vous sur le site web egopowerplus.eu pour consulter l'intégralité des conditions de la politique de garantie EGO.

¡LEA TODAS LAS INSTRUCCIONES!



LEA EL MANUAL DEL USUARIO

⚠ ADVERTENCIA: Para garantizar la seguridad y fiabilidad de la herramienta, las reparaciones debe realizarlas únicamente un técnico cualificado.

⚠ ADVERTENCIA: Asegúrese de leer y comprender todas las instrucciones de seguridad de este manual del usuario, incluidos todos los símbolos de aviso sobre seguridad, como «PELIGRO», «ADVERTENCIA» y «PRECAUCIÓN», antes de utilizar este aparato. Si no se observan todas las instrucciones que se indican a continuación existe riesgo de incendio, electrocución y lesiones graves.

CONSERVE TODAS LAS INSTRUCCIONES Y ADVERTENCIAS PARA PODER CONSULTARLAS EN EL FUTURO.

SÍMBOLOS DE SEGURIDAD

⚠ ADVERTENCIA: Cuando se utiliza cualquier aparato, es posible que salgan despedidos objetos que podrían causar lesiones oculares graves. Antes de empezar a usar el aparato, póngase siempre gafas de seguridad, gafas con cristales anti-impacto que cuenten con pantallas de protección lateral, o bien una máscara facial que proteja completamente la cara. Recomendamos usar una máscara de seguridad de amplia visión que pueda utilizarse encima de gafas graduadas, o bien gafas normales de seguridad equipadas con pantallas laterales.



Aviso de seguridad



Para reducir el riesgo de lesiones, el usuario debe leer y comprender el manual del usuario antes de utilizar este producto.



Nivel de potencia acústica garantizado. La emisión de ruido al medio ambiente cumple la directiva de la Comunidad Europea.



Símbolo Bluetooth®



Los productos eléctricos no deben eliminarse con la basura doméstica. Lívelos a un centro de reciclaje autorizado.



Este producto está en conformidad con las directivas de la CE aplicables.



Corriente continua



Este producto está en conformidad con la legislación aplicable del Reino Unido.

IPX4 Protección contra las salpicaduras de agua

ADVERTENCIAS GENERALES DE SEGURIDAD

⚠ ADVERTENCIA: Para reducir el riesgo de incendio, descarga eléctrica o lesiones:

ES

- **Familiarícese con el ventilador de nebulización. Lea detenidamente este manual de instrucciones. Conozca las aplicaciones del ventilador y sus limitaciones, así como los peligros potenciales específicos relacionados con este ventilador.** La observación de estas pautas reducirá el riesgo de sufrir descargas eléctricas y lesiones graves o provocar incendios.
- este aparato pueden utilizarlo niños que tengan 8 años o más, así como personas con capacidades físicas, sensoriales o mentales reducidas, o que carezcan de experiencia y conocimientos, si son supervisados o instruidos sobre el uso seguro del aparato, y comprenden los peligros que implica.
- Los niños no deben jugar con este aparato.
- La limpieza y el mantenimiento a realizar por el usuario no deben hacerlos los niños sin supervisión

SEGURIDAD DEL ÁREA DE TRABAJO

- **No use el ventilador en entornos explosivos, por ejemplo, en presencia de líquidos, gases o polvo inflamables.**
- **Mantenga a los niños y las demás personas alejados cuando esté utilizando un aparato.** Las distracciones podrían hacerle perder el control de la herramienta.
- **Tenga cuidado cuando lo use en condiciones de viento.** Los vientos pueden llevar las neblinas a un cableado o dispositivos eléctricos.
- **No exponga el aparato a la lluvia ni a condiciones de humedad.** Si penetra agua en un aparato, aumentará el riesgo de descarga eléctrica.

SEGURIDAD PERSONAL

- **Manténgase alerta, preste atención a lo que está haciendo y aplique el sentido común durante el uso de un aparato. No utilice el aparato si está cansado, si siente malestar o si se encuentra bajo la influencia de drogas, alcohol o medicamentos.** Cuando se está usando el aparato, cualquier falta de atención, aunque sea por un instante, puede provocar lesiones graves.
- **Evite la puesta en marcha accidental de la herramienta. Asegúrese de que el interruptor se encuentra en la posición de apagado antes de conectar la batería, así como al recoger o**

transportar el aparato. Si lleva el aparato con el dedo puesto sobre el interruptor, o si enchufa el aparato con el interruptor encendido, pueden producirse accidentes.

- **Retire cualquier llave de ajuste o llave inglesa del aparato antes de encenderlo.** Una llave inglesa o una llave de ajuste enganchada a una parte giratoria del aparato puede producir lesiones.
- **No se estire demasiado para alcanzar lugares de difícil acceso. Mantenga una posición firme y equilibrada en todo momento.** De este modo podrá controlar mejor el aparato en situaciones inesperadas.
- **Utilice ropa adecuada. No lleve puesta ropa holgada ni joyas. Mantenga el pelo, la ropa y los guantes alejados de las piezas móviles.** La ropa holgada, así como las joyas o el pelo, largo podrían engancharse en las partes móviles de la herramienta.
- **Verifique que todas las conexiones estén seguras antes de usar el aparato.**
- **El hecho de haberse familiarizado con el aparato por el uso frecuente no debe hacer que se descuide e ignore los principios de seguridad.** Una distracción puede provocar lesiones graves en una fracción de segundo.

USO Y CUIDADO

- **No use el aparato si el interruptor no funciona para encenderlo y apagarlo.** Todo aparato que no se puede controlar con el interruptor es peligroso y debe repararse.
- **Desconecte la batería del aparato antes de realizar cualquier ajuste, cambiar accesorios o guardar el aparato.** Estas medidas preventivas de seguridad reducirán el riesgo de que el aparato pueda encenderse accidentalmente.
- **Cuando no se utilice el aparato, guárdelo fuera del alcance de los niños y no permita que lo use ninguna persona que no esté familiarizada con el aparato o con estas instrucciones.** Los aparatos son peligrosos si los usan personas sin experiencia.
- **Realice el mantenimiento del aparato y los accesorios. Compruebe si hay elementos móviles desalineados o trabados, piezas rotas u otra circunstancia que pueda afectar al funcionamiento del aparato. Si el aparato está dañado, llévelo a reparar antes de usarlo.** Muchos accidentes se deben a un mantenimiento deficiente de los aparatos.
- **Use el aparato y los accesorios, etc., siguiendo las instrucciones y teniendo en cuenta las condiciones de trabajo y la tarea a realizar.** El uso del aparato para fines diferentes a los previstos podría provocar

situaciones de peligro.

- **Mantenga las asas y las superficies de agarre secas, limpias y libres de aceite y grasa.** Si las asas y las superficies de agarre están resbaladizas, no se puede manejar el aparato de forma segura ni mantener el control en las situaciones inesperadas.

⚠ ADVERTENCIA: Para reducir el riesgo de incendio o descarga eléctrica, no use este ventilador con ningún dispositivo de control de velocidad de estado sólido.

USO Y CUIDADO DEL aparato A BATERÍA

- Recargue únicamente con el cargador especificado por el fabricante. Un cargador que es adecuado para un tipo de batería podría ocasionar un incendio si se utiliza con una batería distinta.
- Utilice el aparato solo con las baterías diseñadas específicamente para él. El uso de cualquier otro tipo de batería puede provocar riesgo de lesiones e incendio.
- **Cuando no se esté utilizando la batería, manténgala apartada de objetos metálicos como clips para papeles, monedas, llaves, clavos, tornillos, o cualquier otro objeto metálico pequeño que pudiera provocar un cortocircuito en sus terminales de corriente.** Si se provoca el cortocircuito en los terminales de la batería, podrían producirse quemaduras o incendios.
- **En condiciones de uso intensivo, es posible que se produzca una fuga de líquido de la batería; evite el contacto. Enjuague con agua si se produce un contacto accidental.** Si el líquido entra en contacto con los ojos, solicite también atención médica. El líquido que emana de la batería puede provocar irritaciones o quemaduras.
- **No utilice una batería o un aparato que hayan sido modificados o que estén dañados.** Las baterías dañadas o modificadas pueden tener un comportamiento impredecible y provocar un incendio, explosión o riesgo de lesiones.
- **No exponga la batería ni el aparato al fuego ni a una temperatura excesiva.** La exposición al fuego o a una temperatura superior a 130°C podría provocar una explosión.
- **Siga todas las instrucciones de carga y no cargue la batería ni el aparato fuera del rango de temperatura especificado en las instrucciones.** Una carga incorrecta o a temperaturas fuera del rango especificado puede dañar la batería y aumentar el riesgo de incendio.

SERVICIO TÉCNICO

- **Las reparaciones del aparato debe realizarlas un técnico cualificado, utilizando solo piezas de recambio idénticas.** Solo de este modo podrá garantizarse la seguridad del aparato.
- **No repare nunca baterías que estén dañadas.** Las baterías solo debe repararlas el fabricante o un centro de servicio técnico autorizado.

ES

INSTRUCCIONES DE SEGURIDAD PARA EL VENTILADOR DE NEBULIZACIÓN INALÁMBRICO

- Este dispositivo no está previsto para que lo usen personas (incluyendo niños) con capacidades físicas, sensoriales o mentales reducidas, o que carezcan de experiencia y conocimientos, a menos que sean supervisadas o instruidas sobre el uso del dispositivo por una persona responsable de su seguridad.
- Deberá supervisarse a los niños para asegurarse de que no jueguen con el aparato.
- **No permita que el ventilador se use como un juguete.** Extreme las precauciones cuando los niños usen la herramienta o si se utiliza cerca de ellos.
- **Los niños pueden caer en baldes y ahogarse.** Mantenga a los niños alejados de baldes, incluso si solo contienen una pequeña cantidad de líquido.
- **Utilice SOLAMENTE agua limpia y fría.**
- **No use este ventilador de nebulización para rociar pesticidas, fertilizantes líquidos, productos químicos o cualquier otro líquido que no sea agua limpia.** La dispersión de dichas sustancias podría provocar lesiones graves o enfermedades al usuario o a otras personas.
- **Nunca dirija la niebla o el agua hacia ningún cableado o dispositivo eléctrico.**
- **Asegúrese de que la tapa del compartimento de la batería esté completamente cerrada para evitar que el agua entre en contacto con la batería o penetre en el puerto de la batería.**
- **Mantenga el ventilador y el asa secos, limpios y libres de aceite y grasa. Utilice siempre un paño limpio para limpiar la herramienta. No utilice nunca disolventes fuertes, líquidos de frenos, gasolina ni ningún otro producto derivado del petróleo para limpiar el ventilador.** El cumplimiento de estas pautas reducirá el riesgo de perder el control de la herramienta y deteriorar su carcasa plástica.

- Las baterías pueden explotar en presencia de una fuente de ignición, como una llama piloto. Para reducir el riesgo de lesiones graves, no utilice nunca ninguna herramienta inalámbrica en presencia de llamas abiertas. Si una batería explota, podrían salir despedidos violentamente fragmentos y productos químicos. En caso de exposición a los mismos, enjuague inmediatamente con agua.
- **Guarde estas instrucciones.** Consúltelas con frecuencia y utilícelas para instruir a otras personas que vayan a usar este aparato. En caso de prestar este aparato a terceros, proporcíóneles también estas instrucciones para evitar el uso incorrecto y posibles lesiones.
- Tenga en cuenta que los altos niveles de humedad pueden fomentar el crecimiento de organismos biológicos en el medio ambiente.
- No permita que el área alrededor del ventilador de nebulización se humedezca o moje. Si se produce humedad, reduzca la salida del ventilador de nebulización. Si no se puede bajar el volumen de salida del ventilador de nebulización, use el humidificador de manera intermitente. No deje que se humedezca ningún material absorbente, como alfombras, cortinas o manteles.
- Nunca deje agua en el depósito cuando el aparato no esté en uso.
- Vacíe y limpie el ventilador de nebulización antes de guardarlo. Limpie el humidificador antes del próximo uso.


⚠ ADVERTENCIA: Los microorganismos que pueden estar presentes en el agua o en el entorno donde se utiliza o almacena el aparato pueden crecer en el depósito de agua y ser arrastrados por el aire, provocando riesgos muy graves para la salud si no se renueva el agua y el depósito no se limpia correctamente cada 3 días.

Las baterías recargables deben sacarse del aparato antes de cargarlas.

- Las baterías agotadas deben sacarse del aparato y desecharse de forma segura.
- Si tiene previsto guardar el aparato y no usarlo durante mucho tiempo, debe sacar las baterías.
- Los terminales de alimentación no deben cortocircuitarse.

GUARDE ESTAS INSTRUCCIONES

ESPECIFICACIONES

Tensión nominal	56V 
Diámetro de las aspas del ventilador	25,4 cm
Ajustes de velocidad del ventilador	6 (incluyendo «Turbo»)
Máx. Caudal de aire	1700 CFM
Máx. Velocidad del aire	32,2 km/h
Ángulo de oscilación	60°; 120°; 180°
Volumen de agua nebulizada	Alta: 5,7 l/h
	Media: 4,9 l/h
	Baja: 2,5 l/h
Peso (sin batería)	4,7 kg
Temperatura de almacenamiento recomendada	de -20 °C a 70 °C
Banda de frecuencia de funcionamiento Bluetooth	2402-2480 MHz
Potencia máxima de transmisión Bluetooth	4 dBm

- El valor de vibración total ha sido medido de acuerdo con el método de prueba estándar y se puede utilizar para comparar aparatos;
- El valor total de vibración declarado se puede usar además en una evaluación preliminar del grado de exposición.

AVISO: Las vibraciones generadas durante el uso real del aparato pueden diferir del valor declarado en función de la manera en que se utilice. Como protección, el usuario debería utilizar guantes y protectores auditivos en condiciones reales de uso.

LISTA DE CONTENIDO (FIG. A1)

DESCRIPCIÓN

FAMILIARÍCESE CON EL SOPLADOR (Fig. A1 y A2)

1. Panel de control (fig. A2)
2. Marco de oscilación

3. Boquilla de nebulización
4. Asa superior
5. Carcasa del ventilador
6. Asa lateral
7. Compartimento de la batería
8. Contactos eléctricos
9. Botón de liberación de la batería
10. Adaptador de manguera de jardín
11. Filtro
12. Tubo de entrada
13. Botones de ajuste de la velocidad del aire
14. Botón TURBO
15. Indicador TURBO
16. Indicador de nebulización
17. Botón de modo de nebulización
18. Botón de encendido
19. Indicador de velocidad del aire
20. Indicador de oscilación
21. Botón de modo de oscilación

MONTAJE

⚠ ADVERTENCIA: Si alguna pieza falta o está rota, no utilice el producto hasta haber sustituido las piezas. Podrían producirse lesiones graves en caso de utilizar el producto si alguna de sus piezas falta o está dañada.

⚠ ADVERTENCIA: No intente modificar este producto ni fabricar accesorios no recomendados para su uso en este producto. Cualquier alteración o modificación se considerará uso indebido y podría provocar una situación peligrosa con riesgo de sufrir lesiones graves.

⚠ ADVERTENCIA: Para evitar una puesta en marcha accidental que podría causar lesiones graves, quite siempre la batería de la máquina antes de montar piezas.

- Este producto se suministra totalmente ensamblado.
- Con cuidado, extraiga el producto y los accesorios del embalaje. Asegúrese de que todos los elementos que se muestran en la «Lista de embalaje» están incluidos.
- Examine minuciosamente el producto para asegurarse de que no haya sufrido roturas o daños durante su transporte.
- No deseche el material de embalaje hasta haber examinado detenidamente el producto y comprobado su funcionamiento correcto.
- Si alguna pieza faltase o estuviera dañada, devuelva el producto a la tienda donde lo haya adquirido.

FUNCIONAMIENTO

⚠ ADVERTENCIA: No permita que el hecho de estar familiarizado con el producto le haga descuidarse. Recuerde que cualquier distracción de una fracción de segundo es suficiente para provocar lesiones graves.

⚠ ADVERTENCIA: Para evitar un arranque accidental que pueda causar lesiones personales graves, quite siempre la batería del ventilador antes de realizar el mantenimiento, hacer ajustes, limpiar, cambiar accesorios o cuando no esté en uso.

⚠ ADVERTENCIA: No utilice piezas o accesorios no recomendados por el fabricante de este producto. La utilización de piezas o accesorios no recomendados puede provocar lesiones graves.

Antes de cada uso, examine todo el producto para ver si hay piezas dañadas, extraviadas o sueltas, como tornillos, tuercas, pernos, tapones, etc. Apriete bien todas las sujeciones y los tapones y no ponga en marcha el producto hasta haber reemplazado todas las piezas que falten o que estén dañadas.

APLICACIONES

Este producto puede utilizarse para los fines indicados a continuación:

- Ventilación general en la mayoría de las aplicaciones domésticas.
- Refrigeración exterior mientras está conectado a una fuente de agua.

AVISO: El producto debe utilizarse únicamente para los fines previstos. Cualquier otro uso se considerará uso indebido.

INSTALACIÓN/RETIRADA DE LA BATERÍA

Utilice únicamente los modelos de baterías y cargadores de EGO indicados en la fig. A3.

NOTA: Cargue siempre la batería completamente antes del primer uso.

Instalación

Alinee las nervaduras de la batería con las ranuras de montaje, e introduzca la batería presionándola en el compartimento de la batería hasta oír un «clic» (fig. B1).

Retirada

Pulse el botón de liberación de la batería y saque la batería tirando de ella (fig. B2).

⚠ ADVERTENCIA: Preste atención siempre a la posición de sus pies, así como a la presencia de niños o mascotas cuando pulse el botón de desbloqueo de la batería. La caída de la batería podría provocar lesiones graves. No quite NUNCA la batería en un lugar elevado.

ARRANQUE/PARADA DEL VENTILADOR

NOTA: La configuración inicial de fábrica para la velocidad del aire es el nivel 3. El ventilador guardará la última configuración de velocidad del aire utilizada y la retomará cuando se reinicie. La configuración Turbo no se guardará.

NOTA: El ajuste de nebulización y oscilación no se guardará y, de forma predeterminada, estarán desactivadas cada vez que se encienda el ventilador.

Panel de control (fig. A2)

Botón de encendido

- Pulse brevemente el botón de encendido para encender el ventilador.
- Vuelva a pulsar brevemente el botón de encendido para apagar el ventilador.

Ajuste de la velocidad del aire

Velocidad normal del aire

- Pulse el botón de ajuste de la velocidad del aire «+» para aumentar la velocidad del aire y pulse el botón «-» para disminuir la velocidad del aire. Hay 5 niveles de velocidad.
- El indicador de velocidad del aire muestra luces verdes correspondientes a los niveles de velocidad actuales.

Modo TURBO

NOTA: Cuando está en el modo «TURBO», el ventilador alcanzará la velocidad máxima del aire.

- Pulse el botón «TURBO»; el indicador **TURBO** se encenderá en verde y el ventilador cambiará al modo «TURBO», es decir, la velocidad de aire más alta.
- Cuando esté en el modo «TURBO», pulse de nuevo el botón «TURBO»; el indicador **TURBO** se apagará y el ventilador reanudará la velocidad del aire previamente activa.
- Cuando esté en el modo «TURBO», pulse el botón «-»; el indicador **TURBO** se apagará y el ventilador cambiará al nivel de velocidad del aire 5.

FUNCIÓN DE OSCILACIÓN (FIG. C)

- Pulse el botón de oscilación una vez para iniciar la

función de oscilación del cabezal del ventilador; en el indicador de oscilación se encenderá la luz verde inferior y el cabezal del ventilador girará 60° de lado a lado (de -30° a 30°).

- Presione el botón de oscilación por segunda vez; en el indicador de oscilación se encenderán dos luces verdes, activando el rango de oscilación de 120° (de -60° a 60°).
- Pulse el botón de oscilación por tercera vez; en el indicador de oscilación se encenderán tres luces verdes, activando el rango de oscilación de 180° (de -90° a 90°).
- Para desactivar la función de oscilación, pulse el botón de oscilación por cuarta vez.

AJUSTE DEL ÁNGULO DEL VENTILADOR (FIG. D)

El cabezal del ventilador se puede ajustar en múltiples ángulos de -30° a 90°. Para ajustar la dirección de la niebla/flujo de aire, sujete el ventilador por el asa superior e incline el cabezal del ventilador hacia delante o hacia atrás.

FUNCIÓN DE NEBULIZACIÓN

Botón de modo de nebulización

- Pulse el botón del modo de nebulización una vez y en el indicador de nebulización se encenderán tres luces verdes que indican el modo de nebulización «continua» de flujo fuerte: nebulización de un flujo de agua fuerte sin parar.
- Pulse de nuevo el botón del modo de nebulización y en el indicador de nebulización se encenderán dos luces verdes que indican el modo de nebulización «continua»: nebulización todo el tiempo sin parar.
- Pulse el botón del modo de nebulización por tercera vez y en el indicador de nebulización se encenderá la luz verde inferior que indica el modo de nebulización «intermitente»: nebulización durante 10 s cada 10 s.

NOTA: Pueden pasar algunos segundos antes de que empiece a ver salir la niebla de las boquillas de nebulización. Este retraso se debe al tiempo que tarda el agua en fluir desde el tubo de entrada hasta las boquillas.

- Cuando la nebulización está en el modo de nebulización «intermitente», pulse de nuevo el botón del modo de nebulización; las luces del indicador de nebulización se apagaran y la nebulización se detendrá.

NOTA: Cuando termine la operación de nebulización, desconecte el tubo de entrada del ventilador de la fuente de agua y haga funcionar el ventilador continuamente en

el modo de nebulización, hasta que salga toda el agua del tubo. Esto ayuda a evitar que el agua residual en el tubo provoque una nebulización inesperada cuando se vuelva a encender el ventilador.

Uso del ventilador con un balde de agua u otro recipiente (no incluido) (fig. E)

⚠ ADVERTENCIA: Los niños pueden caer en baldes y ahogarse. Mantenga a los niños alejados de baldes que contengan incluso una pequeña cantidad de líquido.

AVISO: Limpie el balde con agua y jabón antes de cada uso.

1. Desconecte la batería.
2. Coloque el balde sobre una superficie plana y nivelada.
3. Ponga **SOLAMENTE** agua limpia y fría en el balde. No lo llene demasiado.
4. Sumerja el extremo del filtro del tubo de entrada en el agua.

AVISO: No doble el tubo de entrada y asegúrese siempre de que el agua fluya suavemente a través del tubo.

5. Instale la batería.
6. Pulse el botón de encendido para encender el ventilador.
7. Pulse el botón de selección del modo de nebulización para iniciar la nebulización.

Conexión del ventilador a un grifo de agua (fig. F y fig. G)

1. Desenrosque la parte superior del filtro en sentido antihorario y desconéctela de la parte inferior (fig. F).

F-1	Parte inferior del filtro
F-2	Parte superior del filtro

AVISO: Asegúrese de que la parte inferior no esté separada en dos partes durante la desconexión de la parte superior y permanezca junta como un todo para la conexión al adaptador de manguera de jardín.

2. Desenrosque (en sentido antihorario) el adaptador para manguera de jardín almacenado en la parte inferior del ventilador. Enrózquelo (en sentido horario) en la parte inferior del filtro.
3. Conecte el adaptador para manguera de jardín a una manguera de jardín adecuada con acoplador rápido (no incluido). Conecte el acoplador rápido

al adaptador para manguera de jardín hasta que escuche un clic claro (fig. G).

G-1	Adaptador de manguera de jardín
G-2	Acoplador rápido típico

AVISO: No conecte el adaptador para manguera de jardín mientras esté montado en la parte inferior del ventilador (Fig. G1).

4. Conecte la manguera de jardín a la línea de agua.
5. Instale la batería.
6. Pulse el botón de encendido para encender el ventilador.
7. Abra completamente el grifo de agua; el ventilador iniciará la nebulización.

AVISO: La presión máxima de trabajo recomendada no debe exceder los 80 psi.

NOTA: Incluso si no hay energía, el ventilador iniciará la nebulización cuando se abra el grifo de agua.

8. Pulse el botón del modo de nebulización para seleccionar el modo de nebulización y obtener mejores resultados de funcionamiento.

NOTA: La pequeña abertura en el adaptador para manguera de jardín lo hace susceptible a la acumulación de agua dura y depósitos minerales. Limpie el adaptador con frecuencia y use vinagre blanco u otro agente descalcificador para eliminar los sedimentos.

Uso del ventilador sin nebulización

Si lo desea, este producto puede usarse solo como ventilador cuando no esté conectado a una fuente de agua. Cuando no esté en uso, enrolle siempre el tubo de entrada en su área de almacenamiento (consulte el apartado «TRANSPORTE Y ALMACENAMIENTO» de este manual) para protegerlo de los daños y la contaminación.

TECNOLOGÍA DE COMUNICACIÓN

Para obtener información sobre nuestra gama completa de productos y servicios conectados, incluidas las instrucciones de conexión, escanee el código QR a continuación o visite

www.egopowerplus.eu/connect.



PROTECCIÓN DE LA ELECTRÓNICA

Cuando la función de oscilación está activada, pero el ventilador no oscile, en el indicador de oscilación se mostrarán tres luces verdes intermitentes continuamente para recordarle al usuario que verifique si el cabezal del ventilador está atascado y elimine cualquier materia extraña que se haya adherido al cabezal del ventilador antes de reiniciar la función.

Cuando la función de nebulización está activada pero no sale agua nebulizada:

- La bomba de agua seguirá funcionando durante un rato y luego se detendrá automáticamente para proteger los componentes electrónicos internos.
- En el indicador de nebulización se mostrarán tres luces verdes intermitentes continuamente como una alerta para que el usuario:
 - a. Compruebe si el tubo de entrada está correctamente sumergido en el agua.
 - b. Compruebe si la(s) boquilla(s) de nebulización está(n) obstruida(s) y la(s) limpie de acuerdo con el capítulo «MANTENIMIENTO DE LAS BOQUILLAS».
 - c. Pulse el botón de selección del modo de nebulización para reiniciar la nebulización.

Cuando la carga de la batería es baja, el botón de encendido parpadeará en verde para recordarle al usuario que cargue o cambie la batería.

Cuando la batería o el ventilador estén demasiado calientes, el botón de encendido parpadeará en rojo para indicar al usuario que apague el ventilador y permita que la batería o el ventilador de nebulización se enfríen, hasta que la temperatura baje al rango de temperatura de funcionamiento recomendado antes de reiniciar el ventilador.

MANTENIMIENTO

⚠ ADVERTENCIA: Cuando repare el aparato, utilice solo piezas idénticas a las originales. La utilización de otras piezas podría suponer un peligro o causar daños en el producto. Para garantizar la seguridad y fiabilidad de la herramienta, las reparaciones debe realizarlas únicamente un técnico cualificado.

⚠ ADVERTENCIA: Para evitar lesiones graves, quite siempre la batería de la herramienta antes de limpiarla o hacer tareas de mantenimiento.

MANTENIMIENTO GENERAL

Todas las reparaciones del ventilador de nebulización

distintas a las acciones que se enumeran en estas instrucciones de mantenimiento debe realizarlas el personal de servicio técnico competente para el ventilador de nebulización.

Evite utilizar disolventes para limpiar las piezas de plástico. La mayoría de los plásticos podrían dañarse si se limpian con algunos de los tipos de disolventes disponibles en el mercado. Utilice paños limpios para eliminar la suciedad y los residuos de polvo, aceite, grasa, etc.

⚠ ADVERTENCIA: No deje nunca que las piezas de plástico entren en contacto con líquido de frenos, gasolina, productos derivados del petróleo, aceites penetrantes, etc. Las sustancias químicas podrían dañar, debilitar o destruir el plástico, con el consiguiente riesgo de provocar lesiones graves.

⚠ ADVERTENCIA: Cuando limpie el ventilador de nebulización, NO lo sumerja en agua u otros líquidos.

MANTENIMIENTO DE LAS BOQUILLAS (Fig. H)

⚠ ADVERTENCIA: Asegúrese de que todo el mantenimiento de las boquillas de nebulización se realice correctamente para evitar fugas de agua. Las fugas pueden provocar una superficie resbaladiza, generando un riesgo de resbalones y caídas o causando daños materiales.

Los patrones irregulares de niebla o fugas pueden ser el resultado de una boquilla obstruida o sucia.

Para limpiar las boquillas

1. Apague el ventilador y quite la batería.
 2. Retire las boquillas de nebulización obstruidas de la rejilla protectora delantera de la carcasa del ventilador girándolas en sentido antihorario.
 3. Desmonte las piezas de cada boquilla afectada.
 4. Para eliminar cualquier partícula extraña que obstruya o restrinja las boquillas, enjuague las piezas de la boquilla con agua. Para eliminar la acumulación de cal (minerales), limpie las piezas de la boquilla con vinagre blanco u otro agente desincrustante en caso necesario.
 5. Vuelva a montar las boquillas.
- AVISO:** Para evitar obstrucciones, asegúrese de que la boquilla esté montada exactamente como se muestra en la fig. H.
6. Vuelva a colocar las boquillas limpias en la rejilla protectora delantera.

MANTENIMIENTO DEL FILTRO (Fig. I)

Examine periódicamente el filtro al final del tubo de entrada para asegurarse de que esté en buenas condiciones.

1. Apague el ventilador y quite la batería.
2. Desenrosque la parte superior de la parte inferior del filtro.

I-1	Pieza inferior	I-3	Malla de esponja
I-2	Malla metálica	I-4	Pieza superior

AVISO: Al desenroscar la parte superior, asegúrese de que la parte inferior no esté separada en dos piezas. La parte inferior debe permanecer ensamblada para poder retirar la malla metálica.

3. Saque la malla de esponja de la parte superior y la malla metálica de la parte inferior.
4. Enjuague la malla metálica y la malla de esponja o cámbielas si es necesario.
5. Vuelva a montar el filtro.

AVISO: Asegúrese de que la malla metálica esté ensamblada con el borde elevado hacia fuera para facilitar el desmontaje la próxima vez.

MANTENIMIENTO DEL ADAPTADOR PARA MANGUERA DE JARDÍN

La pequeña abertura en el adaptador para manguera de jardín lo hace susceptible a la acumulación de agua dura y depósitos minerales. Limpie el adaptador con frecuencia y use vinagre blanco u otro agente descalcificador para eliminar los sedimentos.

MANTENIMIENTO DE LA CARCASA DEL VENTILADOR (Fig. J y Fig. K)

1. Apague el ventilador y quite la batería.
2. Use un destornillador Phillips (no incluido) para desatornillar los ocho tornillos de la parte posterior de la carcasa del ventilador y quitar la rejilla protectora delantera.

J-1	Tornillo (8 ud.)
J-2	Rejilla protectora delantera

3. Sostenga el conjunto de aspas del ventilador para evitar que gire, y gire la tapa de bloqueo de las aspas del ventilador en sentido horario para liberar el conjunto de las aspas del ventilador del eje.

K-1	Conjunto de las aspas del ventilador
K-2	Cubierta de bloqueo

4. Quite el conjunto de las aspas del ventilador.
5. Limpie las aspas del ventilador y el interior de la carcasa en caso necesario.
6. Vuelva a montarlos en orden inverso y asegúrese de que:

La marca en el conjunto de las aspas del ventilador está alineada con la barra transversal en el eje.

TRANSPORTE Y ALMACENAMIENTO (Fig. L)

- Quite la batería recargable.
- Limpie el ventilador a fondo.
- Vacíe el tubo de entrada y el filtro.

AVISO: Preparar el ventilador para el invierno es esencial para protegerlo de las temperaturas bajo cero, que pueden dañar la bomba, las mangueras y otros componentes. **Antes de almacenar el ventilador durante el invierno, desconecte siempre el tubo de entrada del ventilador de la fuente de agua y haga funcionar el ventilador en modo de nebulización continua hasta que no quede agua residual en el tubo.**

- Asegure el tubo de entrada y el filtro con los clips ubicados en la parte inferior de la base del ventilador.
- Atornille el adaptador para manguera de jardín en el orificio de almacenamiento roscado ubicado en la parte inferior de la base del ventilador.

L-1	Adaptador de manguera de jardín
L-2	Clips

- Lleve el ventilador con el asa superior o las asas laterales cuando lo transporte.
- Guarde el ventilador en un lugar interior bien ventilado.
- Manténgalo apartado de agentes corrosivos, como productos químicos de jardinería y sal para deshielo.

Protección del medio ambiente



¡No elimine aparatos eléctricos, baterías usadas ni cargadores de baterías junto con los desperdicios domésticos!

Lleve este producto a un punto de reciclaje autorizado y deposítelo por separado según corresponda. Las herramientas eléctricas se deben llevar a un punto de reciclaje con fin de proteger el medio ambiente.

SOLUCIÓN DE PROBLEMAS

ES

PROBLEMA	CAUSA	SOLUCIÓN
El ventilador de nebulización no arranca.	<ul style="list-style-type: none"> ■ La batería no está completamente insertada en la carcasa. ■ No hay contacto eléctrico entre el ventilador de nebulización y la batería. ■ La carga de la batería está agotada. ■ La batería o el ventilador están demasiado calientes. 	<ul style="list-style-type: none"> ■ Compruebe si la batería está completamente insertada en la carcasa. ■ Quite la batería, compruebe los contactos eléctricos y vuelva a instalarla. ■ Cargue la batería. ■ Apague el ventilador y deje que la batería o el ventilador de nebulización se enfríen, hasta que la temperatura baje al rango de temperatura de funcionamiento recomendado.
No se produce nebulización de agua y en el indicador de nebulización parpadean tres luces verdes.	<ul style="list-style-type: none"> ■ El tubo de entrada no bombea agua, activando la protección interna de la bomba eléctrica dentro del ventilador. ■ La(s) boquilla(s) de nebulización se ha(n) obstruido durante el funcionamiento, activando la protección interna de la bomba eléctrica. 	<ul style="list-style-type: none"> ■ Verifique y asegúrese de que haya suficiente agua en el balde y de que el tubo de entrada esté correctamente sumergido en el agua. ■ Limpie la(s) boquilla(s) de acuerdo con el capítulo «MANTENIMIENTO DE LAS BOQUILLAS», y vuelva a montarlas según las instrucciones.
El ventilador deja de oscilar y en el indicador de oscilación parpadean tres luces verdes.	<ul style="list-style-type: none"> ■ El cabezal del ventilador está atascado durante la oscilación. 	<ul style="list-style-type: none"> ■ Elimine cualquier materia extraña que impida que el cabezal del ventilador oscile.

GARANTÍA

POLÍTICA DE GARANTÍA DE EGO

Visite la página web egopowerplus.eu para conocer los términos y condiciones completos de la política de garantía de EGO.

LEIA TODAS AS INSTRUÇÕES!



LEIA O MANUAL DO UTILIZADOR

AVISO: Para garantir a segurança e bom funcionamento, todas as reparações deverão ser efetuadas por um técnico de reparação qualificado.

AVISO: Certifique-se de que lê e compreende todos os avisos de segurança neste manual do utilizador, incluindo todos os símbolos de alerta de segurança, como “**PERIGO**”, “**AVISO**”, e “**CUIDADO**” antes de usar este aparelho. Não seguir todas as instruções apresentadas abaixo pode resultar em choque elétrico, incêndio e/ou ferimentos graves.

GUARDE TODOS OS AVISOS E INSTRUÇÕES PARA FUTURAS REFERÊNCIAS.

PT

SÍMBOLOS DE SEGURANÇA

AVISO: O funcionamento de qualquer aparelho pode dar origem ao ressalto de quaisquer objetos estranhos que podem atingir os olhos, podendo dar origem a sérias lesões oculares. Antes de começar a utilizar o aparelho, utilize sempre óculos de segurança com proteções laterais e uma proteção completa para a cara, quando necessário. Recomendamos máscaras de segurança com visão panorâmica por cima de óculos, ou óculos de segurança padrão com proteção lateral.



Alerta de segurança



Para reduzir o risco de ferimentos, o utilizador tem de ler e compreender o manual do utilizador antes de utilizar este produto.



Nível de potência do som garantido. Emissão de ruído para o ambiente de acordo com a diretiva da Comunidade Europeia.



Símbolo Bluetooth®



Os produtos elétricos residuais não deverão ser eliminados juntamente com o lixo doméstico comum. Entregue-os num centro de reciclagem autorizado.



Este produto encontra-se em conformidade com as diretivas CE aplicáveis.



Corrente direta



Este produto encontra-se em conformidade com a legislação no Reino Unido.

IPX4 Proteção contra salpicos

AVISOS GERAIS DE SEGURANÇA

⚠️ AVISO: Para reduzir o risco de fogo, choque elétrico, ou ferimentos:

- **Conheça a sua ventoinha nebulizadora. Leia com atenção o manual de instruções. Aprenda as aplicações e limitações da ventoinha, bem como os perigos potenciais específicos relacionados com esta ventoinha.** Seguir esta regra reduzirá o risco de choque elétrico, fogo ou ferimentos graves.
- Este aparelho pode ser usado por crianças com mais de 8 anos de idade e pessoas com capacidades físicas, sensoriais ou mentais reduzidas, ou falta de experiência e conhecimentos, se forem supervisionadas e ensinadas quanto à utilização do aparelho de um modo seguro, e compreenderem os perigos envolvidos.
- As crianças não deverão brincar com o aparelho.
- A limpeza e manutenção por parte do utilizador não deve ser feita por crianças sem supervisão

SEGURANÇA NA ÁREA DE TRABALHO

- **Não utilize a ventoinha em atmosferas explosivas, tal como na presença de líquidos inflamáveis, gases ou pó.**
- **Mantenha as crianças e pessoas que passem afastadas enquanto utilizar o aparelho.** As distrações podem fazer com que perca o controlo.
- **Tenha cuidado quando utilizar em condições com muito vento.** O vento pode levar a névoa para cablagem elétrica ou dispositivos.
- **Não exponha o aparelho à chuva ou humidade.** A entrada de água num aparelho aumentará o risco de choque elétrico.

SEGURANÇA PESSOAL

- **Mantenha-se alerta, observe o que está a fazer e use senso comum quando estiver a utilizar o aparelho.** Não utilize o aparelho quando estiver cansado, chateado ou sob o efeito de drogas, álcool ou medicação. Um momento de falta de atenção enquanto utiliza o aparelho pode dar origem a ferimentos sérios.
- **Evite ligações sem intenção. Certifique-se de que o interruptor se encontra na posição de desligado antes de ligar à bateria, segurar ou transportar o aparelho.** Transportar o aparelho com o seu dedo no interruptor ou fornecer energia ao aparelho que tenha o interruptor na posição de ligado convida a acidentes.
- **Retire qualquer chave de ajuste ou chave de**

fendas antes de ligar o aparelho. Uma chave de fendas ou uma chave deixada ligada a uma peça rotativa do aparelho pode dar origem a ferimentos.

- **Não se estique. Mantenha sempre a base e o equilíbrio adequados.** Isso proporciona um melhor controlo sobre o aparelho em situações inesperadas.
- **Vista-se adequadamente. Não use roupa larga nem joalheria. Mantenha o seu cabelo e roupa afastados das peças móveis.** Roupa larga, joias ou cabelo comprido podem ser apanhados pelas peças em movimento.
- **Certifique-se de que todas as ligações estão bem feitas antes de utilizar o aparelho.**
- **Não permita que a familiarização ganhe com a utilização do aparelho o torne mais complacente e ignore os princípios de segurança do aparelho.** Uma ação descuidada pode causar graves ferimentos numa fração de segundo.

UTILIZAÇÃO E CUIDADOS

- **Não utilize o aparelho se o interruptor não der para ligar e desligar.** Qualquer aparelho que não possa ser controlado com o interruptor é perigoso e deve ser reparado.
- **Desligue a bateria do aparelho antes de fazer quaisquer ajustes, mudar de acessórios, ou guardar o aparelho.** Tais medidas preventivas de segurança reduzem o risco de ligar o aparelho acidentalmente.
- **Guarde o aparelho desligado fora do alcance de crianças e não permita que pessoas estranhas ao aparelho ou a estas instruções utilizem o aparelho.** Os aparelhos são perigosos nas mãos de utilizadores sem formação.
- **Proceda à manutenção do aparelho e respetivos acessórios. Verifique se existem desalinhamentos ou colagem das peças móveis, quebra de peças e qualquer outra condição que possa afetar o funcionamento do aparelho. Se estiver danificado, leve o aparelho para ser reparado antes da utilização.** Muitos acidentes são causados por aparelhos mantidos de forma deficiente.
- **Utilize o aparelho e acessórios, etc., de acordo com estas instruções, tendo em conta as condições de trabalho e o trabalho a ser realizado.** A utilização do aparelho para operações diferentes das pretendidas pode resultar numa situação perigosa.
- **Mantenha as pegas e superfícies de preensão secas, limpas e sem óleo ou gordura.** Pegas e superfícies de preensão escorregadias não permitem o manuseamento seguro nem o controlo do aparelho em

situações inesperadas.

⚠ AVISO: Para reduzir o risco de fogo ou de choque elétrico, não utilize esta ventoinha com nenhum dispositivo de controlo de velocidade de estado sólido.

UTILIZAÇÃO E CUIDADOS DO APARELHO A BATERIA

- Recarregue apenas com o carregador especificado pelo fabricante. Um carregador que seja adequado a um tipo de bateria pode criar um risco de incêndio quando usado com outra bateria.
- Utilize o aparelho apenas com as baterias especificamente designadas. A utilização de outras baterias pode criar um risco de ferimentos e incêndio.
- **Quando não usar a bateria, mantenha-a afastada de outros objetos de metal, como cliques de papel, moedas, chaves, pregos, parafusos ou outros pequenos objetos de metal que possam fazer a ligação entre os dois terminais.** Colocar os terminais da bateria em curto-circuito pode dar origem a queimaduras ou fogo.
- **Sob condições abusivas, pode ser ejetado líquido da bateria; evite o contacto. Se ocorrer um contacto accidental, lave com água abundante. Se o líquido entrar em contacto com os olhos, procure ajuda médica.** O líquido ejetado da bateria pode provocar irritação ou queimaduras.
- **Não use a bateria nem o aparelho se estiverem danificados ou modificados.** Baterias danificadas ou modificadas podem apresentar comportamentos imprevisíveis, dando origem a fogo, explosão ou risco de ferimentos.
- **Não exponha a bateria ou o aparelho ao fogo ou temperatura excessiva.** A exposição ao fogo ou a temperaturas acima dos 130 °C pode causar uma explosão.
- **Siga todas as instruções de carregamento e não carregue a bateria nem o aparelho a uma temperatura fora dos parâmetros especificados nas instruções.** Carregar incorretamente ou a temperaturas fora dos parâmetros especificados pode danificar a bateria e aumentar o risco de fogo.

REPARAÇÃO

- **A reparação do seu aparelho deverá ser sempre efetuada por pessoas qualificadas, utilizando apenas peças sobresselentes idênticas.** Tal irá assegurar que a segurança do aparelho é mantida.
- **Nunca tente reparar uma bateria danificada.** A reparação das baterias só deverá ser efetuada pelo fabricante ou por um reparador autorizado.

INSTRUÇÕES DE SEGURANÇA PARA A VENTONINHA NEBULIZADORA SEM FIOS

- Este aparelho não foi criado para ser utilizado por pessoas (incluindo crianças) com capacidades físicas, sensoriais ou mentais reduzidas, ou falta de experiência ou conhecimentos, exceto se forem supervisionadas ou se lhes forem dadas instruções em relação à unidade, por uma pessoa responsável pela sua segurança.
- As crianças devem ser supervisionadas, para se certificar de que não brincam com o aparelho.
- **Não permita que a ventoinha seja usada como um brinquedo.** É necessária muita atenção quando usar com crianças por perto.
- **As crianças podem cair para dentro de baldes e afogar-se.** Mantenha as crianças afastadas de baldes, mesmo que contenham apenas uma pequena quantidade de líquido.
- **Use APENAS água limpa e fresca.**
- **Não use esta ventoinha nebulizadora para pulverizar pesticidas, fertilizantes, químicos ou quaisquer outros líquidos para além de água limpa.** Pulverizar estas substâncias pode dar origem a ferimentos sérios ou doenças no operador ou terceiros.
- **Nunca oriente a névoa ou água para qualquer cablagem elétrica ou aparelhos.**
- **Certifique-se de que a tampa do compartimento da bateria está completamente fechada, para evitar que a água entre em contacto com a bateria, ou entre no compartimento.**
- **Mantenha o aparelho e a pega secos, limpos e sem óleo e lubrificante. Use sempre um pano limpo quando limpar. Nunca use produtos à base de fluidos para travões, gasolina, petróleo, ou quaisquer solventes fortes para limpar a ventoinha.** Ao seguir esta regra reduzirá o risco de perda de controlo e deterioração do plástico do compartimento.
- **As baterias podem explodir na presença de uma fonte de ignição, como uma luz piloto. Para reduzir o risco de ferimentos sérios, nunca use um produto sem fios na presença de uma chama sem proteção. Uma bateria que expluda pode libertar resíduos e químicos.** Se for exposto a estes, passe imediatamente por água abundante.
- **Guarde estas instruções.** Consulte com frequência e use estas instruções para instruir outras pessoas sobre a forma de utilizar esta ventoinha. Se emprestar esta ventoinha, entregue também as instruções, para evitar

PT

- uma má utilização do produto e possíveis ferimentos.
- Tenha cuidado: Níveis altos de humidade podem ajudar no aparecimento de organismos biológicos no ambiente.
 - Não permita que a área em redor da ventoinha nebulizadora fique húmida ou molhada. Se aparecer humidade, diminua a saída de névoa da ventoinha. Se o volume de saída da ventoinha nebulizadora não puder ser diminuído, use a ventoinha intermitentemente. Não permita que materiais absorventes, como carpetes, cortinas, cortinados ou toalhas de mesa fiquem molhados.
 - Não deixe água no depósito quando o aparelho não for usado.
 - Esvazie e limpe a ventoinha nebulizadora antes de a guardar. Limpe o humidificador antes da utilização seguinte.


⚠ AVISO: Podem existir microrganismos na água ou no ambiente onde o aparelho é usado ou guardado. Estes podem crescer no depósito da água e ser soprados para o ar, causando riscos muito sérios para a saúde quando a água não é renovada e o depósito não for limpo corretamente a cada 3 dias.

As pilhas recarregáveis têm de ser retiradas do aparelho antes de serem recarregadas.

- As pilhas gastas devem ser retiradas do aparelho e eliminadas de modo seguro.
- Se o aparelho for guardado e não for usado durante um longo período de tempo, retire as pilhas.
- Não coloque os terminais em curto-circuito.

GUARDE ESTAS INSTRUÇÕES

CARACTERÍSTICAS TÉCNICAS

Voltagem nominal	56V 
Diâmetro da lâmina da ventoinha	25,4 cm
Configuração da velocidade da ventoinha	6 (incluindo "Turbo")
Máx. Volume do ar	1700 CFM
Máx. Velocidade do ar	32,2 km/h
Ângulo de oscilação	60°, 120°, 180°

Volume de água da névoa	Elevado: 5,7 L/h
	Médio: 4,9 L/h
	Baixo: 2,5 L/h
Peso (sem a bateria)	4,7 kg
Temperatura de armazenamento recomendada	-20 °C - 70 °C
Banda de frequência de funcionamento Bluetooth	2402-2480 MHz
Potência de transmissão máxima do Bluetooth	4 dBm

- O valor total declarado da vibração foi medido de acordo com um método de teste padrão e pode ser usado para comparar dois aparelhos;
- O valor total declarado da vibração também pode ser usado numa avaliação preliminar da exposição.

⚠ AVISO: A emissão de vibrações durante a utilização do aparelho pode diferir do valor declarado em que o aparelho é usado. De modo a proteger o utilizador, este deverá usar luvas e proteção auditiva nas condições atuais de utilização.

LISTA DE PEÇAS (IMAGEM A1)

DESCRIÇÃO

CONHEÇA O SEU SOPRADOR (Imagem A1 e A2)

1. Painel de controlo (Imagem A2)
2. Estrutura de oscilação
3. Bocal da névoa
4. Pega superior
5. Estrutura da ventoinha
6. Pega lateral
7. Compartimento da bateria
8. Contactos elétricos
9. Botão de libertação da bateria
10. Adaptador da mangueira de jardim
11. Filtro
12. Tubo de entrada
13. Botões de ajuste da velocidade do ar
14. Botão do TURBO
15. Indicador de TURBO

16. Indicador de névoa
17. Botão do modo de névoa
18. Botão da alimentação
19. Indicador da velocidade do ar
20. Indicador de oscilação
21. Botão do modo de oscilação

MONTAGEM

⚠ AVISO: Se houver peças danificadas ou em falta, não utilize o produto até ter substituído essas peças. Utilizar este produto com peças danificadas ou em falta pode dar origem a ferimentos sérios.

⚠ AVISO: Não tente modificar este produto nem criar acessórios que não sejam recomendados para utilizar com o produto. Qualquer alteração ou modificação é considerada uma má utilização e pode dar origem a perigos, que podem levar a ferimentos sérios.

⚠ AVISO: Para evitar um arranque acidental que possa causar ferimentos sérios, retire sempre a bateria da máquina durante a montagem das peças.

- Este produto saiu de fábrica completamente montado.
- Retire cuidadosamente o produto e quaisquer acessórios da caixa. Certifique-se de que todos os artigos apresentados na "Lista do conteúdo" se encontram incluídos.
- Inspeccione cuidadosamente o produto para se certificar de que não ocorreram quebras ou danos durante o transporte.
- Não elimine o material de empacotamento até ter inspecionado cuidadosamente e ter utilizado de modo satisfatório o produto.
- Se alguma peça estiver danificada ou em falta, devolva o aparelho no local onde o comprou.

FUNCIONAMENTO

⚠ AVISO: Não permita que a familiarização com este produto o torne descuidado. Lembre-se de que uma fração de segundo de desatenção é o suficiente para sofrer um ferimento sério.

⚠ AVISO: Para evitar a ligação acidental que pode provocar ferimentos sérios, retire sempre a bateria da ventoinha antes de proceder à reparação, fazer ajustes, proceder à limpeza, substituição de acessórios ou quando não utilizar o produto.

⚠ AVISO: Não utilize quaisquer ligações ou acessórios não recomendados pelo fabricante deste produto. A utilização de acessórios que não sejam recomendados pode dar origem a ferimentos sérios.

Antes de cada utilização, inspecione todo o produto quanto a peças danificadas, em falta ou soltas, como parafusos, porcas, tampas, etc. Aperte bem todos os fixadores e tampas e não utilize este produto até que todas as peças em falta ou danificadas sejam substituídas.

APLICAÇÕES

Pode utilizar este produto com os intuitos listados abaixo:

- Ventilação geral em grande parte das aplicações domésticas.
- Arrefecimento no exterior ligado a uma fonte de água.

⚠ AVISO: O produto tem de ser usado apenas conforme descrito. Qualquer outra utilização será considerada má utilização.

FIXAR/RETIRAR A BATERIA

Utilize apenas com as baterias e carregadores da EGO listados na Imagem A3.

NOTA: Carregue por completo a bateria antes da primeira utilização.

Para fixar

Alinhe as abas da bateria com as ranhuras de fixação e faça deslizar a bateria para o compartimento da bateria até ouvir um "clique" (Imagem B1).

Para retirar

Prima o botão de libertação da bateria e puxe a bateria para fora (Imagem B2).

⚠ AVISO: Certifique-se sempre da localização dos seus pés, de crianças ou animais quando pressionar o botão de libertação da bateria. Se a bateria cair, podem ocorrer ferimentos sérios. NUNCA retire a bateria num local elevado.

LIGAR/DESLIGAR A VENTONHA

NOTA: As predefinições de fábrica quanto à velocidade do ar são o nível 3. A ventoinha guarda a última velocidade usada e volta a ela ao ser reiniciada. A definição do turbo não será guardada.

NOTA: A definição da névoa e da oscilação não é

guardada e desliga-se sempre que a ventoinha for ligada.

Painel de controlo (Imagem A2)

Botão da alimentação

- Prima o botão da alimentação para ligar a ventoinha.
- Prima de novo o botão da alimentação para desligar a ventoinha.

Ajuste da velocidade do ar

Velocidade normal do ar

- Prima o botão de ajuste da velocidade do ar “+” para aumentar a velocidade do ar, ou o botão “-” para diminuir a velocidade do ar. Existem 5 níveis de velocidade.
- O indicador da velocidade do ar apresenta uma luz verde, correspondente aos níveis de velocidade atuais.

Modo TURBO

NOTA: No modo “TURBO”, a ventoinha atinge a velocidade máxima do ar.

- Prima o botão do “TURBO”. O indicador luminoso do TURBO acende a verde e a ventoinha passa para o modo “TURBO”, ou seja, a velocidade mais alta do ar.
- Quando estiver no modo “TURBO”, prima de novo o botão do “TURBO”. O indicador luminoso do TURBO desliga-se e a ventoinha continua com a velocidade do ar anterior.
- Quando estiver no modo “TURBO”, prima o botão “-”. O indicador luminoso do TURBO desliga-se e a ventoinha passa para a velocidade do ar de nível 5.

FUNÇÃO DE OSCILAÇÃO (IMAGEM C)

- Prima o botão de oscilação uma vez para iniciar a função de oscilação da cabeça da ventoinha. O indicador de oscilação acende uma luz verde e a cabeça da ventoinha roda 60° de um lado para o outro (de -30° a 30°).
- Prima o botão de oscilação uma segunda vez. O indicador de oscilação acende duas luzes verdes, ativando o raio de oscilação de 120° (de -60° a 60°).
- Prima o botão de oscilação uma terceira vez. O indicador de oscilação acende três luzes verdes, ativando o raio de oscilação de 180° (de -90° a 90°).
- Para desligar a função de oscilação, prima o botão de oscilação uma quarta vez.

AJUSTAR O ÂNGULO DA VENTONINHA (IMAGEM D)

A cabeça da ventoinha pode ser definida para vários ângulos, de -30° a 90°. Para ajustar a direção da névoa/

fluxo do ar, segure a ventoinha pela pega superior e incline a cabeça da ventoinha para a frente ou para trás.

FUNÇÃO DE NÉVOA

Botão do modo de névoa

- Prima o botão do modo de névoa uma vez e o indicador de névoa acende três luzes verdes, o que significa que está no modo de névoa “contínua” forte, libertando um fluxo forte de névoa sem parar.
- Prima de novo o botão do modo de névoa e o indicador de névoa acende duas luzes verdes, o que significa que está no modo de névoa “contínua”, libertando névoa sem parar.
- Prima o botão do modo de névoa uma terceira vez e o indicador de névoa acende uma luz verde, o que significa que está no modo de névoa “intermitente”, libertando névoa durante 10 segundos a cada 10 segundos.

NOTA: Pode levar alguns segundos antes de ver a névoa a sair dos bocais de névoa pela primeira vez. Este atraso deve-se ao tempo que leva até a água fluir do tubo de entrada até aos bocais.

- Quando a névoa estiver no modo intermitente, prima de novo o botão do modo de névoa e os indicadores luminosos de névoa desligam-se e a névoa pára.

NOTA: Quando terminar a operação com névoa, retire o tubo de entrada da fonte de água e deixe a ventoinha funcionar no modo de névoa até que toda a água saia do tubo. Isto ajuda a evitar que fique água residual dentro do tubo, podendo causar uma névoa inesperada quando ligar a ventoinha de novo.

Usar a ventoinha com um balde de água ou outro recipiente (não incluído) (Imagem E)

⚠ AVISO: As crianças podem cair para dentro de baldes e afogar-se. Mantenha as crianças afastadas de baldes, mesmo que contenham apenas uma pequena quantidade de líquido.

⚠ AVISO: Lave o balde com água e sabão antes de cada utilização.

1. Retire a bateria.
2. Coloque o balde numa superfície plana e nivelada.
3. Adicione APENAS água limpa e fresca no balde. Não encha excessivamente.
4. Coloque a extremidade do filtro do tubo de entrada dentro do balde de água.

AVISO: Não dobre o tubo de entrada. Certifique-se sempre de que a água flui suavemente pelo tubo.

5. Instale a bateria.
6. Prima o botão da alimentação para ligar a ventoinha.
7. Prima o botão do modo de névoa para iniciar a névoa.

Ligar a ventoinha à torneira de água (Imagem F e Imagem G)

1. Desenrosque a parte superior do filtro no sentido inverso ao dos ponteiros do relógio e separe-o da parte inferior (Imagem F).

F-1	Parte inferior do filtro
F-2	Parte superior do filtro

AVISO: Certifique-se de que a parte inferior não fica dividida em duas partes quando retirar a parte superior, e que permanecem juntas para a ligação ao adaptador da mangueira de jardim.

2. Desenrosque (no sentido inverso ao dos ponteiros do relógio) o adaptador da mangueira de jardim guardado no fundo da ventoinha. Enrosque (no sentido dos ponteiros do relógio) na parte inferior do filtro.
3. Ligue o adaptador da mangueira de jardim a uma mangueira de jardim adequada com o acoplador rápido (não fornecido). Fixe o acoplador rápido no adaptador da mangueira de jardim até ouvir um clique (Imagem G).

G-1	Adaptador da mangueira de jardim
G-2	Acoplador rápido típico

AVISO: Não tente ligar o adaptador da mangueira de jardim enquanto estiver montado no fundo da ventoinha (Imagem G1).

4. Ligue a mangueira de jardim ao abastecimento de água.
5. Instale a bateria.
6. Prima o botão da alimentação para ligar a ventoinha.
7. Abra a torneira de água por completo. A ventoinha começa a libertar névoa.

AVISO: A pressão máxima de funcionamento recomendada não deverá exceder os 80 psi.

NOTA: Mesmo que não haja energia, a ventoinha começa a libertar névoa quando a torneira de água for aberta.

8. Prima o botão do modo de névoa para seleccionar o modo de névoa para melhores resultados de funcionamento.

NOTA: A pequena abertura no adaptador da mangueira de jardim é suscetível ao acumular de depósitos calcários e minerais. Limpe o adaptador frequentemente e use vinagre branco ou outro agente de eliminação do calcário para eliminar os depósitos.

Usar a ventoinha sem névoa

Se quiser, este produto pode ser usado apenas como ventoinha quando não estiver ligado a uma fonte de água. Quando não o usar, enrole sempre o tubo de entrada na área de armazenamento (consulte a secção “TRANSPORTE E ARMAZENAMENTO” neste manual) para o proteger de danos e contaminação.

TECNOLOGIA DE COMUNICAÇÃO

Para mais informações sobre a nossa gama completa de produtos e serviços conectados, incluindo instruções de conexão, leia o código QR apresentado abaixo, ou visite www.egopowerplus.eu/connect.



PROTEÇÃO ELETRÓNICA

Quando a função de oscilação for ativada, mas a ventoinha não oscilar, o indicador de oscilação apresenta três luzes verdes a piscar continuamente para lembrar o utilizador de verificar se a cabeça da ventoinha está presa, e retirar quaisquer materiais estranhos que possam estar presos na cabeça da ventoinha antes de a reiniciar.

Quando a função de névoa for ativada, mas não sair névoa:

- A bomba de água continua a funcionar durante um curto espaço de tempo e depois pára automaticamente para proteger o sistema eletrónico interno.
- O indicador de névoa apresenta três luzes verdes a piscar continuamente como alerta para o operador:
 - a. Verificar se o tubo de entrada está devidamente dentro de água.
 - b. Verificar se o bocal de névoa está obstruído, e

proceda à limpeza de acordo com o capítulo “MANUTENÇÃO DO BOCAL”.

- c. Prima o botão de seleção do modo de névoa para reiniciar a névoa.

Quando a bateria estiver fraca, o botão da alimentação pisca a verde para o lembrar de carregar ou substituir a bateria.

PT

Quando a bateria ou a ventoinha estiver demasiado quente, o botão da alimentação pisca a vermelho para o lembrar de desligar a ventoinha e permitir à bateria ou ventoinha arrefecer até que a temperatura desça para uma temperatura de funcionamento recomendada.

MANUTENÇÃO

⚠ AVISO: Quando fizer a manutenção, utilize peças de substituição idênticas. A utilização de outras peças pode constituir um perigo ou provocar danos no produto. Para garantir a segurança e bom funcionamento, todas as reparações deverão ser efetuadas por um técnico de reparação qualificado.

⚠ AVISO: Para evitar ferimentos sérios, retire sempre a bateria do produto quando limpar ou efetuar qualquer manutenção.

MANUTENÇÃO GERAL

Todo o serviço relativo à ventoinha nebulizadora, à exceção do que vem mencionado no manual de instruções, deve ser efetuado por pessoal qualificado.

Evite utilizar solventes quando limpar peças de plástico. Grande parte dos plásticos é suscetível a danos devido a vários tipos de solventes comerciais. Use panos limpos para retirar a sujidade, pó, óleo, gordura, etc.

⚠ AVISO: Nunca permita que o líquido dos travões, petróleo, produtos à base de petróleo, óleos penetrantes, etc., entrem em contacto com as peças de plástico. Os químicos podem danificar, enfraquecer ou destruir o plástico, o que pode dar origem a ferimentos sérios.

⚠ AVISO: Quando limpar a ventoinha nebulizadora, NÃO a coloque dentro de água ou de outros líquidos.

MANUTENÇÃO DO BOCAL (Imagem H)

⚠ AVISO: Certifique-se de que toda a manutenção do bocal de névoa é feita corretamente, para evitar fugas de água. As fugas podem dar origem a uma superfície escorregadia, causando um perigo de queda ou possíveis danos patrimoniais.

Padrões irregulares de névoa ou fugas podem ser o resultado de um bocal obstruído ou sujo.

Para limpar os bocais

1. Desligue a ventoinha e retire a bateria.
2. Retire os bocais da névoa obstruídos da proteção da grelha dianteira da estrutura da ventoinha, rodando no sentido inverso ao dos ponteiros do relógio.
3. Desmonte cada bocal afetado.
4. Para remover partículas estranhas que estejam a bloquear ou a restringir os bocais, passe os bocais por água. Para eliminar o calcário (mineral), limpe os bocais com vinagre branco ou outro agente de eliminação do calcário, conforme necessário.
5. Volte a montar os bocais.

⚠ AVISO: Para evitar a obstrução, certifique-se de que o bocal é montado exatamente conforme apresentado na Imagem H.

6. Volte a fixar os bocais limpos na proteção da grelha dianteira.

MANUTENÇÃO DO FILTRO (Imagem I)

Examine periodicamente o filtro na extremidade do tubo de entrada para se certificar de que está em bom estado.

1. Desligue a ventoinha e retire a bateria.
2. Desenrosque a parte superior da parte inferior do filtro.

I-1	Parte inferior	I-3	Rede de esponja
I-2	Rede de metal	I-4	Parte superior

⚠ AVISO: Quando desenroscar a parte superior, certifique-se de que a parte inferior não fica separada em duas partes. A parte inferior tem de permanecer montada, de modo a retirar a rede de metal.

3. Retire a rede de esponja da parte superior, e a rede de metal da parte inferior.
4. Passe a rede de metal e a rede de esponja por água ou substitua-as, se necessário.
5. Volte a montar o filtro.

⚠ AVISO: Certifique-se de que a rede de metal é montada com o rebordo subido virado para fora, para uma desmontagem mais fácil da próxima vez.

MANUTENÇÃO DO ADAPTADOR PARA MANGUEIRA DE JARDIM

A pequena abertura no adaptador da mangueira de jardim é suscetível ao acumular de depósitos calcários e minerais. Limpe o adaptador frequentemente e use vinagre branco ou outro agente de eliminação do calcário para eliminar os depósitos.

- Fixe o tubo de entrada e o filtro com os cliques no fundo da base da ventoinha.
- Enrosque o adaptador para a mangueira de jardim no orifício de armazenamento roscado no fundo da base da ventoinha.

L-1	Adaptador da mangueira de jardim
L-2	Cliques

PT

MANUTENÇÃO DA ESTRUTURA DA VENTONINHA (Imagem J e K)

1. Desligue a ventoinha e retire a bateria.
2. Use uma chave de estrelas (não incluída) para desenroscar os oito parafusos na parte traseira da estrutura da ventoinha, para retirar a proteção da grelha dianteira.

J-1	Parafuso (x8)
J-2	Proteção da grelha dianteira

- Transporte a ventoinha pela pega superior ou pegas laterais.
- Guarde a ventoinha no interior, num local bem ventilado.
- Mantenha afastado de agentes corrosivos, como químicos de jardinagem e sais de degelo.

Proteja o ambiente



Não elimine equipamento elétrico, bateria gasta nem carregador juntamente com o lixo doméstico comum!

Leve este produto a um centro de reciclagem autorizado para que possa haver uma separação das peças.

As ferramentas elétricas têm de ser envolvidas em instalações de reciclagem ambientalmente compatíveis.

3. Segure o conjunto da lâmina da ventoinha para evitar que rode, e rode a cobertura de fixação da lâmina da ventoinha no sentido dos ponteiros do relógio para libertar o conjunto da lâmina da ventoinha do eixo.

K-1	Montagem da lâmina da ventoinha
K-2	Cobertura de fixação

4. Retire o conjunto da lâmina da ventoinha.
5. Limpe a lâmina da ventoinha e o interior da estrutura conforme necessário.
6. Volte a montar pela ordem inversa e certifique-se de que:

A marca no conjunto da lâmina da ventoinha fica alinhada com a barra cruzada no eixo.

TRANSPORTE E ARMAZENAMENTO (Imagem L)

- Retire a bateria.
- Limpe bem a ventoinha.
- Esvazie o tubo de entrada e o filtro.

⚠ AVISO: Guardar a ventoinha no interior durante o inverno é essencial para a proteger de temperaturas negativas que podem danificar a bomba, mangueiras e outros componentes. **Desligue sempre o tubo de entrada da ventoinha da fonte de abastecimento de água, e deixe a ventoinha funcionar no modo de névoa contínua até deixar de haver água residual no tubo antes de guardar a ventoinha durante o inverno.**

RESOLUÇÃO DE PROBLEMAS

PT

PROBLEMA	CAUSA	SOLUÇÃO
A ventoinha nebulizadora não começa a funcionar.	<ul style="list-style-type: none">■ A bateria não está completamente inserida na estrutura.■ Não existe contacto elétrico entre a ventoinha nebulizadora e a bateria.■ A bateria está gasta.■ A bateria ou a ventoinha estão muito quentes.	<ul style="list-style-type: none">■ Verifique se a bateria está completamente inserida na estrutura.■ Retire a bateria, verifique os contactos e volte a instalar a bateria.■ Carregue a bateria.■ Desligue a ventoinha e deixe a bateria ou a ventoinha nebulizadora arrefecer até que a temperatura desça para uma temperatura de funcionamento recomendada.
Não há névoa de água e o indicador de névoa pisca três luzes a verde.	<ul style="list-style-type: none">■ O tubo de entrada não bombeia água, ativando a proteção interna da bomba elétrica dentro da ventoinha.■ Os bocais de névoa estão bloqueados, ativando a proteção interna da bomba elétrica.	<ul style="list-style-type: none">■ Certifique-se de que há água suficiente no balde e que o tubo de entrada é colocado corretamente dentro de água.■ Limpe os bocais de acordo com o capítulo "MANUTENÇÃO DO BOCAL" e volte a montar conforme indicado.
A ventoinha pára de oscilar e o indicador de oscilação pisca três luzes a verde.	<ul style="list-style-type: none">■ A cabeça da ventoinha fica presa durante a oscilação.	<ul style="list-style-type: none">■ Retire quaisquer matérias estranhas que impeçam a cabeça da ventoinha de oscilar.

GARANTIA

POLÍTICA DE GARANTIA EGO

Visite o website egopowerplus.eu para os termos e condições completos da política de garantia da EGO.

LEGGERE TUTTE LE ISTRUZIONI!



LEGGERE IL MANUALE DI ISTRUZIONI

⚠ AVVERTENZA! Per garantire sicurezza e affidabilità, tutte le operazioni di riparazione e sostituzione devono essere effettuate da un tecnico qualificato.

⚠ AVVERTENZA! Accertarsi di aver letto e compreso tutte le istruzioni di sicurezza in questo manuale, inclusi tutti i simboli di avvertenza come "PERICOLO", "AVVERTENZA" e "ATTENZIONE" prima di usare l'apparecchio. Il mancato rispetto di tutte le istruzioni elencate di seguito comporta il rischio di scossa elettrica, incendio e/o lesioni gravi.

IT

CONSERVARE TUTTE LE AVVERTENZE E LE ISTRUZIONI PER FUTURO RIFERIMENTO.

SIMBOLI DI SICUREZZA

⚠ AVVERTENZA! L'uso di apparecchi elettrici può causare il lancio di oggetti estranei verso l'operatore, con il rischio di lesioni gravi agli occhi. Durante l'uso dell'apparecchio, indossare sempre occhiali protettivi o occhiali di sicurezza con protezioni laterali e, se necessario, una maschera facciale. Si raccomanda di indossare una maschera di sicurezza con ampio campo visivo sopra gli occhiali o occhiali di sicurezza standard con protezioni laterali.



Avvertenza di sicurezza



Per ridurre il rischio di infortuni, l'operatore deve leggere e comprendere tutte le istruzioni prima di usare questo prodotto.



Livello di potenza sonora garantito. Emissione acustica ambientale ai sensi della direttiva dell'Unione europea.



Simbolo Bluetooth®



Gli apparecchi elettrici non devono essere smaltiti insieme ai rifiuti domestici. Portarli presso un centro di riciclaggio autorizzato.



Questo prodotto è conforme alle direttive europee applicabili.



Corrente continua



Questo prodotto è conforme alle direttive britanniche applicabili.

IPX4 Protezione dagli schizzi d'acqua

AVVERTENZE DI SICUREZZA GENERICHE

⚠ AVVERTENZA! Per ridurre il rischio di incendio, scossa elettrica o infortunio, rispettare le seguenti istruzioni.

- **Familiarizzarsi con l'apparecchio. Leggere attentamente le istruzioni. Studiare le applicazioni e le limitazioni del ventilatore e i relativi rischi specifici.** Il rispetto di questa istruzione riduce il rischio di scossa elettrica, incendio o infortunio.
- Questo apparecchio può essere usato da bambini di età superiore a 8 anni e da persone con ridotte capacità fisiche, sensoriali o mentali o prive di esperienza e conoscenza, solo se supervisionati o istruiti sull'uso sicuro dell'apparecchio e se comprendono i rischi correlati.
- I bambini non devono giocare con l'apparecchio.
- Le operazioni di pulizia e manutenzione ordinaria non devono essere effettuate da bambini senza supervisione

SICUREZZA DELL'AREA DI LAVORO

- **Non usare il ventilatore in atmosfere esplosive, ad esempio in presenza di liquidi, gas o polveri infiammabili.**
- **Durante l'uso dell'apparecchio, tenere a distanza i bambini e le persone presenti.** Le distrazioni possono causare la perdita di controllo.
- **Prestare attenzione durante l'uso in presenza di vento.** Il vento può trasportare l'acqua nebulizzata verso cavi e dispositivi elettrici.
- **Non esporre l'apparecchio a pioggia o umidità.** L'infiltrazione di acqua all'interno di un apparecchio elettrico aumenta il rischio di scossa elettrica.

SICUREZZA PERSONALE

- **Durante l'uso dell'apparecchio, prestare sempre la massima attenzione e utilizzare il buon senso. Non usare l'apparecchio se si è stanchi, turbati o sotto l'effetto di droghe, alcol o medicinali.** Anche un solo momento di disattenzione durante l'uso dell'apparecchio comporta il rischio di lesioni gravi.
- **Prevenire l'avvio accidentale. Assicurarsi che l'interruttore sia in posizione di spegnimento prima di sollevare o trasportare l'apparecchio e di collegarlo al gruppo batteria.** Per ridurre il rischio di incidenti, non trasportare l'apparecchio tenendo le dita sull'interruttore e non collegarlo alla fonte di alimentazione se l'interruttore è in posizione di accensione.

- **Rimuovere eventuali chiavi di regolazione o avvittamento prima di avviare l'apparecchio.** Una chiave di serraggio rimasta inserita in un elemento mobile dell'apparecchio comporta il rischio di infortuni.
- **Non allungarsi eccessivamente. Mantenere sempre un buon equilibrio evitando posizioni instabili.** Ciò assicura un miglior controllo dell'apparecchio in situazioni impreviste.
- **Vestirsi in modo adeguato. Non indossare indumenti ampi o gioielli. Tenere capelli e indumenti lontani dalle parti in movimento.** Indumenti ampi, gioielli o capelli lunghi possono rimanere impigliati nelle parti in movimento.
- **Verificare che tutti i collegamenti siano saldi prima di usare l'apparecchio.**
- **Non lasciare che la familiarità con l'apparecchio (derivata da un uso frequente) abbassi il livello di attenzione.** Anche una minima distrazione può causare gravi infortuni.

USO E MANUTENZIONE

- **Non usare l'apparecchio se l'interruttore non funziona correttamente.** Un apparecchio che non può essere controllato dall'interruttore è pericoloso e deve essere riparato.
- **Scollegare il gruppo batteria dall'apparecchio prima di riparlo, apportare qualsiasi modifica o sostituire gli accessori.** Ciò riduce il rischio di accensione accidentale.
- **Riporre l'apparecchio fuori dalla portata dei bambini e non permetterne l'uso a persone che non hanno familiarità con l'apparecchio o con queste istruzioni.** Gli apparecchi elettrici sono pericolosi se utilizzati da persone non competenti.
- **Sottoporre l'apparecchio e gli accessori a una regolare manutenzione. Verificare che le parti mobili non siano disallineate o inceppate e che non siano presenti danni o altre condizioni suscettibili di compromettere il corretto funzionamento dell'apparecchio. Se l'apparecchio è danneggiato, farlo riparare prima di utilizzarlo nuovamente.** Molti incidenti sono provocati da apparecchi in cattive condizioni.
- **Usare l'apparecchio, gli accessori, ecc. conformemente a queste istruzioni, tenendo conto delle condizioni dell'area di lavoro e del tipo di lavoro da svolgere.** L'uso dell'apparecchio per operazioni diverse da quelle per cui è progettato può comportare situazioni di pericolo.
- **Mantenere le impugnature e le superfici di presa asciutte, pulite e prive di olio o grasso.** Impugnature

e superfici di presa scivolose non garantiscono l'uso sicuro e il controllo dell'apparecchio in situazioni impreviste.

⚠ AVVERTENZA! Per ridurre il rischio di incendio o scossa elettrica, non usare l'apparecchio con dispositivi di controllo della velocità a stato solido.

USO E MANUTENZIONE DEGLI APPARECCHI A BATTERIA

- Ricaricare la batteria esclusivamente con il caricabatteria specificato dal costruttore. Un caricabatteria adatto a un certo tipo di gruppo batteria comporta il rischio di incendio se utilizzato con gruppi batteria di tipo diverso.
- Usare esclusivamente gruppi batteria progettati specificamente per questo apparecchio. L'uso di altri gruppi batteria comporta il rischio di incendio e infortunio.
- **Quando il gruppo batteria non è in uso, tenerlo lontano da piccoli oggetti metallici, ad esempio graffette, monete, chiavi, chiodi, viti ecc.** poiché potrebbero creare un collegamento tra i due terminali. Il cortocircuito dei terminali della batteria comporta il rischio di incendio o ustioni.
- **L'uso improprio può causare fuoriuscite di liquido dalla batteria: evitare il contatto con tale liquido. In caso di contatto accidentale, lavare l'area interessata con acqua.** Se il liquido entra a contatto con gli occhi, consultare un medico. Il liquido fuoriuscito dalla batteria può causare irritazioni o ustioni.
- **Non usare gruppi batteria o apparecchi danneggiati o modificati.** Le batterie danneggiate o modificate possono manifestare comportamenti imprevisti, con il rischio di incendio, esplosione o infortunio.
- **Non esporre il gruppo batteria o l'apparecchio a fiamme o temperature eccessive.** L'esposizione a fiamme o temperature superiori a 130°C comporta il rischio di esplosione.
- **Rispettare tutte le istruzioni relative alla ricarica e non ricaricare il gruppo batteria o l'apparecchio a temperature diverse da quelle specificate nelle istruzioni.** Una ricarica eseguita in modo improprio o a temperature diverse da quelle specificate può danneggiare la batteria e aumentare il rischio di incendio.

RIPARAZIONI

- **Affidare la riparazione dell'apparecchio a personale qualificato e utilizzare esclusivamente**

parti di ricambio identiche. Ciò garantisce la sicurezza dell'apparecchio.

- **Non riparare gruppi batteria danneggiati.** La riparazione dei gruppi batteria deve essere effettuata esclusivamente dal costruttore o da un centro di assistenza autorizzato.

AVVERTENZE DI SICUREZZA SPECIFICHE PER VENTILATORI NEBULIZZATORI CORDLESS

IT

- Questo apparecchio non deve essere usato da persone (bambini inclusi) con ridotte capacità fisiche, mentali o sensoriali o prive di esperienza e conoscenza, a meno che non siano sorvegliate o siano state istruite sull'uso dell'apparecchio da una persona responsabile della loro sicurezza.
- Supervisionare i bambini per assicurarsi che non giochino con l'apparecchio.
- **Il ventilatore non deve essere usato come giocattolo.** Prestare particolare attenzione quando l'apparecchio viene usato da o in presenza di bambini.
- **I bambini possono cadere all'interno dei serbatoi e annegare.** Tenere i bambini a distanza dai serbatoi, anche se poco pieni.
- Usare **ESCLUSIVAMENTE** acqua fredda e pulita.
- **Non usare l'apparecchio per nebulizzare pesticidi, fertilizzanti liquidi, sostanze chimiche o liquidi diversi da acqua pulita.** La diffusione di tali sostanze comporta il rischio di lesioni gravi o malattie all'operatore o alle persone presenti.
- **Non dirigere l'acqua o la nebulizzazione verso cavi o dispositivi elettrici.**
- **Assicurarsi che il coperchio del vano batteria sia completamente chiuso per evitare che l'acqua entri a contatto con la batteria o si infiltri nel vano batteria.**
- **Tenere l'apparecchio e l'impugnatura puliti e privi di olio e grasso. Usare sempre un panno pulito durante la pulizia. Non usare mai liquido per freni, benzina, prodotti a base di petrolio o solventi aggressivi per pulire il ventilatore.** Il rispetto di questa istruzione evita il deterioramento delle superfici in plastica e riduce il rischio di perdita di controllo.
- **Le batterie possono esplodere in presenza di una fonte di accensione, ad esempio una fiamma pilota. Per ridurre il rischio di lesioni gravi, non usare mai apparecchi alimentati a batteria in presenza di fiamme libere. L'esplosione di una batteria comporta il lancio di detriti e sostanze chimiche.**

In caso di esposizione, risciacquare immediatamente l'area interessata con acqua.

- **Conservare queste istruzioni.** Consultarle frequentemente e usarle per istruire gli altri operatori del ventilatore. In caso di cessione del ventilatore a terzi, allegare anche queste istruzioni per evitare l'uso scorretto e il rischio di lesioni.
- Tenere presente che elevati livelli di umidità possono favorire la crescita di organismi biologici nell'ambiente.
- Evitare che l'area intorno all'apparecchio diventi umida o bagnata. Se l'area si bagna, ridurre il volume della nebulizzazione. Se il volume della nebulizzazione non può essere ridotto, usare l'apparecchio a intermittenza. Evitare che materiali assorbenti come tappeti, tende, drappi o tovaglie si bagnino.
- Non lasciare l'acqua nel serbatoio quando l'apparecchio non è in uso.
- Svuotare e pulire l'apparecchio prima di riportarlo. Pulire l'apparecchio prima di ogni utilizzo.


⚠ AVVERTENZA! Eventuali microrganismi presenti nell'acqua o nell'ambiente di utilizzo o conservazione dell'apparecchio possono riprodursi nel serbatoio dell'acqua e venire dispersi nell'aria, causando gravi rischi per la salute. Sostituire l'acqua e pulire il serbatoio ogni 3 giorni.

Rimuovere le batterie ricaricabili dall'apparecchio prima di ricaricarle.

- Rimuovere le batterie scariche dall'apparecchio e smaltirle in modo sicuro.
- In previsione di un lungo periodo di inutilizzo dell'apparecchio, rimuovere le batterie.
- Non cortocircuitare i terminali delle batterie.

CONSERVARE QUESTE ISTRUZIONI

SPECIFICHE TECNICHE

Tensione nominale	56V 
Diametro della ventola	25,4 cm
Livelli di velocità	6 (incluso il livello "Turbo")
Volume dell'aria max.	1700 CFM
Velocità dell'aria max.	32,2 km/h
Angolo di oscillazione	60°, 120°, 180°

Volume dell'acqua nebulizzata	Alto: 5,7 L/h
	Medio: 4,9 L/h
	Basso: 2,5 L/h
Peso (senza gruppo batteria)	4,7 kg
Temperatura di conservazione raccomandata	Da -20°C a 70°C
Banda di frequenza Bluetooth	2402-2480 MHz
Potenza di trasmissione max Bluetooth	4 dBm

- Il valore totale di emissione delle vibrazioni dichiarato è stato misurato con un metodo di valutazione standard e può essere utilizzato per confrontare l'apparecchio con altri prodotti analoghi;
- Il valore totale di emissione delle vibrazioni dichiarato può essere utilizzato anche per una valutazione preliminare dei livelli di esposizione.

NOTA: il valore di emissione delle vibrazioni durante l'uso effettivo dell'apparecchio può variare rispetto al valore totale dichiarato in base alla modalità di utilizzo dell'apparecchio. Per proteggersi, l'operatore deve indossare guanti e dispositivi di protezione per le orecchie in base alle condizioni di utilizzo effettive.

CONTENUTO DELL'IMBALLAGGIO (FIG. A1)

DESCRIZIONE

COMPONENTI DEL VENTILATORE (Fig. A1, A2)

1. Pannello di controllo (Fig. A2)
2. Struttura oscillante
3. Ugello di nebulizzazione
4. Impugnatura superiore
5. Testa del ventilatore
6. Impugnatura laterale
7. Vano batteria
8. Contatti elettrici
9. Pulsante di rilascio della batteria
10. Adattatore per tubo di irrigazione
11. Filtro
12. Tubo di ingresso dell'acqua
13. Pulsanti di regolazione della velocità dell'aria
14. Pulsante TURBO

15. Indicatore TURBO
16. Indicatore della nebulizzazione
17. Pulsante della nebulizzazione
18. Pulsante di accensione
19. Indicatore della velocità dell'aria
20. Indicatore dell'oscillazione
21. Pulsante dell'oscillazione

ASSEMBLAGGIO

AVVERTENZA! In caso di componenti danneggiati o mancanti, non usare l'apparecchio finché i componenti non vengono sostituiti. L'uso dell'apparecchio con componenti danneggiati o mancanti comporta il rischio di lesioni gravi.

AVVERTENZA! Non tentare di modificare l'apparecchio o creare accessori non raccomandati per l'uso con questo apparecchio. Tali alterazioni o modifiche costituiscono un uso improprio e comportano condizioni pericolose e il rischio di lesioni gravi.

AVVERTENZA! Per evitare l'avvio accidentale e il conseguente rischio di lesioni gravi, rimuovere sempre il gruppo batteria dall'apparecchio durante l'assemblaggio dei componenti.

- Questo prodotto è consegnato completamente assemblato.
- Estrarre attentamente l'apparecchio e gli accessori dalla confezione. Assicurarsi che siano presenti tutti i componenti descritti alla sezione "Contenuto della confezione".
- Ispezionare attentamente il prodotto per assicurarsi che non abbia subito danni durante il trasporto.
- Non gettare i materiali di imballaggio finché il prodotto non è stato ispezionato con attenzione e collaudato.
- In caso di componenti danneggiati o mancanti, riportare il prodotto presso il punto vendita.

UTILIZZO

AVVERTENZA! La familiarità con questo apparecchio non deve rendere l'operatore disattento. Anche un solo momento di disattenzione comporta il rischio di lesioni gravi.

AVVERTENZA! Per evitare l'avvio accidentale e il conseguente rischio di lesioni gravi, rimuovere sempre il

gruppo batteria dal ventilatore prima di regolarlo, pulirlo, assemblare i componenti e quando non è in uso.

AVVERTENZA! Non usare accessori non raccomandati dal costruttore del prodotto. L'uso di accessori non raccomandati comporta il rischio di lesioni gravi.

Prima di ogni utilizzo, ispezionare l'intero prodotto per verificare che nessun elemento sia mancante e non siano presenti componenti danneggiati o allentati, ad esempio viti, bulloni, cappucci, ecc. Serrare saldamente tutti i dispositivi di fissaggio e non usare il prodotto finché tutti i componenti mancanti o danneggiati non vengono sostituiti.

APPLICAZIONI

Questo prodotto può essere usato per gli scopi elencati di seguito:

- Ventilazione generale nella maggior parte degli ambienti domestici.
- Raffrescamento all'aperto quando collegato a una fonte idrica.

NOTA: il prodotto deve essere utilizzato esclusivamente per gli scopi previsti. Altri utilizzi sono da considerarsi impropri.

INSTALLAZIONE/RIMOZIONE DEL GRUPPO BATTERIA

Usare l'apparecchio esclusivamente con i gruppi batteria e i caricabatteria EGO elencati in Fig. A3.

NOTA: ricaricare completamente il gruppo batteria prima del primo utilizzo.

Installazione

Allineare le sporgenze sul gruppo batteria con le scanalature di fissaggio e premere il gruppo batteria nel vano batteria fino a udire un "clic" (Fig. B1).

Rimozione

Premere il pulsante di rilascio della batteria ed estrarre il gruppo batteria (Fig. B2).

AVVERTENZA! Prestare sempre attenzione ai propri piedi e all'eventuale presenza di bambini o animali intorno a sé durante la rimozione del gruppo batteria. La caduta del gruppo batteria comporta il rischio di lesioni gravi. Non rimuovere MAI il gruppo batteria quando si è in posizione sopraelevata.

AVVIO/ARRESTO DEL VENTILATORE

NOTA: alla prima accensione, il ventilatore si avvierà con il livello di velocità dell'aria 3. Il ventilatore memorizzerà l'ultimo livello di velocità dell'aria selezionato e lo ripristinerà alla successiva riaccensione. Il livello Turbo non verrà memorizzato.

NOTA: le impostazioni relative alla nebulizzazione e all'oscillazione non verranno memorizzate e non saranno attive alla successiva riaccensione del ventilatore.

Pannello di controllo (Fig. A2)

Pulsante di accensione

- Premere brevemente il pulsante di accensione per accendere il ventilatore.
- Premerlo nuovamente per spegnere il ventilatore.

Regolazione della velocità dell'aria

Velocità normale

- Premere il pulsante "+" per aumentare la velocità dell'aria o il pulsante "-" per ridurla. Sono disponibili 5 livelli di velocità.
- Le barre dell'indicatore della velocità dell'aria si illuminano di verde in base al livello di velocità corrente.

Velocità TURBO

NOTA: in modalità "TURBO", il ventilatore funzionerà al massimo livello di velocità.

- Premere il pulsante "TURBO"; l'indicatore TURBO si illuminerà di verde e il ventilatore funzionerà al massimo livello di velocità.
- Quando la modalità "TURBO" è attiva, premere nuovamente il pulsante "TURBO"; l'indicatore TURBO si spegnerà e verrà ripristinata la velocità precedente.
- Quando la modalità "TURBO" è attiva, premendo il pulsante "-" l'indicatore "TURBO" si spegnerà e verrà attivato il livello di velocità 5.

OSCILLAZIONE (FIG. C)

- Premere una volta il pulsante dell'oscillazione per attivare l'oscillazione della testa del ventilatore; l'ultima barra dell'indicatore dell'oscillazione si illuminerà di verde e la testa del ventilatore ruoterà di 60° da un lato all'altro (da -30° a +30°).
- Premendo nuovamente il pulsante dell'oscillazione, due barre dell'indicatore dell'oscillazione si illumineranno di verde e la testa del ventilatore ruoterà di 120° (da

-60° a +60°).

- Premendo il pulsante dell'oscillazione per la terza volta, tre barre dell'indicatore dell'oscillazione si illumineranno di verde e la testa del ventilatore ruoterà di 180° (da -90° a 90°).
- Per disattivare l'oscillazione, premere il pulsante dell'oscillazione per la quarta volta.

INCLINAZIONE DEL VENTILATORE (FIG. D)

La testa del ventilatore può essere inclinata in diverse angolazioni, da -30° a +90°. Per regolare la direzione della nebulizzazione e/o del flusso d'aria, afferrare l'impugnatura superiore e inclinare la testa del ventilatore in avanti o all'indietro.

NEBULIZZAZIONE

Modalità di nebulizzazione

- Premendo una volta il pulsante della nebulizzazione, le tre barre dell'indicatore della nebulizzazione si illumineranno di verde; la modalità continua potenziata è attiva, ovvero la nebulizzazione sarà densa e ininterrotta.
- Premendo nuovamente il pulsante della nebulizzazione, solo due barre dell'indicatore della nebulizzazione si illumineranno di verde; la modalità continua normale è attiva, ovvero la nebulizzazione sarà ininterrotta.
- Premendo il pulsante della nebulizzazione per la terza volta, una sola barra dell'indicatore della nebulizzazione si illuminerà di verde; la modalità intermittente è attiva, ovvero la nebulizzazione si arriverà per 10 secondi ogni 10 secondi.

NOTA: alla prima attivazione della nebulizzazione, potrebbe essere necessario attendere qualche secondo prima che l'acqua venga spruzzata dagli ugelli. Ciò è dovuto al tempo impiegato dall'acqua a scorrere dal tubo di ingresso dell'acqua agli ugelli.

- In modalità intermittente, premere nuovamente il pulsante della nebulizzazione per arrestare la nebulizzazione; le barre dell'indicatore della nebulizzazione si spegneranno.

NOTA: dopo aver disattivato la nebulizzazione, estrarre il tubo di ingresso dell'acqua del ventilatore dalla fonte idrica e lasciare in funzione in ventilatore con la nebulizzazione continua finché il tubo di ingresso dell'acqua non si svuota completamente. In questo modo gli eventuali residui d'acqua nel tubo non fuoriusciranno dagli ugelli di nebulizzazione alla successiva accensione del ventilatore.

Utilizzo del ventilatore con un serbatoio (non incluso) (Fig. E)

AVVERTENZA! I bambini possono cadere all'interno dei serbatoi e annegare. Tenere i bambini a distanza dai serbatoi, anche se poco pieni.

NOTA: lavare il serbatoio con del detergente prima di ogni utilizzo.

1. Rimuovere il gruppo batteria.
2. Posizionare il serbatoio su una superficie piana e a livello.
3. Versare nel serbatoio ESCLUSIVAMENTE acqua fredda e pulita. Non riempirlo eccessivamente.
4. Immergere l'estremità del tubo di ingresso dell'acqua con il filtro nell'acqua.

NOTA: non piegare il tubo di ingresso dell'acqua e assicurarsi che l'acqua scorra liberamente all'interno del tubo.

5. Installare il gruppo batteria.
6. Premere il pulsante di accensione per accendere il ventilatore.
7. Premere il pulsante della nebulizzazione per attivare la nebulizzazione.

Collegamento del ventilatore a un rubinetto (Fig. F, Fig. G)

1. Svitare la parte superiore del filtro in senso antiorario e separarlo dalla parte inferiore (Fig. F).

F-1	Parte inferiore del filtro
F-2	Parte superiore del filtro

NOTA: durante la separazione dalla parte superiore, assicurarsi che la parte inferiore non si divida in due parti e rimanga unita.

2. Svitare (in senso antiorario) l'adattatore per tubo di irrigazione situato sulla parte inferiore del ventilatore. Avvitare (in senso orario) sulla parte inferiore del filtro.
3. Collegare l'adattatore per tubo di irrigazione a un tubo di irrigazione dotato di attacco rapido (non fornito). Fissare l'attacco rapido all'adattatore per tubo di irrigazione fino a udire un "clic" (Fig. G).

G-1	Adattatore per tubo di irrigazione
G-2	Attacco rapido standard

NOTA: non tentare di collegare l'adattatore per tubo di irrigazione quando è ancora fissato alla parte inferiore del ventilatore (Fig. G1).

4. Collegare il tubo di irrigazione alla rete idrica.
5. Installare il gruppo batteria.
6. Premere il pulsante di accensione per accendere il ventilatore.
7. Aprire completamente il rubinetto dell'acqua; la nebulizzazione entrerà in funzione.

NOTA: la pressione di esercizio raccomandata non deve superare 80 psi.

NOTA: anche se la batteria non è installata, la nebulizzazione entrerà in funzione all'apertura del rubinetto dell'acqua.

8. Premere il pulsante della nebulizzazione per selezionare la modalità di nebulizzazione desiderata.

NOTA: a causa delle sue dimensioni ridotte, l'apertura dell'adattatore per tubo di irrigazione può venire ostruita dall'accumulo di depositi minerali contenuti nell'acqua. Pulire frequentemente l'adattatore e usare dell'aceto di vino bianco o un agente anticalcare per rimuovere eventuali accumuli.

Utilizzo del ventilatore senza nebulizzazione

L'apparecchio può essere utilizzato come semplice ventilatore quando non è collegato a una fonte idrica. In tal caso, riporre il tubo di ingresso dell'acqua nella parte inferiore del ventilatore (consultare la sezione "TRASPORTO E CONSERVAZIONE" di questo manuale) per evitare il rischio di danni e contaminazione.

TECNOLOGIA DI CONNESSIONE

Per maggiori informazioni sulla gamma completa dei prodotti e dei servizi connessi, comprese le istruzioni di connessione, scansionare il seguente codice QR o visitare il sito web

www.egopowerplus.eu/connect.



PROTEZIONE DEI COMPONENTI ELETTRONICI

Se la funzione di oscillazione è stata attivata ma il ventilatore non oscilla, le tre barre dell'indicatore dell'oscillazione lampeggeranno di verde; controllare che

la testa del ventilatore non sia bloccata e che non siano presenti ostacoli intorno alla testa del ventilatore.

Quando la nebulizzazione è attiva ma l'acqua non fuoriesce dagli ugelli:

- La pompa dell'acqua continuerà a funzionare per qualche secondo, quindi si arresterà automaticamente per proteggere i componenti elettronici interni.
- Le tre barre dell'indicatore della nebulizzazione lampeggeranno di verde; procedere come descritto di seguito.

- a. Verificare che il tubo di ingresso dell'acqua sia immerso correttamente nell'acqua.
- b. Verificare che gli ugelli di nebulizzazione non siano ostruiti; in caso contrario pulirli come indicato alla sezione **"MANUTENZIONE DEGLI UGELLI"**.
- c. Premere il pulsante della nebulizzazione per riattivare la nebulizzazione.

Quando la batteria è quasi scarica, il pulsante di accensione lampeggerà di verde; ricaricare il gruppo batteria.

Se il gruppo batteria o il ventilatore sono troppo caldi, il pulsante di accensione lampeggerà di rosso; spegnere il ventilatore e attendere che il gruppo batteria o il ventilatore si raffreddino fino a raggiungere la temperatura di funzionamento raccomandata.

MANUTENZIONE

AVVERTENZA! Per la riparazione, usare esclusivamente parti di ricambio identiche. L'uso di altri ricambi comporta situazioni pericolose o il rischio di danni al prodotto. Per garantire sicurezza e affidabilità, tutte le operazioni di riparazione e sostituzione devono essere effettuate da un tecnico qualificato.

AVVERTENZA! Per evitare il rischio di lesioni gravi, rimuovere sempre il gruppo batteria dal prodotto prima delle operazioni di pulizia o manutenzione.

MANUTENZIONE GENERALE

Tutte le operazioni di manutenzione diverse da quelle elencate in queste istruzioni devono essere effettuate da un tecnico qualificato.

Non usare solventi per pulire le parti in plastica. I solventi disponibili in commercio possono danneggiare la maggior parte dei componenti in plastica. Usare un panno pulito per rimuovere sporcizia, polvere, olio, grasso, ecc.

AVVERTENZA! Impedire il contatto di liquido per freni, benzina, prodotti a base di petrolio, oli penetranti, ecc. con le parti in plastica. Le sostanze chimiche possono danneggiare, indebolire o distruggere la plastica, comportando il rischio di lesioni gravi.

AVVERTENZA! Durante la pulizia del ventilatore nebulizzatore, NON immergerlo in acqua o altri liquidi.

MANUTENZIONE DEGLI UGELLI (Fig. H)

AVVERTENZA! Sottoporre gli ugelli di nebulizzazione a regolare manutenzione per evitare perdite d'acqua. Eventuali fuoriuscite di acqua possono rendere scivolosa la superficie circostante, con il rischio di caduta o danni.

Una nebulizzazione irregolare o perdite d'acqua possono essere causate da ugelli sporchi o ostruiti.

Pulizia degli ugelli

1. Spegner il ventilatore e rimuovere il gruppo batteria.
2. Rimuovere gli ugelli di nebulizzazione ostruiti dalla griglia di protezione anteriore della testa ventilatore ruotandoli in senso antiorario.
3. Disassemblare gli ugelli come illustrato.
4. Per rimuovere i detriti che ostruiscono completamente o parzialmente gli ugelli, risciacquare gli ugelli disassemblati con acqua. Per rimuovere i depositi di calcare, lavare gli ugelli disassemblati con aceto di vino bianco o un agente anticalcare.
5. Riassemblare gli ugelli.

NOTA: per prevenire l'ostruzione degli ugelli, assicurarsi di riassemblarli come illustrato in Fig. H.

6. Reinstallare gli ugelli puliti sulla griglia di protezione anteriore.

MANUTENZIONE DEL FILTRO (Fig. I)

Ispezionare periodicamente il filtro all'estremità del tubo di ingresso dell'acqua per assicurarsi che sia in buone condizioni.

1. Spegner il ventilatore e rimuovere il gruppo batteria.
2. Svitare la parte superiore del filtro dalla parte inferiore.

I-1	Parte inferiore	I-3	Filtro in spugna
I-2	Filtro a griglia	I-4	Parte superiore

NOTA: durante la separazione dalla parte superiore, assicurarsi che la parte inferiore non si divida in due parti. La parte inferiore deve rimanere unita per poter rimuovere il filtro a griglia.

3. Estrarre il filtro in spugna dalla parte superiore e il filtro a griglia dalla parte inferiore.
4. Risciacquare il filtro a griglia e il filtro in spugna o sostituirli se necessario.
5. Riasssemblare il filtro.

NOTA: assicurarsi di riposizionare il filtro a griglia con il bordo sporgente rivolto verso l'esterno per poterlo rimuovere facilmente in seguito.

MANUTENZIONE DELL'ADATTATORE PER TUBO DI IRRIGAZIONE

A causa delle sue dimensioni ridotte, l'apertura dell'adattatore per tubo di irrigazione può venire ostruita dall'accumulo di depositi minerali contenuti nell'acqua. Pulire frequentemente l'adattatore e usare dell'aceto di vino bianco o un agente anticalcare per rimuovere eventuali accumuli.

MANUTENZIONE DELLA TESTA DEL VENTILATORE (Fig. J, Fig. K)

1. Spegnere il ventilatore e rimuovere il gruppo batteria.
2. Con un cacciavite a croce (non incluso), svitare le otto viti dalla parte posteriore della testa del ventilatore per rimuovere la griglia di protezione anteriore.

J-1	Vite (x8)
J-2	Griglia di protezione anteriore

3. Bloccare saldamente la ventola per evitare che si muova e ruotare il dado di bloccaggio della ventola in senso orario per separare la ventola dall'albero motore.

K-1	Ventola
K-2	Dado di bloccaggio

4. Rimuovere la ventola.
5. Pulire la ventola e l'interno della testa del ventilatore, se necessario.
6. Riasssemblare il ventilatore in ordine inverso.

Assicurarsi che la fessura sulla ventola sia allineata con la sporgenza sull'albero motore.

TRASPORTO E CONSERVAZIONE (Fig. L)

- Rimuovere il gruppo batteria.
- Pulire accuratamente il ventilatore.
- Svuotare il tubo di ingresso dell'acqua e il filtro.

NOTA: preparare il ventilatore per la stagione invernale è essenziale per proteggerlo dalle temperature sottozero, che possono danneggiare la pompa, i tubi e altri componenti. **Scollegare il tubo di ingresso dell'acqua del ventilatore dalla fonte idrica e lasciare in funzione in ventilatore con la nebulizzazione continua finché il tubo di ingresso dell'acqua non si svuota completamente.**

- Fissare il tubo e il filtro alla parte inferiore della base del ventilatore con gli appositi fermagli.
- Avvitare l'adattatore per tubo di irrigazione nell'apposito foro filettato situato sulla parte inferiore della base del ventilatore.

L-1	Adattatore per tubo di irrigazione
L-2	Fermagli

- Trasportare il ventilatore usando l'impugnatura superiore o le impugnature laterali.
- Conservare il ventilatore in un luogo chiuso, ben ventilato.
- e al riparo da agenti corrosivi, ad esempio sostanze chimiche per il giardinaggio e sale per disgelo.

Protezione dell'ambiente



Non smaltire gli apparecchi elettrici, i caricabatteria e le batterie insieme ai rifiuti domestici.

Portare il prodotto presso un centro di riciclaggio autorizzato affinché venga raccolto separatamente. Gli apparecchi elettrici devono essere portati presso un centro di riciclaggio ecocompatibile.

RISOLUZIONE DEI PROBLEMI

IT

PROBLEMA	CAUSA	SOLUZIONE
Il ventilatore nebulizzatore non si avvia.	<ul style="list-style-type: none"> ■ Il gruppo batteria non è installato correttamente nel vano batteria. ■ Nessun contatto elettrico tra il ventilatore nebulizzatore e il gruppo batteria. ■ Il gruppo batteria è scarico. ■ Il gruppo batteria/il ventilatore è troppo caldo. 	<ul style="list-style-type: none"> ■ Assicurarsi che il gruppo batteria sia installato correttamente nel vano batteria. ■ Rimuovere il gruppo batteria, ispezionare i contatti e reinstallare il gruppo batteria. ■ Ricaricare il gruppo batteria. ■ Spegnerne il ventilatore e attendere che la temperatura del gruppo batteria o del ventilatore rientri nell'intervallo di funzionamento raccomandato.
La nebulizzazione non si avvia e le tre barre dell'indicatore della nebulizzazione lampeggiano di verde.	<ul style="list-style-type: none"> ■ Il tubo di ingresso dell'acqua non aspira l'acqua, attivando il dispositivo di protezione della pompa dell'acqua all'interno del ventilatore. ■ Gli ugelli di nebulizzazione si sono ostruiti durante l'uso, attivando il dispositivo di protezione della pompa dell'acqua. 	<ul style="list-style-type: none"> ■ Assicurarsi che il serbatoio sia sufficientemente pieno e che il tubo di ingresso dell'acqua sia immerso correttamente nell'acqua. ■ Pulire gli ugelli come indicato alla sezione "MANUTENZIONE DEGLI UGELLI" e reinstallarli.
Il ventilatore smette di oscillare e le tre barre dell'indicatore dell'oscillazione lampeggiano di verde.	<ul style="list-style-type: none"> ■ La testa del ventilatore è bloccata da un ostacolo. 	<ul style="list-style-type: none"> ■ Rimuovere l'ostacolo che impedisce l'oscillazione della testa del ventilatore.

GARANZIA

CONDIZIONI DELLA GARANZIA EGO

Visitare il sito web egopowerplus.eu per consultare le condizioni complete della garanzia EGO.

LEES ALLE INSTRUCTIES!



LEES DE GEBRUIKSAANWIJZING

⚠ WAARSCHUWING: Laat alle reparaties uitvoeren door een vakbekwame reparateur om een continue veiligheid en betrouwbaarheid te waarborgen.

⚠ WAARSCHUWING: Lees en begrijp alle veiligheidsinstructies die in deze gebruiksaanwijzing staan vermeld, waaronder alle veiligheidssymbolen zoals “GEVAAR”, “WAARSCHUWING” en “OPGELET” voordat u deze machine in gebruik neemt. Het negeren van onderstaande instructies kan leiden tot een elektrische schok, brand en/of ernstig persoonlijk letsel.

NL

BEWAAR ALLE WAARSCHUWINGEN EN INSTRUCTIES VOOR TOEKOMSTIG GEBRUIK.

VEILIGHEIDSSYMBOLEN

⚠ WAARSCHUWING: Het gebruik van apparaten kan ertoe leiden dat vreemde voorwerpen in uw ogen terechtkomen, wat kan resulteren in ernstig oogletsel. Voordat u een apparaat gebruikt, zorg er dan voor dat u altijd een veiligheidsbril met zijkusschermen of een gelaatsscherm draagt. We bevelen aan om een gelaatsscherm over uw bril of een standaard veiligheidsbril met zijkusschermen te gebruiken.



Veiligheidswaarschuwing



De gebruiker dient de gebruiksaanwijzing voor het gebruik van dit product te lezen en te begrijpen om risico op letsel te beperken.



Gewaarborgd geluidsvermogensniveau.
Geluidsemisatie voor de omgeving in overeenstemming met de richtlijnen van de Europese Unie.



Bluetooth®-symbool



Gooi elektrisch afval niet via het huishoudelijk afval weg. Breng het naar een geautoriseerd recyclingbedrijf.



Dit product is in overeenstemming met de EG-richtlijnen.



Gelijkstroom



Dit product is in overeenstemming met de toepasselijke richtlijnen van het VK.

IPX4 Bescherming tegen opspattend water

ALGEMENE VEILIGHEIDSWAARSCHUWINGEN

⚠ WAARSCHUWING: Om het risico op brand, elektrische schok of lichamelijk letsel te beperken:

- **Ken uw vernevelingsventilator. Lees de gebruiksaanwijzing zorgvuldig door. Leer zowel zijn toepassingen en beperkingen als de specifieke mogelijke gevaren omtrent deze ventilator kennen.** Dit beperkt het risico op een elektrische schok, brand of ernstig letsel.
- Dit apparaat kan gebruikt worden door personen van 8 jaar en ouder en personen met verminderde lichamelijke, zintuiglijke of geestelijke vermogens of gebrek aan ervaring en kennis als er toezicht is of als deze personen goed zijn voorgelicht over het veilige gebruik van het apparaat en de mogelijke gevaren ervan begrijpen.
- Laat kinderen niet met het apparaat spelen.
- Kinderen mogen het apparaat niet reinigen of onderhouden zonder toezicht

VEILIGHEID OP DE WERKPLAATS

- **Gebruik de ventilator niet in explosieve omgevingen, zoals in de aanwezigheid van ontvlambare vloeistoffen, gasen of stof.**
- **Houd kinderen en omstanders uit de buurt tijdens het gebruik van een elektrisch apparaat.** Afleiding kan tot controleverlies leiden.
- **Wees voorzichtig tijdens het gebruik in winderige omstandigheden.** Winden kunnen de nevel in elektrische bedrading of apparaten waaien.
- **Stel het apparaat niet bloot aan regen of natte omstandigheden.** Water dat in elektrisch gereedschap binnendringt, vergroot het risico op een elektrische schok.

PERSOONLIJKE VEILIGHEID

- **Wees waakzaam, let op wat u doet en gebruik uw gezond verstand wanneer u elektrisch apparaat gebruikt. Gebruik het apparaat niet als u moe of verward bent, of onder de invloed staat van drugs, alcohol of medicijnen.** Een moment van onoplettendheid tijdens het gebruik van het apparaat kan leiden tot ernstig persoonlijk letsel.
- **Vermijd dat de machine per ongeluk wordt gestart. Zorg ervoor dat de schakelaar is ingesteld op de uit-positie voordat u het toestel op het accupack aansluit, vastneemt of draagt.** Het dragen van het apparaat met uw vinger op de schakelaar of het apparaat ingeschakeld op de stroomvoorziening

aansluiten kan ongevallen veroorzaken.

- **Verwijder instelsleutels of moersleutels voordat u het apparaat inschakelt.** Een instelsleutel of moersleutel in een draaiend deel van het apparaat achterlaten kan leiden tot persoonlijk letsel.
- **Reik niet te ver. Zorg er altijd voor dat u stevig en stabiel staat.** Dit zorgt ervoor dat u het apparaat in onverwachte situaties beter onder controle kunt houden.
- **Draag passende kleding. Draag geen los hangende kleding of sieraden. Houd uw haar en kleding uit de buurt van bewegende onderdelen.** Los hangende kleding, sieraden en lang haar kunnen in bewegende onderdelen verstrikt raken.
- **Controleer of alle aansluitingen goed vastzitten voordat u het apparaat in gebruik neemt.**
- **Word niet zelfingenomen door de ervaring die u heeft opgedaan door frequent gebruik van het apparaat, waardoor u dan de veiligheidswaarschuwingen van het apparaat negeert.** Een achteloze actie kan binnen een fractie van een seconde ernstig letsel veroorzaken.

GEBRUIK EN ONDERHOUD

- **Gebruik het apparaat niet als de schakelaar niet kan worden in- en uitgeschakeld.** Een apparaat dat niet met de schakelaar kan worden bediend is gevaarlijk en moet worden gerepareerd.
- **Ontkoppel het accupack van het apparaat alvorens aanpassingen uit te voeren, accessoires te vervangen of het apparaat op te bergen.** Deze preventieve veiligheidsmaatregelen beperken het risico op onbedoeld starten van het apparaat.
- **Bewaar het niet-gebruikte apparaat buiten het bereik van kinderen en laat het apparaat niet bedienen door personen die niet bekend zijn met het apparaat of deze instructies.** Apparaten zijn gevaarlijk wanneer ze door onervaren personen worden gebruikt.
- **Onderhoud het apparaat en de accessoires. Controleer of de bewegende onderdelen correct functioneren en niet vastklemmen en/of de onderdelen zodanig gebroken of beschadigd zijn dat de werking van het apparaat nadelig wordt beïnvloed. Laat het apparaat bij beschadiging repareren voordat u het in gebruik neemt.** Vele ongevallen worden veroorzaakt door een slecht onderhouden apparaat.
- **Gebruik het apparaat en accessoires etc. in overeenstemming met deze instructies en houd hierbij rekening met de werkomstandigheden en de**

uit te voeren werkzaamheden. Het gebruik van het apparaat voor andere dan de beoogde toepassingen kan een gevaarlijke situatie tot gevolg hebben.

- **Houd de handgrepen en greepvlakken droog, schoon en vrij van olie en smeervet.** Glibberige handgrepen en greepvlakken maken een veilige omgang en de controle over het apparaat in onverwachte situaties onmogelijk.

⚠ WAARSCHUWING: Gebruik deze ventilator niet met een vaste snelheidsregelaar om het risico op brand of een elektrische schok te verminderen.

GEBRUIK EN ONDERHOUD VAN OP ACCU-AANGEDREVEN APPARATEN

- Laad alleen op met de lader die door de fabrikant is aangegeven. Een lader die geschikt is voor een bepaald type accupack kan tot brandgevaar leiden wanneer deze gebruikt wordt met een ander accupack.
- Gebruik het apparaat alleen met de specifiek vermelde accupacks. Het gebruik van andere accupacks kan risico op letsel en brandgevaar veroorzaken.
- **Wanneer u het accupack niet gebruikt, houd het uit de buurt van andere metalen voorwerpen zoals paperclips, munten, sleutels, spijkers, schroeven of andere kleine metalen voorwerpen die de twee aansluitklemmen kunnen verbinden.** Het kortsluiten van de aansluitklemmen kan brandwonden of brand veroorzaken.
- **Bij verkeerd gebruik kan er vloeistof uit de accu worden gespoten; vermijd elk contact. Als aanraking met de vloeistof toevallig plaatsvindt, spoel het dan af met water. Als de vloeistof in de ogen komt, dient u onmiddellijk een arts te consulteren.** Vloeistof uit de accu kan irritatie of brandwonden veroorzaken.
- **Gebruik geen accu of apparaat dat is beschadigd of aangepast.** Beschadigde of aangepaste accu's kunnen resulteren in onvoorzien gedrag zoals brand, explosie of het risico op letsel.
- **Stel een accupack of toestel niet bloot aan vuur of excessieve temperaturen.** Blootstelling aan vuur of temperaturen boven 130°C kunnen leiden tot een explosie.
- **Neem alle laadinstructions in acht en laad het accupack of het apparaat niet buiten het gespecificeerde temperatuurbereik in de handleiding op.** Het onjuist laden of bij een temperatuur buiten het temperatuurbereik kan de accu beschadigen en er bestaat een gevaar op brand.

REPARATIE

- **Laat uw apparaat repareren door een gekwalificeerd persoon en alleen met identieke reserveonderdelen.** Dit waarborgt dat de veiligheid van het apparaat behouden blijft.
- **Repareer beschadigde accu's nooit.** Onderhoud van accupacks mag alleen worden uitgevoerd door de fabrikant of een geautoriseerde dienstverlener.

VEILIGHEIDSLINSTRUCTIES VOOR DRAADLOZE VERNEVELINGSVENTILATOR

NL

- Dit apparaat is niet bedoeld voor gebruikers (waaronder kinderen) met beperkte fysieke, visuele of mentale mogelijkheden, of die een gebrek hebben aan ervaring en kennis, tenzij ze supervisie of instructies hebben gekregen omtrent het gebruik van het apparaat door een persoon die verantwoordelijk is voor hun veiligheid.
- Houd toezicht op kinderen zodat ze niet met het apparaat spelen.
- **Sta niet toe dat de ventilator als speelgoed wordt gebruikt.** Houd toezicht wanneer gebruikt door of in de buurt van kinderen.
- **Kinderen kunnen in emmers vallen en verdrinken.** Houd kinderen uit de buurt van emmers met zelfs maar een kleine hoeveelheid vloeistof.
- **Gebruik ALLEEN schoon, koud water.**
- **Gebruik deze vernevelingsventilator niet om pesticiden, vloeibare meststoffen, chemicaliën of andere vloeistoffen dan schoon water te verspreiden.** Het verspreiden van dit soort stoffen kan leiden tot ernstig letsel of ziekte bij de gebruiker of omstanders.
- **Richt nooit nevel of water op elektrische bedrading of apparaten.**
- **Zorg ervoor dat de afdekking van het batterijvak volledig gesloten is om te voorkomen dat water in contact komt met de batterij of de batterijpoort binnendringt.**
- **Houd het apparaat en de greep droog, schoon en vrij van olie en vet.** Gebruik alleen een schone doek om het apparaat te reinigen. **Maak uw ventilator nooit schoon met een remvloeistof, benzine of producten op basis van aardolie of andere agressieve oplosmiddelen.** Door deze regel op te volgen beperkt u het risico op controleverlies en aantasting van de kunststof behuizing.
- **Accu's kunnen exploderen in de aanwezigheid**

van een ontstekingsbron, zoals een waakvlam. Om het risico op ernstig persoonlijk letsel te beperken, mag u nooit een snoerloos product in de aanwezigheid van open vuur gebruiken. Een geëxplodeerde accu kan vuil en chemische stoffen vrijgeven. Mocht u hieraan worden blootgesteld, dient u het onmiddellijk met water af te spoelen.

- **Bewaar deze gebruiksaanwijzing.** Raadpleeg de gebruiksaanwijzing indien nodig en gebruik deze om andere personen die deze ventilator zullen gebruiken te instrueren. Als u deze ventilator aan iemand anders geeft, geef hem/haar dan in ieder geval ook de gebruiksaanwijzing mee om verkeerd gebruik en mogelijk letsel te voorkomen.
- Houd er rekening mee dat een hoge luchtvochtigheid de groei van biologische organismen in de omgeving kan bevorderen.
- Zorg ervoor dat het gebied rond de vernevelingsventilator niet vochtig of nat wordt. Als er vocht optreedt, verlaag dan de afgifte van de vernevelingsventilator. Als de afgifte van de vernevelingsventilator niet kan worden verlaagd, gebruik de luchtbevochtiger dan met tussenpozen. Zorg ervoor dat absorberende materialen, zoals vloerbedekking, vitrages, gordijnen of tafelkleden niet vochtig worden.
- Laat het water nooit in het reservoir staan als het apparaat niet in gebruik is.
- Leeg en reinig de vernevelingsventilator voordat u deze opbergt. Reinig de luchtbevochtiger voor het volgende gebruik.


⚠ WAARSCHUWING: Micro-organismen die aanwezig kunnen zijn in het water of in de omgeving waar het apparaat wordt gebruikt of opgeslagen, kunnen in het waterreservoir groeien en in de lucht worden geblazen en zeer ernstige gezondheidsrisico's veroorzaken wanneer het water niet wordt verversd en het reservoir niet om de 3 dagen goed wordt gereinigd.

Oplaadbare batterijen moeten uit het apparaat worden verwijderd voordat ze worden opgeladen.

- Lege batterijen moeten uit het apparaat worden verwijderd en veilig worden verwijderd.
- Als het apparaat gedurende een langere periode moet worden opgeborgen en niet wordt gebruikt, moeten de batterijen worden verwijderd.
- Sluit de aansluitklemmen niet kort.

BEWAAR DEZE GEBRUIKSAANWIJZING

SPECIFICATIES

Nominale spanning	56V 
Diameter van het ventilatorblad	25,4 cm
Instellingen ventilatorsnelheid	6 (inclusief "Turbo")
Max. luchtvolume	1700 CFM
Max. luchtsnelheid	32,2 km/u
Oscillatiehoek	60°, 120°, 180°
Watervolume verneveld	Hoog: 5,7 L/u
	Medium: 4,9 L/u
	Laag: 2,5 L/u
Gewicht (zonder accupack)	4,7 kg
Aanbevolen opbergtemperatuur	-20°C - 70°C
Bluetooth bedrijfsfrequentieband	2402-2480 MHz
Bluetooth maximaal zendvermogen	4 dBm

- De opgegeven totale vibratiewaarde is gemeten volgens de standaard testmethode en kan worden gebruikt om het apparaat met een ander apparaat te vergelijken;
- De opgegeven totale vibratiewaarde kan tevens worden gebruikt in een voorafgaande beoordeling op blootstelling.

OPMERKING: De trillingsemisatie tijdens het werkelijk gebruik van het apparaat kan verschillen van het gebruikte apparaat. Om de gebruiker te beschermen dient de gebruiker tijdens het gebruik handschoenen en gehoorbescherming te dragen.

VERPAKKINGSLIJST (AFB. A1)

BESCHRIJVING

KEN UW BLADBLAZER (afb. A1 & A2)

1. Bedieningspaneel (Afb. A2)
2. Oscillatieframe
3. Vernevelingsmondstuk
4. Bovenste handgreep

5. Ventilatorbehuizing
6. Zijdelingse handgreep
7. Accuvak
8. Elektrische contacten
9. Accuvrijgaveknop
10. Tuinslangadapter
11. Filter
12. Toevoerslang
13. Regelknoppen voor luchtsnelheid
14. TURBO-knop
15. TURBO-controlelampje
16. Vernevelingsindicator
17. Vernevelingsmodus-knop
18. Aan/uit-knop
19. Luchtsnelheidsindicator
20. Oscillatie-indicator
21. Oscillatiemodus-knop

MONTAGE

⚠ WAARSCHUWING: Als er onderdelen beschadigd zijn of ontbreken, gebruik dit product niet totdat alle onderdelen vervangen of aanwezig zijn. Dit product gebruiken met beschadigde of ontbrekende onderdelen kan ernstig persoonlijk letsel veroorzaken.

⚠ WAARSCHUWING: Probeer niet om dit product aan te passen of accessoires te maken die niet voor gebruik met dit product zijn aanbevolen. Een dergelijke aanpassing of wijziging is misbruik en kan leiden tot gevaar en een ernstig persoonlijk letsel.

⚠ WAARSCHUWING: Om het toevallig starten van de machine, dat ernstig persoonlijk letsel kan veroorzaken, te voorkomen, verwijder altijd het accupack uit de machine voordat u onderdelen monteert.

- Dit product werd reeds volledig gemonteerd verzonden.
- Haal het product en alle toebehoren voorzichtig uit de verpakking. Controleer of alle onderdelen die in de “verpakkingslijst” zijn vermeld effectief geleverd zijn.
- Controleer het product zorgvuldig op mogelijke beschadiging die zich tijdens het transport hebben voorgedaan.
- Gooi het verpakkingsmateriaal pas weg wanneer u het product grondig hebt gecontroleerd en naar genoegen hebt gebruikt.

- Als er onderdelen beschadigd zijn of ontbreken, breng het product terug naar de plaats van aankoop.

WERKING

⚠ WAARSCHUWING: Vertrouwdheid kan leiden tot onvoorzichtigheid. Opgelet, één seconde van onoplettendheid kan ernstig letsel teweegbrengen.

⚠ WAARSCHUWING: Om te voorkomen dat het apparaat per ongeluk wordt ingeschakeld, wat ernstig persoonlijk letsel kan veroorzaken, verwijder altijd de accu uit de ventilator voordat u onderhoud uitvoert, aanpassingen maakt, schoonmaakt, accessoires verwisselt of wanneer het apparaat niet in gebruik is.

⚠ WAARSCHUWING: Gebruik geen opzetstukken of accessoires die niet door de fabrikant van dit product zijn aanbevolen. Het gebruik van niet aanbevolen opzetstukken of accessoires kan leiden tot ernstig persoonlijk letsel.

Voor elk gebruik dient u het complete product op beschadigingen, ontbrekende of loszittende onderdelen zoals schroeven, moeren, bouten, doppen, etc. te controleren. Draai alle bevestigingen goed vast en gebruik dit product niet totdat alle missende of beschadigde onderdelen zijn vervangen.

TOEPASSINGEN

U kunt dit product gebruiken voor onderstaand vermelde doeleinden:

- Algemene ventilatie voor de meeste huishoudelijke toepassingen.
- Buitenkoeling bij aansluiting op een waterbron.

OPMERKING: Het product mag alleen worden gebruikt voor de voorgeschreven doeleinden. Elk ander gebruik wordt beschouwd als misbruik.

HET ACCUPACK INSTALLEREN/VERWIJDEREN

Gebruik alleen met de in Afb. A3 vermelde accupacks en opladers van EGO.

OPMERKING: Laad het accupack voor de eerste ingebruikname volledig op.

Bevestigen

Breng de ribbels van de accu overeen met de sleuven en druk het accupack in het accuvak totdat u “klik” hoort (Afb. B1).

Verwijderen

Druk de accu-ontgrendelingsknop naar beneden en trek het accupack eruit (Afb. B2).

⚠ WAARSCHUWING: Houd altijd uw voeten, kinderen of huisdieren die zich in de buurt bevinden in het oog wanneer u op de accuvrijgaveknop drukt. Ernstig letsel kan zich voordoen wanneer het accupack valt. Haal het accupack NOOIT uit het apparaat wanneer u zich in een hoge positie bevindt.

NL

DE VENTILATOR STARTEN/STOPPEN

OPMERKING: De initiële fabrieksinstelling voor de luchtsnelheid is niveau 3. De ventilator slaat de laatst gebruikte luchtsnelheidsinstelling op en keert ernaar terug als hij opnieuw wordt gestart. Turbo-instelling wordt niet opgeslagen.

OPMERKING: De instellingen voor verneveling en oscillatie worden niet opgeslagen en zijn standaard uitgeschakeld telkens wanneer de ventilator wordt ingeschakeld.

Bedieningspaneel (Afb. A2)

Aan/uit-knop

- Druk kort op de aan/uit-knop om de ventilator aan te zetten.
- Druk opnieuw kort op de aan/uit-knop om de ventilator uit te zetten.

De luchtsnelheid aanpassen

Normale luchtsnelheid

- Druk op de "+" regelknop om de luchtsnelheid te verhogen en druk op de "-" knop om de luchtsnelheid te verlagen. Er zijn 5 snelheidsniveaus.
- De luchtsnelheidsindicator geeft met behulp van groene lampjes het huidige snelheidsniveau weer.

TURBO-modus

OPMERKING: Wanneer in "TURBO"-modus, zal de ventilator de maximale luchtsnelheid bereiken.

- Druk op de "TURBO"-knop, waarna de TURBO-indicator groen brandt en de ventilator overschakelt naar de "TURBO"-modus, d.w.z. de hoogste luchtsnelheid.
- Druk in de "TURBO"-modus nogmaals op de "TURBO"-knop, waarna de TURBO-indicator uit gaat en de ventilator de eerder geactiveerde luchtsnelheid hervat.
- Druk in de "TURBO"-modus op de "-" knop,

waarna de TURBO-indicator uit gaat en de ventilator overschakelt naar luchtsnelheidsniveau 5.

OSCILLATIEFUNCTIE (AFB. C)

- Druk één keer op de oscillatieknop om de oscillatiefunctie van de ventilator te starten. De oscillatie-indicator licht het onderste groene lampje op en de ventilator draait 60° van links naar rechts (van -30° tot 30°).
- Druk de tweede keer op de oscillatieknop, de oscillatie-indicator licht twee groene lampjes op en het oscillatiebereik van 120° wordt geactiveerd (van -60° tot 60°).
- Druk de derde keer op de oscillatieknop, de oscillatie-indicator licht drie groene lampjes op en het oscillatiebereik van 180° wordt geactiveerd (van -90° tot 90°).
- Om de oscillatiefunctie uit te schakelen, druk een vierde keer op de oscillatieknop.

DE VENTILATORHOEK AANPASSEN (AFB. D)

De ventilatorhoek kan worden ingesteld op meerdere hoeken tussen -30° en 90°. Om de richting van de nevel/luchtstroom aan te passen, pak de ventilator vast bij de bovenste handgreep en kantel de ventilatorhoek naar voren of naar achteren.

VERNEVELINGSFUNCTIE

Vernevelingsmodus-knop

- Druk een keer op de vernevelingsmodus-knop waarna de vernevelingsindicator drie groene lampjes oplicht om de hoge continue vernevelingsmodus aan te geven - een grote hoeveelheid water vernevelen zonder te stoppen.
- Druk opnieuw op de vernevelingsmodus-knop waarna de vernevelingsindicator twee groene lampjes oplicht om de 'continue' vernevelingsmodus aan te geven - de hele tijd vernevelen zonder te stoppen.
- Druk een derde keer op de vernevelingsmodus-knop en de vernevelingsindicator licht het onderste groene lampje op om de 'intermitterende' vernevelingsmodus aan te geven - elke 10 seconden vernevelen gedurende 10 seconden.

OPMERKING: Het kan enkele seconden duren voordat de nevel daadwerkelijk uit de vernevelingsmondstukken ziet komen. Deze vertraging is te wijten aan de tijd die het water nodig heeft om van de toevoerslang naar de mondstukken te stromen.

- Wanneer de verneveling in de 'intermitterende' vernevelingsmodus staat, druk nogmaals op de vernevelingsmodus-knop waarna de indicatielampjes

van de verneveling uitgaan en het vernevelen stopt.

OPMERKING: Na het vernevelen, koppel de toevoerbuiss van de ventilator los van de waterbron en laat de ventilator continu in de vernevelingsmodus draaien tot al het water uit de slang verdwenen is. Dit helpt voorkomen dat het resterende water in de slang onverwacht verneveld wanneer de ventilator opnieuw wordt ingeschakeld.

De ventilator gebruiken met een wateremmer of andere houder (niet inbegrepen) (afb. E)

⚠ WAARSCHUWING: Kinderen kunnen in emmers vallen en verdrinken. Houd kinderen uit de buurt van emmers die zelfs maar een kleine hoeveelheid vloeistof bevatten.

OPMERKING: Reinig de emmer voor elk gebruik met water en zeep.

1. Ontkoppel het accupack.
2. Plaats de emmer op een vlakke, egale ondergrond.
3. Vul de emmer ALLEEN met schoon, koud water. Maak hem niet te vol.
4. Dompel het filteruiteinde van de toevoerslang in de emmer met water.

OPMERKING: Buig de toevoerslang niet en zorg er altijd voor dat het water soepel door de slang stroomt.

5. Installeer het accupack.
6. Druk op de aan/uit-knop om de ventilator aan te zetten.
7. Druk op de vernevelingsmodus-knop om te beginnen met vernevelen.

De ventilator aansluiten op een waterkraan (Afb. F & Afb. G)

1. Schroef het bovenste deel van de filter tegen de klok in los en maak die los van het onderste deel (Afb. F).

F-1	Onderste deel van filter
F-2	Bovenste deel van filter

OPMERKING: Zorg ervoor dat het onderste deel niet in tweeën wordt gesplitst tijdens het loskoppelen van het bovenste deel en als één geheel bij elkaar blijft voor aansluiting op de tuinslangadapter.

2. Schroef de tuinslangadapter die aan de onderkant van de ventilator is opgeborgen (tegen de klok in) los. Schroef het (met de klok mee) in het onderste deel van de filter vast.

3. Sluit de tuinslangadapter aan op een geschikte tuinslang met snelkoppeling (niet inbegrepen). Bevestig de snelkoppeling aan de tuinslangadapter totdat u een duidelijke klik hoort (Afb. G).

G-1	Tuinslangadapter
G-2	Typische snelkoppeling

OPMERKING: Probeer de tuinslangadapter niet aan te sluiten als deze op de onderkant van de ventilator is gemonteerd (Afb. G1).

4. Sluit de tuinslang aan op de waterkraan.
5. Installeer het accupack.
6. Druk op de aan/uit-knop om de ventilator aan te zetten.
7. Open de waterkraan volledig en de ventilator begint te vernevelen.

OPMERKING: De aanbevolen maximale werkdruk mag niet hoger zijn dan 80 psi.

OPMERKING: Zelfs als er geen stroom is, begint de ventilator te vernevelen wanneer de waterkraan wordt opengedraaid.

8. Druk op de vernevelingsmodus-knop om uw gewenste vernevelingsmodus te selecteren voor.

OPMERKING: Omwille van de kleine opening in de tuinslangadapter is deze gevoelig voor hard water en kalkaanslag. Reinig de adapter regelmatig en gebruik witte azijn of een ander ontkalkingsmiddel om de aanslag te verwijderen.

De ventilator gebruiken zonder verneveling

Indien gewenst kan dit product alleen als ventilator worden gebruikt, wanneer het niet is aangesloten op een waterbron. Plaats de toevoerslang altijd in de daarvoor bestemde ruimte wanneer niet in gebruik (zie paragraaf “TRANSPORT EN OPSLAG” in deze handleiding) om die te beschermen tegen beschadiging en verontreiniging.

COMMUNICATIETECHNOLOGIE

Voor informatie over ons volledig assortiment van verbonden producten en diensten, waaronder de verbindingsinstructies, scan de QR-code hieronder of ga naar www.egopowerplus.eu/connect.



NL

BEVEILIGING VAN DE ELEKTRONICA

Wanneer de oscillatiefunctie is geactiveerd maar de ventilator oscilleert niet, dan zal de oscillatie-indicator continu drie knipperende groene lampjes oplichten om de gebruiker eraan te herinneren om te controleren of de ventilatorkop vastzit en eventuele vreemde voorwerpen die op de ventilatorkop vastzitten te verwijderen voordat de werking opnieuw wordt gestart.

Wanneer de vernevelingsfunctie is geactiveerd maar er geen waternevel uit komt:

NL

- De waterpomp blijft even draaien en stopt dan automatisch om de interne elektronica te beschermen.
- De vernevelingsindicator licht continu drie knipperende groene lampjes op als waarschuwing voor de bediener:
 - a. Controleer of de toevoerslang goed in water is ondergedompeld.
 - b. Controleer of de vernevelingsmondstuk(ken) verstopt zijn en reinig deze overeenkomstig het hoofdstuk "ONDERHOUD VAN DE MONDSTUKKEN".
 - c. Druk op de keuzeknop vernevelingsmodus om het vernevelen opnieuw te starten.

Als de accu bijna leeg is, knippert de aan/uit-knop groen om de gebruiker eraan te herinneren de accu op te laden of te vervangen.

Als de accu of de ventilator te heet is, knippert de aan/uit-knop rood om de gebruiker te waarschuwen de ventilator uit te schakelen en de accu of de vernevelingsventilator te laten afkoelen totdat de temperatuur is afgenomen tot het aanbevolen bedrijfstemperatuurbereik voordat de ventilator opnieuw wordt gestart.

ONDERHOUD

⚠ WAARSCHUWING: Gebruik tijdens reparaties uitsluitend identieke reserve-onderdelen. Het gebruik van andere onderdelen kan gevaar opleveren of schade aan het product veroorzaken. Laat alle reparaties uitvoeren door een vakbekwame reparateur om een continue veiligheid en betrouwbaarheid te waarborgen.

⚠ WAARSCHUWING: Om ernstig persoonlijk letsel te voorkomen dient u het accupack voor de reiniging of het onderhoud altijd uit het product te halen.

ALGEMEEN ONDERHOUD

Al het onderhoud aan de vernevelingsventilator, behalve het onderhoud dat in de gebruiksaanwijzing wordt genoemd, dient door een competente onderhoudsmonteur voor vernevelingsventilatoren te worden uitgevoerd.

Maak de kunststof onderdelen niet schoon met oplosmiddelen. De meeste kunststoffen kunnen worden beschadigd wanneer ze in contact komen met commerciële oplosmiddelen. Gebruik een schone doek voor het verwijderen van vuil, stof, olie, smeer, etc.

⚠ WAARSCHUWING: Zorg dat remvloeistoffen, benzine, producten op basis van aardolie, oliën, etc. op geen enkel moment met de kunststof onderdelen in aanraking komen. Chemicaliën kunnen de kunststof onderdelen beschadigen en ernstig persoonlijk letsel veroorzaken.

⚠ WAARSCHUWING: Als u de vernevelingsventilator reinigt, dompel deze dan NIET in water of een andere vloeistof.

ONDERHOUD VAN DE MONDSTUKKEN (Afb. H)

⚠ WAARSCHUWING: Zorg ervoor dat al het onderhoud aan de vernevelingsmondstukken correct wordt uitgevoerd om waterlekken te voorkomen. Het lekken kan resulteren in een glad oppervlak, waardoor gevaar voor uitglijden en vallen ontstaat of materiële schade wordt veroorzaakt.

Onregelmatige nevelpatronen of lekkage kunnen het gevolg zijn van een verstopt of vuil mondstuk.

Om de mondstukken vrij te maken

1. Zet de ventilator uit en verwijder het accupack.
2. Verwijder de verstopte vernevelingsmondstukken van het voorste beschermrooster van de ventilatorbehuizing door ze tegen de klok in te draaien.
3. Demonteer elk betrokken mondstuk in zijn onderdelen.
4. Om vreemde deeltjes te verwijderen die de mondstukken belemmeren of verstopen, spoelt u de onderdelen van de mondstukken af met water. Om kalkaanslag (mineraal) te verwijderen, reinigt u de onderdelen van het mondstuk zo nodig met witte azijn of een ander ontkalkingsmiddel.
5. Zet de mondstukken weer in elkaar.

OPMERKING: Om verstopping te voorkomen, moet u ervoor zorgen dat het mondstuk precies wordt gemonteerd zoals weergegeven in Afb. H.

6. Bevestig de schone mondstukken weer aan het voorste beschermrooster.

FILTER ONDERHOUDEN (Afb. I)

Inspecteer de filter aan het uiteinde van de toevoerslang

regelmatig om er zeker van te zijn dat hij in goede staat verkeert.

1. Zet de ventilator uit en verwijder het accupack.
2. Schroef het bovenste deel los van het onderste deel van de filter.

I-1	Onderste deel	I-3	Sponsgaas
I-2	Metaalgaas	I-4	Bovenste deel

OPMERKING: Let er bij het losschroeven van het bovenste deel op dat het onderste deel niet in twee stukken uiteenvalt. Het onderste deel moet gemonteerd blijven om het metaalgaas te kunnen verwijderen.

3. Haal het sponsgaas uit het bovenste deel en het metaalgaas uit het onderste deel.
4. Spoel het metaalgaas en het sponsgaas schoon of vervang die indien nodig.
5. Zet de filter weer in elkaar.

OPMERKING: Zorg ervoor dat het metaalgaas met de opstaande rand naar buiten is gericht, zodat het de volgende keer gemakkelijk te demonteren is.

TIUNSLANGADAPTER ONDERHOUDEN

Omwille van de kleine opening in de tuinslangadapter is deze gevoelig voor hard water en kalkaanslag. Reinig de adapter regelmatig en gebruik witte azijn of een ander ontkalkingsmiddel om de aanslag te verwijderen.

VENTILATORBEHUIZING ONDERHOUDEN (Afb. J en Afb. K)

1. Zet de ventilator uit en verwijder het accupack.
2. Gebruik een kruiskopschroevendraaier (niet inbegrepen) om de acht schroeven aan de achterkant van de ventilatorbehuizing los te draaien om de het voorste beschermrooster te verwijderen.

J-1	Schroef (x8)
J-2	Voorste beschermrooster

3. Houd het ventilatorblad vast om te voorkomen dat het draait en draai de ventilatorbladvergrendeling met de klok mee om het ventilatorblad van de as los te maken.

K-1	Ventilatorblad
K-2	Vergrendeling

4. Verwijder het ventilatorblad.
5. Reinig indien nodig het ventilatorblad en de binnenkant van de behuizing.
6. Monteer ze in omgekeerde volgorde weer en zorg ervoor dat:

De markering op het ventilatorblad is uitgelijnd met de dwarsstang op de as.

TRANSPORT EN OPSLAG (Afb. L)

- Verwijder het accupack.
- Maak de ventilator grondig schoon.
- Maak de toevoerslang en filter schoon.

OPMERKING: Het winterklaar maken van de ventilator is essentieel om deze te beschermen tegen vrieskou, wat schade kan veroorzaken aan de pomp, slangen en andere onderdelen. **Koppel de toevoerslang van de ventilator altijd los van de waterbron en laat de ventilator draaien in de continue vernevelingsmodus totdat er geen restwater meer in de slang zit voordat u de ventilator in de winter opbergt.**

- Zet de toevoerslang en de filter vast met de clips aan de onderkant van de ventilatorbasis.
- Schroef de tuinslangadapter vast op het opberggat met schroefdraad aan de onderkant van de ventilatorbasis.

L-1	Tuinslangadapter
L-2	Klemmen

- Draag de ventilator met de bovenste handgreep of de zijdelingse handgrepen wanneer u die transporteert.
- Berg de ventilator binnenshuis op in een goed geventileerde ruimte.
- Houd uit de buurt van corrosieve middelen, zoals tuinchemicaliën en strooizout.

Het milieu beschermen



Gooi geen elektrische apparatuur, gebruikte batterijen en laders weg via het huishoudelijk afval!

Geef dit product af bij een geautoriseerd recyclingbedrijf en zorg dat het apart kan worden ingezameld. Elektrisch gereedschap moet naar een gepast inzamelpunt worden gebracht voor een milieuvriendelijke recycling.

PROBLEEMOPLOSSING

NL

PROBLEEM	OORZAAK	OPLOSSING
De vernevelingsventilator start niet.	<ul style="list-style-type: none"> ■ Het accupack zit niet volledig in de behuizing. ■ Er is geen elektrisch contact tussen de vernevelingsventilator en het accupack. ■ Het accupack is leeg. ■ Het accupack of de ventilator is te heet. 	<ul style="list-style-type: none"> ■ Controleer of de accu volledig in de behuizing is geplaatst. ■ Verwijder het accupack, controleer de contacten en bevestig het accupack weer. ■ Laad het accupack op. ■ Zet de ventilator uit en laat het accupack of de vernevelingsventilator afkoelen totdat de temperatuur is afgenomen tot het aanbevolen bedrijfstemperatuurbereik.
Er is geen waterverneveling en op de vernevelingsindicator laat twee groene lampjes knipperen.	<ul style="list-style-type: none"> ■ De toevoerslang pompt geen water, waardoor de interne bescherming van de elektrische pomp in de ventilator wordt geactiveerd. ■ De vernevelingsmondstuk(ken) raakten verstopt tijdens gebruik, waardoor de interne bescherming voor de waterpomp werd geactiveerd. 	<ul style="list-style-type: none"> ■ Controleer en zorg ervoor dat er voldoende water in de emmer zit en dat de toevoerslang is ondergedompeld in het water. ■ Maak de mondstuk(ken) schoon volgens het hoofdstuk "ONDERHOUD VAN DE MONDSTUKKEN" en monteer ze volgens de instructies.
De ventilator stopt met oscilleren en de oscillatie-indicator laat drie groene lampjes knipperen.	<ul style="list-style-type: none"> ■ De ventilatorkop zit vast tijdens het oscilleren. 	<ul style="list-style-type: none"> ■ Verwijder alle vreemde voorwerpen die voorkomen dat de ventilatorkop kan oscilleren.

GARANTIE

EGO-GARANTIEBELEID

Ga naar de website egopowerplus.eu voor de volledige algemene voorwaarden van het EGO-garantiebeleid.

LÆS ALLE ANVISNINGER!



LÆS BRUGERVEJLEDNINGEN

⚠ ADVARSEL: For at sikre sikkerhed og pålidelighed, bør alle reparationer udføres af en kvalificeret servicetekniker.

⚠ ADVARSEL: Sørg for at læse og forstå alle sikkerhedsanvisninger i denne brugsvejledning, herunder alle sikkerhedssymboler, såsom "FARE", "ADVARSEL" og "FORSIGTIG", før du bruger dette apparat. Hvis anvisningerne nedenfor ikke følges, kan det føre til elektrisk stød, brand og/eller alvorlig personskade.

GEM ALLE ADVARSLER OG INSTRUKTIONER TIL FREMTIDIG REFERENCE.

DK

SIKKERHEDSSYMBOLER

⚠ ADVARSEL: Når et apparat bruges, er der altid en risiko for at genstande slynges ind i øjnene, som kan føre til alvorlige øjenskader. Inden apparatet tages i brug, skal du altid tage beskyttelsesbriller eller sikkerhedsbriller på med sideskærm, eller en fuld ansigtsmaske, hvis nødvendigt. Vi anbefaler en Wide Vision Safety Maske til brug over briller eller standard sikkerhedsbriller med sideskærme.



Sikkerhedsadvarsel



For at reducere risikoen for skader, skal brugeren læse og forstå brugsanvisningen, før dette produkt tages i brug.



Garanteret lydniveau. Støjemission til miljøet opfylder EF-direktivet.



Bluetooth®-symbol



Elektriske affaldsprodukter må ikke bortskaffes sammen med husholdningsaffald. Tag det til en godkendt genbrugsplads.



Dette produkt er i overensstemmelse med gældende EU-direktiver.



Jævnstrøm (DC)



Dette produkt er i overensstemmelse med lovgivningen i Storbritannien.

IPX4 Beskyttelse mod vandsprøjt

GENERELLE SIKKERHEDSADVARSLER

⚠ ADVARSEL: For at reducere risikoen for brand, elektrisk stød, eller tilskadekomst:

- **Gør dig bekendt med ventilatoren. Læs brugsanvisningen grundigt igennem. Lær, hvordan ventilatoren bruges og dens begrænsninger, samt hvilke potentielle risici, der findes i forbindelse med denne ventilator.** Hvis denne regel følges, vil det mindske risikoen for elektrisk stød, brand eller alvorlig personskade.
- Dette apparat kan bruges af børn i alderen fra 8 år og derover og personer med nedsatte fysiske, sensoriske eller mentale evner eller manglende erfaring og viden, hvis de er blevet vejledt eller instrueret i brugen af apparatet på en sikker måde og forstår farerne forbundet hermed.
- Børn må ikke lege med apparatet.
- Rengøring og brugervedligeholdelse må ikke foretages af børn uden opsyn

SIKKERHED I ARBEJDSOMRÅDET

- **Brug ikke ventilatoren i eksplosionsfarlig atmosfære, såsom i nærheden af brændbare væsker, gasser eller støv.**
- **Hold børn og tilskuere på afstand, når et apparat er i brug.** Distractioner kan medføre, at du mister kontrollen.
- **Vær forsigtig, hvis produktet bruges i blæsevejr.** Vind kan føre det forstøvede vand ind i elektriske ledninger eller enheder.
- **Apparatet må ikke udsættes for regn eller våde forhold.** Hvis vand trænger ind et elværktøj, forøges risikoen for elektrisk stød.

PERSONLIG SIKKERHED

- **Vær forsigtig, hold øje med hvad du laver, og brug din sunde fornuft, når du bruger apparatet. Brug ikke apparatet, når du er træt, oprevet eller under indflydelse af narkotika, alkohol eller medicin.** Et øjeblik uopmærksomhed under brugen af apparatet kan føre til alvorlige personskader.
- **Forhindre utilsigtet start. Sørg for, at tænd/sluk-knappen er slukket, inden batteriet sættes på, og inden apparatet løftes op eller bæres rundt.** Hvis apparatet bæres med fingeren på kontakten, eller oplades med tænd/sluk-knappen tændt, øger det risikoen for ulykker.
- **Fjern indstillingsværktøj eller skruenøgler, før apparatet startes.** Hvis en skruenøgle eller en nøgle

sidder i en drejende del på apparatet, kan det føre til personskader.

- **Undgå at række for langt frem. Sørg altid for at stå ordentligt fast og i god balance.** På denne måde får du bedre kontrol over apparatet i uventede situationer.
- **Brug passende tøj. Undgå, at bære løstsiddende tøj eller smykker. Hold hår og tøj fra bevægelige dele.** Løse tøj, smykker eller langt hår kan blive fanget i bevægelige dele.
- **Kontroller, at alle stikforbindelser sidder rigtigt før apparatet startes.**
- **Selvom du ofte bruger og har et godt kendskab til apparatet, må du ikke være overmodig eller glemme sikkerhedsprincipperne.** En uagtsom handling kan forårsage alvorlig skade i en brøkdæl af et sekund.

BRUG OG PLEJE

- **Apparatet må ikke bruges, hvis tænd/sluk-knappen ikke kan tænde og slukke.** Alle apparater, der ikke kan tændes/slukkes på tænd/sluk-knappen, er farlig og skal repareres.
- **Tag batteripakken ud af apparatet, inden du foretager eventuelle justeringer, skifter tilbehør eller lægger apparatet til opbevaring.** Sådanne forebyggende sikkerhedsforanstaltninger reducerer risikoen for at starte apparatet ved et uheld.
- **Apparater, der ikke bruges, skal holdes ude af børns rækkevidde.** Lad ikke personer, der ikke er bekendt med apparatet eller disse instruktioner, bruge apparatet. Apparater er farligt i hænderne på brugere, der ikke ved, hvordan det skal bruges.
- **Vedligehold apparatet og tilbehør. Kontrollér, at de bevægelige dele ikke er fejljusterede eller binder eller er i en tilstand, der kan påvirke apparatets drift.** Hvis apparatet beskadiges, skal det repareres inden brug. Mange ulykker skyldes dårligt vedligeholdte apparater.
- **Apparatet og eventuelt tilbehør skal bruges i overensstemmelse med disse instruktioner, under hensyntagen til arbejdsforholdene og det arbejde, der skal udføres.** Apparatet må ikke bruges til andet end dets tiltænkte formål, da dette kan føre til en farlig situation.
- **Hold håndtag og gribeblader tørre, rene og fri for olie og fedt.** Hvis håndtag eller greb er glatte, kan apparatet være farligt at bruge i uventede situationer.

⚠ ADVARSEL: For at reducere risikoen for brand eller elektrisk stød, må du ikke bruge denne ventilator med nogen eksterne styringsanordninger.

BRUG OG PJELE AF ET BATTERIDREVET APPARAT

- Genoplad kun med opladeren er angivet af fabrikanten. Hvis en oplader, der er egnet til én slags batteri, bruges med en anden slags batteri, kan det føre til brand.
 - Anvend kun apparater med særligt udpegede batteripakker. Brug af andre batterier kan skabe risiko for personskade og brand.
 - Når batteripakken ikke er i brug, skal den holdes væk fra andre metalgenstande som papirclips, mønter, nøgler, søm, skruer eller andre små metalgenstande, der kan skabe forbindelse fra en pol til en anden. Shorting batteripolerne sammen kan forårsage forbrændinger eller brand.
 - Ved forkert anvendelse kan der slippe væske ud af batteriet: Undgå kontakt. Hvis det alligevel skulle ske, skal området skylles med vand. Hvis væsken kommer i øjnene, skal man søge læge. Væske fra batteriet kan forårsage irritation eller forbrændinger.
 - Brug ikke en batteripakke eller et apparat, der er beskadiget eller som er blevet ændret. Beskadigede eller modificerede batterier kan opføre sig uforudsigeligt og forårsage brand, eksplosion eller risiko for personskade.
 - Batteriet og værktøjet må ikke udsættes for ild eller for høje temperaturer. Udsættelse for ild eller temperaturer over 130°C kan forårsage eksplosion.
 - Følg alle anvisninger vedrørende opladning, og oplad ikke batteriet eller apparatet uden for temperaturområdet, der står i vejledningerne. Forkert opladning eller temperaturer uden for det angivne område kan beskadige batteriet og øge risikoen for brand.
- SERVICE**
- Få apparatet service af en kvalificeret tekniker, og brug kun originale reservedele. Dette vil sikre, at apparatet fortsat er sikker at bruge.
 - Udfør aldrig selv service på beskadigede batterier. Service på batterier må kun udføres af producenten eller godkendte servicecentre.
- SIKKERHEDSVEJLEDNINGER TIL DENNE BATTERIDREVNE FORSTØVERVENTILATOR**
- Dette apparat er ikke beregnet til brug af personer (herunder børn) med nedsat fysisk, sensorisk eller psykisk funktionsevne, eller manglende erfaring og viden, medmindre de er blevet vejledt eller instrueret i brugen af apparatet af en person med ansvar for deres sikkerhed.
 - Børn bør overvåges, for at sikre, at de ikke leger med apparatet.
 - Ventilatoren må ikke bruges som legetøj. Man skal være særligt opmærksom, når den anvendes af eller i nærheden af børn.
 - Børn kan falde ned i spande og drukne. Hold børn væk fra spande, også selvom der kun er lidt væske i spanden.
 - Brug KUN rent, koldt vand.
 - Denne forstøverventilator må ikke bruges til at sprøjte pesticider, flydende gødning, kemikalier eller andre væsker end rent vand. Spredning af disse stoffer kan være meget skadeligt og usundt for brugeren eller omkringstående personer.
 - Det forstøvede vand må aldrig rettes mod elektriske ledninger eller enheder.
 - Sørg for, at dækslet til batterirummet er helt lukket, så vand ikke kommer i kontakt med batteriet eller trænger ind i batteristikket.
 - Hold apparatet og dens håndtag tørre, rene og fri for olie og fedt. Brug altid en ren klud ved rengøring. Brug aldrig bremsevæske, benzin, oliebaseerede produkter eller andre kraftige opløsningsmidler til rengøring af ventilatoren. Hvis denne regel følges, vil det mindske risikoen for tab af kontrol og ødelæggelse af plastikkabinettet.
 - Batterier kan eksplodere i nærheden af en antændelseskilde, såsom en flamme. For at reducere risikoen for alvorlig personskade bør man aldrig bruge ledningsfrie produkter i nærheden af åben ild. Et eksploderet batteri kan sende snavs og kemikalier i alle retninger. Ved udsættelse herfor skylles straks med vand.
 - Gem disse vejledninger. Brug dem regelmæssigt, og brug dem til at instruere andre, der skal bruge denne værktøj. Hvis du låner denne ventilator ud til nogen, skal du sørge for, at vejledningerne følger med, så de undgår fejlbrug af produktet og mulige personskader.
 - Vær opmærksom på, at høje fugtighedsniveauer kan fremme vækst af biologiske organismer i miljøet.
 - Området omkring forstøverventilatoren må ikke blive fugtigt eller vådt. Hvis der opstår fugt, skal du skrue ned for forstøvningen på ventilatoren. Hvis forstøvningen ikke kan skrues ned, skal ventilator kun bruges med mellemrum. Undgå, at absorberende materialer, såsom tæpper, gardiner, gardiner eller duge, bliver fugtige.
 - Efterlad aldrig vand i beholderen, når apparatet ikke er i brug.

- Tøm og rengør forstøverventilatoren inden opbevaring. Rengør luftflugteren før den bruges igen.

⚠ ADVARSEL: Der kan være mikroorganismer i vandet eller miljøet, hvor apparatet bruges eller opbevares. Disse kan vokse i vandbeholderen og blæses ud i luften, som kan være meget sundhedsskadeligt, hvis vandet ikke skiftes, og beholderen ikke rengøres ordentligt hver tredje dag.

Genopladelige batterier skal tages ud af apparatet, inden de oplades.

- Opbrugte batterier skal tages ud af apparatet og bortskaffes sikkert.
- Hvis apparatet ikke skal bruges i længere tid, skal batterierne tages ud.
- Strømterminalerne må ikke kortsluttes.

GEM DISSE VEJLEDNINGER

SPECIFIKATIONER

Nominel spænding	56V 
Diameter på ventilatorblad	25,4 cm
Indstillinger for ventilatorhastighed	6 (herunder "Turbo")
Maks. Luftmængde	1700 CFM
Maks. Ventilatorhastighed	32,2 km/t
Drejevinkel	60°, 120°, 180°
Vandmængde i ventilatoren	Høj: 5,7 L/t
	Medium: 4,9 L/t
	Lav: 2,5 L/t
Vægt (uden batteri)	4,7 kg
Anbefalet opbevaringstemperatur	-20°C - 70°C
Bluetooth-frekvensbånd	2402-2480 MHz
Bluetooth maksimal transmissionseffekt	4 dBm

- Den samlede erklærede vibrationsværdi er målt i overensstemmelse med en standard testmetoden, og den kan bruges til at sammenligne et apparat med et andet;
- Den samlede angivne vibrationsværdi kan også bruges ved en foreløbig vurdering af eksponeringen.

BEMÆRK: Vibrationsemissionen ved faktisk brug af apparatet kan afvige fra den angivne værdi, hvor apparatet bruges. For at beskytte brugeren, skal brugeren bruge handsker og høreværn i de faktiske brugsforhold.

LISTE OVER DELE I PAKKEN (FIG. A1)

BESKRIVELSE

KEND DIN LØVBLÆSER (fig. A1 og A2)

1. Betjeningspanel (fig. A2)
2. Drejeramme
3. Forstøverdysse
4. Håndtag foroven
5. Ventilator kabinet
6. Håndtag på siden
7. Batterirum
8. Elektriske kontakter
9. Udløserknap til batteri
10. Slangeadapter
11. Filter
12. Indløbsrør
13. Justeringsknap til ventilatorhastighed
14. TURBO-knap
15. TURBO-indikator
16. Forstøverindikator
17. Forstøverfunktionsknap
18. Tænd/sluk-knap
19. Indikator til ventilatorhastighed
20. Drejeindikator
21. Drejefunktionsknap

SAMLING

⚠ ADVARSEL: Hvis der er dele, der er beskadigede eller mangler, anvendes apparatet ikke, før delene er udskiftet. Brug af dette produkt med beskadigede eller manglende dele kan medføre alvorlig personskade.

⚠ ADVARSEL: Forsøg ikke at ændre dette produkt eller fremstille tilbehør, der ikke anbefales til brug med dette produkt. Enhver sådan ændring eller modifikation er misbrug og kan resultere i en farlig situation og føre til eventuel alvorlig personskade.

⚠ ADVARSEL: For at forebygge utilsigtet start, der kan forårsage alvorlige personskader, skal batteripakken altid tages ud af maskinen, når delene sættes på.

- Dette produkt er blevet afsendt helt samlet.
- Tag forsigtigt produktet og alt tilbehør ud af kassen. Sørg for at alle genstande, der står på "Liste over dele i pakken" følger med.
- Undersøg produktet omhyggeligt for at sikre, at der ikke er blevet beskadiget under forsendelse.
- Smid ikke emballagen ud, før produktet er blevet set nøje efter og du ved det virker ordentligt.
- Hvis dele er beskadigede eller mangler, skal produktet returneres til købsstedet.

BETJENING

⚠ ADVARSEL: Lad ikke fortrolighed med dette produkt gøre dig skodesløs. Husk på, at det kan føre til alvorlige skader, hvis du ikke er opmærksom i blot et sekund.

⚠ ADVARSEL: For at forhindre, at apparatet startes ved et uheld, som kan føre til alvorlige personskader, skal batteripakken altid tages ud af ventilatoren før servicering, justering, rengøring, skift af tilbehør og når den ikke er i brug.

⚠ ADVARSEL: Anvend ikke tilbehør eller påmonteringer, der ikke anbefales af fabrikanten af dette produkt. Brug af tilbehør eller påmonteringer, der ikke anbefales, kan forårsage alvorlig personskade.

Før hver brug skal du undersøge hele produktet for skader, manglende eller løse dele, såsom skruer, møtrikker, bolte, hætter osv. Spænd omhyggeligt alle befæstelsesdele og hætter, og betjen ikke dette produkt, før alle manglende eller beskadigede dele er udskiftet.

ANVENDELSER

Du kan bruge dette produkt til de formål, der er nævnt nedenfor:

- Generel ventilation ved almindelig brug i husholdningen.
- Udendørs køling, med ventilatoren sluttet til en vandkilde.

BEMÆRK: Produktet må kun bruges til dets tilsigtede formål. Enhver anden anvendelse anses for at være et tilfælde af misbrug.

PÅSÆTNING / AFTAGNING BATTERIPAKKEN

Produktet må kun bruges med EGO's batteripakker og opladere, der er anført i fig A3.

BEMÆRK: Oplad batteriet helt før første brug.

Montering

Sørg for at batteripakkens ribber passer med monteringsrillerne, og tryk batteripakken ind i batterikammeret, indtil du hører et "klik" (fig. B1).

Fjernelse

Tryk på knappen til batteriudløseren, og træk batteripakken ud (fig. B2).

⚠ ADVARSEL: Vær altid opmærksom på dine fødders placering og på børn eller kæledyr omkring dig, når du trykker på udløserknappen til batteriet. Der kan opstå alvorlig skade, hvis der opstår en fejl på batteriet. Fjern ALDRIG batteriet på et højt sted.

SÅDAN STARTES/STOPPES VENTILATOREN

BEMÆRK: Ventilatorens standardhastighed er 3. Ventilatoren gemmer den sidst brugte ventilatorhastighed, som bruges, når den startes igen. Turbo-indstillingen gemmes ikke.

BEMÆRK: Forstøver- og drejeindstillingen gemmes ikke. De er som standard slået fra, når ventilatoren tændes.

Betjeningspanel (fig. A2)

Tænd/sluk-knap

- Tryk på tænd/sluk-knappen for, at tænde ventilatoren.
- Tryk på tænd/sluk-knappen igen for, at slukke ventilatoren.

Sådan justeres ventilatorhastigheden

Normal lufthastighed

- Tryk på hastighedsknappen "+" for, at skruer op for ventilatorhastigheden. Tryk på hastighedsknappen "-" for, at skruer ned for ventilatorhastigheden. Der kan vælges mellem 5 hastigheder.
- Indikatoren til ventilatorhastigheden lyser grønne lys i henhold til den valgte hastighed.

TURBO-funktion

BEMÆRK: Hvis ventilatoren sættes på "TURBO", kører den på fuld lufthastighed.

DK

- Tryk på knappen "TURBO", hvorefter TURBO-indikatoren lyser grøn, og ventilatoren skifter til "TURBO"-funktionen, som er den højeste ventilatorhastighed.
- Når ventilatoren står på "TURBO"-hastigheden, skal du trykke på "TURBO"-knappen igen, hvorefter TURBO-indikatoren slukker, og ventilatoren går tilbage til dens forrige ventilatorhastighed.
- Når ventilatoren står på "TURBO"-funktionen, skal du trykke på knappen "-", hvorefter TURBO-indikatoren slukkes, og ventilatoren skifter til ventilatorhastighed 5.

DK

DREJEFUNKTION (FIG. C)

- Tryk på drejeknappen for at sætte ventilatorhovedet til at dreje. Drejeindikatoren nederste grønne lys lyser, og ventilatorhovedet drejer 60° fra side til side (fra -30° til 30°).
- Tryk på drejeknappen en gang til, hvorefter to grønne lys lyser på drejeindikatoren, og ventilatorhovedet drejer 120° (fra -60° til 60°).
- Tryk en tredje gang på drejeknappen, hvorefter tre grønne lys lyser på drejeindikatoren, og ventilatorhovedet drejer 180° (fra -90° til 90°).
- Tryk en fjerde gang for at slå drejefunktionen fra.

SÅDAN JUSTERES VENTILATORENS VINKEL (FIG. D)

Ventilatorhovedet kan sættes på forskellige vinkler fra -30° til 90°. For at justere retningen på det forstøvede vand/luftstrømmen, skal du tage fat i håndtaget foroven på ventilatoren og vip ventilatorhovedet frem eller tilbage.

FORSTØVERFUNKTION

Forstøverfunktionsknap

- Tryk en gang på forstøverfunktionsknappen, hvorefter forstøverindikatoren lyser med tre grønne lys. På denne indstilling blæses en stor mængde forstøvet vand ud hele tiden.
- Tryk på forstøverfunktionsknappen igen, hvorefter forstøverindikatoren lyser med to grønne lys. På denne indstilling blæses en medium mængde forstøvet vand ud hele tiden.
- Tryk på forstøverfunktionsknappen en tredje gang, hvorefter forstøverindikatoren lyser med et grønt lys. På denne indstilling blæses forstøvet vand ud i 10 sekunder med 10 sekunders mellemrum.

BEMÆRK: Det kan tage et par sekunder, før du rent faktisk ser det forstøvede vand komme ud af dyserne første gang. Denne forsinkelse skyldes tiden, det tager for vand at strømme fra vandforsyningen til dyserne.

- Når forstøverfunktionen står på skiftevis forstøvning, skal du trykke på knappen igen, hvorefter forstøverindikatoren går ud og forstøvningen stopper.

BEMÆRK: Når forstøvningen er stoppet, skal du afbryde ventilatorens indløbsrør fra vandkilden og lade ventilatoren køre på forstøverfunktionen, indtil alt vandet i røret er væk. På denne måde undgår du uventet udblæsning af forstøvet vand, når ventilatoren startes igen.

Sådan bruges ventilatoren med en vandspand eller en anden beholder (medfølger ikke) (fig. E)

⚠ ADVARSEL: Børn kan falde ned i spande og drukne. Hold børn væk fra spande med vand, også selvom der kun er lidt vand i spanden.

BEMÆRK: Rengør spanden med sæbe og vand før hver brug.

1. Tag batteripakken ud.
2. Sæt spanden på en flad og plan overflade.
3. Hæld KUN rent og koldt vand i spanden. Undgå, at fylde spanden for meget op.
4. Stik filterenden på indløbsrøret ned i vandet.

BEMÆRK: Bøj ikke indløbsrøret, og sørg altid for, at vandet strømmer ordentligt gennem røret.

5. Sæt batteripakken i.
6. Tryk på tænd/sluk-knappen for, at tænde ventilatoren.
7. Tryk på forstøverfunktionsknappen for, at starte forstøvningen.

Sådan sluttes ventilatoren til en vandhane (fig. F og fig. G)

1. Skru den øverste del af filteret af mod uret, og tag det ud af den nederste del (fig. F).

F-1	Filterets nederste del
F-2	Filterets øverste del

BEMÆRK: Sørg for, at den nederste del ikke skilles ad i to dele, når den øverste del tages af, og at den forbliver samlet, når den sættes på slangeadapteren.

2. Skru slangeadapteren af (mod uret), som sidder på bunden af ventilatoren. Skru den på den nederste del af filteret (med uret).
3. Sæt slangeadapteren på en ordentlig haveslange med en lynkobling (medfølger ikke). Tryk lynkoblingen på haveslangens adapter, indtil du hører et klik (Fig. G).

G-1	Slangeadapter
G-2	Typisk lynkobling

BEMÆRK: Slangeadapteren må ikke sættes på, når den sidder på bunden af ventilatoren (Fig. G1).

4. Slut haveslangen til vandledningen.
5. Sæt batteripakken i.
6. Tryk på tænd/sluk-knappen for, at tænde ventilatoren.
7. Åbn vandhanen helt, hvorefter ventilatoren starter forstøvningen.

BEMÆRK: Det anbefalede maksimale driftstryk må ikke komme over 80 psi.

BEMÆRK: Selv om der ikke er strøm, starter ventilatoren forstøvningen, når der tændes for vandhanen.

8. Tryk på forstøverfunksknappen for at vælge den ønskede forstøverfunktionen.

BEMÆRK: Den lille åbning i slangeadapteren gør den modtagelig for hårdt vand og ophobning af mineralske aflejringer. Adapteren skal regelmæssigt rengøres. Brug hvid eddike eller et andet afkalkningsmiddel til at afkalke med.

Sådan bruges ventilatoren uden forstøverfunktion

Hvis det ønskes, kan produkt bruges kun som ventilator, når det ikke er sluttet til en vandkilde. Når indløbsrøret ikke er i brug, skal det rulles sammen i opbevaringsområdet (se afsnittet "**TRANSPORT OG OPBEVARING**" i denne vejledning), så det beskyttes mod skader og forurening.

KOMMUNIKATIONSTEKNOLOGI

For yderligere oplysninger og for at se hele udvalget af forbundne produkter og tjenester, herunder forbindelsesvejledninger, skal du scanne QR-koden nedenfor eller gå på www.egopowerplus.eu/connect.



BESKYTTELSE AF ELEKTRONIKKEN

Hvis drejefunktionen slås til, men ventilatoren ikke drejer, blinker tre grønne lys på drejeindikatoren. Dette betyder, at brugere skal se om ventilatorhovedet sidder

fast. Fjern eventuelle fremmedlegemer, der sidder fast på ventilatorhovedet, før funktionen startes igen.

Hvis dis-funktionen slås til, men der ikke blæses nogen dis ud:

- Vandpumpen fortsætter med at køre i et stykke tid, hvorefter den automatisk stopper. Dette er for, at beskytte elektronikken i produktet.
- Forstøverindikatoren blinker med tre grønne lys, hvilket er en advarsel:
 - a. Sørg for, at indløbsrøret er sat ordentligt ned i vandet.
 - b. Se, om nogen af forstøverdyserne er tilstoppede og rengør dem, som beskrevet i kapitlet "**VEDLIGEHOLDELSE AF DYSERNE**".
 - c. Tryk på forstøverfunksknappen for, at starte forstøvningen igen.

Hvis batteristrømmen er lavt, blinker tænd/sluk-knappen grøn, hvilket betyder at batteriet enten skal skiftes eller oplades.

Hvis batteripakken eller ventilatoren bliver for varm, blinker tænd/sluk-knappen rødt for at bede brugeren om at slukke ventilatoren og lade batteripakken eller forstøverventilatoren køle ned, indtil temperaturen falder til det anbefalede temperaturområde, før ventilatoren kan startes igen.

VEDLIGEHOLDELSE

⚠ ADVARSEL: Ved service må der kun bruges originale reservedele. Brug af andre reservedele kan medføre fare eller forårsage skader på produktet. For at sikre sikkerhed og pålidelighed, bør alle reparationer udføres af en kvalificeret servicetekniker.

⚠ ADVARSEL: For at undgå alvorlig personskade, altid fjern batteriet fra produktet ved rengøring eller udfører vedligeholdelse.

GENEREL VEDLIGEHOLDELSE

Al servicering af forstøverventilatoren - bortset fra de varer, der er anført i disse vedligeholdelsesanvisninger - skal udføres af en kompetent tekniker.

Undgå, at bruge opløsningsmidler til rengøring af plastdele. De fleste plastmaterialer risikerer at blive ødelagt, ved brug af forskellige slags alment tilgængelige opløsningsmidler. Brug rene klude til at fjerne snavs, støv, olie, fedt osv.

⚠ ADVARSEL: Plastikdelene må aldrig komme i kontakt med bremsevæske, benzin, petroleum-baserede

DK

produkter, gennemtrængende olie, osv. Kemikalier kan beskadige, svække og ødelægge plastic, hvilket kan føre til alvorlige personskader.

⚠ ADVARSEL: Forstøverventilatoren må IKKE nedsænkes i vand eller andre væsker, når den rengøres.

VEDLIGEHOLDELSE AF DYSERNE (fig. H)

⚠ ADVARSEL: Sørg for, at dis-dyserne vedligeholdes rigtigt, så du undgår vandlækager. Lækagerne kan gøre gulvet glat, hvilket kan føre til fare for fald og materielle skader.

Hvis forstøvningen er uregelmæssig eller hvis ventilatoren begynder at lække, er dysen muligvis tilstoppet eller beskadigt.

Sådan rengøres dyserne

1. Sluk for ventilatoren, og tag batteriet ud.
2. Tag de tilstoppede dyser af den forreste skærm på ventilatoren ved at dreje dem mod uret.
3. Tag alle de berørte dyser af del for del.
4. For at fjerne eventuelle fremmedlegemer der tilstopper eller begrænser dyserne, skal du skylle dysedelene med vand. For at fjerne samlinger af kalk skal dysedelene rengøres med hvid eddike eller andet afkalkningsmiddel efter behov.
5. Saml dyserne igen.

BEMÆRK: For at undgå, at dyserne tilstoppes, skal du sørge for, at de monteres nøjagtigt, som vist i fig. H.

6. Sæt de rene dyser fast på ventilatorens forskærm.

VEDLIGEHOLDELSE AF FILTERET (fig. I)

Kontroller regelmæssigt filteret på enden af indløbsrøret for at sikre, at det er i god stand.

1. Sluk for ventilatoren, og tag batteriet ud.
2. Skru den øverste del ud af den nederste del af filteret.

I-1	Nedre del	I-3	Svampenet
I-2	Metalfilter	I-4	Øvre del

BEMÆRK: Når du skruer den øverste del af, skal du sørge for, at den nederste del ikke skilles ad i to stykker. Den nederste del skal holdes samlet, for at metalnettet kan tages ud.

3. Tag svampemasken ud af den øverste del og metalmasken ud af den nederste del.

4. Skyl metalnettet og svampenettet eller skift det, hvis nødvendigt.
5. Sæt filteret i igen.

BEMÆRK: Sørg for, at metalnettet sættes i med den hævede kant udad, så det er nemt at tage ud næste gang.

VEDLIGEHOLDELSE AF SLANGEADAPTEREN

Den lille åbning i slangeadapteren gør den modtagelig for hårdt vand og ophobning af mineralske aflejringer. Adapteren skal regelmæssigt rengøres. Brug hvid eddike eller et andet afkalkningsmiddel til at afkalke med.

VEDLIGEHOLDELSE AF VENTILATORKABINETTET (fig. J og fig. K)

1. Sluk for ventilatoren, og tag batteriet ud.
2. Skru de otte skruer ud bag på ventilator-kabinetet med en stjerneskruetrækker (medfølger ikke), og tag forsikringsarmen af.

J-1	Skruer (x8)
J-2	Forsikringsarm

3. Hold fast i ventilatorbladet, så det ikke drejer. Drej ventilatorbladets låsedæksel med uret for at løsne det fra ventilatorbladets aksel.

K-1	Ventilatorbladsamling
K-2	Låsedæksel

4. Tag ventilatorbladsamlingen af.
5. Rengør ventilatorbladet og kabinetets indvendigt efter behov.
6. Sæt dem på igen i omvendt rækkefølge, og sørg for at:

Mærket på ventilatorbladet passer med tværstangen på akslen.

TRANSPORT OG OPBEVARING (fig. L)

- Fjern batteripakken.
- Rengør ventilatoren grundigt.
- Tøm indløbsrøret og filteret.

BEMÆRK: Det er vigtigt at gøre ventilatoren vinterklar, så den beskyttes mod frost, som kan være skadeligt for pumpen, slangerne og andre dele. **Afbryd altid ventilatorens indløbsrør fra vandkilden, og lad ventilatoren køre uafbrudt på forstøverfunktionen, indtil der ikke er mere vand i røret, før ventilatoren gemmes væk vinteren over.**

- Spænd indløbsrøret og filteret fast med klemmerne på bunden af ventilatorfoden.
- Skru slangeadapteren på det gevindskårne opbevaringshul på bunden af ventilatorfoden.

L-1	Slangeadapter
L-2	Klemmer

- Hold fast i håndtaget foroven eller på siden af ventilatoren, når den transporteres.
- Opbevar ventilatoren indendørs på et ordentligt ventileret sted.
- Holdes væk fra ætsende stoffer, såsom havekemikalier og vejsalt.

DK

Beskyttelse af miljøet



Elektrisk udstyr, batterioplader og batterier må ikke smides ud sammen med almindelig husholdningsaffald!

Tag dette produkt til en autoriseret genbrugsplads, og sørg for at det sendes til genbrug. Elektriske værktøjer skal returneres til et miljøkompatibelt genvindingsanlæg.

FEJLFINDING

DK

PROBLEM	ÅRSAG	LØSNING
Forstøverventilatoren starter ikke.	<ul style="list-style-type: none"> ■ Batteripakken er ikke sat helt ind i kabinettet. ■ Der er en løs forbindelse mellem forstøverventilatoren og batteripakken. ■ Batteripakken er afladet. ■ Batteripakken eller ventilatoren er varm. 	<ul style="list-style-type: none"> ■ Se, om batteriet er sat helt ind i kabinettet. ■ Tag batteripakken ud, og se kontakterne efter. Sæt derefter batteripakken i igen. ■ Oplad batteripakken. ■ Sluk ventilatoren og lad batteripakken eller ventilatoren køle ned, indtil temperaturen falder til den anbefalede driftstemperatur.
Der blæses ikke noget forstøvet vand ud, og forstøverindikatoren blinker med tre grønne lys.	<ul style="list-style-type: none"> ■ Indløbsrøret pumper ikke noget vand, hvilket udløser vandpumpens indbyggede beskyttelsesfunktion. ■ Forstøverdyserne er blevet tilstoppet under brug, hvilket har udløst elpumpens interne beskyttelsesfunktion. 	<ul style="list-style-type: none"> ■ Sørg for, at der er nok vand i spanden, og at indløbsrøret er sat helt ned i vandet. ■ Rengør dysen/dyserne som beskrevet i kapitlet "VEDLIGEHOLDELSE AF DYSERNE", og monter dem, som beskrevet.
Ventilatoren holder op med at dreje, og tre grønne lys blinker på drejeindikatoren.	<ul style="list-style-type: none"> ■ Ventilatorhovedet sidder fast, når det drejer. 	<ul style="list-style-type: none"> ■ Fjern eventuelle fremmedlegemer, der gør at ventilatorhovedet ikke kan dreje.

GARANTI

EGO GARANTI POLITIK

Besøg venligst hjemmesiden egopowerplus.eu for fuldstændige vilkår og betingelser for EGO's garantipolitik.

LÄS IGENOM ALLA INSTRUKTIONER!



LÄS IGENOM BRUKSANVISNINGEN

⚠ VARNING: För att garantera en säker och pålitlig användning måste alla reparationer utföras av en kvalificerad servicetekniker.

⚠ VARNING: Var noga med att läsa igenom och förstå alla säkerhetsinstruktioner i denna bruksanvisning, inklusive alla varningsymboler såsom "FARA", "VARNING," and "FÖRSIKTIGHET" innan denna apparat används. Underlåtenhet att läsa alla instruktioner som listas nedan kan resultera i elektrisk stöt, brand och/eller allvarlig personskada.

SPARA ALLA VARNINGAR OCH INSTRUKTIONER FÖR FRAMTIDA REFERENS.

SÄKERHETSSYMBOLER

SE

⚠ VARNING: Användning av någon apparat kan resultera i att främmande föremål kastas in i dina ögon vilket kan resultera i allvarliga ögonskador. Innan apparaten börjar användas skall alltid skyddsglasögon eller skyddsglasögon med sidoskydd och full ansiktsskydd användas när så behövs. Vi rekommenderar att en ansiktsmask med brett synfält används ovanpå glasögonen eller standard skyddsglasögon med sidoskydd.



Säkerhetslarm



För att minska risker för skador måste användare läsa igenom och förstå bruksanvisningen innan denna produkt används.



Garanterad ljudeffektnivå. Bulleremissioner för omgivningen enligt EU-direktivet.



Bluetooth®-symbol



Förbrukade elektriska produkter får inte kastas i hushållssoptorna. Lämna in dem till en auktoriserad återvinningsstation.



Denna produkt är i enlighet med gällande EG-direktiv.



Likström



Denna produkt uppfyller tillämpliga lagar i Storbritannien.

IPX4 Skydd mot stänkande vatten

ALLMÄNNA SÄKERHETSVARNINGAR

⚠ VARNING: För att minska risken för brand, elektriska stötar eller personskador:

- **Lär känna din inningsfläkt.** Läs noga igenom bruksanvisningen. Lär känna fläkstens tillämpningar och begränsningar, samt specifika faror som är relaterade till denna fläkt. Följ denna regel för att minska risken för elektriska stötar, brand eller allvarliga personskador.
- Denna apparat kan användas av barn från 8 år och uppåt och av personer med nedsatt fysisk, sensorisk eller mental förmåga, eller av personer som saknar erfarenhet och kunskap under förutsättningen att de övervakas eller mottagit instruktioner för säker användning av apparaten och är medvetna om riskerna.
- Barn får inte leka med apparaten.
- Rengöring och användarunderhåll får inte utföras av barn utan tillsyn

ARBETSPLATSSÄKERHET

- **Använd inte fläkten i explosiva miljöer som t.ex. i närvaron av brandfarliga vätskor, gaser eller damm.**
- **Håll barn och åskådare borta medan apparaten används.** Störningarna kan göra att du tappar kontrollen.
- **Var försiktig när du använder den i blåsig förhållanden.** Vindar kan föra in fukt i elektriska ledningar eller apparater.
- **Utsätt inte apparaten för regn eller fuktiga förhållanden.** Vatten som kommer in i en apparat ökar risken för elektriska stötar.

PERSONLIG SÄKERHET

- **Var uppmärksam och observant samt använd sunt förnuft när du använder ett apparaten. Använd inte apparaten om du är trött eller under påverkan av droger, alkohol eller medicin.** Ett ögonblicks ouppmärksamhet vid användning av apparaten kan leda till allvarliga personskador.
- **Förebygg oavsiktlig start. Se till att strömbrytaren är i avstängt läge innan ett batteripaket ansluts, plockas upp eller apparaten bärs.** Att bära apparaten med fingret på strömbrytaren eller en strömansluten apparat som är påslagna inbjuder till olyckor.
- **Ta bort inställningsnycklar eller skiftnycklar innan apparaten slås på.** En skiftnyckel eller en nyckel som sitter kvar på en roterande del av apparaten kan

resultera i personskada.

- **Sträck dig inte för långt. Ha ordentligt fotfäste och balans hela tiden.** Detta möjliggör bättre kontroll av apparaten i oväntade situationer.
- **Klä dig på lämpligt sätt. Bär inte löst sittande kläder eller smycken. Håll hår och klädsel på avstånd från de rörliga delarna.** Löst sittande kläder, smycken och långt hår kan fastna i rörliga delar.
- **Kontrollera att alla anslutningar är säkra innan du använder apparaten.**
- **Låt inte vana efter regelbunden användning av apparaten göra att du blir självsäker och ignorerar verktygets säkerhetsprinciper.** En vårdslös handling kan orsaka allvarliga personskador inom bråkdelen av en sekund.

ANVÄNDNING OCH SKÖTSEL

- **Använd inte apparaten om strömbrytaren inte kan slås på eller stängas av.** Alla apparater som inte kan kontrolleras med strömbrytaren är farliga och måste repareras.
- **Koppla ur batteripaketet från apparaten innan du utför några justeringar, ändrar tillbehör eller förvarar apparaten.** Dessa förebyggande säkerhetsåtgärder minskar risken för att apparaten startas oavsiktligt.
- **Förvara apparater som går på tomgång utom räckhåll för barn och låt inte personer som är ovana med apparaten eller dessa instruktioner använda apparaten.** Apparater är farliga i händerna på utbildade användare.
- **Underhåll av apparater och tillbehör. Kontrollera efter felinställning eller bindning av rörliga delar, brott på delar och alla andra tillstånd som kan påverka funktionen på apparaten. Om apparaten är skadad, låt den repareras innan den används.** Många olyckor beror på dåligt underhållna apparater.
- **Använd apparaten och tillsatser osv. i enlighet med dessa instruktioner och ta hänsyn till arbetsförhållanden och det arbete som ska utföras.** Om apparaten används för andra arbeten än det är avsett för kan det resultera i farliga situationer.
- **Håll handtagen och greppytorna torra, rena och fria från olja och fett.** Hala handtag och greppytor förhindrar säker hantering och kontroll av maskinen vid oväntade situationer.

⚠ VARNING: För att minska risken för brand eller elektriska stötar får du inte använda fläkten tillsammans med någon fast kontrollenhet för hastigheten.

ANVÄNDNING OCH SKÖTSEL AV BATTERIAPPARATER

- Ladda endast med den laddare som rekommenderas av tillverkaren. En laddare som är lämplig för en typ av batteripaket kan skapa en risk för brand när den används med ett annat batteripaket.
- Använd endast apparater med specifikt designade batteripaket. Användning av andra batteripaket kan medföra risk för personskador och eld.
- När batteripaketet inte används, håll det borta från metallobjekt som t.ex. pappersgeng, mynt, nycklar, spikar, skruvar och andra små metallobjekt som kan bilda en anslutning från en batterikontakt till den andra. Kortslutning av batteriets terminaler kan orsaka brännskador eller en brand.
- Under olämpliga förhållanden kan vätska spruta ut från batteriet. Undvik kontakt. Vid oavsiktlig kontakt, spola med vatten. Om vätskan kommer i kontakt med ögonen, sök också läkarhjälp. Vätska som sprutar ur batteriet kan orsaka sveda och brännskador.
- Använd inte ett batteripaket eller apparat som skadats eller modifierats. Skadade eller modifierade batterier kan leda till oförutsägbart uppträdande som leder till brand, explosion eller risk för personskador.
- Utsätt inte batteripaketet eller apparaten för eld eller extrema temperaturer. Exponering av eld eller temperaturer över 130 °C kan orsaka explosion.
- Följ alla laddningsinstruktioner och ladda inte batteripaketet eller apparaten utanför det temperaturområde som anges i instruktionerna. Felaktig laddning eller vid temperaturer utanför angivet temperaturområde kan skada batteriet och ökar risken för brand.

SERVICE

- Lämna in din apparat för service hos en kvalificerad servicetekniker som endast använder identiska utbytesdelar. Det säkerställer att apparatens säkerhet bibehålls.
- Utför aldrig service på skadade batteripaket. Service av batteripaket bör endast utföras av tillverkaren eller auktoriserade serviceverkstäder.

SÄKERHETSINSTRUKTIONER FÖR SLADDLÖS IMNINGSFLÄKT

- Denna apparat är inte avsedd för personer (inklusive barn) med nedsatt fysisk, sensorisk eller mental förmåga, eller av personer som saknar erfarenhet och kunskap såvida de inte övervakas eller mottagit

instruktioner för användning av en person som är ansvarig för deras säkerhet.

- Barn bör övervakas så att de inte leker med apparaten.
- **Låt inte fläkten användas som leksak.** Särskild uppmärksamhet krävs när den används av eller i närheten av barn.
- **Barn kan falla i hinkar och drunkna.** Håll barn borta från hinkar med även en liten mängd vätska.
- Använd **ENDAST rent, kallt vatten.**
- Använd inte den här immingsfläkten för att spraya bekämpningsmedel, flytande gödningsmedel, kemikalier eller andra vätskor än rent vatten. Om dessa ämnen sprids kan det resultera i allvarliga personskador för operatören eller andra i närheten.
- Rikta aldrig dimma eller vatten mot elektriska ledningar eller enheter.
- Se till att locket till batterifacket är helt stängt för att förhindra att vatten kommer i kontakt med batteriet eller kommer in i batteriöppningen.
- Håll apparaten och dess handtag torrt, rent och fritt från olja och fett. Använd alltid en ren trasa vid rengöring. Använd aldrig bromsvätska, bensin, petroleumbaserade produkter eller starkt lösningsmedel för att rengöra fläkten. Följ denna regel för att minska risken för tappad kontroll och försämring av plasthöljet.
- Batterier kan explodera i närvaron av en antändningskälla, t.ex. en liten låga. För att minska risken för allvarliga personskador, använd aldrig en trådlös produkt i närvaron av en öppen eldslåga. Ett exploderande batteri kan slunga iväg skräp och kemikalier. Om du får det på dig ska du omedelbart skölja med vatten.
- Spara dessa instruktioner. Läs igenom dem regelbundet och använd dem för att instruera andra som kan komma att använda denna fläkt. Om du lånar ut denna fläkt verktyg till någon, se även till att låna ut dessa instruktioner för att förhindra att produkten används felaktigt eller orsakar eventuella personskador.
- Var medveten om att hög luftfuktighet kan främja tillväxten av biologiska organismer i miljön.
- Låt inte området runt immingsfläkten bli fuktigt eller blött. Om fukt uppstår, skruva ner effekten av immingsfläkten. Om det inte går att sänka volymen på immingsfläktens utmatningsvolym kan du använda luftfuktaren intermittent. Låt inte absorberande material som mattor, gardiner, draperier eller dukar bli fuktiga.

SE

- Lämna aldrig vatten i behållaren när apparaten inte används.
- Töm och rengör imningsfläkten innan den förvaras. Rengör luftfuktaren före nästa användning.


⚠ VARNING: Mikroorganismer som kan finnas i vattnet eller i den miljö där apparaten används eller förvaras kan växa i vattenbehållaren och blåsa ut i luften och orsaka mycket allvarliga hälsorisker om vattnet inte förnyas och tanken inte rengörs ordentligt var tredje dag.

Uppladdningsbara batterier måste avlägsnas från apparaten innan de laddas.

- Förbrukade batterier ska tas bort från apparaten och kasseras på ett säkert sätt.
- Om apparaten skall förvaras utan att användas under en lägre period skall batterierna tas bort.
- Strömterminalerna från inte kortslutas.

SPARA DESSA INSTRUKTIONER

SPECIFIKATIONER

Märkspänning	56V 
Fläktbladens diameter	25,4 cm
Inställningar för fläkthastighet	6 (inklusive "Turbo")
Max. Luftvolym	1700 CFM
Max. Luftflöde	32,2 km/h
Svängningsvinkel	60°, 120°, 180°
Vattenvolym för imning	Hög: 5,7 L/h
	Medium: 4,9 L/h
	Låg: 2,5 L/h
Vikt (utan batteripaket)	4,7 kg
Rekommenderad förvaringstemperatur	-20 °C - 70 °C
Bluetooth operativt frekvensband	2402–2480 MHz
Bluetooth maximal sändningseffekt	4 dBm

- Det deklarerade totala vibrationsvärdet har uppmätts i enlighet med en standardtestmetod och kan användas för att jämföra ett verktyg med ett annat;
- Det deklarerade totala vibrationsvärdet kan också användas i en preliminär utvärdering av exponeringen.

UPPMÄRKSAMMA: Vibrationsutstrålningen under verklig användning av elverktyg kan skilja sig från det deklarerade värdet i vilken verktyget används. För att skydda användaren skall skyddshandskar och hörselskydd användas under faktiska användningsförhållandet.

PACKLISTA (BILD A1)

BESKRIVNING

LÄRA KÄNNA DIN IMNINGSFLÄKT (bild A1 och A2)

1. Kontrollpanel (bild A2)
2. Oscillationsram
3. Imningsmunstycke
4. Övre handtag
5. Fläkthus
6. Sidohandtag
7. Batterifack
8. Elektriska kontakter
9. Batterilåsknapp
10. Trädgårdsslangadapter
11. Filter
12. Intagsrör
13. Inställningsknapp luftflöde
14. TURBO-knapp
15. TURBO-indikator
16. Imningsindikator
17. Imningslägesknapp
18. Strömknapp
19. Indikator för luftflöde
20. Indikator oscillering
21. Lägesknapp oscillering

MONTERING

⚠ VARNING: Om någon del är skadad eller saknas skall inte denna produkt användas innan delarna ersatts. Användning av denna produkt om den är skadad eller saknar delar kan resultera i allvarliga personskador.

⚠ VARNING: Försök inte att modifiera denna produkt eller skapa tillbehör som inte rekommenderas för användning med denna produkt. Alla sådana ändringar eller modifieringar är missbruk och kan resultera

i allvarliga situationer som kan leda till allvarliga personskador.

⚠ VARNING: För att förhindra oavsiktlig start som kan orsaka allvarliga personskador skall alltid batteripaketet tas bort från verktyget innan delar monteras.

- Denna produkt har levererats komplett monterad.
- Ta försiktigt ur produkten och eventuella tillbehör från lådan. Se till att alla poster som står i "packlistan" finns med.
- Kontrollera produkten noggrant för att säkerställa att inget är trasigt och att inga skador uppstått under leveransen.
- Spara förpackningsmaterialet tills du noggrant har inspekterat och tillfredsställande använt produkten.
- Om några delar är skadade eller saknas ska du returnera produkten till inköpsstället.

DRIFT

⚠ VARNING: Bli inte vårdslös bara för att du är bekant med denna produkt. Kom ihåg att oaksamhet under en bråkdel av en sekund är tillräcklig för att orsaka allvarliga skador.

⚠ VARNING: För att förhindra oavsiktlig start som kan orsaka allvarliga personskador skall alltid batteripaketet tas bort från verktyget när delar monteras, inställningar görs, vid rengöring eller när den inte används.

⚠ VARNING: Använd inga andra tillsatser eller tillbehör än de som rekommenderas av tillverkaren av denna produkt. Användning av tillbehör eller tillsatser som inte rekommenderas kan resultera i allvarlig personskada.

Inspektera hela produkten innan varje användning om där finns skador, saknade eller lösa delar såsom skruvar, muttrar, bultar, höljen etc. Dra åt alla fästelement och lock och använd inte denna produkt innan alla saknade eller skadade delar bytts ut.

TILLÄMPNINGAR

Du kan använda denna produkt för de tillämpningar som listas nedan:

- Allmän ventilation i de flesta hushållstillämpningar.
- Utomhuskyllning när den är ansluten till en vattenkälla.

UPPMÄRKSAMMA: Produkten får enbart användas för det föreskrivna ändamålet. All annan användning betraktas som missbruk.

FÄST/TÅ LOSS BATTERIPAKETET

Använd endast med EGOs batteripaket och laddare som listas i bild A3.

NOTERA: Ladda batteripaketet fullt före första användning.

Fästa

Rikta in listerna på batteriet med monteringsspåren och tryck sedan ner batteripaketet tills du hör ett "klick" (bild B1).

Ta bort

Tryck in låsknappen för batteriet och dra sedan ut batteripaketet (bild B2).

⚠ VARNING: Var alltid uppmärksam vart du har dina fötter, barn eller husdjur när du trycker in frigöringsknappen för batteriet. Allvarliga personskador kan inträffa om batteripaketet tappas. Ta ALDRIG ut batteripaketet när du är på en hög plats.

SE

STARTA/STOPPA FLÄKTEN

NOTERA: Den ursprungliga fabriksinställningen för luftflöde är nivå 3. Fläkten sparar den senast använda luftflödesinställningen och återgår till den vid omstart. Turboinställningen sparas inte.

NOTERA: Inställningen för imning sparas inte och är som standard avstängd varje gång fläkten slås på.

Kontrollpanel (bild A2)

Strömknapp

- Tryck kort på strömbrytaren för att slå på fläkten.
- Tryck kort på strömbrytaren igen för att stänga av fläkten.

Justering av luftflöde

Normalt luftflöde

- Tryck på knappen "+" för att öka luftflödet och tryck på knappen "-" för att minska luftflödet. Det finns 5 hastighetsnivåer.
- Luftflödesindikatorn visar gröna lampor som motsvarar de aktuella flödesnivåerna.

TURBO-läge

NOTERA: I "TURBO"-läge kommer fläkten att uppnå maximalt luftflöde.

- Tryck på knappen "TURBO", TURBO-indikatorn lyser grönt och fläkten går över till "TURBO"-läge, dvs. högsta luftflöde.

- Om du trycker på **TURBO**-knappen igen när du befinner dig i "TURBO"-läget släcks **TURBO**-indikatorn och fläkten återgår till det tidigare aktiva luftflödet.
- När du trycker på knappen "-" i läget "TURBO" släcks **TURBO**-indikatorn och fläkten övergår till luftflödesnivå 5.

OSCILLERINGSFUNKTION (BILD C)

- Tryck på oscillerande knappen en gång för att starta fläkthuvudets oscillerande funktion, oscillerande indikatorn tändes det nedre gröna ljuset och fläkthuvudet kommer att rotera 60° från sida till sida (från -30° till 30°).
- Tryck på oscillerande knappen andra gången, oscillerande indikatorn kommer att tända två gröna lampor, vilket aktiverar 120° oscillerande området (från -60° till 60°).
- Tryck på oscillerande knappen en tredje gång, oscillerande indikatorn kommer att tända tre gröna lampor, vilket aktiverar 180° svängningsområdet (från -90° till 90°).
- För att stänga av oscillerande funktionen, tryck på oscillerande knappen en fjärde gång.

JUSTERING AV FLÄKTVINKELN (bild D)

Fläkthuvudet kan ställas in i flera vinklar från -30° till 90°. För att justera riktningen på inning/luftflödet, greppa fläkten i det övre handtaget och luta fläkthuvudet framåt eller bakåt.

IMNINGSFUNKTION

Imningslägesknapp

- Tryck en gång på knappen för val av imningsläge och imningsindikatorn kommer att lysa med två gröna lampor, vilket indikerar att det är "kontinuerligt" imningsläge - inning hela tiden utan uppehåll.
- Tryck på imningsknappen igen och imningsindikatorn kommer att lysa med två gröna lampor, vilket indikerar att det är "kontinuerligt" imningsläge - inning hela tiden utan uppehåll.
- Tryck på knappen för imningsläge en tredje gång och imningsindikatorn kommer att tända den nedre gröna lampan som indikerar det "intermittenta" imningsläget - inning i 10 sekunder var 10:e sekund.

NOTERA: Det kan ta några sekunder innan du ser imman komma ut ur imningsmunstyckena första gången. Denna fördröjning beror på den tid det tar för vattnet att rinna från vattenhinken till munstyckena.

- När inningen är i intermittant imningsläge trycker du på knappen för val av imningsläge igen så släcks indikatorlamporna för inningen och inningen upphör.

NOTERA: När inningen är klar drar du ut insugningsröret ur vattnet och kör fläkten i imningsläge tills allt vatten försvinner från röret. Detta förhindrar att det kvarvarande vattnet i röret orsakar oväntad inning när fläkten startas igen.

Använda fläkten med en vattenhink eller annan behållare (ingår ej) (bild E)

⚠ VARNING: Barn kan falla i hinkar och drunkna. Håll barn borta från hinkar som innehåller även en liten mängd vätska.

UPPMÄRKSAMMA: Rengör hinken med tvål och vatten före varje användning.

- Koppla ifrån batteripaketet.
- Placera hinken på en plan och jämn yta.
- Håll ENDAST rent, kallt vatten i hinken. Överfyll inte.
- Sänk ner filterrändan på insugningsröret i vattnet.

UPPMÄRKSAMMA: Böj inte insugningsröret och se alltid till att vattnet flyter jämnt genom röret.

- Montera batteripaketet.
- Tryck på strömbrytaren för att slå på fläkten.
- Tryck på knappen för imningsläge för att börja inningen.

Ansluta fläkten till en vattenkran (bild F och G)

- Skruva av den övre delen av filtret moturs och koppla loss den från den nedre delen (bild F).

F-1	Filter nedre del
F-2	Filter övre del

UPPMÄRKSAMMA: Se till att den nedre delen inte delas i två delar under den övre delens urkoppling och håller ihop som en helhet för anslutning till trädgårdsslansadaptern.

- Skruva loss (moturs) trädgårdsslansadaptern som är förvarad i botten av fläkten. Skruva fast den (medurs) i den nedre delen av filtret.
- Anslut trädgårdsslansadaptern till en lämplig trädgårdsslans med snabbkoppling (medföljer ej). Fäst snabbkopplingen till trädgårdsslansen tills du hör ett klick efter en fast nedtryckning (bild G).

G-1	Trädgårdsslansadapter
G-2	Typisk snabbkoppling

UPPMÄRKSAMMA: Försök inte att ansluta trädgårdsslansadaptorn medan den är monterad på fläkstens undersida (bild G1).

4. Anslut trädgårdsslansen till vattenledningen.
5. Montera batteripaketet.
6. Tryck på strömbrytaren för att slå på fläkten.
7. Öppna vattenkranen helt, fläkten börjar imningen.

UPPMÄRKSAMMA: Det rekommenderade maximala arbetstrycket bör inte överstiga 80 psi.

NOTERA: Även om det inte finns någon ström kommer fläkten att börja imningen när vattenkranen slås på.

8. Tryck på inningslägesknappen för att välja inningsläge för bättre arbetsresultat.

NOTERA: Den lilla öppningen i trädgårdsslansadaptorn gör den känslig för hårt vatten och mineralavlagringar. Rengör adaptorn ofta och använd vit vinäger eller annat avkalkningsmedel för att ta bort ansamlingar.

Användning av fläkten utan imning

Om så önskas kan den här produkten endast användas som fläkt när den inte är ansluten till en vattenkälla. När insugningsröret inte används ska du alltid placera det i sitt förvaringsutrymme (se avsnittet "TRANSPORT OCH FÖRVARING" i den här handboken) för att skydda det från skador och föroreningar.

KOMMUNIKATIONSTEKNOLOGI

För information eller vårt kompletta utbud av anslutna produkter och tjänster, inklusive anslutningsinstruktioner, skanna QR-koden nedan eller besök www.egopowerplus.eu/connect.



ELEKTRONIKSKYDD

När oscillerande funktionen är aktiverad men fläkten inte oscillerar, kommer oscillerande indikatorn att visa tre blinkande gröna lampor kontinuerligt för att påminna operatören om att kontrollera om fläkthuvudet har fastnat och ta bort främmande föremål som fastnat på fläkthuvudet innan du startar om funktionen.

När inningsfunktionen är aktiverad men ingen vattenimma kommer ut:

- Vattenpumpen fortsätter att köras en kort stund och stannar sedan automatiskt för att skydda den interna elektroniken.
- Inningsindikatorn kommer att visa tre blinkande gröna lampor kontinuerligt som en varning för operatören att:
 - a. Kontrollera att insugningsröret är ordentligt nedsänkt i vatten.
 - b. Kontrollera om inningsmunstycket/munstyckena är igensatta och rengör dem enligt kapitlet "UNDERHÅLL AV MUNSTYCKEN".
 - c. Tryck på knappen för val av inningsläge för att återuppta imningen.

När batteriladdningen är låg blinkar strömbrytaren grönt ljus för att påminna operatören om att ladda eller byta batteripaketet.

När batteripaketet eller fläkten är för varm blinkar strömbrytaren med rött ljus för att varna operatören att stänga av fläkten och låta batteripaketet eller inningsfläkten svalna tills temperaturen sjunker till det rekommenderade drifttemperaturintervallet innan fläkten startas om.

UNDERHÅLL

⚠ VARNING: Vid service ska enbart identiska utbyteskomponenter användas. Användning av andra delar kan skapa risker eller orsaka produktskador. För att garantera en säker och pålitlig användning måste alla reparationer utföras av en kvalificerad servicetekniker.

⚠ VARNING: För att undvika allvarliga personskador, ta alltid ut batteripaketet ur produkten vid rengöring eller underhåll.

ALLMÄNT UNDERHÅLL

All service av inningsfläkten, utöver det som anges i dessa underhållsinstruktioner, ska utföras av kompetens auktoriserad servicepersonal för inningsfläktar.

Använd inte lösningsmedel när du rengör plastdelarna. De flesta plaster är känsliga för skador från olika typer av kommersiella lösningsmedel och kan skadas av dess användning. Använd rena trasor för att ta bort smuts, damm, olja, fett osv.

⚠ VARNING: Låt aldrig bromsvätska, bensin, petroleumbaserade produkter, penetrerande oljor etc. komma i kontakt med plastdelar. Kemikalier kan skada, försvaga eller förstöra plast, vilket kan resultera i allvarliga personskador.

⚠ VARNING: Vid rengöring av imningsfläkten, sänk INTE ned den i vatten eller annan vätska.

Underhåll av munstycket (bild H)

⚠ VARNING: Se till att underhåll av imningsmunstycket utförs korrekt för att förhindra vattenläckor. Läckorna kan resultera i en hal yta som skapar risk för halka och fall eller orsaka egendomsskador.

Oregelbundna dimmönster eller läckage kan vara resultatet av ett igensatt eller smutsigt munstycke.

För att rensa munstyckena

1. Stäng av fläkten och ta bort batteripaketet.
2. Ta bort de igensatta imningsmunstyckena från det främre gällerskyddet på fläkthölet genom att rotera dem moturs.
3. Ta isär varje berört munstycke i delar.
4. Spola munstyckena med vatten för att avlägsna eventuella främmande partiklar som täpper till eller begränsar munstyckena. För att avlägsna kalkavlagringar (mineraler) rengör du munstyckena med vit vinäger eller annat avkalkningsmedel vid behov.
5. Sätt ihop munstyckena igen.

UPPMÄRKSAMMA: För att förhindra igensättning ska du se till att munstycket monteras exakt enligt bild H.

6. Sätt tillbaka de rena munstyckena på det främre gällerskyddet.

FILTERUNDERHÅLL (bild I)

Undersök regelbundet filtret i slutet av insugningsröret för att se till att det är i gott skick.

1. Stäng av fläkten och ta bort batteripaketet.
2. Skruva loss den övre delen från den nedre delen av filtret.

I-1	Nedre del	I-3	Svampnät
I-2	Metallnät	I-4	Övre del

UPPMÄRKSAMMA: När du skruvar loss den övre delen, se till att den nedre delen inte delas i två delar. Den nedre delen måste förbli monterad för att ta bort metallnätet.

3. Ta ut svampnätet från den övre delen och metallnätet från den nedre delen.
4. Skölj metallnätet och svampnätet eller byt ut det vid behov.

5. Sätt tillbaka filtret.

UPPMÄRKSAMMA: Se till att metallnätet är monterat med den upphöjda kanten vänd utåt för enkel demontering nästa gång.

UNDERHÅLL AV TRÄDGÅRDSSLANGSADAPTER

Den lilla öppningen i trädgårdsslangadaptern gör den känslig för hårt vatten och mineralavlagringar. Rengör adaptern ofta och använd vit vinäger eller annat avkalkningsmedel för att ta bort ansamlingar.

UNDERHÅLL AV FLÄKTHUSET (bild J och K)

1. Stäng av fläkten och ta bort batteripaketet.
2. Använd en stjärnskruvmejsel (ingår ej) för att skruva loss de åtta skruvarna från baksidan av fläkthölet för att ta bort det främre gällerskyddet.

J-1	Skruv (x8)
J-2	Främre gällerskydd

3. Håll fläktbladsenheten för att förhindra att den roterar och vrid fläktbladets låskåpa medurs för att frigöra fläktbladsenheten från axeln.

K-1	Fläktbladsenhet
K-2	Låshölje

4. Ta bort fläktbladsenheten.
5. Rengör fläktbladet och inredningen i höljet vid behov.
6. Sätt ihop dem i omvänd ordning och kontrollera att:

Märket på fläktbladsenheten är i linje med tvärbalken på axeln.

TRANSPORT OCH FÖRVARING (bild L)

- Ta ut batteripaketet.
- Rengör fläkten noggrant.
- Töm insugningsröret och filtret.

UPPMÄRKSAMMA: Vinterförvaring av fläkten är viktig för att skydda mot minusgrader, vilket kan orsaka skador på pumpen, slangarna och andra komponenter. **Koppla alltid bort fläktens insugningsrör från vattenkällan och kör fläkten i kontinuerligt imningsläge tills det inte finns något kvarvarande vatten i röret innan du förvarar fläkten under vintern.**

- Fäst insugningsröret och filtret med hjälp av klämmor på botten av fläktbasen.
- Skruva fast trädgårdsslangadaptern på det gängade

förvaringshålet på botten av fläktbasen.

L-1	Trädgårdsslangadapter
L-2	Klämmor

- Bär fläkten med det övre handtaget eller sidohandtagen när du transporterar den.
- Förvara fläkten inomhus på en väl ventilerad plats.
- Håll den undan från korrosiva medel såsom trädgårdskemikalier och avsningsalt.

Skydda miljön



Kasta inte elektrisk utrustning, använt batteri och laddare i hushållssoporna!

Ta denna produkt till en auktoriserad återvinnare och gör den tillgänglig för separat insamling. Elektriska verktyg måste returneras till en miljöanpassad återvinningsanläggning.

SE

FELSÖKNING

PROBLEM	ORSAK	LÖSNING
Imningsfläkten startar inte.	<ul style="list-style-type: none"> ■ Batteripaketet är inte helt isatt i höljet. ■ Ingen elektrisk kontakt mellan imningsfläkten och batteripaketet. ■ Batteripaketets laddning är slut. ■ Batteripaketet eller fläkten är alltför varmt. 	<ul style="list-style-type: none"> ■ Kontrollera om batteriet är helt isatt i höljet. ■ Ta bort batteripaketet, kontrollera kontaktarna och sätt tillbaka batteripaketet. ■ Ladda batteripaketet. ■ Stäng av fläkten och låt batteripaketet eller imningsfläkten svalna tills temperaturen sjunker till det rekommenderade drifttemperaturintervallet.
Det finns ingen vattenimning och fuktindikatorn blinkar med två gröna lampor.	<ul style="list-style-type: none"> ■ Insugningsröret suger inget vatten, vilket aktiverar det interna skyddet för vattenpumpen inuti verktyget. ■ Imningsmunstycket/munstyckena blev tilltäppta under drift, vilket aktiverade det interna skyddet för elektriska pumpen. 	<ul style="list-style-type: none"> ■ Kontrollera och se till att det finns tillräckligt med vatten i hinken och att insugningsröret är ordentligt nedsänkt i vattnet. ■ Rengör munstycket/munstyckena enligt kapitlet "Underhåll av munstycken" och montera dem igen enligt anvisningarna.
Fläkten slutar oscillera och oscillerande indikatorn blinkar tre gröna lampor.	<ul style="list-style-type: none"> ■ Fläkthuvudet har fastnat under oscillering. 	<ul style="list-style-type: none"> ■ Ta bort främmande föremål som hindrar fläkthuvudet från att svänga.

SE

GARANTI

EGO GARANTIPOLICY

Besök webbsidan egopowerplus.eu för fullständiga villkor för EGO garantipolicy.

LUE KAIKKI OHJEET!



LUE KÄYTTÖOPAS

VAROITUS: Pätevän huoltoteknikon tulee suorittaa kaikki korjaukset, jotta voidaan taata tuotteen turvallinen ja luotettava käyttö.

VAROITUS: Lue ja ymmärrä tämän käyttöoppaan kaikki turvallisuusohjeet, mukaan lukien turvallisuusvaroitusymbolit, kuten "VAARA", "VAROITUS" ja "HUOMIO" ennen laitteen käyttämistä. Alla olevien ohjeiden noudattamatta jättäminen saattaa aiheuttaa sähköiskun, tulipalon ja/tai vakavan henkilövahingon.

SÄILYTÄ KAIKKI VAROITUKSET JA OHJEET MYÖHEMPÄÄ KÄYTTÖÄ VARTEN.

TURVALLISUUSYMBOLIT

VAROITUS: Minkä tahansa laitteen käyttö saattaa aiheuttaa vierasesineiden sinkoutumisen silmiin, mikä voi aiheuttaa vakavia silmävammoja. Käytä aina suojalaseja, joissa on sivusuojat, ja tarvittaessa koko kasvat peittävää suojaa, kun käytät laitetta. Silmälasien päällä suosittelemme käytettäväksi suojamaskia, jossa on laaja näkökenttä, tai tavallisia suojalaseja, joissa on sivusuojat.



Turvallisuushälytys



Käyttäjän on luettava ja ymmärrettävä käyttöopas ennen tämän laitteen käyttöä loukkaantumista varten vähentämiseksi.



Taattu äänitehotaso. Melupäästöt ympäristöön Euroopan yhteisön direktiivin mukaiset.



Bluetooth®-symboli



Vanhoja sähkölaitteita ei saa hävittää kotitalousjätteen mukana. Vie laite valtuutettuun kierrätyslaitokseen.



Tämä tuote vastaa sovellettavia EU-direktiivejä.



Tasavirta



Tämä tuote vastaa sovellettavaa UK-lainsäädäntöä.

IPX4 Suojaus vesiroiskeilta

FI

YLIEISET TURVALLISUUSVAROITUKSET

VAROITUS: Tulipalo-, sähköisku- tai loukkaantumisvaaran vähentämiseksi:

- Tutustu sumuttavaan tuulettimeesi. Lue käyttöohje huolellisesti. Opettele tuulettimeen käyttötarkoitukset ja rajoitteet sekä tähän tuulettimeen liittyvät mahdolliset erityiset vaarat. Tämän ohjeen noudattaminen vähentää sähköiskun, tulipalon tai vakavan henkilövahingon vaaraa.
- Tätä laitetta voivat käyttää yli 8-vuotiaat lapset ja henkilöt, joilla on alentunut fyysinen, aistillinen tai henkinen toimintakyky tai joilta puuttuu kokemusta ja tietoa, vain silloin, jos heitä on neuvottu ja ohjeistettu, miten laitetta tulee turvallisesti käyttää ja jos he ymmärtävät siihen liittyvät vaarat.
- Lapset eivät saa leikkiä laitteella.
- Lapset eivät saa puhdistaa tai huoltaa laitetta ilman aikuisen valvontaa

TYÖKENTELYALUEEN TURVALLISUUS

- Älä käytä tuuletinta räjähdysriskissä ympäristössä, kuten esimerkiksi syttyvien nesteiden, kaasujen tai pölyjen lähellä.
- Älä päästä lapsia tai sivullisia lähelle, kun käytät laitetta. Häiriötekijät voivat aiheuttaa hallinnan menettämisen.
- Ole varovainen käyttäessäsi sitä tuulisissa olosuhteissa. Tuuli voi kuljettaa sumua sähköjohtoihin tai -laitteisiin.
- Älä altista laitetta sateelle tai kosteille olosuhteille. Laitteeseen pääsevä vesi lisää sähköiskun vaaraa.

HENKILÖKOHTAINEN TURVALLISUUS

- Ole valpas, tarkkaavainen ja käytä maalaisjärkeä, kun käytät laitetta. Älä käytä laitetta, kun olet väsynyt, järkyttynyt tai kun olet huumeiden, alkoholin tai lääkityksen vaikutuksen alaisena. Hetkellinenkin huomion herpaantuminen laitetta käytettäessä saattaa aiheuttaa vakavan henkilövahingon.
- Estä vahingossa käynnistyminen. Varmista, että kytkin on pois päältä, ennen kuin liität akun, nostat laitteen tai kannat sitä. Laitteen kantaminen niin, että sormesi on kytkimellä, tai laitteeseen virran kytkeminen kytkin päällä voi aiheuttaa onnettomuuksia.
- Poista kaikki säätöön käytetyt avaimet tai kiintoavaimet ennen kuin käynnistät laitteen. Laitteen pyörivään osaan jätetty avain tai kiintoavain

saattaa aiheuttaa henkilövahingon.

- Älä kurkottele. Säilytä aina tukeva asento ja hyvä tasapaino. Näin hallitset laitteen parhaalla mahdollisella tavalla odottamattomissa tilanteissa.
- Pukeudu asianmukaisesti. Älä käytä väljiä vaatteita tai koruja. Pidä hiukset ja vaatteet etäällä liikkuvista osista. Väljiät vaatteet, korut tai pitkät hiukset voivat takertua liikkuviin osiin.
- Varmista, että kaikki liitännät ovat kiinni ennen laitteen käyttöönottoa.
- Älä anna laitteen tuttuuden toistuvan käytön takia tehdä sinua liian itsevarmaksi, äläkä jätä laitteen turvallisuusohjeita noudattamatta. Huolimaton toiminta voi aiheuttaa vakavan henkilövahingon sekunnin murtto-osassa.

KÄYTTÖ JA HOITO

- Älä käytä laitetta, jos sitä ei saa käynnistettyä ja sammutettua kytkimellä. Laitteen, jota ei voida hallita kytkimellä, käyttö on vaarallista ja se on korjattava.
- Irrota akku laitteesta ennen kuin teet mitään säätöjä, vaihdat lisävarusteita tai laitat laitteen varastoon. Nämä ennaltaehkäisevät turvallisuustoimenpiteet vähentävät laitteen vahingossa käynnistymisen riskiä.
- Säilytä käyttämättömänä oleva laite lasten ulottumattomissa, äläkä anna henkilöiden, jotka eivät tunne laitetta tai näitä ohjeita, käyttää laitetta. Laitteet ovat vaarallisia kokemattomien käyttäjien käsissä.
- Pidä laite ja lisävarusteet kunnossa. Tarkista, että liikkuvat osat ovat kunnolla paikallaan, että osat ovat ehjiä, ja että laitteessa ei ole muita ongelmia, jotka saattaisivat vaikuttaa sen toimintaan. Jos laite on vaurioitunut, korjauta se ennen käyttöä. Monet onnettomuudet johtuvat huonosti huolletuista laitteista.
- Käytä laitetta, lisävarusteita ym. näiden ohjeiden mukaisesti ja niin, että otat huomioon käyttöolosuhteet ja tehtävän työn. Laitteen käyttö muuhun kuin sille suunniteltuun tarkoitukseen saattaa aiheuttaa vaaratilanteen.
- Pidä kahvat ja tartuntapinnat kuivina, puhtaina, öljyttöminä ja rasvattomina. Liukkaat kahvat ja tartuntapinnat eivät mahdollista laitteen turvallista käsittelyä ja hallintaa odottamattomissa tilanteissa.

VAROITUS: Tulipalon tai sähköiskun vaaran vähentämiseksi älä käytä tätä tuuletinta puolijohdenopeudensäätölaitteen kanssa.

AKKULAITTEEN KÄYTTÖ JA HOITO

- Lataa vain valmistajan määrittelemällä laturilla. Laturi, joka sopii yhdyntyyppiselle akulle voi aiheuttaa tulipalovaaran, jos sitä käytetään toisenlaisen akun kanssa.
- Käytä laitteessa vain erityisesti siihen tarkoitettuja akkuja. Muunlaisten akkujen käyttö saattaa aiheuttaa henkilövahingon tai tulipalon vaaran.
- **Kun akku ei ole käytössä, pidä se erillään metalliesineistä, kuten paperiliittimet, kolikot, avaimet, naulat, ruuvit ja muut pienet metalliesineet, jotka voivat yhdistää akun navat toisiinsa.** Akun napojen oikosulku voi aiheuttaa palovammoja tai tulipalon.
- **Akusta voi valua nestettä väärästä käytöstä johtuen. Vältä kosketusta nesteeseen. Jos kosket nesteeseen vahingossa, huuhtele vedellä. Jos nestettä pääsee silmiin, hakeudu lääkärin hoitoon.** Akusta valuva neste voi aiheuttaa ärsytystä tai palovammoja.
- **Älä käytä akkua tai työkalua, joka on vaurioitunut tai jota on muutettu.** Vaurioituneet tai muutetut akut voivat käyttäytyä arvaamattomasti ja aiheuttaa tulipalon, räjähdysen tai henkilövahingon vaaran.
- **Älä altista akkua tai laitetta tulelle tai äärimmäisille lämpötiloille.** Altistaminen tulelle tai yli 130 °C:n lämpötilalle voi aiheuttaa räjähdysen.
- **Noudata kaikkia latausohjeita, äläkä lataa akkua tai laitetta lämpötilassa, joka ei ole ohjeissa ilmoitetun lämpötila-alueen sisällä.** Virheellinen lataaminen tai lataaminen ilmoitetun lämpötila-alueen ulkopuolella olevassa lämpötilassa voi vaurioittaa akkua ja lisätä palovaaraa.

HUOLTO

- **Huollata laitteesi asiantuntevalla korjaajalla, joka käyttää vain identtisiä varaosia.** Näin varmistetaan, että laitteen turvallisuus säilyy.
- **Älä koskaan huolla vaurioituneita akkuja.** Akkujen huollon saa tehdä vain valmistaja tai sen valtuuttamat huoltoilikkeet.

AKKUKÄYTTÖISEN SUMUTTAVAN TUULETTIMEN TURVALLISUUSOHJEET

- Tätä laitetta ei ole tarkoitettu henkilöille (mukaan lukien lapset), joilla on alentunut fyysinen, aistillinen tai henkinen toimintakyky tai joilla puuttuu kokemusta ja tietoa, paitsi jos heidän turvallisuudestaan vastuussa oleva henkilö on neuvonut ja ohjeistanut heitä laitteen käytöstä.

- Lapsia tulee valvoa, jotta he eivät leiki laitteella.
- **Älä salli tuulettimen käyttämistä leikkikaluna.** Ole tarkkaavainen, jos lapset käyttävät laitetta tai laitetta käytetään lasten lähellä.
- **Lapset voivat pudota vesiastioihin ja hukkuu.** Pidä lapset loitolla vesiastioista, joissa on pienikin määrä nestettä.
- Käytä AINOASTAAN puhdasta, kylmää vettä.
- **Älä käytä tätä sumuttavaa tuuletinta torjunta-aineiden, nestemäisten lannoitteiden, kemikaalien tai muiden nesteiden kuin puhtaan veden suihkuttamiseen.** Näiden aineiden levitys saattaa aiheuttaa vakavia vammoja tai sairauksia käyttäjälle tai sivullisille.
- **Älä koskaan suuntaa sumua tai vettä kohti sähköjohtoja tai sähkölaitteita.**
- **Varmista, että akkulokeron kansi on täysin kiinni, jotta vesi ei pääse kosketuksiin akun tai akun liittännän kanssa.**
- **Pidä laite ja sen kahva kuivana, puhtaana, öljyttömänä ja rasvattomana.** Käytä aina puhdasta liinaa puhdistukseen. Älä käytä jarrunesteitä, bensiiniä, öljypohjaisia tuotteita tai voimakkaita liuottimia tuulettimen puhdistamisessa. Tämän säännön noudattaminen vähentää hallinnan menetystä ja kuorten muovin rapistumista.
- **Akut saattavat räjähtää, jos läsnä on sytytyslähde, kuten sytytysliekki.** Vakavan henkilövahingon välttämiseksi akkukäyttöisiä laitteita ei saa käyttää avotulen lähellä. Räjähtänyt akku saattaa singota irta-osia ja kemikaaleja ympärilleen. Altistumisen tapahtuessa huuhtele välittömästi vedellä.
- **Säilytä nämä ohjeet.** Lue ohjeet säännöllisesti ja käytä niitä muiden tuulettimen käyttäjien ohjeistamisessa. Jos lainaat tämän tuulettimen jollekulle muulle, lainaa samalla myös nämä ohjeet laitteen väärinkäytön tai mahdollisen vamman estämiseksi.
- Huomaa, että korkea kosteustaso voi edistää biologisten organismien kasvua ympäristössä.
- Älä anna sumuttavan tuulettimen ympärillä olevan alueen kostua tai kastua. Jos kosteutta esiintyy, pienennä sumuttavan tuulettimen tehoa. Jos sumuttavan tuulettimen voimakkuutta ei voi pienentää, käytä ilmankostutinta ajoittain. Älä anna imukykyisten materiaalien, kuten mattojen, verhojen, kaihtimien tai pöytäliinojen kostua.
- Älä koskaan jätä vettä säiliöön, kun laite ei ole käytössä.
- Tyhjennä ja puhdista sumuttava tuuletin ennen

varastointia. Puhdista ilmastutin ennen seuraavaa käyttökertaa.

VAROITUS: Mikro-organismit, joita voi olla vedessä tai ympäristössä, jossa laitetta käytetään tai säilytetään, voivat kasvaa vesisäiliössä ja levitä ilmaan aiheuttaen erittäin vakavia terveyshaittoja, jos vettä ei vaihdeta eikä säiliötä puhdisteta kunnolla 3 päivän välein.

Ladattavat paristot on poistettava laitteesta ennen lataamista.

- Tyhjtät paristot on poistettava laitteesta ja hävitettävä turvallisesti.
- Paristot on poistettava, jos laitetta säilytetään käyttämättömänä pitkän aikaa.
- Syöttöliittymiä ei saa oikosulkea.

FI

SÄILYÄ NÄMÄ OHJEET

TEKNISET TIEDOT

Nimellisjännite	56V 
Tuulettimen siiven halkaisija	25,4 cm
Tuulettimen nopeusasetukset	6 (mukaan lukien "Turbo")
Maks. Ilmamäärä	1700 CFM
Maks. Ilm nopeus	32,2 km/t
Heilahtelukulma	60°, 120°, 180°
Sumutusveden määrä	Korkea: 5,7 l/t
	Keskitaso: 4,9 l/t
	Matala: 2,5 l/t
Paino (ilman akkua)	4,7 kg
Suosittelut säilytyslämpötila	-20–70 °C
Bluetooth-käyttötaajuuskaista	2402–2480 MHz
Bluetooth suurin lähetysteho	4 dBm

- Ilmoitettu tärinän kokonaispäästöarvo on mitattu vakiotestausmenetelmän mukaisesti ja sitä voidaan käyttää laitteiden keskinäiseen vertailuun;
- Ilmoitettua tärinän kokonaispäästöarvoa voidaan käyttää myös altistumisen alustavaan arviointiin.

HUOMAUTUS: Laitteen käytön aikana mitattu todellinen tärinäpäästöarvo voi poiketa ilmoitetusta kokonaispäästöarvosta laitteen käyttövastavasta johtuen; käyttäjän suojaamiseksi tulee käyttää käsineitä ja

kuulosuojaimia todellisissa käyttöolosuhteissa.

PAKKAUSLUETTELO (KUVA A1)

KUVAUS

TUNNE PUHALTIMESI (kuvat A1 ja A2)

1. Käyttöpaneeli (kuva. A2)
2. Heilahtelukehys
3. Sumutussuutin
4. Yläkahva
5. Tuulettimen kotelo
6. Sivukahva
7. Akun lokero
8. Sähköliitännät
9. Akun vapautuspainike
10. Puutarhaletkun sovitin
11. Suodatin
12. Imuputki
13. Ilm nopeuden säätöpainikkeet
14. TURBO-painike
15. TURBO-merkivalo
16. Sumutuksen ilmaisin
17. Sumutusilapainike
18. Virtapainike
19. Ilm nopeuden ilmaisin
20. Heilahtelun ilmaisin
21. Heilahtelutilapainike

KOKOAMINEN

VAROITUS: Jos jokin osa on vahingoittunut tai puuttuu, älä käytä tuotetta ennen kuin osat on vaihdettu. Tuotteen käyttö vioittuneilla tai puuttuvilla osilla voi aiheuttaa vakavan henkilövahingon.

VAROITUS: Älä yritä muuttaa tätä tuotetta tai käyttää siinä lisävarusteita, joita ei ole suunniteltu käytettäväksi tämän tuotteen kanssa. Mikä tahansa tällainen muokkaus tai muutos on väärinkäyttö ja saattaa aiheuttaa vaarallisen tilan, joka saattaa johtaa vakavaan henkilövammaan.

VAROITUS: Poista akku koneesta aina, kun kokoat osia. Näin varmistat, ettei laite käynnisty vahingossa eikä

aiheuta vakavia henkilövahinkoja.

- Tämä tuote toimitetaan täysin koottuna.
- Poista tuote ja kaikki lisävarusteet varovasti pakkauksesta. Varmista, että kaikki ”**pakkausluettelon**” osat ovat mukana.
- Tarkasta tuote huolellisesti varmistaaksesi, ettei tuote ole rikkoutunut tai vaurioitunut kuljetuksen aikana.
- Älä hävitä pakkausmateriaalia ennen kuin olet tarkastanut tuotteen huolellisesti ja käyttänyt sitä tyydyttävästi.
- Jos osat ovat vaurioituneet tai niitä puuttuu, palauta tuote ostopaikkaan.

KÄYTTÖ

VAROITUS: Älä anna tämän laitteen tuttuuden tehdä sen käsittelystä huolimattomaa. Muista, että sekunnin sadasosanakin huolimattomuus riittää vakavan vamman aiheutumiseen.

VAROITUS: Poista akku tuulettimesta aina ennen huoltoa, säätöjen tekemistä, puhdistamista, lisälaitteiden vaihtamista tai kun tuuletinta ei käytetä, jotta varmistat, ettei laite käynnisty vahingossa eikä aiheuta vakavia henkilövahinkoja.

VAROITUS: Älä käytä lisälaitteita tai lisävarusteita, jos tämän tuotteen valmistaja ei ole suositellut niitä. Tällaisten lisävarusteiden tai apuvälineiden käyttö saattaa aiheuttaa vakavia henkilövahinkoja.

Ennen jokaista käyttökertaa tarkista laite kokonaisuudessaan vahingoittuneiden, puuttuvien tai löysin osien varalta (esim. mutterit, pultit, korkit yms.). Kiinnitä kaikki kiinnittimet ja korkit tiukasti äläkä käytä laitetta ennen kuin kaikki puuttuvat tai vahingoittuneet osat on vaihdettu.

KÄYTTÄMINEN

Tätä laitetta voi käyttää seuraavassa mainittuihin tarkoituksiin:

- Yleinen ilmanvaihto tavallisessa kotitalouskäytössä.
- Ulkoilman jäähdytys vesilähteeseen liitettynä.

HUOMAUTUS: Tuotetta tulee käyttää vain sille tarkoitettuun tarkoitukseen. Kaikki muu käyttö katsotaan väärinkäytöksi.

AKUN LIITTÄMINEN/POISTAMINEN

Käytä vain EGO:n akkuja ja latureita, jotka on lueteltu kuvassa A3.

HUOMAA: Lataa akku täysin ennen ensimmäistä käyttökertaa.

Liittäminen

Aseta akun ulokkeet kiinnitysaukkoihin ja paina akkua akkulokeroon, kunnes kuulet ”napsahduksen” (kuva B1).

Poistaminen

Paina akun vapautuspainiketta ja vedä akku ulos (kuva B2).

VAROITUS: Huomioi aina missä omat jalkasi, lapset tai lemmikit ovat, kun painat akun vapautuspainiketta. Jos akku putoaa, se voi aiheuttaa vakavan vamman. Älä KOSKAAN poista akkua, jos se on korkealla.

TUULETTIMEN KÄYNNISTÄMINEN/PYSÄYTTÄMINEN

HUOMAA: Ilmannopeuden alkuperäinen tehdasasetus on taso 3. Tuuletin tallentaa viimeksi käytetyn ilmanopeusasetuksen ja palaa siihen uudelleen käynnistettäessä. Turboasetusta ei tallenneta.

HUOMAA: Sumutus- ja heilahteluasetusta ei tallenneta, ja se on oletusarvoisesti pois päältä aina, kun tuuletin kytketään päälle.

Käyttöpaneeli (kuva. A2)

Virtapainike

- Kytke tuuletin päälle painamalla virtapainiketta lyhyesti.
- Kytke tuuletin pois päältä painamalla virtapainiketta lyhyesti uudelleen.

Ilmannopeuden säätäminen

Normaali ilmannopeus

- Paina ilmannopeuden ”+”-säätöpainiketta lisätäksesi ilmannopeutta ja paina ”-”-painiketta vähentääksesi ilmannopeutta. Nopeustasoja on 5.
- Ilmannopeuden ilmaisain näyttää vihreät valot, jotka vastaavat nykyisiä nopeustasoja.

TURBO-tila

HUOMAA: ”TURBO”-tilassa tuuletin saavuttaa maksimaalisen ilmannopeuden.

- Paina ”TURBO”-painiketta, jolloin TURBO-ilmaisain syttyy vihreänä ja tuuletin siirtyy ”TURBO”-tilaan eli suurimpaan ilmannopeuteen.
- Kun ”TURBO”-tilassa painat ”TURBO”-painiketta uudelleen, TURBO-ilmaisain sammuu ja tuuletin palaa

aiemmin käytössä olleeseen ilmannopeuteen.

- Kun olet "TURBO"-tilassa, painat "–"-painiketta, TURBO-ilmaisain sammuu ja tuuletin siirtyä ilmannopeustasolle 5.

HEILAHTELUTOIMINTO (KUVA C)

- Käynnistä tuuletinpään heilahtelutoiminto painamalla heilahtelupainiketta kerran, heilahtelun ilmaisin sytyttää alareunan vihreän valon ja tuuletinpää pyörii 60° sivulta toiselle (-30°–30°).
- Paina heilahtelupainiketta toisen kerran, heilahtelun ilmaisimessa sytty kaksi vihreää valoa aktivoiden 120 asteen heilahtelualueen (-60°–60°).
- Paina heilahtelupainiketta kolmannen kerran, heilahtelun ilmaisimessa sytty kolme vihreää valoa aktivoiden 180° heilahtelualueen (-90°–90°).
- Voit kytkeä heilahtelutoiminnon pois päältä painamalla heilahtelupainiketta neljännen kerran.

TUULETTIMEN KULMAN SÄÄTÄMINEN (KUVA D)

Tuuletinpää voidaan asettaa useisiin kulmiin -30°–90°. Säädä sumun/ilmavirran suuntaa tarttumalla tuulettimeen yläkavhasta ja kallistamalla tuuletinpäätä eteenpäin tai taaksepäin.

SUMUTUSTOIMINTO

Sumutustilapainike

- Paina sumutustilapainiketta kerran, jolloin sumutuksen ilmaisimessa palaa kolme vihreää valoa, mikä ilmaisee jatkuvan sumutustilan – sumuttaa vettä voimakkaasti koko ajan pysähtymättä.
- Paina sumutustilan valintapainiketta uudelleen, jolloin sumutusilmaisimessa sytty kaksi vihreää valoa, mikä ilmaisee jatkuvan sumutustilan – sumuttaa koko ajan pysähtymättä.
- Paina sumutustilan valintapainiketta uudelleen, jolloin sumutusilmaisimessa sytty alareunan vihreä valo, joka ilmaisee jaksoittaista sumutustilaa – sumutus kestää 10 sekuntia 10 sekunnin välein.

HUOMAA: Saattaa kestää muutamia sekunteja, ennen kuin näet sumun tulevan ulos sumutussuuttimista ensimmäisen kerran. Tämä viive johtuu siitä, että veden virtaus imuputkesta suuttimiin kestää jonkin aikaa.

- Kun sumutus on jaksoittaisessa tilassa, paina sumutustilan valintapainiketta uudelleen, jolloin sumutusilmaisimet sammuvat ja sumutus lakkaa.

HUOMAA: Kun sumustustoiminto on päättynyt, vedä imuputki pois vesilähteestä ja käytä tuuletinta jatkuvassa

sumutustilassa, kunnes kaikki vesi on poistunut putkesta. Tämä auttaa estämään putkeen jääneen veden aiheuttaman odottamattoman sumun muodostumisen, kun tuuletin käynnistetään uudelleen.

Tuulettimen käyttö vesiastian tai muun säiliön kanssa (ei sisälly) (kuva E)

VAROITUS: Lapset voivat pudota vesiastioihin ja hukkuu. Pidä lapset etäällä vesiastioista, joissa on pienikin määrä nestettä.

HUOMAUTUS: Puhdista vesiastia saippualla ja vedellä ennen jokaista käyttökertaa.

1. Irrota akku.
2. Aseta vesiastia tasaiselle, vaakasuoralle alustalle.
3. Lisää vesiastiaan VAIN puhdasta, kylmää vettä. Älä täytä liikaa.
4. Upota imuputken suodattinpää alas veteen.

HUOMAUTUS: Älä taivuta imuputkea ja varmista aina, että vesi virtaa putken läpi tasaisesti.

5. Aseta akku paikalleen.
6. Kytke tuuletin päälle painamalla virtapainiketta.
7. Aloita sumutus painamalla sumutustilapainiketta.

Tuulettimen yhdistäminen vesihanaan (kuvat F ja G)

1. Irrota suodattimen yläosa vastapäivään ja irrota se alaosa (kuva F).

F-1	Suodattimen alaosa
F-2	Suodattimen yläosa

HUOMAUTUS: Varmista, että alaosaa ei ole erotettu kahteen osaan yläosan irrottamisen aikana ja pysyy yhtenä kokonaisuutena liitettäväksi puutarhaletkun sovittimeen.

2. Kierrä tuulettimen pohjassa oleva puutarhaletkun sovitin irti (vastapäivään). Kierrä se (myötäpäivään) suodattimen alaosaan.
3. Liitä puutarhaletkun sovitin oikeaan puutarhaletkuun pikaliittimellä (ei mukana). Kiinnitä pikaliitin puutarhaletkun sovittimeen, kunnes kuulet selkeän napsahduksen (kuva G).

G-1	Puutarhaletkun sovitin
G-2	Tyypillinen pikaliitin

HUOMAUTUS: Älä yritä liittää puutarhaletkun sovitinta,

kun se on asennettu tuulettimen pohjaan (Kuva G1).

4. Liitä puutarhaletku vesijohtoon.
5. Aseta akku paikalleen.
6. Kytke tuuletin päälle painamalla virtapainiketta.
7. Avaa vesihana kokonaan, tuuletin alkaa sumuttaa.

HUOMAUTUS: Suositeltu enimmäiskäyttöpaine ei saa olla yli 80 psi.

HUOMAA: Vaikka virtaa ei olisi, tuuletin alkaa sumuttaa, kun vesihana kytketään päälle.

8. Paina sumutustilapainiketta valitaksesi sumutustilan parempien työtulosten saavuttamiseksi.

HUOMAA: Puutarhaletkun sovittimen pieni aukko tekee siitä alttiin kovalle vedelle ja mineraaliesiintymien muodostumiselle. Puhdista sovitin usein ja poista kertymät valkoviinietikalla tai muulla kalkinpoistoaineella.

Tuulettimen käyttö ilman sumutusta

Tätä tuotetta voidaan haluttaessa käyttää vain tuulettimena, jos sitä ei liitetä vesilähteeseen. Kun imuputki ei ole käytössä, aseta se aina säilytystilaansa (katso tämän käyttöoppaan kohta ”**KULJETUS JA VARASTOINTI**”), jotta se on suojattu vaurioilta ja likaantumiselta.

VIESTINTÄTEKNIikka

Jos haluat tietoja yhdistettyjen tuotteiden ja palveluiden koko valikoimasta, mukaan lukien yhdistämisohjeet, skanna alla oleva QR-koodi tai käy osoitteessa www.egopowerplus.eu/connect.



ELEKTRONIIKAN SUOJAUS

Kun heilahtelutoiminto on aktivoitu, mutta tuuletin ei heilahtele, heilahtelun ilmaisimissa näkyy jatkuvasti kolme vilkkuvaa vihreää valoa muistuttaen käyttäjää tarkistamaan, onko tuulettimen pää jumissa, ja poistamaan tuulettimen päähän juuttuneet vieraat esineet ennen ominaisuuden uudelleenkäynnistämistä.

Kun sumutustoiminto on aktivoitu, mutta vesisumua ei tule ulos:

- Vesipumppu käy hetken aikaa ja pysähtyy sitten automaattisesti sisäisen elektroniikan suojaamiseksi.

- Sumutuksen ilmaisimissa on kolme vilkkuvaa vihreää valoa jatkuvasti varoituksena käyttäjälle:

- a. Tarkista, että imuputki on upotettu kunnolla veteen.
- b. Tarkista, onko sumutussuutin (sumutussuuttimet) tukossa ja puhdista luvun ”**SUUTTIMEN HUOLTO**” mukaisesti.
- c. Paina sumutustilan valintapainiketta käynnistääksesi sumutuksen uudelleen.

Kun akun varaus on alhainen, virtapainike vilkkuu vihreänä muistuttaakseen käyttäjää lataamaan tai vaihtamaan akun.

Kun akku tai tuuletin on liian kuuma, virtapainike vilkkuu punaisena varoittaakseen käyttäjää sammuttamaan tuulettimen ja antamaan akun tai sumuttavan tuulettimen jäähtyä, kunnes lämpötila laskee suositeltuun käyttölämpötila-alueeseen ennen tuulettimen käynnistämistä uudelleen.

FI

HUOLTAMINEN

VAROITUS: Käytä huollon yhteydessä vain identtisiä varaosia. Muiden osien käyttö saattaa aiheuttaa vaaran tai laitteen vaurioitumisen. Pätevän huoltoteknikon tulee suorittaa kaikki korjaukset, jotta voidaan taata tuotteen turvallinen ja luotettava käyttö.

VAROITUS: Poista akku aina laitteesta, kun puhdistat sitä tai teet huoltotoimenpiteitä. Näin vältät vakavat henkilövahingot.

YLEINEN KUNNOSSAPITO

Kaikki sumuttavan tuulettimen huoltotoimet, muut kuin näissä kunnossapito-ohjeissa luetellut, tulee antaa sumuttavan tuulettimen huoltoon valtuutettujen henkilöiden suorittaviksi.

Vältä liuotainaineiden käyttöä, kun puhdistat muoviosia. Useimmat muovit ovat herkkiä vaurioitumaan erilaisista kaupallisista liuottimista ja voivat vaurioitua niiden käytöstä. Poista lika, pöly, öljy, rasva ym. puhtailla liiinoilla.

VAROITUS: Älä anna jarrunesteiden, bensiinin, ruosteen irrotusaineiden tai muiden öljypohjaisten tuotteiden joutua kosketuksiin muoviosien kanssa. Kemikaalit voivat vaurioittaa, heikentää tai tuhota muovin, mikä voi johtaa vakavaan henkilövahinkoon.

VAROITUS: Kun puhdistat sumuttavaa tuuletinta, ÄLÄ upota sitä veteen tai muihin nesteisiin.

SUUTTIMEN HUOLTO (kuva H)

VAROITUS: Varmista, että kaikki sumutussuuttimien huolto suoritetaan asianmukaisesti vesivuotojen estämiseksi. Vuodot voivat aiheuttaa liukkaan pinnan, joka aiheuttaa liukastumis- ja kaatumisvaaran tai omaisuusvahinkoja.

Epäsäännölliset sumukuviot tai vuodot voivat johtua tukkeutuneesta tai likaisesta suuttimesta.

Suuttimien puhdistaminen

1. Kytke tuuletin pois päältä ja poista akku.
2. Irrota tukkeutuneet sumutussuuttimet tuulettimen kotelon etusäleikön suojuksesta kiertämällä niitä vastapäivään.
3. Pura jokainen vaurioitunut suutin osiin.
4. Suuttimia tukkivien tai rajoittavien vieraiden hiukkasten poistamiseksi huuhtelee suuttimen osat vedellä. Puhdista suuttimen osat tarvittaessa valkoviinietikalla tai muulla kalkinpoistoaineella.
5. Kokoa suuttimet uudelleen.

HUOMAUTUS: Tukkeutumisen estämiseksi varmista, että suutin on koottu täsmälleen kuvan H mukaisesti.

6. Kiinnitä puhtaat suuttimet takaisin etusäleikön suojukseen.

SUODATTIMEN HUOLTO (kuva I)

Tarkasta säännöllisesti, että imuputken päässä oleva suodatin on hyvässä kunnossa.

1. Kytke tuuletin pois päältä ja poista akku.
2. Irrota suodattimen yläosa suodattimen alaosasta.

I-1	Alaosa	I-3	Sieniverkko
I-2	Metalliverkko	I-4	Yläosa

HUOMAUTUS: Kun irrotat yläosan, varmista, että alaosa ei ole jaettu kahteen osaan. Alaosan on pysyttävä koottuna metalliverkon poistamiseksi.

3. Poista sieniverkko yläosasta ja metalliverkko alaosasta.
4. Huuhtelee metalliverkko ja sieniverkko tai vaihda tarvittaessa.
5. Kokoa suodatin uudelleen.

HUOMAUTUS: Varmista, että metalliverkko on koottu niin, että korotettu vanne on ulospäin, jotta se on helppo purkaa seuraavalla kerralla.

PUUTARHALETKUN SOVITTIMEN HUOLTO

Puutarhaletkun sovittimen pieni aukko tekee siitä alttiin kovalle vedelle ja mineraali-esiintymien muodostumiselle. Puhdista sovitin usein ja poista kertymät valkoviinietikalla tai muulla kalkinpoistoaineella.

TUULETTIMEN KOTELON HUOLTO (kuva J ja kuva K)

1. Kytke tuuletin pois päältä ja poista akku.
2. Irrota kahdeksan ruuvia tuulettimen kotelon takaosasta ristipääräuvimeisselillä (ei mukana) etusäleikön suojuksen poistamiseksi.

J-1	Ruuvi (x8)
J-2	Etusäleikön suojus

3. Pidä tuulettimen siipikokoonpanoa, jotta se ei pyörisi, ja käännä tuulettimen siipien lukitusruuvia myötäpäivään vapauttaaksesi tuulettimen siipikokoonpanon akselista.

K-1	Tuulettimen siipikokoonpano
K-2	Lukituksen suojus

4. Irrota tuulettimen siipikokoonpano.
5. Puhdista tuulettimen siipi ja kotelon sisäpuoli tarvittaessa.
6. Kokoa ne uudelleen päinvastaisessa järjestyksessä ja varmista:

Tuulettimen siipikokoonpanon merkki on kohdistettu akselin poikkipalkkiin.

KULJETUS JA VARASTOINTI (kuva L)

- Poista akku.
- Puhdista tuuletin perusteellisesti.
- Tyhjennä imuputki ja suodatin.

HUOMAUTUS: Tuulettimen talvisuojaaminen on välttämätöntä sen suojaamiseksi jäätymlämpötiloilta, jotka voivat vahingoittaa pumppua, letkuja ja muita komponentteja. **Irrota tuulettimen imuputki aina vesilähteestä ja käytä tuuletinta jatkuvassa sumutustilassa, kunnes putkessa ei ole jäännösvettä ennen tuulettimen varastointia talven ajaksi.**

- Kiinnitä imuputki ja suodatin tuulettimen pohjassa olevilla pidikkeillä.
- Kierrä puutarhaletkun sovitin tuulettimen pohjassa olevaan kierteitettyyn säilytysreikään.

L-1	Puutarhaletkun sovitin
L-2	Kiinnikkeet

- Kanna tuuletinta yläkahvasta tai sivukahvoista kuljettaessasi sitä.
- Säilytä tuuletin sisätiloissa, hyvin ilmastoidussa paikassa.
- Pidä poissa syövyttävien aineiden, kuten puutarhakemikaalien ja jäänestosuolojen, läheltä.

Ympäristönsuojelu



Älä hävitä sähkölaitteita, akkulaturia tai akkua/ladattavia paristoja kotitalousjätteen seassa!

Vie tämä tuote hyväksytyyn kierrätyspaikkaan tai anna se erilliseen keräilyyn. Sähkötyökalut tulee palauttaa asianmukaiseen ympäristöystävälliseen kierrätyslaitokseen.

FI

VIANMÄÄRITYS

ONGELMA	SYY	RATKAISU
Sumuttava tuuletin ei käynnisty.	<ul style="list-style-type: none"> ■ Akkua ei ole asetettu kunnolla koteloon. ■ Sumuttavan tuulettimen ja akun välillä ei ole sähköyhteyttä. ■ Akun varaus on tyhjentynyt. ■ Akku tai tuuletin on liian kuuma. 	<ul style="list-style-type: none"> ■ Tarkista, onko akku asetettu kokonaan koteloon. ■ Poista akku, tarkista liitännät ja asenna akku uudelleen paikalleen. ■ Lataa akku. ■ Sammuta tuuletin ja anna akun tai sumuttavan tuulettimen jäähtyä, kunnes lämpötila laskee suositellulle käyttölämpötila-alueelle.
Se ei sumuta vettä ja sumutuksen ilmaisimessa vilkkuu kolme vihreää valoa.	<ul style="list-style-type: none"> ■ Imuputki ei pumpkaa vettä, mikä aktivoi työkalun sisällä olevan sähköpumpun sisäisen suojaus. ■ Sumutussuutin tukkeutui käytön aikana, jolloin sähköpumpun sisäinen suojaus aktivoitui. 	<ul style="list-style-type: none"> ■ Tarkista ja varmista, että vesiasiassa on riittävästi vettä ja että imuputki on upotettu kunnolla veteen. ■ Puhdista suutin (suuttimet) luvun "SUUTTIMEN HUOLTO" mukaisesti ja asenna ne uudelleen ohjeiden mukaisesti.
Tuuletin lakkaa heilailemasta ja heilahtelun ilmaisimessa vilkkuu kolme vihreää valoa.	<ul style="list-style-type: none"> ■ Tuuletinpää on jumissa heilahtelun aikana. 	<ul style="list-style-type: none"> ■ Poista kaikki vieraat esineet, jotka estävät tuuletinpään heilahtelun.

FI

TAKUU

EGON TAKUUEHDOT

Verkkosivustolta egopowerplus.eu löydät EGO:n takuukäytännön täydelliset ehdot.

LES ALLE INSTRUKSJONER!



LES BRUKERHÅNDBOKEN

⚠ ADVARSEL: For å sikre sikkerhet og pålitelighet bør alle reparasjoner utføres av en kvalifisert servicetekniker.

⚠ ADVARSEL: Sørg for å lese og forstå alle sikkerhetsinstruksjonene i denne brukerhåndboken, inkludert alle sikkerhetsvarselsymboler som «FARE», «ADVARSEL» og «FORSIKTIG» før du bruker apparatet. Unnlattelse av å følge alle instruksjonene nedenfor kan føre til elektrisk støt, brann og/eller alvorlig personskade.

LAGRE ALLE ADVARSLER OG INSTRUKSJONER FOR FREMTIDIG REFERANSE.

SIKKERHETSSYMBOLER

⚠ ADVARSEL: Betjening av alle apparater kan føre til at fremmedlegemer blir kastet inn i øynene dine, noe som kan føre til alvorlig øyeskade. Før du begynner å bruke apparatet, bruk alltid vernebriller eller vernebriller med sideskjold og hel ansiktsskjerm ved behov. Vi anbefaler en Wide Vision Safety Mask til bruk over briller, eller standard vernebriller med sidebeskyttelse.

NO



Sikkerhetsvarsel



For at risikoen for personskader skal unngås må brukeren lese og forstå bruksanvisningen før produktet tas i bruk.



Garantert lydeffektnivå. Støy i omgivelsene er i henhold til EUs direktiv.



Bluetooth®-symbol



Elektrisk avfall skal ikke kastes sammen med husholdningsavfall. Send til en autorisert gjenvinner.



Dette produktet er i samsvar med gjeldende EU-direktiver.



Likestrøm



Dette produktet er i samsvar med gjeldende britisk lovgivning.

IPX4 Beskyttelse mot vannsprut

GENERELLE SIKKERHETSADVARSLER

⚠ ADVARSEL: For å redusere risikoen for brann, elektrisk støt eller skade:

- **Kjenn fuktviften din. Les bruksanvisningen nøye. Lær viftens applikasjoner og begrensninger samt de spesifikke potensielle farene knyttet til denne viften.** Å følge denne regelen vil redusere risikoen for elektrisk støt, brann eller alvorlig skade.
- Dette apparatet kan brukes av barn fra 8 år og oppover og personer med reduserte fysiske, sensoriske eller mentale evner eller mangel på erfaring og kunnskap dersom de har fått tilsyn eller instruksjoner om bruk av apparatet på en sikker måte og forstår farene involvert.
- Barn skal ikke leke med apparatet.
- Rengjøring og brukervedlikehold skal ikke utføres av barn uten tilsyn

NO

SIKKERHET I ARBEIDSRÅDET

- **Ikke bruk viften i eksplosive atmosfærer, for eksempel i nærvær av brennbare væsker, gasser eller støv.**
- **Hold barn og tilskuere unna mens du bruker et apparat.** Distraksjoner kan føre til at du mister kontrollen.
- **Vær forsiktig ved bruk i vindfulle forhold.** Vind kan føre tåke inn i elektriske ledninger eller enheter.
- **Ikke utsett apparatet for regn eller våte forhold.** Vann som kommer inn i et apparat vil øke risikoen for elektrisk støt.

PERSONLIG SIKKERHET

- **Vær på vakt, se hva du gjør og bruk sunn fornuft når du bruker apparatet. Ikke bruk apparatet mens du er trøtt, opprørt eller påvirket av narkotika, alkohol eller medisiner.** Et øyeblikks uoppmerksomhet mens du bruker apparatet kan føre til alvorlig personskade.
- **Forhindre utilsiktet start. Sørg for at bryteren er i av-posisjon før du kobler til batteripakken, tar opp eller bærer apparatet.** Å bære apparatet med fingeren på bryteren eller strømførende apparat som har bryteren på, inviterer til ulykker.
- **Fjern eventuell justeringsnøkkel eller skiftenøkkel før du slår på apparatet.** En skiftenøkkel eller en nøkkel som er festet til en roterende del av apparatet kan føre til personskade.
- **Ikke strekk deg over rekkevidde. Hold riktig**

fotfeste og balanse til enhver tid. Dette gir bedre kontroll over apparatet i uventede situasjoner.

- **Kle deg riktig. Ikke bruk løstsittende klær eller smykker. Hold hår og klær på avstand fra bevegelige deler.** Løse klær, smykker eller langt hår kan sette seg fast i bevegelige deler.
- **Kontroller at alle tilkoblinger er sikre før du bruker apparatet.**
- **Ikke la kjennskap oppnådd ved hyppig bruk av apparater tillate deg å bli selvtillfreds og ignorere apparatets sikkerhetsprinsipper.** En uforsiktig handling kan forårsake alvorlig skade i løpet av en brøkdell av et sekund.

BRUK OG STELL

- **Ikke bruk apparatet hvis bryteren ikke slår det av og på.** Alle apparater som ikke kan kontrolleres med bryteren er farlige og må repareres.
- **Koble batteripakken fra apparatet før du foretar justeringer, bytter tilbehør eller oppbevarer apparatet.** Slike forebyggende og trygge tiltak reduserer risikoen for å starte apparatet ved et uhell.
- **Oppbevar inaktivt apparat utilgjengelig for barn og la ikke personer som ikke er kjent med apparatet eller disse instruksjonene bruke apparatet.** Apparater er farlige i hendene på utrente brukere.
- **Vedlikehold apparat og tilbehør. Sjekk for feiljustering eller binding av bevegelige deler, brudd på deler og andre forhold som kan påvirke apparatets drift. Hvis det er skadet, få apparatet reparert før bruk.** Mange ulykker er forårsaket av dårlig vedlikeholdt apparat.
- **Bruk apparatet og tilbehør etc. i samsvar med disse instruksjonene, og ta hensyn til arbeidsforholdene og arbeidet som skal utføres.** Bruk av apparatet til andre operasjoner enn det som er beregnet, kan føre til en farlig situasjon.
- **Hold håndtak og gripeflater tørre, rene og fri for olje og fett.** Glatte håndtak og gripeflater tillater ikke sikker håndtering og kontroll av apparatet i uventede situasjoner.

⚠ ADVARSEL: For å redusere risikoen for brann eller elektrisk støt, ikke bruk denne viften med en faststoff hastighetskontrollenhet.

BRUK OG STELL AV BATTERIAPPARATET

- **Lad kun med laderen spesifisert av produsenten.** En lader som er egnet for én type batteripakke kan skape brannfare når den brukes med en annen batteripakke.
- **Bruk kun apparatet med spesifikt utpekte**

batteripakker. Bruk av andre batteripakker kan skape risiko for skader og brann.

- **Når batteriet ikke er i bruk skal det holdes unna andre metallgjenstander som binders, mynter, nøkler, spikere, skruer eller andre små metallgjenstander som kan lage forbindelse fra én terminal til en annen.** Kortslutning av batteripolene kan forårsake brannskader eller brann.
- **Under farlige forhold kan væske komme ut av batteriet. Unngå kontakt med denne.** Hvis kontakt oppstår ved et uhell, skyl med vann. Får du væske i øynene, skal det i tillegg søkes medisinsk hjelp. Væske som blir slyngnet ut av batteriet, kan forårsake irritasjon eller brannskader.
- **Ikke bruk en batteripakke eller et apparat som er skadet eller modifisert.** Skadde eller modifiserte batterier kan oppføre seg uforutsigbart og medføre brann, eksplosjon eller risiko for personskade.
- **Ikke utsett en batteripakke eller et apparat for brann eller for høy temperatur.** Eksponering for brann eller temperatur over 130°C kan forårsake eksplosjon.
- **Følg alle ladeinstruksjoner og ikke lad batteripakken eller apparatet utenfor temperaturområdet spesifisert i instruksjonene.** Feil lading eller ved temperaturer utenfor spesifisert område kan skade batteriet og øke risikoen for brann.

SERVICE

- **Få apparatet ditt til service av en kvalifisert reparatør som kun bruker identiske reservedeler.** Dette vil sikre at sikkerheten til apparatet opprettholdes.
- **Batteripakker som er skadet, må aldri brukes.** Service på batteripakker må bare utføres av produsenten eller autoriserte tjenesteleverandører.

SIKKERHETSINSTRUKSJONER FOR TRÅDLØS MISTINGVIFTE

- Dette apparatet er ikke ment for bruk av personer (inkludert barn) med reduserte fysiske, sensoriske eller mentale evner, eller med manglende erfaring og kunnskap, med mindre de har fått tilsyn eller instruksjoner om bruken av apparatet av en person som er ansvarlig for deres sikkerhet.
- Barn bør overvåkes for å sikre at de ikke leker med apparatet.
- **Ikke la viften brukes som leketøy.** Nøye oppmerksomhet er nødvendig når den brukes av eller i

nærheten av barn.

- **Barn kan falle i bøtter og drukne.** Hold barn unna bøtter med selv en liten mengde væske.
 - **Bruk KUN rent, kaldt vann.**
 - **Ikke bruk denne duggviften til å sprøyte sprøytemidler, flytende gjødsel, kjemikalier eller andre væsker enn rent vann.** Spraying av disse stoffene kan føre til alvorlig skade eller sykdom hos operatøren eller tilskuere.
 - **Rett aldri tåke eller vann mot elektriske ledninger eller enheter.**
 - **Sørg for at batteridekselet er helt lukket for å forhindre at vann kommer i kontakt med batteriet eller kommer inn i batteriporten.**
 - **Hold apparatet og håndtaket tørt, rent og fritt for olje og fett. Bruk alltid en ren klut ved rengjøring. Bruk aldri bremsevæsker, bensin, petroleumbaserte produkter eller sterke løsemidler for å rengjøre viften.** Hvis man følger denne regelen, vil det redusere faren for å miste kontrollen, og nedbryting av plastdeler i huset.
 - **Batterier kan eksplodere hvis de er nær tennkilder, for eksempel en pilotflamme. For å redusere risikoen for alvorlig personskade, bruk aldri et trådløst produkt i nærvær av åpen ild. Et eksplodert batteri kan drive frem rusk og kjemikalier.** Hvis eksponert, skyl med vann umiddelbart.
 - **Ta vare på disse instruksjonene.** Se dem ofte og bruk dem til å instruere andre som kan bruke denne viften. Hvis du låner denne viften til noen andre, lån også disse instruksjonene til dem for å forhindre misbruk av produktet og mulig skade.
 - Vær oppmerksom på at høye fuktighetsnivåer kan oppmuntre til vekst av biologiske organismer i miljøet.
 - Ikke la området rundt duggviften bli fuktig eller våt. Hvis det oppstår fuktighet, skru ned utgangen fra duggviften. Hvis duggviftevolumet ikke kan skrues ned, bruk luftfukteren av og til. Ikke la absorberende materialer, som tepper, gardiner, gardiner eller duker, bli fuktige.
 - La aldri vann stå i beholderen når apparatet ikke er i bruk.
 - Tøm og rengjør duggviften før oppbevaring. Rengjør luftfukteren før neste bruk.
- ⚠ ADVARSEL:** Mikroorganismer som kan være tilstede i vannet eller i miljøet der apparatet brukes eller lagres, kan vokse i vannreservoaret og blåses i luften og forårsake svært alvorlig helseisiko når vannet ikke fornyes og tanken ikke rengjøres skikkelig hver 3. dag.

NO

Oppladbare batterier må tas ut av apparatet før de lades.

- Ubrukte batterier skal fjernes fra apparatet og kastes på en sikker måte.
- Hvis apparatet skal oppbevares ubrukt over lengre tid, bør batteriene tas ut.
- Tilførselsklemmene skal ikke kortsluttes.

TA VARE PÅ DISSE INSTRUKSJONENE

SPESIFIKASJONER

Merkespenning	56V 
Vifteblad diameter	25,4 cm
Innstillinger for viftehastighet	6 (inkludert "Turbo")
Maks. Luftvolum	1700 CFM
Maks. Lufthastighet	32,2 km/t
Oscillasjonsvinkel	60°; 120°; 180°
Volum for fukt vann	Høy: 5,7 L/h
	Medium: 4,9 L/h
	Lav: 2,5 L/h
Vekt (uten batteripakke)	4,7 kg
Anbefalt lagringstemperatur	-20 °C - 70 °C
Bluetooth-driftsfrekvensbånd	2402–2480 MHz
Bluetooth Maksimal sende effekt	4 dBm

- Den deklarerte totalverdien for vibrasjoner er målt i henhold til en standard testmetode og kan brukes til å sammenligne et apparat med et annet;
- Den oppgitte vibrasjonstotalverdien kan også brukes i en foreløpig vurdering av eksponering.

MERKNAD: Vibrasjonsutslippet under faktisk bruk av apparatet kan avvike fra den deklarerte verdien som apparatet brukes i; For å beskytte operatøren bør brukeren bruke hansker og hørselvern under de faktiske bruksforholdene.

PAKKELISTE (FIG. A1)

BESKRIVELSE

KJENN BLÅSEREN DIN (Fig. A1 & A2)

1. Kontrollpanel (fig. A2)
2. Oscillasjonsramme
3. Duggdyse
4. Toppåndtak
5. Viftekapling
6. Sidehåndtak
7. Batterirom
8. Elektriske kontakter
9. Batteriutløserknapp
10. Hageslangeadapter
11. Filter
12. Inntaksrør
13. Justeringsknapper for lufthastighet
14. TURBO-knapp
15. TURBO-indikator
16. Misting Indikator
17. Duggmodusknapp
18. På-knapp
19. Lufthastighetsindikator
20. Oscillerringsindikator
21. Oscillerringsmodusknapp

MONTERING

⚠ ADVARSEL: Hvis noen av delene er skadet eller mangler, må du ikke bruke dette produktet før delene er byttet. Bruk av dette produktet dersom deler er skadet eller mangler, kan føre til alvorlige personskader.

⚠ ADVARSEL: Ikke forsøk å modifisere dette produktet eller lage tilbehør som ikke anbefales for bruk med dette produktet. Enhver endring eller endring er misbruk og kan føre til en farlig tilstand som kan føre til alvorlig personskade.

⚠ ADVARSEL: For å forhindre utilsiktet start som kan forårsake alvorlig personskade, må du alltid fjerne batteripakken fra maskinen når du monterer deler.

- Dette produktet leveres ferdig montert.
- Ta produktet og eventuelt tilbehør forsiktig ut av esken.

NO

Forsikre deg om at alle delene på «Pakkelisten» følger med leveransen.

- Inspiser produktet nøye for å sikre at det ikke har oppstått brudd eller skade under frakt.
- Ikke kast emballasjen før du har nøye inspisert og betjent produktet på en tilfredsstillende måte.
- Hvis noen deler er skadet eller mangler, bes du returnere produktet til stedet der du kjøpte det.

OPERASJON

⚠ ADVARSEL: Ikke la kjennskap til dette produktet gjøre deg uforsiktig. Husk at en uforsiktig brøkdell av et sekund er tilstrekkelig til å påføre alvorlig skade.

⚠ ADVARSEL: For å hindre utilsiktet start som kan føre til alvorlig personskade, skal batteripakken alltid tas ut av viften før du utfører vedlikehold, gjør justeringer, utfører rengjøring, eller når den ikke er i bruk.

⚠ ADVARSEL: Ikke bruk tilbehør eller deler som ikke er anbefalt av produsenten av produktet. Bruk av tilbehør eller deler som ikke anbefales, kan medføre alvorlige personskader.

Før hver bruk skal hele produktet for inspiseres for skader, mangler eller løse deler, for eksempel skruer, muttere, bolter, heter, osv. Trekk til alle festene og hettene godt, og ikke bruk dette produktet før alle manglende eller skadede deler har blitt byttet.

APPLIKASJONER

Du kan bruke dette produktet til formålene som er oppført nedenfor:

- Generell ventilasjon i de fleste husholdningsapplikasjoner.
- Utendørskjøling mens den er koblet til en vannkilde.

MERKNAD: Produktet skal bare brukes til det foreskrevne formålet sitt. Enhver annen bruk anses å være et tilfelle av misbruk.

FESTE/FRA BATTERIPAKKEN

Bruk kun med EGOs batteripakker og ladere oppført i Fig. A3.

MERK: Lad batteripakken helt opp før første gangs bruk.

Å feste

Rett inn batteriribbene med monteringsporene og trykk batteripakken inn i batterirommet til du hører et «klikk» (fig. B1).

Å løsne

Trykk inn batteriutløserknappen og trekk batteripakken ut (fig. B2).

⚠ ADVARSEL: Vær alltid oppmerksom på plasseringen av føttene, barna eller kjæledyrene dine når du trykker på batteriutløserknappen. Alvorlig skade kan føre til hvis batteripakken faller. Fjern ALDRI batteripakken på et høyt sted.

STARTE/STOPPE VIFTEN

MERK: Den opprinnelige fabrikkinnstillingen for lufthastigheten er nivå 3. Viften lagrer den sist brukte lufthastighetsinnstillingen og går tilbake til den ved omstart. Turbo-innstillingen vil ikke bli lagret.

MERK: Dugg- og oscillasjonsinnstillingen vil ikke bli lagret, og vil som standard være av hver gang viften slås på.

Kontrollpanel (fig. A2)

På-knapp

- Trykk kort på strømknappen for å slå på viften.
- Trykk kort på strømknappen igjen for å slå av viften.

Justering av lufthastighet

Normal lufthastighet

- Trykk på «+»-knappen for lufthastighetsjustering for å akselerere lufthastigheten og trykk på «-»-knappen for å redusere lufthastigheten. Det er 5 hastighetsnivåer.
- Lufthastighetsindikatoren viser grønne lys som tilsvarer gjeldende hastighetsnivåer.

TURBO-modus

MERK: I «TURBO»-modus vil viften oppnå maksimal lufthastighet.

- Trykk på «TURBO»-knappen, **TURBO**-indikatoren vil lyse grønt og viften vil skifte til «TURBO»-modus, det vil si den høyeste lufthastigheten.
- Når du er i «TURBO»-modus, trykk på «TURBO»-knappen igjen, **TURBO**-indikatoren vil slå seg av og viften vil gjenoppta den tidligere aktive lufthastigheten.
- Når du er i «TURBO»-modus, trykker du på "—" -knappen, **TURBO**-indikatoren vil slå seg av og viften skifter til lufthastighetsnivå 5.

OSCILLERINGSFUNKSJON (FIG. C)

- Trykk på oscilleringsknappen én gang for å starte viftehodets oscillerende funksjon, oscilleringsindikatoren vil tenne det nederste grønne lyset, og viftehodet vil rotere 60° fra side til side (fra -30° til 30°).

NO

- Trykk på oscilleringsknappen en gang til, to grønne lys vil tennes for oscilleringsindikatoren og aktiverer oscilleringsområdet på 120° (fra -60° til 60°).
- Trykk på oscilleringsknappen tredje gang, oscilleringsindikatoren vil tenne tre grønne lys, og aktiverer oscilleringsområdet på 180° (fra -90° til 90°).
- For å slå av oscilleringsfunksjonen, trykk på oscilleringsknappen en fjerde gang.

JUSTERING AV VIFTEVINKELN (FIG. D)

Viftehodet kan stilles inn i flere vinkler fra -30° til 90°. For å justere retningen på tåken/luftstrømmen, ta tak i viften i det øvre håndtaket og vipp viftehodet forover eller bakover.

MISTING FUNKSJON

Duggmodusknapp

- Trykk på valgknappen for duggmodus én gang, og duggindikatoren vil lyse opp to grønne lys som indikerer den kraftige, 'kontinuerlige' duggmodusen – misting av mye vann hele tiden uten å stoppe.
- Trykk på valgknappen for duggmodus igjen, og duggindikatoren vil tenne to grønne lys som indikerer den 'kontinuerlige' duggmodusen – misting hele tiden uten å stoppe.
- Trykk på duggmodusknappen en tredje gang, og duggindikatoren vil tenne det nederste grønne lyset som indikerer den 'intermitterende' duggmodusen – misting i 10 sekunder hvert 10. sekund.

MERK: Det kan ta noen sekunder før du faktisk ser dugget komme ut av duggdysene for første gang. Denne forsinkelsen skyldes tiden det tar før vannet strømmer fra vannslangen til dysene.

- Når dugget er i intermitterende modus, trykker du på valgknappen for duggmodus igjen, og duggindikatorlysene vil slå seg av og tåken stopper.

MERK: Når duggoperasjonen er ferdig, trekk inntaksslangen ut av vannet og kjør viften i kontinuerlig duggmodus til alt vannet forsvinner fra slangen. Dette bidrar til å forhindre at restvannet i røret forårsaker uventet dugg når viften startes igjen.

Bruk av viften med en vannbøtte eller annen beholder (ikke inkludert) (fig. E)

⚠ ADVARSEL: Barn kan falle i bøtter og drukne. Hold barn unna bøtter som inneholder selv en liten mengde væske.

MERKNAD: Rengjør bøtten med såpe og vann før hver

bruk.

1. Koble fra batteripakken.
2. Plasser bøtta på en flat, jevn overflate.
3. Tilsett KUN rent, kaldt vann i bøtta. Ikke overfyll.
4. Senk filterenden av inntaksslangen ned i vannbøtta.

MERKNAD: Ikke bøy inntaksrøret, og sørg alltid for at vannet renner jevnt gjennom røret.

5. Installer batteripakken.
6. Trykk på strømknappen for å slå på viften.
7. Trykk på valgknappen for duggmodus for å starte dugg.

Koble viften til en vannkran (fig. F og fig. G)

1. Skru av den øvre delen av filteret mot urviseren og koble den fra den nedre delen (fig. F).

F-1	Filter nedre del
F-2	Filter øvre del

MERKNAD: Pass på at den nedre delen ikke er delt i to under frakoblingen av den øvre delen og holder seg sammen som en enhet for tilkobling til hageslangeadapteren.

2. Skru løs hageslangeadapteren som er lagret i bunnen av viften (mot urviseren). Skru den (med urviseren) inn i den nedre delen av filteret.
3. Koble hageslangeadapteren til en egnet hageslange med hurtigkobling (følger ikke med). Fest hurtigkoblingen til hageslangeadapteren til du hører et tydelig klikk (fig. G).

G-1	Hageslangeadapter
G-2	Typisk hurtigkobling

MERKNAD: Ikke prøv å koble til hageslangeadapteren mens den er montert på bunnen av viften (fig. G1).

4. Koble hageslangen til vannslangen.
5. Installer batteripakken.
6. Trykk på strømknappen for å slå på viften.
7. Åpne vannkranen helt, viften begynner å avgi dugg.

MERKNAD: Det anbefalte maksimale arbeidstrykket bør ikke overstige 80 psi.

MERK: Selv om det ikke er strøm, vil viften begynne å avgi dugg når vannkranen skrues på.

8. Trykk på duggmodusknappen for å velge duggmodus for bedre resultater.

MERK: Den lille åpningen i hageslangeadapteren gjør den utsatt for hardt vann og mineralavleiringer. Rengjør adapteren ofte og bruk hvit eddik eller annet avkalkingsmiddel for å fjerne avleiringer.

Bruk av viften uten dugg

Om ønskelig kan dette produktet kun brukes som vifte, når det ikke er koblet til en vannkilde. Når den ikke er i bruk, kveile opp og plasser inntaksslengen i oppbevaringsområdet (se avsnittet «**TRANSPORT OG LAGRING**» i denne håndboken) for å beskytte den mot skade og forurensning.

KOMMUNIKASJONSTEKNOLOGI

For informasjon om hele utvalget vårt av tilkoblede produkter og tjenester, inkludert tilkoblingsinstruksjoner, kan du skanne QR-koden nedenfor eller besøke www.egopowerplus.eu/connect.



ELEKTRONIKKBESKYTTELSE

Når oscilleringsfunksjonen er aktivert, men viften ikke oscillerer, vil oscilleringsindikatoren vise tre blinkende grønne lys kontinuerlig for å minne operatøren på å sjekke om viftehodet sitter fast, og fjerne fremmedlegemer som sitter fast på viftehodet før du starter funksjonen på nytt.

Når tåkefunksjonen er aktivert, men ingen vanntåke kommer ut:

- Vannpumpen fortsetter å gå en kort stund, og stopper deretter automatisk for å beskytte intern elektronikk.
- Duggindikatoren vil vise tre blinkende grønne lys kontinuerlig som et varsel for operatøren om å:
 - a. Sjekk om inntaksrøret er skikkelig nedsenket i vann.
 - b. Sjekk om duggdysen(e) er tilstoppet, og rengjør i henhold til kapittelet "DYSEVEDLIKEHOLD".
 - c. Trykk på knappen for valg av tåkemode for å starte tåking på nytt.

Når batteriladingen er lav, vil strømknappen blinke grønt for å minne operatøren på å lade eller bytte batteripakken.

Når batteripakken eller viften er for varm, vil strømknappen blinke rødt for å advare operatøren om å slå av viften og la batteripakken eller duggviften

avkjøles til temperaturen synker til det anbefalte driftstemperaturområdet før viften startes på nytt .

VEDLIKEHOLD

⚠ ADVARSEL: Bruk bare identiske reservedeler ved service. Bruk av andre deler kan skape fare eller forårsake produktskade. For å sikre sikkerhet og pålitelighet bør alle reparasjoner utføres av en kvalifisert servicetekniker.

⚠ ADVARSEL: For å unngå alvorlige personskader skal batteripakken alltid tas ut av produktet når du utfører rengjøring eller vedlikehold.

GENERELT VEDLIKEHOLD

All service på duggviften, bortsett fra elementene som er oppført i disse vedlikeholdsinstruksjonene, skal utføres av kompetent servicepersonell for tåkeviften.

Unngå bruk av løsemidler når plastdeler skal rengjøres. De fleste plasttyper kan ta skade av ulike typer løsemidler som er i salg, og kan dermed bli ødelagt. Bruk rene kluter til å fjerne smuss, støv, olje, fett osv.

⚠ ADVARSEL: Ikke på noe tidspunkt skal bremsevæske, bensin, petroleum-baserte produkter, penetrerende oljer, osv. komme i kontakt med plastdeler. Kjemikalier kan skade, svekke eller ødelegge plast som kan føre til alvorlig personskade.

⚠ ADVARSEL: Ved rengjøring av duggviften skal den IKKE dypes i vann eller andre væsker.

VEDLIKEHOLD AV DYSE (fig. H)

⚠ ADVARSEL: Sørg for at alt vedlikehold av duggdysen utføres riktig for å forhindre vannlekkasjer. Lekkasje kan føre til at en glatt overflate skaper fare for skli og fall eller forårsake skade på eiendom.

Uregelmessige tåkemønstre eller lekkasje kan være et resultat av en tilstoppet eller skitten dyse.

For å tømme dysene

1. Slå av viften og fjern batteripakken.
2. Fjern de tilstoppede duggdysene fra den fremre gitterbeskyttelsen på viftekabinettet ved å rotere dem mot urviseren.
3. Demonter hver berørte dyse i deler.
4. For å fjerne fremmedlegemer som tetter til eller begrenser dysene, skyll dysedelene med vann. For å fjerne kalkavleiringer (mineraler), rengjør dysedelene

NO

med hvit eddik eller annet avkalkingsmiddel etter behov.

- Sett sammen dysene igjen.

MERKNAD: For å forhindre tilstopping, sørg for at dysen er montert nøyaktig som vist i fig. H.

- Fest de rene dysene til den fremre gitterbeskyttelsen.

FILTERVEDLIKEHOLD (fig. I)

Undersøk med jevne mellomrom filteret på enden av inntaksrøret for å sikre at det er i god stand.

- Slå av viften og fjern batteripakken.
- Skru av den øvre delen fra den nedre delen av filteret.

I-1	Nedre del	I-3	Svamp Mesh
I-2	Metallmesh	I-4	Øvre del

NO

MERKNAD: Når du skru av den øvre delen, pass på at den nedre delen ikke er delt i to deler. Den nedre delen må forbli montert for å fjerne metallnettet.

- Ta ut svampnettet fra den øvre delen og metallnettet fra den nedre delen.
- Skull metallnettet eller bytt det ut om nødvendig.
- Sett sammen filteret igjen.

MERKNAD: Pass på at metallnettet er satt sammen med den hevede kanten vendt utover for enkel demontering neste gang.

VEDLIKEHOLD AV HAGESLANGEADAPTER

Den lille åpningen i hageslangeadapteren gjør den utsatt for hardt vann og mineralavleiringer. Rengjør adapteren ofte og bruk hvit eddik eller annet avkalkingsmiddel for å fjerne avleiringer.

VEDLIKEHOLD AV VIFTEKABINETT (fig. J & fig. K)

- Slå av viften og fjern batteripakken.
- Bruk en Phillips-skrutrekker (ikke inkludert) for å skru ut de åtte skruene fra baksiden av vifte kabinetet for å fjerne frontgitterbeskyttelsen.

J-1	Skrue (x8)
J-2	Frontgitterbeskyttelse

- Hold viftebladenheten for å forhindre at den roterer og vri viftebladlåsdekselet med klokken for å frigjøre viftebladenheten fra akselen.

K-1	Viftebladmontering
K-2	Lås deksel

- Fjern viftebladmonteringen.
- Rengjør viftebladet og innsiden av kabinetet etter behov.
- Sett dem sammen igjen i omvendt rekkefølge, og sørg for:

Merket på viftebladmonteringen er på linje med tverrstangen på akselen.

TRANSPORT OG OPPBEVARING (fig. L)

- Ta ut batteripakken.
- Rengjør viften grundig.
- Tøm inntaksrøret og filteret.

MERKNAD: Vinterklargjøring av viften er viktig for å beskytte mot kuldegrader, som kan forårsake skade på pumpen, slangene og andre komponenter. **Koble alltid viftens inntaksslange fra vannkilden og kjørl viften i kontinuerlig duggmodus til det ikke er restvann i slangen før du lagrer viften om vinteren.**

- Fest inntaksslangen og filteret med klips på bunnen av viftebasen.
- Skru hageslangeadapteren på gjenget oppbevaringshull på bunnen av viftebasen.

L-1	Hageslangeadapter
L-2	Klipp

- Bær viften med det øverste håndtaket eller sidehåndtakene når du transporterer den.
- Oppbevar viften innendørs, på et godt ventilert sted.
- Holdes unna etsende midler som hagekjemikalier og avisingsssalter.

Beskytter miljøet



Elektrisk utstyr, brukte batterier og batteriladere må ikke kastes i husholdningsavfallet!

Ta med dette produktet til autorisert gjenvinning, og gjør det tilgjengelig for separat innsamling. Elektriske verktøy må returneres til et miljøvennlig resirkuleringsanlegg.

FEILSØKING

PROBLEM	ÅRSAK	LØSNING
Duggviften starter ikke.	<ul style="list-style-type: none"> ■ Batteriet er ikke satt helt inn i kabinettet. ■ Ingen elektrisk kontakt mellom duggviften og batteripakken. ■ Batteripakkens ladning er oppbrukt. ■ Batteripakken eller viften er for varm. 	<ul style="list-style-type: none"> ■ Kontroller om batteriet er satt helt inn i huset. ■ Ta ut batteripakken, sjekk kontaktene og sett inn batteripakken på nytt. ■ Lad batteripakken. ■ La batteripakken eller duggviften avkjøles til temperaturen synker til det anbefalte driftstemperaturområdet.
Det er ingen vanndugg og duggindikatoren blinker med to grønne lys.	<ul style="list-style-type: none"> ■ Inntaksslengen suger ikke vann, og aktiverer intern beskyttelse for vannpumpen inne i viften. ■ Duggdysen(e) ble tilstoppet under drift, og aktiverte den interne beskyttelsen for den elektriske pumpen. 	<ul style="list-style-type: none"> ■ Kontroller og sørg for at det er nok vann i bøtta og at inntaksrøret er skikkelig nedsenket i vannet. ■ Rengjør dysen(e) i henhold til kapittelet "DYSEVEDLIKEHOLD" og sett dem sammen igjen som anvist.
Viften slutter å oscillere og oscilleringsindikatoren blinker med tre grønne lys.	<ul style="list-style-type: none"> ■ Viftehodet sitter fast under oscillering. 	<ul style="list-style-type: none"> ■ Fjern fremmedlegemer som hindrer viftehodet i å oscillere.

NO

GARANTI

EGO GARANTIPOLITIK

Besøk nettstedet egopowerplus.eu for fullstendige vilkår og betingelser for EGO-garantipolicyen.

ПРОЧИТАЙТЕ ВСЕ ИНСТРУКЦИИ!



ПРОЧИТАЙТЕ РУКОВОДСТВО
ПОЛЬЗОВАТЕЛЯ

⚠ ПРЕДУПРЕЖДЕНИЕ. Для обеспечения безопасности и надежности устройства его ремонт должен выполнять квалифицированный специалист.

⚠ ПРЕДУПРЕЖДЕНИЕ. Перед использованием прибора внимательно прочитайте все инструкции в данном руководстве пользователя и ознакомьтесь с предупреждающими символами безопасности, такими как **ОПАСНОСТЬ**, **ПРЕДУПРЕЖДЕНИЕ** и **ВНИМАНИЕ**. Несоблюдение всех приведенных ниже инструкций может привести к поражению электрическим током, возникновению пожара и (или) получению серьезных травм.

СОХРАНИТЕ ВСЕ ПРЕДУПРЕЖДЕНИЯ И ИНСТРУКЦИИ ДЛЯ ИСПОЛЬЗОВАНИЯ В БУДУЩЕМ.

СИМВОЛЫ БЕЗОПАСНОСТИ

RU

⚠ ПРЕДУПРЕЖДЕНИЕ. В результате работы прибора в глаза могут попасть посторонние предметы, что приведет к серьезному повреждению глаз. Перед началом использования прибора всегда надевайте защитную маску или защитные очки с боковыми щитками и полнопрофильную защитную маску (при необходимости). Поверх очков или стандартных защитных очков рекомендуется надевать безопасную маску с широким обзором.



Предупреждение об опасности



Чтобы уменьшить риск получения травм, перед использованием устройства необходимо прочитать и понять руководство по эксплуатации.



Гарантированный уровень звуковой мощности. Уровень шума в окружающей среде в соответствии с директивой ЕС.



Символ Bluetooth®



Неисправные электрические устройства нельзя выбрасывать вместе с бытовым мусором. Сдавайте их в авторизованные пункты сбора и утилизации.



Соответствует основным требованиям стандартов безопасности Европейских директив.



Постоянный ток



Данное изделие соответствует действующему законодательству Великобритании.

IPX4 Защита от брызг воды

ОБЩИЕ ПРЕДОСТЕРЕЖЕНИЯ ОБ ОПАСНОСТИ

⚠ ПРЕДУПРЕЖДЕНИЕ. Чтобы уменьшить риск пожара, поражения электрическим током или травмы, соблюдайте следующие требования.

- **Ознакомьтесь с вентилятором с функцией увлажнения воздуха. Внимательно прочитайте инструкцию. Изучите область применения и ограничения при использовании устройства, а также связанные с ним потенциальные риски.** Соблюдение этого правила снижает риск поражения электрическим током, пожара или серьезных травм.
- Этим устройством могут пользоваться дети старше 8 лет, а также лица со сниженными физическими, сенсорными или ментальными возможностями или с недостаточным опытом и знаниями, при условии присмотра за ними или инструктажа относительно безопасного использования устройства и понимания возможной опасности.
- Не позволяйте детям играть с данным устройством.
- Не позволяйте детям выполнять очистку и техническое обслуживание устройства без наблюдения взрослых.

БЕЗОПАСНОСТЬ РАБОЧЕГО МЕСТА

- **Не используйте вентилятор во взрывоопасных местах, например вблизи горючих жидкостей, газов или пыли.**
- **Не позволяйте детям и посторонним находиться вблизи работающего устройства.** Отвлекающие факторы могут привести к потере контроля.
- **Соблюдайте осторожность при использовании в ветреную погоду.** Ветер может задувать частицы влаги в электрическую проводку или устройство.
- **Не подвергайте устройство воздействию дождя или влаги.** При попадании воды в устройство увеличивается риск поражения электрическим током.

ЛИЧНАЯ БЕЗОПАСНОСТЬ

- **При использовании устройства будьте бдительны, следите за своими действиями и следуйте здравому смыслу. Не пользуйтесь устройством, если вы устали или находитесь в плохом настроении или под воздействием наркотиков, алкоголя или медикаментов.** Даже кратковременная невнимательность при работе с устройством может привести к тяжелым травмам.
- **Не допускайте непредвиденных запусков. Перед подключением устройства к аккумулятору и перед его переноской убедитесь, что**

выключатель находится в выключенном положении. Не держите палец на выключателе при переноске устройства и не подключайте к источнику питания, если устройство включено. Это может привести к несчастному случаю.

- **Перед включением устройства снимите с него регулировочные инструменты и гаечные ключи.** Регулировочный инструмент или гаечный ключ, оставленный на вращающейся части устройства, может стать причиной травмы.
- **Не тянитесь. Всегда сохраняйте устойчивое положение и равновесие.** Это позволит лучше контролировать устройство в непредвиденных ситуациях.
- **Одевайтесь надлежащим образом. Не надевайте свободную одежду и украшения. Держите волосы и одежду подальше от движущихся частей.** Свободная одежда, украшения и длинные волосы могут попасть в движущиеся части.
- **Перед эксплуатацией устройства убедитесь, что все соединения надежно закреплены.**
- **Не допускайте небрежности, которая может возникнуть из-за частого использования устройства и повлечь за собой самоуверенность и игнорирование правил безопасности.** Неосторожное действие может причинить серьезную травму за доли секунды.

ИСПОЛЬЗОВАНИЕ И УХОД

- **Не используйте устройство, если его выключатель неисправен.** Любое устройство с неисправным выключателем опасно и подлежит ремонту.
- **Перед регулировкой, сменой аксессуаров или хранением извлекайте аккумулятор из устройства.** Такие меры предосторожности уменьшают риск случайного запуска устройства.
- **Храните неиспользуемое устройство в недоступном для детей месте и не доверяйте устройство лицам, не знакомым с ним и с этими инструкциями.** Такие устройства опасны в руках неподготовленных пользователей.
- **Выполняйте техническое обслуживание устройства и принадлежностей.** Проверьте выравнивание и сцепление подвижных деталей, наличие поломок и прочие условия, которые могут повлиять на работу устройства. Если устройство повреждено, перед использованием его необходимо отремонтировать. Многие несчастные случаи вызваны неправильным техобслуживанием устройств.

RU

- **Используйте устройство, аксессуары и т. п. в соответствии с этими инструкциями, учитывая условия и специфику выполняемой работы.** Использование устройства для выполнения непредусмотренных операций может привести к опасным ситуациям.
- **Следите за тем, чтобы рукоятки и поверхности захвата были сухими и чистыми и на них не было масла или смазочного материала.** Скользкие рукоятки и поверхности захвата не позволяют безопасно использовать устройство и контролировать его в непредвиденных ситуациях.

⚠ ПРЕДУПРЕЖДЕНИЕ. Для снижения опасности пожара или поражения электрическим током не используйте этот вентилятор вместе с любым полупроводниковым регулятором скорости.

ЭКСПЛУАТАЦИЯ И ОБСЛУЖИВАНИЕ АККУМУЛЯТОРНОГО УСТРОЙСТВА

RU

- Заряжайте аккумуляторы только с помощью зарядного устройства, указанного изготовителем. Зарядное устройство, предназначенное для одного типа аккумуляторных батарей, может стать причиной пожара при использовании с другим типом батарей.
- Используйте устройство только со специально предназначенными для него аккумуляторами. Использование любого другого вида аккумуляторных батарей может стать причиной несчастных случаев или пожара.
- Когда аккумулятор не используется, храните его отдельно от металлических предметов — канцелярских скрепок, монет, ключей, гвоздей, винтов и др. — они могут соединить контакты. Короткое замыкание контактов аккумуляторной батареи может стать причиной ожогов или пожара.
- При неблагоприятных обстоятельствах из аккумулятора может потечь электролит; избегайте контакта с ним. При случайном контакте промойте водой. Если жидкость попала в глаза, обратитесь к врачу. Жидкость из аккумуляторной батареи может вызвать раздражение и ожоги.
- Не используйте аккумулятор и устройство, если они повреждены или подвергались модификациям. Поведение поврежденных или модифицированных аккумуляторов может быть непредсказуемым, что приведет к возгоранию, взрыву и риску получения травм.
- Не подвергайте аккумуляторную батарею

и устройство воздействию огня и высокой температуры. Воздействие огня или температуры выше 130 °C может привести к взрыву.

- **Следуйте всем инструкциям по зарядке и не заряжайте аккумулятор и устройство при температуре, выходящей за пределы указанного диапазона.** Если зарядка выполняется неправильно или в условиях неподходящей температуры, это может привести к повреждению аккумулятора и возгоранию.

РЕМОНТ

- Ремонт устройства должен производиться квалифицированным специалистом с использованием только идентичных запасных частей. Это обеспечит безопасную работу устройства.
- **Никогда не выполняйте обслуживание поврежденного аккумулятора.** Обслуживание аккумуляторов должно выполняться только производителем или в авторизованном сервисном центре.

ИНСТРУКЦИИ ПО ТЕХНИКЕ БЕЗОПАСНОСТИ ДЛЯ АККУМУЛЯТОРНОГО ВЕНТИЛЯТОРА С УВЛАЖНИТЕЛЕМ ВОЗДУХА

- Данное устройство не предназначено для использования лицами (в том числе детьми) с ограниченными физическими, сенсорными или умственными возможностями либо недостатком опыта и знаний, кроме случаев, когда они находятся под присмотром либо проинструктированы относительно использования устройства лицом, ответственным за их безопасность.
- Следите за тем, чтобы дети не играли с этим устройством.
- Вентилятор не должен использоваться в качестве игрушки. Будьте очень внимательны, когда дети пользуются устройством или находятся рядом с ним.
- Дети могут упасть в ведро и утонуть. Держите детей подальше от ведер, даже если в них находится небольшое количество жидкости.
- Используйте ТОЛЬКО чистую холодную воду.
- Не используйте этот вентилятор для распыления пестицидов, жидких удобрений, химикатов или любых жидкостей, кроме чистой воды. Распыление этих веществ может привести к серьезным травмам и заболеваниям оператора или окружающих.
- **Никогда не распыляйте воду в направлении электропроводки или каких-либо устройств.**

- Убедитесь, что крышка батарейного отсека полностью закрыта, чтобы вода не контактировала с аккумулятором и не попала в его разъем.
- Следите за тем, чтобы устройство и его рукоятка были сухими и чистыми и на них не было масла или смазочного материала. Всегда используйте чистую ткань для очистки. Никогда не используйте для очистки вентилятора тормозную жидкость, бензин, нефтепродукты и любые сильные растворители. Соблюдение данного правила позволяет снизить риск потери контроля и повреждения пластика корпуса.
- Аккумуляторы выделяют газообразный водород и могут взрываться при наличии источника зажигания, например запальника. Чтобы уменьшить риск получения серьезной травмы, никогда не используйте беспроводные устройства вблизи открытого пламени. Взорвавшийся аккумулятор выделяет загрязнения и химикаты. При попадании на кожу немедленно промойте водой.
- Сохраните настоящую инструкцию. Регулярно просматривайте ее и предоставляйте для ознакомления другим пользователям. Одалживая кому-либо вентилятор, передайте также данные инструкции для предотвращения неправильного использования и возможных травм.
- Имейте в виду, что высокий уровень влажности может стимулировать рост биологических организмов в окружающей среде.
- Не допускайте, чтобы область вокруг вентилятора с увлажнителем воздуха становилась влажной или мокрой. При возникновении сырости уменьшите мощность вентилятора. Если мощность вентилятора нельзя уменьшить, периодически выключайте функцию увлажнения воздуха. Не допускайте, чтобы впитывающие материалы, такие как ковровое покрытие, шторы, занавески или скатерти, становились влажными.
- Никогда не оставляйте воду в резервуаре, когда устройство не используется.
- Перед уборкой на хранение опорожняйте и очищайте вентилятор с увлажнителем воздуха. Очистите увлажнитель воздуха перед следующим использованием.

⚠ ПРЕДУПРЕЖДЕНИЕ. Если не обновлять воду и должным образом не очищать резервуар каждые 3 дня, микроорганизмы, которые могут присутствовать в воде или окружающей среде, где используется или хранится устройство, могут развиваться в резервуаре для воды и

распространяться в воздухе, вызывая очень серьезные риски для здоровья.

Перед зарядкой аккумуляторные батареи необходимо извлечь из устройства.

- Использованные батареи необходимо извлекать из устройства и утилизировать безопасным способом.
- Извлеките батареи, если устройство не будет использоваться в течение длительного времени.
- Не допускайте короткого замыкания контактов питания.

СОХРАНИТЕ НАСТОЯЩУЮ ИНСТРУКЦИЮ

ТЕХНИЧЕСКИЕ ХАРАКТЕРИСТИКИ

Номинальное напряжение	56 В
Диаметр лопастей вентилятора	25,4 см
Настройки скорости вращения вентилятора	6 (включая «Турбо»)
Макс. объем воздуха	1700 м ³ /ч
Макс. скорость воздушного потока	32,2 км/ч
Угол отклонения	60°, 120°, 180°
Объем воды для распыления	Высокий: 5,7 л/ч
	Средний: 4,9 л/ч
	Низкий: 2,5 л/ч
Масса (без аккумулятора)	4,7 кг
Рекомендуемая температура хранения	-20...70 °C
Диапазон рабочих частот Bluetooth	2402–2480 МГц
Максимальная мощность передачи данных Bluetooth	4 дБм

- Указанное общее значение вибрации было определено с помощью стандартного теста и может быть использовано для сравнения разных устройств;
- Указанное общее значение вибрации также может использоваться для предварительной оценки уровня воздействия.

RU

ПРИМЕЧАНИЕ. Реальное вибрационное воздействие Устройство может отличаться от указанного в зависимости от способа использования. В целях безопасности оператор должен надевать перчатки и средства защиты органов слуха во время использования устройства.

КОМПЛЕКТ ПОСТАВКИ (РИС. А1)

ОПИСАНИЕ

ЧАСТИ ВОЗДУХОДУВКИ (Рис. А1 и А2)

1. Панель управления (Рис. А2)
2. Поворотная рама
3. Насадка для распыления
4. Верхняя рукоятка
5. Корпус вентилятора
6. Боковая рукоятка
7. Батарейный отсек
8. Электрические контакты
9. Кнопка фиксации аккумулятора
10. Адаптер садового шланга
11. Фильтр
12. Впускная трубка
13. Кнопки регулировки скорости воздуха
14. Кнопка TURBO
15. Индикатор TURBO
16. Индикатор увлажнителя воздуха
17. Кнопка режима увлажнения воздуха
18. Кнопка питания
19. Индикатор скорости воздуха
20. Индикатор поворота
21. Кнопка режима поворота

СБОРКА

⚠ ПРЕДУПРЕЖДЕНИЕ. Если какие-либо части повреждены или отсутствуют, не используйте устройство, пока они не будут установлены. Использование устройства в случае повреждения или отсутствия частей может привести к получению серьезной травмы.

⚠ ПРЕДУПРЕЖДЕНИЕ. Не пытайтесь изменить конструкцию устройства или создать не рекомендованные для него дополнительные приспособления. Подобное изменение считается ненадлежащим использованием и способствует возникновению опасной ситуации, которая приведет к получению серьезной травмы.

⚠ ПРЕДУПРЕЖДЕНИЕ. Чтобы предотвратить случайное включение устройства и получение серьезной травмы, перед сборкой извлеките аккумулятор.

- Данный инструмент поставляется в полностью собранном состоянии.
- Аккуратно извлеките устройство и дополнительные приспособления из коробки. Убедитесь в наличии всех частей, перечисленных в списке **комплекта поставки**.
- Тщательно осмотрите устройство и убедитесь, что оно не было повреждено во время транспортировки.
- Не выбрасывайте упаковочные материалы до тех пор, пока не проверите устройство и не убедитесь в его исправной работе.
- Если какой-либо компонент отсутствует или поврежден, верните устройство по месту приобретения.

ИСПОЛЬЗОВАНИЕ

⚠ ПРЕДУПРЕЖДЕНИЕ. Не допускайте небрежности и беспечности при работе с устройством. Помните, что потеря бдительности даже на долю секунды может привести к серьезной травме.

⚠ ПРЕДУПРЕЖДЕНИЕ. Чтобы предотвратить случайное включение устройства и получение серьезной травмы, извлекайте аккумулятор перед обслуживанием, регулировкой, чисткой, заменой компонентов, а также когда устройство не используется.

⚠ ПРЕДУПРЕЖДЕНИЕ. Не используйте насадки или дополнительные приспособления, не рекомендованные производителем устройства. Использование нерекондованных насадок и дополнительных приспособлений может привести к серьезным травмам.

Перед каждым использованием полностью проверяйте устройство на наличие поврежденных, отсутствующих или плохо закрепленных частей, таких как винты, гайки, болты, заглушки и т. д. Надежно закрепите все фиксаторы и заглушки и не пользуйтесь устройством до тех пор, пока не будут заменены поврежденные или отсутствующие части.

ПРИМЕНЕНИЕ

Данное устройство можно использовать в следующих целях.

- Общая вентиляция в большинстве типичных бытовых условий.
- Наружное охлаждение при подключении к источнику воды.

RU

ПРИМЕЧАНИЕ. Устройство должно использоваться только по назначению. Любое другое использование, кроме упомянутого, считается ненадлежащим.

УСТАНОВКА И ИЗВЛЕЧЕНИЕ АККУМУЛЯТОРА

Используйте только аккумуляторы и зарядные устройства EGO, указанные на Рис. А3.

ПРИМЕЧАНИЕ. Перед первым использованием полностью зарядите аккумулятор.

Установка

Совместите ребра аккумулятора с монтажными пазами и нажмите аккумулятор до щелчка (Рис. В1).

Извлечение

Нажмите кнопку фиксации аккумулятора и извлеките его (Рис. В2).

⚠ ПРЕДУПРЕЖДЕНИЕ. Всегда следите за положением своих ног, а также за местонахождением детей и животных, когда нажимаете на кнопку фиксации аккумулятора. Падение аккумулятора может привести к серьезным травмам. НИКОГДА не извлекайте аккумулятор, если находитесь на возвышенности.

ВКЛЮЧЕНИЕ И ВЫКЛЮЧЕНИЕ ВЕНТИЛЯТОРА

ПРИМЕЧАНИЕ. Первоначальная заводская настройка для скорости воздуха — 3. Вентилятор сохранит последнюю использованную настройку скорости воздуха и активирует ее при повторном запуске. Настройка турбо-режима не будет сохранена.

ПРИМЕЧАНИЕ. Настройки функций увлажнения воздуха и поворота не сохраняются и по умолчанию отключены при каждом включении вентилятора.

Панель управления (Рис. А2)

Кнопка питания

- Быстро нажмите кнопку питания, чтобы включить вентилятор.
- Быстро нажмите кнопку питания еще раз, чтобы выключить вентилятор.

Регулировка скорости воздуха

Нормальная скорость воздуха

- Нажмите кнопку регулировки скорости воздуха «+», чтобы увеличить скорость воздуха, или кнопку «-», чтобы уменьшить скорость воздуха. Всего есть

5 уровней скорости.

- Индикатор скорости воздуха отображает текущий уровень скорости с помощью зеленых светодиодов.

Турбо-режим

ПРИМЕЧАНИЕ. В турбо-режиме вентилятор достигает максимальной скорости воздуха.

- Нажмите кнопку **TURBO**. Индикатор **TURBO** начнет светиться зеленым, и вентилятор перейдет в режим **TURBO** (максимальная скорость воздушного потока).
- В режиме **TURBO** снова нажмите кнопку **TURBO**. Индикатор **TURBO** погаснет, и вентилятор вернется к предыдущему значению скорости воздуха.
- В режиме **TURBO** нажмите кнопку «-». Индикатор **TURBO** погаснет, и вентилятор переключится на уровень скорости воздуха 5.

ФУНКЦИЯ ПОВОРОТА (РИС. С)

- Нажмите кнопку поворота один раз, чтобы запустить функцию поворота головки вентилятора. Будет светиться нижний зеленый индикатор поворота, а головка вентилятора начнет поворачиваться на 60° из стороны в сторону (от -30° до 30°).
- Нажмите кнопку поворота второй раз. На индикаторе поворота будут светиться два зеленых индикатора, а диапазон поворота увеличится до 120° (от -60° до 60°).
- Нажмите кнопку поворота третий раз. На индикаторе поворота будут светиться три зеленых индикатора, а диапазон поворота увеличится до 180° (от -90° до 90°).
- Чтобы выключить функцию поворота, нажмите кнопку поворота в четвертый раз.

РЕГУЛИРОВКА УГЛА НАКЛОНА ВЕНТИЛЯТОРА (РИС. D)

Головку вентилятора можно установить под разными углами от -30° до 90°. Чтобы отрегулировать направление потока воздуха/тумана, возьмите вентилятор за верхнюю ручку и наклоните головку вперед или назад.

ФУНКЦИЯ УВЛАЖНЕНИЯ ВОЗДУХА

Кнопка режима увлажнения воздуха

- Нажмите кнопку режима увлажнения воздуха один раз. Будут светиться три зеленых светодиода индикатора увлажнителя воздуха, что соответствует мощному непрерывному режиму увлажнения —

RU

распыление сильного потока воды без остановки.

- Нажмите кнопку режима увлажнения воздуха еще раз. Будут светиться два зеленых светодиода индикатора увлажнителя воздуха, что соответствует непрерывному режиму увлажнения — распыление воды происходит постоянно.
- Нажмите кнопку режима увлажнения воздуха третий раз. Будет светиться нижний зеленый светодиод индикатора, что указывает на прерывистый режим увлажнения — распыление в течение 10 секунд каждые 10 секунд.

ПРИМЕЧАНИЕ. Может пройти несколько секунд, прежде чем «туман» из увлажнителя воздуха станет виден. Эта задержка связана со временем, которое требуется для того, чтобы вода попала из впускной трубки в насадку.

- Когда для распыления выбран прерывистый режим, снова нажмите кнопку режима увлажнения воздуха. Светодиоды индикатора увлажнителя воздуха перестанут светиться и распыление прекратится.

ПРИМЕЧАНИЕ. По окончании увлажнения отсоедините впускную трубку вентилятора от источника воды и запустите вентилятор в режиме непрерывного увлажнения, пока вся вода не вытечет из трубки. Это помогает предотвратить неожиданное распыление остаточной воды из трубки при повторном запуске вентилятора.

Использование вентилятора с ведром для воды или другой емкостью (не входит в комплект) (Рис. Е)

⚠ ПРЕДУПРЕЖДЕНИЕ. Дети могут упасть в ведро и утонуть. Держите детей подальше от ведер, даже если в них находится небольшое количество жидкости.

ПРИМЕЧАНИЕ. Перед каждым использованием мойте ведро водой с мылом.

1. Отсоедините аккумулятор.
2. Поставьте ведро на ровную плоскую поверхность.
3. Наливайте в ведро ТОЛЬКО чистую холодную воду. Не переливайте.
4. Погрузите фильтрующий конец впускной трубки в воду.

ПРИМЕЧАНИЕ. Не сгибайте впускную трубку и всегда следите за тем, чтобы вода беспрепятственно текла по трубке.

5. Установите аккумулятор.
6. Нажмите кнопку питания, чтобы включить вентилятор.

7. Нажмите кнопку режима увлажнения воздуха, чтобы запустить распыление.

Подключение вентилятора к водопроводному крану (Рис. F и G)

1. Открутите верхнюю часть фильтра против часовой стрелки и отсоедините ее от нижней части (Рис. F).

F-1	Нижняя часть фильтра
F-2	Верхняя часть фильтра

ПРИМЕЧАНИЕ. Убедитесь, что нижняя часть не разделется на две части во время отсоединения верхней части и остается единым целым для подключения к адаптеру садового шланга.

2. Открутите против часовой стрелки адаптер садового шланга, который находится в нижней части вентилятора. Вкрутите его по часовой стрелке в нижнюю часть фильтра.
3. Подсоедините адаптер садового шланга к подходящему садовому шлангу с помощью быстроразъемной муфты (не входит в комплект). Присоедините быстроразъемную муфту к адаптеру садового шланга таким образом, чтобы раздался отчетливый щелчок (Рис. G).

G-1	Адаптер садового шланга
G-2	Типичная быстроразъемная муфта

ПРИМЕЧАНИЕ. Не пытайтесь подсоединить адаптер садового шланга, когда он находится в нижней части вентилятора (Рис. G1).

4. Подключите садовый шланг к водопроводу.
5. Установите аккумулятор.
6. Нажмите кнопку питания, чтобы включить вентилятор.
7. Полностью откройте водопроводный кран. Вентилятор начнет распыление.

ПРИМЕЧАНИЕ. Максимальное рабочее давление не должно превышать 80 psi.

ПРИМЕЧАНИЕ. Даже при отсутствии питания вентилятор начнет распыление при открытии водопроводного крана.

8. Нажмите кнопку режима увлажнения воздуха, чтобы выбрать режим увлажнения для получения наилучших результатов.

ПРИМЕЧАНИЕ. Маленькое отверстие в адаптере садового шланга делает его чувствительным к жесткой воде и образованию минеральных отложений. Регулярно очищайте адаптер и используйте белый уксус или другое средство для удаления накипи.

Использование вентилятора без функции увлажнения воздуха

Если данное устройство не соединено с источником воды, его можно использовать как обычный вентилятор. Когда впускная трубка не используется, всегда убирайте ее в место хранения (см. раздел **ТРАНСПОРТИРОВКА И ХРАНЕНИЕ** данного руководства) для защиты от повреждений и загрязнений.

ДОПОЛНИТЕЛЬНАЯ ИНФОРМАЦИЯ

Для получения информации и полного списка наших продуктов и услуг, включая инструкции по подключению, отсканируйте QR-код ниже или посетите сайт www.egopowerplus.eu/connect.



ЗАЩИТА ЭЛЕКТРОНИКИ

Если функция поворота активирована, но вентилятор не поворачивается, индикатор поворота будет непрерывно мигать тремя зелеными светодиодами. В этом случае перед повторным запуском функции необходимо проверить, не застряла ли головка вентилятора, и удалить любые посторонние предметы, препятствующие повороту.

Когда функция увлажнения воздуха включена, но распыление не выполняется, происходит следующее.

- Водяной насос будет работать в течение короткого времени, а затем автоматически выключится для защиты внутренней электроники.
- Индикатор увлажнителя воздуха будет непрерывно мигать тремя зелеными светодиодами, предупреждая оператора о необходимости:
 - a. проверить, правильно ли погружена впускная трубка в воду.
 - b. проверить, не засорены ли насадки увлажнителя воздуха, и очистить их в соответствии с инструкциями в главе **ОБСЛУЖИВАНИЕ НАСАДКИ**.
 - c. Нажмите кнопку выбора режима увлажнения воздуха, чтобы снова запустить распыление.

При низком уровне заряда аккумулятора кнопка питания начнет мигать зеленым, напоминая оператору о необходимости зарядить или заменить аккумулятор.

Если аккумуляторная батарея или вентилятор слишком горячие, кнопка питания начнет мигать красным, предупреждая оператора о необходимости выключить вентилятор и дать аккумуляторной батарее или вентилятору остыть, пока температура не снизится до рекомендуемого диапазона рабочих температур, прежде чем снова запустить вентилятор.

ОБСЛУЖИВАНИЕ

⚠ ПРЕДУПРЕЖДЕНИЕ. При ремонте используйте только идентичные запасные части. Использование других запасных частей может привести к возникновению опасной ситуации или повреждению устройства. Для обеспечения безопасности и надежности устройства его ремонт должен выполнять квалифицированный специалист.

⚠ ПРЕДУПРЕЖДЕНИЕ. Во избежание травм всегда извлекайте аккумулятор из устройства перед чисткой или обслуживанием.

ОБЩЕЕ ОБСЛУЖИВАНИЕ

Все работы по обслуживанию вентилятора, кроме тех, которые описаны в инструкциях по обслуживанию, должны выполняться компетентными специалистами.

Не используйте растворители для очистки пластиковых частей. Большинство пластиковых частей чувствительны к различным бытовым растворителям и могут быть повреждены. Для очистки от грязи, пыли, масла, смазки и т. п. используйте чистую ткань.

⚠ ПРЕДУПРЕЖДЕНИЕ. Не допускайте попадания на пластиковые части тормозной жидкости, бензина, продуктов на нефтяной основе, пропитывающих масел и т. д. Химические вещества могут повредить, ослабить или разрушить пластик, что приведет к получению серьезных травм.

⚠ ПРЕДУПРЕЖДЕНИЕ. При очистке вентилятора НЕ ПОГРУЖАЙТЕ его в воду и другие жидкости.

ОБСЛУЖИВАНИЕ НАСАДКИ (Рис. Н)

⚠ ПРЕДУПРЕЖДЕНИЕ. Убедитесь, что обслуживание насадки увлажнителя воздуха выполнено надлежащим образом, чтобы предотвратить утечку воды. Утечки могут привести к образованию скользкой поверхности, создающей опасность соскальзывания, падения или причинения материального ущерба.

RU

Неравномерный рисунок распыления или утечка могут быть результатом засорения или загрязнения насадки.

Порядок очистки насадок

1. Выключите вентилятор и извлеките аккумулятор.
2. Удалите засоренные распылительные форсунки из передней защитной решетки корпуса вентилятора, вращая их против часовой стрелки.
3. Разберите каждую насадку на части.
4. Чтобы удалить посторонние частицы, засоряющие или ограничивающие проходимость насадок, промойте части насадки водой. Чтобы удалить накипь (минеральные отложения), очистите части насадки белым уксусом или другим средством для удаления накипи.
5. Соберите насадки.

ПРИМЕЧАНИЕ. Во избежание засорения убедитесь, что насадка собрана точно так, как показано на Рис. Н.

6. Установите чистые насадки на переднюю решетку.

ОБСЛУЖИВАНИЕ ФИЛЬТРА (Рис. I)

Периодически проверяйте фильтр на конце впускной трубки, чтобы убедиться, что он в хорошем состоянии.

1. Выключите вентилятор и извлеките аккумулятор.
2. Открутите верхнюю часть фильтра от нижней.

I-1	Нижняя часть	I-3	Губчатая сетка
I-2	Металлическая сетка	I-4	Верхняя часть

ПРИМЕЧАНИЕ. При откручивании верхней части следите за тем, чтобы нижняя часть не разделилась на две. Нижняя часть должна оставаться собранной, чтобы можно было снять металлическую сетку.

3. Извлеките губчатую сетку из верхней части и металлическую сетку из нижней части.
4. Промойте металлическую сетку и губчатую сетку или замените их при необходимости.
5. Соберите фильтр.

ПРИМЕЧАНИЕ. Убедитесь, что металлическая сетка собрана таким образом, чтобы приподнятый ободок был обращен наружу. Так ее будет легче разобрать в следующий раз.

ОБСЛУЖИВАНИЕ АДАПТЕРА САДОВОГО ШЛАНГА

Маленькое отверстие в адаптере садового шланга делает его чувствительным к жесткой воде и

образованию минеральных отложений. Регулярно очищайте адаптер и используйте белый уксус или другое средство для удаления накипи.

ОБСЛУЖИВАНИЕ КОРПУСА ВЕНТИЛЯТОРА (Рис. J и K)

1. Выключите вентилятор и извлеките аккумулятор.
2. С помощью крестообразной отвертки (не входит в комплект) открутите восемь винтов на задней части корпуса вентилятора, чтобы снять переднюю защитную решетку.

J-1	Винт (x8)
J-2	Передняя решетка

3. Удерживайте узел лопастей вентилятора, чтобы предотвратить его вращение, и поверните фиксирующую крышку лопастей вентилятора по часовой стрелке, чтобы снять узел лопастей вентилятора с вала.

K-1	Узел лопастей вентилятора
K-2	Крышка фиксатора

4. Снимите узел лопастей вентилятора.
5. При необходимости очистите лопасти вентилятора и внутреннюю часть корпуса.
6. Соберите все части в обратном порядке и убедитесь в следующем.

Метка на узле лопастей вентилятора совмещена с поперечиной на валу.

ТРАНСПОРТИРОВКА И ХРАНЕНИЕ (Рис. L)

- Извлеките аккумулятор.
- Тщательно очистите вентилятор.
- Опорожните впускную трубку и фильтр.

ПРИМЕЧАНИЕ. Подготовка вентилятора к зиме необходима для защиты от низких температур, которые могут привести к повреждению насоса, шлангов и других компонентов. **Прежде чем убрать вентилятор на хранение, отсоедините впускную трубку вентилятора от источника воды, запустите вентилятор в режиме непрерывного распыления и дайте поработать до тех пор, пока в трубке не останется воды.**

- Закрепите впускную трубку и фильтр с помощью зажимов, расположенных в нижней части основания вентилятора.

- Прикрутите адаптер садового шланга к резьбовому отверстию для хранения, расположенному в нижней части основания вентилятора.

L-1	Адаптер садового шланга
L-2	Зажимы

- При транспортировке держите вентилятор за верхнюю или боковые ручки.
- Храните вентилятор в хорошо проветриваемом помещении.
- Храните вдали от источников коррозии, таких как садовые удобрения и техническая соль.

Защита окружающей среды



Не выбрасывайте электроприборы, зарядные устройства и аккумуляторные батареи вместе с бытовыми отходами!

Отправьте данное изделие на переработку в специализированное предприятие или сдайте его для отдельного сбора.

Электроинструменты должны быть возвращены на перерабатывающее предприятие, не наносящее ущерба окружающей среде.

RU

УСТРАНЕНИЕ НЕПОЛАДОК

ПРОБЛЕМА	ПРИЧИНА	РЕШЕНИЕ
Вентилятор с увлажнителем воздуха не запускается.	<ul style="list-style-type: none"> ■ Аккумулятор не полностью вставлен в корпус. ■ Нет электрического контакта между вентилятором и аккумулятором. ■ Аккумулятор разряжен. ■ Аккумулятор или вентилятор перегрелись. 	<ul style="list-style-type: none"> ■ Убедитесь, что аккумулятор полностью вставлен в корпус. ■ Извлеките аккумулятор, проверьте контакты и установите его снова. ■ Зарядите аккумулятор. ■ Выключите вентилятор и дайте аккумулятору и вентилятору остыть, пока температура не упадет до рекомендуемого значения.
Вода не распыляется, на индикаторе увлажнителя воздуха мигают три зеленых светодиода.	<ul style="list-style-type: none"> ■ Впускная трубка не подает воду, что привело к активации внутренней защиты электрического насоса вентилятора. ■ Насадка увлажнителя воздуха засорилась во время работы, что привело к активации внутренней защиты электрического насоса. 	<ul style="list-style-type: none"> ■ Убедитесь, что в ведре достаточно воды, а впускная трубка правильно погружена в воду. ■ Очистите насадки в соответствии с информацией в разделе ОБСЛУЖИВАНИЕ НАСАДКИ и соберите их в соответствии с инструкциями.
Вентилятор перестал вращаться, на индикаторе поворота мигают три зеленых светодиода.	<ul style="list-style-type: none"> ■ Головка вентилятора застряла во время поворота. 	<ul style="list-style-type: none"> ■ Удалите все посторонние предметы, которые мешают повороту головки вентилятора.

RU

ГАРАНТИЯ

ГАРАНТИЙНАЯ ПОЛИТИКА EGO

Посетите веб-сайт egopowerplus.eu, чтобы ознакомиться со всеми условиями и сроками гарантийной политики EGO.

PRZECZYTAJ WSZYSTKIE INSTRUKCJE!



PRZECZYTAJ INSTRUKCJĘ OBSŁUGI

⚠ OSTRZEŻENIE: Aby zagwarantować bezpieczeństwo i niezawodność, wszystkie naprawy powinny być wykonywane przez wykwalifikowanych techników serwisu.

⚠ OSTRZEŻENIE: Przed użyciem urządzenia należy koniecznie przeczytać ze zrozumieniem wszystkie instrukcje dotyczące bezpieczeństwa podane w podręczniku użytkownika, łącznie z wszystkimi ostrzeżeniami oznaczonymi symbolami ostrzegawczymi takimi jak „**NIEBEZPIECZEŃSTWO**”, „**OSTRZEŻENIE**” i „**PRZESTROGA**”. Niestosowanie się do wszystkich podanych niżej instrukcji może doprowadzić do porażenia prądem, pożaru i/lub poważnych urazów ciała.

WSZYSTKIE OSTRZEŻENIA I INSTRUKCJE NALEŻY ZACHOWAĆ NA PRZYSZŁOŚĆ.

SYMBOLE BEZPIECZEŃSTWA

⚠ OSTRZEŻENIE: Praca urządzeń może spowodować wyrzucenie ciał obcych w oczy użytkownika, co może doprowadzić do poważnych urazów oczu. Przed rozpoczęciem używania urządzenia należy zawsze założyć gogle ochronne lub okulary z osłonami bocznymi, a w stosownych przypadkach także pełną osłonę na twarz. Zalecamy nakładanie na zwykłe okulary maski zabezpieczającej o szerokim polu widzenia lub stosowanie standardowych okularów zabezpieczających z osłonami bocznymi.

PL



Ostrzeżenie dotyczące bezpieczeństwa



Aby zmniejszyć ryzyko urazów, przed rozpoczęciem używania urządzenia, użytkownik musi przeczytać i zrozumieć instrukcję.



Gwarantowany poziom mocy akustycznej. Emisja hałasu do środowiska zgodnie z dyrektywą Wspólnoty Europejskiej.



Symbol Bluetooth®



Zużytych wyrobów elektrycznych nie należy wyrzucać razem ze zwykłymi odpadami domowymi. Należy je oddać do autoryzowanego punktu recyklingu.



Ten produkt jest zgodny z obowiązującymi dyrektywami WE.



Prąd stały



Produkt jest zgodny z dyrektywami obowiązującymi w Wielkiej Brytanii.

IPX4 Zabezpieczenie przed zachlapaniem wodą

OSTRZEŻENIA OGÓLNE

⚠ OSTRZEŻENIE: Aby ograniczyć ryzyko pożaru, porażenia prądem lub urazów:

- Prosimy zapoznać się z wentylatorem nawilżającym. Należy uważnie przeczytać instrukcję obsługi. Należy zapoznać się z zastosowaniami i ograniczeniami oraz specjalnymi potencjalnymi zagrożeniami związanymi z wentylatorem. Przestrzeganie tej zasady ograniczy ryzyko porażenia prądem, pożaru lub poważnych urazów.
- Pod warunkiem zapewnienia odpowiedniego nadzoru, pouczenia na temat bezpiecznej obsługi i dopilnowania zrozumienia zagrożeń, urządzenie może być używane przez dzieci w wieku od lat 8, osoby o ograniczeniach fizycznych, czuciowych lub psychicznych, a także osoby, którym brak jest doświadczenia lub wiedzy.
- Dzieci nie powinny bawić się urządzeniem.
- Dzieci nie mogą bez nadzoru wykonywać czynności związanych z czyszczeniem i konserwacją

PL

BEZPIECZEŃSTWO W MIEJSCU PRACY

- Wentylatora nie należy używać w miejscach zagrożonych wybuchem, np. w obecności łatwopalnych cieczy, gazów lub pyłu.
- W czasie pracy urządzenie należy trzymać z dala od dzieci i osób postronnych. Chwila nieuwagi może spowodować utratę kontroli nad urządzeniem.
- Podczas używania urządzenia, gdy wieje wiatr, należy zachować ostrożność. Wiatry mogą przenieść mgiełkę na przewody lub urządzenia elektryczne.
- Nie należy narażać urządzenia na działanie deszczu lub wilgoci. Woda dostająca się do wnętrza urządzenia zwiększa ryzyko porażenia prądem.

BEZPIECZEŃSTWO OSOBISTE

- Podczas używania urządzenia należy zachowywać czujność, patrzeć, co się robi i kierować się zdrowym rozsądkiem. Nie należy używać urządzenia, gdy użytkownik jest zmęczony, zdenerwowany albo pod wpływem narkotyków, alkoholu lub leków. Chwila nieuwagi w czasie posługiwania się urządzeniem może spowodować poważne urazy.
- Nie należy dopuszczać do przypadkowego włączenia. Należy pilnować, aby przed podłączeniem urządzenia do akumulatora oraz przed podniesieniem i przenoszeniem przełącznik był ustawiony w pozycji „wylądzone”. Trzymanie palca na przełączniku włączającym w czasie

przenoszenia urządzenia lub podłączenie urządzenia do zasilania, gdy przełącznik ustawiony jest w pozycji „włączone”, może doprowadzić do wypadku.

- Przed włączeniem urządzenia należy usunąć wszystkie klucze regulacyjne i inne narzędzia. Klucz zaczepiony o obracającą się część urządzenia może spowodować obrażenia.
- Nie należy sięgać za daleko. Należy zawsze dbać o utrzymanie równowagi i pewne podparcie nóg. W nieprzewidzianych sytuacjach zapewnia to lepszą kontrolę nad urządzeniem.
- Należy nosić odpowiednią odzież. Nie powinno się nosić luźnych ubrań ani biżuterii. Włosy i odzież należy trzymać w bezpiecznej odległości od poruszających się części. Luźne ubrania, biżuteria lub długie włosy mogą zaczepić się o poruszające się części.
- Przed włączeniem urządzenia należy sprawdzić wszystkie połączenia.
- Nie wolno dopuścić do tego, aby poczucie znajomości urządzenia wynikające z jego częstego używania doprowadziło do lekceważenia i ignorowania zasad bezpieczeństwa. Jedno lekkomyślne działanie może w ułamku sekundy doprowadzić do ciężkich urazów.

UŻYTKOWANIE I KONSERWACJA

- Nie należy używać urządzenia, jeżeli przełącznik zasilania nie włącza go lub nie wylądza. Urządzenie, którego nie da się kontrolować przełącznikiem, jest potencjalnie niebezpieczne i wymaga naprawy.
- Przed jakąkolwiek regulacją, wymianą akcesoriów lub przechowywaniem urządzenia należy zawsze odłączyć akumulator. Tego typu zapobiegawcze środki ostrożności zmniejszają ryzyko przypadkowego włączenia się urządzenia.
- Nieużywane urządzenie należy przechowywać w miejscu niedostępnym dla dzieci. Nie wolno dopuszczać do obsługi urządzenia przez osoby, które nie znają urządzenia lub nie zapoznały się z niniejszą instrukcją. W rękach nieprzeszkolonych użytkowników urządzenia mogą stanowić zagrożenie.
- Urządzenie i akcesoria należy utrzymywać w dobrym stanie. Należy kontrolować, czy części ruchome nie są odchylone od osi, nie zacinają się i nie są pęknięte lub uszkodzone w inny sposób, który mógłby wpłynąć na działanie urządzenia. Jeśli urządzenie jest uszkodzone, przed użyciem należy je naprawić. Wiele wypadków wynika ze złej konserwacji urządzeń.

- **Urządzenia, akcesoriów, itp. należy używać zgodnie z niniejszą instrukcją, z uwzględnieniem warunków i rodzaju wykonywanej pracy.** Korzystanie z urządzenia niezgodnie z przeznaczeniem może doprowadzić do niebezpiecznych sytuacji.
- **Należy dbać o to, aby uchwyty i powierzchnie do trzymania były suche, czyste i niezaplamione olejem lub smarem.** W nieprzewidzianych sytuacjach śliskie uchwyty nie pozwalają w bezpieczny sposób kontrolować urządzenia.

⚠ OSTRZEŻENIE: Aby zmniejszyć ryzyko pożaru lub porażenia prądem, wentylatora nie należy używać w połączeniu z jakimkolwiek półprzewodnikowym urządzeniem sterującym prędkością.

UŻYWANIE I UTRZYMANIE URZĄDZENIA AKUMULATOROWEGO

- Do ładowania należy używać wyłącznie ładowarki wskazanej przez producenta. Użycie ładowarki pochodzącej od jednego akumulatora do ładowania innego akumulatora grozi pożarem.
- Urządzenia należy używać wyłącznie z dedykowanymi do niego akumulatorami. Użycie jakichkolwiek innych akumulatorów grozi obrażeniami i pożarem.
- **Jeżeli akumulator nie jest używany, należy go przechowywać z dala od innych przedmiotów metalowych, np. spinaczy, monet, kluczy, gwoździ, śrub, wkrętów i innych drobnych przedmiotów metalowych, które mogłyby spowodować zwarcie wyprowadzeń akumulatora.** Zwarcie wyprowadzeń akumulatora może doprowadzić do oparzeń lub pożaru.
- **W niesprzyjających warunkach może dojść do wycieku cieczy z akumulatora. Należy wtedy unikać wszelkiego kontaktu z tą cieczą. W razie przypadkowego kontaktu ze skórą, zabrudzone miejsce należy obficie przemyć wodą. Jeżeli płyn dostanie się do oczu, należy dodatkowo zasięgnąć porady lekarza.** Płyn wyciekający z akumulatora może powodować podrażnienie lub oparzenia.
- **Nie należy używać akumulatora lub urządzenia, które są uszkodzone lub zostały poddane przeróbkom.** Uszkodzone lub poddane przeróbkom akumulatory mogą zachowywać się w sposób nieprzewidywalny, co może doprowadzić do pożaru lub wybuchu lub stwarzać ryzyko urazów.
- **Nie należy narażać akumulatora lub urządzenia na kontakt z ogniem lub zbyt wysokimi temperaturami.** Ogień lub temperatury przekraczające 130°C mogą doprowadzić do wybuchu.
- **Należy przestrzegać wszystkich instrukcji**

ładowania. **Nie należy ładować akumulatora lub urządzenia poza przedziałem temperatur podanym w instrukcji.** Ładowanie w sposób nieprawidłowy lub w temperaturze wykraczającej poza określony zakres może doprowadzić do uszkodzenia akumulatora i zwiększa ryzyko pożaru.

SERWISOWANIE

- **Serwisowanie urządzenia należy powierzać wykwalifikowanemu serwisantowi. Do naprawy używać wyłącznie części zamiennych oryginalnych z oryginalnymi.** Zapewni to bezpieczeństwo eksploatacji urządzenia.
- **Uszkodzonych akumulatorów nie należy nigdy naprawiać.** Jakiegokolwiek czynności serwisowe przy akumulatorach powinny być wykonywane wyłącznie przez producenta lub pracowników autoryzowanego serwisu.

INSTRUKCJE DOTYCZĄCE BEZPIECZEŃSTWA UŻYWANIA BEZPRZEWODOWEGO WENTYLATORA NAWILŻAJĄCEGO

- Urządzenie nie powinno być używane przez osoby (w tym dzieci) o ograniczeniach fizycznych, czuciowych lub psychicznych, ani osoby bez odpowiedniego doświadczenia lub wiedzy, chyba że opiekun odpowiedzialny za ich bezpieczeństwo nadzoruje wykonywane przez nie czynności lub poinstruował je wcześniej na temat obsługi urządzenia.
- Aby nie dopuścić do zabawy urządzeniem, dzieci powinny pozostawać pod opieką osób dorosłych.
- **Nie wolno dopuścić do tego, aby wentylator był używany jako zabawka.** Używanie urządzenia przez lub w pobliżu dzieci wymaga szczególnej uwagi.
- **Dzieci mogą wpaść do wiadra i się utopić.** Jeśli w wiadrze znajduje się nawet niewielka ilość płynu, dzieci należy trzymać z dala od wiadra.
- **Należy używać WYŁĄCZNIE czystej, zimnej wody.**
- **Wentylatora nawilżającego nie należy używać do rozpylania pestycydów, płynnych nawozów, chemikaliów lub jakiegokolwiek płynów innych niż czysta woda.** Rozprowadzanie takich substancji może doprowadzić do choroby lub ciężkich urazów użytkownika lub osób postronnych.
- **Nigdy nie należy kierować mgiełki lub wody w stronę jakiegokolwiek przewodów lub urządzeń elektrycznych.**
- **Aby zapobiec zetknięciu się akumulatora z wodą lub przedostaniu się wody do portu akumulatora, należy pilnować, aby pokrywa komory akumulatora była całkowicie zamknięta.**

PL

- **Należy dbać o to, aby urządzenie i jego uchwyt były suche, czyste i niezaplamione olejem lub smarem. Do czyszczenia należy zawsze używać czystej ściereczki. Do czyszczenia wentylatora nigdy nie należy stosować płynów hamulcowych, benzyny, produktów ropopochodnych lub jakichkolwiek innych silnych rozpuszczalników.** Stosowanie tej zasady ograniczy ryzyko uszkodzenia plastikowej obudowy.
- **W obecności źródła zapłonu takiego jak np. świeczka w podgrzewaczu do wody akumulatory mogą wybuchnąć. Aby ograniczyć ryzyko ciężkich urazów ciała, nigdy nie należy używać jakichkolwiek produktów bezprzewodowych w obecności otwartych płomieni. Wybuch akumulatora może spowodować wyrzucenie w powietrze odpadów i substancji chemicznych.** W przypadku zetknięcia się z nimi, zabrudzone miejsce trzeba natychmiast przepłukać wodą.
- **Niniejszą instrukcję należy zachować.** Zachęcamy do częstego korzystania z niej. Instrukcja może też posłużyć do przeszkolenia innych osób, które będą używały wentylatora. Aby zapobiec niewłaściwemu użytkowaniu i możliwym urazom, jeśli wentylator zostanie komuś pożyczony, osobie tej należy również udostępnić niniejszą instrukcję.
- Należy mieć świadomość, że wysoki poziom wilgotności może sprzyjać rozwijaniu się w środowisku organizmów biologicznych.
- Nie wolno dopuścić do tego, aby otoczenie wentylatora nawilżającego było mokre. Jeśli otoczenie jest mokre, należy zmniejszyć wydajność działania wentylatora nawilżającego. Jeśli wydajności wentylatora nawilżającego nie da się zmniejszyć, nawilżacza należy używać z przerwami. Nie wolno dopuszczać do zawilgocenia materiałów chłonnych, takich jak dywany, zasłony, firanki czy obrusy.
- Gdy urządzenie nie jest używane, nigdy nie należy zostawiać wody w zbiorniku.
- Przed schowaniem, wentylator nawilżający należy opróżnić i wyczyścić. Przed następnym użyciem należy wyczyścić nawilżacz.


⚠ OSTRZEŻENIE: Mikroorganizmy, które mogą występować w wodzie lub w środowisku, w którym urządzenie jest używane lub przechowywane, mogą rozwijać się w zbiorniku z wodą i mogą być rozprowadzane w powietrzu. Jeśli woda nie będzie wymieniana, a zbiornik nie będzie właściwie czyszczony raz na 3 dni, może to powodować bardzo poważne zagrożenia dla zdrowia.

Przed ładowaniem akumulatory należy wyjąć z urządzenia.

- Zużyte akumulatory należy wyjąć z urządzenia i bezpiecznie zutylizować.
- Jeżeli urządzenie ma być przechowywane nieużywane przez długi czas, należy z niego wyjąć akumulatory.
- Wyprowadzeń zasilania nie wolno zwierać.

NINIEJSZĄ INSTRUKCJĘ NALEŻY ZACHOWAĆ

SPECYFIKACJA

Napięcie znamionowe	56 V 
Średnica łopatek wentylatora	25,4 cm
Ustawienia prędkości wentylatora	6 (w tym „Turbo”)
Maks. objętość powietrza	1700 CFM
Maks. prędkość powietrza	32,2 km/h
Kąt oscylacji	60°, 120°, 180°
Objętość wody do tworzenia mgiełki	Duża prędkość: 5,7 l/h
	Średnia prędkość: 4,9 l/h
	Mala prędkość: 2,5 l/h
Ciężar (bez akumulatora)	4,7 kg
Zalecana temperatura przechowywania	-20°C - 70°C
Pasma częstotliwości działania bezprzewodowego	2402-2480 MHz
Moc maksymalnej transmisji bezprzewodowej	4 dBm

- Deklarowana całkowita wartość drgań została zmierzona zgodnie ze standardowymi metodami testowania i może służyć do porównywania różnych urządzeń;
- Deklarowana całkowita wartość drgań może również służyć do wstępnej oceny narażenia na drgań.

INFORMACJA: Emisja drgań podczas rzeczywistego użytkowania urządzenia może różnić się od deklarowanej wartości, w której urządzenie jest używane. Aby się zabezpieczyć, w rzeczywistych warunkach użytkowania użytkownik powinien nosić rękawice i nauszniki ochronne.

LISTA ELEMENTÓW W OPAKOWANIU (RYS. A1)

OPIS

ZAPOZNANIE SIĘ Z DMUCHAWĄ (Rys. A1 i A2)

1. Panel sterowania (Rys. A2)
2. Ramka oscylacji
3. Dysza do wytwarzania mgiełki
4. Uchwyt górny
5. Obudowa wentylatora
6. Uchwyt boczny
7. Komora akumulatora
8. Styki elektryczne
9. Przycisk odblokowujący akumulator
10. Adapter do węża ogrodowego
11. Filtr
12. Rurka zasysająca
13. Przyciski regulacji prędkości powietrza
14. Przycisk TURBO
15. Wskaźnik TURBO
16. Wskaźnik mgiełki
17. Przycisk trybu generowania mgiełki
18. Przycisk zasilania
19. Wskaźnik prędkości powietrza
20. Wskaźnik oscylacji
21. Przycisk trybu oscylacji

MONTAŻ

⚠ OSTRZEŻENIE: W przypadku braku lub uszkodzenia którejs z części nie należy włączać urządzenia aż do momentu wymiany lub naprawy części. Używanie urządzenia z uszkodzonymi częściami lub gdy którejs z części brakuje może doprowadzić do poważnych urazów ciała.

⚠ OSTRZEŻENIE: Nie należy próbować przerabiać urządzenia lub tworzyć akcesoriów, które nie są zalecane do używania w produkcji. Wszelkie tego typu zmiany lub modyfikacje są niedozwolone i mogą prowadzić do niebezpiecznych sytuacji oraz poważnych urazów ciała.

⚠ OSTRZEŻENIE: Aby zapobiec przypadkowemu włączeniu, które mogłoby spowodować urazy ciała, na czas mocowania części należy zawsze wyjmować z maszyny akumulator.

- Produkt został wysłany w stanie całkowicie złożonym.
- Produkt i jego akcesoria należy ostrożnie wyjąć z opakowania. Należy upewnić się, że znajdują się w nim wszystkie elementy wymienione na „**liście pakowania**”.

- Aby mieć pewność, że w czasie transportu nie doszło do żadnych usterek i uszkodzeń, produkt należy dokładnie skontrolować.
- Zanim dokładnie nie sprawdzi się produktu i nie przekona się o jego poprawnym działaniu, nie należy wyrzucać opakowania.
- Jeśli jakkolwiek część jest uszkodzona lub jej brakuje, należy oddać produkt do miejsca zakupu.

UŻYTKOWANIE

⚠ OSTRZEŻENIE: Nie wolno dopuść do tego, aby znajomość produktu doprowadziła do nieuwagi. Należy pamiętać, że do spowodowania poważnych obrażeń wystarczy zaledwie chwila nieuwagi.

⚠ OSTRZEŻENIE: Aby zapobiec przypadkowemu włączeniu, które mogłoby spowodować ciężkie urazy, przed serwisowaniem, regulacją, czyszczeniem lub wymianą akcesoriów z wentylatora należy zawsze wyjmować akumulator.

⚠ OSTRZEŻENIE: Nie należy używać końcówek lub akcesoriów innych niż zalecane przez producenta produktu. Używanie końcówek lub akcesoriów innych niż zalecane może doprowadzić do poważnych obrażeń.

Przed każdym użyciem należy skontrolować cały produkt pod kątem uszkodzonych, brakujących lub obluzowanych części takich jak śruby, wkręty, nakrętki, nasadki itp. Wszystkie elementy połączeniowe i nasadki należy mocno dokręcić. Nie należy używać produktu zanim wszystkie brakujące lub uszkodzone części nie zostaną wymienione.

ZASTOSOWANIA

Urządzenia można używać wyłącznie do celów podanych poniżej:

- Wentylacja ogólna w większości zastosowań domowych.
- Chłodzenie na dworze z podłączonym źródłem wody.

INFORMACJA: Produktu należy używać wyłącznie zgodnie z przeznaczeniem. Wszelkie inne zastosowania uznaje się za niezgodne z przeznaczeniem.

ZAKŁADANIE/WYJMOWANIE AKUMULATORA

Do urządzenia należy używać wyłącznie ładowarek i akumulatorów marki EGO wymienionych na Rys. A3.

UWAGA: Przed pierwszym użyciem akumulator należy całkowicie naładować.

PL

Zakładanie

Należy dopasować żeberka akumulatora do szczelin mocujących i wsunąć akumulator do komory akumulatora aż da się słyszeć kliknięcie (Rys. B1).

Wymowanie

Należy wcisnąć przycisk odblokowujący akumulator i wysunąć akumulator (Rys. B2).

⚠ OSTRZEŻENIE: Gdy użytkownik naciska przycisk odblokowujący akumulator, należy mieć zawsze świadomość tego, gdzie znajdują się stopy użytkownika, dzieci i zwierzęta. Upuszczenie akumulatora może doprowadzić do poważnych urazów. NIGDY nie należy wymawiać akumulatora na znacznej wysokości.

WŁĄCZANIE/WYŁĄCZANIE WENTYLATORA

UWAGA: Początkowe ustawienie fabryczne prędkości powietrza to poziom 3. Wentylator zapisuje ostatnie używane ustawienie prędkości powietrza i powraca je po ponownym uruchomieniu urządzenia. Ustawienie Turbo nie jest zapisywane.

UWAGA: Ustawienie mgiełki i oscylacji nie jest zapisywane i domyślnie, przy każdym włączeniu wentylatora, jest ono wyłączone.

Panel sterowania (Rys. A2)

Przycisk zasilania

- Aby włączyć wentylator, należy na krótko wcisnąć przycisk zasilania.
- Ponowne krótkie wcisnięcie przycisku zasilania powoduje wyłączenie wentylatora.

Regulacja prędkości powietrza

Normalna prędkość powietrza

- Wciśnięcie przycisku regulacji prędkości powietrza „+” zwiększa prędkość powietrza, a wciśnięcie przycisku regulacji prędkości powietrza „-” zmniejsza ją. Jest 5 poziomów prędkości.
- Wskaźnik prędkości powietrza wyświetla zielone kontrolki świetlne odpowiadające aktualnemu poziomowi prędkości.

Tryb TURBO

UWAGA: W trybie „TURBO” wentylator osiąga maksymalną prędkość powietrza.

- Wciśnięcie przycisku „TURBO”, powoduje, że wskaźnik TURBO zapala się na zielono, a wentylator przechodzi

w tryb „TURBO”, czyli najwyższej prędkości powietrza.

- W trybie „TURBO”, wciśnięcie przycisku „TURBO”, powoduje, że wskaźnik TURBO gaśnie, a wentylator wraca do wcześniej ustawionej prędkości powietrza.
- W trybie „TURBO”, wciśnięcie przycisku „-”, powoduje, że wskaźnik TURBO gaśnie, a wentylator przechodzi na poziom prędkości powietrza 5.

FUNKCJA OSCYLACJI (RYS. C)

- Aby włączyć funkcję oscylacji głowicy wentylatora, należy jeden raz nacisnąć przycisk oscylacji, we wskaźniku oscylacji zaświeci się jedna zielona kontrolka u dołu, a głowica wentylatora będzie obracać się w zakresie 60° z boku na bok (od -30° do 30°).
- Drugie wciśnięcie przycisku oscylacji spowoduje, że we wskaźniku oscylacji zaświecą się dwie zielone kontrolki, a zakres oscylacji będzie teraz wynosił 120° (od -60° do 60°).
- Trzecie wciśnięcie przycisku oscylacji spowoduje, że we wskaźniku oscylacji zaświecą się trzy zielone kontrolki, a zakres oscylacji będzie wynosił 180° (od -90° do 90°).
- Aby wyłączyć funkcję oscylacji, wystarczy nacisnąć przycisk oscylacji po raz czwarty.

REGULACJA KĄTA USTAWIENIA WENTYLATORA (RYS. D)

Głowicę wentylatora można ustawić pod różnymi kątami w zakresie od -30° do 90°. Aby wyregulować kierunek nawiewu mgiełki/strumienia powietrza, należy chwycić wentylator za górny uchwyt i przechylić głowicę wentylatora do przodu lub do tyłu.

FUNKCJA MGIEŁKI

Przycisk trybu generowania mgiełki

- Pierwsze wciśnięcie przycisku trybu mgiełki powoduje, że na wskaźniku mgiełki zaświecą się trzy zielone kontrolki, co oznacza tryb mgiełki „ciąglej” z silnym strumieniem – wytwarzanie silnego strumienia mgiełki wodnej przez cały czas bez przerwy.
- Ponowne wciśnięcie przycisku trybu mgiełki spowoduje, że na wskaźniku mgiełki zaświecą się dwie zielone kontrolki, co oznacza tryb mgiełki „ciąglej” – wytwarzanie mgiełki przez cały czas bez przerwy.
- Wciśnięcie przycisku trybu mgiełki po raz trzeci powoduje, że na wskaźniku mgiełki zapali się dolna zielona kontrolka, co oznacza tryb mgiełki „przerywanej” – wytwarzanie mgiełki przez 10 sekund co 10 sekund.

UWAGA: Za pierwszym razem, zanim użytkownik faktycznie zobaczy mgiełkę wydobywającą się z dysz do wytwarzania mgiełki, może minąć kilka sekund. Opóźnienie to wynika z czasu

potrzebnego na przepływ wody z rurki zasysającej do dysz.

- Gdy wytwarzania mgiełki odbywa się w trybie przerywanym, ponowne wciśnięcie przycisku wyboru trybu mgiełki powoduje, że kontrolki mgiełki gasną, a wytwarzania mgiełki zostaje zatrzymane.

UWAGA: Po zakończeniu wytwarzania mgiełki należy odłączyć rurkę zasysającą od źródła wody i włączyć wentylator w trybie mgiełki ciąglej, aż do usunięcia z rurki całej wody. Dzięki temu resztki wody w rurce nie będą powodowały nieoczekiwane wytwarzania mgiełki po ponownym włączeniu wentylatora.

Używanie wentylatora z wiadrem z wodą lub innym pojemnikiem (brak w zestawie) (Rys. E)

⚠ OSTRZEŻENIE: Dzieci mogą wpaść do wiadra i się utopić. Jeśli w wiadrze znajduje się nawet niewielka ilość płynu, dzieci należy trzymać z dala od wiadra.

INFORMACJA: Przed każdym użyciem wiadro należy umyć wodą i mydłem.

1. Odłączyć akumulator.
2. Ustawić wiadro na płaskiej, równej powierzchni.
3. Do wiadra nalać TYLKO czystej, zimnej wody. Nie przepelniać.
4. Zanurzyć w wodzie końcówkę rurki zasysającej z filtrem.

INFORMACJA: Rurki zasysającej nie należy zginać. Należy się zawsze upewnić, że woda swobodnie przepływa przez rurkę.

5. Zainstalować akumulator.
6. Nacisnąć przycisk zasilania, aby włączyć wentylator.
7. Nacisnąć przycisk trybu mgiełki, aby rozpocząć wytwarzanie mgiełki.

Podłączanie wentylatora do kranu z wodą (Rys. F i Rys. G)

1. Odkręcić górną część filtra w lewo (przeciwnie do kierunku ruchu wskazówek zegara) i odłączyć ją od części dolnej (rys. F).

F-1	Dolna część filtra
F-2	Górna część filtra

INFORMACJA: Należy pilnować, aby podczas odłączania części górnej część dolna nie podzieliła się na dwie części i aby w całości można ją było podłączyć do adaptera do

węża ogrodowego.

2. Odkręcić (w lewo, przeciwnie do kierunku ruchu wskazówek zegara) adapter do węża ogrodowego znajdujący się w dolnej części wentylatora. Wkręcić go (w prawo, zgodnie z kierunkiem ruchu wskazówek zegara) w dolną część filtra.
3. Podłączyć adapter do węża ogrodowego do odpowiedniego węża ogrodowego za pomocą szybkozłącza (do dokupienia osobno). Zamocować szybkozłącze do adaptera do węża ogrodowego tak, aby dało się słyszeć kliknięcie (Rys. G).

G-1	Adapter do węża ogrodowego
G-2	Typowe szybkozłącze

INFORMACJA: Nie należy próbować podłączać adaptera do węża ogrodowego, gdy jest on zamontowany w dolnej części wentylatora (Rys. G1).

4. Podłączyć wąż ogrodowy do doprowadzenia wody.
5. Zainstalować akumulator.
6. Nacisnąć przycisk zasilania, aby włączyć wentylator.
7. Całkowicie otworzyć kran doprowadzenia wody: wentylator zacznie wytwarzać mgiełkę.

INFORMACJA: Zalecane maksymalne ciśnienie robocze nie powinno przekraczać 80 psi.

UWAGA: Po odkręceniu kranu z wodą wentylator zacznie wytwarzać mgiełkę nawet jeśli nie ma zasilania.

8. W celu uzyskania lepszych efektów, przyciskiem trybu mgiełki można wybrać tryb generowania mgiełki.

UWAGA: Niewielka średnica otworu znajdującego się w adapterze do węża ogrodowego powoduje, że jest on wrażliwy na twardą wodę i tworzenie się osadów mineralnych. Adapter należy więc często czyścić. Należy też używać białego octu lub innego środka do usuwania kamienia.

Korzystanie z wentylatora bez funkcji mgiełki

W razie potrzeby urządzenie może być używane wyłącznie jako wentylator, bez podłączania go do źródła wody. Aby chronić rurkę zasysającą przed uszkodzeniem i zanieczyszczeniem, gdy rurka nie jest używana, powinna się ona zawsze znajdować w przeznaczonym na nią miejscu (patrz część „TRANSPORT I PRZECHOWYWANIE” w niniejszej instrukcji).

TECHNOLOGIA ŁĄCZNOŚCI

Aby uzyskać informacje na temat pełnej oferty naszych produktów i usług łączących się bezprzewodowo, w tym instrukcje dotyczące podłączania, wystarczy zeskanować poniższy kod QR lub odwiedzić stronę www.egopowerplus.eu/connect.



OCHRONA ELEKTRONIKI

Gdy funkcja oscylacji jest włączona, ale wentylator nie oscyluje, na wskaźniku oscylacji migają w sposób ciągły trzy zielone kontrolki, co sygnalizuje potrzebę sprawdzenia, czy głowica wentylatora nie jest czymś zablokowana i konieczność usunięcia wszelkich ciał obcych, które utknęły w głowicy wentylatora przed ponownym włączeniem tej funkcji.

Gdy funkcja mgielki jest włączona, ale z urządzenia nie wydobywa się mgielka z pary wodnej:

- Pompa wody będzie pracowała przez krótką chwilę, a następnie wyłączy się automatycznie, aby chronić wewnętrzne podzespoły elektroniczne.
- Na wskaźniku mgielki będą migać w sposób ciągły trzy zielone kontrolki, sygnalizując, aby:
 - a. Sprawdzić, czy rurka zasysająca jest właściwie zanurzona w wodzie.
 - b. Sprawdzić, czy dysze mgielki nie są zapchane i przeczyścić je zgodnie z opisem podanym w rozdziale „KONSERWACJA DYSZ”.
 - c. Nacisnąć przycisk wyboru trybu mgielki, aby ponownie włączyć mgielkę.

Gdy poziom naładowania akumulatora jest niski, przycisk zasilania miga na zielono, przypominając użytkownikowi o konieczności naładowania lub wymiany akumulatora.

Gdy akumulator lub wentylator są zbyt gorące, przycisk zasilania zaczyna migać na czerwono, aby ostrzec użytkownika o konieczności wyłączenia wentylatora i pozostawienia akumulatora lub wentylatora do ostygnięcia, przed ponownym włączeniem, aż temperatura spadnie do zalecanego przedziału temperatury pracy.

KONSERWACJA

⚠ OSTRZEŻENIE: Do serwisowania należy używać wyłącznie części zamiennych identycznych z oryginalnymi. Używanie jakichkolwiek innych części stwarza ryzyko i może spowodować usterkę produktu. Aby zagwarantować bezpieczeństwo i niezawodność, wszystkie naprawy powinny

być wykonywane przez wykwalifikowanych techników serwisu.

⚠ OSTRZEŻENIE: Aby uniknąć poważnych obrażeń ciała, na czas czyszczenia lub wykonywania prac konserwacyjnych należy zawsze wyjmować z urządzenia akumulator.

KONSERWACJA OGÓLNA

Wszystkie czynności serwisowe przy wentylatorze nawilżającym inne niż wymienione w niniejszej instrukcji konserwacji, powinny być wykonane przez kompetentnych serwisantów wentylatorów nawilżających.

Podczas czyszczenia części plastikowych unikać używania rozpuszczalników. Pod wpływem kontaktu z różnego rodzaju rozpuszczalnikami dostępnymi w handlu większość tworzyw może ulec uszkodzeniu. Do usuwania zabrudzeń, kurzu, oleju, smaru itp. należy używać czystych ściereczek.

⚠ OSTRZEŻENIE: Nigdy nie należy dopuszczać do zetknięcia się części plastikowych z substancjami takimi jak płyn hamulcowy, benzyna, produkty ropopochodne, oleje penetrujące itp. Substancje chemiczne mogą uszkodzić, osłabić lub zniszczyć tworzywa, co może w konsekwencji spowodować poważne obrażenia.

⚠ OSTRZEŻENIE: Podczas czyszczenia wentylatora nawilżającego NIE WOLNO zanurzać go w wodzie lub innych płynach.

KONSERWACJA DYSZ (Rys. H)

⚠ OSTRZEŻENIE: Aby zapobiec wyciekom wody, należy pilnować, aby wszystkie czynności konserwacyjne przy dyszach wytwarzających mgielkę były wykonywane prawidłowo. Nieszczelności mogą spowodować, że powierzchnia wokół urządzenia będzie śliska, co stwarza ryzyko poślizgnięcia się, upadku lub szkód materialnych.

Nieregularne generowanie mgielki lub wycieki mogą wynikać z zatkania lub zabrudzenia dyszy.

W celu przetkania dysz należy

1. Wyłączyć wentylator i wyjąć akumulator.
2. Wyjąć zatkane dysze do generowania mgielki z osłony przedniej z kratką w obudowie wentylatora i w tym celu przekręcić je w lewo (przeciwnie do kierunku ruchu wskazówek zegara).
3. Każdą niesprawną dyszę należy rozebrać na części.
4. Aby usunąć wszelkie obce cząstki zatykające dysze lub ograniczające ich działanie, należy przepłukać części dysz wodą. Aby usunąć nagromadzony kamień (mineralny), należy w razie potrzeby przeczyścić części dyszy białym octem lub innym środkiem usuwającym kamień.
5. Ponownie zamontować dysze.

INFORMACJA: Aby zapobiec zatykaniu się, należy pilnować, aby dysza była zmontowana dokładnie tak, jak pokazano na Rys. H.

- Założyć czyste dysze do osłony przedniej z kratką.

KONSERWACJA FILTRA (Rys. I)

Aby mieć pewność, że filtr na końcu rurki zasysającej jest w dobrym stanie, należy go okresowo kontrolować.

- Wyłączyć wentylator i wyjąć akumulator.
- Odkręcić część górną od części dolnej filtra.

I-1	Część dolna	I-3	Wkład z gąbki
I-2	Siatka metalowa	I-4	Część górna

INFORMACJA: Podczas odkręcania części górnej należy się upewnić, że część dolna nie jest rozdzielona na dwa kawałki. Aby można było wyjąć metalową siatkę, część dolna musi pozostać złożona.

- Wyjąć wkład z gąbki z części górnej i metalową siatkę z części dolnej.
- Przeplukać metalową siatkę i wkład z gąbki; wkład w razie potrzeby można wymienić.
- Ponownie złożyć filtr.

INFORMACJA: Należy dopilnować, aby metalowa siatka była zamontowana stroną z podniesioną krawędzią skierowaną na zewnątrz, co ułatwi jej demontaż następnym razem.

KONSERWACJA ADAPTERA DO WĘŻA OGRODOWEGO

Niewielka średnica otworu znajdującego się w adapterze do węża ogrodowego powoduje, że jest on wrażliwy na twardą wodę i tworzenie się osadów mineralnych. Adapter należy więc często czyścić. Należy też używać białego octu lub innego środka do usuwania kamienia.

KONSERWACJA OBUDOWY WENTYLATORA (Rys. J i Rys. K)

- Wyłączyć wentylator i wyjąć akumulator.
- Za pomocą śrubokręta krzyżakowego (brak w zestawie) odkręcić osiem śrub z tyłu obudowy wentylatora, aby zdjąć osłonę przednią z kratką.

J-1	Śruba (x8)
J-2	Oslona przednia z kratką

- Przytrzymać moduł łopatek wentylatora, aby zapobiec jego obracaniu się i przekręcić nakładkę blokującą łopatek wentylatora w prawo, aby móc zdjąć łopatki z wału.

K-1	Moduł łopatek wentylatora
K-2	Nakładka blokująca

- Zdjąć moduł łopatek wentylatora.
- W razie potrzeby wyczyścić łopatki wentylatora oraz wnętrze obudowy.
- Montaż wykonać w odwrotnej kolejności. Upewnić się, że:

Oznaczenie na module łopatek wentylatora znajduje się na wysokości poprzeczki na wale.

TRANSPORT I PRZECHOWYWANIE (Rys. L)

- Wyjąć akumulator.
- Dokładnie wyczyścić wentylator.
- Opróżnić rurkę zasysającą i filtr.

INFORMACJA: Zabezpieczenie wentylatora na zimę jest niezbędne do ochrony przed ujemnymi temperaturami, które mogą doprowadzić do uszkodzenia pompy, węży i innych podzespołów. **Przed schowaniem wentylatora na zimę należy zawsze odłączyć rurkę wlotową wentylatora od źródła wody i włączyć wentylator w trybie ciągłego generowania mgiełki, aż do usunięcia z rurki resztek wody.**

- Zamocować rurkę wlotową i filtr za pomocą zacisków znajdujących się na spodzie podstawy wentylatora.
- Przykręcić adapter do węża ogrodowego do gwintowanego otworu znajdującego się na spodzie podstawy wentylatora.

L-1	Adapter do węża ogrodowego
L-2	Zatrzaski boczne

- Podczas transportu wentylator należy przenosić za uchwyt górny lub uchwyty boczne.
- Wentylator należy przechowywać w pomieszczeniu zamkniętym, w miejscu z dobrą wentylacją.
- Wyrób należy chronić przed żrącymi substancjami takimi jak chemia ogrodnicza i sól do usuwania lodu.

Ochrona środowiska



Urządzeń elektrycznych, zużytych akumulatorów i ładowarki nie należy wyrzucać do zwykłych zmieszanych śmieci domowych!

Produkt należy oddać do zbiórki selektywnej w autoryzowanym punkcie recyklingu. Elektronarzędzia należy oddawać do przyjaznego dla środowiska zakładu recyklingu.

ROZWIĄZYWANIE PROBLEMÓW

PROBLEM	PRZYCZYNA	ROZWIĄZANIE
Wentylator nawilżający nie włącza się.	<ul style="list-style-type: none"> ■ Akumulator nie jest w pełni włożony do obudowy. ■ Brak kontaktu elektrycznego między wentylatorem nawilżającym a akumulatorem. ■ Akumulator jest rozładowany. ■ Akumulator lub wentylator jest zbyt gorący. 	<ul style="list-style-type: none"> ■ Sprawdzić, czy akumulator jest całkowicie włożony do obudowy. ■ Wyjąć akumulator, sprawdzić styki i założyć akumulator z powrotem. ■ Naładować akumulator. ■ Wyłączyć wentylator nawilżający i pozostawić akumulator lub wentylator do ostygnięcia, aż temperatura spadnie do zalecanego przedziału temperatury działania.
Brak wody do wytwarzania mgiełki, wskaźnik mgiełki miga trzema zielonymi kontrolkami.	<ul style="list-style-type: none"> ■ Rurka zasysająca nie pompuje wody, co powoduje uruchomienie wewnętrznego zabezpieczenia pompy wodny w wentylatorze. ■ Dysze wytwarzające mgiełkę zatkały się podczas pracy, powodując uruchomienie wewnętrznego zabezpieczenia pompy wody. 	<ul style="list-style-type: none"> ■ Sprawdzić czy w wiadrze jest wystarczająca ilość wody i upewnić się, że rurka zasysająca jest prawidłowo zanurzona w wodzie. ■ Wyczyścić dysze zgodnie z opisem podanym w rozdziale „KONSERWACJA DYSZ” i ponownie zamontować je zgodnie z instrukcją.
Wentylator przestaje oscylować, a wskaźnik oscylacji miga trzema zielonymi kontrolkami.	<ul style="list-style-type: none"> ■ Głowica wentylatora blokuje się podczas oscylacji. 	<ul style="list-style-type: none"> ■ Usunąć wszelkie ciała obce, które uniemożliwiają oscylację głowicy wentylatora.

PL

GWARANCJA

POLITYKA GWARANCYJNA EGO

W celu zapoznania się z wszystkimi warunkami polityki gwarancyjnej EGO prosimy wejść na stronę egopowerplus.eu.

PŘEČTĚTE SI VŠECHNY POKYNY!



PŘEČTĚTE SI NÁVOD K OBSLUZE

VAROVÁNÍ: Z důvodu zajištění bezpečnosti a spolehlivosti musí všechny opravy provádět kvalifikovaný servisní technik.

VAROVÁNÍ: Před použitím tohoto spotřebiče se ujistěte, že jste si přečetli a pochopili všechny bezpečnostní pokyny v tomto návodu k obsluze, včetně všech bezpečnostních výstražných symbolů, jako je „**NEBEZPEČÍ**“, „**VAROVÁNÍ**“ a „**UPOZORNĚNÍ**“. Nedodržení níže uvedených pokynů může mít za následek úraz elektrickým proudem, požár anebo vážná zranění osob.

VŠECHNA VAROVÁNÍ A POKYNY USCHOVEJTE PRO BUDOUCÍ POUŽITÍ.

BEZPEČNOSTNÍ SYMBOLY

VAROVÁNÍ: Při používání jakýchkoli přístrojů může dojít k vymrštění cizích předmětů do očí, což může mít za následek vážné poškození očí. Před zahájením práce se spotřebičem si vždy nasadte ochranné brýle nebo ochranné brýle s bočními štíty a v případě potřeby i celoočičejový štít. Na brýle nebo standardní ochranné brýle s bočními kryty doporučujeme použít ochrannou masku.



Bezpečnostní upozornění



Z důvodu snížení nebezpečí úrazu si musí uživatel před použitím tohoto výrobku přečíst návod k obsluze a porozumět mu.

CZ



Garantovaná hladina akustického výkonu. Emise hluku do prostředí dle směrnice Evropského společenství.



Symbol Bluetooth®



Odpadní elektrické výrobky se nesmí likvidovat s domovním odpadem. Odevzdejte je do autorizovaného recyklačního střediska.



Tento výrobek je v souladu s platnými směrnicemi ES.



Stejnoseměrný proud



Tento výrobek je v souladu s platnými předpisy ve Spojeném království.

IPX4 Ochrana před stříkající vodou

OBECNÁ BEZPEČNOSTNÍ UPOZORNĚNÍ

VAROVÁNÍ: Pro snížení rizika vzniku požáru, úrazu elektrickým proudem, nebo úrazu:

- **Seznamte se s vaším zamlžovacím ventilátorem. Pečlivě si přečtěte návod k obsluze. Seznamte se s použitím ventilátoru, omezeními a také s konkrétním potenciálním nebezpečím ve vztahu k ventilátoru.** Dodržování této zásady sníží riziko úrazu elektrickým proudem, vzniku požáru nebo vážného úrazu.
- Toto zařízení mohou používat děti od 8 let a osoby s omezeními fyzickými, smyslovými nebo duševními schopnostmi nebo nedostatkem zkušeností a znalostí, pokud jsou tyto osoby pod dohledem, nebo byly řádně poučeny ohledně použití zařízení bezpečným způsobem a chápou možná rizika spojená s jeho používáním.
- Děti si nesmí s přístrojem hrát.
- Čištění a údržbu nesmějí provádět děti, pokud nejsou pod dohledem dospělé osoby

BEZPEČNOST NA PRACOVIŠTI

- **Ventilátor neprovazujte ve výbušném prostředí, jako například s výskytem hořlavých kapalin, plynů nebo prachu.**
- **Při práci se zařízením udržujte děti a přihlízející osoby v bezpečné vzdálenosti.** Nesoustředěnost může způsobit ztrátu kontroly.
- **Při použití ve větrných podmínkách buďte opatrní.** Vítr může přenášet zařízení do elektrického vedení nebo zařízení.
- **Nevystavujte zařízení dešti nebo moku.** Vniknutí vody do zařízení zvyšuje riziko úrazu elektrickým proudem.

BEZPEČNOST OSOB

- **Při práci se zařízením buďte stále pozorní, sledujte, co děláte a používejte zdravý rozum. Zařízení nepoužívejte, jste-li unavení, pod vlivem návykových látek, alkoholu nebo léků.** Jediná chvilka nepozornosti při práci se zařízením může mít za následek vážný úraz.
- **Zabraňte náhodnému spuštění. Před připojením k akumulátoru, zvednutím nebo přenášením zařízení se ujistěte, že spínač je ve vypnuté poloze.** Přenášení zařízení s prstem na spínači nebo zapojování zařízení, které má zapnutý spínač, může snadno způsobit nehodu či úraz.
- **Před zapnutím zařízení odstraňte seřizovací klíče nebo nářadí.** Nářadí nebo klíč, který zůstane upevněn

k otáčející se části zařízení, může způsobit zranění.

- **Nenahýbejte se. Vždy udržujte pevný postoj a rovnováhu.** To umožní lepší ovládání zařízení v nečekaných situacích.
- **Používejte vhodný oděv. Nenoste volný oděv ani šperky. Udržujte vaše vlasy a oblečení mimo dosah pohybujících se částí.** Volný oděv, šperky nebo dlouhé vlasy se mohou zachytit do pohyblivých dílů.
- **Před spuštěním zařízení ověřte, zda jsou všechna připojení zabezpečena.**
- **Nedovoďte, abyste se po získání zkušeností častým používáním zařízení stali neobezřetnými a ignorovali zásady bezpečnosti.** Nedbalá činnost může způsobit vážné zranění za zlomek sekundy.

POUŽITÍ A PÉČE

- **Nepoužívejte zařízení v případě, že vypínač nefunguje.** Zařízení, které nelze ovládat spínačem, je nebezpečné a musí se opravit.
- **Před prováděním úprav, výměnou příslušenství nebo uskladněním vyjměte ze zařízení akumulátor.** Tato preventivní opatření snižují riziko neúmyslného spuštění zařízení.
- **Nečinné zařízení skladujte mimo dosah dětí a nedovoďte osobám, které nejsou obeznámeny se zařízením nebo s těmito pokyny, aby jej obsluhovaly.** Zařízení je v rukou nekalifikované obsluhy nebezpečné.
- **Provádějte údržbu zařízení a příslušenství. Kontrolujte případnou nesouosost nebo ohyb pohybujících se částí, narušení dílů a ostatní podmínky, které mohou ovlivnit provoz zařízení. Pokud je zařízení poškozeno, nechte jej před použitím opravit.** Mnoho nehod a úrazů je způsobeno nedostatečně udržovaným zařízením.
- **Používejte zařízení, příslušenství atd. v souladu s těmito pokyny s přihlédnutím k pracovním podmínkám a práci, která má být provedena.** Použití zařízení na činnosti jiné, než je určující použití, může vést k nebezpečným situacím.
- **Udržujte rukojeti a úchopové plochy suché, čisté a zbavené oleje a mastnoty.** Kluzké rukojeti a plochy pro uchopení neumožňují bezpečnou manipulaci se zařízením a jeho ovládání v nečekaných situacích.

VAROVÁNÍ: Aby se snížilo riziko požáru nebo úrazu elektrickým proudem, nepoužívejte tento ventilátor s žádným polovodičovým zařízením pro regulaci otáček.

POUŽITÍ A PÉČE O BATERIE spotřebiče

- K nabíjení používejte pouze nabíječku doporučenou výrobcem. Nabíječka vhodná pro jeden typ akumulátoru může způsobit riziko požáru při použití s jiným akumulátorem.
- Zařízení používejte pouze se specifikovanými akumulátory. Použití jiných akumulátorů může způsobit riziko úrazu a požáru.
- Pokud akumulátor nepoužíváte, držte jej z dosahu kovových předmětů, jako jsou kancelářské sponky na papír, mince, klíče, hřebíky, šroubky nebo další drobné kovové předměty, které mohou propojit kontakty akumulátoru. Zkratování kontaktů akumulátoru může způsobit spáleniny nebo požár.
- V nevhodných podmínkách může z akumulátoru unikat kapalina. Zabráňte kontaktu. Při náhodném kontaktu opláchněte zasažené místo vodou. Při zasažení očí kapalinou vyhledejte lékařskou pomoc. Unikající kapalina z akumulátoru může způsobit podráždění pokožky nebo popáleniny.
- Nepoužívejte akumulátor nebo zařízení, které jsou poškozené nebo upraveny. Poškozené nebo upravené akumulátory se mohou chovat nepředvídatelně, což může vést k požáru, výbuchu nebo nebezpečí zranění.
- Akumulátor ani zařízení nevystavujte působení ohně nebo příliš vysoké teploty. Při vystavení ohni nebo teplotě nad 130 °C může dojít k výbuchu.
- Dodržujte všechny pokyny k nabíjení a nenabíjejte akumulátor nebo spotřebič mimo teplotní rozsah uvedený v návodu. Nesprávné nabíjení nebo nabíjení při teplotách mimo stanovený rozsah může poškodit akumulátor a zvýšit riziko požáru.

SERVIS

- Servis vašeho zařízení svěřte kvalifikovanému opraváři, který používá pouze originální náhradní díly. Tím zajistíte bezpečnost zařízení.
- Nikdy neopravujte poškozené akumulátory. Servis akumulátorů může provádět pouze výrobce nebo autorizovaní poskytovatelé služeb.

BEZPEČNOSTNÍ POKYNY PRO AKUMULÁTOROVÝ ZAMLŽOVACÍ VENTILÁTOR

- Zařízení není určeno pro používání osobami (včetně dětí) s omezenými fyzickými, smyslovými nebo duševními schopnostmi nebo nedostatkem zkušeností a znalostí, pokud tyto osoby nejsou pod dohledem nebo nejsou řádně poučeny odpovědnou osobou o bezpečném používání zařízení.
- Děti musí být pod dozorem, aby si s výrobkem nehrály.

- **Nedovolte, aby byl ventilátor použit jako hračka.** Děti mohou zařízení používat pouze pod dohledem dospělé osoby.
- Děti mohou spadnout do kbelíků a utopit se. Udržujte děti mimo dosah kbelíků i s malým množstvím tekutiny.
- **Používejte POUZE čistou, studenou vodu.**
- **Nepoužívejte tento zamlžovací ventilátor k postříku pesticidy, kapalnými hnojivy, chemikáliemi nebo jinými kapalinami než čistou vodou.** Aplikace těchto látek může vést k vážnému úrazu obsluhy nebo dalších osob.
- Nikdy nesměřujte mlhu ani vodu na elektrické vedení nebo zařízení.
- Ujistěte se, že kryt prostoru pro baterie je zcela uzavřen, aby se zabránilo kontaktu vody s akumulátorem nebo vstupu do portu baterie.
- Zařízení a jeho rukojeť udržujte suché, čisté, bez oleje a maziva. Při čištění vždy používejte čistý hadr. K čištění ventilátoru nikdy nepoužívejte brzdové kapaliny, benzín, ropné výrobky ani silná rozpouštědla. Dodržování této zásady sníží riziko ztráty kontroly a poškození plastového krytu.
- V přítomnosti zdroje vznícení, jako je např. signální žárovka, mohou akumulátory vybuchnout. Z důvodu snížení rizika vážného úrazu nikdy nepoužívejte akumulátorové výrobky v přítomnosti otevřeného ohně. Akumulátor, který vybuchne, může vyvrstít úlomky nebo chemické látky. V případě zasažení okamžitě postižené místo omyjte vodou.
- Tyto pokyny uchovejte pro budoucí použití. Používejte je často, také pro poučení dalších osob, které mohou tento ventilátor používat. Pokud ventilátor někomu půjčujete, půjčte mu také tento návod k obsluze, aby nedošlo k nesprávnému použití výrobku nebo případně k úrazu.
- Uvědomte si, že vysoká vlhkost může podporovat růst biologických organismů v prostředí.
- Nedovolte, aby oblast kolem zamlžovacího ventilátoru byla vlhká nebo mokrá. Pokud dojde k vlhkosti, snižte výstup zamlžovacího ventilátoru. Pokud výstup zamlžovacího ventilátoru nelze snížit, použijte zvlhčovač přerušovaně. Nedovolte, aby absorpční materiály, jako jsou koberce, záclony, závěsy nebo ubrusy, byly vlhké.
- Nikdy nenechávejte vodu v nádrži, když se spotřebič nepoužívá.
- Před skladováním vyprázdněte a vyčistěte zamlžovací ventilátor. Před dalším použitím zvlhčovač vyčistěte.

GZ

VAROVÁNÍ: Mikroorganismy, které mohou být přítomny ve vodě nebo v prostředí, kde je spotřebič používán nebo skladován, mohou růst ve vodní nádrži a být vyfukovány do vzduchu, což způsobuje velmi vážná zdravotní rizika, pokud voda není vyměněna a nádrž není řádně vyčištěna každé 3 dny.

Dobíjecí baterie musí být před nabíjením ze spotřebiče vyjmuty.

- Vybité baterie musí být vyjmuty ze spotřebiče a bezpečně zlikvidovány.
- Pokud má být spotřebič skladován po delší dobu bez používání, je třeba baterie vyjmout.
- Nezkratujte přírodní koncovky.

USCHOVEJTE SI TYTO POKYNY

TECHNICKÉ ÚDAJE

Jmenovité napětí	56 V 
Průměr lopatky ventilátoru	25,4 cm
Nastavení rychlosti ventilátoru	6 (včetně „Turbo“)
Max. Objem vzduchu	1700 CFM
Max. Rychlost vzduchu	32,2 km/h
Úhel oscilace	60°; 120°; 180°
Objem zamířovací vody	Vysoké: 5,7 l/h
	Střední: 4,9 l/h
	Nízká: 2,5 l/h
Hmotnost (bez akumulátoru)	4,7 kg
Doporučená skladovací teplota	- 20 °C – 70 °C
Provozní frekvenční pásmo Bluetooth	2402 až 2480 MHz
Maximální přenosový výkon Bluetooth	4 dBm

- Deklarovaná celková hodnota vibrací byla změřena v souladu se standardní zkušební metodou a může být použita pro porovnání jednoho spotřebiče s jiným;
- Celkovou deklarovanou hodnotu vibrací lze použít také k předběžnému stanovení expozičních limitů.

POZNÁMKA: Emise vibrací při skutečném používání spotřebiče se může lišit od deklarované hodnoty, ve které je spotřebič používán; Za účelem ochrany obsluhy by

měl uživatel při skutečném používání používat rukavice a chrániče sluchu.

OBSAH BALENÍ (OBR. A1)

POPIS

SEZNAMTE SE S VAŠÍM VENTILÁTOREM (obr. A1 a A2)

1. Ovládací panel (obr. A2)
2. Oscilační rám
3. Mlžící tryska
4. Horní rukojeť
5. Kryt ventilátoru
6. Boční rukojeť
7. Prostor pro baterie
8. Elektrické kontakty
9. Tlačítko pro uvolnění akumulátoru
10. Adaptér na zahradní hadici
11. Filtr
12. Sací trubice
13. Tlačítka pro nastavení rychlosti vzduchu
14. Tlačítko TURBO
15. Kontrolka TURBO
16. Indikátor mížení
17. Tlačítko režimu mížení
18. Hlavní vypínač
19. Indikátor rychlosti vzduchu
20. Oscilační kontrolka
21. Tlačítko oscilačního režimu

MONTÁŽ

VAROVÁNÍ: Pokud jsou některé díly poškozené, nebo chybí, nepoužívejte výrobek, dokud se díly nevymění. Použití tohoto výrobku s poškozenými nebo chybějícími díly může vést k vážnému úrazu.

VAROVÁNÍ: Nepokoušejte se výrobek upravovat ani vytvářet příslušenství, které se k tomuto výrobku nedoporučuje. Každá taková změna nebo úprava je nesprávná a může vést k nebezpečné situaci, která může zapříčinit vážný úraz.

VAROVÁNÍ: Pokud provádíte montáž dílů, vždy vyjměte akumulátor ze stroje, aby nedošlo k neúmyslnému spuštění, které může způsobit vážný úraz.

- Tento výrobek je dodáván kompletně smontovaný.
- Opatrně vyjměte výrobek a jakékoli příslušenství z krabice. Ujistěte se, že obsahuje všechny položky uvedené v „Obsahu balení“.
- Pečlivě zkontrolujte výrobek, zda nedošlo k jeho rozbití nebo poškození během přepravy.
- Nevyhazujte obalový materiál, dokud výrobek pečlivě nezkontrolujete a uspokojivě nezprovozníte.
- Pokud jsou některé díly poškozené nebo chybí, vraťte výrobek na místo nákupu.

OBSLUHA

VAROVÁNÍ: Dbejte na to, abyste po seznámení s výrobkem nepřestali být opatrní. Nezapomínejte, že stačí chvíle nepozornosti a může se stát vážný úraz.

VAROVÁNÍ: Abyste zabránili náhodnému spuštění, které by mohlo způsobit vážné zranění osob, vždy před údržbou, seřizováním, čištěním, výměnou nástavců nebo v době, kdy se ventilátor nepoužívá, vyjměte z něj akumulátor.

VAROVÁNÍ: Nepoužívejte nástavce nebo příslušenství, které nedoporučuje výrobce tohoto výrobku. Použití nedoporučených nástavců a příslušenství může vést k vážnému úrazu.

Před každým použitím zkontrolujte celý výrobek, zda není poškozen, nechybí nebo nejsou uvolněné žádné díly, jako např. vrtuty, matice, šrouby, uzávěry atd. Pevně utáhněte všechny upevňovací prvky a uzávěry a výrobek nepoužívejte, dokud se nevymění všechny chybějící nebo poškozené díly.

POUŽITÍ

Výrobek lze použít k následujícím účelům:

- Všeobecné větrání ve většině domácností.
- Venkovní chlazení při připojení ke zdroji vody.

POZNÁMKA: Přípravek se smí používat pouze k předepsaným účelům. Jakékoliv jiné použití se považuje za zneužití.

INSTALACE/VYJMUTÍ AKUMULÁTORU

Používejte pouze s akumulátory a nabíječkami EGO uvedenými na obr. A3.

POZNÁMKA: Před prvním použitím akumulátor plně nabijte.

Instalace

Vyrovnejte žebra akumulátoru s montážními otvory a zatlačte akumulátor do prostoru pro akumulátor, dokud neuslyšíte „cvaknutí“ (obr. B1).

Vyjmutí

Stiskněte tlačítko pro uvolnění akumulátoru a vytáhněte akumulátor (obr. B2).

VAROVÁNÍ: Při stisku tlačítka pro uvolnění akumulátoru dávejte pozor na nohy, děti nebo domácí zvířata. Pokud akumulátor upadne, může dojít k vážnému úrazu. NIKDY nevyjímajte akumulátor na vyvýšeném místě.

SPUŠTĚNÍ/ZASTAVENÍ VENTILÁTORU

POZNÁMKA: Počáteční tovární nastavení rychlosti vzduchu je úroveň 3. Ventilátor uloží poslední použité nastavení rychlosti vzduchu a po restartu se k němu vrátí. Nastavení turba se neuloží.

POZNÁMKA: Nastavení mlžení a oscilace se neukládá a ve výchozím nastavení je vypnuto při každém zapnutí ventilátoru.

Ovládací panel (obr. A2)

Hlavní vypínač

- Krátkým stisknutím tlačítka napájení ventilátor zapnete.
- Opětovným krátkým stisknutím hlavního vypínače ventilátor VYPNETE.

Nastavení rychlosti vzduchu

Normální rychlost vzduchu

- Stisknutím tlačítka pro nastavení rychlosti vzduchu „+“ zrychlíte rychlost vzduchu a stisknutím tlačítka „-“ snížíte rychlost vzduchu. K dispozici je 5 úrovní rychlosti.
- Indikátor rychlosti vzduchu zobrazuje zelená světla odpovídající aktuálnímu úrovní rychlosti.

Režim TURBO

POZNÁMKA: V režimu „TURBO“ dosáhne ventilátor maximální rychlosti vzduchu.

- Stiskněte tlačítko „TURBO“, kontrolka TURBO se rozsvítí zeleně a ventilátor se přepne do režimu „TURBO“, tj. nejvyšší rychlost vzduchu.
- V režimu „TURBO“ znovu stiskněte tlačítko „TURBO“, kontrolka TURBO se vypne a ventilátor obnoví předchozí aktivní rychlost vzduchu.

- V režimu „TURBO“ stiskněte tlačítko „-“, kontrolka TURBO se vypne a ventilátor se přepne na úroveň rychlosti vzduchu 5.

OSCILAČNÍ FUNKCE (OBR. C)

- Jedním stisknutím tlačítka oscilace spustíte funkci oscilace hlavy ventilátoru, kontrolka oscilace se rozsvítí spodní zelenou kontrolkou a hlava ventilátoru se bude otáčet o 60° ze strany na stranu (od -30° do 30°).
- Po druhém stisknutí tlačítka oscilace se rozsvítí dvě zelené kontrolky a aktivuje se rozsah oscilace 120° (od -60° do 60°).
- Stiskněte tlačítko oscilace potřetí, kontrolka oscilace se rozsvítí třemi zelenými světly a aktivuje se rozsah oscilace 180° (od -90° do 90°).
- Chcete-li funkci oscilace vypnout, stiskněte tlačítko oscilace počtvrté.

NASTAVENÍ ÚHLU VENTILÁTORU (OBR. D)

Hlavu ventilátoru lze nastavit do různých úhlů od -30° do 90°. Chcete-li nastavit směr mlhy/proudu vzduchu, uchopte ventilátor za horní rukojeť a nakloňte hlavu ventilátoru dopředu nebo dozadu.

CZ

FUNKCE MLŽENÍ

Tlačítko režimu mlžení

- Stiskněte jednu tlačítko režimu mlžení a indikátor mlžení se rozsvítí třemi zelenými světly, což signalizuje režim nepřetržitého mlžení silným proudem vody - mlžení silným proudem vody bez přerušení.
- Znovu stiskněte tlačítko režimu mlžení a na indikátoru mlžení se rozsvítí dvě zelené kontrolky, které signalizují režim „nepřetržitého“ mlžení - mlžení po celou dobu bez přerušení.
- Stiskněte tlačítko režimu mlžení potřetí a na indikátoru mlžení se rozsvítí spodní zelená kontrolka, která signalizuje režim „přerušovaného“ mlžení - mlžení po dobu 10 sekund každých 10 sekund.

POZNÁMKA: Může trvat několik sekund, než poprvé uvidíte mlhu vycházející z mlžných trysek. Toto zpoždění je způsobeno dobou, po kterou voda proudí od sací trubice k tryskám.

- Pokud je mlžení v režimu „přerušovaného“ mlžení, stiskněte znovu tlačítko režimu mlžení, indikátor mlžení zhasne a mlžení se zastaví.

POZNÁMKA: Po ukončení mlžení odpojte sací trubici ventilátoru od zdroje vody a spusťte ventilátor v režimu nepřetržitého mlžení, dokud se z trubice nevyprázdní všechna voda. To pomáhá zabránit tomu, aby zbytková

voda v trubici způsobila neočekávané zamížení při opětovném spuštění ventilátoru.

Použití ventilátoru s kbelíkem na vodu nebo jinou nádobou (není součástí balení) (obr. E)

VAROVÁNÍ: Děti mohou spadnout do kbelíků a utopit se. Udržujte děti mimo dosah kbelíků obsahujících i malé množství tekutiny.

POZNÁMKA: Před každým použitím vyčistěte kbelík mýdlem a vodou.

1. Odpojte akumulátor.
2. Umístěte kbelík na rovný a plochý povrch.
3. Do kbelíku přidejte POUZE čistou, studenou vodu. Nepřepřiluhujte.
4. Ponořte konec sací trubice filtru dolů do vody.

POZNÁMKA: Neohýbejte sací trubici a vždy se ujistěte, že voda proudí trubicí hladce.

5. Nainstalujte akumulátor.
6. Stisknutím tlačítka napájení ventilátor zapněte.
7. Stisknutím tlačítka režimu mlžení spustíte mlžení.

Připojení ventilátoru k vodovodnímu kohoutku (obr. F a obr. G)

1. Odšroubujte horní část filtru proti směru hodinových ručiček a odpojte ji od spodní části (obr. F).

F-1	Spodní část filtru
F-2	Horní část filtru

POZNÁMKA: Dbejte na to, aby se spodní část při odpojování horní části nerozdělila na dvě části a zůstala pohromadě jako celek pro připojení k adaptéru zahradní hadice.

2. Odšroubujte (proti směru hodinových ručiček) adaptér zahradní hadice uložený ve spodní části ventilátoru. Našroubujte jej (ve směru hodinových ručiček) do spodní části filtru.
3. Připojte adaptér zahradní hadice ke správné zahradní hadici s rychlospojkou (není součástí balení). Připojte rychlospojku k adaptéru zahradní hadice, dokud neuslyšíte jasně cvaknutí (obr. G).

G-1	Adaptér na zahradní hadici
G-2	Typická rychlospojka

POZNÁMKA: Nepokoušejte se připojit adaptér zahradní hadice, pokud je namontován na spodní části ventilátoru (obr. G1).

4. Připojte zahradní hadici k vodovodnímu potrubí.
5. Nainstalujte akumulátor.
6. Stisknutím tlačítka napájení ventilátor zapněte.
7. Otevřete vodovodní kohoutek naplno, ventilátor začne mlžit.

POZNÁMKA: Doporučený maximální pracovní tlak by neměl překročit 80 psi.

POZNÁMKA: I když není k dispozici napájení, ventilátor začne mlžit, jakmile otočíte vodovodním kohoutkem.

8. Stisknutím tlačítka režimu mlžení zvolte režim mlžení pro lepší pracovní výsledky.

POZNÁMKA: Malý otvor v adaptéru zahradní hadice je náchylný k usazování tvrdé vody a minerálních usazenin. Adaptér často čistěte a k odstranění usazenin použijte bílý ocet nebo jiný prostředek na odstraňování vodního kamene.

Použití ventilátoru bez zamlžování

V případě potřeby lze tento výrobek použít pouze jako ventilátor, pokud není připojen ke zdroji vody. Pokud sací trubici nepoužíváte, vždy ji smotejte do úložného prostoru (viz kapitola „PŘEPRAVA A SKLADOVÁNÍ“ v této příručce), abyste ji ochránili před poškozením a znečištěním.

KOMUNIKAČNÍ TECHNOLOGIE

Informace o kompletní nabídce připojovaných výrobků a o službách, včetně pokynů pro připojení, najdete po naskenování QR kódu níže nebo na adrese www.egopowerplus.eu/connect.



OCHRANA ELEKTRONIKY

Pokud je funkce oscilace aktivována, ale ventilátor neosciluje, indikátor oscilace zobrazí tři nepřetržitě blikající zelená světla, aby obsluze připomněl, že je třeba zkontrolovat, zda se hlava ventilátoru nezasekla, a před opětovným spuštěním funkce odstranit cizí tělesa, která na hlavě ventilátoru uvízla.

Když je funkce zamlžování aktivována, ale netoří se žádná vodní mlha:

- Vodní čerpadlo bude na krátkou dobu běžet a poté se automaticky zastaví, aby chránilo vnitřní elektroniku.
- Indikátor mlžení bude nepřetržitě zobrazovat tři blikající zelená světla jako upozornění pro obsluhu, aby:
 - a. Zkontrolujte, zda je sací trubice správně ponořena do vody.
 - b. Zkontrolujte, zda není zamlžovací tryska ucpaná, a proveďte vyčištění podle kapitoly „ÚDRŽBA TRYSKY“.
 - c. Stisknutím tlačítka pro výběr režimu zamlžování znovu spusťte zamlžování.

Při nízkém stavu nabití akumulátoru bude tlačítko napájení blikat zeleným světlem, aby obsluze připomnělo, že je třeba akumulátor nabít nebo vyměnit.

Pokud je akumulátor nebo ventilátor příliš horký, tlačítko napájení začne blikat červeným světlem a upozorní obsluhu, aby ventilátor vypnula a před opětovným spuštěním ventilátoru nechala akumulátor nebo mlhový ventilátor vychladnout, dokud teplota neklesne na doporučený rozsah provozních teplot.

GZ

ÚDRŽBA

VAROVÁNÍ: Při opravách použijte pouze originální náhradní díly. Použití jiných dílů může představovat riziko nebo může způsobit poškození výrobku. Z důvodu zajištění bezpečnosti a spolehlivosti musí všechny opravy provádět kvalifikovaný servisní technik.

VAROVÁNÍ: Aby nedošlo k vážnému úrazu, vždy při čištění nebo jiné údržbě vyjměte z výrobku akumulátor.

CELKOVÁ ÚDRŽBA

Veškerý servis mlhových ventilátorů, kromě položek uvedených v tomto návodu k údržbě, by měl provádět kompetentní servisní personál.

K čištění plastových dílů nepoužívejte rozpouštědla. Většina plastů je náchylná k poškození různými typy komerčních rozpouštědel a jejich použití je může poškodit. K odstranění nečistot, prachu, oleje, maziva atd. použijte čistý hadr.

VAROVÁNÍ: Dbejte, aby nikdy nedošlo ke styku plastových částí s brzdovými kapalinami, benzinem, ropnými produkty, penetračními oleji atd. Chemické látky mohou poškodit, zeslabit nebo poškodit plast, což může vést k vážnému úrazu.

VAROVÁNÍ: Při čištění mlhového ventilátoru jej NEPONORUJTE do vody ani jiných tekutin.

ÚDRŽBA TRYSKY (obr. h)

VAROVÁNÍ: Ujistěte se, že veškerá údržba zamlžovací trysky je prováděna správně, aby se zabránilo úniku vody. Netěsnosti mohou mít za následek kluzký povrch, který vytváří nebezpečí uklouznutí a pádu nebo způsobuje škody na majetku.

Nepravidelné vzory mlhy nebo únik mohou být důsledkem upchané nebo znečištěné trysky.

Chcete-li vyčistit trysky

1. Vypněte ventilátor a vyjměte akumulátor.
2. Otáčením proti směru hodinových ručiček odstraňte upchané mlhové trysky z přední mřížky krytu ventilátoru.
3. Každou upchanou trysku rozeberte na části.
4. Chcete-li odstranit cizí částice, které ucpávají nebo omezují trysky, propláchněte části trysek vodou. Chcete-li odstranit nahromadění vodního kamene, vyčistěte části trysky bílým octem nebo jiným odvápnovacím prostředkem podle potřeby.
5. Znovu sestavte trysky.

POZNÁMKA: Abyste zabránili ucpání, dbejte na to, aby byla tryska sestavena přesně podle obrázku H.

6. Znovu připevněte čisté trysky k přednímu krytu mřížky.

ÚDRŽBA FILTRU (obr. I)

Pravidelně kontrolujte filtr na konci sací trubice, abyste se ujistili, že je v dobrém stavu.

1. Vypněte ventilátor a vyjměte akumulátor.
2. Odšroubujte horní část od spodní části filtru.

I-1	Spodní část	I-3	Houbová síťovina
I-2	Kovová síťka	I-4	Horní část

POZNÁMKA: Při odšroubování horní části dbejte na to, aby se spodní část nerozdělila na dvě části. Spodní část musí zůstat smontovaná, aby bylo možné odstranit kovovou síťku.

3. Vyjměte houbovou síťku z horní části a kovovou síťku ze spodní části.
4. Kovovou síťku a houbovou síťku opláchněte nebo v případě potřeby vyměňte.

5. Filtr znovu sestavte.

POZNÁMKA: Ujistěte se, že je kovové pletivo smontováno vyvýšeným okrajem směrem ven, aby se přístě snadno demontovalo.

ÚDRŽBA ADAPTÉRU ZAHRADNÍ HADICE

Malý otvor v adaptéru zahradní hadice je náchylný k usazování tvrdé vody a minerálních usazenin.

Adaptér často čistěte a k odstranění usazenin používejte bílý ocet nebo jiný prostředek na odstraňování vodního kamene.

ÚDRŽBA SKŘÍŇE VENTILÁTORU (obr. J a obr. K)

1. Vypněte ventilátor a vyjměte akumulátor.
2. Pomocí křížového šroubováku (není součástí balení) vyšroubujte osm šroubů na zadní straně krytu ventilátoru a sejměte přední ochrannou mřížku.

J-1	Šroub (x8)
J-2	Kryt přední mřížky

3. Přidržte sestavu lopatek ventilátoru, aby se nemohla otáčet, a otočením krytu pojistky lopatek ventilátoru ve směru hodinových ručiček uvolníte sestavu lopatek ventilátoru z hřídele.

K-1	Sestava lopatek ventilátoru
K-2	Krytka

4. Vyjměte sestavu lopatek ventilátoru.
5. Podle potřeby vyčistěte lopatku ventilátoru a vnitřek krytu.
6. Znovu je sestavte v opačném pořadí a ujistěte se, že:

Značka na lopatce ventilátoru je zarovnána s příčkou na hřídeli.

DOPRAVA A SKLADOVÁNÍ (obr. L)

- Vyjměte akumulátor.
- Ventilátor důkladně vyčistěte.
- Vyprázdněte sací trubici a filtr.

POZNÁMKA: Zazimování ventilátoru je nezbytné pro ochranu před teplotami pod bodem mrazu, které mohou způsobit poškození čerpadla, hadic a dalších součástí. **Před uskladněním ventilátoru na zimu vždy odpojte sací trubici ventilátoru od zdroje vody a spusťte ventilátor v režimu nepřetržitého mlžení, dokud v trubici nezůstanou zbytky vody.**

- Sací trubku a filtr zajistíte pomocí svorek umístěných na spodní straně základny ventilátoru.
- Našroubujte adaptér zahradní hadice na úložný otvor se závitem umístěný na spodní straně základny ventilátoru.

L-1	Adaptér na zahradní hadici
L-2	Spony

- Při přepravě přenášejte ventilátor pomocí horní rukojeti nebo bočních držadel.
- Ventilátor skladujte v interiéru na dobře větraném místě.
- Uchovávejte v bezpečné vzdálenosti od korozivních látek, jako jsou chemické látky a rozmrazovací soli.

Ochrana životního prostředí



Elektrické zařízení, použité baterie nabíječku nevhazujte do domovního odpadu!

Tento výrobek předejte autorizované recyklační společnosti ke tříděnému sběru. Elektrické nářadí musí být vráceno do zařízení pro ekologickou recyklaci.

CZ

ODSTRAŇOVÁNÍ ZÁVAD

PROBLÉM	PŘÍČINA	ŘEŠENÍ
Mlhový ventilátor se nespustí.	<ul style="list-style-type: none"> ■ Akumulátor není zcela zasunutý do pouzdra. ■ Mezi mlhovým ventilátorem a akumulátorem není žádný elektrický kontakt. ■ Akumulátor je vybitý. ■ Akumulátor nebo ventilátor je příliš horký. 	<ul style="list-style-type: none"> ■ Zkontrolujte, zda je akumulátor zcela zasunutý do pouzdra. ■ Vyjměte akumulátor, zkontrolujte kontakty a znovu jej nainstalujte. ■ Nabijte akumulátor. ■ Vypněte ventilátor a nechte akumulátor nebo mlhový ventilátor vychladnout, dokud teplota neklesne na doporučený rozsah provozní teploty.
Nedochází k mženi vody a indikátor mženi bliká třemi zelenými světly.	<ul style="list-style-type: none"> ■ Sací trubice nečerpá vodu, čímž se aktivuje vnitřní ochrana elektrického čerpadla uvnitř ventilátoru. ■ Během provozu se ucpala mlhová tryska (trysky), čímž se aktivovala vnitřní ochrana elektrického čerpadla. 	<ul style="list-style-type: none"> ■ Zkontrolujte a ujistěte se, že je v kbelíku dostatek vody a sací trubice je řádně ponořena do vody. ■ Vyčistěte trysky podle kapitoly „UDRŽBA TRYSEK“ a znovu je sestavte podle pokynů.
Ventilátor přestane oscilovat a kontrolka oscilace blikne třemi zelenými kontrolkami.	<ul style="list-style-type: none"> ■ Hlava ventilátoru se při oscilaci zasekne. 	<ul style="list-style-type: none"> ■ Odstraňte veškeré cizí předměty, které brání kmitání hlavy ventilátoru.

CZ

ZÁRUKA

ZÁRUČNÍ PODMÍNKY SPOLEČNOSTI EGO

Úplné záruční podmínky společnosti EGO naleznete na webové stránce egopowerplus.eu.

PREČÍTAJTE SI VŠETKY POKYNY!



PREČÍTAJTE SI NÁVOD NA OBSLUHU

VAROVANIE: Pre zaistenie bezpečnosti a spoľahlivosti je nevyhnutné, aby všetky opravy vykonával len kvalifikovaný servisný technik.

VAROVANIE: Pred použitím tohto spotrebiča si určite prečítajte a pochopíte všetky bezpečnostné pokyny v tomto návode na obsluhu vrátane všetkých bezpečnostných výstražných symbolov, ako sú „**NEBEZPEČENSTVO**“, „**VAROVANIE**“ a „**UPOZORNENIE**“. Nedodržanie nižšie uvedených pokynov môže mať za následok úraz elektrickým prúdom, požiar a/alebo vážne zranenie.

ODLOŽTE SI VŠETKY VAROVANIA A POKYNY PRE BUDÚCE POUŽITIE.

BEZPEČNOSTNÉ SYMBOLY

VAROVANIE: Pri používaní akýchkoľvek prístrojov vám môžu do očí vletieť cudzie predmety, čo môže mať za následok vážne poškodenie očí. Pred začatím prevádzky spotrebiča si vždy nasadte ochranné okuliare alebo ochranné okuliare s bočnými štítlami a v prípade potreby aj celotvárový štít. Odporúčame použiť bezpečnostnú masku so širokým prierezom na okuliare alebo štandardné bezpečnostné okuliare s postrannými krytmi.



Bezpečnostné upozornenie



Ak chcete znížiť riziko zranenia, používateľ musí pred použitím tohto výrobku prečítať a pochopiť návod na obsluhu.



Garantovaná hladina akustického výkonu.
Emisie hluku do prostredia sú podľa smernice Európskeho spoločenstva.



Symbol Bluetooth®



Odpadové elektrické výrobky sa nesmú likvidovať spolu s domovým odpadom. Odovzdajte do autorizovaného recyklačného strediska.



Tento výrobok je v súlade s platnými smernicami ES.



Jednosmerný prúd



Tento výrobok je v súlade s platnou legislatívou Spojeného kráľovstva.

IPX4 Ochrana pred striekajúcou vodou

SK

VŠEOBECNÉ BEZPEČNOSTNÉ UPOZORNENIA

VAROVANIE: Ak chcete znížiť riziko požiaru, úrazu elektrickým prúdom alebo poranenia:

- **Zoznámte sa s vašim zahmlievacím ventilátorom. Prečítajte si pozorne návod na použitie. Oboznámte sa s použitím a obmedzeniami ventilátora, rovnako tiež so špecifickými potenciálnymi rizikami, ktoré súvisia s týmto ventilátorom.** Dodržiavanie tohto pravidla zníži riziko úrazu elektrickým prúdom, požiaru alebo vážneho úrazu.
- Tento spotrebič môžu používať deti od 8 rokov a osoby s obmedzenými fyzickými, zmyslovými alebo duševnými schopnosťami alebo nedostatkom skúseností a znalostí, ak sú pod dohľadom, alebo boli riadne poučené ohľadne použitia spotrebiča bezpečným spôsobom a chápu možné riziká spojené s jeho používaním.
- Deti sa nesmú so spotrebičom hrať.
- Čistenie a údržbu nesmú robiť deti, ak nie sú pod dohľadom dospelé osoby

BEZPEČNOSŤ PRACOVNÉHO PRIESTORU

- **Nepoužívajte ventilátor vo výbušnom prostredí, napríklad v prítomnosti horľavých kvapalín, plynov alebo prachu.**
- **Pri používaní spotrebiča udržiavajte deti a okolostojace osoby mimo pracoviska.** Rozptyľovanie pozornosti môže viesť ku strate kontroly.
- **Pri používaní vo veternom počasí buďte opatrní.** Vietor môže zaniest' hmlu do elektrických rozvodov alebo zariadení.
- **Spotrebič nevystavujte dažďu ani vlhkosti.** Vniknutie vody do spotrebiča zvyšuje riziko úrazu elektrickým prúdom.

BEZPEČNOSŤ OSÔB

- **Buďte pozorní, sledujte to, čo robíte a používajte zdravý rozum pri práci so spotrebičom. Nepoužívajte spotrebič, ak ste unavení, pod vplyvom drog, alkoholu alebo liekov.** Chvilková nepozornosť pri práci so spotrebičom môže mať za následok vážne zranenie.
- **Zabráňte neúmyselnému uvedeniu do prevádzky. Pred pripojením akumulátora, pri zdvíhaní alebo prenášaní náradia sa uistite, že prepínač je vo vypnutej polohe.** Prenášanie spotrebiča s prstom na vypínači alebo aktivácia spotrebiča, ktorý má zapnutý vypínač, môže viesť k úrazu.
- **Pred spustením spotrebiča vždy odstráňte nastavovací kľúč alebo náradie,**

ktoré necháte pripravené k otáčajúcej sa časti spotrebiča, môže spôsobiť zranenie osôb.

- **Nenakláňajte sa. Pri práci vždy dodržujte správny postoj a rovnováhu.** To umožňuje lepšiu ovládateľnosť spotrebiča v nečakaných situáciách.
- **Noste vhodné oblečenie. Nenoste šperky alebo voľný odev. Udržujte vlasy a oblečenie mimo dosah pohybujúcich sa častí.** Voľný odev, šperky alebo dlhé vlasy môžu byť zachytené pohybujúcimi sa dielmi.
- **Pred spustením spotrebiča skontrolujte, či sú všetky pripojenia bezpečné.**
- **Nedovoľte, aby ste sa po získaní skúseností častým používaním spotrebiča stali neobzretnými a ignorovali zásady bezpečnosti.** Nedbalá činnosť môže spôsobiť vážne zranenie za zlomok sekundy.

POUŽÍVANIE A STAROSTLIVOSŤ

- **Nepoužívajte spotrebič, ak sa nedá zapnúť a vypnúť použitím vypínača.** Spotrebič, ktorý sa nedá ovládať vypínačom, je nebezpečný a musí sa opraviť.
- **Pred akýmkoľvek nastavením, výmenou príslušenstva alebo skladovaním spotrebiča odpojte akumulátor.** Tieto preventívne bezpečnostné opatrenia znižujú riziko náhodného spustenia spotrebiča.
- **Nečinný spotrebič skladujte mimo dosahu detí a nedovoľte osobám, ktoré nie sú oboznámené so spotrebičom alebo s týmto návodom, aby spotrebič obsluhovali.** Spotrebič je nebezpečný v rukách neskúsených používateľov.
- **Vykonávajte údržbu spotrebiča a príslušenstva. Skontrolujte nastavenie pohyblivých častí, poškodenie dielov a akékoľvek ďalšie okolnosti, ktoré môžu mať vplyv na funkciu spotrebiča. Ak je spotrebič poškodený, nechajte ho pred použitím opraviť.** Veľa úrazov je zapríčinených zle udržiavanými spotrebičmi.
- **Používajte spotrebič, príslušenstvo a pod. podľa týchto pokynov s prihliadnutím na pracovné podmienky a prácu, ktorá má byť vykonaná.** Použitie spotrebiča na iné ako určené účely môže viesť k nebezpečným situáciám.
- **Udržujte rukoväte a uchopovacie plochy suché, čisté, bez oleja a maziva.** Klzké držadlá a uchopovacie plochy neumožňujú bezpečnú manipuláciu so spotrebičom a jeho ovládanie v nečakaných situáciách.

VAROVANIE: Aby ste znížili riziko požiaru alebo úrazu elektrickým prúdom, nepoužívajte tento ventilátor so žiadnym polovodičovým zariadením na reguláciu otáčok.

POUŽÍVANIE A STAROSTLIVOSŤ O AKUMULÁTOROVÉ spotrebiče

- Nabíjajte len pomocou nabíjačky špecifikovanej výrobcom. Nabíjačka, ktorá je vhodná pre jeden typ akumulátora, môže predstavovať pri nabíjaní iného typu akumulátora nebezpečenstvo.
- Používajte spotrebič iba s výslovne určenými akumulátormi. Použitie iných typov akumulátorov môže spôsobiť riziko úrazu a požiaru.
- Ak sa akumulátor nepoužíva, držte ho mimo iných kovových predmetov, ako sú sponky, mince, kľúče, klince, skrutkovače alebo iné malé kovové predmety, ktoré by mohli navzájom prepojiť kontakty akumulátora. Skratovanie kontaktov akumulátora môže spôsobiť popáleniny alebo požiar.
- Za nevhodných podmienok môže z akumulátora unikať kvapalina. Zabráňte kontaktu. Pri náhodnom kontakte opláchnite vodou. Pri zasiahnutí očí vyhľadajte lekársku pomoc. Unikajúca kvapalina z akumulátora môže spôsobiť podráždenie pokožky alebo popáleniny.
- Nepoužívajte akumulátor alebo spotrebič, ktorý je poškodený alebo upravený. Poškodené alebo upravené akumulátory môžu mať nepredvídateľné chovanie, ktoré môže viesť k požiaru, výbuchu alebo nebezpečenstvu poranenia.
- Nevystavujte akumulátor ani náradie ohňu alebo nadmernej teplote. Pri vystavení ohňu alebo teplote nad 130 °C môže dôjsť k výbuchu.
- Dodržujte všetky pokyny pre nabíjanie a nenabíjajte akumulátor alebo spotrebič mimo rozsah teplôt uvedených v pokynoch. Nesprávne nabíjanie alebo nabíjanie pri teplotách mimo stanovený rozsah môže poškodiť akumulátor a zvýšiť riziko požiaru.

OPRAVA

- Nechajte váš spotrebič opraviť kvalifikovanou osobou s použitím iba identických náhradných dielov. Tým sa zabezpečí, že bezpečnosť spotrebiča zostane zachovaná.
- Nikdy neopravujte poškodené akumulátory. Servis akumulátorov smie robiť iba výrobca alebo autorizovaní servisní poskytovatelia.

BEZPEČNOSTNÉ POKYNY PRE AKUMULÁTOROVÝ ZAHMLIEVACÍ VENTILÁTOR

- Toto zariadenie nesmú používať osoby (vrátane detí) so zníženými fyzickými, zmyslovými alebo rozumovými schopnosťami, nedostatkom skúseností a znalostí, ak neboli oboznámení s používaním zariadenia alebo

nepracujú pod dohľadom osoby zodpovednej za ich bezpečnosť.

- Dozrite na to, aby sa deti so spotrebičom nehrali.
- **Nedovoľte, aby sa ventilátor používal ako hračka.** Mimoriadna opatnosť sa vyžaduje, ak sa používa v blízkosti detí.
- **Deti môžu spadnúť do vedra a utopiť sa.** Nepúšťajte deti k vedrám, v ktorých je aj malé množstvo tekutiny.
- **Používajte iba čistú, studenú vodu.**
- **Tento zahmlievací ventilátor nepoužívajte na rozprašovanie pesticídov, tekutých hnojív, chemikálií ani iných kvapalín okrem čistej vody.** Rozprašovanie týchto látok môže vyvolať vážne zranenia obsluhy alebo okolostojacich.
- **Nikdy nesmerujte hmlu alebo vodu na elektrické vedenie alebo zariadenia.**
- **Uistite sa, že je kryt priestoru pre akumulátor úplne zatvorený, aby sa zabránilo kontaktu vody s akumulátorom alebo vniknutiu vody do portu akumulátora.**
- **Udržujte prístroj a jeho rukoväte suché, čisté, bez oleja a maziva.** Pri čistení vždy používajte čistú handru. **Nikdy nepoužívajte brzdové kvapaliny, benzín, ropné výrobky, ani silné rozpúšťadlá na čistenie ventilátora.** Dodržiavanie tohto pravidla zníži riziko straty kontroly a zhoršenia stavu plastového krytu.
- **Akumulátory môžu explodovať v prítomnosti zdroja vznietenia, ako je napríklad signálna žiarovka.** Aby sa znížilo riziko vážneho zranenia, nikdy nepoužívajte akýkoľvek akumulátorový výrobok v prítomnosti otvoreného ohňa. **Výbuchnutý akumulátor môže rozprsknúť nečistoty a chemikálie.** V prípade zasiahnutia ihneď opláchnite vodou.
- **Odložte si tieto pokyny.** Používajte ich často a používajte ich tiež na poučenie ostatných, ktorí môžu tento ventilátor používať. Ak požičiate tento ventilátor niekomu inému, požičajte mu aj tieto pokyny, aby sa zabránilo zneužitiu výrobku a prípadným zraneniam.
- Uvedomte si, že vysoká vlhkosť môže podporovať rast biologických organizmov v prostredí.
- Nedovoľte, aby bol priestor okolo zahmlievacieho ventilátora vlhký alebo mokrý. Ak sa vyskytne vlhkosť, znížte výkon zahmlievacieho ventilátora. Ak nie je možné znížiť výstup zahmlievacieho ventilátora, používajte ventilátor s prestávkami. Nedovoľte, aby savé materiály, ako sú koberce, záclony, závesy alebo obrusy, navlhli.
- Nikdy nenechávajte vodu v zásobníku, keď sa spotrebič nepoužíva.

SK

- Pred uskladnením vyprázdňte a vyčistite zahmlievací ventilátor. Pred ďalším použitím zvlhčovač vyčistite.


VAROVANIE: Mikroorganizmy, ktoré sa môžu nachádzať vo vode alebo v prostredí, kde sa spotrebič používa alebo skladuje, sa môžu v zásobníku na vodu množiť a byť rozprašované do vzduchu, čo spôsobuje veľmi vážne zdravotné riziká, ak sa voda neobnovuje a zásobník sa každé 3 dni riadne nevyčistí.

Nabíjateľné batérie je potrebné pred nabíjaním zo spotrebiča vybrať.

- Vybité batérie je potrebné zo spotrebiča vybrať a bezpečne zlikvidovať.
- Ak sa prístroj nebude dlhší čas používať, vyberte batérie.
- Napájacie svorky nesmú byť skratované.

ODLOŽTE SI TIETO POKYNY

TECHNICKÉ ÚDAJE

Menovité napätie	56 V 
Priemer lopatky ventilátora	25,4 cm
Nastavenie rýchlosti ventilátora	6 (vrátane „Turbo“)
Max. Objem vzduchu	1700 CFM
Max. Rýchlosť vzduchu	32,2 km/h
Uhol oscilácie	60°, 120°, 180°
Objem vody na zahmlievanie	Vysoká: 5,7 l/h
	Stredná: 4,9 l/h
	Nízka: 2,5 l/h
Hmotnosť (bez akumulátora)	4,7 kg
Odporúčaná skladovacia teplota	- 20 °C - 70 °C
Prevádzkové frekvenčné pásmo Bluetooth	2402-2480 MHz
Maximálny prenosový výkon Bluetooth	4 dBm

- Deklarovaná celková hodnota vibrácií bola nameraná v súlade so štandardnou skúšobnou metódou a môže sa použiť na porovnanie jedného spotrebiča s iným;
- Uvádzaná celková hodnota vibrácie sa môže použiť aj na predbežný odhad expozície.

POZNÁMKA: Emisia vibrácií počas skutočného používania spotrebiča sa môže líšiť od deklarovanej hodnoty, v ktorej sa spotrebič používa; V záujme ochrany obsluhy by mal používateľ v skutočných podmienkach používania používať rukavice a chrániče sluchu.

OBSAH BALENIA (OBR. A1)

POPIS

ZOZNÁMTE SA S VAŠIM VENTILÁTOROM (obr. A1 a A2)

1. Ovládací panel (obr. A2)
2. Oscilačný rám
3. Tryska na zahmlenie
4. Horná rukoväť
5. Kryt ventilátora
6. Bočná rukoväť
7. Priestor pre akumulátor
8. Elektrické kontakty
9. Tlačidlo na uvoľnenie akumulátora
10. Adaptér na záhradnú hadicu
11. Filter
12. Nasávacía rúrka
13. Tlačidlá na nastavenie rýchlosti vzduchu
14. Tlačidlo TURBO
15. Kontrolka TURBO
16. Indikátor zahmlievania
17. Tlačidlo režimu zahmlievania
18. Hlavný vypínač
19. Indikátor rýchlosti vzduchu
20. Indikátor oscilácie
21. Tlačidlo režimu oscilácie

MONTÁŽ

VAROVANIE: Ak akýkoľvek diel chýba, alebo je poškodený, nepoužívajte tento výrobok, kým nie sú vymenené diely. Ak používate tento výrobok s poškodenými alebo chýbajúcimi časťami, môže dôjsť k vážnemu zraneniu.

VAROVANIE: Nepokúšajte sa upravovať tento výrobok alebo vytvoriť príslušenstvo, ktoré nie je odporúčané na použitie s týmto výrobkom. Každá takáto zmena alebo modifikácia sa považuje za zneužitie a môže spôsobiť nebezpečný stav, ktorý vedie k možnému vážnemu zraneniu.

VAROVANIE: Pri montáži dielov vždy vyberte akumulátor zo stroja, aby ste zabránili náhodnému spusteniu, ktoré by mohlo spôsobiť vážne zranenia.

- Tento výrobok sa dodáva kompletne zmontovaný.
- Šetrne vyberte výrobok a príslušenstvo z obalu. Uistite sa, že obsahuje všetky položky uvedené v „Obsahu balenia“.
- Náradie starostlivo skontrolujte, aby ste sa presvedčili, že počas prepravy nedošlo k žiadnemu zlomeniu alebo poškodeniu.
- Nevyhadzujte obalový materiál, kým výrobok dôkladne neskontrolujete a uspokojivo neprevádzkujete.
- Ak sú niektoré časti poškodené alebo chýbajú, vráťte výrobok na miesto nákupu.

PREVÁDZKA

VAROVANIE: Nedovoľte, aby dlhodobá skúsenosť práce s týmto výrobkom spôsobila vašu neopatrnosť. Pamätajte na to, že aj chvíľková neopatrnosť stačí na to, aby spôsobila vážny úraz.

VAROVANIE: Aby ste predišli náhodnému spusteniu, ktoré by mohlo spôsobiť vážne poranenie osôb, vždy pred servisom, nastavovaním, čistením, výmenou príslušenstva alebo keď sa ventilátor nepoužíva, vyberte z neho akumulátor.

VAROVANIE: Nepoužívajte žiadne doplnky alebo príslušenstvo, ak ho neodporúča výrobca uvedeného výrobku. Používanie nástavcov alebo príslušenstva, ktoré nie sú odporúčané, môže viesť k vážnemu zraneniu osôb.

Pred každým použitím skontrolujte, či na zariadení nie sú poškodené, chýbajúce alebo uvoľnené časti, napríklad skrutky, matice, závitky, uzávery, atď. Bezpečne utiahnite všetky upevňovacie prvky a uzávery a nepoužívajte tento výrobok, kým nebudú vymenené všetky chýbajúce alebo poškodené diely.

POUŽITIE

Tento výrobok môžete použiť na tieto uvedené účely:

- Všeobecné vetranie vo väčšine domácností.
- Vonkajšie chladenie pri pripojení na zdroj vody.

POZNÁMKA: Výrobok sa musí používať v súlade s účelom použitia. Každé iné použitie sa považuje za prípad nevhodného použitia.

PRIPOJENIE/ODPOJENIE AKUMULÁTORA

Používajte iba s akumulátormi EGO a nabíjačkami uvedenými na obr. A3.

POZNÁMKA: Pred prvým použitím akumulátor úplne nabite.

Pripojenie

Zarovnajte rebrá akumulátora s montážnymi otvormi a zatlačte akumulátor do priestoru pre akumulátor, kým nebudete počuť „cvaknutie“ (obr. B1).

Odpojenie

Stlačte tlačidlo na uvoľnenie akumulátora a vytiahnite akumulátor (obr. B2).

VAROVANIE: Vždy majte na pamäti umiestnenie vašich nôh, polohu detí, či zvierat pri stlačení tlačidla pre uvoľnenie akumulátora. Mohlo by dôjsť k vážnemu zraneniu v prípade vypadnutia akumulátora. NIKDY nevyberajte akumulátor na vyvýšenom mieste.

SPUSTENIE/ZASTAVENIE VENTILÁTORA

POZNÁMKA: Počiatočné továrenské nastavenie rýchlosti vzduchu je na úrovni 3. Ventilátor uloží posledné použité nastavenie rýchlosti vzduchu a vráti sa k nemu pri opätovnom spustení. Nastavenie Turbo sa neuloží.

POZNÁMKA: Nastavenie zahmlievania a oscilácie sa neuloží a pri každom zapnutí ventilátora bude predvolene vypnuté.

Ovládací panel (obr. A2)

Hlavný vypínač

- Krátkym stlačením hlavného vypínača zapnete ventilátor.
- Opätovným krátkym stlačením hlavného vypínača ventilátor vypnete.

Nastavenie rýchlosti prúdenia vzduchu

Normálna rýchlosť vzduchu

- Stlačením tlačidla nastavenia rýchlosti vzduchu „+“ zrýchlite rýchlosť vzduchu a stlačením tlačidla „-“ znížite rýchlosť vzduchu. K dispozícii je 5 úrovní rýchlosti.
- Kontrolka rýchlosti vzduchu zobrazuje zelené svetlá zodpovedajúce aktuálnym úrovňam rýchlosti.

Režim TURBO

POZNÁMKA: V režime „TURBO“ dosiahne ventilátor maximálnu rýchlosť vzduchu.

SK

- Stlačte tlačidlo „TURBO“, kontrolka **TURBO** sa rozsvieti na zeleno a ventilátor sa prepne do režimu „TURBO“, t.j. najvyššej rýchlosti prúdenia vzduchu.
- Keď v režime „TURBO“ znova stlačíte tlačidlo „TURBO“, kontrolka **TURBO** zhasne a ventilátor obnoví predchádzajúcu aktívnu rýchlosť vzduchu.
- Keď v režime „TURBO“ stlačíte tlačidlo „-“, kontrolka **TURBO** zhasne a ventilátor sa prepne na úroveň rýchlosti vzduchu 5.

OSCILAČNÁ FUNKCIA (OBR. C)

- Stlačením tlačidla oscilácie raz spustíte funkciu oscilácie hlavy ventilátora, indikátor oscilácie sa rozsvieti na spodnom zelenom svetle a hlava ventilátora sa bude otáčať o 60° zo strany na stranu (od -30° do 30°).
- Stlačte tlačidlo oscilácie druhýkrát, indikátor oscilácie sa rozsvieti dvoma zelenými svetlami, čím sa aktivuje rozsah oscilácie 120° (od -60° do 60°).
- Stlačte tlačidlo oscilácie tretíkrát, indikátor oscilácie sa rozsvieti tromi zelenými svetlami, čím sa aktivuje rozsah oscilácie 180° (od -90° do 90°).
- Ak chcete funkciu oscilácie vypnúť, stlačte tlačidlo oscilácie štvrtýkrát.

SK

NASTAVENIE UHLA VENTILÁTORA (OBR. D)

Hlavu ventilátora je možné nastaviť do viacerých uhlov od -30° do 90°. Ak chcete nastaviť smer hmlý/prúdenia vzduchu, uchopte ventilátor za hornú rukoväť a nakloňte hlavu ventilátora dopredu alebo dozadu.

FUNKCIA ZAHMLIEVANIA

Tlačidlo režimu zahmlievania

- Stlačte raz tlačidlo režimu zahmlievania a indikátor zahmlievania sa rozsvieti tromi zelenými kontrolkami, čo znamená režim nepretržitého zahmlievania silným prúdom vody - zahmlievanie silným prúdom vody bez zastavenia.
- Opätovne stlačte tlačidlo režimu zahmlievania a na indikátore zahmlievania sa rozsvietia dve zelené kontrolky, ktoré signalizujú režim „prerušovaného“ zahmlievania - zahmlievania po celý čas bez zastavenia.
- Stlačte tlačidlo režimu zahmlievania tretíkrát a na indikátore zahmlievania sa rozsvieti spodná zelená kontrolka, ktorá indikuje režim „prerušovaného“ zahmlievania - zahmlievania počas 10 sekúnd každých 10 sekúnd.

POZNÁMKA: Môže trvať niekoľko sekúnd, kým prvýkrát uvidíte hmlu vychádzajúcu zo zahmlievacích trysiek. Toto oneskorenie je spôsobené časom, ktorý je potrebný na prúdenie vody zo sacieho potrubia k tryskám.

- Keď je zahmlievanie v režime „prerušovaného“ zahmlievania, stlačte znova tlačidlo režimu zahmlievania, indikátor zahmlievania zhasne a zahmlievanie sa zastaví.

POZNÁMKA: Po skončení zahmlievania odpojte prírodnú trubicu ventilátora od zdroja vody a spustite ventilátor v režime nepretržitého zahmlievania, kým sa z trubice nevypustí všetka voda. To pomáha zabrániť tomu, aby zvyšky vody v rúrke spôsobili neočakávané zahmlievanie pri opätovnom spustení ventilátora.

Používanie ventilátora s vedrom na vodu alebo inou nádobou (nie je súčasťou balenia) (obr. E)

VAROVANIE: Deti môžu spadnúť do vedra a utopiť sa. Držte deti ďalej od vedier obsahujúcich čo i len malé množstvo kvapaliny.

POZNÁMKA: Pred každým použitím vyčistite vedro vodou a mydlom.

1. Odpojte akumulátor.
2. Vedro položte na rovný a plochý povrch.
3. Do vedra nalejte iba čistú studenú vodu. Neprepŕňajte.
4. Ponorte filtračný koniec nasávacej trubice do vody.

POZNÁMKA: Neohýbajte nasávaciu rúрку a vždy sa uistite, že voda cez rúрку plynule preteká.

5. Nainštalujte akumulátor.
6. Stlačením tlačidla napájania zapnete ventilátor.
7. Stlačením tlačidla režimu zahmlievania spustíte zahmlievanie.

Prípojenie ventilátora k vodovodnému kohútiku (obr. F a obr. G)

1. Odskrutkujte hornú časť filtra proti smeru hodinových ručičiek a odpojte ju od spodnej časti (obr. F).

F-1	Dolná časť filtra
F-2	Horná časť filtra

POZNÁMKA: Dbajte na to, aby sa spodný diel počas odpojovania horného dielu nerozdelil na dve časti a zostal pohromade ako celok na pripojenie k adaptéru záhradnej hadice.

2. Odskrutkujte (proti smeru hodinových ručičiek) adaptér záhradnej hadice uložený v spodnej časti ventilátora. Zaskrutkujte ho (v smere hodinových ručičiek) do spodnej časti filtra.

3. Pripojte adaptér záhradnej hadice k vhodnej záhradnej hadici s rýchlospojku (nie je súčasťou balenia). Pripojte rýchlospojku k adaptéru záhradnej hadice, kým nebudete počuť jasné cvaknutie (obr. G).

G-1	Adaptér na záhradnú hadicu
G-2	Typická rýchlospojka

POZNÁMKA: Nepokúšajte sa pripojiť adaptér záhradnej hadice, keď je namontovaný na spodnej časti ventilátora (Obr. G1).

- Pripojte záhradnú hadicu na vodovodné potrubie.
- Nainštalujte akumulátor.
- Stlačením tlačidla napájania zapnete ventilátor.
- Otvorte vodovodný kohútik naplno, ventilátor začne hmlieť.

POZNÁMKA: Odporúčaný maximálny pracovný tlak by nemal presiahnuť 80 psi.

POZNÁMKA: Aj keď nie je napájanie, ventilátor začne zahmlievať, keď sa zapne vodovodný kohútik.

- Stlačením tlačidla režimu zahmlievania vyberte režim zahmlievania pre lepšie pracovné výsledky.

POZNÁMKA: Malý otvor v adaptéri záhradnej hadice je náchylný na tvrdú vodu a usadzovanie minerálnych usadenín. Adaptér často čistite a na odstránenie usadenín používajte biely ocot alebo iný prostriedok na odstraňovanie vodného kameňa.

Použitie ventilátora bez zahmlievania

V prípade potreby sa tento výrobok môže používať len ako ventilátor, ak nie je pripojený k zdroju vody. Ak sa nasávací rúrka nepoužíva, vždy ju zrolujte do skladovacieho priestoru (pozri časť „PREPRAVA A SKLADOVANIE“ v tejto príručke), aby ste ju chránili pred poškodením a znečistením.

KOMUNIKAČNÁ TECHNOLOGIA

Informácie o našom úplnom sortimente pripojených výrobkov a služieb vrátane pokynov na pripojenie nájdete naskenovaním QR kódu nižšie alebo na stránke www.egopowerplus.eu/connect.



OCHRANA ELEKTRONIKY

Keď je funkcia oscilácie aktivovaná, ale ventilátor neosciluje, indikátor oscilácie zobrazí tri nepretržite blikajúce zelené svetlá, aby upozornil obsluhu, že treba skontrolovať, či sa hlava ventilátora nezasekla, a pred opätovným spustením funkcie odstrániť všetky cudzie predmety, ktoré uviazli na hlave ventilátora.

Keď je aktivovaná funkcia zahmlievania, ale nevychádza žiadna vodná hmla:

- Vodné čerpadlo bude ešte chvíľu bežať a potom sa automaticky zastaví, aby chránilo vnútornú elektroniku.
- Indikátor zahmlievania bude nepretržite zobrazovať tri blikajúce zelené kontrolky ako upozornenie pre obsluhu, aby:
 - Skontrolujte, či je nasávacía trubica správne ponorená do vody.
 - Skontrolujte, či nie sú upchaté zahmlievacie trysky, a vyčistite ich podľa kapitoly „ÚDRŽBA TRYSKY“.
 - Stlačením tlačidla voľby režimu zahmlievania spustíte zahmlievanie.

Keď je úroveň nabitia akumulátora nízka, tlačidlo napájania začne blikat zeleným svetlom, aby obsluhu pripomenulo, že je potrebné akumulátor nabiť alebo vymeniť.

Ak je akumulátora alebo ventilátor príliš horúci, tlačidlo napájania začne blikat červeným svetlom, aby upozornilo obsluhu, že má ventilátor vypnúť a pred opätovným spustením zahmlievacieho ventilátora nechať akumulátora alebo hmlový ventilátor vychladnúť, kým teplota neklesne na odporúčaný rozsah prevádzkových teplôt.

ÚDRŽBA

VAROVANIE: Pri údržbe používajte iba originálne náhradné diely. Použitie iných súčastí môže vyvolať nebezpečenstvo, alebo spôsobiť poškodenie výrobku. Pre zaistenie bezpečnosti a spoľahlivosti je nevyhnutné, aby všetky opravy vykonával len kvalifikovaný servisný technik.

VAROVANIE: Pri čistení alebo vykonávaní údržby vždy vyberte akumulátor z výrobku, aby nedošlo k vážnemu zraneniu.

VŠEOBECNÁ ÚDRŽBA

Všetok servis zahmlievacieho ventilátora, okrem položiek uvedených v tomto návode na údržbu, by mal vykonávať kompetentný servisný personál zahmlievacieho ventilátora.

Na čistenie plastových dielov nepoužívajte rozpúšťadlá. Väčšina plastov je náchylná na poškodenie rôznymi typmi komerčných rozpúšťadiel a môžu sa poškodiť, ak sa rozpúšťadlá použijú. Použite čisté handry na odstránenie nečistôt, prachu, oleja, maziva atď.

VAROVANIE: Nikdy nedovoľte, aby brzdové kvapaliny, benzín, ropné výrobky, penetračné oleje atď. prišli do styku s plastovými časťami. Chemické látky môžu poškodiť, oslabiť alebo zničiť plast, čo môže viesť k vážnemu zraneniu.

VAROVANIE: Pri čistení NEPONÁRAJTE zahmlievací ventilátor do vody ani do iných kvapalín.

ÚDRŽBA TRYSKY (OBR. H)

VAROVANIE: Zabezpečte, aby sa všetka údržba zahmlievacích trysiek vykonávala správne, aby sa zabránilo úniku vody. Úniky môžu mať za následok klzký povrch, ktorý predstavuje nebezpečenstvo pošmyknutia a pádu, alebo môžu spôsobiť škody na majetku.

Nepravidelné vzory hmly alebo únik môžu byť dôsledkom upchatej alebo znečistenej trysky.

Výčistenie trysiek

1. Vypnite ventilátor a vyberte akumulátor.
2. Odstráňte upchaté zahmlievacie trysky z predného krytu mriežky krytu ventilátora otáčaním proti smeru hodinových ručičiek.
3. Každú upchatú trysku rozoberte na časti.
4. Prepláchnite jednotlivé časti trysiek vodou, ak chcete odstrániť akékoľvek cudzie častice, ktoré ich upchávajú alebo obmedzujú. Ak chcete odstrániť nánosy vodného kameňa (minerálov), vyčistíte časti trysiek bielym octom alebo iným prostriedkom na odstraňovanie vodného kameňa podľa potreby.
5. Znovu zmontujte trysky.

POZNÁMKA: Aby ste zabránili upchatiu, uistite sa, že je tryska zostavená presne tak, ako je znázornené na obr. H.

6. Znovu pripievňte čisté trysky k prednému krytu mriežky.

ÚDRŽBA FILTRA (OBR. I)

Pravidelne kontrolujte filter na konci nasávacej rúrky, či je v dobrom stave.

1. Vypnite ventilátor a vyberte akumulátor.
2. Odskrutkujte hornú časť od spodnej časti filtra.

I-1	Spodná časť	I-3	Špongiový filter
I-2	Kovová sieťka	I-4	Horná časť

POZNÁMKA: Pri odskrutkovaní hornej časti dbajte na to, aby sa spodná časť nerozdelila na dve časti. Spodná časť musí zostať zmontovaná, aby bolo možné odstrániť kovové pletivo.

3. Z hornej časti vyberte špongióvu sieťku a zo spodnej časti kovovú sieťku.
4. Kovovú sieťku a špongióvu sieťku opláchnite alebo v prípade potreby vymeňte.
5. Znovu zložte filter.

POZNÁMKA: Uistite sa, že kovová sieťka je zmontovaná vyvýšeným okrajom smerom von, aby sa nabudúce ľahko demontovala.

ÚDRŽBA ADAPTÉRA ZÁHRADNEJ HADICE

Malý otvor v adaptéri záhradnej hadice je náchylný na tvrdú vodu a usadzovanie minerálnych usadenín. Adaptér často čistite a na odstránenie usadenín používajte biely ocot alebo iný prostriedok na odstraňovanie vodného kameňa.

ÚDRŽBA KRYTU VENTILÁTORA (OBR. J a OBR. K)

1. Vypnite ventilátor a vyberte akumulátor.
2. Pomocou križového skrutkovača (nie je súčasťou balenia) odskrutkujte osem skrutiek zo zadnej strany krytu ventilátora a odstráňte prednú ochrannú mriežku.

J-1	Skrutka (x8)
J-2	Predná ochranná mriežka

3. Podržte zostavu lopatiek ventilátora, aby sa neotáčala, a otočte krytom zámku lopatiek ventilátora v smere hodinových ručičiek, aby ste uvoľnili zostavu lopatiek ventilátora z hriadeľa.

K-1	Montáž lopatiek ventilátora
K-2	Poistný kryt

4. Odstráňte zostavu lopatiek ventilátora.
5. Podľa potreby vyčistíte lopatky ventilátora a vnútro krytu.
6. Znova ich zložte v opačnom poradí a skontrolujte, či:

Značka na súprave lopatiek ventilátora je zarovnaná s priečkou na hriadeľi.

PREPRAVA A SKLADOVANIE (obr. L)

- Vyberte akumulátor.
- Ventilátor dôkladne vyčistite.
- Vyprázdnite nasávaciu rúčku a filter.

POZNÁMKA: Zazimovanie ventilátora je nevyhnutné na ochranu pred teplotami pod bodom mrazu, ktoré môžu spôsobiť poškodenie čerpadla, hadíc a ďalších komponentov. **Pred uskladnením ventilátora počas zimy vždy odpojte nasávaciu trubicu ventilátora od zdroja vody a spustíte ventilátor v režime nepretržitého zahmlievania, kým sa v trubici nenachádzajú zvyšky vody.**

- Pripevnite nasávaciu trubicu a filter pomocou svoriek umiestnených na spodnej časti základne ventilátora.
- Naskrutkujte adaptér záhradnej hadice na úložný otvor so závitom, ktorý sa nachádza na spodnej strane základne ventilátora.

L-1	Adaptér na záhradnú hadicu
L-2	Spony

- Pri preprave prenášajte ventilátor pomocou hornej rukoväte alebo bočných rukovätí.
- Ventilátor skladujte v interiéri na dobre vetranom mieste.
- Chráňte pred agresívnymi látkami, ako sú záhradné chemikálie a rozmrazovacie soli.

SK

Ochrana životného prostredia



Nevyhadzujte elektrické zariadenia, nabíjačku a použité akumulátory do domového odpadu!

Tento výrobok odneste na autorizované recyklačné miesto a poskytnite ho na separovaný zber. Elektrické náradie sa musí odovzdať do ekologického recyklačného zariadenia.

ODSTRAŇOVANIE PORÚCH

PROBLÉM	PRÍČINA	RIEŠENIE
Zahmlievací ventilátor sa nespustí.	<ul style="list-style-type: none"> ■ Akumulátor nie je úplne zasunutý do puzdra. ■ Žiadny elektrický kontakt medzi zahmlievacím ventilátorom a akumulátorom. ■ Akumulátor je vybitý. ■ Akumulátor alebo ventilátor sú príliš horúce. 	<ul style="list-style-type: none"> ■ Skontrolujte, či je akumulátor úplne vložený do krytu. ■ Vyberte akumulátor, skontrolujte kontakty a znova nainštalujte akumulátor. ■ Nabite akumulátor. ■ Vypnite ventilátor a nechajte akumulátor alebo zahmlievací ventilátor vychladnúť, kým teplota neklesne na odporúčaný rozsah prevádzkových teplôt.
Nedochádza k zahmlievaniu vodou a indikátor zahmlievania bliká tromi zelenými kontrolkami.	<ul style="list-style-type: none"> ■ Sacia trubica nečerpá vodu, čím sa aktivuje vnútorná ochrana elektrického čerpadla vo ventilátore. ■ Počas prevádzky sa upchala zahmlievacia tryska (trysky), čím sa aktivovala vnútorná ochrana elektrického čerpadla. 	<ul style="list-style-type: none"> ■ Skontrolujte, či je vo vedre dostatok vody a či je nasávacía rúrka správne ponorená do vody. ■ Vyčistite trysky podľa kapitoly „UDRŽBA TRYSKY“ a znovu ich zmontujte podľa pokynov.
Ventilátor prestane oscilovať a indikátor oscilácie zabliká tromi zelenými kontrolkami.	<ul style="list-style-type: none"> ■ Hlava ventilátora sa počas oscilácie zasekáva. 	<ul style="list-style-type: none"> ■ Odstráňte všetky cudzie predmety, ktoré bránia kmitaniu hlavy ventilátora.

SK

ZÁRUKA

ZÁRUČNÁ POLITIKA EGO

Úplné znenie záručných podmienok EGO nájdete na webovej stránke egopowerplus.eu.

OLVASSA EL AZ ÖSSZES UTASÍTÁST!



OLVASSA EL A HASZNÁLATI ÚTMUTATÓT

▲ FIGYELMEZTETÉS: A biztonságosság és megbízhatóság biztosítása érdekében minden javítást szakképzett szerviztechnikusnak kell elvégeznie.

▲ FIGYELMEZTETÉS: A készülék használata előtt feltétlenül olvassa el és értse meg a jelen kezelési útmutatóban található valamennyi biztonsági utasítást, valamint a „VESZÉLY”, „FIGYELMEZTETÉS” és „FIGYELEM” biztonsági figyelmeztető szimbólumokat is. Az alább felsorolt utasítások be nem tartása áramütést, tüzveszélyt és/vagy súlyos személyi sérülést idézhet elő.

ŐRIZZEN MEG MINDEN UTASÍTÁST ÉS FIGYELMEZTETÉST, HOGY KÉSŐBB IS ELŐ TUDJA MAJD VENNI.

BIZTONSÁGI SZIMBÓLUMOK

FIGYELMEZTETÉS: Bármely kéziszerszám működtetése azzal járhat, hogy idegen tárgyak szembe kerülnek, ami súlyos szemsérüléseket okozhat. A kéziszerszám működtetése előtt mindig vegyen fel oldalsó védőlemezrel ellátott védőszemüveget és a teljes védőálcot, ha szükséges. Javasoljuk, hogy viseljen Wide Vision Safety Mask-ot (védőálcot) a védőszemüveg fölött vagy standard védőszemüveget oldalsó védőlemezrel.



Biztonsági figyelmeztetés



A sérülések kockázatának csökkentése érdekében a használónak a termék használata előtt el kell olvasnia és meg kell értenie a használati útmutatót.



Garantált hangteljesítményszint. Környezetre ható zajkibocsátás a Európai Közösség irányelve szerint.



Bluetooth® szimbólum



Az elhasznált elektromos termékek nem helyezhetők a háztartási hulladékok közé. Vigye hivatalos újrahasznosító telephelyre.



A termék megfelel az érvényes EK irányelveknek.



Egyenáram



Ez a termék megfelel az Egyesült Királyság hatályos jogszabályainak.

IPX4 Fröccsenő víz elleni védelem

HU

ÁLTALÁNOS BIZTONSÁGI FIGYELMEZTETÉSEK

▲ FIGYELMEZTETÉS: A tűzveszély, áramütés vagy sérülés kockázatának csökkentése érdekében:

- Ismerje meg a ködventilátort. Figyelmesen olvassa el a használati útmutatót. Ismerje meg a ventilátor alkalmazásait és korlátait, valamint a ventilátorral kapcsolatos lehetséges veszélyeket. A szabályok betartása csökkenti az áramütés, tűz vagy súlyos sérülés kockázatát.
- Ezt a készüléket használhatják 8 éves vagy annál idősebb gyermekek, illetve csökkent fizikai, érzékszervi, vagy mentális képességekkel rendelkező, vagy kellő tudással és belátással nem rendelkező személyek is, ha az említett személyek a biztonságukért felelős, a készülék biztonságos használatának módjával és az esetleges veszélyekkel tisztában lévő személy felügyelete alatt állnak, vagy ilyen személytől kaptak utasítást a berendezés használatára vonatkozóan.
- Gyermekek nem játszhatnak a készülékkel.
- Felügyelet nélkül gyermekek nem végezhetik a készülék tisztítását és karbantartását

A MUNKATERÜLET BIZTONSÁGA

- Ne használja a ventilátort robbanási veszélynek kitett környezetben, például olyan helyen, ahol éghető folyadékok, gázok vagy porok találhatók.
- Tartsa távol a gyermekeket és az illetéktelen személyeket, amikor a készüléket használja. Ha megzavarják, elveszítheti uralmát a készülék felett.
- Legyen óvatos, ha szeles időben használja. A szél ködöt juttathat az elektromos vezetékekbe vagy készülékekbe.
- Ne tegye ki a készüléket esőnek vagy nedves körülményeknek. A készülékbe bekerülő víz megnöveli az áramütés kockázatát.

SZEMÉLYI BIZTONSÁG

- Legyen éber, figyelje, mit csinál, és használja a józan esztét a készülék használata során. Ne használja a készüléket, ha fárad, ideges, vagy ha kábítószert, alkoholt vagy gyógyszert használ. A készülék üzemeltetése közben egy pillanatnyi figyelmetlenség is súlyos személyi sérülést okozhat.
- Akadályozza meg a véletlen indítást. Ügyeljen arra, hogy a kapcsoló kikapcsolts állapotban legyen, mielőtt az akkumulátoregységhez csatlakoztatja, felveszi vagy viszi a készüléket. Balesetekhez vezethet, ha a hálózatra csatlakoztatott készüléket úgy viszi, hogy közben az uja a bekapcsoló gombon van, vagy ha a hálózati csatlakozódugót olyankor dugja be az aljzatba,

amikor a készülék be van kapcsolva.

- A készülék bekapcsolása előtt távolítson el minden beállító kulcsot vagy csavarkulcsot. Személyi sérülést okozhat, ha a készülékben felejtett csavarkulcs vagy beállító kulcs forgó alkatrészhez ér.
- Ne hajoljon a készülék fölé. Vegyen fel stabil testhelyzetet, és mindig tartsa meg az egyensúlyát. Ez lehetővé teszi a készülék jobb irányítását váratlan helyzetekben.
- Viseljen megfelelő ruházatot. Ne viseljen laza ruházatot vagy ékszereket. A haj és a ruházat ne érjen a mozgó részekhez. A laza ruházatot, az ékszert vagy a hosszú hajat becsíphetik a mozgó alkatrészek.
- A készülék használata előtt ellenőrizze, hogy minden csatlakozás biztonságos-e.
- Ne hagyja, hogy a készülék rendszeres használata során szerzett tapasztalat miatt túl magabiztossá váljon, és emiatt figyelmen kívül hagyja a biztonsági alapelveket. Egy óvatlan cselekedet a másodperc töredéke alatt súlyos sérülést okozhat.

HASZNÁLAT ÉS GONDOZÁS

- Ne használja a készüléket, ha nem lehet a bekapcsoló gombbal be- vagy kikapcsolni. Minden olyan készülék, amelyet nem lehet a kapcsolóval vezérelni, veszélyes, és meg kell javítani.
- Húzza ki az akkumulátort a készülékből, mielőtt bármilyen beállítást, tartozékcsere-t végezne, vagy eltenné a készüléket. Az ilyen megelőző biztonsági óvintézkedések csökkentik a készülék véletlen bekapcsolásának kockázatát.
- A használaton kívüli készüléket gyermekek elől elzárva tárolja, és ne engedje, hogy olyanok használják a készüléket, akik nem ismerik a készüléket vagy ezt a használati útmutatót. A készülékek veszélyt jelentenek, ha gyakorlatlan felhasználó kezébe kerülnek.
- A készülék és a tartozékok karbantartása. Ellenőrizze a mozgó részek beállítását és rögzítését, vizsgáljon meg minden részt, nem sérült-e, és ellenőrizze, nem állnak-e fenn olyan körülmények, amelyek befolyásolhatják a készülék helyes működését. Ha a készülék megsérült, akkor használat előtt javíttassa meg. Sok balesetet a rosszul karbantartott készülék okoz.
- A készüléket és a tartozékokat, stb. mindig ezen biztonsági utasításoknak megfelelően használja, mindig vegye figyelembe a munkakörülményeket, és legyen tekintettel az elvégzendő munkára. A készülék rendeltetési céltól eltérő használata veszélyes helyzetet eredményezhet.

- **Tartsa szárazon, tisztán, olajtól és zsírtól mentesen a fogantyúkat és a tartófelületeket.** A csúszós fogantyúk és markolatok miatt a készülék kezelése és vezérlése váratlan helyzetekben nem biztonságos.

▲ FIGYELMEZTETÉS: A tűz vagy áramütés veszélyének csökkentése érdekében ne használja ezt a ventilátort szilárdtest fordulatszám szabályozó készülékkel.

AZ AKKUMULÁTOROS KÉSZÜLÉK HASZNÁLATA ÉS GONDOZÁSA

- Csak a gyártó által meghatározott töltőt használja. Az olyan töltő, amely egy típusú akkumulátoregységhez alkalmas, tűzveszélyt okozhat, ha más típusú akkumulátoregységhez használja.
- A készüléket csak a kifejezetten erre a célra szolgáló akkumulátoregységekkel használja. Bármely más akkumulátoregység használata sérülés- vagy tűzveszélyt okozhat.
- **Amikor nem használja az akkumulátoregységet, tartsa távol más fémtárgyaktól, például gemkapcsoktól, érméktől, kulcsoktól, szögektől, csavaroktól vagy más kis fémtárgyaktól, amelyek kapcsolatba léphetnek vele.** Az akkumulátorok kapcsainak rövidzárlata égési sérülést vagy tüzet okozhat.
- **Nem megfelelő körülmények között folyadék szivároghat az akkumulátorból; ügyeljen rá, hogy ne kerüljön érintkezésbe vele. Amennyiben véletlenül hozzáérne, mossa le vízzel. Ha ez a folyadék szembe kerül, forduljon orvoshoz.** Az akkumulátorból kiszivárgó folyadék irritációt vagy égési sérülést okozhat.
- **Ne használjon sérült vagy módosított akkumulátoregységet vagy készüléket.** A sérült vagy módosított akkumulátorok előre nem látható módon viselkedhetnek, aminek eredménye tűz, robbanás vagy sérülésveszély lehet.
- **Ne tegye ki az akkumulátoregységet tűznek vagy túlzott hőmérsékletnek.** Ha tűznek, vagy 130 °C feletti hőmérsékletnek teszi ki, akkor felrobbanhat.
- **Tartsa be az összes töltési utasítást, és ne töltse az akkumulátoregységet vagy a készüléket az utasításokban meghatározott hőmérséklet-tartományon kívül.** A nem megfelelő vagy a meghatározott hőmérséklet-tartományon kívüli töltés károsíthatja az akkumulátort, és növeli a tűzveszélyt.

SZERVIZ

- **Készülék javítását csak azonos cserealkatrészek felhasználásával, szakképzett szakemberrel végeztesse.** Ez biztosítja a készülék biztonságának fenntartását.

- **Soha ne szervizeljen sérült akkumulátoregységeket.** Az akkumulátoregységek szervizelését csak a gyártó vagy a felhatalmazott szerviz szolgáltató végezheti.

BIZTONSÁGI UTASÍTÁSOK VEZETÉK NÉLKÜLI KÖDVENTILÁTORHOZ

- Ezt a berendezést nem használhatják olyan személyek (gyermeket is beleértve), akik csökkent fizikai, érzékszervi vagy szellemi képességekkel rendelkeznek, vagy nem rendelkeznek kellő belátással és tudással, kivéve azt az esetet, ha az említett személyek a biztonságukért felelős személy felügyelete alatt állnak, vagy ilyen személytől kaptak utasítást a berendezés használatára vonatkozóan.
- A gyermekeket mindig felügyelni kell, hogy ne játszhassanak a készülékkel.
- **Ne engedje, hogy a ventilátort játékként használják.** Fokozottan figyeljen, ha gyerekek közelében használja a készüléket.
- **A gyerekek beleeshetnek a vödörökbe és megfulladhatnak.** Még akkor is tartsa távol a gyerekeket a vödöröktől, ha azokban csak kis mennyiségű folyadék van.
- **CSAK tiszta, hideg vizet használjon.**
- **Ne használja ezt a ködventilátort növényvédő szerek, folyékony műtrágyák, vegyszerek vagy más folyadékok permetezésére, kivéve a tiszta vizet.** Ezen anyagok permetezése súlyos sérülést vagy betegséget okozhat a kezelő vagy a közelben állók számára.
- **Soha ne irányítson ködöt vagy vizet elektromos vezetékek vagy eszközök felé.**
- **Győződjön meg róla, hogy az akkumulátortartó tartó fedele teljesen zárva van-e, hogy megakadályozza, nehogy víz érintkezzen az akkumulátorral vagy az akkumulátornyílásba kerüljön.**
- **Tartsa szárazon, tisztán, olajtól és zsírtól mentesen a készüléket és a fogantyúját.** Mindig használjon tiszta ruhát a tisztításhoz. **Soha ne használjon fékfolyadékot, benzint, ásványolaj-alapú termékeket vagy más erős oldószereket a ventilátor tisztításához.** Ha betartja ezt a szabályt, akkor csökkenti annak veszélyét, hogy elveszítheti az uralmát a készülék felett, és megelőzi a védő műanyagburkolat sérülését.
- **Az akkumulátorok gyújtóforrás, például jelzőfény, jelenlétében felrobbanhatnak.** A súlyos személyi sérülések kockázatának csökkentése érdekében soha ne használja a vezeték nélküli terméket nyílt láng jelenlétében. A felrobbant akkumulátor törmelékekre és vegyszerekre bomlik. Ha fennáll a robbanás veszélye, azonnal öntse le vízzel.

- **Őrizze meg ezt az útmutatót.** Időnként olvassa át, és használja, amikor másokat betanít a ventilátor használatára. Ha valakinek kölcsönadja a ventilátort, akkor adja át a használati útmutatót is a helytelen használat és lehetséges sérülések megelőzése érdekében.
- Legyen tisztában azzal, hogy a magas páratartalom elősegítheti a biológiai organizmusok szaporodását a környezetben.
- Ügyeljen rá, hogy a ködventilátor ne kerüljön nedves vagy vizes helyre. Ha nedvesség keletkezik, akkor csökkentse a ködventilátor teljesítményét. Ha a ködventilátor kimeneti teljesítménye nem csökkenthető, használja a párástót időszakosan. Ne hagyja, hogy nedvszívó anyagok, például szőnyegek, függönyök, drapériák vagy terítők nedvesek legyenek.
- Soha ne hagyjon vizet a tartályban, amikor a készülék nincs használatban.
- Mielőtt elrakja a ködventilátort, ürítse ki és tisztítsa meg. A következő használat előtt tisztítsa meg a párástót.

⚠ FIGYELMEZTETÉS: A vízben vagy a készülék használatának vagy tárolásának környezetében esetlegesen jelenlévő mikroorganizmusok elszaporodhatnak a víztartályban, és a levegőbe kerülve igen komoly egészségügyi kockázatot jelenthetnek, ha a vizet nem cseréli ki, és a tartályt nem tisztítja ki megfelelően 3 naponta.


HU

Az újratölthető akkumulátorokat töltés előtt ki kell venni a készülékből.

- A lemerült akkumulátorokat ki kell venni a készülékből, és biztonságosan kell ártalmatlanítani őket.
- Ha a készüléket használaton kívül hosszabb ideig tárolja, akkor az akkumulátorokat ki kell venni.
- Az elektromos érintkezőket nem szabad rövidre zárn.

ŐRIZZE MEG EZEKET AZ UTASÍTÁSOKAT!

JELLEMZŐK

Névleges feszültség	56 V 
Ventilátor lapát átmérője	25,4 cm
Ventilátor sebesség beállítások	6 (a „Turbo” fokozattal együtt)
Max. légszállítás	1700 CFM
Max. légsebesség	32,2 km/h
Oscillációs szög	60°, 120°, 180°
Párásító víz mennyisége	Magas: 5,7 l/h
	Közepes: 4,9 l/h
	Alacsony: 2,5 l/h
Súly (akkumulátoregység nélkül)	4,7 kg
Javasolt tárolási hőmérséklet	-20°C - 70°C
Bluetooth működési frekvenciasáv	2402-2480 MHz
Bluetooth maximális átviteli teljesítmény	4 dBm

- A névleges rezgési összérték mérése standard bevizsgálási módszerrel történt, és használatával a készülékek egymással összehasonlíthatók;
- A névleges rezgési összérték a kockázat előzetes felméréséhez is felhasználható.

MEGJEGYZÉS: A rezgés-kibocsátás a készülék aktuális használata közben eltérhet attól a névleges értéktől, amellyel a készüléket használják: a kezelő védelme érdekében a felhasználónak kesztyűt és fülvédőt kell használnia a tényleges használati körülmények mellett.

A CSOMAG TARTALMA (A1 ÁBRA)

LEÍRÁS

ISMERJE MEG A LOMBFÚVÓT (A1 és A2 ábra)

1. Kezelőpanel (A2 ábra)
2. Oscillációs keret
3. Párásító fúvóka
4. Felső fogantyú
5. Ventilátor burkolat
6. Oldalsó fogantyú

7. Akkumulátor tartó
8. Elektromos érintkezők
9. Akkumulátor kioldógomb
10. Kerti tömlőadapter
11. Szűrő
12. Szívócső
13. Légsebesség beállító gombok
14. TURBO gomb
15. TURBO jelzőlámpa
16. Kódösztítés jelzőlámpa
17. Párásítási mód gomb
18. Főkapcsoló gomb
19. Légsebesség jelzőlámpa
20. Oszcilláló jelző
21. Oszcilláló üzemmód gomb

ÖSSZESZERELÉS

▲ FIGYELMEZTETÉS: Ha bármely alkatrész sérült vagy hiányzik, akkor addig ne használja a terméket, amíg az alkatrészt ki nem cseréli. Sérült vagy hiányzó alkatrészekkel történő használat súlyos személyi sérülést okozhat.

▲ FIGYELMEZTETÉS: Ne próbálja megváltoztatni a terméket, és ne készítsen hozzá tartozékokat, amelyek nem javasoltak ehhez a termékhez. Bármilyen módosítás vagy változtatás helytelen használatnak minősül, és veszélyes feltételeket teremthet, amely súlyos személyi sérüléssel végződhet.

▲ FIGYELMEZTETÉS: Az akár súlyos személyi sérülést okozó véletlenszerű indítás elkerülése érdekében mindig vegye ki az akkumulátoregységet a gépből, amikor összeszereli az alkatrészeket.

- Ez a termék teljesen összeszerelve kerül kiszállításra.
- Óvatosan távolítsa el a terméket és a kiegészítőket a dobozból. Győződjön meg róla, hogy a „Csomaglistában” látható összes elem megtalálható.
- Gondosan vizsgálja meg a terméket, és ellenőrizze, hogy a szállítás során nem tört-e el vagy sérült-e meg.
- Ne dobja ki a csomagolóanyagot addig, amíg gondosan meg nem vizsgálta és kielégítően nem üzemeltette a terméket.
- Ha bármely alkatrész sérült vagy hiányzik, kérjük, küldje vissza a terméket a vásárlás helyére.

HASZNÁLAT

▲ FIGYELMEZTETÉS: Ügyeljen rá, nehogy a termékkel szerzett jártassága miatt óvatlanná váljon. Emlékezzon arra, hogy a másodperc töredéke alatt történő óvatlanság súlyos sérülést okozhat.

▲ FIGYELMEZTETÉS: A véletlenszerű indítás elkerülése érdekében, amely súlyos személyi sérülést okozhat, mindig vegye ki az akkumulátoregységet a ventilátorból, mielőtt szervizt, beállításokat, tisztítást végez, tartozékokat cserél, vagy amikor nem használja.

▲ FIGYELMEZTETÉS: Ne használjon a termék gyártója által nem javasolt tartozékokat. A nem javasolt tartozékok használata súlyos személyi sérülést okozhat.

Minden használat előtt ellenőrizze a teljes terméket sérülések, hiányzó vagy laza alkatrészek, pl. csavarok, anyák, alátétek, sapkák stb. szempontjából. Biztonságosan húzzon meg minden rögzítőt és sapkát, és ne használja a terméket addig, amíg a sérült vagy hiányzó alkatrészeket ki nem cserélték.

ALKALMAZÁSOK

A terméket az alább felsorolt célokra használhatja:

- Általános szellőztetés a legtöbb háztartási alkalmazásban.
- Kültéri hűtés, ha vízforráshoz van csatlakoztatva.

MEGJEGYZÉS: A terméket csak az előírt célokra használja. Bármilyen más használat helytelen használatnak minősül.

AZ AKKUMULÁTOREGYSÉG BERAKÁSA/ KIVÉTELE

Csak az A3 ábrán felsorolt EGO akkumulátoregységeket és töltőket használja.

MEGJEGYZÉS: Az első használat előtt teljesen töltsen fel az akkumulátoregységet.

Csatlakoztatás

Illessze az akkumulátor bordázatát a szerelőnyílásokhoz, és csúsztassa az akkumulátoregységet az akkumulátortartóba, amíg kattantást nem hall (B1 ábra).

Leválasztás

Oldja ki az akkumulátor kioldógombot, és húzza ki az akkumulátoregységet (B2 ábra).

HU

▲ FIGYELMEZTETÉS: Mindig ügyeljen a lába alatti területre, gyermekekre vagy kis állatokra, amikor megnyomja az akkumulátor-kioldó gombot. Súlyos sérülést okozhat, ha az akkumulátoregység kiesik. SOHA ne vegye ki az akkumulátoregységet magasan lévő helyzetben.

A VENTILÁTOR INDÍTÁSA/LEÁLLÍTÁSA

MEGJEGYZÉS: A légsebesség gyári alapbeállítása a 3. szint. A ventilátor elmenti az utójára használt légsebesség beállítását, és újraindításkor visszaállítja azt. A turbó beállítás nem kerül mentésre.

MEGJEGYZÉS: A párasítás és az oszcilláció beállítása nem kerül mentésre, és alapértelmezés szerint ki lesz kapcsolva minden alkalommal, amikor a ventilátor be van kapcsolva.

Kezelőpanel (A2 ábra)

Főkapcsoló gomb

- Nyomja meg röviden a főkapcsoló gombot a ventilátor bekapcsolásához.
- Nyomja meg ismét röviden a főkapcsoló gombot a ventilátor kikapcsolásához.

Légsebesség beállítása

Normál légsebesség

- Nyomja meg a „+” légsebesség beállító gombot a légsebesség felgyorsításához, és nyomja meg a „-” gombot a légsebesség csökkentéséhez. 5 sebességszint van.
- A légsebesség jelzőlámpa a pillanatnyi sebességszintnek megfelelő zöld fényvel világít.

TURBO üzemmód

MEGJEGYZÉS: „TURBO” üzemmódban a ventilátor maximális légsebességet ér el.

- Nyomja meg a „TURBO” gombot, a TURBO jelzőlámpa zölden világít, és a ventilátor „TURBO” módba, azaz a legnagyobb légsebességre kapcsol.
- Ha a „TURBO” módban ismét megnyomja a „TURBO” gombot, a TURBO jelzőlámpa kialszik, és a ventilátor újra a korábban aktív légsebességre kapcsol.
- Ha „TURBO” módban van, nyomja meg a „-” gombot, a TURBO jelzőlámpa kialszik, és a ventilátor az 5. légsebesség szintre kapcsol.

OSZCILLÁLÓ FUNKCIÓ (C ÁBRA)

- Nyomja meg egyszer az oszcilláló gombot a ventilátorfej oszcilláló funkciójának elindításához, az oszcilláló jelzőn

kigyullad az alsó zöld lámpa, a ventilátorfej pedig 60°-kal forog el egyik oldalról a másikra (-30°-ról 30°-ra).

- Nyomja meg másodszor az oszcilláló gombot, az oszcilláló jelzőn két zöld lámpa gyullad ki, aktiválva a 120° oszcillációs tartományt (-60° és 60° között).
- Nyomja meg harmadszor az oszcilláló gombot, az oszcilláló jelzőn három zöld lámpa gyullad ki, aktiválva a 180° oszcillációs tartományt (-90° és 90° között).
- Az oszcilláló funkció kikapcsolásához nyomja meg az oszcilláló gombot negyedszer.

A VENTILÁTOR SZÖGÉNEK BEÁLLÍTÁSA (D ÁBRA)

A ventilátorfej több szögre állítható -30° és 90° között. A pára/légáramlás irányának beállításához fogja meg a ventilátort a felső fogantyúval, és döntse előre vagy hátra a ventilátorfejet.

PÁRASÍTÁSI FUNKCIÓ

Párasítási mód gomb

- Nyomja meg egyszer a párasítási mód gombot, és a párasítás jelzőn három zöld lámpa gyullad ki, ami az erős áramú, folyamatos párasítás módot, az erős vízáramlás megállás nélküli párasítását jelzi.
- Nyomja meg ismét a párasítási mód gombot, és a párasítás jelzőn két zöld lámpa gyullad ki, ami a „folyamatos” párasítás módot, a megállás nélküli állandó párasítást jelzi.
- Nyomja meg harmadszor a párasítási mód gombot, és a párasítás jelzőn a zöld lámpájú gomb gyullad ki, ami a „szakaszos” párasítás módot, a 10 másodpercenkénti 10 másodperces párasítást jelzi.

MEGJEGYZÉS: Néhány másodperbe telhet, mire az első alkalommal valóban látni fogja a párárt, amely a párafúvókákból jön ki. Ez a késleltetés abból adódik, hogy a víznek időbe telik, amíg a beszívó csőből a fúvókákhoz eljut.

- Ha a párasítás „szakaszos” módban van, nyomja meg újra a párasítás mód gombot, és a párasítás jelzőlámpái kialszanak, a párasítás pedig leáll.

MEGJEGYZÉS: Amikor a párasítási művelet befejeződött, húzza ki a ventilátor szívócsövét a vízforrásról, és járassa a ventilátort folyamatos párasítási módban, amíg az összes víz nem távozik a csőből. Ez segít megelőzni, hogy a csőben maradt víz ne okozzon váratlan párasítást, amikor a ventilátor újraindul.

A ventilátor használata vizesvödörrel vagy más tartállyal (nem tartozék) (E ábra)

⚠ FIGYELMEZTETÉS: A gyerekek beleeshetnek a vödörbe és megfulladhatnak. Még akkor is tartsa távol a gyerekeket a vödörktől, ha azokban csak kis mennyiségű folyadék van.

MEGJEGYZÉS: Minden használat előtt tisztítsa meg a vödört tisztítószerrel és vízzel.

1. Válassza le az akkumulátoregységet.
2. Helyezze a vödört sima, vízszintes felületre.
3. KIZÁRÓLAG tiszta, hideg vizet töltsön a vödörbe. Ne töltsen túl.
4. Merítse a szívócső szűrő végét a vödörbe.

MEGJEGYZÉS: Ne hajlítsa meg a szívócsövet, és mindig ügyeljen arra, hogy a víz egyenletesen áramoljon át a csövön.

5. Helyezze be az akkumulátoregységet.
6. A ventilátor bekapcsolásához nyomja meg a főkapcsolót.
7. Nyomja meg a párástíási mód gombot a párástíás megkezdéséhez.

A ventilátor csatlakoztatása vízcspaphoz (F ábra és G ábra)

1. Csavarja le a szűrő felső részét az óramutató járásával ellentétes irányban, és húzza ki az alsó részből (F ábra).

F-1	Szűrő alsó rész
F-2	Szűrő felső része

MEGJEGYZÉS: Ügyeljen arra, hogy az alsó rész ne legyen két részre szétválasztva a felső rész leválasztása során, és egyben maradjon a kerti tömlőadapterhez való csatlakoztatáshoz.

2. Csavarja le (az óramutató járásával ellentétes irányban) a ventilátor alján tárolt kerti tömlőadaptert. Csavarja be (az óramutató járásával megegyező irányban) a szűrő alsó részébe.
3. Csatlakoztassa a kerti tömlőadaptert egy megfelelő kerti tömlőhöz gyorscsatlakozóval (nem tartozék). Csatlakoztassa a gyorscsatlakozót a kerti tömlőadapterhez, amíg jól hallható kattánást nem hall (G ábra).

G-1	Kerti tömlőadapter
G-2	Jellemző gyorscsatlakozó

MEGJEGYZÉS: Ne próbálja meg csatlakoztatni a kerti tömlőadaptert, amíg az a ventilátor aljára van szerelve (G1 ábra).

4. Csatlakoztassa a kerti tömlőt a vízvezetékhez.
5. Helyezze be az akkumulátoregységet.
6. A ventilátor bekapcsolásához nyomja meg a főkapcsolót.
7. Nyissa meg teljesen a vízcspapot, a ventilátor elkezd párástíani.

MEGJEGYZÉS: Az ajánlott maximális üzemi nyomás nem haladhatja meg a 80 psi-t.

MEGJEGYZÉS: A ventilátor akkor is párástíani kezd, ha a nincs áram alatt, amikor a vízcspap meg van nyitva.

8. Nyomja meg a párástíási mód gombot a párástíás mód kiválasztásához a jobb munkavégzés érdekében.

MEGJEGYZÉS: A kerti tömlőadapter kis nyílása érzékeny a kemény víz és az ásványi lerakódások felhalmozódására. Gyakran tisztítsa meg az adaptert, és használjon fehér ecetet vagy más vízkömentesítő szert a lerakódás eltávolításához.

A ventilátor használata párástíás nélkül

Szükség szerint ez a termék pusztán ventilátorként is használható, ha nem csatlakozik vízforráshoz. Amikor nem használja, mindig tekerje a szívócsövet a tárolóhelyére (lásd a jelen kézikönyv „SZÁLLÍTÁS ÉS TÁROLÁS” című részét), hogy megvédje a sérülésektől és szennyeződésektől.

KOMMUNIKÁCIÓS TECHNOLOGIA

A csatlakoztatott termékek és szolgáltatások teljes választékáról, valamint a csatlakoztatási utasításokról az alábbi QR-kód beolvasásával vagy a következő weboldalon tájékozódhat www.egopowerplus.eu/connect.



ELEKTRONIKAI VÉDELEM

Amikor az oszcillációs funkció aktiválva van, de a ventilátor nem oszcillál, az oszcilláló jelzőn folyamatosan villong három zöld lámpa, ami arra emlékezteti a kezelőt, hogy ellenőrizze, hogy a ventilátorfej elakadt-e, és távolítsa el a ventilátorfejen ragadt idegen anyagokat a funkció újraindítása előtt.

Amikor a párasítás funkció be van kapcsolva, de nem jön ki vízpára:

- A vízszivattyú egy rövid ideig tovább működik, majd a belső elektronika védelme érdekében automatikusan leáll.
- A párasítás jelzón folyamatosan villog három zöld lámpa, figyelmeztetésként a kezelő számára:
 - a. Ellenőrizze, hogy a szívócső megfelelően bemező-e a vízbe.
 - b. Ellenőrizze, hogy a ködfúvóka(ák) eltömődött(tek)-e, és tisztítsa meg a „**FÚVÓKA KARBANTARTÁS**” c. fejezet szerint.
 - c. A ködösítés újraindításához nyomja meg a ködösítés mód kiválasztó gombot.

Ha az akkumulátor töltöttsége alacsony, a főkapcsoló gomb zölden villog, hogy emlékeztesse a kezelőt az akkumulátor töltésére vagy cseréjére.

Ha az akkumulátor vagy a ventilátor túl forró, a főkapcsoló gomb pirosan villog, hogy figyelmeztesse a kezelőt, hogy kapcsolja ki a ventilátort, és hagyja lehűlni az akkumulátort vagy a párasító ventilátort, amíg a hőmérséklet az ajánlott üzemi hőmérséklet-tartományra nem csökken a ventilátor újraindítása előtt.

HU

KARBANTARTÁS

▲ FIGYELMEZTETÉS: Javításkor használjon azonos pótalkatrészeket. Más alkatrészek használata veszélyt okozhat, vagy megrongálhatja a terméket. A biztonságosság és megbízhatóság biztosítása érdekében minden javítást szakképzett szerviztechnikus hajtson végre.

▲ FIGYELMEZTETÉS: A súlyos személyi sérülések elkerülése érdekében mindig vegye ki az akkumulátoregységet a termékből tisztítás vagy karbantartás alatt.

ÁLTALÁNOS KARBANTARTÁS

A párasító ventilátor teljes szervizelését – a karbantartási útmutatóban felsorolt elemek kivételével – szakképzett, párasító ventilátorokkal foglalkozó szakember végezze.

A műanyag alkatrészek tisztításához ne használjon oldószereket. A legtöbb műanyag különböző vegyi oldószerek hatására károsodik, ezek megrongálhatják őket. Használjon tiszta ruhát a szennyeződés, por, olaj, zsír, stb. eltávolításához.

▲ FIGYELMEZTETÉS: Fékolaj, üzemanyag, petróleum alapú termékek, behatoló olajok stb. soha ne érintkezzenek a műanyag alkatrészekkel. A vegyszerek megrongálhatják, gyengíthetik vagy megtámadhatják a műanyagot, ezáltal súlyos személyi sérülést okozhatnak.

▲ FIGYELMEZTETÉS: A párasító ventilátor tisztításakor NE merítse vízbe vagy más folyadékba.

FÚVÓKA KARBANTARTÁSA (H ábra)

▲ FIGYELMEZTETÉS: A vízszivárgás megelőzése érdekében gondoskodjon róla, hogy valamennyi párasító fúvóka karbantartása megfelelően legyen elvégezve. A szivárgás csúszós felületet eredményezhet, ami csúszás- és esésveszélyt, vagy anyagi károkat okozhat.

A szabálytalan páraminták vagy a szivárgás az eltömődött vagy szennyezett fúvóka következménye lehet.

A fúvókák tisztítása:

1. Kapcsolja ki a ventilátort, és vegye ki az akkumulátoregységet.
2. Távolítsa el az eltömődött párasító fúvókákat a ventilátorház elülső rácsos védőjéről az óramutató járásával ellentétes irányban elforgatva.
3. Az összes érintett fúvókát szerelje szét részre.
4. A fúvókákat eltömítő vagy akadályozó idegen részecskék eltávolítása érdekében a fúvóka részeket öblítse át vízzel. A vízkő (ásványi anyag) lerakódások eltávolításához szükség szerint tisztítsa meg a fúvóka részeit fehér ecettel vagy más vízkőoldó szerrel.
5. Szerelje vissza a fúvókákat.

MEGJEGYZÉS: Az eltömődés elkerülése érdekében győződjön meg arról, hogy a fúvókát pontosan a H ábrán látható módon szerelte össze.

6. Csatlakoztassa újra a tiszta fúvókákat az elülső rácsos védőhöz.

A SZŰRŐ KARBANTARTÁSA (I ábra)

Rendszeresen ellenőrizze a szívócső végén lévő szűrőt, hogy meggyőződjön arról, hogy jó állapotban van.

1. Kapcsolja ki a ventilátort, és vegye ki az akkumulátoregységet.
2. Csavarja le a felső részt a szűrő alsó részéről.

I-1	Alsó rész	I-3	Szivacsháló
I-2	Fémháló	I-4	Felső rész

MEGJEGYZÉS: A felső rész kicsavarásakor ügyeljen arra, hogy az alsó rész ne legyen két darabra osztva. Az alsó résznek összeszerelve kell maradnia a fémháló eltávolítása érdekében.

3. Vegye ki a szivacsahlót a felső részből, az alsó részből pedig a fémhálót.
4. Öblítse le a fémhálót és a szivacsahlót, vagy szükség esetén cserélje ki őket.
5. Szerelje vissza a szűrőt.

MEGJEGYZÉS: Győződjön meg arról, hogy a fémhálót úgy szerelte össze, hogy az emelt perem kifelé nézzen, hogy legközelebb könnyen szétszerelhető legyen.

KERTI TÖMLŐADAPTER KARBANTARTÁSA

A kerti tömlőadapter kis nyílása érzékeny a kemény víz és az ásványi lerakódások felhalmozódására. Gyakran tisztítsa meg az adaptert, és használjon fehér ecetet vagy más vízkömentesítő szert a lerakódás eltávolításához.

A VENTILÁTOR BURKOLATÁNAK KARBANTARTÁSA (J ábra és K ábra)

1. Kapcsolja ki a ventilátort, és vegye ki az akkumulátoregységet.
2. Csillagfejű csavarhúzóval (nem tartozék) csavarja le a nyolc csavart a ventilátorburkolat hátuljáról az első rácsos védő eltávolításához.

J-1	Csavar (x8)
J-2	Elülső védőrács

3. Tartsa meg a ventilátorlapát-egységet, hogy ne forogjon, és forgassa el a ventilátorlapát rögzítő burkolatát az óramutató járásával megegyező irányban, hogy kioldja a ventilátorlapát-egységet a tengelyről.

K-1	Ventilátorlapát-egység
K-2	Rögzítő burkolat

4. Távolítsa el a ventilátorlapát-egységet.
5. Szükség szerint tisztítsa meg a ventilátorlapátot és a burkolat belsejét.
6. Fordított sorrendben újra szerelje össze őket, és győződjön meg róla, hogy:

A ventilátorlapát-egységen lévő jel a tengelyen lévő keresztműrdhoz igazodik.

SZÁLLÍTÁS ÉS TÁROLÁS (L ábra)

- Vegye le az akkumulátoregységet.
- Alaposan tisztítsa meg a ventilátort.
- Ürítse ki a szívócsövet és a szűrőt.

MEGJEGYZÉS: A ventilátor téliesítése elengedhetetlen a fagyhőmérséklet elleni védelem érdekében, ami károsíthatja a szivattyút, tömlőket és egyéb alkatrészeket. **Mindig húzza ki a ventilátor szívócsövet a vízforrásról, és járassa a ventilátort folyamatos párástíási üzemmódban, amíg nincs maradék víz a csőben, mielőtt a ventilátort télen tárolja.**

- Rögzítse a szívócsövet és a szűrőt a ventilátor alján található kapcsolakkal.
- Csavarja be a kerti tömlőadapert a ventilátor alján található menetes tárolólyukra.

L-1	Kerti tömlőadapter
L-2	Kapcsok

- Szállításkor vigye a ventilátort a felső fogantyúval vagy az oldalsó fogantyúval.
- Tárolja a ventilátort beltéren, jól szellőző helyen.
- Tartsa távol maró hatású szerektől, például kerti vegyszerektől, és jégmentesítő sótól.

Környezetvédelem



Ne dobja az elektromos felszerelést, az elhasznált akkumulátort és a töltőt a háztartási hulladékok közé!

Vigye hivatalos újrahasznosító telephelyre, és tegye hozzáférhetővé a szelektív gyűjtéshez. Az elektromos eszközöket megfelelő környezetbarát újrahasznosító üzembe kell vinni.

HU

HIBAELHÁRÍTÁS

PROBLÉMA	OK	MEGOLDÁS
A párasító ventilátor nem indul el.	<ul style="list-style-type: none"> ■ Az akkumulátoregység nincs teljesen behelyezve a házba. ■ Nincs elektromos érintkezés a párasító ventilátor és az akkumulátoregység között. ■ Az akkumulátoregység lemerült. ■ Az akkumulátoregység vagy a ventilátor túl forró. 	<ul style="list-style-type: none"> ■ Ellenőrizze, hogy az akkumulátor teljesen be van-e helyezve a házba. ■ Vegye ki az akkumulátoregységet, ellenőrizze a csatlakozásokat, és helyezze vissza az akkumulátoregységet. ■ Töltse fel az akkumulátoregységet. ■ Kapcsolja ki a ventilátort, és hagyja lehűlni az akkumulátort vagy a párasító ventilátort, amíg a hőmérséklet az ajánlott üzemi hőmérséklet tartományra nem csökken.
Nincs párasítás, és a párasítás jelzőlámpán két zöld fény villog.	<ul style="list-style-type: none"> ■ A szivócső nem szivattyúz vizet, ezért aktiválja az elektromos szivattyú belső védelmét a ventilátor belsejében. ■ A párasító fűvóka(ák) működés közben eltömődött(-tek), és aktiválta(-ták) a vízszivattyú belső védelmét. 	<ul style="list-style-type: none"> ■ Ellenőrizze és győződjön meg róla, hogy van-e elegendő víz a vödörben, és a szivócső megfelelően bemerül-e a vízbe. ■ Tisztítsa meg a fűvóká(ka)t a „FŰVÓKA KARBANTARTÁS” fejezet szerint, és szerelje vissza őket az utasításoknak megfelelően.
A ventilátor oszcillációja leáll, és az oszcilláló jelzőn három zöld lámpa villog.	<ul style="list-style-type: none"> ■ A ventilátorfej oszcilláció közben elakadt. 	<ul style="list-style-type: none"> ■ Távolítson el minden idegen anyagot, amely megakadályozza a ventilátorfej oszcillációját.

HU

GARANCIA

EGO GARANCIÁLIS FELTÉTELEK

Kérjük, látogasson el az egopowerplus.eu oldalra, ahol megtalálja a részletes EGO garanciális feltételeket.

CITIȚI TOATE INSTRUCȚIUNILE!



CITIȚI MANUALUL DE INSTRUCȚIUNI

⚠ AVERTISMENT: Pentru siguranța și fiabilitatea produsului, toate reparațiile trebuie efectuate de către un tehnician de service autorizat.

⚠ AVERTISMENT: Asigurați-vă că citiți și înțelegeți toate instrucțiunile de siguranță din acest manual al operatorului, inclusiv toate simbolurile de avertizare privind siguranța, cum ar fi "PERICOL," "AVERTISMENT," și "ATENȚIE" înainte de a utiliza această aparatul. Nerespectarea tuturor instrucțiunilor enumerate mai jos poate duce la electrocutare, incendiu și/sau vătămări corporale grave.

PĂSTRAȚI TOATE AVERTISMENTE ȘI INSTRUCȚIUNILE PENTRU CONSULTARE ULTERIOARĂ.

SIMBOLURI PRIVIND SIGURANȚA

⚠ AVERTISMENT: Utilizarea oricărui aparat poate duce la aruncarea de obiecte străine în ochi, ceea ce poate duce la leziuni oculare grave. Înainte de a începe utilizarea aparatului, purtați întotdeauna protecție pentru ochi sau ochelari de protecție cu protecții laterale și un ecran complet pentru față, dacă este necesar. Vă recomandăm să purtați o vizieră lată de protecție peste ochelarii de vedere sau ochelari de protecție standard cu apărători laterale.



Alertă privind siguranța



Pentru a reduce riscul de vătămare, utilizatorul trebuie să citească și să înțeleagă manualul de instrucțiuni înainte de a utiliza acest produs.



Nivel de putere acustică garantat. Emisii sonore în mediul înconjurător conform Directivei comunitare europene.



Simbol Bluetooth®



Deșeurile produselor electrice nu trebuie să fie eliminate împreună cu deșeurile menajere. Predați-le unui punct de reciclare autorizat.



Acest produs este în conformitate cu directivele europene aplicabile.



Curent continuu



Acest produs este în conformitate cu legislația aplicabilă din Marea Britanie.

IPX4 Protecție împotriva stropilor de apă

RO

AVERTISMENTE GENERALE DE SIGURANȚĂ

⚠ AVERTISMENT: Pentru a evita riscul de incendiu, șoc electric sau rănire:

- **Cunoaște-ți ventilatorul cu nebulizare. Citiți cu atenție manualul de instrucțiuni. Învățați aplicațiile și limitele ventilatorului, precum și riscurile specifice potențiale legate de acest ventilator.** Respectând această regulă, veți reduce riscul de electrocutare, incendiu sau de vătămare corporală gravă.
- Acest aparat poate fi utilizat de către copii de peste 8 ani și de către persoane cu capacități fizice, senzoriale sau intelectuale reduse ori lipsite de cunoștințe sau de experiență numai dacă sunt supravegheate sau au fost instruite cu privire la utilizarea aparatului în deplină siguranță și înțeleg pericolele la care se expun.
- Nu lăsați copiii să se joace cu aparatul.
- Este interzisă efectuarea curățării și întreținerii aparatului permisibile utilizatorului de către copii nesupravegheați

SIGURANȚA ZONEI DE LUCRU

- **Nu puneți în funcțiune ventilatorul în atmosfere explozive, cum ar fi în prezența lichidelor, gazelor sau prafurilor inflamabile.**
- Țineți copiii și persoanele prezente la distanță atunci când utilizați un aparat. Distragerea atenției vă poate face să pierdeți controlul.
- **Aveți grijă când utilizați în condiții de vânt.** Vânturile pot transporta ceață în cablurile sau dispozitivele electrice.
- **Nu expuneți aparatul la ploaie sau în condiții umede.** Pătrunderea apei într-un aparat va crește riscul de electrocutare.

SIGURANȚA PERSONALĂ

- **Păstrați-vă vigilența, urmăriți ceea ce faceți și apelați la bunul simț când utilizați un aparat. Nu utilizați aparatul când sunteți obosit, sau sub influența medicamentelor, a alcoolului sau a medicației.** Un moment de neatenție în timp ce utilizați aparatul se poate solda cu vătămări grave.
- **Preveniți pornirea accidentală. Asigurați-vă că întrerupătorul este în poziția oprit înainte de conectarea la acumulator, ridicarea sau transportarea dispozitivului.** Purtarea aparatului cu degetul pe comutator sau alimentarea cu energie a aparatului care are comutatorul pornit provoacă accidente.

- **Îndepărtați orice cheie de reglare sau cheie fixă înainte de a porni aparatul.** O cheie lăsată într-o piesă rotativă a sculei electrice poate duce la accidente.
- **Nu încercați să ajungeți în locuri inaccesibile. Păstrați-vă stabilitatea și echilibrul în orice moment.** Astfel veți avea un control mai bun asupra sculei electrice în situații neașteptate.
- **Îmbrăcați-vă corespunzător. Nu purtați haine largi sau bijuterii. Păstrați-vă părul și îmbrăcămintea departe de componentele în mișcare.** Îmbrăcămintea largă, bijuteriile sau părul lung pot fi prinse de piesele în mișcare.
- **Verificați dacă toate conexiunile sunt sigure înainte de a utiliza aparatul.**
- **Nu permiteți ca familiaritatea dobândită în urma utilizării frecvente a aparatelor să vă facă să neglijați sau să nesocotiți principiile de siguranță ale aparatului.** O operație neglijentă poate cauza vătămări grave într-o fracțiune de secundă.

UTILIZAREA ȘI ÎNGRIJIREA

- **Nu utilizați aparatul dacă întrerupătorul nu comută pe pozițiile pornit și oprit.** Un aparat care nu poate fi controlat cu întrerupătorul este periculos și trebuie reparat.
- **Deconectați setul de acumulatori de la aparatului înainte de a efectua orice reglare, de a schimba accesoriile sau de a depozita aparatul.** Astfel de măsuri preventive de siguranță reduc riscul pornirii aparatului accidental.
- **Păstrați aparatul inactiv la îndemâna copiilor și nu permiteți persoanelor care nu sunt familiarizate cu aparatul sau cu aceste instrucțiuni să opereze aparatul.** Aparatele electrice sunt periculoase în mâinile utilizatorilor neinstruiți.
- **Întreține aparatul și accesoriile. Verificați dacă există abateri de la coaxialitate sau gripări ale pieselor în mișcare, avarii ale pieselor și orice altă situație care poate afecta funcționarea aparatului. Dacă este deteriorat, reparați aparatul înainte de utilizare.** Multe accidente sunt cauzate de aparate prost întreținute.
- **Utilizați aparatul, accesoriile și capetele etc. în conformitate cu aceste instrucțiuni, ținând cont de condițiile de lucru și lucrarea de efectuat.** Utilizarea sculei electrice pentru operații diferite de cele intenționate s-ar putea solda cu o situație periculoasă.
- **Păstrați mânerul și suprafețele de prindere uscate, curate și lipsite de ulei și grăsime.** Mânerul și suprafețele de apucare alunecoase nu permit manevrarea în siguranță și controlul asupra aparatului în situații neașteptate.

⚠️ AVERTISMENT: Pentru a reduce riscul de incendiu sau șoc electric, nu utilizați acest ventilator cu niciun dispozitiv de control al vitezei în stare solidă.

Aparat cu BATERIE UTILIZARE ȘI ÎNGRIJIRE

- Reîncărcați numai cu încărcătorul specificat de producător. Un încărcător adecvat pentru un tip de set de acumulatori poate prezenta risc de incendiu dacă este utilizat cu alt set de acumulatori.
- Utilizați aparate numai cu acumulatori special destinați. Utilizarea oricărui alt set de acumulatori prezintă risc de accidente și incendiu.
- Când nu se utilizează setul de acumulatori, țineți-l departe de alte obiecte metalice precum clamele de hârtie, monedele, cheile, cuiele, șuruburile sau alte obiecte metalice mici care pot realiza o conexiune între borne. Scurtcircuitarea bornelor bateriei poate produce arsuri sau un incendiu.
- În condiții abuzive se poate scurge lichid din baterie; evitați contactul. Dacă are loc contactul accidental, clătiți cu apă. Dacă lichidul intră în contact cu ochii, efectuați suplimentar un consult medical. Lichidul scurs din baterie poate produce iritări sau arsuri.
- Nu utilizați un set de acumulatori sau un aparat care este deteriorat sau modificat. Bateriile deteriorate sau modificate pot prezenta comportament imprevizibil, care poate duce la incendiu, explozie sau risc de vătămare.
- Nu expuneți un acumulator sau dispozitivul la foc sau la temperaturi excesive. Expunerea la foc sau la temperaturi de peste 130°C poate provoca explozie.
- Respectați toate instrucțiunile de încărcare și nu încărcați acumulatorul sau aparatul în afara intervalului de temperatură specificat în instrucțiuni. Încărcarea necorespunzătoare sau la temperaturi în afara domeniului specificat poate duce la deteriorarea bateriei și la creșterea riscului de incendiu.

SERVICE

- Duceți aparatul la depanat pentru a fi reparată de o persoană calificată utilizând numai piese de schimb identice. Acest lucru va asigura menținerea siguranței aparatului.
- Nu efectuați niciodată operații de service asupra seturilor de acumulatori deteriorați. Depanarea acumulatorilor trebuie să fie efectuată numai de producător sau de prestatorii autorizați de servicii.

INSTRUCȚIUNI DE SIGURANȚĂ PENTRU VENTILATORUL CU NEBULIZARE CU ACUMULATOR

- Acest aparat nu este destinat folosirii de către persoane (inclusiv copii) cu capacități fizice, senzoriale sau intelectuale reduse, sau lipsite de experiență ori cunoștințe, exceptând cazul în care acestea sunt supravegheate sau instruite în prealabil de o persoană responsabilă de securitatea lor.
- Copiii trebuie să fie supravegheați pentru a vă asigura că nu se joacă cu aparatul.
- **Nu permiteți ca ventilatorul să fie folosit ca o jucărie.** Se recomandă atenție sporită când aparatul este utilizat de către sau în vecinătatea copiilor.
- **Copiii pot cădea în găleți și se pot îneca.** Țineți copiii departe de găleți chiar și cu o cantitate mică de lichid.
- **Folosiți NUMAI apă curată și rece.**
- Nu utilizați acest ventilator cu nebulizare pentru a pulveriza pesticide, îngrășăminte lichide, substanțe chimice sau alte lichide decât apa curată. Împrăștierea acestor substanțe poate cauza rănirea gravă a utilizatorului și a trecătorilor.
- Nu direcționați niciodată ceața sau apa către cabluri sau dispozitive electrice.
- Asigurați-vă că capacul compartimentului bateriei este complet închis pentru a împiedica apa să intre în contact cu bateria sau să intre în portul bateriei.
- Mențineți aparatul și mânerul său uscat, curat și fără ulei sau unsoare. Utilizați întotdeauna o cârpă curată la curățare. Nu folosiți niciodată lichide de frână, benzină, produse pe bază de petrol sau solvenți puternici pentru a vă curăța ventilatorul. Respectarea acestei reguli va reduce riscul de pierdere a controlului și de deteriorare a carcasei din plastic.
- Acumulatorii pot exploda în prezența unei surse de aprindere precum o lampă indicatoare. Pentru a reduce riscul de accidentare corporală gravă, nu utilizați niciodată un produs fără fir în prezența unei flăcări deschise. **O baterie care explodează poate proiecta resturi și chimicale.** În caz de expunere, clătiți imediat cu apă.
- **Păstrați aceste instrucțiuni.** Consultați-le frecvent și utilizați-le pentru a instrui alte persoane care ar putea utiliza acest ventilator. Dacă împrumutați cuiva acest ventilator, împrumutați-i și aceste instrucțiuni pentru a preveni utilizarea inadecvată a produsului și posibile vătămări.
- Fiți conștienți de faptul că nivelurile ridicate de umiditate pot încuraja creșterea organismelor biologice în mediu.
- Nu permiteți ca zona din jurul ventilatorului cu nebulizare să devină umedă sau umezită. Dacă apare umezeală, reduceți puterea ventilatorului cu nebulizare. Dacă volumul de ieșire al ventilatorului cu nebulizare nu poate fi redus, utilizați umidificatorul în mod intermitent. Nu lăsați materialele absorbante, cum ar fi covorele, draperiile, draperiile sau fețele de masă, să se umezească.

- Nu lăsați niciodată apă în rezervor când aparatul nu este în uz.
- Goliți și curățați ventilatorul cu nebulizare înainte de depozitare. Curățați umidificatorul înainte de următoarea utilizare.


⚠ AVERTISMENT: Microorganismele care pot fi prezente în apă sau în mediul în care aparatul este utilizat sau depozitat, pot crește în rezervorul de apă și pot fi suflate în aer provocând riscuri foarte grave pentru sănătate atunci când apa nu este reînnoită și rezervorul nu este curățat corespunzător la fiecare 3 zile.

Bateriile reîncărcabile trebuie scoase din aparat înainte de a fi încărcate.

- Bateriile epuizate trebuie scoase din aparat și aruncate în siguranță.
- Dacă aparatul trebuie depozitat neutilizat pentru o perioadă lungă de timp, bateriile trebuie scoase.
- Bornele de alimentare nu trebuie scurtcircuitate.

PĂSTRAȚI ACESTE INSTRUCȚIUNI

SPECIFICAȚII

Tensiune nominală	56V 
Diametrul paletei ventilatorului	25.4 cm
Setare a vitezei ventilatorului	6 (inclusiv „Turbo”)
Max. Volum de aer	1700 CFM
Max. Viteza aerului	32.2 km/h
Unghiul de oscilație	60°, 120°, 180°
Volumul apei de nebulizare	Ridicată: 5,7 L/h
	Medie: 4,9 L/h
	Joasă: 2.5 L/h
Greutate (fără set de acumulatori)	4,7 kg
Temperatură de depozitare recomandată	-20°C - 70°C
Bandă de frecvență de operare Bluetooth	2402-2480 MHz
Puterea maximă de transmisie Bluetooth	4 dBm

- Valoarea totală a vibrațiilor declarată a fost măsurată

în conformitate cu o metodă standard de încercare și poate fi utilizată pentru compararea unui aparat cu altul;

- Valoarea totală declarată poate fi utilizată în evaluarea preliminară a expunerii.

OBSERVAȚIE: Emisia de vibrații în timpul utilizării efective a aparatului poate diferi de valoarea declarată în care este utilizat aparatul; Pentru a proteja operatorul, utilizatorul trebuie să poarte mănuși și protecții pentru urechi în condițiile reale de utilizare.

LISTA COMPONENTELOR (FIG. A1)

DESCRIEREA

DESCRIEREA SUFLANTEI (Fig. A1 & A2)

1. Panoul de control (Fig. A2)
2. Cadru de oscilație
3. Duză de nebulizare
4. Mâner superior
5. Carcasa ventilatorului
6. Mâner lateral
7. Compartiment de acumulatori
8. Contacte electrice
9. Buton de eliberare a acumulatorului
10. Adaptor pentru furtun de grădină
11. Filtrul
12. Tub de admisie aer
13. Butoane de reglare a vitezei aerului
14. Buton TURBO
15. Indicator TURBO
16. Indicator de nebulizare
17. Buton Mod de nebulizare
18. Buton de alimentare
19. Indicator de viteză a aerului
20. Indicator oscilant
21. Buton mod oscilant

ASAMBLARE

⚠ AVERTISMENT: Dacă unele piese sunt deteriorate sau lipsesc, nu utilizați acest produs până la înlocuirea pieselor. Utilizarea acestui produs cu piese deteriorate sau lipsă s-ar putea solda cu vătămări grave.

⚠ AVERTISMENT: Nu încercați să modificați acest produs sau să creați accesorii nerecomandate pentru acest produs. Orice astfel de modificare sau schimbare reprezintă o utilizare necorespunzătoare și se poate solda cu condiții periculoase care pot conduce la posibile vătămări grave.

⚠️ AVERTISMENT: Pentru a preveni pornirea accidentală care ar putea cauza vătămări personale grave, întotdeauna scoateți setul de acumulatori din mașină când asamblați componente.

- Acest produs a fost livrat complet asamblat.
- Scoateți cu grijă produsul și orice accesorii din cutie. Asigurați-vă că sunt incluse toate articolele prezentate în „Lista de componente”.
- Inspectați cu atenție produsul pentru a vă asigura că aceasta nu a suferit defecțiuni sau avarii pe durata transportului.
- Nu aruncați materialul de ambalare până când nu ați inspectat cu atenție și operat în mod satisfăcător produsul.
- Dacă există piese deteriorate sau lipsă, vă rugăm să returnați produsul la locul de achiziție.

FUNCȚIONARE

⚠️ AVERTISMENT: Nu permiteți ca familiarizarea cu acest produs să vă determine să fiți neatent. Amintiți-vă că o fracțiune de secundă de neatenție este suficientă pentru a provoca vătămări grave.

⚠️ AVERTISMENT: Pentru a preveni pornirea accidentală care ar putea provoca vătămări corporale grave, scoateți întotdeauna acumulatorul din ventilator înainte de întreținerea, efectuarea ajustărilor, curățarea, schimbarea atașamentelor sau atunci când nu este utilizat.

⚠️ AVERTISMENT: Nu utilizați nicio componentă sau accesoriu care nu a fost recomandat de producătorul acestui produs. Utilizarea de accesorii nerecomandate se poate solda cu vătămări grave.

Înainte de fiecare utilizare, inspectați întregul produs pentru depistarea defectelor, componentelor lipsă sau slăbite precum șuruburi, piulițe, bolțuri, capace etc. Strângeți bine toate elementele de prindere și capacele și nu utilizați acest produs dacă piesele lipsă sau defecte nu sunt înlocuite.

APLICAȚII

Puteți utiliza acest produs în scopurile menționate mai jos:

- Ventilație generală în majoritatea aplicațiilor casnice.
- Răcire exterioară în timp ce este conectat la o sursă de apă.

OBSERVAȚIE: Produsul trebuie utilizat numai pentru scopurile prescrise. Orice altă utilizare este considerată a fi caz de utilizare necorespunzătoare.

ATAȘAREA/DETAȘAREA SETULUI DE ACUMULATORI

Utilizați numai cu pachetele de baterii și încărcătoare EGO enumerate în Fig. A3.

NOTĂ: Reîncărcați complet setul de acumulatori înaintea primei utilizări.

Pentru atașare

Aliniați nervurile bateriei cu fantele de montare și apăsați pachetul de baterii în compartimentul bateriei până când auziți un „clic” (Fig. B1).

Pentru detașare

Apăsați butonul de eliberare a bateriei și scoateți pachetul de baterii (Fig. B2).

⚠️ AVERTISMENT: Întotdeauna acordați atenție amplasamentului picioarelor dumneavoastră, a copiilor sau animalelor de companie când apăsați butonul de detașare al acumulatorului. În cazul căderii setului de acumulatori, pot rezulta răni grave. Nu detașați NICIODATĂ setul de acumulatori când vă aflați la înălțime.

PORNIREA/OPRIREA VENTILATORULUI

NOTĂ: Setarea inițială din fabrică pentru viteza aerului este nivelul 3. Ventilatorul va salva ultima setare de viteză a aerului utilizat și va reveni la ea la repornire. Setarea turbo nu va fi salvată.

NOTĂ: Setarea de nebulizare și oscilație nu va fi salvată și, în mod implicit, va fi oprită de fiecare dată când ventilatorul este pornit.

Panoul de control (Fig. A2)

Buton de alimentare

- Apăsați scurt butonul de alimentare pentru a porni ventilatorul.
- Apăsați din nou scurt butonul de alimentare pentru a opri ventilatorul.

Reglarea vitezei aerului

Viteza normală a aerului

- Apăsați butonul de reglare a vitezei aerului „+” pentru a accelera viteza aerului și apăsați butonul „-” pentru a reduce viteza aerului. Există 5 niveluri de viteză.
- Indicatorul de viteză a aerului afișează lumini verzi corespunzătoare nivelurilor curente de viteză.

Mod TURBO

NOTĂ: Când este în modul „TURBO”, ventilatorul va atinge viteza maximă a aerului.

- Apăsăți butonul „TURBO”, indicatorul TURBO se va aprinde în verde și ventilatorul va trece în modul „TURBO”, adică cea mai mare viteză a aerului.
- Când vă aflați în modul „TURBO”, apăsați din nou butonul „TURBO”, indicatorul TURBO se va stinge și ventilatorul va relua viteza aerului activă anterior.
- Când vă aflați în modul „TURBO”, apăsați butonul „-”, indicatorul TURBO se va stinge și ventilatorul va trece la nivelul de viteză a aerului 5.

FUNCȚIE OSCILARE (FIG. C)

- Apăsăți butonul oscilant o dată pentru a porni funcția de oscilare a capului ventilatorului, indicatorul de oscilare va aprinde lumina verde de jos, iar capul ventilatorului se va roti 60° dintr-o parte în alta (de la -30° la 30°).
- Apăsăți butonul de oscilare a doua oară, indicatorul de oscilare va aprinde două lumini verzi, activând intervalul de oscilație 120° (de la -60° la 60°).
- Apăsăți butonul de oscilare a treia oară, indicatorul de oscilare va aprinde trei lumini verzi, activând intervalul de oscilare de 180° (de la -90° la 90°).
- Pentru a dezactiva funcția de oscilare, apăsați butonul de oscilare a patra oară.

RO

REGLAREA UNGHIIULUI VENTILATORULUI (Fig. D)

Capul ventilatorului poate fi setat în mai multe unghiuri de la -30° la 90°. Pentru a regla direcția ceții /fluxului de aer, apucați ventilatorul de mânerul superior și înclinați capul ventilatorului înainte sau înapoi.

FUNCȚIE DE NEBULIZARE

Buton Mod de nebulizare

- Apăsăți butonul modului de nebulizare o dată și indicatorul de nebulizare va aprinde trei lumini verzi care indică modul de nebulizare continuă cu flux intens - nebulizarea unui flux puternic de apă fără oprire.
- Apăsăți din nou butonul de mod de nebulizare, iar indicatorul de nebulizare va aprinde două lumini verzi care indică modul de nebulizare „continuă” - nebulizare continuă, fără oprire.
- Apăsăți butonul modului de nebulizare a treia oară și indicatorul de nebulizare va aprinde lumina verde de jos, care indică modul de nebulizare „intermitentă” - nebulizarea timp de 10 secunde la fiecare 10 secunde.

NOTĂ: Este posibil să dureze câteva secunde până când veți vedea prima dată ceața ieșind din duzele de nebulizare. Această întârziere se datorează timpului necesar pentru ca apa să curgă din tubul de admisie la duze.

- Când nebulizarea este în modul de nebulizare „intermitentă”, apăsați din nou butonul de mod de nebulizare și luminile indicatoare de nebulizare se vor stinge, iar nebulizarea se va opri.

NOTĂ: Când operația de nebulizare este terminată, deconectați tubul de admisie al ventilatorului de la sursa de apă și rulați ventilatorul în modul de nebulizare continuă până când toată apa se curăță din tub. Acest lucru ajută la prevenirea ca apa reziduală din tub să provoace nebulizare neașteptată atunci când ventilatorul este pornit din nou.

Utilizarea ventilatorului cu o găleată de apă sau alt recipient (nu este inclus) (Fig. E)

AVERTISMENT: Copiii pot cădea în găleți și se pot îneca. Țineți copiii departe de găleți care conțin chiar și o cantitate mică de lichid.

OBSERVAȚIE: Curățați găleata cu apă și săpun înainte de fiecare utilizare.

1. Deconectați setul de acumulatori.
2. Așezați găleata pe o suprafață plană și plană.
3. Adăugați NUMAI apă curată și rece în găleată. Nu supra-umpleți.
4. Cufundați capătul filtrant al tubului de admisie în apă.

OBSERVAȚIE: Nu îndoiți tubul de admisie și asigurați-vă întotdeauna că apa curge lin prin tub.

5. Instalați setul de acumulatori.
6. Apăsăți butonul de alimentare pentru a porni ventilatorul.
7. Apăsăți butonul modului de nebulizare pentru a începe nebulizare.

Conectarea ventilatorului la un robinet de apă (Fig. F & Fig. G)

1. Deșurubați partea superioară a filtrului în sens invers acelor de ceasornic și deconectați-l de partea inferioară (Fig. F).

F-1	Filtrează partea inferioară
F-2	Filtru partea superioară

OBSERVAȚIE: Asigurați-vă că partea inferioară nu este separată în două părți în timpul deconectării părții superioare și rămâne împreună ca un întreg pentru conectarea la adaptorul furtunului de grădină.

- Deșurubați (în sens invers acelor de ceasornic) adaptorul furtunului de grădină depozitat în partea inferioară a ventilatorului. Înșurubați-l (în sensul acelor de ceasornic) în partea inferioară a filtrului.
- Conectați adaptorul furtunului de grădină la un furtun de grădină adecvat cu cuplaj rapid (nu este furnizat). Atașați cuplajul rapid la adaptorul furtunului de grădină până când auziți un clic clar (Fig. G).

G-1	Adaptor pentru furtun de grădină
G-2	Cupla rapidă tipică

OBSERVAȚIE: Nu conectați adaptorul furtunului de grădină în timp ce acesta este montat pe partea inferioară a ventilatorului (Fig. G1).

- Conectați furtunul de grădină la conducta de apă.
- Instalați setul de acumulatori.
- Apăsăți butonul de alimentare pentru a porni ventilatorul.
- Deschideți complet robinetul de apă, ventilatorul va începe să se nebulizeze.

OBSERVAȚIE: Presiunea maximă de lucru recomandată nu trebuie să depășească 80 psi.

NOTĂ: Chiar dacă nu există putere, ventilatorul va începe să se nebulizeze când robinetul de apă este pornit.

- Apăsăți butonul modului de nebulizare pentru a selecta modul de deplasare pentru rezultate mai bune de lucru.

NOTĂ: Deschiderea mică din adaptorul furtunului de grădină îl face susceptibil la apa dură și acumularea de depozite minerale. Curățați frecvent adaptorul și utilizați oțet alb sau alt agent de decalare pentru a îndepărta acumularea.

Utilizarea ventilatorului fără nebulizare

Dacă se dorește, acest produs poate fi folosit doar ca ventilator, atunci când nu este conectat la o sursă de apă. Când nu este utilizat, înfășurați întotdeauna tubul de admisie în zona de depozitare (a se vedea secțiunea „TRANSPORT ȘI DEPOZITARE” din acest manual) pentru a-l proteja de deteriorare și contaminare.

TEHNOLOGIA COMUNICĂRII

Pentru informații despre întreaga noastră gamă de produse și servicii conectate, inclusiv instrucțiuni de conectare, vă rugăm să scanați codul QR de mai jos sau să vizitați www.egopowerplus.eu/connect.



PROTECȚIE ELECTRONICĂ

Când funcția oscilantă este activată, dar ventilatorul nu oscilează, indicatorul oscilant va afișa trei lumini verzi intermitente continuu pentru a reaminti operatorului să verifice dacă capul ventilatorului este blocat și să îndepărteze orice materie străină care s-a blocat pe capul ventilatorului înainte de a reporni funcția.

Când funcția de nebulizare este activată, dar nu iese ceață de apă:

- Pompa de apă va continua să funcționeze pentru o perioadă scurtă de timp, apoi se va opri automat pentru a proteja electronicele interne.
- Indicatorul de nebulizare va afișa trei lumini verzi intermitente continuu ca o alertă pentru operator pentru:
 - Verificați dacă tubul de admisie este scufundat corect în apă.
 - Verificați dacă duzele de nebulizare sunt înfundate și curățați conform capitolului „ÎNTREȚINEREA DUZELOR”.
 - Apăsăți butonul de selectare a modului de nebulizare pentru a reporni nebulizarea.

Când încărcarea bateriei este scăzută, butonul de alimentare va clipi cu lumină verde pentru a reaminti operatorului să încarce sau să schimbe acumulatorul.

Când acumulatorul sau ventilatorul sunt prea fierbinți, butonul de alimentare va clipi roșu pentru a avertiza operatorul să oprească ventilatorul și să lase acumulatorul sau ventilatorul cu nebulizare să se răcească până când temperatura scade la intervalul recomandat de temperatură de funcționare înainte de a reporni ventilatorul.

ÎNȚREȚINEREA

⚠️ AVERTISMENT: La depanare, utilizați numai piese de schimb identice. Utilizarea oricăror altor piese poate crea un pericol sau poate produce o deteriorare. Pentru siguranța și fiabilitatea produsului, toate reparațiile trebuie efectuate de către un tehnician de service autorizat.

⚠️ AVERTISMENT: Pentru evitarea vătămarilor personale grave, îndepărtați întotdeauna setul de acumulatori din sculă când curățați sau efectuați orice operație de întreținere.

ÎNȚREȚINERE GENERALĂ

Toate lucrările de întreținere a ventilatorului de nebulizare, altele decât cele enumerate în aceste instrucțiuni de întreținere, trebuie efectuate de personal de service competent pentru ventilatorul de nebulizare.

Evitați utilizarea solvenților când curățați piese din plastic. Majoritatea pieselor din plastic sunt susceptibile să se deterioreze de la diverse tipuri de solvenți comerciali și se pot defecta prin utilizarea acestora. Utilizați lavete curate pentru a îndepărta murdăria, praful, uleiul, unsoarea etc.

⚠️ AVERTISMENT: Nu permiteți niciodată lichidelor de frână, benzinei, produselor petroliere, uleiurilor penetrante etc. să intre în contact cu piese din plastic. Substanțele chimice pot deteriora, pot fragiliza sau pot distruge plasticul, ceea ce se poate solda cu vătămări grave.

⚠️ AVERTISMENT: Când curățați ventilatorul cu nebulizare, NU-I scufundați în apă sau alte lichide.

ÎNȚREȚINEREA DUZELOR (Fig.H)

⚠️ AVERTISMENT: Asigurați-vă că toată întreținerea duzei de nebulizare este efectuată corespunzător pentru a preveni scurgerile de apă. Scurgerile pot duce la o suprafață alunecoasă, creând un pericol de alunecare și cădere sau poate cauza daune materiale.

Modelele neregulate de ceață sau scurgerile pot fi rezultatul unei duze înfundate sau murdare.

Pentru curățarea duzelor

1. Opiți ventilatorul și scoateți setul de acumulatori.
2. Scoateți duzele de nebulizare înfundate de pe protecția frontală a grilajului din carcasa ventilatorului rotind în sens invers acelor de ceasornic.
3. Dezasamblați fiecare duză afectată în părți.

4. Pentru a elimina orice particule străine care înfundă sau restricționează duzele, spălați piesele duzelor cu apă. Pentru a îndepărta depunerile de calcar (minerale), curățați piesele duzei cu oțet alb sau alt agent de detartrare, după cum este necesar.
5. Reasamblați duzele.

OBSERVAȚIE: Pentru a preveni înfundarea, asigurați-vă că duza este asamblată exact așa cum se arată în Fig. H.

6. Atașați din nou duzele de curățare la apărătoarea grilajului frontal.

ÎNȚREȚINEREA FILTRULUI (Fig. I)

Examinați periodic filtrul de la capătul tubului de admisie pentru a vă asigura că este în stare bună.

1. Opiți ventilatorul și scoateți setul de acumulatori.
2. Deșurubați partea superioară din partea inferioară a filtrului.

I-1	Partea Inferioară	I-3	Plasa de burete
I-2	Plasă metalică	I-4	Partea de sus

OBSERVAȚIE: Când deșurubați partea superioară, asigurați-vă că partea inferioară nu este separată în două bucăți. Partea inferioară trebuie să rămână asamblată pentru a îndepărta plasa metalică.

3. Scoateți plasa de burete din partea superioară și plasa metalică din partea inferioară.
4. Clătiți plasa metalică și plasa de burete sau înlocuiți-o dacă este necesar.
5. Reasamblați filtrul.

OBSERVAȚIE: Asigurați-vă că plasa metalică este asamblată cu janta ridicată orientată spre exterior pentru o demontare ușoară data viitoare.

ÎNȚREȚINEREA ADAPTORULUI FURTUNULUI DE GRĂDINĂ

Deschiderea mică din adaptorul furtunului de grădină îl face susceptibil la apa dură și acumularea de depozite minerale. Curățați frecvent adaptorul și utilizați oțet alb sau alt agent de decalare pentru a îndepărta acumularea.

ÎNȚREȚINEREA CARCASEI VENTILATORULUI (Fig. J & Fig. K)

1. Opiți ventilatorul și scoateți setul de acumulatori.
2. Utilizați o șurubelniță Phillips (nu este inclusă) pentru a deșuruba cele opt șuruburi din spatele carcasei ventilatorului pentru a scoate apărătoarea frontală a grilajului.

J-1	Șurub (x8)
J-2	Protecția grilă frontală

3. Țineți ansamblul lamei ventilatorului pentru a preveni rotirea acestuia și roțiți capacul de blocare a lamei ventilatorului în sensul acelor de ceasornic pentru a elibera ansamblul lamei ventilatorului de pe arbore.

K-1	Ansamblul lamei ventilatorului
K-2	Blocare carcasă

4. Scoateți ansamblul lamei ventilatorului.
5. Curățați paleta ventilatorului și interiorul carcasei după cum este necesar.
6. Reasamblați-le în ordine inversă și asigurați-vă că:

Marcajul de pe ansamblul lamei ventilatorului este aliniat cu bara transversală de pe arbore.

TRANSPORT ȘI DEPOZITARE (Fig. L)

- Îndepărtați setul de acumulatori.
- Curățați bine ventilatorul.
- Goliți tubul de admisie și filtrul.

OBSERVAȚIE: Iernarea ventilatorului este esențială pentru protejarea împotriva temperaturilor de îngheț, care pot provoca deteriorarea pompei, furtunurilor și a altor componente. **Deconectați întotdeauna tubul de admisie al ventilatorului de la sursa de apă și rulați ventilatorul în modul de nebulizare continuă până când nu există apă reziduală în tub înainte de a depozita ventilatorul în timpul iernii.**

- Fixați tubul de admisie și filtrul folosind cleme situate pe partea inferioară a bazei ventilatorului.
- Înșurubați adaptorul furtunului de grădină pe orificiul de depozitare filetat situat în partea inferioară a bazei ventilatorului.

L-1	Adaptor pentru furtun de grădină
L-2	Cleme

- Purtați ventilatorul cu mânerul superior sau mânerul lateral atunci când îl transportați.
- Depozitați ventilatorul în interior, într-un loc bine ventilat.
- Țineți-l la distanță de agenți corozivi, precum substanțele chimice de grădină și sărurile de dezghețare.

Protejarea mediului înconjurător



Nu eliminați echipamentul electric, acumulatorul epuizat și încărcătorul de acumulator împreună cu deșeurile menajere!

Predați acest produs unui punct de reciclare autorizat și puneți-l la dispoziția colectării separate. Sculele electrice trebuie returnate unui centru de reciclare ecologic.

DEPANAREA

PROBLEMĂ	CAUZĂ	SOLUȚIE
Ventilatorul cu nebulizare nu pornește.	<ul style="list-style-type: none"> ■ Pachetul de baterii nu este introdus complet în carcasă. ■ Nu există contact electric între ventilatorul cu nebulizare și acumulator. ■ Încărcarea acumulatorului este epuizată. ■ Pachetul de baterii sau ventilatorul sunt prea fierbinți. 	<ul style="list-style-type: none"> ■ Asigurați-vă că bateria este complet introdusă în carcasă. ■ Scoateți pachetul de baterii, verificați contactele și reinstalați pachetul de baterii. ■ Încărcați setul de acumulatori. ■ Oprii ventilatorul și lăsați acumulatorul sau ventilatorul cu nebulizare să se răcească până când temperatura scade la intervalul de temperatură de funcționare recomandat.
Nu există nebulizare de apă, iar indicatorul de nebulizare clipește trei lumini verzi.	<ul style="list-style-type: none"> ■ Tubul de admisie nu pompează apă, activând protecția internă a pompei electrice din interiorul ventilatorului. ■ Duza (duzele) de pulverizare s-au înfundat în timpul funcționării, activând protecția internă a pompei electrice. 	<ul style="list-style-type: none"> ■ Verificați și asigurați-vă că există suficientă apă în găleată și că tubul de admisie este scufundat corespunzător în apă. ■ Curățați duza (duzele) conform capitolului „ÎNȚREȚINEREA DUZEI” și reasamblați-le conform instrucțiunilor.
Ventilatorul nu mai oscilează și indicatorul oscilant clipește trei lumini verzi.	<ul style="list-style-type: none"> ■ Capul ventilatorului este blocat în timpul oscilației. 	<ul style="list-style-type: none"> ■ Îndepărtați orice materie străină care împiedică oscilarea capului ventilatorului.

RO

GARANȚIE

POLITICA PRIVIND GARANȚIA EGO

Vă rugăm să consultați site-ul egopowerplus.eu pentru termenii și condițiile complete ale politicii privind garanția EGO.

PREBERITE VSA NAVODILA!



PREBERITE UPORABNIŠKI PRIROČNIK

⚠ OPOZORILO: Za zagotovitev varnosti in zanesljivosti mora vsa popravila izvesti usposobljen servisni tehnik.

⚠ OPOZORILO: prebrati in razumeti morate vsa varnostna navodila v tem uporabniškem priročniku, vključno z vsemi varnostnimi opozorilnimi simboli, kot so »NEVARNOST«, »OPOZORILO« in »PREVIDNO«, preden uporabite to napravo. Zaradi neupoštevanja spodaj navedenih navodil lahko pride do električnega udara, požara in/ali resnih telesnih poškodb.

VSA OPOZORIILA IN NAVODILA SHRANITE ZA POZNEJŠO UPORABO.

VARNOSTNI SIMBOLI

⚠ OPOZORILO: Delovanje kateregakoli orodja lahko povzroči metanje tujkov v vaše oči, kar lahko povzroči resne poškodbe oči. Pred začetkom delovanja naprave vedno nosite zaščitna očala ali varnostna očala s stranskimi zaščitami in po potrebi tudi ščit za celoten obraz. Priporočamo vam uporabo varnostne maske Wide Vision Safety Mask za uporabo preko očal ali standardnih varnostnih očal s stransko zaščito.



Varnostno opozorilo



Za zmanjšanje nevarnosti telesnih poškodb je pomembno, da uporabnik pred uporabo tega izdelka prebere priročnik za uporabo in se z njim seznani.



Zagotovljena raven zvočne moči. Emisije hrupa v okolico so v skladu z direktivo Evropske skupnosti.



Simbol Bluetooth®



Odpadnih električnih izdelkov ne odlagajte med gospodinjske odpadke. Odnosite jih v pooblaščen obrat za recikliranje.



Ta izdelek je skladen z veljavnimi direktivami ES.

SL



Enosmerni tok



Ta izdelek je skladen z veljavno zakonodajo VB.

IPX4 Zaščita pred pljuski vode

SPLOŠNA VARNOSTNA OPOZORILA

⚠ OPOZORILO: Za zmanjšanje tveganja požara, električnega udara ali poškodb:

- **Seznajte se z ventilatorjem s funkcijo pršenja.** Pozorno preberite navodila za uporabo. Poučite se o uporabi in omejitvah ventilatorja ter o specifičnih morebitnih nevarnostih, povezanih z ventilatorjem. Upoštevanje tega nasveta bo zmanjšalo nevarnost električnega udara, požara ali hudih poškodb.
- To napravo lahko uporabljajo otroci, starejši od 8 let, in osebe z zmanjšanimi fizičnimi, čutilnimi ali mentalnimi zmoglostmi ali osebe brez izkušenj ali znanja, če so pravilno nadzorovani(e) ali če so prejeli navodila o varni uporabi naprave in razumejo tveganje, ki ga s tem prevzemajo.
- Otroci se ne smejo igrati z napravo.
- Otroci naj ne izvajajo čiščenja in vzdrževanja naprave brez nadzora

VARNOST NA DELOVNEM MESTU

- Ventilatorja ne upravljajte v eksplozivnih atmosferah, kot je ob prisotnosti vnetljivih tekočin, plinov ali prahu.
- Med uporabo aparata v bližino ne pustite otrok in drugih ljudi. Zaradi motenj lahko izgubite nadzor.
- Pri uporabi v vetrovnih pogojih bodite previdni. Veter lahko pršenje ponese v električno napeljavno ali napravo.
- Aparata ne izpostavljajte dežju ali vlažnim razmeram. Če v aparat vdre voda, obstaja večja možnost električnega udara.

SL

OSEBNA VARNOST

- Med uporabo aparata bodite pozorni, spremljajte potek dela in uporabljajte zdrav razum. Aparata ne uporabljajte, kadar ste utrujeni ali pod vplivom drog, alkohola oz. zdravil. Trenutek nepazljivosti pri uporabi aparata lahko privede do hujših telesnih poškodb.
- **Preprečite neželen zagon. Pred priklopom baterijskega sklopa, dviganjem ali nošenjem aparata se prepričajte, da je stikalo v položaju za izklop.** Prenašanje aparata s prstom na stikalo ali napajanje aparata, pri katerem je stikalo v položaju za vklop, povzroči tveganje za nesreče.
- **Pred vklopom aparata odstranite morebitne nastavitvene ali viličaste ključe.** Viličasti ali drug ključ, ki je pritrjen na vrtljivi del aparata, lahko povzroči telesne poškodbe.
- **Ne stegujte se preveč. Pazite, da ves čas stojite stabilno in ohranjate ravnotežje.** To omogoča boljši

nadzor nad aparatom v nepričakovanih situacijah.

- **Bodite primerno oblečeni. Ne nosite ohlapnih oblačil ali nakita. Pazite, da lasje in oblačila ne pridejo v bližino gibljivih delov.** Ohlapna oblačila, nakit ali dolgi lasje se lahko zapletejo v gibljive dele.
- **Pred delovanjem aparata preverite, ali so vse povezave varne.**
- **Čeprav dobro poznate aparat zaradi pogoste uporabe, ne postanite ravnodušni in ne prezirajte varnostnih načel aparata.** Nepazljivost pri uporabi lahko povzroči hude telesne poškodbe v delcu sekunde.

UPORABA IN VZDRŽEVANJE

- **Ne uporabljajte aparata, če ga ni mogoče vklopiti in izklopiti s stikalom.** Aparat, ki ga ni mogoče nadzirati s stikalom, je nevaren in ga je potrebno popraviti.
 - **Pred kakršnimi koli prilagoditvami, zamenjavo dodatkov ali skladiščenjem iz aparata odstranite baterijski sklop.** Tovrstni preventivni varnostni ukrepi zmanjšujejo tveganje nehotenega zagona aparata.
 - **Shranjujte brezhiben aparat na mestu, nedostopnem otrokom, in osebam, ki niso seznanjene z aparatom ali temi navodili, ne dovolite upravljanja aparata.** Aparati so v rokah neusposobljenih uporabnikov nevarni.
 - **Poskrbite za vzdrževanje aparata in dodatkov.** Preverite, ali so gibljivi deli morda napačno pritrjeni ali poškodovani, oz. ali obstaja kakršno koli drugo stanje, ki bi lahko vplivalo na delovanje aparata. Če je aparat poškodovan, ga pred ponovno uporabo odpeljite na popravilo. Mnogo nesreč se pripeti zaradi slabo vzdrževanih aparatov.
 - **Aparat in dodatke itd. uporabljajte v skladu s temi navodili, pri tem pa upoštevajte delovne pogoje in delo, ki ga boste opravljali.** Če boste aparat uporabljali za neustrezne namene, lahko pride do nevarnih situacij.
 - **Ročaji in površine za prijemanje naj bodo suhi, čisti ter brez olja in maščob.** Drseči ročaji in prijemalne površine ne omogočajo varne uporabe in upravljanja naprave v nepričakovanih situacijah.
- ⚠ OPOZORILO:** Da bi zmanjšali nevarnost požara ali električnega udara, tega ventilatorja ne uporabljajte s katero koli napravo za krmiljenje hitrosti v trdnem stanju.

UPORABA IN NEGA aparata z BATERIJO

- Baterijo polnite le s polnilnikom, ki ga določa proizvajalec. Polnilnik, ki je primeren za eno vrsto baterijskih sklopov, morda lahko povzroči nevarnost požara, če z njim polnite drugo vrsto baterijskih sklopov.

- Aparat uporabljajte samo s predpisano vrsto baterijskih sklopov. Uporaba katerih koli drugih baterijskih sklopov lahko povzroči tveganje za telesne poškodbe in požar.
- **Ko akumulatorski sklop ni v uporabi, ga hranite ločeno od drugih kovinskih predmetov, kot so sponke za papir, kovanci, ključi, žebliji, vijaki ali drugi majhni kovinski predmeti, ki lahko povzročijo stik med enim in drugim kontaktom.** Kratek stik zaradi povezanih kontaktov baterije lahko povzroči opeklino ali požar.
- **Ob zlorabi baterije lahko iz nje brizgne tekočina, stik s katero preprečite. Če se nehote dotaknete tekočine, mesto stika sperite z vodo. Če pride tekočina v stik z očmi, poleg tega poiščite zdravstveno pomoč.** Tekočina, ki brizgne iz baterije, lahko povzroči draženje ali opeklino.
- **Baterijskega sklopa ali naprave, ki je poškodovana ali spremenjena, ne uporabljajte.** Poškodovane ali spremenjene baterije lahko nepredvidljivo delujejo, zaradi česar lahko pride do požara, eksplozije ali nevarnosti telesnih poškodb.
- **Baterijskega sklopa ali naprave ne izpostavljajte ognju ali previsokim temperaturam.** Izpostavljenost ognju ali temperaturam nad 130 °C lahko povzroči eksplozijo.
- **Upoštevajte vsa navodila za polnjenje in ne polnite baterijskega sklopa ali naprave zunaj temperaturnega območja, določenega v navodilih.** Zaradi nepravilnega polnjenja ali temperature zunaj navedenega razpona lahko pride do poškodb baterije in povečanega tveganja za požar.
- **Aparata ni dovoljeno uporabljati kot igračo.** Kadar jo uporabljajo otroci, jih je treba pazljivo spremljati.
- **Otroci lahko padejo v vedra in se utopijo.** Otroke držite stran od vedra, tudi če vsebuje le malo tekočine.
- **Uporabljajte SAMO čisto, hladno vodo.**
- **Tega ventilatorja s funkcijo pršenja ne uporabljajte za pršenje pesticidov, tekočih gnojil, kemikalij ali drugih tekočin, razen čiste vode.** Razprševanje teh snovi lahko povzroči hujše telesne poškodbe ali bolezni ugrizavcev ali opazovalcev.
- **Nikoli ne usmerjajte pršice ali vode proti električnim napeljavam ali napravam.**
- **Zagotovite, da je pokrov predala za baterije popolnoma zaprt, da voda ne more priti v stik z baterijo ali vdreti v prostor z baterijami.**
- **Aparat in njegov ročaj naj bosta suha, čista in brez madežev olja ali masti. Za čiščenje vedno uporabite čisto krpo. Za čiščenje ventilatorja nikoli ne uporabljajte zavornih tekočin, bencina, naftnih derivatov ali močnih topil.** Če boste sledili temu pravilu, boste zmanjšali tveganje za izgubo nadzora in razpad plastičnega ohišja.
- **Blizu vira vžiga, kot je močan reflektor, lahko baterije eksplodirajo. Za zmanjšanje nevarnosti resnih telesnih poškodb nikoli ne uporabljajte baterijsko napajanih naprav blizu odprtega ognja. Če baterija eksplodira, lahko od nje odletijo delci in kemikalije.** Če pridete v stik z njimi, takoj izperite z vodo.
- **Ta navodila shranite.** Pogosto jih preberite in jih uporabite za poučevanje drugih, ki uporabljajo ta ventilator. Če ta ventilator komu posodite, mu posodite tudi ta navodila, da preprečite nepravilno uporabo izdelka in morebitne poškodbe.

SERVIS

- **Aparat naj servisira kvalificirano servisno osebje, ki uporablja le identične nadomestne dele.** To bo zagotovilo ohranjanje varnosti aparata.
- **Nikoli ne popravljajte poškodovanih baterijskih sklopov.** Baterijske sklope lahko popravi le proizvajalec ali pooblaščen izvajalec servisiranja.

VARNOSTNA NAVODILA ZA BREŽIČNI VENTILATOR S FUNKCIJO PRŠENJA

- Te naprave ne smejo uporabljati osebe (vključno z otroki) z zmanjšanimi fizičnimi, čutnimi ali duševnimi sposobnostmi oziroma osebe s pomanjkanjem izkušenj ali znanja, razen če te osebe nadzoruje oseba, ki je odgovorna za njihovo varnost oziroma jim je te oseba posredovala navodila o uporabi naprave.
- **Otroci morajo biti pod nadzorom, da zagotovite, da se z aparatom ne igrajo.**
- **Bodite pozorni, da visoka raven vlage lahko spodbudi rast bioloških organizmov v okolju.**
- **Ne dovolite, da neposredna okolica ventilatorja s funkcijo pršenja postane vlažna ali mokra.** Če pride do vlažnosti, zmanjšajte izhodno moč ventilatorja s funkcijo pršenja. Če ni mogoče zmanjšati izhodne moči ventilatorja s funkcijo pršenja, vlažilnik uporabljajte v intervalih. Ne dovolite, da vpojni materiali, kot so preproge, zavese ali prti, postanejo vlažni.
- **Nikoli ne puščajte vode v vsebniku, če aparata ne uporabljate.**
- **Pred skladiščenjem izpraznite in očistite ventilator s funkcijo pršenja. Pred naslednjo uporabo očistite vlažilnik.**

SL


⚠ OPOZORILO: Mikroorganizmi, ki so lahko prisotni v vodi ali okolju, kjer aparat uporabljate ali skladiščite, se lahko razmnožujejo v vsebniku z vodo in razpršijo v zrak ter povzročijo hujše zdravstvene težave, če vode ne zamenjate in vsebnika ne očistite ustrezno vsake tri dni.

Pred polnjenjem iz aparata odstranite polnilne baterije.

- Iztrošene baterije odstranite iz aparata in jih varno zavržite.
- Če boste aparat shranili za dlje časa, odstranite baterije.
- Na napajalnih priključkih naj ne bo kratkega stika.

TA NAVODILA SHRANITE

TEHNIČNI PODATKI

Nazivna napetost	56 V 
Premer lopatice ventilatorja	25,4 cm
Nastavitve hitrosti ventilatorja	6 (vključno s prestavo »turbo«)
Maks. Prostornina zraka	1700 CFM
Maks. Hitrost zraka	32,2 km/h
Nihajni kot	60°, 120°, 180°
Količina vode za pršenje	Visoko: 5,7 L/h
	Srednje: 4,9 L/h
	Nizka: 2,5 L/h
Teža (brez baterijskega sklopa)	4,7 kg
Priporočena temperatura za shranjevanje	Od -20 °C do 70 °C
Frekvenčni pas delovanja Bluetooth	2402-2480 MHz
Največja moč prenosa Bluetooth	4 dBm

- Nazivna skupna vrednost tresljajev je bila izmerjena v skladu s standardno preskusno metodo in jo je mogoče uporabiti za primerjavo ene naprave z drugo;
- Nazivno skupno vrednost tresljajev je mogoče uporabiti tudi za predhodno oceno izpostavljenosti.

OPOMBA: Oddajanje tresljajev med dejansko uporabo naprave se lahko razlikuje od nazivne vrednosti, v kateri se uporablja naprava. Upravljavec se lahko zaščiti tako, da uporablja rokavice in nausnike, primerne dejanskim pogojem uporabe.

VSEBINA PAKETA (SL. A1)

OPIS

SPOZNAJTE SVOJ PUHALNIK (slika A1 in A2)

1. Nadzorna plošča (slika A2)
2. Nihajni okvir
3. Šoba za pršenje
4. Zgornji ročaj
5. Ohišje ventilatorja
6. Stranski ročaj
7. Prostor za baterije
8. Električni kontakti
9. Gumb za sprostitve baterije
10. Adapter za vrtno cev
11. Filter
12. Dovodna cev
13. Gumbi za nastavitve hitrosti zraka
14. Gumb TURBO
15. Indikator TURBO
16. Indikator za pršenje
17. Gumb načina pršenja
18. Gumb za vklop/izklop
19. Indikator za hitrost zraka
20. Indikator nihanja
21. Gumb za način nihanja

SESTAVLJANJE

⚠ OPOZORILO: Če se deli poškodovani ali manjkajo, izdelka ne uporabljajte, dokler ne zamenjate delov. Če ta izdelek uporabljate s poškodovanimi ali manjkajočimi deli, lahko pride do hudih telesnih poškodb.

⚠ OPOZORILO: Tega izdelka ne spreminjajte in ne izdelujte dodatkov, ki niso priporočeni za uporabo s tem izdelkom. Vsako tako spreminjanje ali predelava se šteje za napačno uporabo in povzroči tveganja, ki lahko povzročijo hude telesne poškodbe.

⚠ OPOZORILO: Pri nameščanju delov vedno odstranite baterijski sklop, da preprečite nenamerni zagon, ki bi lahko povzročil resno telesno poškodbo.

- Izdelek je ob dobavi popolnoma sestavljen.
- Izdelek in morebitne dodatke previdno odstranite iz škatle. Prepričajte se, da so priloženi vsi predmeti, navedeni v »Vsebini paketa«.
- Pazljivo pregledajte orodje in se prepričajte, da med pošiljanjem ni prišlo do zloma ali poškodb.

- Ne odvrzite embalažnega materiala, dokler izdelka temeljito ne pregledate in ga ne začnete uporabljati zadovoljivo.
- Če je katerikoli del poškodovan ali manjka, izdelek vrnite prodajalcu.

UPRAVLJANJE

⚠ OPOZORILO: Tudi če se dodobra seznanite s tem izdelkom, bodite pri ravnanju z njim pazljivi. Upoštevajte, da je samo delček sekunde nepazljivosti dovolj, da pride do hude telesne poškodbe.

⚠ OPOZORILO: Da bi preprečili nenameren zagon, ki bi lahko povzročil hude telesne poškodbe, pred servisiranjem, nastavitvami, čiščenjem, menjavo nastavkov ali kadar ventilatorja ne uporabljate, vedno odstranite baterijski sklop iz ventilatorja.

⚠ OPOZORILO: Ne uporabljate priključkov ali dodatkov, ki jih proizvajalec tega izdelka ne priporoča. Uporaba priključkov ali dodatkov, ki niso priporočeni, lahko povzroči hude telesne poškodbe.

Pred vsako uporabo celoten izdelek pregledajte za poškodovane, manjkajoče ali zrahljanje dele, kot so vijaki, matice, pokrovi itd. Vsa zapirala in pokrove trdno privijte in izdelka ne uporabljajte dokler ne zamenjate manjkajočih ali poškodovanih delov.

NAMENI UPORABE

Ta izdelek lahko uporabljate za naslednje namene:

- Splošno prezračevanje v večini gospodinjstev.
- Hlajenje na prostem s priključitvijo na vodni vir.

OPOMBA: Izdelek se sme uporabljati le za predpisane namene. Kakršna koli druga uporaba se smatra za nepravilno uporabo.

PRIKLJUČITEV/ODKLOP BATERIJSKEGA SKLOPA

Uporabljajte samo z baterijskimi sklopi in polnilniki EGO, ki so navedeni na sliki A3.

OPOMBA: Pred prvo uporabo popolnoma napolnite baterijski sklop.

Napotki za priključitev

Rebra baterije poravnajte z režami za namestitev in pritisnite baterijski sklop v predelek za baterije, da zaslišite »klik« (slika B1).

Napotki za odklop

Pritisnite gumb za sprostitve baterije in izvlecite baterijski sklop (slika B2).

⚠ OPOZORILO: Ko pritisnete gumb za sprostitve baterije, vedno bodite pozorni na noge, otroke ali hišne ljubljence. Če vam baterijski sklop pade na tla, lahko pride do hudih telesnih poškodb. Baterijskega sklopa NIKOLI ne odstranjujte na visokem mestu.

ZAGON/ZAUSTAVITEV VENTILATORJA

OPOMBA: Začetna tovarniška nastavitev za hitrost zraka je nastavljena na raven 3. Ventilator bo shranil zadnjo uporabljeno nastavitev hitrosti zraka in jo uporabil pri vnovičnemu zagonu ventilatorja. Turbo nastavitev se ne shrani.

OPOMBA: Nastavitev pršenja in nihanja se ne bo shranila in bo privzeto izklopljena ob vsakem vklopu ventilatorja.

Nadzorna plošča (slika A2)

Gumb za vklop/izklop

- Za vklop ventilatorja na kratko pritisnite gumb za vklop.
- Za izklop ventilatorja znova na kratko pritisnite gumb za vklop.

Prilagoditev hitrosti zraka

Običajna hitrost zraka

- Pritisnite gumb za nastavitev hitrosti zraka »+«, da pospešite hitrost zraka, in pritisnite gumb »-«, da zmanjšate hitrost zraka. Izbirate lahko med 5. stopnjami hitrosti.
- Indikator hitrosti zraka prikazuje zelene lučke, ki ustrezajo trenutnim stopnjam hitrosti.

Način TURBO

OPOMBA: V načinu »TURBO« ventilator doseže največjo hitrost zraka.

- Pritisnite gumb »TURBO«, indikator TURBO bo zasvetil zeleno in ventilator bo preklopil v način »TURBO«, tj. najvišjo hitrost zraka.
- Če v načinu »TURBO« ponovno pritisnete gumb »TURBO«, se indikator TURBO ugasne in ventilator bo nadaljeval s predhodno aktivno hitrostjo zraka.
- Če v načinu »TURBO« pritisnete gumb »-«, se indikator TURBO ugasne in ventilator preklopi na 5. stopnjo hitrosti zraka.

FUNKCIJA NIHANJA (SLIKA C)

- Enkrat pritisnite gumb za nihanje, da zaženete funkcijo nihanja glave ventilatorja, indikator nihanja bo zasvetil spodnjo zeleno luč, glava ventilatorja pa se bo obračala za 60° z ene strani v drugo (od -30° do 30°).

- Ko drugič pritisnete gumb za nihanje, se bosta na indikatorju nihanja prižgali dve zeleni luči, s čimer se bo aktiviralo območje nihanja 120° (od -60° do 60°).
- Ko tretjič pritisnete gumb za nihanje, bo indikator nihanja zasvetil tri zelene lučke in aktiviral območje nihanja 180° (od -90° do 90°).
- Če želite izklopiti funkcijo nihanja, pritisnite gumb za nihanje četrtič.

NASTAVITEV KOTA VENTILATORJA (SLIKA D)

Glavo ventilatorja lahko nastavite na različne kote od -30° do 90°. Če želite nastaviti smer pršenja/pretoka zraka, primate ventilator za zgornji ročaj in nagnite glavo ventilatorja naprej ali nazaj.

FUNKCIJA PRŠENJA

Gumb načina pršenja

- Enkrat pritisnete gumb za način pršenja in na indikatorju za pršenje se bodo prižgale tri zelene lučke, ki označujejo način neprekinjenega pršenja z močnim tokom - pršenje z močnim tokom vode brez ustavljanja.
- Če še enkrat pritisnete gumb za izbiro načina pršenja, bo indikator pršenja zasvetil z dvema zelenima lučkama, ki ponazarjata »neprekinjen« način pršenja – pršenje brez prekinitev.
- Če še tretjič pritisnete gumb za način pršenja, se bo na indikatorju pršenja prižgala spodnja zelena lučka, ki označuje način »prekinjenega« pršenja - pršenje 10 sekund na vsakih 10 sekund.

OPOMBA: Morda bo trajalo nekaj sekund, preden boste prvič zagledali meglico, ki prihaja iz šob za pršenje. Ta zamuda je posledica časa, ki ga voda potrebuje, da steče od dovodne cevi do šob.

- Če je za funkcijo pršenja izbran »prekinjen« način, znova pritisnete gumb za izbiro načina pršenja in lučke indikatorja pršenja se bodo izklopile ter pršenje zaustavilo.

OPOMBA: Po končanem pršenju odklopite dovodno cev ventilatorja od vira vode in ventilator poganjajte v načinu neprekinjenega pršenja, dokler se vsa voda ne izprazni iz cevi. Tako boste preprečili, da bi morebitna preostala voda iz cevi povzročila nehoteno pršenje ob vnovičnem zagonu ventilatorja.

Uporaba ventilatorja z vedrom vode ali drugo posodo (ni priložena) (slika E)

⚠ OPOZORILO: Otroci lahko padejo v vedra in se utopijo. Držite otroke stran od veder, tudi če je v njih le manjša količina vode.

POZOR: Pred vsako uporabo vedro očistite z milom in vodo.

1. Izključite baterijski sklop.
2. Vedro postavite na ravno, plosko površino.
3. V vedro dodajte SAMO čisto, hladno vodo. Ne navijte preveč.
4. Potopite filtrirni konec dovodne cevi navzdol v vodo.

POZOR: Ne upogibajte dovodne cevi in vedno poskrbite, da je vodni tok skozi cev neoviran.

5. Namestite baterijski sklop.
6. Pritisnite gumb za vklop, da vklopite ventilator.
7. Pritisnite gumb za način pršenja, da ventilator začne pršiti.

Priključitev ventilatorja na vodovodno pipo (slika F in slika G)

1. Odvijte zgornji del filtra v nasprotni smeri urinega kazalca in ga odklopite od spodnjega dela (slika F).

F-1	Spodnji del filtra
F-2	Zgornji del filtra

POZOR: Prepričajte se, da spodnji del med odklopom zgornjega dela ni ločen na dva dela in da ostane skupaj kot celota za priključitev na adapter za vrtno cev.

2. Odvijte (v nasprotni smeri urinega kazalca) adapter za vrtno cev, ki je shranjen na dnu ventilatorja. Privijte ga (v smeri urinega kazalca) v spodnji del filtra.
3. Adapter za vrtno cev priključite na ustrezno vrtno cev s hitro spojko (ni priložena). Hitro spojko pritrdite na adapter za vrtno cev, dokler ne zaslišite klika (slika G).

G-1	Adapter za vrtno cev
G-2	Tipična hitra spojka

POZOR: Ne poskušajte priključiti adapterja za vrtno cev, ko je nameščen na dnu ventilatorja (slika G1).

4. Priključite vrtno cev na vodovodno napeljavo.
5. Namestite baterijski sklop.
6. Pritisnite gumb za vklop, da vklopite ventilator.
7. Če pipo za vodo odprete do konca, bo ventilator začel ustvarjati meglico.

POZOR: Priporočeni najvišji delovni tlak ne sme preseгati 80 psi.

OPOMBA: Četudi ni napajanja, bo ventilator začel megeliti, ko boste odprli vodovodno pipo.

8. Pritisnite gumb za način pršenja, da izberete način pršenja za najboljše delovne rezultate.

OPOMBA: Zaradi majhne odprtine v nastavku za vrtno cev je ta dovzeten za trdo vodo in nabiranje mineralnih usedlin. Adapter pogosto očistite in za odstranjevanje usedlin uporabite beli kis ali drugo sredstvo za odstranjevanje vodnega kamna.

Uporaba ventilatorja brez pršenja

Po želji lahko ta izdelek uporabljate le kot ventilator, ko ni priključen na vodni vir. Če ventilatorja ne uporabljate, dovodno cev vedno shranite v prostor za shranjevanje (glejte poglavje »PREVOZ IN SHRANJEVANJE« v tem priročniku), da jo zaščitite pred poškodbami in kontaminacijo.

KOMUNIKACIJSKA TEHNOLOGIJA

Za informacije ali našo celotno ponudbo povezanih izdelkov in storitev, vključno z navodili za povezavo, skenirajte spodnjo kodo QR ali obiščite spletno mesto www.egopowerplus.eu/connect.



ZAŠČITA ELEKTRONIKE

Ko je funkcija nihanja aktivirana, vendar ventilator ne niha, se na indikatorju nihanja prikažejo tri zelene lučke, ki neprekinjeno utripajo in upravljavca opominjo, naj preveri, ali se je glava ventilatorja zataknila, in pred ponovnim zagonom funkcije odstrani morebitne tujke, ki so se zataknili na glavi ventilatorja.

Ko je funkcija pršenja aktivirana, a vodna meglica ne nastaja:

- Vodna črpalka bo še nekaj časa delovala, nato pa se bo samodejno zaustavila zaradi zaščite notranje elektronike.
- Na indikatorju pršenja se prikažejo tri zelene lučke, ki neprekinjeno utripajo in opozarjajo upravljavca na:
 - a. Preveri, ali je dovodna cev pravilno potopljena v vodo.
 - b. Preveri, ali so šobe za pršenje zamašene in jih očisti v skladu z navodili v poglavju »VZDRŽEVANJE ŠOB«.
 - c. Pritisnite gumb za izbiro načina pršenja, da vnovično zaženete pršenje.

Ko je napolnjenost baterije nizka, bo gumb za vklop utripal z zeleno lučjo, s čimer upravljavca opomni na polnjenje ali zamenjavo baterijskega sklopa.

Če je baterijski sklop ali ventilator prevroč, bo gumb za vklop začel utripati z rdečo lučjo, kar upravljavca opozarja, naj izklopi ventilator in počaka, da se baterijski sklop ali ventilator za pršenje ohladi na priporočeno območje delovne temperature, preden ventilator ponovno zažene.

VZDRŽEVANJE

⚠ OPOZORILO: Za popravila uporabljajte samo identične nadomestne dele. Uporaba drugih delov je tvegana in lahko poškoduje izdelek. Za zagotovitev varnosti in zanesljivosti mora vsa popravila izvesti usposobljen servisni tehnik.

⚠ OPOZORILO: Pri čiščenju ali vzdrževanju vedno odstranite baterijski sklop iz orodja, da preprečite hude telesne poškodbe.

SPLOŠNO VZDRŽEVANJE

Vse vzdrževanje ventilatorja za pršenje, razen elementov, navedenih v teh navodilih za vzdrževanje, mora opraviti usposobljeno servisno osebje za ventilator za pršenje.

Pri čiščenju plastičnih delov ne uporabljajte topil. Večina vrst plastike se lahko pri uporabi različnih komercialnih topil poškoduje. Umazanijo, prah, olje, maščobe itd. odstranite s čisto krpo.

⚠ OPOZORILO: Zavorna tekočina, gorivo, izdelki na bazi nafte, prodirajoče olje ipd. naj nikoli ne pridejo v stik s plastičnimi deli. Kemikalije lahko poškodujejo, oslabijo ali uničijo plastiko, kar lahko povzroči hude telesne poškodbe.

⚠ OPOZORILO: Pri čiščenju ventilatorja za pršenje, ga NE potaplajte v vodo ali druge tekočine.

VZDRŽEVANJE ŠOB (slika H)

⚠ OPOZORILO: Zagotovite, da so bila ustrezno izvedena vsa vzdrževalna dela na šobah za pršenje. Le tako boste lahko preprečili morebitna iztekanja vode. Zaradi iztekanj lahko površina postane gladka in povzroči nevarnost zdrsa ali padca ter materialno škodo.

Neenakomerni vzorci pršenja ali uhajanje so lahko posledica zamašene ali umazane šobe.

Navodila za čiščenje šob

1. Izklopite ventilator in odstranite baterijski sklop.
2. Odstranite zamašene šobe za meglico s sprednje zaščitne rešetke ohišja ventilatorja tako, da jih zavrtite v nasprotni smeri urinega kazalca.
3. Vsako umazano šobo razstavite na dele.

- Če želite odstraniti morebitne tujke, ki so zamašili ali omejili delovanje šob, splaknite sestavne dele šob z vodo. Če želite odstraniti nalaganje vodnega kamna (mineralov), dele šobe po potrebi očistite z belim kisom ali drugim sredstvom za odstranjevanje vodnega kamna.
- Ponovno sestavite šobe.

POZOR: Da bi preprečili zamašitev, poskrbite, da je šoba sestavljena natančno tako, kot je prikazano na sliki H.

- Ponovno pritrdite čiste šobe na sprednjo zaščitno rešetko.

VZDRŽEVANJE FILTRA (slika I)

Redno preverjajte filter ob koncu dovodne cevi, da zagotovite brezhibno stanje.

- Izklopite ventilator in odstranite baterijski sklop.
- Odvijte zgornji del s spodnjega dela filtra.

I-1	Spodnji del	I-3	Mrežasta rešetka
I-2	Kovinska mrežica	I-4	Zgornji del

POZOR: Pri odvijanju zgornjega dela pazite, da se spodnji del ne razdeli na dva dela. Spodnji del mora ostati sestavljen, da lahko odstranite kovinsko mrežico.

- Iz zgornjega dela odstranite gobasto mrežico, iz spodnjega dela pa kovinsko mrežico.
- Izperite kovinsko mrežico in gobasto mrežico ali jo po potrebi zamenjajte.
- Ponovno sestavite filter.

POZOR: Prepričajte se, da je kovinska mrežica sestavljena tako, da je dvignjen rob obrnjen navzven, da jo boste naslednjič lažje razstavili.

VZDRŽEVANJE ADAPTERJA ZA VRTNO CEV

Zaradi majhne odprtine v nastavku za vrtno cev je ta dovzeten za trdo vodo in nabiranje mineralnih usedlin. Adapter pogosto očistite in za odstranjevanje usedlin uporabite beli kis ali drugo sredstvo za odstranjevanje vodnega kamna.

VZDRŽEVANJE OHIŠJA VENTILATORJA

(slika J in slika K)

- Izklopite ventilator in odstranite baterijski sklop.
- S križnim izvijačem (ni priložen) odvijte osem vijakov na zadnji strani ohišja ventilatorja, da odstranite sprednjo zaščito rešetke.

J-1	Vijak (8x)
J-2	Varovalo sprednje rešetke

- Držite sklop lopatic ventilatorja, da preprečite vrtenje, in obrnite pokrov za zaklep lopatic ventilatorja v smeri urinega kazalca, da sprostite sklop lopatic ventilatorja z gredi.

K-1	Sestava lopatic ventilatorja
K-2	Zaklepanje pokrova

- Odstranite sklop lopatic ventilatorja.
- Po potrebi očistite vernico ventilatorja in notranjost ohišja.
- Ponovno jih sestavite v obratnem vrstnem redu in se prepričajte:

Oznaka na sklopu lopatic ventilatorja je poravnana s prečko na gredi.

PREVOZ IN SHRANJEVANJE (slika L)

- Odstranite baterijski sklop.
- Ventilator temeljito očistite.
- Izpraznite dovodno cev in filter.

POZOR: Ustrezno shranjevanje ventilatorja čez zimo je nujno za zaščito pred mrazom, ki lahko poškoduje črpalko, cevi in druge sestavne dele. **Vedno odklopite dovodno cev ventilatorja od vodnega vira in ventilator zaženite v načinu neprekinjenega pršenja, dokler v cevi ne bo več ostankov vode, preden ventilator shranite za čez zimo.**

- Dovodno cev in filter pritrdite s sponkami na spodnjem delu podstavka ventilatorja.
- Privijte adapter vrtno cevi na navojno odprtino za shranjevanje, ki se nahaja na dnu podstavka ventilatorja.

L-1	Adapter za vrtno cev
L-2	Sponke

- Pri prenašanju ventilatorja ga nosite z zgornjim ročajem ali stranskimi ročaji.
- Ventilator shranjujte v zaprtih prostorih na dobro prezračevanem mestu.
- Orodja ne shranjujte v bližini korozivnih sredstev, kot so vrtno kemikalije in soli za topljenje ledu.

Varovanje okolja



Električne opreme, rabljene baterije in polnilnika ne odvrzite med gospodinjinske odpadke!

Izdelek odnesite v pooblaščen obrat za recikliranje in ga zavrzite ločeno.

Električna orodja je treba odnesti na obrat za recikliranje in ga reciklirati na okolju prijazen način.

ODPRAVLJANJE TEŽAV

TEŽAVA	VZROK	REŠITEV
Ventilator za pršenje se ne zažene.	<ul style="list-style-type: none"> ■ Baterijski sklop ni popolnoma vstavljen v ohišje. ■ Med ventilatorjem za pršenje in baterijo ni električnega stika. ■ Baterijski sklop je izpraznjen. ■ Baterijski sklop ali ventilator je prevroč. 	<ul style="list-style-type: none"> ■ Preverite, ali je baterija v celoti vstavljena v ohišje. ■ Odstranite baterijski sklop, preverite kontakte in znova namestite baterijski sklop. ■ Napolnite baterijski sklop. ■ Izklopite ventilator in pustite, da se baterijski paket ali ventilator za pršenje ohladi, dokler se temperatura ne spusti na priporočeno temperaturno območje delovanja.
Vodne meglice ni, indikator pršenja pa utripa s tremi zelenimi lučkami.	<ul style="list-style-type: none"> ■ Dovodna cev ne črpa vode, zato se aktivira notranja zaščita električne črpalke v ventilatorju. ■ Šobe za pršenje so se zamašile med delovanjem in aktivira se notranja zaščita za električno črpalke. 	<ul style="list-style-type: none"> ■ Preverite in zagotovite, da je v vedru dovolj vode in da je dovodna cev pravilno potopljena v vodo. ■ Šobe očistite po navodilih v poglavju »VZDRŽEVANJE ŠOB« in jih ponovno sestavite.
Ventilator preneha nihati in indikator nihanja utripa s tremi zelenimi lučkami.	<ul style="list-style-type: none"> ■ Glava ventilatorja se med nihanjem zatakne. 	<ul style="list-style-type: none"> ■ Odstranite vse tujke, ki preprečujejo nihanje glave ventilatorja.

GARANCIJA

SL

GARANCIJSKA POLITIKA DRUŽBE EGO

Za popolne pogoje garancijske politike družbe EGO obiščite spletno mesto egopowerplus.eu.

PERSKAITYKITE VISAS INSTRUKCIJAS!



SKAITYTI NAUDOTOJO INSTRUKCIJĄ

⚠ ĮSPĖJIMAS: Norint užtikrinti saugumą ir patikimumą, visus remonto darbus turi atlikti kvalifikuotas techninės priežiūros specialistas.

⚠ ĮSPĖJIMAS: Prieš pradėdami naudoti šį įrenginį, perskaitykite visus šioje naudojimo instrukcijoje pateiktus saugos nurodymus, įskaitant visus saugos įspėjamuosius simbolius, tokius kaip „PAVOJUS“, „ĮSPĖJIMAS“ ir „DĖMESIO“ bei įsitikinkite, ar viską gerai supratote. Nesilaikant visų toliau išdėstytų nurodymų galima patirti elektros smūgį, sukelti gaisrą ir (ar) sunkiai susižaloti.

ĮSAUGOKITE VISAS INSTRUKCIJAS SU ĮSPĖJIMAIS, NES JŲ GALI PRIREIKTI ATEITYJE.

SAUGOS SIMBOLIAI

⚠ ĮSPĖJIMAS: Bet koks įrenginys naudojimo metu gali išsviesti šiukšles, kurios gali pataikyti į akis ir sunkiai jas sužaloti. Prieš pradėdami naudoti įrenginį, visada užsidėkite apsauginius akinius arba apsauginius akinius su šonine apsauga ir, jei reikia, visą veidą dengiantį skydelį. Rekomenduojame naudoti platų matymo lauką užtikrinančią apsauginę kaukę, dedamą ant akinių, arba standartinius apsauginius akinius su šonine apsauga.



Įspėjimas dėl saugos



Kad sumažintų susižalojimo pavojų, prieš naudodamas šį gaminį naudotojas turi perskaityti naudotojo vadovą ir įsitikinti, kad jį suprato.



Garantuojamas garso galios lygis. Triukšmo sklaida į aplinką atitinka Europos Bendrijos direktyvą.



„Bluetooth®“ simbolis

LT



Netinkamus naudoti elektros prietaisus draudžiama išmesti kartu su buitėmis atliekomis. Pristatyti įgaliotam perdirbėjui.



Šis gaminys atitinka taikomas EB direktyvas.



Nuolatinė srovė



Šis gaminys atitinka taikomas JK direktyvas.

IPX4 Apsauga nuo vandens pusrū

BENDRIEJI SAUGOS ĮSPĖJIMAI

⚠ ĮSPĖJIMAS: Norėdami sumažinti gaisro, elektros smūgio ir susižalojimo pavojų:

- Pažinkite savo drėkinantį ventilatorių. Atidžiai perskaitykite naudojimo instrukciją. Susipažinkite su ventilatoriaus naudojimo būdais ir naudojimo apribojimais, o taip pat su galimais pavojais, susijusiais su šiuo ventilatoriumi. Laikantis šios taisyklės, sumažėja pavojus patirti elektros smūgį, sukelti gaisrą arba sunkiai susižaloti.
- Prietaisu gali naudotis vaikai nuo 8 metų bei žmonės, turintys mažesnius fizinius, jutimo arba protinius gebėjimus arba mažiau patirties ir žinių, jeigu yra prižiūrimi arba jiems buvo pateiktos instrukcijos, kaip saugiai naudotis prietaisu, ir jie supranta kylančius pavojus.
- Vaikams negalima žaisti su įrankiu.
- Vaikai gali valyti prietaisą ir atlikti prietaiso priežiūros darbus tik prižiūrimi suaugusiųjų.

SAUGA DARBO VIETOJE

- Nenaudokite ventilatoriaus sprogioje aplinkoje, pvz., ten, kur yra degių skysčių, dujų arba dulkių.
- Naudodami šį prietaisą neleiskite artintis vaikams ir pašaliniam asmenims. Dėl dėmesio blaškymo galite nesuvaldyti prietaiso.
- Būkite atsargūs naudodami vėjuotomis sąlygomis. Vėjas vandens dulksną gali pernešti ant elektros laidų ar prietaisų.
- Saugokite prietaisą nuo lietaus ir drėgmės. Į elektrinio prietaiso vidų patekus vandeniui išauga elektros smūgio pavojus.

ASMENINĖ SAUGA

- Naudodami prietaisą būkite budrus, stebėkite, ką darote, ir vadovaukitės sveika nuovoka. Nenaudokite prietaiso, jei esate pavargę, be nuotaikos arba apsvaigę nuo narkotinių medžiagų, alkoholio ar vaistų. Neatidumo akimirka naudojant prietaisą gali lemti sunkią traumą.
- Apsisaugokite nuo atsitiktinio prietaiso įjungimo. Prieš prijungdami prietaisą prie sudėtinės baterijos ir prieš jį pakeldami arba nešdami įsitinkinkite, ar išjungtas jungiklis. Nešant prietaisą uždėjus pirštą ant jungiklio arba prijungiant prie maitinimo šaltinio su įjungtu jungikliu, gali įvykti nelaimingas atsitikimas.
- Prieš įjungdami prietaisą patraukite į šalį visus reguliavimo raktus ir veržliarakčius. Prietaiso sukamojoje dalyje likus raktui ar veržliarakčiui galima susižaloti.

- Nesistenkite pasiekti pelynų toli. Visada stovėkite tvirtai ir išlaikykite pusiausvyrą. Tuomet geriau suvaldysite prietaisą netikėtose situacijose.
- Dėvėkite tinkamus drabužius. Nedėvėkite laisvų drabužių ir nenešiotkite laisvai kabančių papuošalų. Saugokite savo plaukus ir drabužius nuo judančių dalių. Laisvus drabužius, papuošalus ar ilgus plaukus gali įtraukti besisukančios dalys.
- Prieš pradėdami naudoti prietaisą, patikrinkite, ar visos jungtys yra saugios.
- Dažnai naudodami įvairius prietaisus pelynelių savimi nepasitikėkite ir nepraraskite budrumo, kad paisytumėte saugaus prietaiso naudojimo taisyklių. Užtenka akimirkos išsiblaškyimo, kad dėl neatsargaus veiksmo sunkiai susižalotumėte.

NAUDOJIMAS IR PRIEŽIŪRA

- Nenaudokite prietaiso, jeigu jo negalima įjungti ar išjungti jungikliu. Bet koks prietaisas, kurio jungiklis neveikia, yra pavojingas ir jį būtina suremontuoti.
- Prieš reguliuodami prietaisą, keisdami jo priedus arba padėdami jį į laikymo vietą, atjunkite sudėtinę bateriją. Tokios prevencinės saugos priemonės sumažina pavojų atsitiktinai įjungti prietaisą.
- Nenaudojamą prietaisą laikykite vaikams neprieinamoje vietoje ir neleiskite prietaiso naudoti asmenims, kurie nėra susipažinę su jo naudojimu ar šiomis instrukcijomis. Neapmokytų naudotojų naudojami prietaisai kelia pavojų.
- Prižiūrėkite prietaisą ir jo priedus. Patikrinkite, ar judamos dalys išcentruotos ir nekliūna, ar nėra sulūžusių dalių ir kitų aplinkybių, galinčių turėti įtakos prietaiso veikimui. Jei prietaisas sugadintas, prieš naudojimą jį reikia suremontuoti. Dauguma nelaimingų atsitikimų įvyksta dėl prastai prižiūrimų prietaisų.
- Prietaisus, jų priedus ir pan. naudokite vadovaudamiesi šiomis instrukcijomis, atsižvelgdami į darbo sąlygas ir vykdomą darbą. Naudojant prietaisą ne pagal paskirtį gali susidaryti pavojingos aplinkybės.
- Rankenos ir sugriebimo paviršiai turi būti sausi, švarūs ir neištepti alyva ar tepalu. Dėl slidžių rankenų ir laikymo paviršių prietaisą sunku saugiai valdyti ir jis gali išsprūsti netikėtomis aplinkybėmis.

⚠ ĮSPĖJIMAS: Norėdami sumažinti gaisro ar elektros smūgio pavojų, nenaudokite šio ventilatoriaus su jukiu reguliavimo įtaisu.

LT

PRIETAISŲ SU BATERIJOMIS NAUDOJIMAS IR PRIEŽIŪRA

- Kraukite naudodami tik gamintojo nurodytą įkroviklį. Įkroviklis, tinkamas vieno tipo sudėtinei baterijai, gali kelti gaisro pavojų, jei naudojamas su kito tipo sudėtine baterija.
- Prietaisą naudokite tik su jam skirtomis sudėtinėmis baterijomis. Naudojant kitokias sudėtines baterijas gali kilti sužalojimų ir gaisro pavojus.
- Nenaudojama sudėtinė baterija turi būti laikoma atokiau nuo metalinių daiktų, tokių kaip sąvaržėlės, monetos, raktai, viny, varžtai ar kiti smulkūs metaliniai daiktai, galintys sujungti abu baterijos gnybtus. Įvykus trumpajam jungimui tarp baterijos gnybtų galima nusideginti ar gali kilti gaisras.
- Dėl netinkamų sąlygų iš baterijos gali ištekėti skystis – nelieskite jo. Skysčiui atsitiktinai patekus ant odos, nedelsiant nuplaukite vandeniu. Jeigu skystis pateko į akis, kreipkitės ir į gydytojus. Iš baterijos ištekėjęs skystis gali dirginti arba nudeginti.
- Nenaudokite sugadintos ar modifikuotos sudėtinės baterijos ar prietaiso. Tokios netinkamos sudėtinės baterijos gali kelti gaisro, sprogimo ar sužalojimo pavojų.
- Sudėtinės baterijos ar prietaiso negalima deginti ar kaitinti. Bateriją deginant ar įkaitinus virš 130 °C ji gali sprogti.
- Laikykitės visų įkrovimo instrukcijų ir kraukite prietaisą ar sudėtinę bateriją tik instrukcijoje nurodytame temperatūros diapazone. Priešingu atveju galite sugadinti bateriją ar net sukelti gaisrą.

LT

TECHNINĖ PRIEŽIŪRA

- Prietaisą techniškai prižiūrėti gali tik kvalifikuotas remonto meistras, naudojantis tik originalias atsargines dalis. Taip užtikrinsite savo prietaiso saugą.
- Niekada neremontuokite sugadintos sudėtinės baterijos. Tokias baterijas remontuoti gali tik gamintojas arba igalioto techninės priežiūros centro specialistai.

BELAUDŽIO DRĖKINANČIO VENTILIATORIAUS NAUDOJIMO SAUGOS INSTRUKCIJOS

- Šis prietaisas nėra skirtas naudoti asmenims (įskaitant vaikus), kurių sumažėję fiziniai, jutimo ar protiniai gebėjimai arba kurie turi mažiau patirties bei žinių, nebent juos prižiūri arba apmokė saugiai naudoti prietaisą už jų saugumą atsakingas asmuo.
- Vaikus reikia prižiūrėti ir neleisti jiems žaisti su prietaisu.
- Neleiskite ventiliatoriaus naudoti kaip žaislo. Kai

prietaisą naudoja vaikai arba kai jis naudojamas šalia vaikų, juos reikia atidžiai prižiūrėti.

- **Vaikai gali įkristi į vandens talpyklą ir nuskęsti.** Neleiskite vaikų artynt prie talpyklos, netgi jei joje nedaug vandens.
- Naudokite TIK švarų ir šaltą vandenį.
- Nenaudokite šio drėkinančio ventiliatoriaus pesticidams, skystoms trąšoms, chemikalams ar bet kokiems skysčiams, išskyrus švarų vandenį, purkšti. Paskleidus tokias medžiagas gali sunkiai apsinuodyti pats ventiliatoriaus naudotojas arba pašaliniai asmenys.
- Niekada nenukreipkite vandens dulksnos link jokių elektros laidų ar prietaisų.
- Baterijos skyriaus dangtelis turi būti visiškai uždarytas, kad vanduo nepatektų ant baterijos ar jos kontaktų.
- Prietaisas ir jo rankena turi būti sausi, švarūs ir neištepti alyva ar tepalu. Visada valykite švaria šluoste. Ventiliatoriaus niekada nevalykite stabdžių skysčiu, benzinu, naftos produktais arba stipriais tirpikliais. Laikantis šios nurodymo sumažėja pavojus nesuvaldyti prietaiso ir pažeisti plastikinį korpusą.
- Baterijos gali sprogti, jei netoliese yra uždegimo šaltinis, pvz., dujų degiklis. Siekiant sumažinti sunkių sužalojimų pavojų, niekada nenaudokite jokių belaidžių gaminių šalia atviro liepsnos. Sprogus baterijai gali pasklisti nuolaužos ir cheminės medžiagos. Jei taip nutiktų, tas vietas nedelsdami nuplaukite vandeniu.
- Pasilikite šią instrukciją. Dažnai ją paskaitykite ir panaudokite kitiems asmenims, kuriems patikėsite šį prietaisą, apmokyti. Skolindami prietaisą kitiems asmenims, paskolinkite ir šią instrukciją, kad jie tinkamai prietaisą naudotų ir nesusižalotų.
- Turėkite omenyje, kad didelis drėgmės lygis gali paskatinti biologinių organizmų augimą aplinkoje.
- Saugokitės, kad vieta aplink drėkinantį ventiliatorių sudrėktų ar sušlaptų. Jei pernelyg išauga drėgmė, sumažinkite drėkinančio ventiliatoriaus pūtimo galią. Jei drėkinančio ventiliatoriaus pūtimo galios negalima sumažinti, šį drėkintuvą naudokite su pertraukomis. Saugokitės, kad tokios sugeriančios medžiagos, kaip kiliminė danga, užuolaidos, apmušalai ar staltiesės nesudrėktų.
- Niekada nepalikite vandens talpykloje, kai prietaiso nenaudojate.
- Prieš padėdami į laikymo vietą, drėkinantį ventiliatorių ištuštinkite ir nuvalykite. Nuvalykite drėkintuvą prieš kitą naudojimą.

⚠️ ĮSPĖJIMAS: Mikroorganizmai, kurie gali būti vandenyje arba prietaiso naudojimo ar laikymo aplinkoje, gali augti vandens talpykloje ir būti išpūsti į orą, sukeldami labai rimtą pavojų sveikatai, jei vanduo neatnaujinamas ir talpykla tinkamai neišvaloma kas 3 dienas.

Įkraunamas baterijas prieš įkrovimą reikia išimti iš prietaiso.

- Iškrautas baterijas reikia išimti iš prietaiso ir saugiai utilizuoti.
- Jeigu prietaisas ilgą laiką nenaudojamas, reikia iš jo išimti baterijas.
- Nesujunkite trumpuoju jungimu maitinimo įtampos gnybtų.

ĮSAUGOKITE ŠIĄ INSTRUKCIJĄ

TECHNINIAI DUOMENYS

Vardinė įtampa	56 V
Ventiliatoriaus menčių skersmuo	25,4 cm
Ventiliatoriaus greičio nuostatos	6 (įskaitant „Turbo“)
Maks. oro srautas	1700 CFM
Maks. oro greitis	32,2 km/h
Slankiojamojo judėjimo kampas	60°; 120°; 180°
Drėkinančio vandens srautas	Dideli: 5,7 l/h
	Vidutiniai: 4,9 l/val.
	Maži: 2,5 l/val.
Svoris (be sudėtinės baterijos)	4,7 kg
Rekomenduojama laikymo temperatūra	Nuo -20 °C iki 70 °C
„Bluetooth“ darbinio dažnio juosta	2402–2480 MHz
„Bluetooth“ maksimali perdavimo galia	4 dBm

- Nurodyta bendroji vibracijos vertė išmatuota taikant standartinį bandymo metodą, todėl pagal ją galima palyginti skirtingus įrenginius.
- Nurodytą bendrąją vibracijos vertę taip pat galima naudoti pirminiam poveikio vertinimui.

PASTABA: Naudojant įrenginį realiomis sąlygomis, skleidžiamos vibracijos stiprumo vertė gali skirtis nuo nurodytos. Kad apsisaugotų dirbdamas realiomis sąlygomis, naudotojas turi mūvėti pirštines ir naudoti klausos apsaugos priemones.

PAKUOTĖS TURINIO SĄRAŠAS (A1 PAV.)

APRAŠYMAS

PŪSTUVO SUDĖTINĖS DALYS (A1 ir A2 pav.)

1. Valdymo skydelis (A2 pav.)
2. Slankiojamojo judėjimo rėmas
3. Drėkinimo purkštukas
4. Viršutinė rankena
5. Ventiliatoriaus korpusas
6. Šoninė rankena
7. Baterijų skyrius
8. Elektros kontaktai
9. Baterijos atjungimo mygtukas
10. Sodo žarnos adapteris
11. Filtras
12. Vandens įsiurbimo vamzdis
13. Oro greičio reguliavimo mygtukai
14. TURBO mygtukas
15. TURBO indikatorius
16. Drėkinimo indikatorius
17. Drėkinimo režimo mygtukas
18. Maitinimo mygtukas
19. Oro greičio indikatorius
20. Slankiojamojo judėjimo indikatorius
21. Slankiojamojo judėjimo režimo mygtukas

SURINKIMAS

⚠️ ĮSPĖJIMAS: Jei kurios nors dalys pažeistos arba jų nėra, nenaudokite šio gaminio tol, kol tos dalys nebus pakeistos. Naudojant gaminį su pažeistomis dalimis arba kai jų trūksta, galima sunkiai susižaloti.

⚠️ ĮSPĖJIMAS: Nebandykite keisti šio gaminio konstrukcijos arba naudoti priedus, kurie nėra rekomenduojami naudoti su šiuo gaminiu. Visi tokie pakeitimai laikomi netinkamu naudojimui ir gali sukelti pavojingas situacijas, kurių metu galite sunkiai susižaloti.

⚠️ ĮSPĖJIMAS: Kad išvengtumėte atsitiktinio įrenginio paleidimo ir galimo sunkaus sužalojimo, prieš surinkdami įrenginio dalis visada iš jo išimkite sudėtinę bateriją.

- Šis gaminys išsiųstas visiškai surinktas.
- Atsargiai išimkite gaminį ir visus priedus iš dėžės. Įsitinkinkite, kad visi „**Pakavimo sąrašė**“ nurodyti daiktai yra komplekte.
- Atidžiai patikrinkite gaminį ir įsitinkinkite, kad gabenimo metu niekas nesulūžo ir nebuvo pažeista.
- Pakuotės medžiagų neišmeskite, kol atidžiai nepatikrinote ir neišbandėte gaminio.
- Jei kuri nors dalis yra pažeista arba jos trūksta, grąžinkite gaminį į jo įsigijimo vietą.

DARBAS

⚠ ĮSPĖJIMAS: Mokėjimas naudotis šiuo gaminiu nesuteikia teisės dirbti nerūpestingai. Atminkite, kad net akimirksniui atitraukę dėmesį galite sunkiai susižaloti.

⚠ ĮSPĖJIMAS: Norėdami išvengti atsitiktinio paleidimo ir galimo sunkaus sužalojimo, visada išimkite sudėtinę bateriją iš ventiliatoriaus, prieš atliekant techninę priežiūrą, reguliavimą, valymą, priedų keitimą arba kai nenaudojate.

⚠ ĮSPĖJIMAS: Nenaudokite jokių papildomų įtaisų ar priedų, kurių nerekomendavo šio gaminio gamintojas. Naudojant nerekomenduojamus papildomus įtaisus ar priedus galima sunkiai susižaloti.

Kaskart prieš naudodami gaminį nuodugniai jį patikrinkite, ar nesugadintas ir netrūksta ar neatsilaisvinusios dalys, pavyzdžiui, sraigčiai, varžtė, varžtai, dangteliai ir pan. Tvirtai priveržkite visas tvirtinimo detales ir dangtelius ir nenaudokite šio gaminio, kol nepakeisite visų trūkstamų ar sugadintų dalių.

LT

PRITAIKYMAS

Galite naudoti šį gaminį toliau išvardytais tikslais:

- Bendrasis vėdinimas daugumoje namų ūkių paskirčių.
- Vėsinimas lauke prijungus prie vandens šaltinio.

PASTABA: Šį gaminį reikia naudoti tik pagal nurodytą paskirtį. Bet koks kitas naudojimas laikomas netinkamu.

SUDĖTINĖS BATERIJOS ĮSTATYMAS IR IŠĖMIMAS

Naudokite tik A3 pav. išvardintas EGO sudėtines baterijas ir įkroviklius.

PASTABA: Prieš naudodami sudėtinę bateriją pirmą kartą iki galo ją įkruvinkite.

Įstatymas

Sulygiuokite baterijos iškyšas su tvirtinimo grioveliais ir spauskite sudėtinę bateriją žemyn, kol išgirsite

spragtelėjimą (B1 pav.).

Išėmimas

Paspauskite baterijos atjungimo mygtuką ir ištraukite sudėtinę bateriją (B2 pav.).

⚠ ĮSPĖJIMAS: Prieš nuspausdami baterijos atjungimo mygtuką, visada atkreipkite dėmesį savo kojas, vaikus ar naminius gyvūnus. Iškritusi sudėtinė baterija gali sunkiai sužaloti. NIEKADA nebandykite išimti sudėtinės baterijos dirbdami aukštyje.

VENTILIATORIAUS PALEIDIMAS IR SUSTABDYMAS

PASTABA: Pradinė gamyklinė oro greičio nuostata yra 3 lygis. Ventiliatorius įrašo („išimena“) paskutinę naudotą oro greičio nuostatą ir vėl ją įjungia paleidus iš naujo. „Turbo“ nuostata neįrašoma.

PASTABA: Drėkinimo ir slankiojamojo judėjimo nuostatos neįrašomos ir pagal numatytąsias nuostatas jos bus išjungtos kiekvieną kartą įjungus ventiliatorių.

Valdymo skydelis (A2 pav.)

Maitinimo mygtukas

- Trumpai spustelėkite maitinimo mygtuką, kad ventiliatorių įjungtumėte.
- Dar kartą trumpai spustelėkite maitinimo mygtuką, kad ventiliatorių išjungtumėte.

Oro greičio reguliavimas

Normalus oro greitis

- Paspauskite oro greičio reguliavimo mygtuką „+“, kad pagreitintumėte oro greitį, ir paspauskite mygtuką „-“, oro greičiui sumažinti. Iš viso yra 5 greičio lygiai.
- Oro greičio indikatoriuje užsidega žalias lemputės, kurių skaičius atitinka įjungtą oro srauto greičio lygį.

TURBO režimas

PASTABA: „TURBO“ režimu ventiliatorius pasiekia maksimalų oro greitį.

- Paspausdus „TURBO“ mygtuką užsidega žalias **TURBO** indikatorius ir ventiliatorius persijungia į „TURBO“ režimą, t. y. didžiausią oro greitį.
- „TURBO“ režime dar kartą paspaudus „TURBO“ mygtuką, **TURBO** indikatorius išsijungia ir ventiliatorius vėl pradeda veikti prieš tai pasirinktu greičio režimu.
- Jei „TURBO“ režime paspausite „-“ mygtuką, **TURBO** indikatorius išsijungs ir ventiliatorius persijungs į 5 oro greičio lygį.

SLANKIOJAMOJO JUDĖJIMO (C PAV.)

- Vieną kartą paspauskite slankiojamojo judėjimo mygtuką, kad įsijungtų ventiliatoriaus galvutės slankiojamojo judėjimo funkcija, slankiojamojo judėjimo indikatorius užsidegs apačioje žalia šviesa, o ventiliatoriaus galvutė pasisuks 60° kampu iš vienos pusės į kitą (nuo -30° iki 30°).
- Paspaudus slankiojamojo judėjimo mygtuką antrą kartą, slankiojamojo judėjimo indikatoriuje užsidegs dvi žalios lemputės ir bus įjungtas 120° slankiojamojo judėjimo diapazonas (nuo -60° iki 60°).
- Paspauskite slankiojamojo judėjimo mygtuką trečią kartą, slankiojamojo judėjimo indikatorius užsidegs trimis žaliomis lemputėmis ir bus įjungtas 180° slankiojamojo judėjimo diapazonas (nuo -90° iki 90°).
- Norėdami išjungti slankiojamojo judėjimo funkciją, ketvirtą kartą paspauskite slankiojamojo judėjimo mygtuką.

VENTILIATORIAUS KAMPO REGULIAVIMAS (D PAV.)

Ventiliatoriaus galvutę galima nustatyti įvairiais kampais nuo -30° iki 90°. Norėdami reguliuoti drėkinimo / oro srauto kryptį, paimkite ventiliatorių už viršutinės rankenos ir pakreipkite ventiliatoriaus galvutę į priekį arba atgal.

DRĖKINIMO FUNKCIJA

Drėkinimo režimo mygtukas

- Vieną kartą paspauskite drėkinimo režimo mygtuką, ir drėkinimo indikatoriuje užsidegs trys žalios lemputės, rodančios, kad įjungtas nepertraukiamo didelio srauto drėkinimo režimas, kai be sustojimo purškiamas didelis vandens srautas.
- Dar kartą paspauskite drėkinimo režimo mygtuką ir drėkinimo indikatoriuje užsidegs dvi žalios lemputės, rodančios, kad įjungtas nepertraukiamo drėkinimo režimas – drėkinama visą laiką be sustojimo.
- Paspauskite drėkinimo režimo mygtuką trečią kartą, ir drėkinimo indikatoriuje užsidegs apatinė žalia lemputė, rodanti „pertraukiamo“ drėkinimo režimą – drėkinimas 10 sekundžių kas 10 sekundžių.

PASTABA: Gali praėti kelios sekundės, kol pirmą kartą pamatysite iš purkštukų kylančią dulksną. Šis uždelsimas atsiranda dėl to, kad vanduo iš įsiurbimo vamzdelio į purkštukus patenka per tam tikrą laiką.

- Kai dulksna veikia „pertraukiamo“ režimu, dar kartą paspauskite dulksnos režimo mygtuką ir drėkinimo indikatorius lemputės išsijungs, o dulksna nustos sklisti.

PASTABA: Baigę drėkinimo procedūrą, ištraukite įsiurbimo vamzdelį iš vandens ir paleiskite ventiliatorių drėkinimo režimu, kol iš vamzdelio pasišalinus visas vanduo. Tai

padeda išvengti vandens likučių vamzdyje, kurie gali netikėtai pradėti drėkinti iš naujo paleidus ventiliatorių.

Ventiliatoriaus naudojimas su vandens kiburu ar kita talpa (neįtraukta į komplektą) (E pav.)

⚠ ĮSPĖJIMAS: Vaikai gali įkristi į vandens talpyklą ir nuskęsti. Neleiskite vaikui artyn prie talpyklos, netgi jei joje nedaug vandens.

PASTABA: Prieš kiekvieną naudojimą išplaukite talpyklą muiluotu vandeniu.

1. Atjunkite sudėtinę bateriją.
2. Pastatykite talpyklą ant plokščio ir lygaus paviršiaus.
3. Į talpyklą įpilkite TIK švaraus šalto vandens. Neperpilkite per viršų.
4. Panardinkite įsiurbimo vamzdelio filtro galą į vandenį.

PASTABA: Įsiurbimo vamzdelio nesulenkite ir visada įsitikinkite, ar vanduo tinkamai teka vamzdeliu.

5. Įstatykite sudėtinę bateriją.
6. Paspauskite maitinimo mygtuką, kad įjungtumėte ventiliatorių.
7. Paspauskite dulksnos režimo mygtuką, kad paleistumėte dulksną.

Ventiliatoriaus prijungimas prie vandens čiaupo (F ir G pav.)

1. Atsukite viršutinę filtro dalį prieš laikrodžio rodyklę ir atjunkite ją nuo apatinės dalies (F pav.).

F-1	Filtro apatinė dalis
F-2	Filtro viršutinė dalis

LT

PASTABA: Įsitikinkite, kad atjungiant viršutinę dalį apatinė dalis neatsiskyrė į dvi dalis ir liko vientisa, kad ją būtų galima prijungti prie sodo žarnos adapterio.

2. Atsukite (prieš laikrodžio rodyklę) ventiliatoriaus apačioje esantį sodo žarnos adapterį. Įsukite jį (pagal laikrodžio rodyklę) į apatinę filtro dalį.
3. Prijunkite sodo žarnos adapterį prie tinkamos sodo žarnos su greitojo sujungimo mova (neįtraukta į komplektą). Greitojo sujungimo movą prie sodo žarnos adapterio dėkite tol, kol išgirsite aiškų spragtelėjimą (G pav.).

G-1	Sodo žarnos adapteris
G-2	Tipinė greitojo sujungimo mova

PASTABA: Nebandykite prijungti sodo žarnos adapterio, kol jis pritvirtintas prie ventiliatoriaus apačios (G1 pav.).

4. Prijunkite sodo žarną prie vandentiekio linijos.
5. Įstatykite sudėtinę bateriją.
6. Paspauskite maitinimo mygtuką, kad įjungtumėte ventiliatorių.
7. Iki galo atsukite vandens čiaupą, ventiliatorius pradės drėkinimą.

PASTABA: Rekomenduojamas didžiausias darbinis slėgis neturėtų viršyti 80 psi.

PASTABA: Net jei nėra maitinimo šaltinio, ventiliatorius pradės drėkinti, kai užsuksite vandens čiaupą.

8. Paspauskite drėkinimo režimo mygtuką, kad pasirinktumėte drėkinimo režimą ir pasiektumėte geresnių darbo rezultatų.

PASTABA: Dėl nedidelės sodo žarnos adapterio angos joje gali kauptis kietas vanduo ir mineralinės nuosėdos. Dažnai valykite adapterį ir naudokite baltąjį actą arba kitą kalkių šalinimo priemonę, kad pašalintumėte susikaupusias nuosėdas.

Ventiliatoriaus naudojimas be drėkinimo funkcijos

Jei pageidaujama, šį gaminį galima naudoti kaip įprastą ventiliatorių, kai jis neprijungtas prie vandens šaltinio. Nenaudojamą įsiurbimo vamzdelį visada suvyniokite į ritę ir padėkite į jo laikymo vietą (žr. šio vadovo skyrių „TRANSPORTAVIMAS IR LAIKYMAS“), kad apsaugotumėte jį nuo pažeidimų ir užteršimo.

LT

RYŠIO TECHNOLOGIJA

Norėdami sužinoti informacijos apie visus mūsų prijungiamuosius gaminius ir paslaugas, įskaitant prijungimo instrukcijas, nuskaitykite toliau pateiktą QR kodą arba apsilankykite svetainėje www.egopowerplus.eu/connect.



ELEKTRONIKOS APSAUGA

Įjungus slankiojamojo judėjimo funkciją, bet ventiliatoriui neslankiojant, slankiojamojo judėjimo indikatoriuje nuolat mirksi trys žalios lempučių, kad primintų operatoriui patikrinti, ar neužstrigo ventiliatoriaus galvutė, ir, prieš paleidžiant funkciją iš naujo, pašalinti ant ventiliatoriaus galvutės užstrigusius pašalinius daiktus.

Jei įjungta drėkinimo funkcija, tačiau vandens dulksna nepurškiama:

- Vandens siurblys trumpam veiks, o po to automatiškai sustos, kad apsaugotų vidines elektronines dalis.
- Drėkinimo indikatorius nepertraukiamai rodo tris mirksinčias žalias lemputes, įspėdamas operatorių, kad:
 - a. Patikrintų, ar įsiurbimo vamzdelis tinkamai panardintas į vandenį.
 - b. Patikrintų, ar neužsikimšę drėkinimo purkštukai, kuriuos reikia išvalyti pagal nurodymus skyriuje „PURKŠTUKŲ PRIEŽIŪRA“.
 - c. Paspaustų drėkinimo režimo pasirinkimo mygtuką ir iš naujo paleistų drėkinimą.

Kai baterijos įkrovis lygis yra žemas, maitinimo mygtukas mirksi žalia šviesa ir primena operatoriui, kad reikia įkrauti arba pakeisti bateriją.

Kai baterija arba ventiliatorius yra per karšti, maitinimo mygtukas mirksės raudona šviesa, kad įspėtų operatorių išjungti ventiliatorių ir leisti baterijai arba drėkinančiam ventiliatoriui atvėsti, kol temperatūra nukris iki rekomenduojamo darbinės temperatūros intervalo, ir tik tada vėl įjungti ventiliatorių.

TECHNINĖ PRIEŽIŪRA

⚠ ĮSPĖJIMAS: Vykdydami techninės priežiūros darbus, naudokite tik identišką atsarginę dalis. Naudodami bet kokias kitas dalis galite sukelti pavojų arba sugadinti gaminį. Kad būtų užtikrintas saugumas ir patikimumas, visus remonto darbus turi atlikti kvalifikuotas techninės priežiūros specialistas.

⚠ ĮSPĖJIMAS: Visada išimkite sudėtinę bateriją iš gaminio prieš jį valydami arba prieš atlikdami jo techninės priežiūros darbus, kad išvengtumėte pavojaus sunkiai susižaloti.

BENDROJI PRIEŽIŪRA

Visus šioje priežiūros instrukcijoje neaprašytus techninės priežiūros darbus turi atlikti kvalifikuotas drėkinančio ventiliatoriaus techninės priežiūros specialistas.

Plastikinių dalių nevalykite tirpikliais. Įvairūs komerciniai tirpikliai gali pažeisti įvairių tipų plastiką ir jų naudoti nerekomenduojama. Purvą, dulkes, alyvą, tepalus ir t. t. valykite švaria šluoste.

⚠ ĮSPĖJIMAS: Niekada neleiskite stabdžių skysčiui, benzinui, naftos produktams, skvarbiai alyvai ir panašioms medžiagoms patekti ant plastikinių dalių. Cheminės medžiagos plastiką gali sugadinti, susilpninti arba suardyti. Dėl to galite sunkiai susižaloti.

⚠️ ĮSPĖJIMAS: Valydami drėkinančių ventiliatorių, NEMERKITE jo į vandenį ar kitus skysčius.

PURKŠTUKŲ PRIEŽIŪRA (H pav.)

⚠️ ĮSPĖJIMAS: Visa drėkinimo purkštukų techninė priežiūra turi būti tinkamai vykdoma, kad būtų išvengta vandens pratekėjimo. Dėl pratekėjimo gali susidaryti slidus paviršius, sukeliantis paslydimo ir nukritimo pavojų, arba galite sugadinti turą.

Dėl užsikimšusio arba nešvaraus purkštuko gali būti nereguliari dulksna arba vandens nuotėkis.

Purkštukų valymas

1. Išjunkite ventiliatorių ir išimkite sudėtinę bateriją.
2. Išimkite užsikimšusius dulksnos purkštukus iš priekinės ventiliatoriaus korpuso grotelių apsaugos, sukdami juos prieš laikrodžio rodyklę.
3. Išardykite kiekvieną užsikimšusį purkštuką į atskiras dalis.
4. Norėdami pašalinti bet kokias pašalines daleles, užkimšusius purkštukus ar ribojančias jų srautą, purkštukų dalis praplaukite vandeniu. Norėdami pašalinti kalkines nuosėdas, jei reikia, praplaukite purkštukų dalis baltauoju actu arba kita kalkių šalinimo priemone.
5. Vėl surinkite purkštukus.

PASTABA: Kad purkštukas neužsikimštų, įsitikinkite, kad jis sumontuotas tiksliai taip, kaip parodyta H pav.

6. Vėl pritvirtinkite švarius purkštukus prie priekinės grotelių apsaugos.

FILTRŲ PRIEŽIŪRA (I pav.)

Periodiškai tikrinkite filtrą įsiurbimo vamzdelio gale, kad įsitikintumėte, jog jis yra geros būklės.

1. Išjunkite ventiliatorių ir išimkite sudėtinę bateriją.
2. Atsukite viršutinę dalį nuo apatinės filtro dalies.

I-1	Apatinė dalis	I-3	Tinklinė kempinė
I-2	Metalinis tinklėlis	I-4	Viršutinė dalis

PASTABA: Atsukdami viršutinę dalį, įsitikinkite, kad apatinė dalis neatsiskyrė į dvi dalis. Norint nuimti metalinį tinklėlį, apatinė dalis turi likti surinkta.

3. Iš viršutinės dalies išimkite kempinės tinklėlį, o iš apatinės dalies – metalinį tinklėlį.
4. Išplaukite metalinį tinklėlį ir kempinės tinklėlį arba, jei reikia, pakeiskite juos.
5. Iš naujo sumontuokite filtrą.

PASTABA: Įsitikinkite, kad metalinis tinklėlis sumontuotas iškilusiu kraštu į išorę, kad kitą kartą būtų lengviau išardyti.

SODO ŽARNOS ADAPTERIO PRIEŽIŪRA

Dėl nedidelės sodo žarnos adapterio angos joje gali kauptis kietas vanduo ir mineralinės nuosėdos. Dažnai valykite adapterį ir naudokite baltąjį actą arba kitą kalkių šalinimo priemonę, kad pašalintumėte susikaupusias nuosėdas.

VENTILIATORIAUS GAUBTO PRIEŽIŪRA (J ir K pav.)

1. Išjunkite ventiliatorių ir išimkite sudėtinę bateriją.
2. Kryžminių atsuktuvu (į komplektą neįeina) atsukite aštuonis varžtus, esančius ventiliatoriaus gaubto gale, kad nuimtumėte priekinę grotelių apsaugą.

J-1	Varžtas (x8)
J-2	Priekinės apsauginės grotelės

3. Prilaikykite ventiliatoriaus menčių įtaisą, kad jis nesisuktų, ir pasukite ventiliatoriaus menčių fiksavimo dangtelį pagal laikrodžio rodyklę, kad atlaisvintumėte ventiliatoriaus menčių įtaisą nuo veleno.

K-1	Ventiliatoriaus menčių įtaisas
K-2	Užrakto rankenėlė

4. Nuimkite ventiliatoriaus menčių įtaisą.
5. Jei reikia, nuvalykite ventiliatoriaus mentę ir korpuso vidų.
6. Surinkite šias dalis atvirkštine tvarka ir patikrinkite, ar:

Ženklas ant ventiliatoriaus mentės yra sulgyjuotas su skersiniu ant veleno.

LT

TRANSPORTAVIMAS IR LAIKYMAS (L pav.)

- Išimkite sudėtinę bateriją.
- Kruopščiai išvalykite ventiliatorių.
- Ištuštinkite įsiurbimo vamzdelį ir filtrą.

PASTABA: Norint apsaugoti ventiliatorių nuo šalčio, kuris gali sugadinti siurblių, žarnas ir kitus komponentus, būtina jį paruošti laikymui žiemą. **Prieš sandėliuodami ventiliatorių žiemą, visada atjunkite ventiliatoriaus vandens įsiurbimo vamzdelį nuo vandens šaltinio ir paleiskite ventiliatorių nepertraukiamo dulksnos režimu, kol vamzdyje neliks vandens.**

- Vandens įsiurbimo vamzdelį ir filtrą pritvirtinkite spaustukais, esančiais ventiliatoriaus pagrindo apačioje.
- Įsukite sodo žarnos adapterį į ventiliatoriaus pagrindo apačioje esančią srieginę laikymo angą.

L-1	Sodo žarnos adapteris
L-2	Spaustukai

- Transportuodami ventilatorių neškite jį viršutine rankena arba šoninėmis rankenomis.
- Ventilatorių laikykite patalpoje, gerai vėdinamoje vietoje.
- Laikykite toliau nuo šdinančių medžiagų, pvz., sodo chemikalų ir ledo tirpdyimo druskų.

Aplinkos apsauga



Neišmeskite elektros įrangos, panaudotų baterijų ir įkroviklio kartu su buitinėmis atliekomis!

Šias atliekas reikia pristatyti į jų surinkimo vietą ar įgaliotam perdirbėjui. Elektrinius įrenginius reikia pristatyti į tokių atliekų perdirbimo įmonę.

TRIKČIŲ ŠALINIMAS

PROBLEMA	PRIEŽASTIS	SPRENDIMAS
Neįsijungia drėkinantis ventiliatorius.	<ul style="list-style-type: none"> ■ Baterija nėra iki galo įdėta į korpusą. ■ Nėra elektrinio kontakto tarp drėkinančio ventiliatoriaus ir sudėtinės baterijos. ■ Sudėtinė baterija visiškai išsikrovusi. ■ Sudėtinė baterija arba ventiliatorius pernelyg įkaitę. 	<ul style="list-style-type: none"> ■ Patikrinkite, ar baterija iki galo įdėta į korpusą. ■ Išimkite sudėtinę bateriją, patikrinkite kontaktus ir vėl ją įstatykite. ■ Įkraukite sudėtinę bateriją. ■ Leiskite sudėtei baterijai arba drėkinančiam ventiliatoriui atvėsti, kol temperatūra nukris iki rekomenduojamos darbinės temperatūros.
Neveikia drėkinimo funkcija ir drėkinimo indikatoriuje mirksi dvi žalios lemputės.	<ul style="list-style-type: none"> ■ Vandens įsiurbimo vamzdelis nesiurbia vandens, todėl ventiliatoriaus viduje suveikė vandens siurblio vidinė apsauga. ■ Veikimo metu užsikimšo drėkinimo purkštukas (-ai), todėl suveikė elektrinio siurblio vidinė apsauga. 	<ul style="list-style-type: none"> ■ Patikrinkite ir įsitikinkite, ar vandens talpykloje yra pakankamai vandens, o įsiurbimo vamzdelis tinkamai panardintas į vandenį. ■ Nuvalykite purkštuką (-us) pagal skyriuje „PURKŠTUKŲ PRIEŽIŪRA“ pateiktus nurodymus ir vėl juos surinkite, kaip nurodyta.
Sustoja ventiliatoriaus slankiojamojo judėjimo funkcija, o slankiojamojo judėjimo indikatorius mirksi trimis žaliomis švieselėmis.	<ul style="list-style-type: none"> ■ Ventiliatoriaus galvutė slankiojamojo judėjimo metu užstringa. 	<ul style="list-style-type: none"> ■ Pašalinkite visus pašalinius daiktus, kurie trukdo ventiliatoriaus galvutei judėti.

LT

GARANTIJA

EGO GARANTIJOS TAISYKLĖS

Norėdami sužinoti visas EGO garantijos sąlygas ir nuostatas, apsilankykite interneto svetainėje adresu egopowerplus.eu.

IZLASIET VISUS NORĀDĪJUMUS!**IZLASIET LIETOTĀJA ROKASGRĀMATU**

▲ BRĪDINĀJUMS: Lai garantētu drošu un uzticamu instrumenta darbību, visi remontdarbi jāveic kvalificētam servisa speciālistam.

▲ BRĪDINĀJUMS: Pirms šīs iekārtas lietošanas izlasiet un izprotiet visus šajā lietotāja rokasgrāmatā iekļautos drošības norādījumus, tostarp visus drošības brīdinājuma apzīmējumus, piemēram, „**BĪSTAMI**”, „**BRĪDINĀJUMS**” un „**UZMANĪBU**”. Visu turpmāk uzskaitīto norādījumu neievērošana var izraisīt elektriskās strāvas triecienu, aizdegšanos un/ vai smagus miesas bojājumus.

SAGLABĀJIET VISUS BRĪDINĀJUMUS UN INSTRUKCIJAS TURPMĀKAI ATSAUCEI.**DROŠĪBAS APZĪMĒJUMI**

▲ BRĪDINĀJUMS: Jebkuras ierīces lietošanas laikā acīs var iekļūt svešķermeņi, kas var radīt smagu acu traumu. Pirms ierīces ieslēgšanas vienmēr uzvelciet aizsargbrilles vai aizsargbrilles ar sānu aizsargiem un, ja nepieciešams, pilnu sejas aizsargmasku. Iesakām izmantot aizsargmasku ar plašu skata leņķi, ko uzvelk virs parastajām brillēm, vai arī standarta aizsargbrilles ar sānu aizsargiem.



Drošības brīdinājums



Lai mazinātu traumu rašanās bīstamību, pirms šī izstrādājuma lietošanas tā lietotājam jāizlasa un jāizprot lietotāja rokasgrāmata.

Garantētais skaņas intensitātes līmenis.
Trokšņa emisija vidē atbilstoši Eiropas
Kopienas direktīvai.

Bluetooth® simbols

Elektrisko izstrādājumu atkritumus nedrīkst
izmest kopā ar sadzīves atkritumiem.
Nogādāt uz pilnvarotu pārstrādes punktu.Šis izstrādājums atbilst piemērojamām EK
direktīvām.**LV**

Līdzstrāva

Šis izstrādājums atbilst piemērojamiem
Apvienotās Karalistes tiesību aktiem.

IPX4 Aizsardzība pret ūdens šļakatām

VISPĀRĪGI DROŠĪBAS BRĪDINĀJUMI

▲ BRĪDINĀJUMS: Lai samazinātu ugunsgrēka, elektrošoka vai traumas risku:

- Iepazīstiet savu miglošanas ventilatoru. Rūpīgi izlasiet rokasgrāmatu. Noskaidrojiet, kāds ir ventilatora pielietojums un lietošanas ierobežojums, kā arī iespējamais apdraudējums, ko tas var izraisīt. Ievērojot šos noteikumus, samazināsiet elektrošoka, ugunsgrēka vai nopietnu traumu gūšanas risku.
- Šo ierīci drīkst lietot bērni, kuri ir jaunāki par 8 gadiem un personas ar fiziskām, maņu vai garīgām spējām, kuru pieredze vai zināšanas, kā rīkoties ar ierīci, nav pietiekamas, ja tās uzrauga par viņu drošību atbildīgā persona, tām ir sniegti drošas lietošanas norādījumi, un šīs personas izprot briesmas, kas rodas, lietojot ierīci nepareizi.
- Neļaut bērniem rotaļāties ar ierīci.
- Bērniem nav atļauts veikt tīrīšanas un lietotājam veicamās apkopes darbus bez uzraudzības

DARBA ZONAS DROŠĪBA

- Nedarbiniet ventilatoru sprādzienbīstamā vidē, piemēram, uzliesmojošu šķidrumu, gāzu vai putekļu tuvumā.
- Neļaujiet bērniem un klātesošajiem atrasties ieslēgtas ierīces tuvumā. Apjukuma brīdī jūs varat zaudēt vadību pār ierīci.
- Lietojot vējainos laikapstākļos, ievērojiet piesardzību. Vējš var pārņemt miglu uz elektrības vadiem vai ierīcēs.
- Nepakļaujiet ierīci lietus vai mitru apstākļu iedarbībai. Mitruma iekļūšana ierīcē palielina elektriskās strāvas trieciena risku.

PERSONĪGĀ DROŠĪBA

- Izmantojot ierīci, esiet modri, pievērsiet uzmanību tam, ko jūs darāt, un rīkojieties ar to saprātīgi. Neizmantojiet ierīci, ja esat noguris, satraucies vai atrodaties narkotiku vai alkohola reibumā vai medikamentu ietekmē. Brīdis neuzmanības, darbojoties ar ierīci, var izraisīt nopietnas traumas.
- Novērsiet nejaušas ieslēgšanās iespējamību. Pirms pievienojat ierīci akumulatora blokam, to paceļat vai pārnesat uz citu vietu, pārliecinieties, vai slēdzis atrodas izslēgtā stāvoklī. Pārmēsājot ierīci ar pirkstu uz slēdža vai iedarbinot ierīci, kas jau ir ieslēgtā stāvoklī, var notikt nelaimes gadījums.
- Pirms ierīces ieslēgšanas izņemiet visas noregulēšanas vai uzgriežņu atslēgas.

Uzgriežņatslēga vai atslēga, kas palikusi piestiprināta pie ierīces rotējošās daļas, var izraisīt ievainojumus.

- **Nepārvērtējiet savas spējas. Ieņemiet pareizu stāju un vienmēr saglabājiet līdzsvaru.** Tādējādi jūs varēsiet labāk apvaldīt ierīci negaidītās situācijās.
- **Valkājiet atbilstošu apģērbu. Nevalkājiet valģīgu apģērbu vai rotaslietas. Sargājiet matus, apģērbu un cimdus no kustīgajām daļām.** Valģīgs apģērbs, rotaslietas vai garī mati var iekerties instrumenta kustīgajās daļās.
- **Pirms ierīces lietošanas pārbaudiet, vai visi savienojumi ir stingri pievilkti.**
- **Nepieļaujiet, ka ierīces bieža lietošana varētu izraisīt nevērtīgu attieksmi darbā ar to, un neignorējiet ar ierīces lietošanu saistītos drošības principus.** Viens brīdis neuzmanības var izraisīt nopietnas traumas.

LIETOŠANA UN APKOPE

- **Nelietojiet ierīci, ja to nav iespējams ieslēgt un izslēgt ar slēdzi.** Jebkura ierīce, kuras ieslēgšanas/izslēgšanas slēdzis nedarbojas, ir bīstama, un to ir nepieciešams salabot.
- **Pirms ierīces regulēšanas, piederumu nomaiņšanas vai novietošanas glabāšanā atvienojiet to no akumulatoru bloka.** Šie drošības pasākumi palīdzēs izvairīties no nejaušas ierīces ieslēgšanas.
- **Ja ierīce kādu laiku netiek lietota, uzglabājiet to bērniem nepieejamā vietā un neļaujiet ar ierīci darboties personām, kas ierīci nepārzina vai nav izlasījušas šo instrukciju.** Ierīces ir bīstamas, ja ar tām darbojas neapmācīti lietotāji.
- **Veiciet ierīcei un piederumiem apkopi.** Pārbaudiet, vai kustīgās daļas ir pareizi savienotas un nostiprinātas, vai detaļas nav bojātas, kā arī vai nav kāds cits apstāklis, kas varētu ietekmēt ierīces darbību. Ja ierīce ir bojāta, pirms lietošanas tā ir jāsalabo. Daudzu negadījumu cēlonis ir sliktā stāvoklī esošas ierīces izmantošana.
- **Lietojiet ierīci, tās piederumu utt. atbilstoši šiem norādījumiem, ņemot vērā darba apstākļus un veicamo uzdevumu.** Iekārtas lietošana neparedzētiem mērķiem var radīt bīstamu situāciju.
- **Rokturiem un satveršanas daļām jābūt sausām, tīrām un uz tām nedrīkst būt eļļa vai smērviela.** Ja rokturi un satveršanas daļas ir mitras, tās slidēs, un ar iekārtu vairs nebūs droši strādāt, kā arī apvaldīt neparedzētu apstākļu gadījumos.

▲ BRĪDINĀJUMS: Lai samazinātu ugunsgrēka vai elektriskās strāvas trieciena risku, nelietojiet šo ventilatoru ar cietvielu ātruma regulēšanas ierīci.

LV

AR AKUMULATORU DARBINĀMAS IERĪCES LIETOŠANA UN KOPŠANA

- Uzlādējiet instrumentu tikai ar ražotāja noteikto lādētāju. Lādētājs, kas paredzēts lietošanai tikai ar viena veida akumulatoru bloku, var radīt aizdegšanās draudus, ja to izmanto kopā ar citu akumulatoru bloku.
- Lietojiet ierīci kopā tikai ar tai paredzētiem akumulatoru blokiem. Jebkura cita akumulatoru bloka lietošana var radīt traumu gūšanas un aizdegšanās risku.
- Kad akumulatoru bloks netiek izmantots, neglabājiet to citu metāla priekšmetu, piemēram, papīra saspaužu, monētu, atslēgu, naglu, skrūvju vai citu sīku metāla priekšmetu, kas var veidot savienojumu starp spailēm, tuvumā. Akumulatora spaiļu tīsslēgums var izraisīt aizdegšanos vai ugunsgrēku.
- Nepareizas rīcības gadījumā no akumulatora var izteciēt šķidrums; izvairieties no saskares ar to. Ja tas nejauši nokļūvis uz ādas, noskalojiet ar ūdeni. Ja šķidrums iekļuvis acīs, nekavējoties meklējiet medicīnisko palīdzību. No akumulatora izkļušais šķidrums var izraisīt kairinājumu vai apdegumus.
- Nelietojiet bojātu vai pārveidotu akumulatoru bloku vai iekārtu. Bojātu vai pārveidotu akumulatoru izmantošana var radīt neparedzamus apstākļus, kas rada aizdegšanās, sprādziena vai traumas gūšanas draudus.
- Nepakļaujiet akumulatoru bloku vai ierīci uguns liesmu vai pārmērīgas temperatūras iedarbībai. Uguns liesmu iedarbība vai temperatūra virs 130 °C var izraisīt sprādzienu.
- Izpildiet visas uzlādēšanas instrukcijas un neuzlādējiet akumulatoru bloku vai iekārtu ārpus instrukcijās norādītajām temperatūras vērtībām. Ja iekārta tiek uzlādēta nepareizi vai tiek pārsniegtas instrukcijās norādītās uzlādēšanas temperatūras vērtības, akumulators var sabojāties un palielināt aizdegšanās risku.

SERVISS

- Jūsu ierīcei remontdarbus veic tikai kvalificēts speciālists, kas izmanto tikai identiskas rezerves daļas. Tādējādi tiek saglabāta ierīces ekspluatācijas drošība.
- Nekad neveiciet bojātam akumulatoru blokam remontdarbus pašrocīgi. Bojāta akumulatoru bloka remontdarbus drīkst veikt tikai ražotājs vai pilnvaroti servisa darbinieki.

DROŠĪBAS NORĀDĪJUMI PAR BEZVADU VENTILATORU AR MIGLOŠANAS FUNKCIJU

198

56 VOLTU LITIJA JONU BEZVADU VENTILATORS AR MIGLOŠANAS FUNKCIJU — FN1000E

- Šī ierīce nav paredzēta lietošanai personām (ieskaitot bērnus) ar pazeminātām fiziskām, maņu vai garīgām spējām vai pieredzes un zināšanu trūkumu, ja par šo personu drošību atbildīgā persona nav veikusi apmācību vai sniegusi norādījumus sakarā ar ierīces lietošanu.
- Jāuzrauga, lai bērni nerotajātos ar šo iekārtu.
- **Neļaujiet izmantot ventilatoru kā rotaļlietu.** Cieša vērība ir nepieciešama, ja to izmanto bērni vai to izmanto bērnu tuvumā.
- **Bērni var iekrist spaiļos un noslīkt.** Raugiet, lai bērni netuvojas spaiļiem, kuros ir pat neliels šķidrums daudzums.
- **Izmantojiet TIKAI tīru, aukstu ūdeni.**
- **Neizmantojiet šo miglošanas ventilatoru pesticīdu, šķīdru mēslošanas līdzekļu, ķīmisko vielu vai citu šķīdru izsmidzināšanai, izņemot tīru ūdeni.** Šādu vielu izsmidzināšana var izraisīt nopietnus kaitējumus lietotājam vai klātesošajiem.
- **Nekad nevirziet miglīgu vai ūdeni pret elektrības vadiem vai ierīcēm.**
- **Pārliecinieties, vai akumulatora nodalījuma vāciņš ir pilnībā aizvērts, lai novērstu ūdens saskari ar akumulatoru vai iekļūšanu akumulatora pieslēgvietā.**
- **Uzturiet ierīci un tās rokturi sausus un tīrus, un raugiet, lai uz tiem neatrastos nopīļējus eļļa un smērviela.** Tīrīšanai vienmēr izmantojiet tīru lupatīgu. Nekad ventilatora tīrīšanai neizmantojiet bremžu šķidrumus, benzīnu, naftas produktus vai jebkādu citu spēcīgu šķīdinātāju. Ievērojot šo noteikumu, samazināsies risks zaudēt kontroli un norobežojošās plastmasas stāvoņļa pasliktināšanās risks.
- **Akumulatori var eksplodēt aizdegšanās avotu, piemēram, signāllampīgas, klātbūtnē.** Lai mazinātu nopietnu traumu gūšanas risku, nekad neizmantojiet nevienu bezvadu produktu atklātas liesmas tuvumā. **Eksplodējis akumulators var izsviest atlūzas un ķīmikālijas.** Nonākot ar tām saskarē, tūlīt skatot ar ūdeni.
- **Saglabājiet šo norādījumus.** Vairākkārt pārlasiet un izmantojiet šo instrukciju, lai sniegtu norādījumus citiem, kas izmanto šo ventilatoru. Ja kādam aizdodāt šo ventilatoru, pievienojiet arī šo instrukciju, lai nepieļautu nepareizu ventilatora izmantošanu un traumu rašanos.
- **Ņemiet vērā, ka augsts mitruma līmenis var veicināt bioloģisko organismu augšanu vidē.**
- **Nepieļaujiet, ka vieta ap miglošanas ventilatoru kļūst slapja vai mitra.** Ja rodas mitrums, samaziniet miglošanas ventilatora jaudu. Ja miglošanas ventilatora jaudu nevar samazināt, izmantojiet ierīci ar pārtraukumiem. Nepieļaujiet, ka absorbējoši materiāli, piemēram, paklāji, aizkari vai galdauti, kļūst mitri.

- Nekad neatstājiet ūdeni tvertnē, kamēr ierīce netiek izmantota.
- Pirms uzglabāšanas miglošanas ventilators ir jāiztukšo un jānotīra. Mitrinātājs ir jānotīra pirms nākamās lietošanas reizes.

⚠ BRĪDINĀJUMS: Mikroorganismi, kas atrodas ūdenī vai vidē, kurā ierīce tiek lietota vai uzglabāta, var augt ūdens tvertnē un tikt izpūsti gaisā, radot ļoti nopietnus draudus veselībai, ja ūdens netiek atjaunots un tvertne netiek kārtīgi iztīrīta ik pēc 3 dienām.

Uzlādējamus akumulatorus pirms uzlādēšanas ir jāizņem no iekārtas.

- Izlietotus akumulatorus ir jāizņem no iekārtas un jāiznīcina drošā veidā.
- Ja iekārtu ilgstoši neizmanto, izņemiet no tās akumulatorus.
- Neveidojiet elektriskās enerģijas spailēs īssavienojumu.

SAGLABĀJIET ŠOS NORĀDĪJUMUS!

SPECIFIKĀCIJAS

Nominālais spriegums	56V
Ventilatora lāpstiņas diametrs	25,4 cm
Ventilatora ātruma iestatījumi	6 (ieskaitot "Turbo")
Maks. Gaisa tilpums	1700 CFM
Maks. Gaisa ātrums	32,2 km/h
Oscilācijas leņķis	60°, 120°, 180°
Miglošanas ūdens tilpums	Liels: 5,7 l/h
	Vidējs: 4,9 l/h
	Apakšējā: 2,5 l/h
Svars (bez akumulatoru bloka)	4,7 kg
Ieteicamā uzglabāšanas temperatūra	-20 °C līdz 70 °C
Bluetooth darbības frekvenču josla	2402-2480 MHz
Bluetooth maksimālā pārraides jauda	4 dBm

- Deklarētās vibrāciju emisijas kopējās vērtības ir izmērītas saskaņā ar standarta pārbaudes metodi, un vērtības var izmantot vienas ierīces salīdzināšanai ar citu;

- Deklarēto vibrāciju emisijas vērtību var arī lietot iepriekšējai vibrāciju iedarbības novērtēšanai.

PIEZĪME: Vibrāciju emisijas faktiskajā ierīces lietošanas laikā var atšķirties no deklarētās vērtības. Lai pasargātu operatoru, lietotājam jāvalkā cimdi un dzirdes aizsarglīdzekļi atbilstoši faktiskajiem darba apstākļiem.

IEPAKOJUMA SATURA SARAKSTS (A1 ATT.)

APRAKSTS

IEPAZĪSTIET SAVU PŪTĒJU (A1 un A2 att.)

1. Vadības panelis (A2 att.)
2. Oscilācijas rāmis
3. Miglošanas sprausla
4. Augšējais rokturis
5. Ventilatora korpus
6. Sānu rokturis
7. Akumulatoru nodalījums
8. Elektriskie kontakti
9. Akumulatora atbrīvošanas poga
10. Dārza šūtenes adapteris
11. Filtrs
12. Iepļūdes caurule
13. Gaisa padeves ātruma regulēšanas pogas
14. Poga TURBO
15. TURBO indikators
16. Miglīņas indikators
17. Miglas režīma poga
18. Barošanas poga
19. Gaisa ātruma indikators
20. Oscilācijas indikators
21. Oscilēšanas režīma poga

LV

MONTĀŽA

⚠ BRĪDINĀJUMS: Ja kāda daļa ir bojāta vai trūkst, nedarbiniet šo izstrādājumu, kamēr nav nomainīta bojātā daļa. Darbinot šo izstrādājumu ar bojātām vai trūkstošām daļām, varat gūt smagus miesas bojājumus.

⚠ BRĪDINĀJUMS: Nemēģiniet pārveidot šo instrumentu vai izveidot piederumus, kas nav ieteicami lietošanai kopā ar šo instrumentu. Jebkādi šādi uzlabojumi vai pārveidojumi ir uzskatāmi par neatbilstošiem lietošanai un var radīt bīstamus apstākļus, kas var izraisīt nopietnus ievainojumus.

⚠ BRĪDINĀJUMS: Lai nepieļautu nejašu mašīnas ieslēgšanos, kas var radīt smagus miesas bojājumus, to saliekot, vienmēr izņemiet no tās akumulatoru bloku.

- Šis izstrādājums piegādes brīdī ir pilnībā samontēts.
- Uzmanīgi izņemiet no kārbas instrumentu un visus piederumus. Pārbaudiet, vai ir iekļauti visi "iepakojuma sarakstā" minētie priekšmeti.
- Rūpīgi pārbaudiet iekārtu, lai pārliecinātos, vai piegādes laikā nav salūzusi vai sabojāta kāda detaļa.
- Neizmetiet iepakojuma materiālu, kamēr neesat rūpīgi pārbaudījis, vai izstrādājums darbojas apmierinoši.
- Ja kāda detaļa ir bojāta vai trūkst, lūdzu, atgrieziet precīz iegādes vietā.

EKSPLOATĀCIJA

⚠ BRĪDINĀJUMS: Saglabājiet modrību visu griezējinstrumenta lietošanas laiku. Neaizmirstiet, ka pat mirklis neuzmanības var izraisīt nopietnu traumu.

⚠ BRĪDINĀJUMS: Lai novērstu nejašu ieslēgšanos, kas var radīt smagas traumas, vienmēr izņemiet akumulatoru no ventilatora pirms apkopes, regulēšanas, tīrīšanas darbu veikšanas, kā arī piederumu maiņas vai tad, kad tas netiek lietots.

⚠ BRĪDINĀJUMS: Nelietojiet pierīces vai piederumus, ko nav ieteicis šī produkta ražotājs. Šādu neapstiprinātu palīgierīču vai piederumu lietošana var radīt nopietnus ievainojumus.

Pirms katras lietošanas pārbaudiet visu ierīci, vai tā nav bojāta, vai tai nav trūkstošu vai atskrūvējušu daļu, piemēram, skrūves, uzgriežņi, bultskrūves, vāciņi utt. Stingri pievelciet visus stiprinājumus un vāciņus un nedarbiniet šo ierīci, līdz visas trūkstošās vai bojātās daļas nav nomainītas.

LIETOJUMS

Šo izstrādājumu var lietot tālāk norādītajiem mērķiem:

- Vispārējā ventilācija, kas piemērota lielākajai daļai mājsaimniecību.
- Āra dzesēšanas funkcija pievienotam ūdens avotam.

PIEZĪME: Izstrādājumu drīkst izmantot tikai un vienīgi tālāk aprakstītajam mērķim. Izmantošana jebkādā citā veidā ir uzskatāma par neatbilstošu.

AKUMULATORU BLOKA IEVIETOŠANA/ IZŅEMŠANA

200

56 VOLTU LITIJA JONU BEZVADU VENTILATORS AR MIGLOŠANAS FUNKCIJU — FN1000E

Izmantojiet kopā tikai ar A3 attēlā norādītajiem EGO akumulatoru blokiem un lādētājiem.

PIEZĪME: Pirms pirmās lietošanas reizes uzlādējiet akumulatoru bloku pilnībā.

Ievietošana

Salāgojiet akumulatora izciļņus ar stiprinājuma rievām un iespiediet akumulatoru bloku akumulatora nodalījumā, līdz ir dzirdama „klikšķa” skaņa (B1 att.).

Izņemšana

Nospiediet akumulatora atbrīvošanas pogu un izņemiet akumulatoru bloku (B2 att.).

⚠ BRĪDINĀJUMS: Pirms akumulatora atbrīvošanas pogas nospiešanas vienmēr pārliecinieties, kur atrodas jūsu kājas, bērni vai mājdzīvnieki. Zemē nokritis akumulatoru bloks var izraisīt smagas traumas. **NEKĀDĀ GADĪJUMĀ** neizņemiet akumulatoru bloku, ja atrodaties augstumā.

VENTILATORA IESLĒGŠANA/APTUREŠANA

PIEZĪME: Sākotnējais rūpnīcas iestatījums gaisa plūsmas padeves ātrumam ir 3. līmenis. Ventilators saglabās pēdējo izmantoto gaisa plūsmas padeves ātruma iestatījumu un atgriezīsies pie tā pēc atkārtotas palaišanas. Turbo iestatījums netiks saglabāts.

PIEZĪME: Miglošanas un oscilācijas iestatījums netiks saglabāts, un pēc noklusējuma tas tiks izslēgts katru reizi, ieslēdzot ventilatoru.

Vadības panelis (A2 att.)

Barošanas poga

- Lai ieslēgtu ventilatoru, īsi nospiediet barošanas pogu.
- Vēlreiz īsi nospiediet barošanas pogu, lai ventilatoru izslēgtu.

Gaisa plūsmas padeves ātruma regulēšana

Parasts gaisa plūsmas padeves ātrums

- Nospiediet gaisa plūsmas padeves ātruma regulēšana pogu "+", lai paātrinātu gaisa plūsmas padeves ātrumu, bet, lai samazinātu gaisa plūsmas padeves ātrumu, nospiediet pogu "-". Ierīcei ir 5 ātruma līmeņi.
- Gaisa plūsmas padeves ātruma indikators deg zaļā krāsā atbilstoši pašreizējam ātruma līmenim.

TURBO režīms

PIEZĪME: Atrodoties "TURBO" režīmā, ventilators sasniegs

maksimālo gaisa padeves ātrumu.

- Nospiediet pogu "TURBO", un TURBO indikators iedegsies zaļā krāsā, savukārt ventilators pārslēgsies "TURBO" režīmā, t.i., augstākajā gaisa plūsmas padeves ātrumā.
- "TURBO" režīmā vēlreiz nospiediet "TURBO" pogu, un TURBO indikators izslēgsies, bet ventilators atsāks iepriekš aktivizēto gaisa plūsmas padeves ātrumu.
- Režīmā "TURBO" nospiediet pogu "-", un TURBO indikators izslēgsies, bet ventilators pārslēgsies uz 5. gaisa plūsmas padeves ātruma līmeni.

OSCILĀCIJU FUNKCIJA (C ATT.)

- Vienreiz nospiediet oscilāciju pogu, lai ieslēgtu ventilatora galvas oscilāciju funkciju, un oscilāciju indikators iedegsies apakšējā zaļajā gaismā, ventilatora galva sāks griezties 60° no vienas puses uz otru (no -30° līdz 30°).
- Otrreiz nospiediet oscilāciju pogu, oscilāciju indikators iedegsies divās zaļās gaismās, aktivizējot 120° oscilāciju diapazonu (no -60° līdz 60°).
- Trešo reizi nospiediet oscilāciju pogu, oscilāciju indikators iedegsies trīs zaļajās gaismās, aktivizējot 180° oscilāciju diapazonu (no -90° līdz 90°).
- Lai izslēgtu oscilāciju funkciju, ceturto reizi nospiediet oscilāciju pogu.

VENTILATORA LENĶA REGULĒŠANA (D ATT.)

Ventilatora galvu var iestatīt vairākos leņķos no -30° līdz 90°. Lai regulētu miglas padeves/gaisa plūsmas virzienu, satveriet ventilatoru aiz augšējā roktura un nolieciet ventilatora galvu uz priekšu vai atpakaļ.

MIGLOŠANAS FUNKCIJA

Miglas režīma poga

- Nospiediet miglošanas režīma pogu vienu reizi, un miglošanas indikatorā iedegsies trīs zaļās lampiņas, kas norādīs uz nepārtrauktas miglošanas režīmu ar intensīvu plūsmu — spēcīga miglošana notiks visu laiku bez apstājas.
- Nospiediet miglošanas režīma pogu vēlreiz, un miglošanas indikatorā iedegsies divas zaļās lampiņas, kas norādīs uz "nepārtrauktas" miglošanas režīmu — miglošana notiks visu laiku bez apstājas.
- Nospiediet miglošanas režīma pogu trešo reizi, un miglošanas indikatorā iedegsies viena apakšējā zaļā gaisma, kas norādīs uz "periodiskās" miglošanas režīmu — miglošana notiks 10 sekundes ik pēc 10 sekundēm.

PIEZĪME: Pirmo reizi pēc režīma aktivēšanas var paiet dažas sekundes, kamēr no miglošanas sprauslām parādīsies migliņa. Šī aizkave ir saistīta ar laiku, kāds nepieciešams, lai ūdens aizplūstu no iepļūdes caurules uz sprauslām.

- Ja miglošana ir aktivizēta periodiskajā miglošanas režīmā, vēlreiz nospiediet miglošanas režīma izvēles pogu, miglošanas indikatoru gaisma izslēgsies un miglošana tiks pārtraukta.

PIEZĪME: Kad miglošana būs pabeigta, atvienojiet ventilatora iepļūdes cauruli no ūdens avota un palaidiet ventilatoru nepārtrauktas miglošanas režīmā, līdz viss ūdens ir iztecējis no caurules. Tas palīdz novērst negaidītu migliņas izsmidzināšanos, ko izraisa ūdens atlikums caurulē, vēlreiz ieslēdzot ventilatoru.

Ventilatora izmantošana kopā ar ūdens spaini vai citu trauku (nav iekļauts komplektā) (E attēls)

BRĪDINĀJUMS: Bērni var iekrist spaiņos un noslīkt. Raugiet, lai bērni netuvotos spaiņiem, kuros ir pat neliels šķidruma daudzums.

PIEZĪME: Pirms katras lietošanas reizes izmazgājiet spaini ar ziepēm un ūdeni.

1. Atvienojiet akumulatoru bloku.
2. Novietojiet spaini uz līdzenas virsmas.
3. Ielejiet spainī TIKAI tīru, aukstu ūdeni. Nepārpildiet.
4. Iegremdējiet iepļūdes caurules filtrējošo galu ūdenī.

PIEZĪME: Nesalieciet iepļūdes cauruli un vienmēr pārliecinieties, vai ūdens caur cauruli plūst vienmērīgi.

5. Ievietojiet akumulatoru bloku.
6. Lai ieslēgtu ventilatoru, nospiediet barošanas pogu.
7. Lai sāktu miglošanu, nospiediet miglošanas režīma pogu.

Ventilatora pievienošana ūdens krānam (F un G attēls)

1. Atskrūvējiet filtra augšējo daļu pretēji pulksteņrādītāja virzienam un atvienojiet to no apakšējās daļas (F att.)

F-1	Filtra apakšējā daļa
F-2	Filtra augšējā daļa

PIEZĪME: Pārliecinieties, vai augšējās daļas atvienošanas laikā apakšējā daļa nav sadalīta divās daļās un paliek kopā, lai to savienotu ar dārza šļūtenes adapteri.

2. Atskrūvējiet (pretēji pulksteņrādītāja virzienam) dārza šūtenes adapteri, kas novietots ventilatora apakšā. Ieskrūvējiet to (pulksteņrādītāja virzienā) filtra apakšējā daļā.
3. Pievienojiet dārza šūtenes adapteri pareizai dārza šūtenei ar ātrās savienošanas savienotāju (nav iekļauts komplektā). Piestipriniet ātrās savienošanas savienotāju dārza šūtenes adapterim, līdz dzirdat skaidru klikšķa skaņu (G att.).

G-1	Dārza šūtenes adapteris
G-2	Tipisks ātrais savienotājs

PIEZĪME: Nepievienojiet dārza šūtenes adapteri, kamēr tas ir uzstādīts ventilatora apakšā (G1 att.).

4. Pievienojiet dārza šūteni ūdens caurulei.
5. Ievietojiet akumulatoru bloku.
6. Lai ieslēgtu ventilatoru, nospiediet barošanas pogu.
7. Pilnībā atgrieziet ūdens krānu, ventilators sāks miglošanu.

PIEZĪME: Ieteicamais maksimālais darba spiediens nedrīkst pārsniegt 80 psi.

PIEZĪME: Pat ja nav jaudas, ventilators sāks miglošanu, kad būs atgriezts ūdens krāns.

8. Nospiediet miglošanas režīma pogu, lai izvēlētos miglošanas režīmu, lai iegūtu labākus darba rezultātus.

PIEZĪME: Nelielais atvērums dārza šūtenes adapterī padara to jutīgu pret cieto ūdeni un minerālu nogulšņu uzkrāšanos. Bieži notīriet adapteri un izmantojiet balto etiķi vai citu atkaļķošanas līdzekli, lai novērstu uzkrāšanos.

Ventilatora lietošana bez miglošanas funkcijas

Ja vēlaties, šo ierīci var izmantot tikai kā ventilatoru, ja vien tā nav pieslēgta ūdens avotam. Kad iepļūdes caurule netiek izmantota, vienmēr novietojiet to glabāšanas vietā (skatīt šīs rokasgrāmatas sadaļu “**TRANSPORTĒŠANA UN GLABĀŠANA**”), lai pasargātu to no bojājumiem un piesārņošanās.

KOMUNIKĀCIJAS TEHNOLOĢIJA

Lai iegūtu informāciju par pakalpojumu pilnu klāstu, tostarp savienojuma izveides instrukcijas, lūdzam noskenēt tālāk norādīto QR kodu vai apmeklēt tīmekļa vietni www.egopowerplus.eu/connect.



ELEKTRONIKAS AIZSARDZĪBA

Kad oscilāciju funkcija ir aktivizēta, bet ventilators turpina darboties bez izmaiņām, oscilāciju indikators nepārtraukti parādīs trīs mirgojošas zaļas gaismas, lai atgādinātu lietotājam pārbaudīt, vai ventilatora galva nav iestrēgusi, un pirms funkcijas atkārtotas ieslēgšanas izņemiet svešķermeņus, kas iestrēguši ventilatora galvā.

Ja miglošanas funkcija ir aktivizēta, bet ūdens miglīga neizplūst:

- Ūdens sūknis darbosies īsu brīdi un pēc tam automātiski apstāsies, lai aizsargātu iekšējo elektroniku.
- Miglošanas indikators nepārtraukti parādīs trīs mirgojošas zaļas gaismas kā brīdinājumu lietotājam veikt sekojošo:
 - a. Pārbaudiet, vai iepļūdes caurule ir pareizi iegremdēta ūdenī.
 - b. Pārbaudiet, vai miglošanas sprausla(-as) nav aizsērējusi(-as), un iztīriet to atbilstoši nodaļā “**SPRAUSLAS APKOPE**” aprakstam.
 - c. Nospiediet miglošanas režīma izvēles pogu, lai atsāktu miglošanu.

Kad akumulatora uzlādes līmenis ir zems, barošanas poga mirgos zaļā gaismā, lai atgādinātu lietotājam uzlādēt vai nomainīt akumulatoru.

Ja akumulators vai ventilators ir pārāk karsts, barošanas poga mirgos sarkanā gaismā, lai brīdinātu lietotāju izslēgt ventilatoru un ļaut akumulatoram vai miglošanas ventilatoram atdzist, līdz temperatūra nokrītas līdz ieteicamajam darba temperatūras diapazonam pirms ventilatora atkārtotas ieslēgšanas.

APKOPE

▲ BRĪDINĀJUMS: Veicot ierīces apkopi, izmantojiet tikai identiskas rezerves daļas. Jebkuru citu daļu izmantošana var radīt apdraudējumu vai instrumenta bojājumus. Lai garantētu drošu un uzticamu instrumenta darbību, visi remontdarbi jāveic kvalificētam servisa speciālistam.

▲ BRĪDINĀJUMS: Lai izvairītos no nopietnu traumu gūšanas, vienmēr pirms tīrīšanas vai apkopes darbu veikšanas izņemiet no produkta akumulatoru bloku.

VISPĀRĒJĀ APKOPE

Visi miglošanas ventilatora apkopes darbi, izņemot šajos apkopes norādījumos uzskaitītos darbus, jāveic kompetentam miglošanas ventilatora servisa personālam.

Plastmasas detaļu tīrīšanai neizmantojiet šķīdinātājus. Vairums plastmasu ir uzņēmīgas pret dažāda veida komerciālu šķīdinātāju radītiem bojājumiem un, tos izmantojot, var tikt sabojātas. Lai notīrītu nefīrums, putekļus, eļļu, smērvielas u.c., izmantojiet tīras lupatiņas.

▲ BRĪDINĀJUMS: Nekad neļaujiet bremžu šķidrumiem, degvielai, uz naftu bāzētiem izstrādājumiem, iestrādes eļļām u.tml. nonākt saskarē ar plastmasa daļām. Ķīmiskās vielas var radīt bojājumus, kā arī mazināt plastmasas daļas izturību vai iznīcināt tās, radot smagus miesas bojājumus.

▲ BRĪDINĀJUMS: Tīrot miglošanas ventilatoru, NEIEMĒRCIET to ūdeni vai kādā citā šķīdumā.

SPRAUSLU APKOPE (H att.)

▲ BRĪDINĀJUMS: Lai novērstu ūdens noplūdi, veiciet visus miglošanas sprauslu apkopes darbus pareizi. Noplūdes rezultātā var rasties slidenas virsmas, kas rada slīdēšanas un kritiena risku vai īpašuma bojājumus.

Neregulāra miglošana vai noplūde var būt aizsērējušas vai netīras sprauslas rezultāts.

Sprauslu tīrīšana

1. Izslēdziet ventilatoru un izņemiet akumulatoru.
2. Noņemiet aizsērējušās miglošanas sprauslas no ventilatora korpusa priekšējā režģa aizsarga, pagriežot tās pretēji pulksteņrādītāja virzienam.
3. Izjauciet katru bojāto sprauslu pa daļām.
4. Lai iztīrītu svešķermeņus, kas aizsprosto vai ierobežo plūsmu sprauslās, izskalojiet sprauslu daļas ar ūdeni. Lai iztīrītu nosēdumus, iztīriet sprauslas daļas ar balto etiķi vai citu līdzekli, kas pēc nepieciešamības novērš kalķakmens veidošanos.
5. Salieciet atpakaļ sprauslas.

PIEZĪME: Lai novērstu aizsērēšanos, sprausla ir jāsaliek tieši tā, kā tas ir parādīts H attēlā.

6. Atkārtoti piestipriniet tīras sprauslas pie priekšējā režģa aizsarga.

FILTRA APKOPE (I att.)

Laiku pa laiku pārbaudiet filtru iepļūdes caurules galā, lai pārliecinātos, ka tas ir labā stāvoklī.

1. Izslēdziet ventilatoru un izņemiet akumulatoru.
2. Atskrūvējiet augšējo daļu no filtra apakšējās daļas.

I-1	Apakšējā daļa	I-3	Sūkļa siets
I-2	Metāla sietīnš	I-4	Augšējais panelis

PIEZĪME: Atskrūvējot augšējo daļu, pārliecinieties, vai apakšējā daļa nav sadalījusies divās daļās. Apakšējai daļai jāpaliek piestiprinātai, lai noņemtu metāla sietu.

3. Izņemiet sūkļa sietu no augšējās daļas un metāla sietu no apakšējās daļas.
4. Izskalojiet metāla sietu vai, ja nepieciešams, nomainiet to.
5. Ievietojiet atpakaļ filtru.

PIEZĪME: Pārliecinieties, vai metāla siets ir ievietots ar pavelto apmali uz āru, lai nākamreiz to varētu viegli izņemt.

DĀRZA ŠĻŪTENES ADAPTERA APKOPE

Nelielai atvērums dārza šļūtenes adapterī padara to jutīgu pret cieto ūdeni un minerālu nogulšņu uzkrāšanos. Bieži notīriet adapteri un izmantojiet balto etiķi vai citu atkalķošanas līdzekli, lai novērstu uzkrāšanos.

LV

VENTILATORA KORPUSA APKOPE (J un K att.)

1. Izslēdziet ventilatoru un izņemiet akumulatoru.
2. Izmantojiet krustņveida skrūvgriezi (nav iekļauts komplektā), lai atskrūvētu astoņas skrūves no ventilatora korpusa aizmugures, lai noņemtu priekšējo režģa aizsargu.

J-1	Skrūve (x8)
J-2	Priekšējā režģa aizsargs

3. Pieturiet ventilatora lāpstīņas, lai novērstu to griešanos, un pagriežiet ventilatora lāpstīņas bloķēšanas vāku pulksteņrādītāja virzienā, lai atbrīvotu ventilatora lāpstīņas no vārpstas.

K-1	Ventilatora lāpstiņas
K-2	Bloķēšanas vāciņš

4. Noņemiet ventilatora lāpstiņas.
5. Vajadzības gadījumā notīriet ventilatora lāpstiņu un korpusa iekšpusi.
6. Vēlreiz samontējiet tos apgrieztā secībā un pārliecinieties, vai:

Atzīme uz ventilatora lāpstiņām atrodas vienā līnijā ar šķērssītni uz vārpstas.

TRANSPORTĒŠANA UN UZGLABĀŠANA (L att.)

- Izņemiet akumulatoru bloku.
- Rūpīgi iztīriet ventilatoru.
- Iztukšojiet ieplūdes cauruli un filtru.

PIEZĪME: Ventilatora pareiza sagatavošana uzglabāšanai ziemas periodā ir būtiska, lai pasargātu no sasalšanas temperatūras, kas var sabojāt sūkni, šļūtenes un citas sastāvdaļas. **Vienmēr atvienojiet ventilatora ieplūdes cauruli no ūdens avota un palaidiet ventilatoru nepārtrauktā miglošanas režīmā, līdz caurulē vairs nav ūdens pirms ventilatora uzglabāšanas ziemas periodā.**

- Nostipriniet ieplūdes cauruli un filtru, izmantojot klipšus, kas atrodas ventilatora pamatnes apakšā.
- Pieskrūvējiet dārza šļūtenes adapteri uz vītņotas uzglabāšanas atveres, kas atrodas ventilatora pamatnes apakšā.

L-1	Dārza šļūtenes adapteris
L-2	Clips

LV

- Transportēšanas laikā pārnēsājiet ventilatoru aiz augšējā roktura vai sānu rokturiem.
- Uzglabājiet ventilatoru telpās, labi vēdināmā vietā.
- Sargājiet no kodīgām vielām, piemēram, dārzā lietojamajām ķimikālijām un atledošanas sāls.

Apkārtējās vides aizsardzība



Neutilizējiet elektrisko aprīkojumu, izlieto akumulatoru un lādētāju sadzīves atkritumos!

Nogādājiet šo produktu uz pilnvarotu pārstrādes punktu un sagatavojiet atkritumu šķirošanai. Elektriskie instrumenti jānogādā videi nekaitīgā pārstrādes rūpnīcā.

PROBLĒMU MEKLĒŠANA UN NOVĒRŠANA

PROBLĒMA	CĒĻONIS	RISINĀJUMS
Miglošanas ventilatoru nevar ieslēgt.	<ul style="list-style-type: none"> ■ Akumulators nav pilnībā ievietots korpusā. ■ Starp miglošanas ventilatoru un akumulatoru bloku nav elektriskā savienojuma. ■ Akumulatoru bloks ir izlādējies. ■ Akumulators vai ventilators ir pārāk karsts. 	<ul style="list-style-type: none"> ■ Pārbaudiet, vai akumulators ir pilnībā ievietots korpusā. ■ Izņemiet akumulatoru bloku, pārbaudiet kontaktus un ievietojiet akumulatoru bloku atpakaļ. ■ Uzlādējiet akumulatoru bloku. ■ Izslēdziet ventilatoru un ļaujiet akumulatoram vai miglošanas ventilatoram atdzist, līdz temperatūra nokrītas līdz ieteicamajam darba temperatūras diapazonam.
Netiek izsmidzināta ūdens migliņa, un miglošanas indikatorā trīs divas zaļās gaismīņas.	<ul style="list-style-type: none"> ■ Ieplūdes caurule nesūc ūdeni, aktivizējot ventilatorā esošā ūdens sūkņa iekšējo aizsardzību. ■ Darbības laikā aizsērējusi(-as) miglošanas sprausla(-as), aktivizējot elektriskā sūkņa iekšējo aizsardzību. 	<ul style="list-style-type: none"> ■ Pārbaudiet un pārliecinieties, ka spainī ir pietiekami daudz ūdens un ieplūdes caurule ir pareizi iegremdēta ūdenī. ■ Notīriet sprauslu(-as) atbilstoši aprakstam nodaļā "SPRAUSLAS APKOPE" un samontējiet tās atbilstoši norādījumiem.
Ventilators pārstāj oscilēt, un svārstīgais indikators mirgo trīs zaļās gaismās.	<ul style="list-style-type: none"> ■ Ventilatora galva ir iestrēgusi oscilāciju laikā. 	<ul style="list-style-type: none"> ■ Izņemiet visus svešķermeņus, kas neļauj ventilatora galvai kustēties.

GARANTĪJA

EGO GARANTĪJAS POLITIKA

Lūdzam apmeklēt tīmekļa vietni egopowerplus.eu, kur pieejama pilna EGO garantijas politikas noteikumu un nosacījumu versija.

LV

ΔΙΑΒΑΣΤΕ ΟΛΕΣ ΤΙΣ ΟΔΗΓΙΕΣ!**ΔΙΑΒΑΣΤΕ ΤΟ ΕΓΧΕΙΡΙΔΙΟ ΧΡΗΣΗΣ**

⚠ ΠΡΟΕΙΔΟΠΟΙΗΣΗ: Προκειμένου να διασφαλιστεί η ασφάλεια και η αξιοπιστία, όλες οι επισκευές πρέπει να διενεργούνται από εξειδικευμένο τεχνικό του σέρβις.

⚠ ΠΡΟΕΙΔΟΠΟΙΗΣΗ: Βεβαιωθείτε ότι έχετε διαβάσει και κατανοήσει όλες τις οδηγίες ασφαλείας στο παρόν εγχειρίδιο χρήσης, συμπεριλαμβανομένων όλων των συμβόλων ασφαλείας, όπως «**ΚΙΝΔΥΝΟΣ**», «**ΠΡΟΕΙΔΟΠΟΙΗΣΗ**» και «**ΠΡΟΣΟΧΗ**», προτού να χρησιμοποιήσετε αυτό το μηχάνημα. Η μη τήρηση όλων των παρακάτω οδηγιών μπορεί να οδηγήσει σε ηλεκτροπληξία, πυρκαγιά και/ή σοβαρό τραυματισμό.

ΦΥΛΑΞΤΕ ΟΛΕΣ ΤΙΣ ΠΡΟΕΙΔΟΠΟΙΗΣΕΙΣ ΚΑΙ ΤΙΣ ΟΔΗΓΙΕΣ ΓΙΑ ΜΕΛΛΟΝΤΙΚΗ ΑΝΑΦΟΡΑ.

ΣΥΜΒΟΛΑ ΑΣΦΑΛΕΙΑΣ

⚠ ΠΡΟΕΙΔΟΠΟΙΗΣΗ: Η λειτουργία οποιασδήποτε συσκευής μπορεί να προκαλέσει την εκτόξευση ξένων αντικειμένων στα μάτια σας, με αποτέλεσμα σοβαρό τραυματισμό των ματιών. Προτού ξεκινήσετε τη χρήση της συσκευής, να φοράτε πάντα προστατευτικά γυαλιά ή γυαλιά με πλευρική προστασία και, εφόσον απαιτείται, πλήρη προστατευτική προσωπίδα. Συνιστούμε μια προσωπίδα ασφαλείας ευρείας όρασης, για χρήση πάνω από γυαλιά ή τα συνήθη προστατευτικά γυαλιά με πλευρική προστασία.



Προειδοποίηση ασφαλείας



Προκειμένου να μειωθεί ο κίνδυνος τραυματισμού, ο χρήστης πρέπει να διαβάσει και να κατανοήσει το εγχειρίδιο χρήσης προτού να χρησιμοποιήσει αυτό το προϊόν.



Εγγυημένη στάθμη ακουστικής ισχύος. Εκπομπές θορύβου στο περιβάλλον σύμφωνα με την οδηγία της Ευρωπαϊκής Ένωσης.



Σύμβολο Bluetooth®



Τα απόβλητα ειδών ηλεκτρικού και ηλεκτρονικού εξοπλισμού δεν πρέπει να απορρίπτονται στα οικιακά απορρίμματα. Πρέπει να παραδίδονται σε εξουσιοδοτημένη μονάδα ανακύκλωσης.



Αυτό το προϊόν συμμορφώνεται με τις εφαρμοστέες οδηγίες της ΕΚ.



Συνεχές ρεύμα



Αυτό το προϊόν συμμορφώνεται με την ισχύουσα νομοθεσία του Η.Β.

IPX4 Προστασία από εκτοξευμένο νερό

GR

ΓΕΝΙΚΕΣ ΠΡΟΕΙΔΟΠΟΙΗΣΕΙΣ ΑΣΦΑΛΕΙΑΣ

▲ ΠΡΟΕΙΔΟΠΟΙΗΣΗ: Για να μειώσετε τον κίνδυνο πυρκαγιάς ή ηλεκτροπληξίας:

- Γνωρίστε τον ανεμιστήρα υδρονέφωσης. Διαβάστε το εγχειρίδιο οδηγιών προσεκτικά. Ενημερωθείτε για τις εφαρμογές και τους περιορισμούς, όπως και τους συγκεκριμένους δυνητικούς κινδύνους που σχετίζονται με αυτόν τον ανεμιστήρα. Η τήρηση αυτού του κανόνα θα μειώσει τον κίνδυνο ηλεκτροπληξίας, πυρκαγιάς ή σοβαρού τραυματισμού.
- Αυτό το μηχάνημα μπορεί να χρησιμοποιηθεί από παιδιά ηλικίας άνω των 8 ετών και από άτομα με μειωμένες σωματικές, αισθητήριες ή νοητικές ικανότητες ή έλλειψη εμπειρίας και γνώσης του μηχανήματος, εφόσον επιβλέπονται ή έχουν λάβει οδηγίες σχετικά με τη χρήση του μηχανήματος με ασφαλή τρόπο και έχουν κατανοήσει τους εμπλεκόμενους κινδύνους.
- Τα παιδιά δεν πρέπει να παίζουν με τη συσκευή.
- Ο καθαρισμός και η συντήρηση που διενεργούνται από τον χρήστη δεν επιτρέπονται σε παιδιά χωρίς επίβλεψη.

ΑΣΦΑΛΕΙΑ ΣΤΟ ΧΩΡΟ ΕΡΓΑΣΙΑΣ

- Μην χρησιμοποιείτε τον ανεμιστήρα σε περιβάλλον με εύφλεκτη ατμόσφαιρα, π.χ., όπου υπάρχουν εύφλεκτα υγρά, αέρια ή σκόνη.
- Διατηρείτε τα παιδιά και τους παρευρισκόμενους μακριά όταν χρησιμοποιείτε συσκευές. Εάν κάτι αποσπάσει την προσοχή σας, μπορεί να χάσετε τον έλεγχο.
- Να είστε προσεκτικοί κατά τη χρήση υπό συνθήκες ισχυρού ανέμου. Ο άνεμος μπορεί να μεταφέρει σταγονίδια σε ηλεκτρική καλωδίωση ή συσκευές.
- Μην εκθέτετε τη συσκευή σε βροχή ή υγρασία. Η εισχώρηση νερού στη συσκευή αυξάνει τον κίνδυνο ηλεκτροπληξίας.

ΠΡΟΣΩΠΙΚΗ ΑΣΦΑΛΕΙΑ

- Να βρίσκεστε πάντα σε εγρήγορση, να προσέχετε τι κάνετε και να εφαρμόζετε κοινή λογική όταν χρησιμοποιείτε συσκευές. Μην χρησιμοποιείτε τη συσκευή εάν είστε κουρασμένοι, αναστατωμένοι ή υπό την επίρεια ναρκωτικών, αλκοόλ ή φαρμάκων. Μια στιγμή απροσεξίας κατά τη χρήση της συσκευής μπορεί να οδηγήσει σε σοβαρό ατομικό τραυματισμό.
- Λαμβάνετε μέτρα για να μην ενεργοποιηθεί κατά λάθος η συσκευή. Βεβαιωθείτε ότι ο διακόπτης βρίσκεται στη θέση απενεργοποίησης (OFF), πριν να βάλετε την μπαταρία και πριν να σηκώσετε ή να μεταφέρετε τη συσκευή. Μην μεταφέρετε τη συσκευή έχοντας το δάκτυλο πάνω στο διακόπτη και μην την

συνδέετε στην παροχή ρεύματος με ενεργοποιημένο το διακόπτη, διότι αυξάνεται ο κίνδυνος ατυχήματος.

- **Προτού ενεργοποιήσετε τη συσκευή, απομακρύνετε κάθε εργαλείο ή κλειδί ρύθμισης.** Εάν το εργαλείο ή το κλειδί ρύθμισης παραμείνει επάνω στο περιστρεφόμενο μέρος της συσκευής, μπορεί να προκληθεί τραυματισμός.
- Μην τεντώνετε υπερβολικά για να πραγματοποιήσετε την εργασία. Πατάτε πάντα σταθερά και διατηρείτε την ισορροπία σας. Έτσι θα ελέγχετε καλύτερα τη συσκευή σε περίπτωση απροσδόκων καταστάσεων.
- Φοράτε κατάλληλα ρούχα. Μην φοράτε φαρδιά ρούχα ή κοσμήματα. Διατηρείτε τα μαλλιά και τα ρούχα σας μακριά από κινούμενα μέρη. Τα φαρδιά ρούχα, τα κοσμήματα ή τα μακριά μαλλιά ενδέχεται να εμπλακούν σε κινούμενα μέρη.
- Βεβαιώνετε ότι όλες οι συνδέσεις είναι ασφαλείς πριν από τη χρήση της συσκευής.
- Ακόμα και όταν υπάρχει εξοικείωση λόγω τακτικής χρήσης συσκευών, μην εφησυχάζετε και μην παραβλέπετε τις αρχές ασφαλείας της συσκευής. Μια στιγμή απροσεξίας μπορεί να οδηγήσει σε σοβαρό τραυματισμό.

ΧΡΗΣΗ ΚΑΙ ΦΡΟΝΤΙΔΑ

- Μην χρησιμοποιείτε τη συσκευή εάν δεν μπορείτε να την ενεργοποιήσετε και να την απενεργοποιήσετε από το διακόπτη. Οποιαδήποτε συσκευή δεν μπορεί να ελεγχθεί με το διακόπτη είναι επικίνδυνη και πρέπει να επισκευαστεί.
- Αποσυνδέετε τη συστοιχία μπαταριών από τη συσκευή προτού κάνετε οποιαδήποτε ρύθμιση, αλλάζετε παρελκόμενα ή την αποθηκεύσετε. Αυτά τα προληπτικά μέτρα ασφαλείας μειώνουν τον κίνδυνο τυχαίας ενεργοποίησης της συσκευής.
- Εφόσον δεν τη χρησιμοποιείτε, αποθηκεύετε τη συσκευή σε σημείο όπου δεν έχουν πρόσβαση τα παιδιά και μην επιτρέπετε σε άτομα που δεν είναι εξοικειωμένα με αυτήν ή με αυτές τις οδηγίες να τη χρησιμοποιήσουν. Οι συσκευές είναι επικίνδυνες στα χέρια ατόμων που δεν έχουν εκπαιδευτεί στη χρήση τους.
- Συντήρηση συσκευής και παρελκομένων. Ελέγχετε για τυχόν κακή ευθυγράμμιση ή εμπλοκή των κινούμενων μερών, θραύση μερών και οποιαδήποτε άλλη κατάσταση που ενδέχεται να επηρεάσει τη λειτουργία της συσκευής. Σε περίπτωση ζημιάς, επισκευάστε τη συσκευή πριν από τη χρήση. Πολλά ατυχήματα προκαλούνται εξαιτίας πλημμελώς συντηρημένων συσκευών.

GR

- Χρησιμοποιείτε τη συσκευή και τα παρελκόμενά της σύμφωνα με τις παρούσες οδηγίες, λαμβάνοντας υπόψη τις συνθήκες και τη φύση της εργασίας που πρόκειται να εκτελεστεί. Η χρήση της συσκευής για σκοπούς διαφορετικούς από τους προβλεπόμενους μπορεί να οδηγήσει σε επικίνδυνες καταστάσεις.
- Διατηρείτε τις λαβές και τις επιφάνειες συγκράτησης στεγνές και καθαρές, χωρίς λάδια και γράσα. Οι ολισθηρές λαβές και επιφάνειες κρατήματος δεν επιτρέπουν έναν ασφαλή χειρισμό και έλεγχο της συσκευής σε μη αναμενόμενες καταστάσεις.

⚠ ΠΡΟΕΙΔΟΠΟΙΗΣΗ: Για τη μείωση του κινδύνου πυρκαγιάς ή ηλεκτροπληξίας, μην χρησιμοποιείτε αυτόν τον ανεμιστήρα με οποιαδήποτε συσκευή ελέγχου ταχύτητας στερεάς κατάστασης.

ΧΡΗΣΗ ΚΑΙ ΦΡΟΝΤΙΔΑ ΤΗΣ ΣΥΣΚΕΥΗΣ ΜΠΑΤΑΡΙΑΣ

- Επαναφορτίζετε το ηλεκτρικό εργαλείο μόνο με το φορτιστή που έχει καθορίσει ο κατασκευαστής. Οι φορτιστές που είναι κατάλληλοι για έναν συγκεκριμένο τύπο συστοιχίας μπαταριών μπορεί να προκαλέσουν πυρκαγιά εάν χρησιμοποιηθούν για κάποιον άλλον τύπο.
- Χρησιμοποιείτε τη συσκευή μόνο με τις συστοιχίες μπαταριών που προορίζονται ειδικά για αυτήν. Εάν χρησιμοποιηθεί οποιαδήποτε άλλη συστοιχία μπαταριών, μπορεί να προκληθεί τραυματισμός και πυρκαγιά.
- Όταν η συστοιχία μπαταριών δεν χρησιμοποιείται, φυλάσσετε την μακριά από μεταλλικά αντικείμενα, όπως, συνδετήρες, κέρματα, κλειδιά, καρφιά, βίδες ή άλλα μικρά μεταλλικά αντικείμενα, τα οποία μπορεί να δημιουργήσουν σύνδεση μεταξύ των ακροδεκτών. Το βραχυκύκλωμα των ακροδεκτών της συστοιχίας μπαταριών μεταξύ τους ενδέχεται να προκαλέσει εγκαύματα ή πυρκαγιά.
- Σε συνθήκες κακής χρήσης, μπορεί να διαρρέυσει υγρό από τη συστοιχία μπαταριών. Αποφύγετε την επαφή με αυτό. Σε περίπτωση τυχαίας επαφής, ξεπλύνετε καλά με νερό. Εάν το υγρό έρθει σε επαφή με τα μάτια, αναζητήστε επιπλέον ιατρική βοήθεια. Το υγρό που διαρρέει από τη συστοιχία μπαταριών μπορεί να προκαλέσει ερεθισμό ή εγκαύματα.
- Μη χρησιμοποιείτε τη συστοιχία μπαταριών ή τη συσκευή εάν έχουν υποστεί ζημιά ή έχουν τροποποιηθεί. Οι συστοιχίες μπαταριών που έχουν υποστεί ζημιά ή έχουν τροποποιηθεί μπορεί να έχουν απρόβλεπτη συμπεριφορά και να προκαλέσουν

πυρκαγιά, έκρηξη ή τραυματισμό.

- Η συστοιχία μπαταριών και η συσκευή δεν πρέπει να εκτίθενται σε φωτιά ή υπερβολικά υψηλή θερμοκρασία. Η έκθεση σε φωτιά ή θερμοκρασία πάνω από 130 °C μπορεί να προκαλέσει έκρηξη.
- Τηρείτε όλες τις οδηγίες φόρτισης και μην φορτίζετε τη συστοιχία μπαταριών ή τη συσκευή εκτός του εύρους θερμοκρασίας που καθορίζεται στις οδηγίες. Εάν η φόρτιση δε γίνει σωστά ή πραγματοποιηθεί σε θερμοκρασία εκτός του καθορισμένου εύρους, η συστοιχία μπαταριών μπορεί να υποστεί ζημιά και να αυξηθεί ο κίνδυνος πυρκαγιάς.

ΣΕΡΒΙΣ

- Το σέρβις της συσκευής σας πρέπει να γίνεται από εξειδικευμένο τεχνικό, χρησιμοποιώντας μόνο όμοια ανταλλακτικά. Με αυτόν τον τρόπο διασφαλίζεται η ασφάλεια της συσκευής.
- Μην επιχειρήσετε ποτέ να επισκευάσετε συστοιχία μπαταριών που έχει υποστεί ζημιά. Η συστοιχία μπαταριών πρέπει να επισκευάζεται μόνο από τον κατασκευαστή ή από εξουσιοδοτημένα κέντρα σέρβις.

ΟΔΗΓΙΕΣ ΑΣΦΑΛΕΙΑΣ ΓΙΑ ΑΣΥΡΜΑΤΟ ΑΝΕΜΙΣΤΗΡΑ ΥΔΡΟΝΕΦΩΣΗΣ

- Η συσκευή αυτή δεν προορίζεται για χρήση από άτομα (μεταξύ των οποίων και παιδιά) με μειωμένες φυσικές, αισθητηριακές ή διανοητικές ικανότητες, ή έλλειψη εμπειρίας και γνώσης, εκτός εάν υπάρχει επίβλεψη ή τους έχουν δοθεί οδηγίες αναφορικά με τη χρήση της συσκευής από άτομα που είναι υπεύθυνα για την ασφάλεια τους.
- Τα παιδιά θα πρέπει να βρίσκονται υπό επίβλεψη, ώστε να διασφαλιστεί πως δε θα παίξουν με τη συσκευή.
- Μην επιτρέπετε τη χρήση του ανεμιστήρα ως παιχνιδιού. Απαιτείται εξαιρετική προσοχή κατά τη χρήση από ή κοντά σε παιδιά.
- Τα παιδιά μπορεί να πέσουν μέσα σε δοχεία και να πνιγούν. Διατηρείτε τα παιδιά μακριά από δοχεία που περιέχουν ακόμα και ελάχιστη ποσότητα υγρού.
- Χρησιμοποιήστε ΜΟΝΟ καθαρό, κρύο νερό.
- Μην χρησιμοποιείτε αυτόν τον ανεμιστήρα υδρονέφωσης για τον ψεκασμό φυτοφαρμάκων, υγρών λιπασμάτων, χημικών ουσιών ή άλλων υγρών εκτός από καθαρό νερό. Ο ψεκασμός αυτών των ουσιών μπορεί να επιφέρει σοβαρό τραυματισμό ή ασθένεια στο χειριστή ή σε παρευρισκόμενους.
- Ποτέ μην κατευθύνετε τα σταγονίδια ή το νερό σε ηλεκτρικά καλώδια ή συσκευές.

- Βεβαιωθείτε ότι το κάλυμμα της θήκης συστοιχίας μπαταριών είναι ερμητικά κλειστό, προκειμένου να αποτραπεί η επαφή του νερού με τη συστοιχία μπαταριών ή η εισχώρηση νερού στη θύρα συστοιχίας μπαταριών.
- Διατηρείτε τη συσκευή και τη λαβή στεγνά, καθαρά και απομακρύνετε από αυτά τυχόν λάδια και γράσο. Χρησιμοποιείτε πάντα ένα καθαρό πανί κατά τον καθαρισμό. Ποτέ μη χρησιμοποιείτε υγρά φρένων, βενζίνη, προϊόντα με βάση το πετρέλαιο ή οποιαδήποτε ισχυρά διαλυτικά για τον καθαρισμό του ανεμιστήρα σας. Τηρώντας αυτό τον κανόνα μειώνεται ο κίνδυνος απώλειας ελέγχου και φθοράς του πλαστικού περιβλήματος.
- Οι συστοιχίες μπαταριών μπορεί να εκραγούν παρουσία πηγής ανάφλεξης, όπως φλόγιστρου. Προκειμένου να μειωθεί ο κίνδυνος σοβαρού τραυματισμού, μη χρησιμοποιείτε ποτέ οποιοδήποτε ασύρματο προϊόν εάν υπάρχουν ανοικτές φλόγες. Από την έκρηξη μπαταρίας μπορεί να εκσφενδονιστούν θραύσματα και χημικές ουσίες. Εάν εκτεθείτε σε αυτά, ξεπλύνετε αμέσως με νερό.
- Φυλάξτε αυτές τις οδηγίες. Ανατρέχετε σε αυτές συχνά και χρησιμοποιείτε τις για να καθοδηγήσετε άλλους που ενδέχεται να χρησιμοποιήσουν τον ανεμιστήρα. Εάν δανείσετε αυτόν τον ανεμιστήρα σε κάποιον άλλο, δανείστε και αυτές τις οδηγίες, ώστε να αποτρέψετε τη λανθασμένη χρήση του προϊόντος και ενδεχόμενο τραυματισμό.
- Λαμβάνετε υπόψη ότι τα υψηλά επίπεδα υγρασίας μπορεί να συμβάλλουν στην ανάπτυξη βιολογικών οργανισμών στο περιβάλλον.
- Μην αφήνετε την περιοχή γύρω από τον ανεμιστήρα υδρονέφωσης να υγρανθεί ή να βραχεί. Εάν εμφανιστεί υγρασία, μειώστε την ένταση του ανεμιστήρα υδρονέφωσης. Εάν η ένταση του ανεμιστήρα υδρονέφωσης δεν επιδέχεται μείωση, χρησιμοποιείτε τον υγραντήρα ανά διαστήματα. Προσέχετε να μη γεμίζουν υγρασία απορροφητικά υλικά, όπως χαλιά, κουρτίνες, παραπετάσματα ή τραπεζομάντιλα.
- Μην αφήνετε ποτέ νερό στο δοχείο όταν η συσκευή δεν χρησιμοποιείται.
- Αδειάστε και καθαρίστε τον ανεμιστήρα υδρονέφωσης πριν από την αποθήκευση. Καθαρίζετε τον υγραντήρα πριν από την επόμενη χρήση.

⚠️ ΠΡΟΕΙΔΟΠΟΙΗΣΗ: Οι μικροοργανισμοί που μπορεί να υπάρχουν στο νερό ή το περιβάλλον όπου χρησιμοποιείται ή αποθηκεύεται η συσκευή μπορούν να αναπυχθούν στο δοχείο νερού και να διασκορπιστούν στον αέρα, προκαλώντας πολύ σοβαρούς κινδύνους για

την υγεία, όταν το νερό δεν ανανεώνεται και το δοχείο δεν καθαρίζεται σωστά ανά 3 ημέρες.

Αφαιρείτε τις επαναφορτιζόμενες μπαταρίες πριν από τη φόρτιση της συσκευής.

- Οι άδειες μπαταρίες πρέπει να αφαιρούνται από τη συσκευή και να απορρίπτονται με ασφάλεια.
- Εάν η συσκευή δεν πρόκειται να χρησιμοποιηθεί για μεγάλο διάστημα και αποθηκευτεί, αφαιρείτε τις μπαταρίες.
- Μην βραχυκυκλώνετε τους ακροδέκτες τροφοδοσίας.

ΦΥΛΑΞΤΕ ΑΥΤΕΣ ΤΙΣ ΟΔΗΓΙΕΣ

ΤΕΧΝΙΚΕΣ ΠΡΟΔΙΑΓΡΑΦΕΣ

Όνομαστική τάση	56 V
Διάμετρος περυγίου ανεμιστήρα	25,4 cm
Ρυθμίσεις ταχύτητας ανεμιστήρα	6 (συμπεριλαμβανομένου του «Turbo»)
Μέγ. Όγκος αέρα	1700 CFM
Μέγ. Ταχύτητα αέρα	32,2 km/h
Γωνία ταλάντωσης	60°, 120°, 180°
Όγκος νερού υδρονέφωσης	Υψηλή: 5,7 L/h
	Μεσαία: 4,9 L/h
	Χαμηλή: 2,5 L/h
Βάρος (χωρίς συστοιχία μπαταριών)	4,7 kg
Συνιστώμενη θερμοκρασία αποθήκευσης	-20 °C - 70 °C
Ζώνη συχνότητας λειτουργίας Bluetooth	2402-2480 MHz
Μέγιστη ισχύς μετάδοσης Bluetooth	4 dBm

GR

- Η δηλωθείσα συνολική τιμή κραδασμών έχει μετρηθεί σύμφωνα με πρότυπη μέθοδο δοκιμής και μπορεί να χρησιμοποιηθεί για τη σύγκριση μιας συσκευής με άλλη.
- Η δηλωθείσα συνολική τιμή κραδασμών μπορεί να χρησιμοποιηθεί, επίσης, σε προκαταρκτική αξιολόγηση έκθεσης.

ΕΙΔΟΠΟΙΗΣΗ: Η μετάδοση της δόνησης κατά τη διάρκεια της πραγματικής χρήσης της συσκευής μπορεί να διαφέρει από τη δηλωθείσα τιμή, στην οποία χρησιμοποιείται η συσκευή. Για την προστασία του χειριστή, υπό πραγματικές συνθήκες χρήσης πρέπει να χρησιμοποιούνται γάντια και ωτοασπίδες.

ΚΑΤΑΛΟΓΟΣ ΕΞΑΡΤΗΜΑΤΩΝ ΣΥΣΚΕΥΑΣΙΑΣ (ΕΙΚ. Α1)

ΠΕΡΙΓΡΑΦΗ

ΓΝΩΡΙΣΤΕ ΤΟ ΦΥΣΗΤΗΡΑ ΣΑΣ (Εικ. Α1 & Α2)

1. Πίνακας ελέγχου (Εικ. Α2)
2. Πλαίσιο ταλάντωσης
3. Ακροφύσιο υδρονέφωσης
4. Επάνω λαβή
5. Περιβλήμα ανεμιστήρα
6. Πλευρική λαβή
7. Θήκη συστοιχίας μπαταριών
8. Ηλεκτρικές επαφές
9. Κουμπί αποδέσμευσης μπαταρίας
10. Προσαρμογέας λάστιχου κήπου
11. Φίλτρο
12. Σωλήνας εισαγωγής
13. Κουμπιά ρύθμισης ταχύτητας αέρα
14. Κουμπί ΤΟΥΡΜΠΟ
15. Ένδειξη ΤΟΥΡΜΠΟ
16. Ένδειξη υδρονέφωσης
17. Κουμπί λειτουργίας υδρονέφωσης
18. Κουμπί λειτουργίας
19. Ένδειξη ταχύτητας αέρα
20. Ένδειξη ταλάντωσης
21. Κουμπί λειτουργίας ταλάντωσης

GR

ΣΥΝΑΡΜΟΛΟΓΗΣΗ

⚠️ ΠΡΟΕΙΔΟΠΟΙΗΣΗ: Σε περίπτωση που κάποια από τα εξαρτήματα έχουν υποστεί ζημιά ή λείπουν, μη χρησιμοποιήσετε το προϊόν, μέχρι να αντικατασταθούν. Η χρήση αυτού του προϊόντος με φθαρμένα ή ελλιπή εξαρτήματα μπορεί να έχει ως αποτέλεσμα σοβαρό τραυματισμό.

⚠️ ΠΡΟΕΙΔΟΠΟΙΗΣΗ: Μην επιχειρήσετε να τροποποιήσετε αυτό το προϊόν ή να δημιουργήσετε εξαρτήματα που δεν συνιστώνται για χρήση με αυτό το προϊόν. Κάθε παρόμοια μετατροπή ή τροποποίηση συνιστά κακή χρήση και μπορεί να δημιουργήσει επικίνδυνες καταστάσεις με επακόλουθο τον σοβαρό τραυματισμό.

⚠️ ΠΡΟΕΙΔΟΠΟΙΗΣΗ: Για να εμποδίσετε τυχαία εκκίνηση που θα μπορούσε να προκαλέσει σοβαρό τραυματισμό, απομακρύνετε πάντα τη συστοιχία μπαταριών από το μηχανήμα όταν συναρμολογείτε εξαρτήματα.

- Το προϊόν αυτό αποστέλλεται πλήρως συναρμολογημένο.
- Αφαιρέστε προσεκτικά το προϊόν και τα εξαρτήματα από το κουτί. Βεβαιωθείτε ότι περιλαμβάνονται όλα τα στοιχεία που αναφέρονται στη «**Λίστα συσκευασίας**».
- Επιθεωρήστε προσεκτικά το προϊόν για να βεβαιωθείτε ότι δεν σημειώθηκε θραύση ή ζημιά κατά τη διάρκεια της αποστολής.
- Μην πετάξετε τα υλικά συσκευασίας, μέχρι να ελέγξετε προσεκτικά το προϊόν και να το θέσετε σε λειτουργία.
- Εάν κάποιο εξάρτημα έχει υποστεί ζημιά ή λείπει, παρακαλούμε επιστρέψτε το προϊόν στο κατάστημα αγοράς.

ΛΕΙΤΟΥΡΓΙΑ

⚠️ ΠΡΟΕΙΔΟΠΟΙΗΣΗ: Η εξοικειωσή σας με αυτό το προϊόν δε θα πρέπει να σας κάνει λιγότερο προσεκτικούς. Θυμηθείτε πως ένα κλάσμα δευτερολέπτου απροσεξίας μπορεί να προκαλέσει σοβαρό τραυματισμό.

⚠️ ΠΡΟΕΙΔΟΠΟΙΗΣΗ: Για να εμποδίσετε την τυχαία εκκίνηση που θα μπορούσε να προκαλέσει σοβαρό ατομικό τραυματισμό, να αφαιρέτε πάντα τη συστοιχία μπαταριών από τη συσκευή, πριν από το σέρβις, τις ρυθμίσεις, τον καθαρισμό, την αλλαγή εξαρτημάτων ή όταν δεν χρησιμοποιείται.

⚠️ ΠΡΟΕΙΔΟΠΟΙΗΣΗ: Μη χρησιμοποιείτε παρελκόμενα που δεν συνιστώνται από τον κατασκευαστή αυτού του προϊόντος. Η χρήση προσαρτημάτων ή παρελκόμενων που δε συνιστώνται από τον κατασκευαστή, ενέχει τον κίνδυνο σοβαρού τραυματισμού.

Πριν από κάθε χρήση, ελέγχετε πλήρως το προϊόν για φθαρμένα, ελλιπή ή χαλαρά εξαρτήματα, όπως, βίδες, παξιμάδια, μπουλόνια, πώματα, κτλ. Συσφίξτε με ασφάλεια όλους τους σφιγκτήρες και τα πώματα και μη θέσετε σε λειτουργία το προϊόν προτού να αποκατασταθούν όλα τα ελλιπή ή φθαρμένα εξαρτήματα.

ΕΦΑΡΜΟΓΕΣ

Μπορείτε να χρησιμοποιήσετε αυτό το προϊόν για τους ακόλουθους σκοπούς:

- Γενικής χρήσης αερισμός, για τις περισσότερες οικιακές εφαρμογές.

- Εξωτερική ψύξη, εφόσον συνδεθεί με πηγή νερού.

ΕΙΔΟΠΟΙΗΣΗ: Το προϊόν πρέπει να χρησιμοποιείται αποκλειστικά για την προβλεπόμενη χρήση. Οποιαδήποτε άλλη χρήση θα εκληφθεί ως καταχρηστική.

ΠΡΟΣΑΡΤΗΣΗ/ΑΠΟΜΑΚΡΥΝΣΗ ΤΗΣ ΣΥΣΤΟΙΧΙΑΣ ΜΠΑΤΑΡΙΩΝ

Πρέπει να χρησιμοποιούνται μόνο οι συστοιχίες μπαταριών και οι φορτιστές της EGO, που αναφέρονται στην Εικ. Α3.

ΣΗΜΕΙΩΣΗ: Φορτίστε πλήρως τη συστοιχία μπαταριών πριν από την πρώτη χρήση.

Προσάρτηση

Ευθυγραμμίστε τις πλευρικές προεξοχές της συστοιχίας μπαταριών με τις αυλακώσεις τοποθέτησης, και πιέστε τη συστοιχία μπαταριών μέσα στη θήκη της μπαταρίας, μέχρι να ακούσετε «κλικ» (Εικ. Β1).

Αφαίρεση

Πατήστε το κουμπί αποδέσμευσης της συστοιχίας μπαταριών και τραβήξτε την προς τα έξω (Εικ. Β2).

▲ ΠΡΟΕΙΔΟΠΟΙΗΣΗ: Να προσέχετε πάντα την τοποθεσία των ποδιών σας, παιδιών ή κατοικίδιων όταν πιέζετε το κουμπί αποδέσμευσης μπαταρίας. Ενέχει κίνδυνος σοβαρού τραυματισμού σε περίπτωση πτώσης της συστοιχίας μπαταριών. ΠΟΤΕ μην απομακρύνετε τη συστοιχία μπαταριών σε υψηλότερο σημείο.

ΕΝΕΡΓΟΠΟΙΗΣΗ/ΑΠΕΝΕΡΓΟΠΟΙΗΣΗ ΤΟΥ ΑΝΕΜΙΣΤΗΡΑ

ΣΗΜΕΙΩΣΗ: Η αρχική εργοστασιακή ρύθμιση για την ταχύτητα αέρα είναι το επίπεδο 3. Ο ανεμιστήρας θα αποθηκεύσει την τελευταία χρησιμοποιούμενη ρύθμιση ταχύτητας αέρα και θα επανέλθει σε αυτήν κατά την επανεκκίνηση. Η ρύθμιση Turbo δεν αποθηκεύεται.

ΣΗΜΕΙΩΣΗ: Οι ρυθμίσεις ρύθμιση υδρονέφωσης και ταλάντωσης δεν αποθηκεύονται, και θα είναι απενεργοποιημένες από προεπιλογή, κάθε φορά που ενεργοποιείται ο ανεμιστήρας.

Πίνακας ελέγχου (Εικ. Α2)

Κουμπί λειτουργίας

- Πατήστε στιγμιαία το κουμπί ενεργοποίησης/ απενεργοποίησης, για να ενεργοποιήσετε τον ανεμιστήρα.

- Πατήστε ξανά στιγμιαία το κουμπί ενεργοποίησης/ απενεργοποίησης, για να απενεργοποιήσετε τον ανεμιστήρα.

Ρύθμιση ταχύτητας αέρα

Κανονική ταχύτητα αέρα

- Πατήστε το κουμπί «+» της ρύθμισης ταχύτητας αέρα για να αυξήσετε την ταχύτητα αέρα, και το κουμπί «-» για να τη μειώσετε. Υπάρχουν 5 επίπεδα ταχύτητας.
- Η ένδειξη ταχύτητας αέρα προβάλλει πράσινες λυχνίες που αντιστοιχούν στο τρέχον επίπεδο ταχύτητας.

Λειτουργία ΤΟΥΡΜΠΟ

ΣΗΜΕΙΩΣΗ: Όταν βρίσκεται στη λειτουργία «TURBO», ο ανεμιστήρας επιτυγχάνει τη μέγιστη ταχύτητα αέρα.

- Πατήστε το κουμπί «TURBO». Η ένδειξη **TURBO** θα ανάψει με πράσινο χρώμα και ο ανεμιστήρας θα μεταβεί στη λειτουργία «TURBO», δηλαδή στη μέγιστη ταχύτητα αέρα.
- Όταν βρίσκεστε στη λειτουργία «TURBO», πατήστε ξανά το κουμπί «TURBO». Η ένδειξη **TURBO** θα σβήσει και ο ανεμιστήρας θα επιστρέψει στην αμέσως προηγούμενη ταχύτητα αέρα.
- Όταν βρίσκεστε στη λειτουργία «TURBO», πατήστε το κουμπί «-». Η ένδειξη **TURBO** θα σβήσει και ο ανεμιστήρας θα μεταβεί στο επίπεδο ταχύτητας αέρα 5.

ΛΕΙΤΟΥΡΓΙΑ ΤΑΛΑΝΤΩΣΗΣ (ΕΙΚ. C)

- Πατήστε το κουμπί ταλάντωσης μία φορά για να ξεκινήσει η λειτουργία ταλάντωσης της κεφαλής του ανεμιστήρα, η ένδειξη ταλάντωσης θα ανάψει η κάτω πράσινη λυχνία και η κεφαλή του ανεμιστήρα θα περιστραφεί κατά 60° από πλευρά σε πλευρά (από -30° έως 30°).
- Πατήστε το κουμπί ταλάντωσης για δεύτερη φορά, η ένδειξη ταλάντωσης θα ανάψει δύο πράσινες λυχνίες, ενεργοποιώντας το εύρος ταλάντωσης 120° (από -60° έως 60°).
- Πατήστε το κουμπί ταλάντωσης για τρίτη φορά, η ένδειξη ταλάντωσης θα ανάψει τρεις πράσινες λυχνίες, ενεργοποιώντας το εύρος ταλάντωσης 180° (από -90° έως 90°).
- Για να απενεργοποιήσετε τη λειτουργία ταλάντωσης, πατήστε το κουμπί ταλάντωσης για τέταρτη φορά.

GR

ΡΥΘΜΙΣΗ ΓΩΝΙΑΣ ΤΟΥ ΑΝΕΜΙΣΤΗΡΑ (Εικ. D)

Η κεφαλή του ανεμιστήρα μπορεί να ρυθμιστεί σε πολλαπλές γωνίες, από -30° έως 90°. Για να ρυθμίσετε την κατεύθυνση του νέφους νερού και της ροής αέρα, πιάστε τον ανεμιστήρα από την επάνω λαβή και γείρετε την κεφαλή του ανεμιστήρα προς τα εμπρός ή προς τα πίσω.

ΛΕΙΤΟΥΡΓΙΑ ΥΔΡΟΝΕΦΩΣΗΣ

Κουμπί λειτουργίας υδρονέφωσης

- Πατήστε το κουμπί λειτουργίας υδρονέφωσης μία φορά, και στην ένδειξη υδρονέφωσης, θα ανάψουν τρεις πράσινες λυχνίες που υποδεικνύουν τη λειτουργία συνεχούς υδρονέφωσης υψηλής ροής, δηλαδή τον ψεκασμό με υψηλό όγκο νέφους νερού, χωρίς διακοπή.
- Πατήστε ξανά το κουμπί της λειτουργίας υδρονέφωσης, και στην ένδειξη υδρονέφωσης, θα ανάψουν δύο πράσινες λυχνίες, που υποδεικνύουν τη λειτουργία συνεχούς υδρονέφωσης, δηλαδή της υδρονέφωσης, χωρίς διακοπή.
- Πατήστε το κουμπί επιλογής λειτουργίας υδρονέφωσης για τρίτη φορά, και στην ένδειξη υδρονέφωσης, θα ανάψει η κάτω πράσινη λυχνία, που υποδεικνύει τη λειτουργία «διακεκομμένη» υδρονέφωσης, δηλαδή της υδρονέφωσης για 10 δευτερόλεπτα, ανά 10 δευτερόλεπτα.

ΣΗΜΕΙΩΣΗ: Μπορεί να χρειαστούν λίγα δευτερόλεπτα για να δείτε σταγονίδια να βγαίνουν από τα ακροφύσια υδρονέφωσης για πρώτη φορά. Αυτή η καθυστέρηση οφείλεται στο χρόνο που απαιτεί η ροή του νερού από τον σωλήνα εισαγωγής έως τα ακροφύσια.

- Όταν η υδρονέφωση βρίσκεται στη διακεκομμένη λειτουργία, πατήστε ξανά το κουμπί επιλογής λειτουργίας υδρονέφωσης. Οι ενδεικτικές λυχνίες υδρονέφωσης θα σβήσουν και η υδρονέφωση θα σταματήσει.

ΣΗΜΕΙΩΣΗ: Αφού ολοκληρωθεί η λειτουργία υδρονέφωσης, τραβήξτε τον σωλήνα εισαγωγής του ανεμιστήρα έξω από το νερό, και αφήστε τον ανεμιστήρα σε λειτουργία υδρονέφωσης, μέχρι να φύγει όλο το νερό από τον σωλήνα. Αυτό συμβάλλει στην αποφυγή απροσδόκητης υδρονέφωσης, λόγω των υπολειμμάτων νερού στον σωλήνα, κατά την επόμενη επανεκκίνηση του ανεμιστήρα.

Χρήση του ανεμιστήρα με κουβά νερού ή άλλο δοχείο (δεν περιλαμβάνεται) (Εικ. E)

▲ ΠΡΟΕΙΔΟΠΟΙΗΣΗ: Τα παιδιά μπορεί να πέσουν

μέσα σε δοχεία και να πνιγούν. Διατηρείτε τα παιδιά μακριά από δοχεία που περιέχουν ακόμα και μια ελάχιστη ποσότητα υγρού.

ΕΙΔΟΠΟΙΗΣΗ: Καθαρίζετε το δοχείο με σαπούνι και νερό πριν από κάθε χρήση.

1. Αποσυνδέετε τη συστοιχία μπαταριών.
2. Τοποθετήστε το δοχείο σε μια επίπεδη, οριζόντια επιφάνεια.
3. Προσθέτετε ΜΟΝΟ καθαρό, κρύο νερό στο δοχείο. Μην το παραγεμίζετε.
4. Βυθίστε το άκρο του σωλήνα εισαγωγής με το φίλτρο μέσα στο νερό.

ΕΙΔΟΠΟΙΗΣΗ: Μην λυγίζετε τον σωλήνα εισαγωγής και βεβαιώνετε πάντα ότι το νερό ρέει ομαλά μέσα από τον σωλήνα.

5. Εγκαταστήστε τη συστοιχία μπαταριών.
6. Πατήστε το κουμπί ενεργοποίησης για να ενεργοποιήσετε τον ανεμιστήρα.
7. Πατήστε το κουμπί λειτουργίας υδρονέφωσης, για να ξεκινήσει η υδρονέφωση.

Σύνδεση του ανεμιστήρα σε βρύση νερού (Εικ. F και Εικ. G)

1. Ξεβιδώστε το επάνω μέρος του φίλτρου αριστερόστροφα και αποσυνδέστε το από το κάτω μέρος (Εικ. F).

F-1	Κάτω μέρος φίλτρου
F-2	Άνω μέρος φίλτρου

ΕΙΔΟΠΟΙΗΣΗ: Βεβαιωθείτε ότι το κάτω μέρος δεν χωρίζεται σε δύο μέρη κατά την αποσύνδεση του άνω μέρους και ότι παραμένει ενωμένο ως σύνολο, για να συνδεθεί με τον προσαρμογέα για λάστιχο κήπου.

2. Ξεβιδώστε (αριστερόστροφα) τον προσαρμογέα για το λάστιχο κήπου, που βρίσκεται στο κάτω μέρος του ανεμιστήρα. Βιδώστε το (δεξιόστροφα) στο κάτω μέρος του φίλτρου.
3. Συνδέστε τον προσαρμογέα για το λάστιχο κήπου σε ένα λάστιχο κήπου κατάλληλο για αυτόν τον σκοπό, με έναν ταχυσύνδεσμο (δεν παρέχεται). Συνδέστε τον ταχυσύνδεσμο στον προσαρμογέα για το λάστιχο κήπου, μέχρι να ακούσετε καθαρά το κλικ (Εικ. G).

G-1	Προσαρμογέας λάστιχου κήπου
G-2	Τυπικός ταχυσύνδεσμος

ΕΙΔΟΠΟΙΗΣΗ: Μην προσπαθήσετε να συνδέσετε τον προσαρμογέα λάστιχου, όταν είναι τοποθετημένος στο κάτω μέρος του ανεμιστήρα (Εικ. G1).

4. Συνδέστε το λάστιχο κήπου στην παροχή νερού.
5. Εγκαταστήστε τη συστοιχία μπαταριών.
6. Πατήστε το κουμπί ενεργοποίησης για να ενεργοποιήσετε τον ανεμιστήρα.
7. Ανοίξτε μέχρι τέρμα τη βρύση και ο ανεμιστήρας θα αρχίσει να ψεκάζει.

ΕΙΔΟΠΟΙΗΣΗ: Συνιστάται η μέγιστη πίεση λειτουργίας να μην υπερβαίνει τα 80 psi.

ΣΗΜΕΙΩΣΗ: Ακόμη και αν δεν υπάρχει ρεύμα, ο ανεμιστήρας θα αρχίσει να ψεκάζει όταν ανοίξει η βρύση.

8. Πατήστε το κουμπί λειτουργίας υδρονέφωσης, για να επιλέξετε τη λειτουργία υδρονέφωσης, για καλύτερα αποτελέσματα.

ΣΗΜΕΙΩΣΗ: Επειδή το άνοιγμα στον προσαρμογέα για το λάστιχο είναι μικρό, υπάρχει κίνδυνος να βουλώσει από άλατα, αν το νερό είναι σκληρό. Να καθαρίζετε συχνά τον προσαρμογέα, με λευκό ξύδι ή άλλο μέσο αφαίρεσης αλάτων, για να μη μαζεύονται άλατα.

Χρήση του ανεμιστήρα χωρίς υδρονέφωση

Αν θέλετε, μπορείτε να χρησιμοποιήσετε αυτό το προϊόν μόνο ως ανεμιστήρα, όταν δεν είναι συνδεδεμένο με πηγή νερού. Όταν δεν χρησιμοποιείτε τον σωλήνα εισαγωγής, να τον τυλίγεται στον χώρο αποθήκευσής του (ανατρέξτε στην ενότητα «**ΜΕΤΑΦΟΡΑ ΚΑΙ ΑΠΟΘΗΚΕΥΣΗ**» στο παρόν εγχειρίδιο), για να τον προστατεύσετε από φθορές και ρύπους.

ΤΕΧΝΟΛΟΓΙΑ ΕΠΙΚΟΙΝΩΝΙΑΣ

Για πληροφορίες σχετικά με το πλήρες εύρος των συνδεδεμένων προϊόντων και υπηρεσιών μας, συμπεριλαμβανομένων των οδηγιών σύνδεσης, σκανάρετε τον παρακάτω κωδικό QR ή μεταβείτε στη διεύθυνση www.egopowerplus.eu/connect.



ΠΡΟΣΤΑΣΙΑ ΗΛΕΚΤΡΟΝΙΚΩΝ

Αν η λειτουργία ταλάντωσης είναι ενεργοποιημένη, αλλά ο ανεμιστήρας δεν ταλάντωναται, η ένδειξη ταλάντωσης θα εμφανίζει τρεις πράσινες λυχνίες που αναβοσβήνουν

συνεχώς, για να υπενθυμίσει στον χειριστή να ελέγξει αν η κεφαλή του ανεμιστήρα έχει κολλήσει και να αφαιρέσει τυχόν ξένα σώματα που έχουν κολλήσει στην κεφαλή, πριν από να τον θέσει ξανά σε λειτουργία.

Όταν η λειτουργία υδρονέφωσης είναι ενεργοποιημένη, ωστόσο δεν βγαίνουν σταγονίδια νερού:

- Η αντλία νερού θα συνεχίσει να λειτουργεί για λίγη ώρα και, στη συνέχεια, θα απενεργοποιηθεί αυτόματα, για την προστασία των εσωτερικών ηλεκτρονικών συστημάτων.
- Ο δείκτης υδρονέφωσης θα εμφανίζει τρεις πράσινες λυχνίες που αναβοσβήνουν συνεχώς ως ειδοποίηση ότι πρέπει να γίνουν τα παρακάτω:
 - α. Να ελεγχθεί ότι ο σωλήνας εισαγωγής είναι σωστά βυθισμένος στο νερό.
 - β. Να ελεγχθεί αν τα ακροφύσια υδρονέφωσης έχουν φράξει και να καθαριστούν, σύμφωνα με τις οδηγίες στο κεφάλαιο «**ΣΥΝΤΗΡΗΣΗ ΑΚΡΟΦΥΣΙΩΝ**».
 - γ. Να πατηθεί το κουμπί επιλογής λειτουργίας υδρονέφωσης, για να ξεκινήσει και πάλι η υδρονέφωση.

Όταν η φόρτιση της μπαταρίας είναι χαμηλή, το κουμπί λειτουργίας αναβοσβήνει με πράσινο φως, ως ένδειξη ότι η μπαταρία χρειάζεται φόρτιση ή αλλαγή.

Αν η συστοιχία μπαταριών ή ο ανεμιστήρας είναι πολύ ζεστά, το κουμπί λειτουργίας αναβοσβήνει με κόκκινο φως, που σημαίνει ότι ο ανεμιστήρας πρέπει να απενεργοποιηθεί, ώστε η συστοιχία μπαταριών ή ο ανεμιστήρας υδρονέφωσης να κρυώσουν, μέχρι η θερμοκρασία να πέσει στο συνιστώμενο εύρος θερμοκρασίας λειτουργίας, πριν ο ανεμιστήρας να τεθεί ξανά σε λειτουργία.

ΣΥΝΤΗΡΗΣΗ

⚠ ΠΡΟΕΙΔΟΠΟΙΗΣΗ: Κατά τη συντήρηση, χρησιμοποιείτε μόνο όμοια ανταλλακτικά. Η χρήση οποιωνδήποτε άλλων εξαρτημάτων μπορεί να προκαλέσει κίνδυνο ή υλικές ζημιές. Προκειμένου να διασφαλιστεί η ασφάλεια και η αξιοπιστία, όλες οι επισκευές πρέπει να διενεργούνται από εξειδικευμένο τεχνικό του σέρβις.

⚠ ΠΡΟΕΙΔΟΠΟΙΗΣΗ: Για την αποφυγή σοβαρού τραυματισμού, αφαιρέστε πάντοτε τη συστοιχία μπαταριών από το προϊόν πριν από τον καθαρισμό του ή πριν από οποιαδήποτε συντήρηση.

ΓΕΝΙΚΗ ΣΥΝΤΗΡΗΣΗ

Όλες οι εργασίες σέρβις του ανεμιστήρα υδρονέφωσης που δεν αναφέρονται στις παρούσες οδηγίες συντήρησης πρέπει να διεξάγονται από ειδικευμένο προσωπικό συντήρησης ανεμιστήρων.

Αποφεύγετε τη χρήση διαλυτών κατά τον καθαρισμό των πλαστικών εξαρτημάτων. Τα περισσότερα είναι ευπαθή στη χρήση διαφόρων τύπων διαλυτών του εμπορίου και καταστρέφονται από τη χρήση τους. Χρησιμοποιείτε καθαρό πανί για την απομάκρυνση βρωμιάς, σκόνης, λαδιού, γράσου, κτλ.

⚠️ ΠΡΟΕΙΔΟΠΟΙΗΣΗ: Τα πλαστικά εξαρτήματα δεν πρέπει να έρθουν ποτέ σε επαφή με υγρά φρένων, βενζίνη, πετρελαϊκά προϊόντα, διεισδυτικά λάδια, κτλ. Τα χημικά μπορούν να φθείρουν, να αποδυναμώσουν ή να καταστρέψουν τα πλαστικά εξαρτήματα με κίνδυνο σοβαρού τραυματισμού.

⚠️ ΠΡΟΕΙΔΟΠΟΙΗΣΗ: Όταν καθαρίζετε τον ανεμιστήρα υδρονέφωσης, ΔΕΝ ΠΡΕΠΕΙ το βυθίζετε σε νερό ή άλλα υγρά.

ΣΥΝΤΗΡΗΣΗ ΑΚΡΟΦΥΣΙΩΝ (Εικ. Η)

⚠️ ΠΡΟΕΙΔΟΠΟΙΗΣΗ: Βεβαιώνεστε ότι όλη η συντήρηση των ακροφυσίων υδρονέφωσης γίνεται σωστά για να αποφευχθούν διαρροές νερού. Οι διαρροές μπορεί να δημιουργήσουν ολισθηρή επιφάνεια που ενέχει τον κίνδυνο ολίσθησης και πτώσης ή υλικών ζημιών.

Αν το ακροφύσιο φράξει ή συσσωρεύσει ρύπους, μπορεί να προκληθούν μη ομαλά motiva ψεκασμού ή δοαρροές.

Για να καθαρίσετε τα ακροφύσια

1. Απενεργοποιείτε τον ανεμιστήρα και αφαιρείτε τη συστοιχία μπαταριών.
2. Αφαιρέστε τα φραγμένα ακροφύσια ψεκασμού από την μπροστινή σχάρα προστασίας του περιβλήματος του ανεμιστήρα, περιστρέφοντάς τα αριστερόστροφα.
3. Αποσυναρμολογείτε κάθε σχετικό ακροφύσιο σε μέρος.
4. Για να απομακρύνετε τυχόν ξένα σωματίδια που φράζουν ή περιορίζουν τα ακροφύσια, ξεπλύνετε τα εξαρτήματά τους με νερό. Για να απομακρύνετε τη συσσώρευση αλάτων (ορυκτών), καθαρίστε τα εξαρτήματα του ακροφυσίου με λευκό ξύδι ή άλλο μέσο αφαίρεσης αλάτων, ανάλογα με τις ανάγκες.
5. Συναρμολογείτε εκ νέου τα ακροφύσια.

ΕΙΔΟΠΟΙΗΣΗ: Για την αποφυγή απόφραξης, βεβαιωθείτε ότι το ακροφύσιο είναι συναρμολογημένο ακριβώς όπως φαίνεται στην Εικ. Η.

6. Τοποθετήστε τα καθαρά ακροφύσια στην μπροστινή σχάρα προστασίας.

ΣΥΝΤΗΡΗΣΗ ΦΙΛΤΡΟΥ (Εικ. Ι)

Ελέγχετε περιοδικά το φίλτρο στο άκρο του σωλήνα

εισαγωγής για να βεβαιωθείτε ότι βρίσκεται σε καλή κατάσταση.

1. Απενεργοποιείτε τον ανεμιστήρα και αφαιρείτε τη συστοιχία μπαταριών.
2. Ξεβιδώστε το πάνω μέρος από το κάτω μέρος του φίλτρου.

I-1	Κάτω μέρος	I-3	Πλέγμα αφρώδους υλικού
I-2	Μεταλλικό πλέγμα	I-4	Επάνω μέρος

ΕΙΔΟΠΟΙΗΣΗ: Όταν ξεβιδώνετε το επάνω μέρος, βεβαιωθείτε ότι το κάτω μέρος δεν έχει χωριστεί σε δύο κομμάτια. Το κάτω μέρος πρέπει να παραμείνει συναρμολογημένο, προκειμένου να αφαιρεθεί το μεταλλικό πλέγμα.

3. Βγάλτε το αφρώδες πλέγμα από το επάνω μέρος και το μεταλλικό πλέγμα από το κάτω μέρος.
4. Ξεπλύνετε το μεταλλικό πλέγμα και το αφρώδες πλέγμα, ή αντικαταστήστε το, αν χρειάζεται.
5. Συναρμολογήστε ξανά το φίλτρο.

ΕΙΔΟΠΟΙΗΣΗ: Βεβαιωθείτε ότι το μεταλλικό πλέγμα έχει συναρμολογηθεί με το υπερυψωμένο χείλος προς τα έξω, για εύκολη αποσυναρμολόγηση την επόμενη φορά.

ΣΥΝΤΗΡΗΣΗ ΤΟΥ ΠΡΟΣΑΡΜΟΓΕΑ ΛΑΣΤΙΧΟΥ

Επειδή το άνοιγμα στον προσαρμογέα για το λάστιχο είναι μικρό, υπάρχει κίνδυνος να βουλώσει από άλατα, αν το νερό είναι σκληρό. Να καθαρίζετε συχνά τον προσαρμογέα, με λευκό ξύδι ή άλλο μέσο αφαίρεσης αλάτων, για να μη μαζεύονται άλατα.

ΣΥΝΤΗΡΗΣΗ ΠΕΡΙΒΛΗΜΑΤΟΣ ΑΝΕΜΙΣΤΗΡΑ (Εικ. J και Εικ. K)

1. Απενεργοποιείτε τον ανεμιστήρα και αφαιρείτε τη συστοιχία μπαταριών.
2. Χρησιμοποιήστε ένα κατασβίδι Phillips (δεν περιλαμβάνεται) για να ξεβιδώσετε τις οκτώ βίδες από το πίσω μέρος του περιβλήματος του ανεμιστήρα, και να αφαιρέσετε την μπροστινή σχάρα προστασίας.

J-1	Βίδα (x8)
J-2	Μπροστινό πλέγμα προστασίας

3. Κρατήστε τη διάταξη των πτερυγίων του ανεμιστήρα για να μην περιστραφεί, και γυρίστε προς τα δεξιά το κάλυμμα στερέωσης των πτερυγίων, για να βγει η διάταξη των πτερυγίων από τον άξονα.

K-1	Συναρμολόγηση των πτερυγίων του ανεμιστήρα
K-2	Κάλυμμα ασφάλισης

4. Αφαιρέστε το συγκρότημα πτερυγίων του ανεμιστήρα.
5. Καθαρίστε τα πτερύγια του ανεμιστήρα και το εσωτερικό του περιβλήματος.
6. Συναρμολογήστε με την αντίστροφη σειρά και βεβαιωθείτε ότι:

Το σημάδι στο συγκρότημα των πτερυγίων του ανεμιστήρα ευθυγραμμίζεται με την εγκάρσια ράβδο στον άξονα.

ΜΕΤΑΦΟΡΑ ΚΑΙ ΑΠΟΘΗΚΕΥΣΗ (Εικ. L)

- Αφαιρέστε τη συστοιχία μπαταριών.
- Καθαρίστε διεξοδικά τον ανεμιστήρα.
- Αδειάστε τον σωλήνα εισαγωγής και το φίλτρο.

ΕΙΔΟΠΟΙΗΣΗ: Η χειμερινή συντήρηση του ανεμιστήρα είναι απαραίτητη για την προστασία από τις θερμοκρασίες παγετού, οι οποίες μπορεί να προκαλέσουν ζημιά στην αντλία, τους εύκαμπτους σωλήνες και σε άλλα εξαρτήματα.

Πριν να αποθηκεύσετε τον ανεμιστήρα κατά τη διάρκεια του χειμώνα, να αποσυνδέετε πάντα τον σωλήνα εισαγωγής νερού από την πηγή νερού και να αφήνετε τον ανεμιστήρα να λειτουργεί σε λειτουργία συνεχούς υδρονέφωσης, μέχρι να μην υπάρχει υπόλοιπο νερό στον σωλήνα.

- Στερεώστε τον σωλήνα εισαγωγής και το φίλτρο με τα κλιπ που βρίσκονται στο κάτω μέρος της βάσης του ανεμιστήρα.
- Βιδώστε τον προσαρμογέα για λάστιχο κήπου στην υποδοχή αποθήκευσης με το σπείρωμα, που βρίσκεται στο κάτω μέρος της βάσης του ανεμιστήρα.

L-1	Προσαρμογέας λάστιχου κήπου
L-2	Κλιπ

- Μεταφέρετε τον ανεμιστήρα χρησιμοποιώντας την επάνω λαβή ή τις πλευρικές λαβές.
- Αποθηκεύστε τον ανεμιστήρα σε εσωτερικό χώρο, σε καλά αεριζόμενο μέρος.
- Να διατηρείται μακριά από διαβρωτικές ουσίες, όπως χημικές ουσίες και άλατα κατά του πάγου.

Προστασία του περιβάλλοντος



Μην απορρίπτετε ηλεκτρικό εξοπλισμό, παλιές μπαταρίες και φορτιστές στα οικιακά απορρίμματα!

Μεταφέρετε αυτό το προϊόν σε εξουσιοδοτημένο κέντρο ανακύκλωσης και παραδώστε το για ξεχωριστή συλλογή. Τα ηλεκτρικά εργαλεία πρέπει να επιστρέφονται σε περιβαλλοντικά συμβατή μονάδα ανακύκλωσης.

ΑΝΤΙΜΕΤΩΠΙΣΗ ΠΡΟΒΛΗΜΑΤΩΝ

ΠΡΟΒΛΗΜΑ	ΑΙΤΙΑ	ΑΝΤΙΜΕΤΩΠΙΣΗ
Ο ανεμιστήρας υδρονέφωσης δεν τίθεται σε λειτουργία.	<ul style="list-style-type: none"> ■ Η μπαταρία δεν έχει τοποθετηθεί πλήρως στο περιβλήμα. ■ Δεν υπάρχει ηλεκτρική επαφή ανάμεσα στον ανεμιστήρα υδρονέφωσης και στη συστοιχία μπαταριών. ■ Η συστοιχία μπαταριών έχει αδειάσει. ■ Η συστοιχία μπαταριών ή ο ανεμιστήρας είναι πολύ ζεστά. 	<ul style="list-style-type: none"> ■ Ελέγξτε αν η μπαταρία έχει τοποθετηθεί πλήρως στο περιβλήμα. ■ Απομακρύνετε τη συστοιχία μπαταριών, ελέγξτε τις επαφές και εγκαταστήστε ξανά τη συστοιχία μπαταριών. ■ Φορτίστε τη συστοιχία μπαταριών. ■ Απενεργοποιήστε τον ανεμιστήρα και αφήστε τη συστοιχία μπαταριών ή τον ανεμιστήρα υδρονέφωσης να κρυώσουν, μέχρι η θερμοκρασία να πέσει στο συνιστώμενο εύρος θερμοκρασίας λειτουργίας.
Δεν γίνεται υδρονέφωση, ενώ η ένδειξη υδρονέφωσης έχει αναμμένες τρεις πράσινες λυχνίες που αναβοσβήνουν.	<ul style="list-style-type: none"> ■ Ο σωλήνας εισαγωγής δεν αναρροφά νερό, και έτσι, ενεργοποιείται η εσωτερική προστασία της αντλίας νερού στο εσωτερικό του ανεμιστήρα. ■ Τα ακροφύσια υδρονέφωσης έχουν φράξει κατά τη διάρκεια της λειτουργίας, ενεργοποιώντας την εσωτερική προστασία της αντλίας νερού. 	<ul style="list-style-type: none"> ■ Ελέγξτε και βεβαιωθείτε ότι υπάρχει αρκετό νερό στο δοχείο και ότι ο σωλήνας εισαγωγής είναι σωστά βυθισμένος στο νερό. ■ Καθαρίστε το ακροφύσιο (ή τα ακροφύσια) σύμφωνα με το κεφάλαιο «ΣΥΝΤΗΡΗΣΗ ΑΚΡΟΦΥΣΙΩΝ» και συναρμολογήστε σύμφωνα με τις οδηγίες.
Ο ανεμιστήρας σταματάει να ταλαντεύεται και στην ένδειξη ταλάντωσης, αναβοσβήνουν τρεις πράσινες λυχνίες.	<ul style="list-style-type: none"> ■ Η κεφαλή του ανεμιστήρα κόλλησε κατά την ταλάντωση. 	<ul style="list-style-type: none"> ■ Αφαιρέστε τυχόν ξένα σώματα που εμποδίζουν την ταλάντωση της κεφαλής του ανεμιστήρα.

GR

ΕΓΓΥΗΣΗ

ΠΟΛΙΤΙΚΗ ΕΓΓΥΗΣΗΣ EGO

Επισκεφθείτε την ιστοσελίδα egopowerplus.eu για όλους τους όρους και τις προϋποθέσεις της πολιτικής εγγύησης EGO.

TÜM TALİMATLARI OKUYUN!**KULLANIM KILAVUZUNU OKUYUN**

⚠ UYARI: Emniyet ve güvenilirliği sağlamak için tüm tamir işleri yetkili bir servis teknisyeni tarafından yapılmalıdır.

⚠ UYARI: Bu cihazı kullanmadan önce "TEHLİKE", "UYARI" ve "DİKKAT" gibi güvenlikle ilgili tüm uyarı sembollerini içeren bu Kullanım Kılavuzundaki tüm güvenlik talimatlarını okuyup anladığınızdan emin olun. Aşağıdaki talimatların tamamına uyulmaması elektrik çarpması, yangın ve/veya ciddi fiziksel yaralanma ile sonuçlanabilir.

TÜM UYARI VE TALİMATLARI GELECEKTE BAŞVURU AMACIYLA MUHAFAZA EDİN.

GÜVENLİK SEMBOLLERİ

⚠ UYARI: Herhangi bir cihazın çalışması sırasında gözünüze yabancı cisimler fırlayabilir ve bu durum gözlerinize ciddi biçimde zarar verebilir. Cihazı kullanmaya başlamadan önce daima göz koruması veya yan siperleri olan koruyucu gözlük takın ve gerektiğinde tam yüz siperi kullanın. Gözlük üzerinde kullanım için Geniş Görüşlü Güvenlik Maskesi takmanızı veya yan siperleri olan standart koruyucu gözlük takmanızı öneririz.



Güvenlik Uyarısı



Yaralanma riskini azaltmak için kullanıcı bu ürünü kullanmadan önce kullanım kılavuzunu okuyup anlamalıdır.



Garanti edilen ses gücü seviyesidir. Çevre gürültü emisyonu Avrupa Birliği Yönetmeliği'ne uygundur.



Bluetooth® Sembolü



Atık elektrikli ürünler, evsel atıklar ile birlikte bertaraf edilmemelidir. Yetkili bir geri dönüşüm merkezine teslim edilmelidir.



Bu ürün, yürürlükteki AB yönetmeliklerine uygundur.



Doğru Akım



Bu ürün, yürürlükteki Birleşik Krallık yasalarına uygundur.

IPX4 Sıçrayan suya karşı koruma

TR

GENEL GÜVENLİK UYARILARI

⚠ UYARI: Yangın tehlikesini, elektrik çarpmasını veya yaralanmayı önlemek için:

- **Buharlı vantilatörünüzü tanıyın. Kullanma kılavuzunu dikkatle okuyun. Vantilatörün uygulamalarını ve sınırlamalarını ve ayrıca bu vantilatörle ilgili belirli potansiyel tehlikeleri öğrenin.** Bu kurallara uyulması elektrik çarpması, yangın veya ciddi yaralanma riskini azaltır.
- Bu cihaz, ancak gözetim altında oldukları veya güvenliklerinden sorumlu bir kişi tarafından cihazın kullanımı ile ilgili talimat aldıkları müddetçe fiziksel duyu kaybı veya zihinsel yetenekleri zayıf veya tecrübe ve bilgi yetersizliği olan kişiler tarafından ve 8 yaş ve üzeri çocuklar tarafından kullanılabilir.
- Çocuklar cihazla oynamamalıdır.
- Temizlik ve bakım işlemleri gözetim altında olmayan çocuklar tarafından yapılmamalıdır

ÇALIŞMA ALANI GÜVENLİĞİ

- Vantilatörü yanıcı sıvılar, gazlar veya toz vb. içeren patlayıcı ortamlarda çalıştırmayın.
- Bir cihazı kullanırken çocukların ve etraftaki kişilerin cihazdan uzakta olduğundan emin olun. Dikkatinizin dağılması kontrolü kaybetmenize neden olabilir.
- Rüzgarlı koşullarda kullanırken dikkatli olun. Rüzgarlar, buharları elektrik kablolarına veya cihazlara taşıyabilir.
- Cihazı yağmura veya ıslak koşullara maruz bırakmayın. Cihaz içine giren su, elektrik çarpması riskini artırır.

KİŞİSEL GÜVENLİK

- Cihazı kullanırken daima dikkatli olun, yaptığınız işe yoğunlaşın ve sağduyulu davranın. Yorgunken, moraliniz bozukken, uyuşturucu, alkol veya ilaçlı tedavi etkisi altındayken cihazı kullanmayın. Cihazı kullanırken bir anlık dikkatsizlik ciddi kişisel yaralanmayla sonuçlanabilir.
- Yanlışlıkla çalıştırmaktan kaçının. Cihazın aküsünü takmadan, cihazı kaldırmadan veya taşımadan önce açma/kapatma düğmesinin kapalı olduğundan emin olun. Cihazı, parmağınızın açma/kapatma düğmesinin üzerinden taşımak veya cihaz açırken fişi prize takmak kazalara davetiye çıkarır.
- Cihazı takılı herhangi bir alyan veya anahtar varsa cihazı çalıştırmadan önce bunları çıkarın. Cihazın döner parçalarına takılı bir alyan veya anahtar yaralanmalara neden olabilir.

- Dengesiz bir duruşla çalışma yapmayın. Çalışma süresince ayaklarınızı sağlam basın ve dengeyi koruyun. Bu sayede beklenmedik durumlarda cihaz daha iyi kontrol edilebilir.
- Uygun bir şekilde giyinin. Bol giysiler giymeyin veya takı takmayın. Saçlarınızı ve elbiselerinizi hareketli parçalardan uzak tutun. Bol giysiler, takılar veya uzun saçlar hareketli parçalara takılabilir.
- Cihazı çalıştırmadan önce tüm bağlantıların güvenli olduğundan emin olun.
- Cihazları sık kullanılarak edindiğiniz alışkanlık rahat olmanıza ve cihazın güvenlik ilkelerini göz ardı etmenize neden olmamalıdır. Dikkatsiz bir hareket, bir saniyeden daha kısa bir sürede ağır yaralanmalara neden olabilir.

KULLANIM VE BAKIM

- Açma/kapatma düğmesi çalışmıyorsa cihazı kullanmayın. Açma/kapama düğmesi ile kontrol edilemeyen bir cihaz tehlikelidir ve onarılması gerekir.
- Herhangi bir ayarlama işlemi, aksesuar değişimi veya depolama öncesinde akü takımını cihazdan çıkarın. Bu tür önleyici güvenlik önlemleri, aletin yanlışlıkla çalıştırılması riskini azaltır.
- Kullanılmayan cihazı çocukların erişemeyeceği bir yerde saklayın ve cihaz veya bu talimatlar hakkında bilgi sahibi olmayan kişilerin cihazı çalıştırmasına izin vermeyin. Cihazlar eğitimsiz kullanıcıların elinde tehlikelidir.
- Cihaz ve aksesuarların bakımını yapın. Hareketli parçaların hizalanmasının veya bağlanmasının doğru yapıp yapılmadığını, parçalarda hasar olup olmadığını ve cihazın çalışmasını etkileyebilecek tüm diğer koşulları kontrol edin. Hasarlıysa, kullanmadan önce cihazı tamir ettirin. Kazaların çoğu, cihaz bakımının yeterli şekilde yapılmamasından kaynaklanır.
- Cihazı ve aksesuarları bu talimatlara uygun olarak, çalışma koşullarını ve yapılacak işi gözeterek kullanın. Cihazın kullanım amacı dışındaki işlerde kullanılması tehlikeli durumlara neden olabilir.
- Tutma saplarını/kollarını ve kavrama yüzeylerini kuru, temiz, benzin ve yağdan uzak tutun. Kaygan tutma kolları ve kavrama yüzeyleri, cihazın beklenmedik durumlarda güvenli bir şekilde kullanılmasını ve kontrol edilmesini engeller.

⚠ UYARI: Yangın veya elektrik çarpması riskini azaltmak için bu vantilatörü herhangi bir katı hal hız kontrol cihazı ile kullanmayın.

AKÜ İLE ÇALIŞAN CİHAZLARIN KULLANIMI VE BAKIMI

- Sadece üretici tarafından belirtilen şarj cihazı ile şarj edin. Bir akü/batarya takımı türü için uygun olan şarj cihazı, başka bir akü/batarya ile kullanıldığında yangın riski oluşturabilir.
- Bu cihazı sadece özel olarak tasarlanan akülerle birlikte kullanın. Başka akü/batarya takımlarının kullanımını yaralanma ve yangın tehlikesi oluşturabilir.
- Akü/batarya takımı kullanımda olmadığı durumlarda akü/batarya takımını ataş, bozuk para, anahtar, çivi, vida veya akü/batarya kutupları arasında kısa devre yapabilecek diğer metal nesnelere uzak tutun. Akü kutuplarının kısa devre yapılması yangın veya yanıklara neden olabilir.
- **Kötü şartlar altında aküden sıvı akışı olabilir; bu sıvı ile temas etmekten kaçının. Yanlışlıkla temas edilirse etkilenen bölgeyi su ile yıkayın. Sıvı göze temas ederse ayrıca tıbbi yardım alın.** Aküden/bataryadan akan sıvı tahriş veya yanıklara neden olabilir.
- **Hasarlı veya üzerinde değişiklik yapılmış bir aküyü veya aleti kullanmayın.** Hasarlı veya üzerinde değişiklik yapılmış aküler/bataryalar yangın, patlama veya yaralanma riskine neden olacak şekilde beklenmeyen davranışlar gösterebilir.
- **Aküyü veya aleti ateşe veya aşırı sıcaklıklara maruz bırakmayın.** Ateşe veya 130 °C'nin üzerindeki sıcaklıklara maruz kalması patlamaya neden olabilir.
- **Tüm şarj talimatlarına uyun ve akü veya cihazı talimatlarda belirtilen sıcaklık aralığının dışındaki sıcaklıklarda şarj etmeyin.** Hatalı veya belirtilen sıcaklık aralığının dışındaki sıcaklıklarda şarj etmek, aküye/bataryaya zarar verebilir ve yangın riskini artırır.

SERVİS

- **Cihazınızın servisini sadece orijinal yedek parçaları kullanan yetkili bir tamirciye yaptırın.** Böylece cihazın güvenliğinin korunması sağlanır.
- **Asla hasarlı akü/batarya takımlarına bakım-onarım yapmayın.** Akülerin/bataryaların bakımı sadece üretici veya yetkili servisler tarafından yapılmalıdır.

KABLOSUZ BUHARLI VANTİLATÖR İÇİN GÜVENLİK TALİMATLARI

- Bu cihaz, gözetim altında olmadıkları veya güvenliklerinden sorumlu bir kişi tarafından cihazın kullanımı ile ilgili talimat almadıkları sürece zihinsel yetenekleri zayıf, fiziksel duyu kaybı veya tecrübe ve bilgi yetersizliği olan kişiler tarafından (çocuklar dahil)

kullanılmak üzere tasarlanmamıştır.

- Çocukların cihazla oynamalarını sağlamak için gözetim altında tutulmaları gerekir.
- **Vantilatörün oyuncak olarak kullanılmasına izin vermeyin.** Bu cihaz çocuklar tarafından veya çocukların yakınında kullanılırken dikkatli olun.
- **Çocuklar kovaların içine düşebilir ve boğulabilir.** Çocukları, içerdiği sıvı miktarı az olsa bile kovalardan uzak tutun.
- **SADECE temiz ve soğuk su kullanın.**
- Bu buharlı vantilatörü zirai ilaçları, sıvı gübreleri, kimyasalları veya temiz su dışında herhangi bir sıvıyı püskürtmek için kullanmayın. Bu maddelerin püskürtülmesi durumunda operatör ve/veya üçüncü şahıslarda ciddi yaralanmalar veya hastalık meydana gelebilir.
- **Buharı veya suyu asla elektrik kablolarına veya cihazlara yöneltmeyin.**
- **Suyun akü ile temas etmesini veya akü bölmesine girmesini önlemek için akü bölmesi kapağının tamamen kapalı olduğundan emin olun.**
- **Cihazı ve tutma sapını kuru, temiz, bezin ve yağdan uzak tutun.** Temizlik yaparken daima temiz bir bez kullanın. Vantilatörünüzü temizlemek için asla fren hidroliği, benzin, petrol bazlı ürünler veya güçlü çözücüler kullanmayın. Bu kurala uyulması kontrol kaybını ve plastik gövde kısımlarının bozulma riskini azaltır.
- **Bir alev kaynağı (pilot alevi gibi) aküyü patlatabilir.** Ciddi yaralanma riskini azaltmak için kablosuz bir ürünü asla açık alev bulunan bir yerde kullanmayın. Patlayan bir akü etrafa küçük parçalar ve kimyasal maddeler saçabilir. Bunlara maruz kalınması halinde derhal su ile yıkayın.
- **Bu talimatları saklayın.** Talimatlara sık sık müracaat edin ve bu vantilatörü kullanacak diğer kişileri bilgilendirmek için kullanın. Bu vantilatörü başka birine ödünç verirsiniz ürünün hatalı kullanılmasını ve olası yaralanmaları önlemek için bu talimatları da ürüne birlikte verin.
- Yüksek nem seviyelerinin çevredeki biyolojik organizmaların büyümesini destekleyebileceğini unutmayın.
- Buharlı vantilatörün etrafındaki alanın nemli olmasına veya ıslanmasına izin vermeyin. Nem oluşursa, buharlı vantilatörün çıkış hacmini azaltın. Buharlı vantilatörün çıkış hacmi azaltılmıyorsa nemlendiriciyi aralıklı olarak kullanın. Halı, perde, kumaş veya masa örtüsü gibi emici malzemelerin ıslanmasına izin vermeyin.

- Cihaz kullanımda değilken haznede asla su bırakmayın.
- Depolamadan önce buharlı vantilatörü boşaltın ve temizleyin. Bir sonraki kullanımdan önce nemlendiriciyi temizleyin.


⚠ UYARI: Suda veya cihazın kullanıldığı veya depolandığı ortamda bulunabilecek mikroorganizmalar, su haznesinde büyüyebilir ve havaya üflebilir, bu durum su yenilenmediğinde ve hazne 3 günde bir düzgün temizlenmediğinde çok ciddi sağlık risklerine neden olur.

Şarj edilebilir aküler şarj edilmeden önce cihazdan çıkarılmalıdır.

- Biten aküler cihazdan çıkarılmalı ve güvenli bir şekilde bertaraf edilmelidir.
- Cihaz uzun süre kullanılmadan depolanacaksa aküler çıkarılmalıdır.
- Besleme kutupları kısa devre yapılmamalıdır.

BU TALİMATLARI SAKLAYIN

TEKNİK ÖZELLİKLER

Nominal Voltaj	56 V 
Vantilatör Kanat Çapı	25,4 cm
Vantilatör Kademe Ayarları	6 ("Turbo" dahil)
Maks. Hava Hacmi	1700 CFM
Maks. Hava Hızı	32,2 km/sa.
Salınım Açısı	60°, 120°, 180°
Buharlı Su Hacmi	Yüksek: 5,7 L/sa.
	Orta: 4,9 L/sa.
	Düşük: 2,5 L/sa.
Ağırlık (akü hariç)	4,7 kg
Önerilen Depolama Sıcaklığı	-20 °C - 70 °C
Bluetooth Çalışma Frekansı Bandı	2402-2480 MHz
Bluetooth Maksimum İletim Gücü	4 dBm

- Beyan edilen toplam titreşim değeri, standart test yöntemine uygun olarak ölçülmüştür ve bir cihazı diğer bir cihaz ile karşılaştırmak için kullanılabilir;
- Beyan edilen toplam titreşim değeri, maruz kalma seviyesinin ilk değerlendirmesi için de kullanılabilir.

DİKKAT: Cihazın fiili kullanımı sırasında oluşan titreşim emisyonu değeri cihazın kullanım şekline bağlı olarak beyan edilen değerden farklı olabilir. Operatör korunmak için fiili kullanım koşullarında eldiven ve kulak koruması takmalıdır.

AMBALAJ İÇERİĞİ (ŞEK. A1)

AÇIKLAMA

VANTİLATÖRÜNÜZÜ TANIYIN (Şek. A1 ve A2)

1. Kontrol Paneli (Şek. A2)
2. Salınım Çerçevesi
3. Buhar Nozulu
4. Üst Tutma Kolu
5. Vantilatör Muhafazası
6. Yan Tutma Kolu
7. Akü Bölmesi
8. Elektrik Kontakları
9. Akü Çıkarma Düğmesi
10. Bahçe Hortumu Adaptörü
11. Filtre
12. Emme Borusu
13. Hava Hızı Ayar Düğmeleri
14. TURBO Düğmesi
15. TURBO Göstergesi
16. Buhar Göstergesi
17. Buhar Modu Düğmesi
18. Güç Düğmesi
19. Hava Hızı Göstergesi
20. Salınım Göstergesi
21. Salınım Modu Düğmesi

MONTAJ

⚠ UYARI: Hasarlı veya eksik parça varsa bu parçalar değiştirilinceye kadar ürünü çalıştırmayın. Bu ürünün hasarlı veya eksik parçalar ile kullanılması ciddi yaralanmalara yol açabilir.

⚠ UYARI: Bu ürün üzerinde değişiklik yapmaya veya bu ürünle kullanılması önerilmeyen aksesuarlar oluşturmaya çalışmayın. Bu tür değişiklikler veya modifikasyonlar hatalı kullanımdır ve ciddi yaralanmalara neden olabilen tehlikeli bir duruma sebep olabilir.

⚠ UYARI: Ciddi yaralanmalara neden olabilen yanlışlıkla çalışmayı önlemek için parçaları monte ederken aküyü mutlaka makedinden çıkarın.

- Bu ürün tamamen monte edilmiş olarak sevk edilmiştir.
- Ürünü ve varsa aksesuarlarını kutudan dikkatlice çıkarın. "Ambalaj İçeriği"nde gösterilen tüm parçaların bulunduğundan emin olun.
- Nakliye sırasında herhangi bir kırılma veya hasar meydana gelmediğinden emin olmak için ürünü kontrol edin.

- Ürünü dikkatlice inceleyip yeterince iyi olduğunu görecek şekilde kullanana kadar ambalaj malzemelerini atmayın.
- Herhangi bir parça hasarlı veya eksikse lütfen ürünü satın aldığınız yere iade edin.

ÇALIŞTIRMA

⚠ UYARI: Bu ürüne karşı edindiğiniz alışkanlığın sizi dikkatsiz yapmasına izin vermeyin. Bir anlık dikkatsizliğin ciddi yaralanmalara sebep olabileceğini unutmayın.

⚠ UYARI: Yanlışlıkla çalışarak ciddi yaralanmalara neden olmasını önlemek için bakım/servis yapmadan, ayar yapmadan, temizlemeden, aksesuarları değiştirmeden önce veya ürün kullanımda değilken daima akü takımını üründen çıkarın.

⚠ UYARI: Bu ürünün üreticisi tarafından önerilmeyen herhangi bir aparatı veya aksesuarı kullanmayın. Tavsiye edilmeyen aksesuarların veya aparatların kullanımı ciddi yaralanmalara sebep olabilir.

Her kullanımdan önce ürünü inceleyerek vida, somun, civata, kapak gibi parçaların hasarlı, eksik veya gevşek olup olmadığını kontrol edin. Tüm bağlantı parçalarını ve kapakları sağlam bir şekilde sıkın ve bu ürünü eksik veya hasarlı parçaların hepsini değiştirmeden çalıştırmayın.

KULLANIM ALANLARI

Bu ürünü aşağıda belirtilen amaçlar için kullanabilirsiniz:

- Çoğu ev uygulamasında genel havalandırma.
- Su kaynağına bağlıyken dış mekanda soğutma.

DİKKAT: Ürün sadece açıklanan kullanım amaçları doğrultusunda kullanılmalıdır. Diğer kullanım şekilleri hatalı kullanım olarak kabul edilir.

AKÜ TAKIMINI TAKMA/ÇIKARMA

Sadece Şek. A3'te belirtilen EGO marka akü takımlarını ve şarj cihazlarını kullanın.

NOT: İlk kullanımdan önce aküyü tamamen şarj edin.

Takmak için

Akü dişleri ile montaj yuvalarını hizalayın ve bir "tık" sesi duyana kadar akü takımını akü bölmesine bastırın (Şek. B1).

Çıkarmak için

Akü çıkarma düğmesine basın ve akü takımını çekip çıkarın (Şek. B2).

⚠ UYARI: Akü çıkarma düğmesine basarken daima

ayaklarınızın durduğu yere, çocuklara veya evcil hayvanlara dikkat edin. Akü düşerse ciddi yaralanmaya neden olabilir. ASLA aküyü yüksek bir yerden çıkarmayın.

VANTİLATÖRÜ ÇALIŞTIRMA/DURDURMA

NOT: Hava hızı için ilk fabrika ayarı 3. kademedir. Vantilatör, en son kullanılan hava hızı ayarını kaydeder ve yeniden başlatıldığında buna geri döner. Turbo ayarı kaydedilmez.

NOT: Buhar ve salınım ayarı kaydedilmez ve vantilatör her açıldığında varsayılan olarak kapalı olur.

Kontrol Paneli (Şek. A2)

Güç Düğmesi

- Vantilatörü açmak için güç düğmesine kısaca basın.
- Vantilatörü kapatmak için güç düğmesine tekrar kısaca basın.

Hava Hızı Ayarı

Normal hava hızı

- Hava hızını artırmak için "+" hava hızı ayar düğmesine ve hava hızını azaltmak için "-" düğmesine basın. 5 hız kademesi vardır.
- Hava hızı göstergesi, mevcut hız seviyelerine karşılık gelen yeşil ışıklar görüntüler.

TURBO modu

NOT: "TURBO" modunda vantilatör maksimum hava hızına ulaşır.

- "TURBO" düğmesine bastığınızda **TURBO** göstergesi yeşil renkte yanar ve vantilatör "TURBO" moduna, yani en yüksek hava hızına geçer.
- "TURBO" modundayken "TURBO" düğmesine tekrar bastığınızda **TURBO** göstergesi söner ve vantilatör daha önce aktif olan hava hızına devam eder.
- "TURBO" modundayken "-" düğmesine bastığınızda **TURBO** göstergesi söner ve vantilatör hava hızı 5. kademeye geçer.

SALINIM İŞLEVİ (ŞEK. C)

- Vantilatör başlığının salınım işlevini başlatmak için salınım düğmesine bir kez basın, salınım göstergesinin altındaki yeşil ışık yanar ve vantilatör başlığı bir yandan diğer yana 60° (-30° ile 30° arası) döner.
- Salınım düğmesine ikinci kez bastığınızda, salınım göstergesinde iki yeşil ışık yanarak 120° salınım aralığı

(-60° ile 60° arası) etkinleşir.

- Salınım düğmesine üçüncü kez bastığınızda, salınım göstergesinde üç yeşil ışık yanarak 180° salınım aralığı (-90° ile 90° arası) etkinleşir.
- Salınım işlevini kapatmak için salınım düğmesine dördüncü kez basın.

VANTİLATÖR AÇISINI AYARLAMA (ŞEK. D)

Vantilatör başlığı -30° ile 90° arasında birden fazla açıya ayarlanabilir. Buhar/hava akışının yönünü ayarlamak için vantilatörü üst tutma kolundan kavrayın ve vantilatör başlığını öne veya arkaya doğru eğin.

BUHAR İŞLEVİ

Buhar Modu Düğmesi

- Buhar modu düğmesine bir kez bastığınızda buhar göstergesinde üç yeşil ışık yanar; bu, yoğun akışlı sürekli buhar modunu (durmadan yoğun su akışı ile buhar çıkarma) gösterir.
- Buhar modu düğmesine tekrar bastığınızda buhar göstergesinde iki yeşil ışık yanar; bu, 'sürekli' buhar modunu (durmadan sürekli buhar çıkarma) gösterir.
- Buhar modu düğmesine üçüncü kez bastığınızda buhar göstergesinin altındaki yeşil ışık yanar; bu, 'aralıklı' buhar modunu (her 10 saniyede 10 saniye buhar çıkarma) gösterir.

NOT: Buhar nozullarından çıkan buharı ilk kez görmeniz yaklaşık birkaç saniye sürebilir. Bu gecikme, suyun emme borusundan nozullara akması için geçen süreden kaynaklanmaktadır.

- Buhar modu 'aralıklı' buhar modundayken, buhar modu düğmesine tekrar bastığınızda buhar göstergesi ışıkları söner ve buhar çıkarma durur.

NOT: Buhar işlemi tamamlandığında, vantilatörün emme borusunu su kaynağından ayırın ve borudaki tüm su temizlenene kadar vantilatörü sürekli buhar modunda çalıştırın. Böylece vantilatör yeniden çalıştırıldığında boruda kalan suyun beklenmedik şekilde buhara neden olmasının önlenmesi sağlanır.

Vantilatörün Su Kovası veya Başka Bir Kapla (Ürüne Dahil Değildir) Kullanılması (Şek. E)

⚠ UYARI: Çocuklar kovaların içine düşebilir ve boğulabilir. Çocukları, içindeki sıvı miktarı az olsa bile kovalardan uzak tutun.

DİKKAT: Her kullanımdan önce kovayı sabun ve suyla temizleyin.

1. Akü takımının bağlantısını kesin.
2. Kovayı düz bir yüzey üzerine yerleştirin.
3. Kovaya SADECE temiz ve soğuk su ekleyin. Aşırı doldurmayın.
4. Emme borusunun filtre ucunu suya daldırın.

DİKKAT: Emme borusunu bükmeyin ve suyun borudan kesintisiz bir şekilde aktığından emin olun.

5. Akü takımını takın.
6. Vantilatörü açmak için güç düğmesine basın.
7. Buhar modunu başlatmak için buhar modu düğmesine basın.

Vantilatörü Su Musluğuna Bağlama (Şek. F ve Şek. G)

1. Filtrenin üst parçasını saat yönünün tersine çevirerek sökün ve alt parçadan ayırın (Şek. F).

F-1	Alt Filtre Parçası
F-2	Üst Filtre Parçası

DİKKAT: Üst parçayı sökerken alt parçanın ikiye ayrılmasında ve bahçe hortumu adaptörüne bağlanırken bir bütün halinde kalmasına dikkat edin.

2. Vantilatörün alt kısmında saklanan bahçe hortumu adaptörünü saat yönünün tersine çevirerek çıkarın. Filtrenin alt parçasına (saat yönünde) vidalayın.
3. Bahçe hortumu adaptörünü hızlı koplör (ürünle birlikte verilmez) kullanarak uygun bahçe hortumuna bağlayın. Hızlı koplörü bahçe hortumu adaptörüne net bir tık sesi duyana kadar takın (Şek. G).

G-1	Bahçe Hortumu Adaptörü
G-2	Tipik Hızlı Koplör

DİKKAT: Bahçe hortumu adaptörünü vantilatörün altına monte edilmiş haldeyken bağlamaya çalışmayın (Şek. G1).

4. Bahçe hortumunu su hattına bağlayın.
5. Akü takımını takın.
6. Vantilatörü açmak için güç düğmesine basın.
7. Su musluğunu tam açın, vantilatör buhar üretmeye başlayacaktır.

DİKKAT: Önerilen maksimum çalışma basıncı 80 psi değerini geçmemelidir.

NOT: Elektrik olmasa bile su musluğu açıldığında vantilatör buhar çıkarmaya başlayacaktır.

8. Daha iyi çalışma sonuçları için buhar modunu seçmek amacıyla buhar modu düğmesine basın.

NOT: Bahçe hortumu adaptöründeki küçük açıklık, adaptörü sert suya ve mineral tortularının birikmesine karşı hassas hale getirir. Adaptörü sık sık temizleyin ve biriken kireci gidermek için beyaz sirke veya başka bir kireç çözücü madde kullanın.

Vantilatörü Buharsız Kullanma

İstenirse bu ürün bir su kaynağına bağlı olmadığında sadece vantilatör olarak kullanılabilir. Ürün kullanılmadığı zaman, hasardan ve kirlilikten korumak için emme borusunu daima depolama yerine (Bu kılavuzun "TAŞIMA VE DEPOLAMA" bölümüne bakın) sarın.

İLETİŞİM TEKNOLOJİSİ

Bağlantı talimatları da dahil olmak üzere tüm bağlantılı ürün ve hizmetlerimiz hakkında bilgi edinmek için lütfen aşağıdaki QR Kodunu tarayın veya şu adresi ziyaret edin: www.egopowerplus.eu/connect.



ELEKTRONİK KORUMA

Salınım işlevi etkin ancak vantilatör salınım yapmadığında, salınım göstergesi kullanıcıya vantilatör başlığının sıkışıp sıkışmadığını kontrol etmesini ve özelliği yeniden başlatmadan önce vantilatör başlığına yapışmış yabancı maddeleri temizlemesini hatırlatmak için üç yeşil ışık sürekli olarak yanıp söner.

Buhar işlevi etkinleştirildiğinde buhar çıkmıyorsa:

- Su pompası kısa bir süre çalışmaya devam eder ve ardından dahili elektronik aksamı korumak için otomatik olarak durur.
- Buhar göstergesinde sürekli olarak üç yeşil ışık yanıp söner kullanıcıya şu uyarıyı verir:
 - a. Emme borusunun suya doğru şekilde daldırılıp daldırılmadığını kontrol edin.
 - b. Buhar nozulunun tıkalı olup olmadığını kontrol edin ve "NOZUL BAKIMI" bölümüne göre temizleyin.
 - c. Buhar çıkarmayı yeniden başlatmak için buhar modu seçme düğmesine basın.

Akü şarjı düşük olduğunda, kullanıcıya akü takımını şarj etmesi veya değiştirmesi gerektiğini hatırlatmak için güç düğmesi yeşil ışıkla yanıp söner.

Akü takımı veya vantilatör çok ısındığında, kullanıcının vantilatörü kapatması ve akü takımının veya buhar vantilatörünün, vantilatörü yeniden başlatmadan önce önerilen çalışma sıcaklığı aralığına düşene kadar soğumasını beklemesi konusunda uyararak için güç düğmesi kırmızı ışıkla yanıp söner.

BAKIM

⚠ UYARI: Bakım yaparken sadece orijinal yedek parçaları kullanın. Başka parçaların kullanılması tehlike oluşturabilir veya ürünün hasar görmesine neden olabilir. Emniyet ve güvenilirliği sağlamak için tüm tamir işleri yetkili bir servis teknisyeni tarafından yapılmalıdır.

⚠ UYARI: Ciddi yaralanmaları önlemek için temizlik veya bakım işlemi gerçekleştirirken daima aküyü üründen çıkarın.

GENEL BAKIM

Bu bakım talimatlarında listelenen maddeler dışındaki tüm buharlı vantilatör bakımı, yetkili buharlı vantilatör servis personeli tarafından yapılmalıdır.

Plastik parçaları temizlerken çözücü maddeler kullanmaktan kaçının. Çoğu plastik malzeme çeşitli ticari çözücü türlerinden etkilenmeye yatkındır ve bu çözücü maddelerin kullanılması durumunda zarar görebilirler. Kir, toz, yağ, gres vb. gidermek için temiz bez kullanın.

⚠ UYARI: Fren sıvıları, benzin, petrol bazı ürünler, nüfuz eden yağlar gibi ürünlerin plastik parçalarla hiçbir zaman temas etmesine izin vermeyin. Kimyasal maddeler plastik parçalara hasar verebilir, bu tür parçaları zayıflatabilir veya parçalayabilir ve bu durum ciddi yaralanmalara neden olabilir.

⚠ UYARI: Buharlı vantilatörü temizlerken, su veya diğer sıvıların içine DALDIRMAYIN.

NOZUL BAKIMI (Şek. H)

⚠ UYARI: Su sızıntılarını önlemek için tüm buhar nozulu bakımlarının düzgün yapıldığından emin olun. Sızıntılar, kayma ve düşme tehlikesi oluşturan kaygan bir yüzeye yol açabilir veya maddi hasara neden olabilir.

Düzensiz buhar biçimleri veya sızıntı, tıkalı veya kirlili bir nozulun sonucu olabilir.

Nozulları temizlemek için

1. Vantilatörü kapatın ve akü takımını çıkarın.
2. Vantilatör muhafazasının ön ızgara koruyucusundaki tıkalı buhar nozullarını saat yönünün tersine çevirerek çıkarın.
3. Etkilenen her nozulu parçalara ayırın.

- Nozulları tıkanan veya kısıtlayan yabancı parçacıkları temizlemek için nozul parçalarını suyla yıkayın. Kireç (mineral) birikimini temizlemek için nozul parçalarını gerekirse beyaz sirke veya başka bir kireç çözücü madde ile temizleyin.
- Nozulları yeniden takın.

DİKKAT: Tıkanmayı önlemek için nozulun tam olarak Şek. H'de gösterildiği gibi monte edildiğinden emin olun.

- Temiz nozulları ön ızgara koruyucusuna tekrar takın.

FİLTRE BAKIMI (Şek. I)

Emme borusunun ucundaki filtreyi periyodik olarak kontrol ederek iyi durumda olduğundan emin olun.

- Vantilatörü kapatın ve akü takımını çıkarın.
- Filtrenin üst parçasını alt parçadan sökün.

I-1	Alt Parça	I-3	Sünger Süzgeç
I-2	Metal Süzgeç	I-4	Üst Parça

DİKKAT: Üst parçayı sökerken alt parçanın iki parçaya ayrılmamasına dikkat edin. Metal süzgecin çıkarılabilmesi için alt parçanın monte edilmiş halde kalması gerekmektedir.

- Üst parçadaki sünger süzgeci ve alt parçadaki metal süzgeci çıkarın.
- Metal süzgeci ve sünger süzgeci durulayın veya gerekirse değiştirin.
- Filtreyi tekrar monte edin.

DİKKAT: Bir dahaki sefere kolayca sökebilmek için metal süzgecin çıkıntılı kenarının dışarı bakacak şekilde monte edildiğinden emin olun.

BAHÇE HORTUMU ADAPTÖRÜ BAKIMI

Bahçe hortumu adaptöründeki küçük açıklık, adaptörü sert suya ve mineral tortularının birikmesine karşı hassas hale getirir. Adaptörü sık sık temizleyin ve biriken kireci gidermek için beyaz sirke veya başka bir kireç çözücü madde kullanın.

VANTİLATÖR MUHAFAZASI BAKIMI (Şek. J ve Şek. K)

- Vantilatörü kapatın ve akü takımını çıkarın.
- Vantilatör muhafazasının arkasındaki sekiz vidayı sökmek için bir Yıldız tornavida (ürüne dahil değildir) kullanın ve ön ızgara koruyucusunu çıkarın.

J-1	Vida (x8)
J-2	Ön ızgara Koruması

- Vantilatör kanadı aksamını dönmesini önleyecek şekilde tutun ve vantilatör kanadı kilitleme kapağını saat yönünde çevirerek vantilatör kanadı aksamını milden ayırın.

K-1	Vantilatör Kanadı Aksamı
K-2	Kilitleme Kapağı

- Vantilatör kanadını çıkarın.
- Gerekirse vantilatör kanadını ve muhafazanın içini temizleyin.
- Bu parçaları ters sırada yeniden monte edin ve şunlardan emin olun:

Vantilatör kanadı aksamındaki işaret, mil üzerindeki çapraz çubukla hizalanır.

TAŞIMA VE DEPOLAMA (Şek. L)

- Akü takımını çıkarın.
- Vantilatörü iyice temizleyin.
- Emme borusunu ve filtreyi boşaltın.

DİKKAT: Vantilatörün kış aylarına hazırlanması pompaya, hortumlara ve diğer parçalara hasar verebilecek donma sıcaklıklarından korumak için önemlidir. **Kışın vantilatörü depolamadan önce vantilatörün emme borusunu daima su kaynağından ayırın ve buruda hiç su kalmayana kadar sürekli olarak buhar modunda çalıştırın.**

- Vantilatör tabanının alt kısmında bulunan klipsleri kullanarak emme borusunu ve filtreyi sabitleyin.
- Bahçe hortumu adaptörünü vantilatör tabanının alt kısmında bulunan dişi depolama deliğine vidalayın.

L-1	Bahçe Hortumu Adaptörü
L-2	Klips

- Vantilatörü taşırken üst tutma kolundan veya yan tutma kollarından tutun.
- Vantilatörü kapalı ve iyi havalandırılan bir yerde depolayın.
- Bahçe kimyasalları ve buz eritici tuzlar gibi aşındırıcı maddelerden uzak tutun.

Çevre koruması



Elektrikli cihazları, kullanılmış aküyu ve şarj cihazını evsel atıklarla bertaraf etmeyin!

Bu ürünü yetkili bir geri dönüşüm merkezine götürün ve ayrı bir şekilde toplanmasını sağlayın. Elektrikli aletler çevreyle uyumlu bir geri dönüşüm tesisine götürülmelidir.

SORUN GİDERME

SORUN	NEDENİ	ÇÖZÜM
Buharlı vantilatör çalışmıyor.	<ul style="list-style-type: none">■ Akü takımı yuvasına tam olarak yerleştirilmemiştir.■ Buharlı vantilatör ile akü takımı arasında elektrik teması yoktur.■ Akü takımının şarjı boşalmıştır.■ Akü takımı veya vantilatör çok sıcaktır.	<ul style="list-style-type: none">■ Akünün yuvasına tam olarak yerleştirilip yerleştirilmediğini kontrol edin.■ Akü takımını çıkarın, kontak noktalarını kontrol edin ve akü takımını yeniden takın.■ Akü takımını şarj edin.■ Vantilatörü kapatın ve akü takımının veya buharlı vantilatörün sıcaklığı önerilen çalışma sıcaklığı aralığına düşene kadar soğumasını bekleyin.
Su buharı yok ve buhar göstergesinde üç yeşil ışık yanıp sönüyor.	<ul style="list-style-type: none">■ Emme borusu su pompalamıyor ve bu da vantilatörün içindeki elektrikli pompanın dahili korumasını etkinleştiriyordur.■ Buhar nozulları çalışma sırasında tıkanmıştır ve elektrik pompasının dahili koruması etkinleştirilmiştir.	<ul style="list-style-type: none">■ Kovada yeterince su olduğundan ve emme borusunun suya doğru şekilde daldırıldığından emin olun.■ Nozulları "NOZUL BAKIMI" bölümüne göre temizleyin ve talimatlara göre yeniden monte edin.
Vantilatörün salınımı duruyor ve salınım göstergesi üç yeşil ışıkla yanıp sönüyor.	<ul style="list-style-type: none">■ Salınım sırasında vantilatör başlığı sıkışmıştır.	<ul style="list-style-type: none">■ Vantilatör başlığının salınımını engelleyen yabancı maddeleri temizleyin.

GARANTİ

EGO GARANTİ POLİTİKASI

EGO Garanti Politikasına ilişkin tüm hükümler ve koşullar için lütfen egopowerplus.eu adresindeki web sitesini ziyaret edin.

LUGEGE KÕIKI JUHISEID!**LUGEGE KASUTUSJUHENDIT**

⚠ HOIATUS: Turvalisuse ja vastupidavuse tagamiseks peab kõiki parandustöid läbi viima kvalifitseeritud hooldustehnik.

⚠ HOIATUS: Enne käesoleva seadme kasutamist lugege kindlasti läbi ja tehke endale selgeks kõik kasutusjuhendis toodud ohutusjuhised, sh kõik ohutussümbolid, nagu „OHT“, „HOIATUS“ ja „ETTEVAATUST“. Kui allpool loetletud juhiseid ei järgita, võib tagajärjeks olla elektrilöökk, tulekahju ja/või rasked kehavigastused.

SÄILITAGE HOIATUSED JA JUHISED HILISEMAKS KASUTUSEKS.**OHUTUSSÜMBOLID**

⚠ HOIATUS: Mis tahes seadmete kasutamine võib põhjustada võõrkehade paiskumist teie silmadesse, mis võib tekitada tõsiseid silmakahjustusi. Masinate kasutamise ajal kandke alati kaitseprille või külgakaitsetega kaitseprille ja vajadusel täielikku näokaitset. Soovitame kanda prillide peal laia vaatealaga kaitsemaski või standardseid külgakaitsetega kaitseprille.



Ohutusteade



Vigastusohu vähendamiseks peab kasutaja enne toote kasutamist lugema kasutusjuhendit ja selle endale selgeks tegema.



Garanteeritud helivõimsuse tase. Seadme müra keskkonnas on Euroopa Ühenduse direktiiviga vastavuses.



Bluetooth®-i sümbol



Elektriseadmete jäätmeid ei tohi visata olmejäätmete hulka. Viige volitatud taaskäitleja juurde.



Toode vastab kohaldatavatele EÜ direktiividele.



Alalisvool



Toode vastab kohaldatavatele Ühendkuningriigi õigusaktidele.

IPX4 Kaitstud igast suunast tulevate pritsmete vastu

ET

ÜLDISED OHUTUSHOIATUSED

⚠ HOIATUS: Tulekahju-, elektrilöögi- või kehavigastuste ohu vähendamiseks:

- **Õpi oma uduventilaatorit tundma. Lugege juhend hoolikalt läbi. Tehke omale selgeks ventilaatori rakendusvõimalused ja piirangud ning ka konkreetse seadmega seotud potentsiaalsed ohud.** Nende reeglite järgimine vähendab elektrilöögi-, tulekahju- ja tõsiste vigastuste ohu.
- Seda seadet on lubatud kasutada vähemalt 8-aastastel lastel ning vaimse või füüsilise puudega isikutel või inimestel, kellel puudub kogemus või erialased teadmised, eeldusel, et neile isikutele on tagatud järelevalve või nõustamine seadme ohutu kasutamise osas ning seadmega töötades esineda võivate ohtude kohta.
- Lapsed ei tohi seadmega mängida.
- Lapsed ei tohi seadet hooldada ega puhastada ilma järelevalveta

TÖÖPIIRKONNA OHUTUS

- **Ärge kasutage ventilaatorit plahvatusohtlikus keskkonnas, kus leidub nt tuleohtlikke vedelikke, gaase või tolmu.**
- **Elektritööriistadega töötamisel hoidke lapsed ja kõrvalised isikud eemal.** Tähelepanu hajumisel võite kaotada kontrolli seadme üle.
- **Olge tuulistes tingimustes kasutamisel ettevaatlik.** Tuul võib viia udu elektrijuhnetesse või seadmetesse.
- **Ärge jätke seadet vihma või märgade tingimuste kätte.** Vee elektritööriista sisse sattumine suurendab elektrilöögiohtu.

ISIKLIK OHUTUS

- **Olge tähelepanelik, töötage hoolikalt ja rakendage tervet mõistust.** Ärge kasutage ventilaatorit, kui olete väsinud, ärritunud või tarvitanud narkootikume, alkoholi või ravimeid. Isegi hetkeline tähelepanematus seadme kasutamise ajal võib põhjustada tõsiseid vigastusi.
- **Vältige seadme tahtmatut käivitamist. Enne seadme ühendamist akuplokiga, enne seadme kättevõtmist või kandmist veenduge, et lüliti on väljalülitatud asendis.** Seadme transportimine sõrme lülitil hoides võib aktiivses olekus lülitiga põhjustab õnnetusi.
- **Enne tööriista sisselülitamist eemaldage sellelt kõik reguleerimis- ja nutrivõtmed.** Elektritööriista pöörleva osa külge unustatud võtmed vms tööriistad võivad põhjustada kehavigastusi.

- **Ärge küünitage liiga kaugele.** Töötage ainult kindlal pinnal ja kohtades, kus pole ohu tasakaalu kaotada. Nii säilitate ootamatutes olukordades elektritööriista üle parema kontrolli.
- **Riietuge asjakohaselt. Ärge kandke ehteid ega avaraid riideid. Vältige oma juuste ja riiete kokkupuudet liikuvate osadega.** Liiga avarad riided, ehted ja pikad juuksed võivad liikuvate osade vahele kinni jääda.
- **Enne seadme kasutamist veenduge, et kõik ühendused on kindlad.**
- **Kui seade on teile sagedase kasutamise tulemusel tuttavaks saanud, ärge laske ennast lödvaks ega ignoreerige tööriista kasutamise ohutusreegleid.** Hooletuse tõttu võite saada tõsiseid vigastusi ka sekundi murdosa jooksul.

KASUTAMINE JA HOOLDUS

- **Ärge kasutage seadet, mida ei saa lülitist sisse ega välja lülitada.** Ventilaator, mille lüliti ei tööta, on ohtlik ja tuleb parandada.
- **Enne ventilaatori kohandamist, tarvikute lahti/külge ühendamist või hoiustamist ühendage akuplokk ventilaatori küljest lahti.** Need ohutusmeetmed vähendavad seadme juhusliku käivitumise ohu.
- **Hoidke seisvat seadet lastele kättesaamatus kohas ja ärge lubage seadet kasutada isikutel, kes ei tunne seadet ega neid juhiseid.** Seadmed on koolitamata isikute käes ohtlikud.
- **Hooldage nii ventilaatorit kui ka selle tarvikuid.** Kontrollige, kas liikuvad osad on korrektselt joondatud ja ükski osa ei ole kinni kiilunud ega katki ning jälgige ka muid aspekte, mis võiksid seadme omadusi mõjutada. Kahjustuse korral laske seade enne kasutamist parandada. Paljude õnnetuste põhjuseks on kehvasti hooldatud seadmed.
- **Kasutage seadet, tarvikuid jm vastavalt käesolevale juhendile, võttes arvesse töötingimusi ja teostatavat tööd.** Seadme mittesihipärane kasutamine võib põhjustada ohtlikke olukordi.
- **Hoidke käepidemed ja haardepinnad kuivad ja puhtad ning vältige neile õli ja rasva sattumist.** Libedad käepidemed ja haardepinnad takistavad ootamatutes olukordades seadme ohutut kasutamist ja käsitsemist.

⚠ HOIATUS: Tulekahju või elektrilöögi ohu vähendamiseks ärge kasutage seda ventilaatorit koos ühegi pooljuhtkiiruse reguleerimisseadmega.

ET

AKUSEADME KASUTAMINE JA HOOLDUS

- Kasutage laadimiseks ainult tootja poolt ette nähtud laadureid. Akulaadur, mis sobib teatud tüüpi akuplokile, võib põhjustada tulekahjuohtu, kui kasutada seda mõne teise akuplokiga.
- Kasutage seadet ainult selle jaoks ette nähtud akuplokkidega. Mõne muu akuploki kasutamine võib põhjustada vigastus- ja tulekahjuohtu.
- Kui akut ei kasutata, hoidke seda eemal muudest metallesemetest nagu kirjajklambrid, mündid, võtmed, naelad, kruvid ja muud väikesed metallesemed, mis võivad klemmide vahel ühenduse luua. Akuklemmide lühühendus võib põhjustada põletushaavu ja tulekahju ohtu.
- Valedes tingimustes kasutamisel võib akut vedelikku välja tulla; vältige kokkupuudet sellega. Kokkupuute korral loputage veega. Kui vedelik satub silma, pöörduge lisaks ka arsti poole. Akust erituv vedelik võib põhjustada ärritust või põletusi.
- Ärge kasutage kahjustunud või modifitseeritud akuplokki ega seadet. Kahjustunud või modifitseeritud akud võivad toimida ettearvatult, mille tagajärjeks võib olla tulekahju, plahvatus või vigastusohu.
- Vältige akuploki ja seadme kokkupuudet tule ja liiga kõrge temperatuuriga. Kokkupuude lahtise tule või temperatuuriga üle 130 °C võib põhjustada plahvatuset.
- Järgige kõiki laadimisjuhiseid ja ärge laadige akut ega seadet väljaspool juhistes määratud temperatuurivahemikku. Valesti või valel temperatuuril laadimine võib kahjustada akut ja suurendada tulekahjuohtu.

TEENINDUS

- Laske oma seadet hooldada kvalifitseeritud remonditehnikul, kes kasutab ainult identseid originaalvaruosi. Nii tagate, et seade on hooldatud.
- Ärge kunagi hooldage kahjustunud akuplokke. Akuplokkide hooldust võib teostada ainult tootja või volitatud teeninduskeskus.

ET

JUHTMEVABA UDUVENTILAATORI OHUTUS- JUHISED

- Seadet ei tohi kasutada vähenenud füüsiliste, sensoorsete või vaimsete võimetega või väheste kogemuste ja teadmistega isikud (sh. lapsed), välja arvatud juhul, kui nende turvalisuse eest vastutav isik on taganud piisava järelevalve ja juhendamise vastava seadme kasutamise kohta.
- Lastele tuleb õpetada, et nad ei tohi seadmega mängida.

- Ärge lubage ventilaatorit mänguasjana kasutada. Kui kasutate tööriista laste lähedal või lasete seda kasutada lastel, olge väga tähelepanelik.
- Lapsed võivad kukkuda ämbritesse ja uppuda. Hoidke lapsed isegi väikese koguse vedelikuga ämbritest eemal.
- kasutage AINULT puhast külma vett.
- Ärge kasutage seda uduventilaatorit pestitsiidide, vedelväetiste, kemikaalide või muude vedelike peale puhta vee puhastamiseks. Nende ainete laialiajamine võib põhjustada raskeid vigastusi seadme kasutajale või kõrvalistele isikutele.
- Ärge kunagi suunake udu või vett elektrijuhtmete või seadmete suunas.
- Veenduge, et akupesa kate oleks täielikult suletud, et vältida vee kokkupuudet akuga või akuporti sattumist.
- Hoidke seade ja selle käepide kuivad, puhtad ja vältige õli ja rasva sattumist nendele. Puhastamisel kasutage alati puhast lappi. Ärge kasutage ventilaatori puhastamiseks kunagi pidurivedelikke, bensiini, naftapõhiseid tooteid ega teisi tugevatoimelisi lahusteid. Selle reegli järgimisega vähendate seadme üle kontrolli kaotamise ohtu ning plastosade lagunemist.
- Akud võivad süüteallika, nt signaallambi läheduses plahvatada. Tõsiste vigastuste ennetamiseks ärge kunagi kasutage mistahes juhtmevaba toodet lahtise leegi läheduses. Plahvatav aku võib paisata enda ümber prahti ja kemikaale. Kokkupuute korral loputage mõjutatud kohta viivitamatult rohke veega.
- Hoidke need juhised alles. Lugege juhendit sageli ning kasutage seda ventilaatorit kasutavate isikute väljaõpetamiseks. Kui te selle ventilaatori kellelegi laenate, andke sellega kaasa ka käesolev kasutusjuhend, et vältida seadme väärkasutamist ja võimalikke vigastusi.
- Pidage meeles, et kõrge õhuniiskuse tase võib soodustada bioloogiliste organismide kasvu keskkonnas.
- Ärge laske uduventilaatori ümbrusel muutuda niiskeks ega märjaks. Niiskuse ilmnemisel keerake uduventilaatori väljund alla. Kui uduventilaatori väljundvõimsust ei saa maha keerata, kasutage niisutajat vaheldumisi. Ärge laske imavatel materjalidel, nagu vaipkatted, kardinad, kardinad või laudlinad, märjaks saada.
- Ärge kunagi jätke vett mahutisse, kui seadet ei kasutata.
- Enne ladustamist tühjendage ja puhastage uduventilaator. Puhastage niisutaja enne järgmist kasutamist.

⚠ HOIATUS: Mikroorganismid, mis võivad esineda vees või keskkonnas, kus seadet kasutatakse või hoitakse, võivad veereservuaaris kasvada ja õhku paiskuda, põhjustades väga tõsiseid terviseriske, kui vett ei uuendata ja paaki ei panda. Puhastage korralikult iga 3 päeva tagant.

Laetavad akud tuleb seadmelt enne selle käitlemist eemaldada.

- Tühjad akud tuleb seadmest eemaldada ja ohutult kõrvaldada.
- Eemaldage patareid/akud, kui seadet hoiustatakse pikka aega seda kasutamata.
- Klemme ei tohi lühistada.

HOIDKE SEE KASUTUSJUHE ALLES

TEHNILISED ANDMED

Nimipinge	56 V
Laba läbimõõt	25,4 cm
Ventilaatori kiiruse seaded	6 (kaasa arvatud "Turbo")
Max Õhu maht	1700 CFM (kuupjalga minutis)
Max Õhuvoolu kiirus	32,2 km/h
Võnkumisnurk	60°; 120°; 180°
Pihustatav veekogus	Suur: 5,7 l/h
	Keskmine: 4,9 l/h
	Väike: 2,5 l/h
Kaal (ilma akuplokita)	4,7 kg
Soovituslik hoiustamise temperatuur	-20 °C kuni 70 °C
Bluetoothi töösagedusriba	2402-2480 MHz
Bluetoothi maksimaalne edastusvõimsus	4 dBm

- Esitatud vibratsioonitaseme näit on mõõdetud standardsete testmeetodite kohaselt ja seda võib kasutada erinevate masinate võrdlemiseks;
- Esitatud vibratsioonitaseme näitu võib kasutada ka alge kokkupuutehinnangu andmiseks.

MÄRKUS: Tegelikul kasutamisel tekkinud vibratsioonitase võib esitatust erineda; turvalisuse eesmärgil peaks masina kasutaja kandma tegelikes kasutustingimustes kindaid ja kuulmiskaitseid.

PAKENDI LOEND (JONIS A1)

KIRJELDUS

TUNNE OMA PUHURIT (joonised A1 ja A2)

1. Juhtpaneel (joonis A2)
2. Võnkumisraam
3. Uduotsak
4. Ülemine käepide
5. Ventilaatori korpus
6. Külgmise käepide
7. Akupes
8. Klemmid
9. Akuvabastusnupp
10. Aiavooliku adapter
11. Filter
12. Sisselasketoru
13. Õhuvoo kiiruse reguleerimisnupud
14. TURBO-nupp
15. TURBO märgutuli
16. Udu märgutuli
17. Udurežiimi nupp
18. Toitenupp
19. Õhuvoo kiiruse märgutuli
20. Võnkumise indikaator
21. Võnkumisrežiimi nupp

KOKKUPANEK

⚠ HOIATUS: Kui mõni osa on kahjustatud või puudub, ärge kasutage toodet enne, kui see osa on parandatud. Kasutades kahjustatud või vajalike komponentideta seadet, võite saada raskeid vigastusi.

⚠ HOIATUS: ärge üritage seadet ümber ehitada ega kasutada tarvikuid, mis pole mõeldud selle seadmega koos kasutamiseks. Kõik niisugused muudatused loetakse väärkasutuseks ja need võivad põhjustada ohtlikke olukordi, mis lõppevad raskete vigastustega.

⚠ HOIATUS: Raskeid vigastusi põhjustada võiva juhusliku käivitumise vältimiseks eemaldage masina osade kokkupaneeku ajaks alati akuplokk.

- See toode tarnitakse täielikult kokkupanduna.
- Eemaldage seade ja kõik selle tarvikud ettevaatlikult kastist. Veenduge, et kõik „Pakkimisnimekirjas“ toodud esemed on olemas.
- Uurige toodet tähelepanelikult, et veenduda, et midagi pole transportimise käigus katki läinud.

ET

- Ärge visake pakkematerjali ära enne, kui olete toote tähelepanelikult üle kontrollinud ja selle töökorras olekus veendunud.
- Kui mõni osa on kahjustunud või puudu, tagastage seade sinna, kust selle ostsite.

KASUTAMINE

⚠ HOIATUS: Ärge muutuge toodet tundma õppides hooletuks. Pidage meeles, et raskeid vigastusi põhjustavaks õnnetuseks piisab ka sekundi murdosa pikkusest tähelepanematuses.

⚠ HOIATUS: Juhusliku käivitamise vältimiseks, mis võib põhjustada tõsiseid kehavigastusi, eemaldage aku alati ventilaatorist enne hooldust, reguleerimist, puhastamist, tarvikute vahetamist või siis, kui seda ei kasutata.

⚠ HOIATUS: Ärge kasutage lisaseadmeid või -tarvikuid, mida selle seadme valmistaja pole soovitanud. Mittesoovituslike lisaseadmete või -tarvikute kasutamine võib põhjustada raskeid kehavigastusi.

Kontrollige enne iga kasutuskorda kogu toodet, et ei esineks kahjustunud, puuduvaid või lahtisi osi, nt kruve, mutreid, polte, korke vms. Kinnitage kõik kinnitused ja korgid ning ärge kasutage toodet, kuni kõik puuduvad või kahjustatud osad on välja vahetatud.

KASUTUSEESMÄRGID

Seda toodet võib kasutada allpool loetletud eesmärkidel:

- üldventilatsioon enamikes majapidamistes.
- välisjahutus, kui seade on ühendatud veeallikaga.

MÄRKUS: Seadet tohib kasutada vaid käesolevas juhendis lubatud eesmärgil. Igasugust muud kasutust loetakse väärkasutuseks.

AKUPLOKI PAIGALDAMINE/EEMALDAMINE

ET

Kasutage ainult joonisel A3 näidatud EGO akusid ja laadijaid.

MÄRKUS: Laadike akuplokk enne esimest kasutuskorda täiesti täis.

Paigaldamine

Joondage aku ribad paigaldussoontega ja suruge aku alla kuni kuulete klõpsatust (joonis B1).

Eemaldamine

Vajutage aku vabastusnuppu ja tõmmake aku välja (joonis B2).

⚠ HOIATUS: Akuvabastusnuppu vajutades jälgige alati oma jalgade ning läheduses viibivate laste ja loomade asukohaga. Akuploki kukkumine võib põhjustada raskeid vigastusi. Akuplokki ei tohi eemaldada kõrges kohas töötades.

VENTILAATORI KÄIVITAMINE/PEATAMINE

MÄRKUS: Õhuvoo kiiruse algne tehase seade on tase 3. Ventilaator salvestab viimati kasutatud õhukiiruse seadistuse ja naaseb sellele taaskäivitamisel. Turbo seadistust ei salvestata.

MÄRKUS: Udu- ja võnkumis seadistusi ei salvestata ja see on vaikimisi välja lülitatud iga kord, kui ventilaator sisse lülitatakse.

Juhtpaneel (joonis A2)

Toitenupp

- Ventilaatori sisselülitamiseks (ON) vajutage korraks toitenuppu.
- Ventilaatori väljalülitamiseks (OFF) vajutage uuesti korraks toitenuppu.

Õhuvoo kiiruse reguleerimine

Normaalne õhuvoolu kiirus

- Õhuvoo kiiruse kiirendamiseks vajutage nuppu „+“ ja õhuvoo kiiruse vähendamiseks nuppu „-“. Seadmel on 5 kiirusastet.
- Õhuvoo kiiruse märgutuli põleb roheliselt, mis vastab praegustele kiirustasemetele.

TURBO-režiim

MÄRKUS: TURBO-režiimis saavutab ventilaator maksimaalse õhukiiruse.

- Vajutage nuppu „TURBO“, TURBO märgutuli süttib roheliselt ja ventilaator lülitub „TURBO“ režiimile, st suurimale õhukiirusele.
- Kui olete režiimis „TURBO“, vajutage uuesti nuppu „TURBO“, TURBO märgutuli kustub ja ventilaator jätkab varasema režiimi õhukiirust.
- Kui olete režiimis „TURBO“, vajutage nuppu „-“, TURBO märgutuli kustub ja ventilaator lülitub õhukiiruse tasemele 5.

VÕNKUMISE FUNKTSIOON (JOONIS. C)

- Vajutage üks kord võnkumisnuppu, et käivitada ventilaatori otsiku võnkumisfunktsioon, võnkumise indikaator süttib rohelisena ja ventilaatori otsik pöörleb 60° ulatuses küljelt küljele (-30° kuni 30°).

- Vajutage teist korda võnkumisnuppu, süttib võnkumisindikaatori kaks rohelist tuld, aktiveerides 120° võnkumisvahemiku (-60° kuni 60°).
- Vajutage kolmandat korda võnkumisnuppu, süttib võnkumisindikaatori kolm rohelist tuld, aktiveerides 180° võnkumisvahemiku (-90° kuni 90°).
- Võnkumisfunktsiooni väljalülitamiseks vajutage neljandat korda võnkumisnuppu.

VENTILAATORI NURGA REGULEERIMINE (JONIS. D)

Ventilaatori otsikut saab seadistada mitmele nurgale vahemikus -30° kuni 90°. Udu/õhuvoolu suuna reguleerimiseks haarake ventilaatori ülemise käepidemest ja kallutage ventilaatori otsikut ette- või tahapoole.

UDUFUNKTSIOON

Udurežiimi nupp

- Vajutage üks kord udurežiimi valimise nuppu ja udunäidikul süttib kuni kolm rohelist tuld, mis näitavad tugeva vooluga pidevat udurežiimi – tugev udu tekib kogu aeg ilma peatumata.
- Vajutage uuesti udurežiimi valimise nuppu ja udunäidikul süttib kuni kaks rohelist tuld, mis näitavad pidevat udurežiimi – udu tekib kogu aeg ilma peatumata.
- Vajutage kolmandat korda udustamisrežiimi nuppu ja udunäidikul süttib alumine roheline tuli, mis näitab “vahelduvat” udurežiimi - udu tekib 10 sekundi jooksul iga 10 sekundi järel.

MÄRKUS: Otsakute väljuva udu nägemiseks võib kuluda mõni sekund. See viivitus on tingitud ajast, mis kulub vee voolamiseks sisselasketorust otsakutesse.

- Kui udu tekitatakse vahelduvas režiimis, vajutage uuesti udurežiimi valikunuppu, udufunktsiooni näidiku tuled kustuvad ja udu tekitamine peatub.

MÄRKUS: Kui udu tekitamine on lõppenud, tõmmake sisselasketoru veeallikast välja ja laske ventilaatoril udurežiimil töötada, kuni kogu vesi torust eemaldatakse. See aitab vältida torus oleva jääkvee ootamatut uduks muutmist ventilaatori uuesti käivitamisel.

Ventilaatori kasutamine koos veeambri või muu mahutiga (ei kuulu komplekti) (joonis E)

⚠ HOIATUS: Lapsed võivad kukkuda ämbritesse ja uppuda. Hoidke lapsed eemal ämbritest, mis sisaldavad isegi väikest kogust vedelikku.

MÄRKUS: Enne iga kasutamist puhastage ämbrit seebi ja veega.

1. Ühendage akuplokk lahti.
2. Asetage ämber tasasele pinnale.
3. Lisage ämbriksse AINULT puhast külma vett. Ärge ületäitke.
4. Kastke sisselasketoru filtriots vee sisse.

MÄRKUS: Ärge painutage sisselasketoru ja veenduge alati, et vesi voolab sujuvalt läbi toru.

5. Paigaldage aku.
6. Ventilaatori sisselülitamiseks (ON) vajutage toitenuppu.
7. Udu puhustamise alustamiseks vajutage udurežiimi valiku nuppu.

Ventilaatori ühendamine veekraaniga (joonis F ja joonis G)

1. Keerake filtri ülemine osa vastupäeva lahti ja ühendage see alumisest osast lahti (joonis F).

F-1	Filtri alumine osa
F-2	Filtri ülemine osa

MÄRKUS: Veenduge, et alumine osa ei lähe ülemise osa lahtiühendamise ajal kaheks osaks ja jääb aiavooliku adapteriga ühendamiseks tervikuna kokku.

2. Keerake lahti (vastupäeva) ventilaatori allosas olev aiavooliku adapter. Keerake see (päripäeva) filtri alumisse ossa.
3. Ühendage aiavooliku adapter sobiva aiavooliku kiirliitmikuga (ei ole kaasas). Kinnitage kiirliitmik aiavooliku adapteri külge, kuni kuulete selget klõpsatust (joonis G).

G-1	Aiavooliku adapter
G-2	Tüüpiline kiirühendusliitmik

ET

MÄRKUS: Ärge püüdke aiavooliku adapterit ühendada, kui see on paigaldatud ventilaatori põhja külge (joonis G1).

4. Ühendage aiavoolik veevoolikuga.
5. Paigaldage aku.
6. Ventilaatori sisselülitamiseks (ON) vajutage toitenuppu.
7. Avage veekraan täielikult, ventilaator hakkab udu tekitama.

MÄRKUS: Soovitatav maksimaalne töörihk ei tohiks ületada 80 psi.

MÄRKUS: Isegi kui voolu ei ole, hakkab ventilaator udu tekitama, kui veekraan sisse lülitatakse.

8. Paremate töötulemuste saavutamiseks vajutage udu tekitamise režiimi nuppu.

MÄRKUS: Aiavooliku adapteri väike ava muudab selle vastuvõtlikuks karedale veele ja mineraalide kogunemisele. Puhastage adapterit sageli ja kasutage sette eemaldamiseks valget äädikat või muud kattakivieemaldusvahendit.

Ventilaatori kasutamine ilma udufunktsioonita

Soovi korral võib seda toodet kasutada ainult ventilaatorina, kui see pole veeallikaga ühendatud. Kui seda ei kasutata, paigutage sisselasketoru alati selle hoiukohta (vt selle juhendi jaotist „TRANSPORTIMINE JA HOIUSTAMINE“), et kaitsta seda kahjustuste ja saastumise eest.

SIDETEHNOLOOGIA

Et saada teavet või tutvuda kogu meie ühendatud toodete ja teenuste valikuga, sealhulgas ühendamisjuhistega, skannige allpool olev QR-kood või külastage veebilehte www.egopowerplus.eu/connect.



ELEKTROONIKA KAITSE

Kui võnkumisfunktsioon on aktiveeritud, kuid ventilaator ei võnkuma ei hakka ja võnkumise indikaatoril põleb pidevalt kolm rohelist tuld, et tuletada kasutajale meelde, et ta kontrolliks, kas ventilaatori otsik on kinni jäänud ja eemaldaks enne funktsiooni taaskäivitamist ventilaatori otsiku külge kinni jäänud võrkehaid.

Kui udu tekitamise funktsioon on aktiveeritud, kuid veeudu ei välju:

- Veepump töötab mõnda aega ja peatub seejärel sisemise elektroonika kaitsmiseks automaatselt.
- Uduindikaator näitab pidevalt kolme vilkuvat rohelist tuld, mis hoiatab operaatorit:
 - a. Kontrollida, kas sisselasketoru on korralikult vette kastetud.
 - b. Kontrollida, kas ududüüs(id) on ummistunud, ja puhastada vastavalt peatükile „DÜÜSIDE HOOLDUS“.

- c. Udu tekitamise taaskäivitamiseks vajutage udurežiimi valiku nuppu.

Kui aku laetuse tase on madal, vilgub toitenupp rohelisena, et tuletada operaatorile meelde aku laadimist või vahetamist.

Kui aku või ventilaator on liiga kuum, vilgub toitenupp punaselt, et hoiatada operaatorit, et ta lülitaks ventilaatori välja ja laseks akul või uduventilaatoril enne ventilaatori taaskäivitamist jahtuda, kuni temperatuur langeb soovitatud töötemperatuuri vahemikku.

HOOLDUS

⚠ HOIATUS: Hooldusel ja remontimisel kasutage vaid originaalvaruosi. Mis tahes muude osade kasutamine võib põhjustada ohtlikke olukordi või seadet vigastada. Turvalisuse ja vastupidavuse tagamiseks peab kõiki parandustöid läbi viima kvalifitseeritud hooldustehnik.

⚠ HOIATUS: Raskete kehavigastuste vältimiseks tuleb masina puhastamise või hooldamise ajaks alati akuplokk eemaldada.

ÜLDHOOLDUS

Uduventilaatori kõiki hooldustoiminguid, välja arvatud neid, mis on loetletud siinsetes hooldusjuhistes, peavad läbi viima kogemustega hooldustehnikud.

Vältige plastosade puhastamisel lahustite kasutamist. Enamik plastrajalidest on vastuvõtlikud müügil olevatest lahustitest tulenevatele kahjustustele. Kasutage mustuse, tolmu, õli, määrdet jms eemaldamiseks puhast lappi.

⚠ HOIATUS: Ärge kunagi laske pidurivedelikel, bensiinil, naftabaasil toodetel, läbitungivatel õlidel jms puutuda kokku plastosadega. Kemikaalid võivad plasti kahjustada, nõrgendada või hävitada, mille tagajärjeks võib olla raske kehavigastus.

⚠ HOIATUS: Uduventilaatori puhastamisel ÄRGE sukeldage seda vette ega ühegi teise vedeliku sisse.

PIHUSTUSOTSAKUTE HOOLDUS (joonis H)

⚠ HOIATUS: Veelekke vältimiseks veenduge, et kõiki pihustusotsaku hooldustööd tehakse korralikult. Lekked võivad tekitada libeda pinna, tekitades libisemis- ja kukkumisohtu või põhjustada varalist kahju.

Ebakorrapäraste udumustrite või lekke põhjuseks võib olla ummistunud või määrdunud pihustusotsak.

Pihustusotsakute puhastamine

1. Lülitage ventilaator välja ja eemaldage akuplokk.
2. Eemaldage ummistunud pihustusotsakud ventilaatori korpuse esivõre kaitsekattelt, keerates neid vastupäeva.
3. Võtke iga mõjutatud pihustusotsak osadeks lahti.
4. Ummistavate või takistavate võõrosakeste eemaldamiseks loputage pihustusotsakute osasid veega. Katlakivi (mineraalide) kogunemise eemaldamiseks puhastage pihustusotsakute osi vajadusel valge äädika või muu katlakivieemaldusvahendiga.
5. Pange düüsid uuesti kokku.

MÄRKUS: Ummistumise vältimiseks veenduge, et pihustusotsak on kokku pandud täpselt nii, nagu on näidatud joonisel H.

6. Kinnitage puhtad pihustusotsakud uuesti esivõre kaitsekatte külge.

FILTERI HOOLDUS (joonis I)

Kontrollige perioodiliselt sisselasketoru otsas olevat filtrit, et veenduda, et see on heas seisukorras.

1. Lülitage ventilaator välja ja eemaldage akuplokk.
2. Keerake filtri ülemine osa filtri alumisest osast lahti.

I-1	Lower Part	I-3	Käsnvõrk
I-2	Metallvõrk	I-4	Ülemine osa

MÄRKUS: Ülemist osa lahti keerates veenduge, et alumine osa ei ole kaheks tükiks eraldatud. Metallvõrgu eemaldamiseks peab alumine osa jääma kokkupanduks.

3. Võtke ülemisest osast välja käsnvõrk ja alumisest osast metallvõrk.
4. Loputage metallvõrku ja käsnvõrku või vahetage see vajaduse korral välja.
5. Monteerige filter uuesti kokku.

MÄRKUS: Veenduge, et metallvõrk on kokku pandud nii, et kõrgendatud äär on väljapoole suunatud, et seda oleks järgmine kord lihtne lahti võtta.

AIAVOOLIKU ADAPTERI HOOLDUS

Aiavooliku adapteri väike ava muudab selle vastuvõtlikuks karedale veele ja mineraalide kogunemisele. Puhastage adapterit sageli ja kasutage sette eemaldamiseks valget äädikat või muud katlakivieemaldusvahendit.

VENTILAATORI KORPUSE HOOLDUS

(joonis J ja joonis K)

1. Lülitage ventilaator välja ja eemaldage akuplokk.
2. Esivõre kaitsekatte eemaldamiseks kasutage ristpeakruvikeerajat (ei kuulu komplekti), et keerata ventilaatori korpuse tagaküljelt välja kaheksa kruvi.

J-1	Kruvi (x8)
J-2	Eesmine võrekaitse

3. Hoidke ventilaatori tiivikut kinni, et vältida selle pöörmist ja keerake ventilaatori tiiviku lukustuskatet päripäeva, et ventilaatori tiivik võlli küljest lahti saada.

K-1	Ventilaatori tiivik
K-2	Lukukate

4. Eemaldage ventilaatori tiivik.
5. Vajadusel puhastage ventilaatori laba ja korpuse sisemus.
6. Pange need kokku vastupidises järjekorras ja veenduge, et:

Ventilaatori tiivikul olev märk on joondatud võlli ristlatiga.

TRANSPORTIMINE JA LADUSTAMINE (joonis L)

- Eemaldage aku.
- Puhastage ventilaator põhjalikult.
- Tühjendage sisselasketoru ja filter.

MÄRKUS: Ventilaatori talvine hoiustamine on oluline, et kaitsta seda külmumise eest, mis võib kahjustada pumpa, voolikuid ja muid komponente. **Enne ventilaatori talvist hoiustamist ühendage alati ventilaatori sisselasketoru veeallikast lahti ja laske ventilaatoril töötada pidevas udurežiimis, kuni torus ei ole enam jääkvett.**

- Kinnitage sisselasketoru ja filter ventilaatori alumisel küljel asuvate klambritega.
- Keerake aiavooliku adapter ventilaatori aluse allosas asuvasse keermestatud hoiuvasse.

L-1	Aiavooliku adapter
L-2	Klambrid

- Transportimisel kandke ventilaatorit ülemise käepideme või külgmiste käepidemete abil.
- Säilitage ventilaatorit siseruumides, hästi ventileeritud kohas.

ET

- Hoidke seda eemal korrodeerivatest ainetest (nt aiakemikaalid ja jääsulatussoolad).

Keskkonnakaitse



Ärge visake elektriseadmeid, kasutatud akut ega laadurit olmeprügi hulka!

Viige toode volitatud taaskäitleja juurde ja võimaldage selle komponendid sorteerituna kõrvaldada. Elektritööriistad tuleb viia keskkonnakaitseasutuste juurde järgivasse jäätmekäitluskeskusesse.

TÖRKEOTSING

PROBLEEM	PÕHJUS	LAHENDUS
Uduventilaator ei käivitu.	<ul style="list-style-type: none"> ■ Aku ei ole täielikult korpusesse sisestatud. ■ Uduventilaatori ja aku vahel puudub elektriline ühendus. ■ Aku on tühi. ■ Aku või ventilaator on liiga kuum. 	<ul style="list-style-type: none"> ■ Kontrollige, kas aku on täielikult korpusesse sisestatud. ■ Eemaldage aku, kontrollige ühendusi ja pange aku tagasi. ■ Laadige akut. ■ Lülitage ventilaator välja ja laske akul või uduventilaatoril maha jahtuda, kuni temperatuur langeb soovitatud töötemperatuuri vahemikku.
Udu ei tekki ja udu näidikul vilgub kolm rohelist tuld.	<ul style="list-style-type: none"> ■ Sisselasketoru ei pumpa vett, aktiveerides ventilaatori sees oleva elektripumba sisemise kaitse. ■ Pihustusotsakud ummistusid töö käigus, aktiveerides elektripumba sisemise kaitse. 	<ul style="list-style-type: none"> ■ Kontrollige ja veenduge, et ämbris on piisavalt vett ja sisselasketoru on korralikult vette kastetud. ■ Puhastage düüs(id) vastavalt peatükile „DÜÜSIDE HOOLDUS“ ja pange need uuesti kokku vastavalt juhistele.
Ventilaator lõpetab võnkumise ja võnkumise indikaator vilgub kolm korda roheliselt.	<ul style="list-style-type: none"> ■ Ventilaatori otsik on võnkumise ajal kinni jäänud. 	<ul style="list-style-type: none"> ■ Eemaldage kõik võõrkehad, mis takistavad ventilaatori otsikul võnkumist.

GARANTII

EGO GARANTIIPÕHIMÕTTED

Täielikud EGO garantiitingimused leiate veebilehelt egopowerplus.eu.

ET

ПРОЧИТАЙТЕ ВСІ ІНСТРУКЦІЇ!**ПРОЧИТАЙТЕ ПОСІБНИК З ЕКСПЛУАТАЦІЇ**

⚠ ПОПЕРЕДЖЕННЯ: Для гарантування безпеки та надійності всі ремонтні роботи повинен проводити кваліфікований технічний спеціаліст.

⚠ ПОПЕРЕДЖЕННЯ: Перш ніж користуватися цим приладом, обов'язково ознайомтеся з усіма інструкціями з безпеки, наведеними в цьому посібнику користувача, зокрема з усіма символами попереджень, такими як «**НЕБЕЗПЕКА**», «**ПОПЕРЕДЖЕННЯ**» та «**ЗАСТЕРЕЖЕННЯ**». Недотримання наведених нижче вказівок може спричинити ураження електричним струмом, пожежу та/або серйозні травми.

ЗБЕРІГАЙТЕ ВСІ ПОПЕРЕДЖЕННЯ ТА ІНСТРУКЦІЇ ДЛЯ ВИКОРИСТАННЯ В МАЙБУТЬОМУ.

СИМВОЛИ, ЩО СТОСУЮТЬСЯ БЕЗПЕКИ

⚠ ПОПЕРЕДЖЕННЯ: Використання будь-яких приладів може призвести до потраплення сторонніх предметів в очі, що може спричинити серйозне пошкодження очей. Перед початком експлуатації приладу завжди надягайте закриті захисні окуляри або відкриті захисні окуляри з бічними щитами та, якщо потрібно, повнопрофільну захисну маску. Ми рекомендуємо захисну маску широкого розміру для використання поверх окулярів або стандартні відкриті захисні окуляри з бічними щитами.



Попередження щодо безпеки



Щоб зменшити ризик травми, користувач повинен ознайомитися з інструкцією користувача перед використанням цього виробу.



Гарантований рівень звукової потужності.
Розповсюдження шуму в навоколишнє середовище згідно з директивою Європейського співтовариства.



Символ Bluetooth®



Відходи електричних виробів не слід викидати разом із побутовим сміттям.
Зверніться до авторизованого пункту переробки.



Цей виріб відповідає чинним директивам ЄС.



Постійний струм



Цей виріб відповідає чинному законодавству Великої Британії.

UK

IPX4 Захист від бризок води

ЗАГАЛЬНІ ПОПЕРЕДЖЕННЯ ЩОДО БЕЗПЕКИ

▲ ПОПЕРЕДЖЕННЯ: Щоб зменшити ризик пожежі, ураження електричним струмом або травми:

- **Ознайомтеся з вентилятором із функцією туманоутворення. Уважно прочитайте інструкцію. Дізнайтеся про застосування та обмеження вентилятора, а також про конкретні потенційні небезпеки, пов'язані з цим вентилятором.** Дотримання цього правила зменшить ризик ураження електричним струмом, пожежі або серйозних травм.
- Цей інструмент можуть використовувати діти старші 8 років та особи зі знизженими фізичними, сенсорними та ментальними можливостями або котрим бракує досвіду та знань, якщо їм забезпечено нагляд та надано інструкції щодо безпечного користування інструментом і якщо вони розуміють можливу небезпеку.
- Дітям забороняється гратись з машиною.
- Дітям забороняється без нагляду чистити та обслуговувати прилад

БЕЗПЕКА РОБОЧОЇ ЗОНИ

- Не працюйте з вентилятором у вибухонебезпечному середовищі, наприклад за наявності легкозаймистих рідин, газів або пилу.
- Дітям і спостерігачам заборонено перебувати поруч із приладом, що працює. Це може відволікати вас і призвести до втрати контролю.
- Будьте обережні під час використання в умовах вітру. Вітер може заносити туман в електропроводку або пристрої.
- Не піддавайте прилад дії дощу або сирості. Вода, що потрапила в прилад, підвищує ризик ураження електричним струмом.

ІНДИВІДУАЛЬНА ТЕХНІКА БЕЗПЕКИ

- Під час роботи з приладом будьте уважні, стежте за своїми діями та мисліть розсудливо. Не працюйте з приладом, якщо ви втомлені, засмучені або перебуваєте під дією наркотичних речовин, алкоголю чи ліків. Навіть миттєва неувважність під час роботи з приладом може призвести до серйозної травми.
- Уникайте випадкового запуску інструмента. Перш ніж підключати прилад до акумулятора, брати чи переносити його, перевірте, чи встановлено перемикач у положення «вимкнено». Якщо переносити прилад, тримаючи палець на вимикачі, або під'єднати прилад, який увімкнено вимикачем, до джерела живлення, це може призвести до

нешасних випадків.

- **Перш ніж вимкати прилад, слід зняти всі регульовальні клинці або гайкові ключі.** Якщо залишити такий ключ на рухомій частині приладу, це може призвести до травмування.
- **Не перенапружуйтеся. Завжди міцно стійте на ногах і втримуйте рівновагу.** Це дає змогу краще керувати приладом у разі виникнення непередбачуваних ситуацій.
- **Одягайтеся належним чином. Не носіть вільного одягу або прикрас. Стежте за тим, щоб волосся та одяг не потрапили на рухомі частини.** Вільний одяг, прикраси або довге волосся можуть потрапити в рухомі частини.
- **Перед використанням приладу переконайтеся, що всі з'єднання надійні.**
- **Не дозволяйте навичкам, отриманим після частого використання приладу, змусити вас стати самовпевненими та ігнорувати принципи безпеки роботи з приладом.** Недбала дія може спричинити серйозну травму протягом долі секунди.

ВИКОРИСТАННЯ ТА ДОГЛЯД

- Не використовуйте прилад, якщо вимикач не вмикає або не вимикає його. Прилад, яким неможливо керувати за допомогою вимикача, становить небезпеку й потребує ремонту.
- Від'єднайте акумуляторну батарею від приладу, перш ніж виконувати будь-яке регулювання, заміняти аксесуари чи зберігати прилад. Такі запобіжні заходи техніки безпеки зменшують ризик випадкового запуску приладу.
- Зберігайте прилад, що не використовується у недоступному для дітей місці та не дозволяйте особам, які не знайомі з приладом або цими інструкціями, керувати приладом. Прилади становлять небезпеку в руках недосвідчених користувачів.
- Обслуговуйте прилад і аксесуари. Перевіряйте їх на предмет розладнання чи блокування рухомих частин, а також будь-яких обставин, які можуть вплинути на роботу приладу. У разі пошкодження приладу відремонтуйте його перед використанням. Часто нещасні випадки трапляються внаслідок неналежного технічного обслуговування приладу.
- Користуйтеся приладом і аксесуарами згідно з цією інструкцією, зважаючи на робочі умови та роботу, яку слід виконати. Використання приладу не за призначенням може стати причиною виникнення небезпечних ситуацій.

UK

- Підтримуйте ручки та захватні поверхні сухими, чистими, без жиру та бруду. Слизькі ручки та захватні поверхні не дають змоги безпечно тримати та керувати виробом у непередбачених ситуаціях.

⚠ ПОПЕРЕДЖЕННЯ: Щоб зменшити ризик пожежі або ураження електричним струмом, не використовуйте цей вентилятор із будь-яким твердотільним пристроєм контролю швидкості.

ВИКОРИСТАННЯ АКУМУЛЯТОРНОГО ПРИЛАДУ ТА ДОГЛЯД ЗА НИМ

- Заряджайте лише за допомогою зарядного пристрою, вказаного виробником. Зарядний пристрій, який підходить для акумуляторів одного виду, може спричинити ризик пожежі у випадку його використання з іншим акумулятором.
- З приладом слід використовувати лише призначені для нього акумуляторні батареї. Використання будь-яких інших акумуляторних батарей може призвести до травми або пожежі.
- Коли батарея не використовується, її слід тримати окремо від металевих предметів – затискачів паперу, монет, ключів, цвяхів, шурупів та інших дрібних предметів, які можуть замкнути клеми. Коротке замикання клем акумулятора може стати причиною опіків чи пожежі.
- У надто важких умовах експлуатації з акумулятора може витікати рідина; не доторкайтесь до неї. Якщо випадково ви все ж торкнулися її, слід промити це місце водою. Якщо рідина потрапила в очі, слід також звернутися до лікаря. Рідина, яка виступає з акумулятора, може спричинити подразнення або опіки.
- Не використовуйте акумуляторну батарею або прилад, які пошкоджено або змінено. Пошкоджені або змінені батареї можуть мати непередбачувану поведінку, що може спричинити пожежу, вибух або ризик травмування.
- Не піддавайте акумуляторну батарею або прилад дії вогню або високих температур. Вогонь або температура вище 130°C може спричинити вибух.
- Дотримуйтесь усіх інструкцій щодо заряджання та не заряджайте акумуляторну батарею або прилад за межами температурного діапазону, зазначеного в інструкції. Зарядження неналежним чином або при температурах за межами вказаного діапазону може пошкодити акумулятор і збільшити ризик виникнення пожежі.

UK

СЕРВІС

- Обслуговування приладу повинен виконувати кваліфікований ремонтник із використанням лише ідентичних запасних частин. Це забезпечить надійну роботу приладу.
- Ніколи не ремонтуйте пошкоджені акумулятори. Сервісне обслуговування акумуляторних батарей має виконувати лише виробник або авторизовані постачальники послуг.

ІНСТРУКЦІЇ З БЕЗПЕКИ ДЛЯ АКУМУЛЯТОРНОГО ВЕНТИЛЯТОРА З ТУМАНООТВОРЕННЯМ

- Цей прилад не призначено для використання особами (зокрема дітьми) з обмеженими фізичними, сенсорними чи розумовими можливостями, або такими, що мають недостатню досвід або знань, окрім випадків, якщо вони використовують прилад під наглядом або були проінструктовані стосовно його використання особою, відповідальною за їхню безпеку.
- Діти повинні бути під наглядом, щоб вони не бавилися з приладом.
- Не дозволяйте використовувати вентилятор як іграшку. Необхідна пильна увага, коли вона використовується дітьми або біля них.
- Діти можуть впасти у відра й потонути. Тримайте дітей подалі від відер навіть із невеликою кількістю рідини.
- Використовуйте ЛИШЕ чисту холодну воду.
- Не використовуйте цей вентилятор для розпилення пестицидів, рідких добрив, хімікатів або будь-яких інших рідин, крім чистої води. Розпилювання цих речовин може призвести до серйозної травми оператора або сторонніх спостерігачів.
- Ніколи не спрямовуйте туман або воду на електричну проводку чи пристрої.
- Переконайтеся, що кришка акумуляторного відсіку повністю закрыта, щоб вода не потрапила на акумулятор або в порт акумулятора.
- Підтримуйте прилад і його руків'я сухими, чистими, без мастила і бруду. Завжди використовуйте чисту ганчірку для чищення. Ніколи не використовуйте гальмівні рідини, бензин, нафтові продукти або будь-які міцні розчинники для очищення вентилятора. Дотримання цього правила зменшить ризик втрати контролю та пошкодження пластикової оболонки.

- Батареї можуть вибухнути в присутності джерела займання, наприклад індикатора. Щоб зменшити ризик серйозного травмування, ніколи не використовуйте бездротовий пристрій у присутності відкритого полум'я. Вибухла батарея може розповсюджувати сміття та хімічні речовини. У разі виявлення негайно змийте водою.
- **Збережіть цю інструкцію.** Часто переглядайте та використовуйте її, щоб навчати інших, хто може використовувати цей вентилятор. Якщо ви надасте комусь цей вентилятор, надайте їм ці інструкції, щоб запобігти неналежному використанню виробу та можливим травмам.
- Майте на увазі, що висока вологість може сприяти росту біологічних організмів у навколишньому середовищі.
- Не допускайте, щоб область навколо вентилятора з туманоутворенням стала вологою або мокрою. Якщо з'являється сирість, зменште потужність вентилятора туману. Якщо потужність вентилятора з туманоутворенням не можна зменшити, використовуйте зволожувач повітря з перервами. Не допускайте, щоб абсорбуючі матеріали, такі як килимове покриття, штори, штори або скатертини, ставали вологими.
- Ніколи не залишайте воду в резервуарі, коли прилад не використовується.
- Перед зберіганням спорожніть і очистьте вентилятор із туманоутворенням. Очистьте зволожувач перед наступним використанням.

⚠ ПОПЕРЕДЖЕННЯ: Мікроорганізми, які можуть бути присутніми у воді або середовищі, де використовується або зберігається прилад, можуть рости в резервуарі для води та розноситися у повітрі, спричиняючи дуже серйозні ризики для здоров'я, якщо вода не оновлюється і резервуар не очищується належним чином кожні 3 дні.

Акумулятори необхідно виймати з приладу перед заряджанням.

- Використані батареї необхідно вийняти з приладу та безпечно утилізувати.
- Якщо прилад зберігатиметься без використання протягом тривалого часу, батареї слід вийняти.
- Клеми живлення не дозволяється закорочувати.

ЗБЕРЕЖІТЬ ЦЮ ІНСТРУКЦІЮ

ТЕХНІЧНІ ХАРАКТЕРИСТИКИ

Номинальна напруга	56 В
Діаметр лопаті вентилятора	25,4 см
Налаштування швидкості вентилятора	6 (включно з «Турбо»)
Макс. Об'єм повітря	1700 CFM
Макс. Швидкість повітря	32,2 км/год
Кут коливань	60°, 120°, 180°
Об'єм води для туманоутворення	Висока: 5,7 л/год
	Середня: 4,9 л/год
	Низька: 2,5 л/год
Вага (без акумулятора)	4,7 кг
Діапазон рекомендованих температур зберігання	-20°C ... +70°C
Діапазон робочих частот Bluetooth	2402–2480 МГц
Максимальна потужність передачі	4 дБм

- Вказане загальне значення вібрації виміряне за стандартним методом тестування та може використовуватися для порівняння одного приладу з іншим.
- Заявлене сумарне значення вібрації може також використовуватися для попередньої оцінки впливу.

ПРИМІТКА: Емісія вібрації під час фактичного використання приладу може відрізнятися від заявленої величини, у якій використовується прилад. Щоб захистити оператора, користувач повинен одягати рукавички та захисні навушники в реальних умовах використання.

ПАКУВАЛЬНИЙ СПИСОК (РИС. А1)

ОПИС

ОЗНАЙОМЛЕННЯ З ПОВІТРОДУВКОЮ (рис. А1 і А2)

1. Панель керування (рис. А2)
2. Рамка коливання
3. Розпилювальна форсунка
4. Верхня ручка
5. Корпус вентилятора

UK

6. Бічна ручка
7. Акумуляторний відсік
8. Електричні контакти
9. Кнопка звільнення акумулятора
10. Адаптер для садового шланга
11. Фільтр
12. Всмоктувальна трубка
13. Кнопки регулювання швидкості повітря
14. Кнопка ТУРБО
15. Індикатор ТУРБО
16. Індикатор туманоутворення
17. Кнопка режиму туманоутворення
18. Кнопка живлення
19. Індикатор швидкості повітря
20. Індикатор коливань
21. Кнопка режиму коливань

ЗБИРАННЯ

⚠ ПОПЕРЕДЖЕННЯ: Якщо якісь частини пошкоджені або відсутні, не користуйтеся цим інструментом, доки вони не будуть замінені. Використання цього виробу з пошкодженими або відсутніми деталями може призвести до серйозних травм.

⚠ ПОПЕРЕДЖЕННЯ: Не намагайтеся вдосконалити цей інструмент або застосувати приладдя, не рекомендоване для нього. Кожна така заміна чи переробка є фактом неправильного користування, створює небезпечні умови й загрожує серйозними травмами.

⚠ ПОПЕРЕДЖЕННЯ: Щоб запобігти випадковому запуску, що може спричинити серйозні травми, завжди виймайте акумуляторну батарею з машини під час монтажу деталей.

- Цей виріб поставляється повністю зібраним.
- Обережно вийміть інструмент і приладдя з коробки. Перевірте наявність усіх частин, вказаних у пакувальному списку.
- Ретельно огляньте виріб, чи немає частин, поламаних або пошкоджених під час доставки.
- Не викидайте пакувальні матеріали, доки ви уважно не оглянете виріб і не почнете його нормально експлуатувати.
- Якщо будь-які деталі пошкоджені або відсутні, поверніть виріб у місця покупки.

ЕКСПЛУАТАЦІЯ

⚠ ПОПЕРЕДЖЕННЯ: Знання виробу не має робити вас недбалим. Пам'ятайте, що півсекунди неухважності досить для серйозної травми.

⚠ ПОПЕРЕДЖЕННЯ: Щоб запобігти випадковому запуску, що може спричинити серйозні травми, завжди виймайте акумуляторну батарею з вентилятора перед обслуговуванням, регулюванням, чищенням, зміною насадок або коли він не використовується.

⚠ ПОПЕРЕДЖЕННЯ: Не використовуйте приладдя чи насадки, не рекомендовані виробником цього пристрою. Використання нерекomenдованого приладдя чи насадок може призвести до серйозних травм.

Перед кожним використанням перевіряйте весь виріб на предмет пошкоджень, відсутності або послаблення деталей, таких як гвинти, гайки, болти, кришки тощо. Закріпіть усі затискачі та ковпачки і не використовуйте цей прилад, доки не будуть замінені всі відсутні або пошкоджені деталі.

ЗАСТОСУВАННЯ

Ви можете використовувати цей виріб для цілей, перелічених нижче:

- Загальна вентиляція в більшості побутових застосувань.
- Охолодження надворі за умови підключення до джерела води.

ПРИМІТКА: Цей виріб має використовуватись тільки за призначенням. Будь-яке інше використання вважається випадком використання не за призначенням.

УСТАНОВЛЕННЯ І ВИДАЛЕННЯ АКУМУЛЯТОРА

Використовуйте лише з акумуляторними батареями та зарядними пристроями EGO, переліченими на рис. А3.

ПРИМІТКА: Повністю зарядіть акумулятор перед першим використанням.

Установлення

Вирівняйте виступи на акумуляторі з кріпильними отворами та притисніть на акумуляторну батарею в батарейний відсік, доки не почуєте «кляцання» (рис. В1).

Видалення

Натисніть кнопку звільнення акумулятора та витягніть акумуляторну батарею (рис. В2).

⚠ ПОПЕРЕДЖЕННЯ: Завжди звертайте увагу на розташування своїх ніг, дітей або домашніх тварин, коли натискаєте кнопку звільнення батареї. Падіння акумуляторної батареї може призвести до серйозної травми. НІКОЛИ не виймайте акумуляторну батарею у високо розташованому місці.

ЗАПУСК/ЗУПИНКА ВЕНТИЛЯТОРА

ПРИМІТКА: Початкове заводське налаштування швидкості повітря – рівень 3. Вентилятор збереже останнє налаштування швидкості повітря й повернеться до нього після перезапуску. Налаштування турборежиму не зберігається.

ПРИМІТКА: Налаштування туманоутворення та коливань не буде збережено і за замовчуванням буде вимкнено після кожного ввімкнення вентилятора.

Панель керування (рис. A2)

Кнопка живлення

- Натисніть і відпустіть кнопку живлення, щоб увімкнути вентилятор.
- Натисніть кнопку живлення ще раз, щоб вимкнути вентилятор.

Регулювання швидкості повітря

Нормальна швидкість повітря

- Натисніть кнопку регулювання швидкості повітря «+», щоб збільшити швидкість повітря, і натисніть кнопку «-», щоб зменшити швидкість повітря. Є 5 рівнів швидкості.
- Індикатор швидкості повітря світяться зеленими вогнями, що відповідають поточному рівню швидкості.

Режим ТУРБО

ПРИМІТКА: У режимі ТУРБО вентилятор досягає максимальної швидкості повітря.

- Натисніть кнопку **ТУРБО**, індикатор **ТУРБО** засвітиться зеленим кольором і вентилятор перейде в режим **ТУРБО**, тобто на максимальну швидкість повітря.
- У режимі **ТУРБО** знову натисніть кнопку **ТУРБО**, індикатор **ТУРБО** вимкнеться, і вентилятор відновить швидкість повітря, яка була раніше.
- У режимі **ТУРБО** натисніть кнопку «-», індикатор **ТУРБО** вимкнеться, і вентилятор перейде на швидкість повітря 5.

ФУНКЦІЯ КОЛИВАНЬ (РИС. С)

- Натисніть кнопку коливань один раз, щоб запустити

функцію коливання головки вентилятора, індикатор коливань засвітиться зеленим кольором внизу, а головка вентилятора обертатиметься на 60° з боку в бік (від -30° до 30°).

- Натисніть кнопку коливання вдруге, загоряться два зелені індикатори коливання, при цьому буде активовано діапазон коливань 120° (від -60° до 60°).
- Натисніть кнопку коливання втретє, загоряться три зелені індикатори коливання, при цьому буде активовано діапазон коливань 180° (від -90° до 90°).
- Щоб вимкнути функцію коливань, натисніть кнопку коливання вчетверте.

РЕГУЛЮВАННЯ КУТА ВЕНТИЛЯТОРА (рис. D)

Головку вентилятора можна встановити під кількома кутами від -30° до 90°. Щоб відрегулювати напрямок туманоутворення/поток повітря, візьміться за верхню ручку вентилятора й нахиліть головку вентилятора вперед або назад.

ФУНКЦІЯ ТУМАНООУТВОРЕННЯ

Кнопка режиму туманоутворення

- Натисніть кнопку режиму утворення туману один раз, і індикатор туману загориться трьома зеленими лампочками, що вказує на режим сильного потоку безперервного утворення туману – сильного потоку води без зупинки.
- Натисніть кнопку режиму утворення туману ще раз, і індикатор туману загориться двома зеленими лампочками, що вказує на «безперервний» режим утворення туману.
- Натисніть кнопку режиму утворення туману втретє, і засвітиться нижній зелений індикатор туману, що вказує на «переривчастий» режим туману - туман утворюється протягом 10 секунд із перервою 10 секунд.

ПРИМІТКА: Може минути кілька секунд, перш ніж ви вперше побачите туман, що виходить із розпилювальних форсунок. Ця затримка пояснюється часом, який потрібен воді, щоб дотекти із всмоктувальної трубки до форсунок.

- У періодичному режимі туманоутворення натисніть кнопку режиму туману ще раз, і індикатори туману вимкнуться, а утворення туману припиниться.

ПРИМІТКА: Після закінчення розпилення від'єднайте всмоктувальну трубку вентилятора від джерела води та увімкніть вентилятор у режимі безперервного туманоутворення, доки з трубки не вийде вся вода. Це допомагає запобігти неочікуваному розпиленню води, що залишилася в трубці, під час повторного запуску вентилятора.

Використання вентилятора з відром для води або іншою ємністю (не входить у комплект) (рис. Е)

⚠ ПОПЕРЕДЖЕННЯ: Діти можуть впасти у відро й потонути. Тримайте дітей подалі від відер, що містять навіть невелику кількість рідини.

ПРИМІТКА: Мийте відро водою з милом перед кожним використанням.

1. Від'єднайте акумуляторну батарею.
2. Поставте відро на плоску рівну поверхню.
3. Налийте у відро ТІЛЬКИ чисту холодну воду. Не переливайте.
4. Занурте фільтрувальний кінець всмоктувальної труби у воду.

ПРИМІТКА: Не згинайте всмоктувальну трубку і завжди стежте, щоб вода безперешкодно проходила через неї.

5. Установіть акумуляторну батарею.
6. Натисніть кнопку живлення, щоб увімкнути вентилятор.
7. Натисніть кнопку режиму утворення туману, щоб почати випускати туман.

Підключення вентилятора до водопровідного крана (рис. F і рис. G)

1. Відкрутіть верхню частину фільтра проти годинникової стрілки та від'єднайте її від нижньої частини (рис. F).

F-1	Нижня частина фільтра
F-2	Верхня частина фільтра

ПРИМІТКА: Переконайтеся, що нижня частина не розділена на дві частини під час від'єднання верхньої частини й залишається цілою для підключення до адаптера садового шланга.

2. Відкрутіть (проти годинникової стрілки) адаптер садового шланга, що зберігається в нижній частині вентилятора. Вкрутіть його (за годинниковою стрілкою) в нижню частину фільтра.
3. Підключіть адаптер для садового шланга до відповідного садового шланга за допомогою швидкороз'ємного з'єднувача (не входить у комплект). Приєднайте швидкороз'ємний з'єднувач до адаптера садового шланга, доки не почуєте чітке клацання (рис. G).

G-1	Адаптер для садового шланга
G-2	Типовий швидкоз'ємний з'єднувач

ПРИМІТКА: Не під'єднуйте адаптер садового шланга, коли він установлений на нижній частині вентилятора (Рис. G1).

4. Підключіть садовий шланг до водопроводу.
5. Установіть акумуляторну батарею.
6. Натисніть кнопку живлення, щоб увімкнути вентилятор.
7. Повністю відкрийте водопровідний кран, вентилятор почне утворення туману.

ПРИМІТКА: Рекомендований максимальний робочий тиск не має перевищувати 80 фунтів на квадратний дюйм.

ПРИМІТКА: Навіть якщо живлення відсутнє, вентилятор почне утворення туману після відкриття водопровідного крана.

8. Натисніть кнопку режиму утворення туману, щоб вибрати режим утворення туману для кращих результатів роботи.

ПРИМІТКА: Маленький отвір в адаптері садового шланга робить його чутливим до жорсткої води та накопичення мінеральних відкладень. Часто очищайте адаптер і видаляйте накопичення білим оцтом або іншим засобом для видалення накипу.

Використання вентилятора без туманоутворення

За бажання цей виріб можна використовувати лише як вентилятор, якщо він не під'єднаний до джерела води. Коли всмоктувальна трубка не використовується, завжди змотуйте її в місце для зберігання (див. розділ «ТРАНСПОРТУВАННЯ ТА ЗБЕРІГАННЯ» цього посібника), щоб захистити її від пошкодження та забруднення.

КОМУНІКАЦІЙНА ТЕХНОЛОГІЯ

Щоб отримати інформацію про весь спектр наших підключених продуктів і послуг, зокрема вказівки щодо підключення, відскануйте QR-код нижче або відвідайте вебсайт www.egopowerplus.eu/connect.



ЗАХИСТ ЕЛЕКТРОНІКИ

Коли функція коливання активована, але вентилятор не коливається, три зелені індикатори коливання безперервно блиматимуть, щоб нагадати оператору перевірити, чи не застрягла головка вентилятора, і видалити будь-які сторонні предмети, які блокують головку вентилятора, перш ніж знову ввімкнути цю функцію.

Якщо функцію туману активовано, але водяний туман не виходить:

- Водяний насос деякий час працюватиме, а потім автоматично зупиниться, щоб захистити внутрішню електроніку.
- Індикатор туманоутворення безперервно блиматиме трьома зеленими лампочками, щоб попередити оператора про необхідність виконати такі дії:
 - a. перевірити, чи всмоктувальна трубка належним чином занурена у воду;
 - b. перевірити, чи не засмічено розпилювальну форсунку(и) та очистити відповідно до розділу «ОБСЛУГОВУВАННЯ ФОРСУНКИ»;
 - c. натиснути кнопку вибору режиму туману, щоб перезапустити туманоутворення.

Коли заряд акумулятора низький, кнопка живлення блиматиме зеленим, щоб нагадати оператору про необхідність заряджання або заміни акумуляторної батареї.

Коли акумуляторна батарея або вентилятор занадто гарячі, кнопка живлення блимає червоним, щоб попередити оператора про необхідність вимкнути вентилятор і дати акумуляторній батареї або вентилятору охолонути, доки температура не опуститься до рекомендованого діапазону робочих температур, перш ніж знову ввімкнути вентилятор.

ОБСЛУГОВУВАННЯ

⚠ ПОПЕРЕДЖЕННЯ: Використовуйте для технічного обслуговування лише ідентичні запчастини. Використання будь-яких інших частин створює небезпеку або може призвести до поломки виробу. Для гарантування безпеки та надійності всі ремонтні роботи повинен проводити кваліфікований технічний спеціаліст.

⚠ ПОПЕРЕДЖЕННЯ: Щоб уникнути серйозних травм, завжди виймайте акумуляторну батарею з виробу, перш ніж чистити або виконувати будь-яке технічне обслуговування.

ЗАГАЛЬНИЙ ТЕХНІЧНИЙ ДОГЛЯД

Усі роботи з обслуговування вентилятора з функцією туманоутворення, за винятком тих, що перелічені в цій інструкції з технічного обслуговування, мають виконуватись компетентним персоналом з обслуговування вентиляторів із функцією туманоутворення.

Не використовуйте розчинники для очищення пластмасових деталей. Більшість пластмас чутливі до різноманітних промислових розчинників і можуть бути ними пошкоджені. Для видалення бруду, пилу, мастила тощо користуйтеся чистою ганчіркою.

⚠ ПОПЕРЕДЖЕННЯ: Ніколи не допускайте контакту пластмасових частин із гальміною рідиною, бензином, нафтопродуктами, проникаючими оліями і т. ін. Хімікати можуть пошкодити, ослабити або зруйнувати пластмасу, а це загрожує серйозними травмами.

⚠ ПОПЕРЕДЖЕННЯ: Під час очищення вентилятора з функцією туманоутворення НЕ занурюйте його у воду чи інші рідини.

ОБСЛУГОВУВАННЯ ФОРСУНКИ (рис. Н)

⚠ ПОПЕРЕДЖЕННЯ: Переконайтеся, що обслуговування розпилювальної форсунки виконується належним чином, щоб запобігти витоку води. Витік може призвести до того, що поверхня стане слизькою. Через це можна послизнитися і впасти, а також це може призвести до пошкодження майна.

Нерівномірне розпилення або витікання води можуть бути наслідком засмічення або забруднення форсунки.

Очищення форсунок

1. Вимкніть вентилятор і вийміть акумуляторну батарею.
2. Зніміть забиті форсунки для утворення туману з передньої захисної решітки корпусу вентилятора, обертаючи їх проти годинникової стрілки.
3. Розберіть кожну пошкоджену форсунку на окремі частини.
4. Щоб видалити будь-які сторонні частки, які засмічують форсунки, промийте частини форсунки водою. Щоб усунути накопичення накипу (мінеральних речовин), очистьте частини форсунки білим оцтом або іншим засобом для видалення накипу, якщо необхідно.
5. Знову зберіть форсунки.

ПРИМІТКА: Щоб запобігти засміченню, переконайтеся, що форсунку зібрано точно так, як показано на рис. Н.

6. Знову прикріпіть чисті форсунки до передньої захисної решітки.

UK

ОБСЛУГОВУВАННЯ ФІЛЬТРА (рис. І)

Періодично перевіряйте фільтр на кінці всмоктувальної трубки, щоб переконатися, що він у хорошому стані.

1. Вимкніть вентилятор і вийміть акумуляторну батарею.
2. Відкрутіть верхню частину від нижньої частини фільтра.

I-1	Нижня частина	I-3	Губчаста сітка
I-2	Металева сітка	I-4	Верхня частина

ПРИМІТКА: Відкручуючи верхню частину, стежте за тим, щоб нижня частина не розділилася на дві частини. Нижня частина має залишитися в зібраному вигляді для зняття металевої сітки.

3. Вийміть губчасту сітку з верхньої частини, а металеву сітку з нижньої частини.
4. Промийте металеву сітку та губчасту сітку або замініть, якщо необхідно.
5. Знову зберіть фільтр.

ПРИМІТКА: Переконайтеся, що металеві сітки зібрані таким чином, щоб піднятий край був спрямований назовні для легкого розбирання наступного разу.

ОБСЛУГОВУВАННЯ АДАПТЕРА ДЛЯ САДОВОГО ШЛАНГА

Маленький отвір в адаптері садового шланга робить його чутливим до жорсткої води та накопичення мінеральних відкладень. Часто очищайте адаптер і видаляйте накопичення білим оцтом або іншим засобом для видалення накипу.

ОБСЛУГОВУВАННЯ КОРПУСУ ВЕНТИЛЯТОРА (рис. J і рис. K)

1. Вимкніть вентилятор і вийміть акумуляторну батарею.
2. За допомогою хрестоподібної викрутки (не входить у комплект) відкрутіть вісім гвинтів із задньої частини корпусу вентилятора, щоб зняти передню захисну решітку.

J-1	Гвинт (8 шт.)
J-2	Передня захисна решітка

3. Тримайте лопаті вентилятора в зборі, щоб запобігти їх обертанню, і поверніть кришку фіксатора лопатей вентилятора за годинниковою стрілкою, щоб зняти лопаті вентилятора в зборі з вала.

K-1	Лопаті вентилятора в зборі
K-2	Фіксувальна кришка

4. Зніміть лопаті вентилятора в зборі.
5. За потреби очистьте лопаті вентилятора та внутрішню частину корпусу.
6. Зберіть їх у зворотному порядку та переконайтеся, що:

Мітка на лопатях вентилятора в зборі суміщена з поперечною на валу.

ТРАНСПОРТУВАННЯ ТА ЗБЕРІГАННЯ (рис. L)

- Вийміть акумуляторну батарею.
- Ретельно очистьте вентилятор.
- Спорожніть всмоктувальну трубку та фільтр.

ПРИМІТКА: Підготовка вентилятора до зими необхідна для захисту від мінусових температур, які можуть призвести до пошкодження насоса, шлангів та інших компонентів.

Завжди від'єднуйте всмоктувальну трубку вентилятора від джерела води та запусайте вентилятор у режимі безперервного туманоутворення, доки в трубі не залишиться залишків води, перед зберіганням вентилятора взимку.

- Закріпіть всмоктувальну трубку та фільтр за допомогою затискачів, розташованих у нижній частині основи вентилятора.
- Прикрутіть адаптер садового шланга до різьбового отвору для зберігання, розташованого в нижній частині основи вентилятора.

L-1	Адаптер для садового шланга
L-2	Затискачі

- Під час транспортування переносьте вентилятор за верхню ручку або бічні ручки.
- Зберігайте вентилятор у закритому приміщенні, у добре провітрюваному місці.
- Тримайте подалі корозійні агенти, такі як садові хімікати та солі проти ожеледі.

Захист довкілля



Не викидайте електричне обладнання, акумулятор і зарядний пристрій у побутові відходи!

Віднесіть цей виріб авторизованому переробнику й надайте його для роздільного збирання. Електроінструменти необхідно повернути в підприємство, що займається екологічно безпечною переробкою.

UK

УСУНЕННЯ НЕСПРАВНОСТЕЙ

НЕСПРАВНІСТЬ	ПРИЧИНА	ВИРІШЕННЯ
Вентилятор із функцією туманоутворення не запускається.	<ul style="list-style-type: none"> ■ Акумуляторна батарея не повністю вставлена в корпус. ■ Немає електричного контакту між вентилятором із функцією туманоутворення та акумуляторною батареєю. ■ Акумуляторна батарея розряджена. ■ Акумуляторна батарея або вентилятор занадто гарячі. 	<ul style="list-style-type: none"> ■ Перевірте, чи повністю вставлено акумулятор у корпус. ■ Вийміть акумуляторну батарею, перевірте контакти та знову встановіть акумуляторну батарею. ■ Зарядіть акумуляторну батарею. ■ Вимкніть вентилятор і дайте акумулятору або вентилятору охолонути, доки температура не опуститься до рекомендованого діапазону робочих температур.
Утворення туману не відбувається, а індикатор туманоутворення блимає трьома зеленими лампочками.	<ul style="list-style-type: none"> ■ Всмоктувальна трубка не перекачує воду, що призводить до активації внутрішнього захисту електронасоса всередині вентилятора. ■ Форсунка(-и) засмічена(-и) під час роботи, що призвело до спрацювання внутрішнього захисту електричного насоса. 	<ul style="list-style-type: none"> ■ Перевірте та переконайтеся, що у відрі достатньо води, а всмоктувальна трубка належним чином занурена у воду. ■ Очистьте форсунку(и) відповідно до розділу «ОБСЛУГОВУВАННЯ ФОРСУНОК» і знову зберіть їх відповідно до інструкції.
Вентилятор перестає коливатися, а індикатор коливання блимає трьома зеленими лампочками.	<ul style="list-style-type: none"> ■ Головка вентилятора заклинює під час коливання. 	<ul style="list-style-type: none"> ■ Видаліть будь-які сторонні предмети, які перешкоджають коливанню головки вентилятора.

ГАРАНТІЯ

ПРАВИЛА ГАРАНТІЇ EGO

Відвідайте вебсайт egopowerplus.eu для отримання повного тексту умов гарантійної політики EGO.

UK

ПРОЧЕТЕТЕ ВСИЧКИ ИНСТРУКЦИИ!



ПРОЧЕТЕТЕ РЪКОВОДСТВОТО НА
ОПЕРАТОРА

▲ ПРЕДУПРЕЖДЕНИЕ: За да осигурите безопасността и надеждността, всички поправки трябва да се извършват от квалифициран сервизен техник.

▲ ПРЕДУПРЕЖДЕНИЕ: Уверете се, че сте прочели и разбрали всички инструкции за безопасност в това Ръководство на оператора, включително всички известяващи символи за безопасност, като „ОПАСНОСТ“, „ПРЕДУПРЕЖДЕНИЕ“ и „ВНИМАНИЕ“, преди да използвате тази машина. Неспазването на всички инструкции изброени долу може да доведе до електрически удар, пожар и/или сериозно нараняване.

ЗАПАЗЕТЕ ВСИЧКИ ПРЕДУПРЕЖДЕНИЯ И ИНСТРУКЦИИ ЗА БЪДЕЩА СПРАВКА.

СИМВОЛИ ЗА БЕЗОПАСНОСТ

▲ ПРЕДУПРЕЖДЕНИЕ: Експлоатацията на всички уреди, може да доведе до изхвърляне на чужди предмети към вашите очи, което може да доведе до сериозно нараняване на очите. Преди започване на работа с уреда, винаги носете предпазни очила със странична защита и визьор за цялото лице, когато е необходимо. Ние препоръчваме предпазна маска с широк визьор за употреба над очила или стандартни предпазни очила със странична защита.



Сигнал за безопасност



За намаляване на опасността от нараняване, потребителят трябва да прочете и разбере ръководството на оператора преди използването на този продукт.



Гарантирано ниво на мощност на звука.
Звуковите емисии към околната среда са в съответствие с директивите на европейската общност.



Символ за Bluetooth®



Отпадъчните електрически продукти не трябва да бъдат изхвърляни заедно с домакинския отпадък. Отнесете го до упълномощено място за рециклиране.



Този продукт е в съответствие с приложимите директиви на ЕС.



Постоянен ток



Този продукт е в съответствие с приложимото законодателство на Великобритания.

BG

IPX4 Защита от водни пръски

ОБЩИ ПРЕДУПРЕЖДЕНИЯ ЗА БЕЗОПАСНОСТ

▲ ПРЕДУПРЕЖДЕНИЕ: За да намалите риска от пожар, електрически шок или нараняване:

- **Запознайте се със своя вентилатор за мъгла.** Прочете внимателно ръководството с инструкции. Научете приложенията и ограниченията, както и специфичните потенциални опасности свързани с този вентилатор. Следването на това правило ще намали риска от електрически удар, пожар или сериозно нараняване.
- Този уред може да се използва от деца на възраст от 8 години и повече, и лица с понижени физически, сетивни или умствени способности или без опит и познание, ако са им осигурени наблюдение или инструктаж относно безопасната употреба на уреда и са осъзнати съответстващите опасности.
- Децата не трябва да си играят с уреда.
- Почтиването и потребителската поддръжка не трябва да се извършва от деца без наблюдение

БЕЗОПАСНОСТ НА РАБОТНАТА ЗОНА

- **Не работете с вентилатора в експлозивна атмосфера,** като например в присъствието на запалими течности, газ или прах.
- **Дръжте на разстояние децата и страничните лица,** докато работите с електрически уред. Разсейването може да причини загуба на контрол.
- **Бъдете внимателни, когато използвате при ветровити условия.** Ветровете могат да носят мъгла в електрическите кабели или устройства.
- **Не излагайте уреда на дъжд или мокри условия.** Навлизането на вода в електрическия уред ще увеличи риска от токов удар.

ЛИЧНА БЕЗОПАСНОСТ

- **Внимавайте, гледайте какво правите и използвайте здрав разум,** когато работите с уреда. Не използвайте уреда, докато сте уморени, разстроени или под влияние на наркотици, алкохол или лекарства. Момент невнимание по време на работата с уреда може да доведе до сериозно нараняване.
- **Предотвратете непреднамерено пускане.** Уверете се, че ключът е в изключена позиция, преди да свържете към акумулаторната батерия, при повдигане или при пренасяне на уреда. Носейки уреда, докато пръстът ви е на превключвателя или подаването на захранване на уреди, които са с

включен прекъсвач, е предпоставка за инциденти.

- **Извадете всеки регулиращ ключ или гаечен ключ, преди да включите уреда.** Гаечен или друг ключ оставен закачен към въртящите се части на уреда може да доведе до лично нараняване.
- **Не се протягайте.** Запазете правилна стойка и баланс по всяко време. Това позволява по-добър контрол върху уреда в непредвидени ситуации.
- **Облечете се подходящо. Не носете отпуснати дрехи или бижута.** Дръжте косата и дрехите си далеч от движещи се части. Отпуснати дрехи, бижута или дълга коса, могат да бъдат хванати в движещите се части.
- **Проверете дали всички връзки са сигурни, преди да работите с уреда.**
- **Не позволявайте на рутинността придобита от честата употреба на уреди да позволи да станете небрежни и да игнорирате принципите за безопасност на уреда.** Небрежно действие може да причини сериозно нараняване за части от секундата.

УПОТРЕБА И ПОЛАГАНЕ НА ГРИЖИ

- **Не използвайте уреда, ако превключвателят не го включва и изключва.** Всеки уред, който не може да бъде контролиран от превключвателя е опасен и трябва да бъде поправен.
- **Снемете акумулаторната батерия от уреда преди извършването на каквито и да е настройки, смяна на аксесоари или съхранение на уреда.** Подобни превантивни мерки за безопасност намаляват риска от стартиране на уреда инцидентно.
- **Съхранявайте неизползвания уред далеч от обсега на деца и не позволявайте на лица, които не са запознати с уреда или тези инструкции, да работят с уреда.** Уредите са опасни в ръцете на необучени потребители.
- **Поддържайте уреда и аксесоарите.** Проверете за размятане или блокиране на подвижни части, счупване на части, и всякакви други условия, които могат да повлияят на работата на уреда. Ако е повреден, поправете уреда преди употреба. Много инциденти са причинени от лошо поддържани уреди.
- **Използвайте уреда и аксесоарите и т.н в съответствие с тези инструкции, като вземете предвид условията на работа и вида работа,** която ще бъде извършвана. Употребата на уреда за дейности различни от предназначението може да доведе до опасни ситуации.

- **Дръжте ръкохватките и повърхностите за захващане сухи, чисти и без масло и грес.** Хлъзгавите ръкохватки и места за захващане не позволяват безопасно боравене и контролиране на уреда при неочаквана ситуация.

⚠ ПРЕДУПРЕЖДЕНИЕ: За да намалите риска от пожар или токов удар, не използвайте този вентилатор с надеждно устройство за контрол на скоростта.

ИЗПОЛЗВАНЕ И ГРИЖА ЗА УРЕДА С БАТЕРИЯ

- Презареждайте само със зарядното устройство определено от производителя. Зарядно устройство, което е подходящо за един вид акумулаторна батерия може да създаде опасност от пожар, когато се използва с друга акумулаторна батерия.
- Използвайте уреда само със специфично обозначени акумулаторни батерии. Използването на всяка друга акумулаторна батерия може да създаде риск от нараняване и пожар.
- **Когато акумулаторните батерии не са в употреба ги дръжте на разстояние от други метални обекти, като кламери, монети, ключове, пирони, отвертки или други малки метални предмети, които могат да направят свързване между клемите.** Свързване на късо на клемите на батерията може да причини изгаряне или пожар.
- **При условия на злоупотреба, може да се изхвърли течност от батерията. Избягвайте контакт. В случай на инцидентен контакт измийте с вода.** Ако течността влезе в контакт с очите, потърсете допълнително медицинска помощ. Течността изхвърлена от батерията може да причини раздразнение или изгаряния.
- **Не използвайте акумулаторна батерия или уред, които са повредени или модифицирани.** Повредените или модифицираните батерии може да проявят непредсказуемо поведение, което да доведе до пожар, експлозия или риск от нараняване.
- **Не излагайте батерията или уреда на огън или прекомерна температура.** Излагане на огън или температури над 130 °C може да причини експлозия.
- **Следвайте всички инструкции за зареждане и не зареждайте батерията или уреда извън температурния обхват зададен в инструкциите.** Неправилното зареждане или зареждане извън определения температурен обхват може да повреди батерията и да повиши риска от пожар.

BG

ОБСЛУЖВАНЕ

- **Обслужвайте вашия уред чрез квалифициран техник, като използвате само идентични резервни части.** Това ще осигури поддържането на безопасност за уреда.
- **Никога не поправяйте повредени акумулаторни батерии.** Ремонтът на акумулаторни батерии трябва да бъде извършван от производителя или оторизиран сервиз.

ИНСТРУКЦИИ ЗА БЕЗОПАСНОСТ ЗА БЕЗЖИЧЕН ВЕНТИЛАТОР ЗА МЪГЛА

- Този уред не е предназначен за употреба от лица (включително деца) с понижени физически, сетивни или умствени способности, или без опит и познания, освен ако не им е осигурено наблюдение или инструктаж относно употребата на уреда от лице отговорно за тяхната безопасност.
- Децата трябва да бъдат наблюдавани за да се осигури, че не си играят с уреда.
- **Не позволявайте вентилаторът да се използва като играчка.** Изисква се повишено внимание, когато се използва от или близо до деца.
- **Децата могат да паднат в кофе и да се удавят.** Дръжте децата далеч от кофе дори с малко количество течност.
- **Използвайте САМО чиста, студена вода.**
- **Не използвайте този вентилатор за мъгла за пръскане на пестициди, течни торове, химикали или други течности, различни от чиста вода.** Пръскането на тези вещества може да доведе до сериозно нараняване или заболяване на оператора или околните.
- **Никога не насочвайте мъгла или вода към електрически кабели или устройства.**
- **Уверете се, че капакът на отделението за батерията е напълно затворен, за да предотвратите контакт на вода с батерията или навлизане в порта на батерията.**
- **Поддържайте уреда и ръкохватките му сухи, чисти и без масло и грес.** Винаги използвайте чист плат, когато почиствате. Никога не използвайте спирална течност, бензин, продукти на нефтена основа или други силни разтворители за почистване на вашия вентилатор. Следването на тези правила ще намали риска от загуба на управление и влошаване на качествата на пластмасата по корпуса.

- Батериите могат да експлодират в присъствието на източник на възпламеняване, като контролна лампа. За да намалите риска от сериозно нараняване, никога не използвайте каквито и да е безжични продукти в присъствието на открит огън. Експлодирала батерия може да изхвърли остатъци и химикали. Ако се изложите на това, незабавно изплакнете с вода.
- **Запазете тези инструкции.** Обръщайте се често към тях и ги използвайте за инструктиране на други, които може да използват този вентилатор. Ако заемете този вентилатор на някой друг, заемете му също и тези инструкции, за да се предотврати злоупотреба с продукта и вероятно нараняване.
- Имайте предвид, че високите нива на влажност могат да насърчат растежа на биологични организми в околната среда.
- Не позволявайте зоната около вентилатора да стане влажна или мокра. Ако се появи влага, намалете мощността на вентилатора за мъгла. Ако изходният обем на вентилатора за мъгла не може да бъде намален, използвайте овлажнителя периодично. Не позволявайте абсорбиращите материали, като килими, завеси, драперии или покривки, да се намокрят.
- Никога не оставяйте вода в резервоара, когато уредът не се използва.
- Изпразнете и почистете вентилатора за мъгла преди съхранение. Почистете овлажнителя преди следваща употреба.

▲ ПРЕДУПРЕЖДЕНИЕ: Микроорганизмите, които могат да присъстват във водата или в околната среда, където уредът се използва или съхранява, могат да растат във водния резервоар и да бъдат разнесени във въздуха, причинявайки много сериозни рискове за здравето, когато водата не се подновява и резервоарът не е почистен правилно на всеки 3 дни.

Акумулаторните батерии трябва да се извадят от уреда преди зареждане.

- Изтощените батерии трябва да се извадят от уреда и да се изхвърлят безопасно.
- Ако уредът трябва да се съхранява без употреба продължително време, батериите трябва да бъдат извадени.
- Захранващите клеми не трябва да се свързват на късо.

ЗАПАЗЕТЕ ТЕЗИ ИНСТРУКЦИИ

СПЕЦИФИКАЦИИ

Номинално напрежение	56 V
Диаметър на перката на вентилатора	25,4 см
Настройки на скоростта на вентилатора	6 (включително „Turbo“)
Макс. Обем въздух	1700 куб. фута в минута
Макс. Скорост на въздуха	32,2 км/ч
Ъгъл на осцилация	60°, 120°, 180°
Обем на водната мъгла	Високи: 5,7 л/ч
	Средни: 4,9 л/ч
	Ниски: 2,5 л/ч
Тегло (без акумулаторна батерия)	4,7 кг
Препоръчителна температура на съхранение	-20°C-70°C
Работна честотна лента на Bluetooth	2402-2480 MHz
Максимална предавана мощност на Bluetooth	4 dBm

- Декларираният общ размер на вибрации е измерен в съответствие със стандартния метод за тест и може да бъде използван за сравнение между два уреда;
- Декларираният общ размер на вибрации може също така да бъде използван за предварителна оценка на влиянието.

БЕЛЕЖКА: Вибрационните емисии по време на действителната употреба на уреда може да се различават от декларираната стойност, при която се използва уредът. С цел да се защити оператора, потребителят трябва да носи ръкавици и антифони в действителните условия на работа.

ОПАКОВЪЧЕН ЛИСТ (ФИГ. А1)

ОПИСАНИЕ

ОПОЗНАЙТЕ ВАШАТА ВЪЗДУХОДУВКА
(Фиг. А1 и А2)

BG

1. Контролен панел (Фиг. А2)
2. Рамка за осцилация
3. Замъгляваща дюза
4. Горна ръкохватка
5. Корпус на вентилатора
6. Странична ръкохватка
7. Отделение за батериите
8. Електрически контакти
9. Бутон за освобождаване на батерията
10. Адаптер за градински маркуч
11. Филтър
12. Вход за въздух
13. Бутони за регулиране на скоростта на въздуха
14. Бутон ТУРБО
15. Индикатор TURBO
16. Индикатор за замъгляване
17. Бутон за режим на движение
18. Бутон за електрозахранване
19. Индикатор на скоростта на въздуха
20. Индикатор на осцилацията
21. Бутон за осцилиращ режим

МОНТАЖ

⚠ ПРЕДУПРЕЖДЕНИЕ: Ако някои от частите са повредени или липсват, не работете с този продукт, докато частите не се подменят. Използването на този продукт с повредени или липсващи части може да доведе до сериозно лично нараняване.

⚠ ПРЕДУПРЕЖДЕНИЕ: Не се опитвайте да модифицирате този продукт или да създадете аксесоари, които не се препоръчват за употреба с този продукт. Всяка такава промяна или модификация е злоупотреба и може да доведе до опасни условия с последици от възможни сериозни наранявания.

⚠ ПРЕДУПРЕЖДЕНИЕ: За да предотвратите случайно стартиране, което може да причини сериозно нараняване винаги изваждайте акумулаторната батерия от машината, когато сглобявате частите.

BG

- Продуктът е доставен напълно сглобен.
- Внимателно извадете продукта и всички аксесоари от кутията. Уверете се че всички позиции указани в **опаковъчния лист** са налице.
- Инспектирайте продукта внимателно, за да се уверите, че не настъпило счупване или повреда по време на транспортирането.
- Не изхвърляйте опаковъчните материали, докато

не сте инспектирали внимателно и не работите задоволително с продукта.

- Ако някои от частите са повредени или липсват, моля върнете този продукт в мястото на закупуване.

ЕКСПЛОАТАЦИЯ

⚠ ПРЕДУПРЕЖДЕНИЕ: Не позволявайте рутината с този продукт да ви направи непредпазливи. Запомнете, че невнимание за малка част от секундата е достатъчна за да нанесе сериозно нараняване.

⚠ ПРЕДУПРЕЖДЕНИЕ: За да предотвратите случайно стартиране, което би могло да причини сериозно нараняване, винаги отстранявайте акумулаторната батерия от инструмента, когато монтирате части, извършвате настройки, почиствате или когато не се използва.

⚠ ПРЕДУПРЕЖДЕНИЕ: Не използвайте други приставки или аксесоари, които не са препоръчани от производителя на този продукт. Употребата на приставки или аксесоари, които не са препоръчани, може да доведе до сериозно нараняване.

Преди всяка употреба проверявайте целия продукт за повредени, липсващи или разхлабени части, като винтове, гайки, болтове, капачки и др. Затегнете сигурно всички закопчалки и капачки и не работете с този продукт, докато всички повредени или липсващи части не бъдат подменени.

ПРИЛОЖЕНИЯ

Може да използвате този продукт за целите описани долу:

- Обща вентилация в повечето битови приложения.
- Външно охлаждане, докато е свързан към водоизточник.

БЕЛЕЖКА: Продуктът трябва да бъде използван само за предназначения цели. Всяка друга употреба се смята за случай на злоупотреба.

МОНТИРАНЕ/ИЗВАЖДАНЕ НА АКУМУЛАТОРНАТА БАТЕРИЯ

Използвайте единствено с акумулаторни батерии EGO и зарядни устройства изброени на фиг. А3.

БЕЛЕЖКА: Заредете напълно акумулаторната батерия преди първата употреба.

За да закрепите

Подравнете ребрата на акумулаторната батерия с монтажните жлеbove и натиснете батерията надолу в отделението за батерията, докато чуете „щракване“ (Фиг. В1).

За да извадите

Натиснете бутон за освобождаване на батерията и издърпайте акумулаторната батерия навън (Фиг. В2).

▲ ПРЕДУПРЕЖДЕНИЕ: Винаги внимавайте за местоположението на краката си, деца или домашни любимци, когато бутон за освобождаване на акумулаторната батерия. Може да възникне сериозно нараняване, ако акумулаторната батерия падне. НИКОГА не премахвайте акумулаторната батерия от високо.

СТАРТИРАНЕ/СПИРАНЕ НА ВЕНТИЛАТОРА

БЕЛЕЖКА: Първоначалната фабрична настройка за скоростта на въздуха е ниво 3. Вентилаторът ще запази последната използвана настройка на скоростта на въздуха и ще се върне към нея при рестартиране. Турбо настройката няма да бъде запазена.

БЕЛЕЖКА: Настройката за мъгла и осцилацията няма да бъде запазена и по подразбиране ще бъде изключена при всяко включване на вентилатора.

Контролен панел (Фиг. А2)

Бутон за електрозахранване

- Натиснете за кратко бутон за електрозахранване, за да включите вентилатора.
- Натиснете отново за кратко бутон за електрозахранване, за да изключите вентилатора.

Регулиране на скоростта на въздуха

Нормална скорост на въздуха

- Натиснете бутон за регулиране на скоростта на въздуха „+“, за да увеличите скоростта на въздуха и натиснете бутон „-“, за да намалите скоростта на въздуха. Има 5 нива на скорост.
- Индикаторът на скоростта на въздуха показва зелени светлини, съответстващи на текущите нива на скорост.

Режим ТУРВО

БЕЛЕЖКА: Когато е в режим „TURBO“, вентилаторът ще достигне максимална скорост на въздуха.

- Натиснете бутон „TURBO“, индикаторът TURBO ще светне в зелено и вентилаторът ще премине в режим

„TURBO“, т.е. най-високата скорост на въздуха.

- Когато сте в режим „TURBO“, натиснете отново бутон „TURBO“, индикаторът TURBO ще се изключи и вентилаторът ще възобнови предишната активна скорост на въздуха.
- Когато сте в режим „TURBO“, натиснете бутон „-“, индикаторът TURBO ще изгасне и вентилаторът ще превключи на ниво на скорост на въздуха 5.

ОСЦИЛИРАЩА ФУНКЦИЯ (ФИГ. С)

- Натиснете бутон за осцилиране веднъж, за да стартирате осцилиращата функция на главата на вентилатора, индикаторът за осцилиране ще светне долната зелена светлина, а главата на вентилатора ще се завърти на 60° от едната страна на другата (от -30° до 30°).
- Натиснете бутонът за осцилиране втори път, индикатор за осцилиране ще светне две зелени светлини, активирайки диапазона на осцилиране 120° (от -60° до 60°).
- Натиснете бутон за осцилиране трети път, индикаторът за осцилиране ще светне три зелени светлини, активирайки диапазона на осцилиране 180° (от -90° до 90°).
- За да изключите осцилиращата функция, натиснете бутон за осцилиране четвърти път.

РЕГУЛИРАНЕ НА ЪГЪЛА НА ВЕНТИЛАТОРА (ФИГ. D)

Главата на вентилатора може да бъде настроена на множество ъгли от -30° до 90°. За да регулирате посоката на мъглата/въздушния поток, хванете вентилатора за горната ръкохватка и наклонете главата на вентилатора напред или назад.

ФУНКЦИЯ ЗАМЪГЛЯВАНЕ

Бутон за режим на замъгляване

- Натиснете веднъж бутон за режим на замъгляване и индикаторът за замъгляване ще светне три зелени светлини, което показва режима на непрекъснато замъгляване със силен поток - замъгляване на силен поток вода без спиране.
- Натиснете отново бутон за режим на замъгляване и индикаторът за замъгляване ще светне две зелени светлини, което показва „непрекъснатия“ режим на замъгляване - замъгляване през цялото време без спиране.
- Натиснете бутон за режим на замъгляване трети път и индикаторът за замъгляване ще светне долната зелена светлина, която показва

„периодичния“ режим на замъгляване - замъгляване за 10 секунди на всеки 10 секунди.

БЕЛЕЖКА: Може да отнеме няколко секунди, преди действително да видите замъгляването да излиза от дюзите за замъгляване за първи път. Това забавяне се дължи на времето, необходимо на водата да потече от засмукващата тръба към дюзите.

- Когато замъгляването е в периодичен режим на замъгляване, натиснете отново бутона за избор на режим на замъгляване и светлинните индикатори за замъгляване ще изгаснат и замъгляването ще спре.

БЕЛЕЖКА: Когато операцията за замъгляване приключи, изключете всмукателната тръба на вентилатора от източника на вода и стартирайте вентилатора в режим на непрекъснато замъгляване, докато цялата вода се изпразни от тръбата. Това помага да се предотврати остатъчната вода в тръбата да причини неочаквано замъгляване, когато вентилаторът се стартира отново.

Използване на вентилатора с кофа за вода или друг контейнер (не е включен) (фиг. Е)

⚠ ПРЕДУПРЕЖДЕНИЕ: Децата могат да паднат в кофи и да се удавят. Дръжте децата далеч от кофи, съдържащи дори малко количество течност.

БЕЛЕЖКА: Почиствайте кофата със сапун и вода преди всяка употреба.

1. Разкачете акумулаторната батерия.
2. Поставете кофата върху плоска, равна повърхност.
3. Добавете САМО чиста, студена вода в кофата. Не препълвайте.
4. Потопете филтърия край на всмукателната тръба надолу във водата.

БЕЛЕЖКА: Не огъвайте всмукателната тръба и винаги се уверявайте, че водата тече равномерно през тръбата.

5. Монтирайте акумулаторната батерия.
6. Натиснете бутона за захранване, за да включите вентилатора.
7. Натиснете бутона за режим на замъгляване, за да стартирате замъгляването.

Свързване на вентилатора към кран за вода (фиг. F и фиг. G)

1. Развийте горната част на филтъра обратно на часовниковата стрелка и го отделете от долната

част (фиг. F).

F-1	Долна част на филтъра
F-2	Горна част на филтъра

БЕЛЕЖКА: Уверете се, че долната част не е разделена на две части по време на отделянето на горната част и остава заедно като цяло за свързване към адаптера за градински маркуч.

2. Развийте (обратно на часовниковата стрелка) адаптера за градински маркуч, съхраняван в долната част на вентилатора. Завийте го (по часовниковата стрелка) в долната част на филтъра.
3. Свържете адаптера за градински маркуч към подходящ градински маркуч с бърз съединител (не е предоставен). Прикрепете бързия съединител към адаптера за градински маркуч, докато чуете ясно щракване (фиг. G).

G-1	Адаптер за градински маркуч
G-2	Типичен бърз съединител

БЕЛЕЖКА: Не свързвайте адаптера за градински маркуч, докато е монтиран на дъното на вентилатора (Фиг. G1).

4. Свържете градинския маркуч към водопровода.
5. Монтирайте акумулаторната батерия.
6. Натиснете бутона за захранване, за да включите вентилатора.
7. Отворете напълно крана за вода, вентилаторът ще започне да замъглява.

БЕЛЕЖКА: Препоръчителното максимално работно налягане не трябва да надвишава 80 psi.

БЕЛЕЖКА: Дори и да няма захранване, вентилаторът ще започне да замъглява, когато кранът за вода е включен.

8. Натиснете бутона за режим на замъгляване, за да изберете режима на замъгляване за по-добри работни резултати.

БЕЛЕЖКА: Малкият отвор в адаптера за градински маркуч го прави податлив на твърда вода и натрупване на минерални отлагания. Почиствайте адаптера често и използвайте бял оцет или друго средство за премахване на котлен камък, за да премахнете натрупването.

Използване на вентилатора без замъгляване

Ако желаете, този продукт може да се използва само като вентилатор, когато не е свързан към източник на вода. Когато не се използва, винаги навишайте всмукателната тръба в мястото за съхранение (вижте раздел „ТРАНСПОРТИРАНЕ И СЪХРАНЕНИЕ“ в това ръководство), за да я предпазите от повреда и замърсяване.

КОМУНИКАЦИОННА ТЕХНОЛОГИЯ

За информация относно пълната ни гама от свързани продукти и услуги, включително инструкции за свързване, моля, сканирайте QR кода по-долу или посетете www.egopowerplus.eu/connect.



ЗАЩИТА НА ЕЛЕКТРОНИКАТА

Когато осцилиращата функция е активирана, но вентилаторът не осцилира, индикаторът на осцилацията ще показва три мигащи зелени светлини непрекъснато, за да напомни на оператора да провери дали главата на вентилатора е заседнала, и да премахне всички чужди вещества, заседнали върху главата на вентилатора, преди да рестартира функцията.

Когато функцията за мъгла е активирана, но не излиза водна мъгла:

- Водната помпа ще продължи да работи за кратко време и след това ще спре автоматично, за да защити вътрешната електроника.
- Индикаторът за замъгляване ще показва три мигащи зелени светлини непрекъснато като предупреждение за оператора да:
 - a. Проверете дали всмукателната тръба е правилно потопена във вода.
 - b. Проверете дали дюзата(ите) за замъгляване е запушена и почистете според глава „ПОДДРЪЖКА НА ДЮЗИТЕ“.
 - c. Натиснете бутона за избор на режим на мъгла, за да рестартирате мъглата.

Когато зарядът на батерията е нисък, бутонът за захранване ще мига със зелена светлина, за да напомни на оператора да зареди или смени батерията.

Когато батерията или вентилаторът са твърде горещи,

бутонът за захранване ще мига с червена светлина, за да предупреди оператора да изключи вентилатора и да остави батерията или вентилатора за замъгляване да се охладят, докато температурата падне до препоръчителния работен температурен диапазон, преди да рестартира вентилатора.

ПОДДРЪЖКА

⚠ ПРЕДУПРЕЖДЕНИЕ: Когато обслужвате, използвайте само идентични резервни части. Употребата на каквито и да е други части може да създаде опасност или да предизвика повреда на продукта. За да осигурите безопасността и надеждността, всички поправки трябва да се извършват от квалифициран сервизен техник.

⚠ ПРЕДУПРЕЖДЕНИЕ: За да избегнете нараняване, винаги сменяйте акумулаторната батерия от продукта, когато почиствате или извършвате поддръжка.

ОБЩА ПОДДРЪЖКА

Цялото обслужване на замъгляващия вентилатор, освен на позициите изброени в инструкциите за поддръжка, трябва да бъде извършвано от квалифициран сервизен персонал за замъгляващи вентилатори.

Избягвайте употребата на разтворители, когато почиствате пластмасовите части. Повечето пластмасови части са уязвими на повреда от различни видове разтворители в търговската мрежа и може да се повредят от тяхната употреба. Използвайте чист плат, за премахване на мръсотия, прах, масло и т.н.

⚠ ПРЕДУПРЕЖДЕНИЕ: Никога не позволявайте спирачна течност, бензин, петролни продукти, проникващи масла и т.н. да влизат в контакт с пластмасовите части. Химикалите могат да повредят, отслабят или разрушат пластмаса, което може да доведе сериозно нараняване.

⚠ ПРЕДУПРЕЖДЕНИЕ: Когато почиствате замъгляващия вентилатор, НЕ го потапяйте във вода или други течности.

ПОДДРЪЖКА НА ДЮЗИТЕ (Фиг. Н)

⚠ ПРЕДУПРЕЖДЕНИЕ: Уверете се, че цялата поддръжка на дюзата за мъгла се извършва правилно, за да предотвратите изтичане на вода. Течовете могат да доведат до хлъзгава повърхност, създаваща опасност от подхлъзване и падане или да причинят материални щети.

Неправилните модели на мъгла или изтичане могат да бъдат резултат от запушена или замърсена дюза.

За почистване на дюзите

1. Изключете инструмента и извадете акумулаторната батерия.
2. Отстранете запушените дюзи за замъгляване от предната предпазна решетка на корпуса на вентилатора, като ги завъртите обратно на часовниковата стрелка.
3. Разглобете всяка засегната дюза на части.
4. За да премахнете всякакви чужди частици, които запушват или ограничават дюзите, промийте частите на дюзите с вода. За да премахнете натрупването на котлен камък (минерали), почистете частите на дюзата с бял оцет или друг препарат за премахване на котлен камък, ако е необходимо.
5. Сглобете отново дюзите.

БЕЛЕЖКА: За да предотвратите запушване, уверете се, че дюзата е сглобена точно както е показано на Фиг. Н.

6. Прикрепете отново чистите дюзи към предната предпазна решетка.

ПОДДРЪЖКА НА ФИЛТЪРА (Фиг. I)

Периодично проверявайте филтъра в края на всмукателната тръба, за да се уверите, че е в добро състояние.

1. Изключете инструмента и извадете акумулаторната батерия.
2. Развийте горната част от долната част на филтъра.

I-1	Долна част	I-3	Мрежест филтър
I-2	Метална цедка	I-4	Горна част

БЕЛЕЖКА: Когато развивате горната част, уверете се, че долната част не е разделена на две части. Долната част трябва да остане сглобена, за да се отстрани металната цедка.

3. Извадете мрежестия филтър от горната част и металната цедка от долната част.
4. Изплакнете металната цедка и мрежестия филтър или ги сменете, ако е необходимо.
5. Сглобете отново филтъра.

БЕЛЕЖКА: Уверете се, че металната цедка е сглобена с повдигнатия ръб, обърнат навън, за лесно разглобяване следващия път.

ПОДДРЪЖКА НА АДАПТЕР ЗА ГРАДИНСКИ МАРКУЧ

Малкият отвор в адаптера за градински маркуч го прави податлив на твърда вода и натрупване на минерални отлагания. Почиствайте адаптера често и използвайте бял оцет или друго средство за премахване на котлен камък, за да премахнете натрупването.

ПОДДРЪЖКА НА КОРПУСА НА ВЕНТИЛАТОРА (Фиг. J и Фиг. K)

1. Изключете инструмента и извадете акумулаторната батерия.
2. Използвайте отвертка Phillips (не е включена), за да развийте осемте винта от задната част на корпуса на вентилатора, за да премахнете предната предпазна решетка.

J-1	Винт (x8)
J-2	Предна предпазна решетка

3. Задръжте възела на перката на вентилатора, за да не се върти, и завъртете капака за заключването на перката на вентилатора по посока на часовниковата стрелка, за да освободите перката на вентилатора от вала.

K-1	Възел на перката на вентилатора
K-2	Капак за заключване

4. Извадете възела на перката на вентилатора.
5. Почистете перката на вентилатора и вътрешността на корпуса, ако е необходимо.
6. Сглобете ги в обратен ред и се уверете, че:

Маркировката върху възела на перката на вентилатора е подравнена с напречната греда на вала.

ТРАНСПОРТИРАНЕ И СЪХРАНЕНИЕ (фиг. L)

- Премахнете акумулаторната батерия.
- Почистете добре вентилатора.
- Изпразнете всмукателната тръба и филтъра.

БЕЛЕЖКА: Зазимяването на вентилатора е от съществено значение за предпазване от температури на замръзване, което може да причини повреда на помпата, маркучите и други компоненти. **Винаги разкачвайте всмукателната тръба на вентилатора от източника на вода и пускайте вентилатора в режим на непрекъснато замъгляване, докато в тръбата не остане остатъчна вода, преди да съхранявате вентилатора през зимата.**

- Закрепете всмукателната тръба и филтъра с помощта на скобите, разположени в долната част на основата на вентилатора.
- Завийте адаптера за градински маркуч върху отвора с резба за съхранение, разположен в долната част на основата на вентилатора.

L-1	Адаптер за градински маркуч
L-2	Скоби

- Носете вентилатора с горната ръкохватка или страничните ръкохватки, когато го транспортирате.
- Съхранявайте вентилатора на закрито, на добре проветриво място.
- Пазете го от корозивни препарати като градински химикали и сол за обезледяване.

Опазване на околната среда



Не изхвърляйте електрическо оборудване, използвана батерия или зарядно устройство в домакинския отпадък!

Отнесете продукта до упълномощена фирма за рециклиране и го предоставете за разделно събиране. Електрическите инструменти трябва да бъдат връщани в съоръжения за рециклиране съвместими с околната среда.

ОТСТРАНЯВАНЕ НА ПРОБЛЕМИ

ПРОБЛЕМ	ПРИЧИНА	РЕШЕНИЕ
Вентилаторът за замъгляване не стартира.	<ul style="list-style-type: none"> ■ Аккумуляторната батерия не е вкарана напълно в корпуса. ■ Няма електрически контакт между замъгляващия вентилатор и аккумуляторната батерия. ■ Аккумуляторната батерия е изтощена. ■ Аккумуляторната батерия или вентилаторът са твърде горещи. 	<ul style="list-style-type: none"> ■ Проверете дали батерията е поставена напълно в корпуса. ■ Извадете аккумуляторната батерия, проверете контактите и поставете отново аккумуляторната батерия. ■ Заредете аккумуляторната батерия. ■ Изключете вентилатора и оставете аккумуляторната батерия или вентилатора за замъгляване да се охладят, докато температурата падне до препоръчителния работен температурен диапазон.
Няма замъгляване с вода и индикаторът за замъгляване мига с две зелени светлини.	<ul style="list-style-type: none"> ■ Всмукателната тръба не засмуква вода, активирайки вътрешна защита на електрическата помпа вътре във вентилатора. ■ Дюзата(ите) за мъгла се запушва(т) по време на работа, активирайки вътрешната защита на електрическата помпа. 	<ul style="list-style-type: none"> ■ Проверете и се уверете, че има достатъчно вода в кофата и че всмукателната тръба е правилно потопена във водата. ■ Почистете дюзата(ите) в съответствие с глава „ПОДДРЪЖКА НА ДЮЗИТЕ“ и ги сглобете отново според инструкциите.
Вентилаторът спира да осцилира и индикаторът на осцилацията мига с три зелени светлини.	<ul style="list-style-type: none"> ■ Главата на вентилатора е заседнала по време на осцилиране. 	<ul style="list-style-type: none"> ■ Отстранете всякакви чужди вещества, които възпрепятстват осцилацията на главата на вентилатора.

ГАРАНЦИЯ

ГАРАНЦИОННА ПОЛИТИКА EGO

Моля, посетете уебсайта egopowerplus.eu за пълните срокове и условия по гаранционната политика на EGO.

BG

PROČITAJTE UPUTE U CIJELOSTI!



PROČITAJTE KORISNIČKI PRIRUČNIK

⚠ UPOZORENJE: Radi sigurnosti i pouzdanosti, sve popravke treba obavljati kvalificirani servisni tehničar.

⚠ UPOZORENJE: Prije upotrebe uređaja, pročitajte s razumijevanjem sve upute u ovom korisničkom priručniku, uključujući sve sigurnosne simbole kao što su „OPASNOST“, „UPOZORENJE“ i „OPREZ“. Zanemarivanje uputa navedenih u nastavku može rezultirati električnim udarom, požarom i/ili teškim tjelesnim ozljedama.

SAČUVAJTE SVA UPOZORENJA I SVE UPUTE ZA BUDUĆE POTREBE.

SIGURNOSNI SIMBOLI

⚠ UPOZORENJE: Rukovanje uređajima može dovesti do odbacivanja stranih predmeta u oči, što može izazvati teške ozljede očiju. Pri radu s uređajem nosite zatvorene zaštitne naočale ili zaštitne naočale s bočnim štitnicima, a prema potrebi i štitnik za cijelo lice. Preporučujemo nošenje sigurnosne maske proizvođača Wide Vision preko naočala ili nošenje standardnih zaštitnih naočala s bočnim štitnicima.



Upozorenje u vezi sigurnosti



Radi smanjenja opasnosti od ozljeda, prije uporabe ovog proizvoda korisnik treba s razumijevanjem pročitati ovaj korisnički priručnik.



Zajamčena razina snage zvuka. Emisija buke u okruženju u skladu je sa smjernicama Europske unije.



Simbol Bluetooth®



Otpadni električni proizvodi ne smiju se odlagati s otpadom iz kućanstva. Odnosite ih u ovlaštenu centar za recikliranje.



Ovaj proizvod je u skladu s važećim direktivama EU.



Istosmjerna struja



Ovaj je proizvod u skladu s važećim zakonodavstvom UK.

IPX4 Zaštita od prskanja vode

HR

OPĆA SIGURNOSNA UPOZORENJA

⚠ UPOZORENJE: Radi smanjenja opasnosti od požara, strujnog udara ili ozljeda:

- **Upoznajte vaš ventilator za zamagljivanje. Pažljivo pročitajte priručnik s uputama. Upoznajte se s primjenama i ograničenjima ventilatora, kao i s karakterističnim potencijalnim opasnostima vezanima uz ovaj ventilator.** Pridržavanjem ovog propisa smanjit će se rizik od električnog udara, požara ili teških ozljeda.
- Ovaj uređaj mogu upotrebljavati djeca u dobi od 8 godina i starija i osobe ograničenih tjelesnih, osjetilnih ili mentalnih sposobnosti ili nedovoljnog iskustva i znanja ako su pod nadzorom ili ako su upućeni u siguran način upotrebe uređaja te ako su razumjeli moguće opasnosti.
- Djeca se ne smiju igrati uređajem.
- Čišćenje i održavanje koje obavlja korisnik ne smiju obavljati djeca bez nadzora

SIGURNOST U RADNOM PODRUČJU

- **Ventilatore ne upotrebljavajte u eksplozivnim okruženjima, primjerice u prisutnosti zapaljivih tekućina, plinova ili prašine.**
- **Udaljite djecu i promatrače za vrijeme rada s uređajem.** Ometanja mogu rezultirati gubitkom kontrole nad alatom.
- **Budite oprezni pri upotrebi u vjetrovitim uvjetima.** Vjetrovi mogu odnijeti maglu u električno ožičenje ili uređaje.
- **Uređaj ne izlažite kiši ili mokrim uvjetima.** Prodiranje vode u uređaj povećat će rizik od električnog udara.

OSOBNA SIGURNOST

- **Budite oprezni, gledajte što radite i vodite se načelima zdravog razuma kada radite s uređajem. Nemojte koristiti uređaj dok ste umorni, uznemireni ili pod utjecajem droga, alkohola ili lijekova.** Trenutak nepažnje tijekom rada s uređajem može dovesti do teške tjelesne ozljede.
- **Spriječite nenamjerno pokretanje. Prije povezivanja uređaja na baterijski modul, podizanja ili njegovog nošenja, provjerite nalazi li se sklopka u isključenom položaju.** Nošenje uređaja s prstom na sklopci ili uključivanje napajanja uređaja koji imaju uključenu sklopku izaziva nesreće.
- **Prije uključivanja uređaja, uklonite sve ključeve za podešavanje ili stezne ključeve.** Ako se ključ za stezanje ili za podešavanje ostavi na rotacijskom dijelu uređaja, to može rezultirati tjelesnim ozljedama.

- **Nemojte se naginjati preko alata. Cijelo vrijeme održavajte propisno držanje i ravnotežu.** To će omogućiti bolju kontrolu nad uređajem u neočekivanim situacijama.
- **Obucite se prikladno. Ne nosite široku odjeću ili nakit. Kosu i odjeću držite dalje od pokretnih dijelova.** Široka odjeća, nakit ili duga kosa mogu se zahvatiti u pokretne dijelove.
- **Provjerite jesu li svi priključci čvrsto stegnuti prije uključivanja uređaja.**
- **Nemojte dopustiti da vas poznavanje alata stečeno čestom upotrebom učini samodopadnim te da zanemarite sigurna načela rada s uređajima.** Nepažljiv rad može rezultirati teškim ozljedama u djeliću sekunde.

UPOTREBA I ODRŽAVANJE BATERIJE

- **Ne upotrebljavajte uređaj ako ga sklopkom ne možete uključiti i isključiti.** Svaki uređaj koji ne možete sklopkom uključiti i isključiti opasan je i mora se popraviti.
- **Odvajite baterijski modul iz uređaja prije nego što izvršite bilo kakve prilagodbe, mijenjanje pribora ili spremanje uređaja.** Takve preventivne mjere smanjuju opasnost od nehotičnog pokretanja uređaja.
- **Neaktivni uređaj čuvajte izvan dohvata djece i ne dopustite osobama koje nisu upoznate s uređajem ili ovim uputama da upravljaju uređajem.** Uređaji su opasni u rukama neobučениh korisnika.
- **Održavajte električne alate i pribor. Provjerite da pokretni dijelovi nisu necentrirani ili zaglavljani, da nema polomljenih dijelova i drugih stanja koja mogu utjecati na rad uređaja. Ako je uređaj oštećen, popravite ga prije uporabe.** Mnoge nezgode su nastale upravo zbog slabog održavanja uređaja.
- **Uređaj i pribor upotrebljavajte u skladu s ovim uputama, uzimajući u obzir radne uvjete i vrstu rada koji će te obavljati.** Upotreba uređaja za radove za koje nije namijenjen može rezultirati opasnim situacijama.
- **Rukohvate i površinu rukohvata održavajte suhim, čistim i očišćenim od ulja i masti.** Skliske drške i površine rukohvata onemogućuju sigurno rukovanje i upravljanje uređajem u neočekivanim situacijama.

⚠ UPOZORENJE: Da biste smanjili rizik od požara ili električnog udara, ventilator nemojte upotrebljavati s elektroničkim uređajem za regulaciju brzine vrtnje.

UPOTREBA I ODRŽAVANJE BATERIJSKOG uređaja

- Punjenje obavljajte samo s punjačem kojeg je naveo proizvođač. Punjač koji je prikladan za jedan tip baterijskog modula može izazvati rizik od požara ako ga se upotrebljava s drugim baterijskim modulom.

- Uređaj upotrebljavajte samo s predviđenim baterijskim modulima. Upotreba drugih baterijskih modula može izazvati rizik od ozljeda i požara.
- Kad se baterijski modul ne upotrebljava, držite ga podalje od drugih metalnih predmeta poput spajalica za papir, kovanica, ključeva, čavala, vijaka ili drugih malih metalnih predmeta koji mogu međusobno spojiti kontakte. Kratko spajanje baterijskih kontakata može prouzročiti opekline ili požar.
- U slučaju neprimjerene uporabe, baterija može izbaciti tekućinu; izbjegavajte kontakt. Ako slučajno dođe do doticaja, mjesta doticaja isperite vodom. Ako tekućina dođe u doticaj s očima, dodatno potražite pomoć liječnika. Tekućina koju izbaci baterija može prouzročiti nadražaj kože ili opekline.
- Ne upotrebljavajte baterijski modul ili uređaj koji je oštećen ili preinačen. Oštećene ili preinačene baterije mogu pokazati nepredvidivo ponašanje koje može rezultirati požarom, eksplozijom ili opasnošću od ozljeda.
- Baterijski modul i uređaj ne izvrgavajte vatri ili previsokoj temperaturi. Izlaganje vatri ili temperaturi višoj od 130 °C može prouzročiti eksploziju.
- Pridržavajte se svih uputa za punjenje, a baterijski modul ili uređaj nemojte puniti izvan raspona temperature propisanog u uputama. Nepropisno punjenje ili punjenje pri temperaturama izvan okvira određenog raspona može oštetiti bateriju i povećati opasnost od požara.
- Djeca mogu pasti u kante i utopiti se. Držite djecu dalje od kanti s čak i malom količinom tekućine.
- Koristite SAMO čistu, hladnu vodu.
- Ne koristite ovaj ventilator za zamagljivanje za prskanje pesticida, tekućih gnojiva, kemikalija ili bilo koje tekućine osim čiste vode. Raspršivanje takvih tvari može rezultirati teškim ozljedama ili oboljenjem rukovatelja i drugih prisutnih osoba.
- Ne usmjeravajte maglu ili vodu prema električnim ožičenjima ili uređajima.
- Provjerite da je poklopac odjeljka za bateriju potpuno zatvoren kako biste spriječili da voda dođe u kontakt s baterijom ili uđe u priključak.
- Uređaj i njegovu dršku održavajte suhim, čistim i bez ulja i masti. Za čišćenje upotrebljavajte čistu krpu. Za čišćenje ventilatora nemojte upotrebljavati koćione tekućine, benzin, proizvode na bazi nafte ili jaka otapala. Pridržavanjem ovog pravila smanjit će se opasnost od gubitka kontrole nad uređajem i trošenje plastičnih dijelova kućišta.
- Baterije mogu eksplodirati u prisutnosti izvora paljenja poput pomoćnog plamenika. Radi smanjenja opasnosti od ozbiljne tjelesne ozljede, baterijski proizvod nemojte upotrebljavati u prisutnosti otvorenog plamena. Iz baterije mogu uslijed eksplozije izletjeti krotine i kemijske tvari. U slučaju izlaganja, zahvaćena mjesta odmah isperite vodom.
- Sačuvajte ove upute. Uputama se koristite često i upotrebljavajte ih za upućivanje drugih osoba koje mogu upotrebljavati ovaj ventilator. Ako ovaj ventilator nekom posudite, priložite i ove upute radi sprečavanja nepropisne uporabe proizvoda i mogućih ozljeda.
- Imajte na umu da visoka razina vlage može potaknuti rast bioloških organizama u okolišu.
- Ne dopustite da područje oko ventilatora za zamagljivanje postane vlažno ili mokro. Ako dođe do vlage, okrenite izlaz ventilatora za zamagljivanje. Ako se izlazni volumen ventilatora za zamagljivanje ne može smanjit, povremeno koristite ovlaživač zraka. Nemojte dopustiti da upijajući materijali, poput tepiha, tapeta, zavjesa ili stolnjaka postanu vlažni.
- Ne ostavljajte vodu u spremniku kada se aparat ne koristi.
- Ispraznite i očistite ventilator za zamagljivanje prije skladištenja. Očistite ovlaživač zraka prije sljedeće uporabe.

SERVISIRANJE

- Servisiranje uređaja povjerite kvalificiranom osoblju za popravak koje upotrebljava samo identične zamjenske dijelove. Time će se osigurati održavanje sigurnosti uređaja.
- Ne servisirajte oštećene baterijske module. Servisiranje baterijskog modula smiju obavljati samo proizvođač ili ovlašteni serviseri.

UPUTE ZA SIGURAN RAD AKUMULATORSKOG VENTILATORA ZA ZAMAGLJIVANJE

- Ovaj uređaj nije predviđen da ga upotrebljavaju osobe (uključujući djecu) ograničenih tjelesnih, osjetilnih ili mentalnih sposobnosti ili nedostatnog iskustva i znanja, osim ako ih nadzire osoba odgovorna za njihovu sigurnost ili ako ih je uputila u način upotrebe uređaja.
- Djeca moraju biti pod nadzorom kako se ne bi igrala uređajem.
- Ventilator se ne smije upotrebljavati kao igračka. Potreban je strogi nadzor ako ga upotrebljavaju djeca ili ako se upotrebljava u blizini djece.


⚠ UPOZORENJE: Mikroorganizmi koji mogu biti prisutni u vodi ili okolišu u kojem se aparat koristi ili skladišti, mogu rasti u spremniku za vodu i puhati u zraku uzrokujući vrlo ozbiljne zdravstvene rizike kada se voda ne obnavlja i spremnik se ne čisti pravilno svaka 3 dana.

Punjive baterije moraju se izvaditi iz uređaja prije punjenja.

- Ispražnjene baterije treba izvaditi iz uređaja i sigurno zbrinuti.
- Ako se uređaj treba uskladištiti i neće se upotrebljavati duže vrijeme, baterije se moraju ukloniti.
- Priključci za napajanje ne smiju se kratko spojati.

SAČUVAJTE OVE UPUTE

TEHNIČKI PODACI

Nazivni napon	56 V 
Promjer lopatice ventilatora	25,4 cm
Postavke brzine ventilatora	6 (uključujući «Turbo»)
Maks. Volumen zraka	1700 CFM
Maks. Brzina zraka	32,2 km/h
Kut oscilacija	60 °, 120 °, 180 °
Volumen vode za zamagljivanje	Visoko: 5,7 l/h
	Srednje: 4,9 l/h
	Nisko: 2,5 l/h
Težina (bez baterijskog modula)	4,7 kg
Preporučena temperatura skladištenja	-20 °C - 70 °C
Pojas radnih frekvencija za Bluetooth	2402 - 2480 MHz
Maksimalna snaga prijenosa za Bluetooth	4 dBm

- Deklarirane ukupne vrijednosti vibracija izmjerene su u skladu sa standardnom metodom ispitivanja i mogu se koristiti za usporedbu jednog uređaja s drugim;
- Deklarirane ukupne vrijednosti vibracija mogu se koristiti i u preliminarnoj procjeni izloženosti.

HR

OBAVIJEST: Emisija vibracija tijekom stvarnog korištenja uređaja može se razlikovati od deklarirane vrijednosti u kojoj se uređaj koristio; Radi zaštite rukovatelja, korisnik mora nositi rukavice i štitnike za uši u stvarnim uvjetima korištenja.

PAKIRANJE (SLIKA A1)

OPIS

UPOZNAJTE SE S PUHALOM (sl. A1 i A2)

1. Upravljačka ploča (Sl. A2)
2. Oscilacijski okvir
3. Mlaznica za zamagljivanje
4. Gornja ručka
5. Kućište ventilatora
6. Bočni rukohvat
7. Baterijski pretinac
8. Električni kontakti
9. Gumb za oslobađanje baterije
10. Adapter za vrtno crijevo
11. Filtar
12. Usisna cijev
13. Gumbi za podešavanje brzine zraka
14. TURBO gumb
15. TURBO Indikator
16. Indikator zamagljivanja
17. Gumb načina rada za zamagljivanje
18. Gumb napajanja
19. Indikator brzine zraka
20. Indikator oscilacija
21. Gumb načina rada za osciliranje

SASTAVLJANJE

⚠ UPOZORENJE: Ako je bilo koji dio oštećen ili ako nedostaje, nemojte upotrebljavati ovaj proizvod dok se ne zamijene dijelovi. Upotreba ovog proizvoda oštećenih dijelova ili dijelova koji nedostaju može rezultirati teškim tjelesnim ozljedama.

⚠ UPOZORENJE: Ne pokušavajte obavljati preinake na ovom proizvodu ili raditi dodatnu opremu koja nije preporučena za uporabu s ovim proizvodom. Sve takve izmjene ili preinake predstavljaju nepropisnu uporabu i mogu rezultirati opasnim stanjima koja mogu dovesti do mogućih teških tjelesnih ozljeda.

⚠ UPOZORENJE: Kako biste spriječili slučajno pokretanje koje može prouzročiti teške tjelesne ozljede, baterijski modul uvijek uklonite iz stroja kada sastavljate dijelove.

- Ovaj proizvod isporučen je potpuno sastavljen.
- Pažljivo izvadite proizvod i sav pribor iz kutije. Uvjerite se da se u kutiji nalaze sve stavke prikazane na „Popisu pakiranja“.

- Pažljivo pregledajte proizvod kako biste bili sigurni da tijekom prijevoza nije došlo do loma ili oštećenja.
- Nemojte odbaciti ambalažni materijal dok pažljivo ne pregledate i uspješno ne pokrenete proizvod.
- Ako je neki dio oštećen ili nedostaje, vratite proizvod na mjesto kupnje.

RAD

⚠ UPOZORENJE: Nemojte biti nepažljivi zato što ste upoznati s načinom rada proizvoda. Zapamtite da je samo jedan djelić sekunde nepažnje dovoljan za nastanak tjelesne ozljede.

⚠ UPOZORENJE: Kako biste spriječili nehotično pokretanje koje bi moglo prouzročiti ozbiljne ozljede, uklonite bateriju iz ventilatora prije servisiranja, podešavanja, čišćenja, mijenjanja nastavaka ili kada nije u upotrebi.

⚠ UPOZORENJE: Nemojte upotrebljavati priključke ili pribor koje nije preporučio proizvođač ovog proizvoda. Upotreba nastavaka ili pribora koji nije preporučen, može dovesti do ozbiljnih tjelesnih ozljeda.

Prije svake upotrebe, pregledajte da na stroju nema oštećenih, nedostajućih ili olabavljenih dijelova kao što su vijci, matice i poklopci. Čvrsto pritegnite sve elemente za pričvršćenje i kapice i ne upotrebljavajte proizvod dok se svi dijelovi koji nedostaju ili oštećeni dijelovi, ne zamijene.

PRIMJENE

Proizvod možete koristiti za svrhe navedene u nastavku:

- Opća ventilacija u većini primjena u kućanstvu.
- Vanjsko hlađenje dok je spojen na izvor vode.

OBAVIJEST: Uređaj se smije koristiti samo za propisanu namjenu. Svaka druga uporaba smatrat će se nepropisnom uporabom.

POSTAVLJANJE I UKLANJANJE BATERIJSKOG MODULA

Upotrebljavajte samo s baterijskim modulima i punjačima tvrtke EGO navedenima na Sl. A3.

NAPOMENA: Baterijski modul napunite do kraja prije prve uporabe.

Postavljanje

Poravnajte izbočenja na bateriji s utorima za ugradnju i utisnite baterijski modul u pretnac za bateriju dok ne začujete klik (sl. B1).

Uklanjanje

Pritisnite gumb za oslobađanje baterije i izvucite baterijski modul (sl. B2).

⚠ UPOZORENJE: Prije pritiska gumba za oslobađanje baterije, uvjerite se jesu li vaša stopala, djeca i domaće životinje na sigurnoj udaljenosti. Ako baterijski modul ispadne, može doći do teških ozljeda. NEMOJTE vaditi baterijski modul kada ste u povišenom položaju.

POKRETANJE/ZAUSTAVLJANJE VENTILATORA

NAPOMENA: Početna tvornička postavka brzine zraka je razina 3. Ventilator će spremati posljednju korištenu postavku brzine zraka i vratit će se na nju nakon ponovnog pokretanja. Turbo postavka neće biti spremjena.

NAPOMENA: Postavka zamagljivanja i osciliranja neće se spremati, a prema zadanim postavkama bit će isključena svaki put kad se ventilator uključi.

Upravljačka ploča (Sl. A2)

Gumb napajanja

- Kratko pritisnite gumb napajanja da biste uključili ventilator.
- Ponovno nakratko pritisnite gumb napajanja da biste isključili ventilator.

Podešavanje brzine zraka

Normalna brzina zraka

- Pritisnite gumb za podešavanje brzine zraka „+“ da biste povećali brzinu zraka i pritisnite gumb „-“ da biste smanjili brzinu zraka. Postoji 5 razina brzine.
- Indikator brzine zraka prikazuje zelena svjetla koja odgovaraju trenutnim razinama brzine.

TURBO način rada

NAPOMENA: Kada je u „TURBO“ načinu rada, ventilator će postići maksimalnu brzinu zraka.

- Pritisnite gumb „TURBO“, indikator **TURBO** svijetlit će zeleno i ventilator će se prebaciti u način rada „TURBO“, tj. na najveću brzinu zraka.
- Kada je u „TURBO“ načinu rada, ponovno pritisnite tipku „TURBO“, indikator **TURBO** će se isključiti i ventilator će nastaviti rad s prethodno aktivnom brzinom zraka.
- Kada je u „TURBO“ načinu rada, pritisnite gumb „-“, indikator **TURBO** će se isključiti i ventilator će se prebaciti na razinu brzine zraka 5.

FUNKCIJA OSCILIRANJA (SL. C)

- Pritisnite gumb za osciliranje jednom za pokretanje funkcije osciliranja glave ventilatora, indikator osciliranja će zasvijetliti donjim zelenim svjetlom, a glava ventilatora će se okrenuti za 60° s jedne na drugu stranu (od -30° do 30°).
- Pritisnite gumb za osciliranje drugi put, indikator osciliranja će zasvijetliti s dva zelena svjetla, aktivirajući raspon osciliranja od 120° (od -60° do 60°).
- Pritisnite gumb za osciliranje treći put, indikator osciliranja će zasvijetliti s tri zelena svjetla, aktivirajući raspon osciliranja od 180° (od -90° do 90°).
- Ako želite isključiti funkciju osciliranja, pritisnite gumb za osciliranje četvrti put.

PODEŠAVANJE KUTA VENTILATORA (SI. D)

Glava ventilatora može se postaviti pod više kutova od 30° do 90°. Za podešavanje smjera zamagljivanja/strujanja zraka, uhvatite ventilator za gornju ručku i nagnite glavu ventilatora naprijed ili natrag.

FUNKCIJA ZA ZAMAGLJIVANJE

Gumb načina rada za zamagljivanje

- Jednom pritisnite gumb načina rada za zamagljivanje i indikator zamagljivanja uključit će tri zelena svjetla koja označavaju način zamagljivanja s jakim protokom - zamagljivanje jakim protokom vode bez zaustavljanja.
- Jednom pritisnite gumb za odabir načina rada za zamagljivanje i indikator zamagljivanja uključit će dva zelena svjetla koja označavaju način «kontinuiranog» zamagljivanja - stalno zamagljivanje bez zaustavljanja.
- Ponovno pritisnite gumb za zamagljivanje treći put i indikator zamagljivanja će zasvijetliti donjim zelenim svjetlom koje označava «isprekidani» način zamagljivanja - zamagljivanje 10 sekundi svakih 10 sekundi.

NAPOMENA: Može potrajati nekoliko sekundi prije nego što prvi put vidite maglu koja izlazi iz mlaznica za zamagljivanje. Ovo kašnjenje je zbog vremena potrebnog da voda dođe iz usisne cijevi do mlaznica.

- Kada je zamagljivanje u isprekidanom načinu rada za zamagljivanje, ponovno pritisnite gumb načina rada za zamagljivanje i svjetla indikatora zamagljivanja će se isključiti i zamagljivanje će se zaustaviti.

NAPOMENA: Kada se postupak zamagljivanja završi, odvojite usisnu cijev ventilatora od izvora vode i pokrenite ventilator u kontinuiranom načinu rada za zamagljivanje dok sva voda ne nestane iz cijevi. Time ćete spriječiti da zaostala voda u cijevi izazove neočekivano zamagljivanje kada se ventilator ponovno pokrene.

Upotreba ventilatora s kantom za vodu ili drugom posudom (nije dio isporuke) (SI. E)

⚠ UPOZORENJE: Djeca mogu pasti u kante i utopiti se. Držite djecu dalje od kanti koje sadrže čak i malu količinu tekućine.

OBAVIJEST: Očistite kantu sapunom i vodom prije svake uporabe.

1. Odvojite baterijski modul.
2. Stavite kantu na ravnu, vodoravnu površinu.
3. U kantu dodajte SAMO čistu, hladnu vodu. Nemojte prepuniti.
4. Uronite kraj usisne cijevi s filtrom u vodu.

OBAVIJEST: Nemojte savijati usisnu cijev i pazite da voda nesmetano teče kroz cijev.

5. Stavite komplet baterija.
6. Pritisnite gumb napajanja da biste uključili ventilator.
7. Pritisnite gumb načina rada za zamagljivanje za pokretanje zamagljivanja.

Spajanje ventilatora na slavinu za vodu (sl. F i sl. G)

1. Odmrtnite gornji dio filtra ulijevo i odvojite ga od donjeg dijela (sl. F).

F-1	Donji dio filtra
F-2	Gornji dio filtra

OBAVIJEST: Pazite da se donji dio ne razdvoji na dva dijela tijekom odvajanja gornjeg dijela i da ostane zajedno kao cjelina za spajanje na adapter za vrtno crijevo.

2. Odmrtnite (ulijevo) adapter za vrtno crijevo koji se nalazi u donjem dijelu ventilatora. Uvrnite ga (udesno) u donji dio filtra.
3. Spojite adapter za vrtno crijevo na odgovarajuće vrtno crijevo s brzom spojnicom (nije dio isporuke). Pričvrstite brzu spojnicu na adapter za vrtno crijevo dok ne čujete jasan klik (Sl. G).

G-1	Adapter za vrtno crijevo
G-2	Tipična brza spojnica

OBAVIJEST: Nemojte spajati adapter za vrtno crijevo dok je montiran na donjem dijelu ventilatora (Sl. G1).

4. Spojite vrtno crijevo na vodovod.
5. Stavite komplet baterija.

6. Pritisnite gumb napajanja da biste uključili ventilator.
7. Otvorite do kraja slavinu za vodu, ventilator će započeti sa zamagljivanjem.

OBAVIJEST: Preporučeni maksimalni radni tlak ne smije prelaziti 80 psi.

NAPOMENA: Čak i ako nema električnog napajanja, ventilator će početi zamagljivanje kada se otvori slavina za vodu.

8. Pritisnite gumb načina rada za zamagljivanje kako biste odabrali način rada za zamagljivanje za bolje rezultate rada.

NAPOMENA: Mali otvor u adapteru za vrtno crijevo čini ga osjetljivim na tvrdu vodu i nakupljanje mineralnih naslaga. Često čistite adapter i koristite bijeli ocat ili drugo sredstvo za uklanjanje kamenca kako biste uklonili naslage.

Upotreba ventilatora bez zamagljivanja

Ako želite, ovaj proizvod se može upotrebljavati samo kao ventilator kada nije spojen na izvor vode. Kada se ne koristi, namotajte usisnu cijev u prostor za pohranu (pogledajte odjeljak u ovom priručniku „PRIJEVOZ I SKLADIŠTENJE“) kako biste je zaštitili od oštećenja i kontaminacije.

TEHNOLOGIJA KOMUNIKACIJE

Za informacije o našoj cjelokupnoj ponudi povezanih proizvoda i usluga, uključujući upute za povezivanje, skenirajte QR kod u nastavku ili posjetite www.egopowerplus.eu/connect.



ZAŠTITA ELEKTRONIKE

Kada je funkcija osciliranja aktivirana, ali ventilator ne oscilira, indikator osciliranja će prikazati tri trepćuća zelena svjetla neprekidno kako bi podsjetio rukovatelja da provjeri je li glava ventilatora zaglavljena i ukloni sve strane stvari koje su se zalijepile na glavi ventilatora prije ponovnog pokretanja značajka.

Kada se aktivira funkcija zamagljivanja, ali ne izlazi vodena magla:

- Crpka za vodu nastavit će raditi kratko vrijeme, a zatim će se automatski zaustaviti kako bi zaštitila unutarnju elektroniku.

- Indikator zamagljivanja prikazivat će stalno tri trepćuća zelena svjetla kao upozorenje operateru da:
 - a. provjeri je li usisna cijev pravilno uronjena u vodu.
 - b. provjeri da mlaznice za zamagljivanje nisu začepljene i očisti ih u skladu s poglavljem „ODRŽAVANJE MLAZNICA“.
 - c. pritisne gumb za odabir načina zamagljivanja radi ponovnog pokretanja zamagljivanja.

Kada je napunjenost baterije niska, gumb za uključivanje će treptati zeleno kako bi podsjetio rukovatelja da napuni ili promijeni bateriju.

Kada su baterijski modul ili ventilator prevrući, gumb za uključivanje će bljeskati crveno kako bi upozorio rukovatelja da isključi ventilator i pusti bateriju ili ventilator da se ohladi dok temperatura ne padne na preporučeni raspon radne temperature prije ponovnog pokretanja ventilatora.

ODRŽAVANJE

⚠ UPOZORENJE: Pri servisiranju koristite samo identične zamjenske dijelove. Upotreba drugih dijelova može izazvati opasnost ili prouzročiti oštećenje proizvoda. Radi sigurnosti i pouzdanosti, sve popravke treba obavljati kvalificirani servisni tehničar.

⚠ UPOZORENJE: Radi izbjegavanja teških tjelesnih ozljeda, pri čišćenju ili obavljanju podešavanja komplet baterija izvadite iz proizvoda.

OPĆE ODRŽAVANJE

Sve servisne postupke na ventilatoru za zamagljivanje treba prepustiti stručnom osoblju servisa, osim postupaka za stavke navedene u ovim uputama za održavanje.

Pri čišćenju plastičnih dijelova izbjegavajte upotrebu otapala. Većina plastičnih materijala podložna je oštećenju od različitih vrsta komercijalnih otapala i mogu se oštetiti u slučaju njihove upotrebe. Za uklanjanje nečistoće, prašine, ulja, masti i sl. koristite čiste krpe.

⚠ UPOZORENJE: Nemojte dopustiti da kočione tekućine, benzin, proizvodi na bazi nafte, prodiruća ulja i sl., dođu u doticaj s plastičnim dijelovima. Kemijska sredstva mogu oštetiti, oslabiti ili uništiti plastiku što može rezultirati teškim tjelesnim ozljedama.

⚠ UPOZORENJE: Kada čistite ventilator za zamagljivanje, NEMOJTE ga uranjati u vodu ili druge tekućine.

ODRŽAVANJE MLAZNICE (SI. H)

⚠ UPOZORENJE: Pazite da se svi radovi održavanja mlaznica za zamagljivanje obave pravilno kako bi se spriječilo curenje vode. Curenje može rezultirati skliskom površinom koja predstavlja opasnost od sklizanja i pada ili može uzrokovati materijalnu štetu.

Nepravilni uzorci zamagljivanja ili curenje mogu biti posljedica začepljene ili prljave mlaznice.

Pročišćavanje mlaznica

1. Isključite ventilator i izvadite baterijski modul.
2. Uklonite začepljene mlaznice za zamagljivanje s prednjeg štitnika rešetke kućišta ventilatora okretanjem ulijevo.
3. Rastavite svaku zahvaćenu mlaznicu na dijelove.
4. Da biste uklonili sve strane čestice koje začepljuju ili ograničavaju mlaznice, isperite dijelove mlaznice vodom. Da biste uklonili nakupljeni kamenac (mineral), po potrebi očistite dijelove mlaznice bijelim octom ili drugim sredstvom za uklanjanje kamenca.
5. Ponovno sastavite mlaznice.

OBAVIJEST: Da biste spriječili začepljenje, pazite da mlaznicu sastavite točno onako kako je prikazano na Sl. H.

6. Ponovno pričvrstite čiste mlaznice na štitnik prednje rešetke.

ODRŽAVANJE FILTRA (SI. I)

Redovito pregledajte filter na kraju usisne cijevi kako biste bili sigurni da je u dobrom stanju.

1. Isključite ventilator i izvadite baterijski modul.
2. Odmrnite gornji dio od donjeg dijela filtra.

I-1	Donji dio	I-3	Spužvasta mrežica
I-2	Metalna mrežica	I-4	Gornji dio

OBAVIJEST: Prilikom odvrtnja gornjeg dijela pazite da se donji dio ne razdvoji na dva dijela. Donji dio mora ostati sastavljen kako bi se uklonila metalna mrežica.

3. Izvadite spužvastu mrežicu iz gornjeg dijela i metalnu mrežicu iz donjeg dijela.
4. Isperite metalnu mrežicu i spužvastu mrežicu ili ih po potrebi zamijenite.
5. Ponovno sastavite filter.

OBAVIJEST: Pazite da metalna mreža bude sastavljena s podignutim rubom okrenutim prema van radi lakšeg rastavljanja sljedeći put.

ODRŽAVANJE ADAPTERA ZA VRTNO CRIJEVO

Mali otvor u adapteru za vrtno crijevo čini ga osjetljivim na tvrdu vodu i nakupljanje mineralnih naslaga. Često čistite adapter i koristite bijeli ocat ili drugo sredstvo za uklanjanje kamenca kako biste uklonili naslage.

ODRŽAVANJE KUĆIŠTA VENTILATORA

(SI. J i SI. K)

1. Isključite ventilator i izvadite baterijski modul.
2. Križnim odvijačem (nije dio isporuke) odvrnite osam vijaka sa stražnje strane kućišta ventilatora kako biste uklonili štitnik prednje rešetke.

J-1	Vijak (x8)
J-2	Prednji rešetkasti štitnik

3. Sklop lopatice ventilatora držite kako biste spriječili njegovo okretanje i okrenite poklopac brave lopatice ventilatora udesno kako biste odvojili sklop lopatice ventilatora s vratila.

K-1	Sklop lopatice ventilatora
K-2	Poklopac brave

4. Uklonite sklop lopatice ventilatora.
5. Po potrebi očistite lopaticu ventilatora i unutrašnjost kućišta.
6. Ponovno ih montirajte obrnutim redom i pazite na sljedeće:

Oznaka na sklopu lopatica ventilatora poravnata je s prečkom na vratilu.

TRANSPORT I SKLADIŠTENJE (SI. L)

- Uklonite baterijski modul.
- Dobro očistite ventilator.
- Ispraznite usisnu cijev i filter.

OBAVIJEST: Prezimljavanje ventilatora je ključno za zaštitu od niskih temperatura, koje mogu uzrokovati oštećenje crpke, crijeva i drugih komponenti. **Obavezno odvojite usisnu cijev ventilatora od izvora vode i pokrenite ventilator u kontinuiranom načinu rada za zamagljivanje sve dok u cijevi ne nestane zaostale vode prije pohranjivanja ventilatora tijekom zime.**

- Pričvrstite usisnu cijev i filter pomoću kopči koje se nalaze na donjem dijelu ventilatora.
- Pričvrstite adapter za vrtno crijevo na otvor s navojem koji se nalazi na dnu postolja ventilatora.

L-1	Adapter za vrtno crijevo
L-2	Kopče

- Nosite ventilator s gornjom ručkom ili bočnim ručkama kada ga transportirate.
- Čuvajte ventilator na zatvorenom i dobro prozračenom mjestu.
- Držite dalje od korozivnih sredstava kao što su vrtno kemikalije i soli za odleđivanje.

Zaštita okoliša



Električnu opremu, iskorištenu bateriju i punjač ne odlažite u otpad iz kućanstva!

Ovaj proizvod odnesite u ovlaštenu centar za reciklažu i time omogućite odvojeno sakupljanje. Električne alate potrebno je vratiti u ekološki prihvatljiv pogon za reciklažu.

RJEŠAVANJE PROBLEMA

PROBLEM	UZROK	RJEŠENJE
Ventilator za zamagljivanje se ne pokreće.	<ul style="list-style-type: none"> ■ Baterija nije do kraja umetnuta u kućište. ■ Nema električnog kontakta između ventilatora za zamagljivanje i baterijskog modula. ■ Baterijski modul je ispražnjen. ■ Baterijski modul ili ventilator su prevrući. 	<ul style="list-style-type: none"> ■ Provjerite je li baterija potpuno umetnuta u kućište. ■ Izvadite baterijski modul, provjerite kontakte i vratite baterijski modul. ■ Napunite baterijski modul. ■ Pustite da se baterijski modul ili pogonska glava hlade dok temperatura ne padne u preporučeni raspon radne temperature.
Nema zamagljivanja vodom, a indikator zamagljivanja trepće s dva zelena svjetla.	<ul style="list-style-type: none"> ■ Usisna cijev ne dobavlja vodu, aktivirajući unutarnju zaštitu električne crpke unutar ventilatora. ■ Mlaznice za zamagljivanje začepile su se tijekom rada aktivirajući unutarnju zaštitu električne crpke. 	<ul style="list-style-type: none"> ■ Provjerite i pazite da ima dovoljno vode u kanti i da je usisna cijev pravilno uronjena u vodu. ■ Očistite mlaznice u skladu s poglavljem „ODRŽAVANJE MJEZNICA“ i ponovno ih sastavite prema uputama.
Ventilator prestaje oscilirati i indikator osciliranja trepće s tri zelena svjetla.	<ul style="list-style-type: none"> ■ Glava ventilatora se zaglavљуje tijekom osciliranja. 	<ul style="list-style-type: none"> ■ Uklonite sve strane stvari koje sprječavaju osciliranje glave ventilatora.

JAMSTVO

PRAVILA U VEZI JAMSTVA TVRTKE EGO

Cjelokupne uvjete i odredbe pravila jamstva tvrtke EGO potražite na web-mjestu egopowerplus.eu.



სრულად გაეცანით ინსტრუქციას!



გაეცანით მომხმარებლის სახელმძღვანელოს

▲ გაფრთხილება: ხელსაწყო უსაფრთხოდ და გამართულად მუშაობისთვის საჭიროა მისი ყველა შეკეთება და ნაწილის შეცვლა შესრულდეს კვალიფიციური ტექნომსახურების ტექნიკოსის მიერ.

▲ გაფრთხილება: მანქანის გამოყენებამდე წაიკითხეთ და გაეცანით ყველა უსაფრთხოების წესს, რომელიც მოცემულია მომხმარებლის ამ სახელმძღვანელოში, მათ შორის, ყველა უსაფრთხოების სიგნალის სიმბოლოებს, როგორცაა „**საშიშროება**“, „**გაფრთხილება**“ და „**ყურადღება**“. ქვემოთ ჩამოთვლილი მითითებების შეუსრულებლობამ შეიძლება გამოიწვიოს დენის დარტყმა, ხანძარი და/ან სხეულის სერიოზული დაზიანება.

შეინახეთ ყველა გაფრთხილება და ინსტრუქცია სამომავლოდ გამოყენებისთვის.

უსაფრთხოების სიმბოლოები

▲ გაფრთხილება: ნებისმიერი მოწყობილობის მუშაობამ შეიძლება გამოიწვიოს უცხო სხეულის თვალში მოხვედრა, რამაც შესაძლოა გამოიწვიოს თვალის მნიშვნელოვანი დაზიანება. მოწყობილობის მუშაობის დაწყებამდე, აუცილებლად მოირგეთ უსაფრთხოების თვალსაფარი ან სათვალე სახის გვერდითა ნაწილების და მთლიანი სახის დამცავი ფართი, საჭიროების შემთხვევაში. ჩვენ რეკომენდაციას ვუწევთ ფართო ხედვის უსაფრთხოების ნიღაბს სათვალეებთან ერთად ან სტანდარტულ გვერდითა დაცვის მქონე უსაფრთხოების სათვალეებთან ერთად გამოსაყენებლად.



გამაფრთხილებელი ნიშანი



დაზიანების რისკის შესამცირებლად, მომხმარებელმა უნდა წაიკითხოს და გაიგოს მოწყობილობის მუშაობის ინსტრუქცია, მის გამოყენებამდე.



გარანტირებული ხმის სიმძლავრის დონე. გარემოში ხმაურის გაფრცელების დონე ევროკავშირის რეგულაციების შესატყვისია.



Bluetooth®-ის სიმბოლო



ელექტრო ხელსაწყოების უტილიზაცია არ უნდა მოხდეს საყოფაცხოვრებო ნარჩენებთან ერთად. წაიღეთ შესაბამის გადამამუშავებელ საწარმოში.



მოწყობილობა შეესაბამება EC-ის მოქმედ რეგულაციებს.



მუდმივი დენი



აღნიშნული ხელსაწყო აკმაყოფილებს გაერთიანებული სამეფოს კანონმდებლობით დადგენილ მოთხოვნებს.

IPX4

დაცვა წყლის მცირე ოდენობით გადასხმის შემთხვევაში

KA

ზოგადი გაფრთხილებები უსაფრთხოების შესახებ

▲ გაფრთხილება: იმისათვის, რომ შეამციროთ ხანძრის, ელექტროდენის დარტყმის ან ტრავმის რისკი:

- გაიცანით თქვენი წვეთების მაფრქვეველი ვენტილატორი. ყურადღებით წაიკითხეთ მომხმარებლის ინსტრუქცია. გაიცანით ვენტილატორის გამოყენების წესს და მის შეზღუდვებს, ასევე ვენტილატორთან დაკავშირებულ შესაძლო საფრთხეებს. ამ წესის მიდევნება შეამცირებს ელექტრული შოკის, ხანძრის და სერიოზული ზიანის მიღების რისკს.
- ხელსაწყო შეიძლება გამოყენებულ იქნას ბავშვების მიერ (8 წლის ასაკიდან და ზემოთ) და შეზღუდული ფიზიკური, სენსორული ან მეტაბოლური შესაძლებლობის მქონე პირების ან ცოდნისა და გამოცდილების არმქონე პირების მიერ, თუ მათ აქვთ შესაბამისი ზედამხედველობა და გაიარეს ინსტრუქტაჟი ხელსაწყოს უსაფრთხოდ გამოყენების თაობაზე და მათ ესმით ხელსაწყოს გამოყენებასთან დაკავშირებული საფრთხეები.
- ბავშვებმა არ უნდა ითამაშონ ხელსაწყოთი.
- ხელსაწყოს გაწმენდა და ტექნომსახურება არ უნდა ჩატარდეს ზედამხედველობის გარეშე მყოფი ბავშვების მიერ

სამუშაო სივრცის უსაფრთხოება

- არ ამუშაოთ ვენტილატორი პაერში ფეთქებადი საშუალებების არსებობისას, როგორცაა აღებული სითხეები, აირები ან მტვერი.
- მოწყობილობით სარგებლობისას მთავრადეით მას ბავშვები და გამვლელები. ყურადღების გაფანტვას შეუძლია გამოიწვიოს მოწყობილობაზე კონტროლის დაკარგვა.
- გამოიჩინეთ სიფრთხილე ქარიან პირობებში გამოყენების დროს. ქარმა შეიძლება შეიტანოს წვეთები ელექტრო გაყვანილობაში ან მოწყობილობებში.
- არ გამოიყენოთ მოწყობილობა წვიმაში ან სველ გარემოში. ელექტრულ მოწყობილობაში მოხვედრილი წყალი ზრდის ელექტრული შოკის მიღების რისკს.

პირადი უსაფრთხოება

- ელექტრო მოწყობილობის გამოყენებისას იყავით ფიზიკურად, იმოქმედეთ დაკვირვებით და საღი აზრის გათვალისწინებით. არ გამოიყენოთ მოწყობილობა, როდესაც ხართ დაღლილი, ცუდ განწყობაზე, ან ალკოჰოლის, მედიკამენტების ან ნარკოტიკების ზემოქმედების ქვეშ. მოწყობილობით სარგებლობის დროს მცირე უყურადღებობამ შეიძლება მოგაყენოთ სერიოზული პირადი ზიანი.
 - გაუთვალისწინებელი ჩართვის აღკვეთა. დარწმუნდით რომ ჩამრთველი არის გამორთულ პოზიციასში მოწყობილობის აკუმულატორთან მიერთებამდე, მოწყობილობის მაღლა აწევამდე ან ტარებამდე. მოწყობილობის ტარება ჩამრთველის დილაკზე დადებული თითით ან მოწყობილობის დენში მიერთება, რომელსაც გააქტიურებული აქვს ჩართვის დილაკი, განაპირობებს უბედურ შემთხვევას.
 - მოხსენით ნებისმიერი მიმაგრებული ატრიბუტი ან ქანჩის გასაღები მოწყობილობის ჩართვამდე. მოწყობილობის მბრუნავ ნაწილზე დამაგრებულმა ქანჩის გასაღებმა ან სხვა ატრიბუტმა შესაძლოა მოგაყენოთ სხეულის დაზიანება.
 - ზედმეტად არ გადაიხაროთ. ყოველთვის დაიცავით ბალანსი და მყარად იდექით ფეხზე. ეს გამძლევეთ საშუალებას, მოახდინოთ მოწყობილობის უკეთესი კონტროლი მოულოდნელ სიტუაციებში.
 - ჩაიცვით შესაბამისად. არ ჩაიცვით განიერი, ფრიალა ტანსაცმელი და არ გაიკეთოთ ძვირფასეულობა. მთავრადეით თმა და ტანსაცმელი მოძრავ ნაწილებს. თავისუფალი ტანსაცმელი, სამკაულები ან გრძელი თმა შესაძლოა ჩაითრიოს მოძრავმა ნაწილებმა.
 - მოწყობილობის ამუშავებამდე გადაამოწმეთ, რომ ყველა კავშირი უსაფრთხოა.
 - მსგავსი მოწყობილობის ხშირი გამოყენების შემთხვევაში არ გათამაზდეთ და არ უზღულვებელყოთ მოწყობილობის უსაფრთხოების პრინციპების დაცვა. გაუფრთხილებელმა საქციელმა წამის მეთედში კი შესაძლოა მოგტანოთ სერიოზული ზიანი.
- გამოყენება და მოვლა**
- არ გამოიყენოთ მოწყობილობა, თუ მისი ჩართვა და გამორთვა ჩამრთველით არ ხდება. ვენტილატორი, რომელიც ვერ კონტროლდება ჩამრთველით, სახიფათოა და საჭიროებს შეკეთებას.

KA

- მოხსენით აკუმულატორი ვენტლატორის ნებისმიერი რეგულირების, ნაწილის შეცვლის დროს ან მოწყობილობის შენახვამდე. მსგავსი პრევენციული უსაფრთხოების ზომები ამცირებს მოწყობილობის უცაბედი ჩართვის რისკს.
 - გამორთული მოწყობილობები შეინახეთ ბავშვებისთვის მიუწვდომელ ადგილას და არ მისცეთ მოწყობილობის გამოყენების უფლება მისი სარგებლობის არმცოდნე ან მის ინსტრუქციაში ჩაუხედავ პირებს. მოწყობილობა გამოუცდელი პირების ხელში სახიფათოა.
 - გაუფრთხილდით მოწყობილობებს და მის ნაწილებს. შეაჩვენეთ მოძრავი და დამაკავშირებელი ნაწილების ურთიერთწანაცვლება, ნაწილების დაზიანება და სხვა მდგომარეობა, რომელმაც შეიძლება გავლენა იქონიოს მოწყობილობის მუშაობაზე. დაზიანების შემთხვევაში, გამოყენებამდე შეაკეთეთ მოწყობილობა. ბევრი უბედური შემთხვევა გამოწვეულია ცუდად მოვლილი მოწყობილობის გამო.
 - მის მოწყობილობა, მისი ნაწილები და ა.შ. გამოიყენეთ ინსტრუქციის შესაბამისად, სამუშაო გარემოს და სამუშაოს ტიპის გათვალისწინებით. მოწყობილობის არადანიშნულებისამებრ გამოყენებამ შესაძლოა შექმნას სახიფათო სიტუაცია.
 - სახელურები და ხელის ჩასაკიდი სხვა ზედაპირები იქონიეთ მშრალ და სუფთა მდგომარეობაში, მათ შორის, ცხიმისა და ზეთის გარეშე. სრიალა სახელურები და ხელის ჩასაკიდი ზედაპირები არ იძლევა მოწყობილობის უსაფრთხოდ გამოყენების და კონტროლის საშუალებას მოულოდნელ სიტუაციებში.
- ⚠ გაფრთხილება:** ხანძრის ან ელექტროშოკის რისკის შესამცირებლად, არ გამოიყენოთ ეს ვენტლატორი სიჩქარის მაკონტროლებელ მოწყობილობასთან.
- აკუმულატორის გამოყენება და მოვლა**
- დატენეთ მხოლოდ მწარმოებლის მიერ მითითებული დამტენი მოწყობილობით. დამტენმა მოწყობილობამ, რომელიც თავსებადია ერთი ტიპის აკუმულატორის ბლოკთან, შესაძლოა წარმოშვას ხანძრის გაჩენის რისკი სხვა აკუმულატორზე გამოყენებისას.
 - გამოიყენეთ მოწყობილობა მხოლოდ სპეციალურად მისთვის განკუთვნილი აკუმულატორებით. სხვა აკუმულატორის ბლოკების გამოყენებამ შესაძლოა წარმოშვას ფიზიკური დაზიანების ან ხანძრის რისკი.
 - როდესაც აკუმულატორის ბლოკს არ იყენებთ, მოაცილეთ იგი ლითონის საგნებს, როგორცაა ქაღალდის სამაგრები, მონეტა, გასადები, ლურსმანი, ხრახნი ან სხვა მცირე ზომის ლითონის საგნები, რომელთაც შეუძლიათ მოახდინონ შეერთება ერთი ტერმინალიდან მეორეში. აკუმულატორის კლემების ზედდებამ შეიძლება გამოიწვიოს დამწვრობები ან ხანძარი.
 - არასწორი მოპყრობის შემთხვევაში, აკუმულატორიდან შეიძლება სითხემ გამოჟონოს; მოერიდეთ მასთან შეხებას. შემთხვევითი კონტაქტისას, შეხების არეალი წყლით ჩამოიბანეთ. სითხის თვალებთან კონტაქტის შემთხვევაში, ექიმს მიმართეთ. აკუმულატორიდან გამოჟონილმა სითხემ შესაძლოა გამოიწვიოს გაღიზიანება ან დამწვრობა.
 - არ გამოიყენოთ აკუმულატორი ან მოწყობილობა, რომელიც დაზიანებული ან გადაკეთებულია. დაზიანებულმა ან გადაკეთებულმა აკუმულატორმა შესაძლოა განაპირობოს გაუთვალისწინებელი ქმედება, რამაც შეიძლება გამოიწვიოს ხანძარი, აფეთქება ან დაზიანების რისკი.
 - არ გამოიყენოთ აკუმულატორი ან მოწყობილობა ცეცხლთან ახლოს ან მაღალი ტემპერატურის დროს. ცეცხლმა ან 130 °C-ზე მაღალმა ტემპერატურამ შესაძლოა გამოიწვიოს აფეთქება.
 - დაიცავით დატენვის ყველა ინსტრუქცია და აკუმულატორის ბლოკის ან ხელსაწყო დატენვისას არ გაცდეთ ინსტრუქციებში მითითებულ ტემპერატურის დიაპაზონს. აკუმულატორის არასწორი ან ინსტრუქციამი მითითებული ტემპერატურის ფარგლებს მიღმა დამუხტვამ შეიძლება დააზიანოს აკუმულატორი და გაზარდოს ხანძრის რისკი.
- მომსახურება**
- მოწყობილობის ტექნიკური სერვისი შეასრულებინეთ კვალიფიციურ პირს მხოლოდ იდენტური სათადარიგო ნაწილების გამოყენებით. აღნიშნული უზრუნველყოფს მოწყობილობის უსაფრთხოდ მუშაობას.

KA

- არასოდეს შეაკეთეთ დაზიანებული აკუმულატორები. აკუმულატორების შეკეთება უნდა უზრუნველყოს მხოლოდ მწარმოებელმა ან ავტორიზებულმა სერვის პროვაიდერებმა.

უსაფრთხოების ინსტრუქციები უსადენო წვეთების მაფრქვეველი ვენტოლატორისთვის

- მოწყობილობა არ არის განკუთვნილი იმისათვის, რომ შეზღუდული ფიზიკური, სენსორული ან მენტალური შესაძლებლობის მქონე პირებმა (ბავშვების ჩათვლით), ან ცოდნისა და გამოცდილების არმქონე პირებმა ისარგებლონ მისით. გარდა იმ შემთხვევებისა, როცა ისინი არიან შესაბამისი ზედამხედველობის ქვეშ და მიიღეს ინსტრუქტაჟი მოწყობილობის გამოყენების თაობაზე მათ უსაფრთხოებაზე პასუხისმგებელი პირისგან.
- ბავშვები უნდა იყვნენ ზედამხედველობის ქვეშ, რათა მათ არ ითამაშონ მოწყობილობით.
- არავის მისცეთ უფლება ვენტოლატორი გამოიყენოს, როგორც სათამაშო. ბავშვებთან ახლოს ან ბავშვების მიერ მოწყობილობის გამოყენებისას განსაკუთრებული ყურადღება საჭირო.
- ბავშვები შეიძლება ჩავარდნენ ვედროში და დაიხრჩონ. მთავრად ბავშვები ვედროებს წყლის მცირე რაოდენობის შემთხვევაშიც კი.
- გამოიყენეთ მხოლოდ სუფთა, ცივი წყალი.
- არ გამოიყენოთ წვეთების მაფრქვეველი ვენტოლატორი პესტიციდების, თხევადი სასუქების, ქიმიკატების ან ნებისმიერი სხვა სითხის შესასხურებლად სუფთა წყლის გარდა. მსგავსი ნივთიერებების გაფრქვევამ შესაძლოა სერიოზული ზიანი მოუტანოს მომხმარებელს ან მახლობლად მყოფ პირებს.
- არასოდეს მიუშვიროთ გამაფრქვეველი ან წყალი რომელიმე ელექტრო გაყვანილობას ან მოწყობილობას.
- დარწმუნდით, რომ აკუმულატორის საფარი მჭიდროდ დახურულია, რათა წყალი არ მოხვდეს აკუმულატორს ან არ შეაღწიოს აკუმულატორის ბუდეში.
- მოწყობილობა და მისი სახელური იქონიეთ მშრალ, სუფთა, ცხიმის და ზეთისგან სუფთა მდგომარეობაში. ყოველთვის გამოიყენეთ სუფთა

ტილო გაწმენდისას. არასოდეს გამოიყენოთ საშუალო სითხე, ბენზინი, ნავთობზე დამზადებული პროდუქტები ან სხვა ძლიერი გამხსნელები ვენტოლატორის გასაწმენდად. ამ წესის დაცვა შეამცირებს კონტროლის დაკარგვის რისკს და პლასტმასის ბუდის ცვეთას.

- აკუმულატორები შესაძლოა აფეთქდეს ანთების წყაროს არსებობისას, როგორცაა ამნთები ნათურა. პირადი ზიანის მიღების რისკის შესამცირებლად არასოდეს გამოიყენოთ უსადენო მოწყობილობა ანთებული ცეცხლის მახლობლად. აფეთქებულმა აკუმულატორმა შესაძლოა გამოტყორცნოს ნარჩენები და ქიმიური ნივთიერებები. სხეულზე მოხვედრისას დაუყოვნებლივ ჩამოიბანეთ წყლით.
 - შეინახეთ ეს მითითებები. ხშირად იხელმძღვანელებთ მითითებებით და ასწავლეთ ისინი სხვებს, ვისაც სურთ ამ ვენტოლატორის გამოყენება. თუ სხვას ათხოვებთ ვენტოლატორს, ასევე გაატანეთ ეს მითითებები, რათა თავიდან აიცილოთ პროდუქტის არასათანადო გამოყენება და შესაძლო დაზიანება.
 - გაითვალისწინეთ, რომ ტენიანობის მაღალმა დონემ შეიძლება ხელი შეუწყოს გარემოში ბიოლოგიური ორგანიზმების მატებას.
 - არ დაუშვათ ვენტოლატორის გარშემო არსებული ზონა გახდეს ნესტიანი ან სველი. თუ ნესტიანობა იმატებს, შეამცირეთ წვეთების მაფრქვეველი ვენტოლატორის სიმძლავრე. თუ წვეთების მაფრქვეველი ვენტოლატორის სიმძლავრის შემცირება არ შეიძლება, პერიოდულად გამოიყენეთ დამატენიანებელი. არ დაუშვათ შთამთქმელი მასალები, როგორცაა ხალიჩა, ფარდები, ან სუფრები, დანესტიანდეს.
 - არასოდეს დატოვოთ წყალი რეზერვუარში, როდესაც მოწყობილობას არ იყენებთ.
 - შენახვამდე აუცილებლად დაცალეთ და გაასუფთავეთ წვეთების მაფრქვეველი ვენტოლატორი. გაასუფთავეთ დამატენიანებელი მის შემდგომ გამოყენებამდე.
- ⚠ გაფრთხილება:** მიკროორგანიზმები, რომლებიც შეიძლება იმყოფებოდნენ წყალში ან იმ გარემოში, სადაც მოწყობილობა გამოიყენება ან ინახება, შეიძლება გაიზარდოს წყლის რეზერვუარში და აფეთქდეს ჰაერში, რაც იწვევს ჯანმრთელობის ძალიან სერიოზულ რისკებს, კერძოდ, როდესაც არ ხდება წყლის გამოცვლა და ბაკი სათანადოდ

KA

არ იწმინდება ყოველ 3 დღეში.

დასამუშებო აკუმულატორი უნდა ამოვიღოთ მოწყობილობიდან მის დამუხტვამდე.

- დაცლილი აკუმულატორი უნდა ამოვიღოთ მოწყობილობიდან და უსაფრთხოდ განადგურდეს.
- თუ მოწყობილობა უნდა ინახებოდეს გამოყენებელი ხანგრძლივი პერიოდის განმავლობაში, უნდა მოხდეს აკუმულატორების ამოღება.
- დენის ტერმინალებზე არ უნდა მოხდეს მოკლე ჩართვა.

შეინახეთ ეს მომხმარებლის ინსტრუქცია!

სპეციფიკაციები

ნომინალური ძაბვა	56 ვ
ვენტილატორის დანის დიამეტრი	25.4 სმ
მაღალი სიჩქარის რეჟიმი	6 (მათ შორის „ტურბო“)
მაქს. ჰაერის ნაკადის მოცულობა	1700 CFM
მაქს. ჰაერის ნაკადის სიჩქარე	32.2 კმ/სთ
რხევის კუთხე	60°, 120°, 180°
გასაფრთქვევი წყლის მოცულობა	მაღალი: 5,7 ლ/სთ
	საშუალო: 4,9 ლ/სთ
	დაბალი: 2,5 ლ/სთ
წონა (აკუმულატორის ბლოკის გარეშე)	4,7 კგ
შენახვის რეკომენდებული ტემპერატურა	-20°C-70°C
Bluetooth-ის სამუშაო სიხშირის ზოლი	2402-2480 მჰც
Bluetooth-ის მაქსიმალური ტრანსმისიის ძალა	4 დბ/მვ

- მითითებული ვიზრაციის სრული სიდიდე გაზომილია სტანდარტული ტესტირების მეთოდის გამოყენებით და შესაძლოა

გამოყენებულ იქნას ერთი მოწყობილობის მეორესთან შედარებისას;

- მითითებული ვიზრაციის სრული სიდიდე ასევე შესაძლოა გამოყენებულ იქნას ზემოქმედების წინასწარი შეფასებისას.

⚠ გაფრთხილება: ხელსაწყო ფაქტობრივი გამოყენებისას ვიზრაციის ემისია შესაძლოა განსხვავდებოდეს მითითებული სიდიდისგან; ოპერატორის დაცვის მიზნით, მომხმარებელმა მოწყობილობით სარგებლობისას უნდა გამოიყენოს ხელთათმანები და სმენის დამცავი.

შეფუთვის ფურცელი (ნახ. A1)

აღწერა

შეისწავლეთ თქვენი სახერველა (ნახ. A1 და A2)

1. მართვის პანელი (ნახ. A2)
2. რხევის ჩარჩო
3. წვეთების საფრქვევი
4. ზედა სახელური
5. ვენტილატორის შიგთავსი
6. გვერდითა სახელური
7. აკუმულატორის ნაკვეთური
8. ელექტრო კონტაქტები
9. აკუმულატორის მოხსნის დილაკი
10. ბადის სარწყავი შლანგის ადაპტორი
11. ფილტრი
12. შემწოვი მილი
13. ჰაერის ნაკადის სიჩქარის რეგულირების დილაკები
14. ტურბოს დილაკი
15. ტურბოს ინდიკატორი
16. წვეთების გაფრქვევის ინდიკატორი
17. წვეთების გაფრქვევის რეჟიმის დილაკი
18. ჩამრთველი დილაკი
19. ჰაერის სიჩქარის მაჩვენებელი
20. რხევის ინდიკატორი
21. რხევის რეჟიმის დილაკი

KA

ნაკრები

▲ გაფრთხილება: თუ რომელიმე ნაწილი დაზიანებულია ან დაკარგულია, არ ისარგებლოთ მოწყობილობით, სანამ ყველა ნაწილი არ გამოიცვლება. დაზიანებული ან დაკარგული ნაწილების მქონე მოწყობილობით სარგებლობას შესაძლოა მოჰყვეს სერიოზული ზიანი.

▲ გაფრთხილება: არ სცადოთ ხელსაწყოს გადაკეთება ან ისეთი აქსესუარების შექმნა, რომლებიც არაა რეკომენდებული ამ ხელსაწყოსთვის. ნებისმიერი მსგავსი ცვლილება ან მოდიფიკაცია არის მოწყობილობის არასათანადო გამოყენება და შესაძლოა წარმოქმნას სახიფათო მდგომარეობა, რომელმაც შესაძლოა გამოიწვიოს სერიოზული პირადი ზიანი.

▲ გაფრთხილება: უცაბედი ჩართვის გამოსარიცხად, რომელმაც შესაძლოა გამოიწვიოს სერიოზული პერსონალური ზიანი, ყოველთვის მოხსენით აკუმულატორი მოწყობილობას, როდესაც ხდება მისი ნაწილების აწყობა.

- ეს ხელსაწყო ბოლომდე აწყობილ მდგომარეობაში იქნა გამოგზავნილი.
- ფრთხილად ამოიღეთ ხელსაწყო და მისი ყველა ნაწილი ყუთიდან. დარწმუნდით, რომ „შეფუთვის ჩამონათვალში“ ჩამოთვლილი ყველა ნაწილი ადგილზეა.
- გულდასმით შეამოწმეთ ხელსაწყო, რათა დარწმუნდეთ, რომ ტრანსპორტირებისას იგი არ გატეხილა ან დაზიანებულა.
- შეინახეთ შესაფუთი მასალა, სანამ ყურადღრებით არ შეამოწმებთ და დამაკმაყოფილებელი სახით არ გამოიყენებთ პროდუქტს.
- თუ რომელიმე ნაწილი დაზიანებულია ან დაკარგულია, გთხოვთ, დააბრუნოთ ხელსაწყო შექმნის ადგილას.

მეშაობა

KA

▲ გაფრთხილება: შეეცადეთ მსგავსი პროდუქტის გამოყენების გამოცდილებამ არ გამოიწვიოს თქვენი გაუფრთხილებლობა. დაიმასხვოვრეთ, რომ გაუფრთხილებლობამ წამის მათედშიც კი შესაძლოა მოგიტანოთ სერიოზული ზიანი.

▲ გაფრთხილება: უცაბედი ჩართვის გამოსარიცხად, რომელმაც შესაძლოა გამოიწვიოს სერიოზული პერსონალური ზიანი, ყოველთვის მოხსენით აკუმულატორი ხელსაწყოდან, როდესაც ხდება მისი ტექნომასხვურება, რეგულირება, წმენდა ან როდესაც არ ხდება ხელსაწყოს გამოყენება.

▲ გაფრთხილება: არ გამოიყენოთ სხვა მისამაგრებელი ხელსაწყო ან აქსესუარი, რომელიც არაა რეკომენდებული ამ პროდუქტის მწარმოებლის მიერ. არარეკომენდებული დამამაგრებელი ნაწილების ან აქსესუარების გამოყენებამ შესაძლოა მოგაყენოთ სერიოზული ზიანი.

ყოველი გამოყენების წინ შეამოწმეთ მთლიანი პროდუქტი, ხომ არ არის დაზიანებული, დაკარგული ან მოშვებული მისი ნაწილები, როგორცაა ხრახნები, ქანჩები, ჭანჭიკები, ხუფები და ა.შ. მიჭიდოდ დაუჭირეთ ყველა სამაგრი და ხუფი და არ ამუშაოთ ეს ხელსაწყო, სანამ ყველა დაკარგული ან დაზიანებული ნაწილი არ შეიცვლება.

გამოყენებები

თქვენ შეგიძლიათ გამოიყენოთ მოწყობილობა ქვემოთ ჩამოთვლილი მიზნებისთვის:

- ერთიანი ვენტლიაციის სისტემა უმეტეს საყოფაცხოვრებო გარემოში.
- გარე გაგრილება წყლის წყაროსთან კავშირის შემთხვევაში.

შენიშვნა: პროდუქტის გამოყენება შესაძლებელია მხოლოდ დანიშნულებისამებრ. სხვა ნებისმიერი სახით გამოყენება ჩაითვლება, როგორც არასწორი გამოყენების შემთხვევა.

აკუმულატორის ბლოკის ჩამაგრება/მოხსნა

გამოიყენეთ მხოლოდ ნახ. A3-ში ჩამოთვლილი EGO-ს აკუმულატორის ბლოკები და დამტენები.

შენიშვნა: სრულად დატენით აკუმულატორის ბლოკი პირველ ჯერზე სარგებლობამდე.

დამაგრება

გაუსწორეთ აკუმულატორის სამაგრები ბუდის ნასვრეტებს და დააწიეთ აკუმულატორის ბლოკს ნაკვეთურში, სანამ არ გაიგებთ „წკაპუნის“ ხმას (ნახ. B1).

მოსნა

დააჭირეთ აკუმულატორის გამშვებ ღილაკს და ამოიღეთ აკუმულატორის ბლოკი (ნახ. B2).

▲ გაფრთხილება: ყოველთვის შეამოწმეთ თქვენი ფეხების, ზავშეების ან შინაური ცხოველების მდებარეობა აკუმულატორის გამშვები ღილაკის დაჭერისას. აკუმულატორის დავარდნამ შესაძლოა გამოიწვიოს სერიოზული ფიზიკური ზიანი. არასდროს მოხსნათ აკუმულატორი სიმაღლეზე.

ვენტილატორის ჩართვა/გამორთვა

შენიშვნა: ჰაერის ნაკადის სიჩქარის საწყისი ქარხნული პარამეტრი შეადგენს მე -3 დონეს. ვენტილატორი ინახავს ჰაერის ნაკადის სიჩქარის ბოლო პარამეტრს და უბრუნდება მას გადატვირთვისთანავე. ტურბოს პარამეტრი არ ინახება.

შენიშვნა: წვეთების მაგრქვეველის და დახრის პარამეტრი არ ინახება და ნაგულისხმევად გაითიშება ყოველ ჯერზე, ვენტილატორის ჩართვის დროს.

მართვის პანელი (ნახ. A2)

ჩამრთველი ღილაკი

- ვენტილატორის ჩასართავად დააჭირეთ დენის ჩართვის ღილაკს სწრაფად.
- ვენტილატორის გამოსართავად დააჭირეთ დენის ღილაკს სწრაფად.

ჰაერის ნაკადის სიჩქარის რეგულირება

ჰაერის ნაკადის ნორმალური სიჩქარე

- დააჭირეთ „+“ ჰაერის ნაკადის სიჩქარის გასაზრდელ ღილაკს ჰაერის ნაკადის სიჩქარის ასაჩქარებლად და დააჭირეთ „-“ ღილაკს ჰაერის ნაკადის სიჩქარის შესამცირებლად. სიჩქარის 5 დონეა.
- ჰაერის ნაკადის სიჩქარის მარეგულირებელი აჩვენებს მწვანე შუქებს, რომლებიც შეესაბამება მიმდინარე სიჩქარის დონეს.

ტურბო რეჟიმი

შენიშვნა: „TURBO“ რეჟიმში, ვენტილატორი მიაღწევს ჰაერის მაქსიმალურ სიჩქარეს.

- დააჭირეთ ღილაკს „TURBO“, **TURBO** მარეგულირებელი გააანთებს მწვანედ და ვენტილატორი გადავა „TURBO“ რეჟიმზე, ანუ ჰაერის მაქსიმალურ სიჩქარეზე.

- როდესაც „TURBO“ რეჟიმშია, კვლავ დააჭირეთ ღილაკს „TURBO“, **TURBO** ინდიკატორი გამოირთვება და ვენტილატორი დაბრუნდება მანამდე არსებულ ჰაერის სიჩქარეზე.
- როდესაც „TURBO“ რეჟიმშია, დააჭირეთ „-“ ღილაკს, **TURBO** მარეგულირებელი გამოირთვება და ვენტილატორი გადავა ჰაერის ნაკადის მე-5 დონის სიჩქარეზე.

რხევის ფუნქცია (ნახ. C)

- ერთხელ დააჭირეთ რხევის ღილაკს ვენტილატორის თავის რხევის ფუნქციის დასაწყებად, რხევის ინდიკატორი აანთებს ქვედა მწვანე შუქს და ვენტილატორის თავი ბრუნავს 60°-ით გვერდიდან გვერდზე (-30°-დან 30°-მდე დიაპაზონში).
- მეორედ დააჭირეთ რხევის ღილაკს, რხევის ინდიკატორი აანთებს ორ მწვანე ნათურას, გააქტიურებს 120° რხევის დიაპაზონს (-60°-დან 60°-მდე დიაპაზონში).
- დააჭირეთ რხევის ღილაკს მესამედ, რხევის ინდიკატორი აანთებს სამ მწვანე ნათებას, გააქტიურებს 180° რხევის დიაპაზონს (-90°-დან 90°-მდე დიაპაზონში).
- რხევის ფუნქციის გამოსართავად დააჭირეთ რხევის ღილაკს მეოთხედ.

ვენტილატორის კუთხის რეგულირება (სურ. D)

ვენტილატორის თავი შეიძლება დაყენდეს მრავალნაირი კუთხით -30°-დან 90°-მდე დიაპაზონში. ნისლის/ჰაერის ნაკადის მიმართულების დასარეგულირებლად, ხელი მოუჭირეთ ვენტილატორის ზედა სახელურს და დახარეთ ვენტილატორის თავი წინ ან უკან.

წვეთების გაფრქვევის ფუნქცია

წვეთების გაფრქვევის რეჟიმის ღილაკი

- ერთხელ დააჭირეთ წვეთების გაფრქვევის რეჟიმის ღილაკს და წვეთების გაფრქვევის მარეგულირებელი გააანთებს სამ მწვანე შუქს, რაც მიუთითებს „უწყვეტად“ წვეთების ძლიერი ნაკადის გაფრქვევის რეჟიმზე - წვეთების გაფრქვევა მოხდება შეუჩერებლად.
- ერთხელ დააჭირეთ წვეთების გაფრქვევის რეჟიმის ღილაკს და წვეთების გაფრქვევის მარეგულირებელი გააანთებს ორ მწვანე შუქს, რაც მიუთითებს „უწყვეტად“ წვეთების გაფრქვევის რეჟიმზე - წვეთების გაფრქვევა მოხდება შეუჩერებლად.

KA

- მესამეჯერ დააჭირეთ წვეთების გაფრქვევის რეჟიმის შერჩევის ღილაკს და წვეთების გაფრქვევის მარჯვენა მხარეს გააანთებს ერთ მწკრივს შუქს, რაც მიუთითებს „წყვეტილად“ წვეთების გაფრქვევის რეჟიმზე - გაფრქვევა 10 წმ-ით ყოველ 10 წმ-ში.

შენიშვნა: შეიძლება რამდენიმე წამი დასჭირდეს, სანამ რეალურად დანახავთ, რომ წვეთები გამოვა წვეთების საფრქვევიდან. ეს დაყოვნება ხდება იმის გამო, რომ დრო სჭირდება შემწოვი მილიდან წვეთების საფრქვევამდე წყლის გადინებას.

- როდესაც წვეთების გაფრქვევა ხდება „წყვეტილ“ რეჟიმში, კვლავ დააჭირეთ წვეთების გაფრქვევის რეჟიმის ღილაკს და წვეთების გაფრქვევის მარჯვენა მხარეს გამოირთვება და წვეთების გაფრქვევა შეწყდება.

შენიშვნა: როდესაც წვეთების გაფრქვევის ოპერაცია დასრულებულია, ვენტილატორის შემწოვი მილი ამოიღეთ წყლიდან და ამუშავეთ ვენტილატორი წვეთების გაფრქვევის უწყვეტი რეჟიმით, სანამ მთელი წყალი არ ჩამოიწრება მილიდან. ეს ხელს უშლის, რომ არ მოხდეს მილის ნარჩენი წყლის მოულოდნელი გაფრქვევა, როდესაც ვენტილატორი კვლავ დაიწყებს მუშაობას.

ვენტილატორის გამოყენება წყლის ვედროს ან სხვა კონტეინერთან ერთად (არ შედის ნაკრებში) (სურ. E)

▲ გაფრთხილება: ბავშვები შეიძლება ჩავარდნენ ვედროში და დაიხრჩონ. მოარიდეთ ბავშვები ვედროებს მაშინაც კი, როდესაც შეიცავს მცირე რაოდენობით სითხეს.

შენიშვნა: ყოველი გამოყენების წინ ვედრო გაწმინდეთ საპნით და წყლით.

1. გამორთეთ აკუმულატორი.
2. მოათავსეთ ვედრო ბრტყელ, სწორ ზედაპირზე.
3. ვედროს დაამატეთ მხოლოდ სუფთა, ცივი წყალი. ზედმეტად ნუ გადაავსებთ.
4. შემწოვი მილის ფილტრის ბოლო ჩადეთ წყალში.

შენიშვნა: არ მოხაროთ შემწოვი მილი და ყოველთვის დარწმუნდით, რომ წყალი შეუფერხებლად მიედინება მილში.

5. ჩასვით აკუმულატორის ბლოკი.
6. ვენტილატორის ჩასართავად დააჭირეთ დენის ჩართვის ღილაკს.
7. დააჭირეთ წვეთების გაფრქვევის ღილაკს გაფრქვევის დასაწყებად.

ვენტილატორის დაკავშირება წყლის ონკანთან (ნახ. F და ნახ. G)

1. გახსენით ფილტრის ზედა ნაწილი საათის ისრის საწინააღმდეგო მიმართულებით და გამოართეთ ქვედა ნაწილიდან (ნახ. F).

F-1	ფილტრის ქვედა ნაწილი
F-2	ფილტრის ზედა ნაწილი

შენიშვნა: დარწმუნდით, რომ ქვედა ნაწილი არ იყოფა ორ ნაწილად ზედა ნაწილის გათიშვის დროს და დარჩება მთლიან ფორმაში ბალის შლანგის ადაპტერთან დასაკავშირებლად.

2. მოხსენით (საათის ისრის საწინააღმდეგო მიმართულებით) ბალის ვენტილატორის ბოლოში არსებული ბალის შლანგის ადაპტერი. მოხრახნეთ იგი (საათის ისრის მიმართულებით) ფილტრის ქვედა ნაწილში.
3. შეაერთეთ ბალის შლანგის ადაპტერი სათანადო ბალის შლანგს სწრაფი ქუროს მეშვეობით (არ არის მოწოდებული). მიამაგრეთ სწრაფი ქურო ბალის შლანგის ადაპტერს, სანამ არ გაიგებთ დაწკაპუნების მკაფიო ხმას (სურ. G).

G-1	ბალის სარწყავი შლანგის ადაპტორი
G-2	ტიპური სწრაფი ქურო

შენიშვნა: არ შეეცადოთ დააკავშიროთ ბალის შლანგის ადაპტერი, სანამ ის დამონტაჟებულია ვენტილატორის ქვედა ნაწილში (ნახ. G1).

4. შეაერთეთ ბალის შლანგი წყლის ხაზთან.
5. ჩასვით აკუმულატორის ბლოკი.
6. ვენტილატორის ჩასართავად დააჭირეთ დენის ჩართვის ღილაკს.
7. გახსენით წყლის ონკანი სრულად, ვენტილატორი დაიწყებს გაფრქვევას.

შენიშვნა: რეკომენდებული მაქსიმალური სამუშაო წუნვა არ უნდა აღემატებოდეს 80 psi-ს.

შენიშვნა: მაშინაც კი, როცა ელექტროენერგია არ არის, ვენტილატორი დაიწყებს წვეთების გაფრქვევას, როდესაც წყლის ონკანი ჩართულია.

8. დააწკაპუნეთ წვეთების შეფრქვევის რეჟიმის ღილაკზე, რათა აირჩიოთ შეფრქვევის რეჟიმი მუშაობის უკეთესი შედეგებისთვის.

შენიშვნა: ზადის შლანგის ადაპტერი მასში არსებული პატარა ღიობის გამო ვერ უძლებს ხისტ წყალსა და ჩაშენებულ დანალექ მინერალს. ხშირად გაწმინდეთ ადაპტერი და გამოიყენეთ თეთრი ძმარი ან სხვა გამწმენდი საშუალება ნალექის მოსაშორებლად.

ვენტილატორის გამოყენება წყლის გაფრქვევის გარეშე

სურვილის შემთხვევაში, ამ პროდუქტის გამოყენება შესაძლებელია როგორც მხოლოდ ვენტილატორიც, თუ ის არ არის დაკავშირებული წყალთან. როდესაც არ იყენებთ, ყოველთვის დაახვიეთ და მოათავსეთ შემწოვი მილი შესანახ ადგილას (ამ სახელმძღვანელოში იხილეთ სექცია „ტრანსპორტირება და შენახვა“), რათა დაიცვათ იგი დაზიანებისა და დაბინძურებისგან.

საკომუნიკაციო ტექნოლოგია

დაკავშირებული პროდუქტებისა და სერვისების სრული ასორტიმენტის შესახებ ინფორმაციისთვის, დაკავშირების ინსტრუქციების ჩათვლით, დასაკანირეთ ქვემოთ მოცემული QR კოდი ან ეწვიეთ www.egopowerplus.eu/connect.



ელექტრონული მოწყობილობების დაცვა

როდესაც რხევის ფუნქცია ჩართულია, მაგრამ ვენტილატორი არ ირხევა, რხევის ინდიკატორი გამოაჩენს სამ მოციმციმე მწვანე ნათებას უწყვეტი სახით, რათა შეახსენოს ოპერატორს, შეამოწმოს, ხომ არ არის ვენტილატორის თავი ჩაკედილი და

მან ფუნქციის ხელახლა გამოყენებამდე ამოიღოს ნებისმიერი უცხო მასალა, რომელიც ჩარჩენილია ვენტილატორის თავზე.

როდესაც წვეთების გაფრქვევის ფუნქცია ჩართულია, მაგრამ წვეთების გაფრქვევა არ ხდება:

- წყლის ტუმბო იმუშავებს ცოტა ხანი და შემდეგ ავტომატურად გაჩერდება შიდა ელექტრო სისტემის დაცვის უზრუნველყოფად.
- წვეთების შეფრქვევის ინდიკატორი მუდმივად აჩვენებს სამ მოციმციმე მწვანე შუქს, რაც წარმოადგენს გაფრთხილებას ოპერატორისთვის:
 - ა. შეამოწმეთ, თუ შემწოვი მილის სწორად დევს წყალში.
 - ბ. შეამოწმეთ, წვეთების საფრქვევ(ებ)ი ხომ არ არის დაცობილი და სუფთაა „საფრქვევის მოვლის“ მითითებების შესაბამისად.
 - გ. დააჭირეთ წვეთების გაფრქვევის რეჟიმის შერჩევის ღილაკს, რათა გადატვირთოთ წვეთების გაფრქვევის ფუნქცია.

როდესაც აკუმულატორის დამუხტვის დონე დაბალია, ჩართვის ღილაკი გაანათებს მწვანე შუქს, რათა შეახსენოს ოპერატორს აკუმულატორის ბლოკის დატენვა ან შეცვლა.

როდესაც აკუმულატორის ბლოკი ან ვენტილატორი ძალიან ცხელია, ელექტროკვების ღილაკი აინთება წითლად, რათა გააფრთხილოს ოპერატორი, რომ მან გამართოს ვენტილატორი და გააგრილოს აკუმულატორის ბლოკი ან წვეთების შემაფრქვეველი, სანამ ვენტილატორის გადატვირთვამდე ტემპერატურა არ დაეცემა რეკომენდებულ სამუშაო ტემპერატურამდე.

ტექნიკური მომსახურება

▲ გაფრთხილება: შეკეთებისას გამოიყენეთ მხოლოდ იდენტური სათადარიგო ნაწილები. ნებისმიერი სხვა ნაწილის გამოყენებამ შეიძლება წარმოქმნას საფრთხე ან გამოიწვიოს პროდუქტის დაზიანება. ხელსაწყოს უსაფრთხოდ და გამართულად მუშაობისთვის საჭიროა მისი ყველა შეკეთება და ნაწილის შეცვლა შესრულდეს კვალიფიციური ტექნომსახურების ტექნიკოსის მიერ.

KA

▲ გაფრთხილება: სერიოზული პირადი დაზიანების თავიდან ასაცილებლად, ყოველთვის მოხსენით აკუმულატორი მოწყობილობას გაწმენდის დროს ან როდესაც უტარებთ რაიმე ტიპის სერვისს.

ზოგადი მოვლის პირობები

შემაფრქვევლის ტექნომასხურება, გარდა ინსტრუქციაში მოცემული მოვლის წესებში აღწერილი პროცედურებისა, უნდა შესრულდეს ავტორიზირებული ტექნომასხურების მუშაკის მიერ.

მოერიდეთ გამხსნელების გამოყენებას მოწყობილობის პლასტმასის ნაწილების გაწმენდისას. პლასტმასების უმეტესობა ადვილად ზიანდება მათზე სხვადასხვა სახის კომერციული გამხსნელების გამოყენების შედეგად. გამოიყენეთ სუფთა ტილო ტალახის, მტვრის, ზეთის, ცხიმის და სხვ. მოსაცილებლად.

▲ გაფრთხილება: არცერთ შემთხვევაში არ მისცეთ სატორმუზო სითხეს, ბენზინს, ნავთობის ბაზაზე დამზადებულ პროდუქტებს ან სხვა ძლიერი გამხსნელებს მოვიდინენ პლასტმასის ნაწილებთან კონტაქტში. ქიმიურმა ნაერთებმა შესაძლოა დააზიანოს, გაცვიტოს და დაშალოს პლასტმასი, რამაც შეიძლება მოგაყენოთ სერიოზული ზიანი.

▲ გაფრთხილება: როდესაც წმენდთ შემამფრქვეველ ვენტელატორს, არ მოათავსოთ წყალში ან სხვა სითხეში.

წვეთების საფრქვევის მოვლა (სურ. H)

▲ გაფრთხილება: დარწმუნდით, რომ ყველა წვეთების საფრქვევის მოვლა ხორციელდება სწორად, რათა თავიდან იქნას აცილებული წყლის გაჟონვა. წლის გაჟონვამ შეიძლება განაპირობოს მოლიპული ზედაპირი, რომელიც წარმოქმნის დაცემის საფრთხეს ან გამოიწვიოს ქონების დაზიანება.

არარეგულარულმა შეფრქვევამ ან გაჟონვამ შეიძლება გამოიწვიოს საქმენის გაჭედვა ან გაჭუჭყიანება.

KA

წვეთების საფრქვევის გასუფთავება

1. გათიშეთ ვენტელატორი და მოხსენით აკუმულატორი.
2. მოხსენით გაჭედული წვეთების საფრქვევი ვენტელატორის წინა

დამცავი ცხაურიდან საათის ისრის საწინააღმდეგო მიმართულებით გადატრიალებით.

3. დაშალეთ თითოეული დაბინძურებული წვეთების საფრქვევი ნაწილებად.
4. ნებისმიერი უცხო ნაწილაკის მოსაშორებლად, რომელსაც გაჭედული აქვს ან აფერხებს საქმენს, კარგად გარეცხეთ წვეთების საფრქვევები წყლით. ნალექის (მინერალების) მოსაშორებლად, საჭიროებისამებრ, გაწმინდეთ წვეთების საფრქვევის ნაწილები თეთრი ძმრით ან სხვა გამწმენდი საშუალებით.
5. წვეთების საფრქვევის ხელახლა აწყობა.

შენიშვნა: გაჭედვის თავიდან ასაცილებლად, დარწმუნდით, რომ წვეთების საფრქვევის აწყობა ხდება ზუსტად ისე, როგორც ნაჩვენებია სურ. H-ზე.

6. კვლავ დაამაგრეთ სუფთა წვეთების საფრქვევები წინა ცხაურზე.

ფილტრის მოვლა (სურ. I)

პერიოდულად შეამოწმეთ ფილტრი შეშწოვი მილის ბოლოს, რათა დარწმუნდეთ, რომ ის კარგ მდგომარეობაშია.

1. გათიშეთ ვენტელატორი და მოხსენით აკუმულატორი.
2. მოხსენით ზედა ნაწილი ფილტრის ქვედა ნაწილიდან.

I-1	ქვედა ნაწილი	I-3	ღრუბელი
I-2	ლითონის ბადე	I-4	ზედა ნაწილი

შენიშვნა: ზედა ნაწილის მოხსნისას, დარწმუნდით, რომ ქვედა ნაწილი არ იყოფა ორ ნაწილად. ქვედა ნაწილი უნდა დარჩეს აწყობილი ლითონის ბადის მოსასხნელად.

3. ზედა ნაწილიდან ამოიღეთ ღრუბლის ბადე, ქვედა ნაწილიდან კი ლითონის ბადე.
4. გარეცხეთ ლითონის ბადე ან შეცვალეთ საჭიროების შემთხვევაში.
5. ფილტრის ხელახლა აწყობა.

შენიშვნა: დარწმუნდით, რომ ლითონის ბაღე აწყობილია აწეული რგოლით, რომელიც გარეთაა მიმართული, რათა შემდეგ ჯერზე ადვილად დაიშალოს.

ბაღის შლანგის ადაპტერის მოვლა

ბაღის შლანგის ადაპტერი მასში არსებულ პატარა ღიობის გამო ვერ უძლებს ხისტ წყალსა და ჩაშენებულ დანალექ მინერალებს. ხშირად გაწმინდეთ ადაპტერი და გამოიყენეთ თეთრი ძმარი ან სხვა გამწმენდი საშუალება ნალექის მოსაშორებლად.

ვენტილატორის შიგთავსის მოვლა (სურ. J და სურ. K)

1. გათიშეთ ვენტილატორი და მოხსენით აკუმულატორი.
2. გამოიყენეთ Phillips-ის ფირმის სახრახნისი (არ მოყვება) ვენტილატორის კორპუსის უკანა ნაწილიდან რვა ჭანჭიკის მოსახსნელად, რათა მოაცილოთ წინა ცხაურის დამცავი.

J-1	ხრახნი (x8)
J-2	წინა გრილის დამცავი

3. დაიჭირეთ ვენტილატორის ფრთის ნაკრები, რათა თავიდან აიცილოთ მისი ბრუნვა და გადაატრიალეთ ვენტილატორის ფრთის საკეტის საფარი საათის ისრის მიმართულებით, რათა მოხსნათ ლილვიდან.

K-1	ვენტილატორის ფრთის კომპლექტი
K-2	საკეტის საფარი

4. ვენტილატორის ფრთის კომპლექტის მოხსნა.
5. საჭიროების შემთხვევაში, გაასუფთავეთ ვენტილატორის დანა და შიგთავსი.
6. ააწყეთ ისინი საპირისპირო თანმიმდევრობით და დარწმუნდით:

ვენტილატორის ფრთის კომპლექტზე არსებული ნიშანი გასწორებულია ლილვზე არსებულ განივ კოჭთან.

ტრანსპორტირება და შენახვა (ნახ. L)

- მოხსენით აკუმულატორი.
- ვენტილატორი კარგად გაასუფთავეთ.
- დაცალეთ შემწოვი მილი და ფილტრი.

შენიშვნა: ვენტილატორის მომზადება ზამთარში გამოსაყენებლად აუცილებელია გაყინვისგან დასაცავად, რამაც შეიძლება გამოიწვიოს ტუმბოს, შლანგების და სხვა კომპონენტების დაზიანება. **ვენტილატორის ზამთრისთვის შენახვამდე ყოველთვის გამორთეთ ვენტილატორის შემწოვი მილი წყლის წყაროდან და ჩართეთ ვენტილატორი წვეთების უწყვეტად შეფრქვევის რეჟიმში, სანამ მილი არ დაიცლება ნარჩენი წყლისგან.**

- დაამაგრეთ შემწოვი მილი და ფილტრი ვენტილატორის ძირზე მდებარე დამჭერების გამოყენებით.
- მოხრახნეთ ბაღის შლანგის ადაპტერი კუთხვილიან შესახა ნახვრეტზე, რომელიც ვენტილატორის ქვედა ნაწილში მდებარეობს.

L-1	ბაღის სარწყავი შლანგის ადაპტორი
L-2	სამაგრები

- ტრანსპორტირებისას ვენტილატორი წაიღეთ ზედა ან გვერდითა სახელურების გამოყენებით.
- შეინახეთ ვენტილატორი შენობაში, კარგად ვენტილირებად ადგილას.
- მოაცილეთ კოროზიის გამომწვევი ნივთიერებები, როგორცაა სოფლის მეურნეობაში გამოყენებული ქიმიკატები და მოყინვის საწინააღმდეგო ტექნიკური მარილი.

გარემოს დაცვა



არ მოათავსოთ ელექტრული მოწყობილობა, დამტენი და აკუმულატორი / მისი ბატარეები საყოფაცხოვრებო ნაგავში!

მიუტანეთ ისინი ავტორიზირებულ ნარჩენების გადამამუშავებელს და მოახდინეთ ასეთი ნარჩენის განცალკევებულად შეგროვება. ელექტრო ხელსაწყოები უნდა ჩაბარდეს გარემოს თვალსაზრისით თავსებად ნარჩენების გადამამუშავებელ ობიექტს.

KA

დეფექტების აღმოჩენა და გამოსწორება

პრობლემა	მიზეზი	გადაჭრის გზა
წვეთების მავრქვეველი ვენტილატორი არ ირთვება.	<ul style="list-style-type: none"> აკუმულატორის ბლოკი სრულად არ არის ჩასმული კორპუსში. საფრქვევს და აკუმულატორის ბლოკს შორის არ არის ელექტრული კონტაქტი. აკუმულატორის ბლოკი დაცლილია. აკუმულატორის ბლოკი ან ვენტილატორი ზედმეტად გაცხელებულია. 	<ul style="list-style-type: none"> შეამოწმეთ, ჩასმულია თუ არა აკუმულატორი სრულად კორპუსში. მოხსენით აკუმულატორის ბლოკი, შეამოწმეთ კონტაქტები და კვლავ მოათავსეთ იგი უკან. დატენეთ აკუმულატორის ბლოკი. გამორთეთ ვენტილატორი და აცალეთ აკუმულატორის ბლოკს ან საფრქვევ მოწყობილობას მუშაობისთვის დადგენილ ტემპერატურამდე გაცივება.
არ ხდება წყლის წვეთების შეფრქვევა და წვეთების გამოფრქვევის ინდიკატორზე სამი მწვანე შუქი ციმციმებს.	<ul style="list-style-type: none"> შემწოვი მილი არ ტუმბავს წყალს, რაც იწვევს ელექტრო ტუმბოს შიდა დაცვის აქტივაციას ვენტილატორის შეგნით. მუშაობის დროს წვეთების საფრქვევ(ებ)ი იჭედება, აქტიურდება ელექტრო ტუმბოს შიდა დაცვა. 	<ul style="list-style-type: none"> შეამოწმეთ და დარწმუნდით, რომ ვედროში საკმარისია წყალი და შემწოვი მილის სწორად დევს წყალში. გაასუფთავეთ წვეთების საფრქვევ(ებ)ი „წვეთების საფრქვევის მოვლის“ მითითებების შესაბამისად და ხელახლა ააწყეთ ისინი, როგორც ეს ინსტრუქციაშია ნათქვამი.
ვენტილატორი წყვეტს რხევას და რხევის ინდიკატორზე ანთია სამი მწვანე შუქი.	<ul style="list-style-type: none"> ვენტილატორის თავი რხევისას იჭედება. 	<ul style="list-style-type: none"> ამოიღეთ ნებისმიერი უცხო ნივთიერება, რომელიც ხელს უშლის ვენტილატორის თავის რხევას.

გარანტია

EGO-ს საგარანტიო პოლიტიკა

გთხოვთ, ეწვიოთ ვებ-გვერდს egopowerplus.eu, და გაეცნოთ EGO-ს საგარანტიო პოლიტიკის წესებს და პირობებს სრულად.

KA

PROČITAJTE SVA UPUTSTVA!



PROČITAJTE PRIRUČNIK ZA RUKOVAOCA

⚠ UPOZORENJE: Da bi se osigurala sigurnost i pouzdanost, sve popravke treba da radi kvalifikovani servisni tehničar.

⚠ UPOZORENJE: Obavezno pročitajte i shvatite sva bezbednosna uputstva u ovom Priručniku za rukovaoca, obuhvatajući sve simbole sigurnosnih upozorenja poput „**OPASNOST**“, „**UPOZORENJE**“ i „**OPREZ**“ pre korišćenja ovog aparata. Nepridržavanje svih dolenađenih uputstava može da dovede do strujnog udara, požara i/ili ozbiljne telesne povrede.

SAČUVAJTE SVA UPOZORENJA I UPUTSTVA ZA BUDUĆU REFERENCJU.

SIGURNOSNI SIMBOLI

⚠ UPOZORENJE: Rukovanje svakim aparatom može da dovede do izbacivanja stranih predmeta ka očima, što može da dovede do ozbiljnog oštećenja očiju. Pre započinjanja rada aparatom, uvek stavite sigurnosne naočare sa bočnim štitičnicima ili po potrebi masku za celo lice. Preporučujemo sigurnosnu masku Wide Vision za upotrebu preko naočara ili standardnih sigurnosnih naočara sa bočnim štitičnicima.



Sigurnosno upozorenje



Da bi smanjio rizik od povreda, korisnik pre korišćenja ovog proizvoda mora pročitati i shvatiti priručnik za rukovaoca.



Garantovani nivo zvučne snage. Emisija buke u okruženju prema Direktivi Evropske zajednice.



Bluetooth® simbol



Otpadne električne proizvode ne bi trebalo odlagati zajedno sa otpadom iz domaćinstva. Odnosite ih u ovlašćeni pogon za reciklažu.



Ovaj proizvod je u skladu sa primenjivim EC direktivama.



Jednosmerna struja



Ovaj proizvod je u skladu sa primenjivim zakonima UK.

IPX4 Zaštita od zapljuskivanja vode

OPŠTA SIGURNOSNA UPOZORENJA

⚠ UPOZORENJE: Da biste smanjili rizik od požara, strujnog udara ili povrede:

- **Upoznajte svoj ventilator sa raspršivačem.** Pažljivo pročitajte priručnik sa uputstvima. Saznajte koje su primene i ograničenja ventilatora kao i specifične potencijalne opasnosti u vezi sa ovim ventilatorom. Poštovanje ovog pravila će smanjiti rizik od strujnog udara, požara ili ozbiljne povrede.
- Ovaj aparat mogu da koriste deca uzrasta 8 godina i starija i osobe sa smanjenim fizičkim, senzornim ili mentalnim sposobnostima ili sa nedostatkom iskustva i znanja, ako su pod nadzorom ili ako su dobili uputstva za upotrebu aparata na bezbedan način i ako shvataju moguće opasnosti.
- Deca se ne smeju igrati aparatom.
- Čišćenje i korisničko održavanje ne smeju da rade deca bez nadzora

BEZBEDNOST RADNOG PODRUČJA

- **Ne koristite ventilator u eksplozivnim atmosferama,** kao na primer u prisustvu zapaljivih tečnosti, gasova ili prašine.
- **Držite decu i posmatrače podalje dok koristite aparat.** Ako vam nešto odvratni pažnju, možete izgubiti kontrolu.
- **Budite oprezni prilikom upotrebe u vetrovitim uslovima.** Vetar može da ponese izmaglicu prema električnim žicama ili uređajima.
- **Ne izlažite aparat kiši ili mokrim uslovima.** Ulazak vode u uređaj povećava rizik od strujnog udara.

LIČNA BEZBEDNOST

- **Ostanite u pripravnosti, pazite šta radite i koristite zdrav razum kada koristite aparat. Ne koristite aparat kad ste umorni, uzrujani ili pod uticajem droga, alkohola ili lekova.** Trenutak nepažnje kada koristite aparat je dovoljan da izazove ozbiljne telesne povrede.
- **Sprečite nehотиčno startovanje. Osigurajte da prekidač bude u isključenom položaju pre povezivanja na bateriju, podizanja ili nošenja aparata.** Nošenje uređaja sa prstom na prekidaču ili puštanje struje uređaju čiji prekidač je u uključenom položaju priziva nezgode.
- **Uklonite sve ključeve za podešavanje pre uključivanja uređaja.** Ključ koji ostane pričvršćen za rotacioni deo uređaja može da izazove telesnu povredu.
- **Ne presežite. U svakom trenutku održavajte pravilan položaj nogu i ravnotežu.** To omogućava bolju

kontrolu uređaja u neočekivanim situacijama.

- **Prikladno se obucite. Ne nosite labavu odeću ili nakit.** Držite kosu i odeću dalje od pokretnih delova. Labava odeća, nakit ili duga kosa mogu da se zakače pokretnim delovima.
- **Proverite da li su svi spojevi zategnuti pre rukovanja uređajem.**
- **Ne dozvolite da zbog poznavanja koje ste stekli kroz čestu upotrebu uređaja postanete samozadovoljni i ignorirate principe bezbednosti uređaja.** Nemarni postupak može da izazove ozbiljnu povredu u deliću sekunde.

UPOTREBA I ODRŽAVANJE

- **Ne koristite uređaj ako prekidač ne može da ga uključuje i isključuje.** Bilo koji uređaj koji se ne može kontrolisati prekidačem je opasan i mora se popraviti.
- **Odvijite bateriju od uređaja pre bilo kakvog podešavanja, menjanja dodataka ili skladištenja uređaja.** Takve preventivne sigurnosne mere smanjuju rizik od nehottičnog startovanja uređaja.
- **Skladištite uređaj koji nije u upotrebi van domašaja dece i ne dozvolite osobama koje nisu upoznate sa ovim uređajem ili ovim uputstvom da rukuju uređajem.** Uređaj je opasan u rukama nekalifikovanih korisnika.
- **Održavajte uređaj i dodatke. Proveravajte da li ima nepravilnog poravnjanja ili zaglavlivanja pokretnih delova, pucanja delova i svih drugih stanja koja mogu da utiču na rad uređaja. Ako je uređaj oštećen, odnesite ga na popravku pre upotrebe.** Mnoge nezgode su izazvane loše održanim uređajima.
- **Koristite uređaj, dodatke itd. u skladu sa ovim uputstvom, uzimajući u obzir radne uslove i rad koji treba obaviti.** Korišćenje uređaja za drugačiji rad od predviđenog moglo bi da dovede do opasne situacije.
- **Održavajte drške i hvatne površine suvim, čistim i bez ulja i masnoće.** Klizave drške i hvatne površine ne omogućavaju bezbedno rukovanje i kontrolu aparata u neočekivanim situacijama.

⚠ UPOZORENJE: Da biste smanjili rizik od požara ili strujnog udara, nemojte koristiti ovaj ventilator ni sa kakvim spoljašnjim uređajima za kontrolu brzine.

UPOTREBA I ODRŽAVANJE aparata NA BATERIJE

- **Punite samo punjačem koji navodi proizvođač.** Punjač koji je prikladan za jedan tip baterije može da stvori opasnost od požara kad se koristi sa nekom drugom baterijom.

- Koristite uređaj samo sa konkretno imenovanim baterijama. Upotreba bilo kakvih drugih akumulatora može da stvori rizik od povrede i požara.
- Kad se baterija ne koristi, držite je dalje od drugih metalnih predmeta, poput spajalica, novčića, ključeva, ekspera, vijaka ili drugih malih metalnih predmeta koji mogu da naprave spoj jednog terminala sa drugim. Kratak spoj terminala baterije može da izazove opekotine ili požar.
- U ekstremnim uslovima može doći do curenja tečnosti iz baterije; izbegavajte kontakt sa njom. Ako dođe do nehotičnog kontakta, isperite vodom. Ako tečnost dođe u kontakt sa očima, takođe potražite i medicinsku pomoć. Tečnost izbačena iz baterije može da izazove iritaciju ili opekotine.
- Ne koristite bateriju ili aparat koji su oštećeni ili modifikovani. Oštećene ili modifikovane baterije mogu da ispolje nepredvidivo ponašanje, dovodeći do požara, eksplozije ili rizika od povrede.
- Ne izlažite bateriju ili uređaj vatri ili previsokoj temperaturi. Izlaganje vatri ili temperaturi iznad 130 °C može izazvati eksploziju.
- Pratite sva uputstva za punjenje i ne punitite bateriju ili aparat izvan temperaturnog opsega navedenog u uputstvu. Punjenje na nepravilan način ili na temperaturama izvan navedenog opsega može da ošteti bateriju i poveća rizik od požara.

SERVIS

- Odnosite uređaj na servisiranje kod kvalifikovanog serviseru koji će koristiti samo identične rezervne delove. To će osigurati da bezbednost uređaja bude održana.
- Nikad ne servisirajte oštećene baterije. Servisiranje akumulatora treba da vrši samo proizvođač ili ovlašćeni servis.

SIGURNOSNA UPUTSTVA ZA BEŽIČNI VENTILATOR SA RASPRŠIVAČEM

- Ovaj aparat nije predviđen da ga koriste osobe (obuhvatajući i decu) sa smanjenim fizičkim, senzornim ili mentalnim sposobnostima ili sa nedostatkom iskustva i znanja, osim ako ih ne nadzire ili upućuje u upotrebu aparata osoba odgovorna za njihovu bezbednost.
- Decu treba nadzirati da bi se osiguralo da se ne igraju aparatom.
- Ne dozvolite da se ventilator koristi kao igračka. Pomna pažnja je neophodna kad ga koriste deca ili kad se koristi u blizini dece.
- Deca mogu da upadnu u kofe i da se udave. Držite

decu podalje od kofa, čak i sa malom količinom tečnosti.

- Koristite SAMO čistu, hladnu vodu.
- Nemojte koristiti ovaj ventilator sa raspršivačem za prskanje pesticida, tečnog đubriva, hemikalija ili bilo koje tečnosti osim čiste vode. Prskanje tih supstanci bi moglo da dovede do ozbiljne povrede ili bolesti rukovooca ili posmatrača.
- Nikada ne usmeravajte maglu ili vodu prema električnim žicama ili uređajima.
- Uverite se da je poklopac odeljka za baterije potpuno zatvoren kako biste sprečili da voda dođe u dodir sa baterijom ili uđe u port baterije.
- Održavajte uređaj i njegovu dršku suvim, čistim i bez ulja i masnoće. Uvek koristite čistu krpu kad čistite. Nikad ne koristite kočionu tečnost, benzin, proizvode na bazi petroleja ili bilo kakve jake rastvarače za čišćenje ventilatora. Poštovanje ovog pravila će smanjiti rizik od gubitka kontrole i propadanja plastičnog kućišta.
- Baterije mogu da eksplodiraju u prisustvu izvora paljenja, poput pilot plamenika. Da biste smanjili rizik od ozbiljne telesne povrede, nikad ne koristite nikakve bežične proizvode u prisustvu otvorenog plamena. Eksplozija baterije može da izbací krhotine i hemikalije. Ako im budete izloženi, odmah isperite vodom.
- Sačuvajte ovo uputstvo. Često ga pregledajte i koristite ga da uputite druge koji će možda koristiti ovaj ventilator. Ako pozajmite ovaj ventilator nekom drugom, pozajmite i ovo uputstvo da bi se sprečila pogrešna upotreba proizvoda i eventualna povreda.
- Imajte na umu da visok nivo vlažnosti može podstaći rast bioloških organizama u okruženju.
- Ne dozvolite da područje oko ventilatora sa raspršivačem postane vlažno ili mokro. Ako se pojavi vlaga, smanjite izlaz ventilatora sa raspršivačem. Ako nije moguće smanjiti izlazni volumen ventilatora sa raspršivačem, ovlaživač koristite sa prekidima. Ne dozvolite da upijajući materijali, kao što su tepisi, zavese, draperije ili stolnjaci, postanu vlažni.
- Nikada ne ostavljajte vodu u rezervoaru kada uređaj nije u upotrebi.
- Ispraznite i očistite ventilator sa raspršivačem pre skladištenja. Očistite ovlaživač pre sledeće upotrebe.


⚠ UPOZORENJE: Mikroorganizmi koji mogu biti prisutni u vodi ili u sredini u kojoj se uređaj koristi ili skladišti mogu da se razvijaju u rezervoaru vode i da budu izduvani u vazduh izazivajući veoma ozbiljne zdravstvene rizike kada se voda ne obnavlja i kada se rezervoar ne čisti kako treba svaka 3 dana.

Punjive baterije se moraju izvaditi iz aparata pre punjenja.

- Istrošene baterije treba ukloniti iz aparata i bezbedno odložiti na otpad.
- Ako se aparat skladišti nekorišćen na duži period, baterije treba ukloniti.
- Terminali za napajanje ne smeju da dođu u kratak spoj.

SACUVAJTE OVO UPUTSTVO

SPECIFIKACIJE

Nazivna voltaža	56 V 
Prečnik lopatica ventilatora	25,4 cm
Postavke brzine ventilatora	6 (uključujući „Turbo“)
Maks. Zapremina vazduha	1700 CFM
Maks. Brzina vazduha	32,2 km/h
Ugao oscilacija	60°, 120°, 180°
Zapremina vodene magle	Veća: 5,7 L/h
	Srednja: 4,9 L/h
	Manja: 2,5 L/h
Težina (bez baterije)	4,7 kg
Preporučena temperatura skladištenja	Od -20 do +70 °C
Opseg radne frekvencije za Bluetooth	2402-2480 MHz
Maksimalna snaga prenosa za Bluetooth	4 dBm

- Deklarisane ukupne vrednosti vibracija su izmerene u skladu sa standardnom metodom ispitivanja i mogu da se primenjuju za poređenje jednog aparata sa drugim;
- Deklarisana ukupna vrednost vibracije može se koristiti i u preliminarnoj proceni izlaganja.

OBAVEŠTENJE: Emisija vibracija tokom stvarne upotrebe aparata može da se razlikuje od deklarisanе vrednosti u kojoj se aparat koristi. Da bi se rukovalac zaštitio, korisnik bi trebalo da nosi rukavice i štitičke za uši u stvarnim uslovima korišćenja.

SR POPIS PAKOVANJA (SLIKA A1)

OPIS

UPOZNAJTE SVOJ DUVAČ (slika A1 i A2)

1. Kontrolna tabla (slika A2)
2. Oscilujući okvir
3. Mlaznica za maglu
4. Gornja drška
5. Kućište ventilatora
6. Bočna drška
7. Odeljak za bateriju
8. Električni kontakti
9. Dugme za oslobađanje baterije
10. Adapter za baštensko crevo
11. Filter
12. Ulazna cev
13. Dugmad za podešavanje brzine vazduha
14. TURBO dugme
15. TURBO indikator
16. Indikator magle
17. Dugme za režim magle
18. Dugme napajanja
19. Indikator brzine vazduha
20. Indikator oscilovanja
21. Dugme za režim oscilovanja

SKLAPANJE

⚠ UPOZORENJE: Ako su neki delovi oštećeni ili nedostaju, nemojte koristiti ovaj proizvod dok delovi ne budu zamenjeni. Korišćenje ovog proizvoda sa oštećenim ili nedostajućim delovima može dovesti do ozbiljnih telesnih povreda.

⚠ UPOZORENJE: Ne pokušavajte da modifikujete ovaj proizvod ili da pravite dodatke koji nisu preporučeni za korišćenje sa ovim proizvodom. Svaka takva promena ili modifikacija je zloupotreba i može dovesti do opasnih uslova koji mogu da dovedu do ozbiljnih telesnih povreda.

⚠ UPOZORENJE: Da biste sprečili nehotično pokretanje koje bi moglo izazvati ozbiljne telesne povrede, uvek uklonite bateriju iz mašine kada sklapate delove.

- Ovaj proizvod je isporučen potpuno sklopljen.
- Pažljivo izvadite proizvod i eventualne dodatke iz kutije. Proverite da li su sve stavke prikazane u „Popisu pakovanja“ priložene.
- Pažljivo pregledajte proizvod da biste osigurali da nije došlo do lomljenja ili oštećenja tokom transporta.
- Ne bacajte ambalažu dok ne budete pažljivo pregledali proizvod i rukovali njime na zadovoljavajući način.

- Ako su neki delovi oštećeni ili nedostaju, vratite proizvod na mesto kupovine.

RUKOVANJE

⚠ UPOZORENJE: Ne dozvolite da zbog poznavanja ovog proizvoda postanete nemarni. Zapamtite da je delić sekunde nepažnje dovoljan da nanese ozbiljnu povredu.

⚠ UPOZORENJE: Da biste sprečili nehotično startovanje koje bi moglo da izazove ozbiljnu telesnu povredu, uvek izvadite akumulator iz ventilatora pre servisiranja, pravljenja podešavanja, čišćenja i menjanja nastavaka, ili kad nije u upotrebi.

⚠ UPOZORENJE: Ne koristite nikakve dodatke ili pribor koje nije preporučio proizvođač ovog proizvoda. Upotreba dodataka ili pribora koji nisu preporučeni može da dovede do ozbiljne telesne povrede.

Pre svake upotrebe pregledajte čitav proizvod radi oštećenih, nedostajućih ili labavih delova poput vijaka, navrtanja, zavrtnja, kapica itd. Čvrsto zategnite sve spojeve i kapice i ne rukujte ovih proizvodom dok svi nedostajući ili oštećeni delovi ne budu zamenjeni.

PRIMENE

Možete koristiti ovaj proizvod za svrhe navedene ispod:

- Opšta ventilacija u većini kućnih primena.
- Rashlađivanje na otvorenom prostoru dok je povezan na izvor vode.

OBAVEŠTENJE: Proizvod treba koristiti samo za propisane svrhe. Svaka druga upotreba smatra se slučajem zloupotrebe.

SPAJANJE/ODVAJANJE BATERIJE

Koristite samo sa EGO akumulatorima i punjačima navedenim na slici A3.

NAPOMENA: Potpuno napunite bateriju pre prve upotrebe.

Za spajanje

Poravnajte rebra baterije sa montažnim prorezima i pritisnite bateriju u odeljak za bateriju dok ne čujete „škljoc“ (slika B1).

Za odvajanje

Pritisnite dugme za oslobađanje baterije i izvucite bateriju (slika B2).

⚠ UPOZORENJE: Uvek vodite računa o položaju svojih

stopala, dece ili kućnih ljubimaca kad pritisnete dugme za otključavanje baterije. Može doći do ozbiljnih povreda ako baterija ispadne. NIKAD ne vadite bateriju na visokom mestu.

STARTOVANJE/STOPIRANJE VENTILATORA

NAPOMENA: Početna fabrička postavka za brzinu vazduha je nivo 3. Ventilator će zapamtiti poslednju korišćenu postavku brzine vazduha i vratiti joj se pri ponovnom pokretanju. Turbo postavka neće biti sačuvana.

NAPOMENA: Postavka magle i oscilacije neće biti sačuvana i podrazumevano će biti isključena svaki put kad se ventilator uključi.

Kontrolna tabla (slika A2)

Dugme napajanja

- Kratko pritisnite dugme napajanja da biste uključili ventilator.
- Ponovo kratko pritisnite dugme napajanja da biste isključili ventilator.

Podešavanje brzine vazduha

Normalna brzina vazduha

- Pritisnite dugme za podešavanje brzine vazduha „+“ da biste povećali brzinu vazduha i pritisnite dugme „-“ da biste smanjili brzinu vazduha. Postoji 5 nivoa brzine.
- Indikator brzine vazduha prikazuje zelena svetla koja odgovaraju trenutnom nivou brzine.

TURBO režim

NAPOMENA: Kad je u „TURBO“ režimu, ventilator će postići maksimalnu brzinu vazduha.

- Pritisnite „TURBO“ dugme, **TURBO** indikator će se osvetliti zeleno a ventilator će preći u „TURBO“ režim, tj. najveću brzinu vazduha.
- Kad ste u „TURBO“ režimu, pritisnite „TURBO“ dugme ponovo, **TURBO** indikator će se isključiti i ventilator će nastaviti na prethodno aktivnoj brzini vazduha.
- Kad ste u „TURBO“ režimu, pritisnite „-“ dugme, **TURBO** indikator će se isključiti i ventilator će preći na nivo 5 brzine vazduha.

FUNKCIJA OSCILOVANJA (SLIKA C)

- Pritisnite dugme za oscilovanje jednom da biste startovali funkciju oscilovanja glave ventilatora; indikator oscilovanja će osvetliti donje zeleno svetlo a glava ventilatora će se rotirati 60° s jedne na drugu stranu (od -30° do +30°).

- Pritisnite dugme za oscilovanje po drugi put; indikator oscilovanja će osvetliti dva zelena svetla, aktivirajući opseg oscilovanja od 120° (od -60° do +60°).
- Pritisnite dugme za oscilovanje po treći put; indikator oscilovanja će osvetliti tri zelena svetla, aktivirajući opseg oscilovanja od 180° (od -90° do +90°).
- Da biste isključili funkciju oscilovanja, pritisnite dugme za oscilovanje po četvrti put.

PODEŠAVANJE UGLA VENTILATORA (SLIKA D)

Glava ventilatora može da se postavi u više uglova od 30° do 90°. Da biste podesili smer magle / protoka vazduha, uhvatite ventilator za gornju dršku i nagnite glavu ventilatora unapred ili unazad.

FUNKCIJA MAGLE

Dugme za režim magle

- Pritisnite dugme za režim magle jednom i indikator magle će osvetliti tri zelena svetla, što označava kontinuirani režim magle sa velikim protokom – maglu sa velikim protokom vode bez prekida.
- Pritisnite dugme za režim magle ponovo i indikator magle će osvetliti dva zelena svetla, što označava kontinuirani režim magle – maglu sve vreme bez prekida.
- Pritisnite dugme za režim magle treći put i indikator magle će osvetliti donje zeleno svetlo, što označava isprekidani režim magle – magla tokom 10 sekundi svakih 10 sekundi.

NAPOMENA: Prvi put će možda trebati nekoliko sekundi pre nego što zaista vidite izmaglicu kako izlazi iz mlaznica za maglu. Ovo odlaganje je posledica vremena potrebnog da voda dođe od ulazne cevi do mlaznica.

- Kad je magla u isprekidanom režimu magle, ponovo pritisnite dugme za režim magle i svetla indikatora magle će se isključiti i magla će se zaustaviti.

NAPOMENA: Kad se operacija magle završi, odvojite ulaznu cev ventilatora od izvora vode i pokrenute ventilator u kontinuiranom režimu magle dok sva voda ne izađe iz cevi. Ovo pomaže da se spreči da ostaci vode u cevi izazovu neočekivanu maglu kada se ventilator ponovo pokrene.

Korišćenje ventilatora sa kofom vode ili drugom posudom (nije priložena) (slika E)

⚠ UPOZORENJE: Deca mogu da upadnu u kofe i da se udave. Držite decu podalje od kofa koje sadrže čak i malu količinu tečnosti.

OBAVEŠTENJE: Kofu operite sapunom i vodom pre svake upotrebe.

1. Odvojite akumulator.
2. Stavite kofu na ravnu, horizontalnu površinu.
3. U kantu sipajte SAMO čistu, hladnu vodu. Nemojte prepuniti.
4. Uronite kraj usisne cevi sa filterom dole u vodu.

OBAVEŠTENJE: Nemojte savijati usisnu cev i uvek vodite računa da voda teče glatko kroz cev.

5. Instalirajte bateriju.
6. Pritisnite dugme napajanja da biste uključili ventilator.
7. Pritisnite dugme za režim magle da biste startovali maglu.

Spajanje ventilatora na slavinu za vodu

(slika F i slika G)

1. Odmrinite gornji deo filtera u smeru suprotno kazaljki na satu i odvojite ga od donjeg dela (slika F).

F-1	Donji deo filtera
F-2	Gornji deo filtera

OBAVEŠTENJE: Vodite računa da se donji deo ne razdvoji na dva dela tokom odvajanja gornjeg dela i da ostane u jednom komadu za spajanje na adapter za baštensko crevo.

2. Odmrinite (suprotno kazaljki na satu) adapter za baštensko crevo koji se nalazi na donjem delu ventilatora. Zavrnite ga (u smeru kazaljke na satu) u donji deo filtera.
3. Spojite adapter za baštensko crevo na odgovarajuće baštensko crevo sa brzom spojnicom (nije priložena). Pričvrstite brzu spojnicu na adapter za baštensko crevo tako da čujete jasno škljocanje (slika G).

G-1	Adapter za baštensko crevo
G-2	Tipična brza spojnica

OBAVEŠTENJE: Ne pokušavajte da povežete adapter za baštensko crevo dok je montiran na donji deo ventilatora (Slika G1).

4. Spojite baštensko crevo na liniju vode.
5. Instalirajte bateriju.
6. Pritisnite dugme napajanja da biste uključili ventilator.
7. Otvorite slavinu za vodu do kraja i ventilator će startovati maglu.

OBAVEŠTENJE: Preporučeni maksimalni radni pritisak ne bi trebalo da prekorači 80 psi.

NAPOMENA: Čak i ako nema napajanja, ventilator će startovati maglu kad se slavina za vodu uključi.

8. Pritisnite dugme za režim magle da biste izabrali režim magle za bolje rezultate rada.

NAPOMENA: Mali otvor u adapteru za baštensko crevo ga čini podložnim nagomilavanju naslaga minerala iz tvrde vode. Često čistite adapter i koristite alkoholno sirće ili drugo sredstvo za uklanjanje kamenca da biste uklonili naslage.

Korišćenje ventilatora bez izmaglice

Po želji, ovaj proizvod se može koristiti samo kao ventilator, kada nije povezan sa izvorom vode. Kad nije u upotrebi, uvek smotajte ulaznu cev u njen prostor za skladištenje (pogledajte odeljak „**TRANSPORT I SKLADIŠTENJE**“ u ovom priručniku) da biste je zaštitili od oštećenja i kontaminacije.

KOMUNIKACIONA TEHNOLOGIJA

Za informacije o celoj paleti naših povezanih proizvoda i usluga, obuhvatajući i uputstva za povezivanje, skenirajte QR kod ispod ili posetite www.egopowerplus.eu/connect.



ZAŠTITA ELEKTRONIKE

Kad je funkcija oscilovanja aktivirana ali ventilator ne oscilira, indikator oscilovanja će neprekidno prikazivati tri bljeskajuća zelena svetla da bi podsetio rukovaoca da proveriti da li je glava ventilatora zaglavljena i da ukloni eventualnu stranu materiju koja se zaglavila na glavi ventilatora pre restartovanja funkcije.

Kada se aktivira funkcija magle ali magla ne izlazi:

- Pumpa za vodu će nastaviti da radi kratko vreme a zatim će se automatski zaustaviti kako bi zaštitila unutrašnju elektroniku.
- Indikator magle će neprekidno prikazivati tri bljeskajuća zelena svetla kao upozorenje rukovaocu:
 - a. Da proveriti da li je usisna cev pravilno uronjena u vodu.
 - b. Da proveriti da li su mlaznice za maglu zapušene i da ih očisti u skladu sa poglavljem „**ODRŽAVANJE**“

MLAZNICE“.

- c. Da pritisne dugme za izbor režima magle da bi ponovo pokrenuo maglu.

Kad je napunjenost baterija niska, dugme napajanja će bljeskati zeleno svetlo da podseti rukovaoca da napuni ili zameni akumulator.

Kad su akumulator ili ventilator prevrući, dugme napajanja će bljeskati crveno svetlo da upozori rukovaoca da isključi ventilator i ostavi akumulator ili ventilator sa raspršivačem da se ohlade dok temperatura ne padne u opseg preporučene radne temperature, pre ponovnog startovanja ventilatora.

ODRŽAVANJE

⚠ UPOZORENJE: Tokom servisiranja, koristite samo identične rezervne delove. Upotreba bilo kakvih drugih delova može da dovede do opasnosti ili da izazove oštećenje proizvoda. Da bi se osigurala sigurnost i pouzdanost, sve popravke treba da radi kvalifikovani servisni tehničar.

⚠ UPOZORENJE: Da biste izbegli ozbiljne telesne povrede, uvek izvadite bateriju iz proizvoda kad ga čistite ili održavate.

OPŠTE ODRŽAVANJE

Svo servisiranje ventilatora sa raspršivačem, osim stavki navedenih u ovom uputstvu za održavanje, treba da radi kvalifikovano osoblje u servisu za ventilatore sa raspršivačem.

Izbegavajte korišćenje rastvarača kada čistite plastične delove. Većina plastike je podložna oštećenjima od raznih tipova komercijalnih rastvarača i može se oštetiti njihovom upotrebom. Za uklanjanje prljavštine, prašine, ulja, masti i sl. upotrebljavajte čiste krpe.

⚠ UPOZORENJE: Ni u jednom trenutku ne dozvolite da kočiona tečnost, benzin, proizvodi na bazi petroleja, penetraciono ulje itd. dođu u kontakt sa plastičnim delovima. Hemikalije mogu da oštete, oslabe ili unište plastiku, što može da dovede do ozbiljne telesne povrede.

⚠ UPOZORENJE: Kad čistite ventilator sa raspršivačem, NE uranjajte ga u vodu ili druge tečnosti.

ODRŽAVANJE MLAZNICE (slika H)

⚠ UPOZORENJE: Osigurajte da se svo održavanje mlaznica za maglu obavlja pravilno, da bi se sprečilo curenje vode. Curenje može rezultirati klizavom površinom stvarajući opasnost od klizanja i pada ili uzrokovati

oštećenje imovine.

Nepravilni obrasci magle ili curenje mogu da budu posledica začepljene ili prljave mlaznice.

Za čišćenje mlaznica

1. Isključite ventilator i izvadite bateriju.
2. Izvadite začepljene mlaznice za maglu iz prednjeg rešetkastog štitnika na kućištu ventilatora tako što ćete ih rotirati u smeru suprotnom kazaljki na satu.
3. Rastavite svaku zapušenu mlaznicu na delove.
4. Da biste uklonili sve strane čestice koje zapušavaju ili ograničavaju mlaznice, isperite delove mlaznica vodom. Da biste uklonili nakupljeni kamenac (minerale), po potrebi očistite delove mlaznica alkoholnim sirćetom ili nekim drugim sredstvom za uklanjanje kamenca.
5. Ponovo sastavite mlaznice.

OBAVEŠTENJE: Da biste sprečili začepljivanje, osigurajte da je mlaznica sastavljena tačno kako je prikazano na slici H.

6. Ponovo pričvrstite čiste mlaznice na prednji rešetkasti štitnik.

ODRŽAVANJE FILTERA (slika I)

Periodično pregledajte filter na kraju usisne cevi kako biste se uverili da je u dobrom stanju.

1. Isključite ventilator i izvadite bateriju.
2. Odmrnite gornji deo sa donjeg dela filtera.

I-1	Donji deo	I-3	Sunderasta mrežica
I-2	Metalna mrežica	I-4	Gornji deo

OBAVEŠTENJE: Kad odvrćete gornji deo, vodite računa da se donji deo ne razdvoji na dva dela. Donji deo mora da ostane sklopljen da bi se izvadila metalna mrežica.

3. Izvadite sunderastu mrežicu iz gornjeg dela i metalnu mrežicu iz donjeg dela.
4. Isperite metalnu mrežicu i sunderastu mrežicu ili ih zamenite ako je neophodno.
5. Ponovo sklopite filter.

OBAVEŠTENJE: Vodite računa da metalna mrežica bude sklopljena sa ispučnim rubom okrenutim napolje za lako rasklapanje narednog puta.

ODRŽAVANJE ADAPTERA ZA BAŠTENSKO CREVO

Mali otvor u adapteru za baštensko crevo ga čini podložnim

nagomilavanju naslaga minerala iz tvrde vode. Često čistite adapter i koristite alkoholno sirće ili drugo sredstvo za uklanjanje kamenca da biste uklonili naslage.

ODRŽAVANJE KUĆIŠTA VENTILATORA (slika J i slika K)

1. Isključite ventilator i izvadite bateriju.
2. Pomoću Phillips šrafcičera (nije priložen) odvrnite osam vijaka sa zadnje strane kućišta ventilatora da biste skinuli prednji rešetkasti štitnik.

J-1	Vijak (x 8)
J-2	Prednji rešetkasti štitnik

3. Držite sklop lopatica ventilatora da biste sprečili njegovo rotiranje i okrenite poklopac za zaključavanje lopatica ventilatora u smeru kazaljke na satu da biste oslobodili sklop lopatica ventilatora sa vratila.

K-1	Sklop lopatica ventilatora
K-2	Poklopac za zaključavanje

4. Skinite sklop lopatica ventilatora.
5. Po potrebi očistite lopatice ventilatora i unutrašnjost kućišta.
6. Ponovo ih sastavite obrnutim redosledom i uverite se:

Oznaka na sklopu lopatica ventilatora je poravnata sa prečkom na vratilu.

TRANSPORT I SKLADIŠTENJE (slika L)

- Izvadite bateriju.
- Temeljno očistite ventilator.
- Ispraznite usisnu cev i filter.

OBAVEŠTENJE: Priprema ventilatora za zimu je važna za zaštitu od temperatura zamrzavanja, koje mogu da izazovu oštećenja pumpe, creva i drugih komponenti. **Uvek odvojite ulaznu cev ventilatora od izvora vode i pokrenite ventilator u režimu neprekidne magle dok više ne bude zaostale vode u cevi, pre skladištenja ventilatora tokom zime.**

- Pričvrstite ulaznu cev i filter pomoću kopči koje se nalaze na donjem delu baze ventilatora.
- Zavrnite adapter za baštensko crevo na navojnu rupu za skladištenje koja se nalazi na donjem delu baze ventilatora.

L-1	Adapter za baštensko crevo
L-2	Kopče

- Nosite ventilator za gornju dršku ili bočne drške kad ga transportujete.
- Skladištite ventilator u zatvorenom prostoru, na dobro provetrenom mestu.
- Držite dalje od korozivnih sredstava poput baštenskih hemikalija i soli za odmrzavanje.

Zaštita životne sredine



Ne odlažite električnu opremu, potrošene baterije i punjače u kućni otpad!

Odnosite ovaj proizvod u ovlašćeni pogon za reciklažu ili ga odvojite od ostalog smeća radi zasebnog prikupljanja.

Električni alati moraju se odneti u ekološki prihvatljiv pogon za reciklažu.

REŠAVANJE PROBLEMA

PROBLEM	UZROK	REŠENJE
Ventilator sa raspršivačem neće da startuje.	<ul style="list-style-type: none"> ■ Akumulator nije u potpunosti umetnut u kućište. ■ Nema električnog kontakta između ventilatora sa raspršivačem i baterije. ■ Punjenje baterije je potrošeno. ■ Akumulator ili ventilator su prevrući. 	<ul style="list-style-type: none"> ■ Proverite da li je baterija u potpunosti umetnuta u kućište. ■ Izvadite akumulator, proverite kontakte i ponovo instalirajte akumulator. ■ Napunite bateriju. ■ Isključite ventilator i ostavite bateriju ili ventilator sa raspršivačem da se hlade dok temperatura ne padne u preporučeni opseg radne temperature.
Nema vodene izmaglice i tri zelena svetla na indikatoru magle bljeskaju.	<ul style="list-style-type: none"> ■ Ulazna cev ne pumpa vodu, aktivirajući unutrašnju zaštitu električne pumpe unutar ventilatora. ■ Mlaznice za izmaglicu su se zapušile tokom rada, aktivirajući unutrašnju zaštitu za električnu pumpu. 	<ul style="list-style-type: none"> ■ Proverite i uverite se da u kanti ima dovoljno vode i da je usisna cev pravilno uronjena u vodu. ■ Očistite mlaznice prema poglavlju „ODRŽAVANJE MLAZNICE“ i ponovo ih sastavite po uputstvu.
Ventilator stopira oscilovanje a na indikatoru oscilovanja bljeskaju tri zelena svetla.	<ul style="list-style-type: none"> ■ Glava ventilatora se zaglavila tokom oscilovanja. 	<ul style="list-style-type: none"> ■ Uklonite eventualnu stranu materiju koja sprečava oscilovanje glave ventilatora.

GARANCIJA

EGO POLITIKA GARANCIJE

Posetite veb-lokaciju egopowerplus.eu za potpune uslove i odredbe EGO politike garancije.

PROČITAJTE UPUTSTVO U CIJELOSTI!



PROČITAJTE KORISNIČKI PRIRUČNIK

⚠ UPOZORENJE: Radi osiguranja sigurnosti i pouzdanosti, sve popravke treba obavljati kvalifikovani servisni tehničar.

⚠ UPOZORENJE: Prije upotrebe ovog uređaja pobrinite se da sva sigurnosna uputstva u ovom korisničkom priručniku, uključujući sve sigurnosne simbole kao što su "OPASNOST", "UPOZORENJE" i "OPREZ" pročitate s razumijevanjem. Zanemarivanje svih uputstava navedenih u nastavku može rezultirati strujnim udarom, požarom i/ili teškim tjelesnim povredama.

SACUVAJTE SVA UPOZORENJA I UPUTSTVA ZA BUDUĆE POTREBE.

SIGURNOSNI SIMBOLI

⚠ UPOZORENJE: Rukovanje uređajima može rezultirati odbacivanjem stranih predmeta u oči, što opet može izazvati teška oštećenja očiju. Prije početka rukovanja uređajem uvijek nosite zatvorene zaštitne naočale ili zaštitne naočale s bočnim štitičnicima, a prema potrebi i štitičnik za cijelo lice. Preporučujemo nošenje sigurnosne maske proizvođača Wide Vision preko naočala ili nošenje standardnih zaštitnih naočala s bočnim štitičnicima.



Simbol upozorenja



Radi smanjenja rizika od povreda, prije upotrebe ovog proizvoda korisnik treba s razumijevanjem pročitati ovaj korisnički priručnik.



Zagarantovani nivo zvučne snage. Emisija buke u okruženju u skladu je s Direktivom Evropske unije.



Bluetooth® simbol



Otpadni električni proizvodi ne smiju se odlagati s otpadom iz domaćinstva. Odnosite ih u ovlašteni centar za reciklažu.



Ovaj proizvod je u skladu s primjenjivim direktivama EU.



Istosmjerna struja



Ovaj proizvod je u skladu s važećim zakonodavstvom Velike Britanije.

IPX4 Zaštita od prskanja vode

BS

OPĆA SIGURNOSNA UPOZORENJA

⚠ UPOZORENJE: Radi smanjenja opasnosti od požara, strujnog udara ili povreda:

- **Upoznajte svoj ventilator s funkcijom raspršivanja maglice. Pažljivo pročitajte uputstvo za upotrebu. Saznajte više o primjenama i ograničenjima ventilatora, kao i specifičnim potencijalnim opasnostima koja se odnose na ovaj ventilator.** Pridržavanjem ovih pravila smanjit će se rizik od strujnog udara, požara ili teških povreda.
- Ovaj uređaj mogu upotrebljavati djeca starosne dobi od 8 godina i starija i osobe ograničenih fizičkih, čulnih ili mentalnih sposobnosti ili nedovoljnog iskustva i znanja ako su pod nadzorom ili ako su upućeni u siguran način upotrebe uređaja te ako su razumjeli moguće opasnosti.
- Djeca se ne smiju igrati uređajem.
- Čišćenje i održavanje koje obavlja korisnik ne smiju obavljati djeca bez nadzora

SIGURNOST RADNOG PODRUČJA

- **Ventilator nemojte upotrebljavati u eksplozivnim atmosferama, kao na primjer u prisutnosti zapaljivih tekućina, plinova ili prašine.**
- **Djecu i druge prisutne osobe držite podalje tokom rada uređaja.** Ometanja mogu rezultirati gubitkom kontrole nad uređajem.
- **Budite oprezni kada uređaj upotrebljavate u vjetrovitim uslovima.** Vjetar može unijeti vodenu maglicu u električne instalacije ili uređaje.
- **Nemojte izlagati uređaj kiši ili mokrim uslovima.** Prodoranjem vode u uređaj povećat će se rizik od strujnog udara.

LIČNA SIGURNOST

- **Budite oprezni, gledajte šta radite i koristite se uobičajenim osjećajem kada upotrebljavate uređaj. Uređaj nemojte upotrebljavati kada ste umorni, uznemireni ili pod uticajem opojnih sredstava, alkohola ili lijekova.** Trenutak nepažnje tokom rada uređaja može rezultirati teškim tjelesnim povredama.
- **Spriječite nenamjerno pokretanje. Prije spajanja na komplet baterija, uzimanja ili nošenja uređaja uvjerite se da je prekidač u isključenom položaju.** Nošenje uređaja s prstom na prekidaču ili napajanje uređaja koji imaju uključen prekidač izaziva nesreće.
- **Prije uključivanja uređaja uklonite sve ključeve za podešavanje ili ključeve.** Ključ ili ključ za podešavanje ostavljen pričvršćen na rotacijski dio uređaja može rezultirati tjelesnim povredama.

- **Nemojte se previše naginjati prema naprijed. Cijelo vrijeme održavajte propisno držanje i ravnotežu.** To će omogućiti bolju kontrolu nad uređajem u neočekivanim situacijama.
- **Obucite se prikladno. Nemojte nositi široku odjeću ili nakit. Kosu i odjeću uvijek držite podalje od dijelova koji se kreću.** Dijelovi koji se kreću mogu zahvatiti široku odjeću, nakit ili dugu kosu.
- **Prije upotrebe uređaja provjerite jesu li svi priključni sigurni.**
- **Nemojte dozvoliti da vas poznavanje uređaja stečeno čestom upotrebom učini samopodapnim pa da ignorirate sigurnosne principe za uređaj.** Nemarne radnje u djeliću sekunde mogu rezultirati teškim povredama.

UPOTREBA I NJEGA

- **Nemojte upotrebljavati uređaj ako se ne uključuje i ne isključuje putem prekidača.** Svaki uređaj koji se ne može kontrolisati prekidačem opasan je i potrebno ga je popraviti.
- **Prije podešavanja, zamjene dodatne opreme ili skladištenja uređaja odspojite komplet baterija od uređaja.** Takve preventivne sigurnosne mjere smanjuju rizik od iznenadnog pokretanja uređaja.
- **Nekorišteni uređaj skladištite izvan dohvata djece i nemojte dozvoliti da osobe koje ne poznaju uređaj ili ova uputstva upotrebljavaju uređaj.** Uređaji su opasni u rukama neobučениh korisnika.
- **Održavajte uređaj i dodatnu opremu. Provjerite jesu li pokretni dijelovi centrirani ili spojeni, ima li polomljenih dijelova i postoji li stanje koje može uticati na rad uređaja. Ako je oštećen, uređaj dajte na popravak prije upotrebe.** Loše održavan uređaj uzrok je mnogih nesreća.
- **Uređaj i dodatnu opremu, itd., upotrebljavajte u skladu s ovim uputstvima, uzimajući u obzir radne uslove i posao koji je potrebno obaviti.** Upotreba uređaja za radove drukčije od namjenskih može rezultirati opasnim situacijama.
- **Rukohvate i površine rukohvata održavajte suhim, čistim i očišćenim od ulja i masti.** Skliski rukohvati i skliske površine rukohvata onemogućuju sigurno rukovanje i upravljanje uređajem u neočekivanim situacijama.

⚠ UPOZORENJE: Kako bi se smanjio rizik od požara ili strujnog udara, ovaj ventilator nemojte upotrebljavati s poluprovodničkim regulatorom brzine.

KORIŠTENJE I NJEGA BATERIJSKOG uređaja

- Punjenje obavljajte samo s punjačem kojeg je naveo proizvođač. Punjač koji je prikladan za jedan tip kompleta baterija može stvoriti rizik od požara ako ga se upotrebljava s drugim kompletom baterija.
- Uređaj upotrebljavajte samo s izričito navedenim kompletima baterija. Upotreba drugih kompleta baterija može izazvati rizik od povreda i požara.
- Kada se komplet baterija ne upotrebljava, držite ga podalje od drugih metalnih predmeta poput spajalica za papir, kovanica, ključeva, eksera, vijaka ili drugih malih metalnih predmeta koji mogu međusobno spojiti kontakte. Kratko spajanje baterijskih kontakata može uzrokovati opekotine ili požar.
- U slučaju pogrešne upotrebe, baterija može izbaciti tekućinu; izbjegavajte kontakt. Ako slučajno dođe do kontakta, odnosna mjesta isperite vodom. Ako tekućina dođe u kontakt s očima, dodatno potražite pomoć ljekara. Tekućina koju izbaci baterija može uzrokovati nadražaj kože ili opekotine.
- Nemojte upotrebljavati oštećen ili modifikovan komplet baterija ili uređaj. Oštećene ili modifikovane baterije mogu pokazati nepredvidivo ponašanje koje može rezultirati požarom, eksplozijom ili rizikom od povreda.
- Komplet baterija ili uređaj nemojte izlagati vatri ili previsokoj temperaturi. Izlaganje vatri ili temperaturi višoj od 130 °C može uzrokovati eksploziju.
- Pridržavajte se svih uputstava za punjenje i komplet baterija ili uređaj nemojte puniti izvan okvira opsega temperature navedenog u uputstvima. Nepropisno punjenje ili punjenje pri temperaturama izvan okvira određenog opsega može oštetiti bateriju i povećati rizik od požara.

SERVISIRANJE

- Servisiranje uređaja prepustite kvalifikovanom osoblju za popravak koje upotrebljava samo identične zamjenske dijelove. Time će se osigurati održavanje sigurnosti uređaja.
- Nemojte nikada servisirati oštećene komplete baterija. Servisiranje kompleta baterija smiju obavljati samo proizvođač ili ovlašteni serviseri.

SIGURNOSNA UPUTSTVA ZA AKUMULATOR-SKI VENTILATOR S FUNKCIJOM RASPRŠIVANJA VODENE MAGLICE

- Ovaj uređaj nije predviđen da ga upotrebljavaju osobe (uključujući djecu) ograničenih fizičkih, čulnih ili mentalnih sposobnosti ili nedovoljnog iskustva i znanja, osim ako ih nadzire osoba odgovorna za njihovu

sigurnost ili ako ih je uputila u način upotrebe uređaja.

- Djecu je potrebno nadzirati da budete sigurni da se ne igraju uređajem.
- Ventilator se ne smije upotrebljavati kao igračka. Potreban je poseban oprez kada ventilator upotrebljavaju djeca ili kada se upotrebljava u blizini djece.
- Djeca mogu pasti u kante i utopiti se. Držite djecu podalje od kanti koje sadrže čak i malu količinu tekućine.
- Upotrebljavajte SAMO čistu, hladnu vodu.
- Ovaj ventilator s funkcijom raspršivanja vodene maglice nemojte upotrebljavati za raspršivanje pesticida, tekućih gnojiva, hemikalija ili bilo koje druge tekućine osim čiste vode. Raspršivanje ovih supstanci može rezultirati teškim povredama ili bolešću rukovaoca ili prisutnih osoba.
- Vodenu maglicu ili vodu nemojte nikada usmjeravati na električne instalacije ili uređaje.
- Provjerite je li poklopac pretinca za baterije potpuno zatvoren kako biste spriječili da voda dođe u kontakt s baterijom ili uđe u priključak za bateriju.
- Uređaj i pripadajuću ručku održavajte suhim, čistim i očišćenim od ulja i masti. Za čišćenje uvijek upotrebljavajte čistu krpu. Za čišćenje ventilatora nemojte nikada upotrebljavati koćione tekućine, benzin, proizvode na bazi nafte ili jaka otapala. Pridržavanjem ovog pravila smanjit će se opasnost od gubitka kontrole nad uređajem i trošenje plastičnih dijelova kućišta.
- Baterije mogu eksplodirati u prisutnosti izvora paljenja, kao što je na primjer pomoćni plamenik. Radi izbjegavanja opasnosti od teških tjelesnih povreda, baterijski proizvod nemojte nikada upotrebljavati u prisutnosti otvorenog plamena. Eksplozivna baterija može odbaciti krhotine i hemikalije. U slučaju izlaganja zahvaćena mjesta odmah isperite vodom.
- Sačuvajte ova uputstva. Uputstvima se koristite često i upotrebljavajte ih za upućivanje drugih osoba koje mogu upotrebljavati ovaj ventilator. Ako ovaj ventilator nekom posudite, priložite i ovo uputstvo radi sprečavanja nepropisne upotrebe proizvoda i mogućih povreda.
- Imajte na umu da velike količine vlažnosti mogu podstaknuti rast bioloških organizama u okruženju.
- Nemojte dozvoliti da područje oko ventilatora s funkcijom raspršivanja vodene maglice postane vlažno ili mokro. Ako se pojavi vlaga, smanjite snagu ventilatora s funkcijom raspršivanja vodene maglice. Ako se snaga ventilatora s funkcijom raspršivanja vodene maglice ne može smanjiti, ovlaživač upotrebljavajte povremeno. Nemojte dozvoliti da upijajući materijali kao što su tepisi, zavjese, zastori ili stolnjaci postanu vlažni.

- Nemojte nikada ostavljati vodu u spremniku kada se uređaj ne upotrebljava.
- Ventilator s funkcijom raspršivanja vodene maglice ispraznite i očistite prije skladištenja. Očistite ovlaživač prije sljedeće upotrebe.

⚠ UPOZORENJE: Mikroorganizmi koji mogu biti prisutni u vodi ili u okruženju u kojem se uređaj upotrebljava ili skladišti mogu rasti u spremniku za vodu i ispuštati se u zrak, što može dovesti do vrlo ozbiljnih zdravstvenih rizika ako se voda ne mijenja i spremnik propisno ne čisti svaka 3 dana.

Punjive baterije je prije punjenja potrebno izvaditi iz uređaja.

- Istrošene baterije je potrebno izvaditi iz uređaja i sigurno zbrinuti.
- Ako se uređaj neće upotrebljavati duže vrijeme, bateriju je potrebno izvaditi.
- Kontakti za napajanje ne smiju se kratko spajati.

SAČUVAJTE OVA UPUTSTVA

TEHNIČKI PODACI

Nazivni napon	56 V 
Prečnik lopatice ventilatora	25,4 cm
Postavke brzine ventilatora	6 (uključujući režim rada "Turbo")
Maks. količina zraka	1700 CFM
Maks. brzina zraka	32,2 km/h
Ugao oscilacije	60°, 120°, 180°
Količina vode za vodenu maglicu	Visoka: 5,7 l/h
	Srednja: 4,9 l/h
	Niska: 2,5 l/h
Masa (bez kompleta baterija)	4,7 kg
Preporučena temperatura skladištenja	-20 °C – 70 °C
Opseg radne frekvencije za Bluetooth	2402–2480 MHz
Maksimalna snaga prijenosa za Bluetooth	4 dBm

BS

- Deklarisane ukupne vrijednosti vibracija izmjerene su u skladu sa standardnom metodom ispitivanja i mogu se primjenjivati za poređenje jednoog uređaja s drugim;

- Deklarisane ukupne vrijednosti vibracija mogu se primjenjivati i u preliminarnoj procjeni izloženosti.

NAPOMENA: Emisija vibracija tokom aktuelne upotrebe uređaja može se razlikovati od deklarirane vrijednosti u kojoj se uređaj upotrebljavao. Korisnik radi zaštite treba nositi rukavice i štittnike za uši u aktuelnim uslovima upotrebe.

SADRŽAJ PAKOVANJA (Sl. A1)

OPIS

UPOZNAJTE SVOJ PUHAČ LIŠĆA (sl. A1 i A2)

1. Kontrolna ploča (Sl. A2)
2. Oscilirajući okvir
3. Mlaznica za raspršivanje vodene maglice
4. Gornja ručka
5. Kućište ventilatora
6. Bočna ručka
7. Pretinac za baterije
8. Električni kontakti
9. Dugme za oslobađanje baterije
10. Adapter za vrtno crijevo
11. Filter
12. Usisno crijevo
13. Dugme za podešavanje brzine zraka
14. Dugme za TURBO režim rada
15. Indikator TURBO režima rada
16. Indikator raspršivanja vodene maglice
17. Dugme za režim raspršivanja vodene maglice
18. Dugme napajanja
19. Indikator brzine zraka
20. Indikator osciliranja
21. Dugme za režim osciliranja

SASTAVLJANJE

⚠ UPOZORENJE: Ako je bilo koji dio oštećen ili ako nedostaje, nemojte upotrebljavati ovaj proizvod dok ne zamijenite dijelove. Upotreba ovog proizvoda oštećenih dijelova ili dijelova koji nedostaju može rezultirati teškim tjelesnim povredama.

⚠ UPOZORENJE: Nemojte pokušavati da modifikujete ovaj proizvod ili da pravite pribor koji nije preporučen za upotrebu s ovim proizvodom. Sve takve izmjene ili modifikacije predstavljaju nepropisnu upotrebu i mogu rezultirati opasnim stanjima koja mogu dovesti do mogućih teških tjelesnih povreda.

⚠ UPOZORENJE: Radi sprečavanja iznenadnog pokretanja koje može uzrokovati teške tjelesne povrede, uvijek izvadite komplet baterija iz mašine kada sastavljate dijelove.

- Ovaj proizvod isporučen je potpuno sastavljen.
- Pažljivo izvadite proizvod i sav dodatni pribor iz kutije. Uvjerite se da sve stavke prikazane u "Lista pakovanja" prisutne.
- Pažljivo pregledajte proizvod kako biste bili sigurni da nije došlo do loma ili oštećenja tokom transporta.
- Ambalažu nemojte odlagati u otpad dok pažljivo ne pregledate uređaj i ne budete zadovoljni njegovim radom.
- Ako su bilo koji dijelovi oštećeni ili nedostaju, vratite proizvod na mjesto kupovine.

RAD

⚠ UPOZORENJE: Nemojte dozvoliti da vas poznavanje ovog proizvoda učini nepažljivim. Imajte na umu da je za nanošenje teških povreda dovoljan samo djelić sekunde nepažnje.

⚠ UPOZORENJE: Radi sprečavanja iznenadnog pokretanja koje može uzrokovati teške tjelesne povrede, uvijek izvadite komplet baterija iz ventilatora prije servisiranja, obavljanja radova podešavanja, čišćenja, promjene dodatnog pribora ili kada ne upotrebljavate proizvod.

⚠ UPOZORENJE: Nemojte upotrebljavati priključke ili pribor koje nije preporučio proizvođač ovog proizvoda. Upotreba nepreporučenih priključaka ili pribora može rezultirati teškim tjelesnim povredama.

Prije svake upotrebe pregledajte cijeli proizvod na postojanje oštećenih, nedostajućih ili otpuštenih dijelova, kao što su vijci, matice, osovinice, kapice, itd. Čvrsto pritegnite sve pričvrstne elemente i kapice i nemojte upotrebljavati ovaj proizvod dok se ne zamijene svi dijelovi koji nedostaju ili koji su oštećeni.

PRIMJENE

Ovaj proizvod možete upotrebljavati za svrhe navedene u nastavku:

- Opća ventilacija u većini primjena u domaćinstvu.
- Hlađenje na otvorenom kada je uređaj spojen na izvor vode.

NAPOMENA: Proizvod se smije upotrebljavati samo za prethodno opisanu namjenu. Svaka druga upotreba smatra se nepropisnom upotrebom.

POSTAVLJANJE/UKLANJANJE KOMPLETA BATERIJA

Proizvod upotrebljavajte samo s EGO kompletima baterija i punjačima koji su navedeni na sl. A3.

NAPOMENA: Komplet baterija potpuno napunite prije prve upotrebe.

Postavljanje

Poravnajte kontakte baterije s montažnim utorima i pritisnite komplet baterija u odjeljak za baterije dok ne začujete zvuk klikanja (sl. B1).

Skidanje

Pritisnite dugme za oslobađanje baterije i izvucite komplet baterija (sl. B2).

⚠ UPOZORENJE: Kada pritisćete dugme za oslobađanje baterije, uvijek pazite na položaj stopala, djecu ili kućne ljubimce. Ako komplet baterija padne, može doći do teških povreda. Komplet baterija nemojte NIKADA vaditi na visokom položaju.

POKRETANJE/ZAUSTAVLJANJE VENTILATORA

NAPOMENA: Početna tvornička postavka za brzinu zraka je nivo 3. Ventilator će spremi zadnju korištenu postavku brzine zraka i vratit će se na nju nakon ponovnog pokretanja. Postavka Turbo režima rada neće se spremi.

NAPOMENA: Postavka raspršivanja vodene maglice i osciliranja neće se spremi i prema zadanim postavkama isključena je svaki put kada se ventilator uključi.

Kontrolna ploča (sl. A2)

Dugme napajanja

- Za uključivanje ventilatora kratko pritisnite dugme napajanja.
- Za isključivanje ventilatora ponovo kratko pritisnite dugme napajanja.

Podešavanje brzine zraka

Normalna brzina zraka

- Za povećanje brzine zraka pritisnite dugme za povećanje brzine zraka "+", a za smanjenje brzine zraka pritisnite dugme "-". Postoji 5 nivoa brzine.
- Indikator brzine zraka prikazuje zelena svjetla u skladu s aktuelnim nivoima brzine.

TURBO režim rada

NAPOMENA: Kada je u "TURBO" režimu rada, ventilator će postići maksimalnu brzinu zraka.

- Pritisnite dugme "TURBO", indikator TURBO režima rada će zasvijetliti zeleno, a ventilator će se prebaciti u "TURBO" režim rada, tj. najvišu brzinu zraka.
- Kada je ventilator u "TURBO" režimu rada, ponovo pritisnite dugme "TURBO". Indikator TURBO režima rada će se isključiti, a ventilator će nastaviti s radom u prethodno aktivnoj brzini zraka.
- Kada je ventilator u "TURBO" režimu rada, pritisnite dugme "-". Indikator TURBO režima rada će se isključiti, a ventilator će se prebaciti u nivo brzine zraka 5.

OSCILIRAJUĆA FUNKCIJA (SL. C)

- Pritisnite dugme za osciliranje jednom da biste pokrenuli oscilirajuću funkciju glave ventilatora, indikator osciliranja će upaliti donje zeleno svjetlo, a glava ventilatora će se okretati za 60° s jedne na drugu stranu (od -30° do 30°).
- Pritisnite dugme za osciliranje drugi put, indikator osciliranja će upaliti dva zelena svjetla, aktivirajući raspon osciliranja od 120° (od -60° do 60°).
- Pritisnite dugme za osciliranje treći put, indikator osciliranja će upaliti tri zelena svjetla, aktivirajući raspon osciliranja od 180° (od -90° do 90°).
- Da biste isključili funkciju osciliranja, pritisnite dugme za osciliranje četvrti put.

PODEŠAVANJE UGLA VENTILATORA (SL. D)

Glava ventilatora može se podesiti na više uglova od -30° do 90°. Da biste podesili smjer maglice/protoka zraka, uhvatite ventilator za gornju ruku i nagnite glavu ventilatora naprijed ili nazad.

FUNKCIJA RASPRŠIVANJA VODENE MAGLICE

Dugme za režim raspršivanja vodene maglice

- jednom pritisnite dugme za odabir režima rada raspršivanja vodene maglice i zasvijetlit će tri zelena svjetla indikatora raspršivanja vodene maglice, što ukazuje na 'kontinuirani' režim rada raspršivanja vodene maglice sa velikim protokom - raspršivanje velikog protoka vodene maglice cijelo vrijeme bez zaustavljanja.
- Ponovo pritisnite dugme za raspršivanja vodene maglice i zasvijetlit će dva zelena svjetla što ukazuje na 'kontinuirani' režim rada raspršivanja vodene maglice - raspršivanje vodene maglice cijelo vrijeme bez zaustavljanja.
- Pritisnite dugme za raspršivanje vodene maglice treći put i indikator raspršivanja vodene maglice će upaliti donje zeleno svjetlo koje označava (sprekidani) način

raspršivanja vodene maglice - raspršivanje vodene maglice 10 sekundi na svakih 10 sekundi.

NAPOMENA: Može proći oko nekoliko sekundi prije nego što prvi put vidite kako magla izlazi iz mlaznica za raspršivanje vodene maglice. Ova odgoda postoji zbog vremena koje je potrebno da voda proteče iz crijeva za dovod vode do mlaznica.

- Kada je režim rada raspršivanja u sprekidanom režimu rada, ponovo pritisnite dugme za odabir režima rada raspršivanja vodene maglice i svjetla indikatora raspršivanja vodene maglice će se isključiti, a raspršivanje vodene maglice će prestati.

NAPOMENA: Po završetku rada raspršivanja vodene maglice iskopčajte usisno crijevo ventilatora iz izvora vode i pokrenite ventilator u kontinuiranom režimu rada raspršivanja vodene maglice dok iz crijeva ne izađe sva voda. Time se sprečava da zaostala voda u crijevu izazove neočekivano raspršivanje vodene maglice kada se ventilator ponovno pokrene.

Korištenje ventilatora s kantom vode ili drugim spremnikom (nije uključeno) (Sl. E)

UPOZORENJE: Djeca mogu pasti u kante i utopiti se. Držite djecu podalje od kanti koje sadrže čak i malu količinu tekućine.

NAPOMENA: Kantu prije svake upotrebe očistite sapunom i vodom.

1. Odspojite komplet baterija.
2. Postavite kantu na ravnu, vodoravnu površinu.
3. U kantu ulijte SAMO čistu, hladnu vodu. Nemojte previše puniti kantu.
4. Uronite filter na kraju usisnog crijeva u vodu.

NAPOMENA: Nemojte savijati usisno crijevo i uvijek vodite računa da voda ravnomjerno teče kroz crijevo.

5. Postavite komplet baterija.
6. Za uključivanje ventilatora pritisnite dugme napajanja.
7. Pritisnite dugme za režim rada raspršivanja vodene maglice da započnete raspršivanje vodene maglice.

Spajanje ventilatora na slavinu za vodu (Sl. F i Sl. G)

1. Odvijte gornji dio filtra u smjeru suprotnom od kazaljke na satu i odvojite ga od donjeg dijela (sl. F).

F-1	Donji dio filtra
F-2	Gornji dio filtra

NAPOMENA: Uvjerite se da donji dio nije odvojen na dva dijela tijekom odspajanja gornjeg dijela i da ostaje zajedno kao cjelina za spajanje na adapter za vrtno crijevo.

- Odvijte (u smjeru suprotnom od kazaljke na satu) adapter za vrtno crijevo pohranjen na dnu ventilatora. Zavrnite ga (u smjeru kazaljke na satu) u donji dio filtera.
- Spojite adapter za vrtno crijevo na odgovarajuće vrtno crijevo s brzom spojkom (nije isporučena). Ponovo pričvrstite brzu spojku adaptera za vrtno crijevo dok ne čujete jasno klikanje (sl. G).

G-1	Adapter za vrtno crijevo
G-2	Tipična brza spojka

NAPOMENA: Nemojte priključivati adapter za vrtno crijevo dok je montiran na dnu ventilatora (sl. G1).

- Spojite vrtno crijevo na vodovod vode.
- Postavite komplet baterija.
- Za uključivanje ventilatora pritisnite dugme napajanja.
- Otvorite slavinu za vodu do kraja, ventilator će početi da raspršuje vodenu maglu.

NAPOMENA: Preporučeni maksimalni radni pritisak ne smije prelaziti 80 psi.

NAPOMENA: Čak i ako nema napajanja, ventilator će se početi raspršivati vodenu maglu kada se otvori slavina za vodu.

- Pritisnite dugme za režim rada raspršivanja vodene maglice da biste odabrali režim rada raspršivanja vodene maglice za bolje radne rezultate.

NAPOMENA: Mali otvor u adapteru za vrtno crijevo čini ga osjetljivim na tvrdu vodu i nakupljanje minerala. Često čistite adapter i koristite bijelo sirće ili drugo sredstvo za uklanjanje kamenca kako biste uklonili nakupine.

Upotreba ventilatora bez funkcije raspršivanja vodene maglice

Ako želite, ovaj proizvod možete upotrebljavati i kao ventilator samo kada nije spojen na izvor vode. Kada nije u upotrebi, usisno crijevo uvijek uvijte na predviđeno mjesto za skladištenje (pogledajte odjeljak **TRANSPORT I SKLADIŠTENJE** u ovom priručniku) da ga zaštitite od oštećenja i kontaminacije.

KOMUNIKACIJSKA TEHNOLOGIJA

Za informacije o našoj cjelokupnoj ponudi povezanih proizvoda i usluga, uključujući upute za povezivanje, skenirajte QR kod u nastavku ili posjetite internetsku stranicu www.egopowerplus.eu/connect.



ELEKTRONSKA ZAŠTITA

Kada je funkcija osciliranja aktivirana, ali ventilator ne oscilira, indikator osciliranja će prikazivati tri trepćuća zelena svjetla neprekidno kako bi podsjetio operatera da provjeri da li je glava ventilatora zaglavljena i da ukloni sve strane predmete koji su se zaglavili na glavi ventilatora prije ponovnog pokretanja funkcije.

Ako je funkcija raspršivanja vodene maglice aktivirana, a vodena maglica ne izlazi:

- Pumpa za vodu nastavlja raditi kratko vrijeme, a zatim se automatski zaustavlja radi zaštite unutrašnje elektronike.
- Indikator raspršivanja vodene maglice će prikazivati tri trepćuća zelena svjetla neprekidno kao upozorenje za operatera da:
 - Provjerite je li usisno crijevo ispravno uronjeno u vodu.
 - Provjerite je li mlaznica/jesu li mlaznice za raspršivanje vodene maglice začepljena/e i očistite je/i/h u skladu s uputama u poglavlju **"ODRŽAVANJE MLAZNICA"**.
 - Za ponovno pokretanje režima rada raspršivanja vodene maglice pritisnite dugme za odabir režima rada raspršivanja vodene maglice.

Kada je napunjenost baterije niska, dugme za napajanje će treptati zeleno svjetlo kako bi podsjetilo operatera da napuni ili promijeni komplet baterija.

Kada je komplet baterija ili ventilator prevruć, dugme za napajanje će treptati crvenim svjetlom kako bi upozorilo operatera da isključi ventilator i dozvoli bateriji ili ventilatoru za raspršivanje vodene maglice da se ohladi dok temperatura ne padne na preporučeni raspon radne temperature prije ponovnog pokretanja ventilatora.

ODRŽAVANJE

⚠ UPOZORENJE: Kada obavljate radove servisiranja, upotrebljavajte samo identične zamjenske dijelove. Upotreba drugih dijelova može uzrokovati opasnost ili oštećenje proizvoda. Radi osiguranja sigurnosti i pouzdanosti, sve popravke treba obavljati kvalifikovani servisni tehničar.

⚠ UPOZORENJE: Radi izbjegavanja teških tjelesnih povreda, uvijek izvadite komplet baterija iz proizvoda prije obavljanja radova čišćenja ili održavanja.

OSNOVNO ODRŽAVANJE

Sve popravke ventilatora za raspršivanje vodene maglice drukčije od navedenih u ovim uputstvima za održavanje treba obavljati ovlašteno servisno osoblje za ventilator za raspršivanje vodene maglice.

Kada čistite plastične dijelove, izbjegavajte upotrebljavati rastvore. Mnoge plastike mogu se oštetiti različitim vrstama komercijalnih rastvora i mogu se oštetiti njihovom upotrebom. Za uklanjanje prljavštine, prašine, ulja, masti i sl. upotrebljavajte čiste krpe.

⚠ UPOZORENJE: Nemojte nikada dozvoliti da kočione tekućine, benzin, proizvodi na bazi nafte, penetrirajuća ulja i sl., dođu u kontakt s plastičnim dijelovima. Hemikalije mogu oštetiti, oslabiti ili uništiti plastiku, što može rezultirati teškim tjelesnim povredama.

⚠ UPOZORENJE: Kada čistite ventilator za raspršivanje vodene maglice, NEMOJTE ga uranjati u vodu ili druge tekućine.

ODRŽAVANJE MLAZNICA (sl. H)

⚠ UPOZORENJE: Provjerite jesu li svi radovi održavanja mlaznica za raspršivanje vodene maglice obavljeni propisno kako biste izbjegli curenje vode. Curenja mogu rezultirati skliskom površinom koja izaziva opasnost od klizanja i pada ili oštećenja imovine.

Nepravilni obrasci raspršivanja ili curenje mogu biti rezultat začepjene ili prljave mlaznice.

Čišćenje mlaznica

1. Isključite ventilator i izvadite komplet baterija.
2. Uklonite začepjene mlaznice za raspršivanje iz prednje rešetke štitnika kućišta ventilatora tako što ćete ih rotirati u smjeru suprotnom od kazaljke na satu.
3. Svaku zahvaćenu mlaznicu rastavite na dijelove.
4. Sve strane čestice koje začepljuju ili ograničavaju mlaznice uklonite ispiranjem dijelova mlaznice vodom.

Naslage kamenca (minerala) uklonite čišćenjem dijelova mlaznice bijelim sirćetom ili drugim sredstvom za uklanjanje kamenca ako je potrebno.

5. Ponovo sastavite mlaznice.

NAPOMENA: Kako biste izbjegli začepljenje, provjerite je li mlaznica sastavljena tačno onako kako je prikazano na slici H.

6. Ponovno pričvrstite čiste mlaznice na prednje rešetke štitnika.

ODRŽAVANJE FILTERA (sl. I)

Povremeno pregledajte filter na kraju usisnog crijeva kako biste bili sigurni da je u dobrom stanju.

1. Isključite ventilator i izvadite komplet baterija.
2. Odvijte gornji dio od donjeg dijela filtra.

I-1	Donji dio	I-3	Spužvasti filter
I-2	Metalna mrežica	I-4	Gornji dio

NAPOMENA: Prilikom odvrtnja gornjeg dijela, pazite da donji dio nije razdvojen na dva dijela. Donji dio mora ostati sastavljen kako bi se uklonila metalna mreža.

3. Izvadite spužvastu mrežicu iz gornjeg dijela i metalnu mrežicu iz donjeg dijela.
4. Ispirite metalnu mrežicu i spužvastu mrežicu ili ih zamijenite ako je potrebno.
5. Ponovo sastavi filter.

NAPOMENA: Provjerite je li metalna mreža sastavljena s podignutim rubom okrenutim prema van radi lakšeg rastavljanja sljedeći put.

ODRŽAVANJE ADAPTERA ZA VRTNO CRIJEVO

Mali otvor u adapteru za vrtno crijevo čini ga osjetljivim na tvrdu vodu i nakupljanje minerala. Često čistite adapter i koristite bijelo sirće ili drugo sredstvo za uklanjanje kamenca kako biste uklonili nakupine.

ODRŽAVANJE KUĆIŠTA VENTILATORA (sl. J i sl. K)

1. Isključite ventilator i izvadite komplet baterija.
2. Koristite Phillips odvijač (nije uključen) da odvrnete osam vijaka sa stražnje strane kućišta ventilatora kako biste uklonili prednje rešetke štitnika.

J-1	Vijak (x8)
J-2	Prednji rešetkasti štitnik

3. Držite sklop lopatica ventilatora kako biste spriječili da se okreće i okrenite poklopac za zaključavanje lopatica ventilatora u smjeru kazaljke na satu kako biste oslobodili sklop lopatica ventilatora iz osovine.

K-1	Sklop lopatica ventilatora
K-2	Poklopac za zabavljanje

4. Uklonite sklop lopatica ventilatora.
5. Očistite lopaticu ventilatora i unutrašnjost kućišta ako je potrebno.
6. Ponovo ih sastavite obrnutim redoslijedom i provjerite:

Oznaka na sklopu lopatica ventilatora je poravnata sa prečkom na osovini.

TRANSPORT I SKLADIŠTENJE (SI. L)

- Izvadite komplet baterija.
- Detaljno očistite ventilator.
- Ispraznite usisno crijevo i filter.

NAPOMENA: Priprema ventilatora za zimu je neophodna za zaštitu od niskih temperatura koje mogu uzrokovati oštećenje pumpe, crijeva i drugih komponenti. **Uvijek odvojite dovodnu cijev ventilatora od izvora vode i pokrenite ventilator u režimu kontinuiranog raspršivanja vodene maglice sve dok ne bude zaostale vode u cijevi prije skladištenja ventilatora tokom zime.**

- Osigurajte dovodnu cijev i filter pomoću kopči koje se nalaze na dnu osnove ventilatora.
- Pričvrstite adapter za vrtno crijevo na navojni otvor za odlaganje koji se nalazi na dnu osnove ventilatora.

L-1	Adapter za vrtno crijevo
L-2	Kopče

- Nosite ventilator za gornju ručku ili bočne ručke kada ga transportujete.
- Čuvajte ventilator u zatvorenom prostoru, na dobro prozračenom mjestu.
- Pogonsku jedinicu držite podalje od korozivnih sredstava kao što su vrtna hemijska sredstva i soli za odmrzavanje.

Zaštita životne sredine



Električnu opremu, iskorištenu bateriju i punjač ne odlažite u kućni otpad!

Ovaj proizvod odnesite u ovlašteni centar za reciklažu i time omogućite odvojeno sakupljanje. Električne alate posebno je vratiti u ekološki prihvatljiv pogon za reciklažu.

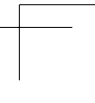
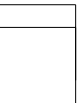
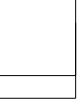
RJEŠAVANJE PROBLEMA

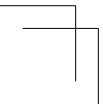
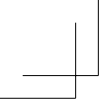
PROBLEM	UZROK	RJEŠENJE
Ventilator za raspršivanje vodene maglice se ne pokreće.	<ul style="list-style-type: none"> ■ Komplet baterija nije potpuno umetnut u kućište. ■ Nema električnog kontakta između ventilatora za raspršivanje vodene maglice i kompleta baterija. ■ Komplet/i baterija je ispražnjen. ■ Komplet baterija ili ventilator je previše vruć. 	<ul style="list-style-type: none"> ■ Provjerite je li baterija potpuno umetnuta u kućište. ■ Izvadite komplet baterija, provjerite kontakte i ponovo stavite komplet baterija. ■ Napunite komplet baterija. ■ Isključite ventilator i pričekajte da se komplet baterija ili ventilator za raspršivanje vodene maglice ohlade na radnu temperaturu u preporučenom opsegu.
Nema raspršivanja vodene maglice i trepere tri zelena svjetla indikatora raspršivanja vodene maglice.	<ul style="list-style-type: none"> ■ Usisno crijevo ne usisava vodu, što aktivira unutrašnju zaštitu za električnu pumpu u ventilatoru. ■ Mlaznica/e za raspršivanje vodene maglice se začepila/e tokom rada, što aktivira unutarnju zaštitu za električnu pumpu. 	<ul style="list-style-type: none"> ■ Provjerite i uvjerite se da u kanti ima dovoljno vode i da je usisno crijevo propisno uronjeno u vodu. ■ Očistite mlaznicu/mlaznice u skladu s uputama u poglavlju "ODRŽAVANJE MLAZNICA" i ponovo ih sastavite prema uputama.
Ventilator prestaje oscilirati i indikator osciliranja treperi sa tri zelena svjetla.	<ul style="list-style-type: none"> ■ Glava ventilatora je zaglavljena tokom osciliranja. 	<ul style="list-style-type: none"> ■ Uklonite sve strane predmete koji sprječavaju osciliranje glave ventilatora.

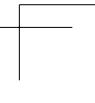
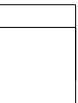
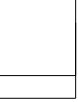
GARANCIJA

POLITIKA GARANCIJE PROIZVOĐAČA EGO

Za sve odredbe i uslove politike garancije proizvođača EGO posjetite internetsku stranicu egopowerplus.eu.







استكشاف الأعطال وإصلاحها

المشكلة	السبب	الحل
لا يمكن بدء تشغيل مروحة الرذاذ.	<ul style="list-style-type: none"> مجموعة البطارية غير مدخلة بالكامل في الهيكل. لا يوجد اتصال كهربائي بين مروحة الرذاذ ومجموعة البطارية. نقد شحن مجموعة البطارية. مجموعة البطارية أو المروحة ساخنان للغاية. 	<ul style="list-style-type: none"> تحقق مما إذا كان قد تم تركيب البطارية بالكامل في الهيكل. اخلع مجموعة البطارية، وافحص التوصيلات، ثم أعد تركيب مجموعة البطارية. اشحن مجموعة البطارية. أوقف تشغيل المروحة واترك مجموعة البطارية أو مروحة الرذاذ تبردان إلى أن تهبط درجة حرارتهما إلى مدى درجة حرارة التشغيل الموصى بها.
لا يوجد رذاذ ماء، ويومض مؤشر الرذاذ بثلاثة مصابيح خضراء.	<ul style="list-style-type: none"> لا يقوم أنبوب الإدخال بضخ الماء، مما يؤدي إلى تفعيل الحماية الداخلية للمضخة الكهربائية الموجودة داخل المروحة. حدث انسداد في فوهة (فوهات) الرذاذ أثناء التشغيل، مما أدى إلى تفعيل الحماية الداخلية للمضخة الكهربائية. 	<ul style="list-style-type: none"> تحقق وتأكد من وجود كمية كافية من الماء في الدلو، وأن أنبوب الإدخال مغمور بشكل صحيح في الماء. قم بتنظيف الفوهة (الفوهات) وفقاً لقسم "صيانة الفوهة"، وأعد تجميعها على النحو الموضح.
تتوقف المروحة عن الدوران ويومض مؤشر الدوران بثلاثة مصابيح خضراء.	<ul style="list-style-type: none"> رأس المروحة عالق في أثناء الدوران. 	<ul style="list-style-type: none"> قم بإزالة أي مادة غريبة تمنع رأس المروحة من الدوران.

الضمان

سياسة ضمان EGO

تفضل بزيارة الموقع الإلكتروني egopowerplus.eu للتعرف على الشروط والأحكام الكاملة الخاصة بسياسة ضمان EGO.

حماية البيئة

لا تتخلص من المعدات الكهربائية أو البطارية المستهلكة أو الشاحن في النفايات المنزلية! بل توجه بهذا المنتج إلى مركز إعادة تدوير معتمد ليكون متاحًا للفرز بشكل منفرد. تجنب إعادة الآلات الكهربائية إلى مرفق إعادة تدوير صديق للبيئة.



3. أسك مجموعة شفرة المروحة لمنعها من الدوران، وقم بتدوير غطاء قفل شفرة المروحة في اتجاه عقارب الساعة لتحرير مجموعة شفرة المروحة من العمود.

K-1	مجموعة ريشة المروحة
K-2	غطاء القفل

4. قم بإزالة مجموعة شفرة المروحة.
5. قم بتنظيف ريشة المروحة والجزء الداخلي من الهيكل بحسب الضرورة.
6. أعد تجميعهم باتباع الترتيب العكسي، وتأكد من:
 - محاذاة العلامة الموجودة على مجموعة شفرة المروحة مع العارضة الموجودة على العمود.

النقل والتخزين (الشكل L)

- اخلع مجموعة البطارية.
 - نظف المروحة جيدًا.
 - أفرغ أنبوب الإدخال والفلتر.
- تنبيه: يعد تجهيز المروحة لفصل الشتاء أمرًا ضروريًا للحماية من درجات الحرارة المنخفضة، والتي يمكن أن تسبب تلفًا بالمضخة والخرائطيم والمكونات الأخرى. قم دائمًا بفصل أنبوب الإدخال بالمروحة عن مصدر المياه وتشغيل المروحة في وضع الرذاذ المستمر حتى لا يتبقى ماء في الأنبوب قبل تخزين المروحة خلال فصل الشتاء.
- قم بتأمين أنبوب الإدخال والفلتر باستخدام المشابك الموجودة في الجزء السفلي من قاعدة المروحة.
 - قم بربط مهايئ خرطوم الحديقة في فتحة التخزين المولوبة الموجودة في الجزء السفلي من قاعدة المروحة.

L-1	مهايئ خرطوم الحديقة
L-2	المشابك

- احمل المروحة من المقبض العلوي أو المقابض الجانبية عند نقلها.
- قم بتخزين المروحة في مكان مغلق جيد التهوية.
- احتفظ بالمنتج بعيدًا عن المواد المسببة للتآكل مثل كيماويات الحديقة وملح إذابة الجليد.

1. أطفئ المروحة واخلع مجموعة البطارية.
 2. قم بإزالة فوهات الرذاذ المسدودة من وافي الشبكة الأمامية بهيكل المروحة عن طريق تدويرها في عكس اتجاه عقارب الساعة.
 3. قم بتفكيك كل فوهة مسدودة إلى أجزاء.
 4. لإزالة أي جسيمات غريبة تسد الفوهات أو تحد من سريان المياه فيها، اشطف أجزاء الفوهة بالمياه. لإزالة تراكم القشور (المعدنية)، قم بتنظيف أجزاء الفوهة بالخل الأبيض أو بمنتج إزالة تكلسات آخر بحسب الضرورة.
 5. أعد تجميع الفوهات.
- تنبيه:** لمنع الانسداد، تأكد من تجميع الفوهة كما هو موضح في الشكل H تماماً.
6. أعد توصيل الفوهات النظيفة بواقي الشبكة الأمامية.

صيانة الفلتر (الشكل I)

افحص الفلتر الموجود في نهاية أنبوب الإدخال بشكل دوري للتأكد من أنه في حالة جيدة.

1. أطفئ المروحة واخلع مجموعة البطارية.
2. قم بفك الجزء العلوي من الجزء السفلي من الفلتر.

1-1	الجزء السفلي	3-1	الشبكة الإسفنجية
1-2	الشبكة المعدنية	4-1	الجزء العلوي

- تنبيه:** عند فك الجزء العلوي، تأكد من عدم فصل الجزء السفلي إلى قطعتين. يجب أن يظل الجزء السفلي معجماً لإزالة الشبكة المعدنية.
3. أخرج الشبكة الإسفنجية من الجزء العلوي والشبكة المعدنية من الجزء السفلي.
 4. اشطف الشبكة المعدنية والشبكة الإسفنجية، أو استبدلها إذا لزم الأمر.
 5. أعد تجميع الفلتر.

تنبيه: تأكد من تجميع الشبكة المعدنية بحيث تكون الحافة المرتفعة متجهة إلى الخارج لسهولة التفكيك في المرة القادمة.

صيانة مهابى خرطوم الحديقة

الفتحة الصغيرة في مهابى خرطوم الحديقة تجعله عرضة لتراكم المياه الثقيلة والرواسب المعدنية. نظف المهابى بشكل متكرر واستخدم الخل الأبيض أو أي عامل إزالة رواسب آخر لإزالة الترسبات.

صيانة هيكل المروحة (الشكلان J و K)

1. أطفئ المروحة واخلع مجموعة البطارية.
2. استخدم مفك فيليبس (صلبية) (غير مرفق) لفك المسامير الثمانية من الجزء الخلفي من هيكل المروحة لإزالة وافي الشبكة الأمامية.

1-J	مسمار (8×)
2-J	واقي الشبكة الأمامية

- سيضيء مؤشر الرذاذ ثلاثة مصابيح خضراء وامضة باستمرار كتنبئه للمشغل من أجل ما يلي:
 - a. التحقق مما إذا كان أنبوب الإدخال مغموراً بشكل صحيح في الماء.
 - b. التحقق مما إذا كانت الفوهة (الفوهات) مسدودة، وتنظيفها وفقاً لنص "صيانة الفوهة".
 - c. اضغط على زر تحديد وضع الرذاذ لإعادة بدء رذاذ الماء.
- عندما يكون شحن البطارية منخفضاً، سيومض زر الطاقة بالضوء الأخضر لتذكير المشغل بشحن البطارية أو تغييرها.
- عندما تكون مجموعة البطارية أو المروحة ساخنة جداً، سيومض زر الطاقة بضوء أحمر لتحذير المشغل بوجود إيقاف تشغيل المروحة وترك مجموعة البطارية أو مروحة الرذاذ تبرد حتى تنخفض درجة الحرارة إلى نطاق درجة حرارة التشغيل الموصى به قبل إعادة تشغيل المروحة.

الصيانة

⚠ تحذير: استخدم فقط قطع غيار أصلية عند إجراء أعمال الصيانة. لأن استخدام أي أجزاء أخرى قد ينشأ عنه خطر أو يتسبب في تعرض المنتج للتلف. لضمان السلامة والاعتمادية، يجب تنفيذ جميع أعمال الإصلاح من قبل فني خدمة مؤهل.

⚠ تحذير: لتجنب التعرض لإصابات خطيرة، احرص دائماً على خلع مجموعة البطارية من المنتج عند تنظيفه أو إجراء أي أعمال صيانة عليه.

الصيانة العامة

يجب تنفيذ جميع أعمال صيانة مروحة الرذاذ من قبل فني صيانة معتمد لمراوح الرذاذ، باستثناء البنود المدرجة في تعليمات الصيانة هذه.

تجنب استخدام المنظفات عند تنظيف الأجزاء البلاستيكية. غالبية المكونات البلاستيكية تكون سريعة التأثر بالأنواع المختلفة للمنظفات الموجودة بالسوق، وقد تتلف نتيجة استخدامها عليها. استخدم قطعة قماش نظيفة لإزالة الأوساخ والأتربة والزيوت والشحوم وما شابههم.

⚠ تحذير: لا تسمح في أي وقت من الأوقات بملامسة سوائل الفرمال أو المواد البترولية أو المنتجات القائمة على البترول أو الزيت المتغلغل أو ما شابههم للأجزاء البلاستيكية من المنشار. لأن المواد الكيميائية قد تتسبب في تلف الأجزاء البلاستيكية أو وضعفها أو تدميرها، وهو ما قد يؤدي إلى وقوع إصابات خطيرة.

⚠ تحذير: عند تنظيف مروحة الرذاذ، لا تغمرها في الماء أو أي سوائل أخرى.

صيانة الفوهة (الشكل H)

⚠ تحذير: تأكد من إجراء جميع أعمال صيانة فوهة الرذاذ بشكل صحيح لمنع تسرب الماء. يمكن أن تؤدي التسربات إلى وجود سطح زلق، مما يخلق خطر الانزلاق والسقوط أو يتسبب في تلف الممتلكات.

قد تكون أنماط رش الماء غير المنتظمة أو ارتشاح المياه ناتجة عن انسداد الفوهة أو اتساخها.

لتنظيف الفوهات

- تنبيه:** لا تحاول توصيل مهابئ خرطوم الحديقة في أثناء تركيبه على الجزء السفلي من المروحة (الشكل G1).
4. قم بتوصيل خرطوم الحديقة في خط الماء.
 5. قم بتركيب مجموعة البطارية.
 6. اضغط على زر الطاقة لتشغيل المروحة.
 7. افتح صنوبر الماء بالكامل، وستبدأ المروحة في رش الماء.

تنبيه: يجب ألا يتجاوز ضغط العمل الأقصى الموصى به 80 رطلاً لكل بوصة مربعة.

- ملاحظة:** حتى في حالة عدم وجود طاقة، ستبدأ المروحة في رش الماء عند تشغيل صنوبر الماء.
8. اضغط على زر وضع الرذاذ لتحديد وضع الرذاذ المرغوب للحصول على نتائج عمل أفضل.

ملاحظة: الفتحة الصغيرة في مهابئ خرطوم الحديقة تجعله عرضة لتراكم المياه الثقيلة والرواسب المعدنية. نظف المهابئ بشكل متكرر واستخدم الخل الأبيض أو أي عامل إزالة رواسب آخر لإزالة الترسبات.

استخدام المروحة من دون رذاذ

إذا رغبت في ذلك، يمكن استخدام هذا المنتج كمروحة فقط، عندما لا يكون متصلاً بمصدر ماء. عندما لا تكون المروحة قيد الاستخدام، ضع دائماً أنبوب الإدخال في منطقة التخزين الخاصة به (انظر قسم "النقل والتخزين" من هذا الدليل) لحمايته من التلف والثلوث.

تكنولوجيا الاتصالات

للتعرف على المعلومات الخاصة بالمجموعة الكاملة من المنتجات والخدمات القابلة للاتصال، بما في ذلك تعليمات تنفيذ الاتصال، يُرجى مسح رمز الاستجابة السريعة (QR) أدناه أو تفضل بزيارة الموقع الإلكتروني:

www.egopowerplus.eu/connect



حماية المكونات الإلكترونية

- عند تفعيل وظيفة الدوران ولكن المروحة لا تدور، سيضيء مؤشر الدوران ثلاثة مصابيح خضراء وامضة باستمرار لتذكير المستخدم بالتحقق مما إذا كان رأس المروحة عالقاً، وإزالة أي مواد غريبة عالقة على رأس المروحة قبل إعادة تشغيل الوظيفة.
- عندما يتم تنشيط وظيفة الرذاذ ولكن مع عدم خروج رذاذ ماء:
- ستستمر مضخة الماء في العمل لفترة قصيرة، وبعد ذلك تتوقف تلقائياً لحماية المكونات الإلكترونية الداخلية.

ملاحظة: قد يستغرق الأمر عدة ثوانٍ قبل أن ترى الرذاذ يخرج بالفعل من فوهات الرذاذ في المرة الأولى. يرجع هذا التأخير إلى الوقت الذي يستغرقه تدفق الماء من أنبوب الإدخال إلى الفوهات.

- عندما تكون المروحة في وضع الرذاذ "المتقطع"، اضغط على زر وضع الرذاذ مرة أخرى، وحينها سينطفئ مؤشر الرذاذ وتتوقف عملية الرذاذ.

ملاحظة: عند الانتهاء من عملية الرذاذ، افصل أنبوب الإدخال الخاص بالمروحة عن مصدر الماء، وقم بتشغيل المروحة في وضع الرذاذ المستمر إلى أن يتم تبريد الماء تماماً من الأنابيب. فهذا يساعد على منع الماء المتبقي في الأنابيب من التسبب في رذاذ غير متوقع عند بدء تشغيل المروحة مرة أخرى.

استخدام المروحة مع دلو ماء أو حاوية أخرى (غير مرفقة) (الشكل E)

⚠ تحذير: قد يقع الأطفال في الدلاء ويغرقون. أبقِ الأطفال بعيداً عن الدلاء حتى ولو كانت تحتوي على كمية صغيرة من السوائل.

تنبيه: نظف الدلو بالماء والصابون قبل كل استخدام.

1. افصل مجموعة البطارية.
 2. ضع الدلو على سطح مسطح ومسطح.
 3. أضف ماء نظيفاً بارداً إلى الدلو. لا تملأ بشكلٍ زائد عن الحد.
 4. اغمر طرف الفلتر الخاص بأنبوب الإدخال إلى أسفل في الماء.
- تنبيه:** لا تقم بشئ أنبوب الإدخال، وتأكد دائماً من تدفق الماء بسلاسة عبر الأنابيب.
5. قم بتركيب مجموعة البطارية.
 6. اضغط على زر الطاقة لتشغيل المروحة.
 7. اضغط على زر وضع الرذاذ ليبدأ رذاذ الماء.

توصيل المروحة بصنوبر الماء (الشكلان F و G)

1. قم بفك الجزء العلوي من الفلتر في عكس اتجاه عقارب الساعة وافصله عن الجزء السفلي (الشكل F).

F-1	الجزء السفلي من الفلتر
F-2	الجزء العلوي من الفلتر

تنبيه: تأكد من عدم فصل الجزء السفلي إلى جزأين في أثناء فصل الجزء العلوي، واحرص على بقائهما معاً كقطعة واحدة للتوصيل بمهابئ خرطوم الحديقة.

2. قم بفك مهابئ خرطوم الحديقة (في عكس اتجاه عقارب الساعة) المخزن في الجزء السفلي من المروحة. قم بلفه (في اتجاه عقارب الساعة) في الجزء السفلي من الفلتر.
3. قم بتوصيل مهابئ خرطوم الحديقة بخرطوم الحديقة المناسب باستخدام وصلة الاقتران السريع (غير مرفقة). قم بتوصيل وصلة الاقتران السريع بمهابئ خرطوم الحديقة إلى أن تسمع صوت نقرة (الشكل G).

G-1	مهابئ خرطوم الحديقة
G-2	وصلة الاقتران السريع القياسية

سرعة الهواء العادية

- اضغط على زر ضبط سرعة الهواء "4" لزيادة سرعة الهواء، واضغط على الزر "-" لتقليل سرعة الهواء. هناك 5 مستويات سرعة.
- مؤشر سرعة الهواء به لمبات خضراء تتوافق مع مستوى السرعة الحالي.

وضع "تربو"

ملاحظة: عندما تكون المروحة في وضع "تربو" (TURBO)، ستصل المروحة إلى أقصى سرعة لها.

- اضغط على زر "TURBO" (تربو)، فيضئ مؤشر "تربو" باللون الأخضر وتدخل المروحة في وضع "تربو"، أي أعلى سرعة هواء.
- عندما تكون المروحة في وضع "تربو"، اضغط على زر "تربو" مرة أخرى، وحينها سينطفئ مؤشر "تربو" وتواصل المروحة العمل على ضبط السرعة النشط السابق.
- عندما تكون المروحة في وضع "تربو"، اضغط على زر "تربو"، وحينها سينطفئ مؤشر "تربو" وتنتقل المروحة إلى مستوى سرعة الهواء 5.

وظيفة الدوران (الشكل C)

- اضغط على زر الدوران مرة واحدة لبدء وظيفة دوران رأس المروحة، وحينها سيقوم مؤشر الدوران بإضاءة الضوء الأخضر السفلي، وسيدور رأس المروحة 60 درجة من جانب إلى آخر (من 30- درجة إلى 30 درجة).
- اضغط على زر الدوران للمرة الثانية، وحينها سيقوم مؤشر الدوران بإضاءة ثلاثة مصابيح باللون الأخضر، مما يؤدي إلى تفعيل نطاق الدوران البالغ 120 درجة (من 60- درجة إلى 60 درجة).
- اضغط على زر الدوران للمرة الثالثة، وحينها سيقوم مؤشر الدوران بإضاءة ثلاثة مصابيح باللون الأخضر، مما يؤدي إلى تفعيل نطاق الدوران البالغ 180 درجة (من 90- درجة إلى 90 درجة).
- لإيقاف وظيفة الدوران، اضغط على زر الدوران للمرة الرابعة.

ضبط زاوية المروحة (الشكل D)

يمكن ضبط رأس المروحة على زوايا متعددة من 30- درجة إلى 90 درجة. لضبط اتجاه الرذاذ/تدفق الهواء، أمسك المروحة من المقبض العلوي وقم بأمالة رأس المروحة إلى الأمام أو الخلف.

وظيفة الرذاذ

زر وضع الرذاذ

- اضغط على زر وضع الرذاذ مرة واحدة، وسيقوم مؤشر الرذاذ بإضاءة ثلاثة مصابيح خضراء، وهو ما يشير إلى وضع الرذاذ المستمر ذي التدفق الثقيل - يتم رش كمية كبيرة من الماء من دون توقف.
- اضغط على زر وضع الرذاذ مرة أخرى، وسيقوم مؤشر الرذاذ بإضاءة اثنين من المصابيح الخضراء، وهو ما يشير إلى وضع الرذاذ "المستمر" - الرذاذ طوال الوقت من دون توقف.
- اضغط على زر وضع الرذاذ للمرة الثالثة، وسيقوم مؤشر الرذاذ بإضاءة المصباح الأخضر السفلي، وهو ما يشير إلى وضع الرذاذ "المتقطع" - الرذاذ لمدة 10 ثوان كل 10 ثوان.

⚠ تحذير: لا تستخدم أي مرفقات أو ملحقات سوى تلك الموصى بها من قبل الشركة الصانعة لهذا المنتج. لأن استخدام مرفقات أو ملحقات غير موصى بها قد يؤدي إلى وقوع إصابات شخصية خطيرة.

قبل كل استخدام، افحص المنتج بأكمله بحثًا عن الأجزاء التالفة أو المفقودة أو المفكوكة، مثل المسامير الملونة والصواميل والمسامير والأغطية وما شابه. اربط جميع عناصر التثبيت والأغطية بإحكام، ولا تقم بتشغيل هذا المنتج إلا بعد استبدال جميع الأجزاء المفقودة أو التالفة.

الاستخدامات

يمكنك استخدام هذا المنتج للأغراض الموضحة أدناه:

- التهوية العامة في معظم الاستخدامات المنزلية.
- التبريد في الأماكن المفتوحة في أثناء توصيله بمصدر ماء.

تنبيه: يجب استخدام المنتج للأغراض المحددة له فقط. أي استخدام آخر يعد حالة من حالات سوء الاستخدام.

تركيب/خلع مجموعة البطارية

لا تستخدم الآلة إلا مع مجموعات بطارية وشواحن EGO المدرجة في الشكل A3.

ملاحظة: اشحن مجموعة البطارية بالكامل قبل الاستخدام.

للترييب

قم بمحاذاة دعائم البطارية مع فتحات الترييب، واضغط على مجموعة البطارية إلى داخل حبيبة البطارية إلى أن تسمع صوت "نقرة" (الشكل B1).

للخلع

اضغط على أسفل على زر تحرير البطارية، واسحب مجموعة البطارية إلى الخارج (الشكل B2).

⚠ تحذير: انتبه دائمًا لموضع قدميك أو الأطفال أو الحيوانات الأليفة عند الضغط على زر تحرير البطارية. فقد تقع إصابات خطيرة إذا سقطت مجموعة البطارية. لا تقم أبدًا بخلع مجموعة البطارية وأنت في مكان شاهق الارتفاع.

تشغيل/إيقاف المروحة

ملاحظة: الضبط الافتراضي الأولي لسرعة الهواء يكون على المستوى 3. ستحفظ المروحة آخر ضبط مستخدم لسرعة الهواء، وستعود إليه عند إعادة التشغيل. لن يتم حفظ ضبط وضع "تربو".

ملاحظة: لن يتم حفظ ضبط الرذاذ ووضع الدوران، وسيتم إيقاف تشغيلهما افتراضيًا في كل مرة يتم فيها تشغيل المروحة.

لوحة التحكم (الشكل A2)

زر الطاقة

- اضغط على زر الطاقة لوهلة قصيرة لتشغيل المروحة.
- اضغط على زر الطاقة لوهلة قصيرة مرة أخرى لإيقاف تشغيل المروحة.

ضبط سرعة الهواء

المواصفات

الجهد المقدر	56 فول
قطر ريشة المروحة	25.4 سم
إعدادات سرعة المروحة	6 (بما في ذلك وضع "تربو")
الحد الأقصى كمية الهواء	1700 قدم مكعب في الدقيقة
الحد الأقصى لسرعة الهواء	32.2 كم/ساعة
زاوية الدوران	60 درجة؛ 120 درجة؛ 180 درجة
حجم ماء الرذاذ	عالية: 5.7 لتر/ساعة
	متوسطة: 4.9 لتر/ساعة
	منخفضة: 2.5 لتر/ساعة
الوزن (من دون وحدة البطارية)	4.7 كجم
درجة حرارة التخزين الموصى بها	20 - 70 درجة مئوية
نطاق تردد تشغيل البلوتوث	2402-2480 ميجاهرتز
الطاقة القصوى لبث البلوتوث	4 ديسيبل ميلي واط

10. مهالبي خرطوم الحديقة

11. الفلتر

12. أنبوب الإدخال

13. أزرار ضبط سرعة الهواء

14. زر وضع "تربو"

15. مؤشر وضع "تربو"

16. مؤشر الرذاذ

17. زر وضع الرذاذ

18. زر الطاقة

19. مؤشر سرعة الهواء

20. مؤشر الدوران

21. زر وضع الدوران

التجميع

تحذير: إذا حدث تلف أو فقد في أي أجزاء، لا تقم بتشغيل هذا المنتج إلا بعد استبدال الأجزاء. استخدام هذا المنتج مع وجود أجزاء تالفة أو مفقود قد يؤدي إلى وقوع إصابات شخصية خطيرة.

تحذير: لا تحاول إجراء أي تعديلات على هذا المنتج أو ابتداء ملحقات غير موصى بها للاستخدام مع هذا المنتج. أي تغيير أو تعديل من هذا النوع يعتبر سوء استخدام، وقد يؤدي إلى وضع خطير قد يتسبب في وقوع إصابات شخصية خطيرة محتملة.

تحذير: لمنع بدء التشغيل غير المقصود، والذي قد يؤدي إلى وقوع إصابات شخصية خطيرة، احرص دائماً على خلع مجموعة البطارية من الآلة عند تجميع الأجزاء.

- يتم توريد هذا المنتج مكتمل التجميع.
- قم بإخراج المنتج وأي ملحقات أخرى من الصندوق برفق. تأكد من وجود جميع العناصر الموضحة في "قائمة المحتويات".
- افحص المنتج بعناية للتأكد من عدم حدوث كسر أو تلف في أثناء الشحن.
- لا تتخلص من مكونات التغليف حتى الانتهاء من فحص المنتج بعناية والتأكد من تشغيله كما ينبغي.
- في حالة تلف أي أجزاء أو فقدها، يرجى إعادة المنتج إلى مكان الشراء.

التشغيل

تحذير: لا تسمح لاعتيادك على تشغيل هذا المنتج أن يجعلك مستهتراً عند التعامل معه. ولا تنس أن الاستهترار لجزء من الثانية كافٍ للتسبب في حدوث إصابات خطيرة.

تحذير: لمنع بدء التشغيل غير المقصود الذي قد يتسبب في إصابة شخصية خطيرة، قم دائماً بإزالة مجموعة البطارية من المروحة قبل الصيانة، أو إجراء تعديلات، أو التنظيف، أو تغيير الملحقات، أو عند عدم الاستخدام.

■ القيمة الكلية للاهتزاز الموضحة تم قياسها وفقاً لطريقة اختبار قياسية وقد تستخدم لمقارنة جهاز بأخر.

■ كما يمكن استخدام القيمة الكلية للاهتزاز الموضحة في التقييم التمهيدي للتعرض.

تنبيه: قد تختلف انبعاثات الاهتزاز في أثناء الاستخدام الفعلي للجهاز عن القيمة المعلنة التي يتم استخدام الجهاز فيها؛ ولحماية مشغل الجهاز، ينبغي على المستخدم ارتداء قفازات وواقيات للأذن في ظروف الاستخدام الفعلية.

قائمة المحتويات (الشكل A1)

الوصف

تعرف على المنافخ (الشكل A1 وA2)

1. لوحة التحكم (الشكل A2)
2. هيكل الدوران
3. فوهة الرذاذ
4. المقبض العلوي
5. هيكل المروحة
6. المقبض الجانبي
7. حجيبة البطارية
8. الوصلات الكهربائية
9. زر تحرير البطارية

لذلك التعليمات في تقليل خطر فقد التحكم وإلحاق أضرار بالهيكل البلاستيكي.

يمكن للبطاريات أن تنفجر في وجود مصدر إشعال، مثل الشعلة الدائمة. للحد من خطر التعرض للإصابات الشخصية الخطيرة، لا تستخدم أي منتجات لا سلكية في وجود أسنة لهب مباشرة. قد ينتج عن البطارية المنفجرة شظايا أو مواد كيميائية متطايرة، وإذا تعرضت لتلك الأشياء، اشطف المناطق المصابة بالماء على الفور.

احفظ هذه التعليمات. راجعهم باستمرار واستخدامهم لتوجيه الآخرين عند استخدام هذه المروحة. إذا قمت بإفراض هذه المروحة لشخص آخر، أرفق معها هذه التعليمات لمنع سوء استخدام المنتج والإصابات المحتملة.

يجب أن تدرك أن ارتفاع مستويات الرطوبة قد يشجع على نمو الكائنات البيولوجية في البيئة.

لا تسمح للمنطقة المحيطة بمروحة الرذاذ أن تصبح رطبة أو مبللة. إذا حدثت الرطوبة، قم بقلب مخرج مروحة الرذاذ إلى أسفل. إذا تعذر قلب مخرج مروحة الرذاذ إلى أسفل، فاستخدم المبرد بشكل منقطع. لا تسمح للمواد الماصة، مثل السجاد أو الستائر أو مفارش المائدة، بأن تصبح رطبة.

لا تترك المياه في الخزان عندما لا يكون الجهاز قيد الاستخدام.

قم بإفراغ وتنظيف مروحة الرذاذ قبل التخزين. نظف مبرد الهواء قبل استخدامه في المرة التالية.

⚠ تحذير: الكائنات الدقيقة التي قد تكون موجودة في الماء أو في البيئة حيث يتم استخدام الجهاز أو تخزينه يمكن أن تنمو في خزان الماء وتنتشر في الهواء، مما قد يتسبب في مخاطر صحية خطيرة للغاية عندما لا يتم تجديد الماء ولا يتم تنظيف الخزان بشكل صحيح كل 3 أيام.

يجب إخراج البطاريات القابلة لإعادة الشحن من الجهاز قبل الشحن.

يجب خلع البطاريات المستهلكة من الجهاز والتخلص منها بشكل آمن.

إذا كنت ستترك الجهاز دون استخدام لفترات زمنية طويلة، يجب خلع البطاريات.

لا يجب عمل دائرة قصر (ماس كهربائي) بين أطراف التوصيل.

احفظ هذه التعليمات

في حالات التعامل السيء، قد يحدث ارتشاح للسوائل من البطارية؛ لا تلامسه. إذا حدثت ملامسة بشكل عرضي، فأغسلها بالماء. إذا لامس السائل العينين، فاطلب المساعدة الطبية على الفور. السائل المرشح من البطارية قد يتسبب في حدوث احتياج في الجلد أو حروق.

لا تستخدم مجموعة البطارية أو الجهاز إذا كانا تالفين أو تم إدخال تعديلات عليهما. لأن البطاريات التالفة أو التي تم تعديلها قد تعمل بشكل غير متوقع، وهو ما قد يؤدي لحدوث حريق أو حدوث انفجار أو خطر التعرض لإصابة.

لا تقم بتعرض مجموعة البطارية أو الجهاز للحريق أو درجات الحرارة الزائدة. التعرض لدرجات الحرارة الأعلى من 130 درجة مئوية قد يؤدي لحدوث انفجار.

اتبع تعليمات الشحن ولا تشحن مجموعة البطارية أو الجهاز في نطاق حرارة خارج النطاق المحدد في التعليمات. قد يؤدي الشحن غير المضبوط أو في درجات حرارة خارج النطاق المسموح به إلى تلف البطارية وخطر نشوب حريق.

الصيانة

ينبغي إجراء الصيانة على الجهاز بواسطة فني إصلاح متخصص باستخدام قطع غيار أصلية مطابقة فقط. فيذا سيضمن المحافظة على سلامة الجهاز.

لا تقم بصيانة مجموعات البطارية التالفة بأي حال من الأحوال. بل ينبغي أن تكون صيانة مجموعات البطارية من خلال الشركة الصانعة أو مقدمي الخدمة المعتمدين فقط.

تعليمات السلامة الخاصة بمروحة الرذاذ

هذا الجهاز غير مخصص للاستخدام من قبل الأشخاص (بما في ذلك الأطفال) من ذوي القدرات البدنية أو الحسية أو العقلية المحدودة أو من ليست لديهم خبرة أو معرفة، إلا في حال قيام شخص مسؤول بتقديم الإشراف أو التعليمات المتعلقة باستخدام الجهاز لهم من أجل سلامتهم.

يجب الإشراف على الأطفال لضمان عدم عبثهم بالجهاز.

لا تسمح باستخدام المروحة كلعبة. المراقبة الصيقة واجبة عند الاستخدام بواسطة الأطفال، أو وجوده بالقرب منهم.

قد يقع الأطفال في الدلاء ويغرقون. أبق الأطفال بعيداً عن الدلاء حتى ولو كان فيها كمية صغيرة من السوائل.

استخدم فقط ماء نظيفاً وبارداً.

لا تستخدم مروحة الرذاذ هذه في رش المبيدات الحشرية أو الأسمدة المسائنة أو المواد الكيميائية أو أي سوائل بخلاف الماء النظيف. لأن رش تلك المواد قد يؤدي لوقوع إصابات خطيرة أو الإصابات بأمراض على المشغل أو المراقبين.

لا تقم أبداً بتوجيه الرش أو الماء نحو أي أسلاك أو أجهزة كهربائية.

تأكد من إغلاق غطاء حجيرة البطارية تماماً لمنع الماء من الاتصال بالبطارية أو الدخول إلى منفذ البطارية.

احتفظ بالجهاز ومقبضه جافاً نظيفاً خالياً من الزيوت والشحوم. استخدم دائماً قطعة قماش نظيفة عند التنظيف. لا تستخدم أبداً سوائل الفرامل أو البنزين أو المنتجات القائمة على البترول أو أي محاليل قوية أخرى في تنظيف المروحة. يساعد الامتثال

تحذيرات السلامة العامة

- تأكد من أن جميع الوصلات آمنة قبل تشغيل الجهاز.
- لا تدع الخبرة المكتسبة من الاستخدام المتكرر للأجهزة تجعلك تتعامل دون الانتباه اللازم وتجاهل مبادئ السلامة المتعلقة بالجهاز. فقد يتسبب أي إجراء غير مدروس في إصابات خطيرة في جزء من الثانية.

الاستخدام والعناية

- لا تستخدم الجهاز إذا كان مفتاح التشغيل لا يمكن نقله إلى وضع التشغيل أو وضع الإيقاف. أي جهاز لا يمكن التحكم فيه بمفتاح التشغيل يعتبر خطيرًا ويجب إصلاحه.
- اخلع مجموعة البطارية من الجهاز قبل إجراء أي أعمال تعديل، أو تغيير للملحقات، أو تخزين للجهاز، وما إلى ذلك. اجراءات السلامة الوقائية هذه تحد من خطر تشغيل الجهاز بشكل خاطئ.
- خزن الجهاز غير المستخدم بعيدًا عن متناول أيدي الأطفال ولا تسمح للأشخاص غير المتدربين على استخدام الجهاز أو على هذه التعليمات بتشغيل الجهاز. فالأجهزة تكون خطيرة في أيدي الأشخاص غير المدربين.

- حافظ على الجهاز والملحقات. تحقق من عدم محاذاة الأجزاء المتحركة أو ربطها، أو وجود كسور في الأجزاء، أو أي حالة أخرى قد تؤثر على عمل الجهاز. إذا كان هناك تلف، فقم بإصلاح الجهاز قبل استخدامه. فالعديد من الحوادث تحدث بسبب الأجهزة التي لا تتم صيانتها بشكل منتظم.
- استخدم الجهاز والملحقات وما إلى ذلك وفقًا لهذه التعليمات، مع الأخذ في الاعتبار بظروف العمل والمهام التي سيتم تنفيذها. قد يؤدي استخدام الجهاز في أعمال غير تلك المخصص لها إلى حوادث خطيرة.

- احتفظ بالمقايض واسطح الإمساك جافة ونظيفة وخالية من الزيوت والشحوم. لأن المقايض واسطح الإمساك المنزقة لا تمنحك القدرة على التعامل والتحكم الآمنين في الجهاز في المواقف غير المتوقعة.

- ⚠ **تحذير:** للحد من خطر نشوب حريق أو التعرض لصدمة كهربائية، لا تستخدم هذه المروحة باستخدام جهاز تحكم في السرعة ذي الحالة الصلبة.

استخدام الجهاز العامل بالبطارية والعناية به

- لا تُعد شحن الآلة إلا باستخدام الشاحن المحدد من قبل الشركة المصنعة. فالشاحن الملائم لنوع ما من مجموعات البطارية قد يتسبب في نشوب حريق إذا تم استخدامه مع مجموعة بطارية أخرى.
- لا تستخدم الجهاز إلا مع مجموعات البطارية المصممة خصيصًا له. لأن استخدام أي مجموعات بطارية أخرى قد يؤدي إلى التعرض لإصابات أو نشوب حريق.
- عند عدم استخدام مجموعة البطارية، احتفظ بها بعيدًا عن الأغراض المعدنية الأخرى مثل مشابك الأوراق أو العملات المعدنية أو المفاتيح أو المسامير أو البراغي أو الأغراض المعدنية الصغيرة الأخرى التي قد تتسبب في عمل دائرة قصر (ماس كهربائي) بين أقطاب البطارية. لأن عمل دائرة قصر (ماس كهربائي) بين أطراف البطارية قد يتسبب في حروق أو نشوب حريق.

- ⚠ **تحذير:** للحد من خطر التعرض لنشوب حريق أو صدمة كهربائية أو إصابة:

- تعرف على مروحة الرذاذ. احرص على قراءة دليل التعليمات بعناية. تعلم كيفية استخدام المروحة وحدودها، فضلًا عن المخاطر المحتملة المحددة التي تتعلق بهذه المروحة. يساعد الامتنان لتلك التعليمات في تقليل خطر حدوث صدمة كهربائية أو حرق أو إصابة خطيرة.
- يمكن للأطفال من سن 8 سنوات فأكثر استخدام هذا الجهاز وكذلك الأشخاص الذين يعانون من ضعف القدرات البدنية أو الحسية أو العقلية أو عدم الخبرة والمعرفة شريطة توافر الإشراف والتوجيه فيما يتعلق باستخدام الجهاز بطريقة آمنة وفهم المخاطر المتضمنة.
- يجب ألا يعيب الأطفال بهذا الجهاز.
- يجب ألا يقوم الأطفال بتنظيف الجهاز وصيانتهم دون الإشراف عليهم

سلامة منطقة العمل

- لا تقم بتشغيل المروحة في أجواء قابلة للانفجار، على سبيل المثال في وجود سوائل أو غازات أو غبار قابلة للاشتعال.
- احتفظ بالأطفال والمشاهدين بعيدًا عن موقع استعمال الجهاز. حيث إن الإلهاءات قد تجعلك تفقد السيطرة على الآلة.
- توخ الحذر عند الاستخدام في أثناء هبوب الرياح. فقد تحمل الرياح الماء إلى الأسلاك الكهربائية أو الأجهزة.
- لا تقم بتعرض الجهاز للمطر أو الأجواء الرطبة. حيث سيؤدي الماء الذي يدخل إلى الجهاز إلى زيادة خطر حدوث صدمة كهربائية.

السلامة الشخصية

- ابق منتبهًا، وانتبه جيدًا لما تفعله، وكن عقلانيًا عند تشغيل الجهاز. لا تستخدم أي جهاز وأنت مجهد أو مضطرب أو تحت تأثير المخدرات والكحوليات أو الأدوية. قد تؤدي لحظة من عدم الانتباه أثناء تشغيل الجهاز إلى حدوث إصابات شخصية خطيرة.
- امنع بدء تشغيل الآلة غير المتعمد. احرص على أن يكون مفتاح الطاقة في وضع الإيقاف قبل توصيل الآلة بمجموعة البطاريات، أو التقاط الجهاز أو حملها. إذا حملت الجهاز وإصبعك على مفتاح التشغيل أو إذا شحنته والمفتاح على وضع التشغيل، فقد يؤدي ذلك لوقوع حوادث.
- أزل أي مفتاح تعديل أو مفتاح ربط قبل تشغيل الجهاز. قد يؤدي ترك مفتاح ربط أو مفتاح عادي مركبًا على جزء دوار بالجهاز إلى وقوع إصابات شخصية.
- لا تقف في مكان تضطر لمد يديك بعيدًا. قف وأنت ثابت ومتوازن في جميع الأوقات، وهو ما يسمح بتحكم أفضل في الجهاز في الظروف غير المتوقعة.
- ارتد الملابس الملائمة. لا ترتد ملابس أو مجوهرات غير ثابتة. احتفظ بشعرك وملابسك بعيدًا عن الأجزاء المتحركة. قد تعلق الملابس الفضفاضة أو المجوهرات أو الشعر الطويل في الأجزاء المتحركة.

اقرأ جميع التعليمات!



تحذير: لضمان السلامة والاعتمادية، يجب تنفيذ جميع أعمال الإصلاح من قبل فني خدمة مؤهل.

تحذير: احرص على قراءة وفهم جميع تعليمات السلامة في دليل التشغيل هذا، بما في ذلك جميع رموز تنبيهات السلامة، مثل "خطر"، "وتحذير"، و"تنبيه" قبل استخدام هذا الجهاز. عدم اتباع جميع التعليمات الواردة أدناه قد يؤدي إلى حدوث صدمة كهربائية أو نشوب حريق أو التعرض للإصابة الشخصية، أحدها أو جميعها.

احتفظ بجميع التحذيرات والتعليمات للرجوع إليها في المستقبل.

رموز السلامة

تحذير: قد يؤدي تشغيل أي جهاز إلى دخول أي أشياء غريبة في عينيك، وهو ما قد يؤدي إلى إلحاق أضرار خطيرة بالعين. قبل بدء تشغيل الجهاز، احرص دائماً على ارتداء واقبات العينين أو نظارات حماية العينين ذات دروع جانبية، ودرع واقي لكامل الوجه عند اللزوم. نوصي بارتداء قناع السلامة واسع الرؤية لاستخدامه فوق نظارات العين أو نظارات السلامة العادية ذات الدروع الجانبية.

للحد من خطر الإصابة، يجب على المستخدم قراءة وفهم دليل التشغيل قبل استخدام هذا المنتج.



تنبيه سلامة



رمز البلوتوث®



مستوى قوة الصوت المضمون. اتبعاتات الضوضاء في البيئة وفقاً لتوجيه الاتحاد الأوروبي.



هذا المنتج متوافق مع توجيهات شهادة الجودة الأوروبية (CE) المعمول بها.



لا يجب التخلص من الأجهزة الكهربائية المستهلكة في النفايات المنزلية. توجه بالجهاز إلى مركز إعادة تدوير معتمد.



هذا المنتج متوافق مع تشريعات المملكة المتحدة المعمول بها.



تيار مستمر



الحماية من تنثر الماء IPX4

איתור וטיפול בבעיות

בעיה	סיבה	פתרון
המערפל אינו מתחיל את פעולתו.	<ul style="list-style-type: none"> מארז הסוללה אינו מוכנס במלואו לתא. אין חיבור חשמלי בין המערפל למארז הסוללה. טעינת מארז הסוללה ריקה. מארז הסוללות או המערפל חמים מדי. 	<ul style="list-style-type: none"> בדקו אם הסוללה מוכנסת במלואה לתא. הסירו את מארז הסוללה, בדקו את החיבורים והתקינו מחדש את מארז הסוללה. הטעינו את מארז הסוללה. כבו את המערפל ואפשרו למארז הסוללות או למערפל להתקרר עד שהטמפרטורה תרד לטווח טמפרטורות הפעלה המומלץ.
אין מי ערפול ושלוש נוריות ירוקות מהבהבות במחווני הערפול.	<ul style="list-style-type: none"> צינור הכניסה אינו שואב מים, והוא מפעיל הגנה פנימית של המשאבה החשמלית בתוך המערפל. זרבונית(ות) הערפול נסתמה(ו) במהלך הפעולה, והפעילו(ו) את מנגנון ההגנה הפנימית של משאבת המים. 	<ul style="list-style-type: none"> בדוקו ו-וודאו שיש מספיק מים בדלי ושיצינור הכניסה שקוע כראוי במים. נקה את הזרבוביות בהתאם לפרק "תחזוקת הזרבובית" והרכב אותן מחדש בהתאם להוראות.
המערפל מפסיק את תנודתו ומחווני התנודה מהבהב באמצעות שלוש נוריות ירוקות.	<ul style="list-style-type: none"> ראש המערפל תקוע במהלך התנודה. 	<ul style="list-style-type: none"> הסירו כל חומר זר שמונע מראש המערפל לבצע תנודה.

אחריות

מדיניות האחריות של EGO

ניתן לבקר באתר egopowerplus.eu כדי לעיין בתנאים וההתניות המלאים של מדיניות האחריות של EGO.

הגנה על הסביבה

אין לזרוק ציוד חשמלי, מטעני סוללות וסוללות ביחד עם אשפה ביתית! יש לקחת מוצר זה למרכז מחזור מוסמך ולוודא שהוא זמין לאיסוף נפרד. יש להחזיר כלים חשמליים אל מתקן מחזור המתאים לסביבה.



להצטברות מים קשים ומרביצים של מינרלים. נקו את המתאם לעתים קרובות והשתמשו בחומץ לבן או בחומר אחר להסרת אבנית כדי להסיר את ההצטברות.

תחזוקת מארז המערפל (איור J איור K)

1. כבו את המערפל והסירו את מארז הסוללה.
2. השתמשו במברג פיליפס (לא כלול) כדי לפתוח את שמונת הברגים מהחלק האחורי של מארז המערפל על מנת להסיר את מגן הגריל הקדמי.

J-1	בורג (x8)
J-2	מגן הגריל הקדמי

3. החזיקו את מכלול להבי המערפל כדי למנוע ממנו להסתובב וסובבו את מכסה מנועו להב המערפל בכיוון השעון כדי לשחרר את מכלול להב המערפל מהמוט.

K-1	מכלול להבי מערפל
K-2	כיסוי נעילה

4. הסירו את מכלול להבי המערפל.
5. נקו את להב המערפל ואת פנים המכלול לפי הצורך.
6. הרכיבו אותם בסדר הפוך והקפידו כי:

הסימון על מכלול להבי המערפל מיושר עם סרגל הצלב על המוט.

הובלה ואחסון (איור L)

- הסירו את מארז הסוללה.
- נקה את המערפל ביסודיות.
- רוקן את צינור הכניסה ואת המסנן.

הודעה: הכנת המערפל לחורף חיונית להגנה מפני טמפרטורות קפואות, שעוללות לגרום נזק למשאבה, לצינורות ולרכיבים אחרים. **נתקו תמיד את צינור הכניסה של המערפל ממקור המים והפעילו את המערפל במצב ערפול רציף עד שאין שאריות מים בצינור לפני אחסון המערפל במהלך החורף.**

- אבטחו את צינור הכניסה והמסנן באמצעות תפסים הממוקמים בתחתית בסיס המערפל.
- הבריגו את מתאם צינור הגינה לחור האחסון המושחל הממוקם בתחתית בסיס המערפל.

L-1	מתאם צינור גינה
L-2	הדקים

- יש לשאת את המערפל באמצעות הידית העליונה או ידיות הצד בעת הובלתו.
- אחסנו את המערפל בתוך הבית, במקום מאוורר היטב.
- הרחיקו מחומרים הגורמים לקורוזיה כגון כימיקלים לגינה ומלחים מסירי קרח.

המערפל תקוע וכדי להסיר כל חומר זר שנדבק בראש המערפל לפני הפעלה מחדש של התכונה. כשפונקציית הערפול מופעלת אך לא יוצא ערפל:

■ משאבת המים תמשיך לפעול במשך זמן קצר ולאחר מכן תפסיק באופן אוטומטי על מנת להגן על האלקטרוניקה הפנימית.

■ מחונן הערפול יציג שלוש נוריות ירוקות מהבהבות ברציפות כהתראה למפעיל:

- לבדוק אם צינור הכניסה טבול כראוי בתוך המים.
- לבדוק אם זרבובי(ו)ת הערפול סתומ(ות) ולנקות אות(ו) בהתאם לפרק "תחזוקת הזרבובית".
- לחצו על לחצן בחירת מצב הערפול כדי להפעיל מחדש את הערפול.

כאשר מתחן הסוללה נמוך, לחצן ההפעלה יבהבה באור ירוק כדי להזכיר למפעיל להטעין או החליף את מארז הסוללות.

כאשר מארז הסוללות או המערפל חמים מדי, לחצן ההפעלה יבהבה באור אדום כדי להזהיר את המפעיל לכבות את המערפל ולאפשר למארז הסוללות או למערפל להתקרר עד שהטמפרטורה תרד לטווח טמפרטורות ההפעלה המומלץ לפני הפעלה מחדש של המערפל.

תחזוקה

⚠ אזהרה: במקרה של עבודות תיקון, השתמש רק בחלקי חילוף זהים. שימוש בחלקי חילוף אחרים עלול לגרום לסכנה או נזק למוצר. על מנת להבטיח בטיחות ואמינות, יש לבצע את כל התיקונים וההחלפות בעזרת טכנאי שירות מוסמך.

⚠ אזהרה: על מנת למנוע פציעות אישיות, הסר תמיד את מארז הסוללה מן המוצר לפני הניקיון או ביצוע כל עבודת תחזוקה.

תחזוקה כללית

כל פעולות השירות של המערפל, מלבד אלו המפורטות בהוראות תחזוקה אלה, צריכות להתבצע על ידי אנשי שירות מוסמכים.

הימנע משימוש בממסים כאשר אתה מנקה את חלקי הפלסטיק. רוב חלקי הפלסטיק עלולים להינזק מסוגים שונים של ממסים מסחריים ועל ידי השימוש בהם. השתמש במטליות נקיות על מנת להסיר לכלוך, אבק, שמן, חומר סיכה וכו'.

⚠ אזהרה: לעולם אל תיתנו לנזלי בלימה, בנדין, מוצרים מבוססי בנדין, שמנים וכו', לבוא במגע עם חלקי פלסטיק. חומרים כימיים עלולים להזיק, להחליש או להרוס את הפלסטיק והדבר עלול לגרום לפגיעה אישית חמורה.

⚠ אזהרה: בעת ניקיון המערפל, נא לא להטביל במים

HE

או בנוזלים אחרים.

תחזוקת הזרבובית (איור H)

⚠ אזהרה: יש לוודא שכל פעולת תחזוקה של זרבובית הערפול מבוצעת כראוי כדי למנוע דליפות מים. דליפות עלולות ליצור משטח חלקלק שעלול ליצור סכנת החלקה ונפילה או לגרום לנזק לרכוש.

דפוסי ערפול לא סדירים או דליפה עשויים להיות תוצאה של זרבובית סתומה או מולכלת.

כדי לנקות את הזרבוביות

- כבה את המערפל והסר את מארז הסוללה.
- הסירו את חרירי הערפול הסתומים ממגן הגריל הקדמי של מארז המערפל על ידי סיבובם נגד כיוון השעון.
- פרקו את הזרבובית לחלקים.
- כדי להסיר חלקיקים זרים הסותמים או המגבילים את הזרבוביות, יש לשטוף את חלקי הזרבובית במים. כדי להסיר הצטברות אבנית (מינרלים), יש לנקות את חלקי הזרבובית בחומץ לבן או במסיר אבנית לפי הצורך.
- הרכב מחדש את הזרבוביות.

הודעה: כדי למנוע סתימה, ודאו כי הזרבובית מורכבת בדיוק כפי שמוצג באיור H.

6. חברו מחדש את החרירים הנקיים למגן הגריל הקדמי.

תחזוקת המסנן (איור I)

יש לבדוק מעת לעת את המסנן בקצה צינור הכניסה כדי לוודא את תקינותו.

- כבה את המערפל והסר את מארז הסוללה.
- פתחו את הברגת החלק העליון מהחלק התחתון של המסנן.

I-1	חלק תחתון	I-3	רשת ספוג
I-2	רשת מתכת	I-4	חלק עליון

הודעה: בעת פתיחת הברגת החלק העליון, ודאו שהחלק התחתון אינו מופרד לשני חלקים. החלק התחתון חייב להישאר במקשה אחת על מנת להסיר את רשת המתכת.

- הוציאו את רשת הספוג מהחלק העליון ואת רשת המתכת מהחלק התחתון.
- שטפו את רשת המתכת ואת רשת הספוג או החליפו אותן במידת הצורך.
- הרכיבו מחדש את המסנן.

הודעה: ודאו שרשת המתכת מורכבת כאשר השפה המוגבהת פונה כלפי חוץ לפירוק קל בפעם הבאה.

תחזוקת מתאם צינור הגינה

הפתח הקטן במתאם צינור הגינה הופך אותו לרגיש

(בכיוון השעון) לחלק התחתון של המסנן.

3. חברו את מתאם צינור הגינה לצינור גינה מתאים באמצעות מצמד מהיר (לא כלול). חברו את המצמד המהיר למתאם צינור הגינה עד שתשמעו קליק באופן ברור (איור G).

G-1	מתאם צינור גינה
G-2	מצמד מהיר טיפוסי

הודעה: אין לנסות לחבר את מתאם צינור הגינה בעודו מורכב בחלק התחתון של המערפל (איור G1).

4. חברו את צינור הגינה לקו המים.
5. התקינו את מארז הסוללה.
6. לחצו על לחצן ההפעלה כדי להדליק את המערפל.
7. פתחו את ברו המים באופן מלא, המערפל יתחיל בפעולת הערפול.

הודעה: לחץ העבודה המרבי המומלץ לא יעלה על 80 psi.

הערה: גם אם אין חשמל, המערפל יתחיל בפעולת הערפול כאשר ברו המים מופעל.

8. לחצו על לחצן מצב הערפול כדי לבחור במצב ערפול לקבלת תוצאות עבודה טובות יותר.

הערה: הפתח הקטן במתאם צינור הגינה הופך אותו לרגיש להצטברות מים קשים ומרבצים של מינרלים. נקו את המתאם לעתים קרובות והשתמשו בחומץ לבן או בחומר אחר להסרת אבנית כדי להסיר את ההצטברות.

שימוש במערפל ללא ערפול

במידת הצורך, מוצר זה עשוי לשמש כמאוורר בלבד כאשר אינו מחובר למקור מים. כאשר אינו בשימוש, יש להפוך תמיד לסליל את צינור הכניסה לאזור האחסון שלו (ראו סעיף "הובלה ואחסנה" במדריך זה) כדי להגן עליו מפני נזק וזיהום.

טכנולוגיית תקשורת

למידע עבור המגוון המלא של המוצרים והשירותים המחוברים שלנו, כולל הוראות חיבור, אנא סרקו את קוד ה-QR למטה או בקרו בכתובת www.egopowerplus.eu/connect



הגנה על מכשירים אלקטרוניים

כאשר פונקציית התנודה מופעלת אך המערפל אינו מתוודד, מחוון התנודה יציג שלוש נורות ירוקות מהבהבות ברציפות כדי להזכיר למפעיל לבדוק אם ראש

המציינות מצב ערפול 'רציף' תידלקנה - ערפול מתמשך ללא עצירה.

- לחצו על לחצן מצב הערפול בפעם השלישית; נורית ירוקה תחתונה המציינות את מצב הערפול 'לסירוגין' תידלק - ערפול למשך 10 שניות כל 10 שניות.

הערה: ייתכן שתחלופנה כמה שניות לפני שתבחינו בערפל יוצא מזרבוביות הערפול בפעם הראשונה. עיכוב זה נובע מהזמן שלוקח למים לזרום מצינור הכניסה אל הזרבוביות.

- כאשר הערפול נמצא במצב 'לסירוגין', לחצו שוב על לחצן מצב הערפול; נורית חיווי הערפול תכבה והערפול ייפסק.

הערה: בתום פעולת הערפול, נתקו את צינור הכניסה ממקור המים והפעילו את המערפל במצב ערפול 'רציף' עד שכל המים יוצאים מהצינור. הדבר עוזר למנוע משאריות מים בצינור להוביל לערפול בלתי צפוי כאשר המערפל מתחיל שוב את פעולתו.

שימוש במערפל עם דלי מים או מכל אחר (לא כלולים) (איור E)

⚠ אזהרה: ילדים עלולים ליפול לדליים ולטבוע. יש להרחיק ילדים מדליים המכילים אפילו כמות קטנה של נוזלים.

הודעה: יש לנקות את הדלי במים וסבון לפני כל שימוש.

1. נתק את מארז הסוללה.
2. הנח את הדלי על משטח שטוח ישר.
3. הוסף אך ורק מים נקיים וקרים לדלי. הימנע ממילוי יתר.
4. טבלו את קצה המסנן של צינור הכניסה לתוך דלי המים.

הודעה: אין לכופף את צינור הכניסה, ותמיד לוודא שהמים זורמים בצורה חלקה דרך הצינור.

5. התקינו את מארז הסוללה.
6. לחצו על לחצן ההפעלה כדי להדליק את המערפל.
7. לחצו על לחצן מצב הערפול כדי להתחיל בערפול.

חיבור המערפל לברז מים (איור F ואיור G)

1. פתחו את ההברגה בחלקו העליון של המסנן נגד כיוון השעון ונתקו אותו מחלקו התחתון (איור F).

F-1	החלק התחתון של המסנן
F-2	החלק העליון של המסנן

הודעה: יש לוודא שהחלק התחתון אינו מופרד לשני חלקים במהלך ניתוק החלק העליון ושהוא נשאר יחד כיחידה שלמה לצורך חיבור למתאם צינור הגינה.

2. פתחו את ההברגה של מתאם צינור הגינה (נגד כיוון השעון) המאוחד בתחתית המערפל. הבריגו אותה

לחצן הפעלה

- לחצו על לחצן ההפעלה בקצרה כדי להדליק את המערפל.
 - לחצו שוב על לחצן ההפעלה בקצרה כדי לכבות את המערפל.
- כוונן מהירות אוויר**
- מהירות אוויר רגילה**
- לחצו על כפתור כוונן מהירות האוויר "+" כדי להאיץ את מהירות האוויר ולחצו על הכפתור "-" כדי להקטין את מהירות האוויר. קיימות 5 רמות מהירות.
 - מחוון מהירות האוויר מציג אורות ירוקים התואמים לרמות המהירות הנוכחיות.

מצב טורבו

- הערה:** כאשר במצב "טורבו", המערפל יגיע אל מהירות אוויר מקסימלית.
- לחצו על הכפתור "TURBO", מחוון ה-TURBO יידלק בירוק והמערפל יעבור למצב "TURBO", כלומר מהירות האוויר הגבוהה ביותר.
 - במצב "TURBO", לחצו שוב על הכפתור "TURBO", מחוון ה-TURBO יכבה והמערפל יחדש את מהירות האוויר האחרונה שהופעלה.
 - במצב "TURBO", לחצו על הכפתור "-", מחוון ה-TURBO יכבה והמערפל יעבור לרמת מהירות אוויר 5.

פונקציית תנודה (איור C)

- לחצו על כפתור התנודה פעם אחת כדי להפעיל את פונקציית התנודה של ראש המערפל, מחוון התנודה יאיר את האור הירוק התחתון, וראש המערפל יסתובב 60° מצד לצד (מ-30° עד 30°).
- לחצו על כפתור התנודה בפעם השנייה, מחוון התנודה יאיר שתי נורות ירוקות, ויפעיל טווח תנודה של 120° (מ-60° עד 60°).
- לחצו על כפתור התנודה בפעם השלישית, מחוון התנודה יאיר שלוש נורות ירוקות, ויפעיל טווח תנודה של 180° (מ-90° עד 90°).
- כדי לכבות את פונקציית התנודה, לחצו על לחצן התנודה בפעם הרביעית.

התאמת זווית המערפל (איור D)

- ניתן לכוון את ראש המערפל למספר זוויות מ-30° עד 90°. כדי לכוון את כיוון הערפל/זרימת האוויר, אחזו את המערפל בידי העליונה והטו את ראש המערפל קדימה או אחורה.

פונקציית הערפול לחצן מצב ערפול

- לחצו על לחצן מצב הערפול פעם אחת; שתי נורות ירוקות המציינות מצב ערפול 'רציף' בזרם גבוה תידלקנה - ערפול מתמשך בזרם גבוה ללא עצירה.
- לחצו על לחצן מצב הערפול שוב; שתי נורות ירוקות

הסוללה מהמערפל לפני עבודות שירות, ביצוע התאמות, ניקיון, שינוי של אביזרים או כאשר המכשיר איננו נמצא בשימוש.

⚠ אזהרה: אין לעשות שימוש בחיבורים או אביזרים אשר לא הומלצו על ידי יצרן מוצר זה. השימוש בחיבורים או אביזרים אשר לא הומלצו עלול לגרום לפגיעה חמורה.

לפני כל שימוש, יש לבדוק את כל המוצר עבור חלקים ניזוקים, משוחררים או חסרים, כגון ברגים, אומים, בריחים, מכסים וכו'. הדקו בבטחה את כל האבזמים והמכסים ואל תפעילו את המוצר עד אשר חלקים חסרים או ניזוקים תוקנו או הוחלפו.

יישומים

ניתן להשתמש במוצר אך ורק לצורך המטרות המפורטות להלן:

- אזורור כללי ברוב היישומים הביתיים.
- קירור חיצוני בעת חיבור למקור מים.

הודעה: יש להשתמש במוצר רק עבור המטרות הרשומות שלו. כל שימוש אחר ייחשב לשימוש בלתי הולם.

הצמדה/הסרה של מארז הסוללה

יש להשתמש רק במארזי הסוללה והמטענים של EGO המפורטים באיור A3.

הערה: הטעינו לגמרי את מארז הסוללה לפני השימוש הראשוני.

על מנת להצמיד

יישרו את ערוקי הסוללה עם חריצי ההרכבה ולחצו את מארז הסוללה אל תוך תא הסוללה עד הישמע "קליק" (איור B1).

הסרה

לחצו על כפתור שחרור הסוללה והוציאו את מארז הסוללה (איור B2).

⚠ אזהרה: תמיד היו מודעים אל המיקום של הרגליים שלכם, ילדים או חיות מחמד, בעת לחיצה על כפתור שחרור הסוללה. עלולה להיגרם פגיעה חמורה אם מארז הסוללה יפול. לעולם אל תסירו את מארז הסוללה במקומות גבוהים.

הפעלה/עצירה של המערפל

הערה: הגדרת היצרן המקורית של מהירות האוויר היא רמה 3. המערפל שומר את הגדרת מהירות האוויר האחרונה שהייתה בשימוש וחוזר אליו עם כל הפעלה חדשה. הגדרת טורבו לא תישמר.

הערה: הגדרות הערפול והתנודה לא תישמרנה, וכברירת מחדל תהיינה כבויות בכל פעם שהמערפל מופעל.

לוח בקרה (איור A2)

HE

מפרטים

מתח מדורג	56V
קוטר להב מערפל	25.4 ס"מ
הגדרות מהירות מערפל	6 (כולל "טורבו")
מקסימום נפח אוויר	CFM 1700
מקסימום מהירות אוויר	32.2 קמ"ש
זווית תנודה	180°, 120°, 60°
נפח מי ערפול	גבוה: 5.7 ליטר/שעה
	בינוני: 4.9 ליטר/שעה
	נמוכה: 2.5 ליטר/שעה
משקל (ללא מארז סוללה)	4.7 ק"ג
טמפרטורת אחסון מומלצת	20°C עד 70°C
פס תדירות תפעול Bluetooth	MHz 2402-2480
כוח העברה מקסימלי עבור Bluetooth	4 דציבלים

10. מתאם צינור גינה

11. מסנן

12. צינור כניסה

13. לחצני כונון מהירות אוויר

14. לחצן טורבו

15. מחוון טורבו

16. מחוון ערפול

17. לחצן מצב ערפול

18. לחצן הפעלה

19. מחוון מהירות-אוויר

20. מחוון תנודה

21. לחצן מצב תנודה

הרכבה

⚠ אזהרה: אם ישנם חלקים ניזוקים או חסרים, אל תפעילו את המכשיר עד אשר חלקים אלו יוחלפו. שימוש במכשיר זה עם חלקים פגומים או חסרים עלול לגרום לפציעה אישית חמורה.

⚠ אזהרה: אל תנסו לשנות את המוצר או ליצור אביזרים אשר אינם מומלצים לשימוש ביחד עם המסור המוצר. כל שינוי או הוספה מהווים שימוש לא נכון במכשיר ועלול ליצור תנאים מסוכנים שעלולים להוביל לפציעה אישית.

⚠ אזהרה: על מנת למנוע הפעלה מקרית אשר עלולה להוביל לפציעה אישית חמורה, הסירו תמיד את מארז הסוללה מן המכשיר בעת הרכבת חלקים.

- מוצר זה נשלח כאשר הוא מורכב לגמרי.
- יש להסיר בזהירות את המוצר ואת כל האביזרים מהקופסה. ודאו שכל הפריטים המוצגים ב-"רשימת אריזה" כלולים.
- בדקו את המוצר בקפידה כדי לוודא כי לא התרחשו שבירה או נזק במהלך המשלוח.
- שמרו את חומרי האריזה עד שתבדקו בקפידה ותפעילו בהצלחה את המוצר.
- אם חלקים כלשהם פגומים או חסרים, אנא החזירו את המוצר למקום הרכישה.

הפעלה

⚠ אזהרה: אל תניח לעובדה שאתה מכיר את המוצר להפוך אותך לפחות זהיר. זכור שחוסר זהירות של שבריר אחד של שנייה מספיק כדי לגרום לפציעה אישית חמורה.

⚠ אזהרה: על מנת למנוע הפעלה מקרית אשר עלולה להוביל לפציעה אישית חמורה, הסירו תמיד את מארז

■ ערך הרטט הכללי המוצהר נמדד בהתאם לשיטת בדיקה סטנדרטית וניתן להשתמש בו כדי להשוות בין מכשירים;

■ ניתן להשתמש בערך הרטט הכללי המוצהר בהערכה ראשונית של חשיפה.

הודעה: פליטת הרטט בעת השימוש המעשי במכשיר יכולה להיות שונה מן הערך המוצהר כאשר המכשיר נמצא בשימוש; כדי להגן על המפעיל, על המשתמש ללבוש כפפות ומגני אזניים בעת השימוש למעשה.

רשימת אריזה (איור A1)

תיאור

הכירו את המפוח שלכם (איור A1 ו-A2)

1. לוח בקרה (איור A2)
2. מסגרת תנודה
3. זרבובית ערפול
4. ידית עליונה
5. מארז מערפל
6. ידית צד
7. תא סוללה
8. חיבורים חשמליים
9. כפתור שחרור סוללה

מים נקיים. ריסוס חומרים אלה יכול לגרום לפגיעה חמורה או מחלה לסובבים.

- לעולם אין לכוון ערפל או מים לעבר החיווט או מכשירים חשמליים כלשהם.
 - יש לוודא שמכסה תא הסוללה סגור לחלוטין כדי למנוע ממים לבוא במגע עם הסוללה או להיכנס לפתח הסוללה.
 - יש לשמור על המערפל והידיית יבשים, נקיים וללא שמן או חומרי סיכה. יש להשתמש תמיד במטלית נקיה בעת הניקוי. לעולם אין להשתמש בנוזלי בלמים, דלק, מוצרים מבוססי בנזין או כל ממש חזק אחר כדי לנקות את המערפל. ביצוע הוראה זו יפחית את הסיכון לאבדן שליטה ולבלאי של חיפוי הפלסטיק.
 - סוללות יכולות להתפוצץ בנוכחות מקור הצתה כגון להבית. כדי להפחית את הסיכון לנזק חמורה לעולם אל תשתמשו במוצרים אלחוטיים בנוכחות להבות גלויות. להבה שהתפוצצה יכולה להעניף סביב פסולת וכימיקלים. אם נחשפת, שטוף מיד בכמות גדולה של מים.
 - יש לשמור על הוראות אלו. יש לעיין בהוראות לעתים תכופות ולעקוב אחריהן כדי שתוכלו להדריך אחרים העשויים להשתמש במכשיר. אם אתה משאל את הכלי למישהו אחר, תן לו גם את ההוראות הללו על מנת למנוע שימוש לא נכון במכשיר או פגיעות אפשריות.
 - יש לקחת לתשומת הלב שרמות לחות גבוהות עשויות לעודד צמיחה של אורגניזמים ביולוגיים בסביבה.
 - יש להקפיד שהאזור הסובב את המערפל אינו לח או רטוב. בתנאי לחות, יש להקטין את פלט המערפל. אם לא ניתן להקטין את פלט המערפל, יש להשתמש במכשיר האדים לסירוגין. אין לאפשר לחומרים סופגים כמו שטיחים, וילונות או מפות שולחן להירטב.
 - לעולם אין להשאיר מים במאגר כאשר המכשיר אינו בשימוש.
 - יש לרוקן ולנקות את המערפל לפני האחסון. יש לנקות את מכשיר האדים לפני השימוש הבא.
- ⚠ אזהרה:** מיקרואורגניזמים העשויים לחיות במים או בסביבה בה המכשיר נמצא בשימוש או מאוחסן יכולים להתפתח במאגר המים, להתפוצץ באוויר ולהוביל לסיכונים בריאותיים חמורים מאוד אם לא מחדשים את המים או לא מנקים את המיכל כראוי כל שלושה ימים.
- יש להוציא סוללות נטענות מהמכשיר לפני הטעינה.
 - יש להוציא סוללות ריקות מהמכשיר ולהשליך אותן בבטחה.
 - יש להוציא את הסוללות מן המכשיר אם לא נעשה בו שימוש במשך תקופה ארוכה.
 - אין לקצור את מסופי האספקה.
- יש לשמור על הוראות אלה**

הסוללה המיועדים להם. השימוש במארזי סוללה אחרים עלול ליצור סיכון לפגיעות ושרפות.

- כאשר מארז הסוללה איננו בשימוש, שימרו עליו במרחק מסוים מעצמים אחרים העשויים ממתכת, כגון מהדקי נייר, מטבעות, מפתחות, מסמרים, ברגים או עצמים קטנים ממתכת העלולים לבצע חיבור של מסוף אחד למשנהו. ביצוע קצר בין מסופי הסוללה עלול לגרום לכוויות או שריפה.
 - בתנאי שימוש לא נאותים, נזול עלול להיפלט מן הסוללה; הימנעו ממגע עמו. אם ישנו מגע מקרי, שטוף את האזור במים. אם מתרחש מגע עם העיניים, פנו לעזרה רפואית. נזול הנפלט מן הסוללה עלול לגרום לפריחה או כוויות.
 - אין להשתמש במארז סוללה או במכשירים חשמליים ניזוקים או אשר שוננו. סוללות ניזוקות או אשר שוננו עלולות להתנהג בצורה לא צפויה אשר עלולה להסתיים בשריפה, פיצוץ או סיכון לפגיעה אישית.
 - אין לחשוף את מארז הסוללה או את המכשיר לאש או לטמפרטורות גבוהות. חשיפה אל אש או טמפרטורות הגבוהות מ-130°C עלולה לגרום לפיצוץ.
 - יש לבצע את כל הוראות ההטענה ואין להטעין את מארז הסוללה או את הכלי החשמלי מחוץ לטווחי הטמפרטורה המצוינים בהוראות אלו. הטענה לא נכונה או מחוץ לטווחי הטמפרטורה המצוינים עלולים לגרום לנזק ולהעלות את הסיכון לשרפה.
- שירות**
- יש לתקן את המכשיר אך ורק אצל ספק מוסמך ולהשתמש בחלקי חילוף זהים בלבד. הדבר יבטיח שבטיחות המכשיר נשמרת.
 - לעולם אל תבצעו עבודות שירות למארזי סוללה ניזוקים. תיקון שלמארזי סוללה צריך להתבצע רק על ידי היצרן או ספקי שירות מוסמכים.
- הוראות בטיחות למערפל נייד**
- מכשיר זה אינו מיועד לשימוש על ידי אנשים (כולל ילדים) בעלי יכולות פיזיות, חושיות או נפשיות מוגבלות, אנשים עם חוסר ניסיון וידע, אלא אם כן ישנו מישהו המפקח עליהם וניתנו להם ההוראות בנושא השימוש במכשיר על ידי אדם האחראי לביטחונם.
 - יש להשגיח על ילדים ולהבטיח שהם אינם משחקים עם המכשיר.
 - אין להשתמש במערפל כצעצוע. נדרשת זהירות יתירה בעת שימוש על ידי ילדים או בקרבם.
 - ילדים עלולים ליפול לדליים ולטבוע. יש להרחיק ילדים מדליים אפילו עם כמות קטנה של נוזלים.
 - יש להשתמש רק במים נקיים וקרים.
 - אין להשתמש במערפל כדי לרסס חומרי הדברה, דשנים נוזליים, כימיקלים או נוזלים אחרים מלבד

אזהרות בטיחות כלליות

⚠ אזהרה: כדי להפחית את הסיכון לשרפה, הلم חשמלי או פציעה:

- במכשיר החשמלי במצבים בלתי צפויים.
- לבשו בגדים מתאימים. אין ללבוש בגדים רפויים או תכשיטים. שימרו על השיער שלכם ועל חלקי ביגוד הרחק מחלקים נעים. בגדים רפויים, תכשיטים או שיער ארוך עלולים להיתפס בחלקים הנעים.
- יש לוודא שכל החיבורים מאובטחים לפני הפעלת המכשיר.
- יש להימנע מלנצל את ההיכרות שלכם עם המכשיר החשמלי והשימוש התכוף בו כדי להיות שאנן או להתעלם מכללי הבטיחות במכשיר. פעולה לא זהירה עלולה לגרום לפציעה חמורה בשבריר שנייה.

שימוש וטיפול

- אין להשתמש במכשיר החשמלי אם מתג ההפעלה והכיבוי אינו פועל. כל מערפל שלא ניתן לשלוט בו בעזרת המתג מסוכן ויש לתקנו.
- יש לנתק את מארז הסוללה מהמערפל לפני ביצוע כל התאמה, שינוי אביזרים, או אחסון של המכשיר החשמלי. הציות לאמצעי הבטיחות מפחית את הסיכון של הפעלת המכשיר בטעות.
- יש לאחסן את המכשיר כשאינו בשימוש מחוץ להישג ידם של ילדים ואין לאפשר לאנשים שאינם מכירים את המכשיר או את ההוראות האלה להפעיל את המכשיר. מכשירים חשמליים מסוכנים כאשר הם בהישג ידם של אנשים אשר לא הוכשרו להפעיל אותם.
- יש לתחזק את המכשיר והאביזרים. יש לוודא שאין אי התאמה או ליפוף של הרכיבים הנעים, שבריה של חלקים ותנאים אחרים אשר עלולים להשפיע על פעולת המערפל. אם המכשיר פגום, יש לתקן אותו לפני שימוש חוזר. תאונות רבות נגרמות כתוצאה מתחזוקה לקויה של מערפלים.
- יש להשתמש במכשירים חשמליים, באביזרים וכו' בהתאם להוראות אלו, ולקחת בחשבון את תנאי הסביבה בעת ההפעלה ואת העבודה שיש לבצע. השימוש במכשיר החשמלי לפעולות שלהן הוא אינו מיועד עלול להוביל למצב מסוכן.
- שימרו על הידיות ועל חלקי האחיזה יבשים, נקיים וללא שמן או חומרי סיכה. ידיות ומשטחי אחיזה מחלקים לא מאפשרים טיפול נכון ושליטה בצידו במצבים לא צפויים.

⚠ אזהרה: כדי להפחית את הסיכון לשרפה או להתחשמלות, אין להשתמש במערפל זה עם כל התקן בקרת מהירות מוצק.

השימוש והטיפול בסוללת הציוד

- הטעינו רק עם המטען המצוין על ידי היצרן. מטען המתאים למארז סוללה אחד עלול ליצור סכנת אש עבור מארז סוללה אחר.
- יש להשתמש במכשירים חשמליים אך ורק עם מארזי

- הכירו את המערפל שלכם. יש לקרוא את מדריך ההוראות בעיון. יש להכיר את השימושים והמגבלות של המערפל וכן את הסיכונים הספציפיים הפוטנציאליים של המערפל. ציוד להוראה זו יקטין את הסיכון להתחשמלות, שריפה או פציעה חמורה.
- מכשיר ניתן לשימוש על ידי ילדים בגיל הגבוה מ-8 ואנשים בעלי יכולות פיזיות, חושיות או נפשיות מוגבלות, אנשים עם חוסר ניסיון וידע, אם ישנו מישור המפקח עליהם וניתנו להם הוראות בנושא השימוש במכשיר באופן בטוח והם מבינים את הסכנות המעורבות בשימוש.
- ילדים לא יישחקו עם המכשיר.
- ניקיון ועבודות תחזוקה לא יבצעו על ידי ילדים ללא השגחה

בטיחות סביבת העבודה

- אין להפעיל את המערפל באזורים דליקים, כגון בקרבת נוזלים, גזים או חלקיקים דליקים.
- יש להרחיק ילדים ועובדי אורח מהמכשיר החשמלי בעת הפעלתו. הסחות דעת עלולות לגרום לכם לאבד שליטה.
- יש לנקוט בזהירות יתר בתנאי מזג אוויר סוערים. רוחות עשיות להחזיר ערפילים לחיטוי חשמלי או למכשירים חשמליים.
- אין לחשוף את המכשיר לגשם או לתנאים לחים. חדירת מים למכשיר החשמלי מגבירה את הסיכון להתחשמלות.

בטיחות אישית

- יש להישאר דרוכים ומודעים, ולהשתמש בשכל הישר בעת שימוש במכשיר החשמלי. אין להשתמש במערפל אם אתה חש עייפות או תחת השפעה של סמים, אלכוהול או תרופות. רגע אחד של חוסר תשומת לב בעת הפעלת המערפל עלול לגרום לפציעה אישית חמורה.
- יש להימנע מהפעלה מקרית. יש לוודא שהמתג במצב כבוי לפני חיבור המכשיר החשמלי למארז הסוללה, או לפני הרמתו או נשיאתו. אין לשאת את המכשיר כשאצבעך על המתג.
- יש להסיר כל כלי כוונון או מפתח ברגים לפני הפעלת המכשיר החשמלי. מפתח ברגים או כלי כוונון המוצמדים אל רכיב מסתובב של המכשיר החשמלי עלול לגרום לפציעה אישית חמורה.
- אל תנסו להתמתח רחוק מדי. שימרו על צעד ואיזון בטוחים בכל זמן. זה מאפשר שליטה טובה יותר

קראו את כל ההוראות!

קראו את מדריך ההוראות

⚠ אזהרה: על מנת להבטיח בטיחות ואמינות, יש לבצע את כל התיקונים וההחלפות בעזרת טכנאי שירות מוסמך.

⚠ אזהרה: וודאו שאתם קוראים ומבינים את כל הוראות הבטיחות המופיעות במדריך זה למשתמש, כולל כל סימני התראות הבטיחות כגון „סכנה“, „אזהרה“ ו„זהירות“ לפני השימוש במכשיר. אי מילוי אחר כל ההוראות המופיעות למטה יכול לגרום להלם חשמלי, שרפה ו/או פציעות אישיות חמורות.

שימרו את כל האזהרות וההוראות לעיון עתידי.

סמלי בטיחות

⚠ אזהרה: הפעלה של כל מכשיר עלולה לגרום לעצמים זרים להיזרק אל תוך העיניים, דבר העלול לגרום לנזק חמור לעיניים. לפני הפעלה של מכשיר מסוים, ענדו תמיד משקפי מגן או משקפי בטיחות עם הגנה צדדית, ובעת הצורך, הגנה עבור כל הפנים. אנו ממליצים על שימוש במסכת בטיחות רחבה מעל למשקפי המגן או על שימוש במשקפי בטיחות עם הגנה צדדית.

על מנת להפחית את הסיכון לפציעות, על המשתמש לקרוא ולהבין את המדריך למשתמש לפני השימוש במוצר זה.

התראת בטיחות

ממ Bluetooth®

רמת עוצמת קול מובטחת. פליטת רעש אל הסביבה בהתאם לתקנת הנציבות האירופית.

מוצר זה תואם לתקנות ה-CE הרלוונטיות.

אין לזרוק מוצרים חשמליים כחלק מאשפה ביתית. יש להביא את המכשיר למרכז מחזור מוסמך.

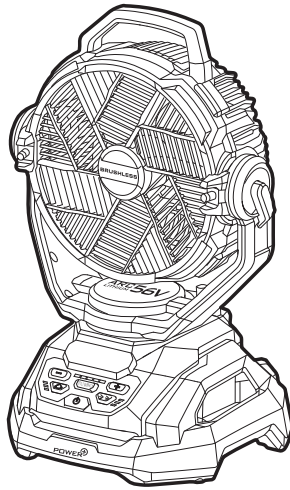
מוצר זה תואם לחוקים הרלוונטיים בבריטניה.

זרם ישיר

הגנה מפני התזת מים IPX4

EGO™

POWER+ FAN



FN1000E

HE מערפל אלחוטי עם סוללת ליתיום-יון 56 וולט

AR مروحة رذاذ لاسلكية ببطارية ليثيوم-أيون 56 فولت

