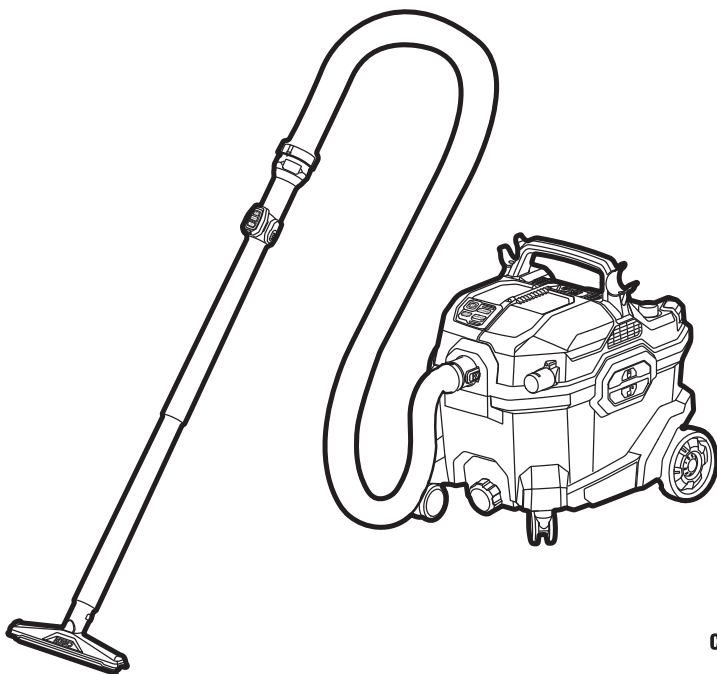


EGO™

POWER⁺ WET/DRY VACUUM CLEANER



OPERATOR'S MANUAL

56-VOLT LITHIUM-ION WET/DRY VACUUM CLEANER

MODEL NUMBER WDV0900/WDV0900-FC

Français p. 39

Español p. 81

⚠ WARNING: To reduce the risk of injury, the user must read and understand the Operator's Manual before using this product. Save these instructions for future reference.



READ ALL INSTRUCTIONS!



READ & UNDERSTAND
OPERATOR'S MANUAL

TABLE OF CONTENTS

Safety Symbols	3
Symbols	4
Important Safety Instructions for Wet/Dry Vacuum Cleaner	5-6
Additional Safety Instructions	7
FCC Statement	8
ISED Statement	9
Introduction	9
Specifications	10
Accessories	11
Description	12-17
Assembly	18-23
Operation	24-30
Maintenance	31-33
Troubleshooting	34-35
EGO Limited Warranty	36-37

SAFETY SYMBOLS

The purpose of safety symbols is to attract your attention to possible dangers. The safety symbols and the explanations with them deserve your careful attention and understanding. The symbol warnings do not, by themselves, eliminate any danger. The instructions and warnings they give are no substitutes for proper accident prevention measures.

⚠ WARNING: Be sure to read and understand all safety instructions in this Operator’s Manual, including all safety alert symbols such as “**DANGER**”, “**WARNING**”, and “**CAUTION**” before using this machine. Failure to follow all instructions listed below may result in electric shock, fire, and/or serious personal injury.

The definitions below describe the level of severity for each signal word. Please read the manual and pay attention to these symbols.	
	This is the safety alert symbol. It is used to alert you to potential personal injury hazards. Obey all safety messages that follow this symbol to avoid possible injury or death.
	DANGER indicates a hazardous situation which, if not avoided, will result in death or serious injury.
	WARNING indicates a hazardous situation which, if not avoided, could result in death or serious injury.
	CAUTION, used with the safety alert symbol, indicates a hazardous situation which, if not avoided, will result in minor or moderate injury.




DAMAGE PREVENTION AND INFORMATION MESSAGES

These inform the user of important information and/or instructions that could lead to equipment or other property damage if they are not followed. Each message is preceded by the word “NOTICE”, as in the example below:

NOTICE: Equipment and/or property damage may result if these instructions are not followed.

SYMBOLS

This page depicts and describes symbols that may appear on this product. Read, understand, and follow all instructions on the product before attempting to assemble and operate.

	Safety Alert	Precautions that involve your safety.
	Read & Understand Operator's Manual	To reduce the risk of injury, user must read and understand the operator's manual before using this product.
	Disconnect battery before maintenance	Alerts user to disconnect battery before maintenance.
IP...	Ingress Protection (IP) Rating	Classifies the degree of protection provided by an enclosure, for electrical equipment.
Gal	Gallon	Volume
CFM	Cubic Feet Per Minute	Air Volume
in. H ₂ O	Inch Water Column	Pressure
°F	Degrees Fahrenheit	Temperature
°C	Degrees Celsius	Temperature
lbs	Pounds	Weight
kg	Kilogram	Weight

IMPORTANT SAFETY INSTRUCTIONS FOR WET/DRY VACUUM CLEANER

⚠ WARNING! Read all safety warnings and instructions. Failure to follow the warnings and instructions may result in electric shock, fire and/or serious injury.

- The appliance is intended for household use only.
- Do not leave the appliance when the battery pack is installed on the appliance. Remove the battery pack from the appliance when not in use or before servicing.
- Do not allow to be used as a toy. Close attention is necessary when used by or near children.
- Use only as described in this manual. Use only manufacturer's recommended attachments.
- If appliance is not working as it should, has been dropped, damaged, left outdoors, or dropped into water, return it to a service center.
- Do not handle appliance with wet hands.
- Do not put any object into openings. Do not use with any opening blocked; keep free of dust, lint, hair, and anything that may reduce air flow.
- Keep hair, loose clothing, fingers, and all parts of body away from openings and moving parts.
- Turn off all controls before removing the battery pack.
- Use extra care when cleaning on stairs.
- Do not use to pick up flammable or combustible liquids, such as gasoline, or use in areas where they may be present.
- Do not pick up anything that is burning or smoking, such as cigarettes, matches, or hot ashes. To reduce the risk of health hazards from vapors or dusts, do not vacuum any toxic materials.
- Do not use this vacuum cleaner for EPA Lead Based Paint Renovation, Repair and Painting Program (RRP), where lead may be present. Using this vacuum cleaner for EPA RRP program may cause health and environmental hazards.
- Do not use to vacuum hazardous or toxic substances or dusts, e.g., asbestos. The standard filter is not able to capture all hazardous particles, which may cause health hazards.
- Do not use to vacuum concrete dust and/or other materials that include silica. The filter is not able to capture all silica dust, which may cause health hazards.

- Do not use or store near hazardous materials.
- Do not use without dust bag and/or filters in place.
- Prevent unintentional starting. Ensure the switch is in the off-position before connecting to battery pack, picking up or carrying the appliance. Carrying the appliance with your finger on the switch or energizing appliance that has the switch on invites accidents.
- Disconnect the battery pack from the appliance before making any adjustments, changing accessories, or storing appliance. Such preventive safety measures reduce the risk of starting the appliance accidentally.
- Recharge only with the charger specified by the manufacturer. A charger that is suitable for one type of battery pack may create a risk of fire when used with another battery pack.
- Use the appliance only with specifically designated battery packs. Use of any other battery packs may create a risk of injury and fire.
- When battery pack is not in use, keep it away from other metal objects, like paper clips, coins, keys, nails, screws or other small metal objects, that can make a connection from one terminal to another. Shorting the battery terminals together may cause burns or a fire.
- Under abusive conditions, liquid may be ejected from the battery; avoid contact. If contact accidentally occurs, flush with water. If liquid contacts eyes, additionally seek medical help. Liquid ejected from the battery may cause irritation or burns.
- Do not use a battery pack or appliance that is damaged or modified. Damaged or modified batteries may exhibit unpredictable behavior resulting in fire, explosion or risk of injury.
- Do not expose a battery pack or appliance to fire or excessive temperature. Exposure to fire or temperature above 265°F (130°C) may cause explosion.
- Follow all charging instructions and do not charge the battery pack or appliance outside of the temperature range specified in the instructions. Charging improperly or at temperatures outside of the specified range may damage the battery and increase the risk of fire.
- Have servicing performed by a qualified repair person using only identical replacement parts. This will ensure that the safety of the product is maintained.
- Do not modify or attempt to repair the appliance or the battery pack (as applicable) except as indicated in the instructions for use and care.

- Use only with the battery packs and chargers listed below:

BATTERY PACK	CHARGER
BA1400, BA1400-FC, BA2800, BA2800-FC, BA4200, BA4200-FC, BA1400T, BA1400T-FC, BA2242T, BA2242T-FC, BA2800T, BA2800T-FC, BA3360T, BA3360T-FC, BA4200T, BA4200T-FC, BA4480T, BA4480T-FC, BA5600T, BA5600T-FC, BA6720T, BA6720T-FC	CH2100, CH2100-FC, CH3200, CH3200-FC, CH5500, CH5500-FC, CH2800D, CH2800D-FC, CH7000, CH7000-FC

- For remote control, use only with listed/certified ITE Power Supply.

ADDITIONAL SAFETY INSTRUCTIONS

⚠ WARNING: Drilling, sawing, sanding or machining wood products can expose you to wood dust, a substance known to the State of California to cause cancer. Avoid inhaling wood dust or use a dust mask or other safeguards for personal protection. For more information go to www.P65Warnings.ca.gov/wood.

⚠ WARNING: Some dust created by power cutting contains chemicals known to the state of California to cause cancer, birth defects or other reproductive harm. Some examples of these chemicals are:

- Lead from lead-based paints.
- Crystalline silica from bricks, cement, and other masonry products.
- Arsenic and chromium from chemically-treated lumber.

Your risk from these exposures varies, depending upon how often you do this type of work. To reduce your exposure to these chemicals:

- Work in a well-ventilated area.
- Work with approved safety equipment, such as dust masks that are specially designed to filter out microscopic particles.
- Avoid prolonged contact with dust from power sanding, sawing, grinding, drilling, and other construction activities. Wear protective clothing and wash exposed areas with soap and water. Allowing dust to get into your mouth or eyes or to lie on the skin may promote absorption of harmful chemicals.

FCC STATEMENT

1. This device complies with Part 15 of the FCC Rules. Operation is subject to the following two conditions:
 - 1) This device may not cause harmful interference.
 - 2) This device must accept any interference received, including interference that may cause undesired operation.
2. Changes or modifications not expressly approved by the party responsible for compliance could void the user's authority to operate the equipment.

NOTICE: This equipment has been tested and found to comply with the limits for a Class B digital device, pursuant to Part 15 of the FCC Rules. These limits are designed to provide reasonable protection against harmful interference in a residential installation. This equipment generates, uses, and can radiate radio frequency energy and, if not installed and used in accordance with the instructions, may cause harmful interference to radio communications. However, there is no guarantee that interference will not occur in a particular installation. If this equipment does cause harmful interference to radio or television reception, which can be determined by turning the equipment off and on, the user is encouraged to try to correct the interference by one or more of the following measures: Reorient or relocate the receiving antenna. Increase the separation between the equipment and receiver. Connect the equipment into an outlet on a circuit different from that to which the receiver is connected. Consult the dealer or an experienced radio/TV technician for help.

SAVE THESE INSTRUCTIONS! Refer to them frequently and use them to instruct others who may use this tool. If you loan this tool to someone else, also loan these instructions to them to prevent misuse of the product and possible injury.

ISED STATEMENT

This device contains license-exempt transmitter(s)/receiver(s) that comply with Innovation, Science and Economic Development Canada's license-exempt RSS(s). Operation is subject to the following two conditions:

1. This device may not cause interference.
2. This device must accept any interference, including interference that may cause undesired operation of the device.

INTRODUCTION

Congratulations on your selection of the 56V Lithium-ion Wet/Dry Vacuum Cleaner. It has been designed, engineered, and manufactured to give you the best possible dependability and performance.


Should you experience any problem you cannot easily remedy, please contact EGO customer service center 1-855-EGO-5656.

This manual contains important information on to the safe assembly, operation and maintenance of your product. Read it carefully before using the product. Keep this manual handy so you can refer to it at any time.

SERIAL NUMBER _____ DATE OF PURCHASE _____

YOU SHOULD RECORD BOTH SERIAL NUMBER AND DATE OF PURCHASE AND KEEP IN A SAFE PLACE FOR FUTURE REFERENCE.

SPECIFICATIONS

Voltage	56V 		
Dust Tank Capacity	9 Gal		
Speed Mode	Low	High	TURBO
Max. Air Flow (CFM)	70	90	110
Max. Suction Power (in. H ₂ O)	40	64	100
Remote Control	Charging Temperature	32°F – 113°F (0°C – 45°C)	
	Maximum Charging Voltage	5 V	
	Maximum Charging Current	1 A	
Ingress Protection Rating	IPX4* (Protection from splashing water)		
Recommended Operating Temperature	23°F – 104°F (-5°C – 40°C)		
Recommended Storage Temperature	-4°F – 158°F (-20°C – 70°C)		
Weight (without battery pack)	26.7 lbs (12.1 kg)		

* **NOTE:** IPX4 rating is based on the machine and battery being used together as a system.

ACCESSORIES

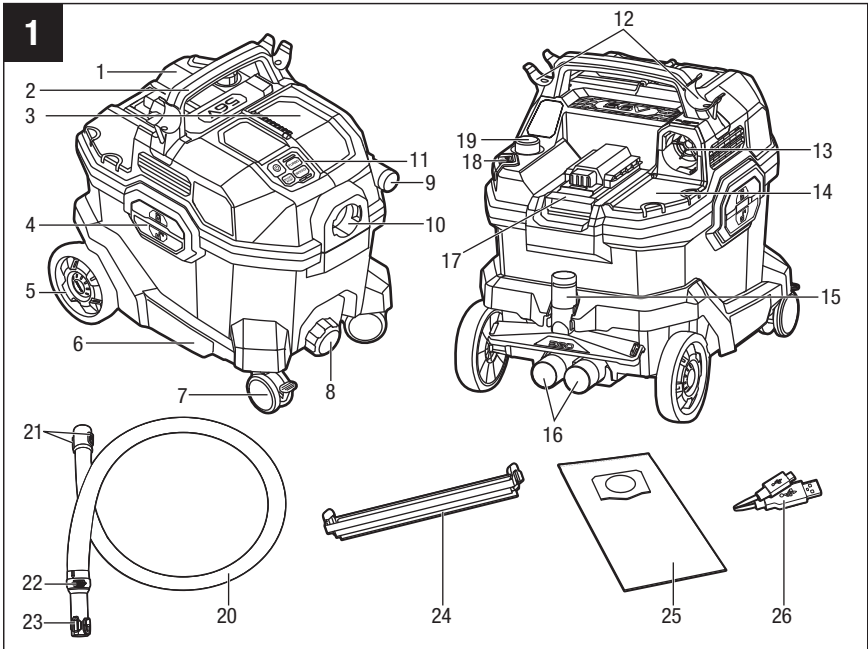
⚠ WARNING: Use only identical accessories listed below. Use of accessories that do not meet the original equipment specifications may lead to improper performance and compromised safety.

PART NAME	MODEL NUMBER
Vacuum Hose	AVH0907
Dust Bags (5 pcs)	AVG0905
Standard Filter	AVF0900

For more information about the latest accessories, please visit www.egopowerplus.com.

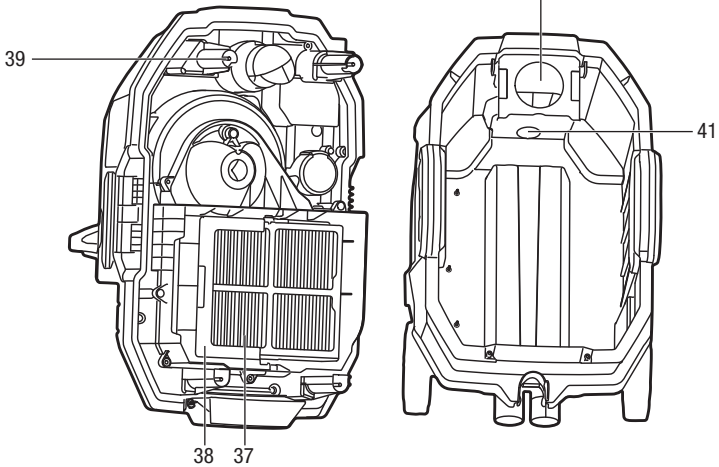
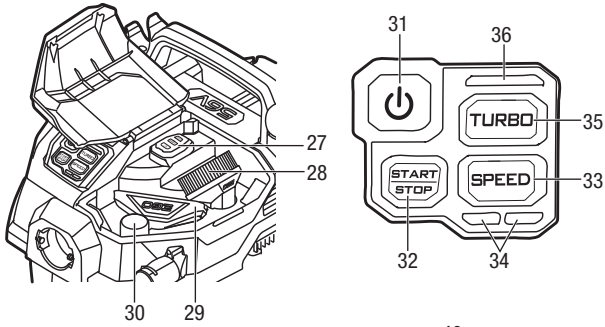
DESCRIPTION

KNOW YOUR WET/DRY VACUUM CLEANER (Fig. 1)



- | | |
|--|---------------------------------------|
| 1. Power Head Assembly | 14. Accessory Temporary Storage |
| 2. Handle | 15. Large Floor Nozzle + Brush Bar |
| 3. Accessory Storage Compartment (Fig. 1a) | 16. Extension Tubes |
| 4. Dust Tank Latch (x2) | 17. Battery-Release Button |
| 5. Rear Wheel (x2) | 18. Filter Self-Cleaning Button |
| 6. Dust Tank | 19. Filter Self-Cleaning Plug |
| 7. Caster Wheel with Brake (x2) | 20. Vacuum Hose |
| 8. Drain Port Cap | 21. Hose-Release Button |
| 9. Crevice Nozzle | 22. Suction Regulator |
| 10. Suction Inlet Port | 23. Remote-Control Mount |
| 11. Operator Panel (Fig. 1b) | 24. Rubber Bar |
| 12. Vacuum Hose Storage Slots | 25. Dust Bag |
| 13. Blowing Outlet Port | 26. Charging Cable for Remote Control |

1a



- | | |
|-----------------------------|------------------------|
| 27. Remote Control | 35. TURBO Button |
| 28. Round Dust Brush Nozzle | 36. TURBO Indicator |
| 29. Compact Floor Nozzle | 37. Filter |
| 30. Power-Tool Adapter | 38. Filter Bracket |
| 31. Power Button | 39. Liquid Sensor (x4) |
| 32. Start/Stop Button | 40. Dust Bag Bracket |
| 33. Speed Button | 41. Drain Port |
| 34. Speed Indicator | |

⚠ WARNING: The safe use of this product requires an understanding of the information on the product and in this instruction manual, as well as knowledge of the project you are attempting. Before use of this product, familiarize yourself with all operating features and safety rules.

Handle

Use the handle to lift the power head assembly when the dust tank is unlocked, or lift the whole wet/dry vacuum cleaner when the dust tank is locked.

Accessory Storage Compartment

Stores remote control, round dust brush nozzle, compact floor nozzle and power-tool adapter.

NOTE: The charging cable is packaged with the manual.

Dust Tank Latches

Lock or unlock the dust tank to the power head assembly.

Dust Tank

Can be used for wet and dry dust/debris collection.

Dust Bag

Can only be used for dry vacuuming.

Caster Wheels

Equipped with brakes to stop the vacuum cleaner in place.

Drain Port Cap

Remove the cap to drain liquid from the dust tank into a suitable receptacle.

Suction Inlet Port

With connected vacuum hose, this port is used to suck in waste or dry dust.

Vacuum Hose Storage Slots

For storing the vacuum hose when it is not in use.

Blowing Outlet Port

With connected vacuum hose, this port can be used to function as a blower.

Accessory Temporary Storage

To temporarily store accessories.

Battery-Release Button

Press to release the battery pack from the vacuum cleaner.

Filter

Captures particles in the air.

Filter Self-Cleaning Button

Press to activate the filter self-cleaning function.

Filter Self-Cleaning Plug

When performing the filter self-cleaning, the nozzle end of the vacuum hose should be mounted onto the filter self-cleaning plug so that the vacuum hose is sealed.

Vacuum Hose

One end of the hose connects to either suction inlet port or blowing outlet port, and the other end accepts variety nozzles or adapters.

Hose-Release Button

Press the button to disconnect the vacuum hose.

Remote-Control Mount

To hold the remote control temporarily when needed. For example, when using crevice nozzle to clean dark areas, the remote control can be positioned here and used for lighting.

Liquid Sensors

When the liquid level in the dust tank reaches bottom tip of any two adjacent sensors, the vacuum cleaner will stop working automatically to prevent overflow of liquid in the dust tank.

OPERATOR PANEL

Power Button

The power button must be pressed down before starting the wet/dry vacuum cleaner.

⚠ WARNING: The power button is a safety device. Never attempt to bypass its operation.

Start/Stop Button

Turns the vacuum cleaner ON and OFF.

Speed Adjustment Button

Allows the operator to select a desirable speed.

Speed Indicator

The number of green lights displays the current speed level.

TURBO Button

Used to switch the vacuum cleaner into “TURBO” mode, i.e. the highest speed.

TURBO Indicator

Displays green light when the vacuum cleaner is running at the highest speed.

CLEANING ACCESSORIES

Extension Tubes

Connect one or two extension tubes to the vacuum hose as needed to access and clean hard-to-reach areas.

Crevice Nozzle

Suitable for sucking and cleaning tight corners and areas. Besides, when the vacuum hose is connected to the blowing outlet port, this nozzle is used to direct and concentrate the airflow.

Large Floor Nozzle + Brush Bar

The combination is suitable for cleaning wide areas of any floor type. The brush bar is removable and can be replaced with the rubber bar.

Rubber Bar

Combined with the large floor nozzle and suitable for cleaning liquid on floor surface.

Compact Floor Nozzle

It is great for cleaning car interiors, boats, and campers. It can be used for wet and dry cleaning.

Round Dust Brush Nozzle

Suitable for cleaning leather surfaces such as automotive leather seats.

Power-Tool Adapter

Allows the vacuum cleaner to be connected to a variety of power tools with Ø1-1/4" dust outlet such as sanders and jigsaws.

ASSEMBLY

⚠ WARNING: If any parts are damaged or missing, do not operate this product until the parts are replaced. Use of this product with damaged or missing parts could result in serious personal injury.

⚠ WARNING: Do not attempt to modify this product or create accessories not recommended for use with this product. Any such alteration or modification is misuse and could result in a hazardous condition leading to possible serious personal injury.


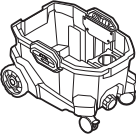
⚠ WARNING: To prevent accidental starting that could cause serious personal injury, always remove the battery pack(s) from the product when assembling parts.

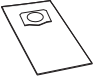

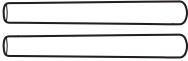









UNPACKING

This product requires assembly.

- Carefully remove the product and any accessories from the box. Make sure that all items listed in the packing list are included.
- Inspect the product carefully to make sure no breakage or damage occurred during shipping.
- Do not discard the packing material until you have carefully inspected and satisfactorily operated the product.
- If any parts are damaged or missing, please return the product to the place of purchase.

PACKING LIST

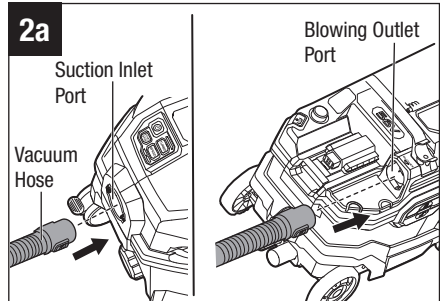
PART NAME	FIGURE	QUANTITY
Power Head Assembly		1
Dust Tank		1

PART NAME	FIGURE	QUANTITY
Dust Bag		1
Vacuum Hose		1
Extension Tubes		2
Remote Control		1
Charging Cable for Remote Control		1
Power-Tool Adapter		1
Crevice Nozzle		1
Round Dust Brush Nozzle		1
Large Floor Nozzle + Brush Bar		1
Rubber Bar		1
Compact Floor Nozzle		1
Operator's Manual		1

CONNECTING/DISCONNECTING THE VACUUM HOSE (Fig. 2)

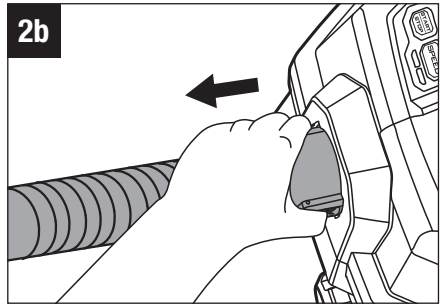
To Connect the Vacuum Hose (Fig. 2a)

1. Align the end (with two hose-release buttons) of the hose with the suction inlet port or the blowing outlet port according to your needs.
2. Push the end into the suction inlet port or the blowing outlet port until you hear a “click” sound which indicates the hose is secured in place.



To Disconnect the Vacuum Hose (Fig. 2b)

Press and hold both hose-release buttons on the end of the hose to remove the vacuum hose from the vacuum cleaner.

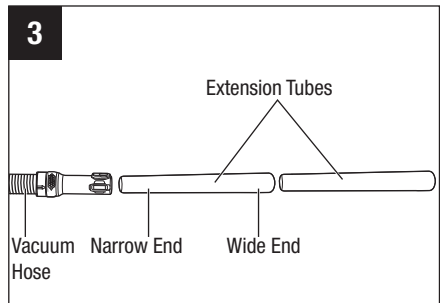


CONNECTING/DISCONNECTING THE EXTENSION TUBES (Fig. 3)

Connect one or two extension tubes to the vacuum hose according to your needs.

To Connect the Extension Tube

1. Align the narrow end of the extension tube with the vacuum hose.
2. Insert the extension tube into the vacuum hose as far as you can until the extension tube is secured in place.



To Disconnect the Extension tube

Pull the extension tube from the vacuum hose.

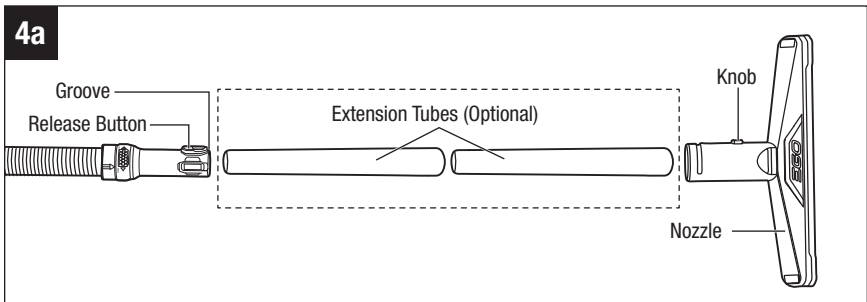
The second extension tube is connected/disconnected to the first tube in the same fashion.

INSTALLING/REMOVING THE NOZZLES (Fig. 4)

Choose a suitable nozzle to install onto the vacuum hose directly or onto the extension tube according to your needs (Fig. 4a).

Follow the process in the section “**CONNECTING/DISCONNECTING THE EXTENSION TUBES**” to connect or disconnect the nozzle to/from the extension tube.

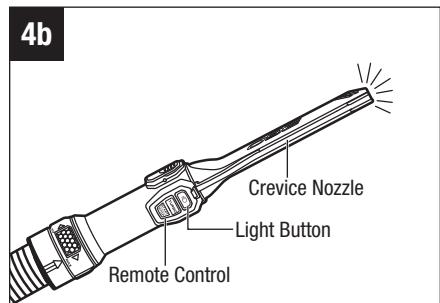
To connect the nozzle to the vacuum hose directly, align the knob on the nozzle with the groove in the vacuum hose, and then push the nozzle onto the vacuum hose until you hear a "click" sound which indicates the nozzle is installed in place. To disconnect, press and hold the release button to remove the nozzle from the vacuum hose.



Crevice Nozzle (Fig. 4b)

The dark areas could be easily cleaned when using the crevice nozzle combined with the integrated light of the remote control.

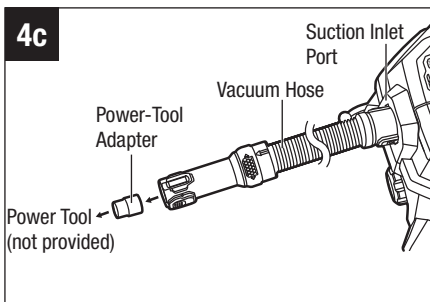
Connect the crevice nozzle to the vacuum hose and snap the remote control onto the remote-control mount on the vacuum hose. Press the light button on the remote control and the transparent crevice nozzle will light up.



Power-Tool Adapter (Fig. 4c)

The power-tool adapter allows the vacuum cleaner to connect to a power tool with $\text{\O}1\text{-}1/4\text{'}$ dust outlet.

With the vacuum hose connected to the suction inlet port of the vacuum cleaner, insert the power-tool adapter into the vacuum cleaner as far as you can until the power-tool adapter is secured in place and then connect the adapter to the dust outlet of the power tool.

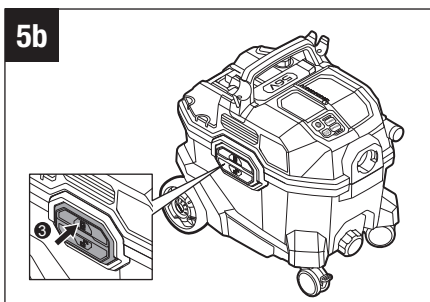
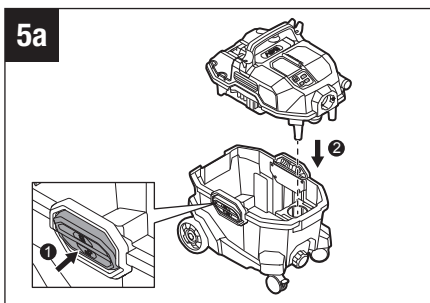


⚠ WARNING: The power-tool adapter cannot be connected to the extension tube(s). Forcing the installation may cause damage for the power-tool adapter or the extension tube(s).

INSTALLING/REMOVING THE POWER HEAD ASSEMBLY (Fig. 5)

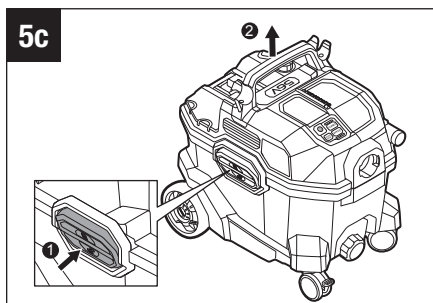
To Install the Power Head Assembly (Fig. 5a & 5b)

1. Push the lower parts of the dust tank latches on both sides to unlock the dust tank (Fig. 5a).
2. Hold the handle of the power head assembly and align the power head assembly with the dust tank. Lower the power head assembly onto the dust tank (Fig. 5a).
3. Push the upper parts of the dust tank latches on both sides to lock the dust tank (Fig. 5b).



To Remove the Power Head Assembly (Fig. 5c)

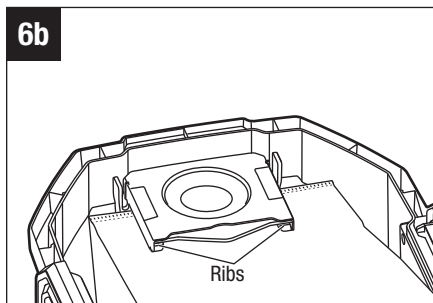
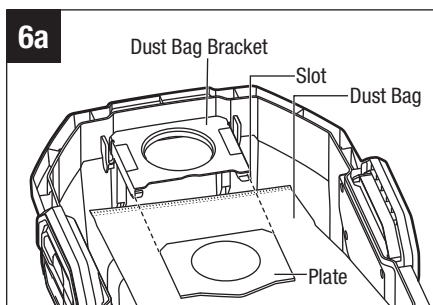
1. Push the lower parts of the dust tank latches on both sides to unlock the dust tank.
2. Hold the handle to lift the power head assembly.



INSTALLING/REMOVING THE DUST BAG (OPTIONAL) (Fig. 6)

1. Unlock the dust tank and lift the power head assembly.
2. **To install the dust bag**, align the plate of the dust bag with the slot of the dust bag bracket, and then insert only the plate into the slot until the plate falls down the ribs, which indicates the holes of the dust bag and the bracket are aligned. Unfold the dust bag manually before collecting dust or debris.

To remove the dust bag, slightly lift the plate over the ribs and then pull the plate from the slot to remove the dust bag.



OPERATION

⚠ WARNING: Do not allow familiarity with this product to make you careless. Remember that a careless fraction of a second is sufficient to inflict serious injury.

⚠ WARNING: Do not use any attachments or accessories not recommended by the manufacturer of this product. The use of attachments or accessories not recommended can result in serious personal injury.

⚠ WARNING: To prevent serious personal injury, remove the battery pack from the product before servicing, cleaning, changing attachments, or removing material from the product.

APPLICATION

You may use this product for the purposes listed below:

- Sucking in liquid waste or dry dust when the suction inlet port is used.
- Functioning as a blower when the blowing outlet port is used.

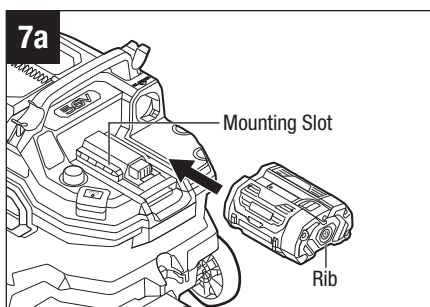
INSTALLING/REMOVING BATTERY PACK (Fig. 7)

NOTE: Fully charge the battery pack before first use.

To Install Battery Pack (Fig. 7a)

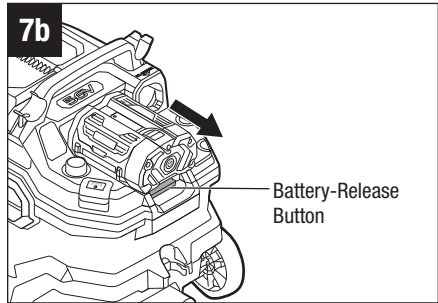
1. Align the ribs on the battery pack with the mounting slots on the vacuum cleaner.
2. Slide the battery pack onto the vacuum cleaner until it snaps into position.

⚠ WARNING: Make sure that the latch on the vacuum cleaner snaps into place and the battery pack is secured to the vacuum cleaner before beginning operation. Failure to securely seat the battery pack could cause the battery pack to fall out, resulting in serious personal injury.



To Remove Battery Pack (Fig. 7b)

1. Hold the battery pack in your hand.
2. Press the battery-release button upward and the battery pack will disengage from the latch.
3. Grasp the battery pack and remove it from the vacuum cleaner.



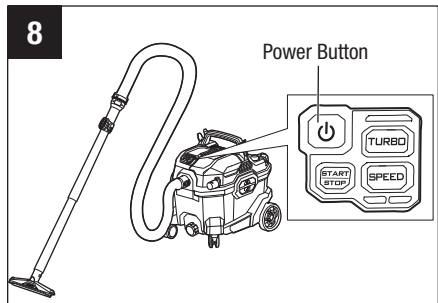
⚠ WARNING: Always be aware of location of your feet and children or pets around you when separating the battery pack from the vacuum cleaner. Serious injury could result if the battery pack fails. NEVER remove the battery pack at a high location.

⚠ WARNING: Always remove the battery pack when the vacuum cleaner is not in use.

STARTING/STOPPING THE WET/ DRY VACUUM CLEANER (Fig. 8)

⚠ WARNING: Do not attempt to override the operation of the power button.

⚠ WARNING: When the vacuum hose is connected to either suction inlet port or blowing outlet port, never get close to the other vacant port. Failure to follow this instruction may cause serious personal injury.



To Start the Vacuum Cleaner

1. Verify that power head assembly is installed onto the dust tank and the dust tank is securely locked. Ensure that the vacuum hose, required extension tube(s), and nozzle are connected properly.

NOTE: The vacuum cleaner runs only when the power head assembly is securely attached to the dust tank.

2. Install the battery pack onto the vacuum cleaner.
3. Press the power button to power up the vacuum cleaner.
4. Press the speed adjustment button to select low speed or high speed, and then press the start/stop button to start the vacuum cleaner. Or, press the TURBO button to start the vacuum cleaner directly at maximum speed.

NOTE: The speed can also be adjusted during vacuuming. For more information refer to the chapter “**SPEED SELECTION**”.

To Stop the Vacuum Cleaner

1. Once the vacuuming is completed or when the dust tank is full, press the start/stop button to stop the vacuum cleaner temporarily.
2. Or press the power button to power down the vacuum cleaner completely.
3. Remove the battery pack.
4. Empty the dust tank into a suitable receptacle or drain.

NOTE: The vacuum cleaner will resume the previously active speed setting when restarting.

Power Button Indicator

Power Button Indicator	Meaning	Action
Solid green.	Standby.	No actions required. The vacuum cleaner will turn off automatically after 1 hour of inactivity.
	The machine runs properly.	Normal operation.
Flashing green 6 times, then shuts off.	Liquid level in the tank reaches the bottom tip of the liquid sensors.	Stop the vacuum cleaner, remove the battery pack, and then empty the dust tank.
Flashing green continuously.	Electronics error.	Contact EGO customer service for help.

SPEED SELECTION

Regular Speed Mode

- Every time the speed adjustment button is pressed, the speed will toggle between low level and high level. The speed indicator displays green lights corresponding to the current speed level.
- The vacuum cleaner will save the last speed setting and will revert to it upon restart.

TURBO Mode

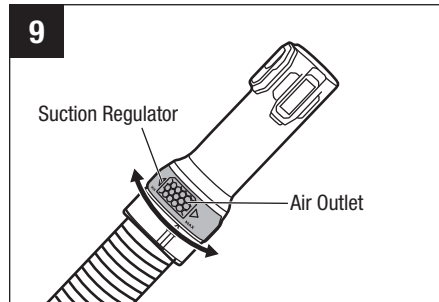
- Press the TURBO button, the TURBO indicator will light up green and the vacuum cleaner will start working directly at TURBO speed, i.e. the highest speed.
- When in TURBO mode, press TURBO button again, or press the speed adjustment button, the start/stop button, or the power button – the TURBO indicator will turn off and the vacuum cleaner will exit TURBO mode.

NOTE: After exiting TURBO mode, the vacuum will resume previously active regular speed.

SUCTION REGULATOR (Fig. 9)

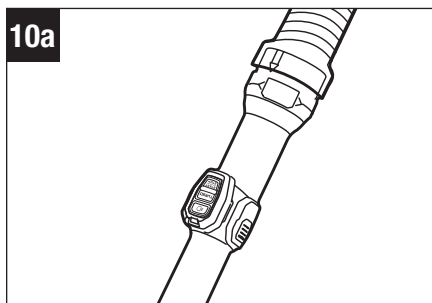
When vacuuming, the air flow at the end of the vacuum hose can be controlled by turning the suction regulator. Turn the regulator to expose the air outlet to decrease the suction, or turn the regulator to cover the air outlet to increase the suction.

This feature is especially useful when the vacuum hose is sealed by carpets, cloths, etc. during suction, turn the regulator to expose the air outlet, the suction will be decreased.



REMOTE CONTROL (Fig. 10)

- The remote control could be positioned on the vacuum hose during vacuuming (Fig. 10a).
- When the vacuum cleaner is powered on, you may start/stop the vacuum cleaner, or switch the machine into TURBO mode by using the remote control.

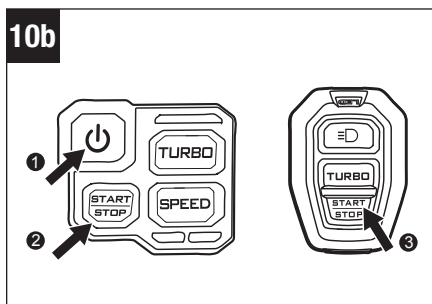


NOTE: The remote control cannot switch between regular low or high speed.

- The remote control can also be used as a flashlight for dark areas, especially when using the crevice nozzle.

Remote Control Pairing (Fig. 10b)

The remote control was paired with the vacuum cleaner at the factory. However, in cases when the remote control is damaged or lost, follow below steps to pair your new remote control with the vacuum cleaner.



1. Install the battery pack onto the vacuum cleaner.
2. Press the power button to power up the vacuum cleaner.
3. Long-press the start/stop button on the vacuum until the power button indicator flashes green slowly.
4. Press the TURBO button or the start/stop button on the remote control as soon as the power button indicator starts flashing green slowly.
5. The power button indicator will flash green fast and then shine solid green to indicate the pairing was successful.

Remote Control Indicator

Remote Control Indicator	Meaning	ACTION
Flashing green fast	The remote control battery charge is nearly depleted.	Charge the remote control.
Flashing green slowly	The remote control is charging.	No action needed.
Solid green	The charging of the remote control is complete.	Disconnect the remote control and charging cable from power supply.

NOTE: During normal operation, the remote control indicator will light one time when the TURBO button or the start/stop button is pressed once.

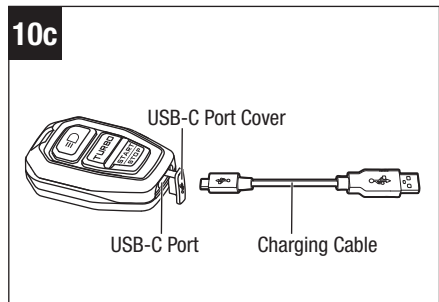
Recharging the Remote Control (Fig. 10c)

Periodically the battery inside the remote control will need to be recharged. Use only with listed/certified ITE Power Supply.

⚠ WARNING: For this rechargeable Li-ion battery inside the remote control, please be aware of below:

- **Risk of fire and burns.**
- **Do not open, crush, heat above 140°F (60°C) or incinerate.**
- **Do not short circuit.**
- **If bulges severely, discontinue use.**

- 1 Open the USB-C port cover.
- 2 Connect the USB-C end of the included charging cable to the USB-C port in the remote control.
- 3 Connect the other end of the charging cable to a compatible USB power adapter/charger (not included). It may take up to 2h to charge a fully discharged battery.
- 4 When finished charging, disconnect the charging cable and close the USB-C port cover to protect the USB-C port from contamination.



WORKING WITH THE VACUUM CLEANER

Wet Vacuuming Operation

- Do not use the dust bag during wet vacuuming operation.
- Turn off the vacuum cleaner immediately when the dust tank is full. Empty the dust tank into a suitable receptacle or drain.
- Clean the interior of the dust tank, the filter, and accessories periodically, more often when used to pick up wet, sticky materials.

Dry Vacuuming Operation

- Make sure the filter is completely dry after wet vacuuming or use a second dry filter for dry vacuuming. Damp or wet filters will get clogged with dust or get moldy.
- To reduce exposure to silica dust, use dust bag.
- Turn off the vacuum cleaner immediately when the dust bag or dust tank is full.
- Empty the dust tank into a suitable receptacle or drain.

Blower Operation

⚠ WARNING: Always wear eye protection when using this machine as a blower.

⚠ WARNING: Do not blow flammable or combustible materials, such as gasoline, or use in areas where such materials may be present. Fire could result.

⚠ WARNING: Do not direct the airflow in the direction of people or pets.

MAINTENANCE

⚠ WARNING: To prevent serious personal injury, remove the battery pack from the product before servicing, cleaning, changing attachments, or removing material from the unit.

⚠ WARNING: When servicing, use only identical replacement parts. Use of any parts that do not meet the original equipment specifications may create a hazard or cause product damage. To ensure safety and reliability, all repairs should be performed by a qualified service technician.

NOTICE: Periodically inspect the entire product for damaged, missing, or loose parts such as screws, nuts, bolts, caps, etc. Tighten securely all fasteners and caps and do not operate this product until all missing or damaged parts are replaced.

GENERAL MAINTENANCE

Avoid using solvents when cleaning plastic parts. Most plastics are susceptible to damage from various types of commercial solvents and may be damaged by their use. Use clean cloth to remove dirt, dust, oil, grease, etc.

⚠ WARNING: Do not at any time let brake fluids, gasoline, petroleum-based products, penetrating oils, etc., come in contact with plastic parts. Chemicals can damage, weaken or destroy plastic which may result in serious personal injury.

EMPTYING THE DUST TANK

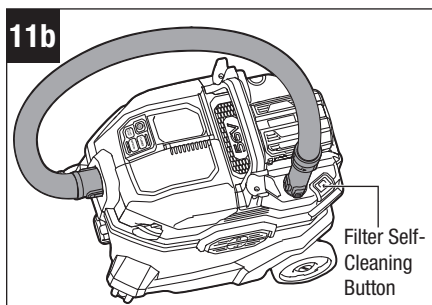
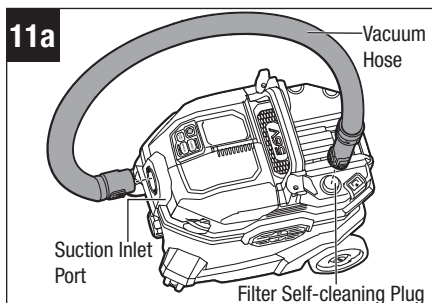
1. Remove the battery pack from the vacuum cleaner.
2. Remove the drain port cap to empty liquid in the dust tank into a suitable receptacle or drain, if available.
3. Unlock the tank latches to remove the power head assembly from the dust tank.
4. Remove the dust bag if the dust bag is installed.
5. Clear all dirt or debris from the dust tank and clean with mild soap and water.
6. Allow the dust tank to dry before reassembling the power head assembly.

FILTER MAINTENANCE (Fig. 11)

Filter Self-Cleaning System

The vacuum cleaner is equipped with a semi-automatic filter self-cleaning system to clean the filter.

1. Connect the vacuum hose to the suction inlet port of the vacuum cleaner and install the other end of the hose onto the filter self-cleaning plug (Fig. 11a).
2. Install the battery pack, press the power button to power on the machine.
3. Select desired speed mode and press the start/stop button to turn on the machine.
4. Press the filter self-cleaning button to clean the filter (Fig. 11b).



TIPS: To achieve the best cleaning effect, it is recommended to select TURBO mode and press the filter self-cleaning button five times and hold for 3 seconds each time.

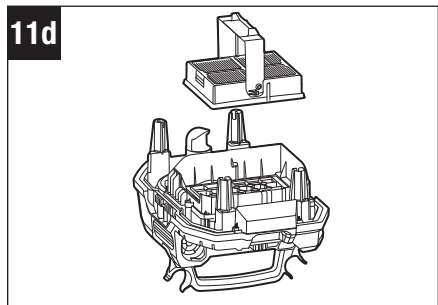
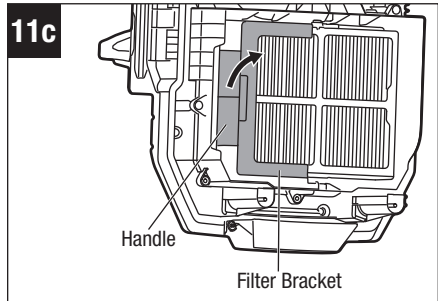
Washing the Filter

Remove the battery pack and examine the filter by lifting the power head assembly. If the filter is still dirty after following the steps in the section “**Filter Self-cleaning System**”, remove the filter and rinse it in cold water. Allow the filter to dry completely and reinstall it.

Replacing the Filter (Fig. 11c & Fig. 11d)

⚠ WARNING: Check the filter periodically and replace if worn out or damaged. Using damaged filter can lead to release of unwanted airborne contaminants from the canister.

1. Remove the battery pack.
2. Lift the power head assembly and put it on its side.
3. Unfold the handle of the filter bracket and pull the bracket with the filter out.
4. Use a moist piece of cloth to remove any dust and debris from the filter area.
5. Install a new or cleaned filter into the bracket.
6. Place the bracket into the filter area and fold the handle.



STORING THE VACUUM CLEANER

1. Remove the battery pack from the vacuum cleaner.
2. Clean the vacuum cleaner thoroughly before storing it.
3. Store the vacuum cleaner in a dry, well-ventilated area, locked-up or up high, out of the reach of children. Do not store the vacuum cleaner on or adjacent to fertilizers, gasoline, or other chemicals.

TROUBLESHOOTING

PROBLEM	CAUSE	SOLUTION
The vacuum cleaner fails to start.	<ul style="list-style-type: none"> ■ Battery pack charge is low. ■ Battery pack is not installed properly. 	<ul style="list-style-type: none"> ■ Charge the battery pack. ■ Slide the battery pack onto the vacuum cleaner until it snaps into position.
Vacuum power is weak	<ul style="list-style-type: none"> ■ There is a blockage in the vacuum hose or the suction inlet. ■ The filter is clogged by fine dust. ■ The dust tank is full. ■ Battery pack charge is low. ■ The drain port cap is removed from the dust tank. 	<ul style="list-style-type: none"> ■ Check and clear the blockage in the vacuum hose or the suction inlet. ■ Clean the filter following the section “FILTER MAINTENANCE” in this manual. ■ Empty the dust tank. ■ Charge the battery pack. ■ Install the drain port cap onto the dust tank.
The machine is running but there is no suction.	<ul style="list-style-type: none"> ■ The power head assembly is not installed onto dust tank completely. 	<ul style="list-style-type: none"> ■ Ensure the power head assembly is installed onto the dust tank completely
Dust escapes from the blowing outlet port.	<ul style="list-style-type: none"> ■ Filter is missing or installed incorrectly. ■ Filter is damaged. 	<ul style="list-style-type: none"> ■ Check the filter for correct installation. ■ Replace with a new filter.

PROBLEM	CAUSE	SOLUTION
The vacuum cleaner cannot be controlled through the remote control.	<ul style="list-style-type: none">■ The remote control is not paired with the vacuum cleaner.■ The remote control charge is low.■ The remote control is damaged.	<ul style="list-style-type: none">■ Pair the remote control with the vacuum cleaner following the chapter “Remote Control Pairing” in this manual.■ Charge the remote control.■ Use a new remote control and perform the remote control pairing.



EGO LIMITED WARRANTY

WARRANTY POLICY TERMS AND DURATION

Chervon North America, Inc. (“Chervon North America”) provides the following Limited Warranty for EGO products to the original purchaser of EGO products.

The detailed warranty period for each EGO product can be found online at <http://egopowerplus.com/warranty-policy>.

Please contact EGO Customer Service Toll-Free at 1-855-EGO-5656 any time you have questions or warranty claims or would like a hard copy of the warranty.

LIMITED SERVICE WARRANTY

EGO products are warranted against defects in material or workmanship from the date of original retail purchase for the applicable warranty period. For any properly and timely submitted warranty claim, if Chervon North America determines a product to be defective during the warranty period, the product will receive free repair or replacement as determined by Chervon North America.

HOW TO OBTAIN SERVICE

For warranty service, within the applicable warranty period, please contact EGO customer service toll-free at **1-855-EGO-5656**. When requesting warranty service, you must present the original dated sales receipt. An authorized service center will be selected to evaluate and repair the product if defective according to the stated warranty terms. When bringing your product to the authorized service center, there may be a small deposit that will be required when dropping off your tool. This deposit is refundable when the repair service is deemed to be covered under warranty.

ADDITIONAL LIMITATIONS & EXCLUSIONS

This limited warranty applies only to the original purchaser from an authorized EGO retailer and is not transferable. EGO products shall not be considered defective, and this warranty will not apply, where the claimed defect is attributable to any cause other than the above-defined defects. This warranty shall be void if the product has been used for rental purposes. This warranty shall not apply to damage caused by accident, abuse, misuse, alteration, modification, unauthorized repair, liquid contact, fire, earthquake or other external cause; operating the product outside EGO’s instructions, specifications or guidelines; or failure to properly service of maintain the product. This warranty also does not apply to cosmetic damage, including but not limited to scratches or dents;



defects caused by normal wear and tear or otherwise due to the normal aging of the product.

THIS EXPRESS WARRANTY IS GIVEN IN LIEU OF ALL OTHER WARRANTIES, EXPRESS OR IMPLIED, INCLUDING, BUT NOT LIMITED TO, ANY WARRANTIES OF MERCHANTABILITY OR FITNESS FOR PARTICULAR PURPOSE OR USE, WHICH ARE DISCLAIMED. Any implied warranties, including warranties of merchantability or fitness for a particular purpose, that cannot be disclaimed under state law are limited to the applicable warranty period defined at the beginning of this article. The sole and exclusive remedy in connection with the purchase, installation, use, and/or performance of the EGO products is repair or replacement of the product as determined by Chervon North America. Chervon North America's maximum liability shall not in any case exceed the purchase price paid for the product. CHERVON NORTH AMERICA SHALL NOT BE LIABLE TO THE USER OR TO ANYONE ELSE FOR CONSEQUENTIAL, INCIDENTAL, SPECIAL, EXEMPLARY, INDIRECT, OR PUNITIVE DAMAGES ARISING FROM USE OF THE PRODUCTS, INCLUDING BUT NOT LIMITED TO PERSONAL INJURY, DEATH, PROPERTY DAMAGE, LOST PROFITS, OR OTHER ECONOMIC INJURY. This warranty gives you specific legal rights, and you may also have other rights which vary from state to state. Some states do not allow limitations on how long an implied warranty lasts, the exclusion or limitation of incidental or consequential damages, or the limitations on time to bring certain actions, so such limitations contained herein do not apply to individual consumers in those states.

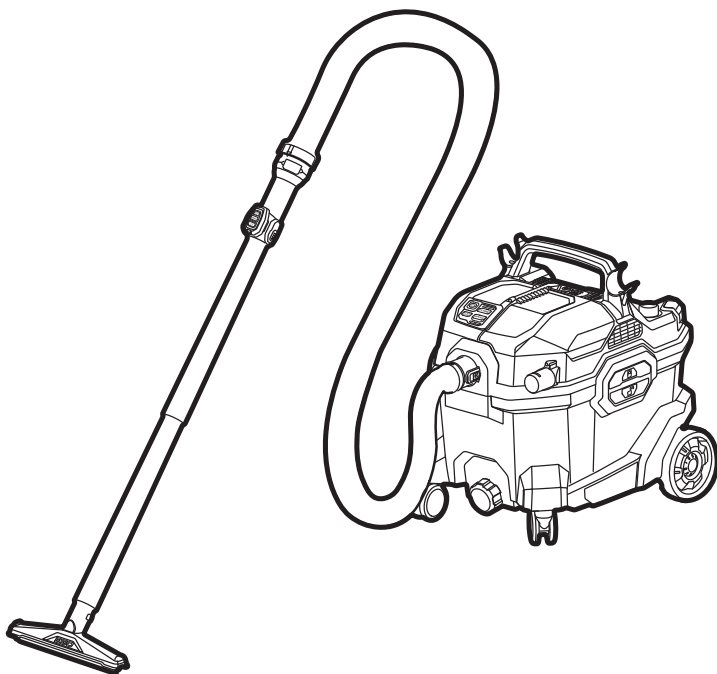
This warranty is subject to and shall be interpreted according to Michigan law without regard to principles of conflicts of laws. No legal action shall be brought against Chervon North America unless filed within one (1) year after the basis for such legal action becomes known, or with the exercise of reasonable diligence should have become known. Any action not timely filed shall be deemed waived.

For customer service contact us toll-free at: **1-855-EGO-5656** or **EGOPOWERPLUS.COM**.

EGO Customer Service
769 Seward Ave. NW, Suite 102
Grand Rapids, Michigan 49504.

EGO™

POWER⁺ WET/DRY VACUUM CLEANER



MANUAL DEL USUARIO

ASPIRATEUR DE LIQUIDES ET DE POUSSIÈRES

NÚMERO DE MODELO WDV0900/WDV0900-FC

⚠ AVERTISSEMENT: Afin de réduire les risques de blessure, l'utilisateur doit lire et comprendre le guide d'utilisation avant d'utiliser ce produit. Conservez le présent mode d'emploi afin de pouvoir le consulter ultérieurement.

LISEZ TOUTES LES INSTRUCTIONS!



LISEZ LE MODE D'EMPLOI ET
ASSUREZ-VOUS QUE VOUS LE COMPRENEZ

TABLE DES MATIÈRES




Symboles de sécurité	41-42
Symboles	43
Consignes de sécurité importantes pour l'aspirateurde liquides et de poussières	44-46
Consignes de sécurité supplémentaires	47
Déclaration de conformité FCC	48
Déclaration de l'ISDE	48
Introduction	49
Caractéristiques techniques	50
Accessoire	51
Description	52-57
Assemblage	58-64
Fonctionnement	65-72
Maintenance	73-75
Recherche de la cause des problèmes	76-77
Garantie limitée EGO	78-79

SYMBOLES DE SÉCURITÉ

L'objectif des symboles de sécurité est d'attirer votre attention sur les dangers potentiels. Vous devez examiner attentivement et bien comprendre les symboles de sécurité et les explications qui les accompagnent. Les symboles d'avertissement en tant que tels n'éliminent pas le danger. Les consignes et les avertissements qui y sont associés ne remplacent en aucun cas les mesures préventives adéquates.

⚠ AVERTISSEMENT: Assurez-vous de lire et de comprendre toutes les consignes de sécurité présentées dans le présent mode d'emploi, notamment toutes les consignes de sécurité indiquées par « **DANGER** », « **AVERTISSEMENT** » et « **MISE EN GARDE** ». Le non-respect des consignes de sécurité ci-dessous peut occasionner une décharge électrique, un incendie ou des blessures graves.

Les définitions ci-dessous décrivent le niveau de gravité pour chaque terme signalant un danger. Veuillez lire le mode d'emploi et regarder la signification de ces symboles

	<p>C'est le symbole d'alerte relatif à la sécurité. Il est utilisé pour vous avertir de l'existence possible d'un danger de lésion corporelle. Obéissez à tous les messages relatifs à la sécurité qui suivent ce symbole pour éviter tout risque de blessure ou même de mort.</p>
	<p>DANGER indique une situation dangereuse qui, si elle n'est pas évitée, causera la mort d'une personne ou une blessure grave.</p>
	<p>AVERTISSEMENT indique une situation dangereuse qui, si elle n'est pas évitée, pourrait causer la mort d'une personne ou une blessure grave.</p>
	<p>MISE EN GARDE, conjointement avec le symbole d'alerte en liaison avec la sécurité, indique une situation dangereuse qui, si elle n'est pas évitée, causera une blessure légère ou modérée.</p>

MESSAGES D'INFORMATION ET DE PRÉVENTION DES DOMMAGES

Ils informent l'utilisateur d'informations et/ou d'instructions importantes qui pourraient entraîner des dommages matériels ou aux équipements s'ils ne sont pas suivis. Chaque message est précédé par le terme « AVIS », comme dans l'exemple ci-dessous :

AVIS : Un dommage matériel et/ou aux équipements peut survenir si ces instructions ne sont pas suivies.

SYMBOLES

Cette page représente et décrit les symboles qui peuvent figurer sur ce produit. Lisez toutes les instructions figurant sur le produit avant de l'assembler et de commencer à l'utiliser, assurez-vous que vous les comprenez, et suivez-les.

	Alerte de sécurité	Précautions en liaison avec votre sécurité.
	Lisez le mode d'emploi, et assurez-vous que vous le comprenez.	Pour réduire le risque de blessure, l'utilisateur doit lire le mode d'emploi et s'assurer qu'il le comprend avant de commencer à utiliser ce produit.
	Débranchez la pile avant toute opération d'entretien.	Alerte l'utilisateur pour qu'il débranche la pile avant toute opération d'entretien.
IP...	Indice de protection pour la pénétration (PP)	Classifie le degré de protection fourni par un boîtier, pour les équipements électriques..
Gal	Gallon	Volume
CFM	Pieds cubes par minute	Volume d'air
in. H ₂ O	Colonne d'eau en po	Pression
°F	Degrés Fahrenheit	Température
°C	Degrés Celsius	Température
lbs	lb	Poids
kg	Kilogramme	Poids

CONSIGNES DE SÉCURITÉ IMPORTANTES POUR L'ASPIRATEUR DE LIQUIDES ET DE POUSSIÈRES

⚠ AVERTISSEMENT ! Lisez tous les avertissements et toutes les instructions. La non-observation des avertissements et des instructions pourrait causer un choc électrique, un incendie et/ou des blessures personnelles graves.

- Cet équipement est conçu pour un emploi résidentiel seulement.
- Ne laissez pas cet équipement sans surveillance lorsque la pile y est installée. Retirez le bloc-piles de l'équipement s'il n'est pas utilisé ou avant tout entretien.
- Ne laissez pas cet outil être utilisé comme un jouet. Il est nécessaire de prendre des précautions appropriées quand il est utilisé par des enfants ou à proximité d'enfants.
- N'utilisez la souffeuse que conformément à ce qui est décrit dans ce mode d'emploi. N'utilisez que les attachements recommandés par le fabricant.
- Si cet équipement ne fonctionne pas comme il devrait, si quelqu'un l'a fait tomber, s'il est endommagé, s'il a été laissé à l'extérieur ou s'il est tombé dans de l'eau, rappez-le à un centre de service après-vente.
- Ne manipulez pas cet équipement avec les mains mouillées.
- Ne placez pas d'objets dans les orifices de l'aspirateur. N'utilisez pas l'aspirateur si l'un de ses orifices est obstrué ; assurez-vous que les orifices ne sont pas bloqués par de la poussière, de la peluche, des cheveux ou un quelconque objet risquant de réduire la circulation de l'air.
- Gardez vos cheveux, des vêtements amples, vos doigts et toutes les parties de votre corps à une distance suffisante des orifices et des pièces mobiles.
- Désactivez toutes les commandes avant de retirer le bloc-piles.
- Faites particulièrement attention lorsque vous nettoyez des escaliers.
- N'utilisez pas cet équipement pour aspirer des produits inflammables ou combustibles liquides, tels que de l'essence, et ne l'utilisez pas dans des endroits où de tels produits pourraient être présents.
- Ne ramassez pas d'objets en train de brûler ou de fumer, comme des cigarettes, des allumettes ou des cendres chaudes. Pour réduire les risques pour la santé liés aux vapeurs ou aux poussières, n'aspirez pas de matériaux toxiques.

- N'utilisez pas cet aspirateur dans le cadre d'un programme de rénovation, réparation et peinture (RRP) impliquant du travail sur de la peinture contenant du plomb (normes de l'EPA) car il se pourrait qu'il y ait des résidus de plomb. Toute utilisation de cet aspirateur dans le cadre d'un programme RRP impliquant du travail sur de la peinture contenant du plomb (normes de l'EPA) peut entraîner un danger pour la santé et l'environnement.
- N'utilisez pas cet équipement pour aspirer des substances ou des poussières dangereuses ou toxiques, par exemple de l'amiante. Le filtre standard ne peut capturer toutes les particules dangereuses, ce qui pourrait causer des dangers pour la santé.
- Ne pas utiliser pour aspirer des poussières de béton et/ou toute autre matière contenant de la silice. Ce filtre ne peut capturer toutes les poussières de silice, ce qui pourrait causer des dangers pour la santé.
- N'utilisez pas et ne rangez pas cet aspirateur à proximité de matières dangereuses.
- Ne l'utilisez pas sans que le sac à poussière et/ou les filtres ne soient en place.
- Prévenez une mise en marche accidentelle. Assurez-vous que l'interrupteur est dans la position d'arrêt avant de le connecter au bloc-piles, ou de soulever ou de transporter votre équipement. Le fait de transporter cet équipement avec le doigt sur l'interrupteur ou de le mettre sous tension avec l'interrupteur en position de marche invite les accidents.
- Débranchez le bloc-piles de votre équipement avant d'y apporter de quelconques modifications, de changer des accessoires ou de ranger cet équipement. De telles mesures de sécurité préventives réduisent le risque de démarrage accidentel de l'outil.
- Ne rechargez cet équipement qu'avec le chargeur indiqué par le fabricant. Un chargeur qui est approprié pour un type de bloc-piles pourrait créer un risque d'incendie quand il est utilisé avec un autre bloc-piles.
- Utilisez cet équipement exclusivement avec des blocs-piles conçus spécifiquement pour celui-ci. L'emploi de tout autre bloc-piles risquerait de causer des blessures et un incendie.
- Lorsque le bloc-piles n'est pas utilisé, gardez-le à une distance suffisante des autres objets en métal, comme des trombones, pièces de monnaie, clés, clous, vis ou autres petits objets en métal qui pourraient établir une connexion entre une borne et une autre. Le court-circuitage des bornes d'une pile pourrait causer des brûlures ou un incendie.

- Dans des conditions d'utilisation abusives, du liquide pourrait être éjecté de la pile; évitez tout contact avec ce liquide. En cas de contact accidentel, lavez avec de l'eau. En cas de contact de liquide avec les yeux, consultez un professionnel de santé. Tout liquide éjecté d'une pile peut causer de l'irritation ou des brûlures.
- N'utilisez pas un bloc-piles ou un équipement qui est endommagé ou qui a été modifié. Des piles endommagées ou modifiées peuvent se comporter de façon imprévisible et causer un incendie, une explosion ou des blessures.
- N'exposez pas un bloc-piles ou un équipement électrique à un incendie ou à une température excessive. L'exposition à un feu ou à une température supérieure à 130° C / 265° F pourrait causer une explosion.
- Suivez toutes les instructions relatives à la charge et ne chargez pas le bloc-piles ou l'équipement en dehors de la plage de température indiquée dans les instructions. Une charge dans des conditions appropriées ou à des températures en dehors de la plage spécifiée pourrait endommager les piles et augmenter le risque d'incendie.
- Faites entretenir votre produit par un réparateur compétent n'utilisant que des pièces de rechange identiques. Ceci assurera le maintien de la sécurité du produit.
- Ne modifiez pas et ne tentez pas de réparer cet équipement ou le bloc-piles (suivant le cas), sauf conformément à ce qui est indiqué dans les instructions d'utilisation et dans le mode d'emploi.
- **N'utilisez qu'avec les blocs-piles et les chargeurs indiqués ci-dessous :**

BLOC-PILE	CHARGEUR
BA1400, BA1400-FC, BA2800, BA2800-FC, BA4200, BA4200-FC, BA1400T, BA1400T-FC, BA2242T, BA2242T-FC, BA2800T, BA2800T-FC, BA3360T, BA3360T-FC, BA4200T, BA4200T-FC, BA4480T, BA4480T-FC, BA5600T, BA5600T-FC, BA6720T, BA6720T-FC	CH2100, CH2100-FC, CH3200, CH3200-FC, CH5500, CH5500-FC, CH2800D, CH2800D-FC, CH7000, CH7000-FC

- Pour la commande à distance, utilisez uniquement une source d'alimentation répertoriée/certifiée par l'ITE.

CONSIGNES DE SÉCURITÉ SUPPLÉMENTAIRES

⚠ AVERTISSEMENT : Le perçage, le sciage, le ponçage ou l'usinage de produits en bois peuvent vous exposer à de la poussière de bois, une substance qui, selon l'État de Californie, est susceptible de causer des cancers. Évitez d'inhaler de la sciure de bois, ou utilisez un masque antipoussière ou d'autres dispositifs de protection individuelle. Pour obtenir plus d'informations, rendez-vous sur le site www.P65Warnings.ca.gov/wood.

⚠ AVERTISSEMENT : Des travaux de ponçage, de sciage, de meulage et de perçage réalisés avec un outil électrique et d'autres travaux de construction peuvent produire des poussières qui, selon l'État de Californie, contiennent des produits chimiques qui sont des causes reconnues de cancer, de malformation congénitale ou d'autres problèmes reproductifs. Ces produits chimiques sont, par exemple :

- du plomb provenant de peinture au plomb,
- des cristaux de silice provenant des briques et du ciment, ou d'autres produits de maçonnerie, et
- de l'arsenic et du chrome provenant de bois de construction traité par des produits chimiques.

Le niveau de risque causé par de telles expositions varie en fonction de la fréquence de ces types de travaux. Pour réduire votre exposition à ces produits chimiques :

- Travaillez toujours dans un endroit bien ventilé.
- Portez un équipement de sécurité approprié tel que certains masques conçus spécialement pour filtrer les particules microscopiques.
- Évitez tout contact prolongé avec la poussière produite par le ponçage, le sciage, le meulage, le perçage et d'autres activités de construction avec des outils électriques. Portez des vêtements de protection et lavez les surfaces de la peau ayant été exposées avec de l'eau et du savon. Si vous laissez de la poussière pénétrer dans votre bouche ou dans vos yeux, ou rester sur votre peau, cela risquerait de promouvoir l'absorption de produits chimiques toxiques.

DÉCLARATION DE CONFORMITÉ FCC

1. Cet appareil est conforme à la partie 15 des Règlements de la FCC. Son fonctionnement est soumis aux deux conditions suivantes :
 - 1) L'appareil ne doit pas provoquer d'interférences nuisibles.
 - 2) L'appareil doit accepter toute interférence reçue, y compris des interférences susceptibles de causer un fonctionnement non désiré.
2. Tout changement ou toute modification non expressément approuvé par la partie responsable de la conformité peut annuler le droit de l'utilisateur à faire fonctionner l'équipement

AVERTISSEMENT: Cet équipement a été testé et a été déclaré conforme aux restrictions pour dispositifs numériques de classe B en vertu de la partie 15 des Règlements de la FCC. Ces restrictions visent à offrir une protection raisonnable contre l'interférence nuisible d'une installation résidentielle. Cet équipement génère, utilise et peut émettre de l'énergie de fréquence radio et, s'il n'est pas installé et utilisé conformément aux instructions, il peut causer une interférence nuisible aux radiocommunications. Toutefois, il n'est pas garanti qu'une interférence ne puisse pas se produire dans une installation particulière. Si l'équipement cause une interférence nuisible à la réception radio ou télévisuelle, interférence qui peut être déterminée en allumant et en éteignant l'équipement, il est recommandé que l'utilisateur tente de corriger l'interférence en prenant au moins l'une des mesures suivantes : réorienter ou déplacer l'antenne de réception; augmenter la distance entre l'équipement et le récepteur; brancher l'équipement sur une prise de courant qui n'appartient pas au circuit sur lequel le récepteur est branché; consulter le vendeur ou un technicien spécialisé en audiovisuel pour obtenir de l'aide.

Conservez ces instructions. Consultez-les fréquemment et utilisez-les pour donner les instructions nécessaires à d'autres personnes qui peuvent utiliser ce produit. Si vous prêtez ce produit à quelqu'un d'autre, donnez également à cette personne ces instructions pour éviter toute utilisation abusive du produit et tout risque de blessure.

DÉCLARATION DE L'ISDE

Ce dispositif contient un ou plusieurs émetteurs/récepteurs exempts d'obligation de licence qui sont conformes au(x) CNR d'Innovation, Sciences et Développement économique Canada. Le fonctionnement est soumis aux deux conditions suivantes :

1. Ce dispositif ne doit pas causer d'interférences.
2. Ce dispositif doit accepter toutes les interférences, y compris les interférences pouvant entraîner un fonctionnement indésirable du dispositif.

INTRODUCTION

Félicitations pour votre choix de cet aspirateur de liquides et de poussières au lithium-ion de 56 V. Il a été conçu, développé et fabriqué pour vous donner le plus possible de fiabilité et de performance.


Si vous éprouvez un problème que vous n'arrivez pas à régler facilement, veuillez communiquer avec le centre de service à la clientèle d'EGO au 1 855 EGO-5656.

Le présent guide contient des renseignements importants pour assembler, utiliser et entretenir en toute sécurité votre produit. Lisez-le soigneusement avant d'utiliser le produit. Conservez ce guide à portée de main afin de pouvoir le consulter à tout moment.

NUMÉRO DE SÉRIE _____ DATE D'ACHAT _____

NOUS VOUS RECOMMANDONS DE NOTER LE NUMÉRO DE SÉRIE ET LA DATE D'ACHAT ET DE LES CONSERVER EN LIEU SÛR AFIN DE POUVOIR LES CONSULTER ULTÉRIEUREMENT.

CARACTÉRISTIQUES TECHNIQUES

Tension	56V 		
Capacité du réservoir à poussière	9 gallons		
Mode de vitesse	Basse	Élevée	TURBO
Débit d'air max. (pi ³ /min)	70	90	110
Puissance d'aspiration max. (po. de H ₂ O)	40	64	100
Télécommande	Température de charge	0° C – 45° C / 32° F – 113° F	
	Tension de charge maximum	5 V	
	Courant de charge maximum	1 A	
Indice de protection pour la pénétration	IPX4* (Protection contre les éclaboussures d'eau)		
Température de fonctionnement recommandée	-5° C – 40° C / 23° F – 104° F		
Température de stockage recommandée	-20° C – 70° C / -4° F – 158° F		
Poids (sans le bloc-piles)	12,1 kg / 26,7 lb		

* **REMARQUE** : L'indice de protection IPX4 est basé sur la machine et la pile utilisées ensemble en tant que système.

ACCESSOIRES

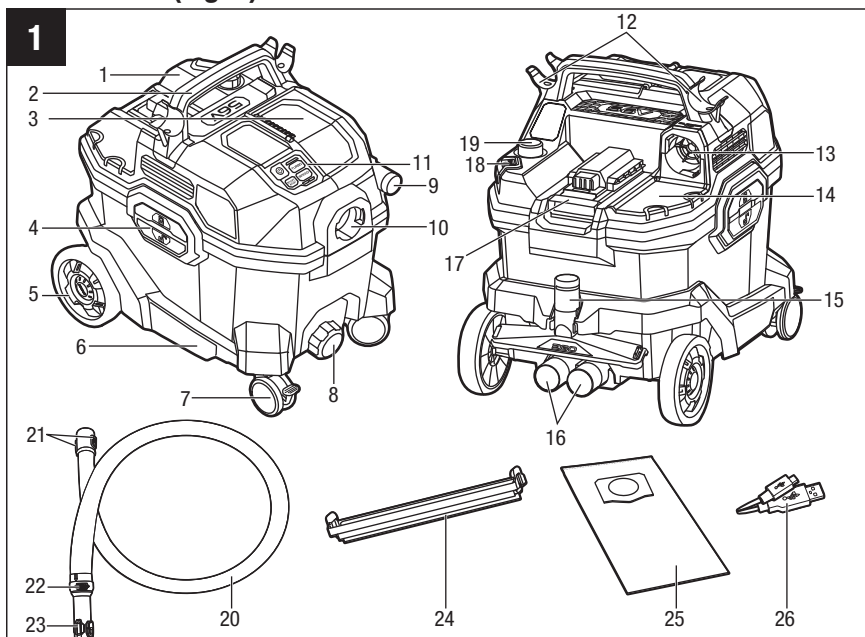
⚠ AVERTISSEMENT : Utilisez seulement des accessoires identiques énumérées ci-dessous. L'utilisation de pièces qui ne répondent pas aux spécifications des équipements d'origine pourrait causer une performance inadéquate et compromettre la sécurité.

NOM DE LA PIÈCE	NUMÉRO DE MODÈLE
Tuyau flexible d'aspiration	AVH0907
Sacs à poussière (5)	AVG0905
Filtre standard	AVF0900

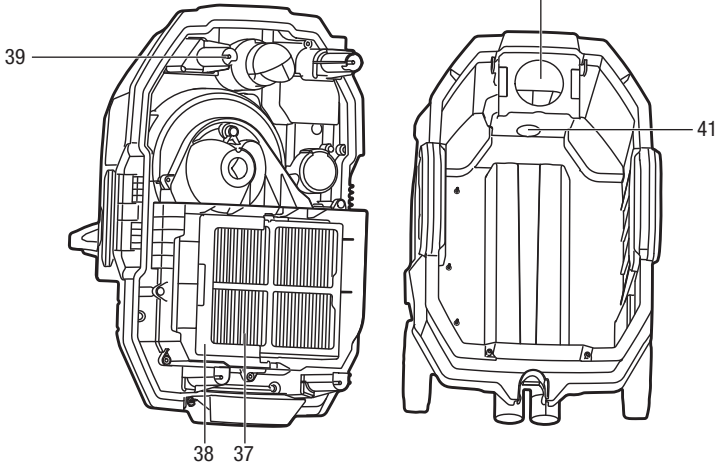
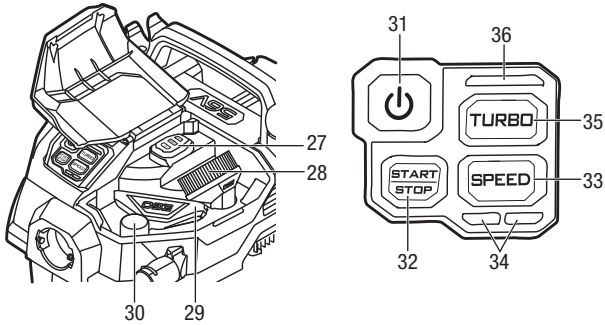
Pour obtenir plus d'informations sur les tout derniers accessoires, veuillez vous rendre sur le site HYPERLINK "<http://www.egopowerplus.com>" www.egopowerplus.com.

DESCRIPTION

FAMILIARISEZ-VOUS AVEC VOTRE ASPIRATEUR DE LIQUIDES ET DE POUSSIÈRES (Fig. 1)



- | | |
|---|--|
| 1. Ensemble de bloc moteur | 14. Rangement temporaire des accessoires |
| 2. Poignée | 15. Grand suceur pour le sol + barre de brosse |
| 3. Compartiment de rangement des accessoires (Fig. 1a) | 16. Tubes de rallonge |
| 4. Loquet de verrouillage du réservoir à poussière (x2) | 17. Bouton d'éjection du bloc-piles |
| 5. Roue arrière (x2) | 18. Bouton de nettoyage automatique du filtre |
| 6. Réservoir à poussière | 19. Fiche de nettoyage automatique du filtre |
| 7. Roue pivotante avec frein (x2) | 20. Tuyau flexible d'aspiration |
| 8. Capuchon de l'orifice de drainage | 21. Bouton d'éjection du tuyau flexible |
| 9. Suceur pour interstices | 22. Régulateur d'aspiration |
| 10. Orifice d'aspiration | 23. Support de montage de la télécommande |
| 11. Panneau de l'opérateur (Fig.1b) | 24. Barre en caoutchouc |
| 12. Fentes de rangement pour le tuyau de l'aspirateur | 25. Sac à poussière |
| 13. Orifice de sortie pour le soufflage | 26. Cable de charge pour la télécommande |

1a


- | | |
|--|--------------------------------|
| 27. Télécommande | 34. Indicateur de vitesse |
| 28. Buse de brosse de dépeussierage ronde | 35. Bouton TURBO |
| 29. Suceur compact pour le sol | 36. Indicateur TURBO |
| 30. Adaptateur d'outil électrique | 37. Filtre |
| 31. Bouton de mise sous tension/hors tension | 38. Support de filtre |
| 32. Bouton de marche/arrêt | 39. Capteur de liquide (x4) |
| 33. Bouton de réglage de la vitesse | 40. Support de sac à poussière |
| | 41. Orifice de drainage |

⚠ AVERTISSEMENT : Pour que ce produit puisse être utilisé en toute sécurité, il est nécessaire de comprendre les informations figurant sur le produit et dans son mode d'emploi, et de bien maîtriser le projet que vous voulez réaliser. Avant d'utiliser ce produit, familiarisez-vous avec toutes ses fonctionnalités et les consignes de sécurité qui s'y appliquent.

Poignée

Utilisez la poignée pour soulever l'ensemble de bloc moteur lorsque le réservoir à poussière est déverrouillé, ou pour soulever l'ensemble de l'aspirateur de liquides et de poussières lorsque le réservoir à poussière est verrouillé.

Compartment de rangement des accessoires

Contient une télécommande, une brosse à poussière ronde, un suceur compact pour le sol et un adaptateur pour outil électrique.

REMARQUE : Le câble de charge est fourni avec le mode d'emploi.

Loquets de verrouillage du réservoir à poussière

Verrouillez ou déverrouillez le réservoir à poussière sur l'ensemble de bloc moteur.

Réservoir à poussière

Peut être utilisé pour la collecte de poussière et de débris secs ou humides.

Sac à poussière

Ne peut être utilisé que pour l'aspiration de débris secs.

Roues pivotantes

Équipées de freins pour arrêter l'aspirateur sur place.

Capuchon de l'orifice de drainage

Retirez le bouchon pour drainer le liquide du réservoir à poussière dans un récipient approprié.

Orifice d'aspiration

Avec un tuyau d'aspiration raccordé, cet orifice est utilisé pour aspirer les déchets ou les poussières sèches.

Fentes de rangement pour le tuyau de l'aspirateur

Pour ranger le tuyau flexible de l'aspirateur lorsqu'il n'est pas utilisé.

Orifice de sortie pour le soufflage

Avec un tuyau d'aspiration raccordé, cet orifice peut être utilisé comme soufflante.

Rangement temporaire des accessoires

Pour ranger temporairement des accessoires.

Bouton d'éjection du bloc-piles

Appuyez sur ce bouton pour détacher le bloc-piles de l'aspirateur.

Filtre

Capture les particules dans l'air.

Bouton de nettoyage automatique du filtre

Appuyez sur ce bouton pour activer la fonction de nettoyage automatique du filtre.

Fiche de nettoyage automatique du filtre

Lors du nettoyage automatique du filtre, la buse du tuyau d'aspiration doit être montée sur la fiche de nettoyage automatique du filtre de manière à ce que le tuyau d'aspiration soit étanche.

Tuyau flexible d'aspiration

Une extrémité du tuyau se connecte à l'orifice d'aspiration ou à l'orifice de soufflage, et l'autre extrémité est compatible avec des buses ou des adaptateurs divers.

Bouton d'éjection du tuyau flexible

Appuyez sur le bouton pour déconnecter le tuyau d'aspiration.

Support de montage de la télécommande

Pour maintenir temporairement la télécommande en cas de besoin. Par exemple, lors de l'utilisation du suceur pour interstices pour nettoyer les zones sombres, la télécommande peut être positionnée ici et utilisée pour l'éclairage.

Capteurs de liquide

Lorsque le niveau de liquide dans le réservoir à poussière atteint la pointe inférieure de deux capteurs adjacents quelconques, l'aspirateur s'arrête automatiquement pour éviter le débordement du liquide dans le réservoir à poussière.

PANNEAU DE L'OPÉRATEUR

Bouton de mise sous tension/hors tension

Le bouton de mise sous tension/hors tension doit être enfoncé avant de démarrer l'aspirateur de liquides et de poussières.

⚠ AVERTISSEMENT : Le bouton de mise sous tension/hors tension est un dispositif de sécurité. Ne tentez jamais de le neutraliser.

Bouton de marche/arrêt

Met l'aspirateur en marche et l'arrête.

Bouton de réglage de la vitesse

Il permet à l'opérateur de sélectionner la vitesse désirée.

Indicateur de vitesse

Le nombre de lumières vertes allumées indique le niveau actuel de la vitesse.

Bouton TURBO

Il permet de faire passer l'aspirateur en mode « TURBO », c'est-à-dire à la vitesse la plus élevée.

Indicateur TURBO

Affiche une lumière verte lorsque l'aspirateur fonctionne à la vitesse la plus élevée.

ACCESSOIRES DE NETTOYAGE

Tubes de rallonge

Raccordez une ou deux rallonges au tuyau de l'aspirateur selon les besoins pour accéder aux zones difficiles à atteindre et les nettoyer.

Suceur pour interstices

Convient pour aspirer et nettoyer les coins et les endroits étroits. En outre, lorsque le tuyau d'aspiration est connecté à l'orifice de sortie de la soufflerie, cette buse est utilisée pour diriger et concentrer le flux d'air.

Grand suceur pour le sol + barre de brossage

Cette combinaison permet de nettoyer de grandes surfaces, quel que soit le type de sol. La barre de brossage est amovible et peut être remplacée par une barre en caoutchouc.

Barre en caoutchouc

Combinée avec le grand suceur pour le sol, elle convient pour le nettoyage des liquides sur la surface du sol.

Suceur compact pour le sol

Il est idéal pour nettoyer l'intérieur des voitures, des bateaux et des autocaravanes. Il peut être utilisé pour le nettoyage de débris secs ou humides.

Buse de brosse de dépoussiérage ronde

Elle convient pour le nettoyage des surfaces en cuir telles que les sièges en cuir des automobiles.

Adaptateur d'outil électrique

Il permet de raccorder l'aspirateur à divers outils électriques dotés d'une sortie de dépoussiérage de 1-1/4 po de diamètre, tels que les ponceuses et les scies sauteuses.

ASSEMBLAGE

⚠ AVERTISSEMENT : Si certaines pièces sont endommagées ou manquantes, n'utilisez pas ce produit avant que ces pièces aient été remplacées. L'utilisation de ce produit avec des pièces endommagées ou manquantes pourrait causer des blessures graves.

⚠ AVERTISSEMENT : Ne tentez pas de modifier ce produit ou de créer des accessoires qu'il n'est pas recommandé d'utiliser avec ce produit. Une telle altération ou modification constituerait une utilisation abusive et pourrait créer une situation dangereuse avec risque de blessures graves.

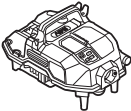
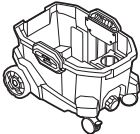
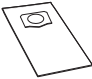

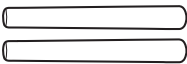





⚠ AVERTISSEMENT : Pour empêcher tout démarrage accidentel qui pourrait causer une blessure grave, retirez toujours le(s) bloc-piles du produit lorsque vous effectuez le montage de pièces.





DÉBALLAGE

Ce produit nécessite un assemblage.

- Retirez le produit et tous les accessoires de la boîte en prenant les précautions nécessaires. Assurez-vous que tous les articles indiqués sur la liste des pièces sont inclus.
- Inspectez attentivement le produit pour vous assurer qu'aucun endommagement ou bris de pièce(s) ne s'est produit pendant le transport.
- Ne jetez pas les matériaux d'emballage avant d'avoir inspecté attentivement le produit et de l'avoir mis en marche de façon satisfaisante.
- Si une pièce quelconque est endommagée ou manquante, veuillez rapporter le produit dans le magasin où vous l'avez acheté.

LISTE DES PIÈCES

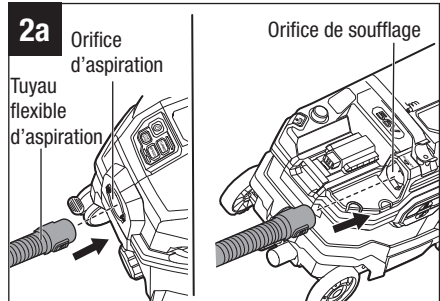
NOM DE LA PIÈCE	FIGURE	QUANTITÉ
Ensemble de bloc moteur		1
Réservoir à poussière		1
Sac à poussière		1
Tuyau flexible d'aspiration		1
Tubes de rallonge		2
Télécommande		1
Câble de charge pour la télécommande		1
Adaptateur d'outil électrique		1
Suceur pour interstices		1
Buse de brosse de dé poussiérage ronde		1

NOM DE LA PIÈCE	FIGURE	QUANTITÉ
Grand suceur pour le sol + barre de brosse		1
Barre en caoutchouc		1
Suceur compact pour le sol		1
Mode d'emploi		1

CONNEXION/DÉCONNEXION DU TUYAU FLEXIBLE DE L'ASPIRATEUR (Fig. 2)

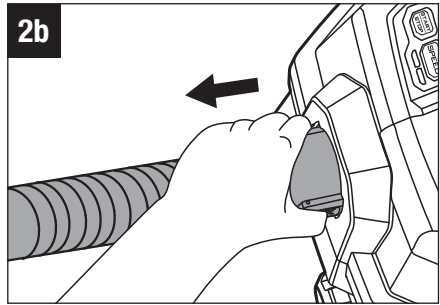
Connexion du tuyau flexible de l'aspirateur (Fig. 2a)

1. Alignez l'extrémité du tuyau (avec les deux boutons d'éjection du tuyau) sur l'orifice d'aspiration ou l'orifice de soufflage, selon vos besoins.
2. Poussez l'extrémité dans l'orifice d'aspiration ou l'orifice de soufflage jusqu'à ce que vous entendiez un déclic indiquant que le tuyau est fixé en place.



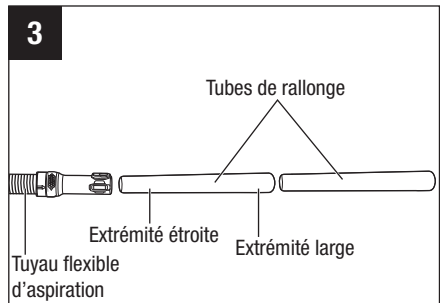
Déconnexion du tuyau de l'aspirateur (Fig. 2b)

Appuyez sur les deux boutons d'éjection du tuyau à l'extrémité du tuyau et maintenez-les enfoncés pour retirer le tuyau de l'aspirateur.



CONNEXION/DÉCONNEXION DES TUBES DE RALLONGE (Fig. 3)

Raccordez un ou deux tubes de rallonge au tuyau d'aspiration en fonction de vos besoins.



Connexion du tube de rallonge

1. Alignez l'extrémité étroite du tube de rallonge sur le tuyau d'aspiration.
2. Insérez le tube de rallonge dans le tuyau d'aspiration aussi loin que possible jusqu'à ce que le tube de rallonge soit fixé en place.

Déconnexion du tube de rallonge

Retirez le tube de rallonge du tuyau d'aspiration.

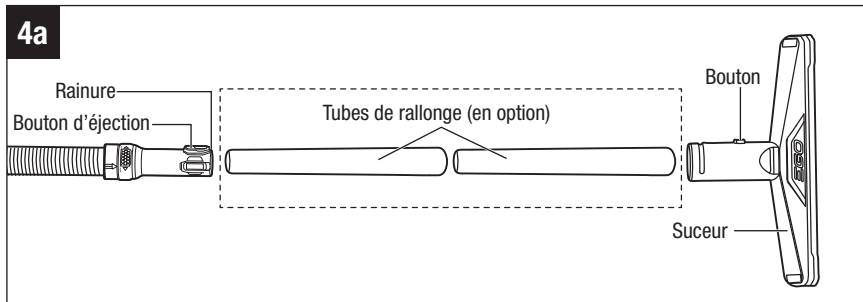
Le second tube de rallonge est connecté au premier tube ou déconnecté de celui-ci de la même manière.

INSTALLATION/RETRAIT DES SUCEURS (Fig. 4)

Choisissez un suceur approprié à installer directement sur le tuyau flexible de l'aspirateur ou sur le tube de rallonge, en fonction de vos besoins (Fig. 4a).

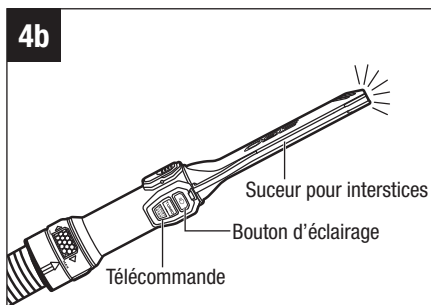
Suivez la procédure décrite dans la section intitulée « **CONNEXION/DÉCONNEXION DES TUBES DE RALLONGE** » pour connecter le suceur sur le tube de rallonge ou pour l'en déconnecter.

Pour raccorder directement le suceur au tuyau flexible de l'aspirateur, alignez le bouton du suceur sur la rainure du tuyau flexible, puis poussez le suceur sur le tuyau flexible de l'aspirateur jusqu'à ce que vous entendiez un déclic indiquant que le suceur est installé en place. Pour le déconnecter, appuyez sur le bouton d'éjection et maintenez-le enfoncé pour détacher le suceur du tuyau flexible de l'aspirateur.



Suceur pour interstices (Fig. 4b)

Les zones sombres peuvent être facilement nettoyées lors de l'utilisation du suceur pour interstices à l'aide de la lumière intégrée de la télécommande.

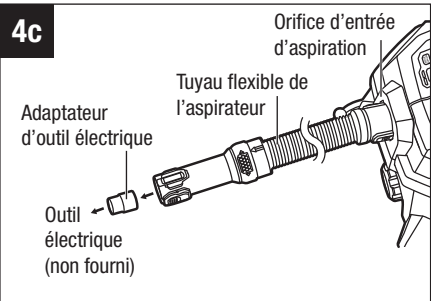


Raccordez le suceur pour interstices au tuyau flexible de l'aspirateur et enclenchez la télécommande sur le support de la télécommande situé sur le tuyau flexible de l'aspirateur. Appuyez sur le bouton d'éclairage de la télécommande, et le suceur transparent pour interstices s'allumera alors.

Adaptateur d'outil électrique (Fig. 4c)

L'adaptateur d'outil électrique permet de raccorder l'aspirateur à un outil électrique doté d'un orifice de dépoussiérage de 1-1/4 po de diamètre.

Le tuyau flexible de l'aspirateur étant connecté à l'orifice d'aspiration de l'aspirateur, insérez l'adaptateur d'outil électrique dans l'aspirateur aussi loin que possible jusqu'à ce que l'adaptateur d'outil électrique soit fixé en place, puis connectez l'adaptateur à l'orifice de dépoussiérage de l'outil électrique.

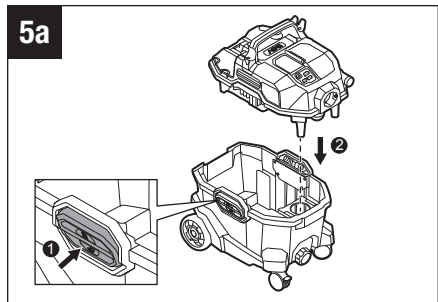


⚠ AVERTISSEMENT : L'adaptateur d'outil électrique ne peut pas être connecté au(x) tube(s) de rallonge. Le fait de forcer l'installation pourrait endommager l'adaptateur d'outil électrique ou le(s) tube(s) de rallonge.

INSTALLATION/RETRAIT DE L'ENSEMBLE DE BLOC MOTEUR (Fig. 5)

Installation de l'ensemble de bloc moteur (Fig. 5a & 5b)

1. Poussez les parties inférieures des loquets de verrouillage du réservoir à poussière des deux côtés pour déverrouiller le réservoir à poussière (Fig. 5a).
2. Tenez la poignée de l'ensemble de bloc moteur et alignez le bloc moteur sur le réservoir à poussière. Abaissez l'ensemble de bloc moteur sur le réservoir à poussière (Fig. 5a).



3. Poussez les parties supérieures des loquets de verrouillage du réservoir à poussière des deux côtés pour verrouiller le réservoir à poussière (Fig. 5b).

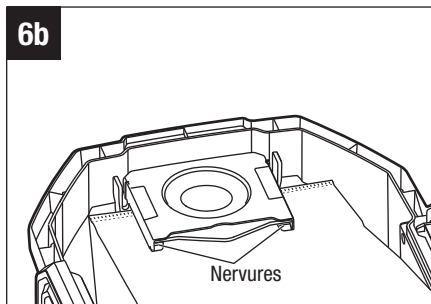
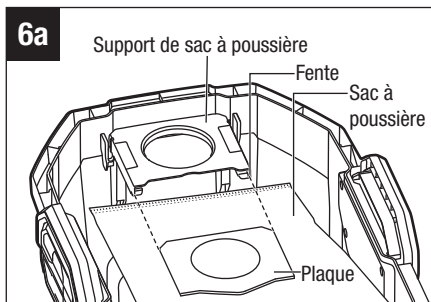
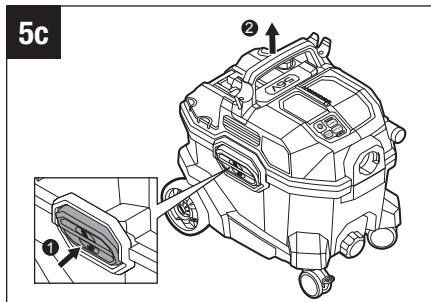
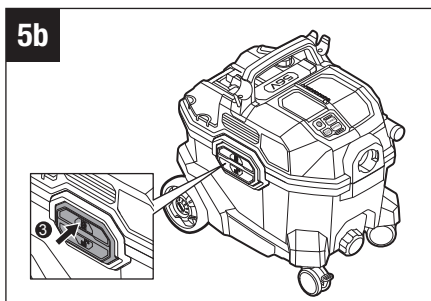
Retrait de l'ensemble de bloc moteur (Fig. 5c)

1. Poussez les parties inférieures des loquets de verrouillage du réservoir à poussière des deux côtés pour déverrouiller le réservoir à poussière.
2. Tenez la poignée pour soulever l'ensemble de bloc moteur.

INSTALLATION/RETRAIT DU SAC À POUSSIÈRE (EN OPTION) (Fig. 6)

1. Déverrouillez le réservoir à poussière et soulevez l'ensemble de bloc moteur.
2. **Pour installer le sac à poussière,** alignez la plaque du sac à poussière sur la fente du support du sac à poussière, puis insérez uniquement la plaque dans la fente jusqu'à ce que la plaque tombe le long des nervures, ce qui indique que les trous du sac à poussière et le support sont alignés. Dépliez manuellement le sac à poussière avant de ramasser de la poussière ou des débris.

Pour retirer le sac à poussière, soulevez légèrement la plaque au-dessus des nervures, puis tirez sur la plaque afin de la faire sortir de la fente pour retirer le sac à poussière.



FONCTIONNEMENT

⚠ AVERTISSEMENT : Ne laissez pas l'habitude de l'utilisation de ce produit vous empêcher de prendre toutes les précautions requises. N'oubliez jamais qu'une fraction de seconde d'inattention suffit pour causer de graves blessures.

⚠ AVERTISSEMENT : N'utilisez pas d'attachements ou d'accessoires qui ne sont pas recommandés par le fabricant de ce produit. L'utilisation d'attachements ou d'accessoires qui ne sont pas recommandés peut causer des blessures graves.

⚠ AVERTISSEMENT : Pour éviter tout risque de blessure grave, retirez le bloc-piles du produit avant de le réparer ou de le nettoyer, de changer des attachements ou de retirer des déchets du produit.

APPLICATION

Vous pouvez utiliser ce produit pour faire ce qui suit :

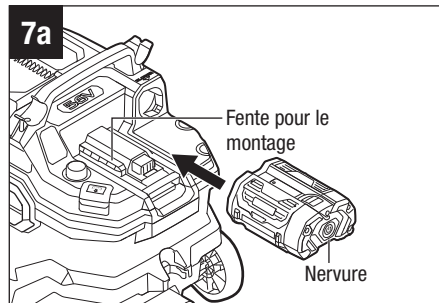
- Aspiration de déchets liquides ou de poussières sèches lorsque l'orifice d'aspiration est utilisé.
- Fonctionnement comme une souffleuse lorsque l'orifice de soufflage est utilisé.

INSTALLATION / RETRAIT DU BLOC-PILES (Fig. 7)

REMARQUE : Chargez complètement le bloc-piles avant de vous en servir pour la première fois.

Installation du bloc-piles (Fig. 7a)

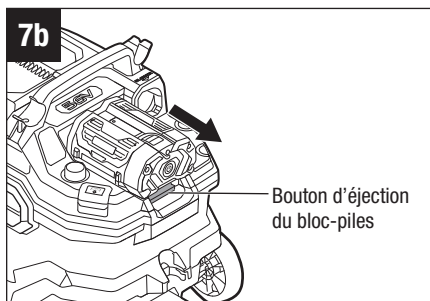
1. Alignez les nervures du bloc-piles sur les fentes de montage sur l'aspirateur.
2. Faites glisser le bloc-piles sur l'aspirateur jusqu'à ce qu'il s'enclenche à sa place.



⚠ AVERTISSEMENT : Assurez-vous que le loquet de verrouillage de l'aspirateur est bien en place et que le bloc-piles est correctement assujéti à l'aspirateur avant de commencer à l'utiliser. Si le bloc-piles n'est pas bien fixé en place, il risque de tomber et de provoquer des blessures graves.

Retrait du bloc-piles (Fig. 7b)

1. Tenez le bloc-piles dans votre main.
2. Appuyez sur le bouton d'éjection des piles en poussant vers le haut ; le bloc-piles se détachera alors du loquet.
3. Saisissez le bloc-piles et retirez-le de l'aspirateur.



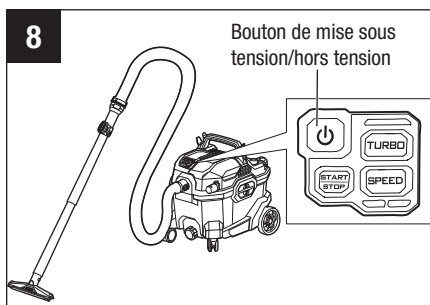
⚠ AVERTISSEMENT : Contrôlez toujours la position de vos pieds et surveillez les endroits où se trouvent les enfants et les animaux domestiques avant de séparer le bloc-piles de l'aspirateur. La chute du bloc-piles pourrait causer des blessures graves. Ne retirez JAMAIS le bloc-piles lorsque vous vous trouvez à un endroit surélevé.

⚠ AVERTISSEMENT : Retirez toujours le bloc-piles lorsque l'aspirateur n'est pas sous tension.

DÉMARRAGE/ARRÊT DE L'ASPIRATEUR DE LIQUIDES ET DE POUSSIÈRES (Fig. 8)

⚠ AVERTISSEMENT : Ne tentez pas de changer les paramètres de fonctionnement du bouton d'alimentation électrique.

⚠ AVERTISSEMENT : Lorsque le tuyau flexible de l'aspirateur est raccordé à l'orifice d'aspiration ou à l'orifice de soufflage, ne vous approchez jamais de l'autre orifice libre. Le non-respect de toutes ces instructions pourrait causer des blessures graves.



Mise en marche de l'aspirateur

1. Vérifiez que l'ensemble de bloc moteur est installé sur le réservoir à poussière et que ce dernier est verrouillé de façon sécurisée. Assurez-vous que le tuyau flexible de l'aspirateur, le(s) tube(s) de rallonge nécessaire(s) et le suceur sont correctement raccordés.

REMARQUE : L'aspirateur ne fonctionne que lorsque l'ensemble de bloc moteur est solidement fixé au réservoir à poussière.

2. Installez le bloc-piles sur l'aspirateur.
3. Appuyez sur le bouton de mise sous tension/hors tension pour mettre l'aspirateur en marche.
4. Appuyez sur le bouton de réglage de la vitesse pour sélectionner la vitesse lente ou la vitesse rapide, puis appuyez sur le bouton de marche/arrêt pour faire démarrer l'aspirateur. Vous pouvez également appuyer sur le bouton TURBO pour faire démarrer l'aspirateur directement à la vitesse maximale.

REMARQUE : La vitesse peut également être changée pendant l'aspiration. Pour plus d'informations à ce sujet, voir le chapitre intitulé « **SÉLECTION DE LA VITESSE** ».

Arrêt de l'aspirateur

1. Une fois l'aspiration terminée ou lorsque le réservoir à poussière est plein, appuyez sur le bouton de marche/arrêt pour arrêter temporairement l'aspirateur.
2. Ou appuyez sur le bouton de mise sous tension/hors tension pour éteindre complètement l'aspirateur.
3. Retirez le bloc-piles.
4. Videz le réservoir à poussière dans un récipient approprié ou dans un drain.

REMARQUE : Au moment du redémarrage, l'aspirateur reprend le réglage de vitesse qui était précédemment actif.

Indicateur du bouton de mise sous tension/hors tension.

Indicateur du bouton de mise sous tension/hors tension.	Signification	ACTION
Voyant allumé continuellement en vert.	En attente.	Aucune action n'est nécessaire. L'aspirateur s'éteint automatiquement après une heure d'inactivité.
	La machine fonctionne correctement.	Fonctionnement normal.
Voyant vert clignotant six fois, puis il s'éteint.	Le niveau de liquide dans le réservoir atteint la pointe inférieure des capteurs de liquide.	Arrêtez l'aspirateur, retirez le bloc-piles, puis videz le réservoir à poussière.
Voyant vert clignotant continuellement.	Erreur de l'électronique.	Contactez le Centre de service à la clientèle EGO pour obtenir de l'aide.

SÉLECTION DE LA VITESSE

Mode de vitesse régulière

- Chaque fois que vous appuyez sur le bouton de réglage de la vitesse, la vitesse bascule entre basse et élevée. L'indicateur de vitesse affiche des voyants verts correspondant au niveau de vitesse actuel.
- L'aspirateur enregistre le dernier réglage de vitesse et y revient au moment du redémarrage.

Mode TURBO

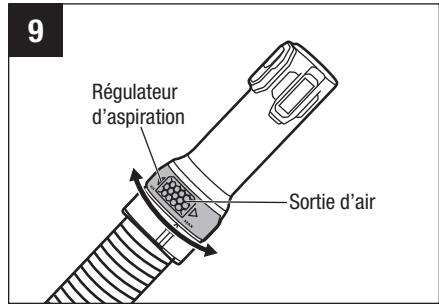
- Appuyez sur le bouton TURBO ; le voyant TURBO s'allumera alors en vert et l'aspirateur commencera directement à travailler à la vitesse « TURBO », c'est-à-dire à la vitesse la plus élevée.
- Lorsque vous êtes en mode TURBO, appuyez à nouveau sur le bouton TURBO, ou appuyez sur le bouton de réglage de la vitesse, le bouton de marche/arrêt ou le bouton de mise sous tension/hors tension ; le voyant TURBO s'éteindra alors et l'aspirateur quittera le mode TURBO.

REMARQUE : Après avoir quitté le mode TURBO, l'aspirateur reprendra la vitesse normale qui était active auparavant.

RÉGULATEUR D'ASPIRATION (Fig. 9)

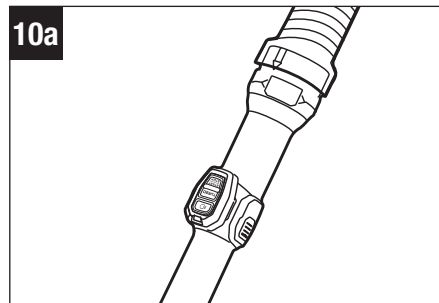
Lors de l'aspiration, le débit d'air à l'extrémité du tuyau flexible de l'aspirateur peut être contrôlé en tournant le régulateur d'aspiration. Tournez le régulateur pour exposer la sortie d'air afin de diminuer l'aspiration, ou tournez le régulateur pour couvrir la sortie d'air afin d'augmenter l'aspiration.

Cette fonction est particulièrement utile lorsque le tuyau flexible de l'aspirateur est bouché par des tapis, des tissus, etc. pendant l'aspiration ; tournez le régulateur pour exposer la sortie d'air, et l'aspiration diminuera alors.



TÉLÉCOMMANDE (Fig. 10)

- La télécommande peut être placée sur le tuyau flexible de l'aspirateur pendant l'aspiration (Fig. 10a).
- Lorsque l'aspirateur est sous tension, vous pouvez démarrer/arrêter l'aspirateur ou le mettre en mode TURBO au moyen de la télécommande.

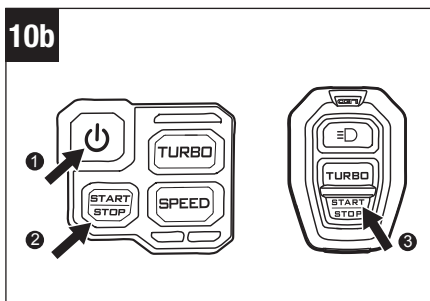


REMARQUE : La télécommande ne permet pas de passer d'une vitesse basse à une vitesse élevée.

- La télécommande peut également servir de lampe de poche pour les endroits sombres, notamment lors de l'utilisation du suceur pour interstices.

Appariement de la télécommande (Fig. 10b)

La télécommande a été appariée à l'aspirateur en usine. Toutefois, si la télécommande est endommagée ou perdue, suivez les étapes ci-dessous pour appairer votre nouvelle télécommande avec l'aspirateur.



1. Installez le bloc-piles sur l'aspirateur.
2. Appuyez sur le bouton de mise sous tension/hors tension pour mettre l'aspirateur en marche.
3. Appuyez longuement sur le bouton de marche/arrêt de l'aspirateur jusqu'à ce que le voyant du bouton de marche/arrêt clignote lentement en vert.
4. Appuyez sur le bouton TURBO ou sur le bouton de marche/arrêt de la télécommande dès que le voyant du bouton de mise sous tension/hors tension commence à clignoter lentement en vert.
5. Le voyant du bouton de mise sous tension/hors tension clignote rapidement en vert, puis il reste allumé continuellement en vert pour indiquer que l'appariement a réussi.

Indicateur de la télécommande

Indicateur de la télécommande	Signification	ACTION
Voyant vert clignotant rapidement	La charge de la pile de la télécommande est presque épuisée.	Chargez la télécommande.
Voyant vert clignotant lentement	La télécommande est en train de charger.	Aucune action n'est nécessaire.
Allumé continuellement en vert	La charge de la télécommande est terminée.	Débranchez la télécommande et le câble de charge de la source d'alimentation électrique.

REMARQUE : Pendant le fonctionnement normal, le voyant de la télécommande s'allume une fois lorsque le bouton TURBO ou le bouton de marche/arrêt est enfoncé une fois.

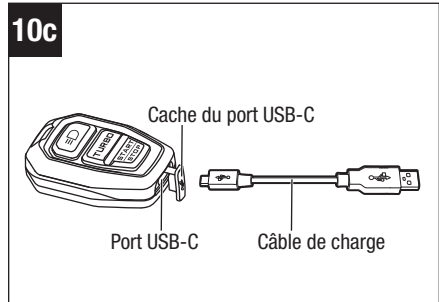
Recharge de la télécommande (Fig. 10c)

La pile de la télécommande doit être rechargée périodiquement. N'utilisez qu'avec une alimentation certifiée/ répertoriée ITE.

⚠ AVERTISSEMENT : En ce qui concerne la pile rechargeable Li-ion à l'intérieur de la télécommande, veuillez tenir compte des points ci-dessous :

- **Risque d'incendie et de brûlures.**
- **N'ouvrez pas, n'écrasez pas, ne chauffez pas au-dessus de 60° C / 140° F et n'incinerez pas.**
- **Ne court-circuitez pas.**
- **En cas de renflement sévère, cessez d'utiliser.**

- 1 Ouvrez le cache du port USB-C.
- 2 Connectez l'extrémité USB-C du câble de charge fourni au port USB-C de la télécommande.
- 3 Connectez l'autre extrémité du câble de charge à un adaptateur de courant/ chargeur USB compatible (non fourni). La recharge d'une pile complètement déchargée peut prendre jusqu'à deux heures.
- 4 Lorsque la pile est complètement chargée, débranchez le câble de charge et fermez le cache du port USB-C pour le protéger contre la contamination.



COMMENT TRAVAILLER AVEC L'ASPIRATEUR

Aspiration de matières humides :

- N'utilisez pas le sac à poussière pendant le fonctionnement de l'aspirateur avec des matières humides.
- Arrêtez immédiatement l'aspirateur lorsque le réservoir à poussière est plein. Videz le réservoir à poussière dans un récipient approprié ou dans un drain.
- Nettoyez l'intérieur du réservoir à poussière, le filtre et les accessoires périodiquement, mais plus souvent lorsqu'ils sont utilisés pour ramasser des matériaux humides et collants.

Aspiration de matières sèches

- Veillez à ce que le filtre soit complètement sec après l'aspiration de matières humide, ou utilisez un deuxième filtre sec pour l'aspiration de matières sèches. Les filtres humides ou mouillés se bouchent quand ils sont en contact avec de la poussière, ou ils moisissent.
- Pour réduire l'exposition à la poussière de silice, utilisez le sac à poussière.
- Éteignez immédiatement l'aspirateur lorsque le sac à poussière ou le réservoir à poussière est plein.
- Videz le réservoir à poussière dans un récipient approprié ou dans un drain.

Utilisation comme souffleuse

⚠ AVERTISSEMENT : Portez toujours un équipement de protection des yeux lorsque vous utilisez cette machine comme une souffleuse.

⚠ AVERTISSEMENT : Ne soufflez pas de produits inflammables ou combustibles tels que de l'essence, et n'utilisez pas cette machine comme souffleuse dans des endroits où de tels produits pourraient être présents. Cela pourrait causer un incendie.

⚠ AVERTISSEMENT : Ne dirigez pas le flux d'air de la souffleuse en direction des personnes ou des animaux de compagnie.

MAINTENANCE

⚠ AVERTISSEMENT : Pour éviter tout risque de blessure grave, retirez le bloc-piles du produit avant de le réparer ou de le nettoyer, de changer des attachements ou de retirer des déchets du produit.

⚠ AVERTISSEMENT : Lors de toute réparation, n'utilisez que des pièces de rechange identiques. L'utilisation de pièces qui ne répondent pas aux spécifications des équipements d'origine pourrait compromettre la sécurité ou endommager le produit. Pour assurer la sécurité et la fiabilité, toutes les réparations doivent être effectuées par un technicien de service qualifié.

AVIS : Inspectez périodiquement l'intégralité du produit pour vous assurer qu'il n'y a pas de pièces endommagées, manquantes ou desserrées comme des vis, des écrous, des boulons, des capuchons, etc. Serrez à fond tous les dispositifs de fixation et capuchons, et ne vous servez pas de ce produit avant que toutes les pièces manquantes ou endommagées aient été remplacées.

MAINTENANCE GÉNÉRALE

Évitez d'utiliser des solvants lorsque vous nettoyez des pièces en plastique. La plupart des plastiques sont susceptibles d'être endommagés par divers types de solvants commerciaux, et ils pourraient l'être si vous les utilisez. Utilisez des chiffons propres pour retirer les saletés, la poussière, l'huile, la graisse, etc.

⚠ AVERTISSEMENT : Ne laissez jamais de liquide de frein, d'essence, de produits à base de pétrole, d'huiles pénétrantes, etc. entrer en contact avec des composants en plastique. Les produits chimiques peuvent endommager, affaiblir ou détruire le plastique, ce qui pourrait causer des blessures graves.

VIDAGE DU RÉSERVOIR À POUSSIÈRE

1. Retirez le bloc-piles de l'aspirateur.
2. Retirez le capuchon de l'orifice de drainage pour vider le liquide contenu dans le réservoir à poussière dans un récipient approprié ou dans un drain, le cas échéant.
3. Déverrouillez les loquets de verrouillage du réservoir pour retirer l'ensemble de bloc moteur du réservoir à poussière.
4. Retirez le sac à poussière s'il est installé.

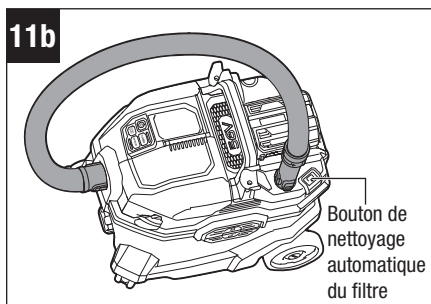
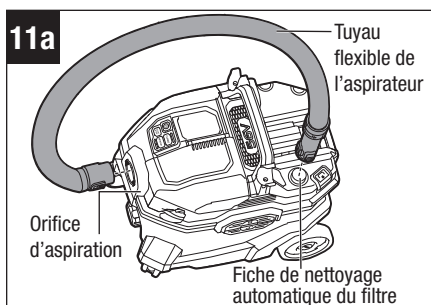
- Retirez toutes les saletés et tous les débris du réservoir à poussière, et nettoyez-le avec de l'eau et du savon doux.
- Laissez sécher le réservoir à poussière avant de remonter l'ensemble de bloc moteur.

ENTRETIEN DU FILTRE (Fig. 11)

Système de nettoyage automatique du filtre

L'aspirateur est équipé d'un système semi-automatique de nettoyage du filtre.

- Raccordez le tuyau flexible de l'aspirateur à l'orifice d'aspiration de l'aspirateur, et installez l'autre extrémité du tuyau sur la fiche de nettoyage automatique du filtre (Fig. 11a).
- Installez le bloc-piles, puis appuyez sur le bouton de mise sous tension/hors tension pour mettre la machine sous tension.
- Sélectionnez le mode de vitesse souhaité et appuyez sur le bouton de marche/arrêt pour mettre la machine en marche.
- Appuyez sur le bouton de nettoyage automatique du filtre pour nettoyer le filtre (Fig. 11b).



SUGGESTIONS : Pour obtenir le meilleur effet de nettoyage possible, il est recommandé de sélectionner le mode TURBO, d'appuyer cinq fois sur le bouton de nettoyage automatique du filtre et de le maintenir enfoncé pendant trois secondes à chaque fois.

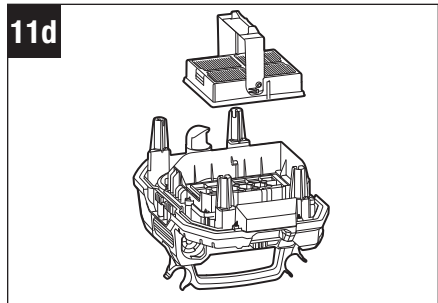
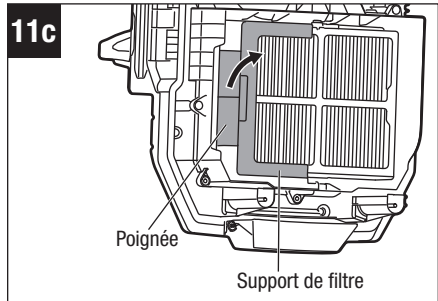
Lavage du filtre

Retirez le bloc-piles et examinez le filtre en soulevant l'ensemble de bloc moteur. Si le filtre est toujours sale après avoir suivi les étapes de la section intitulée « **Système de nettoyage automatique du filtre** », retirez le filtre et rincez-le à l'eau froide. Laissez le filtre sécher complètement avant de le réinstaller.

Remplacement du filtre (Fig. 11c & Fig. 11d)

⚠ AVERTISSEMENT : Inspectez périodiquement le filtre et remplacez-le s'il est usé ou endommagé. L'utilisation de filtres endommagés peut entraîner la libération dans l'air de contaminants indésirables du réservoir.

1. Retirez le bloc-piles.
2. Soulevez l'ensemble de bloc moteur et mettez-le sur le côté.
3. Dépliez la poignée du support du filtre et tirez sur le support avec le filtre pour le faire sortir.
4. Utilisez un chiffon humide pour enlever la poussière et les débris de la zone du filtre.
5. Installez un filtre neuf ou nettoyé dans le support.
6. Placez le support dans la zone du filtre et repliez la poignée.



RANGEMENT DE L'ASPIRATEUR

1. Retirez le bloc-piles de l'aspirateur.
2. Nettoyez soigneusement l'aspirateur avant de le ranger.
3. Rangez l'aspirateur dans un endroit sec et bien aéré, verrouillé ou en hauteur, hors de portée des enfants. Ne rangez pas l'aspirateur sur des engrais, de l'essence ou d'autres produits chimiques, ou à proximité de ceux-ci.

RECHERCHE DE LA CAUSE DES PROBLÈMES

PROBLÈME	CAUSE	SOLUTION
L'aspirateur ne démarre pas.	<ul style="list-style-type: none"> ■ Le niveau de charge du bloc-piles est faible. ■ Le bloc-piles n'a pas été installé correctement. 	<ul style="list-style-type: none"> ■ Chargez le bloc-piles. ■ Faites glisser le bloc-piles sur l'aspirateur jusqu'à ce qu'il s'enclenche à sa place.
Le pouvoir d'aspiration est faible	<ul style="list-style-type: none"> ■ Le tuyau flexible de l'aspirateur ou l'orifice d'aspiration est obstrué. ■ Le filtre est obstrué par des poussières fines. ■ Le réservoir à poussière est plein. ■ Le niveau de charge du bloc-piles est faible. ■ Le capuchon de l'orifice de drainage est retiré du réservoir à poussière. 	<ul style="list-style-type: none"> ■ Effectuez une inspection, et éliminez l'obstruction du tuyau flexible de l'aspirateur ou de l'orifice d'aspiration. ■ Nettoyez le filtre en suivant les instructions de la section intitulée « ENTRETIEN DU FILTRE » dans ce mode d'emploi. ■ Videz le réservoir à poussière. ■ Chargez le bloc-piles. ■ Installez le capuchon de l'orifice de drainage sur le réservoir à poussière.
La machine fonctionne mais il n'y a pas d'aspiration.	<ul style="list-style-type: none"> ■ L'ensemble de bloc moteur n'est pas complètement installé sur le réservoir à poussière. 	<ul style="list-style-type: none"> ■ Veillez à ce que l'ensemble de bloc moteur soit complètement installé sur le réservoir à poussière.
De la poussière s'échappe de l'orifice de soufflage.	<ul style="list-style-type: none"> ■ Le filtre est manquant ou est mal installé. ■ Le filtre est endommagé. 	<ul style="list-style-type: none"> ■ Vérifiez que le filtre est correctement installé. ■ Remplacez-le par un filtre neuf.

PROBLÈME	CAUSE	SOLUTION
L'aspirateur ne peut pas être contrôlé par la télécommande.	<ul style="list-style-type: none">■ La télécommande n'est pas appariée avec l'aspirateur.■ La charge de la télécommande est faible.■ La télécommande est endommagée.	<ul style="list-style-type: none">■ Appariez la télécommande avec l'aspirateur en suivant les instructions du chapitre intitulé « Appariement de la télécommande » dans ce mode d'emploi.■ Chargez la télécommande.■ Utilisez une nouvelle télécommande et procédez à l'appariement de la télécommande.

GARANTIE LIMITÉE D'EGO

CONDITIONS ET DURÉE DE LA POLITIQUE DE GARANTIE

Chervon North America, Inc. (« Chervon North America ») accorde la Garantie limitée suivante pour les produits EGO à l'acheteur initial de produits EGO.

La période de garantie détaillée de chaque produit EGO est indiquée en ligne à l'adresse <http://egopowerplus.com/warranty-policy>.

Veillez contacter le Service à la clientèle d'EGO en téléphonant au 1-855-EGO-5656 (appel gratuit) à tout moment en cas de questions, si vous voulez vous prévaloir de la garantie ou si vous souhaitez obtenir une version sur papier de la garantie.

GARANTIE LIMITÉE DE SERVICE APRÈS-VENTE

Les produits EGO sont garantis contre tout défaut de matériel ou de fabrication à partir de la date d'achat au détail originale et pendant la période de garantie applicable.

Pour toute demande de garantie soumise correctement et dans les délais, si Chervon North America détermine qu'un produit est défectueux pendant la période de garantie, le produit sera réparé ou remplacé gratuitement, selon ce qui aura été déterminé par Chervon North America.

COMMENT OBTENIR DE L'ASSISTANCE DANS LE CADRE DU SERVICE APRÈS-VENTE

Pour obtenir de l'assistance dans le cadre de la garantie (pendant la période de garantie applicable), veuillez contacter le service à la clientèle d'EGO en téléphonant au **1-855-EGO-5656** (appel gratuit). Lorsque vous demandez de l'assistance dans le cadre de la garantie, vous devez présenter le reçu de vente original daté. Un centre de service après-vente agréé sera sélectionné pour évaluer et réparer le produit défectueux conformément aux conditions de garantie énoncées. Lorsque vous apportez votre produit au centre de service après-vente agréé, il se peut qu'une petite caution vous soit demandée lors du dépôt de votre outil. Cette caution est remboursable lorsque le service de réparation est considéré comme étant couvert par la garantie.

LIMITATIONS ET EXCLUSIONS SUPPLÉMENTAIRES

Cette garantie limitée ne s'applique qu'à l'acheteur initial d'un produit à un revendeur agréé EGO, et elle ne peut pas être cédée. Les produits EGO ne sont pas considérés comme défectueux et la présente garantie ne s'applique pas lorsque le défaut invoqué est imputable à une cause autre que les défauts définis ci-dessus. Cette garantie est nulle et non avenue si le produit a été utilisé à des fins de location. La présente

garantie ne s'applique pas aux dommages causés par un accident, un abus, une mauvaise utilisation, une altération, une modification, une réparation non autorisée, un contact avec un liquide, un incendie, un tremblement de terre ou toute autre cause externe ; par une utilisation du produit en dehors des instructions, spécifications ou directives d'EGO ; ou par un manquement à l'entretien ou à la maintenance convenable du produit. Cette garantie ne s'applique pas non plus aux dommages esthétiques, y compris, mais sans s'y limiter, les rayures ou les bosses, ainsi qu'aux défauts causés par l'usure normale ou autrement dus au vieillissement normal du produit.

CETTE GARANTIE EXPRESSE EST DONNÉE EN LIEU ET PLACE DE TOUTE AUTRE GARANTIE, EXPRESSE OU IMPLICITE, Y COMPRIS, MAIS SANS S'Y LIMITER, TOUTE GARANTIE DE QUALITÉ MARCHANDE OU D'ADÉQUATION À UN USAGE PARTICULIER, QUI EST REJETÉE. Toute garantie implicite, y compris la garantie de qualité marchande ou d'adéquation à un usage particulier qui ne peut être rejetée en vertu de la loi de l'État ou de la province est limitée à la période de garantie applicable définie au début de cet article. Le seul et unique recours en rapport avec l'achat, l'installation, l'utilisation et/ou la performance des produits EGO est la réparation ou le remplacement du produit selon la décision de Chervon North America. La responsabilité maximale de Chervon North America ne dépassera en aucun cas le prix d'achat payé pour le produit. CHERVON NORTH AMERICA NE SERA PAS RESPONSABLE ENVERS L'UTILISATEUR OU TOUTE AUTRE PERSONNE DES DOMMAGES CONSÉCUTIFS, ACCIDENTELS, SPÉCIAUX, EXEMPLAIRES, INDIRECTS OU PUNITIFS RÉSULTANT DE L'UTILISATION DES PRODUITS, Y COMPRIS, MAIS SANS S'Y LIMITER, LES PRÉJUDICES CORPORELS, LA MORT, LES DOMMAGES MATÉRIELS, LA PERTE DE BÉNÉFICES OU TOUT AUTRE DOMMAGE ÉCONOMIQUE. Cette garantie vous confère des garanties juridiques particulières, et vous pouvez aussi avoir d'autres droits, qui varient selon l'État ou la province. Étant donné que certains États et certaines provinces ne permettent pas de limitations quant à la durée d'une garantie implicite ou ne permettent pas l'exclusion ou la limitation des dommages indirects ou secondaires, ou le délai de prescription pour intenter certaines actions, il est possible que les limitations contenues aux présentes ne s'appliquent pas à consommateurs dans ces États ou provinces.

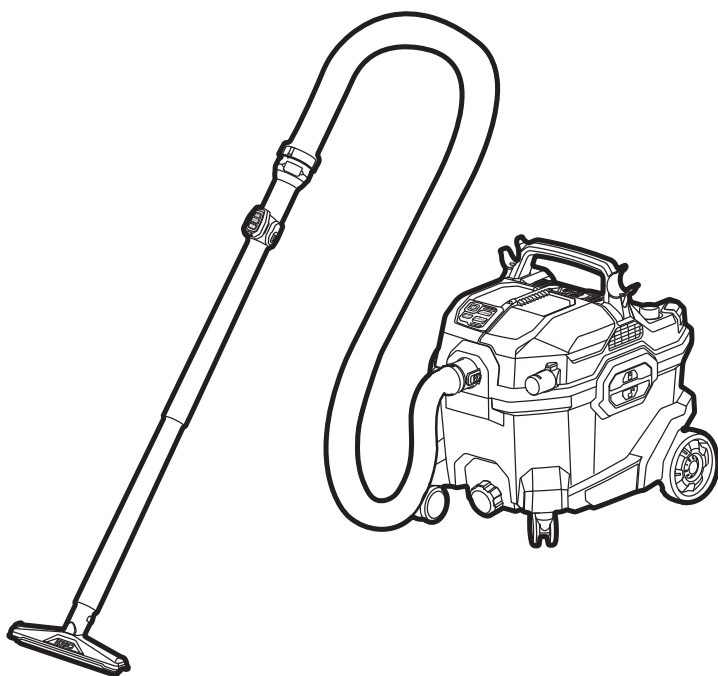
Cette garantie est soumise au droit du Michigan et doit être interprétée conformément au droit du Michigan sans tenir compte des principes de conflits de lois. Aucune action en justice ne pourra être intentée contre Chervon North America si elle n'est pas déposée dans un délai d'un (1) an après que le fondement de cette action en justice aura été connu, ou qu'il aurait dû l'être si une diligence raisonnable avait été exercée. Toute action non intentée dans les délais est réputée abandonnée.

Pour le service à la clientèle, contactez-nous en téléphonant au numéro suivant (appel gratuit) : **1-855-EGO-5656** ou **EGOPOWERPLUS.COM**.

EGO Customer Service,
769 Seward Ave. NW, Suite 102,
Grand Rapids, Michigan 49504.

EGO™

POWER⁺ WET/DRY VACUUM CLEANER



MANUAL DEL USUARIO

ASPIRADORA PARA SECO/MOJADO

NÚMERO DE MODELO WDV0900/WDV0900-FC

⚠ ADVERTENCIA: Para reducir el riesgo de lesiones, el usuario debe leer y comprender el Manual del propietario antes de usar este producto. Guarde estas instrucciones para referencia futura.

¡LEA TODAS LAS INSTRUCCIONES!



LEA Y ENTIENDA EL
MANUAL DEL OPERADOR

ÍNDICE





Símbolos de seguridad	83-84
Símbolos	85
Instrucciones de seguridad importantes para la aspiradora para seco/mojado	86-88
Instrucciones de seguridad adicionales	89
Declaración de la FCC	90
Declaración del ISED	90
Introducción	91
Especificaciones	92
Accesorios	93
Descripción	94-99
Ensamblaje	100-107
Utilización	108-115
Mantenimiento	116-118
Resolución de problemas	119-120
Garantía Limitada de EGO	121-122

SÍMBOLOS DE SEGURIDAD

El propósito de los símbolos de seguridad es alertarlo sobre posibles peligros. Los símbolos de seguridad y sus explicaciones merecen una atención y comprensión minuciosas. Las advertencias de los símbolos, por sí mismas, no eliminan los peligros. Las instrucciones y las advertencias no sustituyen las medidas de prevención de accidentes que correspondan.

⚠ ADVERTENCIA: Antes de utilizar esta herramienta, asegúrese de leer y comprender todas las instrucciones de seguridad en este Manual del propietario, incluidos todos los símbolos de alerta de seguridad como “**PELIGRO**”, “**ADVERTENCIA**” y “**PRECAUCIÓN**”. No seguir todas las instrucciones que se indican a continuación podría resultar en descargas eléctricas, incendios y/o lesiones personales graves.

Las definiciones que aparecen a continuación describen el nivel de gravedad de cada palabra de aviso. Por favor, lea el manual y preste atención a estos símbolos.

	<p>Este es el símbolo de alerta de seguridad. Se utiliza para alertarle a usted de posibles peligros de lesiones corporales. Obedezca todos los mensajes de seguridad que sigan a este símbolo para evitar posibles lesiones o la muerte.</p>
	<p>PELIGRO indica una situación peligrosa que, si no se evita, causará la muerte o lesiones graves.</p>
	<p>ADVERTENCIA indica una situación peligrosa que, si no se evita, podría causar la muerte o lesiones graves.</p>
	<p>PRECAUCIÓN, utilizada con el símbolo de alerta de seguridad, indica una situación peligrosa que, si no se evita, podría causar lesiones leves o moderadas.</p>




MENSAJES DE PREVENCIÓN DE DAÑOS E INFORMACIÓN

Estos mensajes ofrecen al usuario información y/o instrucciones importantes que, de no seguirse, podrían causar daños al equipo u otros daños materiales. Antes de cada mensaje, aparece la palabra “AVISO”, como en el ejemplo a continuación:

AVISO: Si no se siguen estas instrucciones se pueden producir daños al equipo y/o daños materiales.

SÍMBOLOS

Esta página muestra y describe los símbolos de seguridad que es posible que aparezcan en este producto. Lea, entienda y siga todas las instrucciones que se encuentran en el producto antes de intentar ensamblarlo y utilizarlo.

	Alerta de seguridad	Precauciones relacionadas con la seguridad del usuario.
	Lea y entienda el manual del operador	Para reducir el riesgo de lesiones, el usuario debe leer y entender el manual del operador antes de utilizar este producto.
	Desconecte la batería antes de realizar mantenimiento	Alerta al usuario para que desconecte la batería antes de realizar mantenimiento.
IP...	Calificación de protección contra la penetración (IP)	Clasifica el grado de protección proporcionada por un recinto cerrado para equipos eléctricos.
Gal	Galón	Volumen
CFM	Pies cúbicos por minuto	Volumen de aire
in. H ₂ O	Columna de agua en pulgadas	Presión
°F	Grados Fahrenheit	Temperatura
°C	Grados Celsius	Temperatura
lbs	Libras	Peso
kg	Kilogramo	Peso

INSTRUCCIONES DE SEGURIDAD IMPORTANTES PARA LA ASPIRADORA PARA SECO/MOJADO

⚠ ¡ADVERTENCIA! Lea todas las advertencias de seguridad e instrucciones. Si no se siguen las advertencias e instrucciones, es posible que el resultado sea descargas eléctricas, incendio y/o lesiones graves.

- El aparato eléctrico está diseñado solo para uso doméstico.
- No deje el aparato eléctrico en ningún lugar cuando el paquete de batería esté instalado en el mismo. Retire el paquete de batería del aparato eléctrico cuando no se esté utilizando o antes de hacer servicio de ajustes y reparaciones.
- No deje que el aparato eléctrico se utilice como un juguete. Se necesita supervisión estrecha cuando sea utilizado por niños o cerca de los mismos.
- Utilice el aparato eléctrico solo tal como se describe en este manual. Utilice solo aditamentos recomendados por el fabricante.
- Si el aparato eléctrico no está funcionando como debería, se ha caído, se ha dañado, se ha dejado a la intemperie o se ha caído al agua, devuélvalo a un centro de servicio.
- No maneje el aparato eléctrico con las manos mojadas.
- No ponga ningún objeto en las aberturas. No utilice el aparato eléctrico si tiene alguna abertura bloqueada; manténgalo libre de polvo, pelusa, pelo y cualquier cosa que pueda reducir el caudal de aire.
- Mantenga el pelo, la ropa holgada, los dedos y todas las partes del cuerpo alejados de las aberturas y las piezas móviles.
- Apague todos los controles antes de retirar el paquete de batería.
- Tenga cuidado adicional cuando limpie en escaleras.
- No utilice la aspiradora para recoger líquidos inflamables o combustibles, tales como gasolina, ni la utilice en áreas donde dichas sustancias puedan estar presentes.
- No recoja nada que esté ardiendo o humeando, como por ejemplo cigarrillos, fósforos o cenizas calientes. Para reducir el riesgo de peligros para la salud por causa de vapores o polvos, no recoja con la aspiradora ningún material tóxico.
- No utilice esta aspiradora para un Programa de Renovación, Reparación y Pintura (RRP) para Pintura a Base de Plomo de la EPA en lugares donde pueda haber plomo presente. Es posible que el uso de esta aspiradora para un programa RRP de la EPA cause peligros para la salud y el medio ambiente.

- No utilice la aspiradora para aspirar sustancias o polvos peligrosos o tóxicos, p. ej., asbesto. El filtro estándar no es capaz de capturar todas las partículas peligrosas y es posible que dichas partículas causen peligros para la salud.
- No utilice la aspiradora para aspirar polvo de concreto y/u otros materiales que incluyen sílice. El filtro no es capaz de capturar todo el polvo de sílice, el cual es posible que cause peligros para la salud.
- No utilice ni almacene la aspiradora cerca de materiales peligrosos.
- No utilice la aspiradora sin tener instalados la bolsa colectora de polvo y/o los filtros.
- Prevenga los arranques accidentales. Asegúrese de que el interruptor esté en la posición de apagado antes de conectar el aparato eléctrico al paquete de batería, levantar el aparato eléctrico o transportarlo. Si se transporta el aparato eléctrico con el dedo en el interruptor o si suministra corriente a un aparato eléctrico que tenga el interruptor en la posición de encendido se invita a que se produzcan accidentes.
- Desconecte el paquete de batería del aparato eléctrico antes de hacer cualquier ajuste, cambiar accesorios o almacenar el aparato eléctrico. Dichas medidas preventivas de seguridad reducen el riesgo de arrancar accidentalmente el aparato eléctrico.
- Recargue el paquete de batería solo con el cargador especificado por el fabricante. Es posible que un cargador que sea adecuado para un tipo de paquete de batería cree un riesgo de incendio cuando se utilice con otro paquete de batería.
- Utilice el aparato eléctrico solo con los paquetes de batería designados específicamente. Es posible que el uso de cualquier otro paquete de batería cree un riesgo de lesiones e incendio.
- Cuando el paquete de batería no se esté utilizando, manténgalo alejado de otros objetos metálicos, tales como clips sujetapapeles, monedas, llaves, clavos, tornillos u otros objetos metálicos pequeños que puedan hacer una conexión de un terminal con otro. Si se cortocircuitan juntos los terminales de la batería, es posible que se causen quemaduras o un incendio.
- En condiciones abusivas, es posible que se expulse líquido de la batería; evite el contacto. Si se produce contacto accidentalmente, enjuáguese con agua. Si entra líquido en contacto con los ojos, busque adicionalmente ayuda médica. Es posible que el líquido expulsado de la batería cause irritación o quemaduras.

- No utilice un paquete de batería o un aparato eléctrico que estén dañados o modificados. Es posible que las baterías dañadas o modificadas exhiban un comportamiento imprevisible que cause un incendio, una explosión o riesgo de lesiones.
- No exponga un paquete de batería o un aparato eléctrico a un fuego o a una temperatura excesiva. Es posible que la exposición a un fuego o a una temperatura superior a 265° F (130 °C) cause una explosión.
- Siga todas las instrucciones de carga y no cargue el paquete de batería ni el aparato eléctrico fuera del intervalo de temperatura especificado en las instrucciones. Es posible que la realización de la carga de manera inadecuada o a temperaturas que estén fuera del intervalo especificado dañe la batería y aumente el riesgo de incendio.
- Haga que el servicio de ajustes y reparaciones sea realizado por un técnico de reparaciones calificado que utilice solo piezas de repuesto idénticas. Esto garantizará que se mantenga la seguridad del producto.
- No modifique ni intente reparar el aparato eléctrico o el paquete de batería (según sea aplicable), excepto tal y como se indique en las instrucciones de uso y cuidado.
- **Utilice el producto solo con los paquetes de batería y los cargadores que se indican a continuación:**

PAQUETE DE BATERÍA	CARGADOR
BA1400, BA1400-FC, BA2800, BA2800-FC, BA4200, BA4200-FC, BA1400T, BA1400T-FC, BA2242T, BA2242T-FC, BA2800T, BA2800T-FC, BA3360T, BA3360T-FC, BA4200T, BA4200T-FC, BA4480T, BA4480T-FC, BA5600T, BA5600T-FC, BA6720T, BA6720T-FC	CH2100, CH2100-FC, CH3200, CH3200-FC, CH5500, CH5500-FC, CH2800D, CH2800D-FC, CH7000, CH7000-FC

- Para el control remoto, solo se debe utilizar con una fuente de alimentación ITE homologada/certificada.

INSTRUCCIONES DE SEGURIDAD ADICIONALES

⚠ ADVERTENCIA: El taladrado, el aserrado, el lijado o el maquinado de productos de madera puede exponerlo a usted a polvo de madera, una sustancia que el Estado de California sabe que causa cáncer. Evite inhalar el polvo de madera o utilice una máscara antipolvo u otras salvaguardas de protección personal. Para obtener más información, visite www.P65Warnings.ca.gov/wood.

⚠ ADVERTENCIA: Cierta polvo generado por las operaciones de lijado, aserrado, amolado y taladrado con herramientas eléctricas, así como por otras actividades de construcción, contiene sustancias químicas que el estado de California sabe que causan cáncer, defectos de nacimiento u otros daños sobre la reproducción. Algunos ejemplos de estas sustancias químicas son:

- Plomo procedente de pinturas a base de plomo
- Sílice cristalina procedente de ladrillos, cemento y otros productos de mampostería
- Arsénico y cromo procedentes de madera de construcción tratada químicamente

El riesgo para usted por causa de estas exposiciones varía, dependiendo de qué tan a menudo realice este tipo de trabajo. Para reducir su exposición a estas sustancias químicas:

- Trabaje en un área bien ventilada.
- Trabaje con equipo de seguridad aprobado, tal como máscaras antipolvo que estén diseñadas especialmente para filtrar las partículas microscópicas.
- Evite el contacto prolongado con el polvo procedente de las operaciones de lijado, aserrado, amolado y taladrado con herramientas eléctricas, así como de otras actividades de construcción. Use ropa protectora y lave las áreas expuestas del cuerpo con agua y jabón. Si deja que le entre polvo en la boca o en los ojos, o que le quede polvo en la piel, es posible que se promueva la absorción de sustancias químicas perjudiciales.

DECLARACIÓN DE LA FCC

1. Este dispositivo cumple con la Parte 15 de las Reglas de la FCC. Su utilización está sujeta a las dos condiciones siguientes:
 - 1) Este dispositivo no podrá causar interferencia perjudicial.
 - 2) Este dispositivo debe aceptar cualquier interferencia que reciba, incluyendo interferencia que pueda causar un funcionamiento no deseado.
2. Los cambios o las modificaciones no aprobados expresamente por la parte responsable del cumplimiento de la normativa podrían anular la autoridad del usuario para utilizar el equipo.

AVISO: Este equipo ha sido sometido a pruebas y se ha demostrado que cumple con los límites para un dispositivo digital de Clase B, conforme a la Parte 15 de las Reglas de la FCC. Estos límites están diseñados para proporcionar una protección razonable contra la interferencia perjudicial en una instalación doméstica. Este equipo genera, utiliza y puede irradiar energía de radiofrecuencia y, si no se instala y se utiliza de acuerdo con las instrucciones, es posible que cause interferencia perjudicial para las radiocomunicaciones. Sin embargo, no hay garantía de que no se vaya a producir interferencia en una instalación en particular. Si este equipo efectivamente causa interferencia perjudicial para la recepción de radio o televisión, lo cual se puede determinar apagando y encendiendo el equipo, se insta al usuario a que intente corregir la interferencia mediante una o más de las siguientes medidas: Reorientar o reubique la antena receptora. Aumente la separación entre el equipo y el receptor. Conecte el equipo a un tomacorriente de un circuito diferente al circuito al cual el receptor esté conectado. Para obtener ayuda, consulte con el distribuidor o con un técnico de radio y televisión experimentado.

¡GUARDE ESTAS INSTRUCCIONES! Consúltelas frecuentemente y úselas para instruir a otras personas que puedan utilizar este producto. Si le presta este producto a otra persona, préstele también estas instrucciones para evitar un uso incorrecto del producto y posibles lesiones.

DECLARACIÓN DEL ISED

Este dispositivo contiene transmisor(es)/receptor(es) exentos de licencia que cumplen con los estándares RSS(s) exentos de licencia del Departamento de Innovación, Ciencia y Desarrollo Económico de Canadá. Su utilización está sujeta a las dos condiciones siguientes:

1. Este dispositivo no podrá causar interferencia.
2. Este dispositivo debe aceptar cualquier interferencia, incluyendo interferencia que pueda causar un funcionamiento no deseado del dispositivo.

INTRODUCCIÓN

Felicitaciones por su selección de la aspiradora para seco/mojado de ion litio de 56 V. Esta aspiradora ha sido diseñada, concebida y fabricada para ofrecerle a usted la mejor confiabilidad y el mejor rendimiento posibles.


En caso de que tuviera algún problema que no pudiera resolver fácilmente, póngase en contacto con el Centro de Servicio al Cliente de EGO llamando al 1-855-EGO-5656.

Este manual contiene información importante para el ensamble, el funcionamiento y el mantenimiento seguro de su producto. Léalo detenidamente antes de usar el producto. Mantenga este manual a mano para poder consultarlo en cualquier momento.

NÚMERO DE SERIE _____ FECHA DE COMPRA _____

DEBE ANOTAR EL NÚMERO DE SERIE Y LA FECHA DE COMPRA Y CONSERVARLOS EN UN LUGAR SEGURO PARA CONSULTARLOS EN EL FUTURO.

ESPECIFICACIONES

Tensión	56V 		
Capacidad del tanque colector de polvo	9 gal		
Modo de velocidad	Baja	Alta	TURBO
Caudal de aire máx. (PCM)	70	90	110
Potencia de succión máx. (pulgadas de H ₂ O)	40	64	100
Control remoto	Temperatura de carga	32 – 113 °F (0 – 45 °C)	
	Tensión de carga máxima	5 V	
	Corriente de carga máxima	1 A	
Calificación de protección contra la penetración	IPX4* (protección contra las salpicaduras de agua)		
Temperatura de funcionamiento recomendada	23 – 104 °F (-5 – 40 °C)		
Temperatura de almacenamiento recomendada	-4 – 158 °F (-20 – 70 °C)		
Peso (sin paquete de batería)	26,7 lb (12,1 kg)		

* **NOTA:** La calificación IPX4 se basa en que la máquina y la batería se utilicen juntas como un sistema.

ACCESORIOS

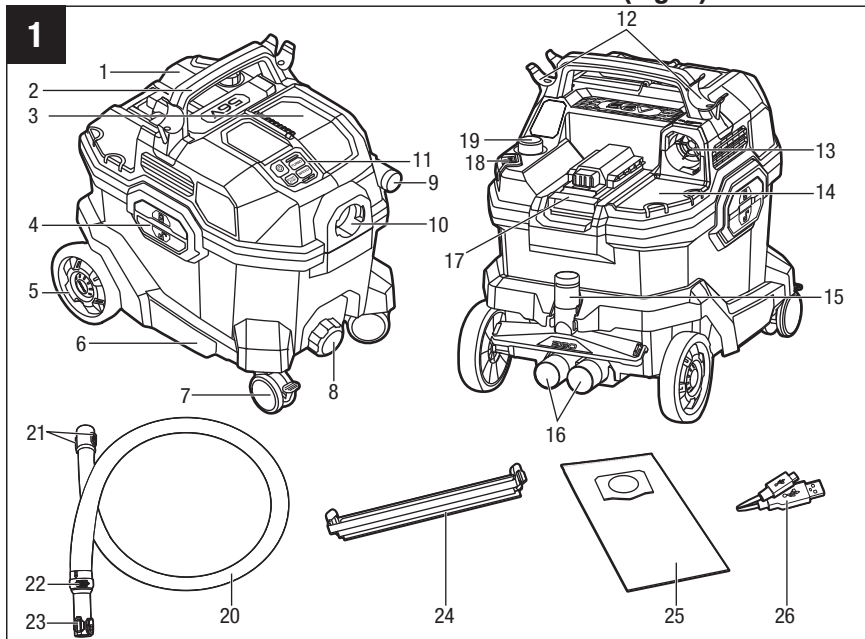
⚠ ADVERTENCIA: Utilice solo los accesorios que se indican a continuación. Es posible que el uso de accesorios que no cumplan con las especificaciones del equipo original cause un rendimiento incorrecto y ponga en peligro la seguridad.

NOMBRE DE LA PIEZA	NÚMERO DE MODELO
Manguera de aspiración	AVH0907
Bolsas colectoras de polvo (5 pzas.)	AVG0905
Filtro estándar	AVF0900

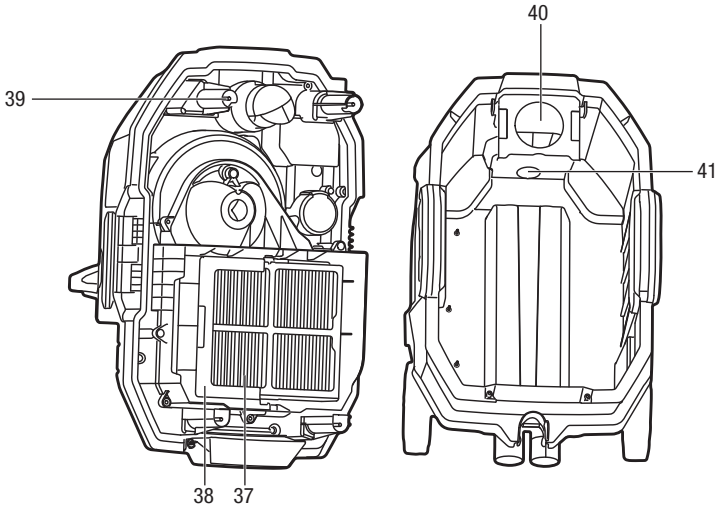
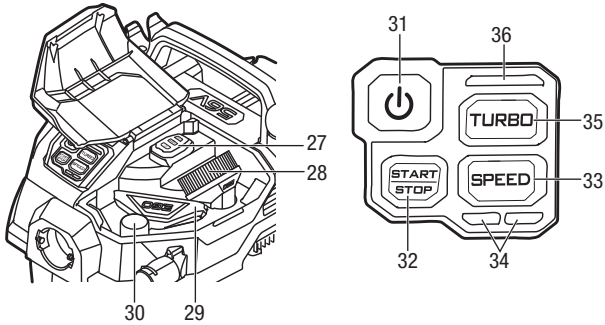
Para obtener más información acerca de los últimos accesorios, sírvase visitar www.egopowerplus.com.

DESCRIPCIÓN

CONOZCA SU ASPIRADORA PARA SECO/MOJADO (Fig. 1)



- | | |
|--|--|
| 1. Ensamblaje del cabezal motriz | 14. Almacenamiento temporal de accesorios |
| 2. Empuñadura | 15. Boquilla grande para pisos + Barra con cepillo |
| 3. Compartimiento de almacenamiento de accesorios (Fig. 1a) | 16. Tubos de extensión |
| 4. Pestillo del tanque colector de polvo (x2) | 17. Botón de liberación de la batería |
| 5. Rueda trasera (x2) | 18. Botón de autolimpieza del filtro |
| 6. Tanque colector de polvo | 19. Tapón de autolimpieza del filtro |
| 7. Ruedecilla con freno (x2) | 20. Manguera de aspiración |
| 8. Tapa del puerto de drenaje | 21. Botón de liberación de la manguera |
| 9. Boquilla rinconera | 22. Regulador de succión |
| 10. Puerto de entrada de succión | 23. Montura para el control remoto |
| 11. Panel del operador (Fig. 1b) | 24. Barra de caucho |
| 12. Ranuras de almacenamiento para la manguera de aspiración | 25. Bolsa colector de polvo |
| 13. Puerto de salida de soplado | 26. Cable de carga del control remoto |

1a


- | | |
|---|--|
| 27. Control remoto | 34. Indicador de velocidad |
| 28. Boquilla redonda con cepillo para polvo | 35. Botón TURBO |
| 29. Boquilla compacta para pisos | 36. Indicador TURBO |
| 30. Adaptador para herramientas eléctricas | 37. Filtro |
| 31. Botón de alimentación | 38. Soporte para el filtro |
| 32. Botón de arranque/parada | 39. Sensor de líquidos (x4) |
| 33. Botón de velocidad | 40. Soporte para la bolsa colectora de polvo |
| | 41. Puerto de drenaje |

⚠ ADVERTENCIA: El uso seguro de este producto requiere entender la información que está en el producto y en este manual de instrucciones, así como tener conocimiento del proyecto que se esté intentando realizar. Antes de utilizar este producto, familiarícese con todas las características de funcionamiento y todas las normas de seguridad.

Empuñadura

Utilice la empuñadura para levantar el ensamblaje del cabezal motriz cuando el tanque colector de polvo esté desbloqueado o levante toda la aspiradora para seco/mojado cuando el tanque colector de polvo esté bloqueado.

Compartimiento de almacenamiento de accesorios

Almacena el control remoto, la boquilla redonda con cepillo para polvo, la boquilla compacta para pisos y el adaptador para herramientas eléctricas.

NOTA: El cable de carga está empaquetado con el manual.

Pestillos del tanque colector de polvo

Bloquee el tanque colector de polvo en el ensamblaje del cabezal motriz o desbloquéelo del mismo.

Tanque colector de polvo

Se puede utilizar para recoger polvo/residuos mojados y secos.

Bolsa colector de polvo

Solo se puede utilizar para aspirar residuos secos.

Ruedecillas

Equipadas con frenos para detener la aspiradora en el lugar donde esté.

Tapa del puerto de drenaje

Retire la tapa para drenar el líquido del tanque colector de polvo en un recipiente adecuado.

Puerto de entrada de succión

Con la manguera de aspiración conectada, este puerto se utiliza para succionar residuos o polvo seco.

Ranuras de almacenamiento para la manguera de aspiración

Para almacenar la manguera de aspiración cuando no se esté utilizando.

Puerto de salida de soplado

Con la manguera de aspiración conectada, este puerto se puede utilizar para funcionar como soplador.

Almacenamiento temporal de accesorios

Para almacenar temporalmente los accesorios.

Botón de liberación de la batería

Presione el botón para liberar el paquete de batería de la aspiradora.

Filtro

Captura las partículas que están en el aire.

Botón de autolimpieza del filtro

Presione el botón para activar la función de autolimpieza del filtro.

Tapón de autolimpieza del filtro

Cuando realice la autolimpieza del filtro, el extremo que tiene la boquilla de la manguera de aspiración se deberá montar sobre el tapón de autolimpieza del filtro para que la manguera de aspiración esté sellada.

Manguera de aspiración

Un extremo de la manguera se conecta ya sea al puerto de entrada de succión o al puerto de salida de soplado, y el otro extremo acepta una variedad de boquillas o adaptadores.

Botón de liberación de la manguera

Presione el botón para desconectar la manguera de aspiración.

Montura para el control remoto

Para sujetar temporalmente el control remoto cuando sea necesario. Por ejemplo, cuando se utilice la boquilla rinconera para limpiar áreas oscuras, el control remoto se puede posicionar aquí y utilizar para iluminación.

Sensores de líquidos

Cuando el nivel de líquido contenido en el tanque colector de polvo alcance la punta inferior de cualesquiera dos sensores adyacentes, la aspiradora dejará de funcionar automáticamente para evitar que el líquido contenido en el tanque colector de polvo se desborde.

PANEL DEL OPERADOR

Botón de alimentación

El botón de alimentación se debe presionar antes de arrancar la aspiradora para seco/mojado.

⚠ ADVERTENCIA: El botón de alimentación es un dispositivo de seguridad. No intente nunca anular su funcionamiento.

Botón de arranque/parada

ENCIENDE y APAGA la aspiradora.

Botón de ajuste de la velocidad

Permite que el operador seleccione una velocidad deseable.

Indicador de velocidad

El número de luces verdes muestra el nivel de velocidad actual.

Botón TURBO

Se utiliza para cambiar la aspiradora al modo “TURBO”, es decir, la velocidad más alta.

Indicador TURBO

Muestra una luz verde cuando la aspiradora está funcionando a la velocidad más alta.

ACCESORIOS DE LIMPIEZA

Tubos de extensión

Conecte uno o dos tubos de extensión a la manguera de aspiración, según sea necesario para acceder a áreas de difíciles de alcanzar y limpiarlas.

Boquilla rinconera

Adecuada para succionar y limpiar esquinas y áreas estrechas. Además, cuando la manguera de aspiración está conectada al puerto de salida de soplado, esta boquilla se utiliza para dirigir y concentrar el caudal de aire.

Boquilla grande para pisos + Barra con cepillo

La combinación es adecuada para limpiar áreas anchas de cualquier tipo de piso. La barra con cepillo es desmontable y se puede reemplazar por la barra de caucho.

Barra de caucho

Se combina con la boquilla grande para pisos y es adecuada recoger líquidos de la superficie del piso.

Boquilla compacta para pisos

Es magnífica para limpiar interiores de automóviles, embarcaciones y autocaravanas. Se puede utilizar para recoger residuos mojados y secos.

Boquilla redonda con cepillo para polvo

Adecuada para limpiar superficies de cuero, tales como asientos de cuero de automóvil.

Adaptador para herramientas eléctricas

Permite conectar la aspiradora a una variedad de herramientas eléctricas con una salida de extracción de polvo de 1-1/4 pulgadas de Ø, tales como lijadoras y sierras caladoras.

ENSAMBLAJE

⚠ ADVERTENCIA: Si hay piezas dañadas o si faltan piezas, no utilice este producto hasta que las piezas hayan sido reemplazadas. El uso de este producto con piezas dañadas o si le faltan piezas podría causar lesiones corporales graves.

⚠ ADVERTENCIA: No intente modificar este producto ni crear accesorios no recomendados para utilizarse con este producto. Cualquiera de dichas alteraciones o modificaciones constituye un uso incorrecto y podría provocar una situación peligrosa que cause lesiones corporales graves.


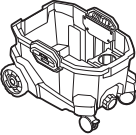
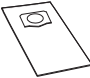

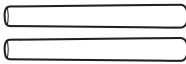





⚠ ADVERTENCIA: Para prevenir arranques accidentales que podrían causar lesiones corporales graves, retire siempre el paquete de batería (los paquetes de batería) del producto cuando ensamble piezas.





DESEMPAQUE

Este producto requiere ensamblaje.

- Saque cuidadosamente el producto y los accesorios de la caja. Asegúrese de que todos los artículos que aparecen en la lista de empaque estén incluidos.
- Inspeccione minuciosamente el producto para asegurarse de que no se hayan producido roturas ni daños durante su envío.
- No deseche el material de embalaje hasta que haya inspeccionado cuidadosamente y utilizado satisfactoriamente el producto.
- Si alguna pieza está dañada o falta, sírvase devolver el producto al lugar de compra.

LISTA DE EMPAQUE

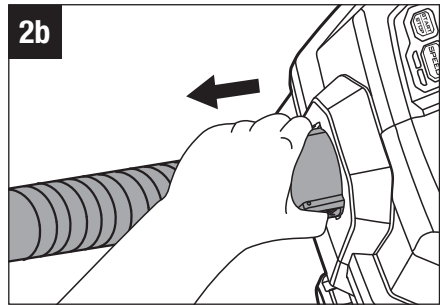
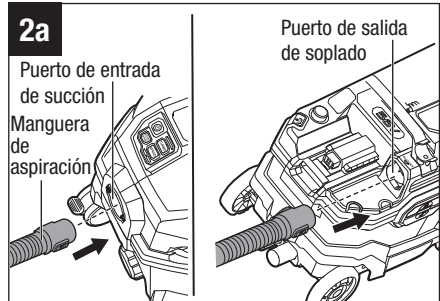
NOMBRE DE LA PIEZA	FIGURA	CANTIDAD
Ensamblaje del cabezal motriz		1
Tanque colector de polvo		1
Bolsa colector de polvo		1
Manguera de aspiración		1
Tubos de extensión		2
Control remoto		1
Cable de carga para el control remoto		1
Adaptador para herramientas eléctricas		1
Boquilla rinconera		1
Boquilla redonda con cepillo para polvo		1

NOMBRE DE LA PIEZA	FIGURA	CANTIDAD
Boquilla grande para pisos + Barra con cepillo		1
Barra de caucho		1
Boquilla compacta para pisos		1
Manual del operador		1

CONEXIÓN/DESCONEXIÓN DE LA MANGUERA DE ASPIRACIÓN (Fig. 2)

Para conectar la manguera de aspiración (Fig. 2a)

1. Alinee el extremo (con los dos botones de liberación de la manguera) de la manguera con el puerto de entrada de succión o el puerto de salida de soplado, de acuerdo con las necesidades que usted tenga.
2. Empuje el extremo hacia el interior del puerto de entrada de succión o el puerto de salida de soplado hasta que oiga un sonido de “clic” que indica que la manguera está firmemente sujeta en la posición correcta.

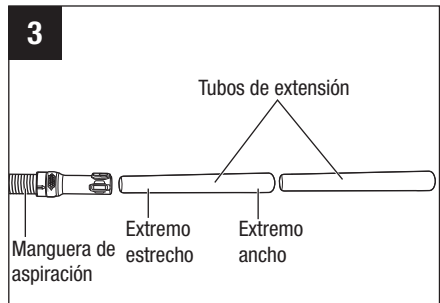


Para desconectar la manguera de aspiración (Fig. 2b)

Presione y mantenga presionados ambos botones de liberación de la manguera ubicados en el extremo de la misma para retirar la manguera de aspiración de la aspiradora.

CONEXIÓN/DESCONEXIÓN DE LOS TUBOS DE EXTENSIÓN (Fig. 3)

Conecte uno o dos tubos de extensión a la manguera de aspiración de acuerdo con las necesidades que usted tenga.



Para conectar el tubo de extensión

1. Alinee el extremo estrecho del tubo de extensión con la manguera de aspiración.
2. Inserte el tubo de extensión en la manguera de aspiración tanto como sea posible hasta que dicho tubo esté firmemente sujeto en la posición correcta.

Para desconectar el tubo de extensión

Jale el tubo de extensión para separarlo de la manguera de aspiración.

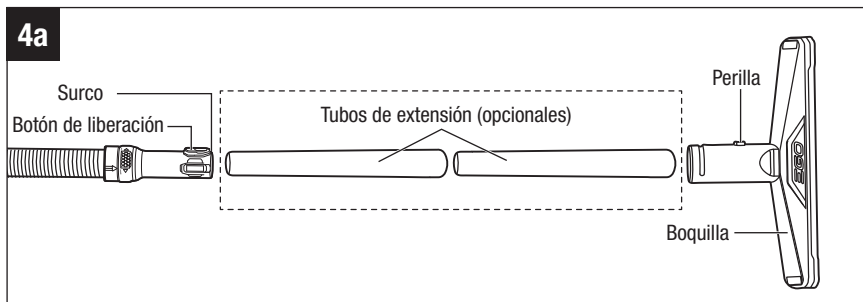
El segundo tubo de extensión se conecta al primer tubo y se desconecta del mismo de la misma manera.

INSTALACIÓN/DESINSTALACIÓN DE LAS BOQUILLAS (Fig. 4)

Seleccione una boquilla adecuada para instalarla directamente en la manguera de aspiración o en el tubo de extensión de acuerdo con las necesidades que usted tenga (Fig. 4a).

Siga el proceso de la sección **“CONEXIÓN/DESCONEXIÓN DE LOS TUBOS DE EXTENSIÓN”** para conectar la boquilla al tubo de extensión o desconectarla del mismo.

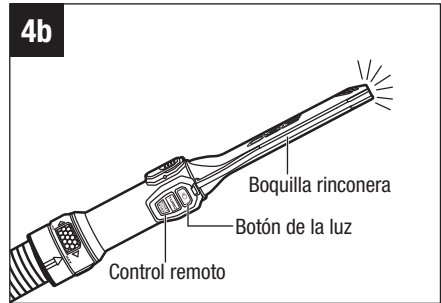
Para conectar la boquilla directamente a la manguera de aspiración, alinee la perilla ubicada en la boquilla con el surco ubicado en la manguera de aspiración y luego empuje la boquilla sobre la manguera de aspiración hasta que oiga un sonido de “clic” que indica que la boquilla está instalada en la posición correcta. Para realizar la desconexión, presione y mantenga presionado el botón de liberación para retirar la boquilla de la manguera de aspiración.



Boquilla rinconera (Fig. 4b)

Las áreas oscuras se podrían limpiar fácilmente cuando se utilice la boquilla rinconera combinada con la luz integrada del control remoto.

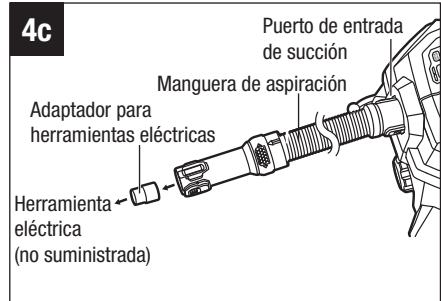
Conecte la boquilla rinconera a la manguera de aspiración y acople a presión el control remoto sobre la montura para el control remoto ubicada en la manguera de aspiración. Presione el botón de la luz ubicado en el control remoto y la boquilla rinconera transparente se iluminará.



Adaptador para herramientas eléctricas (Fig. 4c)

El adaptador para herramientas eléctricas permite conectar la aspiradora a una herramienta eléctrica con una salida de extracción de polvo de 1-1/4 pulgadas de Ø.

Con la manguera de aspiración conectada al puerto de entrada de succión de la aspiradora, inserte el adaptador para herramientas eléctricas en la aspiradora tanto como sea posible hasta que dicho adaptador esté firmemente sujeto en la posición correcta y luego conecte el adaptador a la salida de extracción de polvo de la herramienta eléctrica.

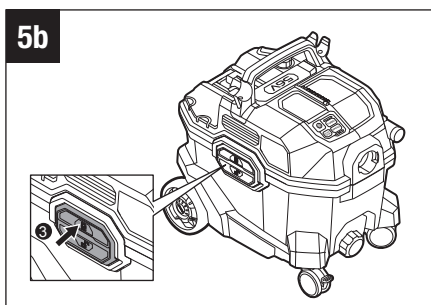
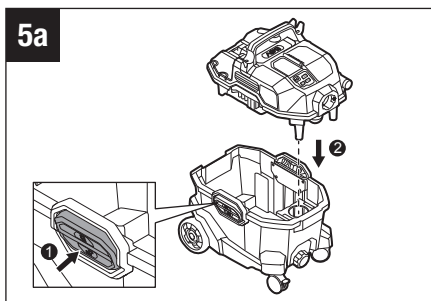


⚠ ADVERTENCIA: El adaptador para herramientas eléctricas no se puede conectar al tubo de extensión (los tubos de extensión). Es posible que forzar la instalación cause daños al adaptador para herramientas eléctricas o al tubo de extensión (los tubos de extensión).

INSTALACIÓN/DESINSTALACIÓN DEL ENSAMBLAJE DEL CABEZAL MOTRIZ (Fig. 5)

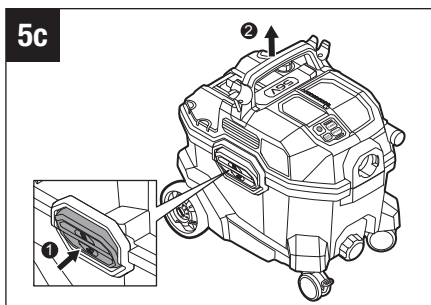
Para instalar el ensamblaje del cabezal motoriz (Fig. 5a y 5b)

1. Empuje las partes inferiores de los pestillos del tanque colector de polvo ubicados ambos lados para desbloquear el tanque colector de polvo (Fig. 5a).
2. Agarre la empuñadura del ensamblaje del cabezal motoriz y alinee el ensamblaje del cabezal motoriz con el tanque colector de polvo. Baje el ensamblaje del cabezal motoriz sobre el tanque colector de polvo (Fig. 5a).
3. Empuje las partes superiores de los pestillos del tanque colector de polvo ubicados a ambos lados para bloquear el tanque colector de polvo (Fig. 5b).



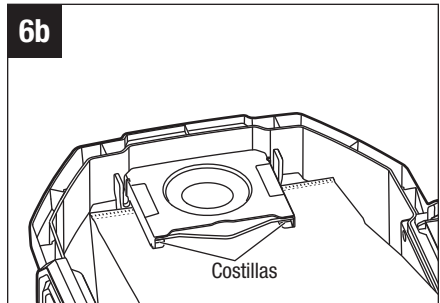
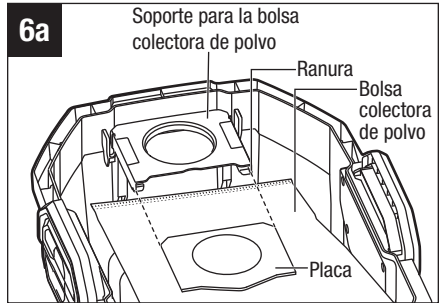
Para desinstalar el ensamblaje del cabezal motoriz (Fig. 5c)

1. Empuje las partes inferiores de los pestillos del tanque colector de polvo ubicados a ambos lados para desbloquear el tanque colector de polvo.
2. Agarre la empuñadura para levantar el ensamblaje del cabezal motoriz.



INSTALACIÓN/DESINSTALACIÓN DE LA BOLSA COLECTORA DE POLVO (OPCIONAL) (Fig. 6)

1. Desbloquee el tanque colector de polvo y levante el ensamblaje del cabezal motriz.
2. **Para instalar la bolsa colectoradora de polvo**, alinee la placa de la bolsa colectoradora de polvo con la ranura del soporte para la bolsa colectoradora de polvo y luego inserte solo la placa en la ranura hasta que la placa caiga por las costillas, lo cual indica que los agujeros de la bolsa colectoradora de polvo y el soporte están alineados. Despliegue manualmente la bolsa colectoradora de polvo antes de recoger polvo o residuos.



Para desinstalar la bolsa colectoradora de polvo, levante ligeramente la placa sobre las costillas y luego jale dicha placa para separarla de la ranura con el fin de retirar la bolsa colectoradora de polvo.

UTILIZACIÓN

⚠ ADVERTENCIA: No deje que la familiaridad con este producto le haga volverse descuidado. Recuerde que una fracción de segundo de descuido es suficiente para causar lesiones graves.

⚠ ADVERTENCIA: No utilice aditamentos o accesorios no recomendados por el fabricante de este producto. El uso de aditamentos o accesorios no recomendados puede causar lesiones corporales graves.

⚠ ADVERTENCIA: Para prevenir lesiones corporales graves, retire el paquete de batería del producto antes de hacer servicio de ajustes y reparaciones, realizar limpieza, cambiar aditamentos o retirar material del producto.

APLICACIÓN

Puede utilizar este producto para los propósitos que se indican a continuación:

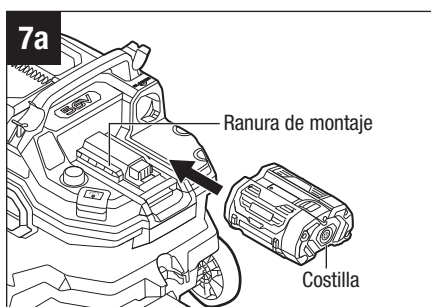
- Succionar residuos líquidos o polvo seco cuando se utilice el puerto de entrada de succión.
- Funcionar como soplador cuando se utilice el puerto de salida de soplado.

INSTALACIÓN/DESINSTALACIÓN DEL PAQUETE DE BATERÍA (Fig. 7)

NOTA: Cargue completamente el paquete de batería antes del primer uso.

Para instalar el paquete de batería (Fig. 7a)

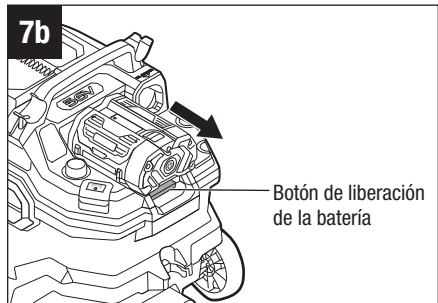
1. Alinee las costillas ubicadas en el paquete de batería con las ranuras de montaje ubicadas en la aspiradora.
2. Deslice el paquete de batería sobre la aspiradora hasta que se acople a presión en la posición correcta.



⚠ ADVERTENCIA: Asegúrese de que el pestillo ubicado en la aspiradora se acople a presión en la posición correcta y que el paquete de batería esté firmemente sujeto a la aspiradora antes de comenzar la utilización. Si no se asienta firmemente el paquete de batería, el resultado podría ser que el paquete de batería se caiga y cause lesiones corporales graves.

Para desinstalar el paquete de batería (Fig. 7b)

1. Sostenga el paquete de batería en la mano.
2. Presione hacia arriba el botón de liberación de la batería y el paquete de batería se desacoplará del pestillo.
3. Agarre el paquete de batería y retírelo de la aspiradora.

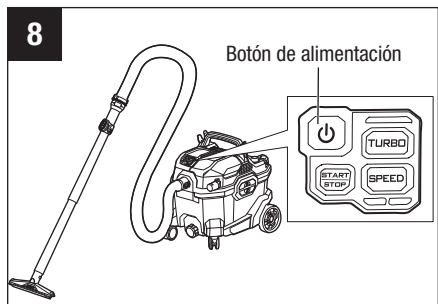


⚠ ADVERTENCIA: El operador debe estar siempre atento a la ubicación de sus pies, los niños o los animales domésticos que estén a su alrededor cuando separe el paquete de batería de la aspiradora. Se podrían producir lesiones graves si el paquete de batería se cae. No retire NUNCA el paquete de batería en un lugar elevado.

⚠ ADVERTENCIA: Retire siempre el paquete de batería cuando la aspiradora no se esté utilizando.

ARRANQUE/PARADA DE LA ASPIRADORA PARA SECO/MOJADO (Fig. 8)

⚠ ADVERTENCIA: No intente anular el funcionamiento del botón de alimentación.



⚠ ADVERTENCIA: Cuando la manguera de aspiración esté conectada ya sea al puerto de entrada de succión o al puerto de salida de soplado, no se acerque nunca al otro puerto vacante. Si no se siguen estas instrucciones, es posible que se causen lesiones corporales graves.

Para arrancar la aspiradora

1. Verifique que el ensamblaje del cabezal motriz esté instalado sobre el tanque colector de polvo y que el tanque colector de polvo esté firmemente bloqueado. Asegúrese de que la manguera de aspiración, el tubo de extensión o los tubos de extensión requeridos y la boquilla estén conectados correctamente.

NOTA: La aspiradora funciona solo cuando el ensamblaje del cabezal motriz está firmemente instalado en el tanque colector de polvo.

2. Instale el paquete de batería en la aspiradora.
3. Presione el botón de alimentación para suministrar energía a la aspiradora.
4. Presione el botón de ajuste de la velocidad para seleccionar velocidad baja o velocidad alta, y luego presione el botón de arranque/parada para arrancar la aspiradora. O presione el botón TURBO para arrancar la aspiradora directamente a la velocidad máxima.

NOTA: La velocidad también se puede ajustar durante la utilización de la aspiradora. Para obtener más información consulte el capítulo “**SELECCIÓN DE LA VELOCIDAD**”.

Para detener la aspiradora

1. Una vez que se haya completado el proceso de aspiración o cuando el tanque colector de polvo esté lleno, presione el botón de arranque/parada para detener temporalmente la aspiradora.
2. O presione el botón de alimentación para apagar completamente la aspiradora.
3. Retire el paquete de batería.
4. Vacíe el tanque colector de polvo en un recipiente o un drenaje adecuados.

NOTA: La aspiradora reanudará el ajuste de velocidad activo previamente cuando re arranque.

Indicador del botón de alimentación

Indicador del botón de alimentación	Significado	ACCIÓN
Verde continuo.	En espera.	No se requiere ninguna acción. La aspiradora se apagará automáticamente después de 1 hora de inactividad.
	La máquina funciona correctamente.	Funcionamiento normal.
Parpadea en verde 6 veces y luego se apaga.	El nivel de líquido contenido en el tanque alcanza la punta inferior de los sensores de líquido.	Pare la aspiradora, retire el paquete de batería y luego vacíe el tanque colector de polvo.
Parpadea continuamente en verde.	Error del sistema electrónico.	Contacte a servicio al cliente de EGO para obtener ayuda.

SELECCIÓN DE LA VELOCIDAD

Modo de velocidad normal

- Cada vez que se presione el botón de ajuste de la velocidad, la velocidad alternará entre el nivel bajo y el nivel alto. El indicador de velocidad muestra luces verdes que corresponden al nivel de velocidad actual.
- La aspiradora almacenará el último ajuste de velocidad y revertirá al mismo al rearrancar.

Modo TURBO

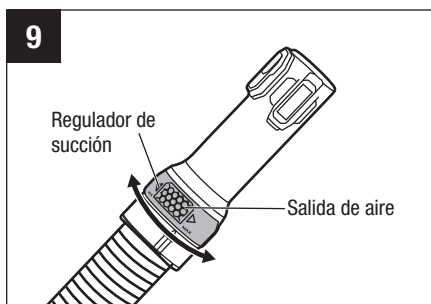
- Presione el botón TURBO, el indicador TURBO se iluminará en verde y la aspiradora comenzará a funcionar directamente a la velocidad TURBO, es decir, la velocidad más alta.
- Cuando esté en el modo TURBO, presione de nuevo el botón TURBO o presione el botón de ajuste de la velocidad, el botón de arranque/parada o el botón de alimentación. El indicador TURBO se apagará y la aspiradora saldrá del modo TURBO.

NOTA: Después de salir del modo TURBO, la aspiradora reanudará la velocidad normal activa previamente.

REGULADOR DE SUCCIÓN (Fig. 9)

Cuando se utilice la aspiradora, el caudal de aire que sale por el extremo de la manguera de aspiración se puede controlar girando el regulador de succión. Gire el regulador para dejar al descubierto la salida de aire con el fin de reducir la succión, o gire el regulador para cubrir la salida de aire con el fin de aumentar la succión.

Esta función es especialmente útil cuando la manguera de aspiración se selle con alfombras, paños, etc., durante la succión. Gire el regulador para dejar al descubierto la salida de aire y se reducirá la succión.

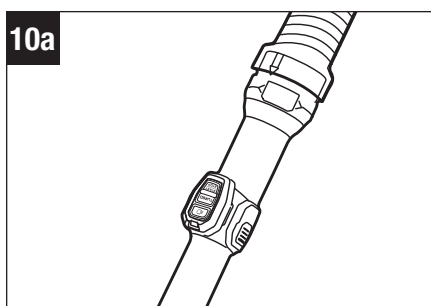


CONTROL REMOTO (Fig. 10)

- El control remoto se puede posicionar sobre la manguera de aspiración durante el uso de la aspiradora (Fig. 10a).
- Cuando la aspiradora tenga el interruptor de alimentación en la posición de encendido, usted podrá arrancarla/detenerla o poner la máquina en modo TURBO utilizando el control remoto.

NOTA: El control remoto no se puede cambiar entre velocidad normal baja o alta.

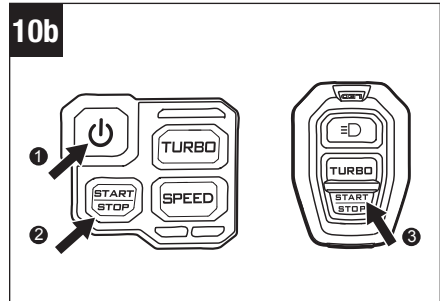
- El control remoto también se puede utilizar como linterna para áreas oscuras, especialmente cuando se utilice la boquilla rinconera.



Emparejamiento del control remoto (Fig. 10b)

El control remoto se emparejó con la aspiradora en la fábrica. Sin embargo, en los casos en que el control remoto se dañe o se pierda, siga los pasos que se indican a continuación para emparejar su control remoto nuevo con la aspiradora.

1. Instale el paquete de batería en la aspiradora.
2. Presione el botón de alimentación para suministrar energía a la aspiradora.
3. Presione prolongadamente el botón de arranque/parada ubicado en la aspiradora hasta que el indicador del botón de alimentación parpadee lentamente en verde.
4. Presione el botón TURBO o el botón de arranque/parada ubicado en el control remoto en cuanto el indicador del botón de alimentación comience a parpadear lentamente en verde.
5. El indicador del botón de alimentación parpadeará rápidamente en verde y luego se iluminará en verde continuo para indicar que el emparejamiento ha sido exitoso.



Indicador del control remoto

Indicador del control remoto	Significado	ACCIÓN
Parpadea rápidamente en verde	La carga de la batería del control remoto está casi agotada.	Cargue el control remoto.
Parpadea lentamente en verde	El control remoto se está cargando.	No se necesita ninguna acción.
Verde continuo	La carga del control remoto está completa.	Desconecte el control remoto y el cable de carga de la fuente de alimentación.

NOTA: Durante el funcionamiento normal, el indicador del control remoto se iluminará una vez cuando se presione una vez el botón TURBO o el botón de arranque/parada.

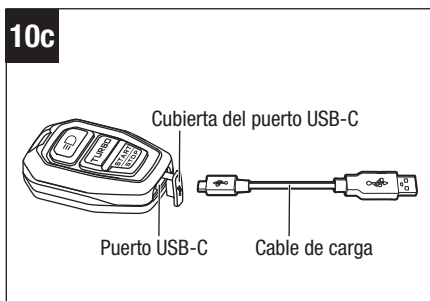
Recarga del control remoto (Fig. 10c)

La batería que se encuentra dentro del control remoto necesitará ser recargada periódicamente. Solo se debe utilizar con una fuente de alimentación ITE homologada/certificada.

⚠ ADVERTENCIA: Para esta batería de ion Li recargable dentro del control remoto, por favor, tenga presente lo siguiente:

- **Riesgo de incendio y quemaduras.**
- **No se debe abrir, aplastar o calentar por encima de 140 °F (60 °C) ni incinerar.**
- **No se debe cortocircuitar.**
- **Si está abultada severamente, descontinúe el uso.**

- 1 Abra la cubierta del puerto USB-C.
- 2 Conecte el extremo USB-C del cable de carga incluido al puerto USB-C ubicado en el control remoto.
- 3 Conecte el otro extremo del cable de carga a un adaptador de alimentación/cargador USB compatible (no incluido). Puede que se requieran hasta 2 h para cargar una batería completamente descargada.
- 4 Cuando haya acabado de cargar, desconecte el cable de carga y cierre la cubierta del puerto USB-C para proteger el puerto USB-C contra la contaminación.



TRABAJO CON LA ASPIRADORA

Utilización para aspirar residuos mojados

- No utilice la bolsa colector de polvo durante la operación de aspiración de residuos mojados.
- Apague inmediatamente la aspiradora cuando el tanque colector de polvo esté lleno. Vacíe el tanque colector de polvo en un recipiente o un drenaje adecuados.
- Limpie periódicamente el interior del tanque colector de polvo, el filtro y los accesorios, y más a menudo cuando la aspiradora se utilice para recoger materiales mojados pegajosos.

Utilización para aspirar residuos secos

- Asegúrese de que el filtro esté completamente seco después de aspirar residuos mojados o utilice un segundo filtro seco para aspirar residuos secos. Los filtros húmedos o mojados se obstruirán con polvo o se pondrán mohosos.
- Para reducir la exposición a polvo de sílice utilice una bolsa colectora de polvo.
- Apague inmediatamente la aspiradora cuando la bolsa colectora de polvo o el tanque colector de polvo estén llenos.
- Vacíe el tanque colector de polvo en un recipiente o un desagüe adecuados.

Utilización del soplador

⚠ ADVERTENCIA: Use siempre protección ocular cuando utilice esta máquina como soplador.

⚠ ADVERTENCIA: No sople materiales inflamables o combustibles, tales como gasolina, ni utilice la unidad en áreas en las que dichos materiales puedan estar presentes. El resultado podría ser un incendio.

⚠ ADVERTENCIA: No dirija el caudal de aire en dirección a personas o animales domésticos.

MANTENIMIENTO

⚠ ADVERTENCIA: Para prevenir lesiones corporales graves, retire el paquete de batería del producto antes de hacer servicio de ajustes y reparaciones, realizar limpieza, cambiar aditamentos o retirar material de la unidad.

⚠ ADVERTENCIA: Cuando haga servicio de ajustes y reparaciones, utilice solo piezas de repuesto idénticas. Es posible que el uso de cualquier pieza que no cumpla con las especificaciones del equipo original cree un peligro o cause daños al producto. Para garantizar la seguridad y confiabilidad, todas las reparaciones deberán ser realizadas por un técnico de servicio calificado.

AVISO: Inspeccione periódicamente todo el producto para determinar si hay piezas dañadas, si faltan piezas o si hay piezas flojas, tales como tornillos, tuercas, pernos, tapas, etc. Apriete firmemente todos los sujetadores y todas las tapas, y no utilice este producto hasta que todas las piezas que falten o estén dañadas hayan sido reemplazadas.

MANTENIMIENTO GENERAL

Evite utilizar solventes cuando limpie piezas de plástico. La mayoría de los plásticos son susceptibles de sufrir daños causados por diversos tipos de solventes comerciales y es posible que resulten dañados por su uso. Use un paño limpio para retirar la suciedad, el polvo, el aceite, la grasa, etc.

⚠ ADVERTENCIA: No deje en ningún momento que líquidos de freno, gasolina, productos a base de petróleo, aceites penetrantes, etc., entren en contacto con las piezas de plástico. Las sustancias químicas pueden dañar, debilitar o destruir el plástico, lo cual es posible que cause lesiones corporales graves.

VACIADO DEL TANQUE COLECTOR DE POLVO

1. Retire el paquete de batería de la aspiradora.
2. Retire la tapa del puerto de drenaje para vaciar de líquido el tanque colector de polvo en un recipiente o un drenaje adecuados, si están disponibles.
3. Desbloquee los pestillos del tanque para retirar el ensamblaje del cabezal motriz del tanque colector de polvo.
4. Retire la bolsa colector de polvo si dicha bolsa está instalada.

5. Elimine toda la suciedad o todos los residuos del tanque colector de polvo y limpie el tanque con agua y un jabón suave.
6. Deje que el tanque colector de polvo se seque antes de reensamblar el ensamblaje del cabezal motriz.

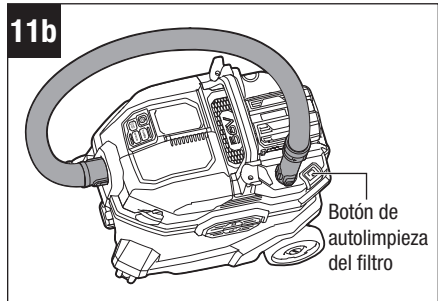
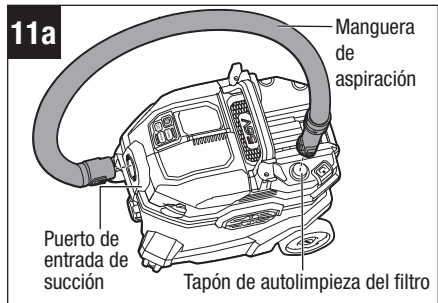
MANTENIMIENTO DEL FILTRO (Fig. 11)

Sistema de autolimpieza del filtro

La aspiradora está equipada con un sistema semiautomático de autolimpieza del filtro para limpiar el filtro.

1. Conecte la manguera de aspiración al puerto de entrada de succión de la aspiradora e instale el otro extremo de la manguera sobre el tapón de autolimpieza del filtro (Fig. 11a).
2. Instale el paquete de batería y presione el botón de alimentación para suministrar energía a la máquina.
3. Seleccione el modo de velocidad deseado y presione el botón de arranque/parada para encender la máquina.
4. Presione el botón de autolimpieza del filtro para limpiar el filtro (Fig. 11b).

CONSEJOS: Para lograr el mejor efecto de limpieza, se recomienda seleccionar el modo TURBO y presionar cinco veces el botón de autolimpieza del filtro y mantenerlo presionado durante 3 segundos cada vez.



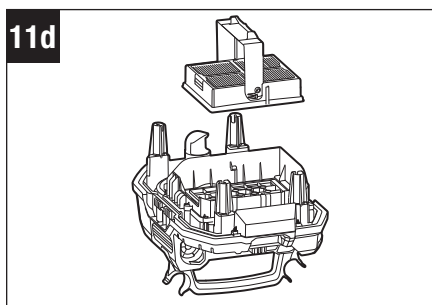
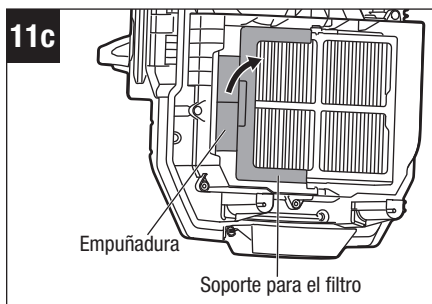
Lavado del filtro

Retire el paquete de batería y examine el filtro levantando el ensamblaje del cabezal motriz. Si el filtro sigue estando sucio después de seguir los pasos de la sección “**Sistema de autolimpieza del filtro**”, retire el filtro y enjuáguelo en agua fría. Deje que el filtro se seque completamente y reinstálelo.

Reemplazo del filtro (Fig. 11c y Fig. 11d)

⚠ ADVERTENCIA: Compruebe periódicamente el filtro y reemplácelo si está desgastado o dañado. El uso de un filtro dañado puede causar la liberación de contaminantes no deseados suspendidos en el aire, procedentes del recipiente.

1. Retire el paquete de batería.
2. Levante el ensamblaje del cabezal motriz y póngalo a un lado.
3. Despliegue la empuñadura del soporte para el filtro y jale hacia fuera el soporte con el filtro.
4. Utilice un paño húmedo para eliminar todo el polvo y todos los residuos del área del filtro.
5. Instale en el soporte un filtro nuevo o que se haya limpiado.
6. Coloque el soporte en el área del filtro y pliegue la empuñadura.



ALMACENAMIENTO DE LA ASPIRADORA

1. Retire el paquete de batería de la aspiradora.
2. Limpie minuciosamente la aspiradora antes de almacenarla.
3. Almacene la aspiradora en un área seca y bien ventilada, cerrada con llave o en alto, fuera del alcance de los niños. No almacene la aspiradora sobre o adyacente a fertilizantes, gasolina u otras sustancias químicas.

RESOLUCIÓN DE PROBLEMAS

PROBLEMA	CAUSA	SOLUCIÓN
La aspiradora no arranca.	<ul style="list-style-type: none"> ■ La carga del paquete de batería está baja. ■ El paquete de batería no está instalado correctamente. 	<ul style="list-style-type: none"> ■ Cargue el paquete de batería. ■ Deslice el paquete de batería sobre la aspiradora hasta que se acople a presión en la posición correcta.
La potencia de aspiración es débil	<ul style="list-style-type: none"> ■ Hay un bloqueo en la manguera de aspiración o la entrada de succión. ■ El filtro está obstruido por polvo fino. ■ El tanque colector de polvo está lleno. ■ La carga del paquete de batería está baja. ■ La tapa del puerto de drenaje se ha retirado del tanque colector de polvo. 	<ul style="list-style-type: none"> ■ Haga una comprobación y elimine el bloqueo en la manguera de aspiración o la entrada de succión. ■ Limpie el filtro siguiendo la sección "MANTENIMIENTO DEL FILTRO" de este manual. ■ Vacíe el tanque colector de polvo. ■ Cargue el paquete de batería. ■ Instale la tapa del puerto de drenaje sobre el tanque colector de polvo.
La máquina está funcionando, pero no hay succión.	<ul style="list-style-type: none"> ■ El ensamblaje del cabezal motriz no está instalado completamente sobre el tanque colector de polvo. 	<ul style="list-style-type: none"> ■ Asegúrese de que el ensamblaje del cabezal motriz esté instalado completamente sobre el tanque colector de polvo
El polvo se escapa del puerto de salida de soplado.	<ul style="list-style-type: none"> ■ Falta el filtro o el filtro está instalado incorrectamente. ■ El filtro está dañado. 	<ul style="list-style-type: none"> ■ Compruebe el filtro para determinar si está instalado correctamente. ■ Reemplácelo por un filtro nuevo.

PROBLEMA	CAUSA	SOLUCIÓN
La aspiradora no se puede controlar a través del control remoto.	<ul style="list-style-type: none">■ El control remoto no está emparejado con la aspiradora.■ La carga del control remoto está baja.■ El control remoto está dañado.	<ul style="list-style-type: none">■ Empareje el control remoto con la aspiradora siguiendo el capítulo "Emparejamiento del control remoto" de este manual.■ Cargue el control remoto.■ Utilice un control remoto nuevo y realice el emparejamiento del control remoto.

GARANTÍA LIMITADA DE EGO

TÉRMINOS Y DURACIÓN DE LA PÓLIZA DE GARANTÍA

Chervon North America, Inc. (“Chervon North America”), proporciona la siguiente Garantía Limitada para los productos EGO al comprador original de productos EGO.

El período de garantía detallado de cada producto EGO se puede encontrar en línea en <http://egopowerplus.com/warranty-policy>.

Sírvase contactar a Servicio al Cliente de EGO llamando gratis al 1-855-EGO-5656 en cualquier momento en que tenga preguntas o reclamos de garantía, o si desea obtener una copia impresa de la garantía.

GARANTÍA LIMITADA DE SERVICIO

Los productos EGO están garantizados contra defectos de material o de fabricación a partir de la fecha de compra minorista original durante el período de garantía aplicable. Para cualquier reclamo de garantía presentado de manera adecuada y oportuna, si Chervon North America determina que un producto presenta algún defecto durante el período de garantía, dicho producto recibirá una reparación o un remplazo gratuitos, según lo determine Chervon North America.

CÓMO OBTENER SERVICIO

Para obtener servicio de garantía, dentro del período de garantía aplicable, sírvase contactar a servicio al cliente de EGO llamando gratis al **1-855-EGO-5656**. Cuando solicite servicio de garantía, deberá presentar el recibo de venta fechado original. Se seleccionará un centro de servicio autorizado para evaluar y reparar el producto si el mismo presenta algún defecto de acuerdo con los términos establecidos en la garantía. Cuando lleve su producto al centro de servicio autorizado, es posible que se requiera un pequeño depósito cuando deje allí su herramienta. Este depósito es reembolsable cuando se considere que el servicio de reparaciones esté cubierto bajo garantía.

LIMITACIONES Y EXCLUSIONES ADICIONALES

Esta garantía limitada se aplica solo al comprador original que realice la compra a un minorista EGO autorizado y no es transferible. Los productos EGO no serán considerados defectuosos, y esta garantía no se aplicará, en los casos en que el defecto por el que se presente el reclamo sea atribuible a cualquier causa que no sean los defectos definidos anteriormente en este documento. Esta garantía quedará anulada si el producto se ha utilizado para fines de alquiler. Esta garantía no se aplicará a daños causados por accidente, abuso, uso incorrecto, alteración, modificación, reparación no autorizada, contacto con líquidos, incendio, terremoto u otra causa

externa; utilización del producto sin seguir las instrucciones, especificaciones o pautas de EGO; o no hacer servicio de ajustes y reparaciones o no mantener adecuadamente el producto. Esta garantía tampoco se aplica a los daños cosméticos, incluyendo, pero sin limitarse a ello, rasguñaduras o abolladuras; defectos causados por el desgaste por el uso normal o defectos que de alguna otra manera se deban al envejecimiento normal del producto.

ESTA GARANTÍA EXPRESA SE DA EN LUGAR DE TODAS LAS DEMÁS GARANTÍAS, EXPRESAS O IMPLÍCITAS, INCLUYENDO, PERO SIN LIMITARSE A ELLO, TODAS LAS GARANTÍAS DE COMERCIABILIDAD O IDONEIDAD PARA UN PROPÓSITO O USO ESPECÍFICO, LAS CUALES QUEDAN EXCLUIDAS. Todas las garantías implícitas, incluyendo las garantías de comerciabilidad o idoneidad para un propósito específico, que no se puedan excluir bajo la ley estatal, están limitadas al período de garantía aplicable definido al comienzo de este artículo. El remedio único y exclusivo en conexión con la compra, instalación, uso y/o rendimiento de los productos EGO es la reparación o el reemplazo del producto tal y como lo determine Chervon North America. La responsabilidad máxima de North America no excederá en ningún caso el precio de compra pagado por el producto. CHERVON NORTH AMERICA NO SERÁ RESPONSABLE ANTE EL USUARIO NI ANTE NADIE MÁS POR DAÑOS EMERGENTES, INCIDENTALES, ESPECIALES, EJEMPLARES, INDIRECTOS O PUNITIVOS QUE SURJAN DEL USO DE LOS PRODUCTOS, INCLUYENDO, PERO SIN LIMITARSE A ELLO, LESIONES CORPORALES, MUERTE, DAÑOS MATERIALES, GANANCIAS PERDIDAS U OTROS PERJUICIOS ECONÓMICOS. Esta garantía le confiere a usted derechos legales específicos y es posible que usted tenga también otros derechos que varían de un estado a otro. Algunos estados no permiten limitaciones en cuanto a la duración de una garantía implícita, la exclusión o limitación de los daños incidentales o emergentes, o las limitaciones al tiempo para emprender ciertas acciones legales, por lo que las limitaciones contenidas en el presente documento no se aplican a los consumidores individuales de esos estados.

Esta garantía está sujeta a la ley de Michigan y se interpretará de acuerdo con dicha ley, con independencia de los principios sobre conflictos de leyes. No se emprenderá ninguna acción legal contra Chervon North America a menos que se presente dentro del plazo de un (1) año después de que se tenga conocimiento de la base de dicha acción legal o de la cual se debiera haber tenido conocimiento con el ejercicio de una diligencia razonable. Se considerará que se ha renunciado a cualquier acción legal que no se presente oportunamente.

Para obtener servicio al cliente, contáctenos llamando gratis al **1-855-EGO-5656** o en **EGOPOWERPLUS.COM**.

EGO Customer Service,
769 Seward Ave. NW, Suite 102,
Grand Rapids, Michigan 49504.

