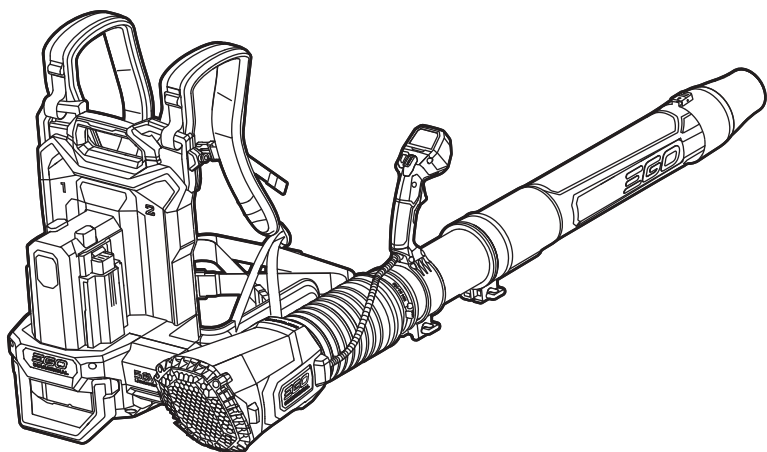


# EGO™

## COMMERCIAL



### OPERATOR'S MANUAL

# 56-VOLT LITHIUM-ION COMMERCIAL BACKPACK BLOWER

Français p. 33

MODEL NUMBER LBPX8000/LBPX8000-FC

Español p. 69

**⚠ WARNING:** To reduce the risk of injury, the user must read and understand the Operator's Manual before using this product. Save these instructions for future reference.



## TABLE OF CONTENTS

Safety Guidelines . . . . .	4
Important Safety Instructions . . . . .	5-10
Introduction . . . . .	11
Specifications . . . . .	12
Description . . . . .	13-15
Assembly . . . . .	16-18
Operation . . . . .	19-28
Maintenance . . . . .	29
Troubleshooting . . . . .	30
Warranty . . . . .	31-32

# READ ALL INSTRUCTIONS!



READ & UNDERSTAND  
INSTRUCTION MANUAL

**⚠ WARNING:** Some dust created by power sanding, sawing, grinding, drilling and other construction activities contains chemicals known to the state of California to cause cancer, birth defects or other reproductive harm. Some examples of these chemicals are:

- Lead from lead-based paints,
- Crystalline silica from bricks and cement and other masonry products, and
- Arsenic and chromium from chemically-treated lumber.

Your risk from these exposures varies, depending on how often you do this type of work. To reduce your exposure to these chemicals: work in a well ventilated area, and work with approved safety equipment, such as those dust masks that are specially designed to filter out microscopic particles.

# SAFETY GUIDELINES

## SAFETY SYMBOLS

The purpose of safety symbols is to attract your attention to possible dangers. The safety symbols and the explanations with them deserve your careful attention and understanding. The symbol warnings do not, by themselves, eliminate any danger. The instructions and warnings they give are no substitutes for proper accident prevention measures.

**⚠ WARNING:** Be sure to read and understand all safety instructions in this Operator's Manual, including all safety alert symbols such as "**DANGER**," "**WARNING**," and "**CAUTION**" before using this tool. Failure to following all instructions listed below may result in electric shock, fire, and/or serious personal injury.

## DAMAGE PREVENTION AND INFORMATION MESSAGES

These inform the user of important information and/or instructions that could lead to equipment or other property damage if they are not followed. Each message is preceded by the word "NOTICE", as in the example below:

**NOTICE:** Equipment and/or property damage may result if these instructions are not followed.




**⚠ WARNING:** The operation of any power tool can result in foreign objects being thrown into your eyes, which can result in severe eye damage. Before beginning power tool operation, always wear safety goggles or safety glasses with side shields and a full face shield when needed. We recommend a Wide Vision Safety Mask for use over eyeglasses or standard safety glasses with side shields. Always use eye protection which is marked to comply with ANSI Z87.1.

# IMPORTANT SAFETY INSTRUCTIONS

This page depicts and describes safety symbols that may appear on this product. Read, understand, and follow all instructions on the machine before attempting to assemble and operate.

	Safety Alert	Precautions that involve your safety.
	Read Operator's Manual	To reduce the risk of injury, user must read and understand the operator's manual before using this product.
	Long Hair	Failure to keep long hair away from the air inlet could result in personal injury.
	Loose Clothing	Failure to keep loose clothing from being drawn into air intake vents could result in personal injury.
	Eye Protection	Always wear safety goggles or safety glasses with side shields and a full face shield when operating this product.
	Keep Bystanders Away	Keep all bystanders at least 50 ft. (15 m) away.
	Recycle Symbol	This product uses lithium-ion (Li-Ion) batteries. Local, state, or federal laws may prohibit disposal of batteries in ordinary trash. Consult your local waste authority for information regarding available recycling and/or disposal options.
IPX5	Ingress Protection Degree	Protection from water jets
V	Volt	Voltage

min.	Minutes	Time
CFM	Cubic Feet per Minute	Air volume
MPH	Miles per Hour	Air velocity
	Direct Current	Type or a characteristic of current

When using an electrical appliance, basic precautions should always be followed, including the following:

## READ ALL INSTRUCTIONS BEFORE USING THIS PRODUCT!

**⚠ WARNING:** To ensure safety and reliability, all repairs should be performed by a qualified service technician.

**⚠ WARNING:** To reduce risk of fire, electric shock, or injury:

- **Know your power blower. Read the instruction manual carefully. Learn the blower's applications and limitations, as well as the specific potential hazards related to this blower.** Following this rule will reduce the risk of electric shock, fire, or serious injury.
- **Do not allow the blower to be used as a toy.** Close attention is necessary when used by or near children.
- **Use only as described in this manual. Use only manufacturer's recommended attachments.**
- **If the blower is not working as it should, has been dropped, damaged, left outdoors, or dropped into water, return it to a service center.**
- **Do not handle the charger, including charger plug, or charger terminals with wet hands.**
- **Do not put any object into any openings. Do not use with any opening blocked; keep openings free of dust, lint, hair, and anything that may reduce air flow.**
- **Keep hair, loose clothing, fingers, and all parts of body away from openings and moving parts.** Loose clothes, jewelry, or long hair can be drawn into air vents.

- **Secure long hair above shoulder level to prevent entanglement in moving parts.**
- **Use extra care when cleaning on stairs.**
- **Do not charge the battery pack outdoors.**
- **Do not leave blower unattended when the battery is inserted.** Remove the battery when the blower is not in use and before servicing.
- **Do not operate blowers in explosive atmospheres, such as in the presence of flammable liquids, gases, or dust.** Blowers create sparks which may ignite the dust or fumes.
- **Prevent unintentional starting. Ensure the switch is in the off-position before connecting to battery pack, picking up or carrying the appliance.** Carrying the appliance with your finger on the switch or energizing appliance that have the switch on invites accidents.
- **Disconnect the battery pack from the appliance before making any adjustments, changing accessories, or storing appliance.** Such preventive safety measures reduce the risk of starting the appliance accidentally.
- **Recharge only with the charger specified by the manufacturer.** A charger that is suitable for one type of battery pack may create a risk of fire when used with another battery pack.
- **Use appliances only with specifically designated battery packs.** Use of any other battery packs may create a risk of injury and fire.
- **When battery pack is not in use, keep it away from other metal objects, like paper clips, coins, keys, nails, screws or other small metal objects, that can make a connection from one terminal to another.** Shorting the battery terminals together may cause burns or a fire.
- **Under abusive conditions, liquid may be ejected from the battery; avoid contact. If contact accidentally occurs, flush with water.** If liquid contacts eyes, additionally seek medical help. Liquid ejected from the battery may cause irritation or burns.
- **Do not use a battery pack or appliance that is damaged or modified.** Damaged or modified batteries may exhibit unpredictable behavior resulting in fire explosion or risk of injury.

- **Do not expose a battery pack or appliance to fire or excessive temperature.** Exposure to fire or temperature above 265°F (130°C) may cause explosion.
- **Follow all charging instructions and do not charge the battery pack or appliance outside of the temperature range specified in the instructions.** Charging improperly or at temperatures outside of the specified range may damage the battery and increase the risk of fire.
- **Have servicing performed by a qualified repair person using only identical replacement parts.** This will ensure that the safety of the product is maintained.
- **Do not modify or attempt to repair the appliance or the battery pack (as applicable) except as indicated in the instructions for use and care.**
- **Use only with battery packs and chargers listed below.**

BATTERY PACK	CHARGER
BA1400, BA1400-FC, BA2800, BA2800-FC, BA4200, BA4200-FC, BA1400T, BA1400T-FC, BA2240T, BA2240T-FC, BA2242T, BA2242T-FC, BA2800T, BA2800T-FC, BA3360T, BA3360T-FC, BA4200T, BA4200T-FC, BA5600T, BA5600T-FC, BA6720T, BA6720T-FC	CH2100, CH2100-FC, CH3200, CH3200-FC, CH5500, CH5500-FC, CH2800D, CH2800D-FC, CH7000, CH7000-FC

- **Stay alert, watch what you are doing and use common sense when operating a power blower. Do not use the blower while tired, upset, or under the influence of drugs, alcohol, or medication.** A moment of inattention while operating blowers may result in serious personal injury.
- **Use safety equipment. Always wear eye protection.** Dust mask, non-skid safety shoes, hard hat, or hearing protection must be used for appropriate conditions.
- **Do not use on a ladder, rooftop, tree, or other unstable support.** Stable footing on a solid surface enables better control of the blower in unexpected situations.
- Always take care of your feet, children, or pets around you when removing the battery pack from blower. **Serious injury could result if the battery pack falls. NEVER remove the battery pack when in a high position.**
- **Do not use the blower if switch does not turn it on or off.** A blower that cannot be controlled with the switch is dangerous and must be repaired.
- **Turn off all controls before removing the battery.**



- **DO NOT** attempt to clear clogs from the unit without first removing the battery.
- **Check for misalignment or binding of moving parts, breakage of parts, and any other condition that may affect the blower's operation. If damaged, have the blower serviced before using.** Many accidents are caused by poorly maintained blowers.
- **Keep the blower and its handle dry, clean and free from oil and grease.** Always use a clean cloth when cleaning. Never use brake fluids, gasoline, petroleum-based products, or any strong solvents to clean your blower. Following this rule will reduce the risk of loss of control and deterioration of the enclosure plastic.
- **Always wear safety glasses with side shields.** Everyday glasses have only impact resistant lenses. They are NOT safety glasses. Following this rule will reduce the risk of eye injury.
- **Always wear eye protection with side shields marked to comply with ANSI Z87.1 along with hearing protection when operating this equipment.**
- **Protect your lungs. Wear a face or dust mask if the operation is dusty.** Following this rule will reduce the risk of serious personal injury.
- **Protect your hearing. Wear hearing protection during extended periods of operation.** Following this rule will reduce the risk of serious personal injury.
- **Battery powered blowers do not have to be plugged into an electrical outlet; therefore, they are always in operating condition. Be aware of possible hazards when not using your battery powered blower or when changing accessories.** Following this rule will reduce the risk of electric shock, fire, or serious personal injury.
- **Wear heavy long pants, long sleeves and boots.** Avoid loose garments or jewelry that could get caught in moving parts of the machine or its motor.
- **Do not operate the equipment while barefoot or when wearing sandals or similar lightweight footwear.** Wear protective footwear that will protect your feet and improve your footing on slippery surfaces.
- **Do not incinerate the appliance even if it is severely damaged.** The batteries can explode in a fire.
- **Batteries can explode in the presence of a source of ignition, such as a pilot light.** To reduce the risk of serious personal injury, never use any cordless product in the presence of open flame. An exploded battery can propel debris and chemicals. If exposed, flush with water immediately.

- **Keep firm footing and balance. Do not overreach.** Overreaching can result in loss of balance.
- **Check the work area before each use.** Remove all objects such as rocks, broken glass, nails, wire, or string which can be thrown by or become entangled in the machine.
- **Do not point the blower tube in the direction of people or pets.**
- **Never run the unit without the proper equipment attached.** Always ensure that the blower tube is installed.
- **When not in use, the blower should be stored indoors in a dry, secure place out of the reach of children.**
- **Keep all bystanders, children, and pets at least 50 ft. (15 m) away.**
- **Blower service must be performed only by qualified repair personnel.** Service or maintenance performed by unqualified personnel may result in a risk of injury.
- **When servicing a blower, use only identical replacement parts.** Follow instructions in the Maintenance section of this manual. Use of unauthorized parts or failure to follow Maintenance Instructions may create a risk of shock or injury.
- **Never use the blower near fires or hot ashes.** Use near fires or ashes can spread fires and result in serious injury and/or property damage.
- **Never use blower to spread chemicals, fertilizers, or any other toxic substances.** Spreading these substances could result in serious injury to the operator or bystanders.
- **Never place the blower on any surface, except a hard, clean surface when the engine is running.** Gravel, sand, and other debris can be picked up by the air inlet and thrown at the operator or bystanders, causing possible serious injuries.
- **Save these instructions.** Refer to them frequently and use them to instruct others who may use this tool. If you loan this tool to someone else, also loan these instructions to them to prevent misuse of the product and possible injury.

**SAVE THESE INSTRUCTIONS!**

## INTRODUCTION

Congratulations on your selection of the new 56V Lithium-ion powered blower. It has been designed, engineered and manufactured to give you the best possible dependability and performance.

Should you experience any problem you cannot easily remedy, please contact EGO customer service center 1-855-EGO-5656.


This manual contains important information on the safe assembly, operation and maintenance of your product. Read it carefully before using the product. Keep this manual handy so you can refer to it at any time.

SERIAL NUMBER \_\_\_\_\_ DATE OF PURCHASE \_\_\_\_\_

YOU SHOULD RECORD BOTH SERIAL NUMBER AND DATE OF PURCHASE AND KEEP THEM IN A SAFE PLACE FOR FUTURE REFERENCE



## SPECIFICATIONS

Voltage	56 V 	
Maximum Air Volume	800 CFM	
Maximum Air Velocity	190 MPH	
Maximum Blowing Force	26 N	
Approximate Run Time	With EGO 56V Battery 2 x 6.0 Ah	24 min. (Turbo)
		32 min. (High speed)
		120 min. (Low speed)
	With EGO 56V Battery 2 x 7.5 Ah	30 min. (Turbo)
		40 min. (High speed)
		150 min. (Low speed)
	With EGO 56V Battery 2 x 10 Ah	40 min. (Turbo)
		52 min. (High speed)
		200 min. (Low speed)
	With EGO 56V Battery 2 x 12 Ah	48 min. (Turbo)
		63 min. (High speed)
		240 min. (Low speed)
Recommended Operating Temperature	5°F - 104°F (-15°C - 40°C)	
Recommended Storage Temperature	-4°F - 158°F (-20°C - 70°C)	
Blower Weight (Without battery pack, with tube)	16.3 lbs (7.4 kg)	

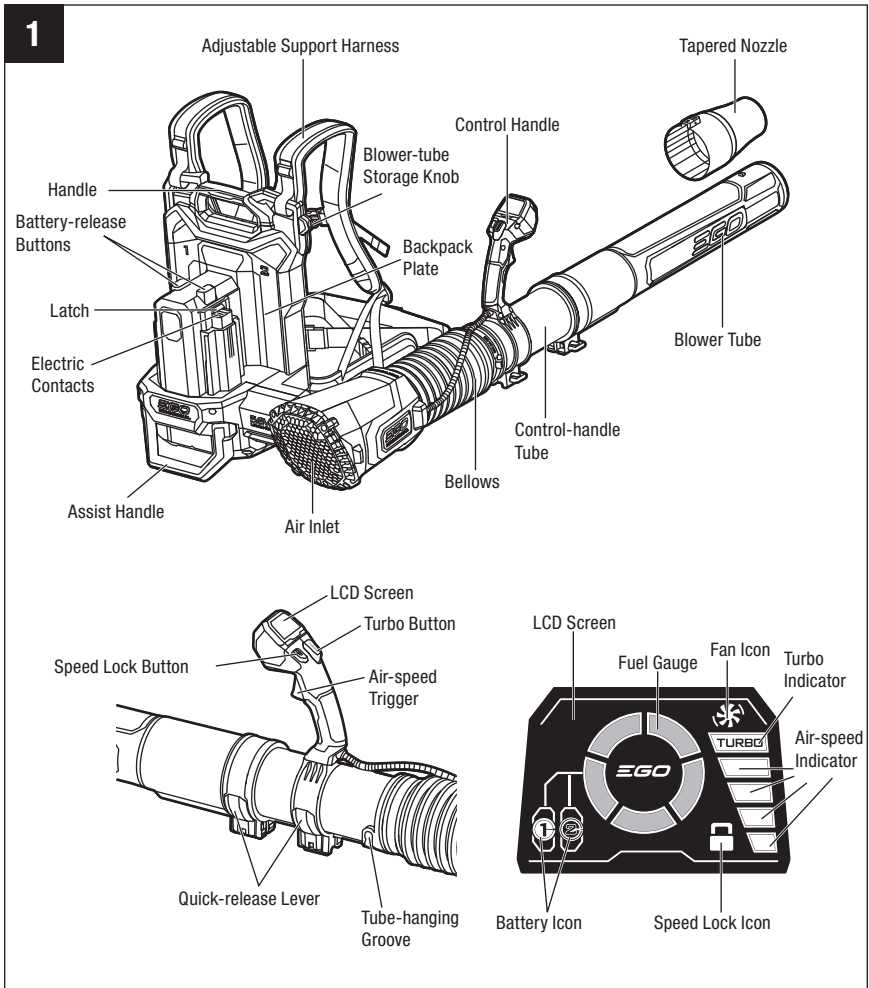
## PACKING LIST

PART NAME	QUANTITY
Blower	1
Blower tube	1
Tapered nozzle	1
Operator's manual	1

# DESCRIPTION

## KNOW YOUR BLOWER (Fig. 1)

The safe use of this product requires understanding of the information on the tool and in this operator's manual, as well as knowledge of the project you are attempting. Before use of this product, familiarize yourself with all operating features and safety rules.



### **Air-speed trigger**

Starts/stops the blower and adjusts the air speed.

### **Speed Lock button**

Allows the user to operate the blower without continuously pressing the air-speed trigger.

### **Turbo button**

Temporarily increases the air speed to the maximum while at any speed setting.

### **Battery–release button**

Releases the battery pack from the blower.

### **Latch**

Locks the battery pack when installing it on the blower.

### **Tapered nozzle**

Further concentrates the air flow and increases the air speed.

### **Adjustable support harness**

Reduces user fatigue by distributing the weight evenly across the shoulders and back.

### **Blower-tube storage knob and tube-hanging groove**

Provide secure storage of the blower tube when the blower is not in use.

### **Fuel gauge**

Indicates the average charge capacity of the inserted battery packs.

### **Battery icon**

Illuminates when the battery packs are inserted into the corresponding battery ports and the blower is turned on.



Illuminate for as long as the turbo button is depressed during operation.



Illuminates when the blower is on and the speed lock button is pressed briefly.

### **PEAK POWER™**

This technology combines the power of up to two EGO 56V ARC Lithium™ batteries for longer run time and efficient power draw.

## ASSEMBLY

**⚠ WARNING:** If any parts are damaged or missing, do not operate this product until the parts are replaced. Use of this product with damaged or missing parts could result in serious personal injury.

**⚠ WARNING:** Do not attempt to modify this product or create accessories not recommended for use with this blower. Any such alteration or modification is misuse and could result in a hazardous condition leading to possible serious personal injury.

## UNPACKING

- Carefully remove the product and any accessories from the box. Make sure that all items listed in the packing list are included.

**⚠ WARNING:** Do not use this product if any parts on the packing list are already assembled to your product when you unpack it. Parts on this list are not assembled to the product by the manufacturer and require customer installation. Use of a product that may have been improperly assembled could result in serious personal injury.

- Inspect the tool carefully to make sure that no breakage or damage occurred during shipping.
- Do not discard the packing material until you have carefully inspected and satisfactorily operated the tool.
- If any parts are damaged or missing, please return the product to the place of purchase.

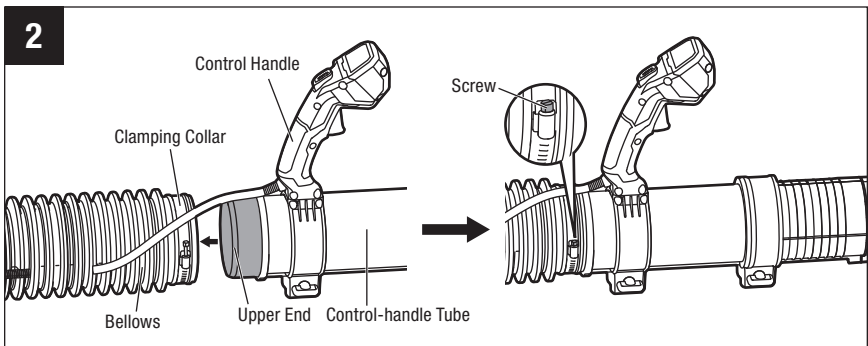


## ASSEMBLING THE BLOWER TUBES

**⚠ WARNING:** To prevent accidental starting that could cause serious personal injury, always remove the battery pack(s) from the blower when assembling parts.

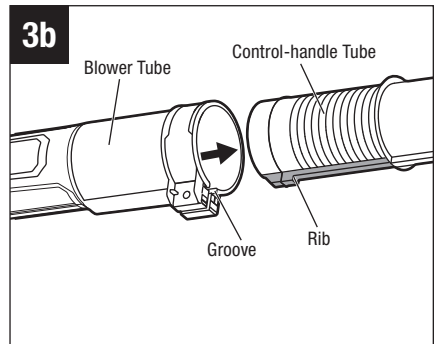
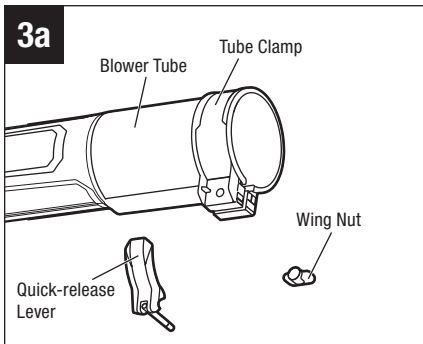
### Connecting the Control-Handle Tube to the Bellows (Fig. 2)

1. Insert the upper end of the control-handle tube into the bellows as far as it will go.
2. Using a flat screwdriver (not included), tighten securely the screw in the clamping collar fixed on the bellows.

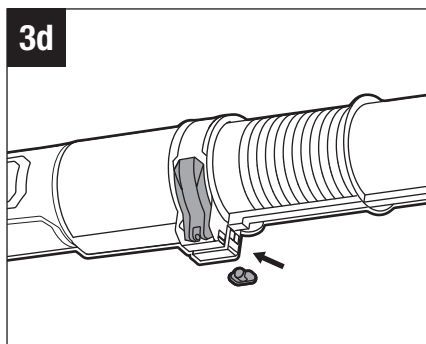
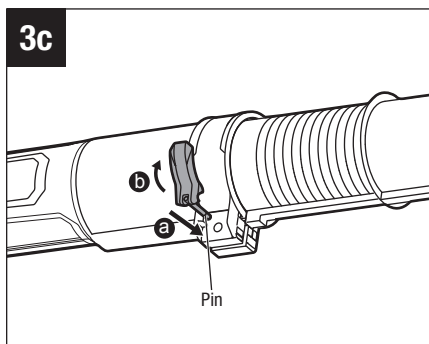


### Connecting the Blower Tube to the Control-Handle Tube

1. Loosen and remove the quick-release lever and wing nut from the tube clamp assembly fixed on the blower tube (Fig. 3a).
2. Align the groove in the blower tube with the rib on the control-handle tube, slide the blower tube over the control-handle tube as far as it will go (Fig. 3b).

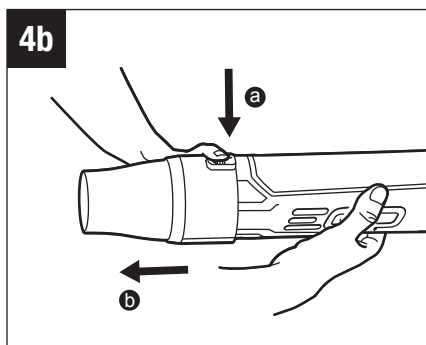
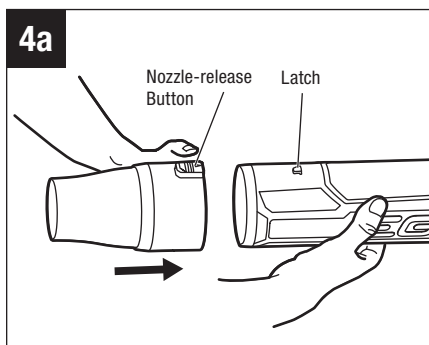


3. Insert the pin of the quick-release lever and close the lever onto the tube clamp (Fig. 3c).
4. Tighten the wing nut to secure the tube clamp (Fig. 3d).



### Connecting the Tapered Nozzle to the Blower Tube (Fig. 4a, 4b)

1. Align the groove in the nozzle with the latch on the tube. Push the nozzle over the tube until it securely snaps into place.
2. To remove the nozzle, press and hold the nozzle-release button to disengage the latch, then pull the nozzle straight from the blower tube.



## OPERATION

**⚠ WARNING:** Do not allow familiarity with this product to make you careless. Remember that a careless fraction of a second is sufficient to inflict serious injury.

**⚠ WARNING:** Always wear eye protection with side shields that is marked to comply with ANSI Z87.1, along with hearing protection. Failure to do so could result in objects being thrown into your eyes and other possible serious injuries.

**⚠ WARNING:** Do not use any attachments or accessories not recommended by the manufacturer of this product. The use of attachments or accessories not recommended can result in serious personal injury.

Before each use, inspect the entire product for damaged, missing, or loose parts, such as screws, nuts, bolts, caps, etc. Tighten securely all fasteners and caps and do not operate this product until all missing or damaged parts are replaced.

## APPLICATION

You may use this product for the purposes listed below:

- Clearing leaves and miscellaneous yard debris from lawns and mulch beds
- Clearing hard surfaces, such as driveways and walkways
- Keeping decks and driveways free from leaves and pine needles

## TO INSTALL/REMOVE BATTERY PACKS

**NOTE:** Fully charge the battery pack before first use.

**NOTE:** For best performance, we recommend use of the EGO 56V Battery BA3360T/BA3360T-FC (6.0 Ah) or any EGO 56V battery with higher capacity.

**⚠ WARNING:** Always remove the battery pack(s) from the product when you are assembling parts, making adjustments, cleaning, or when not in use. Removing the battery pack(s) will prevent accidental starting that could cause serious personal injury.

The blower has two active battery ports, located on the left and right side of the battery port housing.

**NOTE:** The blower can operate off of one or two batteries. Using two batteries gives you a longer run time and efficient power draw managed by PEAK POWER™ technology.

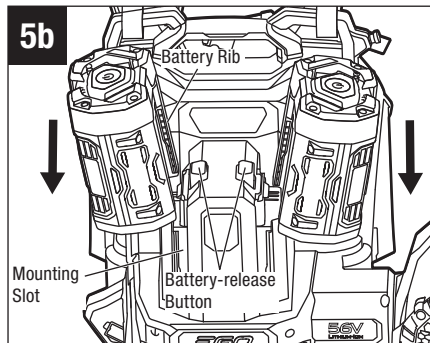
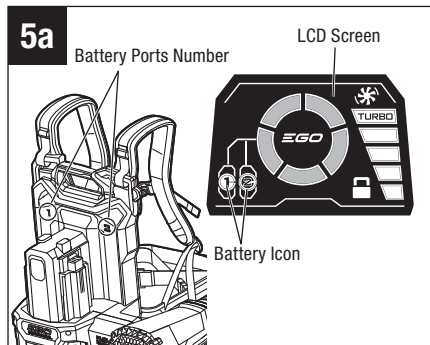
When the battery packs are inserted into the corresponding battery ports marked with 1 or 2 on the backpack plate, and the blower is turned on, the corresponding battery icon will illuminate on the LCD screen (Fig. 5a).

### To Install Battery Packs (Fig. 5b)

1. Align the ribs of the battery pack with the mounting slots in the blower's battery port.
2. Press the battery pack down until it snaps into position.
3. Repeat the process to install the second battery pack.

### To Remove Battery Packs

**⚠ WARNING:** Always take care to note the location of your feet, children, or pets when pressing the battery-release button. Serious injury could result if the battery pack falls. NEVER remove the battery pack when in a high location.



1. Press the battery-release buttons; the battery packs will disengage from the latch and the ejection mechanism will assist with removal.
2. Remove the battery packs from the blower.

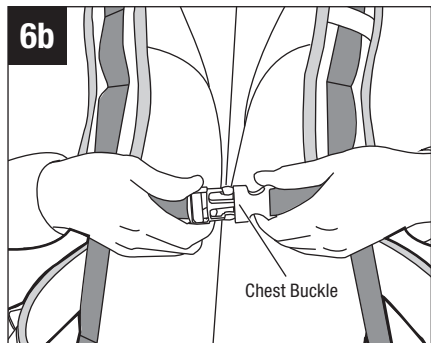
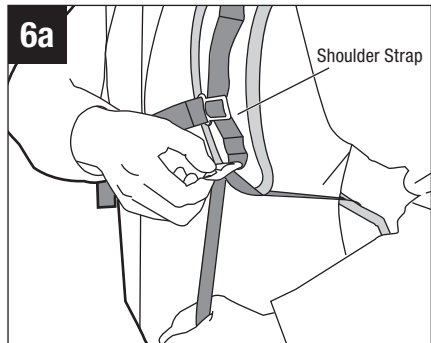
## POSITIONING THE BACKPACK BLOWER

**⚠ WARNING:** Dress properly to reduce the risk of injury when operating this machine. Do not wear loose clothing or jewelry. Wear eye and ear/hearing protection. Wear heavy, long pants, boots and gloves. Do not wear short pants or sandals or go barefoot.

Before using the backpack blower, make sure that the operator is wearing eye protection and proper clothing and can maintain a secure and balanced footing.

### To Adjust the Support Harness

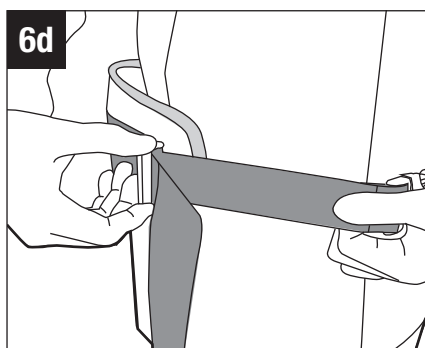
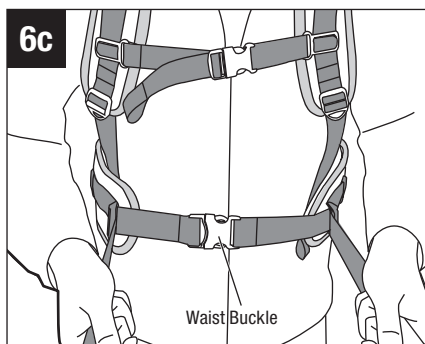
1. Put your arms through the backpack straps to support the blower on your back.
2. Temporarily adjust both shoulder straps to comfortable positions (Fig. 6a), making sure that your elbow is comfortable.
3. Snap the chest buckle and adjust the chest strap length if necessary (Fig. 6b).



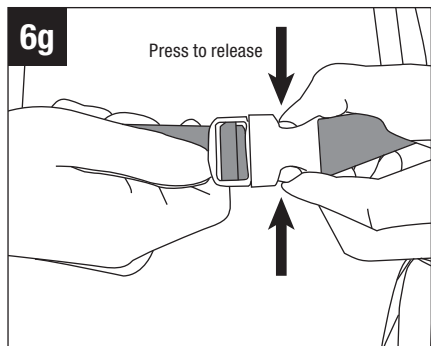
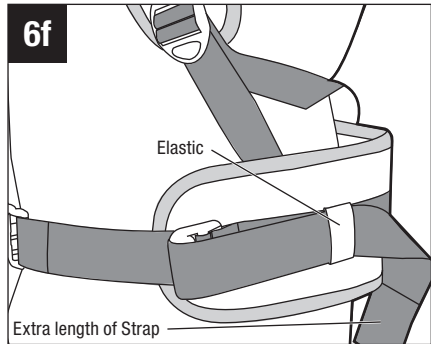
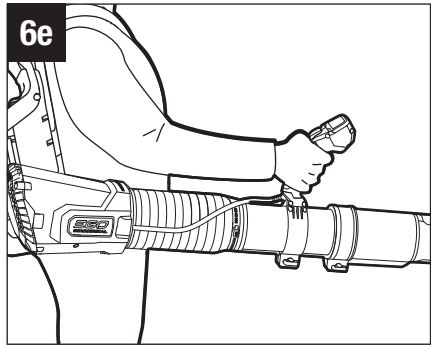
4. Snap the waist buckle and adjust the waist strap length so that the backpack is securely supported by your hips (Fig. 6c & 6d).

**NOTICE:** The backpack shouldn't sit too high on your back; it should be positioned closer to your hips than to your shoulders.

**⚠ WARNING:** When emergency occurs, release the chest and waist buckles immediately to take off the backpack strap at each side, which is a quick release method.

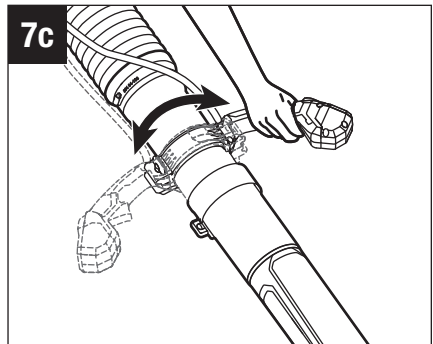
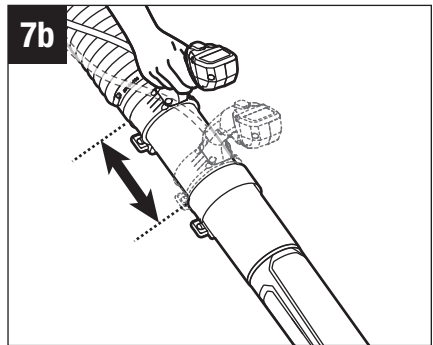
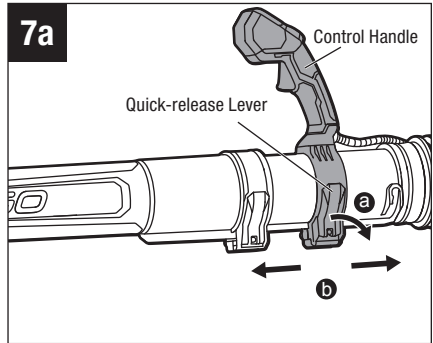


5. Readjust the shoulder straps for security and comfort. Make sure that the backpack sits securely on your back, with the weight supported by the waist strap, and without excess movement when you move (Fig. 6e).
6. Insert any extra length of the strap around the waist into the elastic on both sides (Fig. 6f).
7. To detach the backpack from your back, just press the waist and chest buckles to release them and lower the tool (Fig. 6g).



## To Adjust the Control Handle

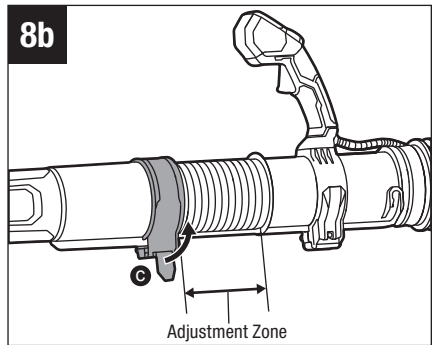
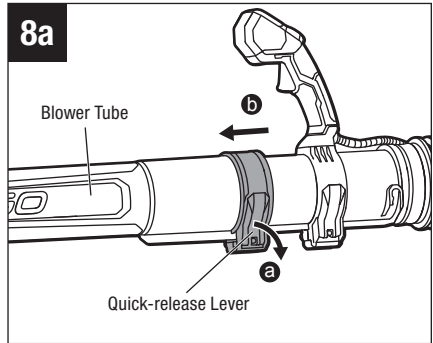
1. Release the quick-release lever to move the control handle forward or backward as needed (Fig. 7a & 7b) and then engage the quick-release lever to secure the control handle in place.
2. You may also rotate the handle as needed for comfort (Fig. 7c).





## To Adjust the Control-Handle Tube Length (Fig. 8a, 8b)

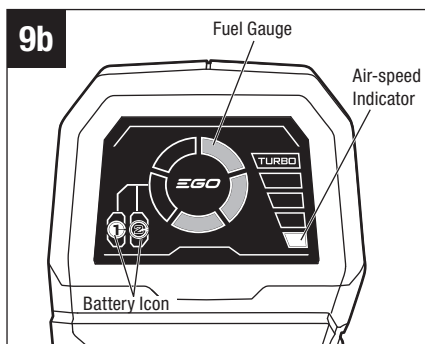
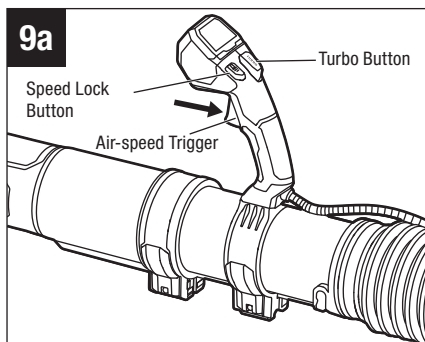
1. Release the quick-release lever.
2. Move the blower tube to a comfortable operating position within the adjustment zone.
3. Engage the quick-release lever to secure the blower tube in place.





## STARTING/STOPPING THE BLOWER

### Air-Speed Trigger (Fig. 9a, 9b)

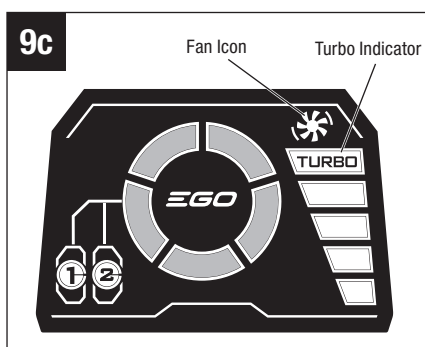
- Depress the air-speed trigger to turn on the blower, then the LCD screen will display the fuel gauge, battery icon, air speed indicator.
- The air speed of the blower is controlled with the variable speed trigger. More pressure on the trigger results in higher blowing speeds; less pressure on the trigger results in lower blowing speeds. Adjust the speed to suit the task at hand. The corresponding air speed icon will display on the LCD screen.
- Release the air-speed trigger to turn off the blower. The LCD screen will turn off 6 seconds after the trigger is released.



### Turbo Mode

While the air-speed trigger is depressed and held, press the turbo button to increase the air flow to the maximum velocity (Fig. 9a). Both the turbo indicator  and the fan icon  will illuminate on the LCD screen (Fig. 9c).


**NOTE:** The blower will return to the previous speed when the turbo button is released.



## Speed Lock Mode


The speed lock can be used to operate the blower without continuously pressing the air-speed trigger.

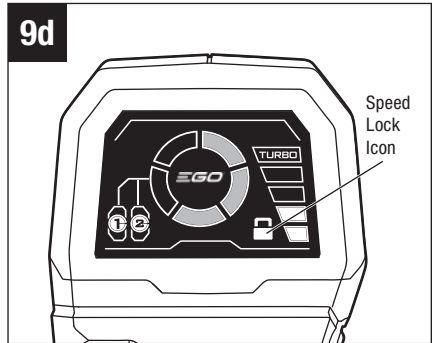
### To engage the speed lock:

1. Depress the air-speed trigger until you reach the desired speed (Fig. 9a).
2. Press the speed lock button. The speed lock icon  will illuminate on the LCD screen (Fig. 9d).
3. Then release the air-speed trigger, the blower will keep running.

While cruising control mode working press the turbo button to temporarily increase the air speed to the maximum level. The blower will resume the previous speed when the turbo button is released.

### To release the Speed Lock

Press the speed lock button again. The speed lock icon  will disappear from the LCD screen and the blower will turn off.



## **TIPS FOR USING THE BLOWER**

- To keep from scattering debris, blow around the outer edges of a debris pile. Never blow directly into the center of a pile.
- To reduce sound levels, limit the number of pieces of equipment used at any one time.
- Use rakes and brooms to loosen debris before blowing. In dusty conditions, slightly dampen surfaces if water is available.
- Watch out for children, pets, open windows, or freshly washed cars, and blow debris safely away.
- After using blowers or other equipment, clean up! Dispose of debris properly.

# MAINTENANCE

**⚠ WARNING:** When servicing, use only identical replacement parts. Use of any other parts may create a hazard or cause product damage. To ensure safety and reliability, all repairs should be performed by a qualified service technician.

**⚠ WARNING:** To avoid serious personal injury, always remove the battery pack from the blower before cleaning or performing any maintenance.

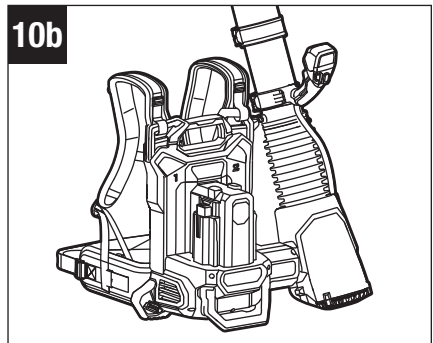
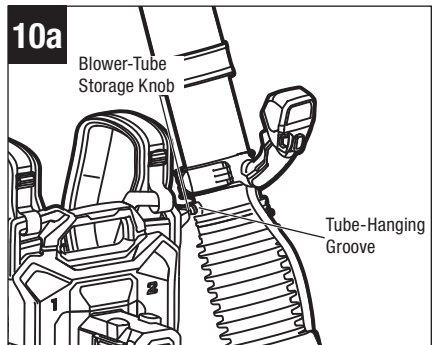
## GENERAL MAINTENANCE

Avoid using solvents when cleaning plastic parts. Most plastics are susceptible to damage from various types of commercial solvents and may be damaged by their use. Use clean cloths to remove dirt, dust, oil, grease, etc.

**⚠ WARNING:** Do not at any time let brake fluids, gasoline, petroleum-based products, penetrating oils, etc., come in contact with plastic parts. Chemicals can damage, weaken or destroy plastic which may result in serious personal injury.

## STORAGE

- Remove the battery pack(s) from the blower.
- Clean all foreign material from the air inlets of the blower.
- Align the blower-tube storage knob with the tube-hanging groove and hook the blower tube onto the battery port housing (Fig. 10a & 10b).
- Store in an enclosed space that is inaccessible to children. Keep away from corrosive agents, such as garden chemicals and de-icing salts.



## TROUBLESHOOTING

PROBLEM	CAUSE	SOLUTION
Blower doesn't work.	<ul style="list-style-type: none"><li>▪ The battery pack is not attached to the blower.</li><li>▪ There is no electrical contact between the blower and battery.</li><li>▪ The battery pack charge is depleted.</li><li>▪ The battery pack or blower is too hot.</li></ul>	<ul style="list-style-type: none"><li>▪ Attach the battery pack to the blower.</li><li>▪ Remove battery, check contacts and reinstall the battery pack.</li><li>▪ Charge the battery pack.</li><li>▪ Cool the battery pack and blower until their temperature drops below 152°F (67°C).</li></ul>
The air speed is noticeably reduced.	<ul style="list-style-type: none"><li>▪ Excessive worn of motor fan.</li><li>▪ The air inlet is blocked by debris.</li></ul>	<ul style="list-style-type: none"><li>▪ Contact EGO service center for repair.</li><li>▪ Remove the battery pack, clear the debris.</li></ul>
LCD Screen not functioning properly.	<ul style="list-style-type: none"><li>▪ LCD assembly is broken or bad wire connection of the LCD assembly.</li></ul>	<ul style="list-style-type: none"><li>▪ Have repairs performed by a qualified service technician.</li></ul>



---

# EGO LIMITED WARRANTY

## WARRANTY POLICY TERMS AND DURATION

Chervon North America, Inc. (“Chervon North America”) provides the following Limited Warranty for EGO products to the original purchaser of EGO products.

The detailed warranty period for each EGO product can be found online at <http://egopowerplus.com/warranty-policy>.

**Please contact EGO Customer Service Toll-Free at 1-855-EGO-5656** any time you have questions or warranty claims or would like a hard copy of the warranty.

## LIMITED SERVICE WARRANTY

EGO products are warranted against defects in material or workmanship from the date of original retail purchase for the applicable warranty period. For any properly and timely submitted warranty claim, if Chervon North America determines a product to be defective during the warranty period, the product will receive free repair or replacement as determined by Chervon North America.

## HOW TO OBTAIN SERVICE

For warranty service, within the applicable warranty period, please contact EGO customer service toll-free at **1-855-EGO-5656**. When requesting warranty service, you must present the original dated sales receipt. An authorized service center will be selected to evaluate and repair the product if defective according to the stated warranty terms. When bringing your product to the authorized service center, there may be a small deposit that will be required when dropping off your tool. This deposit is refundable when the repair service is deemed to be covered under warranty.

## ADDITIONAL LIMITATIONS & EXCLUSIONS

This limited warranty applies only to the original purchaser from an authorized EGO retailer and is not transferable. EGO products shall not be considered defective, and this warranty will not apply, where the claimed defect is attributable to any cause other than the above-defined defects. This warranty shall be void if the product has been used for rental purposes. This warranty shall not apply to damage caused by accident, abuse, misuse, alteration, modification, unauthorized repair, liquid contact, fire, earthquake or other external cause; operating the product outside EGO’s instructions, specifications



or guidelines; or failure to properly service of maintain the product. This warranty also does not apply to cosmetic damage, including but not limited to scratches or dents; defects caused by normal wear and tear or otherwise due to the normal aging of the product.

THIS EXPRESS WARRANTY IS GIVEN IN LIEU OF ALL OTHER WARRANTIES, EXPRESS OR IMPLIED, INCLUDING, BUT NOT LIMITED TO, ANY WARRANTIES OF MERCHANTABILITY OR FITNESS FOR PARTICULAR PURPOSE OR USE, WHICH ARE DISCLAIMED. Any implied warranties, including warranties of merchantability or fitness for a particular purpose, that cannot be disclaimed under state law are limited to the applicable warranty period defined at the beginning of this article. The sole and exclusive remedy in connection with the purchase, installation, use, and/or performance of the EGO products is repair or replacement of the product as determined by Chervon North America. Chervon North America's maximum liability shall not in any case exceed the purchase price paid for the product. CHERVON NORTH AMERICA SHALL NOT BE LIABLE TO THE USER OR TO ANYONE ELSE FOR CONSEQUENTIAL, INCIDENTAL, SPECIAL, EXEMPLARY, INDIRECT, OR PUNITIVE DAMAGES ARISING FROM USE OF THE PRODUCTS, INCLUDING BUT NOT LIMITED TO PERSONAL INJURY, DEATH, PROPERTY DAMAGE, LOST PROFITS, OR OTHER ECONOMIC INJURY. This warranty gives you specific legal rights, and you may also have other rights which vary from state to state. Some states do not allow limitations on how long an implied warranty lasts, the exclusion or limitation of incidental or consequential damages, or the limitations on time to bring certain actions, so such limitations contained herein do not apply to individual consumers in those states.

This warranty is subject to and shall be interpreted according to Michigan law without regard to principles of conflicts of laws. No legal action shall be brought against Chervon North America unless filed within one (1) year after the basis for such legal action becomes known, or with the exercise of reasonable diligence should have become known. Any action not timely filed shall be deemed waived.

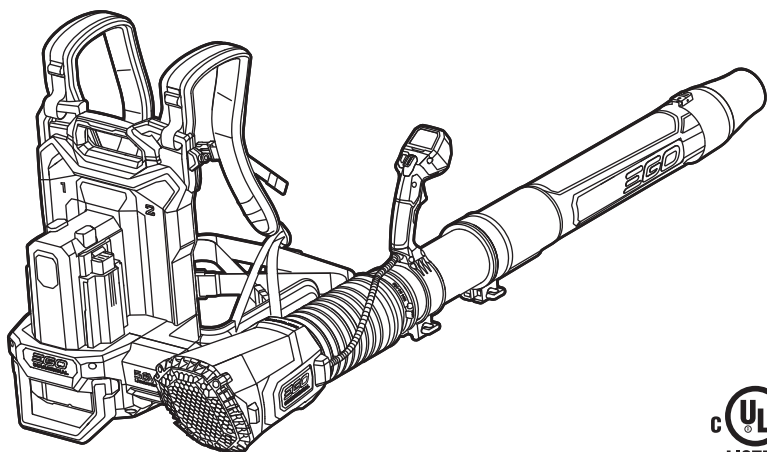
For customer service contact us toll-free at: **1-855-EGO-5656** or **EGOPOWERPLUS.COM**.

EGO Customer Service  
769 Seward Ave. NW, Suite 102  
Grand Rapids, Michigan 49504.



# EGO™

## COMMERCIAL



GUIDE D'UTILISATION

# SOUFFLEUSE COMMERCIALE TRANSPORTABLE DANS UN SAC À DOS À PILE LITHIUM-ION DE 56 V

NUMÉRO DE MODÈLE LBPX8000/LBPX8000-FC

**⚠ AVERTISSEMENT :** Afin de réduire les risques de blessure, l'utilisateur doit lire et comprendre le guide d'utilisation avant d'utiliser ce produit. Conservez le présent guide afin de pouvoir le consulter ultérieurement.

## **TABLE DES MATIÈRES**

Directives relatives à la sécurité .....	36
Consignes de sécurité importantes .....	37-43
Introduction .....	44
Spécifications .....	45
Description .....	46-48
Assemblage .....	49-52
Fonctionnement .....	53-62
Entretien .....	63-64
Recherche de la cause des problèmes .....	65
Garantie .....	66-67

# LISEZ TOUTES LES INSTRUCTIONS !



ASSUREZ-VOUS DE LIRE ET DE COMPRENDRE  
LE GUIDE D'UTILISATION

**⚠ AVERTISSEMENT :** Des travaux de ponçage, de sciage, de meulage, de perçage et d'autres travaux de construction réalisés avec un outil électrique peuvent produire des poussières qui, selon l'État de Californie, contiennent des produits chimiques qui sont des causes reconnues de cancer, de malformation congénitale ou d'autres problèmes de la reproduction. Ces produits chimiques sont, par exemple :

- du plomb provenant de peinture au plomb,
- des cristaux de silices provenant des briques et du ciment, et d'autres produits de maçonnerie, et
- de l'arsenic et du chrome provenant de bois de construction traité par des produits chimiques.

Le niveau de risque causé par de telles expositions varie en fonction de la fréquence de ces types de travaux. Pour réduire l'exposition à ces produits chimiques, il est utile de travailler dans un lieu bien ventilé et de porter un équipement de sécurité approprié tel que certains masques à poussière conçus spécialement pour filtrer les particules microscopiques.

# DIRECTIVES DE SÉCURITÉ

## SAFETY SYMBOLS

La raison d'être des symboles relatif à la sécurité est d'attirer votre attention sur des dangers possibles. Il est important de vous familiariser avec les symboles relatifs à la sécurité et les explications qui les accompagnent afin de bien les comprendre. Les avertissements et les symboles associés ne suffisent pas à éliminer tous les dangers. Les instructions et les avertissements qu'ils donnent ne sauraient remplacer des mesures de prévention des accidents appropriées.

**⚠ AVERTISSEMENT :** Lisez toutes les consignes de sécurité qui sont contenue dans ce Mode d'emploi, y compris tous les symboles d'alerte relatifs à la sécurité tels que « **DANGER** », « **AVERTISSEMENT** » et « **MISE EN GARDE** », et assurez-vous que vous les comprenez bien avant de commencer à utiliser cet outil. La non-observation de toutes les instructions figurant ci-après pourrait causer un choc électrique, un incendie et/ou des blessures personnelles graves.

## MESSAGES D'INFORMATION ET DE PRÉVENTION DES DOMMAGES

Ils informent l'utilisateur d'informations et/ou d'instructions importantes qui pourraient entraîner des dommages matériels ou aux équipements s'ils ne sont pas suivis. Chaque message est précédé par le terme « **AVIS** », comme dans l'exemple ci-dessous :

**AVIS :** Un dommage matériel et/ou aux équipements peut survenir si ces instructions ne sont pas suivies.



**⚠ AVERTISSEMENT :** Pendant leur fonctionnement, les outils électriques peuvent projeter des corps étrangers dans les yeux de leur utilisateur et lui infliger de graves blessures aux yeux. Portez toujours des lunettes de protection ou des lunettes de sécurité à écrans latéraux et un masque couvrant tout le visage lors de l'utilisation de cet outil électrique. Nous recommandons de porter un masque de sécurité à vision latérale large au-dessus des lunettes ordinaires ou des lunettes de sécurité standard avec des écrans de protection sur les côtés. Utilisez toujours un équipement de protection des yeux indiquant qu'il est conforme à la norme ANSI Z87.1.

# CONSIGNES DE SÉCURITÉ IMPORTANTES

Cette page représente et décrit les symboles de sécurité qui peuvent figurer sur ce produit. Lisez, comprenez et suivez toutes les instructions figurant sur la lampe avant de l'assembler et de commencer à l'utiliser.

	<p>Alerte à la sécurité</p>	<p>Précautions en liaison avec votre sécurité.</p>
	<p>Lisez le mode d'emploi.</p>	<p>Pour réduire le risque de blessure, l'utilisateur doit lire et comprendre le mode d'emploi avant de commencer à utiliser ce produit.</p>
	<p>Cheveux longs</p>	<p>Si vous ne tenez pas les cheveux longs éloignés de l'entrée d'air, vous risquez de vous blesser.</p>
	<p>Vêtements amples</p>	<p>Si vous n'empêchez pas les vêtements amples d'être aspirés par les bouches d'aération, vous risquez de vous blesser.</p>
	<p>Protection des yeux</p>	<p>Portez toujours des lunettes de protection ou des lunettes de sécurité à écrans latéraux et un masque couvrant tout le visage lors de l'utilisation de ce produit.</p>
	<p>Tenez les autres personnes présentes suffisamment éloignées.</p>	<p>Gardez toutes les personnes présentes à au moins 15 mètres / 50 pi de distance.</p>
	<p>Symbole de recyclage</p>	<p>Ce produit utilise des piles au lithium-ion (Li-ion). Les lois et règlements locaux, provinciaux et fédéraux interdisent peut-être de jeter des piles au lithium-ion dans les ordures ordinaires. Consultez votre service municipal responsable de la gestion des déchets pour déterminer quelles sont les options de recyclage et/ou d'élimination possibles.</p>

IPX5	Niveau de protection d'indice	Protection contre les jets d'eau
V	Volts	Tension
min.	Minutes	Heure
CFM	Pieds cubes par minute	Volume d'air
MPH	Miles par heure	Vitesse de l'air
☐☐☐	Courant continu	Type ou caractéristique du courant

Des précautions élémentaires doivent toujours être prises lors de l'utilisation d'outils électriques, notamment les précautions suivantes :

## LISEZ TOUTES LES INSTRUCTIONS AVANT DE COMMENCER À UTILISER CE PRODUIT !

**⚠ AVERTISSEMENT** : Pour assurer la sécurité et la fiabilité, toutes les réparations doivent être effectuées par un technicien de service qualifié.

**⚠ AVERTISSEMENT** : Pour réduire risque d'incendie, de choc électrique ou de blessures :

- **Familiarisez-vous avec votre souffleuse électrique. Lisez attentivement le mode d'emploi. Apprenez les applications et les limitations de la souffleuse, et prenez conscience des dangers éventuels spécifiques associés à cette souffleuse.** L'observation de cette règle réduira le risque de choc électrique, d'incendie ou de blessure grave.
- **Ne laissez pas la souffleuse être utilisée comme un jouet.** Il est nécessaire de prendre des précautions appropriées quand elle est utilisée par des enfants ou à proximité d'enfants.
- **N'utilisez la souffleuse que conformément à ce qui est décrit dans ce mode d'emploi. N'utiliser que les accessoires recommandés par le fabricant.**
- **Si la souffleuse ne fonctionne pas comme elle devrait, si quelqu'un l'a fait tomber, si elle est endommagée, si elle a été laissée à l'extérieur ou si elle est tombée dans de l'eau, téléphonez à un centre de service après-vente.**
- **Ne manipulez pas le chargeur, y compris la fiche du chargeur et ses bornes, si vous avez les mains mouillées.**

- **N'introduisez pas d'objets dans des orifices. N'utilisez pas la souffleuse si l'un de ses orifices est obstrué ; assurez-vous que les orifices ne sont pas bloqués par de la poussière, de la peluche, des cheveux ou un quelconque objet risquant de réduire la circulation de l'air.**
- **Gardez vos cheveux, des vêtements amples, vos doigts et toutes les parties de votre corps à une distance suffisante des orifices et des pièces mobiles.** Les vêtements amples, bijoux ou cheveux longs pourraient être attirés dans des événements d'aération.
- **Attachez les cheveux longs au-dessus du niveau des épaules pour éviter qu'ils ne s'emmêlent dans les pièces mobiles.**
- **Faites particulièrement attention lorsque vous nettoyez des escaliers.**
- **Ne chargez pas le bloc-piles à l'extérieur.**
- **Ne laissez pas la souffleuse sans surveillance lorsque la pile est insérée.** Retirez la pile lorsque la souffleuse n'est pas utilisée et avant tout entretien.
- **N'utilisez pas des souffleuses dans une atmosphère explosive, par exemple en présence de liquides, de gaz ou de poussières inflammables.** Les souffleuses produisent des étincelles qui risquent de mettre feu aux poussières ou aux émanations de fumée.
- **Prévenez une mise en marche accidentelle. Assurez-vous que l'interrupteur est dans la position d'arrêt avant de le connecter au bloc-piles, ou de soulever ou de transporter votre outil.** Le fait de transporter un outil électrique avec le doigt sur l'interrupteur ou de le mettre sous tension avec l'interrupteur en position de marche invite les accidents.
- **Débranchez le bloc-piles de votre outil avant d'y apporter de quelconques modifications, de changer des accessoires ou de ranger l'outil.** De telles mesures de sécurité préventives réduisent le risque de démarrage accidentel de l'outil.
- **Ne rechargez l'outil qu'avec le chargeur indiqué par le fabricant.** Un chargeur qui est approprié pour un type de bloc-piles pourrait créer un risque d'incendie quand il est utilisé avec un autre bloc-piles.
- **Utilisez votre outil exclusivement avec des blocs-piles conçus spécifiquement pour celui-ci.** L'emploi de tout autre bloc-piles risquerait de causer des blessures et un incendie.

- **Lorsque le bloc-piles n'est pas utilisé, gardez-le à une distance suffisante des autres objets en métal, comme des trombones, pièces de monnaie, clés, clous, vis ou autres petits objets en métal qui pourraient établir une connexion entre une borne et une autre.** Le court-circuitage des bornes d'une pile pourrait causer des brûlures ou un incendie.
- **Dans des conditions d'utilisation abusives, du liquide pourrait être éjecté de la pile; évitez tout contact avec ce liquide. En cas de contact accidentel, lavez avec de l'eau.** En cas de contact de liquide avec les yeux, consultez un professionnel de santé. Tout liquide éjecté d'une pile peut causer de l'irritation ou des brûlures.
- **N'utilisez pas un bloc-piles ou un équipement qui est endommagé ou qui a été modifié.** Des piles endommagées ou modifiées peuvent se comporter de façon imprévisible et causer un incendie une explosion ou des blessures.
- **N'exposez pas un bloc-piles ou un luminaire à un incendie ou à une température excessive.** L'exposition à un feu ou à une température supérieure à 130° C / 265° F pourrait causer une explosion.
- **Suivez toutes les instructions relatives à la charge et ne chargez pas le bloc-piles ou l'équipement en dehors de la plage de température indiquée dans les instructions.** Une charge dans des conditions appropriées ou à des températures en dehors de la plage spécifiée pourrait endommager les piles et augmenter le risque d'incendie.
- **Faites entretenir votre produit par un réparateur compétent n'utilisant que des pièces de rechange identiques.** Ceci assurera le maintien de la sécurité du produit.
- **Ne modifiez pas et ne tentez pas de réparer l'outil ou le bloc-piles (suivant le cas), sauf conformément à ce qui est indiqué dans les instructions d'utilisation et dans le mode d'emploi.**
- **N'utilisez qu'avec les blocs-piles et chargeurs indiqués ci-dessous :**

BLOC-PILES	CHARGEUR
BA1400, BA1400-FC, BA2800, BA2800-FC, BA4200, BA4200-FC, BA1400T, BA1400T-FC, BA2240T, BA2240T-FC, BA2242T, BA2242T-FC, BA2800T, BA2800T-FC, BA3360T, BA3360T-FC, BA4200T, BA4200T-FC, BA5600T, BA5600T-FC, BA6720T, BA6720T-FC	CH2100, CH2100-FC, CH3200, CH3200-FC, CH5500, CH5500-FC, CH2800D, CH2800D-FC, CH7000, CH7000-FC



- **Soyez alerte, faites preuve de vigilance et de bon sens, et observez attentivement ce que vous faites lorsque vous utilisez une souffleuse électrique. N'utilisez pas la souffleuse si vous êtes fatigué(e) ou sous l'influence de drogues, d'alcool ou de médicaments.** Un simple moment d'inattention pendant que vous utilisez une souffleuse pourrait causer une blessure corporelle grave.
- **Utilisez des équipements de protection. Portez toujours des équipements de protection des yeux.** Un masque de protection contre la poussière, des chaussures de sécurité antidérapantes, un casque de sécurité ou une protection auditive doivent être utilisés dans les conditions appropriées.
- **Ne l'utilisez pas sur une échelle, sur un toit, sur un arbre ou sur tout autre support instable.** Une assise stable sur une surface solide permet un meilleur contrôle de la souffleuse dans des situations inattendues.
- Faites toujours attention à vos pieds, aux enfants ou aux animaux domestiques qui vous entourent lorsque vous retirez le bloc-piles de la souffleuse. **La chute du bloc-piles pourrait causer des blessures graves. Ne retirez JAMAIS le bloc-piles lorsque vous vous trouvez à un endroit surélevé.**
- **N'utilisez pas la souffleuse si l'interrupteur de marche/arrêt ne permet pas de le mettre sous tension/hors tension.** Toute souffleuse qui ne peut pas être contrôlée par son interrupteur est dangereuse et doit être réparée.
- **Éteignez toutes les commandes avant de retirer le bloc-piles.**
- Ne tentez **PAS** de déboucher la souffleuse en cas d'obstruction sans avoir préalablement retiré la pile.
- **Assurez-vous que les pièces en mouvement sont bien alignées et qu'elles ne se coincent pas, qu'il n'y a pas de pièces cassées ou qu'il n'existe aucune situation pouvant affecter le fonctionnement de la souffleuse. Si vous constatez des dommages, faites réparer la souffleuse avant de vous en servir à nouveau.** De nombreux accidents sont causés par des souffleuses mal entretenues.
- **Gardez la souffleuse et ses poignées propres sèches, propres et exemptes de toute trace d'huile ou de graisse.** Utilisez toujours un chiffon propre pour le nettoyage. N'utilisez jamais de liquide de frein, d'essence, de produits à base de pétrole ou de solvants puissants pour nettoyer votre souffleuse. Le respect de cette règle réduira le risque de perte de contrôle et de détérioration du plastique de l'enceinte.

- **Portez toujours des lunettes de sécurité avec des protections latérales.** Les lunettes de tous les jours n'ont que des verres résistants aux chocs. Ce ne sont PAS des lunettes de sécurité. L'observation de cette règle réduira le risque de choc électrique.
- **Portez toujours des lunettes de sécurité avec des écrans latéraux marqués comme étant conformes à la norme ANSI Z87.1 ainsi que des protège-oreilles.**
- **Protégez vos poumons. Utilisez toujours un masque de protection contre la poussière ou une protection du visage si la tâche que vous allez accomplir va produire de la poussière.** L'observation de cette règle réduira le risque de blessure grave.
- **Protégez votre ouïe Portez une protection auditive pendant les périodes de fonctionnement prolongées.** L'observation de cette règle réduira le risque de blessure grave.
- **Il n'est pas nécessaire de brancher les souffleuses alimentées par des piles dans une prise de courant ; elles sont toujours prêtes à fonctionner. Réfléchissez toujours aux dangers possibles chaque fois que vous utilisez votre souffleuse électrique à piles ou quand vous changez des accessoires.** L'observation de cette règle réduira le risque de choc électrique, d'incendie ou de blessure grave.
- **Portez des pantalons longs robustes des bottes et des chemises à manches longues.** Évitez les vêtements amples ou les bijoux qui pourraient se prendre dans les parties mobiles de la machine ou de son moteur.
- **Ne vous servez pas de cette machine si vous êtes pieds nus ou si vous portez des sandales ou des chaussures légères similaires.** Portez des chaussures de sécurité qui protégeront vos pieds et vous donneront un meilleur appui sur des surfaces glissantes.
- **N'incinerez pas cet équipement, même s'il est gravement endommagé.** Les piles peuvent exploser en cas d'incendie.
- **Les piles peuvent exploser en présence d'une source d'inflammation comme une flamme pilote.** Pour réduire le risque de blessures personnelles graves, n'utilisez jamais de produit sans fil en présence d'une flamme vive. En explosant, une pile peut projeter des débris et des agents chimiques. En cas d'exposition, aspergez immédiatement avec de l'eau.
- **Gardez une assise ferme et soyez bien équilibré(e). Ne vous penchez pas excessivement au-dessus de la souffleuse.** Un tel mouvement pourrait entraîner une perte d'équilibre.

- **Inspectez toujours la zone de travail avant de commencer à vous servir de la souffleuse.** Retirez tous les objets, tels que les pierres, le verre brisé, les clous, le fil de fer ou la ficelle qui peuvent être projetés par la souffleuse ou s’emmêler dans celle-ci.
- **Ne dirigez pas le tube de la souffleuse en direction des personnes ou des animaux domestiques.**
- **Ne faites jamais fonctionner la souffleuse sans les attachements appropriés.** Assurez-vous toujours que le tube de la souffleuse est installé.
- **Lorsqu’elle n’est pas utilisée, la souffleuse doit être rangée à l’intérieur, dans un endroit sec et sûr, hors de portée des enfants.**
- **Gardez tous les enfants et les autres personnes, ainsi que les animaux domestiques, à au moins 15 mètres / 50 pi de distance.**
- **Les réparations de la souffleuse ne doivent être effectuées que par des réparateurs qualifiés.** Une réparation ou un entretien effectué par une personne non qualifiée pourrait causer un risque de blessure.
- **Lors de toute réparation d’une souffleuse, n’utilisez que des pièces de rechange identiques.** Suivez les instructions de la section Entretien de ce mode d’emploi. L’utilisation de pièces de rechange non autorisées ou le non-respect des instructions d’entretien pourrait créer un risque de choc électrique ou de blessure.
- **N’utilisez jamais la souffleuse à proximité de feux ou de cendres chaudes.** L’utilisation à proximité de feux ou de cendres peut propager les incendies et entraîner des blessures graves et/ou des dommages matériels.
- **N’utilisez jamais la souffleuse pour épandre des produits chimiques, des engrais ou toute autre substance toxique.** Sinon, il existerait un risque de blessures graves pour l’utilisateur et/ou des personnes se trouvant à proximité.
- **Ne posez jamais la souffleuse sur une surface quelconque autre qu’une surface dure et propre lorsque le moteur est en marche.** Des graviers, du sable et d’autres débris pourraient être ramassés par l’entrée d’air et projetés sur l’opérateur ou les personnes présentes, ce qui pourrait entraîner des blessures graves.
- **Conservez ces instructions.** Consultez-les fréquemment et utilisez-les pour donner les instructions nécessaires à d’autres personnes qui peuvent utiliser cet outil. Si vous prêtez cet outil à quelqu’un d’autre, donnez également ces instructions à la personne à laquelle vous le prêtez pour éviter toute utilisation abusive du produit et tout risque de blessure.

### **CONSERVEZ CES INSTRUCTIONS.**

## INTRODUCTION

Félicitations pour votre choix de la nouvelle souffleuse à pile au lithium-ion de 56 V. Elle a été conçue, développée et fabriquée pour vous donner le plus possible de fiabilité et de rendement.


Si vous rencontrez un problème auquel vous ne pouvez pas remédier facilement, veuillez contacter le centre de service à la clientèle EGO au 1-855-EGO-5656.

Ce mode d'emploi contient des informations importantes sur assemblage, l'utilisation et l'entretien de votre produit en toute sécurité. Lisez-le attentivement avant d'utiliser le produit. Conservez ce mode d'emploi à portée de main afin de pouvoir vous y référer à tout moment.

NUMÉRO DE SÉRIE \_\_\_\_\_ DATE D'ACHAT \_\_\_\_\_

NOUS VOUS RECOMMANDONS DE NOTER LE NUMÉRO DE SÉRIE ET LA DATE D'ACHAT ET DE LES CONSERVER EN LIEU SÛR AFIN DE POUVOIR LES CONSULTER ULTÉRIEUREMENT.

# SPÉCIFICATIONS

Tension	56 V 	
Volume d'air maximum	800 pi <sup>3</sup> /min	
Vitesse maximum de l'air	190 MPH	
Force de soufflage maximum	26 N	
Autonomie de fonctionnement approximative	Avec pile EGO de 56 V 2 x 6,0 Ah	24 min. (Turbo)
		32 min. (Haute vitesse)
		120 min. (Basse vitesse)
	Avec pile EGO de 56 V 2 x 7,5 Ah	30 min. (Turbo)
		40 min. (Haute vitesse)
		150 min. (Basse vitesse)
	Avec pile EGO de 56 V 2 x 10 Ah	40 min. (Turbo)
		52 min. (Haute vitesse)
		200 min. (Basse vitesse)
	Avec pile EGO de 56 V 2 x 12 Ah	48 min. (Turbo)
		63 min. (Haute vitesse)
		240 min. (Basse vitesse)
Température de fonctionnement recommandée	-15°C - 40°C / 5°F - 104°F	
Température de stockage recommandée	-20°C - 70°C / -4°F - 158°F	
Poids de la tondeuse (sans le bloc-piles, avec le tube)	7,4 kg / 16,3 lb	

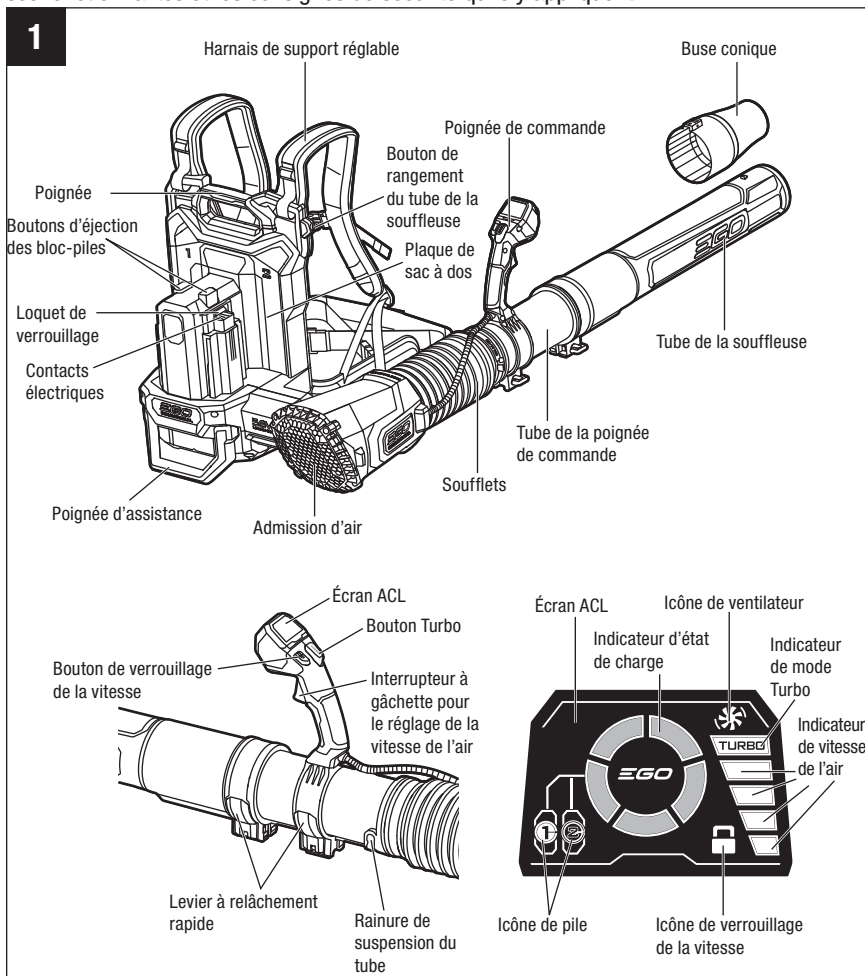
## LISTE DES PIÈCES

NOM DE LA PIÈCE	QUANTITÉ
Souffleuse	1
Tube de la souffleuse	1
Buse conique	1
Mode d'emploi	1

# DESCRIPTION

## FAMILIARISEZ-VOUS AVEC VOTRE SOUFFLEUSE (Fig. 1)

Pour que ce produit puisse être utilisé en toute sécurité, il est nécessaire de comprendre les informations figurant sur l'outil et dans son mode d'emploi, et de bien maîtriser le projet que vous voulez réaliser. Avant d'utiliser ce produit, familiarisez-vous avec toutes ses fonctionnalités et les consignes de sécurité qui s'y appliquent.



## **Interrupteur à gâchette pour le réglage de la vitesse de l'air**

Démarre/arrête la souffleuse et ajuste la vitesse de l'air.

## **Bouton de verrouillage de la vitesse**

Permet à l'utilisateur de faire fonctionner la souffleuse sans appuyer en permanence sur l'interrupteur à gâchette pour le réglage de la vitesse de l'air.

## **Bouton Turbo**

Augmente temporairement la vitesse de l'air au maximum, quel que soit le réglage de la vitesse.

## **Bouton d'éjection du bloc-piles**

Détache le bloc-piles de la souffleuse.

## **Loquet de verrouillage**

Verrouille le bloc-piles quand il est installé sur la souffleuse.

## **Buse conique**

Concentre davantage le flux d'air et augmente la vitesse de l'air.

## **Harnais de support réglable**

Réduit la fatigue de l'utilisateur en répartissant le poids uniformément sur les épaules et le dos.

## **Bouton de rangement du tube de la souffleuse et rainure de suspension du tube**

Prévoyez un stockage sûr du tube de la souffleuse lorsque celle-ci n'est pas utilisée.

## **Indicateur d'état de charge**

Indique la capacité de charge moyenne des blocs-piles insérés.

## **Icône de pile**

S'allume lorsque les blocs-piles sont insérés dans les orifices d'insertion des piles correspondants et la souffleuse est mise en marche.



S'allume et reste allumée aussi longtemps que le bouton de mode Turbo est enfoncé pendant le fonctionnement.



S'allume lorsque la soufflante est en marche et le bouton de verrouillage de la vitesse est enfoncé brièvement.

## **PEAK POWER™**

Cette technologie combine la puissance de deux piles EGO ARC Lithium™ de 56 V au maximum pour assurer une autonomie de fonctionnement plus longue et une consommation d'énergie efficace.



## ASSEMBLAGE

**⚠ AVERTISSEMENT** : Si certaines pièces sont endommagées ou manquantes, n'utilisez pas ce produit avant que ces pièces aient été remplacées. L'utilisation de ce produit avec des pièces endommagées ou manquantes pourrait causer des blessures graves.

**⚠ AVERTISSEMENT** : Ne tentez pas de modifier ce produit ou de créer des accessoires qu'il n'est pas recommandé d'utiliser avec cette souffleuse. Une telle altération ou modification constituerait une utilisation abusive et pourrait créer une situation dangereuse avec risque de blessures graves.

## DÉBALLAGE

- Retirez le produit et tous les accessoires de la boîte en prenant les précautions nécessaires. Assurez-vous que tous les articles indiqués sur la liste des pièces sont inclus.

**⚠ AVERTISSEMENT** : N'utilisez pas ce produit si de quelconques pièces figurant sur la liste des pièces sont déjà montées sur votre produit lorsque vous le sortez de son emballage. Les pièces figurant sur cette liste ne sont pas montées sur le produit par le fabricant. Elles nécessitent une installation par le client. L'utilisation d'un produit pouvant avoir été assemblé de façon incorrecte pourrait causer des blessures graves.

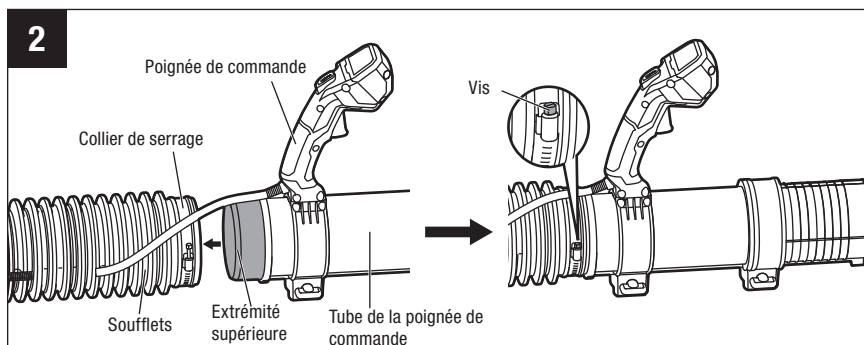
- Inspectez attentivement le produit pour vous assurer qu'aucun dommage ou bris de pièce(s) ne s'est produit pendant le transport.
- Ne jetez pas les matériaux d'emballage avant d'avoir inspecté attentivement l'outil et de l'avoir mis en marche de façon satisfaisante.
- Si une pièce quelconque est endommagée ou manquante, veuillez rapporter le produit dans le magasin où vous l'avez acheté.

## ASSEMBLAGE DES TUBES DE LA SOUFFLEUSE

**⚠ AVERTISSEMENT :** Pour empêcher tout démarrage accidentel qui pourrait causer une blessure grave, retirez toujours le(s) bloc-piles de la souffeuse lorsque vous effectuez le montage de pièces.

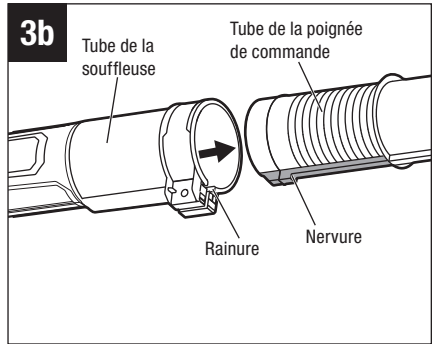
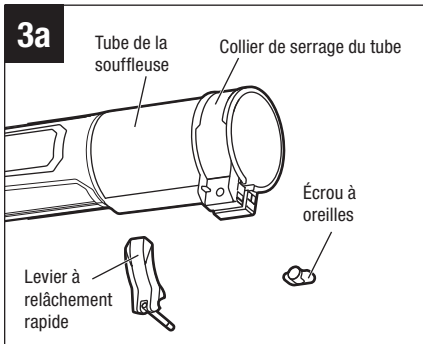
### Raccordement du tube de la poignée de commande aux soufflets (Fig. 2)

1. Insérez l'extrémité supérieure du tube de la poignée de commande dans le soufflet jusqu'à la butée.
2. A l'aide d'un tournevis plat (non fourni), serrez fermement la vis du collier de serrage fixé sur le soufflet.

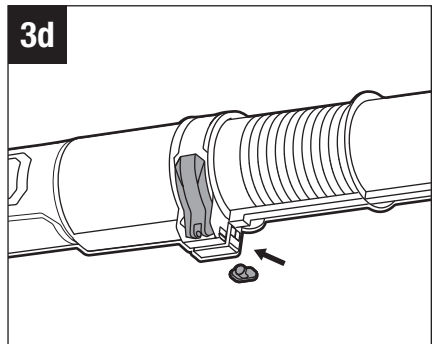
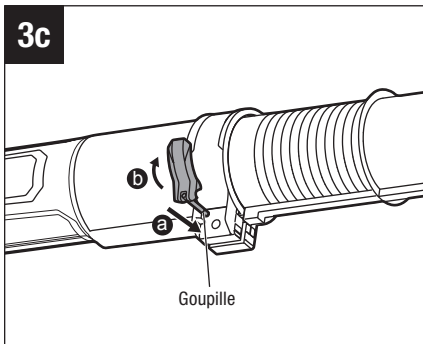


## Raccordement du tube de la souffleuse au tube de la poignée de commande

1. Desserrez et retirez le levier à relâchement rapide et l'écrou à oreilles de l'ensemble de fixation du tube qui est attaché au tube de la souffleuse (Fig. 3a).
2. Alignez la rainure du tube de la souffleuse avec la nervure sur le tube de la poignée de commande, et faites glisser le tube de la souffleuse sur le tube de la poignée de commande jusqu'à la butée (Fig. 3b).

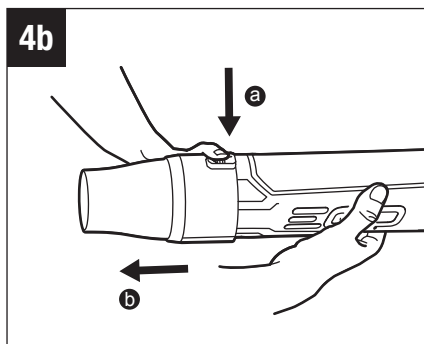
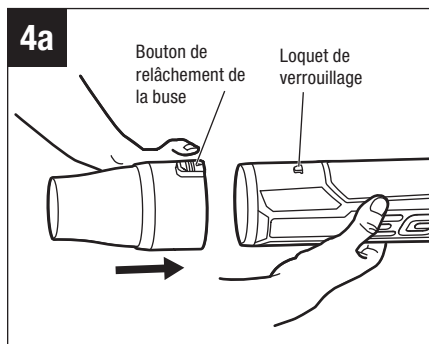


3. Insérez la goupille du levier à relâchement rapide et fermez le levier sur le collier de serrage du tube (Fig. 3c).
4. Serrez l'écrou à oreilles pour fixer le collier de serrage du tube (Fig. 3d).



## Raccordement de la buse conique au tube de la souffleuse (Fig. 4a, 4b)

1. Alignez la rainure dans la buse sur le loquet de verrouillage du tube. Poussez la buse par dessus le tube jusqu'à ce qu'elle s'enclenche bien en place.
2. Pour retirer la buse, appuyez sur le bouton de relâchement de la buse et maintenez-le enfoncé pour désengager le loquet de verrouillage, puis tirez sur la buse tout droit pour la détacher du tube de la souffleuse.



## FONCTIONNEMENT

**⚠ AVERTISSEMENT :** Ne laissez pas l'habitude de l'utilisation de ce produit vous empêcher de prendre toutes les précautions requises. N'oubliez jamais qu'une fraction de seconde d'inattention suffit pour entraîner de graves blessures.

**⚠ AVERTISSEMENT :** Portez toujours des lunettes de sécurité avec des écrans latéraux marqués comme étant conformes à la norme ANSI Z87.1, ainsi que des protège-oreilles. Si vous ne portez pas un tel dispositif de protection, vous pourriez subir des blessures graves, y compris en conséquence de la projection d'objets dans vos yeux.

**⚠ AVERTISSEMENT :** N'utilisez pas d'attachelements ou d'accessoires qui ne sont pas recommandés par le fabricant de ce produit. L'utilisation d'attachelements ou d'accessoires qui ne sont pas recommandés peut causer des blessures graves.

Avant chaque utilisation, inspectez périodiquement l'intégralité du produit pour vous assurer qu'il n'y a pas de pièces endommagées, manquantes ou desserrées comme des vis, des écrous, des boulons, des capuchons, etc. Serrez à fond tous les dispositifs de fixation et capuchons, et ne vous servez pas de ce produit avant que toutes les pièces manquantes ou endommagées aient été remplacées.

## APPLICATION

Vous pouvez utiliser ce produit pour faire ce qui suit :

- Enlever les feuilles et les débris divers des pelouses et des paillis
- Nettoyer des surfaces dures, telles que les allées conçues pour le stationnement des véhicules et les trottoirs
- Dégager les feuilles et aiguilles de pin se trouvant sur les terrasses et les allées conçues pour le stationnement des véhicules

## INSTALLATION / RETRAIT DES BLOCS-PILES

**REMARQUE :** Chargez complètement le bloc-piles avant de vous en servir pour la première fois.

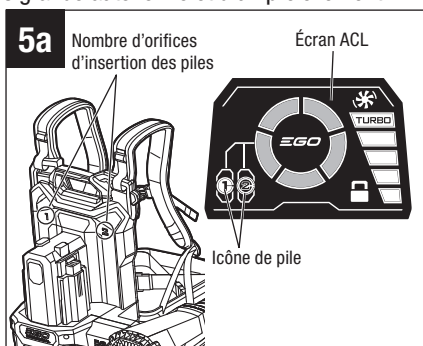
**REMARQUE :** Pour obtenir une performance optimale, nous recommandons l'utilisation de la pile EGO BA3360T/ BA3360T-FC (6,0 Ah) de 56 V ou d'une pile EGO de 56 V de capacité supérieure.

**⚠ AVERTISSEMENT :** Retirez toujours le(s) bloc-piles de ce produit lorsque vous assemblez des pièces, effectuez des réglages, faites un nettoyage ou n'utilisez pas le produit. Le retrait du bloc-piles ou des blocs-piles empêchera une mise en marche accidentelle qui risquerait de causer des blessures graves.

La souffleuse possède deux orifices d'insertion de piles actifs, qui sont situés sur les côtés gauche et droit du boîtier des piles.

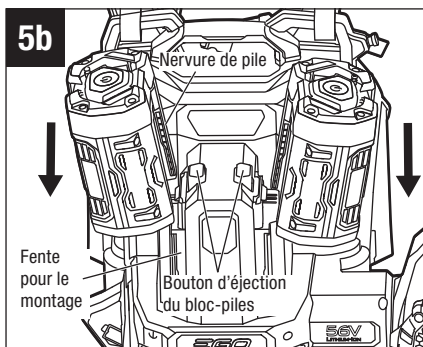
**REMARQUE :** La souffleuse peut fonctionner avec une ou deux piles. L'utilisation de deux piles vous permet de bénéficier d'une plus grande autonomie et d'un prélèvement d'énergie efficace géré par la technologie PEAK POWER™.

Lorsque les blocs-piles sont insérés dans les orifices correspondants marqués 1 ou 2 sur la plaque du sac à dos, et lorsque la souffleuse est mise sous tension, l'icône de pile correspondante s'allume sur l'écran ACL (Fig. 5a).



### Installation des bloc-piles (Fig. 5b)

1. Alignez les nervures du bloc-piles sur les fentes de montage de l'orifice d'insertion des piles de la souffleuse.
2. Appuyez sur le bloc-piles pour l'enfoncer jusqu'à ce qu'il se mette dans la position correcte (vous entendrez un dé clic).
3. Recommencez cette procédure pour installer le deuxième bloc-piles.



## Retrait des blocs-piles

**⚠ AVERTISSEMENT :** Contrôlez toujours la position de vos pieds et les endroits où se trouvent les enfants et les animaux domestiques avant d'appuyer sur le bouton d'éjection des piles. La chute du bloc-piles pourrait causer des blessures graves. Ne retirez JAMAIS le bloc-piles lorsque vous vous trouvez à un endroit surélevé.

1. Appuyez sur les boutons d'éjection des piles ; les blocs-piles se désengageront du loquet de verrouillage, et le mécanisme d'éjection aidera à les retirer.
2. Retirez les blocs-piles de la souffleuse.

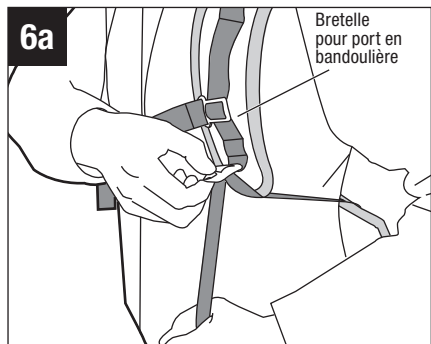
## POSITIONNEMENT DE LA SOUFFLEUSE TRANSPORTABLE DANS UN SAC À DOS

**⚠ AVERTISSEMENT :** Habillez-vous de façon appropriée pour réduire le risque de blessure lorsque vous utilisez cette machine. Ne portez pas de bijoux ou de vêtements amples. Portez des lunettes de sécurité et, des protège-oreilles ou un autre équipement de protection de l'ouïe. Portez des pantalons longs robustes, des bottes et des gants. Ne portez pas de shorts ou de sandales, et n'utilisez pas cet outil en étant pieds nus.

Avant d'utiliser la souffleuse transportable dans un sac à dos, assurez-vous que l'opérateur porte une protection des yeux et des vêtements appropriés, et qu'il se tient de façon stable et équilibrée sur ses pieds.

## Réglage du harnais de soutien

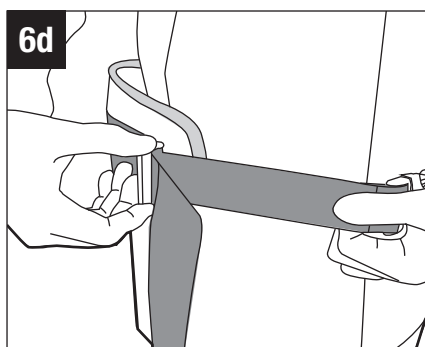
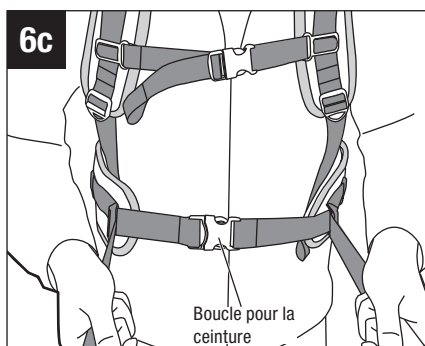
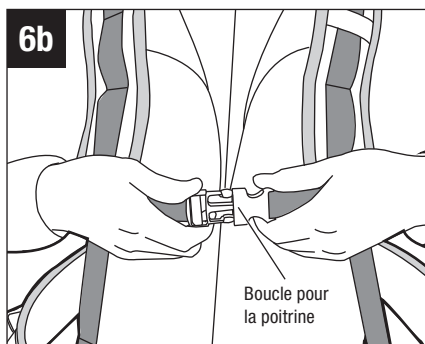
1. Passez vos bras dans les sangles du sac à dos pour soutenir la souffleuse sur votre dos.
2. Ajustez temporairement les deux sangles des bretelles pour les mettre dans des positions confortables (Fig. 6a), en veillant à ce que votre coude soit confortable.



3. Enclenchez la boucle pour la poitrine et ajustez la longueur de la sangle prévue pour positionnement sur la poitrine si nécessaire (Fig. 6b).
4. Enclenchez la boucle pour la ceinture et réglez la longueur de la sangle de ceinture de manière à ce que le sac à dos soit bien soutenu par vos hanches (Fig. 6c et 6d).

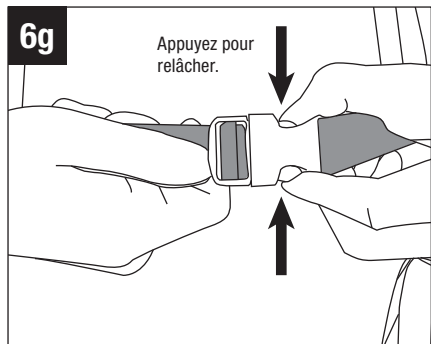
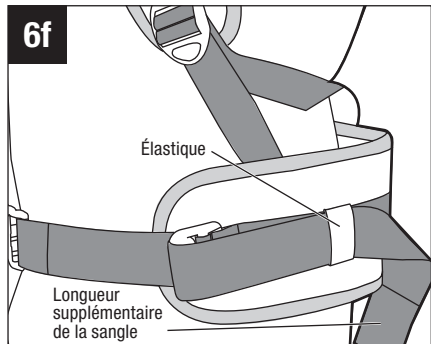
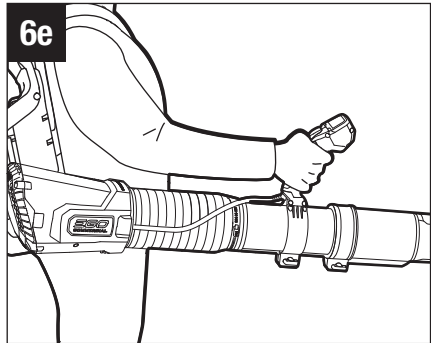
**AVIS :** Le sac à dos ne doit pas reposer trop haut sur votre dos ; il doit être positionné plus près de vos hanches que de vos épaules.

**⚠ AVERTISSEMENT :** En cas d'urgence, ouvrez immédiatement les boucles pour la poitrine et pour la ceinture afin de retirer la sangle du sac à dos de chaque côté. C'est une méthode rapide de retrait du sac à dos.



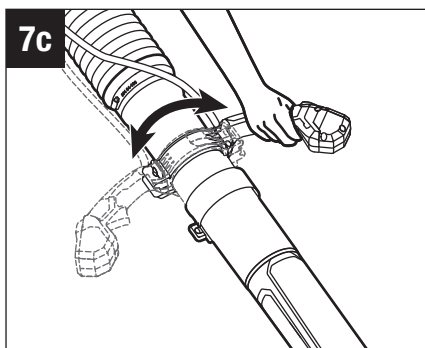
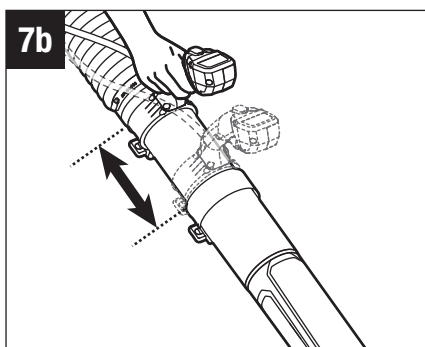
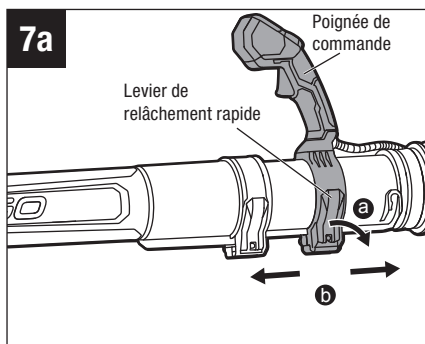


5. Réajustez les bretelles pour le port en bandoulière afin d'assurer le maximum de sécurité et de confort. Assurez-vous que le sac à dos repose sur votre dos de façon sécurisée, avec le poids supporté par la sangle pour la ceinture, et sans mouvement excessif lorsque vous bougez (Fig. 6e).
6. Insérez toute longueur excédentaire de la sangle pour la ceinture dans l'élastique des deux côtés (Fig. 6f).
7. Pour détacher le sac à dos de votre dos, il suffit d'appuyer sur les boucles pour la ceinture et pour la poitrine afin de les libérer et de pouvoir abaisser l'outil (Fig. 6g).



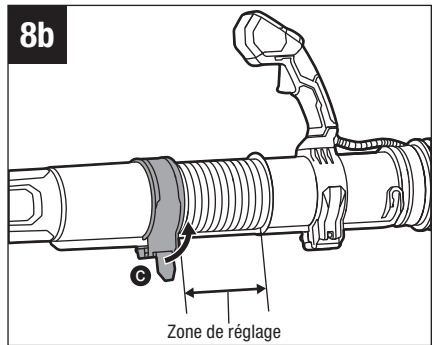
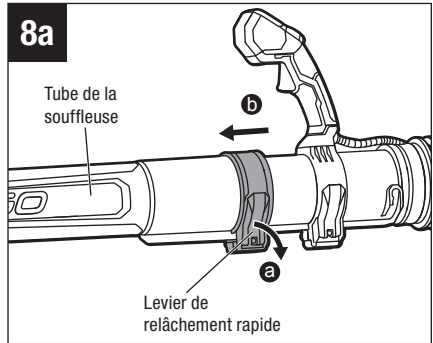
## Réglage de la poignée de commande

1. Relâchez le levier de relâchement rapide pour déplacer la poignée de commande vers l'avant ou l'arrière selon les besoins (Fig. 7a et 7b), puis engagez le levier de relâchement rapide pour fixer la poignée de commande en place.
2. Vous pouvez également faire tourner la poignée selon vos besoins pour plus de confort (Fig. 7c).



## Réglage de la poignée de commande Longueur du tube (Fig. 8a, 8b)

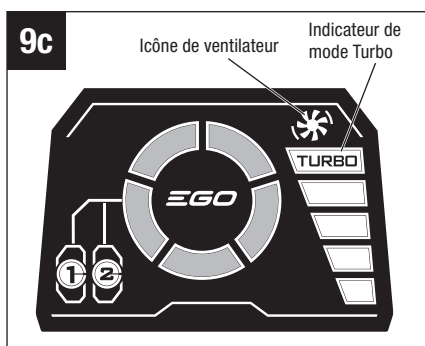
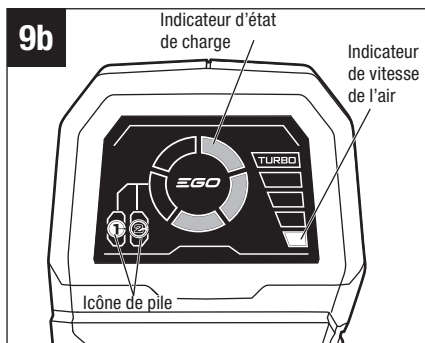
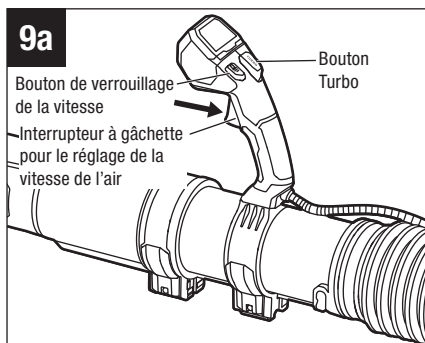
1. Relâchez le levier de relâchement rapide.
2. Déplacez le tube de la souffleuse jusqu'à une position de fonctionnement confortable à l'intérieur de la zone de réglage.
3. Engagez le levier de relâchement rapide afin de sécuriser le tube de la souffleuse en position.




## DÉMARRAGE/ARRÊT DE LA SOUFFLEUSE

### Interrupteur à gâchette pour le réglage de la vitesse de l'air (Fig. 9a, 9b)

- Appuyez sur l'interrupteur à gâchette pour le réglage de la vitesse de l'air afin de mettre la souffeuse en marche ; l'écran ACL affichera alors le niveau de charge des piles, l'icône de pile et l'indicateur de vitesse de l'air.
- La vitesse de l'air projeté par la souffeuse est contrôlée par l'interrupteur à gâchette pour le réglage de la vitesse. Une pression plus forte sur la gâchette produit une vitesse plus élevée pour le soufflage ; une pression réduite sur la gâchette produit une vitesse plus basse pour le soufflage. Réglez la vitesse en fonction de la tâche à accomplir. L'icône de vitesse de l'air correspondante s'affiche sur l'écran ACL.
- Relâchez l'interrupteur à gâchette pour le réglage de la vitesse d'air pour arrêter la souffeuse. L'écran ACL s'éteindra 6 secondes après le relâchement de l'interrupteur à gâchette.



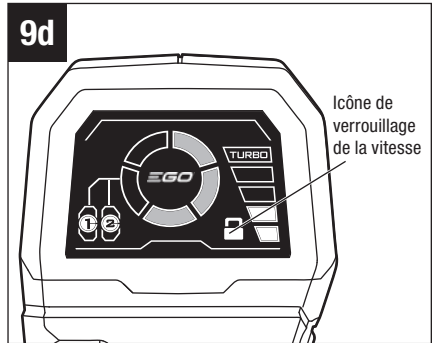
### Mode Turbo

Pendant que l'interrupteur à gâchette pour le réglage de la vitesse de l'air est enfoncé et maintenu enfoncé, appuyez sur le bouton Turbo pour augmenter le débit d'air à la vitesse maximale (Fig. 9a). L'indicateur de mode Turbo **TURBO** et l'icône du ventilateur  s'allumeront alors sur l'écran ACL (Fig. 9c).


**REMARQUE :** La souffleuse revient à la vitesse précédente lorsque le bouton Turbo est relâché.

## Mode de verrouillage de la vitesse

Le verrouillage de la vitesse peut être utilisé pour faire fonctionner la souffleuse sans appuyer en permanence sur l'interrupteur à gâchette pour le réglage de la vitesse de l'air.




### Pour engager le verrouillage de la vitesse :

1. Appuyez sur l'interrupteur à gâchette pour le réglage de la vitesse de l'air jusqu'à ce que vous atteigniez la vitesse souhaitée (Fig. 9a).
2. Appuyez sur le bouton de verrouillage de la vitesse. L'icône de verrouillage de la vitesse  s'allumera alors sur l'écran ACL (Fig. 9d).
3. Ensuite, relâchez l'interrupteur à gâchette pour le réglage de la vitesse de l'air ; la souffleuse continuera à fonctionner.

Lorsque vous travaillez en mode de régulation de vitesse, appuyez sur le bouton Turbo pour augmenter temporairement la vitesse de l'air au niveau maximum. La souffleuse reprend la vitesse précédente lorsque le bouton Turbo est relâché.

### Pour relâcher le verrouillage de la vitesse

Appuyez à nouveau sur le bouton de verrouillage de la vitesse . L'icône de verrouillage de la vitesse disparaît de l'écran ACL et la souffleuse s'éteint.

## CONSEILS D'UTILISATION DU SOUFFLEUR

- Pour éviter de disperser les débris, soufflez autour des bords extérieurs d'un tas de débris. Ne soufflez jamais directement au centre d'un tas.
- Pour réduire les niveaux sonores, limitez le nombre d'équipements utilisés en même temps.
- Utilisez des râtaux et des balais pour détacher les débris avant de souffler. Dans des conditions poussiéreuses, humidifiez légèrement les surfaces si de l'eau est disponible.
- Faites attention aux enfants, aux animaux domestiques, aux fenêtres ouvertes ou aux voitures fraîchement lavées, et soufflez les débris en toute sécurité.
- Après avoir utilisé des souffleuses ou d'autres équipements, nettoyez-les ! Jetez les débris de façon appropriée.

## ENTRETIEN

**⚠ AVERTISSEMENT :** Lors de toute réparation, n'utilisez que des pièces de rechange identiques. L'utilisation de toutes autres pièces de rechange pourrait créer un danger ou endommager le produit. Pour assurer la sécurité et la fiabilité, toutes les réparations doivent être effectuées par un technicien de service qualifié.

**⚠ AVERTISSEMENT :** Pour éviter des blessures graves, retirez toujours le bloc-piles de la souffleuse lorsque vous la nettoyez ou quand vous effectuez des travaux de maintenance.

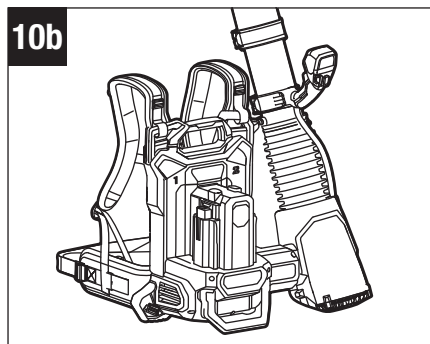
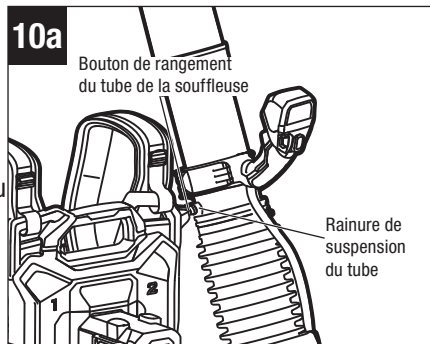
## MAINTENANCE GÉNÉRALE

Évitez d'utiliser des solvants lorsque vous nettoyez des pièces en plastique. La plupart des plastiques sont susceptibles d'être endommagés par divers types de solvants commerciaux, et ils pourraient l'être si vous les utilisez. Utilisez des chiffons propres pour retirer les saletés, la poussière, l'huile, la graisse, etc.

**⚠ AVERTISSEMENT :** Ne laissez jamais de liquide de frein, d'essence, de produits à base de pétrole, d'huiles pénétrantes, etc. entrer en contact avec des composants en plastique. Les produits chimiques peuvent endommager, affaiblir ou détruire le plastique, ce qui pourrait causer des blessures graves.

## RANGEMENT

- Retirez le(s) blocs-piles de la souffleuse.
- Nettoyez tous les corps étrangers des entrées d'air de la souffleuse.
- Alignez le bouton de rangement du tube de la souffleuse sur la rainure de suspension du tube et accrochez le tube de la souffleuse au boîtier de l'orifice d'insertion des piles (Fig. 10a et 10b).



- Rangez cet équipement à un endroit qui est hors de portée des enfants. Tenez cet équipement à distance des agents corrosifs tels que des produits chimiques de jardins et des sels pour faire fondre la glace.



## RECHERCHE DE LA CAUSE DES PROBLÈMES

PROBLÈME	CAUSE	SOLUTION
Le souffleur ne fonctionne pas.	<ul style="list-style-type: none"> <li>▪ Le bloc-piles n'est pas attaché à la souffleur.</li> <li>▪ Il n'y a pas de contact électrique entre la souffleur et la pile.</li> <li>▪ Le bloc-piles est déchargé.</li> <li>▪ Le bloc-piles est trop chaud ou la souffleur est trop chaude.</li> </ul>	<ul style="list-style-type: none"> <li>▪ Attachez le bloc-piles à la souffleur.</li> <li>▪ Retirez les piles, inspectez les contacts et réinstallez le bloc-piles.</li> <li>▪ Chargez le bloc-piles.</li> <li>▪ Laissez le bloc-piles et la souffleur refroidir jusqu'à ce que la température descende en dessous de 67° C / 152° F.</li> </ul>
La vitesse de l'air est sensiblement réduite.	<ul style="list-style-type: none"> <li>▪ Usure excessive du ventilateur du moteur.</li> <li>▪ L'entrée d'air est bloquée par des débris.</li> </ul>	<ul style="list-style-type: none"> <li>▪ Contactez un Centre de service après-vente EGO pour la réparation.</li> <li>▪ Détachez le bloc-piles et nettoyez les débris.</li> </ul>
L'écran ACL ne fonctionne pas correctement.	<ul style="list-style-type: none"> <li>▪ L'ensemble d'écran ACL est cassé ou il y a une mauvaise connexion des fils de l'ensemble d'écran ACL.</li> </ul>	<ul style="list-style-type: none"> <li>▪ Faites réparer par un technicien de maintenance qualifié.</li> </ul>

# GARANTIE LIMITÉE D'EGO

## CONDITIONS ET DURÉE DE LA POLITIQUE DE GARANTIE

Chervon North America, Inc. (« Chervon North America ») accorde la Garantie limitée suivante pour les produits EGO à l'acheteur initial de produits EGO.

La période de garantie détaillée de chaque produit EGO est indiquée en ligne à l'adresse <http://egopowerplus.com/warranty-policy>.

**Veillez contacter le Service à la clientèle d'EGO en téléphonant au 1-855-EGO-5656 (appel gratuit)** à tout moment en cas de questions, si vous voulez vous prévaloir de la garantie ou si vous souhaitez obtenir une version sur papier de la garantie.

## GARANTIE LIMITÉE DE SERVICE APRÈS-VENTE

Les produits EGO sont garantis contre tout défaut de matériel ou de fabrication à partir de la date d'achat au détail originale et pendant la période de garantie applicable.

Pour toute demande de garantie soumise correctement et dans les délais, si Chervon North America détermine qu'un produit est défectueux pendant la période de garantie, le produit sera réparé ou remplacé gratuitement, selon ce qui aura été déterminé par Chervon North America.

## COMMENT OBTENIR DE L'ASSISTANCE DANS LE CADRE DU SERVICE APRÈS-VENTE

Pour obtenir de l'assistance dans le cadre de la garantie (pendant la période de garantie applicable), veuillez contacter le service à la clientèle d'EGO en téléphonant au **1-855-EGO-5656** (appel gratuit). Lorsque vous demandez de l'assistance dans le cadre de la garantie, vous devez présenter le reçu de vente original daté. Un centre de service après-vente agréé sera sélectionné pour évaluer et réparer le produit défectueux conformément aux conditions de garantie énoncées. Lorsque vous apportez votre produit au centre de service après-vente agréé, il se peut qu'une petite caution vous soit demandée lors du dépôt de votre outil. Cette caution est remboursable lorsque le service de réparation est considéré comme étant couvert par la garantie.

## LIMITATIONS ET EXCLUSIONS SUPPLÉMENTAIRES

Cette garantie limitée ne s'applique qu'à l'acheteur initial d'un produit à un revendeur

agréé EGO, et elle ne peut pas être cédée. Les produits EGO ne sont pas considérés comme défectueux et la présente garantie ne s'applique pas lorsque le défaut invoqué est imputable à une cause autre que les défauts définis ci-dessus. Cette garantie est nulle et non avenue si le produit a été utilisé à des fins de location. La présente garantie ne s'applique pas aux dommages causés par un accident, un abus, une mauvaise utilisation, une altération, une modification, une réparation non autorisée, un contact avec un liquide, un incendie, un tremblement de terre ou toute autre cause externe ; par une utilisation du produit en dehors des instructions, spécifications ou directives d'EGO ; ou par un manquement à l'entretien ou à la maintenance convenable du produit. Cette garantie ne s'applique pas non plus aux dommages esthétiques, y compris, mais sans s'y limiter, les rayures ou les bosses, ainsi qu'aux défauts causés par l'usure normale ou autrement dus au vieillissement normal du produit.

CETTE GARANTIE EXPRESSE EST DONNÉE EN LIEU ET PLACE DE TOUTE AUTRE GARANTIE, EXPRESSE OU IMPLICITE, Y COMPRIS, MAIS SANS S'Y LIMITER, TOUTE GARANTIE DE QUALITÉ MARCHANDE OU D'ADÉQUATION À UN USAGE PARTICULIER, QUI EST REJETÉE. Toute garantie implicite, y compris la garantie de qualité marchande ou d'adéquation à un usage particulier qui ne peut être rejetée en vertu de la loi de l'État ou de la province est limitée à la période de garantie applicable définie au début de cet article. Le seul et unique recours en rapport avec l'achat, l'installation, l'utilisation et/ou la performance des produits EGO est la réparation ou le remplacement du produit selon la décision de Chervon North America. La responsabilité maximale de Chervon North America ne dépassera en aucun cas le prix d'achat payé pour le produit. CHERVON NORTH AMERICA NE SERA PAS RESPONSABLE ENVERS L'UTILISATEUR OU TOUTE AUTRE PERSONNE DES DOMMAGES CONSÉCUTIFS, ACCIDENTELS, SPÉCIAUX, EXEMPLAIRES, INDIRECTS OU PUNITIFS RÉSULTANT DE L'UTILISATION DES PRODUITS, Y COMPRIS, MAIS SANS S'Y LIMITER, LES PRÉJUDICES CORPORELS, LA MORT, LES DOMMAGES MATÉRIELS, LA PERTE DE BÉNÉFICES OU TOUT AUTRE DOMMAGE ÉCONOMIQUE. Cette garantie vous confère des garanties juridiques particulières, et vous pouvez aussi avoir d'autres droits, qui varient selon l'État ou la province. Étant donné que certains États et certaines provinces ne permettent pas de limitations quant à la durée d'une garantie implicite ou ne permettent pas l'exclusion ou la limitation des dommages indirects ou secondaires, ou le délai de prescription pour tenter certaines actions, il est possible que les limitations contenues aux présentes ne s'appliquent pas à consommateurs dans ces États ou provinces.

Cette garantie est soumise au droit du Michigan et doit être interprétée conformément au droit du Michigan sans tenir compte des principes de conflits de lois. Aucune action en justice ne pourra être intentée contre Chervon North America si elle n'est pas



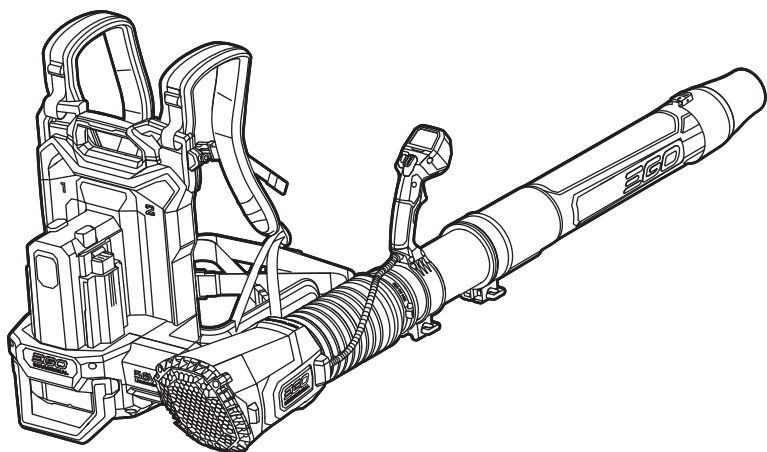
déposée dans un délai d'un (1) an après que le fondement de cette action en justice aura été connu, ou qu'il aurait dû l'être si une diligence raisonnable avait été exercée. Toute action non intentée dans les délais est réputée abandonnée.

Pour le service à la clientèle, contactez-nous en téléphonant au numéro suivant (appel gratuit) : **1-855-EGO-5656** ou **EGOPOWERPLUS.COM**.

EGO Customer Service,  
769 Seward Ave. NW, Suite 102,  
Grand Rapids, Michigan 49504.

# EGO™

## COMMERCIAL



MANUAL DEL OPERADOR

# SOPLADOR TIPO MOCHILA COMERCIAL DE ION LITIO DE 56 V

MODELO NÚMERO LBPX8000/LBPX8000-FC

**⚠ ADVERTENCIA:** para reducir el riesgo de lesiones, el usuario debe leer y comprender el Manual del usuario antes de usar este producto. Guarde estas instrucciones para consultarlas en el futuro.

# ÍNDICE

Pautas de seguridad .....	72
Instrucciones de seguridad importantes .....	73-79
Introducción .....	80
Especificaciones .....	81
Descripción .....	82-84
Ensamblaje .....	85-88
Utilización .....	89-98
Mantenimiento .....	99-100
Resolución de problemas .....	101
Garantía .....	102-103

# ¡LEA TODAS LAS INSTRUCCIONES!



**LEA Y COMPRENDA  
EL MANUAL DEL OPERADOR**

**⚠ ADVERTENCIA:** Cierta polvo generado por el lijado, aserrado, amolado y taladrado con herramientas eléctricas, así como por otras actividades de construcción, contiene sustancias químicas que el estado de California sabe que causan cáncer, defectos de congénitos u otros daños sobre la reproducción. Algunos ejemplos de estas sustancias químicas son:

- Plomo procedente de pinturas a base de plomo,
- Sílice cristalina procedente de ladrillos y cemento, así como de otros productos de mampostería, y
- Arsénico y cromo procedentes de madera de construcción tratada químicamente.

El riesgo para usted por causa de estas exposiciones varía, dependiendo de qué tan a menudo realice este tipo de trabajo. Para reducir su exposición a estas sustancias químicas: trabaje en un área bien ventilada y trabaje con equipo de seguridad aprobado, tal como máscaras antipolvo que estén diseñadas especialmente para impedir mediante filtración el paso de partículas microscópicas.

# PAUTAS DE SEGURIDAD

## SÍMBOLOS DE SEGURIDAD

La finalidad de los símbolos de seguridad es atraer la atención del usuario hacia posibles peligros. Los símbolos de seguridad y las explicaciones que los acompañan merecen que usted preste una atención detenida y logre una comprensión profunda. Las advertencias con símbolo no eliminan por sí mismas ningún peligro. Las instrucciones y las advertencias que dan no son sustitutos de las medidas adecuadas de prevención de accidentes.

**⚠ ADVERTENCIA:** Asegúrese de leer y entender todas las instrucciones de seguridad incluidas en este manual del operador, incluyendo todos los símbolos de alerta de seguridad, tales como “**PELIGRO**”, “**ADVERTENCIA**” y “**PRECAUCIÓN**”, antes de utilizar esta herramienta. Si no se siguen todas las instrucciones que se indican a continuación, es posible que el resultado sea descargas eléctricas, incendio y/o lesiones corporales graves.

## MENSAJES DE PREVENCIÓN E INFORMACIÓN DE DAÑOS

Estos mensajes ofrecen al usuario información e/o instrucciones importantes que hay que seguir para no causar daños al equipo u otros daños materiales. Cada mensaje va precedido por la palabra “**AVISO**”, como en el ejemplo que aparece a continuación:

**AVISO:** Es posible que el resultado sea daños al equipo y/o daños materiales si no se siguen estas instrucciones.




**⚠ ADVERTENCIA:** La utilización de cualquier herramienta eléctrica puede hacer que se lancen objetos extraños hacia los ojos del operador, lo cual puede causar daños oculares graves. Antes de comenzar a utilizar una herramienta eléctrica, use siempre gafas de seguridad o anteojos de seguridad con escudo lateral y un protector facial completo cuando sea necesario. Recomendamos usar una máscara de seguridad de visión amplia sobre anteojos o gafas de seguridad estándar con escudos laterales. Use siempre protección ocular que esté marcada para cumplir con la norma ANSI Z87.1.



# INSTRUCCIONES DE SEGURIDAD IMPORTANTES

Esta página muestra y describe los símbolos de seguridad que es posible que aparezcan en este producto. Lea, entienda y siga todas las instrucciones que se encuentran en la máquina antes de intentar ensamblarla y utilizarla.

	Alerta de seguridad	Precauciones relacionadas con la seguridad del usuario.
	Lea el manual del operador	Para reducir el riesgo de lesiones, el usuario debe leer y entender el manual del operador antes de utilizar este producto.
	Pelo largo	Si no se mantiene el pelo largo alejado de la entrada de aire se podrían causar lesiones corporales.
	Ropa holgada	Si no se evita que la ropa holgada sea arrastrada hacia las aberturas de entrada de aire se podrían causar lesiones corporales.
	Protección ocular	Use siempre anteojos de seguridad o gafas de seguridad con escudos laterales y un protector facial completo cuando utilice este producto.
	Mantenga alejados a los curiosos	Mantenga a todos los curiosos al menos a 50 pies (15 m) de distancia.
	Símbolo de reciclaje	Este producto utiliza baterías de ion litio (ion Li). Las leyes locales, estatales o federales prohíben la eliminación de las baterías en la basura ordinaria. Consulte a su autoridad local de eliminación de residuos para obtener información sobre las opciones de reciclaje y eliminación disponibles.
IPX5	Nivel de Protección del Ingreso	Protección contra chorros de agua

V	Voltio	Tensión
min.	Minutos	Tiempo
CFM	Pies cúbicos por minuto	Volumen de aire
MPH	Millas por hora	Velocidad del aire
	Corriente continua	Tipo o característica de corriente

Cuando utilice un aparato eléctrico, se deberán seguir siempre precauciones básicas, incluyendo las siguientes:

## ¡LEA TODAS LAS INSTRUCCIONES ANTES DE UTILIZAR ESTE PRODUCTO!

**⚠ ADVERTENCIA:** Para garantizar la seguridad y la confiabilidad, todas las reparaciones deberán ser realizadas por un técnico de servicio calificado.

**⚠ ADVERTENCIA:** Para reducir el riesgo de incendio, descargas eléctricas o lesiones:

- **Conozca su soplador eléctrico. Lea detenidamente el manual de instrucciones. Aprenda las aplicaciones y limitaciones del soplador, así como los peligros potenciales específicos relacionados con este soplador.** Al seguir esta norma se reducirá el riesgo de descargas eléctricas, incendio o lesiones graves.
- **No deje que el soplador se utilice como un juguete.** Es necesario prestar atención especial cuando sea utilizado por niños o cerca de los mismos.
- **Utilice el producto solo tal y como se describe en este manual. Utilice solo aditamentos recomendados por el fabricante.**
- **Si el soplador no está funcionando como debería, se ha caído, se ha dañado, se ha dejado a la intemperie o se ha caído la agua, devuélvalo a un centro de servicio.**
- **No maneje el cargador, incluyendo el enchufe del cargador o los terminales del cargador, con las manos mojadas.**
- **No ponga ningún objeto dentro de ninguna abertura. No utilice la unidad si tiene alguna abertura bloqueada; mantenga las aberturas libres de polvo, pelusa, pelo y cualquier cosa que pueda reducir la circulación de aire.**

- **Mantenga el pelo, la ropa holgada, los dedos y todas las partes del cuerpo alejados de las aberturas y las piezas móviles.** La ropa holgada, las joyas o el pelo largo pueden ser arrastrados hacia las aberturas de ventilación.
- **Sujete el pelo largo por encima del nivel de los hombros para impedir que se enrede en las piezas móviles.**
- **Tenga cuidado adicional cuando limpie en escaleras.**
- **No cargue el paquete de batería a la intemperie.**
- **No deje desatendido el soplador cuando la batería esté insertada.** Retire la batería cuando el soplador no se esté utilizando y antes de hacerle servicio de ajustes y reparaciones.
- **No utilice sopladores en atmósferas explosivas, tales como las existentes en presencia de líquidos, gases o polvos inflamables.** Los sopladores generan chispas, las cuales pueden incendiar el polvo o los vapores.
- **Prevenga los arranques accidentales. Asegúrese de que el interruptor esté en la posición de apagado antes de conectar el aparato eléctrico al paquete de batería, levantarlo o transportarlo.** Si se transporta el aparato eléctrico con el dedo en el interruptor o si se suministra corriente a un aparato eléctrico que tenga el interruptor en la posición de encendido, se invita a que se produzcan accidentes.
- **Desconecte el paquete de batería del aparato eléctrico antes de hacer cualquier ajuste, cambiar accesorios o almacenar el aparato eléctrico.** Dichas medidas preventivas de seguridad reducen el riesgo de arrancar accidentalmente el aparato eléctrico.
- **Recargue el paquete de batería solo con el cargador especificado por el fabricante.** Es posible que un cargador que sea adecuado para un tipo de paquete de batería cree un riesgo de incendio cuando se utilice con otro paquete de batería.
- **Utilice los aparatos eléctricos solo con los paquetes de batería designados específicamente.** Es posible que el uso de cualquier otro paquete de batería cree un riesgo de lesiones e incendio.
- **Cuando el paquete de batería no se esté utilizando, manténgalo alejado de otros objetos metálicos, tales como clips sujetapapeles, monedas, llaves, clavos, tornillos u otros objetos metálicos pequeños que puedan hacer una conexión de un terminal con otro.** Si se cortocircuitan juntos los terminales de la batería, es posible que se causen quemaduras o un incendio.

- **En condiciones abusivas, es posible que se expulse líquido de la batería; evite el contacto. Si se produce un contacto accidentalmente, enjuáguese con agua.** Si el líquido entra en contacto con los ojos, obtenga además ayuda médica. Es posible que el líquido expulsado de la batería cause irritación o quemaduras.
- **No utilice un paquete de batería o un aparato eléctrico que estén dañados o modificados.** Es posible que las baterías dañadas o modificadas exhiban un comportamiento imprevisible que cause un incendio, una explosión o riesgo de lesiones.
- **No exponga un paquete de batería o un aparato eléctrico a un fuego o a una temperatura excesiva.** Es posible que la exposición a un fuego o a una temperatura superior a 265 °F (130 °C) cause una explosión.
- **Siga todas las instrucciones de carga y no cargue el paquete de batería ni el aparato eléctrico fuera del intervalo de temperatura especificado en las instrucciones.** Es posible que la realización de la carga de manera inadecuada o a temperaturas que estén fuera del intervalo especificado dañe la batería y aumente el riesgo de incendio.
- **Haga que el servicio de ajustes y reparaciones sea realizado por un técnico de reparaciones calificado que utilice únicamente piezas de repuesto idénticas.** Esto garantizará que se mantenga la seguridad del producto.
- **No modifique ni intente reparar el aparato eléctrico o el paquete de batería (según corresponda), excepto tal y como se indique en las instrucciones de uso y cuidado.**
- **Utilice solo los paquetes de batería y los cargadores que se indican a continuación.**

PAQUETE DE BATERÍA	CARGADOR
BA1400, BA1400-FC, BA2800, BA2800-FC, BA4200, BA4200-FC, BA1400T, BA1400T-FC, BA2240T, BA2240T-FC, BA2242T, BA2242T-FC, BA2800T, BA2800T-FC, BA3360T, BA3360T-FC, BA4200T, BA4200T-FC, BA5600T, BA5600T-FC, BA6720T, BA6720T-FC	CH2100, CH2100-FC, CH3200, CH3200-FC, CH5500, CH5500-FC, CH2800D, CH2800D-FC, CH7000, CH7000-FC

- **Manténgase alerta, fíjese en lo que está haciendo y use el sentido común cuando utilice un soplador eléctrico. No utilice el soplador mientras esté cansado, disgustado o bajo la influencia de drogas, alcohol o medicamentos.** Es posible que un momento de desatención mientras se estén utilizando sopladores cause lesiones corporales graves.
- **Utilice equipo de seguridad. Use siempre protección ocular.** Se deben utilizar una máscara antipolvo, zapatos de seguridad antideslizantes, casco o protección de la audición según sea adecuado para las condiciones.
- **No utilice la unidad subido a una escalera de mano, un tejado, un árbol u otro soporte inestable.** Un apoyo estable de los pies sobre una superficie sólida permite un mejor control del soplador en situaciones inesperadas.
- Tenga cuidado siempre con los pies, los niños o los animales domésticos que estén alrededor de usted cuando retire el paquete de batería del soplador. **Se podrían producir lesiones graves si el paquete de batería se cae. No retire NUNCA el paquete de batería cuando esté en una posición elevada.**
- **No utilice el soplador si el interruptor no lo enciende o apaga.** Un soplador que no se puede controlar con el interruptor es peligroso y debe ser reparado.
- **Apague todos los controles antes de retirar la batería.**
- **NO** intente despejar obstrucciones de la unidad sin retirar primero la batería.
- **Compruebe si hay desalineación o atoramiento de las piezas móviles, rotura de piezas y cualquier otra situación que pueda afectar al funcionamiento del soplador. Si el soplador está dañado, haga que lo reparen antes de utilizarlo.** Muchos accidentes son causados por sopladores que reciben un mantenimiento deficiente.
- **Mantenga el soplador y su mango secos, limpios y libres de aceite y grasa.** Utilice siempre un paño limpio cuando limpie. No utilice nunca líquidos de freno, gasolina, productos a base de petróleo o cualquier solvente fuerte para limpiar el soplador. Al seguir esta norma se reducirá el riesgo de pérdida de control y deterioro de la carcasa de plástico.
- **Use siempre anteojos de seguridad con escudos laterales.** Los anteojos de uso diario solo tienen lentes resistentes a los golpes. NO son anteojos de seguridad. Al seguir esta norma se reducirá el riesgo de lesiones oculares.
- **Use siempre protección ocular con escudos laterales que esté marcada para cumplir con la norma ANSI Z87.1, junto con protección de la audición, cuando utilice este equipo.**

- **Protéjase los pulmones. Use una careta o una máscara antipolvo si la operación genera grandes cantidades de polvo.** Al seguir esta norma se reducirá el riesgo de lesiones corporales graves.
- **Protéjase la audición. Use protección de la audición durante los períodos prolongados de utilización.** Al seguir esta norma se reducirá el riesgo de lesiones corporales graves.
- **Los sopladores operados por batería no tienen que ser enchufados en un tomacorriente; por lo tanto, siempre están en condiciones de funcionamiento. Esté atento a los posibles peligros cuando no esté utilizando su soplador operado por batería o cuando esté cambiando accesorios.** Al seguir esta norma se reducirá el riesgo de descargas eléctricas, incendio o lesiones graves.
- **Use pantalones largos gruesos, mangas largas y botas.** Evite las prendas holgadas o las joyas que podrían engancharse en las piezas móviles de la máquina o su motor.
- **No utilice el equipo mientras esté descalzo o cuando esté usando sandalias o calzado ligero similar.** Use calzado protector que le proteja los pies y mejore el apoyo de los pies en superficies resbalosas.
- **No incinere el aparato eléctrico incluso si está severamente dañado.** Las baterías pueden explotar en un fuego.
- **Las baterías pueden explotar en presencia de una fuente de ignición, tal como una luz piloto.** Para reducir el riesgo de lesiones corporales graves, no utilice nunca productos inalámbricos en presencia de llamas al descubierto. Una batería que haya explotado puede propulsar residuos y sustancias químicas. En caso de exposición, se debe enjuagar de inmediato con agua.
- **Mantenga un apoyo de los pies y un equilibrio firmes. No intente alcanzar demasiado lejos.** Si intenta alcanzar demasiado lejos, el resultado puede ser pérdida de equilibrio.
- **Compruebe el área de trabajo antes de cada uso.** Retire todos los objetos, tales como rocas, vidrio roto, clavos, alambre o cordel, que puedan ser lanzados al aire por la máquina o que se puedan enganchar en la misma.
- **No apunte el tubo del soplador en la dirección de personas o animales domésticos.**
- **No haga funcionar nunca la unidad sin tener instalado el equipo adecuado.** Asegúrese siempre de que el tubo del soplador esté instalado.

- **Cuando no se esté utilizando, el soplador se deberá almacenar en un lugar interior seco y seguro, fuera del alcance de los niños.**
- **Mantenga a todas las personas presentes, todos los niños y todos los animales domésticos al menos a 50 pies (15 m) de distancia.**
- **El servicio de ajustes y reparaciones del soplador debe ser realizado solo por personal de reparaciones calificado.** Es posible que el servicio de ajustes y reparaciones o el mantenimiento realizado por personal no calificado cause un riesgo de lesiones.
- **Cuando haga servicio de ajustes y reparaciones de un soplador, utilice únicamente piezas de repuesto idénticas.** Siga las instrucciones de la sección Mantenimiento de este manual. Es posible que el uso de piezas no autorizadas o el no seguir las Instrucciones de mantenimiento cree un riesgo de descargas eléctricas o lesiones.
- **No utilice nunca el soplador cerca de fuegos o cenizas calientes.** El uso cerca de fuegos o cenizas puede extender los fuegos y causar lesiones graves y/o daños materiales.
- **No utilice nunca el soplador para esparcir productos químicos, fertilizantes o cualquier otra sustancia tóxica.** Si se esparcen estas sustancias se podrían causar lesiones graves al operador o a las personas que estén presentes.
- **No ponga nunca el soplador en ninguna superficie, excepto en una superficie limpia y dura, cuando el motor esté en funcionamiento.** La entrada de aire puede recoger grava, arena y otros residuos que el soplador lanzará hacia el operador o hacia las personas que estén presentes, causando posibles lesiones graves.
- **Guarde estas instrucciones.** Consúltelas frecuentemente y utilícelas para instruir a otras personas que puedan utilizar esta herramienta. Si le presta esta herramienta a otra persona, préstele también estas instrucciones para evitar un uso incorrecto del producto y posibles lesiones.

### **GUARDE ESTAS INSTRUCCIONES.**

## INTRODUCCIÓN

Felicitaciones por su selección del nuevo soplador de 56 V alimentado por ion litio. Este soplador ha sido diseñado, concebido y fabricado para ofrecerle a usted la mejor confiabilidad y el mejor rendimiento posibles.

En el caso de que tenga cualquier problema que no pueda remediar fácilmente, sírvase contactar al centro de servicio al cliente de EGO llamando al 1-855-EGO-5656.


Este manual contiene información importante sobre el ensamblaje, la utilización y el mantenimiento seguros de su producto. Léalo detenidamente antes de utilizar el producto. Tenga este manual al alcance de la mano para poder consultarlo en cualquier momento.

NÚMERO DE SERIE \_\_\_\_\_ FECHA DE COMPRA \_\_\_\_\_

DEBE ANOTAR EL NÚMERO DE SERIE Y LA FECHA DE COMPRA Y CONSERVARLOS EN UN LUGAR SEGURO PARA CONSULTARLOS EN EL FUTURO.



## ESPECIFICACIONES

Tensión	56 V 	
Volumen de aire máximo	800 PCM	
Velocidad máxima del aire	190 MPH	
Fuerza máxima de soplado	26 N	
Tiempo de funcionamiento aproximado	Con una batería EGO de 56 V 2 x 6,0 Ah0	24 min (turbo)
		32 min (velocidad alta)
		120 min (velocidad baja)
	Con una batería EGO de 56 V 2 x 7,5 Ah	30 min (turbo)
		40 min (velocidad alta)
		150 min (velocidad baja)
	Con una batería EGO de 56 V 2 x 10 Ah	40 min (turbo)
		52 min (velocidad alta)
		200 min (velocidad baja)
	Con una batería EGO de 56 V 2 x 12 Ah	48 min (turbo)
		63 min (velocidad alta)
		240 min (velocidad baja)
Temperatura de funcionamiento recomendada	5 - 104 °F (-15 - 40 °C)	
Temperatura de almacenamiento recomendada	-4 - 158 °F (-20 - 70 °C)	
Peso del soplador (sin paquete de batería, con tubo)	16,3 lb (7,4 kg)	

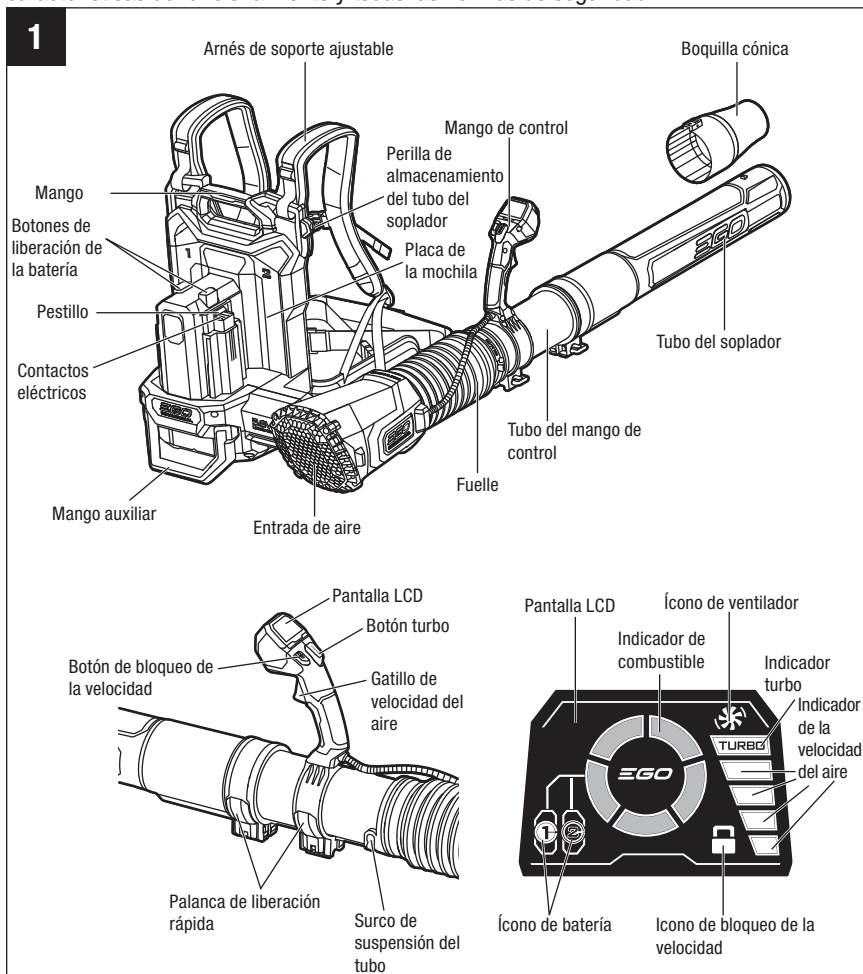
## LISTA DE EMPAQUETAMIENTO

NOMBRE DE LA PIEZA	CANTIDAD
Soplador	1
Tubo del soplador	1
Boquilla cónica	1
Manual del operador	1

# DESCRIPCIÓN

## CONOZCA SU SOPLADOR (Fig. 1)

El uso seguro de este producto requiere entender la información que se encuentra en la herramienta y en este manual del operador, así como tener conocimiento del proyecto que se esté intentando realizar. Antes de utilizar este producto, familiarícese con todas las características de funcionamiento y todas las normas de seguridad.



### **Gatillo de velocidad del aire**

Arranca/para el soplador y ajusta la velocidad del aire.

### **Botón de bloqueo de la velocidad**

Permite al usuario utilizar el soplador sin presionar continuamente el gatillo de velocidad del aire.

### **Botón turbo**

Aumenta temporalmente la velocidad del aire hasta el máximo mientras se está en cualquier ajuste de velocidad.

### **Botón de liberación de la batería**

Libera el paquete de batería para retirarlo del soplador.

### **Pestillo**

Fija el paquete de batería cuando este se instala en el soplador.

### **Boquilla cónica**

Concentra adicionalmente el flujo de aire y aumenta la velocidad del aire.

### **Arnés de soporte ajustable**

Reduce la fatiga del usuario al distribuir uniformemente el peso a través de los hombros y la espalda.

### **Perilla de almacenamiento del tubo del soplador y surco de suspensión del tubo**

Proporciona almacenamiento seguro del tubo del soplador cuando el soplador no se está utilizando.

### **Indicador de combustible**

Indica la capacidad de carga promedio de los paquetes de batería insertados.

### **Ícono de batería**

Se ilumina cuando los paquetes de batería están insertados en los puertos de batería correspondientes y se enciende el soplador.



Se ilumina durante todo el tiempo que el botón turbo esté presionado durante la utilización.



Se ilumina cuando el soplador está encendido y el botón de bloqueo de la velocidad se presiona brevemente.

## **PEAK POWER™**

Esta tecnología combina la potencia de hasta dos baterías EGO ARC Lithium™ de 56 V para obtener un tiempo de funcionamiento más prolongado y un consumo eficiente de energía.

## ENSAMBLAJE

**⚠ ADVERTENCIA:** Si alguna de las piezas falta o está dañada, no utilice este producto hasta que las piezas hayan sido reemplazadas. El uso de este producto con piezas dañadas o si le faltan piezas podría tener como resultado lesiones corporales graves.

**⚠ ADVERTENCIA:** No intente modificar este producto ni crear accesorios no recomendados para utilizarse con este producto. Cualquiera de dichas alteraciones o modificaciones constituye un uso incorrecto y podría provocar una situación peligrosa que cause posibles lesiones corporales graves.

## DESEMPAQUETADO

Saque cuidadosamente el producto y todos los accesorios de la caja. Asegúrese de que todos los artículos indicados en la lista de empaquetamiento estén incluidos.

**⚠ ADVERTENCIA:** No utilice este producto si cualquiera de las piezas de la lista de empaquetamiento ya está ensamblada en el producto cuando lo desempaque. Las piezas incluidas en esta lista no son ensambladas en el producto por el fabricante y requieren instalación por el cliente. La utilización de un producto que pueda haber sido ensamblado incorrectamente podría causar lesiones corporales graves.

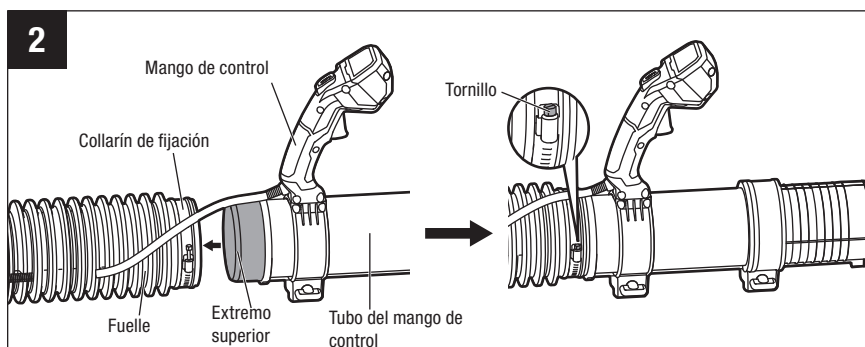
- Inspeccione minuciosamente la herramienta para asegurarse de que no se hayan producido roturas o daños durante el envío.
- No deseche el material de empaquetamiento hasta que haya inspeccionado minuciosamente y utilizado satisfactoriamente la herramienta.
- Si alguna de las piezas está dañada o falta, sírvase devolver el producto al lugar de compra.

## ENSAMBLAJE DE LOS TUBOS DEL SOPLADOR

**⚠ ADVERTENCIA:** Para evitar arranques accidentales que podrían causar lesiones corporales graves, retire siempre el paquete (los paquetes) de batería del soplador cuando ensamble piezas.

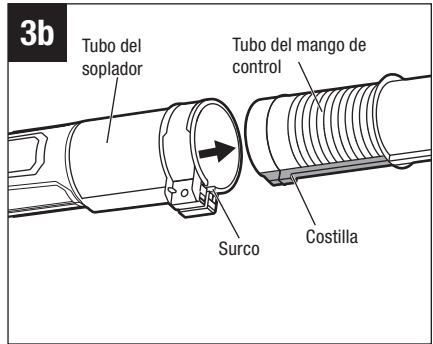
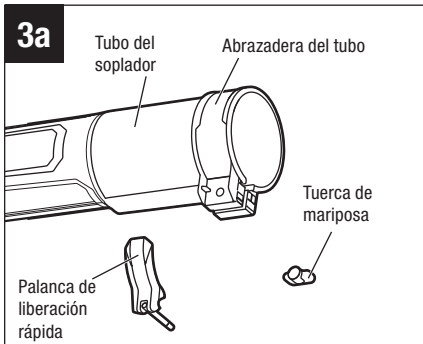
### Conexión del tubo del mango de control al fuelle (Fig. 2)

1. Inserte el extremo superior del tubo del mango de control en el fuelle tanto como sea posible.
2. Utilizando un destornillador plano (no incluido), apriete firmemente el tornillo ubicado en el collarín de fijación que está fijo sobre el fuelle.

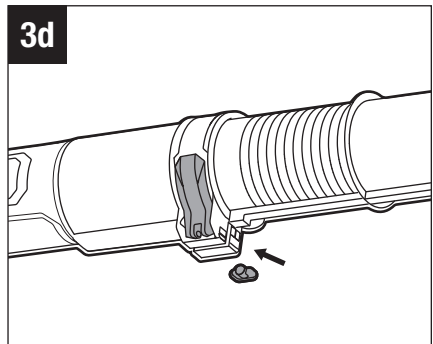
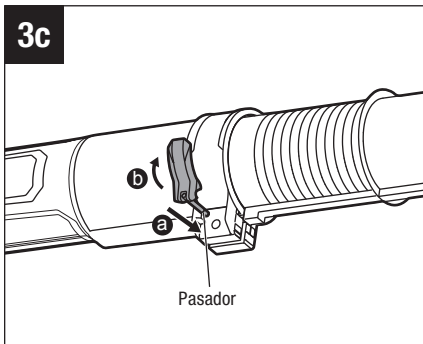


## Conexión del tubo del soplador al tubo del mango de control

1. Afloje y retire la palanca de liberación rápida y la tuerca de mariposa del ensamblaje de la abrazadera del tubo que está fijo sobre el tubo del soplador (Fig. 3a).
2. Alinee el surco ubicado en el tubo del soplador con la costilla ubicada en el tubo del mango de control y deslice el tubo del soplador sobre el tubo del mango de control tanto como sea posible (Fig. 3b).

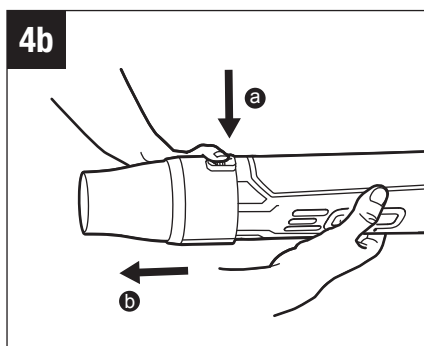
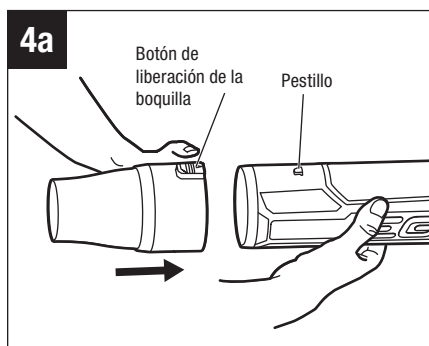


3. Inserte el pasador de la palanca de liberación rápida y cierre la palanca sobre la abrazadera del tubo (Fig. 3c).
4. Apriete la tuerca de mariposa para fijar la abrazadera del tubo (Fig. 3d).



## Conexión de la boquilla roscada al tubo del soplador (Fig. 4a, 4b)

1. Alinee el surco ubicado en la boquilla con el pestillo ubicado en el tubo. Empuje la boquilla sobre el tubo hasta que se acople firmemente a presión en la posición correcta.
2. Para retirar la boquilla, presione y mantenga presionado el botón de liberación de la boquilla para desacoplar el pestillo y luego jale la boquilla directamente hacia fuera del tubo del soplador.





## UTILIZACIÓN

**⚠ ADVERTENCIA:** No deje que la familiaridad con este producto le haga descuidarse. Recuerde que una fracción de segundo de descuido es suficiente para causar lesiones graves.

**⚠ ADVERTENCIA:** Use siempre protección ocular con escudos laterales que esté marcada para cumplir con la norma ANSI Z87.1, junto con protección de la audición. Si no se hace así, el resultado podría ser que se lancen objetos hacia los ojos del operador y otras posibles lesiones graves.

**⚠ ADVERTENCIA:** No utilice ningún aditamento o accesorio no recomendado por el fabricante de este producto. La utilización de aditamentos o accesorios no recomendados puede causar lesiones corporales graves.

Antes de cada uso, inspeccione todo el producto para determinar si hay piezas dañadas, si faltan piezas o si hay piezas flojas, tales como tornillos, tuercas, pernos, tapas, etc. Apriete firmemente todos los sujetadores y todas las tapas y no utilice este producto hasta que todas las piezas que falten o estén dañadas hayan sido reemplazadas.

## APLICACIÓN

Usted puede utilizar este producto para los propósitos que se indican a continuación:

- Despejar hojas y residuos misceláneos de céspedes y lechos de mantillo
- Despejar superficies duras, tales como entradas de garaje y pasarelas
- Mantener las terrazas y las entradas de garaje libres de hojas y agujas de pino

## PARA INSTALAR/DESINSTALAR LOS PAQUETES DE BATERÍA

**NOTA:** Cargue completamente el paquete de batería antes del primer uso.

**NOTA:** Para obtener el mejor rendimiento, recomendamos utilizar la batería EGO BA3360T/BA3360T-FC de 56 V (6,0 Ah) o cualquier batería EGO de 56 V con una capacidad más alta.

**⚠ ADVERTENCIA:** Retire siempre el paquete (los paquetes) de batería del producto cuando esté ensamblando piezas, haciendo ajustes o realizando limpieza, o cuando el producto no se esté utilizando. Al desinstalar el paquete (los paquetes) de batería se evitarán los arranques accidentales que podrían causar lesiones corporales graves.

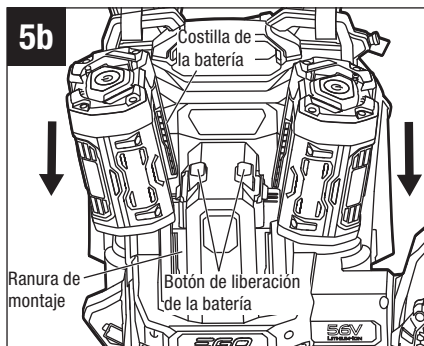
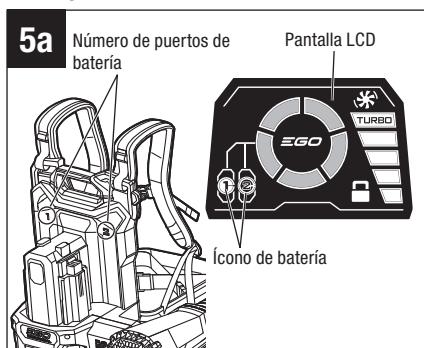
El soplador tiene dos puertos de batería activos, ubicados en el lado izquierdo y derecho de la carcasa de los puertos de batería.

**NOTA:** El soplador puede funcionar con una o con dos baterías. La utilización de dos baterías le da a usted un tiempo de funcionamiento más prolongado y un consumo de energía eficiente gestionado por la tecnología PEAK POWER™.

Cuando los paquetes de batería estén insertados en los puertos de batería correspondientes, marcados con un 1 o un 2 en la placa de la mochila, y se encienda el soplador, el ícono de batería correspondiente se iluminará en la pantalla LCD (Fig. 5a).

### Para instalar los paquetes de batería (Fig. 5b)

1. Alinee las costillas del paquete de batería con las ranuras de montaje ubicadas en el puerto de batería del soplador.
2. Presione hacia abajo el paquete de batería hasta que se acople a presión en la posición correcta.
3. Repita el proceso para instalar el segundo paquete de batería.



## Para desinstalar los paquetes de batería

**⚠ ADVERTENCIA:** Tenga siempre cuidado de fijarse en la ubicación de los pies, los niños o los animales domésticos cuando presione el botón de liberación de la batería. Se podrían producir lesiones graves si el paquete de batería se cae. No retire NUNCA el paquete de batería cuando esté en una ubicación elevada.

1. Presione los botones de liberación de la batería; los paquetes de batería se desacoplarán del pestillo y el mecanismo de eyección ayudará en la desinstalación.
2. Retire los paquetes de batería del soplador.

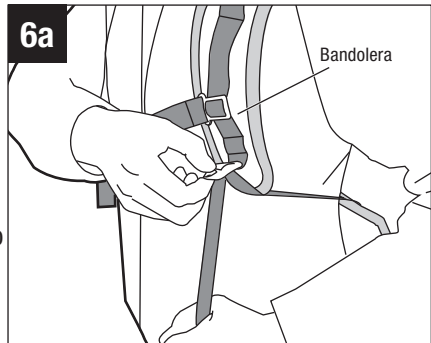
## POSICIONAMIENTO DEL SOPLADOR TIPO MOCHILA

**⚠ ADVERTENCIA:** Vístase adecuadamente para reducir el riesgo de lesiones cuando utilice esta máquina. No use ropa holgada ni joyas. Use protección ocular y de oídos/audición. Use pantalones largos gruesos, botas y guantes. No use pantalones cortos ni sandalias, ni vaya descalzo.

Antes de utilizar el soplador tipo mochila, asegúrese de que el operador esté usando protección ocular y ropa adecuada, y que pueda mantener un apoyo de los pies seguro y equilibrado.

### Para ajustar el arnés de soporte

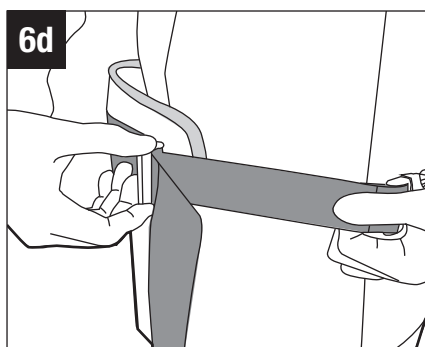
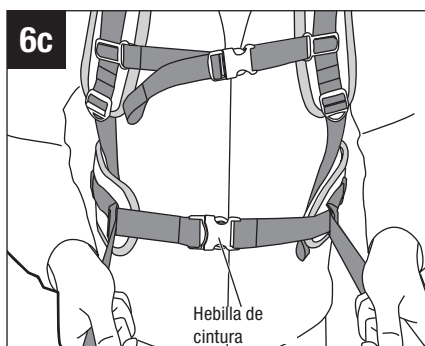
1. Pase los brazos a través de las bandoleras de la mochila para soportar el soplador en la espalda.
2. Ajuste temporalmente ambas bandoleras en posiciones cómodas (Fig. 6a), asegurándose de que el codo esté cómodo.



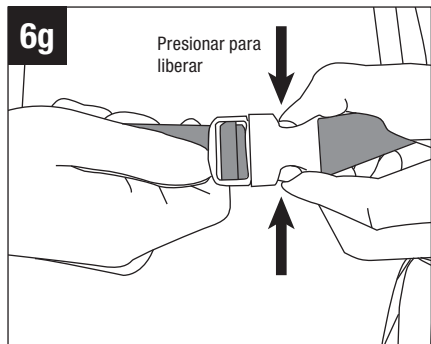
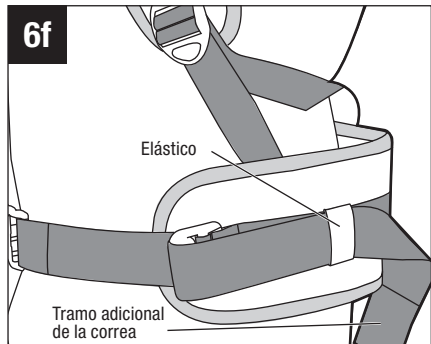
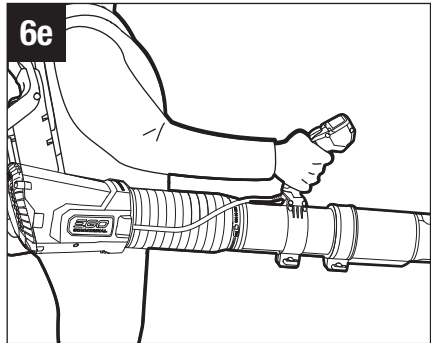
3. Acople a presión la hebilla de pecho y ajuste la longitud de la correa de pecho si es necesario (Fig. 6b).
4. Acople a presión la hebilla de cintura y ajuste la longitud de la correa de cintura de manera que la mochila esté soportada firmemente por las caderas (Fig. 6c y 6d).

**AVISO:** La mochila no deberá estar asentada demasiado alta en la espalda del operador; deberá estar posicionada más cerca de las caderas que de los hombros.

**⚠ ADVERTENCIA:** Cuando se produzca una emergencia, libere inmediatamente las hebillas de pecho y de cintura para quitarse la correa de la mochila a cada lado, lo cual es un método de liberación rápida.

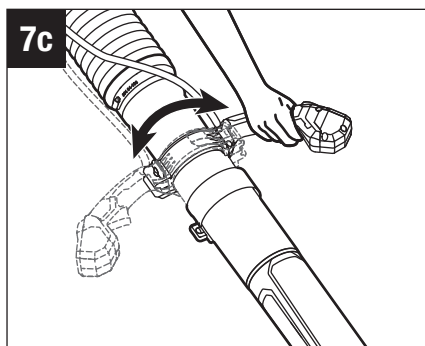
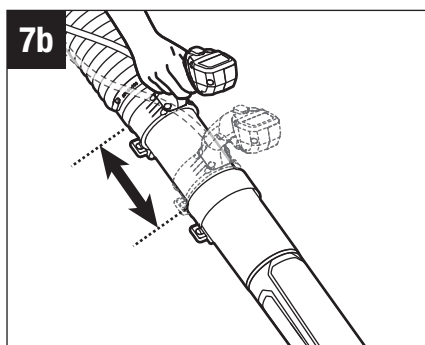
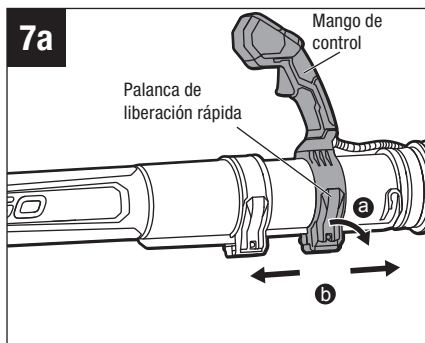


5. Reajuste las bandoleras para obtener seguridad y comodidad. Asegúrese de que la mochila esté asentada de manera segura en la espalda, con el peso soportado por la correa de cintura y sin movimiento excesivo cuando usted se mueva (Fig. 6e).
6. Inserte todo tramo adicional de la correa alrededor de la cintura en el elástico a ambos lados (Fig. 6f).
7. Para desinstalar la mochila de la espalda, simplemente presione las hebillas de cintura y de pecho para liberarlas y baje la herramienta (Fig. 6g).



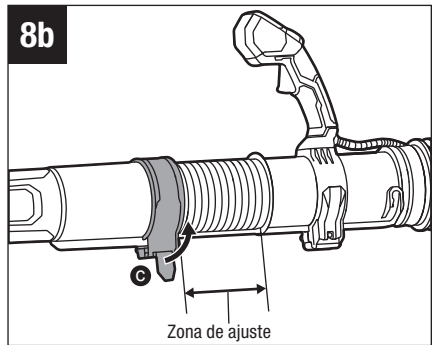
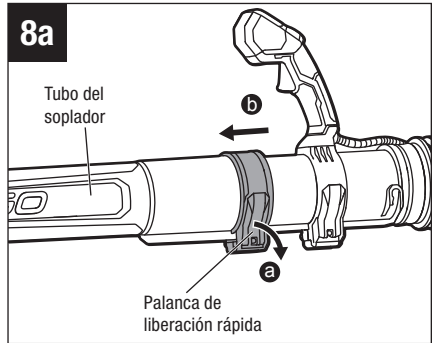
## Para ajustar el mango de control

1. Libere la palanca de liberación rápida para mover el mango de control hacia delante o hacia atrás según sea necesario (Fig. 7a y 7b) y luego acople la palanca de liberación rápida para fijar el mango de control en la posición correcta.
2. Usted también puede rotar el mango de control según sea necesario para lograr comodidad (Fig. 7c).



## Para ajustar el mango de control Longitud del tubo (Fig. 8a, 8b)

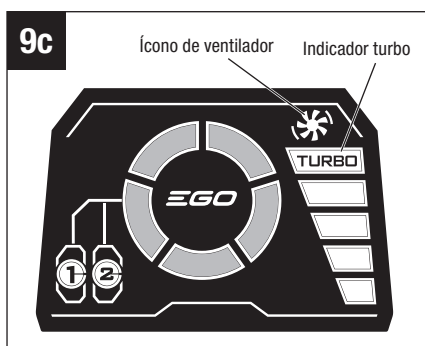
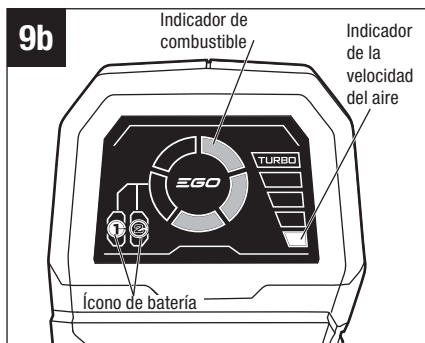
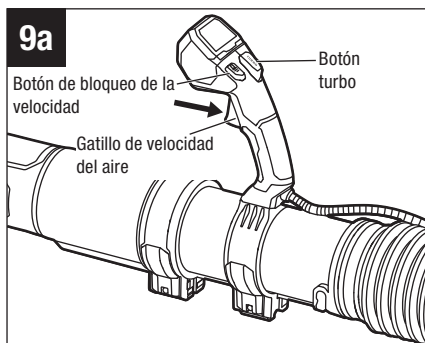
1. Libere la palanca de liberación rápida.
2. Mueva el tubo del soplador hasta una posición de utilización cómoda dentro de la zona de ajuste.
3. Acople la palanca de liberación rápida para fijar el tubo del soplador en la posición correcta.




## ARRANQUE/PARADA DEL SOPLADOR

### Gatillo de velocidad del aire (Fig. 9a, 9b)

- Presione el gatillo de velocidad del aire para encender el soplador y seguidamente la pantalla LCD mostrará el indicador de combustible, el ícono de batería y el indicador de la velocidad del aire.
- La velocidad del aire del soplador se controla con el gatillo de velocidad variable. Más presión sobre el gatillo produce velocidades de soplado más altas; menos presión sobre el gatillo produce velocidades de soplado más bajas. Ajuste la velocidad para adaptarse a la tarea que se esté realizando. El ícono de velocidad del aire correspondiente se mostrará en la pantalla LCD.
- Suelte el gatillo de velocidad del aire para apagar el soplador. La pantalla LCD se apagará 6 segundos después de soltar el gatillo.



### Modo turbo

Mientras el gatillo de velocidad del aire está presionado y se mantiene presionado, presione el botón turbo para aumentar el flujo de aire hasta la velocidad máxima (Fig. 9a). Tanto el indicador turbo **TURBO** como el ícono de ventilador  se iluminarán en la pantalla LCD (Fig. 9c).


**NOTA:** El soplador regresará a la velocidad previa al soltar el botón turbo.



## Modo de bloqueo de la velocidad


El bloqueo de la velocidad se puede utilizar para operar el soplador sin presionar continuamente el gatillo de velocidad del aire.

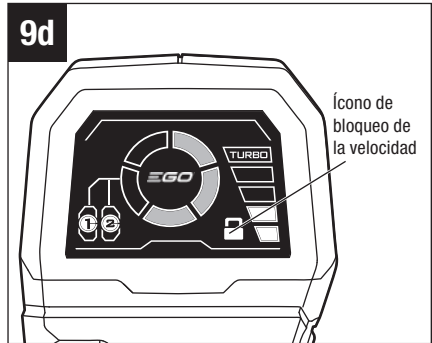
### Para activar el bloqueo de la velocidad:

1. Presione el gatillo de velocidad del aire hasta que se alcance la velocidad deseada (Fig. 9a).
2. Presione el botón de bloqueo de la velocidad. El ícono de bloqueo de la velocidad  se iluminará en la pantalla LCD (Fig. 9d).
3. Luego, suelte el gatillo de velocidad del aire y el soplador seguirá funcionando.

Mientras trabaja en el modo de control de crucero, presione el botón turbo para aumentar temporalmente la velocidad del aire hasta el nivel máximo. El soplador regresará a la velocidad previa al soltar el botón turbo.

### Para liberar el bloqueo de la velocidad

Presione de nuevo el botón de bloqueo de la velocidad . El ícono de bloqueo de la velocidad desaparecerá de la pantalla LCD y el soplador se apagará.



## **CONSEJOS PARA UTILIZAR EL SOPLADOR**

- Para evitar esparcir residuos, sople alrededor de los bordes exteriores de un montón de residuos. No sople nunca directamente en el centro de un montón de residuos.
- Para reducir los niveles sonoros, limite el número de unidades de equipo que se utilizan en cualquier momento.
- Utilice rastrillos y escobas para aflojar los residuos antes de soplar. En condiciones en las que haya grandes cantidades de polvo, humedezca ligeramente las superficies si hay agua disponible.
- Esté atento a la presencia de niños, animales domésticos, ventanas abiertas o automóviles recién lavados, y sople los residuos alejándolos de manera segura.
- Después de utilizar sopladores u otros equipos, ¡limpie! Deseche adecuadamente los residuos.

## MANTENIMIENTO

**⚠ ADVERTENCIA:** Cuando haga servicio de ajustes y reparaciones, utilice solo piezas de repuesto idénticas. Es posible que el uso de cualquier otra pieza cree un peligro o cause daños al producto. Para garantizar la seguridad y la confiabilidad, todas las reparaciones deberán ser realizadas por un técnico de servicio calificado.

**⚠ ADVERTENCIA:** Para evitar lesiones corporales graves, retire siempre el paquete de batería del soplador antes de efectuar limpieza o realizar cualquier mantenimiento.

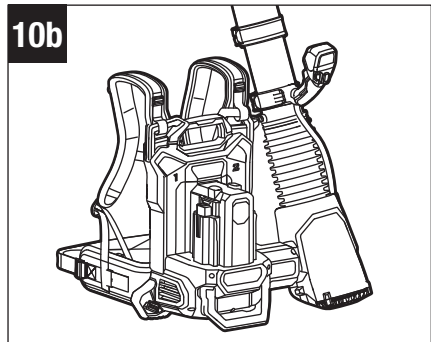
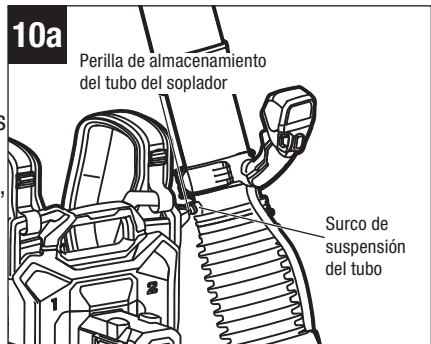
### MANTENIMIENTO GENERAL

Evite utilizar solventes cuando limpie piezas de plástico. La mayoría de los plásticos son susceptibles de sufrir daños causados por diversos tipos de solventes comerciales y es posible que resulten dañados por su uso. Use paños limpios para retirar la suciedad, el polvo, el aceite, la grasa, etc.

**⚠ ADVERTENCIA:** No deje en ningún momento que líquidos de freno, gasolina, productos a base de petróleo, aceites penetrantes, etc., entren en contacto con las piezas de plástico. Las sustancias químicas pueden dañar, debilitar o destruir el plástico, lo cual puede causar lesiones corporales graves.

### ALMACENAMIENTO

- Retire el paquete (los paquetes) de batería del soplador.
- Elimine todo el material extraño de las entradas de aire del soplador.
- Alinee la perilla de almacenamiento del tubo del soplador con el surco de suspensión del tubo y enganche el tubo del soplador sobre la carcasa de los puertos de batería (Fig. 10a y 10b).



- Almacene el producto en un espacio cerrado que sea inaccesible para los niños. Manténgalo alejado de los agentes corrosivos, tales como productos químicos de jardín y sales anticongelantes.

## RESOLUCIÓN DE PROBLEMAS

PROBLEMA	CAUSA	SOLUCIÓN
El soplador no funciona.	<ul style="list-style-type: none"> <li>■ El paquete de batería no está instalado en el soplador.</li> <li>■ No hay contacto eléctrico entre el soplador y la batería.</li> <li>■ La carga del paquete de batería está agotada.</li> <li>■ El paquete de batería o el soplador están demasiado calientes.</li> </ul>	<ul style="list-style-type: none"> <li>■ Instale el paquete de batería en el soplador.</li> <li>■ Retire la batería, compruebe los contactos y reinstale el paquete de batería.</li> <li>■ Cargue el paquete de batería.</li> <li>■ Enfríe el paquete de batería y el soplador hasta que su temperatura descienda por debajo de 152 °F (67 °C).</li> </ul>
La velocidad del aire se reduce notablemente.	<ul style="list-style-type: none"> <li>■ Desgaste excesivo del ventilador del motor.</li> <li>■ La entrada de aire está bloqueada por residuos.</li> </ul>	<ul style="list-style-type: none"> <li>■ Contacte a un centro de servicio EGO para hacer reparaciones.</li> <li>■ Retire el paquete de batería y elimine los residuos.</li> </ul>
La pantalla LCD no funciona correctamente.	<ul style="list-style-type: none"> <li>■ El ensamblaje LCD está roto o hay una mala conexión de los cables del ensamblaje LCD.</li> </ul>	<ul style="list-style-type: none"> <li>■ Haga que un técnico de servicio calificado realice reparaciones.</li> </ul>

## GARANTÍA LIMITADA DE EGO

### TÉRMINOS Y DURACIÓN DE LA PÓLIZA DE GARANTÍA

Chervon North America, Inc. (“Chervon North America”), proporciona la siguiente Garantía Limitada para los productos EGO al comprador original de productos EGO.

El período de garantía detallado de cada producto EGO se puede encontrar en línea en <http://egopowerplus.com/warranty-policy>.

**Sírvase contactar a Servicio al Cliente de EGO llamando gratis al 1-855-EGO-5656** en cualquier momento en que tenga preguntas o reclamos de garantía, o si desea obtener una copia impresa de la garantía.

### GARANTÍA LIMITADA DE SERVICIO

Los productos EGO están garantizados contra defectos de material o de fabricación a partir de la fecha de compra minorista original durante el período de garantía aplicable. Para cualquier reclamo de garantía presentado de manera adecuada y oportuna, si Chervon North America determina que un producto presenta algún defecto durante el período de garantía, dicho producto recibirá una reparación o un remplazo gratuitos, según lo determine Chervon North America.

### CÓMO OBTENER SERVICIO

Para obtener servicio de garantía, dentro del período de garantía aplicable, sírvase contactar a servicio al cliente de EGO llamando gratis al **1-855-EGO-5656**. Cuando solicite servicio de garantía, deberá presentar el recibo de venta fechado original. Se seleccionará un centro de servicio autorizado para evaluar y reparar el producto si el mismo presenta algún defecto de acuerdo con los términos establecidos en la garantía. Cuando lleve su producto al centro de servicio autorizado, es posible que se requiera un pequeño depósito cuando deje allí su herramienta. Este depósito es reembolsable cuando se considere que el servicio de reparaciones esté cubierto bajo garantía.

### LIMITACIONES Y EXCLUSIONES ADICIONALES

Esta garantía limitada se aplica solo al comprador original que realice la compra a un minorista EGO autorizado y no es transferible. Los productos EGO no serán considerados defectuosos, y esta garantía no se aplicará, en los casos en que el

defecto por el que se presente el reclamo sea atribuible a cualquier causa que no sean los defectos definidos anteriormente en este documento. Esta garantía quedará anulada si el producto se ha utilizado para fines de alquiler. Esta garantía no se aplicará a daños causados por accidente, abuso, uso incorrecto, alteración, modificación, reparación no autorizada, contacto con líquidos, incendio, terremoto u otra causa externa; utilización del producto sin seguir las instrucciones, especificaciones o pautas de EGO; o no hacer servicio de ajustes y reparaciones o no mantener adecuadamente el producto. Esta garantía tampoco se aplica a los daños cosméticos, incluyendo, pero sin limitarse a ello, rasguñaduras o abolladuras; defectos causados por el desgaste por el uso normal o defectos que de alguna otra manera se deban al envejecimiento normal del producto.

ESTA GARANTÍA EXPRESA SE DA EN LUGAR DE TODAS LAS DEMÁS GARANTÍAS, EXPRESAS O IMPLÍCITAS, INCLUYENDO, PERO SIN LIMITARSE A ELLO, TODAS LAS GARANTÍAS DE COMERCIABILIDAD O IDONEIDAD PARA UN PROPÓSITO O USO ESPECÍFICO, LAS CUALES QUEDAN EXCLUIDAS. Todas las garantías implícitas, incluyendo las garantías de comerciabilidad o idoneidad para un propósito específico, que no se puedan excluir bajo la ley estatal, están limitadas al período de garantía aplicable definido al comienzo de este artículo. El remedio único y exclusivo en conexión con la compra, instalación, uso y/o rendimiento de los productos EGO es la reparación o el reemplazo del producto tal y como lo determine Chervon North America. La responsabilidad máxima de North America no excederá en ningún caso el precio de compra pagado por el producto. CHERVON NORTH AMERICA NO SERÁ RESPONSABLE ANTE EL USUARIO NI ANTE NADIE MÁS POR DAÑOS EMERGENTES, INCIDENTALES, ESPECIALES, EJEMPLARES, INDIRECTOS O PUNITIVOS QUE SURJAN DEL USO DE LOS PRODUCTOS, INCLUYENDO, PERO SIN LIMITARSE A ELLO, LESIONES CORPORALES, MUERTE, DAÑOS MATERIALES, GANANCIAS PERDIDAS U OTROS PERJUICIOS ECONÓMICOS. Esta garantía le confiere a usted derechos legales específicos y es posible que usted tenga también otros derechos que varían de un estado a otro. Algunos estados no permiten limitaciones en cuanto a la duración de una garantía implícita, la exclusión o limitación de los daños incidentales o emergentes, o las limitaciones al tiempo para emprender ciertas acciones legales, por lo que las limitaciones contenidas en el presente documento no se aplican a los consumidores individuales de esos estados.

Esta garantía está sujeta a la ley de Michigan y se interpretará de acuerdo con dicha ley, con independencia de los principios sobre conflictos de leyes. No se emprenderá ninguna acción legal contra Chervon North America a menos que se presente dentro del plazo de un (1) año después de que se tenga conocimiento de la base de dicha



acción legal o de la cual se debiera haber tenido conocimiento con el ejercicio de una diligencia razonable. Se considerará que se ha renunciado a cualquier acción legal que no se presente oportunamente.

Para obtener servicio al cliente, contáctenos llamando gratis al **1-855-EGO-5656** o en **EGOPOWERPLUS.COM**.

EGO Customer Service,  
769 Seward Ave. NW, Suite 102,  
Grand Rapids, Michigan 49504.