

EXCLUSIVELY FOR USE WITH
EGO POWER+ POWER HEAD PH1400

Français p. 33

Español p. 68

OPERATOR'S MANUAL
**STRING TRIMMER
ATTACHMENT**

MODEL NUMBER STA1500

⚠ WARNING: To reduce the risk of injury, the user must read and understand the Operator's Manual before using this product. Save these instructions for future reference.

TABLE OF CONTENTS

Safety Symbols	4
Safety Instructions.....	5-8
Introduction	9
Specifications	9
Packing List	10
Description	11-12
Assembly	13-15
Operation	16-21
Maintenance	22-28
Troubleshooting	29-30
Warranty	31-32

READ ALL INSTRUCTIONS!



READ & UNDERSTAND
OPERATOR'S MANUAL

⚠ WARNING: Some dust created by power sanding, sawing, grinding, drilling and other construction activities contains chemicals known to the state of California to cause cancer, birth defects or other reproductive harm. Some examples of these chemicals are:

- Lead from lead-based paints
- Crystalline silica from bricks and cement and other masonry products, and
- Arsenic and chromium from chemically-treated lumber.

Your risk from these exposures varies, depending on how often you do this type of work. To reduce your exposure to these chemicals: work in a well ventilated area, and work with approved safety equipment, such as those dust masks that are specially designed to filter out microscopic particles.

SAFETY SYMBOLS

The purpose of safety symbols is to attract your attention to possible dangers. The safety symbols and the explanations with them deserve your careful attention and understanding. The symbol warnings do not, by themselves, eliminate any danger. The instructions and warnings they give are no substitutes for proper accident prevention measures.

⚠ WARNING: Be sure to read and understand all safety instructions in this Operator's Manual, including all safety alert symbols such as "DANGER," "WARNING," and "CAUTION" before using this tool. Failure to following all instructions listed below may result in electric shock, fire, and/or serious personal injury.

SYMBOL MEANING

⚠ SAFETY ALERT SYMBOL: Indicates **DANGER, WARNING, OR CAUTION.** May be used in conjunction with other symbols or pictographs.



⚠ WARNING! The operation of any power tools can result in foreign objects being thrown into your eyes, which can result in severe eye damage. Before beginning power tool operation, always wear safety goggles or safety glasses with side shield and a full face shield when needed. We recommend a Wide Vision Safety Mask for use over eyeglasses or standard safety glasses with side shields. Always use eye protection which is marked to comply with ANSI Z87.1.

SAFETY INSTRUCTIONS

This page depicts and describes safety symbols that may appear on this product. Read, understand, and follow all instructions on the machine before attempting to assemble and operate it.

	Safety Alert	Indicates a potential personal injury hazard.
	Read & Understand Operator's Manual	To reduce the risk of injury, user must read and understand the operator's manual before using this product.
	Eye Protection	Always wear safety goggles or safety glasses with side shields and a full face shield when operating this product.
	Recycle Symbols	This product uses lithium - ion (Li - ion) batteries. Local, state, or federal laws may prohibit disposal of batteries in ordinary trash. Consult your local waste authority for information regarding available recycling and/or disposal options.
IPX4	Ingress Protection Degree	Protection from splashing water
V	Volt	Voltage
mm	Millimeter	Length or size
cm	Centimeter	Length or size
in.	Inch	Length or size
kg	Kilogram	Weight
lb	Pound	Weight
	Direct Current	Type or a characteristic of current

IMPORTANT SAFETY INSTRUCTIONS

⚠ WARNING! When using electric trimmers, basic safety precautions should always be followed to reduce the risk of fire, electric shock, and personal injury, including the following:

READ ALL INSTRUCTIONS

⚠ DANGER! Do not rely on the tool's insulation against electric shock. To reduce the risk of electrocution, never operate the tool in the vicinity of any wires or cables which may carry electric current.

⚠ CAUTION! Wear appropriate personal hearing protection during use. Under some conditions and durations of use, noise from this product may contribute to hearing loss.

- **Keep Children Away** - All visitors should be kept at least 100 feet away from work area.
- **Avoid Dangerous Environments** – Don't use appliances on damp or wet slope.
- **Dress Properly** - Do not wear loose clothing or jewelry. They can be caught in moving parts. Use of rubber gloves and substantial footwear is recommended when working outdoors. Wear protective hair covering to contain long hair.
- **Use Safety Glasses** - Always use face or dust mask if operation is dusty.
- **Use the Right Tool** - Do not use the tool for any job except that for which it is intended.
- **Don't Force the Trimmer** - It will do the job better and with less likelihood of a risk of injury at the rate for which it was designed.
- **Don't Overreach** - Keep proper footing and balance at all times.
- **Stay Alert** - Watch what you are doing. Use common sense. Do not operate the trimmer when you are tired.
- **Do not operate the trimmer while under the influence of alcohol or drugs.**
- **Keep guards in place and in working order.**

⚠ WARNING: To reduce the risk of injury to persons, do not operate without guards in place.

- **Keep hands and feet away from the cutting area.**
- **Store Trimmer Indoors** - When not in use the trimmer should be stored indoors in a dry and high or locked-up place with the battery pack removed- out of reach of children.

- **Maintain Trimmer With Care** - Keep the cutting attachment clean for best performance and to reduce the risk of injury. Follow the instructions for changing accessories. Keep the handles dry, clean, and free from oil and grease.
- **Check Damaged Parts** - Before further use of the trimmer, a guard or other part that is damaged should be carefully checked to determine that it will operate properly and perform its intended function. Check for alignment of moving parts, binding of moving parts, breakage of parts, mounting, and any other condition that may affect its operation. A guard or other part that is damaged should be properly repaired or replaced by an authorized service center unless indicated elsewhere in this manual.
- **Clear the area to be cut before each use.** Remove all objects such as rocks, broken glass, nails, wire, or string that can be thrown or become entangled in the cutting attachment. Make sure that other persons and pets are at least 100 ft. (30.5m) away.
- **Always hold the trimmer firmly, with both hands on the handles, while operating. Wrap your fingers and thumbs around the handles.**
- **Avoid Accidentally Starting** - Don't carry the trimmer with your finger on the trigger.
- **Do not operate the trimmer in gaseous or explosive atmospheres.** Motors in these appliances normally spark, and the sparks might ignite fumes.
- **Damage to Trimmer** - If you strike a foreign object with the trimmer or it becomes entangled, stop the tool immediately, check for damage and have any damage repaired before further operation is attempted. Do not operate with a broken guard or spool.
- **If the equipment should start to vibrate abnormally, stop the motor and check immediately for the cause.** Vibration is generally a warning of trouble. A loose head may vibrate, crack, break or come off the trimmer, which may result in serious or fatal injury. Make sure that the cutting attachment is properly fixed in position. If the head loosens after fixing it in position, replace it immediately. Never use a trimmer with a loose cutting attachment.
- **Replace a cracked, damaged or worn-out cutting head immediately, even if damage is limited to superficial cracks.** Such attachments may shatter at high speed and cause serious or fatal injury.
- **Check the cutting attachment at regular short intervals during operation, or immediately if there is a noticeable change in cutting behavior.**

- **When replacing the cutting line, use no more than 2.4mm nylon line;** using heavier lines than recommended by the manufacturer increases the load on the motor and reduces its operating speed. This results in overheating and damage to the trimmer.
- **To reduce the risk of serious injury, never use wire or metal-reinforced line or other material in place of the nylon cutting lines.** Pieces of wire could break off and be thrown at high speed toward the operator or bystanders.
- **To reduce the risk of injury from loss of control, never work on a ladder or on any other insecure support. Never hold the cutting attachment above waist height.**
- **Do not charge the battery pack in rain, or in wet locations.**
- Use only with the battery packs and chargers listed below:

BATTERY PACK	CHARGER
BA1120, BA1400, BA2240, BA2800, BA4200	CH2100 CH5500

- Use Only With The 56V Lithium-Ion Power Head PH1400.
- **Do not dispose of the battery in a fire.** The cells may explode. Check with local codes for possible special disposal instructions.
- **Do not open or mutilate the battery.** Released electrolyte is corrosive and may cause damage to the eyes or skin. It may be toxic if swallowed.
- **Exercise care in handling batteries in order not to short the battery with conducting materials such as rings, bracelets, and keys.** The battery or conductor may overheat and cause burns.
- **Replacement Parts** - When servicing, use only identical EGO replacement parts. Use of any other accessory or attachment may increase the risk of injury.
- **Battery tools do not have to be plugged into an electrical outlet; therefore, they are always in operating condition.** Be aware of possible hazards even when the tool is not operating. Take care when performing maintenance or service.
- **Remove or disconnect battery pack before servicing, cleaning or removing material from the trimmer.**
- **Do not wash with a hose; avoid getting water in motor and electrical connections.**
- **If situations occur that are not covered in this manual, use care and good judgment. Contact the EGO Customer Service Center for assistance.**

- **Save these instructions.** Refer to them frequently and use them to instruct others who may use this tool. If you lend this tool to someone else, also lend these instructions to them to prevent misuse of the product and possible injury.

SAVE THESE INSTRUCTIONS!

NOTE: SEE YOUR POWER HEAD OPERATOR'S MANUAL FOR ADDITIONAL SPECIFIC SAFETY RULES.

INTRODUCTION

Congratulations on your selection of the STRING TRIMMER ATTACHMENT. It has been designed, engineered and manufactured to give you the best possible dependability and performance.

Should you experience any problem you cannot easily remedy, please contact EGO customer service center 1-855-EGO-5656.

This manual contains important information on to the safe assembly, operation and maintenance of your string trimmer. Read it carefully before using the string trimmer. Keep this manual handy so you can refer to it at any time.

SERIAL NUMBER _____ DATE OF PURCHASE _____
YOU SHOULD RECORD BOTH SERIAL NUMBER AND DATE OF PURCHASE AND KEEP THEM IN A SAFE PLACE FOR FUTURE REFERENCE

SPECIFICATIONS

Cutting Mechanism	Bump Head
Cutting Line Type	0.095" (2.4 mm) nylon twist line
Cutting Width	15 in. (38 cm)
Weight	3.51 lb. (1.59 kg)

Recommended Cutting Line

PART NAME	TYPE	MODEL NUMBER
Cutting Line	0.095"/2.4mm twist line (Recommended)	AL2415S AL2450S
	0.080"/2.0mm twist line (Compatible)	AL2015S AL2050S

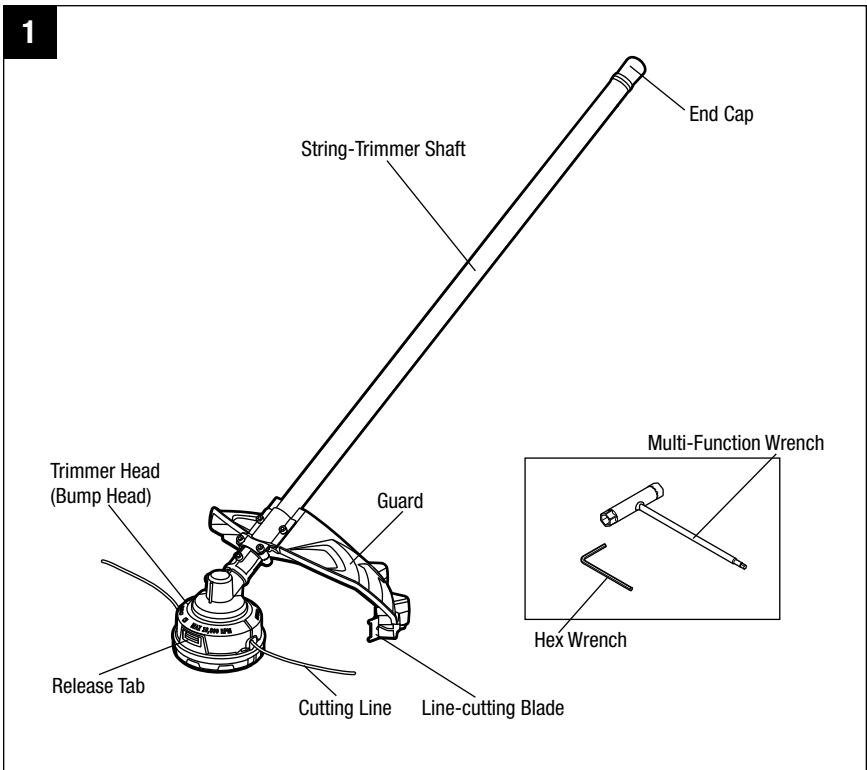
PACKING LIST

PART NAME	QUANTITY
String Trimmer Attachment	1
Guard	1
Hex Wrench	1
Multi-Function Wrench	1
Operator's Manual	1

DESCRIPTION

KNOW YOUR STRING TRIMMER (Fig. 1)

The safe use of this product requires an understanding of the information on the tool and in this operator's manual, as well as knowledge of the project you are attempting. Before using this product, familiarize yourself with all operating features and safety rules.



⚠ WARNING: Never operate the tool without the guard firmly in place. The guard must always be on the tool to protect the user.

TRIMMER HEAD (BUMP HEAD)

Stores the cutting line and releases the cutting line when the head is lightly tapped on the ground during operation.

GUARD

Reduces the risk of injury from foreign objects flung backwards toward the operator and from contact with the cutting attachment.

LINE-CUTTING BLADE

Steel blade on the guard that maintains the cutting line at the proper length.

RELEASE TAB

Releases the spool retainer from the spool base.

ASSEMBLY

⚠ WARNING: If any parts are damaged or missing, do not operate this product until the parts are replaced. Use of this product with damaged or missing parts could result in serious personal injury.

⚠ WARNING: Do not attempt to modify this product or create accessories not recommended for use with this string trimmer. Any such alteration or modification is misuse and could result in a hazardous condition leading to possibly serious personal injury.

⚠ WARNING: Do not connect to power head until assembly is complete. Failure to comply could result in accidental starting and possible serious personal injury.

UNPACKING

- This product requires assembly.
- Carefully remove the product and any accessories from the box. Make sure that all items listed in the packing list are included.

⚠ WARNING: Do not use this product if any parts on the Packing List are already assembled to your product when you unpack it. Parts on this list are not assembled to the product by the manufacturer and require customer installation. Use of a product that may have been improperly assembled could result in serious personal injury.

- Inspect the tool carefully to make sure that no breakage or damage occurred during shipping
- Do not discard the packing material until you have carefully inspected and satisfactorily operated the tool.
- If any parts are damaged or missing, please return the product to the place of purchase.

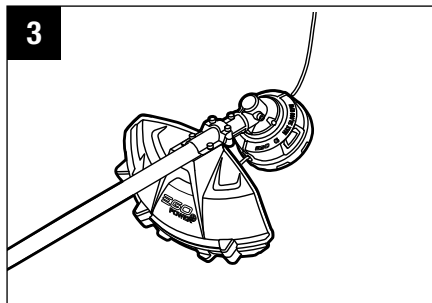
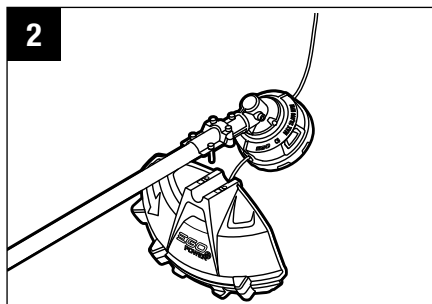
MOUNTING THE GUARD

NOTICE: Install the guard before the attachment is connected to the power head.

⚠ WARNING: To reduce the risk of injury to persons, do not operate without guards in place.

⚠ WARNING: Always wear gloves when mounting or replacing the guard. Be careful of the blade on the guard and protect your hands from being injured by the blade.

1. Lift the trimmer head and face it downward; align the two mounting holes in the guard with the two bolts that are preassembled on the base of the shaft. Make sure that the internal surface of the guard faces towards the trimmer head (Fig. 2).
2. Use the supplied hex wrench to lock the guard in place with the bolts (Fig. 3).



CONNECTING THE STRING TRIMMER ATTACHMENT TO THE POWER HEAD

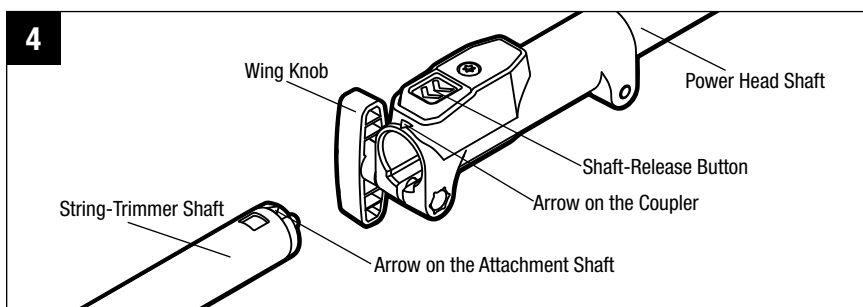
⚠ WARNING: Never attach or adjust any attachment while the power head is running or with the battery installed. Failure to stop the motor and remove the battery may cause serious personal injury.

This string trimmer attachment is designed for use with EGO Power Head PH1400.

The string trimmer attachment connects to the power head by means of a coupler device.

1. Stop the motor and remove the battery pack.
2. Loosen the wing knob.
3. Remove the end cap from the string trimmer attachment. Align the arrow on the string-trimmer shaft with the arrow on the coupler and push the string-trimmer shaft into the coupler until you hear a clear “click” sound, which indicates that the string-trimmer shaft is mounted into place (Fig. 4).
4. Pull the shaft of the attachment to verify that it is securely locked into the coupler. If not, rotate the string-trimmer shaft from side to side in the coupler until it snaps into place.
5. Tighten the wing knob securely.

⚠ WARNING: Be certain that the wing knob is fully tightened before operating the equipment; check it periodically for tightness during use to avoid serious personal injury.



REMOVING THE ATTACHMENT FROM THE POWER HEAD

1. Stop the motor and remove the battery pack.
2. Loosen the wing knob.
3. Press the shaft-release button and, with the button depressed, pull or twist the attachment shaft out of the coupler.

OPERATION

⚠ WARNING: Do not allow familiarity with this product to make you careless. Remember that a careless fraction of a second is sufficient to inflict serious injury.

⚠ WARNING: Always wear safety goggles or safety glasses with side shield marked to comply with ANSI Z87.1. Failure to do so could result in objects being thrown into your eyes and other possible serious injuries.

⚠ WARNING: Do not use any attachments or accessories not recommended by the manufacturer of this product. The use of attachments or accessories not recommended can result in serious personal injury.

APPLICATIONS

You may use this product for the purpose listed below:

- Trimming grass and weeds from around porches, fences, and decks.

HOLDING THE STRING TRIMMER WITH POWER HEAD (Fig. 5)

⚠ WARNING: Dress properly to reduce the risk of injury when operating this tool.

Do not wear loose clothing or jewelry.

Wear eye and ear/hearing protection.

Wear heavy, long pants, boots and gloves.

Do not wear short pants or sandals or go barefoot.

Hold the string trimmer with one hand on the rear handle and your other hand on the front-assist handle. Keep a firm grip with both hands while operating the tool. The string trimmer should be held at a comfortable position, with the rear handle at about hip height. The trimmer head should be parallel to the ground such that it easily contacts the material to be cut without the operator having to bend over.



USING THE STRING TRIMMER

⚠ WARNING: To avoid serious personal injury, wear goggles or safety glasses at all times when operating this unit. Wear a face mask or dust mask in dusty locations.

Clear the area to be cut before each use. Remove all objects, such as rocks, broken glass, nails, wire, or string that can be thrown or become entangled in the cutting attachment. Clear the area of children, bystanders, and pets. At a minimum, keep all children, bystanders and pets at least 100 feet (30.5m) away; there still may be risk to bystanders from thrown objects. Bystanders should be encouraged to wear eye protection. If you are approached, stop the motor and cutting attachment immediately.

⚠ WARNING: To prevent serious personal injury, remove the battery pack from the tool before servicing, cleaning, changing attachments or removing material from the unit.

Before each use check for damaged/worn parts

Check the trimmer head, guard and front-assist handle and replace any parts that are cracked, warped, bent, or damaged in any way.

The line-cutting blade on the edge of the guard can dull over time. It is recommended that you periodically sharpen it with a file or replace it with a new blade.

⚠ WARNING: Always wear gloves when mounting or replacing the guard or when sharpening or replacing the blade. Note the location of the blade on the guard and protect your hand from injury.

Clean the trimmer after each use

See the Maintenance section for cleaning instructions.

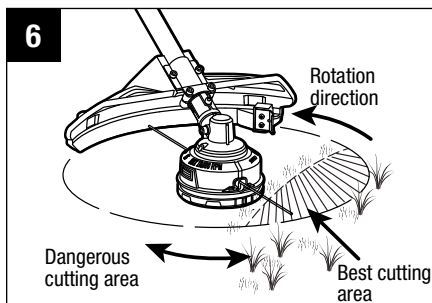
⚠ WARNING: Never use water for cleaning your trimmer. Avoid using solvents when cleaning plastic parts. Most plastics are susceptible to damage from various types of commercial solvents. Use clean clothes to remove dirt, dust, oil, grease, etc.

TO START/STOP THE TOOL

See "**STARTING/STOPPING THE POWER HEAD**" section in the power head PH1400 operator's manual.

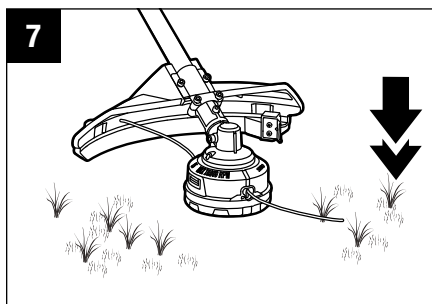
Tips for best trimming results (Fig. 6)

- The correct angle for the cutting attachment is parallel to the ground.
- Do not force the trimmer. Allow the very tip of the line to do the cutting (especially along walls). Cutting with more than the tip will reduce cutting efficiency and may overload the motor.
- The cutting height is determined by the distance of the cutting line from the lawn surface.
- Grass over 8 inches (200 mm) should be cut by working from top to the bottom in small increments to avoid premature line wear or motor drag.
- Slowly move the trimmer into and out of the area being cut, maintaining the cutting head position at the desired cutting height. This movement can be either a forward-backward motion or a side-to-side motion. Cutting shorter lengths produces best results.
- Trim only when grass and weeds are dry.
- Wire and picket fences can cause extra string wear or breakage. Stone and brick walls, curbs, and wood may wear strings rapidly.
- Avoid trees and shrubs. Tree bark, wood moldings, siding, and fence posts can easily be damaged by the strings.



ADJUSTING CUTTING LINE LENGTH

The trimmer head allows the operator to release more cutting line without stopping the motor. As line becomes frayed or worn, additional line can be released by lightly tapping the trimmer head on the ground while operating the trimmer (Fig. 7).



⚠ WARNING: Do not remove or alter the line-cutting blade assembly. Excessive line length will cause the motor to overheat and may result in serious personal injury.

For best results, tap the trimmer head on bare ground or hard soil. If line release is attempted in tall grass, the motor may overheat. Always keep the trimming line fully extended. Line release becomes more difficult as the cutting line becomes shorter.

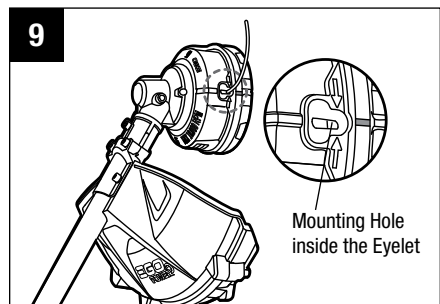
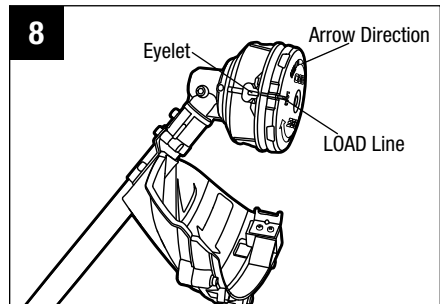
LOAD NEW CUTTING LINE

NOTICE: Always use the recommended nylon cutting line with diameter not greater than 0.095in. (2.4mm). Using line other than that specified may cause the string trimmer to overheat or become damaged.

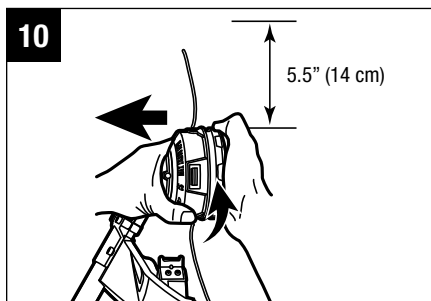
⚠ WARNING: Never use metal-reinforced line, wire, or rope, etc. These can break off and become dangerous projectiles.

⚠ WARNING: To prevent serious personal injury, remove the battery pack from the power head before servicing, cleaning, changing attachments or removing material from the unit.

1. Remove the battery pack.
2. Remove the remaining cutting line, if necessary. Simply pull it out by hand.
3. Rotate the spool retainer in the direction indicated by the arrow, as necessary, to align the LOAD line on the spool retainer with the eyelets in the spool base (Fig. 8).
4. Cut one piece of cutting line 16ft. (5m) long. Insert the line into the mounting hole located inside the eyelet. Push the line until the end of the line comes out of the other side of the spool base. Pull the line from the other side until equal amounts of line appear on both sides of the spool (Fig. 9).

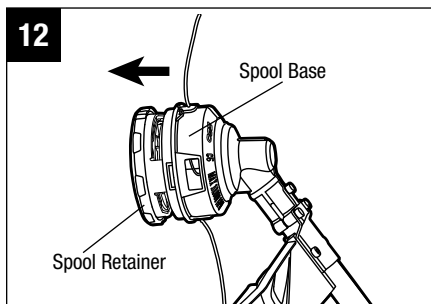
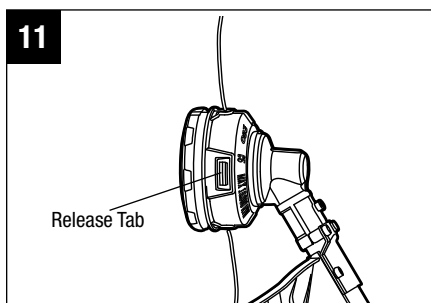


5. Press, while rotating the spool retainer in the direction indicated by the arrow, to wind the cutting line onto the spool until approximately 5.5in. (14cm) of line is showing on each side (Fig. 10).
6. Push the spool retainer down while pulling on the lines to manually advance the line and to check for proper assembly of the trimmer head.

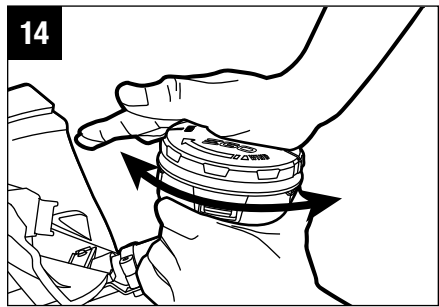
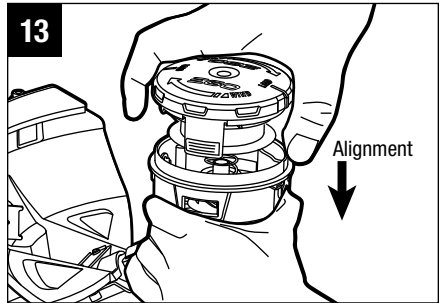


When the cutting line breaks from the line outlet or the cutting line is not released when the trimmer head is tapped, follow the steps below:

1. Remove the battery pack.
2. Press the release tabs on the spool retainer and remove the spool retainer by pulling it straight out (Fig. 11 & 12).
3. Remove the cutting line from the spool retainer.



4. With one hand holding the spool base, use the other hand to grasp the spool retainer and align the tabs on the spool retainer with the holes in the spool base (Fig. 13); use your palm to press and rotate the spool retainer left and right until the tabs lock with the spool base (Fig. 14).
5. Following the instructions in "LOAD NEW CUTTING LINE" to reload the cutting line.



MAINTENANCE

⚠ WARNING: When servicing, use only identical replacement parts. Use of any other parts may create a hazard or cause product damage. To ensure safety and reliability, all repairs should be performed by a qualified service technician.

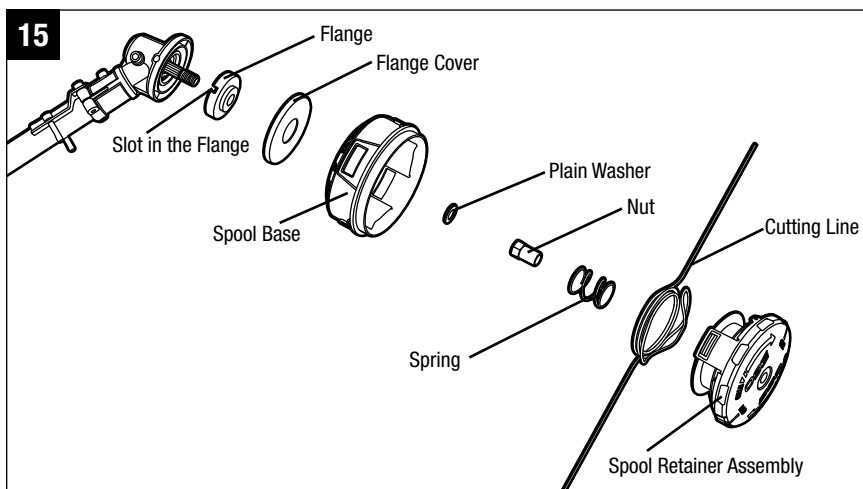
⚠ WARNING: Battery tools do not have to be plugged into an electrical outlet; therefore, they are always in operating condition. To prevent serious personal injury, take extra precautions and care when performing maintenance, service or for changing the cutting attachment or other attachments.

⚠ WARNING: To prevent serious personal injury, remove the battery pack from the power head before servicing, cleaning, changing add-on attachments or when the product is not in use.

All string trimmer service, other than the items listed in these maintenance instructions, should be performed by competent string trimmer service personnel.

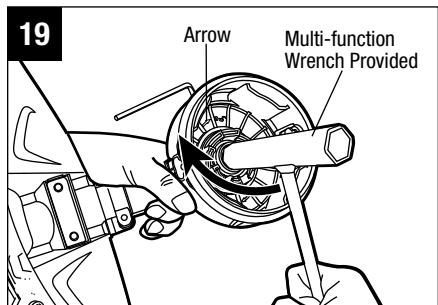
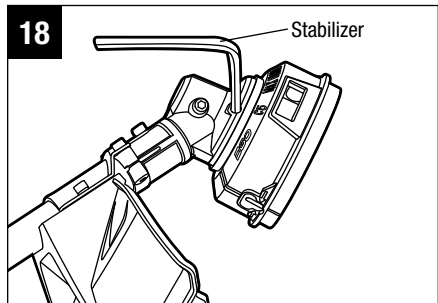
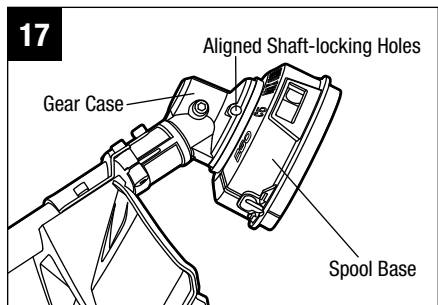
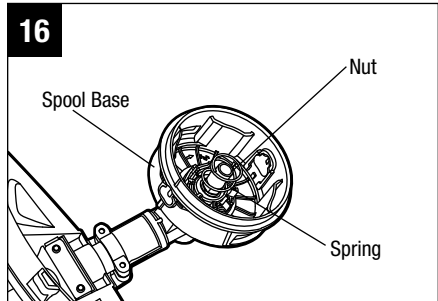
TRIMMER HEAD REPLACEMENT

⚠ DANGER: If the head loosens after it is fixed in position, replace it immediately. Never use a trimmer with a loose cutting attachment. Replace a cracked, damaged or worn out cutting head immediately, even if damage is limited to superficial cracks. Such attachments may shatter at high speed and cause serious injury.

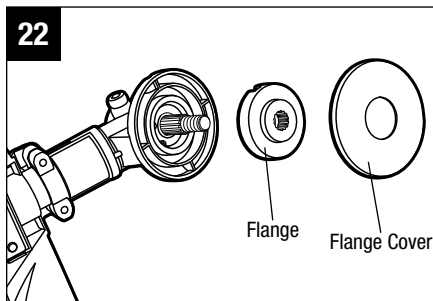
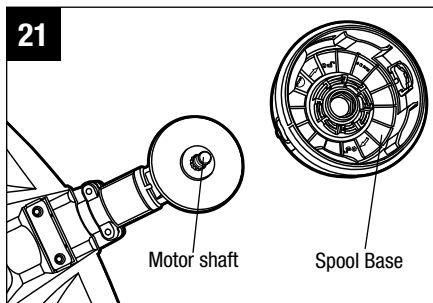
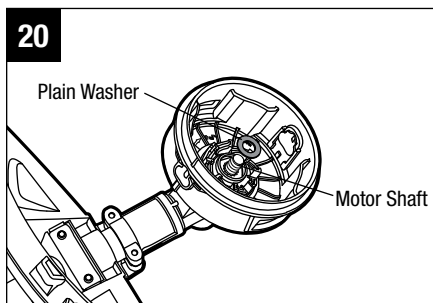


Remove the trimmer head

1. Remove the battery.
2. Press the 2 release tabs on the spool retainer to remove it (see Fig. 11& 12).
3. Pull the spring out of the spool base (Fig. 16).
4. Rotate the spool base to align the slot in the flange with the hole in the gear case (Fig. 17).
5. Insert the hex wrench provided into the aligned holes to act as a stabilizer (Fig. 18). Use the multi-function wrench provided to loosen the nut in the direction of the arrow marked on the spool base inside housing and remove it (Fig. 19).

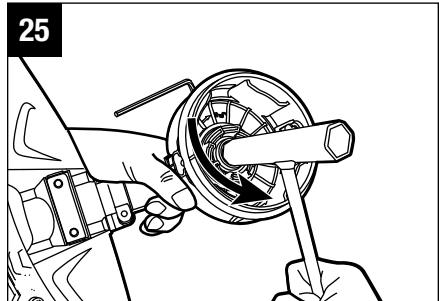
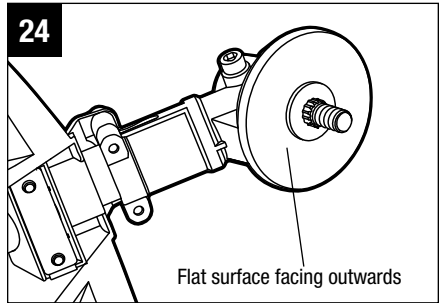
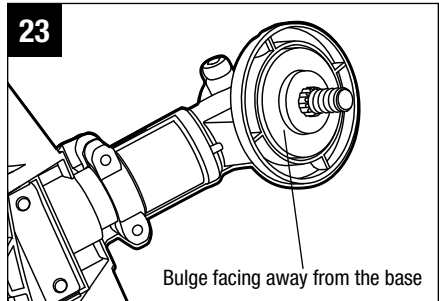


6. Remove the plain washer from the motor shaft and save it for reassembly (Fig. 20).
7. Hold the spool base and pull it straight out from the motor shaft (Fig. 21).
8. Remove the flange cover and flange in turn from the motor shaft (Fig. 22). Check and replace them if they are worn.

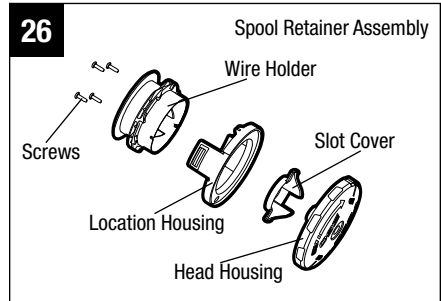


Install the new trimmer head

1. Position the flange removed in step 8 of the “Remove the trimmer head” section onto the motor shaft with the bulge facing away from the base (Fig. 23).
2. Position the flange cover onto the flange with its flat surface facing outwards (Fig. 24).
3. Align the mounting hole in the new spool base with the motor shaft and mount the new spool base onto the shaft.
4. Position the plain washer onto the motor shaft (see Fig. 20).
5. Mount the nut onto the shaft, and pre-tighten it **COUNTERCLOCKWISE** by hand.
6. Rotate the spool base to align the slot in the flange with the hole in the gear case (see Fig. 17).
7. Insert the hex wrench provided into the aligned holes to act as a stabilizer (see Fig. 18). Use the multi-function wrench provided to tighten the nut securely onto the shaft (Fig. 25).



8. Position the spring into the spool base and press it in place (see Fig. 16).
9. With one hand holding the spool base, use the other hand to grasp the new spool retainer and align the tabs on the new spool retainer with the holes in the spool base. Use your palm to press and rotate the new spool retainer left and right until the tabs lock with the spool base (see Fig. 13 & 14).



10. If any parts of the spool retainer assembly are damaged or worn, replace the damaged part and reassemble them as following showing (Fig. 26).

SHARPEN THE LINE-CUTTING BLADE

⚠ WARNING: Always protect your hands by wearing heavy gloves when performing any maintenance on the line-cutting blade.

1. Remove the battery.
2. Remove the line-cutting blade from the guard.
3. Secure the blade in a vise.
4. Wear proper eye protection and gloves and be careful not to cut yourself.
5. Carefully file the cutting edges of the blade with a fine-tooth file or sharpening stone, maintaining the original cutting edge angle.
6. Replace the blade on the guard and secure it in place with the two screws.

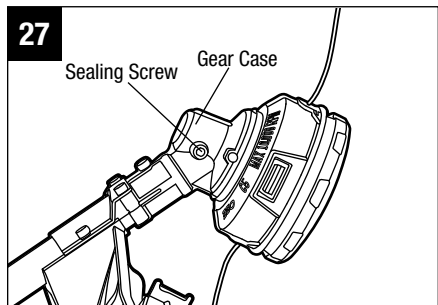
TRANSMISSION GEARS LUBRICATION

The transmission gears in the gear case need be lubricated periodically with gear grease. Check the gear case grease level about every 50 hours of operation by removing the sealing screw on the side of the case.

If no grease can be seen on the sides of the gear, follow the steps below to fill with gear grease up to 3/4 capacity.

Do not completely fill the transmission gear case.

1. Hold the string trimmer on its side so that the sealing screw is facing upwards (Fig. 27).
2. Use the multi-function wrench provided to loosen and remove the sealing screw.
3. Use a grease syringe (not included) to inject some grease into the screw hole, taking care not to exceed 3/4 capacity.
4. Tighten the sealing screw after injection.



CLEAN THE UNIT

- Remove the battery
- Clear any grass that may have wrapped itself around the motor shaft or trimmer head.
- Use a small brush or a small vacuum cleaner to clean the air vents on the rear housing.
- Keep the air vents free of obstructions.
- Clean the unit using a damp cloth with a mild detergent.
- Do not use any strong detergents on the plastic housing or the handle. They can be damaged by certain aromatic oils, such as pine and lemon, and by solvents such as kerosene. Moisture can also cause a shock hazard. Wipe off any moisture with a soft dry cloth.

STORING THE UNIT

- Remove the battery pack from the trimmer.
- Clean the tool thoroughly before storing it.
- Store the unit in a dry, well-ventilated area, locked-up or up high, out of the reach of children. Do not store the unit on or adjacent to fertilizers, gasoline, or other chemicals.

TROUBLESHOOTING

PROBLEM	CAUSE	SOLUTION
String trimmer fails to start.	<ul style="list-style-type: none"> ■ The battery pack is not attached to the power head. ■ No electrical contact between the power head and the battery pack. ■ The battery pack is depleted. ■ The lock-off lever and trigger are not depressed simultaneously. 	<ul style="list-style-type: none"> ■ Attach the battery pack to the power head. ■ Remove battery, check contacts and reinstall the battery pack until it snaps into place. ■ Charge the battery pack with EGO chargers listed in this manual. ■ Press the lock-off lever and hold it, then depress the trigger to turn on the string trimmer.
String trimmer stops while cutting.	<ul style="list-style-type: none"> ■ The guard is not mounted on the trimmer, resulting in an overly long cutting line and motor overload. ■ Heavy cutting line is used. ■ The motor shaft or trimmer head is bound with grass. ■ The motor is overloaded. ■ The battery pack or string trimmer is too hot. ■ The battery pack is disconnected from the tool. ■ The battery pack is depleted. 	<ul style="list-style-type: none"> ■ Remove the battery pack and mount the guard on the trimmer. ■ Use recommended nylon cutting line with diameter no greater than 0.095 in. (2.4 mm). ■ Stop the trimmer, remove the battery, and remove the grass from the motor shaft and trimmer head. ■ Remove the trimmer head from the grass. The motor will recover as soon as the load is removed. When cutting, move the trimmer head in and out of the grass to be cut and remove no more than 8 inches of length in a single cut. ■ Allow the battery pack or trimmer to cool until the temperature drops below 152°F (67°C). ■ Re-install the battery pack. ■ Charge the battery pack with EGO chargers listed in this manual.

PROBLEM	CAUSE	SOLUTION
Trimmer head will not advance line.	<ul style="list-style-type: none"> ■ The motor shaft or trimmer head is bound with grass. ■ There is not enough line on the spool. ■ The trimmer head is dirty. ■ The line is tangled in the spool retainer assembly. ■ The line is too short. 	<ul style="list-style-type: none"> ■ Stop the trimmer, remove the battery, and clean the motor shaft and trimmer head. ■ Remove the battery and replace the cutting line; follow the section "LOAD NEW CUTTING LINE" in this manual. ■ Remove the battery and clean the spool retainer assembly and spool base. ■ Remove the battery, remove the line from the spool and rewind; follow the section "LOAD NEW CUTTING LINE" in this manual. ■ Remove the battery and pull the lines manually while alternately pressing down and releasing the trimmer head.
Grass wraps around trimmer head and motor housing.	<ul style="list-style-type: none"> ■ Cutting tall grass at ground level. 	<ul style="list-style-type: none"> ■ Cut tall grass from the top down, removing no more than 8 inches in each pass to prevent wrapping.
The blade is not cutting the line.	<ul style="list-style-type: none"> ■ The line-cutting blade on the edge of the guard has become dull. 	<ul style="list-style-type: none"> ■ Sharpen the line-cutting blade with a file or replace it with a new blade.
Cracks on the trimmer head or the spool retainer comes loose with spool base.	<ul style="list-style-type: none"> ■ The trimmer head is worn out. 	<ul style="list-style-type: none"> ■ Replace the trimmer head immediately; follow the section "TRIMMER HEAD REPLACEMENT" in this manual.
During line replacement, the line can't be loaded into the trimmer head properly.	<ul style="list-style-type: none"> ■ Spool retainer's LOAD lines do not align with the eyelets in the spool base. ■ The string line is not correctly inserted into the mounting hole in the eyelet. 	<ul style="list-style-type: none"> ■ Rotate the spool retainer in the arrow direction to align the LOAD lines on the spool retainer with the eyelets in the spool base. ■ Align the LOAD lines with the eyelets first, then insert the string line into the mounting hole, which is located inside the eyelet.

WARRANTY

EGO WARRANTY POLICY

5 year limited warranty on EGO outdoor power equipment and 3 year limited warranty on EGO Power+ System battery packs and chargers.

Please contact EGO Customer Service Toll-Free at 1-855-EGO-5656 any time you have questions or warranty claims.

LIMITED SERVICE WARRANTY

FOR FIVE YEARS from the date of original retail purchase, this EGO product is warranted against defects in material or workmanship. Defective product will receive free repair.

FOR THREE YEARS from the date of original retail purchase, the EGO Power+ System battery pack and charger are warranted against defects in material or workmanship. Defective product will receive free repair.

- a) This warranty applies only to the original purchaser from an authorized EGO retailer and may not be transferred. Authorized EGO retailers are identified online at <http://egopowerplus.com/pages/warranty-policy>.
- b) The warranty period for any EGO product or part used for industrial, professional or commercial purpose is one year.
- c) This warranty is void if the product has been used for rental purpose.
- d) This warranty does not cover the damage resulting from modification, alteration or unauthorized repair or from use of any cutting line other than standard nylon cutting line with a diameter that does not exceed 0.095 in. (2.4 mm) recommended for use with this product.
- e) This warranty only covers defects arising under normal usage and does not cover any malfunction, failure or defect resulting from misuse, abuse (including overloading of the product beyond capacity and immersion in water or other liquid), accidents, neglect or lack of proper installation, and improper maintenance or storage.
- f) This warranty does not cover normal deterioration of the exterior finish, including but not limited to scratches, dents, paint chips, or to any corrosion or discoloring by heat, abrasive and chemical cleaners.



HOW TO OBTAIN SERVICE

For warranty service, please contact EGO customer service toll-free at 1-855-EGO-5656. When requesting warranty service, you must present the original dated sales receipt. An authorized service center will be selected to repair the product according to the stated warranty terms.

ADDITIONAL LIMITATIONS

To the extent permitted by applicable law, all implied warranties, including warranties of MERCHANTABILITY or FITNESS FOR A PARTICULAR PURPOSE, are disclaimed. Any implied warranties, including warranties of merchantability or fitness for a particular purpose, that cannot be disclaimed under state law are limited to five years from the date of purchase for outdoor power equipment and three years from date of purchase for battery pack and charger.

Chervon North America is not responsible for direct, indirect, incidental or consequential damages.

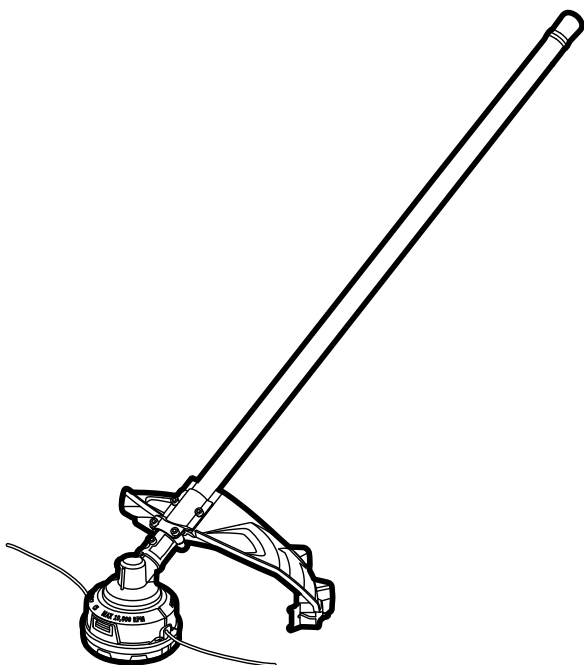
Some states do not allow limitations on how long an implied warranty lasts and/or do not allow the exclusion or limitation of incidental or consequential damages, so the above limitations may not apply to you.

This warranty gives you specific legal rights, and you may also have other rights which vary from state to state.

For customer service contact us toll-free at: 1-855-EGO-5656 or EGOPOWERPLUS.COM

EGO Customer Service, 120 Ionia Street SW / Suite 102 Grand Rapids, MI 49503

EGO™



EXCLUSIVEMENT POUR UTILISATION
AVEC LA TÊTE D'ALIMENTATION EGO
POWER+ PH1400

GUIDE D'UTILISATION
**TAILLE-BORDURE
ADAPTABLE**
NUMÉRO DE MODÈLE STA1500

⚠ AVERTISSEMENT : Afin de réduire les risques de blessure, l'utilisateur doit lire et comprendre le guide d'utilisation avant d'utiliser ce produit. Conservez le présent guide afin de pouvoir le consulter ultérieurement.

TABLE DES MATIÈRES

Symboles de sécurité	36
Consignes de sécurité	37-42
Introduction	42
Caractéristiques techniques	42-43
Liste des pièces contenues dans l'emballage	43
Description	44-45
Assemblage	46-49
Fonctionnement	49-54
Entretien	55-61
Dépannage	62-65
Garantie	66-67

LISEZ TOUTES LES INSTRUCTIONS!



LIRE ET COMPRENDRE
LE GUIDE D'UTILISATION

⚠ AVERTISSEMENT : La poussière créée pendant le ponçage, le sciage, le polissage, le perçage et d'autres activités mécaniques liées à la construction peut contenir des produits chimiques reconnus par l'État de la Californie comme étant la cause de cancer, d'anomalies congénitales et d'autres problèmes liés aux fonctions reproductrices. Voici des exemples de ces produits chimiques :

- Du plomb provenant de peintures à base de plomb
- De la silice cristalline provenant de la brique, du ciment et d'autres matériaux de maçonnerie et
- De l'arsenic et du chrome contenus dans le bois d'œuvre traité avec des produits chimiques.

Les risques liés à l'exposition à ces produits varient en fonction de la fréquence à laquelle vous effectuez ce type de travail. Pour réduire votre exposition à ces produits chimiques, travaillez dans une zone bien ventilée et portez l'équipement de sécurité approuvé, comme les masques antipoussières conçus pour ne pas laisser passer les particules microscopiques.

SYMBOLES DE SÉCURITÉ

L'objectif des symboles de sécurité est d'attirer votre attention sur les dangers potentiels. Vous devez examiner attentivement et bien comprendre les symboles de sécurité et les explications qui les accompagnent. Les symboles d'avertissement en tant que tels n'éliminent pas le danger. Les consignes et les avertissements qui y sont associés ne remplacent en aucun cas les mesures préventives adéquates.

⚠ AVERTISSEMENT : Assurez-vous de lire et de comprendre toutes les consignes de sécurité présentées dans le guide d'utilisation, notamment tous les symboles d'alerte de sécurité indiqués par « **DANGER** », « **AVERTISSEMENT** » et « **MISE EN GARDE** », avant d'utiliser cet outil. Le non-respect des consignes de sécurité ci-dessous peut occasionner une décharge électrique, un incendie ou des blessures graves.

SIGNIFICATION DES SYMBOLES

⚠ SYMBOLE D'ALERTE DE SÉCURITÉ : indique un **DANGER**, un **AVERTISSEMENT** ou une **MISE EN GARDE**. Il peut être associé à d'autres symboles ou pictogrammes.



⚠ AVERTISSEMENT! L'utilisation de tout outil électrique peut entraîner la projection de corps étrangers dans les yeux et ainsi causer des lésions oculaires graves. Avant d'utiliser un outil électrique, veillez à toujours porter des lunettes de sécurité couvrantes ou à écrans latéraux, ou un masque complet au besoin. Nous recommandons le port d'un masque de sécurité panoramique par-dessus les lunettes ou de lunettes de sécurité standard avec écrans latéraux. Portez toujours des lunettes de sécurité conformes à la norme ANSI Z87.1.

CONSIGNES DE SÉCURITÉ

Vous trouverez ci-dessous les symboles de sécurité qui peuvent être présents sur le produit, accompagnés de leur description. Vous devez lire, comprendre et suivre toutes les instructions présentes sur l'appareil avant d'entamer son assemblage ou sa manipulation.

	Alerte de sécurité	Indique un risque de blessure.
	Lire et comprendre le guide d'utilisation	Afin de réduire les risques de blessure, l'utilisateur doit lire et comprendre le guide d'utilisation avant d'utiliser ce produit.
	Lunettes de sécurité	Lorsque vous utilisez ce produit, portez toujours des lunettes de protection ou de sécurité à écrans latéraux et un masque de protection complet.
	Symboles de recyclage	Le produit fonctionne à l'aide d'une pile au lithium-ion (Li-ion). La législation locale, provinciale ou fédérale peut interdire la mise au rebut des piles dans les ordures ménagères. Consultez l'organisme local de gestion des déchets au sujet des possibilités offertes en ce qui concerne la mise au rebut ou le recyclage.
IPX4	Indice de protection	Protection contre les éclaboussures d'eau
V	Volt	Tension
mm	Millimètre	Longueur ou taille
cm	Centimètre	Longueur ou taille
in.	Pouce	Longueur ou taille
kg	Kilogramme	Poids
lb	Livre	Poids
	Courant continu	Type de courant ou caractéristique de courant

CONSIGNES DE SÉCURITÉ IMPORTANTES

⚠ AVERTISSEMENT! Lorsque vous utilisez des appareils électriques de jardinage, vous devez toujours suivre les consignes de sécurité élémentaires ci-dessous afin de réduire le risque d'incendie, de décharge électrique et de blessure.

LISEZ TOUTES LES INSTRUCTIONS!

⚠ DANGER! Ne comptez pas sur l'isolation de l'outil pour vous protéger des décharges électriques. Afin de réduire les risques d'électrocution, n'utilisez jamais l'outil à proximité de fils ou de câbles susceptibles d'être sous tension.

⚠ MISE EN GARDE! Portez des protecteurs d'oreilles appropriés lorsque vous utilisez l'outil. Dans certaines conditions et selon la durée d'utilisation, le bruit produit par ce produit peut entraîner une perte auditive.

- **Maintenez les enfants à l'écart.** Tous les visiteurs doivent se tenir à distance de la zone de travail.
- **Évitez les environnements dangereux.** N'utilisez pas les appareils dans un endroit mouillé ou humide.
- **Habillez-vous convenablement.** Ne portez pas de vêtements amples ni de bijoux qui peuvent s'accrocher. Ils pourraient se coincer dans les pièces mobiles de l'appareil. Le port de gants de caoutchouc et de chaussures adaptées est recommandé lorsque vous travaillez à l'extérieur. Portez une coiffe de protection pour retenir les cheveux longs.
- **Portez des lunettes de sécurité.** Portez toujours un masque de protection ou un masque antipoussières lorsque l'endroit est poussiéreux.
- **Utilisez l'outil adapté à la tâche.** N'utilisez pas l'outil à des fins autres que celles pour lesquelles il a été conçu.
- **Ne forcez pas le taille-bordure.** Si vous l'utilisez au rythme approprié, il vous permettra de mieux accomplir le travail avec moins de risques de blessure.
- **Ne tendez pas les bras trop loin.** Gardez une position stable et un équilibre approprié en tout temps.
- **Soyez vigilant. Concentrez-vous sur votre travail.** Faites preuve de bon sens. N'utilisez pas l'appareil lorsque vous êtes fatigué.
- **N'utilisez pas l'appareil sous l'effet de l'alcool ou de drogues.**

- **Assurez-vous que les protecteurs sont bien en place et en état de fonctionnement.**

⚠ AVERTISSEMENT : Afin de réduire les risques de blessure, n'utilisez pas l'appareil si les protecteurs ne sont pas en place.

- **Gardez les mains et les pieds à distance de la zone de coupe.**
- **Rangez le taille-bordure à l'intérieur** - Lorsque vous n'utilisez pas le taille-bordure, rangez-le à l'intérieur, hors de portée des enfants, dans un endroit sec et en hauteur ou dans un endroit verrouillé, et retirez le bloc-pile.
- **Entretenez soigneusement le taille-bordure** - Gardez le dispositif de coupe propre pour obtenir un meilleur rendement et pour réduire les risques de blessure. Suivez les instructions de graissage et de changement d'accessoires. Les poignées doivent toujours être sèches, propres et exemptes d'huile ou de graisse.
- **Vérifiez si des pièces sont endommagées** - Avant d'utiliser le produit, inspectez soigneusement les protecteurs ou les autres pièces endommagés pour déterminer s'ils peuvent fonctionner correctement et être utilisés normalement. Vérifiez l'alignement des pièces mobiles et leur fixation ainsi que l'état et l'assemblage des pièces, et recherchez tout autre problème pouvant nuire au fonctionnement de l'appareil. Si un protecteur ou une autre pièce sont endommagés, ils doivent être réparés correctement ou remplacés par un centre de service autorisé à moins d'indications contraires dans le présent guide.
- **Avant chaque utilisation, dégagez l'aire de travail.** Enlevez tous les objets, comme les cailloux, les éclats de verre, les clous, les câbles ou les fils, qui pourraient être projetés par le taille-bordure ou qui pourraient rester coincés dans le dispositif de coupe. Assurez-vous qu'il n'y ait aucune personne ni aucun animal à moins de 30,48 m (100 pi).
- **Lorsque vous utilisez le taille-bordure, tenez-le fermement par les poignées, avec les deux mains. Refermez les doigts et les pouces autour des poignées.**
- **Pour éviter de mettre en marche le taille-bordure accidentellement** - ne le transportez pas en ayant le doigt sur la gâchette.
- **Ne faites pas fonctionner le taille-bordure dans un endroit présentant un risque d'explosion ni en présence de gaz.** Le moteur du taille-bordure produit habituellement des étincelles qui pourraient enflammer les vapeurs.

- **Taille-bordure endommagé.** Si vous heurtez un objet quelconque avec le taille-bordure, ou si un objet s'introduit dans l'outil, arrêtez ce dernier immédiatement. Vérifiez s'il est endommagé et, le cas échéant, faites-le réparer avant de le réutiliser. N'utilisez pas le taille-bordure si le protecteur ou la bobine sont brisés.
- **Si l'outil venait à vibrer de manière anormale, arrêtez le moteur et trouvez immédiatement la cause des vibrations.** Les vibrations indiquent généralement un problème. Une tête desserrée peut vibrer, se fissurer, se briser ou se détacher du taille-bordure et ainsi entraîner des blessures graves, voire mortelles. Assurez-vous que le dispositif de coupe est correctement fixé. Si la tête se desserre après avoir été mise en place, remplacez-la immédiatement. N'utilisez jamais le taille-bordure si le dispositif de coupe n'est pas serré fermement.
- **Remplacez immédiatement la tête de coupe si elle est fissurée, endommagée ou usée, même si elle ne présente que des fissures superficielles.** Ces pièces peuvent se briser à haute vitesse et causer des blessures graves, voire mortelles.
- **Lorsque vous utilisez le taille-bordure, vérifiez régulièrement le dispositif de coupe, ou dès que vous remarquez un changement au niveau de la coupe.**
- **Lorsque vous remplacez le fil de coupe, n'utilisez pas un fil de nylon de plus de 2,4 mm (0,095 po).** L'utilisation d'un fil dont le calibre est supérieur à celui recommandé par le fabricant augmente la charge imposée au moteur et diminue la vitesse de fonctionnement. De plus, cela entraîne une surchauffe et peut endommager le taille-bordure.
- **Afin de réduire les risques de blessure grave, n'utilisez jamais de fil métallique, de fil renforcé de métal ni d'autre matériau à la place du fil de coupe en nylon.** Des morceaux de métal pourraient être projetés à grande vitesse vers vous ou les personnes à proximité.
- **Pour réduire les risques de blessure causée par une perte de contrôle, n'utilisez jamais le taille-bordure lorsque vous êtes sur une échelle ou sur un autre type d'échafaudage instable. Ne tenez jamais le dispositif de coupe au-dessus de la taille.**
- **Ne rechargez pas le bloc-pile sous la pluie ni dans un endroit humide.**
- Utilisez le produit uniquement avec les blocs-piles et les chargeurs indiqués ci-dessous :

BLOC-PILE	CHARGEUR
BA1120, BA1400, BA2240, BA2800, BA4200	CH2100 CH5500

- Utilisez seulement avec l'ensemble moteur PH1400 alimenté par pile au lithium-ion de 56 V.
- **Ne jetez pas le bloc-pile au feu.** Les cellules pourraient exploser. Consultez la réglementation locale pour connaître les instructions de mise au rebut.
- **N'ouvrez pas et n'abîmez pas le bloc-pile.** L'électrolyte qu'il contient est corrosif et peut causer des lésions oculaires ou cutanées. Il peut être toxique s'il est ingéré.
- **Manipulez le bloc-pile avec soin pour ne pas créer un court-circuit avec des matériaux conducteurs comme des bagues, des bracelets ou des clés.** Le bloc-pile ou le conducteur peuvent surchauffer et causer des brûlures.
- **Pièces de rechange.** - Lorsque vous procédez à l'entretien, utilisez uniquement des pièces de remplacement EGO identiques aux pièces d'origine. L'utilisation de tout autre accessoire peut augmenter le risque de blessure.
- **Les outils munis d'un bloc-pile n'ont pas besoin d'être branchés sur une prise de courant. Par conséquent, ils sont toujours prêts à l'emploi.** Gardez à l'esprit qu'il existe des dangers potentiels même lorsque l'outil ne fonctionne pas. Soyez prudents lorsque vous effectuez l'entretien ou des réparations.
- **Enlevez ou débranchez le bloc-pile avant de procéder à l'entretien ou au nettoyage du taille-bordure ou de retirer des pièces.**
- **Ne nettoyez pas le taille-bordure avec un jet d'eau, car de l'eau pourrait s'infiltrer dans le moteur et les connexions électriques.**
- **S'il se produit une situation qui ne figure pas dans le présent manuel, faites preuve de prudence et de jugement. Communiquez avec le centre de service à la clientèle d'EGO pour obtenir de l'aide.**
- **Conservez ces instructions.** Consultez-les régulièrement et utilisez-les pour expliquer le fonctionnement de l'outil à d'autres personnes qui l'utiliseraient. Si vous prêtez cet outil à une personne, prêtez-lui également ces instructions afin de prévenir un usage inapproprié et des blessures potentielles.

CONSERVEZ CES INSTRUCTIONS!**REMARQUE : CONSULTEZ LE GUIDE D'UTILISATION DE LA TÊTE D'ALIMENTATION POUR DAVANTAGE DE RÈGLES DE SÉCURITÉ.**

INTRODUCTION

Nous vous félicitons d'avoir choisi ce TAILLE-BORDURE ADAPTABLE. Cet outil a été conçu et fabriqué afin de vous offrir la meilleure fiabilité et le meilleur rendement possible.

Si vous éprouvez un problème que vous n'arrivez pas à régler facilement, veuillez communiquer avec le centre de service à la clientèle d'EGO au 1-855-EGO-5656.

Le présent guide contient des renseignements importants pour assembler, utiliser et entretenir le taille-bordure en toute sécurité. Lisez-le soigneusement avant d'utiliser le taille-bordure.

Conservez ce guide à portée de main afin de pouvoir le consulter à tout moment.

NUMÉRO DE SÉRIE _____ DATE D'ACHAT _____

NOUS VOUS RECOMMANDONS DE NOTER LE NUMÉRO DE SÉRIE ET LA DATE D'ACHAT ET DE LES CONSERVER EN LIEU SÛR AFIN DE POUVOIR LES CONSULTER ULTÉRIEUREMENT.

CARACTÉRISTIQUES TECHNIQUES

Mécanisme de coupe	Tête de coupe
Type de fil de coupe	Fil de nylon torsadé de 2,4 mm (0,095 po)
Largeur de coupe	38 cm (15 po)
Poids	1,59 kg (3,51 lb)

Fil de coupe recommandé

NOM DE PIÈCE	TYPE	NUMÉRO DE MODÈLE
Fil de coupe	Fil torsadé de 2,4 mm (0,095 po) (recommandé)	AL2415S AL2450S
	Fil torsadé de 2,0 mm (0,080 po) (compatible)	AL2015S AL2050S

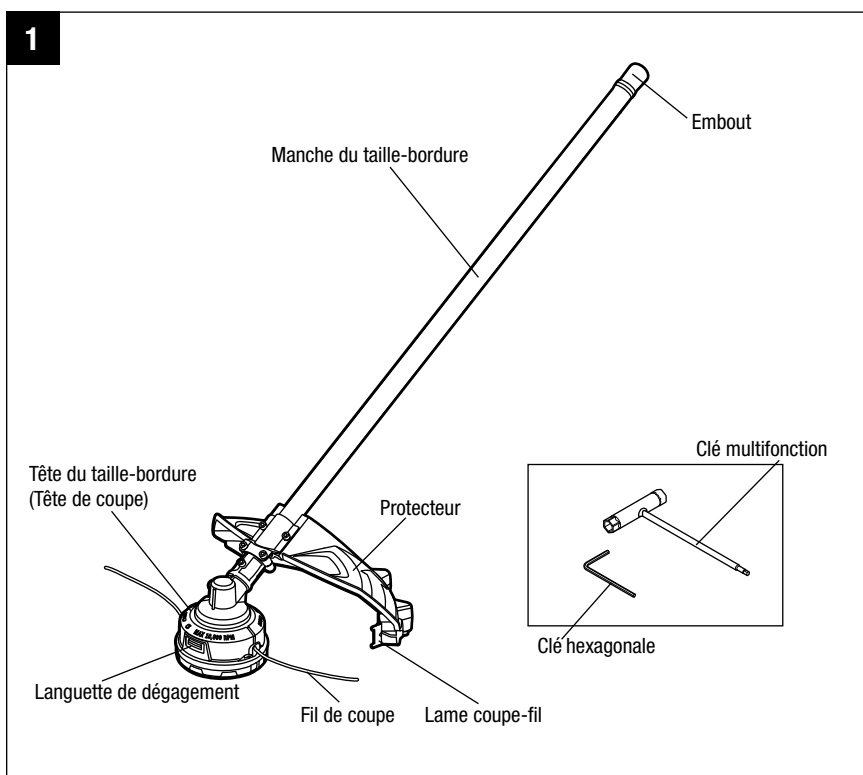
LISTE DES PIÈCES CONTENUES DANS L'EMBALLAGE

NOM DE PIÈCE	QUANTITÉ
Taille-bordure adaptable	1
Protecteur	1
Clé hexagonale	1
Clé multifonction	1
Guide d'utilisation	1

DESCRIPTION

FAMILIARISEZ-VOUS AVEC LE TAILLE-BORDURE (Fig. 1)

Pour utiliser ce produit en toute sécurité, vous devez comprendre les renseignements le concernant contenus dans ce guide d'utilisation et connaître le projet que vous entreprenez. Avant d'utiliser ce produit, familiarisez-vous avec toutes les caractéristiques de fonctionnement et consignes de sécurité.



⚠ AVERTISSEMENT : N'utilisez jamais le taille-bordure si le protecteur n'est pas fixé fermement. Le protecteur doit toujours être installé sur l'outil pour protéger l'utilisateur.

TÊTE DU TAILLE-BORDURE (TÊTE DE COUPE)

Contient le fil de coupe et le dégage lorsque la tête est frappée légèrement contre le sol pendant que l'appareil est en fonctionnement.

PROTECTEUR

Réduit les risques de blessure causée par la projection d'objets quelconques vers l'utilisateur et empêche tout contact avec le dispositif de coupe.

LAME COUPE-FIL

Lame en acier située sur le protecteur qui permet de garder le fil de coupe à la longueur appropriée.

LANGUETTE DE DÉGAGEMENT

Permet de dégager le dispositif de retenue de la bobine de la base de la bobine.

ASSEMBLAGE

⚠ AVERTISSEMENT : S'il y a des pièces manquantes ou endommagées, ne tentez pas d'utiliser la scie à chaîne tant que ces pièces n'auront pas été remplacées. L'utilisation du taille-bordure avec des pièces endommagées ou manquantes peut causer des blessures graves.

⚠ AVERTISSEMENT : Ne tentez pas de modifier le taille-bordure ou de créer des accessoires qui ne sont pas recommandés pour une utilisation avec ce taille-bordure. Toute altération ou modification de ce type constitue un usage inapproprié et peut engendrer une situation dangereuse susceptible de causer des blessures graves.

⚠ AVERTISSEMENT : Ne pas brancher à la tête d'alimentation avant que l'assemblage soit terminé. Le non-respect de ces avertissements pourrait causer la mise en marche accidentelle du taille-bordure et possiblement des blessures graves.

DÉBALLAGE

- Le taille-bordure doit être assemblé.
- Retirez soigneusement l'outil et toutes les pièces de l'emballage. Assurez-vous que toutes les pièces mentionnées sur la liste des pièces sont présentes.

⚠ AVERTISSEMENT : N'utilisez pas ce produit si l'une ou l'autre des pièces figurant sur la liste des pièces est déjà assemblée à votre produit lors du déballage. Les pièces de cette liste ne sont pas assemblées au produit par le fabricant et doivent être installées par le client. L'utilisation d'un produit mal assemblé pourrait occasionner des blessures graves.

- Inspectez soigneusement l'outil pour vérifier qu'il n'a pas été endommagé pendant l'expédition.
- Ne jetez pas le matériel d'emballage avant d'avoir inspecté soigneusement le taille-bordure et de l'avoir fait fonctionner de manière satisfaisante.
- S'il y a des pièces manquantes ou endommagées, veuillez retourner le produit à l'endroit où vous l'avez acheté.

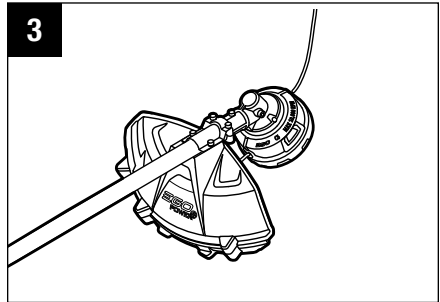
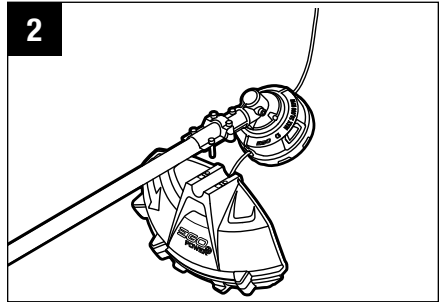
INSTALLATION DU PROTECTEUR

AVIS: Fixez le protecteur avant de brancher le dispositif à la tête d'alimentation.

⚠ AVERTISSEMENT : Afin de réduire les risques de blessure, n'utilisez pas l'appareil si les protecteurs ne sont pas en place.

⚠ AVERTISSEMENT : Portez toujours des gants lorsque vous installez le protecteur ou le remplacez. Faites attention à la lame du protecteur et protégez vos mains pour éviter de vous couper avec la lame.

1. Soulevez la tête du taille-bordure et placez-la vers le bas. Alignez les deux trous de montage du protecteur aux deux boulons préassemblés à la base de la tige. Assurez-vous que la surface interne du protecteur est orientée vers la tête du taille-bordure (Fig. 2).
2. Verrouillez le protecteur à l'aide des boulons et de la clé hexagonale fournie (Fig. 3).



BRANCHER LE TAILLE-BORDURE À L'ENSEMBLE MOTEUR

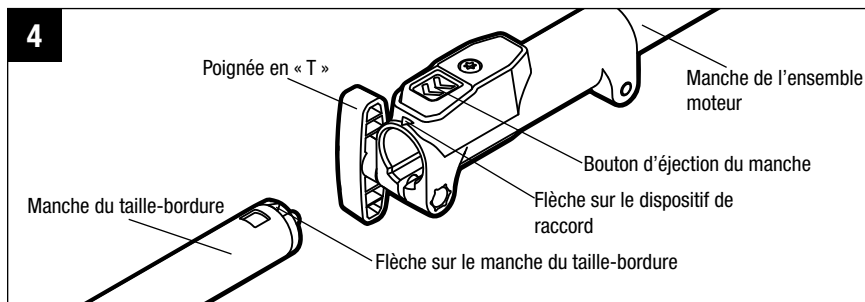
⚠ AVERTISSEMENT : Ne jamais fixer ou ajuster un accessoire pendant que l'ensemble moteur est en marche ou que le bloc-pile est en place. Laisser le moteur fonctionner et garder le bloc-pile en place peut entraîner de graves blessures.

Ce taille-bordure adaptable est conçu pour l'ensemble moteur EGO PH1400.

Le taille-bordure adaptable se branche à l'ensemble moteur grâce à un dispositif de raccord.

1. Arrêtez le moteur et enlevez le bloc-pile.
2. Desserrez la poignée en « T ».
3. Retirez l'embout de la tige de fixation du taille-bordure adaptable. Alignez la flèche sur le manche du taille-bordure à la flèche sur le dispositif de raccord et rentrez le taille-bordure dans le dispositif. Vous devriez entendre un « clic » qui indique que le manche du taille-bordure est bien en place (Fig. 4).
4. Tirez sur la tige du taille-bordure pour vous assurer qu'il est bien verrouillé dans le dispositif de raccord. Si ce n'est pas le cas, faites tourner le manche du taille-bordure de gauche à droite jusqu'à ce qu'il se verrouille dans le dispositif de raccord.
5. Serrez fermement la poignée en « T ».

⚠ AVERTISSEMENT : Assurez-vous que la poignée en « T » est serrée fermement avant de manipuler l'outil. Inspectez-la régulièrement pendant l'utilisation pour vous assurer qu'elle reste serrée et pour prévenir des blessures graves.



RETIREZ LE TAILLE-BORDURE DE L'ENSEMBLE MOTEUR

1. Arrêtez le moteur et enlevez le bloc-pile.
2. Desserrez la poignée en « T ».
3. Appuyez sur le bouton d'éjection du manche et, en le gardant enfoncé, tirez ou tournez le manche du taille-bordure pour le dégager du dispositif de raccord.

FONCTIONNEMENT

⚠ AVERTISSEMENT : Même si vous connaissez parfaitement le taille-bordure, soyez vigilant. N'oubliez pas qu'une fraction de seconde d'inattention suffit à se blesser gravement.

⚠ AVERTISSEMENT : Portez toujours des lunettes de sécurité couvrantes ou à écrans latéraux conformes à la norme ANSI Z87.1. Sinon, vous pourriez recevoir des débris dans les yeux et vous blesser gravement.

⚠ AVERTISSEMENT : N'utilisez pas de pièces ni d'accessoires qui ne sont pas recommandés par le fabricant de ce produit. L'utilisation de pièces ou d'accessoires non recommandés peut causer des blessures graves.

UTILISATIONS

Vous pouvez utiliser ce produit pour les types de travaux listés ci-dessous :

- Tailler le gazon et la mauvaise herbe en bordure des vérandas, clôtures et terrasses.

TENIR LE TAILLE-BORDURE FIXÉ À L'ENSEMBLE MOTEUR (Fig. 5)



⚠ AVERTISSEMENT : Lorsque vous utilisez le taille-bordure, habillez-vous convenablement pour réduire les risques de blessures. Ne portez pas de vêtements ni de bijoux qui peuvent s'accrocher. Portez des protections pour les yeux et les oreilles. Portez un pantalon long et épais, des bottes et des gants. Ne portez pas de pantalon court ni de sandales. N'utilisez pas le taille-bordure lorsque vous êtes pieds nus.

Tenez le taille-bordure avec une main sur la poignée arrière et une autre sur la poignée de manœuvre avant. Tenez toujours fermement l'outil avec les deux mains lorsque vous l'utilisez. Tenez le taille-bordure dans une position confortable en ayant la poignée arrière à la hauteur de votre hanche. La tête du taille-bordure devrait être parallèle au sol pour qu'elle atteigne facilement ce qui doit être coupé sans avoir besoin de vous pencher.

UTILISATION DU TAILLE-BORDURE

⚠ AVERTISSEMENT : Pour éviter des blessures graves, portez toujours des lunettes de sécurité lorsque vous utilisez le taille-bordure. Portez un masque de protection ou un masque antipoussières lorsque l'endroit est poussiéreux.

Avant chaque utilisation, dégagez l'aire de travail. Enlevez tous les objets, comme les cailloux, les éclats de verre, les clous, les câbles ou les fils, qui pourraient être projetés par le taille-bordure ou qui pourraient rester coincés dans le dispositif de coupe. Assurez-vous de garder les enfants, les personnes et les animaux à distance. Ils doivent être à une distance d'au moins 30,48 m (100 pi) pour éviter de recevoir des projections de débris. Nous recommandons aux personnes à proximité de porter des lunettes de sécurité. Si une personne s'approche de vous, arrêtez immédiatement le moteur et le dispositif de coupe.

⚠ AVERTISSEMENT : Pour prévenir les blessures graves, retirez le bloc-pile du taille-bordure avant d'en effectuer l'entretien, de le nettoyer, de remplacer des accessoires ou de retirer des pièces.

Avant chaque utilisation, vérifiez si des pièces sont endommagées ou usées

Vérifiez la tête du taille-bordure, le protecteur et la poignée de manœuvre avant, puis remplacez toute pièce fissurée, déformée, tordue ou endommagée.

La lame coupe-fil en bordure du protecteur peut s'émousser avec le temps. Il est recommandé de l'affûter périodiquement à l'aide d'une lime ou de la remplacer par une nouvelle lame.

⚠ AVERTISSEMENT : Portez toujours des gants lorsque vous installez ou remplacez le protecteur, ou lorsque vous affûtez ou remplacez la lame. Notez l'emplacement de la lame du protecteur et protégez vos mains pour éviter de vous blesser.

Nettoyez le taille-bordure après chaque utilisation.

Des instructions pour le nettoyage de l'appareil se trouvent à la section Entretien.

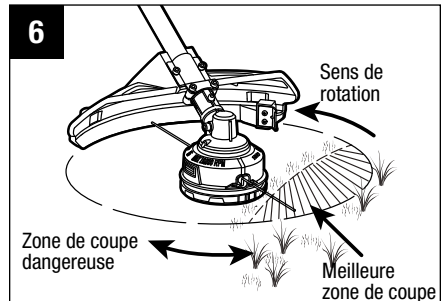
⚠ AVERTISSEMENT : N'utilisez jamais d'eau pour nettoyer le taille-bordure. Évitez d'utiliser des solvants sur les pièces en plastique. La plupart des plastiques sont susceptibles d'être endommagés par divers types de solvants commerciaux. Utilisez un linge propre pour enlever la terre, la poussière, l'huile, la graisse, etc.

POUR DÉMARRER ET ARRÊTER L'OUTIL

Consultez la section « **DÉMARRER ET ARRÊTER L'ENSEMBLE MOTEUR** » du guide d'utilisation de l'ensemble moteur PH1400.

Conseils pour bien réussir la taille des bordures (Fig. 6)

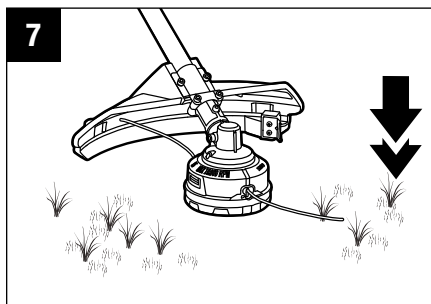
- Pour obtenir un angle de coupe adéquat, le dispositif de coupe doit être parallèle au sol.
- Ne forcez pas le taille-bordure. Utilisez uniquement l'extrémité du fil pour couper l'herbe (surtout le long des murs). Dans le cas contraire, vous réduiriez l'efficacité de la coupe et pourriez surcharger le moteur.
- La hauteur de coupe dépend de la distance entre le fil et la surface de l'herbe.
- Si l'herbe est haute de plus de 20,32 cm (8 po), vous devez la couper en effectuant un mouvement du haut vers le bas en abaissant lentement le taille-bordure à chaque passage pour éviter d'user trop rapidement le fil ou de faire forcer le moteur.



- Déplacez lentement le taille-bordure en effectuant un mouvement de va-et-vient au-dessus de la surface coupée, en maintenant la tête de coupe à la hauteur désirée. Il peut s'agir d'un mouvement latéral ou de l'avant vers l'arrière. Pour obtenir de meilleurs résultats, il est préférable de procéder à de petites coupes.
- Coupez l'herbe seulement lorsqu'elle est sèche.
- Les clôtures de métal ou de bois peuvent accélérer l'usure du fil ou le briser. Le fil peut s'user rapidement s'il entre en contact avec un mur de pierres ou de briques, une bordure de trottoir ou du bois.
- Évitez le contact avec les arbres et les arbustes. Le fil peut facilement endommager l'écorce des arbres, les moulures de bois, le revêtement extérieur et les poteaux de clôture.

RÉGLAGE DE LA LONGUEUR DU FIL DE COUPE

La tête à avance du fil par coup permet à l'utilisateur de dégager du fil de coupe sans arrêter le moteur. Lorsque le fil est effiloché ou usé, il est possible de libérer une longueur de fil supplémentaire en frappant doucement la tête du taille-bordure contre le sol pendant que l'outil fonctionne (Fig. 7).



⚠ AVERTISSEMENT: N'essayez pas de retirer ni de modifier la lame coupe-fil. Un fil de coupe trop long entraînera une surchauffe du moteur et pourra ainsi causer des blessures graves.

Pour de meilleurs résultats, frappez la tête du taille-bordure contre un sol nu ou dur. Si vous tentez de libérer du fil dans des herbes hautes, le moteur pourrait surchauffer. Assurez-vous que le fil de coupe est toujours complètement étiré. Il devient plus difficile de libérer du fil lorsque le fil de coupe est plus court.

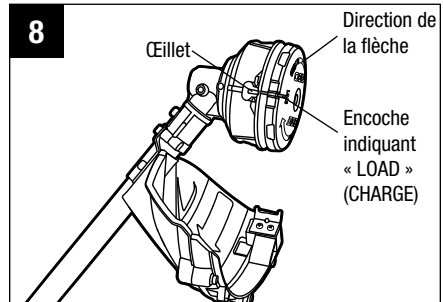
INSTALLER UN NOUVEAU FIL DE COUPE

AVIS: Utilisez toujours le fil de coupe de nylon recommandé, avec un diamètre maximum de 2,4 mm (0,095 po). L'utilisation d'un autre fil peut entraîner une surchauffe du taille-bordure ou l'endommager.

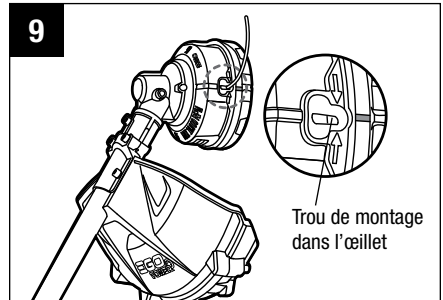
⚠ AVERTISSEMENT : N'utilisez jamais de fil de métal renforcé, de fil métallique, de corde ou d'autre matériau. Ceux-ci pourraient se rompre et être projetés.

⚠ AVERTISSEMENT : Pour prévenir les blessures graves, retirez le bloc-pile de l'ensemble moteur avant d'en effectuer l'entretien, de le nettoyer, de remplacer des accessoires ou de retirer des pièces.

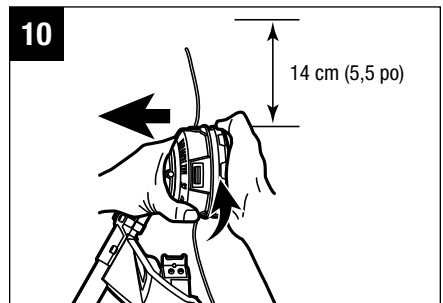
1. Retirez le bloc-pile.
2. Retirez ce qui reste de fil de coupe, au besoin. Retirez-le à la main.
3. Tournez le dispositif de retenue de la bobine dans le sens de la flèche jusqu'à ce que l'encoche indiquant « LOAD » (CHARGE) située sur le dispositif de retenue soit alignée sur les œillets de la base de la bobine (Fig. 8).



4. Coupez un morceau de fil de coupe de 5 m (16 pi) de long. Insérez le fil dans le trou de montage situé dans l'œillet. Poussez le fil jusqu'à ce que son extrémité sorte de l'autre côté de la base de la bobine. Tirez le fil de l'autre côté du trou jusqu'à ce qu'il y ait autant de fil d'un côté de la bobine que de l'autre (Fig. 9).



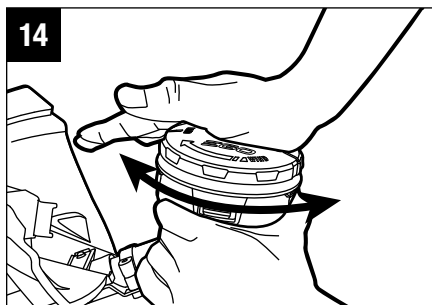
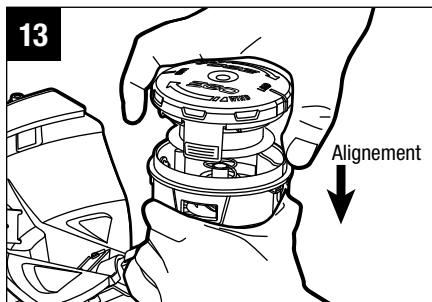
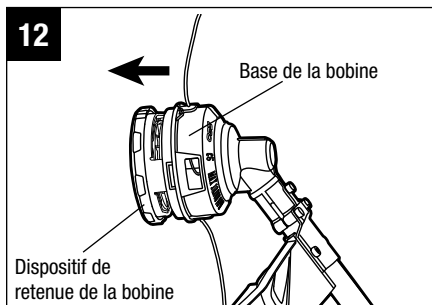
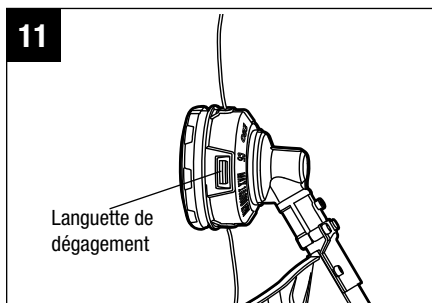
5. Appuyez sur le dispositif de retenue de la bobine tout en tournant dans le sens de la flèche pour enrouler le fil de coupe sur la bobine jusqu'à ce qu'environ 14 cm (5,5 po) de fil dépasse de chaque côté (Fig. 10).



6. Appuyez sur le dispositif de retenue de la bobine tout en tirant sur les fils de manière à les faire avancer manuellement et à vérifier que la tête du taille-bordure est assemblée correctement.

Lorsque la ligne de coupe se casse à l'endroit où le fil sort ou qu'elle n'est pas dégagée quand la tête du taille-bordure est frappée contre le sol, suivez les instructions ci-dessous :

1. Retirez le bloc-pile.
2. Appuyez sur les languettes de dégagement du dispositif de retenue de la bobine et retirez ce dernier en tirant dessus (Fig. 11 et 12).
3. Retirez le fil de coupe du dispositif de retenue de la bobine.
4. D'une main, tenez la base de la bobine. De l'autre, prenez le dispositif de retenue de la bobine et alignez les languettes de celui-ci sur les trous de la base de la bobine (Fig. 13). Appuyez et tournez le dispositif de retenue vers la gauche et vers la droite avec la paume de votre main de façon à ce que les languettes se verrouillent dans la base de la bobine (Fig. 14).
5. Suivez les instructions de la section « **INSTALLER UN NOUVEAU FIL DE COUPE** » pour recharger en fil de coupe.



ENTRETIEN

⚠ AVERTISSEMENT : Lorsque vous procédez à l'entretien de l'outil, utilisez uniquement des pièces de remplacement identiques à celles d'origine. L'utilisation de toute autre pièce peut constituer un danger ou endommager le produit. Pour garantir une utilisation sécuritaire du produit et sa fiabilité, toutes les réparations doivent être effectuées par un technicien qualifié.

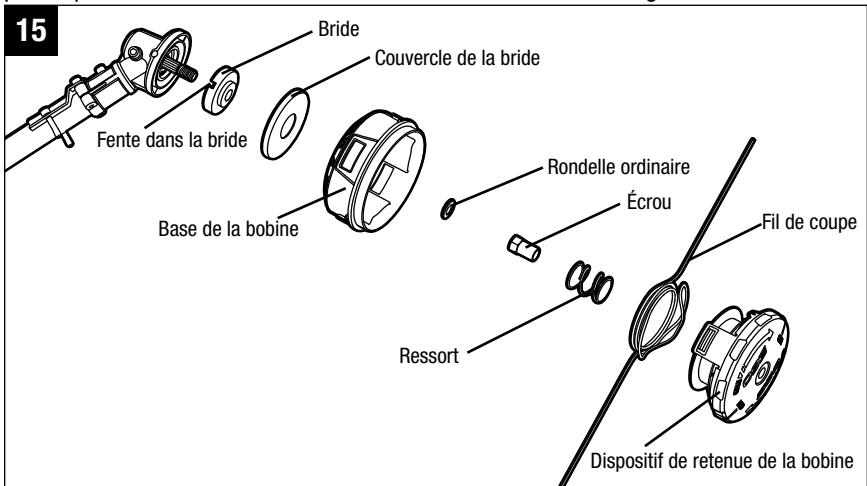
⚠ AVERTISSEMENT : Les outils munis d'un bloc-pile n'ont pas besoin d'être branchés sur une prise de courant. Par conséquent, ils sont toujours prêts à l'emploi. Pour prévenir des blessures graves, prenez des précautions particulières lorsque vous effectuez l'entretien ou des réparations, ou lorsque vous remplacez le dispositif de coupe ou d'autres pièces.

⚠ AVERTISSEMENT : Pour prévenir les blessures graves, retirez le bloc-pile de l'ensemble moteur avant d'en effectuer l'entretien, de le nettoyer, de remplacer des accessoires ou lorsque le produit n'est pas utilisé.

Les tâches d'entretien devraient être effectuées par des réparateurs qualifiés de taille-bordures, à l'exception des tâches qui se retrouvent dans ces instructions d'entretien.

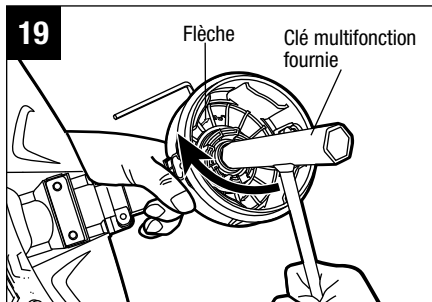
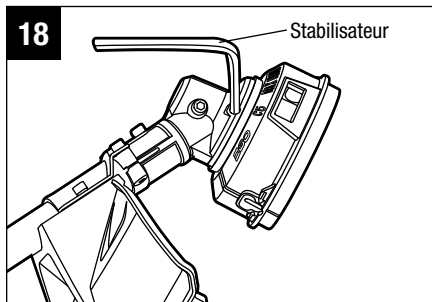
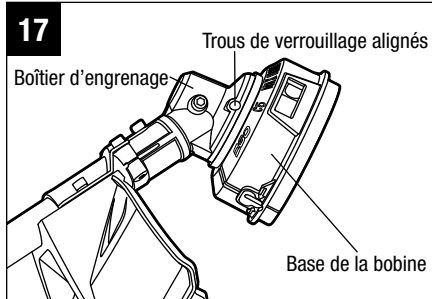
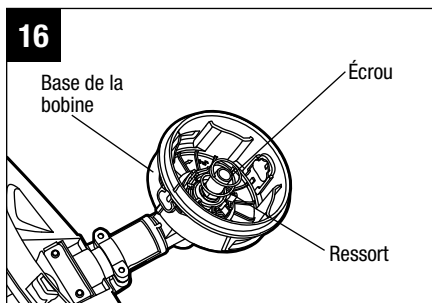
REMPACEMENT DE LA TÊTE DU TAILLE-BORDURE

⚠ DANGER : Si la tête se desserre après avoir été mise en place, remplacez-la immédiatement. N'utilisez jamais le taille-bordure si le dispositif de coupe n'est pas serré fermement. Remplacez immédiatement la tête de coupe si elle est fissurée, endommagée ou usée, même si elle ne présente que des fissures superficielles. Ces pièces peuvent se briser à haute vitesse et causer des blessures graves.

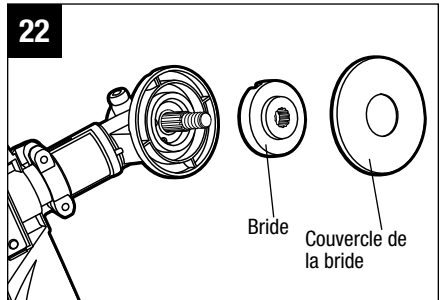
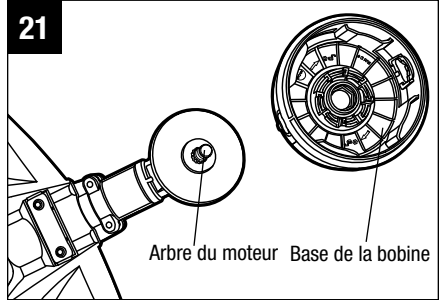
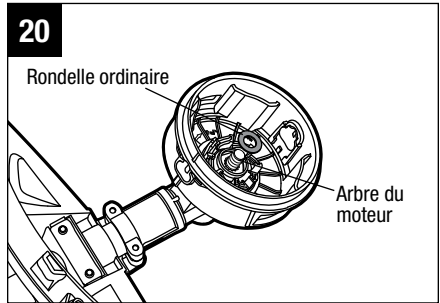


Retrait de la tête du taille-bordure

1. Retirez le bloc-pile
2. Appuyez sur les 2 languettes de dégagement du dispositif de retenue de la bobine pour retirer ce dernier (Fig. 11 et 12).
3. Retirez le ressort de la base de la bobine (Fig. 16).
4. Tournez la base de la bobine pour aligner la fente dans la bride avec le trou du boîtier d'engrenage (Fig. 17).
5. Insérez la clé hexagonale dans les trous alignés pour qu'elle agisse comme stabilisateur (Fig. 18). Utilisez la clé multifonction fournie pour desserrer l'écrou dans le sens indiqué par la flèche qui se trouve sur la paroi intérieure de la base de la bobine et retirez l'écrou (Fig. 19).

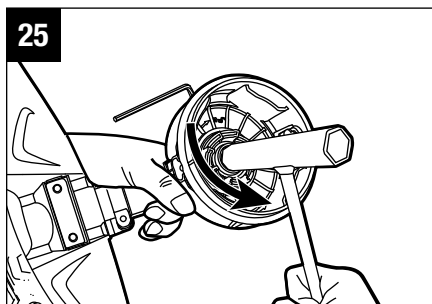
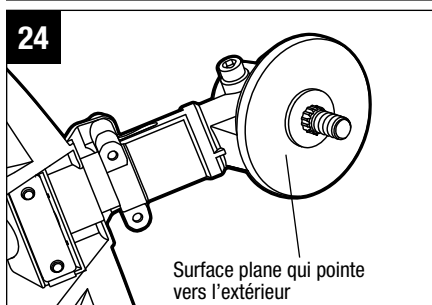
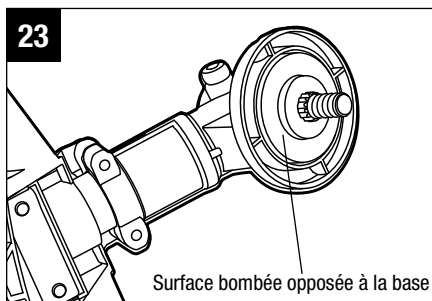


6. Retirez la rondelle ordinaire de l'arbre du moteur et conservez-la en vue du réassemblage (Fig. 20).
7. Tenez la base de la bobine et tirez-la de l'arbre du moteur (Fig. 21).
8. Retirez le couvercle de la bride, puis la bride de l'arbre du moteur (Fig. 22). Inspectez et remplacez-les s'ils sont usés.

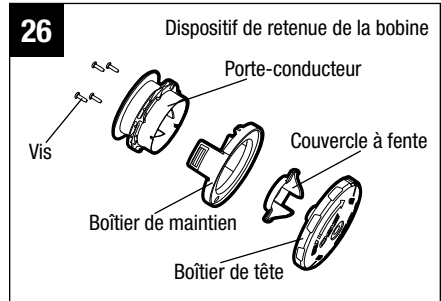


Installation de la nouvelle tête du taille-bordure

1. Placez sur l'arbre du moteur la bride retirée à l'étape 8 de la section « Retrait de la tête du taille-bordure », en s'assurant que la surface bombée est opposée à la base (Fig. 23).
2. Placez le couvercle de la bride sur la bride de façon à ce que la surface plane pointe vers l'extérieur (Fig. 24).
3. Alignez le trou de montage de la nouvelle base de la bobine sur l'arbre du moteur et insérez la nouvelle base dans l'arbre.
4. Placez la rondelle ordinaire sur l'arbre du moteur (Fig. 20).
5. Placez l'écrou sur l'arbre et serrez-le partiellement dans le SENS DES AIGUILLES d'une montre.
6. Tournez la base de la bobine pour aligner la fente dans la bride avec le trou du boîtier d'engrenage (Fig. 17).
7. Insérez la clé hexagonale dans les trous alignés pour qu'elle agisse comme stabilisateur (Fig. 18). Utilisez la clé multifonction fournie pour serrer fermement l'écrou à l'arbre (Fig. 25).



8. Placez le ressort dans la base de la bobine et appuyez dessus pour le fixer (Fig. 16).
9. Tenez la base de la bobine d'une main et, de l'autre, prenez le nouveau dispositif de retenue de la bobine. Alignez les languettes du nouveau dispositif de retenue de la bobine sur les trous de la base de la bobine. Appuyez et tournez le nouveau dispositif de retenue vers la gauche et vers la droite avec la paume de votre main de façon à ce que les languettes se verrouillent dans la base de la bobine. (Fig. 13 et 14).
10. Si une partie du dispositif de retenue de la bobine est endommagée ou usée, remplacez-la et réassemblez l'ensemble de la manière indiquée ci-contre (Fig. 26).



AFFÛTAGE DE LA LAME COUPE-FIL

⚠ AVERTISSEMENT : Protégez toujours vos mains au moyen de gants épais lorsque vous procédez à tout entretien de la lame coupe-fil.

1. Retirez le bloc-pile.
2. Retirez la lame coupe-fil du protecteur.
3. Fixez la lame dans un étau.
4. Portez une protection oculaire appropriée ainsi que des gants et faites attention de ne pas vous couper.
5. Limez soigneusement les bords coupants de la lame à l'aide d'une lime fine ou d'une pierre à aiguiser, en suivant l'angle du bord original de coupe.
6. Remplacez la lame du protecteur et fixez-la en place au moyen de deux vis.

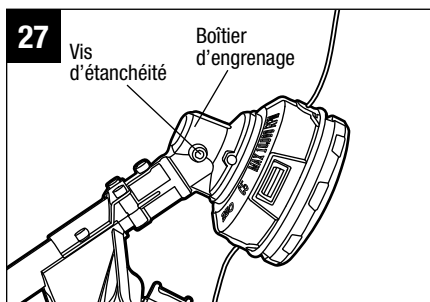
LUBRIFICATION DES ENGRENAGES DE TRANSMISSION

Les engrenages à transmission dans le boîtier d'engrenage doivent être lubrifiés périodiquement avec de la graisse d'engrenage. Vérifiez le niveau de graisse dans le boîtier d'engrenage toutes les 50 heures de fonctionnement en retirant les vis d'étanchéité sur le côté du boîtier.

Si aucune graisse ne peut être vue sur les côtés de l'engrenage, suivez les étapes ci-dessous afin de remplir le boîtier de graisse d'engrenage au 3/4 de sa capacité.

Ne remplissez pas complètement le boîtier d'engrenage à transmission.

1. Tenez le taille-bordure sur le côté, de façon à ce que la vis d'étanchéité pointe vers le haut (Fig. 27).
2. Utilisez la clé multifonction fournie pour desserrer et retirer la vis d'étanchéité.
3. Utilisez une seringue contenant de la graisse (non incluse) pour injecter de la graisse dans le trou de la vis, en vous assurant de ne pas dépasser le 3/4 de la capacité du boîtier.
4. Serrez la vis d'étanchéité après l'injection.



NETTOYAGE DU TAILLE-BORDURE

- Retirez le bloc-pile
- S'il y a lieu, retirez l'herbe qui s'est enroulée autour de l'arbre moteur ou de la tête du taille-bordure.
- Utilisez une petite brosse ou un petit aspirateur pour nettoyer les événements d'aération situés sur le boîtier arrière.
- Assurez-vous que les événements d'aération ne sont jamais obstrués.
- Nettoyez le taille-bordure au moyen d'un linge humide et d'un détergent doux.
- N'utilisez pas de détergents puissants pour nettoyer le boîtier en plastique ou la poignée. Certaines huiles aromatiques, comme le pin et le citron, et certains solvants, comme le kérosène, peuvent les endommager. L'humidité peut également créer un risque de choc électrique. Essuyez les parties humides à l'aide d'un linge sec et doux.

RANGEMENT DE L'APPAREIL

- Retirez le bloc-pile du taille-bordure.
- Nettoyez complètement l'outil avant de le ranger.
- Rangez l'appareil dans un endroit sec, bien aéré, surélevé ou verrouillé, hors de portée des enfants. Ne rangez pas le taille-bordure sur des engrais, de l'essence ou d'autres produits chimiques, ni à proximité de ces produits.

DÉPANNAGE

PROBLÈME	CAUSE	SOLUTION
Le taille-bordure ne démarre pas.	<ul style="list-style-type: none">■ Le bloc-pile n'est pas installé dans l'ensemble moteur.■ Il n'y a pas de contact électrique entre l'ensemble moteur et le bloc-pile.■ Le bloc-pile est déchargé.■ Le levier de blocage et la gâchette ne sont pas enclenchés simultanément.	<ul style="list-style-type: none">■ Installez le bloc-pile dans l'ensemble moteur.■ Retirez le bloc-pile, vérifiez les contacts électriques et réinstallez le bloc-pile jusqu'à ce qu'il s'enclenche.■ Chargez le bloc-pile avec les chargeurs EGO indiqués dans ce guide.■ Pour mettre en marche le taille-bordure, maintenez le levier de blocage enfoncé lorsque vous appuyez sur la gâchette.

PROBLÈME	CAUSE	SOLUTION
<p>Le taille-bordure s'arrête en cours de fonctionnement.</p>	<ul style="list-style-type: none"> ■ Le protecteur n'est pas installé sur le taille-bordure, de sorte que le fil de coupe est trop long et que le moteur surcharge. ■ Le calibre du fil de coupe utilisé est trop gros. ■ De l'herbe s'est enroulée autour de l'arbre moteur ou de la tête du taille-bordure. ■ Le moteur est surchargé. ■ Le bloc-pile ou le taille-bordure sont trop chauds. ■ Le bloc-pile est débranché de l'outil. ■ Le bloc-pile est déchargé. 	<ul style="list-style-type: none"> ■ Retirez le bloc-pile, puis installez le protecteur sur le taille-bordure. ■ Utilisez le fil de coupe de nylon recommandé, avec un diamètre maximum de 2,4 mm (0,095 po). ■ Arrêtez le taille-bordure, retirez le bloc-pile, puis retirez l'herbe de l'arbre moteur et de la tête du taille-bordure. ■ Retirez la tête du taille-bordure de la pelouse. Le moteur fonctionnera de nouveau sans problème dès que la cause de la surcharge est éliminée. Durant la coupe, déplacez le taille-bordure en effectuant un mouvement de va-et-vient au-dessus de la surface coupée et ne coupez au maximum que 20 cm de longueur à la fois. ■ Laissez le bloc-pile et le taille-bordure refroidir; leur température doit être inférieure à 67 °C (152 °F). ■ Réinstallez le bloc-pile. ■ Chargez le bloc-pile avec les chargeurs EGO indiqués dans ce guide.

PROBLÈME	CAUSE	SOLUTION
La tête du taille-bordure ne fait pas avancer le fil.	<ul style="list-style-type: none"> ■ De l'herbe s'est enroulée autour de l'arbre moteur ou de la tête du taille-bordure. ■ Il ne reste pas suffisamment de fil sur la bobine. ■ La tête du taille-bordure est sale. ■ Le fil est emmêlé dans l'assemblage du dispositif de retenue de la bobine. ■ Le fil est trop court. 	<ul style="list-style-type: none"> ■ Arrêtez le taille-bordure, retirez le bloc-pile, puis nettoyez l'arbre moteur et la tête du taille-bordure. ■ Retirez le bloc-pile et remplacez le fil de coupe. Suivez les instructions de la section « INSTALLER UN NOUVEAU FIL DE COUPE ». ■ Retirez le bloc-pile et nettoyez l'assemblage du dispositif de retenue de la bobine, ainsi que sa base. ■ Retirez le bloc-pile. Retirez le fil de la bobine, puis enroulez-le de nouveau sur la bobine. Suivez les instructions de la section « INSTALLER UN NOUVEAU FIL DE COUPE ». ■ Retirez le bloc-pile et tirez sur le fil manuellement tout en appuyant et en relâchant la tête du taille-bordure.
L'herbe s'enroule autour de la tête du taille-bordure et du boîtier du moteur.	<ul style="list-style-type: none"> ■ L'herbe haute est coupée à ras du sol. 	<ul style="list-style-type: none"> ■ Pour éviter l'enroulement, coupez l'herbe haute du haut vers le bas, en prenant soin de ne pas en couper plus de 20 cm de longueur à la fois.
La lame ne coupe pas le fil.	<ul style="list-style-type: none"> ■ La lame coupe-fil en bordure du protecteur est émoussée. 	<ul style="list-style-type: none"> ■ Affûtez la lame coupe-fil au moyen d'une lime ou remplacez-la par une nouvelle lame.
La tête du taille-bordure est fissurée ou le dispositif de retenue de la bobine se désolidarise de la base de la bobine.	<ul style="list-style-type: none"> ■ Le taille-bordure est usé. 	<ul style="list-style-type: none"> ■ Remplacez immédiatement la tête du taille-bordure; suivez les instructions de la section « REMPLACER LA TÊTE DU TAILLE-BORDURE ».

PROBLÈME	CAUSE	SOLUTION
Lors du remplacement du fil, ce dernier ne se charge pas convenablement dans la tête du taille-bordure.	<ul style="list-style-type: none">■ Les encoches indiquant « LOAD » (CHARGE) sur le dispositif de retenue de la bobine ne sont pas alignées sur les œillets de la base de la bobine.■ Le fil n'est pas bien inséré dans le trou de montage de l'œillet.	<ul style="list-style-type: none">■ Tournez le dispositif de retenue de la bobine dans le sens de la flèche afin d'aligner les encoches indiquant « LOAD » (CHARGE), situées sur le dispositif de retenue, sur les œillets de la base de la bobine.■ Alignez d'abord les encoches indiquant « LOAD » (CHARGE) sur les œillets, puis insérez le fil dans le trou de montage situé à l'intérieur de l'œillet.

GARANTIE

POLITIQUE D'EGO EN MATIÈRE DE GARANTIE

Une garantie limitée de 5 ans est offerte pour l'équipement électrique d'extérieur EGO et une garantie limitée de 3 ans est offerte pour les chargeurs et les blocs-piles EGO Power+.

Veillez communiquer avec le service à la clientèle d'EGO au 1-855-EGO-5656 (numéro sans frais) pour toute question sur les réclamations au titre de la garantie.

GARANTIE LIMITÉE

À compter de la date d'achat originale, ce produit EGO est garanti **PENDANT CINQ ANS** contre les défauts de matériaux et de fabrication. Les produits défectueux seront réparés gratuitement.

À compter de la date d'achat originale, le chargeur et le bloc-pile EGO Power+ sont garantis **PENDANT TROIS ANS** contre les défauts de matériaux et de fabrication. Les produits défectueux seront réparés gratuitement.

- a) Cette garantie s'applique uniquement à l'acheteur initial s'étant procuré le produit chez un détaillant EGO autorisé et est non transférable. La liste des détaillants EGO autorisés est publiée en ligne sur le site <http://egopowerplus.com/pages/warranty-policy>.
- b) La période de garantie pour toute pièce ou tout produit EGO utilisés à des fins industrielles, professionnelles ou commerciales est de un an.
- c) Cette garantie n'est pas valide si le produit a été utilisé à des fins de location.
- d) Cette garantie ne couvre pas les dommages résultant d'une modification, d'une altération ou d'une réparation non autorisée ni de l'utilisation d'un fil de coupe autre que le fil de coupe en nylon de 2,4 mm (0,095 po) EGO recommandé pour ce produit.
- e) Cette garantie couvre uniquement les défauts survenant dans des conditions normales d'utilisation et ne couvre aucun dysfonctionnement ou défaut ni aucune défaillance découlant d'un usage inapproprié ou abusif (notamment la surcharge du produit et son immersion dans l'eau ou dans tout autre liquide), d'un accident, d'une négligence, d'une installation inadéquate et de tout entretien ou entreposage inadéquat.
- f) Cette garantie ne couvre pas la détérioration normale du fini extérieur, notamment

les rayures, les bosselures, les craquelures de la peinture ni toute corrosion ou décoloration résultant de la chaleur, de produits abrasifs et de nettoyeurs chimiques.

RÉCLAMATION AU TITRE DE LA GARANTIE

Pour faire une réclamation au titre de la garantie, veuillez communiquer avec le service à la clientèle d'EGO au 1-855-EGO-5656 (numéro sans frais). Lorsque vous faites une réclamation au titre de la garantie, vous devez présenter le reçu de vente original. Un centre de service autorisé sera sélectionné pour la réparation du produit conformément aux conditions de garantie prescrites.

RESTRICTIONS SUPPLÉMENTAIRES

Dans les limites prescrites par la législation locale, toutes les garanties implicites, notamment les garanties de QUALITÉ MARCHANDE ou d'ADÉQUATION POUR UN USAGE PARTICULIER, sont non valides. Toute garantie implicite, notamment les garanties de qualité marchande ou d'adéquation pour un usage particulier, qui ne peut être déclinée en vertu de la législation provinciale est limitée à cinq ans à compter de la date d'achat pour l'équipement électrique d'extérieur et à trois ans à compter de la date d'achat pour les chargeurs et blocs-piles.

Chervon North America n'est pas responsable des dommages accessoires, consécutifs, indirects ou directs.

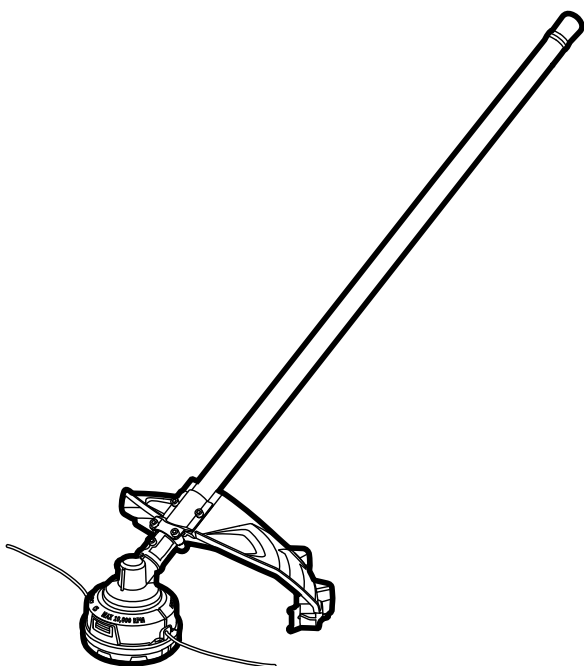
Certaines provinces et certains États n'autorisent pas les restrictions de durée de garantie implicite, ou l'exclusion ou la restriction des dommages consécutifs et accessoires; c'est pourquoi les restrictions ci-dessus peuvent ne pas s'appliquer à votre cas.

La présente garantie vous confère des droits précis. Il est possible que vous disposiez également d'autres droits, qui varient d'une province ou d'un État à l'autre.

Pour communiquer avec le service à la clientèle, veuillez composer le numéro sans frais suivant : 1-855-EGO-5656 ou consulter le site Web EGOPOWERPLUS.COM.

EGO Customer Service, 120 Ionia Street SW / Suite 102 Grand Rapids,
MI 49503 États-Unis

EGO™



EXCLUSIVAMENTE PARA USO CON EL
CABEZAL MOTOR POWER+ PH1400

MANUAL DEL USUARIO

ACCESORIO PARA ORILLADORA DE HILO

NÚMERO DE MODELO STA1500

⚠ ADVERTENCIA: para reducir el riesgo de lesiones, el usuario debe leer y comprender el Manual del usuario antes de usar este producto. Guarde estas instrucciones para consultarlas en el futuro.

ÍNDICE

Símbolos de seguridad	71
Instrucciones de seguridad	72-76
Introducción	76
Especificaciones	77
Lista de empaque	77
Descripción	78-79
Ensamble	80-83
Funcionamiento	83-88
Mantenimiento	89-95
Solución de problemas	96-99
Garantía	100-101

¡LEA TODAS LAS INSTRUCCIONES!



LEA Y COMPRENDA EL
MANUAL DEL USUARIO

⚠ ADVERTENCIA: Parte del polvo producto del lijado, aserrado, esmerilado, taladrado y otras actividades de construcción, contiene sustancias químicas que el estado de California reconoce como causantes de cáncer, defectos congénitos u otros daños al sistema reproductor. Algunos ejemplos de estas sustancias químicas son los siguientes:

- Plomo de pinturas a base de plomo.
- Sílice cristalina de ladrillos, cemento y otros productos de mampostería y,
- Arsénico y cromo de maderas tratadas químicamente

El riesgo de sufrir estas exposiciones varía según la frecuencia con que realice este tipo de trabajo. Medidas para reducir la exposición a estos químicos: trabaje en un lugar bien ventilado y con equipos de seguridad aprobados, como las mascarillas antipolvo que están diseñadas especialmente para filtrar partículas microscópicas.

SÍMBOLOS DE SEGURIDAD

El propósito de los símbolos de seguridad es alertarlo de posibles peligros. Los símbolos de seguridad y sus explicaciones merecen una atención y comprensión minuciosas. Las advertencias de los símbolos, por sí mismas, no eliminan los peligros. Las instrucciones y las advertencias no sustituyen las medidas de prevención de accidentes que correspondan.

⚠ ADVERTENCIA: Asegúrese de leer y comprender todas las instrucciones de seguridad que contiene este Manual del usuario, incluidos todos los símbolos de alerta de seguridad como "PELIGRO", "ADVERTENCIA" y "PRECAUCIÓN", antes de usar esta herramienta. No seguir todas las instrucciones que se indican a continuación podría resultar en descargas eléctricas, incendios o lesiones personales graves.

SIGNIFICADO DE LOS SÍMBOLOS

⚠ SÍMBOLO DE ALERTA DE SEGURIDAD: Indica PELIGRO, ADVERTENCIA O PRECAUCIÓN. Puede aparecer junto con otros símbolos o pictografías.



⚠ ¡ADVERTENCIA! El funcionamiento de cualquier herramienta eléctrica puede causar que objetos extraños salgan expedidos hacia los ojos, lo que puede provocar daños oculares graves. Antes de comenzar a operar una herramienta eléctrica, use siempre gafas protectoras o anteojos de seguridad con blindaje lateral y un protector facial si es necesario. Le recomendamos usar una máscara de seguridad de visión amplia sobre anteojos o anteojos de seguridad estándar con protección lateral. Use siempre lentes de protección con la marca de cumplimiento de la norma ANSI Z87.1.

INSTRUCCIONES DE SEGURIDAD

Esta página muestra y describe los símbolos de seguridad que pueden aparecer en este producto. Lea, comprenda y siga todas las instrucciones de la máquina antes de ensamblarla y utilizarla.

	Alerta de seguridad	Indica un peligro potencial de producir lesiones.
	Lea y comprenda el Manual del usuario	Para reducir el riesgo de lesiones, el usuario debe leer y comprender el Manual del usuario antes de usar este producto.
	Lentes de protección	Use siempre gafas de seguridad o anteojos con protección lateral y un protector facial al operar este producto.
	Símbolos de reciclaje	Este producto usa baterías de iones de litio. Es posible que las leyes municipales, provinciales o nacionales prohíban desechar las baterías con los residuos comunes. Consulte a la autoridad local en materia de residuos sobre las opciones de eliminación y reciclaje disponibles.
IPX4	Grado de protección de admisión	Protección contra salpicaduras de agua
V	Voltio	Voltaje
mm	Milímetro	Longitud o tamaño
cm	Centímetro	Longitud o tamaño
in.	Pulgada	Longitud o tamaño
kg	Kilogramo	Peso
lb	Libra	Peso
	Corriente continua	Tipo o característica de la corriente

INSTRUCCIONES IMPORTANTES DE SEGURIDAD

⚠️ ADVERTENCIA! Al usar aparatos eléctricos de jardinería, siempre se deben tomar medidas de seguridad básicas para reducir el riesgo de incendios, descargas eléctricas o lesiones personales, incluidas las siguientes:

LEA TODAS LAS INSTRUCCIONES

⚠️ ¡PELIGRO! No dependa del aislamiento de la herramienta para evitar las descargas eléctricas. Para reducir el riesgo de electrocución, nunca opere la herramienta en las cercanías de cables que conducen corriente eléctrica.

⚠️ ¡PRECAUCIÓN! Use protección auditiva personal adecuada durante la manipulación. Bajo algunas condiciones y períodos de uso, el ruido de este producto podría contribuir a la pérdida de la audición.

- **Mantenga a los niños alejados:** todos los visitantes deben mantenerse alejados del área de trabajo.
- **Evite entornos peligrosos:** no use la herramienta en lugares húmedos o mojados.
- **Vístase de manera adecuada:** no use ropa holgada ni joyas. Estas pueden quedar atascadas en las piezas móviles. Se recomienda usar guantes y calzado de goma para trabajar en exteriores. Use protección para el cabello a fin de contener el cabello largo.
- **Use gafas de seguridad:** use siempre una máscara o mascarilla antipolvo si operará en una zona con mucho polvo.
- **Use la herramienta adecuada:** no use el aparato para ninguna otra tarea que no sea la prevista.
- **No fuerce la orilladora de hilo:** esta máquina funcionará mejor y con menos probabilidades de producir lesiones si se usa al ritmo para el cual se diseñó.
- **No se extralimite:** mantenga el punto de apoyo y el equilibrio adecuado en todo momento.
- **Manténgase alerta:** concéntrese en lo que hace. Use el sentido común. No opere el aparato si está cansado.
- **No opere la orilladora bajo la influencia de drogas ni alcohol.**
- **Mantenga las protecciones en su lugar y en buen estado.**

⚠️ ADVERTENCIA: Para reducir el riesgo de lesiones personales, no opere sin las protecciones en su lugar.

- **Mantenga las manos y los pies alejados del área de corte.**
- **Guarde la orilladora de hilo en interiores:** Cuando no esté en uso, la orilladora de hilo debe guardarse en interiores, en un lugar seco y alto o bajo llave, sin el paquete de baterías y fuera del alcance de los niños.
- **Cuide su orilladora de hilo:** Mantenga los accesorios de corte limpios para obtener mejores resultados y reducir el riesgo de lesiones. Siga las instrucciones para lubricar y cambiar los accesorios. Mantenga las empuñaduras limpias, secas y libres de aceite y grasa.
- **Revise las piezas dañadas:** Antes de continuar usando el producto, se deben revisar con cuidado las protecciones u otras piezas dañadas a fin de determinar si funcionan correctamente y cumplen su función específica. Compruebe la alineación de las piezas móviles, que las piezas no estén dobladas o rotas, que el montaje sea el correcto y cualquier otra condición que pueda afectar el funcionamiento. Las protecciones u otras piezas dañadas deben repararse de manera adecuada o ser reemplazadas en un centro de servicio autorizado, a menos que se indique lo contrario en este manual.
- **Limpie el área que cortará antes de cada uso.** Retire todos los objetos como piedras, vidrios rotos, clavos, alambres o cordeles que puedan ser arrojados o atascarse en los accesorios de corte. Asegúrese de que las demás personas y las mascotas estén a un mínimo de 100 pies (30,5 m) de distancia.
- **Siempre sostenga la orilladora de hilo con firmeza y mantenga ambas manos en las empuñadoras durante la operación. Coloque los dedos y pulgares alrededor de las empuñadoras.**
- **Evite los arranques accidentales:** No transporte la orilladora de hilo con el dedo en el gatillo.
- **No opere la orilladora de hilo en entornos gaseosos o explosivos.** Los motores de estos aparatos comúnmente producen chispas, las que pueden encender los vapores.
- **Daños en la orilladora de hilo:** Si golpea un objeto extraño con la orilladora de hilo o si esta se atasca, detenga la herramienta de inmediato, revise si hay daños y, de haberlos, repárelos antes volver a usarla. No la opere si las protecciones o el carrete están dañados.
- **Si el equipo comienza a vibrar de un modo anormal, detenga el motor y verifique inmediatamente la causa.** La vibración, generalmente, advierte un problema. Un cabezal suelto puede vibrar, agrietarse, romperse o desprenderse de la orilladora de hilo, lo que podría provocar lesiones graves o fatales.

Asegúrese de que el accesorio de corte esté bien sujeto en su posición. Si el cabezal se suelta después de fijarlo en su posición, reemplácelo de inmediato. Nunca use una orilladora de hilo con un accesorio de corte suelto.

- **Reemplace los cabezales agrietados, dañados o gastados de inmediato, aunque solo se trate de grietas superficiales.** Dichos accesorios podrían desprenderse a alta velocidad y provocar lesiones graves o fatales.
- **Revise el accesorio de corte con frecuencia durante el funcionamiento o inmediatamente si nota un cambio evidente en el comportamiento de corte.**
- **Cuando reemplace el hilo de corte, no use un hilo de nailon de más de 2,4 mm (0,095 pulg.).** El uso de hilos más gruesos que los recomendados por el fabricante aumenta la carga en el motor y reduce la velocidad de funcionamiento. Esto provoca el sobrecalentamiento y puede dañar la orilladora de hilo.
- **Para reducir el riesgo de lesiones graves, nunca utilice hilo de alambre o de metal reforzado ni otro material en lugar de los hilos de corte de nailon.** Se podrían romper trozos de alambre y dispararse a alta velocidad hacia el operador o los transeúntes.
- **Para reducir el riesgo de lesiones debido a la pérdida de control, nunca trabaje sobre una escalera ni sobre ninguna superficie no segura. Nunca sostenga el accesorio de corte sobre la altura de la cintura.**
- **No cargue el paquete de baterías bajo la lluvia o en lugares húmedos.**
- Use solamente con el paquete de baterías y el cargador que se indican a continuación:

PAQUETE DE BATERÍA	CARGADOR
BA1120, BA1400, BA2240, BA2800, BA4200	CH2100 CH5500

- Use solo con el cabezal motor PH1400 de iones de litio de 56 V.
- **No arroje las baterías al fuego.** Las celdas pueden explotar. Consulte los códigos locales para conocer las posibles instrucciones de desecho especiales.
- **No abra ni rompa la batería.** Los electrolitos liberados son corrosivos y pueden causar daños en los ojos o la piel. Si se traga puede ser tóxico.
- **Manipule las baterías con cuidado para no acortar su vida útil con materiales conductores como anillos, brazaletes y llaves.** La batería o el

conductor podrían sobrecalentarse y producir quemaduras.

- **Piezas de repuesto** - al realizarle mantenimiento, utilice solo piezas de repuesto EGO idénticas. El uso de cualquier otro accesorio puede aumentar el riesgo de lesiones.
- **Las herramientas a batería no necesitan estar conectadas a un enchufe, por lo tanto siempre se encuentran en condiciones de funcionar.** Conozca los peligros posibles que existen aun cuando la herramienta no esté en funcionamiento. Tenga cuidado al realizarle mantenimiento o repararla.
- **Retire o desconecte el paquete de baterías antes de hacer el mantenimiento, limpiar o quitar material de la orilladora de hilo.**
- **No lave la orilladora de hilo con una manguera; evite que el motor y las conexiones eléctricas se mojen.**
- **Si se presentan situaciones que no están previstas en este manual, tenga cuidado y use el sentido común. Póngase en contacto con el Centro de Servicio al Cliente de EGO para recibir ayuda.**
- **Guarde estas instrucciones.** Consúltelas con frecuencia y úselas para dar instrucciones a otras personas que puedan usar esta herramienta. Si le presta esta herramienta a alguien, préstele también estas instrucciones para evitar el mal uso del producto y posibles lesiones.

GUARDE ESTAS INSTRUCCIONES!

NOTA: CONSULTE EL MANUAL DEL USUARIO DEL CABEZAL MOTOR PARA CONOCER REGLAS ESPECÍFICAS DE SEGURIDAD ADICIONALES.

INTRODUCCIÓN

Felicitaciones por elegir un ACCESORIO PARA ORILLADORA DE HILO. Está pensado, diseñado y fabricado para brindarle el mejor rendimiento y confiabilidad posibles.

En caso de que tuviera algún problema que no pudiera resolver fácilmente, póngase en contacto con el Centro de Servicio al Cliente de EGO llamando al 1-855-EGO-5656.

Este manual contiene información importante para el ensamble, la operación y el mantenimiento seguro de su orilladora de hilo. Léalo atentamente antes de usar la orilladora de hilo.

Mantenga este manual a mano para poder consultarlo en cualquier momento.

NÚMERO DE SERIE _____ FECHA DE COMPRA _____
DEBE ANOTAR EL NÚMERO DE SERIE Y LA FECHA DE COMPRA Y CONSERVARLOS EN UN LUGAR SEGURO PARA CONSULTARLOS EN EL FUTURO.

ESPECIFICACIONES

Mecanismo de corte	Cabezal de golpe
Tipo de hilo de corte	Hilo de nailon enrollado de 2,4 mm (0,095 pulg.)
Ancho de corte	38 cm (15 pulg.)
Peso	3,51 lb (1,59 kg)

Hilo de corte recomendado

NOMBRE DE LA PIEZA	TIPO	NÚMERO DE MODELO
Hilo de corte	Hilo enrollado de 2,4 mm (0,095 pulg.) (recomendado)	AL2415S AL2450S
	Hilo enrollado de 2 mm (0,080 pulg.) (compatible)	AL2015S AL2050S

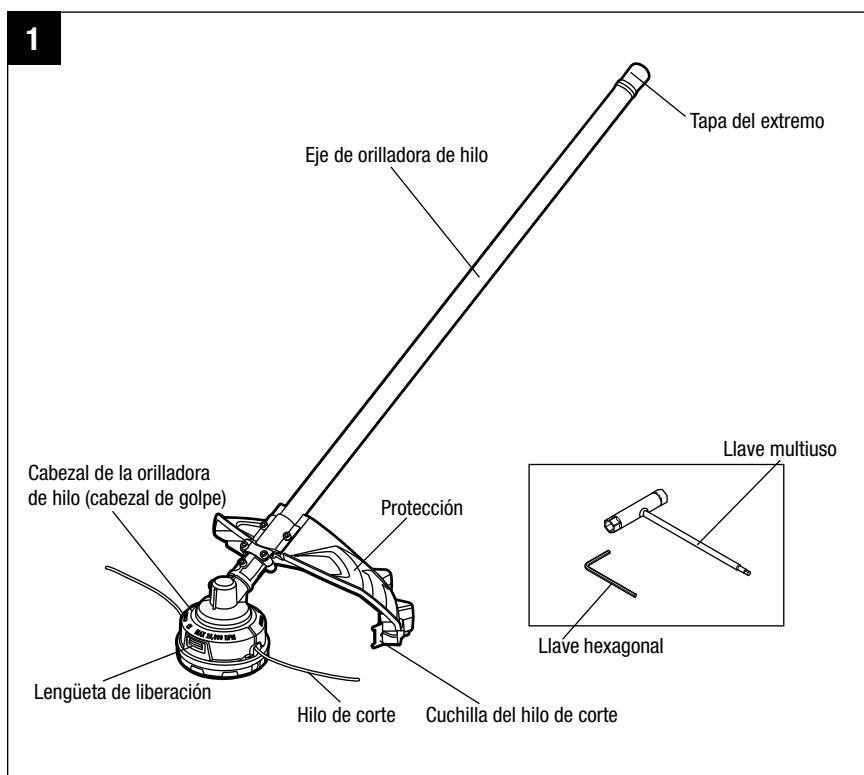
LISTA DE EMPAQUE

NOMBRE DE LA PIEZA	CANTIDAD
Accesorio para orilladora de hilo	1
Protección	1
Llave hexagonal	1
Llave multiuso	1
Manual del usuario	1

DESCRIPCIÓN

CONOZCA SU ORILLADORA DE HILO (Fig. 1)

El uso seguro de este producto requiere que se comprenda la información que figura en la herramienta y en este manual del usuario, además del conocimiento del proyecto que desea llevar a cabo. Antes de usar este producto, familiarícese con todas las características operativas y reglas de seguridad.



⚠ ADVERTENCIA: Nunca opere la herramienta si la protección no está bien colocada en su lugar. La protección debe estar siempre en la herramienta para proteger al usuario.

CABEZAL DE LA ORILLADORA DE HILO (CABEZAL DE GOLPE)

Guarde el hilo de corte y lo libera cuando el cabezal toca levemente el suelo durante el funcionamiento.

PROTECCIÓN

Reduce el riesgo de lesiones por objetos extraños expulsados en dirección al operador y por el contacto con el accesorio de corte.

CUCHILLA DEL HILO DE CORTE

La cuchilla de acero en la protección mantiene el hilo de corte en el largo adecuado.

LENGÜETA DE LIBERACIÓN

Libera el contenedor del carrete de la base del carrete.

ENSAMBLE

⚠ ADVERTENCIA: Si faltan piezas o estas están dañadas, no opere este producto hasta reemplazar dichas piezas. El uso de este producto con piezas dañadas o faltantes podría provocar lesiones graves.

⚠ ADVERTENCIA: No conecte al cabezal motor hasta que el ensamble esté completo. La falta de cumplimiento puede provocar arranques accidentales y lesiones personales graves.

⚠ ADVERTENCIA: No conecte al cabezal motor hasta que el ensamble esté completo. La falta de cumplimiento puede provocar arranques accidentales y lesiones personales graves.

DESEMBALAJE

- Este producto requiere ensamble.
- Retire con cuidado el producto y cualquier accesorio de la caja. Asegúrese de que todos los elementos que aparecen en la lista de empaque estén incluidos.

⚠ ADVERTENCIA: No use este producto si cualquiera de las piezas de esta lista del paquete ya está ensamblada al producto cuando lo desembale. El fabricante no ensambla las piezas de esta lista al producto y se requiere la instalación del cliente. El uso de un producto que se haya ensamblado de manera incorrecta podría provocar lesiones personales graves.

- Inspeccione la herramienta con cuidado para asegurarse de que no se rompieron o se dañaron piezas durante el envío.
- No deseche el embalaje hasta que no haya inspeccionado cuidadosamente la herramienta y sepa que funciona correctamente.
- Si hay alguna pieza dañada o faltante, devuelva el producto al lugar donde lo compró.

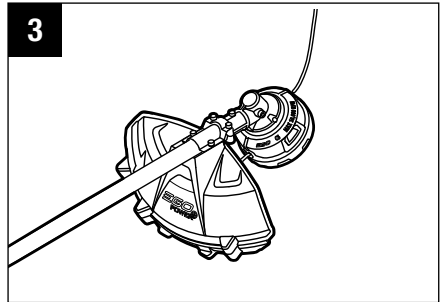
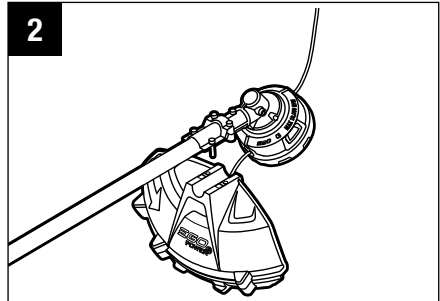
MONTAJE DE LA PROTECCIÓN

AVISO: Instale la protección antes de que el accesorio esté conectado al cabezal motor.

⚠ ADVERTENCIA: Para reducir el riesgo de lesiones personales, no opere sin las protecciones en su lugar.

⚠ ADVERTENCIA: Siempre use guantes al montar o reemplazar el protector. Tenga cuidado con la cuchilla junto al protector y proteja sus manos ya que podría sufrir cortes.

1. Levante el cabezal de la orilladora de hilo y ubíquelo en dirección al suelo; alinee los dos orificios de ensamblado en el protector con los dos pernos ensamblados de fábrica que se encuentran en la base del eje. Asegúrese de que la cara interna del protector se oriente hacia el cabezal de la orilladora de hilo (Fig. 2).
2. Use la llave hexagonal proporcionada para asegurar el protector en su lugar con los pernos (Fig. 3).



CONECTAR EL ACCESORIO PARA ORILLADORA DE HILO AL CABEZAL MOTOR

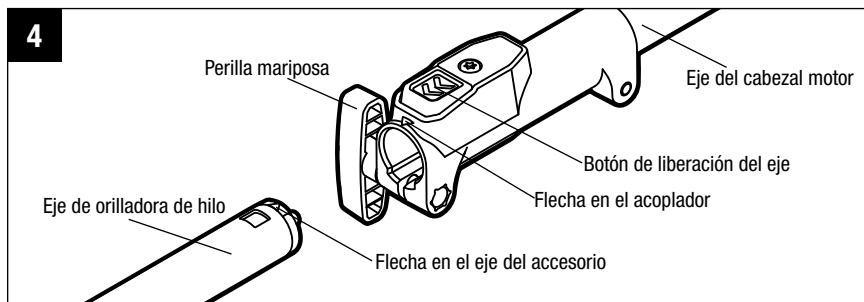
⚠ ADVERTENCIA: Nunca fije ni ajuste ningún accesorio mientras está en funcionamiento el cabezal motor o con la batería instalada. El no detener el motor y retirar la batería puede causar lesiones personales graves.

Este accesorio para orilladora de hilo está diseñado para usarse con el cabezal motor EGO PH1400.

El accesorio para orilladora de hilo se conecta al cabezal motor mediante un dispositivo acoplador.

1. Detenga el motor y retire el paquete de baterías.
2. Afloje la perilla mariposa.
3. Retire la tapa del extremo del accesorio para orilladora de hilo. Alinee la flecha en el eje de la orilladora de hilo con la flecha en el acoplador y empuje el eje de la orilladora de hilo en el acoplador hasta escuchar un sonido de "clic" claro que indica que el eje de la orilladora de hilo está instalado en su lugar (Fig. 4).
4. Extraiga el eje del accesorio para verificar que esté firmemente asegurado en el acoplador. De no ser así, rote el eje de la orilladora de hilo de un lado a otro en el acoplador hasta que encaje en su lugar.
5. Apriete firmemente la perilla mariposa.

⚠ ADVERTENCIA: Asegúrese de que la perilla mariposa esté bien apretada antes de operar el equipo; inspecciónelo periódicamente para comprobar que está ajustada durante el uso para evitar lesiones personales graves.



RETIRAR EL ACCESORIO DEL CABEZAL MOTOR

1. Detenga el motor y retire el paquete de baterías.
2. Afloje la perilla mariposa.
3. Presione el botón de liberación del eje y, con el botón pulsado, jale y gire el eje del accesorio para quitarlo del acoplador.

FUNCIONAMIENTO

⚠ ADVERTENCIA: No permita que el conocimiento de este producto lo vuelva imprudente. Recuerde que un descuido de una fracción de segundo es suficiente para ocasionar lesiones graves.

⚠ ADVERTENCIA: Use siempre gafas protectoras o anteojos de seguridad con blindaje lateral con marcas que indiquen que cumplen con la norma ANSI Z87.1. De lo contrario, podría provocar que se disparen objetos hacia sus ojos y otras posibles lesiones graves.

⚠ ADVERTENCIA: No use ningún aditamento o accesorio que no haya sido recomendado por el fabricante de este producto. El uso de suplementos o accesorios diferentes a los recomendados podría provocar lesiones graves.

APLICACIONES

Puede usar este producto para el fin que se indica a continuación:

- Cortar el césped y malezas que rodeen porches, cercas y terrazas.

MODO DE SOSTENER LA ORILLADORA DE HILO CON EL CABEZAL MOTOR (Fig. 5)



⚠ ADVERTENCIA: Vístase de manera adecuada para reducir el riesgo de lesiones cuando opere la herramienta. No use ropa holgada ni joyas. Use protección para los ojos y los oídos/la audición. Use pantalones largos, mangas largas, botas y guantes gruesos. No use pantalones cortos, sandalias ni ande descalzo.

Sostenga la orilladora de hilo con una mano sobre la empuñadora posterior y con la otra mano sobre la empuñadora de ayuda frontal. Mantenga un agarre firme con ambas manos al operar la herramienta. La orilladora de hilo debe sostenerse en una posición cómoda, con la empuñadora posterior a aproximadamente la altura de la cadera. El cabezal de la orilladora de hilo debe estar paralelo al suelo de forma que haga contacto fácilmente con el material de corte sin que el operador deba agacharse.

USO DE LA ORILLADORA DE HILO

⚠ ADVERTENCIA: Para evitar lesiones personales graves, use siempre gafas de seguridad o lentes de protección al operar este producto. Use una máscara o mascarilla antipolvo en lugares polvorientos.

Limpie el área que cortará antes de cada uso. Retire todos los objetos como piedras, vidrios rotos, clavos, alambres o cordeles que puedan ser arrojados o atascarse en los accesorios de corte. Mantenga alejados a los niños, los transeúntes y las mascotas. Mantenga a los niños, los transeúntes y las mascotas a 30,5 m de distancia como mínimo; aún podrían existir riesgos para los transeúntes debido a los objetos disparados. Se debe pedir a los transeúntes que usen lentes de protección. Si se acercan, detenga el motor y el accesorio de corte de inmediato.

⚠ ADVERTENCIA: Para evitar lesiones personales graves, retire el paquete de baterías de la herramienta antes de realizarle mantenimiento, limpiarla, cambiar los accesorios o retirar materiales de la unidad.

Revise si hay piezas dañadas o desgastadas antes de cada uso.

Revise el cabezal de la orilladora de hilo, la protección y la empuñadora de ayuda frontal, y reemplace todas las piezas agrietadas, torcidas, dobladas o dañadas.

La cuchilla del hilo de corte en el borde de la protección puede desafilarse con el tiempo. Se recomienda que la afile con una lima o la reemplace por una cuchilla nueva.

⚠ ADVERTENCIA: Siempre use guantes al montar o reemplazar la protección o al afilar o reemplazar la cuchilla. Sea consciente de la ubicación de la cuchilla junto al protector y proteja las manos contra lesiones.

Limpie la orilladora de hilo después de cada uso.

Para obtener instrucciones sobre la limpieza del producto, diríjase a la sección Mantenimiento.

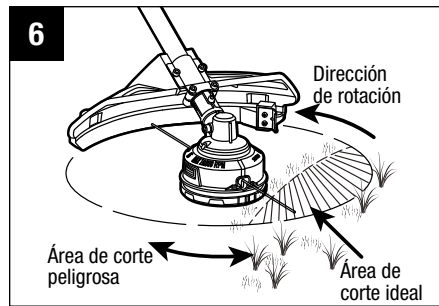
⚠ ADVERTENCIA: Nunca utilice agua para limpiar la orilladora de hilo. Evite el uso de solventes para limpiar las piezas de plástico. La mayoría de los plásticos son susceptibles a diferentes tipos de solventes comerciales. Utilice paños limpios para eliminar la suciedad, el polvo, el aceite, la grasa, etc.

PARA ARRANCAR / DETENER LA HERRAMIENTA

Vea la sección "ENCENDER Y APAGAR EL CABEZAL MOTOR" en el manual del usuario del cabezal motor PH1400.

Consejos para obtener mejores resultados de corte (Fig. 6)

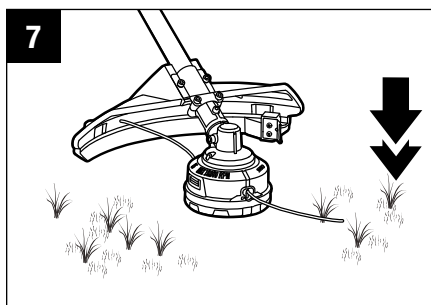
- El ángulo correcto para el accesorio de corte es paralelo al suelo.
- No fuerce la herramienta. Permita que la punta del hilo realice el corte (especialmente contra las paredes). Si no corta solo con la punta, se reducirá la eficiencia de corte y se podría sobrecargar el motor.
- El alto del corte está determinado por la distancia del hilo de corte desde la superficie del césped.
- El césped por sobre 200 mm (8 pulg.) debe cortarse comenzando desde la parte superior hacia abajo en incrementos pequeños para evitar el desgaste prematuro del hilo o la guía del motor.
- Mueva lentamente la orilladora de hilo dentro y fuera del área que cortará y mantenga la posición del cabezal de corte en la altura de corte que desea. Este puede ser un movimiento hacia delante y hacia atrás, o de un lado a otro. El corte de medidas más reducidas produce mejores resultados.
- Corte solo cuando el césped y las malezas estén secos.
- Las cercas de alambre y de estacas pueden causar un desgaste excesivo o roturas. Las paredes de piedra o ladrillo, los bordillos y la madera pueden desgastar los hilos rápidamente.



- Evite los árboles y arbustos. Los hilos pueden dañar con facilidad la corteza de los árboles, las molduras de madera, los paneles de revestimiento y los postes de cercas.

AJUSTE DE LA LONGITUD DEL HILO DE CORTE

El cabezal de corte permite al operador liberar más hilo de corte sin detener el motor. A medida que el hilo se deshilacha o desgasta, es posible que se libere hilo adicional al golpear levemente el cabezal de la orilladora de hilo en el suelo mientras opera la orilladora de hilo (Fig. 7).



⚠ ADVERTENCIA: No retire ni modifique el ensamble de la cuchilla del hilo de corte. Un largo excesivo del hilo puede provocar que el motor se sobrecaliente y resultar en lesiones personales graves.

Para obtener mejores resultados, golpee el cabezal de la orilladora de hilo en un suelo sin plantas o en suelo duro. Si se intenta liberar el hilo en césped alto, el motor podría sobrecalentarse. Mantenga siempre el hilo de corte completamente extendido. La liberación del hilo se hace más difícil a medida que este se hace más corto.

CARGAR HILO DE CORTE NUEVO

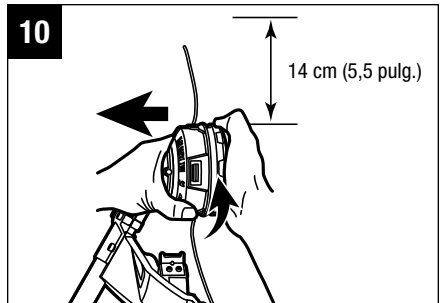
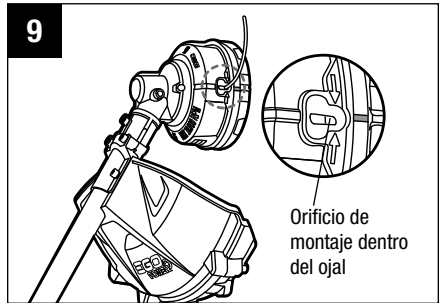
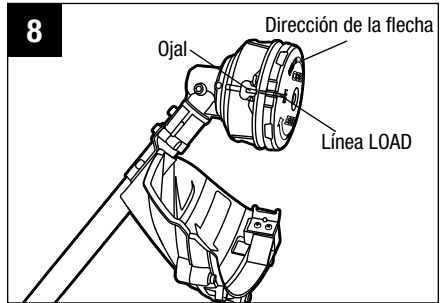
AVISO: Use siempre el hilo de corte de nailon recomendado con un diámetro que no supere los 2,4 mm (0,095 pulg.). Usar un hilo distinto al especificado puede causar que la orilladora de hilo se sobrecaliente o se dañe.

⚠ ADVERTENCIA: Nunca use hilo de metal reforzado, alambre o cuerda, etc. Este podría romperse y convertirse en un proyectil peligroso.

⚠ ADVERTENCIA: Para evitar lesiones personales graves, retire siempre el paquete de baterías del cabezal motor antes de realizarle mantenimiento, limpiarlo, cambiar los accesorios adicionales o retirar materiales de la unidad.

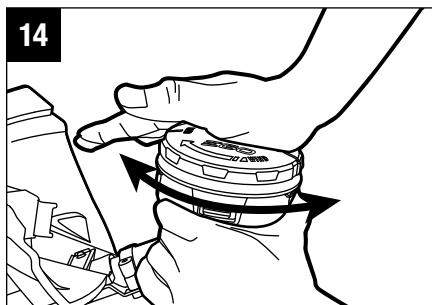
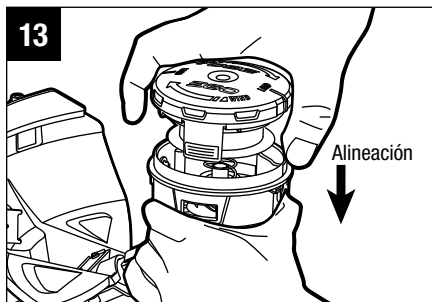
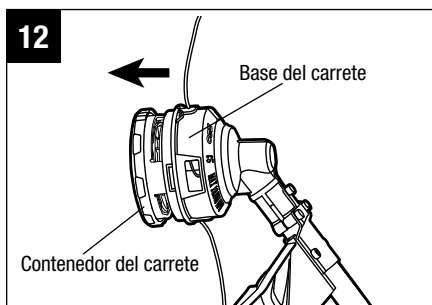
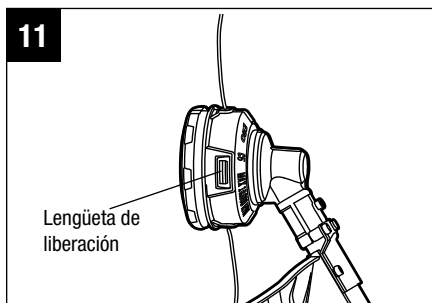
1. Retire el paquete de baterías.
2. Si es necesario, retire el hilo de corte restante. Simplemente quítelo a mano.

3. Gire el contenedor del carrete en la dirección que indica la flecha para alinear la línea LOAD del contenedor con los ojales de la base del carrete (Fig. 8).
4. Corte un trozo de hilo de corte de 5 m (16 pies) de largo. Inserte el hilo en el orificio de montaje, que está ubicado dentro del ojal. Empuje el hilo hasta que la punta aparezca por el otro lado de la base del carrete. Jale de la punta del hilo del otro lado hasta que haya la misma cantidad de hilo en ambos lados del carrete (Fig. 9).
5. Presione, mientras gira el contenedor del carrete en la dirección que indica la flecha para enrollar el hilo de corte dentro del carrete hasta que haya aproximadamente 14 cm (5,5 pulg.) de hilo en cada lado (Fig. 10).
6. Empuje el contenedor del carrete hacia abajo y, al mismo tiempo, jale de los hilos para hacer avanzar el hilo de forma manual y para confirmar que el cabezal de la orilladora de hilo está ensamblado correctamente.



Si el hilo de corte se corta de la salida de hilo o si, al momento de presionar el cabezal de la orilladora de hilo contra el suelo, el hilo de corte no sale, siga los pasos a continuación:

1. Retire el paquete de baterías.
2. Presione las lengüetas de liberación en el contenedor del carrete y retire el contenedor del carrete jalándolo hacia fuera (Fig. 11 y 12).
3. Retire el hilo de corte del contenedor del carrete.
4. Use una mano para sostener la base del carrete y la otra mano para sujetar el contenedor del carrete y alinear las lengüetas del contenedor del carrete con los orificios de la base del carrete (Fig. 13). Use la palma de la mano para presionar y girar el contenedor del carrete hasta que las lengüetas queden aseguradas en la base del carrete (Fig. 14).
5. Siga las instrucciones en "CARGAR HILO DE CORTE NUEVO" para recargar el hilo de corte.



MANTENIMIENTO

⚠ ADVERTENCIA: Cuando realice el mantenimiento, solo use piezas de repuesto idénticas. El uso de otras piezas puede generar un peligro o dañar el producto. Para garantizar la seguridad y confiabilidad, todas las reparaciones las debe realizar un técnico calificado.

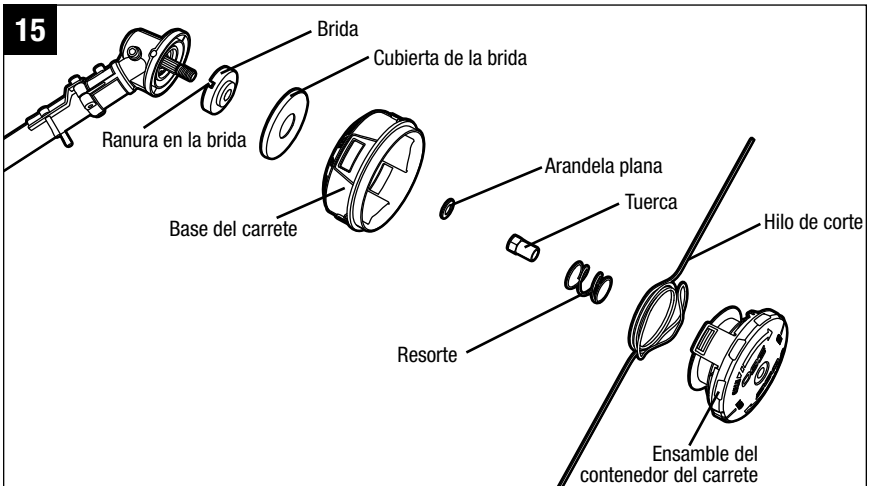
⚠ ADVERTENCIA: Las herramientas a batería no necesitan estar conectadas a un enchufe, por lo tanto siempre se encuentran en condiciones de funcionar. Para evitar lesiones personales graves, tome precauciones adicionales y tenga cuidado al realizar mantenimiento, reparar o cambiar el accesorio de corte u otros accesorios.

⚠ ADVERTENCIA: Para evitar lesiones personales graves, retire siempre el paquete de baterías del cabezal motor antes de realizarle mantenimiento, limpiarlo, cambiar los accesorios adicionales o cuando el producto no está en uso.

Todos los servicios de la orilladora de hilo, que no estén enumerados en estas instrucciones de mantenimiento, deben realizarse por un personal de servicios de la orilladora de hilo competente.

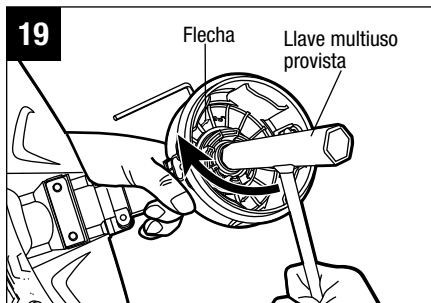
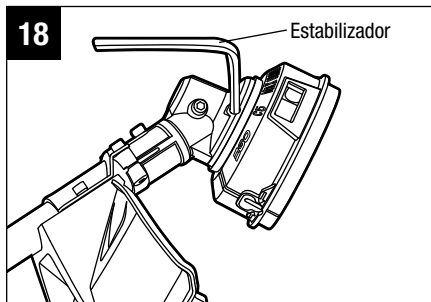
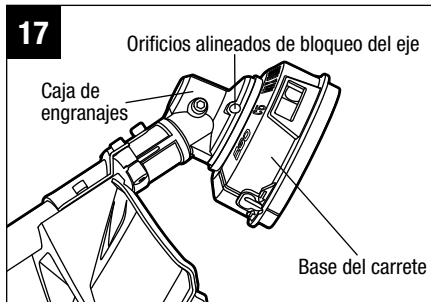
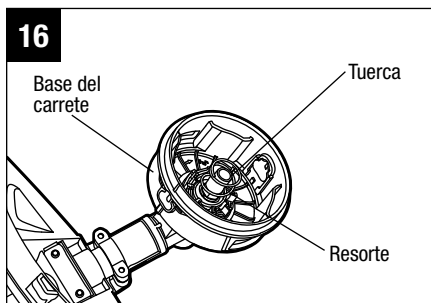
REEMPLAZO DEL CABEZAL DE LA ORILLADORA DE HILO

⚠ PELIGRO: Si el cabezal se afloja luego de fijarlo en su posición, reemplácelo de inmediato. Nunca use una orilladora de hilo con un accesorio de corte suelto. Reemplace los cabezales agrietados, dañados o gastados de inmediato, aunque solo se trate de grietas superficiales. Dichos accesorios podrían desprenderse a alta velocidad y provocar lesiones graves.

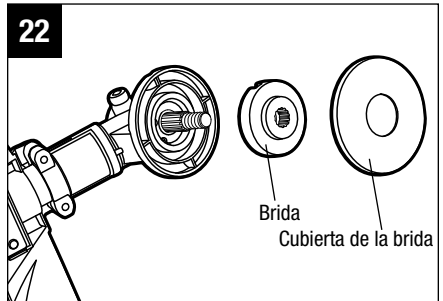
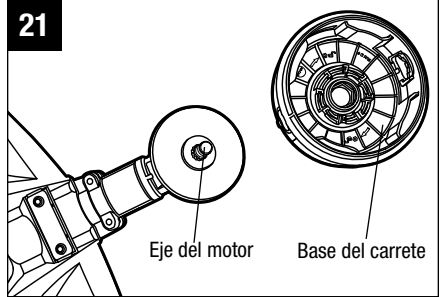
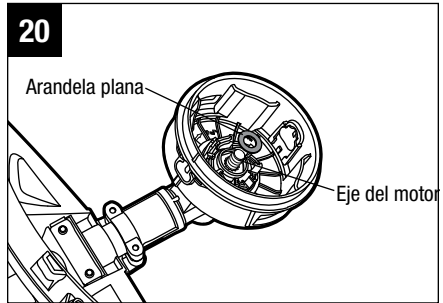


Extracción del cabezal de la orilladora de hilo

1. Retire la batería.
2. Presione las 2 lengüetas de liberación del contenedor del carrete para retirarlo (ver Fig. 11 y 12).
3. Jale del resorte para quitarlo de la base del carrete (Fig. 16).
4. Rote la base del carrete para alinear la ranura en la brida con el orificio en la caja de engranajes (Fig. 17).
5. Inserte la llave hexagonal provista en los orificios alineados para que actúe como estabilizador (Fig. 18). Use la llave multiuso provista para aflojar la tuerca en la dirección que muestra la flecha marcada en la base del carrete dentro de la carcasa y retírela (Fig. 19).

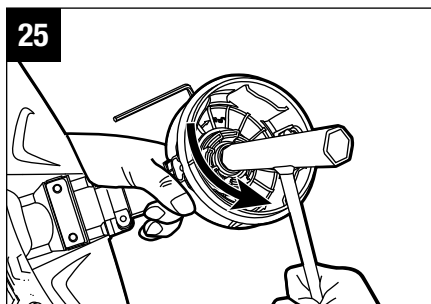
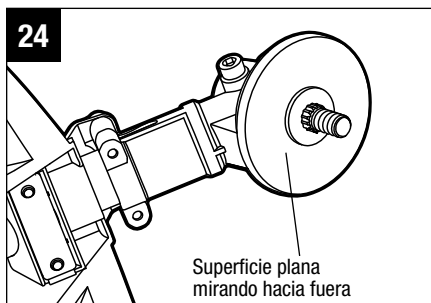
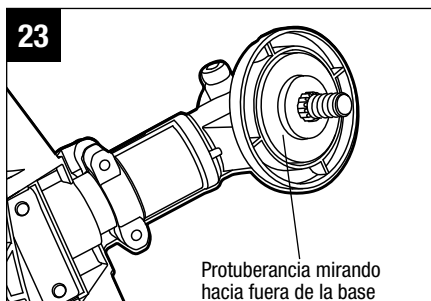


6. Retire la arandela plana del eje del motor y guárdela para cuando vuelva a ensamblarlo (Fig. 20).
7. Sujete la base del carrete y júlela hacia fuera del eje del motor (Fig. 21).
8. Retire la cubierta de brida y la brida a su vez del eje del motor (Fig. 22). Revise y reemplácelas si están desgastadas.



Instalación del nuevo cabezal de la orilladora de hilo

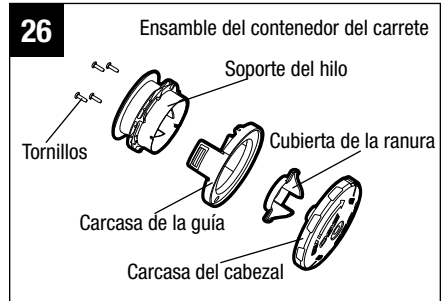
1. Coloque la brida que retiró en el paso 8 de la sección "Extracción del cabezal de la orilladora de hilo" sobre el eje del motor, con la protuberancia mirando hacia fuera de la base (Fig. 23).
2. Apoye la cubierta de la brida sobre la brida de modo que su superficie plana quede hacia afuera (Fig. 24).
3. Alinee el orificio de montaje en la base del carrete nuevo con el eje del motor y coloque la base del carrete nuevo sobre el eje.
4. Coloque la arandela plana en el eje del motor (Fig. 20).
5. Coloque la tuerca en el eje y preajústela con la mano en **DIRECCIÓN CONTRARIA A LAS MANECILLAS DEL RELOJ**.
6. Rote la base del carrete para alinear la ranura en la brida con el orificio en la caja de engranajes (Fig. 17).
7. Inserte la llave hexagonal provista en los orificios alineados para que actúe como estabilizador (Fig. 18). Use la llave multiuso provista para apretar la tuerca firmemente en el eje (Fig. 25).



8. Coloque el resorte en la base del carrete y presiónelo en su lugar (Fig. 16).

9. Use una mano para sostener la base del carrete y, con la otra, sujete el contenedor del carrete nuevo y alinee las lengüetas del contenedor del carrete nuevo con los orificios de la base del carrete. Use la palma de la mano para presionar y girar el contenedor del carrete nuevo hacia la izquierda y la derecha hasta lograr que las lengüetas estén aseguradas con la base del carrete (Fig. 13 y 14).

10. Si alguna de las piezas del ensamble del contenedor del carrete se encuentra dañada o desgastada, reemplácela y vuelva a ensamblar la pieza como se muestra en la (Fig. 26).



AFILADO DE LA CUCHILLA DE CORTE LINEAL

⚠ ADVERTENCIA: Siempre proteja las manos con guantes para trabajo pesado cuando realice el mantenimiento de la cuchilla del hilo de corte.

1. Retire la batería.
2. Retire la cuchilla del hilo de corte de la protección.
3. Asegure la cuchilla en una prensa de tornillo.
4. Use guantes y lentes de protección adecuados y tenga cuidado de no cortarse.
5. Lime cuidadosamente los bordes de corte de la cuchilla con una lima de dientes finos o una piedra de afilar y mantenga el borde de corte original.
6. Reemplace la cuchilla en el protector y asegúrela con dos tornillos.

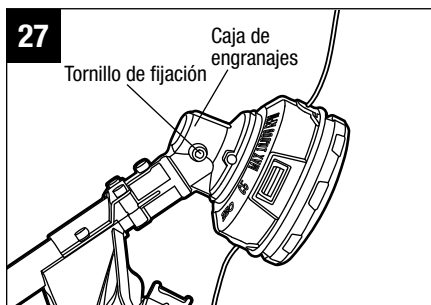
LUBRICACIÓN DE LOS ENGRANAJES DE LA TRANSMISIÓN

Los engranajes de la transmisión en la caja de engranajes deben lubricarse periódicamente con grasa para engranajes. Verifique el nivel de grasa de la caja de engranajes aproximadamente cada 50 horas de funcionamiento retirando el tornillo de fijación que se encuentra en la parte lateral de la carcasa.

Si no se puede ver grasa en los costados de los engranajes, siga los pasos a continuación para llenar con grasa para engranajes hasta 3/4 de la capacidad.

No llene por completo la caja de engranajes de la transmisión.

1. Sostenga la orilladora de hilo de lado de modo que los tornillos de sello queden hacia arriba (Fig. 27).
2. Use la llave multiuso provista para aflojar y retirar el tornillo de fijación.
3. Use una jeringa para grasa (no incluida) para inyectar un poco de grasa en el orificio del tornillo, con cuidado para no superar los 3/4 de la capacidad.
4. Apriete el tornillo de fijación después de la inyección.



LIMPIEZA DE LA UNIDAD

- Retire la batería.
- Limpie todo el pasto que haya quedado alrededor del eje del motor o del cabezal de la orilladora de hilo.
- Use un cepillo pequeño o una aspiradora pequeña para limpiar los orificios de ventilación de la carcasa posterior.
- Mantenga los orificios de ventilación libres de obstrucciones.
- Limpie la unidad con un paño húmedo y detergente suave.
- No use detergentes fuertes en la carcasa de plástico o la empuñadora. Pueden dañarse con ciertos aceites aromáticos, como pino y limón, y con solventes como el queroseno. La humedad también puede producir riesgos de descargas eléctricas. Limpie la humedad con un paño limpio y seco.

ALMACENAMIENTO DE LA UNIDAD

- Retire el paquete de baterías de la orilladora de hilo.
- Limpie bien la herramienta antes de almacenarla.
- Guarde la unidad en un área bien ventilada, seca, cerrada o en altura y lejos del alcance de los niños. No guarde la unidad con fertilizantes, gasolina u otros químicos o en cercanía de estos.

SOLUCIÓN DE PROBLEMAS

PROBLEMA	CAUSA	SOLUCIÓN
La orilladora de hilo no arranca.	<ul style="list-style-type: none">■ El paquete de baterías no está bien ensamblado al cabezal motor.■ No hay contacto eléctrico entre el cabezal motor y el paquete de baterías.■ El paquete de baterías está agotado.■ La palanca de bloqueo y el gatillo no se presionaron simultáneamente.	<ul style="list-style-type: none">■ Ensamble el paquete de baterías al cabezal motor.■ Retire la batería, revise los contactos y vuelva a instalar el paquete de baterías hasta que encaje en su lugar.■ Cargue el paquete de baterías con los cargadores EGO que se indican en este manual.■ Mantenga presionada la palanca de bloqueo y pulse el gatillo para encender la orilladora de hilo.

PROBLEMA	CAUSA	SOLUCIÓN
<p>La orilladora de hilo se detiene durante el corte.</p>	<ul style="list-style-type: none"> ■ La protección no está montada en la orilladora de hilo, lo que hace que el hilo de corte sea demasiado largo y que el motor se sobrecargue. ■ El hilo de corte que utiliza es pesado. ■ Hay césped enredado en el eje del motor o en el cabezal de la orilladora de hilo. ■ El motor está sobrecargado. ■ El paquete de baterías o la orilladora de hilo están muy calientes. ■ El paquete de baterías está desconectado de la herramienta. ■ El paquete de baterías está agotado. 	<ul style="list-style-type: none"> ■ Retire el paquete de baterías e instale la protección en la orilladora de hilo. ■ Use el hilo de corte de nailon recomendado con un diámetro que no supere los 2,4 mm (0,095 pulg.). ■ Detenga la orilladora de hilo, retire la batería y limpie el césped del eje del motor y del cabezal de la orilladora de hilo. ■ Retire el cabezal de la orilladora de hilo del césped. El motor se recuperará cuando se retire la carga. Cuando realice cortes, mueva el cabezal de la orilladora de hilo hacia adentro y hacia afuera del césped a cortar. No corte más de 20 cm (8 pulg.) de largo en una sola cortada. ■ Deje enfriar el paquete de baterías o la orilladora de hilo hasta que la temperatura descienda por debajo de los 67 °C (152° F). ■ Vuelva a instalar el paquete de baterías. ■ Cargue el paquete de baterías con los cargadores EGO que se indican en este manual.

PROBLEMA	CAUSA	SOLUCIÓN
<p>El cabezal de la orilladora de hilo no avanza el hilo.</p>	<ul style="list-style-type: none"> ■ Hay césped enredado en el eje del motor o en el cabezal de la orilladora de hilo. ■ No hay suficiente hilo en el carrete. ■ El cabezal de la orilladora de hilo está sucio. ■ El hilo está enredado en el ensamblaje del contenedor del carrete. ■ El hilo es demasiado corto. 	<ul style="list-style-type: none"> ■ Detenga la orilladora de hilo, retire la batería y limpie el eje del motor y el cabezal de la orilladora de hilo. ■ Retire la batería y reemplace el hilo de corte; siga las instrucciones de la sección "CARGAR HILO DE CORTE NUEVO" de este manual. ■ Retire la batería y limpie el ensamblaje del contenedor del carrete y la base del carrete. ■ Retire la batería, retire el hilo del carrete y rebobínelo; siga las instrucciones de la sección "CARGAR HILO DE CORTE NUEVO" de este manual. ■ Retire la batería y jale los hilos de forma manual mientras presiona y suelta alternadamente el cabezal de la orilladora de hilo.
<p>El césped se enreda alrededor del cabezal de la orilladora de hilo y de la carcasa del motor.</p>	<ul style="list-style-type: none"> ■ Corta césped alto a nivel del suelo. 	<ul style="list-style-type: none"> ■ Corte el césped alto desde la parte superior. Para evitar que el césped se enrede, no corte más de 20 cm (8 pulg.) por cada cortada.
<p>La cuchilla no corta el hilo.</p>	<ul style="list-style-type: none"> ■ La cuchilla del hilo de corte en el borde de la protección se desafiló. 	<ul style="list-style-type: none"> ■ Afíle la cuchilla del hilo de corte con una lima o reemplácela por una cuchilla nueva.
<p>Las grietas en el cabezal de la orilladora de hilo o el contenedor de carrete hacen que se afloje la base del carrete.</p>	<ul style="list-style-type: none"> ■ El cabezal de la orilladora de hilo está gastado. 	<ul style="list-style-type: none"> ■ Reemplace el cabezal de la orilladora de hilo inmediatamente según lo indicado en la sección "REEMPLAZO DEL CABEZAL DE LA ORILLADORA DE HILO" de este manual.

PROBLEMA	CAUSA	SOLUCIÓN
Al querer reemplazar el hilo, no se puede cargar correctamente el hilo dentro del cabezal de la orilladora de hilo.	<ul style="list-style-type: none">■ Las líneas LOAD del contenedor del carrete no están alineadas con los ojales de la base del carrete.■ El hilo no está correctamente ubicado dentro del orificio de montaje del ojal.	<ul style="list-style-type: none">■ Gire el contenedor del carrete en la dirección que muestra la flecha para alinear las líneas LOAD con los ojales de la base del carrete.■ Alinee primero las líneas LOAD con los ojales y, luego, inserte el hilo dentro del orificio de montaje, ubicado dentro del ojal.

GARANTÍA

POLÍTICA DE GARANTÍA DE EGO

Garantía limitada de 5 años para el equipo electromecánico para exteriores EGO y garantía limitada de 3 años para los cargadores y los paquetes de baterías del sistema EGO Power+.

Póngase en contacto con el Servicio al Cliente de EGO de manera gratuita al 1-855-EGO-5656 en caso de preguntas o reclamaciones de garantía.

GARANTÍA LIMITADA DE SERVICIO

Este producto EGO está garantizado contra defectos en los materiales y la mano de obra POR CINCO AÑOS desde la fecha de su compra original. El producto defectuoso se reparará de manera gratuita.

El cargador y el paquete de baterías del sistema EGO Power+ están garantizados contra defectos en los materiales y la mano de obra POR TRES AÑOS desde la fecha de su compra original. El producto defectuoso se reparará de manera gratuita.

- a) Esta garantía se aplica solo al comprador original del distribuidor minorista autorizado de EGO y es posible que no sea transferible. Los distribuidores minoristas autorizados de EGO se identifican en línea, en <http://egopowerplus.com/pages/warranty-policy>.
- b) El periodo de garantía para cualquier pieza o producto EGO para propósitos industriales, profesionales o comerciales es de un año.
- c) Esta garantía queda nula si el producto se ha usado para propósitos de alquiler.
- d) Esta garantía no cubre daños resultantes de la modificación, alteración o reparación no autorizada ni del uso de otro hilo de corte distinto al hilo de nailon EGO de 0.095 pulg. (2.4 mm) de diámetro recomendado para el uso con este producto.
- e) Esta garantía solo cubre defectos bajo condiciones de uso normales y no cubre fallas, mal funcionamiento o defectos del producto por uso indebido, abuso (incluida la sobrecarga del producto por encima de su capacidad y la exposición de forma directa al agua o lluvia), accidentes, negligencia o instalación incorrecta y almacenaje o mantenimiento inadecuados.

- f) Esta garantía no cubre el deterioro normal del acabado exterior, incluidos, entre otros, rayones, abolladuras, trozos de pintura o cualquier corrosión o decoloración producida por el calor y limpiadores químicos y abrasivos.

CÓMO OBTENER EL SERVICIO

Para obtener el servicio de garantía, póngase en contacto con el Servicio al Cliente de EGO de manera gratuita al 1-855-EGO-5656. Cuando solicite el servicio de garantía, debe presentar el recibo de compra original con fecha. Se seleccionará un centro de servicio autorizado para reparar el producto de acuerdo con los términos de la garantía estipulados.

LIMITACIONES ADICIONALES

En la medida en que lo permita la ley aplicable, se rechazan todas las garantías implícitas, incluidas las garantías de COMERCIALIZADIDAD o IDONEIDAD PARA UN FIN EN PARTICULAR. Cualquier garantía implícita, incluidas las garantías de comerciabilidad o idoneidad para cualquier fin en particular, que no pueda ser rechazada según la ley estatal, está limitada a cinco años desde la fecha de compra para el equipo electromecánico para exteriores y tres años desde la fecha de compra para el cargador y el paquete de baterías.

Chervon North America no se hace responsable por daños directos, indirectos, accidentales o resultantes.

Algunos estados no permiten limitaciones con respecto a la duración de una garantía implícita o no permiten la exclusión o limitación de daños accidentales o resultantes, de modo que las limitaciones antes descritas podrían no aplicarse en su caso.

Esta garantía le otorga derechos legales específicos, pero también podría tener otros derechos que varían según el estado.

Para obtener el servicio al cliente, póngase en contacto con nosotros de manera gratuita al 1-855-EGO-5656 o visite EGOPOWERPLUS.COM

EGO CustomerService, 120 Ionia Street SW / Suite 102 Grand Rapids, MI 49503

