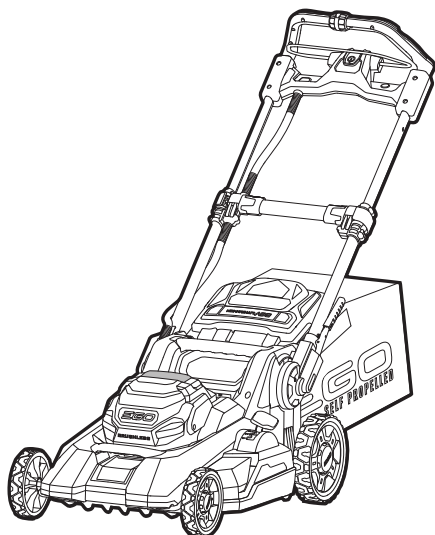


EGO™

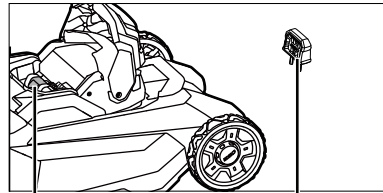
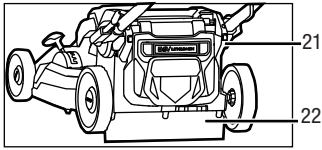
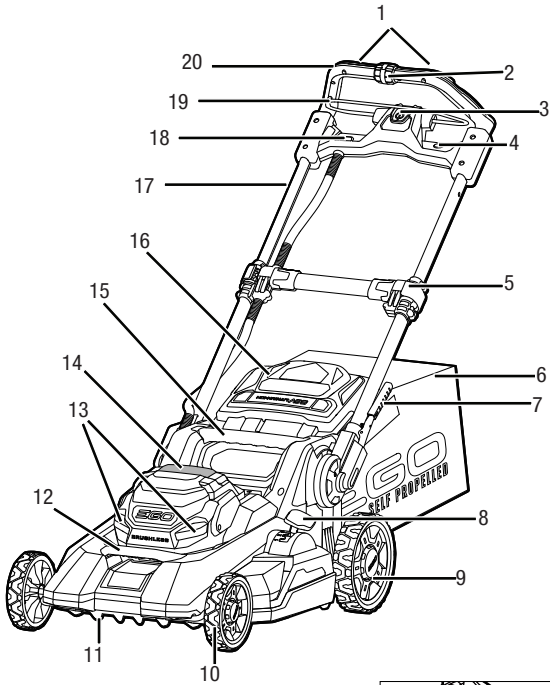
POWER⁺ MOWER



LM2130E-SP

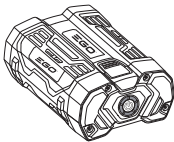
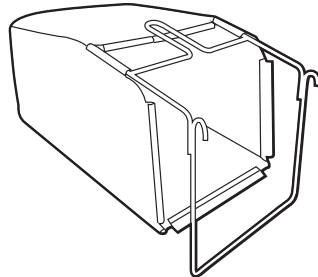
56 VOLT LITHIUM-ION CORDLESS MOWER

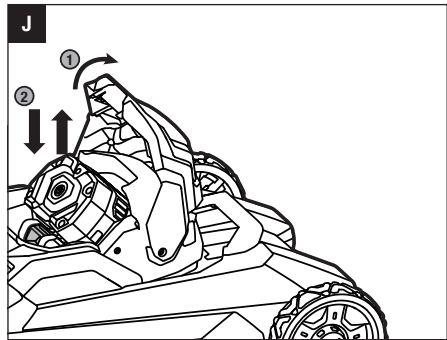
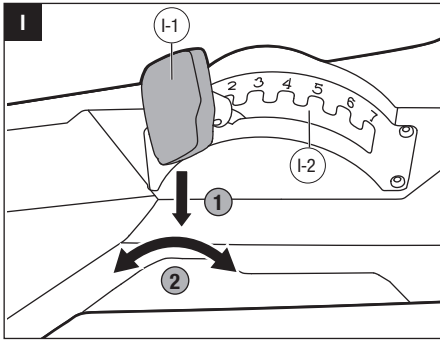
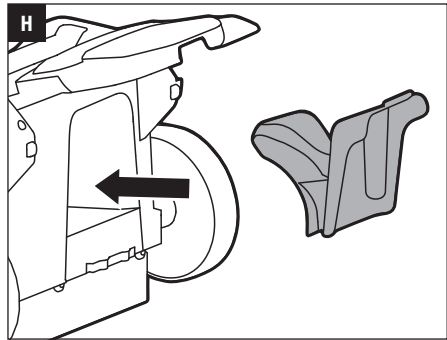
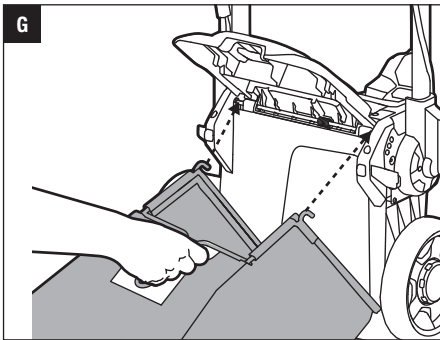
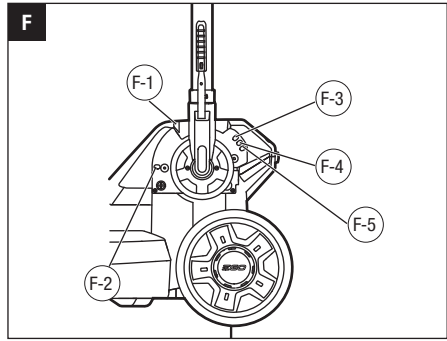
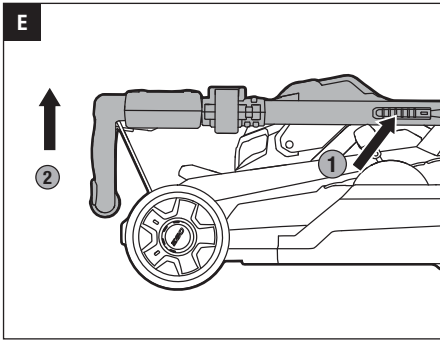
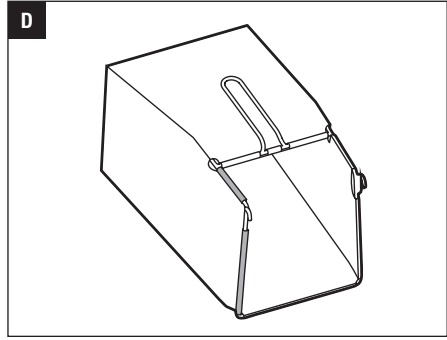
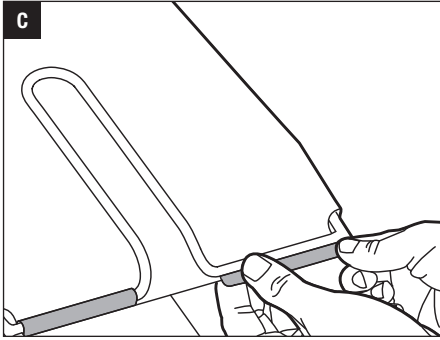
EN	56 Volt lithium-ion cordless mower	6	SK	56 voltová lítium-iónová akumulátorová kosačka	104
DE	Akku-rasenmäher (56 volt lithium-ionen)	13	HU	56 voltos vezeték nélküli lítium-ion fűnyíró	111
FR	Tondeuse à gazon sans fil lithium-ion 56 v	20	RO	Mașină de tuns iarba cu acumulator de litiu ion de 56 volți	118
ES	Cortacésped inalámbrico con batería de ion de litio de 56 voltios	27	SL	56-voltna litij-ionska brezžična kosilnica	125
PT	Máquina de cortar relva sem fios, com bateria de ião de lítio de 56 volts	34	LT	Akumuliatorinė vejapjovė su 56 voltų ličio jonų akumuliatoriumi	132
IT	Tosaerba a batteria li-ion 56 volt	41	LV	56 voltu litija jonu bezvadu zāles pļāvējs	139
NL	56 volt lithium-ion accu grasmaaier	48	GR	Ασπράστη χλοοκοπτική μηχανή ιοντων λιθίου 56 volt	146
DK	Ledningsfri plæneklipper med 56 volt lithium-ion-batteri	55	TR	56 volt lityum-lyon kablosuz çim biçme makinesi	154
SE	56 volt litium-jon sladdlös gräsklippare	62	ET	56-voldise liitiumioonakuga juhtmata niiduk	161
FI	56 voltin litium-ioniakulla toimiva ruohonleikkuri	69	UK	56-вольтна літій-іонна акумуляторна косарка	168
NO	56 volt lithium-ion batteredrevet klipper	76	BG	Превод на оригиналните инструкции.	175
RU	Акумуляторная газонокосилка с литий-ионным аккумулятором 56 в	83	HR	56 voltna litij-ionska baterijska kosilica	182
PL	Kosiarka z akumulatorem litowo-jonowym 56 woltów	90	KA	56 ვოლტებიანი ლითონების-იონის აკუმულატორით	189
CZ	56voltová lithium-iontová akumulátorová sekačka	97	SR	Bežična kosilica sa litijum-jonskom baterijom od 56 volti	197
			BS	Akumulatorska kosilica s litij-ionskom baterijom od 56 v	204
			HE	מכסחת דשא אלחוטית 56 וולט ליתיום-יון	227
			AR	الجزّارة اللاسلكية العاملة ببطارية ليثيومأيون 56 فولت	220

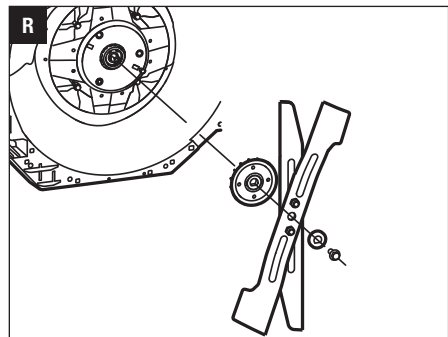
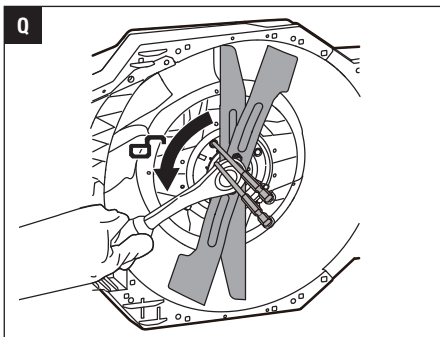
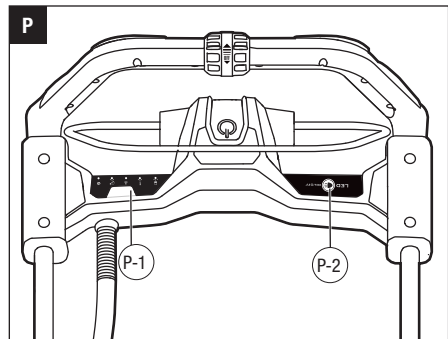
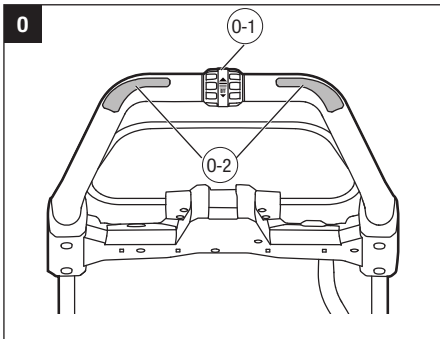
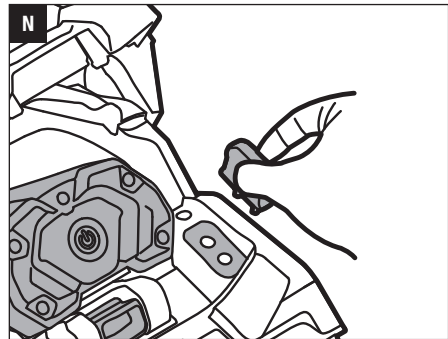
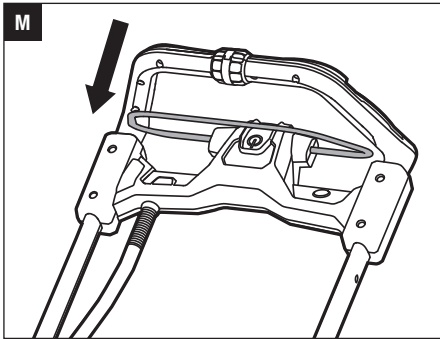
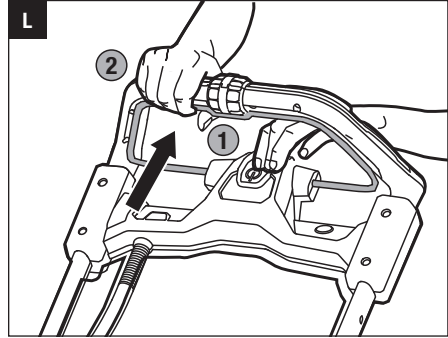
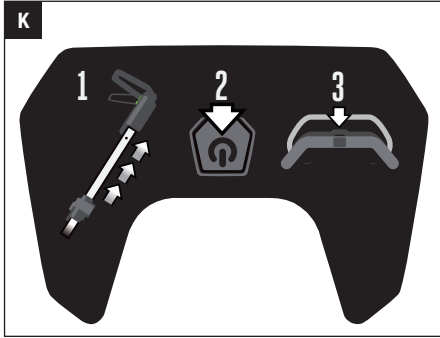
A1**A2**

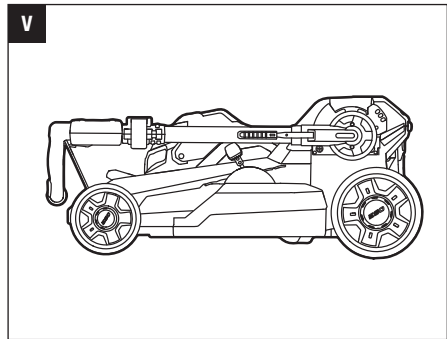
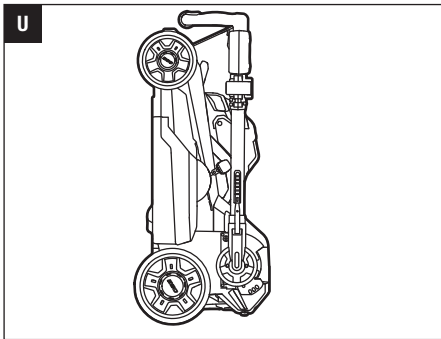
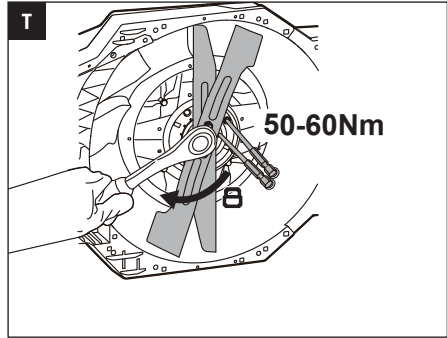
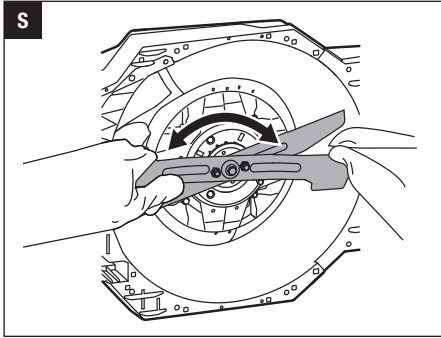
BA1400, BA1400T,
BA2240T, BA2242T,
BA2800, BA2800T,
BA4200, BA4200T,
BA5600T, BA6720T

CH2100E,
CH3200E,
CH5500E,
CH7000E

**B**







READ ALL INSTRUCTIONS!

Intended use: The product is intended for mowing grass in domestic gardens only. It must not be used to mow unusually high, dry or wet grass.

⚠ WARNING: Be sure to read and understand all safety instructions in this Operator's Manual, including all safety alert symbols such as **"DANGER," "WARNING,"** and **"CAUTION"** before using this tool. Failure to follow all instructions listed below may result in electric shock, fire, and/or serious personal injury.

⚠ WARNING: The operation of any power tools can result in foreign objects being thrown into your eyes, which can result in severe eye damage. Before beginning power tool operation, always wear safety goggles or safety glasses with side shields and a full face shield when needed. We recommend a Wide Vision Safety Mask for use over eyeglasses or standard safety glasses with side shields.

SAFETY SYMBOLS



Safety Alert



To reduce the risk of injury, user must read and understand operator's manual before using this product.



Ensure that other people and pets remain at least 30m away from the mower when it is in use.



Keep feet & hand away



Blades continue to rotate after the motor is switched off - Remove disabling device before maintenance. Switch off and remove detachable battery pack (or disabling device) before adjusting or cleaning.



Guaranteed sound power level.



This product is in accordance with applicable EC directives.



This product is in accordance with applicable UK legislation.



Waste electrical products should not be disposed of with household waste. Take to an authorized recycler.

IPX4

Protection against ingress of water degree 4

V Volt

mm Millimeter

cm Centimeter

⎓ Type or a characteristic of current

kg Kilogram

SPECIFICATIONS

Voltage	56 V	
No-load Speed	2700 RPM	
Cutting Height	25mm/ 32mm/ 40mm/ 51mm/ 64mm/ 77mm/ 90mm	
Cutting Height Positions	7	
Cutting Width	52 cm	
Grass Bag Volume	70 L	
Mower Weight (Without battery pack and grass bag)	25.1 kg	
Blade Model	AB2102D-E	
Operating Temperature	0°C-40°C	
Storage Temperature	-20°C-70°C	
Blade Brake	YES	
Measured sound power level L_{WA}	89.8 dB(A) K=3.35 dB(A)	
Sound pressure level at operator's ear L_{PA}	80.3 dB(A) K=3 dB(A)	
Guaranteed sound power level L_{WA} (measured according to 2000/14/EC)	93 dB(A)	
Valuation of vibration a_h :	Left handle	0.61 m/s ² K=1.5 m/s ²
	Right handle	0.54 m/s ² K=1.5 m/s ²

PACKING LIST(FIG. A1)

DESCRIPTION

KNOW YOUR MOWER (Fig. A1)

1. Self-Propel Switch
2. Self-Propel Speed-Control Knob
3. Safety Button
4. Switch Button for LED Headlights
5. Handle-Locking Clamp
6. Grass Bag
7. Quick-Adjust Lever
8. Cutting-height Adjustment Lever
9. Rear Wheel
10. Front Wheel
11. Mower Deck
12. Front Handle
13. LED Headlights

14. Battery Cover
15. Rear Handle
16. Rear Discharge Door
17. Side Rail
18. Mower-Status Indicator
19. Switch Lever
20. Handle
21. Support for Upright Storage
22. Trailing Shield
23. Battery-Release Button
24. Safety Key

OPERATION

ASSEMBLING THE GRASS BAG

- 1) Slide the grass bag onto the frame (Fig. B).
- 2) Assemble the top clips to the frame (Fig. C), then assemble the two side clips. Assemble the bottom clip last.
- 3) The completely assembled grass bag is shown in Fig. D.

NOTICE: Under normal usage, bag material is subject to wear. To reduce the risk of injury, frequently inspect the bag assembly and replace if there are any signs of wear or deterioration. Use only grass bags manufactured for this mower.

ADJUSTING THE FOLDABLE HANDLE

WARNING: Do not attempt to start the mower until the handle has been locked at one of the three preset operating positions (UPPER OPERATING POSITION, MIDDLE OPERATING POSITION and LOWER OPERATING POSITION).

Your mower is shipped with the handle in the compact, LOCKED STORAGE POSITION (Fig. E).

- 1) Press and hold the quick-adjust lever to release the handle from the LOCKED STORAGE POSITION.
- 2) Lift the handle from its folded position, then release the lever. Gently pivot the handle upward until you hear and feel the lock pin engage in one of the following different positions as shown in the Fig. F.

F-1	Grass Bag Attachment/ Removal Position	F-2	Locked Storage Position
F-3	Upper Operating Position	F-4	Middle Operating Position
F-5	Lower Operating Position		

ATTACHING THE GRASS BAG

⚠ WARNING: Do not at any time make any adjustment to the lawn mower without first stopping the motor, removing the safety key and waiting for the blade to stop rotating.

NOTICE: Remove the mulching insert or side-discharge chute before attaching the grass bag on the mower.

- **To Attach/Remove the Grass Bag (Fig. G)**

Insert the board of the grass bag into the mower and hang the grass bag on the mower.

NOTICE: Remove the pre-installed mulching insert from the mower before attaching the grass bag to the mower.

- **To Attach/Remove the Mulching Insert (sold separately) (Fig. H)**

ADJUSTING THE CUTTING HEIGHT (Fig. I)

I-1	Spring-Loaded Cutting-Height Adjustment	I-2	Cutting-Height Indication Plate
-----	---	-----	---------------------------------

⚠ WARNING: Keep your feet away from the deck when adjusting its height. The mower can be set to 8 cutting heights between 25mm and 105mm. Choose the proper cutting height according to the types and conditions of the grass.

ATTACHING/DETACHING THE BATTERY PACK (Fig. J)

Use only with the battery packs and chargers listed in fig A2

CHARGE BEFORE FIRST USE

⚠ WARNING: If any parts are broken or missing, do not attempt to attach the battery pack to the mower or operate the mower until the broken or missing parts are replaced. Failure to do so could result in serious injury.

- **To Attach**

Push the battery pack into the battery compartment until you hear a “click”.

- **To Detach**

Depress the battery-release button in the battery compartment.

NOTICE: Make sure that the latch on the mower snaps into place and that the battery pack is secured to the mower before starting operation.

STARTING/STOPPING THE MOWER (Fig. K, L & M)

⚠ WARNING: The operation of any lawn mower can result in foreign objects being thrown into your or other's eyes, which can damage eyes severely. Always wear safety glasses while operating the mower, or while performing any adjustments or repairs on it.

⚠ WARNING: The blade will continue to rotate for a few seconds after the mower is turned off. Allow the motor/blade to stop rotating before starting it again. Do not rapidly turn the mower off and on.

SAFETY KEY (Fig. N)

In order to prevent accidental start-up or unauthorized use of your cordless mower, a removable safety key has been incorporated into the design of your mower. The mower will be completely disabled when the safety key has been removed from the mower.

DANGER: Rotating blades can cause serious injury. To prevent serious injury, remove the safety key when the mower is unattended, or when adjusting, cleaning, servicing, transporting, lifting, or storing the mower.

NOTICE: The motor cannot be started unless:

- The handle is locked into one of the three operating positions, see ADJUSTING THE FOLDABLE HANDLE.
- The side rails are fully extended
- Both green handle-locking clamps are securely closed.

CAUTION: Do not attempt to override the operation of the safety button and bail switch.

To Start (Fig. K & L)

- 1). Attach the battery pack to the mower, insert the safety key into the key slot and close the battery cover.
- 2). Depress the safety button.
- 3). With the safety button depressed, pull the bail switch upward to meet the handle and release the safety button.

To Stop (Fig. M)

- 1) Fully release the bail switch.
- 2) The electric brake in the automatic braking mechanism will stop the blade rotation within 3 seconds of the bail switch release.

LED HEADLIGHTS (Fig. A-13)

Press the switch button (Fig. A-4) to turn on/off the LED headlights in the front of the battery compartment.

VARIABLE-SPEED SELF-PROPEL SYSTEM

LM2130E-SP mower is equipped with variable-speed self-propel capability. This system is independent of the blade On-Off switch. It is not dependent on blade rotation.

For example, when you have completed cutting your lawn, you can use the self-propel to propel the mower back to your storage location without blade rotation. Or you may choose to operate the mower as a non-selfpropelled mower to maximize battery running time.

To operate the self-propel system without blade rotation, turn the self-propel speed-control knob on, press the self-propel trigger(s). There are two self-propel triggers. Press either trigger to start the self-propel function (Fig. O).

O-1	Self-Propel Speed-Control Knob	O-2	Self-Propel Trigger
-----	--------------------------------	-----	---------------------

To turn the self-propel off, release the self-propel trigger, turn the self-propel speed-control knob off.

MOWER-STATUS INDICATOR ON THE MOWER (Fig. P)

The mower is equipped with a power indicator to indicate the charge status of the battery pack and the working status of the mower. The power indicator will illuminate when the blade is rotating or when the LED headlights are turned on.

P-1	Mower-Status Indicator	P-2	Switch Button for LED Headlights
-----	------------------------	-----	----------------------------------

Mower-status indicator	Meaning	Action
Solid green	Mower is working properly; battery has at least 15% of its charge.	None required.
Flashing green	The side rails are not fully extended.	Stop the mower and make sure that the side rails are fully extended.
	The handle is not locked in an operating position.	Stop the mower and make sure that the handle is locked in an operating position.
Flashing red	Low battery.	Stop the mower and charge the battery pack.
Solid orange	The mower stops due to overheat.	Remove the battery from the mower, move them to the shade and cool them at least 15 minutes.
Flashing orange	The mower is overloaded.	First remove the battery pack, then check and clean if grass has collected beneath the deck. Slow down your pace when cutting. If this does not work, please contact EGO customer service center.

Flashing red/green alternately	Error	Contact EGO customer service center.
Dark & LED on battery flashing	Battery over-heat. (See section "BATTERY HIGH-TEMPERATURE PROTECTION" in this manual)	Release the bail switch, wait until the battery pack cools down to approximately 67°C, then restart the mower.

MOWER OVERLOAD PROTECTION

To prevent overload conditions, do not try to remove too much grass at one time. Slow down your cutting pace or raise the cut height.

Your mower has built-in overload circuit protection. When the mower is overloaded, the motor will stop and the mower-status indicator on the mower will flash orange. Remove the battery pack from the mower. Check to see if grass has collected beneath the deck and clear it if necessary, then install the battery and restart the mower.

BATTERY HIGH TEMPERATURE PROTECTION

The battery pack will generate heat during operation. The heat dissipates more slowly in hot weather. If the battery temperature exceeds 70°C during operation, the protection circuit will immediately turn off the mower to protect the battery pack from heat damage. The mower-status indicator on the mower will off, please see **'BATTERY PROTECTION'** section in battery operator's manual. for details.

Release the bail switch, wait until the battery pack cools down to approximately 67°C, then restart the mower.

MAINTENANCE

⚠ WARNING: To avoid serious personal injury, always remove the safety key from the mower before cleaning, performing any maintenance or transporting the mower.

⚠ WARNING: When servicing, use only identical replacement parts. Use of any other parts may create a hazard or cause product damage. To ensure safety and reliability, all repairs and replacements should be performed by a qualified service technician.

GENERAL MAINTENANCE

⚠ WARNING: Always remove the safety key and battery pack when servicing or transporting the mower.

The underside of mower deck should be cleaned after each use, as grass clippings, leaves, dirt and other debris will accumulate.

Remove any build-up of grass on or around the motor fan

(do not use water). Wipe the mower clean with a damp cloth.

REMOVING/INSTALLING THE BLADE

⚠ WARNING: Always protect your hands by wearing heavy gloves or wrapping the cutting edges with rags or other materials when performing any maintenance on the mower blade. Always remove the battery pack when servicing or transporting the mower.

- **To Remove the Blade Following Fig. Q.**
- **To Install the Blade**
Following the assembly sequence in Fig. R, with the fan blade towards deck and the printed blade side towards outside, align the through holes in the fan with the holes in the blade (Fig. S) and then tighten the blade as Fig. T shown.

STORING THE MOWER

- Remove the battery pack from the mower and store it in a cool, dry and clean location. Do not store it next to corrosive materials, such as fertilizer or rock salt.
- Store the mower in a covered, enclosed space, that is cool and dry and out of the reach of children.
- Do not cover the lawn mower with a solid plastic sheet. Plastic coverings trap moisture around the mower, which causes rust and corrosion.
- The mower can be stored upright or flat. (Fig. U & V).

⚠ WARNING: If the mower tips over from the upright position, mower damage or personal injury may result. Always keep the mower stable and out of the reach of children when it is in the upright position. If possible, lay it flat for storage.

Protecting the environment



Do not dispose of electrical appliances as unsorted municipal waste, use separate collection facilities.

Contact your local government for information regarding the collection systems available.

If electrical appliances are disposed of in landfills or dumps, hazardous substances can leak into the groundwater and get into the food chain, damaging your health and well-being.

TROUBLESHOOTING

⚠ WARNING: Always remove the safety key and battery pack when servicing or transporting the mower. Always protect your hands by wearing heavy gloves or wrapping the cutting edges with rags or other materials when performing any maintenance on the mower blade.

PROBLEM	CAUSE	SOLUTION
The mower fails to start	<ul style="list-style-type: none"> ■ The battery pack is depleted. ■ The battery pack is not mounted in place in the battery compartment. ■ The battery or mower circuitry is too hot. (The power indicator on the mower will illuminate in orange for 10 seconds) ■ The side rails are not extended to their maximum length and the clamps are not locked in position. ■ The handle is not set at one of the three operating positions. ■ The mower deck is clogged with grass and debris. 	<ul style="list-style-type: none"> ■ Charge the battery pack. ■ Attach the battery pack to the mower; press it until you hear a click ■ Allow the battery pack or mower to cool until the temperature drops below 67°C. ■ Fully extend the handle and lock both clamps. ■ Adjust the handle to one of the three operating positions. ■ Clean the mower deck and make certain that the blade has freedom of movement.
The mower cuts unevenly	<ul style="list-style-type: none"> ■ The blade is dull. ■ The cutting height is not set properly. ■ The blade is assembled incorrectly. 	<ul style="list-style-type: none"> ■ Sharpen or replace the blade. ■ Raise the deck to a higher cutting height setting. ■ Reassemble the blade, following the section “INSTALLING THE BLADE” in this manual.
The mower stops while mowing	<ul style="list-style-type: none"> ■ The battery pack is depleted. ■ Mower is in overload condition. ■ Mower deck is clogged with grass and debris. ■ The battery or mower circuitry is too hot. (The power indicator on the mower will illuminate orange for 10 seconds.) ■ The side rail is retracted a little by the pushing force applying on the handle. 	<ul style="list-style-type: none"> ■ Charge the battery pack. ■ Raise the cutting height or slow down the mowing. ■ Unclog the mower deck. Raise the cutting height, or cut a narrow swath. ■ Allow the battery pack or mower to cool until the temperature drops below 67°C. ■ Unlock the clamps. Fully extend the side rails and lock the clamps again.
The mower does not mulch properly	<ul style="list-style-type: none"> ■ Wet grass clippings are sticking to the underside of the deck. ■ The mower is set to cut too much grass at once. 	<ul style="list-style-type: none"> ■ Wait until the grass dries before mowing. ■ Raise the deck to a higher cutting height setting.

PROBLEM	CAUSE	SOLUTION
There is excessive vibration	<ul style="list-style-type: none">■ The cutting blade is loose.■ The cutting blade is unbalanced.■ The cutting blade is bent.■ The motor shaft is bent.■ The mower deck is clogged with grass and debris.	<ul style="list-style-type: none">■ Tighten the blade bolt.■ Balance the blade following the instructions.■ Replace the blade.■ Contact the service center.■ Clean the mower deck and make certain that the blade has freedom of movement.
The handle locking clamps cannot be closed in position.	<ul style="list-style-type: none">■ The side rails are not fully extended.	<ul style="list-style-type: none">■ Fully extend the side rails, then lock the clamps.

WARRANTY

EGO WARRANTY POLICY

Please visit the website egopowerplus.com for full terms and conditions of the EGO Warranty policy.

ALLE ANWEISUNGEN LESEN!

Bestimmungsgemäße Verwendung: Das Gerät ist nur für das Mähen von Gras in Privatgärten vorgesehen. Es darf nicht zum Mähen von ungewöhnlich hohem, trockenem oder feuchtem Gras wie beispielsweise Weidegras oder zum Zerkleinern von Blättern eingesetzt werden.

! WARNUNG: Vor der Benutzung des Geräts sollten Sie alle Sicherheitsanweisungen in dieser Bedienungsanleitung gelesen und verstanden haben. Das gilt auch für die Sicherheits- und Gefahrenzeichen wie „VORSICHT“, „WARNUNG“ und „ACHTUNG“. Die Nichtbeachtung aller aufgeführter Anweisungen kann zu Stromschlägen, Bränden und/oder schweren Verletzungen führen.

! WARNUNG: Beim Betrieb von Elektrowerkzeugen besteht die Gefahr, dass Fremdkörper in Ihre Augen geschleudert werden und Sie dadurch schwerwiegende Augenschäden davontragen. Tragen Sie immer eine Schutzbrille, wenn möglich mit Seitenschutz, oder, falls nötig, einen vollen Gesichtsschutz, bevor Sie Arbeiten mit dem Elektrowerkzeug verrichten. Wir empfehlen Ihnen, einen Gesichtsschutz über Ihrer eigenen Brille oder eine herkömmliche Schutzbrille mit Seitenschutz zu tragen.

WARNSYMBOL



Sicherheitswarnung



Um das Verletzungsrisiko zu verringern, muss der Benutzer die Bedienungsanleitung vor der Benutzung des Gerätes gelesen und verstanden haben.



Stellen Sie sicher, dass andere Personen und Haustiere mindestens 30 m vom Rasenmäher entfernt sind, wenn er in Betrieb ist.



Füße und Hände fernhalten



Die Messer rotieren nach dem Ausschalten des Motors weiter. Vor Wartungsarbeiten muss die Sperrvorrichtung entfernt werden. Schalten Sie das Gerät aus und nehmen Sie den abnehmbaren Akku (oder die Sperrvorrichtung) ab, bevor Sie Einstellungen vornehmen oder das Gerät reinigen.



Garantierter Schalleistungspegel.



Dieses Produkt erfüllt die einschlägigen CE-Richtlinien.



Dieses Produkt entspricht den geltenden Vorschriften des Vereinigten Königreichs.



Elektrische Altgeräte dürfen nicht im Hausmüll entsorgt werden. Geben Sie das Gerät bei einer zugelassenen Recycling-Annahmestelle ab.



IPX4 Schutzgrad 4 gegen das Eindringen von Wasser

V

Volt

mm

Millimeter

cm

Zentimeter




Art oder Eigenschaft der Stromzufuhr

kg

Kilogramm

DE TECHNISCHE DATEN

Spannung	56 V 	
Leerlaufdrehzahl	2700 min ⁻¹	
Schnitthöhe	25, 32, 40, 51, 64, 77, 90 mm	
Schnitthöhenpositionen	7	
Schnittbreite	52 cm	
Volumen des Grasfangsacks	70 l	
Rasenmähergewicht (ohne Akku und mit Grasfangsack)	25,1 kg	
Messermodell	AB2102D-E	
Betriebstemperatur	0°C-40°C	
Lagertemperatur	-20°C-70°C	
Messerbremse	JA	
Gemessener Schalleistungspegel L _{WA}	89,8 dB(A) K=3,35 dB(A)	
Schalldruckpegel am Ohr des Bedieners L _{PA}	80,3 dB(A) K=3 dB(A)	
Garantierter Schalleistungspegel L _{WA} (gemäß Messung nach 2000/14/CE)	93 dB(A)	
Vibrationswert a _h :	Linker Griffbügel	0,61 m/s ² K=1,5 m/s ²
	Rechter Griffbügel	0,54 m/s ² K=1,5 m/s ²

PACKLISTE (ABB. A1)

BESCHREIBUNG

AUFBAU (Abb. A1)

1. Eigenantriebsschalter
2. Geschwindigkeitsregler Eigenantrieb
3. Sicherheitsschalter
4. Schalter für LED-Scheinwerfer
5. Holm-Feststeller
6. Grasfangsack
7. Schnell-Einstellhebel
8. Schnitthöhenversteller
9. Hinterrad
10. Vorderrad
11. Mähwerk
12. Vorderer Griff

13. LED-Spots
14. Akkufachabdeckung
15. Hinterer Griffbügel
16. Hintere Auswurfklappe
17. Seitenholm
18. Statusanzeige
19. Schalthebel
20. Griff
21. Stütze zur Hochkantlagerung
22. Hintere Schutzverkleidung
23. Akku-Entriegelungstaste
24. Sicherheitsschlüssel

BEDIENUNG

MONTIEREN DES GRASFANGSACKS

- 1) Schieben Sie den Grasfangsack auf den Rahmen (Abb. B).
- 2) Bringen Sie die oberen Clips am Rahmen an (Abb. C). Befestigen Sie dann die beiden Seitenclips. Befestigen Sie zum Schluss den unteren Clip.
- 3) Der vollständig montierte Grasfangsack wird in Abb. D gezeigt.

HINWEIS: Bei normalem Gebrauch nutzt sich das Material des Sacks allmählich ab. Um die Verletzungsgefahr zu reduzieren, untersuchen Sie den Grasfangsack regelmäßig und wechseln Sie den Sack aus, wenn Sie Anzeichen von Verschleiß entdecken. Verwenden Sie nur für diesen Rasenmäher hergestellte Grasfangsäcke.

EINSTELLEN DES KLAPPBAREN HOLMS

⚠️ WARNUNG: Versuchen Sie nicht, den Rasenmäher zu starten, wenn der Holm noch nicht in einer der drei voreingestellten Betriebsposition arretiert ist (OBERE BETRIEBSPOSITION, MITTLERE BETRIEBSPOSITION oder UNTERE BETRIEBSPOSITION).

Ihr Rasenmäher wird mit dem Holm in kompakter ARRETIERTER LAGERPOSITION ausgeliefert (Abb. E).

- 1) Halten Sie den Schnell-Einstellhebel gedrückt, um den Holm aus der ARRETIERTEN LAGERPOSITION zu lösen.
- 2) Ziehen Sie den Holm langsam aus seiner zusammengeklappten Position nach oben und lassen Sie dann den Hebel los. Drehen Sie den Holm vorsichtig nach oben, bis Sie hören und spüren, wie der Arretierstift in einer der folgenden Positionen einrastet (siehe Abb. F).

F-1	Grasfangsack-Befestigungs-/Entnahmeposition	F-2	Arretierte Lagerposition
-----	---	-----	--------------------------

F-3	Obere Betriebsposition	F-4	Mittlere Betriebsposition
F-5	Untere Betriebsposition		

BEFESTIGEN DES GRASFANGSACKS

⚠️ WARNUNG: Nehmen Sie auf keinen Fall Einstellungen am Rasenmäher vor, ohne zuvor den Motor abzustellen, den Sicherheitsschlüssel zu ziehen und zu warten, bis das Messer zum Stillstand gekommen ist.

HINWEIS: Entnehmen Sie den Mulcheinsatz oder seitlichen Auswurfschacht, bevor Sie den Grasfangsack am Rasenmäher befestigen.

■ **Anbringen/Abnehmen des Grasfangsacks (Abb. G)**

Schieben Sie das feste Ende des Grasfangsacks in den Rasenmäher und hängen Sie den Grasfangsack an den Rasenmäher.

HINWEIS: Entnehmen Sie den vormontierten Mulcheinsatz, bevor Sie den Grasfangsack am Rasenmäher befestigen.

■ **Anbringen/Abnehmen des Mulcheinsatzes (Abb. H)**

EINSTELLEN DER SCHNITTHÖHE (Abb. I)

I-1	Gefederte Schnitthöhenverstellung	I-2	Schnitthöhen-Anzeigeblech
-----	-----------------------------------	-----	---------------------------

⚠️ WARNUNG: Halten Sie Ihre Füße vom Mähwerk fern, wenn Sie die Schnitthöhe einstellen. Der Rasenmäher kann auf 8 Schnitthöhen zwischen 25 und 105 mm eingestellt werden. Wählen Sie die Schnitthöhe, die der Art und dem Zustand des Rasens entspricht.

■ **ANBRINGEN/ABNEHMEN DES AKKUS (Abb. J)**

Nur die in Abb. A2 aufgeführten Akkus und Ladegeräte verwenden

VOR DEM ERSTEN GEBRAUCH AUFLADEN

⚠️ WARNUNG: Falls Teile defekt sind oder fehlen, darf der Rasenmäher erst dann wieder in Betrieb ersetzt werden, wenn die defekten bzw. fehlenden Teile am Gerät montiert sind. Andernfalls kann es zu schweren Verletzungen kommen.

■ **Anbringen**

Schieben Sie den Akku bis zum hörbaren Einrasten in das Akkufach.

■ **Abnehmen**

Die Entriegelungstaste am Akkufach drücken.

HINWEIS: Stellen Sie sicher, dass der Riegel am Rasenmäher einrastet und der Akku fest am Rasenmäher angeschlossen ist, bevor Sie das Gerät in Betrieb setzen.

STARTEN/ANHALTEN DES RASENMÄHERS (Abb. K, L & M)

⚠️ WARNUNG: Beim Betrieb des Rasenmähers besteht die Gefahr, dass Fremdkörper in die eigenen Augen oder in die Augen Dritter geschleudert werden. Die Augen können dadurch ernsthaft verletzt werden. Tragen Sie immer eine Schutzbrille, wenn Sie den Rasenmäher bedienen, einstellen oder reparieren.

⚠️ WARNUNG: Das Messer dreht sich nach dem Ausschalten des Rasenmähers noch einige Sekunden weiter. Warten Sie, bis der Motor/das Messer stillsteht, bevor Sie den Rasenmäher erneut starten. Schalten Sie den Rasenmäher nicht schnell hintereinander aus und ein.

SICHERHEITSSCHLÜSSEL (Abb. N)

Um ein versehentliches Starten oder den unerlaubten Gebrauch des Akku-Rasenmähers zu verhindern, wurde das Gerät mit einem abziehbaren Sicherheitsschlüssel ausgestattet. Bei abgezogenem Sicherheitsschlüssel ist der Rasenmäher komplett deaktiviert.

VORSICHT: Rotierende Messer können schwere Verletzungen verursachen. Um schwere Verletzungen zu verhindern, vor dem Einstellen, Reinigen, Instandhalten, Transportieren, Anheben, Verstauen oder vor dem unbeaufsichtigten Zurücklassen immer den Sicherheitsschlüssel abziehen.

HINWEIS: Der Motor kann erst gestartet werden, wenn:

- Der Lenkholm in einer der drei Betriebspositionen eingerastet ist, siehe EINSTELLEN DES KLAPPBAREN HOLMS.
- Die Seitenholme vollständig ausgezogen sind
- Die beiden grünen Holm-Feststeller fest geschlossen sind.

VORSICHT: Versuchen Sie nicht, die Funktion des Sicherheitsschlüssels und des Bügelschalters zu umgehen.

Starten (Abb. K & L)

- 1) Schließen Sie den Akku am Rasenmäher an, stecken Sie den Sicherheitsschlüssel in das Schloss und schließen Sie die Akkufachabdeckung.
- 2) Betätigen Sie den Schutzschalter.
- 3) Ziehen Sie bei gedrücktem Schutzschalter den Bügelschalter in Holmrichtung hoch und lassen Sie den Schutzschalter los.

Anhalten (Abb. M)

- 1) Lassen Sie den Bügelschalter ganz los.
- 2) Die elektrische Bremse des automatischen Bremsmechanismus stoppt die Drehbewegung des Messers innerhalb von drei Sekunden, nachdem der Bügelschalter losgelassen wurde.

LED-SCHEINWERFER (Abb. A-13)

Drücken Sie die Taste (Abb. A-4), um die LED-Fahrscheinwerfer vor dem Akkufach ein- oder auszuschalten.

EIGENANTRIEB MIT VARIABLER GESCHWINDIGKEIT

Der Rasenmäher LM2130E-SP verfügt über einen Eigenantrieb mit variabler Geschwindigkeit. Das System arbeitet unabhängig vom Ein/Ausschalter des Messers und vom Messerantrieb.

So können Sie den Eigenantrieb nach dem Mähen des Rasens nutzen, um den Rasenmäher ohne Drehbewegung des Messers zum Abstellort zurückzufahren. Alternativ können Sie den Rasenmäher auch ohne Eigenantrieb einsetzen, um die maximale Akkulaufzeit auszuschöpfen.

Zum Aktivieren des Eigenantriebs ohne Messerbetrieb schalten Sie den Geschwindigkeitsregler für den Eigenantrieb ein. Drücken Sie einen der beiden Ein-/Ausschalter für den Eigenantrieb. Betätigen Sie einen der beiden Schalter, um den Eigenantrieb zu starten (Abb. O).

0-1	Geschwindigkeitsregler für Eigenantrieb	0-2	Ein-/Ausschalter für Eigenantrieb
-----	---	-----	-----------------------------------

Um den Eigenantrieb auszuschalten, lassen Sie den Eigenantriebsschalter los und stellen Sie den Geschwindigkeitsregler des Eigenantriebs wieder auf Ausschaltposition.

BETRIEBSANZEIGE AM RASENMÄHER (Abb. P)

Der Rasenmäher ist mit einer Betriebsanzeige ausgestattet, die den Ladestand des Akkusatzes und den Betriebszustand des Rasenmähers meldet. Die Betriebsanzeige leuchtet auf, wenn das Messer rotiert oder die LED-Fahrscheinwerfer eingeschaltet sind.

P-1	Statusanzeige	P-2	Schalter für LED-Scheinwerfer
-----	---------------	-----	-------------------------------

Statusanzeige	Bedeutung	Abhilfe
Grün leuchtend	Der Rasenmäher funktioniert ordnungsgemäß; der Akku besitzt noch mindestens 15 % seiner Ladung.	Keine erforderlich.

Grün blinkend	Die Seitenholme sind nicht vollständig ausgezogen.	Den Rasenmäher ausschalten und prüfen, ob die Seitenholme vollständig ausgezogen sind.
	Der Holm ist nicht in einer der Betriebspositionen arretiert.	Den Rasenmäher ausschalten und prüfen, ob der Holm in einer Betriebsposition arretiert ist.
Rot blinkend	Schwacher Akku	Rasenmäher abstellen und Akku aufladen.
Orange leuchtend	Der Rasenmäher hält wegen Überhitzung an.	Akku aus dem Rasenmäher nehmen, in den Schatten legen und mindestens 15 Minuten lang abkühlen lassen.
Orange blinkend	Der Rasenmäher ist überlastet.	Zuerst den Akku entnehmen. Danach prüfen, ob sich Rasen unter dem Mähwerk angesammelt hat. Rasen ggf. beseitigen. Langsamer mähen. Sollte das nicht funktionieren, wenden Sie sich an einen EGO-Kundendienst.
Abwechselnd rot/grün blinkend	Fehler	Wenden Sie sich an einen EGO-Kundendienst.
Dunkel & LED am Akku blinkt	Akku überhitzt. (Siehe den Abschnitt "TEMPERATURSCHUTZ DES AKKUS" in dieser Anleitung)	Den Bügelschalter loslassen und warten, bis sich der Akku auf ungefähr 67 °C abgekühlt hat. Anschließend den Rasenmäher wieder starten.

ÜBERLASTUNGSSCHUTZ DES RASENMÄHERS

Um Überlastungen zu vermeiden, nicht zu viel Rasen auf einmal mähen. Mähen Sie langsamer oder vergrößern Sie die Schnitthöhe.

Ihr Rasenmäher besitzt eine integrierte Überlastsicherung. Wenn der Rasenmäher überlastet ist, stellt sich der Motor ab und die Betriebsanzeige am Rasenmäher blinkt orange. Nehmen Sie den Akku aus dem Rasenmäher. Kontrollieren Sie, ob unter dem Mähwerk Rasen anhaftet. Beseitigen Sie ihn und schließen Sie den Akku wieder an. Schalten Sie den Rasenmäher danach wieder ein.

AKKU-ÜBERHITZUNGSSCHUTZ

Der Akku wird während des Betriebs warm. Die Wärme wird bei sehr warmem Wetter langsamer abgegeben. Wenn die Akkutemperatur während des Betriebs 70°C überschreitet, wird das Gerät von der Schutzschaltung automatisch abgeschaltet, um den Akku vor Schäden durch Wärme zu schützen. Die Anzeige des Gerätestatus ist ausgeschaltet. Einzelheiten zur LED am Akku stehen im Kapitel 'AKKUSCHUTZ' der Akku-Bedienungsanleitung.

Den Bügelschalter loslassen und warten, bis sich der Akku auf ungefähr 67°C abgekühlt hat. Anschließend den Rasenmäher wieder starten.

WARTUNG

⚠️ WARNUNG: Vor dem Reinigen, Warten oder Transportieren des Rasenmähers immer den Sicherheitsschlüssel vom Rasenmäher abziehen, um ernsthafte Verletzungen zu vermeiden.

⚠️ WARNUNG: Verwenden Sie für die Wartung nur baugleiche Ersatzteile. Die Verwendung anderer Teile kann Unfälle oder Schäden am Gerät hervorrufen. Um die Sicherheit und Zuverlässigkeit zu gewährleisten, sollten alle Reparaturen und der Austausch von Teilen nur von qualifizierten Servicetechnikern durchgeführt werden.

ALLGEMEINE WARTUNG

⚠️ WARNUNG: Entfernen Sie immer den Sicherheitsschlüssel und den Akku, wenn Sie den Rasenmäher instandhalten oder transportieren.

Die Unterseite des Mähwerks sollte nach jedem Gebrauch gereinigt werden, da dort Schnittgut, Blätter, Schmutz und andere Ablagerungen anhaften.

Am oder um den Motorlüfter herum anhaftenden Rasen beseitigen (kein Wasser verwenden). Wischen Sie den Rasenmäher mit einem feuchten Tuch ab.

ANBRINGEN/ABMONTIEREN DES MESSERS

⚠️ WARNUNG: Schützen Sie stets Ihre Hände, indem Sie Handschuhe tragen oder die Schneidkanten mit Lumpen oder anderen Materialien umwickeln, wenn Sie Wartungsarbeiten am Mähmesser durchführen. Entfernen Sie immer den Akku, wenn Sie den Rasenmäher warten oder transportieren.

■ Abmontieren des Messers (Abb. Q)

■ Anbringen des Messers

Die Montagereihenfolge ist in Abb. R dargestellt. Lassen Sie die Bohrungen im Lüfter mit den Bohrungen im Messer (Abb. S) fluchten. Das Lüftermesser muss dabei in Richtung Mähwerk und die beschriftete Messerseite nach außen zeigen. Nun schrauben Sie das Messer fest an, wie in Abb. T gezeigt.

LAGERN DES RASENMÄHERS

- Nehmen Sie den Akku aus dem Rasenmäher und bewahren Sie ihn an einem kühlen, trockenen und sauberen Ort auf. Bewahren Sie ihn nicht neben korrosivem Material, wie zum Beispiel Düngemittel oder Steinsalz, auf.
- Stellen Sie den Rasenmäher an einem geschützten, geschlossenen Ort ab, der kühl, trocken und für Kinder unerreichbar ist.
- Decken Sie den Rasenmäher nicht mit einer festen Kunststoffolie ab. Durch eine Kunststoffabdeckung kann die Feuchtigkeit um den Rasenmäher herum nicht entweichen, was zu Rostbildung und Korrosion führt.
- Der Rasenmäher kann hochkant oder waagrecht abgestellt werden. (Abb. U & V).

⚠️ WARNUNG: Wenn der Rasenmäher aus der aufrechten Position umfällt, kann es zu Beschädigungen am Rasenmäher oder Verletzungen kommen. Achten Sie stets darauf, dass der Rasenmäher nicht umfallen kann und außer Reichweite von Kindern ist, wenn er aufrecht gelagert wird. Sofern möglich, lagern Sie ihn flach aufliegend.

Schutz der Umwelt



Entsorgen Sie elektrische Geräte nicht als unsortierten Restmüll, nutzen Sie separate Sammelstellen.

Informationen über die vor Ort angebotenen Sammelstellen erteilt die zuständige Gemeindestelle.

Wenn elektrische Geräte auf Deponien oder Schutthalde entsorgt werden, können gefährliche Stoffe in das Grundwasser sickern und in die Nahrungskette gelangen. Dadurch werden Ihre Gesundheit und Ihr Wohlbefinden beeinträchtigt.

DE STÖRUNGSBEHEBUNG

⚠️ WARNUNG: Entfernen Sie immer den Sicherheitsschlüssel und den Akku, wenn Sie den Rasenmäher instandsetzen oder transportieren. Schützen Sie stets Ihre Hände, indem Sie Handschuhe tragen oder die Schneidkanten mit Lumpen oder anderen Materialien umwickeln, wenn Sie Wartungsarbeiten am Mähmesser durchführen.

PROBLEM	URSACHE	LÖSUNG
Rasenmäher lässt sich nicht starten.	<ul style="list-style-type: none"> ■ Der Akku ist leer. ■ Der Akku ist noch nicht im Akkufach eingesetzt. ■ Der Akku oder die Rasenmäher-Steuerung ist zu heiß. (Die Betriebsanzeige am Rasenmäher leuchtet 10 Sekunden lang orange.) ■ Die Seitenholme sind nicht auf ihre maximale Länge ausgezogen und die Klemmvorrichtungen sind nicht arretiert. ■ Der Holm ist nicht in einer der drei Betriebspositionen arretiert. ■ Das Mähwerk wird durch Rasen und Ablagerungen blockiert. 	<ul style="list-style-type: none"> ■ Akku aufladen. ■ Zum Anschließen den Akku bis zu einem hörbaren Klickgeräusch in den Rasenmäher schieben. ■ Den Akku bzw. Rasenmäher unter 67°C abkühlen lassen. ■ Den Holm ganz herausziehen und beide Klemmvorrichtungen arretieren. ■ Stellen Sie den Holm auf eine der drei Betriebspositionen. ■ Reinigen Sie das Mähwerk und stellen Sie sicher, dass sich das Messer frei bewegen kann.
Der Rasenmäher mäht ungleichmäßig.	<ul style="list-style-type: none"> ■ Das Messer ist stumpf. ■ Die Schnitthöhe ist nicht korrekt eingestellt. ■ Das Messer ist falsch montiert. 	<ul style="list-style-type: none"> ■ Schärfen oder ersetzen Sie das Messer. ■ Stellen Sie am Mähwerk eine größere Schnitthöhe ein. ■ Montieren Sie das Messer wieder. Lesen Sie hierzu den Abschnitt „MONTIEREN DES MESSERS“ in dieser Bedienungsanleitung.
Der Rasenmäher setzt beim mähen aus.	<ul style="list-style-type: none"> ■ Der Akku ist leer. ■ Rasenmäher ist überlastet. ■ Das Mähwerk wird durch Rasen und Ablagerungen blockiert. ■ Der Akku oder die Rasenmäher-Steuerung ist zu heiß. (Die Betriebsanzeige am Rasenmäher leuchtet 10 Sekunden lang orange.) ■ Durch den Druck auf den Lenkholm hat sich der Seitenholm etwas verkürzt. 	<ul style="list-style-type: none"> ■ Akku aufladen. ■ Vergrößern Sie die Schnitthöhe oder mähen Sie langsamer. ■ Beseitigen Sie die Verstopfung am Mähwerk. Erhöhen Sie die Schnitthöhe oder mähen Sie schmaler. ■ Lassen Sie den Akku bzw. den Rasenmäher unter 67°C abkühlen. ■ Lösen Sie die Klemmen. Ziehen Sie die Seitenholme ganz aus und arretieren Sie die Klemmen wieder.

PROBLEM	URSACHE	LÖSUNG
Der Rasenmäher mulcht nicht richtig.	<ul style="list-style-type: none"> ■ An der Unterseite des Mähwerks haftet feuchtes Schnittgut. ■ Der Rasenmäher ist so eingestellt, dass er eine zu große Menge Gras auf einmal mäht. 	<ul style="list-style-type: none"> ■ Warten Sie mit dem Mähen, bis der Rasen trocken ist. ■ Stellen Sie am Mähwerk eine größere Schnitthöhe ein.
Das Gerät vibriert extrem.	<ul style="list-style-type: none"> ■ Das Messer hat sich gelockert. ■ Das Messer hat eine Unwucht. ■ Das Messer ist verbogen. ■ Die Motorwelle ist verbogen. ■ Das Mähwerk wird durch Rasen und Ablagerungen blockiert. 	<ul style="list-style-type: none"> ■ Ziehen Sie die Schraube am Messer an. ■ Setzen Sie das Messer unverkantet nach Anleitung ein. ■ Wechseln Sie das Messer aus. ■ Wenden Sie sich an den Kundendienst. ■ Reinigen Sie das Mähwerk und stellen Sie sicher, dass sich das Messer frei bewegen kann.
Die Holm-Feststellklemmen lassen sich nicht schließen.	<ul style="list-style-type: none"> ■ Die Seitenholme sind nicht vollständig ausgezogen. 	<ul style="list-style-type: none"> ■ Ziehen Sie die Seitenholme ganz heraus und arretieren Sie die Klemmen.

GARANTIE

EGO-GARANTIEBEDINGUNGEN

Sämtliche EGO Garantiebedingungen finden Sie auf der Website egopowerplus.com.

LISEZ TOUTES LES INSTRUCTIONS !

FR

Domaine d'utilisation: Le produit est conçu exclusivement pour tondre le gazon dans les jardins domestiques. Il ne doit pas être utilisé pour tondre des herbes exceptionnellement hautes, sèches ou humides, par exemple l'herbe de pâturages ou pour déchiqeter des feuilles.

AVERTISSEMENT: Lisez et comprenez impérativement toutes les consignes de sécurité de ce manuel d'utilisation, y compris les symboles de mise en garde de sécurité tels que « **DANGER** », « **AVERTISSEMENT** » et « **ATTENTION** » avant d'utiliser cet outil. Le non respect de toutes les instructions énumérées ci-dessous peut entraîner un choc électrique, un incendie et / ou des blessures graves.

AVERTISSEMENT: L'utilisation d'un outil électrique peut provoquer la projection d'objets étrangers dans vos yeux, ce qui peut entraîner des lésions oculaires graves. Avant de commencer à utiliser l'outil électrique, portez toujours un masque de sécurité ou des lunettes de sécurité avec des protections latérales ou une visière complète si nécessaire. Nous vous recommandons de porter un masque de sécurité à vision panoramique par-dessus des lunettes de vue ou des lunettes de sécurité standards avec des protections latérales.

SYMBOLES DE SÉCURITÉ



Alerte de sécurité



Pour réduire le risque de blessures, l'utilisateur doit lire et comprendre le manuel d'utilisation avant d'utiliser ce produit.



Veillez à ce que les autres personnes et les animaux restent éloignés d'au moins 30 m de la tondeuse pendant son utilisation.



Tenir à l'écart les pieds et les mains



Les lames restent en rotation après l'arrêt du moteur
– Retirez le dispositif coupe-circuit avant toute opération d'entretien. Éteignez l'outil et retirez la batterie amovible (ou le dispositif coupe-circuit) avant d'effectuer un réglage ou un nettoyage.



Niveau de puissance acoustique garanti.



Ce produit est conforme aux directives CE applicables.



Ce produit est conforme à la législation britannique applicable.



Les produits électriques usagés ne doivent pas être jetés avec les ordures ménagères. Apportez-les dans un centre de recyclage agréé.

IPX4

Protection contre la pénétration d'eau de degré 4

V Volts

mm Millimètre

cm Centimètre

--- Type ou caractéristique du courant

kg Kilogramme

SPÉCIFICATIONS

Tension	56 V	
Régime à vide	2700 RPM	
Hauteur de coupe	25mm/ 32mm/ 40mm/ 51mm/ 64mm/ 77mm/ 90mm	
Positions de hauteur de coupe	7	
Largeur de coupe	52 cm	
Capacité du sac de récupération des herbes	70 L	
Poids de la tondeuse (sans le bloc-batterie ni le sac à herbes)	25.1 kg	
Modèle de lame	AB2102D-E	
Température d'utilisation	0°C-40°C	
Température de stockage	-20°C-70°C	
Frein de lame	OUI	
Niveau de puissance acoustique mesuré L_{WA}	89,8 dB(A) K=3,35 dB(A)	
Niveau de pression acoustique au niveau des oreilles de l'opérateur L_{PA}	80,3 dB(A) K=3 dB(A)	
Niveau de puissance acoustique garanti L_{WA} (conformément à la norme 2000/14/CE)	93 dB(A)	
Niveau de vibration a_{hv} :	Poignée gauche	0,61 m/s ² K=1,5 m/s ²
	Poignée droite	0,54 m/s ² K=1,5 m/s ²

CONTENU DE L'EMBALLAGE (IMAGE A1)

DESCRIPTION

DESCRIPTION DE VOTRE TONDEUSE (Schéma A1)

1. Interrupteur d'auto-propulsion
2. Molette de réglage de la vitesse d'auto-propulsion
3. Bouton de sécurité
4. Interrupteur des lampes avant LED
5. Fixation du guidon
6. Sac de récupération des herbes
7. Levier de réglage rapide
8. Levier de réglage de la hauteur de coupe

9. Roue arrière
10. Roue avant
11. Carénage de la tondeuse
12. Poignée avant
13. Phares LED
14. Couvercle de la batterie
15. Poignée arrière
16. Clapet d'évacuation arrière
17. Barre latérale
18. Indicateur de fonctionnement de la tondeuse
19. Levier d'interrupteur
20. Poignée
21. Support de rangement à la verticale
22. Écran postérieur
23. Bouton d'éjection de la batterie
24. Clé de sécurité

FONCTIONNEMENT

ASSEMBLAGE DU SAC DE RÉCUPÉRATION DES HERBES

- 1) Insérez le sac à herbes sur le cadre (Image B).
- 2) Assemblez les deux clips supérieurs sur le cadre (Image C), puis assemblez des deux clips latéraux. Assemblez le clip inférieur en dernier.
- 3) Le sac à herbes entièrement assemblé est montré sur l'image D.

REMARQUE: Lors d'un usage normal, le matériau du sac s'use. Pour réduire le risque de blessure, vérifiez fréquemment l'assemblage du sac et remplacez-le s'il présente des signes d'usure ou de détérioration. Utilisez seulement des sacs de récupération des herbes fabriqués pour cette tondeuse.

RÉGLAGE DU GUIDON PLIABLE

⚠ AVERTISSEMENT: N'essayez pas de démarrer la tondeuse tant que son guidon n'est pas verrouillé dans l'une des trois positions d'utilisation pré-réglées (POSITION D'UTILISATION HAUTE, POSITION D'UTILISATION MÉDIANE ou POSITION D'UTILISATION BASSE).

Votre tondeuse est fournie avec son guidon replié dans la POSITION DE RANGEMENT VERROUILLÉE (schéma E).

- 1) Maintenez enfoncé le levier de réglage rapide pour dégager la poignée de la POSITION DE RANGEMENT VERROUILLÉE.
- 2) Relevez le guidon de sa position repliée, puis relâchez le levier. Faites pivoter le guidon délicatement vers le haut jusqu'à entendre et sentir que la goupille de blocage s'encastre dans l'une des positions tel que montré sur le schéma F.

F-1	Position de fixation / de retrait du sac de récupération des herbes	F-2	Position de stockage verrouillée
F-3	Position d'utilisation haute	F-4	Position d'utilisation médiane
F-5	Position d'utilisation basse		

FIXATION DU SAC DE RÉCUPÉRATION DES HERBES

⚠ AVERTISSEMENT: N'essayez jamais d'effectuer un réglage sur la tondeuse à gazon sans d'abord arrêter le moteur, retirer la clé de sécurité et attendre que la lame se soit arrêtée de tourner.

REMARQUE: Retirez l'obturateur de paillage ou la goulotte d'évacuation latérale avant de fixer le sac à herbes sur la tondeuse.

■ Fixer/Retirer le sac de ramassage (Schéma G)

Insérez la planche du sac de récupération des herbes dans la tondeuse et accrochez le sac à la tondeuse.

REMARQUE: Retirez l'obturateur de paillage préinstallé dans la tondeuse avant de fixer le sac à herbes sur la tondeuse.

■ Pour fixer/retirer l'obturateur de paillage (vendu séparément) (Schéma H)

RÉGLAGE DE LA HAUTEUR DE COUPE (Schéma I)

I-1	Levier à ressort pour régler la hauteur de coupe	I-2	Plaque indicatrice de la hauteur de coupe
-----	--	-----	---

⚠ AVERTISSEMENT: Tenez vos pieds éloignés du carénage lorsque vous en réglez la hauteur. La tondeuse peut être réglée sur 8 hauteurs de coupe différentes entre 25 mm et 105 mm. Réglez la hauteur de coupe appropriée en fonction du type et de l'état du gazon.

INSÉRER / RETIRER LA BATTERIE (schéma J)

Utilisez uniquement les batteries et les chargeurs listés au schéma A2

RECHARGEZ LA BATTERIE AVANT LA PREMIÈRE UTILISATION

⚠ AVERTISSEMENT: S'il y a des pièces manquantes ou endommagées, ne tentez pas d'installer la batterie sur la tondeuse ou de faire fonctionner celle-ci tant que les pièces manquantes ou endommagées n'ont pas été remplacées. Cela pourrait provoquer des blessures graves.

■ Insertion

Insérez la batterie dans le logement de batterie jusqu'à entendre un déclic.

■ Retrait

Appuyez sur le bouton de déblocage de la batterie dans le logement de la batterie.

REMARQUE: Avant d'utiliser l'appareil, assurez-vous que le verrou de la tondeuse se loge en place et que la batterie est bien fixée.

MISE EN MARCHÉ/ARRÊT DE LA TONDEUSE (schéma K, L et M)

⚠ AVERTISSEMENT: Pendant l'utilisation d'une tondeuse à gazon, des objets étrangers peuvent être projetés dans vos yeux ou dans les yeux d'autres personnes et provoquer des blessures oculaires graves. Portez toujours des lunettes de sécurité lorsque vous utilisez la tondeuse, ainsi que lors d'un réglage ou d'une réparation.

⚠ AVERTISSEMENT: La lame continuera à tourner pendant quelques secondes après l'arrêt de la tondeuse. Attendez que le moteur et les lames cessent de tourner avant de remettre la tondeuse en marche. N'arrêtez et ne redémarrez pas rapidement la tondeuse.

CLÉ DE SÉCURITÉ (schéma N)

Pour éviter un démarrage accidentel ou une utilisation non autorisée de votre tondeuse sans fil, une clé de sécurité amovible a été incorporée dans la conception de votre tondeuse. La tondeuse est complètement désactivée lorsque la clé de sécurité est retirée.

DANGER: Les lames rotatives peuvent causer des blessures graves. Pour éviter des blessures graves, retirez la clé de sécurité quand la tondeuse n'est pas surveillée, avant d'effectuer un réglage, un nettoyage, une réparation, avant de la transporter, de la soulever ou de la ranger.

REMARQUE: Le moteur peut être mis en marche uniquement si:

- Le guidon est verrouillé dans l'une des positions d'utilisation, voir le paragraphe RÉGLAGE DU GUIDON PLIABLE.
- Les barres latérales sont entièrement déployées.
- Les deux fixations vertes de verrouillage du guidon sont bien fermées.

ATTENTION: N'essayez pas de passer outre l'actionnement du bouton de sécurité et du levier d'interrupteur.

Démarrer l'outil (schéma K et L)

- 1) Insérez la batterie dans la tondeuse, insérez la clé de sécurité dans le logement prévu et fermez le couvercle du logement de la batterie.
- 2) Appuyez sur le bouton de sécurité.
- 3) Avec le bouton de sécurité appuyé, tirez le levier d'interrupteur vers le haut contre le guidon, puis relâchez le bouton de sécurité.

Éteindre l'outil (schéma M)

- 1) Relâchez le levier d'interrupteur.
- 2) Le frein électrique dans le mécanisme de freinage automatique arrête la rotation de la lame dans les trois secondes après le relâchement du levier d'interrupteur.

LAMPES AVANT LED (Schéma A-13)

- Appuyez sur l'interrupteur (schéma A-4) pour allumer/éteindre les lampes LED sur l'avant du logement de la batterie.

SYSTÈME D'AUTO-PROPULSION À VITESSE VARIABLE

La tondeuse LM2130E-SP est pourvue d'un système d'auto-propulsion à vitesse variable. Ce système est indépendant de l'interrupteur marche/arrêt de la lame, il ne dépend pas de la rotation de la lame.

Par exemple, lorsque vous avez terminé la coupe de votre gazon, vous pouvez activer l'auto-propulsion pour ramener la tondeuse sur son lieu d'entreposage sans faire tourner la lame. Vous pouvez également choisir de ne pas activer la fonction d'auto-propulsion afin de maximiser l'autonomie de la batterie.

Pour utiliser l'auto-propulsion sans rotation de la lame, tournez la molette de réglage de la vitesse d'auto-propulsion sur ON et appuyez sur la gâchette d'auto-propulsion. La tondeuse est équipée de deux gâchettes d'auto-propulsion. Appuyez sur l'une des gâchettes pour démarrer la fonction d'auto-propulsion (schéma O).

0-1	Molette de réglage de la vitesse d'auto-propulsion	0-2	Gâchette d'auto-propulsion
-----	--	-----	----------------------------

Pour désactiver l'auto-propulsion, relâchez la gâchette d'auto-propulsion et tournez la molette de réglage de la vitesse d'auto-propulsion sur OFF.

INDICATEUR DE FONCTIONNEMENT DE LA TONDEUSE (Schéma P)

La tondeuse est munie d'un indicateur de mise en marche qui indique la capacité de charge de la batterie et l'état de fonctionnement de la tondeuse. L'indicateur de mise en marche s'allume lorsque la lame tourne ou lorsque les lumières avant LED sont allumées.

P-1	Indicateur de fonctionnement de la tondeuse	P-2	Interrupteur des lampes avant LED
-----	---	-----	-----------------------------------

Indicateur de fonctionnement de la tondeuse	Signification	Action
S'allume en vert	La tondeuse fonctionne correctement, la batterie dispose d'au moins 15 % de sa charge.	Aucune action requise.
Clignote en vert	Les barres latérales ne sont pas entièrement déployées.	Éteignez la tondeuse et veillez à ce que les barres latérales soient entièrement déployées.
	Le guidon n'est pas verrouillé dans l'une des positions d'utilisation.	Éteignez la tondeuse et veillez à ce que le guidon soit verrouillé dans l'une des positions d'utilisation.
Clignote en rouge	Batterie faible.	Éteignez la tondeuse et rechargez la batterie.
S'allume en orange	La tondeuse s'arrête en raison d'une surchauffe.	Retirez la batterie de la tondeuse, mettez-la à l'ombre et laissez-la refroidir au moins 15 minutes.
Clignote en orange	La tondeuse est en surcharge.	Retirez d'abord la batterie puis nettoyez l'herbe accumulée en-dessous du carénage le cas échéant. Ralentissez votre cadence de coupe. Si cela ne résout pas le problème, contactez le service client EGO.
Clignote alternativement en rouge/vert	Erreur	Contactez le service client EGO.

<p>Eteint et voyant LED de la batterie clignote</p>	<p>Surchauffe de la batterie. (Voir partie « PROTECTION CONTRE LA SURCHAUFFE DE LA BATTERIE » de ce mode d'emploi)</p>	<p>Relâchez le levier d'interrupteur, attendez que la batterie refroidisse jusqu'à 67°C, puis redémarrez la tondeuse.</p>
---	---	---

Enlevez l'herbe accumulée sur et autour du ventilateur du moteur (n'utilisez pas d'eau). Essuyez la tondeuse avec un chiffon humide pour la nettoyer.

DÉMONTER/ASSEMBLER LA LAME

AVERTISSEMENT: Protégez toujours vos mains en portant des gants épais ou en enroulant les bords coupants de la lame dans des chiffons ou d'autres matériaux lors de l'entretien de la lame de la tondeuse. Retirez toujours la batterie pendant l'entretien ou le transport de la tondeuse.

- Retirer la lame selon le schéma Q.

- Installer la lame

Procédez comme montré sur le schéma R. Placez le ventilateur du côté du carénage et placez le côté imprimé de la lame vers l'extérieur, alignez les trous du ventilateur avec les trous de la lame (schéma S), puis vissez la lame comme montré sur le schéma T.

RANGEMENT DE LA TONDEUSE

- Retirez la batterie de la tondeuse et rangez-la dans un endroit propre, sec et frais. Ne la rangez pas près de matériaux corrosifs, par exemple des engrais ou des cristaux de sel.
- Rangez la tondeuse dans un endroit couvert et fermé, frais et sec, et hors de portée des enfants.
- Ne couvrez pas la tondeuse à gazon avec un film plastique rigide. Les bâches en plastique emprisonnent l'humidité autour de la tondeuse et provoquent de la rouille et de la corrosion.
- La tondeuse peut être rangée à la verticale ou à plat (schéma U et V).

AVERTISSEMENT: Si la tondeuse se renverse à partir de la position verticale, cela pourrait l'endommager ou causer des blessures. Assurez-vous que la tondeuse est toujours stable et hors de portée des enfants lorsqu'elle est en position verticale. Si possible rangez-la à plat à l'horizontale.

Protection de l'environnement



Ne jetez pas les appareils électriques avec les déchets ménagers non triés, déposez-les dans des centres de collecte spécifiques.

Contactez votre mairie pour en savoir plus les systèmes de collecte disponibles.

Si les appareils électriques sont jetés dans des décharges ou des dépôts d'ordures, des substances dangereuses peuvent se répandre dans la nappe phréatique et rentrer dans la chaîne alimentaire, ce qui est néfaste pour votre santé et votre bien-être.

PROTECTION CONTRE LA SURCHARGE DE LA TONDEUSE

Pour éviter les surcharges, n'essayez pas de couper trop d'herbe en même temps. Ralentissez votre rythme ou relevez la hauteur de coupe.

Votre tondeuse est pourvue d'une protection intégrée contre la surcharge. Si la tondeuse est en surcharge, son moteur s'arrête et son indicateur de fonctionnement clignote en orange. Retirez la batterie de la tondeuse. Inspectez le dessous du carénage pour voir si des herbes s'y sont accumulées et enlevez-les si nécessaire, puis réinsérez la batterie et redémarrez la tondeuse.

PROTECTION CONTRE LA SURCHAUFFE DE LA BATTERIE

La batterie génère de la chaleur lors du fonctionnement. Lorsqu'il fait chaud, la chaleur se dissipe plus lentement. Si la température de la batterie dépasse 70 °C, le circuit de protection éteint immédiatement la tondeuse pour éviter que la batterie ne soit endommagée. L'indicateur de fonctionnement de la tondeuse s'éteint. Pour plus de détails, consultez la partie « **PROTECTION DE LA BATTERIE** » dans le mode d'emploi de la batterie.

Relâchez le levier d'interrupteur, attendez que la batterie refroidisse jusqu'à 67°C, puis redémarrez la tondeuse.

ENTRETIEN

AVERTISSEMENT: Afin de vous prémunir contre des blessures corporelles graves, retirez toujours la clé de sécurité de la tondeuse avant toute opération de nettoyage ou d'entretien et avant de transporter la tondeuse.

AVERTISSEMENT: L'outil ne doit être réparé qu'avec des pièces de rechange identiques. L'utilisation de toute autre pièce peut créer un danger ou détériorer l'outil. Pour garantir la sécurité et la fiabilité, toutes les réparations et tous les changements de pièce doivent être effectués par un réparateur qualifié.

ENTRETIEN GÉNÉRAL

AVERTISSEMENT: Retirez toujours la clé de sécurité et la batterie lorsque vous procédez à l'entretien de la tondeuse ou que vous la transportez.

Le dessous du carénage de la tondeuse doit être nettoyé après chaque utilisation, car les herbes coupées, les feuilles, la terre et les autres débris s'y accumulent.

DÉPANNAGE

⚠ AVERTISSEMENT: Retirez toujours la clé de sécurité et la batterie lorsque vous procédez à l'entretien de la tondeuse ou que vous la transportez. Protégez toujours vos mains en portant des gants épais ou en enroulant les bords coupants de la lame dans des chiffons ou d'autres matériaux lors de l'entretien de la lame de la tondeuse.

FR

PROBLÈME	CAUSE	SOLUTION
La tondeuse ne démarre pas	<ul style="list-style-type: none"> ■ La batterie est déchargée. ■ La batterie n'est pas placée dans le logement de la batterie. ■ La batterie ou les circuits de la tondeuse sont trop chauds. (l'indicateur de fonctionnement de la tondeuse s'allume en orange pendant 10 secondes) ■ Les barres latérales ne sont pas déployées à la longueur maximale et les fixations ne sont pas verrouillées en place. ■ Le guidon n'est pas réglé dans l'une des trois positions d'utilisation. ■ Le carénage de la tondeuse est encrassé d'herbe et de débris. 	<ul style="list-style-type: none"> ■ Rechargez la batterie. ■ Insérez la batterie dans la tondeuse, appuyez dessus jusqu'à entendre un déclic. ■ Laissez la batterie ou la tondeuse refroidir jusqu'à ce que sa température devienne inférieure à 67°C. ■ Déployez entièrement le guidon et verrouillez les fixations. ■ Réglez le guidon dans l'une des deux positions d'utilisation. ■ Nettoyez le carénage de la tondeuse et assurez-vous que la lame peut bouger librement.
La tondeuse coupe de façon inégale.	<ul style="list-style-type: none"> ■ Lame émoussée. ■ La hauteur de coupe n'est pas réglée correctement. ■ La lame n'est pas fixée correctement. 	<ul style="list-style-type: none"> ■ Affûtez ou remplacez la lame. ■ Augmentez la hauteur de coupe du carénage. ■ Remontez la lame, en consultant la section « INSTALLATION DE LA LAME » de ce guide.
La tondeuse s'arrête en cours d'utilisation	<ul style="list-style-type: none"> ■ La batterie est déchargée. ■ La tondeuse est surchargée. ■ Le carénage de la tondeuse est encrassé d'herbe et de débris. ■ La batterie ou les circuits de la tondeuse sont trop chauds. (L'indicateur de mise en marche de la tondeuse s'allume en orange pendant 10 secondes.) ■ Les barres latérales du guidon sont légèrement repliées par la force de poussée appliquée sur le guidon. 	<ul style="list-style-type: none"> ■ Rechargez la batterie. ■ Augmentez la hauteur de coupe ou ralentissez le rythme de tonte. ■ Désencrassez le carénage de la tondeuse. Relevez la hauteur de coupe ou coupez une bande plus étroite. ■ Laissez la batterie ou la tondeuse refroidir jusqu'à ce que sa température devienne inférieure à 67°C. ■ Déverrouillez les fixations. Déployez entièrement les barres latérales et verrouillez à nouveau les fixations.

PROBLÈME	CAUSE	SOLUTION
La tondeuse ne déchiquette pas correctement	<ul style="list-style-type: none"> ■ Des brins d'herbe mouillés sont collés sous le carénage. ■ La tondeuse est réglée pour couper trop d'herbe. 	<ul style="list-style-type: none"> ■ Attendez que l'herbe sèche avant de la tondre. ■ Augmentez la hauteur de coupe du carénage.
Vibration excessive	<ul style="list-style-type: none"> ■ La lame de coupe n'est pas bien serrée. ■ La lame est déséquilibrée. ■ La lame de coupe est tordue. ■ Axe du moteur tordu. ■ Le carénage de la tondeuse est encrassé d'herbe et de débris. 	<ul style="list-style-type: none"> ■ Serrez le boulon de la lame. ■ Équilibrez la lame en respectant les instructions. ■ Changez la lame. ■ Contactez le service après-vente. ■ Nettoyez le carénage de la tondeuse et assurez-vous que la lame peut bouger librement.
Impossible de verrouiller les fixations du guidon	<ul style="list-style-type: none"> ■ Les barres latérales ne sont pas entièrement déployées. 	<ul style="list-style-type: none"> ■ Déployez entièrement les barres latérales du guidon, puis reverrouillez les fixations.

GARANTIE

POLITIQUE DE GARANTIE EGO

Visitez le site Web egopowerplus.com pour consulter l'intégralité des conditions de la politique de garantie EGO.

¡LEA TODAS LAS INSTRUCCIONES!

Uso previsto: El producto está previsto para cortar el césped unicamente en jardines particulares. No debe usarse para segar el césped excesivamente alto, seco o la hierba mojada, por ejemplo pastos, ni para triturar hojas.

⚠ ADVERTENCIA: Antes de utilizar esta herramienta, asegúrese de haber leído y entendido perfectamente todas las instrucciones incluidas en este manual del usuario, incluidos todos los símbolos de aviso sobre seguridad, como «PELIGRO», «ADVERTENCIA» y «PRECAUCIÓN». Si no se observan todas las instrucciones que se indican a continuación existe riesgo de incendio, electrocución, así como de lesiones graves.

⚠ ADVERTENCIA: Cuando se utilizan herramientas eléctricas, es posible que salgan despedidos objetos que podrían causar lesiones oculares graves. Antes de empezar a usar herramientas eléctricas, póngase siempre gafas de seguridad, gafas con cristales anti-impacto que cuenten con pantallas de protección lateral o una máscara facial completa. Recomendamos usar una máscara de seguridad de amplia visión que pueda utilizarse encima de gafas graduadas, o bien gafas normales de seguridad equipadas con pantallas laterales.

ES

SÍMBOLOS DE SEGURIDAD



Aviso de seguridad



Para reducir el riesgo de lesiones, el usuario debe leer y comprender el manual del usuario antes de utilizar este producto.



Asegúrese de que las personas y los animales domésticos se mantengan a una distancia mínima de 30 metros de la zona donde se esté utilizando el cortacésped.



Mantenga las manos y los pies apartados.



Las cuchillas siguen girando después de apagar el motor - Quite el dispositivo de bloqueo antes de hacer trabajos de mantenimiento. Desconecte la batería y quítela (o el dispositivo de bloqueo) antes de efectuar ajustes o limpiar la herramienta.



Nivel de potencia acústica garantizado.



Este producto está en conformidad con las directivas de la CE aplicables.



Este producto cumple la legislación aplicable del Reino Unido.



Los productos eléctricos no deben eliminarse con la basura doméstica. Lívelos a un centro de reciclaje autorizado.

IPX4

Protección de nivel 4 contra la penetración de agua

V

Voltio

mm

Milímetro

cm

Centímetro




Tipo o característica de la corriente

kg

Kilogramo

ESPECIFICACIONES

ES

Tensión	56 V 	
Velocidad sin carga	2700 rpm	
Altura de corte	25mm/ 32mm/ 40mm/ 51mm/ 64mm/ 77mm/ 90mm	
Posiciones de la altura de corte	7	
Anchura de corte	52 cm	
Capacidad de la bolsa colectora de hierba	70 l	
Peso del cortacésped (sin batería y bolsa colectora de hierba)	25,1 kg	
Modelo de cuchilla	AB2102D-E	
Temperatura de funcionamiento	de 0°C a 40°C	
Temperatura de almacenamiento	de -20°C a 70°C	
Freno de la cuchilla	Sí	
Nivel de potencia acústica medido L_{WA}	89,8 dB(A) K=3,35 dB(A)	
Nivel de presión acústica medido a la altura del oído del usuario L_{PA}	80,3 dB(A) K=3 dB(A)	
Nivel de potencia acústica garantizado L_{WA} (medido según 2000/14/CE)	93 dB(A)	
Evaluación de la vibración $a_{h,v}$:	Empuñadura izquierda	0,61 m/s ² K=1,5 m/s ²
	Empuñadura derecha	0,54 m/s ² K=1,5 m/s ²

LISTA DEL CONTENIDO (FIG. A1)

DESCRIPCIÓN

FAMILIARÍCESE CON EL CORTACÉSPED (Fig. A1)

1. Interruptor de la autopropulsión
2. Mando de control de la velocidad de la autopropulsión
3. Botón de seguridad
4. Conmutador de los faros tipo LED
5. Abrazadera de bloqueo del manillar
6. Bolsa colectora de hierba

7. Palanca de ajuste rápido
8. Palanca de ajuste de la altura de corte
9. Rueda trasera
10. Rueda delantera
11. Plataforma de corte
12. Empuñadura delantera
13. Faros LED
14. Tapa de la batería
15. Empuñadura trasera
16. Trampilla de descarga trasera
17. Tubo lateral
18. Indicador del estado del cortacésped
19. Interruptor de palanca
20. Mango
21. Soporte para almacenamiento en posición vertical
22. Faldón trasero
23. Botón de liberación de la batería
24. Llave de seguridad

FUNCIONAMIENTO

MONTAJE DE LA BOLSA COLECTORA DE HIERBA

- 1) Deslice la bolsa colectora sobre el bastidor (fig. B).
- 2) Enganche las grapas superiores en el bastidor (fig. C) y, a continuación, enganche las dos grapas laterales. Enganche por último la grapa inferior.
- 3) La bolsa colectora de hierba totalmente montada se muestra en la fig. D.

AVISO: En condiciones normales de uso, el material de la bolsa se desgasta. Para reducir el riesgo de lesiones, examine con frecuencia el conjunto de la bolsa y cámbiela si hay signos de desgaste o deterioro. Utilice únicamente bolsas colectoras fabricadas para este cortacésped.

AJUSTE DEL MANILLAR PLEGABLE

⚠ ADVERTENCIA: No intente poner en marcha el cortacésped hasta que el manillar esté correctamente bloqueado en una de sus tres posiciones de uso predeterminadas (POSICIÓN ALTA DE FUNCIONAMIENTO, POSICIÓN MEDIA DE FUNCIONAMIENTO o POSICIÓN BAJA DE FUNCIONAMIENTO).

El cortacésped se suministra con el manillar en su posición plegada y BLOQUEADA PARA EL ALMACENAMIENTO (fig. E).

- 1) Mantenga presionada la palanca de ajuste rápido para liberar el manillar de la POSICIÓN BLOQUEADA PARA EL ALMACENAMIENTO.
- 2) Levante el manillar de la posición plegada y después suelte la palanca. Con suavidad, eleve el manillar hasta que se oiga y se note que el pasador de bloqueo ha encajado en una de las distintas posiciones, como se muestra en la fig. F.

F-1	Posición para poder colocar o retirar la bolsa colectora de hierba	F-2	Posición bloqueada para almacenamiento
F-3	Posición baja de funcionamiento	F-4	Posición media de funcionamiento
F-5	Posición alta de funcionamiento		

INSTALACIÓN DE LA BOL SA COLECTORA DE HIERBA

⚠ ADVERTENCIA: No realice nunca ajustes en el cortacésped sin parar antes el motor, quitar la llave de seguridad y esperar a que la cuchilla deje de girar.

AVISO: Retire el adaptador para triturado o tolva de descarga lateral antes de colocar la bolsa colectora de hierba en el cortacésped.

■ Cómo instalar o quitar la bolsa colectora de hierba (fig. G)

Inserte el tablero de la bolsa colectora de hierba en el cortacésped y cuelgue la bolsa en el aparato.

AVISO: Retire el adaptador para triturado preinstalado del cortacésped antes de colocar la bolsa colectora de hierba.

■ Cómo instalar o quitar el adaptador para triturado (se vende por separado) (fig. H)

AJUSTE DE LA ALTURA DE CORTE (fig. I)

I-1	Ajuste de la altura de corte mediante la palanca accionada por resorte	I-2	Placa de indicación de la altura de corte
-----	--	-----	---

⚠ ADVERTENCIA: Mantenga los pies apartados de la plataforma de corte al ajustar la altura. El cortacésped puede ajustarse a 8 alturas de corte entre 25 mm y 105 mm. Seleccione la altura de corte adecuada según el tipo y estado de la hierba.

INSTALAR/QUITAR LA BATERÍA (Fig. J)

Utilice únicamente las baterías y cargadores indicados en la fig. A2.

CARGUE LA BATERÍA ANTES DEL PRIMER USO.

⚠ ADVERTENCIA: Si alguna pieza falta o está rota, no intente instalar la batería en el cortacésped ni ponerlo en marcha hasta haber sustituido las piezas rotas o instaladas las que faltan. De lo contrario, podrían producirse lesiones graves.

■ Instalación

Empuje la batería en el compartimento de la batería hasta que se oiga un «clic».

■ Retirada

Pulse el botón de liberación de la batería en el compartimento de la batería.

AVISO: Asegúrese de que la lengüeta del cortacésped enganche en su lugar y la batería esté sujeta en el cortacésped antes de ponerlo en marcha.

PUESTA EN MARCHA Y PARADA DEL CORTACÉSPED (fig. K, L y M)

⚠ ADVERTENCIA: Es posible que, al utilizar el cortacésped, salgan despedidos objetos que podrían causar lesiones oculares graves al usuario y a otras personas. Por lo tanto, lleve siempre gafas de seguridad cuando utilice el cortacésped y cuando realice ajustes o reparaciones.

⚠ ADVERTENCIA: La cuchilla continúa girando durante unos segundos después de haber apagado el cortacésped. Espere a que el motor o la cuchilla hayan dejado de girar antes de volver a poner en marcha el aparato. No encienda y apague rápidamente el cortacésped.

LLAVE DE SEGURIDAD (fig. N)

Para evitar la puesta en marcha accidental o el uso no autorizado del cortacésped inalámbrico, se ha incorporado en su diseño una llave de seguridad extraíble. El cortacésped se desactivará totalmente en cuanto se saque la llave de seguridad.

PELIGRO: Mientras gira, la cuchilla puede provocar lesiones graves. Para evitar lesiones graves, quite la llave de seguridad del cortacésped cuando esté sin vigilancia o cuando vaya a realizar ajustes, limpieza, mantenimiento, transporte, elevación o almacenamiento.

AVISO: No será posible poner en marcha el motor si no se cumple lo siguiente:

- El manillar está bloqueado en una de las tres posiciones de funcionamiento, ver AJUSTE DEL MANILLAR PLEGABLE.
- Los tubos laterales están totalmente extendidos.
- Ambas abrazaderas verdes de bloqueo del manillar están correctamente cerradas.

PRECAUCIÓN: No intente nunca anular la función del botón de seguridad o del interruptor del embrague.

Puesta en marcha (fig. K y L)

- 1) Conecte la batería al cortacésped, inserte la llave de seguridad en la ranura para la llave y cierre la tapa de la batería.
- 2) Presione el botón de seguridad.
- 3) Con el botón de seguridad presionado, tire hacia arriba del interruptor del embrague hasta el manillar y suelte el botón de seguridad.

Parada (fig. M)

- 1) Suelte totalmente el interruptor del embrague.
- 2) El freno eléctrico incorporado en el mecanismo automático de frenado detendrá la rotación de la cuchilla en el transcurso de 3 segundos después de soltar el interruptor del embrague.

FAROS LED (fig. A-13)

Pulse el interruptor (fig. A-4) para encender o apagar los faros LED situados en la parte frontal del compartimento de la batería.

SISTEMA DE AUTOPROPULSIÓN DE VELOCIDAD VARIABLE

El cortacésped LM2130E-SP está equipado con una función de autopropulsión de velocidad variable. Este sistema es independiente del interruptor de encendido/apagado de la cuchilla; no depende del giro de la cuchilla.

Por ejemplo, cuando haya terminado de cortar el césped, puede usar la autopropulsión para propulsar el cortacésped y llevarlo al lugar de almacenamiento sin que gire la cuchilla. También puede decidir utilizar el cortacésped sin la autopropulsión para maximizar el tiempo de funcionamiento de la batería.

Si desea usar el sistema de autopropulsión sin que gire la cuchilla, encienda el mando de control de la velocidad de la autopropulsión, y presione el/los gatillo(s) de la autopropulsión. Hay dos gatillos para la autopropulsión. Presione cualquiera de los gatillos para iniciar la función de autopropulsión (fig. O).

0-1	Mando de control de la velocidad de la autopropulsión	0-2	Gatillo de autopropulsión
-----	---	-----	---------------------------

Para desactivar la autopropulsión, suelte el gatillo de la autopropulsión y apague el mando de control de la velocidad de la autopropulsión.

INDICADOR DEL ESTADO DEL CORTACÉSPED EN EL APARATO (fig. P)

El cortacésped está equipado con un indicador de potencia que señala el nivel de carga de la batería y el estado de funcionamiento del cortacésped. El indicador de potencia se enciende cuando la cuchilla está girando o cuando los faros LED están encendidos.

P-1	Indicador del estado del cortacésped	P-2	Conmutador de los faros tipo LED
-----	--------------------------------------	-----	----------------------------------

Indicador del estado del cortacésped	Significado	Acción
--------------------------------------	-------------	--------

Verde fijo	El cortacésped funciona correctamente; la batería tiene como mínimo el 15 % de su carga total.	No es necesaria ninguna acción.
Parpad-eando en verde	Los tubos laterales no están totalmente extendidos.	Pare el cortacésped y compruebe que los tubos laterales están totalmente extendidos.
	El manillar no está bloqueado en una posición de funcionamiento.	Pare el cortacésped y asegúrese de que el manillar está bloqueado en una posición de funcionamiento.
Parpadeando en rojo	Batería baja.	Apague el cortacésped y cargue la batería.
Naranja fijo	El cortacésped se para debido a que se ha sobrecalentado.	Quite la batería del cortacésped, póngalas a las sombras y deje que se enfríen como mínimo 15 minutos.
Parpa-deando en naranja	El cortacésped se ha sobrecargado.	Quite en primer lugar las baterías y, a continuación, compruebe si se ha acumulado hierba debajo de la cubierta. Dado el caso, limpie. Reduzca el ritmo cuando corte. Si esto no da resultado, póngase en contacto con el servicio de atención al cliente de EGO.
Parpadeando alternativamente en rojo y verde	Error	Póngase en contacto con el servicio de atención al cliente de EGO.
Apagado y LED de la batería parpa-deando	Temperatura excesiva de la batería. (Consulte el apartado « PROTECCIÓN CONTRA SOBRECALENTAMIENTO DE LA BATERÍA » en este manual)	Suelte el interruptor del embrague, espere a que la batería se haya enfriado hasta alcanzar unos 67°C y vuelva a poner en marcha el cortacésped.

PROTECCIÓN CONTRA SOBRECARGA DEL CORTACÉSPED

Para evitar condiciones de sobrecarga, no trate de cortar demasiada cantidad de hierba de una sola pasada. Ralentice el ritmo de corte o eleve la altura de corte.

El cortacésped lleva incorporado un circuito de protección contra sobrecarga. Si el cortacésped se sobrecarga, el motor se parará y el indicador de estado en el cortacésped parpadeará de color naranja. Quite la batería del cortacésped. Compruebe si se ha acumulado hierba debajo de la plataforma y límpiela en caso necesario. A continuación instale la batería y vuelva a arrancar el cortacésped.

PROTECCIÓN CONTRA SOBREALENTAMIENTO DE LA BATERÍA

La batería genera calor durante su funcionamiento. El calor se disipa más despacio cuando hace mucho calor. Si la temperatura de la batería supera los 70°C durante el uso, el circuito de protección apagará inmediatamente el cortacésped para proteger la batería de posibles daños por el calor. El indicador de estado del cortacésped se apagará. Consulte los detalles en el apartado «**PROTECCIÓN DE LA BATERÍA**» del manual del usuario de la batería.

Suelte el interruptor del embrague, espere a que la batería se haya enfriado hasta alcanzar unos 67°C y vuelva a poner en marcha el cortacésped.

MANTENIMIENTO

⚠ ADVERTENCIA: Para evitar lesiones graves, quite siempre la llave de seguridad del cortacésped antes de limpiarlo, de realiza tareas de mantenimiento o de transportarlo.

⚠ ADVERTENCIA: Cuando repare el aparato, utilice solo piezas idénticas a las originales. La utilización de otras piezas podría suponer un peligro o causar daños en el producto. Para garantizar la seguridad y fiabilidad del aparato, las reparaciones y sustituciones debe realizarlas únicamente un técnico cualificado.

MANTENIMIENTO GENERAL

⚠ ADVERTENCIA: Saque siempre la llave de seguridad y la batería antes de reparar o transportar el cortacésped.

Deberá limpiarse la superficie inferior de la plataforma del cortacésped después de cada uso, ya que se acumulan recortes de hierba, hojas, suciedad y otros residuos.

Elimine cualquier acumulación de hierba encima del ventilador del motor o a su alrededor (no utilice agua). Limpie el cortacésped con un paño húmedo.

DESMONTAJE/INSTALACIÓN DE LA CUCHILLA

⚠ ADVERTENCIA: Protégase siempre las manos utilizando guantes gruesos o envolviendo los filos cortantes en paños u otros materiales cuando realice trabajos de mantenimiento en la cuchilla del cortacésped. Quite siempre la batería antes de reparar o transportar el cortacésped.

- Para quitar la cuchilla, consulte la fig. Q.
- **Instalación de la cuchilla**
Siguiendo el orden de montaje indicado en la fig. R, con la cuchilla de ventilador indicando hacia la plataforma y el lado impreso de la cuchilla hacia fuera, alinee los orificios del ventilador con los orificios de la cuchilla (fig. S) y apriete la cuchilla como se muestra en la fig. T.

ALMACENAMIENTO DEL CORTACÉSPED

- Quite la batería del cortacésped y guárdela en un lugar fresco, seco y limpio. No la guarde junto a materiales corrosivos, como fertilizantes o sal gema.
- Almacene el cortacésped en un espacio cubierto, cerrado, fresco y seco, fuera del alcance de niños.
- No cubra el cortacésped con una funda de plástico gruesa. Las fundas de plástico acumulan humedad alrededor del cortacésped, provocando óxido y corrosión.
- El cortacésped se puede guardar en posición vertical u horizontal. (Fig. U y V).

⚠ ADVERTENCIA: Si el cortacésped se inclinar desde la posición vertical, pueden producirse daños o lesiones. Mantenga siempre el cortacésped en una posición estable y fuera del alcance de niños cuando lo almacene verticalmente. Si es posible, almacénelo en posición horizontal.

Protección del medio ambiente



No elimine los aparatos eléctricos como basura sin clasificar. Utilice las instalaciones de recogida de residuos específicas. Póngase en contacto con su ayuntamiento para informarse acerca de los sistemas de recogida disponibles.

Si los aparatos eléctricos acabaran tirándose a vertederos o basureros, podrían desprender sustancias perjudiciales que llegarían a contaminar las capas freáticas y entrar en la cadena alimenticia, con el consecuente peligro para la salud y calidad de vida humana.

SOLUCIÓN DE PROBLEMAS

⚠ ADVERTENCIA: Saque siempre la llave de seguridad y la batería antes de reparar o transportar el cortacésped. Protéjase siempre las manos utilizando guantes gruesos o envolviendo los filos cortantes en paños u otros materiales cuando realice trabajos de mantenimiento en la cuchilla del cortacésped.

ES

PROBLEMA	CAUSA	SOLUCIÓN
El cortacésped no se pone en marcha.	<ul style="list-style-type: none"> ■ La batería está agotada. ■ La batería no está montada en su lugar en el compartimento de la batería. ■ La batería o el circuito del cortacésped se han sobrecalentado. (El indicador de potencia en el cortacésped se encenderá de color naranja durante 10 segundos). ■ Los tubos laterales no están totalmente extendidos y las abrazaderas no están en su posición bloqueada. ■ El manillar no se encuentra en ninguna de las tres posiciones de funcionamiento. ■ La plataforma del cortacésped está obstruida con restos de hierba y suciedad. 	<ul style="list-style-type: none"> ■ Cargue la batería. ■ Conecte la batería al cortacésped y presiónela hasta oír un clic. ■ Espere a que la batería o el cortacésped se hayan enfriado lo suficiente hasta que su temperatura sea inferior a 67°C. ■ Extienda totalmente los tubos laterales del manillar y cierre ambas abrazaderas. ■ Ajuste el manillar a una de las tres posiciones de funcionamiento. ■ Limpie la plataforma del cortacésped y asegúrese de que la cuchilla gira libremente.
El cortacésped no corta de manera uniforme.	<ul style="list-style-type: none"> ■ La cuchilla está embotada. ■ La altura de corte no está correctamente ajustada. ■ La cuchilla no está correctamente instalada. 	<ul style="list-style-type: none"> ■ Afile o sustituya la cuchilla. ■ Eleve la plataforma a una posición que permita una mayor altura de corte. ■ Vuelva a instalar correctamente la cuchilla. Consulte el apartado «MONTAJE DE LA CUCHILLA» que se incluye en este manual.
El cortacésped se detiene durante el uso.	<ul style="list-style-type: none"> ■ La batería está agotada. ■ El cortacésped está sobrecargado. ■ La plataforma del cortacésped está obstruida con restos de hierba y suciedad. ■ La batería o el circuito del cortacésped se han sobrecalentado. (El indicador de potencia en el cortacésped se encenderá de color naranja durante 10 segundos). ■ Los tubos laterales se han plegado ligeramente debido a la fuerza de empuje ejercida en el manillar. 	<ul style="list-style-type: none"> ■ Cargue la batería. ■ Aumente la altura de corte o ralentice su ritmo al cortar la hierba. ■ Retire cualquier acumulación de hierba o suciedad de la plataforma del cortacésped. Aumente la altura de corte o corte una menor anchura de césped. ■ Espere a que la batería o el cortacésped se hayan enfriado lo suficiente hasta que su temperatura sea inferior a 67°C. ■ Abra las abrazaderas de bloqueo. Extienda totalmente los tubos laterales y vuelva a cerrar las abrazaderas para bloquearlas.

PROBLEMA	CAUSA	SOLUCIÓN
El cortacésped no tritura correctamente la hierba.	<ul style="list-style-type: none"> ■ Hay recortes de hierba húmeda adheridos en la superficie inferior de la plataforma de corte. ■ El cortacésped está ajustado para cortar una elevada cantidad de hierba en cada pasada. 	<ul style="list-style-type: none"> ■ Espere a que la hierba esté seca antes de cortar el césped. ■ Eleve la plataforma a una posición que permita una mayor altura de corte.
La herramienta vibra en exceso.	<ul style="list-style-type: none"> ■ La cuchilla está suelta. ■ La cuchilla está desequilibrada. ■ La cuchilla está doblada. ■ El eje del motor está doblado. ■ La plataforma del cortacésped está obstruida con restos de hierba y suciedad. 	<ul style="list-style-type: none"> ■ Apriete el tornillo de fijación de la cuchilla. ■ Equilibre la cuchilla según las instrucciones proporcionadas en el manual. ■ Sustituya la cuchilla por otra nueva. ■ Póngase en contacto con el servicio de asistencia técnica. ■ Limpie la plataforma del cortacésped y asegúrese de que la cuchilla gira libremente.
Resulta imposible cerrar las abrazaderas de bloqueo del manillar en su posición correcta.	<ul style="list-style-type: none"> ■ Los tubos laterales no están totalmente extendidos. 	<ul style="list-style-type: none"> ■ Extienda totalmente los tubos laterales y, a continuación, vuelva a cerrar las abrazaderas para bloquearlas.

GARANTÍA

POLÍTICA DE GARANTÍA DE EGO

Visite la página web egopowerplus.com para conocer los términos y condiciones completos de la política de garantía de EGO.

LEIA TODAS AS INSTRUÇÕES!

Utilização prevista: O produto foi criado para cortar relva apenas em jardins domésticos. Não deve ser utilizada para cortar relva anormalmente alta, seca ou húmida, por exemplo, relva para pastagem ou para destruir folhas.

AVISO: Certifique-se de que lê e compreende todos os avisos de segurança neste manual do utilizador, incluindo todos os símbolos de alerta de segurança, como "**PERIGO**", "**AVISO**" e "**CUIDADO**" antes de usar esta ferramenta. O não cumprimento de todas as instruções apresentadas abaixo pode resultar em choque elétrico, incêndio e/ou lesões pessoais graves.

AVISO: O funcionamento de qualquer ferramenta elétrica pode dar origem ao ressalto de quaisquer objetos estranhos que podem atingir os olhos, podendo dar origem a sérias lesões oculares. Antes de começar a utilizar a ferramenta elétrica, utilize sempre óculos de segurança com proteções laterais e uma proteção completa para o rosto, quando necessário. Recomendamos a utilização de máscaras de segurança com visão panorâmica por cima dos óculos ou óculos de segurança padrão com proteção lateral.

PT

SÍMBOLOS DE SEGURANÇA



Alerta de segurança



Para reduzir o risco de lesões, o utilizador tem de ler e compreender o manual do utilizador antes de utilizar este produto.



Certifique-se de que outras pessoas e animais permanecem a, pelo menos, 30 m da máquina de cortar relva durante a utilização.



Mantenha os pés e mãos afastados.



As lâminas continuam a rodar após desligar o motor. Retire o equipamento de desativação antes de proceder à manutenção. Desligue e retire a bateria (ou dispositivo de desativação) antes de efetuar quaisquer ajustes ou limpeza.



Nível de potência do som garantido.



Este produto encontra-se em conformidade com as diretivas CE aplicáveis.



Este produto está em conformidade com a legislação aplicável do Reino Unido.



Os resíduos elétricos não deverão ser eliminados juntamente com o lixo doméstico comum. Entregue-os num centro de reciclagem autorizado.

IPX4

Proteção contra a entrada de água de grau 4

V Volts

mm Milímetro

cm Centímetro

≡ Tipo ou característica da corrente

kg Quilograma

CARACTERÍSTICAS TÉCNICAS

Voltagem	56 V	
Velocidade sem carga	2700 RPM	
Altura de corte	25mm/ 32mm/ 40mm/ 51mm/ 64mm/ 77mm/ 90mm	
Posições da altura de corte	7	
Largura de corte	52 cm	
Volume do saco de recolha da relva	70 L	
Peso da máquina de cortar relva (sem bateria e sem o saco de recolha da relva)	25,1 kg	
Modelo da lâmina	AB2102D-E	
Temperatura de funcionamento	0°C-40°C	
Temperatura de armazenamento	-20°C-70°C	
Travão da lâmina	SIM	
Nível de potência do som medido L_{WA}	89,8 dB(A) K=3,35 dB(A)	
Nível da pressão do som no ouvido do operador L_{PA}	80,3 dB(A) K=3 dB(A)	
Nível de potência do som garantido L_{MIA} (medido de acordo com a 2000/14/CE)	93 dB(A)	
Avaliação da vibração a_h :	Pega esquerda	0,61 m/s ² K=1,5 m/s ²
	Pega direita	0,54 m/s ² K=1,5 m/s ²

LISTA DE PEÇAS (IMAGEM A1)

DESCRIÇÃO

CONHEÇA A SUA MÁQUINA DE CORTAR RELVA (Imagem A1)

1. Interruptor autopropulsor
2. Manípulo de controlo da velocidade autopropulsor
3. Botão de segurança
4. Botão de ligação das luzes LED
5. Braçadeira de fixação da pega
6. Saco de recolha da relva
7. Alavanca de ajuste rápido
8. Alavanca de ajuste da altura de corte
9. Roda traseira
10. Roda dianteira

11. Base da máquina
12. Pega dianteira
13. Luzes LED
14. Cobertura da bateria
15. Pega traseira
16. Porta de descarga traseira
17. Calha lateral
18. Indicador do estado da máquina
19. Alavanca do interruptor
20. Pega
21. Suporte para armazenamento vertical
22. Proteção posterior
23. Botão de libertação da bateria
24. Chave de segurança

FUNCIONAMENTO

MONTAR O SACO DE RECOLHA DA RELVA

- 1) Faça deslizar o saco de recolha da relva para a estrutura (Imagem B).
- 2) Monte os cliques superiores na estrutura (Imagem C) e, de seguida, monte os dois cliques laterais. Por fim, monte o clipe inferior.
- 3) O saco de recolha da relva completamente montado é apresentado na Imagem D.

AVISO: Numa utilização normal, o material do saco está sujeito a desgaste. Para reduzir o risco de ferimentos, inspecione frequentemente o conjunto do saco e substitua-o se houver sinais de desgaste ou de deterioração. Utilize apenas sacos de recolha da relva fabricados para esta máquina de cortar relva.

AJUSTAR A PEGA DESDOBRÁVEL

AVISO: Não tente ligar a máquina de cortar relva até que a pega esteja bloqueada numa das três posições de funcionamento predefinidas (POSIÇÃO DE FUNCIONAMENTO SUPERIOR, POSIÇÃO DE FUNCIONAMENTO INTERMÉDIA e POSIÇÃO DE FUNCIONAMENTO INFERIOR).

A sua máquina de cortar relva é enviada com a pega na posição compacta, POSIÇÃO DE ARMAZENAMENTO BLOQUEADA (Imagem E).

- 1) Prima e mantenha premida a alavanca de ajuste rápido para libertar a pega da POSIÇÃO DE ARMAZENAMENTO BLOQUEADA.
- 2) Comece por levantar a pega da sua posição dobrada e, de seguida, liberte a alavanca. Rode suavemente a pega para cima até ouvir e sentir a cavilha de fixação a fixar numa de diferentes posições, conforme apresentado na Imagem F.

F-1	Posição de fixação/ remoção do saco de recolha da relva	F-2	Posição de armazenamento bloqueada
F-3	Posição de funcionamento superior	F-4	Posição de funcionamento intermédia
F-5	Posição de funcionamento inferior		

FIXAR O SACO DE RECOLHA DA RELVA

AVISO: Nunca faça qualquer ajuste na máquina de cortar relva sem desligar primeiro o motor e retirar a chave de segurança e esperar que a lâmina pare de rodar.

AVISO: Retire a inserção de adubar ou saída lateral de descarga antes de fixar o saco de recolha da relva na máquina de cortar relva.

■ Fixar/retirar o saco de recolha da relva (Imagem G)

Insira o tabuleiro do saco de recolha da relva na máquina de cortar relva e pendure o saco na máquina.

AVISO: Retire a inserção de adubar pré-instalada da máquina de cortar relva antes de fixar o saco de recolha da relva na máquina de cortar relva.

■ Fixar/Retirar a inserção de adubar (vendida separadamente) (Imagem H)

AJUSTAR A ALTURA DE CORTE (Imagem I)

I-1	Ajuste da altura de corte de mola	I-2	Placa de indicação da altura de corte
-----	-----------------------------------	-----	---------------------------------------

AVISO: Mantenha os pés afastados da cobertura quando ajustar a altura. A máquina de cortar relva pode ser definida para 8 alturas de corte entre 25 mm e 105 mm. Escolha a altura de corte adequada de acordo com os tipos e condições da relva.

FIXAR/RETIRAR A BATERIA (Imagem J)

Utilize apenas com as baterias e carregadores listados na Imagem A2

CARREGUE ANTES DA PRIMEIRA UTILIZAÇÃO

AVISO: Se alguma peça estiver partida ou em falta, não tente fixar a bateria na máquina de cortar relva nem utilizar a máquina até que as peças partidas ou em falta sejam substituídas. Se não o fizer, pode dar origem a ferimentos graves.

Para fixar

Empurre a bateria para o compartimento da bateria até ouvir um "clique".

■ Para retirar

Prima o botão de libertação da bateria no compartimento da bateria.

AVISO: Certifique-se de que a aba na máquina de cortar relva fica fixa, e que a bateria também fica fixa na máquina de cortar relva antes de começar a utilização.

LIGAR/DESLIGAR A MÁQUINA DE CORTAR RELVA (Imagem K, L e M)

AVISO: O funcionamento de qualquer máquina de cortar relva pode dar origem ao ressalto de quaisquer objetos estranhos que podem ser atirados para os olhos, podendo dar origem a sérias lesões óticas. Utilize sempre óculos de segurança enquanto utiliza a máquina de cortar relva ou enquanto efetua quaisquer ajustes ou reparações.

AVISO: A lâmina continua a rodar durante alguns segundos após a máquina de cortar relva ser desligada. Deixe o motor/lâmina pararem por completo antes de voltar a ligar. Não ligue e desligue rapidamente a máquina de cortar relva.

CHAVE DE SEGURANÇA (Imagem N)

De forma a evitar a ligação accidental ou uso não autorizado da sua máquina de cortar relva sem fios, uma chave de segurança removível foi incorporada na conceção da sua máquina de cortar relva. A máquina de cortar relva será completamente desativada quando a chave de segurança tiver sido retirada da máquina de cortar relva.

PERIGO: As lâminas rotativas podem causar ferimentos graves. Para evitar ferimentos graves, retire a chave de segurança quando a máquina de cortar relva não estiver sob vigilância ou ao ajustar, limpar, efetuar a manutenção, transportar, levantar ou armazenar a máquina de cortar relva.

AVISO: O motor não liga, a não ser que:

- A pega esteja fixada numa das três posições de funcionamento. Consulte AJUSTAR A PEGA DESDOBRÁVEL.
- As calhas laterais estejam completamente esticadas
- Ambas as braçadeiras verdes de fixação da pega estejam bem fechadas

CUIDADO: Não tente anular o funcionamento do botão de segurança nem do interruptor de asa.

Para ligar (Imagem K e L)

- 1) Fixe a bateria na máquina de cortar relva, insira a chave de segurança na ranhura de segurança e feche a tampa da bateria.

- 2) Prima o botão de segurança.
- 3) Com o botão de segurança premido, puxe o interruptor de asa para cima para a pega e liberte o botão de segurança.

Parar (Imagem M)

- 1) Liberte por completo o interruptor de asa.
- 2) O travão elétrico do mecanismo de travagem automática pára a rotação da lâmina no espaço de 3 segundos após libertar o interruptor de asa.

LUZES LED (Imagem A-13)

Prima o interruptor (Imagem A-4) para ligar/desligar as luzes LED na frente do compartimento da bateria.

SISTEMA AUTOPROPULSOR DE VELOCIDADE VARIÁVEL

A máquina de cortar relva LM2130E-SP está equipada com capacidade de autopropulsor de velocidade variável. Este sistema é independente do interruptor de ligar/desligar a lâmina. Não depende da rotação da lâmina.

Por exemplo, quando terminar de cortar a relva, pode usar o sistema autopropulsor para levar a máquina de cortar relva de volta para o local de armazenamento sem a rotação da lâmina. Ou pode utilizar a máquina de cortar relva como uma máquina sem sistema autopropulsor para maximizar o tempo de funcionamento da bateria.

Para operar o sistema autopropulsor sem a rotação da lâmina, ligue o manípulo de controlo da velocidade autopropulsor, pressione os gatilhos autopropulsores. Existem dois gatilhos autopropulsores. Prima um dos gatilhos para ligar a função autopropulsora (Imagem O).

0-1	Manípulo de controlo da velocidade autopropulsor	0-2	Gatilho autopropulsor
-----	--	-----	-----------------------

Para desligar o autopropulsor, liberte o gatilho autopropulsor, e desligue o manípulo de controlo da velocidade autopropulsor.

INDICADOR DO ESTADO DA MÁQUINA NA MÁQUINA DE CORTAR RELVA (Imagem P)

A máquina de cortar relva vem equipada com um indicador da energia, para indicar o estado de carregamento da bateria e o estado de funcionamento da máquina de cortar relva. O indicador da energia acende quando a lâmina estiver a rodar ou quando as luzes LED acenderem.

P-1	Indicador do estado da máquina	P-2	Botão de ligação das luzes LED
-----	--------------------------------	-----	--------------------------------

Indicador do estado da máquina	Significado	Ação
Ligado a verde	A máquina de cortar relva está a funcionar corretamente; a bateria tem, pelo menos, 15% da carga.	Nenhuma.
Verde a piscar	As calhas laterais não estão esticadas por completo.	Pare a máquina de cortar relva e certifique-se de que as calhas laterais estão completamente esticadas.
	A pega não está fixada numa posição de funcionamento.	Pare a máquina de cortar relva e certifique-se de que a pega está fixada numa posição de funcionamento.
Vermelho a piscar	Bateria fraca.	Pare a máquina de cortar relva e recarregue a bateria.
Ligado a cor-de-laranja	A máquina de cortar relva pára devido ao sobreaquecimento.	Retire a bateria da máquina de cortar relva, leve-a para a sombra e deixe arrefecer durante, pelo menos, 15 minutos.
Cor-de-laranja a piscar	A máquina de cortar relva está sobrecarregada.	Primeiro, retire a bateria, depois verifique e limpe a base, caso tenha erva por baixo. Abrande o seu ritmo quando cortar. Se isto não funcionar, contacte o centro de apoio ao cliente da EGO.
A piscar alternadamente a vermelho e verde	Erro	Contacte o centro de apoio ao cliente da EGO.
Escuro e LED na bateria a piscar	Sobreaquecimento da bateria. (Consulte a secção “PROTEÇÃO CONTRA A ALTA TEMPERATURA DA BATERIA” neste manual)	Liberte o interruptor, espere que a bateria arrefeça até cerca de 67 °C, depois volte a ligar a máquina de cortar relva.

PROTEÇÃO CONTRA SOBRECARGAS DA MÁQUINA DE CORTAR RELVA

Para evitar condições de sobrecarga, não tente cortar demasiada relva de uma vez. Abrande o ritmo de corte ou aumente a altura de corte.

PT

A sua máquina de cortar relva possui um circuito de proteção contra sobrecargas incorporado. Quando a máquina de cortar relva estiver sobrecarregada, o motor pára e o indicador do estado da máquina pisca a cor-de-laranja. Retire a bateria da máquina de cortar relva. Verifique se a relva foi recolhida sob a cobertura e limpe-a se necessário. Depois instale a bateria e reinicie a máquina de cortar relva.

PROTEÇÃO CONTRA ALTA TEMPERATURA DA BATERIA

A bateria gera calor durante o funcionamento. O calor dissipa-se mais lentamente com tempo quente. Se a temperatura da bateria exceder os 70 °C durante o funcionamento, o circuito de proteção desliga imediatamente a máquina de cortar relva para proteger a bateria de danos de calor. O indicador do estado da máquina de cortar relva desliga-se. Para mais detalhes, consulte a secção “PROTEÇÃO DA BATERIA” no manual do operador da bateria.

Liberte o interruptor, espere que a bateria arrefeça até cerca de 67 °C, depois volte a ligar a máquina de cortar relva.

MANUTENÇÃO

AVISO: Para evitar lesões pessoais sérias, retire sempre a chave de segurança da máquina de cortar relva antes de limpar, efetuar qualquer manutenção ou transportar a máquina de cortar relva.

AVISO: Quando fizer reparações, utilize apenas peças de substituição idênticas. A utilização de outras peças pode dar origem a perigos ou danos no produto. Para assegurar a segurança e bom funcionamento, todas as reparações e substituições deverão ser efetuadas por um técnico de reparação qualificado.

MANUTENÇÃO GERAL

AVISO: Retire sempre a chave de segurança e a bateria ao efetuar a manutenção ou transportar a máquina de cortar relva.

A parte inferior da cobertura da máquina de cortar relva deve ser limpa após cada utilização, pois os restos de relva, folhas, sujidades e outros resíduos podem ficar acumulados.

Retire quaisquer resíduos de relva em redor da ventoinha do motor (não utilize água). Limpe a máquina de cortar relva com um pano humedecido.

RETIRAR/INSTALAR A LÂMINA

AVISO: Proteja sempre as suas mãos usando luvas resistentes ou embrulhando as extremidades de corte com trapos ou com outros materiais quando efetuar qualquer manutenção na lâmina da máquina de cortar relva. Retire sempre a bateria quando reparar ou transportar a máquina de cortar relva.

■ Retirar a lâmina de acordo com a Imagem Q.

■ Instalar a lâmina

Na sequência de montagem em Imagem R, com a lâmina da ventoinha virada para a cobertura e o lado impresso da lâmina virado para fora, alinhe os orifícios de passagem na ventoinha com os orifícios na lâmina (Imagem S) e depois aperte a lâmina conforme apresentado na Imagem T.

GUARDAR A MÁQUINA DE CORTAR RELVA

■ Retire a bateria da máquina de cortar relva e armazene num local fresco, seco e limpo. Não guarde perto de materiais corrosivos, como fertilizante ou sal grosso.

■ Armazene a máquina de cortar relva num espaço coberto e fechado, fresco e seco, e fora do alcance das crianças.

■ Não cubra a máquina de cortar relva com um plástico sólido. As coberturas de plástico prendem a humidade em volta da máquina de cortar relva, provocando corrosão e ferrugem.

■ A máquina de cortar relva pode ser armazenada na vertical ou na horizontal. (Imagem U e V).

AVISO: Se a máquina de cortar relva se inclinar, isso pode dar origem a danos na máquina ou ferimentos pessoais. Mantenha sempre a máquina de cortar relva estável e fora do alcance de crianças quando estiver na vertical. Se possível, deite-a para armazenamento.

Proteção do ambiente



Não elimine aparelhos elétricos juntamente com o lixo doméstico comum. Utilize sistemas de recolha em separado para este tipo de produtos.

Contacte as autoridades locais para se informar quanto aos sistemas de recolha disponíveis.

Se os equipamentos elétricos forem eliminados em aterros ou lixeiras, substâncias perigosas podem vaziar para os lençóis freáticos e entrar na cadeia de alimentação, danificando a sua saúde e bem-estar.

RESOLUÇÃO DE PROBLEMAS

⚠ AVISO: Retire sempre a chave de segurança e a bateria ao efetuar a manutenção ou transportar a máquina de cortar relva. Proteja sempre as suas mãos usando luvas resistentes ou embrulhando as extremidades de corte com trapos ou com outros materiais quando efetuar qualquer manutenção na lâmina da máquina de cortar relva.

PT

PROBLEMA	CAUSA	SOLUÇÃO
A máquina de cortar relva não liga.	<ul style="list-style-type: none"> ■ A bateria está gasta. ■ A bateria não está montada no local do compartimento da bateria. ■ A bateria ou circuito da máquina de cortar relva está demasiado quente. (O indicador da energia na máquina de cortar relva acende a cor-de-laranja durante 10 segundos) ■ As calhas laterais não estão esticadas ao máximo e as braçadeiras não estão bloqueadas na respetiva posição. ■ A pega não está fixada numa das três posições de funcionamento. ■ A cobertura da máquina de cortar relva está obstruída com relva e resíduos. 	<ul style="list-style-type: none"> ■ Carregue a bateria. ■ Fixe a bateria na máquina de cortar relva e pressione até ouvir um clique. ■ Deixe a bateria ou a máquina de cortar relva arrefecer até que a temperatura desça abaixo dos 67°C. ■ Estique por completo a pega e fixe ambas as braçadeiras. ■ Ajuste a pega numa das três posições de funcionamento. ■ Limpe a cobertura da máquina de cortar relva e certifique-se de que a lâmina gira livremente.
A máquina de cortar relva corta de um modo pouco uniforme.	<ul style="list-style-type: none"> ■ A lâmina não está afiada. ■ A altura de corte não foi definida corretamente. ■ A lâmina foi montada incorretamente. 	<ul style="list-style-type: none"> ■ Afie ou substitua a lâmina. ■ Levante a cobertura para uma altura de corte superior. ■ Volte a montar a lâmina, tendo em conta a secção "INSTALAR A LÂMINA" neste manual.
A máquina de cortar relva para enquanto corta relva.	<ul style="list-style-type: none"> ■ A bateria está gasta. ■ A máquina de cortar relva está em sobrecarga. ■ A cobertura da máquina de cortar relva está obstruída com relva e resíduos. ■ A bateria ou circuito da máquina de cortar relva está demasiado quente. (O indicador da energia na máquina de cortar relva acende a cor-de-laranja durante 10 segundos.) ■ A calha lateral está um pouco retraída pela força aplicada na pega. 	<ul style="list-style-type: none"> ■ Carregue a bateria. ■ Aumente a altura de corte ou abra enquanto corta relva. ■ Elimine a obstrução na cobertura da máquina de cortar relva. Aumente a altura de corte ou corte de um modo mais estreito. ■ Deixe a bateria ou a máquina de cortar relva arrefecer até que a temperatura desça abaixo dos 67 °C. ■ Desbloqueie as braçadeiras. Estique por completo as calhas laterais e volte a fixar as braçadeiras.

PROBLEMA	CAUSA	SOLUÇÃO
A máquina de cortar relva não aduba corretamente.	<ul style="list-style-type: none">■ Existe relva molhada colada na parte inferior da cobertura.■ A máquina de cortar relva está definida para cortar demasiada relva de uma única vez.	<ul style="list-style-type: none">■ Espere que a relva seque antes de cortar.■ Levante a cobertura para uma altura de corte superior.
Há muita vibração.	<ul style="list-style-type: none">■ A lâmina de corte está solta.■ A lâmina de corte está desequilibrada.■ A lâmina de corte está dobrada.■ O eixo do motor está dobrado.■ A cobertura da máquina de cortar relva está obstruída com relva e resíduos.	<ul style="list-style-type: none">■ Aperte o parafuso da lâmina.■ Equilibre a lâmina, tendo em conta as instruções.■ Substitua a lâmina.■ Contacte o centro de reparação.■ Limpe a cobertura da máquina de cortar relva e certifique-se de que a lâmina gira livremente.
As braçadeiras de fixação da pega não podem ser fechadas na respetiva posição.	<ul style="list-style-type: none">■ As calhas laterais não estão esticadas por completo.	<ul style="list-style-type: none">■ Estique por completo as calhas laterais e volte a fixar as braçadeiras.

GARANTIA

POLÍTICA DE GARANTÍA DE EGO

Visite o website egopowerplus.com para os termos e condições completos da política de garantia da EGO.

LEGGERE TUTTE LE ISTRUZIONI!

Destinazione d'uso: il prodotto è destinato al taglio dell'erba esclusivamente in giardini domestici. Non deve essere usato per tagliare erba particolarmente alta, asciutta o bagnata, come quella dei pascoli, né per triturare foglie.

AVVERTENZA! Accertarsi di aver letto e compreso tutte le istruzioni di sicurezza in questo manuale, inclusi tutti i simboli di avvertenza come "**PERICOLO**", "**AVVERTENZA**" e "**ATTENZIONE**", prima di usare questo apparecchio. Il mancato rispetto di tutte le istruzioni elencate di seguito comporta il rischio di scossa elettrica, incendio e/o lesioni gravi.

AVVERTENZA! L'uso di apparecchi elettrici può causare il lancio di oggetti estranei verso l'operatore, con il rischio di lesioni gravi agli occhi. Durante l'uso dell'apparecchio, indossare sempre occhiali protettivi o occhiali di sicurezza con protezioni laterali e, se necessario, una maschera facciale. Si raccomanda di indossare una maschera di sicurezza con ampio campo visivo sopra gli occhiali o occhiali di sicurezza standard con protezioni laterali.

IT

SIMBOLI DI SICUREZZA



Avvertenza di sicurezza



Per ridurre il rischio di infortunio, l'utente deve leggere e comprendere tutte le istruzioni prima di usare questo prodotto.



Assicurarsi che eventuali altre persone e animali rimangano ad almeno 30 m di distanza dal tosaerba quando è in funzione.



Tenere mani e piedi a distanza.



Le lame continuano a ruotare dopo lo spegnimento del motore - Rimuovere il dispositivo di alimentazione prima delle operazioni di manutenzione. Spegnerne e rimuovere il gruppo batteria prima di effettuare operazioni di regolazione o pulizia.



Livello di potenza sonora garantito



Questo prodotto è conforme alle direttive europee applicabili.



Questo prodotto è conforme alla legislazione britannica pertinente.



I prodotti elettrici non devono essere smaltiti insieme ai rifiuti domestici. Portarli presso un centro di riciclaggio autorizzato.

IPX4

Protezione contro l'ingresso di acqua di livello 4

V Volt

mm Millimetro

cm Centimetro

≡ Tipo o caratteristica della corrente

kg Chilogrammo

SPECIFICHE TECNICHE

Tensione	56 V 	
Velocità a vuoto	2700 rpm	
Altezza di taglio	25mm/ 32mm/ 40mm/ 51mm/ 64mm/ 77mm/ 90mm	
Numero di posizioni altezza di taglio	7	
Ampiezza di taglio	52 cm	
Volume del contenitore dell'erba	70 L	
Peso del tosaerba (senza gruppo batteria e contenitore dell'erba)	25,1 kg	
Modello della lama	AB2102D-E	
Temperatura operativa	Da 0°C a 40°C	
Temperatura di conservazione	Da -20°C a 70°C	
Freno lama	Sì	
Livello di potenza sonora misurato L_{WA}	89,8 dB(A) K=3,35 dB(A)	
Livello di pressione sonora a livello dell'orecchio dell'operatore L_{PA}	80,3 dB(A) K=3 dB(A)	
Livello di potenza sonora garantito L_{WA} (misurato conformemente a 2000/14/EC)	93 dB(A)	
Valore di vibrazioni a_{hh}	Impugnatura sinistra	0,61 m/s ² K=1,5 m/s ²
	Impugnatura destra	0,54 m/s ² K=1,5 m/s ²

CONTENUTO DELL'IMBALLAGGIO (FIG. A1)

DESCRIZIONE

DESCRIZIONE DEL TOSAERBA (Fig. A1)

1. Interruttore di avanzamento automatico
2. Manopola di controllo della velocità di avanzamento automatico
3. Pulsante di sicurezza
4. Interruttore dei fanali LED
5. Morsetto di bloccaggio del manubrio
6. Contenitore dell'erba
7. Leva di regolazione rapida
8. Leva di regolazione dell'altezza di taglio

9. Ruota posteriore
10. Ruota anteriore
11. Unità tosaerba
12. Impugnatura anteriore
13. Fanali LED
14. Coperchio della batteria
15. Impugnatura posteriore
16. Sportello dello scarico posteriore
17. Binario laterale
18. Indicatore dello stato del tosaerba
19. Interruttore a barra
20. Manubrio
21. Supporto per posizionamento verticale
22. Paraspruzzi posteriore
23. Pulsante di rilascio della batteria
24. Chiave di sicurezza

UTILIZZO

ASSEMBLAGGIO DEL CONTENITORE DELL'ERBA

- 1) Fare scorrere il contenitore dell'erba sul telaio (Fig. B).
- 2) Assemblare i fermagli superiori sul telaio (Fig. C), quindi assemblare i due fermagli laterali. Assemblare per ultimo il fermaglio inferiore.
- 3) Il contenitore dell'erba completamente assemblato è mostrato in Fig. D.

NOTA: in condizioni d'uso normali, il materiale del contenitore è soggetto a usura. Per ridurre il rischio di lesioni, ispezionare frequentemente il contenitore e sostituirlo se presenta segni di usura o deterioramento. Usare esclusivamente contenitore per l'erba progettati per questo tosaerba.

REGOLAZIONE DEL MANUBRIO PIEGHEVOLE

AVVERTENZA! Non tentare di avviare il tosaerba finché il manubrio non è stato bloccato in una delle tre posizioni operative predefinite (POSIZIONE OPERATIVA SUPERIORE, POSIZIONE OPERATIVA INTERMEDIA o POSIZIONE OPERATIVA INFERIORE).

Il tosaerba è consegnato con il manubrio in POSIZIONE CHIUSA (Fig. E).

- 1) Tenere premuta la leva di regolazione rapida per sbloccare il manubrio dalla POSIZIONE RIEPIGATA.
- 2) Sollevare il manubrio dalla posizione ripiegata, quindi rilasciare la leva. Ruotare delicatamente il manubrio verso l'alto fino a sentire il perno che scatta in una delle diverse posizioni, come illustrato in Fig. F.

F-1	Posizione di aggancio/ rimozione del contenitore dell'erba	F-2	Posizione ripiegata
-----	--	-----	---------------------

F-3	Posizione operativa superiore	F-4	Posizione operativa intermedia
F-5	Posizione operativa inferiore		

INSTALLAZIONE DEL CONTENITORE DELL'ERBA

AVVERTENZA! Non regolare mai il tosaerba senza aver prima arrestato il motore, rimosso la chiave di sicurezza e atteso il completo arresto della lama.

NOTA: Rimuovere l'accessorio per pacciamatura o lo scivolo di scarico laterale prima di installare il contenitore dell'erba sul tosaerba.

- **Installazione e rimozione del contenitore dell'erba (Fig. G)**

Inserire il bordo del contenitore dell'erba nel tosaerba e appendere il contenitore sul tosaerba.

NOTA: rimuovere l'accessorio per pacciamatura pre-installato prima di installare il contenitore dell'erba sul tosaerba.

- **Installazione e rimozione dell'accessorio per pacciamatura (venduto separatamente) (Fig. H)**

REGOLAZIONE DELL'ALTEZZA DI TAGLIO (Fig. I)

I-1	Leva di regolazione dell'altezza di taglio	I-2	Piastra di indicazione dell'altezza di taglio
-----	--	-----	---

AVVERTENZA! Tenere i piedi distanti dal tosaerba durante la regolazione dell'altezza. Il tosaerba è dotato di 8 altezze di taglio, da 25 mm a 105 mm. Selezionare l'altezza di taglio più adatta al tipo e alle condizioni dell'erba.

INSTALLAZIONE E RIMOZIONE DEL GRUPPO BATTERIA (Fig. J)

Usare l'apparecchio esclusivamente con i gruppi batteria e i caricabatteria elencati in Fig. A2.

RICARICARE LA BATTERIA PRIMA DEL PRIMO UTILIZZO.

AVVERTENZA! In caso di componenti danneggiati o mancanti, non tentare di installare il gruppo batteria sul tosaerba e non usare il tosaerba finché le parti danneggiate o mancanti sono state sostituite per evitare il rischio di lesioni gravi.

- **Installazione**

Spingere il gruppo batteria nel vano batteria fino a udire un "clic".

- **Rimozione**

Premere il pulsante di rilascio della batteria nel vano batteria.

NOTA: accertarsi che il dispositivo di chiusura sul tosaerba si incastri in posizione e che il gruppo batteria sia fissato al tosaerba prima di iniziare il lavoro.

AVVIO E ARRESTO DEL TOSAERBA (Fig. K, L e M)

AVVERTENZA! L'uso del tosaerba può causare il lancio di oggetti estranei verso l'operatore o altre persone, con il rischio di lesioni gravi agli occhi. Indossare sempre occhiali di sicurezza durante l'uso, la regolazione o la riparazione del tosaerba.

AVVERTENZA! La lama continua a ruotare per qualche secondo dopo lo spegnimento del tosaerba. Attendere che il motore/lama smetta di ruotare prima di riavviarlo. Non accendere e spegnere il tosaerba in rapida successione.

CHIAVE DI SICUREZZA (Fig. N)

Per evitare l'avvio accidentale o non autorizzato del tosaerba, nel design del tosaerba è stata incorporata una chiave di sicurezza removibile. Il tosaerba sarà completamente disattivato dopo aver rimosso la chiave di sicurezza.

PERICOLO! Le lame rotanti possono causare lesioni gravi. Per evitare lesioni gravi, rimuovere la chiave di sicurezza prima di lasciare il tosaerba incustodito o durante le operazioni di regolazione, pulizia, riparazione, trasporto, sollevamento o rimessaggio del tosaerba.

NOTA: affinché il motore possa essere avviato devono essere soddisfatte le seguenti condizioni.

- Il manubrio è bloccato in una delle tre posizioni operative (consultare la sezione REGOLAZIONE DEL MANUBRIO PIEGHEVOLE).
- I binari laterali sono completamente estesi.
- entrambi i morsetti verdi di bloccaggio del manubrio sono chiusi saldamente.

ATTENZIONE! Non tentare di disabilitare il funzionamento del pulsante di sicurezza e dell'interruttore a barra.

Avvio (Fig. K e L)

- 1) Installare il gruppo batteria sul tosaerba, inserire la chiave di sicurezza nell'apposita fessura e chiudere il coperchio del vano batteria.
- 2) Premere il pulsante di sicurezza.
- 3) Tenendo premuto il pulsante di sicurezza, tirare l'interruttore a barra verso il manubrio e rilasciare il pulsante di sicurezza.

Arresto (Fig. M)

- 1) Rilasciare completamente l'interruttore a barra.
- 2) Il freno elettrico del meccanismo di freno automatico arresterà la rotazione della lama entro 3 secondi dal rilascio dell'interruttore a barra.

FANALI LED (Fig. A-13)

Premere l'interruttore (Fig. A-4) per accendere o spegnere i fanali LED situati sulla parte anteriore del vano batteria.

SISTEMA DI AVANZAMENTO AUTOMATICO A VELOCITÀ VARIABILE

Il tosaerba LM2130E-SP è dotato di un sistema di avanzamento automatico a velocità variabile. Il sistema è indipendente dall'interruttore della lama; non dipende dalla rotazione della lama.

Ad esempio, dopo aver terminato di tagliare il prato, è possibile usare il sistema di avanzamento automatico per portare il tosaerba nel luogo di stoccaggio senza la rotazione della lama. Oppure è possibile usare il tosaerba senza la funzione di avanzamento automatico per massimizzare l'autonomia della batteria.

Per usare il sistema di avanzamento automatico senza la rotazione della lama, ruotare la manopola di controllo della velocità di avanzamento automatico e premere uno dei due interruttori di avanzamento automatico (Fig. O).

O-1	Manopola di controllo della velocità di avanzamento automatico	O-2	Interruttore di avanzamento automatico
-----	--	-----	--

Per disattivare l'avanzamento automatico, rilasciare l'interruttore di avanzamento automatico e ruotare la manopola di controllo della velocità di avanzamento automatico fino in fondo.

INDICATORE DI STATO DEL TOSAERBA (Fig. P)

Il tosaerba è dotato di un indicatore di carica che segnala il livello di carica del gruppo batteria e lo stato operativo del tosaerba. L'indicatore si illumina quando la lama è in rotazione o quando i fanali LED sono accesi..

P-1	Indicatore dello stato del tosaerba	P-2	Interruttore dei fanali LED
-----	-------------------------------------	-----	-----------------------------

Indicatore dello stato del tosaerba	Significato	Azione
Verde fisso	Il tosaerba funziona correttamente; la batteria è carica per almeno il 15%	Nessuna azione necessaria.

Verde lampeggiante	I binari laterali non sono completamente estesi.	Arrestare il tosaerba e assicurarsi che i binari laterali siano completamente estesi.
	Il manubrio non è bloccato in posizione operativa.	Arrestare il tosaerba e assicurarsi che il manubrio sia bloccato in posizione operativa.
Rosso lampeggiante	Batteria quasi scarica.	Arrestare il tosaerba e ricaricare il gruppo batteria.
Arancione fisso	Il tosaerba si è arrestato per surriscaldamento.	Rimuovere la batteria dal tosaerba, spostarla in un luogo all'ombra e lasciarla raffreddare per almeno 15 minuti
Arancione lampeggiante	Il motore è sovraccarico.	Rimuovere il gruppo batteria, quindi rimuovere l'eventuale accumulo di erba sulla parte posteriore dell'unità principale. Rallentare la velocità di avanzamento del tosaerba durante il taglio. Se il problema persiste, contattare il servizio clienti EGO.
Verde e rosso alternati lampeggianti	Errore	Contattare il servizio clienti EGO.
Spento; l'indicatore sulla batteria lampeggia	Surriscaldamento della batteria (consultare la sezione "PROTEZIONE CONTRO IL SURRISCALDAMENTO DELLA BATTERIA" in questo manuale).	Rilasciare l'interruttore a barra, attendere che la temperatura del gruppo batteria scenda fino a circa 67°C, quindi riavviare il tosaerba.

PROTEZIONE CONTRO IL SOVRACCARICO

Per evitare danni causati da condizioni di sovraccarico, non tentare di tagliare troppa erba in una sola volta. Rallentare la velocità di taglio o aumentare l'altezza di taglio.

Il tosaerba è dotato di un circuito di protezione integrato contro il sovraccarico. Se il tosaerba è sovraccarico, il motore si arresterà e l'indicatore di stato sul tosaerba lampeggerà di arancione. Rimuovere il gruppo batteria dal tosaerba. Controllare se l'erba si è accumulata sotto l'unità tosaerba e rimuoverla se necessario, quindi installare la batteria e riavviare il tosaerba.

PROTEZIONE CONTRO IL SURRISCALDAMENTO DELLA BATTERIA

Il gruppo batteria genera calore quando il tosaerba è in funzione. Il calore si dissipa più lentamente in ambienti caldi. Se la temperatura della batteria supera i 70°C quando il tosaerba è in funzione, il circuito di protezione arresterà immediatamente il tosaerba per evitare che il gruppo batteria subisca danni. L'indicatore di stato sul tosaerba si spegnerà; per maggiori dettagli, consultare la sezione "PROTEZIONE DELLA BATTERIA" del manuale di istruzioni della batteria.

Rilasciare l'interruttore a barra, attendere che la temperatura del gruppo batteria scenda fino a circa 67°C, quindi riavviare il tosaerba.

MANUTENZIONE

AVVERTENZA! Per evitare lesioni gravi, rimuovere sempre la chiave di sicurezza dal tosaerba prima delle operazioni di pulizia, manutenzione o trasporto del tosaerba.

AVVERTENZA! Per la riparazione dell'apparecchio, usare esclusivamente parti di ricambio identiche. L'uso di altri ricambi comporta situazioni pericolose o il rischio di danni all'apparecchio. Per garantire sicurezza e affidabilità, tutte le riparazioni e sostituzioni devono essere eseguite da un tecnico qualificato.

MANUTENZIONE GENERALE

AVVERTENZA! Rimuovere sempre la chiave di sicurezza e il gruppo batteria durante la riparazione o il trasporto del tosaerba.

Pulire la parte inferiore del tosaerba dopo ogni utilizzo per evitare l'accumulo di erba tagliata, foglie, sporcizia e altri detriti.

Rimuovere gli eventuali accumuli di erba sopra o intorno alla ventola del motore (non usare acqua). Pulire la superficie con un panno umido.

RIMOZIONE E INSTALLAZIONE DELLA LAMA

AVVERTENZA! Proteggere sempre le proprie mani indossando guanti robusti o avvolgendo i bordi di taglio con stracci o altri materiali durante le operazioni di manutenzione sulla lama del tosaerba. Rimuovere sempre il gruppo batteria durante la riparazione o il trasporto del tosaerba.

■ **Rimozione della lama: come illustrato in Fig. Q**

■ **Installazione della lama**

Seguendo la sequenza di assemblaggio illustrata in Fig. R, con la ventola rivolta verso l'unità tosaerba e il lato stampato della lama rivolto verso l'esterno, allineare i fori nella ventola con i fori nella lama (Fig. S), quindi serrare la lama come illustrato in Fig. T.

CONSERVAZIONE DEL TOSAERBA

- Rimuovere il gruppo batteria dal tosaerba e riporlo in un luogo pulito, fresco e asciutto. Non conservarlo in prossimità di sostanze corrosive, ad esempio fertilizzante o sale.
- Conservare il tosaerba in uno spazio coperto e chiuso, fresco e asciutto, fuori dalla portata dei bambini.
- Non coprire il tosaerba con teli cerati. I teli cercati intrappolano l'umidità intorno al tosaerba, favorendo la formazione di ruggine e corrosioni.
- Il tosaerba può essere conservato in posizione verticale o orizzontale (Fig. U e V).

AVVERTENZA! Se il tosaerba si inclina quando è in posizione verticale può causare danni o lesioni. Stabilizzare sempre il tosaerba quando è in posizione verticale e tenerlo fuori dalla portata dei bambini. Se possibile, conservarlo in posizione piana.

Protezione dell'ambiente



Non smaltire gli apparecchi elettrici insieme ai rifiuti indifferenziati, ma portarli presso gli appositi punti di raccolta.

Rivolgersi alle autorità locali per informazioni sui sistemi di raccolta disponibili.

Se gli apparecchi elettrici vengono smaltiti nelle discariche, le sostanze pericolose possono infiltrarsi nelle falde acquifere e contaminare la catena alimentare, con effetti dannosi sulla salute e il benessere.

RISOLUZIONE DEI PROBLEMI

⚠ AVVERTENZA! Rimuovere sempre la chiave di sicurezza e il gruppo batteria durante la riparazione o il trasporto del tosaerba. Proteggere sempre le proprie mani indossando guanti robusti o avvolgendo i bordi di taglio con stracci o altri materiali durante le operazioni di manutenzione sulla lama del tosaerba.

IT

PROBLEMA	CAUSA	SOLUZIONE
Il tosaerba non si avvia	<ul style="list-style-type: none"> ■ Il gruppo batteria è scarico. ■ Il gruppo batteria non è installato correttamente nel vano batteria. ■ La temperatura del gruppo batteria o del tosaerba è troppo elevata (l'indicatore sul tosaerba si illumina di arancione per 10 secondi). ■ I binari laterali non sono estesi alla lunghezza massima e i morsetti non sono bloccati in posizione. ■ Il manubrio non è impostato in una delle tre posizioni operative. ■ Il tosaerba è ostruito da erba e detriti. 	<ul style="list-style-type: none"> ■ Ricaricare il gruppo batteria. ■ Spingere il gruppo batteria nel vano batteria fino a udire un "clic". ■ Attendere che la temperatura del gruppo batteria o del tosaerba scenda al di sotto di 67°C. ■ Estendere completamente il manubrio e bloccare entrambe i morsetti. ■ Impostare il manubrio in una delle tre posizioni operative. ■ Pulire il tosaerba e assicurarsi che la lama sia libera di muoversi.
Il tosaerba non taglia in modo uniforme	<ul style="list-style-type: none"> ■ La lama è smussata. ■ L'altezza di taglio non è adeguata. ■ La lama è assemblata in modo errato. 	<ul style="list-style-type: none"> ■ Affilare o sostituire la lama. ■ Aumentare l'altezza di taglio. ■ Riassemblare la lama seguendo le istruzioni alla sezione "INSTALLAZIONE DELLA LAMA" di questo manuale.
Il tosaerba si arresta durante l'uso	<ul style="list-style-type: none"> ■ Il gruppo batteria è scarico. ■ Il tosaerba è sovraccarico. ■ Il tosaerba è ostruito da erba e detriti. ■ La temperatura del gruppo batteria o del tosaerba è troppo elevata (l'indicatore sul tosaerba si illumina di arancione per 10 secondi). ■ I binari laterali sono leggermente ritratti a causa della forza esercitata sul manubrio. 	<ul style="list-style-type: none"> ■ Ricaricare il gruppo batteria. ■ Ridurre la velocità o aumentare l'altezza di taglio. ■ Pulire il tosaerba. Aumentare l'altezza di taglio o ridurre la quantità di erba tagliata. ■ Attendere che la temperatura del gruppo batteria o del tosaerba scenda al di sotto di 67°C. ■ Sbloccare i morsetti. Estendere completamente i binari laterali e bloccare nuovamente i morsetti.

PROBLEMA	CAUSA	SOLUZIONE
Il tosaerba non esegue una corretta pacciamatura	<ul style="list-style-type: none"> ■ Sulla parte inferiore del tosaerba rimangono incollati pezzi di erba bagnata. ■ Il tosaerba è regolato sul taglio di troppa erba in una sola volta. 	<ul style="list-style-type: none"> ■ Attendere che l'erba si asciughi prima di tagliarla. ■ Aumentare l'altezza di taglio.
Vibrazioni eccessive	<ul style="list-style-type: none"> ■ La lama di taglio è allentata. ■ La lama di taglio non è bilanciata. ■ La lama di taglio è piegata. ■ L'albero di comando è piegato. ■ Il tosaerba è ostruito da erba e detriti. 	<ul style="list-style-type: none"> ■ Serrare il bullone della lama. ■ Bilanciare la lama conformemente alle istruzioni. ■ Sostituire la lama. ■ Contattare il centro di assistenza. ■ Pulire il tosaerba e assicurarsi che la lama sia libera di muoversi.
Non è possibile chiudere i morsetti di bloccaggio del manubrio	<ul style="list-style-type: none"> ■ I binari laterali non sono completamente estesi. 	<ul style="list-style-type: none"> ■ Estendere completamente i binari laterali, quindi bloccare i morsetti.

IT

GARANZIA

CONDIZIONI DELLA GARANZIA EGO

Visitare il sito web egopowerplus.com per consultare le condizioni complete della garanzia EGO.

LEES ALLE INSTRUCTIES!

Beoogd gebruik: Het beoogd gebruik is uitsluitend het maaien van gras in de tuin van woonhuizen. Hij mag niet worden gebruikt voor het maaien van buitengewoon hoog, droog of nat gras, bijv. weilanden; of om bladeren klein te maken.

⚠ WAARSCHUWING: Lees en begrijp alle veiligheidsinstructies die in deze gebruiksaanwijzing staan vermeld, waaronder alle veiligheidssymbolen zoals “GEVAAR,” “WAARSCHUWING,” en “OPGELET” voordat u dit gereedschap in gebruik neemt. Het negeren van onderstaande instructies kan leiden tot een elektrische schok, brand en/of ernstig persoonlijk letsel.

NL

⚠ WAARSCHUWING: De werking van elektrisch gereedschap kan leiden tot het rondslingeren van vreemde objecten die in uw ogen kunnen terechtkomen. Dit kan leiden tot ernstig oogletsel. Wanneer u elektrisch gereedschap gebruikt, zorg er dan voor dat u altijd een veiligheidsbril (met zijschermen) of een gelaatsscherm draagt. We bevelen aan om een gelaatsscherm over uw bril of standaard veiligheidsbril met zijschermen te gebruiken.

VEILIGHEIDSSYMBOLEN



Veiligheidswaarschuwing



De gebruiker dient de gebruiksaanwijzing voor het gebruik van dit product te lezen en te begrijpen om risico op letsel te beperken.



Zorg dat andere personen en huisdieren zich op minstens 30 meter van de grasmaaier bevinden wanneer u hem gebruikt.



Houd uw voeten en handen uit de buurt



De messen draaien nog nadat de motor is uitgeschakeld - Verwijder het blokkerend gereedschap voor onderhoud. Apparaat uitschakelen en accupack ontkoppelen (of schakel het apparaat uit) voordat u instellingen uitvoert of het apparaat reinigt.



Gewaarborgd geluidsvermogensniveau.



Dit product is in overeenstemming met de EG-richtlijnen.



Dit product is in overeenstemming met de geldende wetgeving van het VK.



Gooi elektrisch afval niet via het huishoudelijk afval weg. Breng het naar een geautoriseerd recyclingbedrijf.

IPX4

Bescherming tegen het binnendringen van water klasse 4

V Volt

mm Millimeter

cm Centimeter

--- Stroomtype of -karakteristiek

kg Kilogram

SPECIFICATIES

Spanning	56 V	
Snelheid zonder belasting	2700 TPM	
Maaihoogte	25mm/ 32mm/ 40mm/ 51mm/ 64mm/ 77mm/9 0mm	
Maaihoogte standen	7	
Maai breedte	52 cm	
Inhoud van de opvangzak	70L	
Gewicht grasmaaier (zonder accupack en opvangzak)	25,1 kg	
Messenmodel	AB2102D-E	
Bedrijfstemperatuur	0°C-40°C	
Opslagtemperatuur	-20°C-70°C	
Messenrem	JA	
Gemeten geluidsvermogensniveau L_{WA}	89,8 dB(A) K=3,35 dB(A)	
Geluidsdruk niveau bij het oor van de bediener L_{PA}	80,3 dB(A) K=3 dB(A)	
Gegarandeerd geluidsvermogensniveau L_{WA} (gemeten volgens 2000/14/EG)	93 dB(A)	
Inschatting van de vibratie a_h :	Linker handvat	0,61 m/s ² K=1,5 m/s ²
	Rechter handvat	0,54 m/s ² K=1,5 m/s ²

PAKLIJST (AFB.A1)

BESCHRIJVING

KEN UW GRASMAAIER (afb. A1)

- Zelfaangedreven schakelaar
- Bedienknop voor de snelheid van het zelfaangedreven systeem
- Veiligheidsknop
- Schakelaar voor led koplampen
- Vergrendelklem voor het handvat
- Opvangzak
- Hendel voor de instelling
- Hendel voor het instellen van de maaihoogte
- Achterwiel
- Voorwiel
- Grasmaaierafdekking
- Voorste handgreep
- Led koplampen

- Afdekking accu
- Achterste handgreep
- Achterklep
- Zijgeleider
- Grasmaaier-statusindicator
- Schakelhendel
- Handgreep
- Steun voor de rechtop staande opslag
- Sleepscherm
- Accuvrijgaveknop
- Veiligheidssteutel

GEBRUIK

MONTAGE VAN DE OPVANGZAK

- Schuif de opvangzak op het frame (afb. B).
- Bevestig de bovenste clips aan het frame (afb. C) en bevestig vervolgens de twee zijdelingse clips. Bevestig als laatste de onderste clip.
- De compleet gemonteerde opvangzak wordt weergegeven in afb. D.

OPMERKING: Bij normaal gebruik is de zak onderhevig aan slijtage. Om het risico op letsel te reduceren, dient u de montage van de zak regelmatig te controleren en deze te vervangen indien u slijtage of schade vaststelt. Gebruik uitsluitend opvangzakken die zijn gemaakt voor deze grasmaaier.

AANPASSEN VAN HET INKLAPBARE HANDVAT

WAARSCHUWING: Probeer de grasmaaier niet te starten totdat het handvat in één van de vooraf ingestelde bedieningsposities wordt vergrendeld (BOVENSTE BEDIENINGSPOSITIE, MIDDELSTE BEDIENINGSPOSITIE EN ONDERSTE BEDIENINGSPOSITIE).

Uw grasmaaier wordt verstuurd met het handvat in de compacte, VERGRENDELDE OPPLAGPOSITIE (afb. E).

- Druk de hendel voor de snelle instelling om hem uit de VERGRENDELDE OPPLAGPOSITIE te halen.
- Til het handvat uit de opgevouwen positie en laat vervolgens de hendel los. Beweeg het handvat langzaam omhoog totdat u hoort en voelt hoe de pin in één van de volgende verschillende posities vastklikt zoals weergegeven in afb. F.

F-1	Opvangzak bevestigings-/verwijderingspositie	F-2	Vergrendelde opslagpositie
F-3	Upper Operating Position	F-4	Middle Operating Position
F-5	Onderste bedieningspositie		

BEVESTIGEN VAN DE OPVANGZAK

⚠ WAARSCHUWING: Voer op geen enkel moment aanpassingen uit aan de grasmaaier zolang de motor niet is uitgeschakeld, de veiligheidsleutel is verwijderd en het mes is gestopt met draaien.

OPMERKING: Verwijder de mulch-inzet of de zijkoker voordat u de opvangzak aan de grasmaaier bevestigt.

■ Bevestigen/verwijderen van de opvangzak (afb. G)

Plaats de plaat van de opvangzak in de grasmaaier en hang de opvangzak aan de grasmaaier.

OPMERKING: Verwijder de reeds geïnstalleerde mulch-inzet uit de grasmaaier voordat u de graszak bevestigt aan de grasmaaier.

■ Bevestigen/verwijderen van de mulch-inzet (wordt apart verkocht) (afb. H)

AANPASSEN VAN DE MAAIHOOGTE (afb. I)

I-1	Hefboom met veer voor het instellen van de maaihogte	I-2	Maaihogte indicatieplaat
-----	--	-----	--------------------------

⚠ WAARSCHUWING: Houd uw voeten uit de buurt van de afdekking terwijl u de hoogte instelt. De grasmaaier kan in 8 verschillende hoogtes tussen 25mm en 105mm worden ingesteld. Kies de juiste maaihogte aan de hand van het soort gras en de toestand ervan.

HET ACCUPACK INSTALLEREN/VERWIJDEREN (afb. J)

Gebruik alleen met in afb. A2 vermelde accupacks en opladers

LAAD OP VOOR DE EERSTE INGEBRUIKNAME

⚠ WAARSCHUWING: Als er onderdelen ontbreken of defect zijn, mag u niet proberen het accupack aan de grasmaaier te bevestigen of de grasmaaier in gebruik te nemen totdat de defecte of ontbrekende onderdelen zijn vervangen. Anders kan dit leiden tot ernstig letsel.

■ Installeren

Druk het accupack in het accupackvak totdat u een "klik" hoort.

■ Verwijderen

Druk op de ontgrendelingsknop in het accupackvak.

OPMERKING: Zorg dat de vergrendeling op de grasmaaier op zijn plaats klikt en het accupack stevig aan het grasmaaier is vastgemaakt voordat u begint te maaien.

STARTEN/STOPPEN VAN DE GRASMAAIER

(afb. K, L & M)

⚠ WAARSCHUWING: De werking van elke grasmaaier kan leiden tot het rondslingeren van vreemde objecten die in uw of andermans ogen kunnen terechtkomen. Dit kan leiden tot ernstig oogletsel. Draag altijd een veiligheidsbril tijdens het bedienen van de grasmaaier of tijdens het uitvoeren van eventuele aanpassingen of reparaties.

⚠ WAARSCHUWING: Het mes roteert nog enkele seconden nadat de grasmaaier is uitgeschakeld. Laat de motor/het mes eerst tot stilstand komen voordat u hem weer start. Start en stop de grasmaaier niet te vaak vlak achter elkaar.

VEILIGHEIDSSLEUTEL (afb. N)

Om het per ongeluk starten of het ongeautoriseerd gebruik van uw accu grasmaaier te voorkomen, behoort een verwijderbare veiligheidsleutel tot de omvang van uw grasmaaier. De grasmaaier is compleet uitgeschakeld als de veiligheidsleutel wordt verwijderd uit de grasmaaier.

GEVAAR: Draaiende messen kunnen ernstig letsel veroorzaken. Om ernstig letsel te voorkomen dient u de veiligheidsleutel uit de grasmaaier te verwijderen als deze onbeheerd is. Dit geldt ook als u de grasmaaier instelt, reinigt, onderhoudt, transporteert, optilt of opbergt.

OPMERKING: De motor kan niet worden gestart zenzij:

- De hendel is vergrendeld in een van de drie bedieningsposities, zie AANPASSEN VAN HET INKLAPBARE HANDVAT.
- De zijgeleidingen zijn geheel uitgetrokken
- Beide groene handvat-vergrendelklemmen zijn veilig gesloten.

OPGELET: Probeer niet de werking van de veiligheidsknop en veiligheidschakelaar te overbruggen.

Starten (afb. K & L)

- 1) Bevestig het accupack op de grasmaaier, steek de veiligheidsleutel in de sleutelsleuf en sluit de accupackafdekking.
- 2) Druk op de veiligheidsknop.
- 3) Met de veiligheidsknop gedrukt, trekt u de veiligheidschakelaar naar boven richting het handvat en laat u de veiligheidsknop los.

Stoppen (afb. M)

- 1) Laat de veiligheidschakelaar helemaal los.
- 2) De elektrische rem in het automatische remmechanisme zal de mesrotatie binnen 3 seconden nadat de veiligheidschakelaar werd losgelaten stoppen.

LED KOPLAMPEN (afb. A-13)

Druk de schakelaar (afb. A-4) om de led-koplampen aan de voorkant van het accuvak aan-/uit te schakelen.

VARIABLE SNELHEID VOOR HET ZELFAANGEDREVEN SYSTEEM

LM2130E-SP grasmaaier is voorzien van een zelfaangedreven systeem met variabele snelheid. Het systeem is onafhankelijk van de aan/uit-schakelaar van het mes; het is niet afhankelijk van rotatie van het mes.

Als u bijvoorbeeld klaar bent met het maaien van het gras, kunt u het zelfaangedreven systeem gebruiken om de grasmaaier terug te brengen naar de opslagplek zonder dat het mes draait. Of u kunt ervoor kiezen de grasmaaier als niet-zelfaangedreven grasmaaier te gebruiken om de gebruiksduur van de accu te maximaliseren.

Om het zelfaangedreven systeem te gebruiken zonder dat het mes draait, zet u de bedienknop voor de snelheid van het zelfaangedreven systeem aan en drukt u op de zelfaangedreven schakelaar(s). Er zijn twee zelfaangedreven schakelaars. Druk of op de schakelaar om de zelfaangedreven functie (afb. O) te starten.

0-1	Bedienknop voor de snelheid van het zelfaangedreven systeem	0-2	Schakelaar voor het zelfaangedreven systeem
-----	---	-----	---

Om de zelfaandrijving uit te schakelen, laat u de schakelaar van de zelfaandrijving los en draait u de bedienknop voor de snelheid van het zelfaangedreven systeem uit.

STATUSINDICATOR OP DE GRASMAAIER (afb. P)

De grasmaaier is voorzien van een stroomindicator die de laadtoestand van het accupack en de werkstatus van de grasmaaier aangeeft. De stroomindicator begint te branden zodra de messen roteren of als de led werkklampen zijn ingeschakeld.

P-1	Grasmaaier-statusindicator	P-2	Schakelaar voor led koplampen
-----	----------------------------	-----	-------------------------------

Grasmaai-er-statusindicator	Betekenis	Actie
Groen brandend	De grasmaaier werkt correct; accu heeft tenminste nog 15% van zijn lading.	Geen actie vereist.
Groen knipperend	De zijgeleidingen zijn niet volledig uitgetrokken.	Stop de grasmaaier en zorg ervoor dat de zijgeleidingen geheel zijn uitgetrokken.
	Het handvat is niet vergrendeld in een bedieningspositie.	Stop de grasmaaier en zorg ervoor dat de handgreep is vergrendeld in een bedieningspositie.
Rood knipperend	Accustand is laag.	Stop de grasmaaier en laad het accupack op.
Oranje brandend	De grasmaaier stopt als gevolg van oververhitting.	Verwijder de accu uit de grasmaaier, zet hem in de schaduw en laat hem tenminste 15 minuten lang afkoelen.
Oranje knipperend	De grasmaaier is overbelast.	Verwijder eerst het accupack, controleer en reinig vervolgens als er gras is opgehoopt onder het afdekking. Verlangzaam uw snelheid tijdens het maaien. Als dit niet helpt, neem dan contact op met de EGO klantenservice.
Rood/groen afwisselend knipperend	Fout	Neem contact op met de klantenservice van EGO.
Donker & led op de accu knippert	De accu is oververhit. (Zie alinea „ AC-CUBEVEILIGING TEGEN HOGE TEMPERATUREN “ in deze handleiding)	Laat de veiligheidsschakelaar los, wacht totdat het accupack afkoelt op ongeveer 67°C, waarna u de grasmaaier opnieuw kunt starten.

NL

OVERBELASTINGSBEVEILIGING VAN DE GRASMAAIER

Om overbelasting te voorkomen, dient u niet te veel gras in één keer te maaien. Verlaag de maaisnelheid of verhoog de maaihoogte.

Uw grasmaaiër heeft een ingebouwde overbelastingsbeveiliging. Als de grasmaaiër overbelast is, gaat de motor uit en knippert de statusindicator van de grasmaaiër oranje. Haal het accupack uit de grasmaaiër. Controleer of zich gras onder de afdekking heeft verzameld. Het kan nodig zijn, het te verwijderen en de accu weer te plaatsen en vervolgens de grasmaaiër weer te starten.

NL

ACCUBEVEILIGING TEGEN HOGE TEMPERATUREN

Het accupack produceert warmte tijdens het gebruik. De warmte verdwijnt langzamer bij warm weer. Als de accu temperatuur boven 70°C stijgt, zal de beveiliging de grasmaaiër direct uitschakelen om het accupack te beschermen tegen schade als gevolg van hitte. De statusindicator van de grasmaaiër op de grasmaaiër gaat uit, lees de alinea „**ACCU BESCHERMING**” in de gebruiksaanwijzing van de accu voor meer informatie.

Laat de veiligheidsschakelaar los, wacht totdat het accupack afkoelt op ongeveer 67°C, waarna u de grasmaaiër opnieuw kunt starten.

ONDERHOUD

⚠ WAARSCHUWING: Om ernstig persoonlijk letsel te voorkomen, dient u de veiligheidsleutel altijd te verwijderen voordat u de grasmaaiër reinigt, onderhoud uitvoert of hem transporteert.

⚠ WAARSCHUWING: Gebruik tijdens reparaties uitsluitend identieke reserve-onderdelen. Het gebruik van andere onderdelen kan gevaar opleveren of schade aan het product veroorzaken. Om een continue veiligheid en betrouwbaarheid te waarborgen, dienen alle reparaties en vervangingen van onderdelen uitgevoerd te worden door een gekwalificeerde servicemonteur.

ALGEMEEN ONDERHOUD

⚠ WAARSCHUWING: Verwijder altijd de veiligheidsleutel en het accupack tijdens onderhoud aan of transport van de grasmaaiër.

De onderkant van de afdekking van de grasmaaiër dient na elk gebruik te worden gereinigd aangezien gras, bladeren, verontreinigingen of andere rommel zich hier ophoopt.

Verwijder eventuele ophoping van gras op of rond de motorventilator (gebruik geen water). Maak de grasmaaiër schoon met een vochtige doek.

VERWIJDEREN/INSTALLEREN VAN HET MES

⚠ WAARSCHUWING: Bescherm altijd uw handen door handschoenen te dragen of door de snijvlakken met doeken of andere materialen in te wikkelen voordat u onderhoud aan de messen van de grasmaaiër uitvoert. Verwijder altijd het accupack tijdens onderhoud of transport van de grasmaaiër.

■ Het mes verwijderen Volg afb. Q.

■ Het mes installeren

Volg voor de montage de volgorde in afb. R, met het ventilatorblad naar de afdekking en het mes richting de buitenkant, lijn de gaten van de ventilator uit met de gaten van het mes (afb. S) en maak vervolgens het mes vast zoals getoond in afb. T.

DE GRASMAAIER OPBERGEN

■ Verwijder het accupack uit de grasmaaiër en bewaar het op een koele, droge en schone plek. Bewaar hem niet naast corrosieve stoffen, zoals kunstmest of zout.

■ Bewaar de grasmaaiër op een afgedekte, gesloten plek, waar het koel en droog is en die zich buiten het bereik van kinderen bevindt.

■ Dek de grasmaaiër niet af met een stevig plastic zeil. Plastic afdekkingen laten vocht rondom de grasmaaiër niet ontsnappen, waardoor roest en corrosie kunnen ontstaan.

■ De grasmaaiër kan rechtop staand of plat liggend worden opgeborgen. (Afb. U & V).

⚠ WAARSCHUWING: Als de grasmaaiër kantelt vanuit de rechtopstaande positie, kan dit leiden tot schade of persoonlijk letsel. Houd de grasmaaiër altijd stabiel en buiten het bereik van kinderen als deze rechtop staat. Indien mogelijk dient u hem neer te leggen tijdens het opbergen.

Het milieu beschermen



Voer elektrische apparaten niet via het huisvuil af, maar maak gebruik van de afzonderlijke inzamelpunten.

Neem contact op met uw lokale overheid voor informatie over de beschikbare inzamelingsystemen.

Als elektrische apparaten op een vuilstort of vuilnisbelt terecht komen, kunnen gevaarlijke stoffen in het grondwater lekken en in de voedselketen komen wat schadelijk is voor uw gezondheid en welzijn.

PROBLEEMOPLOSSING

⚠ WAARSCHUWING: Verwijder altijd de veiligheidssteutel en het accupack tijdens onderhoud aan of transport van de grasmaaier. Bescherm altijd uw handen door handschoenen te dragen of door de snijvlakken met doeken of andere materialen in te wikkelen voordat u onderhoud aan de messen van de grasmaaier uitvoert.

PROBLEEM	OORZAAK	OPLOSSING
De grasmaaier start niet	<ul style="list-style-type: none"> ■ Het accupack is uitgeput. ■ Het accupack is niet op zijn plek in het accuvak gemonteerd. ■ De accu of het circuit van de grasmaaier is te warm. (De stroomindicator op de grasmaaier brandt gedurende 10 seconden oranje) ■ De zijgeleiders zijn niet uitgetrokken tot de maximale lengte en de klemmen zijn niet vergrendeld. ■ Het handvat bevindt zich niet in één van de drie bedieningsposities. ■ De afdekking van de grasmaaier is verstopt door gras en vuil. 	<ul style="list-style-type: none"> ■ Laad het accupack op. ■ Bevestig het accupack aan de grasmaaier totdat u een klik hoort ■ Laat het accupack of de grasmaaier afkoelen totdat de temperatuur minder dan 67°C bedraagt. ■ Trek het handvat volledig uit en vergrendel beide klemmen. ■ Stel het handvat in één van drie bedieningsposities in. ■ Reinig de afdekking van de grasmaaier en controleer of het mes vrij kan bewegen.
De grasmaaier maait ongelijk	<ul style="list-style-type: none"> ■ Het mes is bot. ■ De maaihoogte is niet goed ingesteld. ■ Het mes is niet goed gemonteerd. 	<ul style="list-style-type: none"> ■ Slijp of vervang het mes. ■ Beweeg de afdekking omhoog om een hogere maaihoogte in te stellen. ■ Monteer het mes weer. Volg hierbij de instructies in de paragraaf "INSTALLATIE VAN HET MES" in deze handleiding.
De grasmaaier stopt tijdens het maaien	<ul style="list-style-type: none"> ■ Het accupack is uitgeput. ■ De grasmaaier is overbelast. ■ De afdekking van de grasmaaier is verstopt door gras en vuil. ■ De accu of het circuit van de grasmaaier is te warm. (De stroomindicator op de grasmaaier brandt gedurende 10 seconden oranje.) ■ De zijgeleider is een beetje ingetrokken door de kracht die op het handvat wordt uitgeoefend. 	<ul style="list-style-type: none"> ■ Laad het accupack op. ■ Verhoog de maaihoogte of maai langzamer. ■ Reinig de afdekking van de grasmaaier. Verhoog de maaihoogte of maai in smalle banen. ■ Laat het accupack of de grasmaaier afkoelen totdat de temperatuur minder dan 67°C bedraagt. ■ Maak de klemmen los. Trek de zijgeleiders helemaal uit en vergrendel de klemmen weer.

NL

PROBLEEM	OORZAAK	OPLOSSING
De maaier verspreidt het mulch niet goed	<ul style="list-style-type: none"> ■ Nat gemaaid gras blijft aan de onderkant van de afdekking plakken. ■ De grasmaaier is zo ingesteld dat hij te veel gras in een keer moet maaien. 	<ul style="list-style-type: none"> ■ Wacht totdat het gras droog is voordat u het maait. ■ Beweeg de afdekking omhoog om een hogere maaihoogte in te stellen.
Er is sprake van excessieve trillingen	<ul style="list-style-type: none"> ■ Het mes zit los. ■ Het mes is niet in balans. ■ Het mes is verbogen. ■ De motoras is verbogen. ■ De afdekking van de grasmaaier is verstopt door gras en vuil. 	<ul style="list-style-type: none"> ■ Draai de bouten van het mes vast. ■ Balanceer het mes volgens de instructies uit. ■ Vervang het mes. ■ Neem contact op met het service center. ■ Reinig de afdekking van de grasmaaier en controleer of het mes vrij kan bewegen.
De vergrendelingsklemmen van het handvat zijn niet in hun positie vergrendeld.	<ul style="list-style-type: none"> ■ De zijgeleidingen zijn niet volledig uitgetrokken. 	<ul style="list-style-type: none"> ■ Trek de zijgeleiders helemaal uit en vergrendel de klemmen weer.

NL

GARANTIE

EGO GARANTIEBELEID

Bezoek alstublieft de website egopowerplus.com voor de volledige voorwaarden van het EGO garantiebeleid.

LÆS ALLE ANVISNINGER!

Tiltænkt formål: Produktet er kun beregnet til at slå græs i almindelige haver. Den må ikke bruges til at klippe usadvanligt højt, tørt eller vådt græs, som fx græsgange, eller til at skære blade i stykker.

⚠ ADVARSEL: Sørg for at læse og forstå alle sikkerhedsanvisninger i denne brugsanvisning, inklusive alle sikkerhedssymboler, såsom "FARE", "ADVARSEL" og "FORSIGTIG", før du bruger dette værktøj. Hvis anvisningerne nedenfor ikke følges, kan det føre til elektrisk stød, brand og/eller alvorlig personskade.

⚠ ADVARSEL: Når elværktøjer bruges, er der altid en risiko for at genstande slynges ind i øjnene, som kan føre til alvorlige øjenskader. Inden du begynder elværktøj drift, altid bære beskyttelsesbriller eller sikkerhedsbriller med side skjolde og en fuld ansigtsmaske når det er nødvendigt. Vi anbefaler en Wide Vision Safety Maske til brug over briller eller standard sikkerhedsbriller med sideskærme.

DK

SIKKERHEDSSYMBOLER



Sikkerhedsadvarsel



For at reducere risikoen for skader, skal brugeren læse og forstå brugsanvisningen før du bruger dette produkt.



Sørg for at andre personer og kæledyr er mindst 30 meter væk fra maskinen, når den er i brug.



Hold fødderne og hænder på afstand



Klingerne fortsætter med at dreje, når motoren er slukket - Fjern deaktiveringsenheden før vedligeholdelse. Sluk apparatet og tag batteripakken ud (eller den afbrydende enhed), inden apparatet justeres eller rengøres.



Garanteret lydniveau.



Dette produkt er i overensstemmelse med gældende EU-direktiver.



Dette produkt overholder gældende britisk lovgivning.



Elektriske affaldsprodukter må ikke bortskaffes sammen med husholdningsaffald. Tag det til en godkendt genbrugsplads.

IPX4

Beskyttelse mod indtrængen af vand grad 4

V Volt

mm Millimeter

cm Centimeter

--- Spændingstype eller -karakteristika

kg Kg

SPECIFIKATIONER

Spænding	56 V	
Hastighed ubelastet	2700 omdrejning per minut	
Klippehøjde	25mm/ 32mm/ 40mm/ 51mm/ 64mm/ 77mm/ 90mm	
Klippehøjdeindstillinger	7	
Klippebredde	52 cm	
Græsbeholderens kapacitet	70L	
Plæneklipperens vægt (uden batteripakke og græsbeholder)	25,1 kg	
Klingemodel	AB2102D-E	
Driftstemperatur	0°C-40°C	
Opbevaringstemperatur	-20°C-70°C	
Klingebremse	JA	
Målt lydeffektniveau L_{WA}	89,8 dB(A) K=3,35 dB(A)	
Lydtryk ved brugerens øre L_{PA}	80,3 dB(A) K=3 dB(A)	
Garanteret lydeffektniveau L_{WA} (målt i henhold til 2000/14 / EF)	93 dB(A)	
Vibrationsværdi a_{hh} :	Venstre håndtag	0,61 m/s ² K=1,5 m/s ²
	Højre håndtag	0,54 m/s ² K=1,5 m/s ²

PAKKELISTE (FIG. A1)

BESKRIVELSE

GØR DIG BEKENDT MED DIN PLÆNEKLIPPER (fig. A1)

1. Knap til selvkørende funktion
2. Hastighedsknap til det selvkørende system
3. Sikkerhedsknap
4. Tænd/sluk-knap til forlygterne
5. Låsehåndtag
6. Græsbeholder
7. Hurtig justeringshåndtag
8. Indstillingshåndtag til klippehøjde
9. Baghjul
10. Forhjul
11. Plæneklipperdæk
12. Forreste håndtag

13. Forlygter
14. Batteridæksel
15. Bageste håndtag
16. Bagerste udstødningslåge
17. Sidestang
18. Klippe-statusindikator
19. Skiftehåndtag
20. Håndtag
21. Støttefod til opbevaring på højkant
22. Bagskærm
23. Knap til frigørelse af batteri
24. Sikkerhedsnøgle

BETJENING

SÅDAN SAMLES GRÆSBEHOLDEREN

- 1) Tryk på græsbeholderen på rammen (fig. B).
- 2) Saml de øverste klemmer på rammen (fig. C), og saml derefter de to sideklemmer. Sæt bundklemmen på til sidst.
- 3) Den samlede græsbeholder kan ses i fig. D.

BEMÆRK: Under normal brug, udsættes beholdermaterialet for slid. For at reducere risikoen for skader, skal beholderen regelmæssigt ses efter for skader, og skift evt. dele der viser tegn på slid eller forringelse. Brug kun græsbeholdere, der er beregnet til denne plæneklipper.

SÅDAN INDSTILLES DET FOLDBARE HÅNDTAG

⚠ ADVARSEL: Plæneklipperen må ikke startes, før håndtaget er låst fast på en af de tre forudindstillede positioner (ØVRE POSITION, MIDTERSTE POSITION og NEDRE POSITION).

Din plæneklipper leveres med håndtaget i kompakt, LÅST OPBEVARINGSPOSITION (fig. E).

- 1) Hold hurtig-justeringshåndtaget nede, for at løsne det fra den LÅSTE OPBEVARINGSPOSITION.
- 2) Løft håndtaget fra sin foldede position, og slip det. Drej håndtaget forsigtigt opad, indtil du hører og mærker lås-stiften låse sig fast i en af de forskellige positioner, som vist på fig. F.

F-1	Placering, græsbeholderen sættes på/tages af	F-2	Låst opbevaringsposition
F-3	Øvre driftsindstilling	F-4	Mellem driftsindstilling
F-5	Nedre driftsindstilling		

SÅDAN SÆTTES GRÆSPOSEN PÅ

⚠ ADVARSEL: Plæneklipperen må aldrig justeres på nogen måde, før motoren er blevet stoppet og sikkerhedsnøglen er trukket ud, og før klingens stopper helt.

BEMÆRK: Tag den formonterede tildækningsindsats ud af plæneklipperen, inden græsbeholderen sættes på plæneklipperen.

■ **Sådan sættes græsbeholderen på og tages af (fig. G)**

Sæt pladen på græsposen i plæneklipperen, og hæng græsposen på plæneklipperen.

BEMÆRK: Tag den formonterede tildækningsindsats ud af plæneklipperen, inden græsbeholderen sættes på plæneklipperen.

■ **Sådan indsættes/fjernes tildækningsindsatsen (sælges separat) (fig. H)**

JUSTERING AF KLIPPEHØJDEN (fig. I)

I-1	Fjederbelastet justering af klippehøjden	I-2	Indikatorplade til klippehøjde
-----	--	-----	--------------------------------

⚠ ADVARSEL: Hold dine fødder fra dækket, når højden indstilles. Apparatet kan indstilles til 8 klippehøjder, mellem 25 og 105 mm. Væg den korrekte klippehøjde i henhold til græsset.

ISÆTTELSE/UDTAGNING AF BATTERIPAKKEN (fig. J)

Produktet må kun bruges med batteripakkerne og opladerne, der står på listen i fig. A2

OPLAD INDEN FØRSTE BRUG.

⚠ ADVARSEL: Hvis nogen af delene beskadiges eller mangler, må batteripakken ikke sættes i plæneklipperen, og plæneklipperen må ikke bruges, før den beskadigede del repareres eller manglende del tilføjes. Hvis dette ikke gøres, kan det føre til alvorlige skader.

■ **Påsætning**

Tryk batteriet ind i batterirummet, indtil du hører et "klik".

■ **Aftagning**

Tryk på udløserknappen til batteriet i batterirummet.

BEMÆRK: Sørg for at låsen på plæneklipperen låses på plads, og at batteripakken sidder ordentligt fast i plæneklipperen, inden den tages i brug.

SÅDAN STARTES/STOPPES PLÆNEKLIPPEREN (Fig. K, L & M)

⚠ ADVARSEL: Alle plæneklippere kan se, at slynge genstande i dit eller andres øjne, hvilket kan skade øjnene alvorligt. Brug altid beskyttelsesbriller når plæneklipperen bruges, og hvis den skal justeres eller repareres.

⚠ ADVARSEL: Klingen bliver ved med at dreje rundt i et par sekunder efter apparatet slukkes. Lad motoren/klingen standse helt, inden apparatet startes igen. Plæneklipperen må ikke tændes umiddelbart efter den slukkes.

SIKKERHEDSNØGLE (Fig. N)

For at undgå utilsigtet start eller uautoriseret brug af dit trådløse plæneklipper, er den udstyret med en aftagelig sikkerhedsnøgle. Plæneklipperen afbrydes fuldstændigt, når sikkerhedsnøglen tages ud.

FARE: Drejende klinger kan føre til alvorlige skader. For at forhindre alvorlige skader, skal sikkerhedsnøglen tages ud, når plæneklipperen ikke er under opsyn, samt hvis den skal justeres, rengøres, serviceres, transporteres, løftes op eller gemmes væk.

BEMÆRK: Motoren kan ikke startes, medmindre:

- Håndtaget er låst i en af de tre driftsindstillinger, se JUSTERING AF DET FOLDBARE HÅNDTAG.
- Sideskinne er trukket helt ud
- Begge grønne klemmer på håndtaget er lukket helt.

FORSIGTIG: Sikkerhedsknappen og koblingsbøjlen skal altid bruges.

Sådan startes plæneklipperen (fig. K & L)

- 1) Sæt batteripakken i plæneklipperen, stik sikkerhedsnøglen i nøglehullet og luk batteridækslet.
- 2) Tryk på sikkerhedsknappen.
- 3) Når sikkerhedsknappen er trykket ned, skal du trække afbryderen opad til håndtaget og slippe sikkerhedsknappen.

Sådan stoppes plæneklipperen (fig. M)

- 1) Slip afbryderen.
- 2) Den elektriske bremse i den automatiske bremsemekanisme stopper klingens inden for 3 sekunder efter afbryderen slippes.

LED-FORLYGTER (fig. A-13)

Tryk på tænd/sluk-knappen (fig. A-4) for at tænde/slukke for LED-forlygterne på forsiden af batterirummet.

SELVKØRENDE SYSTEM MED FORSKELLIGE HASTIGHEDER

LM2130E-SP plæneklipperen er udstyret med en selvkørende funktion, der kan indstilles til forskellige hastigheder. Dette system er uafhængigt af klingens tænd/sluk-knap. Det er ikke afhængig af klingens drejning.

Når du fx er færdig med at klippe din græsplæne, kan du bruge den selvkørende funktion til, at køre plæneklipperen tilbage på plads uden at klingens drejer. Eller du kan vælge at bruge plæneklipperen som en ikke-selvkørende plæneklipper for, at maksimere batteriets driftstid.

For at bruge det selvkørende system, hvor klingens ikke drejer, skal du tænde for den selvkørende hastighedsknap, og trykke på selvkørsels-udløserne. Der er to selvkørende udløserne. Tryk på en af udløserne, for at starte den selvkørende funktionen (fig. O).

DK

0-1	Hastighedsknap til det selvkørende system	0-2	Håndtag til den selvkørende funktion
-----	---	-----	--------------------------------------

For at slukke for det selvkørende system, skal du slippe udløseren til det selvkørende system, og drej hastighedsknappen, indtil den slukker.

KLIPPE-STATUSINDIKATOR PÅ PLÆNEKLIPPEREN (fig. P)

Plæneklipperen er udstyret med en strømindikator, der viser opladningsstatus på batteriet og maskinens funktionsstatus. Strømindikatoren lyser, når klingene drejer og når LED-forlygterne tændes.

DK

P-1	Klippe-statusindikator	P-2	Tænd/sluk-knap til forlygterne
-----	------------------------	-----	--------------------------------

Klippe-statusindikator	Betydning	Handling
Lyser grøn	Plæneklipperen virker ordentligt. Batteriet har mindst 15 % tilbage.	Ikke påkrævet.
Blinker grønt	Sidestængerne er ikke trukket helt ud. Håndtaget er ikke indstillet på en driftsindstilling.	Stop plæneklipperen og sørg for, at sideskinnerne er trukket helt ud. Stop plæneklipperen og sørg for, at håndtaget er låst på en driftsindstilling.
Blinker rødt	Lavt batteriniveau	Stop plæneklipperen, og oplad batteriet.
Lyser orange	Plæneklipperen stopper på grund af overophedning.	Tag batteriet ud af plæneklipperen. Stil både plæneklipperen og batteriet i skyggen, og lad den køle ned i mindst 15 minutter.
Blinker orange	Plæneklipperen er overbelastet.	Fjern først batteripakken, og se om græs har samlet sig på undersiden. Fjern det, hvis dette er tilfældet. Kør langsommere med plæneklipperen. Hvis dette ikke virker, bedes du venligst kontakte EGO's kundeservicecenter.

Blinker rødt/grønt skiftevis	Fejl	Kontakt EGO's kundeservicecenter.
Lyser ikke og LED på batteriet blinker	Batteriet er overophedet. (Se afsnittet " BESKYTTELSE MOD HØJ BATTERITEMPERATUR " i denne vejledning)	Slip koblingshåndtaget, vent indtil batteripakken er kølet ned til ca. 67°C og start derefter plæneklipperen igen.

BESKYTTELSE MOD OVERBELASTNING

For at forhindre skader på grund af overbelastning, skal du undgå at klippe for meget græs på én gang. Sænk farten eller hæv klippehøjden.

Din plæneklipper har en indbygget beskyttelsesfunktion mod overbelastning af kredsløbet. Hvis plæneklipperen overbelastes, stopper motoren og klippe-statusindikatoren på plæneklipperen begynder at blinke orange. Tag batteripakken ud af plæneklipperen. Se om græs har samlet sig sammen under dækket, og fjern det, hvis nødvendigt. Sæt derefter batteripakken i og start plæneklipperen igen.

BESKYTTELSE MOD OVEROPHEDNING AF BATTERIET

Batteripakken danner varme under brug. Varmen forsvinder langsommere i varmt vejr. Hvis batteriets temperatur kommer over 70°C under brug, slukker beskyttelsesfunktionen automatisk plæneklipperen, så batteripakken beskyttes mod varmeskader. Statusindikatoren på batteriet går ud. Se venligst afsnittet "**BESKYTTELSE AF BATTERIET**" i brugsvejledningen til batteriet, for yderligere oplysninger.

Slip koblingshåndtaget, vent indtil batteripakken er kølet ned til ca. 67° C og start derefter plæneklipperen igen.

VEDLIGEHOLDELSE

⚠ ADVARSEL: For at undgå alvorlige personskader, skal sikkerhedsnøglen altid tages ud af plæneklipperen, inden den rengøres eller vedligeholdes.

⚠ ADVARSEL: Ved service må der kun bruges originale reservedele. Brug af andre reservedele kan medføre fare eller forårsage skader på produktet. For at sikre sikkerhed og pålidelighed bør alle reparationer og udskiftninger udføres af en kvalificeret servicetekniker.

GENEREL VEDLIGEHOLDELSE

⚠ ADVARSEL: Sikkerhedsnøglen og batteripakken skal altid tages ud, hvis plæneklipperen skal repareres eller transporteres et andet sted hen.

Undersiden af plæneklipperdækket skal rengøres efter hver brug, da græs, blade, jord og andet snavs kan samle sig.

Fjern eventuelt ophobning af græs på eller omkring motorfladen (brug ikke vand). Tør plæneklipperen ren med en fugtig klud.

SÅDAN SÆTTES KLINGEN PÅ OG TAGES AF

⚠ ADVARSEL: Din hænder skal altid beskyttes med kraftige handsker eller ved at pakke klingens ind i en klud eller anden materiale, hvis klingens skal repareres eller på anden måde vedligeholdes. Batteripakken skal altid tages ud, hvis plæneklipperen skal repareres eller transporteres et andet sted hen.

- Sådan tages klingens af Følg fig. Q.
- Sådan sættes klingens på
Følg monteringsrækkefølgen i figur R, med ventilatorbladet mod dækket og siden med tryk udad, juster gennemgangshullerne i ventilatoren med hullerne på klingens (fig. S) og stram derefter klingens som vist i figur T.

OPBEVARING AF PLÆNEKLIPPEREN

- Tag batteripakken ud af plæneklipperen, og opbevar den på et køligt, tørt og rent sted. Plæneklipperen må ikke opbevares ved siden af ætsende stoffer, såsom gødning og stensalt.
- Plæneklipperen skal opbevares i et overdækket, lukket rum, som er kold og tørt, og utilgængelig for børn.
- Plæneklipperen må ikke tildækkes af en solid plastiktildækning. En tæt plastiktildækning kan danne fugt omkring plæneklipperen, der forårsager rust og korrosion.
- Plæneklipperen kan opbevares opretstående eller vandret. (Fig. U & V).

⚠ ADVARSEL: Hvis plæneklipperen vælter, når den står på højkant, kan den beskadiges eller forårsage personskader. Plæneklipperen skal altid holdes stabil og utilgængelig for børn, når den står på højkant. Læg plæneklipperen ned, når den skal opbevares, hvis muligt.

Beskyttelse af miljøet



Elektriske apparater må ikke bortskaffes som usorteret kommunalt affald. De skal bortskaffes på genbrugspladser.

Kontakt de lokale myndigheder for oplysninger vedrørende mulige indsamlingssystemer.

Hvis elektriske apparater smides på lossepladsen eller affaldsdeponier, kan der sive giftige stoffer ned i grundvandet og komme ud i fødekæden og gøre skade på menneskers sundhed og velfærd.

DK

FEJLFINDING

⚠ ADVARSEL: Sikkerhedsnøglen og batteripakken skal altid tages ud, hvis plæneklipperen skal repareres eller transporteres et andet sted hen. Din hænder skal altid beskyttes med kraftige handsker eller ved at pakke klingen ind i en klud eller anden materiale, hvis klingens skal repareres eller på anden måde vedligeholdes.

DK

PROBLEM	ÅRSAG	LØSNING
Plæneklipperen kan ikke starte	<ul style="list-style-type: none"> ■ Batteriet er afladet. ■ Batteriet er ikke sat ordentligt i batterirummet. ■ Batteripakken eller plæneklipperen er for varmt. (Strømindikatoren på plæneklipperen lyser orange i 10 sekunder) ■ Sidestængerne er ikke trukket ud til deres maksimale længde, og klemmerne er ikke spændt fast. ■ Håndtaget er ikke indstillet på en af de tre driftsindstillinger. ■ Plæneklipperdækket er tilstoppet med græs og snavs. 	<ul style="list-style-type: none"> ■ Oplad batteripakken. ■ Sæt batteripakken til plæneklipperen, tryk den nedad indtil du hører et klik ■ Lad batteripakken eller plæneklipperen køle ned, indtil temperaturen kommer under 67°C. ■ Træk håndtaget helt ud, og spænd begge klemmer. ■ Indstil håndtaget til en af de tre driftsindstillinger. ■ Rengør plæneklipperdækket, og sørg for at klingens kan dreje rundt uden modstand.
Plæneklipperen skærer ujævnt	<ul style="list-style-type: none"> ■ Klingens er døv. ■ Klippehøjden er ikke indstillet korrekt. ■ Klingens er monteret forkert. 	<ul style="list-style-type: none"> ■ Slib eller skift klingens. ■ Hæv dækket til en højere klippehøjde. ■ Sæt klingens på igen i henhold til afsnittet "SÅDAN SÆTTES KLINGEN PÅ" i denne brugsvejledning.
Plæneklipperen stopper, når man slår græs.	<ul style="list-style-type: none"> ■ Batteriet er afladet. ■ Plæneklipperen er overbelastet. ■ Plæneklipperdækket er tilstoppet med græs og snavs. ■ Batteripakken eller plæneklipperen er for varmt. (Strømindikatoren på plæneklipperen lyser orange i 10 sekunder.) ■ Sidestængerne er blevet presset lidt tilbage på grund af trykket på håndtaget. 	<ul style="list-style-type: none"> ■ Oplad batteripakken. ■ Hæv klippehøjden, eller kørs langsommere, når du slår græsset. ■ Rengør plæneklipperdækket. Hæv klippehøjden, eller klip i smallere linjer. ■ Lad batteripakken eller plæneklipperen køle ned, indtil temperaturen kommer under 67°C. ■ Spænd klemmerne. Træk sidestængerne helt ud, og spænd klemmerne igen.

PROBLEM	ÅRSAG	LØSNING
Plæneklipperen klipper ikke græsset ordentligt	<ul style="list-style-type: none"> ■ En samling af vådt græs sidder fast på undersiden af dækket. ■ Plæneklipperen er indstillet til at klippe for meget græs på én gang. 	<ul style="list-style-type: none"> ■ Vent med at slå græsset indtil det er tørt. ■ Hæv dækket til en højere klippehøjde.
Plæneklipper vibrerer meget	<ul style="list-style-type: none"> ■ Klingen sidder løs. ■ Klingen er ubalanceret. ■ Klingen er bøjet. ■ Motorakslen er bøjet. ■ Plæneklipperdækket er tilstoppet med græs og snavs. 	<ul style="list-style-type: none"> ■ Stramme bolten på klingen. ■ Balancer klingen i henhold til vejledningerne. ■ Skift klingen. ■ Kontakte servicecentret. ■ Rengør plæneklipperdækket, og sørg for at klingen kan dreje rundt uden modstand.
Spændebojlerne til håndtaget kan ikke låses fast.	<ul style="list-style-type: none"> ■ Sidestængerne er ikke trukket helt ud. 	<ul style="list-style-type: none"> ■ Træk sidestængerne helt ud, og spænd spændebojlerne.

DK

GARANTI

EGO GARANTI POLITIK

Besøg venligst hjemmesiden egopowerplus.com for fuldstændige vilkår og betingelser for EGO's garantipolitik.

LÄS IGENOM ALLA INSTRUKTIONER!

Avsedd användning: Produkten är endast avsedd för att klippa gräs i hushållsträdgårdar. Den får inte användas för att klippa onormalt högt, torrt eller vått gräs. t.ex. betesgräs eller för att strimla löv.

⚠ VARNING: Var noga med att läsa och förstå alla säkerhetsinstruktioner i denna bruksanvisning, inklusive alla varningssymboler som t.ex. "FARA", "VARNING" och "FÖRSIKTIGHET" innan du använder detta verktyg. Underlåtenhet att läsa alla instruktioner som listas nedan kan resultera i elektrisk stöt, brand och/eller allvarlig personskada.

⚠ VARNING: Användning av något elverktyg kan resultera i att främmande föremål kastas in i dina ögon vilket kan resultera i allvarliga ögonskador. Innan elverktyget börjar användas skall alltid skyddsglasögon eller skyddsglasögon med sidoskydd och fullständigt ansiktsskydd användas när så behövs. Vi rekommenderar att en ansiktsmask med brett synfält används ovanpå glasögonen eller standard skyddsglasögon med sidoskydd.

SE

SÄKERHETSSYMBOLER



Säkerhetslarm



För att minska risker för skador måste användare läsa igenom och förstå bruksanvisningen innan denna produkt används.



Se till att andra personer och djur håller sig minst 30 m från gräsklipparen när den används.



Håll undan fötter och händer



Kniven fortsätter att rotera efter att motorn stängts av - ta bort urkopplingsenheten innan underhåll. Stäng av och ta bort löstagbara batteripaketet (eller avaktivera enheten) innan inställning eller rengöring.



Garanterad ljudeffektnivå.



Denna produkt är i enlighet med gällande EG-direktiv.



Denna produkt uppfyller tillämplig lagstiftning i Storbritannien.



Förbrukade elektriska produkter får inte kastas i hushållssoporna. Lämna in dem till en auktoriserad återvinningsstation.

IPX4

Skyddar mot inträngande av vatten grad 4

V Volt

mm Millimeter

cm Centimeter

--- Typ eller karakteristik av ström

kg Kilogram

SPECIFIKATIONER

Spänning	56 V	
Ingen belastningshastighet	2700 RPM	
Klipphöjd	25mm/ 32mm/ 40mm/ 51mm/ 64mm/ 77mm /90mm	
Klipphöjdslägen	7	
Klippbredd	52 cm	
Volym gräsupsamlare	70 L	
Gräsklipparens vikt (utan batteripaket och grässäck)	25,1 kg	
Knivmodell	AB2102D-E	
Drifttemperatur	0°C-40°C	
Förvaringstemperatur	-20°C-70°C	
Knivbroms	JA	
Uppmätt ljudeffektnivå L_{WA}	89,8 dB(A) K=3,35 dB(A)	
Ljudtrycksnivå vid operatörens öra L_{PA}	80,3 dB(A) K=3 dB(A)	
Garanterad ljudtrycksnivå L_{WA} (uppmätt enligt 2000/14/EG)	93 dB(A)	
Värdering av vibration a_v :	Vänster handtag	0,61 m/s ² K=1,5 m/s ²
	Höger handtag	0,54 m/s ² K=1,5 m/s ²

PACKLISTA (BILD A1)

BESKRIVNING

LÄR KÄNNA DIN GRÄSKLIPPARE (bild A1)

1. Omkopplare självdrivning
2. Hastighetskontrollerande ratt självdrivning
3. Säkerhetsknapp
4. Omkopplarknapp för LED-strålkastare
5. Låsklämma handtag
6. Grässäck
7. Snabbinställningsspak
8. Inställningsspak klipp höjd
9. Bakhjul
10. Framhjul
11. Gräsklippardäck
12. Främre handtag
13. LED-strålkastare
14. Batteritäckning
15. Bakre handtag

16. Bakre utkastarlucka
17. Sidoskena
18. Statusindikator gräsklippare
19. Omkopplarspak
20. Handtag
21. Stöd för upprätt förvaring
22. Frihängande skydd
23. Låsknapp för batteriet
24. Säkerhetsnyckel

DRIFT

MONTERING AV GRÄSSÄCKEN

- 1) Låt gräsbehållaren glida upp på ramen (bild B).
- 2) Fäst toppklämman på ramen (bild C), fäst sedan det två sidoklämmorna. Fäst den undre klämman sist.
- 3) Den kompletta monterade gräsbehållaren visas i bild D.

NOTERA: Vid normal användning kommer uppsamlaren material att slitas. För att minska risken för skador, inspektera behållarmontaget och byt om det finns tecken på slitage eller förlitning. Använd endast gräsupsamlaren som tillverkat för denna gräsklippare.

INSTÄLLNING AV DET VIKBARA HANDTAGET

⚠ VARNING: Försök inte att starta gräsklipparen innan handtaget låsts i en av de tre förinställda driftpositionerna (ÖVRE DRIFTPOSITION, MELLERSTA DRIFTPOSITIONEN eller NEDRE DRIFTPOSITION).

Din gräsklippare levereras med handtaget i hopfällt, LÅST FÖRVARINGSPPOSITION (bild E).

- 1) Tryck på och håll kvar snabbinställningsspaken för att lossa handtaget från LÅST FÖRVARINGSPPOSITION.
- 2) Lyft upp handtaget från dess hopvikta position, släpp sedan spaken. Luta försiktigt handtaget uppåt tills du hör och känner att låspinnen aktiveras i en av följande olika positionerna såsom visas i bild F.

F-1	Grässäckstillsats/ Löstagbar position	F-2	Låst förvaringsposition
F-3	Övre driftposition	F-4	Mellersta driftposition
F-5	Nedre driftposition		

FÅSTA GRÄSSÄCKEN

⚠ VARNING: Gör aldrig under några förhållanden några inställningar på gräsklipparen utan att först ha stoppat motorn, tagit bort säkerhetsnyckeln och väntat tills kniven har slutat att rotera.

NOTERA: Ta bort de förinstallerade mullinsatsen i gräsklipparen sidoutkast innan grässäcken fästs på gräsklipparen.

■ Fästa/ta bort gräsbehållaren (bild G)

För in ramen till grässäcken i gräsklipparen och häng grässäcken på gräsklipparen.

NOTERA: Ta bort den förinstallerade mullinsatsen från gräsklipparen innan grässäcken fästs på gräsklipparen.

■ Fästa/ta bort mullinsatsen (Säljs separat) (bild H)

INSTÄLLNING AV KLIPPHÖJDEN (bild I)

I-1	Fjäderbelastad inställningsspak för klipphöjd	I-2	Indikatorplatta klipphöjd
-----	---	-----	---------------------------

SE

⚠ VARNING: Håll fötter undan från däckets när höjden ställs in. Gräsklipparen kan ställas in på sju olika klipphöjder mellan 25 mm och 105 mm. Välj korrekt klipphöjd enligt typ och förhållandet hos gräset.

FASTSÄTTNING/BORTTAGNING AV BATTERIPAKETET (bild J)

Använd endast med de batteripaket och laddare som listas i bild A2

LADDA INNAN FÖRSTA ANVÄNDNING.

⚠ VARNING: Om någon del är trasig eller saknas, försök inte att fästa batteripaketet på gräsklipparen eller använd gräsklipparen innan den trasiga eller saknade delen ersatts. Om inte detta görs finns det risk för allvarliga personskador.

■ Fästa

Skjut batteripaketet in i batterifacket tills du hör ett "klick".

■ Ta bort

Tryck ned batterilåsknappen i batterifacket.

NOTERA: Se till att haken på gräsklipparen snäpper på plats och att batteripaketet sitter fast i gräsklipparen innan arbetet påbörjas.

STARTA/STOPPA GRÄSKLIPPAREN (bild K, L och M)

⚠ VARNING: Användning av något gräsklippare kan resultera i att främmande föremål kastas in i dina eller andras ögon vilket kan resultera i allvarliga ögonskador. Använd alltid skyddsglasögon när gräsklipparen används eller när justeringar eller reparationer görs på den.

⚠ VARNING: Kniven fortsätter att rotera i några sekunder efter det att gräsklipparen stängts av. Låt motorn/kniven slut rotera innan den "slås på" igen. Växla inte snabbt mellan på och av.

SÄKERHETSNYCKEL (bild N)

För att förhindra oavsiktlig start eller obehörig användning av din sladdlösa gräsklippare finns en löstagbar säkerhetsnyckel inbyggd i designen av gräsklipparen. Gräsklipparen blir helt avaktiverad när säkerhetsnyckeln har tagits bort från gräsklipparen.

FARA: Roterande knivar kan orsaka allvarliga skador. För att förhindra allvarlig skada skall säkerhetsnyckeln tas bort när gräsklipparen är utan uppsikt eller vid inställningar, rengöring, service, lyft eller förvaring av gräsklipparen.

NOTERA: Motorn kan inte starta såvida inte:

- Handtaget är låst i ett av de tre driftpositionerna, se INSTÄLLNING AV DET VIKBARA HANDTAGET.
- Sidoskenorna är helt utdragna
- Båda gröna handtagsklämmorna är låsta

FÖRSIKTIGHET: Försök inte att åsidosätta funktionen hos säkerhetsknappen och bågomkopplaren.

Att starta (bild K och L)

- 1) Sätt i batteripaketet i gräsklipparen, sätt i säkerhetsnyckeln i nyckelhålet och stäng batteriluckan.
- 2) Tryck på säkerhetsknappen.
- 3) Med säkerhetsknappen nedtryckt, dra bågomkopplaren uppåt mot handtaget och släpp säkerhetsknappen.

Att stoppa (bild M)

- 1) Frigör bågomkopplaren helt.
- 2) Den elektriska bromsen i den automatiska bromsmekanismen kommer att stoppa knivens rotation inom tre sekunder efter att bågomkopplaren släppts.

LEDSTRÅLKASTARE (bild A-13)

Tryck på omkopplarknappen (bild A-4) framför batterifacket för att slå på/stänga av LED-strålkastarna.

SJÄLVGÅENDE SYSTEM MED VARIABEL HASTIGHET

LM2130E-SP gräsklippare är utrustad med variabel självdrivande hastighet. Detta system är oberoende av knivens omkopplare, den är inte beroende av knivens rotation.

Exempelvis när du är klar med klippningen av gräsmattan kan du använda självdrivningen för att köra tillbaka gräsklipparen till dess lagringsplats utan knivrotation. Eller så kan du välj att arbeta med gräsklipparen som en icke-självdrivande gräsklippare för att maximera batteriets körtid.

Använda det självdrivande systemet utan knivrotation, slå på hastighetskontrollratten för självdrivning, tryck på självdrivningens avtryckare. Det finns två självdrivande avtryckare. Tryck på någon av avtryckare för att starta den självdrivande funktionen (bild O).

0-1	Hastighetskontrollerande ratt självdrivning	0-2	Avtryckare självdrivning
-----	---	-----	--------------------------

För att stänga av självdrivningen, släpp avtryckaren för självdrivning och stäng av hastighetskontrollratten.

STRÖMINDIKATOR PÅ GRÄSKLIPPAREN (bild P)

Gräsklipparen är utrustad med en strömindikator för att indikera laddningsstatusen hos batteripaketet och arbetsstatusen för gräsklipparen. Strömindikatorn kommer att lysa när kniven roterar eller när LED-strålkastaren är påslagen.

P-1	Statusindikator gräsklippare	P-2	Omkopplarknapp för LED-strålkastare
-----	------------------------------	-----	-------------------------------------

Statusindikator gräsklippare	Innebörd	Åtgärd
Fast grön	Gräsklipparen arbetar korrekt, batteriet har minst 15 % av dess laddning kvar.	Ingen krävs.
Blinkar grönt	Sidoskenorna är inte helt utdragna.	Stoppa gräsklipparen och se till att sidoskenorna är helt utdragna.
	Handtaget är inte låst i en driftposition.	Stoppa gräsklipparen och se till att handtaget är låst i driftläge.
Blinkar rött	Svagt batteri.	Stoppa gräsklipparen och ladda batteripaketet.
Fast orange	Gräsklipparen stannar på grund av överhettning.	Ta bort batteripaketet från gräsklipparen, flytta det till skuggan och kyl dem i minst 15 minuter.

Blinkar orange	Gräsklipparen är överbelastad.	Ta först bort batteripaketet, kontrollera sedan och rengör om gräs har samlats bakom täckningen. Sakta ned farten när du klipper. Om detta inte fungerar, kontakta EGO kundtjänst.
Blinkar växelvis röd/grön	Fel	Kontakta EGO Kundtjänst.
Mörk och LED på batteriet blinkar	Batteriet överhettat. (Se sektionen "SKYDD HÖG BATTERITEMPERATUR" i denna manual)	Släpp omkopplaren, vänta tills batteripaketet kylts ned till ungefär 67°C, starta sedan om snöslungan.

SE

GRÄSKLIPPARE ÖVERBELASTNINGSSKYDD

För att förhindra överbelastning, försök att inte klippa på mycket gräs på en gång. Sakta ned klippastigheten eller öka klipphöjden.

Din gräsklippare har ett inbyggt kretsskydd mot överbelastning. När gräsklipparen är överbelastad kommer motorn att stoppa och gräsklipparens statusindikatorn kommer att blinka orange. Ta bort batteripaketet från gräsklipparen. Kontrollera om gräs har samlats under däckets och rensa om så behövs, installera sedan batteriet och start om gräsklipparen.

SKYDD HÖG BATTERITEMPERATUR

Batteripaketet kommer att generera värme under drift. Värmen försvinner långsammare vid varmt väder. Om batteritemperaturen överstiger 70 °C under drift kommer skyddskretsen omedelbart att stänga av snöslungan för att skydda batteripaketet från värmeskador. Gräsklipparens statusindikatorn slocknar, se sektionen "BATTERISKYDD" i batteriets bruksanvisning för detaljer.

Släpp omkopplaren, vänta tills batteripaketet kylts ned till ungefär 67 °C, starta sedan om snöslungan.

UNDERHÅLL

⚠ VARNING: För att undvika allvarliga personskador skall alltid säkerhetsnyckeln tas bort innan rengöring, utförande av underhåll eller transport av gräsklipparen.

⚠ VARNING: Vid service ska enbart identiska utbyteskomponenter användas. Användning av andra delar kan skapa risker eller orsaka produktskador. För att garantera säkerheten och pålitligheten skall alla reparationer och utbyten utföras av en kvalificerad servicetekniker.

ALLMÄNT UNDERHÅLL

SE

⚠ VARNING: Ta alltid bort säkerhetsnyckeln och batteripaketet vid service eller transport av gräsklipparen.

Undersidan av gräsklippardäcket skall rengöras efter varje användning efter som gräsklipp, löv, smuts och annat skräp kommer att ackumuleras.

Ta bort allt uppsamlat gräs på och runt motorfläkten (använd inte vatten). Torka rent gräsklipparen med en fuktig trasa.

BORTTAGNING/INSTALLATION AV KNIVEN

⚠ VARNING: Skydda alltid händer genom att använda kraftiga handskar eller linda in klippkanterna med trasor eller annat material när underhålls görs av kniven. Ta alltid bort batteripaketet vid service eller transport av gräsklipparen.

- **Borttagning av kniven, följ bild Q.**
- **Installera kniven**
Följ monteringssekvensen i bild R med fläktbladet riktat mot däcket och kniven med dess skrivna text mot utsidan, rikta in hålen i fläkten mot hålen i kniven (bild S) och dra sedan åt kniven såsom bild T.

FÖRVARA GRÄSKLIPPAREN

- Ta bort batteripaketet från gräsklipparen och förvara det på en kall, torr och ren plats. Förvara det inte nära korrosiva material, såsom gödningsmedel eller bergssalt.
- För vara gräsklipparen i ett täckt och slutet utrymme som är svalt, torrt och utom räckhåll för barn.
- Täck inte över gräsklipparen med ett tätt plastskynke. Plastskynken över fukten runt gräsklipparen vilket orsakar rost och korrosion.
- Gräsklipparen kan förvaras upprätt eller plant. (Bild U och V).

⚠ VARNING: Om gräsklipparen tipsar över från upprätt position kan gräsklipparen eller personer skadas. Ha alltid gräsklipparen stabilt placerad och utom räckhåll för barn när den är i upprätt position. Om möjligt, lägg den plant vid förvaring.

Skydda miljön



Kassera inte elektriska apparater som osorterat kommunalt avfall, lämna in till närmaste återvinningsstation.

Kontakta de lokala myndigheterna för information beträffande tillgängliga insamlingsssystem.

Om elektriska apparater kasseras på avfallsupplag eller soptippar kan farliga ämnen läcka ut i grundvattnet och tränga in i livsmedelskedjan och skada din hälsa och välbefinnande.

FELSÖKNING

⚠ VARNING: Ta alltid bort säkerhetsnyckeln och batteripaketet vid service eller transport av gräsklipparen. Skydda alltid händer genom att använda kraftiga handskar eller linda in klippkanterna med trasor eller annat material när underhålls görs av kniven.

PROBLEM	ORSAK	LÖSNING
Gräsklipparen startar inte	<ul style="list-style-type: none"> ■ Batteripaketet är helt tomt. ■ Batteripaketet är inte monterad på plats i batterifacket. ■ Batteriet eller gräsklipparens kretssystem är för hett. (Strömindikatorn på gräsklipparen kommer att lysa orange under 10 sekunder) ■ Sidoskenorna är inte utdragna till dess maximala längd och klämmorna är inte låsta på plats. ■ Handtaget är inte inställt i en av de tre driftpositionerna. ■ Gräsklippardäcket är igensatt med gräs och skräp. 	<ul style="list-style-type: none"> ■ Ladda batteripaketet. ■ Fäst batteripaketet i gräsklipparen, tryck tills du hör ett klick ■ Låt batteripaketet eller gräsklipparen svalna tills temperaturen sjunker under 67°C. ■ Dra ut handtaget helt och lås båda klämmorna. ■ Ställ in handtaget till en av de två driftpositionerna. ■ Rengör gräsklippardäcket och se till att kniven kan röra sig fritt.
Gräsklipparen klipper ojämnt.	<ul style="list-style-type: none"> ■ Kniven är slö. ■ Klipphöjden är inte korrekt inställd. ■ Kniv är felaktigt monterad. 	<ul style="list-style-type: none"> ■ Slipa eller byt kniven. ■ Høj däcket till en högre klipphöjd. ■ Montera tillbaka kniven, följ sektionen "INSTALLERA KNIVEN" i denna manual.
Gräsklipparen stannar under klippningen	<ul style="list-style-type: none"> ■ Batteripaketet är helt tomt. ■ Gräsklipparen är överbelastat läge. ■ Gräsklippardäcket är igensatt med gräs och skräp. ■ Batteriet eller gräsklipparens kretssystem är för hett. (Strömindikatorn på gräsklipparen kommer att lysa orange i 10 sekunder) ■ Sidoskenan är tillbakadragen något genom att tryck skett på handtaget. 	<ul style="list-style-type: none"> ■ Ladda batteripaketet. ■ Öka klipphöjden eller sakta ned klippningen. ■ Rensa gräsklippardäcket. Høj klipphöjden eller klipp en smalare sträng. ■ Låt batteripaketet eller gräsklipparen svalna tills temperaturen sjunker under 67°C. ■ Lås upp klämmorna. Dra ut sidoskenan helt och lås klämmorna igen.
Gräsklipparen finfördelar inte ordentligt	<ul style="list-style-type: none"> ■ Vått gräs har fastnat på undersidan av däcket. ■ Gräsklipparen är inställd att klippa för mycket gräs i taget. 	<ul style="list-style-type: none"> ■ Vänta tills gräset torkar innan klippning. ■ Høj däcket till en högre klipphöjd.

SE

PROBLEM	ORSAK	LÖSNING
Det förekommer kraftiga vibrationer	<ul style="list-style-type: none">▪ Klippkniven är lös.▪ Klippkniven är i obalans.▪ Klippkniven är böjd.▪ Motoraxeln är böjd.▪ Gräsklippardäcket är igensatt med gräs och skräp.	<ul style="list-style-type: none">▪ Dra åt alla knivbultar.▪ Balansera kniven enligt instruktionerna.▪ Byt kniven.▪ Kontakta servicecentret.▪ Rengör gräsklippardäcket och se till att kniven kan röra sig fritt.
Låsklämmorna på handtaget kan inte stängas i positionen.	<ul style="list-style-type: none">▪ Sidoskenorna är inte helt utdragna.	<ul style="list-style-type: none">▪ Dra ut sidoskenorna helt och lås klämmorna igen.

SE

GARANTI

EGO GARANTIPOLICY

Besök webbsidan egopowerplus.com för fullständiga villkor för EGO garantipolicy.

LUE KAIKKI OHJEET!

Käyttötarkoitus: Tuote on tarkoitettu ruohon leikkaamiseen vain kotipuutarhoissa. Sitä ei ole tarkoitettu erityisen pitkän, kuivan tai kostean ruohon leikkaamiseen, esim. laidunruohon, tai lehtien silppuamiseen.

VAROITUS: Lue ja ymmärrä tämän käyttöoppaan kaikki turvallisuusohjeet, mukaan lukien kaikki turvallisuusvaroitussymbolit, kuten **"VAARA"**, **"VAROITUS"** ja **"HUOMIO"** ennen laitteen käyttämistä. Alla olevien ohjeiden noudattamatta jättäminen saattaa aiheuttaa sähköiskun, tulipalon ja/tai vakavan henkilövahingon.

VAROITUS: Minkä tahansa sähkötyökalun käyttö saattaa aiheuttaa vierasesineiden sinkoutumisen silmiin, mikä voi aiheuttaa vakavia silmävammoja. Käytä aina suojalaseja tai sivusuojilla varustettuja suojalaseja tai tarvittaessa kokonaamaria, kun käytät sähkötyökalua. Silmälasien päällä suosittelemme käytettäväksi suojamaskia, jossa on laaja näkökenttä, tai tavallisia suojalaseja, joissa on sivusuojat.

TURVALLISUUSYMBOLIT

FI



Turvallisuushälytys



Käyttäjän on luettava ja ymmärrettävä käyttöopas ennen tämän laitteen käyttöä loukkaantumista varten vähentämiseksi.



Varmista, että muut ihmiset ja lemmikit ovat vähintään 30 m päässä ruohonleikkurista, kun se on käytössä.



Pidä jalat ja kädet etäällä



Terät jatkavat pyörimistään senkin jälkeen, kun moottori on sammutettu. Poista estolaite ennen huoltoa. Kytke virta pois ja poista irrotettava akku (tai estolaite) ennen kuin säädät tai puhdistat laitetta.



Taattu äänitehotaso.



Tämä tuote vastaa sovellettavia EU-direktiivejä.



Tämä tuote on Yhdistyneen kuningaskunnan lainsäädännön mukainen.



Vanhoja sähkölaitteita ei saa hävittää kotitalousjätteen mukana. Vie laite valtuutettuun kierrätyslaitokseen.

IPX4

Suojaus vesiroiskeilta (IP-luokitus 4)

V Voltti

mm Millimetri

cm Senttimetri

— Virran tyyppi tai ominaisuus

kg Kilogramma

TEKNISET TIEDOT

Jännite	56 V 	
Tyhjäkäyntinopeus	2700 rpm	
Leikkuukorkeus	25mm/ 32mm/ 40mm/ 51mm/ 64mm/ 77mm/ 90mm	
Leikkuukorkeuden asennot	7	
Leikkuleveys	52 cm	
Ruohopussin tilavuus	70 l	
Ruohonleikkurin paino (ilman akkua ja ruohopussia)	25,1 kg	
Terämalli	AB2102D-E	
Käyttölämpötila	0°C-40°C	
Varastointilämpötila	-20°C-70°C	
Terän jarru	KYLLÄ	
Mitattu äänitehotaso L_{WA}	89,8 dB(A) K=3,35 dB(A)	
Äänenpaineen taso käyttäjän korvien tasolla L_{PA}	80,3 dB(A) K=3 dB(A)	
Taattu äänitehotaso L_{WA} (mitattu 2000/14/EY mukaisesti)	93 dB(A)	
Tärinäarvo a_{H1} :	Vasen kahva	0,61 m/s ² K=1,5 m/s ²
	Oikea kahva	0,54 m/s ² K=1,5 m/s ²

PAKKAUSLUETTELO (KUVA A1)

KUVAUS

TUNNE RUOHONLEIKKURISI (kuva A1)

1. Itsevetokytin
2. Itsevetonopeuden säätönappi
3. Turvapainike
4. LED-ajovalojen kytkinpainike
5. Kahvan lukituskiristin
6. Ruohopussi
7. Pikasäätövipu
8. Leikkuukorkeuden säätövipu
9. Takapyörä
10. Etupyörä
11. Ruohonleikkurin kansi
12. Etukahva
13. LED-etuvalot
14. Akun kansi

15. Takakahva
16. Takana oleva poistoluukku
17. Sivutanko
18. Ruohonleikkurin tilan merkkipalo
19. Kytkinvipu
20. Kahva
21. Tuki pystysäilytystä varten
22. Lokasuoja
23. Akun vapautuspainike
24. Turva-avain

KÄYTTÖ

RUOHOPUSSIN KOKOAMINEN

- 1) Liu'uta ruohopussi kehykseen (kuva B).
- 2) Kokoa kehyksen yläliittimet (kuva C) ja kokoa sitten kaksi sivuliittintä. Kokoa alaliitin viimeisenä.
- 3) Täysin koottu ruohopussi näkyy kuvassa D.

HUOMAA: Tavallisessa käytössä pussin materiaali kuluu. Loukkaantumiswaaran vähentämiseksi tarkista pussikokoonpano säännöllisesti ja vaihda se, jos huomaat kulumista tai rapistumista. Käytä vain tälle ruohonleikkurille valmistettuja ruohopusseja.

TAITETTAVAN KAHVAN SÄÄTÄMINEN

VAROITUS: Älä yritä käynnistää ruohonleikkuria ennen kuin kahva on lukittu johonkin esiasetetusta käyttöasennosta (YLEMPI KÄYTTÖASENTO, KESKITASON KÄYTTÖASENTO ja ALEMPI KÄYTTÖASENTO).

Ruohonleikkurin kahva on toimitettaessa tilaa säästävässä, LUKITUSSA VARASTOASENNOSSA (kuva E).

- 1) Paina pikasäätövipua ja pidä sitä painettuna, niin kahva vapautuu LUKITUSTA VARASTOASENNOSTA.
- 2) Nosta kahva taitetusta asennosta ja vapauta sitten vipu. Käännä kahvaa varovasti ylöspäin, kunnes kuulet ja tunnet lukkotapin lukittuvan johonkin kuvassa F näkyvistä asennoista.

F-1	Ruohopussin kiinnitys-/irrotusasento	F-2	Lukittu varastoasento
F-3	Ylempi käyttöasento	F-4	Keskitalason käyttöasento
F-5	Alempi käyttöasento		

RUOHOPUSSIN KIINNITTÄMINEN

VAROITUS: Älä tee muutoksia ruohonleikkuriin ilman, että ensin sammutat moottorin, poistat turva-avaimen ja odotat, että terä lopettaa pyörimisen.

HUOMAA: Poista silppuriosa tai sivupoistokouru ennen kuin liität ruohonleikkuriin ruohopussin.

■ Ruohopussin liittäminen/irrottaminen (kuva G)

Työnnä ruohopussin levy ruohonleikkuriin ja ripusta ruohopussi ruohonleikkuriin.

HUOMAA: Poista esiasennettu silppuriosa leikkurista ennen kuin liität leikkuriin ruohopussin.

■ Silppuriosan liittäminen/irrottaminen (myydään erikseen) (kuva H)

LEIKKUKORKEUDEN SÄÄTÄMINEN (kuva I)

I-1	Jousikuormitteinen leikkukorkeuden säätö	I-2	Leikkukorkeuden ilmaisilevy
-----	--	-----	-----------------------------

VAROITUS: Pidä jalkasi poissa kannelta, kun säädät sen korkeutta. Ruohonleikkurissa on 8 leikkauskorkeutta väliä 25–105 mm. Valitse sopiva leikkukorkeus ruohon tyypin ja olosuhteiden mukaan.

AKUN KIINNITTÄMINEN/POISTAMINEN (kuva J)

Käytä vain kuvassa A2 lueteltujen akkujen ja latureiden kanssa

LATAA ENNEN ENSIMMÄISTÄ KÄYTTÖKERTAA

VAROITUS: Jos jokin osa on rikki tai puuttuu, älä yritä liittää akkua leikkuriin tai käyttää ruohonleikkuria ennen kuin rikkiäinen tai puuttuva osa on korvattu. Tämän ohjeen noudattamatta jättäminen saattaa aiheuttaa vakavan vamman.

■ Liittäminen

Paina akkua akkulokeroon, kunnes kuulet naksahduksen.

■ Poistaminen

Paina akkulokerossa olevaa akun vapautuspainiketta ja vedä akku ulos.

HUOMAA: Varmista, että ruohonleikkurin salpa napsahtaa paikalleen, ja että akku on turvallisesti kiinni ruohonleikkurissa ennen aloitat käytön.

RUOHONLEIKKURIN KÄYNNISTÄMINEN/ SAMMUTTAMINEN (kuvat K, L ja M)

VAROITUS: Minkä tahansa ruohonleikkurin käyttö saattaa aiheuttaa vierasesineiden sinkoutumisen käyttäjän tai sivullisten silmiin, mikä voi aiheuttaa vakavia silmävammoja. Käytä aina suojalaseja, kun käytät ruohonleikkuria, tai kun säädät tai korjaat sitä.

VAROITUS: Terä pyörii vielä muutaman sekunnin ajan senkin jälkeen, kun ruohonleikkuri on sammutettu. Anna moottorin/terän pysähtyä ennen kuin käynnistät sen uudelleen. Älä sammutta ja käynnistä ruohonleikkuria nopeasti peräjäkeen.

TURVA-AVAIN (kuva N)

Ruohonleikkurissa on poistettava turva-avain, joka estää akkukäyttöisen ruohonleikkurin käynnistämisen vahingossa tai sen luvottoman käytön. Ruohonleikkuria ei voi käyttää, jos turva-avain on poistettu.

VAARA: Pyörivät terät voivat aiheuttaa vakavan vamman. Vakavien vammojen välttämiseksi poista turva-avain aina, kun ruohonleikkuri on vartioimatta tai kun säädät, puhdistat, huollat, kuljetat, nostat tai varastoit ruohonleikkuria.

HUOMAA: Moottoria ei voi käynnistää, ellei:

- Kahvaa ole lukittu johonkin kolmesta käyttöasennosta, katso kohta TAITETTAVAN KAHVAN SÄÄTÄMINEN.
- Sivutankoja ei ole pidennetty kokonaan
- Molempia vihreitä kahvalukituskiristimiä ole suljettu tiukasti.

HUOMIO: Älä yritä ohittaa turvapainikkeen tai sankakytkimen toimintaa.

Käynnistys (kuvat K ja L)

- 1) Kiinnitä akku ruohonleikkuriin, aseta turva-avain avaimenreikään ja sulje akun kansi.
- 2) Paina turvapainike pohjaan.
- 3) Samalla kun painat turvapainiketta pohjaan, vedä sankakytkin ylös kahvaan asti ja vapauta sitten turvapainike.button.

Sammutus (kuva M)

- 1) Vapauta sankakytkin kokonaan.
- 2) Sähköinen jarru automaattisessa jarrumeکانismissa pysäyttää terän pyörimisen 3 sekunnin kuluessa sankakytkimen vapauttamisesta.

LED-ETUVALOT (kuva A-13)

Paina kytkinpainiketta (kuva A-4) sytyttääksesi/sammuttaaksesi LED-etuvalot akkulokeroon edestä.

VAIHTELIVANOPEUKSINEN ITSEVETOJÄRJESTELMÄ

LM2130E-SP-ruohonleikkurissa on vaihtelivanopeuksinen itsevetomahdollisuus. Järjestelmä on erillään terän virtakytkimestä. Se ei ole riippuvainen terien pyörimisestä.

Jos olet esimerkiksi leikannut nurmikon valmiiksi, voit käyttää itsevetojärjestelmää ruohonleikkurin viemiseen varastoon ilman, että terä liikkuu. Voit myös käyttää ruohonleikkuria ilman itsevetotoimintoa akun kestoajan pidentämiseksi.

Kun haluat käyttää itsevetotoimintoa ilman terien pyörimistä, kytkä itsevetonopeuden säätönappi päälle, paina itsevetoliipaisinta. Itsevetoliipaisimia on kaksi. Itsevetotoiminnon voit käynnistää kummasta liipaisimesta tahansa (kuva O).

O-1	Itsevetonopeuden säätönuppi	O-2	Itsevetoliipaisin
-----	-----------------------------	-----	-------------------

Saat itsevedon pois päältä vapauttamalla itsevetoliipaisimen ja kääntämällä itsevetonopeuden säätönupin pois päältä.

RUOHONLEIKKURIN VIRRRAN MERKKIVALO (kuva P)

Ruohonleikkurissa on virran merkkivalo, joka näyttää akun lataustason ja ruohonleikkurin käyttötilan. Virran merkkivalo palaa silloin, kun terä pyörii tai LED-etuvalot ovat päällä.

P-1	Ruohonleikkurin tilan merkkivalo	P-2	LED-ajovalojen kytkinpainike
-----	----------------------------------	-----	------------------------------

FI

Ruohonleikkurin tilan merkkivalo	Merkitys	Toimenpide
Palaa vihreänä	Ruohonleikkuri toimii; akussa on latausta jäljellä vähintään 15 %.	Ei tarvita mitään.
Vilkkuu vihreänä	Sivutankoja ei ole pidennetty kokonaan.	Pysäytä ruohonleikkuri ja pidennä sivutangot kokonaan.
	Kahvaa ei ole lukittu käyttöasentoon.	Pysäytä ruohonleikkuri, ja varmista, että kahva on lukittu käyttöasentoon.
Vilkkuu punaisena	Akku vähissä.	Pysäytä ruohonleikkuri ja lataa akku.
Palaa oranssina	Ruohonleikkuri pysähtyy ylikuumentumisen vuoksi.	Poista akku ruohonleikkurista, siirrä ne varjoon ja anna niiden jäähtyä vähintään 15 minuutin ajan.
Vilkkuu oranssina	Ruohonleikkuri on ylikuumentunut	Poista ensin akku ja tarkista ja puhdista sitten ruoho, jota voi olla kertynyt kannen alle. Hidasta vauhtia, kun leikkaat ruohoa. Jos se ei toimi, ota yhteys EGO:n asiakaspalveluun.
Vilkkuu vuorotellen punaisena ja vihreänä	Virhe	Ota yhteyttä EGO:n asiakaspalveluun.

Ei pala ja akun LED vilkkuu	Akku on kuumentunut. (Katso tämän käyttöoppaan kohta "AKUN YLIKUUMENEMISSUOJAUS")	Vapauta sankakytin ja odota, kunnes akku jäähtyy noin 67°C:een ja käynnistä ruohonleikkuri sitten uudelleen.
-----------------------------	---	--

RUOHONLEIKKURIN YLIKUORMITUSSUOJAUS

Ylikuormituksen välttämiseksi vältä liian suurten ruohikkoalueiden leikkaamista kerralla. Hidasta leikkuuvauhtia tai nosta leikkuukorkeutta.

Ruohonleikkurissa on sisäänrakennettu ylikuormitussuojaus. Kun ruohonleikkuri on ylikuormittunut, moottori sammuu ja ruohonleikkurin virran merkkivalo vilkkuu oranssina. Poista akku ruohonleikkurista. Tarkista, onko kannen alle kertynyt ruohoa ja poista se tarvittaessa. Asenna sitten akku takaisin ja käynnistä ruohonleikkuri uudelleen.

AKUN YLIKUUMENEMISSUOJAUS

Akku lämpiää käytön aikana. Lämpö haihtuu hitaammin kuumalla säällä. Jos akun lämpötila ylittää 70°C käytön aikana, suojauspiiri sammuttaa ruohonleikkurin välittömästi suojatakseen akkua vahingoittumiselta. Ruohonleikkurin tilan merkkivalo sammuu. Katso lisätietoa akun käyttöoppaasta kohdasta "AKUN SUOJAUS".

Vapauta sankakytin ja odota, kunnes akku jäähtyy noin 67°C:een ja käynnistä ruohonleikkuri sitten uudelleen.

KUNNOSSAPITO

VAROITUS: Poista turva-avain ruohonleikkurista aina ennen puhdistamista, kunnossapitotoimia tai ruohonleikkurin kuljettamista, jotta vältät vakavat henkilövahingot.

VAROITUS: Käytä huollon yhteydessä vain identtisiä varaosia. Muiden osien käyttö saattaa aiheuttaa vaaran tai laitteen vaurioitumisen. Anna asiantuntevan huoltoteknikon tehdä kaikki korjaukset ja osien vaihdot, jotta laite on varmasti turvallinen ja luotettava.

YLEINEN KUNNOSSAPITO

VAROITUS: Poista aina turva-avain ja akku, kun huollat tai kuljetat ruohonleikkuria.

Ruohonleikkurin kannen alapuoli tulee puhdistaa jokaisen käyttökerran jälkeen, sillä ruoho, lehdet, lika ja muu irtoaines kertyvät sinne.

Poista kaikki kertynyt ruoho moottorin tuulettimesta (älä käytä vettä). Puhdista ruohonleikkuri pyyhkimällä kostealla liinalla.

TERÄN POISTAMINEN/ASENTAMINEN

VAROITUS: Suojaa aina kätesi paksuilla käsineillä tai käärimällä leikkauspinnat riepuihin tai muihin materiaaleihin silloin, kun teet kunnossapitotoimia ruohonleikkurin terälle. Poista aina akku, kun huollat tai kuljetat ruohonleikkuria.

- **Terän poistaminen, kuva Q**
- **Terän asentaminen**

Seuraa kuvan R kokoamisjärjestystä. Kun tuulettimen terä on kohti kantta ja kuviollinen terän puoli ulospäin, kohdista tuulettimen aukot terän aukkoihin (kuva S) ja kiristä sitten terä kuvan T osoittamalla tavalla.

RUOHONLEIKKURIN VARASTOIMINEN

- Poista akku ruohonleikkurista ja säilytä sitä kuivassa, viileässä ja puhtaassa paikassa. Älä säilytä sitä syövyttävien materiaalien, kuten lannoitteiden tai suolojen, vieressä.
- Säilytä ruohonleikkuria viileässä, kuivassa, katetussa ja suljetussa tilassa, poissa lasten ulottuvilta.
- Älä peitä ruohonleikkuria muovisuojuksella. Muovisuojukset eivät päästä läpi ruohonleikkurissa olevaa kosteutta, mikä aiheuttaa ruostumista ja syöpymistä.
- Ruohonleikkuri voidaan varastoida pystyasennossa tai litteänä. (Kuvat U ja V).

VAROITUS: Jos ruohonleikkuri kaatuu pystyasennosta, ruohonleikkuri saattaa vahingoittaa tai se saattaa aiheuttaa henkilövahingon. Pidä ruohonleikkuri aina vakaana ja poissa lasten ulottuvilta, kun se on pystyasennossa. Mikäli mahdollista, varastoi se litteänä.

Ympäristönsuojelu



Älä hävitä sähkölaitteita lajittelemattomana talousjätteenä, käytä erillisiä keräilypisteitä.

Kysy tarkemmat tiedot jätteidenkeräyspisteistä paikallisilta viranomaisilta.

Jos sähkölaitteita viedään kaatopaikalle, pohjaveteen saattaa vuotaa vaarallisia aineita ja päätyä sitä kautta ruokaketjuun. Tämä vahingoittaa terveyttäsi ja hyvinvointiasi.

VIANMÄÄRITYS

VAROITUS: Poista aina turva-avain ja akku, kun huollat tai kuljetat ruohonleikkuria. Suojaa aina kätesi paksuilla käsineillä tai käärimällä leikkauspinnat riepuihin tai muihin materiaaleihin silloin, kun teet kunnossapitotoimia ruohonleikkurin terälle.

ONGELMA	SYY	RATKAISU
FI Ruohonleikkuri ei käynnisty	<ul style="list-style-type: none"> ■ Akku on tyhjä. ■ Akkua ei ole kiinnitetty paikalleen akkulokerossa. ■ Akku tai ruohonleikkuri on liian kuuma. (Ruohonleikkurin virran merkkivalo palaa oranssina 10 sekunnin ajan) ■ Sivutangot eivät ole maksimipituudessaan eikä kiristimiä ole lukittu oikeaan asentoon. ■ Kahvaa ei ole asetettu johonkin kolmesta käyttöasennosta. ■ Ruohonleikkurin kansi on täynnä ruohoa ja irtainesta. 	<ul style="list-style-type: none"> ■ Lataa akkuyksikkö. ■ Kiinnitä akku ruohonleikkuriin. Paina sitä, kunnes kuulet naksahduksen. ■ Jäähdytä akkua tai ruohonleikkuria, kunnes sen lämpötila on alle 67°C. ■ Pidennä kahva kokonaan ja lukitse molemmat kiristimet. ■ Säädä kahva johonkin kolmesta käyttöasennosta. ■ Puhdista ruohonleikkurin kansi, ja varmista, että terä liikkuu vapaasti.
Ruohonleikkuri leikkaa epätasaisesti	<ul style="list-style-type: none"> ■ Terä on tylsä. ■ Leikkauskorkeutta ei ole asetettu oikein. ■ Terä on koottu väärin. 	<ul style="list-style-type: none"> ■ Teroita tai vaihda terä. ■ Nosta kansi korkeampaan leikkauskorkeusasetukseen. ■ Kokoa terä uudelleen tämän käyttöoppaan TERÄN ASENTAMINEN -osion mukaisesti.
RUOHONLEIKKURI SAMMUU KESKEN LEIKKAAMISEN	<ul style="list-style-type: none"> ■ Akku on tyhjä. ■ Ruohonleikkuri on ylikuormittunut. ■ Ruohonleikkurin kansi on täynnä ruohoa ja irtainesta. ■ Akku tai ruohonleikkuri on liian kuuma. (Ruohonleikkurin virran merkkivalo palaa oranssina 10 sekunnin ajan) ■ Sivutanko on mennyt hieman sisään, koska kahvaa on työnnetty. 	<ul style="list-style-type: none"> ■ Lataa akkuyksikkö. ■ Vaihda leikkauskorkeutta tai hidasta leikkausvauhtia. ■ Poista tukokset ruohonleikkurin kannesta. Vaihda leikkauskorkeutta tai leikkaa ohut kaistale. ■ Jäähdytä akkua tai ruohonleikkuria, kunnes sen lämpötila on alle 67°C. ■ Vapauta kiristimet. Vedä sivutangot maksimipituuteensa ja lukitse kiristimet uudelleen.
Ruohonleikkuri ei siippua kunnolla	<ul style="list-style-type: none"> ■ Märät ruohopalat juuttuvat kannen alapuolelle. ■ Ruohonleikkuri on asetettu leikkaamaan liikaa ruohoa kerralla. 	<ul style="list-style-type: none"> ■ Odota, että ruoho kuivuu, ennen kuin jatkat leikkaamista. ■ Nosta kansi korkeampaan leikkauskorkeusasetukseen.

ONGELMA	SYY	RATKAISU
Liiallinen tärinä	<ul style="list-style-type: none">▪ Leikkausterä on löysä.▪ Leikkausterä on epätasapainossa.▪ Leikkausterä on taipunut.▪ Moottorin akseli on taipunut.▪ Ruohonleikkurin kansi on täynnä ruohoa ja irtoainesta.	<ul style="list-style-type: none">▪ Kiristä terän pultti.▪ Tasapainota terä ohjeiden mukaisesti.▪ Vaihda terä.▪ Ota yhteys huoltoliikkeeseen.▪ Puhdista ruohonleikkurin kansi, ja varmista, että terä liikkuu vapaasti.
Kahvan lukituskiritimiä ei voida lukita asentoon.	<ul style="list-style-type: none">▪ Sivutankoja ei ole pidennetty kokonaan.	<ul style="list-style-type: none">▪ Vedä sivutangot maksimipituuteensa ja lukitse kiritimet.

FI

TAKUU

EGO N TAKUUEHDOT

Verkkosivustolta egopowerplus.com löydät EGO:n takuukäytännön täydelliset ehdot.

LES ALLE INSTRUKSJONER!

Tiltenkt bruk: Produktet er beregnet for å klippe gress i private hager. Den må ikke brukes til å klippe uvanlig høyt, tørt eller vått gress, f.eks. beitegress; eller til å rive opp blader.

⚠ ADVARSEL: Sørg for at du har lest og forstått alle sikkerhetsanvisningene i denne bruksanvisningen, inkludert alle varselsymboler som «FARE», «ADVARSEL» og «FORSIKTIG» før du bruker dette verktøyet. Hvis du ikke følger alle instruksjonene nedenfor kan det føre til elektrisk støt, brann og/eller alvorlig personskade.

⚠ ADVARSEL: Bruk av hvilke som helst elektroverktøy kan føre til at fremmedlegemer blir kastet mot øynene, noe som kan gi alvorlige øyeskader. Før du begynner å bruke elektroverktøyet, skal du alltid ta på vernebriller med sidebeskyttelse, og en full ansiktsskjerm der det trengs. Vi anbefaler en sikkerhetsmaske med bred visjon til bruk over briller, eller standard vernebriller med sidebeskyttelse.

SIKKERHETS SYMBOLER

NO

Sikkerhetsadvarsel



For at risikoen for personskader skal unngås må brukeren lese og forstå bruksanvisningen før produktet tas i bruk.



Sørg for at andre mennesker og kjæledyr er minst 30 m unna klipperen når den er i bruk.



Hold hender og føtter på avstand



Bladene fortsetter å rotere etter at motoren er slått av – fjern deaktiveringsenheten før vedlikehold. Slå av og fjern den avtagbare batteripakken (eller deaktiver enheten) før justering eller rengjøring.



Garantert lydeffektnivå.



Dette produktet er i samsvar med gjeldende EF-direktiver.



Dette produktet er i samsvar med gjeldende britisk lovgivning.



Elektrisk avfall skal ikke kastes sammen med husholdningsavfall. Innlever ved en godkjent gjenvinningsstasjon.

IPX4

Beskyttelse mot inntrengning av vann, grad 4

V Volt

mm Millimeter

cm Centimeter

Type eller en karakteristikk av strømtype

kg Kilogram

SPESIFIKASJONER

Spenning	56 V	
Hastighet uten belastning	2700 RPM	
Klippehøyde	25mm/ 32mm/ 40mm/ 51mm/ 64mm/ 77mm/ 90mm	
Klippehøyde-innstillinger	7	
Kuttebredde	52 cm	
Gressposevolum	70L	
Klipperens vekt (uten batteripakke og gresspose)	25,1 kg	
Bladmodell	AB2102D-E	
Driftstemperatur	0°C-40°C	
Lagringstemperatur	-20°C-70°C	
Bladbrems	JA	
Målt lydeffektnivå L_{WA}	89,8 dB(A) K=3,35 dB(A)	
Lydtrykknivå ved brukerens øre L_{PA}	80,3 dB(A) K=3 dB(A)	
Garantert lydeffektnivå L_{WA} (målt i henhold til 2000/14/EF)	93 dB(A)	
Vibrasjonsnivå $a_{h,v}$:	Venstre håndtak	0,61 m/s ² K=1,5 m/s ²
	Høyre håndtak	0,54 m/s ² K=1,5 m/s ²

PAKKELISTE (FIG.A1)

BESKRIVELSE

KJENN KLIPPEREN DIN (Fig. A1)

- Selvdrevet spak
- Spak for selvgående hastighetskontroll
- Sikkerhetsknapp
- Bryterknapp for LED-frontlys
- Håndtakslåsende klemme
- Gresspose
- Hurtigjusteringsspak
- Spak for klippehøydejustering
- Bakhjul
- Forhjul
- Klippenhet
- Fronthåndtak

- LED-frontlys
- Batterideksel
- Bakre håndtak
- Bakre utkastluke
- Sidespor
- Slåmaskin-statusindikator
- Koplingshendel
- Håndtak
- Støtte for stående oppbevaring
- Etterslepende skjerm
- Utløserknapp for batteri
- Sikkerhetsnøkkel

OPERASJON

MONTERING AV GRESSOPPSAMLER

- Skyv gressoppsamleren på rammen (fig. B).
- Monter de øvre klipsene på rammen (fig. C), og deretter settes de to sideklipsene sammen. Monter den nederste klipsen sist.
- Den fullstendig monterte gressoppsamleren vises i fig. D.

MERK: Ved normal bruk, blir pose materialet utsatt for slitasje. For å redusere risikoen for skader, skal oppsamleren inspiseres ofte for å se om det finnes tegn på slitasje eller skade. Bruk kun gressoppsamleren som er produsert for denne klipperen.

JUSTERING AV DET SAMMENLEGGBARE HÅNDTAKET

⚠ ADVARSEL: Ikke prøv å starte klipperen før håndtaket er låst i en av de tre forhåndsinnstilte driftsposisjonene (ØVRE DRIFTSPOSISJON, MIDTRE DRIFTSPOSISJON og NEDRE DRIFTSPOSISJON).

Gressklipperen leveres med håndtak inkludert, LÅST LAGRINGSSTILLING (Fig. E).

- Trykk og hold hurtigjusteringshåndtaket for å frigjøre håndtaket fra LÅST LAGRING-POSISJON
- Løft håndtaket fra sammenbrettet posisjon, og slipp spaken. Sving håndtaket forsiktig oppover til du hører og føler at låsestiften tar tak i en av de ulike posisjonene som vist i fig. F.

F-1	Gressbaggvedlegg / Låsestilling	F-2	Låst posisjon for oppbevaring
F-3	Øvre posisjon for kjøring av gressklipper	F-4	Midtre posisjon for kjøring av gressklipper
F-5	Nedre posisjon for kjøring av gressklipper		

NO

MONTERING AV GRESSPOSEN

⚠ ADVARSEL: Det skal aldri noen gang foretas justeringer på gressklipperen uten først at motoren stoppes og sikkerhetsnøkkelen fjernes, og deretter må bladet slutte å rotere.

MERK: Fjern den forhåndsinstallerte bioklipp-innsatsen fra klipperen før du fester gressoppsamleren til klipperen.

■ Feste/fjerne gressoppsamler (fig. G)

Sett brettet til gressposen i klipperen og heng gressposen på klipperen.

MERK: Fjern den forhåndsinstallerte bioklipp-innsatsen fra klipperen før du fester gressposen til klipperen.

■ For å feste / fjerne mulchinginnsatsen (selges separat) (fig. H)

NO

JUSTERING AV KLIPPEHØYDE (fig. I)

I-1	Fjærbelastet klippehøydejustering	I-2	Indikasjonsplate for skjærehøyde
-----	-----------------------------------	-----	----------------------------------

⚠ ADVARSEL: Hold føttene borte fra dekslet når du justerer høyden. Klipperen kan stilles inn til 8 klippehøyder mellom 25 mm og 105 mm. Velg riktig klippehøyde i henhold til typen gress og forholdene i gresset.

FESTE/FJERNE BATTERIPAKKEN (fig. J)

Bruk bare sammen med batteriene og ladere som er oppført i fig. A2

LAD OPP FØR FØRSTE GANGS BRUK.

⚠ ADVARSEL: Hvis deler er ødelagte eller mangler, må du ikke forsøke å feste batteripakken på klipperen eller betjene klipperen før de ødelagte eller manglende delene blir byttet. Hvis du ikke gjør det, kan det føre til alvorlig skade.

■ Slik setter du den på

Skyv batteripakken inn i batterirommet til du hører et «klikk».

■ Slik tar du den av

Trykk inn batteriutløserknappen i batterirommet.

MERK: Sørg for at låsen på klipperen klikker på plass og at batteripakken er festet til klipperen før du begynner.

START/STOPP AV KLIPPEREN (Fig. K, L & M)

⚠ ADVARSEL: Driften av enhver gressklipper kan resultere i at fremmedlegemer blir kastet mot dine eller andres øyne, noe som kan skade øynene alvorlig. Bruk alltid vernebriller når du bruker gressklipperen, eller mens du utfører justeringer eller reparasjoner på den.

⚠ ADVARSEL: Bladet vil fortsette å rotere i noen sekunder etter at klipperen slås av. La motoren/bladet slutte å rotere før du starter klipperen på nytt. Ikke slå klipperen raskt av og på.

SIKKERHETSNOKKEL (fig. N)

For å hindre utilsiktet oppstart eller uautorisert bruk av den batteridrevne gressklipperen din, har en avtagbar sikkerhetsnøkkel blitt innlemmet i utformingen av klipperen. Klipperen vil bli fullstendig deaktivert når sikkerhetsnøkkelen fjernes.

FARE: Roterende blader kan forårsake alvorlige skader. For å unngå alvorlig personskade, skal sikkerhetsnøkkelen fjernes når klipperen er uten tilsyn, samt ved justering, rengjøring, vedlikehold, transport, løfting eller lagring av klipperen.

MERK: Motoren kan ikke startes, med mindre:

- Håndtaket er låst i en av de tre betjeningsposisjonene, se JUSTERE DET FOLDBARE HÅNDTAKET.
- Sideskinnene er helt forlenget
- Begge de grønne håndtakslåsene klemmene er ordentlig lukket.

FORSIKTIG: Ikke forsøk å overstyre driften av sikkerhetsknappen og dødmannknappen.

Å starte (Fig. K & L)

- 1) Fest batteripakken til klipperen, sett inn sikkerhetsnøkkelen i nøkkelsporet og lukk batteridekslet.
- 2) Trykk på sikkerhetsknappen.
- 3) Når sikkerhetsknappen er nede, trekker du kausjonsbryteren oppover for å møte håndtaket og slipp sikkerhetsknappen.

Å stoppe (fig. M)

- 1) Slipp dødmannknappen helt opp.
- 2) Den elektriske bremsen i den automatiske bremsemekanismen vil stoppe bladrotasjonen innen 3 sekunder etter at dødmannknappen slippes.

LED FRONTLYS (Fig. A-13)

Trykk på bryterknappen (Fig. A-4) for å slå av / på LED-frontlyktene foran på batterirommet.

PROPELLSYSTEM MED VARIABEL HASTIGHET

LM2130E-SP slåmaskin er utstyrt med selvpropelllevne med variabel hastighet. Dette systemet er uavhengig av bladets på-/av-bryter; det er ikke avhengig av at bladene roterer.

Når du for eksempel er ferdig med å klippe plenen, kan du bruke selvkjøringen til å skyve klipperen tilbake til lagringsstedet uten knivrotasjon. Eller du kan velge å bruke klipperen som en ikke-selvdrivet klipper for å maksimere batteriets driftstid.

For å betjene selvkjøringssystemet uten knivrotasjon, slå på selvkjørende hastighetskontrollknapp, trykk på selvkjøringsutløseren (e). Det er to selvkjørende utløsere. Trykk på en av utløserne for å starte selvkjøringsfunksjonen (fig. O).

0-1	Spak for selvgående hastighetskontroll	0-2	Propellutløser håndtak
-----	--	-----	------------------------

For å slå selvkjøringen av, slipp selvkjøringsbryteren og vri den selvkjørende hastighetskontrollknappen til av.

KLIPPER-STATUS-INDIKATOR PÅ KLIPPEN (Fig. P)

Klipperen er utstyrt med en strømindikator for å indikere ladestatus for batteripakken og klipperens arbeidsstatus. Strømindikatoren vil lyse når bladet roterer eller når LED-frontlyktene er på.

P-1	Slåmaskin-statusindikator	P-2	Bryterknapp for LED-frontlys
-----	---------------------------	-----	------------------------------

Slåm-askin-statusindikator	Betydning	Handling
Solid grønn	Klipperen fungerer som den skal; batteriet har minst 15 % lademengde	Ingen påkrevd.
Blinker grønt	Sideskinnene ikke er trukket helt ut.	Stopp klipperen og sørg for at sideskinnene er helt forlenget.
	Håndtaket er ikke låst i driftstilling.	Stopp klipperen og sørg for at håndtaket er låst i driftstilling.
Blinker rødt	Lavt batterinivå	Stopp klipperen og lad batteriet.
Solid oransje	Klipperen stopper på grunn av overoppheting.	Ta ut batteriet fra klipperen, flytt det til skyggen og la avkjøles i minst 15 minutter.

Blinkende oransje	Klipperen er overbelastet	Fjern først batteripakken, så sjekk og rengjør om det har samlet seg gress under dekket. Ro ned tempoet ditt når du kutter. Hvis dette ikke fungerer, kan du kontakte EGO kundesenter.
Blinkende rødt/grønt vekselvis	Feil	Ta kontakt med EGOs kundeservice.
Mørk & LED på batteriet blinker	Batteriet overopphetes. (Se avsnittet "BATTERI HØYTEMPERATURBESKYTTELSE" i denne håndboken)	Slipp kausjonsbryteren, vent til batteripakken er avkjølt til omtrent 67°C, og start deretter klipperen på nytt.

NO

OVERBELASTNINGSVERN PÅ KLIPPEN

For å unngå overbelastning, skal man ikke prøve å flytte for mye gress på en gang. Senk klippetempoet eller hev klippehøyden.

Gressklipperen har innebygget overbelastningsvern. Når klipperen er overbelastet, stopper motoren og indikatoren for slåmaskinens status på klipperen blinker oransje. Fjern batteripakken fra klipperen. Se etter om gresset har samlet seg opp under dekket, og fjern det om nødvendig. Deretter installeres batteripakken og klipperen startes.

HØY-TEMPERATUR BESKYTTELSE AV BATTERIET

Batteripakken vil generere varme under bruk. Varmen forsvinner saktere i varmt vær. Hvis batteritemperaturen overstiger 70°C under drift, vil beskyttelseskretsen umiddelbart slå av klipperen for å beskytte batteripakken mot varmeskade. Klippermodusindikatoren på slåmaskinen slås av. Se avsnittet "BATTERIVERN" i batteriets brukerhåndbok for detaljer.

Slipp kausjonsbryteren, vent til batteripakken er avkjølt til omtrent 67°C, og start deretter klipperen på nytt.

VEDLIKEHOLD

⚠ ADVARSEL: For å unngå alvorlige personskader, skal sikkerhetsnøkkelen og batteripakken alltid tas ut av klipperen før rengjøring, vedlikehold eller transport av klipperen.

⚠ ADVARSEL: Når verktøyet trenger service, må bare identiske reservedeler benyttes. Bruk av uoriginale deler kan forårsake fare eller skader på produktet. For å ivareta sikkerheten og påliteligheten må alle reparasjoner og utskiftninger utføres av en kvalifisert servicetekniker.

GENERELT VEDLIKEHOLD

⚠ ADVARSEL: Ta alltid ut sikkerhetsnøkkelen og batteripakken ved service eller transport av klipperen.

Undersiden av klippeaggregatet skal rengjøres etter hver bruk, der gressrester, blader, skitt og annet rusk samler seg.

Fjern eventuell gressoppbygging på eller rundt motorviften (ikke bruk vann). Tørk av klipperen med en fuktig klut.

NO

FJERNING/INSTALLERING AV BLADET

⚠ ADVARSEL: Beskytt alltid hendene med tunge hansker eller ved å pakke inn klippekanter med filler eller andre materialer når det utføres vedlikehold på klipperbladene. Ta alltid ut batteripakken ved service på eller transport av klipperen.

- **Slik fjerner du bladet etter fig. Q.**
- **Installering av bladet**
Følg monteringssekvensen i fig. R, med viftebladet mot dekk og den trykte bladesiden mot utsiden, juster de gjennomgående hullene i viften med hullene i bladet (fig. S) og stram deretter bladet som vist i fig. T.

OPPBEVARING AV KLIPPEREN

- Fjern batteripakken fra klipperen og oppbevar den på et kjølig, tørt og rent sted. Ikke oppbevar den ved siden av etsende stoffer, så som gjødsel eller steinsalt.
- Oppbevar klipperen tildekket i et lukket rom, kjølig, tørt og utilgjengelig for barn.
- Ikke dekk til gressklipperen med solide plastplater. Plastdeksler fanger fuktigheten rundt klipperen, noe som fører til rust og korrosjon.
- Klipperen kan lagres stående eller flatt. (Fig. U & V).

⚠ ADVARSEL: Hvis klipperen begynner å velte fra oppreist stilling, kan klipperen få skader eller det kan føre til personskader. Hold alltid klipperen stabil og utilgjengelig for barn når den er i oppreist stilling. Hvis mulig, legg den flatt ved lagring.

Beskytt miljøet



Elektriske apparater må ikke kastes i det usorterte husholdningsavfallet, men innleveres til et innsamlingssted.

Kontakt lokale myndigheter for informasjon om hvilke innsamlingsordninger som finnes.

Hvis elektriske apparater kastes på fyllinger eller avfallsplasser, kan farlige substanser lekke ned i grunnvannet og komme inn i næringskjeden og skade menneskers liv og helse.

FEILSØKING

⚠ ADVARSEL Ta alltid ut sikkerhetsnøkkelen og batteripakken ved service eller transport av klipperen. Beskytt alltid hendene med tunge hansker eller ved å pakke inn klippekanten med filler eller andre materialer når det utføres vedlikehold på klipperbladene.

PROBLEM	ÅRSAK	LØSNING
Klipperen starter ikke	<ul style="list-style-type: none"> ■ Batteripakken er utladet. ■ Batteripakken er ikke montert på plass i batterirommet. ■ Batteriet eller klipperens kretser er for varme. (Strømindikatoren på klipperen vil lyse i oransje i 10 sekunder) ■ Sideskinnene er ikke trukket ut til maksimal lengde, og klemmene er ikke i låst posisjon. ■ Håndtaket er ikke innstilt til en av de tre driftstillingene. ■ Klippeaggregatet er tilstoppet med gress og rusk. 	<ul style="list-style-type: none"> ■ Lad opp batteripakken. ■ Fest batteripakken i klipperen, og trykk den ned til du hører et klikk. ■ La batteripakken eller klipperen kjøle seg ned til temperaturen synker under 67°C. ■ Strekk håndtaket helt ut, og lås begge klemmene. ■ Juster håndtaket til én av de tre driftposisjonene. ■ Rengjør klippeaggregatet og sørg for at bladet har bevegelsesfrihet.
Klipperen klipper ujevnt	<ul style="list-style-type: none"> ■ Bladet er sløvt. ■ Klippehøyden er ikke riktig innstilt. ■ Bladet er satt sammen feil. 	<ul style="list-style-type: none"> ■ Skjerp eller bytt bladet. ■ Hev dekket til en høyere klippehøyde. ■ Monter bladet igjen – se avsnittet «INSTALLASJON AV BLADET» i denne bruksanvisningen.
Klipperen stopper under klipping	<ul style="list-style-type: none"> ■ Batteripakken er utladet. ■ Klipperen er i overbelastningstilstand. ■ Klippeaggregatet er tilstoppet med gress og rusk. ■ Batteriet eller klipperens kretser er for varme. (Strømindikatoren på klipperen vil lyse i oransje i 10 sekunder.) ■ Sideskinnen trekkes inn litt av skyvekraften på håndtaket. 	<ul style="list-style-type: none"> ■ Lad opp batteripakken. ■ Hev klippehøyden eller klipp saktere. ■ Fjern blokkeringer i klippeaggregatet. Hev klippehøyden, eller klipp et smalt område. ■ La batteripakken eller klipperen kjøle seg ned til temperaturen synker under 67°C. ■ Lås opp klemmene. Strekk skinnene helt ut, og lås klemmene igjen.
Klipperen bioklipper ikke riktig	<ul style="list-style-type: none"> ■ Våte gressrester sitter fast på undersiden av aggregatet. ■ Klipperen er satt til å klippe for mye gress på en gang. 	<ul style="list-style-type: none"> ■ Vent til gresset har tørket opp før du klipper det. ■ Hev dekket til en høyere klippehøyde.

NO

PROBLEM	ÅRSAK	LØSNING
Det er overdrevne vibrasjoner	<ul style="list-style-type: none">▪ Kuttebladet er løst.▪ Kappeskiven er ubalansert.▪ Kuttebladet er bøyd.▪ Motorakselen er bøyd.▪ Klippeaggregatet er tilstoppet med gress og rusk.	<ul style="list-style-type: none">▪ Stram bladbolten.▪ Balanser bladet i følge instruksjonene.▪ Bytt knivbladet.▪ Kontakt servicesenteret.▪ Rengjør klipperaggregatet og sørg for at bladet har bevegelsesfrihet.
Håndtakets låseklemmer kan ikke lukkes i posisjon.	<ul style="list-style-type: none">▪ Sideskinnene ikke er trukket helt ut.	<ul style="list-style-type: none">▪ Strekk sideskinnene helt ut, og lås klemmene.

NO

GARANTI

EGOs GARANTIREGLER

Besøk nettsiden egopowerplus.com for å se fullstendige vilkår og betingelser for EGO-garantireglene.

ПРОЧИТАЙТЕ ВСЕ ИНСТРУКЦИИ!

Назначение. Данное устройство предназначено только для скашивания травы на домашних участках. Оно не предназначено для скашивания слишком высокой, сухой или мокрой травы (например на пастбищах), а также для измельчения листьев.

⚠ ПРЕДУПРЕЖДЕНИЕ. Перед использованием устройства внимательно прочитайте все инструкции в данном руководстве пользователя и ознакомьтесь с предупреждающими символами безопасности, такими как «ОПАСНОСТЬ», «ПРЕДУПРЕЖДЕНИЕ» и «ВНИМАНИЕ». Несоблюдение всех приведенных ниже инструкций может привести к поражению электрическим током, возникновению пожара и (или) получению серьезных травм.

⚠ ПРЕДУПРЕЖДЕНИЕ. В результате работы электроинструмента в глаза могут попасть посторонние предметы, что приведет к серьезному повреждению глаз. При работе с электроинструментами всегда надевайте защитную маску, защитные очки с боковыми щитками или полнопрофильную защитную маску (при необходимости). Поверх очков или стандартных защитных очков рекомендуется надевать безопасную маску с широким обзором.

ПРЕДУПРЕЖДАЮЩИЕ СИМВОЛЫ



Предупреждение об опасности



Чтобы уменьшить риск получения травм, перед использованием устройства необходимо прочитать и понять руководство по эксплуатации.

RU



Следите за тем, чтобы люди и животные не приближались к работающей газонокосилке на расстояние менее 30 метров.



Держите ноги и руки подальше.



После отключения двигателя режущие элементы продолжают вращаться. Извлекайте отключающее устройство перед выполнением обслуживания. Перед настройкой или очисткой устройства выключите его и извлеките аккумулятор (или отключающее устройство).



Гарантированный уровень звуковой мощности



Соответствует основным требованиям стандартов безопасности Европейских директив.



данный продукт соответствует действующему законодательству Великобритании.



Неисправные электрические устройства нельзя выбрасывать вместе с бытовым мусором. Сдавайте их в авторизованные пункты сбора и утилизации.

IPX4

Защита от воздействия воды 4 степени

V

Вольт

mm

Миллиметр

cm

Сантиметр



Тип или характеристика тока

kg

Килограмм

ТЕХНИЧЕСКИЕ ХАРАКТЕРИСТИКИ

Напряжение	56 В	
Скорость вращения без нагрузки	2700 об/мин	
Высота скашивания	25mm/ 32mm/ 40mm/ 51mm/ 64mm/ 77mm/ 90mm	
Положения высоты скашивания	7	
Ширина резания	52 мм	
Объем травосборника	70 л	
Масса газонокосилки (без аккумулятора и травосборника)	25,1 кг	
Модель режущего элемента	AB2102D-E	
Рабочая температура	0...40°C	
Температура хранения	-20...70°C	
Тормоз режущего элемента	Да	
Измеренный уровень звуковой мощности, L_{WA}	89,8 дБ (А) K=3,35 дБ (А)	
Уровень звукового давления на уши оператора, L_{PA}	80,3 дБ (А) K=3 дБ (А)	
Гарантированный уровень звуковой мощности L_{WA} (измерен в соответствии с 2000/14/ЕС)	93 дБ (А)	
Значение вибрации a_v :	Левая рукоятка	0,61 м/с ² K=1,5 м/с ²
	Правая рукоятка	0,54 м/с ² K=1,5 м/с ²

КОМПЛЕКТ ПОСТАВКИ (РИС. А1)

ОПИСАНИЕ

ЧАСТИ ГАЗОКОСИЛКИ (Рис. А1)

1. Переключатель самоходной функции
2. Регулятор скорости самоходной функции
3. Предохранительная кнопка
4. Выключатель светодиодного освещения
5. Фиксатор рукоятки
6. Травосборник

7. Рычаг быстрой регулировки
8. Рычаг регулировки высоты среза
9. Заднее колесо
10. Переднее колесо
11. Платформа газонокосилки
12. Передняя рукоятка
13. Светодиодная подсветка
14. Крышка аккумуляторного отсека
15. Задняя рукоятка
16. Дверца заднего разгрузочного отверстия
17. Боковая штанга
18. Индикатор состояния газонокосилки
19. Рукоятка управления
20. Рукоятка
21. Кронштейн для хранения в вертикальном положении
22. Задний щиток
23. Кнопка фиксации аккумулятора
24. Ключ безопасности

ЭКСПЛУАТАЦИЯ

СБОРКА ТРАВΟΣБОРНИКА

- 1) Наденьте травосборник на каркас (Рис. В).
- 2) Прикрепите к каркасу сначала верхние зажимы (Рис. С), а затем два боковых зажима. Нижний зажим устанавливается в последнюю очередь.
- 3) Полностью собранный травосборник показан на Рис. D.

ПРИМЕЧАНИЕ. В процессе эксплуатации материал, из которого изготовлен травосборник, изнашивается. Для снижения риска получения травм регулярно проверяйте состояние травосборника. При обнаружении признаков износа замените его. Используйте только травосборники, предназначенные для данной газонокосилки.

РЕГУЛИРОВКА СКЛАДНОЙ РУКОЯТКИ

▲ ПРЕДУПРЕЖДЕНИЕ. Не запускайте устройство, если рукоятка не зафиксирована в одном из трех рабочих положений (ВЕРХНЕМ, СРЕДНЕМ или НИЖНЕМ).

Газонокосилка поставляется с рукояткой в компактном (ЗАБЛОКИРОВАННОМ) положении (Рис. E).

- 1) Нажмите и удерживайте рычаг быстрой регулировки, чтобы освободить рукоятку из ЗАБЛОКИРОВАННОГО положения.
- 2) Поднимите рукоятку из сложенного положения, затем отпустите рычаг. Осторожно поворачивайте рукоятку вверх, пока не услышите и не почувствуете, что стопорный штифт вошел в одно из следующих положений, как показано на Рис. F.

F-1	Положение для установки и извлечения травосборника	F-2	Заблокированное положение для хранения
F-3	Верхнее рабочее положение	F-4	Среднее рабочее положение
F-5	Нижнее рабочее положение		

УСТАНОВКА ТРАВΟΣБОРНИКА

⚠ ПРЕДУПРЕЖДЕНИЕ. Не проводите никаких работ на газонокосилке, пока двигатель не остановится. Извлеките из устройства предохранительный ключ и дождитесь, пока режущий элемент не остановится.

ПРИМЕЧАНИЕ. Прежде чем устанавливать травосборник, снимите вставку для приготовления мульчи или боковой разгрузочный желоб.

■ Установка и извлечение травосборника (Рис. G)

Вставьте травосборник внутрь газонокосилки и зацепите.

ПРИМЕЧАНИЕ. Прежде чем устанавливать травосборник, снимите вставку для приготовления мульчи.

■ Установка и извлечение вставки для приготовления мульчи (приобретается отдельно) (Рис. H)

РЕГУЛИРОВКА ВЫСОТЫ СКАШИВАНИЯ (Рис. I)

I-1	Подпружиненный рычаг регулировки высоты скашивания	I-2	Шкала регулировки высоты скашивания
-----	--	-----	-------------------------------------

⚠ ПРЕДУПРЕЖДЕНИЕ. Не подставляйте ноги под платформу во время регулировки ее высоты. Можно выбрать один из 8 вариантов высоты скашивания от 25 до 105 мм. Выберите высоту скашивания исходя из типа и состояния травы.

УСТАНОВКА И ИЗВЛЕЧЕНИЕ АККУМУЛЯТОРА (Рис. J)

Используйте только аккумуляторы и зарядные устройства, указанные на Рис. A2.

ЗАРЯДИТЕ ПЕРЕД ПЕРВЫМ ИСПОЛЬЗОВАНИЕМ.

⚠ ПРЕДУПРЕЖДЕНИЕ. Не устанавливайте аккумулятор в газонокосилку и не включайте устройство, если какие-либо детали неисправны или отсутствуют. Их необходимо отремонтировать или заменить. В противном случае это может привести к получению серьезных травм.

■ Установка

Вставьте аккумулятор в отсек до щелчка.

■ Демонтаж

Нажмите кнопку фиксации аккумулятора в отсеке.

ПРИМЕЧАНИЕ. Перед началом работы убедитесь, что фиксатор зашелкнулся на месте и аккумулятор надежно закреплен.

ЗАПУСК И ОСТАНОВКА ГАЗОНОКОСИЛКИ (Рис. K, L и M)

⚠ ПРЕДУПРЕЖДЕНИЕ. В результате работы газонокосилки в глаза могут попасть посторонние предметы, что приведет к серьезному повреждению глаз. Перед использованием устройства, а также для проведения регулировки или ремонта обязательно надевайте защитные очки.

⚠ ПРЕДУПРЕЖДЕНИЕ. Режущий элемент продолжает вращаться в течение нескольких секунд после выключения газонокосилки. Прежде чем снова включать устройство, дождитесь остановки двигателя и режущего элемента. Не включайте устройство сразу после выключения.

КЛЮЧ БЕЗОПАСНОСТИ (Рис. N)

Беспроводная газонокосилка оборудована ключом безопасности для защиты от случайного или несанкционированного запуска. Если ключ безопасности извлечен, газонокосилка не будет работать.

ОПАСНО! Вращающийся режущий элемент может стать причиной серьезных травм. Во избежание травм всегда извлекайте ключ безопасности, если оставляете устройство без присмотра, а также перед регулировкой, очисткой, обслуживанием, транспортировкой, подъемом и уборкой на хранение.

ПРИМЕЧАНИЕ. Двигатель не будет запускаться в следующих случаях.

- Если рукоятка не зафиксирована в одном из трех рабочих положений (см. РЕГУЛИРОВКА СКЛАДНОЙ РУКОЯТКИ).
- Если боковые штанги не вытянуты полностью.
- Если оба зеленых фиксатора рукоятки не закрыты.

ВНИМАНИЕ! Не вмешивайтесь в работу предохранительной кнопки и дугового переключателя.

Запуск (Рис. K и L)

- 1) Установите аккумулятор, вставьте ключ безопасности и закройте крышку аккумулятора.
- 2) Нажмите предохранительную кнопку.
- 3) Удерживая кнопку нажатой, потяните дуговой переключатель вверх по направлению к рукоятке, затем отпустите кнопку.

Остановка (Рис. М)

- 1) Полностью отпустите дуговой переключатель.
- 2) Электрический тормоз автоматического тормозного механизма остановит вращение режущего элемента в течение трех секунд после отпускания дугового переключателя.

СВЕТОДИОДНОЕ ОСВЕЩЕНИЕ (Рис. А-13)

Чтобы включить или выключить светодиодное освещение спереди аккумуляторного отсека, нажмите переключатель (Рис. А-4).

СИСТЕМА РЕГУЛИРОВКИ СКОРОСТИ ДЛЯ САМОХОДНОГО РЕЖИМА

Косилка LM2130E-SP оборудована системой механического привода с регулировкой скорости. Эта система не зависит от переключателя работы режущего элемента и от вращения режущего элемента.

Например, после завершения стрижки газона можно использовать самоходный режим, чтобы вернуть косилку на место хранения без вращения режущего элемента. Также можно использовать газонокосилку как несамостоятельное устройство, чтобы максимально увеличить время работы от аккумулятора.

Для использования самоходной функции без вращения режущего элемента поверните регулятор скорости самоходной функции во включенное положение и нажмите на рычаг(и) активации самоходной функции. Устройство имеет два рычага активации самоходной функции. Нажмите на любой из этих рычагов для активации самоходной функции (Рис. О).

О-1	Регулятор скорости самоходной функции	О-2	Рычаг активации самоходной функции
-----	---------------------------------------	-----	------------------------------------

Чтобы отключить самоходную функцию, отпустите рычаг активации и поверните регулятор скорости самоходной функции в выключенное положение.

ИНДИКАТОР СОСТОЯНИЯ НА ГАЗОНОКОСИЛКЕ (Рис. Р)

Устройство оснащено индикатором питания, который отображает уровень заряда аккумулятора и рабочее состояние газонокосилки. Индикатор питания светится, когда вращается режущий элемент или когда включено светодиодное освещение.

Р-1	Индикатор состояния газонокосилки	Р-2	Выключатель светодиодного освещения
-----	-----------------------------------	-----	-------------------------------------

Индикатор состояния газонокосилки	Значение	Действие
Светится зеленым	Газонокосилка работает нормально, заряд аккумулятора не менее 15 %.	Не требуется.
Мигает зеленым	Боковые штанги не вытянуты полностью.	Остановите газонокосилку и убедитесь, что боковые штанги вытянуты полностью.
	Ручка не зафиксирована в рабочем положении.	Остановите газонокосилку и убедитесь, что ручка зафиксирована в рабочем положении.
Мигает красным	Низкий уровень заряда аккумулятора.	Остановите газонокосилку и зарядите аккумулятор.
Светится оранжевым	Газонокосилка остановилась из-за перегрева.	Извлеките аккумулятор из газонокосилки, перенесите в тень и дайте остыть в течение 15 минут.
Мигает оранжевым	Газонокосилка перегружена.	Сначала извлеките аккумулятор, затем проверьте, не скопилось ли трава под платформой, и уберите ее, если нужно. Замедлите перемещение газонокосилки. Если это не помогло, обратитесь в сервисный центр EGO.
Попеременно мигает красным и зеленым	Ошибка.	Обратитесь в сервисный центр EGO.
Мигают индикаторы аккумулятора	Аккумулятор перегрелся. См. раздел «ЗАИТА АККУМУЛЯТОРА ОТ ПЕРЕГРЕВА» в данном руководстве.	Отпустите рычаг, дождитесь, пока аккумулятор остынет примерно до 67°C, а затем снова запустите устройство.

ЗАЩИТА ГАЗОНОКОСИЛКИ ОТ ПЕРЕГРУЗКИ

Для защиты устройства от перегрузки старайтесь не скашивать очень много травы за один проход. Снизьте скорость движения и увеличьте высоту скашивания.

Газонокосилка оборудована встроенной системой защиты электрических компонентов от перегрузки. В случае перегрузки двигатель останавливается, а индикатор состояния газонокосилки начинает мигать оранжевым светом. Извлеките аккумулятор из устройства. Проверьте, не набилась ли трава под платформу и при необходимости очистите. Установите аккумулятор на место и запустите газонокосилку.

ЗАЩИТА АККУМУЛЯТОРА ОТ ПЕРЕГРЕВА

Во время использования аккумулятор генерирует тепло. В жаркую погоду тепло рассеивается медленно. Если во время работы температура аккумулятора превышает 70 °C, система защиты немедленно отключает устройство, чтобы защитить аккумулятор от теплового повреждения. Индикатор состояния устройства перестанет светиться. Подробную информацию см. в разделе «ЗАЩИТА АККУМУЛЯТОРА» руководства по эксплуатации аккумулятора.

Отпустите рычаг, дождитесь, пока аккумулятор остынет примерно до 67 °C, а затем снова запустите устройство.

ОБСЛУЖИВАНИЕ

⚠ ПРЕДУПРЕЖДЕНИЕ. Во избежание травм всегда извлекайте из устройства ключ безопасности перед очисткой, обслуживанием и перевозкой газонокосилки.

⚠ ПРЕДУПРЕЖДЕНИЕ. При ремонте используйте только идентичные запасные части. Использование других запасных частей может привести к возникновению опасной ситуации или повреждению устройства. Для обеспечения безопасной и надежной работы устройства его ремонт и замену частей должен выполнять квалифицированный специалист.

ОБЩЕЕ ОБСЛУЖИВАНИЕ

⚠ ПРЕДУПРЕЖДЕНИЕ. Перед проведением обслуживания или транспортировкой устройства обязательно извлекайте ключ безопасности и аккумулятор.

Нижнюю поверхность платформы газонокосилки необходимо очищать после каждого использования, так как там скапливаются обрезки травы, листья и другой мусор.

Удалите все накопившиеся отложения травы и листьев с вентилятора двигателя и вокруг него (не используйте воду). Протирайте газонокосилку начисто влажной тканью.

СНЯТИЕ И УСТАНОВКА РЕЖУЩЕГО ЭЛЕМЕНТА

⚠ ПРЕДУПРЕЖДЕНИЕ. При выполнении любых работ по обслуживанию режущих элементов всегда надевайте прочные перчатки либо обматывайте режущий элемент ветошью или другим материалом. Перед проведением обслуживания или транспортировкой устройства обязательно извлекайте аккумулятор.

- **Снятие режущего элемента (см. Рис. Q)**
- **Установка режущего элемента**
Выполните сборку в последовательности, указанной на Рис. R. Поверните лопасть вентилятора к платформе, а сторону режущего элемента с маркировкой — наружу. Затем выровняйте сквозные отверстия вентилятора с отверстиями в режущем элементе (Рис. S) и закрепите режущий элемент, как показано на Рис. T.

ХРАНЕНИЕ ГАЗОНОКОСИЛКИ

- Извлеките из устройства аккумулятор и поместите газонокосилку в прохладное, сухое и чистое место. Не храните устройство рядом с веществами, вызывающими коррозию, такими как удобрения или каменная соль.
- Храните газонокосилку в закрытом прохладном и сухом месте, недоступном для детей.
- Не накрывайте газонокосилку сплошными пластиковыми листами. Пластиковая защита может способствовать скоплению влаги, что приведет к образованию ржавчины.
- Газонокосилку можно хранить вертикально или горизонтально (Рис. U и V).

⚠ ПРЕДУПРЕЖДЕНИЕ. Если вертикально стоящее устройство наклоняется, оно может упасть. Это может привести к получению травм и поломке газонокосилки. При вертикальном размещении следите за тем, чтобы устройство находилось в устойчивом положении и было недоступно для детей. По возможности старайтесь хранить устройство в горизонтальном положении.

Защита окружающей среды



Не выбрасывайте электроприборы вместе с несортированными городскими отходами; пользуйтесь специальными пунктами сбора вторсырья.

Для получения информации о доступных пунктах сбора вторсырья свяжитесь с представителями местных органов власти.

При утилизации электрических устройств на свалках в подземные воды могут просочиться опасные вещества, которые затем попадут в пищевую цепь и приведут к общему ухудшению здоровья и благополучия.

RU

УСТРАНЕНИЕ НЕПОЛАДOK

⚠ ПРЕДУПРЕЖДЕНИЕ. Перед проведением обслуживания или транспортировкой устройства обязательно извлекайте ключ безопасности и аккумулятор. При выполнении любых работ по обслуживанию режущих элементов всегда надевайте прочные перчатки либо обматывайте режущий элемент ветошью или другим материалом.

ПРОБЛЕМА	ПРИЧИНА	РЕШЕНИЕ
Газонокосилка не запускается	<ul style="list-style-type: none"> ■ Аккумулятор разряжен. ■ Аккумулятор не установлен в отсек. ■ Перегрев аккумулятора или электрических цепей устройства. Индикатор питания будет светиться оранжевым светом в течение 10 секунд. ■ Боковые штанги не вытянуты полностью, фиксаторы не закрыты. ■ Рукоятка не установлена в одно из трех рабочих положений. ■ Платформа газонокосилки забита травой и мусором. 	<ul style="list-style-type: none"> ■ Зарядите аккумулятор. ■ Вставьте аккумулятор в отсек до щелчка. ■ Дайте аккумулятору и газонокосилке остыть, пока температура не упадет ниже 67°C. ■ Вытяните рукоятку до упора и зафиксируйте с помощью обоих фиксаторов. ■ Установите рукоятку в одно из трех рабочих положений. ■ Очистите платформу устройства и убедитесь, что режущий элемент свободно перемещается.
Газонокосилка срезает траву неравномерно	<ul style="list-style-type: none"> ■ Режущий элемент не сбалансирован. ■ Неправильно установлена высота скашивания. ■ Режущий элемент установлен неправильно. 	<ul style="list-style-type: none"> ■ Заточите или замените режущий элемент. ■ Поднимите платформу повыше. ■ Установите режущий элемент заново, как описано в разделе «УСТАНОВКА РЕЖУЩЕГО ЭЛЕМЕНТА» настоящего руководства.
Газоно-косилка остано-вилась во время работы	<ul style="list-style-type: none"> ■ Аккумулятор разряжен. ■ Газонокосилка перегружена. ■ Платформа газонокосилки забита травой и мусором. ■ Перегрев аккумулятора или электрических цепей устройства. Индикатор питания будет светиться оранжевым светом в течение 10 секунд. ■ Боковая штанга немного задвинулась из-за усилия, приложенного к рукоятке. 	<ul style="list-style-type: none"> ■ Зарядите аккумулятор. ■ Увеличьте высоту скашивания или снизьте скорость работы. ■ Очистите платформу газонокосилки. Увеличьте высоту скашивания или скашивайте более узкую полосу травы. ■ Дайте аккумулятору и газонокосилке остыть, пока температура не упадет ниже 67°C. ■ Разблокируйте фиксаторы. Полностью вытяните боковые штанги и снова зафиксируйте их.

ПРОБЛЕМА	ПРИЧИНА	РЕШЕНИЕ
Газонокосилка плохо выполняет мульчирование	<ul style="list-style-type: none"> ■ На внутреннюю поверхность платформы налипла срезанная трава. ■ Газонокосилка отрегулирована так, что срезает слишком много травы за один заход. 	<ul style="list-style-type: none"> ■ Перед скашиванием дождитесь высыхания травы. ■ Поднимите платформу повыше.
Устройство сильно вибрирует	<ul style="list-style-type: none"> ■ Ослаблено крепление режущего элемента. ■ Режущий элемент разбалансирован. ■ Режущий элемент погнут. ■ Вал двигателя погнут. ■ Платформа газонокосилки забита травой и мусором. 	<ul style="list-style-type: none"> ■ Затяните болт крепления режущего элемента. ■ Выполните балансировку режущего элемента в соответствии с инструкциями в руководстве. ■ Замените режущий элемент. ■ Обратитесь в сервисный центр. ■ Очистите платформу устройства и убедитесь, что режущий элемент свободно перемещается.
Фиксаторы рукоятки не удается закрыть в нужном положении	<ul style="list-style-type: none"> ■ Боковые штанги не вытянуты полностью. 	<ul style="list-style-type: none"> ■ Полностью вытяните боковые штанги и зафиксируйте их.

RU

ГАРАНТИЯ

ГАРАНТИЙНАЯ ПОЛИТИКА EGO

Посетите веб-сайт egopowerplus.com, чтобы ознакомиться со всеми условиями и сроками гарантийной политики EGO.

PRZECZYTAJ WSZYSTKIE INSTRUKCJE!

Przeznaczenie: Urządzenie jest przeznaczone do koszenia trawy wyłącznie w ogrodach domowych. Kosiarki nie należy używać do koszenia trawy wyjątkowo wysokiej, suchej lub mokrej, np. pastwisk, a także do rozdrabniania liści.

⚠ OSTRZEŻENIE: Przed użyciem narzędzia należy koniecznie przeczytać ze zrozumieniem wszystkie instrukcje dotyczące bezpieczeństwa podane w podręczniku użytkownika, łącznie z wszystkimi symbolami ostrzegawczymi takimi jak „**NIEBEZPIECZEŃSTWO**”, „**OSTRZEŻENIE**” i „**OSTROŻNIE**”. Niestosowanie się do wszystkich podanych niżej instrukcji może doprowadzić do porażenia prądem, pożaru i/lub poważnych urazów ciała.

⚠ OSTRZEŻENIE: Praca elektronarzędziami może spowodować wyrzucenie ciał obcych w oczy użytkownika, co może doprowadzić do poważnych urazów oczu. Przed rozpoczęciem pracy elektronarzędziem należy zawsze założyć gogle ochronne lub okulary z osłonami bocznymi, a w stosownych przypadkach także pełną osłonę na twarz (przyłbicę). Zalecamy nakładanie na zwykłe okulary maski zabezpieczającej o szerokim polu widzenia lub stosowanie standardowych okularów zabezpieczających z osłonami bocznymi.

SYMBOLE BEZPIECZEŃSTWA



Ostrzeżenie dotyczące bezpieczeństwa



Aby zmniejszyć ryzyko urazów, przed rozpoczęciem używania urządzenia, użytkownik musi przeczytać i zrozumieć instrukcję.

PL



Należy zawsze pilnować, aby osoby postronne i zwierzęta domowe pozostawały w odległości co najmniej 30 m od pracującej kosiarki.



Nie zbliżaj stóp i dłoni



Po wyłączeniu silnika ostrza nadal się kręcą. Przed konserwacją wyjmij moduł wyłączający. Przed regulacją lub czyszczeniem wyłącz urządzenie i wyjmij wymienny akumulator (lub moduł wyłączający).



Gwarantowany poziom mocy akustycznej.



Ten produkt jest zgodny z obowiązującymi dyrektywami WE.



Produkt jest zgodny z obowiązującym ustawodawstwem Wielkiej Brytanii.



Zużytych wyrobów elektrycznych nie należy wyrzucać razem ze zwykłymi odpadami domowymi. Należy je oddać do autoryzowanego punktu recyklingu.

IPX4

Zabezpieczenie przed dostawaniem się wody do środka, stopień 4

V Wolt

mm Milimetr

cm Centymetr

⚡ Rodzaj lub charakterystyka prądu

kg Kilogram

SPECYFIKACJA

Napięcie	56 V	
Prędkość bez obciążenia	2700 obr./min	
Wysokość koszenia	25mm/ 32mm/ 40mm/ 51mm/ 64mm/ 77mm/ 90mm	
Ustawienia wysokości koszenia	7	
Szerokość koszenia	52 cm	
Pojemność pojemnika na trawę	70 l	
Ciężar kosiarki (bez akumulatora i pojemnika na trawę)	25,1 kg	
Model ostrza	AB2102D-E	
Temperatura pracy	0°C-40°C	
Temperatura przechowywania	-20°C-70°C	
Hamulec ostrza	TAK	
Zmierzony poziom mocy akustycznej L_{WA}	89,8 dB(A) K=3,35 dB(A)	
Poziom ciśnienia akustycznego na wysokości ucha operatora L_{PA}	80,3 dB(A) K=3 dB(A)	
Gwarantowany poziom mocy akustycznej L_{WA} (zmierzony zgodnie z dyrektywą 2000/14/WE)	93 dB(A)	
Szacunkowe drgania a_{Hv} :	Uchwyt lewy	0,61 m/s ² K=1,5 m/s ²
	Uchwyt prawy	0,54 m/s ² K=1,5 m/s ²

LISTA ELEMENTÓW W OPAKOWANIU (RYS. A1)

OPIS

ZAPOZNANIE SIĘ Z KOSIARKĄ (Rys. A1)

- Przełącznik napędu
- Pokrętło regulacji prędkości napędu
- Przycisk zabezpieczający
- Włącznik reflektorów LED
- Zacisk blokady uchwytu
- Pojemnik na trawę
- Dźwignia szybkiej regulacji
- Dźwignia regulacji wysokości koszenia
- Koło tylne

- Koło przednie
- Podwozie kosiarki
- Uchwyt przedni
- Reflektory LED
- Pokrywa akumulatora
- Uchwyt tylny
- Tylna kłapa wyrzutu trawy
- Szyna boczna
- Kontrolka stanu kosiarki
- Dźwignia przełączająca
- Uchwyt
- Podpora do przechowywania w pozycji stojącej
- Oslona tylna
- Przycisk odblokowujący akumulator
- Kluczyk zabezpieczający

UŻYTKOWANIE

MONTAŻ POJEMNIKA NA TRAWĘ

- Wsunąć pojemnik na trawę do ramy (Rys. B).
- Zamontować górne zaciski na ramie (Rys. C), a następnie zamontować dwa zaciski boczne. Na koniec, zamontować dolny zacisk.
- W pełni zamontowany pojemnik na trawę jest pokazany na rys. D.

INFORMACJA: Materiał, z którego wykonany jest pojemnik podlega zużyciu nawet przy normalnym użytkowaniu. Aby zmniejszyć ryzyko obrażeń, należy często kontrolować zamocowanie pojemnika. W przypadku stwierdzenia oznak zużycia lub pogorszenia stanu pojemnika, pojemnik należy wymienić. Należy używać tylko pojemników na trawę dedykowanych do tego modelu kosiarki.

REGULACJA SKŁADANEGO UCHWYTU

⚠️ OSTRZEŻENIE: Nie należy próbować włączać kosiarki, jeśli uchwyt nie jest zablokowany w jednej z trzech pozycji (GÓRNA POZYCJA ROBOCZA, ŚRODKOWA POZYCJA ROBOCZA lub DOLNA POZYCJA ROBOCZA).

Kosiarka jest dostarczona z uchwytem zablokowanym w POZYCJI PRZECHOWYWANIA (Rys. E).

- Wcisnąć i przytrzymać dźwignię szybkiej regulacji, aby odblokować uchwyt zablokowany w POZYCJI PRZECHOWYWANIA.
- Podnieść uchwyt z pozycji złożonej i puścić dźwignię. Delikatnie przekręcić uchwyt w górę aż da się słyszeć i wyczuć, że stworzeń blokujący zaskoczył w jednej z następujących pozycji pokazanych na Rys. F.

F-1	Pozycja zakładania pojemnika na trawę/ Pozycja wyjmowania	F-2	Pozycja zablokowana na czas przechowywania
-----	--	-----	--

F-3	Górna pozycja robocza	F-4	Środkowa pozycja robocza
F-5	Dolna pozycja robocza		

ZAKŁADANIE POJEMNIKA NA TRAWĘ

⚠ OSTRZEŻENIE: Przed regulacją kosiarki należy zawsze wyłączyć silnik, wyjąć kluczyk zabezpieczający i odczekać, aż ostrze przestanie się obracać.

INFORMACJA: Przed założeniem pojemnika na trawę należy wyjąć z kosiarki wkładkę do mulczowania lub nakładkę do wyrzutu bocznego.

■ Mocowanie/Wyjmowanie pojemnika na trawę (Rys. G)

Włożyć do kosiarki płytę pojemnika na trawę i zawiesić pojemnik na kosiarce.

INFORMACJA: Przed zamocowaniem pojemnika na trawę należy wyjąć z kosiarki zamontowaną wkładkę do mulczowania.

■ Zakładanie/Wyjmowanie wkładki do mulczowania (do dokupienia osobno) (Rys. H)

REGULACJA WYSOKOŚCI KOSZENIA (Rys. I)

I-1	Sprężynowa dźwignia regulacji wysokości koszenia	I-2	Płytko-wskaźnik wysokości koszenia
-----	--	-----	------------------------------------

⚠ OSTRZEŻENIE: Podczas ustawiania wysokości nie należy zbliżać stóp do podwozia. Kosiarkę można ustawić na 8 wysokości koszenia od 25 mm do 105 mm. Właściwą wysokość koszenia należy wybrać w zależności od rodzaju trawy i warunków.

ZAKŁADANIE/WYJMOWANIE AKUMULATORA (Rys. J)

W urządzeniu należy używać wyłącznie akumulatorów i ładowarek podanych na rys. A2.

PRZED PIERWSZYM UŻYCIEM NALEŻY NAŁADOWAĆ AKUMULATOR

⚠ OSTRZEŻENIE: W przypadku uszkodzenia lub braku jakiegokolwiek części, nie należy próbować montować akumulatora w kosiarce lub używać kosiarki do chwili, gdy wszystkie uszkodzone lub brakujące części zostaną wymienione. Nieprzestrzeganie tego zalecenia może doprowadzić do poważnych urazów.

■ Zakładanie

Akumulator należy wsunąć do komory akumulatora tak, aby dało się słyszeć „kliknięcie”.

■ Wyjmowanie

Należy wcisnąć przycisk zwalnający akumulator w komorze akumulatora.

INFORMACJA: Przed rozpoczęciem pracy należy upewnić się, że zatrask na kosiarce zablokował się we właściwej pozycji i że akumulator jest dobrze zamocowany w kosiarce.

WŁĄCZANIE/WYŁĄCZANIE KOSIARKI (Rys. K, L i M)

⚠ OSTRZEŻENIE: Praca dowolną kosiarką może spowodować dostanie się ciał obcych do oczu użytkownika lub osób postronnych, co może doprowadzić do poważnych urazów oczu. Podczas używania, regulowania lub naprawiania kosiarki należy zawsze nosić okulary ochronne.

⚠ OSTRZEŻENIE: Przez kilka sekund po wyłączeniu kosiarki ostrze nadal się porusza. Przed ponownym włączeniem należy odczekać, aż silnik/ostrze przestaną się kręcić. Nie należy wyłączać i włączać kosiarki w krótkich odstępach czasu.

KLUCZYK ZABEZPIECZAJĄCY (Rys. N)

Aby zapobiec przypadkowemu włączeniu kosiarki akumulatorowej lub używaniu jej przez osoby do tego nieupoważnione, została w niej wbudowana stacyjka na kluczyk zabezpieczający. Po wyjęciu kluczyka ze stacyjki kosiarka jest całkowicie wyłączona.

NIEBEZPIECZEŃSTWO: Obracające się ostrza mogą spowodować poważne urazy. Aby zapobiec poważnym urazom, na czas regulacji, czyszczenia, serwisowania, transportu, podnoszenia i przechowywania oraz gdy kosiarka zostaje pozostawiona bez nadzoru, należy wyjąć z niej kluczyk zabezpieczający.

INFORMACJA: Silnika nie można uruchomić, chyba że:

- Uchwyt jest zablokowany w jednej z 3 pozycji roboczych, patrz część REGULACJA SKŁADANEGO UCHWYTU.
- Szyny boczne są całkowicie wysunięte.
- Oba zielone zaciski blokowania uchwytu są całkowicie zamknięte.

OSTROŻNIE: Nie należy próbować zakłócać działania przycisku zabezpieczającego i ciągną przelącznikowego.

Uruchomienie (Rys. K i L)

- 1) Zamontować akumulator w kosiarce, włożyć kluczyk zabezpieczający do stacyjki i zamknąć pokrywę akumulatora.
- 2) Wcisnąć przycisk zabezpieczający.
- 3) Gdy przycisk zabezpieczający będzie wciśnięty, pociągnąć ciągną przelącznikowe w górę do uchwytu i puścić przycisk zabezpieczający.

Zatrzymywanie (Rys. M)

- 1) Całkowicie puścić ciągną przelącznikowe.
- 2) Hamulec elektryczny w mechanizmie automatycznego hamowania zatrzyma ostrze w ciągu 3 sekund od puszczenia ciągną.

REFLEKTORY LED (Rys. A-13)

Aby włączyć/wyłączyć światła LED z przodu komory akumulatora, należy nacisnąć przycisk (Rys. A-4).

SYSTEM NAPĘDU Z REGULACJĄ PRĘDKOŚCI

Kosiarka LM2130E-SP jest wyposażona w funkcję samoczynnego napędu z regulacją prędkości. System jest niezależny od przełącznika wł./wyl. ostrza i nie zależy też od obrotów ostrza.

Na przykład, po skończeniu koszenia trawnika można użyć funkcji napędu do przejechania kosiarką w miejsce jej przechowywania bez kręcenia się ostrza. Można też używać kosiarki bez korzystania z napędu, przez co wydłuży się czas działania akumulatora.

Aby włączyć napęd bez kręcenia się ostrza, należy przekręcić pokrętko regulacji prędkości napędu w pozycję „włączone” i nacisnąć przełączniki spustowe napędu (są dwa takie przełączniki). Aby włączyć funkcję napędu, wystarczy nacisnąć dowolny z przełączników spustowych (Rys. O).

O-1	Pokrętko regulacji prędkości napędu	O-2	Spust napędu
-----	-------------------------------------	-----	--------------

Aby wyłączyć napęd, należy puścić przełącznik napędu i przekręcić pokrętko regulacji prędkości napędu w pozycję wyłączenia.

KONTROLKA STANU KOSIARKI NA KOSIARCE (Rys. P)

Kosiarka jest wyposażona we wskaźnik zasilania, który pokazuje poziom naładowania akumulatora oraz stan roboczy kosiarki. Wskaźnik zasilania świeci się, gdy ostrze się kręci lub gdy są włączone reflektory LED.

P-1	Kontrolka stanu kosiarki	P-2	Włącznik reflektorów LED
-----	--------------------------	-----	--------------------------

Kontrolka stanu kosiarki	Znaczenie	Działanie
Świeci na zielono	Kosiarka działa prawidłowo; akumulator jest naładowany w co najmniej 15%.	Nie jest wymagane żadne działanie.

Miga na zielono	Szyny boczne nie są całkowicie wysunięte.	Zatrzymać kosiarkę i upewnić się, że szyny boczne są całkowicie wysunięte.
	Uchwyt nie jest zablokowany w pozycji roboczej.	Zatrzymać kosiarkę i upewnić się, że uchwyt jest zablokowany w pozycji roboczej.
Miga na czerwono	Słaby akumulator.	Zatrzymać kosiarkę i naładować akumulator.
Św-ieci na pomarańczowo	Kosiarka zatrzymuje się z powodu przegrzania.	Wyjąć akumulator z kosiarki, ustawić go w cieniu i odczekać co najmniej 15 minut, aż ostygnie.
Miga na pomarańczowo	Kosiarka jest przeciążona.	Najpierw wyjąć akumulator, a potem sprawdzić, czy pod podwoziem nie nagromadziła się trawa; jeżeli tak, to usunąć ją. Zmniejszyć prędkość koszenia. Jeśli to nie pomoże, skontaktować się z punktem obsługi klienta EGO.
Miga na przemian na czerwono i zielono	Błąd	Skontaktować się z punktem obsługi klienta EGO.
NIE ŚWIECI, ale miga LED na akumulatorze	Przegrzanie akumulatora. (Patrz część „ZABEZPIECZENIE AKUMULATORA PRZED WYSOKĄ TEMPERATURĄ” w niniejszej instrukcji)	Puścić ciągną przelącznikowe, odczekać, aż akumulator ostygnie do około 67°C a następnie ponownie włączyć kosiarkę.

ZABEZPIECZENIE PRZECIWPRECIAŻENIOWE KOSIARKI

Aby zapobiec przeciążeniu, nie należy za jednym razem kosić zbyt dużej ilości trawy. Należy zwolnić tempo koszenia lub zwiększyć wysokość.

Kosiarka posiada wbudowane zabezpieczenie zapobiegające przeciążeniu systemu. Gdy kosiarka jest przeciążona, wyłączy się silnik, a kontrolka stanu na kosiarce zaczyna migać na pomarańczowo. Wyjąć akumulator z kosiarki. Sprawdzić, czy pod podwoziem nie nagromadziła się trawa; w razie potrzeby usunąć ją, następnie włożyć akumulator i ponownie włączyć kosiarkę.

ZABEZPIECZENIE PRZED PRZEGRZANIEM AKUMULATORA

Akumulator rozgrzewa się w trakcie działania. Gdy jest gorąco, proces odprowadzania ciepła odbywa się wolniej. Jeśli w czasie pracy temperatura akumulatora przekroczy 70°C, układ zabezpieczający natychmiast wyłączy kosiarkę, aby uchronić akumulator przed uszkodzeniem spowodowanym temperaturą. Kontrolka stanu na kosiarce zgaśnie. Szczegółowe informacje podano w części „ZABEZPIECZENIE AKUMULATORA” w instrukcji obsługi akumulatora.

KONSERWACJA

PL

⚠ OSTRZEŻENIE: Aby nie dopuścić do poważnych urazów, przed czyszczeniem, czynnościami konserwacyjnymi lub transportem kosiarki należy zawsze wyjmować z kosiarki klucz zabezpieczający.

⚠ OSTRZEŻENIE: Podczas serwisowania należy używać wyłącznie części zamiennych identycznych z oryginalnymi. Używanie jakichkolwiek innych części stwarza ryzyko i może spowodować usterkę urządzenia. Aby zagwarantować bezpieczeństwo i niezawodność, wszystkie naprawy i wymiany części powinny być wykonywane przez wykwalifikowanych techników serwisu.

KONSERWACJA OGÓLNA

⚠ OSTRZEŻENIE: Na czas wykonywania czynności serwisowych oraz transportowania kosiarki należy zawsze wyjmować kluczyk zabezpieczający i akumulator.

Po każdym użyciu należy wyczyścić kosiarkę od spodu, ponieważ w podwoziu zbierają się trawa, liście i zanieczyszczenia.

Wszelkie ścinki trawy zbierające się wokół wentylatora silnika należy usuwać (bez używania wody). Kosiarkę należy wytrzeć do czysta wilgotną szmatką.

ZDEJMOWANIE/ZAKŁADANIE OSTRZA

⚠ OSTRZEŻENIE: Podczas czynności konserwacyjnych przy ostrzu kosiarki należy zawsze chronić ręce przez noszenie solidnych rękawic lub owinięcie krawędzi ostrza szmatami lub innymi materiałami. Na czas wykonywania czynności serwisowych oraz transportowania kosiarki należy zawsze wyjmować akumulator.

■ **Zdejmowanie ostrza zgodnie z Rys. Q.**

Zakładanie ostrza

Zgodnie z instrukcją montażu pokazaną na rys. R, łopatki wentylatora należy ustawić w kierunku podwozia, a stroną z nadrukiem skierować na zewnątrz. Należy dopasować otwory przelotowe w wentylatorze do otworów w łopatkach (Rys. S), a następnie dokręcić łopatki tak jak pokazano na rys. T.

PRZECHOWYWANIE KOSIARKI

- Po wyjęciu z kosiarki, akumulator należy przechowywać w chłodnym, suchym i czystym pomieszczeniu. Nie należy go przechowywać w pobliżu materiałów żrących/powodujących korozję, takich jak nawóz lub sól kamienna.
- Kosiarkę należy przechowywać w zadaszonym, zamkniętym pomieszczeniu, chłodnym, suchym i niedostępnym dla dzieci.
- Nie należy przykrywać kosiarki plastikową płachtą. Płachty plastikowe zatrzymują wilgoć w otoczeniu kosiarki, co może spowodować rdzewienie i korozję.
- Kosiarkę można przechowywać w pozycji pionowej lub poziomej. (Rys. U i V).

⚠ OSTRZEŻENIE: Przewrócenie się kosiarki ustawionej w pozycji pionowej grozi jej uszkodzeniem i może spowodować urazy. Gdy kosiarka jest przechowywana w pozycji pionowej, musi być zawsze ustawiona stabilnie i w miejscu niedostępnym dla dzieci. W miarę możliwości należy ją przechowywać w pozycji poziomej.

Ochrona środowiska



Urządzeń elektrycznych nie należy wyrzucać razem z nieposortowanymi odpadami komunalnymi, należy korzystać z oddzielnych punktów zbierania odpadów.

Więcej informacji o dostępnych systemach zbiórki można uzyskać od władz lokalnych.

Wyrzucanie urządzeń elektrycznych na wysypisko grozi wyciekami niebezpiecznych substancji do wód gruntowych i przedostaniem się ich do łańcucha pokarmowego, ze szkodą dla zdrowia i jakości życia użytkownika.

ROZWIĄZYWANIE PROBLEMÓW

⚠ OSTRZEŻENIE: Na czas wykonywania czynności serwisowych oraz transportowania kosiarki należy zawsze wyjmować kluczyk zabezpieczający i akumulator. Podczas czynności konserwacyjnych przy ostrzu kosiarki należy zawsze chronić ręce przez noszenie solidnych rękawic lub owinięcie krawędzi ostrza szmatami lub innymi materiałami.

PROBLEM	PRZYCZYNA	ROZWIĄZANIE
Kosiarka nie włącza się	<ul style="list-style-type: none"> ■ Akumulator jest rozładowany. ■ W komorze akumulatora nie zamontowano akumulatora. ■ Akumulator lub instalacja kosiarki są przegrzane. (Wskaźnik mocy na kosiarce będzie świecił na pomarańczowo przez 10 sekund) ■ Szyny boczne nie są wysunięte na maksymalną długość, a zaciski nie są zablokowane. ■ Uchwyt nie jest ustawiony w jednej z trzech pozycji roboczych. ■ Podwozie kosiarki jest zapchane trawą i zanieczyszczeniami. 	<ul style="list-style-type: none"> ■ Naładować akumulator. ■ Włożyć akumulator do kosiarki, docisnąć tak, aby rozległo się kliknięcie. ■ Odczekać, aż akumulator lub kosiarka ostygną do temperatury poniżej 67°C. ■ Całkowicie rozsunąć uchwyt i zablokować oba zaciski. ■ Ustawić uchwyt w jednej z trzech pozycji roboczych. ■ Wyczyścić podwozie kosiarki i upewnić się, że ostrza mogą się swobodnie obracać.
Kosiarka kosi nierówno	<ul style="list-style-type: none"> ■ Ostrze jest tępe. ■ Wysokość koszenia nie jest ustawiona prawidłowo. ■ Ostrze jest niewłaściwie zamontowane. 	<ul style="list-style-type: none"> ■ Naostrzyć lub wymienić ostrze. ■ Ustawić wyższą wysokość koszenia. ■ Zamontować ostrze zgodnie z opisem podanym w części „ZAKŁADANIE OSTRZA” w niniejszej instrukcji.
Kosiarka zatrzymuje się podczas koszenia	<ul style="list-style-type: none"> ■ Akumulator jest rozładowany. ■ Kosiarka jest przeciążona. ■ Podwozie kosiarki jest zapchane trawą i zanieczyszczeniami. ■ Akumulator lub instalacja kosiarki są przegrzane. (Wskaźnik mocy na kosiarce będzie świecił na pomarańczowo przez 10 sekund.) ■ Szyny boczne lekko wsunęły się pod wpływem siły przykładanej na uchwyt. 	<ul style="list-style-type: none"> ■ Naładować akumulator. ■ Zwiększyć wysokość koszenia lub zmniejszyć prędkość koszenia. ■ Usunąć z podwozia kosiarki nagromadzone substancje. Zwiększyć wysokość koszenia lub kosić wąskim pasem. ■ Odczekać, aż akumulator lub kosiarka ostygną do temperatury poniżej 67°C. ■ Odblokować zaciski. Całkowicie wysunąć szyny boczne i ponownie zablokować zaciski.

PROBLEM	PRZYCZYNA	ROZWIĄZANIE
Kosiarka niewłaściwie mulczy	<ul style="list-style-type: none"> ■ Skoszona mokra trawa przykleja się pod podwoziem. ■ Kosiarka jest ustawiona na koszenie zbyt dużej ilości trawy za jednym razem. 	<ul style="list-style-type: none"> ■ Przed koszeniem odczekać, aż wyschnie trawa. ■ Ustawić wyższą wysokość koszenia.
Nadmierne drgania	<ul style="list-style-type: none"> ■ Ostrze tnące jest poluzowane. ■ Ostrze tnące jest niewyważone. ■ Ostrze tnące jest skrzywione. ■ Wał silnika jest wygięty. ■ Podwozie kosiarki jest zapchane trawą i zanieczyszczeniami. 	<ul style="list-style-type: none"> ■ Przykręcić śrubę ostrza. ■ Wyważyć ostrze zgodnie z instrukcjami. ■ Wymienić ostrze. ■ Skontaktować się z obsługą klienta. ■ Wyczyścić podwozie kosiarki i upewnić się, że ostrza mogą się swobodnie obracać.
Zaciski blokujące uchwyt nie dają się zablokować	<ul style="list-style-type: none"> ■ Szyny boczne nie są całkowicie wysunięte. 	<ul style="list-style-type: none"> ■ Całkowicie wysunąć szyny boczne, a następnie zablokować zaciski.

PL

GWARANCJA

POLITYKA GWARANCYJNA EGO

W celu zapoznania się z wszystkimi warunkami polityki gwarancyjnej EGO prosimy odwiedzić stronę egopowerplus.com.

PŘEČTĚTE SI VŠECHNY POKYNY!

Zamýšlené použití: Výrobek je určen k sekání trávy pouze v soukromých zahradách. Nesmí se používat k sekání neobvykle vysoké, suché nebo mokré trávy, např. pícní trávy; nebo k drcení listí.

VAROVÁNÍ: Před použitím tohoto stroje si přečtěte a seznamte se se všemi bezpečnostními pokyny v tomto návodu k obsluze včetně veškerých výstražných symbolů jako např. „**NEBEZPEČÍ**“, „**VAROVÁNÍ**“ a „**UPOZORNĚNÍ**“. Nedodržení níže uvedených pokynů může mít za následek úraz elektrickým proudem, požár a/nebo vážná zranění osob.

VAROVÁNÍ: Při použití elektrického nářadí může dojít k vymrštění cizích těles do očí, což může způsobit jejich závažné poškození. Před použitím elektrického nářadí si vždy nasadte ochranné brýle, ochranné brýle s bočními kryty nebo v případě potřeby obličejový štít. Doporučujeme použít ochrannou masku na brýle nebo standardní ochranné brýle s bočními kryty.

BEZPEČNOSTNÍ SYMBOLY



Bezpečnostní upozornění



Z důvodu snížení nebezpečí úrazu si musí uživatel před použitím tohoto výrobku přečíst návod k obsluze a porozumět mu.



Když sekačku používáte, udržujte od ostatních osob a domácích zvířat bezpečnou vzdálenost aspoň 30 m.



Udržujte ruce a nohy v bezpečné vzdálenosti



Nože se otáčí i po vypnutí motoru - Před údržbou odstraňte blokovací zařízení. Před nastavením nebo čištěním sekačku vypněte a vyjměte vyjímatelný akumulátor (nebo blokovací zařízení).



Zaručená hladina akustického výkonu.



Tento výrobek je v souladu s platnými směrnici ES.



Tento výrobek je v souladu s příslušnou britskou legislativou.



Odpadní elektrické výrobky se nesmí likvidovat s domovním odpadem. Odevzdejte je do autorizovaného recyklačního střediska.



Ochrana proti vniknutí vody stupeň 4

V Volt

mm Milimetr

cm Centimetr

≡ Druh nebo vlastnosti proudu

kg Kilogram

CZ

TECHNICKÉ ÚDAJE

Napětí	56 V 	
Otáčky naprázdno	2700 ot/min	
Výška sekání	25mm/ 32mm/ 40mm/ 51mm/ 64mm/ 77mm/ 90mm	
Polohy výšky sekání	7	
Šířka sekání	52 cm	
Objem vaku na trávu	70 l	
Hmotnost sekačky (bez akumulátoru a vaku na trávu)	25,1 kg	
Model nože	AB2102D-E	
Provozní teplota	0°C-40°C	
Skladovací teplota	-20°C-70°C	
Brzda nože	ANO	
Měřená hladina akustického výkonu L_{WA}	89,8 dB(A) K=3,35 dB(A)	
Hladina akustického tlaku na sluch obsluhy L_{PA}	80,3 dB(A) K=3 dB(A)	
Zaručená úroveň akustického výkonu L_{WA} (měřeno podle směrnice 2000/14/ES)	93 dB(A)	
Hodnota vibrací a_r :	Levá rukojeť	0,61 m/s ² K=1,5 m/s ²
	Pravá rukojeť	0,54 m/s ² K=1,5 m/s ²

CZ

OBSAH BALENÍ (OBR. A1)

POPIS

SEZNAMTE SE S VAŠÍ SEKAČKOU (obr. A1)

1. Tlačítko pojezdu
2. Ovládací tlačítko rychlosti pojezdu
3. Bezpečnostní tlačítko
4. Spínač pro LED světlomety
5. Svorka pro zajištění rukojeti
6. Vak na trávu
7. Páka rychlého nastavení
8. Páka na nastavení výšky sekání
9. Zadní kolo
10. Přední kolo
11. Šasi sekačky
12. Přední rukojeť
13. LED světlomety

14. Kryt baterie
15. Zadní rukojeť
16. Zadní výstupní dvířka
17. Boční lišta
18. Kontrolka stavu sekačky
19. Pákový spínač
20. Rukojeť
21. Podpěra pro svislé skladování
22. Zadní štít
23. Tlačítko pro uvolnění akumulátoru
24. Bezpečnostní klíč

OBSLUHA

MONTÁŽ VAKU NA TRÁVU

- 1) Nasuňte vak na trávu na rám (obr. B).
- 2) Namontujte horní svorky na rám (obr. C), a pak namontujte dvě boční svorky. Spodní svorku namontujte jako poslední.
- 3) Kompletně smontovaný vak na trávu je znázorněn na obr. D.

POZNÁMKA: Při běžném použití se materiál vaku opotřebovává. Pro snížení rizika úrazu pravidelně kontrolujte sestavu vaku a v případě známek opotřebení nebo poškození vak vyměňte. Používejte pouze vaky na trávu vyrobené pro tuto sekačku.

NASTAVENÍ SKLOPNÉ RUKOJETI

VAROVÁNÍ: Nepokoušejte se spouštět sekačku, dokud není rukojeť zajištěna v jedné ze tří předem nastavených provozních poloh (HORNÍ PROVOZNÍ POLOHA, STŘEDNÍ PROVOZNÍ POLOHA nebo DOLNÍ PROVOZNÍ POLOHA).

Vaše sekačka se dodává s rukojetí v kompaktní, ZAJIŠTĚNÉ SKLADOVACÍ POLOZE (obr. E).

- 1) Stiskněte a držte páku pro rychlé nastavení a uvolnění rukojeť ze ZAJIŠTĚNÉ SKLADOVACÍ POLOHY.
- 2) Zdvihněte rukojeť ze sklopené polohy, a pak uvolněte páku. Zlehka otočte rukojetí vzhůru, dokud neuslyšíte a neucítíte, že pojistka zapadla do jedné ze dvou poloh, jak je znázorněno na obr. F.

F-1	Poloha pro připojení/vyjmutí vaku na trávu	F-2	Zajištěná skladovací poloha
F-3	Horní provozní poloha	F-4	Střední provozní poloha
F-5	Dolní provozní poloha		

NASAZENÍ VAKU NA TRÁVU

VAROVÁNÍ: Nikdy se nepokoušejte provádět úpravy sekačky na trávu aniž byste nejprve zastavili motor, vytáhli bezpečnostní klíč a počkali, než se nůž přestane otáčet.

POZNÁMKA: Před připojením vaku na trávu na sekačku vyjměte mulčovací vložku nebo boční žlab.

■ **Nasazení/sejmutí vaku na trávu (obr. G)**

Zasuňte desku vaku na trávu do sekačky a vak na trávu zavěste na sekačku.

POZNÁMKA: Před nasazením vaku na trávu na sekačku vyjměte předem nainstalovanou mulčovací vložku.

■ **Nasazení/vyjmutí mulčovací vložky (prodává e samostatně) (obr. H)**

NASTAVENÍ VÝŠKY SEKÁNÍ (obr. I)

I-1	Pružinová páka na nastavení výšky sekání	I-2	Indikační deska výšky sekání
-----	--	-----	------------------------------

VAROVÁNÍ: Při nastavování výšky udržujte nohy vždy v bezpečné vzdálenosti od šasi. Sekačku lze nastavit do 8 výšek sekání v rozmezí od 25 do 105 mm. Vyberte správnou výšku sekání podle typu a stavu trávy.

INSTALACE/VYJMUTÍ AKUMULÁTORU (obr. J)

Používejte pouze akumulátory a nabíječky uvedené na obr. A2.

NABIJTE AKUMULÁTOR PŘED PRVNÍM POUŽITÍM.

VAROVÁNÍ: Pokud jsou některé části poškozené nebo chybí, nepokoušejte se instalovat akumulátor na sekačku, nebo sekačku používat, dokud nevyměníte poškozené nebo chybějící díly. Pokud tak neučiníte, může dojít k vážnému úrazu.

■ **Instalace**

Zatlačte akumulátor do prostoru pro akumulátor, dokud neuslyšíte „kliknutí“.

■ **Vyjmutí**

Stiskněte tlačítko pro uvolnění akumulátoru v prostoru pro akumulátor.

POZNÁMKA: Dbejte, aby západka na sekačce zapadla na místo a akumulátor byl před spuštěním připevněn k sekačce.

SPUŠTĚNÍ/VYPNUTÍ SEKAČKY (obr. K, L a M)

VAROVÁNÍ: Při použití sekačky na trávu může dojít k vymrštění cizích těles do očí, což může způsobit jejich závažné poškození. Při práci se sekačkou nebo při úpravách a opravách vždy noste ochranné brýle.

VAROVÁNÍ: Nůž se bude otáčet ještě několik sekund po vypnutí sekačky. Před dalším spuštěním nechejte motor/nůž, aby se zastavily. Sekačku se nesnažte rychle vypnout a zapnout.

BEZPEČNOSTNÍ KLÍČ (obr. N)

Aby nedošlo k neúmyslnému spuštění nebo neoprávněnému použití vaší akumulátorové sekačky, je součástí její konstrukce bezpečnostní klíč. Jakmile se bezpečnostní klíč vytáhne ze sekačky, je sekačka zcela vypnuta.

NEBEZPEČÍ: Rotující nože mohou způsobit vážný úraz. Pokud je sekačka bez dozoru, nebo provádíte úpravy, čištění, servis, sekačku přepravujete, zdviháte nebo uskládňujete, vyjměte bezpečnostní klíč, aby nedošlo k vážnému úrazu.

POZNÁMKA: Motor nelze nastartovat, dokud:

- Rukojeť není zajištěna v jedné ze tří provozních poloh, viz NASTAVENÍ SKLOPNÉ RUKOJETI.
- Boční lišty jsou maximálně vysunuté.
- Obě zelené pojistné svorky rukojeti nejsou bezpečně uzavřené.

UPOZORNĚNÍ: Nepokoušejte se potlačit funkci bezpečnostního tlačítka a pákového spínače.

Spuštění (obr. K a L)

- 1) Nainstalujte akumulátor do sekačky, vložte bezpečnostní klíč do otvoru a zavřete kryt akumulátoru.
- 2) Stiskněte bezpečnostní tlačítko.
- 3) Se stlačeným bezpečnostním tlačítkem zdvihněte pákový spínač směrem k rukojeti a uvolněte bezpečnostní tlačítko.

Vypnutí (obr. M)

- 1) Úplně uvolněte pákový spínač.
- 2) Elektrická brzda v automatickém brzdovém mechanismu zastaví rotaci nože během 3 sekund od uvolnění pákového spínače.

LED SVĚTLOMETY (obr. A-13)

Stiskněte tlačítko spínače (obr. A-4) a zapněte/vypněte LED světlomety před prostorem pro akumulátor.

SYSTÉM POJEZDU S VARIABILNÍ RYCHLOSTÍ

Sekačka LM2130E-SP je vybavena funkcí pojezdu s variabilní rychlostí. Systém je nezávislý na spínači nože; nezávisí totiž na rotaci nože.

Například jakmile dokončíte sekání trávníku, můžete se pomocí samohybného pohonu sekačku vrátit do místa skladování bez rotace nože. Případně se můžete rozhodnout spustit sekačku jako sekačku bez vlastního pohonu s cílem co nejvíce prodloužit dobu provozu baterie.

Chcete-li použít samohybný systém bez rotace nože, stiskněte ovládací tlačítko rychlosti pojezdu, poté stiskněte tlačítko pojezdu. K dispozici jsou dvě tlačítka pojezdu. Stisknutím kteréhokoli tlačítka spustíte funkci pojezdu (obr. O).

O-1	Ovládací tlačítko rychlosti pojezdu	O-2	Spoušť pojezdu
-----	-------------------------------------	-----	----------------

Pokud chcete vypnout pojezd, uvolněte tlačítko pojezdu a vypnete ovládací tlačítko rychlosti.

KONTROLKA STAVU SEKAČKY (obr. P)

Sekačka je vybavena kontrolkou nabití, která ukazuje stav nabití akumulátoru a provozní stav sekačky. Kontrolka nabití se rozsvítí, jakmile se začne nůž otáčet, nebo když se zapnou LED světlomety.

P-1	Kontrolka stavu sekačky	P-2	Spínač pro LED světlomety
-----	-------------------------	-----	---------------------------

Kontrolka stavu sekačky	Význam	Akce
Svítilící zelená	Sekačka pracuje správně; akumulátor má kapacitu aspoň 15 % nabití.	Nevyžaduje se.
Blik-ající zeleně	Boční lišty nejsou maximálně vysunuté.	Vypněte sekačku a zkontrolujte, zda jsou boční lišty maximálně vysunuté.
	Rukojeť není zajištěna v pracovní poloze.	Vypněte sekačku a ujistěte se, že je rukojeť zajištěna v pracovní poloze.
Blikající červeně	Nízká úroveň nabití akumulátoru.	Zastavte sekačku a nabijte akumulátor.
Plně oranžová	Sekačka se zastaví v důsledku přehřátí.	Vyjměte akumulátor ze sekačky, přemístěte je do stínu a nechte je zchladnout po dobu aspoň 15 minut.
Bliká oranžově	Sekačka je přetížená.	Nejprve vyjměte akumulátor, pak zkontrolujte a případně odstraňte trávu, která se nahromadila pod nášlapem. Při sekání zpomalte tempo. Pokud to nefunguje, kontaktujte zákaznický servis společnosti EGO.

Bliká střídavě červeně a zeleně	Chyba	Kontaktujte zákaznický servis společnosti EGO.
Vypnuta a LED na akumulátoru bliká	Přehřátí akumulátoru. (Viz část „ OCHRANA AKUMULÁTORU PŘED VYSOKOU TEPLOTOU “ v tomto návodu)	Uvolněte pákový spínač, počkejte, dokud akumulátor nevychladne na přibližně 67°C, pak znovu spusťte frézu.

OCHRANA SEKAČKY PROTI PŘETÍŽENÍ

Aby nedošlo k přetížení, nepokoušejte se sekat příliš velké množství trávy najednou. Zpomalte tempo sečení, nebo zvyšte výšku sečení.

Vaše sekačka je vybavena vestavěnou ochranou proti přetížení. Pokud dojde k přetížení sekačky, motor se zastaví a kontrolka stavu sekačky začne blikat oranžově. Vyjměte akumulátor ze sekačky. Zkontrolujte, zda se šasi nezaneslo trávou, v případě potřeby jej vyčistěte, a pak instalujte akumulátor a sekačku opětovně spusťte.

TEPELNÁ OCHRANA AKUMULÁTORU

Akumulátor při provozu generuje teplo. V horkém počasí se teplo rozptyluje daleko pomaleji. Pokud teplota akumulátoru při provozu přesáhne 70°C, ochranný obvod frézu okamžitě zastaví, aby ochránil akumulátor před poškozením horkem. Ukazatel stavu sekačky zhasne, podrobnosti naleznete v části „**OCHRANA AKUMULÁTORU**“ v návodu k použití akumulátoru.

Uvolněte pákový spínač, počkejte, dokud akumulátor nevychladne na přibližně 67°C, pak znovu spusťte frézu.

ÚDRŽBA

VAROVÁNÍ: Aby nedošlo k vážnému úrazu, vždy před čištěním, údržbou nebo přepravou vyjměte ze sekačky bezpečnostní klíč.

VAROVÁNÍ: Při opravách používejte pouze originální náhradní díly. Použití jiných dílů může být nebezpečné nebo může způsobit poškození výrobku. Z důvodu bezpečnosti by měl všechny opravy a výměny provádět kvalifikovaný servisní technik.

CELKOVÁ ÚDRŽBA

⚠ VAROVÁNÍ: Při servisu nebo přepravě sekačky vždy vyjměte bezpečnostní klíč a akumulátor.

Spodní část šasi sekačky čistěte po každém použití, jelikož dochází k hromadění posekané trávy, listí, hlíny a dalších nečistot.

Odstraňte nános trávy z ventilátoru motoru a jeho okolí (nepoužívejte vodu). Sekačku otřete čistým a vlhkým hadrem.

SEJMUTÍ/INSTALACE NOŽE

⚠ VAROVÁNÍ: Při údržbě nože sekačky vždy chraňte ruce s pomocí pevných rukavic nebo zabalením břitů nože do hadru nebo jiného materiálu. Při servisu nebo přepravě sekačky vždy vyjměte akumulátor.

- **Sejmutí nože podle obr. Q.**
- **Instalace nože**
Podle montážního postupu na obr. R s rotorem nože směřujícím směrem k šasi a potištenou stranou nože směřující směrem ven srovnajte otvory v rotoru s otvory v noži (obr. S) a přišroubujte nůž, jak je znázorněno na obr. T.

SKLADOVÁNÍ SEKAČKY

- Vyjměte akumulátor ze sekačky a uskladněte jej na chladném, suchém a čistém místě. Neskladujte jej v blízkosti korozivních materiálů, jako je např. hnojivo nebo kamenná sůl.
- Sekačku uskladněte v krytém, uzavřeném prostoru, který je studený, suchý a mimo dosah dětí.
- Sekačku na trávu nezakrývejte pevnou plastovou fólií. Plastové plachty uzavírají vlhkost okolo sekačky, což způsobuje korozi.
- Sekačku lze skladovat ve svislé nebo vodorovné poloze. (Obr. U a V).

⚠ VAROVÁNÍ: Pokud se sekačka převrhne ze svislé polohy, může dojít k jejímu poškození nebo úrazu. Pokud je sekačka ve svislé poloze, udržujte její stabilitu a skladujte ji mimo dosah dětí. Pokud je to možné, skladujte ji ve vodorovné poloze.

Ochrana životního prostředí



Nevyhazujte elektrické spotřebiče jako netříděný komunální odpad, použijte oddělené sběrné zařízení.

Informace o dostupných systémech sběru odpadu získáte u místních orgánů.

Pokud se elektrická zařízení likvidují na zavážkách nebo skládkách, mohou do podzemní vody proniknout nebezpečné látky, dostat se do potravního řetězce a poškodit tak vaše zdraví a zdravotní stav.

ODSTRAŇOVÁNÍ PROBLÉMŮ

⚠ VAROVÁNÍ: Při servisu nebo přepravě sekačky vždy vyjměte bezpečnostní klíč a akumulátor. Při údržbě nože sekačky vždy chraňte ruce s pomocí pevných rukavic nebo zabalením břitů nože do hadru nebo jiného materiálu.

PROBLÉM	PŘÍČINA	ŘEŠENÍ
Sekačka se nespustí	<ul style="list-style-type: none"> ■ Akumulátor je vybitý. ■ Akumulátor není instalován v prostoru pro akumulátor. ■ Obvody akumulátoru nebo sekačky jsou příliš horké. (Kontrolka nabití sekačky se rozsvítí oranžově na dobu 10 sekund) ■ Boční lišty nejsou zcela vysunuté a svorky nezapadly do správné polohy. ■ Rukojeť není nastavená v jedné ze tří provozních poloh. ■ Šasi sekačky je zanesené trávou a nečistotami. 	<ul style="list-style-type: none"> ■ Nabijte akumulátor. ■ Instalujte akumulátor do sekačky a zatlačte jej, dokud neuslyšíte kliknutí. ■ Nechejte akumulátor nebo sekačku zchladnout, dokud teplota neklesne pod 67°C. ■ Vysuňte maximálně rukojeť a zajistěte ji oběma svorkami. ■ Nastavte rukojeť do jedné ze tří provozních poloh. ■ Vyčistěte šasi sekačky a zkontrolujte, zda se může nůž volně otáčet.
Sekačka seká nerovnoměrně	<ul style="list-style-type: none"> ■ Nůž je tupý. ■ Výška sekání není správně nastavená. ■ Nůž je nesprávně namontovaný. 	<ul style="list-style-type: none"> ■ Nabruste nebo vyměňte nůž. ■ Zdvihněte šasi do vyšší polohy výšky sekání. ■ Nůž znovu smontujte podle pokynů v části „INSTALACE NOŽE“ v tomto návodu.
Sekačka se při sekání trávy zastaví	<ul style="list-style-type: none"> ■ Akumulátor je vybitý. ■ Sekačka je přetížená. ■ Šasi sekačky je zanesené trávou a nečistotami. ■ Obvody akumulátoru nebo sekačky jsou příliš horké. (Kontrolka nabití sekačky se rozsvítí oranžově na dobu 10 sekund.) ■ Boční lišty se mírně zasunula v důsledku tlačné síly vyvíjené na rukojeť. 	<ul style="list-style-type: none"> ■ Nabijte akumulátor. ■ Zdvihněte výšku sekání nebo zpomalte sekání. ■ Vyčistěte šasi sekačky. Zdvihněte výšku sekání nebo sekejte užší pás. ■ Nechejte akumulátor nebo sekačku zchladnout, dokud teplota neklesne pod 67°C. ■ Uvolněte svorky. Vysuňte maximálně boční lišty a znovu zajistěte je svorkami.
Sekačka špatně mulčuje.	<ul style="list-style-type: none"> ■ Na spodní straně šasi se usazuje posekaná tráva. ■ Sekačka je nastavená tak, aby sekala příliš velké množství trávy najednou. 	<ul style="list-style-type: none"> ■ Před sečením počkejte, dokud tráva neuschne. ■ Zdvihněte šasi do vyšší polohy výšky sekání.

PROBLÉM	PŘÍČINA	ŘEŠENÍ
Nadměrné vibrace	<ul style="list-style-type: none"> ■ Žací nůž je uvolněný. ■ Žací nůž je nevyvážený. ■ Žací nůž je ohnutý. ■ Hřídel motoru je ohnutý. ■ Šasi sekačky je zanesené trávou a nečistotami. 	<ul style="list-style-type: none"> ■ Dotáhněte šroub nože. ■ Vyvažte nůž podle pokynů. ■ Vyměňte nůž. ■ Kontaktujte servisní středisko. ■ Vyčistěte šasi sekačky a zkontrolujte, zda se může nůž volně otáčet.
Pojistnou svorku rukojeti nelze zajistit v dané poloze.	<ul style="list-style-type: none"> ■ Boční lišty nejsou maximálně vysunuté. 	<ul style="list-style-type: none"> ■ Vysuňte maximálně boční lišty, a pak zajistěte svorky.

ZÁRUKA

ZÁRUKA SPOLEČNOSTI EGO

Úplné záruční podmínky společnosti EGO najdete na webové stránce egopowerplus.com.

CZ

PREČÍTAJTE SI VŠETKY POKYNY!

Zamýšľané použitie: Výrobok je určený výlučne na kosenie trávy v domácich záhradách. Nesmie byť používaný na kosenie príliš vysokej, suchej alebo mokrej trávy.

VAROVANIE: Pred použitím tohto nástroja si prečítajte a pochopte všetky bezpečnostné pokyny v tomto návode na obsluhu, vrátane všetkých bezpečnostných výstražných symbolov, ako sú „**NEBEZPEČENSTVO**“, „**VAROVANIE**“ a „**UPOZORNENIE**“. Nedodržanie nižšie uvedených pokynov môže mať za následok úraz elektrickým prúdom, požiar a/alebo vážne zranenie.

VAROVANIE: Prevádzka akéhokoľvek elektrického náradia môže viesť k vymršteniu cudzích predmetov do vašich očí, čo môže spôsobiť vážne poškodenie zraku. Predtým, než začnete používať elektrické náradie, si vždy nasadte ochranné okuliare alebo ochranné okuliare s postrannými krytmi a prípadne celotvárový štít. Odporúčame použiť bezpečnostnú masku so širokým prierezom na okuliare alebo štandardné bezpečnostné okuliare s postrannými krytmi.

BEZPEČNOSTNÉ SYMBOLY



Bezpečnostné upozornenie



Ak chcete znížiť riziko zranenia, používateľ musí pred použitím tohto výrobku prečítať a pochopiť návod na obsluhu.



Počas používania kosačky zabezpečte, aby osoby a domáce zvieratá zostali vo vzdialenosti najmenej 30 m.



Dodržujte bezpečnú vzdialenosť rúk a nôh



Čepele sa otáčajú aj po vypnutí motora. Pred vykonaním údržby odstráňte blokovacie zariadenie. Pred zmenou nastavení alebo čistením stroja ho vypnite a odstráňte odnímateľný akumulátor (alebo blokovacie zariadenie).



Garantovaná hladina akustického výkonu.



Tento výrobok je v súlade s platnými smericami ES.



Tento výrobok je v súlade s príslušnou britskou legislatívou.



Odpadové elektrické výrobky sa nesmú likvidovať spolu s domovým odpadom. Odovzdajte do autorizovaného recyklačného strediska.

IPX4

Ochrana proti vniknutiu vody 4. stupňa

V Volt

mm Milimeter

cm Centimeter

== Typ alebo charakteristika prúdu

kg Kilogram

TECHNICKÉ ÚDAJE

Napätie	56 V	
Rýchlosť naprázdno	2700 ot./min.	
Výška kosenia	25mm/ 32mm/ 40mm/ 51mm/ 64mm/ 77mm/ 90mm	
Polohy výšky kosenia	7	
Rezná šírka	52 cm	
Objem zberného vaku	70 l	
Hmotnosť kosačky (bez akumulátora a zberného vaku)	25,1 kg	
Model noža	AB2102D-E	
Prevádzková teplota	0°C-40°C	
Skladovacia teplota	-20°C-70°C	
Brzda noža	ÁNO	
Nameraná hladina akustického výkonu L_{WA}	89,8 dB(A) K=3,35 dB(A)	
Hladina akustického tlaku na uši obsluhy L_{PA}	80,3 dB(A) K=3 dB(A)	
Garantovaná hladina akustického výkonu L_{WA} (merané podľa 2000/14/ES)	93 dB(A)	
Ohodnotenie vibrácií a_n :	Ľavá rukoväť	0,61 m/s ² K=1,5 m/s ²
	Pravá rukoväť	0,54 m/s ² K=1,5 m/s ²

OBSAH BALENIA (OBR. A1)

POPIS

ZOZNÁMTE SA S VAŠOU KOSAČKOU (obr. A)

1. Prepínač samohybného pohonu
2. Gombík regulácie rýchlostí samohybného pohonu
3. Bezpečnostné tlačidlo
4. Vypínač predných LED svetiel
5. Svorka pre zaistenie rukoväte
6. Zberný vak
7. Páčka rýchleho nastavenia
8. Páka na nastavenie výšky kosenia
9. Zadné koleso
10. Predné koleso
11. Spodná časť kosačky
12. Predná rukoväť
13. LED svetlomety

14. Kryt akumulátora
15. Zadná rukoväť
16. Zadné dvierka výsypky
17. Bočná lišta
18. Stavová kontrolka kosačky
19. Páčkový prepínač
20. Rukoväť
21. Podpora pri skladovaní vo vzpriamenej polohe
22. Tieniaci štít
23. Tlačidlo na uvoľnenie akumulátora
24. Bezpečnostný kľúč

OBSLUHA

ZOSTAVENIE ZBERNÉHO VAKU

- 1) Nasadte zberný kôš na konštrukciu (obr. B).
- 2) Pripojte horné svorky ku konštrukcii (obr. C), potom nasadte dve bočné svorky. Ako poslednú nasadte spodnú svorku.
- 3) Kompletne zostavený zberný kôš je znázornený na obr. D.

POZNÁMKA: Pri bežnom používaní podlieha zberný vak opotrebovaniu. Zostavu zberného vaku často kontroluje a vymeníte ju v prípade, že objavíte známky opotrebovania alebo poškodenia, aby ste znížilo riziko poranenia. Používajte iba zberné vaky vyrobené pre tento typ kosačky.

SK

NASTAVENIE SKLOPNEJ RUKOVÄTE

VAROVANIE: Nepokúšajte sa zapnúť kosačku, kým nie je rukoväť zablokovaná v jednej z troch prednastavených prevádzkových polôh (HORNEJ PREVÁDZKOVEJ POLOHE, STREDNEJ PREVÁDZKOVEJ POLOHE alebo DOLNEJ PREVÁDZKOVEJ POLOHE).

Kosačka je dodávaná s rukoväťou v sklopenej, ZAISTENEJ POLOHE PRE SKLADOVANIE (obr. E).

- 1) Stlačte a podržte páčku rýchleho nastavenia, aby ste uvoľnili rukoväť zo ZAISTENEJ POLOHY PRE SKLADOVANIE.
- 2) Zdvihnite rukoväť zo sklopenej polohy, potom uvoľnite páku. Jemne otočte rukoväťou smerom nahor, až kým nebudete počuť a neucítite, že poistný kolík zapadol do jednej z polôh tak, ako je znázornené na obr. F.

F-1	Pripojenie vaku na trávu/Poloha pre odstránenie	F-2	Zafixovaná poloha pre skladovanie
F-3	Horná prevádzková poloha	F-4	Stredná prevádzková poloha
F-5	Dolná prevádzková poloha		

PRIPOJENIE ZBERNÉHO VAKU

VAROVANIE: Predtým, než začnete vykonávať akékoľvek zmeny nastavenia kosačky, vždy najskôr vypnite motor, vytiahnite bezpečnostný kľúč a počkajte, kým sa nôž prestane otáčať.

POZNÁMKA: Odstráňte mulčovací vložku alebo bočnú výsypku z kosačky predtým, než k nej pripojíte zberný vak.

■ Montáž/demontáž zberného vaku (obr. G)

Zasuňte dosku zberného vaku do kosačky a zaveste vak na kosačku.

POZNÁMKA: Odstráňte predinštalovanú mulčovaciu vložku z kosačky predtým, než k nej pripojíte zberný vak.

■ Montáž/demontáž mulčovacej vložky (predáva sa samostatne) (obr. H)

NASTAVENIE VÝŠKY KOSENIA (obr. I)

I-1	Pružinové nastavenie výšky kosenia	I-2	Merací štítok výšky kosenia
-----	------------------------------------	-----	-----------------------------

VAROVANIE: Dbajte na to, aby boli vaše nohy v bezpečnej vzdialenosti od spodnej časti kosačky pri nastavovaní jej výšky. Kosačku je možné nastaviť na 8 výšok kosenia v rozmedzí od 25 mm do 105 mm. Vyberte si správnu výšku kosenia podľa typu a stavu trávy.

PRIPOJENIE/ODPOJENIE AKUMULÁTORA (obr. J)

Používajte iba s akumulátormi a nabíjačkami, ktoré sú uvedené na obr. A2.

PRED PRVÝM POUŽITÍM AKUMULÁTOR NABITE.

VAROVANIE: Ak je niektorý diel pokazený alebo chýba, nepokúšajte sa akumulátor pripojiť do kosačky alebo s kosačkou pracovať, až kým sa pokazený alebo chýbajúci diel nevyмениí. Ak tak neurobite, môže dôjsť k vážnemu zraneniu.

■ Pripojenie

Zatlačte akumulátor do priestoru pre akumulátor, až kým nebudete počuť „kliknutie“.

■ Odpojenie

Stlačte tlačidlo na uvoľnenie akumulátora z priestoru pre akumulátor.

POZNÁMKA: Pred použitím sa uistite, že západka na kosačke zapadla na svoje miesto a že akumulátor je pripevnený ku kosačke.

SPUSTENIE/ZASTAVENIE KOSAČKY (obr. K, L a M)

VAROVANIE: Používanie akejkoľvek kosačky môže spôsobiť vymrštenie cudzích predmetov do očí, čo môže mať za následok vážne poškodenie zraku. Počas prevádzky, nastavovania alebo opravy kosačky vždy používajte ochranné okuliare.

VAROVANIE: Nôž sa bude ešte naďalej točiť počas niekoľkých sekúnd aj po vypnutí kosačky. Pred opätovným spustením nechajte motor/nôž úplne zastaviť. Nezapínajte a nevypínajte kosačku v rýchlom slede za sebou.

BEZPEČNOSTNÝ KLÚČ (obr. N)

Do konštrukcie kosačky bol začlenený odnímateľný bezpečnostný kľúč, aby sa zabránilo náhodnému naštartovaniu alebo neoprávnenému použitiu akumulátorovej kosačky. Kosačka zostane úplne odstavená, keď sa z nej vyberie bezpečnostný kľúč.

NEBEZPEČENSTVO: Rotujúce nože môžu spôsobiť vážne zranenie. Ak kosačka zostane bez dozoru, pri nastavovaní, čistení, údržbe, doprave, zdvíhaní alebo skladovaní kosačky, vytiahnite bezpečnostný kľúč, aby ste predišli vážnemu zraneniu.

POZNÁMKA: Motor nie je možné spustiť, ak:

- rukoväť nie je zaistená do jednej z troch pracovných polôh, pozrite NASTAVENIE SKLOPNEJ RUKOVÄTE.
- Bočné lišty sú celkom vysunuté.
- Obe zelené svorky na blokovanie rukoväte sú pevne zatvorené.

UPOZORNENIE: Nepokúšajte sa o anulovanie funkcie bezpečnostného tlačidla a pákového prepínača.

Spustenie (obr. K a L)

- 1) Pripojte akumulátor ku kosačke, vložte bezpečnostný kľúč do otvoru a zatvorte kryt akumulátora.
- 2) Zatlačte bezpečnostné tlačidlo.
- 3) Keď je bezpečnostné tlačidlo stlačené, potiahnite pákový prepínač smerom nahor k rukoväti a uvoľnite bezpečnostné tlačidlo.

Zastavenie (obr. M)

- 1) Úplne uvoľnite pákový spínač.
- 2) Elektrická brzda automatického brzdneho mechanizmu zastaví otáčanie noža do 3 sekúnd po uvoľnení pákového prepínača.

LED SVETLOMETY (obr. A-13)

Stlačte tlačidlo vypínača (obr. A-4) pre zapnutie/vypnutie LED svetlometov v prednej časti priestoru pre akumulátor.

SAMOHYBNÝ SYSTÉM S PREMENLIVOU RÝCHLOSŤOU

Kosačka LM2130E-SP je vybavená samohybným pohonom s premenlivou rýchlosťou. Tento systém je nezávislý na vypínači noža a je nezávislý na jeho rotácii.

Napríklad, keď ste dokončili kosenie trávnik, môžete pomocou samohybného pohonu presunúť kosačku späť do jej úložného priestoru bez otáčania čepele. Alebo sa môžete rozhodnúť prevádzkovať kosačku ako kosačku bez vlastného pohonu, aby sa maximalizovala výdrž batérie.

Ak chcete prevádzkovať samohybný systém bez otáčania čepele, zapnite gombík ovládania rýchlosti samohybného pohonu a stlačte prepínače samohybného pohonu. Existujú dva prepínače samohybného pohonu. Stlačením ľubovoľného prepínača spustíte funkciu samohybného pohonu (obr. O).

O-1	Gombík regulácie rýchlosti samohybného pohonu	O-2	Prepínač samohybného pohynu
-----	---	-----	-----------------------------

Ak chcete vypnúť vlastný pohon, uvoľnite prepínač samohybného pohonu a otočte gombík regulácie rýchlosti samohybného pohonu do vypnutej polohy, až kým sa nedá otočiť.

STAVOVÁ KONTROLKA KOSAČKY (obr. P)

Kosačka je vybavená kontrolkou napájania, ktorá ukazuje stav nabitia akumulátora a prevádzkový stav kosačky.

Kontrolka napájania sa rozsvieti, keď sa nôž otáča alebo keď sú zapnuté LED svetlomety.

P-1	Stavová kontrolka kosačky	P-2	Vypínač predných LED svetiel
-----	---------------------------	-----	------------------------------

Stavová kontrolka kosačky	Význam	Akcia
Svieti zelená	Kosačka funguje správne; batéria je nabitá na minimálne 15 %.	Nevyžaduje sa žiadna akcia.
Bliká zelená	Bočné lišty nie sú úplne vysunuté. Rukoväť nie je nastavená do prevádzkovej polohy.	Zastavte kosačku a uistite sa, že bočné lišty sú úplne vysunuté. Zastavte kosačku a skontrolujte, či je rukoväť zaistená v prevádzkovej polohe.
Bliká červená	Slabá batéria.	Zastavte kosačku a nabite akumulátor

Svieti oranžová	Kosačka sa zastaví z dôvodu prehriatia.	Vyberte akumulátor z kosačky, presuňte ich do tieňa a nechajte vychladnúť aspoň 15 minút
Bliká oranžová	Kosačka je preťažená.	Najskôr vyberte akumulátor a potom skontrolujte, či sa pod doskou nenahromadila tráva, prípadne vyčistite. Spomaľte tempo pri kosení. Ak to nepomôže, obráťte sa na zákaznický servis EGO.
Striedavé blikanie červenej a zelenej	Chyba	Kontaktujte zákaznický servis EGO.
Vypnutá a blikajúca LED na akumulátore	Prehriatie akumulátora. (Pozrite si časť „ OCHRANA AKUMULÁTORA PRED VYSOKÝMI TEPLOTAMI “ v tomto návode)	Uvoľnite kolískový prepínač a počkajte, kým sa akumulátor ochladí na približne 67°C a potom znova kosačku zapnite.

SK

OCHRANA PROTI PREŤAŽENIU KOSAČKY

Aby nedošlo k poškodeniu v dôsledku preťaženia, snažte sa nekosiť príliš veľa trávy naraz. Spomaľte tempo kosenia alebo zvyšte výšku kosenia.

Kosačka má vstavanú ochranu proti preťaženiu obvodu. Keď je kosačka preťažená, motor sa zastaví a kontrolka napájania na kosačke bude blikat oranžovo. Vyberte akumulátor z kosačky. Skontrolujte, či sa na spodnej strane kosačky nenahromadila tráva a v prípade potreby ju odstráňte. Potom nainštalujte akumulátor a kosačku znova zapnite.

OCHRANA AKUMULÁTORA PRED VYSOKÝMI TEPLOTAMI

Akumulátor počas prevádzky vytvára teplo. Teplo sa rozptyľuje pomalšie v horúcom počasí. Ak počas používania teplota batérie prekročí 70°C, ochranný obvod okamžite vypne kosačku, aby ochránil akumulátor pred poškodením teplom. Kontrolka stavu na kosačke zhasne. Podrobnosti nájdete v časti „**OCHRANA BATÉRIE**“ v návode na používanie akumulátora.

Uvoľnite kolískový prepínač a počkajte, kým sa akumulátor ochladí na približne 67°C a potom znova kosačku zapnite.

ÚDRŽBA

VAROVANIE: Ak chcete predísť vážnemu poraneniu osôb, vyťahnite bezpečnostný kľúč z kosačky pred čistením, vykonávaním údržby alebo jej prepravou.

VAROVANIE: Pri údržbe používajte iba identické náhradné diely. Použitie iných dielov môže byť nebezpečné a môže spôsobiť poškodenie výrobku. Pre zaistenie bezpečnosti a spoľahlivosti je nevyhnutné, aby všetky opravy a výmeny vykonával len kvalifikovaný servisný technik.

CELKOVÁ ÚDRŽBA

VAROVANIE: Pri údržbe alebo preprave kosačky vždy vyťahnite bezpečnostný kľúč a akumulátor.

Spodnú časť konštrukcie kosačky je potrebné čistiť po každom použití, aby ste zabránili hromadeniu pokosenej trávy, lístia, hlíny a iných nečistôt.

Odstráňte všetku nahromadenú trávu a lístie na alebo okolo vrtule motora (nepoužívajte vodu). Poutierajte kosačku dočista vlhkou handričkou.

ODSTRÁNENIE/NASADENIE NOŽA

VAROVANIE: Pri vykonávaní údržby noža kosačky vždy používajte pevné rukavice alebo zabalte rezné hrany do handier alebo iných materiálov, aby ste si chránili ruky. Pri údržbe alebo preprave kosačky vždy vyťahnite akumulátor.

- **Odstránenie noža (obr. Q)**
- **Nasadenie noža**
Podľa montážneho postupu na obr. R, keď lopatka čepele smeruje k spodnej časti a potlačená strana lopatky smerom von, zarovnajtie otvory vrtule s otvormi noža (obr. S) a potom dotiahnite nôž podľa obr. T.

USKLADNENIE KOSAČKY

- Vyberte akumulátor z kosačky a uložte ho na chladnom, suchom a čistom mieste. Neskladujte ho v blízkosti korozívnych materiálov, ako sú hnojivá alebo kamenná soľ.
- Skladujte kosačku v zastrešenom, uzavretom, chladnom a suchom priestore, mimo dosahu detí.
- Nezakrývajte kosačku pevnou plastovou fóliou. Plastové obaly zachytávajú vlhkosť okolo kosačky, čo spôsobuje koróziu.
- Kosačka môže byť uložená vzpriamene alebo naležato. (obr. U a V).

VAROVANIE: Ak sa kosačka začne preklápať zo zvislej polohy, môže dôjsť k jej poškodeniu či zraneniu osôb. Dávajte pozor na to, aby bola kosačka stabilná a mimo dosahu detí, ak je vo zvislej polohe. Pokiaľ je možné, skladujte ju naležato.

Ochrana životného prostredia



Nevyhadzujte elektrické spotrebiče ako netriedený komunálny odpad, použite oddelené zberné zariadenia.

Obráťte sa na vaše miestne zastupiteľstvo pre informácie týkajúce sa dostupných systémov triedeného zberu odpadu.

Ak sú elektrické spotrebiče likvidované na neorganizovaných skládkach alebo smetiskách, môžu nebezpečné látky uniknúť do podzemných vôd, dostať sa do potravinového reťazca a poškodzovať zdravie.

ODSTRAŇOVANIE PORÚCH

VAROVANIE: Pri údržbe alebo preprave kosačky vždy vyťahnite bezpečnostný kľúč a akumulátor. Pri vykonávaní údržby noža kosačky vždy používajte pevné rukavice alebo zabaľte rezné hrany do handier alebo iných materiálov, aby ste si chránili ruky.

PROBLÉM	PRÍČINA	RIEŠENIE
Kosačka sa nedá zapnúť	<ul style="list-style-type: none"> ■ Akumulátor je vybitý. ■ Akumulátor nie je pripojený na správnom mieste v priestore pre akumulátor. ■ Obvody batérie alebo kosačky sú príliš horúce. (Kontrolka napájania na kosačke bude svietiť na oranžovo po dobu 10 sekúnd) ■ Bočné lišty nie sú rozťahnuté na maximálnu dĺžku a svorky nie sú zatvorené v správnej polohe. ■ Rukoväť nie je nastavená na jednu z troch prevádzkových polôh. ■ Spodná časť kosačky je upchatá trávou a nečistotami. 	<ul style="list-style-type: none"> ■ Nabite akumulátor. ■ Pripojte akumulátor do kosačky, zatlačte ho, kým nezačujete cvaknutie. ■ Nechajte batériu alebo kosačku vychladnúť, až kým teplota neklesne pod 67°C. ■ Úplne rozťahnite rukoväť a zatvorte obe svorky. ■ Nastavte rukoväť do jednej z troch prevádzkových polôh. ■ Vyčistite spodnú časť kosačky a uistite sa, že sa nôž voľne pohybuje.
Kosačka kosí nerovnomerne	<ul style="list-style-type: none"> ■ Nôž je tupý. ■ Výška kosenia nie je správne nastavená. ■ Nôž nie je správne nasadený. 	<ul style="list-style-type: none"> ■ Naostrite alebo vymeňte nôž. ■ Zdvihnite spodnú časť pre nastavenie vyššej výšky kosenia. ■ Znovu nasadte nôž podľa časti „NASADENIE NOŽA“ tohto návodu.
Kosačka sa pri kosení zastavuje	<ul style="list-style-type: none"> ■ Akumulátor je vybitý. ■ Kosačka je preťažená. ■ Spodná časť kosačky je upchatá trávou a nečistotami. ■ Obvody batérie alebo kosačky sú príliš horúce. (Kontrolka napájania na kosačke bude svietiť na oranžovo po dobu 10 sekúnd.) ■ Bočná lišta sa pri tlaku na rukoväť trochu sťahne. 	<ul style="list-style-type: none"> ■ Nabite akumulátor. ■ Zvýšte výšku kosenia alebo spomaľte kosenie. ■ Vyčistite spodnú časť kosačky. Nastavte vyššiu výšku kosenia alebo koste úzky pás trávy. ■ Nechajte batériu alebo kosačku vychladnúť, až kým teplota neklesne pod 67°C. ■ Uvoľnite svorky. Úplne vysuňte bočné lišty a opäť zatvorte svorky.
Kosačka nedostatočne mulčuje	<ul style="list-style-type: none"> ■ Mokrú odrezku trávy sú prilepené na spodnej časti kosačky. ■ Kosačka je nastavená na kosenie príliš veľkého množstva trávy naraz. 	<ul style="list-style-type: none"> ■ Pred kosením nechajte trávu vyschnúť. ■ Zdvihnite spodnú časť pre nastavenie vyššej výšky kosenia.

SK

PROBLÉM	PRÍČINA	RIEŠENIE
Stroj nadmerne vibruje	<ul style="list-style-type: none">▪ Rezný nôž je uvoľnený.▪ Rezný nôž je nevyvážený.▪ Rezný nôž je ohnutý.▪ Hriadeľ motora je ohnutý.▪ Spodná časť kosačky je upchatá trávou a nečistotami.	<ul style="list-style-type: none">▪ Uťahnite skrutku noža.▪ Vyvážte nôž podľa návodu.▪ Vymeňte nôž.▪ Kontaktujte servisné stredisko.▪ Vyčistite spodnú časť kosačky a uistite sa, že sa nôž voľne pohybuje.
Uzatvárateľné svorky rukoväte sa nedajú zatvoriť v danej polohe	<ul style="list-style-type: none">▪ Bočné lišty nie sú úplne vysunuté.	<ul style="list-style-type: none">▪ Úplne vysuňte bočné lišty, potom zatvorte svorky.

ZÁRUKA

ZÁRUČNÁ POLITIKA EGO

Navštívte webové stránky egopowerplus.com pre úplné podmienky záručnej politiky spoločnosti EGO.

SK

OLVASSA EL AZ ÖSSZES UTASÍTÁST!

Rendeltetésszerű használat: A termék kizárólag otthon, kertben fű nyírására alkalmas. Nem szabad magas, száraz vagy nedves fűvet nyírni, pl. legelőn, és levelek aprítására használni.

▲ FIGYELMEZTETÉS: A szerszám használata előtt feltétlenül olvassa el a jelen használati útmutató minden biztonsági utasítását, a „VESZÉLY”, „FIGYELMEZTETÉS” és „FIGYELEM” biztonsági szimbólumokat is. Az alább felsorolt utasítások nem tartása áramütést, tűzveszélyt és/vagy súlyos személyi sérülést idézhet elő.

▲ FIGYELMEZTETÉS: Bármely elektromos kéziszerszám működtetése azzal járhat, hogy idegen tárgyak szembe kerülnek, ami súlyos szemésérüléseket okozhat. fel oldalsó védőlemezzel ellátott védőszemüveget vagy teljes védőárlarcot, ha szükséges. Javasoljuk, hogy viseljen Wide Vision Safety Mask-ot (védőárlarc) a védőszemüveg fölött vagy standard védőszemüveget oldalsó védőlemezzel.

BIZTONSÁGI SZIMBÓLUMOK



Biztonsági figyelmeztetés



A sérülések kockázatának csökkentése érdekében a használatnak a termék használata előtt el kell olvasnia és meg kell értenie a használati útmutatót.



Ügyeljen arra, hogy más személyek és a háziállatok legalább 30 m távolságban legyenek a fűnyíró használata közben.



Tartsa távol a lábát és kezét



A kések a motor leállítása után is forognak - karbantartás előtt távolítsa el az üzemen kívül helyezett készüléket. Beállítás vagy tisztítás előtt kapcsolja ki, és vegye ki a kivehető akkumulátoregységet (vagy üzemen kívül helyezett készüléket).



Garantált hangteljesítményszint.



A termék megfelel az érvényes EK irányelveknek.



Ez a termék megfelel az alkalmazandó brit jogszabályoknak.



Az elhasznált elektromos termékek nem helyezhetők a háztartási hulladékok közé. Vigye hivatalos újrahasznosító telephelyre.

IPX4

Víz behatolása elleni védelmi szint: 4.

V Volt

mm milliméter


cm centiméter

≡ Áram típusa vagy jellemzői

kg kilogramm

HU

JELLEMZŐK

Feszültség	56 V 	
Üresjárat fordulatszám	2700 RPM	
Vágásmagasság	25mm/ 32mm/ 40mm/ 51mm/ 64mm/ 77mm/ 90mm	
Vágásmagasság pozíciók	7	
Vágásszélesség	52 cm	
Fűgyújtó zsák térfogata	70 l	
Fűnyíró súlya (Az akkumulátoregység és a fűgyújtó zsák nélkül)	25,1 kg	
Penge modell	AB2102D-E	
Működési hőmérséklet	0°C-40°C	
Tárolási hőmérséklet	-20°C-70°C	
Penge fék	IGEN	
Mért hangteljesítményszint L_{WA}	89,8 dB(A) K=3,35 dB(A)	
Hangnyo-másszint a kezelő fülénél L_{PA}	80,3 dB(A) K=3 dB(A)	
Garantált hangteljesítményszint L_{WA} (a 2000/14/EK szerint mérve)	93 dB(A)	
Vibráció értéke $a_{h,v}$:	Bal oldali fogantyú	0,61 m/s ² K=1,5 m/s ²
	Jobb oldali fogantyú	0,54 m/s ² K=1,5 m/s ²

HU

A CSOMAG TARTALMA (A1 ÁBRA)

LEÍRÁS

ISMERJE MEG FŰNYÍRÓJÁT (A1 ábra)

1. Önműködő kapcsoló
2. Önműködő sebességszabályozó gomb
3. Biztonsági gomb
4. Kapcsoló a LED fényszórókhöz
5. Fogantyú lezáró kapocs
6. Fűgyújtó zsák
7. Gyorsbeállító kar
8. Vágásmagasság beállító kar
9. Hátsó kerék
10. Elülső kerék
11. Fűnyíró fedél
12. Elülső fogantyú
13. LED fejlámpa

14. Akkumulátor burkolat
15. Hátsó fogantyú
16. Hátsó fűgyújtó ajtó
17. Oldalsó állvány
18. Fűnyíró állapotjelző
19. Kapcsolókar
20. Fogantyú
21. Álló tároláshoz való tartó
22. Védőlemez
23. Akkumulátor kioldógomb
24. Biztonsági kulcs

MŰKÖDTETÉS

A FŰGYÚJTÓ ZSÁK ÖSSZESZERELÉSE

- 1) Csúsztassa a fűgyújtó zsákat a keretre (B ábra).
- 2) Szerelje a felső kapcsokat a keretre (C ábra), majd kapcsolja össze a két kapcsot. Az alsó kapcsot tegye fel utoljára.
- 3) A teljesen összeszerelt fűgyújtó zsák a D ábrán látható.

MEGJEGYZÉS: Normál használat esetén a zsák anyaga elhasználódik. A sérülések kockázatának csökkentése érdekében ellenőrizze a zsákat, és cserélje ki, ha kopás vagy sérülés jeleit észleli. Csak az ehhez a fűnyíróhoz gyártott fűgyújtó zsákat használja.

AZ ÖSSZECSUKHATÓ FOGANTYÚ BEÁLLÍTÁSA

▲ FIGYELMEZTETÉS: Ne próbálja meg beindítani a fűnyírót, amíg a fogantyú a három előre beállított működési pozícióban van rögzítve (FELSŐ MŰKÖDÉSI POZÍCIÓ, KÖZÉPSŐ MŰKÖDÉSI POZÍCIÓ és ALSÓ MŰKÖDÉSI POZÍCIÓ).

A fűnyírót kompakt, LEZÁRT TÁROLÁSI POZÍCIÓBAN (E ábra) szállítjuk.

- 1) Nyomja meg, és tartsa lenyomva a gyors beállító kart a fogantyú LEZÁRT TÁROLÁSI POZÍCIÓBÓL való kioldásához.
- 2) Vegye ki a fogantyút az összecsuksott pozícióból, majd oldja ki a kart. Finoman fordítsa a fogantyút felfelé, amíg a rögzítőcsap kattanását nem hallja, és nem érzi a alábbi F ábrán látható különböző pozíciók egyikében.

F-1	Fűgyújtó zsák csatlakoztatási/levételei pozíció	F-2	Rögzített tárolási pozíció
F-3	Felső működési pozíció	F-4	Középső működési pozíció
F-5	Alsó működési pozíció		

A FÜGYŰJTŐ ZSÁK CSATLAKOZTATÁSA

▲ FIGYELMEZTETÉS: Soha ne végezzen beállítást a fűnyírón, amíg le nem állította a motort, és amíg ki nem vette a biztonsági kulcsot, és amíg a penge forgása le nem állt.

MEGJEGYZÉS: Vegye le a mulcsozó betétet vagy az oldalsó kidobóegységet a fűnyíróról, mielőtt a fűgyűjtő zsákot a fűnyíróra csatlakoztatja.

■ A fűgyűjtő zsák csatlakoztatása/levétele (G ábra)

Helyezze a fűgyűjtő zsák tábláját a fűnyíróba és akassza a fűgyűjtő zsákot a fűnyíróra.

MEGJEGYZÉS: Vegye le az előre felszerelt mulcsozó betétet a fűnyíróról, mielőtt a fűgyűjtő zsákot a fűnyíróra csatlakoztatja.

■ A mulcsozó betét csatlakoztatása/levétele (külön vásárolható) (H ábra)

VÁGÁSI MAGASSÁG BEÁLLÍTÁSA (I ábra)

I-1	Rugóterhelésű vágásmagasság beállító	I-2	Vágásmagasság jelző lap
-----	--------------------------------------	-----	-------------------------

▲ FIGYELMEZTETÉS: Tartsa távol a lábát a burkolattól, amikor beállítja a magasságot. A fűnyíró 8 vágásmagasságba állítható 25 mm és 105 mm között. A megfelelő vágásmagasságot a fű típusától és állapótól függően válassza ki.

AZ AKKUMULÁTOREGYSÉG BEHELYEZÉSE/ KIVÉTELE (J ábra)

Csak az A2 ábrán felsorolt akkumulátoregységeket és töltőket használja

AZ ELSŐ HASZNÁLAT ELŐTT TÖLTSE FEL

▲ FIGYELMEZTETÉS: Ha bármilyen alkatrész sérült vagy hiányzik, akkor ne próbálja meg csatlakoztatni az akkumulátoregységet a fűnyírót, és ne működtesse a fűnyírót, amíg a sérült vagy hiányzó alkatrészt ki nem cserélik. Ellenkező esetben súlyos sérülést okozhat.

■ Csatlakoztatás

Tolja az akkumulátoregységet az akkumulátortartó rekeszbe, amíg kattantást nem hall.

■ Leválasztás

Nyomja meg az akkumulátor kioldógombot az akkumulátortartó rekeszen.

MEGJEGYZÉS: Ellenőrizze, hogy a zár a fűnyírón a helyére kattant-e, és hogy az akkumulátoregység a fűnyírón rögzítve van-e, mielőtt működtetni kezdené.

A FŰNYÍRÓ INDÍTÁSA/LEÁLLÍTÁSA (K, L és M ábra)

▲ FIGYELMEZTETÉS: Bármely fűnyíró működtetése azzal járhat, hogy idegen tárgyak mások szemébe kerülnek, amely súlyos szemsérüléseket okozhat. Mindig viseljen védőszemüveget a fűnyíró működtetése közben, vagy beállítások és javítások végzése közben.

▲ FIGYELMEZTETÉS: A penge még egy kis ideig forog a fűnyíró kikapcsolása után. Hagyja, hogy a motor/penge leálljon, mielőtt újra elindítja. Ne kapcsolgassa gyorsan ki és be a fűnyírót.

BIZTONSÁGI KULCS (N ábra)

A fűnyíró véletlenszerű beindításának vagy jogosulatlan használatának megakadályozása érdekében biztonsági kulccsal szereltük fel a fűnyírót. A fűnyíró teljesen leáll, ha kihúzza a biztonsági kulcsot a fűnyíróból.

VESZÉLY: A forgó pengék súlyos sérülést okozhatnak. A súlyos sérülések elkerülése érdekében húzza ki a kulcsot, ha a fűnyírót felügyelet nélkül hagyja, vagy beállítást, tisztítást, szervizelést végez rajta, ill. szállítja, emeli vagy elteszi a fűnyírót.

MEGJEGYZÉS: A motor nem tud elindulni, amíg:

- A fogantyú a három működési pozíció egyikében van rögzítve, lásd AZ ÖSSZECSUKHATÓ FOGANTYÚ BEÁLLÍTÁSA fejezetet.
- Az oldalsó állványok nincsenek teljesen kihúzva
- A két zöld fogantyú lezáró kapocs nincs biztonságosan lezárva.

FIGYELEM: Ne próbálja meg hatástalanítani a biztonsági gomb és fogantyú kapcsolót.

Indítás (K és L ábra)

- 1) Csatlakoztassa az akkumulátoregységet a fűnyíróhoz, helyezze be a biztonsági kulcsot a kulcsnyílásba, és zárja vissza az akkumulátor fedelét.
- 2) Nyomja le a biztonsági gombot.
- 3) A lenyomott biztonsági gombbal húzza felfelé a fogantyú kapcsolót a fogantyúig, és engedje el a biztonsági kulcsot.

Leállítás (M ábra)

- 1) Teljesen oldja ki a fogantyú kapcsolót.
- 2) Az automatikus fékező mechanizmusban lévő elektromos fék a fogantyú kapcsoló elengedése után 3 másodpercen belül leállítja a penge forgását.

LED FÉNYSZÓRÓK (A-13 ábra)

Nyomja meg a kapcsolót (A-4 ábra) az akkumulátortartó rekeszen lévő LED fényoszlop be-/kikapcsolásához.

ÁLLÍTHATÓ SEBESSÉGÜ ÖNMŰKÖDŐ RENDSZER

Az LM2130E-SP fűnyíró állítható sebességű önműködő lehetőséggel van felszerelve. A rendszer független a penge be-ki kapcsolójától, nem függ a penge forgásától.

Például, amikor befejezte a fűnyírást, az önműködő funkció segítségével a penge forgása nélkül irányíthatja el a fűnyírót a tárolási helyére. Azonban az akkumulátor működési idejének maximalizálása érdekében nem önműködő fűnyíróként is használhatja a fűnyírót.

A penge forgása nélküli önműködő rendszer működtetéséhez kapcsolja be az önműködő sebességszabályozó gombot, és nyomja meg az önműködő trigger(ek)e)t. A fűnyíró két önműködő trigger található. Az önműködő funkciót bármelyik trigger benyomásával elindíthatja (O ábra).

O-1	Önműködő sebességszabályozó gomb	O-2	Önműködő trigger
-----	----------------------------------	-----	------------------

Az önműködő funkció kikapcsolásához engedje el az önműködő triggert, és kapcsolja ki az önműködő sebességszabályozó gombot.

FŰNYÍRÓ ÁLLAPOTJELZŐ A FŰNYÍRÓN (P ábra)

HU

A fűnyíró teljesítményjelzővel van felszerelve, hogy jelezze az akkumulátoregység töltési státuszát és a fűnyíró működési státuszát. A teljesítményjelző világít, ha a penge forog, vagy ha a LED fényoszlop be van kapcsolva.

P-1	Fűnyíró állapotjelző	P-2	Kapcsoló a LED fényoszlopokhoz
-----	----------------------	-----	--------------------------------

Fűnyíró állapotjelző	Jelentés	Művelet
Folyamatosan zöld	A fűnyíró megfelelően működik; az akkumulátor legalább 15%-os töltéssel rendelkezik.	Nincs szükség semmilyen műveletre.
Villogó zöld	Az oldalsó állványok nincsenek teljesen kihúzva.	Állítsa le a fűnyírót, és gondoskodjon arról, hogy az oldalsó állványok teljesen ki legyenek húzva.
	A fogantyú nincs működési pozícióba állítva.	Állítsa le a fűnyírót, és gondoskodjon arról, hogy a fogantyú működési pozícióba legyen állítva.

Pirosan villog	Alacsony akkumulátor töltöttségi szint.	Állítsa le a fűnyírót, és tölts fel az akkumulátoregységet.
Folyamatosan narancssárga	A fűnyíró túlmelegedés miatt leáll.	Vegye ki az akkumulátort a fűnyíróból, vigye árnyékba, és hagyja legalább 15 percig hűlni.
Narancssárgán villog	A fűnyíró túlterhelt.	Először vegye ki az akkumulátoregységet, majd ellenőrizze és tisztítsa meg, ha fű gyülemlett fel a fedél alatt. Fűnyírásról csökkentse sebességét. Ha ez nem jár eredménnyel, kérjük, forduljon az EGO ügyfélszolgálatához.
Felváltva pirosan/zölden villog	Hiba	Forduljon az EGO ügyfélszolgálatához.
Sötét és LED villog az akkumulátoron	Akkumulátor túlmelegedés. (Lásd az „AZ AKKUMULÁTOR MA-GAS HŐMÉRŐSÉKL-ET ELLENI VÉDEL-ME” c. részt ebben a kézikönyvben)	Engedje el a fogantyú kapcsolót, várjon, amíg az akkumulátoregység le nem hűl körülbelül 67°C-ra, majd indítsa újra a fűnyírót.

FŰNYÍRÓ TÚLTERHELÉS ELLENI VÉDELEM

A túlterhelés elkerülése érdekében ne próbáljon meg egyszerre túl sok fűvet nyírni. Lassabban lépkedjen nyírás közben, vagy növelje a vágás magasságát.

A fűnyíró beépített túlterhelés elleni védelemmel rendelkezik. Ha a fűnyíró túlterhelt, akkor a motor leáll és a fűnyíró állapotjelző narancssárga színben villog a fűnyírón. Vegye ki az akkumulátoregységet a fűnyíróból. Ellenőrizze, hogy nem gyűlt-e össze fű a burkolat alatt, és szükség esetén tisztítsa meg, majd helyezze be az akkumulátort, és indítsa el a fűnyírót.

AKKUMULÁTOR TÚLMELEGEDÉS ELLENI VÉDELEM

Az akkumulátoregység működés közben felmelegszik. A meleg forró időben lassabban távozik. Ha az akkumulátor hőmérséklete működés közben eléri a 70°C-ot, a védőáramkör azonnal kikapcsolja a fűnyírót, hogy megvédje az akkumulátoregységet a hő miatti károsodástól. A fűnyírón kikapcsol az állapotjelző, a részleteket tekintse meg az „AKKUMULÁTORVÉDELEM” c. részben az akkumulátor használati útmutatójában.

Engedje el a fogantyút kapcsolót, várjon, amíg az akkumulátoregység le nem hűl körülbelül 67°C-ra, majd indítsa újra a fűnyírót.

KARBANTARTÁS

▲ FIGYELMEZTETÉS: A súlyos személyi sérülések elkerülése érdekében a fűnyíró tisztítása, karbantartása vagy szállítása előtt mindig húzza ki a biztonsági kulcsot.

▲ FIGYELMEZTETÉS: Javításkor használjon azonos pótalkatrészeket. Más alkatrészek használata veszélyt okozhat, vagy megrongálhatja a terméket. A biztonságosság és megbízhatóság biztosítása érdekében minden javítást és cserét szakképzett szerviztechnikus hajtson végre.

ÁLTALÁNOS KARBANTARTÁS

▲ FIGYELMEZTETÉS: Mindig vegye ki a biztonsági kulcsot és az akkumulátoregységet a fűnyíró szervizelése vagy szállítása közben.

A fűnyíró burkolat alját minden használat után meg kell tisztítani, mivel egyébként a lenyírt fű, levelek, szennyeződések és más hulladékok felgyülemlenek.

Távolítsa el a lerakódott fűvet a motor ventilátorról vagy környezetéről (ne használjon vizet). Majd szárítsa meg a fűnyírót egy nedves ruhával.

A PENGE FELHELYEZÉSE/KIVÉTELE

▲ FIGYELMEZTETÉS: Mindig védje a kezét nagy teherbírású kesztyűvel vagy úgy, hogy a vágóéleket betekeri rongyokba vagy más anyagokba, amikor karbantartást végez a fűnyíró pengéjén. Mindig vegye ki az akkumulátoregységet a fűnyíró szervizelése vagy szállítása közben.

- Vegye le a pengét a Q ábra szerint.

■ A penge felhelyezése

Kövesse az összeszerelés sorrendjét az R ábrán, a propeller a föld irányába mutasson, a penge nyomtatott oldala kifelé nézzen, illessze a propeller lyukait a penge lyukaihoz (S ábra), majd húzza meg a pengét a T ábrán látható módon.

A FŰNYÍRÓ TÁROLÁSA

- Vegye ki az akkumulátoregységet a fűnyíróból, és tárolja hűvös, száraz és tiszta helyen. Ne tárolja maró hatású anyagok mellett, pl. műtrágya vagy kőso.
- A fűnyírót fedett, zárt helyen tárolja, amely hűvös és száraz, és gyermekek nem férnek hozzá.
- Ne fedje le a fűnyírót erős műanyag zsákkal. A műanyag burkolatok összegyűjtik a vizet a fűnyíró körül, amely rozsdásodást okoz.
- A fűnyírót függőlegesen vagy fektetve tárolja. (U és V ábra).

▲ FIGYELMEZTETÉS: Ha a fűnyíró eldől függőleges helyzetből, akkor a fűnyíró megrongálódhat, vagy személyi sérülést okozhat. Mindig tartsa stabilan a fűnyírót, és gyermekektől elzárva, ha függőleges helyzetben van. Ha lehetséges, laposan tárolja.

Környezetvédelem



Ne dobja ki az elektromos készülékeket a szelektálatlan háztartási hulladékkal együtt, szelektív hulladékgyűjtő helyeken helyezze el ezeket.

Forduljon a helyi önkormányzathoz a rendelkezésre álló gyűjtőhelyekkel kapcsolatos információért.

Ha az elektromos berendezéseket hulladéklerakóban vagy szeméttelpeken ártalmatlanítják, olyan veszélyes anyagok kerülhetnek belőlük a talajvízbe, majd onnan a táplálékláncba, amelyek veszélyeztetik az egészséget és az emberi jólétet.

HU

HIBAELHÁRÍTÁS

▲ FIGYELMEZTETÉS: Mindig vegye ki a biztonsági kulcsot és az akkumulátoregységet a fűnyíró szervizelése vagy szállítása közben. Mindig védje a kezét nagy teherbírási kesztyűvel vagy úgy, hogy a vágóéleket betekerri rongyokba vagy más anyagokba, amikor karbantartást végez a fűnyíró pengéjén.

PROBLÉMA	OK	MEGOLDÁS
A fűnyíró nem indul	<ul style="list-style-type: none"> ■ Az akkumulátoregység lemerült. ■ Az akkumulátoregység nincs a helyére téve az akkumulátortartóban. ■ Az akkumulátoregység vagy a fűnyíró túl forró. (A fűnyíró teljesítményjelzője narancssárga színben világít 10 másodpercig.) ■ Az oldalsó állvány nincs teljesen kihúzva, és a kapcsok nincsenek a helyükre rögzítve. ■ A fogantyú nincs beállítva a három működési pozíció valamelyikébe. ■ A fűnyíró eltömődött fűvel vagy hulladékkal. 	<ul style="list-style-type: none"> ■ Töltse fel az akkumulátoregységet. ■ Csatlakoztassa az akkumulátoregységet a fűnyíróra; addig nyomja, amíg kattantást nem hall ■ Hagyja kihűlni az akkumulátoregységet vagy a fűnyírót 67°C alatti hőmérsékletre. ■ Teljesen hajtja ki a fogantyút, és rögzítse a két kapcsot. ■ Állítsa a fogantyút a három működési pozíció valamelyikébe. ■ Tisztítsa meg a fűnyíró burkolatát, és ellenőrizze, hogy a penge szabadon tud mozogni.
A fűnyíró egyetlenül vág	<ul style="list-style-type: none"> ■ A penge tompa. ■ A vágásmagasság nincs megfelelően beállítva. ■ A penge helytelenül van összeszerelve. 	<ul style="list-style-type: none"> ■ Élezze meg, vagy cserélje ki a pengét. ■ Emelje magasabb vágásmagasságba. ■ A penge visszaszereléséhez nézze meg a „A PENGE KENÉSE” fejezetet a jelen használati útmutatóban.
A fűnyíró működés közben leáll	<ul style="list-style-type: none"> ■ Az akkumulátoregység lemerült. ■ A fűnyíró túlterhelt. ■ A fűnyíró eltömődött fűvel vagy hulladékkal. ■ Az akkumulátoregység vagy a fűnyíró túl forró. (A fűnyíró teljesítményjelzője narancssárga színben világít 10 másodpercig.) ■ Az oldalsó állvány kissé be van húzva a fogantyúra kifejtett tolóerő miatt. 	<ul style="list-style-type: none"> ■ Töltse fel az akkumulátoregységet. ■ Emelje a vágásmagasságot, vagy lassítsa a fűnyírást. ■ Tisztítsa meg a fűnyíró burkolatot. Emelje a vágásmagasságot, vagy keskeny sávot nyírjon. ■ Hagyja kihűlni az akkumulátoregységet vagy a fűnyírót 67°C alatti hőmérsékletre. ■ Oldja ki a kapcsokat. Teljesen nyissa ki az oldalsó állványt, és rögzítse vissza a kapcsokat.

PROBLÉMA	OK	MEGOLDÁS
A fűnyíró nem megfelelően nyír	<ul style="list-style-type: none"> ■ Nedves lenyírt fű ragadt a burkolat aljára. ■ A fűnyíró úgy van beállítva, hogy egyszerre túl sok fűvet nyírjon. 	<ul style="list-style-type: none"> ■ Fűnyírás előtt várjon, amíg a fű megszárad. ■ Emelje magasabb vágásmagasságba.
Túlzott vibráció	<ul style="list-style-type: none"> ■ A penge laza. ■ A penge kiegyensúlyozatlan. ■ A penge hajlott. ■ A motor tengely hajlott. ■ A fűnyíró eltömődött fűvel vagy hulladékkal. 	<ul style="list-style-type: none"> ■ Húzza meg a penge csavarját. ■ Egyensúlyozza ki a pengét az utasításoknak megfelelően. ■ Cserélje ki a pengét. ■ Lépjen kapcsolatba a szervizközponttal. ■ Tisztítsa meg a fűnyíró burkolatát, és ellenőrizze, hogy a penge szabadon tud mozogni.
A fogantyú rögzítő kapcsokat nem lehet pozícióba rögzíteni	<ul style="list-style-type: none"> ■ Az oldalsó állványok nincsenek teljesen kihúzva. 	<ul style="list-style-type: none"> ■ Teljesen nyissa ki az oldalsó állványt, és zárja le a kapcsokat.

GARANCIA

EGO GARANCIÁLIS FELTÉTELEK

Kérjük, látogasson el az egopowerplus.com oldalra, ahol megtalálja a részletes EGO garanciális feltételeket.

HU

CITIȚI TOATE INSTRUCȚIUNILE!

Utilizarea în scopul destinat: Produsul este destinat pentru tunderea ierbii numai în grădini din gospodărie. Acesta nu trebuie utilizat pentru tunderea ierbii neobișnuit de înaltă, uscată sau udă, de ex. pășuni, sau pentru tocarea frunzelor.

⚠️ AVERTIZARE: Asigurați-vă că ați citit și înțelegiți toate instrucțiunile privind siguranța din acest Manual de utilizare, inclusiv toate simbolurile de alertă privind siguranța precum „PERICOL”, „AVERTIZARE” și „ATENȚIE” înainte de a utiliza această sculă. Nerespectarea tuturor instrucțiunilor enumerate mai jos poate duce la electrocutare, incendiu și/sau vătămări corporale grave.

⚠️ AVERTIZARE: Exploatarea oricăror scule electrice se poate solda cu ricoșarea de obiecte străine în ochii dumneavoastră, ceea ce se poate solda cu vătămarea gravă a ochilor. Înainte de a începe să utilizați scula electrică, echipați-vă întotdeauna cu ochelari de protecție sau ochelari de protecție cu apărători laterale sau vizieră pentru față, atunci când este nevoie. Vă recomandăm să purtați o vizieră lată de protecție peste ochelarii de vedere sau ochelari de protecție standard cu apărători laterale.

SIMBOLURI DE SIGURANȚĂ



Alertă privind siguranța



Pentru a reduce riscul de vătămare, utilizatorul trebuie să citească și să înțeleagă manualul de instrucțiuni înainte de a utiliza acest produs.



Asigurați-vă că terți și animalele de companie se află o distanță de cel puțin 30 m de produs când acesta este în funcțiune.



Țineți picioarele și mâinile la distanță

RO



Lamele continuă să se rotească după oprirea motorului. Îndepărtați dispozitivul de dezactivare înainte de a efectua operațiuni de întreținere. Opiți și îndepărtați setul de acumulatori (sau dispozitivul de dezactivare) înainte de a regla sau curăța.



Nivel de putere acustică garantat.



Acest produs este în conformitate cu directivele europene aplicabile.



Acest produs este în conformitate cu legislația aplicabilă din Marea Britanie.



Deșeurile produselor electrice nu trebuie să fie eliminate împreună cu deșeurile menajere. Predați-le unui punct de reciclare autorizat.

IPX4

Protecție împotriva pătrunderii apei de grad 4

V Volt

mm Milimetru

cm Centimetru

⚡ Tip sau o caracteristică de curent

kg Kilogram

SPECIFICATIONS

Tensiune	56 V	
Turație de mers în gol	2700 RPM	
Înălțime de tăiere	25mm/ 32mm/ 40mm/ 51mm/ 64mm/ 77mm/ 90mm	
Poziții înălțime de tăiere	7	
Lățime de tăiere	52 cm	
Volum colector de iarbă	70L	
Greutatea mașinii de tuns iarbă (Fără setul de acumulatori și sacul colector de iarbă)	25,1 kg	
Model lamă	AB2102D-E	
Temperatură de funcționare	0°C-40°C	
Temperatură de stocare	-20°C-70°C	
Frână lamă	DA	
Nivel de putere sonoră măsurată L_{WA}	89,8 dB(A) K=3,35 dB(A)	
Nivel de presiune acustică la urechea operatorului L_{TPA}	80,3 dB(A) K=3 dB(A)	
Nivel de putere sonoră garantat L_{WA} (măsurat în conformitate cu 2000/14/CE)	93 dB(A)	
Valoarea vibrațiilor a_{h1} :	Mâner stânga	0,61 m/s ² K=1,5 m/s ²
	Mâner dreapta	0,54 m/s ² K=1,5 m/s ²

LISTA COMPONENTELOR (FIG. A1)

DESCRIERE

DESCRIEREA MAȘINII DE TUNS IARBĂ (Fig. A1)

- Comutator de autopropulsare
- Buton de viteză pentru autopropulsare
- Buton de siguranță
- Buton întrerupător pentru faruri cu LED
- Clemă de blocare a mânerului
- Sac colector de iarbă
- Manetă de reglare rapidă
- Manetă de reglare a înălțimii de tăiere
- Roată posterioară
- Roată frontală
- Carcasă mașină de tuns iarbă
- Mâner frontal

- Faruri cu LED
- Capac pentru acumulatori
- Mâner posterior
- Ușă de evacuare posterioară
- Șină laterală
- Indicator al stării mașinii de tuns iarbă
- Manetă de comutare
- Mâner
- Support pentru depozitare verticală
- Scut tractat
- Buton de detașare a acumulatorului
- Cheie de siguranță

FUNȚIONARE

ASAMBLAREA COLECTORULUI DE IARBĂ

- Glisați colectorul de iarbă pe cadru (Fig. B).
- Asamblați clemele superioare de cadru (Fig. C), după care asamblați cele două clemă laterale. La sfârșit, prindeți clemă inferioară.
- Colectorul de iarbă asamblat în întregime este ilustrat în Fig. D.

OBSERVAȚIE: În condiții normale de utilizare, materialul colectorului este supus la uzură. Pentru a reduce riscul de accidentare, verificați frecvent ansamblul sacului colector și înlocuiți dacă prezintă semne de uzură sau de deteriorare. Utilizați numai colectoare de iarbă fabricate pentru această mașină de tuns iarbă.

REGLAREA MÂNERULUI PLIANT

⚠️ AVERTISMENT: Nu încercați să porniți mașina de tuns iarbă dacă mânerul nu este blocat într-una dintre pozițiile de funcționare presetate (POZIȚIA SUPERIOARĂ DE FUNCȚIONARE, POZIȚIA MJLOCIE DE FUNCȚIONARE și POZIȚIA INFERIOARĂ DE FUNCȚIONARE).

Mașina dumneavoastră de tuns iarbă este livrată cu mânerul compact, POZIȚIA BLOCATĂ DE DEPOZITARE (Fig. E).

- Apăsăți și mențineți apăsată maneta de reglare rapidă pentru eliberarea mânerului din POZIȚIA BLOCATĂ DE DEPOZITARE.
- Ridicați mânerul din poziția sa pliată, după care eliberați maneta. Pivotați cu delicatețe mânerul în sus, până auziți și simțiți știftul de blocare anclanșat într-una dintre diferitele poziții precum în indicațiile din Fig. F.

F-1	Poziție de montare/îndepărtare a colectorului de iarbă	F-2	Poziție blocată de depozitare
F-3	Poziție superioară de funcționare	F-4	Poziție mijlocie de funcționare
F-5	Poziție inferioară de funcționare		

ASAMBLAREA COLECTORULUI DE IARBĂ

⚠️ AVERTISMENT: Nu efectuați niciodată vreun reglaj asupra mașinii de tuns iarbă fără să opriți mai întâi motorul, să scoateți cheia de siguranță și să așteptați ca lama să se oprească din rotație.

OBSERVAȚIE: Îndepărtați priza de tocere sau jghebul de descărcare laterală înainte de a prinde colectorul de iarbă de mașina de tuns.

■ Atașarea/Detașarea sacului colector de iarbă (Fig. G)

Introduceți marginea sacului de iarbă în mașina de tuns iarbă și agățați sacul de iarbă de mașina de tuns iarbă.

OBSERVAȚIE: Îndepărtați priza de tocere preinstalată înainte de a prinde colectorul de iarbă de mașina de tuns.

■ Atașarea/Detașarea prizei de tocere resturi vegetale (comercializată separat) (Fig. H)

REGLAREA ÎNĂLȚIMII DE TĂIERE (Fig. I)

I-1	Reglarea înălțimii de tăiere cu ajutorul arcului	I-2	Plăcuță indicatoare a înălțimii de tăiere
-----	--	-----	---

⚠️ AVERTISMENT: Păstrați-vă picioarele la distanță de carcasă când reglați înălțimea mașinii. Mașina poate fi setată pe 8 înălțimi de tăiere, între 25 mm și 105 mm. Alegeți înălțimea de tăiere corectă, în conformitate cu tipurile și starea ierbii.

ATAȘAREA/DETAȘAREA SETULUI DE ACUMULATORI (Fig. J)

Utilizați numai seturile de acumulatori și încărcătorii din fig. A2.

ÎNCĂRCAȚI ACUMULATORUL ÎNAINTE DE PRIMA UTILIZARE.

⚠️ AVERTISMENT: În cazul părților lipsă sau defecte, nu încercați să instalați setul de acumulatori pe mașina de tuns sau să puneți mașina în funcțiune dacă părțile lipsă sau defecte nu sunt înlocuite. Nerespectarea acestei indicații poate duce la accidente grave.

■ Pentru atașare

Împingeți setul de acumulatori în compartimentul de acumulatori până la auzul unui „clic”.

■ Pentru detașare

Apăsăți pe butonul de detașare a setului de acumulatori din compartimentul acestuia.

OBSERVAȚIE: Înainte de a începe utilizarea, asigurați-vă că opritorul de pe acumulator intră în locaș cu un zgomot sec, iar acumulatorul este fixat în mașina de tuns.

PORNIREA/OPRIREA MAȘINII DE TUNS IARBA (Fig. K, L și M)

⚠️ AVERTISMENT: Operarea oricăror scule electrice poate avea ca rezultat proiectarea înspere ochii dumneavoastră sau a altor persoane a unor obiecte străine, ceea ce poate duce la vătămări grave ale ochilor. Purtați întotdeauna ochelari de protecție în timpul funcționării sau la efectuarea unei ajustări sau reparații.

⚠️ AVERTISMENT: Lama continuă să se rotească câteva secunde după oprirea mașinii de tuns. Lăsați motorul/lama să se oprească din rotație înainte de repornire. Nu porniți și opriți rapid mașina de tuns.

CHEIA DE SIGURANȚĂ (Fig. N)

Pentru a se preveni pornirea accidentală sau utilizarea nepermisă a mașinii dumneavoastră de tuns iarbă cu acumulator, o cheie de siguranță detașabilă a fost încorporată în proiectarea mașinii. Mașina va fi complet dezactivată când cheia de siguranță a fost scoasă din mașina de tuns.

PERICOL: Lamele rotative pot cauza răni grave. Pentru prevenirea rănilor grave, scoateți cheia de siguranță din mașină când aceasta este lăsată nesupravegheată sau când reglați, curățați, depanați, transportați, ridicați sau depozitați mașina.

OBSERVAȚIE: Motorul nu poate fi pornit decât dacă:

- Mânerul este blocat într-una din cele trei poziții de funcționare, consultați AJUSTAREA MÂNERULUI PLIANT.
- Șinele laterale sunt extinse complet.
- Ambele cleme verzi de blocare a mânerului sunt bine închise.

ATENȚIE: Nu încercați să anulați funcționarea butonului de siguranță și a manetei întrerupătoare.

Pornirea (Fig. K și L)

- 1) Introduceți setul de acumulatori în mașina de tuns iarbă, introduceți cheia de siguranță în fanta acesteia și închideți capacul acumulatorului.
- 2) Apăsăți în jos butonul de siguranță.
- 3) Cu butonul de siguranță apăsat, trageți maneta întrerupătoare în sus, spre mâner și eliberați butonul de siguranță.

Oprirea (Fig. M)

- 1) Eliberați complet maneta întrerupătoare.
- 2) Frâna electrică a mecanismului automat de frânare va opri rotirea lamei în 3 secunde de la eliberarea manetei întrerupătoare.

FARURI CU LED (Fig. A-13)

Apăsăți butonul întrerupător (Fig. A-4) pentru a porni/opri farurile cu LED situate în fața compartimentului acumulatorului.

SISTEMUL CU AUTOPROPULSARE ȘI VITEZĂ VARIABILĂ

Mașina de tuns iarba LM2130E-SP este echipată cu autopropulsare și viteză variabilă. Sistemul este independent de întrerupătorul on/off (pornit/oprit) al lamei; nu depinde de rotirea lamei.

De exemplu, atunci când ați terminat tăierea gazonului, puteți utiliza autopropulsorul pentru a propulsa mașina de tuns iarbă înapoi la locația dvs. de depozitare fără rotirea lamei. Sau puteți alege să folosiți mașina de tuns iarbă ca mașină neautopropulsată pentru a maximiza timpul de funcționare al acumulatorului.

Pentru a acționa sistemul de autopropulsare fără rotirea lamei, porniți butonul de control al vitezei de autopropulsare, apăsați declanșatorul (autopropulsorul). Există două declanșatoare pentru autopropulsare. Apăsăți pe oricare declanșator pentru a porni funcția de autopropulsare (Fig. O).

O-1	Buton de viteză pentru autopropulsare	O-2	Declanșator pentru autopropulsare
-----	---------------------------------------	-----	-----------------------------------

Pentru a opri autopropulsarea, eliberați comutatorul de autopropulsare și rotiți butonul de viteză pentru autopropulsare pentru oprire.

INDICATORUL DE STARE DE PE MAȘINA DE TUNS IARBĂ (Fig. P)

Mașina de tuns iarbă este echipată cu un indicator de alimentare pentru a indica nivelul de încărcare al setului de acumulatori și starea de lucru a mașinii de tuns. Indicatorul de alimentare se va aprinde când lama se rotește sau când farurile cu LED sunt aprinse.

P-1	Indicator al stării mașinii de tuns iarbă	P-2	Buton întrerupător pentru faruri cu LED
-----	---	-----	---

Indicator al stării mașinii de tuns iarbă	Semnificație	Acțiune
Verde continuu	Mașina de tuns iarba funcționează corect; acumulatorul are un nivel de încărcare de minim 15%.	Nu este necesară niciuna.

Verde inter-mitent	Șinele laterale nu sunt extinse la maxim.	Opriti mașina de tuns iarbă și asigurați-vă că șinele laterale sunt complet extinse.
	Mănerul nu este blocat într-o poziție de funcționare.	Opriti mașina de tuns iarbă și asigurați-vă că mânerul este blocat într-o poziție de funcționare.
Roșu inter-mitent	Acumulator descărcat.	Opriti mașina de tuns iarba și încărcați setul de acumulatori.
Portocaliu continuu	Mașina de tuns iarbă se oprește din cauza supraîncălzirii.	Scoateți setul de acumulatori din mașină, deplasați-l la umbră și lăsați să se răcească minim 15 minute.
Porto-caliu inter-mitent	Mașina de tuns iarbă este supra-încărcată.	Mai întâi scoateți setul de acumulatori, apoi verificați și curățați dacă s-a adunat iarbă sub platformă. Încetiniți ritmul când tăiați iarba. Dacă acest lucru nu funcționează, vă rugăm să contactați centrul de servicii pentru clienți EGO.
Inter-mitent alter-nativ roșu/verde	Eroare	Contactați centrul de servicii pentru clienți EGO.
Stins și LED aprins inter-mitent	Acumulatorul este supraîncălzit. (Consultați secțiunea „PRO-TECȚIA ÎMPOTRIVA SUPR-ÎNCĂLZIRII ACUMULATORULUI” din acest manual)	Eliberați comutatorul, așteptați până când setul de acumulatori se răcește până la aproximativ 67°C, după care reporniți mașina de tuns iarba.

PROTECȚIE LA SUPRASARCINĂ A MAȘINII DE TUNS IARBA

Pentru prevenirea suprasolicitării, nu încercați să tundeți prea multă iarbă odată. Încetiniți ritmul de tăiere sau măriti înălțimea de tăiere.

RO

Mașina dumneavoastră de tuns iarba este echipată cu un circuit de protecție la suprasarcină. Când mașina este suprasolicitată, motorul se va opri și indicatorul de stare de pe mașină va lumina portocaliu intermitent. Detașați setul de acumulatori de pe mașina de tuns iarbă. Verificați dacă sub caroserie s-a acumulat iarbă și îndepărtați-o dacă este nevoie, după care instalați acumulatorul și restartați mașina de tuns.

PROTECȚIA ÎMPOTRIVA SUPRĂÎNCĂLZIRII ACUMULATORULUI

Setul de acumulatori va genera căldură în timpul funcționării. Căldura se disipează mai lent pe timp de vreme caldă. Dacă temperatura acumulatorului depășește 70°C în timpul utilizării, circuitul de protecție va opri automat mașina de tuns pentru a proteja setul de acumulatori de deteriorare de la căldură. Indicatorul de stare al mașinii se va stinge, consultați secțiunea „PROTECȚIA ACUMULATORULUI” din manualul de utilizare a acumulatorului pentru detalii.

Eliberați comutatorul, așteptați până când setul de acumulatori se răcește până la aproximativ 67°C, după care reporniți mașina de tuns iarba.

ÎNTREȚINERE

AVERTISMENT: Pentru a evita vătămările grave, întotdeauna scoateți cheia de siguranță din mașină înainte de a o curăța, de a efectua orice operațiune de întreținere sau de a transporta mașina.

AVERTISMENT: La depanare, utilizați numai piese de schimb identice. Utilizarea oricăror altor piese poate crea un pericol sau poate produce o deteriorare. Pentru siguranța și fiabilitatea produsului, toate reparațiile și înlocuirile de piese ar trebui efectuate de către un tehnician de service autorizat.

ÎNTREȚINERE GENERALĂ

AVERTISMENT: Întotdeauna scoateți cheia de siguranță și setul de acumulatori când efectuați operații de întreținere sau transportați mașina de tuns iarbă.

Dedesubtul carcasei mașinii de tuns iarbă trebuie curățat după fiecare utilizare, pentru a preveni acumularea de iarbă tăiată, frunze, murdărie sau alte resturi.

Îndepărtați orice depuneri de iarbă de pe sau din jurul capacului motorului (nu utilizați apă). Curățați mașina de tuns ștergând-o cu o cârpă ușor umezită.

ÎNDEPĂRTAREA/INSTALAREA LAMEI

AVERTISMENT: Protejați-vă întotdeauna mâinile purtând mănuși rezistente sau înfășurând marginile tăioase cu cârpe sau alte materiale când efectuați orice operație de întreținere asupra lamei de tăiere. Scoateți întotdeauna setul de acumulatori când efectuați operații de întreținere sau transportați mașina de tuns iarbă.

■ **Îndepărtarea lamei conform Fig. Q.**

■ **Instalarea lamei**

Urmând ordinea de asamblare din Fig. R, cu lama înspre carcasă și fața imprimată a lamei înspre exterior, aliniați găurile de pe ventilator cu găurile din lamă (Fig. S), după care strângeți lama ca în instrucțiunile din Fig. T.

DEPOZITAREA MAȘINII DE TUNS IARBĂ

■ **Îndepărtați setul de acumulatori din mașina de tuns iarba și depozitați-l într-un loc răcoros, uscat și curat. Nu depozitați mașina în apropierea materialelor corozive precum fertilizanți sau sare gemă.**

■ **Depozitați mașina de tuns într-un spațiu închis acoperit, răcoros, uscat și inaccesibil copiilor.**

■ **Nu acoperiți mașina de tuns cu o folie de plastic solidă. Foliile acoperitoare de plastic acumulează umezeală în jurul mașinii de tuns iarba, ceea ce poate provoca rugină și coroziune.**

■ **Mașina de tuns poate fi depozitată într-o poziție verticală sau orizontală. (Fig. U și V).**

AVERTISMENT: Dacă mașina de tuns se răstoarnă din poziția verticală, poate cauza avarierea mașinii sau rănirea persoanelor. Păstrați întotdeauna mașina de tuns stabilă și inaccesibilă copiilor când este depozitată în poziție verticală. Dacă este posibil, depozitați-o orizontal.

Protejarea mediului înconjurător



Nu eliminați aparatele electrocasnice ca deșeu municipal nesortat, utilizați centrele de colectare separată.

Contactați autoritățile locale pentru informații privind sistemele disponibile de colectare.

Dacă aparatele electrocasnice sunt eliminate la groapa de gunoi sau la haldă, se pot scurge substanțe periculoase în pânza freatică și acestea pot intra în lanțul trofic, afectându-vă sănătatea și bunăstarea.

DEPANARE

⚠️ AVERTISMENT: Scoateți întotdeauna cheia de siguranță și setul de acumulatori când efectuați operații de întreținere sau transportați mașina de tuns iarbă. Protejați-vă întotdeauna mâinile purtând mănuși rezistente sau înfășurând marginile tăioase cu cârpe sau alte materiale când efectuați orice operație de întreținere asupra lamei de tăiere.

PROBLEMĂ	CAUZĂ	SOLUȚIE
Mașina de tuns iarbă nu pomește	<ul style="list-style-type: none"> ■ Setul de acumulatori este descărcat. ■ Setul de acumulatori nu este montat în compartimentul de acumulatori. ■ Setul de acumulatori sau mașina sunt prea fierbinți. (Indicatorul de alimentare de pe mașină se va aprinde portocaliu timp de 10 secunde) ■ Șinele laterale nu sunt extinse la lungimea lor maximă și clemele nu sunt blocate în poziție. ■ Mânerul nu este setat într-una dintre cele trei poziții de funcționare. ■ Mașina de tuns iarbă este înfundată cu iarbă și resturi. 	<ul style="list-style-type: none"> ■ Încărcați setul de acumulatori. ■ Împingeți setul de acumulatori în compartimentul de acumulatori până la auzul unui „clic”. ■ Lăsați setul de acumulatori sau mașina de tuns iarbă să se răcească până când temperatura scade sub 67°C. ■ Extindeți la maxim mânerul și blocați ambele cleme. ■ Ajustați mânerul într-una dintre cele trei poziții de funcționare. ■ Curățați carcasa mașinii de tuns iarbă și asigurați-vă că lama nu este obstrucționată.
Mașina de tuns iarbă nu tunde uniform	<ul style="list-style-type: none"> ■ Lama este tocită. ■ Înălțimea de tăiere nu este setată corect. ■ Lama este asamblată greșit. 	<ul style="list-style-type: none"> ■ Ascuțiți sau înlocuiți lama. ■ Ridicați carcasa mașinii la o înălțime mai mare de tăiere. ■ Reasamblați lama, urmând instrucțiunile din capitolul “INSTALAREA LAMEI” din acest manual.
Mașina de tuns iarbă se oprește în timpul tunsului ierbii	<ul style="list-style-type: none"> ■ Setul de acumulatori este descărcat. ■ Mașina de tuns iarbă este suprasolicitată. ■ Carcasa mașinii este înfundată cu iarbă și resturi. ■ Setul de acumulatori sau mașina sunt prea fierbinți. (Indicatorul de alimentare de pe mașină se va aprinde portocaliu timp de 10 secunde.) ■ Șina laterală este retractată un pic datorită forței de împingere aplicată pe mâner. 	<ul style="list-style-type: none"> ■ Încărcați setul de acumulatori. ■ Ridicați înălțimea de tăiere sau încetiniți tunsul ierbii. ■ Desfundați carcasa mașinii de tuns iarbă. Ridicați înălțimea de tăiere sau tăiați un culoar mai îngust. ■ Lăsați setul de acumulatori sau mașina de tuns iarbă să se răcească până când temperatura scade sub 67°C. ■ Deblocați clemele. Extindeți la maxim șinele laterale și blocați din nou clemele.

RO

PROBLEMĂ	CAUZĂ	SOLUȚIE
Mașina de tuns iarbă nu toacă resturile corect	<ul style="list-style-type: none"> ■ Resturile de iarbă tăiată udă se lipesc de dedesubtul carcasei. ■ Mașina de tuns iarbă este setată să taie prea multă iarbă odată. 	<ul style="list-style-type: none"> ■ Așteptați să se usuce iarba înainte de a tunde. ■ Ridicați carcasa mașinii la o înălțime mai mare de tăiere.
Există vibrații excesive	<ul style="list-style-type: none"> ■ Lama de tăiere este slăbită. ■ Lama de tăiere este dezechilibrată. ■ Lama de tăiere este îndoită. ■ Axul motorului este îndoit. ■ Mașina de tuns iarbă este înfundată cu iarbă și resturi. 	<ul style="list-style-type: none"> ■ Strângeți bolțul lamei. ■ Echilibrați lama în conformitate cu instrucțiunile. ■ Înlocuiți lama. ■ Contactați un centru de service. ■ Curățați carcasa mașinii de tuns iarbă și asigurați-vă că lama nu este obstrucționată.
Clemele de blocare ale mânerului nu pot fi închise în poziție	<ul style="list-style-type: none"> ■ Șinele laterale nu sunt extinse la maxim. 	<ul style="list-style-type: none"> ■ Extindeți la maxim șinele laterale, după care blocați clemele.

GARANȚIE

POLITICA PRIVIND GARANȚIA EGO

RO

Vă rugăm să consultați site-ul egopowerplus.com pentru termenii și condițiile complete ale politicii privind garanția EGO.

PREBERITE VSA NAVODILA!

Predvidena uporaba: Izdelek je namenjen košenju trave le v domačih vrtovih. Izdelka ne smete uporabljati za košnjo neobičajno visoke, suhe ali mokre trave, npr. trave na pašnikih ali listja.

⚠ OPOZORILO: poskrbite, da pred uporabo tega orodja preberete in razumete vsa varnostna navodila v tem priročniku za uporabo, vključno z vsemi simboli za varnostna opozorila, kot so »NEVARNOST«, »OPOZORILO«, in »SVARILLO«. Zaradi neupoštevanja spodaj navedenih navodil lahko pride do električnega udara, požara in/ali resnih telesnih poškodb.

⚠ OPOZORILO: delovanje katerega koli električnega orodja lahko povzroči izmet tujkov v vaše oči, kar lahko povzroči resne poškodbe očesa. Pred začetkom dela z električnim orodjem vedno nosite zaščitna ali varnostna očala s stranskimi zaščitami ali po potrebi ščitnik za obraz. Priporočamo vam uporabo varnostne maske Wide Vision Safety Mask za uporabo prek očal ali standardnih varnostnih očal s stransko zaščito.

VARNOSTNI SIMBOLI



Varnostno opozorilo



Za zmanjšanje nevarnosti telesnih poškodb je pomembno, da uporabnik pred uporabo tega izdelka prebere priročnik za uporabo in se z njim seznani.



Poskrbite, da bodo drugi ljudje in hišni ljubljenci vsaj 30 m stran od kosilnice, ko je ta v uporabi.



Ne približujte stopal in rok



Potem, ko je motor že ugasnjen, se rezila še naprej vrtijo. Pred vzdrževanjem odstranite napravo za ustavljanje. Izklopite in odstranite baterijski sklop (napravo za ustavljanje) pred prilagajanjem ali čiščenjem.



Zajamčena raven zvočne moči.



Ta izdelek je skladen z veljavnimi direktivami ES.



Ta izdelek je v skladu z veljavno zakonodajo Združenega kraljestva.

SL



Odpadnih električnih izdelkov ne odlagajte med gospodinjne odpadke. Odnosite jih v pooblaščen obrat za recikliranje.

IPX4

4. stopnja zaščite pred vdorom vode

V Volt

mm Milimeter

cm Centimeter

≡ Vrsta ali značilnost toka

kg Kilogram

TEHNIČNI PODATKI

Napetost	56 V	
Št. vrtljajev brez obremenitve	2700 vrt./min.	
Višina košnje	25mm/ 32mm/ 40mm/ 51mm/ 64mm/ 77mm/ 90mm	
Položaji višine košnje	7	
Širina košnje	52 cm	
Prostornina vreče za travo	70L	
Teža kosilnice (brez baterijskega sklopa in vreče za travo)	25,1 kg	
Model rezila	AB2102D-E	
Obratovalna temperatura	0°C-40°C	
Temperatura za shranjevanje	-20°C-70°C	
Zavora rezila	DA	
Izmerjena raven zvočne moči L_{WA}	89,8 dB(A) K=3,35 dB(A)	
Raven zvočnega tlaka v ušesu upravljalca L_{PA}	80,3 dB(A) K=3 dB(A)	
Zajamčena raven zvočnega tlaka L_{WA} (izmerjena v skladu z Direktivo 2000/14/ES)	93 dB(A)	
Vrednotenje oddajanja vibracij $a_{h,v}$:	Levi ročaj	0,61 m/s ² K=1,5 m/s ²
	Desni ročaj	0,54 m/s ² K=1,5 m/s ²

SL

VSEBINA PAKETA (SL. A1)

OPIS

SPOZNAJTE KOSILNICO (sl. A1)

1. Stikalo samohodnega sistema
2. Vrtljivi gumb za regulacijo hitrosti samohodnega sistema
3. Varnostni gumb
4. Gumb za stikalo žarometov LED
5. Sponka za zaklepanje ročaja
6. Vreča za travo
7. Vzvod za hitro prilagajanje
8. Vzvod za prilagajanje višine košnje
9. Zadnje kolo
10. Sprednje kolo
11. Pokrov kosilnice

12. Sprednji ročaj
13. Žarometi LED
14. Pokrov prostora za baterije
15. Zadnji ročaj
16. Zadnja vrata za izmet
17. Stranski ročaj
18. Indikator stanja kosilnice
19. Vzvod stikala
20. Ročaj
21. Podpora za shranjevanje v pokončnem položaju
22. Zadnji ščitnik
23. Gumb za sprostitve baterije
24. Varnostni ključ

UPRAVLJANJE

SESTAVLJANJE VREČE ZA TRAVO

- 1) Vrečo za travo potisnite na okvir (sl. B).
- 2) Zgornje sponke namestite na okvir (sl. C), nato namestite dve stranski sponki. Nazadnje namestite spodnje sponke.
- 3) Na sl.D je prikazana popolnoma nameščena vreča za travo.

OPOMBA: Pri običajni uporabi se material vreče obrablja. Da zmanjšate tveganje za poškodbe, redno preverjajte sklop vreče in jo zamenjajte, če se pojavijo znaki obrabe. Uporabljajte samo vreče za travo, izdelane za to kosilnico.

PRILAGAJANJE ZLOŽLJIVEGA ROČAJA

⚠ OPOZORILO: Ne poskušajte upravljati kosilnice, dokler ročaj ni zaklenjen v enega izmed treh vnaprej nastavljenih položajev (ZGORNJI DELOVNI POLOŽAJ, SREDNJI DELOVNI POLOŽAJ in SPODNJI DELOVNI POLOŽAJ).

Vaša kosilnica je dobavljena z ročajem v kompaktnem ZAKLENJENEM POLOŽAJU ZA SHRANJEVANJE (slika E).

- 1) Pritisnite in držite vzvod za hitro prilagajanje, da sprostitve ročaj iz ZAKLENJENEGA POLOŽAJA ZA SHRANJEVANJE.
- 2) Ročaj dvignite iz zloženega položaja, nato sprostitve vzvod. Nežno zavrtite ročaj navzgor, da zaslišite in začitite aktivacijo zaklepne sponke na enem izmed različnih položajev, kot je prikazano na sl. F.

F-1	Položaj za namestitev/ odstranitev vreče za travo	F-2	Zaklenjen položaj za shranjevanje
F-3	Zgornji delovni položaj	F-4	Srednji delovni položaj
F-5	Spodnji delovni položaj		

NAMEŠČANJE VREČE ZA TRAVO

⚠ OPOZORILO: Nikoli ne izvajajte prilagoditev na kosilnici, ne da bi najprej ustavili motor, odstranili varnostni ključ in počakali, da se rezilo preneha vrteti.

OPOMBA: Odstranite vložek za mulčenje ali stranski deflektor za izmet, preden na kosilnico namestite vrečo za travo.

■ Namestitev/odstranitev vreče za travo (sl. G)

Ploščo vreče za travo vstavite v kosilnico in vrečo za travo obesite na kosilnico.

OPOMBA: Pred namestitvijo vreče za travo na kosilnico odstranite predhodno nameščen vložek za mulčenje.

■ Namestitev/odstranitev vložka za mulčenje (kupite ga ločeno) (sl. H)

PRILAGAJANJE VIŠINE KOŠNJE (sl. I)

I-1	Vzmetno prilagajanje višine košnje	I-2	Indikatorska plošča za višino košnje
-----	------------------------------------	-----	--------------------------------------

⚠ OPOZORILO: Pri prilagajanju višine imejte stopala stran od pokrova. Kosilnico lahko nastavite na 8 različnih višin med 25 mm in 105 mm. Izberite primerno višino košnje glede na vrsto in stanje trave.

NAMEŠČANJE/ODSTRANJEVANJE BATERIJSKEGA SKLOPA (sl. J)

Napravo uporabljajte le z baterijskimi sklopi in polnilniki, navedenimi na sl. A2

POLNJENJE PRED PRVO UPORABO

⚠ OPOZORILO: Če je kateri izmed delov zlomljen ali manjka, baterijskega sklopa ne poskušajte namestiti v kosilnico ali upravljati kosilnice, dokler zlomljenega ali manjkajočega dela ne nadomestite. Neupoštevanje tega nasveta lahko povzroči hude poškodbe.

■ Napotki za priključitev

Baterijski sklop potisnite v prostor za baterijski akumulator, dokler ne zaslišite, da se zaskoči.

■ Napotki za odklop

V prostoru za baterije pritisnite gumb za sprostitev baterije.

OPOMBA: Pred uporabo se prepričajte, da se zaklep na kosilnici zaskoči na mesto in da je baterijski sklop pritrjen na kosilnico.

ZAGON/ZAUSTAVITEV KOSILNICE (sl. K, L in M)

⚠ OPOZORILO: Delovanje katere koli kosilnice lahko povzroči metanje tujkov v vaše oči, kar lahko povzroči resne poškodbe oči. Pri upravljanju kosilnice, izvajanju nastavitvev ali popravil vedno nosite zaščitna očala.

⚠ OPOZORILO: Po izključitvi kosilnice se bo rezilo še nekaj sekund vrtelo. Pred ponovnim zagonom pustite, da se motor/rezilo ustavi. Kosilnice ne vključujte in izključujte hitro.

REŽA ZA VARNOSTNI KLJUČ (sl. N)

Da preprečite nenameren zagon ali nepooblaščen uporabo brezžične kosilnice, je bil v kosilnico vgrajen odstranljiv varnostni ključ. Ko boste varnostni ključ odstranili iz kosilnice, bo kosilnica popolnoma onemogočena.

NEVARNOST: Vrteča se rezila lahko povzročijo resne poškodbe. Da preprečite resne poškodbe, odstranite varnostni ključ, ko kosilnica ni pod nadzorom, pri izvajanju prilagajanj, čiščenju, servisiranju, transportu, dvigovanju ali shranjevanju kosilnice.

OPOMBA: Motorja ni mogoče zagnati, razen v naslednjih primerih:

- Ročaj je zaklenjen v enem izmed treh delovnih položajev, oglejte si razdelek NASTAVLJANJE ZLOŽLJIVEGA ROČAJA.
- Stranski ročaji so popolnoma iztegnjeni
- Obe sponki za zaklep zelenega ročaja sta varno zaprti.

POZOR: Ne poskušajte zaobiti delovanja varnostnega gumba in varnostnega stikala.

Zagon (sl. K in L)

- 1) Baterijski sklop namestite v kosilnico, v režo za ključ vstavite varnostni ključ in zaprite pokrov baterije.
- 2) Sprostite varnostni gumb.
- 3) Ko je varnostni gumb pritisnjen, potegnite vzvod varnostnega stikala navzgor k ročaju ter sprostite varnostni gumb.

Zaustavitev (sl. M)

- 1) Popolnoma sprostite vzvod varnostnega stikala.
- 2) Električna zavora v avtomatskem zavornem mehanizmu bo rezilo ustavila v 3 sekundah po sprostitvi vzvoda varnostnega stikala.

ŽAROMETI LED (sl. A-13)

Pritisnite gumb stikala (sl. A-4) za vklop/izklop žarometov LED v sprednjem delu prostora za baterijo.

SAMOHODNI SISTEM S SPREMENLJIVO HITROSTJO

Kosilnica LM2130E-SP je opremljena s samohodno zmogljnostjo s spremenljivo hitrostjo. Ta sistem je neodvisen od stikala za vklop/izklop rezila in ni odvisen od vrtenja rezila.

SL

Ko denimo pokosite travo, uporabite samohodni sistem, da kosilnico pomaknete nazaj do mesta shranjevanja brez vrtenja rezila. Lahko pa kosilnico uporabljate brez samohodnega sistema in tako povečata čas pripravljenosti baterije.

Če želite upravljati samohodni sistem brez vrtenja rezila, vklopite gumb za regulacijo hitrosti samohodnega sistema in pritisnite sprožilnik samohodnega sistema. Na voljo sta dva sprožilnika samohodnega sistema. Pritisnite enega od sprožilnikov, da zaženete funkcijo samohodnega sistema (sl. O).

O-1	Vrtljivi gumb za regulacijo hitrosti samohodnega sistema	O-2	Sprožilnik samohodnega sistema
-----	--	-----	--------------------------------

Če želite izklopiti samohodni sistem, sprostite sprožilnik samohodnega sistema in izklopite gumb za regulacijo hitrosti samohodnega sistema.

INDIKATOR STANJA KOSILNICE (sl. P)

Kosilnica je opremljena z indikatorjem napajanja, ki nakazuje stanje napolnjenosti baterijskega sklopa in delovno stanje kosilnice. Indikator napajanja bo svetil, ko se bo rezilo vrtelo ali ko bodo žarometi LED vklopljeni.

P-1	Indikator stanja kosilnice	P-2	Gumb za stikalo žarometov LED
-----	----------------------------	-----	-------------------------------

Indikator stanja kosilnice	Pomen	Dejanje
Sveti zeleno	Kosilnica deluje pravilno, baterija je napolnjena na vsaj 15 %.	Ni zahtevano.
Utripa zeleno	Stranska ročaja nista popolnoma iztegnjena.	Zaustavite kosilnico in se prepričajte, da so stranski ročaji v celoti iztegnjeni.
	Ročaj ni zaklenjen v delovnem položaju.	Zaustavite kosilnico in se prepričajte, da je ročaj zaklenjen v delovnem položaju.
Utripa rdeče	Baterija je skoraj prazna.	Ustavite kosilnico in napolnite baterijski sklop.
Sveti oranžno	Kosilnica se ustavi zaradi pregrevanja.	Iz kosilnice odstranite baterijo, postavite ju v senco in ju vsaj 15 minut ohlajajte.

Utripa oranžno	Kosilnica je preobremenjena.	Najprej odstranite baterijski sklop, nato pregledajte, ali se je pod pokrovom nabrala trava in jo po potrebi očistite. Pri košnji zmanjšajte hitrost. Če to ne pomaga, se obrnite na servisni center družbe EGO.
Izmenično utripa rdeča/zeleno	Napaka	Obrnite se na servisni center družbe EGO.
Ne sveti in utripa lučka LED na bateriji	Pregrevanje baterije. (glejte razdelek »ZAŠČITA BATERIJE PRED VISOKO TEMPERATURO« tega priročnika)	Sprostite varnostno stikalo in počakajte, da se baterijski sklop ohladi na približno 67 °C, nato kosilnico znova zaženite.

ZAŠČITA PRED PREOBREMITVIJO KOSILNICE

Da preprečite preobremenitev, ne poskušajte pokositi preveč trave naenkrat. Upočasnite tempo košnje ali povečajte višino košnje.

Kosilnica ima vgrajeno zaščitno vezje pred preobremenitvijo. Ko je kosilnica preobremenjena, se bo motor zaustavil, indikator stanja kosilnice pa bo utripal oranžno. Iz kosilnice odstranite baterijski sklop. Preverite, če se je pod pokrovom nabrala trava, ter jo po potrebi očistite. Nato namestite baterijski akumulator in ponovno zaženite kosilnico.

ZAŠČITA BATERIJE PRED VISOKO TEMPERATURO

Baterijski sklop med delovanjem ustvarja toploto. Toplota se v vročem vremenu oddaja počasneje. Če temperatura baterije med delovanjem preseže 70 °C, zaščitno vezje kosilnico samodejno izklopi zaradi zaščite baterijskega sklopa pred poškodbami na podlagi vročine. Indikator stanja kosilnice na kosilnici se izklopi; glejte razdelek »ZAŠČITA BATERIJE« v priročniku za uporabo baterije.

Sprostite varnostno stikalo in počakajte, da se baterijski sklop ohladi na približno 67 °C, nato kosilnico znova zaženite.

VZDRŽEVANJE

⚠ OPOZORILO: Da se izognete resni telesni poškodbi, pred čiščenjem, vzdrževanjem ali transportom kosilnice, vedno odstranite varnostni ključ iz kosilnice.

⚠ OPOZORILO: Za popravila uporabljajte samo identične nadomestne dele. Uporaba drugih delov je tvegana in lahko povzroči škodo na izdelku. Za zagotovitev varnosti in zanesljivosti mora vsa popravila in zamenjave izvesti usposobljen servisni tehnik.

SPLOŠNO VZDRŽEVANJE

⚠ OPOZORILO: Pri servisiranju ali transportu kosilnice vedno odstranite varnostni ključ in baterijski sklop.

Spodnjo stran pokrova kosilnice morate očistiti po vsaki uporabi, saj se tam nabirajo ostanki trave, listje, umazanija in drugi delci.

Odstranite ostanke trave na ter okoli ventilatorja motorja (ne uporabljajte vode). Kosilnico obrišite z vlažno krpo.

ODSTRANJEVANJE/NAMEŠČANJE REZILA

⚠ OPOZORILO: Pri izvajanju vzdrževanja na rezilu kosilnice dlani vedno zaščitite z robustnimi rokavicami ali robove rezila ovijte s krpami ali drugim materialom. Pri servisiranju ali transportu kosilnice vedno odstranite baterijski sklop.

- **Odstranjevanje rezila (sl. Q)**
- **Namestitev rezila**
Sledite postopku nameščanja na sl. R, lopatico ventilatorja obrnite proti pokrovu in potiskano stran rezila proti zunanjemu delu. Skoznje luknje ventilatorja poravnajte z luknjami na rezilu (sl. S), nato rezilo privijte, kot prikazuje sl. T.

SHRANJEVANJE KOSILNICE

- Iz kosilnice odstranite baterijski sklop in kosilnico shranite v hladnem, suhem in čistem prostoru. Ne shranjujte je v bližini korozivnih materialov, kot so gnojila ali kamena sol.
- Kosilnico shranite v pokrit in zaprt prostor, ki je hladen in suh ter izven dosega otrok.
- Kosilnice ne pokrivajte s plastično folijo. Plastična pokrivala ujamejo vlago okoli kosilnice, kar povzroči rjavenje in korozijo.
- Kosilnico lahko shranite v pokončnem ali ležečem položaju (sl. U in V).

⚠ OPOZORILO: Če se kosilnica prevrne iz pokončnega položaja, lahko pride do poškodb kosilnice ali telesnih poškodb. Ko je kosilnica v pokončnem položaju, poskrbite, da bo stabilna in izven dosega otrok. Če je mogoče, jo shranjujte v ležečem položaju.

Varovanje okolja



Električnih naprav ne odlagajte med mešane gospodinjske odpadke, ampak jih oddajte na ustrezno zbirno mesto za odlaganje odpadkov.

Obrnite se na lokalno upravo, če želite informacije o razpoložljivih sistemih za zbiranje.

Če električne naprave odvržete na smetišča, lahko nevarne snovi pronicajo v podtalnico in tako pridejo v prehranjevalno verigo, s čimer ogrozijo vaše zdravje in dobro počutje.

SL

ODPRAVLJANJE TEŽAV

⚠ OPOZORILO: Pri servisiranju ali transportu kosilnice vedno odstranite varnostni ključ in baterijski sklop. Pri izvajanju vzdrževanja na rezilu kosilnice dlani vedno zaščitite z robustnimi rokavicami ali robove rezila ovijte s krpami ali drugim materialom.

TEŽAVA	VZROK	REŠITEV
Kosilnica se ne zažene	<ul style="list-style-type: none"> ■ Baterijski sklop je izpraznjen. ■ Baterijski sklop ni nameščen na mesto v prostoru za baterije. ■ Baterija ali vezje kosilnice je prevroče (indikator napajanja na kosilnici bo 10 sekund svetil oranžno). ■ Stranska ročaja nista iztegnjena do največje dolžine in sponke niso v zaklenjenem položaju. ■ Ročaj ni nastavljen v enega izmed treh položajev za delovanje. ■ Pokrov kosilnice je zamašen s travo in delci. 	<ul style="list-style-type: none"> ■ Napolnite baterijski sklop. ■ Baterijski sklop potiskajte v prostor za baterije, dokler ne zaslišite, da se zaskoči s klikom. ■ Baterijski sklop ali kosilnico ohladite do temperature, ki je nižja od 67°C. ■ Popolnoma iztegnite ročaj in zaklenite obe sponki. ■ Ročaj nastavite v enega izmed treh položajev za delovanje. ■ Očistite pokrov kosilnice in se prepričajte, da ima rezilo prostor za premikanje.
SL Kosilnica ne kosi enakomerno	<ul style="list-style-type: none"> ■ Rezilo je topo. ■ Višina košnje ni pravilno nastavljena. ■ Rezilo ni pravilno nameščeno. 	<ul style="list-style-type: none"> ■ Naostrite ali zamenjajte rezilo. ■ Pokrov dvignite na višjo nastavitev košnje. ■ Ponovno namestite rezilo, pri tem pa sledite navodilom v razdelku »NAMEŠČANJE REZILA« v tem priročniku.
Kosilnica se med košnjo ustavi	<ul style="list-style-type: none"> ■ Baterijski sklop je izpraznjen. ■ Kosilnica je preobremenjena. ■ Pokrov kosilnice je zamašen s travo in delci. ■ Baterija ali vezje kosilnice je prevroče (indikator napajanja na kosilnici bo 10 sekund svetil oranžno). ■ Stranski ročaj je nekoliko znižan zaradi potisne sile na ročaju. 	<ul style="list-style-type: none"> ■ Napolnite baterijski sklop. ■ Zvišajte višino košnje ali upočasnite košnjo. ■ Očistite pokrov kosilnice. Zvišajte višino košnje ali kosite ozko območje. ■ Baterijski sklop ali kosilnico ohladite do temperature, ki je nižja od 67°C. ■ Odklenite sponke. Popolnoma iztegnite stranske ročaje in ponovno zaklenite sponke.

TEŽAVA	VZROK	REŠITEV
Kosilnica ne mulči pravilno	<ul style="list-style-type: none"> ■ Drobcji mokre trave so se nalepili na spodnjo stran pokrova. ■ Kosilnica je nastavljena tako, da kosi preveč trave naenkrat. 	<ul style="list-style-type: none"> ■ Pred košenjem počakajte, da se trava posuši. ■ Pokrov dvignite na višjo nastavitev košnje.
Prihaja do pretiranih vibracij	<ul style="list-style-type: none"> ■ Rezilo je zrahljano. ■ Rezilo ni uravnovešeno. ■ Rezilo je upognjeno. ■ Gred motorja je upognjena. ■ Pokrov kosilnice je zamašen s travo in delci. 	<ul style="list-style-type: none"> ■ Privijte vijak rezila. ■ Uravnovesite rezilo v skladu z navodili. ■ Zamenjajte rezilo. ■ Obrnite se na servisni center. ■ Očistite pokrov kosilnice in se prepričajte, da ima rezilo prostor za premikanje.
Sponk za zaklepanje ročajev ni mogoče zakleniti v položaj	<ul style="list-style-type: none"> ■ Stranska ročaja nista popolnoma iztegnjena. 	<ul style="list-style-type: none"> ■ Popolnoma iztegnite stranske ročaje in zaklenite sponke.

GARANCIJA

GARANCIJSKA POLITIKA DRUŽBE EGO

Za popolne pogoje garancijske politike družbe EGO obiščite spletno mesto egopowerplus.com.

SL

PERSKAITYKITE VISĄ INSTRUKCIJĄ!

Paskirtis: Šis gaminys skirtas tik vejai pjauti namųsoduose. Juo negalima pjauti neįprastai aukštos, sausos arba šlapios žolės, pvz., ganyklos pievos, arba smulkinti lapų.

⚠️ ĮSPĖJIMAS: Prieš pradėdami naudoti šį įrenginį, perskaitykite visus šioje naudojimo instrukcijoje pateiktus saugos nurodymus, taip pat susipažinkite su visais saugos įspėjamaisiais simboliais, tokiais kaip **PAVOJUS**, **ĮSPĖJIMAS** ir **DĖMESIO** ir įsitikinkite, ar juos supratote. Nesilaikant visų toliau išdėstytų nurodymų galima patirti elektros smūgį, sukelti gaisrą ir (ar) sunkiai susižaloti.

⚠️ ĮSPĖJIMAS: bet koks elektrinis įrankis naudojimo metu gali išsviesti šiukšles, kurios gali pataikyti į akis ir sunkiai jas sužaloti. Prieš pradėdami naudoti elektrinį įrankį, visada užsidėkite apsauginius akinius arba apsauginius akinius su šonine apsauga ir, jei reikia, visą veidą dengiantį skydelį. Rekomenduojame naudoti patalpų matymo lauką užtikrinančią apsauginę kaukę, dedamą ant akinių, arba standartinius apsauginius akinius su šonine apsauga.

SAUGOS SIMBOLIAI



Saugos įspėjimas



Kad sumažintų susižalojimo pavojų, prieš naudodamas šį gaminį naudotojas turi perskaityti naudojimo instrukciją ir įsitikinti, kad ją suprato.



Kai dirbate su vežapjove, neprileiskite kitų žmonių ir naminių gyvūnų arčiau nei per 30 m.



Nekišti artyn kojų ir rankų



Išjungus variklį, peiliai toliau sukasi – prieš atlikdami techninės priežiūros darbus išimkite išjungimo įtaisą. Išjunkite įrenginį ir išimkite išimamąjį akumuliatorių (arba išjungimo įtaisą) prieš reguliuodami arba valydami.



Garantuojamas garso galios lygis.

LT



Šis gaminys atitinka taikomas EB direktyvas.



Šis gaminys atitinka jam taikomus JK reglamentus.



Netinkamus naudoti elektros prietaisus draudžiama išmesti kartu su buitinėmis atliekomis. Pristatyti įgiotam perdirbėjui.

IPX4

4 klasės apsauga nuo vandens patekimo.

V Voltai

mm Milimetrai

cm Centimetras

≡ Srovės tipas arba charakteristika

kg Kilogramai

TECHNINIAI DUOMENYS

Įtampa	56 V	
Sūčiai be apkrovos	2700 RPM	
Pjovimo aukštis	25mm/ 32mm/ 40mm/ 51mm/ 64mm/ 77mm/ 90mm	
Pjovimo aukščio padėtyš	7	
Pjovimo plotis	52 cm	
Žolės rinktuvo tūris	70 l	
Vejapjovės svoris (be akumuliatoriaus bloko ir žolės maišo)	25,1 kg	
Peilio modelis	AB2102D-E	
Darbinė temperatūra	0°C-40°C	
Laikymo temperatūra	Nuo -20°C iki 70°C	
Peilio stabdys	TAIP	
Įšmatuotas garso galios lygis L_{WA}	89,8 dB(A) K=3,35 dB(A)	
Garso slėgio lygis ties operatoriaus ausimi L_{PA}	80,3 dB(A) K=3 dB(A)	
Garantuojamas garso galios lygis L_{WA} (išmatuotas pagal 2000/14/EB)	93 dB(A)	
Vibracijos vertė a_{Hv} :	Kairioji rankena	0,61 m/s ² K=1,5 m/s ²
	Dešinioji rankena	0,54 m/s ² K=1,5 m/s ²

PAKUOTĖS TURINIO SĄRAŠAS (A1 PAV.)

APRAŠYMAS

PAŽINKITE SAVO VEJAPJOVĘ (A1 pav.)

- Savaeigės sistemos jungiklis
- Savaeigės sistemos greičio reguliavimo rankenėlė
- Apsauginis mygtukas
- LED darbinį žibintų jungiklis
- Rankenos fiksavimo užraktas
- Žolės rinktuvas
- Greito reguliavimo svirtis
- Pjovimo aukščio reguliavimo svirtis
- Galinis ratas
- Priekinis ratas
- Vejapjovės pjovimo platforma

- Priekinė rankena
- LED darbiniai žibintai
- Baterijų skyriaus dangtelis
- Galinė rankena
- Galinės išmetimo angos dangtis
- Šoninis strypas
- Vejapjovės būsenos indikatorius
- Perjungimo svirtis
- Rankena
- Atrama, leidžianti pastatyti statmenai
- Galinis skydelis
- Baterijos atjungimo mygtukas
- Saugos raktelis

DARBAS

ŽOLĖS RINKTUVO SURINKIMAS

- Užmaukite žolės maišą ant rėmo (B pav.).
- Uždėkite viršutinius spauštukus ant rėmo (C pav.), tada uždėkite du šoninius spauštukus. Galiausiai uždėkite apatinį spauštuką.
- Visiškai surinktas žolės maišas parodytas D pav.

PASTABA. Įprastai naudojant, rinktuvo medžiaga dėvisi. Norėdami sumažinti sužalojimo pavojų, dažnai tikrinkite rinktuvo konstrukciją ir jį pakeiskite, atsiradus susidėvėjimo arba suirimo požymiams. Naudokite tik šiai vejapjovei pagamintus žolės rinktuvas.

NULENKIAMOS RANKENOS REGULIAVIMAS

⚠ ĮSPĖJIMAS: Nebandykite paleisti vejapjovės, kol rankena neužfiksuota vienoje iš trijų numatytųjų darbinį padėčių (VIRŠUTINĖJE DARBINĖJE PADĖTYJE, VIDURINĖJE DARBINĖJE PADĖTYJE arba APATINĖJE DARBINĖJE PADĖTYJE).

Vejapjovė pristatoma rankeną nustačius į kompaktišką FIKSUOJAMĄ LAIKYMO PADĖTĮ (E pav.).

- Paspauskite ir laikykite nuspaudę greitojo reguliavimo svirtį, kad atlaisvintumėte rankeną iš FIKSUOTOS LAIKYMO PADĖTIES.
- Pakelkite rankeną iš nulenktos padėties ir atleiskite svirtį. Atsargiai kelkite rankeną aukšty n tol, kol išgirsite ir pajusite, kaip fiksavimo kaištis užsifiksuoja vienoje iš galimų padėčių, parodytų F pav.

F-1	Žolės maišo prikabinimo / nuėmimo padėtis	F-2	Fiksuota laikymo padėtis
F-3	Viršutinė darbinė padėtis	F-4	Vidurinė darbinė padėtis
F-5	Apatinė darbinė padėtis		

ŽOLĖS RINKTUOVO PRIKABINIMAS

⚠️ ĮSPĖJIMAS: Niekada nereguluokite jokių vejamųjų dalių, prieš tai neišjungę variklio, neištraukę saugos raktelio ir nepalaukę, kol peilis nustos sukstis.

PASTABA. Prieš žolės maišą tvirtindami prie vejamųjų nuimkite mulčiavimo įdėklą arba pro šoną ištuštinamą lovę.

■ Žolės maišo pritvirtinimas / nuėmimas (G pav.)

Įstatykite į vejamąją apatinę žolės rinktuvo dalį, o po to užkabinkite ir viršutinę rinktuvo dalį.

PASTABA. Prieš tvirtindami žolės rinktuvą prie vejamųjų, išimkite įstatytą mulčiavimo įdėklą.

■ Mulčiavimo įdėklo pritvirtinimas / nuėmimas (parduodamas atskirai, H pav.)

PJOVIMO AUKŠČIO REGULIAVIMAS (I pav.)

I-1	Spyruoklinė pjovimo aukščio reguliavimo svirtis	I-2	Pjovimo aukštį nurodanti plokštelė
-----	---	-----	------------------------------------

⚠️ ĮSPĖJIMAS: Kai reguliuojate pjovimo platformos aukštį, patraukite nuo jos kojas. Vejamąjį galima nustatyti 8 pjovimo aukščius nuo 25 mm iki 105 mm. Parinkite tinkamą pjovimo aukštį, atsižvelgdami į žolės tipą ir būklę.

SUDĖTINĖS BATERIJOS ĮSTATYMAS IR IŠĖMIMAS (J pav.)

Naudokite su A2 pav. nurodytais akumuliatorių blokais ir įkrovikliais

ĮKRAUKITE PRIEŠ PIRMĄ KARTĄ NAUDODAMI

⚠️ ĮSPĖJIMAS: Jei kurios nors dalys sulūžę arba jų nėra, nebandykite į vejamąją įstatyti sudėtinės baterijos ir dirbti, nepakeitę sulūžusių ar trūkstančių dalių. Kitaip galite sunkiai susižaloti.

■ Įstatymas

Stumkite sudėtinę bateriją į baterijos skyrių, kol išgirsite spragtelėjimą.

■ Išėmimas

Paspauskite baterijos atjungimo mygtuką baterijų skyriuje

PASTABA. Prieš pradėdami dirbti įsitikinkite, ar vejamųjų fiksuojamasis užsikimšęs savo vietoje ir ar sudėtinė baterija tinkamai įstatyta.

VEJAPJOVĖS PALEIDIMAS / IŠJUNGIMAS (K, L ir M pav.)

⚠️ ĮSPĖJIMAS: Dirbant su bet kokia vejamąja, į jūsų arba kitų asmenų akis gali būti išsviestos šiukšlės, kurios gali sunkiai sužaloti akis. Visada užsidėkite apsauginius akinius, kai dirbate su vejamąja, ją reguliuojate arba remontuojate.

⚠️ ĮSPĖJIMAS: Išjungus vejamąją, peilis dar kelias sekundes sukasi. Prieš dar kartą ją paleisdami, palaukite, kol variklis (peilis) nustos sukstis. Išjungę nebandykite iš karto įjungti vejamąją.

SAUGOS RAKTELIS (N pav.)

Kad apsisaugotumėte nuo belaidės vejamųjų atsitiktinio paleidimo arba neleistino naudojimo, vejamąjį įrengtas ištraukiamas saugos raktelis. Ištraukus saugos raktelį iš vejamųjų, ji visiškai išjungiami.

PAVOJUS: Besisukantys peiliai gali sunkiai sužaloti. Kad išvengtumėte sunkių sužalojimų, ištraukite saugos raktelį, kai paliekate vejamąją be priežiūros, ją reguliuojate, valote, atliekate techninės priežiūros darbus, gabenate, keliate arba paliekate laikymo vietoje.

PASTABA. Variklį galima paleisti tik išpildžius šias sąlygas:

- Rankena yra užfiksuota vienoje iš trijų darbinį padėčių, žr. NULENKIAMOS RANKENOS REGULIAVIMAS.
- Šoniniai strypai iki galo ištiesti
- Abu žalios spalvos rankenos fiksuojamieji spausukai tvirtai uždaryti.

DĖMESIO: Nebandykite išvengti apsauginių saugos mygtuko ir svirtinio jungiklio funkcijų.

Paleidimas (K ir L pav.)

- 1) Įstatykite sudėtinę bateriją į vejamąją, įkiškite saugos raktelį į raktelio lizdą ir uždarykite baterijos dangtelį.
- 2) Nuspauskite saugos mygtuką.
- 3) Laikydami nuspaudę saugos mygtuką, pritraukite svirtinį jungiklį prie rankenos ir saugos mygtuką atleiskite.

Sustabdymas (M pav.)

- 1) Visiškai atleiskite svirtinį jungiklį.
- 2) Atleidus svirtinį jungiklį, automatinio stabdymo mechanizmo elektrinis stabdys per 3 sekundes sustabdo besisukantį peilį.

LED PRIEKINIAI ŽIBINTAI (A-13 pav.)

Norėdami įjungti ar išjungti priekinius LED žibintus, įtaisytus akumuliatoriaus skyriaus priekyje, paspauskite jungiklį (A-4 pav.).

LT

REGULIUOJAMO GREIČIO SAVAEIGĖ SISTEMA

LM2130E-S veėjapovėje įdiegta reguliuojamo greičio savaeigio važiavimo funkcija. Ši sistema nepriklauso nuo peilio įjungimo ir išjungimo jungiklio; ji nepriklauso ir nuo peilio sukimosi.

Pavyzdžiui, baigus pjauti veją, savaeigio važiavimo funkciją galite naudoti gražindami veėjapovę atgal į laikymo vietą nesisukant peiliui. Arba veėjapovę galite naudoti kaip nesavaeigę veėjapovę, kad pailgintumėte akumuliatoriaus veikimo trukmę.

Kad savaeigę sistemą galėtumėte naudoti nesisukant peiliui, įjunkite savaeigės sistemos greičio valdymo rankenėlę ir nuspauskite savaeigio važiavimo jungiklį (-ius). Tokių jungiklių yra du. Paspauskite bet kurį jungiklį, kad įjungtumėte savaeigio važiavimo funkciją (O pav.).

O-1	Savaeigės sistemos greičio reguliavimo rankenėlė	O-2	Savaeigio važiavimo jungiklis
-----	--	-----	-------------------------------

Norėdami išjungti savaeigio važiavimo funkciją, atleiskite savaeigio važiavimo jungiklį ir išjunkite savaeigio važiavimo greičio valdymo rankenėlę.

VEJAPJOVĖS BŪSENOS INDIKATORIUS ANT VEJAPJOVĖS (P pav.)

Veėjapovėje yra maitinimo indikatorius, kuris rodo sudėtinės baterijos įkrovos būseną ir veėjapovės darbinę būseną. Maitinimo indikatorius dega, kai sukasi peilis arba kai įjungti LED darbiniai žibintai.

P-1	Veėjapovės būsenos indikatorius	P-2	LED darbinių žibintų jungiklis
-----	---------------------------------	-----	--------------------------------

Veėjapovės būsenos indikatorius	Reikšmė	Veiksmas
Dega žalias	Veėjapovė tinkamai veikia; akumuliatoriaus įkrovos lygis ne mažesnis nei 15 %.	Nereikia.
Mirksi žalias	Nevisiškai ištraukti šoniniai strypai.	Sustabdykite veėjapovę ir įsitikinkite, kad šoniniai strypas yra iki galo ištiestas.
	Rankena nenustatyta į eksploatavimo padėtį.	Sustabdykite veėjapovę ir įsitikinkite, kad rankena yra užfiksuota eksploatavimo padėtyje.
Mirksi raudonas	Akumuliatorius beveik išsikrovęs.	Išjunkite veėjapovę ir įkraukite akumuliatoriaus bloką.

Dega oranžinis	Veėjapovė sustojo dėl perkaitimo.	Išimkite akumuliatorių iš veėjapovės, pašalinkite akumuliatorių bei veėjapovę į pavėsį ir palikite bent 15 minučių, kad atvėstų.
Mirksi oranžinis	Perkrauta veėjapovė.	Pradžioje išimkite akumuliatoriaus bloką, o po to patikrinkite, ar po platforma neprisikaupė sniego. Pjaudami neskubėkite. Jeigu tai nepadaeda, kreipkitės į EGO klientų aptarnavimo tarnybą.
Mirksi raudonas ir žalias pakaitomis	Klaida	Kreipkitės į EGO klientų aptarnavimo tarnybą.
Nedega ir mirksi akumuliatoriaus LED	Perkaitusi baterija (Žr. šios instrukcijos skyrių „AKUMULIATORIAUS APSAUGA NUO PERKAITIMO“).	Atleiskite savos eigos jungiklį ir palaukite, kol sudėtinė baterija atvės maždaug iki 67°C, ir tuomet vėl paleiskite sniego pūstuvą.

VEJAPJOVĖS APSAUGA NUO PERKROVOS

Kad išvengtumėte perkrovos, nebandykite vienu kartu nupjauti pernelyg daug žolės. Lėčiau pjaukite arba padidinkite pjovimo aukštį.

Veėjapovėje įtaisyta perkrovos grandinės apsauga. Kai veėjapovė perkrauta, variklis sustabdomas, o veėjapovės būsenos indikatorius mirksi oranžine spalva. Išimkite sudėtinę bateriją iš veėjapovės. Patikrinkite, ar po pjovimo platforma neprisikaupė žolės, jei reikia, nuvalykite. Tada įdėkite sudėtinę bateriją ir vėl paleiskite veėjapovę.

APSAUGA NUO PER AUKŠTOS BATERIJOS TEMPERATŪROS

Darbo metu sudėtinė baterija išskiria šilumą. Karštu oru ši šiluma išsisklaido lėčiau. Jei darbo metu baterijos temperatūra viršija 70°C, apsauginis kontūras akimirksniu išjungia sniego pūstuvą, kad apsaugotų sudėtinę bateriją nuo sugadinimo. Išsijungia veėjapovės būsenos indikatorius; daugiau informacijos rasite operatoriaus vadovo skyriuje „AKUMULIATORIAUS APSAUGA“.

Atleiskite savos eigos jungiklį ir palaukite, kol sudėtinė baterija atvės maždaug iki 67°C, ir tuomet vėl paleiskite sniego pūstuvą.

LT

TECHNINĖ PRIEŽIŪRA

⚠️ ĮSPĖJIMAS: Visada prieš vejamą valymą, prieš techninės priežiūros darbų atlikimą ir prieš pervežimą ištraukite saugos raktelį, kad išvengtumėte pavojaus sunkiai susižaloti.

⚠️ ĮSPĖJIMAS: Vykdydami techninės priežiūros darbus, naudokite tik identiškas atsargines dalis. Naudojant bet kokias kitas dalis, gali kilti pavojus arba galite sugadinti gaminį. Norint užtikrinti saugų ir patikimą gaminio naudojimą, visus remonto ir keitimo darbus turi atlikti kvalifikuotas techninės priežiūros specialistas.

BENDROJI PRIEŽIŪRA

⚠️ ĮSPĖJIMAS: Visada ištraukite saugos raktelį ir išimkite sudėtinę bateriją, prieš vykdydami vejamą techninės priežiūros darbus arba prieš ją gabendami.

Kaskart panaudojus vejamą, reikia nuvalyti pjovimo platformos apačią, nes joje kaupiasi nupjauta žolė, lapai, nešvarumai ir kitos apnašos.

Pašalinkite ant variklio ventilatorius arba šalia jo susikauptą žolę (nenaudokite vandens). Drėgna šluoste švariai nuvalykite vejamą.

PEILIO NUĖMIMAS / UŽDĖJIMAS

⚠️ ĮSPĖJIMAS: Kai atliekate vejamą peilio techninės priežiūros darbus, visada apsaugokite rankas, užsimaudami tvirtas pirštines arba apvyniodami peilio ašmenis skudurais ar kitomis medžiagomis. Visada išimkite sudėtinę bateriją, prieš vykdydami vejamą techninės priežiūros darbus arba prieš ją gabendami.

- **Peilio nuėmimas (Q pav.)**
- **Peilio uždėjimas**
Laikykites surinkimo sekos, parodytos R pav. Ventilatoriaus mentes pakreipkite link pjovimo platformos, o peilio pusę su užrašu nukreipkite į išorę, sulyginkite ventilatoriaus skyles su peilio skylėmis (S pav.) ir peilį priveržkite, kaip parodyta T pav.

VEJAPJOVĖS SANDĖLIAVIMAS

- Išimkite sudėtinę bateriją iš vejamą ir laikykite ją vėsioje, sausoje ir švarioje vietoje. Nelaikykite jos šalia išdūnančių medžiagų, pvz., trąšų arba akmens druskos.
- Vejamą laikykite uždengtoje ir uždaroje vietoje, kuri yra vėsi, sausa ir neprieinama vaikams.
- Neuždenkite vejamą vientisa plastikine plėvele. Plastikinė plėvelė sulaiko drėgmę ant vejamą, todėl ji pradeda rūdyti ir prasideda korozija.
- Vejamą galima laikyti pastatytą ant žemės arba pakeltą vertikaliai (U ir V pav.).

⚠️ ĮSPĖJIMAS: Vejamą nuvirtus iš vertikalios padėties, gali būti sugadinta vejamą arba sužalotas žmogus. Jei vejamą laikote vertikaliaje padėtyje, užtikrinkite jos stabilumą ir neprieinamumą vaikams. Jei įmanoma, laikykite pastatytą ant žemės.

Aplinkos apsauga



Elektrinių įrankių negalima išmesti kartu su nerūšiuotomis buitinėmis atliekomis: juos reikia nuvežti į atitinkamus surinkimo punktus.

Informaciją apie galimas surinkimo sistemas galite gauti iš vietos valdžios institucijos.

Jei elektriniai prietaisai išmetami į užkasamuosius arba atviruosius sąvartynus, kenksmingos medžiagos gali prasiskinti iki gruntinio vandens, patekti į mitybos grandinę ir pakenkti jūsų sveikatai bei gerovei.

TRIKČIŲ ŠALINIMAS

⚠️ ĮSPĖJIMAS: Visada ištraukite saugos raktelį ir išimkite sudėtinę bateriją, prieš vykdydami vejamovės techninės priežiūros darbus arba prieš ją gabendami. Kai atliekate vejamovės peilio techninės priežiūros darbus, visada apsaugokite rankas, užsimaudami tvirtas pirštines arba apvyniodami peilio ašmenis skudurais ar kitomis medžiagomis.

PROBLEMA	PRIEŽASTIS	SPRENDIMAS
Vejamovės nepavyksta paleisti	<ul style="list-style-type: none"> ▪ Sudėtinė baterija visiškai išsikrovusi. ▪ Akumuliatorius neįdėtas į akumuliatoriaus skyrių. ▪ Akumuliatorius arba vejamovės grandinės pernelyg įkaitusios. (Vejamovėje esantis maitinimo indikatorius 10 sekundžių dega oranžine spalva.) ▪ Iki galo neištraukti šoniniai strypai ir neužfiksuotos apkabos. ▪ Rankena nenustatyta ne į vieną iš trijų darbinių padėčių. ▪ Žole ir apnašos užkimšo vejamovės pjovimo platformą. 	<ul style="list-style-type: none"> ▪ Įkraukite sudėtinę bateriją. ▪ Įdėkite akumuliatoriaus bloką į vejamovę ir spauskite tol, kol išgirsite spragtelėjimą ▪ Palaukite, kol akumuliatorius arba vejamovė atvės iki žemesnės nei 67°C temperatūros. ▪ Iki galo ištraukite rankeną ir užfiksuokite abi apkabas. ▪ Nustatykite rankeną į vieną iš trijų darbinių padėčių. ▪ Nuvalykite vejamovės pjovimo platformą ir patikrinkite, ar peilis gali laisvai sukstis.
Vejamovė netolygiai pjauna	<ul style="list-style-type: none"> ▪ Atšipęs peilis. ▪ Netinkamai nustatytas pjovimo aukštis. ▪ Netinkamai surinktas peilis. 	<ul style="list-style-type: none"> ▪ Pagaląskite arba pakeiskite peilį. ▪ Pakelkite pjovimo platformą, nustatydami didesnį pjovimo aukštį. ▪ Iš naujo surinkite peilį, vadovaudamiesi nurodymais šios instrukcijos skyriuje PEILIO UŽDĖJIMAS.
Vejamovė išsijungia dirbant	<ul style="list-style-type: none"> ▪ Sudėtinė baterija visiškai išsikrovusi. ▪ Vejamovė perkrauta. ▪ Žole ir apnašos užkimšo vejamovės pjovimo platformą. ▪ Akumuliatorius arba vejamovės grandinės pernelyg įkaitusios. (Vejamovėje esantis maitinimo indikatorius 10 sekundžių dega oranžine spalva.) ▪ Paspaudus rankeną, šiek tiek įsistūmė šoninis strypas. 	<ul style="list-style-type: none"> ▪ Įkraukite sudėtinę bateriją. ▪ Padidinkite pjovimo aukštį arba lėčiau pjaukite veją. ▪ Pašalinkite vejamovės pjovimo platformoje susidariusį kamštį. Padidinkite pjovimo aukštį arba pjaukite siauresnį vejos ruožą. ▪ Palaukite, kol akumuliatorius arba vejamovė atvės iki žemesnės nei 67°C temperatūros. ▪ Atlaisvinkite apkabas. Iki galo ištraukite šoninius strypus ir vėl užfiksuokite apkabas.

LT

PROBLEMA	PRIEŽASTIS	SPRENDIMAS
Vežapjovė netinkamai mulčiuoja	<ul style="list-style-type: none"> ■ Nupjauta šlapia žolė prikimba pjovimo platformos apačioje. ■ Vežapjovė nustatyta iš karto pjauti per daug žolės. 	<ul style="list-style-type: none"> ■ Prieš pjaudami veją, palaukite, kol žolė išdžius. ■ Pakelkite pjovimo platformą, nustatydami didesnę pjovimo aukštį.
Pernelyg stipri vibracija	<ul style="list-style-type: none"> ■ Atsilaisvinęs pjovimo peilis. ■ Nesubalansuotas pjovimo peilis. ■ Sulinkęs pjovimo peilis. ■ Įlenktas variklio velenas. ■ Žolė ir apnašos užkimšo vežapjovės pjovimo platformą. 	<ul style="list-style-type: none"> ■ Priveržkite peilio varžtą. ■ Subalansuokite peilį, vadovaudamiesi instrukcija. ■ Pakeiskite peilį. ■ Kreipkitės į techninės priežiūros centrą. ■ Nuvalykite vežapjovės pjovimo platformą ir patikrinkite, ar peilis gali laisvai sukstis.
Nepavyksta uždaryti rankenos užfiksavimo apkabų	<ul style="list-style-type: none"> ■ Nevisiškai ištraukti šoniniai strypai. 	<ul style="list-style-type: none"> ■ Iki galo ištraukite šoninius strypus ir užfiksaukite apkabas.

GARANTIJA

EGO GARANTINĖ POLITIKA

Jei norite sužinoti visas EGO garantinės politikos sąlygas, apsilankykite interneto svetainėje egopowerplus.com.

LT

IZLASIET VISUS NORĀDĪJUMUS!

Paredzētā lietošana: Šis izstrādājums ir paredzēts zāles pļaušanai tikai un vienīgi piemājas dārzos. Zāles pļāvējs nav piemērots pārāk garas, sausas vai mitras zāles, piemēram, ganību zāles, pļaušanai; tāpat tas nav paredzēts lapu smalcināšanai.

▲ BRĪDINĀJUMS! Pirms šī instrumenta lietošanas izlasiet un izprotiet visus šajā lietotāja rokasgrāmatā iekļautos drošības norādījumus, tostarp visus drošības brīdinājuma apzīmējumus, piemēram, „**BĪSTAMI!**”, „**BRĪDINĀJUMS!**” un „**UZMANĪBU!**”. Visu turpmāk uzskaitīto norādījumu neievērošana var izraisīt elektriskās strāvas triecienu, aizdegšanos un/vai smagus miesas bojājumus.

▲ BRĪDINĀJUMS! Jebkura elektroinstrumenta lietošanas laikā acīs var iekļūt svešķermeņi, kas var radīt smagu acu traumu. Pirms sākat strādāt ar elektroinstrumentu, vienmēr uzvelciet aizsargbrilles ar sānu aizsargiem vai nepieciešamības gadījumā — pilnu sejas masku. Iesakām izmantot aizsargmasku ar plašu skata leņķi, ko uzvelk virs parastajām brillēm, vai arī standarta aizsargbrilles ar sānu aizsargiem.

DROŠĪBAS APZĪMĒJUMI



Drošības brīdinājums



Lai mazinātu traumu rašanās bīstamību, pirms šī izstrādājuma lietošanas tā lietotājam jāizlasa un jāizprot lietošanas rokasgrāmata.



Lietojot zāles pļāvēju, sekojiet, lai citi cilvēki un mājdzīvnieki atrastos vismaz 30 m attālumā.



Turēt rokas un kājas atstātus



Asmeņi turpina griezties arī pēc motora izslēgšanas — pirms apkopes darbu veikšanas noņemiet izslēgšanas ietaisi. Pirms regulēšanas vai tīrīšanas darbu veikšanas akumulatoru bloks (vai izslēgšanas ietaise) ir jāizslēdz un jāizņem.



Garantētais skaņas intensitātes līmenis.



Šis izstrādājums atbilst piemērojamām EK direktīvām.



Šis produkts atbilst spēkā esošajiem Apvienotās Karalistes tiesību aktiem.



Elektrisko izstrādājumu atkritumus nedrīkst izmest kopā ar sadzīves atkritumiem. Nogādājiet uz pilnvarotu pārstrādes punktu.



IPX4 4. aizsardzības klase pret ūdens iekļūšanu

V Volti

mm Milimetri

cm Centimetrs

— — — Strāvas veids vai raksturojums

kg Kilograms

LV

SPECIFIKĀCIJAS

Spriegums	56 V	
Apgriezienu skaits, strādājot bez slodzes	2700 RPM	
Pļaušanas augstums	25mm/ 32mm/ 40mm/ 51mm/ 64mm/ 77mm/ 90mm	
Pļaušanas augstuma pozīcijas	7	
Pļaušanas platums	52 cm	
Zāles savācējmaisa tilpums	70 L	
Zāles pļāvēja svars (bez akumulatoru bloka un zāles savācējmaisa)	25,1 kg	
Asmens modelis	AB2102D-E	
Darba temperatūra	0°C-40°C	
Uzglabāšanas temperatūra	-20°C-70°C	
Asmens bremze	IR	
Izmērītais skaņas intensitātes līmenis L_{WA}	89,8 dB(A) K=3,35 dB(A)	
Trokšņa spiediena līmenis pie lietotāja auss L_{PA}	80,3 dB(A) K=3 dB(A)	
Garantētais skaņas intensitātes līmenis L_{WA} (mērīts saskaņā ar 2000/14/EK)	93 dB(A)	
Vibrācijas ietekmes novērtējums $a_{h,v}$	Kreisais rokturis	0,61 m/s ² K=1,5 m/s ²
	Labais rokturis	0,54 m/s ² K=1,5 m/s ²

- Priekšējais rokturis
- LED priekšējie lukturi
- Akumulatoru nodalījuma vāciņš
- Aizmugurējais rokturis
- Aizmugures izlādes durtiņas
- Rokturu sānu pagarinājums
- Zāles pļāvēja statusa indikators
- Slēdža svira
- Rokturis
- Atbalsts uzglabāšanai vertikālā stāvoklī
- Piekabināms aizsargs
- Akumulatora atbrīvošanas poga
- Drošības atslēga

EKSPLOATĀCIJA

ZĀLES SAVĀCĒJMAISA IEVIETOŠANA

- Uzbrīdīet zāles savācējmaisu uz korpusa (B att.).
- Uztādiēt korpusā abas augšējās skavas (C att.) un pēc tam abas sānu skavas. Apakšējā skava ir jāuzstāda pēdējā.
- D attēlā redzams pilnībā samontēts zāles savācējmaiss.

PIEZĪME! Normālos lietošanas apstākļos zāles savācējgroza materiāls nodilst. Lai samazinātu traumu gūšanas risku, regulāri pārbaudiet, kādā stāvoklī ir savācējmaiss, un nomainiet, ja radušās nodiluma vai nolietojuma pazīmes. Izmantojiet tikai šim zāles pļāvējam paredzētu zāles savācējmaisu.

SALOKĀMĀ ROKTURA REGULĒŠANA

BRĪDINĀJUMS! Nedarbiniēt zāles pļāvēju, kamēr rokturis nav nofiksēts kādā no trim iepriekš iestādītajām darbības pozīcijām (AUGŠĒJĀ DARBĪBAS POZĪCIJĀ, VIDĒJĀ DARBĪBAS POZĪCIJĀ vai APAKŠĒJĀ DARBĪBAS POZĪCIJĀ).

Zāles pļāvējs tiek piegādāts kopā ar rokturi kompaktd BLOKĒTA ROKTURA STĀVOKLĪ (E att.).

- Lai atbloķētu rokturi no BLOKĒTA ROKTURA STĀVOKĻA, turiet nospiestu ātro regulēšanas sviru.
- Paceliet rokturi uz augšu, pēc tam atlaidiet sviru. Viegli paceliet rokturi uz augšu, līdz dzirdat un jūtat, ka fiksatora tapa ir nofiksējusies kādā no šādām pozīcijām, kuras parādītas F attēlā.

F-1	Zāles savācējmaisa piestiprināšanas/ noņemšanas pozīcija	F-2	Bloķēta roktura stāvoklis
F-3	Augšējā darbības pozīcija	F-4	Vidējā darbības pozīcija
F-5	Apakšējā darbības pozīcija		

LV

IEPAKOJUMA SATURA SARAKSTS (A1 ATT.)

APRAKSTS

PĀRZINIET SAVU ZĀLES PĻĀVĒJU (A1 att.)

- Pašgājēja sistēmas slēdzis
- Pašgājēja funkcijas ātruma regulēšanas poga
- Drošības poga
- LED priekšējo spuldžu slēdža poga
- Roktura fiksēšanas skava
- Zāles savācējmaiss
- Ātrās regulēšanas svira
- Griešanas augstuma regulēšanas svira
- Aizmugurējais ritenis
- Priekšējais ritenis
- Pļaušanas bloks

ZĀLES SAVĀCĒJMAISA PIESTIPRINĀŠANA

⚠ BRĪDINĀJUMS! Nekad neveiciet zāles plāvējam regulēšanas darbus, pirms nav apturēts motors, izņemta drošības atslēga un asmeņi nav pārtraukuši griezties.

PIEZĪME! Pirms zāles savācējmaisa piestiprināšanas izņemiet no zāles plāvēja iepriekš ievietotu mulčēšanas ieliktni vai sānu izlādes tekni.

■ Zāles savācējgroza piestiprināšana/noņemšana (G att.)

Ievietojiet zāles plāvējā savācējmaisa dēli un uzkariniet savācējmaisu.

PIEZĪME! Pirms zāles savācējmaisa piestiprināšanas izņemiet no zāles plāvēja iepriekš ievietotu mulčēšanas ieliktni.

■ Mulčēšanas ieliktna (iegādājams atsevišķi) piestiprināšana/noņemšana (H att.)

PLĀUŠANAS AUGSTUMA REGULĒŠANA (I att.)

I-1	Plāušanas augstuma regulēšana ar atspēri	I-2	Plāušanas augstuma norādes plāksne
-----	--	-----	------------------------------------

⚠ BRĪDINĀJUMS! Augstuma regulēšanas laikā kājām jāatrodas drošā attālumā no plāušanas bloka. Zāles plāvējam var iestatīt 8 plāušanas augstumus — no 25 mm līdz 105 mm. Izvēlieties zāles veidam un apstākļiem atbilstošu plāušanas augstumu.

AKUMULATORU BLOKA IEVIETOŠANA/IZŅEMŠANA (J att.)

Izmantojiet tikai A2 attēlā uzskaitītos akumulatora blokus un lādētājus.

PIRMS PIRMĀS LIETOŠANAS REIZES AKUMULATORI IR JAUZLĒDĒ

⚠ BRĪDINĀJUMS! Ja trūkst kādas detaļas vai tā ir sabojāta, neievietojiet akumulatoru bloku zāles plāvējā vai nemēģiniet to iedarbināt, kamēr nav nomainītas bojātās vai uzstādītas trūkstošās daļas. Pretējā gadījumā varat gūt nopietnas traumas.

■ Piestiprināšana

Ievietojiet akumulatoru bloku akumulatora nodalījumā, to piespiežot, līdz izdzirdat „klikšķa” skaņu.

■ Izņemšana

Nospiediet akumulatora nodalījumā akumulatora atbrīvošanas pogu.

PIEZĪME! Pirms darba sākšanas pārlicinieties, vai ir nofiksējies zāles plāvēja slēgmehānisms un akumulatoru bloks.

ZĀLES PLĀVĒJA IEDARBINĀŠANA/APTURĒŠANA (K, L un M att.)

⚠ BRĪDINĀJUMS! Jebkura zāles plāvēja darbība var izraisīt svešķermeņu iesviešanu acīs jums vai kādam citam, kas var radīt nopietnus acu bojājumus. Strādājot ar zāles plāvēju vai veicot jebkādas regulēšanas vai remonta darbus, vienmēr valkājiet aizsargbrilles.

⚠ BRĪDINĀJUMS! Pēc zāles plāvēja izslēgšanas asmens turpinās rotēt vēl dažas sekundes. Pirms vēlreiz iedarbināt plāujmašīnu, pagaidiet, kamēr apstājas motors/asmens. Neslēdziet plāujmašīnu pārāk ātri.

DROŠĪBAS ATSLĒGA (N att.)

Lai novērstu nejaušu bezvadu zāles plāvēja ieslēgšanos vai neatļautu izmantošanu, jūsu plāvēja konstrukcijā ir iekļauta izņemama drošības atslēga. Ja drošības atslēga tiek izņemta no zāles plāvēja, tas tiek pilnībā atslēgts.

BĪSTAMI! Rotējoši asmeņi var izraisīt smagas traumas. Lai izvairītos no smagām traumām, izņemiet drošības atslēgu, kad dodaties projām no zāles plāvēja, vai arī pirms plāušanas augstuma regulēšanas, tīrīšanas un apkopes darbu veikšanas, kā arī transportēšanas, pacelšanas vai uzglabāšanas laikā.

PIEZĪME! Motoru nevar iedarbināt, ja:

- kādā no trim darba pozīcijām nav iestatīts rokturis, skatīt NOLOKĀMĀ ROKTURA REGULĒŠANA;
- līdz galam nav izvilkti roktura sānu pagarinājumi;
- nav droši nostiprinātas abas zaļās roktura bloķēšanas skavas.

UZMANĪBU! Nekādā gadījumā nemēģiniet izmainīt drošības pogas un drošības slēdža darbību.

LV

Iedarbināšana (K un L att.)

- 1) Ievietojiet zāles plāvējā akumulatoru bloku, drošības atslēgu atslēgas rievā un aizveriet akumulatora pārsegu.
- 2) Atspiediet drošības pogu.
- 3) Kamēr drošības poga ir nospiesta, pavelciet drošības slēdzi uz augšu līdz rokturim un atlaidiet drošības pogu.

Apturēšana (M att.)

- 1) Atlaidiet pilnībā drošības slēdzi.
- 2) Elektriskā bremze automātiskajā bremžu mehānismā apstādina asmens griešanos 3 sekunžu laikā pēc drošības slēdža atlaišanas.

LED PRIEKŠĒJĀS SPULDZES (A-13 att.)

LED priekšējās spuldzes, kas atrodas akumulatora nodalījuma priekšpusē, izslēdz un ieslēdz, nospiežot slēdža pogu (A-4 att.).

PAŠGĀJĒJA SISTĒMA AR MAINĪGU DARBĪBAS ĀTRUMU

Zāles plāvējs LM2130E-SP ir aprīkots ar pašgājēja sistēmu ar mainīgu darbības ātruma iespēju. Šī sistēma darbojas neatkarīgi no ieslēgšanas/izslēgšanas slēdža un asmens rotācijas.

Piemēram, kad esat pabeidzis zāles pļaušanu, varat izmantot pašgājēja funkciju, lai plāvējs dotos atpakaļ uz uzglabāšanas vietu bez asmens rotēšanas. Vai arī plāvēju darbināt bez pašgājēja funkcijas, lai palielinātu akumulatora darbības laiku.

Lai darbinātu pašgājēja sistēmu bez asmens griešanās, ieslēdziet pašgājēja funkcijas ātruma regulēšanas pogu, nospiediet pašgājēja sistēmas slēdzi (-džus). Plāvējam ir divi pašgājēja sistēmas slēdži. Nospiediet jebkuru slēdzi, lai ieslēgtu pašgājēja funkciju (O att.).

O-1	Pašgājēja funkcijas ātruma regulēšanas poga	O-2	Pašgājēja sistēmas slēdzis
-----	---	-----	----------------------------

Lai izslēgtu pašgājēja funkciju, atlaidiet pašgājēja sistēmas slēdzi, izslēdziet pašgājēja funkcijas ātruma regulēšanas pogu.

ZĀLES PLĀVĒJA STATUSA INDIKATORS (P att.)

Zāles plāvējs ir aprīkots ar jaudas indikatoru, kas norāda akumulatoru bloka uzlādes līmeni un zāles plāvēja darbības statusu. Jaudas indikators iedegas, tiklīdz sāk griezties asmens vai arī, ieslēdzot LED priekšējās spuldzes.

P-1	Zāles plāvēja statusa indikators	P-2	LED priekšējo spuldžu slēdža poga
-----	----------------------------------	-----	-----------------------------------

LV

Zāles plāvēja statusa indikators	Nozīme	Rīcība
Deg nepārtraukta zaļā gaisma	Zāles plāvējs darbojas pareizi; uzlādes līmenis katram akumulatoram ir vismaz 15 %.	Nav nepieciešama.
Mirgo zaļā gaisma	Līdz galam nav izvilkti sānu pagarinājumi. Rokturis nav nofiksēts darbības stāvoklī.	Apturiet plāvēju un pārliecinieties, vai sānu pagarinājuma slīdes ir pilnībā izvilktas uz āru. Apturiet zāles plāvēju un pārliecinieties, vai rokturis ir nofiksēts darba stāvoklī.

Mirgo sarkanā gaisma	Zems uzlādes līmenis.	Apturiet zāles plāvēju un izņemiet akumulatoru bloku.
Deg nepārtraukta oranžā gaisma	Zāles plāvējs apstāties pārkaršanas dēļ.	Izņemiet no zāles plāvēja akumulatoru, pārvietojiet ēnainā vietā un vismaz 15 minūtes atdzesējiet.
Mirgo oranžā gaisma	Zāles plāvēja pārslodze.	Vispirms izņemiet akumulatoru bloku, pēc tam apskatiet un noīriniet, ja zem platformas ir sakrājušies zāle. Pļaušanas laikā samaziniet ātrumu. Ja tas nelfīdz, lūdz, sazinieties ar EGO klientu apkalpošanas centru.
Pārmaiņus mirgo zaļā un sarkanā gaisma	Kļūme	Sazinieties ar EGO klientu apkalpošanas centru.
Izslēdzas un uz akumulatora sāk mirgot LED gaisma	Pārkaršis akumulators. (Skatīt šīs rokasgrāmatas sadaļu „AIZSA-RDZĪBA PRET AKUMULA-TORA PĀRKARŠĀNU”)	Atlaidiet drošības pogu, pagaidiet, līdz akumulators atdziest līdz apmēram 67°C, un pēc tam ieslēdziet zāles plāvēju.

PLĀVĒJA PĀRSLODZES AIZSARDZĪBA

Lai novērstu pārslodzi, centieties neplūst pārāk daudz zāles ar vienu piegājieni. Samaziniet pļaušanas ātrumu vai palieliniet pļaušanas augstumu.

Zāles plāvējam ir iebūvēta pārslodzes ķēdes aizsardzības sistēma. Ja zāles plāvēja darbībā tiek konstatēta pārslodze, motors apstāties, un zāles plāvēja statusa indikators sāks mirgot oranžā krāsā. Izņemiet no zāles plāvēja akumulatoru. Pārbaudiet, vai zem pļaušanas bloka nav sakrājušies zāle, un, ja nepieciešams, izīriniet to, pēc tam ielieciet akumulatoru un atkārtoti iedarbiniet zāles plāvēju.

AIZSARDZĪBA PRET AKUMULATORA PĀRKARŠĀNU

Darbības laikā akumulators rada siltumu. Karstā laikā siltums izkliedējas daudz lēnāk. Ja akumulatora temperatūra darbības laikā pārsniedz 70°C, aizsardzības ķēde nekavējoties izslēdz zāles plāvēju, lai aizsargātu akumulatoru no karstuma radītiem bojājumiem. Uz zāles plāvēja nodzisis zāles plāvēja statusa indikators; sīkāku informāciju izlasiet akumulatora lietotāja rokasgrāmatas sadaļā „AKUMULATORA AIZSARDZĪBA”.

Atļaidiet drošības pogu, pagaidiet, līdz akumulators atdziest līdz apmēram 67°C, un pēc tam ieslēdziet zāles pļāvēju.

APKOPE

⚠ BRĪDINĀJUMS! Lai novērstu smagas traumas, vienmēr izņemiet no zāles pļāvēja drošības atslēgu pirms tīrīšanas, apkopes darbu veikšanas vai pļāvēja transportēšanas.

⚠ BRĪDINĀJUMS! Veicot ierīces apkopi, izmantojiet tikai identiskas rezerves daļas. Jebkuru citu daļu izmantošana var radīt apdraudējumu vai produkta bojājumus. Lai garantētu drošu un uzticamu darbību, pļaujmašīnas remontu un tās detaļu nomaiņu uzticiet veikt tikai kvalificētam servisa tehnikam.

VISPĀRĒJĀ APKOPE

⚠ BRĪDINĀJUMS! Vienmēr izņemiet drošības atslēgu un akumulatoru, ja zāles pļāvēju pārveidosiet uz citu vietu vai veiksiet apkopi.

Zāles pļāvēja pļaušanas bloka apakšdaļa ir jānotīra pēc katras lietošanas reizes, jo zem tās uzkrājas zāles atgriezumi, lapas, dubļi un citi netīrumi.

Iztīriet no motora ventilatora sakrājušos zāli un lapas (neizmantojiet ūdeni). Noslaukiet zāles pļāvēju ar mitru lupatiņu.

ASMENS NOŅĒMŠANA/UZSTĀDĪŠANA

⚠ BRĪDINĀJUMS! Vienmēr sargājiet rokas, valkājot izturīgus cimdus vai aptinot asmens griezējmalas ar lupatiņu vai citu materiālu, ja zāles pļāvēja asmenim veiksiet apkopes darbus. Vienmēr izņemiet akumulatoru, ja zāles pļāvējam veiksiet apkopes darbus vai pārveidosiet uz citu vietu.

- **Asmens noņemšana pēc Q attēla.**
- **Asmens uzstādīšana**
Ievērojiet R attēlā norādīto montāžas secību, novietojot ventilatora lāpstīņu virzienā uz pļaušanas bloku un apdrukāto asmens pusi virzienā uz āru, salāgojiet ventilatora atveres ar asmens atverēm (S att.) un pēc tam pieskrūvējiet asmeni, kā parādīts T attēlā.

ZĀLES PĻĀVĒJA UZGLABĀŠANA

- Izņemiet akumulatoru bloku no zāles pļāvēja un uzglabājiet to vēsā, sausā un tīrā vietā. Neuzglabājiet blakus kodīgām vielām, piemēram, mēslojumam vai akmensālim.
 - Uzglabājiet zāles pļāvēju slēgtā, vēsā, sausā un bērniem nepieejamā vietā.
 - Neapklājiet zāles pļāvēju ar cietu plastmasas pārklāju. Plastmasas pārklājs aizturēs mitrumu uz zāles pļāvēja, kas izraisīs rūšēšanu un koroziju.
 - Zāles pļāvēju var uzglabāt gan vertikālā, gan arī horizontālā stāvoklī. (U un V att.)
- ⚠ BRĪDINĀJUMS!** Ja zāles pļāvējs apgāžas no vertikālā stāvokļa, tas var sabojāties vai arī izraisīt miesas bojājumus. Vienmēr uzglabājiet zāles pļāvēju stabilā un bērniem nepieejamā vietā, ja tas atrodas vertikālā stāvoklī. Ja iespējams, uzglabājiet to horizontālā stāvoklī.

Apkārtējās vides aizsardzība



Neatbrīvojieties no elektriskajām ierīcēm kopā ar nešķīrotajiem sadzīves atkritumiem, nogādājiet tās uz atsevišķiem savākšanas punktiem.

Sazinieties ar vietējo pašvaldības iestādi, lai iegūtu informāciju par pieejamām savākšanas sistēmām.

Ja elektroierīces tiek izmetas atkritumu poligonos vai izgāztuvēs, gruntsūdenī var iekļūt bīstamas vielas, piesārņojot barības ķēdi, kaitējot veselībai un labklājībai.

KĻŪDU NOVĒRŠANA

⚠ BRĪDINĀJUMS! Vienmēr izņemiet drošības atslēgu un akumulatoru, ja zāles plāvēju pārvedīsiet uz citu vietu vai veiksiet apkopi. Vienmēr sargājiet rokas, valkājot izturīgus cimdus vai aptinot asmens griezējmalas ar lupatiņu vai citu materiālu, ja zāles plāvēja asmenim veiksiet apkopes darbus.

PROBLĒMA	CĒĻONIS	RISINĀJUMS
Zāles plāvēju nevar iedarbināt	<ul style="list-style-type: none"> ■ Akumulatoru bloks ir izlādējies. ■ Akumulators nav uzstādīts akumulatora nodalījumā. ■ Akumulators vai plāvējs ir pārāk stipri uzkarsis. (Plāvēja jaudas indikators 10 sekundes deg oranžā krāsā) ■ Rokturu sānu pagarinājums nav izvilks līdz maksimālajam garumam, un skavas nav nofiksētas. ■ Rokturis nav iestatīts vienā no trim darba pozīcijām. ■ Pļaušanas bloks ir aizsērējis ar zāli un gruziem. 	<ul style="list-style-type: none"> ■ Uzlādējiet akumulatoru bloku. ■ Pievienojiet akumulatoru plāvējam, piespiediet to, līdz izdzirdat klikšķi ■ Ļaujiet akumulatora blokam vai plāvējam atdzist, līdz temperatūra nokrītas zem 67°C. ■ Izvelciet līdz galam rokturu sānu pagarinājumu un nofiksējiet skavas. ■ Noregulējiet rokturi vienā no trim darba pozīcijām. ■ Notīriet plāvēju un pārliecinieties, vai asmens var brīvi kustēties.
Plāvējs nepļauj nevienmērīgi	<ul style="list-style-type: none"> ■ Asmens kļuvis neass. ■ Nav pareizi uzstādīts pļaušanas augstums. ■ Nepareizi uzstādīts asmens. 	<ul style="list-style-type: none"> ■ Uzasiniet vai nomainiet asmeni. ■ Paceliet pļaušanas bloku augstākā pļaušanas augstumā. ■ Uzstādiet atpakaļ asmeņus, kā norādīts šīs rokasgrāmatas nodaļā „ASMENS UZSTĀDĪŠANA”.
Plāvējs pļaušanas laikā pēkšņi apstājas	<ul style="list-style-type: none"> ■ Akumulatoru bloks ir izlādējies. ■ Plāvējs ir pārslogots. ■ Pļaušanas bloks ir aizsērējis ar zāli un gruziem. ■ Akumulators vai plāvējs ir pārāk stipri uzkarsis. (Plāvēja jaudas indikators 10 sekundes deg oranžā krāsā) ■ Rokturu sānu pagarinājums ir nedaudz izvilks, piespiežot uz roktura. 	<ul style="list-style-type: none"> ■ Uzlādējiet akumulatoru bloku. ■ Paceliet uz augšu pļaušanas augstumu vai samaziniet pļaušanas ātrumu. ■ Izfīriet pļaušanas bloku. Paceliet uz augšu pļaušanas augstumu vai pļaujiet šaurās strēlēs. ■ Ļaujiet akumulatora blokam vai plāvējam atdzist, līdz temperatūra nokrītas zem 67°C. ■ Atlaidiet skavas. Izvelciet līdz galam rokturu sānu pagarinājumu un vēlreiz nofiksējiet skavas.

LV

PROBLĒMA	CĒLONIS	RISINĀJUMS
Pļāvējs nemulcē pareizi	<ul style="list-style-type: none"> Slapjā, nopļautā zāle līp klāt zem pļaušanas bloka. Pļāvējs ir iestatīts tā, lai tas ar vienu piegājieni nopļautu daudz zāles. 	<ul style="list-style-type: none"> Pagaidiet, kamēr nožūst zāle, un tikai tad sāciet pļaut. Paceliet pļaušanas bloku augstākā pļaušanas augstumā.
Pārmērīga vibrācija	<ul style="list-style-type: none"> Pārāk vaļīgs griezējasmens. Nav sabalansēts griezējasmens. Saliekts griezējasmens. Saliekta motora vārpsta. Pļaušanas bloks ir aizsērējis ar zāli un gružiem. 	<ul style="list-style-type: none"> Pievelciet asmens bultskrūvi. Balansējiet asmeni, ievērojot instrukcijas. Nomainiet asmeni. Sazinieties ar servisa centru. Notīriet pļāvēju un pārliecinieties, vai asmens var brīvi kustēties.
Nevar aizvērt roktura bloķēšanas skavas	<ul style="list-style-type: none"> Līdz galam nav izvilkti sānu pagarinājumi. 	<ul style="list-style-type: none"> Izvelciet līdz galam rokturu sānu pagarinājumu, pēc tam nofiksējiet skavas.

GARANTĪJA

EGO GARANTĪJAS POLITIKA

Lūdzu, apmeklējiet tīmekļa vietni egopowerplus.com, kur pieejama pilna EGO garantijas politikas noteikumu un nosacījumu versija.

ΔΙΑΒΑΣΤΕ ΟΛΕΣ ΤΙΣ ΟΔΗΓΙΕΣ!

Προβλεπόμενη χρήση: Το προϊόν προορίζεται για το κούρεμα γρασιδιού Μόνο σε οικιακούς κήπους. Δεν πρέπει να χρησιμοποιείται Για το κούρεμα ασυνήθιστα υψηλού, στεγνού ή βρεγμένου γρασιδιού.

⚠️ ΠΡΟΕΙΔΟΠΟΙΗΣΗ: Βεβαιωθείτε ότι έχετε διαβάσει και κατανοήσει όλες τις οδηγίες ασφάλειας στο παρόν εγχειρίδιο χρήσης, συμπεριλαμβανομένων όλων των συμβόλων ασφάλειας, όπως «**ΚΙΝΔΥΝΟΣ**», «**ΠΡΟΕΙΔΟΠΟΙΗΣΗ**» και «**ΠΡΟΣΟΧΗ**», προτού να χρησιμοποιήσετε αυτό το ηλεκτρικό εργαλείο. Η μη τήρηση όλων των παρακάτω οδηγιών μπορεί να οδηγήσει σε ηλεκτροπληξία, πυρκαγιά και/ή σοβαρό τραυματισμό.

⚠️ ΠΡΟΕΙΔΟΠΟΙΗΣΗ: Η λειτουργία ηλεκτρικών εργαλείων μπορεί να προκαλέσει την εκτόξευση ξένων αντικειμένων στα μάτια σας, με αποτέλεσμα σοβαρό τραυματισμό των ματιών. Προτού ξεκινήσετε τη χρήση του ηλεκτρικού εργαλείου, φοράτε πάντα προστατευτικά γυαλιά ή γυαλιά με πλευρική προστασία ή πλήρη προστατευτική προσωπίδα, εφόσον απαιτηθεί. Συνιστούμε μια προσωπίδα ασφαλείας ευρείας όρασης, για χρήση πάνω από γυαλιά ή τα συνήθη προστατευτικά γυαλιά με πλευρική προστασία.

ΣΥΜΒΟΛΑ ΑΣΦΑΛΕΙΑΣ



Προειδοποίηση ασφαλείας



Προκειμένου να μειωθεί ο κίνδυνος τραυματισμού, ο χρήστης πρέπει να διαβάσει και να κατανοήσει το εγχειρίδιο χρήσης προτού να χρησιμοποιήσει αυτό το προϊόν.



Εξασφαλίστε ότι άλλα άτομα ή κατοικίδια παραμένουν τουλάχιστον 30 m μακριά από τη χλοοκοπτική μηχανή, όταν αυτή χρησιμοποιείται.



Διατηρείτε τα πόδια και τα χέρια σας μακριά.



Οι λεπίδες συνεχίζουν να περιστρέφονται αφού σβήσει ο κινητήρας. Απομακρύνετε τη συσκευή απενεργοποίησης πριν από τη συντήρηση. Απενεργοποιήστε και απομακρύνετε την αποσπώμενη συστοιχία μπαταριών (ή τη συσκευή απενεργοποίησης) πριν από ρυθμίσεις ή καθαρισμό.



Εγγυημένη στάθμη ηχητικής ισχύος.



Αυτό το προϊόν συμμορφώνεται με τις εφαρμοστές οδηγίες της ΕΚ.



Αυτό το προϊόν συμμορφώνεται με την ισχύουσα νομοθεσία του ΗΒ.

GR



Τα απόβλητα ειδών ηλεκτρικού και ηλεκτρονικού εξοπλισμού δεν πρέπει να απορρίπτονται στα οικιακά απορρίμματα. Παραδώστε τα σε εξουσιοδοτημένη μονάδα ανακύκλωσης.

IPX4

Βαθμός προστασίας 4 από διείσδυση νερού

V Volt

mm Χιλιοστό

cm Εκατοστό

≡ Τύπος ή χαρακτηριστικά ρεύματος

kg Χιλιόγραμμα

ΤΕΧΝΙΚΕΣ ΠΡΟΔΙΑΓΡΑΦΕΣ

Τάση	56 V	
Ταχύτητα χωρίς φορτίο	2700 RPM	
Ύψος κοπής	25mm/ 32mm/ 40mm/ 51mm/ 64mm/ 77mm/ 90mm	
Θέσεις ύψους κοπής	7	
Πλάτος κοπής	52 cm	
Χωρητικότητα σάκου συλλογής γρασιδιού	70L	
Βάρος χλοοκοπτικής μηχανής (χωρίς τη συστοιχία μπαταριών και το σάκο συλλογής γρασιδιού)	25,1 kg	
Μοντέλο λεπίδας	AB2102D-E	
Θερμοκρασία λειτουργίας	0°C-40°C	
Θερμοκρασία αποθήκευσης	-20°C-70°C	
Φρένο λεπίδας	NAI	
Μετρημένη στάθμη ηχητικής ισχύος L_{WA}	89,8 dB(A) K=3,35 dB(A)	
Στάθμη ηχητικής πίεσης στο αυτί του χειριστή L_{PA}	80,3 dB(A) K=3 dB(A)	
Εγγυημένο επίπεδο ισχύος ήχου L_{WA} (μέτρηση κατά 2000/14/EE)	93 dB(A)	
Αξιολόγηση δονήσεων a_h :	Αριστερή χειρολαβή	0,61 m/s ² K=1,5 m/s ²
	Δεξιά χειρολαβή	0,54 m/s ² K=1,5 m/s ²

ΚΑΤΑΛΟΓΟΣ ΕΞΑΡΤΗΜΑΤΩΝ ΣΥΣΚΕΥΑΣΙΑΣ (ΕΙΚ. Α1)

ΠΕΡΙΓΡΑΦΗ

ΓΝΩΡΙΣΤΕ ΤΗ ΧΛΟΟΚΟΠΤΙΚΗ ΣΑΣ ΜΗΧΑΝΗ (ΕΙΚ. Α1)

1. Διακόπτης αυτοκίνησης
2. Κουμπί ελέγχου ταχύτητας αυτοκίνησης
3. Κουμπί ασφαλείας
4. Διακόπτης κύριων προβολέων LED
5. Βραχίονας ασφάλισης χειρολαβής
6. Σάκος συλλογής γρασιδιού
7. Μοχλός γρήγορης ρύθμισης
8. Μοχλός ρύθμισης ύψους κοπής
9. Πίσω τροχός

10. Μπροστινός τροχός
11. Βάση χλοοκοπτικής μηχανής
12. Μπροστινή χειρολαβή
13. Κύριοι προβολείς LED
14. Κάλυμμα μπαταρίας
15. Πίσω χειρολαβή
16. Πίσω θύρα απόρριψης
17. Πλευρική ράγα
18. Ένδειξη κατάστασης χλοοκοπτικής μηχανής
19. Μοχλός χειρισμού
20. Χειρολαβή
21. Υποστήριξη για αποθήκευση σε όρθια θέση
22. Πίσω προστατευτικό
23. Κουμπί αποδέσμευσης της συστοιχίας μπαταριών
24. Κλειδί ασφαλείας

ΛΕΙΤΟΥΡΓΙΑ

ΣΥΝΑΡΜΟΛΟΓΗΣΗ ΤΟΥ ΣΑΚΟΥ ΣΥΛΛΟΓΗΣ ΓΡΑΣΙΔΙΟΥ

- 1) Σύρετε το σάκο συλλογής γρασιδιού επάνω στο πλαίσιο (Εικ. Β).
- 2) Συναρμολογήστε τα επάνω κλιπ στο πλαίσιο (Εικ. C), και στη συνέχεια, συναρμολογήστε τα δύο πλαϊνά κλιπ. Συναρμολογήστε τελευταίο το κάτω κλιπ.
- 3) Ο πλήρως συναρμολογημένος σάκος συλλογής γρασιδιού εικονίζεται στην Εικ. D.

ΣΗΜΕΙΩΣΗ: Υπό φυσιολογική χρήση, το υλικό του σάκου υπόκειται σε φθορά. Για να μειώσετε τον κίνδυνο τραυματισμού, ελέγχετε τακτικά τη μονάδα σάκου και αντικαθιστάτε σε περίπτωση εντοπισμού φθορών ή ζημιάς. Χρησιμοποιείτε μόνο σάκους γρασιδιού που έχουν κατασκευαστεί για τη συγκεκριμένη χλοοκοπτική μηχανή.

ΡΥΘΜΙΣΗ ΤΗΣ ΠΤΥΣΣΟΜΕΝΗΣ ΧΕΙΡΟΛΑΒΗΣ

⚠️ ΠΡΟΕΙΔΟΠΟΙΗΣΗ: Μην επιχειρήσετε να εκκινήσετε τη χλοοκοπτική μηχανή προτού να κλειδώσει η χειρολαβή σε κάποια από τις τρεις προκαθορισμένες θέσεις λειτουργίας (ΕΠΑΝΩ ΘΕΣΗ ΛΕΙΤΟΥΡΓΙΑΣ, ΜΕΣΑΙΑ ΘΕΣΗ ΛΕΙΤΟΥΡΓΙΑΣ και ΚΑΤΩ ΘΕΣΗ ΛΕΙΤΟΥΡΓΙΑΣ).

Η χλοοκοπτική μηχανή αποστέλλεται με τη χειρολαβή σε συνεπτυγμένη ΘΕΣΗ ΑΣΦΑΛΙΣΗΣ ΓΙΑ ΑΠΟΘΗΚΕΥΣΗ (Εικ. Ε).

- 1) Πατήστε και διατηρήστε πατημένο το μοχλό γρήγορης ρύθμισης για να αποδεσμεύσετε τη χειρολαβή από τη ΘΕΣΗ ΑΣΦΑΛΙΣΗΣ ΓΙΑ ΑΠΟΘΗΚΕΥΣΗ.
- 2) Σηκώστε τη χειρολαβή από τη διπλωμένη της θέση και, στη συνέχεια, αποδεσμεύστε το μοχλό. Περιστρέψτε απαλά τη χειρολαβή προς τα επάνω, μέχρι να ακούσετε και να αισθανθείτε ότι ο πείρος ασφάλισης δεσμεύεται σε μια από τις παρακάτω διαφορετικές θέσεις, όπως εικονίζεται στην Εικ. F.

GR

F-1	Θέση προσάρτησης/αφαίρεσης σάκου συλλογής γρασιδιού	F-2	Θέση ασφάλισης για αποθήκευση
F-3	Επάνω θέση λειτουργίας	F-4	Μεσαία θέση λειτουργίας
F-5	Κάτω θέση λειτουργίας		

ΠΡΟΣΑΡΤΗΣΗ ΤΟΥ ΣΑΚΟΥ ΣΥΛΛΟΓΗΣ ΓΡΑΣΙΔΙΟΥ

▲ ΠΡΟΕΙΔΟΠΟΙΗΣΗ: Μην πραγματοποιείτε ποτέ ρυθμίσεις στη χλοοκοπτική μηχανή χωρίς να απενεργοποιήσετε πρώτα τον κινητήρα, να αφαιρέσετε το κλειδί ασφαλείας και να περιμένετε ώσπου να ακινητοποιηθεί η λεπίδα.

ΣΗΜΕΙΩΣΗ: Αφαιρέστε το ένθεμα κάλυψης εδάφους ή τη χοάνη πλευρικής εξαγωγής προτού να προσαρτήσετε το σάκο συλλογής γρασιδιού στη χλοοκοπτική μηχανή.

■ Προσάρτηση/αφαίρεση του σάκου συλλογής γρασιδιού (Εικ. G)

Τοποθετήστε την τάβλα του σάκου συλλογής γρασιδιού στη χλοοκοπτική μηχανή και κρεμάστε το σάκο συλλογής γρασιδιού σε αυτήν.

ΣΗΜΕΙΩΣΗ: Αφαιρέστε το προεγκατεστημένο ένθεμα κάλυψης εδάφους από τη χλοοκοπτική μηχανή, προτού να προσαρτήσετε το σάκο συλλογής γρασιδιού σε αυτήν.

■ Προσάρτηση/αφαίρεση του ενθέματος κάλυψης εδάφους (πωλείται χωριστά) (Εικ. H)

ΡΥΘΜΙΣΗ ΤΟΥ ΥΨΟΥΣ ΚΟΠΗΣ (Εικ. I)

I-1	Ελατρωτή ρύθμιση ύψους κοπής	I-2	Πλάκα ένδειξης ύψους κοπής
-----	------------------------------	-----	----------------------------

▲ ΠΡΟΕΙΔΟΠΟΙΗΣΗ: Διατηρείτε τα πόδια σας μακριά από τη βάση όταν ρυθμίζετε το ύψος της. Η χλοοκοπτική μηχανή μπορεί να ρυθμιστεί σε 8 ύψη κοπής μεταξύ 25 mm και 105 mm. Επιλέξτε το σωστό ύψος κοπής ανάλογα με το είδος και τις συνθήκες του γρασιδιού.

ΠΡΟΣΑΡΤΗΣΗ/ΑΦΑΙΡΕΣΗ ΤΗΣ ΣΥΣΤΟΙΧΙΑΣ ΜΠΑΤΑΡΙΩΝ (Εικ. J)

Να χρησιμοποιείται μόνο με τις συστοιχίες μπαταριών και τους φορτιστές που αναφέρονται στην Εικ. A2

ΦΟΡΤΙΣΗ ΠΡΙΝ ΑΠΟ ΤΗΝ ΠΡΩΤΗ ΧΡΗΣΗ

▲ ΠΡΟΕΙΔΟΠΟΙΗΣΗ: Εάν έχουν σπάσει ή λείπουν εξαρτήματα, μην προσπαθήσετε να προσαρτήσετε τη συστοιχία μπαταριών στη χλοοκοπτική μηχανή ή να χρησιμοποιήσετε τη χλοοκοπτική μηχανή, προτού να αντικατασταθούν τα σπασμένα ή ελλιπή εξαρτήματα. Σε αντίθετη περίπτωση, ενέχει κίνδυνος σοβαρού τραυματισμού.

■ Προσάρτηση

Ωθήστε τη συστοιχία μπαταριών στη θήκη μπαταρίας, μέχρι να ακουστεί το χαρακτηριστικό «κλικ».

■ Αφαίρεση

Πιέστε το κουμπί αποδέσμευσης της συστοιχίας μπαταριών στη θήκη μπαταρίας.

ΣΗΜΕΙΩΣΗ: Βεβαιωθείτε ότι το μάνταλο στη χλοοκοπτική μηχανή κουμπώνει στη θέση του και ότι η συστοιχία μπαταριών ασφαλίσει στη μηχανή, προτού να ξεκινήσετε τη χρήση.

ΕΝΕΡΓΟΠΟΙΗΣΗ/ΑΠΕΝΕΡΓΟΠΟΙΗΣΗ ΤΗΣ ΧΛΟΟΚΟΠΤΙΚΗΣ ΜΗΧΑΝΗΣ (Εικ. K, L & M)

▲ ΠΡΟΕΙΔΟΠΟΙΗΣΗ: Η λειτουργία οποιασδήποτε χλοοκοπτικής μηχανής μπορεί να προκαλέσει την εκτόξευση ξένων αντικειμένων, τόσο στα δικά σας μάτια όσο και σε άλλων ατόμων, με συνέπεια σοβαρό τραυματισμό των ματιών. Φοράτε πάντα γυαλιά ασφαλείας καθώς χειρίζεστε τη χλοοκοπτική μηχανή ή όταν διεξάγετε οποιοδήποτε ρυθμίσεις ή επισκευές σε αυτήν.

▲ ΠΡΟΕΙΔΟΠΟΙΗΣΗ: Η λεπίδα συνεχίζει να περιστρέφεται για μερικά δευτερόλεπτα μετά την απενεργοποίηση της χλοοκοπτικής μηχανής. Περιμένετε μέχρι να σταματήσει η περιστροφή του κινητήρα / της λεπίδας, πριν από την επανεκκίνηση. Μην απενεργοποιείτε και ενεργοποιείτε γρήγορα τη χλοοκοπτική μηχανή.

ΚΛΕΙΔΙ ΑΣΦΑΛΕΙΑΣ (Εικ. N)

Για να αποτραπεί η τυχαία εκκίνηση ή η μη εξουσιοδοτημένη χρήση της ασύρματης χλοοκοπτικής μηχανής, υπάρχει ενσωματωμένο στο σχεδιασμό της ένα αποσπώμενο κλειδί ασφαλείας. Η χλοοκοπτική μηχανή απενεργοποιείται πλήρως όταν το κλειδί ασφαλείας αφαιρεθεί από αυτήν.

ΚΙΝΔΥΝΟΣ: Οι περιστρεφόμενες λεπίδες μπορούν να προκαλέσουν σοβαρό τραυματισμό. Για να αποτραπεί ο σοβαρός τραυματισμός, αφαιρέτε το κλειδί ασφαλείας όταν η χλοοκοπτική μηχανή δε βρίσκεται υπό επίβλεψη ή κατά τη ρύθμιση, τον καθαρισμό, το σέρβις, τη μεταφορά, την ανύψωση ή την αποθήκευσή της.

ΣΗΜΕΙΩΣΗ: Ο κινητήρας δεν μπορεί να τεθεί σε λειτουργία εκτός εάν:

- Η χειρολαβή είναι ασφαλισμένη σε μια από τις τρεις θέσεις λειτουργίας, βλ. ΡΥΘΜΙΣΗ ΤΗΣ ΠΤΥΣΣΟΜΕΝΗΣ ΧΕΙΡΟΛΑΒΗΣ.
- Οι πλευρικές ράγες έχουν εκταθεί πλήρως.
- Και οι δύο πράσινοι βραχίονες ασφάλισης χειρολαβής έχουν κλείσει με ασφάλεια.

ΠΡΟΣΟΧΗ: Μην επιχειρήσετε να παρακάμψετε τη λειτουργία του κουμπιού ασφαλείας και του διακόπτη εκκίνησης.

Ενεργοποίηση (Εικ. Κ & Λ)

- 1) Προσαρτήστε τη συστοιχία μπαταριών στη χλοοκοπτική μηχανή, εισαγάγετε το κλειδί ασφαλείας στην υποδοχή κλειδιού και κλείστε το κάλυμμα της συστοιχίας μπαταριών.
- 2) Πατήστε το κουμπί ασφαλείας.
- 3) Με πατημένο το κουμπί ασφαλείας, τραβήξτε το διακόπτη εκκίνησης προς πάνω, προς τη χειρολαβή, και αποδεσμεύστε το κουμπί ασφαλείας.

Απενεργοποίηση (Εικ. Μ)

- 1) Αποδεσμεύστε πλήρως το διακόπτη εκκίνησης.
- 2) Το ηλεκτρικό φρένο στον αυτόματο μηχανισμό φρεναρίσματος θα σταματήσει την περιστροφή λεπίδας εντός 3 δευτερολέπτων από την αποδέσμευση του διακόπτη εκκίνησης.

ΚΥΡΙΟΙ ΠΡΟΒΟΛΕΙΣ LED (Εικ. Α-13)

Πιέστε το κουμπί διακόπτη (Εικ. Α-4) για να ενεργοποιήσετε/απενεργοποιήσετε τους κύριους προβολείς LED στο μπροστινό τμήμα της θήκης μπαταρίας.

ΑΥΤΟΚΙΝΟΥΜΕΝΟ ΣΥΣΤΗΜΑ ΜΕΤΑΒΛΗΤΗΣ ΤΑΧΥΤΗΤΑΣ

Η μηχανή LM2130E-SP είναι μια χλοοκοπτική μηχανή εξοπλισμένη με δυνατότητα αυτοκινούμενης μεταβλητής ταχύτητας. Το σύστημα είναι ανεξάρτητο από τον διακόπτη ενεργοποίησης/απενεργοποίησης λεπίδας, δηλ., δεν εξαρτάται από την περιστροφή λεπίδας.

Για παράδειγμα, εάν έχετε μόλις ολοκληρώσει την κοπή του γρασιδιού στον κήπο σας, μπορείτε να χρησιμοποιήσετε τη λειτουργία αυτοκίνησης για να μετακινήσετε τη χλοοκοπτική σας μηχανή στο χώρο αποθήκευσης χωρίς περιστροφή λεπίδας. Επίσης, μπορείτε να χρησιμοποιήσετε τη χλοοκοπτική μηχανή χωρίς τη λειτουργία αυτοκίνησης, μεγιστοποιώντας έτσι τη διάρκεια της συστοιχίας μπαταριών.

Για να χρησιμοποιήσετε το σύστημα αυτοκίνησης χωρίς περιστροφή λεπίδας, ενεργοποιήστε το κουμπί ελέγχου ταχύτητας αυτοκίνησης και πιέστε οποιαδήποτε σκανδάλη αυτοκίνησης, από τις δύο που υπάρχουν. Πιέστε οποιαδήποτε σκανδάλη για να ενεργοποιήσετε τη λειτουργία αυτοκίνησης (Εικ. Ο).

O-1	Κουμπί ελέγχου ταχύτητας αυτοκίνησης	O-2	Σκανδάλη αυτοκίνησης
-----	--------------------------------------	-----	----------------------

Για να απενεργοποιήσετε την αυτοκίνηση, αποδεσμεύστε τη σκανδάλη αυτοκίνησης και απενεργοποιήστε το κουμπί ελέγχου ταχύτητας αυτοκίνησης.

ΕΝΔΕΙΞΗ ΚΑΤΑΣΤΑΣΗΣ ΣΤΗ ΧΛΟΟΚΟΠΤΙΚΗ ΜΗΧΑΝΗ (Εικ. Ρ)

Η χλοοκοπτική μηχανή είναι εξοπλισμένη με μια ένδειξη ισχύος που υποδηλώνει την κατάσταση φόρτισης της συστοιχίας μπαταριών και την κατάσταση λειτουργίας της μηχανής. Η ένδειξη ισχύος ανάβει όταν η λεπίδα περιστρέφεται ή όταν οι κύριοι προβολείς LED είναι αναμμένοι.

P-1	Ένδειξη κατάστασης χλοοκοπτικής μηχανής	P-2	Διακόπτης κύριων προβολέων LED
-----	---	-----	--------------------------------

Ένδειξη κατάστασης χλοοκοπτικής μηχανής	Επεξήγηση	Ενέργεια
Ανάβει σταθερά πράσινη	Η χλοοκοπτική μηχανή λειτουργεί σωστά. Η συστοιχία μπαταριών είναι φορτισμένη τουλάχιστον κατά 15%.	Δεν απαιτείται κάποια ενέργεια.
Αναβο-σβήνει πράσινη	Οι πλευρικές ράγες δεν έχουν εκταθεί πλήρως. Η χειρολαβή δεν έχει ασφαλίσει σε κάποια από τις θέσεις λειτουργίας.	Διακόψτε τη λειτουργία της χλοοκοπτικής μηχανής και βεβαιωθείτε ότι οι πλευρικές ράγες έχουν εκταθεί πλήρως. Διακόψτε τη λειτουργία της χλοοκοπτικής μηχανής και βεβαιωθείτε ότι η χειρολαβή έχει ασφαλίσει σε κάποια από τις θέσεις λειτουργίας.
Αναβο-σβήνει κόκκινη	Χαμηλή φόρτιση συστοιχίας μπαταριών.	Σταματήστε τη χλοοκοπτική μηχανή και φορτίστε τη συστοιχία μπαταριών.

GR

Ανάβει στα-θερά πορτ-οκαλί	Η χλοοκο-πτική μηχανή απενεργοποιείται λόγω υπερθε-ρμανσης.	Αφαιρέστε τη συστοιχία μπαταριών από τη χλοοκοπτική μηχανή, μετακινήστε την στη σκιά και αφήστε την να κρυώσει για τουλάχιστον 15 λεπτά.
Αναβο-σβήνει πορτ-οκαλί	Η χλοοκο-πτική μηχανή έχει υπερφ-ορτωθεί.	Αρχικά, αφαιρέστε τη συστοιχία μπαταριών και, στη συνέχεια, ελέγξτε και καθαρίστε τυχόν γρασιδί που έχει συσσωρευτεί κάτω από τη βάση. Μειώστε το ρυθμό σας κατά την κοπή. Σε περίπτωση που αυτό δεν έχει αποτέλεσμα, επικοινωνήστε με το κέντρο εξυπηρέτησης πελατών της EGO.
Αναβο-σβήνει κόκκινο/πράσινο εναλ-λάξ	Σφάλμα	Επικοινωνήστε με το κέντρο εξυπηρέτησης πελατών της EGO
Σβηστή και αναβο-σβήνει η ένδειξη LED στη συστ-οιχία μπα-ταριών	Η συστ-οιχία μπαταριών έχει υπερθε-ρμανθεί. (Βλ. ενότητα «ΠΡΟΣΤ-ΑΣΙΑ ΥΠΕΡΘΕ-ΡΜΑΝΣΗΣ ΤΗΣ ΣΥΣΤ-ΟΙΧΙΑΣ ΜΠΑΤ-ΑΡΙΩΝ» σε αυτό το εγχει-ριδίο)	Αποδεσμεύστε το διακόπτη εκκένωσης, περιμένετε μέχρι να κρυώσει η συστοιχία μπαταριών και να φτάσει στους περίπου 67°C και, στη συνέχεια, επανεκκινήστε τη χλοοκοπτική μηχανή.

ΠΡΟΣΤΑΣΙΑ ΥΠΕΡΘΕΡΜΑΝΣΗΣ ΤΗΣ ΣΥΣΤΟΙΧΙΑΣ ΜΠΑΤΑΡΙΩΝ

Η συστοιχία μπαταριών δημιουργεί θερμότητα κατά τη διάρκεια της λειτουργίας. Η θερμότητα αποβάλλεται πιο αργά υπό θερμές καιρικές συνθήκες. Εάν η θερμοκρασία της συστοιχίας μπαταριών υπερβεί τους 70°C κατά τη διάρκεια της λειτουργίας, το κύκλωμα ασφαλείας θα ενεργοποιήσει αμέσως τη χλοοκοπτική μηχανή, ώστε να προστατεύσει τη συστοιχία μπαταριών από ζημιά λόγω θερμότητας. Η ένδειξη κατάστασης της χλοοκοπτικής μηχανής θα σβήσει. Ανατρέξτε στην ενότητα «ΠΡΟΣΤΑΣΙΑ ΜΠΑΤΑΡΙΑΣ» του εγχειριδίου χρήσης της συστοιχίας μπαταριών για περισσότερες πληροφορίες.

Αποδεσμεύστε το διακόπτη εκκένωσης, περιμένετε μέχρι να κρυώσει η συστοιχία μπαταριών και να φτάσει στους περίπου 67°C και, στη συνέχεια, επανεκκινήστε τη χλοοκοπτική μηχανή.

ΣΥΝΤΗΡΗΣΗ

⚠ ΠΡΟΕΙΔΟΠΟΙΗΣΗ: Προς αποφυγή σοβαρού τραυματισμού, απομακρύνετε πάντα το κλειδί ασφαλείας από τη χλοοκοπτική μηχανή, πριν από καθαρισμό, τη διεξαγωγή οιασδήποτε συντήρησης ή τη μεταφορά.

⚠ ΠΡΟΕΙΔΟΠΟΙΗΣΗ: Κατά τη συντήρηση, χρησιμοποιείτε μόνο όμοια ανταλλακτικά. Η χρήση οποιωνδήποτε άλλων εξαρτημάτων μπορεί να προκαλέσει κίνδυνο ή υλικές ζημιές. Προκειμένου να διασφαλιστεί η ασφάλεια και η αξιοπιστία, όλες οι επισκευές και οι αντικαταστάσεις πρέπει να πραγματοποιούνται από εξειδικευμένο τεχνικό σέρβις.

ΓΕΝΙΚΗ ΣΥΝΤΗΡΗΣΗ

⚠ ΠΡΟΕΙΔΟΠΟΙΗΣΗ: Απομακρύνετε πάντοτε το κλειδί ασφαλείας και τη συστοιχία μπαταριών κατά τη συντήρηση ή μεταφορά της χλοοκοπτικής μηχανής.

Η κάτω πλευρά της βάσης της χλοοκοπτικής μηχανής πρέπει να καθαρίζεται μετά από κάθε χρήση, καθώς συσσωρεύονται κομμάτια γρασιδιού, φύλλα, βρομιές και άλλα υπολείμματα.

Απομακρύνετε οποιαδήποτε συσσωρευση γρασιδιού και φύλλων επάνω ή γύρω από τον ανεμιστήρα του κινητήρα (μη χρησιμοποιήσετε νερό). Σκουπίστε τη χλοοκοπτική μηχανή με νωπό πανί.

ΑΦΑΙΡΕΣΗ/ΤΟΠΟΘΕΤΗΣΗ ΤΗΣ ΛΕΠΙΔΑΣ

⚠ ΠΡΟΕΙΔΟΠΟΙΗΣΗ: Προστατεύετε πάντα τα χέρια σας, φορώντας ανθεκτικά γάντια ή τυλίγοντας τις ακμές κοπής με πανιά ή άλλα υλικά όταν διεξάγετε συντήρηση στη λεπίδα της χλοοκοπτικής μηχανής. Απομακρύνετε πάντοτε τη συστοιχία μπαταριών κατά τη συντήρηση ή μεταφορά της χλοοκοπτικής μηχανής.

GR

ΠΡΟΣΤΑΣΙΑ ΥΠΕΡΦΟΡΤΩΣΗΣ ΤΗΣ ΧΛΟΟΚΟΠΤΙΚΗΣ ΜΗΧΑΝΗΣ

Για να αποτρέψετε συνθήκες υπερφόρτωσης, μην προσπαθείτε να απομακρύνετε υπερβολικά πολύ γρασιδί τη φορά. Επιβραδύνετε το ρυθμό κοπής ή αυξήστε το ύψος κοπής.

Η χλοοκοπτική μηχανή διαθέτει μια ενσωματωμένη προστασία κυκλώματος από υπερφόρτωση. Όταν η χλοοκοπτική μηχανή υπερφορτωθεί, ο κινητήρας θα ακινητοποιηθεί και η ένδειξη κατάστασης της χλοοκοπτικής μηχανής θα αναβοσβήνει πορτοκαλί. Απομακρύνετε τη συστοιχία μπαταριών από τη χλοοκοπτική μηχανή. Ελέγξτε μήπως έχει συγκεντρωθεί γρασιδί κάτω από τη βάση και καθαρίστε το, εφόσον χρειάζεται. Στη συνέχεια, τοποθετήστε τη συστοιχία μπαταριών και θέστε τη χλοοκοπτική μηχανή εκ νέου σε λειτουργία.

- **Αφαίρεση της λεπίδας, σύμφωνα με την Εικ. Q.**
- **Τοποθέτηση της λεπίδας**
Τηρώντας την αλληλουχία συναρμολόγησης σύμφωνα με την Εικ. R, με τη λεπίδα ανεμιστήρα προς τη βάση και την εκτυπωμένη πλευρά της λεπίδας προς τα έξω, ευθυραμμίστε τις διαμπερείς οπές του ανεμιστήρα με τις οπές στη λεπίδα (Εικ. S) και, στη συνέχεια, συσφίξτε τη λεπίδα σύμφωνα με την Εικ. T.

ΑΠΟΘΗΚΕΥΣΗ ΤΗΣ ΧΛΟΟΚΟΠΤΙΚΗΣ ΜΗΧΑΝΗΣ

- Απομακρύνετε τη συστοιχία μπαταριών από τη χλοοκοπτική μηχανή και αποθηκεύστε την σε μια δροσερή, στεγνή και καθαρή τοποθεσία. Μην την αποθηκεύετε δίπλα σε διαβρωτικά υλικά, όπως λιπάσματα ή ορυκτό αλάτι.
- Αποθηκεύστε τη χλοοκοπτική μηχανή σε έναν καλυμμένο, κλειστό χώρο που είναι δροσερός, στεγνός και εκτός εμβέλειας παιδιών.
- Μην καλύπτετε τη χλοοκοπτική μηχανή με ένα ενιαίο πλαστικό φύλλο. Τα πλαστικά φύλλα παγιδεύουν υγρασία γύρω από τη χλοοκοπτική μηχανή με αποτέλεσμα να δημιουργείται σκουριά και να προκαλείται διάβρωση.
- Η χλοοκοπτική μηχανή μπορεί να αποθηκευτεί σε κάθετη ή οριζόντια θέση. (Εικ. U & V).

⚠ ΠΡΟΕΙΔΟΠΟΙΗΣΗ: Εάν η χλοοκοπτική μηχανή ανατραπεί από την όρθια θέση, μπορεί να προκληθεί ζημιά σε αυτήν ή τραυματισμός. Διατηρείτε πάντα τη χλοοκοπτική μηχανή σταθερή και μακριά από τα παιδιά, όταν αυτή βρίσκεται σε όρθια θέση. Εάν είναι δυνατόν, τοποθετήστε την οριζόντια κατά την αποθήκευση.

Προστασία του περιβάλλοντος



Οι ηλεκτρικές συσκευές δεν πρέπει να απορρίπτονται ως σύμμεικτα αστικά απορρίμματα. Χρησιμοποιείτε ξεχωριστές εγκαταστάσεις συλλογής απορριμμάτων.

Επικοινωνήστε με το δήμο σας για να μάθετε πληροφορίες για τα διαθέσιμα συστήματα συλλογής.

Εάν οι ηλεκτρικές συσκευές απορριφθούν στην ύπαιθρο ή σε χωματερές, τότε είναι πιθανό να διαρρεύσουν επικίνδυνες ουσίες στα υπόγεια ύδατα, με αποτέλεσμα να περάσουν στην τροφική αλυσίδα, προκαλώντας ζημιές στην υγεία και την φυσική σας κατάσταση.

ΑΝΤΙΜΕΤΩΠΙΣΗ ΠΡΟΒΛΗΜΑΤΩΝ

⚠ ΠΡΟΕΙΔΟΠΟΙΗΣΗ: Απομακρύνετε πάντοτε το κλειδί ασφαλείας και τη συστοιχία μπαταριών κατά τη συντήρηση ή μεταφορά της χλοοκοπτικής μηχανής. Προστατεύετε πάντα τα χέρια σας, φορώντας ανθεκτικά γάντια ή τυλιγόντας τις ακμές κοπής με πανιά ή άλλα υλικά όταν διεξάγετε συντήρηση στη λεπίδα της χλοοκοπτικής μηχανής.

ΠΡΟΒΛΗΜΑ	ΑΙΤΙΑ	ΑΝΤΙΜΕΤΩΠΙΣΗ
Η χλοοκοπτική μηχανή δεν εκκινείται	<ul style="list-style-type: none"> ■ Η συστοιχία μπαταριών έχει αδειάσει. ■ Η συστοιχία μπαταριών δεν έχει τοποθετηθεί στη θέση της μέσα στη θήκη μπαταρίας. ■ Το κύκλωμα της συστοιχίας μπαταριών ή της χλοοκοπτικής μηχανής είναι υπερβολικά ζεστό. (Η ένδειξη ισχύος στη χλοοκοπτική μηχανή ανάβει πορτοκαλί για 10 δευτερόλεπτα) ■ Οι πλευρικές ράγες δεν εκτείνονται στο μέγιστο μήκος τους και οι βραχίονες δεν ασφαλίζουν στη σωστή θέση. ■ Η χειρολαβή δεν έχει ρυθμιστεί σε κάποια από τις τρεις θέσεις λειτουργίας. ■ Η βάση της χλοοκοπτικής μηχανής έχει φράξει με γρασίδι και υπολείμματα. 	<ul style="list-style-type: none"> ■ Φορτίστε τη συστοιχία μπαταριών. ■ Προσαρτήστε τη συστοιχία μπαταριών στη χλοοκοπτική μηχανή και πιέστε ώσπου να ακουστεί το χαρακτηριστικό «κλικ». ■ Αφήστε να κρυώσει η συστοιχία μπαταριών ή η χλοοκοπτική μηχανή, ώσπου η θερμοκρασία να πέσει κάτω από τους 67°C. ■ Εκτείνετε πλήρως τη χειρολαβή και ασφαλίστε και τους δύο βραχίονες. ■ Ρυθμίστε τη χειρολαβή σε κάποια από τις τρεις θέσεις λειτουργίας. ■ Καθαρίστε τη βάση της χλοοκοπτικής μηχανής και βεβαιωθείτε ότι η λεπίδα κινείται ελεύθερα.
Η χλοοκοπτική μηχανή κόβει ακανόνιστα	<ul style="list-style-type: none"> ■ Η λεπίδα είναι στομωμένη. ■ Το ύψος κοπής δεν έχει ρυθμιστεί σωστά. ■ Η λεπίδα έχει συναρμολογηθεί λάθος. 	<ul style="list-style-type: none"> ■ Τροχίστε ή αντικαταστήστε τη λεπίδα. ■ Σηκώστε τη βάση σε υψηλότερη ρύθμιση ύψους κοπής. ■ Επανασυναρμολογήστε τη λεπίδα σύμφωνα με την ενότητα «ΤΟΠΟΘΕΤΗΣΗ ΤΗΣ ΛΕΠΙΔΑΣ» στο παρόν εγχειρίδιο.
Η χλοοκοπτική μηχανή σταματάει κατά την κοπή	<ul style="list-style-type: none"> ■ Η συστοιχία μπαταριών έχει αδειάσει. ■ Η χλοοκοπτική μηχανή βρίσκεται σε κατάσταση υπερφόρτωσης. ■ Η βάση της χλοοκοπτικής μηχανής έχει φράξει με γρασίδι και υπολείμματα. ■ Το κύκλωμα της συστοιχίας μπαταριών ή της χλοοκοπτικής μηχανής είναι υπερβολικά ζεστό. (Η ένδειξη ισχύος στη χλοοκοπτική μηχανή ανάβει πορτοκαλί για 10 δευτερόλεπτα.) ■ Η πλευρική ράγα έχει ανασυρθεί ελαφρά λόγω της ισχύος ώθησης που εφαρμόστηκε στη χειρολαβή. 	<ul style="list-style-type: none"> ■ Φορτίστε τη συστοιχία μπαταριών. ■ Αυξήστε το ύψος κοπής ή επιβραδύνετε την κοπή. ■ Απομακρύνετε το μπλοκάρισμα στη βάση της χλοοκοπτικής μηχανής. Αυξήστε το ύψος κοπής ή δημιουργήστε ένα στενό μονοπάτι. ■ Αφήστε να κρυώσει η συστοιχία μπαταριών ή η χλοοκοπτική μηχανή, ώσπου η θερμοκρασία να πέσει κάτω από τους 67°C. ■ Απασφαλίστε τους βραχίονες. Εκτείνετε πλήρως τις πλευρικές ράγες και ασφαλίστε ξανά τους βραχίονες.

GR

ΠΡΟΒΛΗΜΑ	ΑΙΤΙΑ	ΑΝΤΙΜΕΤΩΠΙΣΗ
Η χλοοκοπτική μηχανή δεν κάνει σωστή κάλυψη εδάφους	<ul style="list-style-type: none"> ■ Υγρά αποκόμματα γρασιδιού κολλάνε στην κάτω πλευρά της βάσης. ■ Η χλοοκοπτική μηχανή έχει ρυθμιστεί να κόβει πολύ γρασίδι μονομιάς. 	<ul style="list-style-type: none"> ■ Περιμένετε ώσπου να στεγνώσει το γρασίδι προτού το κόψετε. ■ Σηκώστε τη βάση σε υψηλότερη ρύθμιση ύψους κοπής.
Προκύπτουν υπερβολικοί κραδασμοί	<ul style="list-style-type: none"> ■ Η λεπίδα κοπής είναι λασκαρισμένη. ■ Η λεπίδα κοπής δεν έχει ισορροπία. ■ Η λεπίδα κοπής έχει λυγίσει. ■ Ο άξονας κινητήρα έχει λυγίσει. ■ Η βάση της χλοοκοπτικής μηχανής έχει φράξει με γρασίδι και υπολείμματα. 	<ul style="list-style-type: none"> ■ Συσφίξτε το μπουλόνι λεπίδας. ■ Ισορροπήστε τη λεπίδα σύμφωνα με τις οδηγίες. ■ Αντικαταστήστε τη λεπίδα. ■ Επικοινωνήστε με το κέντρο σέρβις. ■ Καθαρίστε τη βάση της χλοοκοπτικής μηχανής και βεβαιωθείτε ότι η λεπίδα κινείται ελεύθερα.
Οι βραχίονες ασφάλισης χειρολαβής δεν κλείνουν στη σωστή θέση.	<ul style="list-style-type: none"> ■ Οι πλευρικές ράγες δεν έχουν εκταθεί πλήρως. 	<ul style="list-style-type: none"> ■ Εκτείνετε πλήρως τις πλευρικές ράγες και, στη συνέχεια, ασφαλίστε τους βραχίονες.

ΕΓΓΥΗΣΗ

ΠΟΛΙΤΙΚΗ ΕΓΓΥΗΣΗΣ EGO

Επισκεφθείτε την ιστοσελίδα egopowerplus.com για όλους τους όρους και τις προϋποθέσεις της πολιτικής εγγύησης EGO.

GR

TÜM TALİMATLARI OKUYUN!

Kullanım amacı: ürün sadece ev bahçelerinde çim biçmek için tasarlanmıştır. Anormal derecede uzun, kuru veya ıslak çimleri (çayır vb.) veya kuru yaprak yığınlarını biçmek için kullanılmamalıdır.

⚠ UYARI: Bu aleti kullanmadan önce, "TEHLİKE", "UYARI" ve "DİKKAT" gibi tüm güvenlik uyarı ve sembollerini içeren bu Kullanım Kılavuzu içerisindeki tüm güvenlik talimatlarını okuyup anladığınızdan emin olun. Aşağıdaki talimatların tamamına uyulmaması elektrik çarpması, yangın ve/veya ciddi kişisel yaralanma ile sonuçlanabilir.

⚠ UYARI: Elektrikli aletlerin kullanımı yabancı nesnelere gözlerinize fırlatılması sonucunu doğurabilir, bu da gözlerde ciddi hasara yol açabilir. Elektrikli aleti kullanmaya başlamadan önce, daima göz koruması veya yan siperleri olan koruyucu gözlük takın veya gerektiğinde tam yüz siperi kullanın. Gözlük üzerine kullanım için Wide Vision Koruyucu Maske ya da yan siperleri olan standart koruyucu gözlükleri tavsiye ederiz.

GÜVENLİK SEMBOLLERİ



Güvenlik Uyarısı



Yaralanma riskini azaltmak için, kullanıcı bu ürünü kullanmadan önce kullanım kılavuzunu okuyup anlamalıdır.



Çim biçme makinesi kullanılırken diğer insanların ve evcil hayvanların en az 30 m uzakta olduklarından emin olun.



Ayakları ve elleri uzak tutun



Kesim bıçakları motor kapatıldıktan sonra da dönmeye devam eder - Bakım yapmadan önce cihazı emniyete alın. Ayar veya temizlik işlemi öncesinde gücü kapatın ve sökülebilir aküyü (veya emniyet aygıtını) çıkarın.



Garanti edilen ses gücü seviyesi.



Bu ürün, yürürlükteki AB yönetmeliklerine uygundur.



Bu ürün, yürürlükteki Birleşik Krallık yasalarna uygundur.

TR



Atık elektrikli ürünler, evsel atıklar ile birlikte bertaraf edilmemelidir. Yetkili bir geri dönüşüm merkezine teslim edin.

IPX4

Su girişine karşı koruma derecesi 4

V Volt

mm Milimetre

cm Santimetre

≡ Akımın türü veya özelliği

kg Kilogram

TEKNİK ÖZELLİKLER

Voltaaj	56 V	
Yüksüz Hız	2700 RPM	
Kesim Yüksekliği	25mm/ 32mm/ 40mm/ 51mm/ 64mm/ 77mm/ 90mm	
Kesim Yüksekliği Konumları	7	
Kesim Genişliği	52 cm	
Çim Torbası Hacmi	70L	
Çim Biçme Makinesinin Ağırlığı (Akü ve çim torbası olmadan)	25,1 kg	
Bıçak Modeli	AB2102D-E	
Çalışma sıcaklığı	0°C-40°C	
Depolama Sıcaklığı	-20°C-70°C	
Bıçak Freni	EVET	
Ölçülen ses güç düzeyi L_{WA}	89,8 dB(A) K=3,35 dB(A)	
Operatörün duyduğu ses güç düzeyi L_{PA}	80,3 dB(A) K=3 dB(A)	
Garanti edilen ses güç düzeyi L_{WA} (2000/14/EC uyarınca ölçülmüş)	93 dB(A)	
Titreşim değeri $a_{h,v}$:	Sol tutma sapı	0,61 m/s ² K=1,5 m/s ²
	Sağ tutma sapı	0,54 m/s ² K=1,5 m/s ²

PAKET LİSTESİ (ŞEK. A1)

AÇIKLAMA

ÇİM BİÇME MAKİNENİZİ TANIYIN (Şek. A1)

- Kendinden Tahrikli Çalışma Anahtarı
- Kendiliğinden Tahrikli Hız Kontrol Düğmesi
- Güvenlik Düğmesi
- LED Farlar için Anahtar Düğmesi
- Sap Kilitleme Kelepçesi
- Çim Torbası
- Hızlı Ayar Kolu
- Kesim Yüksekliği Ayar Kolu
- Arka Tekerlek
- Ön Tekerlek
- Çim Biçme Makinesi Tabanı
- Ön Tutma Sapı
- LED Lambalar
- Pil Bölmesi Kapağı

- Arka Kol
- Arka Boşaltma Kapağı
- Yan Korkuluk Rayı
- Çim Biçme Makinesi Durum Göstergesi
- Anahtar Kolu
- Tutma yeri
- Dik Saklama Desteği
- Arka Siper
- Akü Çıkarma Düğmesi
- Güvenlik Anahtarı

ÇALIŞMA

ÇİM TORBASININ BİRLEŞTİRİLMESİ

- Çim torbasını çerçeveye geçirin (Şek. B).
- Üst klipsleri çerçeveye monte edin (Şek. C), ardından iki taraflı klipsleri monte edin. En son alt klipsi monte edin.
- Tamamen monte edilmiş durumdaki çim torbası Şek. D'de gösterilmiştir.

DIKKAT: Normal kullanım koşulları altında, torba malzemesi aşınır. Yaralanma riskini azaltmak için, torba donanımını sık sık kontrol edin ve aşınma veya bozulma belirtisi varsa değiştirin. Sadece bu çim biçme makinesi için üretilmiş olan çim torbalarını kullanın.

KATLANIR TUTMA SAPININ AYARLANMASI

UYARI: Tutma sapı üç önyayarlı çalışma konumundan (ÜST ÇALIŞMA KONUMU, ORTA ÇALIŞMA KONUMU veya ALT ÇALIŞMA KONUMU) birinde kilitlemeye kadar çim biçme makinesini çalıştırmayın.

Çim biçme makinesi, tutma sapı kompakt, KİLİTLİ SAKLAMA KONUMU'nda gönderilir (Şek. E).

- Tutma sapını KİLİTLİ SAKLAMA KONUMU'ndan çıkarmak için hızlı ayar kolunu basılı tutun.
- Tutma sapını kaldırarak katlanmış konumdan çıkarın, ardından kolu bırakın. Tutma sapını, kilit piminin aşağıdaki Şek. F'de gösterildiği gibi farklı konumlardan birine geçtiğini duyana ve hissedene kadar yukarı doğru döndürün.

F-1	Çim Torbası Aksesuarı/ Çıkarma Pozisyonu	F-2	Kilitli Saklama Pozisyonu
F-3	Üst Çalışma Pozisyonu	F-4	Orta Çalışma Pozisyonu
F-5	Alt Çalışma Pozisyonu		

ÇİM TORBASININ TAKILMASI

UYARI: Motoru durdurmadan, güvenlik anahtarını çıkarmadan ve bıçağın durmasını beklemeden çim biçme makinesi üzerinde herhangi bir zamanda ayar işlemi yapmayın.

TR

DİKKAT: Çim torbasını çim biçme makinesine takmadan önce çim biçme makinesine takılı olan malçlama parçasını veya yan boşaltım borusunu çıkarın.

■ **Çim Torbasının Takılması/Çıkarılması (Şek. G)**

Çim torbasının levhasını çim biçme makinesine yerleştirin ve çim torbasını çim biçme makinesine asın.

DİKKAT: Çim torbasını takmadan önce çim biçme makinesine takılı olan malçlama parçasını makineden çıkarın.

■ **Malçlama Parçasının Takılması/Çıkarılması (ayrı satılır) (Şek. H)**

KESİM YÜKSEKLİĞİNİ AYARLAMA (Şek. I)

I-1	Yaylı Kesim Yüksekliği Ayar Kolu	I-2	Kesim Yüksekliği Gösterge Plakası
-----	----------------------------------	-----	-----------------------------------

⚠ UYARI: Yükseklik ayarı yapılırken ayaklarınızı tabandan uzak tutun. Çim biçme makinesi, 25mm ile 105mm arasındaki 8 kesim yüksekliğinden birine ayarlanabilir. Çimin türüne ve durumuna göre uygun kesim yüksekliğini seçin.

AKÜNÜN TAKILMASI/ÇIKARILMASI (Şek. J)

Sadece şek. A2'da listelenen akü ve şarj cihazlarını kullanın.

İLK KULLANIMDAN ÖNCE ŞARJ EDİN.

⚠ UYARI: Herhangi bir arızalı veya eksik parça varsa, arızalı veya eksik parçalar takılana/değiştirilene kadar aküyü takmayın veya çim biçme makinesini çalıştırmayın. Aksi takdirde, ciddi yaralanmalar meydana gelebilir.

■ **Takmak için**

"Klik" sesi duyana kadar aküyü akü yuvasına itin.

■ **Çıkarmak için**

Akü yuvasındaki akü çıkarma düğmesine basın.

DİKKAT: Kullanmaya başlamadan önce çim biçme makinesi üzerindeki mandalın kilitlemiş olduğundan ve akünün makineye sağlam bir şekilde takıldığından emin olun.

TR

ÇİM BİÇME MAKİNESİNİ ÇALIŞTIRMA/DURDURMA (Şek. K, L ve M)

⚠ UYARI: Bir çim biçme makinesinin kullanımı yabancı nesnelere gözlerinize fırlatılması sonucunu doğurabilir, bu da gözlerde ciddi hasara yol açabilir. Çim biçme makinesini kullanırken ve bir ayar veya onarım işlemi gerçekleştirirken daima göz koruması veya koruyucu gözlük kullanın.

⚠ UYARI: Çim biçme makinesi kapatıldıktan sonra bıçak birkaç saniye daha dönmeye devam eder. Yeniden çalıştırmadan önce motorun/bıçağın dönmemesinin durmasını bekleyin. Çim biçme makinesini hızlı bir şekilde açıp kapatmayın.

GÜVENLİK ANAHTARI (Şek. N)

Kablosuz çim biçme makinesinin kazara çalıştırılmasını veya yetkisiz kişilerce kullanılmasını önlemek için, çıkarılabilir bir güvenlik anahtarı çim biçme makinesinin tasarımına dahil edilmiştir. Güvenlik anahtarı çıkarıldığında, çim biçme makinesi tamamen devre dışı kalacaktır.

TEHLİKE: Dönen bıçaklar ciddi yaralanmalara yol açabilir. Ciddi yaralanmaları önlemek için, çim biçme makinesi gözetimsiz bırakıldığında veya ayar, temizlik, servis, taşıma, kaldırma veya depolama işlemleri yapılırken güvenlik anahtarını çıkarın.

DİKKAT: Aşağıdaki durumlar söz konusu olmadıkça motor başlatılamaz:

- Tutma sapı üç çalışma konumundan birine kilitlenir, bkz. **KATLANIR TUTMA SAPININ AYARLANMASI.**
- Yan korkuluk rayları tamamen açılmış durumda
- Her iki yeşil tutma sapı kilitleme klipsi sağlam biçimde kapatılmış.

DİKKAT: Güvenlik düğmesinin ve askılı anahtarın çalışmasını geçersiz kılmaya çalışmayın.

Başlatmak için (Şek. K ve L)

- 1) Aküyü çim biçme makinesine takın, güvenlik anahtarını yuvasına yerleştirin ve akü kapağını kapatın (Şek. L).
- 2) Güvenlik düğmesine tekrar basın.
- 3) Güvenlik düğmesini basılı tutarak, askılı anahtar tutma sapına doğru yukarı çekin ve güvenlik düğmesini bırakın.

Durdurmak için (Şek. M)

- 1) Askılı anahtar tamamen bırakın.
- 2) Otomatik fren mekanizmasındaki elektrikli fren, askılı anahtar bırakıldıktan sonra 3 saniye içerisinde bıçak dönüşünü durdurur.

LED LAMBALAR (Şek. A-13)

Pil yuvasının ön kısmındaki LED çalışma lambalarını açmak/kapatmak için düğmeye (Şek. A-4) basın.

DEĞİŞKEN HIZLI KENDİNDEN TAHRİKLİ SİSTEM

LM2130E-SP çim biçme makinesi değişken hızlı kendiliğinden çalışma özelliğine sahiptir. Bu sistem bıçağın açma-kapama düğmesinden bağımsızdır; bıçağın dönüşüne bağlı değildir.

Örneğin, bahçenizi kesmeyi bitirdiyseniz kendinden tahriki çim biçme makinesini bıçak dönmeye tekrar depolama yerine götürmek için kullanabilirsiniz. Ayrıca akü çalışma süresini uzatmak için çim biçme makinenizi kendinden tahriki olmayan çim biçme makinesi olarak çalıştırmayı tercih edebilirsiniz.

Kendinden tahrik sistemini bıçak dönmeden çalıştırmak için kendinden tahrik hız kontrol düğmesini açın, kendinden tahrik tetiğine/tetiklerine basın. İki kendinden tahrik tetiği vardır. Kendinden tahrik işlevini başlatmak için tetiklerden birine basın (Şek. O).

O-1	Kendiliğinden Tahrikli Hız Kontrol Düğmesi	O-2	Kendiliğinden Tahrikli Tetik
-----	--	-----	------------------------------

Kendinden tahriki kapatmak için, kendinden tahrikli çalışma anahtarı serbest bırakın ve kendinden tahrikli hız kontrol düğmesini döndürerek kapatın.

ÇİM BİÇME MAKİNESİNDEKİ ÇİM BİÇME MAKİNESİ DURUM GÖSTERGESİ (Şek. P)

Çim biçme makinesi, akünün şarj durumunu ve çim biçme makinesinin çalışma durumunu gösteren bir güç göstergesine sahiptir. Bıçak dönerken veya LED farlar yanarken güç göstergesi yanacaktır.

P-1	Çim Biçme Makinesi Durum Göstergesi	P-2	LED Farlar için Anahtar Düğmesi
-----	-------------------------------------	-----	---------------------------------

Çim biçme makinesi durum göstergesi	Anlamı	Eylem
Düz yeşil	Çim biçme makinesi düzgün çalışıyor; pilin en az 15%'i dolu.	Gerekli değil.
Yanıp sönen yeşil	Yan korkuluk rayları tam olarak uzatılmamış.	Çim biçme makinesini durdurun ve yan korkuluk raylarının tamamen açılmış durumda olduğundan emin olun.
	Tutma sapı bir çalışma konumuna kilitlenmiş.	Çim biçme makinesini durdurun ve tutma yerinin çalışma konumuna kilitlendiğinden emin olun.
Yanıp sönen kırmızı	Pil zayıf	Çim biçme makinesini durdurun ve aküyü şarj edin.
Düz turuncu	Çim biçme makinesi aşırı ısınmadan ötürü duruyor.	Aküyü çim biçme makinesinden çıkarın, gölgeye götürerek en az 15 dakika soğumalarını bekleyin.

Yanıp sönen turuncu	Çim biçme makinesi aşırı yüklenmiş.	Önce aküyü çıkarın, ardından çimin güvertenin altında birikip birmediğini kontrol edin. Keserken hızınızı düşürün. Bu işe yaramazsa lütfen EFGO müşteri hizmetleri ile irtibat kurun.
Sırasıyla kırmızı/yeşil yanıp sönen	Hata	EGO müşteri hizmetleri ile irtibata geçin.
KOYu ve LED pilde yanıp sönen	Akü aşırı ısındı. (Bu kılavuzdaki "PİL YÜKSEK SICAKLIK KORUMASI" bölümüne bakın)	Askı kolunu bırakın, pilin yaklaşık 67°C'ye kadar soğumasını bekleyin ve ardından biçme makinesini yeniden başlatın.

ÇİM BİÇME MAKİNESİ AŞIRI YÜK KORUMASI

Aşırı yük oluşmasını önlemek için, bir defada çok fazla çim biçmeye çalışmayın. Kesim hızınızı düşürün ya da kesim yüksekliğini artırın.

Çim biçme makinesinde dahili aşırı yük devre koruması mevcuttur. Çim biçme makinesi aşırı yüklendiğinde, motor durur ve çim biçme makinesi üzerindeki çim biçme makinesi durum göstergesi turuncu renkte yanıp söner. Çim biçme makinesinden aküyü çıkarın. Çim biçme makinesinin tabanında çim toplanıp toplanmadığını kontrol edin ve gerekirse çimleri temizleyin, ardından aküyü takın ve makineyi tekrar çalıştırın.

AKÜ YÜKSEK SICAKLIK KORUMASI

Akü çalışma sırasında ısınır. Isı, sıcak havada daha yavaş dağılır. Çalışma sırasında pil sıcaklığı 70°C'ye aşarsa, koruma devresi pilin ısıdan zarar görmesini önlemek için derhal biçme makinesini kapatır. Biçicideki biçici durumu göstergesi söner, ayrıntılar için pil kullanım kılavuzundaki 'PİL KORUMA' bölümüne bakın.

Askı kolunu bırakın, pilin yaklaşık 67°C'ye kadar soğumasını bekleyin ve ardından biçme makinesini yeniden başlatın.

BAKIM

⚠ UYARI: Ciddi kişisel yaralanmaları önlemek için temizlik, bakım işlemleri veya çim biçme makinesinin nakliyesi öncesinde her zaman güvenli anahtarını çıkarın.

⚠ UYARI: Bakım yaparken sadece aynı olan yedek parçaları kullanın. Diğer parçaların kullanılması tehlike oluşturabilir veya ürünün hasar görmesine neden olabilir. Güvenliği ve güvenilirliği sağlamak için, tüm onarım ve değiştirme işlemleri yetkili bir servis teknisyeni tarafından gerçekleştirilmelidir.

TR

GENEL BAKIM

⚠ UYARI: Çim biçme makinesini taşıırken veya bakım/ onarım yaparken daima güvenlik anahtarını ve aküyü çıkarın.

Çim biçme makinesinin alt kısmı her kullanımdan sonra temizlenerek çim kırpıntıları, yaprak, pislik veya diğer maddelerin birikmesi önlenmelidir.

Motor fanının üzerinde veya etrafında biriken çimleri temizleyin (su kullanmayın). Çim biçme makinesini nemli bir bezle temizleyin.

BIÇAĞIN ÇIKARILMASI/TAKILMASI

⚠ UYARI: Bıçak bakımı sırasında dayanıklı eldivenler takarak ve/veya bıçağın keskin kenarlarına üstüğü ve diğer malzemeleri sararak ellerinizi koruyun. Çim biçme makinesini taşıırken veya bakım/onarım yaparken daima aküyü çıkarın.

- Bıçağı çıkarmak için aşağıdaki Şek. Q.
- Bıçağın Takılması
Şek. R'deki montaj sırasını izleyerek, fan pervanesi tabana doğru ve bıçakların baskılı yan kısımları dışa bakacak şekilde, fandaki geçiş delikleri ile bıçaktaki delikleri hizalayın (Şek. S) ve bıçağı Şek. T'de gösterildiği gibi sıkın.

ÇİM BIÇME MAKİNESİNİN SAKLANMASI

- Aküyü çim biçme makinesinden çıkarın ve serin, kuru ve temiz bir yerde saklayın. Gübre veya kaya tuzu gibi aşındırıcı maddelerin yanında saklamayın.
- Çim biçme makinesini çocukların ulaşamayacağı, serin ve kuru bir yerde saklayın.
- Çim biçme makinesini sert plastik bir örtü ile örtmeyin. Plastik örtüler nemi çim biçme makinesinin üzerinde tutar, bu da paslanmaya ve korozyona neden olur.
- Çim biçme makinesi dik veya yassı olarak saklanabilir. (Şek. U ve V).

TR

⚠ UYARI: Dik konumdaki çim biçme makinesi devrilsse, makine hasarına ve kişisel yaralanmaya neden olabilir. Çim biçme makinesi dik konumdayken daima dengede ve çocukların ulaşamayacağı bir konumda olmasını sağlayın. Mümkünse, yassı olarak yatırarak saklayın.

Çevre koruması



Elektrikli cihazları ev atıklarıyla birlikte atmayın, ayrı toplama tesislerini kullanın.

Mevcut toplama sistemleri ile ilgili bilgi almak için yerel idare ile irtibata geçin.

Elektrikli cihazlar katı atık sahaları veya çöp toplama alanlarına atılırsa, yer altı sularına ve besin zincirine tehlikeli maddeler sızabilir, bu da sağlığınızın bozulmasına yol açabilir.

SORUN GİDERME

⚠ UYARI: Çim biçme makinesini taşıırken veya bakım/onarım yaparken daima güvenlik anahtarını ve aküyü çıkarın. Bıçak bakımı sırasında dayanıklı eldivenler takarak ve/veya bıçağın keskin kenarlarına üstüğü ve diğer malzemeleri sararak ellerinizi koruyun.

SORUN	SEBEP	ÇÖZÜM
Çim biçme makinesi başlatılmıyor	<ul style="list-style-type: none"> ■ Akü boşalmış. ■ Akü pil bölmesindeki yerine takılmamış. ■ Akü veya çim biçme makinesi devresi çok sıcak. (Çim biçme makinesindeki güç göstergesi 10 saniye turuncu yanar) ■ Yan korkuluk rayları maksimum uzunluğa getirilmemiş ve mandallar kilitlenmemiş. ■ Tutma sapı üç çalışma konumundan birine ayarlanmamış. ■ Çim biçme makinesinin tabanı çim ve artık maddeler nedeniyle tıkanmış. 	<ul style="list-style-type: none"> ■ Aküyü şarj edin. ■ Aküyü çim biçme makinesine takın, klik sesi duyana kadar bastırın ■ Akü veya çim biçme makinesinin 67°C'nin altına düşene kadar soğumasını bekleyin. ■ Tutma sapını tamamen uzatın ve her iki mandalı kilitleyin. ■ Tutma sapını üç çalışma konumundan birine ayarlayın. ■ Çim biçme makinesinin tabanını temizleyin ve bıçakların serbestçe hareket ettiğinden emin olun.
Çim biçme makinesi eşit boyda kesim yapmıyor	<ul style="list-style-type: none"> ■ Bıçak körelmiş. ■ Kesim yüksekliği doğru ayarlanmamış. ■ Bıçak hatalı monte edilmiş. 	<ul style="list-style-type: none"> ■ Bıçağı bileyin veya değiştirin. ■ Tabanı daha yüksek bir kesim yüksekliği ayarına getirin. ■ Bu kılavuzdaki "BIÇAĞIN TAKILMASI" bölümüne göre bıçağı takın.
MAKİNE ÇİM BİÇME SIRASINDA DURUYOR	<ul style="list-style-type: none"> ■ Akü boşalmış. ■ Çim biçme makinesi aşırı yüklenmiş. ■ Çim biçme makinesinin tabanı çim ve artık maddeler nedeniyle tıkanmış. ■ Akü veya çim biçme makinesi devresi çok sıcak. (Çim biçme makinesindeki güç göstergesi 10 saniye turuncu yanar) ■ Yan korkuluk rayı, tutma sapına uygulanan itme kuvveti ile bir miktar geri çekilmiş. 	<ul style="list-style-type: none"> ■ Aküyü şarj edin. ■ Kesim yüksekliğini artırın veya çim biçme hızını yavaşlatın. ■ Biçici tabanındaki tıkanıklığı giderin. Kesim yüksekliğini artırın veya dar bir şerit halinde kesim yapın. ■ Akü veya çim biçme makinesinin 67°C'nin altına düşene kadar soğumasını bekleyin. ■ Mandalların kilidini açın. Yan korkuluk raylarını tam olarak uzatın ve mandalları yeniden kilitleyin.

TR

SORUN	SEBEP	ÇÖZÜM
Çim biçme makinesi doğru şekilde malçlama yapmıyor	<ul style="list-style-type: none">■ Islak çim artıkları makine gövdesinin alt kısmına yapışıyor.■ Çim biçme makinesi, bir defada çok fazla çim kesecek şekilde ayarlanmış.	<ul style="list-style-type: none">■ Çim biçmeye başlamadan önce çimlerin kurummasını bekleyin.■ Tabanı daha yüksek bir kesim yüksekliği ayarına getirin.
Aşırı titreşim var	<ul style="list-style-type: none">■ Kesim bıçağı gevşek.■ Kesim bıçağı dengesiz.■ Kesim bıçağı eğri.■ Motor mili eğri.■ Çim biçme makinesinin tabanı çim ve artık maddeler nedeniyle tıkanmış.	<ul style="list-style-type: none">■ Bıçak cıvatasını sıkın.■ Talimatları izleyerek bıçağın dengesini sağlayın.■ Bıçağı değiştirin.■ Servis merkezi ile irtibata geçin.■ Çim biçme makinesinin tabanını temizleyin ve bıçakların serbestçe hareket ettiğinden emin olun.
Tutma kolu kilit mandalı yerine oturmuyor	<ul style="list-style-type: none">■ Yan korkuluk rayları tam olarak uzatılmamış.	<ul style="list-style-type: none">■ Yan korkuluk raylarını tam olarak uzatın ve mandalları kilitleyin.

GARANTİ

EGO GARANTİ POLİTİKASI

EGO Garanti politikasına ilişkin tüm hüküm ve koşullar için, lütfen egopowerplus.com adresindeki web sitemizi ziyaret edin.

LUGEGE KÕIKI JUHISEID!

Sihotstarve: Seade on mõeldud ainult koduaedades muru niitmiseks. Seda ei tohi kasutada väga kõrge, kuiva või märja muru.

⚠ HOIATUS! Enne käesoleva seadme kasutamist lugege kindlasti läbi ja tehke endale selgeks kõik kasutusjuhendis toodud ohutusjuhised, sh kõik ohutussümbolid nagu „OHT”, „HOIATUS,” ja „ETTEVAATUST”. Kui kõiki allpool loetletud juhiseid ei järgita, võib tagajärjeks olla elektrilöök, tulekahju ja/või tõsised isikuvigastused.

⚠ HOIATUS! Mis tahes elektriliste tööriistade kasutamine võib põhjustada võõrkehade paiskumist silma, mis võib põhjustada raskeid silmakahjustusi. Kandke elektritööriistade kasutamise ajal alati kaitseprille või külgkaitsetega kaitseprille ja vajadusel täielikku näokaitset. Soovitame kanda prillide peal laia vaatealaga kaitsemaski või tavalisi külgkaitsetega kaitseprille.

OHUTUSSÜMBOLID



Ohutusteade



Vigastuste ohu vähendamiseks peab kasutaja enne toote kasutamist lugema kasutusjuhendit ja selle endale selgeks tegema.



Niidukiga töötamise ajal ei tohi 30 m raadiuses olla loomi ega teisi inimesi.



Hoidke jalad ja käed eemal.



Pärast mootori väljalülitamist jätkavad terad pöörlemist – enne hooldust eemaldage blokeeriv seade. Enne seadme reguleerimist või puhastamist lülitage välja ja eemaldage akuplokk (või blokeerimisvõre).



Garanteeritud helivõimsuse tase.



Toode vastab rakendatavatele EÜ direktiividele.



See toode vastab asjakohastele UK seadustele.



Elektriseadmete jäätmeid ei tohi visata olmejäätmete hulka. Viige volitatud taaskäitleja juurde.

IPX4

4. astme kaitse vee sissepääsu vastu

V Volt

mm Millimeeter


cm Sentimeeter

☰ Voolu tüüp või omadus

kg Kilogramm

ET

SPETSIFIKATSIOONID

Pinge	56 V 	
Tühikäik	2700 RPM	
Lõikekõrgus	25mm/ 32mm/ 40mm/ 51mm/ 64mm/ 77mm/ 90mm	
Lõikekõrguse valikud	7	
Lõikelaius	52 cm	
Murukoti maht	70L	
Niiduki kaal (ilma akuploki ja murukotita)	25,1 kg	
Tera mudel	AB2102D-E	
Töötemperatuur	0°C kuni 40°C	
Hoiustamis-temperatuur	-20°C kuni 70°C	
Tera pidur	JAH	
Mõõdetud helivõimsuse tase L_{WA}	89,8 dB(A) K=3,35 dB(A)	
Helirõhk seadme operaatori kõrva juures L_{PA}	80,3 dB(A) K=3 dB(A)	
Garanteeritud helivõimsuse tase L_{WA} (mõõdetud vastavalt standardile 2000/14/EU)	93 dB(A)	
Vibratsiooni a_h mõõtmise:	Vasak-poolne käepide	0,61 m/s ² K=1,5 m/s ²
	Parem-poolne käepide	0,54 m/s ² K=1,5 m/s ²

PAKENDI LOEND (JOON. A1)

KIRJELDUS

ET

TUNNE OMA NIIDUKIT (joonis A1)

1. Iseveolüüti
2. Iseveo kiiruse reguleerimise nupp
3. Turvanupp
4. LED-esitulede lüüti
5. Käepideme lukustusklamber
6. Murukott
7. Kiirreguleerimiskang
8. Lõikekõrguse reguleerimisnupp
9. Tagaratas
10. Esiratas
11. Muruniiduki alus
12. Eesmine käepide

13. LED-esituled
14. Akupesa kate
15. Tagumine käepide
16. Tagumine väljutusava
17. Küljerelss
18. Niiduki oleku märgutuli
19. Lüüti kang
20. Käepide
21. Püstise hoiustamise tugi
22. Tagumine kaitsekilp
23. Akuvabastusnupp
24. Turvavõti

SEADME KASUTAMINE

MURUKOTI KOKKUPANEK

- 1) Lükake murukott raamile (joonis B).
- 2) Kinnitage ülemised kinnitid raami külge (joonis C) ja seejärel pange kokku kaks küljekinnitit. Viimasena paigaldage alumine kinniti.
- 3) Kokkupandud murukott on kujutatud joonisel D.

MÄRKUS! Tavakasutuse käigus koti materjal kulub. Vigastusohu vähendamiseks kontrollige kotti pidevalt ja kulumise või kahjustuste tuvastamisel vahetage kott välja. Kasutage ainult selle niiduki jaoks toodetud murukotte.

LAHTIVÕETAVA KÄEPIDEME REGULEERIMINE

⚠ HOIATUS! Ärge üritage muruniidukit käivitada enne, kui käepide on fikseeritud ühte kolmest eelseadistatud asendist (ÜLEMINE TÖÖASEND, KESKLINE TÖÖASEND või ALUMINE TÖÖASEND).

Tarmimisel on niiduki käepide pandud kompaktsesse LUKUSTATUD HOIUASENDISSE (joonis E).

- 1) Käepideme LUKUSTATUD HOIUASENDIST vabastamiseks hoidke all kiirreguleerimiskangi.
- 2) Tõstke kokkupandud asendis olevat käepidet ja laske hoob lahti. Kallutage käepidet õrnalt ülespoole, kuni tunnete ja kuulete, kuidas lukustustihvt ühte joonisel F näidatud asenditest lukustub.e handle upward until you hear and feel the lock pin engage in one of the following different positions as shown in the Fig. F.

F-1	Murukoti kinnitus-/ eemaldusasend	F-2	Lukustatud hoiuasend
F-3	Ülemine tööasend	F-4	Keskmine tööasend
F-5	Alumine tööasend		

MURUKOTI KINNITAMINE

⚠ HOIATUS! Ärge reguleerige niidukit enne, kui olete mootori seisanud, turvavõtme eemaldanud ja oodanud, kuni

terad on seiskunud.

MÄRKUS! Enne murukoti niiduki külge paigaldamist eemaldage multšimisluuk või külgväljaviske suunaja.

■ **Murukoti kinnitamine/eemaldamine (joonis G)**

Paigaldage murukoti alus niidukisse ja riputage murukott niiduki külge.

MÄRKUS! Enne murukoti niiduki külge paigaldamist eemaldage eelpaigaldatud multšimisluuk.

■ **Multšimisluugi kinnitamine/eemaldamine (müüakse eraldi) (joonis H)**

LÕIKEKÕRGUSE MUUTMINE (joonis I)

I-1	Lõikekõrguse vedruga reguleerimiskang	I-2	Lõikekõrguse näidikuplaat
-----	---------------------------------------	-----	---------------------------

⚠ HOIATUS! Hoidke jalad niiduki alusest kõrguse muutmise ajal eemal. Niidukil on võimalik valida seitsme (8) erineva lõikekõrguse vahel vahemikus 25 kuni 105 mm. Valige muru tüübile ja seisukorrale vastav lõikekõrgus.

AKUPLOKI PAIGALDAMINE/EEMALDAMINE (joonis J)

Kasutage ainult joonisel A2 esitatud akuplokke ja laadureid.

LAADIGE ENNE ESIMEST KASUTAMIST.

⚠ HOIATUS! Kui mõni seadme komponent on katkine või puudub, ärge proovige akuplokki niiduki külge kinnitada ega niidukit kasutada enne, kui katkised või puuduvad komponendid on asendatud. Selle nõude rikkumine võib põhjustada tõsisemaid vigastusi.

■ **Paigaldamine**

Lükake akuplokki akupesasse, kuni kuulete klõpsatust.

■ **Eemaldamine**

Vajutage akupesasse olevat akuvabastusnuppu.

MÄRKUS! Jälgige, et niidukil olev riiv klõpsaks kohale ja et akuplokk oleks kindlalt fikseeritud asendis, enne kui tööd alustate.

NIIDUKI KÄIVITAMINE/PEATAMINE (joonised K, L ja M)

⚠ HOIATUS! Kõigi muruniidukite kasutamisel on oht, et teie või kellegi teise silma paiskub võõrkehi, mis võivad põhjustada tõsisemaid silmakahjustusi. Kandke niiduki kasutamisel või remontimisel/reguleerimisel alati kaitseprille.

⚠ HOIATUS! Pärast niiduki välja lülitamist pöörleb tera veel mõne sekundi. Laske mootoril/teral pöörlemine lõpetada, enne kui seadet uuesti käivitada püüate. Ärge lülitage niidukit kiiresti sisse/välja.

TURVAVÕTI (joonis N)

Teie juhtmeta niiduki juhusliku käivitamise või loata kasutamise vältimiseks on niidukil eemaldatav turvavõti. Kui turvavõti on eemaldatud, pole niiduki kasutamine võimalik.

OHT! Pöörlevad terad võivad põhjustada tõsisemaid vigastusi. Vigastuste ennetamiseks eemaldage niiduki turvavõti, kui jätate selle järelevalveta või kui te seadet reguleerite, puhastate, hooldate, transpordite, tõstate või hoiustate.

MÄRKUS! Mootorit ei saa käivitada, kui alljärgnevad tingimused pole täidetud:

- käepide on lukustatud ühte kolmest töösensidist (vt. jaotist „LAHTIVÕETAVA KÄEPIDEME REGULEERIMINE“);
- küljerelsid on täielikult välja sirutatud;
- mõlemad rohelised käepidet lukustavad klambrid on turvaliselt suletud.

ETTEVAATUST! Ärge üritage muuta turvanupu või turvalüliti funktsiooni.

Alustamine (joonised K ja L)

- 1) Kinnitage akuplokk niiduki külge, sisestage turvavõti võtmeauku ja sulgege aku kaas.
- 2) Vajutage turvanupp alla.
- 3) Hoidke turvanuppu all ja tõmmake turvalüliti kuni käepidemeni üles ning laske seejärel turvanupp lahti.

Peatamine (joonis M)

- 1) Laske turvalüliti lahti.
- 2) Automaatse pidurdusmehhanismi elektriline pidur peatab terade pöörlemise kolme (3) sekundi jooksul pärast turvalüliti vabastamist.

LED-ESITULED (joonis A-13)

Akupesas esiküljel asuvate LED-esitulede sisse/välja lülitamiseks vajutage lüliti nuppu (joonis A-4).

MUUDETAVA KIIRUSEGA ISEVEO SÜSTEEM

Niidukil LM2130E-SP on muudetava kiirusega iseveo süsteem. Süsteem pole seotud terade sisse- ja väljalülitusnupuga ega terade pöörlemisega.

Näiteks kui olete lõpetanud oma muru niitmise, võite kasutada isevedu, et niiduk tagasi hoiukohta viia, ilma et lõiketerad pöörleksid. Samuti võite niidukiga töötada isevedu kasutamata, et aku tööiga kestaks võimalikult kaua.

Kasutamaks isevedu nii, et terad ei pöörle, keerake iseveo kiiruse reguleerimise nupp sisse ja vajutage iseveopäästikut (-päästikuid). Niidukil on kaks iseveopäästikut. Iseveofunktsiooni käivitamiseks vajutage ükskõik kumba päästikut (joonis O).

ET

O-1	Iseveo kiiruse reguleerimise nupp	O-2	Iseveopäästik
-----	-----------------------------------	-----	---------------

Iseveo välja lülitamiseks vabastage iseveopäästik ja keerake iseveo kiiruse reguleerimise nupp välja.

NIIDUKI OLEKU MÄRGUTULI (joonis P)

Niidukil on oleku märgutuli, mis näitab akuploki laetuse taset ja niiduki tööolekut. Kui terad pöörlevad või LED-esituled sisse lülitatakse, hakkab oleku märgutuli põlema.

P-1	Niiduki oleku märgutuli	P-2	LED-esitulede lüliti
-----	-------------------------	-----	----------------------

Niiduki oleku märgutuli	Tähendus	Toiming
Pidev roheline	Niiduk töötab korralikult; akul on vähemalt 15% laengust alles.	Pole vaja midagi teha.
Vilkuv roheline	Küljerelsid pole täielikult välja lükatud.	Seisake niiduk ja veenduge, et küljerelsid on täiesti välja lükatud.
	Käepide pole tööasendisse lukustatud.	Seisake niiduk ja veenduge, et käepide on tööasendisse lukustatud.
Vilkuv punane	Aku hakkab tühjaks saama.	Seisake niiduk ja vahetage akuplokk.
Pidev oranž	Niiduk seiskub ülekuumenemise tõttu.	Eemaldage aku niidukilt, viige need varju ja jahutage neid vähemalt 15 minutit.
Vilkuv oranž	Niiduk on ülekoormatud.	Esmalt eemaldage akuplokk, seejärel kontrollige, kas seadme alla on kogunenud niidetud rohtu ja vajadusel eemaldage see. Aeglustage niitmisel sammu. Kui see ei toimi, võtke palun ühendust EGO klienditeenindusega.
Punane ja roheline tuli vilguvad vaheldumisi	Tõrge	Küsi abi EGO klienditeenindusest.

ET

Tuli on kustunud ja akul vilgub LED	Aku on ülekuumenenud. (Vt. käesoleva kasutusjuhendi jaotist „ AKU KÕRGE TEMPERAATUURI KAITSE “)	Vabastage turvalüliti, oodake, kuni akuplokk jahtub umbes 67°C-ni, ja käivitage niiduk uuesti.
-------------------------------------	--	--

NIIDUKI ÜLEKOORMUSE KAITSE

Ülekoormuse ennetamiseks ärge üritage niita korraga liiga suurt kogust. Aeglustage löikekiirust või tõstke löikekõrgust.

Niidukil on sisseehitatud ülekoormuse kaitse. Ülekoormuse korral mootor seiskub ja niiduki oleku märgutuli vilgub oranžilt. Ühendage akuplokk niiduki küljest lahti. Kontrollige, kas niiduki alla on muru kogunenud ja vajadusel puhastage alumine osa. Seejärel ühendage aku tagasi ja käivitage niiduk.

AKU KÕRGE TEMPERAATUURI KAITSE

Töö käigus toodab akuplokk soojust. Kuuma ilmaga eraldub soojus aeglasemalt. Kui aku töötemperatuur ületab 70 °C, lülitab kaitseüsteem niiduki automaatselt välja, et vältida akuploki kuumakahjustusi. Oleku märgutuli niidukil kustub. Täiendavat teavet lugege aku kasutusjuhendi jaotisest „**AKU KAITSE**“.

Vabastage turvalüliti, oodake, kuni akuplokk jahtub umbes 67 °C-ni, ja käivitage niiduk uuesti.

HOOLDUS

⚠ HOIATUS! Raskete vigastuste vältimiseks eemaldage enne niiduki puhastamist, hooldamist või transportimist niiduki küljest turvavõti.

⚠ HOIATUS! Remontimisel kasutage vaid originaalvaruosi. Mis tahes muude osade kasutamine võib põhjustada ohtlikke olukordi või seadet vigastada. Ohutuse ja töökindluse tagamiseks tohivad seda seadet remontida ainult vastava kvalifikatsiooniga hooldustehnikud.

ÜLDHOOLDUS

⚠ HOIATUS! Niiduki hooldamise ja transportimise ajaks eemaldage alati turvavõti ja akuplokk.

Niiduki alumist osa tuleks pärast iga kasutuskorda sinna kogunenud rohulibledest, lehtedest, porist ja muust prahist puhastada.

Eemaldage niiduki mootori katte peale ja ümber kogunenud muru (ärge kasutage selleks vett). Pühkige niiduk niske lapiga puhtaks.

TERA EEMALDAMINE/PAIGALDAMINE

⚠ HOIATUS! Kaitske alati oma käsi, kasutades niiduki terade hooldamisel tugevaid töökindaid või kattes teravad ääred rätikute või muu kattega. Niiduki hooldamise ja transportimise ajaks eemaldage alati akuplokk.

- Tera eemaldamist vaadake jooniselt Q.
- Tera paigaldamine
Järgige joonisel R näidatud toimingute järjestust. Hoides tera laba niiduki aluse pool ja tera kirjaga külge väljaspool, joondage ventilaatoris olevad augud teral olevate aukudega (joonis S) ja keerake tera kinni, nagu näidatud joonisel T.

NIIDUKI HOIUSTAMINE

- Eemaldage akuplokk niiduki küljest ja hoidke seda jahedas, kuivas ja puhtas kohas. Ärge hoidke niidukit korrosiivsete ainete (nt väetised või kivisool) läheduses.
- Hoidke niidukit kinnises ja suletud ruumis, mis on jahe, kuiv ja lastele kättesaamatu.
- Ärge katke muruniidukit kilega. Kilekatted koguvad niiduki ümber niiskust, mis põhjustab roostet ja korrosiooni.
- Niidukit võib hoida püstises asendis või tasapinnaliselt (joonised U ja V).

⚠ HOIATUS! Kui niiduk hakkab püstises asendist ära vajuma, võivad sellega kaasneda niiduki kahjustumine või inimestele põhjustatud vigastused. Hoidke püstises asendis hoiustatud niidukit alati kindlal maapinnal ja lastele kättesaamatus kohas. Võimalusel hoiustage niidukit tasapinnaliselt.

Keskonnakaitse



Elektriseadmeid ei tohi visata sorteerimata olmeprügi hulka; selliseid jäätmeid tuleb koguda eraldi.

Olemasolevate kogumissüsteemide kohta saate teavet kohalikust omavalitsusest.

Kui elektriseadmed maetakse maa sisse või viiakse prügimäele, võivad ohtlikud ained põhjavette lekkida ja toiduahelasse sattuda ning teie tervist ja heaolu kahjustada.

TÖRKEOTSING

⚠ HOIATUS! Niiduki hooldamise ja transportimise ajaks eemaldage alati turvavõti ja akuplokk. Kaitske alati oma käsi, kasutades niiduki terade hooldamisel tugevaid töökindaid või kattes teravad ääred rätikute või muu kattega.

PROBLEEM	PÕHJUS	LAHENDUS
Niiduk ei käivitu	<ul style="list-style-type: none"> ■ Akuplokk on tühi. ■ Akuplokk ei ole akupesasse kinnitatud. ■ Akuplokk või niiduki vooluring on liiga kuum. (Niiduki toite märgutuli põleb 10 sekundit oranžilt.) ■ Küljerelsid pole maksimaalselt välja tõmmatud ja klambrid pole asendisse lukustunud. ■ Käepide pole ühes kolmest tööasendist. ■ Muruniiduki alla on kogunenud liiga palju muru ja prahti. 	<ul style="list-style-type: none"> ■ Laadige akuplokki. ■ Kinnitage akuplokk niiduki külge ja suruge sellele, kuni kuulete klõpsatust. ■ Jahutage akuplokki või niidukit, kuni temperatuur langeb alla 67°C. ■ Lükake käepide maksimaalselt välja ja lukustage mõlemad klambrid. ■ Reguleerige käepide ühte kolmest tööasendist. ■ Puhastage niiduki alus ja veenduge, et tera saab vabalt liikuda.
Niiduk lõikab ebaühtlaselt	<ul style="list-style-type: none"> ■ Tera on nüri. ■ Lõikekõrgus pole korrektselt seadistatud. ■ Tera on valesti külge monteeritud. 	<ul style="list-style-type: none"> ■ Teritage tera või vahetage see välja. ■ Tõstke alust kõrgemale, et niita kõrgemalt. ■ Paigaldage tera tagasi, järgides käesoleva juhendi jaotises „TERA PAIGALDAMINE“ antud juhiseid.
Niiduk seiskub niitmise ajal	<ul style="list-style-type: none"> ■ Akuplokk on tühi. ■ Muruniiduk on ülekoormatud. ■ Muruniiduki alla on kogunenud liiga palju muru ja prahti. ■ Akuplokk või niiduki vooluring on liiga kuum. (Niiduki toite märgutuli põleb 10 sekundit oranžilt.) ■ Küljrelss tõmbub käepidemele mõjuva tõukejõu toel veidi tagasi. 	<ul style="list-style-type: none"> ■ Laadige akuplokki. ■ Suurendage lõikekõrgust või niitke aeglasemalt. ■ Eemaldage niiduki alla kogunenud mass. Suurendage lõikekõrgust või niitke kitsamat riba. ■ Jahutage akuplokki või niidukit, kuni temperatuur langeb alla 67°C. ■ Avage klambrid. Lükake küljerelsid lõpuni välja ja lukustage klambrid uuesti.

ET

PROBLEEM	PÕHJUS	LAHENDUS
Niiduk ei multši korralikult	<ul style="list-style-type: none"> Märja muru tükid jäävad muruniiduki aluse külge kinni. Niiduk on seadistatud nii, et korraga lõigatakse liiga palju muru. 	<ul style="list-style-type: none"> Enne niitmist oodake, et muru kuivaks. Tõstke alust kõrgemale, et niita kõrgemalt.
Esineb liigset vibratsiooni	<ul style="list-style-type: none"> Lõiketera on lahti. Lõiketera on tasakaalustamata. Lõiketera on väändunud. Mootorivõll on paindunud. Muruniiduki alla on kogunenud liiga palju muru ja prahti. 	<ul style="list-style-type: none"> Keerake tera polt tugevamalt kinni. Tasakaalustage tera vastavalt juhendile. Vahetage tera. Võtke ühendust hoolduskeskusega. Puhastage niiduki alus ja veenduge, et tera saab vabalt liikuda.
Käepideme lukustusk-lambreid ei saa suletud asendis fikseerida	<ul style="list-style-type: none"> Küljerelsid pole täielikult välja lükatud. 	<ul style="list-style-type: none"> Lükake küljerelsid lõpuni välja ja lukustage klambrid.

GARANTII

EGO GARANTIIPÕHIMÕTTED

Täielikud EGO garantiitingimused leiate veebilehelt egopowerplus.com.

ET

ПРОЧИТАЙТЕ ВСІ ІНСТРУКЦІЇ!

Призначення. Виріб призначений для косіння трави тільки в садах домашніх господарств. Її не можна використовувати для косіння надзвичайно високої, сухої або вологої трави.

⚠ ПОПЕРЕДЖЕННЯ. Перш ніж користуватися цим інструментом, обов'язково ознайомтеся з усіма інструкціями з безпеки, наведеними в цьому посібнику користувача, зокрема з усіма символами попереджень, такими як «**НЕБЕЗПЕКА**», «**ПОПЕРЕДЖЕННЯ**» та «**ЗАСТЕРЕЖЕННЯ**». Недотримання наведених нижче вказівок може спричинити ураження електричним струмом, пожежу та/або серйозні травми.

⚠ ПОПЕРЕДЖЕННЯ. Використання будь-яких електроінструментів може призвести до потрапляння сторонніх предметів в очі, що може спричинити серйозне пошкодження очей. Перед початком експлуатації електроінструмента завжди надягайте закриті захисні окуляри або відкриті захисні окуляри з бічними щитами або, якщо потрібно, повнопрофільну захисну маску. Ми рекомендуємо захисну маску широкого розміру для використання поверх окулярів або стандартні відкриті захисні окуляри з бічними щитами.

СИМВОЛИ, ЩО СТОСУЮТЬСЯ БЕЗПЕКИ



Попередження щодо безпеки



Щоб зменшити ризик травми, користувач повинен ознайомитися з інструкцією користувача перед використанням цього виробу.



Переконайтеся, що інші люди та домашні тварини залишаються на відстані принаймні 30 м від косарки, коли вона використовується.



тримайте ноги та руки подалі



Після вимикання мотора леза продовжують рухатися. Виймайте пристрій відключення перед обслуговуванням. Перед регулюванням або чищенням вимкніть та вийміть знімний акумулятор (або пристрій відключення).



Гарантований рівень звукової потужності.



Цей виріб відповідає чинним директивам ЄС.



цей продукт відповідає чинному законодавству Великобританії.



Відходи електричних виробів не слід викидати разом із побутовим сміттям. Зверніться до авторизованого пункту переробки.



Захист від проникнення води ступеня 4

UK

V Вольти

mm Міліметр

cm Сантиметр

⚡ Тип або характеристика струму

kg Кілограм

ТЕХНІЧНІ ХАРАКТЕРИСТИКИ

Напруга	56 V	
Швидкість холостого ходу	2700 ОБ./ХВ	
Висота зрізання	25mm/ 32mm/ 40mm/ 51mm/ 64mm/ 77mm/ 90mm	
Положення висоти зрізання	7	
Ширина різання	52 см	
Об'єм мішка для трави	70 л	
Вага косарки (без акумуляторної батареї та мішка для трави)	25,1 кг	
Модель леза	AB2102D-E	
Робоча температура	0°C-40°C	
Температура зберігання	-20°C-70°C	
Гальмо леза	ТАК	
Вимірний рівень звукової потужності L_{WA}	89,8 дБ(А) K=3,35 дБ(А)	
Рівень звукового тиску на місці вуха оператора L_{PA}	80,3 дБ(А) K=3 дБ(А)	
Гарантований рівень звукової потужності L_{WA} (відповідно до стандарту 2000/14/ЕС)	93 дБ(А)	
Оцінка вібрації a_r :	Ліва ручка	0,61 м/с ² K=1,5 м/с ²
	Права ручка	0,54 м/с ² K=1,5 м/с ²

ПАКУВАЛЬНИЙ СПИСОК (РИС. А1)

ОПИС

ОЗНАЙОМЛЕННЯ З ГАЗОНОКОСАРКОЮ (рис. А1)

1. Перемикач самохідної системи
2. Ручка регулювання швидкості самохідної системи
3. Запобіжна кнопка
4. Кнопка перемикача світлодіодних фар
5. Затискач рукоятки
6. Мішок для трави
7. Важіль швидкого регулювання
8. Важіль регулювання висоти різання
9. Заднє колесо
10. Переднє колесо
11. Дека косарки
12. Передня ручка
13. Світлодіодні фари

14. Кришка акумулятора
15. Задня ручка
16. Задні випускні дверцята
17. Бічна рейка
18. Індикатор стану косарки
19. Важіль перемикача
20. Ручка
21. Опора для зберігання у вертикальному положенні
22. Задній щит
23. Кнопка звільнення батареї
24. Запобіжний ключ

ЕКСПЛУАТАЦІЯ

ЗБИРАННЯ МІШКА ДЛЯ ТРАВИ

- 1) Посуньте мішок для трави на його каркас (рис. В).
- 2) Установіть верхні затискачі на каркас (рис. С), а потім установіть два бокові затискачі. Установіть нижній затискач останнім.
- 3) Повністю зібраний мішок для трави показано на рис. D.

ПРИМІТКА. У звичайних умовах експлуатації матеріал мішка може зношуватися. Щоб зменшити ризик виникнення травми, часто перевіряйте мішок у зборі та замініть, якщо є ознаки зносу або пошкодження. Використовуйте лише мішки для трави, виготовлені для цієї косарки.

РЕГУЛЮВАННЯ СКЛАДАНОЇ РУЧКИ

⚠ ПОПЕРЕДЖЕННЯ. Не намагайтеся запустити косарку, доки рукоятка не буде зафіксована в одному з трьох попередньо встановлених робочих положень (ВЕРХНЄ РОБОЧЕ ПОЛОЖЕННЯ, СЕРЕДНЄ РОБОЧЕ ПОЛОЖЕННЯ та НИЖНЄ РОБОЧЕ ПОЛОЖЕННЯ).

Ваша косарка поставляється з рукою в компактному ЗАБЛОКОВАНОМУ ПОЛОЖЕННІ ДЛЯ ЗБЕРІГАННЯ (рис. Е).

- 1) Натисніть і утримуйте важіль швидкого регулювання, щоб відпустити рукоятку із ЗАБЛОКОВАНОГО ПОЛОЖЕННЯ ЗБЕРІГАННЯ.
- 2) Підніміть ручку зі складеного положення, потім відпустіть важіль. Акуратно рухайте рукоятку вгору, доки не почуєте і не відчуваєте, що фіксатор закріплений в одному з різних положень, показаних на рис. F.

UK

F-1	Положення для кріплення/видалення мішка для трави	F-2	Заблоковане положення для зберігання
F-3	Верхнє робоче положення	F-4	Середнє робоче положення
F-5	Нижнє робоче положення		

КРИПЛЕННЯ МІШКА ДЛЯ ТРАВИ

⚠ ПОПЕРЕДЖЕННЯ. Ніколи не регулюйте косарку, не зупинивши спочатку мотор, не винявши запобіжний ключ і не зачекавши, доки лезо не припинить обертання.

ПРИМІТКА. Перш ніж прикріпити мішок для трави до косарки, зніміть насадку для мульчування або бічний випускний жолоб із косарки.

■ Установлення/зняття мішка для трави (рис. G)

Вставте дошку для трави в косарку і повісьте мішок для трави на косарку.

ПРИМІТКА. Перш ніж прикріпити трав'яний мішок до косарки, зніміть попередньо встановлену насадку для мульчування з косарки.

■ Установлення/зняття насадки для мульчування (продається окремо) (рис. H)

РЕГУЛЮВАННЯ ВИСОТИ ЗРІЗАННЯ (рис. I)

I-1	Підпружинене регулювання висоти різання	I-2	Табличка індикації висоти різання
-----	---	-----	-----------------------------------

⚠ ПОПЕРЕДЖЕННЯ. Під час регулювання висоти деки тримайте ноги подалі від неї. Косарка може бути встановлена на 8 положень із висотою різання від 25 мм до 105 мм. Виберіть правильну висоту різання відповідно до типу та стану трави.

УСТАНОВЛЕННЯ І ВИДАЛЕННЯ АКУМУЛЯТОРА (Рис. J)

Використовуйте лише акумулятори та зарядні пристрої, перелічені на рис. A2

ЗАРЯДІТЬ ПЕРЕД ПЕРШИМ ВИКОРИСТАННЯМ

⚠ ПОПЕРЕДЖЕННЯ. Якщо будь-які частини пошкоджені або відсутні, не намагайтеся прикріпити акумулятор до косарки або використовувати її, доки не буде замінено зламані або відсутні деталі. Недотримання цієї вимоги може призвести до серйозних травм.

■ Установлення

Засуньте акумуляторну батарею в батарейний відсік, доки не почуєте «клацання».

■ Видалення

Натисніть кнопку звільнення батареї в батарейному відсіку.

ПРИМІТКА. Перед використанням переконайтеся, що защіпка на косарці стала на місце і акумулятор надійно прикріплений до косарки.

ЗАПУСК/ЗУПИНКА КОСАРКИ (рис. K, L і M)

⚠ ПОПЕРЕДЖЕННЯ. Використання газонокосарки може призвести до потрапляння сторонніх предметів в очі, що може спричинити серйозне пошкодження очей. Завжди носіть захисні окуляри під час роботи косарки або під час виконання будь-яких регулювань чи ремонту косарки.

⚠ ПОПЕРЕДЖЕННЯ. Ніж продовжуватиме обертатись протягом кількох секунд після вимкнення косарки. Дайте мотору/лезу зупинити обертання, перш ніж запустити його знову. Не вимикайте і не вмикайте косарку швидко.

ЗАПОБІЖНИЙ КЛЮЧ (рис. N)

Щоб запобігти випадковому запуску або несанкціонованому використанню акумуляторної косарки, у її конструкції передбачено знімний запобіжний ключ. Косарка повністю вимкнена, коли запобіжний ключ винятно з косарки.

НЕБЕЗПЕКА. Леза, що обертаються, можуть призвести до серйозних травм. Щоб запобігти серйозним травмам, вийміть запобіжний ключ, коли косарка залишається без нагляду, або під час регулювання, очищення, обслуговування, транспортування, підйому або зберігання косарки.

ПРИМІТКА. Мотор не зможе запуститися, якщо:

- Ручка не зафіксована в одному з трьох робочих положень, див. РЕГУЛЮВАННЯ СКЛАДАНОЇ РУЧКИ.
- Бічні рейки повністю висуноуті
- Обидва зелені затискачі для ручки надійно закриті.

ЗАСТЕРЕЖЕННЯ. Не намагайтесь обійти роботу запобіжної кнопки та засувного перемикача.

Запуск (рис. K і L)

- 1) Прикріпіть акумуляторну батарею до косарки, вставте запобіжний ключ у гніздо для ключа та закрийте кришку акумулятора.
- 2) Натисніть кнопку безпеки.
- 3) Натиснувши запобіжну кнопку, витягніть засувку вгору до ручки та відпустіть запобіжну кнопку.

Зупинка (рис. M)

- 1) Повністю відпустіть засувний перемикач.
- 2) Електричне гальмо в механізмі автоматичного гальмування зупинить обертання леза протягом 3 секунд після того, як засувний перемикач відпущено.

СВІТЛОДІОДНІ ФАРИ (рис. A-13)

Натисніть кнопку перемикача (рис. A-4), щоб увімкнути/вимкнути світлодіодні фари спереду на акумуляторному відсіку.

САМОХІДНА СИСТЕМА ЗІ ЗМІННОЮ ШВИДКІСТЮ

Косарка LM2130E-SP обладнана самохідною системою зі змінною швидкістю. Ця система не залежить від перемикача ввімкнення/вимкнення леза, вона не залежить від обертання леза.

Наприклад, коли ви закінчили косіння газону, ви можете використовувати самохідний механізм для переміщення газонокосарки назад до місця зберігання без обертання ножа. Або ви можете використовувати косарку як несамохідну косарку, щоб збільшити час роботи від акумулятора.

Для роботи самохідної системи без обертання леза ввімкніть ручку регулювання швидкості самохідної системи, натисніть на важіль (важіль самохідної системи). Є два важелі самохідної системи. Натисніть будь-який важіль, щоб запустити самохідну систему (рис. O).

O-1	Ручка регулювання швидкості самохідної системи	O-2	Тригер самохідної системи
-----	--	-----	---------------------------

Щоб вимкнути самохідну систему, відпустіть важіль самохідної системи та поверніть регулятор швидкості самохідної системи в положення «вимкнено».

ІНДИКАТОР СТАНУ НА КОСАРЦІ (рис. P)

Косарка оснащена індикатором живлення, який вказує стан заряду батареї та робочий стан косарки. Індикатор живлення загоряється, коли лезо обертається або коли світлодіодні фари ввімкнено.

P-1	Індикатор стану косарки	P-2	Кнопка перемикання світлодіодних фар
-----	-------------------------	-----	--------------------------------------

Індикатор стану косарки	Значення	Дія
Світ-ться зеленим	Косарка працює норм-ально; батарея має принаймні 15% заряду.	Не потрібно виконувати жодних дій.
Бли-має зеленим	Бічні рейки не висунуто повністю.	Зупиніть косарку і переконайтеся, що бічні напрямні повністю висунуто.
	Ручка не заблокована в робочому положенні.	Зупиніть газонокосарку і переконайтеся, що ручка зафіксована в робочому положенні.
Бли-має червоним	Низький заряд батареї.	Вимкніть косарку і зарядіть акумулятор.

Світ-ться оранж-евим	Косарка зупиняється через перегрів.	Вийміть батарею з косарки, перемістіть її у тінь і дайте їй охолонути принаймні 15 хвилин.
Бли-має оранж-евим	Косарка перевантажена.	Спочатку вийміть акумуляторну батарею та перевірте й очистьте, якщо під декою скупчилася трава. Сповільніть темп під час косіння. Якщо це не допомагає, зверніться до служби підтримки клієнтів EGO.
Попер-емінно блимає червоним і зеленим	Помилка	Зверніться до клієнтського сервісного центру EGO.
Блимає світлодіодного індикатора акумулятора	Перегрів акумулятора. (Див. розділ «ЗАХИСТ АКУМУЛЯТОРА ВІД ВИСОКОЇ ТЕМПЕРАТУРИ» в цьому посібнику)	Відпустіть засувний перемикач, зачекайте, доки акумулятор не охолоне приблизно до 67°C, а потім знову запустіть косарку.

ЗАХИСТ КОСАРКИ ВІД ПЕРЕВАНТАЖЕННЯ

Щоб запобігти перевантаженню, не намагайтесь одночасно видалити занадто багато трави. Уповільніть швидкість руху або підніміть висоту вирізання.

Ваша косарка має вбудований захист контуру від перевантаження. Коли косарка перевантажена, мотор зупиняється, а індикатор стану косарки блимає оранж-евим. Вийміть акумуляторну батарею з косарки. Перевірте, чи трава зібралася під декою, і, якщо потрібно, очистьте її, потім установіть акумулятор і знову запустіть косарку.

ЗАХИСТ БАТАРЕЇ ВІД ВИСОКОЇ ТЕМПЕРАТУРИ

Акумуляторна батарея утворює тепло під час роботи. Тепло розсіюється повільніше в спеку. Якщо під час роботи температура акумулятора перевищить 70°C, контур захисту негайно вимкне косарку, щоб захистити акумулятор від пошкоджень через перегрів. Індикатор стану косарки вимкнеться, див. розділ «ЗАХИСТ АКУМУЛЯТОРА» в інструкції з експлуатації акумулятора.

Відпустіть засувний перемикач, зачекайте, доки акумулятор не охолоне приблизно до 67°C, а потім знову запустіть косарку.

UK

ОБСЛУГОВУВАННЯ

⚠ ПОПЕРЕДЖЕННЯ. Щоб уникнути серйозних травм, перед чищенням, виконанням будь-якого технічного обслуговування або транспортування косарки завжди виймайте запобіжний ключ із косарки.

⚠ ПОПЕРЕДЖЕННЯ. Використовуйте для технічного обслуговування лише ідентичні запчастини. Використання будь-яких інших частин створює небезпеку або може призвести до поломки виробу. Для гарантування безпеки та надійності всі роботи з ремонту та заміни повинен проводити кваліфікований технічний спеціаліст.

ЗАГАЛЬНИЙ ТЕХНІЧНИЙ ДОГЛЯД

⚠ ПОПЕРЕДЖЕННЯ. Під час обслуговування або транспортування косарки завжди виймайте ключ безпеки та акумуляторну батарею.

Після кожного використання слід очистити нижню частину деки газонокосарки в міру накопичення трави, листя, бруду або іншого сміття.

Видаліть накопичену траву на вентиляторі мотора або навколо нього (не використовуйте воду). Протирайте косарку вологою тканиною.

ЗНЯТТЯ/УСТАНОВЛЕННЯ ЛЕЗА

⚠ ПОПЕРЕДЖЕННЯ. Завжди захищайте руки, одягнувши товсті рукавички або обгорнувши ріжучі кромки ганчірками чи іншими матеріалами під час виконання будь-якого технічного обслуговування лека косарки. Під час обслуговування або транспортування косарки завжди виймайте акумуляторну батарею.

- Зняття лека згідно з рис. Q.
- Установлення лека
Дотримуючись послідовності збирання, наведеної на рисунку R, з лопаттю вентилятора, спрямованою до дека, і друкованою стороною назовні, вирівняйте наскрізні отвори у вентиляторі з отворами в лопаті (рис. S), а потім затягніть лезо, як показано на рис. T.

UK

ЗБЕРІГАННЯ КОСАРКИ

- Вийміть акумуляторну батарею з косарки та зберігайте її в прохолодному, сухому та чистому місці. Не зберігайте її поруч із корозійними матеріалами, такими як добрива або кам'яна сіль.
- Зберігайте косарку в критому, замкненому, прохолодному та сухому місці, недоступному для дітей.
- Не накривайте газонокосарку суцільним листом пластику. Пластикові накриття накопичують вологу навколо косарки, що спричиняє іржу та корозію.

- Косарку можна зберігати у вертикальному або горизонтальному положенні. (Рис. U і V).

⚠ ПОПЕРЕДЖЕННЯ. Якщо косарка перевертається з вертикального положення, це може спричинити пошкодження косарки або травмування. Косарка завжди має стояти надійно та бути недоступною для дітей, коли вона перебуває у вертикальному положенні. Якщо це можливо, покладіть її в горизонтальне положення для зберігання.

Захист довкілля



Не викидайте електричні пристрої разом із несорттованими побутовими відходами. Використовуйте для цього пункти роздільного збирання.

Для отримання інформації стосовно наявних систем збирання відходів зверніться до органів місцевої влади.

Якщо електричний пристрій утилізується на сміттєзвалищі, небезпечні речовини можуть витікати в ґрунтові води та потрапити в харчовий ланцюг, що може шкодити вашому здоров'ю та самопочуттю.

УСУНЕННЯ НЕСПРАВНОСТЕЙ

⚠ ПОПЕРЕДЖЕННЯ. Під час обслуговування або транспортування косарки завжди виймайте ключ безпеки та акумуляторну батарею. Завжди захищайте руки, одягнувши товсті рукавички або обгорнувши ріжучі кромки ганчірками чи іншими матеріалами під час виконання будь-якого технічного обслуговування леза косарки.

НЕСПРАВНІСТЬ	ПРИЧИНА	ВИРІШЕННЯ
Косарка не запускається	<ul style="list-style-type: none"> ■ Акумуляторна батарея розряджена. ■ Акумуляторна батарея не встановлена на місце в батарейному відсіку. ■ Акумулятор або схема косарки занадто гарячі. (Індикатор живлення на косарці світитиметься оранжевим протягом 10 секунд) ■ Бічні рейки не висунуті до максимальної довжини, а затискачі не зафіксовано на місці. ■ Ручка не встановлена в одному з трьох робочих положень. ■ Дека косарки забита травою та сміттям. 	<ul style="list-style-type: none"> ■ Зарядіть акумуляторну батарею. ■ Прикріпіть акумулятор до косарки; натисніть на нього, доки не почуєте клацання ■ Дайте акумуляторній батареї або косарці охолонути, доки температура не опуститься нижче 67°C. ■ Повністю витягніть ручку та зафіксуйте обидва затискачі. ■ Установіть рукоятку в одне з трьох робочих положень. ■ Очистьте деку косарки та переконайтеся, що лезо має свободу руху.
Косарка рухається нерівномірно	<ul style="list-style-type: none"> ■ Лезо затупилося. ■ Висота різання не встановлена належним чином. ■ Лезо зібрано неправильно. 	<ul style="list-style-type: none"> ■ Заточіть або замініть лезо. ■ Підніміть деку, щоб установити вищу висоту зрізання. ■ Зберіть лезо, дотримуючись вказівок у розділі «УСТАНОВЛЕННЯ ЛЕЗА» в цьому посібнику.
Косарка зупиняється під час косіння	<ul style="list-style-type: none"> ■ Акумуляторна батарея розряджена. ■ Косарка перебуває в стані перевантаження. ■ Дека косарки забита травою та сміттям. ■ Акумулятор або схема косарки занадто гарячі. (Індикатор живлення на косарці світитиметься оранжевим протягом 10 секунд.) ■ Бічна рейка трохи втягнута за рахунок сили натискання на ручку. 	<ul style="list-style-type: none"> ■ Зарядіть акумуляторну батарею. ■ Підніміть висоту різання або сповільніть косіння. ■ Очистьте деку косарки. Підніміть висоту різання або косіть вузькою смугою. ■ Дайте акумуляторній батареї або косарці охолонути, доки температура не опуститься нижче 67°C. ■ Розблокуйте затискачі. Повністю висуньте бічні рейки та знову зафіксуйте затискачі.

НЕСПРАВНІСТЬ	ПРИЧИНА	ВИРІШЕННЯ
Косарка не мульчує правильно	<ul style="list-style-type: none">■ Обрізки мокрої трави приклеюються до нижньої поверхні деки.■ Косарка встановлена для зрізання занадто великої кількості трави за раз.	<ul style="list-style-type: none">■ Зачекайте, доки трава не висохне, перед косінням.■ Підніміть деку, щоб установити вищу висоту зрізання.
Існує надмірна вібрація	<ul style="list-style-type: none">■ Ріжуче лезо не закріплено.■ Ріжуче лезо незбалансоване.■ Ріжуче лезо зігнуто.■ Вал мотора зігнуто.■ Дека косарки забита травою та сміттям.	<ul style="list-style-type: none">■ Затягніть болт леза.■ Балансуйте лезо, дотримуючись інструкцій.■ Замініть лезо.■ Зверніться до сервісного центру.■ Очистьте деку косарки та переконайтеся, що лезо має свободу руху.
Затискачі для фіксації ручки не можуть бути закриті у їхньому положенні.	<ul style="list-style-type: none">■ Бічні рейки не висунуто повністю.	<ul style="list-style-type: none">■ Повністю висуньте бічні рейки, а потім зафіксуйте затискачі.

ГАРАНТІЯ

ПРАВИЛА ГАРАНТІЇ EGO

Відвідайте веб-сайт egopowerplus.com для отримання повного тексту умов гарантійної політики EGO.

ПРОЧЕТЕТЕ ВСИЧКИ ИНСТРУКЦИИ!

Употреба по предназначение: Продуктът е предназначен за косене на трева единствено в Домашни градини. Той не трябва да бъде използван за косене на необичайно висока, суха или мокра трева.

▲ ПРЕДУПРЕЖДЕНИЕ: Уверете се, че сте прочели и осъзнали всички инструкции за безопасност в това Ръководство на оператора, включително всички известяващи символи за безопасност, като **“ОПАСНОСТ,”** **“ПРЕДУПРЕЖДЕНИЕ”** и **“ВНИМАНИЕ”** преди да използвате този инструмент. Неспазването на всички инструкции изброени долу може да доведе до електрически удар, пожар и/или сериозно нараняване.

▲ ПРЕДУПРЕЖДЕНИЕ: Експлоатацията на всички електрически инструменти, може да доведе до изхвърляне на чужди предмети към вашите очи, което може да доведе до сериозно нараняване на очите. Преди започване на работа с електрически инструмент, винаги носете предпазни очила със странична защита или визьор за цялото лице, когато е необходимо. Ние препоръчваме предпазна маска с широк визьор за употреба над очила или стандартни предпазни очила със странична защита.

СИМВОЛИ ЗА БЕЗОПАСНОСТ



Сигнал за безопасност



За намаляване на опасността от нараняване, потребителят трябва да прочете и разбере ръководството на оператора преди използването на този продукт.



Уверете се, че други хора и домашни любимци спазват поне 30 м разстояние от косачката, когато е в употреба.



Дръжте краката и ръцете си далеч



Ножовете продължават да се въртят след като моторът е изключен - извадете активиращото устройство преди поддръжка. Изключете и извадете разглобяемата батерия (или активиращото устройство) преди регулиране и почистване.



Гарантирано ниво на мощност на звука.



Този продукт е в съответствие с приложимите директиви на ЕС.



Този продукт е в съответствие с приложимото законодателство на Великобритания.



Отпадъчните електрически продукти не трябва да бъдат изхвърляни заедно с домакинския отпадък. Отнесете го до упълномощено място за рециклиране.

IPX4

Защита от навлизане на вода степен 4.

V Волт

mm Милиметър

cm Сантиметър

— Вид или характеристика на тока

kg Килограм

BG

СПЕЦИФИКАЦИИ

Напрежение	56 V	
Скорост без натоварване	2700 об/мин	
Височина на рязане	25mm/ 32mm/ 40mm/ 51mm/ 64mm/ 77mm/ 90mm	
Позиции на височина на рязане	7	
Ширина на рязане	52 cm	
Обем на торбата за трева	70L	
Тегло на косачката (без акумулаторна батерия и торба за трева)	25,1 kg	
Модел на ножа	AB2102D-E	
Работна температура	0°C-40°C	
Температура на съхранение	-20°C-70°C	
Спирачка на ножа	ДА	
Измерено ниво на сила на звука L_{WA}	89,8 dB(A) K=3,35 dB(A)	
Ниво на звуково налягане при ухото на оператора L_{PA}	80,3 dB(A) K=3 dB(A)	
Гарантирано ниво на сила на звука L_{WA} (измерено съгласно 2000/14/ЕС)	93 dB(A)	
Оценка на вибрации a_{vh} :	Лява ръкохватка	0,61 m/s ² K=1,5 m/s ²
	Дясна ръкохватка	0,54 m/s ² K=1,5 m/s ²

ОПАКОВЪЧЕН ЛИСТ (ФИГ. А1)

ОПИСАНИЕ

ОПОЗНАЙТЕ ВАШАТА КОСАЧКА (Фиг. А1)

BG

1. Превключвател за самостоятелно задвижване
2. Контролен бутон за скоростта на самостоятелното задвижване
3. Бутон за безопасност
4. Превключващ бутон за LED фарове
5. Заклучваща скоба за ръкохватката
6. Торба за трева
7. Лост за бърза настройка
8. Лост за регулиране височината на рязане

9. Задно колело
10. Предно колело
11. Платформа на косачката
12. Предна ръкохватка
13. LED фарове
14. Капак на акумулаторната батерия
15. Задна ръкохватка
16. Задна изпускателна врата
17. Странична релса
18. Индикатор на статуса на косачката
19. Превключващ лост
20. Ръкохватка
21. Опорна точка за изправено съхранение
22. Заден щит
23. Бутон за освобождаване на батерията
24. Ключ за безопасност

ЕКСПЛОАТАЦИЯ

СГЛОБЯВАНЕ НА ТОРБАТА ЗА ТРЕВА

- 1) Плъзнете торбата за трева в рамката (фиг. В).
- 2) Сглобете горните държачи в рамката (фиг. С), след това сглобете двата странични държача. Накрая сглобете долния държач.
- 3) Напълно сглобената торба за трева е показана на фиг. D.

БЕЛЕЖКА: При нормална употреба материалът на торбата е обект на износване. За да намалите риска от нараняване, често проверявайте монтажа на торбата и подменете ако има знаци на износване или лошо състояние. Използвайте само торби за трева произведени за тази косачка.

РЕГУЛИРАНЕ НА СГЪВАЕМАТА РЪКОХВАТКА

▲ ПРЕДУПРЕЖДЕНИЕ: Не се опитвайте да стартирате косачката, докато ръкохватката не е заключена в една от трите зададени позиции на работа (ГОРНА РАБОТНА ПОЗИЦИЯ, СРЕДНА РАБОТНА ПОЗИЦИЯ и ДОЛНА РАБОТНА ПОЗИЦИЯ).

Вашата косачка се доставя с ръкохватка в компактна ЗАКЛЮЧЕНА ПОЗИЦИЯ ЗА СЪХРАНЕНИЕ (фиг. Е).

- 1) Натиснете и задръжте лоста за бърза настройка за да освободите ръкохватката от ЗАКЛЮЧЕНАТА ПОЗИЦИЯ ЗА СЪХРАНЕНИЕ.
- 2) Повдигнете ръкохватката от нейната сгъната позиция и след това освободете лоста. Внимателно завъртете ръкохватката нагоре, докато чуете и почувствате зацепването на заключващия щифт в една от следните различните позиции, както е показано на фиг. F.

F-1	Позиция за закрепване на торбата за трева/Позиция за отстраняване на торбата за трева	F-2	Заклучена позиция за съхранение
F-3	Горна позиция за работа	F-4	Средна позиция за работа
F-5	Долна позиция за работа		

ЗАКРЕПВАНЕ НА ТОРБАТА ЗА ТРЕВА

▲ ПРЕДУПРЕЖДЕНИЕ: Не правете, в никой момент, каквито и да е настройки на косачката за трева, без първо да спрете мотора, да извадите ключа за безопасност и да изчакате ножът да спре да се върти.

БЕЛЕЖКА: Извадете вложка за торене преди да закрепите торбата за трева към косачката.

- **За да закрепите / извадите торбата за трева (фиг. G)**

Вмъкнете пластината на торбата за трева в косачката и окачете торбата за трева на косачката.

БЕЛЕЖКА: Извадете предварително монтираната вложка за торене преди да закрепите торбата за трева към косачката.

- **За да закрепите / извадите вложката за торене (Фиг. H)**

РЕГУЛИРАНЕ НА ВИСОЧИНАТА НА РЯЗАНЕ (Фиг. I)

I-1	Натоварен с пружина регулатор на височината на рязане	I-2	Индикаторна пластина за височината на рязане
-----	---	-----	--

▲ ПРЕДУПРЕЖДЕНИЕ: Дръжте краката си на разстояние от платформата, когато регулирате височината. Косачката може да бъде настроена на 8 височини за рязане между 25 mm и 105 mm. Изберете правилната височина на рязане, в съответствие с типа и условията на тревата.

МОНТИРАНЕ/ИЗВАЖДАНЕ НА АКУМУЛАТОРНАТА БАТЕРИЯ (Фиг. J)

Използвайте само с акумулаторни батерии и зарядни устройства изброени на Фиг. A2

ЗАРЕДЕТЕ ПРЕДИ ПЪРВАТА УПОТРЕБА

▲ ПРЕДУПРЕЖДЕНИЕ: Ако някои части са повредени или липсващи не се опитвайте да закачите батерията към косачката или да работите с косачката, докато счупените или липсващи части не са подменени. Неизпълнение на това може да доведе до нараняване.

- **За да закрепите**

Бутнете акумулаторната батерия в отделението на батерията, докато не чуete "щрак".

■ За да извадите

Натиснете бутона за освобождаване на батерията в отделението на батерията.

БЕЛЕЖКА: Уверете се, че резето на косачката щраква на мястото си и батерията е осигурена в косачката преди стартиране на работа.

СТАРТИРАНЕ / СПИРАНЕ НА КОСАЧКАТА (Фиг. K, L и M)

▲ ПРЕДУПРЕЖДЕНИЕ: Експлоатацията на всяка косачка за трева, може да доведе до изхвърляне на чужди предмети към вашите очи или към очите на други, което може да доведе до сериозни очни наранявания. Винаги носете предпазни очила, докато работите с косачката или докато извършвате настройки или ремонт по нея.

▲ ПРЕДУПРЕЖДЕНИЕ: Ножът ще продължи да се върти за няколко секунди, след като косачката е изключена. Оставете моторът / ножът да спрат да се въртят, преди да я стартирате отново. Не включвайте и изключвайте бързо косачката.

КЛЮЧ ЗА БЕЗОПАСНОСТ (Фиг. N)

С цел да предотвратите неумишлено стартиране или неоторизирано използване на вашата безкабелна косачка, в дизайна на косачката е заложен изваждащ се ключ за безопасност. Косачката ще бъде напълно изключена, когато ключът за безопасност е изваден от косачката.

ОПАСНОСТ: Въртящите ножове могат да причинят сериозно нараняване. За да предотвратите сериозно нараняване извадете ключа за безопасност, когато косачката е без надзор или когато регулирате, почиствате, обслужвате, транспортирате, повдигате или съхранявате косачката.

БЕЛЕЖКА: Моторът не може да бъде стартиран, освен когато:

- Ръкохватката е заключена в една от трите работни позиции вижте НАСТРОЙВАНЕ НА СГЪВАЕМАТА РЪКОХВАТКА
- Страничните релси са напълно изтеглени
- Двете зелени заключващи скоби за ръкохватката са сигурно затворени

ВНИМАНИЕ: Не се опитвайте да заобиколите работата на бутона за безопасност и дръжката превключвател.

BG

За да стартирате (фиг. K и L)

- 1) Поставете батерията в косачката, вкарайте ключа за безопасност в слота на ключа и затворете капака на батерията.
- 2) Натиснете бутона за безопасност.

- 3) С натиснат бутон за безопасност, издърпайте дръжката превключвател напред за да срещне ръкохватката и освободете бутона за безопасност.

За да спрете (фиг. М)

- 1) Освободете изцяло дръжката превключвател.
- 2) Електрическата спирачка, в автоматичния спирачен механизъм, ще спре въртенето на ножа в рамките на 3 секунди от освобождаването на ножа превключвател.

LED ФАРОВЕ (фиг. А-13)

Натиснете бутона превключвател (фиг. А-4) за да включите / изключите LED работните светлини пред отделението на батерия.

СИСТЕМА НА САМОСТОЯТЕЛНО ЗАДВИЖВАНЕ С ПРОМЕНЛИВА СКОРОСТ

Косачка LM2130E-SP е оборудвана с възможности за променлива скорост на самостоятелната задвижваща система. Тази система е независима от ключа за включване/ изключване на ножа, тя не зависи от въртенето на ножа.

Например, когато сте завършили косенето на своята ливада, можете да използвате самостоятелното задвижване, за да придвижите косачката обратно до мястото на съхранение, без да се върти ножът. Или можете да изберете да работите с косачката без функцията самостоятелно задвижване, за да увеличите времето на работа на батерията.

За работа на системата за самостоятелно задвижване без въртене на ножа включете контролния бутон за скоростта на самостоятелното задвижване, натиснете спусъците за самостоятелното задвижване. Има два спусъка за самостоятелно задвижване. Натиснете един от спусъците, за да стартирате функцията самостоятелно задвижване (Фиг. О).

O-1	Контролен бутон за скоростта на самостоятелното задвижване	O-2	Спусък за самостоятелно задвижване
-----	--	-----	------------------------------------

За да изключите самостоятелното задвижване, отпуснете спусъка за самостоятелно задвижване и изключете бутона за скоростта на самостоятелното задвижване.

ИНДИКАТОР ЗА СТАТУСА НА КОСАЧКАТА (Фиг. Р)

Косачката е оборудвана с индикатор за захранване за да покаже състоянието на заряда в акумулаторната батерия и работния статут на косачката. Индикаторът за захранването ще светне, когато ножът се върти или когато LED работните светлини са включени.

P-1	Индикатор на статуса на косачката	P-2	Превключващ бутон за LED фарове
-----	-----------------------------------	-----	---------------------------------

Инди-катор на статуса на коса-чката	Значение	Действие
Посто-янно зелено	Косачката работи правилно, батерията има поне 15% заряд	Не е необ-одимо.
Мигащо зелено	Стран-ичните релси не са напълно изтеглени.	Спрете косачката и се уверете, че страничните релси са напълно изтеглени.
	Ръкох-атката не е фиксирана в работна позиция.	Спрете косачката и се уверете, че ръкох-ватката е фиксирана в работно положение.
Мигащо червено	Слаба батерия	Спрете косачката и заредете акумулаторната батерия.
Пост-оянно оран-жево	Косач-ката спира поради прегр-яване.	Извадете батерията от косачката, преме-стете ги на сянка и ги охладете поне за 15 минути
Мигащо оран-жево	Косач-ката е прето-варена	Първо отстранете акумул-аторната батерия, след това проверете и почистете тревата, която се събрала под платф-ормата. Забавете своята крачка, когато косите. Ако това не действа, свържете се с центъра за обслужване на клиенти на EGO.
Мига в червено/зелено послед-оват-елно	Грешка	Свър-жете се с центъра за обслу-ж-ване на клиенти на EGO.
Тъмно И LED на батерията мига	Прегр-яване на бате-рията. (Вижте раздел „ЗАЩИТА ПРИ ВИСОКА ТЕМП-ЕРАТУ РА НА БАТЕ-РИЯТА“ в това ръкох-одство)	Освободете превкл-ючвате-лния спусък, изчак-айте докато батери-ята се охлади до приби-зително 67°C и рестарт-ирайте маши-ната за почи-стане на сняг.

ЗАЩИТА ОТ ПРЕТОВАРВАНЕ НА КОСАЧКАТА

За да предотвратите условия на претоварване, не се опитвайте да режете твърде много трева на веднъж. Забавете скоростта на рязане или повдигнете височината на рязане.

Вашата косачка има вградена защитна верига за претоварване. Когато косачката е претоварена, моторът ще спре и индикаторът за статуса на косачката ще мига в оранжево. Извадете акумулаторната батерия от косачката. Проверете да видите дали се е събрала трева под платформата и почистете ако е необходимо, след това монтирайте батерията и рестартирайте косачката.

ЗАЩИТА НА БАТЕРИЯТА ОТ ВИСОКА ТЕМПЕРАТУРА

Батерията ще произведе топлина по време на работа. Топлината се разсейва по-бавно в горещо време. Ако температурата на батерията надвиши 70°C по време на работа, защитната верига незабавно ще изключи машината за почистване на сняг, за да предпази акумулаторната батерия от повреда от топлината. Индикаторът на статуса на косачката ще изгасне, моля, вижте раздела „ЗАЩИТА НА БАТЕРИЯТА“ в ръководството за оператора на батерията за детайли.

Освободете превключвателния спусък, изчакайте докато батерията се охлади до приблизително 67°C и рестартирайте машината за почистване на сняг.

ПОДДРЪЖКА

⚠ ПРЕДУПРЕЖДЕНИЕ: За да избегнете сериозно нараняване винаги изваждайте ключа за безопасност от косачката преди почистване, извършване на поддръжка или транспортиране на косачката.

⚠ ПРЕДУПРЕЖДЕНИЕ: Когато обслужвате, използвайте само идентични резервни части. Употребата на каквито и да е други части може да създаде опасност или да предизвика повреда на продукта. За да осигурите безопасността и надеждността, всички поправки и подмени трябва да се извършват от квалифициран сервизен техник.

ОБЩА ПОДДРЪЖКА

⚠ ПРЕДУПРЕЖДЕНИЕ: Винаги изваждайте ключа за безопасност и батерията, когато обслужвате или транспортирате косачката.

Долната страна на платформата на косачката трябва да бъде почиствана след всяка употреба, тъй като ще се натрупат отрязъци от трева, листа, мърсотия и други отпадъци.

Отстранете всяко натрупване на трева по или около вентилатора на мотора (не използвайте вода). Почистете, забърсвайки косачката с влажна кърпа.

ИЗВАЖДАНЕ/МОНТИРАНЕ НА НОЖА

⚠ ПРЕДУПРЕЖДЕНИЕ: Винаги защитете ръцете си, чрез носене на тежки ръкавици или чрез обвиване на острият ръбове с парцали или други материали, когато извършвате поддръжка на ножа на косачката. Винаги изваждайте батерията, когато обслужвате или транспортирате косачката.

- За да извадите ножа следвайте фиг. Q.
- За да монтирате ножа
Следвайте последователността на сглобяване на фиг. R, с острия ръб на перката към платформата и надписаната страната на ножа сочеща навян, подравнете преходните отвори в перката с отворите на ножа (фиг. S) и след това затегнете ножа, както е показано на фиг. T.

СЪХРАНЯВАНЕ НА КОСАЧКАТА

- Извадете батерията от косачката и я съхранете на хладно, сухо и чисто място. Не я съхранявайте в близост до корозивни материали като тор или каменна сол.
- Съхранете косачката в закрито затворено пространство, което е хладно и сухо и е извън достъпа на деца.
- Не покривайте косачката с твърдо пластмасово покривало. Пластмасовите покривала задържат влагата около косачката, което предизвиква ръжда и корозия.
- Косачката може да бъде съхранена изправена или легнала. (Фиг. U и V).

⚠ ПРЕДУПРЕЖДЕНИЕ: Падане на косачката от изправена позиция може да доведе до повреда на косачката или нараняване на човек. Винаги дръжте косачката стабилна и извън достъпа на деца, когато е в изправена позиция. Ако е възможно поставете я легнала за съхранение.

Опазване на околната среда



Не изхвърляйте електрическо оборудване с общия боклук от домакинството, използвайте отделни сметосъбиращи съоръжения.

Свържете се с местните власти за информация относно наличните системи за събиране на отпадъци.

Ако се изхвърлят електрически уреди в сметища или бунища, опасни вещества могат да изтекат в подпочвените води и да попаднат в хранителната верига, като увредят вашето здраве и благосъстояние.

ОТСТРАНЯВАНЕ НА ПРОБЛЕМИ

▲ ПРЕДУПРЕЖДЕНИЕ: Винаги изваждайте ключа за безопасност и батерията, когато обслужвате или транспортирате косачката. Винаги защитете ръцете си, чрез носене на тежки ръкавици или чрез обвиване на острите ръбове с парцали или други материали, когато извършвате поддръжка на ножа на косачката.

ПРОБЛЕМ	ПРИЧИНА	РЕШЕНИЕ
Косачката не може да запали	<ul style="list-style-type: none"> ■ Аккумуляторната батерия е изтощена. ■ Аккумуляторната батерия не е монтирана на местото си в отделението. ■ Аккумуляторната батерия или електронните компоненти на косачката са твърде горещи. (Индикаторът за захранването на косачката ще светне в оранжево за 10 секунди). ■ Страничните релси не са удължени до тяхната максимална дължина и скобите не са заключени в позиция. ■ Ръкохватката не е поставена в една от трите работни позиции. ■ Платформата на косачката е запушена с трева и отпадъци. 	<ul style="list-style-type: none"> ■ Заредете аккумуляторната батерия. ■ Закрепете батерията в косачката, натиснете я докато чуете изщракване. ■ Позволете на аккумуляторната батерия или косачката да се охлади, докато температурата спадне под 67°C. ■ Изтеглете напълно ръкохватката и заключете двете клампи. ■ Поставете ръкохватката в една от трите работни позиции. ■ Почистете платформата на косачката и се уверете, че ножът се движи свободно.
Косачката реже неравно	<ul style="list-style-type: none"> ■ Ножът е затъпен. ■ Височината за рязане не е настроена правилно. ■ Ножът е монтиран неправилно. 	<ul style="list-style-type: none"> ■ Заточете и подменете ножа. ■ Повдигнете платформата на висока височина на рязане. ■ Сглобете отново ножа като следвате раздел "МОНТИРАНЕ НА НОЖА" в това ръководство.
Косачката спира докато коси	<ul style="list-style-type: none"> ■ Аккумуляторната батерия е изтощена. ■ Косачката е в претоварено състояние. ■ Платформата на косачката е запушена с трева и отпадъци. ■ Аккумуляторната батерия или електронните компоненти на косачката са твърде горещи. (Индикаторът за захранването на косачката ще светне в оранжево за 10 секунди). ■ Страничната релса е малко сгъната от бутачката сила приложена върху ръкохватката. 	<ul style="list-style-type: none"> ■ Заредете аккумуляторната батерия. ■ Повдигнете височината на рязане или забавете косенето. ■ Отпушете платформата на косачката. Повдигнете височината на рязане или режете на тесни ивици. ■ Позволете на аккумуляторната батерия или косачката да се охлади, докато температурата спадне под 67°C. ■ Отключете скобите. Обтегнете напълно страничните релси и заключете отново скобите.

ПРОБЛЕМ	ПРИЧИНА	РЕШЕНИЕ
Косачката не тори правилно	<ul style="list-style-type: none"> ■ Отрязъци мокра трева са залепнали за долната част на платформата. ■ Косачката е настроена да реже твърде много трева наведнъж. 	<ul style="list-style-type: none"> ■ Изчакайте докато тревата се изсуши преди косене. ■ Повдигнете платформата на по-висока височина на рязане.
Има прекалено силни вибрации	<ul style="list-style-type: none"> ■ Ножът за рязане е разхлабен. ■ Ножът за рязане е разбалансиран. ■ Ножът за рязане е изкривен. ■ Валът на мотора е изкривен. ■ Платформата на косачката е запушена с трева и отпадъци. 	<ul style="list-style-type: none"> ■ Затегнете болта на ножа. ■ Балансирайте ножа като следвате инструкциите. ■ Подменете ножа. ■ Свържете се с центъра за обслужване. ■ Почистете платформата на косачката и се уверете, че ножът се движи свободно.
Заклучващите скоби на ръкохватката не могат да бъдат затворени в позицията	<ul style="list-style-type: none"> ■ Страничните релси не са напълно изтеглени. 	<ul style="list-style-type: none"> ■ Изтеглете напълно страничните релси и след това заключете скобите.

ГАРАНЦИЯ

ГАРАНЦИОННА ПОЛИТИКА EGO

Моля, посетете уебсайта egopowerplus.com за пълните срокове и условия по гаранционната политика на EGO.

PROČITAJTE UPUTE U CIJELOSTI!

Namjena: Proizvod je predviđen za košnju trave samo u kućanskim vrtovima. Ne smije se koristiti za košnju neobično visoke, suhe ili mokre trave.

⚠ UPOZORENJE: Prije korištenja ovog alata, s razumijevanjem pročitajte sve sigurnosne upute u ovom priručniku za rukovatelja, uključujući sve sigurnosne simbole kao što su „**OPASNOST**“, „**UPOZORENJE**“ i „**OPREZ**“. Zanemarivanje uputa navedenih u nastavku može rezultirati električnim udarom, požarom i/ili teškim tjelesnim ozljedama.

⚠ UPOZORENJE: Rukovanje električnim alatima može rezultirati odbacivanjem stranih predmeta u oči što opet može izazvati teške ozljede očiju. Prije početka rukovanja električnim alatom nosite zaštitne naočale ili zaštitne naočale s bočnim štitnicima, a prema potrebi ili štitičnik za cijelo lice. Preporučujemo nošenje sigurnosne maske proizvođača Wide Vision preko naočala ili nošenje standardnih zaštitnih naočala s bočnim štitnicima.

SIMBOLI SIGURNOSTI



Upozorenje u vezi sigurnosti



Radi smanjenja opasnosti od ozljeda, prije uporabe ovog proizvoda korisnik treba s razumijevanjem pročitati ovaj korisnički priručnik.



Druge osobe i kućne ljubimce udaljite najmanje 30 m od kosilice kada je u uporabi.



Držite stopala u ruke podalje



Noževi se nastavljaju okretati nakon isključivanja motora – prije održavanja uklonite napravu za onemogućavanje. Isključite i uklonite odvojivi baterijski modul (ili napravu za onemogućavanje) prije podešavanja ili čišćenja.



Zajamčena razina zvučne snage.



Ovaj proizvod je u skladu s važećim direktivama EU.



ovaj proizvod sukladan je važećim zakonima u UK.



Triman objedinjeni znak za recikliranje. Reciklirajte sami, ne bacajte u otpad!



Otpadni električni proizvodi ne smiju se odlagati s otpadom iz kućanstva. Odnosite ih u ovlašteni centar za reciklažu.

IPX4 Zaštita od prodora vode, 4. stupanj

V Volt

mm Milimetar

cm Centimetar

⎓ Vrsta iii karakteristike struje

kg Kilogram

TEHNIČKI PODACI

Napon	56 V	
Brzina bez opterećenja	2700 o/min	
Visina otkosa	25mm/ 32mm/ 40mm/ 51mm/ 64mm/ 77mm/ 90mm	
Položaji visine otkosa	7	
Širina otkosa	52 cm	
Volumen vreće za travu	70 l	
Težina kosilice (bez baterijskog modula i vreće za travu)	25,1 kg	
Model noža	AB2102D-E	
Radna temperatura	0°C-40°C	
Temperatura skladištenja	-20°C-70°C	
Kočnica noža	DA	
Izmjerena razina zvučne snage L_{WA}	89,8 dB(A) K=3,35 dB(A)	
Razina zvučnog tlaka kod uha rukovatelja L_{PA}	80,3 dB(A) K=3 dB(A)	
Zajamčena razina zvučne snage L_{WA} (izmjerenom u skladu s 2000/14/EZ)	93 dB(A)	
Procjena vibracija a_h :	Lijeva drška	0,61 m/s ² K=1,5 m/s ²
	Desna drška	0,54 m/s ² K=1,5 m/s ²

POPIS ZA PAKIRANJE (SL. A1)

OPIS

UPOZNAJTE KOSILICU (sl. A1)

1. Sklopka samostalnog pogona
2. Ručica za upravljanje brzinom samostalnog pogona
3. Sigurnosni gumb
4. Gumb sklopke prednjih LED svjetala
5. Stezaljka za fiksiranje drške
6. Vreća za travu
7. Ručica za brzo podešavanje
8. Ručica za podešavanje visine otkosa
9. Stražnji kotač
10. Prednji kotač
11. Trup kosilice
12. Prednji rukohvat
13. Prednja LED svjetla
14. Poklopac baterijskog pretinca

15. Stražnja drška
16. Vratašca stražnjeg ispusta
17. Bočna vodilica
18. Indikator stanja kosilice
19. Ručica za prebacivanje
20. Drška
21. Oslonac za skladištenje u uspravnom stanju
22. Stražnji štitičnik
23. Gumb za oslobađanje baterije
24. Sigurnosni ključ

RAD

MONTAŽA VREĆE ZA TRAVU

- 1) Gurnite vreću za travu na okvir (sl. B).
- 2) Montirajte gornje kopče na okvir (sl. C), zatim montirajte dvije bočne kopče. Na kraju montirajte donju kopču.
- 3) Potpuno montirana vreća za travu prikazana je na sl. D.

OBAVIJEST: Materijal se troši u normalnim uvjetima korištenja. Kako biste smanjili opasnost od ozljeđivanja, često pregledavajte sklop vreće i zamijenite ga ako primijetite znakove istrošenosti ili oštećenja. Koristite samo vreće za travu proizvedene za ovu kosilicu.

PODEŠAVANJE SKLOPIVE DRŠKE

⚠ UPOZORENJE: Ne pokušavajte pokrenuti kosilicu dok je drška fiksirana u jednom od tri unaprijed postavljena radna položaja (GORNJI RADNI POLOŽAJ, SREDNJI RADNI POLOŽAJ I DONJI RADNI POLOŽAJ).

Kosilica je opremljena drškom postavljenom u kompaktnom, ZAKLJUČANOM POLOŽAJU ZA SKLADIŠTENJE (sl. E).

- 1) Pritisnite i zadržite ručicu za brzo podešavanje kako biste oslobodili dršku iz ZAKLJUČANOG POLOŽAJA ZA SKLADIŠTENJE.
- 2) Podignite dršku iz sklopljenog položaja, a zatim otpustite ručicu. Pažljivo okrećite dršku prema gore dok ne začujete i osjetite da se zatik za blokadu aktivirao u jednom od različitih položaja prikazanih na sl. F.

F-1	Položaj za postavljanje/ uklanjanje vreće za travu	F-2	Fiksirani položaj za skladištenje
F-3	Gornji radni položaj	F-4	Srednji radni položaj
F-5	Donji radni položaj		

HR

PRIČVRŠČIVANJE VREĆE ZA TRAVU

⚠ UPOZORENJE: Nemojte podešavati kosilicu ako prije toga niste zaustavili rad motora, uklonili sigurnosni ključ i pričekali da se nož prestane vrtjeti.

OPAZI: S kosilice uklonite ranije postavljene umetak za kompostiranje prije nego postavite vreću za travu na kosilicu.

■ **Postavljanje/uklanjanje vreće za travu (sl. G)**

Umetnite ploču vreće za travu u kosilicu i objesite vreću za travu na kosilicu.

OPAZI: S kosilice uklonite ranije postavljene umetak za kompostiranje prije nego postavite vreću za travu na kosilicu.

■ **Postavljanje/uklanjanje umetka za kompostiranje (prodaje se zasebno) (Sl. H)**

PODEŠAVANJE VISINE OTKOSA (sl. I)

I-1	Opružna ručica za podešavanje visine otkosa	I-2	Ploča za indicaciju visine otkosa
-----	---	-----	-----------------------------------

OPAZI: Odmaknite stopala od trupa za vrijeme podešavanja visine. Kosilicu možete postaviti na 8 visina otkosa između 25 mm i 105 mm. Odaberite odgovarajuću visinu ovisno o vrsti i stanju trave.

POSTAVLJANJE/SKIDANJE BATERIJSKOG MODULA (Sl. J)

Upotrebjavajte samo s baterijskim modulima i punjačima koji su navedeni na Sl. A2.

NAPUNITE PRIJE PRVE UPORABE.

OPAZI: Ako su neki dijelovi oštećeni ili nedostaju, nemojte pokušavati postaviti baterijski modul na kosilicu ili koristiti kosilicu dok ne zamijenite te dijelove. U protivnom može doći do teških ozljeda.

■ **Postavljanje**

Gurajte baterijski modul u baterijski pretinac dok ne čujete da je sjeo na mjesto.

■ **Skidanje**

Pritisnite gumb za oslobađanje baterije u baterijskom pretincu.

OPAZI: Prije početka rada pobrinite se da zasun na kosilici sjedne na mjesto te da je baterijski modul pričvršćen u kosilici.

HR

POKRETANJE/ZAUSTAVLJANJE RADA KOSILICE (Sl. K, L i M)

OPAZI: Rukovanje bilo kojom kosilicom može rezultirati odbacivanjem stranih predmeta u oči, što opet može izazvati teška oštećenja očiju. Uvijek nosite sigurnosne naočale kada rukujete kosilicom ili za vrijeme podešavanja ili izvođenja popravaka na kosilici.

OPAZI: Nož će se nastaviti okretati nekoliko sekundi nakon isključivanja kosilice. Pričekajte da se motor/nož prestane okretati prije ponovnog uključivanja. Nemojte naglo isključiti pa uključiti kosilicu.

SIGURNOSNI KLJUČ (Sl. N)

Kako ne bi došlo do nehotičnog pokretanja ili neovlaštene upotrebe vaše bežične kosilice, u njenu izvedbu ugrađen je uklonjivi sigurnosni ključ. Kosilica će biti potpuno onemogućena kada se iz nje ukloni sigurnosni ključ.

OPASNOST: Okretni noževi mogu nanijeti teške ozljede. Kako biste spriječili teške ozljede, uklonite sigurnosni ključ kada je kosilica bez nadzora ili za vrijeme podešavanja, čišćenja, servisiranja, prenošenja, podizanja ili skladištenja kosilice.

OPAZI: Motor nije moguće pokrenuti osim u sljedećim slučajevima:

- Drška je zaključana u jednom od tri radna položaja, pogledajte odjeljak **PODEŠAVANJE SKLOPIVE DRŠKE**.
- Bočne vodilice su izvučene do kraja
- Obje zelene stezaljke za zaključavanje drške sigurno su zatvorene.

OPREZ: Ne pokušavajte zaobići funkciju sigurnosnog gumba i sigurnosne sklopke.

Pokretanje (sl. K i L)

- 1) Postavite baterijski modul na kosilicu, umetnite sigurnosni ključ u utor i zatvorite poklopac baterije.
- 2) Utisnite sigurnosni gumb.
- 3) S utisnutim sigurnosnim gumbom, povucite sigurnosnu sklopku gore prema dršci i otpustite sigurnosni gumb.

Zaustavljanje (sl. M)

- 1) Do kraja otpustite sigurnosnu sklopku.
- 2) Električna kočnica u mehanizmu automatskog kočenja će zaustaviti okretanje noža u roku 3 sekunde od otpuštanja sigurnosne sklopke.

PREDNJA LED SVJETLA (sl. A-13)

Pritisnite gumb sklopke (sl. A-4) kako biste uključili/isključili prednja LED svjetla na prednjoj strani baterijskog odjeljka.

SUSTAV SA SAMOSTALNIM POGONOM VARIJABILNE BRZINE

Kosilica LM2130E-SP opremljena je samostalnim pogonom varijabilne brzine. Ovaj sustav je neovisan o sklopki za uključivanje/isključivanje noža. Njegov rad ne ovisi o okretanju noža.

Primjerice, kada dovršite košnju travnjaka, vlastitim pogonom kosilicu možete vratiti nazad na mjesto za skladištenje bez rotacije noža. Možete i odabrati upotrebu kosilice bez samostalnog pogona kako biste povećali trajnost baterije.

Ako želite koristiti vlastiti samostalni pogon bez rotacije noža, uključite gumb za regulaciju brzine samostalnog pogona, pritisnite okidač samostalnog pogona. Postoje dva okidača samostalnog pogona. Pritisnite bilo koji okidač za pokretanje funkcije samostalnog pogona (Sl. O).

O-1	Ručica za upravljanje brzinom samostalnog pogona	O-2	Okidač samostalnog pogona
-----	--	-----	---------------------------

Za isključivanje samostalnog pogona otpustite okidač za samostalni pogon i isključite ručicu za upravljanje brzinom samostalnog pogona.

INDIKATOR STANJA KOSILICE NA KOSILICI (sl. P)

Kosilica je opremljena indikatorom napajanja koji označava stanje napunjenosti baterijskog modula i radni status kosilice. Indikator napajanja svijetli kada se nož okreće ili kada su uključena prednja LED svjetla.

P-1	Indikator stanja kosilice	P-2	Gumb sklopke prednjih LED svjetala
-----	---------------------------	-----	------------------------------------

Indikator stanja kosilice	Značenje	Radnja
Stalno svijetli zeleno	Kosilica radi ispravno, baterija je napunjena najmanje 15%	Ništa nije potrebno.
Trepće zeleno	Bočne vodilice nisu do kraja izvučene.	Zaustavite kosilicu i provjerite da su bočne vodilice izvučene do kraja.
	Drška nije fiksirana u radnom položaju.	Zaustavite kosilicu i provjerite je li drška fiksirana u radnom položaju.
Trepće crveno	Prazna baterija.	Zaustavite kosilicu i napunite baterijski modul.
Stalno svijetli narančasto	Kosilica se zaustavlja zbog pregrijavanja.	Izvadite bateriju iz kosilice, premjestite ih u hlad i pričekajte barem 15 minuta da se ohlade.

Trepće narančasto	Kosilica je preopterećena.	Prvo uklonite baterijski modul, zatim provjerite da se trava nije nakupila ispod trupa. Usporite ritma prilikom košenja. Ako to ne pomogne, obratite se servisnom centru tvrtke EGO.
Naizmjenice trepće crveno/zeleno	Pogreška	Obratite se servisnom centru tvrtke EGO
Tamno i trepće LED na bateriji	Pregrijala se baterija. (Pogledajte odjeljak ZAŠTITA BATERIJE OD VISOKE TEMPERATURE u ovom priručniku)	Otpustite sigurnosnu sklopku, pričekajte da se baterijski modul ohladi do približno 67°C, zatim ponovno pokrenite kosilicu.

ZAŠTITA KOSILICE OD PREOPTEREĆENJA

Kako ne bi došlo do preopterećenja, nemojte uklanjati preveliku količinu trave u jednom prolazu. Usporite tempo košnje ili povećajte visinu otkosa.

Kosilica ima ugrađenu zaštitu kruga od preopterećenja. U slučaju preopterećenja kosilice, motor će se zaustaviti, a indikator stanja na kosilici će treptati narančasto. Uklonite baterijski modul iz kosilice. Provjerite da se ispod trupa nije nakupila trava i očistite ju ako je potrebno, zatim ugradite bateriju i ponovno pokrenite kosilicu.

ZAŠTITA BATERIJE OD VISOKE TEMPERATURE

Baterijski modul stvara toplinu za vrijeme rada. Toplina se sporije odvodi za toplog vremena. Ako temperatura baterije premaši 70°C tijekom rada, zaštitni krug odmah će isključiti kosilicu kako bi zaštitio baterijski modul od toplinskog oštećenja. Indikator stanja kosilice na kosilici će se isključiti, u vezi LED svjetla na bateriji, više pojedinosti potražite u odjeljku korisničkog priručnika „ZAŠTITA BATERIJE“.

Otpustite sigurnosnu sklopku, pričekajte da se baterijski modul ohladi do približno 67°C, zatim ponovno pokrenite kosilicu.

ODRŽAVANJE

⚠ UPOZORENJE: Kako biste izbjegli ozbiljne tjelesne ozljede, uklonite sigurnosni ključ iz kosilice prije njenog čišćenja, izvođenja postupaka održavanja i transporta.

⚠ UPOZORENJE: Pri servisiranju koristite samo identične zamjenske dijelove. Korištenje drugih dijelova može izazvati opasnost ili prouzročiti oštećenje proizvoda. Radi sigurnosti i pouzdanosti, sve popravke treba obavljati kvalificirani servisni tehničar.

OPĆE ODRŽAVANJE

⚠ UPOZORENJE: Izvadite sigurnosni ključ i baterijski modul prije servisa ili transporta kosilice.

Donju stranu trupa kosilice potrebno je očistiti nakon svake upotrebe kako biste spriječili nakupljanje komadića trave, lišća, prljavštine ili drugih tvari.

Uklonite naslage trave na i oko ventilatora motora (nemojte koristiti vodu). Kosilicu obrišite vlažnom krpom.

UKLANJANJE/UGRADNJA NOŽA

⚠ UPOZORENJE: Pri obavljanju radova održavanja na nožu kosilice zaštitite ruke rukavicama ili omotajte noževe krpama ili drugim materijalima. Izvadite baterijski modul prije servisiranja ili transporta kosilice.

- **Uklanjanje noža prema sl. Q.**
- **Ugradnja noža**
Prateći upute za sastavljanje na sl. R, s ventilatorom okrenutim prema trupu, a tiskanom stranom noža prema van, poravnajte rupe u ventilatoru s rupama u nožu (sl. S) pa stegnite nož kako je prikazano na sl. T.

SKLADIŠTENJE KOSILICE

- Izvadite baterijski modul iz kosilice i pohranite ga na hladno, suho i čisto mjesto. Nemojte ga pohraniti pored korozivnih materijala kao što su gnojiva ili kamena sol.
- Pohranite kosilicu na natkrivenom, zatvorenom mjestu koje je hladno i suho i izvan dohvata djece.
- Ne pokrivajte kosilicu čvrstim plastičnim prekrivačem. Plastični prekrivači zarobit će vlagu oko kosilice, što pripomaže nastanku hrđe i korozije.
- Kosilica se može pohraniti uspravno ili položeno. (Sl. U i V).

⚠ UPOZORENJE: Ako se kosilica prevrne iz uspravnog položaja, može doći do oštećenja ili ozljeda osoba u blizini. Kosilicu u uspravan položaj postavite tako da uvijek bude stabilna i izvan dohvata djece. Ako je moguće, položite ju tijekom skladištenja.

Zaštita okoliša



Električne uređaje nemojte zbrinjavati s nerazvrstanim komunalnim otpadom, koristite posebne spremnike.

Informacije o dostupnim sustavima prikupljanja otpada za recikliranje potražite u lokalnom komunalnom poduzeću.

Ako se električni uređaji odlažu na odlagališta otpada ili deponije, opasne tvari mogu isticati u podzemne vode i dospjeti u lanac ishrane, nanoseći tako štetu vašem zdravlju i blagostanju.

OTKLANJANJE SMETNJI

⚠ UPOZORENJE: Izvadite sigurnosni ključ i baterijski modul prije servisa ili transporta kosilice. Pri obavljanju radova održavanja na nožu kosilice zaštitite ruke rukavicama ili omotajte noževe krpama ili drugim materijalima.

PROBLEM	UZROK	RJEŠENJE
Kosilica se ne može pokrenuti	<ul style="list-style-type: none"> ■ Baterijski modul je ispražnjen. ■ Baterijski modul nije postavljen na mjestu u svom pretincu. ■ Prevruća je baterija ili sklopovlje kosilice. (Indikator napajanja na kosilici svijetlit će narančasto 10 sekundi) ■ Bočne vodilice nisu izvučene na maksimalnu duljinu, a stezaljke nisu zaključane u svom položaju. ■ Drška nije postavljane u jedan od tri radna položaja. ■ Trup kosilice je začepljen travom i ostalim nečistoćama. 	<ul style="list-style-type: none"> ■ Napunite baterijski modul. ■ Postavite baterijski modul na kosilicu; pritisnite ga dok ne čujete da je sjeo na mjesto ■ Pričekajte da se baterijski modul i kosilica ohlade temperaturu ispod 67°C. ■ Do kraja izvucite dršku i zaključajte obje stezaljke. ■ Postavite dršku u jedan od tri radna položaja. ■ Očistite trup kosilice i osigurajte dovoljno mjesta za pomicanje noža.
Rez kosilice je neravan	<ul style="list-style-type: none"> ■ Nož je tup. ■ Visina otkosa nije pravilno postavljena. ■ Nož je nepravilno montiran. 	<ul style="list-style-type: none"> ■ Naoštrite ili zamijenite nož. ■ Podignite trup na veću postavku visine otkosa. ■ Ponovno postavite nož prema uputama u odjeljku „UGRADNJA NOŽA“ u ovom priručniku.
Kosilica se zaustavila za vrijeme košnje	<ul style="list-style-type: none"> ■ Baterijski modul je ispražnjen. ■ Kosilica je preopterećena. ■ Trup kosilice je začepljen travom i ostalim nečistoćama. ■ Prevruća je baterija ili sklopovlje kosilice. (Indikator napajanja na kosilici svijetlit će narančasto 10 sekundi.) ■ Bočna vodilica je malo uvučena zbog guranja drške. 	<ul style="list-style-type: none"> ■ Napunite baterijski modul. ■ Povećajte visinu otkosa ili usporite košnju. ■ Očistite trup kosilice. Povećajte visinu otkosa ili napravite uzak otkos. ■ Pričekajte da se baterijski modul i kosilica ohlade temperaturu ispod 67°C. ■ Otključajte stezaljke. Do kraja izvucite bočne vodilice pa ponovno zaključajte stezaljke.
Kosilica ne kompostira kako treba	<ul style="list-style-type: none"> ■ Mokri komadići trave zalijepljeni su za podnožje trupa. ■ Kosilica je postavljena za košnju prevelike količine trave odjednom. 	<ul style="list-style-type: none"> ■ Pričekajte da se trava osuši, zatim nastavite s košnjom. ■ Podignite trup na veću postavku visine otkosa.

PROBLEM	UZROK	RJEŠENJE
Javljaju se prekomjerne vibracije	<ul style="list-style-type: none"> ■ Rezni nož je olabavljen. ■ Rezni nož nije balansiran. ■ Rezni nož je savijen. ■ Vratilo motora je savijeno. ■ Trup kosilice je začepljen travom i ostalim nečistoćama. 	<ul style="list-style-type: none"> ■ Stegnite vijak noža. ■ Balansirajte nož prema uputama. ■ Zamijenite nož. ■ Obratite se servisnom centru. ■ Očistite trup kosilice i osigurajte dovoljno mjesta za pomicanje noža.
Stezaljke za zaključavanje drške ne mogu se zatvoriti na mjestu.	<ul style="list-style-type: none"> ■ Bočne vodilice nisu do kraja izvučene. 	<ul style="list-style-type: none"> ■ Do kraja izvucite bočne vodilice, zatim zaključajte stezaljke.

JAMSTVO

JAMSTVENA POLITIKA PROIZVOĐAČA EGO

Cjelokupne uvjete i odredbe jamstvene politike proizvođača EGO potražite na internetskoj stranici egopowerplus.com.

სრულად გაეცანით ინსტრუქციას!

მიზნობრივი გამოყენება: ხელსაწყო განკუთვნილია ბალახის გასაკრეჭად სახლისა და ბაღის პირობებში. იგი არ უნდა გამოიყენოთ უჩვეულოდ მაღალი, მშრალი ან სველი ბალახის.

⚠ გაფრთხილება: ხელსაწყოს გამოყენებამდე დაწვრილებით გაეცანით და შეისწავლეთ ყველა უსაფრთხოების წესი ოპერატორის ამ ინსტრუქციაში, მათ შორის ყველა უსაფრთხოების წესის სიმბოლო როგორცაა „სამიშროება“, „გაფრთხილება“ და „ყურადღება“. ქვემოთ ჩამოთვლილი ყველა ინსტრუქციის უგულვებელყოფამ შესაძლოა გამოიწვიოს ელექტრო შოკი, ხანძარი და/ან მოგაყენოთ სხეულის სერიოზული ტრავმა.

⚠ გაფრთხილება: ელექტრო ხელსაწყოს გამოყენებისას, შესაძლებელია უცხო სხეულის თვალების მიდამოში მოხვედრა, რამაც შესაძლოა გამოიწვიოს თვალის მნიშვნელოვანი დაზიანება. ელექტრო ხელსაწყოს გამოყენებამდე აუცილებლად მორიგეთ უსაფრთხოების თვალსაფარი ან სათვალე თვალის მყარი დამცავებით და მთლიანი სახის ეკრანით. ჩვენ რეკომენდაციას ვუწევთ ფართო ხედვის არის მქონე უსაფრთხოების ნიღაბს სათვალეებთან ერთად ან სტანდარტულ გვერდითა ეკრანების მქონე უსაფრთხოების სათვალეებს. უსაფრთხოების წესის სიმბოლოები

უსაფრთხოების სიგნალი



უსაფრთხოების სიგნალი



დაზიანების რისკის შესამცირებლად, მომხმარებელმა უნდა წაიკითხოს და გაიგოს ხელსაწყოს მუშაობის ინსტრუქცია, მის გამოყენებამდე.



დარწმუნდით რომ სხვა ადამიანები ან შინაური ცხოველები იმყოფებიან მინიმუმ 30მ მოშორებით გაზონმკრეჭით სარგებლობისას.



მორიდეთ ფეხები და ხელები



დანები აგრძელებს ტრიალს ძრავის გათიშვის შემდეგაც - მოხსენით ამომრთველი ტექნიკური სერვისის ჩატარებამდე. გათიშეთ და მოხსენით აკუმულატორი (ან ამომრთველი) ხელსაწყოს მის რეგულირებამდე ან გაწმენდამდე.



გარანტირებული ხმის სიმძლავრის დონე.



ხელსაწყო შეესაბამება ევროკავშირის მიერ წამოყენებულ რეგულაციებს.



ეს პროდუქტი შეესაბამება დიდი ბრიტანეთის მოქმედ კანონმდებლობას.



ელექტრო ხელსაწყოების უტილიზაცია არ უნდა მოხდეს საყოფაცხოვრებო ნარჩენებთან ერთად. წაიღეთ ხელსაწყო ნარჩენების ავტორიზებულ გადამამუშავებელთან.



წყლის შესვლისგან დაცვა, დონე 4

V ვოლტი

mm მილიმეტრი

cm სანტიმეტრი

დენის ტიპი ან სახე

kg კილოგრამი

KA

სპეციფიკაციები

მაბევა	56 ვოლტი	
დაუტვირთავი ბრუნვის სიჩქარე	2700 ბრუნვის სიჩქარე	
ჭრის სიმაღლე	25mm/ 32mm/ 40mm/ 51mm/ 64mm/ 77mm/ 90mm	
ჭრის სიმაღლის პოზიციები	7	
ჭრის სიგანე	52 სმ	
ბალახის ტომრის მოცულობა	70ლ	
გაზონსაკრეჭის წონა (აკუმულატორისა და ბალახის ტომრის გარეშე)	25,1 კგ	
დანის მოდელი	AB2102D-E	
საექსპლუატაციო ტემპერატურა	0°C-40°C	
შენახვის ტემპერატურა	-20°C-70°C	
დანის მუხრუჭი	დიახ	
გაზომილი ხმის სიმძლავრის დონე L_{WA}	89,8 დბ(A) K=3,35 დბ(A)	
ბგერის წნევის დონე მომხმარებლის ყურზე L_{PA}	80,3 დბ(A) K=3 დბ(A)	
გარანტირებული ხმის სიმძლავრის დონე L_{WA} (გაზომილი 2000/14/EC რეგულაციის მიხედვით)	93 დბ(A)	
ვიბრაციის შეფასება a_v :	მარცხენა სახელ-ური	0,61 მ/წმ ² K=1,5 მ/წმ ²
	მარჯვენა სახელ-ური	0,54 მ/წმ ² K=1,5 მ/წმ ²

KA

შეფუთვის ჩამონათვალი (სურ. A1)

190

56 ვოლტიანი ლითიუმის-იონის უსადენო ძრავა — LM2130E-SP

აღწერა

შეისწავლეთ თქვენი გაზონსაკრეჭი (ნახ. A1)

1. თვით-სვლის მექანიზმის ჩამრთველი
2. თვით-სვლის მექანიზმის სიჩქარის რეგულატორი
3. უსაფრთხოების დილაკი
4. ამომრთველი დილაკი LED პროექტორებისთვის
5. სახელურის ჩასაკეტი დამჭერი
6. ბალახის ტომარა
7. სწრაფი რეგულირების ბერკეტი
8. ჭრის სიმაღლის რეგულირების ბერკეტი
9. უკანა ბორბალი
10. წინა ბორბალი
11. გაზონსაკრეჭის დასადები
12. წინა სახელური
13. LED პროექტორები
14. ელემენტის საფარი
15. უკანა სახელური
16. უკანა გამშვები ვარი
17. გვერდითი რელსი
18. თიბვის სტატუსის მაჩვენებელი
19. ჩამრთველი ბერკეტი
20. სახელური
21. ზედა შენახვის საყრდენი
22. დამცავი ნაწიბური
23. აკუმულატორის მოხსნის დილაკი
24. უსაფრთხოების გასადები

ექსპლუატაცია

ბალახის ტომრის აწყობა

- 1) გააცურეთ ბალახის ტომარა ჩარჩოზე (ნახ. B).
- 2) დაამონტაჟეთ ზედა მომჭერები ჩარჩოზე (ნახ. C), შემდეგ დაამაგრეთ ორი გვერდითი მომჭერი. ბოლოს დაამაგრეთ ქვედა მომჭერი.
- 3) სრულად აწყობილი ბალახის ტომარა ნაჩვენებია ნახ. D.

შენიშვნა: ნორმალური გამოყენებისას, ჩანთის მასალა ექვემდებარება ცვეთას. ტრავმის რისკის შესამცირებლად, ხშირად შეამოწმეთ ჩანთის მთლიანობა და ჩაანაცვლეთ თუ ნახავთ ცვეთის ან დაზიანების ნიშნებს. გამოიყენეთ მხოლოდ ბალახის ჩანთები, რომლებიც წარმოებულია ამ გაზონსაკრეჭისთვის.

დასაკეცი სახელურის რეგულირება

▲ გაფრთხილება: ნუ შეეცდებით დაიწყოთ გაზონსაკრეჭით მუშაობა, სანამ სახელური ჩაკეტილია, ერთი-სამი დავალების სამუშაო

პოზიციებზე (ზედა სამუშაო პოზიცია, შუა სამუშაო პოზიცია და ქვედა სამუშაო პოზიცია). ყუთში მოთავსებული გაზონსაკრეჭის სახელური არის კომპაქტურ, ჩაკეტილ შესანახ პოზიციაში (ნახ. E).

- 1) დიდხანს დააჭირეთ სწრაფი რეგულირების ბერკეტს, რათა გაათავისუფლოთ სახელური ჩაკეტილი შესანახი პოზიციიდან.
- 2) აწიეთ სახელური დაკეცილი მდგომარეობიდან და შემდეგ გაუშვით ხელი ბერკეტს. ფრთხილად მოატრიალეთ სახელური ზევით, სანამ არ გაიგებთ და შეიგრძნობთ რომ ჩამკეტი წვირი ჩაჯდა ერთ-ერთ მითითებულ პოზიციაში, რომლებიც ნაჩვენებია ნახ. F.

F-1	ბალახის ტომრის მიმაგრების/ მოხსნის პოზიცია	F-2	ჩაკეტილი შენახვის პოზიცია
F-3	ზედა სამუშაო პოზიცია	F-4	შუა სამუშაო პოზიცია
F-5	ქვედა სამუშაო პოზიცია		

ბალახის ტომრის მიმაგრება

▲ გაფრთხილება: ძრავის შეჩერების გარეშე არ დაარეგულიროთ რაიმე სახით სათიბი, ჯერ მოხსენით უსაფრთხოების ღილაკი და დაელოდეთ დანის ბრუნვის გაჩერებას.

შენიშვნა: მოხსენით წინასწარ დამაგრებული მულჩირების ჩანართი სათიბიდან, სანამ ბალახის ჩანთას დაამაგრებთ სათიბზე.

■ **ბალახის ტომრის მიმაგრება/მოხსნა (ნახ. G)**
ჩასვით ტომრის ჩანთის დაფა გაზონსაკრეჭში და ჩამოკიდეთ ბალახის ტომარა მასზე.

შენიშვნა: მოხსენით წინასწარ დამაგრებული მულჩირების ჩანართი სათიბიდან, სანამ ბალახის ტომარას დაამაგრებთ სათიბზე.

■ **ბალახის მულჩირების მისამაგრებლად/ მოსახსნელად (ნახ. H)**

კრეჭვის სიმაღლის რეგულირება (ნახ. I)

I-1	კრეჭვის სიმაღლის რეგულ-ირების ზამბა-რიანი ბერკეტი	I-2	კრეჭვის სიმაღლის მაჩვენებელი დაფა
-----	---	-----	-----------------------------------

▲ გაფრთხილება: მოაშორეთ ფეხები დასადებს მისი სიმაღლის რეგულირებისას. გაზონსაკრეჭი შეიძლება იყოს დამონტაჟებული 8 ჭრის სიმაღლეზე, 25მმ და 105მმ შორის. ამოირჩიეთ ჭრის სათანადო სიმაღლე, ბალახის ტიპისა და მდგომარეობის მიხედვით.

აკუმულატორის ბლოკის დამაგრება/მოხსნა (ნახ. J)

გამოიყენეთ მხოლოდ ის აკუმულატორის ბლოკები და დამტენები, რომლებიც მითითებულია სურ. A2-ში

დატენეთ პირველ ჯერზე სარგებლობამდე

▲ გაფრთხილება: თუ რომელიმე ნაწილი გატეხილია ან დაკარგული, არ ეცადოთ ბატარეის ბლოკის მიმაგრებას გაზონსაკრეჭზე ან მისი ამუშავებას, სანამ დაზიანებული ან დაკარგული ნაწილები არ შეიცვლება. ამ ინსტრუქციის უგულვებლყოფამ შეიძლება მოგაყენოთ სერიოზული ფიზიკური ზიანი.

■ დამაგრებისთვის

ჩასვით ბატარეის ბლოკი ბატარეის შემერთებელში, სანამ არ გაიგებთ "დაწკაპუნებას".

■ მოხსნისთვის

დააჭირეთ ბატარეის მოხსნის ღილაკს ბატარეის ნაკვეთურში.

შენიშვნა: ექსპლუატაციის დაწყებამდე დარწმუნდით, რომ გაზონსაკრეჭზე არსებული ჩამკეტი დეჯება თავის ადგილას და რომ ბატარეის ბლოკი დამაგრებულია გაზონსაკრეჭზე.

გაზონსაკრეჭის ამუშავება/შეჩერება (სურ. K, L და M)

▲ გაფრთხილება: გაზონსაკრეჭის გამოყენებისას შესაძლოა უცხო სხეულის თქვენ ან სხვისი თვალების მიმართულებით გამოსროლა, რამაც შესაძლოა გამოიწვიოს თვალის მნიშვნელოვანი დაზიანება. ყოველთვის ატარეთ უსაფრთხოების სათვალეები, გაზონსაკრეჭით სარგებლობის დროს, ან მისი ნებისმიერი რეგულირების ან რემონტის დროს.

▲ გაფრთხილება: დანა გააგრძელებს ბრუნვას რამდენიმე წამის შემდეგ, როდესაც გაზონსაკრეჭი გამოირთვება. დაელოდეთ ელექტროძრავის/დანის გაჩერებას, სანამ თავიდან აამუშავებთ მას. სწრაფად არ ჩართოთ და გამორთოთ გაზონსაკრეჭი.

KA

უსაფრთხოების გასაღების ნახევრეტი (სურ. N)

იმისათვის, რომ თავიდან იქნას აცილებული გაზონმკრეჭის შემთხვევითი ამუშავება ან არასანქცირებული გამოყენება, მოსახსნელი უსაფრთხოების გასაღები ჩამონტაჟებულია თქვენი გაზონმკრეჭის კორპუსში. გაზონმკრეჭი მთლიანად გარეგნულად, როდესაც უსაფრთხოების გასაღების მოხსნისთანავე.

საფრთხე: მზრუნველმა დანებმა შესაძლოა მოგაყენოთ სერიოზული ზიანი. სერიოზული დაზიანების თავიდან ასაცილებლად, მოხსენით უსაფრთხოების გასაღები, როდესაც გაზონმკრეჭი გარეგნულად ან გაზონმკრეჭის რეგულირების, წმენდის, ტექ. მომსახურების, ტრანსპორტირების, აწვევის ან შენახვის დროს.

შენიშვნა: ელექტროძრავი არ ჩაირთვება თუ:

- სახელური ჩაკეტილია სამო სამუშაო პოზიციიდან ერთ-ერთში, იხილეთ მორგებული სახელურების რეგულირება.
- გვერდითი ძელაკები სრულად გაშლილია
- ორივე მწვანე სახელურის-ჩამკვეტი მომჭერები უსაფრთხოდ დახურულია.

გაფრთხილება: არ შეეცადოთ შეცვალოთ უსაფრთხოების დილაკისა და ბერკეტის დილაკის მუშაობა.

დაწყება (ნახ. K და L)

- 1) დაამარტო აკუმულატორი გაზონსაკრეჭზე, ჩასვით უსაფრთხოების გასაღები ნასვრეტში და დახურეთ აკუმულატორის ხუფი.
- 2) დააჭირეთ უსაფრთხოების დილაკს.
- 3) უსაფრთხოების დილაკიდან ხელის აუღებლად, მოქაჩეთ ჩამრთველი მაღლა სახელურამდე და აუშვით ხელი უსაფრთხოების დილაკს.

გასაჩერებლად (ნახ. M)

- 1) სრულიად გაუშვით ხელი ჩამრთველს.
- 2) ელექტრო მუხრუჭი ავტომატური მუხრუჭის მექანიზმში გააჩერებს დანის ბრუნვას ჩამრთველზე ხელის აშვებიდან 3 წამში.

KA

წინა ფარები(ნახ. A-13)

დააჭირეთ ამომრთველ დილაკს (ნახ. A-4), რათა ჩართოთ/გამორთოთ LED ფარები ბატარეის წინა ნაკვეთურში.

ცვალეზადი სიჩქარის თვით-სვლის სისტემა

LM2130E-SP გაზონსაკრეჭი აღჭურვილია ცვლადი სიჩქარის მქონე თვით-სვლის შესაძლებლობით. ეს მექანიზმი დამოუკიდებელია დანის ჩართვა-გამორთვის სისტემისა და დანის მზრუნავი მექანიზმისგან.

მაგალითად, გაზონის გაკრეჭვის დასრულების შემდეგ, შეგიძლიათ გამოიყენოთ თვით-სვლის მექანიზმი საკრეჭის მისი შენახვის ადგილას უკან დასაბრუნებლად, დანის ბრუნვის გარეშე. ან შეგიძლიათ აირჩიოთ გაზონსაკრეჭის, როგორც არათვით-სვლადი საკრეჭის მუშაობა, ბატარეის სამუშაო დროის მაქსიმალურად გასაზრდელად.

თვით-სვლის სისტემის სამუშაოდ დანის ბრუნვის გარეშე, ჩართეთ თვით-სვლის სიჩქარის კონტროლის დილაკი, დააჭირეთ ხელი თვით-სვლის ტრიგერ(ებ)ს. მექანიზმი აღჭურვილია ორი თვით-სვლის ტრიგერით. დააჭირეთ რომელიმე ტრიგერს თვით-სვლის ფუნქციის გასააქტიურებლად (ნახ. O).

O-1	თვით-სვლის მექანიზმის სიჩქარის რეგულატორი	O-2	თვითმომრავი ტრიგერი
-----	---	-----	---------------------

თვით-სვლის მექანიზმის გასათიზად გაუშვით ხელი თვით-სვლის მექანიზმის ტრიგერს, გათიშეთ თვით-სვლის მექანიზმის სიჩქარის კონტროლის დილაკი.

თიბვის სტატუსის ინდიკატორი გაზონსაკრეჭზე (ნახ. P)

გაზონსაკრეჭი აღჭურვილია სიმძლავრის ინდიკატორით, რომელიც მიუთითებს ბატარეის ბლოკისა და გაზონსაკრეჭის დამუხტვის მდგომარეობის შესახებ. ინდიკატორი განათდება, როცა დანა ბრუნავს ან LED წინა ფარები ჩაირთვება.

P-1	თიბვის სტატუსის მაჩვენებელი	P-2	ამომრთ-ველი დილაკი LED პროექტორებისთვის
-----	-----------------------------	-----	---

გაზონს- აკრეკის სტატუსის ინდიკატორი	მნიშვნელობა	მოქმედება
მუქი მწვანე	სათიბი მანქანა კარგად მუშაობს; აკუმულატორი დატენილია მინიმუმ 15%-ით.	საჭირო არ არის.
მოციმ-ციმე მწვანე შუქი	გვერდ-ითი ძელაკები არ არის სრულად გაშლილი.	გააჩერეთ გაზონსაკრეკი და დარწმუნდით, რომ ორივე გვერდითა ძელაკი სრულად გაშლილია.
	სახელური არ არის ჩაკეტილი სამუშაო პოზიცი-იაში.	გააჩერეთ გაზონსაკრეკი და დარწმუნდით, რომ სახელური ჩაკეტილია სამუშაო პოზიცი-აში.
მოციმ-ციმე წითელი შუქი	დამჯ-დარი აკუმულატორი.	გააჩერეთ გაზონსაკრეკი და დატენეთ აკუმულატორი.
მუქი ნარინჯისფერი შუქი	გაზონსაკრეკი ჩერდება გადახურების გამო.	ამოიღეთ აკუმულატორი გაზონსაკრეკიდან, მოათავსეთ ჩრ-დილში და გააგრი-ლეთ სულ მცირე 15 წუთით.
მოცი-მციმე ნარინჯისფერი შუქი	გაზონსაკრეკი გადატენილია.	პირველ რიგში, მოხსენით აკუმულატორის ბლოკი, შემდეგ შეამოწმეთ და გაწმინდეთ, თუ ზალახი პანელის ქვეშ დაგროვდა. კრეკვისას, შეანელეთ ტემპი. თუ ეს არ უშველის, მიმართეთ EGO-ს კლიენტთა მომსახურების ცენტრს.

მონაცვ- ლებით მოციმ-ციმე წითე-ლი/ მწვანე შუქი	შეცდომა	მიმართეთ EGO-ს კლიენტთა მომსახურების ცენტრს.
ჩაქრ-ობა და LED ბატარეის ნათება	ბატარეის გადახურება. (იხილეთ ნაწილი "ბატარეის მაღალი ტემპერატურისგან დაცვა" ამ სახელმძღვანელოში)	გაუშვით ხელი გადამრთველს, დაელოდეთ სანამ აკუმულატორის ტემპერატურა არ გაგრილდება დაახლოებით 67°C-მდე და ხელახლა ჩართეთ გაზონსაკრეკი.

გაზონსაკრეკის ზედმეტად დატვირთვისგან დაცვა

ზედმეტად დატვირთვის თავიდან ასაცილებლად, არ გაკრიჭოთ ერთბაშად დიდი რაოდენობის ზალახი. შეამცირეთ ტემპი ან აჩიეთ ჭრის სიმაღლე.

გაზონსაკრეკში ჩამონტაჟებულია ზედმეტი დატვირთვისგან დაცვის მექანიზმი. როდესაც გაზონსაკრეკი გადაიტვირთება, ძრავა გაჩერდება და სიმძლავრის ინდიკატორი გაანათებს ნარინჯისფრად. მოხსენით აკუმულატორი გაზონსაკრეკიდან. შეამოწმეთ, ხომ არ დაგროვდა ზალახი დაფის ქვეშ, მოაცილეთ საჭიროების შემთხვევაში, შემდეგ ჩასვით აკუმულატორი და ხელახლა ჩართეთ გაზონსაკრეკი.

აკუმულატორის დაცვა მაღალი ტემპერატურისგან

აკუმულატორის ბლოკი მუშაობის პროცესში გახურდება. დანადგარი კიდევ უფრო ნელა გაგრილდება ცხელ ამინდში. თუ აკუმულატორის ტემპერატურა 70°C-ს გადააჭარბებს მუშაობის პროცესში, დამცავი სისტემა მამინვე გამორთავს მოწყობილობას აკუმულატორის ბლოკის დაზიანების თავიდან აცილების მიზნით. გაზონსაკრეკი მანქანის სტატუსის ინდიკატორი გთხოვთ იხილეთ "აკუმულატორის დაცვის" ნაწილი აკუმულატორის ოპერატორის სახელმძღვანელოში.

KA

გაუმჯობესებული გადამრთველს, დაელოდეთ სანამ აკუმულატორის ტემპერატურა არ გაგრილდება დაახლოებით 67°C-მდე და ხელახლა ჩართეთ გაზონსაკრეტი.

მოვლა

▲ გაფრთხილება: სერიოზული დაზიანების თავიდან ასაცილებლად, ყოველთვის ამოიღეთ გაზონსაკრეტიდან უსაფრთხოების გასაღები გაწმენდამდე, ნებისმიერი სახის ტექ. მომსახურებისას ან ტრანსპორტირებისას.

▲ გაფრთხილება: შეკეთებისას გამოიყენეთ მხოლოდ იდენტური სათადარიგო ნაწილები. სხვა ნებისმიერი ნაწილის გამოყენებამ შესაძლოა შექმნას საფრთხე ან გამოიწვიოს ხელსაწყო დაზიანება. ხელსაწყო უსაფრთხოდ და გამართულად მუშაობისთვის აუცილებელია, ყველა სახის რემონტი და ნაწილის შეცვლა შესრულდეს კვალიფიციური ტექნიკოსის მიერ.

ზოგადი მოვლის წესი

▲ გაფრთხილება: ყოველთვის მოხსენით უსაფრთხოების გასაღები და აკუმულატორის ბლოკი გაზონსაკრეტის შეკეთების ან ტრანსპორტირებისას.

გაზონსაკრეტის დასადების ქვედა ნაწილი უნდა გასუფთავდეს ყოველი გამოყენების შემდეგ, რადგანაც ხდება მოჭრილი ბალახების, ფოთლებისა და სხვა ნარჩენების დაგროვება.

მოაცილეთ ძრავის ვენტილატორზე ან მის გარშემო დაგროვილი მოჭრილი ბალახი (არ გამოიყენოთ წყალი). გაწმენდეთ გაზონსაკრეტი ნოტიო ქსოვილით.

დანის მოხსნა/დამონტაჟება

▲ გაფრთხილება: ყოველთვის დაიცავით თქვენი ხელები დიდი ხელათამაშებით ან შეფუთვით მჭრელი პირები ნაჭრებით ან სხვა მასალით, როდესაც ასრულებთ რაიმე სახის სარემონტო სამუშაოებს გაზონსაკრეტის დანაზე. ყოველთვის მოხსენით აკუმულატორის ბლოკი, როდესაც ახდენთ გაზონსაკრეტის შეკეთებისას ან ტრანსპორტირებისას.

- დანის მოხსნა, როგორ აღწერილია ნახ. Q.
- დანის დაყენება მიყევით ნახ. R აღწერილ აწყობის პროცედურას, ხრახნის დანა მოატრიათ მარისკენ და დანის წარწერიანი პირი

მოატრიალეთ გარეთა მხარეს, გაუსწორეთ ხრახნის ნასვრეტები დანაზე არსებულ ნასვრეტებს (ნახ. S) და შემდეგ დაუჭირეთ დანა, როგორც ნახ. T ნაჩვენებია.

გაზონსაკრეტის შენახვის წესი

- მოხსენით აკუმულატორის ბლოკი გაზონსაკრეტიდან და მოათავსეთ გრილ, მშრალ და სუფთა ადგილას. არ შეინახოთ კოროზიულ მასალასთან ახლოს, როგორცაა სასუქი ან ქვამარილი.
- შეინახეთ გაზონსაკრეტი დახურულ სივრცეში, გრილ და მშრალ, ბავშვებისთვის მიუწვდომელ ადგილას.
- არ გადააფაროთ გაზონსაკრეტს მყარი პლასტმასის სახურავი. პლასტმასის სახურავი წარმოქმნის სინესტეს გაზონსაკრეტის გარშემო, რაც გამოიწვევს მანქანის დაჟანგვას და კოროზიას.
- გაზონსაკრეტი შესაძლოა შევინახოთ ჰორიზონტალურ ან ვერტიკალურ მდგომარეობაში. (ნახ. U & V).

▲ გაფრთხილება: თუ გაზონსაკრეტი ვერტიკალური პოზიციიდან გადმოიხრება, ის შესაძლოა დაზიანდეს ან მოგაყენოთ პირადი დაზიანება. ყოველთვის შეინახეთ გაზონსაკრეტი ბავშვებისთვის მიუწვდომელ, სტაბილურ ადგილას, როდესაც ის ვერტიკალურად არის მოთავსებული. შეძლებისდაგვარად, შენახვისას მოათავსეთ ჰორიზონტალურ მდგომარეობაში.

გარემოს დაცვა



ელექტრო ხელსაწყოების

უტილიზაცია არ უნდა მოხდეს არასორტირებულ მუნიციპალურ ნარჩენებთან ერთად, გამოიყენეთ სპეციალური ჩაბარების პუნქტები.

მიმართეთ ადგილობრივი თვითმმართველობის ორგანოებს, რათა მოიძიოთ ინფორმაცია ნარჩენების უტილიზაციის სისტემებთან დაკავშირებით.

ელექტრო მოწყობილობების ნაგავსაყრელზე მოთავსებისას, სახიფათო ნარჩენებმა შესაძლოა გაჟონოს გრუნტის წყლებში და მოხვდეს საკვებ ჯაჭვში, რამაც შესაძლოა დააზიანოს თქვენი ჯანმრთელობა და კეთილდღეობა.

KA

გაუმართაობის დიაგნოსტიკა

⚠ გაფრთხილება: ყოველთვის მოხსენით უსაფრთხოების გასაღები და აკუმულატორის ბლოკი გაზონსაკრეჭის შეკეთების ან ტრანსპორტირებისას. ყოველთვის დაიცავით თქვენი ხელები დიდი ხელათამაშებით ან შეფუთვით მჭრელი პირები ნაჭრებით ან სხვა მასალით, როდესაც ასრულებთ რაიმე სახის სარემონტო სამუშაოებს გაზონსაკრეჭის დანაზე.

პრობლემა	მიზეზი	პრობლემის მოგვარება
გაზონსაკრეჭი არ ირთვება	<ul style="list-style-type: none"> ■ აკუმულატორის ბლოკი დაცლილია. ■ აკუმულატორის ბლოკი არ დევსაკუმულატორის ზედა ნაკვეთურში. ■ აკუმულატორი ან გაზონსაკრეჭის ელექტრო სქემა ზედმეტად გაცხელებულია. (სიმძლავრის ინდიკატორი აინთება ნარინჯისფრად 10 წამში) ■ გვერდითი ძელაკები არ არის მაქსიმალურ სიგრძეზე გაშლილი და მომჭერები არ არის ჩაკეტილ პოზიციაში. ■ სახელური არ არის მოთავსებული სამი სამუშაო პოზიციიდან ერთ-ერთ პოზიციაში. ■ გაზონსაკრეჭის ქვედა ნაწილი გაჭედულია ბალახით და ნარჩენებით. 	<ul style="list-style-type: none"> ■ დატენეთ აკუმულატორი. ■ მოათავსეთ აკუმულატორი გაზონსაკრეჭზე; დააჭირეთ ხელი, სანამ წკაპუნს არ გაიგებთ ■ აცალეთ აკუმულატორის ბლოკს ან გაზონსაკრეჭს გაგრილება 67°C-ის ქვევით. ■ მთლიანად გამოწიეთ სახელური და ორივე მომჭერით ჩაკეტეთ. ■ დააფიქსირეთ სახელური სამიდან ერთ-ერთ პოზიციაში. ■ გაწმინდეთ სათიბის ქვედა ნაწილი და დარწმუნდით, რომ დანა თავისუფლად მოძრაობს.
გაზონსაკრეჭი უსწორმასწოროდ ჭრის	<ul style="list-style-type: none"> ■ დანა ბლაგვია. ■ ჭრის სიმაღლე არ არის სწორად დაყენებული. ■ დანა არასწორადაა აწყობილი. 	<ul style="list-style-type: none"> ■ გალესეთ ან შეცვალეთ დანა. ■ აწიეთ სათიბის ქვედა მხარე ჭრის მაღალ დონემდე. ■ ხელახლა დაამაგრეთ დანა, მიყევით მომხმარებლის ინსტრუქციას ნაწილში „დანის დამაგრება“.

KA

პრობლემა	მიზეზი	პრობლემის მოგვარება
გაზონსაკრეჭი წვეტეს მუშაობას ჭრის პროცესში	<ul style="list-style-type: none"> აკუმულატორის ბლოკი დაცლილია. გაზონსაკრეჭი გადატვირთულია. გაზონსაკრეჭის ქვედა ნაწილი გადაჭედულია ბალახით და ნარჩენებით. აკუმულატორი ან გაზონსაკრეჭის ელექტრო სქემა ზედმეტად გაცხელებულია. (სიმძლავრის ინდიკატორი აინთება ნარინჯისფრად 10 წამში.) გვერდითი ძელაკი ოდნავ გადახრილია უკან სახელურზე ძალით ზემოქმედების შედეგად. 	<ul style="list-style-type: none"> დატენეთ აკუმულატორი. აწიეთ ჭრის სიმაღლე ან შეამცირეთ ჭრის ტემპი. გაათავისუფლეთ სათიბის ქვედა ნაწილი. აწიეთ ჭრის სიმაღლის დონე ან გათიბეთ ვიწრო ზოლად. აცალეთ აკუმულატორის ბლოკს ან გაზონსაკრეჭს გაგრილება 67°C-ის ქვევით. მომჭერები გახსენით. გვერდითი ძელაკები ბოლომდე დაჭიმეთ და მომჭერები ისევ ჩაკეტეთ.
გაზონსაკრეჭი სწორად არ აკეთებს მულჩირებას	<ul style="list-style-type: none"> სველი ბალახის ნარჩენები მიკრულია იატაკზე. გაზონსაკრეჭი ერთბაშად ჭარბი რაოდენობით ბალახს ჭრის. 	<ul style="list-style-type: none"> დაელოდეთ სანამ ბალახი გაშრება მოთიბვამდე. აწიეთ სათიბის ქვედა მხარე ჭრის მაღალ დონემდე.
გადაჭარბებული ვიბრაცია	<ul style="list-style-type: none"> დანა არის მოშვებული. დანა არ არის კარგად დაფიქსირებული. დანა გადახრილია. ძრავის ღერძი გადახრილია. გაზონსაკრეჭის ქვედა ნაწილი გაჭედულია ბალახით და ნარჩენებით. 	<ul style="list-style-type: none"> მოუჭირეთ დანის ჭანჭიკი. დააფიქსირეთ დანა ინსტრუქციის მიხედვით. შეცვალეთ დანა. დაუკავშირდით სერვის ცენტრს. გაწმინდეთ სათიბის ქვედა ნაწილი და დარწმუნდით, რომ დანა თავისუფლად მოძრაობს.
სახელურის ჩამკეტი მომჭერები არ იკეტება.	<ul style="list-style-type: none"> გვერდითი ძელაკები არ არის სრულად გამლილი. 	<ul style="list-style-type: none"> გვერდითი ძელაკები ბოლომდე დაჭიმეთ და მომჭერები ისევ ჩაკეტეთ.

KA

გარანტია

EGO-ს გარანტიის მომსახურების წესი

გთხოვთ ეწვიოთ ვებ-გვერდს egopowerplus.com, რათა მიიღოთ EGO-ს საგარანტო მომსახურების სრული პირობები.

PROČITAJTE SVA UPUTSTVA!

Predviđena upotreba: Proizvod je namenjen isključivo za košenje trave u baštama domaćinstava. Ne sme se koristiti za košenje jako visoke, suve ili mokre trave.

⚠ UPOZORENJE: Obavezno pročitajte i shvatite sva sigurnosna uputstva u ovom Priručniku za rukovaoca, obuhvatajući i sve simbole sigurnosnih upozorenja poput „**OPASNOST**“, „**UPOZORENJE**“ i „**OPREZ**“ pre korišćenja ovog alata. Nepridržavanje svih dolenađenih uputstava može da dovede do strujnog udara, požara i/ili ozbiljne telesne povrede.

⚠ UPOZORENJE: Rukovanje svakim električnim alatom može da dovede do izbacivanja stranih predmeta ka očima, što može da dovede do ozbiljnog oštećenja očiju. Pre započinjanja rada sa električnim alatom, uvek stavite sigurnosne naočare ili sigurnosne naočare sa bočnim štitičnicima ili po potrebi masku za celo lice. Preporučujemo sigurnosnu masku Wide Vision za upotrebu preko naočara ili standardnih sigurnosnih naočara sa bočnim štitičnicima.

SIGURNOSNI SIMBOLI



Sigurnosno upozorenje



Da bi smanjio rizik od povreda, korisnik pre korišćenja ovog proizvoda mora pročitati i shvatiti priručnik za rukovaoca.



Osigurajte da drugi ljudi i kućni ljubimci budu udaljeni najmanje 30 m od kosilice kada je u upotrebi.



Držite stopala i šake podalje



Noževi nastavljaju da se okreću nakon što je motor isključen - uklonite blokadu pre održavanja. Isključite mašinu i uklonite odvojivu bateriju (ili blokadu) pre podešavanja ili čišćenja.



Garantovan nivo jačine zvuka.



Ovaj proizvod je u skladu sa primenjivim EC direktivama.



Ovaj proizvod je u skladu sa primenjivim zakonima u UK.



Otpadne električne proizvode ne bi trebalo odlagati zajedno sa otpadom iz domaćinstva. Odnosite ih u ovlašćeni pogon za reciklažu.



Zaštita od prodiranja vode - stepen 4

V Volt

mm Milimetar

cm Centimetar

⏏ Tip ili karakteristika struje

kg Kilogram

SPECIFIKACIJE

Voltaža	56 V	
Brzina bez opterećenja	2700 RPM	
Visina košenja	25mm/ 32mm/ 40mm/ 51mm/ 64mm/ 77mm/ 90mm	
Položaji visine košenja	7	
Širina košenja	52 cm	
Zapremina vreće za travu	70L	
Težina kosilice (bez baterije i vreće za travu)	25,1 kg	
Model noža	AB2102D-E	
Radna temperatura	Od 0 do 40°C	
Temperatura skladištenja	Od -20°C do +70°C	
Kočnica noža	DA	
Izmereni nivo jačine zvuka L_{WA}	89,8 dB(A) K=3,35 dB(A)	
Nivo zvučnog pritiska kod uha rukovaoca L_{PA}	80,3 dB(A) K=3 dB(A)	
Garantovan nivo jačine zvuka L_{WA} (izmereno prema 2000/14/EC)	93 dB(A)	
Procena vibracije $a_{h,v}$:	Leva drška	0,61 m/s ² K=1,5 m/s ²
	Desna drška	0,54 m/s ² K=1,5 m/s ²

POPIS PAKOVANJA (SLIKA A1)

OPIS

UPOZNAJTE SVOJU KOSILICU (slika A1)

1. Prekidač sopstvenog pogona
2. Dugme za kontrolu brzine sopstvenog pogona
3. Sigurnosno dugme
4. Prekidač LED prednjeg svetla
5. Spona za zaključavanje ručice
6. Vreća za travu
7. Poluga za brzo podešavanje
8. Poluga za podešavanje visine košenja
9. Zadnji točak
10. Prednji točak
11. Ploča kosilice
12. Prednja drška
13. LED prednja svetla

SR

14. Poklopac baterije
15. Zadnja drška
16. Zadnja izlazna vrata
17. Bočna šina
18. Indikator statusa kosilice
19. Poluga prekidača
20. Ručka
21. Stalak za uspravno skladištenje
22. Zadnji štitnik
23. Dugme za otpuštanje baterije
24. Sigurnosni ključ

RUKOVANJE

SKLAPANJE VREĆE ZA TRAVU

- 1) Navucite vreću za travu na okvir (slika B).
- 2) Montirajte gornje spojnice na okvir (slika C), zatim montirajte dve bočne spojnice. Montirajte donju spojnicu na kraju.
- 3) Potpuno sklopljena vreća za travu je prikazana na slici D.

NAPOMENA: U normalnoj upotrebi, materijal vreće je podlozan habanju. Da bi se smanjio rizik od povrede, često pregledajte sklop vreće i zamenite ga ako postoje znaci habanja ili propadanja. Koristite isključivo vreće za travu proizvedene za ovu kosilicu.

PODEŠAVANJE SKLOPIVE RUČICE

⚠ UPOZORENJE: Ne pokušavajte da pokrenete kosilicu dok ručica ne bude zaključana u jednom od tri unapred podešena radna položaja (GORNJI RADNI POLOŽAJ, SREDNJI RADNI POLOŽAJ i DONJI RADNI POLOŽAJ).

Kosilica je isporučena sa ručicom u kompaktnom, ZAKLJUČANOM POLOŽAJU ZA SKLADIŠTENJE (slika E).

- 1) Pritisnite i držite polugu za brzo podešavanje da biste otključali ručicu iz ZAKLJUČANOG POLOŽAJA ZA SKLADIŠTENJE.
- 2) Podignite ručicu iz sklopljenog položaja, zatim pustite polugu. Nežno okrenite ručicu nagore dok ne čujete i ne osetite da se igla za zaključavanje zakačila u jednom od sledećih različitih položaja prikazanih na slici F.

F-1	Dodatak vreće za travu/ Položaj za uklanjanje	F-2	Zaključani položaj za skladištenje
F-3	Gornji radni položaj	F-4	Srednji radni položaj
F-5	Donji radni položaj		

MONTIRANJE VREĆE ZA TRAVU

⚠ UPOZORENJE: Ni u kom trenutku nemojte podešavati kosilicu za travu a da prvo niste zaustavili motor, izvadili sigurnosni ključ i sačekali da nož prestane da se okreće.

NAPOMENA: Skinite umetak za seckanje ili bočni izlazni otvor pre stavljanja vreće za travu na kosilicu.

- **Da montirate/skinete vreću za travu (slika G)**

Umetnite ploču vreće za travu u kosilicu i okačite vreću za travu na kosilicu.

NAPOMENA: Izvadite unapred instalirani umetak za seckanje iz kosilice pre montiranja vreće za travu na kosilicu.

- **Da montirate/skinete umetak za seckanje (prodaje se zasebno) (slika H)**

PODEŠAVANJE VISINE KOŠENJA (slika I)

I-1	Podešavanje visine košenja pomoću opruge	I-2	Indikatorska ploča za visinu košenja
-----	--	-----	--------------------------------------

⚠ UPOZORENJE: Držite stopala dalje od ploče kad podešavate njenu visinu. Kosilica može biti podešena na 8 visina košenja između 25 mm i 105 mm. Izaberite odgovarajuću visinu košenja prema tipu i stanju trave.

SPAJANJE/ODVAJANJE BATERIJE (slika J)

Koristite samo sa baterijama i punjačima navedenim na slici A2

NAPUNITE PRE PRVE UPOTREBE

⚠ UPOZORENJE: Ako je bilo koji deo pokvaren ili nedostaje, nemojte pokušavati da spojite bateriju sa kosilicom ili da rukujete kosilicom dok pokvareni ili nedostajući delovi ne budu zamenjeni. Ako to ne uradite, može doći do ozbiljne povrede.

- **Za spajanje**

Gurnite bateriju u odeljak za bateriju dok ne čujete „klik“.

- **Za odvajanje**

Pritisnite dugme za otpuštanje baterije u odeljku za bateriju.

NAPOMENA: Vodite računa da reza na kosilici škljocne na svoje mesto i da baterija bude pričvršćena na kosilicu pre započinjanja rada.

POKRETANJE/ZAUSTAVLJANJE KOSILICE (slika K, L i M)

⚠ UPOZORENJE: Rukovanje svakom kosilicom za travu može da dovede do izbacivanja stranih predmeta ka vašim ili tuđim očima, što može ozbiljno da ošteti oči. Uvek nosite zaštitne naočare za vreme rukovanja kosilicom, ili za vreme svih podešavanja ili popravki na njoj.

⚠ UPOZORENJE: Nož će nastaviti da se okreće nekoliko sekundi nakon isključivanja kosilice. Sačekajte da motor/nož prestane da se okreće pre no što je ponovo pokrenete. Nemojte brzo uključivati i isključivati kosilicu.

SIGURNOSNI KLJUČ (slika N)

Da biste sprečili nehotično pokretanje ili neovlašćenu upotrebu bežične kosilice, uklonjivi sigurnosni ključ je primenjen u dizajnu kosilice. Kosilica će biti potpuno onemogućena kad sigurnosni ključ bude izvađen iz kosilice.

OPASNOST: Rotirajući noževi mogu da izazovu ozbiljnu povredu. Da biste sprečili ozbiljnu povredu, izvadite sigurnosni ključ kad je kosilica bez nadzora, ili kad podešavate, čistite, servisirate, transportujete, podizete ili skladištite kosilicu.

NAPOMENA: Motor se ne može pokrenuti dok se ne ispune sledeći uslovi:

- Ručica je zaključana u jedan od tri radna položaja, pogledajte PODEŠAVANJE SKLOPIVE RUČICE.
- Bočne šine su izvučene do kraja
- Obe zelene spona za zaključavanje ručice su čvrsto zatvorene.

OPREZ: Ne pokušavajte da zaobidete funkciju sigurnosnog dugmeta i žičanog prekidača.

Za pokretanje (slika K i L)

- 1) Spojite bateriju na kosilicu, stavite sigurnosni ključ u prorez za ključ i zatvorite poklopac baterije.
- 2) Pritisnite sigurnosno dugme.
- 3) Dok je sigurnosno dugme pritisnuto, povucite žičani prekidač nagore do ručice i pustite sigurnosno dugme.

Za zaustavljanje (slika M)

- 1) Potpuno pustite žičani prekidač.
- 2) Električna kočnica u automatskom kočionom mehanizmu će zaustaviti okretanje noža u roku od 3 sekunde od puštanja žičanog prekidača.

LED PREDNJA SVETLA (slika A-13)

Pritisnite prekidač (slika A-4) da biste uključili/isključili LED prednja svetla ispred odeljka za bateriju.

SR

SISTEM SOPSTVENOG POGONA SA VARIJABILNOM BRZINOM

LM2130E-SP kosilica je opremljena mogućnošću sopstvenog pogona sa varijabilnom brzinom. Ovaj sistem ne zavisi od prekidača za uključivanje/isključivanje noža. Ne zavisi od rotacije noža.

Na primer, kad završite košenje travnjaka, možete koristiti sopstveni pogon da oterate kosilicu nazad na mesto za skladištenje bez rotacije noža. Ili možete odlučiti da rukujete kosilicom kao kosilicom bez sopstvenog pogona da biste maksimizirali radno vreme baterije.

Da biste rukovali sistemom sopstvenog pogona bez rotacije noža, uključite dugme za kontrolu brzine sopstvenog pogona, pritisnite okidač(e) sopstvenog pogona. Postoje dva okidača sopstvenog pogona. Pritisnite bilo koji okidač da biste pokrenuli funkciju sopstvenog pogona (slika O).

O-1	Dugme za kontrolu brzine sopstvenog pogona	O-2	Okidač sopstvenog pogona
-----	--	-----	--------------------------

Da isključite sopstveni pogon, pustite okidač sopstvenog pogona, isključite dugme za kontrolu brzine sopstvenog pogona.

INDIKATOR STATUSA KOSILICE NA KOSILICI (slika P)

Kosilica je opremljena indikatorom napajanja koji pokazuje status punjenja baterije i radni status kosilice. Indikator napajanja će svetleti kad se nož okreće ili kad su LED prednja svetla uključena.

P-1	Indikator statusa kosilice	P-2	Prekidač LED prednjeg svetla
-----	----------------------------	-----	------------------------------

Indikator statusa kosilice	Značenje	Akcija
Neprekidno zeleno	Kosilica radi pravilno; baterija ima najmanje 15% punjenja.	Nije potrebna.
Bljeska zeleno	Bočne šine nisu izvučene do kraja.	Zaustavite kosilicu i proverite da li su bočne šine izvučene do kraja.
	Ručka nije zaključana u radnom položaju.	Zaustavite kosilicu i proverite da li je ručka zaključana u radnom položaju.
Bljeska crveno	Slaba baterija.	Zaustavite kosilicu i napunite bateriju.

SR

Neprekidno narandžasto	Kosilica se zaustavlja zbog pregrevanja.	Izvadite bateriju iz kosilice, premestite ih u senku i hladite ih najmanje 15 minuta.
Bljeska narandžasto	Kosilica je preopterećena.	Prvo izvadite bateriju, potom proverite i očistite ako se trava nakupila ispod ploče. Usporite korak kad kosite. Ako to ne uspe, obratite se EGO centru za korisničku službu.
Naizmenično bljeska crveno/zeleno	Greška	Obratite se EGO centru za korisničku službu.
Bljeska tamno i LED na bateriji	Pregrevanje baterije. (Pogledajte odeljak „ ZAŠTITA OD VISOKE TEMPERATURE BATERIJE “ u ovom priručniku)	Pustite žičani prekidač, sačekajte da se baterija ohladi približno na 67 °C, zatim ponovo pokrenite kosilicu.

ZAŠTITA OD PREOPTEREĆENJA KOSILICE

Da biste sprečili uslove preopterećenja, ne pokušavajte da pokosite suviše trave odjednom. Usporite korak košenja ili povećajte visinu košenja.

Kosilica ima ugrađeni osigurač za zaštitu od preopterećenja. Kad je kosilica preopterećena, motor će se zaustaviti a indikator statusa kosilice na kosilici će bljeskati narandžasto. Izvadite bateriju iz kosilice. Proverite da li se trava nakupila ispod ploče i očistite je ako je neophodno, zatim instalirajte bateriju i ponovo pokrenite kosilicu.

ZAŠTITA OD VISOKE TEMPERATURE BATERIJE

Baterija će stvarati toplotu tokom rada. Toplota se rasipa sporije po toplom vremenu. Ako temperatura baterije prekorači 70°C tokom rada, zaštitno kolo će odmah isključiti kosilicu da bi se baterija zaštitila od toplotnih oštećenja. Indikator statusa kosilice na kosilici će se isključiti; za detalje pogledajte odeljak „**ZAŠTITA BATERIJE**“ u priručniku za rukovaoca baterije.

Pustite žičani prekidač, sačekajte da se baterija ohladi približno na 67°C, zatim ponovo pokrenite kosilicu.

ODRŽAVANJE

⚠ UPOZORENJE: Da biste izbegli ozbiljne telesne povrede, uvek izvadite sigurnosni ključ iz kosilice pre čišćenja, bilo kakvog održavanja ili transportovanja kosilice.

⚠ UPOZORENJE: Tokom servisiranja, koristite samo identične rezervne delove. Upotreba bilo kakvih drugih delova može da dovede do opasnosti ili da izazove oštećenje proizvoda. Da bi se osigurala sigurnost i pouzdanost, sve popravke i zamene treba da radi kvalifikovani servisni tehničar.

OPŠTE ODRŽAVANJE

⚠ UPOZORENJE: Uvek izvadite sigurnosni ključ i bateriju kad servisirate ili transportujete kosilicu.

Donju stranu ploče kosilice treba očistiti posle svake upotrebe, jer će se pokošena trava, lišće, zemlja i druga prljavština nagomilati.

Uklonite svu travu nagomilanu na ventilatoru motora ili oko njega (ne koristite vodu). Obrisite kosilicu vlažnom krpom.

SKIDANJE/INSTALIRANJE NOŽA

⚠ UPOZORENJE: Uvek zaštitite ruke tako što ćete nositi debele rukavice ili umotati oštre ivice krpama ili drugim materijalom kad radite bilo kakvo održavanje na nožu kosilice. Uvek izvadite bateriju kad servisirate ili transportujete kosilicu.

- **Za skidanje noža pratite sliku Q.**
- **Za instalaciju noža**
Prateći redosled sklapanja na slici R, sa nožem ventilatora prema ploči i štampanom stranom noža prema spoljašnjosti, poravnajte rupice na ventilatoru sa rupicama na nožu (slika S) a zatim zategnite nož kako prikazuje slika T.

SKLADIŠTENJE KOSILICE

- Izvadite bateriju iz kosilice i skladištite je na hladnom, suvom i čistom mestu. Ne skladištite je pored korozivnih materijala, poput đubriva ili kamene soli.
- Skladištite kosilicu u natkrivenom, zatvorenom prostoru koji je hladan i suv i van domašaja dece.
- Ne prekrivajte kosilicu za travu punom plastičnom folijom. Plastični prekrivači zarobljavaju vlagu oko kosilice, što izaziva rđu i koroziju.
- Kosilica se može skladištiti uspravno ili položeno. (Slika U i V).

⚠ UPOZORENJE: Ako se kosilica prevrne iz uspravnog položaja, može doći do oštećenja kosilice ili telesne povrede. Kosilica uvek treba da bude stabilna i van domašaja dece kad je u uspravnom položaju. Ako je moguće, položite je vodoravno tokom skladištenja.

Zaštita životne sredine



Ne odlažite električne uređaje kao nesortirani komunalni otpad, koristite specijalizovana mesta za prikupljanje otpada.

Obratite se lokalnoj upravi za informacije o dostupnim sistemima prikupljanja otpada.

Ako se električni aparati odlažu na deponije ili đubrišta, opasne supstance mogu da iscuru u podzemne vode i dospēju u lanac ishrane, nanoseći štetu vašem zdravlju i dobrobiti.

REŠAVANJE PROBLEMA

⚠ UPOZORENJE: Uvek izvadite sigurnosni ključ i bateriju kad servisirate ili transportujete kosilicu. Uvek zaštitite ruke tako što ćete nositi debele rukavice ili umotati oštre ivice krpama ili drugim materijalom kad radite bilo kakvo održavanje na nožu kosilice.

PROBLEM	UZROK	REŠENJE
Kosilica se ne pokreće	<ul style="list-style-type: none"> ■ Baterija je prazna. ■ Baterija nije montirana na svoje mesto u odeljku za bateriju. ■ Kola baterije ili kosilice su prevruća. (Indikator napajanja na kosilici će svetleti narandžasto 10 sekundi) ■ Bočne šine nisu izvučene do maksimalne dužine a spone nisu zaključane na svom mestu. ■ Ručica nije postavljena u jedan od tri radna položaja. ■ Ploča kosilice je zapušena travom i prljavštinom. 	<ul style="list-style-type: none"> ■ Napunite bateriju. ■ Spojite bateriju na kosilicu, gurnite je dok ne čujete škljocanje ■ Ostavite bateriju ili kosilicu da se hladi dok temperatura ne padne ispod 67°C. ■ Izvucite dršku do kraja i zaključajte obe spone. ■ Podesite ručicu u jedan od tri radna položaja. ■ Očistite ploču kosilice i uverite se da nož može slobodno da se kreće.
Kosilica nejednako kosi	<ul style="list-style-type: none"> ■ Nož je tup. ■ Visina košenja nije pravilno postavljena. ■ Nož je nepravilno montiran. 	<ul style="list-style-type: none"> ■ Naoštrite ili zamenite nož. ■ Podignite ploču na višu postavku visine košenja. ■ Ponovo montirajte nož, prateći odeljak „INSTALIRANJE NOŽA“ u ovom priručniku.
Kosilica se zaustavlja tokom košenja	<ul style="list-style-type: none"> ■ Baterija je prazna. ■ Kosilica je u stanju preopterećenja. ■ Ploča kosilice je zapušena travom i prljavštinom. ■ Kola baterije ili kosilice su prevruća. (Indikator napajanja na kosilici će svetleti narandžasto 10 sekundi.) ■ Bočna šina je malo uvučena zbog sile guranja primenjene na dršku. 	<ul style="list-style-type: none"> ■ Napunite bateriju. ■ Povećajte visinu košenja ili usporite košenje. ■ Otpušite ploču kosilice. Povećajte visinu košenja ili kosite uske otkose. ■ Ostavite bateriju ili kosilicu da se hladi dok temperatura ne padne ispod 67°C. ■ Otključajte spone. Izvucite bočne šine do kraja pa ponovo zaključajte spone.
Kosilica ne secka pravilno	<ul style="list-style-type: none"> ■ Mokra pokošena trava se lepi za donju stranu ploče. ■ Kosilica je postavljena da kosi suviše trave odjednom. 	<ul style="list-style-type: none"> ■ Sačekajte da se trava osuši pre košenja. ■ Podignite ploču na višu postavku visine košenja.

SR

PROBLEM	UZROK	REŠENJE
Dolazi do prekomernih vibracija	<ul style="list-style-type: none">▪ Nož kosilice je labav.▪ Nož kosilice nije izbalansiran.▪ Nož kosilice je savijen.▪ Osovina motora je savijena.▪ Ploča kosilice je zapušena travom i prijavštinom.	<ul style="list-style-type: none">▪ Zategnite zavrtanj noža.▪ Izbalansirajte nož prateći uputstva.▪ Zamenite nož.▪ Obratite se servisnom centru.▪ Očistite ploču kosilice i uverite se da nož može slobodno da se kreće.
Spone za zaključavanje ručica se ne mogu zatvoriti na svom mestu.	<ul style="list-style-type: none">▪ Bočne šine nisu izvučene do kraja.	<ul style="list-style-type: none">▪ Izvucite bočne šine do kraja, zatim zaključajte spone.

GARANCIJA

EGO POLITIKA GARANCIJE

Posetite veb-lokaciju egopowerplus.com za potpune uslove i odredbe EGO politike garancije.

PROČITAJTE UPUTSTVO U CIJELOSTI!

Predviđena upotreba: Proizvod je predviđen samo za košenje trave u vrtovima u domaćinstvu. Proizvod se ne smije upotrebljavati za košenje neuobičajeno visoke, suhe ili mokre trave.

⚠ UPOZORENJE! Prije upotrebe ovog alata pobrinite se da sva sigurnosna uputstva u ovom korisničkom priručniku, uključujući sve sigurnosne simbole kao što su “**OPASNOST**,” “**UPOZORENJE**,” i “**OPREZ**” pročitate s razumijevanjem. Zanemarivanje svih uputstava navedenih u nastavku može rezultirati strujnim udarom, požarom i/ili teškim tjelesnim povredama.

⚠ UPOZORENJE! Rukovanje električnim alatima može rezultirati odbacivanjem stranih predmeta u oči, što opet može izazvati teška oštećenja očiju. Prije početka rukovanja električnim alatom, uvijek nosite zatvorene zaštitne naočale ili zaštitne naočale s bočnim štitnicima ili prema potrebi i štitičnik za cijelo lice. Preporučujemo nošenje sigurnosne maske proizvođača Wide Vision preko naočala, ili nošenje standardnih zaštitnih naočala s bočnim štitnicima.

SIGURNOSNI SIMBOLI



Simbol upozorenja



Radi smanjenja opasnosti od povreda, prije upotrebe ovog proizvoda korisnik treba s razumijevanjem pročitati ovaj korisnički priručnik.



Kada upotrebljavate kosilicu, pobrinite se da druge osobe i kućni ljubimci ostanu na udaljenosti od najmanje 30 m od kosilice.



Stopala i šake držite na udaljenosti.



Noževi nastavljaju s okretanjem nakon isključivanja motora - Prije radova održavanja uklonite uređaj za deaktivaciju. Prije radova podešavanja ili čišćenja isključite odvojivi komplet baterija (ili uređaj za deaktivaciju) i izvadite ga.



Zagarantovani nivo zvučne snage.



Ovaj proizvod je u skladu s primjenjivim Direktivama EU.



Ovaj proizvod je u skladu s važećim zakonodavstvom Ujedinjenog Kraljevstva.



Otpadni električni proizvodi ne smiju se odlagati s otpadom iz domaćinstva. Odnosite ih u ovlaštenu centar za reciklažu.



Zaštita od prodiranja vode, stepen 4

V Volt

mm Milimetar

cm Centimetar

== Vrsta ili karakteristike struje

kg Kilogram

TEHNIČKI PODACI

Napon	56 V	
Brzina vrtnje bez opterećenja	2.700 o/min.	
Visina rezanja	25mm/ 32mm/ 40mm/ 51mm/ 64mm/ 77mm/ 90mm	
Položaji visine rezanja	7	
Širina rezanja	52 cm	
Zapremina vreće za travu	70 l	
Masa kosilice (bez kompleta baterija i vreće za travu)	25,1 kg	
Model noža	AB2102D-E	
Radna temperatura	0°C-40°C	
Temperatura skladištenja	-20°C-70°C	
Kočnica noža	DA	
Izmjereni nivo zvučne snage L_{WA}	89,8 dB(A) K=3,35 dB(A)	
Nivo zvučnog pritiska kod uha rukovaoca L_{PA}	80,3 dB(A) K=3 dB(A)	
Zagarantovani nivo zvučne snage L_{WA} (izmjereno u skladu s Direktivom 2000/14/EZ)	93 dB(A)	
Procjena vibracija a_{Hv} :	Lijevi rukohvat	0,61 m/s ² K=1,5 m/s ²
	Desni rukohvat	0,54 m/s ² K=1.5 m/s ²

SADRŽAJ PAKOVANJA (SL. A1)

OPIS

UPOZNAJTE SVOJU KOSILICU (sl. A1)

1. Prekidač samostalnog pogona
2. Okretno dugme za regulaciju brzine samostalnog pogona
3. Sigurnosno dugme
4. Prekidač za prednja LED svjetla
5. Obujmica za fiksiranje rukohvata
6. Vreća za travu
7. Ručica za brzo podešavanje
8. Ručica za podešavanje visine rezanja
9. Stražnji točak
10. Prednji točak
11. Trup kosilice
12. Prednji rukohvat
13. Prednja LED svjetla

14. Poklopac baterije
15. Stražnji rukohvat
16. Zaklopka stražnjeg izlaznog otvora
17. Bočna vodilica
18. Indikator stanja kosilice
19. Ručica za prebacivanje
20. Rukohvat
21. Oslonac za skladištenje u uspravnom položaju
22. Stražnji štitnik
23. Dugme za oslobađanje baterije
24. Sigurnosni ključ

RAD

POSTAVLJANJE VREĆE ZA TRAVU

- 1) Gurnite vreću za travu na okvir (sl. B).
- 2) Postavite gornje obujmice na okvir (sl. C), a zatim postavite dvije bočne obujmice. Na kraju postavite donju obujmicu.
- 3) Potpuno postavljena vreća za travu prikazana je na sl. D.

NAPOMENA! U uslovima normalne upotrebe materijal vreće podliježe trošenju. Radi smanjenja opasnosti od povreda, često pregledavajte sklop vreće i zamijenite ga ako primijetite znakove istrošenosti ili dotrajalosti. Upotrebljavajte samo vreće za travu proizvedene za ovu kosilicu.

PODEŠAVANJE SKLOPIVOG RUKOHVATA

⚠ UPOZORENJE! Nemojte pokušavati pokrenuti kosilicu dok je rukohvat fiksiran u jednom od tri prethodno postavljena radna položaja (GORNJI RADNI POLOŽAJ, SREDNJI RADNI POLOŽAJ I DONJI RADNI POLOŽAJ).

Kosilica se isporučuje s rukohvatom u kompaktnom, ZAKLJUČANOM POLOŽAJU ZA SKLADIŠTENJE (sl. E).

- 1) Pritisnite ručicu za brzo podešavanje i držite je pritisnutom za otpuštanje rukohvata iz ZAKLJUČANOG POLOŽAJA ZA SKLADIŠTENJE.
- 2) Podignite rukohvat iz sklopljenog položaja, a zatim otpustite ručicu. Nježno okrećite rukohvat prema gore dok ne začujete i ne osjetite da je blokirni klin ulegao u jedan od sljedećih različitih položaja prikazanih na sl. F.

F-1	Položaj za pričvršćivanje/ skidanje vreće za travu	F-2	Zaključani položaj za skladištenje
F-3	Gornji radni položaj	F-4	Srednji radni položaj
F-5	Donji radni položaj		

PRICVRŠĆIVANJE VREĆE ZA TRAVU

⚠ UPOZORENJE! Nemojte podešavati kosilicu ako prije toga niste zaustavili motor, izvukli sigurnosni ključ i pričekali da se nož prestane okretati.

BS

NAPOMENA! Prije pričvršćivanja vreće za travu na kosilicu, s kosilice uklonite nastavak za malčiranje ili bočni izlazni otvor.

■ **Pričvršćivanje/skidanje vreće za travu (sl. G)**

Stavite ploču vreće za travu u kosilicu i objesite vreću za travu na kosilicu.

NAPOMENA! Prije pričvršćivanja vreće za travu, s kosilice uklonite prethodno postavljeni nastavak za malčiranje.

■ **Pričvršćivanje/skidanje nastavka za malčiranje (prodaje se zasebno) (sl. H)**

PODEŠAVANJE VISINE REZANJA (sl. I)

I-1	Opružno podešavanje visine rezanja	I-2	Pločica s prikazom visine rezanja
-----	------------------------------------	-----	-----------------------------------

⚠ UPOZORENJE! Pri podešavanju visine držite stopala podalje od trupa. Kosilicu možete postaviti na 8 visina rezanja, od 25 mm do 105 mm. Odaberite odgovarajuću visinu rezanja u skladu s vrstom i stanjem trave.

POSTAVLJANJE/SKIDANJE KOMPLETA BATERIJE (sl. J)

Upotrebljavajte samo komplete baterija i punjače navedene na sl. A2.

KOMPLET BATERIJA NAPUNITE PRIJE PRVE UPOTREBE.

⚠ UPOZORENJE! Ako su neki dijelovi polomljeni ili ako nedostaju, nemojte pokušavati da postavljate komplet baterija na kosilicu ili da upotrebljavate kosilicu dok ne zamijenite odnosno dijelove. Zanemarivanje navedenog može rezultirati teškim povredama.

■ **Postavljanje**

Komplet baterija gurajte u pretinac za baterije dok ne začujete zvuk "klikanja".

■ **Skidanje**

Pritisnite dugme za oslobađanje baterije u pretincu za baterije.

NAPOMENA! Prije početka rada uvjerite se da je zasun na kosilici ulegao u svoje mjesto i da je komplet baterija pričvršćen na kosilicu.

POKRETANJE/ZAUSTAVLJANJE KOSILICE (sl. K, L i M)

⚠ UPOZORENJE! Pri rukovanju bilo kojom kosilicom za travnjak može doći do odbacivanja stranih predmeta u vaše oči ili oči drugih osoba, što može rezultirati teškim oštećenjem očiju. Uvijek nosite sigurnosne naočale kada rukujete kosilicom ili kada obavljate radove podešavanja ili popravka na kosilici.

⚠ UPOZORENJE! Nož će se nastaviti okretati nekoliko sekundi nakon isključivanja kosilice. Pričekajte da se motor/nož prestane okretati prije ponovnog pokretanja. Kosilicu nemojte naglo isključiti pa uključiti.

SIGURNOSNI KLJUČ (sl. N)

Radi sprečavanja iznenadnog pokretanja ili neovlaštene upotrebe akumulatorske kosilice, u kosilicu je ugrađen sigurnosni ključ kojeg je moguće izvući. Kada se sigurnosni ključ izvuče iz kosilice, kosilica će se potpuno onemogućiti.

OPASNOST! Rotirajući noževi mogu nanijeti teške povrede. Radi izbjegavanja teških povreda, sigurnosni ključ izvucite kada je kosilica bez nadzora ili kada obavljate radove podešavanja, čišćenja, servisiranja, prenošenja, dizanja ili skladištenja kosilice.

NAPOMENA! Motor nije moguće pokrenuti osim u sljedećim slučajevima:

- Rukohvat je zaključan u jednom o tri radna položaja. Pogledajte odjeljak PODEŠAVANJE SKLOPIVOG RUKOHVATA.
- Bočne vodilice su potpuno izvučene.
- Objе zelene objumice za fiksiranje rukohvata dobro su zatvorene.

OPREZ! Nemojte pokušavati zaobilaziti funkciju sigurnosnog dugmeta i sigurnosne sklopke.

Pokretanje (sl. K i L)

- 1) Postavite komplet baterija na kosilicu, umetnite sigurnosni ključ u utor za ključ i zatvorite poklopac pretinca za baterije.
- 2) Pritisnite sigurnosno dugme.
- 3) S pritisnutim sigurnosnim dugmetom povucite sigurnosnu sklopku prema gore, prema rukohvatu, a zatim otpustite sigurnosno dugme.

Zaustavljanje (sl. M)

- 1) Potpuno otpustite sigurnosnu sklopku.
- 2) Električna kočnica u mehanizmu automatskog kočenja zaustavit će okretanje noža u roku 3 sekunde po otpuštanju sigurnosne sklopke.

PREDNJA LED SVJETLA (sl. A-13)

Pritisnite prekidač (sl. A-4) za uključivanje/isključivanje prednjih LED svjetala na prednjoj strani pretinca za baterije.

SISTEM SAMOSTALNOG POGONA S VARIJABILNOM BRZINOM

Kosilica LM2130E-SP opremljena je funkcijom samostalnog pogona s varijabilnom brzinom. Ovaj sistem je nezavisan od prekidača za uključivanje/isključivanje noža; njegov rad ne zavisi od okretanja noža.

Na primjer, kada završite s košenjem travnjaka, funkciju samostalnog pogona možete upotrijebiti za vraćanje kosilice na mjesto skladištenja bez okretanja noža. Ili možete odabrati da kosilicu upotrebljavate kao kosilicu bez samostalnog pogona kako biste maksimalno iskoristili vrijeme rada baterije.

Za rad sa sistemom samostalnog pogona bez okretanja noža uključite okretno dugme za regulaciju brzine samostalnog pogona i pritisnite okidač(e) samostalnog pogona. Postoje dva okidača samostalnog pogona. Za pokretanje funkcije samostalnog pogona pritisnite bilo koji okidač (sl. O).

O-1	Okretno dugme za regulaciju brzine samostalnog pogona	O-2	Okidač samostalnog pogona
-----	---	-----	---------------------------

Za isključivanje samostalnog pogona otpustite okidač samostalnog pogona i isključite okretno dugme za regulaciju brzine samostalnog pogona.

INDIKATOR STANJA KOSILICE NA KOSILICI (sl. P)

Kosilica je opremljena indikatorom napajanja koji ukazuje na stanje napunjenosti kompleta baterije i radni status kosilice. Indikator napajanja svijetli kada se nož okreće ili kada su uključena prednja LED svjetla.

P-1	Indikator stanja kosilice	P-2	Prekidač za prednja LED svjetla
-----	---------------------------	-----	---------------------------------

Indikator stanja kosilice	Značenje	Radnja
Svijetli zeleno.	Kosilica radi propisno; baterija ima najmanje 15% punjenja.	Nije potrebna.
Treperi zeleno.	Bočne vodilice nisu potpuno izvučene. Rukohvat nije završen u radnom položaju.	Zaustavite kosilicu i provjerite jesu li bočne vodilice potpuno izvučene. Zaustavite kosilicu i provjerite je li rukohvat završen u radnom položaju.
Treperi crveno.	Vrlo nizak nivo napunjenosti baterije	Zaustavite kosilicu i napunite komplet baterija.
Svijetli narandžasto.	Kosilica se zaustavlja zbog pregrijavanja.	Izvadite bateriju iz kosilice, premjestite ih u hlad i pričekajte najmanje 15 minuta da se ohlade.

Treperi narandžasto.	Kosilica je preopterećena.	Najprije izvadite komplet baterija, a zatim provjerite i očistite ako se trava nakupila ispod trupa. Usporite tempo kada kosite. Ako time niste riješili problem, obratite se centru korisničke službe proizvođača EGO.
Naizmjenično treperi crveno/zeleno.	Greška	Obratite se centru korisničke službe proizvođača EGO.
Tamno i LED na bateriji trepere.	Pregrijavanje baterije. (Pogledajte odjeljak "ZAŠTITA BATERIJE OD VISOKIH TEMPERATURA" u ovom priručniku.)	Otpustite sigurnosnu sklopku, pričekajte da se komplet baterija ohladi na temperaturu od otprilike 67°C, a zatim ponovo pokrenite kosilicu.

ZAŠTITA OD PREOPTEREĆENJA KOSILICE

Radi sprečavanja preopterećenja, nemojte pokušavati odjednom uklanjati preveliku količinu trave. Usporite tempo ili povećajte visinu rezanja.

Kosilica ima ugrađenu zaštitu od preopterećenja. U slučaju preopterećenja kosilice, motor će se zaustaviti, a indikator stanja na kosilici će treperiti u narandžastoj boji. Izvadite komplet baterija iz kosilice. Provjerite da li se ispod trupa nakupila trava i prema potrebi je očistite, a zatim stavite bateriju i ponovo pokrenite kosilicu.

ZAŠTITA BATERIJE OD VISOKIH TEMPERATURA

Komplet baterija stvara toplotu tokom upotrebe. Toplota se sporije širi kada je toplo vrijeme. Ako temperatura baterije tokom rada prekorači 70°C, zaštitni krug će odmah isključiti kosilicu kako bi se komplet baterija zaštitio od oštećenja uslijed toplote. Indikator stanja kosilice na kosilici će se isključiti. Više informacija potražite odjeljku "ZAŠTITA BATERIJE" u korisničkom priručniku baterije.

Otpustite sigurnosnu sklopku, pričekajte da se komplet baterija ohladi na temperaturu od otprilike 67°C, a zatim ponovo pokrenite kosilicu.

ODRŽAVANJE

⚠ UPOZORENJE! Radi izbjegavanja teških tjelesnih povreda, uvijek izvucite sigurnosni ključ iz kosilice prije radova čišćenja, održavanja ili transporta kosilice.

⚠ UPOZORENJE! Kada obavljate radove servisiranja, upotrebljavajte samo identične zamjenske dijelove. Upotreba drugih dijelova može uzrokovati opasnost ili oštećenje proizvoda. Radi osiguranja sigurnosti i pouzdanosti, sve popravke i zamjene treba obavljati kvalifikovani servisni tehničar.

OSNOVNO ODRŽAVANJE

⚠ UPOZORENJE! Prije radova servisiranja ili transporta kosilice uvijek izvucite sigurnosni ključ i izvadite komplet baterija.

Donju stranu trupa kosilice potrebno je očistiti nakon svake upotrebe kako bi se spriječilo nakupljanje komadića trave, lišća, prijavštine ili drugih naslaga.

Uklonite naslage trave s ventilatora motora i oko njega (nemojte upotrebljavati vodu). Kosilicu čistite vlažnom krpom.

SKIDANJE/POSTAVLJANJE NOŽA

⚠ UPOZORENJE! Pri obavljanju radova održavanja na nožu kosilice uvijek zaštitite ruke nošenjem čvrstih rukavica ili umotajte noževe krpama ili drugim materijalom. Prije radova servisiranja ili transporta kosilice uvijek izvadite komplet baterija.

- **Skidanje noža prema sl. Q.**
- **Postavljanje noža**
Uz pridržavanje redoslijeda montaže prikazanog na sl. R, s lopaticom ventilatora okrenutom prema trupu i otisnutom stranom noža prema van, poravnajte otvore na ventilatoru s otvorima na nožu (sl. S), a zatim pritegnite nož kako je prikazano na sl. T.

SKLADIŠTENJE KOSILICE

- Izvadite komplet baterija iz kosilice i skladištite ga na hladnom, suhom i čistom mjestu. Komplet baterija nemojte skladištiti pored korozivnih materijala kao što su gnojiva ili kamena sol.
- Kosilicu skladištite na natkrivenom, zatvorenom, hladnom i suhom mjestu izvan dohvata djece.
- Kosilicu za travnjak nemojte prekrivati čvrstom plastičnom folijom. Plastični prekrivači ne propuštaju vlagu oko kosilice, što uzrokuje nastanak hrđe i korozije.
- Kosilica se može skladištiti u uspravnom ili položenom položaju. (sl. U i V)

⚠ UPOZORENJE! Ako se kosilica prevrne iz uspravnog položaja, može doći do oštećenja kosilice ili tjelesnih povreda. Kada je kosilica u uspravnom položaju, uvijek je držite stabilnom i izvan dohvata djece. Kosilicu po mogućnosti skladištite u položenom položaju.

Zaštita životne sredine



Električne uređaje nemojte zbrinjavati kao nesortirani komunalni otpad nego se koristite zasebnim mjestima za sakupljanje takve vrste otpada.

Za informacije o dostupnim sistemima prikupljanja otpada obratite se lokalnoj nadležnoj službi.

Ako se električni uređaji odlažu na odlagališta otpada ili deponije, opasne tvari mogu iscuriti u podzemne vode i dospjeti u lanac ishrane i negativno uticati na zdravlje i dobrobit ljudi.

OTKLANJANJE PROBLEMA

⚠ UPOZORENJE! Prije radova servisiranja ili transporta kosilice uvijek izvucite sigurnosni ključ i izvadite komplet baterija. Pri obavljanju radova održavanja na nožu kosilice uvijek zaštitite ruke nošenjem čvrstih rukavica ili umotajte noževe krpama ili drugim materijalom.

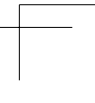
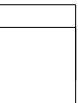
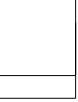
PROBLEM	UZROK	RJEŠENJE
Kosilicu nije moguće pokrenuti	<ul style="list-style-type: none"> ■ Komplet baterija je ispražnjen. ■ Komplet baterija nije postavljen u svoje ležište u pretincu za baterije. ■ Elektronika kompleta baterija ili kosilice je previše vruća. (Indikator napajanja na kosilici svijetlit će u narandžastoj boji 10 sekundi.) ■ Bočne vodilice nisu izvučene na maksimalnu dužinu, a objumice nisu fiksirane u svom položaju. ■ Rukohvat nije postavljen u jedan od tri radna položaja. ■ Trup kosilice je začepljen travom i naslagama. 	<ul style="list-style-type: none"> ■ Napunite komplet baterija. ■ Pričvrstite komplet baterija na kosilicu; pritišćite ga dok ne začujete zvuk klikanja. ■ Pričekajte da se komplet baterija ili kosilica ohlade na temperaturu ispod 67°C. ■ Potpuno izvucite rukohvat i zatvorite obje objumice. ■ Podesite rukohvat u jedan od tri radna položaja. ■ Očistite trup kosilice i osigurajte dovoljno mjesta za kretanje noža.
Kosilica kosi neravnomjerno	<ul style="list-style-type: none"> ■ Nož je tup. ■ Visina rezanja nije pravilno postavljena. ■ Nož je postavljen nepravilno. 	<ul style="list-style-type: none"> ■ Naoštrite ili zamijenite nož. ■ Podignite trup na veću postavku visine rezanja. ■ Ponovo postavite nož prema uputama u odjeljku „POSTAVLJANJE NOŽA“ u ovom priručniku.
Kosilica se zaustavila tokom košnje	<ul style="list-style-type: none"> ■ Komplet baterija je ispražnjen. ■ Kosilica je preopterećena. ■ Trup kosilice je začepljen travom i naslagama. ■ Elektronika kompleta baterija ili kosilice je previše vruća. (Indikator napajanja na kosilici svijetlit će u narandžastoj boji 10 sekundi.) ■ Bočna vodilica je malo uvučena zbog pritiska na rukohvat. 	<ul style="list-style-type: none"> ■ Napunite komplet baterija. ■ Povećajte visinu rezanja ili usporite košnju. ■ Očistite trup kosilice od naslaga. Povećajte visinu rezanja ili pravite uske otkose. ■ Pričekajte da se komplet baterija ili kosilica ohlade na temperaturu ispod 67°C. ■ Otpustite objumice. Potpuno izvucite bočne vodilice pa ponovo zatvorite objumice.

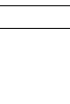
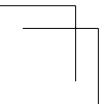
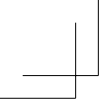
PROBLEM	UZROK	RJEŠENJE
Kosilica ne malčira pravilno	<ul style="list-style-type: none">■ Mokri komadići trave lijepe se za donju stranu trupa.■ Kosilica je postavljena za košnju prevelike količine trave odjednom.	<ul style="list-style-type: none">■ Prije košnje pričekajte da se trava posuši.■ Podignite trup na veću postavku visine rezanja.
Pojavljaju se prevelike vibracije	<ul style="list-style-type: none">■ Rezni nož je olabavljen.■ Rezni nož nije balansiran.■ Rezni nož je savijen.■ Osovina motora je savijena.■ Trup kosilice je začepljen travom i naslagama.	<ul style="list-style-type: none">■ Pritegnite vijak noža.■ Balansirajte nož prema uputstvima.■ Zamijenite nož.■ Obratite se servisnom centru.■ Očistite trup kosilice i osigurajte dovoljno mjesta za kretanje noža.
Obujmice za fiksiranje rukohvata ne mogu se zatvoriti	<ul style="list-style-type: none">■ Bočne vodilice nisu potpuno izvučene.	<ul style="list-style-type: none">■ Potpuno izvucite bočne vodilice, a zatim zatvorite obujmice.

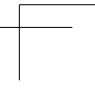
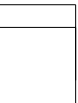
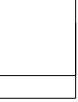
GARANCIJA

POLITIKA GARANCIJE PROIZVOĐAČA EGO

Za sve odredbe i uslove politike garancije proizvođača EGO posjetite internetsku stranicu egopowerplus.com.







المشكلة	السبب	الحل
لا تقوم الجِزَّارة بتوزيع العشب المجزور على الأرض بشكلٍ صحيح.	<ul style="list-style-type: none"> ■ هناك قصاصات عشب رطب عالقة على الجانب السفلي لأرضية الجِزَّارة. ■ تم ضبط الجِزَّارة لجرّ كمية زائدة من العشب مرة واحدة. 	<ul style="list-style-type: none"> ■ انتظر حتى جفاف الحشائش قبل جرّها. ■ ارفع أرضية الجِزَّارة إلى وضع ضبط ارتفاع أعلى للجرّ.
هناك اهتزازات زائدة	<ul style="list-style-type: none"> ■ شفرة الجرّ مفكوكة. ■ شفرة الجرّ غير متزنة. ■ شفرة الجرّ مثنية. ■ عمود تدوير المحرك مثني. ■ هناك عشب وعوالق تعيق حركة أرضية الجِزَّارة. 	<ul style="list-style-type: none"> ■ اربط مسمار الشفرة جيّدًا. ■ وازن الشفرة باتّباع التعليمات. ■ استبدل الشفرة. ■ تواصل مع مركز الصيانة. ■ نظف أرضية الجِزَّارة، وتأكد من أن الشفرة تتحرك بحرية.
لا يمكن إغلاق مشابك قفل المقبض في موضعها.	<ul style="list-style-type: none"> ■ القضبان الجانبية غير ممدودة بالكامل. 	<ul style="list-style-type: none"> ■ قم بتمديد القضبان الجانبية بالكامل، ثم اقلل المشابك.

الضمان

سياسة ضمان EGO

تفضل بزيارة الموقع الإلكتروني egopowerplus.com للتعرف على الشروط والأحكام الكاملة الخاصة بسياسة ضمان EGO.

استكشاف الأخطاء وإصلاحها

⚠ تحذير: احرص دائماً على خلع مفتاح الأمان ومجموعة البطارية عند إجراء أعمال الصيانة على الجرّازة أو نقلها. احرص دائماً على حماية يديك عن طريق ارتداء قفازات قوية أو تغليف الحواف القاطعة بقطعة قماش أو مواد أخرى ملائمة عند إجراء أي أعمال صيانة على شفرة الجرّازة.

المشكلة	السبب	الحل
لا يمكن بدء تشغيل الجرّازة	<ul style="list-style-type: none"> نفد شحن مجموعة البطارية. مجموعة البطارية غير مركبة في موضعها الصحيح في حجرة البطارية. هناك ارتفاع زائد في حرارة البطارية أو الدائرة الكهربائية للجرّازة. (مبعض مؤشرات الطاقة الموجود بالجرّازة لمدة 10 ثوانٍ باللون البرتقالي) القضبان الجانبية غير ممدودة لأقصى طول لها والمشابك غير مقفلة في موضعها الصحيح. المقبض غير مضبوط على أحد أوضاع التشغيل الثلاثة. هناك عشب وحوالق تعيق حركة أرضية الجرّازة. 	<ul style="list-style-type: none"> اشحن مجموعة البطارية. قم بتثبيت مجموعة البطارية في الجرّازة؛ واضغط عليها إلى أن تسمع صوت نقرة. اترك مجموعة البطارية أو الجرّازة تبرد إلى تهبط درجة الحرارة إلى ما دون 67 درجة مئوية. قم بتمديد المقبض بالكامل، واقلل كلا المشبكين. اضبط المقبض على وضع من أوضاع التشغيل الثلاثة. نظف أرضية الجرّازة، وتأكد من أن الشفرة تتحرك بحرية.
الجرّازة تجرّ العشب بشكل غير متساوي	<ul style="list-style-type: none"> الشفرة غير حادة. لم يتم ضبط ارتفاع الجرّ بشكل صحيح. تم تجميع الشفرة بشكل غير صحيح. 	<ul style="list-style-type: none"> قم بشدّ الشفرة أو استبدالها. ارفع أرضية الجرّازة إلى وضع ضبط ارتفاع أعلى للجرّ. أعد تجميع الشفرة، وذلك باتّباع قسم "تركيب الشفرة" من هذا الدليل.
الجرّازة تتوقف أثناء الجرّ	<ul style="list-style-type: none"> نفد شحن مجموعة البطارية. الجرّازة في وضع الحمل الزائد. هناك عشب وحوالق تعيق حركة أرضية الجرّازة. هناك ارتفاع زائد في حرارة البطارية أو الدائرة الكهربائية للجرّازة. (مبعض مؤشرات الطاقة الموجود بالجرّازة لمدة 10 ثوانٍ باللون البرتقالي) القضيب الجانبي منكمش قليلاً بفعل قوة الدفع المطبقة على المقبض. 	<ul style="list-style-type: none"> اشحن مجموعة البطارية. اضبط ارتفاع الجرّ على وضع أعلى أو قم بالجرّ بوتريرة أبطأ. تخلص مما يعيق أرضية الجرّازة. اضبط ارتفاع الجرّ على وضع أعلى، أو قم بجعل عرض الجرّ أضيق. اترك مجموعة البطارية أو الجرّازة تبرد إلى تهبط درجة الحرارة إلى ما دون 67 درجة مئوية. افتح قفل المشابك. قم بتمديد القضبان الجانبية بالكامل واقلل المشابك مرة أخرى.

حماية البيئة

لا تتخلص من الأجهزة الكهربائية كنفاية غير مفروزة، بل توجه بها إلى مرافق جمع وفصل النفايات.
تواصل مع الجهات الحكومية المحلية للتعرف على المعلومات المتعلقة بأنظمة جمع النفايات المتاحة. إذا تم التخلص من الأجهزة الكهربائية في أكوام القمامة أو مقلب النفايات، قد تتسرب مواد خطيرة في المياه الجوفية وتصل إلى السلسلة الغذائية، وهو ما يضر بالصحة والبيئة.



- قم بتخزين الجرّارة في مكان مغطى مغلق، مع ضمان بردوته وجفافه وأن يكون بعيداً عن متناول أيدي الأطفال.
- لا تقم بتغطية جرّارة الحشائش بمفرش بلاستيكي صلب. لأن الأغشية البلاستيكية تحبس الرطوبة حول الجرّارة، وهو ما قد يتسبب في تراكم الصدا وتآكل المعدن.
- يمكن تخزين الجرّارة في وضع الوقوف منتصبه أو في وضع مسطح. (الشكل U و V).

⚠ تحذير: إذا انقلبت الجرّارة من وضع الوقوف منتصبه، فقد تتعرض الجرّارة للتلف مع حدوث إصابات شخصية. احرص دائماً على ثبات الجرّارة وبعيداً عن متناول أيدي الأطفال عندما تكون في وضع الوقوف منتصبه. إن أمكن، فقم بإمالتها إلى الوضع المسطح لتخزينها.

مؤشر حالة الجَزارة الموجود بالجَزارة (الشكل P)

الجَزارة مزودة بمؤشر طاقة للإشارة إلى حالة شحن مجموعة البطارية وحالة تشغيل الجَزارة. سيضيئ مؤشر الطاقة أثناء دوران الشفرة أو عند تشغيل الكشافات الأمامية.

P-1	مؤشر حالة الجَزارة	P-2	مفتاح تشغيل الكشافات الأمامية
-----	--------------------	-----	-------------------------------

الموجود بالجَزارة. اخلع مجموعة البطارية من الجَزارة. تحقق ما إذا كان العشب قد تجمّع تحت أرضية الجَزارة، وتخلص منه عند اللزوم، ثم قم بتثبيت البطارية وأعد تشغيل الجَزارة.

الحماية ضد الارتفاع الزائد في درجة حرارة البطارية

ستتولد عن مجموعة البطارية حرارة أثناء التشغيل. تتبديد الحرارة بشكل أبطأ في الطقس الحار. إذا تخظت درجة حرارة البطارية 70 درجة مئوية أثناء التشغيل، ستقوم دائرة الحماية على الفور بإطفاء الجَزارة لحماية مجموعة البطارية من التلف بفعل الحرارة. سينطفئ مؤشر حالة الجَزارة الموجود بالجَزارة، يُرجى مراجعة قسم "حماية البطارية" في دليل تشغيل البطارية للتعرف على التفاصيل.

حرر مفتاح المقبض، وانتظر إلى أن تبرد مجموعة البطارية وصولاً إلى حوالي 67 درجة مئوية، ثم أعد تشغيل الجَزارة.

الصيانة

⚠ تحذير: لتجنب الإصابات الشخصية الخطيرة، احرص دائماً على خلع مفتاح الأمان من الجَزارة قبل التنظيف، أو إجراء أي أعمال صيانة، أو نقل الجَزارة.

⚠ تحذير: استخدم فقط قطع غير أصلية عند إجراء أعمال الصيانة. لأن استخدام أي أجزاء أخرى قد ينشأ عنه خطر أو يتسبب في تعرض المنتج للتلف. لضمان السلامة والاعتمادية، يجب تنفيذ جميع أعمال الإصلاح واستبدال الأجزاء من قبل فني خدمة مؤهل.

الصيانة العامة

⚠ تحذير: احرص دائماً على خلع مفتاح الأمان ومجموعة البطارية عند إجراء أعمال الصيانة على الجَزارة أو نقلها.

يجب تنظيف الجانب السفلي من أرضية الجَزارة بعد كل استخدام، لأن قصاصات العشب، والأوساخ، والعوالق الأخرى قد تتراكم. تخلص من أي تراكم للعشب على مروحة المحرك أو حولها (لا تستخدم الماء). امسح الجَزارة لتنظيفها باستخدام منشفة مبللة.

خلع/تركيب الشفرة

⚠ تحذير: احرص دائماً على حماية يديك عن طريق ارتداء قفازات قوية أو تغليف الحواف القاطعة بقطعة قماش أو مواد أخرى ملائمة عند إجراء أي أعمال صيانة على شفرة الجَزارة. احرص دائماً على خلع مجموعة البطارية عند إجراء أعمال الصيانة على الجَزارة أو نقلها.

• لخلع الشفرة وفقاً للشكل Q

• لتركيب الشفرة

باتباع تسلسل التجميع في الشكل R، بحيث تكون شفرة المروحة متجهة نحو الأرضية، والجانب المطبوع عليه من الشفرة متجهاً للخارج، قم بمحاذاة الفتحات الموجودة في المروحة مع الفتحات الموجودة في الشفرة (الشكل S)، ثم اربط الشفرة كما هو موضح في الشكل T.

يقف الجَزارة

• اخلع مجموعة البطارية من الجَزارة وخذنها في مكان بارد جاف نظيف. لا تخزنها بالقرب من المواد المسببة للتآكل، مثل السماد أو الملح الصخري.

مؤشر حالة الجَزارة	المعنى	الإجراء
أخضر ثابت	الجَزارة تعمل بشكل ملائم؛ البطارية بها شحن لا يقل عن 15%.	لا شيء مطلوب.
أخضر وامض	القضبان الجانبية غير ممدودة بالكامل.	أوقف الجَزارة وتأكد من تمديد القضبان الجانبية بالكامل.
أخضر وامض	المقبض غير مضبوط على أحد أوضاع التشغيل.	أوقف الجَزارة وتأكد من قفل المقبض في أحد أوضاع التشغيل.
أحمر وامض	شحن البطارية منخفض.	أوقف الجَزارة واشحن مجموعة البطارية.
برتقالي ثابت	الجَزارة تتوقف بفعل السخونة المفرطة.	أخرج البطارية من الجَزارة، وضعها في الظل ودعها تبرد لمدة لا تقل عن 15 دقيقة.
برتقالي وامض	هناك حمل زائد على الجَزارة.	قم أولاً بخلع مجموعة البطارية، ثم افحص المنتج ونظفه إذا كان هناك عشب متجمّع أسفل ظهر الركوب. أبطئ وتيرتك عند الجَز. إذا لم يُفعل ذلك، يُرجى التواصل مع مركز خدمة العملاء بشركة EGO.
وميض بالتبادل بين اللونين الأحمر والأخضر	خطأ	تواصل مع مركز خدمة العملاء بشركة EGO.
معتم ولمبة LED الموجودة بالبطارية توامض	هناك سخونة مفرطة في البطارية. (راجع قسم "الحماية ضد الارتفاع الزائد في درجة حرارة البطارية" في هذا الدليل)	حرر مفتاح المقبض، وانتظر إلى أن تبرد مجموعة البطارية وصولاً إلى حوالي 67 درجة مئوية، ثم أعد تشغيل الجَزارة.

الحماية ضد الحمل الزائد على الجَزارة

لمنع حالات الحمل الزائد، لا تحاول إزالة الكثير من العشب في وقت واحد. أبطئ من وتيرة الجَز أو اضبط ارتفاع الجَز على وضع أعلى.

جَزارتك مزودة بدائرة حماية داخلية ضد الحمل الزائد. عند تعرض الجَزارة لحمل زائد، سيتوقف المحرك ويومض مؤشر حالة الجَزارة

خطر: الشفرات التي تدور قد تسبب في وقوع إصابات خطيرة. ولمنع وقوع أي إصابات خطيرة، اخلع مفتاح الأمان عند ترك الجِزارة دون رقابة، أو عند إجراء أعمال الضبط أو التنظيف أو الصيانة أو النقل أو الرفع أو التخزين عليها.

ملاحظة: لن يمكن بدء تشغيل المحرك إلا إذا:

- كان المقبض مضبوط على أحد أوضاع التشغيل الثلاثة، راجع ضبط المقبض المقابل للطبي.
- القضبان الجانبية ممدودة بالكامل.
- تم إغلاق كلا مشبكي قفل المقبض ذوي اللون الأخضر بشكل آمن.

تنبيه: لا تحاول تجاوز إجراءات تشغيل زر الأمان ومفتاح المقبض.

لبداء التشغيل (الشكل K و L)

- 1) قم بتركيب مجموعة البطارية في الجِزارة، وأدخل مفتاح الأمان في فتحة المفتاح، ثم أغلق غطاء البطارية.
- 2) اضغط مع التثبيت على زر الأمان.
- 3) أثناء الضغط لأسفل على زر الأمان، اسحب مفتاح المقبض لأعلى إلى أن يلتقي مع المقبض، وحرر زر الأمان.

للإيقاف (الشكل M)

- 1) حرر مفتاح المقبض بالكامل.
- 2) سنقوم الفرملة الكهربائية الموجودة في آلية الفرملة الأوتوماتيكية بإيقاف الشفرة عن الدوران خلال 3 ثوانٍ من تحرير مفتاح المقبض.

الكشافات الأمامية LED (الشكل A-13)

اضغط على زر المفتاح (الشكل A-4) لتشغيل/إيقاف الكشافات الأمامية الموجود في مقدمة حجرة البطارية.

نظام الدفع الذاتي ذو السرعة المتغيرة

جِزارة LM2130E-SP مجهزة بنظام الدفع الذاتي ذي السرعة المتغيرة. هذا النظام مستقل عن مفتاح تشغيل/إيقاف الشفرة. فهو لا يعتمد على دوران الشفرة. عند انتهائك من جِز العشب، يمكنك استخدام نظام الدفع الذاتي في إرجاع الجِزارة للخلف إلى مكان التخزين دون دوران الشفرة. أو يمكنك اختيار تشغيل الجِزارة كجِزارة غير مدفوعة ذاتياً لتحقيق أقصى وقت تشغيل للبطارية.

لتشغيل نظام الدفع الذاتي دون دوران الشفرة، أدر بكرة التحكم في السرعة ذاتية الدفع إلى وضع التشغيل، واضغط على زناد الدفع الذاتي. هناك زندان للرفع الذاتي. اضغط على أحد الزنادين لبداء تشغيل وظيفة الدفع الذاتي (الشكل O).

O-1	بكرة التحكم في السرعة ذاتية الدفع
O-2	زناد الدفع الذاتي

للإيقاف خاصية الدفع الذاتي، حرر زناد الدفع الذاتي، وأدر بكرة التحكم في السرعة ذاتية الدفع إلى وضع الإيقاف.

تركيب/إزالة حقيبة العشب (الشكل G)

أدخل لوح حقيبة العشب في الجِزارة، ثم علّق حقيبة العشب في الجِزارة.

ملاحظة: اخلع وصلة توزيع العشب المجزوز سابقة التركيب من الجِزارة قبل تركيب حقيبة العشب في الجِزارة.

تركيب/إزالة وصلة توزيع العشب المجزوز (بتم بيعها بشكل منفصل) (الشكل H)

ضبط ارتفاع الجِز (الشكل I)

I-1	أداة ضبط ارتفاع الجِز الزنبركية
I-2	لوح مؤشر طول ارتفاع الجِز

⚠ تحذير: احتفظ بأقدامك بعيداً عن أرضية الآلة عند ضبط ارتفاعها. يمكن ضبط الجِزارة على 8 ارتفاعات جِز تتراوح ما بين 25 مم إلى 105 مم. اختر ارتفاع الجِز المناسب وفقاً لأنواع العشب وحالته.

تركيب/خلع مجموعة البطارية (الشكل J)

لا تستخدم الآلة إلا مع مجموعات البطارية والشواحن المدرجة في الشكل A2.

اشحن البطارية قبل الاستخدام لأول مرة

⚠ تحذير: إذا كانت هناك أي أجزاء مكسورة أو مفقودة، لا تحاول تركيب مجموعة البطارية في الجِزارة أو تشغيل الجِزارة إلا بعد استبدال الأجزاء المكسورة أو المفقودة. عدم فعل ذلك قد يؤدي لإصابات خطيرة.

للمتربص

ادفع مجموعة البطارية في حجرة البطارية إلى أن تسمع صوت "نقرة".

لخلع

اضغط لأسفل على زر تحرير البطارية الموجود في حجرة البطارية.

ملاحظة: تأكد من انغلاق اللسان الموجود بالجِزارة في مكانه الصحيح، وأن مجموعة البطارية محكمة التثبيت بشكل آمن في الجِزارة قبل بدء التشغيل.

تشغيل/إيقاف الجِزارة (الأشكال K و L و M)

⚠ تحذير: قد يؤدي تشغيل أي جِزارة شحاشن إلى تطاير الأشياء الغريبة تجاه عينيك أو أعين الآخرين، وهو ما قد يتسبب في إلحاق أضرار خطيرة بالعينين. احرص دائماً على ارتداء نظارات حماية أثناء تشغيل الجِزارة، أو أثناء إجراء أي تعديلات أو إصلاحات عليها.

⚠ تحذير: تستمر الشفرة في الدوران لعدة ثوانٍ بعد إطفاء الجِزارة. اترك المحرك/الشفرة يتوقف عن الدوران قبل بدء التشغيل مرة أخرى. لا تقم بإطفاء الجِزارة وتشغيلها بسرعة.

مفتاح الأمان (الشكل N)

لمنع بدء التشغيل غير المقصود أو الاستخدام غير المرخص به لجِزارة تيك اللاسلكية، فلقد تم دمج مفتاح أمان قابل للخلع في تصميم الجِزارة. لن يمكن بأي حال من الأحوال تشغيل الجِزارة بعد خلع مفتاح الأمان منها.

المواصفات

16. باب التفريغ الخلفي
17. قضيب جانبي
18. مؤشر حالة الجرّازة
19. ذراع التشغيل
20. المقبض
21. دعامة للتخزين الرأسي
22. واقي المخلفات
23. زر تحرير البطارية
24. مفّاح الأمان

التشغيل

تجميع حقيبة العشب

- 1) مرر حقيبة العشب على الهيكل (الشكل B).
 - 2) قم بتركيب المشابك العلوية في الهيكل (الشكل C)، وبعد ذلك، قم بتجميع المشابك الجانبيين. قم بتجميع المشبك السفلي في النهاية.
 - 3) حقيبة العشب المُجمّعة بالكامل موضحة في الشكل D.
- ملاحظة:** في ظل الاستخدام العادي، تتعرض مواد تصنيع الحقيبة للتآكل. للحد من خطر التعرض لإصابات، افحص تجميع الحقيبة بانتظام واستبدالها إذا كانت هناك أي علامات على التآكل أو التدهور في الأداء. استخدم مقابض العشب التي تم تصنيعها خصيصًا لهذه الجرّازة فقط.

ضبط المقبض القابل للطي

- تحذير:** لا تحاول بدء تشغيل الجرّازة إلا بعد قفل المقبض على وضع من أوضاع التشغيل الثلاثة سابقة الضبط (وضع التشغيل العلوي، ووضع التشغيل الأوسط، ووضع التشغيل السفلي). يتم توريد الجرّازة والمقبض في وضع التخزين المقفل المدمج (الشكل E).
- 1) اضغط مع التثبيت على رافعة الضبط السريع لتحرير المقبض من وضع التخزين المقفل.
 - 2) ارفع المقبض من وضعه المطوي، ثم حرر الرافعة. أدر المقبض على محوره لأعلى برفق إلى أن تسمع صوت تعشيق مشبك القفل وتنشع به في وضع من الأوضاع المختلفة التالية على النحو المعروض في الشكل F.

F-1	ملحق حقيبة العشب/وضع الخلع	F-2	وضع التخزين المقفل
F-3	وضع التشغيل العلوي	F-4	وضع التشغيل الأوسط
F-5	وضع التشغيل السفلي		

تركيب حقيبة العشب

- تحذير:** لا تقم في أي وقت بإجراء أي أعمال ضبط على جرّازة الحشائش دون إيقاف المحرك أولاً، واخلع مفّاح الأمان والانتظار حتى توقف الشفرة تمامًا عن الدوران.
- ملاحظة:** اخلع وصلة توزيع العشب المجزور أو أنبوب التفريغ الجانبي قبل تركيب حقيبة العشب في الجرّازة.

الجهد الكهربائي	56 فولت
السرعة بدون حمل	2700 لفة في الدقيقة
طول الجرّازة	25 مم/32 مم/40 مم/51 مم/64 مم 77 مم/90 مم
أوضاع ضبط طول الجرّازة	7
عرض الجرّازة	52 سم
حجم حقيبة العشب	70 لترًا
وزن الجرّازة (بدون مجموعة البطارية وحقيبة العشب)	25.1 جم
طرز الشفرة	AB2102D-E
درجة حرارة التشغيل	0 - 40 درجة مئوية
درجة حرارة التخزين	20 - 70 درجة مئوية
فرملة الشفرة	نعم
مستوى قوة الصوت المُقدّر	89.8 ديسيبل(A)
L_{WA}	3.35=K ديسيبل(A)
مستوى ضغط الصوت عند أذن مُشغل الآلة	80.3 ديسيبل(A)
L_{PA}	3=K ديسيبل(A)
مستوى قوة الصوت المضمون L_{WA} (تم قياسه وفقًا للمعيار 2000/14/EC)	93 ديسيبل(A)
القيمة المقدرة للاهتزاز a_n	0.61 م/ثانية ² 1.5=K م/ثانية ²
	0.54 م/ثانية ² 1.5=K م/ثانية ²

قائمة المحتويات (الشكل A1)

الوصف

تعرف على الجرّازة (الشكل A1)

1. مفّاح ذاتي الدفع
2. بكرة التحكم في السرعة ذاتية الدفع
3. زر الأمان
4. مفّاح تشغيل الكشافات الأمامية
5. مشبك قفل المقبض
6. حقيبة العشب
7. رافعة الضبط السريع
8. ذراع ضبط ارتفاع الجرّازة
9. العجلة الخلفية
10. العجلة الأمامية
11. أرفضة الجرّازة
12. المقبض الأمامي
13. كشافات أمامية LED
14. غطاء البطارية
15. المقبض الخلفي

اقرأ جميع التعليمات!

الغرض المحدد للاستخدام: المنتج معد لجزّ الحشائش في الحدائق المنزلية فقط. ويجب ألا يتم استخدامه في جزّ الحشائش العالية أو الجافة أو الرطبة بشكل غير طبيعي، على سبيل المثال عشب رعي الماشية، أو أوراق الشجر الممزقة.

⚠ تحذير: احرص على قراءة وفهم جميع تعليمات السلامة في دليل التشغيل هذا، بما في ذلك جميع رموز تنبيهات السلامة، مثل "خطر"، و"تحذير" و"تنبيه" قبل استخدام هذه الآلة. عدم اتباع جميع التعليمات الواردة أدناه قد يؤدي إلى حدوث صدمة كهربائية أو نشوب حريق أو التعرض للإصابة الشخصية، أحدها أو جميعها.

⚠ تحذير: قد يؤدي تشغيل أي آلة عاملة بالطاقة إلى دخول أي أشياء غريبة في عينيك، وهو ما قد يؤدي إلى إلحاق أضرار خطيرة بالعين. قبل بدء تشغيل الآلة العاملة بالطاقة، احرص دائمًا على ارتداء واقبات العينين أو نظارات حماية العينين ذات دروع جانبية، أو درع واقٍ لكامل الوجه عند اللزوم. نوصي بارتداء قناع السلامة واسع الرؤية لاستخدامه فوق نظارات العين أو نظارات السلامة العادية ذات الدروع الجانبية.

رموز السلامة

للحد من خطر الإصابة، يجب على المستخدم قراءة وفهم دليل التشغيل قبل استخدام هذا المنتج.



تنبيه سلامة



أبقِ القدمين واليدين بعيدًا عن نطاق عمل الآلة



احرص على بقاء الأشخاص الآخرين والحيوانات الأليفة على مسافة لا تقل عن 30 متر بعيدًا عن الجزّازة أثناء استخدامها.



مستوى قوة الصوت المضمون.



تستمر الشفرات في الدوران عقب إيقاف المحرك - اخلع جهاز التعطيل قبل الصيانة. أطفئ الآلة واخلع مجموعة البطارية القابلة للخلع (أو جهاز التعطيل) قبل إجراء عمليات التعديل أو التنظيف.



هذا المنتج متوافق مع تشريعات المملكة المتحدة المعمول بها.

UK
CA

هذا المنتج متوافق مع توجيهات شهادة الجودة الأوروبية (CE) المعمول بها.

CE

الحماية ضد دخول الماء، من الدرجة 4

IPX4

لا يجب التخلص من الأجهزة الكهربائية المستهلكة في النفايات المنزلية. توجه بالجهاز إلى مركز إعادة تدوير معتمد.



مليمتر

mm

فولت

V

النوع أو خصائص التيار

≡

سنتيمتر

cm

كيلوجرام

kg

בעיה	סיבה	פתרון
המכסחה איננה מכסה באופן ראוי	<ul style="list-style-type: none"> ישנה הצטברות של חתיכות דשא רטוב בחלק התחתון של המשטח. המכסחה הוגדרה לחתוך כמות גדולה מדי של דשא בבת אחת. 	<ul style="list-style-type: none"> חכו עד אשר הדשא מתייבש לפני הכיסוח. הרימו את המשטח להגדרת גובה חיתוך גבוה יותר.
ישנו יתר רטט	<ul style="list-style-type: none"> להב החיתוך משוחרר. להב החיתוך איננו מאוזן. להב החיתוך עקום. פיר המנוע עקום. ישנה הצטברות של דשא ואשפה על משטח המכסחה. 	<ul style="list-style-type: none"> הדקו את בריח הלהב. אזנו את הלהב בהתאם להוראות. החליפו את הלהב. תרו קשר עם מרכז השירות. נקו את משטח המכסחה, וודאו שללהב ישנו חופש תזוזה.
לא ניתן לנעול את מלחצי הנעילה לעמדתם.	<ul style="list-style-type: none"> המסילות הצדדיות אינן מורחבות לגמרי. 	<ul style="list-style-type: none"> הרחיבו לגמרי את המסילות הצדדיות ולאחר מכן נעלו מחדש את המלחציים.

אחריות

מדיניות האחריות של EGO

אנא בקרו באתר egopowerplus.com עבור התנאים וההתניות השלמים של מדיניות האחריות של EGO.

איתור וטיפול בבעיות

⚠ אזהרה: תמיד הסירו תמיד את מארז הסוללה בעת ביצוע תיקונים או הובלה של המכסחה. הגנו תמיד על הידיים שלכם על ידי לבישת כפפות מוצקות או עטיפה של הקצוות החותכים בעזרת מטליות או חומרים אחרים בעת ביצוע כל פעולת תחזוקה בלהב המכסחה.

בעיה	סיבה	פתרון
לא ניתן להפעיל את המכסחה	<ul style="list-style-type: none"> קיבולת מארז הסוללה ריקה מארז הסוללה לא נמצא במקומו בתא הסוללה. מעגלי הסוללה או המכסחה חמים מדי. (אינדיקטור המתח של המכסחה יאיר באור כתום למשך 10 שניות) המסילות הצדדיות לא הורחבו לאורך המקסימלי שלהן והמלחציים אינם נעולים בעמדתם. הידית איננה מכוונת אל אחת משלוש עמדות הפעלה. ישנה הצטברות של דשא ואשפה על משטח המכסחה. 	<ul style="list-style-type: none"> הטעינו את מארז הסוללה. הצמידו את מארז הסוללה אל המכסחה; לחצו עד אשר יישמע "קליק" אפשרו למארז הסוללה או למכסחה להתקרר עד לטמפרטורה של פחות מ-67°C. הרחיבו את הידית לגמרי ונעלו את שני המלחציים. כווננו את הידית אל אחת משלוש עמדות הפעלה. נקו את משטח המכסחה, וודאו שללהב ישנו חופש תזוזה.
המכסחה איננה מכסחת באופן אחיד	<ul style="list-style-type: none"> הלהב איננו חד. גובה החיתוך לא נקבע כהלכה. הלהב לא הורכב כהלכה. 	<ul style="list-style-type: none"> חדדו או החליפו את הלהב. הרימו את המשטח להגדרת גובה חיתוך גבוה יותר. הרכיבו מחדש את הלהב, כאשר אתם עוקבים אחר חלק "התקנת הלהב" במדריך זה.
המכסחה עוצרת את פעולתה בעת הכיסוח	<ul style="list-style-type: none"> קיבולת מארז הסוללה ריקה המכסחה נמצאת בתנאי עומס יתר. ישנה הצטברות של דשא ואשפה על משטח המכסחה. מעגלי הסוללה או המכסחה חמים מדי. (אינדיקטור המתח של המכסחה יאיר באור כתום למשך 10 שניות) המסילה הצדדית נסוגה מעט בעזרת כוח הדחיפה על גבי הידית. 	<ul style="list-style-type: none"> הטעינו את מארז הסוללה. הגביהו את גובה החיתוך או כסחו לאט יותר. הסירו הצטברויות ממשטח המכסחה. הגביהו את גובה החיתוך או כסחו ברצועה צרה יותר. אפשרו למארז הסוללה או למכסחה להתקרר עד לטמפרטורה של פחות מ-67°C. פיתחו את המלחציים. הרחיבו לגמרי את המסילות הצדדיות ונעלו מחדש את המלחציים.

תחזוקה

⚠ אזהרה: אם המכסחה מתחילה ליפול מן העמדה האנכית שלה, הדבר עלול לגרום לנזק למכסחה או לפגיעה אישית. שימרו תמיד על יציבות המכסחה והרחק מהישג ידם של ילדים כאשר היא בעמדה אנכית. אם אפשר, אחסנו במצב שטוח.

הגנה על הסביבה

אל תיזרקו מכשירים חשמליים כחלק מאשפה ביתית, השתמשו בהתקני איסוף נפרדים. צרו קשר עם משרדים הממשלה המקומיים עבור מידע על מערכות האיסוף הזמינות. אם ציוד חשמלי נזרק ביחד עם אשפה ביתית או במזבלה, חומרים מסוכנים עלולים לנזול אל האדמה ולהפוך לחלק משרשרת המזון, דבר העלול לגרום לנזק לבריאות ולרווחה שלכם.



⚠ אזהרה: על מנת למנוע פגיעות אישיות, הסירו תמיד את מפתח הבטיחות מן המכסחה לפני הניקיון או ביצוע כל עבודת תחזוקה או הובלה.

⚠ אזהרה: במקרה של עבודות תיקון, השתמשו רק בחלקי חילוף זהים. שימוש בחלקי חילוף אחרים עלול לגרום לסכנה או נזק למוצר. על מנת להבטיח בטיחות ואמינות, יש לבצע את כל התיקונים וההחלפות בעזרת טכנאי שירות מוסמך.

תחזוקה כללית

⚠ אזהרה: תמיד הסירו תמיד את מארז הסוללה בעת ביצוע תיקונים או הובלה של המכסחה.

יש לנקות את החלק התחתון של משטח המכסחה לאחר כל שימוש, בגלל שחלקי דשא, עלים, לכלוך וחלקי אשפה אחרים יצטברו.

הסירו כל הצטברות דשא מעל או מסביב למאוורר המנוע (אל תעשו שימוש במים). נקו את המכסחה בעזרת מטלית לחה.

הסרה/התקנה של הלהב

⚠ אזהרה: הגנו תמיד על הידיים שלכם על ידי לבישת כפפות מוצקות או עטיפה של הקצוות החותכים בעזרת מטליות או חומרים אחרים בעת ביצוע כל פעולת תחזוקה בלהב המכסחה. הסירו תמיד את מארז הסוללה בעת ביצוע תיקונים או הובלה של המכסחה.

• על מנת להסיר את הלהב על פי איור Q.

• על מנת להתקין את הלהב

בהתאם לרצף ההרכבה באיור R, עם להב המאוורר כלפי המשטח והחלק המודפס של הלהב כלפי חוץ, ישרו את חורי המאוורר עם חורי הלהב (איור S) ולאחר מכן הדקו את הלהב כפי שניתן לראות בתמונה T.

אחסון המכסחה

- הסירו את מארז הסוללה מן המכסחה ואחסנו במקום קריר, יבש ונקי. אל תאחסנו ליד חומרים הגורמים לקורוזיה, כגון חומרי דשן או גבישי מלח.
- אחסנו את המכסחה במקום סגור, מכוסה, מקום קריר ויבש והרחק מהישג ידם של ילדים.
- אל תכסו את המכסחה עם כיסוי פלסטיק מוצק, כיסויי פלסטיק שומרים על לחות מסביב למכסחה, הדבר גורם לחלודה ולקורוזיה.
- ניתן לאחסן את המכסחה אנכית או שטוחה. (איורים U ו-V).

אור כתום יציב	המכסחה נעצרה בגלל חימום יתר.	הסירו את הסוללה מן המכסחה, היזיזו אותן אל מקום מוצל וקררו לתקופה של לפחות 15 דקות.
אור כתום מהבהב	ישנו עומס יתר במכסחה.	הסירו תחילה את מארז הסוללה ולאחר מכן בדקו ונקו אם נצבר דשא מתחת למשטח. האטו את הקצב שלכם בעת החיתוך. אם הדבר אינו עובד, אנא צרו קשר עם מרכז שירות הלקוחות של EGO.
אור אדום/ירוק מהבהבים לסירוגין	טעות	צרו קשר עם מרכז שירות הלקוחות של EGO.
אור חשוך ולד סוללה מהבהבים	חימום יתר של הסוללה. (ראה חלק „הגנה מפני טמפרטורה גבוהה של הסוללה” במדריך זה)	שחררו את מתג הניתוק, חכו עד אשר מארז הסוללה מתקרר לטמפרטורה של בערך 67°C ולאחר מכן הפעילו מחדש את מפוח השלג.

הגנה על המכסחה מפני עומס יתר

על מנת למנוע תנאי עומס יתר, אל תנסו להסיר כמות גדולה של דשא בבת אחת. הפחיתו את קצב הכיסוח שלכם או הגביהו את גודל החיתוך.

למכסחה ישנו מעגל הגנה מובנה מפני עומס יתר. כאשר ישנו עומס יתר של המכסחה, המנוע ייעצר ואינדיקטור הסטטוס של המכסחה יבהב בצבע הכתום. הסירו את מארז הסוללה מן המכסחה. בדקו לראות אם ישנה הצטברות של דשא מתחת למשטח ונקו הצטברות זאת אם יש צורך בכך. לאחר מכן התקינו מחדש את מארז הסוללה והפעילו שוב את המכסחה.

הגנה על הסוללה מפני טמפרטורה גבוהה

מארז הסוללה ייצר חום בעת ההפעלה. החום יתפזר לאט יותר כאשר מזג האוויר חם יותר. אם טמפרטורת הסוללה עולה מעל 70°C בעת ההפעלה, מעגל ההגנה יכבה מיד את מפוח השלג על מנת להגן על מארז הסוללה מפני זיקים. אינדיקטור הסטטוס על גבי המכסחה יכובה, אנא עיינו בחלק „הגנה על הסוללה” במדריך הפעלת הסוללה לפרטים נוספים.

שחררו את מתג הניתוק, חכו עד אשר מארז הסוללה מתקרר לטמפרטורה של בערך 67°C ולאחר מכן הפעילו מחדש את מפוח השלג.

מערכת הנעה עצמית בעלת מהירויות שונות

מכסחת LM2130E-SP מצוידת ביכולת הנעה עצמית בעלת מהירויות שונות. מערכת זו איננה קשורה אל מתג ההפעלה-כיבוי של הלהב. היא איננה מסתמכת על סיבוב הלהבים.

לדוגמה, לאחר שהשלמתם את חיתוך הדשא, אתם יכולים להשתמש בהנעה העצמית על מנת להניע את המכסחה חזרה אל מקום האחסון ללא סיבוב הלהבים. או שאתם יכולים לבחור להפעיל את המכסחה כמכסחה שאיננה בעלת הנעה עצמית על מנת למקסם את זמן הסוללה.

על מנת להפעיל את מערכת ההנעה העצמית ללא סיבוב הלהבים, הפעילו את גלגל כיוון מהירות ההנעה העצמית, לחצו על מתג(י) ההנעה העצמית. ישנם שני מתגי הנעה עצמית. לחצו על כל אחד מן המתגים על מנת להתחיל את פונקציית ההנעה העצמית (איור O).

O-1	הגלגל כיוון מהירות ההנעה העצמית	O-2	מתג הנעה עצמית
-----	---------------------------------	-----	----------------

על מנת לכבות את ההנעה העצמית, שחררו את מתג ההנעה העצמית וסובבו את גלגל כיוון מהירות ההנעה העצמית לגמרי.

אינדיקטור הסטטוס על המכסחה (איור P)

המכסחה מצוידת באינדיקטור מתח על מנת להראות את מצב הטעינה של מארז הסוללה ואת מצב הפעולה של המכסחה. אינדיקטור המתח יאיר כאשר הלהב מסתובב או כאשר פנסי הלד דולקים.

P-1	אינדיקטור סטטוס עבור המכסחה	P-2	מתג הפעלה עבור פנסי לד קדמיים
-----	-----------------------------	-----	-------------------------------

אינדיקטור סטטוס עבור המכסחה	פירוש	פעולה
אור ירוק יציב	המכסחה עובדת כראוי; קיבולת הסוללה היא לפחות 15%.	לא נחוצה.
אור ירוק מהבהב	המסילות הצדדיות אינן מורחבות לגמרי.	כבו את המכסחה וודאו שהמסילות הצדדיות מורחבות לגמרי.
	הידית אינה נעולה במצב הפעלה.	כבו את המכסחה וודאו שהידית נעולה במצב הפעלה.
אור אדום מהבהב	קיבולת סוללה נמוכה.	כבו את המכסחה והטעינו את מארז הסוללה.

הפעלה/כיבוי של המכסחה (איורים M ו-K, L)

⚠️ זהירות: הפעלה של כל מכסחת דשא עלולה לגרום לעצמים זרים להיזרק אל תוך העיניים שלכם או של אחרים, דבר העלול לגרום לנזק חמור לעיניים. חבשו תמיד משקפי מגן בעת הפעלת מכסחת הדשא או בעת ביצוע כל כיוון או תיקון בה.

⚠️ זהירות: הלהב ימשיך להסתובב לכמה שניות לאחר כיבוי המכסחה. אפשרו למנוע/להב להגיע לעצירה מלאה לפני הפעלתם מחדש. אל תפעילו ותכבו את המכסחה במהירות.

מפתח בטיחות (איור N)

על מנת למנוע הפעלה לא מתוכננת או שימוש לא מורשה של המכסחה האלחוטית שלכם, ישנו מפתח בטיחות מובנה בעיצוב המכסחה שלכם. לא ניתן יהיה להשתמש כלל במכסחה כאשר מפתח הבטיחות מוסר ממנה.

סכנה: להבים מסתובבים עלולים לגרום לפציעות חמורות. על מנת למנוע פציעות חמורות, הסירו את מפתח הבטיחות כאשר אינכם משגיחים על המכסחה או בעת עבודות כיוון, ניקיון, תיקון, תחזוקה, הובלה, הרמה או בעת אחסון המכסחה.

הודעה: לא ניתן יהיה להפעיל את המנוע אלא אם כן:

- הידית נעולה אל אחת משלוש עמדות הפעלה, ראו את חלק „כיוון הידית הכפופה“.
- המסילות הצדדיות מורחבות לגמרי
- שני מלחי נעילת הידית הירוקים סגורים לגמרי.

זהירות: אל תנסו לבטל את פעולת כפתור הבטיחות ומתג הניתוק.

על מנת להתחיל (איורים L ו-K)

- (1) הצמידו את מארז הסוללה אל המכסחה, הכניסו את מפתח הבטיחות אל חריץ המפתח וסגרו את מכסה הסוללה.
- (2) לחצו על כפתור הבטיחות.
- (3) עם כפתור הבטיחות לחוץ, משכו את מתג הניתוק כלפי מעלה על מנת לגעת בידית ושחררו את כפתור הבטיחות.

על מנת להפסיק (איור M)

- (1) שחררו לגמרי את מתג הניתוק.
- (2) המעצור החשמלי במנגנון העצירה האוטומטית יעצור את סיבוב הלהב בתוך 3 שניות משחרור מתג הדלי.

פנסי לד (איור A-13)

לחצו על כפתור המתג (איור A-4) על מנת להפעיל/ לכבות את פנסי הלהב בחלק הקדמי של תא הסוללה.

F-1	מצב הצמדת שק הדשא/מצב הסרה	F-2	מצב אחסון נעול
F-3	מצב הפעלה עליון	F-4	מצב הפעלה אמצעי
F-5	מצב הפעלה תחתון		

הצמדת שק הדשא

⚠️ זהירות: לעולם אל תבצעו כווננים למכסחת הדשא לפני עצירתו המלאה של המנוע, לפני הסרת מפתח הבטיחות ועצירתם המלאה של הלהבים.

הודעה: הסירו את תוספת הכיסוי או את אשד הפליטה הצדדי לפני הצמדת שק הדשא אל המכסחה.

▪ על מנת להצמיד/ להסיר את שק הדשא (איור G)

הכניסו את לוח שק הדשא אל תוך המכסחה ותלו את שק הדשא על גבי המכסחה.

הודעה: הסירו את תוספת הכיסוי המותקנת מראש במכסחה לפני הצמדת שק הדשא אל המכסחה.

▪ על מנת להצמיד/להסיר את תוספת הכיסוי (נמכרת בנפרד) (איור H)

כיוון גובה החיתוך (איור I)

I-1	כיוון גובה חיתוך טעון קפיץ	I-2	לוח אינדיקציית גובה חיתוך
-----	----------------------------	-----	---------------------------

⚠️ זהירות: שימרו על רגליכם הרחק מן המשטח בעת כיוון גובהו. ניתן לכונן את המכסחה ל-8 גבהי חיתוך בין 25 מ"מ ל-105 מ"מ. בחרו את גובה החיתוך המתאים בהתאם לסוגי הדשא ותנאי.

הצמדה/הסרה של מארז הסוללה (איור J)

השתמשו רק במארזי הסוללה והמטענים הרשומים באיור A2

הטעינו לפני השימוש הראשון

⚠️ זהירות: אם ישנם חלקים חסרים או פגומים, אל תנסו להצמיד את מארז הסוללה אל המכסחה או להפעיל אותה עד אשר החלקים החסרים או הפגומים יוחלפו. אם לא תעשו זאת הדבר עלול לגרום לפציעה חמורה.

▪ על מנת להצמיד

דחפו את מארז הסוללה אל תא הסוללה עד אשר יישמע „קליק“.

▪ על מנת להסיר

לחצו על כפתור שחרור הסוללה בתא הסוללה.

הודעה: וודאו שבריש המכסחה נכנס למקומו ושמארז הסוללה מחובר כהלכה אל המכסחה לפני התחלת הפעלה.

מפרטים

וולטז'	56V
מהירות ללא עומס	2700 סיבובים לדקה
גובה חיתוך	25 מ"מ/32 מ"מ/40 מ"מ/51 מ"מ 64 מ"מ/77 מ"מ/90 מ"מ
עמדות גובה חיתוך	7
רוחב חיתוך	52 ס"מ
נפח שק דשא	70 ליטרים
משקל מכסחה (ללא מארז סוללה ושק דשא)	25.1 ק"ג
דגם להב	AB2102D-E
טמפרטורת הפעלה	0°C-40°C
טמפרטורת אחסון	-20°C-70°C
מעצור להב	כן
רמת עוצמת קול נמדדת L_{WA}	89.8 dB(A) K=3.35 dB(A)
רמת לחץ קול באוזן המפעיל L_{PA}	80.3 dB(A) K=3 dB(A)
רמת עוצמת קול מובטחת L_{WA} (נמדד בהתאם ל-2000/14/EC)	93 dB(A)
הערכת רטט a_h	ידיית שמאלית
	ידיית ימנית

13. פנסי לד קדמיים
14. מכסה סוללה
15. ידיית אחורית
16. דלת פריקה אחורית
17. מסילה צדדית
18. אינדיקטור סטטוס עבור המכסחה
19. דושת מתג
20. ידיית
21. תומך עבור אחסון אנכי
22. מגן נתיב
23. כפתור שחרור סוללה
24. מפתח בטיחות

הפעלה

הרכבת שק הדשא

1. החליקו את שק הדשא אל המסגרת (איור B)
2. הרכיבו את האטבים העליונים אל המסגרת (איור C) ולאחר מכן הרכיבו את שני האטבים הצדדיים. הרכיבו את האטב התחתון בסוף.
3. ניתן לראות את שק הדשא המורכב לגמרי באיור D.

הודעה: תחת תנאי שימוש נורמליים, חומר השק יתבלה עם הזמן. על מנת להפחית את הסיכון לפציעות, בדקו את השק בתדירות גבוהה והחליפו אותו אם ישנם סימנים של בלאי או נזקים. השתמשו רק בשקים המיוצרים עבור מכסחה זו.

כיוון הידיית המתקפת

⚠ אזהרה: אל תנסו להפעיל את המכסחה לפני הידיית נעילה באחת משלוש עמדות ההפעלה המוגדרות מראש (עמדת הפעלה עליונה, עמדת הפעלה אמצעית ועמדת הפעלה תחתונה).

מכסחת הדשא שלכם נשלחה עם הידיית בעמדה האחסון הקומפקטית, הנעולה (איור E).

1. לחצו והחזיקו את דושת הכיוון המהיר על מנת לשחרר את הידיית מעמדת האחסון הנעולה.
2. הרימו את הידיית מהמצב המקופל ולאחר מכן שחררו את הדושה. סובבו העדינות את הידיית כלפי מעלה עד אשר תשמעו ותרגישו את מוט הנעילה נכנס אל אחת מן העמדות השונות הבאות כמתואר באיור F.

רשימת אריזה (איור A1)

תיאור

הכירו את מכסחת הדשא שלכם (איור A1)

1. מתג הנעה עצמית
2. גלגל כיוון מהירות ההנעה העצמית
3. כפתור בטיחות
4. מתג הפעלה עבור פנסי לד קדמיים
5. מלחציים לנעילת הידיית
6. שק דשא
7. דושת כיוון מהיר
8. דושת כיוון גובה חיתוך
9. גלגל אחורי
10. גלגל קדמי
11. משטח מכסחה
12. ידיית קדמית

קראו את כל ההוראות!

שימוש מיועד: המוצר מיועד רק עבור כיסוח דשא בגנים ביתיים. אין להשתמש במוצר על מנת לכסח דשא גבוה במיוחד, יבש במיוחד או רטוב, כגון דשא מרעה; או על מנת לגרוס עלים.

⚠ אזהרה: וודאו שאתם קוראים ומבינים את כל ההוראות הבטיחות המופיעות במדריך זה למשתמש, כולל את כל סימני התרעות הבטיחות כגון „סכנה“, „אזהרה“ ו-„זהירות“ לפני השימוש במכשיר זה. אי מילוי אחר כל ההוראות המופיעות למטה יכול לגרום אחריו שוק חשמלי, שרפה ו/או פציעות חמורות.

⚠ אזהרה: הפעלה של כלי עבודה חשמליים עלולה לגרום לעצמים זרים להיזרק אל תוך העיניים, דבר העלול לגרום לנזק חמור לעיניים. לפני ההפעלה של כלי עבודה חשמלי, ענדו תמיד משקפי מגן או משקפי בטיחות עם הגנה צדדית, ובעת הצורך, הגנה עבור כל הפנים. אנו ממליצים על שימוש במסכת בטיחות רחבה מעל למשקפי המגן או על שימוש במשקפי בטיחות עם הגנה צדדית.

סימני בטיחות

על מנת להפחית את הסיכון לפציעות, על המשתמש לקרוא ולהבין את המדריך למשתמש לפני השימוש במוצר זה.



התראת בטיחות



שימרו על הידיים והרגליים במרחק בטוח



וודאו שאנשים אחרים וחיות מחמד נמצאים במרחק של לפחות 30 מ' ממסכת הדשא בעת השימוש בה.



רמת עוצמת קול מובטחת.



הלהבים ממשכים את תנועתם הסיבובית לאחר כיבוי המנוע - הסיירו את מכשיר הנטרול לפני כל עבודת תחזוקה. כבו והסירו את מארז הסוללה (או את מכשיר הנטרול) לפני כל התאמה או ניקיון.



מוצר זה הוא בהתאם לחוקים הרלוונטיים בבריטניה.



מוצר זה תואם לתקנות ה-CE הרלוונטיות.



הגנה מפני כניסה של מים בדרגה 4

IPX4

אין לזרוק מוצרים חשמליים כחלק מאשפה ביתית. הביאו את המכשיר למרכז מיחזור מוסמך.



mm מילימטר

V וולט

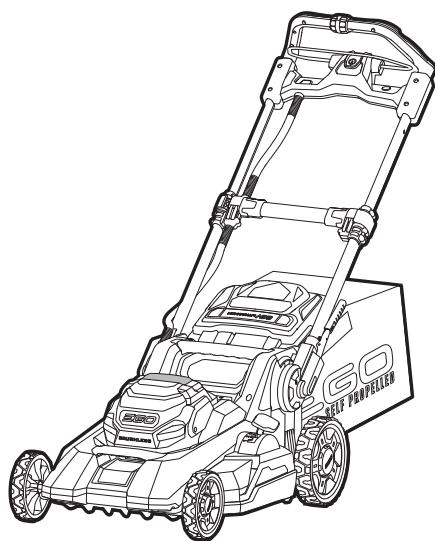
mm סוג או מאפיין מתח

cm סנטימטר

kg קילוגרם

EGO™

POWER+ MOWER



LM2130E-SP

מכסחת דשא אלחוטית 56 וולט ליתיום-יון HE

الجزّازة اللاسلكية العاملة ببطارية ليثيوم أيون 56 فولت AR

