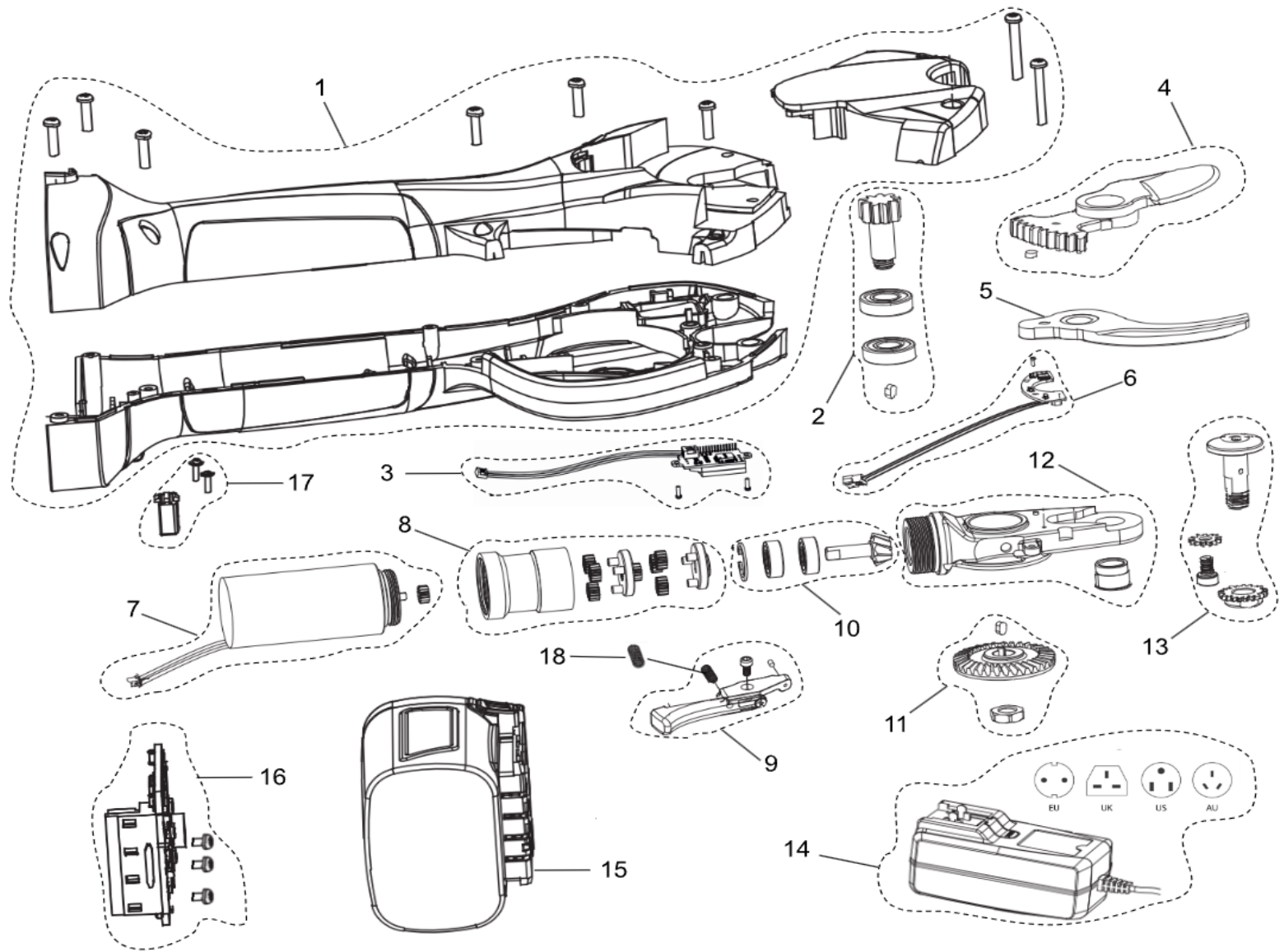


Nº	CODE	DESCRIPTION
1	BCL2501	CASE COVER ASSY
2	BCL24002	DRIVING GEAR ASSY
3	23122003	LCD DISPLAY ASSY
4	BCL24004	BLADE CONICAL RIM ASSY
5	BCL24005	COUNTER BLADE
6	BCL24006	HALL PCB ASSY
7	BCL24007	ENGINE ASSY
8	BCL24008	GEAR BOX ASSY
9	BCL24009	TRIGGER ASSY
10	BCL24010	SMALL BEVEL ASSY
11	BCL24011	BIG SPIRAL BEVEL ASSY
12	BCL24012	MAIN BODY ASSY
13	BCL24013	CENTER BOLT ASSY
14	BCL1C5IB	CHARGER
15	BCL1B06IB	BATTERY ASSY
16	BCL24016	MAIN PCB
17	BCL2517	POWER BUTTON ASSY
18	BCL2SPRING	TRIGGER SPRING 10 PCS



BCL240

**Not numbered parts are supplied by kits but not individually.*

**SNA Europe does not cover the causes over negligence in tool use and/or repair, inadequate care, or abnormal usage conditions. Follow the instructions for proper use, safety, maintenance and servicing given by SNA Europe*