

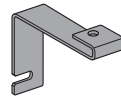


EA08 018 0300

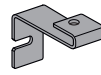


1x

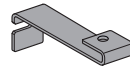
- 8x
- 24x
- 16x
- 16x



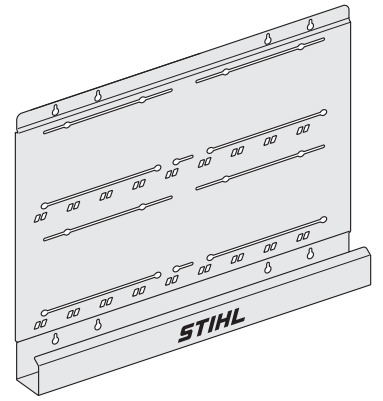
AL 101 (8x)



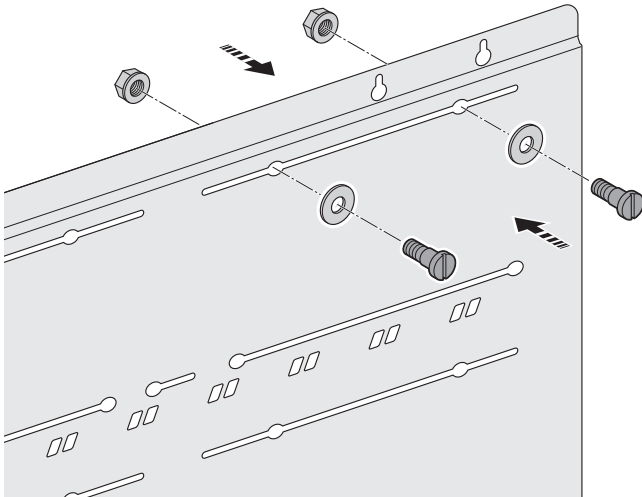
AL 300/500 (6x)



AL 301/501 (6x)

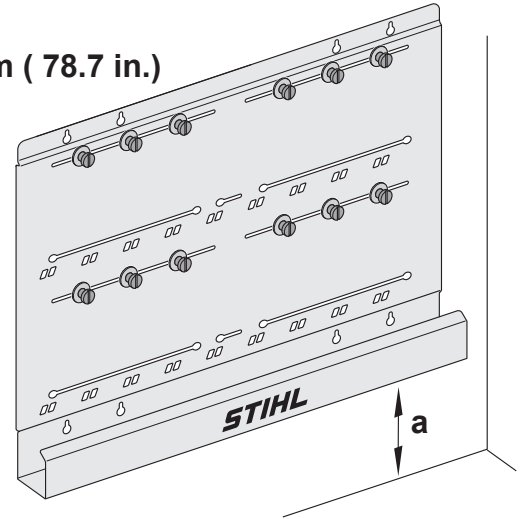


1

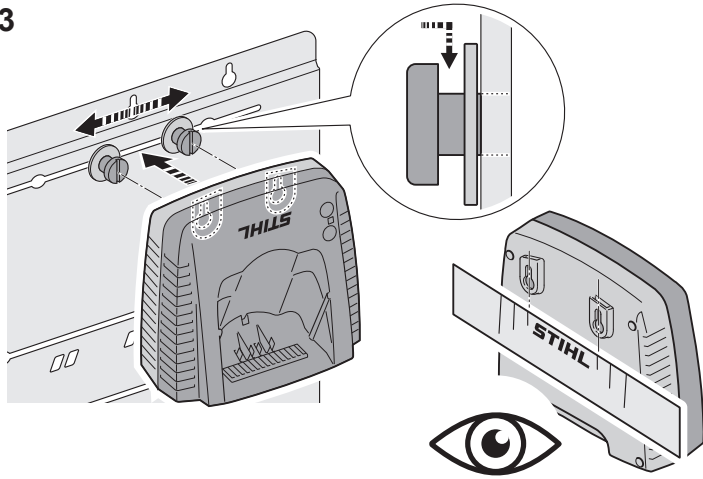


2

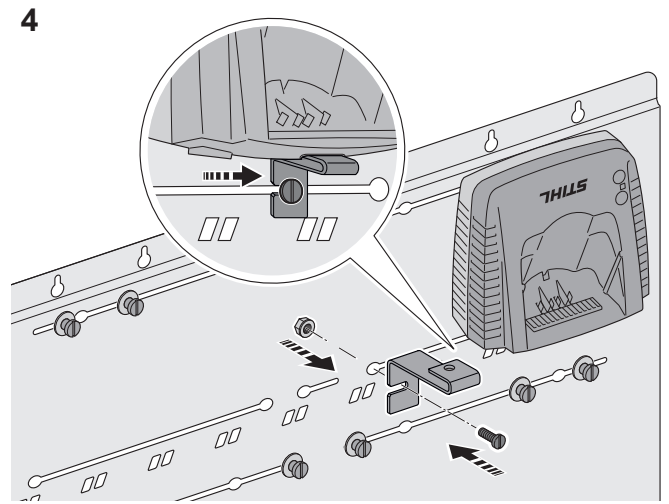
a = max. 2 m (78.7 in.)



3



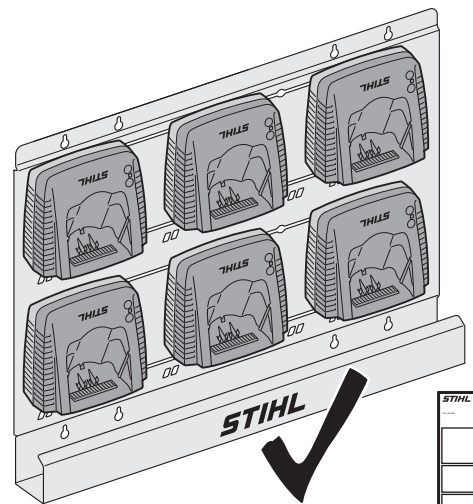
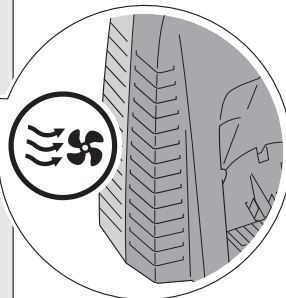
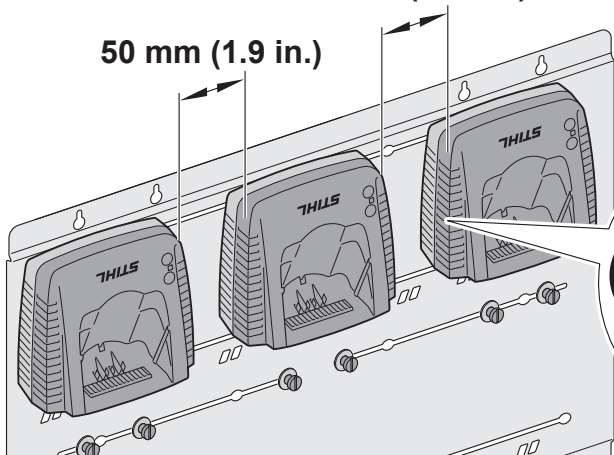
4



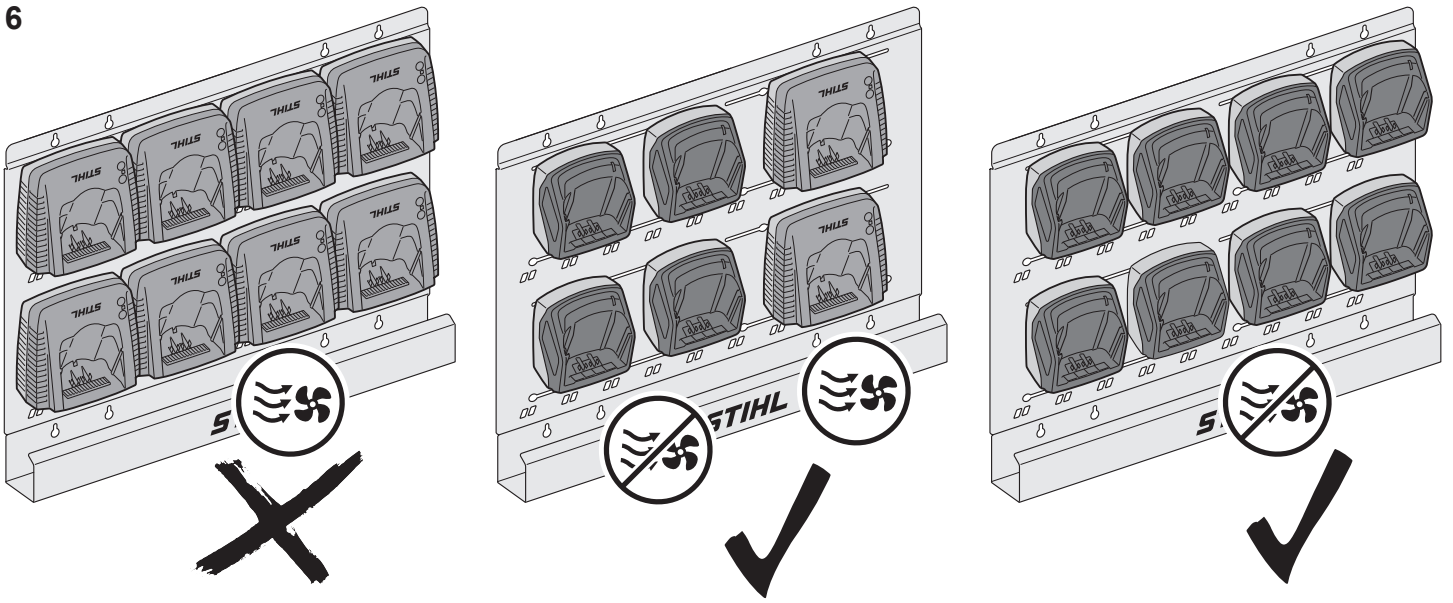
5

50 mm (1.9 in.)

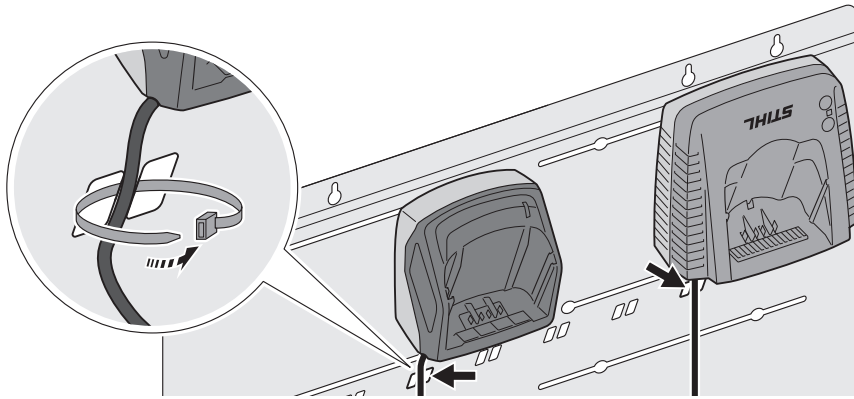
50 mm (1.9 in.)



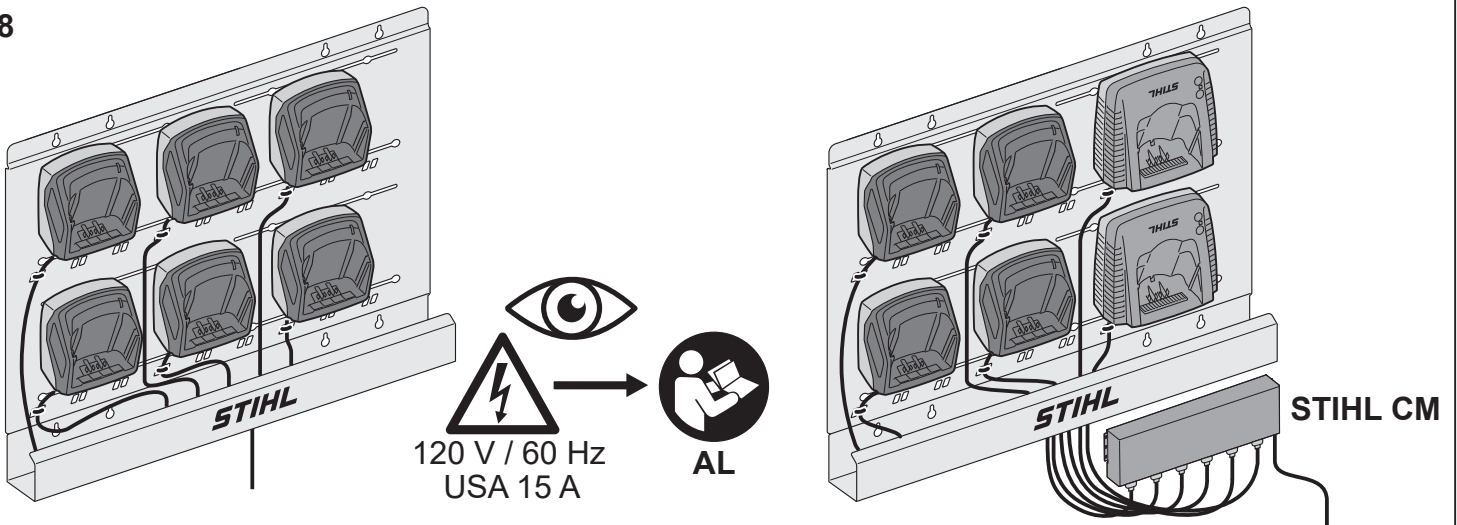
6



7



8



9

