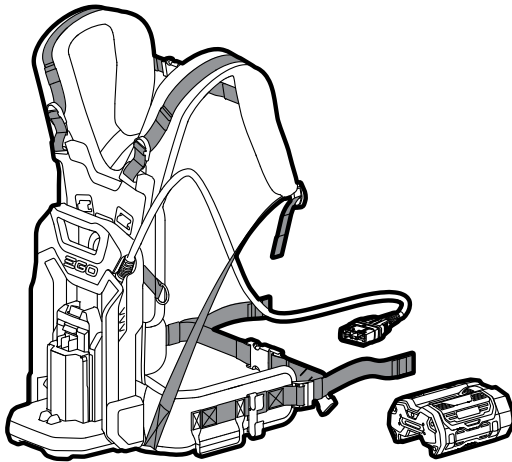




COMMERCIAL BACKPACK LINK



OPERATOR'S MANUAL
**56V LITHIUM-ION
COMMERCIAL
BACKPACK LINK**

MODEL NUMBER BHX1001/BHX1001-FC

Français p. 21

Español p. 41

⚠ WARNING: To reduce the risk of injury, the user must read and understand the Operator's Manual before using this product. Save these instructions for future reference.

TABLE OF CONTENTS

Safety Symbols	4
Important Safety Instructions	5-6
Introduction	7
Specifications	7
Packing list	8
Description	9
Assembly	10-11
Operation	12-15
Maintenance	16
Troubleshooting	17
Warranty	18-19

READ ALL INSTRUCTIONS!



READ & UNDERSTAND
OPERATOR'S MANUAL

⚠ WARNING: Some dust created by power sanding, sawing, grinding, drilling and other construction activities contains chemicals known to the state of California to cause cancer, birth defects or other reproductive harm. Some examples of these chemicals are:

- Lead from lead-based paints,
- Crystalline silica from bricks and cement and other masonry products, and
- Arsenic and chromium from chemically-treated lumber.

Your risk from these exposures varies, depending on how often you do this type of work. To reduce your exposure to these chemical: work in a well-ventilated area, and work with approved safety equipment, such as those dust masks that are specially designed to filter out microscopic particles.

SAFETY SYMBOLS

The purpose of safety symbols is to attract your attention to possible dangers. The safety symbols and the explanations with them deserve your careful attention and understanding. The symbol warnings do not, by themselves, eliminate any danger. The instructions and warnings they give are no substitutes for proper accident prevention measures.

⚠ WARNING: Be sure to read and understand all safety instructions in this Operator's Manual, including all safety alert symbols such as "**DANGER**," "**WARNING**," and "**CAUTION**" before using this tool. Failure to following all instructions listed below may result in electric shock, fire, and/or serious personal injury.



⚠ WARNING: The operation of any power tool can result in foreign objects being thrown into your eyes, which can result in severe eye damage. Before beginning power tool operation, always wear safety goggles or safety glasses with side shields and a full face shield when needed. We recommend a Wide Vision Safety Mask for use over eyeglasses or standard safety glasses with side shields. Always use eye protection which is marked to comply with ANSI Z87.1.

IMPORTANT SAFETY INSTRUCTIONS

This page depicts and describes safety symbols that may appear on this product. Read, understand, and follow all instructions on the machine before attempting to assemble and operate.

	Safety Alert	Precautions that involve your safety.
	Read & Understand Operator's Manual	To reduce the risk of injury, user must read and understand the operator's manual before using this product.
	Eye Protection	Always wear safety goggles or safety glasses with side shields and a full face shield when operating this product.
	Recycle Symbols	This product uses lithium-ion (Li-ion) batteries. Local, state, or federal laws may prohibit disposal of batteries in ordinary trash. Consult your local waste authority for information regarding available recycling and/or disposal options.
V	Volt	Voltage

READ ALL INSTRUCTIONS BEFORE USING THIS PRODUCT!

⚠ WARNING: To ensure safety and reliability, all repairs should be performed by a qualified service technician.

⚠ WARNING: Don't wear other shoulder straps when using this backpack link. Wearing multi shoulder straps will increase the risks of not able to take the commercial backpack link off your body promptly in case of emergency.

⚠ WARNING: To reduce risk of fire, electric shock, or injury:

- **The commercial backpack link can be used with EGO handheld tools. Please read all applicable manuals and understand all safety instructions in these manuals.** Failure to follow all instructions may result in serious injury.

- **Make sure the commercial backpack link is not defective, deformed or damaged.** If the commercial backpack link is out of work, contact a qualified service technician to repair it or replace it with a new one.
- **Store the commercial backpack link in a dry place.**
- **Never allow children to operate the commercial backpack link.** Store it out of the reach of children.
- **Avoid using solvents when cleaning plastic parts.** Most plastics are susceptible to damage from various types of commercial solvents and may be damaged by their use. Use clean clothes to remove dirt, dust, oil, grease, etc.
- Use only with the adaptor, battery packs and power tools listed below.

ADAPTOR	BATTERY PACK	POWER TOOL
ADB1000(included)	All EGO Portable Batteries	All EGO Handheld Tools

- **Save these instructions.** Refer to them frequently and use them to instruct others who may use this tool. If you lend this tool to someone else, also lend these instructions to them to prevent misuse of the product and possible injury.

SAVE THESE INSTRUCTIONS!

INTRODUCTION

Congratulations on your selection of the EGO COMMERCIAL BACKPACK LINK. It has been designed, engineered and manufactured to give you the best possible dependability and performance.

Should you experience any problem you cannot easily remedy, please contact EGO customer service center 1-855-EGO-5656.

This manual contains important information on to the safe assembly, operation and maintenance of your product. Read it carefully before using the product. Keep this manual handy so you can refer to it at any time.

SERIAL NUMBER _____	DATE OF PURCHASE _____
YOU SHOULD RECORD BOTH SERIAL NUMBER AND DATE OF PURCHASE AND KEEP IN A SAFE PLACE FOR FUTURE REFERENCE.	

SPECIFICATIONS

Commercial Backpack Link	
Connection method	Directly plug-in&out to EGO commercial tools With adapter to EGO residential tools
Compatible Battery	EGO 56V Portable Batteries
Weight, Double shoulder harness	1.0kg
Weight, Backpack Link	4.371lbs. (1.98kg)

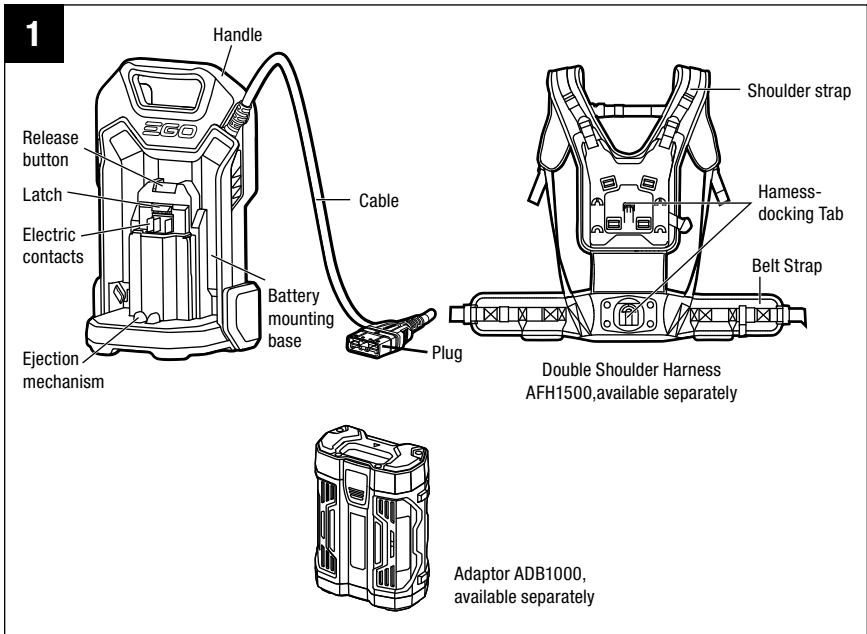
PACKING LIST

PART NAME	QUANTITY
Double Shoulder Harness AFH1500	1
Backpack Link	1
Adaptor	1
Operator's Manual	1

DESCRIPTION

KNOW YOUR COMMERCIAL BACKPACK LINK (Fig. 1)

The safe use of this product requires understanding of the information on the tool and in this operator's manual, as well as knowledge of the project you are attempting. Before use of this product, familiarize yourself with all operating features and safety rules.



ASSEMBLY

⚠ WARNING: If any parts are damaged or missing, do not operate this product until the parts are replaced. Use of this product with damaged or missing parts could result in serious personal injury.

⚠ WARNING: Do not attempt to modify this product or create accessories not recommended for use with this product. Any such alteration or modification is misuse and could result in a hazardous condition leading to possibly serious personal injury.

UNPACKING

- The product requires assembly.
- Carefully remove the product and any accessories from the box. Make sure that all items listed in the packing list are included.

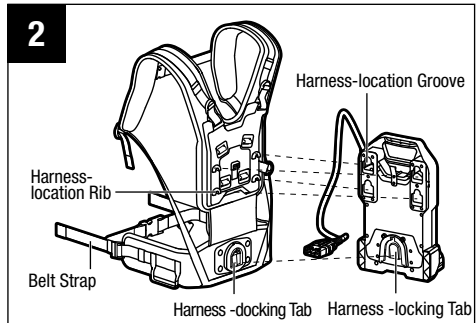
⚠ WARNING: Do not use this product if any parts on the packing list are already assembled to your product when you unpack it. Parts on this list are not assembled to the product by the manufacturer and require customer installation. Use of a product that may have been improperly assembled could result in serious personal injury.

- Inspect the tool carefully to make sure that no breakage or damage occurred during shipping.
- Do not discard the packing material until you have carefully inspected and satisfactorily operated the tool.
- If any parts are damaged or missing, please return the product to the place of purchase.

TO MOUNT AND DETACH THE DOUBLE SHOULDER HARNESS (AVAILABLE SEPARATELY)

To Mount (Fig.2)

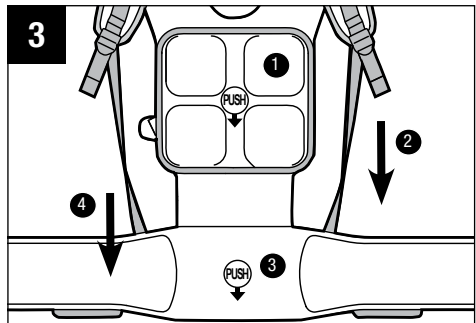
1. With the harness-docking tab on the belt strap aligned with the locking tab on the battery-mounting base bottom, slide the belt-docking tab from the bottom to the top until a clear click sound can be heard. The belt strap part of the harness is mounted into place.



2. Align the four harness-location ribs with the corresponding location grooves on the battery-mounting base and push it from the bottom to the top until they engage properly. The back part of the harness is successfully mounted.

To Detach (Fig. 3)

- Follow the printed “PUSH” on the harness to press the harness-locking tabs beneath in the direction indicated in Fig.3 to release the harness from the battery.



OPERATION

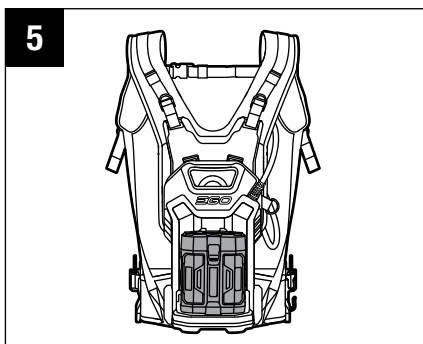
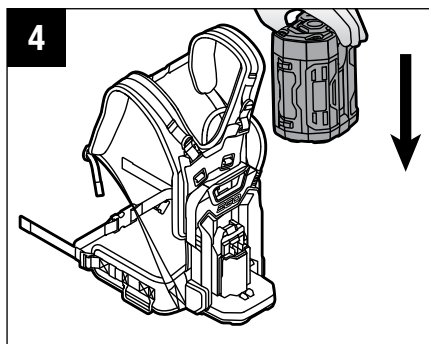
⚠ WARNING: Do not allow familiarity with this product to make you careless. Remember that a careless fraction of a second is sufficient to inflict serious injury.

APPLICATION

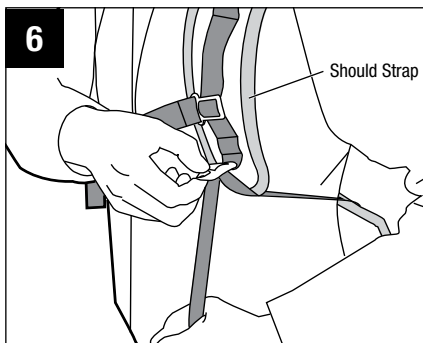
The commercial backpack link can be used with all EGO portable batteries and is suitable for use with EGO handheld tools.

USE THE COMMERCIAL BACKPACK LINK

1. Align the raised ribs of the battery pack with the slots in the battery-mounting base and slide the battery pack down onto the base (Fig. 4 & 5).



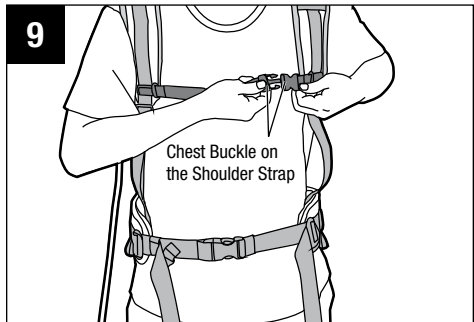
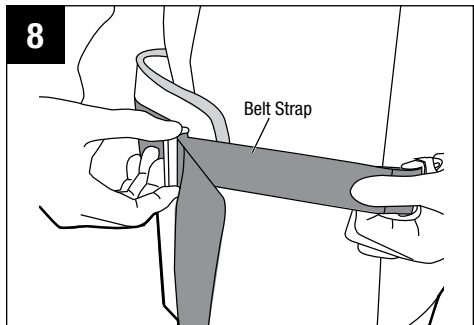
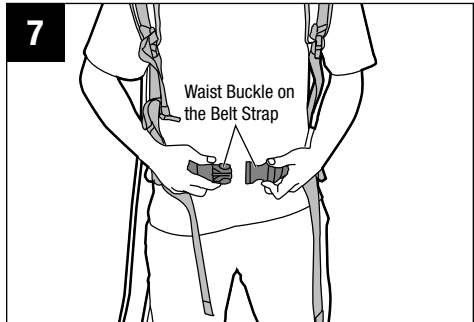
2. Place the double shoulder strap on your shoulders, pull the strap up and down to adjust the tightness on your shoulder, and then fasten the strap on the waist belt (Fig. 6).



3. Snap the waist buckle on the belt strap. Pull the belt to tighten or lift up the clip on the belt to loosen it if necessary (Fig. 7 & 8).

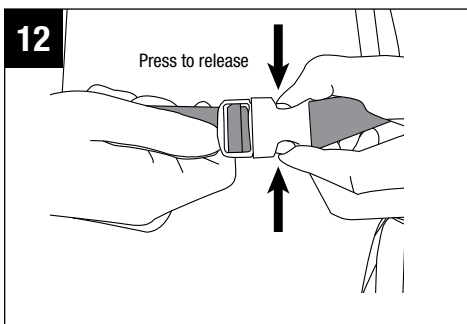
NOTICE: The backpack link shouldn't sit too high on your back; it should be positioned closer to your hips than to your shoulders.

4. Snap the chest buckle and adjust its length if necessary (Fig. 9).



5. Readjust the chest belt for security and comfort. Make sure that the backpack link sits securely on your back, with the weight supported by the waist strap, and without excess movement when you move (Fig. 10).
6. Store any extra length of the belt strap into the elastic on both sides (Fig. 11).
7. To take off the backpack strap at each side, just press to release the chest and waist buckles (Fig. 12).

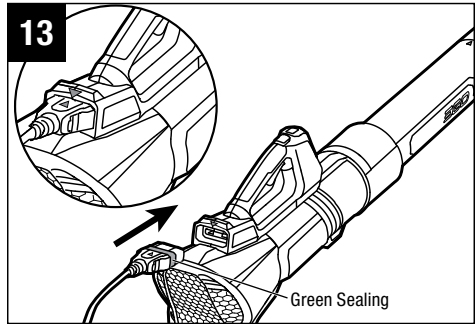
⚠ WARNING: When an emergency occurs, release the chest and waist buckles immediately to take off the backpack strap at each side. This is a quick release method.



TO CONNECT BACKPACK LINK TO EGO TOOLS

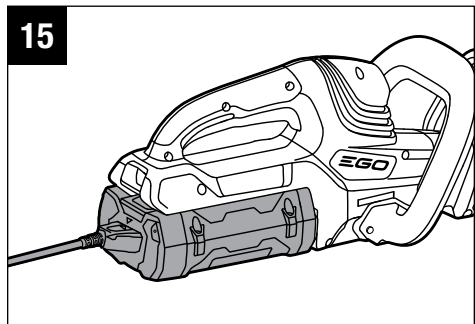
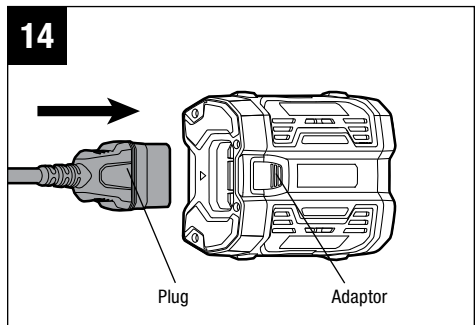
Commercial Tools:

1. Take LBX6000 for example, align the ▲ symbol respect on the plug with the corresponding symbol on the tool. Insert the plug into the power tool until the green seal completely disappears into the socket (Fig.13).



Handheld Tools:

2. Insert the plug into the adaptor, then insert the adaptor into the EGO tool's battery receptacle (Fig.14 &15).
3. Follow the instructions in the tool's operator's manual to start the tool.
4. After finishing work, remove the plug from the professional tool or remove the adaptor from the tool and then pull the plug out of the adaptor. Save the adaptor safely. Just press the waist and chest buckles to release them and lower the backpack link (see Fig.12).



MAINTENANCE

⚠ WARNING: When servicing, use only identical replacement parts. Use of any other parts may create a hazard or cause product damage. To ensure safety and reliability, all repairs should be performed by a qualified service technician.

GENERAL MAINTENANCE

Avoid using solvents when cleaning plastic parts. Most plastics are susceptible to damage from various types of solvents and may be damaged by their use. Use a clean cloth to remove dirt, dust, oil, grease, etc.

⚠ WARNING: When cleaning the commercial backpack link, DO NOT immerse it in water or other liquids.

CLEANING

- Use a soft brush to remove debris on the surface.
- Do not use any strong detergents on the plastic housing or the handle. These parts can be damaged by certain aromatic oils, such as pine and lemon, and by solvents such as kerosene.
- Moisture can also cause a shock hazard. Wipe off any moisture with a soft dry cloth. NEVER use water for cleaning the tool.
- If the backpack harness is dirty or worn, remove it from the backpack link for cleaning or replacement. Please refer to **ASSEMBLY** section in this manual.

STORAGE

1. Remove the battery pack and adaptor from the commercial backpack link.
2. Clean all foreign material on the surface of the commercial backpack link.
3. Store in an enclosed space that is inaccessible to children. Keep away from corrosive agents, such as garden chemicals and de-icing salts.

TROUBLESHOOTING

PROBLEM	CAUSE	SOLUTION
Tool doesn't work	<ul style="list-style-type: none">▪ No electrical contact between the backpack link and battery.▪ The battery pack is depleted.▪ No electrical contact between the plug and adaptor or between the plug and commercial tool.▪ Still not work after all above checks.	<ul style="list-style-type: none">▪ Remove the battery, check contacts and reinstall the battery pack.▪ Charge the battery pack.▪ Disconnect the plug with the adaptor or commercial tool and reconnect the plug with the adaptor or commercial tool.▪ Consult your nearest EGO authorized dealers.



WARRANTY

EGO WARRANTY POLICY

5-year limited warranty on EGO POWER+ outdoor power equipment and portable power for personal, household use.

3-year limited warranty on EGO POWER+ System battery packs and chargers for personal, household use.

2 year/1year limited warranty on EGO outdoor power equipment, portable power, battery packs, and chargers for professional and commercial use.

The detailed warranty periods by products can be found online at

<http://egopowerplus.com/pages/warranty-policy>.

Please contact EGO Customer Service Toll-Free at 1-855-EGO-5656 any time you have questions or warranty claims.

LIMITED SERVICE WARRANTY

EGO products are warranted against defects in material or workmanship from the date of original retail purchase for the applicable warranty period. Defective product will receive free repair.

- a) This warranty applies only to the original purchaser from an authorized EGO retailer and may not be transferred. Authorized EGO retailers are identified online at <http://egopowerplus.com/pages/warranty-policy>.
- b) The warranty period for reconditioned or factory certified products used for residential purpose is 1 year, for industrial, professional or commercial purpose is 90 days.
- c) The warranty period for routine maintenance parts, such as, but not limited to, blades, trimmer heads, chain bars, saw chains, belts, scraper bars, blower nozzles, and all other EGO accessories is 90 days for residential purpose, 30 days for industrial, professional or commercial purpose. These parts are covered for 90/30 days from manufacture defects in normal working conditions.
- d) This warranty is void if the product has been used for rental purpose.
- e) This warranty does not cover the damage resulting from modification, alteration or unauthorized repair.

- f) This warranty only covers defects arising under normal usage and does not cover any malfunction, failure or defect resulting from misuse, abuse (including overloading of the product beyond capacity and immersion in water or other liquid), accidents, neglect or lack of proper installation, and improper maintenance or storage.
- g) This warranty does not cover normal deterioration of the exterior finish, including but not limited to scratches, dents, paint chips, or to any corrosion or discoloring by heat, abrasive and chemical cleaners.

HOW TO OBTAIN SERVICE

For warranty service, please contact EGO customer service toll-free at **1-855-EGO-5656**. When requesting warranty service, you must present the original dated sales receipt. An authorized service center will be selected to repair the product according to the stated warranty terms. When bringing your product to the authorized service center, there may be a small deposit that will be required when dropping off your tool. This deposit is refundable when the repair service is deemed to be covered under warranty.

ADDITIONAL LIMITATIONS

To the extent permitted by applicable law, all implied warranties, including warranties of MERCHANTABILITY or FITNESS FOR A PARTICULAR PURPOSE, are disclaimed. Any implied warranties, including warranties of merchantability or fitness for a particular purpose, that cannot be disclaimed under state law are limited to the applicable warranty period defined at the beginning of this article.

Chervon North America is not responsible for direct, indirect, incidental or consequential damages.

Some states do not allow limitations on how long an implied warranty lasts and/or do not allow the exclusion or limitation of incidental or consequential damages, so the above limitations may not apply to you.

This warranty gives you specific legal rights, and you may also have other rights which vary from state to state.

For customer service contact us toll-free at: **1-855-EGO-5656 or EGOPOWERPLUS.COM**. EGO Customer Service, 769 SEWARD AVE NW / Suite 102 Grand Rapids, MI 49504

EGO™

COMMERCIAL BACKPACK LINK



GUIDE D'UTILISATION

POSTE DE CHARGE PORTATIF COMMERCIAL LITHIUM-ION DE 56 V

NUMÉRO DE MODÈLE BHX1001/BHX1001-FC

⚠ AVERTISSEMENT : Afin de réduire les risques de blessure, l'utilisateur doit lire et comprendre le guide d'utilisation avant d'utiliser ce produit. Conservez le présent guide afin de pouvoir le consulter ultérieurement.

TABLE DES MATIÈRES

Symboles de sécurité	24
Consignes de sécurité importantes	25-26
Introduction	27
Caractéristiques techniques	27
Liste des pièces contenues dans l'emballage	28
Description	29
Assemblage	30-31
Fonctionnement	32-35
Entretien	36
Dépannage	37
Garantie	38-39

LISEZ TOUTES LES INSTRUCTIONS!



ASSUREZ-VOUS DE LIRE ET DE
COMPRENDRE LE GUIDE D'UTILISATION

⚠ AVERTISSEMENT : La poussière créée par le ponçage, le sciage, le meulage, le perçage et autres activités de construction peut contenir des produits chimiques connus dans l'État de la Californie comme étant la cause de cancer, d'anomalies congénitales et d'autres problèmes du système reproducteur. Voici des exemples de ces produits chimiques :

- le plomb contenu dans la peinture au plomb;
- la silice cristallisée contenue dans les briques, le ciment et d'autres produits de maçonnerie;
- l'arsenic et le chrome contenus dans le bois d'œuvre traité avec des produits chimiques.

Les risques liés à l'exposition de ces produits varient en fonction de la fréquence à laquelle vous effectuez ce type de travaux. Pour réduire votre exposition à ces produits chimiques, travaillez dans une zone bien ventilée et en portant l'équipement de sécurité approuvé, comme un masque antipoussières conçu spécialement pour ne pas laisser passer les particules

SYMBOLES DE SÉCURITÉ

L'objectif des symboles de sécurité est d'attirer votre attention sur les dangers potentiels. Vous devez examiner attentivement et bien comprendre les symboles de sécurité et les explications qui les accompagnent. Les symboles d'avertissement n'éliminent pas le danger d'eux-mêmes. Les consignes et les avertissements qui y sont associés ne remplacent en aucun cas les mesures préventives adéquates.

⚠ AVERTISSEMENT : Avant d'utiliser l'outil, assurez-vous de lire et comprendre toutes les consignes de sécurité présentes dans ce guide d'utilisation, notamment toutes les consignes de sécurité indiquées par « **DANGER** », « **AVERTISSEMENT** » et « **ATTENTION** ». Le fait de ne pas respecter toutes les consignes de sécurité ci-dessous peut occasionner une décharge électrique, un incendie ou des blessures graves.



⚠ AVERTISSEMENT : L'utilisation de tout outil électrique peut occasionner la projection de corps étrangers dans les yeux et ainsi entraîner des lésions oculaires graves. Avant d'utiliser un outil électrique, veillez à toujours porter des lunettes de protection couvrantes ou à écrans latéraux, ou un masque complet au besoin. Nous recommandons le port d'un masque de sécurité panoramique par-dessus les lunettes ou de lunettes de sécurité standard avec écrans latéraux. Portez toujours un équipement de protection oculaire conforme à la norme ANSI Z87.1.

CONSIGNES DE SÉCURITÉ IMPORTANTES

Vous trouverez ci-dessous les symboles de sécurité qui peuvent être présents sur le produit, accompagnés de leur description. Vous devez lire, comprendre et suivre toutes les instructions présentes sur l'appareil avant de commencer à l'assembler ou à le manipuler.

	Alerte de sécurité	Précautions destinées à assurer votre sécurité
	Assurez-vous de lire et de comprendre le guide d'utilisation	Afin de réduire les risques de blessure, l'utilisateur doit lire et comprendre le guide d'utilisation avant d'utiliser ce produit.
	Lunettes de sécurité	Lorsque vous utilisez ce produit, portez toujours des lunettes de protection ou de sécurité à écrans latéraux et un masque de protection complet.
	Symboles de recyclage	Le produit fonctionne à l'aide de piles au lithium-ion (Li-ion). La législation locale, provinciale ou fédérale peut interdire la mise au rebut des piles dans les ordures ménagères. Consultez l'organisme local de gestion des déchets au sujet des options de mise au rebut ou de recyclage.
V	Volt	Tension

LISEZ TOUTES LES INSTRUCTIONS AVANT D'UTILISER CE PRODUIT!

⚠ AVERTISSEMENT : Pour garantir une utilisation sécuritaire du produit et sa fiabilité, toutes les réparations doivent être effectuées par un technicien qualifié.

⚠ AVERTISSEMENT : Ne portez pas d'autres bretelles lorsque vous utilisez ce sac à dos avec liaison. Le port de plusieurs bretelles augmente le risque d'être incapable d'enlever rapidement le sac à dos avec liaison en cas d'urgence.

⚠ AVERTISSEMENT : Afin de réduire les risques d'incendie, de choc électrique et de blessures :

- **Le poste de charge portatif commercial peut être utilisé avec des outils portatifs EGO. Veuillez lire tous les modes d'emploi applicables et assurez-vous que vous comprenez toutes les consignes de sécurité qui sont contenues dans ces modes d'emploi.** Le non-respect de toutes les instructions pourrait causer des blessures graves.
- **Assurez-vous que le poste de charge portatif commercial n'est pas défectueux, déformé ou endommagé.** Si le poste de charge portatif commercial ne fonctionne pas, contactez un technicien de service compétent pour le réparer ou remplacez-le par un poste de charge neuf.
- **Rangez le poste de charge portatif commercial dans un endroit sec.**
- **Ne laissez jamais des enfants utiliser le sac à dos avec liaison.** Rangez le produit hors de la portée des enfants.
- **Évitez d'utiliser des solvants sur les pièces en plastique.** La plupart des plastiques sont susceptibles d'être endommagés par divers types de solvants commerciaux. Utilisez un linge propre pour enlever la terre, la poussière, l'huile, la graisse, etc.
- Utilisez le produit uniquement avec l'adaptateur, les blocs-piles et les outils électriques indiqués ci-dessous.

ADAPTATEUR	BLOC-PILE	OUTILS ÉLECTRIQUES
ADB1000 (inclus)	Tous les blocs-piles portatifs EGO	portatifs EGO Tous les outils portatifs EGO

- **Conservez ces instructions.** Consultez-les régulièrement et utilisez-les pour expliquer le fonctionnement de l'outil à d'autres personnes qui l'utiliseraient. Si vous prêtez cet outil à une personne, prêtez-lui également ces instructions afin de prévenir un usage inapproprié et des blessures potentielles.

CONSERVEZ CES INSTRUCTIONS!

INTRODUCTION

Félicitations pour votre sélection du POSTE DE CHARGE PORTATIF COMMERCIAL EGO. Il a été conçu, développé et fabriqué pour vous donner le plus possible de fiabilité et de rendement.

Si vous éprouvez un problème que vous n'arrivez pas à régler facilement, veuillez communiquer avec le centre de service à la clientèle d'EGO au 1-855-EGO-5656.

Le présent guide contient des renseignements importants pour assembler, utiliser et entretenir en toute sécurité votre scie à chaîne. Lisez-le soigneusement avant d'utiliser la scie à chaîne. Conservez ce guide à portée de main afin de pouvoir le consulter à tout moment.

NUMÉRO DE SÉRIE _____ DATE D'ACHAT _____

NOUS VOUS RECOMMANDONS DE NOTER LE NUMÉRO DE SÉRIE ET LA DATE D'ACHAT ET DE LES CONSERVER EN LIEU SÛR AFIN DE POUVOIR LES CONSULTER ULTÉRIEUREMENT.

CARACTÉRISTIQUES TECHNIQUES

Poste de charge portatif commercial	
Méthode de connexion	Pour brancher et débrancher directement des outils commerciaux EGO Avec un adaptateur pour les outils résidentiels EGO
Pile compatible	Piles portatives EGO de 56 V
Poids, double harnais d'épaules	1,0 kg
Poids, poste de charge portatif	1,98 kg / 4,37 lbs

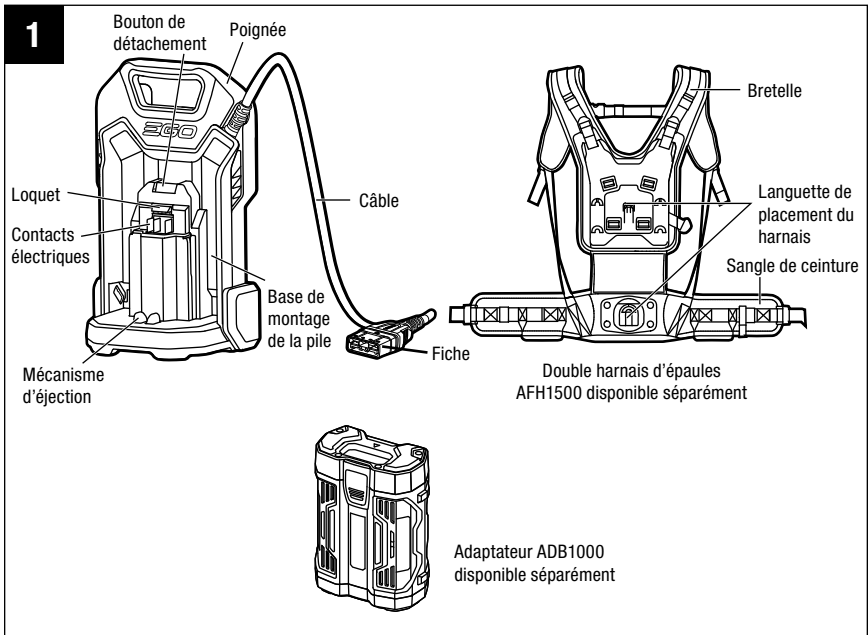
LISTE DES PIÈCES CONTENUES DANS L'EMBALLAGE

NOM DE PIÈCE	QUANTITÉ
Double harnais d'épaules AFH1500	1
Sac à dos avec liaison	1
Adaptateur	1
Guide d'utilisation	1

DESCRIPCIÓN

FAMILIARISEZ-VOUS AVEC VOTRE POSTE DE CHARGE PORTATIF COMMERCIAL (Fig. 1)

Pour utiliser ce produit en toute sécurité, vous devez comprendre les renseignements le concernant contenus dans ce guide d'utilisation et connaître le projet que vous entreprenez. Avant d'utiliser ce produit, familiarisez-vous avec toutes les caractéristiques de fonctionnement et consignes de sécurité.



ASSEMBLAGE

⚠ AVERTISSEMENT : S'il y a des pièces manquantes ou endommagées, ne tentez pas d'utiliser cet article tant que ces pièces n'auront pas été remplacées. Le fait d'utiliser cet article avec des pièces endommagées ou manquantes pourrait entraîner des blessures graves.

⚠ AVERTISSEMENT : Ne tentez pas de modifier cet article ou de créer des accessoires qui ne sont pas recommandés pour cet article. Toute modification est considérée comme un usage inapproprié et peut créer une situation dangereuse susceptible d'entraîner des blessures graves.

DÉBALLAGE

- Cet article doit être assemblé.
- Retirez soigneusement l'outil et toutes les pièces de l'emballage. Assurez-vous que toutes les pièces mentionnées sur la liste de l'emballage sont présentes.

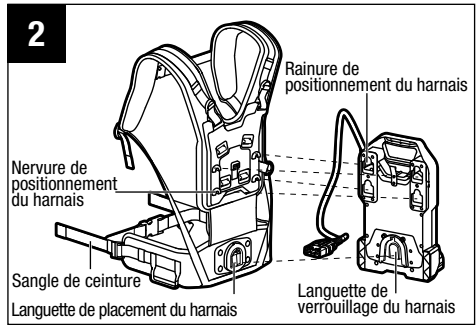
⚠ AVERTISSEMENT : N'utilisez pas ce produit si l'une ou l'autre des pièces figurant sur la liste des pièces est déjà assemblée à votre produit lors du déballage. Les pièces de cette liste ne sont pas assemblées au produit par le fabricant et doivent être installées par le client. L'utilisation d'un produit qui pourrait avoir été mal assemblé pourrait entraîner des blessures graves.

- Inspectez soigneusement l'outil pour vérifier qu'il n'a pas été endommagé pendant l'expédition.
- Ne jetez pas le matériel d'emballage avant d'avoir inspecté soigneusement la scie à chaîne et de l'avoir fait fonctionner de manière satisfaisante.
- S'il y a des pièces manquantes ou endommagées, veuillez retourner l'outil à l'endroit où vous l'avez acheté.

POUR MONTER ET DÉTACHER LE DOUBLE HARNAIS D'ÉPAULES (DISPONIBLE SÉPARÉMENT)

Pour monter (Fig. 2)

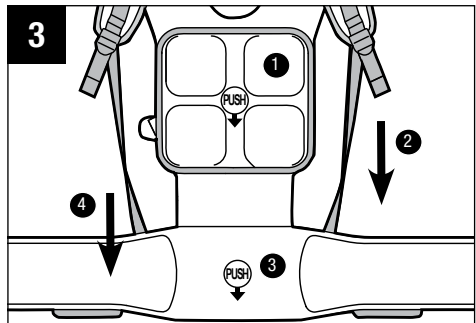
- Après avoir aligné la languette de placement du harnais sur la sangle de ceinture sur la languette de verrouillage du fond de la base de montage de la pile, faites glisser la languette de placement de la ceinture du bas vers le haut jusqu'à ce que vous puissiez entendre clairement un déclic. La partie du harnais contenant la sangle de ceinture est montée en place.



- Alignez les quatre nervures de positionnement du harnais avec les rainures de positionnement correspondantes sur la base de montage de la pile et poussez-la du bas vers le haut jusqu'à ce qu'elle s'enclenche correctement. La partie arrière du harnais a été montée avec succès.

Pour détacher (Fig. 3)

- Suivez l'indication de l'endroit où pousser (« **PUSH** ») sur le harnais pour enfoncer les languettes de verrouillage du harnais en bas dans le sens indiqué à la Fig. 3 pour détacher le harnais de la pile.



FONCTIONNEMENT

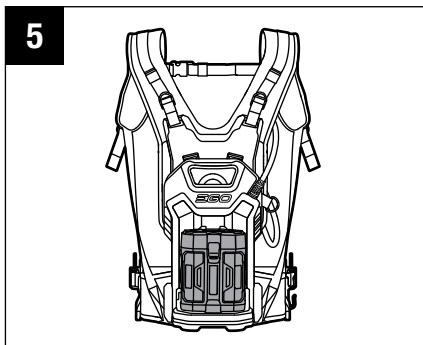
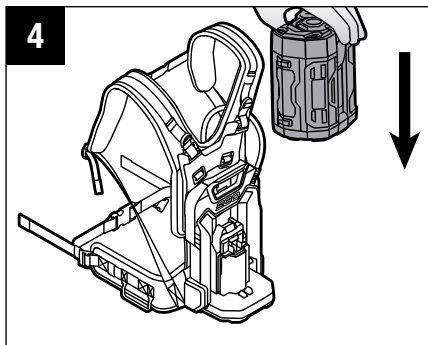
⚠ AVERTISSEMENT : Même si vous connaissez parfaitement ce produit, soyez vigilant. N'oubliez pas qu'une fraction de seconde d'inattention suffit à se blesser grièvement.

UTILISATIONS

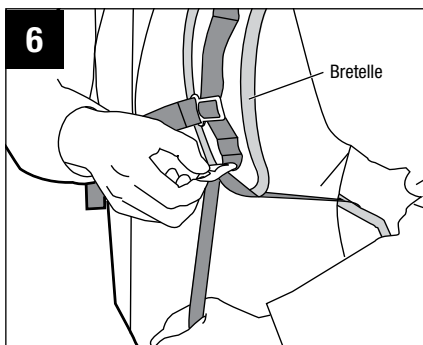
Le poste de charge portatif commercial peut être utilisé avec toutes les piles portatives EGO, et il est approprié pour emploi avec des outils portatifs EGO.

UTILISATION DU SAC À DOS AVEC LIAISON

1. Alignez les nervures du bloc-pile sur les fentes situées dans la base de fixation du bloc-pile, puis faites glisser le bloc-pile sur la base (fig. 4 et 5).



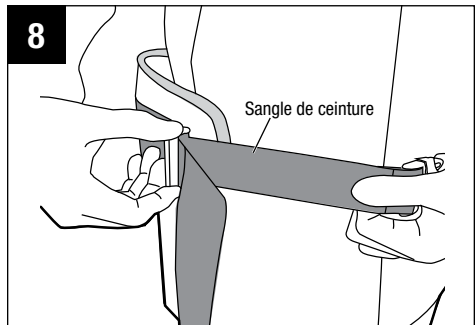
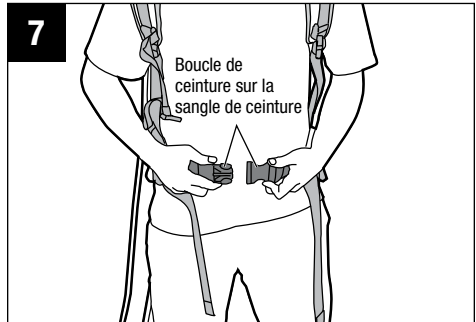
2. Placez la bretelle double, manœuvrez-la vers le haut et vers le bas pour ajuster le réglage sur votre épaule, puis serrez sur la sangle de ceinture (Fig. 6).



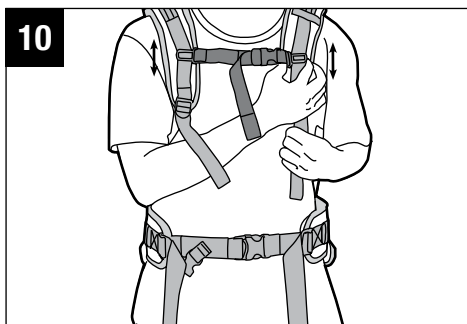
- Placez la boucle de la ceinture sur la sangle de ceinture. Tirez sur la ceinture pour serrer ou élever la pince sur la ceinture pour la desserrer si besoin est (Fig. 7 & 8).

REMARQUE : Le poste de charge portatif ne doit pas reposer trop haut sur votre dos ; il doit être positionné plus près de vos hanches que de vos épaules.

- Enclenchez la boucle de poitrine et ajustez sa longueur si nécessaire (Fig. 9).



5. Réajustez la ceinture thoracique pour obtenir le maximum de sécurité et de confort. Assurez-vous que le poste de charge portatif repose sur votre dos de façon sécurisée, avec le poids supporté par la sangle de ceinture, et sans mouvement excessif lorsque vous bougez (Fig. 10).

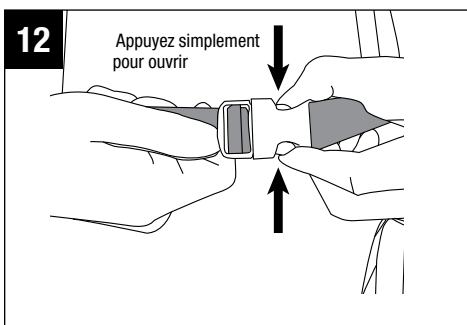


6. Rangez toute longueur excédentaire de la sangle de ceinture dans l'élastique des deux côtés (Fig. 11).



7. Pour enlever la sangle du sac à dos de chaque côté, appuyez simplement pour ouvrir les boucles de la poitrine et de la ceinture (Fig. 12).

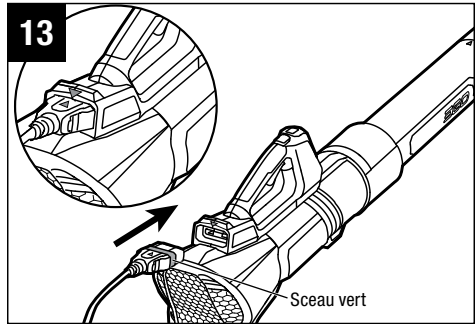
⚠ AVERTISSEMENT : En cas d'urgence, ouvrez immédiatement les boucles de poitrine et de ceinture pour retirer la sangle du sac à dos de chaque côté. Il s'agit d'une méthode de détachement rapide.



POUR CONNECTER LE POSTE DE CHARGE PORTATIF AUX OUTILS COMMERCIAUX EGO

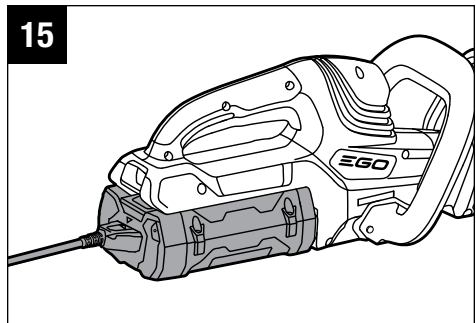
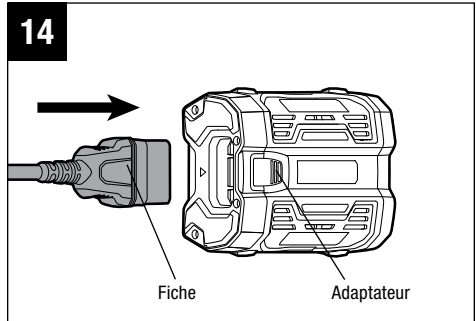
Outils commerciaux:

1. Prenez le modèle LBX6000 par exemple, alignez le ▲ symbole de la fiche sur le symbole correspondant sur l'outil électrique. Insérez la fiche dans les outils électriques jusqu'à ce que le sceau vert disparaisse complètement dans la prise de courant (Fig. 13).



Outils portatifs :

2. Insérez la fiche dans l'adaptateur, puis insérez l'adaptateur dans le réceptacle de la pile de l'outil EGO (Fig. 14 & 15).
3. Suivez les instructions du mode d'emploi de l'outil pour mettre l'outil sous tension.
4. Après avoir fini votre travail, retirez la fiche de l'outil professionnel ou retirez l'adaptateur de l'outil, puis tirez sur la fiche pour la faire sortir de l'adaptateur. Rangez l'adaptateur dans un endroit sécurisé. Appuyez simplement sur les boucles de la ceinture et de la poitrine pour les ouvrir, puis abaissez le poste de charge portatif (voir Fig. 12).



ENTRETIEN

⚠ AVERTISSEMENT : Lors de l'entretien, utilisez seulement des pièces de rechange identiques aux pièces d'origine. L'utilisation de toute autre pièce peut constituer un danger ou endommager le produit. Pour en assurer la sûreté et la fiabilité, toute réparation doit être effectuée par un détaillant ou un distributeur EGO autorisé.

ENTRETIEN GÉNÉRAL

Évitez d'utiliser des solvants sur les pièces en plastique. La plupart des plastiques sont susceptibles d'être endommagés par divers types de solvants commerciaux. Utilisez un linge propre pour enlever la saleté, la poussière, l'huile, la graisse, etc.

⚠ AVERTISSEMENT : Lors du nettoyage du sac à dos avec liaison, NE l'immergez PAS dans l'eau ou dans un autre liquide.

NETTOYAGE

- Utilisez une brosse douce pour enlever les débris sur la surface.
- N'utilisez pas de détergents puissants pour nettoyer le boîtier en plastique ou la poignée. Certaines huiles aromatiques, comme le pin et le citron, et certains solvants, comme le kérosène, peuvent endommager ces pièces.
- L'humidité peut également créer un risque de choc électrique. Essuyez les parties humides à l'aide d'un linge sec et doux. N'utilisez JAMAIS d'eau pour nettoyer l'outil.
- Si le harnais du sac à dos est sale ou usé, retirez-le du poste de charge portatif pour le nettoyer ou le remplacer. Veuillez vous référer à la section **ASSEMBLAGE** de ce mode d'emploi.

RANGEMENT

1. Retirez le bloc-piles et l'adaptateur du poste de charge portatif commercial.
2. Nettoyez tous les corps étrangers se trouvant sur la surface du poste de charge portatif commercial.
3. Rangez le produit dans un endroit fermé auquel les enfants n'ont pas accès. Rangez-le à l'écart des agents corrosifs, comme des produits chimiques de jardinage ou des sels de déglacage.

DÉPANNAGE

PROBLÈME	CAUSE	SOLUTION
L'outil ne fonctionne pas	<ul style="list-style-type: none"> ■ Il n'y a pas de contact électrique entre le poste de charge portatif et la pile. ■ Le bloc-piles est déchargé. ■ Il n'y a pas de contact électrique entre la fiche et l'adaptateur ou entre la fiche et l'outil commercial. ■ L'appareil ne fonctionne toujours pas après toutes les vérifications ci-dessus. 	<ul style="list-style-type: none"> ■ Retirez le bloc-pile, vérifiez les contacts électriques et réinstallez le bloc-pile. ■ Chargez le bloc-piles. ■ Débranchez la fiche avec l'adaptateur ou l'outil commercial, et connectez à nouveau la fiche avec l'adaptateur ou l'outil commercial. ■ Consultez vos revendeurs agréés EGO les plus proches.

GARANTIE

POLITIQUE D'EGO EN MATIÈRE DE GARANTIE

Garantie limitée de 5 ans sur les équipements d'alimentation électrique d'extérieur EGO POWER+ et les équipements d'alimentation électrique portable pour un usage personnel et domestique.

Garantie limitée de 3 ans sur les blocs-piles et chargeurs du système EGO POWER+ pour un usage personnel et domestique.

Garantie limitée de 2 ans/1 an sur les équipements d'alimentation électrique d'extérieur, les équipements d'alimentation électrique portables, les blocs-piles et les chargeurs EGO pour un usage professionnel et commercial.

La durée et les détails de la garantie de chaque produit sont indiqués en ligne à l'adresse <http://egopowerplus.com/pages/warranty-policy>.

Veillez communiquer avec le service à la clientèle d'EGO au 1-855-EGO-5656 (numéro sans frais) pour toute question sur les réclamations au titre de la garantie.

GARANTIE LIMITÉE

Les produits EGO sont garantis contre tout défaut de matériel ou de fabrication à compter de la date d'achat d'origine pour la période de garantie applicable. Les produits défectueux recevront une réparation gratuite.

- a) Cette garantie s'applique uniquement à l'acheteur initial s'étant procuré le produit chez un détaillant EGO autorisé et est non transférable. La liste des détaillants EGO autorisés est publiée en ligne sur le site <http://egopowerplus.com/pages/warranty-policy>.
- b) La période de garantie pour les produits remis en état ou certifiés par l'usine utilisés à des fins résidentielles est de 1 an, et de 90 jours lorsqu'ils sont utilisés à des fins industrielles, professionnelles ou commerciales.
- c) La période de garantie pour les pièces d'entretien régulier, y compris, sans s'y limiter, les lames, les têtes de taille-bordure, les guides-chaînes, les chaînes de scie, les courroies, les barres de raclage, les buses de souffleur, ainsi que tous les autres accessoires EGO, est de 90 jours lorsqu'elles sont utilisées à des fins résidentielles et de 30 jours lorsqu'elles sont utilisées à des fins industrielles, professionnelles ou commerciales. Ces pièces sont couvertes contre les défauts de fabrication pour une période de 90 jours ou de 30 jours si elles sont utilisées dans des conditions de travail normales.

- d) La présente garantie n'est pas valide si le produit a été utilisé aux fins de location.
- e) La présente garantie ne couvre pas les dommages résultant d'une modification, d'une altération ou d'une réparation non autorisée.
- f) Cette garantie couvre uniquement les défauts survenant dans des conditions normales d'utilisation et ne couvre aucun dysfonctionnement ou défaut ni aucune défaillance découlant d'un usage inapproprié ou abusif (notamment la surcharge du produit et son immersion dans l'eau ou dans tout autre liquide), d'un accident, d'une négligence, d'une installation inadéquate et de tout entretien ou entreposage inadéquat.
- g) La présente garantie ne couvre pas la détérioration normale du fini extérieur, notamment les rayures, les bosselures, les craquelures de la peinture ou toute corrosion ou décoloration résultant de la chaleur, de produits abrasifs ou de nettoyeurs chimiques.

RÉCLAMATION AU TITRE DE LA GARANTIE

Pour faire une réclamation au titre de la garantie, veuillez communiquer avec le service à la clientèle d'EGO au **1-855-EGO-5656** (numéro sans frais). Lorsque vous faites une réclamation au titre de la garantie, vous devez présenter le reçu de vente original. Un centre de service autorisé sera sélectionné pour la réparation du produit conformément aux conditions de garantie prescrites. Il se peut qu'un petit dépôt soit exigé lorsque vous laissez votre outil dans un centre de service autorisé. Ce dépôt est remboursable lorsque le service de réparation est considéré comme étant couvert par la garantie.

RESTRICTIONS SUPPLÉMENTAIRES

Dans la mesure permise par la loi en vigueur, toutes les garanties implicites, y compris les garanties de QUALITÉ MARCHANDE ou D'ADÉQUATION À UN USAGE PARTICULIER, sont exclues. Toute garantie implicite, y compris la garantie de qualité marchande ou d'adéquation à un usage particulier, qui ne peut être rejetée en vertu de la loi de l'État ou de la province est limitée à la période de garantie applicable définie au début de cet article.

Chervon North America n'est pas responsable des dommages accessoires, consécutifs, indirects ou directs.

Certaines provinces n'autorisent pas les restrictions de durée de garantie implicite, ou l'exclusion ou la restriction des dommages consécutifs et accessoires; c'est pourquoi les restrictions ci-dessus peuvent ne pas s'appliquer à votre cas.

Cette garantie vous confère des droits précis. Il est possible que vous disposiez également d'autres droits, qui varient d'une province à l'autre.

Pour communiquer avec le service à la clientèle, veuillez composer le numéro sans frais suivant : **1-855-EGO-5656** ou consulter le site Web **EGOPOWERPLUS.COM**.

EGO Customer Service, 769 SEWARD AVE NW / Suite 102 Grand Rapids, MI 49504, États-Unis.

EGO™

COMMERICAL BACKPACK LINK



MANUAL DEL USUARIO

ENLACE TIPO MOCHILA COMERCIAL DE ION LITIO DE 56 V

NÚMERO DE MODELO BHX1001/BHX1001-FC

⚠ ADVERTENCIA: Para reducir el riesgo de lesiones, el usuario debe leer y comprender el Manual del usuario antes de usar el producto. Guarde estas instrucciones para consultarlas en el futuro.

ÍNDICE

Símbolos de seguridad	44
Instrucciones importantes de seguridad	45-46
Introducción	47
Especificaciones	47
Lista de empaque	48
Descripción	49
Ensamblaje	50-51
Funcionamiento	52-55
Mantenimiento	56
Solución de problemas	57
Garantía	58-59

LEA TODAS LAS INSTRUCCIONES



LEA Y COMPRENDA
EL MANUAL DEL OPERADOR

⚠ ADVERTENCIA: Parte del polvo producto del lijado, aserrado, esmerilado, perforado y otras actividades de construcción, contiene químicos que el estado de California reconoce como causantes de cáncer, malformaciones congénitas u otros daños reproductivos. Algunos ejemplos de estos químicos son los siguientes:

- Plomo de pinturas a base de plomo.
- Sílice cristalina de ladrillos, cemento y otros productos de mampostería.
- Arsénico y cromo de maderas tratadas químicamente.

El riesgo por estas exposiciones varía según la frecuencia con la que realice este tipo de trabajo. Medidas para reducir la exposición a estos químicos: Trabaje en un área bien ventilada y con el equipo de seguridad aprobado, como las máscaras antipolvo especialmente diseñadas para filtrar partículas microscópicas.

SÍMBOLOS DE SEGURIDAD

Estos símbolos de seguridad se utilizan para advertirle sobre los posibles peligros. Los símbolos de seguridad y las explicaciones que los acompañan merecen cuidadosa atención y comprensión. Por sí solos, los símbolos de advertencia no eliminan los peligros. Las instrucciones y advertencias que proporcionan no reemplazan a las medidas adecuadas de prevención de accidentes.





⚠ ADVERTENCIA: Antes de utilizar esta herramienta, asegúrese de leer y comprender todas las instrucciones de seguridad en este Manual del usuario, incluidos todos los símbolos de alerta de seguridad como “**PELIGRO**”, “**ADVERTENCIA**” y “**PRECAUCIÓN**”. Si no se siguen todas las instrucciones que se indican a continuación, se pueden producir descargas eléctricas, incendios o lesiones personales graves.



⚠ ADVERTENCIA: La operación de cualquier herramienta eléctrica puede causar que se disparen objetos extraños hacia sus ojos, lo que puede resultar en daños graves en los ojos. Antes de comenzar a operar una herramienta eléctrica, use siempre gafas protectoras o anteojos de seguridad con protección lateral y un protector facial si es necesario. Le recomendamos usar una máscara de seguridad de visión amplia sobre anteojos o anteojos de seguridad estándar con protección lateral. Use siempre protección ocular con la marca de cumplimiento de la norma ANSI Z87.1.

INSTRUCCIONES IMPORTANTES DE SEGURIDAD

Esta página muestra y describe los símbolos de seguridad que pueden aparecer en este producto. Lea, comprenda y siga todas las instrucciones de la máquina antes de ensamblarla y utilizarla.

	Alerta de seguridad	Seguridad Precauciones que involucran su seguridad
	Lea y comprenda el Manual del usuario	Para reducir el riesgo de lesiones, el usuario debe leer y comprender el Manual del operador antes de utilizar este producto.
	Lentes de protección	Siempre use gafas o lentes de seguridad con protecciones laterales y una careta protectora cuando opere este producto.
	Símbolos de reciclaje	Este producto utiliza baterías de iones de litio. Las leyes locales, estatales o federales podrían prohibir la eliminación de baterías en basureros comunes. Consulte con la autoridad reguladora de desechos local para obtener información sobre las opciones de reciclaje o eliminación disponibles.
V	Voltios	Voltaje

LEA TODAS LAS INSTRUCCIONES ANTES DE USAR ESTE PRODUCTO

⚠️ ADVERTENCIA: Para garantizar la seguridad y fiabilidad, un técnico calificado debe realizar todas las reparaciones.

⚠️ ADVERTENCIA: Pno use otras correas para hombro cuando use este mochila con enlace. Si usa varias correas para hombro, aumentará los riesgos de no poder quitarse rápidamente el mochila con enlace en caso de emergencia.

⚠️ ADVERTENCIA: para reducir el riesgo de incendio, descargas eléctricas o lesiones:

- **El enlace tipo mochila comercial se puede utilizar con las herramientas de mano EGO. Sírvase leer todos los manuales aplicables y entender todas las instrucciones de seguridad incluidas en los mismos.** Si no se siguen todas las instrucciones, es posible que el resultado sea lesiones graves.
- **Asegúrese de que el enlace tipo mochila comercial no esté defectuoso, deformado ni dañado.** Si el enlace tipo mochila comercial no funciona, contacte a un técnico de servicio calificado para que lo repare o lo reemplace por uno nuevo.
- **Almacene el enlace tipo mochila comercial en un lugar seco.**
- **Nunca permita que los niños utilicen el arnés tipo mochila.** Guárdelo alejado del alcance de los niños.
- **Evite el uso de solventes para limpiar las piezas de plástico.** La mayoría de los plásticos tienden a dañarse con los distintos tipos de solventes comerciales. Utilice paños limpios para eliminar la suciedad, el polvo, el aceite, la grasa, etc.
- Use solamente con el adaptador, el paquete de baterías y las herramientas eléctricas que se indican a continuación.

ADAPTADOR	PAQUETE DE BATERÍAS	HERRAMIENTA ELÉCTRICA
ADB1000 (se incluyen)	Todas las baterías portátiles EGO	Todas las herramientas manuales EGO

- **Guarde estas instrucciones.** Consúltelas periódicamente y utilícelas para instruir a otras personas que quizás utilicen esta herramienta. Si presta la herramienta a alguien más, préstele también estas instrucciones para prevenir el mal uso del producto y posibles lesiones

LEA TODAS LAS INSTRUCCIONES!

INTRODUCCIÓN

Felicitaciones por su selección del ENLACE TIPO MOCHILA COMERCIAL EGO. Este enlace tipo mochila ha sido diseñado, concebido y fabricado para ofrecerle a usted la mejor confiabilidad y el mejor rendimiento posibles.

En caso de que tuviera algún problema que no pudiera resolver fácilmente, póngase en contacto con el Centro de Servicio al Cliente de EGO llamando al 1-855-EGO-5656.

Este manual contiene información importante para el ensamble, la operación y el mantenimiento seguro de su orilladora de hilo. Léalo atentamente antes de usar la orilladora de hilo. Mantenga este manual a mano para poder consultarlo en cualquier momento

NÚMERO DE SERIE _____	FECHA DE COMPRA _____
DEBE ANOTAR EL NÚMERO DE SERIE Y LA FECHA DE COMPRA, Y CONSERVARLOS EN UN LUGAR SEGURO PARA CONSULTARLOS EN EL FUTURO. PLACE FOR FUTURE REFERENCE	

ESPECIFICACIONES

Enlace tipo mochila comercial	
Método de conexión	Enchúfelo y desenchúfelo directamente en herramientas comerciales EGO Con adaptador para herramientas residenciales EGO
Batería compatible	Baterías portátiles de 56 V EGO
Peso, arnés de hombro doble	1,0 kg
Peso, enlace tipo mochila	4,371 lbs. (1,98 kg)

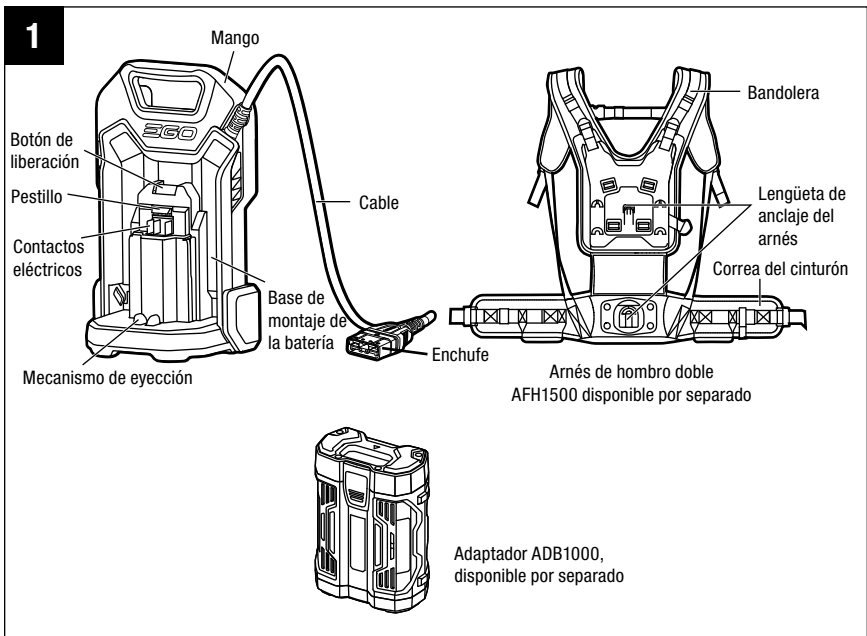
LISTA DE EMPAQUE

NOMBRE DE LA PIEZA	CANTIDAD
Arnés de hombro doble AFH1500	1
Mochila con enlace	1
Adaptador	1
Manual del operador	1

DESCRIPCIÓN

CONOZCA SU ENLACE TIPO MOCHILA COMERCIAL (Fig. 1)

El uso seguro de este producto requiere la comprensión de la información impresa en la herramienta y en el Manual del usuario, así como ciertos conocimientos sobre el proyecto a realizar. Antes de usar este producto, familiarícese con todas las características operativas y reglas de seguridad.



ENSAMBLAJE

⚠ ADVERTENCIA: si hay piezas dañadas o faltan piezas, no utilice el producto hasta que las reemplace. Usar este producto con piezas dañadas o faltantes podría provocar lesiones personales graves.

⚠ ADVERTENCIA: No intente modificar este producto ni crear accesorios que no sean recomendados para utilizar con este producto. Cualquier alteración o modificación se considera un uso inapropiado y podría generar una condición peligrosa y provocar lesiones personales graves.

RETIRO DEL EMPAQUE

- Este producto requiere de ensamblado.
- Retire el producto y los accesorios de la caja cuidadosamente. Asegúrese de que todos los elementos que aparecen en la lista de empaque estén incluidos.

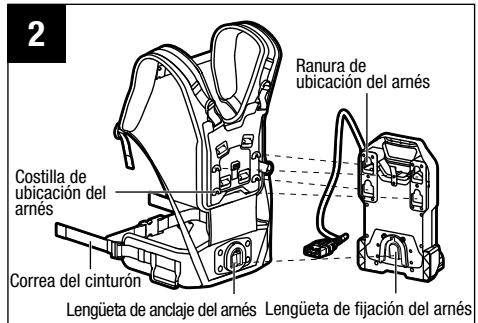
⚠ ADVERTENCIA: no use este producto si cualquiera de las piezas de esta lista de empaque ya está ensamblada al producto cuando lo desembale. El fabricante no ensambla las piezas de esta lista al producto y se requiere que el cliente lo haga. Si se usa un producto con piezas ensambladas incorrectamente, pueden producirse lesiones personales graves.

- Inspeccione cuidadosamente la herramienta para asegurarse de que no se produjo ninguna ruptura o daño durante su envío.
- No deseche el material de embalaje hasta que haya inspeccionado cuidadosamente y utilizado satisfactoriamente la herramienta.
- Si hay piezas faltantes o dañadas, devuelva este producto al lugar donde lo compró.

PARA MONTAR Y DESMONTAR EL ARNÉS DE HOMBRO DOBLE (DISPONIBLE POR SEPARADO)

Para montarlo (Fig. 2)

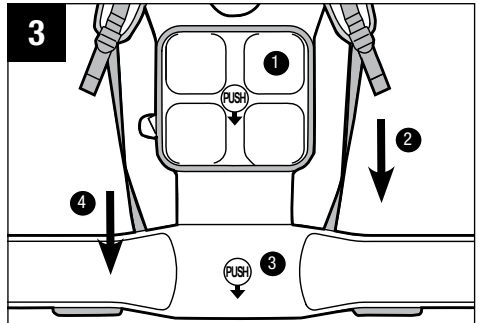
1. Con la lengüeta de anclaje del arnés ubicada en la correa del cinturón alineada con la lengüeta de fijación ubicada en la parte inferior de la base de montaje de la batería, deslice la lengüeta de anclaje del cinturón desde la parte inferior hasta la parte superior, hasta que se pueda oír un claro sonido de clic. La parte de la correa del cinturón del arnés estará montada ahora en la posición correcta.



2. Alinee las cuatro costillas de ubicación del arnés con las ranuras de ubicación correspondientes situadas en la base de montaje de la batería y empújelas desde la parte inferior hasta la parte superior, hasta que se acoplen correctamente. La parte trasera del arnés estará montada ahora exitosamente.

Para desmontarlo (Fig. 3)

- Siga la palabra “**PUSH**” (EMPUJAR) impresa en el arnés para presionar las lengüetas de fijación del arnés ubicadas debajo en el sentido indicado en la Fig. 3, para liberar el arnés de la batería.



FUNCIONAMIENTO

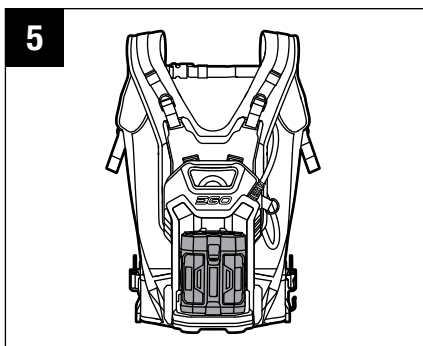
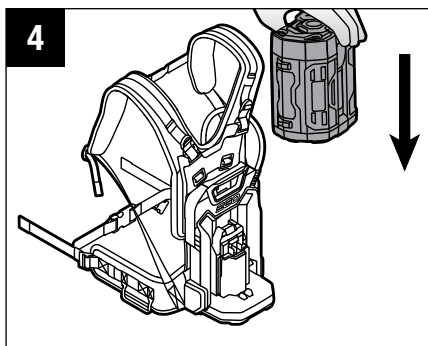
⚠ ADVERTENCIA: no permita que familiarizarse con este producto lo vuelva imprudente. Recuerde que un descuido de una fracción de segundo es suficiente para ocasionar lesiones graves.

APLICACIONES

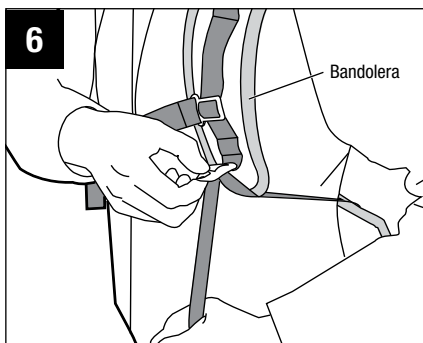
El enlace tipo mochila comercial se puede utilizar con todas las baterías portátiles EGO y es adecuado para utilizarse con las herramientas de mano EGO.

USO DEL ENLACE TIPO MOCHILA COMERCIAL

1. Alinee las aletas elevadas del paquete de baterías con las ranuras de la base de montaje de la batería y deslice el paquete de baterías en la base (Fig. 4 y 5).



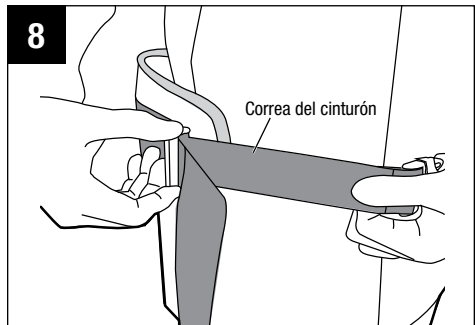
2. Coloque la bandolera doble, jálela hacia arriba y hacia abajo para ajustar la tensión sobre el hombro y luego sujétela en el cinturón (Fig. 6).



3. Acople a presión el bucle de cintura en la correa del cinturón. Jale el cinturón para tensar o levante el clip ubicado en el cinturón para aflojar, en caso de que sea necesario (Fig. 7 y 8).

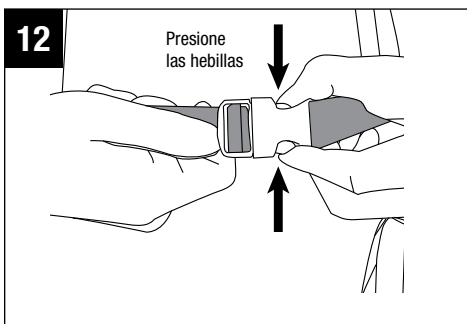
AVISO: El enlace tipo mochila no deberá estar asentado demasiado alto en la espalda; deberá estar posicionado más cerca de las caderas que de los hombros.

4. Acople a presión la hebilla de pecho y, si es necesario, ajuste su longitud (Fig. 9).



5. Reajuste la correa de pecho para obtener seguridad y comodidad. Asegúrese de que el enlace tipo mochila esté asentado de manera segura en la espalda, con el peso soportado por la correa de cintura y sin movimiento excesivo cuando usted se mueva (Fig. 10).
6. Almacene todo tramo adicional de la correa de cinturón en el elástico ubicado a ambos lados (Fig. 11).
7. Para quitarse la correa de la mochila a cada lado, simplemente presione las hebillas de pecho y de cintura para liberarlas (Fig. 12).

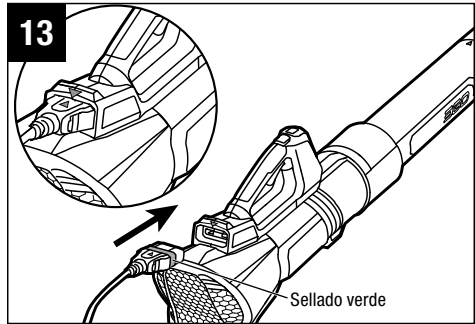
⚠ ADVERTENCIA: Cuando ocurra una emergencia, libere inmediatamente las hebillas de pecho y de cintura para quitarse la correa de la mochila a cada lado. Este es un método de liberación rápida.



PARA CONECTAR EL ENLACE TIPO MOCHILA A HERRAMIENTAS EGO

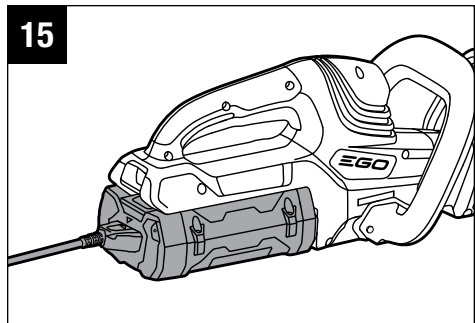
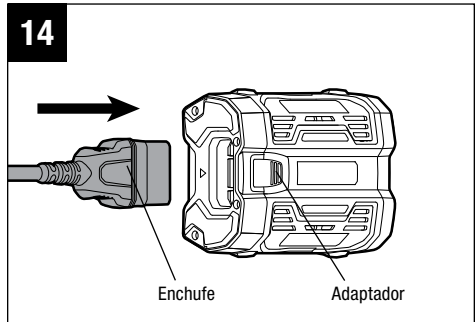
Herramientas comerciales:

1. Tome por ejemplo el LBX6000, alinee el ▲ símbolo ubicado en el enchufe con el símbolo correspondiente ubicado en la herramienta eléctrica. Inserte el enchufe en la herramienta eléctrica hasta que el sello verde desaparezca completamente en el tomacorriente (Fig. 13).



Herramientas de mano:

2. Inserte el enchufe en el adaptador y luego inserte el adaptador en el tomacorriente de la batería de la herramienta EGO (Fig. 14 y 15).
3. Siga las instrucciones incluidas en el manual del operador de la herramienta para arrancar la herramienta.
4. Después de terminar el trabajo, retire el enchufe de la herramienta profesional o retire el adaptador de la herramienta y luego jale el enchufe hasta sacarlo del adaptador. Guarde el adaptador de manera segura. Simplemente presione las hebillas de cintura y de pecho para liberarlas y baje el enlace tipo mochila (vea la Fig.12).



MANTENIMIENTO

⚠ ADVERTENCIA: al realizar mantenimiento, utilice solo piezas de repuesto idénticas a las de fabricación. El uso de cualquier otra pieza puede crear un peligro o causar daños en el producto. Para garantizar la seguridad y confiabilidad, toda reparación debe ser realizada solo por concesionario o distribuidor autorizado por EGO.

MANTENIMIENTO GENERAL

Evite utilizar solventes para limpiar las piezas de plástico. La mayoría de los plásticos tienden a dañarse con los distintos tipos de solventes comerciales. Utilice un paño limpio para eliminar la suciedad, el polvo, el aceite, la grasa, etc.

⚠ ADVERTENCIA: al limpiar el mochila con enlace, NO lo sumerja en agua ni en otros líquidos.

LIMPIEZA

- Use un cepillo suave para eliminar desechos de la superficie.
- No utilice detergentes fuertes en el armazón de plástico o en la manija. Las piezas pueden resultar dañadas por ciertos aceites aromáticos, como el pino y el limón, y por solventes, como el querosene.
- La humedad también puede ocasionar riesgo de descarga eléctrica. Limpie la humedad con un paño suave y seco. NUNCA utilice agua para limpiar la herramienta.
- Si el arnés de la mochila está sucio o desgastado, retírelo del enlace tipo mochila para limpiarlo o reemplazarlo. Sírvase consultar la sección **ENSAMBLAJE** de este manual.

ALMACENAJE

1. Retire el paquete de batería y el adaptador del enlace tipo mochila comercial.
2. Elimine todos los materiales extraños que se encuentren en la superficie del enlace tipo mochila comercial.
3. Guárdelo en un lugar cerrado que no sea accesible para los niños. Mantenga alejado de agentes corrosivos, como productos químicos para jardín y sales para derretir hielo.

SOLUCIÓN DE PROBLEMAS

PROBLEMA	CAUSA	SOLUCIÓN
La herramienta no funciona	<ul style="list-style-type: none">▪ No hay contacto eléctrico entre el enlace tipo mochila y la batería.▪ El paquete de baterías está agotado.▪ No hay contacto eléctrico entre el enchufe y el adaptador o entre el enchufe y la herramienta comercial.▪ Sigue sin funcionar después de todas las comprobaciones anteriores	<ul style="list-style-type: none">▪ Retire la batería, revise los contactos y vuelva a instalar el paquete de batería.▪ Cargue el paquete de baterías▪ Desconecte el enchufe con el adaptador o la herramienta comercial y reconecte el enchufe con el adaptador o la herramienta comercial.▪ Consulte a sus distribuidores autorizados EGO más cercanos.

GARANTÍA

POLÍTICA DE GARANTÍA

Garantía limitada de 5 años en equipos de energía para exteriores y energía portátil EGO POWER+ para uso doméstico personal.

Garantía limitada de 3 años en paquetes de baterías y cargadores con el Sistema EGO POWER+ para uso doméstico personal.

Garantía limitada de 2 años/1 año en equipos de energía para exteriores, energía portátil, paquetes de baterías y cargadores EGO para uso profesional y comercial.

Los períodos de garantía detallados por productos se pueden encontrar en línea en <http://egopowerplus.com/pages/warranty-policy>.

Póngase en contacto con Servicio al Cliente de EGO de manera gratuita al 1-855-EGO-5656, cuando tenga preguntas o reclamaciones de garantía.

GARANTÍA LIMITADA DE SERVICIO

Los productos EGO están garantizados contra defectos de material o de fabricación a partir de la fecha de compra original al por menor durante el período de garantía aplicable. El producto defectuoso será reparado gratuitamente.

- a) Esta garantía se aplica solo al comprador original del distribuidor minorista autorizado de EGO y podría no ser transferible. Los distribuidores minoristas autorizados de EGO se identifican en línea, en <http://egopowerplus.com/pages/warranty-policy>.
- b) El período de garantía para productos reacondicionados o certificados de fábrica que se utilizan para fines residenciales es de 1 año, para fines industriales, profesionales o comerciales es de 90 días.
- c) El período de garantía para piezas del mantenimiento de rutina, incluidas, entre otras, cuchillas, cabezales de orilladoras, listones de cadenas, cadenas de motosierras, correas, barras raspadoras, boquillas de sopladores y todos los demás accesorios EGO, es de 90 días con fines residenciales y de 30 días para propósitos industriales, profesionales o comerciales. Estas piezas tienen cobertura durante 90/30 días por defectos de fabricación en condiciones normales de trabajo.
- d) Esta garantía queda nula si el producto se ha puesto en alquiler.

- e) Esta garantía no cubre daños producto de modificaciones, alteraciones o reparaciones no autorizadas.
- f) Esta garantía solo cubre defectos que surjan del uso normal y no cubre el mal funcionamiento, las fallas ni los defectos que resulten del mal uso, el abuso (que incluye la sobrecarga del producto más allá de su capacidad y sumergirlo en agua o en cualquier otro líquido), accidentes, negligencia o falta de instalación adecuada y mantenimiento o almacenamiento inadecuados.
- g) Esta garantía no cubre el deterioro normal del acabado exterior, incluidos, entre otros, rayones, abolladuras, trozos de pintura o cualquier corrosión o decoloración producida por el calor o limpiadores químicos y abrasivos.

CÓMO OBTENER EL SERVICIO

Para obtener el servicio de garantía, póngase en contacto con Servicio al Cliente de EGO de manera gratuita al **1-855-EGO-5656**. Cuando pida un servicio cubierto por la garantía, debe presentar el recibo con la fecha original de venta. Un centro de servicio autorizado será seleccionado para reparar el producto de acuerdo con los términos establecidos en la garantía. Cuando lleve el producto al centro de servicio autorizado, es posible que deba hacer un pequeño depósito cuando deje la herramienta. Este depósito se reembolsará cuando se considere que el servicio de reparación se haya cubierto con la garantía.

LIMITACIONES ADICIONALES

En la medida en que la ley aplicable lo permita, se deniegan todas las garantías implícitas, inclusive las garantías de COMERCIALIZADIDAD o IDONEIDAD PARA UN PROPÓSITO ESPECÍFICO. Todas las garantías implícitas, inclusive las garantías de comerciabilidad o idoneidad para un propósito específico, que no se puedan denegar bajo la ley estatal, están limitadas al período de garantía aplicable definido al comienzo de este artículo.

Chervon North America no se hará responsable por daños directos, indirectos, accidentales o resultantes.

Algunos estados no permiten limitaciones con respecto a la duración de una garantía implícita y/o no permiten la exclusión o limitación de daños accidentales o resultantes, de modo que las limitaciones antes descritas podrían no aplicarse en su caso.

Esta garantía le otorga derechos legales específicos, pero podría tener también otros derechos que varían según el estado.



Para obtener el servicio al cliente, póngase en contacto con nosotros de manera gratuita al: **1-855-EGO-5656** o visite: **EGOPOWERPLUS.COM**
EGO Customer Service, 769 SEWARD AVE NW / Suite 102 Grand Rapids, MI 49504

60

ENLACE TIPO MOCHILA COMERCIAL DE ION LITIO DE 56 V — BHX1001/BHX1001-FC