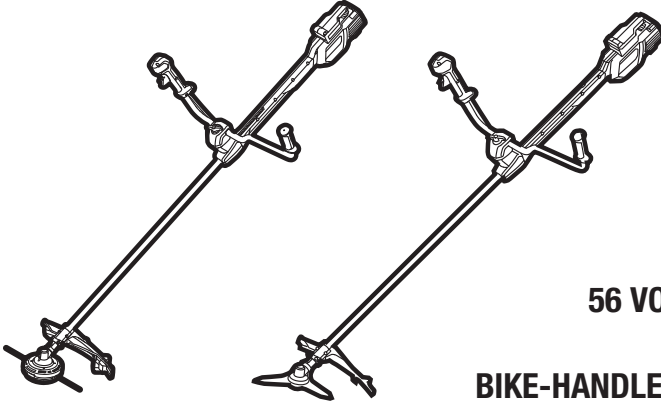


# EGO<sup>TM</sup>

## PRO X

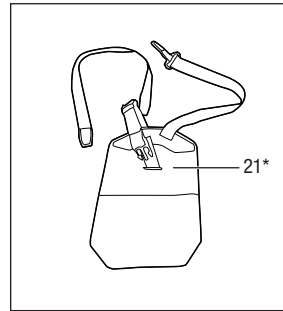
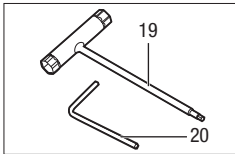
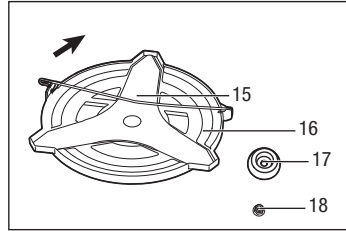
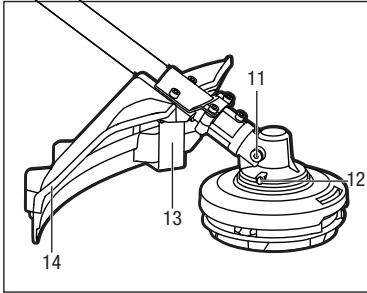
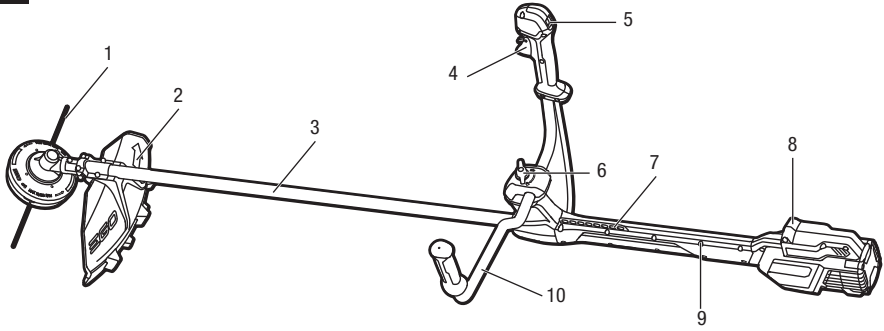


### BCX3800

### 56 VOLT LITHIUM-ION REAR MOTOR BIKE-HANDLE BRUSH CUTTER

EN	56 Volt Lithium-Ion Rear Motor Bike-Handle Brush Cutter	6	RO	Trimmer Pentru Tufisuri Cu Acumulator De Litiu-Ion De 56V, Motor Posterior Şi Ghidon	135
DE	56 Volt Lithium-Ionen-Gestrüppschneider Mit Heckmotor Und Lenkergriff	14	SL	56-Voltna Litij-Ionska Motorna Kosa S Kolesarskim Krmilom In Končno Nameščenim Motorjem	143
FR	Debroussailleuse A Guidon, Moteur Arriere Et Batterie Lithium-Ion 56 V	22	LT	56 Voltu Ličio Jonų Krūmapiovė Su Varikliu Gale Ir Dviracio Formos Rankena	151
ES	Desbrozadora Con Bateria De Ion De Litio De 56 Voltios Y Motor Trasero, Con Manillar	30	LV	56 Voltu Litija Jonu Krūmgriezis Ar Aizmugurē Uzstādītu Motoru Un Velosipēda Stūres Formas Rokturi	159
PT	Roçadeira Com Guiador E Motor Traseiro De Ião E Litio De 56 Volts	38	GR	Θαμνοκοπτικό 56 Volt Λιθίου-Ιοντων, Οπισθίου Κινητήρα, Με Χειρολαβή Τυπου Ποδηλατου	167
IT	Decespugliatore Con Manubrio E Motore Posteriore Agli Ioni Di Litio 56 Volt	46	TR	56 volt lityum-iyon arka motorlu bisiklet kollu çali tirpani	175
NL	56 Volt Lithium-Ion Bosmaaier Met Motor Aan De Achterkant En Stuurgreep	54	ET	56 Volt Lityum-Iyon Arka Motorlu Bisiklet Kollu Çali Tirpani 56-Voldise Litiiumioonakuga Tagumise Mootori Ja U-Käepidemega Võsaloõ	183
DK	Buskrydder Med 56Volt Lityum-Ion-Batteridrevet Motor Og Styr	62	UK	56-Вольтний Літій-Іонний Кушоріз Із Заднім Мотором І Велосипедною Ручкою	191
SE	Röjsåg Med 56 V Litumjonbatteridrivnen Bakre Motor Och Styrstängshandtag	70	BG	Храсторез С 56 V Литиево-Ионен Акумулатор, Заден Двигател И Велосипедна Ръкохватка	199
FI	56 Voltin Litiumioniakulla Varustettu Tankokahvainen Pensasleikkuri	78	HR	Obrezač šikara sa stražnjim motorom i Sklopom Drški I Litij-Ionskom Baterijom Na 56 Volti	208
NO	56 Volt Litium-Ion Busktrimmer Med Bakplassert Motor Og Sykkelhåndtak	86	KA	56 ვოლტკანიდი ლითიუმ-იონის აკუმულატორის მქონე ბურჭის საკრეცი, მოტორის უკანა განლაგებით და ველოსიპედის ტიპის სახელურით	216
RU	Кусторез С Литий-Ионным Аккумулятором 56 В, Задним Расположением Двигателя И Ручкой Велосипедного Типа	94	SR	Trimer sa zadnjim motorom, kormanom i litijum-jonskom baterijom od 56 volti	228
PL	Kosa Do Zarośli Z Kierownicą Rowerową, Z Silnikiem Z Tyłu I Baterią Litowo-Jonową 56 Voltów	103	BS	Čistač šikare sa stražnjim motorom i upravljačkim rukohvatom s litij-jonskom baterijom od 56 V	236
CZ	56 Voltový Lithium-Ionový Křovinořez S Motorkovou Rukojetí	111	HE	חזם מברשות מנוע אחורי בצורת כידון אופניים ליתיום-56 וולט	259
SK	56 Voltový Litium-Ionový Krovinořez S Motorkovou Rukoväťou	119	AR	قاطع أغصان بمقبض دراجة ومحرك خلفي ببطارية ليثيوم-أيون 56 فولت	252
HU	56 Voltos Litium-Ion Fűkasza Hátsó Motorral És Kétkaros Fogantyúval	127			

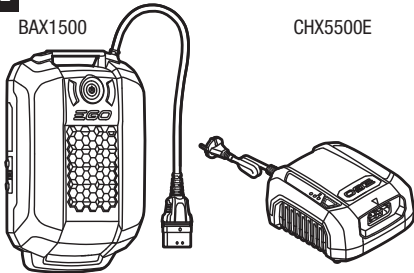
**A**



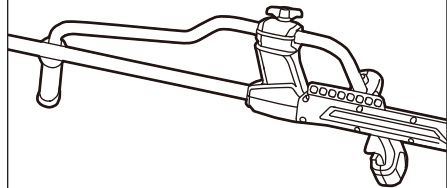
**A2**

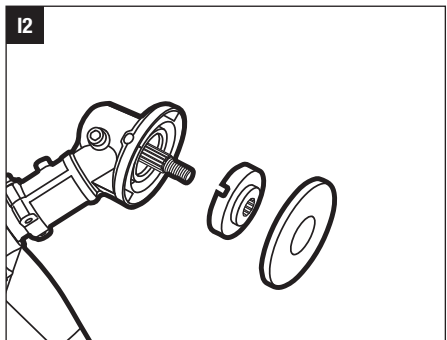
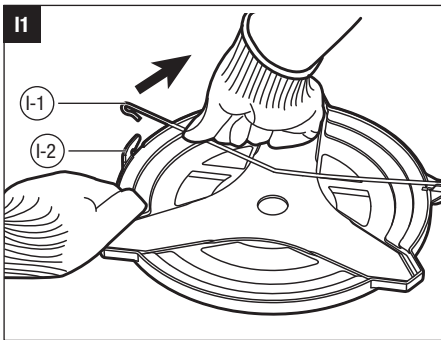
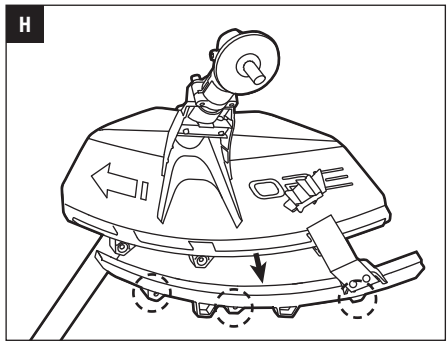
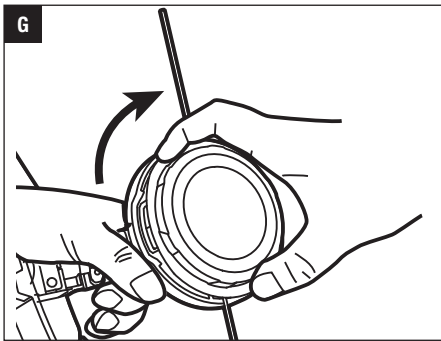
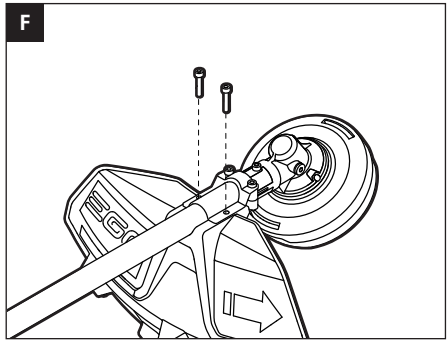
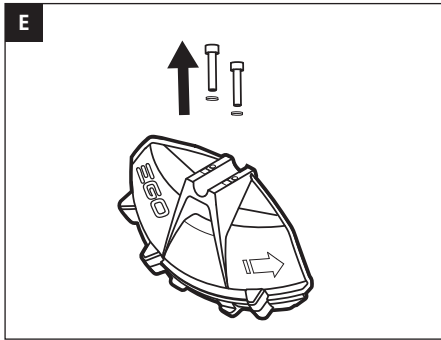
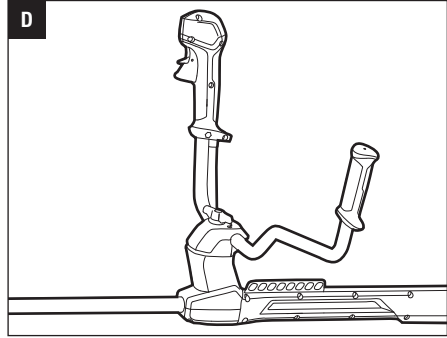
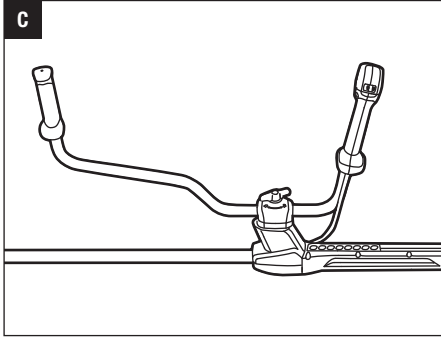
BAX1500

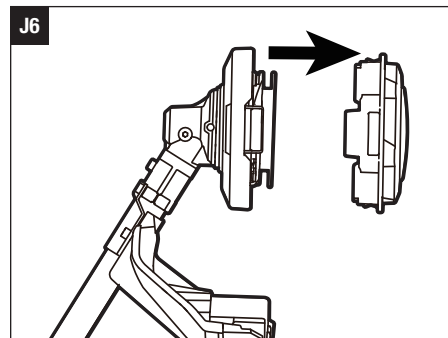
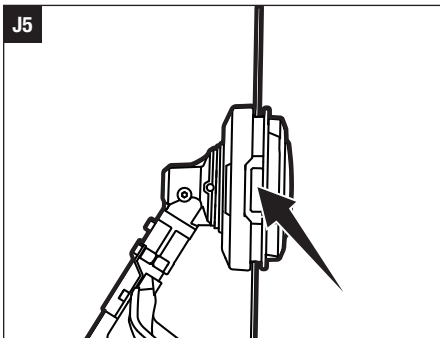
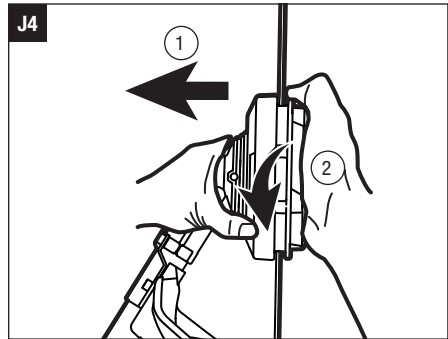
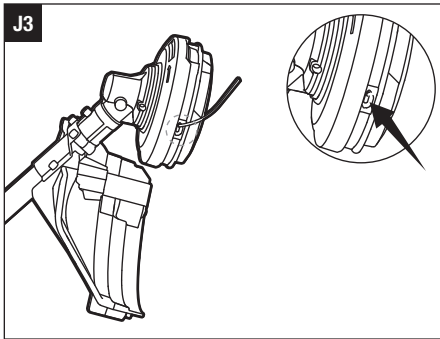
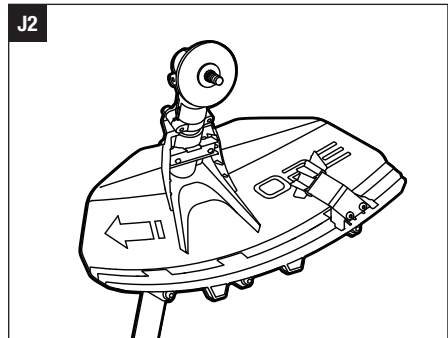
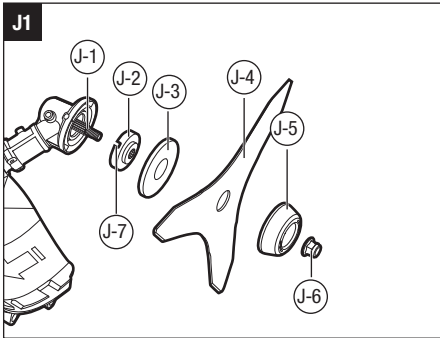
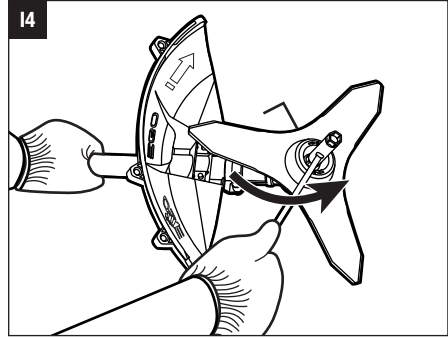
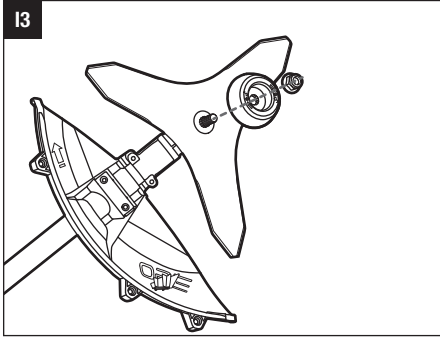
CHX5500E

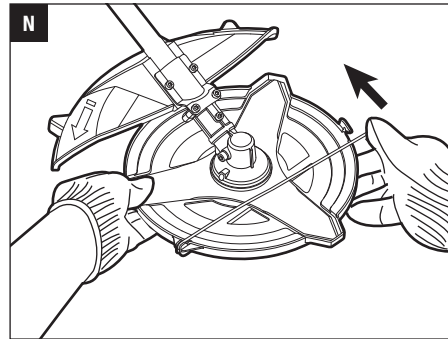
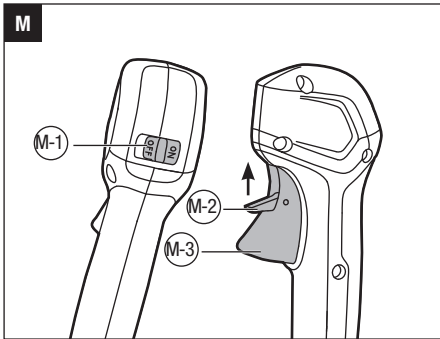
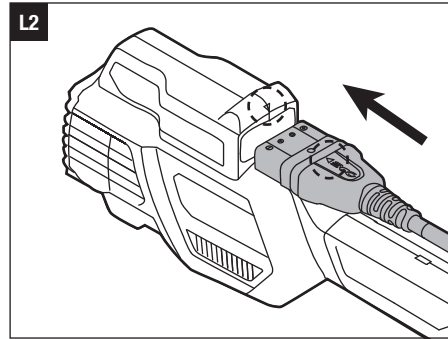
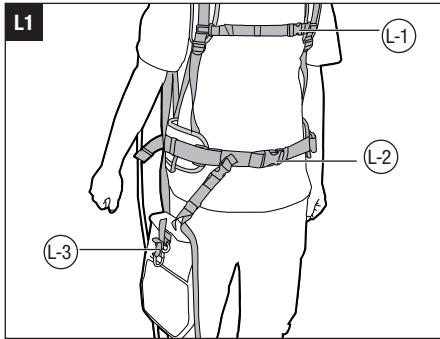
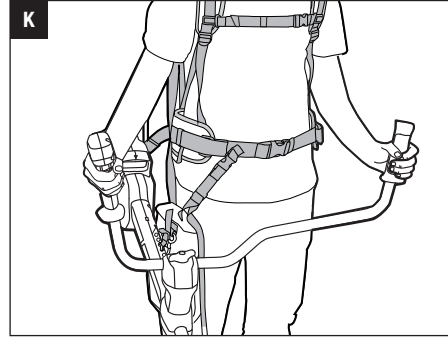
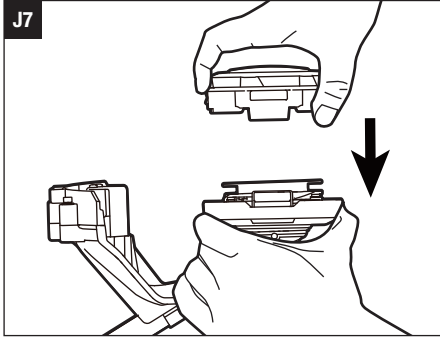


**B**









**EN READ ALL INSTRUCTIONS!****READ OPERATOR'S MANUAL****Safety Alert****Wear Eye Protection****Wear Head Protection****Wear Slip-resistant Footwear****Beware of Blade Thrust**

The distance between the machine and bystanders shall be at least 15 m.



Guaranteed sound power level. Noise emission to the environment according to the European community's Directive.



Waste electrical products should not be disposed of with household waste. Take to an authorized recycler.

 $n_0$ 

No Load Speed-Rotational speed, at no load



Direct Current

**SAFETY SYMBOLS**

**⚠ WARNING:** The operation of any power tools can result in foreign objects being thrown into your eyes, which can result in severe eye damage. Before beginning power tool operation, always wear safety goggles or safety glasses with side shields and a full face shield when needed. We recommend a Wide Vision Safety Mask for use over eyeglasses or standard safety glasses with side shields.



To reduce the risk of injury, user must read the operator's manual.

**Wear Ear Protection****Wear Hand Protection****Beware of thrown objects****Disconnect battery before maintenance**

This product is in accordance with applicable EC directives.



This product is in accordance with applicable UK legislation.

V Voltage

.../min Per Minute

kg Kilogram

IPX5 Protection against water jets

## SPECIFICATIONS

Cutting unit	Trimmer head	3-teeth metal blade
Voltage	56 V	56 V
No-load Speed	4000-5800 /min	4000-5800 /min
Recommended Operating Temperature:	0°C-40°C	
Recommended Storage Temperature:	-20°C-70°C	
Cutting Line Type	2.4 mm	/
Cutting blade	/	ABB1203
Cutting Width	38 cm	30 cm
Weight	6.8 kg	6.46 kg
Measured sound power level $L_{WA}$	95 dB(A) K=1.1 dB(A)	96.3 dB(A) K=2.1 dB(A)
Sound pressure level at operator's ear $L_{PA}$	82 dB(A) K=2.5 dB(A)	83.4dB(A) K=4.1dB(A)
Guaranteed sound power level $L_{WA}$ (according to 2000/14/EC)	96 dB(A)	98 dB(A)
Vibration $a_h$	Left Handle	1.9 m/s <sup>2</sup> K=1.5 m/s <sup>2</sup>
	Right Handle	1.5 m/s <sup>2</sup> K=1.5 m/s <sup>2</sup>

- The declared vibration total value has been measured in accordance with a standard test method and may be used for comparing one tool with another;
- The declared vibration total value may also be used in a preliminary assessment of exposure.

**NOTICE:** The vibration emission during actual use of the power tool can differ from the declared value in which the tool is used; In order to protect the operator, user should wear gloves and ear protectors in the actual conditions of use.

## PACKING LIST (Fig.A1)

### DESCRIPTION

#### KNOW YOUR BRUSH CUTTER (Fig. A1)

1. Trimmer Line
2. Guard Assembly
3. Shaft

4. Trigger
5. Lock-off Button
6. Wing Bolt
7. Hook
8. Socket
9. Guard Plate
10. Bike Handle
11. Sealing Screw
12. Shaft-locking Hole
13. Line-cutting Blade
14. Guard Accessory
15. 3-teeth Blade
16. Blade Sheath
17. Outer Flange
18. Nut
19. Multi-function Wrench
20. Hex Wrench
- 21\*. Hip-pad (Sold separately)

**⚠ WARNING:** Never operate the tool without the guard firmly in place. The guard must always be on the tool to protect the user.

**⚠ WARNING:** When the tool is equipped with a trimmer head, the guard accessory with line-cutting blade should be mounted onto the guard. Failure to comply will result in overly long cutting line and overload the motor. Never use the trimmer head without guard accessory.

## ASSEMBLY

**⚠ WARNING:** If any parts are damaged or missing, do not operate the brush cutter until the parts are replaced. Use of the brush cutter with damaged or missing parts could result in serious personal injury.

**⚠ WARNING:** Do not attempt to modify the brush cutter or create accessories not recommended for use with this product. Any such alteration or modification is misuse and could result in a hazardous condition leading to possibly serious personal injury.

**⚠ WARNING:** Always wear heavy gloves when installing or removing the guard and doing any maintenance on the 3-teeth blade/line-cutting blade. Be careful of the line-cutting blade on the guard accessory / 3-teeth blade for protecting your hands from being injured by both the blades.

**⚠ WARNING:** To prevent accidental starting that could cause serious personal injury, always remove the battery pack from the tool when assembling parts, making adjustments, cleaning, or when not in use.

**⚠ WARNING:** Never operate the tool without the guard and bike handle firmly in place. Failure to comply could result in possible serious personal injury.

### MOUNTING AND ADJUSTING THE BIKE HANDLE

The brush cutter is stored as shown in Fig. B. Firstly, loosen the wing bolt on the connecting joint and then lift the bike handle 180° around the shaft (Fig. C), turn it 90° anticlockwise to make it face the bump head (Fig. D). Lastly, move it back and forth to achieve a comfortable working position and tighten the bolt.

**NOTICE:** Operating the machine with the bike handle perpendicular to the shaft is only permitted.

### MOUNTING THE GUARD

**⚠ WARNING:** Always wear gloves when mounting or replacing the guard. Take care of the blade on the guard and protect your hand from cutting.

**⚠ WARNING:** Never operate the tool without the guard firmly in place. The guard must always be on the tool to protect the user! When the guard is fixed, never attempt to remove or adjust the guard, if a replacement is needed, it should be performed by a qualified service technician!

Loosen and remove the two screws from the guard (Fig. E), align the guard mounting holes with the assembly holes and then lock the guard onto the shaft base with the two screws, together with two spring washers (Fig. F).

**⚠ WARNING:** Make sure the guard is fixed according to Fig. F, any reverse fixing will cause great danger!

**⚠ WARNING:** When the brush cutter is equipped with a trimmer head, the guard accessory must be mounted onto the guard. Failure to comply could result in an overly long cutting line and motor overload.

### REPLACE THE TRIMMER HEAD WITH THE 3-TEETH BLADE

1. Remove the power plug from the string trimmer.
2. Rotate the trimmer head to align the slot in the flange with the shaft-locking hole in the gear case and insert a stabilizer into the hole (Fig. G).

3. Rotate the trimmer head clockwise to remove it (Fig. G).
4. Remove the guard accessory by loosening the three screws with washer (Fig. H)
5. The blade is shipped with a sheath. Before mounting the blade onto the brush cutter, the sheath should be removed by undoing the clamp wire from the hook on the sheath (Fig. I1).

**NOTICE:** To protect against injury, you have to wear gloves prior to any operation with the 3-teeth blade.

6. Mount the inner flange and flange cover into its place (Fig. I2).
7. Mount the blade onto the motor shaft, ensuring that the surface of the blade is flush with the surface of the inner flange bulge. Mount the outer flange and the nut (Fig. I3). Pre-tighten the nut in a COUNTERCLOCKWISE direction by hand.
8. Position the gear case against a solid surface for support. With one hand hold the brush cutter shaft and the other hand grasp the multi-function wrench to tighten the nut following the directional arrow icon marked on the outer flange (Fig. I4).

### REPLACE THE 3-TEETH BLADE WITH THE TRIMMER HEAD

Know the 3-teeth blade cutting unit as Fig. J1 shown. Then disassemble 3-teeth blade and mount the trimmer head on the brush cutter.

1. Rotate the blade to align the slot in the flange with the shaft-locking hole in the gear case and insert a stabilizer into the hole.
2. Position the gear case against a solid surface for support. With one hand hold the brush cutter shaft and the other hand grasp the multi-function wrench to loosen the nut clockwise (Fig. I4).
3. Take out the nut, outer flange, blade from the brush cutter (Fig. J2).

J-1	Shaft	J-2	Inner Flange
J-3	Flange Cover	J-4	3-teeth Blade
J-5	Outer Flange	J-6	Nut
J-7	Slot in the Flange		

**NOTICE:** When the 3-teeth blade is unused, to prevent personal injury, mount the blade into its sheath.

4. Assemble the guard accessory to the brush cutter by tighten three screws with washer (Fig.H).

Rotate the trimmer head anticlockwise to install it



(Fig. G). Follow the instructions in “LINE REPLACEMENT” to load the cutting line.

**NOTICE:** Failure to wind the line in the direction indicated it will cause the trimmer head to operate incorrectly.

## OPERATION

**⚠ WARNING:** Do not allow familiarity with this product to make you careless. Remember that a careless fraction of a second is sufficient to inflict serious injury.

**⚠ WARNING:** Always wear eye protection, along with hearing protection. Failure to do so could result in objects being thrown into your eyes and other possible serious injuries.

**⚠ WARNING:** Do not use any attachments or accessories not recommended by the manufacturer of this product. The use of attachments or accessories not recommended can result in serious personal injury.

## APPLICATIONS

The product may be used in rain.

You may use this product for the purposes listed below:

**Trimming:** used for removing grass and weeds up against walls, fences, trees and borders.

**Cutting:** used for cutting the grass that is difficult to reach using a normal mower.

**NOTICE:** The machine is to be used only for its prescribed purposes. Any other use is deemed to be a case of misuse.

## HOLDING THE BRUSH CUTTER

Before connect the backpack battery with the brush cutter, wear your backpack battery and mount the hip-pad your backpack harness referring to BAX1500 and AHP1500 manual.

Mount the brush cutter with your hip-pad by connecting the hook to the mounting hole (Fig. K). There are 8 holes upon the shaft, choosing an optimum hole for comfortable operation.

Hold the line trimmer with both hands on the right side of your body. The trimmer head or blade should be parallel to the ground at a proper cutting distance without the operator bending over.

Releasing the brush cutter can be achieved in two ways. Release the chest and belt buckles (Fig.L1) or press the hook of the hip-pad and take it apart from the mounting hole on the shaft.

**⚠ WARNING:** When emergency occurs, releasing the chest and belt buckles is the quick release method to release the brush cutter.

**⚠ WARNING:** You should not use the single-shoulder strap and double-shoulder strap with backpack battery simultaneously.

**Use only with EGO’s battery packs and chargers listed in Fig.A2**

## To Install Battery Pack (Fig. L2)

Align ▲ of plug with ▲ of brush cutter. Insert the plug into the machine until the green seal completely disappeared into the socket.

## To Remove

Release the battery cord from the mounting groove and pull out the plug from the brush cutter.

## STARTING/STOPPING THE BRUSH CUTTER

### To Start

Push the lock-off button to position “ON” (Fig. M). Move the small trigger upwards and then press the switch trigger to start the brush cutter. Different pressure on the trigger results in variable rotating speed of the cutting unit.

Fig. L1 & M parts description see below:

L-1	Chest Buckle	M-1	Lock-off Button
L-2	Belt Buckle	M-2	Small Trigger
L-3	Hook	M-3	Switch Trigger

### To Stop

Release the switch trigger and push the lock-off button back to position “OFF”.

**⚠ WARNING:** Always remove the battery pack from the line trimmer during work breaks and after finishing work.

## USING THE BRUSH CUTTER

**⚠ WARNING:** Dress properly to reduce the risk of injury when operating the brush cutter. Do not wear loose clothing or jewelry. Wear eye and ear/hearing protection. Wear heavy duty, long trousers, boots and gloves. Do not wear short trousers, sandals or go barefoot. Before operating, look around you to ensure a safety working area without other people, animals or any loose objects. Make sure they are at least 15m away. And then check for eye protection, proper clothing and balanced footing.

Before each use check for damaged/worn parts. Check the trimmer head, 3-teeth blade, guard, guard accessory and bike handle and replace any parts that are cracked, warped, bent, or damaged in any way. The line-cutting blade on the edge of the guard accessory can dull over time. It is recommended that you periodically sharpen it with a file or replace it with a new blade.

### After each use, clean the brush cutter

**⚠ CAUTION:** Obstructions in the vents will prevent the air from flowing into the motor housing and result in overheating or damaged of the motor.

- Use only mild soap and a damp cloth to clean the machine. Never let any liquid get inside the machine; never immerse any part of the machine into a liquid.
- Keep air vents in the motor housing from debris at all times.

**⚠ WARNING:** Avoid using solvents when cleaning plastic parts. Most plastics are susceptible to damage from various types of commercial solvents. Use clean cloths to remove dirt, dust, oil, grease, etc.

### Using with Trimmer Head

#### Check for blockage of the trimmer head

- To prevent blockage, keep the trimmer head clean. Remove grass clippings, leaves, dirt and any other accumulated debris before and after each use.
- When blockage happens, stop the line trimmer and remove the battery, then remove any grass that may have wrapped itself around the motor shaft or trimmer head.

#### Adjusting cutting line length

The trimmer head allows the operator to release more cutting line without stopping the motor. As line becomes frayed or worn, additional line can be released by lightly tapping the bump head on the ground while operating the trimmer.

**NOTICE:** Line release will become more difficult if the cutting line becomes too short.

**⚠ WARNING:** Do not remove or alter the line-cutting blade assembly. Excessive line length will cause the motor to overheat and may result in serious personal injury.

#### Line replacement

**⚠ WARNING:** Never use metal-reinforced line, wire, or rope, etc. These can break off and become dangerous projectiles.

**NOTICE:** Always use the recommended nylon cutting line with a diameter that does not exceed 2.7 mm. Using line other than that specified may cause the line trimmer to overheat or become damaged.

1. Remove the power plug from the string trimmer.
2. Remove the remaining cutting line, if necessary.
3. Cut 8m long cutting line, Insert the line into the mounting hole inside the eyelet (Fig. J3). Push and pull the line from the other side until equal amounts of line appear on both sides of the spool.
4. Press, while rotating the lower cover assembly in the arrow direction, to wind the line onto the spool until approximately 12cm of line is showing on each side (Fig. J4).
5. Push the lower cover assembly down while pulling on the lines to manually advance the line and to check for proper assembly of the trimmer head.

When the cutting line breaks from the line outlet or the cutting line is not released when the trimmer head is tapped, follow the steps below:

1. Press the release tabs on the upper cover and remove the lower cover assembly by pulling it straight out (Fig. J5 & J6).
2. Remove the cutting line from the spool .
3. With one hand holding the lower cover assembly, use the other hand to grasp the lower cover assembly and align the tabs on the upper cover with the holes in the lower cover assembly (Fig. J7); Use your palm to press the lower cover assembly until the tabs lock with the upper cover.
4. Follow the instructions in "LINE REPLACEMENT" to reload the cutting line.

#### Using with 3-Teeth Blade

**⚠ WARNING:** To cut wild growth and scrub, lower the rotating 3-teeth blade down onto the growth to achieve a chopping effect. Use the brush cutter like a scythe (sweep it to the right and left) at ground level. Do not use the cutting unit above waist height.

**⚠ WARNING:** The higher the cutting unit is off the ground, the greater the risk of injury from cuttings being thrown sideways.

**⚠ WARNING:** When cutting young stands or other woody materials up to 2cm in diameter, use the left side of the blade to avoid blade thrust situations. Do not attempt to cut woody material with a larger diameter, since the blade may catch or jerk the brush cutter forward. This may cause damage to the blade or the brush cutter or loss of control of the brush cutter, resulting personal injury.

**⚠ WARNING:** Improper use of a blade may cause it to crack, chip, or shatter. Thrown parts may seriously injure the operator or bystander. To reduce the risk of personal injury, it is essential to take the following precautions:

- Avoid contact with hard or solid foreign objects such as stones, rocks or pieces of metal.
- Never cut wood or shrubs with a stem diameter of more than 2cm.
- Inspect the blade at a regular short interval for signs of damage. Do not continue working with a damaged blade.
- Re-sharpen the blade regularly (when it has dulled noticeably) and have it balanced if necessary (performed by a qualified service technician).

### Blade Thrust

Exercise extreme caution when using the 3-teeth blade with this unit. Blade thrust is the reaction that may occur when the spinning blade contacts anything it cannot cut. This contact may cause the blade to stop for an instant and suddenly “thrust” the unit away from the object that was hit. This reaction can be violent enough to cause the operator to lose control of the unit. Blade thrust can occur without warning if the blade snags, stalls, or binds. This is more likely to occur in areas where it is difficult to see the material being cut. For cutting ease and safety, approach the weeds being cut with the brush cutter from the right to the left. In the event an unexpected object or woody stock is encountered, this practice could minimize the blade thrust reaction.

## MAINTENANCE

**⚠ WARNING:** Before inspecting, cleaning or servicing the unit, stop the motor, wait for all moving parts to stop, and remove the battery pack. Failure to follow these instructions can result in serious personal injury or property damage.

**⚠ WARNING:** When servicing, use only identical replacement parts. Use of any other parts may create a hazard or cause product damage. To ensure safety and reliability, all repairs should be performed by a qualified service technician.

### GENERAL MAINTENANCE

Avoid using solvents when cleaning plastic parts. Most plastics are susceptible to damage from various types of commercial solvents and may be damaged by their use. Use clean clothes to remove dirt, dust, oil, grease, etc.

### CLEAN THE MACHINE

- After each use of 3-teeth blade / trimmer head, clean the debris, clogged soils or grass on the blade and guard with a soft brush.

**NOTICE:** When the line-cutting blade becomes dull, please sharpen it performed by a qualified service technician or replace with a new line-cutting blade as necessary.

- After each use of brush cutter, clean the cutting unit using a damp cloth with a mild detergent.
- Do not use any strong detergents on the plastic housing or the handle. They can be damaged by certain aromatic oils, such as pine and lemon, and by solvents such as kerosene. Moisture can also cause a shock hazard. Wipe off any moisture with a soft dry cloth.
- Use a small brush or a small vacuum cleaner to clean the air vents on the rear housing.

### LUBRICATE THE GEAR CASE

For best operation and longer lifetime, lubricate the gear case with a special grease (4-5g each time) after every 50 hours operation.

The special grease should meet the following requirements.

1. Belong to DIN51818: NLGI-1 cone penetration degree.
2. Ester base grease.
3. Excellent low-temperature startup, EP, mechanical shearing, abrasion resistance and oxidative stability properties.
4. Operation temperature must contain -40~180°C.

Remove the battery plug and the sealing screw. Lubricating the gear case through the oil-hole.

**⚠ WARNING:** Do not lubricate while the brush cutter is still connected with battery or running.

### SHARPENING THE LINE-CUTTING BLADE

**⚠ WARNING:** Always protect your hands by wearing heavy gloves when performing any maintenance on the line-cutting blade.

1. Remove the line-cutting blade from the guard.
2. Wear proper eye protection and gloves and be careful not to cut yourself.
3. Secure the blade in a vise.
4. Carefully file the cutting edges of the blade with a fine-tooth file or sharpening stone, maintaining the original cutting edge angle.
5. Replace the blade on the guard and secure it in place with the two screws.

### STORING THE MACHINE

- Remove the battery pack from the tool.
- Wear heavy gloves to clean the tool thoroughly.
- Mount the blade sheath onto the 3-teeth blade for safe saving (Fig. N).



EN

- Store the unit in a dry, well-ventilated area, locked-up or up high, out of the reach of children. Do not store the machine on or adjacent to fertilizers, gasoline, or other chemicals.

**NOTICE:** Do not operate your hedge trimmer with dull or damaged cutting blades. This may cause overload and will give unsatisfactory cutting results.

**Protecting the environment**



Do not dispose of electrical equipment, used battery and charger into household waste! Take this product to an authorized recycler and make it available for separate collection. Electric tools must be returned to an environmentally compatible recycling facility.

## TROUBLESHOOTING

EN

PROBLEM	CAUSE SOLUTION	SOLUTION
Fail to start.	<ul style="list-style-type: none"> <li>■ The battery pack is not attached to the brush cutter or no electrical contact between the brush cutter and battery.</li> <li>■ The battery pack is depleted.</li> <li>■ The lock-off button has not pushed to position "ON" before pressing the switch levels.</li> </ul>	<ul style="list-style-type: none"> <li>■ Reinsert the battery plug into the hedge trimmer</li> <li>■ Charge the battery pack with the specified charger.</li> <li>■ Before using the trimmer, confirm the lock button is unlocked.</li> </ul>
Stop working.	<ul style="list-style-type: none"> <li>■ The battery pack or brush cutter is too hot.</li> <li>■ The brush cutter is overload.</li> <li>■ The battery pack is disconnected from the tool.</li> <li>■ The battery pack is deleted.</li> </ul>	<ul style="list-style-type: none"> <li>■ Allow the battery pack or hedge trimmer to cool until the temperature to normal temperature.</li> <li>■ The machine will recover when the load is removed. For continuous working, reduce the load of the machine.</li> <li>■ Re-install the battery pack.</li> <li>■ Charge the battery pack with the specified charger.</li> </ul>
Excessive vibration or noise.	<ul style="list-style-type: none"> <li>■ Dry gearbox</li> <li>■ The unbalance cutting line.</li> <li>■ The 3-teeth blade is bent or damaged</li> </ul>	<ul style="list-style-type: none"> <li>■ Remove sealing screw and add lubricating oil.</li> <li>■ Lightly tap the bump knob on the ground while operating the trimmer.</li> <li>■ Replace a new blade.</li> </ul>
The cutting line can't be released.	<ul style="list-style-type: none"> <li>■ The line in the trimmer head has been run out.</li> <li>■ The cutting line has not been installed properly.</li> </ul>	<ul style="list-style-type: none"> <li>■ Assemble a new cutting line into the brush cutter.</li> <li>■ Remove the cutting line and re-assemble the cutting line.</li> </ul>

## WARRANTY

### EGO WARRANTY POLICY

Please visit the website [egopowerplus.eu](http://egopowerplus.eu) for full terms and conditions of the EGO Warranty policy.

## LESEN SIE ALLE ANWEISUNGEN!

DE



**LESEN SIE DIE BETRIEBSANLEITUNG**



Sicherheitswarnung



Augenschutz tragen



Kopfschutz tragen



Rutschfestes Schuhwerk tragen



Vorsicht vor Rückstößen



Zwischen dem Gerät und Passanten muss ein Abstand von mindestens 15 m eingehalten werden.



Garantierter Schalleistungspegel. Geräuschemission an die Umgebung gemäß Richtlinie der Europäischen Gemeinschaft.



Elektrische Altgeräte dürfen nicht im Hausmüll entsorgt werden. Bringen Sie das Gerät zu einem Wertstoffhof.



$n_0$  Leerlaufdrehzahl-Drehzahl im Leerlauf

Gleichstrom

## WARNSYMBOLE

**⚠️ WARNUNG:** Beim Betrieb von Elektrowerkzeugen besteht die Gefahr, dass Fremdkörper in Ihre Augen geschleudert werden und Sie dadurch schwerwiegende Augenschäden davontragen. Tragen Sie immer eine Schutzbrille, wenn möglich mit Seitenschutz, oder, falls nötig, einen vollen Gesichtsschutz, bevor Sie Arbeiten mit dem Elektrowerkzeug verrichten. Wir empfehlen Ihnen, einen Gesichtsschutz über Ihrer eigenen Brille oder eine herkömmliche Schutzbrille mit Seitenschutz zu tragen.



Um das Verletzungsrisiko zu verringern, muss der Benutzer die Bedienungsanleitung lesen.



Gehörschutz tragen



Handschutz tragen



Vorsicht vor herausgeschleuderten Gegenständen



Akku vor der Wartung abnehmen



Dieses Produkt erfüllt die einschlägigen EG-Richtlinien.



Dieses Produkt erfüllt die einschlägigen Vorschriften in GB.

V Spannung

.../min pro Minute

kg Kilogramm

IPX5 Strahlwassergeschützt

## TECHNISCHE DATEN

Schneidwerk	Schneidkopf	3-zahniges Metall-Messer
Spannung	56 V	56 V
Leerlaufdrehzahl	4000-5800 /min	4000-5800 /min
Empfohlene Betriebstemperatur:	0°C-40°C	
Empfohlene Lagertemperatur:	-20°C-70°C	
Mähfadentyp	2,4 mm	/
Gestrüppmesser	/	ABB1203
Schnittbreite	38 cm	30 cm
Gewicht	6,8 kg	6,46 kg
Gemessener Schalleistungspegel $L_{WA}$	95 dB(A) K=1,1 dB(A)	96,3 dB(A) K=2,1 dB(A)
Schalldruckpegel am Ohr des Bedieners $L_{PA}$	82 dB(A) K=2,5 dB(A)	83,4 dB(A) K=4,1 dB(A)
Garantierter Schalleistungspegel $L_{WA}$ (nach 2000/14/EG)	96 dB(A)	98 dB(A)
Vibration $a_h$	Linker Griff	1,9 m/s <sup>2</sup> K=1,5 m/s <sup>2</sup>
	Rechter Griff	1,5 m/s <sup>2</sup> K=1,5 m/s <sup>2</sup>

- Der angegebene Schwingungs-Gesamtwert wurde in Übereinstimmung mit einer Standard-Testmethode gemessen und kann verwendet werden, um Werkzeuge miteinander zu vergleichen.
- Der angegebene Schwingungs-Gesamtwert kann auch als einleitende Feststellung der Belastung verwendet werden.

**HINWEIS:** Die beim Einsatz des Elektrowerkzeugs entstehenden Istvibrationen können von dem angegebenen Wert abweichen. Zum Schutz des Benutzers sollten Handschuhe und ein Gehörschutz während des Geräteinsatzes getragen werden.

## PACKLISTE (Abb. A1)

## BESCHREIBUNG

### BESCHREIBUNG IHRES GESTRÜPPSCHNEIDERS (Abb. A1)

- Mähfaden

- Schutzabdeckung-Einheit
- Schaft
- Auslöser
- Entriegelungsschalter
- Flügelschraube
- Haken
- Buchse
- Schutzplatte
- Lenkergriff
- Verschlusssschraube
- Wellen-Einrastöffnung
- Fadenabschneider
- Schutzabdeckung
- 3-zahniges Messer
- Messerhülle
- Außenflansch
- Mutter
- Multifunktionsschlüssel
- Inbusschlüssel
- 21\* Hüftpolster (separat erhältlich)

**⚠️ WARNUNG:** Setzen Sie das Werkzeug nur in Betrieb, wenn die Schutzabdeckung fest angebracht ist. Die Schutzabdeckung muss zum dauerhaften Schutz des Benutzers immer am Werkzeug befestigt sein!

**⚠️ WARNUNG:** Wenn das Werkzeug mit einem Mähkopf ausgestattet ist, muss das Anbauteil für die Schutzabdeckung mit Fadenmesser auf der Schutzabdeckung montiert werden. Andernfalls könnte der Mähfaden übermäßig lang und der Motor überlastet werden. Der Mähkopf darf niemals ohne Anbauteil für die Schutzabdeckung benutzt werden.

## MONTAGE

**⚠️ WARNUNG:** Wenn Teile beschädigt sind oder fehlen, darf der Gestrüppschneider erst in Betrieb genommen werden, wenn alle Teile vollständig angebracht sind. Die Verwendung eines Gestrüppschneiders mit beschädigten Teilen oder eines Gestrüppschneiders, an dem Teile fehlen, kann zu schweren Verletzungen führen.

**⚠️ WARNUNG:** Versuchen Sie nicht, den Gestrüppschneider zu verändern oder Zubehörteile zu verwenden, die für die Benutzung mit diesem Produkt nicht empfohlen werden. Derartige Änderungen oder Umbauten stellen einen unsachgemäßen Gebrauch dar

und können zu gefährlichen Umständen und ernsthaften Verletzungen führen.

**⚠️ WARNUNG:** Tragen Sie immer dicke Handschuhe, wenn Sie die Schutzabdeckung installieren oder entfernen und Wartungsarbeiten am 3-zahnigen Messer/Fadenmesser durchführen. Achten Sie auf das Fadenmesser am Anbauteil der Schutzabdeckung/3-zahnige Messer und passen Sie auf, dass Sie nicht Ihre Hände an einem der Messer verletzen.

**⚠️ WARNUNG:** Um einen unbeabsichtigten Geräteanlauf bei der Montage von Teilen, bei Einstellarbeiten, beim Reinigen oder bei Nichtgebrauch zu verhindern, muss der Akku vom Gerät abgenommen werden. Andernfalls besteht schwere Verletzungsgefahr.

**⚠️ WARNUNG:** Setzen Sie das Werkzeug nur in Betrieb, wenn die Schutzabdeckung und der Lenkergriff fest angebracht sind. Andernfalls kann es zu möglichen schweren Verletzungen kommen.

### MONTIEREN UND EINSTELLEN DES LENKERGRIFFS

Der Gestrüppschneider wird wie in Abb. B gezeigt gelagert. Lösen Sie zuerst die Flügelschraube am Verbindungsgelenk. Heben Sie dann den Lenkergriff 180° um den Stiel herum an (Abb. C), drehen Sie ihn 90° gegen den Uhrzeigersinn, sodass er in Richtung des Fadenkopfs zeigt (Abb. D). Bewegen Sie ihn zu guter Letzt vor und zurück, um eine komfortable Arbeitsposition zu erreichen. Ziehen Sie danach die Schraube fest.

**⚠️ HINWEIS:** Der Betrieb des Geräts ist nur mit Lenkergriff senkrecht zum Schaft zulässig.

### MONTIEREN DER SCHUTZABDECKUNG

**⚠️ WARNUNG:** Tragen Sie beim Anbringen oder Auswechseln des Schneidschutzes immer Handschuhe. Achten Sie auf das Messer am Schneidschutz und schützen Sie Ihre Hände vor Schnitten.

**⚠️ WARNUNG:** Setzen Sie das Werkzeug nur in Betrieb, wenn der Schneidschutz fest angebracht ist. Der Schneidschutz muss zum Schutz des Benutzers immer am Gerät befestigt sein! Wenn der Schneidschutz montiert ist, darf er weder entfernt noch justiert werden. Falls dieser ersetzt werden muss, wenden Sie sich an eine qualifizierte Werkstatt!

Lösen Sie die beiden Schrauben an der Schutzabdeckung (Abb. E) und lassen Sie die Befestigungslöcher des Fadenschutzes mit den Halterungsöffnungen fluchten. Schrauben Sie den Fadenschutz anschließend mit den beiden Schrauben und zwei Federscheiben am Schaftende an (Abb. F).

**⚠️ WARNUNG:** Achten Sie darauf, dass der Fadenschutz wie in Abb. F montiert ist. Wird er falsch herum montiert, besteht große Gefahr!

**⚠️ WARNUNG:** Wenn das Gerät mit einem Mähkopf ausgestattet ist, muss das Anbauteil für die Schutzabdeckung auf der Schutzabdeckung montiert werden. Andernfalls könnte der Mähfaden übermäßig lang und der Motor überlastet werden.

### ERSETZEN DES MÄHKOPFS DURCH DAS 3-ZAHNIGE MESSER

1. Ziehen Sie den Netzstecker vom Rasentrimmer ab.
2. Drehen Sie den Mähkopf, bis die Aussparung im Flansch mit der Bohrung an der Schaft-Einrastöffnung des Getriebegehäuses fluchtet. Führen Sie einen Feststeller in die Bohrung ein (Abb. G).
3. Drehen Sie den Mähkopf im Uhrzeigersinn, um ihn abzubauen (Abb. G).
4. Montieren Sie den Mähschutz durch Abschrauben der drei Schrauben und U-Scheiben (Abb. H) ab.
5. Das Messer wird mit einer Hülle geliefert. Bevor Sie das Messer am Gestrüppschneider montieren, sollte die Hülle entfernt werden, indem Sie den Klammerdraht vom Haken der Hülle lösen (Abb. I1).

**HINWEIS:** Sie müssen im Umgang mit dem 3-zahnigen Messer Handschuhe tragen, um sich vor Verletzungen zu schützen.

6. Montieren Sie den Innenflansch und die Flanschabdeckung (Abb. I2).
7. Montieren Sie das Messer an der Antriebswelle und stellen Sie dabei sicher, dass die Oberfläche des Messers mit der Oberfläche der Ausbuchtung des Innenflansches bündig ist. Montieren den Außenflansch und die Mutter (Abb. I3). Ziehen Sie die Mutter GEGEN DEN UHRZEIGSINN handfest an.
8. Stützen Sie das Getriebegehäuse an einer festen Fläche ab. Halten Sie mit einer Hand den Gestrüppschneiderstiel und mit der anderen Hand den Multifunktionsschlüssel, um die Mutter in Richtung des Pfeilsymbols am Außenflansch anzuziehen (Abb. I4).

### ERSETZEN DES 3-FLÜGEL-MESSERS DURCH DEN MÄHKOPF

Abb. J1 zeigt den Aufbau des Mähkopfs mit 3-Flügel-Messer. Bauen Sie dann den das 3-Flügel-Messer ab und montieren Sie den Mähkopf am Freischneider.

1. Drehen Sie das Messer so, dass die Aussparung im Flansch mit der Bohrung für die Schaft-Einrastöffnung im Getriebegehäuse übereinstimmt und stecken Sie einen Stabilisator in die Bohrung.



2. Stützen Sie das Getriebegehäuse an einer festen Fläche ab. Halten Sie mit einer Hand den Schaft des Freischneiders und lösen Sie mit der anderen Hand mit dem Multifunktionsschlüssel die Mutter im Uhrzeigersinn (Abb. I4).
3. Entfernen Sie die Mutter, das Außenflansch und das Messer vom Freischneider (Abb. J2).

J-1	Schaft	J-5	Außenflansch
J-2	Innenflansch	J-6	Mutter
J-3	Flanschabdeckung	J-7	Aussparung im Flansch
J-4	3-Flügel-Messer		

**HINWEIS:** Wenn das 3-Flügel-Messer nicht verwendet wird, sollte es zur Vermeidung von Verletzungen in seiner Hülle aufbewahrt werden.

4. Montieren Sie die Schutzabdeckung am Freischneider, indem Sie drei Schrauben mit Unterlegscheibe festziehen. (Abb. H)
5. Zum Montieren ziehen Sie den Mähkopf gegen den Uhrzeigersinn fest (Abb. G). Folgen Sie den Anweisungen im Abschnitt „AUSWECHSELN DES FADENS“, um einen Mähfaden einzuspannen.

**HINWEIS:** Wenn der Faden nicht wie angezeigt sondern falsch herum aufgewickelt wird, funktioniert der Trimmerkopf nicht korrekt.

## BEDIENUNG

**⚠️ WARNUNG:** Werden Sie nicht leichtsinnig, nur weil Sie mit dem Produkt vertraut sind. Denken Sie daran, dass ein kurzer Moment der Unachtsamkeit genügt, um ernsthafte Verletzungen zu verursachen.

**⚠️ WARNUNG:** Tragen Sie immer einen Augenschutz und einen Gehörschutz. Andernfalls besteht die Gefahr, dass Gegenstände in Ihre Augen geschleudert oder andere schwere Verletzungen hervorgerufen werden.

**⚠️ WARNUNG:** Verwenden Sie keine Aufsätze oder Zubehörteile, die nicht vom Hersteller dieses Produkts empfohlen worden sind. Die Verwendung von anderen bzw. nicht empfohlenen Aufsätzen oder Zubehörteilen kann zu schweren Verletzungen führen.

### ANWENDUNGEN

Das Produkt kann im Regen benutzt werden.

Sie können dieses Produkt für die unten aufgeführten Zwecke einsetzen:

**Trimmen:** Zum Entfernen von Gras und Unkraut an Wänden, Zäunen, Bäumen und Umrandungen.

**Schneiden:** Zum Schneiden von Rasen, der mit einem normalen Mäher schwer zu erreichen ist.

**HINWEIS:** Die Maschine darf nur für die vorgeschriebenen Zwecke verwendet werden. Jede andere Verwendung gilt als Missbrauch.

### HALTEN DES FREISCHNEIDERS

Bevor Sie die Rucksackbatterie mit dem Freischneider verbinden, setzen Sie die Rucksackbatterie auf den Rücken und befestigen Sie das Hüftpolster Ihres Rucksackgurtcs gemäß dem Handbuch BAX1500 und AHP1500.

Befestigen Sie das Hüftpolster am Freischneider, indem Sie den Haken in das Befestigungsloch einhaken (Abb. K). Es gibt 8 Bohrungen am Schaft, sodass eine optimale Einstellung für einen bequemen Betrieb möglich ist.

Halten Sie den Rasentrimmer mit beiden Händen auf der rechten Seite Ihres Körpers. Der Mähkopf oder das Messer sollten parallel zum Boden in angemessenem Schneidabstand gehalten werden, sodass der Benutzer sich nicht vorbeugen muss.

Der Freischneider lässt sich wie folgt abnehmen: Entweder Sie lösen die Brustgurtschnalle und die Gürtelschnalle (Abb. L1) oder Sie drücken auf den Haken am Hüftpolster und lösen es vom Befestigungsloch am Schaft.

**⚠️ WARNUNG:** Im Notfall ist das Lösen der Brust- und Gürtelschnallen die schnellste Methode, um den Freischneider zu lösen.

**⚠️ WARNUNG:** Sie sollten den einfachen Schultergurt und den doppelten Schultergurt nicht gleichzeitig mit der Rucksackbatterie verwenden.

Nur die in Abb. A2 aufgeführten EGO Akkus und Ladegeräte verwenden.

### So installieren Sie den Akku (Abb. L2)

Ausrichten von ▲ am Stecker mit ▲ am Freischneider. Stecken Sie den Stecker in das Gerät, bis die grüne Dichtung vollständig in der Steckdose verschwunden ist.

### So entfernen Sie den Akku

Lösen Sie das Akkukabel aus der Befestigungsnut und ziehen Sie den Stecker aus dem Freischneider.

### EIN-/AUSSCHALTEN DES GESTRÜPPSCHNEIDERS Einschalten

Drücken Sie den Entriegelungsschalter in die Position „ON“ (Abb. M). Bewegen Sie den kleinen Abzug nach oben und drücken Sie dann den Schalterabzug, um den Freischneider zu starten. Durch Ändern des Drucks auf den Auslöser wird die Drehzahl des Mähfadens geregelt.

Teilebezeichnung siehe Abb. L1 und M:

L-1	Brustgurtschnalle	M-1	Entriegelungsschalter
L-2	Gürtelschnalle	M-2	Kleiner Abzug
L-3	Haken	M-3	Schalterabzug

### Ausschalten

Lassen Sie den Auslöser los und drücken Sie den Entriegelungsschalter zurück in die Position „OFF“.

**⚠️ WARNUNG:** Nehmen Sie während Arbeitspausen und nach Abschluss der Arbeit stets den Akkusatz aus dem Rasentrimmer.

### VERWENDUNG DES FREISCHNEIDERS

**⚠️ WARNUNG:** Tragen Sie geeignete Kleidung, um das Verletzungsrisiko bei der Benutzung des Freischneiders zu reduzieren. Tragen Sie keine weite Kleidung oder Schmuck. Tragen Sie einen Augen- und Gehörschutz. Tragen Sie robuste lange Hosen, Stiefel und Handschuhe. Tragen Sie keine kurze Hose, Sandalen oder gehen Sie barfuß. Sorgen Sie vor der Inbetriebnahme für einen sicheren Arbeitsbereich, in dem sich weder andere Personen noch Tiere oder lose Gegenstände befinden. Stellen Sie sicher, dass diese mindestens 15 m entfernt sind. Achten Sie dann auf Augenschutz, richtige Kleidung und sicheren Stand.

Prüfen Sie vor jedem Gebrauch auf beschädigte/ abgenutzte Teile. Prüfen Sie den Mähkopf, das 3-Flügel-Messer, den Fadenschutz und den Lenkergriff und ersetzen Sie gerissene, verzogene, verbogene oder anders beschädigte Teile. Das Fadenmesser am Rand der Schutzabdeckung wird im Laufe der Zeit stumpf. Es sollte daher regelmäßig mit einer Feile nachgeschliffen oder durch ein neues Messer ersetzt werden.

### Reinigen Sie den Gestrüppschneider nach jedem Gebrauch.

**⚠️ VORSICHT:** Verstopfte Lüftungsschlitze verhindern, dass die Luft in das Motorgehäuse strömen kann. Das führt zu einer Überhitzung oder zu Motorschäden.

- Verwenden Sie zum Reinigen der Maschine nur milde Seife und ein feuchtes Tuch. Schützen Sie das Gerät vor dem Eindringen von Flüssigkeit. Das Gerät oder Teile davon dürfen auf keinen Fall in Flüssigkeit getaucht werden.

- Die Lüftungsschlitze im Motorgehäuse müssen immer von Ablagerungen befreit werden.

**⚠️ WARNUNG:** Zum Reinigen von Kunststoffteilen Lösungsmittel vermeiden. Die verschiedenen handelsüblichen Lösungsmittel greifen die Kunststoffflächen an. Verwenden Sie saubere Lappen zum Entfernen von Schmutz, Staub, Öl, Fett usw.

### BENUTZUNG MIT MÄHKOPF

#### Mähkopf auf Blockaden prüfen

- Zur Vermeidung von Blockaden muss der Mähkopf immer sauber gehalten werden. Entfernen Sie vor und nach jeder Benutzung Grasschnitt, Blätter, Schmutz und andere angesammelte Abfälle.
- Ist der Mähkopf blockiert, schalten Sie den Rasentrimmer ab und beseitigen Sie den Rasen, der sich vielleicht um die Motorwelle oder den Mähkopf gewickelt hat.

#### Einstellen der Mähfadenlänge

Der Mähkopf ermöglicht dem Benutzer, den Mähfaden zu verlängern, ohne den Motor anzuhalten. Wenn der Faden ausfranst oder abgenutzt ist, können Sie durch Tippen des Fadenkopfes auf den Boden weiteren Faden nachführen.

**HINWEIS:** Das Verlängern des Fadens wird umso schwerer, je kürzer der Faden wird.

**⚠️ WARNUNG:** Der Fadenmesser-Mechanismus darf nicht verändert oder beseitigt werden. Zu viel Fadenlänge führt zu einer Überhitzung des Motors und kann schwere Verletzungen nach sich ziehen.

#### Auswechseln des Fadens

**⚠️ WARNUNG:** Verwenden Sie niemals mit Draht, Metall oder Seil verstärkte Fäden o.ä. Diese können abbrechen und zu gefährlichen Geschossen werden.

**HINWEIS:** Verwenden Sie immer den empfohlenen Nylon-Mähfaden mit einem Durchmesser von höchstens 2,7 mm. Bei Verwendung eines anderen Fadens kann der Trimmer überhitzen oder beschädigt werden.

1. Ziehen Sie den Netzstecker vom Rasentrimmer ab.
2. Entfernen Sie ggf. die Mähfadenreste.
3. Schneiden Sie 8 m Mähfaden ab. Führen Sie den Faden durch die Öffnung in der Öse hindurch (Abb. J3). Schieben Sie den Faden durch und ziehen Sie ihn auf der anderen Seite heraus, bis die Fäden auf beiden Seiten der Spule gleich lang sind.
4. Drücken Sie die untere Abdeckung an und drehen Sie sie dabei in Pfeilrichtung, um den Faden soweit auf die Spule aufzuwickeln, bis auf beiden Seiten etwa 12 cm Faden überstehen (Abb. J4).

- Schieben Sie die untere Abdeckung nach unten und ziehen Sie dabei an den Fäden, um den Faden von Hand vorzuziehen und die richtige Montage des Mähkopfs zu kontrollieren.

Gehen Sie wie folgt vor, wenn der Mähfaden vom Fadenauslass abreißt oder wenn der Mähfaden beim Klopfen des Mähkopfs nicht freigegeben wird:

- Drücken Sie die Entriegelungen an der oberen Abdeckung und ziehen Sie die untere Abdeckung geradlinig nach unten ab (Abb. J5 & J6).
- Entfernen Sie den Mähfaden aus der Spule.
- Halten Sie die untere Abdeckung mit einer Hand fest und schieben Sie die Rastnasen der oberen Abdeckung in die gegenüber liegenden Aufnahmen der unteren Abdeckung (Abb. J7). Schieben Sie die beiden Abdeckungsteile nun mit etwas Druck auf den Handflächen ineinander, bis die Teile einrasten.
- Folgen Sie den Anweisungen im Abschnitt „AUSWECHSELN DES FADENS“, um den Mähfaden einzusetzen.

### Verwendung mit 3-Flügel-Messer

**⚠️ WARNUNG:** Um Wildwuchs und Gestrüpp zu schneiden, senken Sie das rotierende 3-zahnige Gestrüppmesser auf das Gestrüpp, um einen abhackenden Effekt zu erzielen. Benutzen Sie den Gestrüppschneider wie eine Sense (schwingen Sie ihn nach links und rechts) auf Bodenebene. Benutzen Sie das Schneidwerk nicht über Taillenhöhe.

**⚠️ WARNUNG:** Je höher sich das Schneidwerk über dem Boden befindet, umso größer ist die Verletzungsgefahr durch Schnittabfälle, die seitlich weggeschleudert werden.

**⚠️ WARNUNG:** Wenn Sie Jungwuchs oder anderes Holzmaterial mit einem Durchmesser bis zu 2 cm schneiden, benutzen Sie die linke Seite des Messers, um einen Rückschlag zu vermeiden. Versuchen Sie nicht Holzmaterial mit einem größeren Durchmesser zu schneiden, da das Messer stecken bleiben oder den Gestrüppschneider ruckartig vorwärts ziehen könnte. Das Messer oder der Gestrüppschneider könnten dadurch beschädigt werden oder Sie könnten die Kontrolle über den Gestrüppschneider verlieren und sich verletzen.

**⚠️ WARNUNG:** Der unsachgemäße Gebrauch eines Messers kann dazu führen, dass es bricht, absplittert oder zerspringt. Herumgeschleuderte Teile können den Benutzer oder Umstehende verletzen. Um die Verletzungsgefahr zu reduzieren, ist es wichtig, die folgenden Vorsichtsmaßnahmen zu befolgen:

- Vermeiden Sie, harte oder feste Objekte, wie Steine, Felsen oder Metallstücke, zu berühren.

- Schneiden Sie niemals Holz oder Gestrüpp mit einem Stammdurchmesser von über 2 cm.
- Untersuchen Sie das Messer in regelmäßigen, kurzen Abständen auf Anzeichen von Beschädigungen. Arbeiten Sie mit einem beschädigten Messer nicht weiter.
- Schärfen Sie das Messer regelmäßig (wenn es merklich stumpf geworden ist) und lassen Sie es gegebenenfalls abgleichen (von einem qualifizierten Servicetechniker).

### Rückschlag

Seien Sie äußerst vorsichtig, wenn Sie das 3-zahnige Messer mit diesem Gerät benutzen. Ein Rückschlag ist die Reaktion, die auftreten kann, wenn das rotierende Messer auf etwas trifft, das es nicht schneiden kann. Bei diesem Kontakt kann das Messer einen kurzen Moment stoppen und dann plötzlich das Gerät von dem Objekt, das getroffen wurde, „wegstoßen“. Diese Reaktion kann so heftig sein, dass der Benutzer die Kontrolle über das Gerät verliert. Ein Rückschlag kann plötzlich auftreten, wenn das Messer stecken bleibt, blockiert oder festklemmt. Diese Situation kann eher an Stellen eintreten, wo es schwierig ist, das zu schneidende Material zu sehen. Um das Schneiden zu erleichtern und Ihre Sicherheit zu gewährleisten, schneiden Sie das Gestrüpp, das Sie entfernen möchten, mit dem Gestrüppschneider von rechts nach links. Falls Sie auf ein unerwartetes Objekt oder holziges Material stoßen, kann diese Methode den Rückschlageffekt minimieren.

### WARTUNG

**⚠️ WARNUNG:** Vor Überprüfung, Reinigung oder Reparatur des Geräts den Motor ausschalten, warten, bis alle beweglichen Teile zum Stillstand gekommen sind, und Akku abnehmen. Bei Nichtbeachtung dieser Anleitungen kann es zu schweren Verletzungen oder Sachschäden kommen.

**⚠️ WARNUNG:** Für Reparaturen sind ausschließlich baugleiche Ersatzteile zu verwenden. Die Verwendung anderer Teile kann Unfälle und Schäden am Gerät hervorrufen. Um die Sicherheit und Zuverlässigkeit zu gewährleisten, sollten alle Reparaturen nur von qualifizierten Servicetechnikern durchgeführt werden.

### ALLGEMEINE WARTUNG

Verwenden Sie keine Lösungsmittel zum Reinigen von Kunststoffteilen. Die verschiedenen handelsüblichen Lösungsmittel greifen die meisten Kunststoffe an. Verwenden Sie zum Entfernen von Schmutz, Staub, Öl, Fett usw. ein sauberes Tuch.

### REINIGUNG DES GERÄTES

- Reinigen Sie nach jedem Gebrauch das 3-zahnige Messer/den Mähkopf mit einer weichen Bürste von Erd- und Grasresten am Messer und Messerschutz.

**⚠ HINWEIS:** Wenn das Fadenmesser stumpf geworden ist, lassen Sie es bitte von einem qualifizierten Servicetechniker schärfen oder ersetzen Sie es durch ein neues Fadenmesser, falls notwendig.

- Reinigen Sie das Schneidwerk nach jedem Gebrauch des Gestrüppschneiders mit einem feuchten Tuch und einem milden Reinigungsmittel.
- Benutzen Sie keine starken Reiniger am Kunststoffgehäuse oder am Griff. Diese Elemente können von bestimmten ätherischen Ölen wie Kiefern- oder Zitronenöl und von Lösungsmitteln wie Petroleum angegriffen werden. Bei Feuchtigkeit besteht zudem Stromschlaggefahr. Wischen Sie feuchte Stellen mit einem weichen, Tuch trocken.
- Reinigen Sie die Lüftungsschlitze am hinteren Gehäuse mit einer kleinen Bürste oder einem kleinen Staubsauger.

### GETRIEBEGEHÄUSE SCHMIEREN

Für optimale, dauerhafte Funktion sollten Sie das Getriebegehäuse nach etwa 50 Betriebsstunden mit je 4-5 g Spezial-Schmierstoff schmieren.

Dieser Schmierstoff sollte folgende Anforderungen erfüllen:

1. Zur NLGI-Klasse 1 nach DIN51818 gehören.
2. Schmierstoff auf Esterbasis.
3. Guter Start bei niedrigen Temperaturen, beste Eigenschaften bei extremem Druck und mechanischer Scherung, beständig gegen Abrieb und Oxidation.
4. Betriebstemperatur muss -40~180°C umfassen.

Den Batterieanschluss und die Verschlusschraube entfernen. Das Getriebegehäuse durch das Schmierloch schmieren.

**⚠ WARNUNG:** Nicht schmieren, wenn der Gestrüppschneider noch mit dem Akku verbunden ist oder läuft.

### FADENABSCHNEIDER NACHSCHLEIFEN

**⚠ WARNUNG:** Schützen Sie immer Ihre Hände, indem Sie robuste Handschuhe tragen, wenn Sie Wartungsarbeiten am Fadenabschneider durchführen.

1. Bauen Sie den Fadenabschneider vom Schneidschutz ab.
2. Tragen Sie einen geeigneten Augenschutz und Handschuhe und passen Sie auf, dass Sie sich nicht schneiden.
3. Spannen Sie den Abschneider in einen Schraubstock ein.
4. Feilen Sie die Schneidkanten des Abschneiders vorsichtig mit einer feinen Feile oder einem

- Schleifstein an, ohne den ursprünglichen Schnittwinkel zu verändern.
5. Bringen Sie den Abschneider wieder am Schneidschutz an und ziehen Sie die beiden Schrauben fest.

### AUFBEWAHREN DES GERÄTES

- Akku aus dem Werkzeug nehmen.
- Tragen Sie dicke Handschuhe, um das Werkzeug gründlich zu reinigen.
- Setzen Sie die Messerhülle auf das 3-zahnige Messer, um es sicher aufzubewahren (Abb. N).
- Lagern Sie das Gerät an einem trockenen, gut belüfteten Ort, der sich abschließen lässt oder hoch gelegen und für Kinder unerreikbaar ist. Lagern Sie das Gerät nicht auf oder neben Düngemitteln, Benzin oder anderen Chemikalien.

**HINWEIS:** Benutzen Sie Ihren Freischneider nicht mit stumpfen oder beschädigten Messern. Dies kann zu einer Überlastung und mangelhaften Schnittergebnissen führen.

### Schützen Sie die Umwelt



Elektrogeräte, alte Akkus und Ladegeräte dürfen nicht im Hausmüll entsorgt werden! Das Gerät muss einer offiziellen Recycling-Sammelstelle zur getrennten Entsorgung zugeführt werden.

Elektrowerkzeuge müssen bei einer umweltfreundlichen Recycling-Einrichtung abgegeben werden. entally compatible recycling facility.

## FEHLERBEHEBUNG

DE

PROBLEM	URSACHE	LÖSUNG
Gerät startet nicht.	<ul style="list-style-type: none"> <li>■ Der Akku ist nicht an der Freischneider angeschlossen oder es besteht kein elektrischer Kontakt zwischen Freischneider und Akku.</li> <li>■ Der Akku ist leer.</li> <li>■ Der Entriegelungsschalter wurde vor dem Drücken der Schalthebel nicht auf „ON“ gestellt.</li> </ul>	<ul style="list-style-type: none"> <li>■ Verbinden Sie den Akkustecker wieder mit dem Freischneider.</li> <li>■ Laden Sie den Akku mit dem vorgeschriebenen Ladegerät auf.</li> <li>■ Stellen Sie vor der Benutzung der Heckenschere sicher, dass der Entriegelungsschalter gelöst ist.</li> </ul>
Betrieb unterbrechen	<ul style="list-style-type: none"> <li>■ Akku oder Gestrüppschneider ist zu heiß.</li> <li>■ Der Freischneider ist überlastet.</li> <li>■ Akku ist nicht mit dem Werkzeug verbunden.</li> <li>■ Akku ist leer.</li> </ul>	<ul style="list-style-type: none"> <li>■ Lassen Sie den Akku oder den Freischneider auf die normale Temperatur abkühlen.</li> <li>■ Das Gerät kommt wieder in Schwung, wenn die Last abgenommen wird. Reduzieren Sie für kontinuierliches Arbeiten die Belastung des Geräts.</li> <li>■ Setzen Sie den Akku wieder ein.</li> <li>■ Laden Sie den Akku mit dem vorgeschriebenen Ladegerät auf.</li> </ul>
Zu starke Vibration oder Lärmentwicklung.	<ul style="list-style-type: none"> <li>■ Trockenes Getriebe</li> <li>■ Ungleichmäßiger Schnittfaden</li> <li>■ 3-Flügel-Messer verbogen oder beschädigt</li> </ul>	<ul style="list-style-type: none"> <li>■ Entfernen Sie die Verschlusschraube und geben Sie Schmieröl hinzu.</li> <li>■ Klopfen Sie den Auftippknopf leicht auf den Boden, während Sie den Fadenmäher benutzen.</li> <li>■ Neues Messer montieren.</li> </ul>
Es wird kein Mähfaden nachgeschoben.	<ul style="list-style-type: none"> <li>■ Der Faden im Mähkopf ist aufgebraucht.</li> <li>■ Der Mähfaden wurde nicht ordnungsgemäß installiert.</li> </ul>	<ul style="list-style-type: none"> <li>■ Montieren Sie neuen Mähfaden am Freischneider.</li> <li>■ Entfernen Sie den Mähfaden und montieren Sie ihn erneut.</li> </ul>

## GARANTIE

### EGO GEWÄHRLEISTUNGSRICHTLINIE

Bitte besuchen Sie unsere website [egopowerplus.eu](http://egopowerplus.eu) mit den kompletten EGO Garantiebedingungen.

**LISEZ TOUTES LES INSTRUCTIONS!****FR****LISEZ LE MANUEL D'UTILISATION**

**⚠ AVERTISSEMENT:** L'utilisation d'un outil électrique peut provoquer la projection d'objets étrangers dans vos yeux, ce qui peut provoquer des lésions oculaires graves. Avant de commencer à utiliser l'outil électrique, portez toujours un masque de sécurité ou des lunettes de sécurité avec des protections latérales et une visière complète si nécessaire. Nous vous recommandons de porter un Masque de Sécurité à Vision Panoramique par-dessus des lunettes de vue ou des lunettes de sécurité standards avec des protections latérales.

**SYMBOLES DE SÉCURITÉ**

Alerte de sécurité



Porter une protection oculaire



Porter un casque de protection.



Porter des chaussures antidérapantes



Attention au ricochet de lame



La distance entre la machine et les autres personnes doit être d'au moins 15 m.



Niveau de puissance acoustique garanti. Émission de bruit dans l'environnement conformément à la directive CE.



Les produits électriques usagés ne doivent pas être jetés avec les ordures ménagères. Apportez-les dans un centre de recyclage agréé.

 $n_0$ 

Régime à vide-Vitesse de rotation sans charge



Courant continu



Pour réduire le risque de blessures, l'utilisateur doit lire la notice d'utilisation.



Porter une protection auditive



Porter une protection pour les mains



Attention à la projection d'objets



Déconnectez la batterie avant l'entretien



Ce produit est conforme aux directives CE applicables.



Ce produit est conforme aux directives CE applicables.

V

Tension

.../min

Par minute

kg

Kilogramme

IPX5

Protection contre les jets d'eau

## SPÉCIFICATIONS

Unité de coupe	Tête de coupe	Lame en métal à 3 dents
Tension	56 V	56 V
Régime à vide	4000-5800 /min	4000-5800 /min
Température d'utilisation recommandée :	0°C~40°C	
Température de stockage recommandée :	-20°C~70°C	
Type de fil de coupe	2,4 mm	/
Lame de coupe	/	ABB1203
Largeur de coupe	38 cm	30 cm
Poids	6,8 kg	6,46 kg
Niveau de puissance acoustique mesuré $L_{WA}$	95 dB(A) K=1,1 dB(A)	96,3 dB(A) K=2,1 dB(A)
Niveau de pression acoustique au niveau des oreilles de l'opérateur $L_{PA}$	82 dB(A) K=2,5 dB(A)	83,4 dB(A) K=4,1 dB(A)
Niveau de puissance acoustique garanti $L_{WA}$ (d'après 2000/14/CE)	96 dB(A)	98 dB(A)
Vibration $a_h$	Poignée gauche	1,9 m/s <sup>2</sup> K=1,5 m/s <sup>2</sup>
	Poignée droite	1,5 m/s <sup>2</sup> K=1,5 m/s <sup>2</sup>

- La valeur totale des vibrations indiquée a été mesurée selon une procédure conforme à une méthode de test standardisée et peut servir pour comparer différents outils.
- La valeur totale des vibrations indiquée peut également servir pour effectuer une première évaluation de l'exposition.

**REMARQUE :** L'émission de vibrations pendant l'utilisation réelle de l'outil électrique est fonction de la manière dont il est utilisé et peut différer de la valeur indiquée. Pour se protéger, l'opérateur doit porter des gants et un casque antibruit dans les conditions actuelles d'utilisation.

## CONTENU DE L'EMBALLAGE (Image A1)

## DESCRIPTION

### DESCRIPTION DE VOTRE DÉBROUSSAILLEUSE (Image A1)

- Ligne de coupe:
- Assemblage du carter
- Manche
- Interrupteur-gâchette
- Bouton de déverrouillage
- Boulon papillon
- Crochet
- Prise
- Plaque du carter
- Guidon
- Vis d'étanchéité
- Trou de blocage du manche
- Lame de coupe
- Accessoire supplémentaire pour le carter
- Lame à 3 dents
- Protège-lame
- Bride externe
- Écrou
- Clé Multifonctions
- Clé à six pans
- 21\*. Coussinet de hanche (vendu séparément)

**⚠ AVERTISSEMENT :** N'utilisez jamais l'outil sans son capot de protection solidement assemblé. Le capot de protection doit toujours être assemblé sur l'outil pour protéger l'utilisateur.

**⚠ AVERTISSEMENT :** Quand l'outil est équipé avec une tête de coupe, le capot de protection auxiliaire avec coupe-fil doit être assemblé sur le capot de protection. Ne pas respecter cette exigence provoquera un allongement excessif du fil de coupe et la surcharge du moteur. N'utilisez jamais la tête de coupe sans le capot de protection auxiliaire.

## ASSEMBLAGE

**⚠ AVERTISSEMENT :** Si des pièces sont endommagées ou manquantes, n'utilisez pas la débroussailleuse tant que toutes les pièces n'ont pas été remplacées. Utilisez la débroussailleuse avec des pièces endommagées ou manquantes peut provoquer des blessures corporelles graves.

**⚠ AVERTISSEMENT :** N'essayez pas de modifier la débroussailleuse ou de créer des accessoires non recommandés pour l'usage avec ce produit. De tels modifications et changements constituent un usage impropre et peuvent engendrer des situations dangereuses pouvant provoquer des blessures corporelles graves.

**⚠ AVERTISSEMENT :** Portez toujours des gants épais lors de l'installation ou du démontage du capot de protection et pendant toutes les opérations d'entretien de la lame à 3 dents ou du coupe-fil. Prenez garde au coupe-fil présent sur le capot de protection auxiliaire et à la lame à 3 dents. Protégez vos mains pour éviter qu'elles ne soient blessées par les lames.

**⚠ AVERTISSEMENT :** Pour éviter un démarrage accidentel pouvant provoquer des blessures corporelles graves, retirez toujours la batterie de l'outil avant toute opération d'assemblage de pièce, de réglage ou de nettoyage et quand l'outil n'est pas utilisé.

**⚠ AVERTISSEMENT :** N'utilisez jamais l'outil sans le capot de protection et le guidon solidement assemblés. Ne pas respecter cette exigence peut provoquer des blessures corporelles graves.

## ASSEMBLER ET RÉGLER LE GUIDON

La débroussailleuse se range dans la position montrée sur l'image B. Desserrez d'abord la vis papillon du connecteur, puis relevez le guidon de 180° autour du manche (Image C), tournez-le de 90° dans le sens antihoraire pour le placer face à la tête de coupe (Image D). Pour terminer, déplacez-le d'avant en arrière jusqu'à trouver une position de travail confortable et terminez en resserrant la vis.

**REMARQUE :** L'utilisation de la machine avec le guidon perpendiculaire au manche est uniquement autorisée.

## ASSEMBLER LE CAPOT DE PROTECTION

**⚠ AVERTISSEMENT :** Portez toujours des gants pour assembler ou remplacer le carter de protection. Prenez garde à la lame lorsque vous montez le carter de protection et protégez votre main pour éviter de vous couper.

**⚠ AVERTISSEMENT :** N'utilisez jamais la machine sans que son carter de protection ne soit bien en place. Le carter de protection doit toujours être monté sur la machine pour protéger l'utilisateur ! Une fois que le carter a été fixé, n'essayez jamais de le démonter ou de

le régler. S'il doit être remplacé, cela doit être fait par un réparateur qualifié !

Desserrez et enlevez les deux vis du carter (Image E), alignez les trous de montage du carter avec les trous de montage, puis verrouillez le carter sur la base du manche avec les deux vis et deux rondelles à ressort (Image F).

**⚠ AVERTISSEMENT :** Veillez à ce que la surface interne du capot de protection soit dirigée vers la tête de coupe (Image F).

**⚠ AVERTISSEMENT :** Quand la débroussailleuse est utilisée comme coupe-herbe avec une tête de coupe, l'accessoire supplémentaire pour le carter doit être assemblé sur le carter. Ne pas respecter cette exigence peut entraîner une longueur excessive du fil de coupe et une surcharge du moteur.

## REEMPLACER LA TÊTE DE COUPE PAR LA LAME À 3 DENTS

La tête de coupe est assemblée comme illustré sur le Image G. Démontez la tête de coupe et assemblez la lame à trois dents sur la débroussailleuse.

1. Retirez la fiche secteur du coupe-bordure.
2. Tournez la tête de coupe pour aligner la fente de la bride avec le trou de verrouillage du manche dans le boîtier d'engrenage et insérez un stabilisateur dans le trou (schéma G).
3. Tournez la tête de coupe dans le sens des aiguilles d'une montre pour l'enlever (schéma G).
4. Retirez l'accessoire de carter en desserrant les trois vis avec rondelle (schéma H).
5. La lame est fournie avec un protège-lame. Avant d'assembler la lame sur la débroussailleuse, le protège-lame doit être retiré en défaisant la tige de blocage du crochet du protège-lame (Image I1).

Image G & I1 Description des pièces, voir ci-dessous :

**REMARQUE :** Pour éviter de vous blesser, vous devez porter des gants avant toute opération sur la lame à 3 dents.

6. Assemblez la bride intérieure et le couvercle de la bride en position (Image I2).
7. Assemblez la lame sur l'arbre du moteur, en veillant à ce que la surface de la lame affleure la surface du renflement de la bride intérieure. Assemblez la bride extérieure et l'écrou (Image I3). Serrez un peu l'écrou à la main dans le sens contraire des aiguilles d'une montre.
8. Placez le boîtier d'engrenage contre une surface rigide pour faire support. En tenant le manche de la débroussailleuse d'une main et en tenant la clé



multifonction de l'autre main, serrez l'écrou dans le sens de la flèche présente sur la bride externe (Image I4).

### REEMPLACER LA LAME À TROIS DENTS PAR LA TÊTE DE COUPE

La lame de coupe à trois dents est assemblée comme illustré sur le Image J1. Démontez la lame à trois dents et assemblez la tête de coupe sur la débroussailleuse.

1. Tournez la lame pour aligner la fente de la bride avec le trou de verrouillage du manche dans le boîtier d'engrenage et insérez un stabilisateur dans le trou.
2. Positionnez le boîtier d'engrenage contre une surface solide servant de support. Avec une main, tenez le manche de la débroussailleuse et avec l'autre main, saisissez la clé multifonctions pour desserrer l'écrou dans le sens des aiguilles d'une montre (Image I4).
3. Retirez l'écrou, la bride extérieure et la lame de la débroussailleuse (schéma J2).

J-1	Manche	J-5	Bride extérieure
J-2	Bride intérieure	J-6	Écrou
J-3	Couvercle de bride	J-7	Fente de la bride
J-4	Lame à trois dents		

**REMARQUE :** Pour éviter les blessures, lorsque la lame à trois dents n'est pas utilisée, rangez la lame dans le protège-lame.

4. Assemblez l'accessoire supplémentaire pour le carter à la débroussailleuse en serrant les trois vis et les rondelles (Image H).
5. Tournez la tête de coupe dans le sens inverse des aiguilles d'une montre pour l'installer (schéma G). Pour recharger le fil de coupe, suivez les consignes indiquées dans la partie « CHANGER LE FIL DE COUPE ».

**REMARQUE :** Ne pas enrouler le fil de coupe dans le sens indiqué provoquera un dysfonctionnement de la tête de coupe.

## UTILISATION

**⚠ AVERTISSEMENT :** Veillez à ne pas devenir moins prudent au fur et à mesure que vous vous familiarisez avec cet outil. Gardez à l'esprit qu'une seconde d'inattention peut suffire pour provoquer des blessures graves.

**⚠ AVERTISSEMENT :** Portez toujours une protection oculaire et une protection auditive. Sans protection, des objets peuvent être projetés dans vos yeux et d'autres blessures graves peuvent se produire.

**⚠ AVERTISSEMENT :** N'utilisez aucun accessoire ou pièce non recommandé par le fabricant de ce produit. L'utilisation d'accessoires ou de pièces non recommandés peut provoquer de graves blessures corporelles.

### APPLICATIONS

Ce produit peut être utilisé sous la pluie.

Vous pouvez utiliser cet outil pour les usages listés ci-dessous :

**Taille :** pour retirer l'herbe et les mauvaises herbes contre les murs, clôtures, arbres et bordures.

**Coupe :** pour couper l'herbe difficile à atteindre avec une tondeuse classique.

**REMARQUE :** La machine ne doit être utilisée que pour son usage prévu. Toute autre utilisation est considérée comme inappropriée.

### COMMENT TENIR LA DEBROUSSAILLEUSE

Avant de connecter la batterie du sac à dos à la débroussailleuse, placez le sac à batterie sur votre dos et assemblez le coussinet de hanche sur le harnais de votre sac à dos en vous référant au manuel du BAX1500 et AHP1500.

Assemblez le coussinet de hanche à la débroussailleuse en raccordant le crochet au trou de montage (Image K). Choisissez l'un des huit trous du manche pour optimiser le confort d'utilisation.

Tenez l'outil à deux mains sur la droite de votre corps (Image S). La tête de coupe ou la lame doit être parallèle au sol à une distance de coupe appropriée sans que l'opérateur soit perché.

Retirer la débroussailleuse peut être réalisé de deux façons. Relâchez les boucles de poitrine et de la ceinture (Image L1) ou appuyez sur le crochet du coussinet de hanche et écartez-le du trou de montage sur le manche.

**⚠ AVERTISSEMENT :** En cas d'urgence, détacher les boucles de la poitrine et de la ceinture est la méthode la plus rapide pour dégager la débroussailleuse.

**⚠ AVERTISSEMENT :** Vous ne devez pas utiliser la bandoulière simple et la bandoulière double avec la batterie du sac à dos simultanément.

Utilisez exclusivement les batteries et les chargeurs EGO listés au schéma A2.

### Installer la batterie (Image L2)

Align of plug with of brush cutter. Insérez la fiche dans la machine jusqu'à ce que le joint vert disparaisse complètement dans la prise.

## Retrait

Retirez le cordon de la batterie de la rainure de montage et retirez la fiche de la débroussailleuse.

FR

## ALLUMER/ÉTEINDRE LA DÉBROUSSAILLEUSE

### Allumer l'outil

Poussez le bouton de déverrouillage en position "ON" (MARCHE) (Image M). Déplacez la petite gâchette vers le haut et appuyez sur l'interrupteur à gâchette pour démarrer la débroussailleuse. Une pression différente sur la gâchette entraîne une vitesse de rotation variable de l'unité de coupe.

Image L1 & M Description des pièces, voir ci-dessous :

L-1	Boucle de poitrine	M-1	Bouton de déverrouillage
L-2	Boucle de ceinture	M-2	Petite gâchette
L-3	Crochet	M-3	Interrupteur à gâchette

### Éteindre l'outil

Relâchez l'interrupteur à gâchette et poussez le bouton de déverrouillage en position "OFF" (ARRET).

**AVERTISSEMENT :** Retirez toujours la batterie de l'outil pendant les pauses durant le travail et après avoir terminé le travail.

## UTILISER LA DÉBROUSSAILLEUSE

**⚠ AVERTISSEMENT :** Quand vous utilisez cet outil, portez une tenue appropriée pour réduire le risque de blessures. Ne portez pas de vêtement ample ni de bijou. Portez des protections oculaires et auditives. Portez toujours des gants, des bottes et des pantalons longs et épais. Ne portez pas de shorts ni de sandales et n'utilisez pas l'outil pieds nus. Avant d'utiliser cet outil, regardez autour de vous pour vous assurer que la zone de travail est sécurisée et qu'il n'y a pas d'autres personnes, animaux ou objets à proximité. Assurez-vous que ceux-ci sont éloignés d'au moins 15 mètres de l'outil. Puis assurez-vous de vous protéger les yeux, de porter des vêtements appropriés et de garder un bon équilibre.

Avant chaque utilisation, vérifiez qu'il n'y a pas de pièces endommagées / usées. Vérifiez la tête de coupe, la lame à trois dents, le carter, l'accessoire supplémentaire du carter et le guidon, et remplacez toutes les pièces qui sont fissurées, déformées, pliées ou endommagées. Le bord de la lame de coupe proche de l'accessoire supplémentaire du carter s'use avec le temps. Il est

recommandé de l'affûter régulièrement avec une lime ou de la remplacer par une lame neuve.

### Après chaque utilisation, nettoyez la débroussailleuse.

**⚠ ATTENTION :** Si les ouïes de ventilation sont bouchées, cela empêchera l'air de circuler dans le boîtier du moteur, ce qui peut provoquer la surchauffe et la détérioration du moteur.

- Nettoyez l'outil exclusivement avec un chiffon humide et du savon doux. Ne laissez jamais de liquide pénétrer à l'intérieur de la machine ; n'immergez jamais une partie de la machine dans un liquide.
- Veillez à ce que les ouïes de ventilation du boîtier du moteur soient toujours exemptes de débris.

**⚠ AVERTISSEMENT :** N'utilisez pas de solvant pour nettoyer les pièces en plastique. La plupart des plastiques peuvent être détériorés par de nombreux types de solvants vendus dans le commerce. Utilisez des chiffons propres pour enlever les saletés, les poussières, l'huile, la graisse, etc.

## UTILISER LA TÊTE DE COUPE

### Blocage de la tête de taille-bordures

- Pour éviter tout blocage, gardez la tête du taille-bordures propre. Enlevez l'herbe coupée, les feuilles, la saleté et tout autre débris accumulé avant et après chaque utilisation.
- En cas de blocage, arrêtez le taille-bordures et retirez-en la batterie, puis enlevez l'herbe qui aurait pu s'enrouler autour de l'arbre du moteur ou de la tête du taille-bordures.

### Régler la longueur du fil de coupe

La tête de coupe permet à l'opérateur d'allonger le fil de coupe sans éteindre le moteur. Quand le fil de coupe devient usé ou effiloché, vous pouvez l'allonger en frappant légèrement le tête de frappe sur le sol pendant que l'outil est en marche.

**REMARQUE :** L'allongement du fil est plus difficile quand il devient trop court.

**⚠ AVERTISSEMENT :** Ne retirez pas et ne modifiez pas l'assemblage du coupe-fil. Si la longueur du fil de coupe est excessive, cela peut provoquer la surchauffe du moteur et des blessures corporelles graves.

### Changer le fil de coupe

**⚠ AVERTISSEMENT :** N'utilisez jamais de corde, de fil métallique, de fil à renfort métallique, etc., car ils peuvent se casser et devenir des projectiles dangereux.

**REMARQUE :** Utilisez toujours le fil de coupe en nylon recommandé d'un diamètre ne dépassant pas 2,7 mm.

Utiliser un autre fil que celui spécifié peut provoquer la surchauffe et la détérioration du coupe-bordure.

1. Retirez la fiche secteur du coupe-bordure.
2. Retirez le fil de coupe restant, si nécessaire.
3. Préparez un fil de coupe d'une longueur de 8 m. Insérez le fil dans les trous d'assemblage des œillets (schéma J3). Poussez le fil et tirez-le de l'autre côté jusqu'à ce qu'il y ait une longueur de fil identique de chaque côté de la bobine.
4. Appuyez, tout en tournant le boîtier inférieur dans le sens de la flèche, pour enrouler le fil sur la bobine jusqu'à ce que 12 cm environ de fil dépassent de chaque côté (schéma J4).
5. Appuyez sur le boîtier inférieur tout en tirant les extrémités du fil pour les faire sortir manuellement et contrôler le bon assemblage de la tête de coupe.

Si le fil de coupe casse au niveau du trou de sortie ou s'il ne sort pas quand vous tapez sur la tête de coupe, procédez comme suit :

1. Appuyez sur les languettes de déblocage du boîtier supérieur et retirez le boîtier inférieur en le tirant vers l'extérieur (schémas J5 et J6).
2. Retirez le fil de coupe de la bobine.
3. Tenez le boîtier inférieur d'une main et utilisez l'autre main pour aligner les languettes du boîtier supérieur sur les trous du boîtier inférieur (schéma J7). Enfoncez le boîtier inférieur avec la paume de la main jusqu'à ce que les languettes se verrouillent dans le boîtier supérieur.
4. Pour recharger le fil de coupe, suivez les consignes indiquées dans la partie « CHANGER LE FIL DE COUPE ».

### Utiliser la lame de coupe à trois dents

**⚠ AVERTISSEMENT :** Pour couper la végétation sauvage et les broussailles, abaissez la lame à 3 dents en rotation vers le bas sur la végétation pour créer un effet de hachage. Utilisez la débroussailleuse comme une faux (balancez-la à droite et à gauche) au niveau du sol. Ne positionnez pas l'unité de coupe plus haut que votre taille.

**⚠ AVERTISSEMENT :** Plus l'unité de coupe est haut par rapport au sol, plus il y a de risques de blessures dues aux projections latérales de végétaux coupés.

**⚠ AVERTISSEMENT :** Lors de la coupe de jeunes arbustes ou d'autres matériaux en bois d'un diamètre allant jusqu'à 2 cm, utilisez le côté gauche de la lame pour éviter des rebonds de lame. N'essayez pas de couper des matériaux en bois d'un diamètre supérieur, car la lame risque de s'accrocher ou de renvoyer les végétaux coupés vers l'avant. Cela peut provoquer la détérioration de la lame ou de la débroussailleuse, vous en faire perdre

le contrôle et provoquer des blessures corporelles.

**⚠ AVERTISSEMENT :** L'usage incorrect d'une lame de débroussailleuse peut la fissurer, l'ébrécher ou la faire éclater. Les morceaux projetés peuvent gravement blesser l'opérateur ou les autres personnes. Pour réduire le risque de blessures corporelles, il est essentiel de prendre les précautions suivantes :

- Évitez le contact avec des objets étrangers durs ou rigides, par exemple des pierres, des cailloux ou des morceaux de métal.
- Ne coupez jamais d'arbustes ou de broussailles dont le diamètre est supérieur à 2 cm.
- Inspectez la lame à intervalles courts et réguliers pour vérifier qu'elle n'est pas endommagée. Ne continuez pas à travailler avec une lame endommagée.
- Réaffûtez la lame régulièrement (quand elle est visiblement émoussée) et faites-la équilibrer si nécessaire (cela doit être fait par un réparateur qualifié).

### Rebond de lame

Faites extrêmement attention lors de l'utilisation de la lame à 3 dents avec cet outil. Le rebond de lame est une réaction pouvant se produire quand la lame en rotation entre en contact avec quelque chose qu'elle ne peut pas couper. Ce contact peut stopper la lame instantanément et brusquement projeter l'outil loin de l'objet touché. Cette réaction peut être suffisamment violente pour faire perdre le contrôle de l'outil à l'opérateur. Le rebond de lame peut se produire sans avertissement si la lame se coince, se bloque ou s'accroche. Cela a une plus forte probabilité de se produire dans les endroits où il est difficile de voir le matériau à couper. Pour couper facilement et de manière sûre, approchez des végétaux à couper avec la débroussailleuse de la droite vers la gauche. En cas de contact avec des végétaux épais ou des objets imprévus, cette méthode permet normalement de minimiser le rebond de lame.

### ENTRETIEN

**⚠ AVERTISSEMENT :** Avant d'inspecter, de nettoyer ou de réparer l'outil, éteignez le moteur, attendez que toutes les pièces mobiles se soient arrêtées et retirez la batterie. Ne pas respecter ces instructions peut provoquer des blessures corporelles graves et des dommages matériels.

**⚠ AVERTISSEMENT :** L'outil ne doit être réparé qu'avec des pièces de rechange identique. L'utilisation de toute autre pièce peut créer un danger ou détériorer l'outil. Pour garantir la sécurité et la fiabilité, toutes les réparations doivent être effectuées par un réparateur qualifié.

## NETTOYER L'OUTIL

N'utilisez pas de solvant pour nettoyer les pièces en plastique. La plupart des plastiques peuvent être détériorés par de nombreux solvants différents vendus dans le commerce. Utilisez des chiffons propres pour enlever les saletés, les poussières, les huiles, les graisses, etc.

## NETTOYER L'OUTIL

- Après chaque utilisation de la tête de coupe ou de la lame à 3 dents, enlevez les débris, la terre et l'herbe de la lame, de la tête de coupe et du capot de protection avec une brosse douce.
- **REMARQUE** : Quand le coupe-fil est émoussé, faites-le affûter par un technicien qualifié ou changez-le par un coupe-fil neuf si nécessaire.
- Après chaque utilisation de la débroussailleuse, nettoyez l'unité de coupe avec un chiffon humide et du détergent doux.
- N'utilisez pas de détergent puissant sur le boîtier en plastique ou sur la poignée, car ils peuvent être endommagés par certaines huiles aromatiques, par exemple de pin et de citron, et par les solvants, par exemple l'essence. L'humidité peut également générer un risque de choc électrique. Essayez les traces d'humidité avec un chiffon doux et sec.
- Avec une petite brosse ou un petit aspirateur, nettoyez les ouïes de ventilation du boîtier arrière.

## LUBRIFIER LE BOÎTIER D'ENGRENAGE

Pour optimiser le fonctionnement et maximiser la durée de vie, lubrifiez le boîtier d'engrenage avec une graisse spéciale (4~5 g chaque fois) toutes les 50 heures d'utilisation.

La graisse spéciale doit satisfaire aux critères suivants :

1. Appartenir à la classe NLGI-1 de profondeur de pénétration d'un cône selon la norme DIN51818.
2. Graisse à base d'esters.
3. Avoir d'excellentes propriétés de démarrage à basse température, de résistance aux pressions extrêmes, au cisaillement mécanique et à l'abrasion, et de stabilité à l'oxydation.
4. Températures d'utilisation comprises entre -40°C et 180°C.

Débranchez la fiche de la batterie et la vis d'étanchéité. Lubrifiez le boîtier d'engrenage par le trou de graissage.

**⚠ AVERTISSEMENT** : Ne lubrifiez pas pendant que la débroussailleuse est encore connectée à la batterie ou encore en fonctionnement.

## AFFÛTER LA LAME DE COUPE

**⚠ AVERTISSEMENT** : Protégez toujours vos mains en portant des gants pour travaux lourds pendant toutes les opérations d'entretien de la lame de coupe.

1. Retirez la lame de coupe du capot de protection.
2. Portez une protection oculaire appropriée et des gants et faites attention à ne pas vous couper.
3. Fixez la lame dans un étai.
4. Limez soigneusement les bords coupants de la lame à l'aide d'une lime fine ou d'une pierre à aiguiser, en suivant l'angle du bord original de coupe."
5. Remplacez la lame sur le capot et fixez-la avec deux vis.

## RANGER L'OUTIL

- Retirez la batterie de l'outil.
- Portez des gants épais pour nettoyer intégralement l'outil.
- Recouvrez la lame à 3 dents avec le protège-lame pour pouvoir la ranger de manière sûre (Image N).
- Rangez l'outil dans un endroit sec, bien aéré, fermé à clé ou en hauteur, et hors de portée des enfants. Ne rangez pas l'outil sur ou à côté d'engrais, d'essence ou d'autres substances chimiques.

**REMARQUE** : N'utilisez pas votre machine avec des lames endommagées ou émoussées. Cela peut la mettre en surcharge et la coupe ne serait pas satisfaisante.

## Protection de l'environnement



Ne jetez pas les équipements électriques, les batteries usées et les chargeurs avec les ordures ménagères ! Apportez ce produit chez un recycleur agréé et rendez-le disponible pour une collecte séparée. Les outils électriques doivent être amenés dans un centre de recyclage pour assurer un respect de l'environnement.

## DÉPANNAGE

FR

PROBLÈME	URSACHE	LÖSUNG
La machine ne démarre pas	<ul style="list-style-type: none"> <li>■ La batterie n'est pas branchée à la débroussailleuse ou il n'y a pas de contact électrique entre la débroussailleuse et la batterie.</li> <li>■ La batterie est déchargée.</li> <li>■ Vous n'avez pas positionné le bouton de déverrouillage dans la position "ON" (Marche) avant d'appuyer sur les interrupteurs marche/arrêt.</li> </ul>	<ul style="list-style-type: none"> <li>■ Rebranchez la fiche de la batterie dans la débroussailleuse.</li> <li>■ Rechargez la batterie avec le chargeur spécifié.</li> <li>■ Avant d'utiliser l'outil, vérifiez que le bouton de déverrouillage est dans la position de déverrouillage.</li> </ul>
La débroussailleuse s'arrête de fonctionner	<ul style="list-style-type: none"> <li>■ La batterie ou la débroussailleuse est trop chaude.</li> <li>■ La débroussailleuse est surchargée.</li> <li>■ La batterie est déconnectée de l'outil.</li> <li>■ La batterie est déchargée.</li> </ul>	<ul style="list-style-type: none"> <li>■ Laissez la batterie ou la débroussailleuse refroidir jusqu'à ce que sa température redevienne normale.</li> <li>■ Le moteur pourra redémarrer quand la charge aura été retirée. Pour un travail continu, réduisez la charge de la machine.</li> <li>■ Réinstallez la batterie.</li> <li>■ Rechargez la batterie avec le chargeur spécifié.</li> </ul>
Bruits ou vibrations excessifs.	<ul style="list-style-type: none"> <li>■ Boîtier d'engrenage sec</li> <li>■ Le fil de coupe est déséquilibré.</li> <li>■ La lame à trois dents est émoussée ou endommagée</li> </ul>	<ul style="list-style-type: none"> <li>■ Retirer la vis d'étanchéité et ajoutez de l'huile de lubrification.</li> <li>■ Frappez légèrement le bouton de frappe sur le sol pendant l'utilisation de l'outil pour faire avancer le fil de coupe.</li> <li>■ Remplacez la lame par une lame neuve.</li> </ul>
Le fil de coupe ne peut pas être libéré.	<ul style="list-style-type: none"> <li>■ Il n'y a plus de fil dans la bobine.</li> <li>■ Le fil de coupe n'a pas été installé correctement.</li> </ul>	<ul style="list-style-type: none"> <li>■ Assemblez un nouveau fil de coupe dans la débroussailleuse.</li> <li>■ Retirez le fil de coupe et ré-assemblez-le.</li> </ul>

## GARANTIE

### POLITIQUE DE GARANTIE EGO

Veuillez consulter le site [egopowerplus.eu](http://egopowerplus.eu) pour trouver l'ensemble des modalités et conditions de la politique de garantie EGO

## ¡LEA TODAS LAS INSTRUCCIONES!



LEA EL MANUAL DEL USUARIO

ES



Aviso de seguridad



Utilizar protección ocular



Utilizar protección para la cabeza



Usar calzado antideslizante



Tener cuidado con el contragolpe de las cuchillas



La distancia entre la máquina y otras personas debe ser al menos 15 m.



Nivel de potencia acústica garantizado. La emisión de ruido al medio ambiente cumple la directiva de la Comunidad Europea.



Los productos eléctricos no deben eliminarse con la basura doméstica. Llévelos a un centro de reciclaje autorizado.

$n_0$

Velocidad sin carga-Velocidad de giro, sin carga



Corriente continua

## SÍMBOLOS DE SEGURIDAD

**⚠ ADVERTENCIA:** Cuando se utilizan herramientas eléctricas, es posible que salgan despedidos objetos que podrían causar lesiones oculares graves. Antes de empezar a usar herramientas eléctricas, póngase siempre gafas de seguridad, gafas con cristales anti-impacto que cuenten con pantallas de protección lateral, o bien una máscara facial que proteja completamente la cara. Recomendamos usar una máscara de seguridad de amplia visión que pueda utilizarse encima de gafas graduadas, o bien gafas normales de seguridad equipadas con pantallas laterales.



Para reducir el riesgo de lesiones, el usuario debe leer el manual de instrucciones.



Utilizar protección auditiva



Usar protección para las manos



Cuidado con los objetos arrojados



Desconecte la batería antes de realizar el mantenimiento



Este producto está en conformidad con las directivas de la CE aplicables.



Este producto está en conformidad con la legislación aplicable del Reino Unido.

V Tensión

.../min Por minuto

kg Kilogramo

IPX5 Protección contra chorros de agua

## ESPECIFICACIONES

Elemento de corte	Cabezal del cortabordes	Cuchilla metálica de 3 dientes	
Tensión	56 V	56 V	
Velocidad sin carga	4000-5800 /min	4000-5800 /min	
Temperatura Operativa Recomendada:	0°C-40°C		
Temperatura Recomendada de Almacenaje:	-20°C-70°C		
Tipo de hilo de corte	2,4 mm	/	
Cuchilla	/	ABB1203	
Anchura de corte	38 cm	30 cm	
Peso	6,8 kg	6,46 kg	
Nivel de potencia acústica ponderado $L_{WA}$	95 dB(A) K=1,1 dB(A)	96,3 dB(A) K=2,1 dB(A)	
Nivel de presión acústica medido a la altura del oído del usuario $L_{PA}$	82 dB(A) K=2,5 dB(A)	83,4 dB(A) K=4,1 dB(A)	
Nivel de potencia acústica garantizado $L_{WA}$ (medido según 2000/14/CE)	96 dB(A)	98 dB(A)	
Nivel de vibraciones $a_h$	Mango izquierdo	1,9 m/s <sup>2</sup> K=1,5 m/s <sup>2</sup>	1,9 m/s <sup>2</sup> K=1,5 m/s <sup>2</sup>
	Mango derecho	1,5 m/s <sup>2</sup> K=1,5 m/s <sup>2</sup>	1,3 m/s <sup>2</sup> K=1,5 m/s <sup>2</sup>

- El nivel total de vibraciones especificado ha sido medido conforme al método de prueba estándar empleado en la industria y puede utilizarse para efectuar comparaciones entre herramientas.
- Asimismo, el nivel total de vibraciones declarado podrá utilizarse para efectuar una evaluación preliminar de la exposición del usuario a los niveles de vibración generados por la herramienta.

**AVISO:** Las vibraciones generadas durante el uso real de la herramienta eléctrica podrán diferir del valor declarado en función de la manera en que se utilice. A modo de protección, el usuario deberá utilizar guantes y protectores auditivos en condiciones reales de uso.

## LISTA DE EMBALAJE (Fig. A1)

### DESCRIPCIÓN

#### FAMILIARÍCESE CON LA DESBROZADORA (fig. A1)

- Hilo de corte
- Conjunto de protección
- Tubo
- Gatillo interruptor
- Botón de desbloqueo del interruptor
- Tornillo de mariposa
- Gancho
- Conexión
- Placa de protección
- Manillar
- Tornillo de sellado
- Orificio de bloqueo del tubo
- Cuchilla de recorte del hilo
- Accesorio protector
- Cuchilla de 3 dientes
- Funda de la cuchilla
- Brida exterior
- Tuerca
- Llave multifunción
- Llave hexagonal
- Almohadilla para la cadera (se vende por separado)

**⚠ ADVERTENCIA:** Nunca utilice la herramienta sin la protección instalada y firmemente sujeta en su sitio. La protección debe estar siempre en la herramienta para proteger al usuario.

**⚠ ADVERTENCIA:** Cuando la herramienta se equie con un cabezal cortabordes, el accesorio de la protección con la cuchilla de corte del hilo debe estar instalado sobre la protección. De lo contrario, se producirá un hilo de corte excesivamente largo y una sobrecarga del motor. No use nunca el cabezal cortabordes sin el accesorio de la protección.

### CONJUNTO

**⚠ ADVERTENCIA:** Si alguna pieza falta o está dañada, no utilice la desbrozadora hasta haber sustituido dichas piezas. Podrían producirse lesiones graves si se usa la desbrozadora con piezas dañadas o si faltan piezas.

ES

**⚠ ADVERTENCIA:** No intente modificar la desbrozadora ni fabricar accesorios no recomendados para el uso con este producto. Cualquier alteración o modificación se considerará uso indebido y podría provocar una situación peligrosa con riesgo de lesiones graves.

**⚠ ADVERTENCIA:** Lleve siempre guantes resistentes cuando instale o quite la protección y cuando realice el mantenimiento de la cuchilla de 3 dientes o de la cuchilla de corte del hilo. Tenga cuidado con la cuchilla de corte del hilo en el accesorio de la protección/la cuchilla de 3 dientes, y proteja sus manos para no lesionarse con ambas cuchillas.

**⚠ ADVERTENCIA:** Para evitar una puesta en marcha accidental que pudiera causar lesiones graves, quite siempre la batería de la herramienta antes de instalar piezas, hacer ajustes o limpiar la herramienta, así como cuando no la utilice.

**⚠ ADVERTENCIA:** Nunca utilice la herramienta sin la protección y el manillar instalado y firmemente sujetos en su sitio. De lo contrario, podría sufrir lesiones graves.

### MONTAJE Y AJUSTE DEL MANILLAR

La desbrozadora se guarda como se indica en la Fig. B. Afloje primero el tornillo de mariposa en la junta de unión y, a continuación, levante el manillar 180° alrededor del tubo (Fig. C), gírelo 90° en sentido antihorario para que quede mirando hacia el cabezal de impacto (Fig. D). Por último, muévelo hacia atrás y hacia delante hasta llegar a una posición de trabajo cómoda y apriete el tornillo.

**NOTA:** Solo está permitido usar la herramienta con el manillar perpendicular al tubo.

### MONTAJE DE LA PROTECCIÓN

**⚠ ADVERTENCIA:** Utilice siempre guantes al instalar o sustituir la protección. Tenga cuidado con la cuchilla instalada en la protección y protéjase las manos adecuadamente para evitar cortarse.

**⚠ ADVERTENCIA:** Nunca utilice la máquina sin la protección instalada y firmemente sujeta en su sitio. ¡La protección deberá estar siempre instalada en la máquina para proteger al usuario! Cuando la protección esté fijada, no intente nunca quitarla o ajustarla. ¡En caso de que haya que sustituirla, deberá hacerlo un técnico cualificado!

Afloje los dos tornillos de la protección y quítelos (fig. E), alinee los orificios de montaje de la protección con

los orificios de instalación y, a continuación, bloquee la protección sobre la base del tubo utilizando los dos tornillos, junto con dos arandelas elásticas (fig. F).

**⚠ ADVERTENCIA:** Asegúrese de que la superficie interna de la protección esté orientada hacia el cabezal de corte (fig. F).

**⚠ ADVERTENCIA:** Cuando la desbrozadora esté equipada con un cabezal cortabordes, deberá instalarse el accesorio protector sobre la protección. De lo contrario, podría producirse un hilo de corte excesivamente largo y una sobrecarga del motor.

### SUSTITUIR EL CABEZAL DEL CORTABORDES POR LA CUCHILLA DE 3 DIENTES

1. Saque el enchufe de alimentación del cortabordes con cabezal de hilo.
2. Gire el cabezal del cortabordes para alinear la ranura en la brida con el orificio de bloqueo del tubo en la caja de engranaje, e inserte un estabilizador en el orificio (fig. G).
3. Gire el cabezal del cortabordes en sentido horario para quitarlo (fig. G).
4. Quite el accesorio de protección aflojando los tres tornillos con arandelas (fig. H).
5. La cuchilla se suministra con una funda. Antes de instalar la cuchilla en la desbrozadora, hay que quitar la funda soltando el alambre de sujeción del gancho de la funda (fig. I1).

**AVISO:** Para protegerse de las posibles lesiones, deberá ponerse guantes antes de manipular la cuchilla de 3 dientes.

6. Monte en su posición la brida interior y la cubierta de la brida (fig. I2).
7. Instale la cuchilla en el eje del motor, asegurándose de que la superficie de la cuchilla esté a nivel con la superficie del saliente de la brida interior. Monte la brida exterior y la tuerca (fig. I3). Apriete previamente la tuerca a mano en sentido ANTIHORARIO.
8. Coloque la caja de engranajes contra una superficie sólida como apoyo. Sujete con una mano el tubo de la desbrozadora y, con la otra mano, la llave multifuncional para apretar la tuerca siguiendo la flecha marcada en la brida exterior (fig. I4).

### VOLVER A COLOCAR LA CUCHILLA DE 3 DIENTES CON EL CABEZAL CORTABORDES

Consulte la fig. J1 para conocer las piezas de la unidad de corte de la cuchilla de tres dientes. A continuación, desmonte la cuchilla de tres dientes y monte el cabezal cortabordes en la desbrozadora.



1. Gire la cuchilla para alinear la ranura en la brida con el orificio de bloqueo del tubo en la caja de engranaje, e inserte un estabilizador en el orificio.
2. Coloque la caja de engranaje contra una superficie sólida como apoyo. Sujete el tubo de la desbrozadora con una mano y agarre con la otra mano la llave multifunción para aflojar la tuerca en sentido horario (fig. I4).
3. Quite de la desbrozadora la tuerca, la brida exterior y la cuchilla (fig. J2).

J-1	Tubo	J-5	Brida exterior
J-2	Brida interior	J-6	Tuerca
J-3	Cubierta de la brida	J-7	Ranura en la brida
J-4	Cuchilla de tres dientes		

**NOTA:** Cuando no se utilice la cuchilla de tres dientes, para evitar lesiones, ponga la cuchilla en su funda.

4. Monte el accesorio protector en la desbrozadora apretando los tres tornillos con arandelas (fig. H).
5. Gire el cabezal del cortabordes en sentido antihorario para instalarlo (fig. G). Siga las instrucciones del apartado «SUSTITUCIÓN DEL HILO DE CORTE» para cargar el hilo de corte.

**NOTA:** Si no enrolla el hilo de corte en la dirección indicada, el cabezal no funcionará correctamente.

## UTILIZACIÓN

**⚠ ADVERTENCIA:** No permita que la confianza que supone el hecho de estar familiarizado con el producto dé lugar a descuidos. Recuerde que cualquier distracción de una fracción de segundo es suficiente para provocar lesiones graves.

**⚠ ADVERTENCIA:** Utilice siempre gafas de seguridad, así como protección auditiva. De lo contrario, los objetos despedidos por la acción de la herramienta podrían alcanzar sus ojos y provocar lesiones graves oculares o de otro tipo.

**⚠ ADVERTENCIA:** No utilice piezas o accesorios que no hayan sido recomendados por el fabricante de este producto. La utilización de piezas o accesorios no recomendados por el fabricante podría provocar lesiones graves.

## APLICACIONES

El producto puede utilizarse con lluvia.

Este producto puede utilizarse para los fines indicados a continuación:

**Recorte:** se usa para quitar hierba y malas hierbas junto a paredes, vallas, árboles y bordes.

**Corte:** se usa para cortar la hierba difícil de alcanzar con un cortacésped normal.

**AVISO:** La máquina debe utilizarse únicamente para el fin previsto. Cualquier otro uso se considerará uso indebido.

## CÓMO SUJETAR LA DESBROZADORA

Antes de conectar la batería de mochila a la desbrozadora, póngase la batería de mochila y monte la almohadilla para la cadera en el arnés de la mochila. Consulte el manual BAX1500 y AHP1500.

Monte la desbrozadora con la almohadilla para la cadera conectando el gancho en el orificio de montaje (fig. K). Hay 8 orificios en el tubo. escoja el orificio óptimo para manejarla cómodamente.

Sujete el cortabordes con las dos manos, en el lado derecho de su cuerpo. El cabezal del cortabordes o la cuchilla deben estar paralelos al suelo y a una distancia de corte adecuada, sin que el usuario tenga que inclinarse.

Hay dos modos de soltar la desbrozadora. Abra las hebillas del pecho y el cinturón (fig. L1) o presione el gancho de la almohadilla para la cadera y sáquelo del orificio de montaje en el tubo.

**⚠ ADVERTENCIA:** En caso de emergencia, la forma más rápida de soltar la desbrozadora es es abrir las hebillas del pecho y el cinturón.

**⚠ ADVERTENCIA:** No debe utilizar la correa única para el hombro y la correa doble de los hombros con la batería de mochila simultáneamente.

Utilice únicamente los modelos de baterías y cargadores de EGO indicados en la fig. A2.

## Cómo instalar la batería (fig. L2)

Alinee el símbolo ▲ del enchufe con el símbolo ▲ de la desbrozadora. Inserte el enchufe en la máquina hasta que la junta verde quede oculta totalmente en la conexión.

## Extracción

Suelte el cable de la batería de la ranura de montaje y saque el enchufe de la conexión de la desbrozadora.

## PUESTA EN MARCHA/PARADA DE LA DESBROZADORA

### Puesta en marcha

Empuje el botón de desbloqueo a la posición "ON" (fig. M). Mueva hacia arriba el gatillo pequeño y, a continuación, apriete el gatillo interruptor para poner en marcha la desbrozadora. Las distintas presiones en el gatillo provocarán diferentes velocidades de giro de la unidad de corte.

Fig. L1 y M, ver abajo la descripción de las piezas:

L-1	Hebilla del pecho	M-1	Botón de desbloqueo del interruptor
L-2	Hebilla del cinturón	M-2	Gatillo pequeño
L-3	Gancho	M-3	Gatillo interruptor

### Parada

Suelte el gatillo interruptor y vuelva a poner el botón de desbloqueo en la posición "OFF".

**⚠ ADVERTENCIA:** Asegúrese siempre de sacar el acumulador del cortabordes cuando haga pausas en el trabajo, así como una vez finalizada la tarea.

### USO DE LA DESBROZADORA

**⚠ ADVERTENCIA:** Utilice ropa adecuada cuando trabaje con la desbrozadora, para reducir el riesgo de lesiones. No lleve puesta ropa holgada ni joyas. Utilice protección ocular y auditiva. Utilice pantalones largos, botas y guantes resistentes. No utilice pantalones cortos, sandalias, ni vaya descalzo. Antes de usar la herramienta, eche un vistazo a su alrededor para comprobar que el área de trabajo sea segura y no haya otras personas, animales u objetos sueltos. Asegúrese de que se mantenga una distancia mínima de 15 m. Compruebe que lleva protección ocular, ropa adecuada y de que tiene un buen equilibrio con los pies bien apoyados.

Antes de cada utilización, examine la herramienta por si hubiera piezas dañadas o desgastadas. Examine el cabezal de la herramienta, la cuchilla de tres dientes, la protección, el accesorio protector y el manillar. Sustituya cualquier pieza que esté agrietada, deformada, doblada o presente cualquier tipo de daño. Con el tiempo, el filo de la cuchilla de recorte de hilo situada en el accesorio protector puede llegar a embotarse. Se recomienda afilarla con una lima a intervalos periódicos o sustituirla por otra nueva.

**Limpie la desbrozadora después de cada uso.**

**⚠ PRECAUCIÓN:** Cualquier obstrucción de los orificios de ventilación impedirá la correcta circulación de aire por el interior de la carcasa del motor, pudiendo hacer que este se sobrecaliente o sufra daños.

- Use solo jabón suave y un paño húmedo para limpiar la máquina. No deje nunca que entre líquido en la máquina ni sumerja ninguna parte de la máquina en ningún líquido.
- Mantenga en todo momento los orificios de ventilación de la carcasa del motor libres de residuos.

**⚠ ADVERTENCIA:** Evite utilizar disolventes para limpiar las piezas de plástico. La mayoría de los plásticos se pueden dañar si se limpian con algunos de los tipos de disolventes disponibles en el mercado. Utilice paños limpios para eliminar la suciedad y los residuos de polvo, aceite, grasa, etc.

### USO CON EL CABEZAL DEL CORTABORDES

#### Compruebe si hay alguna obstrucción en el cabezal del cortabordes

- Para evitar obstrucciones, mantenga limpio el cabezal del cortabordes. Retire los recortes de césped, las hojas, la suciedad y cualquier otro residuo acumulado antes y después de cada uso.
- Cuando se obstruya, pare el cortabordes con cabezal de hilo y quite la batería. A continuación, elimine la hierba que se haya enredado alrededor del eje del motor o del cabezal del cortabordes.

#### Ajuste de la longitud del hilo de corte

El cabezal del cortabordes permite al usuario ir extrayendo más hilo de corte del carrete sin tener que detener el motor. A medida que el hilo se deshila o se desgasta, se puede extraer hilo adicional golpeando levemente el cabezal de impacto sobre el suelo mientras se utiliza el cortabordes.

**AVISO:** La extracción del hilo de corte se hará más difícil si el hilo se queda demasiado corto.

**⚠ ADVERTENCIA:** No retire ni modifique el conjunto de la cuchilla de corte del hilo. Una longitud excesiva de hilo de corte hará que el motor se sobrecaliente y podría provocar lesiones graves.

#### Sustitución del hilo de corte

**⚠ ADVERTENCIA:** Nunca utilice carretes de alambre, hilo metálico reforzado, cuerda, etc., ya que podrían romperse y sus trozos convertirse en proyectiles peligrosos.

**AVISO:** Utilice siempre el hilo de corte de nailon recomendado, cuyo diámetro no sea mayor que 2,7 mm. Si se utiliza otro hilo de corte distinto al especificado, el cortabordes de hilo podría calentarse excesivamente y sufrir daños.

1. Saque el enchufe de alimentación del cortabordes con cabezal de hilo.
2. En caso necesario, quite el hilo de corte que quede.
3. Corte 8 m de hilo e inserte el hilo en el orificio de montaje en el interior de la anilla (fig. J3). Empuje y tire del hilo desde el otro lado, hasta que aparezca la misma cantidad de hilo por ambos lados del carrete.
4. Presione, al mismo tiempo que gira el conjunto de la tapa inferior en la dirección de la flecha, para enrollar el hilo en el carrete hasta que se vean aproximadamente 12 cm de hilo por cada lado (fig. J4).
5. Empuje el conjunto de la tapa inferior hacia abajo mientras tira de los hilos para hacer que el hilo avance manualmente, y para comprobar el montaje correcto del cabezal del cortabordes.

Si el hilo de corte se rompe de la salida del hilo o si no se libera hilo de corte cuando se golpea el cabezal del cortabordes, realice los pasos siguientes:

1. Presione las lengüetas de liberación situadas en la tapa superior y retire el conjunto de la tapa inferior tirando de él hacia fuera (fig. J5 y J6).
2. Quite el hilo de corte del carrete.
3. Sujetando con una mano el conjunto de la tapa inferior, use la otra mano para agarrar el conjunto de la tapa inferior y alinear las lengüetas de la tapa superior con los orificios del conjunto de la tapa inferior (fig. J7); presione con la palma de la mano el conjunto de la tapa inferior, hasta que las lengüetas se enclaven en la tapa superior.
4. Siga las instrucciones del apartado «SUSTITUCIÓN DEL HILO DE CORTE» para volver a cargar el hilo de corte.

### Uso con la cuchilla de 3 dientes

**⚠️ ADVERTENCIA:** Para cortar plantas silvestres y broza, baje la cuchilla giratoria de 3 dientes sobre el suelo para lograr un efecto de trituración. Utilice la desbrozadora como una guadaña (con un movimiento de barrido a derecha e izquierda) al nivel del suelo. Nunca utilice el elemento de corte por encima de su cintura.

**⚠️ ADVERTENCIA:** Cuanto más levantado del suelo esté el elemento de corte, mayor será el riesgo de lesiones por el lanzamiento lateral del material cortado.

**⚠️ ADVERTENCIA:** Cuando corte árboles jóvenes u otro material de madera hasta 2 cm de diámetro, use el lado izquierdo de la cuchilla para evitar situaciones de contragolpe de la cuchilla. No intente cortar material de madera con un diámetro más grande, ya que la cuchilla podría engancharse o sacudir hacia delante la desbrozadora. Esto podría provocar daños en la cuchilla o en la desbrozadora, o hacerle perder el control de la herramienta y provocar lesiones.

**⚠️ ADVERTENCIA:** El uso incorrecto de una cuchilla puede hacer que se agriete, se desportille o se quiebre. Si algún pedazo sale despedido puede lesionar gravemente al usuario o a otras personas. Para reducir el riesgo de lesiones, es esencial adoptar las precauciones siguientes:

- Evite el contacto con objetos extraño duros o macizos, como piedras, rocas o trozos de metal.
- No corte nunca madera ni arbustos que tengan un diámetro mayor que 2 cm.
- Inspeccione la cuchilla a intervalos regulares cortos para detectar cualquier signo de desgaste. No siga utilizando una cuchilla dañada.
- Vuelva a afilar la cuchilla regularmente (cuando esté notablemente embotada) y llévela a que la equilibren cuando sea necesario (a un técnico de servicio cualificado).

### Contragolpe de la cuchilla

Extreme las precauciones cuando utilice la cuchilla de 3 dientes con esta herramienta. El contragolpe de la cuchilla es la reacción que se puede producir cuando la cuchilla giratoria entra en contacto con algo que no puede cortar. Este contacto puede hacer que la cuchilla se pare durante un instante y produzca un "contragolpe" repentino de la unidad en la dirección contraria al objeto golpeado. Esta reacción puede ser lo bastante violenta para que el usuario pierda el control del aparato. El contragolpe de las cuchillas se puede producir sin previo aviso si la cuchilla se queda trabada, se para o se engancha. Es más probable que esto ocurra en zonas en las que resulta difícil ver el material que se está cortando. Para facilitar el corte y aumentar la seguridad, acérquese a las hierbas a cortar con la desbrozadora desde la derecha hacia la izquierda. En caso de encontrar un palo de madera o un objeto inesperado, de este modo podrá minimizar la reacción de contragolpe de la cuchilla.

### MANTENIMIENTO

**⚠️ ADVERTENCIA:** Antes de inspeccionar, limpiar o reparar la unidad, apague el motor, espere a que se detengan todas las partes móviles y quite el acumulador. El incumplimiento de estas instrucciones podría provocar lesiones graves o daños materiales.

**⚠ ADVERTENCIA:** Cuando efectúe reparaciones en la herramienta, utilice únicamente piezas idénticas a las originales. La utilización de otras piezas podría suponer un peligro o causar daños en el producto. Para garantizar la seguridad y fiabilidad del producto, confíe cualquier reparación que sea necesaria a personal técnico cualificado.

## MANTENIMIENTO GENERAL

Evite utilizar disolventes para limpiar las piezas de plástico. La mayoría de las piezas de plástico utilizadas son susceptibles de sufrir daños si se limpian con algunos de los tipos de disolventes disponibles en el mercado. Utilice paños limpios para eliminar la suciedad y los residuos de polvo, aceite, grasa, etc.

## LIMPIEZA DE LA HERRAMIENTA

- Después de cada uso de la cuchilla de 3 dientes o el cabezal del cortabordes, limpie los restos, la tierra o la hierba atascados en la cuchilla y en la protección, utilizando un cepillo suave.

**AVISO:** Cuando la cuchilla de corte del hilo se embote, llévela a afilar a un técnico de servicio cualificado o cámbiela por una nueva en caso necesario.

- Después de cada uso de la desbrozadora, limpie el elemento de corte con un paño húmedo y un detergente suave.
- No utilice detergentes fuertes en la carcasa de plástico ni en el mango. Ciertos aceites aromáticos, como aquellos a base de limón o resina de pino y disolventes como queroseno, podrían dañar estas piezas. La humedad también puede provocar descargas eléctricas. Utilice un paño suave y seco para eliminar cualquier resto de humedad.
- Utilice un cepillo pequeño o una aspiradora para limpiar los orificios de ventilación de la carcasa trasera.

## LUBRIQUE LA CAJA DE ENGRANAJES

Para disfrutar del mejor funcionamiento y una larga vida útil, lubrique la caja de engranajes con una grasa especial (4-5g cada vez) después de 50 horas de funcionamiento.

La grasa especial debe cumplir los siguientes requisitos.

1. Pertenecer a DIN51818: grado de penetración NLGI-1.
2. Grasa con base de éster.
3. Propiedades de excelente baja temperatura de arranque, EP, rodamiento mecánico, resistencia a la abrasión y estabilidad oxidativa.
4. Temperatura de funcionamiento entre -40~180°C.

Retire la tapa de la batería y el tornillo sellador. Lubrique la caja de engranajes a través del orificio para aceite.

**⚠ ADVERTENCIA:** No lubricar mientras el aparato está conectado con la batería o funcionando.

## AFILAR LA CUCHILLA DE CORTE DEL HILO

**⚠ ADVERTENCIA:** Proteja siempre sus manos utilizando guantes gruesos cuando realice el mantenimiento de la cuchilla de corte del hilo.

1. Quite de la protección la cuchilla de corte del hilo.
2. Use guantes adecuados y protección ocular. Tenga cuidado de no cortarse.
3. Sujete la cuchilla en un tornillo de banco.
4. Lime con cuidado los filos de la cuchilla utilizando una lima de dientes finos o piedra de afilar y procurando mantener el ángulo original del filo.
5. Vuelva a colocar la cuchilla en la protección y sujétela en su lugar con los dos tornillos.

## ALMACENAMIENTO DE LA HERRAMIENTA

- Quite el acumulador de la herramienta.
- Utilice guantes resistentes para limpiar a fondo la herramienta.
- Coloque la funda sobre la cuchilla de 3 dientes para guardarla de forma segura (fig. N).
- Almacene la herramienta en un lugar seco y bien ventilado, ya sea cerrado o a una altura suficiente que impida que los niños puedan alcanzarla. No la guarde encima ni cerca de fertilizantes, gasolina u otros productos químicos.

**NOTA:** No utilice el cortasetos con una cuchilla escasamente afilada o dañada. De lo contrario, podría sobrecargar la herramienta y obtener unos resultados de corte poco satisfactorios.

## Protección del medio ambiente



¡No elimine aparatos eléctricos, baterías usadas ni cargadores de baterías junto con los desperdicios domésticos! Lleve este producto a un punto de reciclaje autorizado y deposítelo por separado según corresponda. Las herramientas eléctricas se deben llevar a un punto de reciclaje con fin de proteger el medio ambiente.

## RESOLUCIÓN DE PROBLEMAS

PROBLEMA	CAUSA	SOLUCIÓN
No arranca.	<ul style="list-style-type: none"> <li>■ La batería no está conectada a la desbrozadora o no hay contacto eléctrico entre la desbrozadora y la batería.</li> <li>■ El acumulador está agotado</li> <li>■ El botón de desbloqueo no se ha puesto en la posición "ON" antes de presionar los interruptores de palanca.</li> </ul>	<ul style="list-style-type: none"> <li>■ Vuelva a insertar el enchufe de la batería en la herramienta.</li> <li>■ Cargue la batería con el cargador especificado.</li> <li>■ Antes de usar la desbrozadora, confirme que el botón esté desbloqueado.</li> </ul>
Deje de utilizarla.	<ul style="list-style-type: none"> <li>■ El acumulador o la desbrozadora se han sobrecalentado.</li> <li>■ La desbrozadora está sobrecargada.</li> <li>■ El acumulador se ha desconectado de la herramienta.</li> <li>■ La batería está demasiado descargada.</li> </ul>	<ul style="list-style-type: none"> <li>■ Espere hasta que la batería o la herramienta se hayan enfriado a la temperatura normal.</li> <li>■ La máquina se recuperará cuando se retire la carga. Para un funcionamiento continuo, reduzca la carga d la máquina.</li> <li>■ Vuelva a instalar en su sitio el acumulador.</li> <li>■ Cargue la batería con el cargador especificado.</li> </ul>
Vibración o ruido excesivo.	<ul style="list-style-type: none"> <li>■ Caja de engranaje seca.</li> <li>■ Hilo de corte desequilibrado.</li> <li>■ La cuchilla de 3 dientes está doblada o dañada.</li> </ul>	<ul style="list-style-type: none"> <li>■ Quite el tornillo de sellado y añada aceite lubricante.</li> <li>■ Golpee levemente el botón de extracción sobre el suelo mientras utiliza la herramienta.</li> <li>■ Instale una cuchilla nueva.</li> </ul>
No se puede extraer hilo de corte.	<ul style="list-style-type: none"> <li>■ Se ha terminado el hilo en el cabezal.</li> <li>■ El hilo de corte no se ha instalado correctamente.</li> </ul>	<ul style="list-style-type: none"> <li>■ Monte un nuevo hilo de corte en la desbrozadora.</li> <li>■ Quite el hilo de corte y vuelva a instalarlo.</li> </ul>

ES

## GARANTÍA

### POLITICA DE GARANTÍA EGO

Por favor visite nuestra página web [egopowerplus.eu](http://egopowerplus.eu) para los terminos y las condiciones completas de la politica de garantía EGO.

**LEIA TODAS AS INSTRUÇÕES!****LEIA O MANUAL DE INSTRUÇÕES****PT**

Alerta de segurança



Use proteção ocular.



Use proteção para a cabeça.



Use calçado antiderrapante.



Tenha cuidado com o resalto da lâmina.



A distância entre a máquina e terceiros deve ser de, pelo menos, 15 m.



Nível de potência do som garantido. Emissão de ruído para o ambiente de acordo com a diretiva da Comunidade Europeia.



Os resíduos elétricos não deverão ser eliminados juntamente com o lixo doméstico comum. Entregue-os num centro de reciclagem autorizado.

 $n_0$ 

Velocidade sem carga-Velocidade de rotação, sem carga



Corrente direta

**SÍMBOLOS DE SEGURANÇA**

**AVISO:** O funcionamento de qualquer ferramenta elétrica pode dar origem ao ressalto de quaisquer objetos estranhos que podem atingir os olhos, podendo dar origem a sérias lesões oculares. Antes de começar a utilizar a ferramenta elétrica, utilize sempre óculos de segurança com proteções laterais e uma proteção completa para o rosto, quando necessário. Recomendamos a utilização de máscaras de segurança com visão panorâmica por cima dos óculos ou óculos de segurança padrão com proteção lateral.



De modo a reduzir os riscos de lesões, o utilizador tem de ler o manual de utilização.



Use proteção auditiva.



Use proteção para as mãos.



Tenha cuidado com os objetos atirados.



Desligue a bateria antes da manutenção.



Este produto encontra-se em conformidade com as diretivas CE aplicáveis.



Este produto encontra-se em conformidade com a legislação no Reino Unido.

V Voltagem

.../min Por minuto

kg Quilograma

IPX5 Proteção contra jatos de água

## ESPECIFICAÇÕES

Unidade de corte	Cabeça de aparar	Lâmina de metal de 3 dentes
Voltagem	56 V	56 V
Velocidade sem carga	4000-5800 /min	4000-5800 /min
Temperatura de funcionamento recomendada:	0°C - 40°C	
Temperatura de funcionamento recomendada:	-20°C - 70°C	
Tipo de linha de corte	2,4 mm	/
Lâmina de corte	/	ABB1203
Largura de corte	38 cm	30 cm
Peso	6,8 kg	6,46 kg
Nível de potência do som medido $L_{WA}$	95 dB(A) K=1,1 dB(A)	96,3 dB(A) K=2,1 dB(A)
Nível da pressão do som no ouvido do operador $L_{PA}$	82 dB(A) K=2,5 dB(A)	83,4 dB(A) K=4,1 dB(A)
Nível de potência do som garantido $L_{WA}$ (de acordo com a 2000/14/CE)	96 dB(A)	98 dB(A)
Vibração $a_h$	Pega esquerda	1,9 m/s <sup>2</sup> K=1,5 m/s <sup>2</sup>
	Pega direita	1,5 m/s <sup>2</sup> K=1,5 m/s <sup>2</sup>

- O valor total declarado da vibração foi medido de acordo com um método de teste padrão e pode ser usado para comparar duas ferramentas;
- O valor total declarado da vibração também pode ser usado numa avaliação preliminar da exposição.

**AVISO:** A emissão de vibrações durante a utilização da ferramenta elétrica pode diferir do valor declarado em que a ferramenta é usada. De modo a proteger o utilizador, este deverá utilizar luvas e proteção auditiva nas condições atuais de utilização.

## LISTA DE PEÇAS

### DESCRIÇÃO

#### CONHEÇA A SUA ROÇADEIRA (Imagem A)

1. Linha de corte
2. Conjunto da proteção
3. Eixo
4. Gatilho
5. Botão de desbloqueio
6. Parafuso de asas
7. Gancho
8. Entrada
9. Placa de proteção
10. Guiador
11. Parafuso vedante
12. Orifício de fixação do eixo
13. Lâmina de corte da linha
14. Proteção
15. Lâmina de 3 dentes
16. Cobertura da lâmina
17. Rebordo exterior
18. Porca
19. Chave multifunções
20. Chave sextavada
- 21\*. Almofada da anca (vendida separadamente)

**AVISO:** Nunca utilize o aparelho sem a proteção bem colocada. A proteção tem de estar sempre no aparelho para proteger o utilizador.

**AVISO:** Quando a ferramenta estiver equipada com uma cabeça de aparar, deverá montar o acessório de proteção com lâmina de corte da linha na proteção. Não fazê-lo pode dar origem a uma linha de corte demasiado comprida e sobrecarga do motor. Nunca use a cabeça de aparar sem a proteção.

### MONTAR

**AVISO:** Se quaisquer peças estiverem danificadas ou em falta, não utilize a roçadeira até as peças serem substituídas. Utilizar a roçadeira com peças danificadas ou em falta pode dar origem a lesões pessoais sérias.

**AVISO:** Não tente modificar a roçadeira nem criar acessórios que não sejam recomendados para utilizar

PT

com o produto. Qualquer alteração ou modificação é considerada uma má utilização e pode dar origem a perigos, que podem levar a lesões pessoais sérias.

**⚠️ AVISO:** Use sempre luvas resistentes quando instalar ou retirar a proteção ou fazer qualquer manutenção na lâmina de 3 dentes/lâmina da linha de corte. Tenha cuidado com a lâmina de corte da linha na proteção / lâmina de 3 dentes, e proteja as suas mãos de lesões devido à lâmina.

**⚠️ AVISO:** Para evitar a ligação acidental que pode provocar ferimentos pessoais graves, retire sempre a bateria da ferramenta quando montar as peças, fizer ajustes, proceder à limpeza ou quando não em uso.

**⚠️ AVISO:** Nunca utilize a ferramenta sem a proteção e guiador bem colocados. O não seguimento das instruções pode dar origem a lesões pessoais sérias.

## MONTAR E AJUSTAR O GUIADOR

A roçadeira é guardada conforme apresentado na Imagem B. Primeiro, desaperte o parafuso de asas da junta de ligação e levante o guiador 180° em redor do eixo (Imagem C), rode 90° no sentido inverso ao dos ponteiros do relógio para ficar virado para a cabeça de choque (Imagem D). Por fim, mova para a frente e para trás para obter uma posição de trabalho confortável e aperte o parafuso.

**AVISO:** Só é permitido operar a máquina com o guiador perpendicular ao eixo.

## MONTAR A PROTEÇÃO

**⚠️ AVISO:** Use sempre luvas quando montar ou substituir a proteção. Tenha cuidado com a lâmina na proteção e proteja a sua mão contra cortes.

**⚠️ AVISO:** Nunca utilize a máquina sem a proteção bem colocada. A proteção tem de estar sempre na máquina para proteger o utilizador. Quando a proteção estiver fixada, nunca tente retirar nem ajustar a proteção. Se for necessário substituí-la, isso deverá ser efetuado por um técnico de reparação qualificado!

Solte e retire os dois parafusos da proteção (Imagem E), alinhe os orifícios de montagem da proteção com os orifícios de montagem e, depois, bloqueie a proteção na base do eixo com dois parafusos, juntamente com duas anilhas de mola (Imagem F).

**⚠️ AVISO:** Certifique-se de que a superfície interna da proteção fica virada para a cabeça da roçadeira (Imagem F).

**⚠️ AVISO:** Quando a roçadeira estiver equipada com uma cabeça de aparar, deverá montar o acessório de proteção na proteção. Não o fazer pode dar origem a uma linha de corte demasiado comprida e sobrecarga do motor.

## SUBSTITUA A CABEÇA DE APARAR COM A LÂMINA DE 3 DENTES

1. Retire a ficha da alimentação do aparador de fio.
2. Rode a cabeça do aparador para alinhar a ranhura no rebordo com o orifício de fixação do eixo na estrutura do carroto e insira um estabilizador no orifício (Imagem G).
3. Rode a cabeça do aparador no sentido dos ponteiros do relógio para a retirar (Imagem G).
4. Retire o acessório de proteção libertando os três parafusos com anilha (Imagem H).
5. A lâmina é enviada com uma proteção. Antes de montar a lâmina na roçadeira, a proteção deverá ser retirada, libertando o fio da braçadeira do gancho na proteção (Imagem I1).

**AVISO:** Para se proteger de lesões, tem de usar luvas antes de qualquer operação com a lâmina de 3 dentes.

6. Monte o rebordo interior e a cobertura do rebordo no respetivo lugar (Imagem I2).
7. Monte a lâmina no eixo do motor, certificando-se de que a superfície da lâmina fica nivelada com a superfície da saliência do rebordo interior. Monte o rebordo exterior e a porca (Imagem I3). Aperte à mão a porca no SENTIDO INVERSO AO DOS PONTEIROS DO RELÓGIO.
8. Coloque a estrutura do carroto contra uma superfície sólida para a suportar. Com uma mão, segure o eixo da roçadeira e, com a outra mão, segure a chave multifunções para apertar a porca na direção da seta assinalada no rebordo exterior (Imagem I4).

## SUBSTITUIR A LÂMINA DE 3 DENTES PELA CABEÇA DE CORTE

Conheça a unidade de corte da lâmina de 3 dentes, conforme apresentado na Imagem J1. De seguida, desmonte a lâmina de 3 dentes e monte a cabeça de corte na roçadeira.

1. Rode a lâmina para alinhar a ranhura no rebordo com o orifício de fixação do eixo na estrutura do carroto e insira um estabilizador no orifício.
2. Coloque a estrutura do carroto contra uma superfície sólida para a suportar. Com uma mão, segure o eixo da roçadeira e, com a outra, segure a chave multifunções para desapertar a porca no sentido dos ponteiros do relógio (Imagem I4).



3. Retire a porca, o rebordo exterior, a lâmina, a cobertura do aparador (Imagem J2).

J-1	Eixo	J-5	Rebordo exterior
J-2	Rebordo interior	J-6	Porca
J-3	Cobertura do rebordo	J-7	Ranhura no rebordo
J-4	Lâmina de 3 dentes		

**AVISO:** Quando a lâmina de 3 dentes não for usada, para evitar lesões pessoais, monte a lâmina na proteção.

4. Monte o acessório de proteção na roçadeira, apertando três parafusos com anilha (Imagem H).
5. Rode a cabeça do aparador no sentido inverso ao dos ponteiros do relógio para instalar (Imagem G). Siga as instruções em "SUBSTITUIÇÃO DO FIO" para carregar o fio de corte.

**AVISO:** Não enrolar o fio na direção indicada faz com que a cabeça da roçadeira funcione incorretamente.

## FUNCIONAMENTO

**AVISO:** Não deixe que a sua familiaridade com o produto o torne descuidado. Lembre-se de que uma fração de segundo de desatenção é o suficiente para sofrer uma lesão séria.

**AVISO:** Utilize sempre proteção ocular, juntamente com proteção auricular. Se não o fizer, pode apanhar com objetos nos olhos, dando origem a possíveis lesões sérias.

**AVISO:** Não utilize quaisquer acessórios para além dos recomendados pelo fabricante deste produto. A utilização de acessórios que não sejam recomendados pode dar origem a lesões pessoais sérias.

### APLICAÇÕES

O produto pode ser usado à chuva.

Pode utilizar este produto com os intuitos listados abaixo:

**Aparar:** Usado para retirar relva e ervas encostadas a paredes, vedações, árvores e canteiros.

**Cortar:** Usado para cortar relva difícil de alcançar usando uma máquina de cortar relva normal.

**OBSERVAÇÃO:** A máquina tem de ser usada apenas conforme descrito. Qualquer outra utilização será considerada má utilização.

## SEGURAR A ROÇADEIRA

Antes de ligar a bateria de mochila à roçadeira, use a sua bateria de mochila e monte a almofada da anca no arnês da mochila. Consulte o manual BAX1500 e AHP1500.

Monte a roçadeira na almofada da anca ligando o gancho no orifício de fixação (Imagem K). Existem 8 orifícios no eixo. Escolha o orifício que lhe oferece uma utilização confortável.

Segure o aparador de linha com ambas as mãos no lado direito do seu corpo. A cabeça da roçadeira ou lâmina deverão estar paralelas ao chão a uma distância de corte adequada sem que o operador tenha de se dobrar.

Pode libertar a roçadeira de dois modos: Liberte as fivelas do peito e cintura (Imagem L1) ou prima o gancho na almofada da anca e separe do orifício de fixação no eixo.

**AVISO:** Quando ocorrer uma emergência, libertar as fivelas do peito e da cintura é o método de libertação rápido para libertar a roçadeira.

**AVISO:** Não deverá usar a alça simples para o ombro e a alça dupla para os ombros com a bateria de mochila em simultâneo.

Utilize apenas com baterias e carregadores da EGO listados na Imagem A2.

### Instalar a bateria (Imagem L2)

Alinhe ▲ da ficha com ▲ da roçadeira. Insira a ficha na máquina até que o vedante verde desapareça por completo na tomada.

### Retirar

Liberte o fio da bateria da ranhura de fixação e retire a ficha da roçadeira.

## LIGAR/DESLIGAR A ROÇADEIRA

### Para ligar

Prima o botão de desbloqueio para a posição "ON" (Imagem M). Mova o gatilho pequeno para cima e prima o gatilho do interruptor para ligar a roçadeira. Uma pressão diferente no gatilho dá origem a uma velocidade de rotação variável da unidade de corte.

Imagem L1 e M descrição das peças apresentada abaixo:

L-1	Fivela para o peito	M-1	Botão de desbloqueio
L-2	Fivela da alça	M-2	Gatilho pequeno
L-3	Gancho	M-3	Gatilho do interruptor

## Para parar

Liberte o gatilho do interruptor e prima o botão de desbloqueio para a posição "OFF".

**⚠ AVISO:** Retire sempre a bateria do aparador de linha durante pausas de trabalho e após terminar o trabalho.

PT

## USAR A ROÇADEIRA

**⚠ AVISO:** Vista-se adequadamente para reduzir o risco de lesões quando utilizar a roçadeira. Não utilize roupa larga ou jóias. Use proteções oculares e auditivas. Use calças compridas e resistentes, botas e luvas. Não use roupa curta, sandálias nem ande descalço. Antes da utilização, olhe à sua volta para se certificar de que tem uma área de trabalho segura sem outras pessoas, animais ou objetos soltos. Certifique-se de que estão a, pelo menos, 15 metros de distância. A seguir, verifique se tem proteção ocular, roupa adequada e equilíbrio.

Antes de cada utilização, verifique se existem peças gastas ou danificadas. Verifique a cabeça da roçadeira, lâmina de 3 dentes, proteção, acessório da proteção e guiador, e substitua as peças rachadas, torcidas, dobradas ou danificadas de algum modo. A lâmina para cortar a linha na extremidade do acessório da proteção pode deixar de ficar afiada com o passar do tempo. Recomendamos que afie periodicamente com uma lima ou que a substitua por uma lâmina nova.

### Após cada utilização, limpe a roçadeira.

**⚠ CUIDADO:** As obstruções nas aberturas de ventilação impedem que o ar flua para a estrutura do motor, dando origem a um sobreaquecimento ou danos no motor.

- Utilize apenas detergente neutro e um pano humedecido para limpar a máquina. Nunca permita que entre líquido na máquina e nunca coloque qualquer parte da máquina dentro de qualquer líquido.
- Mantenha sempre as aberturas de ventilação da estrutura do motor sem lixo.

**⚠ AVISO:** Evite utilizar solventes quando limpar peças de plástico. Grande parte dos plásticos podem ficar danificados devido a vários tipos de solventes comerciais. Utilize panos limpos para retirar a sujidade, pó, óleo, gordura, etc.

## USAR COM A CABEÇA DE APARAR

Verificar se existem bloqueios na cabeça da roçadora

- Para evitar bloqueios, mantenha a cabeça da roçadora limpa. Retire restos de relva, folhas, sujidade e outros detritos acumulados antes e após cada utilização.
- Quando ocorrer um bloqueio, pare a roçadora e retire a bateria. Depois, retire qualquer erva que possa ter ficado presa no eixo do motor ou cabeça da roçadora.

## Ajustar o comprimento da linha de corte

A cabeça da roçadora permite ao operador libertar mais linha de corte sem parar o motor. À medida que a linha fica gasta, pode libertar mais linha, batendo ligeiramente a cabeça de choque no chão enquanto utiliza a roçadora.

**AVISO:** A libertação da linha irá ser mais difícil pois a linha começa a ficar mais curta.

**⚠ AVISO:** Não retire nem altere o conjunto da lâmina de corte da linha. Uma linha com um comprimento excessivo faz o motor sobreaquecer e pode dar origem a lesões pessoais sérias.

## Substituição da linha

**⚠ AVISO:** Nunca use linha de metal reforçado, arame, corda, etc. Estas podem partir e tornarem-se projéteis perigosos.

**AVISO:** Use o fio de corte de nylon recomendado com um diâmetro nunca superior a 2,7 mm. Usar outro fio para além do especificado pode fazer com que o aparador sobreaqueça ou fique danificado.

1. Retire a ficha da alimentação do aparador de fio.
2. Retire o fio de corte restante, se necessário.
3. Corte 8m de fio de corte. Insira o fio no orifício de fixação no interior do ilhó (Imagem J3). Pressione e puxe o fio a partir do outro lado, até que apareçam quantidades iguais de fio em ambos os lados da bobina.
4. Pressione, enquanto roda o conjunto da cobertura inferior na direção da seta, para enrolar o fio na bobina até que apareçam cerca de 12 cm de fio de cada lado (Imagem J4).
5. Pressione o conjunto da cobertura dianteira para baixo enquanto puxa os fios para os fazer avançar manualmente, e certifique-se da montagem adequada da cabeça do aparador.

Quando o fio de corte se partir na saída do fio, ou não for libertado quando bater com a cabeça do aparador, siga os passos apresentados abaixo:

1. Prima as abas de libertação na cobertura dianteira e retire o conjunto da cobertura inferior puxando a direita (Imagem J5 e J6).
2. Retire o fio de corte do fixador da bobina.
3. Com uma mão a segurar o conjunto da cobertura

superior, use a outra mão para segurar o conjunto da cobertura inferior e alinhar as abas na cobertura com os orifícios no conjunto da cobertura inferior (Imagem J7). Use a palma da mão para pressionar o conjunto da cobertura inferior até que as abas fiquem fixadas na cobertura superior.

4. Siga as instruções em "SUBSTITUIÇÃO DO FIO" para recarregar o fio de corte.

### Usar com a lâmina de 3 dentes

**⚠️ AVISO:** Para cortar arbustos selvagens e mato, baixe a lâmina rotativa de 3 dentes até ao mato para obter um efeito de corte. Use a roçadeira como uma gadanha (deslize-a para a esquerda e para a direita) ao nível do chão. Não use a unidade de corte acima da altura da cintura.

**⚠️ AVISO:** Quanto mais alto o acessório de corte estiver do chão, maior será o risco de lesões devido a ressaltos do material cortado.

**⚠️ AVISO:** Quando cortar pequenas árvores ou outros materiais de madeira até 2 cm de diâmetro, use o lado esquerdo da lâmina para evitar possíveis ressaltos. Não tente cortar material de madeira com um diâmetro mais largo, pois a lâmina pode ficar presa ou atirar a roçadeira para a frente. Isto pode danificar a lâmina ou a roçadeira, ou fazer com que perca o controlo e sofra lesões pessoais.

**⚠️ AVISO:** A utilização incorreta da lâmina pode fazer com que se rache, lasque ou estilhaçe. As peças atiradas podem lesionar seriamente o operador ou terceiros. Para reduzir o risco de lesões pessoais, é essencial tomar as seguintes precauções:

- Evite o contacto com objetos estranhos duros ou sólidos, como pedras, rochas ou pedaços de metal.
- Nunca corte madeira nem arbustos com um caule com mais de 2 cm de diâmetro.
- Inspeccione regularmente a lâmina quanto a sinais de danos. Não continue a trabalhar com uma lâmina danificada.
- Afie a lâmina regularmente (quando notar que não está afiada) e leve-a para ser equilibrada, se necessário (efetuado por um técnico qualificado).

### Ressalto da lâmina

Tenha muito cuidado quando usar a lâmina de 3 dentes com esta unidade. O ressalto da lâmina é a reação que pode ocorrer quando uma lâmina a girar entra em contacto com algo que não consiga cortar. Este contacto pode fazer com que a lâmina pare durante um momento e lançar de repente a unidade para longe do objeto que atingiu. Esta reação pode ser violenta o suficiente para fazer com que o operador perca o controlo da unidade.

O ressalto da lâmina pode ocorrer sem aviso, caso a lâmina bata, fique presa ou limitada. Isto é mais provável em áreas onde seja difícil ver o material a ser cortado. Para facilidade e segurança de corte, aproxime-se das ervas a serem cortadas com a roçadeira da direita para a esquerda. No caso de encontrar um objeto inesperado ou monte de madeira, esta prática pode minimizar a reação de ressalto da lâmina.

## MANUTENÇÃO

**⚠️ AVISO:** Antes de inspecionar, limpar ou reparar a unidade, pare o motor, espere que todas as peças móveis parem por completo e retire a bateria. O não seguimento destas instruções pode dar origem a lesões corporais sérias ou danos de propriedade.

**⚠️ AVISO:** Quando fizer reparações, utilize apenas peças de substituição idênticas. A utilização de outras peças pode dar origem a perigos ou danos no produto. Para assegurar a segurança e bom funcionamento, todas as reparações deverão ser efetuadas por um técnico de reparação qualificado.

### MANUTENÇÃO GERAL

Evite usar solventes quando limpar peças de plástico. Grande parte dos plásticos é susceptível a danos devido a vários tipos de solventes comerciais. Use panos limpos para retirar a sujidade, pó, óleo, gordura, etc.

### LIMPAR A MÁQUINA

- Após cada utilização da lâmina de 3 dentes/cabeça da roçadeira, limpe os resíduos, obstruções ou relva na lâmina e na proteção com uma escova suave.

**AVISO:** Quando a lâmina de corte da linha deixar de estar afiada, leve-a para ser afiada por um técnico qualificado, ou substitua-a por uma lâmina de corte da linha nova, conforme necessário.

- Após cada utilização da roçadeira, limpe a unidade de corte, usando um pano ligeiramente embebido em água e detergente neutro.
- Não utilize detergentes fortes na estrutura de plástico ou na pega. Estes podem ser danificados por determinados óleos aromáticos, como pinho e limão e por solventes como querosene. A humidade também pode causar um perigo de choque. Retire qualquer vestígio de humidade com um pano suave e seco.
- Use uma pequena escova ou um pequeno aspirador para limpar as entradas de ar na estrutura traseira.

## LUBRIFICAR A CAIXA DOS CARRETOS

Para um melhor funcionamento e um tempo de vida mais prolongado, lubrifique a caixa dos carretos com um lubrificante especial (cerca de 4 a 5 g de cada vez) a cada 50 horas de funcionamento.

O lubrificante especial deverá ir de encontro aos seguintes requisitos.

1. Pertencer ao grau de penetração cônica DIN51818:NLGI-1.
2. Lubrificante à base de éster.
3. Excelente arranque a baixas temperaturas, EP, resistente à abrasão e desgaste mecânico e propriedades estabilizadoras oxidativas.
4. A temperatura de funcionamento tem de se encontrar entre os -40°C e os 180°C.

Retire a ficha da bateria e o parafuso vedante. Lubrifique a caixa dos carretos através do orifício do óleo.

**⚠ AVISO:** Não lubrifique enquanto a roçadora ainda estiver ligada à bateria ou a funcionar.

## AFIAR A LÂMINA DE CORTE DO FIO

**⚠ AVISO:** Proteja sempre as suas mãos com luvas resistentes quando efetuar qualquer trabalho de manutenção na lâmina de corte do fio.

1. Retire a lâmina de corte do fio da proteção.
2. Use proteção ocular adequada e luvas, e tenha cuidado para não se cortar.
3. Fixe a lâmina num torno.
4. Lime cuidadosamente as extremidades de corte da lâmina com uma lima para dentes finos, ou pedra de afiar, mantendo o ângulo original da extremidade de corte.
5. Volte a colocar a lâmina na proteção e fixe no respetivo lugar com os dois parafusos.

## GUARDAR A MÁQUINA

- Retire a bateria da ferramenta.
- Use luvas resistentes para limpar bem a ferramenta.
- Monte a proteção da lâmina na lâmina de 3 dentes para a guardar em segurança (Imagem N).
- Guarde a unidade num local seco, bem ventilado, trancado ou elevado, fora do alcance das crianças. Não guarde a unidade em cima ou perto de fertilizantes, gasolina ou outros químicos.

**AVISO:** Não utilize o corta-sebes com lâminas de corte que não estejam afiadas ou que estejam danificadas. Isso pode causar uma sobrecarga e dar resultado a um corte insatisfatório.

## Proteção do ambiente



Não elimine equipamento elétrico, bateria gasta nem carregador juntamente com o lixo doméstico comum! Leve este produto a um centro de reciclagem autorizado para que possa haver uma separação das peças. As ferramentas elétricas têm de ser devolvidas em instalações de reciclagem ambientalmente compatíveis.

## RESOLUÇÃO DE PROBLEMAS

PROBLEMA	CAUSA	SOLUÇÃO
Falha ao iniciar.	<ul style="list-style-type: none"><li>■ A bateria não está fixada na roçadeira, ou não existe qualquer contacto elétrico entre a roçadeira e a bateria.</li><li>■ A bateria está gasta.</li><li>■ O botão de desbloqueio não foi premido para a posição "ON" antes de premir as alavancas do interruptor.</li></ul>	<ul style="list-style-type: none"><li>■ Volte a inserir a ficha da bateria na roçadeira.</li><li>■ Carregue a bateria com o carregador especificado.</li><li>■ Antes de usar a roçadeira, certifique-se de que o botão de desbloqueio está desbloqueado.</li></ul>
Pare de trabalhar.	<ul style="list-style-type: none"><li>■ Está a usar uma linha de corte muito pesada.</li><li>■ A roçadeira está sobrecarregada.</li><li>■ A bateria ou a roçadeira estão muito quentes.</li><li>■ A bateria está gasta.</li></ul>	<ul style="list-style-type: none"><li>■ Deixe a bateria ou a roçadeira arrefecer até atingir uma temperatura normal.</li><li>■ A máquina recupera quando a carga for retirada. Para um funcionamento contínuo, reduza a carga da máquina.</li><li>■ Volte a colocar a bateria.</li><li>■ Carregue a bateria com o carregador especificado.</li></ul>
Vibração excessiva ou ruído.	<ul style="list-style-type: none"><li>■ Caixa dos carretos seca.</li><li>■ Linha de corte desequilibrada.</li><li>■ A lâmina de 3 dentes está dobrada ou danificada.</li></ul>	<ul style="list-style-type: none"><li>■ Retire o parafuso vedante e adicione óleo lubrificante.</li><li>■ Bata ligeiramente com o manipulador de choque no chão enquanto utiliza a roçadeira.</li><li>■ Coloque uma lâmina nova.</li></ul>
A linha de corte não pode ser libertada.	<ul style="list-style-type: none"><li>■ A cabeça de corte ficou sem linha de corte.</li><li>■ A linha de corte não foi instalada corretamente.</li></ul>	<ul style="list-style-type: none"><li>■ Monte uma nova linha de corte na roçadeira.</li><li>■ Retire a linha de corte e volte a montá-la.</li></ul>

PT

## GARANTIA

### POLÍTICA DE GARANTIA EGO

Por favor, visite o website [egopowerplus.eu](http://egopowerplus.eu) para saber todos os termos e condições da política de garantia EGO.

**LEGGERE TUTTE LE ISTRUZIONI!****LEGGERE IL MANUALE DI ISTRUZIONI****IT**

Avvertenza di sicurezza



Indossare protezioni per gli occhi



Indossare protezioni per la testa



Indossare calzature antiscivolo



Rischio di contraccolpo



Distanza minima tra l'apparecchio e le persone presenti: 15 metri



Livello di potenza sonora garantito. Emissione di rumore nell'ambiente conforme alla direttiva dell'Unione europea.



I prodotti elettrici non devono essere smaltiti insieme ai rifiuti domestici. Portarli presso un centro di riciclaggio autorizzato.

 $n_0$ 

Velocità a vuoto-Velocità di rotazione, senza carico



Corrente continua

**SIMBOLI DI SICUREZZA**

**⚠ AVVERTENZA!** L'uso di apparecchi elettrici può causare il lancio di oggetti estranei verso l'operatore, con il rischio di lesioni gravi agli occhi. Durante l'uso dell'apparecchio, indossare sempre occhiali protettivi o occhiali di sicurezza con protezioni laterali e, se necessario, una maschera facciale. Si consiglia di indossare una maschera di sicurezza con ampio campo visivo sopra gli occhiali o occhiali di sicurezza standard con protezioni laterali.



Per ridurre il rischio di infortunio, l'operatore deve leggere il manuale di istruzioni.



Indossare protezioni per le orecchie



Indossare protezioni per le mani



Fare attenzione agli oggetti proiettati dall'apparecchio



Scollegare la batteria prima della manutenzione



Questo prodotto è conforme alle direttive europee applicabili.



Questo prodotto è conforme alle direttive britanniche applicabili.

V Tensione

.../min Al minuto

kg Chilogrammo

IPX5 Protezione contro i getti d'acqua

## SPECIFICHE TECNICHE

Unità di taglio	Testa di taglio con filo	3-teeth metal blade
Voltaggio	56 V	56 V
Velocità a vuoto	4000-5800 /min	4000-5800 /min
Temperatura di funzionamento raccomandata:	da 0°C a 40°C	
Temperatura di conservazione raccomandata:	da -20°C a 70°C	
Tipo di filo di taglio	2,4 mm	/
Lama di taglio	/	ABB1203
Ampiezza di taglio	38 cm	30 cm
Peso	6,8 kg	6,46 kg
Livello di potenza sonora misurato $L_{WA}$	95 dB(A) K=1,1 dB(A)	96,3 dB(A) K=2,1 dB(A)
Livello di pressione sonora a livello dell'orecchio dell'operatore $L_{PA}$	82 dB(A) K=2,5 dB(A)	83,4 dB(A) K=4,1 dB(A)
Livello di potenza sonora garantito $L_{WA}$ (conformemente a 2000/14/EC)	96 dB(A)	98 dB(A)
Vibrazioni $a_{h1}$	Impugnatura sinistra	1,9 m/s <sup>2</sup> K=1,5 m/s <sup>2</sup>
	Impugnatura destra	1,5 m/s <sup>2</sup> K=1,5 m/s <sup>2</sup>

- Il valore totale di vibrazioni indicato è stato misurato tramite il metodo di collaudo standard e può essere utilizzato per confrontare l'apparecchio con altri prodotti analoghi.
- Il valore totale di vibrazioni indicato può essere utilizzato anche per una valutazione preliminare dei livelli di esposizione.

**NOTA:** L'emissione di vibrazioni durante l'uso effettivo dell'apparecchio può variare rispetto al valore indicato in base a come viene utilizzato l'utensile. Per proteggersi, l'operatore deve indossare guanti e dispositivi di protezione per le orecchie in base alle reali condizioni d'uso.

## CONTENUTO DELLA CONFEZIONE (Fig. A1)

### DESCRIZIONE

#### DESCRIZIONE DEL DECESPUGLIATORE (Fig. A1)

- Filo di taglio
- Gruppo protezione parasassi
- Asta
- Interruttore a grilletto
- Pulsante di sbloccaggio
- Bullone ad alette
- Gancio
- Presa
- Piastra di protezione
- Impugnatura a manubrio
- Vite sigillante
- Foro di bloccaggio dell'asta
- Lama di taglio del filo
- Accessorio per cuffia
- Lama a 3 denti
- Coprilama
- Flangia esterna
- Dado
- Chiave multifunzione
- Chiave esagonale
- 21\*. Cuscinetto per fianco (venduto separatamente)

**⚠ AVVERTENZA!** Non usare l'apparecchio se la protezione parasassi non è posizionata correttamente e saldamente. La protezione parasassi deve essere sempre installata per proteggere l'operatore.

**⚠ AVVERTENZA!** Quando l'utensile è utilizzato come decespugliatore a filo con apposita di testa di taglio, l'accessorio per cuffia dotato di lama di taglio del filo deve essere montato sulla protezione parasassi, per evitare un'eccessiva lunghezza del filo di taglio e il sovraccarico del motore. Non usare la testa di taglio con filo senza l'accessorio per cuffia.

### ASSEMBLAGGIO

**⚠ AVVERTENZA!** In caso di componenti danneggiati o mancanti, non usare il decespugliatore finché i componenti non vengono sostituiti. L'uso del decespugliatore con componenti danneggiati o mancanti comporta il rischio di lesioni gravi.

IT

**⚠ AVVERTENZA!** Non tentare di modificare il decespugliatore o creare accessori non raccomandati per l'uso con questo apparecchio. Tali alterazioni o modifiche costituiscono un uso improprio e comportano condizioni pericolose e il rischio di lesioni gravi.

**⚠ AVVERTENZA!** Indossare sempre guanti robusti durante l'installazione o la rimozione della protezione parasassi o durante le operazioni di manutenzione della lama a 3 denti/filo di taglio. Fare attenzione alla lama di taglio del filo sull'accessorio per cuffia / alla lama a 3 denti e proteggere le mani dal rischio di lesioni.

**⚠ AVVERTENZA!** Per evitare l'avvio accidentale e il conseguente rischio di lesioni gravi, rimuovere sempre il gruppo batteria dall'apparecchio durante l'assemblaggio dei componenti, le operazioni di regolazione e pulizia e quando non è in uso.

**⚠ AVVERTENZA!** Non usare l'apparecchio se la protezione parasassi e l'impugnatura a manubrio non sono posizionate saldamente per evitare il rischio di lesioni gravi.

## INSTALLAZIONE E REGOLAZIONE DELL'IMPUGNATURA A MANUBRIO

Il decespugliatore viene consegnato con l'impugnatura a manubrio nella posizione illustrata in Fig. B. Allentare il bullone ad alette situato sul raccordo, quindi sollevare l'impugnatura a manubrio di 180° intorno all'albero (Fig. C) e ruotarla di 90° in senso antiorario affinché sia rivolta verso la testa di taglio (Fig. D). Infine, spostarla avanti o indietro fino a raggiungere una posizione di lavoro confortevole e serrare il bullone.

**AVVERTENZA!** Utilizzare l'apparecchio esclusivamente con l'impugnatura a manubrio perpendicolare all'asta.

## INSTALLAZIONE DELLA PROTEZIONE PARASASS

**⚠ AVVERTENZA!** Indossare sempre i guanti durante l'installazione o la sostituzione della cuffia di protezione. Fare attenzione alla lama sulla cuffia di protezione e proteggere le mani dal rischio di lesioni.

**⚠ AVVERTENZA!** Non usare l'apparecchio se la cuffia di protezione non è posizionata e saldamente. La cuffia di protezione deve essere sempre installata per proteggere l'operatore. Dopo aver installato la cuffia di protezione, non tentare di rimuoverla o regolarla. Se è necessario sostituirla, affidare l'operazione a un tecnico qualificato.

Allentare e rimuovere le due viti dalla protezione parasassi (Fig. E), allineare i fori di montaggio della cuffia con i fori di assemblaggio, quindi bloccare la cuffia sulla base dell'asta con le due viti e le due rondelle a molla (Fig. F).

**⚠ AVVERTENZA!** Accertarsi che la superficie interna della protezione parasassi sia rivolta verso la testa di taglio (Fig. F).

**⚠ AVVERTENZA!** Quando il decespugliatore è dotato di testa di taglio con filo, l'accessorio per cuffia deve essere montato sulla protezione parasassi per evitare un'eccessiva lunghezza del filo di taglio e il sovraccarico del motore.

## SOSTITUZIONE DELLA TESTA DI TAGLIO CON FILO CON LA LAMA A 3 DENTI

1. Scollegare il cavo di alimentazione dal decespugliatore.
2. Ruotare la testa del decespugliatore per allineare la fessura nella flangia con il foro di bloccaggio dell'asta nella scatola degli ingranaggi e inserire uno stabilizzatore nel foro (Fig. G).
3. Ruotare la testa del decespugliatore in senso orario per rimuoverla (Fig. G).
4. Rimuovere l'accessorio per cuffia allentando le tre viti con rondella (Fig. H).
5. La lama è protetta dal coprilama. Prima di installare la lama sul decespugliatore, rimuovere il coprilama rimuovendo il cavo di fissaggio dal gancio sul coprilama (Fig. I1).

**ATTENZIONE!** Per evitare il rischio di lesioni, indossare dei guanti prima di effettuare qualsiasi operazione sulla lama a 3 denti.

6. Posizionare la flangia interna e la copertura della flangia (Fig. I2).
7. Installare la lama sull'albero motore, assicurandosi che la superficie della lama sia a filo con la superficie della sporgenza della flangia interna. Posizionare la flangia esterna e il dado (Fig. I3). Pre-serrare il dado a mano in senso ANTIORARIO.
8. Installare la lama sull'albero motore, assicurandosi che la superficie della lama sia a filo con la superficie della sporgenza della flangia interna. Installare la flangia esterna e il dado (Fig. I4). Pre-serrare il dado a mano in senso ANTIORARIO.

## SOSTITUZIONE DELLA LAMA A 3 DENTI CON LA TESTA DI TAGLIO CON FILO

La Fig. J1 illustra i componenti della testa di taglio con lama a 3 denti. Disassemblare la testa di taglio con lama



a 3 denti e installare la testa di taglio con filo.

1. Ruotare la lama per allineare la fessura nella flangia con il foro di bloccaggio dell'asta nella scatola degli ingranaggi e inserire uno stabilizzatore nel foro.
2. Posizionare la scatola degli ingranaggi contro una superficie solida che lo supporti. Afferrare l'asta del decespugliatore con una mano, e con l'altra mano afferrare la chiave multifunzione per allentare il dado in senso orario (Fig. I4).
3. Rimuovere il dado, la flangia esterna e la lama dal decespugliatore (Fig. J2).

J-1	Asta	J-5	Flangia esterna
J-2	Flangia interna	J-6	Dado
J-3	Copertura della flangia	J-7	Fessura nella flangia
J-4	Lama a 3 denti		

**AVVERTENZA!** Quando la lama a 3 denti non è in uso, inserirla nel coprilama per evitare il rischio di lesioni.

4. Installare l'accessorio per cuffia sul decespugliatore serrando le tre viti con rondelle (Fig. H).
5. Ruotare la testa del decespugliatore in senso antiorario per installarla (Fig. G). Seguire le istruzioni alla sezione "SOSTITUZIONE DEL FILO" per caricare il filo di taglio.

**AVVERTENZA!** l'avvolgimento del filo nella direzione errata causerà il malfunzionamento della testa di taglio.

## FUNZIONAMENTO

**AVVERTENZA!** La familiarità con questo apparecchio non deve rendere l'operatore disattento. Anche un solo momento di disattenzione comporta il rischio di lesioni gravi.

**AVVERTENZA!** Indossare sempre protezioni per gli occhi e protezioni per le orecchie. Il mancato rispetto di questa istruzione comporta il rischio di oggetti proiettati verso gli occhi dell'operatore e altre lesioni gravi.

**AVVERTENZA!** Non usare accessori non raccomandati dal costruttore dell'apparecchio. L'uso di accessori non raccomandati comporta il rischio di lesioni gravi.

### APPLICAZIONI

Il prodotto può essere usato sotto la pioggia.

Questo apparecchio può essere usato per gli scopi elencati di seguito.

**Rifinitura:** per rimuovere erba e erbacce contro muri, steccati, alberi e bordi.

**Taglio:** per tagliare erba difficile da raggiungere con un normale tosaerba.

**NOTA:** l'apparecchio deve essere utilizzato esclusivamente per gli scopi previsti. Altri utilizzi sono da considerarsi impropri.

### COME IMPUGNARE IL DECESPUGLIATORE

Prima di collegare la batteria a zaino al decespugliatore, indossare la batteria a zaino e fissare il cuscinetto per fianco all'imbracatura come indicato nel manuale BAX1500 e AHP1500.

Fissare il decespugliatore sul cuscinetto per fianco collegando il gancio al foro di fissaggio (Fig. K). Sull'asta sono presenti 8 fori; selezionare quello che consente il funzionamento più comodo.

Tenere il decespugliatore con entrambe le mani sul lato destro del corpo. La testa di taglio con filo o la lama deve essere parallela al terreno a una corretta distanza di taglio, senza che l'operatore debba piegarsi in avanti.

Per rilasciare il decespugliatore esistono due metodi: è possibile slacciare la cintura e la cinghia toracica (Fig. L1) o premere il gancio del cuscinetto per fianco e separarlo dal foro di fissaggio sull'asta.

**AVVERTENZA!** In caso di emergenza, slacciare la cintura e la cinghia toracica è il metodo più rapido per rilasciare il decespugliatore.

**AVVERTENZA!** Non usare la tracolla a doppia spalla e la tracolla a spalla singola simultaneamente con la batteria a zaino.

Usare l'apparecchio esclusivamente con i gruppi batteria e caricabatteria EGO elencati in Fig A2.

### Installazione del gruppo batteria (Fig. L2)

Allineare il simbolo ▲ sulla spina con il simbolo ▲ sul decespugliatore. Inserire la presa nell'apparecchio finché il sigillo verde non scompare completamente nella presa.

### Rimozione

Rilasciare il cavo della batteria dalla scanalatura di fissaggio ed estrarre la spina dal decespugliatore.

### AVVIARE/ARRESTARE IL DECESPUGLIATORE

#### Avviamento

Portare il pulsante di sbloccaggio in posizione "ON"

(Fig. M). Spostare la levetta verso l'alto, quindi premere l'interruttore a grilletto per avviare il decespugliatore. La velocità di rotazione dell'unità di taglio è proporzionale alla pressione esercitata sull'interruttore a grilletto.

Descrizione delle parti in Fig. L1 e M:

L-1	Fibbia della cinghia toracica	M-1	Pulsante di sbloccaggio
L-2	Fibbia della cintura	M-2	Levetta
L-3	Gancio	M-3	Interruttore a grilletto

## Arresto

Rilasciare l'interruttore e riportare il pulsante di sbloccaggio in posizione "OFF".

**AVVERTENZA!** Rimuovere sempre il gruppo batteria dal decespugliatore durante le pause e al termine del lavoro.

## COME USARE IL DECESPUGLIATORE

**AVVERTENZA!** Vestirsi adeguatamente per ridurre il rischio di infortunio durante l'uso del decespugliatore. Non indossare indumenti ampi o gioielli. Indossare dispositivi di protezione per gli occhi/orecchie. Indossare pantaloni lunghi e pesanti, stivali e guanti. Non indossare pantaloni corti o sandali e non usare l'apparecchio a piedi nudi. Prima dell'uso, ispezionare l'area di lavoro per assicurarsi che sia priva di altre persone, animali o oggetti. Tenere eventuali altre persone e animali ad almeno 15 metri di distanza. Assicurarsi di indossare protezioni per gli occhi e indumenti adatti e di assumere una posizione bilanciata.

Prima di ogni utilizzo, verificare l'assenza di componenti danneggiati/usurati ispezionare la testa di taglio con filo, la lama a 3 denti, la protezione parasassi, l'accessorio per cuffia e l'impugnatura a manubrio e sostituire eventuali componenti incrinati, deformati, piegati o danneggiati in qualsiasi modo. La lama di taglio del filo sul bordo dell'accessorio per cuffia può smussarsi col tempo. Si consiglia di affilarla periodicamente con una lima o di sostituirla con una lama nuova.

## Pulire il decespugliatore dopo ogni utilizzo.

**AVVERTENZA!** L'ostruzione delle aperture di ventilazione impedirà il flusso d'aria all'interno del vano motore, causando il surriscaldamento o il danneggiamento del motore.

- Pulire l'apparecchio usando esclusivamente sapone neutro e un panno umido. Evitare l'infiltrazione di liquidi all'interno dell'apparecchio. Non immergere alcuna parte dell'apparecchio in un liquido.

- Mantenere le aperture di ventilazione sul vano motore prive di detriti.

**AVVERTENZA!** Evitare l'uso di solventi durante la pulizia delle parti in plastica. I solventi disponibili in commercio possono danneggiare la maggior parte dei componenti in plastica. Usare un panno pulito per rimuovere sporcizia, polvere, olio, grasso, ecc.

## UTILIZZO CON LA TESTA DI TAGLIO CON FILO

### Verificare che la testa di taglio non sia ostruita.

- Mantenere la testa di taglio sempre pulita per evitare che possa bloccarsi. Rimuovere eventuali residui di erba, foglie, sporcizia e altri accumuli di detriti prima e dopo ogni utilizzo.
- In caso di ostruzione, arrestare l'apparecchio, rimuovere la batteria e controllare se intorno all'albero motore o alla testa di taglio si sono avvolti fili d'erba.

### Regolare la lunghezza del filo di taglio

La testa di taglio permette all'operatore di allungare il filo di taglio senza arrestare il motore. Quando il filo diventa sfilacciato o usurato, allungarlo premendo leggermente la testa con rilascio del filo mediante pressione sul terreno mentre il decespugliatore è in funzione.

**ATTENZIONE!** Allungare il filo diventa più difficile mano a mano che il filo di taglio si accorcia.

**AVVERTENZA!** Non rimuovere o alterare la lama del filo di taglio. Una lunghezza eccessiva del filo causerà il surriscaldamento del motore e il conseguente rischio di lesioni gravi.

### Sostituzione del filo

**AVVERTENZA!** Non usare mai cavi, fili rinforzati in metallo, corda, ecc. perché possono rompersi e diventare proiettili pericolosi.

NOTA: utilizzare esclusivamente il filo di taglio in nylon raccomandato con diametro non superiore a 2,7 mm. L'uso di fili diversi da quello specificato comporta il rischio di surriscaldamento o danneggiamento del decespugliatore.

1. Scollegare il cavo di alimentazione dal decespugliatore.
2. Rimuovere il filo di taglio rimanente, se necessario.
3. Tagliare 8 m di filo e inserire il filo nel foro di montaggio all'interno dell'occhiello (Fig. J3). Spingere e tirare il filo dall'altro lato finché da entrambi i lati della bobina non fuoriescono quantità uguali.
4. Premere e contemporaneamente ruotare il gruppo coperchio inferiore in direzione della freccia per avvolgere il filo sulla bobina, finché da ogni lato non rimangono circa 12 cm di filo (Fig. J4).

5. Spingere il gruppo coperchio inferiore verso il basso e contemporaneamente tirare i fili per farli avanzare manualmente e controllare il corretto assemblaggio della testa di taglio.

Se il filo di taglio si rompe a livello dell'uscita del filo o se il filo di taglio non viene rilasciato alla pressione della testa di taglio, seguire i passaggi descritti di seguito.

1. Premere le linguette di rilascio sul coperchio superiore e rimuovere il gruppo coperchio inferiore estraendolo in linea retta (Fig. J5 e J6).
2. Rimuovere il filo di taglio dalla bobina.
3. Tenendo con una mano il gruppo coperchio inferiore, afferrare con l'altra mano il gruppo coperchio inferiore e allineare le linguette sul coperchio superiore con i fori nella base del gruppo coperchio inferiore (Fig. J7); usare il palmo della mano per premere e il gruppo coperchio inferiore finché le linguette non si incastrano nel coperchio superiore.
4. Seguire le istruzioni alla sezione "SOSTITUZIONE DEL FILO" per ricaricare il filo di taglio.

#### Utilizzo con la lama a 3 denti

**⚠ AVVERTENZA!** Per tagliare cespugli e pianticelle selvatiche, abbassare la lama a 3 denti in rotazione verso la pianticella per tagliarla. Usare il decespugliatore come una falce (facendolo dondolare verso destra e sinistra) a livello del terreno. Non usare l'unità di taglio sopra l'altezza della vita.

**⚠ AVVERTENZA!** Maggiore è la distanza dell'unità di taglio dal terreno, maggiore è il rischio di lesioni dovute ai residui di taglio lanciati lateralmente.

**⚠ AVVERTENZA!** Durante il taglio di giovani soprassuoli o altri materiali legnosi fino a 2 cm di diametro, usare il lato sinistro della lama per evitare il rischio di contraccolpo. Non tentare di tagliare materiali legnosi di diametro maggiore, perché la lama può incepparsi o spingere il decespugliatore in avanti. Ciò può danneggiare la lama o al decespugliatore o causare la perdita di controllo del decespugliatore con il rischio di lesioni.

**⚠ AVVERTENZA!** L'uso improprio della lama può causarne l'incrinatura, la scheggiatura o la rottura. Le parti lanciate possono ferire gravemente l'operatore o le persone presenti. Per ridurre il rischio di lesioni personali, è essenziale rispettare le precauzioni elencate di seguito.

- Evitare il contatto con oggetti estranei duri come pietre, sassi o pezzi di metallo.
- Non tagliare legno o cespugli con gambo di oltre 2 cm di diametro.

- Ispezionare la lama a brevi intervalli regolari per verificare che non sia danneggiata. Interrompere il lavoro se la lama è danneggiata.
- Riaffilare la lama regolarmente (se si è sensibilmente smussata) e farla equilibrare se necessario (l'operazione deve essere effettuata da un tecnico qualificato).

#### Contraccolpo della lama

Prestare particolare attenzione durante l'uso della lama a 3 denti con questa unità. Il contraccolpo della lama è una reazione che può verificarsi quando la lama in rotazione entra a contatto con un oggetto che non riesce a tagliare. Tale contatto può causare l'arresto momentaneo della lama, e un'improvvisa "spinta" dell'unità lontano dall'oggetto colpito. Tale reazione può essere così violenta da causare la perdita di controllo dell'unità. Il contraccolpo della lama può verificarsi senza preavviso se la lama si inceppa, si blocca o si piega. Il contraccolpo può verificarsi maggiormente in aree in cui è difficile vedere il materiale da tagliare. Per un taglio facile e sicuro, avvicinare il decespugliatore all'erba da tagliare da destra verso sinistra. Questa direzione di taglio può minimizzare la reazione di contraccolpo se il decespugliatore colpisce improvvisamente un oggetto o un pezzo di legno

IT

## MANUTENZIONE

**⚠ AVVERTENZA!** Prima di ispezionare, pulire o regolare l'unità, arrestare il motore, attendere che tutte le parti mobili si arrestino e rimuovere il gruppo batteria. Il mancato rispetto di questa avvertenza comporta il rischio di danni o lesioni gravi.

**⚠ AVVERTENZA!** Per la riparazione dell'apparecchio, usare esclusivamente parti di ricambio identiche. L'uso di altri ricambi comporta situazioni pericolose o il rischio di danni all'apparecchio. Per garantire sicurezza e affidabilità, tutte le riparazioni e sostituzioni devono essere eseguite da un tecnico qualificato.

#### MANUTENZIONE GENERALE

Evitare l'uso di solventi durante la pulizia delle parti in plastica. La maggior parte dei materiali plastici può essere danneggiata da diversi tipi di solventi in commercio. Usare un panno pulito per rimuovere sporcizia, polvere, olio, grasso, ecc.

#### PULIZIA DELL'APPARECCHIO

- Dopo ogni utilizzo della lama a 3 denti / testa di taglio con filo, rimuovere detriti, terreno o erba dalla lama e dalla protezione parasassi con una spazzola morbida.

**ATTENZIONE!** Quando la lama di taglio del filo diventa smussata, farla affilare da un tecnico qualificato o sostituirla con una lama nuova, se necessario.

- Dopo ogni utilizzo del decespugliatore, pulire l'unità di taglio usando un panno inumidito con del detergente neutro.
- Non usare detergenti aggressivi sulle superfici esterne in plastica o sull'impugnatura perché possono essere danneggiate da alcuni oli aromatici, come pino e limone, e da solventi come il cherosene. L'umidità comporta il rischio di scossa elettrica. Rimuovere eventuali segni di umidità con un panno asciutto e morbido.
- Usare una piccola spazzola o un piccolo aspirapolvere per pulire le aperture di ventilazione sul rivestimento posteriore.

## LUBRIFICAZIONE DELLA SCATOLA DEGLI INGRANAGGI

Per un funzionamento ottimale e una maggiore durata di vita, lubrificare la scatola degli ingranaggi con del grasso speciale (4-5 g ogni volta) ogni 50 ore di utilizzo.

Il grasso deve rispettare i requisiti elencati di seguito.

1. Grado di consistenza conforme a DIN51818: NLGI-1.
2. Grasso a base di estere.
3. Bassa temperatura di avviamento, EP, abbassamento meccanico, resistenza all'abrasione e proprietà ossidative stabili.
4. Temperatura operativa compresa tra -40 e 180°C.

Rimuovere il connettore della batteria e la vite sigillante.

Lubrificare la scatola degli ingranaggi attraverso l'apposito foro.

**⚠ AVVERTENZA!** Non lubrificare il decespugliatore mentre è in funzione o collegato alla batteria.

## AFFILARE LA LAMA DI TAGLIO

**⚠ AVVERTENZA!** Proteggere sempre le mani indossando guanti robusti durante qualsiasi operazione di manutenzione sulla lama di taglio.

1. Rimuovere la lama linea di taglio dalla protezione.
2. Indossare adeguate protezioni per gli occhi e guanti e fare attenzione a non tagliarsi.
3. Bloccare la lama in una morsa.
4. Affilare con attenzione i bordi di taglio della lama con una lima a denti fini o una mola, mantenendo l'angolo di taglio originale.
5. Sostituire la lama nella protezione e fissarla in posizione con le due viti.

## CONSERVAZIONE DELL'APPARECCHIO

- Rimuovere il gruppo batteria dall'apparecchio.
- Indossare guanti di protezione robusti durante la pulizia dell'apparecchio.
- Installare il coprilama sulla lama a 3 denti per sicurezza (Fig. N).

- Conservare l'apparecchio in un luogo asciutto, ben ventilato, elevato o chiuso a chiave, e fuori dalla portata dei bambini. Non conservare l'apparecchio sopra o in prossimità di fertilizzanti, benzina o altre sostanze chimiche.

**AVVERTENZA!** Non usare il tagliaerba con una lama smussata o danneggiata per evitare il rischio di surriscaldamento e risultati di taglio non soddisfacenti.

## Protezione dell'ambiente



Non smaltire apparecchi elettrici, caricabatteria e batterie insieme ai rifiuti domestici. Portare il prodotto presso un centro di riciclaggio autorizzato affinché venga raccolto separatamente. Gli apparecchi elettrici devono essere portati presso un centro di riciclaggio ecocompatibile.

## RISOLUZIONE DEI PROBLEMI

PROBLEMA	CAUSA	SOLUZIONE
Non si avvia.	<ul style="list-style-type: none"> <li>■ Il gruppo batteria non è fissato al decespugliatore o non è in contatto elettrico con il decespugliatore.</li> <li>■ Il gruppo batteria è scarico.</li> <li>■ Il pulsante di sbloccaggio non è stato portato in posizione "ON" prima di premere gli interruttori a leva.</li> </ul>	<ul style="list-style-type: none"> <li>■ Reinserrire la spina della batteria nel decespugliatore.</li> <li>■ Ricaricare il gruppo batteria con il caricabatteria specificato.</li> <li>■ Prima di usare il decespugliatore, assicurarsi che il pulsante di sbloccaggio sia sbloccato.</li> </ul>
Si arresta.	<ul style="list-style-type: none"> <li>■ Il gruppo batteria o il decespugliatore sono troppo caldi.</li> <li>■ Il decespugliatore è sovraccarico.</li> <li>■ Il gruppo batteria non è installato sull'apparecchio.</li> <li>■ Il gruppo batteria è scarico.</li> </ul>	<ul style="list-style-type: none"> <li>■ Attendere che la temperatura del gruppo batteria e del decespugliatore diminuisca.</li> <li>■ Il motore si riavvierà alla rimozione del carico. Per il funzionamento continuo, ridurre il carico sull'apparecchio.</li> <li>■ Reinstallare il gruppo batteria.</li> <li>■ Ricaricare il gruppo batteria con il caricabatteria specificato.</li> </ul>
Rumore o vibrazioni eccessivi.	<ul style="list-style-type: none"> <li>■ Scatola degli ingranaggi a secco.</li> <li>■ Filo di taglio sbilanciato.</li> <li>■ La lama a 3 denti è piegata o danneggiata.</li> </ul>	<ul style="list-style-type: none"> <li>■ Rimuovere la vite sigillante e aggiungere dell'olio lubrificante.</li> <li>■ Premere leggermente il pulsante sul terreno durante l'uso del decespugliatore.</li> <li>■ Sostituire con una lama nuova.</li> </ul>
Il filo di taglio non si allunga.	<ul style="list-style-type: none"> <li>■ Il filo di taglio è esaurito.</li> <li>■ Il filo di taglio non è installato correttamente.</li> </ul>	<ul style="list-style-type: none"> <li>■ Installare un nuovo filo di taglio nel decespugliatore.</li> <li>■ Rimuovere il filo di taglio e reinserirlo.</li> </ul>

IT

## GARANZIA

### CONDIZIONI DELLA GARANZIA EGO

Visitare il sito web [egopowerplus.eu](http://egopowerplus.eu) per consultare le condizioni complete della garanzia EGO.

**LEES ALLE INSTRUCTIES!****LEES DE GEBRUIKSAANWIJZING****NL**

Veiligheidswaarschuwing



Draag oogbescherming



Draag hoofdbescherming



Draag slipvast schoeisel



Pas op de stuwkracht van het mes



De afstand tussen het apparaat en de omstanders mag niet minder dan 15 m zijn.



Gewaarborgd geluidsvermogensniveau. Geluidsemisatie voor de omgeving in overeenstemming met de richtlijnen van de Europese Unie.



Gooi elektrisch afval niet via het huishoudelijk afval weg. Breng het naar een geautoriseerd recyclingbedrijf.

 $n_0$ 

Snelheid zonder belasting-Draaisnelheid, zonder belasting



Gelijkstroom

**VEILIGHEIDSSYMBOLLEN**

**⚠ WAARSCHUWING:** De werking van het apparaat kan leiden tot het rondslingeren van (vreemde) objecten die in uw ogen kunnen terechtkomen. Dit kan leiden tot ernstig oogletsel. Wanneer u elektrische apparaten gebruikt, zorg er dan voor dat u altijd een veiligheidsbril (met zijschermen) of een gelaatsscherm draagt. We bevelen aan om een gelaatsscherm over uw bril of standaard veiligheidsbril met zijschermen te gebruiken.



De gebruiker moet de gebruiksaanwijzing lezen om het risico op letsel te beperken.



Draag gehoorbescherming



Draag handbescherming



Pas op voor weggeslingerde voorwerpen



Koppel de accu los alvorens onderhoud uit te voeren



Dit product is in overeenstemming met de EG-richtlijnen.



Dit product is in overeenstemming met de toepasselijke richtlijnen van het VK.

V Spanning

.../min Per minuut

kg Kilogram

IPX5 Bescherming tegen waterstralen

## SPECIFICATIES

Snij-eenheid	Maaikop	3-tands metalen mes	
Spanning	56 V	56 V	
Snelheid zonder belasting	4000-5800 /min	4000-5800 /min	
Aanbevolen gebruikstemperatuur:	tussen 0°C en 40°C		
Aanbevolen opslagtemperatuur:	tussen -20° en 70°C		
Type snijdraad	2,4 mm	/	
Zaagblad	/	ABB1203	
Snijbreedte	38 cm	30 cm	
Gewicht	6,8 kg	6,46 kg	
Gemeten geluidsvermogensniveau $L_{WA}$	95 dB(A) K=1,1 dB(A)	96,3 dB(A) K=2,1 dB(A)	
Geluidsdrukniveau aan het oor van de bediener $L_{PA}$	82 dB(A) K=2,5 dB(A)	83,4 dB(A) K=4,1 dB(A)	
Gegarandeerd geluidsvermogensniveau $L_{WA}$ (conform 2000/14/EG)	96 dB(A)	98 dB(A)	
Vibratie $a_h$	lLinker handvat	1,9 m/s <sup>2</sup> K=1,5 m/s <sup>2</sup>	1,9 m/s <sup>2</sup> K=1,5 m/s <sup>2</sup>
	Rechter handvat	1,5 m/s <sup>2</sup> K=1,5 m/s <sup>2</sup>	1,3 m/s <sup>2</sup> K=1,5 m/s <sup>2</sup>

- De opgegeven totale vibratiewaarde is gemeten volgens de standaard testmethode en kan worden gebruikt om het apparaat met een ander apparaat te vergelijken;
- De opgegeven totale vibratiewaarde kan ook worden gebruikt in een voorafgaande beoordeling op blootstelling.

**OPMERKING:** De vibratie-afgifte tijdens het werkelijk gebruik van het elektrisch gereedschap kan verschillen van de opgegeven totale waarde; Om de bediener te beschermen dient de gebruiker tijdens het gebruik handschoenen en gehoorbescherming te dragen.

## INHOUD VAN DE VERPAKKING (Afb. A1)

## BESCHRIJVING

### KEN UW BOSMAAIER (Afb. A1)

- Snijdraad

- Beschermkap
- Stang
- Schakelaar
- Vergrendelingsknop
- Vleugelmoer
- Haak
- Aansluiting
- Beschermplaat
- Stuurgreep
- Afdichtschroef
- Vergrendelingsgat voor stang
- Mes voor knippen van draad
- Schermaccessoire
- 3-tands mes
- Mesbeschermer
- Buitenflens
- Moer
- Multifunctionele sleutel
- Binnenzeskantsleutel
- 21\*. Heupkussen (wordt apart verkocht)

**⚠ WAARSCHUWING:** Gebruik het gereedschap nooit zonder juist gemonteerd scherm. Het scherm moet zich altijd op het gereedschap bevinden om de gebruiker te beschermen.

**⚠ WAARSCHUWING:** Als het gereedschap is voorzien van een maaikop, dient het schermaccessoire met lijntrimmer op het scherm te worden gemonteerd. Als u dit niet in acht neemt, leidt dit tot een extreem lange snijdraad en een overbelasting van de motor. Gebruik de maaikop nooit zonder schermaccessoire.

## MONTAGE

**⚠ WAARSCHUWING:** Als er onderdelen beschadigd zijn of ontbreken, gebruik deze bosmaaier dan niet totdat alle onderdelen vervangen of aanwezig zijn. Het gebruik van deze bosmaaier met beschadigde of ontbrekende onderdelen kan ernstig persoonlijk letsel veroorzaken.

**⚠ WAARSCHUWING:** Probeer niet om de bosmaaier aan te passen of accessoires te maken die niet voor gebruik met dit product worden aanbevolen. Een dergelijke aanpassing of wijziging is misbruik en kan leiden tot gevaar en mogelijk ernstig persoonlijk letsel.

**⚠ WAARSCHUWING:** Draag altijd stevige handschoenen als u de beschermer installeert of verwijderd of als u het 3-tands mes/de draadsnijder onderhoudt. Wees voorzichtig bij de draadsnijder op het scherm-accessoire / het 3-tands mes om uw handen te beschermen tegen letsel door beide messen.

**⚠ WAARSCHUWING:** Om het per ongeluk starten van het gereedschap, wat persoonlijk letsel kan veroorzaken, te voorkomen, haal altijd de accu uit het gereedschap als u onderdelen monteert, instellingen uitvoert, het reinigt of als het niet in gebruik is.

**⚠ WAARSCHUWING:** Gebruik het gereedschap nooit zonder juist gemonteerd scherm en stuurgreep. Het niet in acht nemen kan dit leiden tot mogelijk ernstig persoonlijk letsel.

## DE STUURGREEP MONTEREN EN AANPASSEN

De bosmaaier wordt opgeslagen zoals te zien in Afb. B. Eerst dient u de vleugelmoer van het scharnier los te draaien en vervolgens de stuurgreep 180° rond de schacht (Afb. C) te tillen, draai hem 90° linksom om hem richting de aantikknop te draaien (Afb. D). Tenslotte beweegt u hem naar voren en achteren om een prettige werkpositie te bereiken, waarna u de bout weer vast draait.

**MEDEDELING:** Gebruik het gereedschap alleen met de stuurgreep loodrecht ten opzichte van de stang.

## HET SCHERM MONTEREN

**⚠ WAARSCHUWING:** Draag altijd handschoenen wanneer u de bescherming monteert of vervangt. Let op voor het mes op de bescherming zodat u geen letsel oploopt.

**⚠ WAARSCHUWING:** Gebruik het apparaat nooit zonder juist gemonteerde bescherming. De bescherming moet zich altijd op het apparaat bevinden om de gebruiker te beschermen! Als de bescherming is vastgemaakt, mag u nooit pogen de bescherming te verwijderen of aan te passen. Als u een vervanging nodig heeft, dient dit te worden uitgevoerd door een gekwalificeerde onderhoudsmonteur!

Maak de twee schroeven los en verwijder ze van de beschermkap (Afb. E), breng de bevestigingsgaten op één lijn met de montagegaten en maak vervolgens de beschermkap vast met de twee schroeven, samen met de onderlegplaatjes (Afb. F).

**⚠ WAARSCHUWING:** Zorg ervoor dat het binnenvlak van het scherm naar de snijkop is gericht (Afb. F & G).

**⚠ WAARSCHUWING:** Als de bosmaaier van een trimmerkop is voorzien moet het schermaccessoire aan de beschermkap worden bevestigd. Het negeren van deze instructie kan leiden tot een overmatig lange snijdraad en een overbelasting van de motor.

## VERVANGEN VAN DE MAAIKOP DOOR HET 3-TANDS MES

1. Verwijder de stroomstekker van de grastrimmer.
2. Draai de trimmerkop om de gleuf in de flens op één lijn te brengen met het vergrendelingsgat voor stang in de tandwielkast en stop vervolgens een stabilisator in het gat (afb. G).
3. Draai de trimmerkop met de klok mee om hem te verwijderen (afb. G).
4. Verwijder het beschermkap-accessoire door de drie schroeven met sluitringen los te draaien (afb. H).
5. Steek de binnenzeskantsleutel in de zich op een lijn bevindende gaten zodat deze als stabilisator kan fungeren (Afb. I1).

**OPMERKING:** Om tegen letsel te beschermen, dient u handschoenen te dragen alvorens welke actie dan ook uit te voeren aan het 3-tands mes.

6. Breng de binnenflens en de flenskap op de juiste plaats aan (Afb. I2).
7. Maak het mes vast op de motoras. Zorg dat het oppervlak van het mes vlak is met het oppervlak van het uitstekend deel van de binnenflens. Maak de buitenflens en de moer vast (Afb. I3). Draai de moer MET DE KLOK MEE handvast aan.
8. Positioneer de tandwielkast tegen een stevig oppervlak voor steun. Met één hand houdt u de bosmaaierschacht vast en met de andere hand pakt u de multifunctionele sleutel om de moer vast te draaien in de richting van het pijlcoon op de buitenflens (Afb. I4).

## HET MES MET 3 SNIJBLADEN DOOR DE TRIMMERKOP VERVANGEN

Bekijk Afb. J1 voor de onderdelen van het mes met 3 snijbladen. Haal het mes met 3 snijbladen uit elkaar en installeer vervolgens de trimmerkop op de bosmaaier.

1. Draai het mes om de gleuf in de flens op één lijn te brengen met het vergrendelingsgat voor stang in de tandwielkast en stop vervolgens een stabilisator in het gat.
2. Plaats de tandwielkast tegen een stevig oppervlak voor ondersteuning. Houd de stang van de bosmaaier vast met één hand en gebruik uw andere hand om de moer met de klok mee los te draaien met behulp van de multifunctionele sleutel (Afb. I4).



3. Verwijder de moer, buitenflens, mes van de bosmaaier (afb. J2).

Afb. J1, J3 & J7 beschrijving van de onderdelen zie hieronder:

J-1	Stang	J-5	Buitenflens
J-2	Binnenflens	J-6	Moer
J-3	Flenskap	J-7	Gleuf in de flens
J-4	Mes met 3 snijbladen		

**MEDEDELING:** Als het mes met 3 snijbladen niet wordt gebruikt, stop het mes in de mesbeschermer om persoonlijk letsel te vermijden.

4. Maak het schermaccessoire vast op de bosmaaier door de drie schroeven met sluitring vast te draaien (Afb. H).
5. Draai de trimmerkop tegen de klok in om hem te plaatsen (afb. G). Volg de instructies in "DE DRAAD VERVANGEN" om de snijdraad te laden.

**MEDEDELING:** Als de draad niet in de aangegeven richting wordt opgewikkeld, zal de trimmerkop verkeerd werken.

## GEBRUIK

**⚠ WAARSCHUWING:** Wordt niet achteloos naarmate u het product beter kent. Denk eraan dat een seconde van achteloosheid voldoende is om ernstig letsel te veroorzaken.

**⚠ WAARSCHUWING:** Draag altijd oogbescherming, samen met gehoorbescherming. Het niet dragen van deze beschermingsuitrusting kan ertoe leiden dat voorwerpen in uw ogen terechtkomen of kan mogelijk ander ernstig letsel veroorzaken.

**⚠ WAARSCHUWING:** Gebruik geen toebehoren of accessoires die niet door de fabrikant van dit product zijn aanbevolen. Het gebruik van niet aanbevolen toebehoren of accessoires kan leiden tot ernstig persoonlijk letsel.

### APPLICATIES

Het product kan in de regen worden gebruikt.

U kunt dit product gebruiken voor onderstaand vermelde doeleinden:

**Trimmen:** wordt gebruikt voor het verwijderen van gras en onkruid langs muren, hekken, bomen en perken.

**Snijden:** wordt gebruikt voor het maaien van gras dat moeilijk te bereiken is met een normale grasmaaier.

**OPMERKING:** Het apparaat mag alleen voor het genoemde doeleinde worden gebruikt. Ieder ander gebruik is in dit geval misbruik.

### DE BOSMAAIER VASTHOUDEN

Voordat u de accu op de bosmaaier aansluit, draag uw rugzakaccu en maak het heupkussen vast aan uw accuharnas. Raadpleeg hiervoor de handleiding BAX1500 en AHP1500.

Bevestig de bosmaaier aan uw heupkussen door de haak aan het vastzetgat vast te maken (Afb. K). De stang is voorzien van 8 gaten. Kies het beste gat voor een comfortabel gebruik.

Houd de grastrimmer met beide handen vast aan de rechterkant van uw lichaam. De maaikop of het mes dienen zich parallel ten opzichte van de bodem op een behoorlijke snijafstand te bevinden, zonder dat de bediener naar voren buigt.

U kunt de bosmaaier op twee manieren losmaken. Maak de borst- en riemgesp los (Afb. L1) of druk op de haak van het heupkussen en haal het uit het vastzetgat op de stang.

**⚠ WAARSCHUWING:** Tijdens een noodgeval is het losmaken van de borst- en riemgesp de snelste manier om de bosmaaier los te maken.

**⚠ WAARSCHUWING:** Gebruik geen enkele schouderband en dubbele schouderband met rugzakaccu tegelijkertijd.

Gebruik het gereedschap alleen met de in afb. A2 vermelde accupacks en opladers van EGO

### De accu installeren (Afb. L2)

Breng ▲ op de stekker op één lijn met ▲ op de bosmaaier. Stop de stekker in de machine totdat de groene afdichting volledig in de aansluiting is verdwenen.

### Verwijderen

Maak de accukabel los van de montagegroef en trek de stekker uit de bosmaaier.

### DE BOSMAAIER STARTEN/STOPPEN

#### Starten

Duw de ontgrendelingsknop naar de stand "ON" (aan) (Afb. M). Breng de kleine trekker omhoog en druk vervolgens op de trekkerschakelaar om de bosmaaier in te schakelen. Het veranderen van de druk op de schakelaar heeft een variabele rotatiesnelheid van de snijdraad/mes tot gevolg.

Afb. L1 & M beschrijving van de onderdelen zie hieronder:

L-1	Borstgesp	M-1	Vergrendelingsknop
-----	-----------	-----	--------------------

L-2	Riemgesp	M-2	Kleine trekker
L-3	Haak	M-3	Trekkerschakelaar

## Stoppen

Laat de trekkerschakelaar los en duw de ontgrendelingsknop opnieuw naar de stand "OFF" (uit).

**⚠ WAARSCHUWING:** Haal altijd het accupack uit de grastrimmer wanneer u een pauze inlast of na gebruik van het gereedschap.

NL

## DE BOSMAAIER GEBRUIKEN

**⚠ WAARSCHUWING:** Draag gepaste kleding om het risico op letsel tijdens gebruik van de bosmaaier te beperken. Draag geen los hangende kleding of sieraden. Draag oog- en oorbescherming. Draag een stevige lange broek, laarzen en handschoenen. Draag geen korte broek, sandalen of ga niet blootsvoets. Voordat u het gereedschap gebruikt, controleer of er zich geen andere personen, dieren of losse voorwerpen in het werkgebied bevinden. Houd een afstand van minstens 15 meter. Draag vervolgens gepaste oogbescherming en kleding en neem een evenwichtige houding aan.

Voor elk gebruik, controleer op beschadigde/versleten onderdelen. Controleer de snijkop, mes met 3 snijbladen, beschermkap, schermaccessoire en de stuurgreep en vervang de onderdelen die gebarsten, scheef getrokken, gebogen of beschadigd zijn. Het mes voor het snijden van de draad op de rand van het schermaccessoire kan na verloop van tijd bot worden. Het is aanbevolen om het mes regelmatig met een vijl te slijpen of door een nieuw mes te vervangen.

## Maak de bosmaaier na elk gebruik schoon

**⚠ OPGELET:** Belemmeringen in de ventilatieopeningen beletten de aanvoer van lucht in de motorbehuizing. Dit kan oververhitting of schade aan de motor veroorzaken.

- Maak het apparaat alleen schoon met een vochtige doek en milde zeep. Laat nooit vloeistof in het apparaat terecht komen; dompel nooit enig onderdeel van het apparaat onder in een vloeistof.
- Houd de luchtopeningen in de motorbehuizing op elk moment vrij van vuil.

**⚠ WAARSCHUWING:** Maak de kunststof onderdelen niet schoon met oplosmiddelen. De meeste kunststoffen kunnen door verschillende soorten van commercieel beschikbare oplosmiddelen schade oplopen. Gebruik een schone doek voor het verwijderen van vuil, stof, olie, smeer, etc.

## GEBRUIK MET DE MAAIKOP

# 58

56 VOLT LITHIUM-ION BOSMAAIER MET MOTOR AAN DE ACHTERKANT EN STUURGREEP — BCX3800

## Controleer op blokkeringen van de trimmerkop

- Houd de trimmerkop schoon om blokkeringen te voorkomen. Verwijder gemaaid gras, bladeren, vuil en ander opgehoopt vuil voor en na elk gebruik.
- Als er een blokkering optreedt, stopt u de trimmer en verwijdert u de accu. Verwijder vervolgens al het gras dat zich mogelijk rond de motoras of de trimmerkop heeft gewikkeld.

## De lengte van de snijdraad aanpassen

De maaikop stelt de bediener in staat om meer snijdraad vrij te geven zonder de motor te moeten stoppen. Als de snijdraad uitgerafeld of versleten raakt, kunt u extra draad vrijgeven door de aantikkop tijdens gebruik van de trimmer voorzichtig tegen de grond te tikken.

**OPMERKING:** Het vrijgeven van draad wordt moeilijker als de snijdraad te kort wordt.

**⚠ WAARSCHUWING:** Verwijder of pas de draadsnijder niet aan. Een te lange snijdraad zal de motor oververhitten wat tot ernstig persoonlijk letsel kan leiden.

## De draad vervangen

**⚠ WAARSCHUWING:** Gebruik nooit metaal versterkte draad, koord of touw, etc. Deze kan afbreken en een gevaarlijk projectiel worden.

**OPMERKING:** Gebruik de geadviseerde nylon snijdraad met een diameter van niet meer dan 2,7 mm. Het gebruik van een andere dan de aanbevolen draad kan leiden tot oververhitting of schade aan de grastrimmer.

1. Verwijder de stroomstekker van de grastrimmer.
2. Verwijder indien nodig de overgebleven snijdraad.
3. Snij 8m af van de snijdraad en steek de draad in het bevestigingsgat in het oogje (afb. J3). Druk en trek de draad van de andere kant totdat aan beide zijden van de spoel evenveel draad is.
4. Druk, terwijl u de gemonteerde onderste afdekking in de richting van de pijl draait, om de draad op de spoel te draaien totdat ongeveer 12 cm van de draad aan iedere kant uitsteekt (afb. J4).
5. Druk de gemonteerde onderste afdekking naar beneden terwijl u met de hand aan de draden trekt om de draden naar voren te halen en om te kijken of de snijkop goed zit.

Als de draad aan de uitgang breekt of als de draad niet verder loopt of vast zit in de trimmerkop, dient u de volgende stappen uit te voeren:

1. Druk op de ontgrendelingsknoppen op de bovenste afdekking en verwijder de gemonteerde onderste afdekking door deze recht eruit te trekken (afb. J5 & J6).

2. Verwijder de snijdraad van de spoel.
3. Terwijl u met één hand de gemonteerde onderste afdekking vasthoudt, gebruikt u de andere hand om de gemonteerde onderste afdekking vast te pakken en de lipjes op de bovenste afdekking in een lijn te brengen met de gemonteerde onderste afdekking (afb. J7); Gebruik uw handpalm om de gemonteerde onderste afdekking in te drukken totdat de lipjes in de bovenste afdekking grijpen.
4. Volg de instructies in “DE DRAAD VERVANGEN” om een nieuwe snijdraad te plaatsen.

### Gebruik met het mes met 3 snijbladen

**⚠ WAARSCHUWING:** Om wildgroei en struikgewas te snijden, laat u het 3-tands mes op de groei zakken om een snij-effect te bereiken. Gebruik de bosmaaier als een zeis (beweeg hem van rechts naar links) boven de grond. Gebruik het snij-element nooit boven heuphoogte.

**⚠ WAARSCHUWING:** Hoe hoger de snij-eenheid van de grond is, des te groter is het risico op letsel door wegslingerend snijafval.

**⚠ WAARSCHUWING:** Als u jonge planten of houtachtig materiaal met een diameter van maximaal 2 cm snijdt, dient u de linkerkant van het mes te gebruiken om te voorkomen dat het mes terugkaatst. Probeer geen houtachtig materiaal met een grotere diameter te snijden, aangezien het mes vast kan raken of de bosmaaier naar voren kan trekken. Dit kan schade aan het blad of de bosmaaier veroorzaken of ervoor zorgen, dat u de controle over de bosmaaier verliest, wat kan resulteren in persoonlijk letsel.

**⚠ WAARSCHUWING:** Een verkeerd gebruik van het mes kan tot breuk of andere schade leiden. Weggeslingerde onderdelen kunnen ernstig letsel aan de gebruiker of omstanders veroorzaken. Om het risico op persoonlijk letsel te beperken, neem de volgende voorzorgsmaatregelen:

- Voorkom contact met harde of stevige vreemde voorwerpen zoals stenen, keien of stukken metaal.
- Snijd nooit hout of struiken met een stamdiameter van meer dan 2 cm.
- Inspecteer het mes in regelmatige, korte intervallen op tekenen van beschadigingen. Werk niet verder met een beschadigd mes.
- Slijp het mes regelmatig (als het duidelijk bot wordt) en laat het indien nodig uitbalanceren (uitgevoerd door een gekwalificeerde service-technicus).

### Terugslag van het mes

Wees bijzonder voorzichtig als u het 3-tands mes met deze eenheid gebruikt. Terugslag van het mes is de

reactie die kan voorkomen als het draaiende mes in contact komt met iets dat het niet kan snijden. Dit contact kan ervoor zorgen dat het mes eventjes stopt en plotseling de eenheid “terugslaat”, weg van het voorwerp dat is geraakt. Deze reactie kan ernstig genoeg zijn om ervoor te zorgen dat de gebruiker de controle over de eenheid verliest. Het terugkaatsen van het mes kan zonder waarschuwing gebeuren als het mes ergens aan vast blijft hangen, afslaat of vast raakt. Dit gebeurt eerder in een gebied waar moeilijk te zien is, welk materiaal wordt gesneden. Om eenvoudig en veilig te snijden, gaat u van rechts naar links met de bosmaaier naar het te maaien onkruid toe. Voor het geval dat een onverwacht voorwerp of stok wordt geraakt, kan deze beweging de terugslag-reactie van het mes verminderen.

## ONDERHOUD

**⚠ WAARSCHUWING:** Voor het inspecteren, reinigen of onderhouden van het apparaat dient u de motor te stoppen, te wachten totdat alle bewegende onderdelen tot stilstand zijn gekomen en het accupack te verwijderen. Het negeren van deze instructies kan ernstig persoonlijk letsel of materiële schade tot gevolg hebben.

**⚠ WAARSCHUWING:** Bij reparatie mag u uitsluitend identieke reserveonderdelen gebruiken. Het gebruik van andere onderdelen kan gevaar opleveren of schade aan het product veroorzaken. Laat alle reparaties uitvoeren door een gekwalificeerde monteur om een continue veiligheid en betrouwbaarheid te waarborgen.

### ALGEMEEN ONDERHOUD

Maak de kunststof onderdelen niet schoon met oplosmiddelen. De meeste kunststoffen kunnen worden beschadigd wanneer ze in contact komen met commerciële oplosmiddelen. Gebruik een schone doek voor het verwijderen van vuil, stof, olie, smeer, etc.

### HET APPARAAT REINIGEN

- Na ieder gebruik met het 3-tands mes/maaikop, dient u met een zachte borstel vuil, opgehoopte aarde of gras van het mes en de beschermer te verwijderen.

**OPMERKING:** Als de draadsnijder bot raakt, kunt u het laten slijpen door een gekwalificeerde servicetechnicus of indien nodig door een nieuwe draadsnijder vervangen.

- Na elk gebruik van de bosmaaier dient u de snij-eenheid met een vochtige doek en een mild reinigingsmiddel te reinigen.
- Maak de kunststof behuizing of handgreep niet schoon met een agressief schoonmaakmiddel. Deze kunnen door bepaalde aromatische oliën, zoals pijnboom en

citroen, en oplosmiddelen, zoals kerosine, worden beschadigd. Vocht kan risico op elektrische schokken met zich meebrengen. Veeg eventueel vocht weg met een zachte en droge doek.

- Maak de ventilatieopeningen aan de achterkant van de behuizing schoon met een kleine borstel of een stofzuiger.

## DE KETTINGKAST SMEREN

Voor het beste resultaat en een lange levensduur dient u de kettingkast alle 50 gebruiksuren met speciaal vet te smeren (4 à 5 g per keer).

Het speciale vet dient aan de volgende eisen te voldoen.

1. Behorende tot DIN51818: NLGI-1 graad van kegelpenetratie.
2. Op esters gebaseerd vet.
3. Uitstekende start bij lage temperaturen, EP, mechanisch scheren, slijtweerstand en oxidatieve stabiliteitseigenschappen.
4. Gebruikstemperatuur moet tussen -40 en ~180°C liggen.

Verwijder de accustekker en de afdichtschroef. Smeer de kettingkast door het oliegat.

**⚠ WAARSCHUWING:** Niet smeren als de bosmaaier nog is aangesloten op de accu of nog is ingeschakeld.

## HET MES VOOR HET SNIJDEN VAN DE DRAAD SLIJPEN

**⚠ WAARSCHUWING:** Bescherm altijd uw handen door stevige werkhandschoenen te dragen als u onderhoud aan het mes voor het snijden van de draad uitvoert.

1. Haal het mes van de beschermkap af.
2. Draag geschikte oogbescherming en handschoenen en wees voorzichtig zodat u zich niet snijdt.
3. Zet het mes vast in een bankschroef.
4. Vijl de randen van het mes voorzichtig met een fijne vijl of een slijpsteen. Let hierbij op de originele hoek van het mes.
5. Breng het mes opnieuw aan op de beschermkap en zet het vast met de twee schroeven.

## HET APPARAAT OPBERGEN

- Haal het accupack uit het gereedschap.
- Draag stevige handschoenen om het gereedschap grondig te reinigen.
- Bevestig de mesbescherming op het 3-tands mes voor een veilige opberging (Afb. N).
- Berg het apparaat op in een droge, goed geventileerde en afsluitbare ruimte of op een hoge hoogte, buiten het

bereik van kinderen. Berg het apparaat niet op in de buurt van meststoffen, benzine of andere chemicaliën.

**MEDEDELING:** Gebruik uw bosmaaier niet wanneer de messen bot of beschadigd zijn. Dit kan tot overbelasting leiden en geeft een niet tevredenstellend snijresultaat.

## Het milieu beschermen



Gooi geen elektrische apparatuur, gebruikte batterijen en laders weg via het huishoudelijk afval! Geef dit product af bij een geautoriseerd recyclingbedrijf en zorg dat het apart kan worden ingezameld. Elektrisch gereedschap moet worden afgegeven voor een milieuvriendelijke recycling.

## PROBLEEMOPLOSSING

PROBLEEM	OORZAAK	OPLOSSING
Start niet.	<ul style="list-style-type: none"> <li>■ De accu is niet op de bosmaaier aangesloten of er bestaat geen elektrisch contact tussen de bosmaaier en de accu.</li> <li>■ Het accupack is uitgeput.</li> <li>■ De ontgrendelingsknop is niet op "ON" (aan) gezet voordat u op de schakelaars drukt.</li> </ul>	<ul style="list-style-type: none"> <li>■ Stop de accu opnieuw in de bosmaaier.</li> <li>■ Laad de accu op met de aangegeven lader.</li> <li>■ Voordat u de bosmaaier gebruikt, controleer of de vergrendelingsknop is ontkoppeld.</li> </ul>
Stopt met werken.	<ul style="list-style-type: none"> <li>■ Het accupack of de bosmaaier is te warm.</li> <li>■ De bosmaaier is overbelast.</li> <li>■ Het accupack is niet met het gereedschap verbonden.</li> <li>■ De accu is leeg</li> </ul>	<ul style="list-style-type: none"> <li>■ Laat de accu of de bosmaaier afkoelen totdat de normale temperatuur opnieuw wordt bereikt.</li> <li>■ De machine herstelt weer zodra de belasting is verdwenen. Voor een continue werking, verlaag de belasting op de machine.</li> <li>■ Installeer het accupack opnieuw.</li> <li>■ Laad de accu op met de aangegeven lader.</li> </ul>
Overmatige trilling of geluid.	<ul style="list-style-type: none"> <li>■ Droge tandwielkast.</li> <li>■ De snijdraad is niet in evenwicht.</li> <li>■ Het mes met 3 snijbladen is gebogen of beschadigd.</li> </ul>	<ul style="list-style-type: none"> <li>■ Verwijder de afdichtschroef en breng smeerolie aan.</li> <li>■ Tik de aantikknop voorzichtig tegen de grond tijdens het gebruik van de bosmaaier.</li> <li>■ Vervang door een nieuw mes.</li> </ul>
De snijdraad komt niet vrij.	<ul style="list-style-type: none"> <li>■ Er is niet langer snijdraad in de trimmerkop.</li> <li>■ De snijdraad is verkeerd geïnstalleerd.</li> </ul>	<ul style="list-style-type: none"> <li>■ Installeer een nieuwe snijdraad in de bosmaaier.</li> <li>■ Verwijder de snijdraad en breng vervolgens opnieuw aan.</li> </ul>

NL

## GARANTIE

### EGO GARANTIEVOORWAARDEN

Bezoek onze website [egopowerplus.eu](http://egopowerplus.eu) voor alle voorwaarden van de EGO garantie.

**LÆS ALLE ANVISNINGER!****LÆS BRUGERVEJLEDNINGEN****DK**

Sikkerhed Alert



Wear Eye Protection



Brug hovedbeskyttelse



Brug skridsikert fodtøj



Pas på ryk i klingen



Afstanden mellem apparatet og omkringstående skal være mindst 15 meter.



Garanteret lydniveau. Støjemission til miljøet opfylder EF-direktivet.



Elektriske affaldsprodukter må ikke bortskaffes sammen med husholdningsaffald. Bring det til en godkendt genbrugsplads.

 $n_0$ Hastighed uden belastning-  
Rotationshastighed, uden belastning

Direct Current

**SIKKERHEDSSYMBOLER****ADVARSEL:** Når elværktøjer bruges, er der altid en risiko for at genstande slynges ind i øjnene, som kan føre til alvorlige øjenskader. Inden du begynder elværktøj drift, altid bære beskyttelsesbriller eller sikkerhedsbriller med side skjolde og en fuld ansigtsmaske når det er nødvendigt. Vi anbefaler en Wide Vision Safety Maske til brug over briller eller standard sikkerhedsbriller med sideskærme.

For at mindske risikoen for skader skal brugeren læse brugsanvisningen.



Brug høreværn



Brug håndbeskyttelse



Pas på kastede genstande



Afbryd batteriet før vedligeholdelse



Dette produkt er i overensstemmelse med gældende EU-direktiver.



Dette produkt er i overensstemmelse med lovgivningen i Storbritannien.

V Spænding

.../min Per minut

kg Kg

IPX5 Beskyttelse mod vandstråler

## SPECIFIKATIONER

Klippedel	Klippehoved	Metalklinge med 3 tænder	
Spænding	56 V	56 V	
Tomgangshastighed	4000-5800 /min	4000-5800 /min	
Anbefalet driftstemperatur:	0 °C - 40 °C		
Anbefalet opbevaringstemperatur:	-20°C - 70°C		
Type af klippetråd	2,4 mm	/	
Savklinge	/	ABB1203	
Klippebredde	38 cm	30 cm	
Vægt	6,8 kg	6,46 kg	
Målt lydeffektniveau $L_{WA}$	95 dB(A) K=1,1 dB(A)	96,3 dB(A) K=2,1 dB(A)	
Lydtryk ved brugerens øre $L_{PA}$	82 dB(A) K=2,5 dB(A)	83,4 dB(A) K=4,1 dB(A)	
Garanteret lydeffektniveau $L_{WA}$ (i henhold til 2000/14/EF)	96 dB(A)	98 dB(A)	
Vibration $a_h$	Venstre håndtag	1,9 m/s <sup>2</sup> K=1,5 m/s <sup>2</sup>	1,9 m/s <sup>2</sup> K=1,5 m/s <sup>2</sup>
	Højre håndtag	1,5 m/s <sup>2</sup> K=1,5 m/s <sup>2</sup>	1,3 m/s <sup>2</sup> K=1,5 m/s <sup>2</sup>

- Den samlede værdi af angivne vibrationer er målt i overensstemmelse med en standardiseret prøvningsmetode og kan anvendes til at sammenligne et værktøj med et andet
- Den samlede angivne værdi for vibrationer kan også anvendes ved en foreløbig vurdering af eksponeringen.

**BEMÆRK:** Udsendelsen af vibrationer ved faktisk brug af elværktøjet kan afvige fra den angivne værdi, der hvor værktøjet anvendes. For at beskytte operatøren, bør vedkommende bære handsker og høreværn under de faktiske brugsbetingelser.

## PAKKELISTE (Fig. A1)

## BESKRIVELSE

**KEND DIN BUSKRYDDER (fig. A1)**

- Klippetråd
- Skærmsamling
- skaft
- Startknap
- Låseknop
- Vingebolt
- Krog
- Stik
- Skærmsplade
- Cykelstyr
- Lukkeskrue
- Hul til låsning af skaft
- kniv til afkortning af snor
- Skærmtilbehør
- Savklinge med 3 tænder
- Skede til kniv
- Ydre flange
- Møtrik
- Multifunktions-skrueøgle
- Unbrakonøgle
- Hoftepude (sælges separat)

**⚠ ADVARSEL:** Brug aldrig værktøjet uden kappen solidt på plads. Kappen skal altid være på værktøjet for at beskytte brugeren.

**⚠ ADVARSEL:** Når værktøjet er udstyret med et klippehoved, skal skærmtilbehøret med kantklippeklingen sættes på skærmen. Hvis disse anvisninger ikke overholdes, kan det føre til alt for lange klippelinjer og overbelastning af motoren. Brug aldrig klippehoved uden skærmtilbehøret.

## MONTERING

**⚠ ADVARSEL:** Hvis nogle dele er beskadigede eller mangler, må buskrydderen ikke bruges, før delene er udskiftet. Brug buskrydderen med beskadigede eller manglende dele, kan medføre alvorlig personskaade.

**⚠ ADVARSEL:** Forsøg ikke at ændre buskrydderen eller fremstille tilbehør, der ikke anbefales til brug med dette produkt. Enhver sådan ændring eller modifikation er misbrug og kan resultere i en farlig situation og føre til eventuel alvorlig personskaade.

DK

**⚠ ADVARSEL:** Brug altid kraftige handsker, når skærmen sættes på og tages af, samt når du vedligeholder savklingen med de 3 tænder/kantklipperklingen. Vær forsigtig med kantklipperklingen på skærmtilbehøret/klingen med de 3 tænder, så du beskytter dine hænder mod skæring af klingerne.

**⚠ ADVARSEL:** For at forebygge utilsigtet start, der kunne forårsage alvorlig personskade, skal man altid fjerne batteripakken fra produktet, når der monteres dele, foretages justeringer, rengøres, eller når den ikke bruges.

**DK**

**⚠ ADVARSEL:** Brug aldrig værktøjet uden forreste skærmen og håndtaget solidt monteret. Manglende overholdelse af anvisningerne kan føre til alvorlig personskader.

## MONTERING OG JUSTERING AF STYRET

Buskrydderne skal opbevares, som vist i fig. B. Løsn først vingebolten på den forbindelsesleddet, og løft derefter styret 180° rundt om akslen (fig. C). Drej styret 90° mod uret, så det peger mod stød hovedet (fig. D). Drej styret frem og tilbage, indtil du finder en behagelig arbejdsstilling og spænd derefter boltene.

**BEMÆRK:** Maskinen må kun bruges med cykelhåndtaget vinkelret på akslen.

## MONTERING AF KAPPEN

**⚠ ADVARSEL:** Brug altid handsker ved montering eller udskiftning af skærmen. Vær forsigtig med klingen og skærmen, og undgå at skære dig på hånden.

**⚠ ADVARSEL:** Nbrug aldrig maskinen uden skærmen solidt på plads. Skærmen skal altid være på værktøjet for at beskytte brugeren! Når skærmen sættes på, må du aldrig prøve at fjerne eller tilpasse den. Hvis den skal skiftes, skal det gøres af en kvalificeret servicetekniker!

Løsn, og fjern de to skruer fra skaftets nederste kant (Fig. E), flugt kappens monteringshuller med enhedens huller; sæt derefter kappen fast på skaftet med de to skruer sammen med to fjederskiver (fig. F).

**⚠ ADVARSEL:** Sørg for, at kappen er fastgjort i overensstemmelse med til fig. F. Hvis monteringen gøres omvendt kan det forårsage stor fare!

**⚠ ADVARSEL:** Når kantklipperen er udstyret med et trimmerhoved, skal skærmtilbehøret være monteret på skærmen. Manglende overholdelse kan resultere i en for lang skæreline og overbelastning af motoren.

## SKIFT KLIPPEHOVEDET MED KLINGEN MED 3 TÆNDER

1. Træk stikket ud af kantklipperen.
2. Drej klippehovedet, så rillen i flangen passer med skaft-låsehullet på gearkassen, og sæt en stabilisator i hullet (fig. G).
3. Drej klippehovedet med uret, for at tage det af (fig. G.)
4. Tag skærmen af, ved at løsne de tre skruer og skiverne (fig. H).
5. Klinge leveres med et hylster. Inden klingen sættes på buskrydderen, skal hylsteret tages af, ved at løsne klemme-kablet på hylsteret (fig. I1).

**BEMÆRK:** For at beskytte dig selv mod skader, skal du altid bruge handsker, når du bruger klingen med de 3 tænder.

6. Sæt den indre flange og flangedækslet på (fig. I2).
7. Monter kniven på motorakslen, så knivfladen flugter med forhøjningen på den indre flange. Sæt den ydre flange og møtrikken på (fig. I3). Forspænd møtrikken med fingrene MOD URET.
8. Sæt gearkassen mod en fast overflade for støtte. Hold skaftet på buskrydderen med den ene hånd, og hold den multifunktionelle skruenøgle med den anden hånd. Stram møtrikken i pilens retning på den ydre flange (fig. I4).

## SKIFT AF 3-TÆNDERBLADET MED TRIMMERHOVEDET

Find 3-tænderbladet som vist i fig. J1. Tag derefter 3-tænderbladet af, og sæt trimmerhovedet på kantklipperen.

1. Drej bladet, så rillen i flangen passer med skaft-låsehullet på gearkassen, og sæt en stabilisator i hullet.
2. Placer gearkassen mod en solid overflade til støtte. Hold kantklipperens skaft med den ene hånd, og løs møtrikken med multifunktionsnøglen med den anden hånd, ved at dreje den med uret (fig. J4).
3. Tag møtrikken, yderflangen, klingen af kantklipperen (fig. J2).

J-1	Skaft	J-5	Ydre flange
J-2	Indre flange	J-6	Møtrik
J-3	Flangebeslag	J-7	Rille i flange
J-4	3-tænderblad		

**BEMÆRK:** Når 3-tænderbladet ikke er i brug, skal det sættes i skeden, for at undgå personskader.

4. Sæt skærmtilbehøret på kantklipperen, ved at



stramme de tre skruer og spændeskiverne (fig.H).

5. Drej klippehovedet mod uret, for at sætte det på (fig. G.) Følg vejledningerne i "UDSKIFTNING AF SNOR", når der skal fyldes mere klippesnor i.

**BEMÆRK:** Hvis man spoler snoren op i den forkerte retning, vil trimmerhovedet ikke fungere korrekt.

## BETJENING

**⚠ ADVARSEL:** Selvom du får kendskab til motorsaven, skal du stadig passe på, når den bruges. Husk på, at det kan føre til alvorlige skader, hvis du ikke er opmærksom i blot et sekund.

**⚠ ADVARSEL:** Bær altid sikkerhedsbriller samt høreværn. Hvis du ikke gør, kan du få genstande slynget i øjnene, og der kan også opstå andre alvorlige skader.

**⚠ ADVARSEL:** Undgå, at bruge dele eller tilbehør, der ikke anbefales af producenten af dette produkt. Hvis der bruges dele eller tilbehør, der ikke anbefales, kan det føre til alvorlige personskader.

## ANVENDELSER

Dette produkt kan bruges i regn.

Du kan bruge dette produkt til de formål, der er nævnt nedenfor:

**Trimning:** anvendes til at fjerne græs og ukrudt op mod vægge, hegn, træer og skel.

**Klipning:** anvendes til at klippe græs, der er svært at nå med en almindelig plæneklipper.

**BEMÆRK:** Maskinen må kun bruges til dens tilsigtede formål. Enhver anden anvendelse anses for at være et tilfælde af misbrug.

## SÅDAN HOLDES KANTKLIPPEREN

Inde rygsækbatteriet forbindes med kantklipperen, skal du tage rygsækbatteriet på, og sæt hoftepuden på selen på rygsækken, som vist i vejledningen til BAX1500 og AHP1500.

Sæt kantklipperen på hoftepladen, ved at sætte krogen på monteringshullet (fig. K). Der er 8 huller på akslen, som du kan vælge mellem efter behov.

Hold kantklipperen med begge hænder på højre side af kroppen. Klippehovedet og klingens skal være parallel med jorden i en passende afstand, uden at bruger bøjer sig over.

Kantklipperen kan tages af på to måder. Løsn bryst- og bæltespændet (fig. L1) eller tryk på krogen på hoftepuden, og tag den af på monteringshullet på akslen.

**⚠ ADVARSEL:** I en nødsituation er det hurtigst, at løsne bryst- og bæltespænderne hurtigt og derved tage kantklipperen af.

**⚠ ADVARSEL:** Du må ikke bruge den ene skulderstropp og dobbelt-skulderstroppen med rygsækbatteriet på samme tid.

Produktet må kun bruges med EGO's batteripakker og opladere, der er anført i fig A2

## Sådan sættes batteripakken i (fig. L2)

Align ▲ of plug with ▲ of brush cutter. Sæt stikket i maskinen, indtil den grønne forsegling forsvinder helt ind i stikkontakten.

## Sådan tages batteripakken af

Løsn batterikablet fra monteringsriillen, og træk stikket ud af kantklipperen.

## SÅDAN STARTES OG STOPPES BUSKRYDDEREN

### Sådan startes buskrydderen

Sæt låseknappen på "ON" (TÆND) (fig. M). Tryk den lille udløser opad, og tryk derefter på afbryderudløseren, for at starte kantklipperen. Kantklipperen hastighed styres i henhold til, hvor meget udløserknappen trykkes ned.

Delene er beskrevet på fig. L1 og M nedenfor:

L-1	Brystespænde	M-1	Låseknop
L-2	Bæltespænde	M-2	Lille udløser
L-3	Krog	M-3	Afbryderudløser

### Sådan stoppes buskrydderen

Slip afbryderudløseren, og tryk låseknappen tilbage til "OFF" (SLUK).

**⚠ ADVARSEL:** Fjern altid batteripakken fra græstrimmeren under pauser, og når arbejdet er slut.

## SÅDAN BRUGES KANTKLIPPEREN

**⚠ ADVARSEL:** Bær rigtig påklædning for at mindske risikoen for skader, når kantklipperen bruges. Bær ikke løst tøj eller smykker. Bær øjen- og øre- / høreværn. Bær kraftige, lange bukser, støvler og handsker. Gå ikke i korte bukser, sandaler eller på bare fødder. Inden apparatet tages i brug, skal du undersøge området, og sørg for, at der ikke er nogen personer, dyr eller andre løse

DK

genstande omkring. Sørg for, at de er mindst 15 meter væk. Kontroller derefter din øjenbeskyttelse, at dit tøj er passende og at du har et ordentligt fodfæste.

For hver anvendelse, skal apparatet undersøges for skader/slidte dele. Kontroller trimmerhoved, 3-tænderbladet, skærmen, skærmtilbehøret og cykelstyret, og udskift evt. dele, der er revnede, skæve, bøje eller beskadigede på nogen måde. Klippebladet på kanten af skærmtilbehøret bliver med tiden sløv. Det anbefales regelmæssigt at slibe den med en fil eller udskifte den med en ny kniv.

## Rengør buskrydderen efter hvert brug

**⚠ ADVARSEL:** Forhindringer i ventilationsåbningerne forhindrer luften i at komme ind i motorhuset og forårsager overophedning eller beskadigelse af motoren.

- Brug kun mild sæbe og en fugtig klud til at rengøre maskinen. Undgå altid, at væske trænger ind i maskinen. Ingen af maskinens dele må nedsænkes i væske.
- Hold altid lufthuller i motorhuset fri for snavs og skidt.

**⚠ ADVARSEL:** Undgå, at bruge opløsningsmidler til rengøring af plastdele. De fleste plastmaterialer er modtagelige for skader fra forskellige typer af kommercielle opløsningsmidler. Brug rene klude til at fjerne snavs, støv, olie, fedt osv.

## SÅDAN BRUGES APPARATET MED KLIPPEHOVEDET

### Se, om trimmerhovedet er tilstoppet

- Hold trimmerhovedet rent, så det ikke tilstoppes. Fjern græs, blade, jord og andet ophobet skidt før og efter hver brug.
- Hvis det tilstoppes, skal du stoppe kantklipperen og tage batteriet ud. Fjern derefter alt græs, der har viklet sig rundt om motorakslen eller trimmerhovedet.

### Sådan justeres trådens længde

Klippehovedet giver brugeren mulighed for at frigive mere klippetråd, uden at stoppe motoren. Efterhånden som tråden bliver flosset eller slidt, kan man frigive mere tråd, ved at trykke fjederhovedet let mod jorden, mens kantklipperen kører.

**BEMÆRK:** Frigivelse af tråden bliver vanskeligere, hvis tråden bliver kortere.

**⚠ ADVARSEL:** Du må ikke fjerne eller ændre på kantklipperklinge-samlingen. For lang tråd vil få motoren til at overophede og kan give i alvorlig personskaade.

### Sådan skiftes tråden

**⚠ ADVARSEL:** Brug aldrig metal-forstærket tråd, kabler eller reb, osv. Disse kan brække af og blive farlige projektiler.

**BEMÆRK:** Brug den anbefalede standard-klippesnor af nylon med en diameter på højst 2,7 mm. Brug af snor med anden diameter kan medføre, at kantklipperen bliver overophedet eller beskadiget.

1. Træk stikket ud af kantklipperen.
2. Fjern resterende klippesnor, hvis nødvendigt.
3. Skær 8 meter lang klippesnor. Sæt snoren ind i monteringshullet i øjenhullet (fig. J3). Skub og træk snoren fra den anden side, indtil der sidder lige meget snor på begge sider af spolen.
4. Tryk samtidig med, at du drejer det nederste dæksel i pilens retning, for at vikle snoren på spolen, indtil der stikker ca. 12 cm snor ud på hver side (fig. J4).
5. Tryk den nedre dækselsamling nedad, mens der trækkes i snorene, for manuelt at trække snoren ud, og så du kan se, om klippehovedet er monteret rigtigt.

Hvis klippesnoren springer ved udgangsjøet, eller hvis snoren ikke frigives, når klippehovedet trykkes mod jorden, følges trinene nedenfor:

1. Tryk på de to løsnestapper på det øverste dæksel, og fjern det nederste dæksel ved at trække det lige ud (fig. J5 & J6).
2. Fjern klippesnoren fra spolen.
3. Hold det øvre beslag med den ene hånd, og hold den nedre beslagsamling med den anden hånd. Hold tappene på det øvre beslag mod hullerne på det nedre beslag (fig. J7). Brug håndfladen til at trykke på det nedre dæksel, indtil tappene låses fast med det øvre beslag.
4. Følg vejledningen i "UDSKIFTNING AF SNOR", når der skal fyldes mere klippesnor i.

### Sådan bruges 3-tænderbladet

**⚠ ADVARSEL:** For at klippe vildtgroende og krat, skal du sænke den drejende savklinge med 3 tænder ned i det vildtgroende, for at opnå en hakkeeffekt. Brug buskrydderen som en le (fej den til højre og venstre) i jordhøjde. Klippedelen må aldrig holdes over hoftehøjden.

**⚠ ADVARSEL:** Jo højere klippedelen er over jorden, jo større er risikoen for skader fra genstande, der slynges til siderne.

**⚠ ADVARSEL:** Ved klipning af unge træer/buske eller andre træmaterialer, der har en diameter på op til 2 cm, skal du bruge venstre side af klinge, for at undgå tilbageslag. Forsøg ikke at klippe træmaterialer, der er

tykkere i diameter, da klingen kan komme i klemme og rykke buskrydderen fremad. Dette kan beskadige klingen eller buskrydderen, eller du kan miste kontrollen over buskrydderen, hvilket kan føre til personskader.

**⚠ ADVARSEL:** U hensigtsmæssig brug af bladet kan få det til, at revne, at lave skår eller splintre. Dele, der slynges ud, kan medføre alvorlig personskade på brugeren eller omkringstående. For at reducere risikoen for personskade er det vigtigt at tage følgende forholdsregler:

- Undgå kontakt med hårde eller faste fremmedlegemer som sten, klippesten eller metalstykker.
- Sav aldrig træ eller buske med grene, der er over 2 cm i diameter.
- Se regelmæssigt klingens efter tegn på skader. Hvis en klinge er beskadiget, må den ikke længere bruges.
- Slib klingens regelmæssigt (når den er mærkbar døv) og få den balanceret, hvis nødvendigt (udføres af en kvalificeret servicetekniker).

### Tilbageslag

Udvis stor forsigtighed, når du bruger klingens med de 3 tænder på dette apparat. Klingens kan give tilbageslag, hvis den rammer noget, den kan ikke skære over. Denne kontakt kan gøre, at klingens stopper i et kort øjeblik, og derved "slår" apparatet tilbage fra genstanden, som klingens rammede. Denne reaktion kan være voldsom nok til at gøre, at brugeren mister kontrollen over apparatet. Et tilbageslag kan opstå uden varsel, hvis savklingens rammer en knast, stopper eller kommer i klemme. Dette er mere tilbøjelige til at forekomme i områder, hvor det er vanskeligt at se materialer, der beskæres. For at skære på en nem og sikker måde, skal du klippe ukrudtet med buskrydderen fra højre til venstre. Hvis du rammer ind i en uventet genstand eller træstykke, kan denne praksis minimere tilbageslaget.

### VEDLIGEHOLDELSE

**⚠ ADVARSEL:** Før eftersyn, rengøring eller service på enheden standses motoren. Vent til alle bevægelige dele er standset, og fjern batteripakken. Efterkommes disse anvisninger ikke, kan det medføre alvorlig personskade eller materielle skader.

**⚠ ADVARSEL:** Hvis apparatet skal repareres, må der kun bruges originale reservedele. Brug af andre reservedele kan medføre fare eller forårsage skader på produktet. For at sikre sikkerhed og pålidelighed skal alle reparationer udføres af en kvalificeret servicetekniker.

### ALMINDELIG VEDLIGEHOLDELSE

Undgå at bruge opløsningsmidler ved rengøring af plastdele. De fleste plastmaterialer risikerer at blive ødelagt ved brug af forskellige typer af alment tilgængelige opløsningsmidler. Brug rene klude til at fjerne snavs, støv, olie, fedt etc.

### SÅDAN RENGØRES APPARATET

- Hver gang du har brugt klingens med de 3 tænder/klippehovedet, skal fjernes snavs, jord- eller græsklumper på kniven og skærmpladen med en blød børste.

**BEMÆRK:** Når kantklipperklingens bliver døv, skal den slibes af en kvalificeret servicetekniker eller udskiftes med en ny klinge, hvis nødvendigt.

- Hver gang buskrydderen har været brugt, skal du rengøre klippedelen med en fugtig klud med et mildt rengøringsmiddel.
- Brug ikke stærke rengøringsmidler på plasthus eller håndtaget. De kan blive beskadiget af visse aromatiske olier, såsom fyr og citron, og opløsningsmidler såsom petroleum. Fugt kan også give elektrisk stød. Tør fugt af med en blød tør klud.
- Brug en lille børste eller en lille støvsuger til at rengøre lufthullerne på det bagerste kabinet.

### SÅDAN SMØRES GEARKASSEN

Hearkassen holder længere og virker bedre, når den smøres med en særlig fedt (ca. 4-5 g hver gang) efter hver 50 timers drift.

Det særlige fedt skal opfylde følgende krav.

1. Tilhører DIN51818: NLGI-1-kegepenetrationsgrad.
2. Esterbaseret fedt.
3. God opstart ved lave temperaturer, EP, mekanisk klipping, slidstærk og oxidative stabilitetsegenskaber.
4. Driftstemperaturen skal være inden for -40 ~ 180 °C.

Fjern batteristikket, og den forseglende skrue. Smøring af gearhuset gennem oliehuset.

**⚠ ADVARSEL:** Kantklipperen må ikke smøres, når den stadig er forbundet med batteriet eller kører.

### SLIB KNIVEN TIL AFSKÆRING AF SNOR

**⚠ ADVARSEL:** Beskyt altid dine hænder ved at bruge kraftige handsker, når du udfører vedligeholdelsesarbejde på kniven til afskæring af snor.

1. Tag kniven til afskæring af snor af kappen.
2. Bær passende øjenværn og handsker, og pas på ikke at skære dig.
3. Sæt bladet i en skruestik.

DK

4. Fil forsigtigt skærefladerne på kniven med en fintandet fil eller slibesten. Bevar skærets oprindelige vinkel.
5. Sæt kniven fast på kappen igen med de to skruer.

## SÅDAN OPBEVARES APPARATET

- Fjern batteripakken fra apparatet.
- Brug kraftige handsker til at rengøre apparatet grundigt.
- Sæt hylsteret på klingens med de 3 tænder, så den opbevares sikkert (fig. N)
- Opbevar apparatet på et tørt og godt ventileret sted, der er låst og utilgængeligt for børn. Opbevar ikke apparatet på eller ved siden af gødning, benzin eller andre kemikalier.

DK

**BEMÆRK:** Brug ikke din hækkeklipper med sløve eller beskadigede knive. Dette kan medføre overbelastning og vil give en utilfredsstillende klipning.

## Beskyttelse af miljøet



Elektrisk udstyr, batterioplader og batterier må ikke smides ud sammen med almindelig husholdningsaffald! Tag dette produkt til en autoriseret genbrugsplads, og sørg for at det sendes til genbrug.

Elektriske værktøjer skal returneres til et miljøkompatibelt genvindingsanlæg.

## FEJLFINDING

PROBLEM	ÅRSAG	LØSNING
Apparatet starter ikke.	<ul style="list-style-type: none"> <li>■ Batteripakken er ikke fastgjort til kantklipperen, eller der er ingen elektrisk kontakt mellem kantklipperen og batteriet.</li> <li>■ Batteripakken er afladet.</li> <li>■ Låseknappen er ikke stillet på "ON" (TÆND), før du trykker på udløseren.</li> </ul>	<ul style="list-style-type: none"> <li>■ Sæt batteristikket i kantklipperen igen.</li> <li>■ Oplad batteripakken med den bestemte oplader.</li> <li>■ Inden du bruger kantklipperen, skal du sørge for, at låseknappen er låst op.</li> </ul>
Apparatet er holdt op med, at virke.	<ul style="list-style-type: none"> <li>■ Batteripakken eller buskrydderen er for varm.</li> <li>■ Kantklipperen er overbelastet.</li> <li>■ Batteripakken er taget af værktøjet.</li> <li>■ Batteripakken er afladet.</li> </ul>	<ul style="list-style-type: none"> <li>■ Lad batteripakken eller kantklipperen køle ned til almindelig temperatur.</li> <li>■ Apparatet vil køre normalt igen, når det ikke længere er belastet. Ved konstant brug, skal du reducere maskinens belastning.</li> <li>■ Sæt batteripakken på plads igen.</li> <li>■ Oplad batteripakken med den bestemte oplader.</li> </ul>
Kraftig vibration eller støj.	<ul style="list-style-type: none"> <li>■ Tør gearkasse</li> <li>■ Skærelinjen er ubalanceret.</li> <li>■ 3-tænderbladet er bøjet eller beskadiget</li> </ul>	<ul style="list-style-type: none"> <li>■ Fjern tætningsskruen og smør bladet med olie.</li> <li>■ Tryk stødknappen let på jorden, når du bruger kantklipperen.</li> <li>■ Udskift bladet.</li> </ul>
Klippetråden kan ikke løsnes.	<ul style="list-style-type: none"> <li>■ Der er ikke mere klippetråd i trimmerhovedet.</li> <li>■ Klippetråden er ikke sat ordentligt i.</li> </ul>	<ul style="list-style-type: none"> <li>■ Sæt ny klippetråd i kantklipperen.</li> <li>■ Fjern klippetråden, og sæt ny klippetråd i.</li> </ul>

DK

## GARANTI

### EGO's GARANTIPOLITIK

Besøg venligst hjemmesiden [egopowerplus.eu](http://egopowerplus.eu) for fuldstændige vilkår og betingelser for EGO's garantipolitik.

**LÄS IGENOM ALLA INSTRUKTIONER!****LÄS IGENOM BRUKSANVISNINGEN****SE**

Säkerhetslarm



Använd ögonskydd



Använd skyddshjälm



Bär halksäkra skor



Var försiktig med bladets dragkraft



Avståndet mellan maskinen och åskådare måste vara minst 15 meter.



Garanterad ljudeffektnivå. Bulleremissioner för omgivningen enligt EU-direktivet.



Förbrukade elektriska produkter får inte kastas i hushållssoporna. Lämna in dem till en auktoriserad återvinningsstation.

n<sub>0</sub>

Tomgångshastighet-Rotationshastighet utan belastning



Likström

**SÄKERHETSSYMBOLER**

**VARNING:** Användning av något elverktyg kan resultera i att främmande föremål kastas in i dina ögon vilket kan resultera i allvarliga ögonskador. Innan elverktyget börjar användas skall alltid skyddsglasögon eller skyddsglasögon med sidoskydd och full ansiktsskydd användas när så behövs. Vi rekommenderar att en ansiktsmask med brett synfält används ovanpå glasögonen eller standard skyddsglasögon med sidoskydd.



För att minska risken för skador måste användaren läsa bruksanvisningen.



Använd hörselskydd



Använd handskydd



Akta dig för ivägslungade objekt



Koppla ifrån batteriet innan underhåll utförs



Denna produkt är i enlighet med gällande EC-direktiv.



Denna produkt uppfyller tillämpliga lagar i Storbritannien.

V Spänning

.../min Per minut

kg Kilogram

IPX5 Skydd mot vattenstrålar

## SPECIFIKATIONER

Skärenhet	Trimmerhuvud	3-tandad metallklinga	
Spänning	56 V	56 V	
Obelastat varvtal	4000-5800 /min	4000-5800 /min	
Rekommenderad drifttemperatur:	0°C - 40°C		
Rekommenderad förvaringstemperatur:	-20°C - 70°C		
Skärträdens typ	2,4 mm	/	
Skärklinga	/	ABB1203	
Skärbredd	38 cm	30 cm	
Vikt	6,8 kg	6,46 kg	
Uppmätt ljudeffektnivå $L_{WA}$	95 dB(A) K=1,1 dB(A)	96,3 dB(A) K=2,1 dB(A)	
Ljudtrycksnivå vid operatörens öra $L_{PA}$	82 dB(A) K=2,5 dB(A)	83,4 dB(A) K=4,1 dB(A)	
Garanterad ljudtrycksnivå $L_{WA}$ (enligt 2000/14/EC)	96 dB(A)	98 dB(A)	
Vibration $a_h$	Vänster handtag	1,9 m/s <sup>2</sup> K=1,5 m/s <sup>2</sup>	1,9 m/s <sup>2</sup> K=1,5 m/s <sup>2</sup>
	Höger handtag	1,5 m/s <sup>2</sup> K=1,5 m/s <sup>2</sup>	1,3 m/s <sup>2</sup> K=1,5 m/s <sup>2</sup>

- Det angivna totalvärdet för vibration är uppmätt enligt standardprovningmetoden och kan användas för att jämföra olika verktyg;
- Det angivna totalvärdet för vibration kan även användas vid preliminär utvärdering av exponering.

**OBS!** Den verkliga vibrationen under arbete med det eldrivna verktyget kan avvika från det angivna värdet. Användaren bör ha på sig lämpliga handskar och hörselskydd för de aktuella arbetsförhållandena för att skydda sig.

## LEVERANSLISTA (Bild A1)

### BESKRIVNING

#### LÄR KÄNNA DIN RÖJSÅG (bild A1)

1. Trimmertråd
2. Skyddsenshet
3. Axel

4. Avtryckare
5. Startspärr
6. Vingbult
7. Ögla
8. Uttag
9. Skyddsplatta
10. Cykelhandtag
11. Tätningskruv
12. Låsningshål för axel
13. Skärblad för trädskapning
14. Skyddstillsats
15. 3-tandad klinga
16. Skärbladsskydd
17. Yttre fläns
18. Mutter
19. Multifunktionell skiftnyckel
20. Insexnyckel
- 21\*. Höftdyna (säljs separat)

**⚠ VARNING!** Använd aldrig verktyget utan att skyddet är korrekt på plats. Skyddet måste alltid vara monterat på verktyget för att skydda användaren.

**⚠ VARNING!** När redskapet är utrustat med trimmerhuvud måste skyddsensheten med trådsärklinga monteras på skyddet. Underlåtenhet att göra detta leder till alltför lång skärtråd och överbelastar motorn. Använd aldrig trimmerhuvudet utan skyddsensheten.

### MONTERING

**⚠ VARNING!** Om några delar är skadade eller saknas får röjsågen inte användas innan delarna ersatts. Användning av röjsågen med skadade eller saknade delar kan resultera i allvarliga personskador.

**⚠ VARNING!** Försök inte modifiera röjsågen eller skapa tillbehör som inte rekommenderas för användning med denna produkt. Alla sådana ändringar eller modifieringar utgör missbruk och kan leda till farliga förhållanden som ev leda till allvarliga personskador.

**⚠ VARNING!** Använd alltid kraftiga handskar vid montering eller demontering av skydd och underhållsarbete på den 3-tandade klingan/trådsärklingen. Var försiktig med trådsärklingen på skyddet/3-tandade klingan och skydda dina händer från att skadas av klingorna.

**⚠ VARNING!** För att förhindra att maskinen startas oavsiktligt, vilket kan orsaka allvarliga personskador, ta alltid ut batteriet ur verktyget vid montering av delar, justeringar, rengöring eller när den inte används.

SE

**⚠ VARNING!** Använd aldrig verktyget utan att skyddet och styrstångshandtaget sitter korrekt på plats. Underlåtenhet att följa detta kan resultera i allvarliga personskador.

## MONTERA OCH JUSTERA STYRSTÅNGSHANDTAGET

Röjsågen förvaras såsom visas på bild B. Börja med att lossa vingskruven på skarvstaget och lyft sedan styrstångshandtaget 180° runt axeln (bild C) och vrid det moturs 90°, så att det vänder mot bufferten (bild D). För det slutligen fram och tillbaka för att åstadkomma ett bekvämt arbetsläge och dra fast skruven.

**OBS!** Det är endast tillåtet att använda maskinen med cykelhandtaget vinkelrätt mot axeln.

SE

## MONTERA SKYDDET

**⚠ VARNING!** Använd alltid handskar vid montering eller utbyte av skyddet. Var försiktig med röjsågsbladet på skyddet och skydda din hand.

**⚠ VARNING!** Använd aldrig maskinen utan att skyddet är korrekt på plats. Skyddet måste alltid vara monterat på verktyget för att skydda användaren! När skyddet är fastsatt, försök aldrig att ta bort eller justera det, om utbyte krävs måste det utföras av en kvalificerad servicetekniker!

Lossa och ta bort de två skruvarna från skyddet (bild E), rikta in skyddets monteringshål mot monteringshålen och lås sedan fast skyddet till axelns bas med de två skruvarna och fjäderbrickorna (bild F).

**⚠ VARNING!** Se till att skyddets inre yta är riktad mot skärhuvudet (bild F).

**⚠ VARNING!** När buskskäraren är utrustad med ett trimmerhuvud måste skyddstillbehöret monteras till skyddet. Underlåtenhet att följa detta kan resultera i en för lång skärtråd och att motorn överbelastas.

## BYTA UT TRIMMERHUVUDET MED DEN 3-TANDEDE KLINGAN

1. Ta bort strömkontakten från trädtrimmern.
2. Vrid trimmerhuvudet för att rikta in skåran i flänsen med låsningshålet för axeln i växelhuset och för in en stabilisator i hålet (bild G).
3. Vrid trimmerhuvudet medurs för att ta bort det (bild G).
4. Ta bort skyddstillsatsen genom att lossa de tre skruvarna med brickor (bild H).
5. Klingan levereras med ett skydd. Innan klingan monteras på röjsågen ska skyddet avlägsnas genom att lossa fästtråden från kroken på skyddet (bild I1).

**OBS!** För att skydda dig mot skador måste du använda handskar innan du utför något arbete med den 3-tandade klingan.

6. Montera den inre flänsen och flänsskyddet på plats (bild I2).
7. Montera skärbladet på motoraxeln, säkerställ att skärbladets yta är i jämnhöjd med ytan på den inre flänsens utbuktning. Montera den yttre flänsen och muttern (bild I3). Fördra muttern i MOTSOLS riktning för hand.
8. Placera växelhuset på en stabil yta där det får stöd. Håll röjsågens axel med ena handen och ta med andra handen tag i universalskiftnyckeln för att dra åt muttern i enlighet med riktningsspilen som finns markerad på yttre flänsen (bild I4).

## BYTA UT SKÄRBLADET MED 3 TÄNDER MED TRIMMERHUVUDET

Lär känna skärbladet med 3 tänder enligt bild J1. Ta sedan isär skärbladet med 3 tänder och montera trimmerhuvudet på buskskäraren.

1. Vrid skärbladet för att rikta in skåran i flänsen med låsningshålet för axeln i växelhuset och för in en stabilisator i hålet.
2. Positionera växelhuset mot en fast yta för support. Håll buskskärarens axel med en hand och fatta tag i den multifunktionella skiftnyckeln med den andra handen för att lossa muttern i medsols riktning (bild I4).
3. Ta bort muttern, yttre flänsen, och bladet från buskskäraren (bild J2).

J-1	Axel	J-5	Yttre fläns
J-2	Inre fläns	J-6	Mutter
J-3	Flänsskydd	J-7	Skåra i flänsen
J-4	3-tandat skärblad		

**OBS!** När skärbladet med 3 tänder inte används, för att förhindra personskador, montera skärbladet i dess skydd.

4. Montera skyddsenheten till buskskäraren genom att dra åt de tre skruvarna med brickorna (bild H).
5. Vrid trimmerhuvudet moturs för att installera det (bild G). Följ instruktionerna i "BYTA TRÅD" för att ladda skärtråden.

**OBS!** Om tråden inte lindas in i riktningen som visas kommer trimmerhuvudet att fungera felaktigt.



## ANVÄNDNING

**⚠ VARNING!** Bli inte vårdslös bara för att du är bekant med denna produkt. Kom ihåg att oaktamhet under en bråkdel av en sekund är tillräckligt för att orsaka allvarliga skador.

**⚠ VARNING!** Använd alltid ögonskydd, tillsammans med hörselskydd. Om du inte gör så kan det resultera i att föremål kastas in i ögonen och andra möjliga allvarliga skador.

**⚠ VARNING!** Använd inga andra tillsatser eller tillbehör än de som rekommenderas av tillverkaren av denna produkt. Användning av tillbehör eller tillsatser som inte rekommenderas kan resultera i allvarlig personskada.

### TILLÄMPNINGAR

Produkten kan användas i regn.

Du kan använda denna produkt för de tillämpningar som listas nedan:

**Trimning:** används för att a bort gräs och ogräs mot väggar, staket, träd och kanter.

**Klippning:** Används för att klippa gräs som är svårt att komma åt med en vanlig gräsklippare.

**UPPMÄRKSAMMA:** Maskinen får enbart användas för det föreskrivna ändamålet. All annan användning betraktas som missbruk.

### HÅLLA BUSKSKÄRAREN

Innan ryggsäcksbatteriet ansluts till buskskäraren, ta på dig ryggsäcksbatteriet och montera höftdynan till din ryggsäckssele enligt bruksanvisningen för BAX1500 och AHP1500.

Montera buskskäraren till din höftdyna genom att koppla fast öglan till monteringshålet (bild K). Det finns åtta hål på axeln, välj ett optimalt hål för bekväm användning.

Håll trådtrimmern med båda händerna till höger om kroppen. Trimmerhuvudet eller klingan ska vara parallell med marken på korrekt klippavstånd utan att operatören böjer sig.

Buskskäraren kan frigöras på två sätt. Öppna bröst- och bältesspannen (bild L1) eller ta bort öglan från höftdynan och ta bort den från monteringshålet på axeln.

**⚠ VARNING!** Vid nödfall är den snabbaste metoden för att frigöra buskskäraren att öppna alla bröst- och bältesspannen.

**⚠ VARNING!** Du bör inte använda en enkel axelrem och dubbel axelrem samtidigt med ryggsäcksbatteriet.

Använd endast EGO:s batteripaket och laddare som listas i bild A2

### Installera batteripaket (bild L2)

Rikta in ▲ på kontakten med ▲ på buskskäraren. För in kontakten i maskinen tills den gröna förseglingen inte längre syns i uttaget.

### Borttagning

Frigör batterikabeln från monteringskåran och dra ut kontakten från buskskäraren.

### STARTA/STOPPA RÖJSÅGEN

#### Starta

Tryck startspärren till läget "ON" (Av) (bild M). Flytta den lilla avtryckaren uppåt och tryck sedan in den stora avtryckaren för att starta buskskäraren. När avtryckaren trycks ner olika hårt resulterar det i variabel rotationshastighet för skärenheten.

Bild L1 och M. Se beskrivning av delar nedan:

L-1	Bröstspänne	M-1	Startspärr
L-2	Bältesspänne	M-2	Liten avtryckare
L-3	Ögla	M-3	Stor avtryckare

#### Stoppa

Släpp upp den stora avtryckaren och tryck tillbaka startspärren till läget "OFF" (Av).

**⚠ VARNING!** Ta alltid ut batteripaketet ur trådtrimmern vid arbetspauser och efter att du har jobbat klart.

### ANVÄNDA BUSKSKÄRAREN

**⚠ VARNING!** Använd korrekta kläder för att minska risken för personskador vid användning av buskskäraren. Använd inte löst sittande kläder eller smycken. Använd ögon- och öron-/hörselskydd. Använd rejäla långbyxor, kängor och handskar. Använd inte shorts, sandaler eller gå barfota. Före användning, se dig omkring för att säkerställa ett säkert arbetsområde utan andra personer, djur eller något löst objekt. Säkerställ att de är minst 15 m bort. Kontrollera sedan efter ögonskydd, korrekt klädsel och balanserat fotfäste.

Kontrollera efter skadade/slitna delar före varje användning. Kontrollera trimmerhuvudet, skärbladet med 3 tänder, skyddet, skyddstillbehöret och cykelhandtaget och byt ut delar som är spruckna, skeva, böjda eller

SE

skadade på något sätt. Skärbladet för trådkapning som hittas på kanten av skyddstillbehöret kan bli slött efter en tid. Det rekommenderas att vassa det regelbundet med en fil eller byta ut det mot ett nytt skärblad.

## Rengör röjsågen efter varje användning

**⚠ FÖRSIKTIGHET:** Om ventilerna blockeras förhindras luften från att flöda in i motorhöljet, vilket kan resultera i överhettning eller skada på motorn.

- Använd endast mild tvål och en fuktad trasa för att rengöra verktyget. Låt aldrig någon vätska komma in i maskinen; doppa aldrig ned någon del av maskinen i en vätska.
- Håll alltid luftventilerna på motorhöljet fria från skräp.

SE

**⚠ WARNING!** Använd inte lösningsmedel när du rengör plastdelarna. De flesta plaster är känsliga för skador från olika typer av kommersiella lösningsmedel. Använd rena trasor för att ta bort smuts, damm, olja, fett osv.

## ANVÄNDNING MED TRIMMERHUVUD

### Kontrollera om trimmerhuvudet är blockerat

- För att förhindra blockering, håll trimmerhuvudet rent. Ta bort gräsklipp, löv, smuts och allt annat skräp före och efter varje användning.
- När en blockering inträffar, stoppa trådtrimmern och ta bort batteriet, ta sedan bort allt gräs som kan ha lindats runt motoraxeln eller trimmerhuvudet.

### Justera skärtrådens längd

Trimmerhuvudet låter operatören dra ut mer skärtråd utan att motorn behöver stoppas. När tråden blir fransig eller sliten kan mer tråd frigöras genom att knacka tråd huvudet lätt mot marken när trimmern är igång.

**OBS!** Tråden blir svårare att mata ut i takt med att skärtråden blir kortare.

**⚠ WARNING!** Ta inte bort eller modifiera skärbladet för tråden. En för lång tråd får motorn att överhettas och kan resultera i allvarliga personskador.

### Byta ut tråden

**⚠ WARNING!** Använd aldrig metallförstärkta trådar, kablar eller rep osv. Dessa kan gå av och bli farliga projektiler.

**NOTERA:** Använd alltid rekommenderad nylontråd med en diameter som inte överstiger 2,7 mm. Om en annan skärtråd än den som anges används kan trådtrimmern överhettas eller skadas.

1. Ta bort strömkontakten från trådtrimmern.
2. Ta bort den återstående skärtråden om så krävs.

3. Klipp till 8 m lång skärtråd, för in tråden i monteringshålet på insidan av hålet (bild J3). Tryck in och dra tråden från den andra sidan tills en likvärdig längd visas på spolens båda sidor.
4. Tryck ner och vrid nedre lockmontaget i pilens riktning för att linda in spolen tills cirka 12 cm av tråden visas på vardera sida (bild J4).
5. Tryck ner nedre lockmontaget medan tråden dras ut manuellt för att förlänga den och för att kontrollera att trimmerhuvudet är korrekt monterat.

När skärtråden går av från trådutgången eller om skärtråden inte frigörs när trimmerhuvudet knackas lätt, följ stegen nedan:

1. Tryck in filkarna på övre locket och ta bort nedre lockmontaget genom att dra den rakt ut (bild J5 och J6).
2. Ta bort skärtråden från spolen.
3. Håll det nedre lockmontaget med ena handen och använd den andra handen för att ta tag i det nedre lockhandtaget och rikta in filkarna mot hålen i det nedre lockmontaget (bild J7); Använd handflatan för att trycka på det nedre lockmontaget tills filkarna läses med det övre locket.
4. Följ instruktionerna i "BYTA TRÅD" för att byta ut skärtråden.

### Använda med skärbladet med 3 tänder

**⚠ WARNING!** För att klippa vildvuxna ytor och busksnår ska du sänka ned den 3-tandade klingan över växtligheten för att få en sönderdelningsverkan. Använd röjsågen som en lie (svep med den åt höger och vänster) i markplan. Använd inte skärenheten ovanför midjehöjd.

**⚠ WARNING!** Ju högre skärenheten hålls ovanför marken, desto större är risken att skadas genom att klippt material slungas ut åt sidorna.

**⚠ WARNING!** När du gallrar unga bestånd eller andra material av trätyp upp till 2 cm diameter ska du använda klingans vänstra sida för att undvika situationer med klingans slungkraft. Försök inte skära träliknande material med grövre diameter, eftersom klingan kan fånga upp eller rycka röjsågen framåt. Detta kan ge upphov till skada på klingan eller röjsågen eller förlust av kontroll över röjsågen, vilket medför personskador.

**⚠ WARNING!** Felaktig användning av skärbladet kan orsaka sprickor, kantstötningar eller splittras. Utslungade delar kan skada användaren eller åskådare allvarligt. För att minska risken för personskador är det mycket viktigt att utföra följande försiktighetsåtgärder:

- Undvik kontakt med hårda eller massiva främmande föremål, t.ex. stenar, klippor eller metallföremål.

- Beskär aldrig träd eller snår med en stamdiameter över 2 cm.
- Se över klingan med regelbundna korta intervall avseende tecken på skada. Fortsätt inte arbeta med en skadad klinga.
- Skärp klingan regelbundet (när den blivit märkbart slöare) och få den balanserad vid behov (med hjälp av en kompetent servicetekniker).

### Klingans slungkraft

Var extremt försiktig när du använder den 3-tandade klingan till denna enhet. Klingans slungkraft är den reaktion som kan utlösas när den roterande klingan kommer i kontakt med något den inte kan skära av. Denna kontakt kan medföra att klingan stannar till ett ögonblick och plötsligt "slungar" iväg enheten från det träffade föremålet. Reaktionen kan vara tillräckligt våldsam för att orsaka att operatören tappar kontrollen över enheten. Klingans slungkraft kan uppkomma utan varning om klingan fastnar, överstegras eller kärvar. Detta inträffar mer sannolikt i områden där det är svårt att se det material som skärs. För enkel och säker skärning ska du ta dig an aktuellt ogräs med röjsågen från höger till vänster. Denna rutin kan minimera klingans slungkraftsreaktion om ett väntat föremål eller trädstubbe kommer i vägen.

## UNDERHÅLL

**⚠ VARNING!** Före inspektion, rengöring eller service av enheten, stoppa motorn, vänta tills alla rörliga delar har stannat och ta sedan ut batteripaketet. Underlåtenhet att följa dessa instruktioner kan resultera i allvariga personskador eller skada på egendom.

**⚠ VARNING!** Vid service ska enbart identiska utbyteskomponenter användas. Användning av andra delar kan skapa risker eller orsaka produktskador. För att garantera en säker och pålitlig användning måste alla reparationer utföras av en kvalificerad servicetekniker.

### ALLMÄNT UNDERHÅLL

Använd inte lösningsmedel när du rengör plastdelarna. De flesta plaster är känsliga för skador från olika typer av kommersiella lösningsmedel och kan skadas om dessa används. Använd rena trasor för att ta bort smuts, damm, olja, fett osv.

### RENGÖRA MASKINEN

- Efter varje användning av den 3-tandade klingan/trimmerhuvudet ska du rengöra klingan och skyddet från skräp, ansamlad jord eller gräs med en mjuk borste.

**OBS!** När trädskärningsklingan blir slö, låt en kompetent servicetekniker skärpa den eller byt ut den mot en ny om så behövs.

- Efter varje användning av röjsågen ska du rengöra skärenheten med hjälp av en fuktad trasa med mildt rengöringsmedel.
- Använd inte starka rengöringsmedel på plasthöljet eller handtaget. De kan skadas av vissa aromatiska oljor som t.ex. tall och citron, samt av lösningsmedel som t.ex. fotogen. Fukt kan även utgöra en risk för elektriska stötar. Torka bort fukt med en mjuk och torr trasa.
- Använd en liten borste eller en liten dammsugare för att rengöra luftventilerna på det bakre höljet.

### SMÖRJ IN I VÄXELLÅDAN

För bästa användning och längre livslängd, smörj in växellådan med ett särskilt fett (4-5 g per insmörjning) efter cirka 50 timmars drift.

Det särskilda fettet bör uppfylla följande krav.

1. Tillhöra DIN 51818: NLGI-1 penetreringsdjup i en mätkon.
2. Esterbaserat fett.
3. Utmärkt start vid låg temperatur, EP, mekanisk skjuvning, nötningshårdighet och oxidationsstabilitet.
4. Drifttemperaturen måste innehålla -40~180 °C.

Dra ut batterikontakten och tätningsskruven. Smörj in växellådan via oljehålet.

**⚠ VARNING!** Smörj inte in när röjsågen fortfarande är ansluten till batteriet eller är igång.

### VÄSSA KNIVEN FÖR TRÄDKAPNING

**⚠ VARNING!** Skydda alltid dina händer genom att bära kraftiga handskar vid allt underhåll av kniven för trädkapning.

1. Ta bort kniven för trädkapning från skyddet.
2. Använd lämpligt ögonskydd och handskar och var försiktig så att du inte skär dig.
3. Säkerställ knivbladet i ett städ.
4. Fila försiktigt kniveggarna med en finkordning fil eller slipsten, och bibehåll den ursprungliga skärvinkeln för kniveggen.
5. Montera tillbaka knivbladet på skyddet och fäst det på plats med de två skruvarna.

### FÖRVARA MASKINEN

- Ta bort batteripaketet från redskapet.
- Använd kraftiga handskar för grundlig rengöring av redskapet.

SE

- Montera klingskyddet på den 3-tandade klingan för säker förvaring (bild N).
- Förvara enheten på en torr, välventilerad plats, inlåst eller högt upp, utom räckhåll för barn. Förvara inte enheten på eller i anslutning till gödningsmedel, bensin eller andra kemikalier.

**OBS!** Använd inte häcktrimmern med slöa eller skadade skärblad. Det kan orsaka överbelastning och kommer att ge ett otillfredsställande klippresultat.

#### Miljöskydd



Kasta inte elektrisk utrustning, använt batteri och laddare i hushållssoporna! Ta denna produkt till en auktoriserad återvinnare och gör den tillgänglig för separat insamling. Elektriska verktyg måste returneras till en miljöanpassad återvinningsanläggning.

SE

## FELSÖKNING

PROBLEM	ORSAK	LÖSNING
Går inte att starta	<ul style="list-style-type: none"> <li>■ Batteripaketet är inte monterat till buskskäraren eller ingen elektrisk kontakt mellan buskskäraren och batteriet.</li> <li>■ Batteripaketet är urladdat.</li> <li>■ Startspärren är inte i läget "ON" (På) innan avtryckarna tryckts in.</li> </ul>	<ul style="list-style-type: none"> <li>■ Koppla ur och återanslut batterikontakten till häcktrimmern.</li> <li>■ Ladda batteripaketet med den laddare som anges.</li> <li>■ Innan trimmern används, säkerställ att startspärren är upplåst.</li> </ul>
Slutar fungera.	<ul style="list-style-type: none"> <li>■ Batteripaketet eller röjsågen är överhettade.</li> <li>■ Buskskäraren är överbelastad.</li> <li>■ Batteripaketet är inte anslutet till verktyget.</li> <li>■ Batteripaketet är urladdat.</li> </ul>	<ul style="list-style-type: none"> <li>■ Låt batteripaketet och häcktrimmern svalna tills temperaturen återgått till normal temperatur.</li> <li>■ Maskinen återhämtar sig när belastningen har avlägsnats. Vid kontinuerligt arbete, minska maskinens belastning.</li> <li>■ Montera batteripaketet igen.</li> <li>■ Ladda batteripaketet med den laddare som anges.</li> </ul>
Kraftiga vibrationer eller oljud.	<ul style="list-style-type: none"> <li>■ Torr växelåda</li> <li>■ Obalanserad skärtråd.</li> <li>■ Skärbladet med 3 tänder är böjt eller skadat</li> </ul>	<ul style="list-style-type: none"> <li>■ Ta bort tätningsskruven och lägg till smörjolja.</li> <li>■ Tryck trådreglaget mot marken vid användning av trimmern.</li> <li>■ Byt ut mot ett nytt skärblad.</li> </ul>
Skärtråden kan inte frigöras.	<ul style="list-style-type: none"> <li>■ Skärtråden i trimmerhuvudet har tagit slut.</li> <li>■ Skärtråden är inte korrekt installerad.</li> </ul>	<ul style="list-style-type: none"> <li>■ Montera en ny skärtråd i buskskäraren.</li> <li>■ Ta bort skärtråden och montera sedan tillbaka skärtråden.</li> </ul>

SE

## GARANTI

### GARANTIVILLKOREN AV EGO

Var god besök webbplatsen [egopowerplus.eu](http://egopowerplus.eu) för att se de fullständiga garantivillkoren av EGO.

## LUE KAIKKI OHJEET!



### LUE KÄYTTÖOPAS

FI



Turvallisuushälytys



Käytä silmäsuojaimia



Käytä suojakypärää



Käytä liukastumisen estäviä jalkineita



Varo terän työntövoimaa



Koneen ja sivullisten välillä tulisi olla vähintään 15 metrin etäisyys.



Taattu äänen tehotaso. Melupäästöt ympäristöön Euroopan yhteisön direktiivin mukaiset.



Vanhoja sähkölaitteita ei saa hävittää kotitalousjätteen mukana. Vie laite valtuutettuun kierrätyslaitokseen.

$n_0$

Tyhjäkäyntinopeus-Pyörimisnopeus ilman kuormaa



Tasavirta

## TURVALLISUUSSYMBOLIT

**VAROITUS:** Minkä tahansa sähkötyökalun käyttö saattaa aiheuttaa vierasesineiden sinkoutumisen silmiin, mikä voi aiheuttaa vakavia silmävammoja. Käytä aina suojalaseja, joissa on sivusuojat, ja tarvittaessa koko kasvat peittävää suojaa, kun käytät sähkötyökaluja. Silmälasien päällä suosittellemme käytettäväksi suojamaskia, jossa on laaja näkökenttä, tai tavallisia suojalaseja, joissa on sivusuojat.



Käyttäjän on luettava käyttöopas loukkaantumista varten vähentämiseksi.



Käytä kuulosuojaimia



Käytä suojakäsineitä



Varo sinkoutuvia kohteita



Irrota akku ennen huoltotoimenpiteitä



Tämä tuote vastaa sovellettavia EU-direktiivejä.



Tämä tuote vastaa sovellettavaa UK-lainsäädäntöä.

V Jännite

.../min per minuutti

kg Kilogramma

IPX5 Suojaus vesisuihkuja vastaan

## MÄÄRITYKSET

Leikkuuterä	Trimmerin pää	3-hampainen metalliterä	
Jännite	56 V	56 V	
Joutokäyntinopeus	4000–5800 /min	4000–5800 /min	
Suosittelua käyttölämpötila:	0–40°C		
Suosittelua säilytyslämpötila:	-20–70°C		
Leikkuusiiman tyyppi	2,4 mm	/	
Leikkuuterä	/	ABB1203	
Leikkuuleveys	38 cm	30 cm	
Paino	6,8 kg	6,46 kg	
Mitattu äänen tehotaso $L_{WA}$	95 dB(A) K=1,1 dB(A)	96,3 dB(A) K=2,1 dB(A)	
Äänenpaineen taso käyttäjän korvien tasolla $L_{PA}$	82 dB(A) K=2,5 dB(A)	83,4 dB(A) K=4,1 dB(A)	
Taattu äänen tehotaso $L_{WA}$ (mitattu 2000/14/EY mukaisesti)	96 dB(A)	98 dB(A)	
Värinä $a_n$	Vasen kahva	1,9 m/s <sup>2</sup> K=1,5 m/s <sup>2</sup>	1,9 m/s <sup>2</sup> K=1,5 m/s <sup>2</sup>
	Oikea kahva	1,5 m/s <sup>2</sup> K=1,5 m/s <sup>2</sup>	1,3 m/s <sup>2</sup> K=1,5 m/s <sup>2</sup>

- Ilmoitettu värinän kokonaisarvo on mitattu standardikoemenetelmän mukaan ja sitä voidaan käyttää verrattaessa työkaluja keskenään
- Ilmoitettua värinän kokonaisarvoa voidaan myös käyttää altistumisen ennakkoarvioinnissa.

**HUOMAA:** Sähkötyökalun todellisen käytön aikana ilmenevä värinä voi erota työkalun käytölle ilmoitetusta arvosta. Käyttäjän suojelemiseksi on todellisissa käyttöolosuhteissa käytettävä käsiineitä ja kuulosuojaimia.

## PAKKAUSLUETTELO (Kuva A1)

### KUVAUS

#### TUNNE PENSASLEIKKURISI (kuva A1)

- Leikkurin siima
- Suojuskokoonpano

- Varsi
- Liipaisin
- Lukituksen vapautuspainike
- Siipiruuvi
- Koukku
- Liitäntä
- Suojalevy
- Kahvatanko
- Tiivistysruuvi
- Varren lukitusreikä
- Siimaleikkurin terä
- Suojuslisäosa
- 3-hampainen terä
- Teränsuojus
- Ulkolaippa
- Mutteri
- Monitoimiavain
- Kuusiokoloavain
- 21\* Lannepehmuste (lisävaruste)

**VAROITUS:** Älä koskaan käytä työkalua ilman, että suoja on kunnolla paikallaan. Suojan on aina oltava työkalussa käyttäjän suojaamiseksi.

**VAROITUS:** Jos työkalu on varustettu trimmeripäällä, suojuksen lisäosa siimaleikkurilla tulee asentaa suojuksen päälle. Tämän noudattamatta jättäminen voi aiheuttaa liian pitkä leikkuusiiman ja moottorin ylikuormittumisen. Älä käytä trimmeripäätä ilman suojuksen lisäosaa.

## KOKOONPANO

**VAROITUS:** Jos jokin osa on vahingoittunut tai puuttuu, älä käytä pensasleikkuria ennen kuin osat on vaihdettu. Pensasleikkurin käyttö vioittuneilla tai puuttuvilla osilla voi aiheuttaa vakavan henkilövahingon.

**VAROITUS:** Älä yritä muuttaa pensasleikkuria tai luoda sille lisävarusteita, joita ei suositella käytettäväksi laitteen kanssa. Kaikenlainen muuttaminen tai muuntelu on väärinkäyttöä, ja voi aiheuttaa vaaratilanteen, joka voi johtaa vakaviin henkilövahinkoihin.

**VAROITUS:** Käytä aina paksuja käsiineitä, kun asennat tai poistat suojuksen tai teet kunnossapitotoimenpiteitä 3-hampaiselle terälle / siimaleikkurin terälle. Varo suojuslisäosassa olevaa siimaleikkurin terää / 3-hampaista terää. Suojaa kätesi näiltä teriltä.

**VAROITUS:** Poista akku työkalusta aina, kun kokoat osia, teet muutoksia tai puhdistat laitetta tai kun et käytä sitä. Näin varmistat, ettei laite käynnisty vahingossa eikä aiheuta vakavia henkilövahinkoja.

**VAROITUS:** Älä koskaan käytä työkalua ilman, että suojuus ja tankokahva ovat kunnolla paikallaan. Tämän noudattamatta jättäminen saattaa aiheuttaa vakavan henkilövahingon.

## TANKOKAHVAN ASENTAMINEN JA SÄÄTÄMINEN

Pensasleikkuri varastoidaan, kuten kuvassa B. Irrota ensin siipimutteri liitoksesta ja nosta kahvatankoa 180° tangon ympäri (kuva C), käännä sitä 90° vastapäivään ja käännä se kupupäätä kohden (kuva D). Siirrä sitä lopuksi edestakaisin, jotta löydät mukavan työskentelyasennon, kiristä mutteri.

**HUOMAUTUS:** Koneen käyttö on sallittua vain tankokahvan ollessa kohtisuorassa tankoon.

## SUOJUUKSEN ASENTAMINEN

**VAROITUS:** Käytä aina käsiineitä, kun kiinnität tai vaihdat suojusta. Varo suojuksen terää ja suojaa kätesi leikkautumiselta.

**VAROITUS:** Älä koskaan käytä konetta ilman, että suojuus on kunnolla paikallaan. Suojuksen on aina oltava koneessa käyttäjän suojaamiseksi! Kun suojuus on kiinnitetty, älä poista tai säädä sitä. Jos suojuksen vaihtaminen on tarpeen, vain asiantunteva huoltoteknikko saa tehdä sen!

Löysää ja poista kaksi ruuvia suojuksesta (kuva E). Linjaa suojuksen kiinnitysaukot kokoonpanoaukkojen kanssa ja lukitse suojuus sitten varren tyveen kahden ruuvin ja jousialuslaattojen kanssa (kuva F).

**VAROITUS:** Varmista, että suojuksen sisäpinta on kohti leikkurin päätä (kuva F ja G).

**VAROITUS:** Jos pensasleikkuri on varustettu trimmeripäällä, suojuksisäosa tulee asentaa suojukseen. Tämän noudattamatta jättäminen voi aiheuttaa liian pitkää leikkuusiiman ja moottorin ylikuormittumisen.

## VAIHDA TRIMMERIPÄÄ 3-HAMPASEEN TERÄÄN

1. Irrota pistoke siimaleikkurista.
2. Käännä leikkuupäätä, jotta laipan kolo kohdistuu varren lukitusreikään vaihteistokotelossa ja aseta vakain reikään (kuva G).
3. Irrota leikkuupää kiertämällä sitä myötäpäivään

(kuva G).

4. Poista suojaosa irrottamalla kolme ruuvia ja aluslevyä (kuva H).
5. Terän mukana toimitetaan suojuus. Ennen kuin asennat terän pensasleikkuriin, poista suojuus kiertämällä kiinnityslanka irti suojuksen koukusta (kuva I1).

**HUOMAUTUS:** Käytä käsiineitä suojaaksesi itsesi loukkaantumiselta, kun käsittelet 3-hampaista terää.

6. Asenna sisälaippa ja laipan suojuus paikoilleen (kuva I2).
7. Asenna terä moottorin karaan. Varmista, että terän pinta on sisälaipan ulokkeen tasossa. Asenna ulkolaippa ja mutteri (kuva I3). Esikiristä mutteri VASTAPÄIVÄÄN sormikireytyeen.
8. Aseta vaihdekotelo tuen kiinteää pintaa vasten. Tartu toisella kädellä pensasleikkuriin ja toisella kädellä monitoimiavaimen, kiristä mutteri vastakkaiseen suuntaan kuin ulkolaipassa oleva nuoli (kuva I4).

## VAIHDA 3-HAMPAINEN TERÄ TRIMMERIPÄÄHÄN

Tunne 3-hampainen teräyksikkö, katso kuvaa J1. Irrota 3-hampainen terä sitten ja asenna trimmeripää pensasleikkuriin.

1. Käännä terää, jotta laipan kolo kohdistuu varren lukitusreikään vaihteistokotelossa ja aseta vakain reikään.
2. Aseta vaihdekotelo tuen kiinteää pintaa vasten. Tartu toisella kädellä pensasleikkurin varteen ja toisella kädellä monitoimiavaimen, löysää mutteri myötäpäivään (kuva I4).
3. Poista mutteri, ulkolaippa, terä pensasleikkurista (kuva J2).

J-1	Varsi	J-5	Ulkolaippa
J-2	Sisälaippa	J-6	Mutteri
J-3	Laipan suojuus	J-7	Laipan kolo
J-4	3-hampainen terä		

**HUOMAUTUS:** Kun 3-hampainen terä ei ole käytössä, aseta se suojukseensa, jotta välttät henkilövahingot.

4. Kiinnitä suojuksisäosa pensasleikkuriin kiristämällä kolme ruuvia ja aluslevyt (kuva H).
5. Asenna leikkuupää kiertämällä sitä vastapäivään (kuva G). Noudata leikkuusiiman lataamisessa kohdan "SIIMAN VAIHTAMINEN" ohjeita.

**HUOMAUTUS:** Jos et kelaasi siimaa ohjeiden mukaisessa suunnassa, trimmeripää ei toimi oikein.



## KÄYTTÖ

**VAROITUS:** Älä anna tämän laitteen tuttuuden tehdä sen käsittelystä huolimattonta. Muista, että muutaman sadasosasekunnin huolimattomuus riittää aiheuttamaan vakavan henkilövahingon.

**VAROITUS:** Käytä aina suojalaseja ja kuulosuojaimia. Tämän ohjeen laiminlyöminen saattaa aiheuttaa esineiden sinkoutumisen silmiin ja mahdollisen vakavan henkilövahingon.

**VAROITUS:** Älä käytä lisälaitteita tai lisävarusteita, jos tämän tuotteen valmistaja ei ole suositellut. Muiden kuin suositeltujen lisälaitteiden tai lisävarusteiden käyttö saattaa aiheuttaa vakavan henkilövahingon.

### KÄYTTÄMINEN

Tuotetta voi käyttää sateessa.

Tätä laitetta voi käyttää seuraavassa mainittuihin tarkoituksiin:

**Ruohotrimmerinä:** käytetään ruohon ja rikkaruohojen poistamiseen seinien, aitojen, puiden ja rajojen lähellä.

**Leikkurina:** käytetään sellaisen nurmikon leikkaamiseen, johon on vaikea päästä käsiksi perinteisellä ruohonleikkurilla.

**HUOMAUTUS:** Konetta saa käyttää vain sille määrättyihin tarkoituksiin. Kaikki muu käyttö katsotaan väärinkäytöksi.

### PENSASLEIKKURIN PITÄMINEN

Ennen kuin yhdistät akun pensasleikkuriin, pue reppuakku päällesi ja asenna lannepehmuste repun valjaisiin, kuten BAX1500 ja AHP1500 käyttöoppaissa näytetään.

Asenna pensasleikkuri lannepehmusteeseen yhdistämällä koukku asennusreikään (kuva K). Varressa on 8 reikää, joten voit valita niistä käytössä mukavimman.

Pidä siimaleikkuria molemmilla käsillä vartalosi oikealla puolella. Trimmeripään tai terän pitää olla suorassa linjassa maan kanssa sopivalla leikkuetaisytydellä ilman käyttäjän kumartumista.

Pensasleikkurin voi vapauttaa kahdella tavalla. Vapauta rintasolki ja vyön soljet (kuva L1) tai paina lannepehmusteen koukkuja ja irrota se varren asennusreistä.

**VAROITUS:** Jos tulee hätätilanne, vapauta pensasleikkuri vapauttamalla rintasolki ja vyön soljet pikavapautusmenetelmällä.

**VAROITUS:** Älä käytä yhden olan hihnaa ja kahden

olan hihnaa reppuakun kanssa samanaikaisesti.

Käytä vain EGO:n akkuja ja latureita, jotka on luettu alla kuvassa A2:

### Akun asentaminen (kuva L2)

Kohdista pistokkeen ▲ pensasleikkurin merkkiin ▲. Työnnä pistoke koneeseen, kunnes vihreä tiiviste häviää täysin liittäntään.

### Irrottaminen

Vapauta akun johto kiinnitysurasta ja vedä pistoke irti pensasleikkurista.

### PENSASLEIKKURIN KÄYNNISTÄMINEN/ PYSÄYTTÄMINEN

#### Käynnistäminen

Paina vapautuspainike "ON"-asentoon (kuva M). Siirrä pieni liipaisin ylös ja käynnistä sitten pensasleikkuri painamalla liipaisinkytkintä. Erilainen paine liipaisimella aiheuttaa leikkuulaitteen pyörimisnopeuden muuttumisen.

Kuvien L1 ja M osien kuvaus alla:

L-1	Rintasolki	M-1	Lukituksen vapautuspainike
L-2	Vyön solki	M-2	Pieni liipaisin
L-3	Koukku	M-3	Liipaisinkytkin

#### Pysäyttäminen

Vapauta liipaisinkytkin ja paina lukituksen vapautuspainike takaisin OFF-asentoon.

**VAROITUS:** Poista akku siimaleikkurista aina, kun pidät työstä taukoa, ja kun lopetat leikkurin käytön.

### PENSASLEIKKURIN KÄYTTÄMINEN

**VAROITUS:** Pukeudu asianmukaisesti, niin vältät loukkaantumisvaaran pensasleikkuria käyttäessäsi. Älä käytä väljiä vaatteita tai koruja. Käytä suojalaseja ja korvatulppia/kuulosuojaimia. Käytä paksuja, pitkälahkeisia housuja, saappaita ja suojakäsineitä. Älä käytä lyhytlahkeisia housuja, sandaaleita tai ole paljain jaloin. Katso ympärillesi ennen käyttöä ja varmista työskentelyalueen turvallisuus. Alueella ei saa olla muita ihmisiä, eläimiä tai irtotavaroita. Varmista, että ne ovat vähintään 15 metrin etäisyydellä. Tarkista sitten suojalasi, asianmukainen vaatetus ja tasapainoinen asento.

Tarkasta osat ennen jokaista käyttöä vaurioiden/ kulumien varalta. Tarkasta trimmeripää, 3-hampainen terä, suojus, suojuksisäosa ja tankokahva. Vaihda osat,

jotka ovat murtuneet, vääntyneet, taipuneet tai muulla tavoin vaurioituneet. Suojuslisäosan reunassa oleva siimaleikkurin terä voi tylsyä ajan myötä. Suosittelemme, että teroitat sen määräajoin viilalla tai vaihdat sen uuteen terään.

## Puhdistas pensasleikkuri jokaisen käyttökerran jälkeen

**⚠️ HUOMIO:** Tukokset ilma-aukoissa estävät ilman virtaamisen moottorikehikkoon ja aiheuttavat ylikuumentumista tai moottorin vahingoittumisen.

- Käytä koneen puhdistuksessa vain mietoa pesuainetta ja kosteaa liinaa. Älä koskaan päästä nestettä koneen sisään; älä koskaan upota mitään koneen osaa nesteeseen.
- Pidä moottorikehikon ilma-aukot aina puhtaana irtoaineksestä.

**⚠️ VAROITUS:** Vältä liuotainaineiden käyttöä, kun puhdistat muoviosia. Suurin osa muoveista on alltiita vahingoittumaan markkinoilla olevista liuottimista. Poista lika, pöly, öljy, rasva ym. puhtailla liinoilla.

## TRIMMERIPÄÄN KÄYTTÄMINEN

### Tarkista, onko leikkuupää tukkeutunut

- Tukosten estämiseksi pidä leikkuupää puhtaana. Poista ruohonleikkujätteet, lehdet, liika ja muut kertyneet roskat ennen ja jälkeen jokaisen käyttökerran.
- Kun tukos tapahtuu, pysäytä siimaleikkuri ja poista akku ja poista sitten ruoho, joka on saattanut kietoutua moottorin karan tai leikkuupään ympärille.

### Leikkaussiiman pituuden säätäminen

Trimmeripää mahdollistaa leikkaussiiman vapauttamisen ilman moottorin sammuttamista. Kun siima kuluu tai rispaantuu, voit vapauttaa lisää kopauttamalla kupupäätä maata vasten leikkurin käytön aikana.

**HUOMAUTUS:** Siiman vapautus vaikeutuu, jos leikkaussiima tulee liian lyhyeksi.

**⚠️ VAROITUS:** Älä poista siimaleikkurin teräkokooppäätä tai muuta sitä. Ylimääräinen siiman pituus aiheuttaa moottorin ylikuumentumista ja saattaa aiheuttaa vakavan henkilövahingon.

### Siiman vaihtaminen

**⚠️ VAROITUS:** Älä käytä koskaan metallilla vahvistettua siimaa, rautalankaa, narua yms. Ne saattavat katketa ja muuttua vaaralliseksi ammuksiksi.

**HUOMAA:** Käytä aina suositeltua nailonleikkaussiimaa, jonka halkaisija on korkeintaan 2,7 mm. Muunlaisen siiman käyttäminen saattaa aiheuttaa siimaleikkurin

kuumentumisen tai vaurioitumisen.

1. Irrota pistoke siimaleikkurista.
2. Poista jäljellä oleva siima, mikäli tarpeen.
3. Leikkaa leikkaussiimasta 8 m pitkä kappale. Työnnä siima pujotusreiän sisäpuolella olevaan asennusreikään (kuva J3). Työnnä ja vedä siimaa toiselta puolelta, kunnes kummallakin puolella kelaa on yhtä paljon siimaa.
4. Paina ja pyöritä samalla alempaa suojusta nuolen suuntaan saadaksesi siiman kelalle, kunnes kummallakin puolella on näkyvissä noin 12 cm siimaa (kuva J4).
5. Paina alempaa suojusta ja vedä samalla siimoja käsin siiman liikuttamiseksi eteenpäin. Tarkista leikkuupään oikea kokoonpano.

Kun leikkaussiima katkeaa siiman ulostulosta tai leikkaussiimaa ei vapaudu leikkuupäätä napautettaessa, noudata seuraavia ohjeita:

1. Paina ylemmän suojuksen vapautusulokkeita ja poista alempi suojus vetämällä sitä suoraan ulospäin (kuvat J5 ja J6).
2. Irrota leikkaussiima kelasta.
3. Pidä toisella kädellä alemmasta suojuksesta, tartu toisella kädellä alempaan suojukseen ja kohdista ylemmän suojuksen ulokkeet alemman suojuksen reikiin (kuva J7). Käytä kämmettä ja paina alempaa suojusta, kunnes ulokkeet lukittuvat ylempään suojukseen.
4. Noudata leikkaussiiman uudelleen lataamisessa kohdan "SIIMAN VAIHTAMINEN" ohjeita.

### 3-hampaisen terän käyttäminen

**⚠️ VAROITUS:** Kun leikkaat villiintynyttä kasvustoa, laske pyörivä 3-hampainen terä kasvun tasolle, jotta saat silppuamistoiminnon. Käytä pensasleikkuria kun viikatetta (heilautta oikealle ja vasemmalle) maan tasolla. Älä käytä leikkuuterää vyötärötasoa korkeammalla.

**⚠️ VAROITUS:** Mitä korkeammalla maasta leikkaustyökalu on, sitä suuremman vaaran sivusuuntaan sinkoutuvat leikkujätteet aiheuttavat.

**⚠️ VAROITUS:** Kun leikkaat nuorta kasvua tai halkaisijaltaan enintään 2 cm puumaisia kasveja, käytä terän vasenta sivua, jotta vältät takapotkut. Älä yritä leikata paksumpia puita, koska terä voi jäädä kiinni ja iskeä pensasleikkuria eteenpäin. Tämä saattaa vaurioittaa terää tai pensasleikkuria tai voit menettää pensasleikkurin hallinnan. Tämä voi johtaa henkilövahinkoon.

**⚠️ VAROITUS:** Terän virheellinen käyttö voi aiheuttaa sen murtumisen, säröilyn tai rikkoutumisen. Sinkoutuvat osat voivat aiheuttaa vakavan henkilövahingon käyttäjälle

tai sivuillille. Henkilövahinkojen välttämiseksi toimi seuraavalla tavalla:

- Vältä kosketusta koviin tai kiinteisiin kohteisiin, kuten kiviin tai metallikappaleisiin.
- Älä leikkaa yli 2 cm läpimittaisia puumaisia kasveja tai pensaita.
- Tarkasta terä säännöllisin väliajoin vaurioiden varalta. Älä jatka työskentelyä vaurioituneella terällä.
- Teroita terä säännöllisesti (kun se on selvästi tylsä) ja anna se tarvittaessa tasapainotettavaksi (ammattitaitoiselle asentajalle).

### Takapotku

Ole erityisen varovainen, kun käytät laitteen 3-hampaista terää. Takapotku saattaa tapahtua, kun pyörivä terä osuu kohteeseen, jota se ei saa katkaistua. Tämä aiheuttaa terän pysähtymisen hetkeksi ja nopean "ponnahduksen" pois kohteesta, johon se osui. Tämä reaktio voi olla niin voimakas, että käyttäjä menettää laitteen hallinnan. Terän takapotku tapahtuu ilman varoitusta, jos terä jää kiinni ja pysähtyy. Takapotku tapahtuu usein alueilla, joissa sahattavaa materiaalia on vaikea nähdä. Työskentely on helpompaa ja turvallisempaa, jos lähestyt leikattavia kohteita pensasleikkurilla oikealta vasemmalle. Jos työkalu osuu odottamattomaan kohteeseen tai kantoon, tämä käytäntö minimoi terän takapotkun vaikutuksen.

## HUOLTO

**VAROITUS:** Pysäytä moottori, odota kaikkien liikkuvien osien pysähtymistä ja poista akku ennen laitteen tarkastamista, puhdistamista tai huoltamista. Näiden ohjeiden noudattamatta jättäminen saattaa aiheuttaa vakavan henkilövahingon tai omaisuusvahingon.

**VAROITUS:** Käytä huollossa vain identtisiä vaihto-osia. Muiden osien käyttö saattaa aiheuttaa vaaran tai tuotteen vaurioitumisen. Anna asiantuntevan huoltoteknikon tehdä kaikki korjaukset, jotta laite on varmasti turvallinen ja luotettava.

### LAITTEEN PUHDISTUS

Vältä liuotinaineiden käyttöä, kun puhdistat muoviosia. Useimmat muovit ovat herkkiä vaurioitumaan erilaisista kaupallisista liuottimista ja voivat vioittua niiden käytöstä. Käytä lian, pölyn, öljyn ja rasvan puhdistamiseen puhdasta liinaa.

### KONEEN PUHDISTAMINEN

- Puhdista lika, tukokset ja ruoho 3-hampaisesta terästä / trimmeripäästä pehmeällä harjalla joka käyttökerran jälkeen.

**HUOMAUTUS:** Kun siimaleikkurin terä tulee tylsäksi, vie

se ammattitaitoiselle asentajalle teroitettavaksi tai vaihda terä tarvittaessa uuteen siimaleikkurin terään.

- Puhdista leikkuuterä kostealla liinalla ja miedolla puhdistusaineella jokaisen pensasleikkurin käyttökerran jälkeen.
- Älä käytä voimakkaita puhdistusaineita muoviseen koteloon tai kahvaan. Ne saattavat vahingoittaa tietyistä aromaattisista öljyistä, kuten mänty ja sitruuna, ja liuottimista, kuten kerosiini. Kosteus voi aiheuttaa myös sähköiskun vaaran. Pyyhi kosteus pois pehmeällä ja kuivalla liinalla.
- Puhdista takakotelon tuuletusaukot pienellä harjalla tai pienellä pölynimurilla.

### VAIHEISTOKOTELON VOITELU

Parhaan toimivuuden ja pitkän käyttöiän takaamiseksi voitele vaihteistokotelo erikoisrasvalla (4–5 g joka kerta) 50 käyttötunnin välein.

Erikoisrasvan on täytettävä seuraavat vaatimukset.

1. Kuuluttava DIN 51818: NLGI-1 rations tunkeutumislukuaan.
2. Esteripohjainen rasva.
3. Erinomainen alhaisen lämpötilan käynnistys, EP, mekaaninen leikkaus, hankauksen kestävyys ja hapettumisenkestävyysominaisuudet.
4. Käyttölämpötilan on oltava -40–180 °C.

Irrota akun pistoke ja tiivistysruuvi. Vaihteistokotelon voitelu voitelureiän kautta.

**VAROITUS:** Älä voitele, jos pensasleikkuri on vielä yhdistettynä akkuun tai se on käynnissä.

### SIIMALEIKKUUTERÄN TEROTTAMINEN

**VAROITUS:** Suojaa aina kätesi paksuilla käsineillä silloin, kun teet huoltotoimenpiteitä siimaleikkuuterälle.

1. Irrota siimaleikkuuterä suojusta.
2. Käytä kunnollisia suojalaseja ja käsineitä ja ole varovainen, ettei terä satuta sinua.
3. Kiinnitä terä ruuvipenkkiin.
4. Viilaa terän leikkuureunoja hienohampaisella viilalla tai hiomakivellä. Säilytä leikkuureunan alkuperäinen kulma.
5. Vaihda terä suojaan ja kiinnitä se paikalleen kahdella ruuvilla.

### KONEEN VARASTOINTI

- Irrota akku työkalusta.
- Käytä paksuja käsineitä puhdistaussasi työkalun huolellisesti.

- Asenna teränsuojus 3-hampaiseen terään turvallisuuden varastoinnin takia (kuva N).
- Säilytä laite kuivassa, hyvin ilmastoidussa tilassa lukitussa paikassa tai korkealla poissa lasten ulottuvilta. Älä säilytä konetta lannoitteiden, bensiinin tai muiden kemikaalien päällä tai vieressä.

**HUOMAUTUS:** Älä käytä pensasleikkuria tylsällä tai vahingoittuneella terällä. Tämä voi aiheuttaa laitteen ylikuormittumisen ja huonon leikkausjäljen.

#### Ympäristönsuojelu



Älä hävitä sähkölaitteita, akkulaturia tai akkuja/ladattavia paristoja kotitalousjätteen seassa! Vie tämä tuote hyväksytyyn kierrätyspaikkaan tai anna se erilliseen keräilyyn. Sähkötyökalut tulee palauttaa asianmukaiseen ympäristöystävälliseen kierrätyslaitokseen.

FI

## VIANETSINTÄ

ONGELMA	SYY	RATKAISU
Ei käynnisty	<ul style="list-style-type: none"> <li>■ Akkua ei ole liitetty pensasleikkuriin tai pensasleikkurin ja akun välillä ei ole sähkökontaktia.</li> <li>■ Akkuyksikkö on tyhjä</li> <li>■ Lukituksen vapautuspainiketta ei ole painettu ON-asentoon ennen kytkinvipujen painamista.</li> </ul>	<ul style="list-style-type: none"> <li>■ Liitä akun pistoke uudelleen pensasleikkuriin.</li> <li>■ Lataa akku määrättyllä laturilla.</li> <li>■ Varmista, että lukituksen avauspainike on avattuna ennen leikkurin käyttämistä.</li> </ul>
Lakkaa toimimasta.	<ul style="list-style-type: none"> <li>■ Akku tai pensasleikkuri on ylikuumentunut.</li> <li>■ Pensasleikkuri on ylikuormittunut.</li> <li>■ Akku on irronnut työkalusta.</li> <li>■ Akku on poistettu.</li> </ul>	<ul style="list-style-type: none"> <li>■ Anna akun tai pensasleikkurin jäähtyä, kunnes lämpötila on normaali.</li> <li>■ Kone tunnistaa, kun kuorma poistetaan. Vähennä koneen kuormaa.</li> <li>■ Asenna akku takaisin paikalleen.</li> <li>■ Lataa akku määrättyllä laturilla.</li> </ul>
Liiallinen tärinä tai melu.	<ul style="list-style-type: none"> <li>■ Kuiva vaihteisto</li> <li>■ Leikkuusiiman epätasapaino.</li> <li>■ 3-hampainen terä on taipunut tai vaurioitunut</li> </ul>	<ul style="list-style-type: none"> <li>■ Irrota tiivistysruuvi ja lisää voiteluöljyä.</li> <li>■ Kopauta kupupäätä kevyesti maata vasten leikkurin käytön aikana.</li> <li>■ Vaihda uusi terä.</li> </ul>
Leikkuusiima ei vapaudu.	<ul style="list-style-type: none"> <li>■ Trimmeripään siima on loppunut.</li> <li>■ Leikkuusiimaa ei ole asennettu oikein.</li> </ul>	<ul style="list-style-type: none"> <li>■ Asenna uusi leikkuusiima pensasleikkuriin.</li> <li>■ Irrota leikkuusiima ja asenna leikkuusiima uudestaan takaisin.</li> </ul>

**FI**

## TAKUU

### EGO-TAKUUKÄYTÄNTÖ

Katso verkkosivuilta osoitteesta [egopowerplus.eu](http://egopowerplus.eu) EGO-takuukäytännön ehdot ja edellytykset kokonaisuudessaan.

**LES ALLE INSTRUKSJONER!****LES BRUKERHÅNDBOKEN****Sikkerhetsadvarsel****Bruk vernebriller****Bruk hodevern****Bruk sklisikkert fotføy****Pass på Blade Thrust**

Avstanden mellom maskinen og tilskuere skal være minst 15 m.



Garantert lydeffektnivå. Støy i omgivelsene er i henhold til EUs direktiv.



Elektrisk avfall skal ikke kastes sammen med husholdningsavfall. Innlever ved en godkjent gjenvinningsstasjon.

 $n_0$ 

Hastighet uten last-Rotasjonshastighet, uten last



Likestrøm

**SIKKERHETSSYMBOLER****ADVARSEL:** Bruk av hvilke som helst elektroverktøy kan føre til at fremmedlegemer blir kastet mot øynene, noe som kan gi alvorlige øyeskader. Før du begynner å bruke elektroverktøyet, skal du alltid ta på vernebriller eller vernebriller med sidebeskyttelse, og en full ansiktsskjerm der det trengs. Vi anbefaler en Wide Vision Safety Mask til bruk over briller, eller standard vernebriller med sidebeskyttelse.

For å redusere risikoen for skader må brukeren lese bruksanvisningen.

**Bruk hørselvern****Bruk håndbeskyttelse****Pass deg for gjenstander som kastes****Koble fra batteriet før vedlikehold**

Dette produktet er i samsvar med gjeldende EF-direktiver.



Dette produktet er i samsvar med gjeldende EF-direktiver.

V Spenning

.../min Per minutt

kg Kilogram

IPX5 Beskyttelse mot vannstråler

## SPESIFIKASJONER

Skjæretilbehør	Trimmerhode	3-tannet metallblad	
Spenning	56 V	56 V	
Hastighet uten belastning	4000-5800 /min	4000-5800 /min	
Anbefalt driftstemperatur:	0°C – 40°C		
Anbefalt oppbevaringstemperatur:	-20°C – 70°C		
Trådtype	2,4 mm	/	
Trimmerblad	/	ABB1203	
Klippebredde	38 cm	30 cm	
Vekt	6,8 kg	6,46 kg	
Målt lydeffektnivå $L_{WA}$	95 dB(A) K=1,1 dB(A)	96,3 dB(A) K=2,1 dB(A)	
Lydtrykknivå ved brukers øre $L_{PA}$	82 dB(A) K=2,5 dB(A)	83,4 dB(A) K=4,1 dB(A)	
Garantert lydeffektnivå $L_{WA}$ (i henhold til 2000/14/EF)	96 dB(A)	98 dB(A)	
Vibrasjon $a_n$	Venstre håndtak	1,9 m/s <sup>2</sup> K=1,5 m/s <sup>2</sup>	1,9 m/s <sup>2</sup> K=1,5 m/s <sup>2</sup>
	Høyre håndtak	1,5 m/s <sup>2</sup> K=1,5 m/s <sup>2</sup>	1,3 m/s <sup>2</sup> K=1,5 m/s <sup>2</sup>

- Den deklarererte totale vibrasjonsverdien er målt i overensstemmelse med en standard testmetode, og kan brukes til å sammenligne ett verktøy med et annet;
- Den deklarererte totale vibrasjonsverdien kan også brukes i en foreløpig vurdering av eksponering.

**MERK:** Vibrasjoner under faktisk bruk av elektroverktøyet kan variere fra den opplyste verdien der verktøyet brukes; For å beskytte brukeren, skal det brukes hansker og hørselsvern under de faktiske bruksforholdene.

## PAKKELISTE (Fig. A1)

### BESKRIVELSE

#### KJENN BUSKTRIMMEREN DIN (fig. A1)

- Trimmerline
- Skjermingssammenstilling
- Aksel

- Utløser
- Låseknapp
- Vingebolt
- Krok
- Kontakt
- Verneplate
- Sykkelhåndtak
- Tetningsskrue
- Aksellåsende hull
- Linekuttingsblad
- Skjermingstilbehør
- 3-tannet blad
- Bladslire
- Ytre flens
- Mutter
- Flerbruksnøkkel
- Unbrakonøkkel

21\* Hoftepute (selges separat)

**⚠ ADVARSEL:** Bruk aldri verktøyet uten skjermen på plass. Skjermen må alltid være på plass på verktøyet for å beskytte brukeren.

**⚠ ADVARSEL:** Når verktøyet er utstyrt med et trimmerhode, må skjermtilbehøret med trådkuttende blad monteres på skjermen. Dersom dette ikke gjøres, vil trimmertråden bli for lang og overbelaste motoren. Bruk aldri trimmerhodet uten skjermtilbehøret.

### ENNET

**⚠ ADVARSEL:** Hvis noen av delene er skadet eller mangler, må du ikke bruke busktrimmeren før delene er skiftet ut. Bruk av busktrimmeren med skadede eller manglende deler kan føre til alvorlig personskade.

**⚠ ADVARSEL:** Ikke forsøk å modifisere busktrimmeren eller lage tilbehør som ikke er anbefalt for bruk med dette produktet. Enhver slik endring eller modifikasjon anses som misbruk og kan føre til farlige situasjoner og potensielt alvorlige personskader.

**⚠ ADVARSEL:** Bruk alltid vernehansker når du monterer eller fjerner skjermen og utfører vedlikehold på det 3-tannede/trådkuttende bladet. Hånder det trådkuttende bladet på skjermtilbehøret / det 3-tannede bladet med varsomhet slik at du ikke skader hendene.

**⚠ ADVARSEL:** For å hindre utilsiktet start som kan føre til alvorlig personskade, skal batteripakken alltid tas ut av verktøyet når du monterer deler, gjør justeringer, rengjør, eller når verktøyet ikke er i bruk.

NO

**⚠ ADVARSEL:** Bruk aldri verktøyet uten at skjermen og sykkelhåndtakene er korrekt påmontert. Manglende etterlevelse av denne forholdsregelen kan resultere i alvorlige personskader.

## MONTERING OG JUSTERING AV SYKKELHÅNDTAKET

Busktrimmeren oppbevares som vist i fig. B. Løsne først vingemutteren på overgangsmuffen, og løft deretter sykkelhåndtaket 180° rundt skaffet (fig. C). Drei det 90° mot klokkeretningen slik at det vender mot hodet (fig. D). Beveg det så frem og tilbake til du har funnet en komfortabel arbeidsstilling, og stram til mutteren.

**MERK:** Det er bare tillatt å betjene maskinen med sykkelhåndtaket vinkelrett på akselen.

## MONTERING AV SKJERMEN

**⚠ ADVARSEL:** Bruk alltid hansker når du monterer eller bytter beskyttelse. Legg merke til hvor knivbladet er på bladvernet, og beskytt hendene dine så de ikke blir skadet.

**⚠ ADVARSEL:** Aldri bruk maskinen uten at vernet er godt på plass. Vekten må alltid være på maskinen for å beskytte brukeren! Når bladvernet sitter fast, må du ikke forsøke å fjerne eller justere det. Hvis det trengs å byttes, må dette gjøres av en kvalifisert fagperson!

Løsne og fjern de to skruene fra nedre del av skjermingen (fig. E). Juster skjermmonteringshullene sammen med monteringshullene, og lås skjermen på skaffbasen med de to skruene, og to fjærskiver (fig. F).

**⚠ ADVARSEL:** Sørg for at skjermens indre overflate vender mot trimmerhodet (fig. F).

**⚠ ADVARSEL:** Når hekktrimmeren er utstyrt med et trimmerhode, må beskyttelsesutstyret monteres på skjermingen. Hvis dette ikke gjøres, kan det føre til altfor lang skjæretråd og overbelastning av motoren.

## BYTT UT TRIMMERHODET MED DET 3-TANNEDE BLADET

1. Fjern stikkkontakten fra kantklipperen.
2. Drei trimmerhodet for å justere sporet i flensen med aksellåsehullet i girakselen, og sett inn en stabilisator i hullet (Fig. G).
3. Drei trimmerhodet i retning med klokken for å løsne det (Fig. G).
4. Fjern skjermtilbehøret ved å løsne de tre skruene med skiver (Fig. H)
5. Sett unbrakonøkkelen inn i hullene for å fungere som en stabilisator (fig. I1).

Fig. G og I1 delebeskrivelse, se neste

**MERK:** For å beskytte deg mot skader må du bruke hansker når du skal håndtere det 3-tannede bladet.

6. Monter den indre flensen og flensdekslet på plass (fig. I2).
7. Monter bladet på motorakselen, slik at bladets overflate er jevn med overflaten på den indre flensbukken. Monter ytre flens og mutter (fig. I3). Forspenn mutteren MOT KLOKKEN, for hånd.
8. Posisjoner girakselen mot et fast underlag som gir god støtte. Hold busktrimmerens skaft fast med den ene hånden, og grip multifunksjonsnøkkelen ned den andre for å stramme til mutteren i tråd med retningspil-ikonet på den ytre flensen (fig. I4).

## BYTT UT DET 3-TANNEDE BLADET MED TRIMMERHODE

Kjenn igjen det 3-tannede bladets skjæreenhet som vist på fig. J1. Deretter demonterer du 3-tannsbladet og monterer trimmerhodet på hekktrimmeren.

1. Vri bladet for å justere sporet i flensen med aksellåsehullet i girakselen, og sett inn en stabilisator i hullet.
2. Sett girakselen mot en solid overflate for støtte. Hold hekktrimmeren med den ene hånden og ta multifunksjonsnøkkelen i den andre, for å løsne mutteren med urviseren (fig. I4).
3. Ta ut mutter, ytre flens, blad fra vegetasjonsklipperen (Fig. J2).

J-1	Aksel	J-5	Ytre flens
J-2	Indre flens	J-6	Mutter
J-3	Flensdeksel	J-7	Spor i flensen
J-4	3-tannet blad		

**MERK:** Når det 3-tannede bladet ikke er i bruk, skal det festet i sliren for å unngå personskader.

4. Monter beskyttelsesutstyret til hekktrimmeren ved å trekke til tre skruer med skive (fig. H).
5. Drei trimmerhodet i retning mot klokken for å feste det (Fig. G). Følg instruksjonene i "BYTTE TRÅD" for å sette skjæretråden på.

**MERK:** Manglende tvinning av linen i retningen som er angitt, vil føre til at trimmerhodet fungerer feil.

## DRIFT

**⚠ ADVARSEL:** Selv om du er vant med å bruke produktet, må du aldri være uaktsom. Husk at et ørlite øyeblikks uoppmerksomhet er alt som skal til for at alvorlige personskader kan oppstå.

NO



**⚠ ADVARSEL:** Bruk alltid vernebriller og hørselsvern. Unnlattelse av å gjøre dette kan resultere i at gjenstander kastes inn i øynene dine, samt andre potensielle, alvorlige skader.

**⚠ ADVARSEL:** Ikke bruk noen form for tilleggsutstyr eller tilbehør som ikke er anbefalt av produsenten av dette produktet. Buk av tilleggsutstyr eller tilbehør som ikke er anbefalt, kan medføre alvorlig personskade.

## APPLIKASJONER

Produktet kan brukes i regn.

Du kan bruke dette produktet til formålene som er oppført nedenfor:

**Trimming:** brukes til å fjerne gress og ugress opp mot vegger, gjerder, trær og kanter.

**Klipping:** brukes til å klippe gresset som er vanskelig å nå med en vanlig klipper.

**LEGG MERKE TIL:** Maskinen skal bare brukes til de foreskrevne formålene. Enhver annen bruk anses å være et tilfelle av misbruk.

## BRUK AV HEKKTRIMMEREN

Før du kobler ryggsekkbatteriet til hekktrimmeren, tar du på ryggsekkbatteriet og monterer hofteputen til ryggsele med henvisning til bruksanvisningene for BAX1500 og AHP1500.

Monter børsteskiiven med hofteplaten ved å koble kroken til monteringshullet (fig. K). Det er 8 hull på akselen, der det velges et optimalt hull for komfortabel drift.

Hold med begge hender, slik at busktrimmeren befinner seg på høyre side av kroppen. Trimmerhodet eller bladet skal være parallelt med bakken på en passende klippeavstand uten at operatøren er nødt til å bøye seg forover.

Frigjøring av hekktrimmeren kan gjøres på to måter. Løsne bryst- og beltespennen (fig. L1) eller trykk på kroken på hofteputen og ta den ut av hullet på akselen.

**⚠ ADVARSEL:** Når det oppstår en nødsituasjon, er frigjøring av bryst- og beltespennen hurtigutløsningsmetoden for å frigjøre hekktrimmeren.

**⚠ ADVARSEL:** Du bør ikke bruke den enkle skulderremmen og den doble skulderremmen samtidig som ryggsekkbatteriet er i bruk.

Brukes kun med EGOs batteripakker og ladere som står oppført i Fig. A2

### Installering av batteripakken (fig. L2)

Juster ▲ på pluggen med ▲ på hekktrimmeren. Sett

støpelet inn i maskinen til den grønne forseglingen er helt inne i kontakten.

### Frakobling

Løsne batterikabelen fra monteringssporet og trekk ut støpelet fra hekktrimmeren.

## OPPSTART/STOPP AV BUSKTRIMMEREN

### For å starte

Skyv låseknappen til posisjon «ON» (fig. M). Flytt den lille utløseren oppover, og trykk deretter på bryteren for å starte hekktrimmeren. Forskjellig trykk på utløseren resulterer i variabel rotasjonshastighet på klippeenheten.

Fig. L1 og M delebeskrivelse, se nedenfor:

L-1	Brystspenne	M-1	Låseknapp
L-2	Beltespenne	M-2	Liten utløser
L-3	Krok	M-3	Bytt utløser

NO

### For å stoppe

Løsne bryteren og trykk låseknappen tilbake til posisjon «OFF».

**⚠ ADVARSEL:** Batteripakken må alltid fjernes fra trimmeren under pauser og etter endt arbeid.

## BRUK AV HEKKTRIMMEREN

**⚠ ADVARSEL:** Bruk riktige klær for å redusere faren for skade ved bruk av hekktrimmeren. Ikke bruk løst sittende klær eller smykker. Bruk vernebriller og øre/hørselsvern. Bruk tunge lange bukser, støvler og hansker. Ikke bruk korte bukser eller sandaler, og ikke gå barfot. Før drift, se deg rundt for å sikre at arbeidsområdet er sikkert, uten andre mennesker, dyr eller andre løse gjenstander. Pass på at de er minst 15 m unna. Og sjekk deretter øyevern, riktige klær og stødig fotfeste.

Kontroller om noen deler er ødelagte eller utslitte før bruk. Kontroller trimmerhodet, det 3-tannede bladet, skjerming, beskyttelsesutstyr og sykkelhåndtaket, og bytt ut deler som er sprukket, krøllet, bøyd eller skadet på noen måte. Linekuttingsbladet på kanten av skjermingen kan bli sløvt over tid. Det anbefales at du med jevne mellomrom skjerper den med en fil eller bytter den med et nytt blad.

### Rengjør busktrimmeren etter hver bruk

**⚠ OBS:** Dersom ventilasjonsåpningene blokkeres, vil dette hindre luft fra å komme inn i motorhuset og resultere i overoppheting av eller skade på motoren.

- Bruk kun mild såpe og en fuktig klut for å rengjøre

maskinen. La aldri væske komme inn i maskinen; Senk aldri noen del av maskinen i væske.

- Hold ventilasjonsåpningene i motorhuset fri for rusk til enhver tid.

**⚠ ADVARSEL:** Unngå bruk av løsemidler når plastdeler skal rengjøres. De fleste plasttyper risikerer å ta skade av ulike typer kommersielle løsemidler. Bruk rene kluter til å fjerne smuss, støv, olje, fett osv.

## BRUK MED TRIMMERHODET

### Se etter blokkering av trimmerhodet

- For å unngå blokkering, hold trimmerhodet rent. Fjern gressklipp, løv, skitt og annet oppsamlet rusk før og etter hver bruk.
- Når blokkering skjer, stopp linetrimmeren og fjern batteriet, og fjern deretter alt gress som kan ha pakket seg rundt motorakselen eller trimmerhodet.

NO

### Justering av trådlengden

Trimmerhodet gjør at brukeren kan frigjøre mer tråd uten å stoppe motoren. Etter hvert som tråden blir frynset eller slitt, kan du friggi mer tråd ved å trykke trimmerhodet lett mot bakken under bruk av trimmeren.

**MERK:** Frigjøring av tråd blir vanskeligere hvis tråden blir for kort.

**⚠ ADVARSEL:** Ikke fjern eller endre det trådkuttende bladet. Hvis tråden er for lang, vil motoren bli overopphetet, og dette kan resultere i alvorlig personskaade.

### Bytte av tråd

**⚠ ADVARSEL:** Du må aldri bruke metallforsterket tråd, ståltråd, tau eller lignende, da disse kan gå i stykker og danne farlige prosjektiler.

**MERK:** Bruk alltid den anbefalte nylontråden med en diameter som ikke overskrider 2,7 mm. Hvis du bruker en annen tråd enn den som er anbefalt, kan kantklipperen bli overopphetet eller skadet.

1. Fjern stikkkontakten fra kantklipperen.
2. Fjern gjenværende skjæretråd hvis nødvendig.
3. Skjær en skjæretråd på 8 m. Før tråden inn i monteringsåpningen i maljen (Fig. J3). Skyv og dra tråden fra den andre siden til det er like mye tråd på begge sider av spolen.
4. Trykk mens du dreier nedre deksel i pilens retning for å vikle tråden rundt spolen til det er ca. 12 cm tråd på hver

side (Fig. J4).

5. Skyv nedre deksel ned samtidig som du drar i tråden for å få ut mer, og for å sjekke at trimmerhodet er riktig påsatt.

Hvis skjæretråden går i stykker der tråden kommer ut, eller den ikke utløses når du banker på trimmerhodet, gjør du følgende:

1. Trykk på utløserflikene på øvre deksel, og ta av nedre deksel ved å dra det rett ut (Fig. J5 og J6).
2. Fjern skjæretråden fra spoleholderen.
3. Mens den ene hånden holder øvre deksel, bruker du den andre til å ta tak i nedre deksel og justerer flikene på øvre deksel i forhold til hullene i det nedre (Fig. J7). Bruk håndflaten til å trykke og dreie på nedre deksel til flikene går i inngrep med øvre deksel.
4. Følg instruksjonene i "BYTTE TRÅD" for å sette skjæretråden på igjen.

### Bruke med 3-tannet blad

**⚠ ADVARSEL:** For å beskjære ville vekster og buskas, senk det roterende 3-tannede bladet ned mot vekstene for å oppnå en kutteffekt. Bruk busktrimmeren som en ljå (sveip den til høyre og venstre) på bakkenivået. Løft aldri skjæretilbehøret over hofte høyde mens det er i bruk.

**⚠ ADVARSEL:** Jo lengre fra bakken skjæretilbehøret er, jo større er faren for at det kan oppstå skader som følge av at avkappet materiale slynges ut sideveis.

**⚠ ADVARSEL:** Ved beskjæring av unge trær eller greiner med en diameter på opptil 2 cm må du bruke venstre side av bladet for å unngå fare forbundet med uventede bladbevegelser. Ikke forsøk å skjære tremateriale med større diameter. Dette medfører risiko for at bladet henger seg opp eller at busktrimmeren blir støtt fremover. Dette kan føre til at bladet eller busktrimmeren blir skadet, eller til tap av kontroll over busktrimmeren med potensiell personskaade som resultat.

**⚠ ADVARSEL:** Feil bruk av bladet kan føre til at det knekker, brytes i deler eller knuses. Biter som faller av, kan påføre både operatør og tilskuere alvorlig skade. For å redusere risikoen for personskaade er det svært viktig å ta følgende forholdsregler:

- Unngå kontakt med harde fremmede gjenstander som steiner eller metallbiter.
- Skjær aldri trær eller buskvekster med en stamme- eller grendiameter på mer enn 2 cm.
- Sjekk bladet regelmessig for tegn til skade. Ikke fortsett å arbeide med et skadet blad.
- Skjerp bladet jevnlig (når du merker at det er blitt sløvt), og få det balansert om nødvendig (dette må utføres av en kvalifisert servicetekniker).

## Tilbakeslag

Utvit ekstrem forsiktighet når du bruker det 3-tannede bladet med denne enheten. Tilbakeslag er reaksjonen som kan inntreffe når det roterende bladet kommer i kontakt med noe det ikke kan skjære gjennom. Denne kontakten kan få bladet til å stoppe opp for så plutselig å "støte" enheten bort fra gjenstanden den støtte borti. Denne reaksjonen kan være voldsom nok til at operatøren mister kontroll over enheten. Tilbakeslag kan inntreffe uten forvarsel dersom bladet hekter seg fast, stopper eller henger seg opp. Dette har større sannsynlighet for å skje i områder der det er vanskelig å se materialet som skjæres. Den enkleste og sikreste fremgangsmåten er å bevege busktrimmeren mot vekstene som skal skjæres, fra høyre mot venstre. På denne måten kan du minimere risikoen for tilbakeslag i tilfelle bladet støter på en uventet gjenstand eller en trestamme- eller grein som er for tykk.

## VEDLIKEHOLD

**⚠ ADVARSEL:** Før du kontrollerer, rengjør eller utfører vedlikehold på enheten, må du stanse motoren, vente til alle bevegelige deler har stanset, og ta ut batteripakken. Manglende etterlevelse av disse instruksjonene kan resultere i alvorlig personskade eller skade på eiendom.

**⚠ ADVARSEL:** I forbindelse med service må det bare brukes identiske reservedeler. Bruk av andre deler kan forårsake farer eller skader på produktet. For sikre både sikkerheten og påliteligheten må alle reparasjoner utføres av en kvalifisert servicetekniker.

### GENERELT VEDLIKEHOLD

Ikke bruk løsemidler når du rengjør plastdeler. De fleste plasttyper vil kunne ta skade av å bli rengjort med forskjellige typer løsemidler som er i vanlig salg. Bruk rene kluter for å fjerne skitt, støv, olje, fett osv.

### RENGJØR MASKINEN

- Etter hver bruk av det 3-tannede bladet / trimmerhodet må du fjerne smuss, jordklumper og gress fra bladet og skjermen med en myk børste.

**MERK:** Når det trådkuttende bladet blir sløvt, må du få det skjerpet hos en kvalifisert servicetekniker eller skifte det ut med et nytt trådkuttende blad om nødvendig.

- Etter hver bruk av busktrimmeren må du rengjøre skjæretilbehøret med en fuktig klut og et mildt vaskemiddel.
- Ikke bruk sterke vaskemidler på plasthuset eller håndtaket. De kan bli skadet av visse aromatiske oljer, slik som furu og sitron, og av løsemidler som parafin. Fuktighet kan også føre til fare for støt. Tørk av eventuell fuktighet med en myk, tørr klut.
- Bruk en liten børste eller støvsuger til å rengjøre

ventilasjonsåpningene på det bakre huset.

### SMØR GIRKASSEN

For best mulig drift og lenger levetid, smør girkassen med et spesialfett (4-5 g hver gang) etter hver 50. driftstime.

Spesialfettet må oppfylle følgende krav.

1. Tilhøre DIN51818: NLGI-1 penetrasjonsgrad.
2. Esterbasefett.
3. Utmerket lavtemperaturoppstart, EP, mekanisk skjær, slitestyrke og oksidative stabilitetsegenskaper.
4. Driftstemperaturen må være -40~180 °C.

Ta ut batteristøpselet og tetningsskruen. Smør girkassen gjennom oljehullet.

**⚠ ADVARSEL:** Ikke smør mens krattklipperen fremdeles er i drift eller koblet til batteriet.

### SKJERPING AV TRÅDSKJÆREBLAD

**⚠ ADVARSEL:** Beskytt alltid hendene med solide hansker når du utfører vedlikehold på trådskjærebladet.

1. Ta av trådskjærebladet på bladvernet.
2. Bruk passende vernebriller og -hansker, og vær forsiktig så du ikke skader deg selv.
3. Skru fast skjærebladet i en tvinge.
4. Fil skjærekantene på bladet forsiktig med en fintannet fil eller en skjærpestein, og pass på at du beholder den opprinnelige vinkelen på skjærekanten.
5. Sett skjærebladet på bladvernet igjen og fest det med de to skruene.

### OPPBEVARING AV MASKINEN

- Fjern batteripakken fra verktøyet.
- Bruk tykke hansker, og rengjør verktøyet grundig.
- Fest futteralet på det 3-tannede bladet for sikker oppbevaring (fig. N).
- Lagre enheten på et tørt og godt ventilert sted, låst inne eller høyt oppe, og utilgjengelig for barn. Ikke oppbevar maskinen på eller nær gjødsel, bensin eller andre kjemikalier.

**MERK:** Ikke bruk hekksaksen med sløve eller skadede kutterblader. Dette kan føre til overbelastning og vil ikke gi tilfredsstillende kutteresultat.

NO



### Beskytt miljøet



Elektrisk utstyr, batteriladere og batterier /  
oppladbare batterier må ikke kastes i  
husholdningsavfallet! Ta med dette  
produktet til autorisert gjenvinning, og gjør  
det tilgjengelig for separat innsamling.



Elektriske verktøy må returneres til et  
egnet resirkuleringsanlegg.

**NO**

## FEILSØKING

PROBLEM	ÅRSAK	LØSNING
Starter ikke.	<ul style="list-style-type: none"> <li>■ Batteripakken er ikke festet til hekktrimmeren, eller ingen elektrisk kontakt mellom hekktrimmeren og batteriet.</li> <li>■ Batteripakken er tom.</li> <li>■ Låseknappen er ikke trykket på «ON» før du trykker på bryterhendlene.</li> </ul>	<ul style="list-style-type: none"> <li>■ Plugg batteristøpelet inn i hekktrimmeren igjen</li> <li>■ Lad opp batteripakken med den spesifiserte laderen.</li> <li>■ Før du bruker trimmeren, må du sjekke at låseknappen er ulåst.</li> </ul>
Stopp arbeidet.	<ul style="list-style-type: none"> <li>■ Batteripakken eller busktrimmeren er for varm.</li> <li>■ Hekktrimmeren er overbelastet.</li> <li>■ Batteripakken er koblet fra verktøyet.</li> <li>■ Batteripakken slettes.</li> </ul>	<ul style="list-style-type: none"> <li>■ La batteripakken eller hekktrimmeren kjøle seg ned til normal temperatur.</li> <li>■ Maskinen vil gjenopprettes når påkjenningen fjernes. For kontinuerlig arbeid må du redusere belastningen på maskinen.</li> <li>■ Installer batteripakken på nytt.</li> <li>■ Lad opp batteripakken med den spesifiserte laderen.</li> </ul>
Overdreven vibrasjon og støy.	<ul style="list-style-type: none"> <li>■ Tørr girkasse</li> <li>■ Den ubalanserte klippelinen.</li> <li>■ Det 3-tannede bladet er bøyd eller skadet</li> </ul>	<ul style="list-style-type: none"> <li>■ Fjern tetningskruen og tilsett smøreolje.</li> <li>■ Trykk støtknotten lett mot bakken mens du bruker trimmeren.</li> <li>■ Bytt ut et nytt blad.</li> </ul>
Klippelinen kan ikke frigjøres.	<ul style="list-style-type: none"> <li>■ Det er tomt for line i trimmerhodet.</li> <li>■ Klippelinen er ikke riktig installert.</li> </ul>	<ul style="list-style-type: none"> <li>■ Monter en ny klippeline i hekktrimmeren.</li> <li>■ Fjern klippelinen og monter den på nytt.</li> </ul>

**NO**

## GARANTI

### EGOs GARANTIREGLER

Besøk nettsiden [egopowerplus.eu](http://egopowerplus.eu) for å se fullstendige vilkår og betingelser for EGO-garantireglene.

## ПРОЧИТАЙТЕ ВСЕ ИНСТРУКЦИИ!



**ПРОЧИТАЙТЕ РУКОВОДСТВО ПОЛЬЗОВАТЕЛЯ**



Предупреждение об опасности



Используйте защитные очки.



Используйте защитный головной убор.



Используйте нескользкую защитную обувь.



Остерегайтесь отдачи режущего элемента.



Расстояние между устройством и посторонними лицами должно составлять не менее 15 м.



Гарантированный уровень звуковой мощности. Уровень шума в окружающей среде в соответствии с директивой ЕС.



Неисправные электрические устройства нельзя выбрасывать вместе с бытовым мусором. Сдавайте их в авторизованные пункты сбора и утилизации.

$n_0$

Скорость работы без нагрузки-Скорость вращения без нагрузки



Постоянный ток

## СИМВОЛЫ БЕЗОПАСНОСТИ



**ПРЕДУПРЕЖДЕНИЕ.** В результате работы электроинструмента в глаза могут попасть посторонние предметы, что приведет к серьезному повреждению глаз. Перед началом использования электроинструмента всегда надевайте защитную маску или защитные очки с боковыми щитками и полнопрофильную защитную маску (при необходимости). Поверх очков или стандартных защитных очков рекомендуется надевать безопасную маску с широким обзором.



Прочитайте руководство по эксплуатации, чтобы уменьшить риск получения травм.



Используйте средства защиты органов слуха.



Используйте защитные перчатки.



Остерегайтесь выбрасываемых объектов.



Извлекайте аккумулятор перед выполнением технического обслуживания.



Соответствует основным требованиям стандартов безопасности Европейских директив.



Данное изделие соответствует действующему законодательству Великобритании.

V

Напряжение

.../min

В минуту

kg

Килограмм

IPX5

Защита от струй воды

## ТЕХНИЧЕСКИЕ ХАРАКТЕРИСТИКИ

Режущий блок	Режущая головка	Металлическое лезвие с тремя зубцами	
Напряжение	56 В	56 В	
Скорость вращения без нагрузки	4000–5800 об/мин	4000-5800 об/мин	
Рекомендуемая рабочая температура:	от 0 до 40°C		
Рекомендуемая температура хранения:	от -20 до -70°C		
Тип режущей лески	2,4 мм	/	
Режущий элемент	/	ABB1203	
Ширина резания	38 см	30 см	
Масса	6,8 кг	6,46 кг	
Измеренный уровень звуковой мощности $L_{WA}$	95 дБ(A) K=1,1 дБ(A)	96,3 дБ(A) K=2,1 дБ(A)	
Уровень звукового давления на уши оператора $L_{PA}$	82 дБ(A) K=2,5 дБ(A)	83,4 дБ(A) K=4,1 дБ(A)	
Гарантированный уровень звуковой мощности, $L_{WA}$ (в соответствии с 2000/14/ЕС)	96 дБ(A)	98 дБ(A)	
Вибрация $a_h$	Левая рукоятка	1,9 м/с <sup>2</sup> K=1,5 м/с <sup>2</sup>	1,9 м/с <sup>2</sup> K=1,5 м/с <sup>2</sup>
	Правая рукоятка	1,5 м/с <sup>2</sup> K=1,5 м/с <sup>2</sup>	1,3 м/с <sup>2</sup> K=1,5 м/с <sup>2</sup>

- Указанный общий показатель уровня вибрации был определен с помощью стандартного теста и может быть использован для сравнения разных инструментов.
- Указанный общий уровень вибрации может использоваться также для предварительной оценки уровня воздействия.

**ПРИМЕЧАНИЕ.** Реальное вибрационное воздействие электроинструмента может отличаться от указанного в зависимости от способа использования. В целях безопасности оператор должен надевать перчатки и средства защиты органов слуха во время использования устройства.

## УПАКОВОЧНЫЙ ЛИСТ (Рис. А1)

### ОПИСАНИЕ

#### ЧАСТИ КУСТОРЕЗА (Рис. А1)

1. Режущая леска
2. Щиток в сборе
3. Вал
4. Курок
5. Переключатель
6. Барашковый болт
7. Крючок
8. Разъем
9. Предохранительная пластина
10. Рукоятка велосипедного типа
11. Уплотнительный винт
12. Отверстие блокировки вала
13. Лезвие для лески
14. Защитный элемент
15. Режущий элемент с тремя зубцами
16. Кожух режущего элемента
17. Внешний фланец
18. Гайка
19. Многофункциональный гаечный ключ
20. Шестигранный ключ
- 21\*. Набедренный щиток (продается отдельно)

**⚠ ПРЕДУПРЕЖДЕНИЕ.** Никогда не используйте устройство без надежно установленного щитка. Щиток всегда должен быть установлен на устройство для защиты пользователя.

**⚠ ПРЕДУПРЕЖДЕНИЕ.** Когда на устройство установлена режущая головка, поверх щитка необходимо установить защитный элемент с лезвием для обрезки лески. В противном случае это может привести к чрезмерному вытягиванию режущей лески и перегрузке двигателя. Никогда не используйте режущую головку без защитного элемента.

### СБОРКА

**⚠ ПРЕДУПРЕЖДЕНИЕ.** Если какие-либо части повреждены или отсутствуют, не используйте кусторез, пока они не будут установлены. Использование кустореза с поврежденными или отсутствующими частями может привести к получению серьезной травмы.

RU

**⚠ ПРЕДУПРЕЖДЕНИЕ.** Не пытайтесь изменить конструкцию кустореза или создать не рекомендованные для него дополнительные приспособления. Подобное изменение считается ненадлежащим использованием и способствует возникновению опасной ситуации, которая приведет к получению серьезной травмы.

**⚠ ПРЕДУПРЕЖДЕНИЕ.** Всегда надевайте прочные перчатки при установке или извлечении щитка, а также при выполнении каких-либо работ по обслуживанию режущего элемента с тремя зубцами и лезвия для обрезки лески. Остерегайтесь лезвия для обрезки лески на щитке и режущего элемента с тремя зубцами, берегите руки от порезов.

**⚠ ПРЕДУПРЕЖДЕНИЕ.** Чтобы предотвратить случайное включение устройства и получение серьезной травмы, извлекайте аккумулятор перед выполнением сборки, регулировки и очистки, а также когда устройство не используется.

**⚠ ПРЕДУПРЕЖДЕНИЕ.** Никогда не используйте устройство без надежно установленного щитка и рукоятки велосипедного типа. В противном случае это может привести к серьезным травмам.

## УСТАНОВКА И РЕГУЛИРОВКА РУКОЯТКИ ВЕЛОСИПЕДНОГО ТИПА

Расположите кусторез, как показано на Рис. В. Открутите барашковый болт на соединении, а затем поверните рукоятку велосипедного типа на 180° вокруг вала (Рис. С), поверните ее на 90° против часовой стрелки таким образом, чтобы она была направлена в сторону головки катушки (Рис. D). Затем перемещайте ее назад и вперед, чтобы найти удобное рабочее положение, и затяните болт.

**ПРИМЕЧАНИЕ.** При использовании устройства рукоятка велосипедного типа должна быть расположена только перпендикулярно валу.

## УСТАНОВКА ЩИТКА

**⚠ ПРЕДУПРЕЖДЕНИЕ.** Всегда надевайте перчатки при установке и демонтаже щитка. Остерегайтесь лезвия на щитке и берегите руки от порезов.

**⚠ ПРЕДУПРЕЖДЕНИЕ.** Никогда не используйте устройство без надежно установленного щитка. Щиток всегда должен быть установлен на устройство для защиты пользователя! Не пытайтесь снимать или регулировать установленный щиток. Если щиток необходимо заменить, эту работу должен выполнить квалифицированный специалист по обслуживанию!

Открутите и удалите два винта из щитка (Рис. Е), совместите крепежные отверстия щитка с отверстиями для установок, а затем зафиксируйте щиток на основании вала при помощи двух винтов и двух пружинных шайб (Рис. F).

**⚠ ПРЕДУПРЕЖДЕНИЕ.** Убедитесь, что внутренняя поверхность щитка обращена в сторону режущей головки (Рис. F).

**⚠ ПРЕДУПРЕЖДЕНИЕ.** Когда на кусторез установлена головка триммера, поверхность щитка необходимо установить защитный элемент. В противном случае это может привести к чрезмерному вытягиванию режущей лески и перегрузке двигателя.

## ЗАМЕНА РЕЖУЩЕЙ ГОЛОВКИ НА РЕЖУЩИЙ ЭЛЕМЕНТ С ТРЕМЯ ЗУБЦАМИ

1. Отсоедините от триммера кабель питания.
2. Поверните головку триммера таким образом, чтобы совместить отверстие фланца с отверстием блокировки вала на корпусе редуктора, и вставьте фиксатор в совмещенные отверстия (Рис. G).
3. Поверните головку триммера по часовой стрелке, чтобы снять ее (Рис. G).
4. Чтобы снять защитный элемент, открутите три винта с шайбами (Рис. H).
5. Режущий элемент поставляется с чехлом. Перед установкой режущего элемента на кусторез необходимо снять с него чехол, сняв провололочный зажим с крючка на чехле (Рис. I1).

**ПРИМЕЧАНИЕ.** Во избежание травм обязательно надевайте перчатки перед выполнением каких-либо действий с режущим элементом с тремя зубцами.

6. Установите на место внутренний фланец и крышку фланца (Рис. I2).
7. Установите режущий элемент на вал двигателя и убедитесь, что поверхность режущего элемента плотно прилегает к выпуклой части внутреннего фланца. Установите внешний фланец и гайку (Рис. I3). Предварительно затяните гайку ПРОТИВ ЧАСОВОЙ СТРЕЛКИ вручную.
8. Положите корпус редуктора на твердую поверхность для опоры. Одной рукой удерживайте вал кустореза, а другой рукой при помощи прилагаемого многофункционального гаечного ключа затяните гайку в направлении, указанном стрелкой на внешнем фланце (Рис. I4).



## ЗАМЕНА РЕЖУЩЕГО ЭЛЕМЕНТА С ТРЕМЯ ЗУБЦАМИ НА ГОЛОВКУ ТРИММЕРА

Ознакомьтесь с конструкцией режущего элемента с тремя зубцами на Рис. J1. Затем снимите режущий элемент с тремя зубцами и установите на кусторез головку триммера.

1. Поверните режущий элемент таким образом, чтобы совместить отверстие на фланце с отверстием блокировки вала на корпусе редуктора, и вставьте ключ в совмещенные отверстия в качестве фиксатора.
2. Положите корпус редуктора на твердую поверхность для опоры. Одной рукой удерживайте вал кустореза, а другой рукой при помощи прилагаемого многофункционального гаечного ключа ослабьте гайку по часовой стрелке.
3. Снимите с кустореза гайку, внешний фланец и режущий элемент (Рис. J2).

J-1	Вал	J-5	Внешний фланец
J-2	Внутренний фланец	J-6	Гайка
J-3	Крышка фланца	J-7	Отверстие фланца
J-4	Режущий элемент с тремя зубцами		

**ПРИМЕЧАНИЕ.** Когда режущий элемент с тремя зубцами не используется, наденьте на него кожух во избежание травм.

4. Закрепите на кусторезе защитный элемент с помощью трех винтов с шайбами (Рис. H).
5. Поверните головку триммера против часовой стрелки, чтобы установить ее (Рис. G). Инструкции по установке режущей лески см. в разделе «ЗАМЕНА ЛЕСКИ».

**ПРИМЕЧАНИЕ.** Несоблюдение указанного направления намотки лески может привести к неправильной работе головки триммера.

## ИСПОЛЬЗОВАНИЕ

**⚠ ПРЕДУПРЕЖДЕНИЕ.** Не допускайте небрежности и беспечности при работе с устройством. Помните, что потери бдительности на долю секунды достаточно для получения серьезной травмы.

**⚠ ПРЕДУПРЕЖДЕНИЕ.** Всегда надевайте защитные очки, а также используйте защиту органов слуха. В противном случае выбрасываемые предметы попадут в глаза, что может привести к получению серьезной травмы.

**⚠ ПРЕДУПРЕЖДЕНИЕ.** Не используйте насадки или дополнительные приспособления, не рекомендованные производителем устройства. Использование нереконструированных насадок и дополнительных приспособлений может привести к серьезным травмам.

## ПРИМЕНЕНИЕ

Изделие можно использовать во время дождя.

Данное устройство можно использовать в следующих целях.

**Скашивание:** используется для удаления травы и сорняков рядом со стенами, заборами, деревьями и бордюрами.

**Срезание:** используется для скашивания травы, которую трудно достать при помощи обычной газонокосилки.

**ПРИМЕЧАНИЕ.** Инструмент должен использоваться только по назначению. Любое другое использование, кроме упомянутого, считается ненадлежащим.

## УДЕРЖИВАНИЕ КУСТОРЕЗА

Перед подключением ранцевого аккумулятора к кусторезу наденьте ранцевый аккумулятор на себя и прикрепите к обвязке набедренный щиток в соответствии с инструкциями в руководстве по эксплуатации ВАХ1500 и АНР1500.

Прикрепите кусторез к набедренному щитку. Для этого зацепите крючок за монтажное отверстие (Рис. К). Предусмотрено восемь отверстий, что позволяет выбрать наиболее удобное положение.

Удерживайте устройство двумя руками с правой стороны от себя. Режущая головка или режущий элемент должны располагаться параллельно земле на таком расстоянии, при котором оператору не нужно тянуться и перегибаться.

Освободиться от кустореза можно двумя способами. Растяните нагрудную и поясную пряжки (Рис. L1) или нажмите на крючок набедренного щитка и извлеките его из монтажного отверстия.

**⚠ ПРЕДУПРЕЖДЕНИЕ.** В случае возникновения опасной ситуации самым быстрым способом снятия кустореза является растягивание нагрудной и поясной пряжек.

**⚠ ПРЕДУПРЕЖДЕНИЕ.** Не используйте с ранцевым аккумулятором одинарный и двойной наплечные ремни одновременно.

Используйте только аккумуляторы и зарядные устройства EGO, указанные на Рис. A2.

## Установка аккумулятора (Рис. L2)

Совместите обозначение ▲ на вилке с обозначением ▲ на кусторезе. Вставьте вилку таким образом, чтобы зеленое уплотнение полностью исчезло в разъеме.

## Извлечение

Освободите кабель из монтажного паза и извлеките вилку из разъема кустореза.

## ВКЛЮЧЕНИЕ И ВЫКЛЮЧЕНИЕ КУСТОРЕЗА

### Включение

Переведите кнопку блокировки в положение «ON» (ВКЛ) (Рис. M). Сдвиньте маленький переключатель вверх, а затем нажмите курок, чтобы запустить кусторез. Сила нажатия на курок влияет на скорость вращения режущего элемента.

Описание частей на Рис. L1 и M

L-1	Нагрудная пряжка	M-1	Кнопка блокировки
L-2	Поясная пряжка	M-2	Маленький переключатель
L-3	Крючок	M-3	Курковый переключатель (курок)

### Выключение

Отпустите курок и переместите кнопку блокировки в положение «OFF» (ВЫКЛ).

**▲ ПРЕДУПРЕЖДЕНИЕ** Во время перерывов в работе и после ее окончания всегда извлекайте аккумулятор из устройства.

## ИСПОЛЬЗОВАНИЕ КУСТОРЕЗА

**▲ ПРЕДУПРЕЖДЕНИЕ.** Одевайтесь надлежащим образом, чтобы снизить риск получения травм при использовании кустореза. Не надевайте свободную одежду и украшения. Используйте средства защиты органов зрения и слуха. Надевайте плотные длинные брюки, прочную обувь и перчатки. Не надевайте шорты, сандалии и не работайте босиком. Перед началом работы осмотрите рабочую зону и убедитесь в отсутствии людей, животных и посторонних предметов. Убедитесь, что они находятся на расстоянии не менее 15 м. Затем наденьте защитные очки, подходящую одежду, примите устойчивое рабочее положение.

Перед каждым использованием проверяйте устройство на наличие поврежденных и изношенных частей. Проверьте головку триммера, режущий элемент с тремя зубцами, щиток, защитный элемент и рукоятку велосипедного типа. Замените все треснувшие, деформированные, изогнутые или поврежденные части. Лезвие для обрезки лески на краю защитного элемента может время от времени затупляться. Рекомендуется периодически затачивать его напильником или заменять новым.

## Очищайте кусторез после каждого использования.

**▲ ВНИМАНИЕ!** Загрязнения в вентиляционных отверстиях могут помешать попаданию воздуха в корпус двигателя и привести к перегреву и повреждению двигателя.

- Для очистки устройства используйте только слабый мыльный раствор и влажную ткань. Никогда не допускайте попадания какой-либо жидкости внутрь устройства и никогда не погружайте никакие части устройства в жидкость.

- Следите за тем, чтобы вентиляционные отверстия на корпусе двигателя всегда были чистыми.

**▲ ПРЕДУПРЕЖДЕНИЕ.** Не используйте растворители для очистки пластиковых частей. Большинство пластиковых частей чувствительны к различным бытовым растворителям. Для очистки от грязи, пыли, масла, смазки и т. п. используйте чистую ткань.

## ИСПОЛЬЗОВАНИЕ РЕЖУЩЕЙ ГОЛОВКИ

### Проверка засорения головки триммера

- Во избежание засорения держите головку триммера в чистоте. Убирайте скошенную траву, листья, грязь и любой другой накопившийся мусор до и после каждого использования.

- Если произошло засорение, остановите триммер и извлеките аккумулятор, а затем удалите всю траву, которая могла наматываться на вал двигателя или головку триммера.

### Регулировка длины режущей лески

Режущая головка позволяет оператору вытянуть дополнительное количество лески, не выключая двигатель. Если леска изнашивается во время использования, слегка прижмите головку катушки к земле, чтобы вытянуть дополнительную леску.

**ПРИМЕЧАНИЕ.** Вытягивание лески становится сложнее по мере ее укорачивания.

**⚠ ПРЕДУПРЕЖДЕНИЕ** Не демонтируйте и не изменяйте узел лезвия для обрезки лески. Слишком длинная леска может стать причиной перегрева двигателя и серьезных травм.

#### Замена лески

**⚠ ПРЕДУПРЕЖДЕНИЕ** Никогда не используйте усиленную металлом леску, проволоку, веревку и т.д. Части этих материалов могут отделяться и опасно разлетаться в стороны.

**ПРИМЕЧАНИЕ.** Используйте рекомендуемую нейлоновую режущую леску диаметром не более 2,7 мм. Использование другой лески может привести к перегреву или повреждению триммера.

1. Отсоедините от триммера кабель питания.
2. При необходимости извлеките оставшуюся леску.
3. Отрежьте 8 м лески и вставьте ее в крепежное отверстие внутри ушка (Рис. J3). Проденьте и вытяните леску с другой стороны таким образом, чтобы с обеих сторон катушки леска была одинаковой длины.
4. Прижмите нижнюю крышку и вращайте ее в направлении, указанном стрелкой, чтобы намотать леску на катушку, оставив приблизительно по 12 см с каждой стороны (Рис. J4).
5. Прижмите нижнюю крышку и одновременно вытяните обе лески, чтобы вручную отрегулировать длину и проверить правильность сборки головки триммера.

Если режущая леска выскочила из отверстия или не вытягивается при нажатии на головку триммера, следуйте инструкциям ниже.

1. Нажмите на фиксаторы на верхней крышке и потяните нижнюю крышку, чтобы снять (Рис. J5 и J6).
2. Извлеките режущую леску из катушки.
3. Одной рукой удерживайте нижнюю крышку, а другой рукой возьмитесь за нижнюю крышку и совместите выступы на верхней крышке с отверстиями на нижней крышке (Рис. J7). Прижмите нижнюю крышку ладонью, чтобы выступы зафиксировались на месте.
4. Инструкции по установке режущей лески см. в разделе «ЗАМЕНА ЛЕСКИ».

#### Использование режущего элемента с тремя зубцами

**⚠ ПРЕДУПРЕЖДЕНИЕ** Для резки дикой поросли и кустарника опустите вращающийся режущий элемент с тремя зубцами на растительность для достижения измельчающего эффекта. Используйте кусторез как косу (перемещайте справа налево) на уровне земли. Никогда не поднимайте режущий элемент выше уровня талии.

**⚠ ПРЕДУПРЕЖДЕНИЕ** Чем выше режущий элемент над землей, тем выше риск получения травмы от отбрасываемых в стороны обрезков.

**⚠ ПРЕДУПРЕЖДЕНИЕ** При резке молодой растительности или других древесных материалов со стеблем диаметром не более 2 см используйте левую сторону режущего элемента для предотвращения риска отдачи. Не пытайтесь срезать древесные материалы большего диаметра, так как режущий элемент может застрять и отбросить кусторез вперед. Это может привести к повреждению режущего элемента или кустореза, а также к потере контроля над кусторезом и травмам.

**⚠ ПРЕДУПРЕЖДЕНИЕ.** Неправильное использование режущего элемента может привести к его растрескиванию, раскалыванию и повреждению. Отбрасываемые части могут нанести серьезные травмы оператору и посторонним лицам. Чтобы снизить риск получения травм, необходимо принять следующие меры предосторожности.

- Избегайте контакта режущего элемента с твердыми посторонними предметами, такими как камни или фрагменты металла.
- Никогда не режьте растительность с диаметром стебля более 2 см.
- Регулярно проверяйте режущий элемент на предмет повреждений. Не продолжайте работу с поврежденным режущим элементом.
- Регулярно затачивайте режущий элемент (когда он заметно затупляется) и выполняйте его балансировку, если требуется (с помощью квалифицированного специалиста).

#### Отдача режущего элемента

Проявляйте крайнюю осторожность при использовании режущего элемента с тремя зубцами. Отдача режущего элемента — это реакция, которая может возникнуть при контакте вращающегося режущего элемента с препятствием, которое он не может разрезать.

RU

В результате этого контакта режущий элемент на мгновение останавливается и затем внезапно отскакивает от объекта, с которым столкнулся. Эта реакция может быть достаточно сильной, чтобы привести к потере контроля над устройством. Отдача может возникнуть внезапно, если режущий элемент зацепился, застрял или зажался. Отдача наиболее вероятна в таких ситуациях, когда обрабатываемый материал плохо видно. Для легкой и безопасной резки работайте кусторезом справа налево. В случае столкновения с посторонним предметом такая техника позволит минимизировать реакцию отдачи.

## ОБСЛУЖИВАНИЕ

**⚠ ПРЕДУПРЕЖДЕНИЕ** Прежде чем выполнять проверку, очистку или обслуживание устройства, выключите двигатель, дождитесь, пока все движущиеся детали полностью остановятся, а затем извлеките аккумулятор. Несоблюдение данных инструкций может привести к серьезным травмам или материальному ущербу.

**⚠ ПРЕДУПРЕЖДЕНИЕ** При ремонте используйте только идентичные запасные части. Использование других запасных частей может привести к возникновению опасной ситуации или повреждению устройства. Чтобы обеспечить безопасность и надежность устройства, его ремонт должен выполнять квалифицированный специалист.

## ОБЩЕЕ ОБСЛУЖИВАНИЕ

Не используйте растворители для очистки пластиковых частей. Большинство пластиковых частей чувствительны к различным бытовым растворителям и могут быть повреждены. Для очистки от грязи, пыли, масла, смазки и т. п. используйте чистую ткань.

## ОЧИСТКА УСТРОЙСТВА

- После каждого использования удаляйте мусор, налипшую почву и траву с режущего элемента, режущей головки и щитка при помощи мягкой щетки.

**ПРИМЕЧАНИЕ.** Если лезвие для обрезки лески затупилось, заточите его у квалифицированного специалиста или замените на новое лезвие, если требуется.

- После каждого использования кустореза очищайте режущий элемент с помощью влажной ткани и мягкого моющего средства.
- Не используйте активные моющие средства для очистки пластикового корпуса или рукоятки. Они могут быть повреждены определенными ароматическими маслами, такими как хвойное и лимонное масла, а также растворителями,

например керосином. Кроме того, наличие влаги может привести к поражению электрическим током. Протрите влажное место мягкой сухой тканью.

- С помощью маленькой щетки или небольшого пылесоса очистите вентиляционные отверстия на задней стороне корпуса.

## СМАЗКА РЕДУКТОРА

Для обеспечения наилучшей производительности и увеличения срока службы смазывайте редуктор специальной смазкой (4–5 г при каждом смазывании) через каждые 50 часов использования.

Специальная смазка должна соответствовать следующим требованиям.

1. Соответствие стандарту DIN51818: степень конусной пенетрации NLGI-1.
2. Смазка на основе эфиров.
3. Отличные показатели низкотемпературного запуска, противозадирные свойства, устойчивость к механическому разрушению, истиранию и окислению.
4. Рабочая температура должна находиться в пределах от -40 до 180 °C.

Извлеките разъем аккумулятора и уплотнительный винт. Смажьте редуктор через маслосмазочное отверстие.

**⚠ ПРЕДУПРЕЖДЕНИЕ** Не выполняйте смазку кустореза, если он работает или к нему подключен аккумулятор.

## ЗАТОЧКА ЛЕЗВИЯ ДЛЯ ОБРЕЗКИ ЛЕСКИ

**⚠ ПРЕДУПРЕЖДЕНИЕ** При выполнении любых работ по обслуживанию лезвия для обрезки лески всегда надевайте прочные перчатки.

1. Снимите с щитка лезвие для обрезки лески.
2. Используйте очки и перчатки. Соблюдайте осторожность, чтобы не порезаться.
3. Зафиксируйте лезвие в тисках.
4. Аккуратно заточите лезвие при помощи мелкозубчатого напильника или точильного камня, сохраняя оригинальный угол режущей кромки.
5. Установите лезвие на щиток и закрепите на месте двумя винтами.

## ХРАНЕНИЕ УСТРОЙСТВА

- Извлеките аккумулятор из устройства.
- Наденьте прочные перчатки и выполните тщательную очистку устройства.
- Для безопасного хранения наденьте чехол на режущий элемент с тремя зубцами (Рис. N).

- Храните устройство в сухом, хорошо проветриваемом, закрытом или высоком месте, недоступном для детей. Не храните устройство рядом с удобрениями, бензином или другими химическими веществами.

**ПРИМЕЧАНИЕ.** Не используйте кусторез с тупыми или поврежденными режущими ножами. Это может вызвать перегрузку и стать причиной неудовлетворительных результатов резки.

### Защита окружающей среды



Не выбрасывайте электроприборы, зарядные устройства и аккумуляторные батареи вместе с бытовыми отходами! Отправьте данное изделие на переработку в специализированное предприятие или сдайте его для раздельного сбора. Электроинструменты должны быть возвращены на перерабатывающее предприятие, не наносящее ущерба окружающей среде.

RU

## УСТРАНЕНИЕ НЕИСПРАВНОСТЕЙ

ПРОБЛЕМА	ПРИЧИНА	РЕШЕНИЕ
Устройство не запускается.	<ul style="list-style-type: none"> <li>■ Аккумулятор не подсоединен к кусторезу либо отсутствует электрический контакт между кусторезом и аккумулятором.</li> <li>■ Аккумулятор разряжен.</li> <li>■ Перед нажатием переключателя и курка кнопка блокировки не была переведена в положение «ON» (ВКЛ).</li> </ul>	<ul style="list-style-type: none"> <li>■ Установите аккумулятор в кусторез.</li> <li>■ Заряжайте аккумулятор только с помощью указанного зарядного устройства.</li> <li>■ Перед использованием устройства убедитесь, что переключатель разблокирован.</li> </ul>
Устройство прекратило работу.	<ul style="list-style-type: none"> <li>■ Аккумулятор или кусторез перегрелся.</li> <li>■ Перегрузка кустореза.</li> <li>■ Аккумулятор не подключен к устройству.</li> <li>■ Аккумулятор разряжен.</li> </ul>	<ul style="list-style-type: none"> <li>■ Дайте аккумулятору и кусторезу остыть, пока температура не опустится до нормальной.</li> <li>■ Устройство начнет работать снова, как только нагрузка уменьшится. Для выполнения продолжительной работы снизьте нагрузку на инструмент.</li> <li>■ Установите аккумулятор.</li> <li>■ Заряжайте аккумулятор только с помощью указанного зарядного устройства.</li> </ul>
Сильная вибрация или шум.	<ul style="list-style-type: none"> <li>■ Недостаточно смазки в редукторе.</li> <li>■ Нарушена балансировка лески.</li> <li>■ Режущий элемент с тремя зубцами погнут или поврежден.</li> </ul>	<ul style="list-style-type: none"> <li>■ Выкрутите уплотнительный винт и добавьте смазку.</li> <li>■ При использовании кустореза слегка прижмите фиксатор катушки к земле.</li> <li>■ Замените режущий элемент.</li> </ul>
Не удается вытянуть леску.	<ul style="list-style-type: none"> <li>■ Леска в головке триммера закончилась.</li> <li>■ Леска была установлена неправильно.</li> </ul>	<ul style="list-style-type: none"> <li>■ Установите новую леску.</li> <li>■ Извлеките леску и установите снова.</li> </ul>

RU

## ГАРАНТИЯ

### ГАРАНТИЙНАЯ ПОЛИТИКА EGO

Посетите веб-сайт [egopowerplus.eu](http://egopowerplus.eu), чтобы ознакомиться со всеми условиями и сроками гарантийной политики EGO.

## PRZECZYTAJ WSZYSTKIE INSTRUKCJE!



**PRZECZYTAJ INSTRUKCJĘ OBSŁUGI**



Ostrzeżenie dotyczące bezpieczeństwa



Noś okulary ochronne



Noś kask ochronny



Noś obuwie z podeszwami antypoślizgowymi



Uwaga na możliwość odbicia ostrza



Odległość między narzędziem a osobami postronnymi musi wynosić co najmniej 15 metrów



Gwarantowany poziom mocy akustycznej. Emisja hałasu do środowiska zgodnie z dyrektywą Wspólnoty Europejskiej.



Zużytych wyrobów elektrycznych nie należy wyrzucać razem ze zwykłymi odpadami domowymi. Należy je oddać do autoryzowanego punktu recyklingu.

$n_0$

Prędkość bez obciążenia-Prędkość obrotowa bez obciążenia



Prąd stały

## SYMBOLE BEZPIECZEŃSTWA



**OSTRZEŻENIE:** Praca elektronarzędziami może spowodować wyrzucenie ciał obcych w oczy użytkownika, co może doprowadzić do poważnych urazów oczu. Przed rozpoczęciem pracy elektronarzędziem należy zawsze założyć gogle ochronne lub okulary z osłonami bocznymi, a w stosownych przypadkach także pełną osłonę na twarz. Zalecamy nakładanie na zwykle okulary maski zabezpieczającej o szerokim polu widzenia lub stosowanie standardowych okularów zabezpieczających z osłonami bocznymi.



Aby ograniczyć ryzyko urazów, użytkownik musi przeczytać instrukcję operatora.



Noś ochronniki słuchu



Noś rękawice ochronne



Uwaga na przedmioty wyrzucane w powietrze



Przed przystąpieniem do czynności konserwacyjnych należy odłączyć akumulator



Ten produkt jest zgodny z obowiązującymi dyrektywami WE.



Ten produkt jest zgodny z obowiązującymi dyrektywami UK.

V Napięcie

.../min Na minutę

kg Kilogram

IPX5 Ochrona przed strumieniami wody

PL

## SPECYFIKACJA

Element tnący	Głowica tnąca	Ostrze metalowe z 3 zębami
Napięcie	56 V	56 V
Prędkość bez obciążenia	4000-5800 /min	4000-5800 /min
Zalecana temperatura użytkowania:	0°C-40°C	
Zalecana temperatura przechowywania:	-20°C-70°C	
Typ żyłki do koszenia	2,4 mm	/
Ostrze tnące	/	ABB1203
Szerokość koszenia	38 cm	30 cm
Ciężar	6,8 kg	6,46 kg
Zmierzony poziom mocy akustycznej $L_{WA}$	95 dB(A) K=1,1 dB(A)	96,3 dB(A) K=2,1 dB(A)
Poziom ciśnienia akustycznego przy uchu operatora $L_{PA}$	82 dB(A) K=2,5 dB(A)	83,4 dB(A) K=4,1 dB(A)
Gwarantowany poziom mocy akustycznej $L_{WA}$ (zgodnie z dyrektywą 2000/14/WE)	96 dB(A)	98 dB(A)
Drgania $a_h$	Uchwyt lewy	1,9 m/s <sup>2</sup> K=1,5 m/s <sup>2</sup>
	Uchwyt prawy	1,5 m/s <sup>2</sup> K=1,5 m/s <sup>2</sup>

- Deklarowana całkowita wartość drgań została zmierzona zgodnie ze standardowymi metodami testowania i może służyć do porównywania różnych narzędzi.
- Deklarowana całkowita wartość drgań może również służyć do wstępnej oceny narażenia na drgania.

**UWAGA:** W zależności od sposobu eksploatacji, emisja wibracji podczas faktycznego użytkowania elektronarzędzia może się różnić od wartości deklarowanej. Aby chronić operatora, w rzeczywistych warunkach użytkowania użytkownik powinien nosić rękawice i naszłuki ochronne.

## LISTA ELEMENTÓW W OPAKOWANIU (Rys. A1)

## OPIS

### POZNAJ SWOJĄ KOŚĘ DO ZAROŚLI (Rys. A1)

1. Żyłka tnąca
2. Osłona (zespół)
3. Trzonek
4. Przycisk spustowy
5. Przycisk odblokowujący
6. Śruba motylkowa
7. Zaczep
8. Gniazdo wtykowe
9. Płytko osłaniająca
10. Kierownica rowerowa
11. Śruba uszczelniająca
12. Otwór do blokowania wałka
13. Ostrze do cięcia żyłki
14. Osprzęt osłony
15. Ostrze z 3 zębami
16. Pokrowiec na ostrze
17. Kolnier z zewnętrzny
18. Nakrętka
19. Klucz wielofunkcyjny
20. Klucz imbusowy
- 21\*. Podkładka biodrowa (sprzedawana osobno)

**⚠ OSTRZEŻENIE:** Nigdy nie należy włączać narzędzia bez mocno założonej osłony. Aby chronić użytkownika, osłona musi być zawsze założona na narzędzie!

**⚠ OSTRZEŻENIE:** Jeśli narzędzie jest wyposażone w głowicę tnącą, na osłonie należy zamontować osprzęt osłony – ostrze do przycinania żyłki. Nieprzestrzeganie tego zalecenia może skutkować nadmierną długością żyłki tnącej i spowoduje przeciążenie silnika. Nigdy nie należy używać głowicy tnącej bez założonego osprzętu osłony.

## MONTAŻ

**⚠ OSTRZEŻENIE:** W przypadku braku lub uszkodzenia którejś z części, kosy do zarośli nie należy uruchamiać aż do momentu wymiany lub naprawy części. Używanie kosy do zarośli z uszkodzonymi lub brakującymi częściami może doprowadzić do poważnych urazów ciała.

**⚠ OSTRZEŻENIE:** Kosy do zarośli nie należy próbować przerabiać, nie należy też tworzyć akcesoriów, które nie są zalecane do używania w urządzeniu. Wszelkie tego typu zmiany lub modyfikacje są niedozwolone i mogą prowadzić do niebezpiecznych sytuacji oraz poważnych urazów ciała.



**⚠ OSTRZEŻENIE:** Na czas mocowania lub zdejmowania ostrza z 3 zębami/ostrza do przycinania żyłki oraz podczas wykonywania przy ostrzu czynności konserwacyjnych należy zawsze zakładać solidne rękawice. Aby chronić dłonie przed skaleczeniem, należy uważać na ostrze do przycinania żyłki (na osłonie)/ostrze z 3 zębami.

**⚠ OSTRZEŻENIE:** Aby zapobiec przypadkowemu włączeniu, które mogłoby spowodować ciężkie urazy, na czas mocowania części, regulacji, czyszczenia lub gdy narzędzie nie jest używane, z narzędzia należy zawsze wyjmować akumulator.

**⚠ OSTRZEŻENIE:** Nigdy nie należy włączać narzędzia bez mocno założonej kierownicy rowerowej i osłony. Nieprzestrzeganie tego zalecenia może doprowadzić do poważnych obrażeń ciała.

### MOCOWANIE I REGULACJA KIEROWNICY

Kosę do zarośli przechowuje się tak, jak pokazano na rys. B. Najpierw należy poluzować śrubę motylkową na połączeniu, a potem podnieść i obrócić kierownicę o 180° wokół trzonka (Rys. C) i przekrócić o 90° w lewo (przeciwie do kierunku ruchu wskazówek zegara), tak aby była skierowana na głowicę-uderzak (Rys. D). Na koniec należy ją poruszyć w tył i w przód, tak aby uzyskać wygodną pozycję roboczą i wreszcie dokręcić śrubę.

**UWAGA:** Narzędziem wolno pracować tylko z kierownicą ustawioną prostopadle do trzonka.

### MONTAŻ OSŁONY

**⚠ OSTRZEŻENIE:** Podczas zakładania lub wymieniania osłony należy mieć zawsze założone rękawice. Należy uważać na ostrze na osłonie – ryzyko skaleczenia dłoni.

**⚠ OSTRZEŻENIE:** Nigdy nie należy włączać maszyny bez mocno założonej osłony. Aby chronić użytkownika, osłona musi być zawsze założona na maszynę! Jeśli osłona jest założona, nie należy nigdy próbować jej zdejmować lub regulować. Jeśli potrzebna jest wymiana, powinien jej dokonać wykwalifikowany technik!

Należy poluzować i wykręcić 2 śruby z osłony (rys. E). Dopasować otwory montażowe do otworów w zespole i zablokować osłonę na podstawie trzonka 2 śrubami z 2 podkładkami sprężynującymi (rys. F).

**⚠ OSTRZEŻENIE:** Upewnij się, że powierzchnia wewnętrzna osłony jest skierowana w stronę głowicy tnącej (rys. F).

**⚠ OSTRZEŻENIE:** Jeśli kosa do zarośli jest wyposażona w głowicę tnącą, na osłonie należy

zamontować osprzęt osłony. Nieprzestrzeganie tego zalecenia może skutkować nadmierną długością żyłki tnącej i przecięciem silnika.

### WYMIANA GŁOWICY TNĄCEJ NA OSTRZE Z 3 ZĘBAMI

1. Wyjąć wtyczkę z podkaszarki.
2. Obrócić głowicę podkaszarki tak, aby szczelinę w kołnierzu dopasować do otworu blokującego wałek blokujący w obudowie przekładni i włożyć w otwór stabilizator (Rys. G).
3. Obrócić głowicę podkaszarki w prawo (zgodnie z kierunkiem ruchu wskazówek zegara), aby go wyjąć (Rys. G).
4. Zdemontować osprzęt osłony – dokręcić trzy śruby z podkładkami (Rys. H).
5. Ostrze jest dostarczane w osłonie. Przed zamontowaniem ostrza w kosie do zarośli należy zdjąć osłonę – zdjąć drut zaciskowy z haka na osłonie (rys. I1).

**UWAGA:** Aby nie dopuścić do urazów, przed rozpoczęciem pracy przy ostrzu z 3 zębami należy założyć rękawice.

6. Zamocować na miejsce kołnierze wewnętrzny i pokrywą kołnierza (rys. I2).
7. Zamocować ostrze na wałku silnika, dopilnować, aby powierzchnia ostrza znalazła się na jednej wysokości z powierzchnią wyrzuczenia kołnierza wewnętrznego. Założyć kołnierze zewnętrzny i nakrętkę (rys. I3). Wstąpić dokręcić nakrętkę ręką W LEWO (PRZECIWNIE DO KIERUNKU RUCHU WSKAZÓWEK ZEGARA).
8. Położyć i oprzeć obudowę przekładni na solidnej powierzchni. Jedną ręką przytrzymać trzonek kosy do zarośli, a drugą chwycić klucz wielofunkcyjny i dokręcić nim nakrętkę w kierunku zaznaczonym strzałką na kołnierzu zewnętrznym (Rys. I4).

### WYMIANA OSTRZA Z 3 ZĘBAMI NA GŁOWICĘ TNĄCĄ

Na rys. J1 pokazano elementy ostrza tnącego z 3 zębami. Należy zdemontować ostrze z 3 zębami i zamontować w kosie do zarośli głowicę tnącą.

1. Obrócić ostrze tak, aby szczelinę w kołnierzu dopasować do otworu blokującego wałek blokujący w obudowie przekładni i włożyć w otwór stabilizator.
2. Położyć i oprzeć obudowę przekładni na solidnej powierzchni. Jedną ręką przytrzymać trzonek kosy do zarośli, a drugą chwycić klucz wielofunkcyjny i odkręcić nim nakrętkę w prawo (zgodnie z kierunkiem ruchu wskazówek zegara) rys. I4.
3. Wyjąć z kosy nakrętkę, kołnierze zewnętrzny i ostrze (Rys. J2).

J-1	Trzonek	J-5	Kolnierz zewnętrzny
J-2	Kolnierz wewnętrzny	J-5	Kolnierz zewnętrzny
J-3	Pokrywa kolnierza	J-7	Szczelina w kolnierzu
J-4	Ostrze z 3 zębami		

**UWAGA:** Gdy jest używane ostrze z 3 zębami, aby zapobiec urazom, ostrze należy montować w osłonie.

- Zamocować w kosie osprzęt osłony – dokręcić trzy śruby z podkładkami (rys.H).
- Obrócić głowicę podkaszarki w lewo (przeciwnie do kierunku ruchu wskazówek zegara), aby ją zainstalować (Rys. G). Wykonać instrukcje podane w części „WYMIANA ŻYŁKI”, aby założyć żyłkę tnącą.

**UWAGA:** Nawinięcie żyłki w niewłaściwą stronę spowoduje, że głowica podkaszarki będzie działała nieprawidłowo.

## UŻYTKOWANIE

PL

**▲ OSTRZEŻENIE:** Nie wolno dopuścić do tego, aby znajomość narzędzia doprowadziła do nieuwagi. Należy pamiętać, że do spowodowania poważnych obrażeń wystarczy zaledwie chwila nieuwagi.

**▲ OSTRZEŻENIE:** Należy zawsze nosić środki ochrony oczu i uszu. Nieprzestrzeganie tego zalecenia może doprowadzić do poważnych obrażeń oczu odłamkiem lub skrawkiem materiału wyrzuconym przez pracujące narzędzie, a także grozi innymi możliwymi urazami.

**▲ OSTRZEŻENIE:** Nie należy używać końcówek lub akcesoriów innych niż zalecane przez producenta produktu. Używanie końcówek lub akcesoriów innych niż zalecane może doprowadzić do poważnych obrażeń.

## ZASTOSOWANIA

Produkt może być używany podczas deszczu.

Urządzenia można używać wyłącznie do celów podanych poniżej:

**Podkaszanie:** usuwanie trawy i chwastów przy ścianach, plotach, drzewach i na brzegach.

**Koszenie:** koszenie trawy w miejscach trudno dostępnych dla zwykłej kosiarki.

**UWAGA:** Maszyny należy używać tylko do celów zgodnych z przeznaczeniem. Wszelkie inne zastosowania uznaje się za niezgodne z przeznaczeniem.

## TRZYMANIE KOSY DO ZAROŚLI

Przed podłączeniem akumulatora plecakowego do kosy do zarośli należy go założyć na plecy i zamontować podkładkę biodrową na uprząż na plecy tak jak opisano w instrukcji BAX1500 lub AHP1500.

Zamontować kosę do zarośli z osłoną biodrową przez zaczepienie zaczepu w otworze mocującym (rys. K). Na trzonku jest 8 otworów, należy wybrać taki, który zapewni optymalny komfort pracy.

Przytrzymać oburącz kosę po swojej prawej stronie. Głowica tnąca lub ostrze powinna być ustawiona równoległe do ziemi i w odpowiedniej do cięcia odległości, tak aby operator nie musiał się nachylać.

Odpięcie kosy do zarośli można przeprowadzić dwójako. Można rozpiąć klamrę paska i klamrę na wysokości klatki piersiowej (rys. L1) lub można nacisnąć zaczep na podkładce biodrowej i wyjąć go z otworu mocującego w trzonku.

**▲ OSTRZEŻENIE:** W nagłych wypadkach, aby szybko zdjąć kosę do zarośli, należy rozpiąć klamrę na piersiach i w pasku.

**▲ OSTRZEŻENIE:** Nie należy używać paska na jedno ramię jednocześnie z akumulatorem plecakowym.

Do urządzenia należy używać wyłącznie ładowarek i akumulatorów marki EGO wymienionych na Rys. A2

## Zakładanie akumulatora (rys. L2)

Dopasować do siebie symbol ▲ na wtyczce i symbol ▲ na kosie do zarośli. Włożyć wtyczkę do narzędzia tak, aby zielona uszczelka całkowicie schowała się w gnieździe wtykowym.

## Wymijowanie

Należy wyjąć przewód akumulatora z rowka mocującego i wyjąć wtyczkę z gniazda w kosie do zarośli.

## WŁĄCZANIE/WYŁĄCZANIE KOSY DO ZAROŚLI

### Włączanie

Przestawić przełącznik odblokowujący w pozycję „WŁ.” (rys. M). Przesunąć mały spust do góry i nacisnąć przełącznik spustowy, aby włączyć kosę. Zmiana siły nacisku na spust powoduje zmianę prędkości obrotowej końcówki tnącej.

Opis części na rys. L1 i M – patrz poniżej:

L-1	Klamra piersiowa	M-1	Przycisk odblokowujący
L-2	Klamra paska	M-2	Mały spust
L-3	Haczyk	M-3	Przełącznik spustowy

### Wyłączenie

Zwolnić przełącznik spustowy i przestawić przełącznik odblokowujący z powrotem w pozycję „WYŁ.”.

**⚠ OSTRZEŻENIE:** W czasie przerw w pracy i po zakończeniu pracy należy zawsze wyjmować akumulator z podkaszarki.

### UŻYWANIE KOSY DO ZAROŚLI

**⚠ OSTRZEŻENIE:** Aby ograniczyć ryzyko obrażeń, podczas pracy kosą do zarośli należy nosić odpowiednią odzież. Nie powinno się nosić luźnych ubrań ani biżuterii. Należy nosić środki ochrony oczu i ochronniki słuchu. Należy nosić mocne długie spodnie, solidne buty i rękawice. Nie należy nosić krótkich spodni i sandałów, nie należy też używać narzędzia na bosą stopę. Przed włączeniem należy się rozejrzeć dookoła, aby upewnić się, że w pobliżu nie ma żadnych osób, zwierząt ani luźnych przedmiotów. Upewnić się, że znajdują się one w odległości co najmniej 15 m. Następnie sprawdzić okulary ochronne, odzież i stan podłoża (pod kątem równowagi).

Przed każdym użyciem należy sprawdzić, czy jakieś części nie są uszkodzone/zużyte. Należy skontrolować głowicę tnącą, ostrze z 3 zębami, osłonę, osprzęt osłony i kierownicę; wymienić części pęknięte, wypaczone, skrzywione lub uszkodzone w jakikolwiek sposób. Ostrze do cięcia żyłki na krawędzi osprzętu osłony może się z czasem stępić. Zaleca się je okresowo ostrzyć pilnikiem lub wymieniać na nowe.

### Po każdym użyciu kosę do zarośli należy wyczyścić.

**⚠ OSTRZEŻENIE:** Zanieczyszczenia w otworach wentylacyjnych uniemożliwiają dopływ powietrza do obudowy silnika i w efekcie prowadzą do przegrzania się i uszkodzenia silnika.

- Do czyszczenia maszyny należy używać wyłącznie łagodnego mydła i wilgotnej ściereczki. Do środka maszyny nie mogą się dostać żadne płyny, nie wolno też zanurzać części maszyny w jakiegokolwiek cieczy.

- Otwory wentylacyjne w obudowie silnika nie mogą być nigdy zabrudzone.

**⚠ OSTRZEŻENIE:** Podczas czyszczenia części plastikowych unikać używania rozpuszczalników. Pod wpływem działania różnego rodzaju dostępnych w handlu rozpuszczalników większość tworzyw sztucznych ulega uszkodzeniu. Do usuwania zabrudzeń, kurzu, oleju, smaru itp. należy używać czystych ściereczek.

### UŻYWANIE Z ZAŁOŻONĄ GŁOWICĄ TNĄCĄ

#### Sprawdzić, czy głowica podkaszarki nie jest zablokowana

- Aby nie dopuścić do zablokowania, należy dbać o to, aby głowica podkaszarki była czysta. Usuń ścinki trawy, liście, brud i wszelkie inne nagromadzone zanieczyszczenia przed i po każdym użyciu.
- W przypadku zablokowania należy zatrzymać podkaszarkę i wyjąć akumulator, a następnie usunąć trawę, która mogła owinąć się wokół wału silnika lub głowicy podkaszarki.

#### Regulacja długości żyłki tnącej

Głowica tnąca pozwala operatorowi wysuwać więcej żyłki tnącej bez wyłączania silnika. Żyłka strzępi się i zużywa, dodatkową żyłkę można wysunąć lekko uderzając głowicą w ziemię w czasie, gdy podkaszarka pracuje.

**UWAGA:** Im krótsza żyłka, tym trudniejsze jest jej wysuwanie.

**⚠ OSTRZEŻENIE:** Nie należy demontować lub przerabiać zespołu ostrza do żyłki. Zbyt długa żyłka prowadzi do przegrzewania się silnika i może spowodować poważne urazy ciała.

#### Wymiana żyłki

**⚠ OSTRZEŻENIE:** Nigdy nie należy używać żyłek wzmocnionych metalem, drutów, sznurków itp. Mogą się one ułamać i zmienić w niebezpieczne pociski.

**INFORMACJA:** Należy zawsze używać zalecanej nylonowej żyłki tnącej o średnicy nie większej niż 2,7 mm. Używanie żyłki innego typu może prowadzić do przegrzewania się podkaszarki i spowodować jej uszkodzenie.

- Wyjąć wtyczkę z podkaszarki.
- Jeśli jest to konieczne, wyjąć pozostałą żyłkę tnącą.
- Odciąć 8 m żyłki tnącej. Włożyć żyłkę do otworu mocującego w środku przelotki (Rys. J3). Wcisnąć żyłkę i wyciągnąć ją z drugiej strony, tak aby po obu stronach szpulki znajdowało się tyle samo żyłki.

4. Obracać osłonę dolną w kierunku zaznaczonym strzałką i nacisnąć ją, aby nawinać żyłkę na szpulę tak, aby po obu stronach widać było około 12 cm żyłki (Rys. J4).
5. Nacisnąć osłonę mocującą szpuli w dół i jednocześnie pociągnąć żyłki, aby je ręcznie wysunąć, sprawdzić prawidłowe złożenie głowicy podkaszarki.

Gdy żyłka tnąca urwie się na wylocie żyłki lub gdy żyłka tnąca nie wysuwa się z głowicy podkaszarki pod wpływem uderzenia głowicą o ziemię, należy wówczas wykonać następujące kroki:

1. Wcisnąć zaczepy odblokowujące w osłonie dolnej i zdjąć osłonę (Rys. J5 i J6).
2. Wyjąć żyłkę tnącą ze szpuli.
3. Jedną ręką przytrzymać osłonę dolną, a drugą chwycić osłonę dolną i dopasować zaczepy w osłonie górnej do otworów w osłonie dolnej (Rys. J7). Środkiem dłoni docisnąć osłonę dolną, aż zaczepy zablokują się w osłonie górnej.
4. Wykonać instrukcje podane w części „WYMIANA ŻYŁKI”, aby ponownie założyć żyłkę tnącą.

## PL

### Używanie ostrza z 3 zębami

**⚠ OSTRZEŻENIE:** Aby przyciąć zarośla i chaszczę, należy opuścić kręcące się ostrze z 3 zębami na zarośla i w ten sposób uzyskać efekt szatkowania. Kosy do zarośli należy używać tak jak zwykłej kosy (należy nią przemiatać w lewo i w prawo) na wysokości podłoża. Końcówki tnącej nie wolno nigdy używać powyżej wysokości pasa.

**⚠ OSTRZEŻENIE:** Im wyżej końcówka tnąca znajduje się nad ziemią, tym większe jest ryzyko urazów spowodowanych wyrzuceniem śniek na boki.

**⚠ OSTRZEŻENIE:** Podczas ścinania młodych odrostów lub innych zdrewniałych pędów o średnicy do 2 cm należy używać lewej strony ostrza, aby nie dopuścić do sytuacji grozących odbiciem. Nie należy próbować przycinać zdrewniałych pędów o większej średnicy, ponieważ ostrze mogłoby zakleszczyć się lub szarpnąć kosą do przodu. Mogłoby to doprowadzić do uszkodzenia ostrza lub kosy lub spowodować utratę kontroli nad kosą, co w efekcie mogłoby doprowadzić do urazów.

**⚠ OSTRZEŻENIE:** Niewłaściwe używanie ostrza może doprowadzić do jego pęknięcia, wyszczerbienia lub zniszczenia. Wyrzucone części mogą doprowadzić do ciężkich urazów operatora lub osób postronnych. Aby ograniczyć ryzyko obrażeń ciała, bardzo ważne jest podjęcie następujących środków ostrożności:

- Należy unikać kontaktu z twardymi przedmiotami lub ciałami stałymi takimi jak kamienie i kawałki skał lub metalu.

- Nigdy nie należy ciąć drewna o średnicy powyżej 2 cm.
- Ostrze należy kontrolować pod kątem oznak uszkodzenia w regularnych, krótkich odstępach czasu. Nie należy kontynuować pracy, gdy ostrze jest uszkodzone.
- Ostrze należy regularnie ostrzyć (gdy się wyraźnie stępi). W razie potrzeby należy je też wyważyć (czynność tę powinien wykonać wykwalifikowany technik serwisu).

### Odbicie ostrza

Podczas używania ostrza z 3 zębami należy zachować maksymalną ostrożność. Odbicie jest reakcją, która może nastąpić, gdy kręcące się ostrze dotknie przedmiotu, którego nie jest w stanie przeciąć. Dotknięcie to może spowodować chwilowe zatrzymanie się ostrza i nagłe „szarpnięcie” urządzenia w kierunku od uderzonego przedmiotu. Reakcja może być na tyle gwałtowna, że operator może utracić kontrolę nad narzędziem. Jeśli ostrze zaczepi się o coś, zablokuje się lub zaklinuje, do odbicia może dojść bez jakiegokolwiek ostrzeżenia. Odbicie ostrza zdarza się częściej w miejscach, w których trudno jest zobaczyć koszony materiał. Aby kosić łatwo i bezpiecznie, należy podchodzić do koszonych chwastów z kosą do zarośli przesuwając się od prawej do lewej. W przypadku niespodziewanego natrafienia na jakiś przedmiot lub kawałek drewna, takie postępowanie ogranicza szarpnięcie ostrzem do minimum.

## KONSERWACJA

**⚠ OSTRZEŻENIE:** Przed kontrolą, czyszczeniem lub serwisowaniem urządzenia należy wyłączyć silnik, odczekać aż wszystkie poruszające części zatrzymają się i wyjąć akumulator. Niezastosowanie się do powyższych instrukcji może doprowadzić do poważnych obrażeń ciała lub do uszkodzenia mienia.

**⚠ OSTRZEŻENIE:** Podczas serwisowania należy używać wyłącznie części zamiennych identycznych z oryginalnymi. Używanie jakichkolwiek innych części stwarza ryzyko i może spowodować usterkę produktu. Aby zagwarantować bezpieczeństwo i niezawodność, wszystkie naprawy powinny być wykonywane przez wykwalifikowanych techników serwisu.

### KONSERWACJA OGÓLNA

Podczas czyszczenia części plastikowych należy unikać używania rozpuszczalników. Pod wpływem kontaktu z różnego rodzaju rozpuszczalnikami dostępnymi w handlu większość tworzyw może ulec uszkodzeniu. Do usuwania zabrudzeń, kurzu, oleju, smaru itp. należy używać czystych ściereczek.

## CZYSZCZENIE URZĄDZENIA

- Po każdym użyciu ostrza z 3 zębami/głowicy tnącej należy miękką szczoteczka usunąć zanieczyszczenia, ziemię lub trawę zapychające ostrze i jego osłonę.

**UWAGA:** Gdy ostrze się stępi, należy je oddać wykwalifikowanemu serwisantowi do naostrzenia. W razie potrzeby ostrze należy wymienić na nowe.

- Po każdym użyciu kosy do zarośli końcówkę tnącą należy wyczyścić wilgotną ściereczką i łagodnym detergentem.
- Do czyszczenia części plastikowych lub uchwytu nie należy używać jakichkolwiek silnych detergentów. Mogą one zostać uszkodzone przez niektóre olejki aromatyczne, takie jak olejek sosnowy i cytrynowy oraz przez rozpuszczalniki takie jak nafta. Wilgoć może także spowodować porażenie prądem. Wszelką wilgoć należy wycierać miękką suchą ściereczką.
- Do czyszczenia otworów wentylacyjnych z tylnej części obudowy należy używać małej szczoteczki lub małego odkurzacza.

## SMAROWANIE PRZEKŁADNI

Aby narzędzie działało optymalnie i przez długi czas, po każdym 50 godzinach użytkowania, przekładnię należy nasmarować specjalnym smarem (każdorazowo około 4-5 g).

Smar ten powinien spełniać następujące wymagania:

1. Należać do klasy DIN51818: stopień NLGI-1 w badaniu penetracji sondą stożkową.
2. Smar na bazie estrów.
3. Posiadać znakomite właściwości w warunkach uruchamiania na zimno i podczas zwiększonego nacisku (EP), doskonałą odporność na ścinanie mechaniczne i ścieranie oraz własności stabilizujące utlenianie.
4. Temperatura pracy musi zawierać przedział -40~180°C.

Wyjąć wtyczkę akumulatora i śrubę uszczelniającą. Smarowanie przekładni przez otwór smarowy.

**⚠ OSTRZEŻENIE:** Nie należy przeprowadzać smarowania, gdy kosa do zarośli jest nadal podłączona do akumulatora lub włączona.

## OSTRZENIE OSTRZA ŻYŁKI TNĄCEJ

**⚠ OSTRZEŻENIE:** Zawsze chroń swoje ręce nosząc grube rękawice podczas wykonywania prac serwisowych przy ostrzu tnącym żyłki.

1. Wyjmij ostrze z osłony.
2. Noś odpowiednią osłonę oczu oraz rękawice i zachowuj ostrożność, aby się nie skaleczyć.

3. Zabezpiecz ostrze w imadle.
4. Ostrożnie piluj krawędzie tnące ostrza drobnym pilnikiem lub osetką zachowując oryginalny kształt krawędzi tnącej.
5. Ponownie załóż ostrze w osłonę i zabezpiecz na miejscu dwiema śrubami.

## PRZECHOWYWANIE URZĄDZENIA

- Wyjąć akumulator z narzędzia.
- Aby móc dokładnie wyczyścić urządzenie, należy nosić mocne rękawice.
- Aby bezpiecznie przechowywać ostrze z 3 zębami, należy na nie założyć osłonę (Rys. N).
- Urządzenie należy przechowywać w suchym i przewiewnym miejscu niedostępnym dla dzieci: albo pod kluczem, albo wystarczająco wysoko. Urządzenia nie należy przechowywać na nawozach lub w ich pobliżu, to samo dotyczy podłoży zanieczyszczonych benzyną i substancjami chemicznymi.

**UWAGA:** Nie należy używać kosy z tępych lub uszkodzonych ostrzem tnącym. Mogłoby to doprowadzić do przecięcia i spowodować, że efekty cięcia narzędziem byłyby niezadowalające.

PL

## Ochrona środowiska



Urządzeń elektrycznych, zużytych akumulatorów i ładowarki nie należy wyrzucać do zwykłych zmieszanych śmieci domowych! Produkt należy oddać do zbiórki selektywnej w autoryzowanym punkcie recyklingu. Narzędzia elektryczne należy oddawać do zakładów recyklingu przyjaznych dla środowiska.

## ROZWIĄZYWANIE PROBLEMÓW

PROBLEM	PRZYCZYNA	ROZWIĄZANIE
Nie udaje się włączyć urządzenia.	<ul style="list-style-type: none"> <li>■ Do kosy do zarośli nie podłączono akumulatora lub kosa i akumulator nie kontaktują.</li> <li>■ Akumulator jest wyczerpany.</li> <li>■ Przed wciśnięciem dźwigni przełączających nie przesunięto przycisku odblokowującego w pozycję „Wł.”.</li> </ul>	<ul style="list-style-type: none"> <li>■ Ponownie włożyć wtyczkę akumulatora do kosy.</li> <li>■ Naładować akumulator odpowiednią ładowarką.</li> <li>■ Przed użyciem kosy upewnić się, że przycisk blokady jest odblokowany.</li> </ul>
Urządzenie przestaje pracować.	<ul style="list-style-type: none"> <li>■ Akumulator lub kosa do zarośli są zbyt gorące.</li> <li>■ Kosa do zarośli jest przeciążona.</li> <li>■ Akumulator jest odłączony od narzędzia.</li> <li>■ Akumulator jest rozładowany.</li> </ul>	<ul style="list-style-type: none"> <li>■ Pozwolić, aby akumulator lub kosa ostygły do zwykłej temperatury.</li> <li>■ Gdy tylko obciążenie zostanie usunięte, narzędzie wznowi pracę. W przypadku pracy ciągłej należy zmniejszyć obciążenie narzędzia.</li> <li>■ Ponownie założyć akumulator.</li> <li>■ Naładować akumulator odpowiednią ładowarką.</li> </ul>
Nadmierne drgania lub hałas.	<ul style="list-style-type: none"> <li>■ Sucha przekładnia</li> <li>■ Niewyważona żyłka tnąca.</li> <li>■ Ostrze z 3 zębami jest skrzywione lub uszkodzone.</li> </ul>	<ul style="list-style-type: none"> <li>■ Zdjąć śrubę uszczelniającą i dolać olej smarowy.</li> <li>■ Lekko uderzyć głowicą o ziemię w czasie, gdy kosa pracuje.</li> <li>■ Wymienić ostrze na nowe.</li> </ul>
Nie można wysunąć żyłki.	<ul style="list-style-type: none"> <li>■ Żyłka w głowicy skończyła się.</li> <li>■ Żyłka nie jest prawidłowo zainstalowana.</li> </ul>	<ul style="list-style-type: none"> <li>■ Założyć nową żyłkę w kosie do zarośli.</li> <li>■ Wyjąć żyłkę i założyć ją ponownie.</li> </ul>

PL

## GWARANCJA

### POLITYKA GWARANCYJNA EGO

W celu zapoznania się z wszystkimi warunkami polityki gwarancyjnej EGO prosimy odwiedzić stronę [egopowerplus.eu](http://egopowerplus.eu).

## PŘEČTĚTE SI VŠECHNY POKYNY!



**PŘEČTĚTE SI NÁVOD K OBSLUZE**



Bezpečnostní upozornění



Používejte ochranu očí



Používejte ochranu hlavy



Noste protiskluzovou obuv



Dejte si pozor na zpětný ráz čepele



Vzdálenost mezi nářadím a ostatními osobami musí být nejméně 15 m.



Garantovaná hladina akustického výkonu. Emise hluku do prostředí dle direktivy Evropského společenství.



Odpadní elektrické výrobky se nesmí likvidovat s domovním odpadem. Odevzdejte do autorizovaného recyklačního střediska.

$n_0$

Rychlost při chodu naprázdno-Otáčky při chodu naprázdno



Stejnoseměrný proud

## BEZPEČNOSTNÍ SYMBOLY

**VAROVÁNÍ:** Při použití elektrického nářadí může dojít k vymrštění cizích těles do očí, což může způsobit jejich závažné poškození. Před použitím elektrického nářadí si vždy nasadte ochranné brýle, ochranné brýle s bočními kryty nebo v případě potřeby obličejový štít. Na brýle nebo standardní ochranné brýle s bočními kryty doporučujeme použít ochrannou masku.



Z důvodu snížení rizika úrazu si musí uživatel přečíst návod k obsluze.



Používejte chrániče sluchu



Používejte ochranu rukou



Pozor na odhozené předměty



Před údržbou odpojte akumulátor



Tento výrobek je v souladu s platnými směrnici ES.



Tento výrobek je v souladu s platnými předpisy ve Spojeném království.

V Napětí



.../min Za minutu

kg Kilogram

IPX5 Ochrana proti proudu vody

**CZ**

## SPECIFIKACE

Řezací jednotka	Strunová hlava	3-zubá kovová čepel
Napětí	56 V 	56 V 
Otáčky naprázdno	4000-5800 /min	4000-5800 /min
Doporučená provozní teplota:	0°C ~ 40°C	
Doporučená skladovací teplota:	-20°C ~ 70°C	
Typ žací struny	2,4 mm	/
Řezací čepel	/	ABB1203
Šířka sekání	38 cm	30 cm
Hmotnost	6,8 kg	6,46 kg
Měřená hladina akustického výkonu $L_{WA}$	95 dB(A) K=1,1 dB(A)	96,3 dB(A) K=2,1 dB(A)
Hladina akustického tlaku na sluch obsluhy $L_{PA}$	82 dB(A) K=2,5dB(A)	83,4 dB(A) K=4,1 dB(A)
Zaručená úroveň akustického výkonu $L_{WA}$ (podle 2000/14/ES)	96 dB(A)	98 dB(A)
Vibrace $a_h$	Levá rukojeť	1,9 m/s <sup>2</sup> K=1,5 m/s <sup>2</sup>
	Pravá rukojeť	1,5 m/s <sup>2</sup> K=1,5 m/s <sup>2</sup>

Celková deklarovaná hodnota vibrací byla naměřena podle standardní zkušební metody a lze ji použít ke srovnání s jiným nářadím;

- Celkovou deklarovanou hodnotu vibrací lze použít také k předběžnému stanovení expozičních limitů.

**POZNÁMKA:** Emise vibrací při konkrétním použití elektrického nářadí se mohou lišit od deklarované hodnoty, při které se nářadí používá; z důvodu ochrany provozovatele by měl uživatel ve skutečných pracovních podmínkách nosit rukavice a chrániče sluchu.

## OBSAH BALENÍ (Obr. A1)

### POPIS

#### SEZNAMTE SE KŘOVINOŘEZEM (obr. A1)

1. Struna do sekačky

2. Sestava chrániče
3. Hřídel
4. Spouštěč
5. Blokovací tlačítko
6. Křídlový šroub
7. Hák
8. Zdíčka
9. Ochranná deska
10. Pomocná rukojeť
11. Těsnící šroub
12. Otvor pro zajištění hřídele
13. Strunová čepel
14. Příslušenství chrániče
15. 3-zubá čepel
16. Pouzdro křovinořezu
17. Vnější příruba
18. Matice
19. Multifunkční klíč
20. Imbusový klíč
- 21\*. Boční opěrka (prodává se odděleně)

**VAROVÁNÍ:** Nářadí nikdy nepoužívejte bez řádně nainstalovaného chrániče. Chráníč musí být vždy na nářadí z důvodu ochrany uživatele.

**VAROVÁNÍ:** Když je nástroj vybaven strunovou hlavou, musí se namontovat sestava chrániče strunové čepeli na chráníč. Nedodržení tohoto pokynu může mít za následek příliš dlouhou řeznou linii a přetížení motoru. Nikdy nepoužívejte strunovou hlavu bez sestavy chrániče.

## MONTÁŽ

**VAROVÁNÍ:** Pokud jsou některé díly poškozené, nebo chybí, nepoužívejte křovinořez, dokud se díly nevymění. Použití tohoto křovinořezu s poškozenými nebo chybějícími díly může vést k vážnému úrazu.

**VAROVÁNÍ:** Nepokoušejte se křovinořez upravovat ani vytvářet příslušenství, které se k tomuto výrobku nedoporučuje. Každá taková změna nebo úprava je zneužití a může vést k nebezpečné situaci, která může zapříčinit vážný úraz.

**VAROVÁNÍ:** Vždy používejte pevné rukavice při instalaci nebo odstraňování chrániče nebo provádění jakékoliv údržby na 3-zubé čepeli/vyžínacím kotouči. Dávejte pozor na vyžínací kotouč na sestavě chrániče/3-zubé čepeli a chraňte svoje ruce před poraněním ostřím.



**VAROVÁNÍ:** Pokud provádíte montáž dílů, úpravy, čištění, nebo foukač nepoužívejte, vždy vyjměte akumulátor, aby nedošlo k neúmyslnému spuštění, které může způsobit vážný úraz.

**VAROVÁNÍ:** Nářadí nikdy nepoužívejte bez řádně nainstalovaného chrániče a přední pomocné rukojeti. Nedodržení tohoto pokynu může vést k možnému vážnému poranění.

### MONTÁŽ A SEŘÍZENÍ POMOCNÉ RUKOJETI

Křovinořez je uložen, jak je znázorněno na obr. B. Nejprve povolte křídlový šroub na spojovacím kloubu a zvedněte pomocnou rukojeť o 180 ° kolem hřídele (obr. C), otočte o 90 ° proti směru hodinových ručiček, aby byla proti strunohlavě (obr. D). Nakonec ji posuňte dozadu a zpět pro dosažení pohodlné pracovní polohy a dotáhněte šroub.

**POZNÁMKA:** Je povoleno provozování stroje pouze s rukojetí kolmo k hřídeli.

### MONTÁŽ KRYTU

**VAROVÁNÍ:** Při montáži nebo výměně krytu vždy používejte rukavice. Pozor na nůž na krytu, chraňte si ruce před pořezáním.

**VAROVÁNÍ:** Nikdy nepoužívejte stroj bez řádně nainstalovaného krytu. Kryt musí být vždy na stroji z důvodu ochrany uživatele! Pokud je kryt instalovaný napevno, nikdy se jej nepokoušejte odstranit nebo upravit; pokud je nezbytná výměna, musí být provedena kvalifikovaným servisním technikem!

Uvolněte a vyjměte dva šrouby z krytu (obr. E), vyrovnejte montážní otvory krytu s montážními otvory a pak zajistěte ochranný kryt na základně hřídele dvěma šrouby společně se dvěma pružnými podložkami (obr. F).

**VAROVÁNÍ:** Dbejte, aby vnitřní povrch krytu směřoval k řezací hlavě (obr. F).

**VAROVÁNÍ:** Když je křovinořez vybaven strunovou hlavou, musí se namontovat sestava chrániče na chránič. Nedodržení tohoto pokynu může mít za následek příliš dlouhou řeznou linii a přetížení motoru.

### VÝMĚNA STRUNOVÉ HLAVY ZA 3-ZUBOU ČEPEL

1. Vyjměte zástrčku ze strunové sekačky.
2. Otáčejte žací hlavicí tak, aby se zarovnal štěrbin v přírubě s otvorem pro zajištění hřídele v převodovce a do otvoru vložte stabilizátor (obr. G).
3. Otáčejte žací hlavicí ve směru hodinových ručiček, abyste ji demontovali (obr. G)
4. Odstraňte příslušenství chrániče uvolněním tří šroubů s podložkou (obr. H).

5. Čepel je dodávána s pouzdrům. Před montáží čepele na křovinořez sundejte pouzdro uvolněním upínacího drátu z háčku na pouzdrě (obr. I1).

Opis částí na obr. G a I1 viz níže:

**POZNÁMKA:** Nasadte si rukavice před jakoukoli činností s 3-zubou čepelí jako ochranu před zraněním.

6. Namontujte vnitřní přírubu a kryt příruby na místo (obr. I2).
7. Namontujte čepel na hřídel motoru tak, aby povrch čepele byl v jedné rovině s povrchem vyboulení vnitřní příruby. Namontujte vnější přírubu a matici (obr. I3). Utáhněte předběžně matici PROTI SMĚRU hodinových ručiček rukou.
8. Položte převodovou skříň na pevnou podložku pro podporu. S jednou rukou přidrže hřídel křovinořezu a druhou rukou uchopte multifunkční klíč a utáhněte matici ve směru šipky vyznačené na vnější přírubě (obr. I4).

### Výměna 3-zubé čepele se strunovou hlavou

Seznamte se s řezací jednotkou 3-zubé čepele podle obr. J1. Potom rozmontujte 3-zubou čepel a namontujte strunovou hlavu na křovinořez.

1. Otočte čepel tak, aby se zarovnal štěrbin v přírubě s otvorem pro zajištění hřídele v převodovce a vložte stabilizátor do otvoru.
2. Položte převodovou skříň na pevnou podložku pro podporu. Jednou rukou držte hřídel křovinořezu a druhou rukou uchopte multifunkční klíč a uvolněte matici ve směru hodinových ručiček (obr. I4).
3. Z křovinořezu vyjměte matici, vnější přírubu a čepel (obr. J2).

J-1	Hřídel	J-5	Vnější přírubu
J-2	Vnitřní přírubu	J-6	Maticu
J-3	Kryt příruby	J-7	Drážka v přírubě
J-4	3-zubá čepel		

**POZNÁMKA:** Pokud se 3-zubá čepel nepoužívá, umístěte čepel do pouzdra, aby nedošlo k poranění osob.

4. Namontujte příslušenství chrániče na křovinořez pomocí třech šroubů s podložkou (obr. H).
5. Otáčejte žací hlavicí proti směru hodinových ručiček, abyste ji namontovali zpět (obr. G) Pro opakované natažení nové struny postupujte podle pokynů v části „VÝMĚNA STRUNY“.

**POZNÁMKA:** Pokud nenavínáte strunu v uvedeném směru, nebude hlava sekačky pracovat správně.

GZ

## POUŽITÍ

**VAROVÁNÍ:** Dbejte, abyste se po seznámení s výrobkem nestali neopatrní. Nezapomínejte, že stačí chvíle nepozornosti a může se stát vážný úraz.

**VAROVÁNÍ:** Vždy používejte ochranu zraku spolu s chrániči sluchu. Pokud tak neučiníte, může dojít k vymrštění předmětu do očí, nebo případně jiným vážným úrazům.

**VAROVÁNÍ:** Nepoužívejte nástavce nebo příslušenství, které nedoporučuje výrobce tohoto výrobku. Použití nedoporučených nástavců a příslušenství může vést k vážnému úrazu.

## POUŽITÍ

Výrobek lze používat za deště.

Výrobek lze použít k následujícím účelům:

**Ořezávání:** slouží k odstranění trávy a plevele u zdí, plotů, stromů a obrubníků.

**Sekání:** slouží k sekání trávy, která je pro běžnou sekačku obtížně dostupná.

**POZNÁMKA:** Stroj se smí používat pouze k vyhrazenému účelu. Jakékoliv jiné použití se považuje za zneužití.

## DRŽENÍ KŘOVINOŘEZU

Před připojením závodové baterie na křovinořez si žádovou baterii dejte na záda a namontujte boční opěrku a postroj podle příručky BAX1500 a AHP1500.

Připojte křovinořez pomocí boční opěrky připojením háčku k montážnímu otvoru (obr. K). Na hřideli je 8 otvorů. Vyberte si optimální otvor pro pohodlný provoz.

Držte strunovou sekačku oběma rukama na pravé straně těla. Strunová hlava nebo čepel má být rovnoběžná se zemí ve správné řezací vzdálenosti, aniž by se operátor nakláněl.

Uvolnění křovinořezu lze dosáhnout dvěma způsoby. Uvolněte hrudníkové a řemenové přezky (obr. L1) nebo stiskněte háček boční opěrky a oddělte jej od montážního otvoru na hřideli.

**VAROVÁNÍ:** Pokud dojde k nouzové situaci, uvolnění hrudníkových a řemenových spon je nejrychlejší metoda uvolnění křovinořezu.

**VAROVÁNÍ:** Nepoužívejte současně jednoduchý a zdvojený ramenní popruh se žádovou baterií.

Používejte pouze EGO akumulátory a nabíječky uvedené na obr. A2

## Instalace akumulátoru (obr. L2)

Zarovnejte ▲ zástrčky s ▲ křovinořezu. Zasuňte zástrčku do stroje, dokud zelené těsnění zcela nezmiří do zásuvky.

## Odstranění

Uvolněte kabel akumulátoru z montážní drážky a vytáhněte zástrčku z křovinořezu.

## SPUŠTĚNÍ/VYPNUTÍ KŘOVINOŘEZU

### Spuštění

Zatlačte blokovací tlačítko do polohy „ON“ (obr. M). Posuňte malou spoušť nahoru a stisknutím spínače spustíte křovinořez. Odlišný tlak na spouštěč způsobí proměnlivou rychlost otáčení řezací jednotky.

Obr. L1 a M s popisem dílů:

L-1	Hrudní spona	M-1	Blokovací tlačítko
L-2	Řemenová spona	M-2	Malá spoušť
L-3	Háček	M-3	Spínač

## Zastavení

Uvolněte spínač a zatlačte blokovací tlačítko zpět do polohy „OFF“.

**VAROVÁNÍ:** Při přestávce a po skončení práce vždy vyjměte akumulátor ze strunové sekačky.

## POUŽÍVÁNÍ KŘOVINOŘEZU

**VAROVÁNÍ:** Pro práci s křovinořezem se vhodně oblékněte, abyste snížili riziko úrazu. Nenoste volný oděv ani šperky. Používejte ochranu očí a chrániče sluchu. Noste odolné, dlouhé kalhoty, pevné boty a rukavice. Nenoste krátké kalhoty, sandály ani nechoďte bosí. Před uvedením do provozu se rozhlédněte kolem sebe s cílem zajistit bezpečnost pracovního prostoru bez jiných lidí, zvířat nebo jakýchkoliv cizích předmětů. Ujistěte se, že jsou nejméně ve vzdálenosti 15 m. Používejte ochranu očí, správné oblečení a vyvážené postavení.

Před každým použitím zkontrolujte poškozené/opotřebené díly. Zkontrolujte strunovou hlavu, 3-zubou čepel, kryt, příslušenství krytu a přední pomocnou rukojeť a vyměňte díly, které jsou prasklé, zdeformované, ohnuté nebo jinak poškozené. Vyžinací kotouč na kraji příslušenství krytu se může časem ztupit. Doporučujeme vyžinací kotouč pravidelně brousit pilníkem, nebo ho vyměnit za nový.

## Po každém použití důkladně vyčistěte křovinořez.

**⚠ UPOZORNĚNÍ:** Překážky ve větracích otvorech zabrání proudění vzduchu do krytu motoru, což povede k přehřátí nebo poškození motoru.

- K čištění stroje používejte pouze neagresivní mýdlo a vlhký hadr. Nikdy nedovolte, aby se do stroje dostala jakákoliv kapalina; nikdy neponořujte žádnou část stroje do kapaliny.
- Udržujte větrací otvory krytu motoru vždy v čistotě.

**⚠ VAROVÁNÍ:** K čištění plastových dílů nepoužívejte rozpouštědla. Většina plastů je náchylná k poškození různými typy komerčních rozpouštědel. K odstranění nečistot, prachu, oleje, maziva atd. použijte čistý hadr.

## SE STRUNOVOU HLAVOU

### Zkontrolujte, zda se hlava sekačky nezablokovala.

- Abyste zabránili ucpání, udržujte hlavu sekačky v čistotě. Před každým použitím a po něm odstraňte posekanou trávu, listí, nečistoty a další nahromaděné zbytky.
- Pokud dojde k zablokování, zastavte sekačku a vyjměte akumulátor, poté odstraňte trávu, která se mohla omotat kolem hřídele motoru nebo hlavy sekačky.

### Nastavení délky žací struny

Strunová hlava umožňuje obsluhu více vysunout žací strunu bez zastavení motoru. Když se struna roztřepe nebo opotřebí, lze při práci se sekačkou vysunout další část struny lehkým poklepnutím na strunové hlavy o zem.

**POZNÁMKA:** Vysouvání struny se stává obtížnějším se zkracováním žací struny.

**⚠ VAROVÁNÍ:** Nevýjímajte ani neupravujte sestavu vyžinicího kotoče. Nadměrná délka struny způsobí přehřátí motoru, což může vést k vážnému úrazu.

### Výměna struny

**⚠ VAROVÁNÍ:** Nikdy nepoužívejte kovem zesílené struny, dráty, nebo lana atd. Mohou se ulomit a stát se nebezpečnými projektily.

**POZNÁMKA:** Vždy používejte doporučenou nylonovou žací strunu o průměru nepřesahujícím 2,7 mm. Použitím jiné než specifikované struny může dojít k přehřátí nebo poškození strunové sekačky.

1. Vyjměte zástrčku ze strunové sekačky.
2. Odstraňte zbývající strunu, pokud je to nutné.
3. Ustříhnete strunu v délce 8 m a vložte ji do otvoru uvnitř očka (obr. J3). Zatláče a vytáhněte strunu z druhé strany,

dokud se na obou stranách civky neobjeví stejná délka struny.

4. Při otáčení sestavy spodního krytu ve směru šípky stiskněte, aby se navinula struna na civku, dokud na každé straně nezástane přibližně 12 cm struny (obr. J4).
5. Zatláče sestavu spodního krytu dolů a zároveň tahejte za struny, abyste je ručně vysunuli a zkontrolovali správnou montáž žací hlavy.

Když se žací struna utrhne ve výstupu struny nebo není žací struna uvolněna, když ťuknete na strunovou hlavu, postupujte podle následujících kroků:

1. Stiskněte uvolňovací západky na horním krytu a vytáhněte sestavu spodního krytu tahem směrem ven (obr. J5 a J6).
2. Vytáhněte strunu z civky.
3. Jednou rukou přidrže sestavu spodního krytu, druhou rukou uchopte sestavu spodního krytu a zarovnejte západky na horním krytu s otvory v sestavě spodního krytu (obr. J7); dlaní zatláče na sestavu spodního krytu, dokud západky nezapadnou do horního krytu.
4. Pro natažení nové struny postupujte podle pokynů v části „VÝMĚNA STRUNY“.

## Použití 3-zubé čepele

**⚠ VAROVÁNÍ:** Když chcete ořezat divoký porost a křoviny, snižte rotující 3-zubou čepel k porostu, aby se dosáhlo účinku sekání. Použijte křovinořez jako kosu (pojíždějte vpravo a vlevo) na úrovni terénu. Nedržte řezací jednotku nad úroveň pasu.

**⚠ VAROVÁNÍ:** Čím výše je řezací jednotka nad zemí, tím větší je riziko zranění z řízků vymrštěných do stran.

**⚠ VAROVÁNÍ:** Při řezání mladých porostů nebo jiných dřevitých materiálů až do 2 cm v průměru použijte levou stranu čepele, aby se zabránilo situacím se zpětným rázem. Nepokoušejte se řezat dřevní hmoty s větším průměrem, protože se čepel může zachytit nebo šklubnout křovinořez dopředu. Mohlo by dojít k poškození čepele nebo křovinořezu nebo ke ztrátě kontroly nad křovinořezem, což vede ke zranění osob.

**⚠ VAROVÁNÍ:** Nesprávné použití čepele může vést k jejímu prasknutí, odštěpení nebo roztříštění. Vymrštěné části můžou vážně poranit obsluhu či kolemjdoucího. Aby se snížilo riziko poranění osob, je nutné přijmout následující opatření:

- Vyhybte se kontaktu s tvrdými nebo cizími pevnými objekty, jako jsou kameny, skály nebo kusy kovu.
- Nikdy neřežte dřevo nebo keře s průměrem kmene více než 2 cm.

GZ

- Kontrolujte čepel v pravidelných krátkých intervalech na poškození. Nepokračujte v práci s poškozenou čepelí.
- Pravidelně brusťe čepel (pokud se nápadně otupila) a mějte ji vyváženou v případě potřeby (provádí pouze kvalifikovaný servisní technik).

## Zpětný ráz čepele

Budte velmi opatrní při použití 3-zubé čepele s tímto nářadím. Zpětný ráz je reakce, která může nastat, když se otáčející čepel dostane do kontaktu s něčím, co nedokáže přefezat. Tento kontakt může způsobit, že čepel se na okamžik zastaví a najednou „odhodí“ přístroj do větší vzdálenosti od předmětu, který byl zasažen. Tato reakce může být dostatečně prudká, aby způsobila ztrátu kontroly obsluhy nad přístrojem. Ke zpětnému rázu může dojít bez varování, jestliže se čepel zadrhne, zastaví nebo zasekne. K tomu může častěji dojít v oblastech, kde je obtížné vidět řezaný materiál. Pro jednoduchost a bezpečnost řezání se přibližujte k řezané plevěli s křovinořezem zprava doleva. V případě kontaktu s neočekávaným objektem nebo dřevěným špalkem by tato praxe mohla minimalizovat zpětný ráz čepele.

CZ

## ÚDRŽBA

**VAROVÁNÍ:** Před kontrolou, čištěním nebo údržbou přístroje zastavte motor, počkejte, až se všechny pohyblivé díly zastaví a vyjměte baterii. Nedodržení těchto instrukcí může vést k vážnému zranění nebo poškození majetku.

**VAROVÁNÍ:** Při opravách používejte pouze originální náhradní díly. Použití jiných dílů může být rizikem nebo způsobit poškození výrobku. Z důvodu bezpečnosti by měl všechny opravy provádět kvalifikovaný servisní technik.

## CELKOVÁ ÚDRŽBA

K čištění plastových dílů nepoužívejte rozpouštědla. Většina plastů je náchylná k poškození různými typy komerčních rozpouštědel a jejich použití je může poškodit. K odstranění nečistot, prachu, oleje, maziva atd. použijte čistý hadr.

## ČIŠTĚNÍ STROJE

- Po každém použití 3-zubé čepelí/strunové hlavy odstraňte měkkým kartáčkem suť, ucpanou zeminu nebo trávu na čepeli a chrániči.

**POZNÁMKA:** Když se vyžínací čepel otupí, nechte čepel zostrřit pouze u kvalifikovaného servisního technika, nebo vyměňte podle potřeby za novou vyžínací čepel.

- Po každém použití křovinořezu vyčistěte řezací jednotku vlhkým hadříkem s jemným čisticím prostředkem.
- Na plastové pouzdro nebo rukojeť nepoužívejte žádné

silné čisticí prostředky. Mohou být poškozeny některými aromatickými oleji, jako např. borovicovým nebo citronovým a rozpouštědly, jako např. petrolej. Vlhkost může rovněž způsobit riziko úrazu elektrickým proudem. Veškerou vlhkost setřete suchým měkkým hadrem.

- K čištění větracích otvorů na zadní části pouzdra použijte malý kartáč nebo malý vysavač.

## MAZÁNÍ PŘEVODOVÉ SKŘÍŇE

Pro nejlepší provoz a delší životnost mažte převodovou skříň speciálním mazivem (pokaždé přibližně 4 - 5 g) po každých 50 hodinách provozu.

Speciální mazivo musí splňovat následující požadavky.

1. Patří do DIN51818: Stupeň kuželové penetrace NLGI-1.
2. Mazivo na bázi esteru.
3. Vynikající spouštění při nízkých teplotách, EP, mechanický stříh, odolnost proti otěru a vlastnosti oxidativní stability.
4. Provozní teplota musí být od -40 do 180 ° C.

Odpojte zástrčku akumulátoru a těsnici šroub. Mažte převodovou skříň přes otvor pro ole.

**VAROVÁNÍ:** Mazání neprovádějte, když je křovinořez stále připojen k baterii nebo je v provozu.

## BROUŠENÍ ŽACÍHO KOTOUČE

**VAROVÁNÍ:** Při údržbě žacího kotouče vždy chraňte ruce s pomocí pevných rukavic.

1. Demontujte žací kotouč z krytu.
2. Používejte vhodnou ochranu očí včetně rukavic a dávejte pozor, abyste se neřížili.
3. Zabezpečte kotouč ve svěráku.
4. Opatrně přepilujte žací hrany kotouče jemným pilníkem nebo brusným kamenem a udržujte původní úhel břitů.
5. Kotouč nasadte do krytu a zajistěte jej pomocí šroubů.

## SKLADOVÁNÍ STROJE

- Vyjměte akumulátor z nářadí.
- Použijte pevné rukavice pro důkladné vyčištění přístroje.
- Založte pouzdro čepele na 3-zubou čepel pro bezpečné uložení (obr. N).
- Nářadí skladujte na suchém, dobře větraném, uzamčeném nebo vyvýšeném místě mimo dosah dětí. Nářadí neskladujte v blízkosti hnojiv, benzínu nebo jiných chemických látek.

**POZNÁMKA:** Neprovazujte plotové nůžky s tupou nebo poškozenou střížnou lištou. Může to způsobit přetížení a neuspokojivé výsledky řezání.

**Ochrana životního prostředí**

Elektrické zařízení, nabíječku a baterie / nabíjecí baterie nevhazujte do domovního odpadu! Předějte tento výrobek autorizované recyklační společnosti ke tříděnému sběru. Elektrické nářadí musí být vráceno do zařízení k ekologické recyklaci.

**CZ**

## ODSTRAŇOVÁNÍ PROBLÉMŮ

PROBLÉM	PŘÍČINA	ŘEŠENÍ
Nepodaří se spustit	<ul style="list-style-type: none"> <li>■ Akumulátor není připojen ke křovinořezu nebo není žádný elektrický kontakt mezi křovinořezem a baterií.</li> <li>■ Akumulátor je vybitý.</li> <li>■ Blokovací tlačítko nebylo posunuto do polohy „ON“ před stlačením spínače.</li> </ul>	<ul style="list-style-type: none"> <li>■ Znovu vložte zástrčku akumulátoru do křovinořezu</li> <li>■ Nabijte akumulátor s určenou nabíječkou.</li> <li>■ Před použitím nůžek zkontrolujte, zda je blokovací tlačítko odemčeno.</li> </ul>
Přestane pracovat.	<ul style="list-style-type: none"> <li>■ Akumulátor nebo křovinořez jsou příliš horké..</li> <li>■ Křovinořez je přetížen.</li> <li>■ Akumulátor je odpojený od nářadí.</li> <li>■ Akumulátor je vybitý.</li> </ul>	<ul style="list-style-type: none"> <li>■ Nechejte akumulátor nebo plotové nůžky zchladnout na normální teplotu.</li> <li>■ Stroj se zotaví po odstranění zátěže. Pro kontinuální práci snižte zatížení stroje.</li> <li>■ Znovu nainstalujte akumulátor.</li> <li>■ Nabijte akumulátor s určenou nabíječkou.</li> </ul>
Nadměrné vibrace nebo hluk.	<ul style="list-style-type: none"> <li>■ Suchá převodovka</li> <li>■ Nevyvážená řezací struna.</li> <li>■ 3-zubá čepel je ohnutá nebo poškozená</li> </ul>	<ul style="list-style-type: none"> <li>■ Odstraňte těsnící šroub a přidejte mazací olej.</li> <li>■ Při práci se sekačkou lehce poklepejte na regulátor struny o zem.</li> <li>■ Vyměňte za novou čepel.</li> </ul>
Řezací strunu nelze uvolnit.	<ul style="list-style-type: none"> <li>■ Struna ve strunové hlavě byla vyčerpána.</li> <li>■ Řezací struna nebyla správně nainstalována.</li> </ul>	<ul style="list-style-type: none"> <li>■ Namontujte novou řezací strunu do křovinořezu.</li> <li>■ Odstraňte řezací strunu a znovu vložte řezací strunu.</li> </ul>

CZ

## ZÁRUKA

### ZÁRUKA SPOLEČNOSTI EGO

Úplné záruční podmínky společnosti EGO naleznete na webové stránce [egopowerplus.eu](http://egopowerplus.eu).

## REČÍTAJTE SI VŠETKY POKYNY!



**PREČÍTAJTE SI NÁVOD NA OBSLUHU.**



Upozorňuje na potenciálne nebezpečenstvo úrazu.



Používajte ochranu zraku.



Používajte ochranu hlavy.



Noste protišmykovú obuv



Pozor na spätný ráz



Vzdialenosť medzi strojom a okolostojacimi osobami musí byť najmenej 15 m.



Garantovaná hladina akustického výkonu. Emisie hluku do prostredia podľa smernice Európskeho spoločenstva.



Nepotrebné elektrické výrobky sa nesmú likvidovať spolu s domovým odpadom. Odovzdajte do autorizovaného recyklačného strediska.

$n_0$

Rýchlosť otáčania, bez záťaže



Typ alebo charakteristika prúdu

## BEZPEČNOSTNÉ SYMBOLY

Účelom bezpečnostných symbolov je upozorniť vás na možné nebezpečenstvá. Venujte príslušnú pozornosť a pochopte bezpečnostné symboly a ich vysvetlenia. Varovné symboly, samy o sebe, nedokážu eliminovať nebezpečenstvo. Pokyny a varovania, ktoré obsahujú, nie sú náhradou za vhodné opatrenia na prevenciu úrazov.



Ak chcete znížiť riziko zranenia, používateľ musí pred použitím tohto výrobku prečítať a pochopiť návod na obsluhu.



Používajte ochranu sluchu.



Používajte ochranu rúk.



Pozor na vymrštené predmety



Pred údržbou odpojte akumulátor



Tento výrobok je v súlade s platnými smernicami ES.



Tento výrobok je v súlade s platnou legislatívou Spojeného kráľovstva.

V

Napätie

.../min

Otáčky za minútu

kg

Kilogram

IPX5

Ochrana pred prúdom vody

**SK**

## TECHNICKÉ ÚDAJE

Rezacia jednotka	Strunová hlava	3-zubová kovová čepeľ	
Napätie	56 V	56 V	
Rýchlosť naprázdno	4000-5800 /min	4000-5800 /min	
Odporúčaná prevádzková teplota:	0°C ~ 40°C		
Odporúčaná skladovacia teplota:	- 20°C ~ 70°C		
Typ rezacej struny	2,4 mm	/	
Rezacia čepeľ	/	ABB1203	
Rezná šírka	38 cm	30 cm	
Hmotnosť	6,8 kg	6,46 kg	
Hladina akustického výkonu $L_{WA}$	95 dB(A) K=1,1 dB(A)	96,3 dB(A) K=2,1 dB(A)	
Hladina akustického tlaku pri uchu obsluhy $L_{PA}$	82 dB(A) K=2,5 dB(A)	83,4 dB(A) K=4,1 dB(A)	
Zaručená úroveň akustického výkonu $L_{WA}$ (podľa 2000/14/ES)	96 dB(A)	98 dB(A)	
Vibrácie $a_h$	Lavá rukoväť	1,9 m/s <sup>2</sup> K=1,5 m/s <sup>2</sup>	1,9 m/s <sup>2</sup> K=1,5 m/s <sup>2</sup>
	Pravá rukoväť	1,5 m/s <sup>2</sup> K=1,5 m/s <sup>2</sup>	1,3 m/s <sup>2</sup> K=1,5 m/s <sup>2</sup>

- Uvádzaná celková hodnota vibrácií bola meraná v súlade so štandardnou skúšobnou metódou a môže byť použitá na porovnanie jedného zariadenia s iným;
- Uvádzaná celková hodnota vibrácie sa môže použiť aj na predbežný odhad expozície.

**POZNÁMKA:** Emisia vibrácií pri skutočnom používaní náradia sa môže odlišovať od deklarovanej hodnoty, pri akej sa nástroj používa; Za účelom ochrany obsluhy má používateľ v skutočných podmienkach použitia nosiť rukavice a ochranu sluchu.

## OBSAH BALENIA (Obr. A1)

### POPIS

#### ZOZNÁMTE SA S KROVINOREZOM (obr. A1)

1. Struna do kosačky
2. Zostava chrániča
3. Hriadeľ
4. Spúšťač
5. Poistné tlačidlo
6. Kridlová skrutka
7. Háčik
8. Objímka
9. Ochranná doska
10. Pomocná rukoväť
11. Tesniaca skrutka
12. Otvor pre zaistenie hriadeľa
13. Strunová čepeľ
14. Príslušenstvo chrániča
15. 3-zubová čepeľ
16. Puzdro krovinorezu
17. Vonkajšia príruha
18. Matica
19. Multifunkčný kľúč
20. Imbusový kľúč
- 21\*. Bočná opierka (predáva sa samostatne)

**VAROVANIE:** Nikdy nepoužívajte náradie bez nasadeného ochranného krytu. Chránič musí byť vždy na nástroji pre ochranu používateľa.

**VAROVANIE:** Ak je nástroj vybavený strunovou hlavou, musí sa namontovať zostava chrániča strunovej čepele na chránič. Nedodržanie tohto pokynu môže mať za následok príliš dlhú reznú líniu a preťaženie motora. Nikdy nepoužívajte strunovú hlavu bez zostavy chrániča.

### MONTÁŽ

**VAROVANIE:** Ak akýkoľvek diel chýba, alebo je poškodený, nepoužívajte tento krovinorez, kým nie sú vymenené diely. Ak používate krovinorez s poškodenými alebo chýbajúcimi časťami, môže dôjsť k vážnemu zraneniu.

**VAROVANIE:** Nepokúšajte sa upravovať krovinorez, alebo vytvoriť príslušenstvo, ktoré nie je odporúčané pre tento výrobok. Každá takáto zmena alebo modifikácia sa

SK



považuje za zneužitie a môže spôsobiť nebezpečný stav, ktorý vedie k možnému vážnemu zraneniu.

**VAROVANIE:** Vždy používajte pevné rukavice pri inštalácii alebo odstraňovaní čepele alebo vykonávaní akejkoľvek údržby na 3-zubovej čepeli/strunovej čepeli. Dávajte pozor na strunovú čepel na zostave chrániča/3-zubovú čepel a chráňte svoje ruky pred poranením ostrím.

**VAROVANIE:** Aby sa zabránilo náhodnému spusteniu, ktoré by mohlo viesť k vážnemu zraneniu, vždy vyberte batériu z nástroja pri montáži dielov, vykonávaní úprav, čistení, alebo keď sa nepoužíva.

**VAROVANIE:** Nástadie nikdy nepoužívajte bez správne nainštalovaného chrániča a prednej pomocnej rukoväte. Nedodržanie tohto pokynu môže viesť k možnému vážnemu poraneniu.

### MONTÁŽ A NASTAVENIE POMOCNEJ RUKOVÄTE

Krovinorez je položený, ako je znázornené na obr. B. Najprv povolte krídlovú skrutku na spojovacom kĺbe a zdvihnite pomocnú rukoväť o 180 ° okolo hriadeľa (obr. C), otočte o 90 ° proti smeru hodinových ručičiek tak, aby bola oproti strunovej hlave (obr. D). Nakoniec ju posuňte dozadu a späť na dosiahnutie pohodlnej pracovnej polohy a dotiahnite skrutku.

**POZNÁMKA:** Je povolené používať stroj len s rukoväťou kolmo na hriadeľ.

### Montáž chrániča

**VAROVANIE:** Pri montáži alebo výmene chrániča vždy používajte rukavice. Dajte si pozor na ostré hrany na chrániči a chráňte si ruky pred porezaním.

**VAROVANIE:** Nikdy nepoužívajte nástadie bez nasadeného ochranného krytu. Chránič musí byť vždy na stroji pre ochranu používateľa! Keď je chránič pripevnený, nikdy sa nepokúšajte ho odobrať alebo upraviť. Ak je nutná výmena, nechajte ju vykonať oprávnenému servisnému technikovi!

Povolte a odstráňte dve skrutky z chrániča (obr. E), vyrovnajte montážne otvory chrániča s montážnymi otvormi a pripevnite chránič na základňu hriadeľa s dvoma skrutkami a dvoma pružnými podložkami (obr. F).

**VAROVANIE:** Uistite sa, že vnútorný povrch krytu smeruje k rezacej hlave (obr. F).

**VAROVANIE:** Ak je krovinorez vybavený strunovou hlavou, musí sa namontovať zostava chrániča na chránič. Nedodržanie tohto pokynu môže mať za následok príliš dlhú reznú líniu a preťaženie motora.

### VÝMENA STRUNOVEJ HLAVY ZA 3-ZUBOVÚ ČEPEL'

1. Vytiahnite zástrčku zo strunovej kosačky.
2. Otočte strunovú hlavu tak, aby sa zarovnala štrbina v prírubе s otvorom pre zaistenie hriadeľa v prevodovke a vložte stabilizátor do otvoru (obr. G).
3. Strunovú hlavu otáčajte v smere hodinových ručičiek pre jej demontáž (obr. G).
4. Odoberte ochranné príslušenstvo uvoľnením troch skrutiek s podložkou (obr. H).
5. Čepel' sa dodáva s puzdrom. Pred montážou čepele na krovinorez zložte puzdro uvoľnením upínacieho drôtu z háčika na puzdre (obr. 11).

**POZNÁMKA:** Nasadte si rukavice pred akoukoľvek činnosťou s 3-zubovou čepel'ou ako ochranu pred zranením.

6. Namontujte vnútornú prírubu a kryt príruby na miesto (obr. I2).
7. Namontujte čepel' na hriadeľ motora tak, aby povrch čepele bol v jednej rovine s povrchom výklenku vnútornej príruby. Namontujte vonkajšiu prírubu a maticu (obr. I3). Utiahnite rukou predbežne maticu PROTI SMERU hodinových ručičiek.
8. Položte prevodovú skriňu na pevnú podložku pre podporu. S jednou rukou pridržte hriadeľ krovinorezu a druhou rukou uchopte multifunkčný kľúč a utiahnite maticu v smere šípky vyznačenej na vonkajšej prírubе (obr. I4).

SK

### Výmena 3-zubovej čepele so strunovou hlavou

Zoznámte sa s rezaciu jednotkou 3-zubovej čepele podľa obr. J1. Potom rozmontujte 3-zubovú čepel' a namontujte strunovú hlavu na krovinorez.

1. Otočte čepel' tak, aby sa zarovnala štrbina v prírubе s otvorom pre zaistenie hriadeľa v prevodovke a vložte stabilizátor do otvoru.
2. Položte prevodovú skriňu na pevnú podložku pre podporu. Jednou rukou držte hriadeľ krovinorezu a druhou rukou uchopte multifunkčný kľúč a uvoľnite maticu v smere hodinových ručičiek (obr. I4).
3. Z krovinorezu vyberte maticu, vonkajšiu prírubu a čepel' (obr. J2).

J-1	Hriadeľ	J-5	Vonkajšia prírubu
J-2	Vnútorná prírubu	J-6	Maticu
J-3	Kryt príruby	J-7	Drážka v prírubе
J-4	3-zubová čepel'		

**POZNÁMKA:** Ak sa 3-zubová čepeľ nepoužíva, umiestnite čepeľ do puzdra, aby nedošlo k poraneniu osôb.

- Namontujte príslušenstvo chrániča na krovínorez pomocou troch skrutiek s podložkou (obr. H).
- Strunovú hlavu otáčajte proti smeru hodinových ručičiek pre jej montáž (obr. G). Za účelom natiahnutia rezacej struny postupujte podľa pokynov v časti „VÝMENA STRUNY“.

**POZNÁMKA:** Nesprávne navinutie struny vo vyznačenom smere spôsobí nesprávne fungovanie strunovej hlavy.

## OBSLUHA

**VAROVANIE:** Nedovoľte, aby ste sa po zoznámení s týmto výrobkom stali neopatrnými. Zapamätajte si, že zlomok sekundy neopatrnosti postačuje na spôsobenie vážneho poranenia.

**VAROVANIE:** Vždy používajte ochranu zraku spolu s chráničmi sluchu. Ak tak neurobíte, môže dôjsť k vymršteniu predmetov do očí a iným možným vážnym zraneniam.

**VAROVANIE:** Nepoužívajte žiadne prídavné zariadenia alebo príslušenstvo, ktoré nie sú odporúčané výrobcom tohto výrobku. Používanie prídavných zariadení alebo príslušenstva, ktoré nie sú odporúčané, môže viesť k vážnemu zraneniu.

SK

## POUŽITIE

Výrobok sa môže používať v daždi.

Tento výrobok môžete použiť na tieto uvedené účely:

**Orezanie:** slúži na odstránenie trávy a buriny pri múroch, plotoch, stromoch a okrajoch.

**Kosenie:** slúži na kosenie trávy, ktorú je ťažké pokosiť bežnou kosačkou.

**POZNÁMKA:** Stroj sa má používať iba na predpísané účely. Každé iné použitie sa považuje za prípad nevhodného použitia.

## DRŽANIE KROVINOREZU

Pred pripojením chrbtovej batérie na krovínorez si chrbtovú batériu dejte na chrbát a namontujte bočnú opierku a postroj podľa príručky BAX1500 a AHP1500.

Pripojte krovínorez pomocou bočnej opierky pripojením háčika na montážny otvor (obr. K). Na hriadelí je 8 otvorov. Vyberte si optimálny otvor pre pohodlné používanie.

Držte strunovou kosačkou obomi rukami na pravej strane tela. Strunová hlava alebo čepeľ má byť rovnobežná so zemou v správnej rezacej vzdialenosti bez toho, aby sa operátor nakláňal.

Uvoľnenie krovínorezu je možné dosiahnuť dvomi spôsobmi. Uvoľnite hrdníkové a remeňové pracky (obr. L1) alebo stlačte háčik bočnej opierky a oddelte ho od montážneho otvoru na hriadelí.

**VAROVANIE:** Ak dôjde k núdzovej situácii, uvoľnenie hrdníkových a remeňových spôn je najrýchlejšia metóda uvoľnenia krovínorezu.

**VAROVANIE:** Nepoužívajte súčasne jednoduchý a zdvojený ramenný popruh s chrbtovou batériou.

Používajte iba EGO akumulátory a nabíjačky uvedené na obr. A2

## Instalácia akumulátora (obr. L2)

Zarovnajte ▲ zástrčky s ▲ krovínorezu. Zasuňte zástrčku do stroja, kým zelené tesnenie celkom nezmnizne do zásuvky.

## Odstránenie

Uvoľnite kábel akumulátora z montážnej drážky a vytiahnite zástrčku z krovínorezu.

## SPUSTENIE/ZASTAVENIE KROVINOREZU

### Spustenie

Zatlačte poistné tlačidlo do polohy „ON“ (obr. M). Posuňte malú spúšťač hore a stlačením spínača zapnete krovínorez. Rôzny prítlak na spúšťač znamená premenlivú rýchlosť otáčania rezacej jednotky.

Obr. L1 a M s popisom dielov:

L-1	Hrudná spona	M-1	Poistné tlačidlo
L-2	Remeňová spona	M-2	Malý spúšťač
L-3	Háčik	M-3	Spínač

### Zastavenie

Uvoľnite spínač a zatlačte poistné tlačidlo späť do polohy „OFF“.

**VAROVANIE:** Počas pracovných prestávok a po ukončení práce vždy vyberte akumulátor zo strunovej kosačky.

### POUŽÍVANIE KROVINOREZU

**VAROVANIE:** Oblečte sa vhodne pre prácu s krovínorezom, aby sa znížilo riziko poranenia. Nenoste šperky alebo voľný odev. Používajte ochranu očí a sluchu.

Oblečte si odolné, dlhé nohavice, vysoké topánky a rukavice. Nenoste krátke nohavice, sandále alebo nebuďte naboso. Pred prácou sa rozhládnite okolo seba s cieľom zaistiť bezpečnosť pracovného priestoru bez iných ľudí, zvierat alebo akýchkoľvek cudzích predmetov. Uistite sa, že sú najmenej vo vzdialenosti 15 m. Používajte ochranu očí, správne oblečenie a rovnovážny postoj.

Pred každým použitím skontrolujte, či nie sú poškodené/ opotrebované diely. Skontrolujte strunovú hlavu, 3-zubovú čepeľ, kryt, zostavu krytu a prednú pomocnú rukoväť a vymeňte diely, ktoré sú prasknuté, zdeformované, ohnuté alebo inak poškodené. Strunová čepeľ na okraji zostavy chrániča sa v priebehu času otupí. Odporúčame, aby ste ju pravidelne prebrúsili pilníkom, alebo ju nahradili za novú čepeľ.

#### Po každom použití dôkladne vyčistite krovinores.

**UPOZORNENIE:** Prekážky vo vetracích otvoroch bránia prívodu vzduchu do krytu motora, čoho následkom je prehriatie alebo poškodenie motora.

- Používajte iba mydlový roztok a vlhkú handričku na čistenie stroja. Nikdy nedovoľte, aby sa do zariadenia dostala akákoľvek kvapalina; nikdy neponárajte žiadnu časť zariadenia do kvapaliny.
- Vždy udržiavajte vetracie otvory v kryte motora bez nečistôt.

**VAROVANIE:** Na čistenie plastových dielov nepoužívajte rozpúšťadlá. Väčšina plastov je náchylná na poškodenie z rôznych typov komerčných rozpúšťadiel. Použite čisté handry na odstránenie nečistôt, prachu, oleja, maziva atď.

#### SO STRUNOVOU HLAVOU

##### Skontrolujte, či nie je zablokovaná strunová hlava

- Aby ste zabránili upchatiu, udržiavajte čistú strunovú hlavu. Pred a po každom použití odstráňte pokosenú trávu, lístie, špinu a akékoľvek iné nahromadené nečistoty.
- Ak dôjde k zablokovaniu, zastavte strunovú kosačku a vyberte akumulátor, potom odstráňte všetku trávu, ktorá sa mohla omotať okolo hriadeľa motora alebo hlavy strunovej kosačky.

##### Nastavenie dĺžky rezacej struny

Strunová hlava umožňuje obsluhu predĺžiť rezáciu strunu bez zastavenia motora. Ak sa struna rozstrapká alebo opotrebuje, je možné počas používania kosačky vysunúť ďalšiu strunu ľahkým poklepaním rezacej hlavy o zem.

**POZNÁMKA:** Vysúvanie struny sa stáva ľahšie, keď sa rezacia struna skracuje.

**VAROVANIE:** Neodstraňujte alebo nemeňte zostavu strunovej rezacej čepele. Nadmerná dĺžka struny môže spôsobiť prehriatie motora a môže dôjsť k vážnemu zraneniu.

##### Výmena struny

**VAROVANIE:** Nikdy nepoužívajte kovom vystužené struny, drôty, šnúry atď. Môžu sa odtrhnúť a stať sa nebezpečnými projektíliami.

**POZNÁMKA:** Vždy používajte odporúčanú štandardnú nylonovú strunu s priemerom najviac 2,7 mm. Použitie inej struny, než je uvedená, môže spôsobiť prehriatie alebo poškodenie strunovej kosačky.

1. Vytiahnite zástrčku zo strunovej kosačky.
2. Odstráňte zvyšnú strunu, ak je to nutné.
3. Odrežte 8 m rezacej struny, vložte ju do montážneho otvoru vnútri očka (obr. J3). Pretlačte a vytiahnite strunu z druhej strany, pokiaľ nebude rovnaká dĺžka struny na oboch stranách cievky.
4. Stlačte počas otáčania spodnej časti krytu v smere šípky, aby ste strunu navinuli na cievku, až kým na každej strane nie je vidieť približne 12 cm struny (obr. J4).
5. Zatlačte zostavu spodného krytu smerom nadol pri ťahaní struny, ak chcete manuálne vytiahnuť strunu a skontrolujte správnu montáž strunovej hlavy.

Keď sa rezacia struna odtrhne na výstupe struny alebo sa rezacia struna nevysunie pri poklepaní na strunovú hlavu, postupujte podľa nasledujúcich krokov:

1. Stlačte uvoľňovacie jazyčky na hornom kryte a odmontujte spodnú časť krytu tak, že ju rovno vytiahnete von (obr. J5 a J6).
2. Odstráňte rezáciu strunu z cievky.
3. Jednou rukou držte zostavu spodného krytu, druhou ruku uchopte zostavu spodného krytu a zarovnajte jazyčky na hornom kryte s otvormi v spodnej časti zostavy krytu (obr. J7); Dľaňou tlačte na zostavu dolného krytu, kým sa jazyčky nezablokujú horným krytom.
4. Za účelom natiahnutia novej rezacej struny postupujte podľa pokynov v časti „VÝMENA STRUNY“.

##### Použitie 3-zubovej čepele

**VAROVANIE:** Ak chcete orezať divoký porast a kroviny, znížte rotujúcu 3-zubovú čepeľ k porastu, aby sa dosiahol účinok sekania. Použite krovinores ako kosu (prechádzajte vpravo a vľavo) na úrovni terénu. Nedržte rezáciu jednotku nad úrovňou pásu.

SK

**VAROVANIE:** Čím vyššie je rezacia jednotka nad zemou, tým väčšie je riziko poranenia z odrezkov vymrštených do strán.

**VAROVANIE:** Pri rezaní mladých porastov alebo iných drevitých materiálov až do 2 cm v priemere použite ľavú stranu čepele, aby sa zabránilo situáciám so spätným rázom. Nepokúšajte sa rezať drevné hmoty s väčším priemerom, pretože sa čepeľ môže zachytiť alebo šklbnúť krovínorez dopredu. Mohlo by dôjsť k poškodeniu čepele alebo krovínorezu alebo k strate kontroly nad krovínorezom, čo vedie k poraneniu osôb.

**VAROVANIE:** Nesprávne použitie čepele môže viesť k jej prasknutiu, odštiepeniu alebo roztriešteniu. Vymrštené časti môžu vážne poraniť obsluhu či okoloidúceho. Aby sa znížilo riziko poranenia osôb, je nutné prijať nasledujúce opatrenia:

- Vyhybajte sa kontaktu s tvrdými alebo cudzími pevnými objektmi, ako sú kamene, skaly alebo kusy kovu.
- Nikdy nerezte drevo alebo kríky s priemerom kmeňa väčším ako 2 cm.
- Kontrolujte čepeľ v pravidelných krátkych intervaloch na poškodenie. Nepokračujte v práci s poškodenou čepeľou.
- Pravidelne brúste čepeľ (ak sa nápadne otupila) a majte ju vyváženú v prípade potreby (vykonáva iba kvalifikovaný servisný technik).

SK

## Spätný ráz čepele

Buďte veľmi opatrní pri použití 3-zubovej čepele s týmto prístrojom. Spätný ráz je reakcia, ktorá môže nastať, keď sa otáčajúca čepeľ dostane do kontaktu s niečím, čo nedokáže prerzať. Tento kontakt môže spôsobiť, že čepeľ sa na okamih zastaví a naraz „odhodí“ prístroj do väčšej vzdialenosti od predmetu, ktorý bol zasiahnutý. Táto reakcia môže byť dostatočne prudká, aby spôsobila stratu kontroly obsluhy nad prístrojom. K spätnému rázu môže dôjsť bez varovania, ak sa čepeľ zadrhne, zastaví alebo zasekne. K tomu môže častejšie dôjsť v oblastiach, kde je náročné vidieť rezaný materiál. Pre jednoduchosť a bezpečnosť rezania sa priblížte k rezanej burine s krovínorezom sprava doľava. V prípade kontaktu s neočakávaným objektom alebo dreveným príkom by táto prax mohla minimalizovať spätný ráz čepele.

## ÚDRŽBA

**VAROVANIE:** Pred kontrolou, čistením alebo údržbou prístroja zastavte motor, počkajte, kým sa všetky pohyblivé diely zastavia a vyberte akumulátor. Nedodržanie týchto pokynov môže viesť k vážnemu zraneniu alebo poškodeniu majetku.

**VAROVANIE:** Pri servise používajte iba identické náhradné diely. Použitie iných častí môže vyvolať nebezpečenstvo, alebo spôsobiť poškodenie výrobku. Pre zaistenie bezpečnosti a spoľahlivosti je nevyhnutné, aby všetky opravy vykonával len kvalifikovaný servisný technik.

## CELKOVÁ ÚDRŽBA

Na čistenie plastových dielov nepoužívajte rozpúšťadlá. Väčšina plastov je náchylná na poškodenie z rôznych typov komerčných rozpúšťadiel a môžu sa poškodiť, ak sa použijú. Použite čisté handry na odstránenie nečistôt, prachu, oleja, maziva, atď.

## ČISTENIE STROJA

- Po každom použití 3-zubovej čepele/strunovej hlavy odstráňte mäkkou kefou sutinu, upchanú zeminu alebo trávu na čepeľ a chrániči.

**POZNÁMKA:** Keď sa strunová čepeľ otupí, nechajte čepeľ zostríť len u kvalifikovaného servisného technika, alebo vymeňte podľa potreby za novú strunovú čepeľ.

- Po každom použití krovínorezu vyčistite rezaciu jednotku vlhkou handričkou s jemným čistiacim prostriedkom.
- Nepoužívajte žiadne silné čistiace prostriedky na plastový kryt alebo rukoväť. Môžu byť poškodené určitými aromatickými olejmi, ako je borovica a citrón, a rozpúšťadlami, ako je petrolej. Vlhkosť môže tiež spôsobiť nebezpečenstvo úrazu elektrickým prúdom. Akúkoľvek vlhkosť poutierajte mäkkou a suchou handrou.
- Použite malú kefu alebo malý vysávač na vyčistenie vetracích otvorov na zadnom kryte.

## MAZANIE PREVODOVEJ SKRINE

Pre najlepšiu prevádzku a dlhšiu životnosť mažte prevodovú skriňu špeciálnym mazivom (vždy približne 4 - 5 g) po každých 50 hodinách prevádzky. Špeciálne mazivo musí spĺňať nasledujúce požiadavky.

1. Patrí do DIN51818: Stupeň kužeľovej penetrácie NLGI-1.
2. Mazivo na báze esteru.
3. Vynikajúce spúšťanie pri nízkych teplotách, EP, mechanický strih, odolnosť proti oderu a vlastnosti oxidatívnej stability.
4. Prevádzková teplota musí byť od -40 do 180°C.

Odpojte zástrčku akumulátora a tesniacu skrutku. Mažte prevodovú skriňu cez otvor na olej.

**VAROVANIE:** Mazanie nevykonávajte, keď je krovínorez stále pripojený na batériu alebo je v prevádzke.

## NAOSTRENIE REZACEJ ČEPELE

**⚠ VAROVANIE:** Vždy si chráňte ruky pomocou odolných rukavíc pri vykonávaní akejkoľvek údržby na rezacej čepeli.

1. Demontujte rezáciu čepel z ochranného krytu.
2. Noste vhodnú ochranu očí a rukavice a dávajte pozor, aby ste sa neporezali.
3. Zaistíte čepel do zveráka.
4. Opatrne opilujte rezné hrany čepel s jemným pilníkom alebo brúsny kameňom, pričom zachovajte pôvodný uhol naostrenia.
5. Namontujte čepel späť na ochranný kryt a zaistite ju pomocou dvoch skrutiek.

## USKLADNENIE STROJA

- Vyberte akumulátor z náradia.
- Použite pevné rukavice na dôkladné vyčistenie prístroja.
- Založte puzdro čepel na 3-zubovú čepel pre bezpečné uskladnenie (obr. N).
- Prístroj skladujte na suchom a dobre vetranom uzamknutom alebo vyvýšenom mieste mimo dosahu detí. Náradie neskladujte v blízkosti hnojív, benzínu alebo iných chemikálií.

**POZNÁMKA:** Nepoužívajte nožnice na živý plot, ak sú rezné čepel tupé alebo poškodené. Môže to spôsobiť preťaženie a neuspokojivé výsledky rezania.

## Ochrana životného prostredia



Nevyhadzujte elektrické zariadenia, nabíjačku batérií a použité batérie/akumulátory do domového odpadu! Tento výrobok odneste na autorizované recyklačné miesto a dajte ho k dispozícii na separovaný zber. Elektrické náradie sa musí vrátiť do recyklačného zariadenia, ktoré je zlučiteľné so životným prostredím.

SK

## ODSTRÁŇOVANIE PROBLÉMOV

PROBLÉM	PRÍČINA	RIEŠENIE
Nepodarí sa spustiť	<ul style="list-style-type: none"> <li>■ Akumulátor nie je pripojený na krovinorez alebo nie je žiadny elektrický kontakt medzi krovinorezom a batériou.</li> <li>■ Akumulátor je vybitý.</li> <li>■ Poistné tlačidlo nebolo posunuté do polohy „ON“ pred stlačením spínača.</li> </ul>	<ul style="list-style-type: none"> <li>■ Znovu vložte zástrčku akumulátora do krovinorezu</li> <li>■ Nabite akumulátor s určenou nabíjačkou.</li> <li>■ Pred použitím nožnic skontrolujte, či je zaistovacie tlačidlo odomknuté.</li> </ul>
Prestane pracovať.	<ul style="list-style-type: none"> <li>■ Akumulátor alebo krovinorez sú príliš horúce.</li> <li>■ Krovinorez je preťažovaný.</li> <li>■ Akumulátor je odpojený od nástroja.</li> <li>■ Akumulátor je vybitý.</li> </ul>	<ul style="list-style-type: none"> <li>■ Nechajte akumulátor alebo nožnice na živý vychladnúť na bežnú teplotu.</li> <li>■ Stroj sa zotaví po odstránení záťaže. Pre kontinuálnu prácu znížte zaťaženie stroja.</li> <li>■ Znovu vložte akumulátor.</li> <li>■ Nabite akumulátor s určenou nabíjačkou.</li> </ul>
Nadmerné vibrácie alebo hluk.	<ul style="list-style-type: none"> <li>■ Suchá prevodovka</li> <li>■ Nevyvážená rezacia struna.</li> <li>■ 3-zubová čepeľ je ohnutá alebo poškodená</li> </ul>	<ul style="list-style-type: none"> <li>■ Odstráňte tesniacu skrutku a pridajte mazací olej.</li> <li>■ Pri práci s kosačkou ľahko poklepte na regulátor struny o zem.</li> <li>■ Vymeňte za novú čepeľ.</li> </ul>
Rezáciu strunu nie je možné uvoľniť.	<ul style="list-style-type: none"> <li>■ Struna v strunovej hlave bola spotrebovaná.</li> <li>■ Rezacia struna nebola správne nainštalovaná.</li> </ul>	<ul style="list-style-type: none"> <li>■ Namontujte novú rezáciu strunu do krovinorezu.</li> <li>■ Odstráňte rezáciu strunu a znovu vložte rezáciu strunu.</li> </ul>

SK

## ZÁRUKA

### ZÁRUČNÁ POLITIKA EGO

Navštívte webové stránky [egopowerplus.eu](http://egopowerplus.eu) pre úplné podmienky záručnej politiky spoločnosti EGO.

## OLVASSA EL AZ ÖSSZES UTASÍTÁST!



OLVASSA EL A HASZNÁLATI ÚTMUTATÓT



Biztonsági figyelmeztetés



Koruyucu Gözlük Takın



Koruyucu Kask Takın



Kaymaz Ayakkabı Giyin



Bıçak İtmesine Karşı Dikkatli Olun



Makine ile çevredeki insanlar arasında en az 15 m mesafe olmalıdır.



Garantált hangteljesítményszint. Környezetre ható zajkibocsátás a Európai Közösség irányelve szerint.



Az elhasznált elektromos termékek nem helyezhetők a háztartási hulladék közé. Vigye hivatalos újrahasznosító telephelyre.

$n_0$

Üresjárat fordulatszám-Forgási sebesség  
üresjáraton



Egyenáram

## BIZTONSÁGI SZIMBÓLUMOK



**FIGYELMEZTETÉS:** Bármely elektromos kéziszerszám működtetése azzal járhat, hogy idegen tárgyak szembe kerülnek, ami súlyos szemsérüléseket okozhat. Az elektromos kéziszerszám működtetése előtt mindig vegyen fel oldalsó védőlemezzel ellátott védőszemüveget és a teljes védőálarcot, ha szükséges. Javasoljuk, hogy viseljen Wide Vision Safety Mask-ot (védőálarc) a védőszemüveg fölött vagy standard védőszemüveget oldalsó védőlemezzel.



A sérülések kockázatának csökkentése érdekében a használatonak el kell olvasnia a használati útmutatót.



Kulak Koruması Takın



El Koruması Kullanın



Fırlayan nesnelere dikkat edin



Bakım yapmadan önce aküyü çıkarın



A termék megfelel az érvényes EK irányelveknek.



A termék megfelel az Egyesült Királyság vonatkozó jogszabályainak.

V Feszültség



.../min Percenként

kg Kilogramm

IPX5 Vízugár elleni védelem

HU

## MŰSZAKI ADATOK

Vágóegység	Fűkasza fej	3 fogú fém penge
Feszültség	56 V 	56 V 
Üresjárat fordulatszám	4000-5800 /min	4000-5800 /min
Javasolt működési hőmérséklet:	0°C-40°C	
Javasolt tárolási hőmérséklet:	-20°C-70°C	
Vágószál típusa	2,4 mm	/
Vágópenge	/	ABB1203
Vágásszélesség	38 cm	30 cm
Súly	6,8 kg	6,46 kg
Mért hangteljesítményszint $L_{WA}$	95 dB(A) K=1,1 dB(A)	96,3 dB(A) K=2,1 dB(A)
Max. Hangnyomásszint a kezelő fülénél $L_{PA}$	82 dB(A) K=2,5 dB(A)	83,4 dB(A) K=4,1 dB(A)
Mért hangteljesítményszint $L_{WA}$ (a 2000/14/EK szerint)	96 dB(A)	98 dB(A)
Vibráció $a_h$	Balos fogó	1,9 m/s <sup>2</sup> K=1,5 m/s <sup>2</sup>
	Bal oldali nyél	1,5 m/s <sup>2</sup> K=1,5 m/s <sup>2</sup>

- Valoarea totală declarată a vibrațiilor a fost măsurată în conformitate cu o metodă standard de testare și poate fi utilizată pentru compararea sculelor între ele;
- Valoarea totală declarată poate fi utilizată în evaluarea preliminară a expunerii.

**OBSERVAȚIE:** Vibrațiile emise în timpul utilizării efective a sculei electrice pot diferi față de valoarea celor declarate pentru scula utilizată; Pentru protejarea operatorului, utilizatorul trebuie să poarte mănuși și protecții auditive în timpul utilizării efective a produsului.

## CONȚINUTUL AMBALAJULUI (A1. Ábra)

### DESCRIERE

#### ISMERJE MEG A FŰKASZÁT (A1. ábra)

- Vágódamill
- Védőburkolat egység

# 128

56 VOLTOS LÍTIUM-ION FŰKASZA HÁTSÓ MOTORRAL ÉS KÉTKAROS FOGANTYÚVAL — BCX3800

- Tengely
- Trigger
- Kikapcsoló gomb
- Szárnyas anya
- Kampó
- Aljzat
- Védőburkolat
- Kétkaros fogantyú
- Rögzítőcsavar
- Tengelyrögzítő lyuk
- Vágópenge
- Védőburkolat tartozék
- 3 fogú penge
- Penge tok
- Külső perem
- Csavar
- Multifunkciós csavarkulcs
- Imbuszkulcs
- Csípővédő párna (külön kapható)

**▲ FIGYELMEZTETÉS:** Soha ne működtesse a szerszámot, ha a védőburkolat nincs megfelelően a helyén. A védőburkolatnak mindig a szerszámon kell lennie a használó védelme érdekében.

**▲ FIGYELMEZTETÉS:** Ha a szerszám fűkasza fejjel van felszerelve, akkor a védőburkolat egységet fel kell szerelni a vágószállal/pengével a védőburkolatra. Amennyiben nem ezt teszi, akkor túl hosszú lehet a vágószál, és túlterheli a motort. Soha ne használja a fűkasza fejet védőburkolat egység nélkül.

## ÖSSZESZERELÉS

**▲ FIGYELMEZTETÉS:** Ha bármely alkatrész sérült vagy hiányzik, akkor ne működtesse a fűkaszát, amíg az alkatrészeket ki nem cserélik. A fűkasza sérült vagy hiányzó alkatrészekkel való használata súlyos személyes sérülést okozhat.

**▲ FIGYELMEZTETÉS:** Ne próbálja megváltoztatni a fűkaszát, és ne készítsen hozzá tartozékokat, amelyek nem javasoltak ehhez a termékhez. Bármilyen módosítás vagy változtatás helytelen használatnak minősül, és veszélyes feltételeket teremthet, amely súlyos személyi sérüléssel végződhet.

**▲ FIGYELMEZTETÉS:** Mindig viseljen kesztyűt, amikor a védőburkolatot fel- vagy leszereli, vagy karbantartást végez a 3 fogú pengén/vágószálon. Legyen óvatos a védőburkolat alatt lévő pengével/3 fogú pengével, és védje a kezét a pengék vágásától.



**▲ FIGYELMEZTETÉS:** A véletlenszerű indítás elkerülése érdekében, amely súlyos személyi sérülést okozhat, mindig vegye ki az akkumulátoregységet a szerszámból, amikor összeszereli az alkatrészeket, beállításokat, tisztítást végez, vagy amikor nem használja..

**▲ FIGYELMEZTETÉS:** Soha ne működtesse a szerszámot, ha a védőburkolat és a kétkaros fogantyú nincs megfelelően a helyén. Amennyiben ezt nem tartja be, akkor súlyos személyi sérülést okozhat.

### A KÉTKAROS FOGANTYÚ FELSZERELÉSE ÉS BEÁLLÍTÁSA

A fűkaszát a B. ábrán látható módon tárolja. Először oldja ki a szárnyas anyát a csatlakozón, majd emelje meg a kétkaros fogantyút 180°-ban a tengely körül (C ábra), fordítsa el 90°-ban az óramutató járásával ellentétes irányba, hogy az ütközőfej irányába nézzen (D ábra). Végül mozgassa oda-vissza, hogy megtalálja a kényelmes munkapozíciót, és húzza meg a csavart.

**MEGJEGYZÉS:** A gép csak a tengelyre merőleges kétkaros fogantyúval működtethető.

### VÉDŐBURKOLAT FELSZERELÉSE

**▲ FIGYELMEZTETÉS:** Mindig viseljen kesztyűt, amikor felszereli vagy kicseréli a védőburkolatot. Legyen óvatos a védőburkolat alatti pengével, és óvja a kezét vágástól.

**▲ FIGYELMEZTETÉS:** Soha ne működtesse a szerszámot, ha a védőburkolat nincs megfelelően a helyén. A védőburkolatnak mindig a szerszámon kell lennie a felhasználó védelme érdekében! Ha a védőburkolat rögzítve van, akkor soha ne próbálja meg eltávolítani vagy beállítani, ha ki kell cserélni, akkor azt szakképzett szerviztechnikus végezze!

Lazítsa meg, és vegye le a két csavart a védőburkolatról (E ábra), illessze a rögzítőfuratokat a szerelési lyukakba, majd rögzítse a védőburkolatot a tengely talpához a két csavarral és két rugós alátéttel (F ábra).

**▲ FIGYELMEZTETÉS:** Ellenőrizze, hogy a védőburkolat belső felülete a vágófej felé nézzen (F ábra).

**▲ FIGYELMEZTETÉS:** Ha fűkasza fűkasza fejjel van felszerelve, akkor a védőburkolat tartozékot fel kell szerelni a védőburkolatra. Amennyiben nem ezt teszi, akkor túl hosszú lehet a vágószál, és túlterheli a motort.

### A 3 FOGÚ PENGÉVEL RENDELKEZŐ FŰKASZA FEJ CSERÉJE

1. Távolítsa el a hálózati csatlakozót a fűkaszából.
2. Fordítsa el a vágófejet, hogy a peremen lévő nyílást a tengelyrögzítő lyukkal a szerelvényburkolathoz

illessze, és helyezze be a stabilizátort a lyukba (G ábra).

3. Ahhoz, hogy ki tudja venni, forgassa el a vágófejet az óramutató járásával megegyező irányba (G ábra).
4. Oldja ki a három alátétes csavart és távolítsa el a burkolatot (H ábra).
5. A pengét tokkal szállítjuk. Mielőtt felszereli a pengét a fűkaszára, a tokot le kell venni, ehhez akassza ki a rögzítőkapcsot a token lévő kampóból (I1 ábra).

**MEGJEGYZÉS:** Mielőtt bármilyen művelet hajtana végre a 3 fogú pengével, a sérülések megelőzése érdekében viseljen kesztyűt.

6. Szerelje a helyére a belső peremet és a perem burkolatot (I2. ábra).
7. Szerelje fel a pengét a motor tengelyre, ellenőrizze, hogy a penge felülete a perem belső szél Szerelje fel a külső peremet és anyát (I3 ábra). Kézzel húzza meg kissé az anyát az ÓRAMUTATÓ JÁRÁSÁVAL ELLENKEZŐ irányba.
8. Helyezze a szerelvényburkolatot erős felületre a támasztás érdekében. Az egyik kezével fogja meg a fűkasza tengelyt, a másik kezével pedig fogja meg a multifunkciós csavarkulcsot az anyának a nyíl ikon irányába való meghúzásához, amelynek iránya a külső peremen látható (I4 ábra).

### A 3 FOGÚ PENGE CSERÉJE FŰKASZA FEJJEL

Ismerje meg a 3 fogú pengét a J1 ábrán látható módon. Majd szerelje szét a 3 fogú pengét, és szerelje fel a fűkasza fejet a fűkaszára.

1. Fordítsa el a pengét, hogy a peremen lévő nyílást a tengelyrögzítő lyukkal a szerelvényburkolathoz illessze, és helyezze be a stabilizátort a lyukba.
2. Helyezze a szerelvényburkolatot erős felületre a támasztás érdekében. Az egyik kezével tartsa a fűkasza tengelyt, a másik kezével fogja meg a csavarkulcsot, és lazítsa meg az anyát az óramutató járásával megegyező irányban (I4. ábra).
3. Vegye le az anyát, a külső peremet, a pengét és a fűkaszáról (J2. ábra).

J-1	Tengely	J-5	Külső perem
J-2	Belső perem	J-6	Csavar
J-3	Perem burkolat	J-7	Perem nyílása
J-4	3 fogú penge		

**MEGJEGYZÉS:** Ha a 3 fogú penge van használatban, akkor a sérülések megakadályozása érdekében szerelje a pengét a tokjába.

- Szerelje fel a védőburkolatot a fűkaszára, és húzza meg a három csavart az alátéttel (H. ábra).
- A felszereléshez forgassa el a vágófejet az óramutató járásával ellenkező irányba (G ábra). A vágószál betöltéséhez kövesse a „VÁGÓSZÁL CSERÉJE” pontban található utasításokat.

**MEGJEGYZÉS:** Ha a szálát nem a megadott irányba tekeri, akkor a fűkasza fej nem fog megfelelően működni.

## MŰKÖDTETÉS

**▲ FIGYELMEZTETÉS:** Ne hagyja, hogy a termékkel szerzett jártassága miatt óvatlanná váljon. Emlékezzon arra, hogy a másodperc töredéke alatt történő óvatlanság súlyos sérülést okozhat.

**▲ FIGYELMEZTETÉS:** Mindig viseljen védőszemüveget és hallásvédőt. Amennyiben nem ezt teszi, tárgyak repülhetnek a szemébe, és más komoly sérülések keletkezhetnek.

**▲ FIGYELMEZTETÉS:** Ne használjon a gyártó által nem javasolt tartozékokat a termékhez. A nem javasolt tartozékok használata súlyos személyes sérülést okozhat.

## ALKALMAZÁSOK

A termék esőben is használható.

A terméket az alább felsorolt célokra használhatja:

**Nyeesés:** a falak, kerítések, fák és szegélyek tövében lévő fű vágására használja.

**Vágás:** olyan fű vágására használja, amelyet a normál fűnyíró nehezen érme el.

**MEGJEGYZÉS:** A szerszámot kizárólag a meghatározott célokra használja. Bármilyen más használat helytelen használatnak minősül.

## A FŰKASZA TARTÁSA

Mielőtt a hordozható akkumulátort a fűkaszához csatlakoztatja, vegye fel a hordozható akkumulátort, és szerelje fel a csipővédő párna szíjat aBAX1500 és AHP1500 útmutató szerint.

Szerelje fel a csipővédő párnát a fűkaszára, ehhez akassza be a kampót a rögzítőlyukba (K ábra). A tengelyen 8 lyuk van, hogy megtalálja az optimális lyukat a kényelmes működtetéshez.

Tartsa a fűkaszt két kézzel a teste jobb oldalán. A fűkasza fej vagy a penge megfelelő vágási távolságban legyen párhuzamos a talajjal, a kezelő ne hajoljon fölé.

A fűkaszt kétféleképpen tudja kioldani: Oldja ki a mellkas és szíj kapcsokat (L1 ábra), vagy nyomja meg az

akasztót a csipővédő párnán, és vegye ki a tengelyen lévő rögzítőlyukból.

**▲ FIGYELMEZTETES:** Ha vészhelyzet adódik, akkor a mellkas és szíj kapcsok kioldása gyors megoldás a fűkasza kioldásához.

**▲ FIGYELMEZTETES:** Ne használja a szimpla vállszíjat és dupla vállszíjat a hordozható akkumulátorral egyidejűleg.

Csak az A2 ábrán felsorolt EGO akkumulátoregységeket és töltőket használja

## Az akkumulátoregység telepítése (L2 ábra)

Illessze ▲ of plug with ▲ of brush cutter. Helyezze a csatlakozódugót a gépbe, amíg a zöld tömítőgyűrű teljesen el nem tűnik az aljzatban.

## Levétel

Oldja ki az akkumulátor vezetékét a szerelési horonyból, és húzza ki a csatlakozódugót a fűkaszából.

## A FŰKASZA INDÍTÁSA/LEÁLLÍTÁSA

### Indítás

Állítsa a biztonsági kapcsológombot „ON” (be) állásba (M ábra). Tolja fel a kis triggert, majd nyomja meg a kapcsolót a fűkasza elindításához. Ha különböző erősséggel nyomja meg a triggert, akkor az egység változó vágási sebességgel működik.

Az L1 és M ábra alkatrészeinek leírását lásd lent:

L-1	Mellkas kapocs	M-1	Kikapcsoló gomb
L-2	Szíj kapocs	M-2	Kis trigger
L-3	Kampó	M-3	Kapcsoló

### Leállítás

Oldja ki a kapcsolót, majd állítsa a biztonsági kapcsológombot „OFF” (ki) állásba.

**▲ FIGYELMEZTETÉS:** Mindig vegye ki az akkumulátoregységet a fűkaszából, ha megszakítja a munkát, és a munka elvégzése után.

## A FŰKASZA HASZNÁLATA

**▲ FIGYELMEZTETES:** Megfelelően öltözzön fel a sérülések kockázatának csökkentése érdekében, amikor a fűkaszt működteti. Ne viseljen laza ruházatot vagy ékszereket.

Viseljen védőszemüveget és fülvédőt; Viseljen erős, hosszú szárú nadrágot, cipőt és kesztyűt. Ne viseljen rövidnadrágot, szandált, és ne járjon meztaláb. Működtetés előtt nézzen szét, hogy a munkaterület biztonságos legyen, és ne legyenek rajta más személyek, állatok vagy laza tárgyak. Ellenőrizze, hogy legalább 15 m-re legyenek. Majd ellenőrizze a védőszemüveget, a megfelelő ruházatot és a megfelelő testhelyeztet.

A sérült/kopott alkatrészek ellenőrzése minden használat előtt. Ellenőrizze a fűkasza fejet, a 3 fogú pengét, a védőburkolat tartozékokat és a kétkaros fogantyút, és cserélje ki a repedt, behajolt vagy sérült alkatrészeket. A védőburkolat tartozék szélén lévő vágópenge egy idő után tampa lehet. Javasoljuk, hogy időnként élezze meg reszelővel, vagy cserélje ki új pengére.

### Minden használat után tisztítsa meg a fűkaszát

**▲ VIGYÁZAT:** A szellőzőnyílásokban lévő akadályok megakadályozzák, hogy levegő áramoljon a motorházba, így a motor megsérülhet vagy túlmelegedhet.

- A gép tisztítását csak kímélő szappannal és nedves ruhával végezze. Soha ne engedje, hogy folyadék kerüljön a gép belsejébe; soha ne merítse a gép egyik részét sem folyadékba.
- A motorházon lévő szellőzőnyílásokat mindig tartsa szennyeződésektől mentesen.

**▲ FIGYELMEZTETÉS:** A műanyag alkatrészek tisztításához ne használjon oldószereket. A legtöbb műanyag a kereskedelemben kapható oldószerek hatására sérülésnek van kitéve. Használjon tiszta ruhát a szennyeződés, por, olaj, zsír, stb. eltávolításához.

### HASZNÁLAT FŰKASZA FEJJEL

#### Ellenőrizze, hogy nincs-e eltömődés a vágófejben

- Az eltömődés elkerülése érdekében tartsa tisztán a vágófejet. Minden használat előtt és után távolítsa el a levágott fűvet, leveleket, szennyeződéseket és minden egyéb felgyülemlett lerakódást.
- Ha eltömődik, állítsa le a damilos fűkaszát és vegye ki az akkumulátort, majd távolítsa el a fűvet, amely a motor tengelye vagy a vágófej köré tekeredhetett.

#### A vágás hosszának beállítása

A fűkasza fej lehetővé teszi a kezelőnek, hogy a motor leállításával nélkül oldjon ki vágószálát. Ha a szál kopott vagy elhasználódott, akkor kiegészítő szál oldható ki, ha enyhén megnyomja az ütköző fejet a fűkasza működése közben.

**MEGJEGYZÉS:** A vágószál kioldása egyre nehezebb, ha a vágószál rövidebb lesz.

**▲ FIGYELMEZTETÉS:** Ne távolítsa el, és ne változtassa meg a vágóegységet. A felesleges hossz miatt a motor túlmelegszik, amely súlyos sérülést okozhat.

#### A vágószál cseréje

**▲ FIGYELMEZTETÉS:** Soha ne használjon fémmel merevített szálát, zsinórt, vezetéket stb. Ezek eltörhetnek, és veszélyesek lehetnek a szétröppenő részek miatt.

**MEGJEGYZÉS:** Mindig a javasolt nylon vágószálát használja, amelynek átmérője nem használja meg a 2,7 mm-t. Ha nem ilyet használ, akkor a fűkasza túlmelegedhet, vagy megsérülhet.

1. Távolítsa el a hálózati csatlakozót a fűkaszából.
2. Vegye le a maradék vágószálát, ha szükséges.
3. Vágjon le 8 m hosszú vágószálát. Helyezze a vágószálát a fűzőlyuk rögzítőlyukába (J3 ábra). Húzza és tolja a vágószálát a másik oldalról, amíg egyenlő mennyiség nincs az orsó két oldalán.
4. Nyomja, miközben az alsó borítást a nyíl irányába forgatja, hogy a vágószálát az orsóra tekerje, amíg körülbelül 12 cm nem marad mindkét oldalon (J4 ábra).
5. Nyomja le az alsó borítást, miközben húzza a vágószálát, hogy kézzel beállítsa, és ellenőrizze a fűkasza fej megfelelő összeszerelését.

Ha a vágószál kiszakad a vágószál kimenetből, vagy a vágószál nem oldódik ki, ha a vágófej beakadt, akkor kövesse az alábbi lépéseket:

1. Nyomja meg a kioldógombot a felső borításon, és távolítsa el az alsó borítást úgy, hogy egyenesen kihúzza (J5 és J6 ábra).
2. Távolítsa el a vágószálát az orsóból.
3. Míg az egyik kezével az alsó borítást tartja, fogja a másik kezével az alsó borítást, és illessze a felső borításon található gombokat az alsó borítás nyílásaiba (J7 ábra); A tenyerével nyomja az alsó borítást, amíg a gombok a helyükre kerülnek a felső borításban.
4. A vágószál újratöltéséhez kövesse a „VÁGÓSZÁL CSERÉJE” pontban található utasításokat.

#### Használat 3 fogú pengével

**▲ FIGYELMEZTETÉS:** A vadhajítás és bozót vágásához állítsa lejjebb a 3 fogú pengét, hogy daraboló hatása legyen. Úgy használja a fűkaszát, mint egy kaszát (lengesse jobbról balra) a talaj felett. Soha ne használja a vágóegységet derékmagasságon felül.

**▲ FIGYELMEZTETÉS:** Minél magasabban van a vágóegység a talajtól, annál nagyobb a kockázata annak, hogy a levágott darabok oldalra repülnek.

**▲ FIGYELMEZTETÉS:** Amikor fiatal hajtásokat vagy más fás anyagokat vág, amelyek átmérője legfeljebb 2 cm, akkor használja a penge bal oldalát a penge ütközése elkerülése érdekében. Ne próbáljon meg nagyobb átmérőjű fás anyagot vágni, mivel a penge elakadhat vagy elkezdheti rángatni a fűkaszát. Ez a penge vagy a fűkasza sérülését okozhatja, vagy Ön elveszítheti az uralmát a fűkasza felett, amelynek személyi sérülés lehet a vége.

**▲ FIGYELMEZTETÉS:** A penge nem megfelelő használata repedést vagy törést okozhat. A repülő alkatrészek súlyosan megsebesíthetik a kezelőt vagy a nézelődőket. A személyi sérülések kockázatának csökkentése érdekében mindenképpen tartsa be a következő óvintézkedéseket:

- Ne érjen kemény idegen tárgyakhoz, pl. kövekhez, vagy fém tárgyakhoz.
- Soha ne vágjon 2 cm-nél nagyobb átmérőjű fát vagy sövényt.
- Rendszeres időközönként ellenőrizze a pengét sérülések szempontjából. Sérült pengével ne folytassa a munkát.
- Rendszeresen élezze meg a pengét (ha érzékelhetően tompa), és szükség esetén egyensúlyozza ki (szakképzett szakszerviz szakember végezze el).

HU

## Penge lökése

Legyen rendkívül óvatos, amikor a 3 fogú pengét ezzel az egységgel használja. A penge lökése olyan reakció, amely akkor lép fel, ha a forgó penge hozzáér valamihez, és nem tud vágni. Amikor hozzáér valamihez, akkor a penge azonnal leáll, és „ellöki” az egységet attól a tárgytól, amelynek ütközött. Ez a reakció elég veszélyes ahhoz, hogy a kezelő elveszítse az uralmát az egység felett. A penge előzetes jel nélkül is lökőerőt fejthet ki, ha a penge elakad, leáll vagy megakad. Ez nagyobb valószínűséggel fordul elő olyan területeken, ahol nehezen látható a vágandó anyag. A könnyű és biztonságos vágás érdekében jobbról balra közelítse meg a fűkaszával a vágandó dudvát. Amennyiben váratlanul tárgyra vagy fatörzshez ütközik, akkor ez a gyakorlat minimalizálja a penge lökési reakcióját.

## KARBANTARTÁS

**▲ FIGYELMEZTETÉS:** Az egység ellenőrzése, tisztítása vagy szervizelése előtt állítsa le a motort, várjon, amíg minden mozgó alkatrész leáll, és vegye ki az

akkumulátoregységet. A jelen utasítások be nem tartása súlyos személyi sérülést vagy anyagi kárt eredményezhet.

**▲ FIGYELMEZTETÉS:** Javitáskor használjon azonos pótalkatrészeket. Más alkatrészek használata veszélyt okozhat, vagy megrongálhatja a terméket. A biztonságosság és megbízhatóság biztosítása érdekében minden javítást szakképzett szerviztechnikus hajtson végre.

## ÁLTALÁNOS KARBANTARTÁS

A műanyag alkatrészek tisztításához ne használjon oldószereket. A legtöbb műanyag a vegyi oldószerek által deformálódás általi sérülésnek van kitéve, ezek megrongálhatják őket. Használjon tiszta ruhát a szennyeződés, por, olaj, zsír stb. eltávolításához.

## A GÉP TISZTÍTÁSA

- A 3 fogú penge/fűkasza fej minden használata után tisztítsa le a hulladékokat, a beakadt fűvet a pengéről és a védőburkolatról egy puha kefével.

**MEGJEGYZÉS:** Amikor a penge tompává válik, akkor kérjük, szakképzett szakszerviz szakemberrel éleztesse meg, vagy szükség esetén cseréltesse ki új pengére.

- A fűkasza minden használata után tisztítsa meg az egységet egy nedves ruhával és kímélő tisztítószerrel.
- Ne használjon erős tisztítószereket a műanyag burkolaton vagy a fogantyún. Ezek megsérülhetnek a különböző aromaolajaktól, pl. fenyő vagy citrom, és az olyan oldószerektől, mint a kerozin. A nedvesség szintén áramütés veszélyét okozhatja. A nedvességet egy puha, száraz törölvél törölje le.
- Használjon kis keféket vagy kis porszívó keféket a hátsó burkolat szellőzőnyílásainak megtisztításához.

## A SZERELVÉNYBURKOLAT KENÉSE

A legjobb működés és a hosszabb élettartam érdekében a szerelvényburkolatot speciális zsírral kell bekenni (minden alkalommal körülbelül 4-5 g) minden 50 óra működés után.

A speciális kenőanyagnak meg kell felelnie a következő követelményeknek.

1. A DIN51818: NLGI-1 kúpbehatalási fokba tartozik.
2. Észter alapú zsír
3. Kiváló alacsony-hőmérsékletű indítás, EP, mechanikus nyírás, kopásálló és oxidációs stabilitás tulajdonságok.
4. A működtetési hőmérsékletnek -40~180°C között kell lennie.

Húzza ki az akkumulátor csatlakozódugót és a rögzítőcsavart. Kenje be a szerelvényburkolatot az olajnyíláson keresztül.

**⚠ FIGYELMEZTETÉS:** Ne kenje be, amíg a fűkasza még az akkumulátorhoz van csatlakoztatva, vagy működésben van.

### A DAMILVÁGÓ PENGE ÉLEZÉSE

**⚠ FIGYELMEZTETÉS:** Mindig védje a kezét védőkesztyűvel, amikor karbantartást végez a damilsvágó pengén.

1. Távolítsa el a damilvágó pengét a védőburkolatról.
2. Viseljen megfelelő szemvédőt és kesztyűt és ügyeljen rá, hogy ne vágja meg magát.
3. Rögzítse a pengét satuban.
4. Óvatosan reszelje a penge vágószéleit egy finomfogú reszelővel vagy köszörűkövel, megtartva az eredeti vágási szöveget.
5. Cserélje ki a pengét a védőburkolaton és rögzítse a helyére két csavarral.

### A GÉP TÁROLÁSA

- Vegye ki az akkumulátoregységet a szerszámból.
- Viseljen kesztyűt a szerszám alaposan tisztításához.
- Szerelje fel a 3 fogú penge tokot a pengére a biztonságos tárolás érdekében (N ábra).
- Az egységet száraz, jól szellőző, elzárt vagy magas helyen tárolja, ahol gyermekek nem érik el. Ne tárolja a gépet benzin vagy más vegyszerek mellett.

**MEGJEGYZÉS:** Ne működtesse a sövénynyíró tumpa vagy sérült vágópengével. Ez túlterhelést okozhat, és a vágási eredmény nem lesz megfelelő.

### környezet védelme



Ne dobja az elektromos felszerelést, az elhasznált akkumulátort és a töltőt a háztartási hulladékok közé! Vigye hivatalos újrahasznosító telephelyre, és tegye hozzáférhetővé a szelektív gyűjtéshez. Az elektromos szerszámokat környezetbarát újrahasznosító üzembe kell vinni.

## HIBAELHÁRÍTÁS

PROBLÉMA	A PROBLÉMA OKA	MEGOLDÁS
Nem indul.	<ul style="list-style-type: none"> <li>■ Az akkumulátoregység nincs csatlakoztatva a fűkaszához, vagy nincs elektromos kapcsolat a fűkasza és az akkumulátoregység között.</li> <li>■ Az akkumulátoregység lemerült.</li> <li>■ A biztonsági kapcsológombot nem állította „ON” (be) állásba a kapcsolókar megnyomása előtt.</li> </ul>	<ul style="list-style-type: none"> <li>■ Dugja vissza az akkumulátor csatlakozódugót a sövénynyíróba.</li> <li>■ Töltse fel az akkumulátoregységet a meghatározott töltővel.</li> <li>■ A fűkasza használata előtt ellenőrizze, hogy a rögzítőgomb ki van-e oldva.</li> </ul>
Hagyja abba a munkát.	<ul style="list-style-type: none"> <li>■ Az akkumulátoregység vagy a fűkasza túl forró.</li> <li>■ A fűkasza túl van terhelve.</li> <li>■ Az akkumulátoregység ki van véve a számszámból.</li> <li>■ Az akkumulátoregység lemerült.</li> </ul>	<ul style="list-style-type: none"> <li>■ Hagyja lehűlni az akkumulátoregységet vagy a fűkaszákat normál hőmérsékletre.</li> <li>■ A gép újra működőképes, ha a terhet eltávolítja. A folyamatos működés érdekében csökkentse a gép terhelését.</li> <li>■ Helyezze vissza az akkumulátoregységet.</li> <li>■ Töltse fel az akkumulátoregységet a meghatározott töltővel.</li> </ul>
Rendkívül magas vibráció vagy zaj.	<ul style="list-style-type: none"> <li>■ Száraz fogaskerékház</li> <li>■ Kiegyensúlyozatlan vágódamil.</li> <li>■ A 3 fogú penge behajlott, vagy megsérült.</li> </ul>	<ul style="list-style-type: none"> <li>■ Vegye le a rögzítőcsavart, és adjon hozzá kenőolajat.</li> <li>■ Kissé érintse az ütköző gombot a talajhoz a fűkasza üzemeltetése közben.</li> <li>■ Cserélje ki egy új pengére.</li> </ul>
A vágódamilt nem lehet kioldani.	<ul style="list-style-type: none"> <li>■ A fűkasza fejben lévő damil kifogyott.</li> <li>■ A vágódamilt nem megfelelően helyezték be.</li> </ul>	<ul style="list-style-type: none"> <li>■ Szereljen be egy új vágódamilt a fűkaszába.</li> <li>■ Távolítsa el, és szerelje vissza a vágódamilt.</li> </ul>

HU

## GARANCIA

### EGO GARANCIÁLIS FELTÉTELEK

Kérjük, látogasson el az [egopowerplus.eu](http://egopowerplus.eu) oldalra, ahol megtalálja a részletes EGO garanciális feltételeket.

## CITIȚI TOATE INSTRUCȚIUNILE!



CITIȚI MANUALUL DE INSTRUCȚIUNI



Alertă privind siguranța



Purtați echipament de protecție oculară



Purtați echipament de protecție a capului



Purtați încălțăminte antiderapantă



Feriți-vă de propulsarea lamei



Distanța dintre produs și trecători ar trebuie să fie de cel puțin 15 m.



Nivelul puterii sunetului garantat. Emisii sonore în mediul înconjurător conform Directivei comunitare europene.



Deșeurile produselor electrice nu trebuie să fie eliminate împreună cu deșeurile menajere. Predați-le unui punct de reciclare autorizat.

$n_0$

Turație de mers în gol-Turație de mers în gol



Curent continuu

## SIMBOLURI PRIVIND SIGURANȚA

**⚠ AVERTISMENT:** Exploatarea oricăror scule electrice se poate solda cu ricoșarea de obiecte străine în ochii dumneavoastră, ceea ce se poate solda cu vătămarea gravă a ochilor. Înainte de a începe să utilizați scula electrică, echipați-vă întotdeauna cu ochelari de protecție cu apărători laterale și vizieră pentru față, atunci când este nevoie. Vă recomandăm să purtați o vizieră lată de protecție peste ochelarii de vedere sau ochelari de protecție standard cu apărători laterale.



Pentru a reduce riscul de accidentări, utilizatorul trebuie să citească manualul de instrucțiuni.



Purtați echipament de protecție auditivă



Purtați protecție pentru mâini



Atenție la obiectele aruncate



Deconectați bateria înainte de întreținere



Acest produs este în conformitate cu directivele europene aplicabile.



Acest produs este în conformitate cu legislația aplicabilă din Marea Britanie.

V

Tensiune

.../min

Pe minut

kg



Kilogram

IPX5

Protecție împotriva jeturilor de apă

RO

## SPECIFICAȚII

Unitate de tăiere	Cap de trimmer	Lamă de metal cu 3 dinți	
Voltaj	56 V 	56 V 	
Turație la mers în gol	4000-5800 /min	4000-5800 /min	
Temperatură de funcționare recomandată:	0°C-40°C		
Temperatură de depozitare recomandată:	-20°C-70°C		
Tipul firului de tăiere	2,4 mm	/	
Lamă de tăiere:	/	ABB1203	
Lățime de tăiere	38 cm	30 cm	
Greutate	6,8 kg	6,46 kg	
Nivel de putere sonoră măsurată $L_{WA}$	95 dB(A) K=1,1 dB(A)	96,3 dB(A) K=2,1 dB(A)	
Nivel de presiune sonoră la urechea operatorului $L_{PA}$	82 dB(A) K=2,5 dB(A)	83,4 dB(A) K=4,1 dB(A)	
Nivel de putere sonoră garantată $L_{WA}$ (conform 2000/14/CE)	96 dB(A)	98 dB(A)	
Vibrații $a_n$	Mâner stâng	1,9m/s <sup>2</sup> K=1,5m/s <sup>2</sup>	1,9 m/s <sup>2</sup> K=1,5 m/s <sup>2</sup>
	Mâner drept	1,5 m/s <sup>2</sup> K=1,5 m/s <sup>2</sup>	1,3 m/s <sup>2</sup> K=1,5 m/s <sup>2</sup>

- Valoarea totală declarată a vibrațiilor a fost măsurată în conformitate cu o metodă standard de testare și poate fi utilizată pentru compararea sculelor între ele;
- Valoarea totală declarată poate fi utilizată în evaluarea preliminară a expunerii.

**OBSERVAȚIE:** Vibrațiile emise în timpul utilizării efective a sculei electrice pot diferi față de valoarea celor declarate pentru scula utilizată; Pentru protejerea operatorului, utilizatorul trebuie să poarte mănuși și protecții auditive în timpul utilizării efective a produsului.

## CONȚINUTUL AMBALAJULUI (Fig. A1)

### DESCRIERE

#### DESCRIEREA TRIMMERULUI DUMNEAVOASTRĂ PENTRU TUFIȘURI (Fig. A1)

- Fir de tăiere

2. Ansamblu apărătoare
3. Tijă
4. Trăgaci
5. Buton de siguranță
6. Bolț cu cap de fluture
7. Cârlig
8. Priză
9. Plăcuță apărătoare
10. Ghidon
11. Șurub de etanșeizare
12. Gaură de blocare tijă
13. Lamă de tăiere fir
14. Accesoriu apărătoare
15. Lamă cu 3 dinți
16. Scut lamă
17. Flanșă exterioară
18. Piuliță
19. Cheie multifuncțională
20. Cheie hexagonală
- 21\*. Pernuță de șold (Vândută separat)

**⚠️ AVERTISMENT:** Nu utilizați niciodată scula fără apărătoarea bine fixată. Apărătoarea trebuie să fie întotdeauna instalată pe sculă pentru a proteja utilizatorul.

**⚠️ AVERTISMENT:** Când scula este echipată cu un cap de trimmer, accesoriul apărătoării cu lama de tăiere trebuie montat pe apărătoare. Nerespectarea acestei instrucțiuni poate duce la un fir de tăiere excesiv de lung și la suprasolicitarea motorului. Nu utilizați niciodată capul trimmerului fără accesoriul apărătoării.

## ASAMBLAREA

**⚠️ AVERTISMENT:** În caz de piese avariate sau care lipsesc, nu utilizați trimmerul dacă piesele nu sunt înlocuite. Utilizarea trimmerului cu piese avariate sau lipsă poate rezulta în vătămări personale grave.

**⚠️ AVERTISMENT:** Nu încercați să modificați trimmerul sau să creați accesorii nerecomandate pentru a fi utilizate cu acest produs. Orice alterare sau modificare este considerată utilizare greșită și poate duce la condiții periculoase ce pot rezulta în vătămări personale grave.

**⚠️ AVERTISMENT:** Întotdeauna purtați mănuși rezistente când instalați sau îndepărtați apărătoarea ori când efectuați orice operație de întreținere asupra lamei cu 3 dinți/lamei de tăiere a firului. Atenție la lama de tăiere de pe apărătoare/lama cu 3 dinți și protejați-vă mâinile pentru a nu fi rănite de lame.



**⚠️ AVERTISMENT:** Pentru a preveni pornirea accidentală care ar putea cauza vătămări personale grave, întotdeauna scoateți setul de acumulatori din sculă când asamblați componente, efectuați reglaje sau când produsul nu este utilizat.

**⚠️ AVERTISMENT:** Nu utilizați niciodată scula fără apărătoare și fără ghidon bine fixate. Nerespectarea acestei instrucțiuni poate duce la eventuale accidente grave.

### MONTAREA ȘI REGLAREA MĂNERULUI GHIDONULUI

Trimmerul de tufișuri este depozitat conform ilustrației din Fig. B. Slăbiți mai întâi bolțul cu cap de fluture de pe racordul de conectare, după care ridicați ghidonul la 180° în jurul țije (Fig. C), rotiți-l cu 90° în sens antiorar pentru a-l poziționa cu fața înspre capul cu bobină (Fig. D). La sfârșit, rotiți-l în față și în spate pentru a-l amplasa într-o poziție confortabilă de lucru și strângeți bolțul.

**OBSERVAȚIE:** Utilizați mașina numai dacă ghidonul este instalat perpendicular pe țijă.

### INSTALAREA APĂRĂTORII

**⚠️ AVERTISMENT:** Purtați întotdeauna mănuși când montați sau înlocuiți apărătoarea. Aveți grijă la lama de pe apărătoare și protejați-vă mâna împotriva tăieturilor.

**⚠️ AVERTISMENT:** Nu utilizați niciodată mașina fără apărătoarea bine fixată. Apărătoarea trebuie să fie întotdeauna instalată pe mașină pentru a proteja utilizatorul! Când apărătoarea este atașată, nu încercați niciodată să o îndepărtați sau să o reglați; dacă este nevoie să fie înlocuită, această operație trebuie executată de un tehnician de service autorizat!

Slăbiți și îndepărtați cele două șuruburi de pe apărătoare (Fig. E), aliniați orificiile de fixare ale apărătorii cu orificiile de ansamblului, după care prindeți apărătoarea de baza țije cu ajutorul celor două șuruburi împreună cu două șaibe elastice (Fig. F).

**⚠️ AVERTISMENT:** Asigurați-vă că suprafața internă a apărătorii este îndreptată înspre capul de tăiere (Fig. F).

**⚠️ AVERTISMENT:** Când trimmerul este echipat cu un cap de trimmer, accesoriul apărătorii cu lama de tăiere trebuie montat pe apărătoare. Nerespectarea acestor instrucțiuni poate duce la un fir de tăiere excesiv de lung și la suprasolicitarea motorului.

### ÎNLOCUIREA CAPULUI DE TRIMMER CU LAMA CU 3 DINȚI

1. Scoateți fișa de alimentare din trimmer cu fir.
2. Rotiți capul trimmerului pentru a alinia fanta din flanșă cu

orificiul de blocare a axului din cutia de viteze și introduceți un stabilizator în orificiu (Fig. G).

3. Rotiți capul trimmerului în sensul acelor de ceasornic pentru a-l îndepărta (Fig. G).
4. Scoateți accesoriul apărătoare prin desfacerea celor trei șuruburi cu șaibă (Fig. H).
5. Lama este furnizată cu un scut. Înainte de a monta lama pe trimmer, scutul trebuie îndepărtat prin desfacerea sârmei de prindere de pe cârligul situat pe scut (Fig. I).

**OBSERVAȚIE:** Pentru a vă proteja de răniri, înainte de orice manevrare a lamei cu 3 dinți trebuie să purtați mănuși.

6. Montați flanșa interioară și capacul acesteia în poziția desemnată (Fig. I2).
7. Montați lama pe axul motorului, asigurându-vă că suprafața lamei este la același nivel cu suprafața proeminentei flanșei interioare. Montați flanșa exterioară și a piulița (Fig. I3). Strângeți în prealabil piulița în sens ANTIORAR cu mâna.
8. Pentru suport, sprijiniți cutia de viteze de o suprafață solidă. Cu o mână apucând de țija trimmerului, și cu cealaltă mână apucând cheia multifuncțională pentru a slăbi piulița în direcția săgeții marcată pe flanșa exterioară. (Fig. I4).

### ÎNLOCUIREA LAMEI CU 3 DINȚI CU CAPUL TRIMMERULUI

Fig J1 ilustrează dispozitivul de tăiere format din lama cu 3 dinți. Apoi demontați lama cu 3 dinți și instalați capul trimmerului pe trimmerul de tufișuri.

1. Rotiți lama pentru a alinia fanta din flanșă cu orificiul de blocare a axului din cutia de viteze și introduceți stabilizatorul în orificiu.
2. Pentru suport, sprijiniți cutia de viteze de o suprafață solidă. Cu o mână țineți de țija trimmerului de tufișuri și cu cealaltă apucați de cheia multifuncțională pentru a slăbi piulița în sens orar (Fig. I4).
3. Scoateți piulița, flanșa exterioară și lama din trimmer de tufișuri (Fig. J2).

J-1	Țijă	J-5	Flanșă exterioară
J-2	Flanșă interioară	J-6	Piuliță
J-3	Capac flanșă	J-7	Fantă din flanșă
J-4	Lamă cu 3 dinți		

**OBSERVAȚIE:** Când lama cu 3 dinți nu este utilizată, pentru prevenirea rănirilor, introduceți lama în teaca acesteia.

RO

4. Asamblați apărătoarea de trimmer strângând cele trei șuruburi cu șaibe (Fig. H).
5. Rotiți capul trimmerului în sens invers acelor de ceasornic pentru a-l instala (Fig. G). Urmați instrucțiunile din „ÎNLOCUIREA FIRULUI” pentru a încărca firul de tăiere.

**OBSERVAȚIE:** Neînfășurarea firului în direcția indicată va duce la funcționarea greșită a capului trimmerului.

## UTILIZAREA

**⚠️ AVERTISMENT:** Nu permiteți ca familiarizarea cu acest produs să vă facă neglijent(ă). Amintiți-vă că o fracțiune de secundă de neglijență este suficientă pentru a provoca vătămări grave.

**⚠️ AVERTISMENT:** Întotdeauna purtați protecție oculară și echipament de protecție auditivă. Nerespectarea acestei instrucțiuni ar putea avea ca rezultat proiectarea în ochi a obiectelor și alte posibile vătămări grave.

**⚠️ AVERTISMENT:** Nu utilizați nicio componentă sau accesoriu care nu a fost recomandat de producătorul acestui produs. Utilizarea de accesorii nerecomandate se poate solda cu vătămări grave.

## APLICAȚII

Produsul poate fi utilizat pe timp de ploaie.

Puteți utiliza acest produs în scopurile menționate mai jos:

**Tunderea:** utilizat pentru îndepărtarea ierbii și a buruienilor urcate pe pereți, garduri, copaci și borduri.

**Tăiere:** utilizare pentru tăierea ierbii greu accesibile cu o mașină normală de tuns iarba.

**OBSERVAȚIE:** Mașina trebuie utilizată numai în scopul pentru care a fost proiectată. Orice altă utilizare este considerată a fi caz de utilizare necorespunzătoare.

## APUCAREA TRIMMERULUI PENTRU TUFIȘURI

Înainte de a conecta acumulatorul cu suport de spate la trimmer, instalați acumulatorul cu suport de spate și pernuța de șold la hamul suportului de spate consultând manualul pentru BAX1500 și AHP1500.

Asamblați trimmerul la pernuța de șold conectând cârligul la orificiul de montare (Fig. K). Tija prezintă 8 orificii, alegeți orificiul optim pentru o utilizare confortabilă.

Țineți trimmerul cu fir cu ambele mâini, și poziționați-l în partea dreaptă a corpului. Capul trimmerului sau lama trebuie să fie paralele cu solul la o distanță corectă de tăiere fără ca operatorul să fie nevoit să se aplece.

Detășarea trimmerului poate fi efectuată în două moduri. Eliberați cataramele de piept și de curea (Fig.L1) sau apăsați cârligul de pe pernuța de șold și detașați-l de orificiul de montare de pe tijă.

**⚠️ AVERTISMENT:** În caz de urgență, elberarea cataramelor de piept și de curea este metoda rapidă de a vă detașa de trimmer.

**⚠️ AVERTISMENT:** Nu utilizați simultan cureaua unică de umăr și cureaua dublă de umăr cu acumulatorul cu suport de spate.

Utilizați numai seturile de acumulatori EGO și încărcătoarele prezentate în Fig. A2.

## Instalarea setului de acumulatori (Fig. L2)

Aliniați marcajul ▲ de pe ștecher cu marcajul ▲ de pe trimmer. Introduceți ștecherul în mașină până când garnitura verde dispare complet în priză.

## Îndepărtarea

Eliberați cablul acumulatorului din canelura de montare și extrageți ștecherul din trimmer.

## PORNIREA/OPRIREA TRIMMERULUI DE TUFIȘURI

### Pornirea

Împingeți butonul de blocare în poziția “ON” (Fig. M). Deplasați trăgaciul mic în sus, după care apăsați trăgaciul declanșator pentru a porni trimmerul. Gradul de apăsare al trăgaciului influențează viteza de rotire a unității de tăiere.

Fig. L1 & M pentru descrierea pieselor consultați tabelul de mai jos:

L-1	Cataramă piept	M-1	Buton de siguranță
L-2	Cataramă curea	M-2	Trăgaci mic
L-3	Cârlig	M-3	Trăgaci declanșator

### Oprirea

Eliberați trăgaciul declanșator și împingeți la loc butonul de blocare în poziția “OFF”.

**⚠️ AVERTISMENT:** Întotdeauna scoateți setul de acumulatori din trimmerul cu fir în timpul pauzelor de lucru și după terminarea lucrării.

## UTILIZAREA TRIMMERULUI PENTRU TUFIȘURI

**⚠️ AVERTISMENT:** Îmbrăcați-vă corespunzător pentru a reduce riscul de rănire când utilizați trimmerul. Nu purtați haine largi sau bijuterii. Purtați echipament de protecție/oculari și auditiv/penurechi. Purtați pantaloni lungi rezistenți, cizme și mănuși. Nu purtați pantaloni scurți, sandale sau să stați desculți. Înaintea utilizării, verificați

zona pentru a vă asigura siguranța de lucru, îndepărtând persoanele, animalele sau obiecte mărunte. Asigurați-vă că aceștia se află la cel puțin 15m distanță. După care asigurați-vă că purtați protecție oculară, îmbrăcăminte corectă și aveți o poziție echilibrată.

Înainte de fiecare utilizări, verificați pentru depistarea pieselor uzate/avariate. Verificați capul trimmerului, lama cu 3 dinți, apărătoarea, accesoriul apărătorii și ghidonul și înlocuiți piesele care sunt fisurate, distorsionate, îndoite sau avariate în vreun fel. Lama de tăiere a firului de pe muchia accesoriului apărătorii se poate toci cu timpul. Se recomandă să o ascuțiți periodic cu o pilă sau să o înlocuiți cu una nouă.

#### După fiecare utilizare, curățați bine trimmerul

**⚠ ATENȚIE:** Obturarea orificiilor de ventilație va împiedica pătrunderea aerului în carcasa motorului și va provoca supraîncălzirea sau deteriorarea motorului.

- Utilizați numai săpun cu acțiune moderată și o lavetă umedă pentru a curăța mașina. Nu lăsați niciodată niciun lichid să intre în mașină; nu scufundați niciodată nicio parte a mașinii într-un lichid.
- Păstrați în permanență curate orificiile de ventilație din carcasa motorului.

**⚠ AVERTISMENT:** Evitați utilizarea solventilor când curățați piese din plastic. Majoritatea pieselor din plastic sunt susceptibile să se deterioreze de la diverse tipuri de solventi comerciali. Utilizați lavete curate pentru a îndepărta murdăria, praful, uleiul, unsoarea etc.

#### UTILIZAREA ÎMPREUNĂ CU CAPUL DE TRIMMER

##### Verificați de blocaje ale capului trimmer

- Pentru a preveni blocarea, păstrați capul trimmer curat. Îndepărtați iarba tăiată, frunzele, murdăria și orice alte resturi acumulate înainte și după fiecare utilizare.
- Când se întâmplă blocaj, opriți trimmerul cu fir și scoateți bateria, apoi îndepărtați orice iarbă care s-ar fi înfășurat în jurul arborelui motorului sau a capului trimmer.

##### Ajustarea lungimii firului de tăiere

Capul trimmerului permite utilizatorului să elibereze mai mult fir fără să oprească motorul. Pe măsură ce firul devine fragil sau uzat, fir adițional poate fi eliberat prin lovirea ușoară a capului cu bobină de sol în timpul operării trimmerului.

**OBSERVAȚIE:** Eliberarea firului devine mai dificilă pe măsură ce firul de tăiere devine mai scurt.

**⚠ AVERTISMENT:** Nu îndepărtați sau să modificați ansamblul lamei de tăiere a firului. Lungimea excesivă a firului poate cauza supraîncălzirea motorului și poate duce la răni personale grave.

##### Înlocuirea firului

**⚠ AVERTISMENT:** Nu utilizați niciodată fir de metal ranforsat, sârmă, frânghie, etc. Acestea se pot rupe și pot deveni proiectile periculoase.

**OBSERVAȚIE:** Utilizați firul de nailon de tăiere recomandat cu diametrul de maxim de 2,7 mm. Utilizarea unui fir diferit de cel specificat poate duce la supraîncălzirea trimmerului cu fir sau la deteriorarea acestuia.

1. Scoateți fișa de alimentare din trimmerul cu fir.
2. Îndepărtați firul de tăiere rămas, dacă este nevoie.
3. Tăiați fir de tăiere cu lungimea de 8 m, introduceți firul în gaura de montare din interiorul ochetului (Fig. J3). Împingeți și trageți firul din partea opusă până când firele au aceeași lungime de ambele laturi ale bobinei.
4. Apăsăți, în timp ce rotiți ansamblul capacului inferior în direcția săgeții, pentru a înfășura firul pe bobină până când rămân aproximativ 12 cm de fir de fiecare parte (Fig. J4).
5. Apăsăți în jos ansamblul capacului inferior în timp ce instalați firele pentru a derula manual firul și a vă asigura că asamblarea capului de trimmer este corectă.

Când firul de tăiere se rupe din orificiul de ieșire al acestuia sau dacă firul nu este eliberat când capul trimmerului este lovit, urmați pașii de mai jos:

1. Apăsăți pe cele două urechi de detașare de pe capacul superior și scoateți ansamblul capacului inferior extrăgându-l spre exterior (Fig. J5 și J6).
2. Scoateți firul de tăiere din bobină.
3. Ținând cu o mână ansamblul capacului inferior, utilizați cealaltă mână pentru a apuca ansamblul capacului inferior și aliniați urechile de pe capacul superior cu orificiile din ansamblul capacului inferior (Fig. J7). Utilizați palma pentru a apăsa ansamblul capacului inferior până când urechile se blochează în capacul superior.
4. Urmăți instrucțiunile din „ÎNLOCUIREA FIRULUI” pentru a reîncărca firul de tăiere.

RO

## Utilizarea lamei cu 3 dinți

**⚠️ AVERTISMENT:** Pentru a tăia tufișurile și arbuști sălbaticiți, coborâți lama rotativă cu 3 dinți în jos pe vegetație pentru a obține efectul de tăiere. Utilizați trimmerul pentru tufișuri ca o coasă (măturați cu el înspre dreapta și stânga) la nivelul solului. Nu țineți niciodată unitatea de tăiere deasupra taliei.

**⚠️ AVERTISMENT:** Cu cât unitate de tăiere este mai sus de sol, cu atât crește riscul de rănire provocat de resturile ejectate în lateral.

**⚠️ AVERTISMENT:** Când tăiați lăstari sau alte materiale lemnoase cu diametrul maxim de 2cm, utilizați partea stângă a lamei pentru a evita propulsarea acesteia. Nu încercați să tăiați material lemnos cu diametrul mai mare, deoarece lama poate prinde sau poate arunca trimmerul pentru tufișuri înainte. Acest lucru poate avaria lama sau trimmerul pentru tufișuri, ori cauza pierderea controlului trimmerului pentru tufișuri, rezultând în răni.

**⚠️ AVERTISMENT:** Utilizarea inadecvată a lamei poate duce la crăparea, ciobirea sau spargerea lamei. Piese aruncate pot răni grav operatorul sau trecătorii. Pentru a reduce riscul de rănire, este esențial să respectați următoarele măsuri:

- Evitați contactul cu obiecte dure sau solide străine, precum pietre, bolovani sau bucăți de metal.
- Nu tăiați niciodată lemn sau tufișuri cu tulpina ce depășește 2cm.
- Inspectați lama la intervale scurte periodice pentru semne de avariere. Nu continuați să lucrați cu o lamă avariată.
- Reascuțiți lama periodic (când este tocită evident) și dacă este nevoie, echilibrați-o (operație efectuată de un tehnician autorizat de service).

## Propulsarea lamei

Acordați atenție extremă când utilizați lama cu 3 dinți cu acest produs. Propulsarea lamei este reacția care poate avea loc când lama rotativă intră în contact cu un obiect pe care nu-l poate tăia. Acest contact poate cauza oprirea lamei pentru un moment și propulsarea bruscă a trimmerului dinspre obiectul care a fost lovit. Această reacție poate fi suficient de violentă încât să cauzeze operatorului pierderea controlului asupra trimmerului. Propulsarea lamei poate avea loc fără avertisment dacă lama întâmpină dificultăți, se blochează sau este prinsă. Propulsarea are șanse mai mari să apară în zone unde materialul ce trebuie tăiat este greu de văzut. Pentru tăierea ușoară și în siguranță, apropiați-vă de buruienile ce trebuie tăiate cu trimmerul dinspre dreapta spre stânga. În cazul întâmpinării unui obiect neașteptat sau a unei tulpini

de lemn, această abordare ar putea diminua reacția de propulsare.

## ÎNȚREȚINEREA

**⚠️ AVERTISMENT:** Înainte de a inspecta, curăța sau de efectua operațiuni de service asupra aparatului, opriți motorul, asigurați-vă că toate componentele mobile sunt oprite și îndepărtați setul de acumulatori dacă este nevoie. Nerespectarea acestor instrucțiuni se poate solda cu vătămări corporale grave sau distrugerea bunurilor.

**⚠️ AVERTISMENT:** Când efectuați operații de service, utilizați numai piese de schimb identice. Utilizarea oricăror altor piese poate crea un pericol sau poate produce o deteriorare. Pentru siguranța și fiabilitatea produsului, toate reparațiile ar trebui efectuate de către un tehnician de service autorizat.

## ÎNȚREȚINERE GENERALĂ

Evitați utilizarea solvenților când curățați piese din plastic. Majoritatea pieselor din plastic sunt susceptibile să se deterioreze de la diverse tipuri de solvenți comerciali și se pot defecta prin utilizarea acestora. Utilizați cârpe curate pentru a îndepărta murdăria, praful, uleiul, vaselina etc.

## CURĂȚAREA MAȘINII

- După fiecare utilizare a lamei cu 3 dinți/ a capului trimmerului, curățați reziduurile, solul acumulat sau iarba de pe lamă și de pe apăraătoare, utilizând o perie moale.

**OBSERVAȚIE:** Când lama de tăiere a firului devine tocită, vă rugăm ascuțiți-o apelând la un tehnician de service autorizat sau înlocuiți-o cu o lamă nouă după cum este necesar.

- După fiecare utilizare a trimmerului, curățați unitatea de tăiere utilizând o cârpă umedă cu detergent slab.
- Nu utilizați detergenți puternici pe carcasa de plastic sau pe mâner. Acestea pot fi deteriorarea de anumite uleiuri parfumate precum brad și lămâie, și de către solvenți precum kerosenul. Umezeala poate cauza un risc de electrocutare. Ștergeți orice urmă de umezeală cu o cârpă uscată.
- Utilizați o perie mică sau un aspirator mic pentru a curăța fantele de aerisire de pe carcasa posterioară.

## LUBRIFIATI CARCASA CUTIEI DE VITEZE

Pentru funcționare optimă și durată mai lungă de viață, lubrifiați carcasa cutiei de viteze cu un lubrifiant special (4-5 g de fiecare dată) după fiecare 50 de ore de funcționare.

Vaselina specială trebuie să îndeplinească următoarele cerințe.

1. Să facă parte din clasa DIN51818: NLGI-1 privind gradul de penetrare cu con.
2. Vaselină pe bază de esteri.
3. Pornire excelentă la temperatură joasă, PE, forfecare mecanică, rezistență la abraziune și proprietăți de stabilitate la oxizi.
4. Temperatura de funcționare trebuie să fie cuprinsă între -40~180°C.

Scoateți mufa acumulatorului și șurubul de etanșare.  
Lubrifiați carcasa cutiei de viteze prin orificiul de ungere.

**⚠ AVERTISMENT:** Nu lubrifiați în timp ce coasa pentru iarbă este conectată încă la acumulator sau funcționează încă.

#### ASCUȚIREA LAMEI DE TĂIERE A FIRULUI

**⚠ AVERTISMENT:** Întotdeauna protejați-vă mâinile purtând mănuși super rezistente când efectuați orice operație de întreținere a lamei de tăiere a firului.

1. Detașați lama de tăiere a firului de apărătoare.
2. Purtați echipament adecvat de protecție a ochilor și mănuși și aveți grijă să nu vă tăiați.
3. Prindeți lama într-o menghină.
4. Pliți cu grijă muchiile lamei cu o pilă fină sau cu o piatră de ascuțit, păstrând unghiul original de tăiere al muchiei.
5. Repuneți lama pe apărătoare și prindeți-o cu cele două șuruburi.

#### DEPOZITAREA MAȘINII

- Detașați setul de acumulatori de pe sculă.
- Purtați mănuși super rezistente pentru a curăța bine scula.
- Montați scutul lamei pe lama cu 3 dinți pentru protecție vitală (Fig. N).
- Depozitați aparatul într-un loc uscat, bine aerisit, închis cu cheia sau la înălțime, în care copiii nu au acces. Nu depozitați mașina pe sau lângă fertilizanți, benzină sau alte chimicale.

**OBSERVAȚIE:** Nu utilizați trimmerul de gard viu dacă are lame tocite sau avariate. Acest lucru poate duce la suprasolicitare și va furniza rezultate de tăiere nesatisfăcătoare.

#### Protejarea mediului înconjurător



Nu eliminați echipamentul electric, încărcătorul de acumulator și acumulatorul împreună cu deșeurile menajere! Predați acest produs unui punct de reciclare autorizat sau puneți-l la dispoziția colectării separate. Sculele electrice trebuie returnate unui centru de reciclare ecologic.

## GHID DE DEPANARE

PROBLEMĂ	CAUZĂ	SOLUȚIE
Trimmerul nu pornește.	<ul style="list-style-type: none"> <li>■ Setul de acumulatori nu este fixat de trimmer sau trimmerul nu face contact cu acumulatorul.</li> <li>■ Setul de acumulatori este descărcat.</li> <li>■ Butonul de blocare nu a fost apăsat în poziția "ON" înainte de acționare trăgacelor.</li> </ul>	<ul style="list-style-type: none"> <li>■ Reintroduceți ștecherul acumulatorului în trimmer.</li> <li>■ Încărcați setul de acumulatori numai cu încărcătorul specificat.</li> <li>■ Înainte de a utiliza trimmerul, confirmați că butonul de blocare este deblocat.</li> </ul>
Trimmerul se oprește din funcționat.	<ul style="list-style-type: none"> <li>■ Setul de acumulatori sau trimmerul sunt prea fierbinți.</li> <li>■ Trimmerul este suprasolicitat.</li> <li>■ Setul de acumulatori este deconectat de la sculă.</li> <li>■ Setul de acumulatori este descărcat.</li> </ul>	<ul style="list-style-type: none"> <li>■ Lăsați setul de acumulatori sau trimmerul să se răcească până când temperatura acestora revine la normal.</li> <li>■ Mașina își va reveni după ce sarcina este îndepărtată. Pentru o lucrare efectuată încontinuu, reduceți gradul de solicitare al mașinii.</li> <li>■ Reinstalați setul de acumulatori.</li> <li>■ Încărcați setul de acumulatori numai cu încărcătorul specificat.</li> </ul>
Vibrații sau zgomot excesive.	<ul style="list-style-type: none"> <li>■ Cutie de viteze uscată</li> <li>■ Fir de tăiere neechilibrat.</li> <li>■ Lama cu 3 dinți este îndoită sau avariată.</li> </ul>	<ul style="list-style-type: none"> <li>■ Îndepărtați șurubul de etanșeizare și adăugați ulei de lubrifiere.</li> <li>■ Loviți ușor butonul bobinei pe sol în timp ce utilizați trimmerul.</li> <li>■ Înlocuiți cu o lamă nouă.</li> </ul>
Firul de tăiere nu poate fi eliberat.	<ul style="list-style-type: none"> <li>■ Firul din capul trimmerului este consumat.</li> <li>■ Firul de tăiere nu a fost instalat corect.</li> </ul>	<ul style="list-style-type: none"> <li>■ Instalați un fir nou de tăiere în trimmerul de tușișuri.</li> <li>■ Îndepărtați firul de tăiere și reasamblați-l.</li> </ul>

RO

## GARANȚIA

### POLITICA DE GARANȚIE EGO

Vă rugăm consultați website-ul [egopowerplus.eu](http://egopowerplus.eu) pentru termenii și condițiile complete ale politicii de garanție EGO.

## PREBERITE VSA NAVODILA!



**PREBERITE PRIROČNIK Z NAVODILI ZA UPORABO**



Varnostno opozorilo



Nosite zaščito za oči.



Nosite zaščito za glavo.



Uporabljajte protizdrsko obutev.



Pazite na sunek rezila.



Razdalja med napravo in drugimi prisotnimi ljudmi mora biti najmanj 15 m.



Zajamčena raven zvočne moči. Emisije hrupa v okolico so v skladu z direktivo Evropske skupnosti.



Odpadnih električnih izdelkov ne odlagajte med gospodinjske odpadke. Odnosite jih na pooblaščen obrat za recikliranje.

$n_0$

Hitrost brez obremenitve-Vrtilna hitrost brez obremenitve



Enosmerni tok

## VARNOSTNI SIMBOLI



**OPOZORILO:** delovanje katerega koli električnega orodja lahko povzroči metanje tujkov v vaše oči, kar lahko povzroči resne poškodbe očesa. Pred začetkom dela z električnim orodjem vedno nosite zaščitna očala ali varnostna očala s stranskimi zaščitami in po potrebi tudi ščit za celoten obraz. Priporočamo vam uporabo varnostne maske Wide Vision Safety Mask za uporabo preko očal ali standardnih varnostnih očal s stransko zaščito..



Za zmanjšanje nevarnosti poškodb je pomembno, da uporabnik prebere priročnik z navodili za uporabo.



Nosite zaščito za ušesa.



Nosite zaščito za roke.



Pazite na vržene predmete.



Pred vzdrževalnimi deli odklopite baterijo.



Ta izdelek je skladen z veljavnimi direktivami ES.



Ta izdelek je skladen z veljavno zakonodajo VB.

V Napetost


.../min Na minuto

kg Kilogram

IPX5 Zaščita pred vodnimi curki

SL

## TEHNIČNI PODATKI

Enota za košnjo	Glava kosilnice	3-zobo kovinsko rezilo	
Napetost	56 V 	56 V 	
Hitrost brez obremenitve	4000–5800 /min	4000-5800 /min	
Priporočena delovna temperatura:	od 0°C do 40°C		
Priporočena temperatura za shranjevanje:	od -20°C do 70°C		
Vrsta nitke za košnjo	2,4 mm	/	
Rezilo za košnjo	/	ABB1203	
Širina košnje	38 cm	30 cm	
Teža	6,8 kg	6,46 kg	
Izmerjena raven zvočnega tlaka $L_{WA}$	95 dB(A) K=1,1 dB(A)	96,3 dB(A) K=2,1 dB(A)	
Raven zvočnega tlaka v ušesu upravljalca $L_{PA}$	82 dB(A) K=2,5 dB(A)	83,4 dB(A) K=4,1 dB(A)	
Zajamčena raven zvočnega tlaka $L_{WA}$ (glede na 2000/14/ES)	96 dB(A)	98 dB(A)	
Tresljlaji $a_h$	Levi ročaj	1,9 m/s <sup>2</sup> K=1,5 m/s <sup>2</sup>	1,9 m/s <sup>2</sup> K=1,5 m/s <sup>2</sup>
	Desni ročaj	1,5 m/s <sup>2</sup> K=1,5 m/s <sup>2</sup>	1,3 m/s <sup>2</sup> K=1,5 m/s <sup>2</sup>

SL

- Deklarirana skupna vrednost vibracij je bila izmerjena v skladu s standardno preskusno metodo in se lahko uporabi za medsebojno primerjavo različnih orodij;
- Navedena skupna vrednost vibracij se lahko uporabi za predhodne ocene izpostavljenosti.

**OPOMBA:** Emisije vibracij se lahko med dejansko uporabo električnega orodja razlikujejo od deklarirane vrednosti, pri kateri se orodje uporablja. Z namenom zaščite upravljalca mora uporabnik v dejanskih pogojih uporabe nositi rokavice in zaščito za ušesa.

## SEZNAM PAKIRANJA (Slika A1)

### OPIS

#### SPNOZNAJTE SVOJO MOTORNO KOSO (slika A1)

1. Nitka za košnjo

2. Sklop varovala
3. Gred
4. Sprožilec
5. Gumb za odklepanje
6. Krilni vijak
7. Kavelj
8. Vtičnica
9. Plošča varovala
10. Kolesarsko krmilo
11. Tesnilni vijak
12. Odprtina za zaklep gredi
13. Rezilo z nitko
14. Dodatek varovala
15. 3-zobo rezilo
16. Zaščita za rezilo
17. Zunanja prirobnica
18. Matica
19. Večnamenski ključ
20. Imbusni ključ
- 21\*. Bočna podloga (ni vključena v kompletu)

**⚠ OPOZORILO:** orodja nikoli ne upravljajte brez ščitnika trdno nameščenega na mestu. Ščitnik mora biti vedno nameščen na orodju za zaščito uporabnika.

**⚠ OPOZORILO:** Ko je orodje opremljeno z glavo kosilnice, mora biti na varovalo nameščen dodatek varovala z rezilom/nitko za košnjo. Če ne upoštevate teh navodil, lahko pride do predolge nitke in preobremenitve motorja. Glave kosilnice nikoli ne uporabljajte brez dodatka varovala.

### SESTAVA

**⚠ OPOZORILO:** če so deli poškodovani ali manjkajo, motorne kose ne uporabljajte, dokler deli niso zamenjani. Če to motorno koso uporabljate s poškodovanimi ali manjkajočimi deli, se lahko resno poškodujete.

**⚠ OPOZORILO:** Te motorne kose ne poskušajte spreminjati in ne poskušajte izdelovati dodatkov, ki niso primerni za uporabo s tem izdelkom. Vsako tako spreminjanje je zloraba in lahko privede do tveganj, ta pa do hudih telesnih poškodb.

**⚠ OPOZORILO:** Pri nameščanju ali odstranjevanju varovala in pri izvajanju kakršnih koli vzdrževalnih del na 3-zobem rezilu/rezilu za košnjo, uporabljajte zaščitne rokavice. Bodite pozorni, da si pri delu z rezilom/nitko za košnjo oz. 3-zobim rezilom ne poškodujete rok.



**⚠ OPOZORILO:** Da preprečite nenamerni zagon, ki bi lahko povzročil resno telesno poškodbo, pri nameščanju delov, prilagajanjem, čiščenjem in kadar naprava ni v uporabi, vedno odstranite baterijski sklop.

**⚠ OPOZORILO:** orodja nikoli ne upravljajte, če ni pritrjeno varovalo in kolesarsko krmilo. Če tega ne upoštevate, lahko pride do hudih telesnih poškodb.

## MONTAŽA IN PRILAGAJANJE KOLESARSKEGA KRMILA

Motorna kosa je shranjena tako, kot prikazuje slika B. Najprej odvijte krilni vijak na povezovalnem spoju, nato dvignite kolesarsko krmilo za 180° okoli gredi (slika C) in ga zavrtite za 90° v nasprotni smeri urinega kazalca, da bo obrnjeno proti udarni glavi (slika D). Za konec krmilo premaknite naprej in nazaj, da ga nastavite v udoben delovni položaj in privijte vijak.

**OPOMBA:** Napravo lahko uporabljate le takrat, ko je kolesarsko krmilo nameščeno pravokotno na gred.

## NAMEŠČANJE VAROVALA

**⚠ OPOZORILO:** Pri montaži ali zamenjavi ščitnika vedno nosite rokavice. Bodite pozorni na rezilo na ščitniku in zaščitite dlan, da se ne poškodujete.

**⚠ OPOZORILO:** Stroja nikoli ne upravljajte brez ščitnika, varno pritrjenega na mestu. Ščitnik mora biti vedno pritrjen na orodju za zaščito uporabnika! Ko je ščitnik pritrjen, ga ne poskušajte odstraniti ali prilagoditi. Če ga morate zamenjati, naj delo izvede kvalificiran serviser!

Na varovalu odvijte in odstranite dva vijaka (slika E), odprtine za montažo varovala poravnajte z odprtinami sklopa in nato varovalo zaklenite na podnožje gredi z dvema vijakoma in z dvema vzmetnima podložkama (slika F).

**⚠ OPOZORILO:** Poskrbite, da bo notranja površina ščitnika obrnjena proti glavi za košnjo (slika F).

**⚠ OPOZORILO:** Ko je motorna kosa opremljena z glavo kosilnice, mora biti na varovalu nameščen dodatek varovala. Če ne upoštevate teh navodil, lahko pride do predolge nitke za košnjo in preobremenitve motorja.

## ZAMENJAVA GLAVE KOSILNICE S 3-ZOBIM REZILOM

1. Odstranite električni vtič s kosilnice z nitko.
2. Zavrtite glavo kosilnice z nitko, da poravnate režo v prirobnici z odprtino za zaklep gredi v prestavnem ohišju, in v odprtino vstavite stabilizator (slika G).
3. Glavo kosilnice z nitko zavrtite v smeri urinega kazalca, da jo odstranite (slika G).
4. Odstranite dodatek varovala tako, da sprostite tri

vijake s podložko (slika H).

5. Reziilo je dostavljeno s tokom. Preden namestite rezilo na motorno koso, odstranite tok tako, da odpnete žično zaponko s kavlja na toku (slika I1).

**OPOMBA:** Pred kakršnim koli delom s 3-zobim rezilom si morate nadeti zaščitne rokavice, da se zaščitite pred poškodbami.

6. Notranjo prirobnico in pokrov prirobnice namestite na svoje mesto (slika I2).
7. Reziilo namestite na gred motorja, pri čemer mora biti površina rezila poravnana s površino izbokline notranje prirobnice. Namestite zunanjo prirobnico in matico (slika I3). Matico z roko vnaprej privijte V NASPROTNI SMERI URINEGA KAZALCA.
8. Položite ohišje zobnikov na trdo površino, ki bo nudila ustrezno podporo. Z eno roko pridržite gred motorne kose, z drugo pa primate večnamenski ključ in zategnite matico v smeri, označeni s puščico na zunanji prirobnici (slika I4).

## 3-ZOBO REZILO ZAMENJAJTE Z GLAVO KOSILNICE

Seznajte se z rezalno enoto 3-zobega rezila, kot je prikazano na sliki J1. Nato razstavite 3-zobo rezilo ter na motorno koso namestite glavo kosilnice.

1. Zavrtite rezilo, da poravnate režo v prirobnici z odprtino za zaklep gredi v prestavnem ohišju, in v odprtino vstavite stabilizator.
2. Položite ohišje zobnikov na trdo površino, ki bo nudila ustrezno podporo. Z eno roko držite gred motorne kosilnice, v drugo roko pa primate večnamenski ključ, da odvijete matico v smeri urinega kazalca (slika I4).
3. Iz motorne kose izvlecite matico, zunanjo prirobnico in rezilo (slika J2).

J-1	Gred	J-5	Zunanja prirobnica
J-2	Notranja prirobnica	J-6	Matica
J-3	Pokrov prirobnice	J-7	Reža v prirobnici
J-4	3-zobo rezilo		

**OPOMBA:** Kadar 3-zobo rezilo ni v uporabi, ga pospravite v tulec, da preprečite telesne poškodbe.

4. Dodatek varovala namestite na motorno kosilnico tako, da privijete tri vijake s podložko (slika H).
5. Glavo kosilnice z nitko zavrtite v nasprotni smeri urinega kazalca, da jo namestite (slika G). Upoštevajte navodila v razdelku »ZAMENJAVA NITKE« za namestitev nitke za košnjo.

SL

**OPOMBA:** Če nitke ne boste navili v prikazani smeri, potem bo glava kosilnice z nitko delovala nepravilno.

## DELOVANJE

**⚠ OPOZORILO:** Četudi se dodobra seznanite s tem izdelkom, pri rokovanju z njim ne postanite neprevidni. Pomnite, da je brezskrbni delec sekunde dovolj za resno poškodbo.

**⚠ OPOZORILO:** vedno nosite zaščito za oči in ušesa. Če tega ne storite, vam lahko v oči priletijo predmeti ali pride do drugih hudih poškodb.

**⚠ OPOZORILO:** Ne uporabljajte priključkov ali dodatkov, ki jih proizvajalec tega izdelka ne priporoča. Uporaba priključkov ali dodatkov, ki niso priporočeni, lahko privede do hudih telesnih poškodb.

## NAMENI UPORABE

Izdelek se lahko uporablja v dežju.

Ta izdelek lahko uporabljate za naslednje namene:

**Obrezovanje:** uporablja se za odstranjevanje trave in plevela ob stenah, ograjah, drevesih in mejah.

**Košnja:** uporablja se za košnjo trave, ki jo je z običajno kosilnico težko doseči.

**OPOMBA:** Stroj lahko uporabljate samo za predvideni namen. Kakršna koli druga uporaba se smatra za nepravilno uporabo.

## DRŽANJE MOTORNE KOSE

Preden priključite nahrbtno baterijo v motorno koso, si s pomočjo pasu nadenite baterijo v nahrbtniku in bočno podlogo. Glejte navodila BAX1500 in AHP1500.

Motorno koso povežite z bočno podlogo tako, da kavelj povežete z namestitveno odprtino (slika K). Na gredi je 8 odprtín, ki omogočajo izbiro optimalne odprtine za udobno upravljanje.

Kosilnico z nitko držite z obema rokama ob desni strani telesa. Glava kosilnice ali rezilo mora biti vzporedno s tlemi na primerni razdalji za košnjo, ne da bi se moral upravljalavec pripogibati.

Motorno koso lahko snamete na dva načina. Odprite prsne in pasne sponke (slika L1) ali pritisnite na kavelj na bočni podlogi ter jo odstranite iz namestitvene odprtine na gredi.

**⚠ OPOZORILO:** V nujnih primerih je najhitrejši način, s katerim lahko snamete motorno koso, sprostitvev prsnih in pasnih sponk.

**⚠ OPOZORILO:** Z baterijo v nahrbtniku ne smete hkrati uporabljati enojnega in dvojnega ramenskega pasu.

Napravo uporabljajte samo z akumulatorji in polnilniki EGO, navedenimi na sliki A2.

## Namestitev baterijskega sklopa (slika L2)

Poravnajte oznako ▲ vtiča z oznako ▲ motorne kose. Vtič vstavite v napravo, dokler zeleno tesnilo popolnoma ne izgine v vtičnico.

## Odstranitev

Kabel baterije sprostite iz namestitvenega utora ter vtič izvlecite iz motorne kose.

## ZAGON/ZAUSTAVITEV MOTORNE KOSE

### Zagon

Gumb za odklepanje prekopite v položaj »ON« (slika M). Majhen sprožilec premaknite navzgor, nato pritisnite sprožilec stikala, da zaženete motorno koso. Drugačen pritisk na sprožilcu se odrazi v spremenljivi hitrosti vrtenja komponente za košnjo.

Za opis delov na slikah L1 in M glejte spodaj:

L-1	Prsna sponka	M-1	Gumb za odklepanje
L-2	Pasna sponka	M-2	Majhen sprožilec
L-3	Kavelj	M-3	Sprožilec stikala

### Zaustavitev

Sprostite sprožilec stikala ter gumb za odklepanje potisnite v položaj »OFF«.

**⚠ OPOZORILO:** Med delovnimi odmori in po končanem delu iz kosilnice z nitko vedno odstranite baterijski sklop.

## UPORABA MOTORNE KOSE

**⚠ OPOZORILO:** Za uporabo motorne kose se primerno oblecite, da zmanjšate nevarnost poškodb. Ne nosite ohlapnih oblačil ali nakita. Uporabljajte zaščito za oči in ušesa. Nosite trpežne dolge hlače, škornje in rokavice. Ne nosite kratkih hlač ali sandal in ne uporabljajte naprave bosí. Pred uporabo poskrbite za varno delovno območje brez drugih ljudi, živali ali nepritrjenih predmetov. Poskrbite, da bodo mimoidoči oddaljeni najmanj 15 m. Nato poskrbite za ustrezno zaščito oči, ustrezna oblačila in ustrezno podlago.

Pred vsako uporabo napravo pregledajte za poškodovane/ obrabljene dele. Oglejte si glavo kosilnice, 3-zobo rezilo, varovalo, dodatek varovala in kolesarsko krmilo ter po potrebi zamenjajte počene, zvite, ukrivljene ali drugače

poškodovane dele. Rezilo z nitko na robu dodatka varovala lahko sčasoma postane toplo. Priporočljivo je, da ga redno ostrite s pilo ali ga zamenjate z novim rezilom.

#### Po vsaki uporabi motorne kose jo očistite

**⚠ POZOR:** če bodo na zračnih odprtinah ovire, bodo te ovirale tok zraka v ohišje motorja, kar bo privedlo do pregrevanja ali poškodbe motorja.

- Za čiščenje stroja uporabite le blago milo in vlažno krpo. Nikoli ne pustite, da tekočina pride v stroj in nikoli ne potopite nobenega dela stroja v tekočino.
- Variklio korpuso ventilacijskih angos visada turi biti neužkimštos.

**⚠ OPOZORILO:** Pri čiščenju plastičnih delov ne uporabljajte topil. Večina vrst plastike se lahko pri uporabi različnih komercialnih topil poškoduje. Umazanijo, prah, olje, maščobe itd. odstranite s čisto krpo.

#### UPORABA GLAVE KOSILNICE

##### Preverite blokado glave kosilnice

- Da preprečite blokado, naj bo glava kosilnice čista. Pred in po vsaki uporabi odstranite pokošeno travo, listje, umazanijo in druge nakopičene ostanke.
- Ko pride do blokade, ustavite kosilnico z nitko in odstranite baterijo, nato odstranite travo, ki se je morda zavila okoli gredi motorja ali glave kosilnice.

##### Prilaganje dolžine nitke za košnjo

Glava kosilnice z nitko upravljavcu omogoča sprostitve več nitke za košnjo brez zaustavitve motorja. Ko se nitka scefra ali obrabi, lahko sprostite dodatno nitko tako, da z udarno glavo narahlo potolčete ob tla med delovanjem kosilnice.

**OPOMBA:** Sproščanje nitke bo postalo težje, ko bo nitka postajala krajša.

**⚠ OPOZORILO:** sklopa rezila ne odstranjujte ali spreminjajte. Prevelika dolžina nitke bo povzročila pregrevanje motorja, ki lahko povzroči resno telesno poškodbo.

##### Zamenjava nitke

**⚠ OPOZORILO:** nikoli ne uporabljajte nitke s kovinsko ojačitvijo ali žice, vrvi itd. Lahko se odrgajo in postanejo nevarne.

**OPOMBA:** vedno uporabljajte priporočeno najlonsko nitko za košnjo s premerom, ki ni večji od 2,7 mm. Z uporabo drugačne nitke lahko povzročite pregretje ali poškodbe kosilnice z nitko.

1. Odstranite električni vtič s kosilnice z nitko.

2. Po potrebi odstranite preostalo nitko za košnjo.
3. Odrežite 8 metrov dolgo nitko za košnjo in jo vstavite v odprtino za namestitve v vstavitveni odprtini (slika J3). Potisnite nitko in jo izvlecite na drugi strani tako, da bosta na obeh straneh vretena enaki dolžini nitke.
4. Pritisnite in hkrati vrtite spodnji sklop pokrova v smeri puščice, da nitko navijete na vreteno in je na vsaki strani vretena približno 12 cm nitke (slika J4).
5. Sklop spodnjega pokrova potiskajte navzdol, medtem ko ročno vlečete nitko za ročno namestitev nitke, da preverite pravilno namestitev glave kosilnice z nitko.

Če se nitka za košnjo odloži iz izhoda za nitko ali če se nitka ne sprosti, ko udarite glavo kosilnice z nitko, upoštevajte spodnja navodila:

1. Pritisnite jezičke za sprostitve na zgornjem pokrovu in odstranite sklop spodnjega pokrova tako, da ga izvlečete naravnost ven (sliki J5 in J6).
2. Nitko za košnjo odstranite z vretena.
3. Z eno roko pridržite sklop spodnjega pokrova, z drugo roko pa primite sklop spodnjega pokrova in poravnajte jezičke na zgornjem pokrovu z odprtinami na sklopu spodnjega pokrova (slika J7). Z dlanjo pritisnite sklop spodnjega pokrova, da se jezički zaklenejo z zgornjim pokrovom.
4. Za ponovno namestitev nitke za košnjo upoštevajte navodila v razdelku »ZAMENJAVA NITKE«.

##### Uporaba s 3-zobim rezilom

**⚠ OPOZORILO:** Za košnjo plevla in grmovja približajte vrteče se 3-zobo rezilo plevlu, da dosežete učinek sekanja. Motorno koso tik nad tlemi premikajte levo in desno podobno kot navadno koso. Enote za košnjo ne dvigujte nad višino pasu.

**⚠ OPOZORILO:** Višje, kot je enota za košnjo od tal, večja je nevarnost poškodbe zaradi letečih predmetov s strani.

**⚠ OPOZORILO:** Med košnjo mladih poganjkov ali drugih olesenelih rastlin s premerom do 2 cm uporabite levo stran rezila, da se izognete morebitnim sunkom rezila. Ne poskušajte kositi olesenega materiala z večjim premerom, saj se lahko rezilo zatakne ali pa motorno koso sune naprej. To lahko privede do poškodbe rezila ali motorne kose ali pa upravljavec izgubi oblast nad napravo, kar lahko privede do osebne poškodbe.

**⚠ OPOZORILO:** Zaradi neprimerne uporabe lahko rezilo počni ali se zlomi. Izvrženi deli lahko resno poškodujejo upravljavca ali mimoidoče. Za zmanjšanje tveganja za telesne poškodbe je pomembno, da upoštevate naslednje previdnostne ukrepe:

SL

- Izogibajte se stika s trdimi tujki, kot so kamni ali kosi jekla.
- Nikoli ne režite lesa ali grmovja z deblom premera, večjega od 2 cm.
- V rednih kratkih intervalih preverjajte, ali so na rezilu znaki poškodb. Ne nadaljujte dela s poškodovanim rezilom.
- Redno obnovljajte ostrino rezila (ko je to opazno topo) in ga po potrebi uravnotežite (to mora izvesti usposobljen servisni tehnik).

## Sunek rezila

Ko s to enoto uporabljate 3-zobo rezilo, bodite izredno previdni. Sunek rezila je pojav, do katerega lahko pride, ko vrteče rezilo pride v stik s predmetom, ki ga ne more pokositi. Zaradi tega stika se lahko rezilo za trenutek ustavi, nato pa enoto nenadoma »sune«<sup>»</sup> proč od predmeta, na ob katerega ste zadeli. Ta reakcija je lahko tako močna, da upravljavec izgubi nadzor na enoto. Do sunka rezila lahko pride brez vnaprejšnjega opozorila, če se rezilo zatakne, zaustavi med vrtenjem ali ukruvi. Večja verjetnost je, da do sunka rezila pride v območjih, kjer težko vidite material, ki ga režete. Zaradi lažjega košenja in večje varnosti se plevelu, ki ga želite pokositi, z motorno koso približajte z desne proti levi. Če naletite na nepričakovan ali olesen predmet, lahko s tem zmanjšate sunek rezila.

## VZDRŽEVANJE

**⚠ OPOZORILO:** pred pregledom, čiščenjem ali popravilom enote zaustavite motor, počakajte, da se zaustavijo vsi premikajoči se deli in odstranite baterijski sklop. Neupoštevanje teh navodil lahko povzroči hude telesne poškodbe ali materialno škodo.

**⚠ OPOZORILO:** pri servisiranju uporabljajte le identične nadomestne dele. Uporaba drugih delov je tvegana in lahko povzroči škodo na izdelku. Za zagotovitev varnosti in zanesljivosti mora vsa popravila izvesti usposobljen serviser.

## SPLOŠNO VZDRŽEVANJE

Pri čiščenju plastičnih delov se izogibajte uporabi topil. Večina vrst plastike se lahko pri uporabi različnih komercialnih topil poškoduje. Za odstranjevanje umazanije, praha, olja in maščobe uporabljajte čiste krpe.

## ČIŠČENJE NAPRAVE

- Po vsaki uporabi 3-zobega rezila/glave kosilnice očistite ostanke in zemljo ali travo na rezilu ter varovalo z mehko krtačo.

**OPOMBA:** Ko rezilo za košnjo postane topo, ga mora naostriti kvalificiran servisni tehnik ali pa ga po potrebi

zamenjajte z novim rezilom za košnjo.

- Po vsaki uporabi motorne kose očistite noto za košnjo z vlažno krpo in blagim detergentom.
- za čiščenje plastičnega dela ročaja ne uporabljajte močnih čistilnih sredstev. Poškodujejo ga lahko določena aromatična olja, kot sta olje bora in limone, ter topila, kot je kerozin. Vlaga prav tako lahko ustvari nevarnost električnega udara. Vlago obrišite z mehko in suho krpo.
- Zračne odprtine v zadnjem delu ohišja očistite z majhno krtačo ali majhnim sesalnikom.

## NAMAŽITE POGONSKO OHIŠJE

Za najboljše delovanje in daljšo življenjsko dobo pogonsko ohišje po vsakih 50 urah delovanja namažite s posebno mastjo (vsakič 4–5 g).

Posebna mast mora izpolnjevati naslednje zahteve:

1. Stopnja penetracije stožca DIN51818:NLGI-1
2. Mast na osnovi estra
3. Odličen zagon pri nizki temperaturi, EP, mehansko striženje, odpornost na abrazijo in oksidativna stabilnost
4. Delovna temperatura –40~180°C.

Odstranite vtič baterije in tesnilni vijak. Mazanje pogonskega ohišja skozi odprtino za olje.

**⚠ OPOZORILO:** Ne mažite, ko je obzorovalnik še vedno priključen na baterijo ali deluje.

## OSTRENJE REZILA NITKE ZA KOŠNJO

**⚠ OPOZORILO:** Pri izvajanju vzdrževalnih del na rezilu nitke za košnjo vedno nosite zaščitne rokavice.

1. Odstranite rezilo nitke za košnjo iz zaščite.
2. Nosite ustrezno zaščito za oči in rokavice ter pazite, da se ne urežete.
3. Rezilo postavite v priimež.
4. Robove rezila za rezanje pazorno opilite z mehko pilo ali brusilnim kamnom, da boste ohranili prvotni kot roba za rezanje.
5. Zamenjajte rezilo zaščite in ga pritrdite z dvema vijakoma.

## SHRANJEVANJE NAPRAVE

- Iz orodja odstranite baterijski sklop.
- Za temeljito čiščenje uporabljajte zaščitne rokavice.
- Namestite tok rezila na 3-zobo rezilo za varno shranjevanje (slika N).
- Shranite ga v suhem in dobro zračenem prostoru, ki se zaklepa ali je dvignjen, da ne bo na dosegu otrok. Naprave ne shranjujte na ali v bližini gnjil, bencina ali

drugih kemikalij.

**OPOMBA:** Ne uporabljajte obrezovalnika žive meje s topim ali poškodovanim rezilom. To lahko povzroči preobremenitev in nezadovoljive rezultate rezanja.

#### Varovanje okolja



Električne opreme, iztrošene baterije in polnilnika ne odvrzite med gospodinjske odpadke. Izdelek odnesite na pooblaščen obrat za recikliranje in ga zavržite ločeno.

Električna orodja je treba odnesti na obrat za recikliranje in ga reciklirati na okolju prijazen način.

SL

## ODPRAVLJANJE TEŽAV

TEŽAVA	VZROK	REŠITEV
Zagon ni mogoč.	<ul style="list-style-type: none"> <li>■ Baterijski sklop ni pritrjen na obrezovalnik motorno koso ali pa med obrezovalnikom motorno koso in baterijo ni električnega stika.</li> <li>■ Baterijski sklop je izprazen.</li> <li>■ Gumb za odklepanje ni bil prestavljen v položaj »ON«, preden ste pritisnili vzvoda.</li> </ul>	<ul style="list-style-type: none"> <li>■ Baterijski vtič ponovno vstavite v obrezovalnik žive meje.</li> <li>■ Napolnite baterijski sklop z navedenim polnilnikom.</li> <li>■ Pred uporabo obrezovalnika se prepričajte, da je gumb za zaklepanje odklenjen.</li> </ul>
Prenehanje delovanja	<ul style="list-style-type: none"> <li>■ Baterijski sklop ali motorna kosa je prevroča.</li> <li>■ Preobremenitev motorne kose.</li> <li>■ Baterijski sklop je odklopljen iz orodja.</li> <li>■ Baterijski sklop je izprazen.</li> </ul>	<ul style="list-style-type: none"> <li>■ Počakajte, da se baterijski sklop ali obrezovalnik žive meje ohladi do normalne temperature.</li> <li>■ Naprava bo spet delovala, ko boste odpravili obremenitev. Za neprekinjeno delovanje zmanjšajte obremenitev naprave.</li> <li>■ Ponovno namestite baterijski sklop.</li> <li>■ Napolnite baterijski sklop z navedenim polnilnikom.</li> </ul>
Prevelike vibracije ali hrup.	<ul style="list-style-type: none"> <li>■ Suh menjalnik</li> <li>■ Neuravnotežena nitka za košnjo</li> <li>■ 3-zobo rezilo je ukrivljeno ali poškodovano.</li> </ul>	<ul style="list-style-type: none"> <li>■ Odstranite tesnilni vijak in dolijte mazalno olje.</li> <li>■ Z gumbom udarne glave med upravljanjem kosilnice narahlo udarite ob tla.</li> <li>■ Namestite novo rezilo.</li> </ul>
Nitke za košnjo ni mogoče sprostiti.	<ul style="list-style-type: none"> <li>■ V glavi kosilnice je zmanjkalo nitke.</li> <li>■ Nitka za košnjo ni bila pravilno nameščena.</li> </ul>	<ul style="list-style-type: none"> <li>■ V motorno koso namestite novo nitko za košnjo.</li> <li>■ Odstranite nitko za košnjo in jo ponovno namestite.</li> </ul>

SL

## GARANCIJA

### GARANCIJSKA POLITIKA DRUŽBE EGO

Za popolne pogoje garancijske politike družbe EGO obiščite spletno stran [egopowerplus.eu](http://egopowerplus.eu).

## PERSKAITYKITE VISĄ INSTRUKCIJĄ!



PERSKAITYKITE NAUDOJIMO INSTRUKCIJĄ



Saugos įspėjimas



Užsidėti apsauginius akinius



Užsidėti galvos apsaugos priemonę



Dėvėti neslystančią avalynę



Saugotis geležtės atitransos



Visi pašaliniai asmenys nuo įrenginio turi būti atsitraukę ne mažesniu kaip 15 m atstumu



Garantuojamas garso galios lygis. Triukšmo sklaida į aplinką atitinka Europos Bendrijos direktyvą.



Elektros prietaisų atliekas draudžiama utilizuoti kartu su buitinėmis atliekomis. Perduoti įgalio-tam perdirbėjui.

$n_0$

Sūčiai be apkrovos-Sukimosi greitis be apkrovos



Nuolatinė elektros srovė

## SAUGOS SIMBOLIAI



**ĮSPĖJIMAS:** Bet koks elektrinis įrankis naudojimo metu gali išsviesti šiukšles, kurios gali pataikyti į akis ir sunkiai jas sužaloti. Prieš pradėdami naudoti elektrinį įrankį, visada užsidėkite apsauginius akinius arba apsauginius akinius su šonine apsauga ir, jei reikia, visą veidą dengiantį skydelį. Rekomenduojame naudoti platų matymo lauką užtikrinančią apsauginę kaukę, dedamą ant akinių, arba standartinius apsauginius akinius su šonine apsauga.



Norėdamas sumažinti susižalojimo pavojų, naudotojas privalo perskaityti naudojimo instrukciją.



Užsidėti klausos apsaugos priemonę



Užsidėti rankų apsaugos priemones



Saugotis išsviestų daiktų



Prieš vykdant techninės priežiūros darbus atjungti bateriją



Šis gaminytis atitinka taikomas EB direktyvas.



Šis gaminytis atitinka taikomas JK direktyvas.

V Įtampa



.../min Per minutę

kg Kilogramai

IPX5 Apsauga nuo vandens srovių

LT

## TECHNINIAI DUOMENYS

Pjovimo priedas	Žoliapjovės galvutė	Tridantis metalinis pjovimo diskas	
Įtampa	56 V 	56 V 	
Greitis be apkrovos	4000–5800 /min	4000-5800 /min	
Rekomenduojama darbinė temperatūra:	0–40°C		
Rekomenduojama laikymo temperatūra:	-20°C-70°C		
Pjovimo lynelio tipas	2,4 mm	/	
Pjovimo diskas	/	ABB1203	
Pjovimo plotis	38 cm	30 cm	
Svoris	6,8 kg	6,46 kg	
Išmatuotas garso galios lygis $L_{WA}$	95 dB(A) K=1,1 dB(A)	96,3 dB(A) K=2,1 dB(A)	
Garso slėgio lygis ties operatoriaus ausimi $L_{PA}$	82 dB(A) K=2,5 dB(A)	83,4 dB(A) K=4,1 dB(A)	
Garantuojamas garso galios lygis $L_{WA}$ (išmatuotas pagal 2000/14/EB)	96 dB(A)	98 dB(A)	
Vibracija $a_h$	Kairioji rankena	1,9 m/s <sup>2</sup> K=1,5 m/s <sup>2</sup>	1,9 m/s <sup>2</sup> K=1,5 m/s <sup>2</sup>
	Dešinioji rankena	1,5 m/s <sup>2</sup> K=1,5 m/s <sup>2</sup>	1,3 m/s <sup>2</sup> K=1,5 m/s <sup>2</sup>

LT

Nurodyta bendroji vibracijos vertė išmatuota taikant standartinį bandymo metodą, todėl pagal ją galima palyginti skirtingus įrenginius.

- Nurodytą bendrąją vibracijos vertę taip pat galima naudoti pirminiam poveikio vertinimui.

**PASTABA:** Naudojant įrenginį realiomis sąlygomis, sklaidžiamos vibracijos stiprumo vertė gali skirtis nuo nurodytos. Kad apsisaugotų dirbdamas realiomis sąlygomis, naudotojas turi mūvėti pirštines ir naudoti ausų apsaugos priemones.

## PAKUOTĖS TURINIO SĄRAŠAS (A1 Pav.)

### APRAŠAS

#### SUSIPAŽINKITE SU SAVO KRŪMAPJOVE (A1 pav.)

1. Žoliapjovės lynelis

2. Apsaugas
3. Velenas
4. Gaidukas
5. Blokuotės išjungiklis
6. Sparnuotasis varžtas
7. Kabliukas
8. Lizdas
9. Apsauginė plokštelė
10. Dviracio formos rankena
11. Sandarinimo varžtas
12. Veleno fiksavimo anga
13. Lynelio nukirtimo peilis
14. Apsaugo priedas
15. Tridantis pjovimo diskas
16. Peilio dėklas
17. Išorinė jungė
18. Veržlė
19. Daugiafunkcis raktas
20. Šešiabriaunis raktas
- 21\*. Klubų apsauga (išgijama atskirai)

**⚠️ ĮSPĖJIMAS:** niekada nenaudokite įrenginio be savo vietoje pritvirtintos apsaugos. Apsauga visada turi būti uždėta ant įrankio, kad apsaugotų operatorių.

**⚠️ ĮSPĖJIMAS:** kai prie įrankio pritvirtinta žoliapjovės galvutė, ant apsaugos reikia uždėti apsauginį pjovimo lynelio priedą. Priešingu atveju pjovimo lynelis pernelyg išties ir per daug apkrausite variklį. Niekada nenaudokite žoliapjovės galvutės be apsauginio priedo.

## SURINKIMAS

**⚠️ ĮSPĖJIMAS:** jeigu kurios nors dalys pažeistos ar jų trūksta, nenaudokite krūmapjovės, kol tų dalių neuždėsite. Naudojant krūmapjovę, kai jos dalys pažeistos ar jų trūksta, galima sunkiai susižaloti.

**⚠️ ĮSPĖJIMAS:** nebandykite keisti krūmapjovės konstrukcijos ar tvirtinti priedų, nerekomenduojamų naudoti su šiuo įrankiu. Visi tokie pakeitimai ir modifikacijos laikomi netinkamu naudojimu. Jie gali sukelti pavojingas situacijas, dėl kurių galima sunkiai susižaloti.

**⚠️ ĮSPĖJIMAS:** visada mūvėkite tvirtomis pirštinėmis, kai uždedate ar nuimate apsaugą arba tvarkote tridantį pjovimo diską ar lynelio pjovimo peilį. Būkite atsargūs ir saugokite rankas, kad neįsipjautumėte, kai tvarkote apsauginio priedo lynelio pjovimo peilį ar tridantį pjovimo diską.



**⚠️ ĮSPĖJIMAS:** kad įrankio atsitiktinai nepaleistumėte ir sunkiai nesusižalotumėte, visada nuo įrankio atjunkite sudėtinę bateriją, kai montuojate dalis, reguliuojate, valote arba įrankio nenaudojate.

**⚠️ ĮSPĖJIMAS:** niekada įrankio nenaudokite be apsaugos ir savo vietoje pritvirtintos dviračio formos rankenos. Priešingu atveju galite sunkiai susižaloti.

### DVIRAČIO FORMOS RANKENOS TVIRTINIMAS IR REGULIAVIMAS

Krūmapjavė laikoma kaip parodyta B paveiksle. Pradžioje atlaisvinkite sujungimo vietos sparnuotąjį varžtą ir apskukite rankeną 180° kampu aplink veleną (C pav.), po to pasukite 90° kampu prieš laikrodžio rodyklę, kad būtų nukreipta į galvutę (D pav.). Galiausiai, pastumkite rankeną į priekį arba atgal, nusistatydami patogią darbinę padėtį, ir priveržkite varžtą.

**PASTABA:** įrankiu leidžiama dirbti tik priveržus dviračio formos rankeną statmenai veleno atžvilgiu.

### APSAUGOS TVIRTINIMAS

**⚠️ ĮSPĖJIMAS:** Tvirtindami arba keisdami apsaugą būtinai mūvėkite pirštines. Saugokitės prie apsaugos pritvirtinto peilio ir saugokite rankas nuo įpjovimo.

**⚠️ ĮSPĖJIMAS:** Niekada nenaudokite įrenginio be savo vietoje pritvirtintos apsaugos. Apsauga visada turi būti ant įrenginio, kad apsaugotų naudotoją! Po to, kai apsauga pritvirtinama, niekada nebandykite jos nuimti ar reguliuoti. Jeigu apsaugą reikia pakeisti, tai turi atlikti kvalifikuotas techninės priežiūros specialistas!

Atsukite ir ištraukite abu varžtus iš apsaugo (E pav.), sulygininkite apsaugo tvirtinimo skyles su apsaugo bloko skylėmis ir pritvirtinkite apsaugą ant veleno pagrindo abiem varžtais kartu su spyruoklinėmis poveržlėmis (F pav.).

**⚠️ ĮSPĖJIMAS:** Vidinis apsaugos paviršius turi būti atsuktas į pjovimo galvutę (F pav.).

**⚠️ ĮSPĖJIMAS:** kai ant įrankio montuojama žoliapjovės galvutė, ant apsaugo reikia pritvirtinti apsaugo priedą. Priešingu atveju gali išsitraukti per ilgą pjovimo lynelį ir pakeisti variklis.

### ŽOLIAPJOVĖS GALVUTĖS KEITIMAS TRIDANČIU DISKU

1. Iš žoliapjovės ištraukite kištuką.
2. Pasukite žoliapjovės galvutę, kad anga jungėje susilygintų su veleno fiksavimo anga reduktoriaus korpuse, ir įstatykite į angą šešiabriaunį raktą (G pav.).
3. Kad nuimtumėte žoliapjovės galvutę, sukite ją pagal laikrodžio rodyklę (G pav.).

4. Nuimkite apsaugos priedą atlaisvindami tris varžtus su poveržle (H pav.).

5. Diskas tiekiamas su dėklu. Prieš pritvirtindami pjovimo diską prie krūmapjovės, nuimkite jo dėklą, atkabindami fiksavimo vielą nuo dėklo kabliuko (I1 pav.).

**PASTABA:** kad nesusižalotumėte, tridantį diską imkite mūvėdami pirštines.

6. Įstatykite į vietą vidinę jungę ir jos dangtelį (I2 pav.).
7. Uždėkite peilį ant variklio veleno taip, kad peilio paviršius būtų sulig vidinės jungės išsikišimu. Uždėkite išorinę jungę ir priveržkite veržlę (I3 pav.). Priveržkite veržlę ranka PRIEŠ LAIKRODŽIO RODYKLĘ.
8. Krumplinės pavaros dėžutę atremkite į kietą pagrindą. Viena ranka laikykite krūmapjovės veleną, o kita ranka daugiafunkciu veržliarakčiu priveržkite veržlę kryptimi, kuri nurodyta ant išorinės jungės (I4 pav.).

### TRIAŠMENIO PEILIO KEITIMAS ŽOLIAPJOVĖS GALVUTE

Susipažinkite su triašmenio peilio bloko konstrukcija, žr. J1 paveikslą. Po to nuo krūmapjovės nuimkite triašmenį peilį ir pakeiskite jį žoliapjovės galvute.

1. Pasukite peilį, kad prapjova jungėje susilygintų su veleno fiksavimo anga reduktoriaus korpuse, ir įstatykite į angą šešiabriaunį raktą.
2. Atremkite reduktoriaus korpusą į kietą paviršių. Viena ranka laikykite krūmapjovės veleną, o kita ranka paaimkite daugiafunkcij raktą ir pagal laikrodžio rodyklę atsukite veržlę (I4 pav.).
3. Nuimkite veržlę, išorinę jungę, pjovimo peilį nuo krūmapjovės (J2 pav.).

LT

J-1	Velenas	J-5	Išorinė jungė
J-2	Vidinė jungė	J-6	Veržlė
J-3	Jungės dangtelis	J-7	Prapjova jungėje
J-4	Triašmenis peilis		

**PASTABA:** nenaudojamą triašmenį peilį į dėkite į dėklą, kad neįsipjautumėte.

4. Prie krūmapjovės pritvirtinkite apsaugo priedą, priverždami tris varžtus su poveržlėmis (H pav.).
5. Kad uždėtumėte žoliapjovės galvutę, sukite ją prieš laikrodžio rodyklę (G pav.). Norėdami užvynioti pjovimo lynelį, laikykitės skyriuje „LYNELIO KEITIMAS“ pateiktų nurodymų.

**PASTABA:** jeigu lynelį užvyniosite netinkama kryptimi, žoliapjovės galvutė veiks netinkamai.

## NAUDOJIMAS

**⚠️ ĮSPĖJIMAS:** dirbdami neatsipalaiduokite ir būkite budrūs. Atsiminkite, kad trumpam atitraukę dėmesį galite sunkiai susižaloti.

**⚠️ ĮSPĖJIMAS:** būtinai naudokite akių ir klausos organų apsaugos priemones. Priešingu atveju į akis gali pataikyti išsviestos šiukšlės arba galite kitaip sunkiai susižaloti.

**⚠️ ĮSPĖJIMAS:** nenaudokite jokių gamintojo nerekomenduotų priedų arba įtaisų. Naudodami nerekomenduojamus priedus arba įtaisus galite sunkiai susižaloti.

## NAUDOJIMAS

Šį gaminį galima naudoti lyjant lietuvi.

Galite naudoti šį gaminį toliau išvardytais tikslais:

**Apipjovimas:** naudojamas pašalinti žolėms ir piktžolėms prie sienų, tvorų, medžių ir bortelių.

**Pjovimas:** naudojamas žolei pjauti vietose, kurias sunku pasiekti naudojant įprastą vejąplovę.

**PASTABA:** Įrenginį galima naudoti tik pagal numatytąją paskirtį. Bet koks kitas naudojimas laikomas netinkamu.

## KRŪMAPJOVĖS LAIKYMAS

Prieš prijungdami savo ant nugaros nešiojamą bateriją prie krūmaplovės, pradžioje užsidėkite ant nugaros bateriją ir klubų apsaugą (žr. BAX1500 ir AHP1500 naudojimo vadovus).

Privirtinkite krūmaplovę prie klubų apsaugo, užkabindami kabliuką ant tvirtinimo angos (K pav.) Galite pasirinkti vieną iš 8 angų ant veleno, kad būtų patogiu dirbti.

Laikykite žoliaplovę abiem rankomis suėmę rankeną dešinėje savo kūno pusėje. Žoliaplovės galvutė ar pjovimo diskas turi būti tinkamame aukštyje lygiagrečiai su žemės paviršiumi, o operatorius neturi lenktis į priekį.

Nusiimti krūmaplovę galima dviem būdais. Atsekite krūtinės ir diržo sagtis (L1 pav.) arba paspauskite kabliuką ant klubų apsaugo ir atkabinkite nuo veleno tvirtinimo angos.

**⚠️ ĮSPĖJIMAS:** kritiniu atveju krūmaplovę greičiausiai nusiimsite atsegdami krūtinės ir diržo sagtis.

**⚠️ ĮSPĖJIMAS:** ant nugaros užsidėdami bateriją, vienu metu nenaudokite diržo ant vieno peties ir ant abiejų pečių.

Naudokite tik A2 pav. pateiktais EGO akumulatoriais ir įkrovikliais.

**Sudėtinės baterijos prijungimas (L2 pav.)**

Sulyginkite ▲ žymę ant kištuko su ▲ žyme ant krūmaplovės. Stumkite kištuką į įrankį, kol žalias tarpiklis pasislėps lizde.

## Atjungimas

Ištraukite baterijos laidą iš tvirtinimo grovelio ir ištraukite kištuką iš krūmaplovės.

## KRŪMAPJOVĖS ĮJUNGIMAS IR IŠJUNGIMAS

### Įjungimas

Blokuotės išjungiklį nustatykite į „ON“ padėtį (M pav.). Mažąjį jungiklį paspauskite į viršų, o po to paspauskite pagrindinį jungiklį, kad paleistumėte krūmaplovę. Skirtinga jėga spaudžiant jungiklį, keičiasi pjovimo įrankio sukimosi greitis.

Dalių pavadinimai L1 ir M paveiksluose:

L-1	Krūtinės diržo sagtis	M-1	Blokuotės išjungiklis
L-2	Juosmens diržo sagtis	M-2	Mažasis jungiklis
L-3	Kabliukas	M-3	Pagrindinis jungiklis

### Išjungimas

Atleiskite pagrindinį jungiklį ir blokuotės išjungiklį gražinkite į „OFF“ padėtį.

**⚠️ ĮSPĖJIMAS:** darydami pertraukus arba baigę darbą, visada išimkite akumulatorių iš žoliaplovės.

## KRŪMAPJOVĖS NAUDOJIMAS

**⚠️ ĮSPĖJIMAS:** kad sumažėtų pavojus susižaloti, krūmaplovę naudokite tinkamai apsirėngę. Nedėvėkite laisvų drabužių ir nenešiotkite laisvai kabančių papuošalų. Užsidėkite akių ir ausų (klausos) apsaugos priemones. Mūvėkite tvirtos medžiagos ilgas kelnes ir pirštines, avėkite tinkamus batus. Nemūvėkite trumpų kelnų, sandalų ir nedirbkite basomis. Prieš pradėdami darbą apsižvalgykite ir įsitikinkite, ar darbo zona saugi ir joje nėra kitų žmonių, gyvūnų ar numestų daiktų. Visi pašaliniai žmonės ir gyvūnai turi būti ne arčiau kaip už 15 metrų. Tuomet patikrinkite, ar tinkami darbui jūsų drabužiai ir akių apsauga, ar tvirtai stovite.

Kaskart prieš naudodami įrankį patikrinkite, ar nėra pažeistų ir (ar) sudilusių dalių. Patikrinkite žoliaplovės galvutę, triašmenį peilį, apsaugą, apsaugo priedą ir dviračio formos rankeną. Pakeiskite įtrūkusias, sulinkusias arba kitaip pažeistas dalis. Lynelio nukirtimo peilis apsaugo krašte laikui bėgant gali atšipti. Rekomenduojama reguliariai galąsti jį dilde arba pakeisti nauju.

### Kaskart po darbo krūmapjovę išvalykite.

**⚠ DĖMESIO:** Ventilacinėse angose susikaupę šiukšlės trukdo orui patekti į variklio korpusą, dėl ko variklis gali perkaisti ar sugesti.

- Įrenginį valykite tik mažos koncentracijos indų ploviklio tirpale sudrėkinta šluoste. Niekada neleiskite skysčiui patekti į įrenginio vidų; niekada nemerkite jokios įrenginio dalies į skystį.
- Variklio korpuso ventilacinės angos visada turi būti neužkimštos.

**⚠ ĮSPĖJIMAS:** Plastikinių dalių nevalykite tirpikliais. Įvairūs komerciniai tirpikliai ardo daugelį plastikų, Purvą, dulkes, alyvą, tepalus ir t. t. valykite švariu skudurėliu.

### PJOVIMAS SU ŽOLIAPJOVĖS GALVUTE

#### Žoliapjovės galvutės tikrinimas, ar neužsikimšo

- Kad neužsikimštų, žoliapjovės galvutė visada turi būti švari. Prieš ir po kiekvieno naudojimo pašalinkite nupjautą žolę, lapus, nešvarumus ir visas kitas susikaupusias šiukšles.
- Jei galvutė užsikimša, sustabdykite žoliapjovę su lyneliu ir išimkite bateriją, o po to pašalinkite visą aplink variklio veleną ar žoliapjovės galvutę apsvinčiusią žolę.

#### Pjovimo lynelio ilgio reguliavimas

Operatorius gali ištraukti daugiau žoliapjovės galvutės pjovimo lynelio nestabdydamas variklio. Pjovimo lyneliui nudilus, jo galima daugiau ištraukti lengvai trinkelėlius žoliapjovės galvutę į žemės paviršių, neišjungiant žoliapjovės.

**PASTABA:** kuo pjovimo lynelis trumpesnis, tuo sunkiau jį ištraukti.

**⚠ ĮSPĖJIMAS:** neišimkite ir nekeiskite lynelio pjovimo peilio konstrukcijos. Jeigu lynelis per ilgas, gali perkaisti variklis ir galite sunkiai susižaloti.

#### Lynelio keitimas

**⚠ ĮSPĖJIMAS:** niekada nenaudokite metalu dengto lynelio, vielos, virvės ar pan. Jie gali nutūkti ir pavojingai į jus atsitrenkti.

**PASTABA.** Visada naudokite rekomenduojamą pjovimo lynelį, kurio skersmuo neviršija 2,7 mm. Naudojant kitokį nei nurodyta pjovimą lynelį, žoliapjovė gali perkaisti arba sugesti.

1. Iš žoliapjovės ištraukite kištuką.
2. Jei reikia, pašalinkite likusį pjovimo lynelį.
3. Atpjaukite 8 m ilgio pjovimo lynelio atkarpa ir įkiškite į angą ašelėje (J3 pav.). Kiškite pjovimo lynelį ir

ištraukite kitoje pusėje; traukite, kol abiejose ritės pusėse lynelio bus vienodo ilgio.

4. Paspaudę ir sukdami rodyklės kryptimi apatinę gaubto dalį, vyniokite lynelį ant ritės, kol abiejose pusėse liks maždaug po 12 cm lynelio (J4 pav.).
5. Norėdami ištraukti lynelį, paspauskite apatinę gaubto dalį ir rankomis ištraukite lynelio galus bei patikrinkite, ar tinkamai sumontuota žoliapjovės galvutė.

Kai pjovimo lynelis nutrūksta ties lynelio išleidimo anga arba nepailgėja stuktelių žoliapjovės galvutę į žemę, atlikite šiuos veiksmus:

1. Nuspauskite viršutinio gaubto atkabinimo auseles ir traukdami išimkite apatinę gaubto dalį (J5 ir J6 pav.).
2. Nuvyniokite pjovimo lynelį nuo ritės.
3. Viena ranka laikykite apatinę gaubto dalį, o kita suimkite apatinę gaubto konstrukciją ir įtaikykite viršutinio gaubto auseles į apatinio gaubto angas (J7 pav.); apatinę konstrukciją spauskite delnu iki auselės užsifiksuos viršutiniame gaubte.
4. Norėdami pakeisti pjovimo lynelį, laikykitės skyriuje „LYNELIO KEITIMAS“ pateiktų nurodymų.

#### Triašmenio peilio naudojimas

**⚠ ĮSPĖJIMAS:** norėdami pjauti brūzgynus ar krūmokšnius, tridantį pjovimo diską nuleiskite ant krūmų, kad išgautumėte kapojimo efektą. Krūmapjovę naudokite kaip dalį (mojuokite į kairę ir į dešinę) ties žemės paviršiumi. Pjovimo priedo nekelkite aukščiau juosmens lygio.

**⚠ ĮSPĖJIMAS:** kuo aukščiau pjovimo priedas iškeltas, tuo didesnis kyla pavojus susižaloti nuo skriejančių nuopjovų.

**⚠ ĮSPĖJIMAS:** kai pjaunami jauni iki 2 cm skersmens medeliai ar sumedėję augalai, pjaukite kairiaja disko puse, kad išvengtumėte disko atatrakos. Nebandykite pjauti storesnių medelių, nes pjovimo diskas gali įstrigti ar patraukti krūmapjovę į priekį. Taip galite sugadinti pjovimo diską ar krūmapjovę arba jos nesuvaldyti ir susižaloti.

**⚠ ĮSPĖJIMAS:** netinkamai naudojant krūmapjovės peilį jis gali įtrūkti, įskilti arba ištrupėti. Išsviestos dalys gali sunkiai sužaloti operatorių arba pašalinį asmenį. Norint sumažinti traumų pavojų svarbiausia imtis šių atsargumo priemonių:

- Saugokitės, kad diskas neatsitrenktų į tokias kliūtis, kaip akmenys, uolienos ar metalo gabalai.
- Niekada nebandykite pjauti medelių ar krūmų, kurių kamieno skersmuo didesnis nei 2 cm.

- Reguliariai ir pakankamai dažnai tikrinkite diską, ar jis nepažeistas. Nutraukite darbą, jei diskas pažeistas.
- Reguliariai galąskite diską (kai jis pastebimai atšimpa) ir subalansuokite, jei reikia (šį darbą turi atlikti kvalifikuotas techninės priežiūros specialistas).

## Disko atatranka

Būkite ypač atsargūs šiuo įrankiu pjaudami su tridančiu pjovimo disku. Disko atatranka yra reakcija, kuri įvyksta, kai besisukantis diskas atsitrenkia į nenujaujamą kliūtį. Tokio sąlyčio metu kliūtis diską gali trumpam sustabdyti ir jis gali staigiai atšokti atgal nuo pjaunamos kliūties. Ši reakcija gali būti pakankamai stipri, kad operatorius prarastų pusiausvyrą. Pjovimo disko atatranka gali įvykti netikėtai, jei diskas užkliūna ar įstringa. Tokia atatranka dažniausiai įvyksta tokiose vietose, kur sunku įžiūrėti pjaunamą medžiagą. Kad pjauti būtų lengviau ir saugiau, piktžoles pjaukite iš dešinės į kairę. Jeigu diskas netikėtai atsitrenktų į kliūtį ar medį, disko atatranka šiuo atveju būtų mažesnė.

## TECHNINĖ PRIEŽIŪRA

**⚠️ ĮSPĖJIMAS:** prieš įrankį tikrindami, valydami ar techniškai prižiūradami sustabdykite variklį, palaukite, kol visos judančios dalys sustos, ir išimkite akumuliatoriaus bloką. Nesilaikydami šių nurodymų galite sunkiai ar net mirtinai susižaloti arba sugadinti turtą.

**⚠️ ĮSPĖJIMAS:** atlikdami techninės priežiūros darbus, naudokite tik identiškas atsargines dalis. Naudojant bet kokias kitas dalis, gali kilti pavojus arba sugesti gaminy. Norint užtikrinti saugų ir patikimą įrankio naudojimą, visus remonto darbus turi atlikti kvalifikuotas techninės priežiūros specialistas.

## BENDROJI TECHNINĖ PRIEŽIŪRA

Plastikinių dalių nevalykite tirpikliais. Dauguma tirpiklių pažeidžia plastiką, todėl jų naudoti nerekomenduojama. Purvo, dulkių, alyvos, tepalo ir pan. valymui naudokite švarius skudurus.

## ĮRANKIO VALYMAS

- Po kiekvieno naudojimo minkštu šepetėliu nuvalykite nuo tridančio pjovimo disko ar žoliapjovės galvutės ir apsaugos šiuokšles, žemės gabaliukus ir žolę.

**PASTABA:** kai lynelio nupjovimo peilis atšimpa, jį pagaląšti turi kvalifikuotas techninės priežiūros specialistas; taip pat šį peilį galite pakeisti nauju, jei būtina.

- Po kiekvieno krūmapjovės naudojimo nuvalykite pjovimo priedą drėgna šluoste, pamirkyta neėsdinančios valymo priemonės tirpale.

- Plastikinio korpuso ir rankenos nevalykite jokiomis ėsdinančiomis valymo priemonėmis. Aromatinės alyvos (pušies arba citrinų kvapo) ir tirpikliai, pvz., žibalas, gali jas sugadinti. Drėgmė taip pat gali kelti elektros smūgio pavojų. Bet kokią drėgmę nuvalykite minkšta sausa šluoste.
- Šepetėliu arba mažu dulkių siurbliu išvalykite korpuso galinėje dalyje esančias vėdinimo angas.

## REDUKTORIAUS TEPIMAS

Tam, kad prietaisas veiktų tinkamai ir būtų prailgintas jo eksploatavimo laikas, kas 50 veikimo valandų tepkite reduktorių specialiu tepalu (kiekvienu kartą 4–5 g).

Specialus tepalas turi atitikti toliau pateikiamus reikalavimus.

1. Atitikti DIN51818: NLGI-1 kūginio prasiskverbimo laipsnis.
2. Esterio pagrindu pagamintas tepalas.
3. Puikios paleidimo esant žemai temperatūrai, EP, atsparumo mechaniniam kirpimui, atsparumo dilimui ir oksidacinio stabilumo savybės.
4. Darbinė temperatūra turi būti nuo -40 iki 180°C.

Išimkite akumuliatoriaus kištuką ir sandarinimo Reduktoriaus tepimui naudokite tam skirtą angą.

**⚠️ ĮSPĖJIMAS:** Netepkite, jeigu krūmapjovė vis dar prijungta prie akumuliatoriaus arba veikia.

## LYNELIO PJOVIMO PEILIO GALANDIMAS

**⚠️ ĮSPĖJIMAS:** tvarkydami lynelio pjovimo peilį, visada apsaugokite rankas, užsimaudami tvirtas pirštines.

1. Išimkite lynelio pjovimo peilį iš apsaugos.
2. Dėvėkite apsauginius akinius ir pirštines ir saugokitės, kad neįsijautumėte.
3. Priveržkite peilį spaustuvais.
4. Atsargiai pagaląskite peilio ašmenis smulkiagrūde dilde arba šlifavimo akmeniu, išlaikydami pradinį ašmenų kampą.
5. Vėl įstatykite peilį į apsaugą ir priveržkite dviem varžtais.

## ĮRANKIO LAIKYMAS

- Iš įrankio išimkite akumuliatoriaus bloką.
- Mūvėkite tvirtomis pirštinėmis, kruopščiai valydami įrankį.
- Ant tridančio pjovimo disko uždėkite apsauginį dėklą (N pav.).
- Įrankį laikykite sausoje, gerai vėdinamoje, rakinamoje patalpoje arba aukštai, vaikams nepasiekiamoje vietoje. Nelaikykite įrankio ant arba šalia trąšų, benzino arba kitų cheminių medžiagų.

**PASTABA:** nenaudokite krūmapjovės, jeigu jos peilis atšipęs ar sugadintas. Dėl to įrankį galite pernelyg apkrauti ir pablogės pjovimo rezultatai.

#### Aplinkos apsauga



Neišmeskite elektros įrangos, panaudotų baterijų ir įkroviklio kartu su buitinėmis atliekomis! Šias atliekas reikia pristatyti į jų surinkimo vietą ar įgaliotam perdirbėjui. Elektrinius įrankius reikia grąžinti į atitinkamą perdirbimo įmonę.

## TRIKČIŲ ŠALINIMAS

PROBLEMA	PRIEŽASTIS	SPRENDIMAS
Nepavyksta paleisti.	<ul style="list-style-type: none"> <li>■ Sudėtinė baterija neprijungta prie krūmapjovės arba nėra kontakto tarp baterijos ir krūmapjovės.</li> <li>■ Akumuliatorius visiškai išsekęs.</li> <li>■ Prieš nuspaužiant jungiklius, blokuotės išjungiklis nenustatytas į ON padėtį.</li> </ul>	<ul style="list-style-type: none"> <li>■ Atjunkite ir dar kartą prijunkite sudėtinę bateriją prie krūmapjovės.</li> <li>■ Įkraukite sudėtinę bateriją, naudodami nurodytą įkroviklį.</li> <li>■ Prieš paleisdami krūmapjovę patikrinkite, ar išjungtas blokuotės išjungiklis.</li> </ul>
Dirbant išsijungia.	<ul style="list-style-type: none"> <li>■ Akumuliatorius blokas arba krūmapjovė pernelyg įkaitusi.</li> <li>■ Krūmapjovės perkrova.</li> <li>■ Akumuliatorius blokas atjungtas nuo įrankio.</li> <li>■ Sudėtinė baterija išsikrovė.</li> </ul>	<ul style="list-style-type: none"> <li>■ Leiskite sudėtinei baterijai ar krūmapjovėi atvėsti iki normalios temperatūros.</li> <li>■ Variklis vėl įsijungs pašalinus apkrovą. Kad darbas nestotų, sumažinkite įrankio apkrovą ir įjunkite.</li> <li>■ Iš naujo įdėkite akumuliatoriaus bloką.</li> <li>■ Įkraukite sudėtinę bateriją, naudodami nurodytą įkroviklį.</li> </ul>
Per didelė vibracija arba triukšmas.	<ul style="list-style-type: none"> <li>■ Reduktoriaus bloke nėra alyvos.</li> <li>■ Nesubalansuotas pjovimo lynelis.</li> <li>■ Triašmenis peilis sulenktas ar pažeistas.</li> </ul>	<ul style="list-style-type: none"> <li>■ Atsukite sandarinimo varžtą ir įpilkite tepimo alyvos.</li> <li>■ Darbo metu lengvai stuktelėkite pjovimo galvutę į žemę.</li> <li>■ Peilį pakeiskite nauju.</li> </ul>
Negalima ištraukti ilgesnio pjovimo lynelio.	<ul style="list-style-type: none"> <li>■ Lynelis žoliapjovės galvutėje pasibaigė.</li> <li>■ Lynelis netinkamai įdėtas.</li> </ul>	<ul style="list-style-type: none"> <li>■ Įdėkite į krūmapjovės galvutę naują pjovimo lynelį.</li> <li>■ Ištraukite pjovimo lynelį ir dar kartą jį įdėkite.</li> </ul>

LT

## GARANTIJA

### EGO GARANTINIS POLISAS

Norėdami sužinoti visas „EGO“ garantinio poliso sąlygas, apsilankykite interneto svetainėje [egopowerplus.eu](http://egopowerplus.eu).

## IZLASIET VISUS NORĀDĪJUMUS!



**IZLASIET LIETOTĀJA ROKASGRĀMATU**



Drošības brīdinājums



Lietot acu aizsarglīdzekļus



Valkāt galvas aizsarglīdzekļus



Valkājiet apavus ar slīdes pretestību



Uzmanieties no asmens atsitienu



Attālumam starp iekārtu un tuvumā esošām personām jābūt vismaz 15 m.



Garantētais skaņas intensitātes līmenis. Trokšņa emisija vidē atbilstoši Eiropas Kopienas direktīvai.



Elektrisko izstrādājumu atkritumus nedrīkst izmest kopā ar sadzīves atkritumiem. Nogādājiet uz pilnvarotu pārstrādes punktu.

$n_0$

Apgriezienu skaits bez slodzes-Rotācijas ātrums bez slodzes



Līdzstrāva

## DROŠĪBAS SIMBOLI



**BRĪDINĀJUMS!** Jebkura elektroinstrumenta lietošanas laikā acīs var iekļūt svešķermeņi, kas var radīt smagu acu traumu. Pirms elektroinstrumenta ieslēgšanas vienmēr uzvelciet aizsargbrilles vai aizsargbrilles ar sānu aizsargiem un, ja nepieciešams, pilnu sejas aizsargmasku. Iesakām izmantot aizsargmasku ar plašu skata leņķi, ko uzvelk virs parastajām brillēm, vai arī standarta aizsargbrilles ar sānu aizsargiem.



Lai mazinātu traumu gūšanas bīstamību, lietotājam jāizlasa lietotāja rokasgrāmata.



Valkāt dzirdes aizsarglīdzekļus



Valkāt galvas aizsarglīdzekļus



Uzmanieties no atsviestiem priekšmetiem



Akumulators pirms apkopes darbu veikšanas ir jāatvieno



Šis izstrādājums atbilst piemērojamām EK direktīvām.



Šis izstrādājums atbilst piemērojamiem Apvienotās Karalistes tiesību aktiem.

V Spriegums



.../min Minūtē

kg kilograms

IPX5 Aizsardzība pret ūdens strūkļām

LV

## SPECIFIKĀCIJAS

Griešanas ierīce	Trimera galva	3 zobu metāla asmens	
Spriegums	56 V 	56 V 	
Apgriezienu skaits bez slodzes	4000-5800 /min	4000-5800 /min	
Ieteicamā darba temperatūra:	0°C–40°C		
Ieteicamā uzglabāšanas temperatūra:	-20°C–70°C		
Griezējauklas veids	2,4 mm	/	
Griezējasmens	/	ABB1203	
Griešanas platums	38 cm	30 cm	
Svars	6,8 kg	6,46 kg	
Izmērītais trokšņa jaudas līmenis $L_{WA}$	95 dB(A) K=1,1 dB(A)	96,3 dB(A) K=2,1 dB(A)	
Trokšņa spiediena līmenis pie operatora auss $L_{PA}$	82 dB(A) K=2,5 dB(A)	83,4 dB(A) K=4,1 dB(A)	
Izmērītais trokšņa jaudas līmenis $L_{WA}$ (saskaņā ar Direktīvu Nr. 2000/14/EK)	96 dB(A)	98 dB(A)	
Vibrācija $a_n$	Kreisais rokturis	1,9 m/s <sup>2</sup> K=1,5 m/s <sup>2</sup>	1,9 m/s <sup>2</sup> K=1,5 m/s <sup>2</sup>
	Labais rokturis	1,5 m/s <sup>2</sup> K=1,5 m/s <sup>2</sup>	1,3 m/s <sup>2</sup> K=1,5 m/s <sup>2</sup>

LV

- Norādītā vibrāciju kopējā vērtība ir izmērīta saskaņā ar standarta pārbaudes metodi un var tikt izmantota, lai salīdzinātu vairākus instrumentus.
- Norādītā vibrāciju kopējā vērtība var arī tikt izmantota ietekmes sākotnējai novērtēšanai.

**PIEZĪME.** Vibrāciju emisijas faktiskajā elektroinstrumenta darbināšanas laikā var atšķirties no norādītās vērtības. Lai pasargātu operatoru, lietotājam jāvalkā cimdi un dzirdes aizsarglīdzekļi atbilstoši patiesajiem darba apstākļiem.

## KOMPLEKTĀCIJA (A1 Att.)

### APRAKSTS

#### PĀRZINIET SAVU KRŪMGRIEZI (A1 att.)

1. Trimmera aukla

2. Samontēts aizsargs
3. Vārpsta
4. Pārslēdzējs
5. Bloķēšanas poga
6. Spārnu skrūve
7. Āķis
8. Kontakltīzda
9. Aizsargplāksne
10. Velosipēda stūres formas rokturis
11. Bīvējuma skrūve
12. Vārpstas bloķēšanas atvere
13. Auklas nogriešanas asmens
14. Aizsarga piederums
15. 3 zobu asmens
16. Asmens futrālis
17. Ārējais atloks
18. Uzgrieznis
19. Daudzfunkciju uzgriežņu atslēga
20. Sešskaldņu uzgriežņu atslēga
- 21\*. Gurnu polsterējums (tiek pārdots atsevišķi)

**⚠ BRĪDINĀJUMS!** Nekādā gadījumā nelietojiet darbarīku, ja nav uzstādīts aizsargs. Aizsargam vienmēr jāatrodas uz darbarīka, lai aizsargātu lietotāju!

**⚠ BRĪDINĀJUMS!** Ja darbarīks ir aprīkots ar trimera galvu, aizsarga piederumam un griezējauklas asmenim jābūt uzstādītiem uz aizsarga. Šo noteikumu neievērošanas rezultātā var tikt padota pārāk gara griezējaukla un motoram var rasties pārslodze. Nekad neizmantojiet trimera galvu bez aizsarga piederuma.

## MONTĀŽA

**⚠ BRĪDINĀJUMS!** Ja kāda daļa ir bojāta vai trūkst, nedarbiniet krūmgriezi, kamēr šādas daļas nav nomainītas. Darbinot krūmgriezi ar bojātām vai trūkstošām daļām varat gūt smagus miesas bojājumus.

**⚠ BRĪDINĀJUMS!** Nemēģiniet pārveidot krūmgriezi vai izveidot piederumus, kas nav ieteicami lietošanai kopā ar šo izstrādājumu. Jebkādi šādi uzlabojumi vai pārveidojumi uzskatāmi par neatbilstošu lietošanu un var radīt bīstamus apstākļus, kas var izraisīt smagus miesas bojājumus.

**⚠ BRĪDINĀJUMS!** Uzstādot vai noņemot aizsargu un veicot 3 zobu asmenim / auklas griešanas asmenim apkopi, vienmēr valkājiet izturīgus cimdus. Esiet piesardzīgi, rīkojoties ar auklas griešanas asmeni uz aizsarga piederuma / 3 zobu asmens, un sargiet savas rokas no traumām, ko var izraisīt abi asmeņi.



**⚠ BRĪDINĀJUMS!** Lai novērstu nejaucu ieslēgšanos, kas var radīt smagas traumas, saliekot instrumentu, veicot regulēšanu, tīrīšanu vai to nelietojot, vienmēr izņemiet no tā akumulatoru bloku.

**⚠ BRĪDINĀJUMS!** Nekādā gadījumā nelietojiet darbarīku bez aizsarga un, ja nav nostiprināts velosipēda stūres formas rokturis. Šo noteikumu neievērošanas rezultātā darbarīks var izraisīt smagus miesas bojājumus.

### VELOSIPĒDA STŪRES FORMAS ROKTURA UZSTĀDĪŠANA UN REGULĒŠANA

Krūmgriezis jāuzglabā tā, kā tas ir norādīts B attēlā. Vispirms atskrūvējiet spārnu skrūvi, kas atrodas savienojuma vietā, un pēc tam paceliet velosipēda stūres formas rokturi, pagriežot 180° ap vārpstu (C att.), pagriežiet to par 90° pretēji pulksteņrādītāja kustības virzienam, lai tas atastos pretim piespiežamajai galvai (D att.). Visbeidzot, pabīdīet to uz priekšu un atpakaļ, lai iegūtu ērtu darba stāvokli, un pievelciet skrūvi.

**PIEZĪME!** Šo instrumentu atļaus darbināt tikai ar velosipēda stūres formas rokturi, ko uzstāda perpendikulārā vārpstai.

### AIZSARGA MONTĀŽA

**⚠ BRĪDINĀJUMS!** Uzstādot vai nomainot aizsargu, vienmēr valkājiet cimdus. Sargieties no asmens, kas atrodas uz aizsarga, un aizsargājiet rokas pret sagriešanos.

**⚠ BRĪDINĀJUMS!** Nekādā gadījumā nedarbiniet iekārtu, ja nav nostiprināts aizsargs. Aizsargam vienmēr jābūt uzstādītam uz iekārtas, lai aizsargātu lietotāju! Kad aizsargs ir piestiprināts, nekad nemēģiniet to noņemt vai regulēt; ja aizsargs ir jānomaina, nogādājiet to kvalificētam apkopes tehnikim!

Atskrūvējiet un izņemiet abas skrūves no vārpstas pamatnes aizsarga (E att.), salāgojiet aizsarga uzstādīšanas caurumiņus ar montāžas caurumiņiem un pēc tam piestipriniet aizsargu vārpstas pamatnei, pieskrūvējot abas skrūves un abas atspereplāksnes (F att.).

**⚠ BRĪDINĀJUMS!** Pārbaudiet, vai aizsarga iekšējā virsma ir vērsta griezējgalvas virzienā (F att.).

**⚠ BRĪDINĀJUMS!** Ja krūmgriezim ir uzstādīta trimmera galva, uz aizsarga jābūt uzstādītam aizsarga piederumam. Šo noteikumu neievērošanas rezultātā var tikt padota pārāk gara griezējaukla un motoram var rasties pārslodze.

### TRIMERA GALVAS NOMAINĪŠANA AR 3 ZOBU ASMENI

1. Izņemiet barošanas kontaktdakšu no auklas trimmera.
2. Lai salāgotu spraugu atlokā ar vārpstas bloķēšanas atveri pānesumkārbā, pagriežiet trimmera galvu un ielieciet atverē stabilizatoru (G att.).

3. Lai izņemtu, pagriežiet trimmera galvu pulksteņrādītāja kustības virzienā (G att.).
4. Noņemiet aizsarga piederumu, atskrūvējot visas trīs skrūves un noņemot paplāksni (H att.).
5. Asmens tiek piegādāts kopā ar apvalku. Apvalks ir jānoņem pirms asmens uzstādīšanas uz krūmgrieža, atskrūvējot stieplu skavu no apvalka āķa (I1 att.).

**PIEZĪME.** Lai pasargātu sevi no traumām, valkājiet cimdus pirms sākat darboties ar 3 zobu asmeni.

6. Uzstādiet iekšējo atloku un atloka vāciņu (I2 att.).
7. Uzstādiet asmeni uz motora vārpstas tā, lai asmens virsma atastos vienā līmenī ar iekšējā atloka virsmas izliekumu. Uzstādiet ārējo atloku un uzgriezni (I3 att.). Pievelciet uzgriezni ar roku PRETĒJI PULKSTEŅRĀDĪTĀJA KUSTĪBAS virzienam.
8. Atbalstiet pānesumkārbu pret cietu virsmu. Ar vienu roku pieturiet krūmgrieža vārpstu un ar otru satveriet daudzfunkciju uzgriežņu atslēgu, lai pievilktu uzgriezni bultiņas atzīmes virzienā, kas norādīta uz ārējā atloka (I4 att.).

### 3 ZOBU ASMENS NOŅEMŠANA, TRIMMERA GALVAS UZSTĀDĪŠANA

Aplūkojiet J1 attēlā redzamo 3 zobu asmens griezējierci. Pēc tam noņemiet krūmgriezim 3 zobu asmeni un uzstādiet trimmera galvu.

1. Lai salāgotu spraugu atlokā ar vārpstas bloķēšanas atveri pānesumkārbā, pagriežiet asmeni un ielieciet atverē stabilizatoru.
2. Atbalstiet pānesumkārbu pret cietu virsmu. Ar vienu roku pieturiet krūmgrieža vārpstu un ar otru roku paņemiet daudzfunkciju uzgriežņu atslēgu, lai atskrūvētu uzgriezni pulksteņrādītāja kustības virzienā. (I4 att.).
3. Izņemiet no krūmgrieža uzgriezni, ārējo atloku un asmeni (J2 att.).

J-1	Vārpsta	J-5	Ārējais atloks
J-2	Iekšējais atloks	J-6	Uzgrieznis
J-3	Atloka vāciņš	J-7	Atloka sprauga
J-4	3 zobu asmens		

**PIEZĪME!** Ja 3 zobu asmens netiek izmantots, tad, lai novērstu traumu gūšanas risku, ievietojiet asmeni futrālī.

4. Uzstādiet krūmgriezim aizsarga piederumu, pievelkot visas trīs skrūves ar paplāksni (H att.).

5. Lai uzliktu atpakaļ, pagrieziet trimmera galvu pretēji pulksteņrādītāja kustības virzienam (G att.). Lai nomainītu griezējauklu, ievērojiet sadaļā „AUKLAS NOMAIŅA” sniegtos norādījumus.

**PIEZĪME!** Ja aukla netiks uzlīta norādītajā virzienā, trimmera galva nedarbosies pareizi.

## LIETOŠANA

**▲ BRĪDINĀJUMS!** Saglabājiet modrību visu darbarīka lietošanas laiku. Neaizmirstiet, ka pat mirklis neuzmanības var izraisīt nopietnu traumu.

**▲ BRĪDINĀJUMS!** Vienmēr valkājiet aizsargbrilles, kā arī dzirdes aizsarglīdzekļus. Šo noteikumu neievērošanas rezultātā acīs var tikt iesviesti svešķermeņi vai jūs varat gūt cita veida smagas traumas.

**▲ BRĪDINĀJUMS!** Nelietojiet pierīces vai piederumus, ko nav ieteicis šī izstrādājuma ražotājs. Šādu neapstiprinātu pierīču vai piederumu lietošana var radīt nopietnus ievainojumus.

## PIELIETOJUMS

Produktu var lietot lietus laikā.

Šo izstrādājumu var lietot tālāk norādītajiem mērķiem:

**Apgrīšana:** izmanto zāles un nezāļu nogriešanai pie sienām, žogiem, kokiem un apmalēm.

**Griešana:** izmanto zāles nogriešanai vietās, kur ir grūti piekļūt ar parasto zāles pļāvēju.

**PIEZĪME!** Iekārtu drīkst izmantot tikai aprakstītajam mērķim. Izmantošana jebkādā citā veidā ir uzskatāma par neatbilstošu.

## PARIEZA KRŪMGRIEŽA TURĒŠANA

LV

Pirms mugursomas tipa akumulatora savienošanas ar krūmgriezi, uzvelciet mugursomas tipa akumulatoru un uzstādiet mugursomas tipa drošības aprikojumam gurnu aizsargpolsterējumu, ievērojot BAX1500 un AHP1500 rokasgrāmatā esošās norādes.

Uzstādiet krūmgriezi kopā ar gurnu aizsargpolsterējumu, savienojot āķi ar montāžas caurumiņu (K att.). Vārpstai ir 8 caurumiņi, no kuriem varat izvēlēties sev piemērotāko ērtam darba stāvoklim.

Turiet auklas trimeri ar abām rokām sev labajā pusē. Trimeru galvai vai asmenim ir jāatrodas paralēli zemes virsmai atbilstošā griešanas augstumā un operatora augums nedrīkst būt saliekts.

Krūmgrieži var noņemt divos veidos. Atsprādzējiet krūšu sprādzi un jostas sprādzes (L1 att.) vai arī saspiediet gurnu aizsargpolsterējuma āķi un izņemiet to no vārpstas montāžas caurumiņa.

**▲ BRĪDINĀJUMS!** Ārkārtas situācijas gadījumā krūšu un drošības jostas sprāzdu atsprādzēšana ir ātrs veids, kā noņemt krūmgriezi.

**▲ BRĪDINĀJUMS!** Lietojot mugursomas tipa akumulatoru, neizmantojiet vienu plecu siksnu kopā ar dubulto plecu siksnu.

Izmantojiet kopā tikai ar A2 attēlā norādītajiem EGO akumulatoru blokiem un lādētājiem.

## Akumulatoru bloka uzstādīšana (L2 att.)

Salāgojiet kontaktdakšas ▲ ar krūmgrieža ▲. Iespraudiet kontaktdakšu elektroinstrumenta kontaktlīdzdā tā, lai vairs nav redzama zaļā atzīme.

## Noņemšana

Atbrīvojiet akumulatora strāvas vadu no montāžas gropes un izvelciet kontaktdakšu no krūmgrieža.

## KRŪMGRIEŽA IESLĒGŠANA / IZSLĒGŠANA

### Ieslēgšana

Nospiediet bloķēšanas pogu pozīcijā „ON” (ieslēgts) (M att.). Lai iedarbinātu krūmgriezi, vispirms pabīdīet mazo sprūdu uz augšu, pēc tam piespiediet slēdža sprūdu. Griezējierīces rotācijas ātrums ir atkarīgs no spēka, ar kādu tiek nospiests iedarbināšanas slēdzis.

Aplūkojiet zemāk redzamo detaļu apraksta attēlu L1 un M:

L-1	Krūšu sprādze	M-1	Bloķēšanas poga
L-2	Jostas sprādze	M-2	Mazais sprūds
L-3	Āķis	M-3	Ieslēgšanas slēdzis

## Apturēšana

Atlaidiet slēdža sprūdu un nospiediet bloķēšanas pogu pozīcijā „OFF” (izslēgts)

**▲ BRĪDINĀJUMS!** Darba pārtraukumos un pēc darba pabeigšanas vienmēr izņemiet akumulatoru bloku no auklas trimera.

## KRŪMGRIEŽA LIETOŠANA

**▲ BRĪDINĀJUMS!** Lai mazinātu traumu rašanās draudus, lietojot krūmgriezi, valkājiet darbam atbilstošu apģērbu. Nevalkājiet vaļīgu apģērbu vai rotaslietas. Izmantojiet acu un dzirdes aizsarglīdzekļus. Valkājiet izturīgas, garas bikses, apavus un cimdus. Nevalkājiet īsas bikses, sandales; netaigājiet basām kājām. Pirms darba uzsākšanas aplūkojiet apkārtni, lai pārliecinātos, vai darba

zonas tuvumā neatrodas citi cilvēki, dzīvnieki, un vai nav atskrūvējušies priekšmeti. Tiem jāatrodas vismaz 15 m attālumā. Pēc tam uzvelciet acu aizsarglīdzekļus, darbam atbilstošu apģērbu un ienemiet līdzsvarotu ķermeņa stāju.

Pirms katras lietošanas reizes pārbaudiet, vai nav bojātu/ nodilušu daļu. Apskatiet trimmera galvu, 3 zobu asmeni, aizsargu, aizsarga piederumu un velosipēda stūres formas rokturi un, ja detaļas ir saplaisājušas, saliekušās vai bojātas, nomainiet tās. Ar laiku auklas griezējasmens uz aizsarga piederuma var kļūt truls. Ieteicams periodiski asināt asmeni ar vīli vai nomainīt to.

### Notīriet krūmgriezi pēc katras lietošanas reizes

**⚠️ UZMANĪBU!** Ja ventilācijas atveres būs aizsērējušas, gaisns nevarēs iekļūt motora korpusā un motors pārkarstīs vai tiks sabojāts.

- Iekārtas tīrīšanai izmantojiet tikai vieglu ziepjūdeni un mitru lupatiņu. Nekad neļaujiet šķidrumam iekļūt iekārtā; nekad neiegremdējiet nevienu iekārtas daļu šķidrumā.
- Turiet motora korpusa atveres tīras no gružiem.

**⚠️ BRĪDINĀJUMS!** Plastmasas detaļu tīrīšanai neizmantojiet šķīdinātājus. Tirdzniecībā iegādājami šķīdinātāji bojā lielāko daļu plastmasas materiālu. Lai notīrītu netīrumus, putekļus, eļļu, smērvielas u.c., izmantojiet tīras lupatiņas.

### IERĪCES LIETOŠANA AR UZSTĀDĪTU TRIMERA GALVU

#### Pārbaudiet, vai trimmera galva nav aizsprostota

- Lai novērstu aizsprostojuma rašanos, regulāri iztīriet trimmera galvu. Pirms un pēc katras lietošanas reizes iztīriet nojauto zāli, lapas, netīrumus un citus uzkrātos gružus.
- Aizsprostojuma gadījumā apturiet auklas trimmeri un izņemiet akumulatoru, pēc tam izņemiet visu zāli, kas varētu būt aptiniesies ap motora vārpstu vai trimmera galvu.

#### Griezējauklas garuma regulēšana

Trimmera galva ļauj operatoram izbīdīt vairāk griešanas auklas, neapsturot motoru. Ja aukla sadilst vai nolietojas, nedaudz piesitot piespiežamo galvu pret zemi trimmera lietošanas laikā, var izbīdīt jaunu auklas garumu.

**PIEZĪME.** Griezējauklai paliekot tsāka, auklas padēve kļūst apgrūtināta.

**⚠️ BRĪDINĀJUMS!** Nenoņemiet un nepārveidojiet auklas griešanas asmens mezglu. Pārmērīgi gara aukla izraisīs motora pārkaršanu, un var rasties smagi miesas bojājumi.

#### Auklas nomaiga

**⚠️ BRĪDINĀJUMS!** Nekad neizmantojiet auklu ar metāla pastiprinājumiem, stiepli, virvi u.tml. Šāda veida auklas var salūst un kļūt par bīstamiem, lielā ātrumā izsviestiem objektiem.

**PIEZĪME!** Vienmēr lietojiet ieteikto neilona griezējauklu, kuras diametrs nepārsniedz 2,7 mm. Cita veida auklas izmantošana var izraisīt auklas trimmera pārkaršanu vai var to sabojāt.

1. Izņemiet barošanas kontaktdakšu no auklas trimmera.
2. Nepieciešamības gadījumā izņemiet atlikušo griezējauklas daļu.
3. Nogrieziet 8 m garu griezējauklu, izveriet caur uzstādīšanas atveri acīņā (J3 att.). Iespiediet un izvelciet auklu no otras puses, līdz spolei abās pusēs var redzēt vienāda garuma auklu.
4. Lai uztītu auklu uz spoles, piespiediet, vienlaikus pagriežot spoles apakšējo daļu bulviņas virzienā, kamēr no katras puses iznāk uz āru aptuveni 12 cm auklas (J4 att.).
5. Vienlaikus velkot auklu, nospiediet spoles apakšējo daļu, lai ar rokām izvilktu auklu un, lai pārbaudītu, vai trimmera galva ir pareizi uzstādīta.

Ja griešanas aukla pārtrūkst pie auklas izejas vai griešanas aukla netiek padota, piesitot ar trimera galvu, izpildiet tālāk norādītās darbības:

1. Nospiediet atbrīvošanas izcīļņus uz spoles augšējās daļas un noņemiet spoles apakšējo daļu, izvelkot to uz āru (J5 un J6 att.).
2. Izņemiet griezējauklu no spoles.
3. Ar vienu roku pieturiet spoles apakšējo daļu un ar otru roku satveriet spoles apakšējo daļu un salāgojiet spoles augšējās daļas izcīļņus ar spoles apakšējās daļas caurumiem (J7 att.); ar plaukstu piespiediet un pagriežiet spoles apakšējo daļu, līdz izcīļņi nofiksējas spoles augšējā daļā.
4. Lai nomainītu griezējauklu, ievērojiet sadaļā „AUKLAS NOMAIŅA” sniegtos norādījumus.

#### Ierīces lietošana ar uzstādītu 3 zobu asmeni

**⚠️ BRĪDINĀJUMS!** Lai apgrieztu savvaļas audzi un krūmājus, nolaidiet rotējošo 3 zobu asmeni lejā virs audzes, šādi iegūstot kapšanas efektu. Griežot pie zemes, izmantojiet krūmgriezi kā izkapti (plaujot pa labi un pa kreisi). Nekad neizmantojiet griešanas ierīci augstāk par ķermeņa vidukli.

**⚠️ BRĪDINĀJUMS!** Jo augstāk no zemes atradīsies griešanas ierīce, jo lielāks būs nogriezta materiāla, kas tiek izsviests uz sāniem, izraisīts traumas risks.

**⚠ BRĪDINĀJUMS!** Grieziet jaunaudzes vai citu koksnes materiālu līdz 2 cm diametrā ar asmens kreiso pusi, lai izvairītos no asmens atsitiena. Nemēģiniet griezt koksni, kurai ir lielāks diametrs, jo asmens var iekerties vai paraut krūmgriezi uz priekšu. Tas var sabojāt asmeni vai krūmgriezi, vai arī jūs varat zaudēt vadību pār krūmgriezi, kas izraisa miesas bojājumus.

**⚠ BRĪDINĀJUMS!** Nepareizas asmens lietošanas rezultātā asmens var saplaisāt, sašķelties vai saplīst. Izsviestās daļas var nopietni savainot operatoru vai blakus stāvošu cilvēku. Lai samazinātu traumu risku, ir svarīgi veikt turpmāk norādītos piesardzības pasākumus.

- Izvairieties no saskares ar cietiem svešķermeņiem, piemēram, akmeņiem, laukakmeņiem vai metāla daļām.
- Nekad nezāģējiet kokmateriālus vai krūmus, kuru kāta diametrs pārsniedz 2 cm.
- Regulāri ik pēc neilga laika pārbaudiet, vai asmenim nav redzamu bojājumu pazīmju. Neturpiniet strādāt ar bojātu asmeni.
- Regulāri uzasiniet asmeni (ja tas acīmredzami kļuvis neass), un nepieciešamības gadījumā sabalansējiet to (veic kvalificēts servisa speciālists).

## Asmens atsitieni

Esiet īpaši piesardzīgi, izmantojot 3 zobu asmeni kopā ar šo ierīci. Asmens atsitieni ir reakcija, kas var rasties, ja rotējošs asmens saskaras ar materiālu, kuru tas nevar sagriezt. Šāda saskare var uz mirkli apturēt asmens griešanos un pēkšņi „pagrūst” ierīci projām no objekta, pret kuru asmens atsitās. Šī reakcija var būt pietiekami spēcīga, lai operators zaudētu vadību pār ierīci. Asmens atsitieni var atgadīties pēkšņi, ja asmens ieķeras, saķeras vai apstājas motors. Tas biežāk rodas zonās, kur ir grūti saskatīt zāģējamo materiālu. Lai griešana būtu vienkāršāka un drošāka, pļaujiet ar krūmgriezi nezáli virzienā no labās uz kreiso pusi. Ja asmens negaidīti iestrēgst priekšmetā vai kokmateriālā, šis paņēmieni var mazināt asmens atsitiena reakciju.

## APKOPE

**⚠ BRĪDINĀJUMS!** Pirms ierīces pārbaudīšanas, tīrīšanas vai apkopes darbu veikšanas apturiet motoru, pagaidiet, līdz apstājas visas kustīgās daļas, un izņemiet akumulatoru bloku. Šo norādījumu neievērošana var radīt smagus miesas bojājumus vai kaitējumu ierīcei.

**⚠ BRĪDINĀJUMS!** Veicot apkopi, izmantojiet tikai identiskas rezerves daļas. Jebkuru citu daļu izmantošana var radīt apdraudējumu vai izstrādājuma bojājumus. Lai garantētu drošību un uzticamību, visi remontdarbi jāveic kvalificētam servisa speciālistam.

## VISPĀRĒJĀ APKOPE

Plastmasas detaļu tīrīšanai neizmantojiet šķīdinātājus. Vairums plastmasas izstrādājumu var tikt sabojāti, izmantojot dažādus komerciālos šķīdinātājus. Izmantojiet tīras drānas, lai notīrītu netīrumus, putekļus, eļļu, taukus u.c.

## MAŠĪNAS TĪRĪŠANA

- Ar mīkstu suku notīriet pie asmens un aizsarga pielipušos gruvelus, augsni vai zāli pēc katras 3 zobu asmens / trimera galvas lietošanas reizes.

**PIEZĪME.** Kad auklas griešanas asmens kļuvis neass, lūdzu, nogādājiet to kvalificētam servisa speciālistam, kurš to uzasinās, vai nepieciešamības gadījumā nomainiet auklas griešanas asmeni.

- Pēc katras krūmgrieža lietošanas reizes notīriet griešanas ierīci ar mitru drānu un vieglu mazgāšanas līdzekli.
- Netīriet plastmasas korpusu un rokturi ar kodīgiem tīrīšanas līdzekļiem. Plastmasas daļas var sabojāt ar zināmām aromatizētām eļļām, piemēram, priežu un citrona, un šķīdinātājiem, piemēram, petroleju. Elektrotrauma var radīt arī mitrums. Kārtīgi noslaukiet mitrumu ar mīkstu, tīru drānu.
- Ventilācijas atveru tīrīšanai korpusa aizmugurē izmantojiet nelielu suku vai nelielu putekļsūcēju.

## PĀRNESUMKĀRBA SĒŅĻOŠANA

Lai dzīvzogu šķēru pārnēsukārba kalpotu labāk un ilgāk, eļļojiet pārnēsukārba ik pēc 50 ekspluatācijas stundām, izmantojot speciālu smērvielu (katrā reizē 4–5 g).

Speciālajai smērvielai ir jāatbilst turpmāk norādītajām prasībām.

1. Atbilstība DIN51818: konusa iespiešanās pakāpe NLGI-1.
2. Estera bāzes smērviela.
3. Teicama iedarbināšana arī zemā temperatūrā, EP, mehāniskā griešana, izturība pret nodilumu un oksidatīvās stabilitātes īpašības.
4. Darba temperatūrai jābūt robežās no -40~180 °C.

Izņemiet akumulatora barošanas spraudni un blīvskrūvi. Pārnēsukārba eļļo caur eļļošanas caurumu.

**⚠ BRĪDINĀJUMS!** Neļļojiet krūmgriezi, kamēr tas ir savienots ar akumulatoru vai darbojas.

## AUKLAS GRIEZĒJASMEŅS UZASINĀŠANA

**⚠ BRĪDINĀJUMS!** Vienmēr aizsargājiet savas rokas, valkājot biezus cimdus auklas griežjasmens apkopes darbu veikšanas laikā.

1. Izņemiet no aizsarga auklas griezējasmēni.
2. Valkājiet piemērotus acu aizsarglīdzekļus un cimdus, un rīkojieties uzmanīgi, lai sev neiegrieztu.
3. Nostipriniet asmeni skrūvspīlē.
4. Uzmanīgi novīlējiet asmens griezējmalas ar smalku zobu asināšanas vīli vai asināšanas akmeni, saglabājot oriģinālo griešanas leņķi.
5. Nomainiet aizsargam asmeni un nostipriniet to ar divām skrūvēm.

### MAŠĪNAS UZGLABĀŠANA

- Izņemiet darbarīka akumulatoru.
- Lai kārtīgi notīrītu darbarīku, valkājiet izturīgus cimdus.
- Uzglabājiet 3 zobu asmeni drošā veidā, uzliekot tam apvalku (N att.).
- Uzglabājiet ierīci sausā, labi vēdināmā, aizslēdzamā vai augstā — bērniem nepieejamā — vietā. Neuzglabājiet mašīnu blakus mēslojumam, benzīnam vai citām ķīmikālijām.

**PIEZĪME!** Neizmantojiet dzīvzogu apgriešanas mašīnu ar neasu vai bojātu asmeni. Pretējā gadījumā mašīnai tiks izraisīta pārslodze, un griešanas rezultāti nebūs apmierinoši.

### Vides aizsardzība



Neutilizējiet elektrisko aprīkojumu, izlietoto akumulatoru un lādētāju sadzīves atkritumos! Nogādājiet šo produktu uz pilnvarotu pārstrādes punktu un sagatavojiet atkritumu šķirošanai. Elektriskos instrumentus jānogādā videi nekaitīgā pārstrādes rūpnīcā..

## KĻŪMJU NOVĒRŠANA

PROBLĒMA	CĒĻONIS	RISINĀJUMS
Instrumentu nevar iedarbināt.	<ul style="list-style-type: none"> <li>■ Krūmgriezī nav ievietots akumulatoru bloks, vai arī starp krūmgriezi un akumulatoru nav elektriskā kontakta.</li> <li>■ Akumulators ir izlādējies..</li> <li>■ Pirms nospiedāt slēdža sviru, bloķēšanas poga nav bijusi ieslēgta pozīcijā „ON” (IESLĒGTS).</li> </ul>	<ul style="list-style-type: none"> <li>■ Vēlreiz iespraudiet dzīvzogu apgriešanas mašīnas ligzdā akumulatora kontaktdakšu.</li> <li>■ Uzlādējiet akumulatoru bloku tikai ar tam paredzēto lādētāju.</li> <li>■ Pirms trimmera lietošanas pārbaudiet, vai ir atbloķēta bloķēšanas poga.</li> </ul>
Instrumentis pārstāj darboties.	<ul style="list-style-type: none"> <li>■ Akumulatoru bloks vai krūmgriezis ir pārāk karsti.</li> <li>■ Pārslogots krūmgrieža motors.</li> <li>■ Akumulatoru bloks ir atvienots no darbarīka.</li> <li>■ Akumulatoru bloks ir izlādējies.</li> </ul>	<ul style="list-style-type: none"> <li>■ Ļaujiet akumulatoru blokam vai dzīvzogu apgriešanas mašīnai atdzist līdz normālai temperatūrai.</li> <li>■ Mašīna pēc noslogojuma atbrīvošanas atsāks darboties. Lai varētu strādāt bez pārtraukumiem, samaziniet instrumenta slodzi.</li> <li>■ Uzstādiet atpakaļ akumulatoru bloku.</li> <li>■ Uzlādējiet akumulatoru bloku tikai ar tam paredzēto lādētāju.</li> </ul>
Pārmērīgas vibrācijas vai trokšņi.	<ul style="list-style-type: none"> <li>■ Pagaidiet, kamēr izžūst pārnesumkārbā.</li> <li>■ Nesabalansēta griezējaukla.</li> <li>■ Saliekts vai bojāts 3 zobu asmens.</li> </ul>	<ul style="list-style-type: none"> <li>■ Noskrūvējiet blīvējuma skrūvi un uzklājiet smērēļļu.</li> <li>■ Trimmera lietošanas laikā nedaudz piesitiet izcilni pret zemi.</li> <li>■ Nomainiet asmeni pret jaunu.</li> </ul>
Nevar izvilkāt griezējauklu.	<ul style="list-style-type: none"> <li>■ Beigusies trimmera galvas aukla.</li> <li>■ Griezējaukla nav pareizi uzstādīta.</li> </ul>	<ul style="list-style-type: none"> <li>■ Uzstādiet krūmgriezīm jaunu griezējauklu.</li> <li>■ Izņemiet un vēlreiz uzstādiet griezējauklu.</li> </ul>

LV

## GARANTIJA

### EGO GARANTIJAS POLITIKA

Lūdzu, apmeklējiet tīmekļa vietni [egopowerplus.eu](http://egopowerplus.eu), kur pieejama pilna EGO Garantijas politikas noteikumu un nosacījumu versija.

## ΔΙΑΒΑΣΤΕ ΟΛΕΣ ΤΙΣ ΟΔΗΓΙΕΣ!



ΔΙΑΒΑΣΤΕ ΤΟ ΕΓΧΕΙΡΙΔΙΟ ΧΡΗΣΗΣ



Προειδοποίηση ασφαλείας



Φοράτε προστατευτικά γυαλιά



Φοράτε προστασία για το κεφάλι



Φοράτε αντιολισθητικά υποδήματα



Λαμβάνετε υπόψη την αντίλακτιση της λεπίδας



Η απόσταση μεταξύ του μηχανήματος και παριστάμενων πρέπει να είναι τουλάχιστον 15 m.



Εγγυημένη στάθμη ηχητικής ισχύος. Εκπομπές θορύβου στο περιβάλλον σύμφωνα με την οδηγία της Ευρωπαϊκής Ένωσης.



Τα απόβλητα ηλεκτρικών προϊόντων δεν πρέπει να απορρίπτονται μαζί με τα οικιακά απορρίμματα. Παραδώστε τα σε εξουσιοδοτημένη μονάδα ανακύκλωσης.

$n_0$

Ταχύτητα χωρίς φορτίο-Ταχύτητα περιστροφής, χωρίς φορτίο



Συνεχές ρεύμα

## ΣΥΜΒΟΛΑ ΑΣΦΑΛΕΙΑΣ

**⚠ ΠΡΟΕΙΔΟΠΟΙΗΣΗ:** Η λειτουργία ηλεκτρικών εργαλείων μπορεί να προκαλέσει την εκτόξευση ξένων αντικειμένων στα μάτια σας, με αποτέλεσμα σοβαρό τραυματισμό. Προτού ξεκινήσετε τη χρήση του ηλεκτρικού εργαλείου, φοράτε πάντα προστατευτικά γυαλιά ή γυαλιά με πλευρική προστασία και, εφόσον απαιτείται, πλήρη προστατευτική προσωπίδα. Συνιστούμε μια προσωπίδα ασφαλείας ευρείας όρασης, για χρήση πάνω από γυαλιά ή τα συνήθη προστατευτικά γυαλιά με πλευρική προστασία.



Προκειμένου να μειωθεί ο κίνδυνος τραυματισμού, ο χρήστης πρέπει να διαβάσει το εγχειρίδιο χρήσης.



Φοράτε προστατευτικά ακοής



Φοράτε προστασία για τα χέρια



Προσοχή στα πεταμένα αντικείμενα



Αποσυνδέετε την μπαταρία πριν τη συντήρηση



Αυτό το προϊόν συμμορφώνεται με τις εφαρμοστέες οδηγίες της ΕΚ.



Αυτό το προϊόν συμμορφώνεται με την εφαρμοστέα νομοθεσία του Ηνωμένου Βασιλείου.

V Τάση

.../min Ανά λεπτό

kg Κιλό

IPX5 Προστατευόμενο από πίδακες νερού χαμηλής πίεσης από οποιαδήποτε κατεύθυνση

GR

## ΠΡΟΔΙΑΓΡΑΦΕΣ

Μονάδα κοπής	Κεφαλή κοπής	Μεταλλική λεπίδα 3 οδοντώσεων	
Τάση	56 V	56 V	
Ταχύτητα χωρίς φορτίο	4000-5800/λεπτό	4000-5800/λεπτό	
Συνιστώμενη θερμοκρασία λειτουργίας	0°C-40°C		
Συνιστώμενη θερμοκρασία αποθήκευσης:	-20°C-70°C		
Τύπος νήματος κοπής	2,4 mm	/	
Λεπίδα κοπής	/	ABB1203	
Πλάτος κοπής	38 cm	30 cm	
Βάρος	6,8 kg	6,46 kg	
Μετρημένη στάθμη ηχητικής ισχύος L <sub>WA</sub>	95 dB(A) K=1,1 dB(A)	96,3 dB(A) K=2,1 dB(A)	
Στάθμη ηχητικής πίεσης στη θέση χειριστή L <sub>PA</sub>	82 dB(A) K=2,5 dB(A)	83,4 dB(A) K=4,1 dB(A)	
Εγγυημένη στάθμη ηχητικής ισχύος L <sub>WA</sub> (κατά 2000/14/EK)	96 dB(A)	98 dB(A)	
Κραδασμοί a <sub>h</sub>	Αριστερή χειρολαβή	1,9 m/s <sup>2</sup> K=1,5 m/s <sup>2</sup>	1,9 m/s <sup>2</sup> K=1,5 m/s <sup>2</sup>
	Δεξιά χειρολαβή	1,5 m/s <sup>2</sup> K=1,5 m/s <sup>2</sup>	1,3 m/s <sup>2</sup> K=1,5 m/s <sup>2</sup>

■ Η αναφερόμενη συνολική τιμή κραδασμών έχει μετρηθεί σύμφωνα με την πρότυπη μέθοδο ελέγχου και μπορεί να χρησιμοποιηθεί για τη σύγκριση ενός εργαλείου με κάποιο άλλο.

■ Η αναφερόμενη συνολική τιμή κραδασμών μπορεί να χρησιμοποιηθεί επίσης για την προκαταρκτική αξιολόγηση της έκθεσης.

**ΣΗΜΕΙΩΣΗ:** Οι εκπομπές κραδασμών κατά τη διάρκεια της πραγματικής χρήσης του ηλεκτρικού εργαλείου μπορεί να διαφέρουν από τη δηλωμένη τιμή στην οποία χρησιμοποιείται το εργαλείο. Για την προστασία του χειριστή, πρέπει να χρησιμοποιούνται γάντια και προστασία της ακοής στις πραγματικές συνθήκες χρήσης.

## ΚΑΤΑΛΟΓΟΣ ΕΞΑΡΤΗΜΑΤΩΝ ΣΥΣΚΕΥΑΣΙΑΣ (Εικ. A1)

# 168

ΘΑΜΝΟΚΟΠΤΙΚΟ 56 VOLT ΛΙΘΙΟΥ-ΙΟΝΤΩΝ, ΟΠΙΣΘΙΟΥ ΚΙΝΗΤΗΡΑ, ΜΕ ΧΕΙΡΟΛΑΒΗ ΤΥΠΟΥ ΠΟΔΗΛΑΤΟΥ — BCX3800

## ΠΕΡΙΓΡΑΦΗ

### ΓΝΩΡΙΣΤΕ ΤΟ ΘΑΜΝΟΚΟΠΤΙΚΟ ΣΑΣ (Εικ. A1)

1. Νήμα χλοοκοπτικού
2. Προφυλακτήρας
3. Άξονας
4. Σκανδάλη
5. Κουμπί ασφάλισης
6. Πεταλούδα
7. Άγκιστρο
8. Υποδοχή
9. Προστατευτική πλάκα
10. Χειρολαβή ποδηλάτου
11. Βίδα στεγανοποίησης
12. Οπή ασφάλισης άξονα
13. Λεπίδα κοπής νήματος
14. Βοηθητικός προφυλακτήρας
15. Λεπίδα 3 οδοντώσεων
16. Θήκη λεπίδας
17. Εξωτερική φλάντζα
18. Παξιμάδι
19. Πολλαπλό κλειδί
20. Εξαγωνικό κλειδί
- 21\*. Κάλυμμα μπουρού (πωλείται ξεχωριστά)

**⚠️ ΠΡΟΕΙΔΟΠΟΙΗΣΗ:** Ποτέ μη χειρίζεστε το εργαλείο χωρίς το προστατευτικό στη θέση του. Το προστατευτικό πρέπει να βρίσκεται πάντα στο εργαλείο για την προστασία του χρήστη.

**⚠️ ΠΡΟΕΙΔΟΠΟΙΗΣΗ:** Όταν το εργαλείο είναι εξοπλισμένο με κεφαλή κοπής, το αξεσουάρ προστατευτικού με νήμα/λεπίδα κοπής πρέπει να τοποθετείται επάνω στο προστατευτικό. Μη συμμόρφωση επιφέρει μια εξαιρετικά μακριά γραμμική κοπής και υπεφόρτωση του μοτέρ. Ποτέ μη χρησιμοποιείτε την κεφαλή κοπής χωρίς το προστατευτικό αξεσουάρ.

## ΜΗΧΑΝΙΣΜΟΣ ΕΚΤΟΞΕΥΣΗΣ

**⚠️ ΠΡΟΕΙΔΟΠΟΙΗΣΗ:** Σε περίπτωση που κάποιο από τα εξαρτήματα έχουν υποστεί ζημιά ή λείπουν, μη χρησιμοποιήσετε το θαμνοκοπτικό, μέχρι να αντικατασταθούν. Η χρήση αυτού του θαμνοκοπτικού με φθαρμένα ή ελλειπή εξαρτήματα μπορεί να έχει σαν αποτέλεσμα σοβαρό ατομικό τραυματισμό.

**⚠️ ΠΡΟΕΙΔΟΠΟΙΗΣΗ:** Μην επιχειρήσετε να τροποποιήσετε αυτό το θαμνοκοπτικό ή να χρησιμοποιήσετε εξαρτήματα που δεν συστήνονται για χρήση με αυτό το προϊόν. Οποιαδήποτε τέτοια μετατροπή ή τροποποίηση μπορεί να προκαλέσει επικίνδυνες συνθήκες με επακόλουθο σοβαρό τραυματισμό.



**⚠️ ΠΡΟΕΙΔΟΠΟΙΗΣΗ:** Φοράτε πάντα ανθεκτικά γάντια κατά την εγκατάσταση ή απομάκρυνση του προστατευτικού ή τη διεξαγωγή οποιασδήποτε συντήρησης στη λεπίδα 3 οδοντώσεων/στο νήμα κοπής. Προσέχετε το νήμα/τη λεπίδα κοπής στο προστατευτικό αξεσουάρ/τη λεπίδα 3 οδοντώσεων και προστατεύετε τα χέρια σας από τραυματισμό και από τις δύο λεπίδες.

**⚠️ ΠΡΟΕΙΔΟΠΟΙΗΣΗ:** Για να μην ξεκινήσει ξαφνικά το εργαλείο και προκληθεί σοβαρός τραυματισμός, αφαιρείτε πάντα τη φορητή μπαταρία από το εργαλείο όταν συναρμολογείτε εξαρτήματα, πραγματοποιείτε ρυθμίσεις, εργασίες καθαρισμού, ή όταν δεν χρησιμοποιείτε το εργαλείο.

**⚠️ ΠΡΟΕΙΔΟΠΟΙΗΣΗ:** Ποτέ μη χειρίζεστε το εργαλείο χωρίς το προστατευτικό και τη λαβή τύπου ποδηλάτου στη θέση τους. Σε μη συμμόρφωση μπορεί να επέλθει πιθανός σοβαρός ατομικός τραυματισμός.

#### ΤΟΠΟΘΕΤΗΣΗ ΚΑΙ ΡΥΘΜΙΣΗ ΤΗΣ ΛΑΒΗΣ ΤΥΠΟΥ ΠΟΔΗΛΑΤΟΥ

Το θαμνοκοπτικό αποθηκεύεται όπως φαίνεται στην Εικ. Β. Πρώτα λασκάρτε την πεταλούδα στην άρθρωση σύνδεσης και κατόπιν σκιάστε τη λαβή τύπου ποδηλάτου κατά 180° γύρω από τον άξονα (Εικ. C), περιστρέψτε κατά 90° αριστερόστροφα ώστε να βλέπει προς την κεφαλή πρόσκρουσης (Εικ. D). Τέλος μετακινήστε πίσω και εμπρός για να επιτύχετε μια άνετη θέση εργασίας και σφίξτε το μπουλόνι.

**ΣΗΜΕΙΩΣΗ:** Το εργαλείο επιτρέπεται να λειτουργεί μόνο όταν η χειρολαβή ποδηλάτου είναι κάθετη στον άξονα.

#### ΤΟΠΟΘΕΤΗΣΗ ΤΟΥ ΠΡΟΣΤΑΤΕΥΤΙΚΟΥ

**⚠️ ΠΡΟΕΙΔΟΠΟΙΗΣΗ:** Φοράτε πάντα γάντια κατά την προσάρτηση ή αντικατάσταση της καλύπτρας. Προσέχετε τη λεπίδα της καλύπτρας και προστατεύετε το χέρι σας από κοπή.

**⚠️ ΠΡΟΕΙΔΟΠΟΙΗΣΗ:** Μην χρησιμοποιήσετε ποτέ τη μηχανή χωρίς να είναι καλά τοποθετημένη η καλύπτρα. Η καλύπτρα πρέπει να βρίσκεται πάντα προσαρτημένη στη μηχανή για την προστασία του χρήστη! Εφόσον έχει προσαρτηθεί η καλύπτρα, μην επιχειρήσετε ποτέ να την αφαιρέσετε ή να τη ρυθμίσετε. Εφόσον απαιτηθεί αντικατάσταση, αυτή θα πρέπει να διεξαχθεί από εξειδικευμένο τεχνικό σέρβις!

Χαλαρώστε και αφαιρέστε τις δύο βίδες από τον προφυλακτήρα (Εικ. E), ευθυγραμμίστε τις σπές στον προφυλακτήρα με τις σπές συναρμολόγησης και ασφαλίστε τον προφυλακτήρα στη βάση του άξονα με τις δύο βίδες και τις δύο ελατηριατές ροδέλες (Εικ. F).

**⚠️ ΠΡΟΕΙΔΟΠΟΙΗΣΗ:** Εξασφαλίστε ότι η εσωτερική επιφάνεια του προστατευτικού βλέπει προς την κεφαλή κοπής (Εικ. F).

**⚠️ ΠΡΟΕΙΔΟΠΟΙΗΣΗ:** Αν το θαμνοκοπτικό διαθέτει κεφαλή χλοοκοπτικού, πρέπει να τοποθετείται ο βοηθητικός προφυλακτήρας πάνω στον προφυλακτήρα. Αν δεν γίνει αυτό, το νήμα κοπής θα είναι πολύ μακρύ και θα υπερφορτωθεί το μοτέρ.

#### ΑΝΤΙΚΑΤΑΣΤΑΣΗ ΤΗΣ ΚΕΦΑΛΗΣ ΧΟΡΤΟΚΟΠΤΙΚΟΥ ΜΕ ΤΗ ΛΕΠΙΔΑ 3 ΟΔΟΝΤΩΣΕΩΝ

1. Αποσυνδέστε το καλώδιο ρεύματος από το χλοοκοπτικό με νήμα.
2. Περιστρέψτε την κεφαλή χλοοκοπτικού, ώστε να ευθυγραμμιστεί η εγκοπή στη φλάντζα με την οπή ασφάλισης του άξονα στο μειωτήρα και τοποθετήστε ένα εργαλείο σταθεροποίησης στην οπή (Εικ. G).
3. Περιστρέψτε την κεφαλή χλοοκοπτικού δεξιόστροφα για να την αφαιρέσετε (Εικ. G).
4. Αφαιρέστε το εξάρτημα της καλύπτρας, ξεβιδώνοντας τις τρεις βίδες με ροδέλα (Εικ. H).
5. Η λεπίδα αποστέλλεται με μια θήκη. Προτού τοποθετήσετε τη λεπίδα επάνω στο θαμνοκοπτικό, η θήκη πρέπει να αφαιρεθεί αφαιρώντας τη σύσφιξη καλωδίου από το άγκιστρο στη θήκη (Εικ. I1).

**ΣΗΜΕΙΩΣΗ:** Για προστασία έναντι τραυματισμών πρέπει να φοράτε γάντια πριν από οποιαδήποτε λειτουργία με τη λεπίδα 3 οδοντώσεων.

6. Τοποθετήστε την εσωτερική φλάντζα και το καπάκι της φλάντζας στις θέσεις τους (Εικ. I2).
7. Τοποθετήστε τη λεπίδα στον άξονα του μοτέρ, έτσι ώστε η επιφάνεια της λεπίδας να είναι ευθυγραμμισμένη με την επιφάνεια της προεξοχής στην εσωτερική φλάντζα. Τοποθετήστε την εξωτερική φλάντζα και το παξιμάδι (Εικ. I3). Σφίξτε ελαφρώς το παξιμάδι με το χέρι ΔΕΞΙΟΣΤΡΟΦΑ.
8. Τοποθετήστε το κιβώτιο γραναζιών κόντρα σε μια στερεή επιφάνεια για υποστήριξη. Κρατήστε με το ένα χέρι τον άξονα θαμνοκοπτικού και με το άλλο χέρι πιάστε το κλειδί πολλαπλών λειτουργιών για να σφίξετε το παξιμάδι λαμβάνοντας υπόψη το εικονίδιο βέλους κατεύθυνσης στην εξωτερική φλάντζα (Εικ. I4)..

#### ΑΝΤΙΚΑΤΑΣΤΑΣΗ ΤΗΣ ΛΕΠΙΔΑΣ ΜΕ ΤΑ 3 ΔΟΝΤΙΑ ΑΠΟ ΤΗΝ ΚΕΦΑΛΗ ΤΟΥ ΧΛΟΟΚΟΠΤΙΚΟΥ

Η λεπίδα με τα 3 δόντια εικονίζεται στην Εικ. J1. Αποσυναρμολογήστε τη λεπίδα με τα 3 δόντια και τοποθετήστε την κεφαλή του χλοοκοπτικού στο θαμνοκοπτικό.

1. Περιστρέψτε τη λεπίδα, ώστε να ευθυγραμμιστεί η εγκοπή στη φλάντζα με την οπή ασφάλισης του άξονα στον μειωτήρα και τοποθετήστε ένα εργαλείο σταθεροποίησης στην οπή.
2. Τοποθετήστε τον μειωτήρα πάνω σε μια σταθερή

επιφάνεια για υποστήριξη. Με το ένα χέρι, συγκρατήστε τον άξονα του θαμνοκοπτικού και με το άλλο χέρι πιάστε το πολλαπλό κλειδί και χαλαρώστε το παξιμάδι δεξιόστροφα (Εικ. Ι4).

3. Αφαιρέστε το παξιμάδι, την εξωτερική φλάντζα, και τη λεπίδα από το θαμνοκοπτικό (Εικ. J2).

Τα εξαρτήματα στις Εικ. J1, J3 και J7 περιγράφονται παρακάτω:

J-1	Άξονας	J-5	Εξωτερική φλάντζα
J-2	Εσωτερική φλάντζα	J-6	Παξιμάδι
J-3	Καπάκι φλάντζας	J-7	Εγκοπτή στη φλάντζα
J-4	Λεπίδα με 3 δόντια		

**ΣΗΜΕΙΩΣΗ:** Όταν δεν χρησιμοποιείται η λεπίδα με τα 3 δόντια, πρέπει να τοποθετείται στη θήκη της για να μην υπάρχει κίνδυνος τραυματισμού.

4. Συναρμολογήστε τον βοηθητικό προφυλακτήρα στο θαμνοκοπτικό, σφίγγοντας τις τρεις βίδες με τις ροδέλες (Εικ. Η).
5. Περιστρέψτε την κεφαλή χλοοκοπτικού αριστερόστροφα για να την εγκαταστήσετε (Εικ. Γ). Ακολουθήστε τις οδηγίες της ενότητας «ΑΝΤΙΚΑΤΑΣΤΑΣΗ ΜΕΣΙΝΕΖΑΣ» για να τοποθετήσετε τη μεσινέζα.

**ΣΗΜΕΙΩΣΗ:** Αν δεν τυλίξετε το νήμα στην κατεύθυνση που εικονίζεται, η κεφαλή του χλοοκοπτικού δεν θα λειτουργεί σωστά.

## ΛΕΙΤΟΥΡΓΙΑ

**⚠️ ΠΡΟΕΙΔΟΠΟΙΗΣΗ:** Η εξοικειώσή σας με αυτό το προϊόν δε θα πρέπει να σας κάνει λιγότερο προσεκτικούς. Θυμηθείτε πως ένα κλάσμα δευτερολέπτου απροσεξίας μπορεί να προκαλέσει σοβαρό τραυματισμό.

**⚠️ ΠΡΟΕΙΔΟΠΟΙΗΣΗ:** Φοράτε πάντα προστασία για τα μάτια μαζί με προστασία ακοής. Σε αντίθετη περίπτωση, είναι πιθανό να υπάρξει εκτόξευση αντικειμένων στα μάτια σας και άλλοι πιθανοί σοβαροί τραυματισμοί.

**⚠️ ΠΡΟΕΙΔΟΠΟΙΗΣΗ:** Μη χρησιμοποιείτε εξαρτήματα που δε συνιστώνται από τον κατασκευαστή αυτού του προϊόντος. Η χρήση παρελκόμενων ή εξαρτημάτων που δε συνιστώνται από τον κατασκευαστή, ενέχει τον κίνδυνο σοβαρού τραυματισμού.

## ΕΦΑΡΜΟΓΕΣ

Το προϊόν μπορεί να χρησιμοποιηθεί στη βροχή.

Μπορείτε να χρησιμοποιήσετε αυτό το προϊόν για τους ακόλουθους σκοπούς:

**Ξάκρσμα:** χρησιμοποιείται για την απομάκρυνση γρασιδιού και αγριόχορτων σε τούχους, φράχτες, δέντρα και όρια.

**Κοπή:** χρησιμοποιείται για την κοπή γρασιδιού, στο οποίο η πρόσβαση είναι δύσκολη με κοινό χλοοκοπτικό.

**ΣΗΜΕΙΩΣΗ:** Η μηχανή πρέπει να χρησιμοποιείται μόνο για την προβλεπόμενη χρήση. Οποιαδήποτε άλλη χρήση θα εκληφθεί ως καταχρηστική.

## ΠΩΣ ΝΑ ΚΡΑΤΑΤΕ ΤΟ ΘΑΜΝΟΚΟΠΤΙΚΟ

Πριν συνδέσετε τη φορητή μπαταρία στο θαμνοκοπτικό, φορέστε τη φορητή μπαταρία και τοποθετήστε το κάλυμμα μηρού στον μάντα της μπαταρίας, σύμφωνα με τις οδηγίες στο εγχειρίδιο BAX1500 και AHP1500.

Τοποθετήστε το θαμνοκοπτικό στο κάλυμμα μηρού, συνδέοντας το άγκιστρο στην οπή στερέωσης (Εικ. Κ). Υπάρχουν 8 οπές στον άξονα, επιλέξτε την οπή που σας επιτρέπει να συγκρατείτε άνετα το θαμνοκοπτικό κατά τη λειτουργία.

Κρατάτε το χλοοκοπτικό με τα δύο χέρια από τη δεξιά πλευρά του σώματός σας. Η κεφαλή χροτοκοπτικού ή η λεπίδα πρέπει να είναι παράλληλα προς το έδαφος σε μια σωστή απόσταση κοπής χωρίς ο χειριστής να σκύβει.

Μπορείτε να απελευθερώσετε το θαμνοκοπτικό με δύο τρόπους. Απασφαλίστε τις αγκράφες στο στήθος και στη μέση (Εικ. L1) ή πιέστε το άγκιστρο στο κάλυμμα μηρού και αφαιρέστε το από την οπή στερέωσης στον άξονα.

**⚠️ ΠΡΟΕΙΔΟΠΟΙΗΣΗ:** Σε περίπτωση έκτακτης ανάγκης, ο ταχύτερος τρόπος να απελευθερώσετε το θαμνοκοπτικό είναι να ανοίξετε τις αγκράφες στο στήθος και στη μέση.

**⚠️ ΠΡΟΕΙΔΟΠΟΙΗΣΗ:** Δεν πρέπει να χρησιμοποιείτε τον μονό μάντα ώμου και τον διπλό μάντα ώμου ταυτόχρονα με τη φορητή μπαταρία.

Χρησιμοποιείτε μόνο τις συστοιχίες μπαταριών και τους φορτιστές της EGO που αναφέρονται στην Εικ. A2.

## Τοποθέτηση της φορητής μπαταρίας (Εικ. L2)

Ευθυγραμμίστε το σύμβολο ▲ στο βύσμα με το σύμβολο ▲ στο θαμνοκοπτικό. Τοποθετήστε το βύσμα στο μηχανήμα μέχρι να χαθεί η πράσινη τσιμούχα μέσα στην υποδοχή.

## Αφαίρεση

Απελευθερώστε το καλώδιο της μπαταρίας από την εγκοπτή στερέωσης και αφαιρέστε το βύσμα από το θαμνοκοπτικό.

## ΕΚΚΙΝΗΣΗ/ΣΤΑΜΑΤΗΜΑ ΤΟΥ ΘΑΜΝΟΚΟΠΤΙΚΟΥ

### Έναρξη

Πιέστε το κουμπί ασφαλίσης στη θέση «ON» (Εικ. M).

Μετακινήστε τη μικρή σκανδάλη προς τα πάνω και μετά πιέστε το διακόπτη για να ξεκινήσει το θαμνοκοπτικό. Η ταχύτητα περιστροφής της μονάδας κοπής εξαρτάται από το πόσο πιέζετε το διακόπτη.

Τα εξαρτήματα στις Εικ. JL1 και M περιγράφονται παρακάτω:

L-1	Αγκράφα στήθους	M-1	Κουμπί ασφάλισης
L-2	Αγκράφα μέσης	M-2	Μικρή σκανδάλη
L-3	Άγκιστρο	M-3	Διακόπτης

### Σταμάτημα

Απελευθερώστε το διακόπτη και γυρίστε το κουμπί ασφάλισης στη θέση «OFF».

**⚠ ΠΡΟΕΙΔΟΠΟΙΗΣΗ:** Πάντα απομακρύνετε τη συστοιχία μπαταριών από το χλοοκοπτικό με μεσινέζα κατά τη διάρκεια διαλειμάτων και μετά την ολοκλήρωση της εργασίας.

### ΠΩΣ ΧΡΗΣΙΜΟΠΟΙΕΙΤΑΙ ΤΟ ΘΑΜΝΟΚΟΠΤΙΚΟ

**⚠ ΠΡΟΕΙΔΟΠΟΙΗΣΗ:** Για να περιοριστεί ο κίνδυνος τραυματισμού κατά τη λειτουργία του θαμνοκοπτικού, φοράτε κατάλληλα ρούχα. Μη φοράτε φαρδιά ρούχα ή κοσμήματα. Φοράτε προστατευτικά για τα μάτια και τα αυτιά. Φοράτε βαριά, μακριά παντελόνια, μπότες και γάντια. Μη φοράτε κοντά παντελόνια ή πέδιλα και μην είστε ζυπόλυτοι. Πριν χρησιμοποιήσετε το εργαλείο, κοιτάξε γύρω και βεβαιωθείτε ότι δεν υπάρχουν άλλα άτομα, ζώα ή μη στερεωμένα αντικείμενα. Βεβαιωθείτε ότι βρισκονται τουλάχιστον 15 μέτρα μακριά. Μετά, βεβαιωθείτε ότι φοράτε προστατευτικά ματιών, κατάλληλα ρούχα και ότι πατάτε σταθερά.

Πριν από κάθε χρήση, ελέγχετε για φθορές/ζημιές στα εξαρτήματα. Ελέγξτε την κεφαλή του χλοοκοπτικού, τη λεπίδα με τα 3 δόντια, τον προφυλακτήρα, τον βοηθητικό προφυλακτήρα και τη χειρολαβή ποδηλάτου, και αντικαταστήστε κάθε εξάρτημα που έχει ραγίσει, έχει παραμορφωθεί, έχει λυγίσει ή έχει υποστεί οποιαδήποτε ζημιά. Η λεπίδα κοπής του νήματος στην άκρη του βοηθητικού προφυλακτήρα μπορεί να στομώσει με την πάροδο του χρόνου. Συνιστάται να τροχίζεται με λίμα ανά τακτά διαστήματα ή να αντικαθίσταται με νέα λεπίδα.

### Μετά από κάθε χρήση, καθαρίζετε το θαμνοκοπτικό

**⚠ ΠΡΟΣΟΧΗ:** Τα εμπόδια στις σπές εμποδίζουν ροή του αέρα στο περίβλημα κινητήρα και προκαλούν υπερθέρμανση ή τη ζημιά σε αυτόν.

- Χρησιμοποιείτε μόνο ήπιο σαπούνι και ένα νωπό πανί για τον καθαρισμό της μηχανής. Δεν πρέπει να εισχωρήσουν υγρά στο εσωτερικό της μηχανής. Μην βυθίζετε ποτέ οποιοδήποτε τμήμα της μηχανής σε υγρά.
- Διατηρείτε πάντοτε τις σπές αερισμού στο περίβλημα κινητήρα και τον άξονα ελεύθερα από ρύπους.

**⚠ ΠΡΟΕΙΔΟΠΟΙΗΣΗ:** Αποφεύγετε τη χρήση διαλυτών κατά τον καθαρισμό των πλαστικών εξαρτημάτων. Τα περισσότερα πλαστικά είναι ευπαθή στη χρήση διαφόρων τύπων διαλυτών του εμπορίου. Χρησιμοποιείτε καθαρό πανί για την απομάκρυνση βρωμιάς, σκόνης, λαδιού, γράσου, κτλ.

### ΧΡΗΣΗ ΜΕ ΤΗΝ ΚΕΦΑΛΗ ΧΟΡΤΟΚΟΠΤΙΚΟΥ

#### Ελέγξτε για εμπλοκή της κεφαλής χλοοκοπτικού

- Για να αποφεύγετε εμπλοκές, διατηρείτε καθαρή την κεφαλή του χλοοκοπτικού. Απομακρύνετε τα υπολείμματα γρασιδιού, τα φύλλα, τη βρωμιά και οποιαδήποτε άλλα συσσωρευμένα υπολείμματα πριν και μετά από κάθε χρήση.
- Σε περίπτωση εμπλοκής, απενεργοποιήστε το χλοοκοπτικό με μεσινέζα και αφαιρέστε την μπαταρία και, στη συνέχεια, αφαιρέστε τυχόν γρασίδι που μπορεί να έχει τυλιχτεί γύρω από τον άξονα του κινητήρα ή την κεφαλή του χλοοκοπτικού.

#### Ρύθμιση του μήκους νήματος κοπής

Η κεφαλή χλοοκοπτικού επιτρέπει στον χειριστή να αποδεσμεύσει περισσότερο νήμα κοπής χωρίς να σταματήσει το μοτέρ. Καθώς το νήμα ξεφτίζει ή φθερίζεται, μπορεί να αποδεσμευτεί περισσότερο νήμα πατώντας ελαφρά την κεφαλή πρόσκρουσης στο έδαφος ενώ λειτουργεί το χορτοκοπτικό.

**ΣΗΜΕΙΩΣΗ:** Η αποδεσμευση νήματος θα είναι πιο δύσκολη εάν το νήμα κοπής γίνει πολύ κοντό.

**⚠ ΠΡΟΕΙΔΟΠΟΙΗΣΗ:** Μην απομακρύνετε ή τροποποιείτε τη μονάδα λεπίδας κοπής νήματος. Υπερβάλλον μήκος νήματος θα προκαλέσει υπερθέρμανση στο μοτέρ και μπορεί να προκύψει σοβαρός ατομικός τραυματισμός.

#### Αντικατάσταση νήματος

**⚠ ΠΡΟΕΙΔΟΠΟΙΗΣΗ:** Ποτέ μη χρησιμοποιείτε νήμα με μεταλλική ενίσχυση, σύρμα ή οξικό κ.λπ. Αυτά μπορεί να σπάσουν και να εκτοξευθούν.

**ΣΗΜΕΙΩΣΗ:** Χρησιμοποιείτε την προτεινόμενη νάilon μεσινέζα με διάμετρο που δεν υπερβαίνει τα 2,7 mm. Η χρήση διαφορετικής μεσινέζας μπορεί να προκαλέσει υπερθέρμανση ή ζημιά στο χλοοκοπτικό με μεσινέζα.

GR

1. Αποσυνδέστε το καλώδιο ρεύματος από το χλοοκοπτικό με νήμα.
2. Απομακρύνετε την υπόλοιπη μεσινέζα, εφόσον απαιτηθεί.
3. Κόψτε 8 m μεσινέζας και εισαγάγετε την στην οπή τοποθέτησης μέσα στο οφθαλμίδιο (Εικ. J3). Ωθήστε και τραβήξτε τη μεσινέζα από την άλλη πλευρά, μέχρι να προκύψει το ίδιο μήκος μεσινέζας και στις δύο πλευρές του καρουλιού.
4. Πιέστε, ενώ περιστρέφετε το κάτω συγκρότημα καλύμματος στην κατεύθυνση βέλους, για να τυλίξετε τη μεσινέζα στο καρούλι, μέχρι να προεξέχουν περίπου 12 cm μεσινέζας σε κάθε πλευρά (Εικ. J4)..
5. Πιέστε το κάτω συγκρότημα καλύμματος προς κάτω, ενώ τραβάτε τις μεσινέζες για να προωθήσετε χειροκίνητα τη μεσινέζα και να ελέγξετε τη σωστή συναρμολόγηση της κεφαλής χλοοκοπτικού.

Εάν σπάσει η μεσινέζα στην έξοδο μεσινέζας ή η μεσινέζα δεν αποδεσμευτεί όταν χτυπηθεί η κεφαλή χλοοκοπτικού, ακολουθήστε τα παρακάτω βήματα:

1. Πιέστε τις γλωττίδες αποδέσμευσης στο άνω κάλυμμα και απομακρύνετε το κάτω συγκρότημα καλύμματος τραβώντας το ίσια προς τα έξω (Εικ. J5 και J6)
2. Αφαιρέστε τη μεσινέζα από το καρούλι.
3. Κρατώντας με το ένα χέρι το συγκρότημα κάτω καλύμματος, χρησιμοποιήστε το άλλο χέρι για να πιέσετε το κάτω συγκρότημα καλύμματος και ευθυγραμμίστε τις γλωττίδες στο κάτω κάλυμμα με τις οπές στο κάτω συγκρότημα καλύμματος (Εικ. J7). Χρησιμοποιήστε την παλάμη σας για να πιέσετε το κάτω συγκρότημα κάτω καλύμματος, μέχρι να ασφαλισουν με το άνω κάλυμμα οι γλωττίδες.
4. Ακολουθήστε τις οδηγίες της ενότητας «ΑΝΤΙΚΑΤΑΣΤΑΣΗ ΜΕΣΙΝΕΖΑΣ» για να τοποθετήσετε νέα μεσινέζα.

GR

## Πώς χρησιμοποιείται η λεπίδα με τα 3 δόντια

**▲ ΠΡΟΕΙΔΟΠΟΙΗΣΗ:** Για την κοπή άγριας βλάστησης και θάμνων χαμηλώστε την περιστρεφόμενη λεπίδα 3 οδοντώσεων επάνω στη βλάστηση για να επιτύχετε το αποτέλεσμα κοπής. Χρησιμοποιήστε το θαμνοκοπτικό σαν δρεπάνι (σαρώνετε δεξιά και αριστερά) στο επίπεδο του εδάφους. Μη χρησιμοποιείτε τη μονάδα κοπής πάνω από το ύψος μέσης.

**▲ ΠΡΟΕΙΔΟΠΟΙΗΣΗ:** Όσο πιο ψηλά είναι η μονάδα κοπής από το έδαφος, τόσο μεγαλύτερος είναι ο κίνδυνος τραυματισμού από κομμένα κομμάτια που πετούνται στα πλάγια.

**▲ ΠΡΟΕΙΔΟΠΟΙΗΣΗ:** Όταν κόβετε νέα βλάστηση ή άλλα ξύλινα υλικά διαμέτρου έως 2 εκ., χρησιμοποιείτε

την αριστερή πλευρά της λεπίδας ώστε να αποφεύγετε καταστάσεις ανάκρουσης λεπίδας. Μην προσπαθείτε να κόβετε ξύλινα υλικά με μεγαλύτερη διάμετρο, καθώς η λεπίδα μπορεί να μαγκώσει ή το θαμνοκοπτικό μπορεί να πεταχτεί προς τα εμπρός. Αυτό μπορεί να προκαλέσει ζημιά στη λεπίδα ή το θαμνοκοπτικό ή απώλεια του ελέγχου θαμνοκοπτικού, με αποτέλεσμα ατομικό τραυματισμό.

**▲ ΠΡΟΕΙΔΟΠΟΙΗΣΗ:** Αν η λεπίδα δεν χρησιμοποιείται όπως πρέπει, μπορεί να ραγίσει, να φθαρεί ή να σπάσει. Μπορεί να εκτιναχθούν τεμάχια και να τραυματίσουν σοβαρά τον χειριστή ή κάποιον περαστικό. Για να μειωθεί ο κίνδυνος τραυματισμού, οι ακόλουθες προφυλάξεις έχουν καθοριστική σημασία:

- Αποφεύγετε επαφή με σκληρά ή στερεά ξένα αντικείμενα όπως μικρές ή μεγάλες πέτρες ή μεταλλικά τεμάχια.
- Ποτέ μην κόβετε ξύλο ή θάμνους με μια διάμετρο στελέχους μεγαλύτερη από 2 εκ.
- Ελέγχετε τη λεπίδα ανά τακτά χρονικά διαστήματα για σημάδια ζημιάς. Μη συνεχίζετε την εργασία με φθαρμένη λεπίδα.
- Επαναπροχίζετε τακτικά τη λεπίδα (όταν έχει στομώσει αισθητά) και εάν απαιτείται διεξάγετε ευθυγράμμιση της (η εργασία αυτή πρέπει να διεξάγεται από εξειδικευμένο τεχνικό του σέρβις).

## Ανάκρουση λεπίδας

Να είστε ιδιαίτερα προσεκτικοί όταν χρησιμοποιείτε τη λεπίδα 3 οδοντώσεων με αυτή τη μονάδα. Η ανάκρουση λεπίδας είναι η αντίδραση που μπορεί να προκύψει όταν η περιστρεφόμενη λεπίδα έρθει σε επαφή με οτιδήποτε δεν μπορεί να κόψει. Αυτή η επαφή μπορεί να κάνει τη λεπίδα να σταματήσει για λίγο και η μονάδα μπορεί ξαφνικά να ωθηθεί μακριά από το αντικείμενο που χτυπήθηκε. Η αντίδραση μπορεί να είναι τόσο βίαιη ώστε να κάνει το χειριστή να χάσει τον έλεγχο της μονάδας. Η ανάκρουση του δίσκου κοπής μπορεί να συμβεί απορριδοποίητα, αν το μηχανήμα πάθει εμπλοκή, σβήσει ή κολλήσει. Αυτό είναι πιθανότερο να συμβεί σε περιοχές όπου δεν διακρίνεται καλά το υλικό που κόβει το μηχανήμα. Για την ευκολία και ασφάλεια κατά τις κοπές, προσεγγίζετε τα αγριόχορτα που θα κοπούν με το θαμνοκοπτικό από τα δεξιά προς τα αριστερά. Στην περίπτωση που συναντήσετε απρόσμενα κάποιο αντικείμενο ή ξύλινο βλαστό, με αυτή την τακτική μπορεί να ελαχιστοποιηθεί η αντίδραση ανάκρουσης λεπίδας.

## ΣΥΝΤΗΡΗΣΗ

**▲ ΠΡΟΕΙΔΟΠΟΙΗΣΗ:** Πριν τον έλεγχο, τον καθαρισμό ή τη συντήρηση της μονάδας, σταματήστε το μοτέρ, περιμένετε να σταματήσουν όλα τα κινούμενα εξαρτήματα

και απομακρύνετε τη συστοιχία μπαταριών. Η μη τήρηση των οδηγιών μπορεί να οδηγήσει σε σοβαρό τραυματισμό ή υλικές ζημιές.

**⚠ ΠΡΟΕΙΔΟΠΟΙΗΣΗ:** Όταν κάνετε συντήρηση του εργαλείου, χρησιμοποιείτε μόνο ίδια ανταλλακτικά. Η χρήση οποιωνδήποτε άλλων εξαρτημάτων μπορεί να προκαλέσει κίνδυνο ή υλικές ζημιές. Για να διασφαλίσετε την ασφάλεια και την αξιοπιστία, όλες οι επισκευές πρέπει να διεξάγονται από εξειδικευμένο τεχνικό του σέρβις.

### ΓΕΝΙΚΗ ΣΥΝΤΗΡΗΣΗ

Αποφύγετε τη χρήση διαλυτών κατά τον καθαρισμό των πλαστικών εξαρτημάτων. Τα περισσότερα πλαστικά είναι ευπαθή στη χρήση διαφόρων τύπων διαλυτών του εμπορίου και καταστρέφονται από τη χρήση τους. Χρησιμοποιείτε καθαρά πανιά για την απομάκρυνση βρωμιάς, σκόνης, λαδιού, γράσου κλπ.

### ΚΑΘΑΡΙΣΜΟΣ ΤΟΥ ΜΗΧΑΝΗΜΑΤΟΣ

- Μετά από κάθε χρήση της λεπίδας 3 οδοντώσεων/ κεφαλής χορτοκοπτικού, καθαρίζετε τα υπολείμματα, χρώμα που έχει μπλοκάρει ή γρασίδι στη λεπίδα και το προστατευτικό χρησιμοποιώντας μια μαλακιά βούρτσα.

**ΣΗΜΕΙΩΣΗ:** Όταν το νήμα/η λεπίδα κοπής είναι στομωμένα, αναθέστε το τρόχισμα σε έναν εξειδικευμένο τεχνικό του σέρβις ή αντικαταστήστε με νέο νήμα/μια νέα λεπίδα κοπής εφόσον απαιτείται.

- Μετά από κάθε χρήση του θαμνοκοπτικού καθαρίζετε τη μονάδα κοπής χρησιμοποιώντας ένα νωπό πανί με ήπιο απορρυπαντικό.
- Μη χρησιμοποιήσετε κανένα δραστικό απορρυπαντικό πάνω στο πλαστικό περίβλημα ή τη λαβή. Αυτά μπορούν να καταστραφούν από ορισμένα αρωματικά έλαια, όπως πεύκο και λεμόνι, καθώς και από διαλύτες, όπως η κηροζίνη. Η υγρασία μπορεί επίσης να προκαλέσει κίνδυνο ηλεκτροπληξίας. Σκουπίζετε ενδεχόμενη υγρασία με ένα μαλακό στεγνό πανί.
- Χρησιμοποιείτε μια μικρή βούρτσα ή μια μικρή ηλεκτρική αναρροφητική σκούπα για να καθαρίζετε τις οπές αερισμού στο πίσω περίβλημα.

### ΛΙΠΑΝΣΗ ΤΟΥ ΚΙΒΩΤΙΟΥ ΓΡΑΝΑΖΙΟΥ

Για βέλτιστη λειτουργία και μεγαλύτερη διάρκεια ζωής, λιπαίνετε το κιβώτιο γραναζιού με ειδικό λιπαντικό (4-5 g τη φορά) μετά από κάθε 50 ώρες λειτουργίας.

Το ειδικό λιπαντικό πρέπει να πληροί τις παρακάτω προδιαγραφές.

1. Βαθμός διεύθυνσης κώνου DIN51818: NLGI-1
2. Λιπαντικό με βάση εστέρα.
3. Εξαιρετικές ιδιότητες εκκίνησης σε χαμηλή θερμοκρασία, EP, μηχανικής απόδοσης, αντοχής στην τριβή και οξειδωτικής σταθερότητας.

4. Αντοχή σε θερμοκρασίες λειτουργίας -40~180°C.

Αφαιρέστε την πρίζα της μπαταρίας και τη βίδα στεγανοποίησης. Λιπάνετε το κιβώτιο γραναζιού μέσω της οπής λίπανσης.

**⚠ ΠΡΟΕΙΔΟΠΟΙΗΣΗ:** Μην λιπαίνετε ενώ το μηχάνημα είναι συνδεδεμένο στην μπαταρία ή λειτουργεί.

### ΤΡΟΧΙΣΜΑ ΝΗΜΑΤΟΣ-ΛΕΠΙΔΑΣ ΚΟΠΗΣ

**⚠ ΠΡΟΕΙΔΟΠΟΙΗΣΗ:** Προσέχετε πάντα τα χέρια σας φρονώντας ανθεκτικά γάντια όταν διεξάγετε συντήρηση στο νήμα - λεπίδα κοπής.

1. Απομακρύνετε το νήμα-λεπίδα κοπής από το προστατευτικό.
2. Φοράτε σωστή προστασία για τα μάτια και γάντια και προσέχετε να μην κοπείτε.
3. Ασφαλίστε τη λεπίδα σε μια μέγγενη.
4. Λιμάρετε προσεκτικά τις ακμές κοπής της λεπίδας με λίμα λεπτής οδοντώσης ή ακονόπετρα διατηρώντας την αρχική γωνία ακμής κοπής.
5. Αντικαταστήστε τη λεπίδα στο προστατευτικό και ασφαλίστε την στη θέση της με δύο βίδες.

### ΑΠΟΘΗΚΕΥΣΗ ΤΟΥ ΜΗΧΑΝΗΜΑΤΟΣ

- Απομακρύνετε τη συστοιχία μπαταριών από το εργαλείο.
- Φοράτε ανθεκτικά γάντια για να καθαρίζετε το εργαλείο σχολαστικά.
- Τοποθετείτε τη θήκη λεπίδας επάνω στη λεπίδα 3 οδοντώσεων για μια ασφαλή αποθήκευση (Εικ. N).
- Αποθηκεύετε τη μονάδα σε έναν στεγνό, καλά αεριζόμενο χώρο, κλειδωμένο ή σε ψηλό σημείο, εκτός εμβέλειας παιδιών. Μην αποθηκεύετε το μηχάνημα επάνω ή δίπλα σε λιπάσματα, βενζίνη ή άλλες χημικές ουσίες.

**ΣΗΜΕΙΩΣΗ:** Μη χρησιμοποιείτε το θαμνοκοπτικό αν οι λεπίδες είναι στομωμένες ή έχουν υποστεί ζημιά. Το θαμνοκοπτικό μπορεί να υπερφορτωθεί και να μην κόβει καλά.

### Προστασία του περιβάλλοντος



Μη απορρίπτετε ηλεκτρικό εξοπλισμό, παλιές μπαταρίες και φορτιστές στα οικιακά απορρίμματα! Μεταφέρετε αυτό το προϊόν σε εξουσιοδοτημένο κέντρο ανακύκλωσης και παραδώστε το για ξεχωριστή συλλογή. Τα ηλεκτρικά εργαλεία πρέπει να επιστρέφονται σε περιβαλλοντικά συμβατή μονάδα ανακύκλωσης.

GR

## ΑΝΤΙΜΕΤΩΠΙΣΗ ΠΡΟΒΛΗΜΑΤΩΝ

ΠΡΟΒΛΗΜΑ	ΑΙΤΙΑ	ΕΠΙΛΥΣΗ
Το εργαλείο δεν ξεκινά.	<ul style="list-style-type: none"> <li>■ Η μπαταρία δεν έχει συνδεθεί στο θαμνοκοπτικό ή δεν υπάρχει ηλεκτρική επαφή ανάμεσα στο θαμνοκοπτικό και την μπαταρία.</li> <li>■ Η συστοιχία μπαταριών έχει εξαντληθεί.</li> <li>■ Δεν μετακινήσατε το κουμπί ασφάλισης στη θέση «ON» πριν πατήσετε τους διακόπτες.</li> </ul>	<ul style="list-style-type: none"> <li>■ Συνδέστε ξανά το βύσμα της μπαταρίας στο θαμνοκοπτικό.</li> <li>■ Φορτίστε την μπαταρία με τον προβλεπόμενο φορτιστή.</li> <li>■ Πριν χρησιμοποιήσετε το χλοοκοπτικό, βεβαιωθείτε ότι το κουμπί ασφάλισης βρίσκεται στη θέση απασφάλισης.</li> </ul>
Το εργαλείο σταμάτησε να λειτουργεί.	<ul style="list-style-type: none"> <li>■ Η συστοιχία μπαταριών ή το θαμνοκοπτικό είναι πολύ καυτά.</li> <li>■ Το θαμνοκοπτικό έχει υπερφορτωθεί.</li> <li>■ Η συστοιχία μπαταριών έχει αποσυνδεθεί από το εργαλείο.</li> <li>■ Η φορητή μπαταρία έχει εξαντληθεί.</li> </ul>	<ul style="list-style-type: none"> <li>■ Αφήστε να κρυώσει η μπαταρία ή το θαμνοκοπτικό μέχρι να φτάσει σε κανονική θερμοκρασία.</li> <li>■ Το μηχάνημα θα επανέλθει όταν θα μειωθεί το φορτίο. Για συνεχόμενη λειτουργία, μειώστε το φορτίο του μηχανήματος.</li> <li>■ Επαναγκαταστήστε τη συστοιχία μπαταριών.</li> <li>■ Φορτίστε την μπαταρία με τον προβλεπόμενο φορτιστή.</li> </ul>
Υπερβολικοί κραδασμοί ή θόρυβος.	<ul style="list-style-type: none"> <li>■ Στεγνός μειωτήρας.</li> <li>■ Μη ζυγισμένο νήμα κοπής.</li> <li>■ Η λεπίδα με τα 3 δόντια έχει λυγίσει ή έχει υποστεί ζημιά.</li> </ul>	<ul style="list-style-type: none"> <li>■ Αφαιρέστε τη βίδα στεγανοποίησης και προσθέστε λιπαντικό λάδι.</li> <li>■ Κτυπήστε ελαφρά την κεφαλή πρόσκρουσης στο έδαφος όταν χρησιμοποιείτε το χλοοκοπτικό.</li> <li>■ Τοποθετήστε νέα λεπίδα.</li> </ul>
Δεν απελευθερώνεται το νήμα κοπής.	<ul style="list-style-type: none"> <li>■ Έχει τελειώσει το νήμα κοπής στην κεφαλή του χλοοκοπτικού.</li> <li>■ Το νήμα κοπής δεν έχει τοποθετηθεί σωστά.</li> </ul>	<ul style="list-style-type: none"> <li>■ Τοποθετήστε νέο νήμα κοπής στο θαμνοκοπτικό.</li> <li>■ Αφαιρέστε το νήμα κοπής και επανατοποθετήστε το.</li> </ul>

GR

## ΕΓΓΥΗΣΗ

### ΠΟΛΙΤΙΚΗ ΕΓΓΥΗΣΗΣ EGO

Επισκεφθείτε την ιστοσελίδα [egopowerplus.eu](http://egopowerplus.eu) για όλους τους όρους και τις προϋποθέσεις της πολιτικής εγγύησης EGO.

## TÜM TALIMATLARI OKUYUN!



**KULLANIM KILAVUZUNU OKUYUN**



Güvenlik Uyarısı



Koruyucu Gözlük Takın



Koruyucu Kask Takın



Kaymaz Ayakkabı Giyin



Bıçak İtmesine Karşı Dikkatli Olun



Makine ile çevredeki insanlar arasında en az 15 m mesafe olmalıdır.



Garanti edilen ses gücü seviyesi. Avrupa Birliği Yönetmeliği'ne göre çevre gürültü emisyonu.



Atık elektrikli ürünler, evsel atıklar ile birlikte imha edilmemelidir. Yetkili bir geri dönüşüm merkezine teslim edilmelidir.

$n_0$

Yüksüz Hız-Yüksüz dönüş hızı



Doğru Akım

## GÜVENLİK SEMBOLLERİ



**UYARI:** Elektrikli aletlerin kullanımı yabancı nesnelerin gözlerinize fırlatılması sonucunu doğurabilir, bu da gözlerde ciddi hasara yol açabilir. Elektrikli aleti kullanmaya başlamadan önce, daima göz koruması veya yan siperleri olan koruyucu gözlük takın ve gerektiğinde tam yüz siperi kullanın. Gözlük üzerine kullanım için Wide Vision Koruyucu Maske ya da yan siperleri olan standart koruyucu gözlükleri tavsiye ederiz.



Yaralanma riskini azaltmak için, kullanıcı kullanma kılavuzunu mutlaka okumalıdır.



Kulak Koruması Takın



El Koruması Kullanın



Fırlayan nesnelere dikkat edin



Bakım yapmadan önce aküyü çıkarın



Bu ürün, yürürlükteki AB yönetmeliklerine uygundur.



Bu ürün, yürürlükteki Birleşik Krallık yasalarına uygundur.

V Voltaj

.../min Dakika Başına

kg Kilogram

IPX5 Su jetlerine karşı koruma

**TR**

## TEKNİK ÖZELLİKLER

Kesici ünite	Kesim başlığı	3-dişli metal bıçak
Voltaj	56 V 	56 V 
Yüksüz (boşta) hız	4000-5800 /dak.	4000-5800 /dak.
Tavsiye Edilen Çalışma Sıcaklığı:	0°C-40°C	
Tavsiye Edilen Depolama Sıcaklığı:	-20°C-70°C	
Kesim Misinası Türü	2,4 mm	/
Kesim bıçağı	/	ABB1203
Kesim Genişliği	38 cm	30 cm
Ağırlık	6,8 kg	6,46 kg
Ölçülen ses güç düzeyi $L_{WA}$	95 dB(A) K=1,1 dB(A)	96,3 dB(A) K=2,1 dB(A)
Operatör konumundaki ses güç düzeyi $L_{PA}$	82dB(A) K=2,5dB(A)	83,4dB(A) K=4,1dB(A)
Garanti edilen ses gücü düzeyi $L_{WA}$ (2000/14/AT uyarınca)	96 dB(A)	98 dB(A)
Titreşim $a_h$	Sol tutma sapı	1,9 m/s <sup>2</sup> K=1,5 m/s <sup>2</sup>
	Sağ tutma sapı	1,5 m/s <sup>2</sup> K=1,5 m/s <sup>2</sup>

- Bildirilen toplam titreşim değeri standart test yöntemine uygun olarak ölçülmüştür ve bir cihazı diğer bir cihaz ile karşılaştırmak için kullanılabilir.
- Bildirilen toplam titreşim değeri ayrıca ön maruz kalma değerlendirmesinde de kullanılabilir.

**UYARI:** Elektrikli aletin gerçek kullanımı sırasında meydana gelen titreşim emisyonu aletin kullanım şekline bağlı olarak bildirilen değerden farklı olabilir; Operatörü korumak için, kullanıcı gerçek kullanım koşullarında eldiven ve kulak koruması takmalıdır.

## AMBALAJ LİSTESİ (Şek. A1)

### AÇIKLAMA

#### ÇALI TIRPANINIZI TANIYIN (Şek. A1)

1. Kesim ipi
2. Koruyucu donanım

# 176

56 VOLT LİTYUM-İYON ARKA MOTORLU BİSİKLET KOLLU ÇALI TIRPANI — BCX3800

3. Mil
4. Tetikleyici
5. Kilitleme düğmesi
6. Kelebek cıvata
7. Kanca
8. Priz
9. Koruyucu plaka
10. Bisiklet kolu
11. Conta vidası
12. Mil kilitleme deliği
13. Misina kesim bıçağı
14. Koruyucu aksesuar
15. 3-dişli bıçak
16. Bıçak kılıfı
17. Dış Flanş
18. Somun
19. Çok işlevli anahtar
20. Alyen Anahtar
- 21\*. Kalça pedi (Ayrı satılır)

**⚠ UYARI:** Aleti asla koruyucu düzgün şekilde takılı değilken kullanmayın. Koruyucu, kullanıcıyı korumak için daima alete takılı durumda olmalıdır.

**⚠ UYARI:** Alet bir kesim başlığı ile donatıldığında, misinalı koruma donanımı üzerine bir koruyucu monte edilmelidir. Böyle yapılmaması, aşırı uzun kesim ipine ve motorun aşırı yüklenmesine neden olur. Kesim başlığını asla muhafazasız kullanmayın.

## MONTAJ

**⚠ UYARI:** Hasarlı veya eksik parça varsa, bu parçalar değiştirilinceye kadar çalı tırpanını çalıştırmayın. Çalı tırpanının hasarlı veya eksik parçalar ile kullanılması ciddi kişisel yaralanmalara yol açabilir.

**⚠ UYARI:** Çalı tırpanı üzerinde değişiklik yapmaya veya bu ürünle kullanılması önerilmeyen aksesuarlar oluşturmaya çalışmayın. Bu tür değişiklikler veya modifikasyonlar hatalı kullanımdır ve ciddi kişisel yaralanmalara neden olabilen tehlikeli durumlara neden olabilir.

**⚠ UYARI:** Koruyucuyu takarken / çıkarırken veya 3 dişli bıçak/kesim bıçağı üzerinde herhangi bir bakım işlemi yaparken daima koruyucu eldivenler giyin. Koruyucu üzerindeki bıçağa / 3 dişli bıçağa dikkat edin ve ellerinizi bıçak yaralanmalarından koruyun.



**⚠ UYARI:** Parçaları monte ederken, ayar yaparken, temizlikten önce ve ürün kullanımında değışken ciddi kişisel yaralanmalara neden olabilen yanlışlıkla çalışmayı önlemek için, daima pil takımını aletten çıkarın.

**⚠ UYARI:** Aleti asla koruyucu ve bisiklet kolu sıkıca takılı değışken kullanmayın. Aksi takdirde, ciddi kişisel yaralanmalar meydana gelebilir.

### BİSİKLET KOLUNUN MONTAJI VE AYARLANMASI

Çalı tırpanı Şek. B'de gösterildiğı gibi muhafaza edilir. İlk olarak, bağlantı noktasındaki kelebek civatayı gevşetin ve ardından bisiklet kolunu mil etrafında 180° çevirerek kaldırın (Şek. C), çarpma başlığına doğru bakması için saat yönünün tersine 90° çevirin (Şek. D). Son olarak, rahat bir çalışma konumuna ulaşınca kadar ileri-geri hareket ettirin ve civatayı sıkın.

**DİKKAT:** Makine sadece bisiklet kolu mile dik olarak bağıli iken çalıştırılabilir.

### KORUYUCUNUN TAKILMASI

**⚠ UYARI:** Siperi monte ederken veya değıştirirken daima eldiven takın. Siper üzerindeki bıçağı ve elinizle kesilmemesine dikkat edin.

**⚠ UYARI:** Siper düzgün şekilde takılı değışken asla makineyi kullanmayın. Siper, kullanıcıyı korumak için daima makineye takılı durumda olmalıdır! Siper takılıyken, asla siperi çıkarmaya veya ayarlamaya çalışmayın, değıştirilmesi gerekirse, yetkili bir servis teknisyeni tarafından gerçekleştirilmelidir!

Koruyucu üzerindeki iki adet vidayı gevşetin ve sökün (Şek. E), koruyucu montaj deliklerini cihaz üzerindeki montaj delikleriyle hizalayın ve ardından koruyucuyu mil tabanına iki vida ve iki yaylı rondela ile sabitleyin (Şek. F).

**⚠ UYARI:** Koruyucu iç yüzeyinin kesim başlığına doğru baktığından emin olun (Şek. F).

**⚠ UYARI:** Çalı budama makinesi bir kesim başlığı ile donatıldığında, koruma aksesuarı üzerine bir koruyucu monte edilmelidir. Böyle yapılmaması, aşırı uzun kesim ipine ve motorun aşırı yüklenmesine neden olabilir.

### KESİM BAŞLIĞINI 3 DİŞLİ BİÇAKLA DEĞİŞTİRME

- Misinalı çim biçme makinesinden fiş çıkarın.
- Kesme makinesi kafasını çevirerek flanş içindeki yanğı, dişli kutusundaki mil kilitleme deliğıyle aynı hizaya getirin ve deliğı bir dengeleyici çubuk yerleştirin (Şek. G).
- Kesme makinesi kafasını çıkarmak için saat yönünde çevirin (Şek. G).
- Koruyucu aksesuarı, rondelalarla üç vidayı gevşeterek çıkarın (Şek. H).

- Bıçak bir kılıf ile teslim edilir. Bıçağı çalı tırpanına monte etmeden önce kelepçeli tel, kılıf üzerindeki kancadan alınarak kılıf çıkarılmalıdır (Şek. I1).

**UYARI:** Yaralanmalara karşı korunmak için, 3 dişli bıçakla yapılan herhangi bir işlemden önce eldiven giymeniz gerekir.

- İç flanş ve flanş kapağını yerine monte edin (Şek. I2).
- Bıçak yüzeyinin iç flanş çıkıntısının yüzeyi ile aynı hizada olmasını sağlayarak bıçağı motor miline monte edin. Dış flanş ve somunu monte edin (Şek. I3). Somunu SAAT YÖNÜNÜN TERSİ yönde elle sıkın.
- Dişli kutusunu destek için sağlam bir yüzey üzerine yerleştirin. Bir elinizle çalı tırpanı milini, diğer elinizle çok işlevli anahtar tutarak dış flanş üzerinde yer alan ok simgesi yönünde somunu sıkın (Şek. I4).

### KESİM BAŞLIĞINA 3-DİŞLİ BİÇAĞIN TAKILMASI

3-dişli bıçak donanımı Şek. J1'de gösterilmiştir. Ardından 3-dişli bıçağı sökün ve kesim başlığını budama makinesine monte edin.

- Bıçağı çevirerek flanş içindeki yanğı, dişli kutusundaki mil kilitleme deliğıyle aynı hizaya getirin ve deliğı bir dengeleyici çubuk yerleştirin.
- Dişli kutusunu destek için sağlam bir yüzey üzerine yerleştirin. Bir elinizle budama makinesi milini tutarken diğer elinizle çok işlevli anahtar tutun ve somunu saat yönünde çevirerek gevşetin (Şek. I4).
- Somunu, dış flanş, bıçağı çalı budama makinesinden çıkarın (Şek. J2).

Şek. J1, J3 ve J7 parça açıklaması aşağıdaki gibidir:

J-1	Mil	J-5	Dış Flanş
J-2	İç Flanş	J-6	Somun
J-3	Flanş Kapağı	J-7	Flanş içindeki yarık
J-4	3-dişli Bıçak		

**DİKKAT:** 3-dişli bıçak kullanılmadığında, kişisel yaralanmaları önlemek için, bıçağı kılıfına yerleştirin.

- Üç vida ve pul ile koruyucu donanımı çalı budama makinesine monte edin (Şek. H).
- Kesme makinesi kafasını takmak için saat yönünün tersi yönde çevirin (Şek. G). "MİSİNANIN DEĞİŞTİRİLMESİ" bölümündeki talimatları izleyerek misinayı takın.

**DİKKAT:** İpin belirtilen yönde sarılmaması, kesim başlığının doğru çalışmasına neden olur.

## ALİŞTİRMA

**⚠ UYARI:** Ürüne aşına olmanız sizi dikkatsiz yapmasın. İkinci dereceden bir dikkatsizliğin ciddi yaralanmalara neden olmak için yeterli olduğunu unutmayın.

**⚠ UYARI:** Daima göz koruması ve kulak koruması kullanın. Böyle yapılmaması sonucu gözlerinize fırlayan nesnelere ciddi kişisel yaralanmalara neden olabilir.

**⚠ UYARI:** Bu ürünün üreticisi tarafından önerilmeyen ek parça veya aksesuarları kullanmayın. Önerilmeyen parça veya aksesuarların kullanılması ciddi kişisel yaralanmalara neden olabilir.

## KULLANIM ALANLARI

Ürün yağmurda kullanılabilir.

Bu ürünü aşağıda belirtilen amaçlar için kullanabilirsiniz:

**Budama:** duvar, çit, ağaç ve kenarlıklarda bulunan çim ve otların temizlenmesi için kullanılır.

**Kesim:** normal çim biçme makinesi ile ulaşılması zor olan çimlerin kesilmesi için kullanılır.

**DİKKAT:** Makine yalnızca belirtilen amaçlar için kullanılmalıdır. Diğer kullanım şekilleri hatalı kullanım olarak kabul edilir.

## ÇALI BUDAMA MAKİNESİNİN TUTULMASI

Pil takımını budama makinesine takmadan önce, BAX1500 ve AHP1500 kullanım kılavuzunda anlatılan şekilde pil takımı çantasını takın ve kalça pedini pil takımı kayış takımına monte edin.

Kancayı montaj deliğine bağlayarak çalı budama makinesini kalça pedine monte edin (Şek. K). Mil üzerinde 8 adet delik bulunur, rahat bir çalışma sağlayacak uygun deliği seçin.

Çalı tirpanını her iki elinizle, vücudunuzun sağ tarafında tutun. Kesim başlığı veya bıçak, kullanıcının eğilmesine gerek kalmayacak şekilde uygun bir kesim mesafesinde ve yere paralel olmalıdır.

Çalı budama makinesi iki şekilde çıkarılabilir: Göğüs ve bel kemeri tokalarını açın (Şek. L1) veya kalça pedinin kancasına bastırarak mil üzerindeki montaj deliğinden çıkartın.

**⚠ UYARI:** Acil bir durumda, çalı budama makinesini çıkarmak için kullanılacak hızlı yöntem göğüs ve bel kemeri tokalarının açılması olacaktır.

**⚠ UYARI:** Pil takımı ile birlikte tek omuz kayışı ile çift omuz kayışı aynı anda kullanılmamalıdır.

Sadece Şek. A2'de listelenen EGO akü ve şarj cihazlarını kullanın.

## Pil Takımını Takmak için (Şek.L2)

Fiş üzerindeki ▲ simgesi ile budama makinesi üzerindeki ▲ simgesini hizalayın. Fişi makine soketine takın ve yeşil conta socketin içinde tamamen kayboluncaya kadar itin.

## Sökme

Pil kablosunu montaj olduğundan çıkarın ve fişi budama makinesinden çekip çıkarın.

## ÇALI TIRPANINI ÇALIŞTIRMA/DURDURMA

### Çalıştırmak için

Kilitleme düğmesini "ON" (AÇIK) konumuna getirin (Şek. M). Küçük tetiği yukarı doğru itin ve ardından tetik düğmesine basarak budama makinesini çalıştırın. Tetiğe basma düzeyindeki farklar kesim ünitesinin farklı dönüş hızlarında dönmelerini sağlar.

Şek. L1 ve M parça açıklaması aşağıdaki gibidir:

L-1	Göğüs Kemeri Tokası	M-1	Kilitleme Düğmesi
L-2	Bel Kemeri Tokası	M-2	Küçük Tetik
L-3	Kanca	M-3	Tetik Düğmesi

### Durdurmak için

Tetik düğmesini bırakın ve kilitleme düğmesini tekrar "OFF" (KAPALI) konuma getirin.

**⚠ UYARI:** Mola verdiğinizde ve işiniz bittikten sonra daima pil paketini makineden çıkarın.

## ÇALI BUDAMA MAKİNESİNİN KULLANIMI

**⚠ UYARI:** Çalı budama makinesini kullanırken yaralanma riskini azaltmak için uygun şekilde giyinin. Bol giysiler giymeyin veya takı takmayın. Göz ve kulak/ışıtme koruması kullanın. Dayanıklı uzun pantolon, eldiven ve bot giyin. Kısa pantolon, sandalet giymeyin veya çıplak ayakla çalışmayın. Çalışmaya başlamadan önce, çevrenize bakarak çalışma alanında üçüncü şahıslar, hayvanlar veya boşa duran nesnelere olmadığından emin olun. Üçüncü şahısların en az 15 metre uzakta olduğundan emin olun. Ardından göz koruyucunuzu, giysilerinizin uygun olduğunu ve yere dengeli/sağlam bastığınızı kontrol edin.

Her kullanımdan önce hasarlı/aşınmış parça olup olmadığını kontrol edin. Kesim başlığını, 3 dişli bıçağı, koruyucuyu, koruyucu aksesuarını ve bisiklet tipi tutma

kolunu kontrol ederek çatlak, kırılmış, eğik veya hasarlı parçalar varsa değiştirin. Koruyucu aksesuarının kenarındaki misina kesim bıçağı zamanla körelebilir. Bu bıçağı düzenli olarak bir eğe ile bilemeniz veya yenisiyle değiştirmeniz önerilir.

### Her kullanımdan sonra, çalı tırpanını temizleyin

**⚠ İKAZ:** Hava deliklerindeki tıkanıklıklar motor gövdesindeki hava akımını engelleyerek aşırı ısınmaya ve motor hasarına neden olabilir.

- Makineyi temizlemek için sadece hafif sabun ve nemli bir bez kullanın. Makinenin içine asla sıvı girmesine izin vermeyin; makinenin herhangi bir parçasını asla bir sıvıya batırmayın.
- Motor gövdesindeki hava deliklerinin her zaman temiz kalmasını sağlayın.

**⚠ UYARI:** Plastik parçaları temizlerken çözücü maddeler kullanmaktan kaçının. Çoğu plastik parça çeşitli tip ticari solventlerden zarar görebilir. Kir, toz, yağ, gres vb. gidermek için temiz bez kullanın.

### KESİM BAŞLIĞI KULLANIMI

#### Bıçme başlığında tıkanma olup olmadığını kontrol edin

- Tıkanmayı önlemek için bıçme başlığını temiz tutun. Her kullanımdan önce ve sonra çim kırıntılarını, yaprakları, kiri ve birikmiş diğer kalıntıları temizleyin.
- Tıkanma meydana geldiğinde ot bıçme makinesini durdurun ve aküyü çıkarın, ardından motor miline veya bıçme başlığına dolanmış olabilecek çimleri temizleyin.

#### Kesim ipi uzunluğunun ayarlanması

Bıçme başlığı, operatörün motoru durdurması gerekmeden kesim misinasının salınmasını sağlar. Misina aşırır veya yıpranırsa bıçme makinesi çalışırken çarpa başını hafifçe yere vurarak biraz daha misina salınabilir.

**UYARI:** Kesim ipi çok kısa olursa misinanın salınması daha zor olur.

**⚠ UYARI:** Misina kesim bıçağı donanımını çıkarmayın veya üzerinde değişiklik yapmayın. Aşırı uzun kesim ipi motorun aşırı ısınmasına neden olabilir ve ciddi kişisel yaralanmalara yol açabilir.

#### Kesim ipinin değiştirilmesi

**⚠ UYARI:** Asla metal takviyeli misina, tel, ip, vb. malzeme kullanmayın. Bunlar koparak tehlikeli biçimde fırlatılabilir.

**DİKKAT:** Daima 2,7 mm'yi aşmayan bir çapa sahip naylon kesim misinası kullanılması önerilir. Belirtilenin dışında kesim misinası kullanımı kesim makinesinin aşırı

ısınmasına veya hasar görmesine neden olabilir.

1. Misinalı çim biçme makinesinden fişi çıkarın.
2. Gerekirse, kalan kesim ipini çıkarın.
3. 8m'lik misinayı kesin ve misinayı halka içindeki montaj deliğine yerleştirin (Şek. J3). Makaranın her iki tarafında eşit miktarda misina oluncaya kadar misinayı itin ve diğer taraftan çekin.
4. Alt kapak aksamını bastırarak ok yönünde çevirin ve her iki tarafta yaklaşık 12cm misina görününceye kadar misinayı makara üzerine sarın (Şek. J4).
5. Alt kapak aksamını aşağı bastırarak misinaları çekin ve kesim başlığının düzgün monte edildiğini kontrol etmek için manuel olarak ilerletin.

Kesim misinası çıkış noktasından kırıldığında veya çim biçme başlığına dokunulduğunda kesim misinası salınmazsa, aşağıdaki adımları izleyin:

1. Üst kapak üzerindeki açma tınaklarına bastırın ve alt kapak aksamını çekerek çıkarın (Şek. J5 ve J6).
2. Makaradan misinayı çıkarın.
3. Alt kapak aksamını bir elinizle tutarak diğer elinizle alt kapak aksamını kavrayın ve üst kapaktaki sekmeleri alt kapak aksamındaki deliklerle hizalayın (Şek. J7); avucunuzu sekmeler üst kapağa kilitlemeye kadar alt kapak aksamına bastırarak için kulanın.
4. "MİSİNANIN DEĞİŞTİRİLMESİ" bölümündeki talimatları izleyerek tekrar misinayı takın.

### 3-Dişli Bıçağın Kullanımı

**⚠ UYARI:** Yabani bodur çalı ve makileri kesmek için, 3 dişli döner bıçağı çalıların üzerine indirerek doğrama etkisi elde edin. Çalı kesiciyi zemin seviyesinde normal tırpan gibi (sağa ve sola doğru süpürme hareketi ile) kullanın. Kesim ünitesini bel yüksekliğinin üzerinde tutarak kullanmayın.

**⚠ UYARI:** Kesim ünitesi yerden ne kadar yüksek tutulursa, yanal olarak fırlayan kesim parçalarından yaralanma riski de o kadar artar.

**⚠ UYARI:** 2 cm'ye kadar çapa sahip genç ağaç/çalılar veya diğer ağaçsı bitkileri keserken bıçağın kuvvetle itilmesini önlemek için bıçağın sol tarafını kullanın. Bıçak sıkışabileceği veya çalı kesiciyi ileri fırlatabileceği için daha büyük çapa sahip ağaçsı bitkileri kesmeye çalışmayın. Aksi takdirde bıçak veya çalı kesici hasar görebilir veya çalı kesici kontrolü kaybedilerek kişisel yaralanmalar meydana gelebilir.

**⚠ UYARI:** Bıçağın hatalı kullanımı çatlmasına, kırılmasına veya parçalanmasına neden olabilir. Fırlayan parçalar operatörü veya üçüncü şahısları ciddi şekilde

yaralayabilir. Kişisel yaralanma riskini azaltmak için, aşağıdaki önlemleri almanız önemlidir:

- Taş, kaya veya metal parçalar gibi sert veya katı yabancı nesnelere temasından kaçınınız.
- Asla 2 cm'den daha büyük kök çapına sahip odun veya çalıları kesmeyiniz.
- Düzenli ve kısa aralıklarla bıçakta hasar izi olup olmadığını kontrol ediniz. Hasarlı bir bıçakla çalışmaya devam etmeyiniz.
- Bıçağı düzenli olarak bileyin (belirgin bir şekilde körelendiğinde) ve gerekirse balans ayarını yaptırınız (uzman bir servis teknisyeni tarafından gerçekleştirilir).

## BİÇAĞIN KUVVETLE İTİLMESİ

3 dişli bıçağı bu cihazla birlikte kullanırken çok dikkatli olun. Bıçağın kuvvetle itilmesi, döner bıçak tarafından kesilemeyen herhangi bir şeyle temas durumunda ortaya çıkabilecek bir reaksiyondur. Bu temas, bıçağın ani olarak durmasına ve cihazın çarptığı nesneden ani olarak uzağa "itilmesine" neden olabilir. Bu reaksiyon, operatörün cihaz üzerindeki kontrolünü kaybetmesine neden olacak şiddette olabilir. Bıçak takılır, durur veya dönmeye engellenirse uyarı olmaksızın kuvvetle itilebilir. Bu olay, kesilen çalıları görmeye zor olduğu bölgelerde daha çok olabilir. Kolay ve güvenli bir kesim için, çalı kesiciyle kesilen yabancı otlara sağdan sola doğru ilerleyerek yaklaşınız. Beklenmeyen bir nesne veya odunsu çalı gövdeleri ile karşılaşıldığında, bu uygulama bıçağın kuvvetle itilmesini reaksiyonunu en aza indirebilir.

## BAKIM

**⚠ UYARI:** Cihazın kontrol, temizlik veya bakımından önce motoru durdurunuz, tüm hareketli parçaların durmasını bekleyiniz ve ardından pil takımını çıkarınız. Bu talimatlara uyulmaması ciddi kişisel yaralanmalara veya maddi hasara yol açabilir.

TR

**⚠ UYARI:** Bakım - onarım sırasında sadece birebir aynı yedek parçaları kullanınız. Diğer parçaların kullanılması tehlike oluşturabilir veya ürünün hasar görmesine neden olabilir. Güvenliği ve güvenilirliği sağlamak için, tüm onarım işlemleri yetkili bir servis teknisyeni tarafından gerçekleştirilmelidir.

## GENEL BAKIM

Plastik parçaları temizlerken çözücü maddeler kullanmaktan kaçınınız. Çoğu plastik malzeme çeşitli ticari çözücü türlerinden etkilenmeye yatkındır ve kullanılmaları durumunda zarar görebilir. Kir, toz, yağ, gres, vb. gidermek için temiz bez kullanınız.

## MAKİNENİN TEMİZLENMESİ

- 3 dişli bıçağın ve kesim başlığının her kullanımından sonra bıçak ve muhafazanın üzerindeki kalıntıları, toprak parçalarını ya da çimleri yumuşak bir fırça ile temizleyiniz.

**UYARI:** Misina kesim bıçağı körelendiğinde, uzman bir servis teknisyeni tarafından bilenmesini sağlayınız veya gerekirse yeni bir bıçakla değiştiriniz.

- Çalı tırpanını her kullanımdan sonra, kesim ünitesini nemli bir bez ve yumuşak deterjanla temizleyiniz.
- Plastik gövde veya tutma sapları üzerinde güçlü deterjanlar kullanmayınız. Çam ve limon gibi belirli aromatik yağlar ile kerosen gibi çözücü maddeler bu yüzeylere zarar verebilir. Nem nedeniyle elektrik çarpması tehlikesi oluşabilir. Nemli yerleri yumuşak, kuru bir bezle siliniz.
- Arka gövde üzerindeki hava deliklerini temizlemek için küçük bir fırça veya küçük elektrikli süpürge kullanınız.

## DİŞLİ KUTUSUNU YAĞLAYIN

En iyi çalışma ve daha uzun kullanım ömrü için dişli kutusunu her 50 saatlik çalışmadan sonra özel bir yağla yağlayınız (her defasında 4-5g).

Özel yağ aşağıdaki gereksinimleri yerine getirmelidir.

1. DIN51818: NLGI-1 sınıfına ait konik penetrasyon derecesi.
2. Ester bazlı yağ.
3. Harika düşük sıcaklıkta başlatma, EP, mekanik kayma, aşınma dayanımı ve oksidatif stabilite özellikleri.
4. Çalışma sıcaklığı -40~180°C olmalıdır.

Akü fişini ve sızdırmazlık vidasını çıkarınız. Fişli kutusunu yağ deliğinden yağlayınız.

**⚠ UYARI:** Çalı kesicisine akü takılıken veya çalışırken yağlamayınız.

## MİSİNA-KESME BİÇAĞINI KESKİNLEŞTİRME

**⚠ UYARI:** Misina-kesme bıçağı üzerinde herhangi bir bakım işlemi gerçekleştirirken daima dayanıklı eldivenler takarak ellerinizi koruyunuz.

1. Misina-kesme bıçağını koruyucudan çıkarınız.
2. Uygun göz koruması ve eldiven giyiniz ve kendinizi kesmemeye dikkat ediniz.
3. Bıçağı bir mengene ile sabitleyiniz.
4. Orijinal kesici kenar açısını koruyarak, bıçağın kesici kenarlarını ince diş bileyici veya bileme taşıyla dikkatlice bileyiniz.
5. Bıçağı koruyucuya takınız ve iki vidayla yerine sabitleyiniz.

## MAKİNENİN SAKLANMASI

- Pili paketini cihazdan çıkarın.
- Cihazı ayrıntılı olarak temizlemek için ağır hizmet eldivenleri giyin.
- Güvenli koruma sağlamak için 3 dişli bıçak kılıfını bıçağa takın (Şek. N).
- Cihazı çocukların ulaşamayacağı kuru, iyi havalandırılmış, kilitli veya yüksek bir yerde muhafaza edin. Cihazı gübre, benzin veya diğer kimyasal maddelerin yakınında saklamayın.

**DİKKAT:** Çit budama makinenizi kör veya hasar görmüş kesme bıçakları ile kullanmayın. Böyle yapılması aşırı yüklenmeye yol açarak tatmin edici olmayan kesim sonuçlarına neden olabilir.

## Çevre koruması



Elektrikli cihazları, kullanılmış aküyü ve akü şarj cihazını evsel atıklarla birlikte atmayın! Bu ürünü yetkili bir geri dönüşümcüye götürün ve ayrı bir şekilde toplanmasını sağlayın. Elektrikli aletler çevreyle uyumlu bir geri dönüşüm tesisine götürülmelidir.



## SORUN GİDERME

SORUN	NEDENİ	ÇÖZÜM
Cihaz çalışmıyor.	<ul style="list-style-type: none"><li>■ PİL paketi, çalı budama makinesine takılı değil veya çalı budama makinesine ile pil paketi arasında elektrik teması yok.</li><li>■ PİL paketi boş.</li><li>■ Tetik düğmelerine basılmadan önce kilitleme düğmesi "ON" (AÇIK) konuma getirilmemiş.</li></ul>	<ul style="list-style-type: none"><li>■ PİL paketini çalı budama makinesine tekrar takın.</li><li>■ PİL paketini belirtilen şarj cihazı ile şarj edin.</li><li>■ Budama makinesini kullanmadan önce, kilitleme düğmesinin açık olduğundan emin olun.</li></ul>
Çalışırken duruyor.	<ul style="list-style-type: none"><li>■ PİL paketi veya çalı kesici çok sıcak.</li><li>■ Budama makinesi aşırı yüklenmiş.</li><li>■ PİL paketi ile aletin bağlantısı kesilmiş.</li><li>■ PİL paketi boşalmış.</li></ul>	<ul style="list-style-type: none"><li>■ PİL paketi veya budama makinesinin sıcaklığı normal sıcaklığa gelene kadar soğumasını bekleyin.</li><li>■ Yük kaldırdığınızda cihaz normale dönecektir. Sürekli çalışma için, makine yükünü azaltın.</li><li>■ PİL paketini yerine takın.</li><li>■ PİL paketini belirtilen şarj cihazı ile şarj edin.</li></ul>
Aşırı titreşim veya gürültü.	<ul style="list-style-type: none"><li>■ Dişli kutusu yağsız.</li><li>■ Dengesiz kesim ipi.</li><li>■ 3 dişli bıçak eğilmiş veya hasarlı.</li></ul>	<ul style="list-style-type: none"><li>■ Conta vidasını sökün ve yağ ekleyin.</li><li>■ Budama makinesi çalışırken, çarpma düğmesini hafifçe yere vurun.</li><li>■ Yeni bir bıçak takın.</li></ul>
Kesim ipi beslenemiyor.	<ul style="list-style-type: none"><li>■ Kesim başlığındaki ip bitmiş.</li><li>■ Kesim ipi doğru şekilde takılmamış.</li></ul>	<ul style="list-style-type: none"><li>■ Budama makinesine yeni bir kesim ipi takın.</li><li>■ Kesim ipini çıkarıp tekrar takın.</li></ul>

TR

## GARANTİ

### EGO GARANTİ POLİTİKASI

EGO Garanti politikasına ilişkin tüm hüküm ve koşullar için, lütfen [egopowerplus.eu](http://egopowerplus.eu) adresindeki web sitemizi ziyaret edin.

## LUGEGE KÕIKI JUHISEID!



### LUGEGE KASUTUSJUHEIDIT



Ohutusteade



Kandke kaitseprille



Kandke tugevat peakatet



Kandke libisemiskindlaid jalatseid



Ettevaatust tera tagasilöögiga



Vahemaa seadme ja kõrvaliste isikute vahel peab olema vähemalt 15 m.



Garanteeritud helivõimsuse tase. Seadme müra keskkonnas on Euroopa Ühenduse direktiiviga vastavuses.



Elektriseadmete jäätmeid ei tohi visata olmejäätmete hulka. Viige volitatud taaskäitleja juurde.

$n_0$

Tühikäigu kiirus-Tühikäigu pöörlemiskiirus



Alalisvool

## OHUTUSSÜMBOLID



**HOIATUS!** Mis tahes elektriliste tööriistade kasutamine võib põhjustada vöörkehade paiskumist silma, mis võib põhjustada raskeid silmakahjustusi. Kandke elektriliste tööriistade kasutamise ajal alati kaitseprille või külgkaitsetega kaitseprille ja vajadusel täielikku näokaitset. Soovitame kanda prillide peal laia vaatealaga kaitsemaski või tavalisi külgkaitsetega kaitseprille.



Vigastuste ohu vähendamiseks peab kasutaja enne toote kasutamist kasutusjuhendit lugema.



Kasutage kuulmiskaitsevahendeid



Kandke kätekaitsset



Hoiduge viskuvate esemete eest



Enne hooldust ühendage aku lahti



Toode vastab rakendatavatele EÜ direktiividele.



Toode vastab kohaldatavatele Ühendkuningriigi õigusaktidele.

V Pinge



.../min Minutis

kg Kilogramm

IPX5 Kaitse veejuga eest

ET

## SPETSIFIKATSIOONID

Lõiketarvik	Trimmeripea	3-teeth metal blade	
Pinge	56 V 	56 V 	
Tühikäik	4000-5800 /min	4000-5800 /min	
Soovitatud töötemperatuur:	0°C kuni 40°C		
Soovitatud temperatuur ladustamisel:	-20°C kuni 70°C		
Lõikejõhvi tüüp	2,4 mm	/	
Lõiketera	/	ABB1203	
Lõikelaius	38 cm	30 cm	
Kaal	6,8 kg	6,46 kg	
Möödetud helirõhk $L_{WA}$	95 dB(A) K=1,1 dB(A)	96,3 dB(A) K=2,1 dB(A)	
Helirõhk seadme operaatori kõrva juures $L_{PA}$	82 dB(A) K=2,5 dB(A)	83,4 dB(A) K=4,1 dB(A)	
Garanteeritud helirõhk $L_{WA}$ (vastavalt 2000/14/EÜ)	96 dB(A)	98 dB(A)	
Vibratsioon $a_h$	Vasak-poolne kaepide	1,9 m/s <sup>2</sup> K=1,5 m/s <sup>2</sup>	1,9 m/s <sup>2</sup> K=1,5 m/s <sup>2</sup>
	Parem-poolne kaepide	1,5 m/s <sup>2</sup> K=1,5 m/s <sup>2</sup>	1,3 m/s <sup>2</sup> K=1,5 m/s <sup>2</sup>

- Ametlik vibratsioonitaseme näit on möödetud standardsete testmeetodite kohaselt ja seda võidakse kasutada erinevate tööriistade võrdlemiseks.
- Ametlikku vibratsioonitaseme näitu võib kasutada ka algse kokkupuutehinnangu andmiseks.

**MÄRKUS:** Tegelikult kasutamisel tekkev vibratsioonitase või ametlikult märgitud erineb; turvalisuse eesmärgil peaks seadme kasutaja kandma kindaid ja kuulmiskaitsmeid.

## PAKENDI LOEND (Joon. A1)

## KIRJELDUS

## TUNNE OMA VÕSALÕIKURIT (joon. A1)

1. Trimmeri jõhv
2. Kaitsepiire
3. Võll
4. Trigger
5. Lukustusnupp
6. Liblikpolt
7. Konks
8. Pesa
9. Kaitseplaat
10. U-käepide
11. Kinnituskruvi
12. Võlli lukustamise ava
13. Jõhvi lõiketera
14. Piirde tarvik
15. 3-teeth Blade
16. Tera kaitse
17. Outer Flange
18. Nut
19. Mitmeotstarbeline mutrivõti
20. Kuuskantvõti
- 21\*. Puusapadi (müügil eraldi)

**⚠ HOIATUS:** Ärge kasutage tööriista, mille turvapiire pole korrektselt paigaldatud. Kasutaja turvalisuse huvides peab piire kogu aeg kinnitatud olema.

**⚠ HOIATUS:** Kui tööriist on varustatud trimmeripeaga, siis tuleks turvapiirdele kinnitada jõhvi lõikamise teraga piirde tarvik. Selle nõude mittejärgimise tagajärjeks võib olla liiga pikk lõikejõhv ja sellest tulenev mootori ülekoormus. Ärge kunagi kasutage trimmeripead ilma piirde tarvikuta.

## KOKKUPANEK

**⚠ HOIATUS:** Kui mõni osa on kahjustatud või puudub, ärge kasutage võsaloikurit enne, kui need osad on asendatud. Kahjustatud või vajalike komponentideta võsaloikuri kasutamise tagajärjel võite saada raskeid vigastusi.

**⚠ HOIATUS:** Ärge üritage võsaloikurit ümber ehitada ega kasutada lisaseadmeid, mis pole mõeldud selle seadmega koos kasutamiseks. Kõik niisugused muudatused loetakse väärkasutuseks ja need võivad põhjustada ohtlikke olukordi, mis lõppevad raskete vigastustega.



**⚠ HOIATUS:** Turvapiirde paigaldamisel või eemaldamisel ja 3-teralise lõiketera / jõhvi lõikamise tera hooldamisel kandke alati tugevaid kindaid. Olge piirde tarvikul oleva jõhvi lõikamise teraga / 3-teralise lõiketeraga ettevaatlik ja kaitske oma käsi lõiketerade tekitatavate võimalike vigastuste eest.

**⚠ HOIATUS:** Raskeid vigastusi põhjustada võiva juhusliku käivitumise vältimiseks eemaldage alati akuplokk enne seadme kokkupanemist, reguleerimist, puhastamist või kui seade ei ole kasutuses.

**⚠ HOIATUS:** Ärge kasutage tööriista ilma tugevalt kinnitatud turvapiirde ja U-käepidemeta. Juhiste eiramine võib kaasa tuua tõsisid vigastusi.

### U-KÄEPIDEME PAIGALDAMINE JA SEADISTAMINE

Võsalõikurit hoiustatakse joonisel B näidatud asendis. Esiteks vabastage ühendusülili küljes olev liblikpolt ja seejärel liigutage U-käepidet vööliil 180° kraadi (joonis C), keerake seda 90° võrra vastupäeva kuni see on suunatud tööriistapea poole (joonis D). Viimaks liigutage seda edasi-tagasi mugava asendi saavutamiseni ning kinnitage polt.

**MÄRKUS:** Seadmega võib töötada ainult siis, kui U-käepide asetseb vöölii suhtes risti.

### KAITSEPIIRDE PAIGALDAMINE

**⚠ HOIATUS!** Piirde paigaldamise või vahetamise ajal kasutage alati kindaid. Jälgige tera liikumist ja olge ettevaatlik, et te ei vigastaks oma käsi.

**⚠ HOIATUS!** Ärge kasutage masinat, mille kaitsepiire pole korrektselt paigaldatud. Kasutaja turvalisuse huvides peab kaitsepiire masinale kogu aeg kinnitatud olema. Kaitsepiirde paigaldamise järgselt ärge kunagi üritage seda eemaldada ega kohandada. Väljavahetamise vajaduse korral peab seda tegema kvalifitseeritud tehnik!

Kruvige lahti kaks kaitsepiirde (joon. E) küljes olevat kruvi, joondage aluse kinnitusaugud kaitsepiirde aukudega ja kinnitage kaitsepiire vöölii aluse külge kahe kruvi ja kahe seibiga (joon. F).

**⚠ HOIATUS:** Jälgige, et piirde sisemine külj jääks lõikepea poole (joonis F).

**⚠ HOIATUS:** Kui võsalõikur on varustatud trimmeripeaga, siis tuleks kaitsepiirdele kinnitada jõhvi lõikamise teraga piirde tarvik. Selle nõude mittejärgimise tagajärjeks võib olla liiga pikk lõikejõhv ja sellest tulenev mootori ülekoormus.

### TRIMMERIPEA VAHETAMINE 3-TERALISE LÕIKETERA VASTU

1. Eemaldage toitepistik jõhvtrimmerist.
2. Keerake trimmeripead, et joondada äärikus olev ava

käigukastis oleva vöölii lukustamise avaga ning paigaldage avasse stabilisaator (joon. G).

3. Eemaldamiseks keerake trimmeripead päripäeva (joon. G).
  4. Eemaldage kaitsepiirde tarvik, vabastades kolm kruvi ja seibi (joon. H).
  5. Lõiketera tarnitakse koos kattega. Enne lõiketera võsalõikuri külge paigaldamist tuleks eemaldada kate, vabastades kinnitustradi konksu tagant (joonis I1).
- MÄRKUS:** Vigastuste vältimiseks kandke 3-teralise lõiketera käsitsemisel alati kindaid.
6. Pange sisemine äärik ja ääriku kate oma kohale (joonis I2).
  7. Paigaldage lõiketera mootoriosa külge ja veenduge, et tera pind on sisemise ääriku kumerusega ühetasa. Paigaldage välimine äärik ja mutter (joonis I3). Keerake mutrit kätsi VASTUPÄEVA.
  8. Asetage käigukast toetamise eesmärgil kindla pinna vastu. Hoidke ühe käega võsalõikuri vöölist ja haarake teise käega multifunktsionaalne mutrivõti, et keerata mutter kinni välimisele äärikule märgitud noole suunas (joonis I4).

### 3-TERALISE LÕIKETERA VAHETAMINE TRIMMERIPEA VASTU

Tutvuge 3-teralise lõiketera ülesehitusega joonisel J1. Seejärel võtke 3-teraline lõiketera ära ja pange võsalõikuri külge trimmeripea.

1. Keerake lõiketera, et joondada äärikus olev ava käigukastis oleva vöölii lukustamise avaga ning paigaldage avasse stabilisaator.
2. Asetage käigukast toetamise eesmärgil kindla pinna vastu. Hoidke ühe käega võsalõikuri vöölist ja haarake teise käega multifunktsionaalne mutrivõti, et mutter päripäeva lahti keerata (joonis I4).
3. Eemaldage mutter, välimine äärik ja lõiketera võsalõikuri küljest (joon. J2).

J-1	Völl	J-5	Välimine äärik
J-2	Sisemine äärik	J-6	Mutter
J-3	Ääriku kate	J-7	Äärikus olev ava
J-4	3-teraline lõiketera		

**MÄRKUS:** Kui 3-teralist lõiketera ei kasutata, siis isikuvigastuste vältimiseks paigaldage sellele tera kaitse.

4. Kinnitage piirde tarvik võsalõikuri külge, kinnitades kolm kruvi koos seibidega.

ET

5. Paigaldamiseks keerake trimmeripead vastupäeva (joon. G). Uue lõikejõhvi lisamiseks järgige juhiseid jaotises „JÕHVI VAHETAMINE“.

**MÄRKUS:** Kui te ei keri jõhvi ümber pooli näidatud suunas, töötab trimmeri lõikepea valesti.

## KASUTAMINE

**⚠ HOIATUS:** Ärge muutuge toodet tundma õppides hooletuks. Pidage meeles, et raskeid vigastusi põhjustavaks õnnetuseks piisab ka sekundi murdosa pikkusest tähelepanematusast.

**⚠ HOIATUS:** Kasutage alati nägemis- ja kuulmiskaitsevahendeid. Vastasel juhul võivad esemed silma lenduda ja tekitada silma- või teisi tõsiseid kahjustusi.

**⚠ HOIATUS:** Ärge kasutage lisaseadmeid või -tarvikuid, mida selle seadme valmistaja pole soovitanud. Mittesoovitulike lisaseadmete või -tarvikute kasutamine võib põhjustada raskeid kehavigastusi.

## KASUTUSEESMÄRGID

Toodet võib kasutada vihmast.

Seda toodet võib kasutada allpool loetletud eesmärkidel.

**Trimmimine:** seinte, aedade, puude ja piirete ääres kasvava muru eemaldamiseks.

**Lõikamine:** sellise muru lõikamiseks, millele on tavalise niiduki abil keeruline ligi pääseda.

**MÄRKUS!** Masinat tohib kasutada vaid käesolevas juhendis lubatud eesmärgil. Igasugust muud kasutust loetakse väärkasutuseks.

## VÕSALÕIKURI HOIDMINE

Enne seljakott-aku võsalõikuriga ühendamist pange seljakott-aku selga ja paigaldage rakmetega sobiv puusapadi vastavalt BAX1500 ja AHP1500 kasutusjuhenditele.

Pange võsalõikur puusapadja külge, ühendades konksu paigaldusavadeaga (joon. K). Võllis on 8 ava, mille hulgast tuleb valida mugavaks töötamiseks kõige optimaalsem.

Hoidke trimmerit mõlema käega paremal küljel. Trimmeripea või lõiketera peaksid olema õiges lõikekauguses maapinnaga paralleelselt ilma, et seadmega töötaja peaks kummarduma.

Võsalõikuri eemaldamiseks on kaks võimalust. Vabastage rinna- ja vööklambrid (joonis L1) või vajutage puusapadja konksule ja eemaldage see võllis olevast paigaldusavast.

**⚠ HOIATUS:** Avariisituatsioonis vabastage rinna- ja vööklambrid ning seeläbi saate võsalõikuri kiirelt eemaldada.

**⚠ HOIATUS:** Ühe- või kahehormalisi rakmeid ei tohi kasutada samaaegselt seljakott-akuga.

Kasutage ainult joonisel A2 esitatud EGO akuplokke ja laadureid.

## Akuploki paigaldamiseks (joonis L2)

Joondage pistiku ▲ võsalõikuri ▲ -ga. Lükake pistik seadmesse nii kaugele, et roheline märgis kaob täies ulatuses pistikupesasse.

## Eemaldamiseks

Vabastage aku juhe paigaldussoonest ja tõmmake pistik võsalõikurist välja.

## VÕSALÕIKURI KÄIVITAMINE/SEISKAMINE

### Käivitamiseks

Lükake lukustusnupp asendisse „ON“ (joonis M). Liigutage väikest päästikut ülespoole ja seejärel vajutage päästiklüüti, et käivitada võsalõikur. Lõiketarviku pöörlemiskiirus sõltub sellest, kui tugevalt te päästikut vajutate.

Jooniste L1 ja M osade kirjeldus, vt. allpool:

L-1	Rinnaklamber	M-1	Lukustusnupp
L-2	Vööklambr	M-2	Väike päästik
L-3	Konks	M-3	Päästiklüüti

### Peatamiseks

Vabastage päästiklüüti ja liigutage lukustusnupp tagasi asendisse „OFF“.

**⚠ HOIATUS:** Tööpauside ajal ja pärast töö lõpetamist eemaldage alati akuplokk trimmeri küljest.

## VÕSALÕIKURI KASUTAMINE

**⚠ HOIATUS:** Kandke sobivat riietust, et vältida vigastuste teket võsalõikuri kasutamisel. Ärge kandke ehteid ega avaraid riideid. Kandke nägemis- ja kuulmiskaitsevahendeid. Kandke tugevast materjalist pikki pükse, saapaid ja kindaid. Ärge kandke seadmega töötamisel lühikesi pükse ega sandaale ja ärge töötage paljajalu. Enne seadmega töötamist veenduge, et tööpiirkonnas ei ole teisi inimesi, loomi ega lahtisi esemeid. Veenduge, et nad on vähemalt 15 m kaugusel. Seejärel järgige silmade kaitsmise, riietuse ja tasakaalu säilitamise nõudeid.

Enne iga kasutuskorda kontrollige ega seadme osad kulunud või kahjustatud pole. Kontrollige trimmeripead,

3-teralist lõiketera, turvapiiret, piirde tarvikut ja U-käepidet ning vahetage välja mõranenud, väändunud, paindunud või muul moel kahjustatud komponendid. Piirde tarviku äärel asuv jõhvi lõikamise tera võib aja jooksul kuluda. Soovitatav on seda aeg-ajalt viiliga teritada või nürinemise korral uue vastu vahetada.

### Puhastage võsalõikurit pärast iga kasutuskorda

**⚠ ETTEVAATUST!** Õhusava ees olevad objektid takistavad õhu pääsemist mootori korpusesse ning selle tulemusena võib mootor üle kuumeneda või kahjustusi saada.

- Masina puhastamiseks kasutage ainult pehmetoimelist seepi ja niisket lappi. Ärge kunagi laske vedelikel masinasse sattuda; ärge kunagi kastke ühtegi masina osa vedelikku.
- Jälgige alati, et mootori korpuse õhutusavad oleksid puhtad.

**⚠ HOIATUS!** Vältige plastosade puhastamisel lahustite kasutamist. Enamik plastmasse lagunevad kaubanduslike lahustite toimel kergesti. Kasutage mustuse, tolm, õli, määrde jms eemaldamiseks puhast lappi.

### KASUTAMINE KOOS TRIMMERIPEAGA

#### Kontrollige trimmeripea ummistumist

- Ummistumise vältimiseks hoidke trimmeripea puhtana. Eemaldage rohulõiked, lehed, mustus ja muu kogunenud praht enne ja pärast iga kasutamist.
- Ummistuse korral peatage jõhvtrimmer ja eemaldage aku, seejärel eemaldage kogu muru, mis võib olla ümber mootori vööli või trimmeripea.

#### Lõikejõhvi kõrguse seadistamine

Trimmeripea abil saab kasutaja pikendada jõhvi seadet seiskamata. Kui jõhv läheb katki või kulub, puudutage jõhvi pikendamiseks lõikepea muhuga kergelt maad ilma trimmerit seiskamata.

**MÄRKUS:** Lõikejõhvi vabastamine muutub jõhvi lühenedes järjest raskemaks.

**⚠ HOIATUS:** Ärge eemaldage ega kohandage jõhvi lõiketera. Liiga pikk jõhv põhjustab mootori ülekuumenemist, mis omakorda suurendab raskete vigastuste ohtu.

#### Jõhvi vahetamine

**⚠ HOIATUS:** Ärge kasutage metallse tugevdusega nõõri, traati, köit vmt. Need võivad murduda ning õhku tõustes ohtlikuks muutuda.

**MÄRKUS!** Kasutage alati soovitatud nailonist lõikejõhvi, mille diameeter pole suurem kui 2,7 mm. Määratud jõhvist erineva jõhvi kasutamine võib kaasa tuua trimmeri ülekuumenemise või kahjustumise.

1. Eemaldage toitepistik jõhvtrimmerist.
2. Vajadusel eemaldage ülejäänud jõhv.
3. Lõigake 8 m pikkune lõikejõhv, sisestage jõhv augukeses olevasse kinnitusavasse (joon. J3). Lükake ja tõmmake jõhvi teiselt poolt kuni mõlemal pool pooli on sama palju jõhvi.
4. Suruge pooli, samas alumise katte moodulit noole suunas keerates, et täita pool jõhviga mõlemalt poolt on näha kuni umbes 12 cm jõhvi (joon. J4).
5. Vajutage alumise katte moodulit alla, samal ajal jõhve tõmmates, et jõhvi kätsi edasi liigutada ja kontrollida, kas trimmeri pea on korralikult kokku pandud.

Kui jõhv läheb katki avadest, kust jõhv välja tuleb, või kui jõhv ei tule trimmeri pea vastu koputades välja, siis tehke järgmist.

1. Vajutage ülemise katte vabastussakkidele ja eemaldage alumise katte moodul, tõmmates selle otsse välja (joon. J5 ja J6).
2. Eemaldage lõikejõhv poolilt.
3. Hoides ühte kätt alumise katte moodulil, võtke teise käega alumise katte moodulist kinni ja joondage ülemise katte sakid avadega alumise katte moodulil (joon. J7); vajutage peopesaga alumise katte moodulit, kuni sakid lukustuvad ülemise katte külge.
4. Uue jõhvi lisamiseks järgige juhiseid jaotises „JÕHVI VAHETAMINE“.

#### Tööriista kasutamine 3-teralise lõiketeraga

**⚠ HOIATUS:** Metsiku juurdekasvu ja võsa lõikamiseks laske pöörlev 3-teraline lõiketera alla juurdekasvu kohale ja hakkige see. Maapinna kohal kasutage võsalõikurit nagu vikatit (tõmmake seda paremale ja vasakule). Ärge kasutage lõiketera vöökohast kõrgemal.

**⚠ HOIATUS:** Mida kõrgemal maapinnast on lõiketarvik, seda suurem on küljele paiskuvate lõikejääkide põhjustatavate vigastuste oht.

**⚠ HOIATUS:** Kuni 2 cm läbimõõduga noorte puistute või muu puise materjali lõikamisel kasutage lõiketera vasakut poolt, et ennetada tera tagasilöögi olukordi. Ärge üritage lõigata suurema läbimõõduga puist materjali, sest lõiketera võib kinni jääda või võsalõikurit ettepoole tõmmata. See võib kahjustada lõiketera või võsalõikurit või põhjustada võsalõikuri üle kontrolli kaotamist, mille tagajärjeks võivad olla vigastused.

ET

**⚠ HOIATUS:** Lõiketera ebasobiv kasutamine võib põhjustada selle pragunemist, murdumist või purunemist. Lendavad osad võivad seadmega töötavat või kõrvalisi isikuid tõsiselt vigastada. Vigastuste ohu vähendamiseks on oluline järgida järgmisi ettevaatusabinõusid:

- Vältige kontakti kõvade ja tugevate võõrkehade, nt kivide, kaljunukkide või metallitükkidega.
- Ärge kunagi lõigake puitu või võsa, mille läbimõõt on suurem kui 2 cm.
- Kontrollige lõiketera võimalikku kahjustumist regulaarselt ja sagedasti. Ärge jätkake töötamist kahjustunud teraga.
- Teritage lõiketera regulaarselt (kui see on märgatavalt nüriks muutunud) ning vajadusel laske seda tasakaalustada (ametlikus hoolduskeskuses).

## Tera tagasilöökk

Selle seadme ja 3-teralise lõiketeraga töötamisel tuleb olla äärmiselt ettevaatlik. Tera tagasilöökk võib esineda siis, kui pöörlev lõiketera puutub vastu objekti, mida see ei suuda lõigata. See kokkupuude võib põhjustada lõiketera hetkelist peatumist ning äkilist tabatud objektist eemale tõukumist. See võib olla piisavalt tugev, et võib juhtuda, et operaator kaotab seadme üle kontrolli. Tera tagasilöökk võib tekkida ootamatult, kui tera puruneb, seiskub või paindub. Tera tagasilöögi esinemine on tõenäolisem piirkondades, kus lõigatavat materjali on raske näha. Lõikamise lihtsustamise ja ohutuse seisukohalt tuleb võsaloikuriga lõigatavale umbröhule läheneda suunaga paremalt vasakule. Ootamatu eseme või puise materjaliga kokkupuutumisel võib see praktika tera tagasilööki minimeerida.

## HOOLDUS

**⚠ HOIATUS:** Enne seadme kontrolli, puhastamist või hooldust tuleb mootor peatada ja oodata kõigi liikuvate osade peatumist ja eemaldada akuplokk. Juhiste mittejärgimine võib kaasa tuua tõsise vigastuse või varalise kahju.

**⚠ HOIATUS:** Remontimisel kasutage vaid originaalvaruosi. Mis tahes muude osade kasutamine võib põhjustada ohtlikke olukordi või seadet vigastada. Ohutuse ja töökindluse tagamiseks tohivad seda seadet remontida ainult vastava kvalifikatsiooniga hooldustehnikud.

## ÜLDINE HOOLDUS

Vältige plastosade puhastamisel lahustite kasutamist. Enamik plastmasse on kaubanduslike lahustite suhtes tundlikud ja võivad nende kasutamisel kahjustada saada. Mustuse, tolmu, õli, määrete jms eemaldamiseks kasutage puhtaid riidest lappe.

## SEADME PUHASTAMINE

■ Pärast iga kasutuskorda puhastage 3-teraline lõiketera / trimmeripea ja turvapire prahist, kinni jäänud mullast või rohust pehme harjaga.

**MÄRKUS:** Kui jõhvi lõikamise tera muutub nüriks, siis palun laske seda teritada ametlikus hoolduskeskuses või vajadusel vahetage see uue jõhvi lõikamise tera vastu välja.

- Pärast iga võsaloikuri kasutuskorda puhastage lõikeseadet niiske lapi ja leebetoimelise puhastusainega.
- Ärge kasutage plastmasskomponentide või käepidemete puhastamiseks tugevatoimelisi puhastusaineid. Seadme osi võivad kahjustada teatud aromaatsed õlid (nt männi- või sidruniõli) ja teatud ained (nt petrooleum). Niiskus võib tekitada elektrilöögi ohu. Eemaldage niiskus pehme kuiva lapiga.
- Tagumise korpuse õhutussavade puhastamiseks kasutage väikest harja või väikest tolmuimejat.

## MÄÄRIGE KÄIGUKAST

Parima töö ja pikema tööea tagamiseks määrige käigukasti spetsiaalse määrdeainega (4-5 g iga kord) iga 50 töötundi järel. Spetsiaalne määrdeaine peab vastama järgmistele nõuetele:

1. DIN51818: NLGI-1 koonuspenetratsiooni klass.
2. Estril põhine määrdeaine.
3. Suurepärase madalal temperatuuril käivitumine, EP, mehaaniline lõikamine, kulumiskindlus ja oksüdatsiooni stabiliseerivad omadused.
4. Töötemperatuur peab sisaldama vahemikku -40°C kuni 180°C.

Eemaldage aku kork ja kinnituskrui. Määrige käigukast läbi määrdeaine ava.

**⚠ HOIATUS:** ärge määrige tööriista ajal kui võsaloikur on akuga ühendatud või töötab.

## JÕHVI LÕIKETERA TERITAMINE

**⚠ HOIATUS:** Käte kaitsmiseks kandke jõhvi lõiketera hooldamisel alati tugevast materjalist kindaid.

1. Eemaldage jõhvi lõiketera piirde küljest.
2. Kanke asjakohaseid silmakaitsevahendeid ja kindaid ning jälgige, et te endale sisse ei lõikaks.
3. Kinnitage tera kruustangide vahele.
4. Viilige tera lõikeservi hoolikalt peenehambalise viili või luisuga, säilitades lõikeservade algse nurga.
5. Vahetage piirde küljes olev tera välja ja kinnitage see kahe kruvi abil.

### SEADME HOIUSTAMINE

- Ühendage akuplokk tööriistast lahti.
- Tööriista põhjalikul puhastamisel kandke tugevast materjalist kindaid.
- Ohutuks hoiustamiseks paigaldage 3-teralisele löiketerale terakate (joonis N).
- Hoidke tööriista kuivas ja kõrges lukustatud ning lastele ligipääsmatus kohas. Ärge hoidke seadet väetiste, bensiini või muude kemikaalide läheduses.

**MÄRKUS:** Ärge kasutage hekitrimmerit, mille löiketerad on nürid või kahjustatud. See võib põhjustada ülekoormust ja löiketulemused ei ole rahuldavad.

### Keskkonnamaitse



Ärge visake elektriseadmeid, akulaadurit ega patareisid/akusid olmeprügi hulka! Viige toode volitatud taaskäitleja juurde ja võimaldage selle komponendid sorteerituna kõrvaldada. Elektritööriistad viige keskkonnamaitseasutustele järgivasse jäätmekäitluskeskusesse.

## TÖRKEOTSING

PROBLEEM	PÕHJUS	LAHENDUS
Seade ei käivitu.	<ul style="list-style-type: none"> <li>■ Akuplokk ei ole võsalõikuri küljes või puudub elektriühendus võsalõikuri ja aku vahel.</li> <li>■ Akuplokk on tühi.</li> <li>■ Lukustusnupp ei ole enne hoobade vajutamist asendis „ON“.</li> </ul>	<ul style="list-style-type: none"> <li>■ Pange aku pistik uuesti hekitrimmeri külge</li> <li>■ Laadige akuplokki selleks ettenähtud laadijaga.</li> <li>■ Enne trimmeri kasutamist veenduge, et lukustusnupp on avatud asendis.</li> </ul>
Seade lakkab töötamast.	<ul style="list-style-type: none"> <li>■ Akuplokk või võsalõikur on liiga kuum.</li> <li>■ Võsalõikur on ülekoormatud.</li> <li>■ Akuplokk on tööriista küljest lahti ühendatud.</li> <li>■ Akuplokk on tühi.</li> </ul>	<ul style="list-style-type: none"> <li>■ Jahutage akuplokki või hekitrimmerit, kuni temperatuur langeb normaalsele tasemele.</li> <li>■ Seadme võimsus taastub koormuse eemaldamisel. Töötamise jätkamiseks vähendage seadme koormust.</li> <li>■ Paigaldage akuplokk tagasi.</li> <li>■ Laadige akuplokki selleks ettenähtud laadijaga.</li> </ul>
Lõigne vibratsioon või müra.	<ul style="list-style-type: none"> <li>■ Kuiv käigukast</li> <li>■ Lõikejõhv on ebaühtlane.</li> <li>■ 3-teraline lõiketera on paindunud või kahjustunud.</li> </ul>	<ul style="list-style-type: none"> <li>■ Eemaldage kinnituskrugi ja lisage määrdeõli.</li> <li>■ Koputage poolautomaatse jõhvi pooli nuppu trimmeriga töötamise ajal kergelt vastu maad.</li> <li>■ Vahetage seadme tera uue vastu.</li> </ul>
Lõikejõhvi ei välju.	<ul style="list-style-type: none"> <li>■ Trimmeripeas on jõhv otsa saanud.</li> <li>■ Lõikejõhv ei ole korrektselt paigaldatud.</li> </ul>	<ul style="list-style-type: none"> <li>■ Pange võsalõikurile uus lõikejõhv.</li> <li>■ Eemaldage jõhv ja pange see uuesti tagasi.</li> </ul>

**ET**

## GARANTII

### EGA GARANTIIPÕHIMÕTTED

Täielikud EGO garantiitingimused leiata veebilehelt [egopowerplus.eu](http://egopowerplus.eu).

## ПРОЧИТАЙТЕ ВСІ ІНСТРУКЦІЇ!



ПРОЧИТАЙТЕ ПОСІБНИК З ЕКСПЛУАТАЦІЇ



Попередження щодо безпеки



Надягайте засоби захисту очей



Надягайте засоби захисту голови



Носіть нековзне взуття



Остерігайтеся упору леза



Відстань між інструментом і сторонніми спостерігачами має бути не менше 15 м.



Гарантований рівень звукової потужності. Розповсюдження шуму в навколишнє середовище згідно з директивою Європейського співтовариства.



Відходи електричних виробів не слід викидати разом із побутовим сміттям. Зверніться до авторизованого пункту переробки.

$n_0$

Швидкість холостого ходу-Обертова швидкість без навантаження



Постійний струм

## СИМВОЛИ, ЩО СТОСУЮТЬСЯ БЕЗПЕКИ



**ПОПЕРЕДЖЕННЯ.** Використання будь-яких електроінструментів може призвести до потрапляння сторонніх предметів в очі, що може спричинити серйозне пошкодження очей. Перед початком експлуатації електроінструмента завжди надягайте закриті захисні окуляри або відкриті захисні окуляри з бічними щитами та, якщо потрібно, повнопрофільну захисну маску. Ми рекомендуємо захисну маску широкого розміру для використання поверх окулярів або стандартні відкриті захисні окуляри з бічними щитами.



З метою зменшення ризику отримання травм користувач повинен прочитати посібник з експлуатації.



Надягайте засоби захисту органів слуху



Надягайте засоби захисту рук



Остерігайтеся кинутих предметів



Від'єднайте акумулятор перед обслуговуванням



Цей виріб відповідає чинним директивам ЄС.



Цей виріб відповідає чинному законодавству Великобританії.

V Напруга

.../min На хвилину

kg Кілограм

IPX5 Захист від струменів води

UK

## СПЕЦИФІКАЦІЇ

Ріжучий пристрій	Головка тримера	Металеве лезо з 3 зубцями	
Напруга	56 В	56 В	
Швидкість холостого ходу	4000-5800 об./хв	4000-5800 об./хв	
Рекомендована робоча температура:	0°C-40°C		
Рекомендована температура зберігання:	-20°C-70°C		
Тип ріжучої ліски	2,4 мм	/	
Лезо	/	ABB1203	
Ширина різання	38 см	30 см	
Вага (без акумулятора)	6,8 кг	6,46 кг	
Вимірний рівень звукової потужності $L_{WA}$	95 дБ(A) K=1,1 дБ(A)	96,3 дБ(A) K=2,1 дБ(A)	
Рівень звукового тиску на місці вуха оператора $L_{PA}$	82 дБ(A) K=2,5 дБ(A)	83,4 дБ(A) K=4,1 дБ(A)	
Гарантований рівень звукової потужності $L_{WA}$ (відповідно до стандарту 2000/14/ЄС)	96 дБ(A)	98 дБ(A)	
Вібрація $a_h$	Ліва ручка	1,9 м/с <sup>2</sup> K=1,5 м/с <sup>2</sup>	1,9 м/с <sup>2</sup> K=1,5 м/с <sup>2</sup>
	Права ручка	1,5 м/с <sup>2</sup> K=1,5 м/с <sup>2</sup>	1,3 м/с <sup>2</sup> K=1,5 м/с <sup>2</sup>

- Вказане загальне значення вібрації виміряне за стандартним методом тестування і може використовуватися для порівняння одного інструмента з іншим;
- Заявлене сумарне значення вібрації може також використовуватись для попередньої оцінки впливу.

**ПРИМІТКА.** Емісія вібрації під час фактичного використання електроінструмента може відрізнятися від заявленої величини, у якій використовується інструмент. Щоб захистити оператора, користувач повинен вдягати рукавички та захисні навушники в реальних умовах використання.

## СПИСОК ПРЕДМЕТІВ, ЩО ВХОДЯТЬ У КОМПЛЕКТ (Рис. А1)

### ОПИС

#### ОЗНАЙОМЛЕННЯ З КУЩОРІЗОМ (рис. А1)

1. Ліска тримера
  2. Щиток у зборі
  3. Вал
  4. Тригер
  5. Кнопка блокування
  6. Болт-баранець
  7. Гачок
  8. Гніздо
  9. Запобіжна пластина
  10. Велосипедна ручка
  11. Герметичний гвинт
  12. Отвір фіксації вала
  13. Лісковий ніж
  14. Захисна насадка
  15. Лезо з 3 зубцями
  16. Футляр леза
  17. Зовнішній фланець
  18. Гайка
  19. Багатофункціональний ключ
  20. Шестигранний ключ
  - 21\*. Підкладка на стегно (продаються окремо)
- ⚠ ПОПЕРЕДЖЕННЯ.** Ніколи не використовуйте інструмент, якщо щиток міцно не закріплено. Щиток завжди має бути на інструменті для захисту користувача.

**⚠ ПОПЕРЕДЖЕННЯ.** Якщо інструмент обладнано тримерною головою, на захисний щиток має бути встановлений захисний аксесуар із ріжучою ліскою. Недотримання цієї вимоги може призвести до того, що ріжуча ліска буде занадто довга, і до перевантаження мотора. Ніколи не використовуйте голову тримера без захисного аксесуара.

UK



## ЗБИРАННЯ

**⚠ ПОПЕРЕДЖЕННЯ.** Якщо якісь частини пошкоджені або відсутні, не користуйтеся кущорізом, доки вони не будуть замінені. Використання цього кущоріза з пошкодженими або відсутніми деталями може призвести до серйозних травм.

**⚠ ПОПЕРЕДЖЕННЯ.** Не намагайтеся вдосконалити кущоріз або застосувати приладдя, не рекомендоване для нього. Кожна така заміна чи переробка є фактом неправильного користування, створює небезпечні умови й загрожує серйозними травмами.

**⚠ ПОПЕРЕДЖЕННЯ.** Завжди носіть міцні рукавички під час установалення або зняття щитка або виконання будь-якого технічне обслуговування леза з 3 зубцями або ріжучої ліскою. Будьте обережні та оберігайте руки від травмування ріжучою ліскою на захисному аксесуарі або лезом із 3 зубцями.

**⚠ ПОПЕРЕДЖЕННЯ.** Щоб запобігти випадковому запуску, що може спричинити серйозні травми, завжди виймайте акумуляторну батарею з інструмента під час монтажу деталей, регулювання, очищення або коли він не використовується.

**⚠ ПОПЕРЕДЖЕННЯ.** Ніколи не використовуйте інструмент, якщо щиток і велосипедна ручка міцно не закріплені. Недотримання цієї вимоги може призвести до серйозних травм.

## УСТАНОВЛЕННЯ ТА РЕГУЛЮВАННЯ ВЕЛОСИПЕДНОЇ РУЧКИ

Кущоріз зберігається у вигляді, показаному на рис. В. Спочатку ослабте болт-баранець на з'єднувальному шарнірі, а потім підніміть велосипедну ручку на 180° навколо вала (рис. С), поверніть її 90° проти годинникової стрілки, щоб вона була навпроти ударної головки (рис. D). Нарешті, переміщайте її назад і вперед, щоб досягти зручного робочого положення, і затягніть болт.

**ПРИМІТКА.** Дозволяється лише експлуатація інструмента з велосипедною ручкою, розміщеною перпендикулярно валу.

## УСТАНОВЛЕННЯ ЩИТКА

**⚠ ПОПЕРЕДЖЕННЯ.** Під час установалення або заміни щитка завжди слід носити рукавички. Остерігайтеся леза на щитку та захистіть руку від травм.

**⚠ ПОПЕРЕДЖЕННЯ.** Ніколи не використовуйте інструмент, якщо щиток міцно не закріплено. Щиток завжди має бути на інструменті для захисту користувача! Коли щиток зафіксовано, ніколи не намагайтеся зняти або відрегулювати щиток. Якщо потрібно замінити його, це має виконувати кваліфікований технічний персонал!

Відкрутіть і зніміть два гвинти з запобіжника (рис. E), вирівняйте захисні монтажні отвори з отворами для збирання, а потім закріпіть щиток на основі вала за допомогою двох гвинтів разом із двома пружинними шайбами (рис. F).

**⚠ ПОПЕРЕДЖЕННЯ.** Переконайтесь, що захисний щиток закріплений відповідно до рисунків F, будь-яке зворотнє кріплення може призвести до великої небезпеки!

**⚠ ПОПЕРЕДЖЕННЯ.** Якщо кущоріз використовується обладнано тримерною головкою, захисний аксесуар має бути встановлена на щиток. Недотримання може призвести до того, що ріжуча ліска буде занадто довга, і до перевантаження мотора.

## ЗАМІНА ТРИМЕРНОЇ ГОЛОВКИ З 3 ЗУБЦЯМИ

1. Вийміть вилку шнура живлення з ліскового тримера.
2. Поверніть головку тримера, щоб вирівняти гніздо фланця з отвором блокування вала в корпусі редуктора і вставте стабілізатор в отвір (рис. G).
3. Поверніть головку тримера за годинниковою стрілкою, щоб зняти її (рис. G).
4. Зніміть захисний аксесуар, відкрутивши три гвинти з шайбою (рис. H).
5. Лезо поставляється з футляром. Перш ніж установлювати лезо на кущоріз, необхідно зняти футляр, від'єднавши затискний дріт від гачка на футлярі (рис. I1).

**ПРИМІТКА.** Для захисту від травми необхідно одягати рукавички перед будь-якою операцією з лезом із 3 зубцями.

6. Установіть внутрішній фланець та кришку фланця на місце (рис. I2).
7. Установіть лезо на приводний вал, переконавшись, що поверхня леза врівень із поверхнею випуклості внутрішнього фланця. Установіть зовнішній фланець та гайку (рис. I3). Попередньо закрутіть гайку ПРОТИ ГОДИННИКОВОЇ СТРІЛКИ вручну.
8. Поставте корпус редуктора на тверду поверхню для опори. Однією рукою тримайте вал кущоріза,

**UK**

а іншою рукою візьміть багатофункціональний гайковий ключ, щоб затягнути гайку за напрямком стрілки, позначеної на зовнішньому фланці (рис. I4).

## ЗАМІНА ЛЕЗА З ТРЬОМА ЗУБЦЯМИ РАЗОМ ІЗ ТРИМЕРНОЮ ГОЛОВКОЮ

Розгляньте ріжучий блок із лезом з 3 зубцями, показаний на рисунку J1. Розберіть лезо з 3 зубцями та встановіть головку тримера на кущоріз.

1. Поверніть лезо, щоб вирівняти гніздо фланця з отвором блокування вала в корпусі редуктора і вставте стабілізатор в отвір.
2. Поставте корпус редуктора на тверду поверхню для опори. Однією рукою тримайте вал кущоріза, а іншою рукою візьміть багатофункціональний ключ, щоб відкрутити гайку за годинниковою стрілкою (рис. I4).
3. Зніміть гайку, зовнішній фланець і лезо з кущоріза (рис. J2).

J-1	Вал	J-5	Зовнішній фланець
J-2	Внутрішній фланець	J-6	Гайка
J-3	Кришка фланця	J-7	Отвір у фланці
J-4	Лезо з 3 зубцями		

**ПРИМІТКА.** Коли лезо з 3 зубцями не використовується, щоб запобігти травмуванню, вставте лезо в його футляр.

4. Установіть захисний аксесуар на кущоріз, затягнувши три гвинти з шайбою (рис. H).
5. Поверніть головку тримера проти годинниковою стрілкою, щоб установити її (рис. G). Дотримуйтеся інструкцій у розділі «ЗАМІНА ЛІСКИ», щоб заправити ріжучу ліску.

**ПРИМІТКА.** Якщо не намотати ліску у вказаному напрямку, головка тримера працюватиме неправильно.

**UK**

## ЕКСПЛУАТАЦІЯ

**⚠ ПОПЕРЕДЖЕННЯ.** Знання виробу не має робити вас небалим. Пам'ятайте, що півсекунди неувважності досить для серйозної травми.

**⚠ ПОПЕРЕДЖЕННЯ.** Завжди носіть засоби захисту органів зору та слуху. Без окулярів ви ризикуєте травмами очей від викинутих предметів та іншими серйозними травмами.

**⚠ ПОПЕРЕДЖЕННЯ.** Не використовуйте ніякі приладдя чи насадки, не рекомендовані виробником цього пристрою. Використання нерекomenдованого приладдя чи насадок може призвести до серйозних травм.

## ЗАСТОСУВАННЯ

Виріб можна використовувати під дощем.

Ви можете використовувати цей виріб для цілей, перелічених нижче:

**Підрізання:** використовується для видалення трави та бур'янів біля стін, парканів, дерев та бордюрів.

**Зрізання:** використовується для зрізання трави, яку важко дістати за допомогою звичайної косарки.

**ПРИМІТКА.** Цей інструмент має використовуватись тільки за призначенням. Будь-яке інше використання вважається випадком використання не за призначенням.

## ЯК ТРИМАТИ КУЩОРІЗ

Перш ніж підключати напільний акумулятор до кущоріза, надягніть напільний акумулятор та прикріпіть підкладку на стегно до ременів згідно з інструкціями з експлуатації BAX1500 та AHP1500.

Прикріпіть кущоріз до підкладки, причепивши гачок до кріпильного отвору (рис. K). На валу є 8 отворів. Виберіть оптимальний отвір для зручності використання.

Тримайте лісковий тример обома руками справа від себе. Головка тримера або лезо має бути паралельною землі на достатній відстані для різання, оператор не повинен нагинатися.

Звільнити кущоріз можна двома способами. Роз'єднайте нагрудну та поясну застібки (рис. L1) або натисніть на гачок стегнової підкладки і вийміть його з кріпильного отвору на валу.

**⚠ ПОПЕРЕДЖЕННЯ.** Коли виникає надзвичайна ситуація, роз'єднання нагрудної та поясної пряжок дає змогу швидко зняти кущоріз.

**⚠ ПОПЕРЕДЖЕННЯ.** Не слід одночасно використовувати одинарний і подвійний плечовий ремінь із напільним акумулятором.

Використовуйте лише акумулятори та зарядні пристрої EGO, перелічені на рис. A2.

**Установлення акумуляторної батареї (рис. L2)**

Зіставте позначку ▲ на штекері з позначкою ▲ на куцюрізі. Вставте штепсель в інструмент таким чином, щоб зелений ущільнювач повністю зник у гнізді.

### Видалення

Від'єднайте шнур акумулятора від кріпильного паза та витягніть штепсель із куцюріза.

### ЗАПУСК/ЗУПИНЕННЯ КУЦЮРІЗА

#### Початок

Натисніть кнопку блокування, щоб установити її в положення «ON» (рис. М). Перемістіть маленький важіль угору, а потім натисніть важіль перемикача, щоб запустити куцюріз. Різний тиск на тригер призводить до змінної швидкості обертання ріжучого пристрою.

Рис. L1 і М – див. опис деталей нижче:

L-1	Нагрудна пряжка	M-1	Кнопка блокування
L-2	Поясна пряжка	M-2	Важілець
L-3	Гачок	M-3	Важіль перемикача

#### Зупинка

Відпустіть важіль перемикача та натисніть кнопку блокування, щоб повернутися в положення «OFF».

**▲ ПОПЕРЕДЖЕННЯ.** Завжди виймайте акумуляторну батарею з лісового тримера під час перерв у роботі та після закінчення роботи.

### ВИКОРИСТАННЯ КУЦЮРІЗА

**▲ ПОПЕРЕДЖЕННЯ.** Одягайтеся правильно, щоб зменшити ризик травми під час роботи з куцюрізом. Не носіть вільного одягу або прикрас. Одягайте захисні окуляри та навушники. Носіть міцні, довгі штани, взуття та рукавички. Не носіть короткі штани, сандалі, не працюйте босоніж. Перед початком експлуатації озирніться навколо, щоб переконаватися в безпеці в робочій зоні та відсутності інших людей, тварин або будь-яких зайвих предметів. Переконайтеся, що вони перебувають на відстані не менше 15 м. Потім перевірте захист очей, правильний одяг та рівновагу.

Перед кожним використанням перевірте наявність пошкоджених/зношених деталей. Перевірте головку тримера, лезо з 3 зубцями, щиток, захисну насадку і велосипедну ручку, а також замініть будь-які частини, які тріснули, викривлені, зігнуті або пошкоджені. Ріжучий лісовий ніж на краю захисного аксесуара може затупитися з часом. Рекомендується періодично

заточувати його за допомогою напилка або замінити його на нове лезо.

### Після кожного використання очистьте куцюріз

**▲ ЗАСТЕРЕЖЕННЯ.** Засмічення вентиляційних отворів перешкоджає проникненню повітря в корпус мотора і може призвести до перегріву або пошкодження мотора.

- Чистьте тільки м'яким милом і вологою ганчіркою. Ніколи не допускайте потрапляння будь-якої рідини всередину інструмента; ніколи не занурюйте будь-яку частину інструмента в рідину.

- Завжди оберігайте вентиляційні отвори в корпусі мотора від сміття.

**▲ ПОПЕРЕДЖЕННЯ.** Не використовуйте розчинники для очищення пластмасових деталей. Більшість пластмас чутливі до пошкоджень різноманітними промисловими розчинниками. Для видалення бруду, пилу, мастила тощо користуйтеся чистою ганчіркою.

### ВИКОРИСТАННЯ З ТРИМЕРНОЮ ГОЛОВКОЮ

#### Перевірте, чи насадку-тример не заблоковано.

- Щоб запобігти засмічення, тримайте насадку-тример у чистоті. Видаляйте обрізки трави, листя, бруд і будь-яке інше сміття, що скупчилося, до і після кожного використання.
- Якщо сталося засмічення, зупиніть лісовий тример і вийміть акумулятор, а потім видаліть усю траву, яка могла намотатися на вал мотора або насадку-тример.

#### Регулювання довжини ріжучої ліски

Тримерна головка дає оператору змогу випускати більше ріжучої ліски, не зупиняючи мотор. Коли ліска стирається або зношується, можна випустити додаткову ліску, злегка вдаривши ударну головку об землю під час роботи з тримером.

**ПРИМІТКА.** Випуск ліски стане складнішим, коли ріжуча ліска стане закороткою.

**▲ ПОПЕРЕДЖЕННЯ.** Не видаляйте та не змінюйте ріжуче лезо в зборі. Надмірна довжина ліски призведе до перегріву мотора та може спричинити серйозні травми.

#### ЗАМІНА ЛІСКИ

**▲ ПОПЕРЕДЖЕННЯ.** Ніколи не використовуйте металеву ліску, дріт або канат тощо. Вони можуть зламатися і стати небезпечними снарядами.

**ПРИМІТКА.** Завжди використовуйте рекомендовану нейлонову ріжучу ліску з діаметром не більше 2,7 мм.

Використання іншої ліски, відмінної від указаної, може спричинити перегрівання лісового тримера або його пошкодження.

1. Вийміть вилку шнура живлення з лісового тримера.
2. Видаліть залишкову ріжучу ліску, якщо це необхідно.
3. Відріжте 8 м ріжучої ліски, вставте ліску в кріпильний отвір усередині вушка (рис. J3). Натисніть і витягніть ліску з іншої сторони, доки не з'явиться рівна кількість ліски з обох боків катушки.
4. Натискайте, обертаючи нижню кришку в зборі в напрямку стрілки, щоб намотати ліску на катушку, доки на кожній стороні не з'явиться приблизно 12 см ліски (рис. J4).
5. Натисніть на нижню кришку в зборі, тягнучи за ліску, щоб просувати ліску вручну, і перевірте, чи тримерну головку зібрано правильно.

Коли ріжуча ліска виривається з лінійного отвору або ріжуча ліска не випускається під час удару тримерної головки, виконайте такі дії:

1. Натисніть на фіксатори верхньої кришки та зніміть нижню кришку в зборі, витягнувши її (рис. J5 і J6).
2. Видаліть ріжучу ліску з катушки.
3. Тримавши однією рукою нижню кришку в зборі, іншою рукою візьміться за нижню кришку в зборі і сумістіть виступи на верхній кришці з отворами на нижній кришці в зборі (рис. J7). Натискайте долонею на нижню кришку в зборі, доки фіксатори не зафіксуються на верхній кришці.
4. Дотримуйтеся інструкцій у розділі «ЗАМІНА ЛІСКИ», щоб заправити ріжучу ліску.

### Використання з лезом із 3 зубцями

**⚠ ПОПЕРЕДЖЕННЯ.** Щоб обрізати дикі рослини та кущі, опустіть лезо з 3 зубцями, що обертається, вниз на рослини, щоб досягти ефекту подрібнення. Використовуйте кущоріз як косу (водіть ним вправо і вліво) на рівні землі. Не використовуйте ріжучий пристрій вище висоти пояса.

**⚠ ПОПЕРЕДЖЕННЯ.** Що вище ріжучий пристрій піднято над землею, то більший ризик травмування відкинутими вбік обрізками.

**⚠ ПОПЕРЕДЖЕННЯ.** Під час зрізання молодих дерев або інших деревних матеріалів діаметром до 2 см використовуйте ліву частину леза, щоб уникнути ситуації упору леза. Не намагайтеся розрізати

деревний матеріал із більшим діаметром, оскільки лезо може застрягнути чи відштовхнути кущоріз уперед. Це може призвести до пошкодження леза чи кущоріза або втрати контролю над кущорізом, що спричинить травмування.

**⚠ ПОПЕРЕДЖЕННЯ.** Неправильне використання леза може спричинити його розтріскування, розколювання або розламування. Відкинуті деталі можуть серйозно пошкодити оператора або сторонніх спостерігачів. Щоб зменшити ризик травмування, необхідно вжити таких запобіжних заходів:

- Уникайте контакту з жорсткими або твердими сторонніми предметами, такими як каміня або шматки металу.
- Ніколи не обрізайте дерева або кущі з діаметром стовбура більше 2 см.
- Регулярно перевіряйте лезо через короткі проміжки часу на наявність ознак пошкодження. Не продовжуйте працювати з пошкодженим лезом.
- Регулярно заточуйте лезо (коли воно помітно затупилося), і, якщо необхідно, забезпечте його балансування (виконується кваліфікованим технічним працівником).

### Упор леза

Будьте надзвичайно обережними під час використання леза з 3 зубцями з цим приладом. Упор леза – це реакція, яка може статися, коли лезо, що обертається, контактує з будь-чим, що воно не може розрізати. Цей контакт може призвести до зупинки леза на мить і раптового «відштовхування» приладу від предмета, на який він натрапив. Ця реакція може бути достатньо сильною, щоб оператор утратив контроль над приладом. Упор леза може статися без попередження, якщо лезо налетить на корчі, застопориться або заплутається. Це частіше відбувається в областях, де важко побачити матеріал, що зрізається. Для полегшення різання та безпеки наближайтеся до бур'янів, які ви зрізаєте кущорізом, справа наліво. У випадку натрапляння на непередбачений предмет або деревну колоду це може звести до мінімуму реакцію упору леза.

### ТЕХНІЧНЕ ОБСЛУГОВУВАННЯ

**⚠ ПОПЕРЕДЖЕННЯ.** Перед оглядом, чищенням або обслуговуванням пристрою зупиніть двигун, почекайте доки всі рухомі частини зупиняться, і вийміть акумуляторну батарею. Недотримання цих інструкцій може призвести до серйозних персональних травм або пошкодження майна.

**⚠ ПОПЕРЕДЖЕННЯ.** Використовуйте для технічного обслуговування лише ідентичні запчастини. Використання будь-яких інших частин створює небезпеку або може призвести до поломки виробу. Для гарантування безпеки та надійності всі ремонтні роботи повинен проводити кваліфікований технічний спеціаліст.

### ЗАГАЛЬНИЙ ТЕХНІЧНИЙ ДОГЛЯД

Не застосовуйте розчинники, коли чистите пластмасові деталі. Більшість пластмас чутливі до різноманітних промислових розчинників і можуть бути ними пошкоджені. Для видалення бруду, пилу, мастила тощо користуйтеся чистою ганчіркою.

### ЧИЩЕННЯ ІНСТРУМЕНТА

- Після кожного використання леза з 3 зубцями/тримерної головки очистьте сміття, забиті ґрунт або траву на ножі та щітку м'якою щіткою.

**ПРИМІТКА.** Коли ріжуча ліска затуплюється, заточіть її (виконується кваліфікованим технічним персоналом) або замініть її на нову ріжучу ліску.

- Після кожного використання куцюріза очищайте ріжучий пристрій за допомогою вологої тканини з м'яким миючим засобом.
- Не використовуйте сильні миючі засоби на пластиковому корпусі або ручці. Вони можуть бути пошкоджені деякими ароматичними маслами, наприклад хвойним і лимонним, а також розчинниками, такими як гас. Вологість також може становити небезпеку удару. Обережно протріть вологу м'якою сухою тканиною.
- Використовуйте невелику щітку або невеликий пілосос для очищення вентиляційних отворів ззаду на корпусі.

### ЗМАЩУВАННЯ РЕДУКТОРА

Для кращої експлуатації та довшого терміну експлуатації змащуйте редуктор спеціальним мастилом (4-5 г щоразу) через кожні 50 годин роботи.

Спеціальне мастило має відповідати таким вимогам:

1. Відповідність DIN51818: ступінь проникнення конуса NLGI-1.
2. Мастило на ефірній основі.
3. Відмінний запуск при низькій температурі, EP, стійкість до механічного розриву, стирання та окислення.
4. Температура експлуатації має бути в межах -40...180°С.

Вийміть штекер акумулятора та герметизуючий гвинт. Змажте редуктор через отвір для масла.

**⚠ ПОПЕРЕДЖЕННЯ.** Не змащуйте, поки куцюріз усе ще під'єднаний до акумулятора або працює.

### ЗАТОЧУВАННЯ ЛІСКОВОГО НОЖА

**⚠ ПОПЕРЕДЖЕННЯ.** Завжди захищайте руки, одягаючи міцні рукавички під час виконання будь-якого технічного обслуговування ліскового ножа.

1. Вийміть лісковий ніж із кожуха.
2. Використовуйте належні засоби захисту очей та рукавички й будьте обережні, щоб не порізатися.
3. Закріпіть ніж у лещатах.
4. Акуратно заточіть ріжучі кромки ножа дрібним напилком або точильним каменем, зберігаючи вихідний кут ріжучої кромки.
5. Установіть ніж на захисний кожух та зафіксуйте його двома гвинтами.

### ЗБЕРІГАННЯ ІНСТРУМЕНТА

- Вийміть акумуляторну батарею з інструмента.
- Одягніть міцні рукавички, щоб ретельно очистити інструмент.
- Засуньте лезо з 3 зубцями у футляр для безпечного зберігання (рис. N).
- Зберігайте пристрій у сухому, добре вентиляваному, закритому або високо розташованому недоступному для дітей місці. Не зберігайте інструмент біля мінеральних добрив, бензину та інших хімікатів.

**ПРИМІТКА.** Не працюйте з тримером для живоплоту із затупленими або пошкодженими лезами. Це може спричинити перевантаження та надасть незадовільні результати підрізання.

### Захист довкілля



Не викидайте електричне обладнання, акумулятор і зарядний пристрій у побутові відходи! Віднесіть цей виріб авторизованому переробнику й надайте його для роздільного збирання. Електронні інструменти необхідно повернути в підприємство, що займається екологічно безпечною переробкою.

**UK**



## УСУНЕННЯ НЕСПРАВНОСТЕЙ

НЕСПРАВНІСТЬ	ПРИЧИНА	ВИРІШЕННЯ
Не вдається запустити.	<ul style="list-style-type: none"><li>■ Акумуляторна батарея не приєднана до кущоріза, або відсутній електричний контакт між кущорізом та акумулятором.</li><li>■ Акумуляторна батарея розряджена.</li><li>■ Кнопка блокування не натиснуто в положення «ВВІМКНЕНО» перед натисканням важеля перемикача.</li></ul>	<ul style="list-style-type: none"><li>■ Знову вставте штепсель акумулятора в інструмент.</li><li>■ Зарядіть акумуляторну батарею зазначеним зарядним пристроєм.</li><li>■ Перш ніж використовувати тример, переконайтеся, що кнопка блокування розблокована.</li></ul>
Припиняє роботу.	<ul style="list-style-type: none"><li>■ Акумулятор або кущоріз занадто гарячий.</li><li>■ Кущоріз перевантажений.</li><li>■ Акумулятор від'єднано від інструмента.</li><li>■ Акумуляторна батарея розряджена.</li></ul>	<ul style="list-style-type: none"><li>■ Дайте акумуляторній батареї або тримеру для живоплоту охолонути, доки температура не повернеться до норми.</li><li>■ Інструмент відновить роботу, коли навантаження буде усунуто. Для безперервної роботи зменште навантаження на інструмент.</li><li>■ Знову встановіть акумуляторну батарею.</li><li>■ Зарядіть акумуляторну батарею зазначеним зарядним пристроєм.</li></ul>
Надмірна вібрація чи шум.	<ul style="list-style-type: none"><li>■ Сухий редуктор</li><li>■ Ріжуча ліска розбалансована.</li><li>■ Лезо з 3 зубцями зігнуто або пошкоджене</li></ul>	<ul style="list-style-type: none"><li>■ Зніміть герметичний гвинт і додайте мастило.</li><li>■ Злегка вдарте ударною ручкою об землю під час роботи з тримером.</li><li>■ Замініть на нове лезо.</li></ul>
Ріжуча ліска не випускається.	<ul style="list-style-type: none"><li>■ Ліска в головці тримера закінчилася.</li><li>■ Ріжуча ліска не встановлена належним чином.</li></ul>	<ul style="list-style-type: none"><li>■ Заправте нову ріжучу ліску в кущоріз.</li><li>■ Змініть ріжучу ліску та повторно заправте її.</li></ul>

UK

## ГАРАНТІЯ

### ПРАВИЛА ГАРАНТІЇ EGO

Будь ласка, відвідайте веб-сайт [egopowerplus.eu](http://egopowerplus.eu) для отримання повних умов гарантійної політики EGO.

## ПРОЧЕТЕТЕ ВСИЧКИ ИНСТРУКЦИИ)



**ПРОЧЕТЕТЕ РЪКОВОДСТВОТО НА ОПЕРАТОРА**



Сигнал за безопасност



Носете защита за очите



Носете защита за главата



Носете нехлъзгащи се обувки



Пазете се от удар на ножа



Разстоянието между машината и околните хора трябва да бъде минимум 15 м.



Гарантирано ниво на мощност на звука. Звуковите емисии към околната среда са в съответствие с директивите на европейската общност.



Отпадъчните електрически продукти не трябва да бъдат изхвърляни заедно с домакинския отпадък. Отнесете го до упълномощено място за рециклиране.

$n_0$

Скорост без натоварване-Скорост на въртене без товар



Постоянен ток

## СИМВОЛИ ЗА БЕЗОПАСНОСТ



**ПРЕДУПРЕЖДЕНИЕ:** Експлоатацията на всички електрически инструменти, може да доведе до изхвърляне на чужди предмети към вашите очи, което може да доведе до сериозно нараняване на очите. Преди започване на работа с електрически инструмент, винаги носете предпазни очила със странична защита и визьор за цялото лице, когато е необходимо. Ние препоръчваме предпазна маска с широк визьор за употреба над очила или стандартни предпазни очила със странична защита.



За намаляване на опасността от нараняване, потребителят трябва да прочете ръководството на оператора.



Носете защита за слуха



Носете защита за ръцете



Пазете се от хвърлени предмети



Разкачване на батерията преди поддръжка



Този продукт е в съответствие с приложимите директиви на ЕС.



Този продукт е в съответствие с приложимото законодателство на Великобритания.

V

Напрежение

.../min

на минута

kg

Килограм

IPX5

Защита срещу водни струи

BG

## СПЕЦИФИКАЦИИ

Режещ блок	Тримерна глава	Метален нож с 3 зъба	
Напрежение	56 V	56 V	
Скорост без натоварване	4000-5800 /мин	4000-5800 /мин	
Препоръчителна работна температура:	0°C-40°C		
Препоръчителна температура на съхранение:	-20°C-70°C		
Режеща корда тип	2,4 мм	/	
Режещо острие	/	ABB1203	
Ширина на рязане	38 см	30 см	
Тегло (без акумулаторна батерия)	6,8 кг	6,46 кг	
Измерено ниво на сила на звука $L_{WA}$	95 dB(A) K=1,1 dB(A)	96,3 dB(A) K=2,1 dB(A)	
Ниво на звуково налягане при ухото на оператора $L_{PA}$	82 dB(A) K=2,5 dB(A)	83,4 dB(A) K=4,1 dB(A)	
Гарантирано ниво на сила на звука $L_{WA}$ (съгласно 2000/14/ЕС)	96 dB(A)	98 dB(A)	
Вибрации при $a_n$	Лява ръкохватка	1,9 $m/c^2$ K=1,5 $m/c^2$	1,9 $m/c^2$ K=1,5 $m/c^2$
	Дясна ръкохватка	1,5 $m/c^2$ K=1,5 $m/c^2$	1,3 $m/c^2$ K=1,5 $m/c^2$

- Декларираният общ размер на вибрации е измерен в съответствие със стандартния метод за тест и може да бъде използван за сравнение между два инструмента;
- Декларираният общ размер на вибрации може също така да бъде използван за предварителна оценка на влиянието.

**BG**

**БЕЛЕЖКА:** Вибрационните емисии по време на действителната употреба на електрическия инструмент може да се различава от декларираната стойност. С цел да се защити оператора, потребителят трябва да носи ръкавици и антифони в действителни условия на работа.

## ОПАКОВЪЧЕН ЛИСТ (Фиг. А1)

### ОПИСАНИЕ

#### ЗАПОЗНАЙТЕ СЕ С ВАШИЯ ХРАСТОРЕЗ (Фиг. А1)

1. Корда за тример
2. Предпазител комплект
3. Вал
4. Спусък
5. Бутон за отключване
6. Крилчат болт
7. Кука
8. Цокъл
9. Предпазна пластина
10. Велосипедна ръкохватка
11. Уплътняващ винт
12. Отвор за заключване на щангата
13. Режещ нож за кордата
14. Предпазен аксесоар
15. Нож с 3 зъба
16. Капак за ножа
17. Външен фланец
18. Гайка
19. Многофункционален гаечен ключ
20. Ключ шестограм
- 21\*. Подложка за бедро (продава се отделно)

**⚠ ПРЕДУПРЕЖДЕНИЕ:** Никога не работете с инструмента без предпазителят да е здраво на местото си. Предпазителят трябва винаги да е на инструмента за да предпазва потребителя.

**⚠ ПРЕДУПРЕЖДЕНИЕ:** Когато инструментът е оборудван с тримерна глава, предпазният аксесоар с корда - режещо острие трябва да бъде монтиран върху предпазителя. Неспазването на това ще доведе до твърде дълга режеща корда и претоварване на мотора. Не използвайте никога тримерната глава без предпазния аксесоар.

### МОНТАЖ

**⚠ ПРЕДУПРЕЖДЕНИЕ:** Ако някои от частите са повредени или липсват, не работете с хростореза, докато частите не се подменят. Използването на хростореза с повредени или липсващи части може да доведе до сериозно лично нараняване.



**⚠ ПРЕДУПРЕЖДЕНИЕ:** Не се опитвайте да модифицирате храстореза или да създадете аксесоари, които не се препоръчват за употреба с този продукт. Всяка такава промяна или модификация е злоупотреба и може да доведе до опасни условия с последици от възможни сериозни наранявания.

**⚠ ПРЕДУПРЕЖДЕНИЕ:** Винаги носете ръкавици за тежки приложения, когато монтирате или снемате предпазителя, или когато извършвате някакво обслужване на ножа с 3 зъба/ножа за рязане на кордата. Внимавайте за ножа за рязане на кордата на предпазния аксесоар / ножа с 3 зъба и предпазвайте ръцете си от нараняване от двата ножа.

**⚠ ПРЕДУПРЕЖДЕНИЕ:** За да предотвратите случайно стартиране, което би могло да причини сериозно нараняване, винаги отстранявайте акумулаторния комплект от инструмента, когато монтирате части, извършвате настройки, почиствате или когато не се използва.

**⚠ ПРЕДУПРЕЖДЕНИЕ:** Никога не работете с инструмента без предпазителят и велосипедната ръкохватка да са на мястото си. Неспазването може да доведе до възможно сериозно нараняване.

## МОНТИРАНЕ И РЕГУЛИРАНЕ НА ВЕЛОСИПЕДНАТА РЪКОХВАТКА

Храсторезът се съхранява, както е показано на Фиг. В. Разхлабете първо крилчатия болт на свързващото съединение и след това вдигнете велосипедната ръкохватка на 180° около вала (Фиг. С), завъртете я на 90°, за да я насочите към ударната глава (Фиг. D). Накрая я придвижете назад и напред, за да достигнете комфортно работно положение и затегнете болта.

**БЕЛЕЖКА:** Разрешена е само работа на машината с велосипедна ръкохватка перпендикулярна на вала.

## МОНТАЖ НА ПРЕДПАЗИТЕЛЯ

**⚠ ПРЕДУПРЕЖДЕНИЕ:** Винаги носете ръкавици, когато монтирате или подменят предпазителя. Внимавайте за ножа в предпазителя и защитете своята ръка от порязване.

**⚠ ПРЕДУПРЕЖДЕНИЕ:** Никога не работете с машината без предпазителят да е здраво на мястото му. Предпазителят трябва винаги да е на машината, за да предпазва потребителя! Когато предпазителят е фиксиран, никога не се опитвайте да извадите или да регулирате предпазителя, ако е необходима подмяна, трябва да бъде извършена от квалифициран сервизен техник!

Разхлабете и извадете двата винта от предпазителя (фиг.

Е), подравнете монтажните отвори на предпазителя с отворите за монтажния механизъм и след това захванете предпазителя в основата на щангата с двата винта, заедно с две пружинни шайби (фиг. F).

**⚠ ПРЕДУПРЕЖДЕНИЕ:** Уверете се, че предпазителят е закрепен съгласно фиг. F, всяко закрепване на обратно ще причини голяма опасност!

**⚠ ПРЕДУПРЕЖДЕНИЕ:** Когато храсторезът е оборудван с тримерна глава, предпазният аксесоар трябва да бъде монтиран върху предпазителя. Неспазването на това може да доведе до твърде дълга режеща корда и претоварване на мотора.

## СМЯНА НА ТРИМЕРНАТА ГЛАВА С НОЖА С 3 ЗЪБА

1. Извадете щепсела от кордовия тример.
2. Завъртете тримерната глава, за да подравните прореза във фланеца с отвора за закрепване на вала в предавателната кутия и вмъкнете стабилизатора в отвора (Фиг. G).
3. Завъртете главата на тримера по часовниковата стрелка, за да я снемете (Фиг. G).
4. Отстранете предпазния аксесоар като разхлупите трите винта с шайби (Фиг. H).
5. Ножът се доставя с капак. Преди монтиране на ножа към храстореза, капакът трябва да бъде изваден, чрез изваждане на захващащата тел от кулата на капака (фиг. I1).

**БЕЛЕЖКА:** За да се защитите срещу нараняване, трябва да носите ръкавици преди всяка работа с ножа с 3 зъба.

6. Монтирайте вътрешния фланец и капака на фланеца на местата им (Фиг. I2)
7. Монтирайте ножа на вала на мотора осигурявайки, че повърхността на ножа е изравнена с повърхността на издатината на външния фланец. Монтирайте външния фланец и гайката (Фиг. I3). Затегнете предварително гайката в посока **ОБРАТНО НА ЧАСОВНИКА** на ръка.
8. Поставете предавателната кутия върху твърда повърхност за опора. С едната си ръка хванете пръта на храстореза, а с другата си ръка хванете мултифункционалния гаечен ключ, за да затегнете гайката, като следвате стрелката за посоката маркирана върху външния фланец (Фиг. I4).

## СМЯНА НА НОЖА С 3 ЗЪБА С ТРИМЕРНА ГЛАВА

Запознайте се с ножа с 3 зъба, както е показано на Фиг. J1. След това демонтирайте ножа с 3 зъба и монтирайте тримерната глава към хростореза.

1. Завъртете ножа, за да подравните прореза във фланеца с отвора за закрепване на вала в предавателната кутия и вмъкнете стабилизатора в отвора.
2. Поставете предавателната кутия върху твърда повърхност за опора. С едната си ръка задръжте вала на хростореза, а с другата си ръка хванете многофункционалния гаечен ключ, за да разхлэбите гайката по часовниковата стрелка (Фиг. I4).
3. Снемете гайката, външния фланец, ножа от хростореза (Фиг. J2).

Фиг. J1, J3 и J7 описание на части виж долу:

J-1	Вал	J-5	Външен фланец
J-2	Вътрешен фланец	J-6	Гайка
J-3	Капак на фланеца	J-7	Прорез във фланеца
J-4	Нож с 3 зъба		

**БЕЛЕЖКА:** Когато ножът с 3 зъба не се използва, за да предотвратите нараняване на хора, монтирайте ножа с 3 зъба в неговия калъф.

4. Сглобете предпазния аксесоар към хростореза като затегнете трите винта с шайби (Фиг. H).
5. Завъртете тримерната глава обратно на часовниковата стрелка, за да я инсталирате (Фиг. G). Следвайте инструкциите в "ПОДМЯНА НА КОРДАТА", за да заредите режещата корда.

**БЕЛЕЖКА:** Неспазването за навиване на кордата в посочената посока ще причини неправилна работа на главата на тримера.

## РАБОТА

**⚠ ПРЕДУПРЕЖДЕНИЕ:** Не позволявайте рутината с този продукт да ви направи непредпазливи. Запомнете, че невнимание за малка част от секундата е достатъчна за да нанесете сериозно нараняване.

**⚠ ПРЕДУПРЕЖДЕНИЕ:** Винаги носете защита за очите заедно със защита за слуха. Ако не го направите може да доведе до изхвърляне на предмети към очите ви и други възможни сериозни наранявания.

**⚠ ПРЕДУПРЕЖДЕНИЕ:** Не използвайте други приставки или аксесоари, които не са препоръчани от производителя на този продукт. Употребата на приставки или аксесоари, които не са препоръчани, може да доведе до сериозно нараняване.

## ПРИЛОЖЕНИЯ

Продуктът може да бъде използван в дъжд.

Може да използвате този продукт за целите описани долу:

**Подкастриане:** използва се за да се премахне тревата и плевелите до стени, огради, дървета и лежи.

**Рязане:** използва се за рязане на трева, която е трудно достъпна използвайки нормална косачка.

**БЕЛЕЖКА:** Машината трябва да се използва само за предписаните цели. Всяка друга употреба се смята за случай на злоупотреба.

## ДЪРЖАНЕ НА ХРАСТОРЕЗА

Преди да свържете акумулаторната раница с хростореза, сложете на гърба си своята акумулаторна раница и поставете подложката за бедро на сбруята за раницата като направите справка с ръководството ВАХ1500 и АНР1500.

Монтирайте хростореза с подложката за бедро чрез свързване на куката към монтажния отвор (Фиг. K). Има 8 отвора на вала, изберете оптималния отвор за удобна работа.

Хванете кордовия тример с двете си ръце от дясната страна на тялото си. Тримерната глава или ножът трябва да са успоредни на земята на правилно разстояние за рязане, без операторът да се навежда.

Освобождение на хростореза може да се постигне по два начина. Освободете катарамите за гръдния ремък и колана (Фиг. L1) или натиснете куката на подложката за бедро и я отстранете от монтажния отвор на вала.

**⚠ ПРЕДУПРЕЖДЕНИЕ:** При възникване на авария освобождаването на катарамите за гръдния ремък и колана е методът за бързо освобождение на хростореза.

**⚠ ПРЕДУПРЕЖДЕНИЕ:** Не трябва да използвате единичен и двоен ремък за рамо с акумулаторна раница едновременно.

Използвайте единствено акумулаторни батерии EGO и зарядни устройства изброени във Фиг. A2

### За да инсталирате акумулаторна батерия (Фиг. L2)

Подравнете ▲ на щепсела с ▲ на хростореза. Въмкнете щепсела в машината, докато зеленото уплътнение напълно излезне в контакта.

### За да извадите

Освободете кабела на батерията от монтажния канал и издърпайте щепсела от хростореза.

## СТАРТИРАНЕ/СПИРАНЕ НА ХРАСТОРЕЗА

### За да стартирате

Натиснете бутон за отключване до позиция "ON" (Фиг. M). Преместете малкия спусък нагоре и след това натиснете превключвателния спусък, за да стартирате хростореза. Различен натиск върху спусъка води до различна скорост на въртене на режещия блок.

Фиг. L1 и M описание на части виж долу:

L-1	Катарама за гръдния ремък	M-1	Бутон за отключване
L-2	Катарама за колана	M-2	Малък спусък
L-3	Кука	M-3	Превключвателен спусък

### За да спрете

Отпуснете превключвателния спусък и натиснете бутон за отключване обратно към позиция "OFF".

**▲ ПРЕДУПРЕЖДЕНИЕ:** Винаги изваждайте акумулаторната батерия от тримера по време на работни прекъсвания и след завършване на работата.

## УПОТРЕБА НА ХРАСТОРЕЗА

**▲ ПРЕДУПРЕЖДЕНИЕ:** Облечете се правилно за да намалите риска от нараняване, когато работите с хростореза. Не носете отпуснати дрехи или бижута. Носете защита за очите и защита за очите/слуха. Носете дебели, дълги панталони, ботуши и ръкавици. Не носете къси панталони или сандали или не ходете боси. Преди работа се огледайте, за да осигурите безопасна работна зона без други хора, животни и каквито и да било свободни предмети. Уверете се, че те са най-малко на 15 м. След това осигурете защита на очите, подходящо облекло и балансирана стойка.

Преди всяка употреба проверявайте за повредени/износени части. Проверете тримерната глава, ножа с 3 зъба, предпазителя, предпазния аксесоар и

велосипедната ръкохватка и подменете всички части, които са напукани, деформирани, изкривени или повредени по някакъв начин. Режещият нож за кордата на ръба на предпазния аксесоар може да се затъпи в течение на времето. Препоръчва се периодично да го заточвате с пила или да го подмените с нов нож.

### След всяка употреба почиствайте хростореза.

**▲ ВНИМАНИЕ:** Запушвания на вентилационните отвори ще предотвратят навлизане на въздух във корпуса на мотора и ще доведат до прегряване или повреда на мотора.

- Използвайте само мек сапун и влажна кърпа за почистване на машината. Никога не позволявайте никаква течност да попадне вътре в машината; никога не потапяйте която и да е част от машината в течност.
- По всяко време пазете вентилационните отвори в корпуса на мотора от отпадъци.

**▲ ПРЕДУПРЕЖДЕНИЕ:** Избягвайте употребата на разтворители, когато почиствате пластмасовите части. Повечето пластмаси са податливи на повреда от различни видове разтворители, предлагани в търговската мрежа. Използвайте чист плат, за премахване на мръсотия, прах, масло и т.н.

## ИЗПОЛЗВАНЕ С ТРИМЕРНА ГЛАВА

### Проверете за блокиране на главата на тримера

- За да предотвратите блокиране, поддържайте главата на тримера чиста. Отстранявайте окосената трева, листата, мръсотията и всякакви други натрупани отпадъци преди и след всяка употреба.
- Когато се случи запушване, спрете тримера и извадете батерията, след което отстранете всяка трева, която може да се е увила около вала на двигателя или главата на тримера.

### Регулиране на дължината на режещата корда

Главата на тримера позволява на оператора да отпусне повече режеща корда без да спира мотора. Когато кордата стане разкъсана или износена, може да бъде отпусната допълнителна корда чрез леко потупване в земята на ударната глава.

**БЕЛЕЖКА:** Освобождаването на корда ще стане по трудно, когато кордата стане твърде къса.

**▲ ПРЕДУПРЕЖДЕНИЕ:** Не премахвайте или променяйте устройството на режещия нож за кордата. Прекалената дължина на кордата ще причини

прегриване на мотора и може да доведе до сериозно нараняване.

## ПОДМЯНА НА КОРДАТА

**▲ ПРЕДУПРЕЖДЕНИЕ:** Никога не използвайте метално подсилена корда, жица или въже и др. Те могат да се счупят и да станат опасни летящи предмети.

**БЕЛЕЖКА:** Използвайте винаги препоръчителната найлонова режеща корда с диаметър не по-голям от 2,7 мм. Използване на корда различна от посочената може да причини прегриване или повреда на тримера.

1. Извадете щелсела от кордовия тример.
2. Премахнете оставащата режеща корда, ако е необходимо.
3. Отрежете 8 м корда вкарайте кордата в монтажния отвор вътре в ухото (Фиг. J3). Избугайте и дръпнете кордата от другата страна, докато еднакво количество корда се появи от двете страни на макарата.
4. Натиснете, докато въртите възела на долния капак по посока на стрелката, за да навиете кордата в макарата, докато остане приблизително 12 см корда, показваща се от двете страни (Фиг. J4).
5. Бутнете надолу възела на долния капак, докато издърпвате кордата за да я придвижите ръчно напред и да проверите за правилно сглобяване на главата на тримера.

Когато кордата за рязане се откъсне от изхода за кордата или кордата за рязане не се освобождава, когато потупвате главата на тримера, следвайте долните стъпки:

1. Натиснете пластината за освобождаване на горния капак и снемете долния капак, като го издърпате право навън (Фиг. J5 и J6).
2. Извадете кордата за рязане от макарата.
3. Като държите с една ръка възела на долния капак, използвайте другата ръка за да хванете възела на долния капак и подравнете пластините на горния капак с отворите във възела на долния капак (Фиг. J7); използвайте дланта си, за да притиснете възела на долния капак, докато пластините се фиксират в горния капак.

BG

4. Следвайте инструкциите в "ПОДМЯНА НА КОРДАТА", за да презаредите режещата корда.

## Използване с метален нож с 3 зъба

**▲ ПРЕДУПРЕЖДЕНИЕ:** При рязане на диворастящи и шубрак, снижете въртящия се нож с 3 зъба надолу към растителността, за да постигнете отсичащ ефект. Използвайте хрестореза като коса (замахвайте от дясно и от ляво) на нивото на земята. Не използвайте режещия блок над нивото на талията.

**▲ ПРЕДУПРЕЖДЕНИЕ:** Колкото по-високо е режещият блок от земята, толкова по-голям е рискът от нараняване от изхвърляне на страни на отрязъци.

**▲ ПРЕДУПРЕЖДЕНИЕ:** Когато режете млади насаждения или други дървени материали, до 2 см в диаметър, използвайте лявата страна на ножа, за да избегнете ситуации на тласкане на ножа. Не се опитвайте да режете дървесни материали с по-голям диаметър, тъй като ножът може да се захване или да издърпа хрестореза напред. Това може да доведе до повреда на ножа или на хрестореза, или загуба на контрол на хрестореза, което да доведе до нараняване.

**▲ ПРЕДУПРЕЖДЕНИЕ:** Неправилната употреба на ножа може да причини напукване, нащърбване или счупване. Изхвърлените части могат сериозно да наранят оператор или близкостоящ. За да намалите риска от лично нараняване, изключително важно е да вземете следните предпазни мерки:

Избягвайте контакт с твърди и солидни чужди тела като камъни, скали или парчета метал.

- Никога не режете дърво или храсти с диаметър на стъблото повече от 2 см.
- Проверявайте ножа на чести кратки интервали за признаци на повреда. Не продължавайте да работите с повреден нож.
- Заточвайте ножа редовно (когато е затъпен забележимо) и го дайте за балансиране, ако е необходимо (извършва се от квалифициран сервизен техник).

## Тласкане на ножа

Упражнете изключително внимание, когато използвате ножа с 3 зъба в този инструмент. Тласкане на ножа е реакция, която може да се получи, когато въртящият се нож влезе в контакт с нещо, което не може да среже. Този контакт може да накара ножа да спре моментално и внезапно да "изтласка" инструмента далеч от обекта, който е ударил. Това действие може да е достатъчно силно, за да причини загуба на контрол на инструмента

от оператора. Тласкането на ножа може да се случи без предупреждение, ако ножът се блъсне, заседне или се заклеши. Това е по вероятно да се случи в зона, където е трудно да видите рязания материал. За леснота на рязане и безопасност, захождайте от дясно на ляво към плевелите, които трябва да бъдат рязани с хростореза. В случай на среща с неочакван обект или дървен ствол, практиката може да минимизира тласкането на ножа.

## ПОДДРЪЖКА

**▲ ПРЕДУПРЕЖДЕНИЕ:** Преди инспекция, почистване или обслужване на уреда спрете мотора, изчаквайте всички движещи части да спрат и извадете акумулаторната батерия. Неспазването на тези инструкции може да доведе до сериозно нараняване или щети по собствеността.

**▲ ПРЕДУПРЕЖДЕНИЕ:** Когато обслужвате, използвайте само идентични резервни части. Употребата на каквито и да е други части може да създаде опасност или да предизвика повреда на продукта. За да осигурите безопасността и надеждността, всички поправки трябва да се извършват от квалифициран сервизен техник.

## ОБЩА ПОДДРЪЖКА

Избягвайте употребата на разтворители, когато почиствате пластмасовите части. Повечето пластмасови части са уязвими на повреда от различни видове разтворители в търговската мрежа и може да се повредят от тяхната употреба. Използвайте чист плат, за премахване на мръсотия, прах, масло и т.н.

## ПОЧИСТВАНЕ НА МАШИНАТА

- След всяка употреба на ножа с 3 зъба/тримерната глава почистете натрупванията, запушената почва или трева по ножа и предпазителя с мека четка.

**БЕЛЕЖКА:** Когато режещият ножът се затъпи, моля дайте го за заточване на квалифициран сервизен техник или го подменете с нов нож, ако е необходимо.

След всяка употреба на хростореза почиствайте режещия блок с помощта на мека кърпа с мек почистващ препарат.

- Не използвайте силен почистващ препарат по пластмасата на корпуса или ръкохватката. Те могат да бъдат повредени от определени ароматни масла като бор и лимон и от разтворители като керосин. Влагата също може да причини токов удар. Избършете всякаква влага със суха мека кърпа.
- Използвайте малка четка или малка прахосмукачка за да почистите, вентилационните отвори в задната

страна на корпуса.

## СМАЗВАНЕ НА КОРПУСА НА РЕДУКТОРА

За най-добра работа и по-дълъг живот смазвайте корпуса на редуктора със специална грес (по 4-5 грама всеки път) след всеки 50 часа работа.

Специалната грес трябва да отговаря на следните изисквания.

1. Да отговаря на стандарта DIN51818: NLGI-1 степен на проникване на конуса.
2. Грес на естерна основа.
3. Отлично стартиране при ниски температури, EP, механично срязване, устойчивост на абразия и стабилност на оксидиране.
4. Работната температура трябва да бъде -40~180°C.

Отстранете щепсела на батерията и уплътняващия винт. Смажете корпуса на редуктора през отвора за смазване.

**▲ ПРЕДУПРЕЖДЕНИЕ:** Не смазвайте, докато хросторезът е все още свързан с батерията или работи.

## ЗАТОЧВАНЕ НА РЕЖЕЩИЯ НОЖ ЗА КОРДАТА

**▲ ПРЕДУПРЕЖДЕНИЕ:** Винаги защитавайте ръцете си, като носите ръкавици за тежка употреба, когато извършвате поддръжка на режещия нож за кордата.

1. Демонтирайте режещия нож за кордата от предпазителя.
2. Носете подходяща защита за очите и ръкавици и внимавайте да не се порежете.
3. Затегнете ножа в менгеме.
4. Внимателно заточете режещите ръбове на ножа с фина пила или точило като запазите първоначалния ъгъл на режещия ръб
5. Поставете отново ножа в предпазителя и го затегнете на място с двата винта.

## СЪХРАНЕНИЕ НА МАШИНАТА

- Извадете акумулаторната батерия от инструмента.
- Носете ръкавици за тежка употреба за да изчистите цялостно инструмента.
- Монтирайте капака на ножа към ножа с 3 зъба за безопасно съхранение (фиг. N).
- Съхранете уреда в сухо място с добра вентилация, заключен или съхраняван на високо извън достъпа на деца. Не съхранявайте машината в близост или върху тор, бензин или други химикали.

BG

**БЕЛЕЖКА:** Не работете с вашата ножица за плет, когато режещите ножове са затъпени или повредени. Това може да причини претоварване и ще доведе до незадоволителни резултати при рязане.

## Опазване на околната среда



Не изхвърляйте електрическо оборудване, използвана батерия или зарядно устройство в домакинския отпадък! Отнесете продукта до упълномощена фирма за рециклиране и го предоставете за разделно събиране. Електрическите инструменти трябва да бъдат връщани в съоръжения за рециклиране съвместими с околната среда.

## ОТСТРАНЯВАНЕ НА НЕИЗПРАВНОСТИ

ПРОБЛЕМ	ПРИЧИНА	РЕШЕНИЕ
Отказ при стартиране.	<ul style="list-style-type: none"> <li>■ Аккумуляторната батерия не е закрепена към хростореза или няма електрически контакт между хростореза и батерията.</li> <li>■ Аккумуляторната батерия е изтощена.</li> <li>■ Бутонът за отключване не е натиснат на позиция "ON" (ВКЛ) преди натискане на лостовете за превключване.</li> </ul>	<ul style="list-style-type: none"> <li>■ Извадете и поставете отново аккумуляторната батерия към хростореза</li> <li>■ Заредете аккумуляторната батерия с посоченото зарядно устройство.</li> <li>■ Преди използване на ножицата, потвърдете, че бутонът за заключване е отключен.</li> </ul>
Спира да работи.	<ul style="list-style-type: none"> <li>■ Аккумуляторната батерия или хросторезът са твърде горещи.</li> <li>■ Хросторезът е претоварен.</li> <li>■ Аккумуляторната батерия е разединена от инструмента.</li> <li>■ Аккумуляторната батерия е изтощена.</li> </ul>	<ul style="list-style-type: none"> <li>■ Позволете на аккумуляторната батерия или ножицата да се охлади, докато температурата стане нормална.</li> <li>■ Машината ще се възстанови, когато натоварването е отстранено. За непрекъсната работа намалете натоварването на машината.</li> <li>■ Монтирайте отново аккумуляторната батерия.</li> <li>■ Заредете аккумуляторната батерия с посоченото зарядно устройство.</li> </ul>
Прекалени вибрации или шум	<ul style="list-style-type: none"> <li>■ Суха предавателна кутия</li> <li>■ Дебаланс на режещата корда.</li> <li>■ Ножът с 3 зъба е огънат или повреден</li> </ul>	<ul style="list-style-type: none"> <li>■ Отстранете уплътняващия винт и добавете смазочно масло.</li> <li>■ Леко чукнете бутона за отпускане на корда на земята, докато работите с тримера.</li> <li>■ Поставете нов нож.</li> </ul>
Режещата корда не може да бъде освободена.	<ul style="list-style-type: none"> <li>■ Кордата в тримерната глава е свършила.</li> <li>■ Режещата корда не е инсталирана правилно.</li> </ul>	<ul style="list-style-type: none"> <li>■ Монтирайте нова режеща корда в хростореза.</li> <li>■ Отстранете режещата корда и я монтирайте отново.</li> </ul>

**BG**

## ГАРАНЦИЯ

### ГАРАНЦИОННА ПОЛИТИКА EGO

Моля посетете уебсайта [egopowerplus.eu](http://egopowerplus.eu) за пълните условия по гаранционната политика на EGO.

**PROČITAJTE UPUTE U CIJELOSTI!****PROČITAJTE PRIRUČNIK ZA RUKOVATELJE.**

Sigurnosno upozorenje



Nosite zaštitu za oči.



Nosite zaštitu za glavu.



Nosite obuću otpornu na klizanje



Čuvajte se povratnog udara noža.



Udaljenost između stroja i promatrača mora biti najmanje 15 m.



Zajamčena razina zvučne snage. Emisija buke u okruženju u skladu je sa smjericama Europske unije.



Otpadni električni proizvodi ne smiju se odlagati s otpadom iz kućanstva. Odnosite ih u ovlaštenu centar za reciklažu.

 $n_0$ 

Brzina bez opterećenja-Brzina vrtnje u praznom hodu



Istosmjerna struja

**SIGURNOSNI SIMBOLI****UPOZORENJE:** Rukovanje električnim alatima može rezultirati odbacivanjem stranih predmeta u oči što opet može izazvati teška oštećenja očiju. Prije početka rukovanja električnim alatom nosite zatvorene zaštitne naočale ili zaštitne naočale s bočnim štitnicima, a prema potrebi i štitnik za cijelo lice. Preporučujemo nošenje sigurnosne maske proizvođača Wide Vision preko naočala, ili nošenje standardnih zaštitnih naočala s bočnim štitnicima.

Pročitajte priručnik za rukovatelje radi smanjenja opasnosti od ozljeda.



Nosite zaštitu za sluh.



Nosite zaštitu za ruke



Čuvajte se bačenih predmeta



Odvojite bateriju prije održavanja



Ovaj proizvod je u skladu s primjenjivim smjericama EU.



Ovaj proizvod je u skladu s važećim zakonodavstvom UK.

V Napon

.../min U minuti

kg Kilogram

IPX5 Zaštita od mlaza vode



## TEHNIČKI PODACI

Rezni priključak	Glava šišača	Metalni nož s 3 zuba
Napon	56 V	56 V
Brzina bez opterećenja	4000-5800 /min	4000-5800 /min
Preporučena radna temperatura:	0°C - 40°C	
Preporučena temperatura skladištenja:	-20°C - 70°C	
Tip rezne žinje	2,4 mm	/
Rezni nož	/	ABB1203
Širina rezanja	38 cm	30 cm
Masa (bez kompleta baterija)	6,8 kg	6,46 kg
Izmjerena razina zvučne snage $L_{WA}$	95 dB(A) K=1,1 dB(A)	96,3 dB(A) K=2,1 dB(A)
Razina zvučnog tlaka kod uha rukovatelja $L_{PA}$	82 dB(A) K=2,5 dB(A)	83,4 dB(A) K=4,1 dB(A)
Zajamčena razina zvučne snage $L_{WA}$ (u skladu s 2000/14/EZ)	96 dB(A)	98 dB(A)
Vibracija $a_n$	Lijeva drška	1,9 m/s <sup>2</sup> K=1,5 m/s <sup>2</sup>
	Desna drška	1,5 m/s <sup>2</sup> K=1,5 m/s <sup>2</sup>

Deklarirane ukupne vrijednosti vibracija izmjerene su u skladu sa standardnom metodom ispitivanja i mogu se koristiti za usporedbu jednog alata s drugim.

- Deklarirane ukupne vrijednosti vibracija mogu se koristiti u preliminarnoj procjeni izloženosti.

**NAPOMENA:** emisija vibracija tijekom aktualnog korištenja električnog alata može se razlikovati od deklarirane vrijednosti u kojoj se alat koristio; Radi zaštite rukovatelja korisnik treba nositi rukavice i štittike za uši u aktualnim uvjetima korištenja.

## POPIS ZA PAKIRANJE (SI. A1)

### OPIS

#### UPOZNAJTE OBREZIVAČ GRMLJA (sl. A1)

1. Rezna nit

2. Sklop štittika
3. Vratilo
4. Aktivator
5. Gumb za otključavanje
6. Krilni vijak
7. Kuka
8. Podnožje
9. Zaštitna ploča
10. Drška u obliku upravljača bicikla
11. Vijak za brtvljenje
12. Rupa za fiksiranje vratila
13. Nož za rezanje rezne niti
14. Dodatni štittik
15. Nož s 3 zuba
16. Navlaka za nož
17. Vanijska priрубnica
18. Matica
19. Višefunkcijski ključ
20. Imbus ključ
- 21\*. Jastučić za kuk (prodaje se zasebno)

**⚠ UPOZORENJE!** Alat nikada ne koristite bez dobro pričvršćenog štittika. Štittik uvijek mora biti na alatu radi zaštite korisnika.

**⚠ UPOZORENJE!** Kada je alat opremljen reznom glavom, rezni nož mora biti postavljen na štittik. Nepostupanje u skladu s tim može rezultirati predugačkom reznom žinjom i preopterećenjem motora. Nikada ne koristite glavu obreziivača grmlja bez sklopa štittika.

### SKLOP

**⚠ UPOZORENJE!** Ukoliko se neki dijelovi oštete ili nedostaju, nemojte koristiti obreziivač grmlja sve dok ne zamijenite te dijelove. Uporaba obreziivača grmlja bez nekih ili s oštećenim dijelovima može rezultirati ozbiljnim tjelesnim ozljedama.

**⚠ UPOZORENJE!** Ne pokušavajte obavljati preinake obreziivača grmlja ili izrađivati pribor koji nije preporučen za uporabu s ovim proizvodom. Sve takve izmjene ili preinake predstavljaju nepropisno korištenje i mogu rezultirati opasnim stanjima koja mogu dovesti do mogućih teških tjelesnih ozljeda.

**⚠ UPOZORENJE!** Kada postavljate ili uklanjate štittik ili kada obavljate poslove održavanja noža, uvijek nosite čvrste rukavice. Budite oprezni s reznim nožem na štittiku/ nožem s 3 zuba i zaštitite ruke od ozljeda od noževa.

**⚠ UPOZORENJE:** Kako biste spriječili slučajno pokretanje koje bi moglo prouzročiti teške tjelesne ozljede, prije montiranja dijelova, podešavanja, čišćenja ili nekorištenja, uklonite baterijski modul iz alata.

**⚠ UPOZORENJE!** Alat nikada ne koristite bez dobro učvršćenog štitnika. Nepostupanje u skladu s tim može rezultirati mogućim teškim tjelesnim ozljedama.

## POSTAVLJANJE I PODEŠAVANJE SKLOPA DRŠKE

Obrezaivač grmlja pohranjen je kako je prikazano na sl. B. Najprije otpustite krilni vijak na spoju a zatim podignite dršku 180° oko osovine (sl. C), zakrenite ga za 90° u smjeru suprotnom od smjera kazaljke na satu da biste je okrenuli prema glavi za udaranje (sl. D). Naposljetku, okrećite ga naprijed-natrag kako biste postigli udoban radni položaj i zategnite vijak.

**OBAVIJEST:** Dopušteno je samo upravljanje strojem sa sklopom drški okomito postavljenim na vratilo.

## POSTAVLJANJE ŠTITNIKA

**⚠ UPOZORENJE:** Pri postavljanju ili zamjeni štitnika nosite rukavice. Pazite na nož na štitniku i zaštitite ruke od posjeklina.

**⚠ UPOZORENJE:** Stroj ne upotrebljavajte bez dobro pričvršćenog štitnika. Štitnik mora uvijek biti na stroju radi zaštite korisnika! Kada je štitnik učvršćen, nemojte ga skidati ili podešavati. Ako ga je potrebno zamijeniti, neka to obavi kvalificirani serviser!

Otpustite i uklonite dva vijka sa štitnika (sl. E), poravnajte rupe na štitniku s montažnim rupama i zatim štitnik pričvrstite na podnožju vratila s dva vijka i dvije elastične podloške (sl. F).

**⚠ UPOZORENJE:** Uvjerite se da je štitnik pričvršćen u skladu sa slikama F. Svako obrnuto pričvršćivanje izazvat će veliku opasnost!

**⚠ UPOZORENJE:** Kada je na obrezaivač grmlja postavljena glava s reznom niti, na štitnik je potrebno postaviti štitnik. Nepostupanje u skladu s tim može rezultirati predugačkom reznom niti i preopterećenjem motora.

## ZAMJENA GLAVE ŠIŠAČA S NOŽEM S 3 ZUBA

1. Uklonite električni utikač sa šišača s niti.
2. Šišač s niti okrećite tako da poravnate utor na prirubnici s rupom za fiksiranje vratila u kućištu prijenosnika i umetnite stabilizator u rupu (sl. G).
3. Okrenite glavu šišača udesno za njezino skidanje (sl. G).
4. Uklonite štitnik otpuštanjem tri vijka s podloškom (sl. H).

5. Oštrica se isporučuje s omotačem. Prije postavljanja noža na obrezaivač grmlja potrebno je ukloniti ovojnici otpuštanjem stezaljke s kukice na ovojnici (sl. I1).

**NAPOMENA:** Da biste se zaštitili od ozljeda, morate nositi rukavice prilikom bilo kakvih rukovanja s nožem s 3 zuba.

6. Montirajte unutarnju prirubnicu i poklopac prirubnice na odgovarajuća mjesta (Sl. I2).
7. Montirajte nož na vratilo motora vodeći računa da površina noža bude u ravnini s površinom izbočenja unutarnje prirubnice. Montirajte vanjsku prirubnicu i maticu (sl. I3). Maticu prije toga stegnite rukom ULIJEVO.
8. Poduprite kućište prijenosnika na čvrstu površinu. Jednom rukom držite osovinu obrezaivač grmlja a drugom rukom uhvatite višenamjenski ključ za zatezanje matice, slijedeći smjer strelice na vanjskoj prirubnici (sl. I4).

## ZAMIJENITE TROKRAKI NOŽ GLAVOM REZAČA

Upoznajte se s trokrakim nožem koji je prikazan na slici J1. Zatim rastavite trokraki nož i montirajte glavu rezača na obrezaivač grmlja.

1. Nož okrećite tako da poravnate utor na prirubnici s rupom za fiksiranje vratila u kućištu prijenosnika i umetnite stabilizator u rupu (sl. G).
2. Postavite kućište prijenosnika na čvrstu površinu radi oslonca. Jednom rukom držite obrezaivač grmlja za vratilo, a drugom rukom otpustite maticu višenamjenskim viličastim ključem, udesno (Sl. I4).
3. Izvadite maticu, vanjsku prirubnicu, nož iz obrezaivača grmlja (Sl. J2).

J-1	Vratilo	J-5	Vanjska prirubnica
J-2	Unutarnja prirubnica	J-6	Matica
J-3	Poklopac prirubnice	J-7	Utor u prirubnici
J-4	Trokraki nož		

**OBAVIJEST:** Kad ne koristite trokraki nož spremite ga u omotač kako ne bi došlo do tjelesnih ozljeda.

4. Postavite štitnik na obrezaivač grmlja tako da zategnete tri vijka za podloške (Sl. H).
5. Okrenite glavu šišača ulijevo za njezinu ugradnju (sl. G). Za namotavanje rezne niti slijedite upute u poglavlju "ZAMJENA REZNE NITI".

**OBAVIJEST:** Postavljanje niti suprotno od označenog smjera uzrokovat će neispravan rad glave rezača.

## RAD

**⚠ UPOZORENJE!** Nemojte dopustiti da zbog dobrog poznavanja ovog proizvoda postanete nepažljivi. Zapamtite da je jedna sekunda nepažnje dovoljna za ozbiljnu ozljedu.

**⚠ UPOZORENJE!** Uvijek nosite zaštitu za oči i sluh. Nepostupanje u skladu s tim može rezultirati odbacivanjem predmeta u oči i drugim mogućim teškim ozljedama.

**⚠ UPOZORENJE!** Nemojte koristiti nikakve priključke ili pribor koje nije preporučio proizvođača ovog proizvoda. Uporaba priključaka ili pribora koji nije preporučen može dovesti do ozbiljnih tjelesnih ozljeda.

## PRIMJENE

Proizvod se smije upotrebljavati na kiši.

Proizvod možete koristiti za svrhe navedene u nastavku:

**Šišanje:** koristi se za uklanjanje trave i korova oko zidova, ograda, stabala i pregrada.

**Rezanje:** koristi se za rezanje trave koju je teško dohvatiti uobičajenom kosilicom.

**OBAVIJEST:** Stroj se smije upotrebljavati samo za prethodno opisanu namjenu. Svaka druga uporaba smatrat će se nepropisnom uporabom.

## DRŽANJE REZAČA ŽBUNJA

Prije povezivanja akumulatora s naprtnjačom i obrezača grmlja, stavite akumulator s naprtnjačom na leđa i postavite jastučić za kuk u skladu s uputama iz korisničkih priručnika za BAX1500 i AHP1500.

Montirajte obrezač grmlja na jastučić za kuk tako da umetnete kukicu u rupu za montažu. (Sl. K). Na vratilu se nalazi 8 rupa, koristite ih za odabir optimalne visine za ugodan rad.

Držite šišač objema rukama na desnoj strani tijela. Glava šišača treba biti paralelna s tlom na odgovarajućoj reznoj udaljenosti, bez da se rukovatelj treba saginjati.

Obrezač grmlja možete otpustiti na dva načina. Otkopčajte kopče na prsima i remenu (sl. L1) ili pritisnite kuku na jastučiću za kuk i izvadite je iz rupe za montažu na vratilu.

**⚠ UPOZORENJE:** U slučaju opasnosti, najbrži način za otpuštanje obrezača grmlja je otkopčavanje kopča na prsima i remenu.

**⚠ UPOZORENJE:** Ne smijete istodobno koristiti jednostruku i dvostruku traku za rame.

Upotrebljavajte samo s baterijskim modulima i punjačima navedenima na sl. A2

## Ugradnja baterijskog modula (sl. L2)

Poravnajte **▲** utikača s **▲** na nožu obrezača. Umetnite utikač u stroj tako da se zelena brtva ne vidi u utičnici.

## Uklanjanje

Oslobodite kabel akumulatora iz žlijeba za montiranje i izvucite utikač iz obrezača grmlja.

## POKRETANJE/ZAUSTAVLJANJE OBREZAČA GRMLJA

### Pokretanje

Postavite gumb za otključavanje u položaj „UKLJUČENO“ (Sl. M). Pomaknite mali okidač prema gore i zatim pritisnite okidačku sklopku za pokretanje obrezača grmlja. Različiti pritisak na aktivator rezultira promjenjivom brzinom vrtnje rezne jedinice.

Sl. L1 i M opis dijelova na pogledajte u nastavku:

L-1	Kopča na prsima	M-1	Gumb za otključavanje
L-2	Kopča za remen	M-2	Mali okidač
L-3	Kuka	M-3	Okidačka sklopka

### Zaustavljanje

Otpustite okidačku sklopku i postavite gumb za otključavanje natrag u položaj „ISKLJUČENO“.

**⚠ UPOZORENJE!** Za vrijeme prekida rada i nakon završetka rada uvijek izvadite bateriju iz šišača.

## UPOTREBA REZAČA ŽBUNJA

**⚠ UPOZORENJE:** Obucite se propisno kako biste smanjili rizik od ozljeda tijekom rukovanja obrezačem grmlja. Ne nosite široku odjeću ili nakit. Nosite zaštitu za oči i uši/sluh. Nosite čvrste duge hlače, cizme i rukavice za teške uvjete rada. Nemojte nositi kratke hlače, sandale ili biti bosonogi. Prije rada, pogledajte oko sebe kako biste se uvjerali da na radnom području nema drugih osoba, životinja ili bilo kakvih nepričvrščenih predmeta. Pobrinite se da oni budu udaljeni najmanje 15 m. Potom provjerite zaštitu očiju, odgovarajuću odjeću i uravnoteženost podloge.

Prije svake uporabe provjerite oštećene/istrošene dijelove. Provjerite glavu rezača, trokraki nož, štitnik, pribor za učvršćenje štitnika i bicikl dršku te zamijenite dijelove koji su napukli, izobličeni, savijeni ili oštećeni na bilo koji način. Nož za rezanje rezne niti na rubu štitnika s vremenom može otupjeti. Preporučujemo povremeno oštrenje noža

turprijom ili zamjenu noža novim.

## Obrezač grmlja trave s reznom žinjom očistite nakon svake uporabe

**⚠ OPREZ!** Prepreke u ventilacijskim otvorima sprječavaju da zrak struji u kućište motora što uzrokuje pregrijavanje ili oštećenje motora.

- Za čišćenje stroja koristite samo blagi sapun i vlažnu krpu. Nikada ne dopustite da tekućina uđe u stroj; nikada nemojte uranjati bilo koji dio stroja u tekućinu.
- Održavajte ventilacijske otvore kućišta motora u svakom trenutku bez nečistoća.

**⚠ UPOZORENJE:** Pri čišćenju plastičnih dijelova, izbjegavajte upotrebu otapala. Većina plastike podložna je oštećenju različitih vrsta komercijalnih otapala. Za uklanjanje nečistoće, prašine, ulja, masti i sl. koristite čiste krpe.

## UPORABA GLAVE ZA ŠIŠANJE

### Provjerite je li glava šišača začepljena

- Da biste spriječili začepljenje, držite glavu šišača čistom. Uklonite pokošenu travu, lišće, prijavštinu i sve ostale nakupljene ostatke prije i nakon svake uporabe.
- Kada dođe do začepljenja, zaustavite šišač s reznom niti i izvadite bateriju, a zatim uklonite svu travu koja se omotala oko vratila motora ili glave šišača.

### Podешavanje duljine rezne žinje

Glava šišača trave rukovatelju omogućuje otpuštanje više rezne niti bez zaustavljanja motora. Ako se rezna nit stanji ili istroši, laganim doticanjem glave šišača trave o tlo tijekom rukovanja šišačem moguće je otpustiti više niti.

**NAPOMENA:** Otpuštanje žinje teže je kako se rezna žinja skraćuje.

**⚠ UPOZORENJE!** Ne uklanjajte sklop rezne oštrice niti ili ne obavljajte preinake na njemu. Prekomjerna duljina niti prouzročit će pregrijavanje motora što može rezultirati teškim tjelesnim ozljedama.

## ZAMJENA REZNE NITI

**⚠ UPOZORENJE!** Nikada ne koristite metalom ojačane niti, žicu ili užu i sl. jer mogu se odlomiti i postati opasni projektili.

**OBAVIJEST:** Upotrebljavajte preporučenu plastičnu reznu nit promjera ne većeg od 2,7 mm. Upotreba nepreporučenih reznih niti može prouzročiti pregrijavanje ili oštećenje šišača.

1. Uklonite električni utikač sa šišača s niti.
2. Ako je potrebno, uklonite preostalu reznu nit.
3. Odrežite reznu nit na duljinu 8 m, uložite reznu nit u montažnu rupu u ušici (sl. J3). Gurajte i vucite reznu nit s druge strane dok rezna nit ne bude jednake duljine s obje strane koluta.
4. Pritisnite dok sklop donjeg poklopca okrećete u smjeru strelice kako biste reznu nit namotali na kolut tako da sa svake strane ostane oko 12 cm rezne niti (sl. J4).
5. Gurnite sklop donjeg poklopca prema dolje uz povlačenje rezne niti kako biste je ručno pomaknuli prema naprijed i provjerili ispravnost ugradnje glave šišača.

Ako se rezna nit otkida od izlaza niti ili ako se rezna nit ne oslobađa lupkanjem glavom šišača, učinite sljedeće:

1. Pritisnite jezičce za oslobađanje na gornjem poklopcu i uklonite sklop donjeg poklopca povlačeći ga ravno van (sl. J5 i J6).
2. Uklonite reznu nit iz koluta.
3. Jednom rukom držite sklop donjeg poklopca, drugom rukom uzmite sklop donjeg poklopca i poravnajte jezičce na gornjem poklopcu s rupama u sklopu donjeg poklopca (sl. J7); dlanom pritisnite sklop donjeg poklopca dok jezičci ne ulegnu u gornji poklopac.
4. Za ponovno namotavanje rezne niti slijedite upute u poglavlju "ZAMJENA REZNE NITI".

## Upotreba trokrakog noža

**⚠ UPOZORENJE!** Za rezanje divljeg grmlja i šikare spustite rotirajući nož s 3 zuba prema dolje na grmlje kako biste dobili učinak usitnjavanja. Obrezač grmlja koristite kao kosu (zamahujte njime udesno i ulijevo) na razini tla. Rezni priključak ne koristite na visini iznad struka.

**⚠ UPOZORENJE!** Što je rezni priključak više iznad tla, veća je opasnost od ozljeda uslijed otpadaka od rezanja koji se odbacuju sa strane.

**⚠ UPOZORENJE!** Ako režete mlado raslinje ili drugi drveni materijal promjera do 2 cm, koristite lijevu stranu noža kako biste izbjegli povratni udar. Ne pokušavajte rezati drveni materijal većeg promjera jer nož može zapeti ili obrezač grmlja uz trzaje povući prema naprijed. Time se može prouzročiti oštećenje noža ili čistača šikare ili gubitak kontrole nad obrezačem grmlja uz tjelesne ozljede.

**⚠ UPOZORENJE:** Nepravilna uporaba noža rezača grmlja može prouzročiti njegovo pucanje, odlamanje ili rasprsnuće. Odbačeni dijelovi mogu teško ozlijediti rukovatelja ili promatrača. Radi smanjenja opasnosti od ozljeda važno je poduzeti sljedeće mjere opreza:

- Izbjegavajte doticati čvrste ili krute predmete poput kamena, stijena ili metalnih dijelova.
- Nikada ne režite drvo ili grmove osnovnog promjera većeg od 2 cm.
- Pregledajte nož u redovitim kratkim intervalima na postojanje znakova oštećenja. Nemojte nastaviti raditi s oštećenom oštricom.
- Redovito oštrite nož (ako je primjetno tup) i prema potrebi ga uravnotežite (postupak prepustite kvalificiranom servisnom tehničaru).

### POVRATNI UDAR NOŽA

Budite posebno oprezni kada na ovom stroju koristite nož. Povratni udar je reakcija koja se može pojaviti kada rotirajuća oštrica udari o nešto što ne može rezati. Ovaj kontakt može prouzročiti kratko zaustavljanje noža, a zatim iznenadan "povratni udar" alata od predmeta o koji je udario. Ova reakcija može biti dovoljno silovita da rukovatelj izgubi kontrolu nad alatom. Povratni udar noža može se dogoditi bez upozorenja ako nož zapne, ako se blokira ili se zaglavi. To će se prije dogoditi u područjima gdje je teško vidjeti materijal koji se reže. Radi jednostavnog i sigurnog rezanja, korovu koji je potrebno rezati pridite čistačem šikare zdesna nalijevo. U slučaju udara o neočekivani predmet ili drveni materijal, ova metoda može minimizirati učinak povratnog udara.

### ODRŽAVANJE

**⚠ UPOZORENJE!** Prije pregleda, čišćenja ili servisiranja uređaja, zaustavite motor, pričekajte da se svi pokretni dijelovi zaustave i izvadite bateriju. Nepoštivanje ovih uputa može rezultirati ozbiljnim tjelesnim ozljedama ili oštećenjem imovine.

**⚠ UPOZORENJE!** Pri servisiranju koristite samo identične zamjenske dijelove. Korištenje drugih dijelova može izazvati opasnosti ili prouzročiti oštećenje proizvoda. Radi osiguranja sigurnosti i pouzdanosti sve popravke treba obavljati kvalificirani servisni tehničar.

### OPĆE ODRŽAVANJE

Pri čišćenju plastičnih dijelova izbjegavajte koristiti otapala. Većina plastika podložne su oštećenju od različitih vrsta komercijalnih otapala i mogu se oštetiti u slučaju njihovog korištenja. Za uklanjanje nečistoće, prašine, ulja, masti i sl. koristite čiste krpe.

### ČIŠĆENJE STROJA

- Nakon svake uporabe s nožem s 3 zuba/glavom za šišanje mekanom četkom uklonite naslage i ostatke tla ili trave.

**NAPOMENA:** Kada rezni nož postane tup, postupak oštrenja prepustite kvalificiranom servisnom tehničaru ili prema potrebi zamijenite rezni nož novim.

- Nakon svake uporabe obrezivača grmlja uređaj za rezanje očistite vlažnom krpom s blagim deterđentom.
- Za čišćenje plastičnog kućišta ili rukohvata ne koristite jake deterđente jer mogu ih oštetiti neka aromatična ulja, kao što su borovo i limunovo ulje i otapala kao što je kerozin. Vлага može izazvati opasnost od strujnog udara. Vlažna mjesta obrišite mekanom suhom krpom.
- Za čišćenje ventilacijskih otvora na stražnjem kućištu koristite malu četku ili mali usisavač.

### PODMAZIVANJE KUĆIŠTA REDUKTORA

Najbolji rad i duži radni vijek osigurat ćete ako kućište reduktora podmažete posebnom mašću (oko svaki put s 4-5 g) nakon 50 sati rada.

Posebna mast mora zadovoljavati sljedeće uvjete.

1. Pripada uz DIN51818: NLGI-1 stupanj koničnog prodiranja.
2. Mast na bazi estera.
3. Svojstva su odlično pokretanje pri niskoj temperaturi, EP mehaničko smicanje, otpornost na rezanje i oksidacijska stabilnost.
4. Radna temperatura mora biti u rasponu -40~180 °C.

Uklonite utikač akumulatora i vijak za brtvljenje. Podmazivanje kućišta reduktora kroz otvor za ulje.

**⚠ UPOZORENJE!** Nemojte vršiti podmazivanje dok je rezač žbunja još povezan s akumulatorom ili dok je u radu.

### OŠTRENJE OŠTRICE ZA REZANJE REZNE NITI

**⚠ UPOZORENJE!** Kad obavljate radove održavanja oštrice za rezanje rezne niti, uvijek zaštitite ruke nošenjem debelih rukavica.

1. Uklonite oštricu za rezanje rezne niti sa štitnika.
2. Nosite propisnu zaštitu za oči i rukavice i budite oprezni kako biste izbjegli porezotine.
3. Osigurajte oštricu u škripcu.
4. Pažljivo obradite rezne bridove oštrice turpijom s finim zupcima ili kamenom za oštrenje, održavajući pritom originalni kut reznog brida.
5. Ponovno stavite oštricu na štitnik i osigurajte je dvama vijcima.

### POHRANA STROJA

- Izvadite komplet baterija iz alata.
- Za temeljito čišćenje alata nosite čvrste rukavice.
- Radi sigurne pohrane, na nož s 3 zuba postavite ovojnicu noža (sl. N).

- Jedinicu skladištite na suhom, dobro prozračenom mjestu koje je moguće zaključati ili koje je na visini izvan dohvata djece. Stroj nemojte pohranjivati na gnojivima, benzinu ili drugim kemikalijama ili u njihovoj blizini.

**OBAVIJEST:** Šišač živice nemojte upotrebljavati sa zatupljenim ili oštećenim noževima. To može dovesti do preopterećenja i dat će nezadovoljavajuće rezultate u radu.

#### Zaštita okoliša



Električnu opremu, iskorištenu bateriju i punjač ne odlažite u otpad iz kućanstva! Ovaj proizvod odnesite u ovlašteni centar za reciklažu i time omogućite odvojeno sakupljanje. Električne alate potrebno je vratiti u ekološki prihvatljiv pogon za reciklažu.

## OTKLANJANJE POGREŠKI

PROBLEM	UZROK	RJEŠENJE
Ne uspijeva se pokrenuti.	<ul style="list-style-type: none"> <li>■ Baterijski modul nije postavljen u obrezivač grmlja ili nema električnog kontakta između obrezivača grmlja i baterije.</li> <li>■ Komplet baterija je ispražnjen.</li> <li>■ Gumb za deaktiviranje blokade nije postavljen u položaj „ON“ prije korištenja ručica sklopki.</li> </ul>	<ul style="list-style-type: none"> <li>■ Vratite baterijski modul u obrezivač grmlja</li> <li>■ Baterijski modul puniti u posebnom punjaču.</li> <li>■ Prije korištenja škara za živicu, provjerite je li gumb za fiksiranje otključan.</li> </ul>
Prestanite s radom	<ul style="list-style-type: none"> <li>■ Komplet baterija je prevruć.</li> <li>■ Obrezivač grmlja je preopterećen.</li> <li>■ Komplet baterija odspojen je od alata.</li> <li>■ Baterijski modul je ispražnjen.</li> </ul>	<ul style="list-style-type: none"> <li>■ Pričekajte da se baterijski modul ili škare za živicu ohlade na uobičajenu temperaturu.</li> <li>■ Stroj će se povratiti po uklanjanju opterećenja. Za neprekidni rad smanjite opterećenje stroja.</li> <li>■ Ponovno stavite komplet baterija.</li> <li>■ Baterijski modul puniti u posebnom punjaču.</li> </ul>
Prekomjerne vibracije ili buka.	<ul style="list-style-type: none"> <li>■ Suhi prijenosni mehanizam</li> <li>■ Nejednaka rezna nit.</li> <li>■ Trokraki nož je savijen ili oštećen</li> </ul>	<ul style="list-style-type: none"> <li>■ Uklonite brtveni vijak i dolijte ulje za podmazivanje.</li> <li>■ Lagano udarite odbojnim gumbom o tlo tijekom rada s rezačem.</li> <li>■ Zamijenite novim nožem.</li> </ul>
Rezna nit se ne može izvući.	<ul style="list-style-type: none"> <li>■ Potrošena je nit u glavi rezača.</li> <li>■ Rezna nit nije pravilno umetnuta.</li> </ul>	<ul style="list-style-type: none"> <li>■ Postavite novu reznu nit u obrezivač grmlja.</li> <li>■ Izvadite reznu nit i ponovno ju postavite.</li> </ul>

## JAMSTVO

### JAMSTVENA POLITIKA PROIZVOĐAČA EGO

Za cjelokupne uvjete jamstvene politike proizvođača EGO posjetite internetsku stranicu [egopowerplus.eu](http://egopowerplus.eu).

## სრულად გაეცანით ინსტრუქციას!



გაეცანით მომხმარებლის ინსტრუქციას

## უსაფრთხოების წესის სიმბოლოები

**▲ გაფრთხილება:** ელექტრული ხელსაწყო გამოყენებისას შესაძლოა უცხო სხეულის თვალის მიდამოში მოხვედრა, რამაც შესაძლოა გამოიწვიოს თვალის მნიშვნელოვანი დაზიანება. ელექტრული ხელსაწყო გამოყენებამდე აუცილებლად მოირგეთ უსაფრთხოების თვალსაფარი ან სათვალე მყარი თვალის დამცავებით და მთლიანი სახის ეკრანით. ჩვენ რეკომენდაციას ვუწევთ ფართო ხედვის არის მქონე უსაფრთხოების ნიღაბს სათვალეებთან ერთად ან სტანდარტულ გვერდითა ეკრანების მქონე უსაფრთხოების სათვალეებს.



უსაფრთხოების ნიშანი



დაზიანების რისკის შესამცირებლად მომხმარებელმა უნდა წაიკითხოს ხელსაწყო მუშაობის ინსტრუქცია.



გაიკეთეთ თვალის დამცავი



გაიკეთეთ ყურების დამცავი



გაიკეთეთ თავის დამცავი საშუალება



გაიკეთეთ ხელის დამცავი



ატარეთ მოცურების საწინააღმდეგო ფეხსაცმელი



მოერიდეთ გამოტყორცნილ საგნებს



მოერიდეთ დანის ბიძგს



გათიშეთ ბატარეა ტექნიკური მომსახურების წინ



ხელსაწყოსა და სხვა პირებს შორის დისტანცია უნდა იყოს მინიმუმ 15 მ



ხელსაწყო შეესაბამება ევროკავშირის მიერ წამოყენებულ რეგულაციებს.

KA



გარანტირებული ხმის სიმძლავრის დონე, გარემოში ხმაურის გავრცელების დონე ევროკავშირის რეგულაციების შესატყვისია.



აღნიშნული პროდუქტი აკმაყოფილებს გაერთიანებული სამეფოს კანონმდებლობით დადგენილ მოთხოვნებს.





ელექტრული ხელსაწყოების უტილიზაცია არ უნდა მოხდეს საყოფაცხოვრებო ნარჩენებთან ერთად. წაიღეთ ხელსაწყო ავტორიზებულ ნარჩენების გადამამუშავებელთან.

$n_0$

დაუტვირთავი სიჩქარე-  
დაუტვირთავი ბრუნვის სიჩქარე



მუდმივი დენი

V ძაბვა

.../min წუთში

kg კილოგრამი

IPX5 წყლის შეღწევისგან დაცვა

## სპეციფიკაციები

მჭრელი ნაწილი	სათიბი თავაკი	3-კბილან- იანი ლითონის დანა
ძაბვა	56 ვოლტი ⚡⚡⚡	56 ვოლტი ⚡⚡⚡
დაუტვირთავი ბრუნვის სიჩქარე	4000-5800/ ბრ/წთ	4000- 5800/ბრ/ წთ
რეკომენდირებული საექსპლუატაციო ტემპერატურა:	0°C-40°C	
რეკომენდირებული დასაწყობების ტემპერატურა:	-20°C-70°C	
მთიბავი ძუის ტიპი	2.4 mm	/
საჭრელი დანა	/	ABB1203
თიბვის სიგანე	38 cm	30 cm
წონა (აკუმულატორის გარეშე)	6.8 kg	6.46 kg
გაზომილი ხმის სიმძლავრის დონე $L_{WA}$	95 dB(A) K=1.1 dB(A)	96.3 dB(A) K=2.1 dB(A)
ბგერის წნევის დონე მომხმარებლის ყურზე $L_{PA}$	82 dB(A) K=2.5 dB(A)	83.4 dB(A) K=4.1 dB(A)

გარანტირებული ხმის სიმძლავრის დონე $L_{WA}$ (2000/14/EC რეგულაციის მიხედვით)		96 dB(A)	98 dB(A)
ვიბრაციის შეფასება $a_h$	მარცხენა სახელური	1.9 მ/წმ <sup>2</sup> K=1.5 მ/წმ <sup>2</sup>	1.9მ/წმ <sup>2</sup> K=1.5 მ/წმ <sup>2</sup>
	მარჯვენა სახელური	1.5 მ/წმ <sup>2</sup> K=1.5 მ/წმ <sup>2</sup>	1.3 მ/წმ <sup>2</sup> K=1.5 მ/წმ <sup>2</sup>

- მითითებული ვიბრაციის სრული მნიშვნელობა გაზომილია სტანდარტული ტესტირების მეთოდით და შესაძლოა გამოყენებულ იქნას ერთი ხელსაწყოს მეორესთან შედარებისას.
- მითითებული ვიბრაციის სრული მნიშვნელობა ასევე შესაძლოა გამოყენებულ იქნას ზემოქმედების პირველადი შეფასებისას.

**შენიშვნა:** ელექტრული ხელსაწყოს ვიბრაციის ემისია გამოყენებისას შესაძლოა გაანხვავდებოდეს მითითებული ოდენობისგან; მომხმარებელმა ხელსაწყოთი სარგებლობისას საჭიროა გამოიყენოს ხელთათმანები და ყურის დამცავი საშუალებები.

**შეფუთვის ჩამონათვალი (ნახ. A1)**

**KA**

## აღწერა

შეისწავლეთ თქვენი ბუჩქის საკრეჭი (ნახ. A1)

1. საჭრელი ძუა
2. დამცავი ეკრანის კომპლექტი
3. ტარი
4. ტრიგერი
5. ჩამკეტი დილაკი
6. ფრთიანი ჭანჭი
7. კაუჭი
8. ფოსო
9. დამცავი ეკრანის ფილა
10. ველოსიპედის ტიპის სახელური
11. დამლუქავი ხრახნი
12. ტარის ჩამკეტი ხვერილი
13. სათიბის დანა
14. დამცავი ეკრანის დამატება
15. 3-კბილანიანი დანა
16. დანის ბუდე
17. გარეთა შვერილი
18. ქანჩი
19. მრავალფუნქციური ქანჩის გასაღები
20. ქანჩის გასაღები
- 21\* შუასაღები ბარმაყისთვის (იყიდება ცალკე)

**▲ გაფრთხილება:** არ გამოიყენოთ ხელსაწყო მჭიდროდ დამაგრებულ დამცავი ეკრანის გარეშე. დამცავი ეკრანი ყოველთვის უნდა იყოს დამაგრებული ხელსაწყოზე, რათა დაიცვას მომხმარებელი.

**▲ გაფრთხილება:** როდესაც მოწყობილობაზე შეერთებულია სათიბი თავაკი, დამცავ ეკრანს უნდა დაუმონტაჟდეს დამატება სათიბი ძუის საჭრელი დანით. ამ ინსტრუქციის უგულვებლყოფა გამოიწვევს სათიბი ძუის უზომოდ დაგრძელებას და მოტორის გადატვირთვას. არასოდეს გამოიყენოთ სათიბი თავაკი ამ დამცავი თავაკის დამატების გარეშე.

## აწყობა

**▲ გაფრთხილება:** თუ რომელიმე ნაწილი დაზიანებული ან დაკარგულია, არ ისარგებლოთ ბუჩქის საკრეჭით სანამ ყველა ნაწილი არ შეიცვლება. ბუჩქის საკრეჭით სარგებლობას დაზიანებული ან დანაკლისი ნაწილებით შესაძლოა მოჰყვეს სერიოზული პირადი ზიანი.

**▲ გაფრთხილება:** არ სცადოთ ბუჩქის საკრეჭის გადაკეთება ან ისეთი ნაწილების გამოყენება, რომლებიც არაა რეკომენდირებული ამ ხელსაწყოთვის. ნებისმიერი მსგავსი ცვლილება ან მოდიფიკაცია არის ხელსაწყოს არასათანადო გამოყენება და შესაძლოა წარმოქმნას სახიფათო მდგომარეობა, რომელმაც შეიძლება გამოიწვიოს სერიოზული პირადი ზიანი.

**▲ გაფრთხილება:** ყოველთვის გამოიყენეთ დამცავი ხელთათმანები როდესაც აყენებთ ან ხსნით დამცავ ეკრანს და უტარებთ სერვისს 3-კბილანიან დანას/ძუის საჭრელ დანას. უფრთხილდით ძუის საჭრელ დანას დამცავ ეკრანზე / 3-კბილანიან დანას, რათა არ დაიშავოთ ხელები რომელიმე დანის პირის მიერ.

**▲ გაფრთხილება:** უცაბედი ჩართვის გამოსარიცხად, რომელმაც შესაძლოა გამოიწვიოს სერიოზული პერსონალური ზიანი, ყოველთვის მოხსენით აკუმულატორი ხელსაწყოს, როდესაც ხდება მისი აწყობა, რეგულირება, წმენდა ან როდესაც არ ხდება ხელსაწყოს გამოყენება.

**▲ გაფრთხილება:** არ გამოიყენოთ ხელსაწყო მჭიდროდ დამაგრებული დამცავი ეკრანისა და ველოსიპედის ტიპის სახელურის გარეშე. ამ ინსტრუქციის უგულვებლყოფამ შესაძლოა მოგიტანოთ სერიოზული პერსონალური ზიანი.

KA

### ველოსიპედის ტიპის სახელურის დამაგრება და გასწორება

ბუჩქის საკრეჭის შენახვის პროცედურა ნაჩვენებია ნახ. B. თავდაპირველად, დამაკავშირებელ სახსარზე მოუშვით ფრთიანი ჭანჭიკი და აწიეთ ველოსიპედის ტიპის სახელური 180°-ით ტარის გარშემო (ნახ. C), მოატრიალეთ 90°-ით საათის ისრის საწინააღმდეგო მიმართულებით რათა გაუსწორდეს თავაკს (ნახ. D). საბოლოოდ, დაატრიალეთ იგი წინ და უკან სანამ არ მიაღწევთ კომფორტულ სამუშაო პოზიციას და დაუჭირეთ ჭანჭიკი.

**შენიშვნა:** ხელსაწყო მუშაობა მხოლოდ ველოსიპედის ტიპის სახელურის და ტარის ურთიერთმართობულ მდგომარეობაში ყოფნისას არის დაშვებული.

### დამცავი ეკრანის დამონტაჟება

**▲ გაფრთხილება:** ყოველთვის გამოიყენეთ ხელთათმანები, როდესაც ამონტაჟებთ ან ცვლით დამცავ ფარს. ფრთხილად მოეკარით დანას და დაიცავით ხელი გაჭრისგან.

**▲ გაფრთხილება:** არ გამოიყენოთ ხელსაწყო მჭიდროდ დამაგრებული დამცავი ფარის გარეშე. დამცავი ფარი ყოველთვის უნდა იყოს დამაგრებული მოწყობილობაზე მომხმარებლის დასაცავად! როდესაც დამცავი დამაგრებულია, არ შეეცადოთ მოხსნათ ან შეასწოროთ დამცავი ფარის პოზიცია, თუ საჭიროა მისი შეცვლა, ეს უნდა შეასრულოს კვალიფიციურმა მომსახურე ტექნიკოსმა! მოუშვით და მოხსენით ორი ხრახნი დამცავ ეკრანს (ნახ. E), გაუსწორეთ დამცავ ეკრანზე არსებული ხვრელები ასაწყობ ხვრელებს და დაამაგრეთ ეკრანი ტარის ფუძეზე ორი ხრახნითა და შუასადებით (ნახ. F).

**▲ გაფრთხილება:** დარწმუნდით რომ დამცავი ეკრანი დამაგრებულია, როგორც ნაჩვენებია ნახ. F ზე, ნებისმიერი სხვაგვარი დამაგრება არის სახიფათო!

**▲ გაფრთხილება:** როდესაც მოწყობილობაზე შეერთებულია სათიბი თავაკი, დამცავ ეკრანს უნდა

დაუმონტაჟდეს დამატება. ამ ინსტრუქციის უგულვებელიყოფას შეუძლია გამოიწვიოს სათიბი ძუის უზომოდ დაგროვება და მოტორის გადატვირთვა.

### სათიბი თავაკის შეცვლა 3-კბილანიანი დანით

1. ამორთეთ კვების ჩანგალი ელექტრო სათიბიდან.
2. დაატრიალეთ სათიბის თავი ისე, რომ გაუსწოროთ შვერილზე არსებული ნასვრეტი ტარის ჩამკეტ ხვერელს გადაცემათა კოლოფში და ჩასვით სტაბილიზატორი ნახვრეტში (ნახ. G).
3. მოატრიალეთ სათიბი თავაკი საათის ისრის მიმართულებით რათა მოხსნათ იგი (ნახ. G).
4. მოხსენით დამცავი ეკრანის დამატება სამი ხრახნისა და შუასადების მოხსნით (ნახ. H)
5. დანა მოთავსებულია საკუთარ ბუდეში. ბუჩქის საკრეჭზე დანის დამაგრებამდე ბუდე უნდა მოიხსნას მისი კაუჭიდან და დამჭერი მავთულისგან გამოთავისუფლებით (ნახ. I1).

**შენიშვნა:** ფიზიკური ზიანისგან თავის დასაცავად 3-კბილანიანი დანის გამოყენებამდე აუცილებლად ჩაიცივით დამცავი ხელთათმანები.

6. ჩაამაგრეთ შიდა შვერილი და შვერილის საფარი თავის ადგილას (ნახ. I2).
7. დაამონტაჟეთ დანა მოტორის ლილვზე, დარწმუნდით რომ დანის ზედაპირი უსწორდება შიდა შვერილის გამოწვეულ ზედაპირს. დაამონტაჟეთ გარეთა შვერილი და ქანჩი (ნახ. I3). ხელით წინასწარ დაუჭირეთ ქანჩი საათის ისრის საწინააღმდეგო მიმართულებით.
8. მოთავსეთ გადაცემათა კოლოფი მყარ საყრდენ ზედაპირზე. ერთი ხელით დაიჭირეთ ბუჩქის საკრეჭის ტარი და მეორეთი - მრავალფუნქციური ქანჩის გასადები, დაუჭირეთ ქანჩს ნახაზაზზე გარეთა შვერილზე მითითებული ისრის მიმართულებით (ნახ. I4).

KA

## 3-კბილანიანი დანის შეცვლა სათიბი თავაკით

3-კბილანიანი დანა ნაჩვენებია ნახ. J1-ზე. დაშალეთ 3-კბილანიანი დანა და დააყენეთ სათიბი თავაკი ბუჩქის საკრეკზე.

- დაატრიალეთ დანა რათა გაუსწოროთ შვერილზე არსებული ნასვრეტის ტარის ჩამკეტ ხვრელს გადაცემათა კოლოფში და ჩასვით სტაბილიზატორი ნახვრეტში.
- მოათავსეთ გადაცემათა კოლოფი მყარ საყრდენ ზედაპირზე. ერთი ხელით დაიჭირეთ ბუჩქის საკრეკის ტარი და მეორეთი - მრავალფუნქციური ქანჩის გასაღები, მოუშვით ქანჩი საათის ისრის მიმართულებით დატრიალებით (ნახ. I4).
- მოხსენით ქანჩი, გარეთა შვერილი და დანა ბუჩქის საკრეკს (ნახ. J2).

J-1	ლილვი	J-5	გარეთა შვერილი
J-2	შიდა შვერილი	J-6	ქანჩი
J-3	შვერილის საფარი	J-7	შვერილზე არსებული ნასვრეტი
J-4	3-კბილანიანი დანა		

**შენიშვნა:** პირადი ზიანის თავიდან ასაცილებლად გამოუყენებელი 3-კბილანიანი დანა ჩაამაგრეთ საკუთარ ბუდეში.

- ააწყვეთ ბუჩქის საკრეკის დამცავი ეკრანის დამატება სამი ხრახნისა და შუასადების დაჭერით (ნახ. H).
- მოატრიალეთ სათიბი თავაკი საათის ისრის საწინააღმდეგო მიმართულებით, რათა დაამონტაჟოთ იგი (ნახ. G). მიყევით ინსტრუქციებს სექციაში „ძუის გამოცვლა“, რათა დაახვიოთ ძუა.

**შენიშვნა:** მითითებულისგან განსხვავებული მიმართულებით ძუის დახვევის შემთხვევაში სათიბის თავაკი იმუშავებს არასწორად.

KA

## გამოყენება

**▲ გაფრთხილება:** შეეცადეთ მსგავსი პროდუქტის გამოყენების გამოცდილებამ არ გამოიწვიოს თქვენი უგულისყურობა. დაიმახსოვრეთ რომ უგულისყურობამ წამის მეთედშივე კი შესაძლოა მოგიტანოთ სერიოზული ზიანი.

**▲ გაფრთხილება:** ყოველთვის მოირგეთ გვერდითა ეკრანების მქონე უსაფრთხოების სათვალე და სმენის დამცავი საშუალება. ამ ინსტრუქციის უგულებელყოფამ შესაძლოა გამოიწვიოს სხვადასხვა სხეულის თვალში მოხვედრა და სხვა შესაძლო სერიოზული ზიანი.

**▲ გაფრთხილება:** არ გამოიყენოთ სხვა ნებისმიერი ნაწილი, რომელიც არაა რეკომენდირებული ამ ხელსაწყოს მწარმოებლის მიერ. არარეკომენდირებული ნაწილის გამოყენებამ შესაძლოა მოგაყენოთ სერიოზული ზიანი.

### გამოყენებები

პროდუქტის გამოყენება შესაძლებელია წვიმაში.

თქვენ შეგიძლიათ გამოიყენოთ მოწყობილობა ქვემოთ ჩამოთვლილი მიზნებისთვის:

**გაკრეკა:** გამოიყენება ბალახის და სარეველას მოსაცილებლად კედლის, ღობის, ხის და ბორდიურების გასწვრივ.

**მოთიბვა:** გამოიყენება ისეთი ბალახის მოსათიბად, რომელიც რთულადაა მისადგომი ჩვეულებრივი სათიბი მანქანისთვის.

**შენიშვნა:** ხელსაწყოს გამოყენება შესაძლებელია მხოლოდ დანიშნულებისამებრ. სხვა ნებისმიერი სახით გამოყენება ჩაითვლება, როგორც არასწორი გამოყენების შემთხვევა.

### ბუჩქის საკრეკის ჭერის წესი

ზურგანთა-აკუმულატორის ბუჩქის საკრეკთან დაკავშირებამდე მოირგეთ ზურგანთა-აკუმულატორი, შუასადები ბარმაყისთვის და სამაგრი ღვედები,

როგორც აღწერილია BAX1500 და AHP1500 მომხმარებლის ინსტრუქციაში.

დამონტაჟეთ ბუჩქის საკრეჭი ბარბაყის შუასადებთან ერთად სამაგრი კაუჭის ხერხეულში ჩასმით (ნახ. K). ხელსაწყოს ტარზე 8 ასეთი ხვერელია განლაგებული, ამოირჩიეთ ოპტიმალური პოზიცია მაქსიმალურად კომფორტულად მუშაობისთვის.

დაიჭირეთ სათიბი ხელსაწყო ორივე ხელით თქვენი სხეულის მარჯვენა მხარეს. სათიბი თავაკი ან დანა უნდა იყოს მიწის ზედაპირის პარალელური სათანადო მანძილზე დაშორებით, მომხმარებლის გადახრის გარეშე.

ბუჩქის საკრეჭის მოხსნა შეიძლება მოხდეს ორი გზით. გაიხსენით მკერდის და წელის ქამრები (ნახ. L1) ან დააჭირეთ ხელი ბარბაყის შუასადების კაუჭს და მოხსენით იგი ხელსაწყოს ტარის ხვერიდან.

**▲ გაფრთხილება:** როდესაც ხდება გაუთვალისწინებელი შემთხვევა, მკერდისა და წელის ქამრების გახსნა არის ბუჩქის საკრეჭის მოხსნის სწრაფი მეთოდი.

**▲ გაფრთხილება:** თქვენ არ უნდა გამოიყენოთ ერთროულად ორივე, ერთმაგი და ორმაგი მხარზე სამაგრი ღვედი ზურგჩანთა-აკუმულატორზე.

გამოიყენეთ მხოლოდ ნახ. A2-ში ჩამოთვლილი EGO-ს აკუმულატორის ნაკრებები და დამტენები:

**აკუმულატორის დამონტაჟება (ნახ. L2)**

გაუსწორეთ კვების ჩანგალის ▲ ბუჩქის საკრეჭის ▲ . შეაერთეთ კვების ჩანგალი ხელსაწყოში, სანამ მწვანე ფერის მაჩვენებელი მთლიანად არ ჩაჯდება ბუდეში.

**მოსახსნელად**

მოხსენით აკუმულატორის სადენი სამაგრი ღრუდან და გამოიწიეთ კვების ჩანგალი ბუჩქის საკრეჭიდან.

**ბუჩქის საკრეჭის ჩართვა/გამორთვა ჩასართავად**

დააჭირეთ და გადაიყვანეთ ჩამკეტი

ლილაკი “ON” პოზიციაში (ნახ. M). აწიეთ მცირე ტრიგერი წვეთი და შემდეგ დააჭირეთ ჩამრთველ ტრიგერს, რათა აამუშაოთ ხელსაწყო. ტრიგერზე დაწოლის სიძლიერე განსაზღვრავს ბუჩქის საკრეჭის ბრუნვის სიჩქარეს.

ნახ. L და M ნაჩვენებია ნაწილების აღწერა მოცემულია ქვევით:

L-1	გულმკერდის ქამარი	M-1	ჩამკეტი ლილაკი
L-2	წელის ქამარი	M-2	მცირე ტრიგერი
L-3	კაუჭი	M-3	ჩამრთველი ტრიგერი

**გამოსართველად**

გაუშვით ჩამრთველ ტრიგერს და გადაიყვანეთ ჩამკეტი ლილაკი უკან პოზიციაში “OFF”.

**▲ გაფრთხილება:** ყოველთვის მოხსენით აკუმულატორი ხელსაწყოს შესვენებისას ან სამუშაოს დამთავრებისთანავე.

**ბუჩქის საკრეჭის გამოყენების წესი**

**▲ გაფრთხილება:** ჩაიცვით შესაბამისად, რათა შეამციროთ დაზიანების რისკი ბუჩქის საკრეჭით სარგებლობისას. არ ჩაიცვათ განიერი, ფრიალა ტანსაცმელი და ძვირფასეულობა. მოირგეთ თვალის და თვალის/სმენის დამცავი საშუალებები. ჩაიცვით სამუშაო გრძელი შარვალი, დახურული ფეხსაცმელი და ხელთათმანები. დაუშვებელია გეცვათ მოკლე შორტი, სანდლები ან იარაღი ფეხშიშველმა. ხელსაწყოს ამუშავებამდე მიმოიხედეთ გარშემო, რათა დარწმუნდეთ სამუშაო არეს უსაფრთხოებაში რომ ახლოს არ იმყოფებიან სხვა პირები, ცხოველები ან რაიმე დაუმაგრებელი საგნები. დარწმუნდით რომ ისინი მინიმუმ 15 მეტრის დაშორებით იმყოფებიან. შემდეგ შეამოწმეთ თვალის დაცვის საშუალებები, სათანადო ტანსაცმლის და ფეხებისთვის მყარი საყრდენის არსებობა.

ყოველი გამოყენების წინ შეამოწმეთ დაზიანებული/გაცვეთილი ნაწილების არსებობა. შეამოწმეთ სათიბის თავაკი, 3-კბილიანი დანა, დამცავი ეკრანი,

KA



მისი დამატება და ველოსიპედის ტიპის სახელური, შეცვალეთ ნებისმიერი ნაწილი, რომელიც გაზარულია, გაღუნულია, აქვს შეცვლილი ფორმა ან დაზიანებულია სხვაგვარად. დამცავ ეკრანის დამატების კიდესთან მდებარე ძუის საჭრელი დანა შესაძლოა დაჩაღუნდეს დროთა განმავლობაში. რეკომენდირებულია მისი გაღესვა პერიოდულად ქლიბის საშუალებით ან ახალი დანის დამონტაჟება.

### ყოველი გამოყენების შემდეგ გაასუფთავეთ ბურჯის საკრეცი.

**▲ ყურადღება:** საპაერო ხვრელების დახშობა ხელს უშლის ჰაერის შედინებას ძრავის კორპუსში და გამოიწვევს მის გადახურებას და დაზიანებას.

- გამოიყენეთ მხოლოდ რბილი საპონი და ნოტიო ქსოვილი მოწყობილობის გასაწმენდად. არასდროს დაუშვათ ხელსაწყოში სითხის შეღწევა; არასდროს მოათავსოთ ხელსაწყო რაიმე ნაწილი სითხეში.
- ყოველთვის გაათავისუფლეთ მობტორის საპაეროები ნარჩენებისგან.

**▲ გაფრთხილება:** მოერიდეთ გამხსნელების გამოყენებას მოწყობილობის პლასტმასის ნაწილების გაწმენდისას. პლასტმასების უმეტესობა ზიანდება მათზე სხვადასხვა ტიპის გამხსნელების გამოყენების შედეგად. გამოიყენეთ სუფთა ტილო ტალახის, მტკრის, ზეთის, ცხიმის და სხვ. მოსაცილებლად.

### ექსპლუატაცია სათიბი თავაკით

#### შეამოწმეთ ტრიმერის თავაკის ბლოკირება

- დაბლოკვის თავიდან ასაცილებლად, იქონიეთ ტრიმერის თავაკი სუფთა მდგომარეობაში. ამოიღეთ ბალახის ნარჩენები, ფოთლები, ჭუჭყი და სხვა დაგროვილი ნარჩენები ყოველი გამოყენების წინ და შემდეგ.
- თუ მოწყობილობა დაგებლოკავთ, გამორთეთ ელექტრო სათიბი, მოხსენით აკუმულატორი, შემდეგ მოაცილეთ

ბალახი, რომელიც დახვეულია მობტორის ლილვსა და სათიბის თავაკზე.

#### სათიბი ძუის სიგრძის ცვლილება

სათიბის თავაკი აძლევს მომხმარებელს საშუალებას გაზარდოს სათიბის ძუის სიგრძე მობტორის გაუჩერებლად. როდესაც ძუა იცვითება და წყდება, დამატებითი ძუის სიგრძის გამოშვება შესაძლებელია სათიბის თავაკის მიწაზე რბილი დარტყმით ხელსაწყოთი სარგებლობისას.

**შენიშვნა:** ძუის გამოშვება უფრო გართულდება, თუ მისი სიგრძე კოჭაზე ძალიან დამოკლებდა.

**▲ გაფრთხილება:** არ მოხსნათ ან შეცვალოთ ძუის საჭრელი დანის კონსტრუქცია. საჭრელი ძუის დიდი სიგრძე გამოიწვევს მობტორის გადახურებას, რამაც შესაძლოა მოგაყენოთ სერიოზული ზიანი.

#### ძუის გამოცვლა

**▲ გაფრთხილება:** არასოდეს გამოიყენოთ მავთული, სხვა მეტალის ჩანართიანი ზონარი, თოკი და სხვ. ესენი შესაძლოა გაწყდეს და წარმოქმნას სახიფათო გამოტყორცნილი სხეულები.

**შენიშვნა:** ყოველთვის გამოიყენეთ რეკომენდირებული ნეილონის სათიბი ძუა, რომლის დიამეტრი არ აღემატება 2.7 მმ-ს. მითითებულისგან განსხვავებული ტიპის ძუის გამოყენებამ შესაძლოა გამოიწვიოს სათიბის გადახურება და დაზიანება.

1. ამორთეთ კვების ჩანგალი ელექტრო სათიბიდან.
2. მოხსენით დარჩენილი ძუა საჭიროების შემთხვევაში.
3. მოჭერით 8 მ სიგრძის სათიბი ძუა და ჩასვით იგი ხვრელში არსებულ სამაგრ სიღრუეში (ნახ. J3). შეიყვანეთ და ამოქაჩეთ ძუა მეორე მხრიდან, სანამ კოჭის ორივე მხარეს თანაბარი რაოდენობის ძუა არ გამოჩნდება.
4. დააჭირეთ და დაატრიალეთ ქვედა ხუფი ისრის მიმართულებით, რათა დაახვიოთ ძუა კოჭაზე სანამ დაახლოებით 12 სმ სიგრძის ძუა არ გამოჩნდება ორივე მხარეს (ნახ. J4).

5. დაჭირეთ ქვედა ხუფს დაბლა ძუაზე მოქაჩვისას, რათა მანუალურად გამოწიოთ ძუა და შემოაწიოთ სათიბის თავაკის ჯეროვანი აწყობა.

როდესაც მჭრელი ძუა წყდება და სათიბის თავაკზე დაჭერით ძუა არ გამოდის, მიეყვით შემდეგ ინსტრუქციებს:

1. დაჭირეთ კოჭის ფუძეზე არსებულ გამშვებ ღილაკებს და მოხსენით ქვედა ხუფი ამოქაჩვით (ნახ. 15 და 16).
2. მოხსენით ძუა კოჭას.
3. ერთი ხელით დაიჭირეთ ზედა ხუფი, ხოლო მეორეთი - ქვედა ხუფი და გაუსწორეთ ზედა ხუფზე არსებულ გამშვებ ღილაკები ქვედა ხუფზე არსებულ ნასვრეტებს (ნახ. 17); დააჭირეთ ხელისგულით ქვედა ხუფს სანამ ღილაკები არ ჩაჯდება ზედა ხუფში.
4. მიეყვით ინსტრუქციებს სექციაში „ძუის გამოცვლა“, რათა ხელახლა დაახვიოთ ძუა.

**ექსპლუატაცია 3-კბილანიანი დანით**

**▲ გაფრთხილება:** ველური მცენარეების და ბუჩქნარის გასაკრეჭად ჩაწიეთ მბრუნავი 3-კბილანიანი დანა მცენარეულ საფარში, რათა მიიღოთ გაკავფვის ეფექტი. ბუჩქის საკრეჭი გამოიყენეთ ცელის მაგვარად (ატრიალეთ მარჯვნივ და მარცხნივ) მიწის ზედაპირის გასწვრივ. არ დაიჭიროთ ხელსაწყო საკრეჭი ნაწილი წელს ზევით.

**▲ გაფრთხილება:** მჭრელი ნაწილის სიმძლავრესთან ერთად იზრდება პირადი ზიანის რისკიც გაკავფული ნაწილების გვერდზე გასროლის შედეგად.

**▲ გაფრთხილება:** ახლადამოყრილი ბუჩქნარის ან სხვა ხის კონსისტენციის, 2 სმ-მდე დიამეტრის მქონე მცენარეების გაკავფვისას გამოიყენეთ საკრეჭი დანის მარცხენა მხარე, რათა თავიდან აირიდოთ დანაზე ზიბგის მიცემის სიტუაცია. არ შეეცადოთ მოჭრათ დიდი დიამეტრის ტოტები, რადგან დანა შესაძლოა გაიხლართოს და გაქაჩოს ხელსაწყო წინ. ამაზე შესაძლოა გამოიწვიოს დანის, საკრეჭის დაზიანება ან დაგაკარგვნიოთ კონტროლი ხელსაწყოზე, რამაც შესაძლოა მოგიტანოთ პირადი ზიანი.

**▲ გაფრთხილება:** დანის არასწორმა

გამოყენებამ შესაძლოა გაზზაროს, გატეხოს ან დაამტვრიოს იგი. გამოსროლილმა ნაწილებმა შეიძლება სერიოზულად დააზიანოს მომხმარებელი ან განზე მდგომი ადამიანი. პირადი ზიანის მიღების რისკის შესამცირებლად აუცილებელია შემდეგი უსაფრთხოების ზომების მიღება:

მოერიდეთ ხელსაწყო მკარ და მყარ ნივთებთან კონტაქტს, როგორცაა ქვემოთ აღნიშნული საგნები.

არასოდეს გაკავფოთ ხე ან ბუჩქი რომლის ტოტების დიამეტრი 2 სმ-ზე მეტია.

შეამოწმეთ დანა რეგულარული მცირე ინტერვალებით დაზიანების ნიშნებზე. არ გააგრძელოთ მუშაობა დაზიანებული დანით.

რეგულარულად გალესეთ დანა (როდესაც იგი საგრძნობლად დაჩლუნდება) და დაბალანსირებით იგი (სრულდება კვალიფიციური სერვისის ტექნიკოსის მიერ).

**დანის ბიძგი**

დაიცავით განსაკუთრებული სიფრთხილე როდესაც იყენებთ 3-კბილანიან დანას ამ ხელსაწყოზე. დანის ბიძგი შესაძლოა წარმოიშვას, როდესაც დანა შეეხება საგანს, რომელსაც ვერ ჭრის. მსგავსა შეხებამ შესაძლოა გამოიწვიოს დანის მყისიერი გაჩერება და შემდეგ მოულოდნელი „ბიძგი“ მოსაჭრელი საგნიდან. დანის ბიძგი შესაძლოა იყოს იმდენად ძლიერი რომ, მოახდინოს მომხმარებლის მიერ ხელსაწყოზე კონტროლის დაკარგვა. დანის ბიძგი შესაძლოა მოხდეს გაფრთხილების გარეშე თუ დანა დაბრკოლდება, გაჩერდება ან გაიხლართება. ეს უფრო სავარაუდოა მოხდეს ისეთ არეში, სადაც რთულია მოჭრადი საგნების დანახვა. გაკავფვის გამარტივებისა და უსაფრთხოებისთვის, მოსაჭრელ სარეველებს ბუჩქის საკრეჭით მიუახლოვდით მარჯვნიდან მარცხნივ მიმართულებით. მოულოდნელად უცხო საგნის ან მყარი მერქანის აღმოჩენისას

KA

ამგვარმა პრაქტიკამ შესაძლოა შეამციროს დანის ბიძგის რეაქცია.

## ექსპლუატაცია

**▲ გაფრთხილება:** ხელსაწყოს შემოწმებამდე, გაწმენდამდე და სერვისამდე, გააჩერეთ მოტორი, დაელოდეთ ყველა მოძრავი ნაწილის გაჩერებას და მოხსენით აკუმულატორი. ჩამოთვლილი ინსტრუქციების უგულვებელყოფამ შესაძლოა გამოიწვიოს სერიოზული ფიზიკური ან მატერიალური ზიანი.

**▲ გაფრთხილება:** ტექნიკური სერვისისას გამოიყენეთ მხოლოდ იდენტური სათადარიგო ნაწილები. სხვა ნებისმიერი ნაწილის გამოყენებამ შესაძლოა შექმნას საფრთხე ან გამოიწვიოს ხელსაწყოს დაზიანება. ხელსაწყოს უსაფრთხოდ და გამართულად მუშაობისთვის საჭიროა მისი ყველა შეკეთება და ნაწილის შეცვლა შესრულდეს კვალიფიციური სერვისის ტექნიკოსის მიერ.

### ზოგადი მოვლის წესი

მოერიდეთ გამხსნელების გამოყენებას ხელსაწყოს პლასტმასის ნაწილების გაწმენდისას. უმეტესობა პლასტმასები ადვილად ზიანდება მათზე გამხსნელების გამოყენების შედეგად. გამოიყენეთ სუფთა ტილოები ტალახის, მტვრის, ზეთის, ცხიმის და სხვ. მოსაცილებლად.

### ხელსაწყოს განმენდის წესი

■ 3-კბილანაიანი დანის / სათიბი თავაკის ყოველი გამოყენების შემდეგ მოაცილეთ მას ნარჩენი, დანასა ან დამცავ ეკრანში გაჭედილი მიწა ან ბალახი რბილი ფუნჯით.

შენიშვნა: როდესაც სათიბი ძუის საჭრელი დანა ჩლუნგდება, საჭიროების და მიხედვით გთხოვთ გააღესინოთ იგი კვალიფიციურულ სერვისის ტექნიკოსს ან შეცვალოთ ახლით.

- ბურჯის საჭრელის ყოველი გამოყენების შემდეგ გაწმინდეთ მჭრელი თავაკი ნოტიო ქსოვილით და რბილი სარეცხი საშუალებით
- არ გამოიყენოთ ძლიერი გაწმენდი საშუალებები პლასტმასის ბუდეზე ან სახელურზე. ისინი შესაძლოა დაზიანდეს ისეთი არომეტიზატორებით, როგორცაა ნაძვის ან ლიმნის ზეთი, ან ნავთის ტიპის გამხსნელი საშუალებებით. სინესტემ ასევე შეიძლება შექმნას ელექტრული შოკის საფრთხე. რბილი, მშრალი ქსოვილით მოწმინდეთ ხელსაწყოს ნებისმიერი ნესტი,
- გამოიყენეთ მცირე ფუნჯი ან პატარა მტვერსასრუტის ჰაერის ჭავლი რათა გაწმინდოთ ხელსაწყოს საპეროები ბუდის უკანა მხარეს.

### გადაცემათა კოლოფის შეგების წესი

ხელსაწყოს ოპტიმალური მუშაობისთვის და ხანგრძლივი მოხმარებისთვის შეზეთეთ გადაცემათა კოლოფი სპეციალური საპოხით (4-5 გ ყოველ ჯერზე) ყოველი 50 საათიანი ექსპლუატაციის პერიოდის შემდეგ.

სპეციალური საპოხი უნდა აკმაყოფილებდეს შემდეგ მოთხოვნებს:

1. მიეკუთვნებოდეს DIN51818 ტიპს: კონუსის შკალაზე NLGI-1 სიბრბილის.
2. სინთეტიკური ეთერის ცხიმი.
3. შესანიშნავი საპოხი დაბალტემპერატურული ჩართვისთვის, მაღალი წნევის პირობებისთვის, მექანიკური ცვეთისა და გახეხის საწინააღმდეგო და ოქსიდაციის სტაბილიზაციის თვისებებით.
4. ტემპერატურის მუშა რეჟიმი უნდა მოიცავდეს -40° 180°C ინტერვალს.

მოხსენით აკუმულატორის კვების ჩანგალი და დამლუქავი ხრახნი. შეზეთეთ

KA



გადაცემათა კოლოფი სპეციალურად განკუთვნილი ხერხის საშუალებით.

**⚠ გაფრთხილება:** არ შეუთეთ ხელსაწყო როდესაც ბუჩქის საკრეჭი შეერთებულია აკუმულატორთან ან იგი მუშა რეჟიმშია.

### ძუის საჭრელი დანის გაღვსვა

**⚠ გაფრთხილება:** ყოველთვის დაიცავით თქვენი ხელები დამცავი ხელთათმანებით, როცა ძუის საჭრელ დანას უტარებთ ნებისმიერ სერვისს.

1. მოხსენით ძუის საჭრელი დანა დამცავ ეკრანს.
2. გამოიყენეთ მხედველობის დამცავი დაშუალება და ხელთათმანები და გამოიჩინეთ სიფრთხილე არ დაიზიანოთ თავი.
3. მჭიდროდ დაამაგრეთ დანა გირაგში.
4. ფრთხილად გაქლიბეთ დანის მჭრელი პირები ქლიბით ან სალესი ქვით, პირველადი მჭრელი დანის დახრის კუთხის შენარჩუნებით.
5. მოათავსეთ დანა დამცავ აკრანზე და დაამაგრეთ ორი ხრახნით.

### ხელსაწყო შენახვის წესი

მოხსენით აკუმულატორი ხელსაწყოს.

ჩაიცვით დამცავი ხელთათმანები და გულდასმით გაწმინდეთ ხელსაწყო.

დაამაგრეთ 3-კბილანიან დანაზე მისი ბუდე დანის უსაფრთხოდ შენახვის მიზნით (ნახ. N).

შეინახეთ ხელსაწყო მშრალ, კარგად განიავებად ადგილას ჩაკეტილ და მაღალ სათავსოში, ბავშვებისთვის მიუწვდომელ ადგილას. არ შეინახოთ ხელსაწყო სასუქის, ბენზინის და სხვა ქიმიური ნივთიერებების სიახლოვეს.

შენიშვნა: არ ამუშაოთ თქვენი ბუჩქის საკრეჭი დაჩლუნგებული არ დაზიანებული საჭრელი დანებით. ამან შესაძლოა გამოიწვიოს ხელსაწყო გადატვირთვა და მოგცეთ არასასურველი რეზულტატი.

### გარემოს დაცვა



არ მოახდინოთ ელექტრული მოწყობილობის, დამტენის და აკუმულატორის / მისი ბატარეების მოთავსება საყოფაცხოვრებო ნაგავში! მიუტანეთ ისინი ავტორიზირებულ ნარჩენების გადამამუშავებელს და მოახდინეთ ასეთი ნარჩენის განცალკევებულად შეგროვება. ელექტრული ხელსაწყოები უნდა ჩაბარდეს ნარჩენების გადამამუშავებელ ორგანოს გარემოს დაცვის ნორმების გათვალისწინებით.



## გაუმართაობის

დიაგნოსტიკა	პრობლემის გადაჭრის გზა	გადაჭრის გზა
ხელსაწყო არ ჩაირთო.	<ul style="list-style-type: none"> <li>აკუმულატორი არ არის შეერთებული საკრეჭზე ან აკუმულატორსა და ხელსაწყოს შორის არ არის ელექტრული კონტაქტი.</li> <li>აკუმულატორი დაცლილია.</li> <li>ჩამკეტი ღილაკი არ არის გადაყვანილი "ON" პოზიციაში ტრიგერებზე ხელის დაჭერამდე.</li> </ul>	<ul style="list-style-type: none"> <li>ხელახლა ჩასვით აკუმულატორის ჩანგალი ბუჩქის საკრეჭში.</li> <li>დატენეთ აკუმულატორი მწარმოებლის მიერ მითითებული დამტენი მონაცობილობით.</li> <li>ხელსაწყოს გამოყენებამდე დარწმუნდით რომ ჩამკეტი ღილაკი ჩართულ მდგომარეობაშია.</li> </ul>
გაჩერდა მუშაობის პროცესში.	<ul style="list-style-type: none"> <li>აკუმულატორი ან საკრეჭი ზედმეტად გაცხელებულია.</li> <li>ბუჩქის საკრეჭი გადატვირთულია.</li> <li>აკუმულატორი მოხსნილია ხელსაწყოდან.</li> <li>აკუმულატორი დაცლილია.</li> </ul>	<ul style="list-style-type: none"> <li>აცალეთ აკუმულატორს ან ბუჩქის საკრეჭს გავრილება, სანამ ტემპერატურა არ მიაღწევს ნორმალურ ნიშნულს.</li> <li>ხელსაწყო განახლებს მუშაობას როდესაც დატვირთვა მოიხსნება. განუწყვეტლივ მუშაობისას შეამციროეთ ხელსაწყოზე დატვირთვა.</li> <li>ხელახლა ჩასვით აკუმულატორი.</li> <li>დატენეთ აკუმულატორი მწარმოებლის მიერ მითითებული დამტენი მონაცობილობით.</li> </ul>
გადაჭარბებული ვიბრაცია ან ხმაური.	<ul style="list-style-type: none"> <li>გადაცემათა კოლოფი მშრალია.</li> <li>სათიბი ძუა დასაბალანსირებელია.</li> <li>3-კბილანიანი დანა გალუნული ან დაზიანებულია.</li> </ul>	<ul style="list-style-type: none"> <li>მოხსენით დამლუქავი ხრახნი და დაუმატეთ საპოხი ზეთი.</li> <li>რბილად დაარტყით სათიბის თავაკის მიწაზე ხელსაწყოს გამოყენებისას.</li> <li>შეცვალეთ ახალი დანით.</li> </ul>

KA



დიაგნოსტიკა	პრობლემის გადაჭრის გზა	გადაჭრის გზა
არ ხდება სათიბი ძუის გამომგება.	<ul style="list-style-type: none"><li>■ სათიბ თავაკში არსებული ძუა გამოიღია.</li><li>■ სათიბი ძუა არ არის სწორად დამონტაჟებული.</li></ul>	<ul style="list-style-type: none"><li>■ დაამონტაჟეთ ახალი სათიბი ძუა ბუჩქის საკრეჯ ხელსაწყოში.</li><li>■ მოხსენით სათიბი ძუა და ხელახლა დაამონტაჟეთ იგი.</li></ul>

## გარანტია

### EGO-ს გარანტიის მომსახურების წესი

გთხოვთ ეწვიოთ ვებ-გვერდს [egopowerplus.eu](http://egopowerplus.eu). რათა მიიღოთ EGO-ს საგარანტიო მომსახურების სრული დადგენილებები და პირობები.

KA

**PROČITAJTE SVA UPUTSTVA!****PROČITAJTE PRIRUČNIK ZA RUKOVAČA**

Sigurnosno upozorenje



Nosite zaštitu za oči



Nosite zaštitu za glavu



Nosite obuću koja se ne klize



Čuvajte se odbijanja noža



Udaljenost između mašine i prolaznika mora biti najmanje 15 m.



Garantovan nivo jačine zvuka. Emisija buke u okruženju prema Direktivi Evropske zajednice.



Otpadne električne proizvode ne bi trebalo odlagati zajedno sa otpadom iz domaćinstva. Odnosite ih u ovlašćeni pogon za reciklažu.

 $n_0$ 

Brzina bez opterećenja-Rotaciona brzina, bez opterećenja



Jednosmerna struja

**SIGURNOSNI SIMBOLI**

**⚠ UPOZORENJE:** Rukovanje svakim električnim alatom može da dovede do izbacivanja stranih tela ka očima, što može da dovede do ozbiljnog oštećenja očiju. Pre započinjanja rada sa električnim alatom, uvek stavite sigurnosne naočare sa bočnim štitnicima ili po potrebi masku za celo lice. Preporučujemo sigurnosnu masku Wide Vision za upotrebu preko naočara ili standardnih sigurnosnih naočara sa bočnim štitnicima.



Da bi smanjio rizik od povreda, korisnik mora pročitati priručnik za rukovaoca.



Nosite zaštitu za uši



Nosite zaštitu za šake



Čuvajte se izbačenih predmeta



Odvoyite bateriju pre održavanja



Ovaj proizvod je u skladu sa primenljivim EC direktivama.



Ovaj proizvod je u skladu sa primenljivim zakonima UK.

V Voltaža

.../min U minutu

kg Kilogram

IPX5 Stepen zaštite od prodora

## SPECIFIKACIJE

Jedinica za sečenje	Glava trimera	3-zubi metalni nož
Voltaža	56 V	56 V
Brzina bez opterećenja	4000-5800/min	4000-5800/min
Preporučena radna temperatura:	0°C-40°C	
Preporučena temperatura skladištenja:	-20°C-70°C	
Tip strune za sečenje	2,4 mm	/
Nož za sečenje	/	ABB1203
Širina sečenja	38 cm	30 cm
Težina	6,8 kg	6,46 kg
Izmereni nivo jačine zvuka $L_{WA}$	95 dB(A) K=1,1d B(A)	96,3 dB(A) K=2,1 dB(A)
Nivo zvučnog pritiska kod uha rukovaoca $L_{PA}$	82 dB(A) K=2,5 dB(A)	83,4 dB(A) K=4,1 dB(A)
Garantovan nivo jačine zvuka $L_{WA}$ (prema 2000/14/EC)	96 dB(A)	98 dB(A)
Vibracije $a_n$	Leva drška	1,9 m/s <sup>2</sup> K=1,5 m/s <sup>2</sup>
	Desna drška	1,5 m/s <sup>2</sup> K=1,5 m/s <sup>2</sup>

- Deklarisana ukupna vrednost vibracije je izmerena u skladu sa standardnim metodom testiranja i može se koristiti za upoređivanje jednog alata sa drugim;
- Deklarisana ukupna vrednost vibracije može se koristiti i u preliminarnoj proceni izlaganja.

**NAPOMENA:** Emisija vibracija tokom stvarne upotrebe električnog alata može da se razlikuje od deklarisanе vrednosti u kojoj se alat koristi. Da bi se rukovalac zaštitio, korisnik bi trebalo da nosi rukavice i štitnike za uši u stvarnim uslovima korišćenja.

## POPIS PAKOVANJA (SI. A1)

### OPIS

#### UPOZNAJTE SVOJ TRIMER (SI. A1)

1. Struna trimera

2. Sklop štitnika
3. Vratilo
4. Okidač
5. Dugme za zaključavanje
6. Leptir vijak
7. Kukica
8. Utičnica
9. Ploča štitnika
10. Korman
11. Zaptivni vijak
12. Rupa za zaključavanje vratila
13. Nož za sečenje strunom
14. Dodatak štitnika
15. 3-zubi nož
16. Navlaka za nož
17. Spoljašnja prirubnica
18. Navrtanj
19. Višenamenski kličuč
20. Inbus kličuč
- 21\* Jastučić za kuk (prodaje se zasebno)

**⚠ UPOZORENJE:** Nikada ne koristite alat bez štitnika čvrsto na mestu. Štitnik mora uvek biti na alatu da bi zaštitio korisnika.

**⚠ UPOZORENJE:** Kada se na alatu koristi glava trimera, dodatak štitnika sa nožem za sečenje strunom treba da bude postavljen na štitnik. Nepridržavanje toga dovodi do predugačke strune za sečenje i preopterećenja motora. Nikada nemojte koristiti glavu trimera bez dodatka štitnika.

## SKLAPANJE

**⚠ UPOZORENJE:** Ako su neki delovi oštećeni ili nedostaju, nemojte koristiti trimer dok delovi nisu zamenjeni. Korišćenje trimera sa oštećenim ili nedostajućim delovima može dovesti do ozbiljnih telesnih povreda.

**⚠ UPOZORENJE:** Ne pokušavajte da modifikujete trimer ili da pravite dodatke koji nisu preporučeni za korišćenje sa ovim proizvodom. Svaka takva promena ili modifikacija je zloupotreba i može dovesti do opasnih uslova koji mogu da dovedu do ozbiljnih telesnih povreda.

**⚠ UPOZORENJE:** Uvek nosite radne rukavice kada instalirate ili uklanjate štitnik i vršite održavanje na 3-zubom nožu/nožu za sečenje strunom.

SR

Pazite na nož sa strunom za sečenje na dodatku štitnika/3-zubi nož da biste zaštitili ruke od povreda sečivima.

**⚠ UPOZORENJE:** Da biste sprečili nehotično pokretanje koje bi moglo izazvati ozbiljne telesne povrede, uvek uklonite bateriju iz alata kada sklapate delove, podešavate, čistite ili kad ga ne koristite.

**⚠ UPOZORENJE:** Nikada ne koristite alat bez štitnika i kormana čvrsto na mestu. Nepridržavanje toga može izazvati ozbiljne telesne povrede.

## MONTIRANJE I PODEŠAVANJE KORMANA

Trimer se skladišti kao što je prikazano na Sl. B. Prvo, otpustite leprir vijak na spojnom zglobu a zatim podignite korman 180° oko vratila (Sl. C), okrenite ga 90° suprotno od smera kazaljke na satu da biste ga usmerili ka glavi (Sl. D). Na kraju, pomerajte ga napred i nazad da biste dostigli udoban radni položaj i zategnite vijak.

**NAPOMENA:** Korišćenje mašine je dozvoljeno samo sa kormanom pod pravim uglom u odnosu na vratilo.

## MONTIRANJE ŠTITNIKA

**⚠ UPOZORENJE:** Uvek nosite rukavice kad montirate ili zamenjujete štitnik. Pazite na nož na štitniku i zaštitite šaku od posekotina.

**⚠ UPOZORENJE:** Nikada ne koristite mašinu bez štitnika čvrsto na mestu. Štitnik mora uvek biti na mašini da bi zaštitio korisnika! Kad je štitnik fiksiran, nikad ne pokušavajte da skinete ili podesite štitnik; ako je potrebna zamena, nju treba da uradi kvalifikovani servisni tehničar!

Olabavite i uklonite dva vijka sa štitnika (Sl. E), poravnajte montažne rupe štitnika sa rupama na sklopu pa zatim zaključajte štitnik na bazu vratila pomoću dva vijka, zajedno sa dve elastične podloške (Sl. F).

**⚠ UPOZORENJE:** Proverite da li je štitnik fiksiran prema Sl. F, svako obrnuto fiksiranje će izazvati veliku opasnost!

**⚠ UPOZORENJE:** Kada se na trimera koristi glava trimera, dodatak štitnika mora biti montiran na štitnik. Nepridržavanje toga moglo bi da dovede do predugačke strune za sečenje i preopterećenja motora.

## ZAMENA GLAVE TRIMERA 3-ZUBIM NOŽEM

1. Izvadite strujni utikač iz trimera sa strunom.
2. Okrenite glavu trimera da biste poravnali prorez na prirubnici sa rupom za zaključavanje vratila na menjaču brzina pa umetnite stabilizator u rupu (slika G).

3. Okrenite glavu trimera u smeru kazaljke na satu da biste je skinuli (slika G).
4. Skinite dodatak štitnika tako što ćete olabaviti tri vijka sa podloškom (slika H).
5. Nož se isporučuje sa navlakom. Pre montiranja noža na trimer, navlaku bi trebalo ukloniti tako što ćete otkopčati žičanu sponu sa kucice na navlaci (Sl. I1).

**NAPOMENA:** Da bi se zaštitili od povrede, morate nositi rukavice dok radite bilo šta sa 3-zubim nožem.

6. Montirajte unutrašnju prirubnicu i poklopac prirubnice na njihovo mesto (Sl. I2).
7. Postavite nož na vratilo motora, vodeći računa da površina noža bude u ravni sa površinom izbočine unutrašnje prirubnice. Montirajte spoljašnju prirubnicu i navrtanj (Sl. I3). Unapred ručno zategnite navrtanj SUPROTNO OD SMERA KAZALJKE NA SATU.
8. Postavite menjač brzina na čvrstu površinu radi podrške. Jednom rukom držite vratilo trimera a drugom rukom uhvatite višenamenski ključ da biste zategnuli navrtanj prateći smer strelice označen na spoljašnjoj prirubnici (Sl. I4).

## ZAMENA 3-ZUBOG NOŽA GLAVOM TRIMERA

Upoznajte jedinicu za sečenje 3-zubog noža koja je prikazana na Sl. J1. Zatim rasklopite 3-zubi nož i montirajte glavu trimera na trimer.

1. Okrenite nož da biste poravnali prorez na prirubnici sa rupom za zaključavanje vrata na menjaču brzina pa umetnite stabilizator u rupu.
2. Postavite menjač brzina na čvrstu površinu radi podrške. Jednom rukom držite vratilo trimera a drugom rukom uhvatite višenamenski ključ da biste olabavili navrtanj u smer kazaljke na satu. (Sl. I4)
3. Izvadite navrtanj, spoljašnju prirubnicu, nož iz motome kose (slika J2).

J-1	Vratilo	J-5	Spoljašnja prirubnica
J-2	Unutrašnja prirubnica	J-6	Navrtanj
J-3	Poklopac prirubnice	J-7	Prorez u prirubnici
J-4	3-zubi nož		

**NAPOMENA:** Kad se 3-zubi nož ne koristi, da biste sprečili telesnu povredu, stavite nož u navlaku.

4. Montirajte dodatak štitnika na trimer tako što ćete zategnuti tri vijka sa podloškom (Sl. H).

5. Okrenite glavu trimera suprotno kazaljki na satu da biste je instalirali (slika G). Pratite uputstva u odeljku „ZAMENA STRUNE“ da biste stavili strunu za sečenje.

**NAPOMENA:** Ako ne namotate strunu u označenom smeru, to će izazvati nepravilan rad glave trimera.

## RUKOVANJE

**▲ UPOZORENJE:** Ne dozvolite da zbog poznavanja ovog proizvoda postanete nemarni. Zapamtite da je delić sekunde nepažnje dovoljan da nanese ozbiljnu povredu.

**▲ UPOZORENJE:** Uvek nosite zaštitne naočare i zaštitu za sluh. Nepridržavanje toga može dovesti do predmeta izbačenih prema očima i drugih ozbiljnih povreda.

**▲ UPOZORENJE:** Ne koristite nikakve dodatke ili pribor koje nije preporučio proizvođač ovog proizvoda. Upotreba dodatka ili pribora koji nisu preporučeni može da dovede do ozbiljne telesne povrede.

## PRIMENE

Proizvod se može koristiti po kiši.

Ovaj proizvod možete da upotrebljavate za svrhe navedene u nastavku:

**Trimovanje:** koristi se za uklanjanje trave i korova pored zidova, ograda, drveća i međa.

**Sečenje:** koristi se za sečenje trave koju je teško dosegnuti koristeći normalnu kosilicu.

**NAPOMENA:** Mašinu treba koristiti samo za propisanu svrhu. Svaka druga upotreba smatra se slučajem zloupotrebe.

## DRŽANJE TRIMERA

Pre spajanja ranca baterije sa trimrom, stavite ranac bateriju na leđa i montirajte jastučić za kuk na remene ranca prema priručniku BAX1500 i AHP1500.

Montirajte jastučić za kuk na trimmer tako što ćete spojiti kukicu na rupu za montiranje (Sl. K). Na vratilu ima 8 rupica; izaberite optimalnu rupicu za udoban rad.

Držite trimmer sa obe ruke na desnoj strani tela. Glava ili nož trimera treba da budu paralelni sa tlom i na odgovarajućoj razdaljini sečenja bez saginjanja rukovaoaca.

Skidanje trimera može se uraditi na dva načina. Otkopčajte kopče na grudima i pojasu (Sl. L1) ili pritisnite kukicu jastučeta za kuk i odvojite je od rupice za montiranje na vratilu.

**▲ UPOZORENJE:** Kad dođe do hitnog slučaja, otkopčavanje kopči na grudima i pojasu je brz metod skidanja trimera.

**▲ UPOZORENJE:** Sa ranac baterijom ne bi trebalo da koristite remen za jedno rame i remen za oba ramena istovremeno.

Koristite samo sa EGO baterijama i punjačima navedenim na slici A2

## Za instaliranje baterije (Sl. L2)

Poravnajte i ▲ utikača sa i ▲ trimera. Umetnite utikač u mašinu dok zelena zaptivka potpuno ne nestane u utičnici.

## Za uklanjanje

Izvadite kabl baterije iz montažnog žleba i izvucite utikač iz trimera.

## POKRETANJE/ZAUSTAVLJANJE TRIMERA

### Za pokretanje

Gurnite dugme za zaključavanje na položaj „ON“ (Sl. M). Pomerite mali okidač nagore a zatim pritisnite glavni okidač da pokrenete trimmer. Različit pritisak na okidač daje varijabilnu brzinu rotiranja jedinice za sečenje.

Opis delova sa Sl. L1 i M pogledajte ispod:

L-1	Kopča na grudima	M-1	Dugme za zaključavanje
L-2	Kopča na pojasu	M-2	Mali okidač
L-3	Kukica	M-3	Glavni okidač

### Za zaustavljanje

Pustite glavni okidač i gurnite dugme za zaključavanje nazad u položaj „OFF“.

**▲ UPOZORENJE:** Uvek izvadite bateriju iz trimera tokom pauza u radu i posle završetka rada.

## KORIŠĆENJE TRIMERA

**▲ UPOZORENJE:** Obucite se prikladno da biste smanjili rizik od povrede dok koristite trimmer. Ne nosite labavu odeću ili nakit. Nosite zaštitne naočare i zaštitu uva/ sluha. Nosite dugačke radne pantalone, duboke cipele i rukavice. Ne nosite kratke pantalone, sandale, papuče i ne radite bos. Pre rada pogledajte oko sebe da biste osigurali bezbedno radno područje bez drugih ljudi, životinja ili bilo kakvih pokretnih predmeta. Vodite računa da budu najmanje 15 m udaljeni. Zatim proverite zaštitu za oči,

odgovarajuću odeću i izbalansirano uporište.

Pre svake upotrebe proverite da li ima oštećenih/pohabanih delova. Proverite glavu trimera, 3-zubi nož, štitnik, dodatak štitnika i korman i zamenite sve delove koji su naprsli, iskrivljeni, savijeni ili na bilo koji način oštećeni. Nož za sečenje strunom na ivici dodatka štitnika može vremenom da se istupi. Preporučuje se da ga periodično naoštrite turpijom ili da ga zamenite novim nožem.

#### Nakon svake upotrebe, očistite trimer.

**⚠ OPREZ:** Prepreke u ventilacionim otvorima sprečiće protok vazduha u kućište motora i prouzrokovati pregrevanje ili oštećenje motora.

- Koristite samo blag sapun i vlažnu krpu kad čistite mašinu. Nikad ne dozvolite da tečnost uđe u mašinu; nikad ne potapajte nijedan deo mašine u tečnost.
- Ventilacione otvore u kućištu motora uvek održavajte očišćenim od naslaga.

**⚠ UPOZORENJE:** Izbegavajte korišćenje rastvarača kada čistite plastične delove. Većina plastike je podložna oštećenjima od raznih tipova komercijalnih rastvarača. Za uklanjanje prljavštine, prašine, ulja, masti i sl. upotrebljavajte čiste krpe.

#### Korišćenje sa glavom trimera

##### Proverite blokiranje glave trimera

- Da biste sprečili blokadu, održavajte glavu trimera čistom. Uklonite pokošenu travu, lišće, zemlju i svu ostalu nagomilanu prljavštinu pre i posle svake upotrebe.
- Kada dođe do blokade, zaustavite trimer sa strunom i izvadite bateriju, a zatim uklonite travu koja se možda ometala oko vratila motora ili glave trimera.

##### Podešavanje dužine strune za sečenje

Glava trimera omogućava rukovaocu da otpusti još strune za sečenje bez zaustavljanja motora. Kako struna postaje iskrzana ili pohabana, još strune se može otpustiti laganim tapkanjem izbočene glave o tlo tokom rukovanja trimenom.

**NAPOMENA:** Otpuštanje strune postaće teže ako struna za sečenje postane prekratka.

**⚠ UPOZORENJE:** Ne uklanjajte niti prepravljajte sklop noža za sečenje strunom. Prekomerna dužina strune će izazvati pregrevanje motora i može da dovede do ozbiljnih telesnih povreda.

SR

#### Zamena strune

**⚠ UPOZORENJE:** Nikad ne koristite strunu ojačanu metalom, žicu ili kanap itd. Oni se mogu otkinuti i postati

opasni projektili.

**NAPOMENA:** Uvek koristite preporučenu najlonsku strunu za sečenje, prečnika koji ne prelazi 2,7 mm. Korišćenje neke druge strune osim one koja je navedena može da izazove pregrevanje ili oštećenje trimera sa strunom.

1. Izvadite strujni utikač iz trimera sa strunom.
2. Uklonite preostalu strunu za sečenje, ako je neophodno.
3. Odsecite 8 m dužine strune za sečenje; udenite strunu u rupicu za montiranje unutar rupe (slika J3). Gurajte i vucite strunu sa druge strane dok se jednake dužine strune ne pojave sa obe strane kalema.
4. Pritiskajte, dok rotirate sklop donjeg poklopca u smeru strelice, da biste namotali strunu na kalem dok približno 12 cm strune ne viri sa svake strane (slika J4).
5. Pritisnite sklop donjeg poklopca nadole dok vučete strune da ručno izvučete strunu i proverite pravilno sklapanje glave trimera.

Kad struna za sečenje puca dok izlazi iz izlaza strune ili se struna za sečenje ne oslobađa kad se glava trimera tapka, pratite korake ispod:

1. Pritisnite jezičke za otključavanje na gornjem poklopcu i skinite sklop donjeg poklopca tako što ćete ga ravno izvući napolje (slika J5 i J6).
2. Uklonite strunu za sečenje iz kalema.
3. Dok jednom rukom držite sklop donjeg poklopca, drugom rukom uhvatite sklop donjeg poklopca i poravnajte jezičke na gornjem poklopcu sa rupicama na sklopu donjeg poklopca (slika J7); dlanom pritiskajte sklop donjeg poklopca dok se jezičci ne zaključaju sa gornjim poklopcem.
4. Pratite uputstva u odeljku „ZAMENA STRUNE“ da biste ponovo stavili strunu za sečenje.

#### Korišćenje sa 3-zubim nožem

**⚠ UPOZORENJE:** Za sečenje divljeg rastinja i žbunja, spustite rotirajući 3-zubi nož dole na rastinje da biste postigli efekat seckanja. Koristite trimer kao kosu (zamahujte desno i levo) u nivou tla. Nemojte koristiti jedinicu za sečenje iznad visine struka.

**⚠ UPOZORENJE:** Što je jedinica za sečenje na većoj visini iznad tla, to je veći rizik od povrede bočno izbačenim odsečenim materijalom.

**⚠ UPOZORENJE:** Kad kosite mlade zasade drveća ili drugi drvenasti materijal do 2 cm u prečniku, koristite levu stranu noža da biste izbegli situacije odbijanja noža. Ne



pokušavajte da sečete drvenasti materijal većeg prečnika jer se nož može zakačiti ili trznuti trimer unapred. To može izazvati oštećenja noža ili trimera ili gubitak kontrole nad trimenom, dovodeći do telesne povrede.

**⚠ UPOZORENJE:** Nepravilno korišćenje noža može da prouzrokuje da on naprsne, okrnji se ili se rasprsne. Izbačeni delovi mogu ozbiljno da povrede korisnika ili prolaznika. Da biste smanjili rizik od telesnih povreda, važno je da preduzmete sledeće mere predostrožnosti:

- Izbegavajte kontakt sa tvrdim ili čvrstim stranim predmetima poput kamenja, stena ili komada metala.
- Nikad ne secite drveće ili žbunje sa prečnikom stabljike većim od 2 cm.
- Redovno u kratkim vremenskim intervalima pregledajte da li je nož oštećen. Ne nastavljajte sa radom ako je nož oštećen.
- Redovno oštrite nož (kad je primetno istupljen) i izbalansirajte ga ako je neophodno (kod kvalifikovanog servisnog tehničara).

### Odbijanje noža

Budite krajnje pažljivi kad koristite 3-zubi nož sa ovom jedinicom. Odbijanje noža je reakcija do koje može da dođe kad nož koji se okreće dođe u kontakt sa bilo čim što ne može da preseče. Taj kontakt može da izazove zaustavljanje noža na trenutak i iznenadno „odbijanje“ jedinice dalje od predmeta koji je udaren. Ova reakcija može biti dovoljno silovita da izazove korisnikovo gubljenje kontrole nad jedinicom. Do odbijanja noža može doći bez upozorenja ako se nož zakači, zaguši ili zaplete. Veće šanse za to postoje na mestima gde je teško videti materijal koji se kosi. Za lakoću i bezbednost sečenja, pristupajte korovu koji kosite krećući trimer sa desne na levu stranu. U slučaju da naidete na neočekivani predmet ili drvenasto stablo, ova praksa bi mogla da smanji reakciju odbijanja noža.

### ODRŽAVANJE

**⚠ UPOZORENJE:** Pre pregledanja, čišćenja ili servisiranja jedinice, zaustavite motor, sačekajte da se svi pokretni delovi zaustave i izvadite bateriju. Nepoštovanje ovih uputstava može izazvati ozbiljne telesne povrede ili oštećenje imovine.

**⚠ UPOZORENJE:** Tokom servisiranja, koristite samo identične rezervne delove. Upotreba bilo kakvih drugih delova može da dovede do opasnosti ili da izazove oštećenje proizvoda. Da bi se osigurala sigurnost i pouzdanost, sve popravke treba da radi kvalifikovani servisni tehničar.

### OPŠTE ODRŽAVANJE

Izbegavajte korišćenje rastvarača kada čistite plastične delove. Većina plastike je podložna oštećenjima od raznih tipova komercijalnih rastvarača i može se oštetiti njihovom upotrebom. Koristite čistu krpu da uklonite zemlju, prašinu, ulje, masnoću itd.

### ČIŠĆENJE MAŠINE

- Posle svake upotrebe 3-zubog noža/glave trimera, mekom četkom očistite prljavštinu, nagomilanu zemlju ili travu sa noža i štitnika.

**NAPOMENA:** Kad se nož za sečenje strunom istupi, naoštrite ga kod kvalifikovanog servisnog tehničara ili ga zamenite novim nožem za sečenje strunom po potrebi.

- Nakon svake upotrebe trimera, očistite jedinicu za sečenje vlažnom krpom i blagim deterdžentom.
- Ne koristite jake deterdžente na plastičnom kućištu i drški. Mogu ih oštetiti određena aromatična ulja, poput bora i limuna, i rastvarači poput kerozina. Vлага može da izazove i opasnost od strujnog udara. Obrisite svu vlagu mekom suvom krpom.
- Pomoću male četke ili malog usisivača očistite otvore za vazduh na zadnjoj strani kućišta.

### PODMAZIVANJE MENJAČA BRZINA

Za najbolji rad i duži radni vek, podmazujte menjač brzina specijalnim mazivom (4-5 g svaki put) posle svakih 50 sati rada.

Specijalno mazivo treba da ispuni sledeće zahteve.

1. Spada u DIN51818: NLGI-1 stepen penetracije konusa.
2. Mazivo na bazi estra.
3. Svojstva odličnog pokretanja na niskoj temperaturi, EP, mehaničkog smrcanja, otpornosti na abraziju i oksidativne stabilnosti.
4. Radna temperatura mora da obuhvati -40 - 180 °C.

Izvadite utikač baterije i zaptivni vijak. Podmazivanje menjača brzina kroz rupicu za ulje.

**⚠ UPOZORENJE:** Ne podmazujte dok je trimer još uvek spojen sa baterijom ili dok radi.

### OŠTRENJE NOŽA ZA SEČENJE STRUNOM

**⚠ UPOZORENJE:** Uvek zaštitite ruke tako što ćete nositi debele rukavice kad radite bilo kakvo održavanje na nožu za sečenje strunom.

1. Uklonite nož za sečenje strunom iz štitnika.
2. Nosite odgovarajuću zaštitu za oči i rukavice i pazite da se ne posećete.

3. Učvrstite nož u stegu.
4. Pažljivo turpijajte ivice za sečenje na nožu finom turpijom ili kamenom za oštrenje, održavajući originalni ugao ivice za sečenje.
5. Vratite nož na njegovo mesto na štitniku i pričvrstite ga pomoću dva vijka.

## SKLADIŠTENJE MAŠINE

- Izvadite bateriju iz alata.
- Nosite radne rukavice da biste očistili alat temeljno.
- Montirajte navlaku noža na 3-zubi nož radi bezbednog čuvanja (Sl. N).
- Skladištite jedinicu na suvom, dobro provetrenom mestu, zaključanu ili na visini, van domašaja dece. Ne skladištite mašinu na ili pored đubriva, benzina ili drugih hemikalija.

**NAPOMENA:** Ne rukujte trimenom sa tupim ili oštećenim noževima za sečenje. To može da izazove preopterećenje i daće nezadovoljavajuće rezultate sečenja.

## Zaštita životne sredine



Ne odlažite električnu opremu, potrošene baterije i punjače u kućni otpad! Odnosite ovaj proizvod u ovlašćeni pogon za reciklažu ili ga odvojite od ostalog smeća radi zasebnog prikupljanja. Električni alati moraju se odneti u ekološki prihvatljiv pogon za reciklažu.

## REŠAVANJE PROBLEMA

PROBLEM	UZROK REŠENJE	REŠENJE
Neće da se pokrene.	<ul style="list-style-type: none"> <li>■ Baterija nije spojena na trimer ili nema električnog kontakta između trimera i baterije.</li> <li>■ Baterija je prazna.</li> <li>■ Dugme za zaključavanje nije gurnuto u položaj „ON“ pre pritiskanja poluga prekidača.</li> </ul>	<ul style="list-style-type: none"> <li>■ Ponovo umetnite utikač baterije u trimer</li> <li>■ Napunite bateriju navedenim punjačem.</li> <li>■ Pre korišćenja trimera, potvrdite da je dugme za zaključavanje otključano.</li> </ul>
Prestaje da radi.	<ul style="list-style-type: none"> <li>■ Baterija ili trimer su prevrući.</li> <li>■ Trimer je preopterećen.</li> <li>■ Baterija se odvojila od alata.</li> <li>■ Baterija je prazna.</li> </ul>	<ul style="list-style-type: none"> <li>■ Ostavite bateriju ili trimer da se hlade dok temperatura ne dosegne normalnu.</li> <li>■ Mašina će se ponovo pokrenuti kad se opterećenje ukloni. Za neprestan rad, smanjite opterećenje mašine.</li> <li>■ Ponovo instalirajte bateriju.</li> <li>■ Napunite bateriju navedenim punjačem.</li> </ul>
Dolazi do prekomernih vibracija ili buke.	<ul style="list-style-type: none"> <li>■ Suv menjač brzina</li> <li>■ Neizbalansirana struna za sečenje.</li> <li>■ 3-zubi nož je savijen ili oštećen</li> </ul>	<ul style="list-style-type: none"> <li>■ Uklonite zaptivni vijak i dodajte ulje za podmazivanje.</li> <li>■ Lagano tapkajte izbočeno dugme o tlo tokom rukovanja trimenom.</li> <li>■ Zamenite novim nožem.</li> </ul>
Struna za sečenje ne može da se otpusti.	<ul style="list-style-type: none"> <li>■ Struna u glavi trimera je potrošena.</li> <li>■ Struna za sečenje nije pravilno instalirana.</li> </ul>	<ul style="list-style-type: none"> <li>■ Montirajte novu strunu za sečenje u trimer.</li> <li>■ Uklonite strunu za sečenje i ponovo je montirajte.</li> </ul>

## GARANCIJA

### EGO POLITIKA GARANCIJE

Posetite veb-lokaciju [egopowerplus.eu](http://egopowerplus.eu) za potpune uslove i odredbe EGO politike garancije.

**PROČITAJTE UPUTSTVO U CIJELOSTI!****PROČITAJTE KORISNIČKI PRIRUČNIK.**

Simbol upozorenja



Nosite zaštitu za oči



Nosite zaštitu za glavu



Nosite obuću otpornu na klizanje.



Čuvajte se povratnog udara noža.



Razmak između mašine i drugih prisutnih osoba treba biti najmanje 15 m.



Zagarantovani nivo zvučne snage. Emisija buke u okruženju u skladu je s Direktivom Evropske unije.



Otpadni električni proizvodi ne smiju se odlagati s otpadom iz domaćinstva. Odnosite ih u ovlaštenu centar za reciklažu.

 $n_0$ 

Brzina vrtnje bez opterećenja-Brzina okretanja, bez opterećenja



Istosmjerna struja

**SIGURNOSNI SIMBOLI****UPOZORENJE!** Rukovanje električnim alatima može rezultirati odbacivanjem stranih predmeta u oči, što opet može izazvati teška oštećenja očiju. Prije početka rukovanja električnim alatom, uvijek nosite zatvorene zaštitne naočale ili zaštitne naočale s bočnim štitnicima, a prema potrebi i štitnik za cijelo lice. Preporučujemo nošenje sigurnosne maske proizvođača Wide Vision preko naočala, ili nošenje standardnih zaštitnih naočala s bočnim štitnicima.

Radi smanjenja opasnosti od povreda, korisnik treba pročitati korisnički priručnik.



Nosite zaštitu za sluh



Nosite zaštitu za glavu



Čuvajte se odbačenih predmeta.



Odspojite bateriju prije održavanja.



Ovaj proizvod je u skladu s primjenjivim Direktivama EU.



Ovaj proizvod je u skladu s važećim zakonodavstvom Velike Britanije.

V Napon

.../min U minuti

kg Kilogram

IPX5 Stepen zaštite od prodiranja

## TEHNIČKI PODACI

Rezna jedinica	Glava trimera	Trokraki metalni nož	
Napon	56 V	56 V	
Brzina vrtnje bez opterećenja	4000-5800/min	4000-5800/min	
Preporučena radna temperatura:	0°C-40°C		
Preporučena temperatura skladištenja:	-20°C-70°C		
Vrsta rezne niti	2,4 mm	/	
Rezni nož	/	ABB1203	
Širina rezanja	38 cm	30 cm	
Masa	6,8 kg	6,46 kg	
Izmjereni nivo zvučne snage $L_{WA}$	95 dB(A) K=1,1 dB(A)	96,3 dB(A) K=2,1 dB(A)	
Nivo zvučnog pritiska kod uha rukovaoca $L_{PA}$	82 dB(A) K=2,5 dB(A)	83,4 dB(A) K=4,1 dB(A)	
Zagarantovani nivo zvučne snage $L_{WA}$ (u skladu s Direktivom 2000/14/EZ)	96 dB(A)	98 dB(A)	
Vibracije $a_h$	Lijevi rukohvat	1,9 m/s <sup>2</sup> K=1,5 m/s <sup>2</sup>	1,9 m/s <sup>2</sup> K=1,5 m/s <sup>2</sup>
	Desni rukohvat	1,5 m/s <sup>2</sup> K=1,5 m/s <sup>2</sup>	1,3 m/s <sup>2</sup> K=1,5 m/s <sup>2</sup>

- Deklarisane ukupne vrijednosti vibracija izmjerene su u skladu sa standardnom metodom ispitivanja i mogu se primjenjivati za poređenje jednog alata s drugim.
- Deklarisane ukupne vrijednosti vibracija mogu se primjenjivati i u preliminarnoj procjeni izloženosti.

**NAPOMENA!** Emisija vibracija tokom aktualne upotrebe električnog alata može se razlikovati od deklarisanе vrijednosti u kojoj se alat upotrebljavao; Korisnik radi zaštitе treba nositi rukavice i štitnike za uši u aktualnim uslovima upotrebe.

## LISTA PAKOVANJA (Sl. A1)

### OPIS

#### UPOZNAJTE SVOJ ČISTAČ ŠIKARE (sl. A1)

1. Rezna nit za trimer
2. Sklop štitnika

3. Drška
4. Okidač
5. Dugme za deblokadu
6. Krilni vijak
7. Kuka
8. Postolje
9. Zaštitna ploča
10. Upravljački rukohvat
11. Brtveni vijak
12. Otvor za fiksiranje osovine
13. Nož za rezanje rezne niti
14. Sklop štitnika
15. Trokraki nož
16. Navlaka za nož
17. Vanjska prirubnica
18. Matica
19. Višefunkcijski ključ
20. Inbus ključ
- 21\* Jastučić za kuk (prodaje se zasebno)

**⚠ UPOZORENJE!** Alat nemojte nikada upotrebljavati bez dobro pričvršćenog štitnika. Štitnik uvijek mora biti na alatu radi zaštite korisnika.

**⚠ UPOZORENJE!** Kada je alat opremljen glavom trimera, na štitnik je potrebno postaviti sklop štitnika s nožem za rezanje rezne niti. Nepostupanje u skladu s tim može rezultirati predugačkom reznom niti i preopterećenjem motora. Glavu trimera nemojte nikada upotrebljavati bez sklopa štitnika.

## SASTAVLJANJE

**⚠ UPOZORENJE!** Ako je bilo koji dio oštećen ili ako nedostaje, nemojte upotrebljavati čistač šikare dok ne zamijenite dijelove. Upotreba čistača šikare oštećenih dijelova ili dijelova koji nedostaju može rezultirati teškim tjelesnim povredama.

**⚠ UPOZORENJE!** Nemojte pokušavati da modifikujete čistač šikare ili da pravite pribor koji nije preporučen za upotrebu s ovim proizvodom. Sve takve izmjene ili modifikacije predstavljaju nepropisnu potrebu i mogu rezultirati opasnim stanjima koja mogu dovesti do mogućih teških tjelesnih povreda.

**⚠ UPOZORENJE!** Kada postavljate ili uklanjate štitnik i kada obavljate radove održavanja na trokrakom nožu/ nožu za rezanje rezne niti uvijek nosite rukavice za teške uslove rada.

Budite oprezni s nožem za rezanje rezne niti na sklopu štitnika/trokrakim nožem kako biste zaštitili ruke od povreda na oba noža.

**⚠ UPOZORENJE!** Radi sprečavanja iznenadnog pokretanja koje može uzrokovati teške tjelesne povrede, uvijek izvadite komplet baterija iz alata kada postavljate dijelove, obavljate radove podešavanja, čišćenja ili kada ne upotrebljavate alat.

**⚠ UPOZORENJE!** Alat nemojte nikada upotrebljavati bez dobro pričvršćenog štitnika i upravljačkog rukohvata. Nepostupanje u skladu s tim može rezultirati mogućim teškim tjelesnim povredama.

## POSTAVLJANJE I PODEŠAVANJE UPRAVLJAČKOG RUKOHVATA

Čistač šikare skladišti se kako je prikazano na sl. B. Najprije otpustite krilni vijak na spojnom elementu, a zatim podignite upravljački rukohvat 180° oko drške (sl. C), okrenite ga 90° u smjeru suprotnom smjeru kretanja kazaljki na satu kako biste ga licem okrenuli prema reznoj glavi (sl. D). Na kraju ga pomjerite nazad i naprijed kako biste namjestili ugodan radni položaj i pritegnite vijak.

**NAPOMENA!** Uređaj se smije upotrebljavati samo s upravljačkim rukohvatom u okomitom položaju naspram drške.

## POSTAVLJANJE ŠTITNIKA

**⚠ UPOZORENJE!** Pri postavljanju štitnika ili zamjeni štitnika uvijek nosite rukavice. Pazite na nož na štitniku i zaštitite ruke od posjekotina.

**⚠ UPOZORENJE!** Mašinu nemojte nikada upotrebljavati bez čvrsto postavljenog štitnika. Štitnik uvijek mora biti na mašini radi zaštite korisnika! Kada je štitnik pričvršćen, nemojte nikada pokušavati da ga uklanjate ili podešavate. Ako je potrebna zamjena, treba je obaviti kvalifikovani servisni tehničar!

Otpustite i uklonite dva vijka sa štitnika (sl. E). Poravnajte montažne provrte na štitniku s montažnim provrtima i štitnik zatim pričvrstite na kućište drške s dva vijka i dvije opružne podloške (sl. F).

**⚠ UPOZORENJE!** Uvjerite se da je štitnik pričvršćen u skladu sa sl. F. Svako obrnuto pričvršćivanje izazvat će veliku opasnost!

**⚠ UPOZORENJE!** Kada je čistač šikare opremljen glavom trimera, na štitnik je potrebno postaviti sklop štitnika. Nepostupanje u skladu s tim može rezultirati predugačkom reznom niti i preopterećenjem motora.

## ZAMJENA GLAVE TRIMERA S TROKRAKIM NOŽEM

1. Uklonite strujni utikač s trimera s reznom niti.
2. Zarotirajte glavu trimera da poravnate utor u prirubnici s otvorom za blokadu osovine u kućištu prijenosnika i umetnite stabilizator u otvor (sl. G).
3. Zarotirajte glavu trimera u smjeru kretanja kazaljki na satu da je uklonite (sl. G).
4. Uklonite sklop štitnika otpuštanjem triju vijaka s podloškom (sl. H).
5. Nož se isporučuje s navlakom. Prije postavljanja noža na čistač šikare, navlaku je potrebno ukloniti skidanjem žice obujmice s kuke na navlaci (sl. I).

**NAPOMENA!** Prije rada s trokrakim nožem potrebno je nositi rukavice radi zaštite od povreda.

6. Postavite unutrašnju prirubnicu i poklopac prirubnice na njihovo mjesto (sl. I2).
7. Postavite nož na osovinu motora vodeći računa da površina noža bude u ravni s površinom izbočine unutrašnje prirubnice. Postavite vanjsku prirubnicu i maticu (sl. I3). Rukom pritegnite maticu u SMJERU SUPROTNOG SMJERU KRETANJA KAZALJKI NA SATU.
8. Poduprite kućište prijenosnika o čvrstu površinu. Jednom rukom držite dršku čistača šikare, a drugom rukom prihvatite višefunkcijski ključ kako biste pritegnuli maticu u smjeru strelice označene na vanjskoj prirubnici (sl. I4).

## ZAMJENA TROKRAKOG NOŽA S GLAVOM TRIMERA

Upoznajte se s reznom jedinicom s trokrakim nožem kako je prikazano na sl. J1. Zatim skinite trokraki nož i na čistač šikare postavite glavu trimera.

1. Zarotirajte nož da poravnate utor u prirubnici s otvorom za blokadu osovine u kućištu prijenosnika i umetnite stabilizator u otvor.
2. Poduprite kućište prijenosnika o čvrstu površinu. Jednom rukom držite dršku čistača šikare, a drugom rukom uzmite višefunkcijski ključ da otpustite maticu u smjeru kretanja kazaljki na satu (sl. I4).
3. Iz čistača šikare izvadite maticu, vanjsku prirubnicu i nož (sl. J2).

J-1	Drška	J-5	Vanjska prirubnica
J-2	Unutrašnja prirubnica	J-6	Matica
J-3	Poklopac prirubnice	J-7	Utor u prirubnici
J-4	Trokraki nož		

**NAPOMENA!** Kada se trokraki nož ne upotrebljava, radi izbjegavanja tjelesnih povreda stavite nož u njegovu navlaku.

4. Postavite sklop štitnika na čistač šikare pritezanjem triju vijaka s podloškom (sl. H).
5. Zarotirajte glavu trimera u smjeru suprotnom smjeru kretanja kazaljki na satu da je postavite (sl. G). Za namotavanje rezne niti pratite uputstva u odjeljku "ZAMJENA REZNE NITI".

**NAPOMENA!** Nenamotavanje niti u navedenom smjeru uzrokovat će neispravan rad glave trimera.

## RAD

**▲ UPOZORENJE!** Nemojte dozvoliti da vas poznavanje ovog proizvoda učini nepažljivim. Imajte na umu da je za nanošenje teških povreda dovoljan samo djelić sekunde nepažnje.

**▲ UPOZORENJE!** Uvijek nosite zaštitu za oči, zajedno sa zaštitom za sluh. Nepostupanje u skladu s tim može rezultirati odbacivanjem predmeta u oči i drugim mogućim teškim povredama.

**▲ UPOZORENJE!** Nemojte upotrebljavati priključke ili pribor koje nije preporučio proizvođač ovog proizvoda. Upotreba nepreporučenih priključaka ili pribora može rezultirati teškim tjelesnim povredama.

### PRIMJENE

Proizvod se može upotrebljavati na kiši.

Ovaj proizvod možete upotrebljavati za svrhe navedene u nastavku:

**Šišanje:** upotrebljava se za uklanjanje trave i korova uz zidove, ograde, drveće i granične elemente.

**Rezanje:** upotrebljava se za rezanje trave koju je teško dosegnuti normalnom kosilicom.

**NAPOMENA!** Mašina se smije upotrebljavati samo za prethodno opisane namjene. Svaka druga upotreba smatra se nepropisnom upotrebom.

### DRŽANJE ČISTAČA ŠIKARE

Prije priključivanja ledne baterije na čistač šikare, stavite lednu bateriju i jastučić za kuk sistema za nošenje na leđima u skladu prema priručniku za model BAX1500 i AHP1500.

Stavite čistač šikare s jastučićem za kuk uz priključivanje kuke na montažni provrt (sl. K). Postoji 8 provrta na dršci. Izaberite optimalni provrt za ugodan rad.

Trimer s reznom niti držite objema rukama na desnoj strani tijela. Glava trimera ili nož treba biti u paralelnom položaju u odnosu na tlo na propisnoj udaljenosti za rezanje bez naginjanja rukavoaca prema naprijed.

Otpuštanje čistača šikare može se postići na dva načina. Otpustite prsnu i ramenu kopču (sl. L1) ili pritisnite kuku jastučića za kuk i izvadite je iz montažnog provrta na dršci.

**▲ UPOZORENJE!** U slučaju nužde, čistač šikare možete brzo otpustiti otpuštanjem prsne i remene kopče.

**▲ UPOZORENJE!** Jednostavna i dvostruka ramena traka s lednom baterijom ne smiju se istovremeno upotrebljavati.

Upotrebljavajte samo komplete baterija i punjače proizvođača EGO navedene na sl. A2.

### Postavljanje kompleta baterija (sl. L2)

Poravnajte **▲** utikača s **▲** čistača šikare. Utaknite utikač u uređaj tako da zelena oznaka potpuno nestane u utičnici.

### Skidanje

Oslobodite baterijski kabel iz montažnog žljeba i izvucite utikač iz čistača šikare.

### POKRETANJE/ZAUSTAVLJANJE ČISTAČA ŠIKARE

#### Pokretanje

Gurnite dugme za deblokadu u položaj "ON" (sl. M). Pomaknite mali okidač prema gore, a zatim pritisnite okidač za pokretanje čistača šikare. Različit pritisak na okidač rezultira različitim brzinama rotacije rezne jedinice.

Opis dijelova na sl. L1 i M pogledajte u nastavku:

L-1	Prsna kopča	M-1	Dugme za deblokadu
L-2	Remena kopča	M-2	Mali okidač
L-3	Kuka	M-3	Okidač

#### Zaustavljanje

Otpustite okidač i gurnite dugme za deblokadu nazad u položaj "OFF".

**UPOZORENJE!** Komplet baterija uvijek izvadite iz trimera s reznom niti tokom pauza i nakon završetka radova.

#### UPOTREBA ČISTAČA ŠIKARE

**▲ UPOZORENJE!** Obucite se propisno kako biste smanjili rizik od povreda tokom rukovanja čistačem šikare. Nemojte nositi široku odjeću ili nakit. Nosite zaštitu za oči i uši/sluh. Nosite robusne duge hlače, čizme i rukavice.

Nemojte nositi kratke hlače, sandale ili biti bosonogi. Prije rada pogledajte ukoliko kako biste osigurali sigurno radno područje bez drugih osoba, životinja ili predmeta. Pobrinite se da budu udaljeni najmanje 15 m. Zatim provjerite zaštitu za oči, propisnu odjeću i držanje i ravnotežu.

Prije svake upotrebe provjerite ima li oštećenih/istrošenih dijelova. Provjerite glavu trimera, trokraki nož, štitnik, sklop štitnika i upravljački rukohvat i zamijenite sve dijelove koji su napukli, deformisani, savijeni ili oštećeni na bilo koji način. Nož za rezanje rezne niti na rubu sklopa štitnika vremenom može postati tup. Preporučujemo povremeno oštrenje noža turpijom ili zamjenu noža.

### Očistite čistač šikare nakon svake upotrebe.

**OPREZI!** Zapreke u ventilacijskim otvorima spriječit će protok zraka u kućište motora i rezultirati pregrijavanjem ili oštećenjem motora.

- Za čišćenje mašine upotrebljavajte samo blagi sapun i vlažnu krpu. Nemojte nikada dozvoliti da tekućina dospje u mašinu i nemojte nikada uranjati dijelove mašine u tekućinu.
- Zračne ventilacijske otvore u kućištu motora cijelo vrijeme održavajte očišćenim od naslaga.

**⚠ UPOZORENJE!** Kada čistite plastične dijelove, izbjegavajte upotrebljavati rastvore. Mnoge plastike mogu se oštetiti različitim vrstama komercijalnih rastvora. Za uklanjanje prljavštine, prašine, ulja, masti i sl. upotrebljavajte čiste krpe.

### Upotreba s glavom trimera

#### Provjera blokade glave trimera

- Kako biste izbjegli blokadu, glavu trimera održavajte čistom. Prije i nakon svake upotrebe uklonite pokošenu travu, lišće, prljavštinu i druge nakupljene naslage.
- U slučaju blokade zaustavite trimer s reznom niti, izvadite bateriju, a zatim uklonite travu koja se možda omotala oko vratila motora ili glave trimera.

#### Podešavanje dužine rezne niti

Glava trimera rukovaocu omogućuje otpuštanje više rezne niti bez zaustavljanja motora. Ako se rezna nit pohaba ili istroši, laganim dodirivanjem rezne glave o tlo tokom rukovanja trimenom moguće je otpustiti više niti.

**NAPOMENA!** Otpuštanje niti postaje teže ako rezna nit postane prekratka.

**⚠ UPOZORENJE!** Nemojte uklanjati sklop noža za rezanje rezne niti ili ne obavljajte preinake na njemu. Prevelika dužina niti uzrokovat će pregrijavanje motora što

može rezultirati teškim tjelesnim povredama.

#### Zamjena rezne niti

**⚠ UPOZORENJE!** Nemojte nikada upotrebljavati metalom ojačane niti, žicu ili užu i sl. jer mogu se odlomiti i postati opasni projektili.

**NAPOMENA!** Uvijek upotrebljavajte preporučenu najlonsku reznu nit prečnika ne većeg od 2,7 mm. Upotreba rezne niti drukčije od navedene može uzrokovati pregrijavanje ili oštećenje trimera.

1. Uklonite strujni utikač s trimera s reznom niti.
2. Ako je potrebno, uklonite preostalu reznu nit.
3. Odrežite 8 m rezne niti i umetnite reznu nit u montažni provrt u ušici (sl. J3). Provucite reznu nit i povlačite je s druge strane dok rezna nit ne bude iste dužine s obje strane kalema.
4. Pritisnite dok sklop donjeg poklopca okrećete u smjeru strelice kako biste reznu nit namotali na kalem tako da sa svake strane ostane oko 12 cm rezne niti (sl. J4).
5. Gurnite sklop donjeg poklopca prema dolje pritom povlačeći reznu nit kako biste je ručno pomjerali prema naprijed i provjerili ispravnu montažu glave trimera.

Ako se rezna nit otkine na izlazu niti ili ako se rezna nit ne otpusti lupkanjem po glavi trimera, slijedite korake u nastavku:

1. Pritisnite jezičke za otpuštanje na gornjem poklopcu i uklonite sklop donjeg poklopca povlačeći ga ravno na (sl. J5 i J6).
2. Izvadite reznu nit iz kalema.
3. Jednom rukom držite sklop gornjeg poklopca, drugom rukom uzмите sklop donjeg poklopca i poravnajte jezičke na gornjem poklopcu s provrtima u sklopu donjeg poklopca (sl. J7); dlanom pritišćite sklop donjeg poklopca dok jezičci ne ulegnu u gornji poklopac.
4. Za ponovno namotavanje rezne niti pratite uputstva u odjeljku "ZAMJENA REZNE NITI".

#### Upotreba s trokrakim nožem

**⚠ UPOZORENJE!** Za rezanje divljeg rastinja i šikara spustite rotirajući trokraki nož dolje na rastinje kako biste dobili efekt usitnjavanja. Čistač šikare upotrebljavajte kao kosu (zakrećite ga desno i lijevo) pri tlu. Reznu jedinicu nemojte upotrebljavati na visini iznad struka.

**⚠ UPOZORENJE!** Što je rezna jedinica više iznad tla, veći je rizik od povreda uslijed odbacivanja odrezanog rastinja sa strana.

**⚠ UPOZORENJE!** Kada režete mlade grančice ili druge drvenaste materijale prečnika do 2 cm, upotrebljavajte



lijevu stranu noža kako biste izbjegli situacije s povratnim udarom noža. Nemojte pokušavati da režete drvenasti materijal većeg prečnika jer se nož može zaglaviti ili naglo potisnuti čistač šikare prema naprijed. To može uzrokovati oštećenje noža ili čistača šikare ili gubitak kontrole nad čistačem šikare, što može rezultirati tjelesnim povredama.

**⚠ UPOZORENJE!** Nepropisna upotreba noža može rezultirati naprsnućima, krhotinama ili lomljenjem.

Odbačeni dijelovi mogu teško povrijediti rukovaoca ili posmatrača. Radi smanjenja rizika od tjelesnih povreda, neophodno je poduzeti sljedeće mjere opreza:

- Izbjegavajte kontakt s tvrdim ili krutim stranim predmetima, kao što su kamenje, stijene ili komadi metala.
- Nemojte nikada rezati drvo ili šiblje prečnika grančica većeg od 2 cm.
- Pregledavajte nož u redovnim kratkim intervalima na postojanje znakova oštećenja. Nemojte nastaviti raditi s oštećenim nožem.
- Redovno oštrite nož (kada primjetno otupi) i prema potrebi ga centrirajte (obavlja kvalifikovani servisni tehničar).

#### Povratni udar noža

Budite posebno oprezni kada upotrebljavate trokraki nož s ovom jedinicom. Povratni udar noža je reakcija koja se može pojaviti kada rotirajući nož dođe u kontakt s nečim što ne može rezati. Taj kontakt može rezultirati zaustavljanjem noža uz trenutno i iznenadno "odbacivanje" jedinice od udarenog predmeta. Ova reakcija može biti dovoljno silovita da uzrokuje gubitak kontrole nad jedinicom. Povratni udar noža može se dogoditi bez upozorenja ako nož zapne, ako blokira ili se zaglavi. To će se prije dogoditi u područjima gdje je teško vidjeti materijal koji se reže. Za jednostavnije i sigurnije rezanje, korovu koji treba rezati pridite sa čistačem šikare s desne na lijevu stranu. Ako nađete na neočekivani predmet ili drvenu kladu, ova praksa može smanjiti reakciju povratnog udara noža.

#### ODRŽAVANJE

**⚠ UPOZORENJE!** Prije pregleda, čišćenja ili servisiranja jedinice, zaustavite motor, pričekaite da se svi pokretni dijelovi zaustave i izvadite komplet baterija. Nepostupanje prema ovim uputstvima može rezultirati teškim povredama ili materijalnom štetom.

**⚠ UPOZORENJE!** Kada obavljate radove servisiranja, upotrebljavajte samo identične zamjenske dijelove. Upotreba drugih dijelova može uzrokovati opasnost ili oštećenje proizvoda. Radi osiguranja sigurnosti i pouzdanosti, sve popravke treba obavljati kvalifikovani servisni tehničar.

#### OSNOVNO ODRŽAVANJE

Kada čistite plastične dijelove, izbjegavajte upotrebljavati rastvore. Mnoge plastike mogu se oštetiti različitim vrstama komercijalnih rastvora i mogu se oštetiti njihovom upotrebom. Za uklanjanje prljavštine, prašine, ulja, masti i sl. upotrebljavajte čiste krpe.

#### ČIŠĆENJE UREDAJA

- Nakon svake upotrebe trokrakog noža/glave trimera, mekanom četkom očistite naslage, začepjenja od zemlje ili trave na nožu i štitniku.

**NAPOMENA!** Kada nož za rezanje rezne niti otupi, oštrenje prepustite kvalifikovanom servisnom tehničaru ili prema potrebi ga zamijenite novim.

- Nakon svake upotrebe čistača šikare, očistite rezu jedinicu vlažnom krpom i blagim deterdžentom.
- Za čišćenje plastičnog kućišta ili rukohvata nemojte upotrebljavati jake deterdžente jer mogu ih oštetiti neka aromatična ulja, kao što su borovo i limunovo ulje i rastvori kao što je kerozin. Vlaga može izazvati opasnost od strujnog udara. Vlažna mjesta obrišite mekanom suhom krpom.
- Za čišćenje zračnih ventilacijskih otvora na stražnjem kućištu upotrebljavajte malu četku ili mali usisivač.

#### PODMAZIVANJE KUĆIŠTA PRIJENOSNIKA

Za najbolji rad i duži radni vijek, kućište prijenosnika podmazujte specijalnom mašću (4 - 5 g svaki put) nakon svakih 50 sati rada.

Posebna mast mora ispunjavati sljedeće zahtjeve:

1. Spadati u DIN51818: NLGI-1 gradaciju penetracije konusa.
2. Mast na bazi estera.
3. Izuzetno pokretanje na niskoj temperaturi, EP, mehanički posmak, svojstva otpornosti na abraziju i oksidacijske stabilnosti.
4. Radna temperatura mora biti -40 - 180 °C.

Izvučite utikač baterije i brtveni vijak. Kućište prijenosnika podmažite kroz otvor za ulje.

**⚠ UPOZORENJE!** Nemojte obavljati podmazivanje kada je čistač šikare priključen na bateriju ili kada radi.

#### OŠTRENJE NOŽA ZA REZANJE REZNE NITI

**⚠ UPOZORENJE!** Kada obavljate radove održavanja na noževima za rezanje rezne niti, uvijek zaštitite ruke nošenjem debelih rukavica.

1. Uklonite nož za rezanje rezne niti sa štitnika.

2. Nosite propisnu zaštitu za oči i rukavice i budite oprezni kako biste izbjegli posjekotine.
3. Osigurajte nož u škripcu.
4. Pažljivo obradite rezne bridove noža turpijom s finim zupcima ili kamenom za oštrenje, održavajući pritom originalni ugao reznog brida.
5. Ponovo stavite nož na štitičnik i osigurajte ga s dva vijka.

## SKLADIŠTENJE UREĐAJA

- Izvadite komplet baterija iz alata.
- Za temeljito čišćenje alata nosite rukavice za teške uslove rada.
- Na trokraki nož stavite navlaku za nož radi sigurnog skladištenja (sl. N).
- Jedinicu skladištite na suhom, dobro prozračenom mjestu koje je moguće zaključati ili koje je na visini izvan dohvata djece. Uređaj nemojte skladištiti na gnojivima, benzinu ili drugim hemikalijama ili u njihovoj blizini.

**NAPOMENA!** Makaze za živicu nemojte upotrebljavati s tupim ili oštećenim reznim noževima. To može uzrokovati preopterećenje alata i rezultirati nezadovoljavajućim rezultatima rezanja.

## Zaštita životne sredine



Električnu opremu, iskorištenu bateriju i punjač ne odlažite u kućni otpad! Ovaj proizvod odnesite u ovlašteni centar za reciklažu i time omogućite odvojeno sakupljanje. Električne alate potrebno je vratiti u ekološki prihvatljiv pogon za reciklažu.

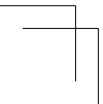
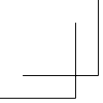
## OTKLANJANJE PROBLEMA

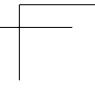
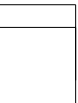
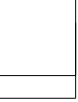
PROBLEM	UZROK RJEŠENJE	RJEŠENJE
Alat se ne pokreće.	<ul style="list-style-type: none"> <li>■ Komplet baterija nije pričvršćen na čistač šikare ili nema električnog kontakta između čistača šikare i baterije.</li> <li>■ Komplet baterija je ispražnjen.</li> <li>■ Dugme za deblokadu nije gurnuto u položaj "ON" prije pritiska na uklopne ručice.</li> </ul>	<ul style="list-style-type: none"> <li>■ Ponovo utaknite utikač baterije u makaze za živicu.</li> <li>■ Ponovo umetnite komplet baterija s navedenim punjačem.</li> <li>■ Prije upotrebe trimera potvrdite da je blokirno dugme odblokirano.</li> </ul>
Alat prestaje raditi.	<ul style="list-style-type: none"> <li>■ Komplet baterija ili čistač šikare je previše vruć.</li> <li>■ Čistač šikare je preopterećen.</li> <li>■ Komplet baterija je odspojen od alata.</li> <li>■ Komplet baterija je ispražnjen.</li> </ul>	<ul style="list-style-type: none"> <li>■ Pričekajte da se komplet baterija ili makaze za živicu ohlade na normalnu temperaturu.</li> <li>■ Uređaj će se povratiti po uklanjanju opterećenja. Za kontinuirani rad smanjite opterećenje uređaja.</li> <li>■ Ponovo stavite komplet baterija.</li> <li>■ Ponovo umetnite komplet baterija s navedenim punjačem.</li> </ul>
Prevelike vibracije ili buka.	<ul style="list-style-type: none"> <li>■ Suh reduktor</li> <li>■ Nacentrirana rezna nit.</li> <li>■ Trokraki nož je savijen ili oštećen.</li> </ul>	<ul style="list-style-type: none"> <li>■ Uklonite brtveni vijak i dodajte ulje za podmazivanje.</li> <li>■ Lagano dotaknite udarnim dugmetom o tlo dok radite s trimrom.</li> <li>■ Stavite novi nož.</li> </ul>
Reznu nit nije moguće otpustiti.	<ul style="list-style-type: none"> <li>■ Rezna nit u glavi trimera se istrošila.</li> <li>■ Rezna nit nije bila propisno postavljena.</li> </ul>	<ul style="list-style-type: none"> <li>■ Stavite novu reznu nit u čistač šikare.</li> <li>■ Izvadite reznu nit i ponovo je stavite.</li> </ul>

## GARANCIJA

### POLITIKA GARANCIJE PROIZVOĐAČA EGO

Za sve odredbe i uslove politike garancije proizvođača EGO posjetite internetsku stranicu [egopowerplus.eu](http://egopowerplus.eu).





## استكشاف الأخطاء وإصلاحها

المشكلة	السبب	الحل
لا يمكن بدء التشغيل.	<ul style="list-style-type: none"> <li>مجموعة البطارية غير مركبة في قاطع الأغصان أو لا يوجد اتصال كهربائي بين قاطع الأغصان والبطارية.</li> <li>نقد شحن مجموعة البطارية.</li> <li>لم يتم نقل زر القفل إلى وضع التشغيل "NO" قبل الضغط على أذرع التشغيل.</li> </ul>	<ul style="list-style-type: none"> <li>أعد إدخال قابس البطارية في جزارة السياج.</li> <li>اشحن مجموعة البطارية باستخدام الشاحن المحدد.</li> <li>قبل استخدام الجزارة، تأكد من تحرير زر القفل.</li> </ul>
تتوقف الوحدة عن العمل.	<ul style="list-style-type: none"> <li>مجموعة البطارية أو قاطع الأغصان ساخنان للغاية.</li> <li>هناك حمل زائد على قاطع الأغصان.</li> <li>مجموعة البطارية مفصولة من الآلة.</li> <li>نقد شحن مجموعة البطارية.</li> </ul>	<ul style="list-style-type: none"> <li>اترك مجموعة البطارية أو جزارة السياج تبرد إلى أن تهبط درجة الحرارة إلى الحرارة العادية.</li> <li>ستعود الآلة العمل عند التخلص من الحمل الواقع عليها. للتشغيل المتواصل، قلل الحمل عن الآلة.</li> <li>أعد تركيب مجموعة البطارية.</li> <li>اشحن مجموعة البطارية باستخدام الشاحن المحدد.</li> </ul>
هناك اهتزازات أو ضوضاء زائدة.	<ul style="list-style-type: none"> <li>صندوق ناقل الحركة جاف</li> <li>خيوط الجذر غير متوازن.</li> <li>استبدل الشفرة ثلاثية الأسنان إذا كانت مثنية أو تالفة.</li> </ul>	<ul style="list-style-type: none"> <li>فك مسار القفل وضع زيت التزييت.</li> <li>انقر بكرة المصد برفق على الأرض أثناء تشغيل الجزارة.</li> <li>قم بتركيب شفرة جديدة.</li> </ul>
لا يمكن تحرير خيوط الجزر.	<ul style="list-style-type: none"> <li>نقد الخيوط الموجود في رأس الجزارة.</li> <li>لم يتم تركيب خيوط الجزر على النحو المضبوط.</li> </ul>	<ul style="list-style-type: none"> <li>قم بتركيب خيوط جزر جديد في قاطع الأغصان.</li> <li>اخلع خيوط الجزر، ثم أعد تجميع خيوط الجزر.</li> </ul>

## الضمان

### سياسة ضمان EGO

تفضل بزيارة الموقع الإلكتروني [egopowerplus.eu](http://egopowerplus.eu) للتعرف على الشروط والأحكام الكاملة الخاصة بسياسة ضمان EGO.

## حماية البيئة

تخلص من المعدات الكهربائية أو البطارية المستهلكة أو الشاحن في النفايات المنزلية! بل توجه بهذا المنتج إلى مركز إعادة تدوير معتمد ليكون متاحًا للفرز بشكل منفرد. تجنب إعادة الآلات الكهربائية إلى مرفق إعادة تدوير صديق للبيئة.



لأنهم معرضون للتلف بفعل زيوت عطرية معينة، مثل الصنوبر والليمون، وبفعل محاليل مثل الكيروسين. كما قد تتسبب الرطوبة في التعرض لصدمة كهربائية. امسح أي بلل بقطعة قماش جافة ناعمة.

- استخدم فرشاة صغيرة أو مكنتسة كهربائية صغيرة في تنظيف فتحات الهواء الموجودة بالهيكل الخلفي.

## تشحيم صندوق ناقل الحركة

لتحقيق أفضل تشغيل وأطول عمر للآلة، قم بتشحيم صندوق ناقل الحركة بشحم خاص (4-5 جم في كل مرة) بعد كل 50 ساعة تشغيل.

يجب أن يلي الشحم الخاص المتطلبات التالية.

1. أن ينتمي لدرجة الاختراق المخروطي

.DIN51818: NLGI-1

2. شحم قائم على ملح الإستر.

3. بدء التشغيل المثالي في درجات الحرارة المنخفضة، والضغط الفائق، والجزء الميكانيكي، والمقاومة أثناء

الكشط، وخصائص الثبات التأكسدية.

4. يجب أن تكون درجة حرارة التشغيل ما بين

-40~180 درجة مئوية.

اخلع قابس البطارية ومسمار القفل. قم بتشحيم صندوق ناقل الحركة عبر فتحة الزيت.

**⚠ تحذير:** لا تقم بالتزبييت أثناء توصيل قاطع الأعصاب بالبطارية أو تشغيلها.

## شحذ شفرة قطع الخيط

**⚠ تحذير:** احرص دائمًا على حماية يديك عن طريق ارتداء قفازات قوية عند إجراء أي أعمال صيانة على شفرة قطع الخيط.

1. اخلع شفرة قطع الخيط من الوافي.
2. احرص على ارتداء أدوات حماية العينين والقفازات الملائمة، واحذر أن تتسبب في جرح نفسك.
3. ثبت الشفرة في منجلة.
4. ابرد حواف القطع بالشفرة بحذر باستخدام مبرد ناعم الأسنان أو حجر سنّ، مع المحافظة على زاوية حافة القطع الأصلية.
5. أعد تركيب الشفرة في الوافي مع تأمينها في مكانها باستخدام المسمارين المخصصين لذلك.

## تخزين الآلة

- اخلع مجموعة البطارية من الآلة.
- احرص على ارتداء قفازات قوية لتنظيف الآلة جيدًا.
- قم بتركيب غلاف الشفرة ثلاثية الأسنان لتخزينها بشكل آمن (الشكل N).
- خزن الوحدة في منطقة جافة جيدة التهوية، بحيث يكون في مكان مقفل أو عالٍ عن سطح الأرض بعيدًا عن متناول أيدي الأطفال. لا تقم بتخزين الآلة على الأسمدة أو البزبنز أو المواد الكيميائية الأخرى، أو بجوارها.
- ملاحظة: لا تقم بتشغيل جزارة السياج وشفرات القلع تالفة أو غير حادة. لأن هذا قد يتسبب في حمل زائد، ويمنحك نتائج قطع غير مرضية.

**السبطرة على قاطع الأغصان، وهو ما يؤدي إلى وقوع إصابات شخصية.**

**تحذير:** الاستخدام غير المناسب للشفرة قد يؤدي إلى حدوث تشققات أو شطيات أو تهشمتات. قد تتسبب الأجزاء المتطابرة في تعرض مشغل الآلة أو المراقفين للإصابات الخطيرة. للحد من خطر التعرض لإصابة شخصية، من الضروري اتباع الإجراءات الاحترازية التالية:

- تجنب ملامسة الأشياء الغريبة الصلبة مثل الأحجار أو الصخور أو قطع المعدن.
- لا تقم أبداً بقطع الخشب أو الشجيرات التي قطر جذعها أكبر من 2 سم.
- افحص الشفرات على فترات زمنية منتظمة بحثاً عن أي علامات للتلف. لا تواصل العمل إذا كانت الشفرة تالفة.
- أعد شحذ الشفرة بانتظام (عندما تكون غير حادة بشكل ملحوظ) واضبط توازنها عند اللزوم (يتم تنفيذ ذلك بواسطة فني صيانة متخصص).

### اندفاع الشفرة

توَجَّ الحذر الشديد والحيلة عند استخدام الشفرة ثلاثية الأسنان مع هذه الوحدة. اندفاع الشفرة هو رد الفعل الذي يحدث عند ملامسة الشفرة الدوّارة لأي شيء لا يمكنها قطعه. هذا التلاصق قد يتسبب في توقف الشفرة على الفور و"اندفاع" الوحدة بعيداً عن الغرض الذي ارتطمت به. قد يكون رد الفعل هذا انفعلاً بما يكفي للتسبب في فقد تحكم المشغل في الوحدة. قد يحدث اندفاع الشفرة دون إنذار إذا علقت الشفرة أو تباطأت أو انثنت. عادة ما يحدث هذا في المناطق التي يكون من الصعب رؤية المواد التي يتم جزّها. لسهولة وأمان القطع، يكون الاقتراب من العشب الضار المراد قطعه بقاطع الأغصان من اليمين إلى اليسار. في حال الارتطام بشيء غير متوقع أو زناد خشبي، فهذا الأسلوب يقلل من رد الفعل الارتدادي للشفرة.

### الصيانة

**تحذير:** قبل فحص الوحدة أو تنظيفها أو صيانتها، أطفئ المحرك، وانتظر إلى أن تتوقف جميع الأجزاء المتحركة، ثم اخلع مجموعة البطارية. لأن عدم اتباع هذه التعليمات قد يؤدي إلى وقوع إصابات شخصية خطيرة أو تلف الممتلكات.

**تحذير:** استخدم فقط قطع غيار أصلية عند إجراء أعمال الصيانة. لأن استخدام أي أجزاء أخرى قد ينشأ عنه خطر أو يتسبب في تعرض المنتج للتلف. لضمان السلامة والاعتمادية، يجب تنفيذ جميع أعمال الإصلاح من قبل فني خدمة مؤهل.

### الصيانة العامة

تجنب استخدام المنظفات عند تنظيف الأجزاء البلاستيكية. غالبية المكونات البلاستيكية تكون سريعة التأثر بالأنواع المختلفة للمنظفات الموجودة بالسوق، وقد تتلف نتيجة استخدامها عليها. استخدم قطعة قماش نظيفة لإزالة الأوساخ والأتربة والزيت والشحم وما شابههم.

### تنظيف الآلة

- بعد كل استخدام للشفرة ثلاثية الأسنان/رأس الجزّارة، نظف العوالم وكامل التربة أو النباتات من الشفرة والوفاي باستخدام فرشاة ناعمة.
- **ملاحظة:** إذا أصبحت شفرة قطع الخيط غير حادة، يُرجى شحذها من قبل فني صيانة متخصص أو استبدالها بشفرة جديدة عند اللزوم.
- بعد كل استخدام لقاطع الأغصان، نظف وحدة الجزّ باستخدام قطعة قماش مبللة مع منظف خفيف.
- لا تستخدم أي منظفات قوية على الهيكل البلاستيكي أو المقبض.

**تحذير:** لا تقم بخلع أو تعديل تجميعه شفرة قطع الخيط. الطول الزائد في الخيط قد يتسبب في سخونة المفرطة للمحرك، ما قد يؤدي إلى التعرض لإصابات شخصية خطيرة.

### استبدال الخيط

**تحذير:** لا تقم أبداً باستخدام خيط معزز معدنيًا، أو سلك معدني، أو حبل، أو ما شابه ذلك. لأن تلك الأشياء قد تتقطع وتتسبب في تطاير أشياء خطيرة.

**ملاحظة:** احرص دائماً على استخدام خيط النايلون الموصى به والّا يتخطى قطره 2.7 مم. لأن استخدام خيط آخر غير الموصى به قد يتسبب في سخونة المفرطة للجزّارة العاملة بالخيط أو تعرضها للتلف.

1. اخلع قابس الطاقة من جزّارة السياج.
2. اخلع خيط الجزّ المتيقن، عند اللزوم.
3. اقطع خيط جزّ طوله 8 سم، وأدخل الخيط في فتحة التركيب الموجودة داخل الثقب (الشكل J3). ادفع الخيط واسحبه من الجانب الأخر حتى ظهور نفس الطول للخيط على كلا جانبي ملف الخيوط.
4. أثناء دوران تجميعه الغطاء السفلي في اتجاه السهم، اضغط لسحب الخيط على ملف الخيوط إلى أن يظهر حوالي 12 سم من الخيط على كل جانب (الشكل J4).
5. اضغط لأسفل على تجميعه الغطاء السفلي بينما تسحب من الخيوط لتدفع الخيط للأمام يدويًا وللتحقق من التجميع السليم لرأس الجزّارة.

عند انقطاع خيط الجزّ من فتحة الخيط، أو عدم تحرر خيط الجزّ عند نقر رأس الجزّارة، اتبع الخطوات أدناه:

1. اضغط على السنّة التحرير الموجودة بالغطاء العلوي، واخلع تجميعه الغطاء السفلي عن طريق سحبها للخارج بشكل مستقيم (انظر الشكل J5 و J6).
2. أخرج خيط القطع من ملف الخيوط.
3. بينما تمسك بإحدى يديك بتجميعه الغطاء السفلي، استخدم اليد الأخرى في الإمساك بتجميعه الغطاء السفلي ومحاذاة السنّة الموجودة بالغطاء العلوي مع الفتحات الموجودة في تجميعه الغطاء السفلي (الشكل J7)؛ استخدم راحة يدك في الضغط على تجميعه الغطاء السفلي إلى أن تتشبيك السنّة مع الغطاء العلوي.
4. اتبع التعليمات الواردة في قسم "استبدال الخيط" لإعادة تحميل خيط الجزّ.

### الاستخدام مع الشفرة المعدنية ثلاثية الأسنان

**تحذير:** لجزّ البراعم البرية والأغصان، اخفض الشفرة ثلاثية الأسنان الدوّارة لأسفل على البراعم لفرمها. استخدم قاطع الأغصان كمنجل (يدفعه جهة اليمين واليسار) على وجه الأرض. لا تستخدم وحدة الجزّ أعلى من ارتفاع الخصر.

**تحذير:** كلما ارتفعت وحدة الجزّ عن الأرض، كلما زاد خطر التعرض لإصابات من الأشياء المقطوعة المتطابرة على كلا الجانبين.

**تحذير:** عند قطع صفوف الأشجار الصغيرة والمواد الخشبية الأخرى التي يصل قطرها حتى 2 سم، استخدم الجانب الأيسر من الشفرة لتجنب حالات ارتداد الآلة. لا تحاول قطع المواد الخشبية التي لها قطر أكبر، حيث أن الشفرة قد تجعل قاطع الأغصان ينحسر أو يهتز. هذا قد يتسبب في تلف الشفرة أو قاطع الأغصان أو فقد



"OFF".

**⚠️ تحذير:** احرص دائماً على خلع مجموعة البطارية من الجرّازة العاملة بالخيوط أثناء الاستراحة وبعد الانتهاء من العمل.  
**استخدام قاطع الأغصان**

**⚠️ تحذير:** احرص على ارتداء ملابس ملائمة للحد من خطر التعرض لإصابات أثناء تشغيل قاطع الأغصان. لا ترتد ملابس أو مجوهرات غير ثابتة. ارتد أدوات حماية العينين والأذنين/السمع. احرص على ارتداء بنطال طويل متين وحذاء ذي رقبة وقفات. لا ترتد بناطيل قصيرة أو صنادل أو أن تكون حافي القدمين. قبل التشغيل، انظر حولك للتأكد من أمان منطقة العمل وعدم تواجد أي أشخاص أو حيوانات أو أي أشياء مفكوكّة. وحرصاً على أن يتواجدوا على مسافة لا تقل عن 15 متراً. وبعد ذلك، تحقق من أدوات حماية العينين والملابس الملائمة وثبات موضع القدمين.

قبل كل استخدام، افحص الأجزاء التالية/المتآكلة. افحص رأس الجرّازة والشفرة ثلاثية الأسنان والواقي وملحق الواقي ومقبض الدراجة، واستبدل أي أجزاء بها تشققات أو التواءات أو انتقادات أو تلف بأي شكل من الأشكال. قد تصبح شفرة قطع الخيط الموجودة على حافة ملحق الواقي غير حادة مع مرور الوقت. من الموصى به أن تقوم بشحذها من أنٍ لأخر باستخدام مبرد أو استبدالها بشفرة جديدة.

**نظف قاطع الأغصان بعد كل استخدام.**

**⚠️ تنبيه:** العوائق الموجودة في الفتحات قد تمنع الهواء من التدفق في هيكل المحرك، وهو ما قد يؤدي إلى السخونة المفرطة أو تلف المحرك.

- استخدم فقط صابوناً خفيفاً وقطعة قماش مبللة عند تنظيف الآلة. لا تسمح أبداً بدخول أي سوائل إلى داخل الآلة؛ ولا تعمر أي جزء منها في السوائل بأي حال من الأحوال.
- حافظ على خلخ فتحات الهواء الموجودة في هيكل المحرك من العوائق في جميع الأوقات.

**⚠️ تحذير:** تجنب استخدام المنظفات عند تنظيف الأجزاء البلاستيكية. غالبية الأجزاء البلاستيكية تكون عرضة للتلف بفعل أنواع متعددة من المنظفات السائلة المتاحة في الأسواق. استخدم قطع قماش نظيفة لإزالة الأوساخ والأتربة والزيت والشحم وما شابههم.

**الاستخدام مع رأس الجرّازة**

**تحقق من انسداد رأس الجرّازة**

- لمنع الانسداد، حافظ على نظافة رأس الجرّازة. قم بإزالة قصاصات العشب والأوراق والأوساخ وأي عوالق متراكمة أخرى قبل كل استخدام وبعده.
- عند حدوث انسداد، أوقف تشغيل جرّازة الخيط واخلع البطارية، ثم قم بإزالة أي عشب قد يكون ملفوفاً حول عمود المحرك أو رأس الجرّازة.

**تعديل طول خيط الجرّ**

رأس الجرّازة يتيح للمشغل تحرير المزيد من خيط الجرّ دون إيقاف المحرك بعد أن يصبح الخيط منسلاً أو مثاليًا، يمكن تحرير خيط إضافي عن طريق نفرة خفيفة بالية الجرّ على الأرض أثناء تشغيل الجرّازة.

**ملاحظة:** سيصبح تحرير الخيط أكثر صعوبة عندما يصبح خيط الجرّ قصيراً للغاية.

**الجرّ:** تستخدم في جرّ العشب الذي يصعب الوصول إليه باستخدام جرّازة عادية.

**تنبيه:** يجب استخدام الآلة في الأغراض المحددة لها فقط. أي استخدام آخر يعد حالة من حالات سوء الاستخدام.

**الإسكاف بقاطع الأغصان**

قبل توصيل البطارية المحمولة على الظهر في قاطع الأغصان، عليك أولاً حمل البطارية على ظهرك وتركيب وسادة الخصر لحمل صغيرة الأسلاك المحمولة على الظهر وفقاً لدليل الطراز BAX1500 والطرز AHP1500.

قم بتثبيت قاطع الأغصان في وسادة الخصر عن طريق توصيل الخطاف في فتحة التثبيت (الشكل K). هناك 8 فتحات عند العمود، بحيث يمكنك اختيار الفتحة المثالية للملائمة للتشغيل بالنسبة لك. أمسك الجرّازة العاملة بالخيوط بكلتا يديك على الجانب الأيمن من جسمك. ينبغي أن يكون رأس الجرّازة أو الشفرة موازياً للأرض على مسافة جرّ ملائمة دون اضطرار مشغل الآلة للانحناء.

يمكن تحرير قاطع الأغصان بطريقتين. حرر أيازيم الصدر والجزام (الشكل L1) أو اضغط على خطاف وسادة الخصر وافصله عن فتحة التثبيت الموجودة بالعمود.

**⚠️ تحذير:** عند حدوث أمر طارئ؛ تحرير أيازيم الصدر والجزام هو طريقة التحرير الأسرع لخلع قاطع الأغصان.

**⚠️ تحذير:** يجب ألا تستخدم جزام الكفف المفرد وجزام الكفف المزود مع البطارية المحمولة على الظهر بشكل متزامن.

**لا تستخدم الآلة إلا مع مجموعات بطارية وشواحن EGO المدرجة في الشكل A2.**

**تركيب مجموعة البطارية (الشكل L2)**

قم بمحاذاة ▲ الموجود بالقياس مع ▲ الموجود بقاطع الأغصان. أدخل القياس في الآلة إلى أن تختفي السدادة الخضراء بأكملها في المقيس.

**للخلع**

حرر سلك البطارية من تجويف التركيب، واسحب القابض للخارج من قاطع الأغصان.

**بدء تشغيل/إيقاف قاطع الأغصان**

**لبدء التشغيل**

انقل زر القفل إلى وضع التشغيل "ON" (الشكل M). حرك المفتاح الزنبركي الصغير لأعلى، ثم اضغط على مفتاح السرعة الزنبركي لبداية تشغيل قاطع الأغصان. الضغط المختلف على الزناد يؤدي إلى سرعة دوران مختلفة لوحدة الجرّ.

الشكل L1 وM انظر أدناه للتعرف على شرح الأجزاء:

L-1	إيزيم الصدر	M-1	زر القفل
L-2	إيزيم الجزام	M-2	المفتاح الزنبركي الصغير
L-3	خطف	M-3	مفتاح السرعة الزنبركي

**للإيقاف**

حرر مفتاح السرعة الزنبركي وأعد دفع زر القفل إلى وضع الإيقاف

وباليد الأخرى أمسك مفتاح الربط متعدد الوظائف واربط به الصامولة وفقاً لإتجاه أيقونة السهم الموضحة على الشفة الخارجية (الشكل 14).

## استبدال الشفرة ثلاثية الأسنان برأس الجزارة

تعرف على وحدة جز الشفرة ثلاثية الأسنان على النحو الموضح في الشكل 1. وبعد ذلك، قم بتجميع الشفرة ثلاثية الأسنان، وركب رأس الجزارة على قاطع الأغصان.

1. أدر الشفرة كي تُحاذي الفتحة الموجودة في الشفة مع فتحة قفل العمود الموجودة في صندوق ناقل الحركة، وأدخل قضيب موازنة في الفتحة.
2. ضع صندوق ناقل الحركة على سطح صلب كي يدعمه. أمسك عمود قاطع الأغصان بإحدى يديك، وباليد الأخرى أمسك مفتاح الربط متعدد الوظائف وفك به الصامولة في اتجاه عقارب الساعة (الشكل 14).
3. اخلع الصامولة والشفة الخارجية والشفرة قاطع الأغصان (الشكل J2).

عمود	J-5	الشفة الخارجية
J-2	J-6	صامولة
J-3	J-7	فتحة في الشفة
J-4		شفرة ثلاثية الأسنان

- ملاحظة:** عند عدم استخدام الشفرة ثلاثية الأسنان، ولمنع التعرض لإصابات شخصية، قم بوضع الشفرة في غلافها.
4. قم بتركيب ملحق الوافي في قاطع الأغصان عن طريق ربط المسامير الثلاثة مع الوردة (الشكل H).
  5. أدر رأس الجزارة عكس اتجاه عقارب الساعة لتركيبه (الشكل G). اتبع التعليمات الواردة في قسم "استبدال الخيط" لتحميل خيط الجزر.
- ملاحظة:** عدم لف الخيط في الإتجاه المشار إليه قد يؤدي إلى تشغيل رأس الجزارة بشكل غير صحيح.

## التشغيل

- تحذير:** لا تسمح لاعتيادك على تشغيل هذا المنتج أن يجعلك مستهتراً عند التعامل معه. ولا تنس أن الاستهتار لجزء من الثانية كافٍ للتسبب في حدوث إصابات خطيرة.
- تحذير:** ارتد بشكل دائم أدوات حماية العينين، بالإضافة إلى أدوات حماية السمع. قد ينجم عن عدم الامتثال لذلك دخول أشياء في عينيك، واحتمالية وقوع إصابات خطيرة.
- تحذير:** لا تستخدم أي مرفقات أو ملحقات سوى تلك الموصى بها من قبل الشركة الصانعة لهذا المنتج. لأن استخدام مرفقات أو ملحقات غير موصى بها قد يؤدي إلى وقوع إصابات شخصية خطيرة.

## الاستخدامات

- يمكن استخدام هذا المنتج تحت الأمطار.
- يمكنك استخدام هذا المنتج للأغراض الموضحة أدناه:
- جز السياج:** تستخدم في إزالة العشب والحشائش الضارة الموجودة عند الجدران والأسوار والأشجار والحدود.

## تركيب مقبض الدراجة وضبطه

قاطع الأغصان يكون مخزنًا على النحو الموضح في الشكل B. قم أولاً بفك المسمار المنحني الموجود بمفصل الربط، ثم ارفع مقبض الدراجة بزواوية 180 درجة حول العمود (الشكل C)، وأدره بزواوية 90 درجة عكس عقارب الساعة إلى أن تجعله موجهًا لرأس المصد (الشكل D). وفي النهاية، حركه للخلف وللأمام للوصول إلى وضع تشغيل مريح، ثم اربط المسمار المولوب.

**ملاحظة:** غير مسموح بتشغيل الآلة إلا ومقبض الدراجة عمودي على العمود.

## تركيب الوافي

- تحذير:** احرص دائمًا على ارتداء قفازات عند تركيب الوافي أو استبداله. كن حذرًا من الشفرة الموجودة عند الوافي، واحم يديك من التعرض للجرح.
- تحذير:** لا يجب مطلقًا تشغيل الآلة من دون تثبيت الوافي بإحكام في مكانه. يجب تركيب الوافي دائمًا في الآلة لحماية المستخدم! عندما يكون الوافي مثبتًا، لا تحاول أبدًا خلع الوافي أو تعديل وضعه؛ وعند الحاجة لاستبداله، ينبغي أن يقوم بذلك فني صيانة متخصص!
- فك المسامير من الوافي (الشكل E) واخلعهما، ثم قم بمحاذاة فتحات تركيب الوافي مع فتحات التجميع، ثم ثبت الوافي على قاعدة العمود بالمسامير، بالإضافة للوردتين الزنبركيتين (الشكل F).
- تحذير:** احرص على تثبيت الوافي وفقًا للشكلين F، لأن أي تثبيت يخالف ذلك قد يتسبب في مخاطر كبيرة!

**تحذير:** عندما يكون قاطع الأغصان مجهزًا برأس جزارة، يجب تركيب ملحق الوافي على الوافي. عدم الالتزام قد يؤدي إلى خيط جزر أطول من اللازم، مما يضر حملًا زائدًا على المحرك.

## استبدال رأس الجزارة بالشفرة ثلاثية الأسنان

1. اخلع قابس الطاقة من جزارة السياج.
  2. أدر رأس الطاقة كي تُحاذي الفتحة الموجودة في الشفة مع فتحة قفل العمود الموجودة في صندوق ناقل الحركة، وأدخل قضيب موازنة في الفتحة (الشكل G).
  3. أدر رأس الجزارة في اتجاه عقارب الساعة لفكها (الشكل G).
  4. اخلع ملحق الوافي عن طريق فك المسامير الثلاثة مع الوردة (الشكل H).
  5. يتم توريد الشفرة وعليها غلاف خاص بها. قبل تركيب الشفرة في قاطع الأغصان، يجب خلع الغلاف عن طريق فك سلك المشبك من الخطاف الموجود بالغلاف (الشكل I1).
- ملاحظة:** للحماية من الإصابات، يجب عليك ارتداء قفازات قبل أي تشغيل للآلة مع وجود الشفرة ثلاثية الأسنان.
6. قم بتركيب الشفة الداخلة وغطاء الشفة في المكان المناسب (الشكل I2).
  7. قم بتركيب الشفرة على عمود المحرك، مع التأكد من استواء سطح الشفرة مع سطح نتوء الشفة الداخلية. قم بتركيب الشفة الخارجية والصامولة (الشكل I3). اربط الصامولة بشكل مسبق عكس اتجاه عقارب الساعة باليد.
  8. ضع صندوق ناقل الحركة على سطح صلب كي يدعمه. أمسك عمود قاطع الأغصان بإحدى يديك،

## المواصفات

6. مسمار منجنج
7. خطاف
8. مقبض
9. اللوح الواقي
10. مقبض الدراجة
11. مسمار القفل
12. فتحة قفل العمود
13. شفرة قطع الخيط
14. ملحق الواقي
15. شفرة ثلاثية الأسنان
16. غلاف الشفرة
17. الشفة الخارجية
18. صامولة
19. مفتاح ربط متعدد الوظائف
20. مفتاح ربط سداسي (الانكيه)
21. \*وسادة الخصر (يباع مفردًا)

وحدة الجرّ	رأس الجزارة	شفرة معدنية ثلاثية الأسنان
الجهد الكهربائي	56 فولت	56 فولت
السرعة بدون حمل	5800-4000 دقيقة	5800-4000 دقيقة
درجة حرارة التشغيل الموصى بها:	0 - 40 درجة مئوية	
درجة حرارة التخزين الموصى بها:	-20 - 70 درجة مئوية	
نوع خيط الجرّ	2.4 مم	/
شفرة القطع	/	ABB1203
عرض الجرّ	38 سم	30 سم
الوزن	6.8 كجم	6.46 كجم
ردفمًا توصلا توريوسم $L_{VA}$	95 ديسيبل (A) 1.1=K	96.3 ديسيبل (A) 2.1=K
دذعتوصلا تخطوي وتسم $L_{PA}$ كلاً ل غشمُن ذًا	82 ديسيبل (A) 2.5=K	83.4 ديسيبل (A) 4.1=K
مستوى قوة الصوت المضمون $L_{WA}$ (وفقًا للمعيار 2000/14/EC)	96 ديسيبل (A)	98 ديسيبل (A)
الاهتزاز $a_h$	مقبض الأيسر	1.9 م/ثانية <sup>2</sup> 1.5=K
	مقبض الأيمن	1.5 م/ثانية <sup>2</sup> 1.5=K

**⚠ تحذير:** لا يجب أبدًا تشغيل الآلة دون تثبيت الواقي بإحكام في مكانه. يجب أن يكون الواقي دائمًا على الآلة لحماية المستخدم.

**⚠ تحذير:** عندما تكون الآلة مجهزة برأس جزارة، يجب تركيب ملحق الواقي مع شفرة قطع الخيط على الواقي. عدم الالتزام بذلك سيؤدي إلى خيط جزأ طول من اللازم، ما يضع حملًا زائدًا على المحرك. لا تستخدم أبدًا رأس الجزارة دون ملحق الواقي.

## التجميع

**⚠ تحذير:** إذا حدث تلف أو فقد في أي أجزاء، لا تقم بتشغيل قاطع الأغصان إلا بعد استبدال تلك الأجزاء. حيث أن استخدام قاطع الأغصان مع وجود أجزاء تالفة أو مفقود قد يؤدي إلى وقوع إصابات شخصية خطيرة.

**⚠ تحذير:** لا تحاول إجراء أي تعديلات على قاطع الأغصان أو ابتداء ملحقات غير موصى بها للاستخدام مع هذا المنتج. أي تغيير أو تعديل من هذا النوع يعتبر سوء استخدام، وقد يؤدي إلى وضع خطير قد يتسبب في وقوع إصابات شخصية خطيرة محتملة.

**⚠ تحذير:** احرص دائمًا على ارتداء قفازات ثقيلة أثناء تركيب الواقي أو خلعه، وأثناء إجراء أي صيانة على الشفرة ثلاثية الأسنان/شفرة قطع الخيط. احذر شفرة قطع الخيط الموجودة على ملحق الواقي/الشفرة ثلاثية الأسنان، كي تحمي يديك من التعرض للإصابة بواسطة كلتا الشفرتين.

**⚠ تحذير:** لمنع بدء التشغيل غير المقصود، والذي قد يؤدي إلى وقوع إصابات شخصية خطيرة، احرص دائمًا على خلع مجموعة البطارية من الآلة عند تجميع الأجزاء، أو عمل التعديلات، أو التنظيف، أو عند عدم الاستخدام.

**⚠ تحذير:** لا يجب أبدًا تشغيل الآلة دون تثبيت الواقي ومقبض الدراجة بإحكام في مكانه. عدم الامتثال لذلك قد يؤدي إلى التعرض المحتمل لإصابات شخصية خطيرة.

- القيمة الكلية للاهتزاز الموضحة تم قياسها وفقًا لطريقة اختبار قياسية وقد تستخدم لمقارنة أداة بأخرى؛
  - كما يمكن استخدام القيمة الكلية للاهتزاز الموضحة في التقييم التمهيدي للتعرض.
- ملاحظة:** قد تختلف انبعاثات الاهتزاز أثناء الاستخدام الفعلي للآلة العاملة بالطاقة عن القيمة المعلنة التي يتم استخدام الآلة فيها؛ ولحماية مشغل الآلة، ينبغي على المستخدم ارتداء قفازات وواقبات للأذن في ظروف الاستخدام الفعلية.

## قائمة المحتويات (الشكل A1)

### الوصف

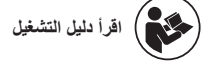
#### تعرف على قاطع الأغصان (الشكل A1)

1. الجزارة العاملة بالخيط
2. تجميع الواقي
3. عمود
4. الزناد
5. زر القفل

## رموز السلامة

**⚠ تحذير:** قد يؤدي تشغيل أي آلة عاملة بالطاقة إلى دخول أي أشياء غريبة في عينيك، وهو ما قد يؤدي إلى إلحاق أضرار خطيرة بالعين. قبل بدء تشغيل الآلة العاملة بالطاقة، احرص دائماً على ارتداء واقبات العينين أو نظارات حماية العينين ذات دروع جانبية، ودرع واقي لكامل الوجه عند اللزوم. نوصي بارتداء قناع السلامة واسع الرؤية لاستخدامه فوق نظارات العين أو نظارات السلامة العادية ذات الدروع الجانبية.

## اقرأ جميع التعليمات!



للحد من خطر التعرض لإصابة، ينبغي على المستخدم قراءة دليل التشغيل.

تنبيه سلامة

ارتد أدوات حماية الأذنين

ارتد أدوات حماية العينين

ارتد أدوات حماية اليدين

ارتد أدوات حماية الرأس

احذر الأشياء المتطايرة

ارتد أحذية مقاومة للانزلاق

افصل البطارية قبل إجراء أعمال الصيانة

احذر من قوة اندفاع الشفرة

هذا المنتج متوافق مع توجيهات شهادة الجودة الأوروبية (CE) المعمول بها.

يجب ألا تقل المسافة بين الآلة والأشخاص الواقفين عن 15 متراً.

هذا المنتج متوافق مع تشريعات المملكة المتحدة المعمول بها.

مستوى قوة الصوت المضمن. انبعاثات الضوضاء في البيئة وفقاً لتوجيه الاتحاد الأوروبي.

V الجهد الكهربائي

لا يجب التخلص من الأجهزة الكهربائية المستهلكة في النفايات المنزلية. توجه بالجهاز إلى مركز إعادة تدوير معتمد.

.../min في الدقيقة

kg كيلوجرام

η<sub>0</sub> السرعة بدون حمل سرعة الدوران، بدون حمل

IPX5 الحماية ضد نفثات الماء

تيار مستمر

## איתור וטיפול בבעיות

פתרון	פתרון הסיבה	בעיה
<ul style="list-style-type: none"> <li>החדירו שוב את תקע הסוללה אל גוזם הגדרות.</li> <li>הטעינו את מארז הסוללה עם המטען הנכון.</li> <li>לפני השימוש בגוזם, וודאו שכפתור הנעילה שלו פתוח.</li> </ul>	<ul style="list-style-type: none"> <li>מארז הסוללה איננו מחובר אל גוזם המברשת או שאין שום חיבור חשמלי בין גוזם המברשת והסוללה.</li> <li>קיבולת מארז הסוללה ריקה.</li> <li>כפתור הנעילה איננו נמצא במצב "פועל" לפני לחיצה על רמות המתג.</li> </ul>	המכשיר איננו פועל
<ul style="list-style-type: none"> <li>אפשרו למארז הסוללה או למכסחה להתקרר עד לטמפרטורה נורמלית.</li> <li>המנוע יחזור לפעילות רגילה ברגע בו העומס יוסר. עבור שימוש ממושך, הפחיתו את העומס על המכשיר.</li> <li>התקינו מחדש את מארז הסוללה.</li> <li>הטעינו את מארז הסוללה עם המטען הנכון.</li> </ul>	<ul style="list-style-type: none"> <li>מארז הסוללה או גוזם המברשת חמים מדי.</li> <li>ישנו עומס יתר בגוזם המברשת.</li> <li>מארז הסוללה מנותק מן המכשיר.</li> <li>קיבולת מארז הסוללה ריקה</li> </ul>	המכשיר הפסיק את פעולתו.
<ul style="list-style-type: none"> <li>הסירו את בורג האיטום והוסיפו שמן סיכה.</li> <li>געו קלות בידית הבליטה עם הקרקע בעת הפעלה של הגוזם.</li> <li>החליפו להב חדש.</li> </ul>	<ul style="list-style-type: none"> <li>תיבת הילוכים יבשה</li> <li>חוט חיתוך לא מאוזן.</li> <li>הלהב בעל 3 השיניים כפוף או ניזוק</li> </ul>	ישנו יתר רטט רעש
<ul style="list-style-type: none"> <li>הרכיבו חוט חיתוך חדש אל גוזם המברשת.</li> <li>הסירו את חוט החיתוך והרכיבו מחדש את חוט החיתוך.</li> </ul>	<ul style="list-style-type: none"> <li>חוט החיתוך בראש הגוזם נגמר.</li> <li>חוט החיתוך לא הותקן כהלכה.</li> </ul>	לא ניתן לשחרר את חוט החיתוך.

## אחריות

### EGO מדיניות האחריות של

אנא בקרו באתר [egopowerplus.eu](http://egopowerplus.eu) עבור התנאים וההתניות השלמים של מדיניות האחריות של EGO.

## חידוד של להב חותך החוט

- ⚠ אזהרה:** הגנו תמיד על הידיים שלכם על ידי לבישת כפפות מוצקות בעת ביצוע כל פעולת תחזוקה בלהב חותך החוט.
1. הסירו את להב חותך החוט מן המגן.
  2. השתמשו בהגנת עיניים מתאימה וכפפות והיו זהירים לא לחתוך את עצמכם.
  3. החזיקו את הלהב בעזרת מלחציים.
  4. השתמשו בפצירה לשיני הלהב על מנת לחדד בזהירות את קצוות הלהב או באבן חידוד, כאשר אתם שומרים על הזווית המקורית של קצה החיתוך.
  5. הניחו מחדש את הלהב על גבי המגן והבטיחו אותו במקומו עם שני הברגים.

## אחסון המכשיר

- הסירו את מארז הסוללה מן המכשיר.
- השתמשו בכפפות כבדות על מנת לנקות את המכשיר ביסודיות.
- הרכיבו את נדן הלהב אל תוך להב בעל 3 השיניים לאחסון בטוח (ממונה N).
- אחסנו את היחידה במקום יבש, מאוורר היטב, נעולה או המקום גבוה, הרחק מהישג ידם של ילדים. אל תאחסנו את המכשיר קרוב לחומרי דשן, חומרי דלק או כימיקלים אחרים.
- **הודעה:** אל תפעילו את גוזם הגדרות שלכם עם להבים קהים או ניזוקים. הדבר יכול לגרום לעומס יתר ולתוצאות חיתוך בלתי מספקות.

## לשמור על הסביבה

אל תזרקו ציוד חשמלי, מטעני סוללות וסוללות ביחד עם אשפה ביתית! קחו מוצרים אלו למרכז מחזור מוסמך ו-וודאו שהם זמינים לאיסוף בנפרד. יש להחזיר כלים חשמליים אל מתקן מחזור המתאים לסביבה.



## תחזוקה

**⚠ אזהרה:** לפני בדיקה, ניקיון או עבודות שירות עבור היחידה, עצרו את המנוע, חכו שכל החלקים הנעים יפסיקו את פעולתם והסירו את מארז הסוללה. אם לא תעשו זאת, התוצאה עלולה פציעה אישית חמורה או נזק לרכוש.

**⚠ אזהרה:** במקרה של עבודות תיקון, השתמשו רק בחלקי חילוף זהים. שימוש בחלקי חילוף אחרים עלול לגרום לסכנה או נזק למוצר. על מנת להבטיח בטיחות ואמינות, יש לבצע את כל התיקונים וההחלפות בעזרת טכנאי שירות מוסמך.

## תחזוקה כללית

הימנעו משימוש בממסים כאשר אתם מנקים חלקי פלסטיק. רוב חלקי הפלסטיק עלולים להינזק מסוגים שונים של ממסים מסחריים ועל ידי השימוש בהם. השתמשו במטליות נקיות על מנת להסיר לכלוך, אבק, שמן, חומר סיכה וכו'.

## ניקיון המכשיר

לאחר השימוש בלהב בעל 3 השיניים / ראש הגוזם, נקו את הפסולת, חלקי קרקע תקועים או דשא על הלהב והמגן על מברשת רכה.

**הודעה:** כאשר להב חותך החוט הופך להיות קהה, אנא חדדו אותו בעזרת טכנאי שירות מוסמך או החליפו הלהב חותך חוט חדש אם יש צורך בכך.

- לאחר כל שימוש בגוזם המברשת, נקו את יחידת החיתוך על ידי שימוש במטלית לחה עם סבון עדין.
- אל תעשו שימוש בחומרי ניקוי חזקים על תא הפלסטיק או על גבי הידיה. עלול להיגרם להם נזק על ידי שמנים ארומטיים למיניהם, כגון אורן או לימון, או על ידי ממסים כגון קרוסין. לחות עלולה גם לגרום לסכנת שוק חשמלי. נקו כל לחות על ידי מטלית רכה יבשה.
- עשו שימוש במברשת קטנה או במברשת עם זרם האוויר של שואב אבק קטן על מנת לנקות את פתחי האוויר על התא האחורי.

## שימון תיבת ההילוכים

עבור הביצועים הטובים ביותר וחיים ארוכים יותר, שמנו את תיבת ההילוכים על חומר סיכה מיוחד (4-5 גרם בכל פעם) לאחר כל 50 שעות הפעלה.

על חומר הסיכה המיוחד לעמוד בדרישות הבאות.

1. להיות שייך אל DIN51818: NLGI-1 דרגת חדירת חרוט.
2. חומר סיכה על בסיס אסטר.
3. טמפרטורת הפעלה מאוד נמוכה, EP, גיזום מכני, עמידות לשרשיות ומאפייני יציבות כימיונית.
4. טמפרטורת פעולה בין 40°C ל-180°C.

הסירו את תקע הסוללה ואת בורג האיטום. שמנו את תיבת ההילוכים דרך חור השמן.

**⚠ אזהרה:** אל תשמנו כאשר גוזם המברשת עדיין מחובר אל הסוללה או פועל.

התחתון עד אשר הלשוניות ננעלות עם המכסה העליון.  
4. עקבו אחר ההוראות בחלק "החלפת חוט החיתוך" על מנת להטעין מחדש את חוט החיתוך.

#### השימוש בלהב בעל 3 השיניים

**⚠ אזהרה:** על מנת לגזום צמחייה פראית ושיחים, הנמיכו את הלהב בעל 3 השיניים המסתובב אל הצמחייה על מנת להשיג את אפקט הקיצוץ. השתמשו בגוזם המברשת כמו בחרמש (טטאו לימין ולשמאל) ברמת הקרקע. לעולם אל תחזיקו את יחידת החיתוך מעל לקו המותניים.

**⚠ אזהרה:** ככל שהיחידה נמצאת גבוה יותר מעל הקרקע, כך הסיכון לפציעה מפני עצמים הנזרקים הצידיה גדול יותר.

**⚠ אזהרה:** בעת חיתוך של צמחייה צעירה או חומרים מעץ בקוטר של פחות מ-2 ס"מ, עשו שימוש בחלק השמאלי של הלהב על מנת למנוע מצבים של נעיצת להב. אל תנסו לחתוך חומרים מעץ עם קוטר גדול יותר, הלהב עלולה להיתפס או לטלטל את גוזם המברשת קדימה. הדבר עלול לגרום נזק ללהב או לגוזם המברשת או לאבדן שליטה על גוזם המברשת, ולגרום לפציעה אישית.

**⚠ אזהרה:** שימוש לא נכון בלהב עלול לסדוק, לרסק או לשבור את הלהב. חלקים הנזרקים עלולים לפצוע באופן חמור את המפעיל או עוברי אורח. על מנת להפחית את הסיכון לפציעה אישית, חשוב מאוד לנקוט באמצעי הבטיחות הבאים:

- הימנעו ממצע עם עצמים זרים קשים או מוצקים כגון אבנים, סלעים או חלקי מתכת.
- לעולם את תחתוכו עצים או שיחים עם קוטר גבעול העולה על 2 ס"מ.
- בדקו את הלהב בטווחים סדירים וקצרים עבור סימנים של נזק. אל תמשיכו את העבודה עם להב ניזוק.
- חדדו מחדש את הלהב באופן סדיר (כאשר אפשר לראות שהוא קהה) ואזנו בעת הצורך (פעולה המתבצעת על ידי טכנאי שירות מוסמך).

#### נעיצת להב

היו זהירים במיוחד בעת השימוש בלהב בעל 3 השיניים עם יחידה זו. נעיצת להב היא התגובה אשר עלולה להתרחש כאשר הלהב המסתובב בא במגע עם עצם אשר לא ניתן לחתוך. מגע זה עלול לעצור את הלהב לרגע ולפתע "לנעוץ" את היחידה ולזרוק אותה מן העצם אשר נפגע. תגובה זו עלולה להיות מספיק אלימה על מנת לגרום למפעיל לאבד שליטה על היחידה. נעיצת להב עלולה להתרחש ללא אזהרה עם הלהב נקרע, נתקע או נכרך. נעיצת להב עלולה להתרחש בסביבות בהם קשה לראות את החומר הנחתך. עבור חיתוך קל ובטוח, התקרבו אל העשבים שיש לחתוך עם גוזם המברשת מן הימין אל השמאל. במקרה של מגע עם עצם בלתי צפוי או ענף עץ, תנועה זו יכולה להפחית את תגובת נעיצת הלהב.

- כדי למנוע חסימה, שמור על ראש הגוזם נקי. הסירו גזרי דשא, עלים, לכלוך וכל פסולת אחרת שהצטברה לפני ואחרי כל שימוש.
- כאשר החסימה מתרחשת, עצרו את גוזם הקו והסירו את הסוללה, ולאחר מכן הסירו את כל הדשא שאולי טעף את עצמו סביב מוט המנוע או ראש הגוזם.

#### כוונן ארוך חוט החיתוך

ראש הגוזם מאפשר למפעיל לשחרר יותר חוט חיתוך ללא עצירת המנוע. כאשר חוט החיתוך הופך להיות משופשף או מראה סימני בלאי, ניתן לשחרר חוט חיתוך נוסף על ידי לחיצה קלה של מנגנון החיתוך על הקרקע בעת הפעלת הגוזם.

**הודעה:** שחרור החוט יהפוך להיות קשה יותר ככל שחוט החיתוך יהפוך להיות קצר יותר.

**⚠ אזהרה:** לעולם אל תסירו או תשנו את מערך הלהב חוט החיתוך. חוט חיתוך ארוך מדי יגרום לחימום יתר של המנוע עלול לגרום לפציעה אישית חמורה.

#### החלפת חוט החיתוך

**⚠ אזהרה:** לעולם אין לעשות שימוש בחוט המחוזק על ידי מתכת, כבל, חבל וכדומה. דברים אלו עלולים להתנתק מן הגוזם ולהוות סכנה.

**הודעה:** השתמשו בחוט החיתוך המתאים מניילון עם היקף אשר לא יעלה על 2.7 מ"מ. שימוש בחוט חיתוך אחר מאשר חוט החיתוך המצוין עלול לגרום לחימום יתר של גוזם החוט או לנזקים נוספים.

1. הוציאו את תקע החשמל מגוזם החוט
2. הסירו את חוט החיתוך הנוטר, אם יש צורך בכך.
3. חתכו 8 מ' של חוט חיתוך והכניסו את החוט אל חור ההרכבה בתוך העינית (איור J3). דחפו ומשוך את החוט מן הצד השני עד אשר יופיעו אורכים זהים של חוט משני צדדי הסליל.
4. לחצו, ביעוד אתם מסובבים את מכסה ההרכבה התחתון בכיוון החץ, על מנת ללפף את החוט מסביב לסליל עד אשר בערך 12 ס"מ של חוט יישארו בכל צד (איור J4).
5. לחצו על מכסה ההרכבה התחתון כלפי מטה בעוד אתם מושכים את החוטים באופן ידני על מנת לקדם את החוט ולבדוק אם ראש הגוזם הורכב באופן נכון.

כאשר חוט החיתוך יוצא מיציאת החוט או כאשר חוט החיתוך איננו משתחרר בלחיצה על ראש הגוזם, בצעו את ההוראות בשלבים הבאים:

1. לחצו על לשוניות השחרור על המכסה העליון והסירו את מכסה ההרכבה התחתון על ידי משיכתו החוצה בקו ישר (איור J5-J6).
2. הסירו את חוט החיתוך מן הסליל.
3. עם יד אחת המחזיקה את מכלול המכסה התחתון, השתמשו ביד השנייה כדי לאחוז במכלול המכסה התחתון ויישרו את הלשוניות על המכסה העליון עם החורים במכלול ההרכבה התחתון (איור J7); השתמשו בכף היד שלכם על מנת ללחוץ על מכלול המכסה

העבירו את כפתור הנעילה למצב "פועל" (תמונה M).  
 הזיזו את ההדק הקטן כלפי מעלה ולאחר מכן לחצו על  
 מתג ההדק על מנת להפעיל את גוזם המברשת. תוצאה  
 של לחץ שונה על ההדק תהיה מהירויות סיבוב שונות של  
 יחידת החיתוך.  
 ראו למטה תיאור חלקים בתמונות M-1 ו-L1:

L-1	אבזם חזה	M-1	כפתור נעילה
L-2	אבזם חגורה	M-2	הדק קטן
L-3		M-3	מתג הדק

### על מנת לכבות

שחררו את מתג ההדק והעבירו את כפתור הנעילה חזרה  
 למצב "כבוי"

**⚠ אזהרה:** הסירו תמיד את מארז הסוללה מגוזם  
 הדשא בעת הפסקות ולאחר סיום העבודה.

### שימוש בגוזם המברשת

**⚠ אזהרה:** לבשו בגדים מתאימים על מנת להפחית  
 את הסיכון לפציעות בעת השימוש בגוזם המברשת. אל  
 תלבשו בגדים רפויים או תכשיטים. השתמשו בהגנה  
 לעיניים / אוזניים. לבשו בגדים כבדים, מכנסיים ארוכים,  
 מגפיים וכפפות. אל תלבשו מכנסיים קצרים, סנדלים או  
 הפעילו כאשר אתם יחפים. לפני ההפעלה, הביטו מסביב  
 על מנת להבטיח אזור עבודה בטוח ללא אנשים אחרים,  
 חיות או עצמים משוחררים אחרים. וודאו שהם נמצאים  
 במרחק של לפחות 15 מ'. ולאחר מכן בדקו הגנה על  
 העיניים, לבוש מתאים ועמידה מאוזנת.

לפני כל שימוש, בדקו עבור חלקים עם בלא/ניזוקים.  
 בדקו את ראש הגוזם, את הלהב בעל 3 השיניים, את  
 המגן, אביזר המכן ואת ידית האופן והחליפו את החלקים  
 הסדוקים, המלופפים, המעוקלים או הניזוקים ככל צורה  
 שהיא. להב חוט החיתוך בקצה המגן הופך להיות קשה  
 עם הזמן. מומלץ להשחזר את להב חוט החיתוך בעזרת  
 פצירה או החליפו בלהב חדש.

### לאחר כל שימוש, נקו את גוזם המברשת

**⚠ אזהרה:** מחסומים בפתחי האוורור ימנעו מן האוויר  
 לזרום אל תוך המנוע והתוצאה תהיה חימום יתר או  
 נזקים למנוע.

- השתמשו רק בסבון עדין ובמטלית לחה על מנת  
 לנקות את המכשיר. לעולם אל תרשו לנוזלים להיכנס  
 אל תוך המכשיר; לעולם אל תטבילו כל חלק של  
 המכשיר בתוך נוזלים.
- שימרו על פתחי האוורור בתא המנוע נקיים מפני  
 חלקי אשפה.

**⚠ אזהרה:** הימנעו משימוש בממסים כאשר אתם מנקים  
 את חלקי הפלסטיק. רוב חלקי הפלסטיק עלולים להינזק  
 מסוגים שונים של ממסים מסחריים. השתמשו במטליות  
 נקיות על מנת להסיר לכלוך, אבק, שמן, חומר סיכה וכו'  
**שימוש עם ראש הגוזם**

**בדקו אם יש חסימה של ראש הגוזם**

**⚠ אזהרה:** אל תעשו שימוש בחיבורים או אביזרים  
 אשר לא הומלצו על ידי יצרן מוצר זה. השימוש בחיבורים  
 או אביזרים אשר לא הומלצו על ידי היצרן עלול לגרום  
 לפציעה חמורה.

### יישומים

ניתן להשתמש במוצר בגשם.

ניתן להשתמש במוצר אך ורק לצורך המטרות המפורטות  
 להלן:

**גזיזום:** משמש להסרת דשא ועשבים כנגד קירות, גדרות,  
 עצים ושוילים.

**חיתוך:** משמש לחיתוך דשא אשר קשה להגיע אליו עם  
 מכסחות דשא רגילות.

**הודעה:** יש להשתמש במכשיר רק עבור המטרות להן  
 הוא יועד. כל שימוש אחר ייחשב לשימוש בלתי הולם.

### אחיזה של גוזם המברשת

לפני חיבור סוללת הגב אל גוזם המברשת, לבשו את  
 סוללת הגב שלכם והרכיבו את לוחית המותניים עם  
 רצועת תיק הגב שלכם כאשר אתם מעיינים במדריכים  
 עבור BAX1500 ו-AHP1500.

הרכיבו את גוזם המברשת עם לוחית המותניים שלכם  
 על ידי חיבורו אל חור ההרכבה (תמונה K). יישנם 8  
 חורים על המוט, בחרו בחור המתאים ביותר עבור שימוש  
 נוח.

החזיקו את גוזם החוט עם שני הידיים בחלק הימני של  
 הגוף שלכם. על ראש הגוזם או הלהב להיות מקבילים  
 לקרקע במרחק חיתוך מתאים ללא צורך שהמפעיל  
 יתכופף.

שחררו של גוזם המברשת יכול להתבצע בשתי דרכים.  
 שחררו את אבזמי החזה והחגורה (תמונה L1) או לחצו  
 על הוו של לוחית המותניים והוציאו אותה מחור ההרכבה  
 על גבי המוט.

**⚠ אזהרה:** בעת מצבי חירום, שחררו אבזמי החזה  
 והחגורה היא השיטה המהירה ביותר לשחרר את גוזם  
 המברשת.

**⚠ אזהרה:** נא לא להשתמש ברצועת כתף אחת  
 וברצועת כתף כפולה עם סוללת גב בעת ובעונה אחת.

### השתמשו רק במארזי הסוללה והמטענים של EGO המפורטים באיור A2

### על מנת להתקין את מארז הסוללה (תמונה L2)

יישרו א **▲** של התקע יחד עם **▲** של גוזם המברשת.  
 החדירו את התקע אל המכונה עד אשר החותם הירוק  
 נעלם לגמרי בשקע.

### על מנת להסיר

שחררו את כבל הסוללה מחריץ ההרכבה ומשכו את  
 התקע מגוזם המברשת.

### הפעלה/כיבוי של גוזם המברשת

### על מנת להפעיל



## הרכבה וכוננון של ידית האופן

גוזם המברשת מאוחסן כפי שניתן לראות בתמונה B. תחילה, שחררו את בריח הכנף הנמצא בחיבור הצומת ולאחר מכן הרימו את ידית האופן 180° מסביב למוט (תמונה C), סובבו אותה 90° נגד כיוון השעון על מנת שהיא תפנה אל ראש הבליטה (תמונה D). לבסוף, הזיזו קדימה ואחורה על מנת להשיג עמדת עבודה נוחה והדקו את הבריח.

**הודעה:** מותרת רק הפעלת המכונה עם ידית האופן באופן ניצב למוט.

## הרכבת המגן

**⚠ אזהרה:** חבשו תמיד כפפות בעת הרכבת או החלפת המגן. היו זהירים עם הלהב שעל גבי המגן והגנו על הידיים שלכם מפני חיתוך.

**⚠ אזהרה:** לעולם אין להפעיל את המכשיר כאשר המגן איננו נמצא במקומו. על המגן להיות תמיד על גבי המכשיר על מנת להגן על המשתמש! כאשר המגן נמצא במקומו, לעולם אין לסוסת להסיר או לכונן את המגן. אם יש צורך להחליף את המגן, על הדבר להיעשות על ידי טכנאי שירות מוסמך!

שחררו והסירו את שני הברגים מבסיס המוט (תמונה E), ישרו את חורי המשענת של המגן עם חורי ההרכבה ולאחר מכן נעלו את המגן אל המוט בעזרת שני הברגים ביחד עם שני שוטפי הקפיצים (תמונה F).

**⚠ אזהרה:** וודאו שהמגן נעול במקומו בהתאם לתמונות F, כל נעילה הפוכה תגרם לסכנה גדולה!

**⚠ אזהרה:** כאשר גוזם המברשת מצויד עם ראש גוזם, אביזר המגן צריך להיות מורכב על גבי המגן. אי ציות להוראה זו עלול לגרום לחוט חיתוך ארוך מדי ועומס יתר של המנוע.

## החלפה של ראש הגוזם עם להב בעל 3 שיניים

1. הוציאו את תקע החשמל מגוזם החוט
2. סובבו את ראש הגוזם על מנת ליישר את חריץ הגליל עם חור הנעילה של המוט בתיבת ההילוכים והחידירו מייצב אל תוך החור (איור G).
3. סובבו את ראש הגוזם בכיוון השעון כדי להסיר אותו (איור G).
4. הסירו את אביזר המגן על ידי שחרור שלושת הברגים עם הדסקית (איור H).
5. הלהב מגיע עם נדן. לפני הרכבת הלהב אל גוזם המברשת, יש להסיר את הנדן על ידי שחרור החוט המהדק מן הוו הנמצא על גבי הנדן (תמונה I1).

**הודעה:** על מנת למנוע פציעה, עליכם ללבוש כפפות לפני כל פעולה אותה מבצעים על הלהב בעל 3 השיניים.

6. הרכיבו את הגליל הפנימי ואת מכסה הגליל למקומם (תמונה I2).
7. הרכיבו את הלהב אל מוט המנוע, כאשר אתם מוודאים שהשטח של הלהב מיושר עם גבשושית הגליל הפנימי. הרכיבו את הגליל החיצוני ואת הבורג (תמונה I3). הדקו מראש את הבורג נגד כיוון השעון ביד.

8. העמידו את תיבת ההילוכים נגד משטח מוצק לתמיכה. עם יד אחת החזיקו את מוט גוזם המברשת ועם היד השנייה אחזו במפתח הברגים הרב שימושי על מנת להדק את הבורג בכיוון החץ המסומן על גבי הגליל הפנימי (תמונה I4).

## החליפו את הלהב בעל 3 השיניים עם ראש הגוזם

הכירו את יחידת החיתוך של הלהב בעל 3 השיניים כמתואר בתמונה J1. לאחר מכן פרקו את הלהב בעל 3 השיניים והרכיבו את ראש הגוזם על גוזם המברשת.

1. סובבו את הלהב על מנת ליישר את חריץ הגליל עם חור הנעילה של המוט בתיבת ההילוכים והחידירו מייצב אל תוך החור.
2. העמידו את תיבת ההילוכים נגד משטח מוצק לתמיכה. החזיקו ביד אחת את מוט גוזם המברשת ועם היד השנייה איחזו את מפתח הברגים הרב שימושי על מנת לשחרר את הבורג בכיוון השעון (I4 תמונה).
3. הוציאו את הבורג, את הגליל החיצוני והלהב מגוזם המברשת (איור J2).

J-1	מוט	J-5	גליל חיצוני
J-2	גליל פנימי	J-6	בורג
J-3	מכסה גליל	J-7	חריץ על גבי הגליל
J-4	להב בעל 3 שיניים		

**הודעה:** כאשר לא נעשה שימוש בלהב בעל 3 השיניים, על מנת למנוע פציעה אישית, הכניסו את הלהב אל הנדן המתאים לו.

4. הרכיבו את אביזר המגן אל גוזם המברשת על ידי הידוק שלושת הברגים עם השוטף.
- סובבו את ראש הגוזם נגד כיוון השעון כדי להתקין אותו (איור G). עקבו אחר ההוראות בחלק "החלפת חוט החיתוך" על מנת להטעין את חוט החיתוך.

**הודעה:** אם לא תלפפו את החוט בכיוון הנכון, תגרמו לראש הגוזם לפעול באופן לא מתאים.

## הפעלה

**⚠ אזהרה:** אל תניחו לעובדה שאתם מכירים את המוצר להפוך אתכם לפחות זהירים. זכרו שחוסר זהירות של שבריר אחד של שנייה מספיק לגרום לפציעה אישית חמורה.

**⚠ אזהרה:** ענדו תמיד משקפי הגנה, ביחד עם מגני שמיעה. אם לא תעשו זאת עצמים עלולים להיזרק אל תוך העיניים שלכם ועלולות להיגרם פציעות חמורות.

## מפרטים

רחב חיתוך	ראש הגוזם	להב מתכת בעל 3 שיניים
וולטז'	56 V	56 V
מהירות ללא עומס	5800-4000 דקה	5800-4000 דקה
טמפרטורת הפעלה מומלצת:	0°C-40°C	
טמפרטורת אחסון מומלצת:	-20°C-70°C	
סוג חוט חיתוך	2.4 מ"מ	/
להב חיתוך	/	ABB1203
רוחב חיתוך	38 ס"מ	30 ס"מ
משקל	6.8 ק"ג	6.46 ק"ג
רמת עוצמת קול נמדדת $L_{WA}$	95 dB(A) K=1.1 dB(A)	96.3 dB(A) K=2.1 dB(A)
רמת לחץ קול באוזן המפעיל $L_{PA}$	82 dB(A) K=2.5 dB(A)	83.4 dB(A) K=4.1 dB(A)
רמת עוצמת קול מובטחת $L_{WA}$ (נמדדת על פי 2000/14/EC)	96 dB(A)	98 dB(A)
$a_n$ רטט	ידיית שמאלית	1.9 מ' / שנייה <sup>2</sup> 1.5=K שנייה <sup>2</sup>
	ידיית ימנית	1.5 מ' / שנייה <sup>2</sup> 1.5=K שנייה <sup>2</sup>

4. הדק
5. כפתור נעילה
6. בריח כנף
7. II
8. גומחה
9. לוחית מגן
10. ידיית אופן
11. בורג איטום
12. חור לנעילת המוט
13. להב חוט החיתוך
14. אביזר מגן
15. להב בעל 3 שיניים
16. נדן הלהב
17. גליל חיצוני
18. בורג
19. מפתח ברגים רב שימושי
20. מפתח משושה
21. \*לוחית מותניים (נמכרת בנפרד)

**⚠ אזהרה:** לעולם אין להפעיל את הכלי כאשר המגן איננו נמצא במקומו. על המגן להיות תמיד על גבי הכלי על מנת לנגן על המשתמש.

**⚠ אזהרה:** כאשר המכשיר מצויד עם ראש גוזם, אביזר המגן עם הלהב חותך החוט צריכים להיות מורכבים על גבי המגן. אי ציות להוראה זו עלול לגרום לחוט חיתוך ארוך מדי ועומס יתר של המנוע. לעולם אין להשתמש בראש הגוזם ללא אביזר המגן.

## הרכבה

**⚠ אזהרה:** אם ישנם חלקים ניזוקים או חסרים, אל תפעילו את גוזם המברשת עד אשר חלקים אלו יוחלפו. שימוש בגוזם המברשת עם חלקים פגומים או חסרים עלול לגרום לפגיעה אישית חמורה.

**⚠ אזהרה:** אל תנסו לשנות את גוזם המברשת או ליצור אביזרים אשר אינם מומלצים לשימוש ביחד עם מוצר זה. כל שינוי שכזה או הסופה מהווה שימוש לא נכון במכשיר ועלול לגרום לתנאים מסוכנים אשר יובילו לפגיעה אישית אפסרית.

**⚠ אזהרה:** לבשו תמיד כפפות כבדות בעת ההתקנה או ההסרה של המגן וביצוע כל עבודת תחזוקה על הלהב בעל 3 השיניים/להב חותך החוט. היזהרו מלהב מותך החוט על אביזר המגן / להב בעל 3 השיניים והגנו על הידיים שלכם מפני שני הלהבים.

**⚠ אזהרה:** על מנת למנוע הפעלה מקרית אשר עלולה להוביל לפגיעה אישית חמורה, הסירו תמיד את מארז הסוללה מן המכשיר בעת הרכבת חלקים, ביצוע התאמות, ניקיון או כאשר המכשיר איננו נמצא בשימוש.

**⚠ אזהרה:** לעולם אין להפעיל את הכלי כאשר המגן וידיית האופן נמצאים במקומם. אי ציות להוראה זו עלולה להביא לפגיעה אישית חמורה.

- ערך הרטט הכללי המוצהר נמדד בהתאם עם שיטת בדיקה סטנדרטית ונעתק להשתמש בו על מנת להשוות ציוד אחד עם ציוד אחר;
- ניתן להשתמש בערך הרטט הכללי המוצהר בהערכה ראשונית של חשיפה.

**הודעה:** פליטת הרטט בעת השימוש המעשי בכלי יכולה להיות שונה מן הערך המוצהר כאשר הכלי נמצא בשימוש; על מנת להגן על המפעיל, על המשתמש ללבוש כפפות ומגני אוזניים בעת השימוש למעשה.

## רשימת אריזה (הנומת A1)

### תיאור

הכירו את גוזם המברשת שלכם (תמונה A1)

1. חוט גוזם
2. חיבור מגן
3. מוט

**סימני בטיחות**

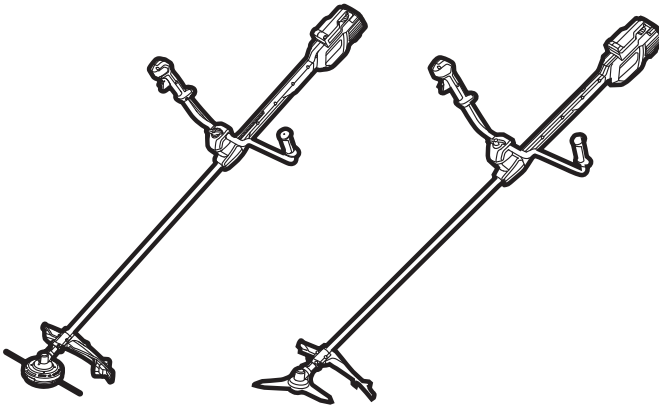
**קראו את כל ההוראות!**

**⚠ אזהרה:** הפעלה של כלי עבודה חשמליים עלולה לגרום לעצמים זרים להיזרק אל תוך העיניים, דבר העלול לגרום לנזק חמור לעיניים. לפני ההפעלה של כלי עבודה חשמלי, ענדו תמיד משקפי מגן או משקפי בטיחות עם הגנה צדדית, ובעת הצורך, הגנה עבור כל הפנים. אנו ממליצים על שימוש במסכת בטיחות רחבה מעל למשקפי המגן או על שימוש במשקפי בטיחות עם הגנה צדדית. התראת בטיחות

קראו את מדריך ההוראות

על מנת להפחית את הסיכון לפציעות, על המשתמש לקרוא את המדריך למשתמש.		התראת בטיחות	
לבשו מגני אוזניים		לבשו מגני עיניים	
לבשו מגני ידיים		לבשו מגני ראש	
היזהרו מחפצים שחרקים		נעלו נעליים עמידות להחלקה	
נתק את הסוללה לפני ביצוע כל פעולת תחזוקה		היו זהירים מדחף להב	
מוצר זה תואם לתקנות ה-CE הרלוונטיות.		המרחק בין המכשיר ובין עוברי האורח בקרבתו צריך להיות לפחות 15 מ'	
מוצר זה תואם לחוקים הרלוונטיים בבריטניה		רמת עוצמת קול מובטחת. פליטת רעש אל הסביבה בהתאם לתקנת האיחוד האירופי.	
מתח	V	אין לזרוק מוצרים חשמליים ביחד עם אשפה ביתית. הביאו את המכשיר למרכז מחזור מוסמך.	
לדקה	.../min	מהירות ללא עומס-מהירות סיבובית, ללא עומס	$n_0$
קילוגרם	kg	זרם ישיר	
הגנה מפני זרנוקי מים	IPX5		

# EGO™ PRO X



**BCX3800**

גוזם מברשת מנוע אחורי בצורת כידון

אופניים ליתיום - 56 וולט

HE

قاطع أغصان بمقبض دراجة ومحرك خلفي ببطارية

ليثيوم-أيون 56 فولت

AR

