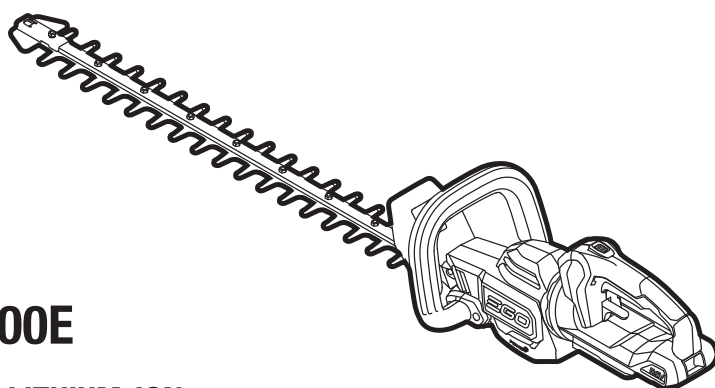


EGO™

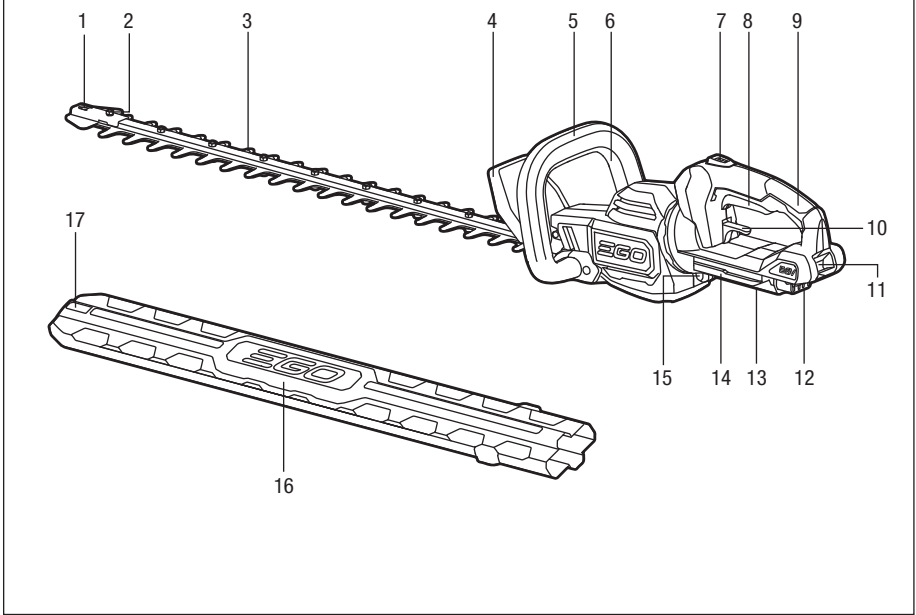
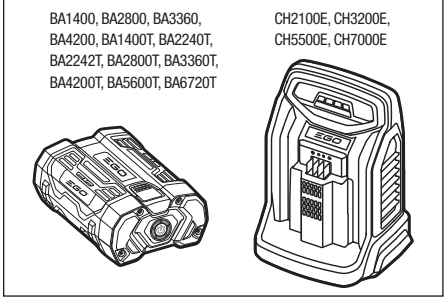
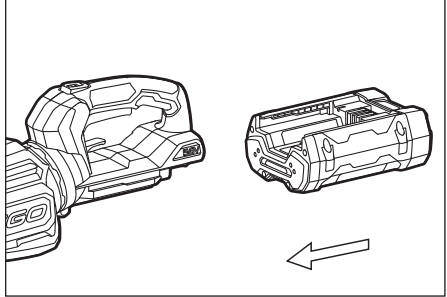
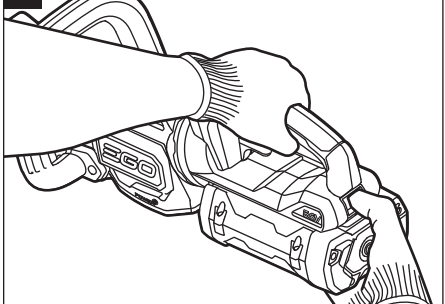
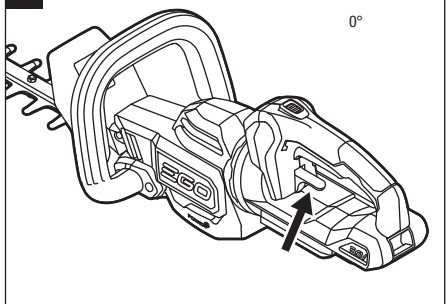
POWER⁺ HEDGE TRIMMER

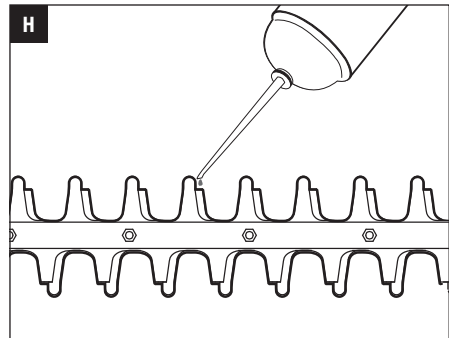
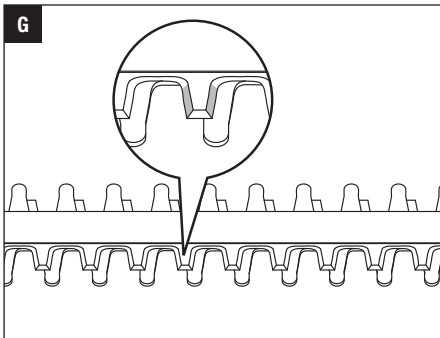
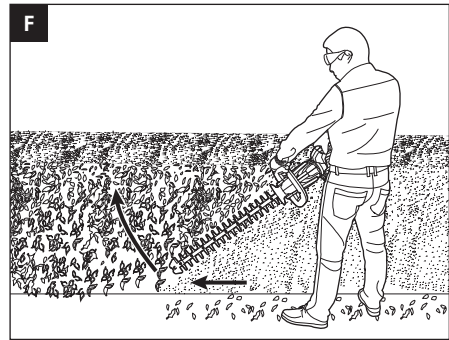
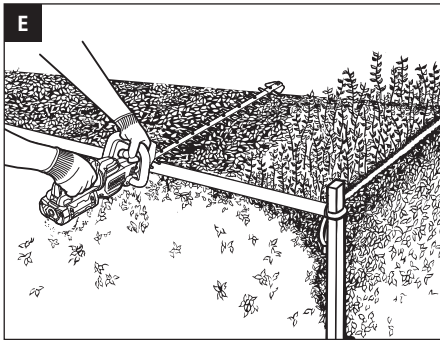
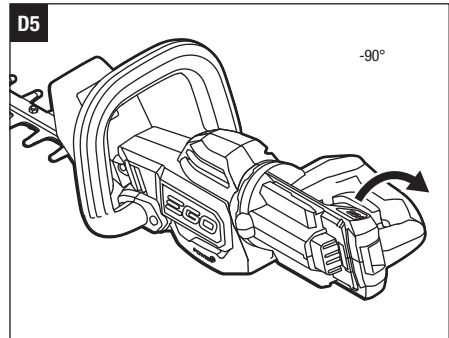
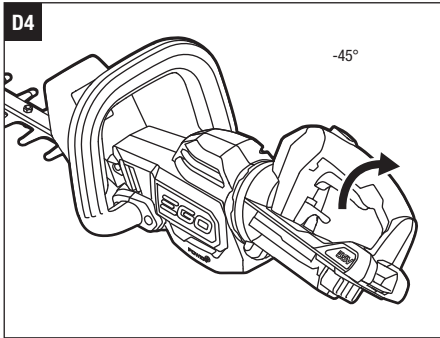
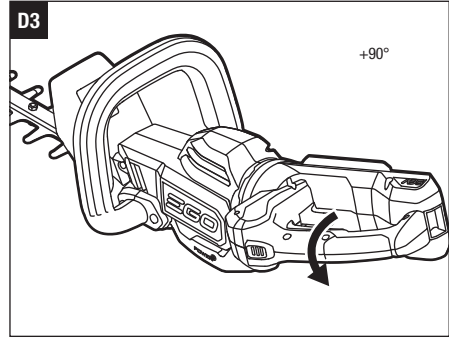
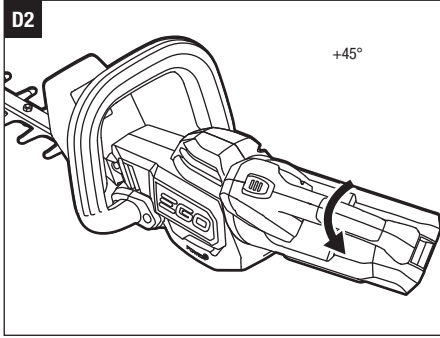


HT2600E

56 VOLT LITHIUM-ION CORDLESS HEDGE TRIMMER

| | | | | | |
|----|--|----|----|--|-----|
| EN | 56 Volt lithium-ion cordless hedge trimmer | 4 | SL | 56-Voltni litij-ionski brezžični obrezovalnik žive meje | 96 |
| DE | 56 Volt lithium-ionen kabellose heckenschere | 9 | LT | Akumuliatorinės gyvatvorių žirkklės su 56 voltų ličio jonų akumuliatoriumi | 101 |
| FR | Taille-haie sans fil lithium-ion 56 v | 15 | LV | 56 Voltu litija-jonu bezvadu dzīvzogu apgriešanas mašīna | 106 |
| ES | Cortasetos inalámbrico de 56 voltios con acumulador de ion de litio | 21 | GR | Ασύρματο θάμνοκοπτικό λιθίου - ιοντων 56 volt | 111 |
| PT | Corta-sebes sem fios com bateria de ião de lítio de 56 volts | 27 | TR | 56 Volt lityum-iyon kablosuz çit düzeltici | 117 |
| IT | Tagliasiepi a batteria li-ion da 56 volt | 32 | ET | 56-Voldise liitiumioonakuga juhtmeta hekilõikur | 122 |
| NL | 56 Volt lithium-ion accuheggenschaar | 38 | UK | 56-Вольтный литий-ионный аккумуляторный триммер для живоплоту | 127 |
| DK | Ledningsfri hækkeklipper med 56 volt litium-ion batteri | 44 | BG | 56 Волта литиево-йонна безкабелна ножица за жив плет | 132 |
| SE | 56 Volts litiumjonbatteri och sladdlös häcktrimmer | 49 | HR | Škare za živicu s litij-ionskom baterijom 56 v | 138 |
| FI | 56 Voltin litium-ion-akkukäyttöinen pensasleikkuri | 54 | KA | 56 ვოლტიანი ლითიუმ-იონის აკუმულატორიანი უსადენო ბუჩქის საკრეჭი | 143 |
| NO | 56 Volts litium-ion batteridrevet hekksaks | 59 | SR | Bežični trimer za živicu sa litijum-jonskom baterijom od 56 volti | 151 |
| RU | Беспроводной кусторез с литий-ионным аккумулятором 56 в | 64 | BS | Akumulatorske makaze za živicu s litij-ionskom baterijom od 56 V | 156 |
| PL | Bezprzewodowe nożyce do żywopłotu z baterią litowo-jonową 56 woltów | 70 | HE | גוזם גדרות אלחוטי עם סוללת ליתיום-56 וולט | 171 |
| CZ | 56Voltové lithium-iontové akumulátorové plotové nůžky | 76 | AR | جزارة سياج لاسلكية ببطارية ليثيوم-56 فولت | 166 |
| SK | 56 Voltové litium-iónové akumulátorové nožnice na živý plot | 81 | | | |
| HU | 56 Voltos vezeték nélküli litium-ion sövénynyíró | 86 | | | |
| RO | Trimmer fără fir de tuns gard viu cu acumulator de litiu ion de 56 volți | 91 | | | |

A1**A2****B****C****D1**



EN READ ALL INSTRUCTIONS!



READ OPERATOR'S MANUAL

⚠ WARNING: Residual risk! People with electronic devices, such as pacemakers, should consult their physician(s) before using this product. Operation of electrical equipment in close proximity to a heart pacemaker could cause interference or failure of the pacemaker.

⚠ WARNING: To ensure safety and reliability, all repairs and replacements should be performed by a qualified service technician.

⚠ WARNING: Read all safety warnings, instructions, illustrations and specifications provided with this power tool. Failure to follow all instructions listed below may result in electric shock, fire and/or serious injury.

SAVE ALL WARNINGS AND INSTRUCTIONS FOR FUTURE REFERENCE.

SAFETY SYMBOLS

⚠ WARNING: The operation of any power tools can result in foreign objects being thrown into your eyes, which can result in severe eye damage. Before beginning power tool operation, always wear safety goggles or safety glasses with side shields and a full face shield when needed. We recommend a Wide Vision Safety Mask for use over eyeglasses or standard safety glasses with side shields.



Safety Alert



To reduce the risk of injury, user must read the operator's manual.



Do not use in the rain or leave outdoors while it is raining.



Guaranteed sound power level. Noise emission to the environment according to the European community's Directive.



This product is in accordance with applicable EC directives.



This product is in accordance with applicable UK legislation.



Waste electrical products should not be disposed of with household waste. Take to an authorized recycler.



Wear eye and head protection.



Keep hands and feet away from the cutting tool.



The length of the blade

 Direct Current

V Voltage

mm Millimeter

.../min Per Minute

n_0 No Load Speed

cm Centimeter

SPECIFICATIONS

| | | |
|---|------------------------------|---|
| Model | HT2600E | |
| Voltage | 56 V $\overline{\text{---}}$ | |
| No-Load Speed | 1700 /min | |
| Blade Length | 66 cm | |
| Cutting Capacity | 30.5 mm | |
| Weight (without battery pack, blade guard) | 3.14 kg | |
| Recommended Operating Temperature | 0°C-40°C | |
| Recommended Storage Temperature | -20°C-70°C | |
| Measured sound power level L_{WA} | 92 dB(A) K=1.7 dB(A) | |
| Sound pressure level at operator's position L_{PA} | 84 dB(A) K=3.0 dB(A) | |
| Guaranteed sound power level L_{WA} (according to 2000/14/EC) | 94 dB(A) | |
| Vibration a_h | Front Handle | 2.49 m/s ² K=1.5 m/s ² |
| | Rear Handle | 1.65 m/s ² K=1.5 m/s ² |

- The declared vibration total value has been measured in accordance with a standard test method and may be used for comparing one tool with another;
- The declared vibration total value may also be used in a preliminary assessment of exposure.

NOTICE: The vibration emission during actual use of the power tool can differ from the declared value in which the tool is used; In order to protect the operator, user should wear gloves and ear protectors in the actual conditions of use.

PACKING LIST (FIG. A1)

DESCRIPTION

KNOW YOUR HEDGE TRIMMER (Fig. A1)

1. Hanging Hole
2. Tip Protector
3. Blade
4. Hand Guard
5. Front Handle

6. Front Trigger
7. Lock-off Button
8. Rear Trigger
9. Rear Handle
10. Handle-release Lever
11. Battery-release Button
12. Latch
13. Electric Contacts
14. Battery-mounting Slot
15. Battery Ejection
16. Blade Guard
17. Hanging Hole

⚠ WARNING: This product has been shipped completely assembled. The hand guard shall never be removed during use. Once damaged, replace it immediately by a qualified service technician.

⚠ WARNING: The safe use of this product requires an understanding of the information on the tool and in this operator's manual, as well as knowledge of the project you are attempting. Before use of this product, familiarize yourself with all operating features and safety rules.

OPERATION

⚠ WARNING: Do not allow familiarity with this product to make you careless. Remember that a careless fraction of a second is sufficient to inflict serious injury.

⚠ WARNING: Always wear eye protection with side shields, along with hearing protection. Failure to do so could result in objects being thrown into your eyes and other possible serious injuries.

⚠ WARNING: To prevent accidental starting that could cause serious personal injury, always remove the battery pack from the tool when assembling parts, making adjustments, cleaning, or when not in use.

⚠ WARNING: Do not use any attachments or accessories not recommended by EGO™. The use of attachments or accessories not recommended can result in serious personal injury.

Before each use, inspect the entire product for damaged, missing, or loose parts, such as screws, nuts, bolts, caps, etc. Tighten securely all fasteners and caps and do not operate this product until all missing or damaged parts are replaced.

APPLICATION

You may use this product for trimming the hedges, shrubs and bushes with a branch diameter of less than $\varnothing 30.5\text{mm}$.

NOTICE: The tool is to be used only for its prescribed purpose. Any other use is deemed to be a case of misuse.

INSTALLING/REMOVING THE BATTERY PACK

Use only with battery packs and chargers listed in fig.A2.

Charge before first use.

To Install (Fig. B)

Align the battery ribs with the mounting slots and press the battery pack down until you hear a "click".

To Remove (Fig. C)

Depress the battery-release button and pull the battery pack out.

⚠ WARNING: Always be aware for the location of your feet, children, or pets when pressing the battery-release button. Serious injury could result if the battery pack falls. NEVER remove the battery pack at a high location.

HOLDING THE HEDGE TRIMMER (Fig. D1-D5)

The unit has both a front and rear handle. With the blade directed away from you, hold the unit by both handles.

The rear handle can be set in five positions ($0^\circ/\pm 45^\circ/\pm 90^\circ$) by raising up the handle-release lever (Fig. D1 to Fig.D5), giving you many choices for a comfortable grip when performing cutting operations.

⚠ WARNING: Do not adjust the handle while the tool is running. Stop the tool and remove the battery first.

STARTING/STOPPING THE HEDGE TRIMMER

Before operating, remove the blade guard and hold the trimmer with both hands, one hand on the rear handle and the other on the front handle. Then check for stable footing, upright standing and a proper cutting distance.

To Start

1. Install the battery pack.
2. Squeeze and hold the front trigger with one hand.
3. Press and hold the lock-off button with the thumb of your other hand, then squeeze the rear trigger with your fingers to start the hedge trimmer. Release the lock-off button but continue to squeeze the trigger for continued operation.

To Stop

Move the hedge trimmer away from the cutting area and release either of the trigger to stop the hedge trimmer.

⚠ WARNING: Always remove the battery pack from the hedge trimmer during work breaks and after finishing work.

USING THE HEDGE TRIMMER

⚠ DANGER: If the blade jams on any electrical cord or line, **DO NOT TOUCH THE BLADE! IT CAN BECOME ELECTRICALLY LIVE AND VERY DANGEROUS.** Continue to hold the hedge trimmer by the insulated rear handle or lay it down and away from you in a safe manner. Disconnect the electrical service to the damaged line or cord before attempting to free the blade from the line or cord. Failure to heed this warning will result in serious personal injury or possible death.

⚠ WARNING: Avoid trimming too much at one time or through the heavy shrubbery. This can cause the blades to bind and slow, reducing the cutting efficiency.

NOTICE: The trimmer shall be used to cut stems less than (30.5mm) thick.

NOTICE: For new growth, a wide sweeping is suitable for the stems fed directly into the cutting blade. For older growth, a sawing movement is good for trimming the thicker stems. A non-powered hand saw or pruning saw is suggested for trimming the large stems first.

Top Cutting

Use a wide sweeping motion. A slight downward tilt of the cutting blades in the direction of motion gives the best cutting results. For better cutting effect, you might as well use the string to guide the hedge level as Fig. E shown.

Side Cutting

When trimming the sides of the hedge, begin at the bottom and cut upwards as Fig. F shown. Trim the side of a hedge so that it will be slightly narrower at the top. This shape will expose more of the hedge to sunlight, resulting in a more uniform growth.

MAINTENANCE

⚠ WARNING: When servicing, use only identical replacement parts. Use of any other parts may create a hazard or cause product damage. To ensure safety and reliability, all repairs should be performed by a qualified service technician.

⚠ WARNING: To avoid serious personal injury, always remove the battery pack from the product when cleaning or performing any maintenance.

CLEANING

- Use a soft brush to remove debris from all air intakes and cutting blade.
- To remove pitch and other sticky residue, spray the blades with resin solvent. Run the motor briefly so that the solvent is evenly distributed.
- Wipe the surface with a dry cloth.

⚠ WARNING: Never use water for cleaning your trimmer. Avoid using solvents when cleaning plastic parts. Most plastics are susceptible to damage from various types of commercial solvents. Use clean clothes to remove dirt, dust, oil, grease, etc.

SHARPENING THE CUTTING BLADE

1. Start and stop your hedge trimmer until the cutter blade and the guard are slightly offset, as shown in Fig. G. This will allow clearance for the file between cutter teeth and guard teeth.
2. Remove the battery pack from your hedge trimmer.
3. Clamp the blade assembly in a vise and file the exposed cutting surface of each blade tooth. Remove as little material as possible. Be sure to retain the original angle of each tooth when filing.
4. Remove the hedge trimmer from the vise; restart it and stop it to expose the unsharpened edges of the blade teeth.
5. Remove the battery pack and repeat the sharpening procedure above.

NOTICE: Do not operate your hedge trimmer with dull or damaged cutting blades. This may cause overload and will give unsatisfactory cutting results.

LUBRICATING THE BLADE (Fig. H)

For best operation and longer blade life, lubricate the hedge trimmer blade with light weight machine oil before and after each use.

Remove the battery pack and lay the trimmer onto a flat surface. Apply the oil along the edge of the top blade.

NOTICE: For extended using period, oil the blade during cutting operation.

⚠ WARNING: Do not oil while the hedge trimmer is running.

TRANSPORTING AND STORING

- Always place the blade guard on the blade before storing or transporting the hedge trimmer. Use caution to avoid the sharp teeth of the blade.
- Clean the hedge trimmer thoroughly before storing.
- Store the hedge trimmer indoors, in a dry place that is inaccessible to children.
- Keep away from corrosive agents such as garden chemicals and deicing salts.

⚠ WARNING: Blades are sharp. When handling the blade assembly, wear non-slip, heavy-duty protective gloves. Do not place your hand or fingers between blades or in any position where they could get pinched or cut. NEVER touch blades or service the unit with battery pack installed.

Protecting the environment



Do not dispose of electrical equipment, used battery and charger into household waste! Take this product to an authorized recycler and make it available for separate collection. Electric tools must be returned to an environmentally compatible recycling facility.



EN TROUBLESHOOTING

| PROBLEM | CAUSE | SOLUTION |
|-------------------------------|--|--|
| Hedge trimmer doesn't work. | <ul style="list-style-type: none">■ The battery pack is not attached to the hedge trimmer.■ No electrical contact between the trimmer and battery■ The battery pack is depleted.■ The battery pack is too hot.■ The hedge trimmer is too hot.■ The front and rear triggers are not depressed simultaneously.■ The blade is jammed. | <ul style="list-style-type: none">■ Attach the battery pack to the hedge trimmer.■ Remove battery, check contacts and reinstall the battery pack.■ Charge the battery pack.■ Remove the battery pack from the tool and allow it to cool until the temperature drops below 67°C.■ Release both triggers; allow the trimmer to cool until the temperature drops to normal temperature.■ Press the lock-off button first and then press the triggers in the front and rear handle simultaneously.■ Remove the battery pack from the tool, remove the obstruction carefully, then reinsert the battery and restart the tool. |
| Excessive vibration or noise. | <ul style="list-style-type: none">■ Dry or corroded blades.■ Blades or blade support is bent.■ Bent or damaged teeth.■ Loose blade bolts. | <ul style="list-style-type: none">■ Lubricate the blades, following the section "LUBRICATING THE BLADE" in this manual.■ Replace with a new blade or support. Contact EGO service center for blade or support replacement service.■ Replace with a new blade. Contact EGO service center for blade replacement service.■ Tighten the blade bolts. Using a wrench, turn the bolt clockwise to tighten. |

WARRANTY

EGO WARRANTY POLICY

Please visit the website egopowerplus.com for full terms and conditions of the EGO Warranty policy.

ALLE ANWEISUNGEN LESEN!



LESEN SIE DIE BETRIEBSANLEITUNG

DE

⚠️ WARNUNG: Restrisiko! Menschen mit elektronischen Geräten, wie z.B. Herzschrittmachern, sollten ihren Arzt konsultieren, bevor sie dieses Gerät verwenden. Die Bedienung von Elektrogeräten in unmittelbarer Nähe zu Herzschrittmachern kann zu Interferenzen und Störungen des Schrittmachers führen.

⚠️ WARNUNG: Um die Sicherheit und Zuverlässigkeit zu gewährleisten, sollten alle Reparaturen und der Austausch von Teilen nur von qualifizierten Servicetechnikern durchgeführt werden.

⚠️ WARNUNG: Beachten Sie alle Warnhinweise, Anweisungen, Abbildungen und technischen Daten, die diesem Elektrowerkzeug beigelegt sind. Die Nichtbeachtung der unten aufgeführten Anweisungen kann zu Stromschlägen, Bränden und/oder schweren Verletzungen führen.

BEWAHREN SIE ALLE WARN- UND BEDIENHINWEISE FÜR NACHSCHLAGEZWECKE AUF.

WARNSYMBOL

⚠️ WARNUNG: Beim Betrieb von Elektrowerkzeugen besteht die Gefahr, dass Fremdkörper in Ihre Augen geschleudert werden und Sie dadurch schwerwiegende Augenschäden davontragen. Tragen Sie immer eine Schutzbrille, wenn möglich mit Seitenschutz, oder, falls nötig, einen vollen Gesichtsschutz, bevor Sie Arbeiten mit dem Elektrowerkzeug verrichten. Wir empfehlen Ihnen, einen Gesichtsschutz über Ihrer eigenen Brille oder eine herkömmliche Schutzbrille mit Seitenschutz zu tragen.



Sicherheitswarnung



Um das Verletzungsrisiko zu verringern, muss der Benutzer die Bedienungsanleitung lesen.



Nicht im Regen verwenden oder bei Regen im Freien liegen lassen.



Garantierter Schalleistungspegel. Geräuschemission an die Umgebung gemäß Richtlinie der Europäischen Gemeinschaft



Dieses Produkt erfüllt die einschlägigen EG-Richtlinien.



Dieses Produkt erfüllt die einschlägigen Vorschriften in GB.



Elektrische Altgeräte dürfen nicht im Hausmüll entsorgt werden. Bringen Sie das Gerät zu einem Wertstoffhof bzw. zu einer amtlichen Sammelstelle.



Tragen Sie einen Augen- und Kopfschutz.



Halten Sie Hände und Füße von dem Schneidwerkzeug fern.



Die Länge des Messers



Gleichstrom

V

Spannung

mm

Millimeter

.../min

pro Minute

n_0

Leerlaufdrehzahl

cm

Zentimeter

TECHNISCHE DATEN

DE

| | | |
|---|-------------------------|---|
| Modell | HT2600E | |
| Spannung | 56 V --- | |
| Leerlaufdrehzahl | 1700 /min | |
| Messeriänge | 66 cm | |
| Schnittleistung | 30,5 mm | |
| Gewicht (ohne Akku, Schneidschutz) | 3,14 kg | |
| Empfohlene Betriebstemperatur | 0°C-40°C | |
| Empfohlene Lagertemperatur | -20°C-70°C | |
| Gemessener Schalleistungspegel L_{WA} | 92 dB(A) K=1,7 dB(A) | |
| Schalldruckpegel am Ort des Bedieners L_{PA} | 84 dB(A) K=3,0 dB(A) | |
| Garantierter Schalleistungspegel L_{WA} (nach 2000/14/EU) | 94 dB(A) | |
| Vibration a_h | Vorderer Griff | 2,49 m/s ² K=1,5 m/s ² |
| | Hinterer Griffbügel | 1,65 m/s ² K=1,5 m/s ² |

- Der angegebene Vibrationsgesamtwert wurde nach einem Standard-Prüfverfahren gemessen und kann zum Vergleich mit einem anderen Werkzeug herangezogen werden.
- Der angegebene Vibrationsgesamtwert kann auch zur vorläufigen Risikobewertung herangezogen werden.

HINWEIS: Die beim Einsatz des Elektrowerkzeugs entstehenden Istvibrationen können von dem angegebenen Wert abweichen. Zum Schutz des Benutzers sollten Handschuhe und ein Gehörschutz während des Geräteinsatzes getragen werden.

LIEFERUMFANG (ABB. A1)

BESCHREIBUNG

AUFBAU (Abb. A1)

- Öse zum Aufhängen
- Schutzkappe der Spitze
- Sägeblatt

- Handschutz
- Vorderer Griff
- Vorderer Auslöser
- Auslöser-Freigabeknopf
- Hinterer Auslöser
- Hinterer Griffbügel
- Entriegelungshebel
- Akku-Freigabeknopf
- Verschluss
- Elektrische Kontakte
- Akku-Einschubschlitz
- Akku-Auswurf
- Messerschutz
- Öse zum Aufhängen

⚠️ WARNUNG: Dieses Produkt wird komplett montiert geliefert. Beim Gebrauch darf der Handschutz nicht entfernt werden. Wenn er beschädigt ist, muss er von einem geschulten Servicetechniker sofort ausgetauscht werden.

⚠️ WARNUNG: Nicht nur die Informationen an diesem Gerät und in der Bedienungsanleitung müssen bekannt sein, damit ein sicherer Geräteinsatz gewährleistet ist. Entscheidend ist auch, welche Arbeiten damit genau ausgeführt werden sollen. Machen Sie sich vor der Nutzung dieses Geräts mit allen Funktionsmerkmalen und mit den Sicherheitsregeln vertraut.

BEDIENUNG

⚠️ WARNUNG: Auch wenn Sie sich mit dem Gerät auskennen, sollten Sie sich nicht zu einer gewissen Nachlässigkeit verleiten lassen. Denken Sie daran, dass ein kurzer Moment der Unachtsamkeit zu ernsthaften Verletzungen führen kann.

⚠️ WARNUNG: Tragen Sie immer einen Augenschutz mit Seitenschutz und einen Gehörschutz. Andernfalls besteht die Gefahr, dass Gegenstände in Ihre Augen geschleudert werden oder andere schwere Verletzungen verursacht werden.

⚠️ WARNUNG: Um einen unbeabsichtigten Geräteanlauf bei der Montage von Teilen, bei Einstellarbeiten, beim Reinigen oder bei Nichtgebrauch zu verhindern, muss der Akku vom Gerät abgenommen werden. Andernfalls besteht schwere Verletzungsgefahr.

⚠️ WARNUNG: Verwenden Sie keine Aufsätze oder Zubehörteile, die nicht von EGO™ empfohlen werden. Der Gebrauch von nicht empfohlenen Anbauwerkzeugen oder Zubehör kann zu schweren Verletzungen führen.

Inspezieren Sie das gesamte Produkt vor jeder Benutzung auf beschädigte, fehlende oder lockere Teile, wie z. B. Schrauben, Muttern, Stifte, Kappen usw. Ziehen Sie alle Befestigungsteile und Abdeckungen an und bedienen Sie das Produkt nicht, bis alle beschädigten oder fehlenden Teile ersetzt worden sind.

VERWENDUNGSZWECK

Dieses Gerät eignet sich für das Nachschneiden von Hecken, Sträuchern und Büschen mit einem Zweigdurchmesser unter \varnothing 30,5 mm.

HINWEIS: Das Gerät darf nur für den bestimmungsgemäßen Zweck verwendet werden. Jede andere Verwendung gilt als Missbrauch.

EINSETZEN/ABNEHMEN DES AKKUS

Nur mit Akkus und Ladegeräten verwenden, die in Abb. A2 aufgeführt sind:

Laden Sie den Akku vor dem ersten Gebrauch auf.

Anschließen (Abb. B)

Lassen Sie die Rippen am Akkugehäuse mit den Öffnungen am Gerät fluchten und schieben Sie den Akku bis zum hörbaren Einrasten in das Gerät.

Abnehmen (Abb. C)

Drücken Sie den Akku-Freigabeknopf und ziehen Sie den Akku heraus.

⚠️ WARNUNG: Seien Sie sich stets bewusst, wo sich Ihre Füße, Kinder oder Haustiere befinden, wenn Sie den Akku-Freigabeknopf drücken. Das Fallenlassen des Akkusatzes kann zu ernsthaften Verletzungen führen. Entfernen Sie den Akku NIEMALS an einer hohen Position.

HALTEN DER HECKENSCHERE (Abb. D1 - D5)

Das Gerät verfügt über einen vorderen und einen hinteren Griff. Mit der Klinge von Ihnen weg zeigend halten Sie beide Griffe des Gerätes fest.

Der hintere Griff kann auf fünf Positionen ($0^\circ/\pm 45^\circ/\pm 90^\circ$) eingestellt werden. Dazu den Entriegelungshebel anheben (Abb. D1 bis Abb. D5). Für Nachschneidarbeiten haben Sie damit eine große Auswahl an bequemen Griffpositionen.

⚠️ WARNUNG: Stellen Sie den Griff nicht bei laufendem Werkzeug ein. Zuerst das Werkzeug ausschalten und den Akku entnehmen.

STARTEN/STOPPEN DER HECKENSCHERE

Nehmen Sie den Messerschutz vor Arbeitsbeginn ab und halten Sie die Heckenschere mit beiden Händen fest. Dabei ergreift eine Hand den hinteren und die andere den vorderen Griff. Achten Sie anschließend auf einen festen, aufrechten Stand und einen angemessenen Sicherheitsabstand beim Schneiden.

Starten

1. Setzen Sie den Akku ein.
2. Halten Sie den vorderen Auslöser mit einer Hand gedrückt.
3. Halten Sie den Auslöser-Freigabeknopf mit dem Daumen der anderen Hand gedrückt und drücken Sie den hinteren Auslöser mit den Fingern, um die Heckenschere zu starten. Lassen Sie den Auslöser-Freigabeknopf los, aber halten Sie den Auslöser gedrückt, um das Werkzeug weiter zu betreiben.

Stoppen

Entfernen Sie die Heckenschere aus dem Arbeitsbereich und lassen Sie einen der Auslöser los, um die Heckenschere abzuschalten.

⚠️ WARNUNG: Nehmen Sie während Arbeitspausen und nach Abschluss der Arbeit stets den Akkusatz aus der Heckenschere.

BENUTZUNG DER HECKENSCHERE

⚠️ VORSICHT: Falls das Werkzeug in einem Elektrokabel bzw. einer Elektroleitung feststeht, **AUF KEINEN FALL DAS SCHNEIDWERKZEUG BERÜHREN! MÖGLICHERWEISE FLIESST STROM UND ES BESTEHT STROMSCHLAGEFAHR.** Halten Sie die Heckenschere weiterhin am isolierten hinteren Griff fest oder legen Sie die Heckenschere mit einem gewissen Sicherheitsabstand auf den Boden. Stellen Sie die Stromversorgung der beschädigten Leitung oder des Kabels ab, bevor Sie versuchen, das Messer aus der Elektroleitung zu entfernen. Andernfalls kann es zu schweren oder tödlichen Verletzungen kommen.

⚠️ WARNUNG: Schneiden Sie nicht zu viele oder zu starke Sträucher auf einmal ab. Die Messer könnten verkanten. Das Werkzeug würde dadurch abgebremst und könnte nicht mehr effizient arbeiten.

HINWEIS: Die Heckenschere sollte zum Schneiden von Zweigen benutzt werden, die dünner als 30,5 mm sind.

HINWEIS: Beim Schneiden neuer Pflanzen eignet sich eine weite Schwenkbewegung, um dem Schneidmesser die Stängel direkt zuzuführen. Bei älteren Pflanzen sollte

eher eine Sägebewegung zum Beschneiden dickerer Stämme ausgeführt werden. Eine Handsäge oder Baumsäge ohne Motorantrieb kommt für das Schneiden starker Stämme als erstes in Frage.

Spitzen schneiden

Führen Sie eine weite Schwenkbewegung aus. Wenn Sie die Messer in der Bewegungsrichtung beim Schneiden leicht nach unten neigen, erzielen Sie den besten Schnitt. Einen gleichmäßigeren Schnitt erhalten Sie, wenn Sie die Heckenhöhe vorher mit einer Richtschnur kennzeichnen (siehe Abb. E).

Seiten schneiden

Wenn Sie Hecken seitlich schneiden möchten, setzen Sie unten an und schneiden Sie nach oben (siehe Abb. F). Schneiden Sie die Heckenseite nach oben hin schmaler zu. In dieser Form erreicht das Sonnenlicht mehr von der Hecke, wodurch ein gleichmäßiger Wuchs erzielt wird.

WARTUNG

⚠️ WARNUNG: Bei der Wartung nur identische Ersatzteile verwenden. Die Verwendung anderer Teile kann Unfälle und Schäden am Gerät hervorrufen. Um die Sicherheit und Zuverlässigkeit zu gewährleisten, sollten alle Reparaturen nur von qualifizierten Servicetechnikern durchgeführt werden.

⚠️ WARNUNG: Um ernsthafte Personenschäden zu vermeiden, entfernen Sie immer den Akkusatz aus dem Produkt, wenn Sie das Gerät säubern oder Wartungsarbeiten vornehmen.

REINIGUNG

- Entfernen Sie mithilfe einer weichen Bürste Schmutzrückstände an den Lüftungsöffnungen und am Messer.
- Um Harz oder andere klebende Rückstände zu entfernen, sprühen Sie die Messer mit einem Harzlöser ein. Lassen Sie den Motor kurz laufen, damit sich das Lösungsmittel gleichmäßig verteilt.
- Wischen Sie die Flächen mit einem trockenen Tuch ab.

⚠️ WARNUNG: Verwenden Sie niemals Wasser zum Reinigen der Heckenschere. Zum Reinigen von Kunststoffteilen Lösungsmittel vermeiden. Die verschiedenen handelsüblichen Lösungsmittel greifen die Kunststoffflächen an. Verwenden Sie zum Entfernen von Schmutz, Staub, Öl, Fett usw. einen sauberen Lappen.

SCHÄRFEN DES MESSERS

1. Starten und stoppen Sie die Heckenschere, bis das Messer und die Schutzabdeckung leicht versetzt sind (siehe Abbildung G). Zwischen den Zähnen des Messers und dem Schneidschutz erhalten Sie dadurch etwas Spiel.
2. Nehmen Sie den Akku aus Ihrer Heckenschere.
3. Spannen Sie das Klingenblatt in einen Schraubstock ein und arbeiten Sie die frei liegende Messerseite jedes Messerzahns mit der Feile nach. Entfernen Sie so wenig Material wie möglich. Achten Sie darauf, den ursprünglichen Winkel jedes Zahns zu bewahren, wenn Sie feilen.
4. Nehmen Sie die Heckenschere aus dem Schraubstock; starten Sie das Werkzeug erneut und halten Sie es an, bis die noch nicht geschärften Messerkanten frei zugänglich sind.
5. Entfernen Sie den Akkusatz und wiederholen Sie den oben beschriebenen Vorgang zum Schärfen.

HINWEIS: Benutzen Sie Ihre Heckenschere nicht mit stumpfen oder beschädigten Messern. Dies kann zu einer Überlastung und mangelhaften Schnitтерgebnissen führen.

ÖLEN DES MESSERS (Abb. H)

Ölen Sie das Klingenblatt der Heckenschere vor und nach jeder Benutzung mit leichtem Maschinenöl, um für eine optimale Funktion und eine längere Nutzungsdauer zu sorgen.

Nehmen Sie den Akku ab und legen Sie die Heckenschere auf eine flache Unterlage ab. Tragen Sie das Öl auf die Oberkante des Klingenblatts auf.

HINWEIS: Damit das Werkzeug noch länger einsatzbereit ist, ölen Sie das Klingenblatt auch während des Arbeitseinsatzes.

⚠️ WARNUNG: Nicht bei laufender Heckenschere ölen.

TRANSPORT UND LAGERUNG

- Bringen Sie stets den Messerschutz am Klingenblatt an, bevor Sie die Heckenschere einlagern oder transportieren. Nehmen Sie sich vor den scharfen Zähnen der Klinge in Acht.
- Reinigen Sie die Heckenschere gründlich, bevor Sie sie einlagern.
- Lagern Sie die Heckenschere im Haus an einem trockenen Ort, der nicht für Kinder erreichbar ist.
- Halten Sie sie von zersetzenden Mitteln wie Gartenchemikalien oder Streusalz fern.

⚠️ WARNUNG: Die Messer sind scharf. Beim Umgang mit dem Klingenblatt sollten Sie rutschfeste, robuste Schutzhandschuhe tragen. Legen Sie Ihre Hand oder Finger nicht zwischen die Messer oder an eine Stelle, an der sie eingeklemmt oder verletzt werden können. NIE bei angeschlossenem Akku die Messer anfassen oder das Gerät instandhalten.

DE

Schutz der Umwelt



Elektrogeräte, alte Akkus und Ladegeräte dürfen nicht im Hausmüll entsorgt werden! Das Gerät muss einer offiziellen Recycling-Sammelstelle zur getrennten Entsorgung zugeführt werden.

Elektrowerkzeuge müssen bei einem umweltfreundlichen Recycling-Betrieb abgegeben werden.

STÖRUNGSBEHEBUNG

DE

| PROBLEM | URSACHE | LÖSUNG |
|---|--|---|
| Heckenschere funktioniert nicht. | <ul style="list-style-type: none"> ■ Der Akku ist nicht an der Heckenschere angeschlossen. ■ Kein elektrischer Kontakt zwischen Heckenschere und Akku. ■ Der Akku ist entladen. ■ Der Akku ist zu heiß. ■ Die Heckenschere ist zu heiß. ■ Der hintere und vordere Auslöser wurden nicht gleichzeitig betätigt. ■ Das Klingensblatt blockiert. | <ul style="list-style-type: none"> ■ Akku an die Heckenschere anschließen. ■ Akku herausnehmen, Kontakte überprüfen und wieder anschließen. ■ Den Akku aufladen. ■ Akku aus dem Gerät nehmen und unter 67°C abkühlen lassen. ■ Beide Auslöser loslassen und die Heckenschere auf eine normale Temperatur abkühlen lassen. ■ Erst die Entriegelungstaste drücken und dann gleichzeitig die Auslöser am vorderen und hinteren Griff betätigen. ■ Nehmen Sie den Akkusatz aus dem Werkzeug, entfernen Sie das Hindernis vorsichtig, legen Sie dann den Akku wieder ein und starten Sie das Werkzeug erneut. |
| Zu starke Vibration oder Lärmentwicklung. | <ul style="list-style-type: none"> ■ Trockene oder verrostete Messer. ■ Messer oder Messerhalterung ist verbogen. ■ Verbogene oder beschädigte Zähne. ■ Messerschrauben haben sich gelöst. | <ul style="list-style-type: none"> ■ Die Messer einölen. Dazu die Schritte unter „EINÖLEN DES MESSERS“ in dieser Bedienungsanleitung befolgen. ■ Neues Messer oder Halterung montieren. Anfragen zu Messern oder Ersatzteilen richten Sie an das EGO Servicecenter. ■ Neue Messer montieren. Anfragen zu Austauschmessern richten Sie an das EGO-Servicezentrum. ■ Die Messerschrauben wieder festziehen. Die Schraube mit einem Schraubenschlüssel im Uhrzeigersinn festziehen. |

GARANTIE

EGO-GARANTIEBEDINGUNGEN

Sämtliche EGO Garantiebedingungen finden Sie auf der Website egopowerplus.com.

LISEZ TOUTES LES INSTRUCTIONS!



LISEZ LE MANUEL D'UTILISATION

FR

⚠ AVERTISSEMENT: Risques résiduels ! Les personnes portant des appareils électroniques, par exemple des stimulateurs cardiaques, doivent consulter leur(s) médecin(s) avant d'utiliser ce produit. L'utilisation d'un équipement électrique près d'un stimulateur cardiaque peut provoquer des interférences ou la panne du stimulateur cardiaque.

⚠ AVERTISSEMENT: Pour garantir la sécurité et la fiabilité, toutes les réparations et tous les changements de pièce doivent être effectués par un réparateur qualifié.

⚠ AVERTISSEMENT: Lisez toutes les consignes de sécurité, les instructions, les illustrations et les spécifications de sécurité fournies avec cet outil électrique. Le non-respect des consignes figurant ci-dessous peut provoquer un choc électrique, un incendie et/ou des blessures graves.

CONSERVEZ TOUS LES AVERTISSEMENTS ET INSTRUCTIONS POUR POUVOIR VOUS Y RÉFÉRER ULTÉRIEUREMENT.

SYMBOLES DE SÉCURITÉ

⚠ AVERTISSEMENT: L'utilisation d'un outil électrique peut provoquer la projection d'objets étrangers dans vos yeux, ce qui peut entraîner des lésions oculaires graves. Avant de commencer à utiliser l'outil électrique, portez toujours un masque de sécurité ou des lunettes de sécurité avec des protections latérales et une visière complète si nécessaire. Nous vous recommandons de porter un masque de sécurité à vision panoramique par-dessus des lunettes de vue ou des lunettes de sécurité standards avec des protections latérales.



Alerte de sécurité



Pour réduire le risque de blessures, l'utilisateur doit lire la notice d'utilisation.



N'utilisez pas ce produit sous la pluie et ne le laissez pas à l'extérieur quand il pleut.



Niveau de puissance acoustique garanti. Émission de bruit dans l'environnement conformément à la directive CE.



Ce produit est conforme aux directives CE applicables.



Ce produit est conforme à la législation britannique applicable.



Les produits électriques usagés ne doivent pas être jetés avec les ordures ménagères. Apportez-les dans un centre de recyclage agréé.



Porter une protection oculaire et un casque.



Maintenir les mains et les pieds éloignés de la pièce de coupe.



La longueur de la lame



Courant continu



Tension



Millimètre



Par minute



Régime à vide



Centimètre

SPÉCIFICATIONS

FR

| | | |
|--|-------------------------|---|
| Modèle | HT2600E | |
| Tension | 56 V --- | |
| Régime à vide | 1700 /min | |
| Longueur de la lame | 66 cm | |
| Capacité de coupe | 30,5 mm | |
| Poids (sans batterie, protège-lame) | 3,14 kg | |
| Température d'utilisation recommandée | 0°C - 40°C | |
| Température de stockage recommandée | -20°C - 70°C | |
| Niveau de puissance acoustique mesuré L_{WA} | 92 dB(A) K=1,7 dB(A) | |
| Niveau de pression acoustique à la position de l'opérateur L_{PA} | 84 dB(A) K=3,0 dB(A) | |
| Niveau de puissance acoustique garanti L_{WA} (d'après 2000/14/CE) | 94 dB(A) | |
| Vibration a_h | Poignée avant | 2,49 m/s ² K=1,5 m/s ² |
| | Poignée arrière | 1,65 m/s ² K=1,5 m/s ² |

- La valeur totale des vibrations indiquée a été mesurée selon une procédure conforme à une méthode de test standardisée et peut servir pour comparer différents outils.
- La valeur totale des vibrations déclarée peut également servir pour effectuer une évaluation préliminaire de l'exposition.

REMARQUE: Le niveau de vibrations lors de l'utilisation réelle de l'outil peut être différent de la valeur déclarée totale en fonction de la manière dont l'outil est utilisé ; Afin de protéger l'opérateur, l'utilisateur doit porter des gants et des protecteurs d'oreilles en conditions réelles d'utilisation.

CONTENU DE L'EMBALLAGE (FIG. A1)

DESCRIPTION

DESCRIPTION DE VOTRE TAILLE-HAIE (Fig. A1)

1. Trou de suspension
2. Protection de bout de lame
3. Lame

4. Protège-main
5. Poignée avant
6. Gâchette avant
7. Bouton de déverrouillage
8. Gâchette arrière
9. Poignée arrière
10. Levier de déverrouillage de la poignée
11. Bouton de déblocage de la batterie
12. Verrou
13. Contacts électriques
14. Fente de montage de la batterie
15. Éjection de la batterie
16. Fourreau de lame
17. Trou de suspension

⚠ AVERTISSEMENT: Ce produit a été expédié intégralement assemblé. Le protège-main ne doit jamais être retiré pendant l'utilisation. Une fois endommagé, faites-le remplacer immédiatement par un technicien qualifié.

⚠ AVERTISSEMENT: L'utilisation sécurisée de ce produit nécessite de comprendre les informations présentes sur l'outil et dans ce manuel d'utilisation, ainsi que de connaître le travail que vous voulez effectuer. Avant d'utiliser ce produit, familiarisez-vous avec toutes ses fonctions et toutes les consignes de sécurité.

UTILISATION

⚠ AVERTISSEMENT: Veillez à ne pas devenir moins prudent(e) au fur et à mesure que vous vous familiarisez avec cet outil. Gardez à l'esprit qu'une fraction de seconde d'inattention peut suffire pour provoquer des blessures graves.

⚠ AVERTISSEMENT: Portez toujours une protection oculaire avec boucliers latéraux et une protection auditive. Sans protection, des objets peuvent être projetés dans vos yeux et d'autres blessures graves peuvent se produire.

⚠ AVERTISSEMENT: Pour prévenir un démarrage accidentel pouvant provoquer des blessures corporelles graves, veillez à ce que la batterie soit toujours retirée quand vous assemblez une pièce, faites un réglage, nettoyez et quand vous n'utilisez pas l'appareil.

⚠ AVERTISSEMENT: N'utilisez aucun accessoire ou pièce non recommandés par EGO™. L'utilisation d'accessoires ou de pièces non recommandés peut provoquer des blessures corporelles graves.

Avant chaque utilisation, inspectez le produit complet à la recherche de pièces endommagées, manquantes ou desserrées telles que des vis, écrous, boulons, capuchons, etc. Serrez fermement toutes les fixations et capuchons et ne faites pas fonctionner ce produit tant que toutes les pièces manquantes ou endommagées n'ont pas été remplacées.

APPLICATION

Vous pouvez utiliser cet outil pour tailler les haies, les arbustes et les buissons dont les branches ont un diamètre inférieur à 30,5 mm.

REMARQUE: L'outil ne doit être utilisé que pour son usage prévu. Toute autre utilisation est considérée comme inappropriée.

INSTALLER/RETIRER LA BATTERIE

Utilisez exclusivement les batteries et les chargeurs indiqués à la fig. A2.

Rechargez la batterie avant la **PREMIÈRE** utilisation.

Insertion (Image B)

Alignez les arêtes de la batterie avec les rainures d'assemblage et appuyez la batterie vers le bas jusqu'à entendre un déclic.

Retrait (Image C)

Appuyez sur le bouton de déblocage de la batterie et tirez la batterie hors de l'outil.

⚠ AVERTISSEMENT: Soyez toujours conscient de la position de vos pieds, des enfants et des animaux quand vous appuyez sur les boutons de déverrouillage de la batterie. Si la batterie tombe, cela peut provoquer des blessures graves. Ne retirez JAMAIS la batterie dans une position haute.

TENIR LE TAILLE-HAIE (Fig. D1-D5)

L'outil dispose d'une poignée avant et arrière. Tenez l'outil à deux mains en positionnant la lame de coupe du côté qui vous est opposé.

La poignée arrière peut être réglée dans cinq positions ($0^\circ/\pm 45^\circ/\pm 90^\circ$) en soulevant le levier de déverrouillage de la poignée (Fig. D1 à Fig.D5), ce qui vous donne de nombreux choix pour une prise en main confortable lors des opérations de coupe.

⚠ AVERTISSEMENT: N'ajustez pas la poignée pendant l'utilisation de l'outil. Arrêtez l'outil et retirez la batterie d'abord.

DÉMARRER ET ÉTEINDRE LE TAILLE-HAIE

Avant d'utiliser le taille-haie, retirez le fourreau de lame et saisissez le taille-haie à deux mains, une main sur la poignée arrière et l'autre main sur la poignée avant. Puis vérifiez que vous avez des appuis des pieds stables, que vous vous tenez droit(e) et à une distance de coupe appropriée.

Démarrage

1. Installez la batterie.
2. Maintenez la gâchette avant enfoncée d'une seule main.
3. Maintenez le bouton de verrouillage enfoncé avec le pouce de votre autre main, puis appuyez sur la gâchette arrière avec vos doigts pour démarrer le taille-haie. Relâchez le bouton de verrouillage et continuez d'appuyer sur la gâchette pour poursuivre l'utilisation.

Arrêt

Éloignez le taille-haie de la zone de coupe et relâchez l'une des gâchettes pour arrêter le taille-haie.

⚠ AVERTISSEMENT: Retirez toujours la batterie du taille-haie pendant les pauses durant le travail et après avoir terminé le travail.

UTILISER LE TAILLE-HAIE

⚠ DANGER: Si la lame se coince sur un câble électrique, **NE TOUCHEZ PAS LA LAME ! ELLE EST PEUT-ÊTRE SOUS TENSION ÉLECTRIQUE ET TRÈS DANGEREUSE.** Continuez de tenir le taille-haie par sa poignée arrière isolante ou posez-le loin de vous d'une manière sécurisée. Débranchez le câble électrique endommagé de l'alimentation électrique avant d'essayer de décoincer la lame du câble électrique. Ne pas respecter cette mise en garde peut provoquer des blessures graves ou la mort.

⚠ AVERTISSEMENT: Ne coupez pas trop de végétaux en même temps ou des végétaux très denses. Cela peut tordre et ralentir les lames, et réduire l'efficacité de coupe.

REMARQUE: Le taille-haie peut être utilisé pour couper des branches d'une épaisseur inférieure à 30,5 mm.

REMARQUE: Lors de la taille de jeunes pousses, un grand mouvement de balayage permet d'amener directement les tiges dans les lames de coupe. Pour couper les végétaux plus anciens, un mouvement de sciage convient pour couper les tiges plus épaisses. Il est conseillé de d'abord couper les grosses branches avec une scie manuelle ou une scie à élaguer non électrique.

Coupe supérieure

Utilisez un grand mouvement de balayage. Pour obtenir un résultat optimal, inclinez légèrement les lames vers le bas dans le sens du mouvement. Pour un meilleur résultat de coupe, vous pouvez aussi utiliser une corde comme guide de hauteur de la haie, comme montré sur l'image E.

Coupe latérale

Lors de la coupe des côtés d'une haie, commencez par le bas et coupez vers le haut (Image F). Taillez les côtés de la haie de sorte qu'ils soient légèrement plus étroits en haut. Cette forme permet d'exposer au soleil une plus grande surface de haie, ce qui favorise une croissance plus uniforme.

ENTRETIEN

AVERTISSEMENT: L'outil ne doit être réparé qu'avec des pièces de rechange identiques. L'utilisation de toute autre pièce peut créer un danger ou détériorer l'outil. Pour garantir la sécurité et la fiabilité, toutes les réparations doivent être effectuées par un réparateur qualifié.

AVERTISSEMENT: Pour vous prémunir contre des blessures corporelles graves, retirez toujours la batterie de l'outil avant toute opération de nettoyage ou d'entretien.

NETTOYAGE

- Utilisez une brosse souple pour enlever les débris de toutes les entrées d'air et de la lame.
- Pour enlever la sève et les autres résidus collants, pulvérisez un solvant de résine sur les lames. Allumez brièvement le moteur pour répartir uniformément le solvant.
- Essuyez la surface avec un chiffon sec.

AVERTISSEMENT: N'utilisez jamais d'eau pour nettoyer votre outil. N'utilisez pas de solvant pour nettoyer les pièces en plastique. La plupart des plastiques peuvent être détériorés par de nombreux types de solvants vendus dans le commerce. Utilisez des chiffons propres pour enlever les saletés, les poussières, les huiles, les graisses, etc.

AFFÛTER LA LAME DE COUPE

1. Démarrez et arrêtez votre taille-haie jusqu'à ce que la lame de coupe et le protège-lame soient légèrement décalés, comme le montre la Fig. G. Cela permettra un dégagement pour la lime entre les dents de coupe et les autres dents.
2. Retirez la batterie de votre outil.
3. Fixez la lame dans un étau et limez les surfaces de coupe exposées sur chaque dent. Enlevez aussi peu de matière que possible. Veillez à préserver l'angle original de chaque dent pendant le limage.
4. Enlevez le taille-haie de l'étau. Redémarrez-le et éteignez-le pour exposer les dents de lame non affûtées.
5. Retirez la batterie et répétez la procédure d'affûtage ci-dessus.

REMARQUE: N'utilisez pas votre taille-haie avec des lames endommagées ou émoussées. Cela pourrait le mettre en surcharge et la coupe ne sera pas satisfaisante.

LUBRIFICATION DE LA LAME (image H)

Pour faciliter l'utilisation et prolonger la durée de vie de la lame, lubrifiez la lame du taille-haie avec une huile pour outil de faible viscosité avant et après chaque utilisation. Retirez la batterie, puis posez le taille-haie sur une surface plane. Appliquez de l'huile sur le bord de la lame supérieure.

REMARQUE: Lors d'utilisations prolongées, huilez la lame pendant les opérations de coupe.

AVERTISSEMENT: N'huilez pas la lame quand l'outil est en fonctionnement.

TRANSPORT ET RANGEMENT

- Insérez toujours le fourreau de lame sur la lame avant de ranger ou de transporter le taille-haie. Faites attention à ne pas toucher les dents tranchantes de la lame.
- Nettoyez soigneusement le taille-haie avant de le ranger.

- Rangez le taille-haie en intérieur, dans un endroit sec et hors de portée des enfants.
- Veillez à ce qu'elle reste éloignée des produits corrosifs tels que les produits chimiques de jardinage et les sels de déverglaçage.

⚠ AVERTISSEMENT: Les lames sont tranchantes. Lors de la manipulation de la lame, portez des gants protecteurs, antidérapants et épais. Ne placez pas votre main ou vos doigts entre les lames ni dans aucune position dans laquelle ils pourraient être pincés ou coupés. Ne touchez JAMAIS les lames et ne réparez JAMAIS l'outil quand sa batterie est insérée.

Protection de l'environnement



Ne jetez pas les équipements électriques, les batteries et les chargeurs usagés avec les ordures ménagères ! Apportez ce produit chez un recycleur agréé et rendez-le disponible pour une collecte séparée. Les outils électriques doivent être amenés dans un centre de recyclage pour assurer le respect de l'environnement.

DÉPANNAGE

FR

| PROBLÈME | CAUSE | SOLUTION |
|---------------------------------|--|---|
| Le taille-haie ne s'allume pas. | <ul style="list-style-type: none"> ■ La batterie n'est pas insérée sur le taille-haie. ■ Il n'y a pas de contact électrique entre l'outil et la batterie. ■ La batterie est déchargée. ■ La batterie est trop chaude. ■ Le taille-haie est trop chaud. ■ Les gâchettes avant et arrière ne sont pas enfoncées simultanément. ■ La lame est coincée. | <ul style="list-style-type: none"> ■ Insérez la batterie sur le taille-haie. ■ Retirez la batterie, inspectez les contacts, puis réinsérez la batterie. ■ Rechargez la batterie. ■ Retirez la batterie de l'outil et laissez-la refroidir jusqu'à ce que sa température devienne inférieure à 67°C. ■ Relâchez les deux gâchettes ; laissez refroidir le taille-haie jusqu'à atteindre une température normale. ■ Appuyez d'abord sur le bouton de verrouillage, puis appuyez simultanément sur les gâchettes de la poignée avant et arrière. ■ Retirez la batterie de l'outil, retirez précautionneusement les matières bloquant la lame, puis réinsérez la batterie et redémarrez l'outil. |
| Vibrations ou bruits excessifs. | <ul style="list-style-type: none"> ■ Les lames sont corrodées ou manquent de lubrification. ■ Une ou plusieurs lames sont tordues. ■ Dents tordues ou endommagées. ■ Les boulons de lame sont desserrés. | <ul style="list-style-type: none"> ■ Lubrifiez les lames en procédant comme indiqué au chapitre « LUBRIFIER LA LAME » de ce manuel. ■ Faites remplacer la pièce par une lame neuve ou un support neuf. Contactez un centre de réparation EGO pour faire changer la lame ou le support. ■ Faites remplacer la lame par une lame neuve. Contactez un centre de réparation EGO pour faire changer la lame. ■ Serrez les boulons de lame. Avec une clé, tournez les boulons dans le sens horaire pour les serrer. |

GARANTIE

POLITIQUE DE GARANTIE EGO

Visitez le site Web egopowerplus.com pour consulter l'intégralité des conditions de la politique de garantie EGO.

¡LEA TODAS LAS INSTRUCCIONES!



LEA EL MANUAL DEL USUARIO

⚠ ADVERTENCIA: ¡Riesgo residual! Las personas con implantes electrónicos, como marcapasos, deberán consultar a su médico antes de utilizar este producto. La utilización de equipos eléctricos en las proximidades inmediatas de un marcapasos podría causar en este interferencias o averías.

⚠ ADVERTENCIA: Para garantizar la seguridad y fiabilidad de la herramienta, las reparaciones y sustituciones debe realizarlas únicamente un técnico cualificado.

⚠ ADVERTENCIA: lea todas las advertencias, instrucciones, ilustraciones y especificaciones incluidas con esta herramienta eléctrica. Si no se cumplen todas las instrucciones que se enumeran a continuación, pueden producirse descargas eléctricas, incendios o lesiones graves.

CONSERVE TODAS LAS INSTRUCCIONES Y ADVERTENCIAS PARA PODER CONSULTARLAS EN EL FUTURO.

ES

SÍMBOLOS DE SEGURIDAD

⚠ ADVERTENCIA: Cuando se utilizan herramientas eléctricas, es posible que salgan despedidos objetos que podrían causar lesiones oculares graves. Antes de empezar a usar herramientas eléctricas, póngase siempre gafas de seguridad, gafas con cristales anti-impacto que cuenten con pantallas de protección lateral, o bien una máscara facial que proteja completamente la cara. Recomendamos usar una máscara de seguridad de amplia visión que pueda utilizarse encima de gafas graduadas, o bien gafas normales de seguridad equipadas con pantallas laterales.



Aviso de seguridad



Para reducir el riesgo de lesiones, el usuario debe leer el manual de instrucciones.



No utilice la herramienta bajo la lluvia ni la deje a la intemperie cuando esté lloviendo.



Nivel de potencia acústica garantizado. La emisión de ruido al medio ambiente cumple la directiva de la Comunidad Europea.



Este producto está en conformidad con las directivas de la CE aplicables.



Este producto está en conformidad con la legislación aplicable del Reino Unido.



Los productos eléctricos no deben eliminarse con la basura doméstica. Lívelos a un centro de reciclaje autorizado.



Llevar protección en los ojos y la cabeza.



Mantenga las manos y los pies alejados de la herramienta de corte.



Longitud de la cuchilla



Corriente continua

V Tensión

mm Milímetro

...rpm Por minuto

n_0 Velocidad sin carga

cm Centímetro

ESPECIFICACIONES

ES

| | | |
|--|-------------------------|---|
| Modelo | HT2600E | |
| Tensión | 56 V --- | |
| Velocidad sin carga | 1700 /min | |
| Longitud de la cuchilla | 66 cm | |
| Capacidad de corte | 30,5 mm | |
| Peso (sin acumulador ni protector de cuchilla) | 3,14 kg | |
| Temperatura de funcionamiento recomendada | de 0°C a 40°C | |
| Temperatura de almacenamiento recomendada | de -20°C a 70°C | |
| Nivel de potencia acústica medido L_{WA} | 92 dB(A) K=1,7 dB(A) | |
| Nivel de presión acústica medido en la posición del usuario L_{PA} | 84 dB(A) K=3,0 dB(A) | |
| Nivel de potencia acústica garantizado L_{WA} (según 2000/14/CE) | 94 dB(A) | |
| Nivel de vibraciones a_h | Empuñadura delantera | 2,49 m/s ² K=1,5 m/s ² |
| | Empuñadura trasera | 1,65 m/s ² K=1,5 m/s ² |

- El valor de vibración total ha sido medido de acuerdo con el método de prueba estándar y se puede utilizar para comparar herramientas.
- El valor total de vibración declarado se puede usar además en una evaluación preliminar del grado de exposición.

AVISO: Las vibraciones generadas durante el uso real de la herramienta eléctrica pueden diferir del valor declarado en función de la manera en que se utilice. Como protección, el usuario debería utilizar guantes y protectores auditivos en condiciones reales de uso.

LISTA DE CONTENIDO (FIG. A1)

DESCRIPCIÓN

FAMILIARÍCESE CON SU CORTASETOS (fig. A1)

- Orificio de enganche
- Protector de la punta

- Cuchilla
- Protección de la empuñadura
- Empuñadura delantera
- Gatillo delantero
- Botón de desbloqueo
- Gatillo trasero
- Empuñadura trasera
- Palanca de liberación de la empuñadura
- Botón de liberación de la batería
- Seguro
- Contactos eléctricos
- Ranura de montaje de la batería
- Expulsión de batería
- Protector de la cuchilla
- Orificio de enganche

⚠ ADVERTENCIA: Este producto se suministra totalmente ensamblado. La protección de la empuñadura nunca se debe quitar durante el uso. Si se ha dañado, llévela inmediatamente a un técnico de servicio cualificado para que la cambie.

⚠ ADVERTENCIA: Para una utilización segura de este producto, se requiere entender perfectamente la información proporcionada en la propia herramienta, así como en este Manual del usuario, además de poseer buenos conocimientos acerca de la tarea a realizar. Antes de utilizar este producto, familiarícese con todas sus características de funcionamiento y pautas de seguridad a observar.

UTILIZACIÓN

⚠ ADVERTENCIA: No permita que el hecho de estar familiarizado con el producto le haga descuidarse. Recuerde que cualquier distracción de una fracción de segundo es suficiente para provocar lesiones graves.

⚠ ADVERTENCIA: Utilice siempre gafas de seguridad con pantallas de protección lateral, así como protección auditiva. De lo contrario, de la herramienta pueden salir objetos despedidos y alcanzar los ojos, provocando lesiones graves.

⚠ ADVERTENCIA: Para evitar cualquier puesta en marcha accidental que pudiera causar lesiones físicas graves, asegúrese siempre de quitar la batería de la herramienta antes de proceder al montaje de cualquier pieza, de hacer ajustes o de limpiar la herramienta, así como cuando no la utilice.

⚠ ADVERTENCIA: No utilice piezas o accesorios que no hayan sido recomendados por EGO™. La utilización de piezas o accesorios no recomendados puede provocar lesiones graves.

Antes de cada uso, examine todo el producto para ver si hay piezas dañadas, extraviadas o sueltas, como tornillos, tuercas, pernos, tapones, etc. Apriete bien todas las sujeciones y los tapones y no ponga en marcha el producto hasta haber reemplazado todas las piezas que falten o que estén dañadas.

UTILIZACIÓN

Puede usar este producto para cortar setos, arbustos y matorrales con un diámetro del tallo inferior a $\varnothing 30,5$ mm.

AVISO: La herramienta debe utilizarse únicamente para el fin previsto. Cualquier otro uso se considerará uso indebido.

INSTALAR/QUITAR LA BATERÍA

Usar solo con baterías recargables y cargadores incluidos en la lista de la fig. A2.

Recargar antes del primer uso.

Instalación (fig. B)

Alinee las nervaduras del acumulador con las ranuras de montaje, e introduzca el acumulador presionándolo hacia abajo hasta oír un “clic”.

Extracción (fig. C)

Pulse el botón de liberación de la batería y saque la batería.

⚠ ADVERTENCIA: Preste atención siempre a la posición de sus pies, así como a la presencia de niños o mascotas cuando pulse el botón de desbloqueo de la batería. Podrían producirse lesiones graves si el acumulador se cayese. No quiete NUNCA la batería en un lugar elevado.

CÓMO SUJETAR EL CORTASETOS (Fig. D1-D5)

La herramienta cuenta con una empuñadura delantera y otra trasera. Con la cuchilla dirigida hacia delante, sujete la herramienta con una mano en cada empuñadura.

La empuñadura trasera se puede ajustar en cinco posiciones ($0^\circ/\pm 45^\circ/\pm 90^\circ$) levantando la palanca de liberación de la empuñadura (fig. D1 a fig. D5), lo que le brinda muchas opciones para un agarre cómodo cuando realice operaciones de corte.

⚠ ADVERTENCIA: No ajuste la empuñadura mientras la herramienta está funcionando. Pare primero la herramienta y saque la batería.

PUESTA EN MARCHA/PARADA DEL CORTASETOS

Antes de usar el cortasetos, quite el protector de la cuchilla y sostenga el cortasetos con las dos manos, una en la empuñadura trasera y otra en la delantera. A continuación, compruebe que tiene los pies apoyados de forma estable, adopte una postura erguida y mantenga una distancia de corte adecuada.

Puesta en marcha

1. Instale la batería.
2. Apriete y mantenga apretado el gatillo delantero con una mano.
3. Mantenga presionado el botón de desbloqueo con el pulgar de la otra mano, y después apriete el gatillo trasero con los dedos para encender el cortasetos. Suelte el botón de desbloqueo, pero continúe apretando el gatillo interruptor para seguir utilizando la herramienta de manera continua.

Parada

Aleje el cortasetos del área de corte y suelte cualquiera de los gatillos para detener el cortasetos.

⚠ ADVERTENCIA: Asegúrese siempre de retirar el acumulador del cortasetos durante cualquier pausa que haga durante el trabajo, así como una vez finalizada la tarea.

UTILIZACIÓN DEL CORTASETOS

⚠ PELIGRO: Si la cuchilla se atasca en un cable eléctrico, ¡NO LA TOQUE! PODRÍA ESTAR BAJO TENSIÓN Y RESULTAR MUY PELIGROSA. Continúe sujetando el cortasetos por la empuñadura trasera aislada o deposítelo con cuidado a una distancia segura. Desconecte el suministro eléctrico que alimenta el cable dañado antes de intentar liberar la cuchilla del cable donde se ha atascado. Si no se tiene en cuenta esta advertencia, podría sufrir lesiones graves o incluso mortales.

⚠ ADVERTENCIA: Evite cortar demasiados tallos a la vez o a través de arbustos densos. De lo contrario, las cuchillas podrían atascarse y frenar el motor, reduciendo la eficacia de corte de la herramienta.

AVISO: El cortasetos deberá utilizarse para cortar tallos con un grosor menor que (30,5 mm).

AVISO: Para los brotes nuevos, con una acción de barrido amplio los tallos se dirigen directamente a la cuchilla de corte. Para los tallos más viejos, conviene realizar un movimiento de serrado para podar los tallos más gruesos. Se recomienda usar una sierra no eléctrica o una sierra de podar para cortar primero los tallos grandes.

Recorte de la parte superior de los setos

Realice un movimiento de barrido amplio. Obtendrá los mejores resultados de corte si mantiene ligeramente inclinada hacia abajo la cuchilla en la dirección del movimiento. Para obtener un mejor efecto de corte, también puede usar la cuerda como guía para el nivel del seto, como se muestra en la fig. E.

Recorte de los laterales de los setos

Cuando recorte los laterales de un seto, comience por la parte de abajo y continúe el corte en dirección ascendente, como se muestra en la fig. F. Recorte los laterales del seto de manera que queden un poco más estrechos en su parte superior. Esta forma expondrá una mayor parte del seto a la luz solar, lo que dará como resultado un crecimiento más uniforme.

MANTENIMIENTO

⚠ ADVERTENCIA: Cuando repare la herramienta, utilice solo piezas idénticas a las originales. La utilización de otras piezas podría suponer un peligro o causar daños en el producto. Para garantizar la seguridad y fiabilidad de la herramienta, las reparaciones debe realizarlas únicamente un técnico cualificado.

⚠ ADVERTENCIA: Para evitar lesiones graves, quite siempre la batería de la herramienta antes de limpiarla o hacer tareas de mantenimiento.

LIMPIEZA

- Use un cepillo suave para eliminar los residuos de todas las entradas de aire y de la cuchilla.
- Para eliminar restos de savia y otros residuos pegajosos, rocíe la cuchilla con disolvente para resina. Haga funcionar brevemente el motor a fin de repartir bien el disolvente por toda la cuchilla.
- Limpie la superficie con un paño seco.

⚠ ADVERTENCIA: No use nunca agua para limpiar el cortabordes. Evite utilizar disolventes para limpiar las piezas de plástico. La mayoría de los plásticos se pueden dañar si se limpian con algunos de los tipos de disolventes disponibles en el mercado. Utilice paños limpios para eliminar la suciedad, polvo, aceite, grasa, etc.

AFILADO DE LA CUCHILLA

1. Ponga en marcha brevemente el cortasetos hasta que la cuchilla quede ligeramente desplazada con respecto a la sección fija de la espada, como se muestra en la fig. G. De esta manera, quedará suficiente separación entre los dientes de corte móviles de la cuchilla y los dientes fijos de la espada.
2. Quite la batería del cortasetos.
3. Sujete el conjunto de la cuchilla en un tornillo de banco y lime la superficie de corte expuesta de cada uno de los dientes de la cuchilla. Retire la mínima cantidad de material posible. Al afilarlos, asegúrese de mantener el ángulo original de cada diente.
4. Retire el cortasetos del tornillo de banco, vuelva a ponerlo en marcha brevemente para dejar expuesto los filos de los dientes de la cuchilla aún sin afilar.
5. Vuelva a retirar el acumulador y repita el procedimiento de afilado anterior.

AVISO: No utilice el cortasetos con una cuchilla poco afilada o dañada. De lo contrario, podría sobrecargar la herramienta y obtener unos resultados de corte poco satisfactorios.

LUBRICACIÓN DE LA CUCHILLA (fig. H)

Para que la cuchilla de sus cortasetos corte con mayor eficacia y a fin de prolongar su vida útil, lubríquela utilizando aceite de maquinaria de escasa viscosidad antes y después de cada uso.

Quite el acumulador y deposite el cortasetos sobre una superficie plana. Aplique el aceite a lo largo del borde de la cuchilla superior.

AVISO: Si utiliza el cortasetos durante un periodo largo, lubrique la cuchilla durante el tiempo de uso.

⚠ ADVERTENCIA: No lubrique el cortasetos mientras está funcionando.

TRANSPORTE Y ALMACENAMIENTO

- Coloque siempre el protector de cuchilla antes de proceder a almacenar o transportar el cortasetos. Tenga cuidado para evitar cortarse con los dientes de la cuchilla, ya que están muy afilados.
- Limpie a fondo el cortasetos antes de guardarlo.
- Guarde el cortasetos en interiores, en un lugar seco e inaccesible para los niños.
- Manténgala apartada de agentes corrosivos, como productos químicos de jardinería y sal para deshielo.

⚠ ADVERTENCIA: Las cuchillas están afiladas. Utilice guantes de protección robustos y antideslizantes cuando manipule la cuchilla. No ponga las manos ni los dedos entre las cuchillas ni en ninguna otra posición donde puedan sufrir cortes o pellizcos. NUNCA toque las cuchillas ni repare la herramienta con la batería instalada.

ES

Protección del medio ambiente



¡No elimine aparatos eléctricos, baterías usadas ni cargadores de baterías junto con los desperdicios domésticos! Lleve este producto a un punto de reciclaje autorizado y deposítelo por separado según corresponda. Las herramientas eléctricas se deben llevar a un punto de reciclaje con fin de proteger el medio ambiente.



SOLUCIÓN DE PROBLEMAS

ES

| PROBLEMA | CAUSA | SOLUCIÓN |
|-----------------------------|---|--|
| El cortasetos no funciona. | <ul style="list-style-type: none">■ El acumulador no está correctamente insertado en el cortasetos.■ No hay contacto eléctrico entre el acumulador y el cortasetos.■ La batería está agotada.■ La batería se ha sobrecalentado.■ El cortasetos se ha sobrecalentado.■ Los gatillos delantero y trasero no se presionan simultáneamente.■ La cuchilla está atascada. | <ul style="list-style-type: none">■ Inserte correctamente el acumulador en el cortasetos.■ Quite la batería, compruebe los contactos eléctricos y vuelva a instalarla.■ Cargue la batería.■ Retire el acumulador de la herramienta y espere a que se haya enfriado a una temperatura menor que 67°C.■ Suelte ambos gatillos; deje que el cortasetos se enfríe hasta que la temperatura baje a la temperatura normal.■ Presione primero el botón de desbloqueo y presione después los gatillos en la empuñadura delantera y trasera simultáneamente.■ Retire el acumulador de la herramienta, elimine con cuidado la obstrucción y, a continuación, vuelva a instalar el acumulador y ponga en marcha la herramienta. |
| Vibración o ruido excesivo. | <ul style="list-style-type: none">■ Cuchillas secas u oxidadas.■ Las cuchillas o el soporte de la cuchilla están doblados.■ Dientes doblados o dañados.■ Tornillos de la cuchilla sueltos. | <ul style="list-style-type: none">■ Lubrique las cuchillas como se indica en el apartado "LUBRICACIÓN DE LA CUCHILLA" de este manual.■ Instale una cuchilla o espada nueva. Póngase en contacto con el servicio técnico de EGO para solicitar la sustitución de la cuchilla o la espada.■ Instale una cuchilla nueva. Póngase en contacto con el servicio técnico de EGO para solicitar la sustitución de la cuchilla.■ Apriete los tornillos de sujeción de la cuchilla. Utilizando una llave adecuada, gire el tornillo en sentido horario para apretarlo. |

GARANTÍA

POLÍTICA DE GARANTÍA DE EGO

Visite la página web egopowerplus.com para conocer los términos y condiciones completos de la política de garantía de EGO.

LEIA TODAS AS INSTRUÇÕES!



LEIA O MANUAL DE INSTRUÇÕES

⚠ AVISO: Risco residual! As pessoas com dispositivos eletrônicos, como pacemakers, deverão consultar o seu médico antes de utilizarem este produto. A utilização de equipamento elétrico perto de um pacemaker pode causar interferências ou falhas no pacemaker.

⚠ AVISO: Para assegurar a segurança e bom funcionamento, todas as reparações e substituições de peças deverão ser efetuadas por um técnico de reparação qualificado.

⚠ AVISO: Leia todos os avisos de segurança, instruções, ilustrações e especificações fornecidas com esta ferramenta elétrica. Não seguir todas as instruções apresentadas abaixo pode resultar em choque elétrico, incêndio e/ou ferimentos graves.

GUARDE TODOS OS AVISOS E INSTRUÇÕES PARA FUTURAS REFERÊNCIAS.

PT

SÍMBOLOS DE SEGURANÇA

⚠ AVISO: O funcionamento de qualquer ferramenta elétrica pode dar origem ao resalto de quaisquer objetos estranhos que podem atingir os olhos, podendo dar origem a sérias lesões oculares. Antes de começar a utilizar a ferramenta elétrica, utilize sempre óculos de segurança com proteções laterais e uma proteção completa para a cara, quando necessário. Recomendamos Máscaras de Segurança com Visão Panorâmica por cima de óculos, ou óculos de segurança padrão com proteção lateral.



Alerta de segurança



De modo a reduzir os riscos de ferimentos, o utilizador deve ler o manual do utilizador.



Não use este produto à chuva nem o deixe no exterior quando chover.



Nível de potência do som garantido. Emissão de ruído para o ambiente de acordo com a diretiva da Comunidade Europeia.



Este produto encontra-se em conformidade com as diretivas CE aplicáveis.



Este produto encontra-se em conformidade com a legislação no Reino Unido.



Os produtos elétricos residuais não deverão ser eliminados juntamente com o lixo doméstico comum. Entregue-os num centro de reciclagem autorizado.



Use proteção ocular e para a cabeça.



Mantenha as mãos e pés afastados da ferramenta de corte.



O comprimento da lâmina



Corrente direta

V Voltagem

mm

Milímetro

.../min Por minuto

n_0

Velocidade Sem Carga

cm Centímetro

CARACTERÍSTICAS TÉCNICAS

| | | |
|--|-------------------------|---|
| Modelo | HT2600E | |
| Voltagem | 56 V --- | |
| Velocidade sem carga | 1700 /min | |
| Comprimento da lâmina | 66 cm | |
| Capacidade de corte | 30,5 mm | |
| Peso (sem a bateria, proteção da lâmina) | 3,14 kg | |
| Temperatura de funcionamento recomendada | 0°C-40°C | |
| Temperatura de armazenamento recomendada | -20°C-70°C | |
| Nível de potência do som medido L_{WA} | 92 dB(A) K=1,7 dB(A) | |
| Nível da pressão do som na posição do operador L_{PA} | 84 dB(A) K=3,0 dB(A) | |
| Nível de potência do som garantido L_{WA} (de acordo com a 2000/14/CE) | 94 dB(A) | |
| Vibração a_h | Pega dianteira | 2,49 m/s ² K=1,5 m/s ² |
| | Pega traseira | 1,65 m/s ² K=1,5 m/s ² |

- O valor total declarado da vibração foi medido de acordo com um método de teste padrão e pode ser usado para comparar duas ferramentas.
- O valor total declarado da vibração também pode ser usado numa avaliação preliminar da exposição.

AVISO: A emissão de vibrações durante a utilização da ferramenta elétrica pode diferir do valor declarado em que a ferramenta é usada. De modo a proteger o utilizador, este deverá usar luvas e proteção auditiva nas condições atuais de utilização.

LISTA DE PEÇAS (IMAGEM A1)

DESCRIÇÃO

CONHEÇA O SEU CORTA-SEBES (Imagem A1)

1. Orifício de suporte
2. Protetor da ponta
3. Lâmina
4. Proteção da mão

5. Pega dianteira
6. Gatilho dianteiro
7. Botão de desbloqueio
8. Gatilho traseiro
9. Pega traseira
10. Alavanca de libertação da pega
11. Botão de libertação da bateria
12. Trinco
13. Contactos elétricos
14. Ranhura de montagem da bateria
15. Ejeção da bateria
16. Proteção da lâmina
17. Orifício de suporte

⚠ AVISO: Este produto saiu de fábrica completamente montado. A proteção da mão nunca deverá ser retirada durante a utilização. Se ficar danificada, leve-a para ser substituída por um técnico de reparação qualificado.

⚠ AVISO: A utilização segura deste produto requer uma compreensão da informação na ferramenta e neste manual do utilizador, bem como o conhecimento do trabalho que vai efetuar. Antes de utilizar este produto, familiarize-se com as características de funcionamento e regras de segurança.

FUNCIONAMENTO

⚠ AVISO: Não deixe que a sua familiaridade com o produto o torne descuidado. Lembre-se de que uma fração de segundo de desatenção é o suficiente para sofrer um ferimento sério.

⚠ AVISO: Utilize sempre proteção ocular com proteções laterais, juntamente com proteção auricular. Se não o fizer, pode apanhar com objetos nos olhos, dando origem a possíveis ferimentos graves.

⚠ AVISO: Para evitar a ligação acidental que pode provocar ferimentos pessoais graves, retire sempre a bateria da ferramenta quando montar as peças, fizer ajustes, proceder à limpeza ou quando não utilizar a ferramenta.

⚠ AVISO: Não utilize quaisquer acessórios para além dos recomendados pela EGO™. A utilização de acessórios que não sejam recomendados pode dar origem a ferimentos sérios.

Antes de cada utilização, inspecione todo o produto quanto a peças danificadas, em falta ou soltas, como parafusos, porcas, tampas, etc. Aperte bem todos os fixadores e tampas e não utilize este produto até que todas as peças em falta ou danificadas sejam substituídas.

APLICAÇÃO

Pode utilizar este produto para cortar sebes, arbustos e moitas com um diâmetro de ramo inferior a $\varnothing 30,5$ mm.

AVISO: A ferramenta tem de ser usada apenas conforme descrito. Qualquer outra utilização será considerada má utilização.

INSTALAR/RETIRAR A BATERIA

Utilize apenas com as baterias e carregadores listados na Imagem A2.

Carregue antes da primeira utilização.

Para instalar (Imagem B)

Alinhe as abas da bateria com as ranhuras de fixação e empurre a bateria para baixo até ouvir um “clique”.

Para retirar (Imagem C)

Prima o botão de libertação da bateria e puxe a bateria para fora.

AVISO: Certifique-se sempre da localização dos seus pés, de crianças ou animais quando premir o botão de libertação da bateria. Se a bateria cair, podem ocorrer lesões sérias. NUNCA retire a bateria num local elevado.

SEGURAR O CORTA-SEBES (Imagem D1-D5)

A unidade tem uma pega dianteira e traseira. Com a lâmina afastada de si, segure a unidade com ambas as pegas.

A pega traseira pode ser colocada em cinco posições ($0^\circ \pm 45^\circ \pm 90^\circ$) levantando a alavanca de libertação da pega (Imagem D1 à Imagem D5), ficando com muitas opções para uma preensão confortável quando efetuar operações de corte.

AVISO: Não ajuste a pega enquanto a ferramenta estiver a funcionar. Pare a ferramenta e retire primeiro a bateria.

LIGAR/DESLIGAR O CORTA-SEBES

Antes de colocar em funcionamento, retire o protetor da lâmina e segure o corta-sebes com ambas as mãos, com uma mão na pega traseira e a outra na pega dianteira. Depois, certifique-se de que o seu equilíbrio está estável, com um posicionamento vertical e uma distância de corte apropriada.

Para ligar

1. Instale a bateria.

2. Prima e mantenha premido o gatilho dianteiro com uma mão.
3. Prima e mantenha premido o botão de desbloqueio com o polegar da sua outra mão, e depois pressione o gatilho traseiro com os dedos para ligar o corta-sebes. Liberte o botão de desbloqueio e continue a pressionar o gatilho para uma utilização prolongada.

Parar

Afaste o corta-sebes da área de corte e liberte o gatilho para desligar o corta-sebes.

AVISO: Retire sempre a bateria do corta-sebes durante pausas de trabalho e após terminar o trabalho.

USAR O CORTA-SEBES

PERIGO: Se a lâmina ficar presa em qualquer fio elétrico, **NÃO TOQUE NA LÂMINA! ESTA PODE FICAR COM CORRENTE E TORNAR-SE MUITO PERIGOSA.** Continue a segurar o corta-sebes pela pega traseira isolada ou coloque-a no chão e afastada de si de um modo seguro. Desligue o dispositivo elétrico da linha ou fio danificado antes de tentar libertar a lâmina da linha ou do fio. Não seguir este aviso pode dar origem a ferimentos sérios ou possível morte.

AVISO: Evite cortar demasiado de uma só vez ou através de muitos arbustos. Isso pode fazer com que as lâminas prendam e abrandem, reduzindo a eficiência de corte.

AVISO: O corta-sebes deverá ser usado para cortar hastes com uma espessura inferior a 30,5 mm.

AVISO: Para um novo crescimento, um desbaste amplo é adequado para as hastes que alimentam diretamente a lâmina de corte. Para ramos mais antigos, um movimento de serra é bom para cortar as hastes mais grossas. Uma serra manual ou serra de poda é sugerida para cortar primeiro as hastes mais largas.

Corte superior

Use um movimento deslizante abrangente. Uma ligeira inclinação para baixo das lâminas de corte, na direção do movimento, oferece um melhor resultado de corte. Para um melhor efeito de corte, pode também usar um fio para orientar o nível da sebe, conforme apresentado na Imagem E.

Corte lateral

Quando cortar as partes laterais da sebe, comece do fundo e vá cortando para cima, conforme apresentado na Imagem F. Corte a parte lateral de uma sebe de modo a

que fique ligeiramente mais estreita no topo. Esta forma expõe mais a sebe à luz do sol, dando origem a um crescimento mais uniforme.

MANUTENÇÃO

PT

AVISO: Quando fizer reparações, utilize apenas peças de substituição idênticas. A utilização de outras peças pode dar origem a perigos ou danos no produto. Para assegurar a segurança e bom funcionamento, todas as reparações deverão ser efetuadas por um técnico de reparação qualificado.

AVISO: Para evitar ferimentos sérios, retire sempre a bateria do produto quando limpar ou efetuar qualquer manutenção.

LIMPEZA

- Use uma escova suave para retirar o lixo das entradas de ar e da lâmina de corte.
- Para retirar a resina e outros resíduos colantes, pulverize as lâminas com solvente para resina. Deixe o motor funcionar durante uns instantes para que o solvente seja distribuído uniformemente.
- Limpe a superfície com um pano seco.

AVISO: Nunca use água para limpar o seu corta-sebes. Evite utilizar solventes quando limpar peças de plástico. Grande parte dos plásticos podem ficar danificados devido a vários tipos de solventes comerciais. Utilize panos limpos para retirar a sujidade, pó, óleo, gordura, etc.

AFIAR A LÂMINA DE CORTE

1. Ligue e desligue o seu corta-sebes até que a lâmina de corte e a proteção fiquem ligeiramente desalinhas, conforme apresentado na Imagem G. Isto permite uma folga para limar entre os dentes de corte e os dentes da proteção.
2. Retire a bateria do corta-sebes.
3. Fixe o conjunto da lâmina num torno e lime a superfície de corte exposta de cada dente da lâmina. Retire o mínimo de material possível. Certifique-se de que mantém o ângulo original de cada dente quando limar.
4. Retire o corta-sebes do torno. Volte a ligar e desligar o aparelho para expor as extremidades que não estão afiadas dos dentes da lâmina.
5. Retire a bateria e repita o processo de afiar apresentado acima.

AVISO: Não utilize o corta-sebes com lâminas de corte que não estejam afiadas ou que estejam danificadas. Isso pode causar uma sobrecarga e dar resultado a um corte insatisfatório.

LUBRIFICAR A LÂMINA (Imagem H)

Para uma utilização facilitada e um maior tempo de vida da lâmina, lubrifique a lâmina do corta-sebes com óleo leve para máquinas antes e após cada utilização.

Retire a bateria e coloque o corta-sebes numa superfície plana. Aplique óleo ao longo da extremidade da lâmina superior.

AVISO: Para períodos de utilização prolongados, lubrifique a lâmina durante operações de corte.

AVISO: Não lubrifique com o corta-sebes a funcionar.

TRANSPORTE E ARMAZENAMENTO

- Coloque sempre o protetor da lâmina antes de guardar ou transportar o corta-sebes. Tenha cuidado para evitar os dentes afiados da lâmina.
- Limpe bem o corta-sebes antes de o guardar.
- Guarde o corta-sebes no interior, num local seco e inacessível às crianças.
- Mantenha-o afastado de agentes corrosivos, como químicos de jardinagem e sais de degelo.

AVISO: As lâminas estão afiadas. Quando manusear o conjunto da lâmina, use luvas de proteção antiderrapantes e resistentes. Não coloque a mão ou os dedos entre as lâminas ou em qualquer posição em que possam ficar presos ou ser cortados. NUNCA toque nas lâminas nem repare a unidade com a bateria colocada.

Proteja o ambiente



Não elimine equipamento elétrico, bateria gasta nem carregador juntamente com o lixo doméstico comum! Leve este produto a um centro de reciclagem autorizado para que possa haver uma separação das peças. As ferramentas elétricas têm de ser devolvidas em instalações de reciclagem ambientalmente compatíveis.

RESOLUÇÃO DE PROBLEMAS

| PROBLEMA | CAUSA | SOLUÇÃO |
|------------------------------|--|--|
| O corta-sebes não funciona. | <ul style="list-style-type: none"> ■ A bateria não foi colocada no corta-sebes. ■ Não existe contacto elétrico entre o corta-sebes e a bateria. ■ A bateria está gasta. ■ A bateria está demasiado quente. ■ O corta-sebes está muito quente. ■ Os gatilhos dianteiro e traseiro não foram pressionados em simultâneo. ■ A lâmina está presa. | <ul style="list-style-type: none"> ■ Fixe a bateria no corta-sebes. ■ Retire a bateria, verifique os contactos e volte a instalar a bateria. ■ Carregue a bateria. ■ Retire a bateria da ferramenta e deixe-a arrefecer até que a temperatura desça abaixo dos 67°C. ■ Liberte ambos os gatilhos e deixe o corta-sebes arrefecer até à temperatura normal. ■ Prima primeiro o botão de desbloqueio e depois pressione os gatilhos da pega dianteira e traseira em simultâneo. ■ Retire a bateria da ferramenta. Retire a obstrução com cuidado e depois volte a inserir a bateria e volte a ligar a ferramenta. |
| Vibração excessiva ou ruído. | <ul style="list-style-type: none"> ■ Lâminas secas ou corroídas. ■ As lâminas ou suporte das lâminas está dobrado. ■ Dentes dobrados ou danificados. ■ Parafusos da lâmina soltos. | <ul style="list-style-type: none"> ■ Lubrifique as lâminas, seguindo a secção "LUBRIFICAR A LÂMINA" neste manual. ■ Substitua por uma lâmina ou suporte novo. Contacte o serviço de apoio ao cliente da EGO para efetuar a substituição da lâmina ou obter ajuda. ■ Coloque uma lâmina nova. Contacte o serviço de apoio ao cliente da EGO para efetuar a substituição da lâmina. ■ Aperte os parafusos da lâmina. Com uma chave, rode o parafuso no sentido dos ponteiros do relógio para apertar. |

PT

GARANTIA

POLÍTICA DE GARANTIA EGO

Visite o website egopowerplus.com para os termos e condições completos da política de garantia da EGO.

LEGGERE TUTTE LE ISTRUZIONI!



LEGGERE IL MANUALE DI ISTRUZIONI

AVVERTENZA! Rischi residui! Le persone portatrici di dispositivi elettronici, ad esempio pacemaker, devono consultare il proprio medico prima di usare questo prodotto. L'uso di apparecchi elettrici in prossimità di pacemaker cardiaci comporta il rischio di interferenze o malfunzionamento del pacemaker.

IT

AVVERTENZA! Per garantire sicurezza e affidabilità, tutte le riparazioni e sostituzioni devono essere eseguite da un tecnico qualificato.

AVVERTENZA! Consultare tutte le avvertenze di sicurezza, le istruzioni, le illustrazioni e le specifiche fornite insieme a questo utensile elettrico. Il mancato rispetto delle istruzioni sotto riportate comporta il rischio di scossa elettrica, incendio e/o gravi infortuni.

CONSERVARE TUTTE LE AVVERTENZE E LE ISTRUZIONI PER FUTURO RIFERIMENTO.

SIMBOLI DI SICUREZZA

AVVERTENZA! L'uso di apparecchi elettrici può causare il lancio di oggetti estranei verso l'operatore, con il rischio di lesioni gravi agli occhi. Durante l'uso dell'apparecchio, indossare sempre occhiali protettivi o occhiali di sicurezza con protezioni laterali e, se necessario, una maschera facciale. Si raccomanda di indossare una maschera di sicurezza con ampio campo visivo sopra gli occhiali o occhiali di sicurezza standard con protezioni laterali.



Avvertenza di sicurezza



Per ridurre il rischio di infortuni, leggere il manuale di istruzioni.



Non usare l'apparecchio in caso di pioggia e non lasciarlo all'aperto quando piove.



Livello di potenza sonora garantito Emissione acustica ambientale ai sensi della direttiva dell'Unione europea.



Questo prodotto è conforme alle direttive europee applicabili.



Questo prodotto è conforme alle direttive britanniche applicabili.



I prodotti elettrici non devono essere smaltiti insieme ai rifiuti domestici. Portarli presso un centro di riciclaggio autorizzato.



Indossare protezioni per gli occhi e la testa.



Tenere mani e piedi lontani dall'accessorio di taglio.



Lunghezza della lama



Corrente continua



Tensione



Millimetro



Al minuto



Velocità a vuoto



Centimetro

SPECIFICHE TECNICHE

| | | |
|--|-------------------------|---|
| Modello | HT2600E | |
| Tensione | 56 V --- | |
| Velocità a vuoto | 1700 /min | |
| Lunghezza della lama | 66 cm | |
| Profondità di taglio | 30,5 mm | |
| Peso (senza gruppo batteria e coprilama) | 3,14 kg | |
| Temperatura di funzionamento raccomandata | Da 0°C a 40°C | |
| Temperatura di conservazione raccomandata | Da -20°C a 70°C | |
| Livello di potenza sonora misurato L_{WA} | 92 dB(A) K=1,7 dB(A) | |
| Livello di pressione sonora a livello dell'operatore L_{PA} | 84 dB(A) K=3,0 dB(A) | |
| Livello di potenza sonora garantito L_{WA} (misurato conformemente a 2000/14/EC) | 94 dB(A) | |
| Vibrazioni a_h | Impugnatura anteriore | 2,49 m/s ² K=1,5 m/s ² |
| | Impugnatura posteriore | 1,65 m/s ² K=1,5 m/s ² |

- Il valore totale di emissione delle vibrazioni dichiarato è stato misurato con un metodo di valutazione standard e può essere utilizzato per confrontare l'apparecchio con altri prodotti analoghi.
- Il valore totale di emissione delle vibrazioni dichiarato può essere utilizzato anche per una valutazione preliminare dei livelli di esposizione.

NOTA: il valore di emissione delle vibrazioni durante l'uso effettivo dell'utensile elettrico può variare rispetto al valore totale dichiarato in base alla modalità di utilizzo dell'utensile. Per proteggersi, l'operatore deve indossare guanti e dispositivi di protezione per le orecchie in base alle condizioni di utilizzo effettive.

CONTENUTO DELL'IMBALLAGGIO (FIG. A1)

DESCRIZIONE

DESCRIZIONE DEL TAGLIASIEPI (Fig. A1)

1. Foro di aggancio
2. Protezione della punta

3. Lama
4. Paramano
5. Impugnatura anteriore
6. Interruttore a grilletto anteriore
7. Pulsante di sbloccaggio
8. Interruttore a grilletto posteriore
9. Impugnatura posteriore
10. Leva di rilascio dell'impugnatura
11. Pulsante di rilascio della batteria
12. Dispositivo di bloccaggio
13. Contatti elettrici
14. Scanalatura di fissaggio della batteria
15. Espulsione della batteria
16. Protezione della lama
17. Foro di aggancio

⚠ AVVERTENZA! Questo prodotto è consegnato completamente assemblato. Il paramano non deve essere rimosso durante l'uso. Se è danneggiato, farlo sostituire immediatamente da un tecnico qualificato.

⚠ AVVERTENZA! L'uso sicuro di questo prodotto richiede la comprensione delle informazioni riportate sull'apparecchio e in questo manuale e la conoscenza del progetto di lavoro. Prima di usare il prodotto, familiarizzarsi con tutte le funzioni operative e le norme di sicurezza.

DURANTE L'USO.

⚠ AVVERTENZA! La familiarità con questo apparecchio non deve rendere l'operatore disattento. Anche un solo momento di disattenzione comporta il rischio di lesioni gravi.

⚠ AVVERTENZA! Indossare sempre protezioni per gli occhi con protezioni laterali e protezioni per le orecchie. per evitare il rischio di oggetti proiettati verso gli occhi dell'operatore e altre lesioni gravi.

⚠ AVVERTENZA! Per evitare l'avvio accidentale e il conseguente rischio di lesioni gravi, rimuovere sempre il gruppo batteria dall'apparecchio durante l'assemblaggio dei componenti, le operazioni di regolazione e pulizia e quando non è in uso.

⚠ AVVERTENZA! Non usare accessori non raccomandati da EGO™. L'uso di accessori non raccomandati comporta il rischio di lesioni gravi.

Prima di ogni utilizzo, ispezionare l'intero apparecchio per verificare che nessun elemento sia mancante e non siano presenti componenti danneggiati o allentati, ad esempio viti, bulloni, cappucci, ecc. Serrare saldamente tutti i dispositivi di fissaggio e non usare l'apparecchio finché tutti i componenti mancanti o danneggiati non vengono sostituiti.

DESTINAZIONE D'USO

IT

questo apparecchio è destinato alla rifinitura di siepi, arbusti e cespugli con rami di diametro non superiore a 30,5 mm.

NOTA: l'apparecchio deve essere utilizzato esclusivamente per gli scopi previsti. Altri utilizzi sono da considerarsi uso improprio.

INSTALLAZIONE/RIMOZIONE DEL GRUPPO BATTERIA

Usare l'apparecchio esclusivamente con i gruppi batteria e caricabatteria elencati in Fig. A2.

Ricaricare prima del primo utilizzo.

Installazione (Fig. B)

Allineare i rilievi sul gruppo batteria con le scanalature di assemblaggio e premere il gruppo batteria fino a udire un "clic".

Rimozione (Fig. C)

Premere il pulsante di rilascio della batteria ed estrarre il gruppo batteria.

AVVERTENZA! Prestare sempre attenzione ai propri piedi e all'eventuale presenza di bambini o animali attorno a sé durante la rimozione del gruppo batteria. La caduta del gruppo batteria comporta il rischio di lesioni gravi. Non rimuovere MAI il gruppo batteria quando si è in posizione elevata.

COME IMPUGNARE IL TAGLIASIEPI (Fig. D1-D5)

L'apparecchio è dotato di un'impugnatura anteriore e un'impugnatura posteriore. Con la lama orientata lontano da sé, afferrare l'apparecchio con entrambe le impugnature.

L'impugnatura posteriore può essere regolata in cinque posizioni ($0^\circ/\pm 45^\circ/\pm 90^\circ$) sollevando la leva di rilascio dell'impugnatura (Fig. D1-D5), offrendo diverse opzioni per avere una presa confortevole durante le operazioni di taglio.

AVVERTENZA! Non regolare l'impugnatura quando l'utensile è in funzione. Arrestare l'utensile e rimuovere il gruppo batteria.

AVVIO/ARRESTO DEL TAGLIASIEPI

Prima di avviare il tagliaiepi, rimuovere il coprilama e tenere il tagliaiepi con entrambe le mani: una mano sull'impugnatura posteriore e l'altra sull'impugnatura anteriore. Assumere quindi una posizione eretta e stabile e osservare una corretta distanza di taglio.

Avvio

1. Installare il gruppo batteria.
2. Tenere premuto il grilletto anteriore con una mano.
3. Per avviare il tagliaiepi, tenere premuto il pulsante di sbloccaggio con il pollice dell'altra mano, quindi premere il grilletto posteriore con le dita. Rilasciare il pulsante di sbloccaggio e continuare a premere l'interruttore per il funzionamento continuato.

Arresto

Allontanare il tagliaiepi dall'area di taglio e rilasciare uno dei grilletti per arrestarlo.

AVVERTENZA! Rimuovere sempre il gruppo batteria dal tagliaiepi durante le pause e al termine del lavoro.

UTILIZZO DEL TAGLIASIEPI

PERICOLO! Se la lama si inceppa in un cavo elettrico, **NON TOCCARE LA LAMA! PUÒ DIVENTARE ELETTTRIFICATA E MOLTO PERICOLOSA.** Continuare a tenere il tagliaiepi tramite l'impugnatura isolata posteriore o appoggiarlo lontano da sé in modo sicuro. Scollegare la fonte di alimentazione del cavo danneggiato prima di tentare di sbloccare la lama dal cavo. Il mancato rispetto di questa avvertenza comporta il rischio di lesioni gravi o mortali.

AVVERTENZA! Evitare di tagliare una quantità eccessiva di materiale in una volta sola o cespugli troppo folti per evitare che le lame si inceppino, riducendo l'efficienza di taglio.

NOTA: Questo tagliaiepi deve essere usato per tagliare rami di spessore inferiore a (30,5 mm).

NOTA: tagliare le nuove crescite con ampi movimenti oscillanti, affinché gli steli entrino a contatto diretto con la lama. La vegetazione meno giovane ha rami più spessi: per facilitare il taglio, usare un movimento a sega. Usare una sega a mano o delle cesoie per tagliare preventivamente i rami più spessi.

Taglio superiore

Usare un movimento ampio. Una leggera inclinazione delle lame di taglio verso il basso in direzione del movimento darà i migliori risultati di taglio. È anche possibile usare una corda come guida durante il taglio, come illustrato in Fig. E.

Taglio laterale

Durante il taglio dei lati della siepe, iniziare dal basso e tagliare verso l'alto, come illustrato in Fig. F. Tagliare i lati della siepe in modo tale che siano leggermente più stretti verso l'alto. In questo modo una maggiore superficie della siepe sarà esposta al sole, garantendo una crescita più uniforme.

MANUTENZIONE

AVVERTENZA! Per la riparazione dell'apparecchio, usare esclusivamente parti di ricambio identiche. L'uso di altri ricambi comporta situazioni pericolose o il rischio di danni all'apparecchio. Per garantire sicurezza e affidabilità, tutte le riparazioni e le sostituzioni devono essere eseguite da un tecnico qualificato.

AVVERTENZA! Per evitare lesioni gravi, rimuovere sempre il gruppo batteria dall'apparecchio prima delle operazioni di pulizia o manutenzione.

PULIZIA

- Usare una piccola spazzola per rimuovere i detriti dalle aperture di ventilazione e dalla lama di taglio.
- Per rimuovere catrame e altri residui collosi, spruzzare sulle lame del solvente per resine. Avviare brevemente il motore affinché il solvente si distribuisca omogeneamente.
- Pulire la superficie con un panno asciutto.

AVVERTENZA! Non usare mai acqua per pulire l'apparecchio. Evitare l'uso di solventi durante la pulizia delle parti in plastica. La maggior parte dei materiali plastici può essere danneggiata da molti tipi di solventi in commercio. Usare un panno pulito per rimuovere sporcizia, polvere, olio, grasso, ecc.

AFFILATURA DELLA LAMA

1. Avviare e arrestare il taglia siepi finché la lama e la protezione non sono leggermente sfalsate, come illustrato in Fig. G, affinché sia presente spazio per la lima tra i denti di taglio e i denti di protezione.
2. Rimuovere il gruppo batteria dal taglia siepi.

3. Serrare il gruppo lama in una morsa e affilare la superficie di taglio esposta di ogni tagliente. Rimuovere meno materiale possibile. Assicurarsi di mantenere l'angolo originale dei denti durante l'affilatura.
4. Rimuovere il taglia siepi dalla morsa; riavviarlo e arrestarlo per esporre i bordi dei denti non ancora affilati.
5. Rimuovere il gruppo batteria e ripetere la procedura di affilatura descritta in precedenza.

NOTA: non usare il taglia siepi con una lama smussata o danneggiata per evitare il rischio di surriscaldamento e risultati di taglio non soddisfacenti.

LUBRIFICAZIONE DELLA LAMA (Fig. H)

Per le migliori prestazioni e una maggiore durata di vita, lubrificare la lama del taglia siepi con dell'olio per macchine leggero prima e dopo ogni utilizzo.

Rimuovere il gruppo batteria e appoggiare l'apparecchio su una superficie piana. Applicare il lubrificante sul bordo della lama superiore.

NOTA: per una maggiore durata operativa, lubrificare la lama durante l'uso.

AVVERTENZA! Non lubrificare la lama mentre il taglia siepi è in funzione.

TRASPORTO E CONSERVAZIONE

- Posizionare sempre il coprilama sulla lama prima di trasportare o riporre il taglia siepi. Prestare attenzione per evitare il contatto con i denti affilati della lama.
- Pulire accuratamente il taglia siepi prima di riporlo.
- Conservare il taglia siepi in un luogo al chiuso, asciutto e inaccessibile ai bambini.
- Tenerlo al riparo da agenti corrosivi, ad esempio sostanze chimiche per il giardinaggio e sale per disgelo.

AVVERTENZA! Le lame sono affilate. Durante la manipolazione del gruppo lama, indossare guanti protettivi robusti e antiscivolo. Non posizionare la mano o le dita tra le lame o in qualsiasi posizione in cui potrebbero venire schiacciate o tagliate. Non toccare MAI le lame e non riparare l'apparecchio con il gruppo batteria installato.

Protezione dell'ambiente



Non smaltire apparecchi elettrici, caricabatteria e batterie insieme ai rifiuti domestici. Portare il prodotto presso un centro di riciclaggio autorizzato affinché venga raccolto separatamente. Gli apparecchi elettrici devono essere portati presso un centro di riciclaggio ecocompatibile.

IT

RISOLUZIONE DEI PROBLEMI

| PROBLEMA | CAUSA | SOLUZIONE |
|--------------------------------|--|--|
| Il tagliaerba non funziona. | <ul style="list-style-type: none"> ■ Il gruppo batteria non è installato sul tagliaerba. ■ Nessun contatto elettrico tra il tagliaerba e la batteria. ■ Il gruppo batteria è scarico. ■ Il gruppo batteria è troppo caldo. ■ Il tagliaerba è troppo caldo. ■ Il grilletto anteriore e il grilletto posteriore non sono stati premuti contemporaneamente. ■ La lama è inceppata. | <ul style="list-style-type: none"> ■ Installare il gruppo batteria sul tagliaerba. ■ Rimuovere la batteria, ispezionare i contatti e reinstallare il gruppo batteria. ■ Ricaricare il gruppo batteria. ■ Rimuovere il gruppo batteria dall'apparecchio e attendere che la temperatura scenda al di sotto di 67°C. ■ Rilasciare entrambi i grilletti; attendere che la temperatura del tagliaerba scenda a un livello normale. ■ Premere il pulsante di sbloccaggio, quindi premere simultaneamente il grilletto dell'impugnatura anteriore e il grilletto dell'impugnatura posteriore. ■ Rimuovere il gruppo batteria dall'apparecchio, rimuovere attentamente l'ostruzione, quindi reinserire la batteria e riavviare il tagliaerba. |
| Rumore o vibrazioni eccessivi. | <ul style="list-style-type: none"> ■ Le lame sono asciutte o corrose. ■ Le lame o il supporto della lama sono piegati. ■ I denti sono piegati o danneggiati. ■ I bulloni della lama sono allentati. | <ul style="list-style-type: none"> ■ Lubrificare le lame come descritto alla sezione "LUBRIFICAZIONE DELLA LAMA" di questo manuale. ■ Sostituire con una lama nuova o un supporto nuovo. Contattare il centro di assistenza EGO per la sostituzione della lama o del supporto. ■ Sostituire con una lama nuova. Contattare il centro di assistenza EGO per la sostituzione della lama. ■ Serrare i bulloni della lama. Con una chiave, ruotare il bullone in senso orario per serrarlo. |

IT

GARANZIA

CONDIZIONI DELLA GARANZIA EGO

Visitare il sito web egopowerplus.com per consultare le condizioni complete della garanzia EGO.

LEES ALLE INSTRUCTIES!



LEES DE GEBRUIKSAANWIJZING

⚠ WAARSCHUWING: Restrisico! Personen met elektronische apparaten zoals pacemakers, moeten eerst hun arts(en) raadplegen voordat ze dit product gebruiken. De werking van een elektrisch apparaat in de nabijheid van een pacemaker kan een storing of defect van de pacemaker veroorzaken.

NL

⚠ WAARSCHUWING: Om een continue veiligheid en betrouwbaarheid te waarborgen, dienen alle reparaties en vervangingen van onderdelen uitgevoerd te worden door een gekwalificeerde servicemonteur.

⚠ WAARSCHUWING: Lees alle veiligheidswaarschuwingen, instructies, illustraties en specificaties die met het elektrisch gereedschap zijn meegeleverd. Het niet opvolgen van alle onderstaande instructies kan leiden tot elektrische schokken en/of ernstig letsel.

BEWAAR ALLE WAARSCHUWINGEN EN INSTRUCTIES VOOR TOEKOMSTIG GEBRUIK.

VEILIGHEIDSSYMBOLEN

⚠ WAARSCHUWING: Het gebruik van elektrische gereedschappen kan leiden tot het rondslingeren van (vreemde) objecten die in uw ogen kunnen terechtkomen. Dit kan leiden tot ernstig oogletsel. Wanneer u elektrische apparaten gebruikt, zorg er dan voor dat u altijd een veiligheidsbril (met zijschermen) of een gelaatsscherm draagt. We bevelen aan om een gelaatsscherm over uw bril of standaard veiligheidsbril met zijschermen te gebruiken.



Veiligheidswaarschuwing



De gebruiker moet de gebruiksaanwijzing lezen om het risico op letsel te beperken.



Gebruik het apparaat niet in de regen en laat het tevens niet buiten achter als het regent.



Gewaarborgd geluidsvermogensniveau. Geluidsemisatie voor de omgeving in overeenstemming met de richtlijnen van de Europese Unie.



Dit product is in overeenstemming met de EG-richtlijnen.



Dit product is in overeenstemming met de toepasselijke richtlijnen van het VK.



Gooi elektrisch afval niet via het huishoudelijk afval weg. Breng het naar een geautoriseerd recyclingbedrijf.



Draag oog- en hoofdbescherming.



Houd handen en voeten uit de buurt van het snijgereedschap.



De lengte van het blad



Gelijkstroom



Spanning



Millimeter



Per minuut



Snelheid zonder belasting



Centimeter

SPECIFICATIES

| | | |
|---|-------------------------|---|
| Model | HT2600E | |
| Spanning | 56 V --- | |
| Snelheid zonder belasting | 1700 /min | |
| Lengte van het zaagblad | 66 cm | |
| Snijvermogen | 30,5 mm | |
| Gewicht (zonder accupack, met zaagbladbeschermer) | 3,14 kg | |
| Aanbevolen bedrijfstemperatuur | 0°C-40°C | |
| Aanbevolen opslagtemperatuur | -20°C-70°C | |
| Gemeten geluidsvermogensniveau L_{WA} | 92 dB(A) K=1,7 dB(A) | |
| Geluidsdruk niveau aan de positie van de bediener L_{PA} | 84 dB(A) K=3,0 dB(A) | |
| Gegarandeerd geluidsvermogensniveau L_{WA} (conform 2000/14/EC) | 94 dB(A) | |
| Trilling a_n | Voorste handgreep | 2,49 m/s ² K=1,5 m/s ² |
| | Achterste handgreep | 1,65 m/s ² K=1,5 m/s ² |

- De opgegeven totale vibratiewaarde is gemeten volgens de standaard testmethode en kan worden gebruikt om het apparaat met een ander apparaat te vergelijken;
- De opgegeven totale vibratiewaarde kan tevens worden gebruikt in een voorafgaande beoordeling op blootstelling.

OPMERKING: De trillingsemmissie tijdens het werkelijk gebruik van het elektrisch gereedschap kan verschillen van de opgegeven totale waarde; Om de bediener te beschermen dient de gebruiker tijdens het gebruik handschoenen en gehoorbescherming te dragen.

INHOUD VAN DE VERPAKKING (AFB. A1)

BESCHRIJVING

KEN UW HEGGENSCHAAR (afb. A1)

1. Ophanggat
2. Neusbeschermer

3. Mes
4. Handscherm
5. Voorste handgreep
6. Voorste trekker
7. Vergrendelknop
8. Achterste trekker
9. Achterste handgreep
10. Ontgrendelingshendel greep
11. Accuvrijgaveknop
12. Vergrendeling
13. Elektrische contacten
14. Montagesleuf voor de accu
15. Accu-verwijderknop
16. Zaagbladbeschermer
17. Ophanggat

⚠ WAARSCHUWING: Dit product werd reeds volledig gemonteerd verzonden. De handbescherming mag tijdens het gebruik nooit worden verwijderd. Als hij beschadigd is, moet het onmiddellijk door een gekwalificeerde servicetechnicus worden vervangen.

⚠ WAARSCHUWING: Om dit product op een veilige manier te gebruiken, moet men zowel de informatie vermeld op het gereedschap en in deze gebruikershandleiding goed begrijpen als een goede kennis hebben van de taak die men wilt uitvoeren. Voordat u dit product gebruikt, maak u zich vertrouwd met alle gebruiksfuncties en veiligheidsvoorschriften.

BEDIENING

⚠ WAARSCHUWING: Vertrouwdheid kan leiden tot onvoorzichtigheid. Opgelet, één seconde van onoplettendheid kan ernstig letsel teweegbrengen.

⚠ WAARSCHUWING: Draag altijd oogbescherming met zijschermen en gehoorbescherming. Het niet dragen van deze beschermingsuitrusting kan ertoe leiden dat voorwerpen in uw ogen terecht komen of kan een ander ernstig letsel veroorzaken.

⚠ WAARSCHUWING: Om het per ongeluk starten van het gereedschap, wat persoonlijk letsel kan veroorzaken, te voorkomen, dient u altijd het accupack uit het gereedschap te halen als u onderdelen monteert, instellingen uitvoert, het reinigt of als het niet in gebruik is.

⚠ WAARSCHUWING: Gebruik geen opzetstukken of toebehoren die niet door EGO™ zijn aanbevolen. Het gebruik van niet aanbevolen opzetstukken of toebehoren kan leiden tot ernstig persoonlijk letsel.

Voor elk gebruik dient u het complete product op beschadigingen, missende of los zittende onderdelen zoals schroeven, moeren, bouten, doppen etc. te controleren. Draai alle bevestigingen en doppen goed vast en gebruik dit product niet totdat alle missende of beschadigde onderdelen zijn vervangen.

NL

TOEPASSING

U mag dit product gebruiken voor het snijden van heggen, struiken en bosjes met een takdiameter van minder dan \varnothing 30,5 mm.

OPMERKING: Het gereedschap mag alleen voor het voorheen genoemde doeleinde worden gebruikt. Ieder ander gebruik is in dit geval misbruik.

INSTALLEREN/VERWIJDEREN VAN HET ACCUPACK

Gebruik alleen met in afb. A2 vermelde accupacks en opladers.

Voor de eerste ingebruikname opladen.

Installeren (afb. B)

Breng de geleiders van de accu overeen met de montagesleuven en druk het accupack naar beneden totdat u "klik" hoort.

Verwijderen (afb. C)

Druk de accu-ontgrendelingsknop naar beneden en trek het accupack eruit.

⚠ WAARSCHUWING: Houd altijd uw voeten, kinderen of huisdieren die zich in de buurt bevinden in het oog wanneer u op de accuvrijgaveknop drukt. Ernstig letsel kan zich voordoen wanneer de accu valt. Haal het accupack NOOIT uit wanneer u zich in een hoge positie bevindt.

DE HEGGENSCHAAR VASTHOUDEN (afb. D1-D5)

Het gereedschap is voorzien van een handvat zowel voor- als achteraan. Met het zaagblad weg van u gericht, houd het apparaat met gebruik van beide handvatten vast.

De achterste handgreep kan in vijf standen worden gezet ($0^\circ/\pm 45^\circ/\pm 90^\circ$) door de ontgrendelingshendel voor de greep omhoog te bewegen (afb. D1 tot afb. D5), waardoor u veel keuzemogelijkheden hebt voor een comfortabele grip bij het uitvoeren van snijwerkzaamheden.

⚠ WAARSCHUWING: Verstel de handgreep niet terwijl het gereedschap in gebruik is. Schakel eerst het gereedschap uit en verwijder de accu.

DE HEGGENSCHAAR STARTEN/STOPPEN

Voor het gebruik dient u de bescherming van het blad te verwijderen en de trimmer met beide handen vast te houden, één hand aan het achterste handvat en één aan het voorste handvat. Let vervolgens op een stabiele, rechtop staande stand en een goede snij-afstand.

Starten

1. Installeer het accupack.
2. Knijp met één hand in de schakelaar aan de voorkant en houd hem vast.
3. Houd de vergrendelknop ingedrukt met de duim van uw andere hand en knijp vervolgens met uw vingers in de achterste schakelaar om de heggenschaar te starten. Laat de ontgrendelknop los en houd de schakelaar ingedrukt voor continu gebruik.

Stoppen

Beweeg de heggenschaar weg van het snijgebied en laat één van beide schakelaars los om de heggenschaar te stoppen.

⚠ WAARSCHUWING: Haal altijd het accupack uit de heggenschaar wanneer u een pauze inlast of na gebruik van het gereedschap.

DE HEGGENSCHAAR GEBRUIKEN

⚠ GEVAAR: Als het zaagblad in een elektrische kabel of leiding vast komt te zitten, **RAAK HET ZAAGBLAD NIET AAN! DEZE KAN ONDER STROOM STAAN EN GEVAAR OPLEVEREN.** Blijf de heggenschaar bij het geïsoleerd achterste handvat vasthouden of leg het neer en uit uw buurt op een veilige manier. Ontkoppel de stroomtoevoer naar de beschadigde leiding of kabel voordat u probeert om het zaagblad van de leiding of kabel los te maken. Het negeren van deze waarschuwing kan leiden tot ernstig letsel of de dood.

⚠ WAARSCHUWING: Voorkom dat u te veel in één keer snijdt of door te dikke takken snijdt. De zaagbladen kunnen vastklemmen en vertragen wat voor lagere snoeiresultaten zorgt.

OPMERKING: Gebruik de heggenschaar alleen voor het snijden van stammen met een dikte van minder dan (30,5 mm).

OPMERKING: Voor nieuwe groei is een brede, zwaaiende beweging voldoende om de stammen rechtstreeks in het zaagblad terecht te laten komen. Voor oudere groei is een zaagbeweging goed voor het trimmen van dikkere stammen. Een stroomloze zaag of snoeizaag is aan te raden voor het zagen van dikke stammen.

De bovenkant snoeien

Gebruik een wijde vegende beweging. Een lichtjes neerwaartse schuine stand van de zaagbladen in de bewegingsrichting zorgt voor de beste snoeibeurt. Voor een beter zaageffect kunt u ook een koord gebruiken om het niveau van de heg te begeleiden zoals weergegeven in afb. E.

De zijkant snoeien

Voor het snoeien van de zijkant van de heg, start onderaan en snoei omhoog zoals weergegeven in afb. F. Snoei de zijkant van een haag zodat deze aan de bovenkant iets smaller wordt. Deze vorm stelt meer van de heg bloot aan de zon en zorgt voor een meer uniforme groei.

ONDERHOUD

⚠ WAARSCHUWING: Gebruik voor reparaties uitsluitend identieke reserve-onderdelen. Het gebruik van andere onderdelen kan gevaar opleveren of schade aan het product veroorzaken. Laat alle reparaties uitvoeren door een vakbekwame reparateur om een continue veiligheid en betrouwbaarheid te waarborgen.

⚠ WAARSCHUWING: Om ernstig persoonlijk letsel te voorkomen dient u het accupack voor de reiniging of het onderhoud altijd uit het product te halen.

REINIGING

- Verwijder alle vuil van de luchtinlaten en het zaagblad met behulp van een zachte borstel.
- Om pek en andere kleefresten te verwijderen, besprenkel de zaagbladen met harsoplosmiddel. Draai de motor kortstondig zodat het oplosmiddel gelijkmatig wordt verdeeld.
- Maak het oppervlak schoon met een droge doek.

⚠ WAARSCHUWING: Maak uw grastrimmer nooit schoon met water. Maak de kunststof onderdelen niet schoon met oplosmiddelen. De meeste kunststoffen kunnen door verschillende soorten van commercieel beschikbare oplosmiddelen schade oplopen. Gebruik een schone doek voor het verwijderen van vuil, stof, olie, vet, etc.

HET ZAAGBLAD SLIJPEN

1. Start en stop uw heggenschaar totdat het maimes en de beschermkap iets uit elkaar staan, zoals te zien is in afb. G. Dit zorgt voor ruimte voor de vijl tussen de snijtanden en de tanden van de beschermkap.
2. Verwijder het accupack van uw heggenschaar.
3. Klem het zaagbladgedeelte in een bankschroef vast en vijl het blootgesteld snijoppervlak van elke zaagtand. Verwijder zo weinig mogelijk materiaal. Bewaar de originele hoek van elke tand tijdens het vijlen.
4. Verwijder de heggenschaar uit de bankschroef, start en stop het gereedschap zodat de ongevijlde randen van elke zaagtand worden onthuld.
5. Verwijder het accupack en herhaal bovenstaande slijpprocedure.

OPMERKING: Gebruik uw bosmaaier niet wanneer de messen bot of beschadigd zijn. Dit kan tot overbelasting leiden en geeft een niet tevredenstellend snijresultaat.

HET ZAAGBLAD SMEREN (afb. H)

Voor de beste werking en een langere levensduur van het zaagblad, smeer het zaagblad met hoogwaardige machine-olie voor en na elk gebruik.

Verwijder het accupack en plaats de trimmer op een vlakke ondergrond. Breng de olie langs de bovenste rand van het mes aan.

OPMERKING: Voor een langere gebruikperiode dient u het blad tijdens het zagen van olie te voorzien.

⚠ WAARSCHUWING: Breng geen olie aan terwijl de heggenschaar in werking is.

TRANSPORT EN OPSLAG

- Plaats de zaagbladbeschermer altijd op het zaagblad voordat u de heggenschaar opbergt of transporteert. Let op voor de scherpe tanden van het zaagblad.
- Maak de heggenschaar grondig schoon voordat u deze opbergt.
- Berg de heggenschaar binnenshuis op in een droge ruimte die voor kinderen ontoegankelijk is.
- Houd uit de buurt van corrosieve middelen, zoals tuinchemicaliën en strooizout.

⚠ WAARSCHUWING: De zaagbladen zijn scherp, Als u de bladen aanraakt voor de montage, dient u niet glijdende, hoogwaardige veiligheidshandschoenen te dragen. Steek uw hand of uw vingers niet tussen de bladen of in een positie, waar deze snijwonden op kunnen lopen of afgezaagd kunnen worden. Raak de bladen **NOOIT** aan en onderhoud het apparaat niet, als het accupack is geïnstalleerd.

Het milieu beschermen

NL



Gooi geen elektrische apparatuur, gebruikte batterijen en laders weg via het huishoudelijk afval! Geef dit product af bij een geautoriseerd recyclingbedrijf en zorg dat het apart kan worden ingezameld.

Elektrisch gereedschap moet worden afgegeven voor een milieuvriendelijke recycling.

PROBLEEMOPLOSSING

| PROBLEEM | OORZAAK | OPLOSSING |
|--------------------------------|--|---|
| De heggenschaar werkt niet. | <ul style="list-style-type: none"> ■ Het accupack is niet met de heggenschaar verbonden. ■ Er is geen elektrisch contact tussen de heggenschaar en accu. ■ Het accupack is uitgeput. ■ De accu is te warm. ■ De heggenschaar is te warm. ■ De voorste en achterste trekker worden niet gelijktijdig ingedrukt. ■ Het blad zit klem. | <ul style="list-style-type: none"> ■ Verbind het accupack met de heggenschaar. ■ Verwijder de accu, controleer de contacten en bevestig het accupack weer. ■ Laad het accupack op. ■ Haal het accupack uit het gereedschap en laat afkoelen totdat de temperatuur lager dan 67°C is. ■ Laat beide schakelaars los; laat de trimmer afkoelen tot de temperatuur tot de normale temperatuur daalt. ■ Druk eerst de vergrendelknop in en druk dan gelijktijdig de schakelaars in de voorste- en achterste handgreep in. ■ Verwijder het accupack uit het gereedschap, verwijder voorzichtig het obstakel, breng het accupack opnieuw in en start het gereedschap opnieuw. |
| Overmatige trilling of geluid. | <ul style="list-style-type: none"> ■ Droge of verroeste zaagbladen. ■ Zaagbladen of zaagbladhouder is gebogen. ■ Gebogen of beschadigde tanden. ■ Losse zaagbladbouten. | <ul style="list-style-type: none"> ■ Smeer de zaagbladen volgens sectie "HET ZAAGBLAD SMEREN" in deze handleiding. ■ Vervang door een nieuw zaagblad of de houder. Neem contact op met de EGO klantenservice voor vervangende zaagbladen of ondersteuning. ■ Vervang door een nieuw blad. Neem contact op met de EGO klantenservice voor het vervangen van zaagbladen. ■ Draai de zaagbladbouten vast. Draai de bouten met de klok mee vast met behulp van een moersleutel. |

NL

GARANTIE

EGO GARANTIEBELEID

Bezoek alstublieft de website egopowerplus.com voor de volledige voorwaarden van het EGO garantiebeleid.

LÆS ALLE ANVISNINGER!



LÆS BRUGERVEJLEDNINGEN

⚠ ADVARSEL: Resterende risiko! Folk med elektroniske anordninger, såsom pacemakere, bør spørge deres læge(r) til råds, før de bruger dette produkt. Betjening af elektrisk udstyr i umiddelbar nærhed af et hjerte pacemaker kan forårsage forstyrrelser eller svigt af pacemakeren.

⚠ ADVARSEL: For at sikre sikkerhed og pålidelighed bør alle reparationer og udskiftninger udføres af en kvalificeret servicetekniker.

DK

⚠ ADVARSEL: Læs alle sikkerhedsadvarsler, instruktioner, billeder og specifikationer, der følger med dette elværktøj. Hvis anvisningerne nedenfor ikke følges, kan det føre til elektrisk stød, brand og/eller alvorlig personskade.

GEM ALLE ADVARSLER OG INSTRUKTIONER TIL FREMTIDIG REFERENCE.

SIKKERHEDSSYMBOLER

⚠ ADVARSEL: Når elværktøjer bruges, er der altid en risiko for at genstande slynges ind i øjnene, som kan føre til alvorlige øjenskader. Inden du begynder elværktøj drift, altid bære beskyttelsesbriller eller sikkerhedsbriller med side skjolde og en fuld ansigtsmaske når det er nødvendigt. Vi anbefaler en Wide Vision Safety Maske til brug over briller eller standard sikkerhedsbriller med sideskærme.



Sikkerhedsadvarsel



For at mindske risikoen for skader skal brugeren læse brugsanvisningen.



Må ikke bruges i regn og må ikke efterlades udenfor i regnvej.



Garanteret lydniveau. Støjemission til miljøet opfylder EF-direktivet.



Dette produkt er i overensstemmelse med gældende EU-direktiver.



Dette produkt er i overensstemmelse med lovgivningen i Storbritannien.



Elektriske affaldsprodukter må ikke bortskaffes sammen med husholdningsaffald. Tag det til en godkendt genbrugsplads.



Briller og hovedbeskyttelse.



Hold hænder og fødder væk fra klippeværktøjet.



Sværdets længde



Jævnstrøm (DC)

V

Spænding

mm

Millimeter

.../min

Per minut

n₀

Hastighed uden belastning

cm

Centimeter

SPECIFIKATIONER

| | | |
|---|-------------------------|---|
| Model | HT2600E | |
| Spænding | 56 V | |
| Ubelastet hastighed | 1700 /min | |
| Klingelængde | 66 cm | |
| Klippekapacitet | 30,5 mm | |
| Vægt (uden batteripakke, sværdskaerm) | 3,14 kg | |
| Anbefalet driftstemperatur | 0°C-40°C | |
| Anbefalet opbevaringstemperatur | -20°C-70°C | |
| Målt lydeffektniveau L_{WA} | 92 dB(A) K=1,7 dB(A) | |
| Lydtryk tæt ved brugeren L_{PA} | 84 dB(A) K=3,0 dB(A) | |
| Garanteret lydeffektniveau L_{WA} (i henhold til 2000/14/EF) | 94 dB(A) | |
| Vibration a_h | Forreste håndtag | 2,49 m/s ² K=1,5 m/s ² |
| | Bageste håndtag | 1,65 m/s ² K=1,5 m/s ² |

- Den samlede erklærede vibrationsværdi er målt i overensstemmelse med en standard testmetoden, og den kan bruges til at sammenligne et værktøj med et andet;
- Den samlede angivne vibrationsværdi kan også bruges ved en foreløbig vurdering af eksponeringen.

BEMÆRK: Vibrationsemissionen ved faktisk brug af elværktøjet kan afvige fra den angivne værdi, hvor værktøjet bruges. For at beskytte brugeren, skal brugeren bruge handsker og høreværn i de faktiske brugsforhold.

LISTE OVER DELE (FIG. A1)

BESKRIVELSE

KEND DIN HÆKKEKLIPPER (fig. A1)

- Hul til at hænge værktøjet i
- Beskytter til spidsen
- Klinge
- håndskærm

- Forreste håndtag
- Startknap foran
- Låseknop
- Startknap bagpå
- Bageste håndtag
- Greb til løsning af håndtag
- Udløserknop til batteri
- Lås
- Elektriske kontakter
- Batterimonteringsrille
- Frigivelse af batteri
- Sværdskaerm
- Hul til at hænge værktøjet i

⚠ ADVARSEL: Dette produkt er blevet afsendt helt samlet. Håndskærmen må aldrig fjernes under brug. Hvis den beskadiges, skal den straks udskiftes af en autoriseret servicetekniker.

⚠ ADVARSEL: Sikker brug af dette produkt kræver en forståelse af oplysningerne om værktøjet og i denne brugsanvisning samt kendskab til det arbejde, du vil udføre. Før brug af dette produkt, fortrolig med alle operativsystemer funktioner og sikkerhedsregler.

BETJENING

⚠ ADVARSEL: Lad ikke fortrolighed med dette produkt gøre dig skodesløs. Husk på, at det kan føre til alvorlige skader, hvis du ikke er opmærksom i blot et sekund.

⚠ ADVARSEL: Bær altid beskyttelsesbriller med sidebeskyttelse, sammen med høreværn. Hvis disse ikke bruges, kan du få genstande slyngt i øjnene, og der kan også opstå andre alvorlige skader.

⚠ ADVARSEL: For at forhindre, at apparatet startes ved et uheld, som kan føre til alvorlige personskader, skal batteripakken altid tages ud, når dele sættes på, motorsaven justeres og rengøres og når den ikke er i brug.

⚠ ADVARSEL: Brug ikke påmonteringer eller tilbehør, der ikke anbefales af EGO™. Brug af tilbehør eller påmonteringer, der ikke anbefales, kan forårsage alvorlig personskade.

Før hver brug skal du undersøge hele produktet for skader, manglende eller løse dele, såsom skruer, møtrikker, bolte, hætter osv. Tilspænd omhyggeligt alle befæstelsesdele og hætter, og betjen ikke dette produkt, før alle manglende eller beskadigede dele er udskiftet.

DK

ANVENDELSE

Du kan bruge dette produkt til at klippe hække og buske med en grendiameter på under Ø 30,5 mm i diameter.

BEMÆRK: Værktøjet må kun bruges til dets tilsigtede formål. Enhver anden anvendelse anses for at være et tilfælde af misbrug.

INSTALLATION / FJERNELSE AF BATTERIPAKKE

Produktet må kun bruges med batteripakkerne og opladerne, der står på listen i fig. A2.

DK

Oplad før første brug.

Installation (fig. B)

Sørg for at rillerne på batteripakken passer med rillerne i batterirummet, og tryk batteripakken ned, indtil du hører et "klik".

Fjerner (fig. C)

Tryk på knappen til batteriudløseren, og træk batteripakken ud.

⚠ ADVARSEL: Vær altid opmærksom på dine fødders placering og på børn eller kæledyr omkring dig, når du trykker på udløserknappen til batteriet. Der kan opstå alvorlig skade, hvis batteriet falder. Fjern ALDRIG batteriet på et højt sted.

SÅDAN HOLDES HÆKKEKLIPPEREN (fig. D1-D5)

Enheden har både et for- og baghåndtag. Med klingens rettet væk fra dig, skal du holde enheden af begge håndtag.

Baghåndtaget kan sættes i fem forskellige positioner ($0^\circ/\pm 45^\circ/\pm 90^\circ$) ved at trykke grebet til løsning håndtaget opad (fig. D1 til fig. D5). Dette giver brugeren mulighed for, at vælge den ønskede vinkel på håndtaget under arbejdet.

⚠ ADVARSEL: Håndtaget må ikke justeres, når værktøjet kører. Stop først værktøjet og tag batteriet ud.

START / STOP AF HÆKKEKLIPPER

Før start skal skærmen tages af sværdet, og hækkeklipperen skal holdes med begge hænder: den ene hånd på det bageste håndtag og den anden på det forreste håndtag. Sørg for, at du har et godt fodfæste, står oprejst med en rigtige klippeafstand.

Sådan startes produktet

1. Sæt batteripakken i.
2. Hold startknappen foran nede den ene hånd.

3. Hold låseknappen nede med tommelfingeren med den ene hånd, og tryk derefter på startknappen bagpå med den anden hånd for, at starte hækkeklipperen. Slip låseknappen, men hold fortsat startknappen nede, for at holde produktet kørende.

Sådan stoppes produktet

Flyt hækkeklipperen væk fra klippeområdet, og slip startknappen bagpå, for at stoppe hækkeklipperen.

⚠ ADVARSEL: Fjern altid batteripakken fra hækkeklipperen under pauser, og når arbejdet er slut.

BRUG AF HÆKKEKLIPPEREN

⚠ FARE: Hvis klingens kommer i kontakt med kabler eller el-ledninger må **KLINGEN IKKE RØRES! DET KAN BLIVE STRØMFØRENDE OG MEGET FARLIGT.** Fortsæt med at holde i hækkeklipperens isolerede bageste håndtag eller læg den ned og væk fra dig på en sikker måde. Afbryd strømmen til det/den kabel/ledning, der er beskadiget, inden du forsøger at frigøre klingens fra kabel eller ledning. Efterkommes denne advarsel ikke, kan det medføre alvorlig personskade eller evt. døden.

⚠ ADVARSEL: Undgå at klippe for meget på én gang eller gennem tæt buskads. Dette kan medføre, at klingens binder og går ned i hastighed og gør klipperen mindre effektiv.

BEMÆRK: Hækkeklipperen kan bruges til, at klippe grene mindre end 30,5 mm tykke.

BEMÆRK: Ved en ny hæk kan der klippes med en bred fejende bevægelse og lade grenene gå direkte ind i klingens. Ved ældre hække er en savende bevægelse velegnet til klipning af tykkere grene. Det foreslås først at bruge en håndsav eller grensav til at fjerne tykke grene med.

Klipning i toppen

Klip med en bred fejende bevægelse. En svag nedadgående hældning af klingens i bevægelsesretningen giver den bedste klipning. Hvis klipningen skal være rigtig god, kan du også bruge en snor til at klippe efter. Se fig. E.

Klipning på siderne

Når hækens skal klippes, så begynd fra neden af, og klip opad. Se fig. F. Klip siden af hækken, så den bliver mindre foroven. På denne måde får hækken mere sol, så den kan gro mere ensartet.

VEDLIGEHOLDELSE

⚠ ADVARSEL: Ved service må der kun bruges originale reservedele. Brug af andre reservedele kan medføre fare eller forårsage skader på produktet. For at sikre sikkerhed og pålidelighed, bør alle reparationer udføres af en kvalificeret servicetekniker.

⚠ ADVARSEL: For at undgå alvorlig personskade, altid fjern batteriet fra produktet ved rengøring eller udfør vedligeholdelse.

RENGØRING

- Brug en blød børste til at fjerne snavs fra alle luftindtag og klingen.
- Beg eller tjære og andre klæbrige stoffer fjernes ved at sprøjte klingens med opløsningsmiddel på grundlag af kunstharpiks. Lad motoren køre kortvarigt, så opløsningsmidlet fordeles jævnt.
- Tør eftermed en tør klud.

⚠ ADVARSEL: Brug aldrig vand til rengøring af din trimmer. Undgå, at bruge opløsningsmidler til rengøring af plastdele. De fleste plastmaterialer er modtagelige for skader fra forskellige typer af kommercielle opløsningsmidler. Brug rene klude til at fjerne snavs, støv, olie, fedt osv.

SLIBNING AF SKÆRENE

1. Start og stop hækkeklipperen, indtil klingens og skærmen er lidt forskudt, som vist i figur G. Dette gør det muligt, at fjerne skidt mellem skæretænderne og skærmen.
2. Fjern batteriet fra din hækkeklipper.
3. Spænd sværdet fast i et skruestik, og slib skærefladerne på alle tænderne. Slib så let som muligt. Sørg for at beholde den oprindelige vinkel på hver tand ved arkivering.
4. Fjern hækkeklipperen fra skruen. Genstart den og stop den, så du kan se klingetændernes døde kanter.
5. Tag batteripakken ud og gentag slibeproceduren ovenfor.

BEMÆRK: Brug ikke din hækkeklipper med sløve eller beskadigede sværd. Dette kan medføre overbelastning og vil give en utilfredsstillende klipping.

SMØRING AF KLINGEN (Fig. H)

Arbejdet er lettere, og klingens holdbarhed længere, hvis man smører hækkeklipperens klinge med let motorolie før og efter hver brug.

Fjern batteripakken, og læg hækkeklipperen på en flad overflade. Hæld olien langs kanten af den øverste klinge.

BEMÆRK: Ved længere arbejdsperioder smøres klingens løbende under arbejdet.

⚠ ADVARSEL: Må ikke smøres, mens hækkeklipperen kører.

TRANSPORT OG OPBEVARING

- Sæt altid skærmen på klingens, før opbevaring eller transport af hækkeklipperen. Vær forsigtig, og undgå sværdets skarpe tænder.
- Rengør hækkeklipperen grundigt før opbevaring.
- Opbevar hækkeklipperen indendørs på et tørt sted, der er utilgængeligt for børn.
- Holdes væk fra ætsende stoffer, såsom havekemikalier og vejsalt.

⚠ ADVARSEL: Skærene er skarpe. Ved håndtering af klingens bæres skridsikre og kraftige handsker. Placér ikke din hånd eller dine fingre mellem klingens eller andre steder, hvor de kunne blive klemt eller snittet. Rør ALDRIG klingens, og udfør heller ikke service på apparatet med batteriet isat.

Beskyttelse af miljøet



Elektrisk udstyr, batterioplader og batterier må ikke smides ud sammen med almindelig husholdningsaffald! Tag dette produkt til en autoriseret genbrugsplads, og sørg for at det sendes til genbrug. Elektriske værktøjer skal returneres til et miljøkompatibelt genvindingsanlæg.

DK

FEJLFINDING

DK

| PROBLEM | ÅRSAG | LØSNING |
|-------------------------------|---|--|
| Hækkeklipperen virker ikke. | <ul style="list-style-type: none"> ■ Batteripakken er ikke sat på hækkeklipperen. ■ Ingen elektrisk kontakt mellem hækkeklipper og batteri ■ Batteriet er afladet. ■ Batteripakken er for varm. ■ Hækkeklipperen er for varm. ■ Startknapperne foran og bagpå trykkes ikke nede på samme tid. ■ Klingen sidder fast. | <ul style="list-style-type: none"> ■ Sæt batteripakken på hækkeklipperen. ■ Fjern batteriet, kontrollér kontakter, og sæt batteriet på igen. ■ Oplad batteripakken. ■ Fjern batteripakken fra værktøjet, og lad det køle indtil temperaturen falder til under 67°C. ■ Slip både startknappen foran og bagpå. Lad hækkeklipperen køle ned, indtil temperaturen falder til normal temperatur. ■ Tryk først låseknappen ned, og tryk derefter startknappen foran og bagpå ned på samme tid. ■ Fjern batteripakken fra værktøjet, skal du fjerne forhindringen forsigtigt, så genindsætte batteriet og genstarte værktøjet. |
| Kraftig vibration eller støj. | <ul style="list-style-type: none"> ■ Tørre eller rustne skær. ■ Tænderne eller sværdet er bøjet. ■ Bøjede eller beskadigede tænder. ■ Løse bolte på sværdet. | <ul style="list-style-type: none"> ■ Smør klingens så beskrevet i afsnittet "SMØRING AF KLINGEN" i denne vejledning. ■ Udskift med et nyt skær eller skinne. Kontakt EGO's servicecenter for udskiftning af klingens. ■ Udskift med en ny klinge. Kontakt EGO's servicecenter for udskiftning af klingens. ■ Spænd boltene på sværdet. Med en skruenøgle drejes boltens med uret for at spænde. |

GARANTI

EGO GARANTI POLITIK

Besøg venligst hjemmesiden egopowerplus.com for fuldstændige vilkår og betingelser for EGO's garantipolitik.

LÄS IGENOM ALLA INSTRUKTIONER!



LÄS IGENOM BRUKSANVISNINGEN

⚠️ WARNING: Dolda risker! Personer med elektroniska enheter såsom pacemaker skall rådfråga sin läkare innan denna produkt används. Användning av elektronisk utrustning i närheten av en pacemaker kan orsaka störningar eller fel på pacemakern.

⚠️ WARNING: För att garantera säkerheten och pålitligheten skall alla reparationer och utbyten utföras av en kvalificerad servicetekniker.

⚠️ WARNING: Läs igenom alla säkerhetsvarningar, instruktioner, illustrationer och specifikationer som medföljer detta motordrivna verktyg. Underlåtenhet att följa alla instruktioner som listas nedan kan resultera i elektriska stötar, brand och/eller allvarliga personskador.

SPARA ALLA VARNINGAR OCH INSTRUKTIONER FÖR FRAMTIDA REFERENS

SE

SÄKERHETSSYMBOLER

⚠️ WARNING: Användning av något elverktyg kan resultera i att främmande föremål kastas in i dina ögon vilket kan resultera i allvarliga ögonskador. Innan elverktyget börjar användas skall alltid skyddsglasögon eller skyddsglasögon med sidoskydd och full ansiktsskydd användas när så behövs. Vi rekommenderar att en ansiktsmask med brett synfält används ovanpå glasögonen eller standard skyddsglasögon med sidoskydd.



Säkerhetslarm



För att minska risken för skador måste användaren läsa bruksanvisningen.



Använd den inte vid regn och lämna den inte utomhus om det regnar.



Garanterad ljudeffektnivå. Bulleremissioner för omgivningen enligt EU-direktivet.



Denna produkt är i enlighet med gällande EG-direktiv.



Denna produkt uppfyller tillämpliga lagar i Storbritannien.



Förbrukade elektriska produkter får inte kastas i hushållssoporna. Lämna in dem till en auktoriserad återvinningsstation.



Använd ögon- och huvudskydd



Håll händer och fötter borta från skärverktyget.



Längden på bladet



Likström



Spänning



Millimeter



Per minut



Tomgångshastighet



Centimeter

SPECIFIKATIONER

| | | |
|---|-------------------------|---|
| Modell | HT2600E | |
| Spänning | 56 V --- | |
| Hastighet utan belastning | 1700 /min | |
| Bladets längd | 66 cm | |
| Skärkapacitet | 30,5 mm | |
| Vikt (utan batteripaket, bladskydd) | 3,14 kg | |
| Rekommenderad drifttemperatur | 0°C-40°C | |
| Rekommenderad förvaringstemperatur | -20°C-70°C | |
| Uppmätt ljudeffektnivå L_{WA} | 92 dB(A) K=1,7 dB(A) | |
| Ljudtrycksnivå vid operatörens position L_{PA} | 84 dB(A) K=3,0 dB(A) | |
| Garanterad ljudeffektsnivå L_{WA} (enligt 2000/14/EG) | 94 dB(A) | |
| Vibration a_h | Främre handtag | 2,49 m/s ² K=1,5 m/s ² |
| | Bakre handtag | 1,65 m/s ² K=1,5 m/s ² |

- Det deklarerade totala vibrationsvärdet har uppmätts i enlighet med en standardtestmetod och kan användas för att jämföra ett verktyg med ett annat.
- Det deklarerade totala vibrationsvärdet kan också användas i en preliminär utvärdering av exponeringen.

MEDELANDE: Vibrationsutstrålningen under verklig användning av elverktyg kan skilja sig från det deklarerade värdet i vilken verktyget används. För att skydda användaren skall skyddshandskar och hörselskydd användas under faktiska användningsförhållandet.

FÖRPACKNINGSLISTA (BILD A1)

BESKRIVNING

LÄRA KÄNNA DIN HÄCKTRIMMER (bild A1)

1. Hängande håll
2. Spetskydd
3. Kniv

4. Handskydd
5. Främre handtag
6. Främre avtryckare
7. Startspärr
8. Bakre avtryckare
9. Bakre handtag
10. Handtagsslåsspak
11. Batterilåsknapp
12. Spärrhake
13. Elektriska kontakter
14. Öppning för batterimontering
15. Batteriutmatning
16. Skärbladsskydd
17. Hängande håll

⚠ VARNING: Denna produkt har levererats komplett monterad. Handskyddet får aldrig avlägsnas under användning. Om det skadas ska den omedelbart bytas ut av en kvalificerad servicetekniker.

⚠ VARNING: För att använda denna produkt på ett säkert sätt krävs det att verktygets information och bruksanvisning har förståtts samt kunskap om det projekt som påbörjas. Innan du använder denna produkt, bekanta dig med alla driftfunktioner och säkerhetsregler.

ANVÄNDNING

⚠ VARNING: Bli inte vårdslös bara för att du är bekant med denna produkt. Kom ihåg att oaksamhet under en bråkdel av en sekund är tillräcklig för att orsaka allvarliga skador.

⚠ VARNING: Använd alltid skyddsglasögon med sidoskydd, samt hörselskydd. Om inte så görs kan det resultera i att föremål kastas in i ögonen och andra möjliga allvarliga skador.

⚠ VARNING: För att förhindra oavsiktlig start som kan orsaka allvarliga personskador skall alltid batteripaketet tas bort från verktyget när delar monteras, inställningar görs, vid rengöring eller när den inte används.

⚠ VARNING: Använd inte några tillsatser eller tillbehör som inte rekommenderas av EGO™. Användning av tillbehör eller tillsatser som inte rekommenderas kan resultera i allvarlig personskada.

Inspektera hela produkten innan varje användning om där finns skador, saknade eller lösa delar såsom skruvar, muttrar, bultar, höljen etc. Dra åt alla fästelement och lock och använd inte denna produkt innan alla saknade eller skadade delar bytts ut.

ANVÄNDNING

Du kan använda denna produkt för att trimma häckar, buskar vars grenar har en diameter som är mindre än $\varnothing 30,5$ mm.

MEDELANDE: Verktöget får enbart användas för det föreskrivna ändamålet. All annan användning betraktas som missbruk.

INSTALLERA/TA UT BATTERIPAKETET

Använd endast med de batteripaket och laddare som listas i bild A2.

Ladda innan första användning.

Installation (bild B)

Rikta in batteriets räfflor mot öppningarna i monteringsöppningen och tryck ned batteripaketet tills du hör ett "klick".

Borttagning (bild C)

Tryck på batteriets låsknapp och dra ut batteripaketet.

⚠ VARNING: Var alltid uppmärksam vart du har dina fötter, barn eller husdjur när du trycker in frigöringsknappen för batteriet. Allvarliga personskador kan inträffa om batteripaketet tappas. Ta ALDRIG ut batteripaketet när du är på en hög plats.

HÅLLA HÄCKTRIMMERN (bild D1-D5)

Enheten har både ett främre och bakre handtag. Håll enheten i båda handtagen med bladet riktat bort från dig.

Det bakre handtaget kan ställas in i fem lägen ($0^\circ/\pm 45^\circ/\pm 90^\circ$) genom att lyfta upp handtagsspaken (bild D1 till bild D5), vilket ger dig många valmöjligheter för ett bekvämt grepp när du utför klipparbeten.

⚠ VARNING: Justera inte handtaget medan verktöget körs. Stäng av verktöget och ta bort batteriet först.

STARTA/STOPPA HÄCKTRIMMERN

Före användning, ta bort bladskyddet och håll trimmern med båda händerna, en på det bakre handtaget och den andra på det främre handtaget. Se sedan till att du har ett bra fotfäste, upprättstående position och ett lämpligt klippavstånd.

Starta

1. Installera batteripaketet.

2. Kläm och håll den främre avtryckaren med en hand.
3. Tryck på och håll in låsknappen med tummen med den andra handen och tryck sedan på den bakre avtryckaren med fingrarna för att starta häcktrimmern. Släpp låsknappen och fortsätt att klämma in avtryckaren för fortsatt drift.

Stoppa

Flytta häcktrimmern bort från klippområdet och släpp någon av avtryckarna för att stoppa häcktrimmern.

⚠ VARNING: Ta alltid ut batteripaketet ur häcktrimmern vid arbetspauser och efter att du har jobbat klart.

ANVÄNDA HÄCKTRIMMERN

⚠ FARA: Om bladen fastnar på en elledning eller kabel, **VIDRÖR INTE SKÄRBLADET! DEN KAN BLI STRÖMFÖRANDE OCH MYCKET FARLIG!** Fortsätt att hålla häcktrimmern i det isolerade bakre handtaget eller lägg ner den riktad bort från dig på ett säkert sätt. Koppla ur elektriciteten för den skadade ledningen eller kabeln innan du försöker frigöra skärbladet från ledningen eller kabeln. Underlåtenhet att följa denna varning kan resultera i allvarliga personskador eller dödsfall.

⚠ VARNING: Undvik att trimma för mycket på en gång eller att köra genom kraftigt buskage. Det kan få bladen att hamna i kläm och sakta ner, vilket minskar effektiviteten.

MEDELANDE: Trimmern ska användas för att kapa stammar som är högst 30,5 mm tjocka.

MEDELANDE: Vid nytt buskage är stora svep lämpliga för att trycka in stammarna direkt i skärbladet. Vid äldre buskage är en sågande rörelse lämplig för att trimma tjockare stammar. En handsåg eller beskärningssåg rekommenderas för att trimma stora stammar först.

Hög beskärning

Använd en bred svepande rörelse. Luta bladen något i nedgående riktning mot beskärningens riktning för bästa resultat. För bättre skäreffekt kan du använda strängen som vägledning för häckens nivå såsom bild E visar.

Sidoskärning

När du trimmar båda sidorna på en häck, börja långt ner och skär uppåt såsom bild F visar. Klipp sidan av en häck så att den blir något smalare i toppen. Denna form exponerar mer av häcken för solljus, vilket ger en jämnare tillväxt.

UNDERHÅLL

⚠ VARNING: Vid service ska enbart identiska utbyteskomponenter användas. Användning av andra delar kan skapa risker eller orsaka produktskador. För att garantera en säker och pålitlig användning måste alla reparationer utföras av en kvalificerad servicetekniker.

⚠ VARNING: För att undvika allvarliga personskador, ta alltid ut batteripaketet ur produkten vid rengöring eller underhåll.

RENGÖRING

- Använd en mjuk borste för att ta bort skräp från alla luftintag och skärbladet.
- För att ta bort tjära och andra klabbiga rester, spreja bladen med lösningsmedel för harts. Kör motorn en kort stund så att lösningsmedlet blir jämnt fördelat.
- Torka ytan med en torr trasa.

⚠ VARNING: Använd aldrig vatten för att rengöra din trimmer. Använd inte lösningsmedel när du rengör plastdelarna. De flesta plaster är känsliga för skador från olika typer av kommersiella lösningsmedel. Använd rena trasor för att ta bort smuts, damm, olja, fett osv.

VÄSSA SKÄRBLADET

1. Starta och stoppa häcktrimmern tills knivbladet och skyddet är något förskjutna, enligt bild G. Detta ger utrymme för filen mellan knivtänderna och skyddstånderna.
2. Ta ut batteripaketet från häcktrimmern.
3. Skruva fast bladenheten i ett skruvstöd och fila den exponerade skärytan på varje bladtand. Fila bort så lite av materialet som möjligt. Var noga med att behålla varje tands ursprungliga vinkel när du filar.
4. Ta ut häcktrimmern ur skruvstycket, starta den igen och stoppa den för att exponera de oslipade kanterna på bladtänderna.
5. Ta bort batteripaketet och upprepa slipningsproceduren ovan.

MEDELANDE: Använd inte häcktrimmern med slöa eller skadade blad. Det kan orsaka överbelastning och kommer att ge ett otillfredsställande klippresultat.

SMÖRJA BLADERT (bild H)

För bästa funktion och längre livslängd för skärbladet, smörj häcktrimmerns blad med maskinolja före och efter varje användning.

Ta ut batteripaketet och lägg trimmern på en plan yta. Applicera olja längs med eggen på det övre skärbladet.

MEDELANDE: För långvarig användning, olja in skärbladet under beskärningen.

⚠ VARNING: Olja inte in häcktrimmern när den är igång.

TRANSPORT OCH FÖRVARING

- Montera alltid bladskyddet för bladen före häcktrimmern förvaras eller transporteras. Var försiktigt med de skarpa sågtänderna.
- Rengör häcktrimmern noga innan den förvaras.
- Förvara häcktrimmern inomhus, på en torr plats som är utom räckhåll för barn.
- Håll den borta från frätande medel som t.ex. trädgårdskemikalier och vägsalt.

⚠ VARNING: Bladen är mycket vassa. Vid hantering av bladmonteringen, använd halkfria och kraftiga skyddshandskar. Placera inte handen eller dina fingrar mellan bladen eller i ett läge där de kan klämmas eller skäras. Vidrör ALDRIG bladen eller serva enheten med batteripaketet monterat.

Skydda miljön



Kasta inte elektrisk utrustning, använt batteri och laddare i hushållssoporna! Ta denna produkt till en auktoriserad återvinnare och gör den tillgänglig för separat insamling. Elektriska verktyg måste returneras till en miljöanpassad återvinningsanläggning.

FELSÖKNING

| PROBLEM | ORSAK | LÖSNING |
|-----------------------------------|--|---|
| Häcktrimmern fungerar inte. | <ul style="list-style-type: none"> ■ Batteripaketet är inte monterat på häcktrimmern. ■ Ingen elektrisk kontakt mellan trimmern och batteriet. ■ Batteripaketet är helt tomt. ■ Batteripaketet är alltför varmt. ■ Häcktrimmern är för varm. ■ De främre och bakre avtryckarna trycks inte ned samtidigt. ■ Bladet har fastnat. | <ul style="list-style-type: none"> ■ Montera batteripaketet på häcktrimmern. ■ Ta ut batteriet, kontrollera kontaktarna och sätt sedan tillbaka batteripaketet. ■ Ladda batteripaketet. ■ Ta ut batteripaketet från verktyget och låt det svalna tills temperaturen sjunker under 67°C. ■ Släpp båda avtryckarna och låt trimmern svalna tills temperaturen sjunker till normal temperatur. ■ Tryck först på låsknappen och tryck sedan på avtryckarna i det främre och bakre handtaget samtidigt. ■ Ta ut batteripaketet från verktyget, ta försiktigt bort hindret och sätt sedan in batteriet igen för att starta verktyget igen. |
| Kraftiga vibrationer eller oljud. | <ul style="list-style-type: none"> ■ Torra eller rostiga blad. ■ Bladet eller dess hållare är böjd. ■ Böjd eller skadad sågtand. ■ Lösa bladbultar. | <ul style="list-style-type: none"> ■ Smörj in bladen, följ avsnittet "SMÖRJA BLADET" som hittas på sidan 24 i denna bruksanvisning. ■ Byt ut mot ett nytt blad eller hållare. Kontakta EGO-servicecenter för utbyte av blad eller hållare. ■ Byt ut mot ett nytt blad. Kontakta ett EGO-servicecenter för utbyte av blad. ■ Dra åt bladets bultar. Använd en skiftnyckel för att skruva bultarna medurs. |

SE

WAGARANTI

EGO GARANTIPOLICY

Besök webbsidan egopowerplus.com för fullständiga villkor för EGO garantipolicy.

LUE KAIKKI OHJEET!



LUE KÄYTTÖOPAS

VAROITUS: Jäännösriski! Henkilöiden, joilla on sydämentahdistin tai muu vastaava elektroninen laite, tulisi keskustella lääkärin kanssa ennen tämän tuotteen käyttöä. Sähkölaitteiden käyttö sydämentahdistimen lähetyksillä saattaa häiritä tahdistimen toimintaa tai aiheuttaa vakavan toimintahäiriön.

VAROITUS: Anna asiantuntevan huoltoteknikon tehdä kaikki korjaukset ja osien vaihdot, jotta laite on varmasti turvallinen ja luotettava.

VAROITUS: Lue kaikki tämän sähkötyökalun mukana tulleet turvallisuusvaroitukset, ohjeet, piirustukset ja tekniset tiedot. Jos kaikkia alla olevia ohjeita ei noudateta, seurauksena saattaa olla sähköisku, tulipalo ja/tai vakava loukkaantuminen.

FI

SÄILYTÄ KAIKKI VAROITUKSET JA OHJEET MYÖHEMPÄÄ KÄYTTÖÄ VARTEN.

TURVALLISUUSYMBOLI

VAROITUS: Minkä tahansa sähkötyökalun käyttö saattaa aiheuttaa vierasesineiden sinkoutumisen silmiin, mikä voi aiheuttaa vakavia silmävammoja. Käytä aina suojalaseja, joissa on sivusuojat, ja tarvittaessa koko kasvat peittävää suojaa, kun käytät sähkötyökaluja. Silmälasien päällä suosittelemme käytettäväksi suojamaskia, jossa on laaja näkökenttä, tai tavallisia suojalaseja, joissa on sivusuojat.



Turvallisuushälytys



Käyttäjän on luettava käyttöopas loukkaantumisvaaran vähentämiseksi.



Älä käytä sateella tai jätä ulos sateeseen.



Taattu äänitehotaso. Melupäästöt ympäristöön Euroopan yhteisön direktiivin mukaiset.



Tämä tuote vastaa sovellettavia EU-direktiivejä.



Tämä tuote vastaa sovellettavaa UK-lainsäädäntöä.



Vanhoja sähkölaitteita ei saa hävittää kotitalousjätteen mukana. Vie laite valtuutettuun kierrätyslaitokseen.



Käytä suojalaseja ja päänsuojainta.



Pidä kätesi ja jalkasi etäällä leikkuuterästä.



Terän pituus



Tasavirta



Jännite



Millimetri



per minuutti



Tyhjäkäyntinopeus



Senttimetri

TEKNISEET TIEDOT

| | | |
|--|-------------------------|---|
| Malli | HT2600E | |
| Jännite | 56 V --- | |
| Tyhjäkäyntinopeus | 1700 /min | |
| Terän pituus | 66 cm | |
| Leikkuukapasiteetti | 30,5 mm | |
| Paino (ilman akkua ja terän suojusta) | 3,14 kg | |
| Suosittelut käyttölämpötila | 0–40°C | |
| Suosittelut säilytyslämpötila | -20–70°C | |
| Mitattu äänitehotaso L_{WA} | 92 dB(A) K=1,7 dB(A) | |
| Äänenpaineen taso käyttäjän kohdalla L_{PA} | 84 dB(A) K=3,0 dB(A) | |
| Taattu äänen tehotaso L_{WA} (mitattu 2000/14/EY mukaisesti) | 94 dB(A) | |
| Tärinä a_h | Etukahva | 2,49 m/s ² K=1,5 m/s ² |
| | Takakahva | 1,65 m/s ² K=1,5 m/s ² |

- Ilmoitettu tärinän kokonaispäästöarvo on mitattu standarditestausmenetelmän mukaisesti, ja sen avulla voidaan vertailla työkaluja keskenään;
- Ilmoitettua tärinän kokonaispäästöarvoa voidaan käyttää myös altistumisen alustavaan arviointiin.

HUOMAUTUS: Työkalun käytön aikana mitattu todellinen tärinäpäästöarvo voi poiketa ilmoitetusta kokonaispäästöarvosta työkalun käyttötavasta johtuen; käyttäjän suojaamiseksi tulee käyttää käsineitä ja kuulosuojaimia varsinaisissa käyttöolosuhteissa.

PAKKAUSLUETTELO (KUVA A1)

KUVAUS

TUNNE PENSASLEIKKURISI (kuva A1)

1. Ripustusreikä
2. Kärjen suojus
3. Terä
4. Käsinsuoja

5. Etukahva
6. Etuliipaisin
7. Lukituksen vapautuspainike
8. Takaliipaisin
9. Takakahva
10. Kahvan vapautusvipu
11. Akun vapautuspainike
12. Salpa
13. Sähköliitännät
14. Akun asennuslokero
15. Akun poisto
16. Terän suoja
17. Ripustusreikä

VAROITUS: Tämä tuote toimitetaan täysin koottuna. Käsinsuojaa ei saa koskaan poistaa käytön aikana. Jos se vaurioituu, pyydä heti pätevää huoltoasentajaa vaihtamaan se uuteen.

VAROITUS: Tämän tuotteen turvallinen käyttö vaatii sen, että ymmärrät laitteen ja tämän käyttöohjeen tarjoamat tiedot ja että tunnet projektiin, jonka aiot toteuttaa. Ennen kuin käytät laitetta, tutustu kaikkiin sen käyttöominaisuuksiin ja turvallisuusmääräyksiin.

KÄYTTÖ

WARNING: Älä anna tämän laitteen tuttuuden tehdä sen käsittelystä huolimattontia. Muista, että sekunnin sadasosanakin huolimattomuus riittää vakavan vamman aiheutumiseen.

WARNING: Käytä aina sellaisia suojalaseja, joissa on sivusuojat, sekä kuulosuojaimia. Tämän ohjeen laiminlyöminen saattaa aiheuttaa esineiden sinkoutumisen silmiin ja mahdollisen vakavan henkilövahingon.

WARNING: Poista akku työkalusta aina, kun kokoat osia, teet muutoksia tai puhdistat laitetta tai kun et käytä sitä. Näin varmistat, ettei laite käynnisty vahingossa eikä aiheuta vakavia henkilövahinkoja.

WARNING: Älä käytä sellaisia lisävarusteita tai apuvälineitä, joita EGO™ ei suosittele. Tällaisten lisävarusteiden tai apuvälineiden käyttö saattaa aiheuttaa vakavia henkilövahinkoja.

Ennen jokaista käyttökertaa tarkista laite kokonaisuudessaan vahingoittuneiden, puuttuvien tai löysin osien varalta (esim. mutterit, pultit, korkit yms.). Kiinnitä kaikki kiinnittimet ja korkit tiukasti, äläkä käytä laitetta ennen kuin kaikki puuttuvat tai vahingoittuneet osat on vaihdettu.

KÄYTTÄMINEN

Tätä tuotetta voi käyttää pensaiden, pensasaitojen ja pensaikkojen leikkaamiseen, joiden oksien halkaisija \varnothing on alle 30,5 mm.

HUOMAUTUS: Työkalua tulee käyttää vain sille määritettyyn tarkoitukseen. Kaikki muu käyttö katsotaan väärinkäytöksi.

AKUN ASENTAMINEN/POISTAMINEN

Käytä vain kuvassa A2 lueteltujen akkujen ja latureiden kanssa.

Lataa ennen ensimmäistä käyttökertaa.

Asennus (kuva B)

FI

Aseta akun urat kiinnitysaukkoihin ja paina akkua alaspäin, kunnes kuulet naksahduksen.

Irrottaminen (kuva C)

Paina akun vapautuspainiketta ja vedä akku ulos.

VAROITUS: Huomioi aina missä omat jalkasi, lapset tai lemmikit ovat, kun painat akun vapautuspainiketta. Jos akku putoaa, se voi aiheuttaa vakavan vamman. Älä KOSKAAN poista akkua, jos se on korkealla.

PENSASLEIKKURIN PITÄMINEN (kuvat D1–D5)

Laitteessa on sekä etu- että takakahva. Pidä laitetta molemmista kahvoista siten, että terä osoittaa sinusta pois päin.

Takakahva voidaan asettaa viiteen asentoon ($0^\circ \pm 45^\circ / \pm 90^\circ$) nostamalla kahvan vapautusvipua ylöspäin (kuvat D1–D5), jolloin sinulla on monta hyvää tarttumisvaihtoehtoa leikkuutoimintojen aikana.

VAROITUS: Älä säädä kahvaa työkalun ollessa käynnissä. Kytke työkalu pois päältä ja poista akku ensin.

PENSASLEIKKURIN KÄYNNISTÄMINEN/ SAMMUTTAMINEN

Poista terän suoja ennen käyttöä ja pidä leikkurista kiinni molemmilla käsillä niin, että toinen käsi tarttuu etukahvaan ja toinen takakahvaan. Tarkista sitten, että seisot vakaasti suorassa asennossa ja sopivan leikkuuetäisyyden päässä.

Käynnistäminen

1. Aseta akku paikalleen.
2. Purista ja pidä etuliipaisinta toisella kädellä.
3. Paina lukituksen vapautuspainiketta toisen käden peukalolla ja pidä sitä painettuna. Käynnistä sitten pensasleikkuri puristamalla takaliipaisinta. Vapauta

lukituksen vapautuspainike, mutta jatka liipaisimen puristamista toiminnan jatkamiseksi.

PYSÄYTTÄMINEN

Siirrä pensasleikkuri pois leikkuualueelta ja pysäytä pensasleikkuri vapauttamalla jompikumpi liipaisin.

VAROITUS: Poista aina akku pensasleikkurista, kun pidät työstä taukoa ja kun lopetat leikkurin käytön.

PENSASLEIKKURIN KÄYTTÖ

VAARA: Jos terä osuu sähköjohtoon tai -linjaan, ÄLÄ KOSKE TERÄÄN! SE SAATTAA JOHTAA SÄHKÖÄ JA OLLA ERITTÄIN VAARALLINEN. Pidä edelleen pensasleikkurin eristetystä takakahvasta kiinni tai laske se maahan ja kauas itsestäsi turvallisesti. Irrota vahingoittunut johto tai kaapeli sähköverkosta ennen kuin yrität irrottaa johdon tai kaapelin terästä. Tämän varoituksen huomiotta jättäminen aiheuttaa vakavan vamman.

VAROITUS: Vältä liiallista trimmausta kerralla tai paksun pensikon leikkaamista kerralla. Näin vältetään leikkausteuhokkuutta vähentävä terien sotkeutuminen ja hidastuminen.

HUOMAUTUS: Leikkuria käytetään paksuudeltaan alle (30,5 mm) oksien katkaisuun.

HUOMAUTUS: Uudelle kasvustolle sopii leveä pyyhkäisy, kun varret osuvat suoraan leikkurin terään. Vanhemmalle kasvustolle toimii sahaava liike, joka leikkaa paksampia varsia paremmin. Suurempien varsien katkaisuun suositellaan käsisahaava tai oksasahaava.

Latvan leikkaaminen

Käytä leveää pyyhkäisyliikettä. Leikkurin terien hienoinen liikkeen suuntaan ja alaspäin osoittava kulma on leikkaustuloksen kannalta paras. Parempaa leikkaustulosta varten voit käyttää lankaa ohjeistamaan aidan yläosan tason kuvan E osoittamalla tavalla.

Reunojen leikkaaminen

Kun leikkaat pensaasi sivuja, aloita alhaalta ja leikkaa ylöspäin kuvan F osoittamalla tavalla. Leikkaa pensaasi sivuja siten, että pensaasi kapenevat hieman latvaan päin. Tämä muoto paljastaa enemmän pensaasi auringonvalolle, mikä johtaa tasaisempaan kasvuun.

VAROITUS: Käytä huollon yhteydessä vain identtisiä varaosia. Muiden osien käyttö saattaa aiheuttaa vaaran tai laitteen vaurioitumisen. Pätevän huoltoteknikon tulee suorittaa kaikki korjaukset, jotta voidaan taata tuotteen turvallinen ja luotettava käyttö.

VAROITUS: Poista akku aina laitteesta, kun puhdistat sitä tai teet huoltotoimenpiteitä. Näin vältät vakavat henkilövahingot.

PUHDISTAMINEN

- Poista pehmeällä harjalla liika kaikista ilmanottoaukoista ja leikkuuterästä.
- Poista pihka ja muut tahmeat jätteet suihkuttamalla teriin pihkaa liuottavaa ainetta. Käynnistä moottori hetkeksi siten, että liuotin jakautuu tasaisesti.
- Pyyhi pinta kuivalla liinalla.

VAROITUS: Älä koskaan käytä vettä leikkurin puhdistamiseen. Vältä liuotainaineiden käyttöä, kun puhdistat muoviosia. Suurin osa muoveista on alttiita vahingoittumaan markkinoilla olevista liuottimista. Käytä lian, pölyn, öljyn ja rasvan yms. puhdistamiseen puhtaita liinoja.

LEIKKUUTERÄN TEROITTAMINEN

1. Käynnistä ja pysäytä pensasleikkuri siten, että leikkuuterä ja suojuus ovat hieman limittäin, kuten kuvassa G. Tämä jättää välin viilalle terän hampaiden ja suojuksen hampaiden väliin.
2. Irrota akku pensasleikkurista.
3. Kiinnitä teräkokooppa ruuvipenkkiin ja viilaa paljaana oleva leikkuupinta jokaisesta terän hampaasta. Poista mahdollisimman vähän materiaalia terästä. Säilytä viilattessa jokaisen hampaan alkuperäinen kulma.
4. Irrota pensasleikkuri ruuvipenkistä; käynnistä se uudelleen ja pysäytä paljastaaksesi teroittamattomat hampaiden reunat.
5. Irrota akku ja toista edellä esitetty teroitusmenettely.

HUOMAUTUS: Älä käytä pensasleikkuria tylsällä tai vahingoittuneella terällä. Tämä voi aiheuttaa laitteen ylikuormittumisen ja huonon leikkausjärjen.

TERÄN VOITELU (kuva H)

Paras mahdollinen käytettävyyys ja pidempi terän käyttöikä saavutetaan, kun pensasleikkurin terä voidellaan ennen jokaista käyttöä ja sen jälkeen kevyellä moottoriöljyllä.

Poista akku ja laita leikkuri tasaiselle alustalle. Levitä öljyä pitkin yläterän reunaa.

HUOMAUTUS: Pitkien käyttöjaksojen aikana terää on voideltava leikkaamisen aikana.

VAROITUS: Älä voitele pensasleikkuria sen ollessa käynnissä.

KULJETUS JA VARASTOINTI

- Laita aina terän suojuus terän päälle ennen kuin varastoit tai kuljetat pensasleikkuria. Varo terän teräviä hampaita.
- Puhdista pensasleikkuri perusteellisesti ennen varastointia.
- Säilytä pensasleikkuria sisällä kuivassa paikassa, johon lapset eivät pääse.
- Pidä poissa syövyttävien aineiden, kuten puutarhakemikaalien ja jäänestosuolojen, läheltä.

VAROITUS: Terät ovat teräviä. Kun käsittelet teräjärjestelmää, käytä liukumisen estäviä, kestäviä suojakäsineitä. Älä laita kättä tai sormia terien väliin tai muuhun paikkaan, jossa ne voivat jäädä puristuksiin tai leikkautua. Älä KOSKAAN kosketa teriä tai huolla laitetta, kun akkuyksikkö on asennettuna.

Ympäristönsuojelu



Älä hävitä sähkölaitteita, akkulaturia tai akkua/ladattavia paristoja kotitalousjätteen seassa! Vie tämä tuote hyväksytyyn kierrätyspaikkaan tai anna se erilliseen keräilyyn. Sähkötyökälut tulee palauttaa asianmukaiseen ympäristöstävälliseen kierrätyslaitokseen.

VIANMÄÄRITYS

| ONGELMA | SYY | RATKAISU |
|-----------------------------|--|--|
| Pensasleikkuri ei toimi. | <ul style="list-style-type: none"> ■ Akkua ei ole liitetty pensasleikkuriin. ■ Leikkurin ja akun välillä ei ole elektronista yhteyttä. ■ Akku on tyhjä. ■ Akku on liian kuuma. ■ Pensasleikkuri on liian kuuma. ■ Etu- ja takaliipaisinta ei paineta samanaikaisesti. ■ Terä on juuttunut kiinni. | <ul style="list-style-type: none"> ■ Liitä akku pensasleikkuriin. ■ Poista akku, tarkista kosketuskohdat ja asenna akku uudelleen paikalleen. ■ Lataa akku. ■ Poista akku työkalusta ja jäähdytä akkua, kunnes sen lämpötila on alle 67°C. ■ Vapauta molemmat liipaisimet; anna leikkurin jäähtyä, kunnes sen lämpötila on normaali. ■ Paina ensin lukituksen vapautusvipua ja sitten etu- ja takakahvan liipaisimia samanaikaisesti. ■ Poista akku työkalusta, poista tukos varovasti, laita akku takaisin paikalleen ja käynnistä sitten työkalu uudelleen. |
| Liiallinen tärinä tai melu. | <ul style="list-style-type: none"> ■ Kuivat tai syöpyneet terät. ■ Terät ovat taipuneet tai terätuki on taipunut. ■ Taipuneet tai vaurioituneet hampaat. ■ Löystyneet terän pultit. | <ul style="list-style-type: none"> ■ Voitele terät tämän käyttöoppaan TERÄN VOITELU-osion mukaisesti. ■ Vaihda uusi terä tai tuki. Ota yhteys EGO-huoltoliikkeeseen terän tai tuen vaihtamiseksi. ■ Vaihda uusi terä. Ota yhteys EGO-huoltoliikkeeseen terän vaihtamiseksi. ■ Kiristä terän pultit. Käytä kiintoavainta ja kiristä pultteja myötäpäivään. |

FI

TAKUU

EGON TAKUUEHDOT

Verkkosivustolta egopowerplus.com löydät EGO:n takuukäytännön täydelliset ehdot.

LES ALLE INSTRUKSJONER!



LES BRUKERHÅNDBOKEN

⚠ ADVARSEL: Restrisiko! Personer med elektroniske enheter, for eksempel pacemakere, må rådføre seg med lege før de bruker dette produktet. Drift av elektrisk utstyr i umiddelbar nærhet av en pacemaker kan føre til at pacemakeren forstyrres eller svikter.

⚠ ADVARSEL: For å ivareta sikkerheten og påliteligheten må alle reparasjoner og utskiftinger utføres av en kvalifisert servicetekniker.

⚠ ADVARSEL: Les alle sikkerhetsadvarsler, instruksjoner, illustrasjoner og spesifikasjoner som følger med dette elektroverktøyet. Hvis du ikke følger alle instruksjonene nedenfor, kan det føre til elektrisk støt, brann og/eller alvorlig personskade.

LAGRE ALLE ADVARSLER OG INSTRUKSJONER FOR FREMTIDIG REFERANSE.

SIKKERHETSSYMBOLER

NO

⚠ ADVARSEL: Bruk av hvilke som helst elektroverktøy kan føre til at fremmedlegemer blir kastet mot øynene, noe som kan gi alvorlige øyeskader. Før du begynner å bruke elektroverktøyet, skal du alltid ta på vernebriller eller vernebriller med sidebeskyttelse, og en full ansiktsskjerm der det trengs. Vi anbefaler en Wide Vision Safety Mask til bruk over briller, eller standard vernebriller med sidebeskyttelse.



Sikkerhetsvarsel



For å redusere risikoen for skader må brukeren lese bruksanvisningen.



Må ikke brukes i regnvær eller etterlates utendørs når det regner.



Garantert lydteknisk nivå. Støy i omgivelsene er i henhold til EUs direktiv.



Dette produktet er i samsvar med gjeldende EF-direktiver.



Dette produktet er i samsvar med gjeldende britisk lovgivning.



Elektrisk avfall skal ikke kastes sammen med husholdningsavfall. Ta med til en autorisert resirkulator.



Bruk øye- og hodebeskyttelse.



Hold hender og føtter unna skjæreverktøyet.



Lengden på skjærebildet



Likestrøm

V

Spenning

mm

Millimeter

.../min

Per minutt

n_0

Hastighet uten last

cm

Centimeter

SPESIFIKASJONER

| | | |
|---|-------------------------|---|
| Modell | HT2600E | |
| Spenning | 56 V --- | |
| Hastighet uten belastning | 1700 /min | |
| Lengde på skjæreblad | 66 cm | |
| Klippekapasitet | 30,5 mm | |
| Vekt (uten batteripakke, bladbeskyttelse) | 3,14 kg | |
| Anbefalt driftstemperatur | 0°C-40°C | |
| Anbefalt lagringstemperatur | -20°C-70°C | |
| Målt lydeffektnivå L_{WA} | 92 dB(A) K=1,7 dB(A) | |
| Lydtrykknivå ved operatørens plass L_{PA} | 84 dB(A) K=3,0 dB(A) | |
| Garantert lydeffektnivå L_{WA} (i henhold til 2000/14/EC) | 94 dB(A) | |
| Vibrasjon a_h | Fronthåndtak | 2,49 m/s ² K=1,5 m/s ² |
| | Bakre håndtak | 1,65 m/s ² K=1,5 m/s ² |

NO

- Den deklarererte totale vibrasjonsverdien er målt i samsvar med en standard testmetode og kan brukes til å sammenligne ett verktøy med et annet;
- Den deklarererte totale vibrasjonsverdien kan også brukes i en foreløpig vurdering av eksponering.

MERKNAD: Vibrasjonsutslippet under faktisk bruk av elektroverktøyet kan avvike fra den deklarererte verdien som verktøyet brukes i; For å beskytte brukeren, bør brukeren bruke hansker og hørselsvern under de faktiske bruksforholdene.

PAKKELISTE (FIG. A1)

BESKRIVELSE

KJENN DIN HEKKSÅKSER (Fig. A1)

- Hengende hull
- Tipsbeskytter
- Blad
- Håndvakt

- Fremre håndtak
- Front Trigger
- Låseknapp
- Bakre utløser
- Bakre håndtak
- Håndtak-utløsningsspak
- Batteriutløserknapp
- Kliinke
- Elektriske kontakter
- Batterimonteringspor
- Batteriutkast
- Blade Guard
- Hengende hull

⚠ ADVARSEL: Dette produktet leveres ferdig montert. Bladvernet må aldri fjernes under bruk. Hvis det blir skadet, må du umiddelbart få det byttet av en kvalifisert reparatør.

⚠ ADVARSEL: Sikker bruk av dette produktet krever at man forstår informasjonen på verktøyet og i bruksanvisningen, samt at man har kjennskap til prosjektet du prøver deg på. Før bruk av dette produktet, må man gjøre seg kjent med alle driftsfunksjonene og sikkerhetsreglene.

BETJENING

⚠ ADVARSEL: Ikke føl deg så trygg med dette verktøyet at du blir skjødesløs. Husk at et uforsiktig tiendedel av et sekund er nok til å forårsake alvorlige skader.

⚠ ADVARSEL: Bruk alltid vernebriller med sidebeskyttelse, og hørselsvern. Hvis du ikke gjør det, kan det føre til at ting blir kastet i øynene dine og andre mulige alvorlige skader.

⚠ ADVARSEL: For å hindre utilsiktet start som kan føre til alvorlig personskade, skal batteripakken alltid tas ut av verktøyet når du monterer deler, gjør justeringer, utfører rengjøring, eller når verktøyet ikke er i bruk.

⚠ ADVARSEL: Ikke bruk noen vedlegg eller tilbehør som ikke er anbefalt av EGO™. Bruk av tilbehør eller deler som ikke anbefales, kan medføre alvorlige personskader.

Før hver bruk skal hele produktet for inspiseres for skader, mangler eller løse deler, for eksempel skruer, muttere, bolter, heter, osv. Trekk godt til alle festeanordninger og hetter, og unngå å bruke produktet før du har fått byttet alle deler som mangler eller er skadet.

APPLIKASJON

Du kan bruke dette produktet til å trimme hekker, busker og busker med en grendiameter på mindre enn 30,5 mm.

LEGG MERKE TIL: Verktøyet skal bare brukes til sitt foreskrevne formål. All annen bruk er feil.

INSTALLERE/FJERNE BATTERIPAKKEN

Bruk bare med batteripakker og ladere oppført i fig. A2.

Lad opp før første gangs bruk.

Installering (fig. B)

Juster batteririllene sammen med monteringssporene, og trykk batteripakken ned til du hører et "klikk".

Fjerning (fig. C)

Trykk ned batteriutløserknappen, og trekk batteripakken ut.

⚠ ADVARSEL: Legg alltid merke til hvor føttene dine er, og hvor barn eller kjæledyr befinner seg når du trykker på batteriutløserknappen. Alvorlig skade kan forekomme hvis batteripakken faller ut. Batteripakken må ALDRI tas ut på et høyt sted.

HOLDE HEKKTRIMMEREN (Fig. D1-D5)

Enheten har både fremre og bakre håndtak. Med bladet rettet bort fra deg, hold enheten i begge håndtakene.

Det bakre håndtaket kan stilles inn i fem posisjoner ($0^\circ/\pm 45^\circ/\pm 90^\circ$) ved å løfte opp håndtaksfrigjøringsspaken (fig. D1 til fig.D5), noe som gir deg mange valg for et komfortabelt grep når du utfører kutting operasjoner.

⚠ ADVARSEL: Ikke juster håndtaket mens verktøyet er i gang. Stopp verktøyet og ta ut batteriet først.

STARTE/STOPPE HEKKTRIMMEREN

Før bruk, fjern bladbeskyttelsen og hold trimmeren med begge hender, den ene hånden på det bakre håndtaket og den andre på det fremre håndtaket. Sjekker deretter for stabil fotfeste, oppreist stående og riktig klippeavstand.

Å starte

1. Installer batteripakken.

2. Klem og hold den fremre avtrekkeren med én hånd.
3. Trykk og hold inne låseknappen med tommelen på den andre hånden, og klem deretter på den bakre avtrekkeren med fingrene for å starte hekksaksen. Slipp låseknappen, men fortsett å trykke på utløseren for fortsatt drift.

Å stoppe

Flytt hekksaksen vekk fra klippeområdet og slipp en av avtrekkerne for å stoppe hekksaksen.

⚠ ADVARSEL: Fjern alltid batteripakken fra hekksaksen under arbeidspauser og etter endt arbeid.

BRUKE HEKKSAKEREN

⚠ FARE: Hvis bladet setter seg fast på en elektrisk ledning eller ledning, **IKKE RØR BLADET! DET KAN BLI STRØMFØRENDE OG MEGET FÆRLIG.** Fortsett å holde hekktrimmeren i det isolerte bakre håndtaket, eller legg den ned og bort fra deg på en sikker måte. Koble fra strømtilførselen til den skadde kabelen eller ledningen. Hvis du ikke etterlever denne advarselen, kan det føre til alvorlig personskade eller mulig død.

⚠ ADVARSEL: Unngå å trimme for mye på en gang, eller bruke verktøyet på kraftig buskas. Dette kan føre til at skjærebladene bindes opp og blir langsomme, noe som reduserer effektiviteten.

LEGG MERKE TIL: Trimmeren skal brukes til å kutte stilk mindre enn (30,5 mm) tykke.

LEGG MERKE TIL: For ny vekst er en bred feiging egnet for stilkene som føres direkte inn i skjærebladet. For eldre vekst er en sagesbevegelse bra for å trimme de tykkere stilkene. En ikke-drevet håndsag eller beskæringsagg anbefales for å trimme de store stilkene først.

Toppskjæring

Bruk en bred sveipende bevegelse. En lett vipping nedover av skjærebladene i bevegelsesretningen gir de beste skjæresultatene. For bedre klippeeffekt kan du like gjerne bruke strengen til å styre hekknivået som vist i Fig. E.

Sideskjæring

Når du klipper sidene på hekken, begynner du nederst og klipp oppover som vist på Fig. F. Klipp siden av en hekk slik at den blir litt smalere øverst. Denne fasongen gjør at hekken får mer sol på seg, og gir jevnere vekst.

NO

VEDLIKEHOLD

⚠ ADVARSEL: Når verktøyet trenger service, må bare identiske reservedeler benyttes. Bruk av andre deler kan skape fare eller forårsake produktskade. For å sikre trygg og pålitelig bruk må alle reparasjoner utføres av en kvalifisert fagperson.

⚠ ADVARSEL: For å unngå alvorlige personskader skal batteripakken alltid tas ut av produktet når du utfører rengjøring eller vedlikehold.

RENGJØRING

- Bruk en myk børste til å fjerne rusk fra alle luftinntak og fra skjærebladet.
- For å ta bort kvae og annet som klister seg til skjærebladet, kan du spraye med et egnet løsemiddel. Kjør motoren en kort stund så løsemidlet fordeles jevnt.
- Tørk av overflaten med en tørr klut.

⚠ ADVARSEL: Bruk aldri vann når du skal rengjøre kantklipperen. Unngå bruk av løsemidler når plastdeler skal rengjøres. De fleste plasttyper risikerer å ta skade av ulike typer kommersielle løsemidler. Bruk rene kluter for å fjerne skitt, støv, olje, fett, osv.

SLIPING AV BLADET

1. Start og stopp hekksaksen til skjærebladet og vernet er litt forskjøvet, som vist i fig. G. Dette vil tillate klaring for filen mellom kuttertennene og beskyttelsestennene.
2. Fjern batteripakken fra hekksaksen.
3. Klem knivenheten i en skrustikke og fil den eksponerte skjæreflate på hver bladtann. Fjern så lite materiale som mulig. Sørg for å beholde den opprinnelige vinkelen til hver tann ved filing.
4. Fjern hekksaksen fra skrustikken; start den på nytt og stopp den for å avsløre de uslipte kantene på bladtennene.
5. Ta ut batteripakken og gjenta slipeprosedyren ovenfor.

MERKNAD: Ikke bruk hekksaksen med sløve eller skadede klippeblad. Dette kan forårsake overbelastning og vil gi utilfredsstillende skjæreresultater.

SMØRING AV KNIVET (Fig. H)

For beste drift og lengre bladlevetid, smøres hekksaksens blad med lett maskinolje før og etter hver bruk.

Ta ut batteriet og legg hekksaksen på et flatt underlag. Påfør oljen langs kanten av det øverste bladet.

MERKNAD: Ved lengre bruksperioder må bladet oljes under kutting.

⚠ ADVARSEL: Ikke smør hekktrimmeren mens den er i gang.

TRANSPORT OG LAGRING

- Plasser alltid bladbeskyttelsen på bladet før du lagrer eller transporterer hekksaksen. Vær nøye med å unngå de skarpe tennene på bladet.
- Rengjør hekksaksen grundig før lagring.
- Oppbevar hekksaksen innendørs, på et tørt sted som er utilgjengelig for barn.
- Holdes vekk fra etsende midler, for eksempel hagekjemikalier og avisingssalter.

⚠ ADVARSEL: Skjærebladene er svært skarpe. Når du håndterer skjæredelen, må du bruke kraftige og sklisiske beskyttelseshansker. Unngå å legge hender eller fingre mellom bladene eller i en annen posisjon der de kan bli klemt eller få kuttskader. Du må ALDRI ta på skjærebladene eller utføre service på verktøyet når batteripakken er installert.

Beskytt miljøet



Elektrisk utstyr, brukte batterier og batteriladere må ikke kastes i husholdningsavfallet! Ta med dette produktet til autorisert gjenvinning, og gjør det tilgjengelig for separat innsamling. Elektriske verktøy må returneres til et egnet resirkuleringsanlegg.

FEILSØKING

| PROBLEM | ÅRSAK | LØSNING |
|-----------------------------|---|---|
| Hekksaksen virker ikke. | <ul style="list-style-type: none"> ■ Batteripakken er ikke festet til hekksaksen. ■ Ingen elektrisk kontakt mellom trimmeren og batteriet ■ Batteripakken er utladet. ■ Batteripakken er for varm. ■ Hekksaksen er for varm. ■ De fremre og bakre utløserne trykkes ikke ned samtidig. ■ Bladet har satt seg fast. | <ul style="list-style-type: none"> ■ Fest batteripakken til hekksaksen. ■ Fjern batteriet, sjekk kontakter og installer batteripakken. ■ Lad opp batteripakken. ■ Fjern batteripakken fra verktøyet og la den avkjøles inntil temperaturen synker under 67°C. ■ Slipp begge utløserne; la trimmeren avkjøles til temperaturen synker til normal temperatur. ■ Trykk først på låseknappen og trykk deretter på utløserne i det fremre og bakre håndtaket samtidig. ■ Fjern batteripakken fra verktøyet, fjern hindringen forsiktig, sett deretter inn batteriet igjen og start verktøyet på nytt. |
| Mye vibrasjoner eller støy. | <ul style="list-style-type: none"> ■ Tørre eller rustne skjæreblad. ■ Blad eller bladstøtte er bøyd. ■ Tennene er bøyd eller skadet. ■ Løsne skruene til skjærebladene. | <ul style="list-style-type: none"> ■ Smør knivene, følg avsnittet "SMØRING AV KNIVET" i denne håndboken. ■ Bytt ut med et nytt blad eller støtte. Kontakt EGO-servicesenter for utskifting av blad eller støtte. ■ Bytt ut med et nytt blad. Kontakt EGO-servicesenter for bladbytteservice. ■ Stram til skruene på bladet. Bruk en skiftenøkkel, og skru bolten med klokken for å stramme den. |

NO

GARANTI

EGO GARANTIPOLITIKK

Besøk nettstedet egopowerplus.com for fullstendige vilkår og betingelser for EGO-garantipolicyen.

ПРОЧИТАЙТЕ ВСЕ ИНСТРУКЦИИ!



ПРОЧИТАЙТЕ РУКОВОДСТВО ПОЛЬЗОВАТЕЛЯ

⚠ ПРЕДУПРЕЖДЕНИЕ. Остаточный риск! Если вы используете такие электронные устройства, как кардиостимулятор, перед эксплуатацией данного устройства проконсультируйтесь с врачом. Использование электрооборудования в непосредственной близости от кардиостимулятора может привести к образованию помех и повреждению кардиостимулятора.

⚠ ПРЕДУПРЕЖДЕНИЕ. Для обеспечения безопасной и надежной работы устройства его ремонт и замену частей должен выполнять квалифицированный специалист.

⚠ ПРЕДУПРЕЖДЕНИЕ. Прочитайте все правила безопасности, инструкции, иллюстрации и спецификации, прилагаемые к этому электроинструменту. Невыполнение изложенных ниже инструкций может привести к поражению электрическим током, пожару и (или) тяжелым травмам.

СОХРАНИТЕ ВСЕ ПРЕДУПРЕЖДЕНИЯ И ИНСТРУКЦИИ ДЛЯ ИСПОЛЬЗОВАНИЯ В БУДУЩЕМ.

СИМВОЛЫ БЕЗОПАСНОСТИ

RU

⚠ ПРЕДУПРЕЖДЕНИЕ. В результате работы электроинструмента в глаза могут попасть посторонние предметы, что приведет к серьезному повреждению глаз. Перед началом использования электроинструмента всегда надевайте защитную маску или защитные очки с боковыми щитками и полнопрофильную защитную маску (при необходимости). Поверх очков или стандартных защитных очков рекомендуется надевать безопасную маску с широким обзором.



Предупреждение об опасности



Прочитайте руководство по эксплуатации, чтобы уменьшить риск получения травм.



Во время дождя не используйте устройство и не оставляйте его вне помещения.



Гарантированный уровень звуковой мощности
Уровень шума в окружающей среде в соответствии с директивой ЕС.



Соответствует основным требованиям стандартов безопасности Европейских директив.



Данное изделие соответствует действующему законодательству Великобритании.



Неисправные электрические устройства нельзя выбрасывать вместе с бытовым мусором. Сдавайте их в авторизованные пункты сбора и утилизации.



Используйте средства защиты глаз и головы.



Всегда держите руки и ноги подальше от режущего инструмента.



Длина режущего элемента



Постоянный ток



Напряжение



Миллиметр



В минуту



Скорость работы без нагрузки



Сантиметр

ТЕХНИЧЕСКИЕ ХАРАКТЕРИСТИКИ

| | | |
|--|---------------------------|---|
| Модель | HT2600E | |
| Напряжение | 56 В --- | |
| Скорость работы без нагрузки | 1700 об/мин | |
| Длина режущего элемента | 66 см | |
| Производительность резания | 30,5 мм | |
| Масса (без аккумулятора и щитка) | 3,14 кг | |
| Рекомендуемая рабочая температура | 0...40°C | |
| Рекомендуемая температура хранения | -20...70°C | |
| Измеренный уровень звуковой мощности L_{WA} | 92 дБ (А) K=1,7 дБ (А) | |
| Уровень звукового давления в рабочем состоянии L_{PA} | 84 дБ (А) K=3,0 дБ (А) | |
| Гарантированный уровень звуковой мощности L_{WA} (в соответствии со стандартом 2000/14/ЕС) | 94 дБ (А) | |
| Вибрация a_h | Передняя рукоятка | 2,49 м/с ² K=1,5 м/с ² |
| | Задняя рукоятка | 1,65 м/с ² K=1,5 м/с ² |

- Указанное общее значение вибрации было определено с помощью стандартного теста и может быть использовано для сравнения разных инструментов.
- Указанное общее значение вибрации также может использоваться для предварительной оценки уровня воздействия.

ПРИМЕЧАНИЕ: Реальное вибрационное воздействие электроинструмента может отличаться от указанного в зависимости от способа использования. В целях безопасности оператор должен надевать перчатки и средства защиты органов слуха во время использования устройства.

КОМПЛЕКТ ПОСТАВКИ (РИС. А1)

ОПИСАНИЕ

ЧАСТИ КУСТОРЕЗА (Рис. А1)

1. Отверстие для подвешивания
2. Защита наконечника

3. Режущий элемент
4. Щиток для защиты руки
5. Передняя рукоятка
6. Передний переключатель
7. Кнопка блокировки
8. Задний курок
9. Задняя рукоятка
10. Рычаг отсоединения рукоятки
11. Кнопка фиксации аккумулятора
12. Защелка
13. Электрические контакты
14. Отсек для аккумулятора
15. Извлечение аккумулятора
16. Щиток режущего элемента
17. Отверстие для подвешивания

⚠ ПРЕДУПРЕЖДЕНИЕ. Данный инструмент поставляется в полностью собранном состоянии. Никогда не демонтируйте щиток для защиты руки во время использования. Если щиток поврежден, немедленно обратитесь к квалифицированному специалисту для замены.

⚠ ПРЕДУПРЕЖДЕНИЕ. Для безопасного использования устройства необходимо изучить и понять информацию, указанную на самом устройстве и в настоящем руководстве пользователя, а также иметь ясное представление о планируемой работе. Перед использованием устройства ознакомьтесь со всеми функциями и правилами безопасности.

ИСПОЛЬЗОВАНИЕ

⚠ ПРЕДУПРЕЖДЕНИЕ. Не допускайте небрежности и беспечности при работе с устройством. Помните, что потери бдительности на долю секунды достаточно для получения серьезной травмы.

⚠ ПРЕДУПРЕЖДЕНИЕ. Всегда надевайте защитные очки с боковыми щитками, а также используйте защиту органов слуха. В противном случае выбрасываемые предметы могут попасть в глаза, что приведет к получению серьезной травмы.

⚠ ПРЕДУПРЕЖДЕНИЕ. Чтобы предотвратить случайное включение устройства и получение серьезной травмы, извлекайте аккумулятор перед выполнением сборки, регулировки и очистки, а также когда устройство не используется.

RU

⚠ ПРЕДУПРЕЖДЕНИЕ. Не используйте насадки или дополнительные приспособления, не рекомендованные EGO™. Использование нерекондованных насадок и дополнительных приспособлений может привести к серьезным травмам.

Перед каждым использованием полностью проверяйте устройство на наличие поврежденных, отсутствующих или плохо закрепленных частей, таких как винты, гайки, болты, заглушки и т. д. Надежно закрепите все фиксаторы и заглушки и не пользуйтесь устройством до тех пор, пока не будут заменены поврежденные или отсутствующие части.

ПРИМЕНЕНИЕ

Данное устройство можно использовать для обрезки живых изгородей, кустов и кустарниковых растений с диаметром веток не более 30,5 мм.

ПРИМЕЧАНИЕ. Инструмент должен использоваться только по назначению. Любое другое использование, кроме упомянутого, считается ненадлежащим.

RU

УСТАНОВКА И ИЗВЛЕЧЕНИЕ АККУМУЛЯТОРА

Используйте только аккумуляторы и зарядные устройства, указанные на Рис. А2.

Зарядите перед первым использованием.

Установка (Рис. В)

Совместите ребра аккумулятора с крепежными отверстиями и вставьте аккумулятор до щелчка.

Извлечение (Рис. С)

Нажмите кнопку фиксации аккумулятора и извлеките аккумулятор.

⚠ ПРЕДУПРЕЖДЕНИЕ. Всегда следите за положением своих ног, а за также за местонахождением детей и животных, когда нажимаете на кнопку фиксации аккумулятора. Падение аккумулятора может привести к серьезным травмам. НИКОГДА не извлекайте аккумулятор, если находитесь на возвышенности.

ОБРАЩЕНИЕ С КУСТОРЕЗОМ (Рис. D1–D5)

Устройство оснащено передней и задней рукоятками. Удерживайте кусторез за обе рукоятки, повернув режущий элемент от себя.

Задняя рукоятка может быть установлена в пять положений ($0^\circ/\pm 45^\circ/\pm 90^\circ$) путем поднятия вверх рычага отсоединения рукоятки (Рис. D1–D5), что дает множество вариантов удобного захвата при выполнении работы.

⚠ ПРЕДУПРЕЖДЕНИЕ. Не регулируйте рукоятку во время работы инструмента. Выключите инструмент и извлеките аккумулятор.

ВКЛЮЧЕНИЕ И ВЫКЛЮЧЕНИЕ КУСТОРЕЗА

Перед использованием устройства снимите чехол с режущего элемента и возьмите кусторез обеими руками за заднюю и переднюю рукоятки. Затем примите устойчивое вертикальное положение, соблюдая надлежащее расстояние для работы.

Запуск

1. Установите аккумулятор.
2. Нажмите и удерживайте передний курок одной рукой.
3. Нажмите и удерживайте кнопку блокировки большим пальцем другой руки, затем зажмите пальцами задний курок, чтобы включить инструмент. Для продолжительной работы отпустите кнопку блокировки и продолжайте зажимать курок.

Остановка

Чтобы остановить инструмент, отведите его в сторону от места резки и отпустите задний курок.

⚠ ПРЕДУПРЕЖДЕНИЕ. Во время перерывов в работе и после ее окончания всегда извлекайте аккумулятор из устройства.

ИСПОЛЬЗОВАНИЕ КУСТОРЕЗА

⚠ ОПАСНО! Если в режущий элемент попал электропровод, **НЕ КАСАЙТЕСЬ РЕЖУЩЕГО ЭЛЕМЕНТА! ОН МОЖЕТ БЫТЬ ПОД НАПРЯЖЕНИЕМ И ОЧЕНЬ ОПАСЕН.** Продолжайте удерживать кусторез за изолированную заднюю рукоятку или отложите в сторону безопасным способом. Прежде чем удалить застрявший в режущем элементе провод, отключите поврежденный провод от электросети. В противном случае это может привести к серьезным травмам или летальному исходу.

⚠ ПРЕДУПРЕЖДЕНИЕ. Не срезайте сразу большие объемы и не пытайтесь прорезать плотный кустарник. В противном случае ножи запутаются, а производительность резки снизится.

ПРИМЕЧАНИЕ. Устройство может использоваться для резки стеблей толщиной не более 30,5 мм.

ПРИМЕЧАНИЕ. При подравнивании подроста выполняйте широкие махи (подобно подметанию), чтобы подача стволов выполнялась непосредственно в ножи. У более старых зарослей стволы толще и их

легче всего обрезать движением распиливания. Для обрезки крупных стволов используйте ручную пилу или пилу для обрезки ветвей.

Обрезка верхушек

Используйте широкие махи (подобно подметанию). Для достижения наилучших результатов слегка наклоните нож в направлении движения. Также для достижения наилучших результатов можно использовать веревку для обозначения уровня обрезки куста, как показано на Рис. Е.

Боковая обрезка

При обрезании боковых веток работайте снизу вверх, как показано на Рис. F. Подровняйте боковую сторону живой изгороди так, чтобы она немного сужалась вверх. Такая форма обеспечивает более эффективное проникновение солнечного света, что приведет к равномерному росту кустарника.

ОБСЛУЖИВАНИЕ

⚠ ПРЕДУПРЕЖДЕНИЕ. При ремонте используйте только идентичные запасные части. Использование других запасных частей может привести к возникновению опасной ситуации или повреждению устройства. Для обеспечения безопасности и надежности устройства его ремонт должен выполнять квалифицированный специалист.

⚠ ПРЕДУПРЕЖДЕНИЕ. Во избежание травм всегда извлекайте аккумулятор из устройства перед чисткой или обслуживанием.

ОЧИСТКА

- Используйте мягкую щетку, чтобы удалить загрязнения из воздухозаборных отверстий и с режущего элемента.
- Для удаления смолы и других липких загрязнений распылите на режущий элемент растворитель для смол. Запустите двигатель на короткое время, чтобы растворитель равномерно распределился по режущему элементу.
- Протрите поверхность сухой тканью.

⚠ ПРЕДУПРЕЖДЕНИЕ. Никогда не используйте воду для очистки триммера. Не используйте растворители для очистки пластиковых частей. Большинство пластиковых частей чувствительны к различным бытовым растворителям. Для очистки от грязи, пыли, масла, смазки и т. п. используйте чистую ткань.

ЗАТОЧКА РЕЖУЩЕГО ЭЛЕМЕНТА

1. Запустите кусторез, а затем остановите его, когда режущий и защитный зубцы слегка сместятся, как показано на Рис. G. Это позволит вставить напильник между режущим и защитным зубцами.
2. Извлеките аккумулятор из кустореза.
3. Зафиксируйте режущий элемент в тисках и используйте напильник, чтобы удалить выступающую режущую поверхность с каждого зубца. Постарайтесь снять как можно меньше материала. При заточке необходимо сохранять первоначальный угол каждого зубца.
4. Извлеките устройство из тисков, запустите его и снова остановите, чтобы выявить края зубцов с неправильной формой.
5. Извлеките аккумулятор и повторите процедуру заточки.

ПРИМЕЧАНИЕ. Не используйте кусторез с тупыми или поврежденными режущими элементами. Это может вызвать перегрузку и стать причиной неудовлетворительных результатов резки.

СМАЗКА РЕЖУЩЕГО ЭЛЕМЕНТА (Рис. H)

Для обеспечения наилучшей производительности и увеличения срока службы кустореза смазывайте его легким машинным маслом перед каждым использованием и после него.

Извлеките аккумулятор и положите кусторез на ровную поверхность. Распределите масло вдоль края верхнего ножа.

ПРИМЕЧАНИЕ. При длительном использовании кустореза смазывайте нож во время резки.

⚠ ПРЕДУПРЕЖДЕНИЕ. Не наносите смазочный материал во время работы кустореза.

ТРАНСПОРТИРОВКА И ХРАНЕНИЕ

- Перед хранением или транспортировкой кустореза всегда устанавливайте щиток ножа. Будьте осторожны с острыми зубьями режущего элемента.
- Перед помещением на хранение тщательно очистите кусторез.
- Храните кусторез в сухом, хорошо проветриваемом помещении, недоступном для детей.
- Храните вдали от источников коррозии, таких как садовые удобрения и техническая соль.



⚠ ПРЕДУПРЕЖДЕНИЕ. Ножи очень острые.

При работе с режущим элементом надевайте нескользящие, сверхпрочные защитные перчатки. Не помещайте руки или пальцы между ножами и в любое другое положение, где они могут быть защемлены или отрезаны. НИКОГДА не прикасайтесь к ножам и не ремонтируйте устройство, если в нем установлен аккумулятор.

Защита окружающей среды



Не выбрасывайте электроприборы, зарядные устройства и аккумуляторные батареи вместе с бытовыми отходами!

Отправьте данное изделие на переработку в специализированное предприятие или сдайте его для отдельного сбора.

Электроинструменты должны быть возвращены на перерабатывающее предприятие, не наносящее ущерба окружающей среде.

RU

УСТРАНЕНИЕ НЕПОЛАДОК

| ПРОБЛЕМА | ПРИЧИНА | РЕШЕНИЕ |
|---------------------------|---|--|
| Кусторез не работает. | <ul style="list-style-type: none"> ■ Аккумулятор не установлен в кусторез. ■ Нет электрического контакта между кусторезом и аккумулятором. ■ Аккумулятор разряжен. ■ Аккумулятор перегрелся. ■ Кусторез перегрелся. ■ Передний и задний курки не зажаты одновременно. ■ Режущий элемент заклинило. | <ul style="list-style-type: none"> ■ Установите аккумулятор в кусторез. ■ Извлеките аккумулятор, проверьте контакты и установите его снова. ■ Зарядите аккумулятор. ■ Извлеките аккумулятор из устройства и дайте ему остыть, пока температура не упадет ниже 67°C. ■ Отпустите оба курка и дайте устройству остыть, пока температура не упадет до нормальной. ■ Сначала нажмите кнопку блокировки, затем одновременно нажмите курки на передней и задней рукоятках. ■ Извлеките аккумулятор из устройства, удалите застрявшие материалы, затем установите аккумулятор на место и снова запустите устройство. |
| Сильная вибрация или шум. | <ul style="list-style-type: none"> ■ Сухие или ржавые режущие элементы. ■ Режущий элемент или его основание погнуты. ■ Согнутый или поврежденный зубец на режущем элементе. ■ Открутите болты режущего элемента. | <ul style="list-style-type: none"> ■ Смажьте режущий элемент в соответствии с инструкциями в разделе «СМАЗКА РЕЖУЩЕГО ЭЛЕМЕНТА» настоящего руководства. ■ Замените режущий элемент или его основание. Обратитесь в сервисный центр EGO для замены режущего элемента или его основания. ■ Замените режущий элемент. Обратитесь в сервисный центр EGO для замены режущего элемента. ■ Закрутите болты режущего элемента. При помощи гаечного ключа закрутите болт по часовой стрелке, чтобы затянуть его. |

RU

ГАРАНТИЯ

ГАРАНТИЙНАЯ ПОЛИТИКА EGO

Посетите веб-сайт egopowerplus.com, чтобы ознакомиться со всеми условиями и сроками гарантийной политики EGO.

PRZECZYTAJ WSZYSTKIE INSTRUKCJE!



PRZECZYTAJ INSTRUKCJĘ OBSŁUGI

⚠ OSTRZEŻENIE: Ryzyko resztkowe! Osoby z urządzeniami elektronicznymi, takimi jak rozruszniki serca, powinny przed użyciem produktu skonsultować się ze swoim(i) lekarzem/-ami. Używanie urządzeń elektrycznych blisko rozrusznika serca może spowodować zakłócenia lub uszkodzić rozrusznik.

⚠ OSTRZEŻENIE: Aby zagwarantować bezpieczeństwo i niezawodność, wszystkie naprawy i wymiany części powinny być wykonywane przez wykwalifikowanych techników serwisu.

⚠ OSTRZEŻENIE: Przeczytać wszystkie ostrzeżenia i instrukcje oraz przestudiować specyfikację i ilustracje dostarczone wraz z elektronarzędziem. Niestosowanie się do wszystkich podanych niżej instrukcji może doprowadzić do porażenia prądem, pożaru i/lub poważnych obrażeń.

WSZYSTKIE OSTRZEŻENIA I INSTRUKCJE NALEŻY ZACHOWAĆ NA PRZYSZŁOŚĆ.

SYMBOLE BEZPIECZEŃSTWA

⚠ OSTRZEŻENIE: Praca elektronarzędziami może spowodować wyrzucenie ciał obcych w oczy użytkownika, co może doprowadzić do poważnych urazów oczu. Przed rozpoczęciem pracy elektronarzędziem należy zawsze założyć gogle ochronne lub okulary z osłonami bocznymi, a w stosownych przypadkach także pełną osłonę na twarz. Zalecamy nakładanie na zwykłe okulary maski zabezpieczającej o szerokim polu widzenia lub stosowanie standardowych okularów zabezpieczających z osłonami bocznymi.

PL



Ostrzeżenie dotyczące bezpieczeństwa



Aby ograniczyć ryzyko urazów, użytkownik musi przeczytać instrukcję operatora.



Nie używać w deszczu i nie zostawiać na dworze podczas deszczu.



Gwarantowany poziom mocy akustycznej. Emisja hałasu do środowiska zgodnie z dyrektywą Wspólnoty Europejskiej.



Ten produkt jest zgodny z obowiązującymi dyrektywami WE.



Produkt jest zgodny z obowiązującymi dyrektywami UK.



Zużytych wyrobów elektrycznych nie należy wyrzucać razem ze zwykłymi odpadami domowymi. Należy je oddać do autoryzowanego punktu recyklingu.



Noś środki ochrony oczu i głowy.



Ręce i stopy trzymać z dala od elementów tnących



Długość ostrza

≡ Prąd stały

V Napięcie

mm Milimetr

.../min Na minutę

n₀ Prędkość bez obciążenia

cm Centymetr

SPECYFIKACJA

| | | |
|--|-------------------------|---|
| Model | HT2600E | |
| Napięcie | 56 V --- | |
| Prędkość bez obciążenia | 1700/min | |
| Długość ostrza | 66 cm | |
| Grubość cięcia | 30,5 mm | |
| Masa (bez akumulatora, osłony ostrza) | 3,14 kg | |
| Zalecana temperatura użytkowania | 0°C-40°C | |
| Zalecana temperatura przechowywania | -20°C-70°C | |
| Zmierzony poziom mocy akustycznej L_{WA} | 92 dB(A) K=1,7 dB(A) | |
| Poziom ciśnienia akustycznego w pozycji operatora L_{PA} | 84 dB(A) K=3,0 dB(A) | |
| Gwarantowany poziom mocy akustycznej L_{WA} (zgodnie z dyrektywą 2000/14/WE) | 94 dB(A) | |
| Drgania a_n | Uchwyt przedni | 2,49 m/s ² K=1,5 m/s ² |
| | Uchwyt tylny | 1,65 m/s ² K=1,5 m/s ² |

- Deklarowana całkowita wartość drgań została zmierzona zgodnie ze standardowymi metodami testowania i może służyć do porównywania różnych narzędzi.
- Deklarowana całkowita wartość drgań może również służyć do wstępnej oceny narażenia na drgań.

UWAGA: Emisja dźwięku podczas rzeczywistego stosowania elektronarzędzia może różnić się od deklarowanej wartości, w której narzędzie jest używane. Aby się zabezpieczyć, w rzeczywistych warunkach użytkowania użytkownik powinien nosić rękawice i nauszki ochronne.

LISTA ELEMENTÓW W OPAKOWANIU (RYS. A1)

OPIS

ZAPOZNANIE SIĘ Z NOŻYCAMI DO ŻYWOPLOTU (Rys. A1)

1. Otwór do zawieszania
2. Osłona końcówki

3. Ostrze
4. Osłona ręki
5. Uchwyt przedni
6. Przedni spust
7. Przycisk odblokowujący
8. Tylny spust
9. Uchwyt tylny
10. Dźwignia zwalnająca uchwyt
11. Przycisk odblokowujący akumulator
12. Zatrzak
13. Styki elektryczne
14. Szczelina do montażu akumulatora
15. Wysuwanie akumulatora
16. Osłona ostrza
17. Otwór do zawieszania

⚠ OSTRZEŻENIE: Produkt został wysłany w stanie całkowicie zmontowanym. Osłony dłoni nie wolno zdejmować podczas użytkowania. W razie uszkodzenia niezwłocznie zleć wymianę fachowemu technikowi serwisowemu.

⚠ OSTRZEŻENIE: Bezpieczne używanie tego produktu wymaga zrozumienia informacji podanych na narzędziu oraz w niniejszej instrukcji operatora. Konieczna jest także znajomość realizowanego projektu. Przed użyciem produktu należy zapoznać się z wszystkimi jego funkcjami oraz z zasadami dotyczącymi bezpieczeństwa.

UŻYTKOWANIE

⚠ OSTRZEŻENIE: Nie wolno dopuść do tego, aby znajomość narzędzia doprowadziła do nieuwagi. Należy pamiętać, że do spowodowania poważnych obrażeń wystarczy zaledwie chwila nieuwagi.

⚠ OSTRZEŻENIE: Należy zawsze nosić środki ochrony oczu z osłonami bocznymi, a także środki ochrony uszu. Nieprzestrzeganie tego zalecenia może doprowadzić do poważnych obrażeń oczu odłamkiem lub skrawkiem materiału wyrzuconym przez pracujące narzędzie, a także grozi innymi możliwymi urazami.

⚠ OSTRZEŻENIE: Aby zapobiec przypadkowemu włączeniu, które mogłoby spowodować ciężkie urazy, na czas mocowania części, regulacji, czyszczenia lub gdy narzędzie nie jest używane, z narzędzia należy zawsze wyjmować akumulator.

⚠ OSTRZEŻENIE: Nie należy używać końcówek lub akcesoriów innych niż zalecane przez EGO™. Używanie końcówek lub akcesoriów innych niż zalecane może doprowadzić do poważnych obrażeń.

Przed każdym użyciem należy skontrolować cały produkt pod kątem uszkodzonych, brakujących lub obluźwianych części takich jak śruby, wkręty, nakrętki, nasadki itp. Wszystkie elementy połączeniowe i nasadki należy mocno dokręcić. Nie używać produktu zanim wszystkie brakujące lub uszkodzone części nie zostaną wymienione.

ZASTOSOWANIE

Narzędzia można używać do przycinania żywopłotów, krzewów i krzaków o średnicy gałęzi poniżej 30,5 mm.

UWAGA: Narzędzia należy używać tylko do celów zgodnych z przeznaczeniem. Wszelkie inne zastosowania uznaje się za niezgodne z przeznaczeniem.

ZAKŁADANIE/WYJMOWANIE AKUMULATORA

Do urządzenia używaj wyłącznie akumulatorów i ładowarek podanych na rys. A2.

Naladuj przed pierwszym użyciem.

Instalowanie (Rys. B)

Wyrównaj żeberka akumulatora względem szczelin mocujących i wsuń akumulator do ładowarki aż da się słyszeć kliknięcie.

Wyjmowanie (Rys. C)

Wciśnij przycisk wyjmowania akumulatora i wysuń akumulator.

⚠ OSTRZEŻENIE: Gdy użytkownik naciska przycisk wyjmowania akumulatora, należy mieć zawsze świadomość tego, gdzie znajdują się stopy użytkownika, dzieci i zwierzęta. Upuszczenie akumulatora może doprowadzić do poważnych urazów. NIGDY nie należy wyjmować akumulatora na znacznej wysokości.

TRZYMANIE NOŻYC DO ŻYWOPŁOTÓW (Rys. D1-D5)

Urządzenia ma uchwyt przedni i tylny. Trzymaj urządzenia za oba uchwyty, ostrzem odwróconym od siebie.

Tylny uchwyt można ustawić w pięciu pozycjach ($0^\circ \pm 45^\circ \pm 90^\circ$), podnosząc dźwignię zwalniania uchwytu (rys. D1 do rys. D5), co daje wiele możliwości wygodnego chwytu podczas wykonywania cięć.

⚠ OSTRZEŻENIE: Nie reguluj uchwytu gdy narzędzie jest włączone. Wyłącz narzędzie i wyjmij akumulator.

WŁĄCZANIE/WYŁĄCZANIE NOŻYC DO ŻYWOPŁOTU

Przed przystąpieniem do pracy zdejmij osłonę ostrza i chwyć nożyce obydwoma rękoma, jedną ręką na uchwycie tylnym, a drugą na uchwycie przednim. Następnie sprawdź stabilność podłoża. Użytkownik powinien stać wyprostowany w odpowiedniej odległości od przycinanego żywopłotu.

Włączanie

1. Zainstaluj akumulator.
2. Ściśnij i przytrzymaj przedni spust jedną ręką.
3. Kciukiem drugiej ręki wciśnij i przytrzymaj przycisk odblokowania, a następnie wciśnij palcami spust tylny, aby uruchomić nożyce. Zwolnij przycisk odblokowania i w dalszym ciągu wciskaj spust, aby podtrzymać działanie urządzenia.

Wyłączenie

Przesuwaj nożycami w obszarze cięcia i zwolnij dźwignię spustu tylnego, aby zatrzymać urządzenie.

⚠ OSTRZEŻENIE: W czasie przerw w pracy i po zakończeniu pracy zawsze wyjmuj akumulator z nożyce.

UŻYWANIE NOŻYC DO ŻYWOPŁOTU

⚠ NIEBEZPIECZEŃSTWO: Jeżeli OSTRZE zakleszczy się na jakimkolwiek przewodzie elektrycznym lub kablu, NIE WOLNO GO DOTYKAĆ! OSTRZE MOŻE BYĆ POD NAPIĘCIEM I MOŻE BYĆ BARDZO NIEBEZPIECZNE. Należy nadal trzymać nożyce do żywopłotu za izolowany uchwyt tylny lub odłożyć je w bezpieczny sposób. Następnie wyłączyć prąd doprowadzony do przewodu/kabla. Dopiero potem można spróbować wyplątać ostrze z przewodu lub kabla. Niezastosowanie się do tego ostrzeżenia doprowadzi do poważnych urazów i grozi śmiercią.

⚠ OSTRZEŻENIE: Należy unikać jednoczesnego przycinania zbyt dużych ilości gałęzi lub strzyżenia bardzo gęstych i zbitych krzewów. Może to doprowadzić do zacięcia się noży i spowolnienia ich pracy, co zmniejszyłoby wydajność cięcia.

UWAGA: Nożyce należy używać do cięcia gałązek o grubości do 30,5 mm.

UWAGA: Młode pędy najlepiej jest przycinać szerokimi ruchami zagarniającymi je bezpośrednio do ostrza tnącego. W przypadku starszych, grubszych gałęzi dobrze jest wykonywać ruchy podobne do piłowania. Zaleca się, aby przed rozpoczęciem wyciąć wszystkie grube gałęzie piłą ręczną.

Strzyżenie z góry

Należy wykonywać szerokie, zagarniające ruchy. Najlepsze efekty daje lekkie nachylenie noży w dół w kierunku ruchu. Aby zwiększyć efektywność cięcia, można także używać sznurka jako przewodnicy pozwalającej wyrównać górną krawędź żywoplotu, jak pokazano na rys. E.

Strzyżenie po bokach

Podczas przycinania boków żywoplotu rozpoczynaj od dołu i przycinaj w górę, jak pokazano na rys. F. Boczną stronę żywoplotu przycinaj tak, aby zwężała się lekko ku górze. Ten kształt będzie wystawiać więcej żywoplotu na działanie słońca powodując bardziej równomierny wzrost.

KONSERWACJA

⚠ OSTRZEŻENIE: Do serwisowania używać wyłącznie części zamiennych identycznych z oryginalnymi. Używanie jakichkolwiek innych części stwarza ryzyko i może spowodować usterkę produktu. Aby zagwarantować bezpieczeństwo i niezawodność, wszystkie naprawy powinny być wykonywane przez wykwalifikowanych techników serwisu.

⚠ OSTRZEŻENIE: Aby uniknąć poważnych obrażeń ciała, na czas czyszczenia lub wykonywania prac konserwacyjnych zawsze wyjmować z urządzenia akumulator.

CZYSZCZENIE

- Do usuwania zanieczyszczeń z wlotów powietrza i z ostrza tnącego używać miękkiej szczoteczki.
- W celu usunięcia żywicy i innych lepjących się osadów spryskać noże rozpuszczalnikiem do żywicy. Aby równomiernie rozprowadzić rozpuszczalnik, wystarczy na chwilę włączyć silnik.
- Przetrzeć powierzchnię suchą ściereczką.

⚠ OSTRZEŻENIE: Do czyszczenia nożyc nigdy nie należy używać wody. Podczas czyszczenia części plastikowych unikać używania rozpuszczalników. Pod wpływem działania różnego rodzaju dostępnych w handlu rozpuszczalników większość tworzyw sztucznych ulega uszkodzeniu. Do usuwania zabrudzeń, kurzu, oleju, smaru itp. używać czystych ściereczek.

OSTRZENIE OSTRZA TNĄCEGO

1. Uruchamiaj i zatrzymaj nożyce do żywoplotu do momentu, aż ostrze i osłona będą mniej więcej wyrównane, jak przedstawiono na rys. G. Umożliwi to otrzymanie prześwitu na pilnik między zębami tnącymi i zębami osłony.
2. Wyjmij akumulator z nożyc do żywoplotu.
3. Zaciśnij ostrze w imadle i przeszlifuj pilnikiem

odsłonięte powierzchnie tnące wszystkich zębów ostrza. Zeszlifuj możliwie jak najmniejszą ilość materiału. Pilując dbaj o zachowanie pierwotnego kąta każdego zęba.

4. Wyjmij nożyce z imadła; uruchom je i zatrzymaj, aby odsłonić nienaostrome krawędzie zębów ostrza.
5. Wyjmij akumulator i powtórz powyższą procedurę ostrzenia.

UWAGA: Nie używaj nożyc z tępyimi lub uszkodzonymi nożami. Mogłoby to doprowadzić do przecięcia i spowodować, że efekty cięcia narzędziem byłyby niezadowalające.

SMAROWANIE OSTRZA (Rys. H)

Aby uzyskać optymalne działanie ostrza i przedłużyć jego żywotność, ostrze nożyc do żywoplotu należy smarować lekkim olejem maszynowym każdorazowo przed i po użyciu.

Wyjmij akumulator i połóż nożyce na płaskiej powierzchni. Nałóż olej wzdłuż krawędzi górnego ostrza.

UWAGA: W przypadku użytkowania przez dłuższy czas, ostrze należy smarować olejem również w przerwach w czasie pracy.

⚠ OSTRZEŻENIE: Nożyc do żywoplotu nie należy smarować w czasie, kiedy pracują.

TRANSPORT I PRZECHOWYWANIE

- Przed schowaniem lub transportowaniem nożyc do żywoplotu należy zawsze założyć na ostrze osłonę na ostrze. Zachowaj ostrożność, aby nie skaleczyć się zębami ostrza.
- Przed schowaniem nożyce do żywoplotu należy dokładnie wyczyścić.
- Nożyce do żywoplotu należy przechowywać w suchym pomieszczeniu niedostępnym dla dzieci.
- Narzędzie należy chronić przed żrącymi substancjami takimi jak chemia ogrodnicza i sól do usuwania lodu.

⚠ OSTRZEŻENIE: Noże są ostre. Prace przy ostrzu z nożami należy wykonywać w antypoślizgowych solidnych rękawicach ochronnych. Nie wkładać dłoni lub palców między noże lub w jakiegokolwiek inne miejsce, w którym mogłyby zostać przytrażnione lub skaleczone. NIGDY nie dotykać noży lub wykonywać czynności serwisowych, gdy w urządzeniu jest zainstalowany akumulator.

Ochrona środowiska



Urządzeń elektrycznych, zużytych akumulatorów i ładowarki nie należy wyrzucać do zwykłych zmieszanych śmieci domowych! Produkt należy oddać do zbiórki selektywnej w autoryzowanym punkcie recyklingu. Elektronarzędzia należy oddawać do przyjaznego dla środowiska zakładu recyklingu.

PL

ROZWIĄZYWANIE PROBLEMÓW

| PROBLEM | PRZYCZYNA | ROZWIĄZANIE |
|-----------------------------------|--|---|
| Nożyce do żywopłotu nie działają. | <ul style="list-style-type: none"> ■ Do nożyc nie włożono akumulatora. ■ Nie ma styku między nożycami i akumulatorem. ■ Akumulator jest rozładowany. ■ Akumulator jest zbyt gorący. ■ Nożyce do żywopłotu są zbyt gorące. ■ Spust przedni i tylny nie zostały wciśnięte jednocześnie. ■ Ostrze zablokowało się. | <ul style="list-style-type: none"> ■ Włożyć akumulator do nożyc do żywopłotu. ■ Wyjąć akumulator, sprawdzić styki i założyć akumulator z powrotem. ■ Naładować akumulator. ■ Wyjąć akumulator z narzędzia i pozostawić do ostygnięcia do temperatury poniżej 67°C. ■ Puścić oba spusty, pozostawić nożyce do ostygnięcia do normalnej temperatury. ■ Najpierw wcisnąć przycisk odblokowania, następnie równocześnie spusty na przednim i tylnym uchwycie. ■ Wyjąć akumulator z narzędzia, ostrożnie usunąć to, co blokuje narzędzie i ponownie włożyć akumulator do narzędzia. |
| Nadmierne drgania lub hałas. | <ul style="list-style-type: none"> ■ Suche lub skorodowane ostrza. ■ Wygięte ostrza lub wspornik ostrzy. ■ Wygięte lub uszkodzone zęby. ■ Poluzowane śruby ostrza. | <ul style="list-style-type: none"> ■ Nasmarować noże zgodnie z zaleceniami podanymi w części „SMAROWANIE OSTRZA” na stronie 24 niniejszej instrukcji. ■ Wymienić ostrze lub wspornik na nowe. Skontaktować się z punktem serwisowym EGO w celu wymiany ostrza lub wspornika. ■ Wymienić ostrze na nowe. Skontaktować się z punktem serwisowym EGO w celu wymiany ostrza. ■ Dokręcić śruby ostrza. Dokręcić śrubę kluczem, kręcąc w prawo (zgodnie z kierunkiem ruchu wskazówek zegara). |

PL

GWARANCJA

POLITYKA GWARANCYJNA EGO

W celu zapoznania się z wszystkimi warunkami polityki gwarancyjnej EGO prosimy odwiedzić stronę egopowerplus.com.

PŘEČTĚTE SI VŠECHNY POKYNY!



PŘEČTĚTE SI NÁVOD K OBSLUZE

VAROVÁNÍ: Potenciální riziko! Lidé s elektronickými přístroji, jako jsou např. kardiostimulátory, by se měli před použitím toho výrobku poradit se svým lékařem. Použití elektrického zařízení v těsné blízkosti kardiostimulátoru může způsobit narušení činnosti nebo poruchu kardiostimulátoru.

VAROVÁNÍ: Z důvodu bezpečnosti by měl všechny opravy a výměny provádět kvalifikovaný servisní technik.

VAROVÁNÍ: Přečtěte si všechna bezpečnostní varování, pokyny, ilustrace a specifikace dodávané s tímto elektrickým nářadím. Nedodržení všech níže uvedených pokynů může vést k úrazu elektrickým proudem, požáru a/nebo vážnému úrazu.

VŠECHNA VAROVÁNÍ A POKYNY USCHOVEJTE PRO BUDOUCÍ POUŽITÍ.

BEZPEČNOSTNÍ SYMBOLY

VAROVÁNÍ: Při použití elektrického nářadí může dojít k vyvrstvení cizích těles do očí, což může způsobit jejich závažné poškození. Před použitím elektrického nářadí si vždy nasadte ochranné brýle, ochranné brýle s bočními kryty nebo v případě potřeby obličejový štít. Na brýle nebo standardní ochranné brýle s bočními kryty doporučujeme použít ochrannou masku.

CZ


Bezpečnostní upozornění



Z důvodu snížení rizika úrazu si musí uživatel přečíst návod k obsluze.



Nepoužívejte ani nenechávejte venku na dešti.



Zaručená hladina akustického výkonu. Emise hluku do prostředí dle směrnice Evropského společenství.



Tento výrobek je v souladu s platnými směrnici ES.



Tento výrobek je v souladu s platnými předpisy ve Spojeném království.



Odpadní elektrické výrobky se nesmí likvidovat s domovním odpadem. Odevzdejte je do autorizovaného recyklačního střediska.



Používejte ochranu očí a hlavy.



Udržujte ruce a nohy v dostatečné vzdálenosti od řezacího nářadí.



Délka lišty



Stejnoseměrný proud



Napětí

mm

Milimetr

.../min

Za minutu

 n_s

Rychlost při chodu naprázdno

cm

Centimetr

TECHNICKÉ ÚDAJE

| | | |
|--|-------------------------|---|
| Model | HT2600E | |
| Napětí | 56 V --- | |
| Rychlost při chodu naprázdno | 1700/min | |
| Délka lišty | 66 cm | |
| Řezný výkon | 30,5 mm | |
| Hmotnost (bez akumulátoru, krytu lišty) | 3,14 kg | |
| Doporučená provozní teplota | 0°C-40°C | |
| Doporučená teplota skladování | -20°C-70°C | |
| Měřená hladina akustického výkonu L_{WA} | 92 dB(A) K=1,7 dB(A) | |
| Hladina akustického tlaku v místě obsluhy L_{PA} | 84 dB(A) K=3,0 dB(A) | |
| Garantovaná hladina akustického výkonu L_{WA} (podle 2000/14/EK) | 94 dB(A) | |
| Vibrace a_h | Přední rukojeť | 2,49 m/s ² K=1,5 m/s ² |
| | Zadní rukojeť | 1,65 m/s ² K=1,5 m/s ² |

- Celková deklarovaná hodnota vibrací byla naměřena podle standardní zkušební metody a lze ji použít ke srovnání s jiným nářadím;
- Celkovou deklarovanou hodnotu vibrací lze použít také k předběžnému stanovení expozičních limitů.

POZNÁMKA: Emise vibrací při konkrétním použití elektrického nářadí se mohou lišit od deklarované hodnoty, při které se nářadí používá; z důvodu ochrany provozovatele by měl uživatel ve skutečných pracovních podmínkách nosit rukavice a chrániče sluchu.

BALICÍ LIST (OBR. A1)

POPIS

POZNEJTE SVÉ NŮŽKY NA ŽIVÝ PLOT (obr. A1)

1. Závěsný otvor
2. Chránič hrotu
3. Pilová lišta
4. Chránič rukou
5. Přední rukojeť

6. Přední spoušť
7. Blokovací tlačítko
8. Zadní spoušť
9. Zadní rukojeť
10. Uvolňovací páka rukojeti
11. Tlačítko pro uvolnění akumulátoru
12. Západka
13. Elektrické kontakty
14. Slot pro montáž akumulátoru
15. Vyhození baterie
16. Chránič lišty
17. Závěsný otvor

VAROVÁNÍ: Tento výrobek je dodáván kompletně smontovaný. Chránič rukou nesmí být během používání nikdy odstraněn. Ihned po poškození jej nechte vyměnit kvalifikovaným servisním technikem.

VAROVÁNÍ: Bezpečné používání tohoto výrobku vyžaduje seznámení se s informacemi o nářadí v tomto návodu k obsluze a také s projektem, na kterém pracujete. Před použitím výrobku se seznámte se všemi provozními funkcemi a bezpečnostními zásadami.

GZ

POUŽITÍ

VAROVÁNÍ: Dbejte na to, abyste po seznámení s výrobkem nepřestali být opatrní. Nezapomínejte, že stačí chvíle nepozornosti a může se stát vážný úraz.

VAROVÁNÍ: Vždy používejte ochranu očí s bočními štíty spolu s chrániči sluchu. Pokud tak neučiníte, může dojít k vymrštění předmětu do očí nebo případně jiným vážným úrazům.

VAROVÁNÍ: Pokud provádíte montáž dílů, úpravy, čištění, nebo foukač nepoužíváte, vždy vyjměte akumulátor, aby nedošlo k neúmyslnému spuštění, které může způsobit vážný úraz.

VAROVÁNÍ: Nepoužívejte nástavce nebo příslušenství, které nedoporučuje společnost EGOTM. Použití nedoporučených nástavců a příslušenství může vést k vážnému úrazu.

Před každým použitím zkontrolujte celý výrobek, zda není poškozen, nechýbí nebo nejsou uvolněné žádné díly, jako např. vrutky, matice, šrouby, uzávěry atd. Pevně utáhněte všechny upevňovací prvky a uzávěry a výrobek nepoužívejte, dokud se nevymění všechny chybějící nebo poškozené díly.

POUŽITÍ

Tento výrobek můžete použít pro stříhání živých plotů, křoví a keřů s průměrem větví menším než \varnothing 30,5 mm.

POZNÁMKA: Přístroj se smí používat pouze k vyhrazenému účelu. Jakékoliv jiné použití se považuje za zneužití.

INSTALACE/VYJMUTÍ AKUMULÁTORU

Používejte pouze akumulátory a nabíječky uvedené na obr. A2.

Před prvním použitím akumulátor nabijte.

Instalace (obr. B)

Srovnejte žebrování akumulátoru s instalačními drážkami a zatlačte na akumulátor dokud neuslyšíte „cvaknutí“.

Vyjmutí (obr. C)

Stiskněte tlačítko pro uvolnění akumulátoru a vytáhněte jej.

VAROVÁNÍ: Při stisku tlačítka pro uvolnění akumulátoru dávejte pozor na nohy, děti nebo domácí zvířata. Pokud akumulátor upadne, může dojít k vážnému úrazu. NIKDY nevyjímejte akumulátor na vyvýšeném místě.

DRŽENÍ NŮŽEK NA ŽIVÝ PLOT (obr. D1-D5)

Přístroj má přední i zadní rukojeť. Přístroj držte za obě rukojeti s lištou orientovanou směrem od vás.

Zadní rukojeť lze nastavit do pěti poloh ($0^\circ/\pm 45^\circ/\pm 90^\circ$) zvednutím páky pro uvolnění rukojeti (obr. D1 až obr. D5), což vám poskytuje mnoho možností pro pohodlné uchopení při řezání operace.

VAROVÁNÍ: Nenastavujte rukojeť, když je nářadí v chodu. Zastavte nářadí a nejprve vyjměte akumulátor.

SPUŠTĚNÍ/VYPNUTÍ PLOTOVÝCH NŮŽEK

Před spuštěním sejměte kryt lišty a držte nůžky oběma rukama, jednou za zadní a druhou za přední rukojeť. Poté zkontrolujte, zda máte stabilní postavení, vzpřímený postoj a správnou vzdálenost stříhání.

Spuštění

1. Nainstalujte akumulátor.
2. Jednou rukou stiskněte a podržte přední spoušť.
3. Palcem druhé ruky stiskněte a podržte zajišťovací tlačítko, poté stiskněte zadní spoušť prsty, abyste spustili nůžky na živý plot. Uvolněte odjišťovací tlačítko, ale pokračujte ve stlačování spouště pro pokračování provozu.

Zastavení

Přesuňte nůžky na živý plot z oblasti stříhání a uvolněte některý ze spínačů, aby se nůžky na živý plot zastavily.

VAROVÁNÍ: Při přestávce a po skončení práce vždy z nůžek vyjměte akumulátor.

POUŽITÍ PLOTOVÝCH NŮŽEK

NEBEZPEČÍ: Pokud se lišta zasekne v jakémkoli elektrickém kabelu nebo vedení, **NEDOTÝKEJTE SE LIŠTY! MŮŽE SE STÁT ELEKTRICKY VODIVOU A VELMI NEBEZPEČNOU.** Držte nadále plotové nůžky za izolovanou zadní rukojeť, nebo je položte do bezpečné vzdálenosti od sebe. Než se pokusíte uvolnit lištu z vedení nebo kabelu, odpojte je z elektrické sítě. Nedodržení tohoto varování povede k vážnému úrazu nebo dokonce smrti.

VAROVÁNÍ: Vyhýbejte se stříhání nadměrného množství najednou nebo skrz husté křoví. Lišta může uvíznout, zpomalit a tím se sníží účinnost stříhání.

POZNÁMKA: Nůžky se používají k řezání stonků o tloušťce menší než (30,5 mm).

POZNÁMKA: U nového porostu je vhodný široký záběr, aby se větve dostaly přímo do střížné lišty. U staršího porostu je vhodný pilový pohyb pro stříhání silnějších větví. Pro stříhání silných větví je vhodné použít nejprve ruční nebo profezávací pilu.

Horní stříhání

Použijte široký zametací pohyb. Nejlepších výsledků stříhání dosáhnete při mírném naklonění střížné lišty směrem dolů ve směru pohybu. Pro lepší účinek stříhání můžete také použít provázek k označení roviny živého plotu, jak je znázorněno na obr. E.

Boční stříhání

Při stříhání stran živého plotu začněte zdola a stříhejte směrem nahoru, jak je znázorněno na obr. F. Stranu živého plotu zastříhnete tak, aby byl nahoře o něco užší. Tímto způsobem bude větší část živého plotu vystavena slunečním paprskům, což povede k jeho rovnoměrnějšímu růstu.

ÚDRŽBA

VAROVÁNÍ: Při opravách používejte pouze originální náhradní díly. Použití jiných dílů může představovat riziko nebo může způsobit poškození výrobku. Z důvodu zajištění bezpečnosti a spolehlivosti musí všechny opravy provádět kvalifikovaný servisní technik.

VAROVÁNÍ: Aby nedošlo k vážnému úrazu, vždy při čištění nebo jiné údržbě vyjměte z výrobku akumulátor.

ČIŠTĚNÍ

- Měkkým hadrem odstraňte nečistoty ze všech přívodů vzduchu střížné lišty.
- Pokud chcete odstranit pryskyřici nebo jiné lepidlo zbytky, nastříkejte lištu rozpouštědlem pryskyřic. Krátce spusťte motor tak, aby se rozpouštědlo rovnoměrně rozptýlilo.
- Setřete povrch suchým hadrem.

VAROVÁNÍ: K čištění nůžek nikdy nepoužívejte vodu. K čištění plastových dílů nepoužívejte rozpouštědla. Většina plastů je náchylná k poškození různými typy komerčních rozpouštědel. K odstranění nečistot, prachu, oleje, maziva atd. použijte čistý hadr.

BROUŠENÍ STŘÍŽNÉ LIŠTY

1. Spusťte a zastavte nůžky na živý plot, dokud lišta nůžek a ochranný kryt nejsou mírně posunuté, jak je znázorněno na obr. G. Tak vznikne prostor pro pilník mezi zuby nůžek a zuby krytu.
2. Vyjměte akumulátor z plotových nůžek.
3. Upevněte sestavu lišty do svěráku a pilujte odkryté břity jednotlivých zubů lišty. Odstraňte co nejmenší množství materiálu. Při pilování se ujistěte, že je zachován původní úhel každého zubu.
4. Demontujte nůžky ze svěráku; opět je spusťte a zastavte, abyste odkryli nenaostřené břity zubů lišty.
5. Vyjměte akumulátor a opakujte výše uvedený postup ostření.

POZNÁMKA: Neprovazujte plotové nůžky s tupou nebo poškozenou střížnou lištou. Může to způsobit přetížení a neuspokojivé výsledky fezáží.

MAZÁNÍ LIŠTY (obr. H)

Pro lepší funkci a delší životnost lišty mažte lištu plotových nůžek před a po každém použití lehkým strojním olejem.

Vyjměte akumulátor a položte nůžky na rovný povrch. Aplikujte olej podél hrany horní lišty.

POZNÁMKA: Při dlouhodobém používání mažte lištu i během stříhání.

VAROVÁNÍ: Plotové nůžky neolejujte, pokud jsou v provozu.

PŘEPRAVA A SKLADOVÁNÍ

- Před uskladněním nebo přepravou plotových nůžek vždy nasadte kryt lišty. Dávejte pozor na ostré zuby lišty.
- Před uskladněním plotové nůžky řádně vyčistěte.
- Plotové nůžky skladujte v interiéru, na suchém místě, které je mimo dosah dětí.

- Uchovávejte v bezpečné vzdálenosti od korozivních látek, jako jsou chemické látky a rozmrazovací soli.

VAROVÁNÍ: Lišta je ostrá. Při manipulaci se sestavou lišty používejte protiskluzové, odolné ochranné rukavice. Nevkládejte ruce nebo prsty do lišty nebo do jakékoli pozici, kde by mohlo dojít k sevření nebo řezu. NIKDY se nedotýkejte lišty nebo neopravujte přístroj s nainstalovaným akumulátorem.

Ochrana životního prostředí



Elektrické zařízení, použité baterie nabíječku nevhazujte do domovního odpadu! Předějte tento výrobek autorizované recyklační společnosti ke tříděnému sběru. Elektrické nářadí musí být vráceno do zařízení pro ekologickou recyklaci.

ODSTRAŇOVÁNÍ ZÁVAD

| PROBLÉM | PŘÍČINA | ŘEŠENÍ |
|-----------------------------|---|---|
| Plotové nůžky nefungují. | <ul style="list-style-type: none"> ■ K plotovým nůžkám není připojen akumulátor. ■ Bez elektrického kontaktu mezi plotovými nůžkami a akumulátorem. ■ Akumulátor je vybitý. ■ Akumulátor je příliš horký. ■ Nůžky na živý plot jsou příliš horké. ■ Přední a zadní spoušť není stisknuta současně. ■ Lišta se zablokovala. | <ul style="list-style-type: none"> ■ Připojte akumulátor na plotové nůžky. ■ Vyměňte akumulátor, zkontrolujte póly a znovu jej nainstalujte. ■ Nabijte akumulátor. ■ Vyměňte akumulátor z nářadí a nechejte jej zchladnout, dokud teplota neklesne pod 67°C. ■ Uvolněte obě spouště; nechte nůžky vychladnout, dokud teplota neklesne na normální teplotu. ■ Nejprve stiskněte odjišťovací tlačítko a poté současně stiskněte spoušť na přední a zadní rukojeti. ■ Vyměňte akumulátor z nářadí, opatrně odstraňte překážku, poté akumulátor znovu vložte a restartujte nářadí. |
| Nadměrné vibrace nebo hluk. | <ul style="list-style-type: none"> ■ Suché nebo zkorodované lišty. ■ Lišty nebo podpěra lišt jsou ohnuté. ■ Ohnuté nebo poškozené zuby. ■ Povolte šrouby lišt. | <ul style="list-style-type: none"> ■ Namažte lištu podle části „MAZÁNÍ LIŠTY“ v této příručce. ■ Vyměňte za novou lištu nebo podpěru. Obrat se na servisní středisko EGO se žádostí o výměnu lišty nebo podpěry. ■ Vyměňte za novou lištu. Pro výměnu lišty kontaktujte servisní středisko EGO. ■ Dotáhněte šrouby lišt. Použijte klíč, matici utáhněte ve směru hodinových ručiček. |

CZ

ZÁRUKA

ZÁRUKA SPOLEČNOSTI EGO

Úplné záruční podmínky společnosti EGO naleznete na webových stránkách egopowerplus.com.

PREČÍTAJTE SI VŠETKY POKYNY!



PREČÍTAJTE SI NÁVOD NA OBSLUHU

VAROVANIE: Potenciálne riziká! Ľudia s elektronickými zariadeniami, napríklad kardiostimulátorom, musia používanie tohto výrobku konzultovať so svojim lekárom. Použitie elektrických zariadení v tesnej blízkosti kardiostimulátora by mohlo spôsobiť rušenie alebo zlyhanie kardiostimulátora.

VAROVANIE: Pre zaistenie bezpečnosti a spoľahlivosti je nevyhnutné, aby všetky opravy a výmeny vykonával len kvalifikovaný servisný technik.

VAROVANIE: Prečítajte si všetky bezpečnostné upozornenia, pokyny, ilustrácie a špecifikácie dodané s týmto elektrickým náradím. Nedodržanie nižšie uvedených pokynov môže mať za následok úraz elektrickým prúdom, požiar a/alebo vážne zranenie.

VŠETKY VAROVANIA A POKYNY SI PONECHAJTE PRE PRÍPADNÚ POTREBU V BUDÚCNOSTI.

BEZPEČNOSTNÉ SYMBOLY

VAROVANIE: Prevádzka akéhokoľvek elektrického náradia môže viesť k vymršteniu cudzích predmetov do vašich očí, čo môže spôsobiť vážne poškodenie zraku. Predtým, než začnete používať elektrické náradie, si vždy nasadte ochranné okuliare alebo ochranné okuliare s postrannými krytmi a prípadne celotvárový štít. Odporúčame použiť bezpečnostnú masku so širokým priezorom na okuliare alebo štandardné bezpečnostné okuliare s postrannými krytmi.



Bezpečnostné upozornenie



Používateľ si musí prečítať návod na obsluhu, aby znížil riziko úrazu.



Nepoužívajte ani nenechávajte vonku na daždi.



Garantovaná hladina akustického výkonu. Emisie hluku do prostredia sú podľa smernice Európskeho spoločenstva.



Tento výrobok je v súlade s platnými smernicami ES.



Tento výrobok je v súlade s platnou legislatívou Spojeného kráľovstva.



Odpadové elektrické výrobky sa nesmú likvidovať spolu s domovým odpadom. Odovzdajte do autorizovaného recyklačného strediska.



Používajte ochranu očí a hlavy.



Ruky a nohy držte ďalej od rezacieho náradia.



Dĺžka lišty



Jednosmerný prúd



Napätie



Milimeter



Za minútu



Rýchlosť bez zataženia



Centimeter

SK

TECHNICKÉ ÚDAJE

| | | |
|--|-------------------------|---|
| Model | HT2600E | |
| Napätie | 56 V --- | |
| Rýchlosť naprázdno | 1700/min | |
| Dĺžka lišty | 66 cm | |
| Rezacia kapacita | 30,5 mm | |
| Hmotnosť (bez akumulátora, krytu lišty) | 3,14 kg | |
| Odporúčaná prevádzková teplota | 0°C-40°C | |
| Odporúčaná skladovacia teplota | -20°C-70°C | |
| Nameraná hladina akustického výkonu L_{WA} | 92 dB(A) K=1,7 dB(A) | |
| Hladina akustického tlaku na mieste operátora L_{PA} | 84 dB(A) K=3,0 dB(A) | |
| Garantovaná hladina akustického výkonu L_{WA} (podľa 2000/14/EK) | 94 dB(A) | |
| Vibrácie a_h | Predná rukovať | 2,49 m/s ² K=1,7 m/s ² |
| | Zadná rukovať | 1,65 m/s ² K=1,5 m/s ² |

SK

- Deklarovaná celková hodnota vibrácií bola meraná v súlade so štandardnou skúšobnou metódou a môže sa použiť na vzájomné porovnanie jednotlivých náradí;
- Uvádzaná celková hodnota vibrácie sa môže použiť aj na predbežný odhad expozície.

POZNÁMKA: Emisia vibrácií pri skutočnom používaní náradia sa môže odlišovať od deklarovanej hodnoty, pri akej sa nástroj používa; za účelom ochrany obsluhy má používateľ v skutočných podmienkach použitia nosiť rukavice a ochranu sluchu.

BALIACI LIST (OBR. A1)

POPIS

SPOZNAJTE VAŠE NOŽNICE NA ŽIVÝ PLOT (obr. A1)

1. Závesný otvor
2. Ochrana hrotu
3. Pílový list
4. Chránič rúk
5. Predná rukovať

6. Predná spúšť
7. Zaisťovacie tlačidlo
8. Zadná spúšť
9. Zadná rukovať
10. Páka na uvoľnenie rukoväte
11. Tlačidlo na uvoľnenie akumulátora
12. Západka
13. Elektrické kontakty
14. Slot pre montáž akumulátora
15. Vysunutie akumulátora
16. Chránič lišty
17. Závesný otvor

VAROVANIE: Tento výrobok sa dodáva kompletne zmontovaný. Ochranný kryt ruky sa počas používania nesmie nikdy odstrániť. Ak je poškodený, ihneď ho nechajte vymeniť kvalifikovaným servisným technikom.

VAROVANIE: Bezpečné používanie tohto výrobku vyžaduje pochopenie informácií o náradí, pochopenie tohto návodu na obsluhu, ako aj znalosti o práci, ktorú sa pokúšate vykonávať. Pred použitím tohto výrobku sa oboznámte so všetkými prevádzkovými funkciami a bezpečnostnými pravidlami.

OBSLUHA

VAROVANIE: Nedovoľte, aby dlhodobá skúsenosť práce s týmto výrobkom spôsobila vašu neopatrnosť. Pamätajte na to, že aj chvíľková neopatrnosť stačí na to, aby spôsobila vážny úraz.

VAROVANIE: Vždy používajte ochranu zraku s bočnými ochrannými štítlami spolu s ochranou sluchu. Ak tak neurobíte, môže dôjsť k vyršteniu predmetov do očí a k ďalším možným vážnym zraneniam.

VAROVANIE: Pri montáži dielov, zmene nastavenia, čistení a ak náradie nepoužívate, vždy vyberte akumulátor zo stroja, aby ste zabránili náhodnému spusteniu, ktoré by mohlo spôsobiť vážne zranenia.

VAROVANIE: Nepoužívajte žiadne nástavce alebo príslušenstvo, ktoré neodporúča EGO™. Použitie nástavcov alebo príslušenstva, ktoré nie je odporúčané, môže viesť k vážnemu zraneniu osôb.

Pred každým použitím skontrolujte, či na zariadení nie sú poškodené, chýbajúce alebo uvoľnené časti, napríklad skrutky, matice, závitky, uzávery, atď. Bezpečne utiahnite všetky upevňovacie prvky a uzávery a nepoužívajte tento výrobok, kým nebudú vymenené všetky chýbajúce alebo poškodené diely.

POUŽITIE

Tento produkt môžete použiť na strihanie živých plotov, kerov a kríkov s priemerom konára menším ako \varnothing 30,5 mm.

POZNÁMKA: Náradie sa musí používať v súlade s účelom použitia. Každé iné použitie sa považuje za prípad nevhodného použitia.

INŠTALÁCIA/VYBRATIE AKUMULÁTORA

Používajte iba s akumulátormi a nabíjačkami, ktoré sú uvedené na obr. A2.

Nabíte pred prvým použitím.

Inštalácia (obr. B)

Spojte akumulátor s montážnymi otvormi a stlačte akumulátor nadol, kým nebudete počuť „cvaknutie“.

Vybratie (obr. C)

Stlačte tlačidlo na uvoľnenie akumulátora a vytiahnite akumulátor.

VAROVANIE: Vždy majte na pamäti umiestnenie vašich nôh, polohu detí, či zvierat pri stlačení tlačidla pre uvoľnenie akumulátora. Mohlo by dôjsť k vážnemu zraneniu v prípade vypadnutia akumulátora. NIKDY nevyberajte akumulátor na vyvýšenom mieste.

DRŽANIE NOŽNÍC NA ŽIVÝ PLOT (obr. D1-D5)

Prístroj má prednú a zadnú rukoväť. S lištou smerom od seba držte prístroj na oboch rukovätiach.

Zadnú rukoväť je možné nastaviť do piatich polôh ($0^\circ/\pm 45^\circ/\pm 90^\circ$) zdvihnutím páčky na uvoľnenie rukoväte (obr. D1 až obr. D5), čo vám poskytne veľa možností pre pohodlný úchop pri rezaní.

VAROVANIE: Nenastavujte rukoväť, keď je náradie v chode. Zastavte náradie a najskôr vyberte akumulátor.

SPUSTENIE / ZASTAVENIE NOŽNÍC NA ŽIVÝ PLOT

Pred uvedením do prevádzky zložte chránič lišty a držte nožnice obomi rukami, pričom jednu ruku majte na zadnej rukoväti a druhú na prednej rukoväti. Potom skontrolujte, či máte stabilný a vzpriamený postoj a správnu vzdialenosť strihania.

Zapnutie

1. Nainštalujte akumulátor.
2. Jednou rukou stlačte a podržte prednú spúšť.

3. Palcom druhej ruky stlačte a podržte blokovacie tlačidlo, potom stlačte zadnú spúšť prstami, aby ste spustili nožnice na živý plot. Uvoľnite blokovacie tlačidlo, ale pokračujte v stláčaní spúšte, aby ste mohli pokračovať v prevádzke.

Zastavenie

Posuňte nožnice na živý plot preč z oblasti rezania a uvoľnite niektorý zo spínačov, aby sa nožnice na živý plot zastavili.

VAROVANIE: Počas pracovných prestávok a po ukončení práce vždy vyberte akumulátor z nožníc na živý plot.

POUŽÍVANIE NOŽNÍC NA ŽIVÉ PLOTY

NEBEZPEČENSTVO: Ak sa lišta zasekne v akomkoľvek elektrickom kábli alebo vedení, **NEDOTÝKAJTE SA LIŠTY! MÔŽE BYŤ POD NAPÄTÍM A BYŤ VELMI NEBEZPEČNÁ.** Držte ďalej nožnice na živý plot za izolovanú zadnú rukoväť alebo ich bezpečným spôsobom položte dole a smerom od vás. Pred pokusom o uvoľnenie lišty z vedenia alebo kábla odpojte elektrické napájanie poškodeného vedenia alebo kábla. Nerešpektovanie tohto upozornenia môže viesť k vážnemu zraneniu alebo smrti.

VAROVANIE: Neorezávajte príliš veľa materiálu naraz alebo príliš husté krovie. Môže to spôsobiť spomalenie a uviaznutie lišt, čím sa zníži výkonnosť rezania.

POZNÁMKA: Nožnice sa používajú na rezanie stoniek s hrúbkou menšou ako (30,5 mm).

POZNÁMKA: Pre mladý porast je vhodný pohyb ako pri širokom zametaní, ktoré privádza vetvičky priamo do reznej lišty. Pre starší porast je dobrý pohyb ako pri pílení, ktoré orezáva silnejšie stonky. Na prvotné orezanie veľkých vetiev je vhodná ručná alebo prerézavacia píla.

Horné orezávanie

Použite široký zametací pohyb. Mierny sklon rezacej lišty smerom nadol v smere pohybu poskytuje najlepšie výsledky rezania. Pre lepší efekt strihania môžete tiež použiť strunu na vedenie úrovne živého plotu, ako je znázornené na obrázku E.

Bočné orezávanie

Pri strihaní strán živého plotu začnite od spodnej časti a strihajte smerom nahor, ako je znázornené na obrázku F. Ostrihajte stranu živého plotu tak, aby bol v hornej časti o niečo užší. Tento tvar vystaví väčšie množstvo živého plotu slnečnému žiareniu, čo vedie k rovnomernejšiemu rastu.

SK

ÚDRŽBA

VAROVANIE: Pri servise používajte iba identické náhradné diely. Použitie iných častí môže vyvolať nebezpečenstvo, alebo spôsobiť poškodenie výrobku. Pre zaistenie bezpečnosti a spoľahlivosti je nevyhnutné, aby všetky opravy vykonával len kvalifikovaný servisný technik.

VAROVANIE: Pri čistení alebo vykonávaní údržby vždy vyberte akumulátor z výrobku, aby nedošlo k vážnemu zraneniu.

ČISTENIE

- Použite mäkkú kefu na odstránenie nečistôt zo všetkých vstupov vzduchu a zo strižnej lišty.
- Ak chcete odstrániť živicu a iné lepidlo zvyšky, nasprenujte lišty rozpúšťadlom na živice. Spustite motor nákrátko tak, aby sa rozpúšťadlo rovnomerne rozptýlilo.
- Povrch poutierajte suchou handrou.

VAROVANIE: Nikdy nepoužívajte vodu na čistenie nožníc. Na čistenie plastových dielov nepoužívajte rozpúšťadlá. Väčšina plastov je náchylná na poškodenie z rôznych typov komerčných rozpúšťadiel. Použite čisté handry na odstránenie nečistôt, prachu, oleja, maziva, atď.

SK

NAOSTRENIE STRIŽNEJ LIŠTY

1. Spustite a zastavte nožnice na živý plot, kým čepeľ strihača a ochranný kryt nie sú mierne posunuté, ako je znázornené na obr. G. Tým vznikne priestor pre pilník medzi zubami nožníc a zubami krytu.
2. Vyberte akumulátor z nožníc.
3. Upevnite zostavu lišty do zveráka a opilujte odhalenú reznú plochu každého čepeľového zuba. Odstráňte čo najmenej materiálu, ako je možné. Nezabudnite zachovať pôvodný uhol každého zuba pri ostrení.
4. Vyberte nožnice na živý plot zo zveráka; opäť zapnite a vypnite, aby ste odhalili nenaostrené okraje čepeľových zubov.
5. Vyberte akumulátor a zopakujte vyššie uvedený postup ostrenia.

POZNÁMKA: Nepoužívajte nožnice na živý plot, ak sú rezné lišty tupé alebo poškodené. Môže to spôsobiť preťaženie a neuspokojivé výsledky rezania.

MAZANIE LIŠTY (obr. H)

Pre dosiahnutie čo najlepšej prevádzky a dlhšej životnosti lišty namažte nožnice na živý plot s ľahkým strojným olejom pred a po každom použití.

Vyberte akumulátor a položte nožnice na rovný povrch. Olej nanášajte pozdĺž okraja novej lišty.

POZNÁMKA: Pri dlhšom nepretržitom používaní priebežne olejujte čepeľ.

VAROVANIE: Neolejujte, ak sú nožnice v prevádzke.

PREPRAVA A SKLADOVANIE

- Pred skladovaním alebo prepravou nožníc na živý plot vždy nasadte chránič lišty. Buďte opatrní, aby nedošlo ku kontaktu s ostrými zubami lišty.
- Pred skladovaním dôkladne vyčistite nožnice na živý plot.
- Nožnice na živý plot skladujte v interiéri, na suchom mieste, ktoré je neprístupné deťom.
- Chráňte pred agresívnymi látkami, ako sú záhradné chemikálie a rozmrazovacie soli.

VAROVANIE: Lišty sú ostré. Pri manipulácii so zostavou lišty používajte protišmykové, odolné ochranné rukavice. Nedávajte ruky alebo prsty medzi lišty, alebo na žiadne miesto, kde by mohli byť zovreté alebo porezané. NIKDY sa nedotýkajte lišty, alebo neopravujte prístroj s vloženým akumulátorom.

Ochrana životného prostredia



Nevyhadzujte elektrické zariadenia, nabíjačku a použité akumulátory do domového odpadu! Tento výrobok odnesť na autorizované recyklačné miesto a poskytnite ho na separovaný zber. Elektrické náradie sa musí odovzdať do príslušného zariadenia na ekologicky šetrnú recykliáciu.

ODSTRAŇOVANIE PORÚCH

| PROBLÉM | PRÍČINA | RIEŠENIE |
|---------------------------------|--|---|
| Nožnice na živý plot nefungujú. | <ul style="list-style-type: none"> ■ Akumulátor nie je pripojený do nožnic na živý plot. ■ Žiadny elektrický kontakt medzi nožnicami a akumulátorom ■ Akumulátor je vybitý. ■ Akumulátor je príliš horúci. ■ Nožnice na živý plot sú príliš horúce. ■ Predná a zadná spúšť nie sú stlačené súčasne. ■ Lišta sa zasekla. | <ul style="list-style-type: none"> ■ Pripojte akumulátor do nožnic na živý plot. ■ Vyberte akumulátor, skontrolujte kontakty a akumulátor nainštalujte naspäť. ■ Nabite akumulátor. ■ Vyberte akumulátor z náradia a nechajte ho vychladnúť, kým teplota neklesne pod 67°C. ■ Uvoľnite oba spúšťače; nechajte nožnice vychladnúť, kým teplota neklesne na normálnu teplotu. ■ Najprv stlačte blokovacie tlačidlo a potom súčasne stlačte spúšťače na prednej a zadnej rukoväti. ■ Vyberte akumulátor z náradia, opatrne odstráňte prekážku, potom akumulátor znova vložte a reštartujte náradie. |
| Nadmerné vibrácie alebo hluk. | <ul style="list-style-type: none"> ■ Suché alebo skorodované lišty. ■ Lišta alebo jej podpera sú ohnuté. ■ Ohnuté alebo poškodené zuby. ■ Uvoľnené skrutky lišty. | <ul style="list-style-type: none"> ■ Namažte lišty podľa časti „MAZANIE LIŠTY“ v tejto príručke. ■ Vymeňte za novú lištu alebo podperu. Kontaktujte servisné stredisko EGO a požiadajte o servis výmeny lišty alebo podpery. ■ Vymeňte za novú čepeľ. Kontaktujte servisné stredisko EGO pre servis lišty. ■ Uťahnite skrutky lišty. Skrutky utiahnite pomocou kľúča v smere hodinových ručičiek. |

SK

ZÁRUKA

ZÁRUČNÁ POLITIKA EGO

Navštívte webové stránky egopowerplus.com pre úplné podmienky záručnej politiky spoločnosti EGO.

OLVASSA EL AZ ÖSSZES UTASÍTÁST!



OLVASSA EL A HASZNÁLATI ÚTMUTATÓT

⚠ FIGYELMEZTETÉS: Maradék kockázat! Az elektronikus készülékekkel, például pacemakerrel élő emberek a termék használata előtt kérjék ki az orvos véleményét. Az elektromos felszerelésnek a pacemakerhez közel való működtetése interferenciát vagy meghibásodást okozhat a pacemakerben.

⚠ FIGYELMEZTETÉS: A biztonságosság és megbízhatóság biztosítása érdekében minden javítást és cserét szakképzett szerviztechnikus hajtson végre.

⚠ FIGYELMEZTETÉS: Olvassa el az elektromos kéziszerszámhoz mellékelte összes biztonsági figyelmeztetést, utasítást, ábrát és specifikációt. Az alább felsorolt utasítások be nem tartása áramütést, tűzveszélyt és/vagy súlyos sérülést idézhet elő.

ŐRIZZEN MEG MINDEN FIGYELMEZTETÉST ÉS UTASÍTÁST, HOGY KÉSŐBB IS ELŐ TUDJA MAJD VENNII.

BIZTONSÁGI SZIMBÓLUMOK

⚠ FIGYELMEZTETÉS: Bármely elektromos kéziszerszám működtetése azzal járhat, hogy idegen tárgyak szembe kerülnek, ami súlyos megsérüléseket okozhat. Az elektromos kéziszerszám működtetése előtt mindig vegyen fel oldalsó védőlemezzel ellátott védőszemüveget és a teljes védőálarcot, ha szükséges. Javasoljuk, hogy viseljen Wide Vision Safety Mask-ot (védőálarc) a védőszemüveg fölött vagy standard védőszemüveget oldalsó védőlemezzel.

HU



Biztonsági figyelmeztetés



A sérülések kockázatának csökkentése érdekében a használatnak el kell olvasnia a használati útmutatót.



Ne használja esőben, és ne hagyja kültéren, ha esik az eső.



Garantált hangteljesítményszint. Környezetre ható zajkibocsátás az Európai Közösség irányelve szerint.



A termék megfelel az érvényes EK irányelveknek.



Ez a termék megfelel az Egyesült Királyság hatályos jogszabályainak.



Az elhasznált elektromos termékek nem helyezhetők a háztartási hulladékok közé. Vigye hivatalos újrahasznosító telephelyre.



Viseljen szem- és fejevédőt.



A kezét és lábát tartsa távol a vágószerzámától.



Penge hossza



Egyenáram



Feszültség



Milliméter



Percenként



Üresjárat fordulatszám



Centiméter

JELLEMZŐK

| | | |
|---|-------------------------|---|
| Modell | HT2600E | |
| Feszültség | 56 V --- | |
| Üresjárat fordulatszám | 1700 /perc | |
| Penge hosszúsága | 66 cm | |
| Vágási kapacitás | 30,5 mm | |
| Súly (akkumulátoregység, pengevédő nélkül) | 3,14 kg | |
| Javasolt üzemi hőmérséklet | 0°C-40°C | |
| Javasolt tárolási hőmérséklet | -20°C-70°C | |
| Mért hangteljesítményszint L_{WA} | 92 dB(A) K=1,7 dB(A) | |
| Hangnyomásszint a kezelő pozíciójában L_{PA} | 84 dB(A) K=3,0 dB(A) | |
| Garantált hangteljesítményszint L_{WA} (2000/14/EK szerint) | 94 dB(A) | |
| Vibráció a_n | Elülső fogantyú | 2,49 m/s ² K=1,5 m/s ² |
| | Hátsó fogantyú | 1,65 m/s ² K=1,5 m/s ² |

- A névleges rezgési összérték mérése standard bevizsgálási módszerrel történt, és használatával a szerszámok egymással összehasonlíthatók.
- A névleges rezgési összérték a kockázat előzetes felméréséhez is felhasználható.

MEGJEGYZÉS: A rezgés-kibocsátás az elektromos szerszám aktuális használata közben eltérhet attól a névleges értéktől, amellyel a szerszámot használják: a kezelő védelme érdekében a használónak kesztyűt és hallásvédőt kell használnia működtetés közben.

A CSOMAG TARTALMA (A1 ÁBRA)

LEÍRÁS

ISMERJE MEG A SÖVÉNYNYÍRÓT (A1 ábra)

1. Függesztett rúd
2. Pengevédő
3. Penge
4. Kézvédő
5. Elülső fogantyú

6. Elülső kioldó gomb
7. Reteszelő gomb
8. Hátsó kioldó gomb
9. Hátsó fogantyú
10. Fogantyúkioldó kar
11. Akkumulátor kioldógomb
12. Zár
13. Elektromos érintkezők
14. Akkumulátor foglalat
15. Akkumulátor kiadása
16. Pengevédő
17. Függesztett rúd

▲ FIGYELMEZTETÉS: Ez a termék teljesen összeszerelve kerül kiszállításra. A kézvédőt tilos eltávolítani használat során. Ha megsérül, haladéktalanul cseréltesse ki képzett szakemberrel.

▲ FIGYELMEZTETÉS: A termék biztonságos használatához meg kell értenie a szerszámon és a használati útmutatóban lévő információkat, valamint ismernie kell azt a munkát, amelyet el akar végezni. A termék használata előtt ismerje meg a működési funkciókat és a biztonsági szabályokat.

MŰKÖDÉS

▲ FIGYELMEZTETÉS: Ne hagyja, hogy a termékkel szerzett jártassága miatt óvatlanná váljon. Emlékezzon arra, hogy a másodperc töredéke alatt történő óvatlanság súlyos sérülést okozhat.

▲ FIGYELMEZTETÉS: Mindig viseljen oldalsó védőlemezzel ellátott védőszemüveget és hallásvédőt. Amennyiben nem ezt teszi, tárgyak repülhetnek a szemébe, és más komoly sérülések keletkezhetnek.

▲ FIGYELMEZTETÉS: A véletlenszerű indítás elkerülése érdekében, amely súlyos személyi sérülést okozhat, mindig vegye ki az akkumulátoregységet a szerszámból, amikor összeszereli az alkatrészeket, beállításokat, tisztítást végez, vagy amikor nem használja.

▲ FIGYELMEZTETÉS: Ne használjon az EGO™ által nem javasolt tartozékokat. A nem javasolt tartozékok használata súlyos személyi sérülést okozhat.

Minden használat előtt ellenőrizze a teljes terméket sérülések, hiányzó vagy laza alkatrészek, pl. csavarok, anyák, alátétek, sapkák stb. szempontjából. Biztonságosan húzzon meg minden rögzítőt és sapkát, és ne működtesse a terméket, amíg a sérült vagy hiányzó alkatrészeket ki nem cserélték.

HU

ALKALMAZÁS

A terméket 30,5 mm-nél kisebb átmérőjű ágakkal rendelkező sövények és bokrok nyírásához használhatja.

MEGJEGYZÉS: A szerszámot csak az előírt célokra használja. Bármilyen más használat helytelen használatnak minősül.

AZ AKKUMULÁTOREGYSÉG FELHELYEZÉSE/ LEVÉTELE

Csak az A2 ábrán felsorolt akkumulátoregységeket és töltőket használja.

Az első használat előtt töltsse fel.

Felhelyezés (B ábra)

Illeszse az akkumulátor vázát az akkumulátorban lévő szerelőnyíláshoz, és nyomja le az akkumulátoregységet, amíg kattantást nem hall.

Kivétel (C ábra)

Oldja ki az akkumulátor kioldógombot, és húzza ki az akkumulátoregységet.

▲ FIGYELMEZTETÉS: Mindig ügyeljen a lába alatti területre, gyermekekre vagy kis állatokra, amikor megnyomja az akkumulátor-kioldó gombot. Súlyos sérülést okozhat, ha az akkumulátoregység kiesik. SOHA ne vegye ki az akkumulátoregységet magasan lévő helyzetben.

A SÖVÉNYNYÍRÓ TARTÁSA (D1–D5 ábra)

Az egység elülső és hátsó fogantyúval is rendelkezik. Öntől ellentétes irányban tartott pengével tartsa az egységet mindkét fogantyúval.

A hátsó fogantyú öt pozícióban állítható ($0^\circ \pm 45^\circ \pm 90^\circ$) a fogantyúkioldó kar felemelésével (D1–D5 ábra), így számos választási lehetőséget kínál a kényelmes fogáshoz a vágási műveletek végrehajtásakor.

▲ FIGYELMEZTETÉS: Ne állítsa a fogantyút a szerszám működése közben. Először állítsa le a szerszámot és vegye ki az akkumulátort.

A SÖVÉNYNYÍRÓ INDÍTÁSA/LEÁLLÍTÁSA

Működtetés előtt vegye le a pengevédőt, és tartsa a sövénynyíró két kézzel, az egyik kezével a hátsó fogantyút, a másikkal az elülső fogantyút. Majd ellenőrizze, hogy stabil-e a testhelyzete, egyenes-e a tartása és megfelelő-e a vágási távolság.

Indítás

1. Helyezze be az akkumulátoregységet.
2. Egyik kezével nyomja meg és tartsa lenyomva az elülső kioldó gombot.
3. Nyomja meg és tartsa úgy a reteszelő gombot a másik keze hüvelykujjával, majd szorítsa a hátsó kioldó gombot a sövénynyíró beindításához. Oldja ki a reteszelő gombot, de nyomja tovább a kioldó gombot a folyamatos működéshez.

Leállítás

Távolítsa el a sövénynyírót a vágási területtől és oldja ki bármelyik kioldó gombot a sövénynyíró leállításához.

▲ FIGYELMEZTETÉS: Mindig vegye ki az akkumulátoregységet a sövénynyíróból, ha megszakítja a munkát, és a munka elvégzése után.

SÖVÉNYNYÍRÓ HASZNÁLATA

▲ VESZÉLY: Ha a penge elektromos vezetékbe akad, **AKKOR NE ÉRJEN A PENGÉHEZ! A PENGE ELEKTROMOS ÁRAM ALÁ KERÜLHET, AMI IGEN VESZÉLYES LEHET.** A sövénynyírót továbbra is a szigetelt hátsó fogantyúnál tartsa, vagy Öntől távol biztonságosan tegye le. Mielőtt megpróbálja kiszabadítani a pengét a vezetékéből, válassza le az elektromos áramot a sérült vezetékéről. Amennyiben ezt a figyelmeztetést nem veszi figyelembe, az súlyos személyes sérülést vagy esetleg halált okozhat.

▲ FIGYELMEZTETÉS: Egyszerre ne vágjon túl sokat vagy sűrű bozótot. Ekkor a pengék megakadhatnak vagy lelassulhatnak, így csökkentve a vágási képességet.

MEGJEGYZÉS: A sövénynyírót vékonyabb (30,5 mm) száraz vágásához használja.

MEGJEGYZÉS: Az új kinövések vágásánál széles mozdulatokat végezzen, hogy az ágak közvetlenül a vágópengére essenek. A régebbi kinövések vágásánál a fűrészelő mozgás alkalmas a vastagabb ágakhoz. Javasoljuk, hogy először a nagy ágakat vágja le nem motoros kézi fűrészszel vagy ágnyesővel.

Vágás felül

Végezzen széles mozdulatokat. Ha a vágópengéket enyhén megdönti a mozgás irányába, akkor lesz a vágás eredménye a legjobb. A jobb vágási hatás érdekében használhat zsinórt a sövény színtjének vezérfonalaként az E ábrán látható módon.

Vágás oldal

Ha oldalról vágja a sövényt, alulról felfelé haladjon, az F ábrán látható módon. Úgy vágja a sövény oldalát, hogy az

felé felnyhén keskenyjen. Ezzel a formával a sövény nagyobb felületét érheti napfény, így egyenletesebb növekedés érhető el.

KARBANTARTÁS

▲ FIGYELMEZTETÉS: Javitáskor használjon az eredetivel megegyező pótalkatrészeket. Más alkatrészek használata veszélyt okozhat, vagy megrongálhatja a terméket. A biztonságosság és megbízhatóság biztosítása érdekében minden javítást szakképzett szerviztechnikus hajtson végre.

▲ FIGYELMEZTETÉS: A súlyos személyi sérülések elkerülése érdekében mindig vegye ki az akkumulátoregységet a termékből tisztítás vagy karbantartás alatt.

TISZTÍTÁS

- Használjon puha keféet a szennyeződéseknek a levegő bemeneti nyílásokból és a pengéről való eltávolításához.
- A gyanta és más ragadós maradvány eltávolításához fújja be a pengéket gyantaoldó szerrel. Rövid ideig indítsa be a motort, hogy az oldószer egyenletesen el legyen osztva.
- A felületet száraz ruhával törölje át.

▲ FIGYELMEZTETÉS: Soha ne használjon vizet a fűkasza tisztításhoz. A műanyag alkatrészek tisztításához ne használjon oldószereket. A legtöbb műanyag a kereskedelemben kapható oldószerek hatására sérülésnek van kitéve. Használjon tiszta ruhát a szennyeződés, por, olaj, zsír, stb. eltávolításához.

A VÁGÓPENGE ÉLEZÉSE

1. Addig kapcsolgassa be és ki a sövénynyíró, amíg a penge és a védőburkolat kissé eltolódik, a G ábrán látható módon. Ez lehetővé teszi a vágófog és a védőfog közötti tisztítást a reszeléshez.
2. Vegye ki az akkumulátoregységet a sövénynyíróból.
3. Fogja be a penge-egységet egy satuba, és egy reszelővel élezze meg az egyes fogak hozzáférhető vágófelületeit. A lehető legkevesebb anyagot reszelje le. Bizonyosodjon meg róla, hogy reszelés közben mindegyik fog eredeti szögben áll.
4. Távolítsa el a sövénynyíró a satuból, indítsa újra majd állítsa le, hogy előkerüljenek a penge még nem lereszelt fogai.
5. Távolítsa el az akkumulátoregységet és ismétlje meg a fent leírt élezési folyamatot.

MEGJEGYZÉS: Ne működtesse a sövénynyíró tompa vagy sérült vágópengével. Ez túlterhelést okozhat, és a

vágási eredmény nem lesz megfelelő.

A PENGE KENÉSE (H ábra)

A penge legjobb működése és hosszabb élettartama érdekében minden használat előtt és után kenje be a sövénynyíró pengéjét könnyű gépolajjal.

Vegye ki az akkumulátoregységet, és helyezze a sövénynyíró sima felületre. Vigye fel az olajat a penge tetejére.

MEGJEGYZÉS: A hosszan tartó használat érdekében vágási művelet közben is olajozza be.

▲ FIGYELMEZTETÉS: Ne olajozza be, amikor a sövénynyíró működik.

SZÁLLÍTÁS ÉS TÁROLÁS

- Mindig tegye fel a pengevédőt a pengére, mielőtt elrakja vagy szállítja a sövénynyíró. Legyen elővigyázatos, ne érjen a penge éles fogaihoz.
- Tárolás előtt alaposan tisztítsa meg a sövénynyíró.
- A sövénynyíró beltéren, olyan száraz helyen tárolja, amelyhez gyermekek nem tudnak hozzáférni.
- Tartsa távol maró hatású szerektől, például kerti vegyszerektől, és jégmentesítő sótól.

▲ FIGYELMEZTETÉS: A pengék élesek. A vágószerkezet kezelésénél viseljen csúszásgátló, nagy teherbírású védőkesztyűt. Ne tegye a kezét vagy ujjait a pengék közé, vagy olyan pozícióba, ahol beszorulhat vagy megvághatja. SOHA NE érjen a pengékhez, és ne ellenőrizze az egységet behelyezett akkumulátoregységgel.

Környezetvédelem



Ne dobja az elektromos felszerelést, az elhasznált akkumulátort és a töltőt a háztartási hulladékok közé! Vigye hivatalos újrahasznosító telephelyre, és tegye hozzáférhetővé a szelektív gyűjtéshez. Az elektromos szerszámokat környezetbarát újrahasznosító üzembe kell vinni.

HIBAELHÁRÍTÁS

| PROBLÉMA | OK | MEGOLDÁS |
|------------------------------------|---|--|
| A sövénynyíró nem működik. | <ul style="list-style-type: none"> ■ Az akkumulátoregység nincs csatlakoztatva a sövénynyíróba. ■ Nincs elektromos kapcsolat a sövénynyíró és az akkumulátor között. ■ Az akkumulátoregység lemerült. ■ Az akkumulátoregység túl forró. ■ A sövénynyíró túl forró. ■ Az elülső és hátsó kioldó gombokat nem egyidejűleg nyomják le. ■ A penge beakadt. | <ul style="list-style-type: none"> ■ Csatlakoztassa az akkumulátoregységet a sövénynyíróhoz. ■ Vegye ki az akkumulátoregységet, ellenőrizze a csatlakozásokat, és helyezze vissza az akkumulátoregységet. ■ Töltse fel az akkumulátoregységet. ■ Vegye ki az akkumulátort a szerszámból, és hagyja lehűlni, amíg a hőmérséklete 67°C alá nem csökken. ■ Oldja ki a két kioldó gombot; hagyja lehűlni a sövénynyírot, amíg a hőmérséklet lejjebb csökken vagy visszaáll normál hőmérsékletre. ■ Először nyomja meg a reteszelő gombot, majd egyszerre az elülső és hátsó fogantyú kioldó gombjait. ■ Vegye ki az akkumulátoregységet a szerszámból, óvatosan távolítsa el az akadályt, majd helyezze vissza az akkumulátoregységet a szerszámba. |
| Rendkívül magas vibráció vagy zaj. | <ul style="list-style-type: none"> ■ Száraz vagy rozsdás pengék. ■ A pengék vagy pengetartó elgörbült. ■ Elgörbült vagy sérült fog. ■ Laza penge csavarok. | <ul style="list-style-type: none"> ■ Végezze el a pengét kenését a használati útmutató „A PENGE KENÉSE” című fejezete szerint. ■ Cserélje ki új pengére vagy tartóra. Forduljon az EGO szervizközponthoz a penge vagy tartó kicserélése érdekében. ■ Cserélje ki egy új pengére. Forduljon az EGO szervizközponthoz a penge kicseréléséhez. ■ Húzza meg a penge csavarjait. Meghúzáshoz csavarkulccsal fordítsa el a csavart az óramutató járásával megegyező irányba. |

HU

GARANCIA

EGO GARANCIÁLIS FELTÉTELEK

Kérjük, látogasson el az egopowerplus.com oldalra, ahol megtalálja a részletes EGO garanciális feltételeket.

OLVASSA EL AZ ÖSSZES UTASÍTÁST!



CITIȚI MANUALUL DE INSTRUCȚIUNI

⚠️ AVERTISMENT: Riscuri reziduale! Persoanele cu dispozitive electronice precum stimulatoare cardiace ar trebui să se consulte cu medicul (medicii) înainte de a utiliza acest produs. Funcționarea echipamentelor electrice în imediata apropiere a unui stimulator cardiac ar putea provoca interferențe sau defecțiuni ale stimulatorului cardiac.

⚠️ AVERTISMENT: Pentru siguranța și fiabilitatea produsului, toate reparațiile și înlocuirile de piese ar trebui efectuate de către un tehnician de service autorizat.

⚠️ AVERTISMENT: Citiți toate instrucțiunile, avertismentele de siguranță, ilustrațiile și specificațiile livrate împreună cu această sculă electrică. Nerespectarea tuturor instrucțiunilor enumerate mai jos se poate solda cu șoc electric, incendiu și/sau vătămare corporală gravă.

PĂSTRAȚI TOATE AVERTIZĂRILE ȘI INSTRUCȚIUNILE PENTRU CONSULTARE ULTERIOARĂ.

SIMBOLURI PRIVIND SIGURANȚA

⚠️ AVERTISMENT: Exploatarea oricăror scule electrice se poate solda cu ricoșarea de obiecte străine în ochii dumneavoastră, ceea ce se poate solda cu vătămarea gravă a ochilor. Înainte de a începe să utilizați scula electrică, echipați-vă întotdeauna cu ochelari de protecție cu apărători laterale și vizieră pentru față, atunci când este nevoie. Vă recomandăm să purtați o vizieră lată de protecție peste ochelarii de vedere sau ochelari de protecție standard cu apărători laterale.



Alertă privind siguranța



Pentru a reduce riscul de accidentări, utilizatorul trebuie să citească manualul de instrucțiuni.



Nu utilizați acest produs în ploaie și nu-l lăsați în exterior în timp ce plouă.



Nivel de putere acustică garantat. Emisii sonore în mediul înconjurător conform Directivei comunitare europene.



Acest produs este în conformitate cu directivele europene aplicabile.



Acest produs este în conformitate cu legislația aplicabilă din Marea Britanie.



Deșeurile produselor electrice nu trebuie să fie eliminate împreună cu deșeurile menajere. Predați-le unui punct de reciclare autorizat.



Purtați protecție pentru ochi și cap.



Țineți mâinile și picioarele departe de scula de tăiere



Lungimea lamei



Curent continuu



Tensiune



Milimetru



Pe minut



Turație de mers în gol



Centimetru

RO

SPECIFICAȚII

| | | |
|---|-------------------------|---|
| Model | HT2600E | |
| Tensiune | 56 V --- | |
| Turație la mers în gol | 1700 /min | |
| Lungime lamă | 66 cm | |
| Capacitate de tăiere | 30,5 mm | |
| Greutate (fără set de acumulatori, garda pentru lamă) | 3,14 kg | |
| Temperatură de funcționare recomandată | 0°C-40°C | |
| Temperatură de depozitare recomandată | -20°C-70°C | |
| Nivel de putere sonoră măsurată L_{WA} | 92 dB(A) K=1,7 dB(A) | |
| Nivel de presiune sonoră în poziția operatorului L_{PA} | 84 dB(A) K=3,0 dB(A) | |
| Nivel de putere sonoră garantată L_{WA} (conform directivei 2000/14/CE) | 94 dB(A) | |
| Vibrații a_n | Mâner frontal | 2,49 m/s ² K=1,5 m/s ² |
| | Mâner posterior | 1,65 m/s ² K=1,5 m/s ² |

RO

- Valoarea totală declarată a vibrațiilor a fost măsurată în conformitate cu o metodă standard de testare și poate fi utilizată pentru compararea sculelor între ele;
- Valoarea totală declarată poate fi utilizată în evaluarea preliminară a expunerii.

OBSERVAȚIE: Vibrațiile emise în timpul utilizării efective a sculei electrice pot diferi față de valoarea celor declarate pentru scula utilizată; Pentru protejerea operatorului, utilizatorul trebuie să poarte mănuși și protecții auditive în timpul utilizării efective a produsului.

LISTA COMPONENTELOR (FIG. A1)

DESCRIERE

DESCRIEREA TRIMMERULUI DE GARD VIU ((Fig. A1)

- Orificiu agățătoare
- Protector de vârf
- Lamă
- Apărătoare mâini
- Mâner frontal

- Trăgaci frontal
- Buton de blocare
- Trăgaci spate
- Mâner posterior
- Manetă de eliberare a mânerului
- Buton de eliberare a acumulatorului
- Zăvor
- Contacte electrice
- Fantă de instalat acumulatorul
- Ejectare acumulator
- Apărătoare lamă
- Orificiu agățătoare

AVERTISMENT: Acest produs a fost livrat complet asamblat. Apărătoare mâinii nu trebuie niciodată îndepărtată în timpul utilizării. În cazul avarierii, aceasta trebuie înlocuită imediat de către un tehnician calificat pentru reparații.

AVERTISMENT: Utilizarea acestui produs în condiții de siguranță necesită înțelegerea informațiilor inscripționate pe sculă și incluse în acest manual de utilizare, precum și cunoașterea proiectului pe care încercați să îl desfășurați. Înainte de a utiliza aparatul, familiarizați-vă cu toate caracteristicile de utilizare și cerințele privind siguranța.

FUNCȚIONARE

AVERTISMENT: Nu permiteți ca familiarizarea cu acest produs să vă determine să fiți neatent. Amintiți-vă că o fracțiune de secundă de neatenție este suficientă pentru a provoca vătămări grave.

AVERTISMENT: Purtați întotdeauna protecție oculară cu scuturi laterale, împreună cu protecție pentru auz. Nerespectarea acestei instrucțiuni ar putea avea ca rezultat proiectarea în ochi a obiectelor și alte posibile vătămări grave.

AVERTISMENT: Pentru a preveni pornirea accidentală care ar putea cauza vătămări personale grave, întotdeauna scoateți setul de acumulatori din sculă când asamblați componente, efectuați reglaje sau când produsul nu este utilizat.

AVERTISMENT: Nu folosiți accesorii sau componente nerecomandate de EGO™. Utilizarea de accesorii nerecomandate se poate solda cu vătămări grave.

Înainte de fiecare utilizări, inspectați întregul produs pentru depistarea defectelor, componentelor lipsă sau slăbite

precum șuruburi, piulițe, bolțuri, capace etc. Strângeți bine toate elementele de prindere și capacele și nu utilizați acest produs dacă piesele lipsă sau defecte nu sunt înlocuite.

APLICARE

Puteți utiliza acest produs pentru tunderea gardurilor vii, a tușișurilor și arbuștilor ale căror crengi au un diametru mai mic de $\varnothing 30.5\text{mm}$.

OBSERVAȚIE: Scula trebuie utilizată numai în scopul pentru care a fost proiectată. Orice altă utilizare este considerată a fi caz de utilizare necorespunzătoare.

INSTALAREA/ÎNDEPĂRTAREA SETULUI DE ACUMULATORI

Utilizați numai seturile de acumulatori și încărcătorii din fig. A2.

Încărcați acumulatorul înainte de prima utilizare.

Instalarea (Fig. B)

Aliniați nervurile de pe acumulator cu fantele de instalare și apăsați în jos setul de acumulatori până la auzul unui clic.

Îndepărtarea (Fig. C)

Apăsați butonul de detașare al setului de acumulatori și scoateți setul de acumulatori.

⚠ AVERTISMENT: Întotdeauna acordați atenție amplasamentului picioarelor dumneavoastră, a copiilor sau animalelor de companie când apăsați butonul de detașare al acumulatorului. În cazul căderii setului de acumulatori, pot rezulta răni grave. Nu detașați NICIODATĂ setul de acumulatori când vă aflați la înălțime.

APUCAREA TRIMERULUI DE GARD VIU (Fig. D1-D5)

Unitatea este echipată atât cu un mâner frontal cât și cu unul posterior. Cu lama direcționată în direcția opusă dumneavoastră, apucați unitatea cu ambele mâini.

Mănerul din spate poate fi setat în cinci poziții ($0^\circ/\pm 45^\circ/\pm 90^\circ$) prin ridicarea manetei de eliberare a mânerului (Fig. D1 la Fig.D5), oferindu-vă multe opțiuni pentru o aderență confortabilă atunci când efectuați operațiuni de tăiere.

⚠ AVERTISMENT: Nu ajustați mânerul în timp ce scula rulează. Oprii scula și scoateți mai întâi bateria.

PORNIREA/OPRIREA TRIMERULUI DE GARD VIU

Înainte de utilizării, îndepărtați apărătoarea lamei și apucați trimmerul cu ambele mâini, o mână pe mânerul posterior și cealaltă mână pe mânerul frontal. După care asigurați-

vă că aveți o poziție stabilă, stați vertical și la o distanță adecvată de tăiere.

Pornirea

1. Instalați setul de acumulatori.
2. Strângeți și țineți apăsat trăgaciul frontal cu o singură mână.
3. Apăsați și mențineți apăsat butonul de blocare cu degetul mare al celeilalte mâni, după care strângeți maneta posterioară cu degetele pentru a porni trimmerul. Eliberați butonul de siguranță, dar strângeți în continuare trăgaciul pentru funcționare continuă.

Oprirea

Îndepărtați trimmerul de tuns gardul viu dinspre zona de tăiere și eliberați oricare trăgaci pentru a opri trimmerul.

⚠ AVERTISMENT: Întotdeauna scoateți setul de acumulatori din trimmerul de gard viu în timpul pauzelor de lucru și după terminarea lucrării.

UTILIZAREA TRIMERULUI DE GARD VIU

⚠ PERICOL: În cazul blocării lamei într-un cablu electric sau fir, **NU ATINGEȚI LAMA! ACESTA POATE FI SUB TENSIUNE ELECTRICĂ ȘI PERICULOS** Continuați să țineți trimmerul de gard viu de mânerul posterior izolat sau așezați-l pe jos și la distanță de dumneavoastră, într-un mod sigur. Deconectați alimentarea electrică de la cablul sau firul avariat înainte de a încerca să eliberați lama din cablu sau din fir. Nerespectarea acestei avertizări se va solda cu vătămări grave sau chiar fatale.

⚠ AVERTISMENT: Evitați tunderea unei cantități prea mari de vegetale odată sau prin arbuști foarte deși. Acest lucru poate duce la blocarea lamelor și încetinirea acestora, reducând eficiența de tăiere.

OBSERVAȚIE: Trimmerul trebuie utilizat pentru tăierea tulpinilor cu grosimea mai mică de (30.5 mm).

OBSERVAȚIE: Pentru lăstăriș, este adecvată o mișcare de baleiere largă pentru tulpinile care ajung direct în lama de tăiere. Pentru ramuri mai vechi, o mișcare de coasere este potrivită pentru tunderea tulpinilor mai groase. Se recomandă utilizarea mai întâi a unui ferăstrău manual nemotorizat sau a unui ferăstrău de grădină pentru tăierea tulpinilor mari.

Tunsul vărfurilor

Utilizați o mișcare largă de baleiere. O înclinare ușoară în jos a lamelor de tăiere în direcția mișcării oferă cele mai bune rezultate de tăiere. Pentru un efect de tăiere cât mai bun, puteți utiliza și coarda pentru demarcarea înălțimii gardului viu, precum în figura E.

Tunsul lateral

Când tundeți laturile gardului viu, începeți a tăia de jos în sus conform ilustrațiilor din Fig. F. Tundeți partea laterală a gardului viu astfel încât să fie ușor mai îngustă în vârf. Această formă va expune o parte mai mare a tufișului la lumina soarelui, ducând la o creștere mai uniformă.

ÎNȚEȚINEREA

⚠️ AVERTISMENT: La depanare, utilizați numai piese de schimb identice. Utilizarea oricăror altor piese poate crea un pericol sau poate produce o deteriorare. Pentru siguranța și fiabilitatea produsului, toate reparațiile trebuie efectuate de către un tehnician de service autorizat.

⚠️ AVERTISMENT: Pentru evitarea vătămarilor personale grave, îndepărtați întotdeauna setul de acumulatori din sculă când curățați sau efectuați orice operație de întreținere.

CURĂȚARE

- Utilizați o perie moale pentru îndepărtarea reziduurilor din toate prizele de aer și de pe lama de tăiere.
- Pentru îndepărtarea bitumului sau a altor reziduuri lipicioase, pulverizați pe lame un solvent de rășină. Puneți motorul în funcțiune un timp scurt astfel încât solventul să fie distribuit uniform.
- Ștergeți suprafața cu o cârpă uscată.

⚠️ AVERTISMENT: Nu utilizați niciodată apă pentru curățarea cositorii. Evitați utilizarea solventilor când curățați piese din plastic. Majoritatea pieselor din plastic sunt susceptibile să se deterioreze de la diverse tipuri de solvenți comerciali. Utilizați cârpe curate pentru a îndepărta murdăria, praful, uleiul, vaselina etc.

ASCUȚIREA LAMEI DE TĂIERE

1. Porniți și opriți trimmerul până când lama de tăiere și apărătoarea sunt ușor decalate, conform ilustrațiilor din Fig. G. Astfel spațiul dintre dinții de tăiere și dinții apărătorii va fi mai mare, permițând pilirea.
2. Îndepărtați setul de acumulatori din trimmer.
3. Prindeți ansamblul lamei într-o menghină și piliți suprafața de tăiere expusă a fiecărui dinte a lamei. Îndepărtați cât mai puțin material posibil. Asigurați-vă că păstrați unghiul original al fiecărui dinte când piliți.
4. Scoateți trimmerul din menghină; reporniți-l și opriți-l pentru a-i expune muchiile neascuțite ai dinților lamei.
5. Îndepărtați setul de acumulatori și repetați procedura de ascuțire de mai sus.

OBSERVAȚIE: Nu utilizați trimmerul de gard viu dacă are lame tocite sau avariate. Acest lucru poate duce la suprasolicitare și va furniza rezultate de tăiere nesatisfăcătoare.

LUBRIFIEREA LAMEI (Fig. H)

Pentru funcționare cât mai bună și o durată de viață mai lungă a lamei, lubrifiați lama trimmerului cu ulei slab de mașină înainte și după fiecare utilizare.

Îndepărtați setul de acumulatori și poziționați trimmerul pe o suprafață plată. Ungeți cu ulei muchia lamei de sus.

OBSERVAȚIE: În caz de perioade lungi de utilizare, ungeți lama în timpul operației de tăiere.

⚠️ AVERTISMENT: Nu ungeți cu ulei în timpul funcționării trimmerului.

TRANSPORTAREA ȘI DEPOZITAREA

- Întotdeauna instalați teaca lamei pe lamă înainte de a depozita sau de a transporta trimmerul de gard viu. Fiți precaut pentru a evita dinții ascuțiți ai lamei.
- Curățați foarte bine trimmerul înainte de a-l depozita.
- Depozitați trimmerul pentru gard viu în interior, într-un loc uscat, inaccesibil copiilor.
- Țineți-l la distanță de agenți corozivi, precum substanțele chimice de grădină și sărurile de dezghețare.

⚠️ AVERTISMENT: Lamele sunt ascuțite. Când manevrați ansamblul lamelor, purtați mănuși de protecție antiaderapante, super rezistente. Nu vă amplasați mâna sau degetele între lame sau în orice poziție în care ar putea fi prinse sau tăiate. Nu atingeți NICIODATĂ lamele sau să depanați unitatea cu setul de acumulatori instalat.

Protejarea mediului înconjurător



Nu eliminați echipamentul electric, acumulatorul epuizat și încărcătorul de acumulator împreună cu deșeurile menajere! Predați acest produs unui punct de reciclare autorizat sau puneți-l la dispoziția colectării separate. Sculele electrice trebuie returnate unui centru de reciclare ecologic.

DEPANARE

| PROBLEMĂ | CAUZĂ | SOLUȚIE |
|---|--|---|
| Foarfecele de tăiat gard viu nu funcționează. | <ul style="list-style-type: none"> ■ Setul de acumulatori nu este atașat la trimmer. ■ Nu există contact electric între trimmer și acumulator. ■ Setul de acumulatori este descărcat. ■ Setul de acumulatori este prea fierbinte. ■ Trimmerul este prea fierbinte. ■ Manetele declanșatoarelor frontal și posterior nu sunt apăstate simultan. ■ Lama este blocată. | <ul style="list-style-type: none"> ■ Atașați setul de acumulatori de trimmer. ■ Îndepărtați acumulatorul, verificați contactele și reinstalați setul de acumulatori. ■ Încărcați setul de acumulatori. ■ Scoateți acumulatorul din sculă și lăsați-l să se răcească până când temperatura scade sub 67°C. ■ Eliberați ambii trăgaci; lăsați trimmerul să se răcească până când temperatura scade la un nivel normal. ■ Apăsăți mai întâi butonul de blocare, după care apăsați simultan trăgaciul frontal și posterior. ■ Detașați setul de acumulatori de sculă, îndepărtați blocajele cu atenție, după care reintroduceți acumulatorul și reporniți scula. |
| Vibrații sau zgomot excesive. | <ul style="list-style-type: none"> ■ Lame uscate sau corodate. ■ Lamele sau suportul de lame sunt îndoite. ■ Dinți îndoiiți sau deteriorați. ■ Bolțuri de lame slăbiți. | <ul style="list-style-type: none"> ■ Lubrificați lamele respectând instrucțiunile din capitolul "LUBRIFIEREA LAMEI" din acest manual. ■ Înlocuiți cu o nouă lamă sau cu un suport nou. Contactați centrul de service EGO pentru asistență privind înlocuirea lamei sau a suportului de lamă. ■ Înlocuiți cu o lamă nouă. Contactați centrul de service EGO pentru ajutor cu privire la înlocuirea lamei. ■ Strângeți bolțurile de prindere a lamei. Cu ajutorul unei chei fixe, rotiți bolțul în sensul acelor de ceas pentru a strânge. |

RO

GARANȚIE

POLITICA PRIVIND GARANȚIA EGO

Vă rugăm să consultați site-ul egopowerplus.com pentru termenii și condițiile complete ale politicii privind garanția EGO.

PREBERITE VSA NAVODILA!



PREBERITE PRIROČNIK Z NAVODILI ZA UPORABO

⚠ OPOZORILO: Tveganje zaradi preostalega toka! Pred uporabo izdelka se morajo osebe z elektronskimi napravami, kot je srčni spodbujevalnik, posvetovati s svojim zdravnikom. Delovanje električne opreme v bližini srčnega spodbujevalnika lahko povzroči motnje ali okvaro srčnega spodbujevalnika.

⚠ OPOZORILO: Za zagotovitev varnosti in zanesljivosti mora vsa popravila in zamenjave izvesti usposobljen servisni tehnik.

⚠ OPOZORILO: Preberite vsa varnostna opozorila, navodila, slike in tehnične podatke, priložene temu električnemu orodju. Zaradi neupoštevanja spodaj navedenih navodil lahko pride do električnega udara, požara in/ali hudih telesnih poškodb.

VSA OPOZORILA IN NAVODILA SHRANITE ZA KASNEJŠO UPORABO.

VARNOSTNI SIMBOLI

⚠ OPOZORILO: Delovanje katerega koli električnega orodja lahko povzroči metanje tujkov v vaše oči, kar lahko povzroči resne poškodbe očesa. Pred začetkom dela z električnim orodjem vedno nosite zaščitna očala ali varnostna očala s stranskimi zaščitami in po potrebi tudi ščit za celoten obraz. Priporočamo vam uporabo varnostne maske Wide Vision Safety Mask za uporabo preko očal ali standardnih varnostnih očal s stransko zaščito.



Varnostno opozorilo



Za zmanjšanje nevarnosti telesnih poškodb je pomembno, da uporabnik prebere priročnik z navodili za uporabo.



Naprave ne uporabljajte v dežju ali je puščajte zunaj, ko dežuje.



Zajamčena raven zvočne moči. Emisije hrupa v okolico so v skladu z direktivo Evropske skupnosti.

SL



Ta izdelek je skladen z veljavnimi direktivami ES.



Ta izdelek je skladen z veljavno zakonodajo VB.



Odpadnih električnih izdelkov ne odlagajte med gospodinjne odpadke. Odnosite jih v pooblaščen obrat za recikliranje.



Nosite zaščito za oči in glavo.



Roke in noge vedno držite stran od orodja za rezanje.



Dolžina rezila

Enosmerni tok

V Napetost

mm Milimeter

.../min Na minuto

n_0 Hitrost brez obremenitve

cm Centimeter

TEHNIČNI PODATKI

| | | |
|--|------------------------------|---|
| Model | HT2600E | |
| Napetost | 56 V $\overline{\text{---}}$ | |
| Št. vrtljajev v prostem teku | 1700 /min | |
| Dolžina rezila | 66 cm | |
| Zmogljivost rezanja | 30,5 mm | |
| Teža (brez baterijskega sklopa, ščitnika rezila) | 3,14 kg | |
| Priporočena obratovalna temperatura | Od 0°C do 40°C | |
| Priporočena temperatura za shranjevanje | Od -20°C do 70°C | |
| Izmerjena raven zvočne moči L_{WA} | 92 dB(A) K=1,7 dB(A) | |
| Raven zvočnega tlaka na položaju upravljalca L_{PA} | 84 dB(A) K=3,0 dB(A) | |
| Zajamčena raven zvočne moči L_{WA} (v skladu z 2000/14/ES) | 94 dB(A) | |
| Vibration a_n | Sprednji ročaj | 2,49 m/s ² K=1,5 m/s ² |
| | Zadnji ročaj | 1,65 m/s ² K=1,5 m/s ² |

- Nazivna skupna vrednost treslajev je bila izmerjena v skladu s standardno preskusno metodo in jo je mogoče uporabiti za primerjavo enega orodja z drugim.
- Nazivno skupno vrednost treslajev je mogoče uporabiti tudi za predhodno oceno izpostavljenosti.

OPOMBA: Oddajanje treslajev med dejansko uporabo električnega orodja se lahko razlikuje od nazivne vrednosti, v kateri se uporablja orodje. Upravljalcev se lahko zaščitijo tako, da uporabljajo rokavice in slušnike, primerne dejanskim pogojem uporabe.

VSEBINA PAKETA (SLIKA A1)

OPIS

SPOZNAJTE SVOJ OBREZOVALNIK ŽIVE MEJE (slika A1)

1. Luknja za obešanje
2. Zaščita za konico
3. Rezilo
4. Ščitnik za roko
5. Sprednji ročaj

6. Sprednji sprožilec
7. Gumb za odklepanje
8. Zadnji sprožilec
9. Zadnji ročaj
10. Ročica za sprostitvev ročaja
11. Gumb za sprostitvev baterijskega akumulatorja
12. Zapah
13. Električni kontakti
14. Reža za namestitvev baterijskega sklopa
15. Izmet baterijskega sklopa
16. Ščitnik rezila
17. Luknja za obešanje

⚠ OPOZORILO: Izdelek je ob dobavi popolnoma sestavljen. Med uporabo ne smete ščitnika za roko nikoli odstraniti. V primeru poškodb naj ščitnik nemudoma zamenja kvalificiran servisni tehnik.

⚠ OPOZORILO: Varna uporaba tega izdelka zahteva razumevanje informacij o orodju in v tem priročniku z navodili za uporabo, prav tako tudi znanje o projektu, ki ga boste izvedli. Pred uporabo tega izdelka se seznanite z vsemi funkcijami delovanja in varnostnimi pravili.

UPRAVLJANJE

⚠ OPOZORILO: Tudi če se dobode seznanite s tem izdelkom, bodite pri ravnanju z njim pazljivi. Upoštevajte, da je samo delček sekunde nepazljivosti dovolj, da pride do hude telesne poškodbe.

⚠ OPOZORILO: Vedno nosite zaščito za oči s stranskimi ščitniki in zaščito za sluh. V nasprotnem primeru vam lahko v oči priletijo predmeti ali pride do drugih hudih telesnih poškodb.

⚠ OPOZORILO: Za preprečitev nenamernega zagona, ki bi lahko povzročil hudo telesno poškodbo, pri sestavljanju delov, prilagajanem, čiščenjem in kadar orodje ni v uporabi, vedno odstranite baterijski sklop.

⚠ OPOZORILO: Ne uporabljate nobenih priključkov ali dodatkov, ki jih EGO™ ne priporoča. Uporaba priključkov ali dodatkov, ki niso priporočeni, lahko povzroči hude telesne poškodbe.

Pred vsako uporabo celoten izdelek pregledajte za poškodovane, manjkajoče ali zrahljanje dele, kot so vijaki, maticе, pokrovi itd. Vsa zapirala in pokrove trdno privijte in izdelka ne uporabljajte dokler ne zamenjate manjkajočih ali poškodovanih delov.

SL

UPORABA

Ta izdelek lahko uporabljate za obrezovanje žive meje, grmov in grmovja s premerom vej manj kot 30,5 mm.

OPOMBA: Orodje lahko uporabljate samo za predvideni namen. Kakršna koli druga uporaba se smatra za nepravilno uporabo.

NAMEŠČANJE/ODSTRANJEVANJE BATERIJSKEGA SKLOPA

Napravo uporabljajte le z baterijskimi sklopi in polnilniki, navedenimi na sliki A2.

Baterijski sklop pred prvo uporabo napolnite.

Nameščanje (slika B)

Rebra baterije poravnajte z režami za nameštitev in baterijski sklop potisnite navzdol, da zaslišite klik.

Odstranjevanje (slika C)

Pritisnite gumb za sprostitev baterije in baterijski sklop potegnite ven.

⚠ OPOZORILO: Ko pritisnete gumb za sprostitev baterije, vedno bodite pozorni na noge, otroke ali hišne ljubljence. Če vam baterijski sklop pade na tla, lahko pride do hudih poškodb. Baterijskega sklopa NIKOLI ne odstranjajte na visokem mestu.

DRŽANJE OBREZOVALNIKA ŽIVE MEJE (slike D1-D5)

Enota ima sprednji in zadnji ročaj. Enoto držite z obema rokama, pri čemer naj bo rezilo usmerjeno stran od vas.

Z dvigom ročice za sprostitev ročaja (slike D1-D5) lahko zadnji ročaj namestite v pet položajev ($0^\circ/\pm 45^\circ/\pm 90^\circ$), kar vam daje veliko možnosti za udoben oprijem pri izvajanju rezalnih operacij.

⚠ OPOZORILO: Ročaja ne nastavljajte med delovanjem orodja. Zaustavite orodje in najprej odstranite baterijski sklop.

ZAGON/ZAUSTAVITEV OBREZOVALNIKA ŽIVE MEJE

Pred upravljanjem odstranite ščitnik rezila in obrezovalnik držite z obema rokama. Eno roko imejte na zadnjem ročaju, drugo pa na sprednjem. Nato preverite, da zavzimate stabilen pokončen položaj in primerno razdaljo za rezanje.

Zagon

1. Namestite baterijski sklop.
2. Z eno roko stisnite in držite sprednji sprožilec.

3. S palcem druge roke pritisnite in pridržite gumb za zaklepanje, nato s prsti stisnite zadnji sprožilec, da zaženete obrezovalnik žive meje. Sprostite gumb za zaklepanje, medtem ko še naprej stiskate sprožilec za neprekinjeno delovanje.

Zaustavitev

Obrezovalnik žive meje odmaknite stran od območja rezanja in ga zaustavite tako, da sprostite enega od sprožilcev.

⚠ OPOZORILO: Med delovnimi odmori in po končanem delu iz obrezovalnika žive meje vedno odstranite baterijski sklop.

UPORABA OBREZOVALNIKA ŽIVE MEJE

⚠ NEVARNOST: Če se rezilo zagodzi ob električni kabel, **SE REZILA NE DOTIKAJTE! LAHKO JE POD ELEKTRIČNO NAPETOSTJO IN ZELO NEVARNO.**

Obrezovalnik še naprej držite za izoliran zadnji ročaj ali ga varno položite na tla in stran od sebe. Preden skušate rezilo osvoboditi iz voda ali kabla, prekinite napajanje poškodovanega voda ali kabla. Če tega opozorila ne boste upoštevali, lahko pride do hudih telesnih poškodb ali celo smrti.

⚠ OPOZORILO: Ne obrezujte preveč naenkrat in ne obrezujte trdega grmičevja. Rezila se lahko zaradi tega upognejo in upočasnijo, kar poslabša učinkovitost rezanja.

OPOMBA: Obrezovalnik se lahko uporablja za rezanje stebel, katerih debelina ne presega 30,5 mm.

OPOMBA: Za novorasto grmičevje je širok zamah primeren za stebela, ki jih rezilo neposredno zagrabí. Za starejše grmičevje je gib žaganja primeren za obrezovanje debelejših stebel. Priporočamo, da velika stebela najprej odrežete z ročno žago, ki ni električna, ali žago za obrezovanje.

Zgornje rezanje

Uporabite gibanje v obliki širokega pometanja.. Rezila nagnite rahlo naprej v smeri gibanja, s čimer boste dosegli najboljše rezultate. Za boljši učinek rezanja lahko uporabite tudi vrstico za vodenje nivoja žive meje, kot je prikazano na sliki E.

Stransko rezanje

Pri obrezovanju stranskih delov žive meje začnite od spodaj navzgor, kot je prikazano na sliki F. Živo mejo obrežite s strani, tako da je na vrhu nekoliko ožja. S takšno obliko bo več žive meje izpostavljene sončni svetlobi, kar se bo povzročilo bolj enakomerno rast.

VZDRŽEVANJE

⚠ OPOZORILO: Za popravila uporabljajte samo identične nadomestne dele. Uporaba drugih delov je tvegana in lahko poškoduje izdelek. Za zagotovitev varnosti in zanesljivosti mora vsa popravila izvesti usposobljen servisni tehnik.

⚠ OPOZORILO: Pri čiščenju ali vzdrževanju vedno odstranite baterijski sklop iz orodja, da preprečite hude telesne poškodbe.

ČIŠČENJE

- Z mehko krtačo odstranite delce iz vseh odprtin za dovod zraka in z rezila.
- Za odstranjevanje smole in drugih lepljivih ostankov rezila popršite s toplim oljem. Za kratek čas zaženite motor, da se bo topilo enakomerno porazdelilo.
- Obrišite površino s suho krpo.

⚠ OPOZORILO: Obrezovalnika nikoli ne čistite z vodo. Pri čiščenju plastičnih delov ne uporabljajte topil. Večina vrst plastike se lahko pri uporabi različnih komercialnih topil poškoduje. Umazano olje, prah, maščobe itd. odstranite s čisto krpo.

OSTRENJE REZILA

1. Zaženite in zaustavite obrezovalnik žive meje, dokler se rezilo in ščitnik nekoliko ne odmakneta, kot je prikazano na sliki G. To bo zagotovilo prostor za pilo med zobniki rezila in zobniki ščitnika.
2. Iz obrezovalnika žive meje odstranite baterijski sklop.
3. Sklop rezil vrnite v primež in nabrusite izpostavljeno rezalno površino vsakega zobnika rezila. Poskrbite, da odstranite čim manj materiala. Pri brušenju zagotovite, da bo vsak zobnik ostal pod prvotnim kotom.
4. Obrezovalnik žive meje odstranite iz primeža ter ga ponovno vklopite in izklopite, da se bodo prikazali nenabrušeni robovi zobnikov rezila.
5. Odstranite baterijski sklop in ponovite zgoraj opisan postopek brušenja.

OPOMBA: Ne uporabljajte obrezovalnika žive meje s topim ali poškodovanim rezilom. To lahko povzroči preobremenitev in nezadovoljive rezultate rezanja.

MAZANJE REZILA (slika H)

Za najboljše delovanje in daljšo življenjsko dobo rezila, obrezovalnik žive meje namažite z oljem za stroje pred in po vsaki uporabi.

Odstranite baterijski sklop in obrezovalnik postavite na ravno površino. Nanesite olje po robu topega rezila.

OPOMBA: Pri dolgotrajnejši uporabi nanesite olje na rezilo med obrezovanjem.

⚠ OPOZORILO: Olja ne nanašajte med delovanjem obrezovalnika žive meje.

PREVOZ IN SHRANJEVANJE

- Pred skladiščenjem ali transportom obrezovalnika žive meje na rezilo vedno namestite ščitnik rezila. Bodite previdni, da se izognete ostrim zobem rezila.
- Pred skladiščenjem obrezovalnik žive meje temeljito očistite.
- Obrezovalnik žive meje skladiščite v notranjem suhem prostoru, ki je nedostopen otrokom.
- Ne shranjujte je v bližini korozivnih sredstev, kot so vrtna kemikalije in soli za taljenje ledu.

⚠ OPOZORILO: Rezila so ostra. Pri sestavljanju rezil si nadenite ndrseče, robustne zaščitne rokavice. Prstov in dlani ne postavljajte med rezila ali na mesta, kjer bi jih orodje lahko stisnilo ali odrezalo. NE dotikajte se rezil ali popravljajte enote, ko je baterijski sklop nameščen.

Varovanje okolja



Električne opreme, rabljene baterije in polnilnika ne odvrzite med gospodinjske odpadke. Izdelek odnesite na pooblaščen obrat za recikliranje in ga zavržite ločeno. Električna orodja je treba odnesti na obrat za recikliranje in ga reciklirati na okolju prijazen način.

SL

ODPRAVLJANJE TEŽAV

| TEŽAVA | VZROK | REŠITEV |
|-----------------------------------|--|---|
| Obrezovalnik žive meje ne deluje. | <ul style="list-style-type: none"> ■ Baterijski sklop ni pritrjen na obrezovalnik žive meje. ■ Med obrezovalnikom in baterijo ni električnega stika. ■ Baterijski sklop je izpraznjen. ■ Baterijski sklop je prevroč. ■ Obrezovalnik žive meje je prevroč. ■ Sprednji in zadnji sprožilec nista pritisnjena istočasno. ■ Rezilo je zagozdeno. | <ul style="list-style-type: none"> ■ Baterijski sklop pritržite na obrezovalnik žive meje. ■ Odstranite baterijo, preverite kontakte in znova namestite baterijski sklop. ■ Napolnite baterijski sklop. ■ Odstranite baterijski sklop iz orodja in pustite, da se ohladi, dokler temperatura ne pade pod 67°C. ■ Sprostite oba sprožilca. Počakajte, da se obrezovalnik ohladi na normalno temperaturo. ■ Najprej pritisnite gumb za zaklepanje, nato pa istočasno pritisnite sprožilca na sprednjem in zadnjem ročaju. ■ Baterijski sklop odstranite iz orodja. Oviro previdno odstranite, nato pa ponovno namestite baterijo in znova zaženite orodje. |
| Prevelike vibracije ali hrup. | <ul style="list-style-type: none"> ■ Suha ali razjedena rezila. ■ Rezilo ali podpora za rezilo je upognjena. ■ Zobniki so upognjeni ali poškodovani. ■ Zrahljani vijaki rezila. | <ul style="list-style-type: none"> ■ Namažite rezila v skladu z navodili v razdelku "MAZANJE REZILA" v tem priročniku. ■ Zamenjajte z novim rezilom ali podporo za rezilo. Za zamenjavo rezila ali podpore rezila stopite v stik s servisnim centrom EGO. ■ Zamenjajte z novim rezilom. Za zamenjavo rezila stopite v stik s servisnim centrom EGO. ■ Privijte vijake rezila. S ključem vijak obrnite v smeri urinega kazalca in ga privijte. |

SL

GARANCIJA

GARANCIJSKA POLITIKA DRUŽBE EGO

Za popolne pogoje garancijske politike družbe EGO obiščite spletno mesto egopowerplus.com.

PERSKAITYKITE VISĄ INSTRUKCIJĄ!



PERSKAITYKITE NAUDOJIMO INSTRUKCIJĄ

! ĮSPĖJIMAS: Liekamasis pavojus! Žmonėms, kuriems implantuoti elektroniniai prietaisai, pvz., širdies stimulatoriai, prieš pradėdami naudoti šį gaminį, reikia pasitarti su savo gydytoju (-ais). Arti širdies stimulatoriaus veikiantis elektros įranga gali trikdyti širdies stimulatoriaus veikimą arba jį sugadinti.

! ĮSPĖJIMAS: Norint užtikrinti saugų ir patikimą gaminio naudojimą, visus remonto ir keitimo darbus turi atlikti kvalifikuotas techninės priežiūros specialistas.

! ĮSPĖJIMAS: Perskaitykite visus su šiuo elektriniu įrankiu pateiktus saugos įspėjimus, instrukcijas, paveikslus ir specifikacijas. Nesilaikant visų toliau išdėstytų nurodymų galima patirti elektros smūgį, sukelti gaisrą ir (ar) sunkiai susižaloti.

ĮSAUGOKITE VISAS INSTRUKCIJAS SU ĮSPĖJIMAIS, NES JŲ GALI PRIREIKTI ATEITYJE.

SAUGOS SIMBOLIAI

! ĮSPĖJIMAS: Bet koks elektrinis įrankis naudojimo metu gali išsviesti šiukšles, kurios gali pataikyti į akis ir sunkiai jas sužaloti. Prieš pradėdami naudoti elektrinį įrankį, visada užsidėkite apsauginius akinius arba apsauginius akinius su šonine apsauga ir, jei reikia, visą veidą dengiantį skydelį. Rekomenduojame naudoti platų matymo lauką užtikrinančią apsauginę kaukę, dedamą ant akinių, arba standartinius apsauginius akinius su šonine apsauga.



Įspėjimai dėl saugos



Norėdamas sumažinti susižalojimo pavojų, naudotojas privalo perskaityti naudojimo instrukciją.



Nenaudokite lyjant ir nepalikite lauke per lietu.



Garantuojamas garso galios lygis. Triukšmo sklaida į aplinką atitinka Europos Bendrijos direktyvą.



Šis gaminys atitinka taikomas EB direktyvas.



Šis gaminys atitinka taikomas JK direktyvas.



Netinkamus naudoti elektrinius įrankius draudžiama išmesti kartu su buitinėmis atliekomis. Pristatyti įgiotam perdirbėjui.



Naudokite akių ir galvos apsaugos priemones.



Rankas ir pėdas laikyti atokiau nuo pjovimo įrankio.



Geležties ilgis



Nuolatinė srovė



Įtampa

mm

Milimetrai

.../min.

Per minutę

n₀

Sūčiai be apkrovos

cm

Centimetrai

LT

TECHNINIAI DUOMENYS

| | | |
|---|-------------------------|---|
| Modelis | HT2600E | |
| Įtampa | 56 V --- | |
| Sūčiai be apkrovos | 1700 /min. | |
| Geležties ilgis | 66 cm | |
| Pjovimo galia | 30,5 mm | |
| Svoris (be sudėtinės baterijos ir geležties apsaugos) | 3,14 kg | |
| Rekomenduojama darbinė temperatūra | 0–40°C | |
| Rekomenduojama sandėliavimo temperatūra | Nuo –20°C iki 70°C | |
| Išmatuotas garso galios lygis L_{WA} | 92 dB(A) K=1,7 dB(A) | |
| Garso slėgio lygis operatoriaus padėtyje L_{PA} | 84 dB(A) K=3,0 dB(A) | |
| Garantuojamas garso galios lygis L_{WA} (išmatuotas pagal 2000/14/EB) | 94 dB(A) | |
| Vibracija a_h | Priekinė rankena | 2,49 m/s ² K=1,5 m/s ² |
| | Galinė rankena | 1,65 m/s ² K=1,5 m/s ² |

- Nurodyta bendroji vibracijos vertė išmatuota taikant standartinį bandymo metodą, todėl pagal ją galima palyginti skirtingus įrankius.
- Nurodytą bendrąją vibracijos vertę taip pat galima naudoti pirminiam poveikio vertinimui.

PASTABA: Naudojant įrankį realiomis sąlygomis, sklaidžiamos vibracijos stiprumo vertė gali skirtis nuo nurodytos. Kad apsisaugotų dirbdamas realiomis sąlygomis, naudotojas turi mūvėti pirštines ir naudoti klausos apsaugos priemones.

PAKUOTĖS TURINIO SĄRAŠAS (A1 PAV.)

APRAŠAS

SUŽINOKITE, KAIP VEIKIA GYVATVORIŲ ŽIRKLĖS (A1 pav.)

1. Pakabinimo anga
2. Smaigalio apsauga
3. Geležtė

4. Rankos apsauga
5. Priekinė rankena
6. Priekinis paleidimo jungiklis
7. Blokuotės išjungiklis
8. Galinis paleidimo jungiklis
9. Galinė rankena
10. Rankenos atlaisvinimo svirtis
11. Baterijos atjungimo mygtukas
12. Fiksatorius
13. Elektros kontaktai
14. Baterijos įstatymo griovelis
15. Baterijos išstūmimas
16. Geležties apsauga
17. Pakabinimo anga

⚠️ ĮSPĖJIMAS: Šis gaminys išsiųstas visiškai surinktas. Naudojimo metu rankų apsaugos niekada negalima nuimti. Pažeistą apsaugą turi nedelsiant pakeisti kvalifikuotas techninės priežiūros specialistas.

⚠️ ĮSPĖJIMAS: Saugiam šio gaminio naudojimui reikalingas ant įrankio ir naudotojo vadove pateiktos informacijos supratimas, taip pat taip pat darbo, kurį planuojate vykdyti, žinojimas. Prieš pradėdami naudoti šį įrankį, susipažinkite su visomis jo veikimo funkcijomis ir saugos taisyklėmis.

NAUDOJIMAS

⚠️ ĮSPĖJIMAS: Mokėjimas naudotis šiuo įrankiu nesuteikia teisės dirbti nerūpestingai. Atminkite, kad net akimirksniui atitraukę dėmesį galite sunkiai susižaloti.

⚠️ ĮSPĖJIMAS: Visada dėvėkite akinius su šonine apsauga ir ausų apsaugą. Nesilaikant šio nurodymo į akis gali pataikyti išsviestos šiukšlės arba galite kitaip sunkiai susižaloti.

⚠️ ĮSPĖJIMAS: Norėdami išvengti atsitiktinio paleidimo ir galimo sunkaus sužalojimo, visada išimkite sudėtinę bateriją iš įrankio, kai montuojate dalis, reguliuojate, valote arba įrankio nenaudojate.

⚠️ ĮSPĖJIMAS: Nenaudokite jokių priedų ar įtaisų, kurių nerekomendavo EGO™. Naudojant nerekomenduojamus papildomus įtaisus ar priedus galima sunkiai susižaloti.

Kaskart prieš naudodami gaminį nuodugniai jį patikrinkite, ar nesugadintas ir netrūksta ar neatsilaisviusios dalys, pavyzdžiui, sraigčiai, veržlės, varžtai, dangteliai ir pan. Patikimai priveržkite visas tvirtinimo detales ir dangtelius ir nenaudokite šio gaminio, kol nepakeisite visų trūkstančių ar sugadintų dalių.

PASKIRTIS

Gyvatvorėms, krūmokšniams ir krūmams, kurių šakos ne storesnės kaip 30,5 mm, kirpti ir formuoti.

PASTABA: Įrankį galima naudoti tik pagal numatytąją paskirtį. Bet koks kitas naudojimas laikomas netinkamu.

SUDĖTINĖS BATERIJOS ĮSTATYMAS IR IŠĖMIMAS

Naudokite tik su A2 paveiksle nurodytomis sudėtinėmis baterijomis ir įkrovikliais.

Įkraukite prieš naudodami pirmą kartą.

Įstatymas (B pav.)

Sulyginkite baterijos briaunas su įstatymo grioveliais ir spauskite sudėtinę bateriją žemyn, kol išgirsite spragtelėjimą.

Išėmimas (C pav.)

Nuspauskite baterijos atjungimo mygtuką ir išimkite sudėtinę bateriją.

⚠️ ĮSPĖJIMAS: Prieš nuspausdami baterijos atjungimo mygtuką, visada atkreipkite dėmesį savo kojas, vaikus ar naminius gyvūnus. Iškritusi baterija gali sunkiai sužaloti. NIEKADA nebandykite išimti sudėtinės baterijos dirbdami aukštyje.

GYVATVORIŲ ŽIRKLIŲ LAIKYMAS (D1–D5 pav.)

Šiame įrankyje yra priekinė ir galinė rankenos. Laikydami įrankį už abiejų rankenų, geležtę nukreipkite nuo savęs.

Galinę rankeną galima nustatyti į penkis padėtis ($0^\circ/\pm 45^\circ/\pm 90^\circ$), pakėlus rankenos atlaisvinimo svirtį (D1–D5 pav.), todėl galite pasirinkti, kaip patogiai laikyti įrankį darbo metu.

⚠️ ĮSPĖJIMAS: Nereguliuokite rankenos, kai įrankis veikia. Pirmą įrankį išjunkite ir išimkite bateriją.

GYVATVORIŲ ŽIRKLIŲ PALEIDIMAS IR STABDYMAS

Prieš pradėdami darbą nuimkite geležtės apsaugą ir paimkite žirkles abiem rankomis, t. y. viena ranka galinę rankeną, o kita priekinę rankeną. Stovėkite tvirtai ir stačiai, atsitraukę tinkamu kirpimo atstumu.

Paleidimas

1. Įstatykite sudėtinę bateriją.
2. Viena ranka paspauskite ir laikykite nuspaudę priekinį paleidimo jungiklį.
3. Kitos rankos nykščiu paspauskite ir laikykite nuspaudę blokuotės išjungiklį, o kitais pirštais nuspauskite galinį paleidimo jungiklį, kad

paleistumėte gyvatvorių žirkles. Blokuotės išjungiklį atleiskite, tačiau ir toliau laikykite nuspaudę paleidimo jungiklius.

Sustabdymas

Atitraukite gyvatvorių žirkles nuo pjovimo zonos ir atleiskite bet kurį paleidimo jungiklį, kad gyvatvorių žirkles sustabdytumėte.

⚠️ ĮSPĖJIMAS: Darydami pertraukas ar baigę darbą, iš gyvatvorių žirklių visada išimkite sudėtinę bateriją.

GYVATVORIŲ ŽIRKLIŲ NAUDOJIMAS

⚠️ PAVOJUS: Jeigu geležtę įstringa bet kokiame elektros laide, **GELEŽTĖS NELIESKITE! JA GALI TEKĖTI ELEKTROS SROVĖ IR TAI GALI BŪTI LABAI PAVOJINGA.** Laikykite gyvatvorių žirkles už izoliuotų rankenų arba padėkite ant žemės toliau nuo savęs saugiu būdu. Prieš bandydami išlaisvinti geležtę, atjunkite maitinimo įtampą įstrigusiam laide. Nesilaikydami šio nurodymo galite sunkiai ar net mirtinai susižaloti.

⚠️ ĮSPĖJIMAS: Venkite kirpti per daug vienu metu arba per tankius krūmus. Dėl to ašmenys gali strigti ir sulėtėti, taip sumažėjant kirpimo našumui.

PASTABA: Gyvatvorių žirkles skirtos karpyti iki 30,5 mm storio šakoms.

PASTABA: Kirpdami naujai išaugusią augmeniją, naudokite platų mostą, kad stiebai patektų tiesiai į ašmenis. Paaugusi augmenija turi storesnius stiebus, todėl juos lengviau nupjausite naudodami pjovimo judesį. Visų pirma su rankiniu pjūklų ar genėjimo pjūkleliu rekomenduojama nupjaustyti storesnius stiebus.

Viršaus kirpimas

Naudokite platų mostą. Kad geriau nukirptumėte, geležtę šiek tiek paverskite žemyn kirpimo kryptimi. Taip pat galite panaudoti virvelę gyvatvorės pjovimo aukščiai pažymėti, kaip parodyta E pav.

Šonų kirpimas

Kai kerpatė gyvatvorės šonus, pradėkite nuo apačios ir kirpkite į viršų (žr. F pav.). Gyvatvorės šonus genėkite taip, kad į viršų ji šiek tiek siaurėtų. Dėl tokios formos daugiau gyvatvorės apšvies saulės šviesa, todėl ji augs tolygiau.

TECHNINĖ PRIEŽIŪRA

⚠️ ĮSPĖJIMAS: Vykdydami techninės priežiūros darbus, naudokite tik identiškas atsargines dalis. Naudojant bet kokias kitas dalis, gali kilti pavojus arba sugesti gaminy. Norint užtikrinti saugumą ir patikimumą, visus remonto darbus turi atlikti kvalifikuotas techninės priežiūros specialistas.

⚠️ ĮSPĖJIMAS: Visada išimkite sudėtinę bateriją iš gaminio prieš jį valydami arba prieš atlikdami jo techninės priežiūros darbus, kad išvengtumėte pavojaus sunkiai susižaloti.

VALYMAS

- Nešvarumų nuo geležčių ir oro įsiurbimo angų šalinimui naudokite minkštą šepetėlį.
- Dervos arba kitų lipnių nešvarumų šalinimui užpurškite dervos tirpiklio ant geležčių. Trumpam įjunkite variklį, kad tirpiklis tolygiai pasiskirstytų.
- Sausa šluoste švariai nuvalykite paviršius.

⚠️ ĮSPĖJIMAS: Niekada nenaudokite vandens gyvatvorių žirklems valyti. Plastikinių dalių nevalykite tirpikliais. Įvairūs komerciniai tirpikliai ardo daugelį plastikų. Purvo, dulkių, alyvos, tepalo ir pan. valymui naudokite švarų audinį.

GELEŽTĖS GALANDIMAS

1. Įjunkite gyvatvorių žirkles ir sustabdykite tokioje padėtyje, kad geležtės šiek tiek išlįstų iš apsaugos (G pav.). Tokiu būdu susidarys tarpelis dildei įkišti.
2. Iš gyvatvorės žirklių išimkite sudėtinę bateriją.
3. Į spaustuvus įtvirtinkite geležtes ir dilde pagaląskite kiekvieną jų dantuką. Pasistenkite galąsdami pašalinti kuo mažiau metalo. Galąsdami išlaikykite pradinį kiekvieno dantuko kampą.
4. Išimkite gyvatvorių žirkles iš spaustuvų; paleiskite jas iš naujo ir sustabdykite, kad atsidengtų negaląsti geležtės dantukų kraštai.
5. Išimkite sudėtinę bateriją ir pakartokite pirmiau aprašytą galandinimo procedūrą.

LT

PASTABA: Nenaudokite gyvatvorių žirklių, jeigu geležtės atšipę ar pažeistos. Dėl to įrankiui tenka per didelę apkrovą ir gali suprastėti kirpimo rezultatai.

GELEŽČIŲ TEPIMAS (H pav.)

Kad geležtės geriausiai kirptų ir pailgėtų jų naudojimo trukmė, prieš kiekvieną naudojimą ir po jo jas suteptkite skysta mašininė alyva.

Iš gyvatvorių žirklių išimkite sudėtinę bateriją ir žirkles paguldykite ant lygaus paviršiaus. Skysta mašininė alyva sutepti viršutinės geležtės kraštą.

PASTABA: Jeigu gyvatvorių žirkles naudosite ilgesnį laikotarpį, sutepti geležtes naudojimo metu.

⚠️ ĮSPĖJIMAS: Netepkite alyva veikiančių gyvatvorių žirklių.

GABENIMAS IR LAIKYMAS

- Prieš gyvatvorių žirklių gabenimą ir sandėliavimą, visada ant geležčių uždėkite geležčių apsaugą. Būkite atsargūs ir nesilieskite prie aštrių geležčių dantukų.
- Prieš sandėliavimą kruopščiai nuvalykite gyvatvorių žirkles.
- Gyvatvorių žirkles sandėliuokite sausoje patalpoje, nepasiekiamoje vaikams vietoje.
- Laikykite atokiau nuo koroziją sukeliančių medžiagų, tokių, kaip sodo chemikalai ir techninės druskos.

⚠️ ĮSPĖJIMAS: Geležtės yra aštrios. Atlikdami veiksmus su geležtėmis, mūvėkite neslidžias ir tvirtas apsaugines pirštines. Neikiškite rankos arba pirštų tarp geležčių arba tokioje padėtyje, kur jie gali būti sugnybti arba įpjauti. NIEKADA nelieskite geležčių ir jų netvarkykite, kai į įrankį įstatyta sudėtinė baterija.

Aplinkos apsauga



Neišmeskite elektros įrangos, panaudotų baterijų ir įkroviklio kartu su buitinėmis atliekomis! Šias atliekas reikia pristatyti į jų surinkimo vietą ar įgaliotam perdirbėjui. Elektrinius įrankius reikia grąžinti į tokių atliekų perdirbimo įmonę.

TRIKČIŲ ŠALINIMAS

| PROBLEMA | PRIEŽASTIS | SPRENDIMAS |
|--------------------------------------|--|--|
| Gyvatvorių žirklys neveikia. | <ul style="list-style-type: none"> ■ Sudėtinė baterija neprijungta prie gyvatvorių žirklių. ■ Nėra elektros kontakto tarp gyvatvorių žirklių ir baterijos. ■ Sudėtinė baterija visiškai išsikrovusi. ■ Sudėtinė baterija yra pernelyg įkaitusi. ■ Gyvatvorių žirklys yra pernelyg įkaitusios. ■ Priekinis ir galinis paleidimo jungikliai spaudžiami ne vienu metu. ■ Įstrigusios geležtės. | <ul style="list-style-type: none"> ■ Prijunkite sudėtinę bateriją prie gyvatvorių žirklių. ■ Išimkite sudėtinę bateriją, patikrinkite kontaktus ir vėl ją įstatykite. ■ Įkraukite sudėtinę bateriją. ■ Išimkite sudėtinę bateriją iš įrankio ir leiskite jam atvėsti, kol temperatūra nukris žemiau 67°C. ■ Atleiskite abu paleidimo jungiklius; leiskite gyvatvorių žirklyms atvėsti iki normalios temperatūros. ■ Pirmiausia paspauskite blokuotės išjungiklį, o po to vienu metu paspauskite priekinį ir galinį paleidimo jungiklius. ■ Iš gyvatvorių žirklių išimkite sudėtinę bateriją, atsargiai pašalinkite kliūtį, tuomet vėl įstatykite bateriją ir iš naujo paleisite įrankį. |
| Per didelė vibracija arba triukšmas. | <ul style="list-style-type: none"> ■ Nesuteptos arba korozijos pažeistos geležtės. ■ Geležtės arba jų atrama sulankstyta. ■ Sulankstyti arba sugadinti dantukai. ■ Atsileidę geležčių varžtai. | <ul style="list-style-type: none"> ■ Sutepkite geležtes vadovaudamiesi nurodymais šio vadovo skyriuje „GELEŽČIŲ TEPIMAS“. ■ Geležtę arba atramą pakeiskite nauja. Dėl geležčių ar atramos keitimo kreipkitės į EGO techninės priežiūros centrą. ■ Geležtę pakeiskite nauja. Dėl geležčių keitimo kreipkitės į EGO techninės priežiūros centrą. ■ Priveržkite ašmenų varžtus. Norėdami priveržti, veržliarakčiu sukite varžtus pagal laikrodžio rodyklę. |

LT

GARANTIJĄ

EGO GARANTIJOS TAISYKLĖS

Jei norite sužinoti visas EGO garantinių taisyklių sąlygas, apsilankykite interneto svetainėje egopowerplus.com.

IZLASIET VISUS NORĀDĪJUMUS!



IZLASIET LIETOTĀJA ROKASGRĀMATU

⚠ BRĪDINĀJUMS! Citi riski! Personām, kuras lieto elektroniskas ierīces, piemēram, elektrokardiostimulatorus, pirms šīs ierīces lietošanas jākonsultējas ar savu ārstu. Elektriskā aprīkojuma darbība sirds elektrokardiostimulatora tuvumā var radīt stimulatora darbības traucējumus vai kļūmes.

⚠ BRĪDINĀJUMS! Lai garantētu drošību un uzticamību, ierīces remontu un tās detaļu nomaiņu uzticiet veikt tikai kvalificētam servisa tehnikam.

⚠ BRĪDINĀJUMS! Izlasiet visus ar šo elektroinstrumentu saistītos drošības brīdinājumus, norādījumus, specifikācijas un aplūkojiet attēlus. Visu turpmāk uzskaitīto norādījumu neievērošana var izraisīt elektriskās strāvas triecienu, aizdegšanos un/vai nopietnas traumas.

SAGLABĀJIET VISUS BRĪDINĀJUMUS UN INSTRUKCIJAS TURPMĀKAI ATSAUCEI.

DROŠĪBAS SIMBOLI

⚠ BRĪDINĀJUMS! Jebkura elektroinstrumenta lietošanas laikā acīs var iekļūt svešķermeņi, kas var radīt smagu acu traumu. Pirms elektroinstrumenta ieslēgšanas vienmēr uzvelciet aizsargbrilles vai aizsargbrilles ar sānu aizsargiem un, ja nepieciešams, pilnu sejas aizsargmasku. Iesakām izmantot aizsargmasku ar plašu skata leņķi, ko uzvelk virs parastajām brillēm, vai arī standarta aizsargbrilles ar sānu aizsargiem.



Drošības brīdinājums



Lai mazinātu traumu gūšanas bīstamību, lietotājam jāizlasa lietotāja rokasgrāmata.



Neizmantojiet lietū vai neatstājiet ārā, kamēr līst lietus.



Garantētais skaņas intensitātes līmenis. Trokšņa emisija vidē atbilstoši Eiropas Kopienas direktīvai.



Šis izstrādājums atbilst piemērojamām EK direktīvām.



Šis izstrādājums atbilst piemērojamiem Apvienotās Karalistes tiesību aktiem.



Elektrisko izstrādājumu atkritumus nedrīkst izmest kopā ar sadzīves atkritumiem. Nogādāt uz pilnvarotu pārstrādes punktu.



Valkāt acu un galvas aizsarglīdzekļus.



Neturiet plaukstu un pēdas griezējinstrumenta tuvumā.



Asmens garums



Līdzstrāva



Spriegums



Milimetrs



Minūtē



Apgrībienu skaits bez slodzes



Centimetrs

LV

SPECIFIKĀCIJAS

| | | |
|--|-------------------------|---|
| Spriegums | HT2600E | |
| Apgrīzietņu skaits, strādājot bez slodzes | 56 V | |
| Asmens garums | 1700 /min | |
| Griešanas kapacitāte | 66 cm | |
| Svars (bez akumulatora, asmens aizsarga) | 30,5 mm | |
| Ieteicamā darba temperatūra | 3,14 kg | |
| Ieteicamā uzglabāšanas temperatūra | 0°C - 40°C | |
| Priporočena temperatura za shranjevanje | -20°C– 70°C | |
| Izmērītais skaņas intensitātes līmenis L_{WA} | 92 dB(A) K=1,7 dB(A) | |
| Trokšņa spiediena līmenis operatora vietā L_{PA} | 84 dB(A) K=3,0 dB(A) | |
| Garantētais skaņas intensitātes līmenis L_{WA} (saskaņā ar Direktīvu Nr. 2000/14/EK) | 94 dB(A) | |
| Vibrācija a_h | Priekšējais rokturis | 2,49 m/s ² K=1,5 m/s ² |
| | Aizmugurējais rokturis | 1,65 m/s ² K=1,5 m/s ² |

- Norādītā vibrāciju kopējā vērtība ir izmērīta saskaņā ar standarta pārbaudes metodi un var tikt izmantota, lai salīdzinātu vairākus instrumentus.
- Deklarēto vibrāciju emisijas vērtību var arī lietot iepriekšējai vibrāciju iedarbības novērtēšanai.

PIEZĪME! Vibrāciju emisijas faktiskajā elektroinstrumenta darbināšanas laikā var atšķirties no norādītās vērtības. Lai pasargātu operatoru, lietotājam jāvalkā cimdi un dzirdes aizsarglīdzekļi atbilstoši faktiskajiem darba apstākļiem.

IEPAKOJUMA SATURA SARAKSTS (A1 ATT.)

APRAKSTS

PĀRZINIET SAVU DZĪVŽOGU TRIMMERI (A1 att.)

1. Caurums pakarināšanai
2. Gala aizsargs

3. Asmens
4. Roku aizsargs
5. Priekšējais rokturis
6. Priekšējais slēdzis
7. Bloķēšanas poga
8. Aizmugurējais slēdzis
9. Aizmugurējais rokturis
10. Roktura atbrīvošanas svira
11. Akumulatora atbrīvošanas poga
12. Slēgmehānisms
13. Elektriskie kontakti
14. Akumulatora ievietošanas ligzda
15. Akumulatora izmešana
16. Asmens aizsargs
17. Caurums pakarināšanai

⚠ BRĪDINĀJUMS! Šis izstrādājums piegādes brīdī ir pilnībā samontēts. Lietošanas laikā rokas aizsargu nekad nedrīkst noņemt. Ja radies bojājums, nekavējoties nomainīt, nogādājot to kvalificētam servisa speciālistam

⚠ BRĪDINĀJUMS! Lai droši izmantotu šo izstrādājumu, nepieciešama izpratne par informāciju, kas norādīta uz instrumenta un šajā lietotāja rokasgrāmatā, kā arī zināšanas par darbu, ko vēlaties paveikt. Pirms šī izstrādājuma lietošanas iepazīstieties ar visām raksturīgajām darba funkcijām no drošības noteikumiem.

LIETOŠANA

⚠ BRĪDINĀJUMS! Saglabāiet modrību visu griezējinstrumenta lietošanas laiku. Neaizmirstiet, ka pat mīkls neuzmanības var izraisīt nopietnu traumu.

⚠ BRĪDINĀJUMS! Vienmēr valkājiet aizsargbrilles ar sānu aizsargiem, kā arī dzirdes aizsarglīdzekļus. Šo noteikumu neievērošanas rezultātā acis var nonākt svešķermeņi vai arī jūs varat gūt citas smagas traumas.

⚠ BRĪDINĀJUMS! Lai novērstu nejašu ieslēgšanos, kas var radīt smagas traumas, saliekot instrumentu, kā arī veicot regulēšanas, tīrīšanas darbus vai, kad to nelietojat, vienmēr izņemiet no tā akumulatoru bloku.

⚠ BRĪDINĀJUMS! Neizmantojiet nekādas palīgierīces vai piederumus, kurus neiesaka EGO™. Šādu neapstiprinātu palīgierīču vai piederumu lietošana var radīt nopietnus ievainojumus.

Pirms katras lietošanas pārbaudiet visu ierīci, vai tā nav bojāta, vai tai nav trūkstošu vai atskrūvējušos daļu, piemēram, skrūves, uzgriežņi, bultskrūves, vāciņi utt.

Stingri pievelciat visus stiprinājumus un vāciņus un nedarbiniet izstrādājumu, kamēr nav nomainītas visas trūkstošās vai bojātās daļas.

PIELIETOJUMS

Šo izstrādājumu var izmantot, lai apgrieztu dzīvžogus, krūmājus un krūmus, kuru zaru diametrs nepārsniedz $\varnothing 30,5$ mm.

PIEZĪME! Instrumentu drīkst izmantot tikai aprakstītajam mērķim. Izmantošana jebkādā citā veidā ir uzskatāma par neatbilstošu.

AKUMULATORA IEVIETOŠANA/IZŅEMŠANA

Izmantojiet tikai A2 attēlā uzskaidrītos akumulatora blokus un lādētājus.

Pirms pirmās lietošanas reizes akumulators ir jāuzlādē

Ievietošana (B att.)

Novietojiet akumulatora valnišus pretī uzstādīšanas slotiem un spiediet akumulatoru uz leju līdz dzirdat klikšķi.

Noņemšana (C att.)

Nospiediet akumulatora atbrīvošanas pogu un izņemiet akumulatoru.

⚠ BRĪDINĀJUMS! Pirms akumulatora atbrīvošanas pagas nospiešanas vienmēr pārlicinieties, kur atrodas jūsu kājas, bērni vai mājdzīvnieki. Zemē nokritis akumulatoru bloks var izraisīt smagas traumas. **NEKĀDĀ GADĪJUMĀ** neizņemiet akumulatoru bloku, ja atrodaties augstumā.

LV

KĀ PAREIZI TURĒT DZĪVŽOGU TRIMMERI (D1-D5 att.)

Ierīcei ir priekšējais un aizmugurējais rokturis. Turiet ierīci aiz abiem rokturiem tā lai, asmens būtu vērstas projām no jums.

Aizmugurējo rokturi var iestatīt piecās pozīcijās ($0^\circ \pm 45^\circ \pm 90^\circ$), paceļot uz augšu roktura atbrīvošanas sviru (D1. līdz D5. attēls), kas nodrošina ērtu satvērienu, veicot griešanas darbus.

⚠ BRĪDINĀJUMS! Neregulējiet rokturi ieslēgta instrumenta laikā. Vispirms izslēdziet instrumentu un pēc tam izņemiet akumulatoru.

DZĪVŽOGU APGRIEŠANAS MAŠĪNAS IESLĒGŠANA/IZSLĒGŠANA

Pirms lietošanas noņemiet asmens aizsargu un satveriet trimmeri ar abām rokām – ar vienu satveriet priekšējo rokturi, savukārt ar otru aizmugurējo rokturi. Pēc tam

pārlicinieties, ka stāvat stabili, taisni un ievērojiet atbilstošo griešanas attālumu.

Iedarbināšana

1. Ievietojiet akumulatoru bloku.
2. Ar vienu roku saspiediet un turiet priekšējo slēdzi.
3. Ar otras rokas īkšķi turiet nospiestu bloķēšanas pogu un pēc tam ar pirkstiem saspiediet aizmugurējo slēdzi, lai iedarbinātu dzīvžogu trimmeri. Atbrīvojiet atbloķēšanas pogu un turpiniet spiest palaišanas slēdzi, lai ierīce darbotos nepārtraukti.

Apturēšana

Pārvietojiet dzīvžogu trimmeri projām no griešanas zonas un, lai apturētu dzīvžogu trimmeri, atlaidiet kādu no slēdžiem.

⚠ BRĪDINĀJUMS! Darba pārtraukumos un pēc darba pabeigšanas vienmēr izņemiet akumulatoru bloku no dzīvžogu apgriešanas mašīnas.

DZĪVŽOGU TRIMMERA IZMANTOŠANA

⚠ BĪSTAMI! Ja asmens saķīlējas ar jebkādu elektrisko vadu vai līniju, **NEPIESKARIETIES ASMENIM! TAS VAR BŪT ELEKTRIZĒJIES UN KĻŪT ĻOTI BĪSTAMS.** Turpiniet turēt dzīvžogu trimmeri aiz izolētā aizmugurējā roktura vai drošā veidā nolieciet to uz zemes un projām no sevis. Pirms mēģināt atbrīvot asmeni no bojātas līnijas vai vada, atvienojiet strāvas padevi bojātajai līnijai vai vadam. Šo noteikumu neievērošana var izraisīt nopietnus ievainojumus vai pat nāves iestāšanos.

⚠ BRĪDINĀJUMS! Necentieties vienā reizē apgriezt pārāk daudz vai apgriezt lielākus krūmājus. Šādā veidā asmeņi var saķerties un darboties lēnāk, samazinot griešanas efektivitāti.

PIEZĪME! Trimmeris ir paredzēts zaru apgriešanai, kuri nav biežāki par (30,5 mm).

PIEZĪME! Ataudzēm piemērota griešana ar plašiem vēzieniem, kur zari nonāk tiešā saskarē ar griešanas asmeni. Vecākām audzēm zāģēšanas kustība ir piemērota biežāko zaru apgriešanai. Ieteicams lielākos zarus vispirms nozāģēt ar rokas zāģi vai krūmu zāģi.

Augšpusē apgriešana

Izmantojiet griešanu ar plašiem vēzieniem. Labākiem rezultātiem griešanas asmeņus sagāziet nedaudz uz leju kustības virzienā. Tāpat varat izmantot šņori, lai nodrošinātu vienmērīgu dzīvžoga līmeni, kā parādīts E attēlā.

Sānu apgriešana

Apgrieziet dzīvzoga sānus, sāciet no apakšas un grieziet uz augšu, kā parādīts F attēlā. Grieziet dzīvzogu gar sāniem, līdz tā augšpuse kļūst šaurāka. Ja dzīvzogam būs šāda forma, tad lielākā daļa dzīvzoga saņems vairāk saules gaismas, kas nodrošinās vienmērīgāku augšanu.

APKOPE

⚠ BRĪDINĀJUMS! Veicot apkopi, izmantojiet tikai identiskas rezerves daļas. Jebkuru citu daļu izmantošana var radīt apdraudējumu vai instrumenta bojājumus. Lai garantētu drošu un uzticamu instrumenta darbību, visi remontdarbi jāveic kvalificētam servisa speciālistam.

⚠ BRĪDINĀJUMS! Lai izvairītos no nopietnu traumu gūšanas, vienmēr pirms tīrīšanas vai apkopes darbu veikšanas izņemiet no produkta akumulatoru bloku.

TĪRĪŠANA

- Izmantojiet mīkstu suku, lai notīrītu grūzus no visām gaisa ievades atverēm un griešanas asmens.
- Lai notīrītu darvu un citas lipīgas nogulsnes, apsmidziniet asmeni ar sveķu šķīdinātāju. Īsu brīdi padarbiniet dzinēju, lai šķīdinātājs tiek vienmērīgi uzklāts.
- Noslaukiet virsmu ar sausu drānu.

⚠ BRĪDINĀJUMS! Nekad neizmantojiet ūdeni, lai notīrītu trimmeri. Plastmasas detaļu tīrīšanai neizmantojiet šķīdinātājus. Tirdzniecībā iegādājami šķīdinātāji bojā lielāko daļu plastmasas materiālu. Lai notīrītu neīrūmus, putekļus, eļļu, smērvielas u.c., izmantojiet tīras lupatiņas.

GRIEZĒJASMENS UZASINĀŠANA

1. Ieslēdziet un izslēdziet dzīvzogu trimmeri tā, lai griezējasmens un aizsargs nedaudz novirzītos viens no otra, kā tas parādīts G attēlā. Tādējādi vilēšanas laikā būs lielāks attālums starp griezēja zobiem un zobu aizsargu.
2. Izņemiet no dzīvzogu apgriešanas mašīnas akumulatoru bloku.
3. Iespējēiet asmens sistēmu skrūvspilēs un novilējiet katra asmens zoba neuzasināto griešanas virsmu. Centieties novilēt pēc iespējas mazāk materiāla. Vilēšanas laikā noteikti saglabājiet katra zoba sākotnējo leņķi.
4. Izņemiet dzīvzogu apgriešanas mašīnu no skrūvspilēm, ieslēdziet un apturiet tā, lai varētu novilēt neuzasinātās asmens zobu malas.
5. Izņemiet akumulatoru bloku un atkārtojiet iepriekš minēto asināšanas procedūru.

PIEZĪME! Neizmantojiet dzīvzogu apgriešanas mašīnu ar neasu vai bojātu asmeni. Pretējā gadījumā instrumentam tiks izraisīta pārslodze, un griešanas rezultāti nebūs apmierinoši.

ASMENS EĻĻOŠANA (H. att.)

Lai nodrošinātu labāku darbu un garāku asmens kalpošanas ilgumu, pirms un pēc katras lietošanas reizes ieeļļojiet dzīvzogu trimmera asmeni ar vieglu mašīneļļu.

Izņemiet akumulatoru bloku un nolieciet apgriešanas mašīnu uz līdzenas virsmas. Uzklājiet eļļu uz augšējā asmens malas.

PIEZĪME! Lai paildzinātu lietošanas ilgumu, griešanas darbu laikā eļļojiet asmeni.

⚠ BRĪDINĀJUMS! Neelļojiet dzīvzogu apgriešanas mašīnu, kamēr tā darbojas.

TRANSPORTĒŠANA UN UZGLABĀŠANA

- Vienmēr pirms dzīvzogu trimmera novietošanas glabāšanā vai transportēšanas uzlieciet uz asmens tā aizsargu. Rīkojieties uzmanīgi, lai izvairītos no asajiem asmens zobiem.
- Pirms novietošanas glabāšanā rūpīgi notīriet dzīvzogu trimmeri.
- Uzglabājiet dzīvzogu trimmeri iekšstelpās, sausā un bērniem nepieejamā vietā.
- Sargājiet no kodīgām vielām, piemēram, dārzā lietojamajām ķīmikālijām un atledošanas sāls.

⚠ BRĪDINĀJUMS! Asmeņi ir asi. Darbojoties ar asmeņu sistēmu, valkājiet neslīdošas augstākās aizsardzības pakāpes aizsargcimdus. Neļieciet savas rokas vai pirkstus starp asmeņiem vai jebkurā citā pozīcijā, kur tie var tikt sadurti vai sagriezti. NEKAD nepieskarieties asmeņiem vai neveiciet iekārtas apkopi, kamēr nav izņemts akumulators.

Apkārtējās vides aizsardzība



Neutilizējiet elektrisko aprīkojumu, izlietoto akumulatoru un lādētāju sadzīves atkritumos! Nogādājiet šo produktu uz pilnvarotu pārstrādes punktu un sagatavojiet atkritumu šķirošanai. Elektriskos instrumentus jānogādā videi nekaitīgā pārstrādes rūpnīcā.



KĻŪDU NOVĒRŠANA

| PROBLĒMA | CĒĻONIS | RISINĀJUMS |
|------------------------------------|---|--|
| Dzīvzogu trimmers nedarbojas. | <ul style="list-style-type: none">■ Dzīvzogu trimmerī nav ievietots akumulators.■ Starp trimmeri un akumulatoru nav elektriskā savienojuma.■ Akumulatoru bloks ir izlādējies.■ Akumulators ir pārāk karsts.■ Dzīvzogu trimmeris ir pārāk karsts.■ Priekšējais un aizmugurējais slēdzis netiek nospiests vienlaicīgi.■ Asmens ir saķīlējies. | <ul style="list-style-type: none">■ Ievietojiet dzīvzogu trimmerī akumulatoru.■ Izņemiet akumulatoru, pārbaudiet kontaktus un ievietojiet atpakaļ.■ Uzlādējiet akumulatoru bloku.■ Izņemiet akumulatoru no rīka un ļaujiet tam atdzist līdz temperatūra nokrītas zemāk par 67°C.■ Atļaidiet abus slēdžus un ļaujiet trimmerim atdzist, līdz temperatūra nokrītas līdz normālai temperatūrai.■ Vispirms nospiediet bloķēšanas pogu un vienlaikus nospiediet slēdžus priekšējā un aizmugurējā rokturī.■ Izņemiet no instrumenta akumulatoru, pēc tam uzmanīgi noņemiet traucēkli un tad ievietojiet atpakaļ akumulatoru un atkārtoti ieslēdziet instrumentu. |
| Pārmērīgas vibrācijas vai trokšņi. | <ul style="list-style-type: none">■ Sausi vai sarūsējuši asmeņi.■ Asmeņi vai asmens atbalsts ir saliekts.■ Saliekti vai bojāti zobi.■ Atskrūvējiet asmens bultskrūves. | <ul style="list-style-type: none">■ Ieļļojiet asmeņus, kā tas norādīts šīs rokasgrāmatas nodaļā „ASMENS EIĻĻOŠANA”.■ Nomainiet pret jaunu asmeni vai atbalstu. Sazinieties ar EGO servisa centru, lai nomainītu asmeni vai rezerves daļas.■ Nomainiet pret jaunu asmeni. Sazinieties ar EGO servisa centru, lai nomainītu asmeni.■ Pievelciet asmens bultskrūves. Lai pievilktu bultskrūvi, ar uzgriežņu atslēgu pagrieziet bultskrūvi pulksteņa rādītāju kustības virzienā. |

LV

GARANTĪJA

EGO GARANTĪJAS POLITIKA

Lūdzu, apmeklējiet tīmekļa vietni egopowerplus.com, kur pieejama pilna EGO garantijas politikas noteikumu un nosacījumu versija.

ΔΙΑΒΑΣΤΕ ΟΛΕΣ ΤΙΣ ΟΔΗΓΙΕΣ!



ΔΙΑΒΑΣΤΕ ΤΟ ΕΓΧΕΙΡΙΔΙΟ ΧΡΗΣΗΣ

⚠️ ΠΡΟΕΙΔΟΠΟΙΗΣΗ: Υπολειπόμενοι κίνδυνοι! Ανθρωποι που φέρουν ηλεκτρονικές συσκευές όπως βηματοδότες πρέπει να συμβουλευονται τους γιατρούς τους, πριν τη χρήση αυτού του προϊόντος. Η λειτουργία ηλεκτρολογικού εξοπλισμού κοντά σε βηματοδότη μπορεί να προκαλέσει παρεμβολές ή βλάβη στο βηματοδότη.

⚠️ ΠΡΟΕΙΔΟΠΟΙΗΣΗ: Προκειμένου να διασφαλιστεί η ασφάλεια και η αξιοπιστία, όλες οι επισκευές και οι αντικαταστάσεις πρέπει να πραγματοποιούνται από εξειδικευμένο τεχνικό σέρβις.

⚠️ ΠΡΟΕΙΔΟΠΟΙΗΣΗ: Μελετήστε όλες τις προειδοποιήσεις ασφάλειας, τις οδηγίες, τις εικόνες και τις προδιαγραφές που συνοδεύουν αυτό το ηλεκτρικό εργαλείο. Εάν δεν τηρηθούν όλες οι οδηγίες που αναφέρονται παρακάτω, μπορεί να προκληθεί ηλεκτροπληξία, πυρκαγιά και/ή σοβαρός τραυματισμός.

ΦΥΛΑΞΤΕ ΟΛΕΣ ΤΙΣ ΠΡΟΕΙΔΟΠΟΙΗΣΕΙΣ ΚΑΙ ΤΙΣ ΟΔΗΓΙΕΣ ΓΙΑ ΜΕΛΛΟΝΤΙΚΗ ΑΝΑΦΟΡΑ.

ΣΥΜΒΟΛΑ ΑΣΦΑΛΕΙΑΣ

⚠️ ΠΡΟΕΙΔΟΠΟΙΗΣΗ: Η λειτουργία ηλεκτρικών εργαλείων μπορεί να προκαλέσει την εκτόξευση ξένων αντικειμένων στα μάτια σας, με αποτέλεσμα σοβαρό τραυματισμό. Προτού ξεκινήσετε τη χρήση του ηλεκτρικού εργαλείου, φοράτε πάντα προστατευτικά γυαλιά ή γυαλιά με πλευρική προστασία και, εφόσον απαιτείται, πλήρη προστατευτική προσωπίδα. Συνιστούμε μια προσωπίδα ασφαλείας ευρείας όρασης, για χρήση πάνω από γυαλιά ή τα συνήθη προστατευτικά γυαλιά με πλευρική προστασία.



Προειδοποίηση ασφαλείας



Προκειμένου να μειωθεί ο κίνδυνος τραυματισμού, ο χρήστης πρέπει να διαβάσει το εγχειρίδιο χρήσης.



Να μη χρησιμοποιείται στη βροχή και να μη παραμένει σε εξωτερικό χώρο όταν βρέχει.



Εγγυημένη στάθμη ηχητικής ισχύος. Εκπομπές θορύβου στο περιβάλλον σύμφωνα με την οδηγία της Ευρωπαϊκής Ένωσης.



Αυτό το προϊόν συμμορφώνεται με τις εφαρμοστές οδηγίες της ΕΚ.



Αυτό το προϊόν συμμορφώνεται με την εφαρμοστέα νομοθεσία του Ηνωμένου Βασιλείου.



Τα απόβλητα ειδών ηλεκτρικού και ηλεκτρονικού εξοπλισμού δεν πρέπει να απορρίπτονται στα οικιακά απορρίμματα. Παραδώστε τα σε εξουσιοδοτημένη μονάδα ανακύκλωσης.



Φοράτε προστασία των ματιών και της κεφαλής.



Διατηρείτε πάντοτε τα χέρια και τα πόδια μακριά από το εργαλείο κοπής.



Το μήκος της λεπίδας



Συνεχές ρεύμα



Τάση



Χιλιοστό



Ανά λεπτό



Ταχύτητα χωρίς φορτίο



Εκατοστό

GR

ΤΕΧΝΙΚΕΣ ΠΡΟΔΙΑΓΡΑΦΕΣ

| | | |
|--|-------------------------|---|
| Μοντέλο | HT2600E | |
| Τάση | 56 V --- | |
| Ταχύτητα χωρίς φορτίο | 1700 /min | |
| Μήκος λεπίδας | 66 cm | |
| Ικανότητα κοπής | 30,5 mm | |
| Βάρος (χωρίς συστοιχία μπαταριών, προστατευτικό λεπίδας) | 3,14 kg | |
| Συνιστώμενη θερμοκρασία λειτουργίας | 0°C - 40°C | |
| Συνιστώμενη θερμοκρασία αποθήκευσης | -20°C - 70°C | |
| Μετρημένη στάθμη ηχητικής ισχύος L_{WA} | 92 dB(A) K=1,7 dB(A) | |
| Στάθμη ηχητικής πίεσης στη θέση χειριστή L_{PA} | 84 dB(A) K=3,0 dB(A) | |
| Εγγυημένη στάθμη ηχητικής ισχύος L_{WA} (κατά το 2000/14/EK) | 94 dB(A) | |
| Δόνηση a_h | Μπροστινή χειρολαβή | 2,49 m/s ² K=1,5 m/s ² |
| | Πίσω χειρολαβή | 1,65 m/s ² K=1,5 m/s ² |

■ Η δηλωθείσα συνολική τιμή κραδασμών έχει μετρηθεί σύμφωνα με πρότυπη μέθοδο ελέγχου και μπορεί να χρησιμοποιηθεί για τη σύγκριση ενός εργαλείου με κάποιο άλλο.

■ Η αναφερόμενη συνολική τιμή κραδασμών μπορεί να χρησιμοποιηθεί, επίσης, για προκαταρκτική αξιολόγηση έκθεσης.

ΕΙΔΟΠΟΙΗΣΗ: Οι εκπομπές κραδασμών κατά τη διάρκεια της πραγματικής χρήσης του ηλεκτρικού εργαλείου μπορεί να διαφέρουν από τη δηλωμένη τιμή στην οποία χρησιμοποιείται το εργαλείο. Για την προστασία του χειριστή, πρέπει να χρησιμοποιούνται γάντια και προστασία της ακοής στις πραγματικές συνθήκες χρήσης.

ΛΙΣΤΑ ΣΥΣΚΕΥΑΣΙΑΣ (ΕΙΚ. Α1)

ΠΕΡΙΓΡΑΦΗ

ΓΝΩΡΙΣΤΕ ΤΟ ΘΑΜΝΟΚΟΠΤΙΚΟ ΣΑΣ (Εικ. Α1)

1. Οπή ανάρτησης

2. Προστατευτικό ακμής
3. Λεπίδα
4. Προστατευτικό χεριών
5. Μπροστινή χειρολαβή
6. Μπροστινή σκανδάλη
7. Κουμπί απασφάλισης
8. Πίσω σκανδάλη
9. Πίσω χειρολαβή
10. Μοχλός αποδέσμευσης χειρολαβής
11. Κουμπί απελευθέρωσης της συστοιχίας μπαταριών
12. Μάνταλο
13. Ηλεκτρικές επαφές
14. Υποδοχή τοποθέτησης μπαταρίας
15. Εκτίναξη μπαταρίας
16. Προστατευτικό λεπίδας
17. Οπή ανάρτησης

▲ ΠΡΟΕΙΔΟΠΟΙΗΣΗ: Το προϊόν αυτό αποστέλλεται πλήρως συναρμολογημένο. Το προστατευτικό χεριών δεν πρέπει ποτέ να απομακρύνεται κατά τη χρήση. Εάν προκληθεί ζημιά, αναθέστε αμέσως την αντικατάσταση του από έναν εξειδικευμένο τεχνικό του σέρβις.

▲ ΠΡΟΕΙΔΟΠΟΙΗΣΗ: Η ασφαλής χρήση του προϊόντος απαιτεί την πλήρη κατανόηση των πληροφοριών που υπάρχουν επάνω στο μηχανήμα, όπως και μέσα στο εγχειρίδιο χρήσης, όπως και τη γνώση της εργασίας που θα προσπαθήσετε να εκτελέσετε. Πριν από τη χρήση του προϊόντος, εξοικειωθείτε με όλα τα χαρακτηριστικά λειτουργίας, όπως και τους κανόνες ασφαλείας.

ΛΕΙΤΟΥΡΓΙΑ

▲ ΠΡΟΕΙΔΟΠΟΙΗΣΗ: Η εξοικείωσή σας με αυτό το προϊόν δε θα πρέπει να σας κάνει λιγότερο προσεκτικούς. Θυμηθείτε πως ένα κλάσμα δευτερολέπτου απροσεξίας μπορεί να προκαλέσει σοβαρό τραυματισμό.

▲ ΠΡΟΕΙΔΟΠΟΙΗΣΗ: Φοράτε πάντοτε προστατευτικά γυαλιά ή γυαλιά ασφαλείας με πλευρική προστασία, όπως και προστασία των αυτιών. Στην αντίθετη περίπτωση, ενδέχεται να υπάρξει εκτόξευση αντικειμένων στα μάτια σας και άλλοι πιθανοί σοβαροί τραυματισμοί.

▲ ΠΡΟΕΙΔΟΠΟΙΗΣΗ: Για να εμποδίσετε τυχαία εκκίνηση που θα μπορούσε να προκαλέσει σοβαρό ατομικό τραυματισμό, απομακρύνετε πάντα τη συστοιχία μπαταριών από το εργαλείο, όταν συναρμολογείτε εξαρτήματα, διεξάγετε ρυθμίσεις, καθαρισμό ή σε περίπτωση μη χρήσης.

⚠️ ΠΡΟΕΙΔΟΠΟΙΗΣΗ: Μην χρησιμοποιείτε προσαρτήματα ή αξεσουάρ που δε συνιστώνται από την EGO™. Η χρήση προσαρτημάτων ή εξαρτημάτων που δε συνιστώνται από τον κατασκευαστή, ενέχει τον κίνδυνο σοβαρού τραυματισμού.

Πριν από κάθε χρήση, ελέγχετε πλήρως το προϊόν για φθαρμένα, ελλιπή ή χαλαρά εξαρτήματα, όπως, βίδες, παξιμάδια, μπουλόνια, πώματα, κτλ. Συσφίξτε με ασφάλεια όλους τους σφικτήρες και τα πώματα και μη θέσετε σε λειτουργία το προϊόν προτού να αποκατασταθούν όλα τα ελλιπή ή φθαρμένα εξαρτήματα.

ΕΦΑΡΜΟΓΗ

Μπορείτε να χρησιμοποιείτε αυτό το προϊόν για την κοπή φρακίων από θάμνους και θάμνους με μια διάμετρο κλαδιού μικρότερη από Ø 30,5 mm.

ΕΙΔΟΠΟΙΗΣΗ: Το εργαλείο πρέπει να χρησιμοποιείται μόνο για την προβλεπόμενη χρήση. Οποιαδήποτε άλλη χρήση θα εκληφθεί ως καταχρηστική.

ΤΟΠΟΘΕΤΗΣΗ/ΑΦΑΙΡΕΣΗ ΤΗΣ ΣΥΣΤΟΙΧΙΑΣ ΜΠΑΤΑΡΙΩΝ

Να χρησιμοποιείται μόνο με τις συστοιχίες μπαταριών και τους φορτιστές που αναφέρονται στην Εικ. Α2.

Φόρτιση πριν από την πρώτη χρήση.

Για την εγκατάσταση (Εικ. Β)

Ευθυγραμμίστε τις νευρώσεις μπαταρίας με τις οπές τοποθέτησης και πιέστε τη συστοιχία μπαταριών, έως ότου ακούσετε ένα «κλικ».

Αφαίρεση (Εικ. C)

Πιέστε το κουμπί αποδέσμευσης μπαταρίας και βγάλτε έξω τη συστοιχία μπαταριών.

⚠️ ΠΡΟΕΙΔΟΠΟΙΗΣΗ: Να προσέχετε πάντα την τοποθεσία των ποδιών σας, παιδιών ή κατοικίδιων όταν πιέζετε το κουμπί αποδέσμευσης μπαταρίας. Μπορεί να συμβεί σοβαρός τραυματισμός εάν πέσει κάτω η συστοιχία μπαταριών. ΠΟΤΕ μην απομακρύνετε τη συστοιχία μπαταριών σε υψηλότερο σημείο.

ΠΩΣ ΝΑ ΚΡΑΤΑΤΕ ΤΟ ΘΑΜΝΟΚΟΠΤΙΚΟ (Εικ. D1-D5)

Η μονάδα διαθέτει μια μπροστινή και πίσω λαβή. Με τη λεπίδα να βλέπει μακριά από εσάς, κρατάτε τη μονάδα και με τα δύο χέρια.

Η πίσω χειρολαβή μπορεί να ρυθμιστεί σε πέντε θέσεις ($0^\circ/\pm 45^\circ/\pm 90^\circ$) ανυψώνοντας το μοχλό αποδέσμευσης χειρολαβής (Εικ. D1 έως Εικ .D5), παρέχοντάς σας πολλές επιλογές άνετης πρόσφυσης κατά την εκτέλεση εργασιών κοπής.

⚠️ ΠΡΟΕΙΔΟΠΟΙΗΣΗ: Μην ρυθμίζετε τη χειρολαβή κατά την διάρκεια λειτουργίας του εργαλείου. Σταματήστε το εργαλείο και αφαιρέστε πρώτα την μπαταρία.

ΕΝΑΡΞΗ/ΣΤΑΜΑΤΗΜΑ ΤΟΥ ΘΑΜΝΟΚΟΠΤΙΚΟΥ

Πριν τη λειτουργία απομακρύνετε το προστατευτικό λεπίδας και κρατήστε το θαμνοκοπτικό και με τα δύο χέρια, το ένα χέρι στην πίσω λαβή και το άλλο στην μπροστινή λαβή. Στη συνέχεια, βεβαιωθείτε ότι στέκεστε σταθερά, όρθια και σε σωστή απόσταση κοπής.

Ενεργοποίηση

1. Εγκαταστήστε τη συστοιχία μπαταριών.
2. Πιέστε και διατηρήστε πατημένη την μπροστινή σκανδάλη με το ένα χέρι.
3. Πιέστε και διατηρήστε πατημένο το κουμπί ασφάλισης με τον αντίχειρα του άλλου σας χεριού, και στη συνέχεια, πιέστε την πίσω σκανδάλη με τα δάχτυλά σας για να εκκινήσετε το θαμνοκοπτικό. Αποδεσμεύστε το κουμπί απασφάλισης, ωστόσο συνεχίστε να πιέζετε τη σκανδάλη για συνεχή λειτουργία.

Απενεργοποίηση

Μετακινήστε το θαμνοκοπτικό μακριά από την περιοχή κοπής και αποδεσμεύστε οποιαδήποτε από τις σκανδάλες για να απενεργοποιήσετε το θαμνοκοπτικό.

⚠️ ΠΡΟΕΙΔΟΠΟΙΗΣΗ: Πάντα απομακρύνετε τη συστοιχία μπαταριών από το θαμνοκοπτικό κατά τη διάρκεια διαλειμμάτων και μετά την ολοκλήρωση της εργασίας.

ΧΡΗΣΗ ΤΟΥ ΘΑΜΝΟΚΟΠΤΙΚΟΥ

⚠️ ΚΙΝΔΥΝΟΣ: Αν η λεπίδα φρακάρει σε ηλεκτρικό καλώδιο ή γραμμή, **ΜΗΝ ΤΗΝ ΑΓΓΙΖΕΤΕ! ΜΠΟΡΕΙ ΝΑ ΕΙΝΑΙ ΗΛΕΚΤΡΟΦΟΡΑ ΚΑΙ ΠΟΛΥ ΕΠΙΚΙΝΔΥΝΗ.** Συνεχίστε να κρατάτε το θαμνοκοπτικό από τη μονωμένη πίσω λαβή ή ακουμπήστε το με ασφάλεια κάτω και μακριά από εσάς. Διακόψτε την παροχή ρεύματος προς την κατεστραμμένη γραμμή ή το κατεστραμμένο καλώδιο προτού να επιχειρήσετε να αποδεσμεύσετε τη λεπίδα από αυτά. Αν αγνοήσετε αυτή την προειδοποίηση, μπορεί να προκληθεί σοβαρός τραυματισμός ή και θάνατος.

⚠️ ΠΡΟΕΙΔΟΠΟΙΗΣΗ: Αποφεύγετε μεγάλες κοπές μονομιάς ή μέσα από την πυκνή διάταξη θάμνων. Έτσι θα δυσκολευτεί η κίνηση των λεπίδων και θα είναι αργή με αποτέλεσμα να μειωθεί η απόδοση κοπής.

ΕΙΔΟΠΟΙΗΣΗ: Το θαμνοκοπτικό πρέπει να χρησιμοποιείται για την κλοπή κλαδιών με πάχος μικρότερο από (30,5 mm).

ΕΙΔΟΠΟΙΗΣΗ: Για νέους θάμνους είναι κατάλληλη μια πλατιά σαρωτική κίνηση για τα κοτσάνια ώστε να τροφοδοτούνται άμεσα στη λεπίδα κοπής. Για παλαιότερους θάμνους είναι καλή μια κίνηση κοπής για την κοπή χοντρότερων κοτσανιών. Συστήνεται ένα πριόνι χειρός ή πριόνι κλαδέματος για την κοπή πρώτα μεγάλων κοτσανιών.

Κοπή από επάνω

Πραγματοποιείτε ευρεία σαρωτική κίνηση. Μια ελαφριά καθοδική κλίση των λεπίδων κοπής στον κατεύθυνση της κίνησης παρέχει τα καλύτερα αποτελέσματα κοπής. Για καλύτερα αποτελέσματα κοπής μπορείτε επίσης να χρησιμοποιήσετε το νήμα για την ευθύγραμμη κοπή του θάμνου όπως φαίνεται στην Εικ. Ε.

Πλαϊνή κοπή

Κατά την κοπή των πλαϊνών ενός θάμνου, ξεκινάτε στο κάτω μέρος και κόβετε προς τα επάνω όπως φαίνεται στην Εικ. F. Κόψτε στα πλάγια ενός θάμνου, έτσι ώστε να είναι λίγο πιο λεπτό το επάνω μέρος. Αυτό το σχήμα θα εκθέτει μεγαλύτερο μέρος από το θάμνο στο ηλιακό φως με αποτέλεσμα πιο ομοιόμορφη ανάπτυξη.

ΣΥΝΤΗΡΗΣΗ

▲ ΠΡΟΕΙΔΟΠΟΙΗΣΗ: Κατά τη συντήρηση του εργαλείου, χρησιμοποιείτε μόνο όμοια ανταλλακτικά. Η χρήση οποιωνδήποτε άλλων εξαρτημάτων μπορεί να προκαλέσει κίνδυνο ή υλικές ζημιές. Για να διασφαλιστεί η ασφάλεια και η αξιοπιστία, όλες οι επισκευές πρέπει να διεξάγονται από εξειδικευμένο τεχνικό σέρβις.

▲ ΠΡΟΕΙΔΟΠΟΙΗΣΗ: Για την αποφυγή σοβαρού ατομικού τραυματισμού, αφαιρείτε πάντοτε τη συστοιχία μπαταριών από το προϊόν πριν από τον καθαρισμό του ή πριν από οποιαδήποτε συντήρηση.

ΚΑΘΑΡΙΣΜΟΣ

- Χρησιμοποιείτε μια μαλακιά βούρτσα για την απομάκρυνση υπολειμμάτων από όλες τις εισόδους αέρα και από τη λεπίδα κοπής.
- Για να απομακρύνετε υπολείμματα που κολλάνε, ψεκάστε τις λεπίδες με διάλυμα ρητίνης. Θέστε σε σύντομη λειτουργία τον κινητήρα έτσι ώστε το διάλυμα να μοιραστεί ομοιόμορφα.
- Σκουπίστε την επιφάνεια με ένα στεγνό πανί.

▲ ΠΡΟΕΙΔΟΠΟΙΗΣΗ: Ποτέ μη χρησιμοποιείτε νερό για τον καθαρισμό του θαμνοκοπτικού σας. Αποφεύγετε τη χρήση διαλυτών κατά τον καθαρισμό των πλαστικών

εξαρτημάτων. Τα περισσότερα πλαστικά είναι ευπαθή στη χρήση διαφόρων τύπων διαλυτών του εμπορίου. Χρησιμοποιείτε καθαρά πανιά για την απομάκρυνση βρωμιάς, σκόνης, λαδιού, γράσου κλπ.

ΑΚΟΝΙΣΜΑ ΤΗΣ ΛΕΠΙΔΑΣ ΚΟΠΗΣ

1. Εκκινείτε και σταματάτε το θαμνοκοπτικό σας μέχρι η λεπίδα κοπής και το προστατευτικό να είναι λίγο μετατοπισμένη όπως φαίνεται στην Εικ. G. Έτσι θα υπάρξει ένα κενό για τη λίμα ανάμεσα στην οδόντωση κόφτη και την προστατευτική οδόντωση.
2. Αφαιρείτε τη συστοιχία μπαταριών από το ψαλίδι μπορντούρας.
3. Τοποθετήστε τη διάταξη της λεπίδας σε μια μέγγενη και ακονίστε την εκτεθειμένη επιφάνεια κοπής κάθε οδόντωσης της λεπίδας. Αφαιρέστε όσο το δυνατό λιγότερο υλικό. Βεβαιώστε ότι διατηρείτε την αρχική γωνία κάθε οδόντωσης κατά το λιμάρισμα.
4. Απομακρύνετε το θαμνοκοπτικό από τη μέγγενη. Επανεκκινήστε και σταματήστε το για να εκθέσετε τις μη ακονισμένες ακμές της οδόντωσης λεπίδας.
5. Απομακρύνετε τη συστοιχία μπαταριών και επαναλάβετε την ανωτέρω διαδικασία ακονίσματος.

ΕΙΔΟΠΟΙΗΣΗ: Μη χρησιμοποιείτε το θαμνοκοπτικό αν οι λεπίδες είναι στομωμένες ή έχουν υποστεί ζημιά. Μπορεί να προκληθεί υπερφόρτωση και τα αποτελέσματα κοπής να μην είναι ικανοποιητικά.

ΛΙΠΑΝΣΗ ΤΗΣ ΛΕΠΙΔΑΣ (Εικ. Η)

Για καλύτερη εργασία και μεγαλύτερη διάρκεια ζωής των λεπίδων, λιπαίνετε τη λεπίδα του θαμνοκοπτικού με ελαφρύ λάδι μηχανών πριν και μετά από κάθε χρήση. Απομακρύνετε τη συστοιχία μπαταριών και τοποθετήστε το θαμνοκοπτικό επάνω σε μια επίπεδη επιφάνεια. Εφαρμόστε το λάδι κατά μήκος της ακμής στην επάνω λεπίδα.

ΕΙΔΟΠΟΙΗΣΗ: Για επιμήκυνση της διάρκειας ζωής λαδώνετε τη λεπίδα κατά τη διάρκεια της λειτουργίας κοπής.

▲ ΠΡΟΕΙΔΟΠΟΙΗΣΗ: Μη λιπαίνετε όταν το ψαλίδι μπορντούρας βρίσκεται σε λειτουργία.

ΜΕΤΑΦΟΡΑ ΚΑΙ ΑΠΟΘΗΚΕΥΣΗ

- Τοποθετείτε πάντα το προστατευτικό λεπίδας στη λεπίδα, προτού αποθηκεύσετε ή μεταφέρετε το θαμνοκοπτικό. Προσέχετε τα αιχμηρά δόντια της λεπίδας.
- Καθαρίστε το θαμνοκοπτικό επιμελώς πριν από την αποθήκευση.

- Αποθηκεύστε το θαμνοκοπτικό σε εσωτερικό, στεγνό χώρο, όπου δεν πλησιάζουν παιδιά.
- Να διατηρείται μακριά από διαβρωτικές ουσίες, όπως χημικές ουσίες και αποπαγωτικά άλατα κήπου.

⚠ ΠΡΟΕΙΔΟΠΟΙΗΣΗ: Οι λεπίδες είναι αιχμηρές. Όταν χειρίζεστε το συγκρότημα λεπίδας, φοράτε αντιολισθητικά, ανθεκτικά προστατευτικά γάντια. Μην τοποθετείτε το χέρι ή τα δάχτυλά σας μεταξύ των λεπίδων ή σε οποιαδήποτε θέση όπου μπορεί να μαγκωθούν ή κοπούν. ΠΟΤΕ μην αγγίζετε τις λεπίδες ή μην συντηρείτε τη μονάδα με εγκατεστημένη τη συστοιχία μπαταριών.

Προστασία του περιβάλλοντος



Μην απορρίπτετε ηλεκτρικό εξοπλισμό, παλιές μπαταρίες και φορτιστές στα οικιακά απορρίμματα! Μεταφέρετε αυτό το προϊόν σε εξουσιοδοτημένο κέντρο ανακύκλωσης και παραδώστε το για ξεχωριστή συλλογή. Τα ηλεκτρικά εργαλεία πρέπει να επιστρέφονται σε περιβαλλοντικά συμβατή μονάδα ανακύκλωσης.

ΑΝΤΙΜΕΤΩΠΙΣΗ ΠΡΟΒΛΗΜΑΤΩΝ

| ΠΡΟΒΛΗΜΑ | ΑΙΤΙΑ | ΑΝΤΙΜΕΤΩΠΙΣΗ |
|--------------------------------------|---|--|
| Το ψαλίδι μπροντούρας δε λειτουργεί. | <ul style="list-style-type: none"> ■ Η συστοιχία μπαταριών δεν έχει προσαρτηθεί στο θαμνοκοπτικό. ■ Δεν υπάρχει ηλεκτρική επαφή μεταξύ του θαμνοκοπτικού και της μπαταρίας ■ Η συστοιχία μπαταριών έχει αδειάσει. ■ Η συστοιχία μπαταριών είναι υπερβολικά ζεστή. ■ Το θαμνοκοπτικό είναι υπερβολικά ζεστό. ■ Οι μπροστινή και η πίσω σκανδάλη δεν πατήθηκαν ταυτόχρονα. ■ Η λεπίδα είναι μπλοκαρισμένη. | <ul style="list-style-type: none"> ■ Προσαρτήστε τη συστοιχία μπαταριών στο θαμνοκοπτικό. ■ Απομακρύνετε τη συστοιχία μπαταριών, ελέγξτε τις επαφές και εγκαταστήστε τη συστοιχία μπαταριών εκ νέου. ■ Φορτίστε τη συστοιχία μπαταριών. ■ Αφαιρέστε τη συστοιχία μπαταριών από το ηλεκτρικό εργαλείο και αφήστε την να κρυώσει, ώσπου η θερμοκρασία της να πέσει κάτω από τους 67°C. ■ Αποδεσμεύστε τις σκανδάλες. Αφήστε το θαμνοκοπτικό να κρυώσει, ώσπου να επανέλθει σε φυσιολογική θερμοκρασία. ■ Πιέστε πρώτα το κουμπί ασφάλισης και, στη συνέχεια, πιέστε ταυτόχρονα τις σκανδάλες στην μπροστινή και πίσω λαβή. ■ Αφαιρέστε τη συστοιχία μπαταριών από το ηλεκτρικό εργαλείο, απομακρύνετε προσεκτικά το εμπόδιο, και στη συνέχεια, επαναποθετήστε τη συστοιχία μπαταριών και επανεκκινήστε το ηλεκτρικό εργαλείο. |
| Υπερβολικοί κραδασμοί ή θόρυβος. | <ul style="list-style-type: none"> ■ Στεγνές ή διαβρωμένες λεπίδες. ■ Οι λεπίδες ή η υποστήριξη λεπίδας έχει λυγίσει. ■ Λυγισμένη ή φθαρμένη οδόντωση. ■ Λασκαρισμένα μπουλόνια λεπίδας. | <ul style="list-style-type: none"> ■ Λιπαίνετε τις λεπίδες σύμφωνα με το απόσπασμα «ΛΙΠΑΝΣΗ ΤΗΣ ΛΕΠΙΔΑΣ» στο παρόν εγχειρίδιο. ■ Τοποθετήστε νέα λεπίδα ή νέα βάση λεπίδας. Επικοινωνήστε με το κέντρο σέρβις της EGO για την υπηρεσία αντικατάστασης της λεπίδας ή της υποστήριξης. ■ Τοποθετήστε νέα λεπίδα. Επικοινωνήστε με το κέντρο σέρβις της EGO για την υπηρεσία αντικατάστασης λεπίδας. ■ Συσφίξτε τα μπουλόνια λεπίδας. Χρησιμοποιώντας ένα κλειδί, γυρίστε δεξιόστροφα το μπουλόνι για σφίξτε. |

GR

ΕΓΓΥΗΣΗ

ΠΟΛΙΤΙΚΗ ΕΓΓΥΗΣΗΣ EGO

Επισκεφθείτε την ιστοσελίδα egopowerplus.com για όλους τους δρους και τις προϋποθέσεις της πολιτικής εγγύησης EGO.

TÜM TALIMATLARI OKUYUN!



KULLANIM KILAVUZUNU OKUYUN

UYARI: Artık risk! Kalp pili gibi elektronik cihaz kullanan kişiler bu ürünü kullanmadan önce hekimlerine danışmalıdır. Elektrikli cihazların, kalp pili yakınında çalıştırılması kalp piliinde parazite veya arızaya neden olabilir.

UYARI: Güvenliği ve güvenilirliği sağlamak için tüm onarım ve değiştirme işlemleri yetkili bir servis teknisyeni tarafından gerçekleştirilmelidir.

UYARI: bu elektrikli alet ile birlikte verilen tüm güvenlik uyarılarını, talimatları, çizimleri ve teknik özellikleri okuyun. Aşağıdaki talimatların tamamına uyulmaması elektrik çarpması, yangın ve/veya ciddi yaralanma ile sonuçlanabilir.

TÜM UYARI VE TALIMATLARI GELECEKTE BAŞVURU AMACIYLA MUHAFAZA EDİN.

GÜVENLİK SEMBOLLERİ

UYARI: Elektrikli aletler kullanılırken yabancı nesnelere gözlerinize fırlayabilir ve bu da gözlerinize ciddi biçimde zarar verebilir. Elektrikli aleti kullanmaya başlamadan önce daima göz koruması veya yan siperleri olan koruyucu gözlük takın ve gerektiğinde tam yüz siperi kullanın. Gözlük üzerine kullanım için Wide Vision Koruyucu Maske ya da yan siperleri olan standart koruyucu gözlükleri tavsiye ederiz.



Güvenlik Uyarısı



Yaralanma riskini azaltmak için kullanıcı, kullanma kılavuzunu mutlaka okumalıdır.



Bu ürünü yağmur altında kullanmayın veya yağmur yağarken dışarıda bırakmayın.



Garanti edilen ses gücü seviyesi. Çevre gürültü emisyonu Avrupa Birliği Yönetmeliğine uygundur.



Bu ürün, yürürlükteki AB yönetmeliklerine uygundur.



Bu ürün, yürürlükteki Birleşik Krallık yasalarna uygundur.



Atık elektrikli ürünler, evsel atıklar ile birlikte bertaraf edilmemelidir. Yetkili bir geri dönüşüm merkezine teslim edilmelidir.



Koruyucu gözlük ve başlık takın.



Elleri ve ayakları kesme aletinden uzak tutun.



Bıçak uzunluğu



Doğru Akım



Voltaj



Milimetre



Dakika Başına



Yüksüz Hız



Santimetre

TR

TEKNİK ÖZELLİKLER

| | | |
|---|-------------------------|---|
| Model | HT2600E | |
| Voltaj | 56 V --- | |
| Yüksüz Hız | 1700/dk. | |
| Bıçak Uzunluğu | 66 cm | |
| Kesme Kapasitesi | 30,5 mm | |
| Ağırlık (batarya ve zincir kapağı hariç) | 3,14 kg | |
| Önerilen Çalışma Sıcaklığı | 0°C - 40°C | |
| Tavsiye Edilen Depolama Sıcaklığı | -20°C - 70°C | |
| Ölçülen ses gücü düzeyi L_{WA} | 92 dB(A) K=1,7 dB(A) | |
| Operatör konumundaki ses gücü düzeyi L_{PA} | 84 dB(A) K=3,0 dB(A) | |
| Garanti edilen ses gücü seviyesi L_{WA} (2000/14/EC uyarınca) | 94 dB(A) | |
| Titreşim a_h | Ön Tutma Sapı | 2,49 m/s ² K=1,5 m/s ² |
| | Arka Tutma Sapı | 1,65 m/s ² K=1,5 m/s ² |

- Beyan edilen toplam titreşim değeri, standart test yöntemine uygun olarak ölçülmüştür ve bir aleti diğer bir alet ile karşılaştırmak için kullanılabilir.
- Beyan edilen toplam titreşim değeri, maruz kalma seviyesinin ilk değerlendirmesi için de kullanılabilir.

DİKKAT: Elektrikli aletin fiili kullanımı sırasında oluşan titreşim emisyonu değeri aletin kullanım şekline bağlı olarak beyan edilen değerden farklı olabilir. Operatör korunmak için fiili kullanım koşullarında eldiven ve kulak koruması takmalıdır.

AMBALAJ İÇERİĞİ (ŞEK. A1)

AÇIKLAMA

ÇİT BUDAMA MAKİNENİZİ TANIYIN (Şek. A1)

1. Askı Deliği
2. Uç Korumucu
3. Testere
4. El Koruması
5. Ön Tutma Sapı

6. Ön Tetik
7. Kilitleme Düğmesi
8. Arka Tetik
9. Arka Tutma Sapı
10. Tutma Sapı Çıkarma Mandalı
11. Batarya çıkarma düğmesi
12. Mandal
13. Elektrik Kontakları
14. Batarya montaj yuvası
15. Batarya Çıkarma
16. Bıçak Koruması
17. Askı Deliği

⚠ UYARI: Bu ürün tamamen monte edilmiş olarak sevk edilmiştir. El koruması kullanın sırasında asla çıkarılmamalıdır. Hasarlı olduğunda, hemen yetkili bir servis teknisyeni tarafından değiştirin.

⚠ UYARI: Bu ürünün güvenli şekilde kullanılması, proje bilgisinin yanı sıra alet üzerinde ve bu kullanım kılavuzunda yer alan bilgilerin anlaşılmasını gerektirir. Bu ürünü kullanmadan önce, tüm çalıştırma özelliklerini ve güvenlik kurallarını öğrenin.

ÇALIŞMA

⚠ UYARI: Bu ürüne karşı edindiğiniz alışkanlığın sizi dikkatsiz yapmasına izin vermeyin. Bir anlık dikkatsizliğin ciddi yaralanmalara sebep olabileceğini unutmayın.

⚠ UYARI: Daima yan siperleri olan göz koruması ve kulak koruması kullanın. Aksi halde gözlerinize nesnelere fırlayabilir ve başka ciddi yaralanmalar oluşabilir.

⚠ UYARI: Yanlışlıkla çalışarak ciddi yaralanmalara neden olmasını önlemek için parçaları monte ederken, ayar yaparken, temizlikten önce ve ürün kullanımında değilken daima bataryayı aletten çıkarın.

⚠ UYARI: EGO™ tarafından önerilmeyen parça veya aksesuarları kullanmayın. Tavsiye edilmeyen aksesuarların veya aparatların kullanımı ciddi kişisel yaralanmalara sebep olabilir.

Her kullanımdan önce ürünü inceleyerek vida, somun, civata, kapak gibi parçaların hasarlı, eksik veya gevşek olup olmadığını kontrol edin. Tüm bağlantı parçalarını ve kapakları sıkın, bu ürünü eksik veya hasarlı parçalar değiştirilmeden çalıştırmayın.

UYGULAMA

Bu ürünü, ø30,5 mm'ye kadar çapa sahip dalları olan çitleri ve çalılıkları budamak için kullanabilirsiniz.

DİKKAT: Bu alet sadece belirtilen kullanım amacına uygun kullanılmalıdır. Diğer kullanım şekilleri hatalı kullanım olarak kabul edilir.

BATARYAYI TAKMA/ÇIKARMA

Ürünü sadece şekil A2'e listelenen batarya ve şarj cihazlarıyla kullanın.

İlk kullanımdan önce şarj edin.

Takmak için (Şek. B)

Bataryanın çıkıntılarını ile montaj yuvalarını hizalayın ve "klik" sesi duyuncaya kadar bataryayı aşağıya bastırın.

Çıkarmak için (Şek. C)

Batarya çıkarma düğmesine basın ve bataryayı çekip çıkarın.

⚠ UYARI: Batarya çıkarma düğmesine basarken daima ayaklarınızın durduğu yere, çocuklara veya evcil hayvanlara dikkat edin. Batarya düşerse ciddi yaralanmaya neden olabilir. ASLA bataryayı yüksek bir yerden çıkarmayın.

ÇİT BUDAMA MAKİNESİNİ TUTMA (Şek. D1-D5)

Ünitede hem ön hem de arka tutma sapı vardır. Bıçak sizden uzağa doğru olacak şekilde, üniteyi her iki saptan da tutun.

Arka tutma sapı, tutma sapı çıkarma mandalı kaldırılarak (Şekil D1 ile Şekil D5) beş konuma ($0^\circ/\pm 45^\circ/\pm 90^\circ$) ayarlanabilir, bu da kesim yaparken size rahat bir tutuş için birçok seçenek sunar.

⚠ UYARI: Alet çalışırken tutma sapını ayarlamayın. Aleti durdurun ve önce bataryayı çıkarın.

ÇİT BUDAMA MAKİNESİNİ ÇALIŞTIRMA/ DURDURMA

Çalıştırmadan önce, bıçak korumasını çıkarın ve bir eliniz arka tutma sapında ve diğer eliniz ön tutma sapında olmak üzere budama makinesini iki elinizle tutun. Ardından ayağınızı yere sağlam bastığınızdan, dik durduğunuzdan ve uygun kesim mesafesine sahip olduğunuzdan emin olun.

Çalıştırmak için

1. Bataryayı takın.
2. Bir elinizle ön tetiği sıkın ve tutun.
3. Diğer elinizin baş parmağıyla kilitleme düğmesini basılı tutun ve ardından çit budama makinesini çalıştırmak için arka tetiği parmaklarınızla sıkın. Kilitleme düğmesini serbest bırakın ancak sürekli kullanım için tetiğe basmaya devam edin.

Durdurmak için

Çit budama makinesini kesme alanından uzaklaştırın ve makineyi durdurmak için arka tetiği bırakın.

⚠ UYARI: Mola verdiğinizde ve işiniz bittikten sonra her zaman bataryayı çit budama makinesinden çıkarın.

ÇİT BUDAMA MAKİNESİNİN KULLANIMI

⚠ TEHLİKE: Bıçağın elektrik kablosu veya hattına takılması/sıkışması durumunda **BIÇAĞA DOKUNMAYIN! BIÇAK ELEKTRİKSEL OLARAK AKIM ALTINDA OLABİLİR VE ÇOK TEHLİKELİDİR.** Çit budama makinesini yalıtımlı arka sapından tutmaya devam edin veya yere yatırın ve sizden uzak bir şekilde tutun. Bıçağı kablodan kurtarmaya çalışmadan önce hasarlı elektrik hattına giden elektrik beslemesini kesin. Bu uyarıya uyulmadığı takdirde, ciddi kişisel yaralanmalar veya ölüm tehlikesi söz konusudur.

⚠ UYARI: Yoğun çalılık içine daldırarak bir defada çok fazla budama yapmaktan kaçının. Böyle yapılması bıçakları engelleyip yavaşlatarak kesim verimini düşürür.

DİKKAT: Budama makinesi 30,5 mm kalınlığa kadar olan saplara kesmek için kullanılabilir.

DİKKAT: Yeni filizleri budarken geniş bir süpürme hareketi yaparak dalların doğrudan kesim bıçağına beslenmesini sağlayın. Daha yaşlı dallar daha kalın köklere sahiptir ve kesme hareketi ile daha kolay kesilecektir. Geniş dalları budamak için el testeresi veya budama testeresi önerilir.

Üstten Kesim

Geniş bir süpürme hareketi yaparak kullanın. Kesim bıçaklarının hareket yönünde hafif aşağıya eğilmesi en iyi kesim sonuçlarını sağlar. Daha iyi kesim etkisi için Şek. E'de gösterildiği gibi çit seviyesini yönlendirmek üzere bir ip kullanabilirsiniz.

Yandan Kesim

Çitin kenarlarını budarken, alttan başlayıp Şekil F'de gösterildiği gibi yukarı doğru kesin. Çitin kenarını üstte biraz daha dar olacak şekilde kesin. Bu şekil, çitin daha fazla güneş almasına ve böylece daha eşit bir şekilde büyümesine izin verecektir.

BAKIM

⚠ UYARI: Bakım yaparken sadece aynı olan yedek parçaları kullanın. Diğer parçaların kullanılması tehlike oluşturabilir veya ürünün hasar görmesine neden olabilir. Emniyet ve güvenilirliği sağlamak için tüm tamir işleri uzman bir servis teknisyeni tarafından yapılmalıdır.

⚠ UYARI: Ciddi yaralanmaları önlemek için temizlik veya bakım işlemi gerçekleştirirken daima bataryayı üründen çıkarın.

TEMİZLİK

- Yumuşak bir fırça kullanarak tüm hava girişlerindeki ve kesme bıçaklarındaki artıkları temizleyin.
- Zift ve diğer yapışkan artıkları çıkarmak için, bıçaklara reçineli solvent püskürtün. Motoru yavaşça çalıştırın, böylece solvent eşit olarak dağılmış olur.
- Yüzeyini kuru bir bezle temizleyin.

⚠ UYARI: Çim biçme makinenizi temizlemek için asla su kullanmayın. Plastik parçaları temizlerken çözücü maddeler kullanmaktan kaçının. Çoğu plastik parça çeşitli tip ticari solventlerden zarar görebilir. Kir, toz, yağ, gres gibi maddeleri gidermek için temiz bez kullanın.

KESME BIÇAĞININ BİLENMESİ

1. Kesme bıçağı ve koruyucu, Şekil G'de gösterildiği gibi hafifçe dengelenene kadar çit budama makinesini çalıştırın ve durdurun. Bu işlem, kesici dişler ve koruyucu dişler arasındaki eğe için boşluk bırakacaktır.
2. Bataryayı çit budama makinesinden çıkarın.
3. Bıçak tertibatını bir mengene ile sıkıştırın ve her bir bıçak dişinin açıkta kalan kesme yüzeyini bileyin. Olabildiği kadar az malzeme alın. Bileme sırasında her dişin orijinal açısını koruduğunuzdan emin olun.
4. Çit budama makinesini mendenen çıkarın, makineyi yeniden başlatın ve bıçak dişlerinin keskin olmayan kenarlarını ortaya çıkarmak için durdurun.
5. Bataryayı çıkarın ve yukarıdaki bileme prosedürünü tekrarlayın.

DİKKAT: Çit budama makinenizi kör veya hasar görmüş kesme bıçakları ile kullanmayın. Böyle yapılması aşırı yüklenmeye yol açarak tatmin edici olmayan kesim sonuçlarına neden olabilir.

TR

BIÇAĞI YAĞLAMA (Şek. H)

En doğru kullanım ve uzun bıçak ömrü için, her kullanımdan önce ve sonra çit budama makinesini ince makine yağı ile yağlayın.

Bataryayı çıkarın ve çit budama makinesini düz bir yüzeye yerleştirin. Üst bıçağın kenarı boyunca yağ uygulayın.

DİKKAT: Uzun süre kullanılacaksa, kesim işlemi sırasında bıçağı yağlayın.

⚠ UYARI: Çit budama makinesi çalışırken yağlama yapmayın.

TAŞIMA VE DEPOLAMA

- Çit budama makinesini depolamadan veya taşımadan önce daima bıçak korumasını bıçağına yerleştirin. Bıçağın keskin dişlerine karşı dikkatli olun.
- Çit budama makinesini saklamadan önce tamamen temizleyin.
- Çit budama makinesini çocukların ulaşamayacağı, kapalı ve kuru bir yerde saklayın.
- Bahçe kimyasalları ve eritici tuzlar gibi aşındırıcı maddelerden uzak tutun.

⚠ UYARI: Bıçaklar keskindir. Bıçak aksamı ile uğraşırken kaymaz, ağır hizmet tipi koruyucu eldiven giyin. Ellerinizi veya parmaklarınızı bıçakların arasında veya sıkışabilecekleri ya da kesilebilecekleri herhangi bir yere koymayın. ASLA bıçaklara dokunmayın ya da batarya takılı iken üniteye bakım yapmayın.

Çevre koruması



Elektrikli cihazları, kullanılmış bataryayı ve şarj cihazını evsel atıklarla bertaraf etmeyin! Bu ürünü yetkili bir geri dönüşüm merkezine götürün ve ayrı bir şekilde toplanmasını sağlayın. Elektrikli aletler çevreyle uyumlu bir geri dönüşüm tesisine götürülmelidir.

SORUN GİDERME

| SORUN | NEDENİ | ÇÖZÜM |
|----------------------------------|--|--|
| Çit budama makinesi çalışmıyor. | <ul style="list-style-type: none"> ■ Batarya, çit budama makinesine takılı değildir. ■ Budama makinesi ile batarya arasında elektrik teması yoktur. ■ Batarya boşalmıştır. ■ Batarya çok sıcaktır. ■ Çit budama makinesi çok sıcaktır. ■ Arka ve ön tetiklere aynı anda basılmamıştır. ■ Bıçak sıkışmıştır. | <ul style="list-style-type: none"> ■ Bataryayı çit budama makinesine takın. ■ Bataryayı çıkarın, temas noktalarını kontrol edin ve bataryayı yeniden takın. ■ Bataryayı şarj edin. ■ Bataryayı makineden çıkarın ve sıcaklık 67°C'nin altına düşene kadar soğumaya bırakın. ■ Her iki tetiği de bırakın; çit budama makinesinin normal sıcaklığın altına düşene kadar soğumasını bekleyin. ■ Önce kilitleme düğmesine basın ve ardından ön ve arka tutma sapındaki tetiklere aynı anda basın. ■ Bataryayı makineden çıkarın, sorunu dikkatli bir şekilde düzeltin, ardından bataryayı yeniden takın ve makineyi yeniden başlatın. |
| Aşırı titreşim veya gürültü var. | <ul style="list-style-type: none"> ■ Bıçaklar kuru veya paslıdır. ■ Bıçaklar veya bıçak desteği eğilmiştir. ■ Dişler eğik veya hasarlıdır. ■ Bıçak civataları gevşektir. | <ul style="list-style-type: none"> ■ Bu kılavuzdaki "BIÇAĞI YAĞLAMA" bölümüne uygun olarak bıçakları yağlayın. ■ Yeni bir bıçakla veya destekle değiştirin. Bıçak veya destek değiştirme hizmeti için EGO servis merkeziyle irtibata geçin. ■ Yeni bir bıçakla değiştirin. Bıçak değişimi için EGO servis merkeziyle irtibata geçin. ■ Bıçak civatalarını sıkın. Bir anahtar kullanarak civatayı saat yönünde çevirerek sıkın. |

TR

GARANTİ

EGO GARANTİ POLİTİKASI

EGO Garanti Politikasına ilişkin tüm hükümler ve koşullar için lütfen egopowerplus.com adresindeki web sitemizi ziyaret edin.

LUGEGE KÕIKI JUHISEID!



LUGEGE KASUTUSJUHENDIT

⚠ HOIATUS! Kaasnev risk! Inimesed, kes kasutavad elektroonilisi seadmeid, nt südamestimulaatorit, peaksid enne selle toote kasutamist konsulteerima oma arstiga. Elektriseadmete kasutamine südamestimulaatori läheduses võib põhjustada südamestimulaatori häireid või rikkeid.

⚠ HOIATUS! Ohutuse ja töökindluse tagamiseks tohivad seda seadet remontida ainult vastava kvalifikatsiooniga hooldustehnikud.

⚠ HOIATUS! Lugege läbi kõik elektritööriistaga kaasas olevad hoiatused, juhised, joonised ja andmed. Alltoodud juhiste eiramine võib põhjustada elektrilööki, tulekahju ja/või tõsiseid vigastusi.

SÄILITAGE HOIATUSED JA JUHISED HILISEMAKS KASUTUSEKS.

OHUTUSSÜMBOLID

⚠ HOIATUS! Mis tahes elektriliste tööriistade kasutamine võib põhjustada võõrkehade paiskumist silma, mis võib tekitada tõsiseid silmakahjustusi. Elektriliste tööriistade kasutamise ajal kandke alati kaitseprille või külgakaitsetega kaitseprille ja vajadusel täielikku näokaitset. Soovitame kanda prillide peal laia vaatealaga kaitsemaski või standardseid külgakaitsetega kaitseprille.



Ohutusteade



Vigastuste ohu vähendamiseks peab kasutaja enne toote kasutamist kasutusjuhendit lugema.



Mitte kasutada vihma käes ega jätta välitingimustesse vihmajärgu ajal.



Garanteeritud helivõimsuse tase. Seadme müra keskkonnas on Euroopa Ühenduse direktiiviga vastavuses.



Toode vastab rakendatavatele EÜ direktiividele.



Toode vastab kohaldatavatele Ühendkuningriigi õigusaktidele.



Elektriseadmete jäätmeid ei tohi visata olmejäätmete hulka. Viige volitatud taaskäitleja juurde.



Kandke kaitseprille ja kiivrit.



Hoidke käed ja jalad löökurist eemal.



Tera pikkus

ET



alalisvool



Pinge

mm

Millimeeter

.../min

Minutis

n_0

Tühikäigu kiirus

cm

Sentimeeter

SPETSIFIKATSIOONID

| | | |
|---|-------------------------|---|
| Mudel | HT2600E | |
| Pinge | 56 V | |
| Tühikäigu kiirus | 1700 /min | |
| Tera pikkus | 66 cm | |
| Lõikevõimsus | 30,5 mm | |
| Kaal (ilma akuploki ja tera kaitseta) | 3,14 kg | |
| Soovituslik töökeskkonna temperatuur | 0°C-40°C | |
| Soovituslik hoiustamise temperatuur | -20°C-70°C | |
| Möödetud helivõimsuse tase L_{WA} | 92 dB(A) K=1,7 dB(A) | |
| Helirõhk seadme tööasendis L_{PA} | 84 dB(A) K=3,0 dB(A) | |
| Garanteeritud helirõhk L_{WA} (2000/14/EC kohaselt) | 94 dB(A) | |
| Vibratsioon a_n | Eesmine käepide | 2,49 m/s ² K=1,5 m/s ² |
| | Tagumine käepide | 1,65 m/s ² K=1,5 m/s ² |

- Esitatud vibratsioonitaseme näit on möödetud standardsete testmeetodite kohaselt ja seda võib kasutada erinevate tööriistade võrdlemiseks.
- Esitatud vibratsioonitaseme näitu võib kasutada ka algse kokkupuutehinna andmiseks.

MÄRKUS! Tegelikul kasutamisel tekib vibratsioonitase võib esitatust erineda; turvalisuse eesmärgil peaks seadme kasutaja tegelikes kasutustingimustes kandma kindaid ja kuulmiskaitsmeid.

PAKENDI LOEND (JOON A1)

KIRJELDUS

TUNNE OMA HEKITRIMMERIT (joon A1)

1. Riputusava
2. Tipukaitse
3. Tera
4. Käepiire
5. Eesmine käepide

6. Eesmine päästik
7. Lukustusnupp
8. Tagumine päästik
9. Tagumine käepide
10. Käepideme vabastushoob
11. Aku vabastamise nupp
12. Riiv
13. Klemmid
14. Aku paigaldamise ava
15. Aku väljastaja
16. Tera kate
17. Riputusava

⚠ HOIATUS! See toode tarnitakse täielikult kokkupanduna. Käepiiret ei tohi kunagi seadme kasutamise ajal eemaldada. Kahjustuste korral laske see viivitamatult vastava kvalifikatsiooniga tehnikul välja vahetada.

⚠ HOIATUS! Selle seadme ohutuks kasutamiseks tuleb tootele nii tootele kantud kui ka käesolevas juhendis sisalduvast teabest aru saada ning mõista ka teostatava töö aluseid. Enne toote kasutamist tutvuge selle funktsioonidega ja ohutusreeglitega.

KASUTAMINE

⚠ HOIATUS! Ärge muutuge toodet tundma õppides hooletuks. Pidage meeles, et raskeid vigastusi põhjustavaks õnnetuseks piisab ka sekundi murdosa pikkusest tähelepanematusast.

⚠ HOIATUS! Kasutage alati küljekaitsetega silmakaitseid ja kuulmiskaitseid. Vastasel korral võib teile midagi silma paiskuda ja võite saada ka muud laadi raskeid vigastusi.

⚠ HOIATUS! Raskeid vigastusi põhjustada võiva juhusliku käivitumise vältimiseks eemaldage alati akuplokk enne seadme kokkupanemist, reguleerimist, puhastamist või kui seade ei ole kasutuses.

⚠ HOIATUS! Ärge kasutage lisaseadmeid või -tarvikuid, mida EGO™ pole soovitanud. Mittesoovituslike lisaseadmete või -tarvikute kasutamine võib põhjustada raskeid kehavigastusi.

Kontrollige enne iga kasutuskorda kogu seadet, et ei esineks kahjustunud, puuduvaid või lahtisi osi, nt. kruve, mutreid, polte, korke vms. Kinnitage kindlalt kõik kinnitused ja korgid ning ärge kasutage toodet, kuni kõik puuduvad või kahjustatud osad on välja vahetatud.

ET

RAKENDUSALAD

Seda toodet võib kasutada niisuguste hekkide, põõsaste ja põõsastike pügamiseks, mille okste diameeter on väiksem kui 30,5 mm.

MÄRKUS! Seadet tohib kasutada vaid käesolevas juhendis lubatud eesmärgil. Igasugust muud kasutust loetakse väärkasutuseks.

AKUPLOKI PAIGALDAMINE/EEMALDAMINE

Kasutage ainult joonisel A2 esitatud akuplokkide ja laadijatega.

Laadige enne esimest kasutamist.

Paigaldamiseks (joon B)

Joondage aku ribad paigaldussoontega ja suruge akuplokki alla kuni kuulete klõpsatust.

Eemaldamine (joon C)

Vajutage akuvabastusnuppu ja tõmmake akuplokk välja.

⚠ HOIATUS! Akuvabastusnuppu vajutades jälgige alati oma jalgade ning läheduses viibivate laste ja loomade asukohaga. Akuploki kukkumine võib põhjustada raskeid vigastusi. Akuplokki ei tohi eemaldada kõrges kohas töötades.

HEKILÕIKURI HOIDMINE (joon D1-D5)

Seadmel on nii eesmine kui tagumine käepide. Hoidke seadet mõlemast käepidemest nii, et tera on suunatud teist eemale.

Tagumist käepidet saab seadistada viies asendis ($0^\circ/\pm 45^\circ/\pm 90^\circ$), tõstes käepideme vabastushoova üles (joonis D1 kuni joonis D5), mis annab teile palju võimalusi mugavaks haardeks lõiketööde tegemisel.

⚠ HOIATUS! Ärge reguleerige käepidet tööriista töötamise ajal. Lülitage tööriist välja ja eemaldage esmalt aku.

ET

HEKITRIMMERI KÄIVITAMINE/SEISKAMINE

Enne töö alustamist eemaldage tera kate ja hoidke trimmerit kahe käega, üks käsi eesmisel ja teine tagumisel käepidemel. Seejärel veenduge, et teie jalgealune on kindel, seisate sirgelt ja sobival lõikekaugusel.

Käivitamiseks

1. Paigaldage aku.
2. Pigistage ja hoidke ühe käega eesmist päästikut kinni.

3. Vajutage ja hoidke lukustusnuppu teise käe pöidlaga all, seejärel vajutage tagumist päästikut sõrmedega ja käivitage hekilõikur. Vabastage lukustusnupp, kuid töö jätkamiseks vajutage endiselt päästikule.

Peatamiseks

Liigutage hekilõikur lõikealast eemale ja vabastage ükskõik kumb päästik, et hekilõikur peatada.

⚠ HOIATUS! Tööpauside ajal ja pärast töö lõpetamist eemaldage alati akuplokk hekilõikuri küljest.

HEKITRIMMERI KASUTAMINE

⚠ OHT! Kui tera vahele jääb elektrijuhe või -traat, **ÄRGE PUUDUTAGE TERA! TERA VÕIB OLLA VOOLU ALL JA VÄGA OHTLIK.** Hoidke trimmerit endiselt isoleeritud käepidemest või pange maha ja nihutage ettevaatlikult endast eemale. Enne kui üritate juhet või traati tera ümber ära võtta, lülitage elekter välja. Selle nõude eiramine võib põhjustada raskeid või surmavaid vigastusi.

⚠ HOIATUS! Ärge üritage korraga väga suurt tükki lõigata ega läbi tiheda põõsastiku liikuda. Nii võite terasid painutada või aeglustada ja vähendada lõikeprotsessi tõhusust.

MÄRKUS! Trimmeriga tohib lõigata tüvesid, mille paksus on väiksem kui (30,5 mm).

MÄRKUS! Noorte taimede puhul on soovitatav kasutada otse lõiketera suunas kasvavate tüvede lõikamisel laia haaret. Vanemate taimete puhul on paksemate tüvede lõikamiseks hea kasutada saagimisliigutust. Jämedate tüvede lõikamiseks on soovitatav kasutada esmalt käsisaagi või laasimissaagi.

Tipu lõikamine

Rakendage laia pühkimisliigutust. Parima lõiketulemuse saate, kui kallutate lõiketera veidi liikumissuunas. Suurema efektiivsuse saavutamiseks võite kasutada ka soovitud heki kõrgust tähistavat nööri, nagu on näidatud joonisel E.

Külgede lõikamine

Heki külgede pügamisel alustage altpoolt ja liikuge üles, nagu on näidatud joonisel F. Piirake heki külge nii, et see jääb ülevalt poolt veidi kitsam. Nii pääseb hekini rohkem päikesevalgust, tagades taimede ühtlasema kasvu.

HOOLDUS

⚠ HOIATUS! Remontimisel kasutage vaid originaalvaruosi. Mis tahes muude osade kasutamine võib põhjustada ohtlikke olukordi või seadet vigastada. Turvalisuse ja vastupidavuse tagamiseks peab kõiki parandustöid läbi viima kvalifitseeritud hooldustehnik.

⚠ HOIATUS! Raskete kehavigastuste vältimiseks tuleb seadme puhastamise või hooldamise ajaks alati akuplokk eemaldada.

PUHASTAMINE

- Õhu sissevõtuavadelt ja löiketeralt mustuse eemaldamiseks kasutage pehmet harja.
- Vaigu ja muude kleepuvate ainete eemaldamiseks pihustage terale vaigu lahustit. Käivitage mootor hetkeks, et lahusti ühtlaselt laiali laotuks.
- Pühkige seadme pind kuiva lapiga puhtaks.

⚠ HOIATUS! Ärge kunagi puhastage trimmerit veega. Vältige plastosade puhastamisel lahustite kasutamist. Enamik plastmasse lagunevad kaubanduslike lahustite toimel kergesti. Kasutage mustuse, tolm, õli, määre jms eemaldamiseks puhast lappi.

LÖIKETERA TERITAMINE

1. Käivitage ja peatage hekilõikurit seni, kuni löiketera ja kaitse on kergelt nihkes, nagu on näidatud joonisel G. See tekitab löikehamba ja kaitse vahele avause viili jaoks.
2. Eemaldage akuplokk hekilõikuri küljest.
3. Kinnitage tera kruustangide vahele ja viilige tera kõigi hammaste välimised löikepinnad. Eemaldage nii vähe materjali kui võimalik. Jälgige, et viilimisel säiliks iga hamba algne nurk.
4. Eemaldage hekilõikuri kruustangide vahelt; taaskäivitage ja peatage seade, et vabastada löiketera teritamata hammaste servad.
5. Eemaldage akuplokk ja korra ülaltoodud teritamise protseduuri.

MÄRKUS! ärge kasutage hekitrimmerit, mille löiketerad on nürid või kahjustatud. See võib põhjustada ülekoormust ja löiketulemused ei ole rahuldavad.

TERA MÄÄRIMINE (joon H)

Parimate tulemust ja tera pika tööea tagamiseks määrige hekitrimmeri tera kerge masinaõliga enne ja pärast iga kasutuskorda.

Eemaldage akuplokk ja asetage trimmer siledale pinnale. Kandke õli ülemise tera servale.

MÄRKUS! Pikemate tööde puhul õlitage tera ka töö käigus.

⚠ HOIATUS! Ärge õlitage tera ajal, mil trimmer töötab.

TRANSPORTIMINE JA HOIUSTAMINE

- Enne hekitrimmeri hoiustamist või transportimist paigaldage alati terale kate. Olge ettevaatlikud ja vältige tera teravaid hambaid.
- Enne hoiustamist puhastage hekitrimmer hoolikalt.
- Hoidke hekitrimmerit sisetingimustes, kuivas ja lastele kättesaamatus kohas.
- Hoidke lõikuri eemal korrodeerivatest ainetest (nt aiakemikaalid ja jääsulatussoolad).

⚠ HOIATUS! Terad on teravad. Terade käsitsemisel kandke tugevast mittelibisevast materjalist töökindaid. Ärge asetage oma käsi ega sõrmi terade vahele või muusse kohta, kus on oht, et need võivad kinni jääda või võidakse maha lõigata. Enne kui terasid puudutate või hooldate, tuleb ALATI akuplokk eemaldada.

Keskonnakaitse



Ärge visake elektriseadmeid, kasutatud akut ega laadurit olmeprügi hulka! Viige toode volitatud taaskäitleja juurde ja võimaldage selle komponendid sorteerituna kõrvaldada. Elektritööriistad tuleb viia keskkonnakaitseasutusse.

TÖRKEOTSING

| PROBLEEM | PÕHJUS | LAHENDUS |
|------------------------------|---|--|
| Hekitrimmer ei tööta. | <ul style="list-style-type: none"> ■ Akuplokk pole trimmeriga ühendatud. ■ Trimmeri ja aku vahel puudub elektriline ühendus. ■ Akuplokk on tühi. ■ Akuplokk on liiga kuum. ■ Hekitrimmer on liiga kuum. ■ Eesmist ja tagumist päästikut ei vajutata samal ajal alla. ■ Tera on kinni jäänud. | <ul style="list-style-type: none"> ■ Kinnitage akuplokk hekitrtaage akuplokk hekitrimmeri külge. ■ Eemaldage aku, kontrollige ühendusi ja pange akuplokk tagasi. ■ Laadige akuplokki. ■ Eemaldage akuplokk seadme küljest ja laske sellel jahtuda, kuni temperatuur langeb alla 67°C. ■ Laske mõlemad päästikud lahti ja laske trimmeril jahtuda, kuni seadme temperatuur langeb normaalsele tasemele. ■ Esmalt vajutage lukustusnuppu ja seejärel vajutage samaaegselt nii eesmist kui tagumist päästikut. ■ Eemaldage akuplokk tööriista küljest, eemaldage ettevaatlikult tööd takistav objekt ja seejärel paigaldage aku tagasi ning käivitage tööriist uuesti. |
| Lõigne vibratsioon või müra. | <ul style="list-style-type: none"> ■ Määrimata või korrodeerunud terad. ■ Tera või tera tugi on paindunud. ■ Paindunud või kahjustunud löikehambad. ■ Lahtised tera poldid. | <ul style="list-style-type: none"> ■ Määrige teri, järgides selle juhendi leheküljel punktis „TERA MÄÄRIMINE“ antud juhiseid. ■ Vahetage tera või tugi. Tera või toe vahetamiseks võtke ühendust EGO teeninduskeskusega. ■ Vahetage seadme tera. Tera vahetamiseks võtke ühendust EGO teeninduskeskusega. ■ Keerake tera poldid tugevamalt kinni. Kiinitamiseks keerake polte mutrivõtmega päripäeva. |

GARANTII

ET

EGO GARANTIIPÕHIMÕTTED

Täielikud EGO garantiitingimused leiate veebilehelt egopowerplus.com.

ПРОЧИТАЙТЕ ВСІ ІНСТРУКЦІЇ!



ПРОЧИТАЙТЕ ПОСІБНИК З ЕКСПЛУАТАЦІЇ

⚠ ПОПЕРЕДЖЕННЯ. Залишковий ризик! Люди з електронними пристроями, наприклад кардіостимуляторами, повинні проконсультуватися зі своїм лікарем (лікарями) перед використанням цього виробу. Експлуатація електрообладнання в безпосередній близькості від кардіостимулятора може спричинити перешкоди або несправність кардіостимулятора.

⚠ ПОПЕРЕДЖЕННЯ. Для гарантування безпеки та надійності всі роботи з ремонту та заміни повинен проводити кваліфікований технічний спеціаліст.

⚠ ПОПЕРЕДЖЕННЯ. Прочитайте всі попередження безпеки, інструкції, ілюстрації та характеристики, надані з цим електроінструментом. Недотримання наведених нижче вказівок може спричинити ураження електричним струмом, пожежу та/або серйозні травми.

ЗБЕРІГАЙТЕ ВСІ ПОПЕРЕДЖЕННЯ ТА ІНСТРУКЦІЇ ДЛЯ ВИКОРИСТАННЯ В МАЙБУТЬОМУ.

СИМВОЛИ, ЩО СТОСУЮТЬСЯ БЕЗПЕКИ

⚠ ПОПЕРЕДЖЕННЯ. Використання будь-яких електроінструментів може призвести до потрапляння сторонніх предметів в очі, що може спричинити серйозне пошкодження очей. Перед початком експлуатації електроінструмента завжди надягайте закриті захисні окуляри або відкриті захисні окуляри з бічними щитами та, якщо потрібно, повнопрофільну захисну маску. Ми рекомендуємо захисну маску широкого розміру для використання поверх окулярів або стандартні відкриті захисні окуляри з бічними щитами.



Попередження щодо безпеки



З метою зменшення ризику отримання травм користувач повинен прочитати посібник з експлуатації.



Не використовуйте цей пристрій у дощ і не залишайте його в дощ надворі.



Гарантований рівень звукової потужності. Розповсюдження шуму в навколишнє середовище згідно з директивою Європейського співтовариства.



Цей виріб відповідає чинним директивам ЄС.



Цей виріб відповідає чинному законодавству Великої Британії.



Відходи електричних виробів не слід викидати разом із побутовим сміттям. Зверніться до авторизованого пункту переробки.



Носіть засоби захисту очей і голови.



Тримайте руки та ноги подалі від ріжучого інструмента!



Довжина леза



Постійний струм



Напруга



Міліметр



На хвилину



Швидкість холостого ходу



Сантиметр

UK

ТЕХНІЧНІ ХАРАКТЕРИСТИКИ

| | | |
|---|-------------------------|---|
| Модель | HT2600E | |
| Напруга | 56 В --- | |
| Швидкість холостого ходу | 1700/хв | |
| Довжина леза | 66 см | |
| Різальна здатність | 30,5 мм | |
| Вага (без акумуляторної батареї, кожуха леза) | 3,14 кг | |
| Діапазон рекомендованих робочих температур | 0°C–40°C | |
| Діапазон рекомендованих температур зберігання | -20°C–70°C | |
| Вимірний рівень звукової потужності L_{WA} | 92 dB(A) K=1,7 дБ(A) | |
| Рівень звукового тиску на місці оператора L_{PA} | 84 dB(A) K=3,0 дБ(A) | |
| Гарантований рівень звукової потужності L_{WA} (відповідно до стандарту 2000/14/ЄС) | 94 dB(A) | |
| Вібрація a_n | Передня ручка | 2,49 м/с ² K=1,5 м/с ² |
| | Задня ручка | 1,65 м/с ² K=1,5 м/с ² |

- Вказане загальне значення вібрації виміряне за стандартним методом тестування і може використовуватися для порівняння одного інструмента з іншим;
- Заявлене сумарне значення вібрації може також використовуватись для попередньої оцінки впливу.

ПРИМІТКА. Емісія вібрації під час фактичного використання електроінструмента може відрізнятись від заявленої величини, у якій використовується інструмент. Щоб захистити оператора, користувач повинен одягати рукавички та захисні навушники в реальних умовах використання.

ПАКУВАЛЬНИЙ СПИСОК (РИС. А1)

ОПИС

ОЗНАЙОМЛЕННЯ З ТРИМЕРОМ ДЛЯ ЖИВОПЛОТУ (рис. А1)

1. Отвір для вішання
2. Захисний наконечник

3. Лезо
4. Запобіжна скоба
5. Передня ручка
6. Передній тригер
7. Кнопка блокування
8. Задній тригер
9. Задня ручка
10. Важіль звільнення ручки
11. Кнопка звільнення акумулятора
12. Засувка
13. Електричні контакти
14. Паз для кріплення акумулятора
15. Викид акумулятора
16. Кожух леза
17. Отвір для вішання

⚠ ПОПЕРЕДЖЕННЯ. Цей виріб поставляється повністю зібраним. Запобіжну скобу ніколи не слід видаляти під час використання. Після пошкодження негайно доручіть замінити її кваліфікованому технічному спеціалісту.

⚠ ПОПЕРЕДЖЕННЯ. Для безпечного використання цього виробу потрібне розуміння інформації на інструменті та в цьому посібнику користувача, а також знання про проект, який ви намагаєтесь виконати. Перед використанням цього виробу ознайомтеся з усіма функціями та правилами техніки безпеки.

ЕКСПЛУАТАЦІЯ

⚠ ПОПЕРЕДЖЕННЯ. Знання виробу не має робити вас недбалим. Пам'ятайте, що півсекунди неухважності досить для серйозної травми.

⚠ ПОПЕРЕДЖЕННЯ. Завжди носіть захисні окуляри з бічними щитками та навушники. Без окулярів ви ризикуєте травмами очей від викинутих предметів та іншими серйозними травмами.

⚠ ПОПЕРЕДЖЕННЯ. Щоб запобігти випадковому запуску, що може спричинити серйозні травми, завжди виймайте акумуляторну батарею з інструмента під час монтажу деталей, регулювання, очищення або коли він не використовується.

⚠ ПОПЕРЕДЖЕННЯ. Не використовуйте приладдя чи насадки, не рекомендовані EGO™. Використання нерекomenованого приладдя чи насадок може призвести до серйозних травм.

Перед кожним використанням перевіряйте весь виріб

на предмет пошкоджень, відсутності або послаблення деталей, таких як гвинти, гайки, болти, кришки тощо. Закріпіть усі затискачі та ковпачки і не використовуйте цей прилад, доки не будуть замінені всі відсутні або пошкоджені деталі.

ЗАСТОСУВАННЯ

Ви можете використовувати цей виріб для підрізання живоплотів, чагарників і кущів із діаметром гілок менше Ø 30,5 мм.

ПРИМІТКА. Цей інструмент має використовуватись тільки за призначенням. Будь-яке інше використання вважається випадком використання не за призначенням.

УСТАНОВЛЕННЯ/ВИЙМАННЯ АКУМУЛЯТОРНОЇ БАТАРЕЇ

Використовуйте лише акумулятори та зарядні пристрої, перелічені на рис. A2

Зарядіть перед першим використанням.

Установлення (рис. B)

Вирівняйте виступи на акумуляторі з кріпильними отворами та натисніть на акумуляторну батарею, доки не почуєте «кляцання».

Зняття (рис. C)

Натисніть кнопку звільнення акумулятора та витягніть акумуляторну батарею.

⚠ ПОПЕРЕДЖЕННЯ. Завжди звертайте увагу на розташування своїх ніг, дітей або домашніх тварин, коли натискаєте кнопку звільнення батареї. Падіння акумуляторної батареї може призвести до серйозної травми. НИКОЛИ не виймайте акумуляторну батарею у високо розташованому місці.

ТРИМАННЯ ТРИМЕРА ДЛЯ ЖИВОПЛОТУ

(рис. D1–D5)

Пристрій має передню та задню ручки. Спрямуйте лезо від себе, тримайте пристрій за обидві ручки.

Задню рукоятку можна встановити у п'ять положень ($0^\circ \pm 45^\circ / \pm 90^\circ$), піднявши важіль звільнення ручки (рис. D1–D5), що дає вам безліч варіантів зручного хвату під час різання.

⚠ ПОПЕРЕДЖЕННЯ. Не регулюйте ручку під час роботи інструмента. Спочатку зупиніть інструмент і вийміть акумулятор.

ЗАПУСК/ЗУПИНЕННЯ ТРИМЕРА ДЛЯ ЖИВОПЛОТУ

Перед використанням зніміть кожух леза і тримайте

тример обома руками, однією рукою за задню ручку, а іншою – за передню. Потім перевірте стійку й вертикальну поставу та правильну відстань різання.

Запуск

1. Установіть акумуляторну батарею.
2. Натисніть і утримуйте передній тригер однією рукою.
3. Натисніть і утримуйте кнопку розблокування великим пальцем іншої руки, потім візьміться за задній тригер пальцями, щоб запустити тример для живоплоту. Відпустіть кнопку блокування, але продовжуйте натискати тригер для продовження роботи.

Зупинка

Приберіть тример для живоплоту із зони різання та відпустіть усі тригери, щоб зупинити тример.

⚠ ПОПЕРЕДЖЕННЯ. Завжди виймайте акумуляторну батарею з тримера для живоплоту під час перерв у роботі та після закінчення роботи.

ВИКОРИСТАННЯ ТРИМЕРА ДЛЯ ЖИВОПЛОТУ

⚠ НЕБЕЗПЕКА. Якщо лезо натрапляє на будь-який електричний шнур або лінію, **НЕ ТОРКАЙТЕСЯ ЛЕЗА! ВОНО МОЖЕ БУТИ ПІД НАПРУГОЮ І ДУЖЕ НЕБЕЗПЕЧНИМ.** Продовжуйте тримати тример для живоплоту за ізольовану задню ручку або відкладіть його в безпечний спосіб. Відключіть подачу електроенергії на пошкоджену лінію або шнур, перш ніж намагатися звільнити лезо від лінії або шнура. Нехтування цим попередженням призводить до тяжких травм або можливої смерті.

⚠ ПОПЕРЕДЖЕННЯ. Уникайте зрізання занадто великої кількості одночасно або через густі чагарники. Це може призвести до застрягання або уповільнення леза, що зменшує ефективність зрізання.

ПРИМІТКА. Тример використовується для вирізання стебел завтовшки до 30,5 мм.

ПРИМІТКА. Для нової порослі широкий рух підмітання підходить для стебел, що потрапляють безпосередньо до ріжучого леза. Для старшої порослі рух пиляння підходить для зрізання товстих стебел. Для зрізання великих стебел у першу чергу рекомендується скористатися ручною або обрізною пилою.

Зрізання зверху

Використовуйте широкий рух підмітання. Невеликий нахил ріжучих лез вниз у напрямку руху дає найкращі результати зрізання. Для кращого ефекту зрізання ви також можете використовувати мотузку для керування рівнем живоплоту, як показано на рис. E.

Зрізання збоку

Обрізаючи живопліт збоку, починайте знизу та обрізайте вгору, як показано на рис. F. Обрізайте живопліт збоку, щоб він був злегка вужчим зверху. Завдяки такій формі більша частина живоплиту буде відкрита для сонячного світла і він ростиме рівномірніше.

ОБСЛУГОВУВАННЯ

⚠ ПОПЕРЕДЖЕННЯ. Використовуйте для технічного обслуговування лише ідентичні запчастини. Використання будь-яких інших частин створює небезпеку або може призвести до поломки виробу. Для гарантування безпеки та надійності всі ремонтні роботи повинен проводити кваліфікований технічний спеціаліст.

⚠ ПОПЕРЕДЖЕННЯ. Щоб уникнути серйозних травм, завжди виймайте акумуляторну батарею з виробу, перш ніж чистити або виконувати будь-яке технічне обслуговування.

ЧИЩЕННЯ

- Використовуйте м'яку щітку, щоб видалити сміття з усіх впускних вентиляційних отворів та леза.
- Для видалення смоли та інших липких залишків розпиліть на леза розчинник смоли. Запустіть мотор ненадовго, щоб розчинник рівномірно розподілився.
- Протирайте поверхню сухою тканиною.

⚠ ПОПЕРЕДЖЕННЯ. Ніколи не використовуйте воду для очищення тримера. Не використовуйте розчинники для очищення пластмасових деталей. Більшість пластмас чутливі до пошкоджень різноманітними промисловими розчинниками. Для видалення бруду, пилу, мастила тощо користуйтеся чистою ганчіркою.

ЗАТОЧУВАННЯ ЛЕЗА

1. Запустіть і зупиніть тример для живоплиту, доки лезо та захисна скоба не будуть злегка зсунуті, як показано на рис. G. Це дасть змогу зафіксувати напилком між зубцями різака та захисної скоби.
2. Вийміть акумуляторну батарею з тримера для живоплиту.
3. Зафіксуйте лезо в зборі в тримачі та обробіть напилком відкриту ріжучу поверхню кожного зубця. Видаляйте якомога менше матеріалу. Обов'язково зберігайте вихідний кут кожного зубця під час заточування.
4. Зніміть тример для живоплиту з лещат; запустіть і зупиніть його знову, щоб відкрити незаточені краї зубців леза.

5. Вийміть акумуляторну батарею та повторіть наведену вище процедуру заточування.

ПРИМІТКА. Не працюйте з тримером для живоплиту із затупленими або пошкодженими лезами. Це може спричинити перевантаження та надасть незадовільні результати підрізання.

ЗМАЩУВАННЯ ЛЕЗА (рис. H)

Для найкращої експлуатації та довшого терміну служби змащуйте лезо тримера для живоплиту легким машинним маслом до і після кожного використання.

Вийміть акумуляторну батарею та покладіть тример на рівню поверхню. Нанесіть масло вздовж краю верхнього леза.

ПРИМІТКА. У разі тривалого періоду експлуатації змащуйте лезо під час зрізання.

⚠ ПОПЕРЕДЖЕННЯ. Не змащуйте, коли тример працює.

ТРАНСПОРТУВАННЯ ТА ЗБЕРІГАННЯ

- Завжди одягайте кожух леза на лезо перед зберіганням або транспортуванням тримера для живоплиту. Будьте обережні, щоб уникати гострих зубців леза.
- Перед зберіганням слід ретельно очистити тример для живоплиту.
- Зберігайте тример для живоплиту в місці, недоступному для дітей.
- Тримайте подалі корозійні агенти, такі як садові хімікати та солі проти ожеледі.

⚠ ПОПЕРЕДЖЕННЯ. Леза гострі. Під час маніпуляцій із лезом одягайте неслизькі міцні захисні рукавиці. Не кладіть руку або пальці між лезами або в будь-якому положенні, де вони можуть бути защемлені або порізані. **НІКОЛИ** не торкайтеся лез і не обслуговуйте прилад з установленим акумулятором.

Захист довкілля



Не викидайте електричне обладнання, акумулятор і зарядний пристрій у побутові відходи! Віднесіть цей виріб авторизованому переробнику й надайте його для роздільного збирання.

Електроінструменти необхідно повернути в підприємство, що займається екологічно безпечною переробкою.

УСУНЕННЯ НЕСПРАВНОСТЕЙ

| НЕСПРАВНІСТЬ | ПРИЧИНА | ВИРІШЕННЯ |
|---------------------------------|--|---|
| Тример для живоплоту не працює. | <ul style="list-style-type: none"> ■ Акумуляторна батарея не приєднана до тримера для живоплоту. ■ Немає електричного контакту між тримером і батареєю ■ Акумуляторна батарея розряджена. ■ Акумулятор занадто гарячий. ■ Тример для живоплоту занадто гарячий. ■ Передній і задній тригери не натиснуто одночасно. ■ Лезо защемлено. | <ul style="list-style-type: none"> ■ Під'єднайте акумулятор до тримера для живоплоту. ■ Вийміть акумулятор, перевірте контакти та знову встановіть акумулятор. ■ Зарядіть акумуляторну батарею. ■ Видаліть акумуляторну батарею з інструмента та дайте їй охолонути, доки температура не опуститься нижче 67°C. ■ Відпустіть обидва тригери, дайте тримеру охолонути до нормальної температури. ■ Спочатку натисніть кнопку розблокування, а потім одночасно натискайте тригери на передній і задній ручці. ■ Вийміть акумуляторну батарею з інструмента, обережно приберіть перешкоду, потім знову вставте акумулятор і запустіть інструмент. |
| Надмірна вібрація чи шум. | <ul style="list-style-type: none"> ■ Сухі або корозійні леза. ■ Лезо або тримач леза зігнуті. ■ Зігнуті або пошкоджені зубці. ■ Ослаблені болти леза. | <ul style="list-style-type: none"> ■ Змастіть леза, дотримуючись вказівок у розділі «ЗМАЩУВАННЯ ЛЕЗА» в цьому посібнику. ■ Замініть на нове лезо чи тримач. Зв'яжіться із сервісним центром EGO для заміни леза чи тримача. ■ Замініть на нове лезо. Зв'яжіться із сервісним центром EGO для заміни леза. ■ Затягніть болти леза. Використовуючи гайковий ключ, затягніть болт за годинниковою стрілкою. |

UK

ГАРАНТІЯ

ПРАВИЛА ГАРАНТІЇ EGO

Відвідайте веб-сайт egopowerplus.com для отримання повного тексту умов гарантійної політики EGO.

ПРОЧЕТЕТЕ ВСИЧКИ ИНСТРУКЦИИ!



ПРОЧЕТЕТЕ РЪКОВОДСТВОТО НА ОПЕРАТОРА

⚠ ПРЕДУПРЕЖДЕНИЕ: Остатъчен риск! Хора с електронни устройства, като пейсмейкър трябва да се консултират с лекуващия(те) си лекар(и) преди употреба на този продукт. Работата с електрическо оборудване в непосредствена близост до сърдечен пейсмейкър може да предизвика смущение или неизправност на пейсмейкъра.

⚠ ПРЕДУПРЕЖДЕНИЕ: За да осигурите безопасността и надеждността, всички поправки и подмени трябва да се извършват от квалифициран сервизен техник.

⚠ ПРЕДУПРЕЖДЕНИЕ: Прочетете всички предупреждения за безопасност, инструкции, илюстрации и спецификации предоставени с този електрически инструмент. Неспазването на всички инструкции изброени долу може да доведе до токов удар, пожар и/или сериозно нараняване.

ЗАПАЗЕТЕ ВСИЧКИ ПРЕДУПРЕЖДЕНИЯ И ИНСТРУКЦИИ ЗА БЪДЕЩА СПРАВКА.

СИМВОЛИ ЗА БЕЗОПАСНОСТ

⚠ ПРЕДУПРЕЖДЕНИЕ: Експлоатацията на всички електрически инструменти, може да доведе до изхвърляне на чужди предмети към вашите очи, което може да доведе до сериозно нараняване на очите. Преди започване на работа с електрически инструмент, винаги носете предпазни очила със странична защита и визьор за цялото лице, когато е необходимо. Ние препоръчваме предпазна маска с широк визьор за употреба над очила или стандартни предпазни очила със странична защита.



Сигнал за безопасност



За намаляване на опасността от нараняване, потребителят трябва да прочете ръководството на оператора.



Не използвайте в дъжд или не го оставяйте навън, когато вали.



Гарантирано ниво на мощност на звука. Звуките емисии към околната среда са в съответствие с директивите на европейската общност.



Този продукт е в съответствие с приложимите директиви на ЕС.



Този продукт е в съответствие с приложимото законодателство на Великобритания.



Отпадъчните електрически продукти не трябва да бъдат изхвърляни заедно с домакинския отпадък. Отнесете го до упълномощено място за рециклиране.



Носете защита за очите и главата.



Дръжте ръцете и краката си далеч от режещия инструмент.



Дължина на ножа

BG


Постоянен ток



Напрежение

мм

Милиметър

.../мин

В минута

n_0

Скорост без натоварване

см

Сантиметър

СПЕЦИФИКАЦИИ

| | | |
|--|--------------------------|---|
| Модел | HT2600E | |
| Напрежение | 56 V --- | |
| Скорост без натоварване | 1700 /мин | |
| Дължина на ножа | 66 см | |
| Капацитет за рязане | 30,5 мм | |
| Тегло (без акумулаторна батерия, предпазител на острието) | 3,14 кг | |
| Препоръчителна работна температура | 0°C-40°C | |
| Препоръчителна температура на съхранение | -20°C-70°C | |
| Измерено ниво на сила на звука L_{WA} | 92 dB(A) K=1,7 dB((A) | |
| Ниво на звуково налягане при позицията на оператора L_{PA} | 84 dB(A) K=3,0 dB((A) | |
| Гарантирано ниво на сила на звука L_{WA} (съгласно 2000/14/ЕС) | 94 dB(A) | |
| Вибрации a_h | Предна ръкохватка | 2,49 m/s ² K=1,5 m/s ² |
| | Задна ръкохватка | 1,65 m/s ² K=1,5 m/s ² |

- Декларираният общ размер на вибрации е измерен в съответствие със стандартния метод за тест и може да бъде използван за сравнение между два инструмента;
- Декларираният общ размер на вибрации може също така да бъде използван за предварителна оценка на влиянието.

БЕЛЕЖКА: Вибрационните емисии по време на действителната употреба на електрическия инструмент може да се различава от декларираната стойност. С цел да се защити оператора, потребителят трябва да носи ръкавици и антифони в действителни условия на работа.

ОПАКОВЪЧЕН ЛИСТ (ФИГ. А1)

ОПИСАНИЕ

ЗАПОЗНАЙТЕ СЕ С ВАШАТА НОЖИЦА ЗА ЖИВ ПЛЕТ (Фиг. А1)

1. Отвор за закачане

2. Протектор за върха
3. Нож
4. Предпазител за ръка
5. Предна ръкохватка
6. Преден спусък
7. Бутон за отключване
8. Заден спусък
9. Задна ръкохватка
10. Лост за освобождаване на ръкохватката
11. Бутон за освобождаване на батерията
12. Резе
13. Електрически контакти
14. Монтажен прорез за батерията
15. Изваждане на батерията
16. Предпазител на ножа
17. Отвор за закачане

⚠ ПРЕДУПРЕЖДЕНИЕ: Продуктът е доставен напълно сглобен. Предпазителът за ръката никога не трябва да се отстранява по време на употреба. Щом се повреди, незабавно го подменете с помощта на квалифициран сервизен техник.

⚠ ПРЕДУПРЕЖДЕНИЕ: Безопасната употреба на този продукт изисква осъзнаване на информацията върху инструмента и в това ръководство, както и познание относно проекта, с който се захващате. Преди употреба на този продукт се запознайте с работни характеристики и правила за безопасност.

ЕКСПЛОАТАЦИЯ

⚠ ПРЕДУПРЕЖДЕНИЕ: Не позволявайте рутината с този продукт да ви направи непредпазливи. Запомнете, че невнимание за малка част от секундата е достатъчна за да нанесете сериозно нараняване.

⚠ ПРЕДУПРЕЖДЕНИЕ: Винаги носете защита за очите със странични предпазители заедно със защита за слуха. Ако не го направите може да доведе до изхвърляне на предмети към очите ви и други възможни сериозни наранявания.

⚠ ПРЕДУПРЕЖДЕНИЕ: За да предотвратите случайно стартиране, което би могло да причини сериозно нараняване, винаги отстранявайте акумулаторния комплект от инструмента, когато монтирате части, извършвате настройки, почиствате или когато не се използва.

BG

⚠ ПРЕДУПРЕЖДЕНИЕ: Не използвайте други приставки или аксесоари, които не са препоръчани от EGO™. Употребата на приставки или аксесоари, които не са препоръчани, може да доведе до сериозно нараняване.

Преди всяка употреба проверявайте целия продукт за повредени, липсващи или разхлабени части, като винтове, гайки, болтове, капачки и др. Затегнете сигурно всички закопчалки и капачки и не работете с този продукт, докато всички повредени или липсващи части не бъдат подменени.

ПРИЛОЖЕНИЕ

Може да използвате този продукт за почистване на жив плет, шубраци и храсти с диаметър на клона по-малък от $\varnothing 30,5$ мм.

БЕЛЕЖКА: Инструментът трябва да бъде използван само за предназначени цели. Всяка друга употреба се смята за случай на злоупотреба.

МОНТИРАНЕ/ИЗВАЖДАНЕ НА АКУМУЛАТОРНАТА БАТЕРИЯ

Използвайте само с акумулаторни батерии и зарядни устройства изброени на фиг. А2.

Заредете преди първата употреба.

При монтиране (Фиг. В)

Подравнете ребрата на батерията с монтажните жлебове и натиснете батерията надолу, докато чуете "щракване".

При снемане (Фиг. С)

Натиснете бутон за освобождаване на батерията и издърпайте акумулаторната батерия навън.

⚠ ПРЕДУПРЕЖДЕНИЕ: Винаги внимавайте за местоположението на краката си, деца или домашни любимци, когато бутон за освобождаване на акумулаторната батерия. Може да възникне сериозно нараняване, ако акумулаторната батерия падне. НИКОГА не премахвайте акумулаторната батерия от високо.

ХВАЩАНЕ НА НОЖИЦАТА ЗА ЖИВ ПЛЕТ (Фиг. D1-D5)

Устройството има и предна, и задна ръкохватка. С нож насочен далеч от вас дръжте устройството за двете ръкохватки.

Задната ръкохватка може да бъде настроена в пет позиции ($0^\circ/\pm 45^\circ/\pm 90^\circ$) чрез повдигане на лоста за освобождаване на ръкохватката (Фиг. D1 до Фиг. D5),

което ви дава много възможности за удобен захват при режещи операции.

⚠ ПРЕДУПРЕЖДЕНИЕ: Не регулирайте ръкохватката, докато инструментът работи. Първо спрете инструмента и извадете батерията.

СТАРТИРАНЕ/СПИРАНЕ НА НОЖИЦАТА ЗА ЖИВ ПЛЕТ

Преди работа, снемете предпазителя за ножа и захванете ножицата с две ръце, едната ръка на задната ръкохватка, а другата на предната ръкохватка. След това проверете за стабилна стойка изправена позиция и подходяща дистанция за рязане.

За да стартирате

1. Монтирайте акумулаторната батерия.
2. Стиснете и задръжте предния спусък с една ръка.
3. Натиснете и задръжте бутона за отключване с палеца на другата си ръка, след това натиснете задния спусък с пръстите си, за да стартирате ножицата за жив плет. Освободете бутона за отключване, но продължете да стискате спусъка за продължителна работа.

За да спрете

Преместете ножицата за жив плет далеч от зоната на рязане и освободете единия спусък, за да спрете ножицата за жив плет.

⚠ ПРЕДУПРЕЖДЕНИЕ: Винаги изваждайте акумулаторната батерия от ножицата за жив плет по време на работни прекъсвания и след завършване на работата.

УПОТРЕБА НА НОЖИЦАТА ЗА ЖИВ ПЛЕТ

⚠ ОПАСНОСТ: Ако ножът заседне на някоя електрическа жица или кабел, **НЕ ДОКОСВАЙТЕ НОЖА! ТОЙ МОЖЕ ДА Е ПОД ЕЛЕКТРИЧЕСКО НАПРЕЖЕНИЕ И МОЖЕ ДА БЪДЕ МНОГО ОПАСЕН.** Продължете да държите ножицата за плет за изолираната задна ръкохватка или я сложете легнала и на разстояние от вас по безопасен начин. Изключете електричеството към повредения проводник или кабел, преди да се опитате да освободите ножа от проводника или кабела. Неспазването на това предупреждение ще доведе до сериозни наранявания или възможна смърт.

⚠ ПРЕДУПРЕЖДЕНИЕ: Избягвайте да речете твърде много на веднъж или през дебели шубраци. Това може да накара ножовете да се заклещват и да се забавят, като се понижи ефективността на рязане.

БЕЛЕЖКА: Ножицата трябва да бъде използвана за рязане на стъбла с дебелина по-малка от 30,5 мм.

БЕЛЕЖКА: За нови израстъци, е подходящо широко измитачо движение за почистване на стъблата, които се подават директно в режещия нож. За стари израстъци, режещото движение е добро за подрязване на по-дебелите стъбла. Предлага се ръчен трион без електрическо захранване или секач за почистване първо на големите стъбла.

Подрязване по горната част

Използвайте широко измитачо движение. Лек наклон надолу на режещите ножове по посока на движението дава най-добрите режещи резултати. За по-добра ефективност при рязане, можете също така да използвате връвта за насочване по нивото на храста както е показано на Фиг. Е.

Странично подрязване

Когато подрязвате страните на живия плет, започнете от дъното и режете нагоре както е показано на Фиг. F. Режете странично живия плет така, че да се стеснява леко в горната част. Тази форма ще изложи по-голяма част от живия плет на слънчева светлина, което ще доведе до по-равномерен растеж.

ПОДДРЪЖКА

▲ ПРЕДУПРЕЖДЕНИЕ: Когато обслужвате, използвайте само идентични резервни части. Употребата на каквито и да е други части може да създаде опасност или да предизвика повреда на продукта. За да осигурите безопасността и надеждността, всички поправки трябва да се извършват от квалифициран сервизен техник.

▲ ПРЕДУПРЕЖДЕНИЕ: За да избегнете нараняване, винаги сменяйте акумулаторната батерия от продукта, когато почиствате или извършвате поддръжка.

ПОЧИСТВАНЕ

- Използвайте мека четка за да премахнете натрупванията от всички колектори за въздух и режещия нож.
- За да премахнете смолата и други залепващи остатъци, напръскайте ножа с разтворител за смола. Пуснете за кратко мотора, така че разтворителят да бъде равномерно разпределен.
- Забършете повърхността със суха кърпа.

▲ ПРЕДУПРЕЖДЕНИЕ: Никога не използвайте вода за почистване на тримера. Избягвайте употребата на разтворители, когато почиствате пластмасовите части. Повечето пластмаси са податливи на повреди от различни видове разтворители, предлагани в търговската мрежа. Използвайте чист плат, за премахване на мръсотия, прах, масло и т.н.

ЗАТОЧВАНЕ НА РЕЖЕЩИЯ НОЖ

1. Стартирайте и спирайте вашата ножица за жив плет, докато режещият нож и предпазителят леко се изместят, както е показано на Фиг. G. Това ще позволи хлабина за пилата между зъбите на ножа и зъбите на предпазителя.
2. Извадете акумулаторната батерия от вашата ножица за жив плет
3. Закрепете монтажния възел на ножа в менгеме и наточете с пила подаващите се режещи повърхности на всеки зъб на ножа. Премахнете колкото се може по-малко материал. Уверете се, че поддържате оригиналния ъгъл на всеки зъб, когато заточвате.
4. Снемете ножицата за жив плет от менгемето, стартирайте я отново и я спрете, за да покажете незаточените ръбове на зъбите на ножа.
5. Отстранете акумулаторната батерия и повторете горната процедура за заточване.

БЕЛЕЖКА: Не работете с вашата ножица за плет, когато режещите ножове са затъпени или повредени. Това може да причини претоварване и ще доведе до незадоволителни резултати при рязане.

СМАЗВАНЕ НА ОСТРИЕТО (фиг. H)

За най-добра работа и по-дълъг живот на ножа, смажете ножа на ножицата за жив плет с леко моторно масло преди и след всяка употреба.

Снемете акумулаторната батерия и поставете ножицата легнала върху плоска повърхност. Нанесете маслото по протежение на ръба на горния нож.

БЕЛЕЖКА: За удължен период на употреба, смажете ножа по време на работа по подрязване.

▲ ПРЕДУПРЕЖДЕНИЕ: Не смазвайте докато ножицата за жив плет работи.

ТРАНСПОРТИРАНЕ И СЪХРАНЕНИЕ

- Винаги поставяйте предпазителя на ножа върху ножа преди съхранение или транспортиране на ножицата за жив плет. Бъдете внимателни за да избегнете острите зъби на ножа.

- Почистете изцяло ножицата за жив плет преди съхраняване.
- Съхранете ножицата за жив плет на закрито, на сухо място, което е недостъпно до деца.
- Пазете я от корозивни препарати като градински химикали и сол за обезледяване.

⚠ ПРЕДУПРЕЖДЕНИЕ: Ножовете са остри. Когато работите с устройството на ножа, носете неплъзгащи защитни ръкавици за тежка употреба. Не поставяйте ръката или пръстите си между ножовете или в някоя друга позиция, където могат да бъдат защитпани или срязани. НИКОГА не докосвайте ножовете или не обслужвайте уреда с монтирана акумулаторна батерия.

Опазване на околната среда



Не изхвърляйте електрическо оборудване, използвана батерия или зарядно устройство в домакинския отпадък! Отнесете продукта до упълномощена фирма за рециклиране и го предоставете за разделно събиране. Електрическите инструменти трябва да бъдат връщани в съоръжения за рециклиране съвместими с околната среда.

ОТСТРАНЯВАНЕ НА ПРОБЛЕМИ

| ПРОБЛЕМ | ПРИЧИНА | РЕШЕНИЕ |
|---------------------------------|---|---|
| Ножицата за жив плет не работи. | <ul style="list-style-type: none"> ■ Акумулаторната батерия не е прикрепена към ножицата за жив плет. ■ Няма електрически контакт между ножицата и батерията ■ Акумулаторната батерия е изтощена. ■ Акумулаторната батерия е твърде гореща. ■ Ножицата за жив плет е твърде гореща. ■ Предният и задният спусък не са натиснати едновременно. ■ Острието е блокирано | <ul style="list-style-type: none"> ■ Закрепете акумулаторната батерия към ножицата за жив плет. ■ Извадете батерията, проверете контактите и поставете наново акумулаторната батерия. ■ Заредете акумулаторната батерия. ■ Снете акумулаторната батерия от инструмента, за да се охлади, докато температурата спадне под 67°C. ■ Освободете и двата спусъка; позволете на ножицата да се охлади до нормална температура. ■ Натиснете първо бутона за отключване и след това натиснете спусъците в предната и задната ръкохватка едновременно. ■ Снете акумулаторната батерия от инструмента, премахнете внимателно прелятствието, след това въведете отново батерията и рестартирайте инструмента. |
| Прекалени вибрации или шум | <ul style="list-style-type: none"> ■ Сухи или корозирали остриета. ■ Остриетата или опората на острие е изкривена. ■ Изкривени или повредени зъби. ■ Разхлабени болтове на ножовете. | <ul style="list-style-type: none"> ■ Смазвайте ножовете като следвате раздел "СМАЗВАНЕ НА НОЖА" в това ръководство. ■ Подменете с нов нож или основа. Свържете се със сервизен център на EGO за резервен нож или за обслужване по подмяна на основата. ■ Подменете с нов нож. Свържете се със сервизен център на EGO за обслужване по подмяна с резервен нож. ■ Затегнете болтовете на острието. Като използвате гаечен ключ, завъртете болтовете по часовника за да затегнете. |

BG

ГАРАНЦИЯ

ГАРАНЦИОННА ПОЛИТИКА EGO

Моля, посетете уебсайта egopowerplus.com за пълните срокове и условия по гаранционната политика на EGO.

PROČITAJTE UPUTE U CIJELOSTI!



PROČITAJTE PRIRUČNIK ZA RUKOVATELJE.

⚠ UPOZORENJE: Preostale opasnosti! Osobe s elektroničkim uređajima poput srčanih elektrostimulatora prije uporabe ovog proizvoda trebaju se savjetovati sa svojim liječnikom. Rad električne opreme u neposrednoj blizini srčanih elektrostimulatora može prouzročiti smetnju ili kvar srčanog elektrostimulatora.

⚠ UPOZORENJE: Zbog sigurnosti i pouzdanosti sve popravke treba obavljati kvalificirani servisni tehničar.

⚠ UPOZORENJE: Pročitajte sva sigurnosna upozorenja, upute, ilustracije i specifikacije isporučene s ovim električnim alatom. Zanemarivanje svih uputa navedenih u nastavku može rezultirati strujnim udarom, požarom i/ili teškim ozljedama.

SAČUVAJTE SVA UPOZORENJA I SVE UPUTE ZA BUDUĆE POTREBE.

SIGURNOSNI SIMBOLI

⚠ UPOZORENJE: Rukovanje električnim alatima može rezultirati odbacivanjem stranih predmeta u oči, što opet može izazvati teške ozljede očiju. Pri radu s električnim alatom nosite zatvorene zaštitne naočale ili zaštitne naočale s bočnim štitnicima, a prema potrebi i štitnik za cijelo lice. Preporučujemo nošenje sigurnosne maske proizvođača Wide Vision preko naočala ili nošenje standardnih zaštitnih naočala s bočnim štitnicima.



Symbol upozorenja



Radi smanjenja opasnosti od ozljeda korisnik treba pročitati korisnički priručnik.



Proizvod ne upotrebljavajte na kiši i ne ostavljajte ga na otvorenom kad pada kiša.



Zajamčena razina snage zvuka. Emisija buke u okruženju u skladu je sa smjernicama Europske unije.



Ovaj proizvod je u skladu s važećim direktivama EU.



Ovaj proizvod je u skladu s važećim zakonodavstvom UK.



Otpadni električni proizvodi ne smiju se odlagati s otpadom iz kućanstva. Odnosite ih u ovlaštenu centar za recikliranje.



Nosite zaštitu za oči i glavu.



Ruke i stopala držite dalje od alata za rezanje.



Duljina oštrice



Istosmjerna struja



Napon



Milimetar



U minuti



Brzina bez opterećenja



Centimetar

HR

TEHNIČKI PODACI

| | | |
|---|-------------------------|---|
| Model | HT2600E | |
| Napon | 56 V --- | |
| Brzina u praznom hodu | 1700 /min | |
| Duljina oštrice | 66 cm | |
| Kapacitet rezanja | 30,5 mm | |
| Težina (bez baterijskog paketa, štitnika oštrice) | 3,14 kg | |
| Preporučena radna temperatura | 0°C - 40°C | |
| Preporučena temperatura skladištenja | -20°C - 70°C | |
| Izmjerena razina zvučne snage LWA | 92 dB(A) K=1,7 dB(A) | |
| Razina zvučnog tlaka kod rukovatelja LPA | 84 dB(A) K=3,0 dB(A) | |
| Zajamčena razina zvučne snage LWA (izmjereno u skladu s 2000/14/EZ) | 94 dB(A) | |
| Vibracija a_n | Prednja drška | 2,49 m/s ² K=1,5 m/s ² |
| | Stražnja drška | 1,65 m/s ² K=1,5 m/s ² |

- Deklarirane ukupne vrijednosti vibracija izmjerene su u skladu sa standardnom metodom ispitivanja i mogu se koristiti za usporedbu jednog alata s drugim.
- Deklarirane ukupne vrijednosti vibracija mogu se koristiti i u preliminarnoj procjeni izloženosti.

OBAVIJEST: Emisija vibracija tijekom aktualnog korištenja električnog alata može se razlikovati od deklarirane vrijednosti u kojoj se alat koristio; Radi zaštite rukovatelja korisnik treba nositi rukavice i štitnike za uši u aktualnim uvjetima korištenja.

POPIS PAKIRANJA (SL. A1)

OPIS

UPOZNAJTE SVOJE ŠKARE ZA ŽIVICU (sl. A1)

1. Rupa za vješanje
2. Štitnik vrha
3. List pile
4. Štitnik za ruku
5. Prednja drška

6. Prednji okidač
7. Gumb za deblokadu
8. Stražnji okidač
9. Stražnja drška
10. Ručica za oslobađanje ručke
11. Gumb za oslobađanje baterije
12. Zapor
13. Električni kontakti
14. Utor za postavljanje baterije
15. Izbacivanje baterije
16. Štitnik oštrice
17. Rupa za vješanje

⚠ UPOZORENJE: Ovaj proizvod isporučen je potpuno sastavljen. Štitnik za ruke nikad se ne smije uklanjati tijekom uporabe. U slučaju oštećenja, zamjenu odmah treba obaviti kvalificirani servisni tehničar.

⚠ UPOZORENJE: Kako biste uređaj mogli koristiti na siguran način, morate razumjeti podatke navedene na samom alatu i u ovom korisničkom priručniku, a potrebno je imati i znanje u vezi zadatak kojeg treba izvršiti. Prije korištenja ovog proizvoda, upoznajte se sa svim radnim funkcijama i pravilima o sigurnosti.

RAD

⚠ UPOZORENJE: Nemojte biti nepažljivi zato što ste upoznati s načinom rada proizvoda. Zapamtite da je samo jedan djelić sekunde nepažnje dovoljan za nastanak tjelesne ozljede.

⚠ UPOZORENJE: Nosite zaštitu za oči s bočnim štitnicima i zaštitu za sluh. Nepostupanje u skladu s tim može rezultirati odbacivanjem predmeta u oči i drugim mogućim teškim ozljedama.

⚠ UPOZORENJE: Kako biste spriječili slučajno pokretanje koje bi moglo prouzročiti teške tjelesne ozljede, prije montiranja dijelova, podešavanja, čišćenja ili nekorištenja, uklonite baterijski modul iz alata.

⚠ UPOZORENJE: Nemojte upotrebljavati priključke ili dodatnu opremu koje nije preporučila tvrtka EGO™. Upotreba nastavaka ili pribora koji nije preporučeni, može dovesti do ozbiljnih tjelesnih ozljeda.

Prije svake upotrebe, pregledajte da na stroju nema oštećenih, nedostajućih ili olabavljenih dijelova kao što su vijci, matice i poklopci. Dobro pritegnite sve elemente za pričvršćenje i kapice i ne upotrebljavajte proizvod dok se svi dijelovi koji nedostaju ili oštećeni dijelovi, ne zamijene.

PRIMJENA

Ovaj proizvod možete upotrebljavati za šišanje živica, šiblja i grmova promjera grana manjeg od $\varnothing 30,5$ mm.

NAPOMENA: Alat se smije upotrebljavati samo za prethodno opisanu namjenu. Svaka druga uporaba smatrat će se nepropisnom uporabom.

UGRADNJA/UKLANJANJE BATERIJSKOG MODULA

Upotrebljavajte samo s baterijskim modulima i punjačima koji su navedeni na sl. A2.

Napunite prije prve uporabe.

Ugradnja (sl. B)

Poravnajte rebra baterije s utorima za postavljanje i utiskujte baterijski modul prema dolje sve dok ne začujete "klik".

Uklanjanje (sl. C)

Utisnite gumb za oslobađanje baterije i izvucite baterijski modul.

⚠ UPOZORENJE: Prije pritiska gumba za oslobađanje baterije, uvjerite se jesu li vaša stopala, djeca i domaće životinje na sigurnoj udaljenosti. Ako baterijski modul ispadne, može doći do teških ozljeda. NEMOJTE vaditi baterijski modul kada ste u povišenom položaju.

DRŽANJE ŠKARA ZA ŽIVICU (sl. D1 - D5)

Jedinica ima i prednji i stražnji rukohvat. Držite jedinicu objema rukama oštrice usmjerene od vas.

Stražnja ručka može se postaviti u pet položaja ($0^\circ/\pm 45^\circ/\pm 90^\circ$) podizanjem poluge za otpuštanje ručke (sl. D1 do sl.D5), pružajući vam mnogo izbora za ugodno držanje prilikom izvođenja operacija rezanja.

⚠ UPOZORENJE: Nemojte namješati ručke dok alat radi. Prvo isključite alat i izvadite bateriju.

POKRETANJE/ZAUSTAVLJANJE ŠKARA ZA ŽIVICU

Prije upotrebe, uklonite štitnik oštrice i držite škare objema rukama – jednom za stražnju, a drugom za prednju dršku. Zatim provjerite da imate stabilan oslonac, uspravan položaj tijela i propisnu razdaljinu za rezanje.

Pokretanje

1. Stavite komplet baterija.
2. Stisnite i držite prednji okidač jednom rukom.

3. Palcem druge ruke pritisnite gumb za deblokadu i držite ga pritisnutim, a zatim za pokretanje škara za živicu prstima stisnite stražnji okidač. Otpustite gumb za deblokadu, ali nastavite stiskati okidač za kontinuirani rad.

Zaustavljanje

Odmaknite škare za živicu od područja rezanja i za njihovo zaustavljanje otpustite bilo koji od okidača.

⚠ UPOZORENJE: Komplet baterija uvijek izvadite iz škara za živicu tijekom stanki i po završetku radova.

UPOTREBA ŠIŠAČA ŽIVICE

⚠ OPASNOST! Ako se oštrica zaglavi na bilo kojem električnom kabelu ili vodu, **NEMOJTE JE DIRATI! ONA MOŽE BITI PO D ELEKTRIČNIM NAPONOM I TIME VRLO OPASNA.** Škare za živicu nastavite držati za izoliranu stražnju dršku ili ih na siguran način položite na tlo i dalje od sebe. Prije oslobađanja noža od električnog voda ili kabela, isključite električno napajanje oštećenog voda ili kabela. Nepoštivanje ovog upozorenja može dovesti do teških tjelesnih ozljeda, čak i smrti.

⚠ UPOZORENJE: Nemojte predugo rezati bez prestanka i nemojte rezati gusto grmlje. U protivnom bi se mogli saviti i usporiti noževi, zbog čega će opasti učinkovitost rezanja.

NAPOMENA: Škare se trebaju upotrebljavati za rezanje grančica tanjih od 30,5 mm.

NAPOMENA: Kada režete novoizrasle grančice, koristite široke pokrete kao da kosite tako da grančice ulaze izravno u rezni nož. Kada režete starije raslinje, za rezanje debljih grančica bit će dovoljan pokret kao da pilite. Ako želite odrezati najprije velike grane, predlažemo da koristite ručnu pilu ili pilu za podrezivanje.

Rezanje s vrha

Upotrijebite široki zamašni pokret. Ako rezne noževe nagnete blago prema dolje u smjeru pomicanja, postići ćete najbolje rezultate. Još bolji učinak postići ćete ako upotrebljavate užu prema kojem ćete poravnati visinu reza živice, kao što je prikazano na slici E.

Bočno rezanje

Kad šišate bočne strane živice, započnite odozdo i režite prema gore kako je prikazano na sl. F. Bočnu stranu živice šišajte tako da bude malo uža na vrhu. Ovaj oblik omogućit će izlaganje većeg dijela živice sunčevoj svjetlosti, što će rezultirati ravnomjernijim rastom.

ODRŽAVANJE

⚠ UPOZORENJE: Pri servisiranju koristite samo identične zamjenske dijelove. Korištenje drugih dijelova može izazvati opasnost ili prouzročiti oštećenje proizvoda. Radi sigurnosti i pouzdanosti sve popravke treba obavljati kvalificirani servisni tehničar.

⚠ UPOZORENJE: Radi izbjegavanja teških tjelesnih ozljeda, pri čišćenju ili obavljanju podešavanja komplet baterija uvijek izvadite iz proizvoda.

ČIŠĆENJE

- Za uklanjanje ostataka sa svih otvora za zrak i s reznog noža koristite meku četku.
- Da biste uklonili smolu i druge ljepljive ostatke, poprskajte nož otapalom za smolu. Pokrenite motor kratko tako da se otapalo ravnomjerno rasporedi.
- Prebrišite površinu suhom krpom.

⚠ UPOZORENJE: Za čišćenje šišača ne koristite vodu. Pri čišćenju plastičnih dijelova, izbjegavajte upotrebu otapala. Većina plastike podložna je oštećenju različitih vrsta komercijalnih otapala. Za uklanjanje nečistoće, prašine, ulja, masti i sl. koristite čiste krpe.

OŠTRENJE REZNOG NOŽA

1. Pokrenite škare za živicu i zaustavite ih tako da rezna oštrica i štitnik budu u položaju blagog odstupanja kako je prikazano na sl. G. Time će se omogućiti slobodan prostor za turpiju između reznog zuba i zuba štitnika.
2. Izvadite komplet baterija iz škara za živicu.
3. Stegnite sklop oštrice u škripcu i isturpijajte izloženu reznu površinu svakog zuba oštrice. Uklonite što je moguće manje materijala. Pri turpijanju vodite računa da zadržite originalni kut svakog zuba.
4. Izvadite škare za živicu iz škripca, ponovno ih pokrenite i zaustavite kako biste izložili nenaoštrene rubove zuba oštrice.
5. Izvadite komplet baterija i ponovite gore navedeni postupak oštrenja.

NAPOMENA: Šišač živice nemojte upotrebljavati sa zatupljenim ili oštećenim noževima. To može dovesti do preopterećenja i dat će nezadovoljavajuće rezultate u radu.

PODMAZIVANJE OŠTRICE (sl. H)

Podmažite oštricu škara za živicu laganim strojnim uljem nakon svake upotrebe kako bi uređaj dobro i dugotrajno radio.

Izvadite komplet baterija i položite škare za živicu na ravnu površinu. Nanesite ulje duž ruba gornje oštrice.

NAPOMENA: Ako uređaj namjeravate koristiti dulje razdoblje, nož podmažite tijekom rezanja.

⚠ UPOZORENJE: Nemojte podmazivati šišač živice za vrijeme njegova rada.

TRANSPORT I SKLADIŠTENJE

- Obvezno postavite štitnik na nož prije skladištenja ili transporta šišača živice. Budite oprezni kako biste izbjegli oštre zube oštrice.
- Šišač živice temeljito očistite prije skladištenja.
- Šišač živice pohranite na suhom mjestu koje nije dostupno djeci.
- Držite ga dalje od korozivnih sredstava kao što su vrtno kemikalije i soli za odleđivanje.

⚠ UPOZORENJE: Nož je oštar. Prilikom rukovanja sklopom noža nosite zaštitne rukavice koje se ne kliču, za teške radne uvjete. Ne stavljajte ruke ili prste između oštrica noža ili na bilo koje mjesto gdje bi moglo doći do štipanja ili rezanja. NIKADA nemojte dodirivati nož ili servisirati uređaj dok je postavljena akumulatorska baterija.

Zaštita okoliša



Električnu opremu, iskorištenu bateriju i punjač ne odlažite u otpad iz kućanstva! Ovaj proizvod odnesite u ovlašteni centar za reciklažu i time omogućite odvojeno sakupljanje. Električne alate potrebno je vratiti u ekološki prihvatljiv pogon za reciklažu.

RJEŠAVANJE PROBLEMA

| PROBLEM | UZROK | RJEŠENJE |
|---------------------------------|---|--|
| Škare za živicu ne rade. | <ul style="list-style-type: none"> ■ Komplet baterija nije učvršćen na šišač živice. ■ Nema električnog kontakta između šišača i baterije ■ Baterijski modul je ispražnjen. ■ Baterijski modul je prevruć. ■ Šišač živice je prevruć. ■ Prednji i stražnji okidač ne pritišću se istodobno. ■ Nož je zaglavljen. | <ul style="list-style-type: none"> ■ Pričvrstite komplet baterija na šišač živice. ■ Izvadite bateriju, provjerite kontakte i ponovno stavite baterijski modul. ■ Napunite baterijski modul. ■ Izvadite baterijski modul iz alata i pričekajte da se ohladi na temperaturu ispod 67°C. ■ Otpustite oba okidača. Pričekajte da se škare za živicu ohlade dok se temperatura ne spusti na normalnu temperaturu. ■ Najprije pritisnite gumb za deblokadu, a zatim istodobno pritisnite okidače na prednjem i stražnjem rukohvatu. ■ Izvadite baterijski paket iz alata, oprezno uklonite zapreku, a zatim vratite bateriju i ponovno pokrenite alat. |
| Prekomjerne vibracije ili buka. | <ul style="list-style-type: none"> ■ Suhi ili korodirani noževi. ■ Noževi ili držač noža su savijeni. ■ Savijeni ili oštećeni zupci. ■ Otpušteni vijci noža. | <ul style="list-style-type: none"> ■ Podmažite noževe prema uputama u odjeljku „PODMAZIVANJE NOŽA“ u ovom priručniku. ■ Zamijenite novim držačem noža. Za zamjenske dijelove se obratite ovlaštenom servisnom centru tvrtke EGO. ■ Zamijenite novim nožem. Za zamjenu noža obratite se ovlaštenom servisnom centru tvrtke EGO. ■ Zategnite vijke noža. Viličastim ključem zategnite vijak okretanjem udesno. |

JAMSTVO

JAMSTVENA POLITIKA PROIZVOĐAČA EGO

Cjelokupne uvjete i odredbe jamstvene politike proizvođača EGO potražite na internetskoj stranici egopowerplus.com.

სრულად გაეცანით ინსტრუქციას!



გაეცანით მომხმარებლის ინსტრუქციას

⚠ გაფრთხილება: არსებული რისკი! პიროვნებებმა ისეთი ელექტრული მოწყობილობებით, როგორცაა გულის ელექტრონული სტიმულატორი, უნდა მიმართონ პირად ექიმს რჩევისთვის ამ პროდუქტის გამოყენებამდე. გულის ელექტრონული სტიმულატორთან უშუალო სიახლოვეს ელექტრო მოწყობილობის ოპერირებამ შესაძლოა გულის ელექტრონულ სტიმულატორს ხელი შეუშალოს მუშაობაში ან გამოიწვიოს მისი გამორთვა.

⚠ გაფრთხილება: ხელსაწყო უსაფრთხოდ და გამართულად მუშაობისთვის, საჭიროა მისი ყველა შეკეთება და ნაწილის შეცვლა შესრულდეს კვალიფიციური სერვისის ტექნიკოსის მიერ.

⚠ გაფრთხილება! გაეცანით ამ ელექტრულ ხელსაწყოთან დაკავშირებულ ყველა უსაფრთხოების მითითებას, ინსტრუქციას, ილუსტრაციას და სპეციფიკაციას. ქვემოთ ჩამოთვლილი ყველა ინსტრუქციის უგულვებლყოფამ შესაძლოა გამოიწვიოს ელექტრო შოკი, ხანძარი და/ან მოგაყენოთ სერიოზული ზიანი.

შეინახეთ ყველა მითითება და ინსტრუქცია სამომავლოდ გამოყენებისთვის.

უსაფრთხოების სიმბოლოები

⚠ გაფრთხილება: ელექტრული ხელსაწყო გამოყენებისას შესაძლოა უცხო სხეულის თვალების მიდამოში მოხვედრა, რამაც შესაძლოა გამოიწვიოს თვალის მნიშვნელოვანი დაზიანება. ელექტრული ხელსაწყო გამოყენებამდე აუცილებლად მორიგეთ უსაფრთხოების თვალსაფარი ან სათვალე სახის გვერდითა ნაწილების და მთლიანი სახის დამცავი ეკრანით, საჭიროების შემთხვევაში. ჩვენ რეკომენდაციას ვუწვევთ ფართო ხედვის არის მქონე უსაფრთხოების ნიღაბს სათვალეებთან ერთად ან სტანდარტულ გვერდითა დამცავის მქონე უსაფრთხოების სათვალეებთან ერთად გამოსაყენებლად.



განგაშის სიგნალი



დაზიანების რისკის შესამცირებლად მომხმარებელმა უნდა წაიკითხოს მომხმარებლის ინსტრუქცია.



არ გამოიყენოთ წვიმაში ან დატოვოთ გარეთ წვიმის დროს.



გარანტირებული ხმის სიმძლავრის დონე. გარემოში ხმაურის გავრცელების დონე ევროკავშირის დირექტივის შესატყვისია.



ხელსაწყო შეესაბამება ევროკავშირის მოქმედ რეგულაციებს.



აღნიშნული პროდუქტი აკმაყოფილებს გაერთიანებული სამეფოს კანონმდებლობით დადგენილ მოთხოვნებს.



ელექტრული ხელსაწყოების უტილიზაცია არ უნდა მოხდეს საყოფაცხოვრებო ნარჩენებთან ერთად. წაიღეთ შესაბამის გადამამუშავებელ საწარმოში.



ატარეთ თვალისა და თავის დამცავი საშუალება.



მოარიდეთ ხელები და ფეხები მჭრელ ნაწილებს.



დანის სიგრძე

KA

≡ პირდაპირი დენი

V ძაბვა

მმ მილიმეტრი

.../წთ. წუთში

n₀ დაუტვირთავი სიჩქარე

სმ. სანტიმეტრი

სპეციფიკაციები

| | | |
|--|-------------------------|---|
| მოდელი | HT2600E | |
| ძაბვა | 56 ვოლტი ≡ | |
| დაუტვირთავი სიჩქარე | 1700 /წთ | |
| დანის სიგრძე | 66 სმ. | |
| ჭრის უნარი | 30.5 მმ. | |
| წონა (აკუმულატორისა და დანის შალითას გარეშე) | 3.14 კგ. | |
| რეკომენდებული საექსპლუატაციო ტემპერატურა | 0°C-40°C | |
| რეკომენდებული დასაწყობების ტემპერატურა | -20°C-70°C | |
| გაზომილი ხმის სიმძლავრის დონე L _{WA} | 92 dB(A) K=1,7 dB(A) | |
| ბგერის წნევის დონე მომხმარებლის პოზიციაზე L _{PA} | 84 dB(A) K=3,0 dB(A) | |
| გარანტირებული ხმის სიმძლავრის დონე LWA (2000/14/EC-ს მიხედვით) | 94 dB(A) | |
| ვიბრაცია a _h | წინა სახელური | 2.49 მ/წმ ² K=1.5 მ/წმ ² |
| | უკანა სახელური | 1.65 მ/წმ ² K=1.5 მ/წმ ² |

- მითითებული ვიბრაციის სრული სიდიდე გაზომილია სტანდარტული ტესტირების მეთოდის გამოყენებით და შესაძლოა გამოყენებულ იქნას ერთი მოწყობილობის მეორესთან შედარებისას.
- მითითებული ვიბრაციის სრული სიდიდე ასევე შესაძლოა გამოყენებულ იქნას ზემოქმედების პირველადი შეფასებისას.

შენიშვნა: ელექტრო ხელსაწყოს ფაქტობრივი გამოყენებისას ვიბრაციის ემისია შესაძლოა განსხვავდებოდეს მითითებული სიდიდისგან; მომხმარებლის დასაცავად, მოწყობილობით სარგებლობისას მომხმარებელმა საჭიროა გამოიყენოს ხელთათმანები და სმენის დამცავი საშუალებები.

შეუეთვის სია (ნახ. A1)

აღწერა

შეისწავლეთ თქვენი ბუჩქის საკრეჭი (ნახ. A1)

1. დასაკვიდი ნახვრეტი
2. წვერის დამცავი
3. მჭრელი პირი
4. ხელის დამცავი
5. წინა სახელური
6. წინა ჩამრთველი ბერკეტი
7. ჩამკეტი ღილაკი
8. უკანა ტრიგერი
9. უკანა სახელური
10. სახელურის გამოთავისუფლების ბერკეტი
11. აკუმულატორის მოხსნის ღილაკი
12. ჩამკეტი
13. ელექტრო კონტაქტები
14. აკუმულატორის სამაგრი
15. აკუმულატორის ამომგდები
16. დანის დამცავი
17. დასაკვიდი ნახვრეტი

▲ გაფრთხილება: ეს ხელსაწყო ბოლომდე აწყობილ მდგომარეობაში იქნა გამოგზავნილი. ხელის დამცავის მოხსნა მუშაობისას დაუშვებელია. მისი დაზიანების შემთხვევაში დაუყოვნებლივ შეაცვლევინეთ კვალიფიციურ სერვისის ტექნიკოსს.

KA

▲ გაფრთხილება: ამ ხელსაწყოს უსაფრთხო გამოყენება საჭიროებს მის შესახებ ინფორმაციისა და მომხმარებლის ინსტრუქციის გაცნობას, ასევე იმ სამუშაოს ცოდნას, რომლის შესრულებასაც აპირებთ. ხელსაწყოს გამოყენებამდე კარგად გაეცანით მის მუშა ფუნქციებს და უსაფრთხოების წესებს.

გამოყენება

▲ გაფრთხილება: შეეცადეთ მსგ ავის პროდუქტის გამოყენების გამოცდილებამ არ გამოიწვიოს თქვენი უგულისყურობა. დაიმასხვოვრეთ, რომ უგულისყურობამ წამის მეათედშიც კი შესაძლოა მოგიტანოთ სერიოზული ზიანი.

▲ გაფრთხილება: ყოველთვის მორიგეთ გვერდითა ეკრანების მქონე უსაფრთხოების სათვალე, სმენის დამცავ საშუალებასთან ერთად. ამ ინსტრუქციის უგულებელყოფამ შესაძლოა გამოიწვიოს სხვადასხვა სხეულის თვალში მოხვედრა და სხვა შესაძლო სერიოზული ზიანი.

▲ გაფრთხილება: უცაბედი ჩართვის გამოსარიცხად, რომელმაც შესაძლოა გამოიწვიოს სერიოზული პერსონალური ზიანი, ყოველთვის მოხსენით აკუმულატორი ხელსაწყოს, როდესაც ხდება მისი აწყობა, რეგულირება, წმენდა ან როდესაც არ ხდება ხელსაწყოს გამოყენება.

▲ გაფრთხილება: არ გამოიყენოთ სხვა ნებისმიერი ნაწილი ან აქსესუარები, რომელიც არაა რეკომენდებული EGO™-ს მიერ. არარეკომენდირებული ნაწილების ან აქსესუარების გამოყენებამ შესაძლოა მოგაყენოთ სერიოზული ზიანი.

ყოველი გამოყენების წინ შეამოწმეთ მთლიანი ხელსაწყო, ხომ არ არის დაზიანებული, დაკარგული ან მოშვებული მისი ნაწილები, როგორცაა ხრახნები, ქანჩები, ჰანჯიკები, ხუფები და ა.შ. მჭიდროდ მოუჭირეთ ყველა სამაგრი და ხუფი და არ ამუშაოთ ხელსაწყო, სანამ ყველა დაკარგული ან დაზიანებული ნაწილი არ შეიცვლება.

გამოყენება

თქვენ შეგიძლიათ ამ ხელსაწყოს გამოყენება ბუჩქოვანი ღობის, ჩირგვების და ბუჩქების გასაკრეჭად, რომელთა ტოტების დიამეტრი 30.5 მმ-ზე ნაკლებია.

შენიშვნა: ხელსაწყოს გამოყენება შესაძლებელია მხოლოდ დანიშნულებისამებრ. სხვა ნებისმიერი სარგებლობა ჩათვლება როგორც არამიზნობრივი გამოყენების შემთხვევა.

აკუმულატორის დამონტაჟება/ზოხსნა გამოიყენეთ მხოლოდ ის აკუმულატორის ბლოკები და დამტენები, რომლებიც მითითებულია სურ. A2-ში.

დატენეთ პირველ ჯერზე სარგებლობამდე. დასამონტაჟებლად (ნახ. B)

გაუსწორეთ აკუმულატორის სამაგრები ბუდის ნასვრეტებს და დააწეეთ აკუმულატორს, სანამ არ გაიკვებთ „წკაპ“ ხმას.

მოსასხნელად (ნახ. C)

დააჭირეთ აკუმულატორის გამშვებ ღილაკს და ამოიღეთ აკუმულატორი.

▲ გაფრთხილება: ყოველთვის შეამოწმეთ თქვენი ფეხების, ბავშვების ან შინაური ცხოველების მდებარეობა აკუმულატორის გამშვები ღილაკის დაჭერისას. აკუმულატორის დაცემამ შესაძლოა გამოიწვიოს სერიოზული ფიზიკური ზიანი. არასდროს მოხსნათ აკუმულატორი სიმაღლეზე.

ბუჩქის საკრეჭის დაჭერის წესი (ნახ. D1-D5)

ხელსაწყოს აქვს წინა და უკანა სახელური. დაიჭირეთ დანა თქვენგან მოშორებით, დაიკავეთ ერთეული ორივე ხელით.

უკანა სახელური შეიძლება დაყენდეს ხუთ პოზიციაზე (0°/±45°/±90°) სახელურის გამოთავისუფლების ბერკეტის (ნახ. D1-დან ნახ. D5-მდე) გაზრდით, გაძლევთ ბევრ არჩევანს კომფორტული დაჭერისთვის ჭრის ოპერაციების შესრულებისას.

KA

▲ გაფრთხილება: არ შეგვალათ სახელური, სანამ ხელსაწყო მუშაობს. გათიშეთ ხელსაწყო და პირველად მოხსენით აკუმულატორი.

ბურჩის საკრეჭის ჩართვა/გამართვა

საკრეჭით სარგებლობამდე, მოხსენით დანის დამცავი და დაიჭირეთ საკრეჭი ორივე ხელით, მოათავსეთ ერთი ხელი უკანა სახელურზე, ხოლო მეორე - წინა სახელურზე. დარწმუნდით, რომ დგახართ მყარად ფეხზე, უსაფრთხოდ და იცავთ კრეჭისას სწორ დისტანციას.

ჩასართავად

1. ჩასვით აკუმულატორი.
2. მოუჭირეთ ხელი და დაიჭირეთ წინა ჩამრთველი ბერკეტი ერთი ხელით.
3. დააწეკით და დაიჭირეთ ჩამკეტი დილაკი თქვენი მეორე ხელის ცერით, ხოლო თითებში კი მოუჭირეთ უკანა ჩამრთველ ბერკეტს, რათა ჩართოთ ბურჩის საკრეჭი. ხელი გაუშვით ჩამკეტ დილაკს და გააგრძელეთ ჩამრთველ ბერკეტზე თითის დაჭერა მუშაობის გასაგრძელებლად.

გასაჩერებლად

მოაცილეთ ბურჩის საკრეჭი სამუშაო არეს და გაუშვით ჩამრთველ ბერკეტს ხელი, რათა გააჩეროთ ბურჩის საკრეჭი.

▲ გაფრთხილება: ყოველთვის ამოიღეთ ბატარეის ბლოკი ბურჩის საკრეჭიდან, შესვენებების დროს და სამუშაოების დასრულების შემდეგ.

ბურჩის საკრეჭის გამოყენება

▲ საშიშროება: თუ დანა გაიჭედება რომელიმე დენის სადენსა ან სადენში, ხელი არ მოკიდდეთ დანას! ის შესაძლოა გახდეს დენის გამტარი და ძალიან სახიფათო. ხელი მოკიდეთ მხოლოდ ბურჩის საკრეჭის იზოლირებულ უკანა სახელურს ან ფრთხილად და უსაფრთხოდ დადეთ მიწაზე თქვენგან მოშორებით. გათიშეთ დაზიანებული სადენის ან სადენის წყარო, სანამ შეეცდებით დანის განთავისუფლებას

სადენიდან ან კაბელიდან. ჩამოთვლილი გაფრთხილებების უგულვებელყოფა გამოიწვევს სერიოზულ ფიზიკურ ზიანს და შესაძლოა სიკვდილს.

▲ გაფრთხილება: მოერიდეთ ერთ ჯერზე ბევრის მოჭრას ან ხშირი ბურჩნარის გაკაფვას. ამან შესაძლოა გამოიწვიოს დანის გახლართვა და შენელება, რაც შეამცირებს ჭრის ეფექტურობას.

შენიშვნა: საკრეჭის გამოყენება შესაძლოა ისეთი ღეროების მოსაჭრელად, რომელთა სისქე (30.5 მმ)-ზე მცირეა.

შენიშვნა: ნორჩი მცენარეებისთვის, ხელსაწყო ფართო მოძრაობით მისაღებია ტოტების საკრეჭის მიერ პირდაპირ მოჭრა. მეტად ასაკოვანი ნაზარდისთვის, ხერხვის ტიპის მოძრაობა მეტად მისაღებია მსხვილი ტოტების მოჭრისთვის. დასაწყისში არაეფექტური ხელის ხერხის ან გამსხვი ხერხის გამოყენება რეკომენდებულია მსხვილი ტოტების მოსაჭრელად.

ზევიდან ჭრა

გამოიყენეთ ფართო ჭრის მოძრაობა. მოძრაობის მიმართულებით საჭრელი დანის ოდენობა დახრა იძლევა საუკეთესო ჭრის რეზულტატებს. უკეთესი ჭრის ეფექტისთვის, შესაძლებელია ზაწრის გამოყენება, ბურჩზე ჭრის მიმართულებით საჩვენებლად, როგორც ნახ. E არის მითითებული.

გვერდული ჭრა

ბურჩის გვერდების გაკრეჭისას, დაიწყეთ ქვედა ნაწილიდან და აჭერით ზედა მიმართულებით, როგორც ნაჩვენებია ნახ. F. მომართეთ ღობის მხარე ისე, რომ ის იყოს უფრო ვიწრო ზედა კენწეროში. ეს ბურჩის მეტ ნაწილს მოახვედრებს მზის სხივების ქვეშ, რაც გამოიწვევს ბურჩის მეტად თანაბარ ზრდას.

ტექნიკური მომსახურება

▲ გაფრთხილება: ტექნიკური სერვისისას გამოიყენეთ მხოლოდ იდენტური სათადარიგო ნაწილები. სხვა ნებისმიერი ნაწილის გამოყენებამ შესაძლოა შექმნას საფრთხე ან გამოიწვიოს ხელსაწყო დაზიანება. ხელსაწყო უსაფრთხოდ და გამართულად მუშაობისთვის საჭიროა მისი ყველა შეკეთება და ნაწილის შეცვლა შესრულდეს კვალიფიციური სერვისის ტექნიკოსის მიერ.

▲ გაფრთხილება: სერიოზული პერსონალური ზიანისგან თავის არიდების მიზნით, ყოველთვის მოხსენით აკუმულატორი ხელსაწყო გაწმენდისას ან როდესაც უტარებთ რაიმე ტიპის სერვისს.

განმეზღა

- გამოიყენეთ რბილი ფუნჯი, რათა მოაცილოთ ნარჩენი საჰაერო ბაზა და საჭრელ დანას.
- კუპრის ან სხვა წებოვანი ნივთიერების მოსაცილებლად მოაპურეთ დანას რეზინის გამხსნელი. მცირე ხნით ჩართეთ ძრავა, რათა გამხსნელი თანაბრად გადანაწილდეს.
- მშრალი ქსოვილით გაწმინდეთ ზედაპირი.

▲ გაფრთხილება: არასდროს გამოიყენოთ წყალი თქვენს სათიბის გასაწმენდად. მოერიდეთ გამხსნელების გამოყენებას ხელსაწყო პლასტმასის ნაწილების გაწმენდისას. უმეტესობა პლასტმასები ზიანდება მათზე სხვადასხვა ტიპის გამხსნელების გამოყენების შედეგად. გამოიყენეთ სუფთა ტილოები ტალახის, მტვრის, ზეთის, ცხიმის და სხვ. მოსაცილებლად.

მჭრელი დანის ვალესვა

1. ჩართეთ და გათიშეთ ბუჩქის საკრეჭი სანამ საჭრელი დანა და დამცავი ოდნავ წანაცვლებულია, როგორც ნაჩვენებია ნახ. G. ეს საშუალებას მოგვცემს, იყოს დაშორება მჭრელ კბილანებსა და დამცავის კბილანებს შორის გაქლიბვის დროს.

2. შენახვამდე მოხსენით აკუმულატორი ბუჩქის საკრეჭს.
3. მოათავსეთ საჭრელი დანა გირაგში და ქლიბით დაამუშავეთ ყოველი კბილის მჭრელი ზედაპირი. მოქლიბეთ რაც შეიძლება ცოტა ლითონი. დარწმუნდით, რომ შეინარჩუნოთ თითოეული კბილის ორიგინალი კუთხე გამოყენებისას.
4. მოაშორეთ ბუჩქის საკრეჭი მომჭრეს; გადატვირთეთ ის და შეაჩერეთ, რომ გამოიყენოთ დანის კბილების გაულესავი კიდეები.
5. ამოიღეთ ბატარეის ბლოკი და გაიმეორეთ ვალესვის პროცედურა.

შენიშვნა: არ ამუშაოთ თქვენი ბუჩქის საკრეჭი დაჩლუნგებული არ დაზიანებული საჭრელი დანებით. ამან შესაძლოა გამოიწვიოს ხელსაწყო გადატვირთვა და მოგვით არასასურველი შედეგები.

დანის შეგეთვა (ნახ. H)

უკეთესი მუშაობისთვისა და დანის ტექნიკური ვადის გასაზრდელად, შეზეთეთ ბუჩქის საკრეჭი მსუბუქი მანქანის ზეთით ყოველ ჯერზე გამოყენებამდე და მის შემდეგ.

ამოიღეთ ბატარეის ბლოკი და დადეთ საკრეჭი ბრტყელ ზედაპირზე. შეზეთეთ ზედა დანის პირის გასწვრივ.

შენიშვნა: ხანგრძლივი გამოყენებისას, შეზეთეთ დანა ჭრის პერიოდში.

▲ გაფრთხილება: არ შეზეთოთ ბუჩქის საკრეჭი, როცა იგი ჩართულია.

ტრანსპორტირება და შენახვა

- ყოველთვის დააყენეთ დამცავი დანაზე ბუჩქის საკრეჭის შენახვამდე ან ტრანსპორტირებამდე. გამოიყენეთ სიფრთხილე დანის მჭრელ კბილებთან მიმართებაში.
- საგულდაგულოდ გაწმინდეთ ბუჩქის საკრეჭი შენახვამდე.
- შეინახეთ ის შენობაში, ბავშვებისთვის მიუწვდომელ მშრალ ადგილას.

KA

- მოაცილეთ კოროზიის გამომწვევი ნივთიერებები, როგორცაა ბალის ქიმიკატები და მოყინვის საწინააღმდეგო ტექნიკური მარილი.

⚠ გაფრთხილება: დანის პირი მჭრელია. დანის აწყობის დროს ჩაიცვით მოცურების საწინააღმდეგო, დამცავი ხელთათმანები. არ მოათავსოთ თქვენი ხელი ან თითები დანის პირებს შორის ან ისეთ პოზიციაში, სადაც ისინი შეიძლება გაგეჭრათ ან ჩაგიყვეთ. არასოდეს შეეხოთ დანის პირებს ან ჩაუტაროთ ხელსაწყო სერვისი, როცა აკუმულატორი შეერთებულია.

გარემოს დაცვა



არ მოათავსოთ ელექტრო მოწყობილობა, დამტენი და აკუმულატორი საყოფაცხოვრებო ნაგავში! მიუტანეთ პროდუქტი ნარჩენების ავტორიზირებულ გადამამუშავებელს და უზრუნველყავით ასეთი ნარჩენის განცალკევებულად შეგროვება. ელექტრო ხელსაწყოები უნდა ჩაბარდეს ნარჩენების გადამამუშავებელ ობიექტს.

დიაგნოსტიკა

| პრობლემა | მიზეზი | პრობლემის გადაჭრის გზა |
|-----------------------------------|--|---|
| ბუჩქის საკრეჭი არ მუშაობს. | <ul style="list-style-type: none"> ■ აკუმულატორი არ არის შეერთებული ბუჩქის საკრეჭზე. ■ საკრეჭსა და აკუმულატორს შორის არ არის ელექტრული კონტაქტი ■ აკუმულატორი დაცლილია. ■ აკუმულატორი ზედმეტად გაცხელებულია. ■ ბუჩქის საკრეჭი ზედმეტად გაცხელებულია. ■ წინა და უკანა ჩამრთველი ბერკეტი არ არის ერთდროულად დაჭერილი. ■ დანა გაჭედებულია. | <ul style="list-style-type: none"> ■ დაამაგრეთ აკუმულატორი ბუჩქის საკრეჭზე. ■ მოხსენით აკუმულატორი, შეამოწმეთ კონტაქტები და კვლავ მოათავსეთ იგი უკან. ■ დატენით აკუმულატორი. ■ მოხსენით აკუმულატორი ხელსაწყოს და აცადეთ მას გაგრილება 67°C-ის ქვევით. ■ ხელი გაუშვით ორივე ჩამრთველ ბერკეტს; აცადეთ საკრეჭს გაგრილება, სანამ ტემპერატურა არ დაუბრუნდება ნორმალურ მნიშვნელობას. ■ ჯერ დააწეით ჩამკეტ ღილაკს და შემდეგ ერთდროულად დააჭირეთ წინა და უკანა სახელურზე მდებარე ჩამრთველ ბერკეტებს. ■ მოხსენით აკუმულატორი ხელსაწყოს, ფრთხილად მოაცალეთ გაჭედილი საგანი, შემდეგ უკან მიაერთეთ აკუმულატორი და ხელახლა ჩართეთ ხელსაწყო. |
| გადაჭარბებული ვიბრაცია ან ხმაური. | <ul style="list-style-type: none"> ■ მშრალი ან დაჟანგული დანები. ■ დანები ან მათი საყრდენი მოღუნულია. ■ მოღუნული ან დაზიანებული კბილები. ■ მოშვებული დანის ჭანჭიკები. | <ul style="list-style-type: none"> ■ შეზეთეთ დანა, მიყევით მომხმარებლის ინსტრუქციაში სექციას „დანის შეზეთვა“. ■ შეცვალეთ ახალი დანით ან საყრდენით. მიმართეთ EGO-ს მომსახურების ცენტრს დანის და საყრდენის შეცვლის სერვისისთვის. ■ შეცვალეთ ახალი დანით. მიმართეთ EGO-ს მომსახურების ცენტრს დანის შეცვლის სერვისისთვის. ■ მოუჭირეთ დანის ჭანჭიკები. ქანჩის გასაღების გამოყენებით მოატრიალეთ ჭანჭიკი საათის ისრის მიმართულებით მოსაჭერად. |

KA



გარანტია

EGO-ს საგარანტიო პირობები

გთხოვთ, ეწვიოთ ვებ-გვერდს egopowerplus.com, რათა მიიღოთ EGO-ს საგარანტიო მომსახურების სრული პირობები.

KA

150

56 ვოლტებიანი ლითიუმ-იონის აკუმულატორიანი უსადენო ბუჩქის საკრეჭი — HT2600E

PROČITAJTE SVA UPUTSTVA!



PROČITAJTE PRIRUČNIK ZA RUKOVAOCA

⚠ UPOZORENJE: Rezidualni rizik! Osobe sa elektronskim uređajima, poput pejsmejкера, treba da konsultuju svog lekara (svoje lekare) pre upotrebe ovog proizvoda. Rukovanje električnom opremom u neposrednoj blizini srčanog pejsmejкера moglo bi da izazove smetnje ili otkazivanje pejsmejкера.

⚠ UPOZORENJE: Da bi se osigurala sigurnost i pouzdanost, sve popravke i zamene treba da radi kvalifikovani servisni tehničar.

⚠ UPOZORENJE: pročitajte sva bezbednosna upozorenja, uputstva, ilustracije i specifikacije priložene uz ovaj električni alat. Nepridržavanje svih dole navedenih uputstava može da dovede do strujnog udara, požara i/ili ozbiljne povrede.

SACUVAJTE SVA UPOZORENJA I UPUTSTVA ZA BUDUĆU UPOTREBU.

SIGURNOSNI SIMBOLI

⚠ UPOZORENJE: Rukovanje svakim električnim alatom može da dovede do izbacivanja stranih tela ka očima, što može da dovede do ozbiljnog oštećenja očiju. Pre započinjanja rada sa električnim alatom, uvek stavite sigurnosne naočare sa bočnim štitnicima ili po potrebi masku za celo lice. Preporučujemo sigurnosnu masku Wide Vision za upotrebu preko naočara ili standardnih sigurnosnih naočara sa bočnim štitnicima.



Sigurnosno upozorenje



Radi smanjenja opasnosti od povreda, korisnik treba da pročita priručnik za rukovaoca.



Ne koristite po kiši i ne ostavljajte napolju dok pada kiša.



Garantovan nivo jačine zvuka. Emisija buke u okruženju u skladu je sa Direktivom Evropske unije.



Ovaj proizvod je u skladu sa primenjivim EC direktivama.



Ovaj proizvod je u skladu sa primenjivim zakonima UK.



Otpadni električni proizvodi ne smeju da se odlažu sa otpadom iz domaćinstva. Odnosite ih u ovlašćeni centar za reciklažu.



Nosite zaštitu za oči i glavu.



Držite šake i stopala dalje od alata za sečenje.



Dužina noža



Jednosmerna struja



Voltaža



Milimetar



U minutu



Brzina bez opterećenja



Centimetar

SR

SPECIFIKACIJE

| | | |
|--|-------------------------|---|
| Model | HT2600E | |
| Voltaža | 56 V --- | |
| Brzina bez opterećenja | 1700 /min | |
| Dužina noža | 66 cm | |
| Kapacitet sečenja | 30,5 mm | |
| Težina (bez baterije, štitnika sečiva) | 3,14 kg | |
| Preporučena radna temperatura | Od 0°C do 40°C | |
| Preporučena temperatura skladištenja | Od -20°C do +70°C | |
| Izmereni nivo zvučne snage L_{WA} | 92 dB(A) K=1,7 dB(A) | |
| Nivo zvučnog pritiska na mestu rukovaoca L_{PA} | 84 dB(A) K=3,0 dB(A) | |
| Garantovan nivo jačine zvuka L_{WA} (prema 2000/14/EC) | 94 dB(A) | |
| Vibracije a_h | Prednja drška | 2,49 m/s ² K=1,5 m/s ² |
| | Zadnja drška | 1,65 m/s ² K=1,5 m/s ² |

- Deklarisana ukupna vrednost vibracije je izmerena u skladu sa standardnim metodom testiranja i može se koristiti za upoređivanje jednog alata sa drugim;
- Deklarisana ukupna vrednost vibracije može se koristiti i u preliminarnoj proceni izlaganja.

NAPOMENA: Emisija vibracija tokom stvarne upotrebe električnog alata može da se razlikuje od deklarisanе vrednosti u kojoj se alat koristi. Da bi se rukovalac zaštitio, korisnik bi trebalo da nosi rukavice i štitnike za uši u stvarnim uslovima korišćenja.

POPIS PAKOVANJA (SLIKA A1)

OPIS

UPOZNAJTE TRIMER ZA ŽIVICU (slika A1)

1. Viseća rupa
2. Zaštita za vrh
3. Sečivo
4. Štitnik za ruke
5. Prednja drška

6. Prednji okidač
7. Dugme za zaključavanje
8. Zadnji okidač
9. Zadnja drška
10. Poluga za oslobađanje drške
11. Dugme za otključavanje baterije
12. Reza
13. Električni kontakti
14. Prorez za montiranje baterije
15. Izbacivanje baterije
16. Štitnik noža
17. Viseća rupa

⚠ UPOZORENJE: Ovaj proizvod je isporučen potpuno sklopljen. Štitnik za ruke se nikad ne sme uklanjati tokom upotrebe. Kad se ošteti, odmah ga zamenite kod kvalifikovanog servisnog tehničara.

⚠ UPOZORENJE: Bezbedna upotreba ovog proizvoda zahteva razumevanje informacija na alatu i u ovom priručniku za rukovaoca, kao i znanje o projektu koji planirate. Pre upotrebe ovog proizvoda, upoznajte se sa svim radnim funkcijama i sigurnosnim pravilima.

RUKOVANJE

⚠ UPOZORENJE: Nemojte dozvoliti da vas poznavanje ovog proizvoda učini nemarnim. Imajte na umu da je za nanošenje teških povreda dovoljan samo delić sekunde nepažnje.

⚠ UPOZORENJE: Uvek nosite zaštitne naočare za bočnim štitnicima i zaštitu za sluh. Nepridržavanje toga može dovesti do predmeta izbačenih prema očima i drugih ozbiljnih povreda.

⚠ UPOZORENJE: Da biste sprečili nehotično pokretanje koje bi moglo izazvati ozbiljne telesne povrede, uvek uklonite bateriju iz alata kada sklapate delove, podešavate, čistite ili kad ga ne koristite.

⚠ UPOZORENJE: Ne koristite nikakve dodatke ili pribor koje nije preporučio EGO™. Upotreba dodataka ili pribora koji nisu preporučeni može da dovede do ozbiljne telesne povrede.

Pre svake upotrebe pregledajte čitav proizvod radi oštećenih, nedostajućih ili labavih delova poput vijaka, navrtanja, zavrtnja, kapica itd. Čvrsto zategnite sve spojeve i kapice i ne rukujte ovih proizvodom dok svi nedostajući ili oštećeni delovi ne budu zamenjeni.

PRIMENA

Možete da koristite ovaj proizvod za orezivanje živica, žbunja i grmlja sa prečnikom grana manjim od $\varnothing 30,5$ mm.

NAPOMENA: Alat treba koristiti samo za propisanu svrhu. Svaka druga upotreba smatra se slučajem zloupotrebe.

INSTALIRANJE/VAĐENJE BATERIJE

Koristite samo sa baterijama i punjačima navedenim na slici A2.

Napunite pre prve upotrebe.

Za instalaciju (slika B)

Poravnajte rebra baterije sa prorezima za montiranje i pritisnite bateriju nadole dok ne čujete „klik“.

Za uklanjanje (slika C)

Pritisnite dugme za otključavanje baterije i izvucite bateriju.

⚠ UPOZORENJE: Uvek vodite računa o položaju svojih stopala, dece ili kućnih ljubimaca kad pritisnete dugme za otključavanje baterije. Može doći do ozbiljnih povreda ako baterija ispadne. NIKAD ne vadite bateriju na visokom mestu.

DRŽANJE TRIMERA ZA ŽIVICU (slika D1-D5)

Jedinica ima i prednju i zadnju dršku. Sa nožem okrenutim dalje od sebe, držite jedinicu za obe drške.

Zadnja drška se može postaviti u pet položaja ($0^\circ/\pm 45^\circ/\pm 90^\circ$) podizanjem poluge za oslobađanje drške (slike D1 do D5), što vam pruža mnogo izbora za udoban hvat kad vršite operacije sečenja.

⚠ UPOZORENJE: Ne podešavajte dršku dok alat radi. Prvo zaustavite alat i izvadite bateriju.

POKRETANJE/ZAUSTAVLJANJE TRIMERA ZA ŽIVICU

Pre rukovanja, skinite štitnik za nož i uhvatite trimmer sa obe ruke; jedna ruka je na zadnjoj drški a druga ruka je na prednjoj drški. Zatim proverite stabilan položaj nogu, uspravno stajanje i pravilnu udaljenost sečenja.

Za pokretanje

1. Instalirajte bateriju.
2. ednom rukom stisnite i držite prednji okidač.
3. Palcem druge ruke pritisnite i držite dugme za zaključavanje a zatim prstima stisnite zadnji okidač da biste pokrenuli trimmer za živicu. Pustite dugme za zaključavanje ali nastavite da pritisnete okidač za neprekidni rad.

Za zaustavljanje

Pomerite trimmer za živicu dalje od oblasti sečenja i pustite bilo koji od okidača da biste ga zaustavili.

⚠ UPOZORENJE: Uvek izvadite bateriju iz trimera za živicu tokom pauza u radu i posle završetka rada.

KORIŠĆENJE TRIMERA ZA ŽIVICU

⚠ OPASNOST: Ako se nož zaglavi na bilo kakvom strujnom kablju ili vodu, **NE DODIRUJTE NOŽI MOŽE DA BUDE POD NAPONOM I VEOMA OPASAN.** Nastavite da držite trimmer za živicu za izolovanu zadnju dršku ili ga spustite na tlo i dalje od sebe na bezbedan način. Isključite oštećeni kabl iz električne mreže pre no što pokušate da oslobodite nož od kabla. Nepoštovanje ovog upozorenja dovešće do ozbiljne telesne povrede ili eventualne smrti.

⚠ UPOZORENJE: Izbegavajte da orezujete suviše odjednom ili kroz gusto šiblje. To može da izazove zakačinjanje i usporavanje noževa i da smanji efikasnost sečenja.

NAPOMENA: Trimer treba da se koristi za sečenje stabljika debljine manje od 30,5 mm.

NAPOMENA: Za mlado rastinje, široko zamahivanje je prikladno za stabljike koje ulaze direktno u nož za sečenje. Za starije rastinje, pokret testerisanja je dobar za orezivanje debljih stabljika. Preporučuje se da se veće stabljike prvo orežu ručnom testerom ili testerom za potkresivanje koje nisu na struju.

Sečenje vrha

Koristite širok pokret zamahivanja. Blago naginjanje noževa nadole u smeru kretanja daje najbolje rezultate sečenja. Za bolji efekat sečenja možete da koristite i kanap da vodi ravan živice, kako je prikazano na slici E.

Bočno sečenje

Kad orezujete bočne strane živice, počnite odole i secite nagore, kako je prikazano na slici F. Orezujte bočnu stranu živice tako da bude malo uža u gornjem delu. Ovaj oblik će izložiti veći deo živice sunčevom svetlu, dovodeći do ravnomernijeg rasta.

ODRŽAVANJE

⚠ UPOZORENJE: Tokom servisiranja, koristite samo identične rezervne delove. Upotreba bilo kakvih drugih delova može da dovede do opasnosti ili da izazove oštećenje proizvoda. Da bi se osigurala sigurnost i pouzdanost, sve popravke treba da radi kvalifikovani servisni tehničar.

⚠ UPOZORENJE: Da biste izbegli ozbiljne telesne povrede, uvek izvadite bateriju iz proizvoda kad ga čistite ili održavate.

ČIŠĆENJE

- Koristite meku četku da uklonite prljavštinu iz svih ulaza za vazduh i sa noža za sečenje.
- Da biste uklonili smolu i druge lepljive ostatke, poprsajte noževe rastvaračem smole. Nakratko pokrenite motor da bi se rastvarač ravnomerno rasporedio.
- Obrišite površinu suvom krpom.

⚠ UPOZORENJE: Nikad ne koristite vodu za čišćenje trimera. Izbegavajte korišćenje rastvarača kada čistite plastične delove. Većina plastike je podložna oštećenjima od raznih tipova komercijalnih rastvarača. Koristite čistu krpu da uklonite zemlju, prašinu, ulje, masnoću itd.

OŠTRENJE NOŽA ZA SEČENJE

1. Pokrenite i zaustavite trimer za živicu dok nož i štitnik ne budu malo u raskoraku, kako je prikazano na slici G. To će napraviti prostor za turpiju između zuba noža i zuba štitnika.
2. Izvadite bateriju iz trimera za živicu.
3. Stegnite sklop noža u stegu i turpijajte izloženu površinu za sečenje na svakom zubu noža. Uklonite što je moguće manje materijala. Vodite računa da očuvate prvobitni ugao svakog zuba kad turpijate.
4. Izvadite trimer za živicu iz stege; ponovo ga pokrenite i zaustavite da biste izložili nenaoštrene ivice zuba noža.
5. Izvadite bateriju i ponovite proceduru oštrenja iznad.

NAPOMENA: Ne rukujte trimenom za živicu sa tupim ili oštećenim noževima za sečenje. To može da izazove preopterećenje i daće nezadovoljavajuće rezultate sečenja.

PODMAZIVANJE NOŽA (slika H)

Za najbolji rad i duži radni vek noža, podmazujte nož trimera za živicu lakim mašinskim uljem pre i posle svake upotrebe.

Izvadite bateriju i položite trimer na ravnu površinu. Nanesite ulje duž ivice gornjeg noža.

NAPOMENA: Za periode produžene upotrebe, podmažite nož tokom operacije sečenja.

⚠ UPOZORENJE: Ne podmazujte trimer za živicu dok radi.

SR

TRANSPORTOVANJE I SKLADIŠTENJE

- Uvek stavite štitnik na nož pre skladištenja ili transportovanja trimera za živicu. Budite oprezni da biste izbegli oštre zube noža.
- Temeljno očistite trimer za živicu pre no što ga uskladištite.
- Skladištite trimer za živicu u zatvorenom prostoru, na suvom mestu koje nije dostupno deci.
- Držite dalje od korozivnih sredstava poput baštenskih hemikalija i soli za odmrzavanje.

⚠ UPOZORENJE: Noževi su oštri. Kad rukujete sklopom noža, nosite čvrste zaštitne rukavice koje se ne klizu. Ne stavljajte šake ili prste između noževa ili u bilo koji položaj gde se možete uštinuti ili poseći. NIKAD ne dodirujte noževe i ne servisirajte jedinicu kad je baterija instalirana.

Zaštita životne sredine



Ne odlažite električnu opremu, potrošene baterije i punjače u kućni otpad! Odnosite ovaj proizvod u ovlašćeni pogon za reciklažu ili ga odvojite od ostalog smeća radi zasebnog prikupljanja. Električni alati moraju se odneti u ekološki prihvatljiv pogon za reciklažu.

REŠAVANJE PROBLEMA

| PROBLEM | UZROK | REŠENJE |
|-------------------------------|---|--|
| Trimer za živicu ne radi. | <ul style="list-style-type: none"> ■ Baterija nije spojena na trimer za živicu. ■ Nema električnog kontakta između trimera i baterije ■ Baterija je prazna. ■ Baterija je prevruća. ■ Trimer za živicu je prevruć. ■ Prednji i zadnji okidač nisu pritisnuti istovremeno. ■ Nož se zaglavio. | <ul style="list-style-type: none"> ■ Spojite bateriju na trimer za živicu. ■ Izvadite bateriju, proverite kontakte i ponovo instalirajte bateriju. ■ Napunite komplet baterija. ■ Izvadite bateriju iz alata i ostavite je da se hladi dok temperatura ne padne ispod 67°C. ■ Pustite oba okidača; ostavite trimer da se hladi dok temperatura ne padne na normalu. ■ Prvo pritisnite dugme za zaključavanje a zatim pritisnite okidače na prednjoj i zadnjoj drški istovremeno. ■ Izvadite bateriju iz alata, pažljivo uklonite začepljenje, zatim ponovo umetnite bateriju i ponovo pokrenite alat. |
| Prevelike vibracije ili buka. | <ul style="list-style-type: none"> ■ Suvi ili korodirani noževi. ■ Noževi su savijeni ili je držač noževa savijen. ■ Savijeni ili oštećeni zupci. ■ Opušteni zavrtnji noža. | <ul style="list-style-type: none"> ■ Podmažite noževe, prateći odeljak „PODMAZIVANJE NOŽA“ u ovom priručniku. ■ Zamenite novim nožem ili nosačem. Obratite se EGO servisnom centru za uslugu zamene noža ili nosača. ■ Zamenite novim nožem. Obratite se EGO servisnom centru za uslugu zamene noža. ■ Zategnite zavrtnje noža. Ključem okrenite zavrtnj u smeru kazaljke na satu da biste ga zategnuli. |

GARANCIJA

EGO POLITIKA GARANCIJE

Posetite veb-lokaciju egopowerplus.com za potpune uslove i odredbe EGO politike garancije.

PROČITAJTE UPUTSTVO U CIJELOSTI!



PROČITAJTE KORISNIČKI PRIRUČNIK

⚠ UPOZORENJE! Preostale opasnosti! Osobe s elektroničkim uređajima poput srčanih elektrostimulatora prije upotrebe ovog proizvoda trebaju se posavjetovati sa svojim ljekarom. Rad električne opreme u neposrednoj blizini srčanih elektrostimulatora može uzrokovati smetnju ili kvar srčanog elektrostimulatora.

⚠ UPOZORENJE! Radi osiguranja sigurnosti i pouzdanosti, sve popravke i zamjene treba obavljati kvalifikovani servisni tehničar.

⚠ UPOZORENJE! Pročitajte sva sigurnosna upozorenja, uputstva, sve ilustracije i specifikacije isporučene s ovim električnim alatom. Zanemarivanje svih uputstava navedenih u nastavku može rezultirati strujnim udarom, požarom i/ili teškim povredama.

SAČUVAJTE SVA UPOZORENJA I UPUTSTVA ZA BUDUĆE POTREBE.

SIGURNOSNI SIMBOLI

⚠ UPOZORENJE! Rukovanje električnim alatima može rezultirati odbacivanjem stranih predmeta u oči, što opet može izazvati teška oštećenja očiju. Prije početka rukovanja električnim alatom, uvijek nosite zatvorene zaštitne naočale ili zaštitne naočale s bočnim štitnicima, a prema potrebi i štitnik za cijelo lice. Preporučujemo nošenje sigurnosne maske proizvođača Wide Vision preko naočala ili nošenje standardnih zaštitnih naočala s bočnim štitnicima.



Simbol upozorenja



Radi smanjenja opasnosti od povreda, korisnik treba pročitati korisnički priručnik.



Proizvod nemojte upotrebljavati na kiši ili nemojte ga ostavljati na otvorenom kada pada kiša.



Zagarantovani nivo zvučne snage. Emisija buke u okruženju u skladu je s Direktivom Evropske unije.



Ovaj proizvod je u skladu s primjenjivim Direktivama EU.



Ovaj proizvod je u skladu s važećim zakonodavstvom Velike Britanije.



Otpadni električni proizvodi ne smiju se odlagati s otpadom iz domaćinstva. Odnosite ih u ovlašteni centar za reciklažu.



Nosite zaštitu za oči i glavu.



Ruke i stopala držite podalje od reznog alata.



Dužina noža



Istosmjerna struja



Napon



Milimetar



U minuti



Brzina vrtnje bez opterećenja



Centimetar

BS

TEHNIČKI PODACI

| | | |
|---|-------------------------|---|
| Model | HT2600E | |
| Napon | 56 V --- | |
| Brzina vrtnje bez opterećenja | 1700 o/min | |
| Dužina noža | 66 cm | |
| Kapacitet rezanja | 30,5 mm | |
| Masa (bez kompleta baterija, štitnika noža) | 3,14 kg | |
| Preporučena radna temperatura | 0°C - 40°C | |
| Preporučena temperatura skladištenja | -20°C - 70°C | |
| Izmjereni nivo zvučne snage L_{WA} | 92 dB(A) K=1,7 dB(A) | |
| Nivo zvučnog pritiska kod uha rukovaoca L_{PA} | 84 dB(A) K=3,0 dB(A) | |
| Zagarantovani nivo zvučne snage L_{WA} (u skladu s Direktivom 2000/14/EZ) | 94 dB(A) | |
| Vibracije a_n | Prednji rukohvat | 2,49 m/s ² K=1,5 m/s ² |
| | Stražnji rukohvat | 1,65 m/s ² K=1,5 m/s ² |

- Deklarisane ukupne vrijednosti vibracija izmjerene su u skladu sa standardnom metodom ispitivanja i mogu se primjenjivati za poređenje jednog alata s drugim.
- Deklarisane ukupne vrijednosti vibracija mogu se primjenjivati i u preliminarnoj procjeni izloženosti.

NAPOMENA! Emisija vibracija tokom aktualne upotrebe električnog alata može se razlikovati od deklarisanе vrijednosti u kojoj se alat upotrebljavao; Korisnik radi zaštite treba nositi rukavice i štitnike za uši u aktualnim uslovima upotrebe.

SADRŽAJ PAKOVANJA (SL. A1)

OPIS

UPOZNAJTE SVOJE MAKAZE ZA ŽIVICU (sl. A1)

1. Otvor za vješanje
2. Štitnik za vrh
3. Nož
4. Štitnik za ruke
5. Prednji rukohvat
6. Prednji okidač

7. Dugme za deblokadu
8. Stražnji okidač
9. Stražnji rukohvat
10. Ručica za otpuštanje ručke
11. Dugme za oslobađanje baterije
12. Bravica
13. Električni kontakti
14. Utor za postavljanje baterije
15. Dugme za izbacivanje baterije
16. Štitnik noža
17. Otvor za vješanje

⚠ UPOZORENJE! Ovaj proizvod isporučen je potpuno sastavljen. Štitnik za ruke nikada se ne smije uklanjati tokom upotrebe. U slučaju oštećenja, zamjenu odmah treba obaviti kvalifikovani servisni tehničar.

⚠ UPOZORENJE! Sigurna upotreba ovog proizvoda zahtijeva razumijevanje informacija na alatu i u ovom korisničkom priručniku, kao i poznavanje radova koje namjeravate obaviti. Prije upotrebe ovog proizvoda upoznajte se sa svim radnim funkcijama i sigurnosnim propisima.

RAD

⚠ UPOZORENJE! Nemojte dozvoliti da vas poznavanje ovog proizvoda učini nepažljivim. Imajte na umu da je za nanošenje teških povreda dovoljan samo djelić sekunde nepažnje.

⚠ UPOZORENJE! Uvijek nosite zaštitne naočale s bočnim štitnicima, zajedno sa zaštitom za sluh. Nepostupanje u skladu s tim može rezultirati odbacivanjem predmeta u oči i drugim mogućim teškim povredama.

⚠ UPOZORENJE! Radi sprečavanja iznenadnog pokretanja koje može uzrokovati teške tjelesne povrede, uvijek izvadite komplet baterija iz alata kada postavljate dijelove, obavljate radove podešavanja, čišćenja ili kada ne upotrebljavate alat.

⚠ UPOZORENJE! Nemojte upotrebljavati priključke ili pribor koje nije preporučio proizvođač EGO™. Upotreba nepreporučenih priključaka ili pribora može rezultirati teškim tjelesnim povredama.

Prije svake upotrebe pregledajte cijeli proizvod na postojanje oštećenih, nedostajućih ili otpuštenih dijelova, kao što su vijci, matice, osovine, kapice, itd. Dobro pritegnite sve pričvrstne elemente i kapice i nemojte upotrebljavati ovaj proizvod dok ne postavite sve dijelove koji nedostaju ili zamijenite sve oštećene dijelove.

PRIMJENA

Ovaj proizvod možete upotrebljavati za šišanje živica, šiblja i grmova prečnika grana manjeg od 30,5 mm.

NAPOMENA! Alat se smije upotrebljavati samo za prethodno opisanu namjenu. Svaka druga upotreba smatra se nepropisnom upotrebom.

POSTAVLJANJE/SKIDANJE KOMPLETA BATERIJA

Proizvod upotrebljavajte samo s kompletima baterija i punjačima koji su navedeni na sl. A2.

Komplet baterija napunite prije prve upotrebe.

Postavljanje (sl. B)

Poravnajte kontakte baterije s montažnim utorima i pritisnite komplet baterija prema dolje dok ne začujete zvuk "klikanja".

Skidanje (sl. C)

Pritisnite dugme za oslobađanje baterije i izvucite komplet baterija.

⚠ UPOZORENJE! Kada pritisćete dugme za oslobađanje baterije, uvijek pazite na položaj stopala, djecu ili kućne ljubimce. Ako komplet baterija padne, može doći do teških povreda. Komplet baterija nemojte NIKADA vaditi na visokom položaju.

DRŽANJE MAKAZA ZA ŽIVICU (sl. D1 - D5)

Jedinica ima i prednji i stražnji rukohvat. Držite jedinicu objema rukama noža usmjerenog od vas.

Stražnji rukohvat može se postaviti u pet položaja ($0^\circ/\pm 45^\circ/\pm 90^\circ$) podizanjem ručice za otpuštanje ručke (sl. D1 do D5), što vam pruža više izbora za ugodan zahvat tokom obavljanja radova rezanja.

⚠ UPOZORENJE! Rukohvat nemojte podešavati kada alat radi. Najprije zaustavite alat i izvadite bateriju.

POKRETANJE/ZAUSTAVLJANJE MAKAZA ZA ŽIVICU

Prije rukovanja uklonite štitnik noža i objema rukama držite makaze za živicu. Jednu ruku držite na stražnjem rukohvatu, a drugu na prednjem rukohvatu. Zatim provjerite držanje i ravnotežu, uspravan položaj tijela i propisnu udaljenost za rezanje.

Pokretanje

1. Postavite komplet baterija.
2. Jednom rukom pritisnite prednji okidač i držite ga pritisnutim.
3. Palcem druge ruke pritisnite dugme za deblokadu i držite ga pritisnutim, a zatim za pokretanje makaza za živicu prstima stisnite stražnji okidač. Otpustite

dugme za deblokadu ali nastavite stiskati okidač za kontinuirani rad.

Zaustavljanje

Odmaknite makaze za živicu od područja rezanja i za njihovo zaustavljanje otpustite bilo koji okidač.

⚠ UPOZORENJE! Komplet baterija uvijek izvadite iz makaza za živicu tokom pauza i nakon završetka radova.

UPOTREBA MAKAZA ZA ŽIVICU

⚠ OPASNOST! Ako se nož zaglavi u strujni kabel ili vod, **NEMOJTE DODIRIVATI NOŽ! NOŽ MOŽE POSTATI ELEKTRIČNO VODLJIV I VRLO OPASAN.** Makaze za živicu nastavite držati za izolirani stražnji rukohvat ili ih na siguran način položite na tlo i podalje od sebe. Prije pokušaja oslobađanja noža iz strujnog voda ili kabela isključite strujno napajanje oštećenog voda ili kabela. Zanemarivanje ovog upozorenja može rezultirati teškim ozljedama pa čak i smrću.

⚠ UPOZORENJE! Izbjegavajte prekomjerno šišanje odjednom ili kroz gusto grmlje. To može uzrokovati sputavanje i usporavanje noževa uz smanjenje učinkovitosti rezanja.

NAPOMENA! Makaze za živicu smiju se upotrebljavati za rezanje stablička debljine manje od (30,5 mm).

NAPOMENA! Kod rezanja novoizraslih grančica primjenjujte široke zakretne pokrete kako bi grančice direktno dospjele u rezni nož. Kod starijih grančica primjenjujte pokrete žaganja za rezanje debljih grančica. Za rezanje velikih grana preporučujemo da prvo upotrijebite ručnu žagu ili žagu za stabla bez motornog pogona.

Rezanje s gornje strane

Režite širokim zakretnim pokretima. Blagim nagibom reznih noževa prema dolje u smjeru kretanja postižu se najbolji rezultati rezanja. Za bolji učinak rezanja možete upotrijebiti i nit za vođenje prema nivou živice kako je prikazano na sl. E.

Bočno rezanje

Kada šišate bočne strane živice, počnite odozdo i režite prema gore kako je prikazano na sl. F. Bočnu stranu živice šišajte tako da bude malo uža na vrhu. Ovaj oblik omogućit će izlaganje većeg dijela živice sunčevoj svjetlosti, što će rezultirati ravnomjernijim rastom.

ODRŽAVANJE

⚠ UPOZORENJE! Kada obavljate radove servisiranja, upotrebljavajte samo identične zamjenske dijelove. Upotreba drugih dijelova može uzrokovati opasnost ili oštećenje proizvoda. Radi osiguranja sigurnosti i pouzdanosti, sve popravke treba obavljati kvalifikovani servisni tehničar.

⚠ UPOZORENJE! Radi izbjegavanja teških tjelesnih povreda, uvijek izvadite komplet baterija iz proizvoda prije obavljanja radova čišćenja ili održavanja.

ČIŠĆENJE

- Za uklanjanje naslaga iz svih ulaznih otvora za zrak i reznog noža upotrebljavajte mekanu četku.
- Za uklanjanje smole i drugih ljepljivih ostataka po noževima raspršite rastvor za uklanjanje smole. Nakratko uključite motor radi ravnomjerne raspodjele rastvora.
- Obrišite površinu suhom krpom.

⚠ UPOZORENJE! Za čišćenje makaza nemojte nikada upotrebljavati vodu. Kada čistite plastične dijelove, izbjegavajte upotrebljavati rastvore. Mnoge plastike mogu se oštetiti različitim vrstama komercijalnih rastvora. Za uklanjanje prljavštine, prašine, ulja, masti i sl. upotrebljavajte čiste krpe.

OŠTRENJE REZNOG NOŽA

1. Pokrenite makaze za živicu i zaustavite ih tako da rezni nož i štitnik budu u položaju blagog odstupanja kako je prikazano na sl. G. Time će se omogućiti slobodan prostor za turpiju između reznog zuba i zuba štitnika.
2. Izvadite komplet baterija iz makaza za živicu.
3. Stegnite sklop noža u škripcu i isturpijajte izloženu reznu površinu svakog zuba noža. Uklonite što je moguće manje materijala. Pri turpijanju vodite računa da zadržite originalni ugao svakog zuba.
4. Izvadite makaze za živicu iz škripca, ponovo ih pokrenite i zaustavite kako biste izložili nenaoštrene rubove zuba noža.
5. Izvadite komplet baterija i ponovite gore navedeni postupak oštrenja.

NAPOMENA! Makaze za živicu nemojte upotrebljavati s tupim ili oštećenim reznim noževima. To može uzrokovati preopterećenje alata i rezultirati nezadovoljavajućim rezultatima rezanja.

PODMAZIVANJE NOŽA (sl. H)

Za najbolji rad i duži radni vijek noža, nož makaza za živicu podmazujte laganim mašinskim uljem prije i nakon svake upotrebe.

Izvadite komplet baterija i položite makaze na ravnu površinu. Nanesite ulje duž ruba gornjeg noža.

NAPOMENA! Za produženi period upotrebe, na nož nanosite ulje tokom postupka rezanja.

⚠ UPOZORENJE! Postupak podmazivanja nemojte obavljati kada makaze za živicu rade.

TRANSPORT I SKLADIŠTENJE

- Prije skladištenja ili transporta makaza za živicu, na nož uvijek stavite štitnik noža. Budite oprezni da izbjegnute oštre zube noža.
- Makaze za živicu dobro očistite prije skladištenja.
- Makaze za živicu skladištite u zatvorenim prostorima na suhom mjestu nedostupnom djeci.
- Alat držite podalje od korozivnih sredstava kao što su vrtna hemijska sredstva i soli za odmrzavanje.

⚠ UPOZORENJE! Noževi su oštri. Kada rukujete sklopom noževa, nosite neklizajuće zaštitne rukavice za teške uslove rada. Nemojte stavljati ruku ili prste između noževa ili u bilo koji položaj gdje se mogu priklještit ili posjeci. Nemojte NIKADA dodirivati noževe ili servisirati jedinicu s postavljenim kompletom baterija.

Zaštita životne sredine



Električnu opremu, iskorištenu bateriju i punjač ne odlažite u kućni otpad! Ovaj proizvod odnesite u ovlašteni centar za reciklažu i time omogućite odvojeno sakupljanje. Električne alate potrebno je vratiti u ekološki prihvatljiv pogon za reciklažu.

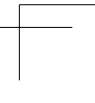
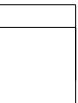
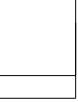
OTKLANJANJE PROBLEMA

| PROBLEM | UZROK | RJEŠENJE |
|-------------------------------|---|---|
| Makaze za živicu ne rade. | <ul style="list-style-type: none"> ■ Komplet baterija nije pričvršćen na makaze za živicu. ■ Nema električnog kontakta između makaza i baterije. ■ Komplet baterija je ispražnjen. ■ Komplet baterija je previše vruć. ■ Makaze za živicu su previše vruće. ■ Prednji i stražnji okidač ne pritišću se istovremeno. ■ Nož se zaglavio. | <ul style="list-style-type: none"> ■ Pričvrstite komplet baterija na makaze za živicu. ■ Izvadite bateriju, provjerite kontakte i ponovo stavite komplet baterija. ■ Napunite komplet baterija. ■ Izvadite komplet baterija iz alata i pričekajte da se ohladi na temperaturu ispod 67°C. ■ Otpustite oba okidača. Pričekajte da se makaze za živicu ohlade dok se temperatura ne spusti na normalnu temperaturu. ■ Prvo pritisnite dugme za deblokadu, a zatim istovremeno pritisnite okidače na prednjem i stražnjem rukohvatu. ■ Izvadite komplet baterija iz alata. Pažljivo uklonite zapreku, a zatim ponovo stavite bateriju i pokrenite alat. |
| Prevelike vibracije ili buka. | <ul style="list-style-type: none"> ■ Suhi ili korodirani noževi. ■ Noževi su savijeni ili je držač noževa savijen. ■ Savijeni ili oštećeni zupci. ■ Otpušteni vijci noža. | <ul style="list-style-type: none"> ■ Podmažite noževe prema uputstvima u odjeljku „PODMAZIVANJE NOŽA“ u ovom priručniku. ■ Stavite novi nož ili držač noža. Za zamjenu noža ili držača noža obratite se servisnom centru proizvođača EGO. ■ Stavite novi nož. Za zamjenu noža obratite se servisnom centru proizvođača EGO. ■ Pritegnite vijke noža. Za pritezanje, ključem okrenite vijak u smjeru kretanja kazaljki na satu. |

GARANCIJA

POLITIKA GARANCIJE PROIZVOĐAČA EGO

Za sve odredbe i uslove politike garancije proizvođača EGO posjetite internetsku stranicu egopowerplus.com.



استكشاف الأعطال وإصلاحها

| المشكلة | السبب | الحل |
|-------------------------------|--|--|
| جزارة السياج لا تعمل. | <ul style="list-style-type: none"> مجموعة البطارية غير مركبة في جزارة السياج. لا يوجد اتصال كهربائي بين الجزارة والبطارية. نقد شحن مجموعة البطارية. مجموعة البطارية ساخنة للغاية. جزارة السياج ساخنة للغاية. لم يتم الضغط مع التثبيت على الزنادين، الأمامي والخلفي، بشكل متزامن. هناك انسدادات في الشفرة. | <ul style="list-style-type: none"> قم بتركيب مجموعة البطارية في جزارة السياج. اخلع البطارية، وافحص التوصيلات، ثم أعد تركيب مجموعة البطارية. اشحن مجموعة البطارية. اخلع مجموعة البطارية واتركها تبرد إلى أن تهبط درجة حرارتها إلى ما دون 67 درجة مئوية. حرر كلا الزنادين؛ واترك الجزارة تبرد إلى أن تهبط درجة حرارتها إلى درجة الحرارة العادية. اضغط على زر القفل أولاً، ثم اضغط على الزنادين بالمقبض الأمامي والمقبض الخلفي بشكل متزامن. اخلع مجموعة البطارية من الآلة، وتخلص من الانسداد برفق، ثم أعد إدخال البطارية مع إعادة تشغيل الآلة. |
| هناك اهتزازات أو ضوضاء زائدة. | <ul style="list-style-type: none"> الشفرة جافة أو بها صدأ. دعامة الشفرات مثنية. أسنان الشفرة مثنية أو تالفة. مسامير الشفرة مفكوكة. | <ul style="list-style-type: none"> قم بتزييت الشفرات، وذلك باتباع قسم "تزييت الشفرة" من هذا الدليل. استبدل الشفرة بشفرة أو دعامة جديدة. تواصل مع مركز صيانة شركة EGO لطلب استبدال الشفرة أو الدعامة. استبدالها بشفرة جديدة. تواصل مع مركز صيانة شركة EGO لطلب استبدال الشفرة. اربط مسامير الشفرة جيداً. باستخدام مفتاح الربط، أدر المسمار في اتجاه عقارب الساعة لربطه. |

الضمان

سياسة ضمان EGO

تفضل بزيارة الموقع الإلكتروني egopowerplus.com للتعرف على الشروط والأحكام الكاملة الخاصة بسياسة ضمان EGO.

- نظف جراحة السياج جيداً قبل تخزينها.
 - يكون تخزين جراحة السياج في مكان جاف لا يمكن الوصول إليه من قبل الأطفال.
 - احتفظ بالمنتج بعيداً عن المواد المسببة للتآكل مثل كيمياويات الحديقة وملح إذابة الجليد.
- ⚠ تحذير:** الشفرات حادة. عند التعامل مع تجميع الشفرة، عليك ارتداء قفازات حماية متينة مانعة للانزلاق. لا تضع يديك أو أصابعك بين الشفرات أو في أي موضع قد تتعرض فيه للانضغاط أو الجرح. لا تلمس أبداً الشفرات أو أن تقوم بصيانة الوحدة والبطارية مركبة في مكانها.

حماية البيئة

لا تتخلص من المعدات الكهربائية أو البطارية المستهلكة أو الشاحن في النفايات المنزلية! بل توجه بهذا المنتج إلى مركز إعادة تدوير معتمد ليكون متاحاً للفرز بشكل منفرد. تجب إعادة الآلات الكهربائية إلى مرفق إعادة تدوير صديق للبيئة.



مستوى السياج على النحو الموضح في الشكل E.

الجز الجانبية

عند جز جوانب السياج، ابدأ من الجانب السفلي وجز لأعلى على النحو الموضح في الشكل F. جز جانب السياج إلى أن يصبح أضيق قليلاً عند القمة. هذا الشكل سيجعل جزءاً أكبر من السياج يتعرض لأشعة الشمس، وهو ما يؤدي إلى نمو الحشائش بشكل أكثر تناسقاً.

الصيانة

تحذير: استخدم فقط قطع غيار أصلية عند إجراء أعمال الصيانة. لن تستخدم أي أجزاء أخرى قد ينشأ عنه خطر أو يتسبب في تعرض المنتج للتلف. لضمان السلامة والامتدادية، يجب تنفيذ جميع أعمال الإصلاح من قبل فني خدمة مؤهل.

تحذير: لتجنب التعرض لإصابات خطيرة، احرص دائماً على خلع مجموعة البطارية من المنتج عند تنظيفه أو إجراء أي أعمال صيانة عليه.

التنظيف

- استخدم فرشاة ناعمة أثناء إزالة العوالق عن جميع مداخل الهواء وشفرة القطع.
- إزالة أي قفطان أو عوالق لاصقة أخرى، قم برش الشفرات بمحلول راتين. قم بتشغيل المحرك لفترة قصيرة كي يتم توزيع المحلول بالتساوي.

- امسح السطح بقطعة قماش جافة.

تحذير: لا تستخدم أبداً الماء عند تنظيف الجرازة. تجنب استخدام المنظفات عند تنظيف الأجزاء البلاستيكية. غالبية الأجزاء البلاستيكية تكون عرضة للتلف بفعل أنواع متعددة من المنظفات السائلة المتاحه في الأسواق. استخدم قطعة قماش نظيفة لإزالة الأوساخ والأتربة والزيت والشحم وما شابههم.

شحن شفرة الجز

- قم بتشغيل جرازة السياج وإيقافها إلى توازن شفرة الجرازة والواقى قليلاً. على النحو الموضح في الشكل G. فهذا سيسمح الملف الموجود بين أسنان الجرازة وأسنان الواقى الغلوص المناسب.
 - اخلع مجموعة البطارية من جرازة السياج.
 - ثبت تجميعية الشفرة على منجلة، واشحن سطح القطع لكل سن من أسنان الشفرة. احرص على شحن أقل قدر ممكن من الأسنان. حافظ على الزاوية الأصلية لكل سن من الأسنان عند البرد بالبرد.
 - أزل جرازة السياج من المنجلة؛ وأعد تشغيلها وإيقافها لإظهار الحواف غير المشحونة لأسنان الشفرة.
 - اخلع مجموعة البطارية وكرر إجراء الشحن المذكور أعلاه.
- ملاحظة:** لا تقم بتشغيل جرازة السياج وشفرة القطع تالفة أو غير حادة. لأن هذا قد يتسبب في حمل زائد، ويمنع نتائج قطع غير مرضية.

تزييت الشفرة (الشكل H)

لتحقيق أفضل أداء وأطول عمر لشفرة جرازة السياج، قم بتزييتها بزيت آلات خفيف القوام قبل كل استخدام وبعده.

اخلع مجموعة البطارية، وضع الجرازة على سطح مستوي. ضع الزيت على طول حافة الشفرة العلوية.

ملاحظة: لفترة تشغيل أطول، قم بتزييت الشفرة أثناء التشغيل.

تحذير: لا تقم بالتزييت أثناء تشغيل الجرازة.

النقل والتخزين

- احرص دائماً على وضع واقى الشفرة على الشفرة قبل تخزين جرازة السياج أو نقلها. تعامل بحذر لتجنب الأسنان الحادة للشفرة.

للخلع (الشكل C)

اضغط لأسفل على زر تحرير البطارية، واسحب مجموعة البطارية للخارج.

تحذير: انتبه دائماً لموضع قدميك أو الأطفال أو الحيوانات الأليفة عند الضغط على زر تحرير البطارية. فقد تقع إصابات خطيرة إذا سقطت مجموعة البطارية. لا تقم أبداً بخلع مجموعة البطارية وأنت في مكان شاهق الارتفاع.

الإسماك بجرازة السياج (الأشكال D1-D5)

الوحدة بها مقبضين، أمامي وخلفي. أمسك بالوحدة من كلا المقبضين، بينما الشفرة متجهة بعيداً عنك.

يمكن ضبط المقبض الخلفي على خمسة أوضاع (0 درجة/± 45 درجة/± 90 درجة) عن طريق رفع ذراع تحرير المقبض (الشكل D1 إلى الشكل D5)، مما يمنحك العديد من الخيارات للإسماك المريح عند إجراء عمليات القطع.

على غرار علو آلا فقاو. عل آلا لى غش ءث أن ض ب ق م ل ا ب ط ب ض ال : ب رى ذ ح ت ألو أ ذى راط ب ل ا

بدء تشغيل/إيقاف جرازة السياج

قبل التشغيل، اخلع واقى الشفرة وأمسك الجرازة بكلتا يديك، بحيث تكون إحدى اليدين على المقبض الخلفي والأخرى على المقبض الأمامي. وبعد ذلك، تحقق من وظيفك ثابتاً وجسمك مستقيماً مع وجود مسافة ملائمة للجز.

لبده التشغيل

- قم بتركيب مجموعة البطارية.
- اعصر الزناد الأمامي مع التثبيت بيد واحدة.
- اضغط مع التثبيت على زر القفل بإبهام يدك الأخرى، ثم اعصر الزناد الخلفي بأصابعك لبده تشغيل جرازة السياج. حرر زر القفل مع مواصلة عصر المفتاح الزنبركي للتشغيل المتواصل.

للإيقاف

حرك جرازة السياج بعيداً عن منطقة الجز، وحرر أحد الزنادين لإيقاف تشغيل الجرازة.

تحذير: احرص دائماً على خلع مجموعة البطارية من جرازة السياج أثناء الاستراحة وبعد الانتهاء من العمل.

استخدام جرازة السياج

خطر: إذا انحشرت الشفرة في سلك أو خط كهربائي، لا تلمس الشفرة! فقد تصبح موصولة بالتيار الكهربائي وتكون خطيرة للغاية. واصل الإسماك بجرازة السياج باستخدام المقبض الخلفي المعزول أو ضعها على الأرض بعيداً عنك بطريقة آمنة. أفضل التيار عن الخط أو السلك الكهربائي قبل محاولة تحرير الشفرة من السلك أو الكابل. لأن عدم الانتباه لهذا التحذير قد يؤدي إلى وقوع إصابات شخصية خطيرة أو احتمالية الوفاة.

تحذير: تجنب الجز بشكل زائد عن الحد في كل مرة أو استخدام الآلة في منطقة كثيفة الشجيرات. لأن هذا قد يتسبب في انثناء الشفرات أو إبطائها، وهو ما يقلل من كفاءة القطع.

ملاحظة: يجب استخدام الجرازة في قطع السيقان التي يقل سمكها عن (30.5 مم).

ملاحظة: بالنسبة للبراعم الجديدة، فإن حركة الكسح العريضة ملائمة لسيقان النباتات التي تدخل بشكل مباشر في شفرة القطع. بالنسبة للبراعم الأكبر عمراً، فإن حركة المشار تكون جيدة في جز السيقان ذات السمك الأكبر. نوصي باستخدام مشار يدوي غير عامل بالطاقة أو مشار تقليص في جز السيقان الأكبر أولاً.

الجزء العلوي

تحرك بحركة كسح عريضة. ولتحقيق أفضل نتائج الجز، قم بإمالة شفرات الجز لأسفل قليلاً في اتجاه الحركة. ولنتائج جز أفضل، يمكنك أيضاً استخدام الخيط في توجيهه

المواصفات

| | |
|--|---|
| الطرز | HT2600E |
| الجهد الكهربائي | 56 فولت --- |
| السرعة بدون حمل | 1700/دقيقة |
| طول الشفرة | 66 سم |
| سعة القطع | 30.5 مم |
| الوزن (بدون مجموعة البطارية، وواقي الشفرة) | 3.14 كجم |
| درجة حرارة التشغيل الموصى بها | 0 - 40 درجة مئوية |
| درجة حرارة التخزين الموصى بها | -20 - 70 درجة مئوية |
| مستوى قوة الصوت المُقدَّر L_{WA} | 92 م/ثانية ² $K=1.7$ م/ثانية ² |
| مستوى ضغط الصوت وفقاً لوضع مُشغل الآلة L_{PA} | 84 ديسيبل(A) $K=3.0$ ديسيبل(A) |
| مستوى قوة الصوت للمضمون L_{WA} (وفقاً للمعيار EC/2000/14) | 94 ديسيبل(A) |
| الاهتزاز a_h | المقبض الأمامي 2.49 م/ثانية ² $K=1.5$ م/ثانية ² |
| | المقبض الخلفي 1.65 م/ثانية ² $K=1.5$ م/ثانية ² |

10. ذراع تحرير المقبض
11. زر تحرير البطارية
12. لسان
13. الوصلات الكهربائية
14. فتحة تركيب البطارية
15. إخراج البطارية
16. وافي الشفرة
17. فتحة التعليق

⚠ تحذير: يتم توريد هذا المنتج مكتمل التجميع. يجب ألا يتم أبداً خلع وافي اليد أثناء الاستخدام. بمجرد تعرضه للتلف، يجب أن يتم استبداله على الفور بواسطة فني صيانة متخصص.

⚠ تحذير: كي تتمكن من استخدام هذا المنتج بشكل آمن، لا بد أن تفهم المعلومات الموجودة على الآلة وفي دليل التشغيل هذا، وكذا معرفة المهمة التي تنوي القيام بها. قبل استخدام هذا المنتج، اعتد على التعامل مع جميع خصائص التشغيل وقواعد السلامة.

التشغيل

⚠ تحذير: لا تسمح لاعتيادك على تشغيل هذا المنتج أن يجعلك مستهتراً عند التعامل معه. ولا تنس أن الاستهترار لجزء من الثانية كافي للتسبب في حدوث إصابات خطيرة.

⚠ تحذير: ارتد بشكل دائم أدوات حماية العينين بالإضافة إلى دروع جانبية وأدوات حماية السمع. قد ينجم عن عدم الامتثال لذلك دخول أشياء في عينيك، واحتمالية وقوع إصابات خطيرة.

⚠ تحذير: لمنع بدء التشغيل غير المقصود، والذي قد يؤدي إلى وقوع إصابات شخصية خطيرة، احرص دائماً على خلع مجموعة البطارية من الآلة عند تجميع الأجزاء، أو عمل التعديلات، أو التنظيف، أو عند عدم الاستخدام.

⚠ تحذير: لا تستخدم أي مرفقات أو ملحقات سوى تلك الموصى بها من قبل شركة EGO. لأن استخدام مرفقات أو ملحقات غير موصى بها قد يؤدي إلى وقوع إصابات شخصية خطيرة.

قبل كل استخدام، افحص المنتج بأكمله بحثاً عن الأجزاء التالفة أو المفقودة أو المفككة، مثل المسامير الملولية والصواميل والمسامير والأغطية وما شابه. اربط جميع عناصر التثبيت والأغطية بإحكام، ولا تقم بتشغيل هذا المنتج إلا بعد استبدال جميع الأجزاء المفقودة أو التالفة.

الاستخدام

يمكنك استخدام هذا المنتج في جزّ السياج والحشائش والشجيرات التي يقل قطرها عن 30.5 مم.

ملاحظة: يجب استخدام الآلة للغرض المحدد لها فقط. أي استخدام آخر يعد حالة من حالات سوء الاستخدام.

تركيب/خلع مجموعة البطارية

لا تستخدم الآلة إلا مع مجموعات البطارية والشواحن المدرجة في الشكل A2.

اشحن البطارية قبل الاستخدام لأول مرة.

للتثبيت (الشكل B)

قم بمحاذاة دعامة البطارية مع فتحات التركيب، واضغط على مجموعة البطارية لأسفل إلى أن تسمع صوت "نقرة".

▪ القيمة الكلية للاهتزاز الموضحة تم قياسها وفقاً لطريقة اختبار قياسية وقد تستخدم لمقارنة أداة بأخرى؛

▪ كما يمكن استخدام القيمة الكلية للاهتزاز الموضحة في التقييم التمهيدي للتعرض. **ملاحظة:** قد تختلف انبعاثات الاهتزاز أثناء الاستخدام الفعلي للآلة العاملة بالطاقة عن القيمة المعلنة التي يتم استخدام الآلة فيها؛ ولحماية مشغل الآلة، ينبغي على المستخدم ارتداء قفازات وواقيات للأذن في ظروف الاستخدام الفعلية.

قائمة المحتويات (الشكل A1)

الوصف

تعرف على جازاة السياج (الشكل A1)

1. فتحة التعليق
2. وافي قمة الجازاة
3. الشفرة
4. وافي اليد
5. المقبض الأمامي
6. الزناد الأمامي
7. زر القفل
8. الزناد الخلفي
9. المقبض الخلفي

اقرأ جميع التعليمات!



- ⚠️ **تحذير:** المخاطر المتبقية! الأشخاص الذين تم تركيب أجهزة طبية إلكترونية لهم، مثل منظم ضربات القلب، يجب عليهم استشارة الطبيب قبل استخدام هذا المنتج. لأن تشغيل معدات كهربائية بالقرب من منظم ضربات القلب قد ينشأ عنه خلل أو فشل في أداء منظم ضربات القلب.
 - ⚠️ **تحذير:** لضمان السلامة والاعتمادية، يجب تنفيذ جميع أعمال الإصلاح واستبدال الأجزاء من قبل فني خدمة مؤهل.
 - ⚠️ **تحذير:** اقرأ جميع تحذيرات السلامة والتعليمات والرسوم التوضيحية والمواصفات المرفقة مع هذه الآلة. عدم اتباع جميع التعليمات الواردة أدناه قد يؤدي إلى حدوث صدمة كهربائية أو نشوب حريق أو التعرض للإصابة، أحدها أو جميعها.
- احتفظ بجميع التحذيرات والتعليمات للرجوع إليها في المستقبل.

رموز السلامة

- ⚠️ **تحذير:** قد يؤدي تشغيل أي آلة عاملة بالطاقة إلى دخول أي أشياء غريبة في عينيك، وهو ما قد يؤدي إلى إلحاق أضرار خطيرة بالعين. قبل بدء تشغيل الآلة العاملة بالطاقة، احرص دائماً على ارتداء واقبات العينين أو نظارات حماية العينين ذات دروع جانبية، ودرع واقٍ لكامل الوجه عند اللزوم. نوصي بارتداء قناع السلامة واسع الرؤية لاستخدامه فوق نظارات العين أو نظارات السلامة العادية ذات الدروع الجانبية.

للحد من خطر التعرض لإصابة، ينبغي على المستخدم قراءة دليل التشغيل.



تنبيه سلامة



مستوى قوة الصوت المضمون. انبعاثات الضوضاء في البيئة وفقاً لتوجيه الاتحاد الأوروبي.



لا تستخدم المنتج تحت المطر أو أن تتركه في مكان مفتوح أثناء هطول المطر.



هذا المنتج متوافق مع تشريعات المملكة المتحدة المعمول بها.



هذا المنتج متوافق مع توجيهات شهادة الجودة الأوروبية (CE) المعمول بها.



احرص على ارتداء أدوات حماية للعينين والرأس.



مكلمتسما، يتبينار هكلا تزهجلا نم صلختلا بجيد لا زكرم لا زهجلاب مجوت. يتلزل نملا تباينقلا في دمتعم ريوذت قنعا!



طول الشفرة



أبقي يديك وقدميك بعيداً عن آلة القطع.



الجهد الكهربائي

فولت

تيار مستمر



في الدقيقة

...دقيقة

مليمتر

مم

س تيمتر

سم

السرعة بدون حمل

٨٥

איתור וטיפול בבעיות

| בעיה | סיבה | פתרון |
|------------------------|--|--|
| גוזם הגדרות איננו פועל | <ul style="list-style-type: none"> מארז הסוללה איננו צמוד לגוזם הגדרות. לא מתבצע חיבור חשמלי בין הגוזם לסוללה קיבולת מארז הסוללה ריקה. מארז הסוללה חם מדי. גוזם הגדרות חם מדי. דוושות הנעילה הקדמית והאחורית אינן משוחררות בו זמנית. הלהב תקוע. | <ul style="list-style-type: none"> הצמידו את מארז הסוללה אל גוזם הגדרות. הסירו את הסוללה, בדקו את החיבורים והתקינו מחדש את מארז הסוללה. הטעינו את מארז הסוללה. הסירו את מארז הסוללה מן המכשיר ואפשרו למארז הסוללה או למכסחה להתקרר עד לטמפרטורה של פחות מ-67°C. שחררו את שני ההדקים; אפשרו לגוזם להתקרר עד לטמפרטורה נורמלית. לחצו על כפתור הנעילה תחילה ולאחר מכן לחצו על ההדקים בידידות הקדמית והאחורית בו זמנית. הסירו את מארז הסוללה מן המכשיר, הסירו את המחסום בזהירות ולאחר מכן החדירו מחדש את הסוללה והפעילו מחדש את המכשיר. |
| ישנו יתר רטט או רעש. | <ul style="list-style-type: none"> להבים יבשים או עם קורוזיה. הלהבים או תומכי הלהבים עקומים. שיניים עקומות או ניזוקות. בריחי להב משוחררים. | <ul style="list-style-type: none"> שמנו את הלהבים, כאשר אתם עוקבים אחר חלק „שימון הלהב” במדריך זה. החליפו על להב או תומך חדשים. צרו קשר עם מרכז שירות EGO עבור שירות החלפת להב או תומך. החליפו בלהב חדש. צרו קשר עם מרכז השירות של EGO עבור שירות החלפת להב. הדקו את בריחי הלהב. בעזרת מפתח ברגים, סובבו את הבורג בכיוון השעון להידוק. |

אחריות

מדיניות האחריות של EGO

אנא בקרו באתר egopowerplus.com עבור התנאים וההתניות השלמים של מדיניות האחריות של EGO.

- הרחיקו מחומרים הגורמים לקורוזיה כגון כימיקלים לגינה ומלחים מסירי קרח.
- ⚠ **אזהרה:** הלהבים חדים. בעת הטיפול בחיבור הלהב, לבשו כפפות מגן מוצקות, נגד החלקה. אל תניחו את הידיים או האצבעות בין הלהבים או בכל מקום בו ישנה סכנה שהן תיחתכנה או תיתפסנה. לעולם אל תיגעו בלהב או תבצעו עבודות שירות למכשיר לפני הסרת מארז הסוללה.

הגנה על הסביבה

אין לזרוק ציוד חשמלי, מטעני סוללות וסוללות ביחד עם אשפה ביתית! קחו מוצרים אלו למרכז מחזור מוסמך ו-וודאו שהם זמינים לאיסוף בנפרד. יש להחזיר כלים חשמליים אל מתקן מחזור המתאים לסביבה.



- את הלהב עם ממש שרף. הפעילו את המנוע לזמן קצר על מנת להפיץ את הממש בצורה אחידה.
- נקו את המשטח עם מטלית יבשה.
- ⚠ **אזהרה:** לעולם אל תעשו שימוש במים על מנת לנקות את הגוזם שלכם. הימנעו משימוש בממסים כאשר אתם מנקים חלקי פלסטיק. רוב חלקי הפלסטיק עלולים להינזק מסוגים שונים של ממסים מסחריים. השתמשו במטליות נקיות על מנת להסיר לכלוך, אבק, שמן, חומר סיכה וכו'.

השחזת להב החיתוך

1. הפעילו וכבו את גוזם הגדרות שלכם עד אשר להב החיתוך והמגן מעט מוסתים, כפי שניתן לראות בתמונה G. הדבר יאפשר לכם מקום לפצירה בין שיני החותך ושיני המגן.
2. הסירו את מארז הסוללה מגוזם הגדרות.
3. החזיקו את חיבור החיתוך במלחציים ועשו שימוש בפצירה על מנת לשייף את משטח הלהב החשוף של כל שן בלהב. הסירו מעט חומר ככל שניתן. היו בטוחים שאתם שומרים על הזווית המקורית של כל שן בעת השימוש בפצירה.
4. הסירו את גוזם הגדרות מן המלחציים; הפעילו וכבו אותו על מנת לחשוף את הקצוות הקהים של שיני הלהב.
5. הסירו את מארז הסוללה וחזרו על תהליך החידוד המתואר למעלה.

הודעה: אל תפעילו את גוזם הגדרות שלכם עם להבים קהים או פגומים. הדבר יכול לגרום לעומס יתר ולתוצאות חיתוך בלתי מספקות.

שימון הלהב (תמונה H)

- עבור הביצוע הטובים ביותר ואורך חיים ארוך יותר של הלהב, שמנו את הלהב עם שמן למכונות קלות לפני ואחרי כל שימוש.
- הסירו את מארז הסוללה והניחו את המכשיר על משטח שטוח. שמנו את הקצוות של הלהב העליון.
- הודעה:** עבור הפעלות ארוכות, שמנו את הלהב בעת פעולת החיתוך.
- ⚠ **אזהרה:** אל תבצעו את פעולת השימון כאשר גוזם הגדרות פועל.

הובלה ואחסון

- הניחו תמיד את מגן הלהב על הלהב לפני האחסון או ההובלה של גוזם הגדרות. היו זהירים והימנעו ממגע עם השיניים החדות של הלהב.
- נקו את גוזם הגדרות ביסודיות לפני אחסונו.
- אחסנו את הכלי בתוך הבית, במקום יבש אשר רחוק מהישג ידם של ילדים.

יישום

אתם יכולים להשתמש במכשיר זה על מנת לגזום גדרות, שיחים וסבכים עם קוטר ענף של פחות מ-30.5 מ"מ.

הודעה: יש להשתמש במכשיר רק עבור המטרות להן הוא יועד. כל שימוש אחר ייחשב לשימוש בלתי הולם.

התקנה/הסרה של מארז הסוללה

יש להשתמש רק עם מארזי הסוללה והמטענים הרשומים באיור A2.

הטעינו לפני השימוש הראשון.

על מנת להתקין (תמונה B)

יישרו את עורקי הסוללה עם חריצי ההרכבה ולחצו את מארז הסוללה כלפי מטה עד אשר יישמע "קליק".

על מנת להסיר (תמונה C)

לחצו על כפתור שחרור הסוללה והסירו את מארז הסוללה.

אזהרה: תמיד היו מודעים אל המיקום של הרגליים שלכם, ילדים או חיות מחמד, בעת לחיצה על כפתור שחרור הסוללה. עלולה להיגרם פציעה חמורה אם מארז הסוללה יפול. לעולם אל תסירו את מארז הסוללה במקומות גבוהים.

החזקת גוזם הגדרות (תמונות D5-D1)

ליחידה יישן ידידת קדמית וידידת אחורית. כאשר הלהב נמצא הרחק ממכם, החזיקו את היחידה על ידי שתי הידידות.

ניתן לקבוע את הידידת האחורית בחמש עמדות ($\pm 45^{\circ}/\pm 90^{\circ}$) על ידי הרמת מנוף שחרור הידידת (איור 1D עד איור 5D), המעניק לך אפשרויות רבות לאחיזה נוחה בעת ביצוע פעולות חיתוך.

אזהרה: אל תשנה את מצב הידידת בזמן שהכלי פועל. כבו את הכלי והסירו תחילה את הסוללה.

הפעלה/כיבוי של גוזם הגדרות

לפני ההפעלה, הסירו את מגן הלהב והחזיקו את הגוזם עם שתי הידידים, יד אחת על הידידת האחורית והיד השנייה על הידידת הקדמית. לאחר מכן בדקו שהיציבה שלכם מאוזנת וישירה, ושמרחק החיתוך מתאים.

להפעלה

1. התקינו את מארז הסוללה.
2. לחצו והחזיקו את ההדק הקדמי ביד אחת.
3. לחצו והחזיקו את כפתור הנעילה בעזרת האגודל של היד השנייה שלכם ולאחר מכן לחצו על ההדק האחורי בעזרת האצבעות שלכם על מנת להפעיל את גוזם הגדרות. שחררו את כפתור הנעילה והמשיכו ללחוץ על המתג לפעולה ממושכת.

לכיבוי

היזו את גוזם הגדרות הרחק מאזור החיתוך ושחררו את אחד מההדקים על מנת לכבות את גוזם הגדרות.

אזהרה: הסירו תמיד את מארז הסוללה מגוזם הדשא בעת הפסקות ולאחר סיום העבודה.

השימוש בגוזם הגדרות

אזהרה: אם הלהב נתקע בחוט או כבל חשמלי, אל תיגעו בלהב! הלהב עלול להפוך ל"חי" וישנה סכנה. המשיכו להחזיק את הגוזם בעזרת הידידת האחורית המבודדת או הניחו אותו למטה ובמרחק ממכם בצורה בטוחה. נתקו את המתח מן החוט או הכבל הניזוקים לפני כל ניסיון לשחרר את הלהב מן החוט או הכבל. אם לא תעשו זאת, התוצאה עלולה פציעה אישית חמורה או אפילו מקרה מוות.

אזהרה: הימנעו מלגזום כמות גדולה מדי בפעם אחת או שיחים בעלי עלים רבים. הדבר עלול לגרום ללהבים להיקשר ולעבוד לאט יותר, כאשר הוא מפחית את יעילות החיתוך.

הודעה: יש להשתמש בגוזם על מנת לחתוך גבעולים אשר דקים מקוטר של 30.5 מ"מ.

הודעה: עבור צמחים חדשים, אנו ממליצים לטאטא על מנת שהגבעולים יבואו הישר אל להב החיתוך. עבור צמחים ישנים יותר, תנועת ניסור מתאימה לגזום גבעולים עבים יותר. אנו ממליצים על מסור שאיננו חשמלי או קוצץ על מנת לגזום את הגבעולים העבים.

חיתוך עליון

השתמשו בתנועת טאטוא רחבה. הטיה קלה כלפי מטה של להבי החיתוך בכיוון התנועה ייתן את התוצאות הטובות ביותר. לאפקט חיתוך טוב יותר, אתם יכולים להשתמש בקפיץ על מנת להנחות את רמת הגדר כמתואר בתמונה E.

חיתוך צדדי

בעת חיתוך צדדי הגדרות, התחילו מהחלק התחתון וחתכו כלפי מעלה כפי שניתן לראות בתמונה F. חתכו את צדדי הגדר כך שהיא תהייה טיפה צרה יותר בחלק העליון. צורה זו תחשוף חלק גדול יותר מן הגדר אל אור השמש, רשאך האצותה הייתה הלידה הדיחא רתוי.

תחזוקה

אזהרה: במקרה של עבודות תיקון, השתמשו רק בחלקי חילוף זהים. שימוש בחלקי חילוף אחרים עלול לגרום לסכנה או נזק למוצר. על מנת להבטיח בטיחות ואמינות, יש לבצע את כל התיקונים וההחלפות בעזרת טכנאי שירות מוסמך.

אזהרה: על מנת למנוע פציעות אישיות, הסירו תמיד את מארז הסוללה מן המוצר לפני הניקיון או ביצוע כל עבודות תחזוקה.

ניקיון

- השתמשו במברשת רכה על מנת להסיר פסולת מכל פתחי האוויר ומלהב החיתוך.
- על מנת להרים ולהסיר פסולת נדבקות אחרת, רסו

רשימת אריזה (איור A1)

מפרטים

תיאור

הכירו את גוזם הגדרות שלכם (תמונה A1)

1. חור תלייה
2. מגן קצה
3. להב
4. מגן יד
5. ידית קדמית
6. הדק קדמי
7. כפתור נעילה
8. הדק אחורי
9. ידית אחורית
10. מנוף לשחרור הידית
11. כפתור שחרור סוללה
12. בריח
13. חיבורים חשמליים
14. חריץ הרכבה
15. הוצאת הסוללה
16. מגן להב
17. חור תלייה

⚠ אזהרה: מוצר זה נשלח כאשר הוא מורכב לגמרי. לעולם אין להסיר את מגן היד בעת השימוש. כאשר ניזוק, החליפו את מגן היד מיד על ידי שימוש בטכנאי המוסמך לכך.

⚠ אזהרה: השימוש הבטוח במוצר זה מצריך הבנה של המידע הנמצא על גבי המכשיר ובמדריך הוראות זה, כמו גם ידע בנוגע לפרויקט אותו אתה מנסה לבצע. לפני השימוש במוצר זה, התוודע לכל מאפייני ההפעלה וחוקי הבטיחות.

הפעלה

⚠ אזהרה: אל תניחו לעובדה שאתם מכירים את המוצר להפוך אתכם לפחות זהירים. זכרו שחוסר זהירות של שבריר אחד של שנייה מספיק לגרום לפגיעה אישית חמורה.

⚠ אזהרה: ענדו תמיד משקפי בטיחות עם הגנה צדדית, ביחד עם מגני שמיעה. אם לא תעשו זאת עצמים עלולים להיזרק אל תוך העיניים שלכם ועלולות להיגרם פציעות חמורות.

⚠ אזהרה: על מנת למנוע הפעלה מקרית אשר עלולה להוביל לפגיעה אישית חמורה, הסירו תמיד את מארז הסוללה מן המכשיר בעת הרכבת חלקים, ביצוע התאמות, ניקיון או כאשר המכשיר אינו נמצא בשימוש.

⚠ אזהרה: אל תעשו שימוש בחיבורים או אביזרים אשר לא הומלצו על ידי EGO™. השימוש בחיבורים או אביזרים אשר לא הומלצו עלול לגרום לפגיעה חמורה.

לפני כל שימוש בדקו את כל המוצר עבור חלקים ניזוקים, משוחררים או חסרים, כגון ברגים, אומים, בריחים, מכסים וכו'. הדקו בבטחה את כל האבזמים והמכסים ואל תפעילו את המוצר עד אשר חלקים חסרים או ניזוקים תוקנו או הוחלפו.

| | | |
|---|-------------------------|---|
| דגם | HT2600E | |
| וולט | 56V | |
| מהירות ללא עומס | 1700 / לדקה | |
| אורך הלהב | 66 ס"מ | |
| יכולת חיתוך | 30.5 מ"מ | |
| משקל (ללא ערכת סוללות, מגן להב) | 3.14 ק"ג | |
| טמפרטורת הפעלה מומלצת | 0°C-40°C | |
| טמפרטורת אחסון מומלצת | -20°C-70°C | |
| רמת עוצמת קול נמדדת L_{WA} | 92 dB(A) K=1.7 dB(A) | |
| רמת לחץ קול בעמדת המפעיל L_{PA} | 84 dB(A) K=3.0 dB(A) | |
| רמת עוצמת קול מובטחת (בהתאם ל-EC/2000/14) | 94 dB(A) | |
| רטט a_h | ידית קדמית | 2.49 מ' / שנייה ² K=1.5 מ' / שנייה ² |
| | ידית אחורית | 1.65 מ' / שנייה ² K=1.5 מ' / שנייה ² |

▪ ערך הרטט הכללי המוצהר נמדד בהתאם עם שיטת בדיקה סטנדרטית ונענת להשתמש בו על מנת להשוות ציוד אחד עם ציוד אחר;

▪ ניתן להשתמש בערך הרטט הכללי המוצהר בהערכה ראשונית של חשיפה.

הודעה: פליטת הרטט בעת השימוש המעשי בכלי יכולה להיות שונה מן הערך המוצהר כאשר הכלי נמצא בשימוש; על מנת להגן על המפעיל, על המשתמש ללבוש כפפות ומגני אוזניים בעת השימוש למעשה.

קראו את כל ההוראות!



⚠ אזהרה: סיכון שיויר! אנשים בעלי מכשירים חשמליים כגון קוצבי לב, צריכים להתייעץ עם הרופא(ים) המטפל(ים) בהם לפני השימוש במכשיר זה. הפעלה של ציוד חשמלי בקרבת קוצבי לב עלולה להפריע לפעולת הקוצב או אפילו להפסיק את פעולתו.

⚠ אזהרה: על מנת להבטיח בטיחות ואמינות, יש לבצע את כל התיקונים וההחלפות בעזרת טכנאי שירות מוסמך.

⚠ אזהרה: קראו את כל אזהרות הבטיחות, את ההוראות, התמונות והמפרטים המסופקים ביחד עם מכשיר חשמלי זה. אי מיילוי כל ההוראות המופיעות למטה עלול לגרום להלם חשמלי, שרפה ו/או פציעה חמורה. ידיתע וניעל תוארוהו תורהזה לכ תא ורמיש

סימני בטיחות

⚠ אזהרה: הפעלה של כלי עבודה חשמליים עלולה לגרום לעצמים זרים להיזרק אל תוך העיניים, דבר העלול לגרום לנזק חמור לעיניים. לפני ההפעלה של כלי עבודה חשמלי, ענדו תמיד משקפי מגן או משקפי בטיחות עם הגנה צדדית, ובעת הצורך, הגנה עבור כל הפנים. אנו ממליצים על שימוש במסכת בטיחות רחבה מעל למשקפי המגן או על שימוש במשקפי בטיחות עם הגנה צדדית.

על מנת להפחית את הסיכון לפציעות, על המשתמש לקרוא את המדריך למשתמש.



התראת בטיחות



רמת עוצמת קול מובטחת. פליטת רעש אל הסביבה בהתאם לתקנת הנציבות האירופית.



אין להשתמש במזג אוויר גשום או להשאיר בחוץ בגשם.



מוצר זה תואם לחוקים הרלוונטיים בבריטניה.



מוצר זה תואם לתקנות ה-EC הרלוונטיות.



יש להרכיב ציוד הגנה על העיניים והראש.



דחב סיילמשח מירצומ קילשהל ניאעם אשפה ביתית. הביאו את המכשיר זכרמל קמסומ רוזחמ.



אורך הלהב



שימרו על הידיים והרגליים הרחק מכלי החיתוך.



מתח V

זרם ישיר



לדקה/...

מילימטר

מ"מ

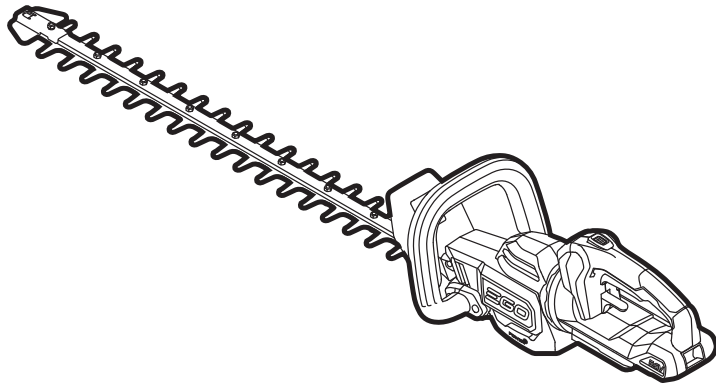
סנטימטר ס"מ

מהירות ללא עומס

n₀

EGO™

POWER⁺ HEDGE TRIMMER



HT2600E

גוזם גדרות אלחוטי עם סוללת ליתיום-יון 56 וולט HE

جزازة سياج لاسلكية ببطارية ليثيوم-أيون 56 فولت AR

