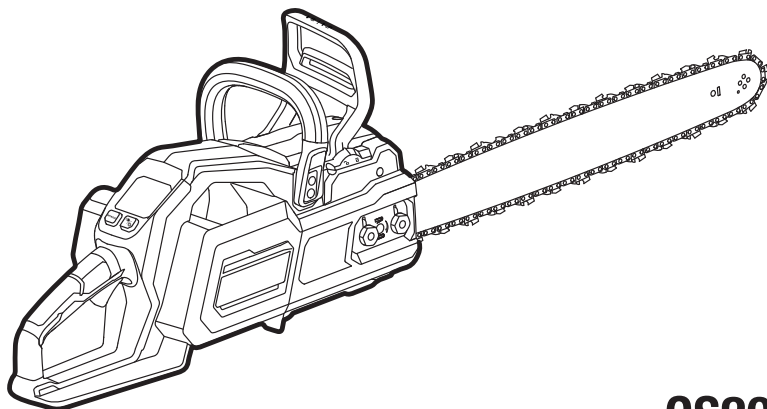


EGO™

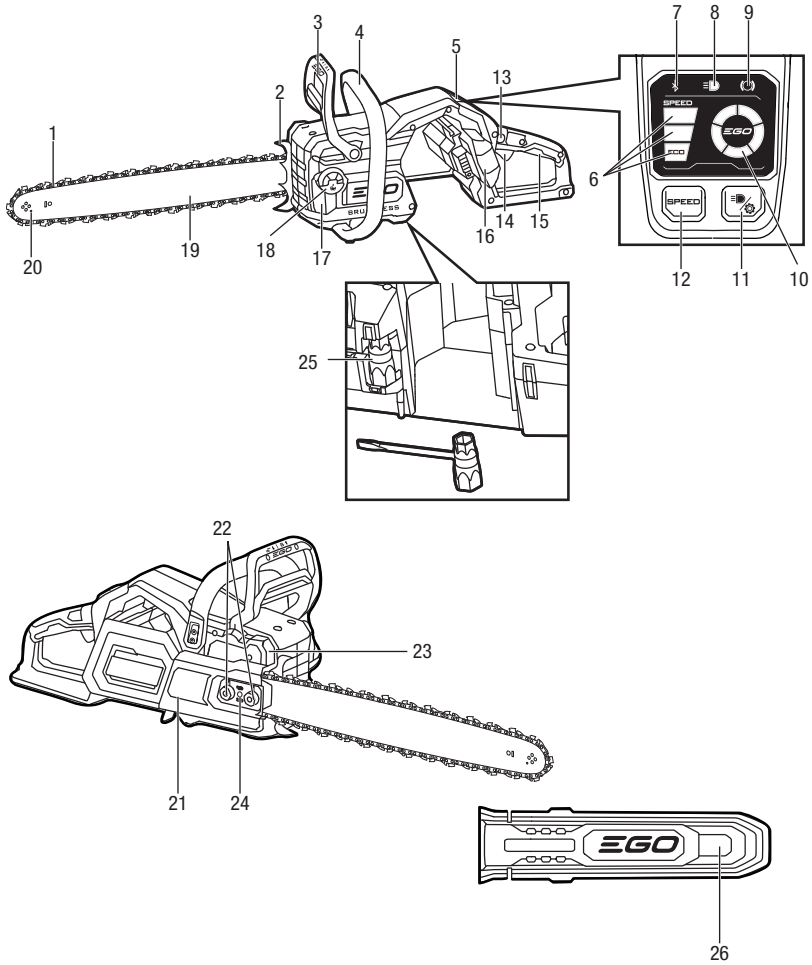
POWER+ CHAIN SAW



CS2000E

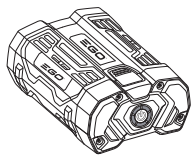
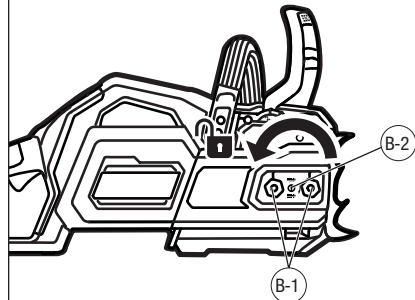
56 VOLT LITHIUM-ION CORDLESS CHAIN SAW

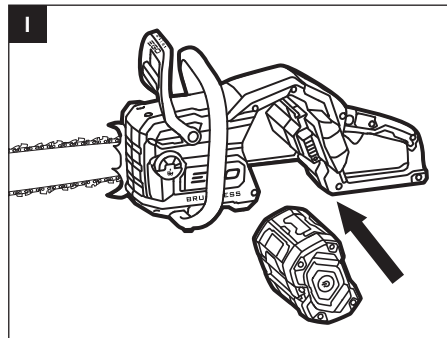
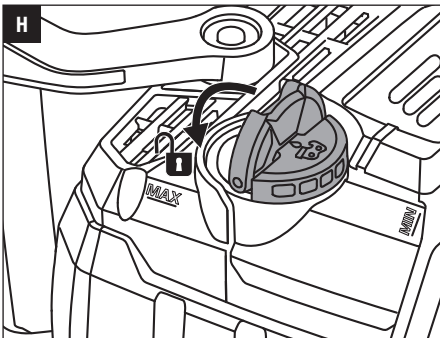
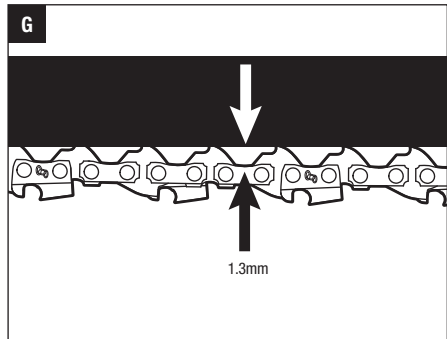
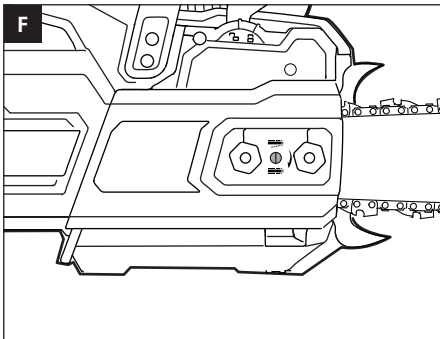
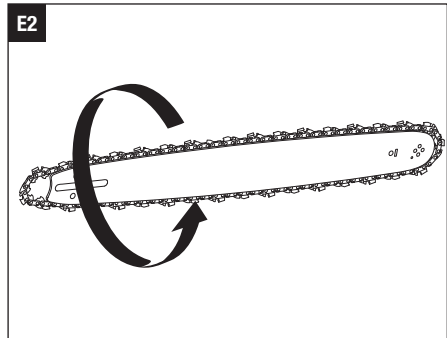
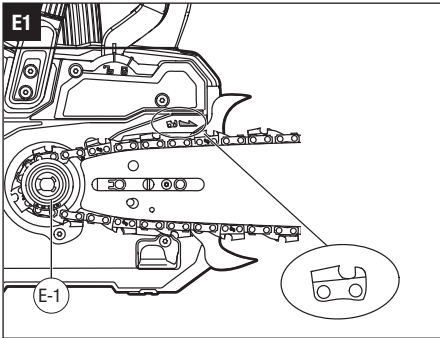
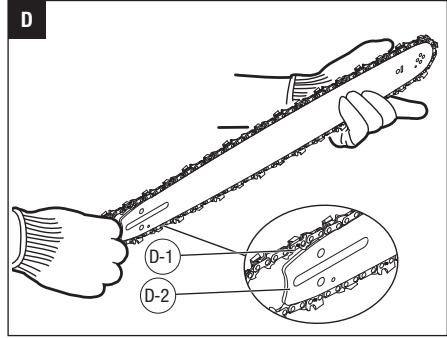
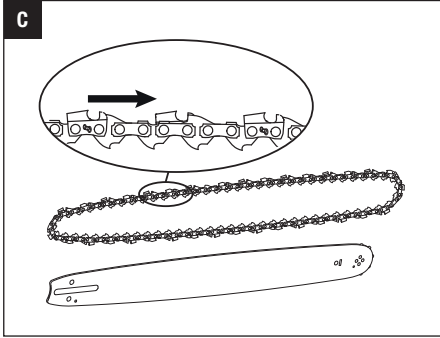
EN	56 volt lithium-ion cordless chain saw	7	SL	56-voltna litij-ionska brezžična verižna žaga	166
DE	56 volt lithium-ion kabellose Kettensäge	16	LT	Belaidis grandininis pjūklas su 56 v ličio jonų akumuliatoriumi	175
FR	56-volt lithium-ionen tronçonneuse sans fil	26	LV	56 v litija-jonu bezvadu ķēdes motorzāģis	184
ES	Motosierra inalámbrica de ion de litio de 56 v	36	GR	Ασπματο αλυσσπριοιο 56v λιθιοσ - ιοντωv	193
PT	Moto-serra sem fios de 56 volts de ião e lítio	46	TR	56V liyım-ıyon kablosuz elektrikli testere	203
IT	Motosega senza fili a batteria li-Ion 56v	55	ET	56v-liitiumioonakuga akutoitel mootorsaag	212
NL	56v lithium-ion accukettingzaag	64	UK	56-вольтна літій-іонна акумуляторна ланцюгова пила	221
DK	akku motorsav med 56v litium-ion-batteri	73	BG	56v литиево-йонен безкабелен верижен трион	231
SE	56v litium-jon sladdlös kedjesåg	82	HR	Baterijska lančana pila s litij-ionskom baterijom od 56 v	241
FI	56 v:n lulumlonlakulla akukäyttöinen moottorisaha	91	KA	56 ვოლტებიანი ლითიუმ-იონის აკუმულატორიანი უსადენო ჯაჭვური ხეჩხი	250
NO	56v lithium-ion motorsag uten ledning	100	SR	Bežična motorna testera sa litijum-jonskom baterijom od 56 volti	261
RU	Беспроводная цепная пила на литий-ионной батарее (56 в)	109	BS	Akumulatorska motorna žaga s litij-ionskom baterijom od 56 V	270
PL	Pilarka łańcuchowa bezprzewodowa na litowo-jonowy akumulator 56v	119	HE	מסור חשמלי אלחוטי עם סוללת ליתיום-יון 56 וולט	295
CZ	56v lithium-iontová akumulátorová řetězová pila	129	AR	منشار سلسلي لاسلكي ببطارية ليثيوم-أيون 56 فولت	286
SK	56 voltová lítium-iónová bezdrôtová reťazová píla	138			
HU	56 v-os lítium-ion vezeték nélküli láncfűrész	147			
RO	Ferăstrău fără fir cu lanț și cu acumulator litiu ion 56v	156			

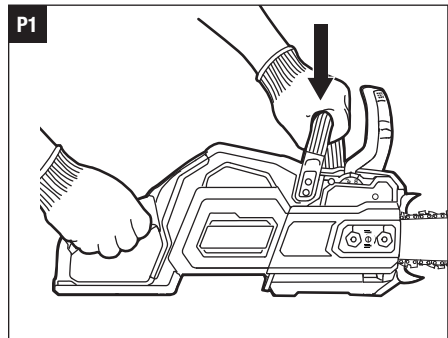
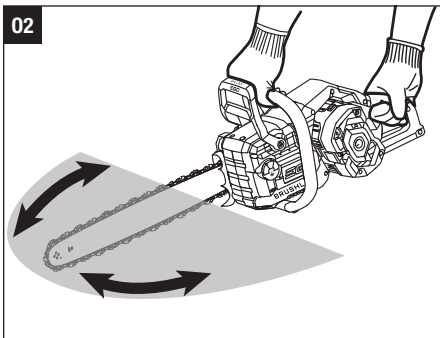
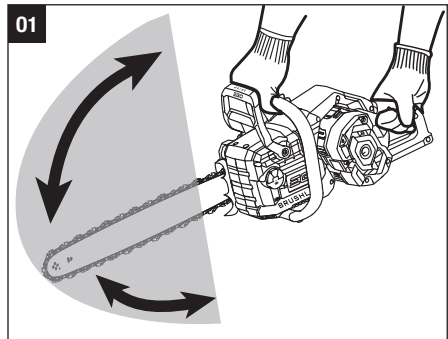
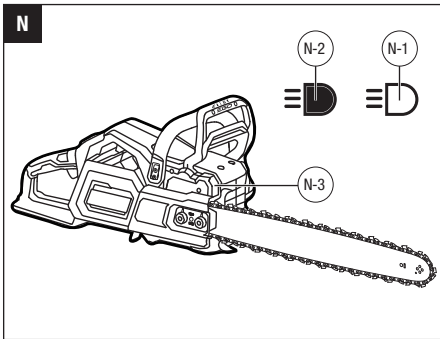
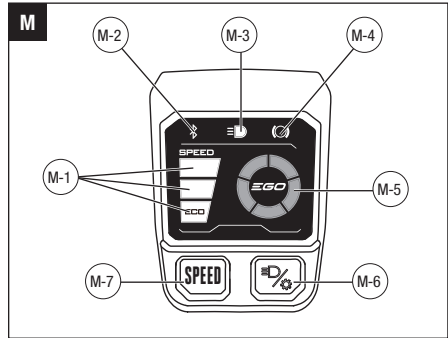
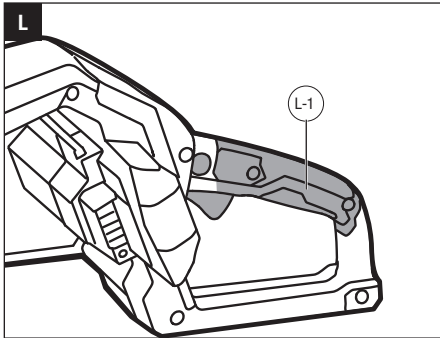
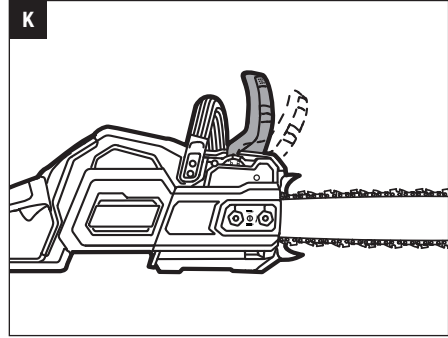
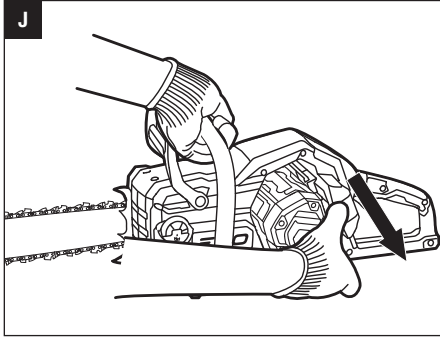
A1**A2**

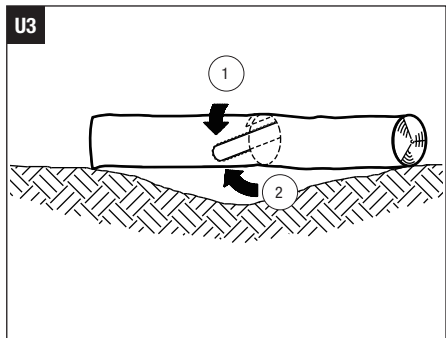
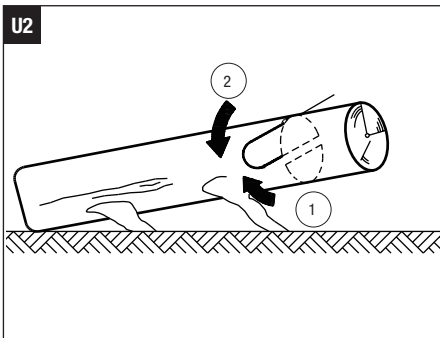
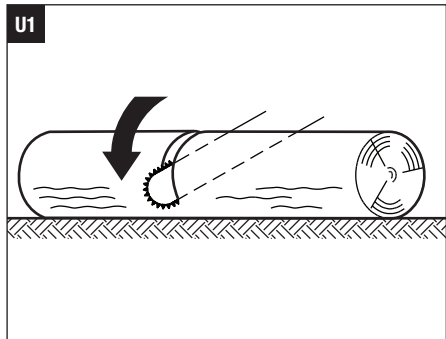
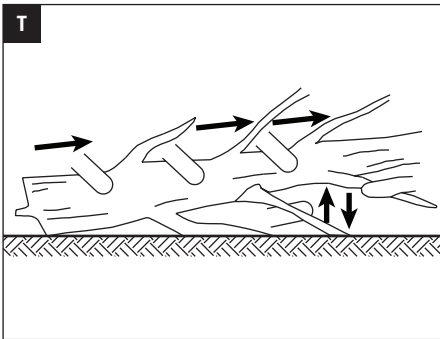
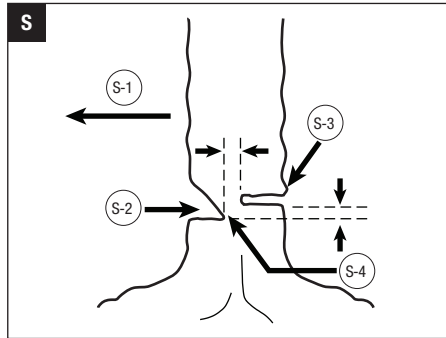
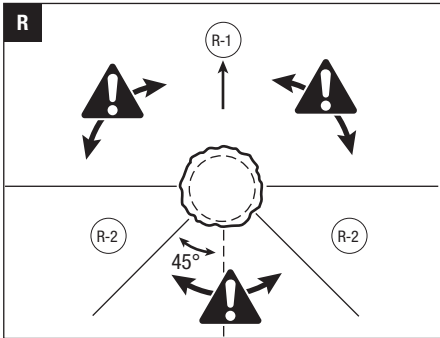
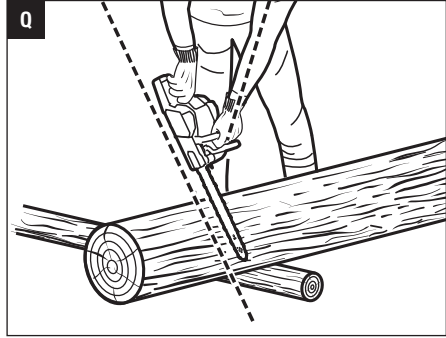
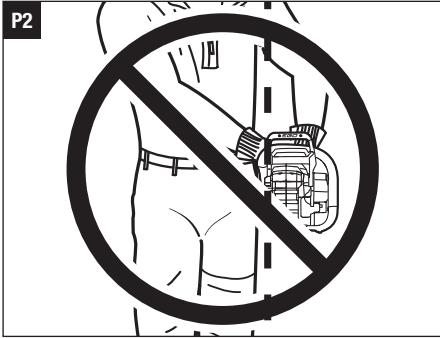
BA1400, BA1400T,
BA2240T, BA2242T,
BA2800, BA2800T,
BA3360T, BA4200,
BA4200T, BA5600T,
BA6720T

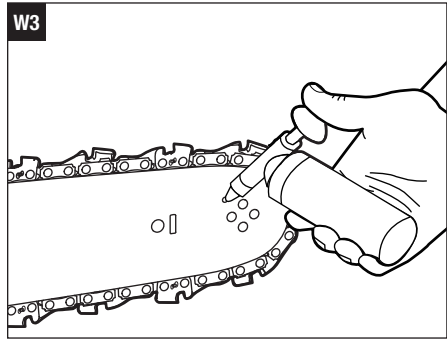
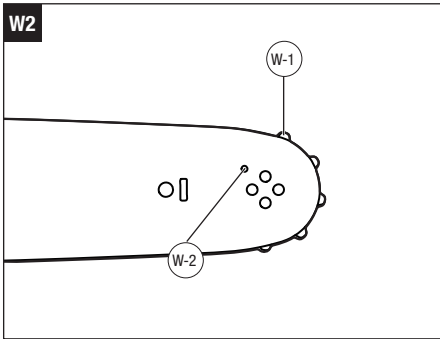
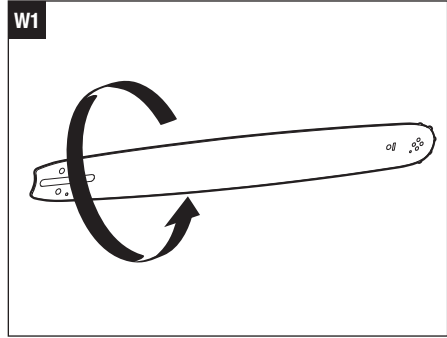
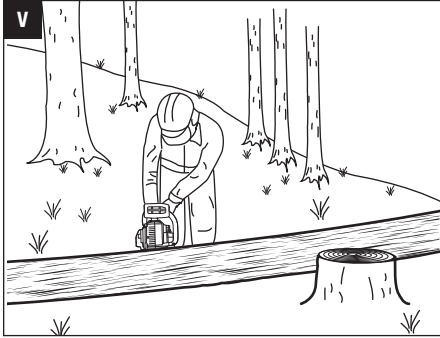
CH5500E, CH2100E,
CH3200E, CH7000E,
CH7000E-T

**B**









READ ALL INSTRUCTIONS!



READ OPERATOR'S MANUAL

WARNING: To ensure safety and reliability, all repairs should be performed by a qualified service technician.

WARNING: Be sure to read and understand all safety instructions in this Operator's Manual, including all safety alert symbols such as "DANGER," "WARNING," and "CAUTION" before using this tool. Failure to follow all instructions listed below may result in electric shock, fire, and/or serious personal injury.

SAVE ALL WARNINGS AND INSTRUCTIONS FOR FUTURE REFERENCE.

SAFETY SYMBOLS



Safety Alert



Wear Eye Protection



Wear Head Protection



Beware of chain saw kickback and avoid contact with bar tip



The information of guide bar



Guaranteed sound power level. Noise emission to the environment according to the European community's Directive.



This product is in accordance with applicable EC directives.



Bluetooth®

mm Millimeter

V Voltage

IPX4 Protection From Splashing Water

SAFETY SYMBOL

WARNING: The operation of any power tools can result in foreign objects being thrown into your eyes, which can result in severe eye damage. Before beginning power tool operation, always wear safety goggles or safety glasses with side shields and a full face shield when needed. We recommend a Wide Vision Safety Mask for use over eyeglasses or standard safety glasses with side shields.



To reduce the risk of injury, user must read and understand operator's manual before using this product.



Wear Ear Protection



Wear Protective Gloves



Guide Bar Tip Kickback



Always use chain saw two-handed



Waste electrical products should not be disposed of with household waste. Take to an authorized recycler.



This product is in accordance with applicable UK legislation.



Direct Current

n_0 No Load Speed

./min Per Minute

NOTE: The Bluetooth® word mark and logos are registered trademarks owned by Bluetooth SIG, inc. and any use of such marks by EGO is under license.

EN SPECIFICATIONS

Rated Voltage	56 V	
Max. Chain Speed	25 m/s	
Chain Pitch	3/8" (9.5 mm)	
Chain Gauge	1.3 mm	
Guide Bar Length	50 cm	
Saw Chain Type	AC2005	
Guide Bar Type	AG2005	
Chain Oil Tank Capacity	250 ml	
Weight (without battery pack, saw chain, guide bar, side cover, oil and chain sheath)	3.9 kg	
Recommended Operating Temperature	-15°C-40°C	
Recommended Storage Temperature	-20°C-70°C	
Recommended Charging Temperature	5°C-40°C	
Measured sound power level L_{WA}	103 dB(A) K=1.7 dB(A)	
Sound pressure level at working position L_{PA}	89 dB(A) K=3 dB(A)	
Guaranteed sound power level L_{WA} (according to 2000/14/EC)	105 dB(A)	
Vibration a_h	Front Handle	4.69 m/s ² K=1.5 m/s ²
	Rear Handle	4.24 m/s ² K=1.5 m/s ²

- The declared vibration total value has been measured in accordance with a standard test method and may be used for comparing one tool with another;
- The declared vibration total value may also be used in a preliminary assessment of exposure.

NOTICE: The vibration emission during actual use of the power tool can differ from the declared value in which the tool is used; in order to protect the operator, user should wear gloves and ear protectors in the actual conditions of use.

PACKING LIST (FIG.A1)

DESCRIPTION

KNOW YOUR CHAIN SAW (Fig. A1)

- Saw Chain
- Bucking Spikes
- Chain-kickback Brake Paddle
- Front Handle
- LCD Screen
- Speed Bars
- Bluetooth Icon
- Headlight Icon
- Brake Icon
- Fuel-gauge Circle
- Headlight/Bluetooth Button
- Chain Speed Button
- Lock-off Button
- Trigger Switch
- Rear Handle
- Battery Release Button
- Oil-inspection Window
- Oil-tank Cap
- Guide Bar
- Lubricating Hole
- Side Cover
- Side Cover Nuts
- LED Headlight
- Chain-tensioning Bolt
- Double-end Socket Wrench
- Chain Sheath

ASSEMBLY

ASSEMBLING/REPLACING THE BAR AND CHAIN

WARNING: Adjust the chain-kickback brake paddle in the braking position before assembly.

- Position the chain saw power head on its side with the side cover facing upwards (Fig. B).
- Remove the side cover by turning the two lock nuts counterclockwise.
- Turn the chain-tensioning bolt counterclockwise to loosen the chain tension.
- Lay the saw chain in a loop on a flat surface and straighten any kinks (Fig. C).
- Place the chain drive links into the guide bar groove and make the chain a loop at the back of the guide bar (Fig. D).
- Hold the chain in position on the guide bar and place the loop around the sprocket of the saw (Fig. E1).

B-1	Lock Nuts	D-2	Guide Bar Groove
B-2	Chain-tensioning Bolt	E-1	Drive Sprocket
D-1	Chain Drive Links		

NOTICE: When looping the saw chain onto the guide bar, make sure that, after mounting the guide bar onto the saw, match the cutter pattern and rotation direction arrow on the housing. If they face in opposite directions, reassemble the saw chain onto the guide bar with the cutters facing the same direction (Fig. E2).

7. Replace the side cover onto the chain saw housing and fully tighten the two lock nuts.
8. Rotate the chain by hand to check whether the chain is properly assembled without binding. Otherwise, reassemble the chain and bar.

NOTICE: To extend the guide bar life, invert the bar occasionally.

ADJUSTING THE CHAIN TENSION

- Stop the motor and remove the battery pack before adjusting the chain tension. Turn the chain-tensioning bolt clockwise or counterclockwise to adjust chain tension (Fig. F) until the chain seats snugly against the guide bar with the drive links in the guide bar groove.
- A cold chain is correctly tensioned when there is no slack on the underside of the guide bar and the chain is snug, but it can be turned by hand without binding. The chain must be re-tensioned whenever the flats on the drive links do not sit in the bar groove.
- During normal saw operation, the temperature the chain will increase. The drive links of a correctly tensioned warm chain will hang approximately 1.3 mm out of the bar groove (Fig. G).

NOTICE: New chains tend to stretch; check chain tension frequently and tension as required.

NOTICE: A chain tensioned while it is warm may be too tight upon cooling. Check the cold tension before next use.

OPERATION

⚠ WARNING: Do not allow familiarity with this product to make you careless. Remember that a careless fraction of a second is sufficient to inflict serious injury.

⚠ WARNING: Do not use any attachments or accessories not recommended by the manufacturer of this product. The use of attachments or accessories not recommended can result in serious personal injury.

⚠ WARNING: To prevent accidental starting that could cause serious personal injury, always remove the battery pack from the tool when assembling parts, making adjustments, cleaning, or when not in use.

Before each use, inspect the entire product for damaged, missing, or loose parts, such as screws, nuts, bolts, caps, etc. Securely tighten all fasteners and caps and do not operate this product until all missing or damaged parts are replaced.

APPLICATION

You may use this product for basic felling, limbing, pruning, and woodcutting of lumber and trees.

NOTICE: The machine is to be used only for its prescribed purposes. Any other use is deemed to be a case of misuse.

FILLING BAR AND CHAIN LUBRICANT

⚠ WARNING: Do not smoke or bring any fire or flame near the oil or the chain saw. Oil may spill and cause a fire.

NOTICE: The chain saw is not filled with oil at the time of purchase. It is essential to fill the tank with oil before use. The chain is automatically lubricated with chain oil during operation.

1. Position the chain saw on its side with the tank cap facing upwards.
2. Clean the oil tank cap and the area around it to ensure that no dirt falls into the oil tank.
3. Lift up the semicircular plate and rotate the oil tank cap counterclockwise to remove it (Fig. H).
4. Carefully pour the bar and chain oil into the tank. Fill to the bottom of the fill neck.
5. Wipe off any excessive oil and replace the cap.

NOTICE: Check the oil level frequently and fill when the oil level falls below the minimum line. Never operate the chain saw if the oil is not visible.

ATTACHING/DETACHING THE BATTERY PACK

Use only with EGO's battery packs and chargers listed in Fig. A2.

Fully charge before first use.

To Attach

Align the battery ribs with the mounting slots and press the battery pack down until you hear a "click" (Fig. I).

To Detach

Depress the battery-release button and pull the battery pack out (Fig. J).

STARTING/STOPPING THE CHAIN SAW

NOTE: Before starting the chain saw, check for the oil level, saw teeth sharpness and properly working kickback brake paddle. Besides, balanced footing and proper distance away from the ground are needed.

To Start (Fig. K)

1. Pull the chain-kickback brake paddle towards the front handle to the operating position (Fig. K).
2. Firmly grasp the front handle with the left hand and the rear handle with the right hand.

⚠ WARNING: To avoid injury, always use the chain saw with the right hand grasping the gripping area of the rear handle (Fig. L).

3. Press and hold the lock-off button with the thumb of your right hand, then squeeze the trigger switch with the fingers of your right hand to start the saw (Fig. L).

L-1	Gripping Area
-----	---------------

4. Release the lock-off button and continue to squeeze the trigger switch for continued operation.
5. The further the trigger switch is depressed, the greater the chain speed. Adjust the speed to suit the task at hand.

⚠ WARNING: Do not attempt to start the saw when the saw chain is in a cut.

To Stop

1. Move the chain saw away from cutting area, and then release the trigger switch to stop the chain saw.
2. Push the chain-kickback brake paddle forward to the brake position to engage the chain brake (Fig. K).

⚠ WARNING: Always remove the battery pack from the machine during work breaks and after finishing work.

CHANGING SPEED MODE (FIG. M)

This machine features three speed modes. Each speed mode limits the maximum speed of the chain saw. The speed mode will change with every press of the chain speed button.

The speed bars on the LCD screen will display the active speed mode: one bar for low speed, two bars for medium speed, and three bars for high speed. The low speed mode (ECO) provides better control of the machine and longer operating time per charge.

M-1	Speed Bars	M-5	Fuel-gauge Circle
M-2	Bluetooth Icon	M-6	Headlight/Bluetooth Button
M-3	Headlight Icon	M-7	Chain Speed Button
M-4	Brake Icon		

NOTE: When using EGO battery pack rated 2.5Ah or less, only the ECO mode is available. And use of EGO battery pack rated less than 6.0Ah will not allow you to achieve high speed. For best performance, we strongly recommend use of EGO battery packs that are 6.0Ah (e.g., BA3360T) or more.

NOTE: The machine's speed memory function will remember the last speed setting and activate it the next time the machine is turned on.

NOTE: The LCD screen lights up when trigger switch is pulled or when the speed button or headlight/Bluetooth button is pressed. It will automatically turn off after approximately 30 seconds of chain saw inactivity.

LED HEADLIGHT (Fig. N)

The LED headlight is located in the front of the chain saw housing. The headlight provides illumination for increased visibility and features 2 brightness levels.

To turn on the headlight, press the headlight/Bluetooth button (Fig. M) one time. The headlight will turn on in low brightness level and the low brightness headlight icon will appear on the LCD screen. Press the headlight/Bluetooth button again to switch to high brightness level and the high brightness headlight icon will appear on the LCD screen.

To turn off the headlight, press the headlight/Bluetooth button the third time and the headlight icon will disappear from the LCD screen.

N-1	Low Brightness Headlight Icon	N-3	LED Headlight
N-2	High Brightness Headlight Icon		

OMNI-DIRECTIONAL CHAIN BRAKE SYSTEM (Fig. O1 and Fig. O2)

⚠ WARNING: The omni-directional chain brake system is not intended to act as a substitute to the standard/traditional chain brake. The user should never rely on this feature during operation of the chain saw to protect against kickback. Always follow safety instructions related to kickback mitigation found in the warning section of this manual.

When the omni-directional chain brake system is activated and stops the saw, the brake icon will be flashing on the LCD screen (Fig. M). Release the trigger switch, remove the saw chain and guide bar from the wood, then restart the chain saw.

NOTE: The sensors will only detect sudden motion of the saw in the plane of the guide bar (fig. O1). The sensors will not detect any sudden motion of the saw sideways (fig. O2) (i.e., perpendicular to the plane of the guide bar).

COMMUNICATION TECHNOLOGY

For information on our full range of connected products and services, including connection instructions, please scan QR Code below or visit www.egopowerplus.eu/connect.



PROPER GRIP ON HANDLES (FIG. P1)

- Wear non-slip gloves for maximum grip and protection.
- With the saw on a firm, flat surface, hold the saw firmly with both hands.
- Always grasp the front handle with the left hand and the rear handle with the right hand.
- The fingers should encircle the handle, with the thumb wrapped under the front handle.

⚠ WARNING: Never use a left-handed (cross-handed) grip, or any stance which would place your body or arm across the chain line.

⚠ WARNING: Do not operate the trigger switch with your left hand and hold the front handle with your right hand. Never allow any part of your body to be in the chain line while operating a chain saw (Fig. P2).

PROPER CUTTING STANCE (FIG. Q)

- Both feet should be on solid ground, with weight evenly spread between them.
- The left arm should be straight, with the elbow locked. This helps to withstand the forces generated by kickback.
- Your body should always be to the left of the chain line.

INSTRUCTIONS CONCERNING THE PROPER TECHNIQUES FOR BASIC FELLING, LIMBING, AND CROSS-CUTTING

⚠ WARNING: Always be sure of your footing and hold the chain saw firmly with both hands while the motor is running.

⚠ WARNING: When the saw chain is stopped due to pinching during cutting, release the trigger switch; remove the saw chain and guide bar from the wood, then restart the chain saw.

⚠ WARNING: Do not pull the saw chain with hand when it is bound by the sawdust. Serious injury could result if the chain saw starts accidentally. Press the saw chain against the wood, move the chain saw back and forth to discharge the

debris. Always remove the battery pack before cleaning. Wear heavy protective gloves when handling the saw chain.

⚠ WARNING: Never start the chain saw when it is in contact with the wood. Always allow the chain saw reach full speed before applying the saw to the wood.

FELLING A TREE

- When bucking and felling operations are being performed by two or more persons at the same time, the felling operation should be separated from the bucking operation by a distance of at least twice the height of the tree being felled. Trees should not be felled in a manner that would endanger any person, strike any utility line or cause any property damage. If the tree does make contact with any utility line, the utility company should be notified immediately.
- The chain saw operator should stand on the uphill side of the terrain, as the tree is likely to roll or slide downhill after it is felled.
- An escape path should be planned and cleared as necessary before cuts are started. The escape path should extend back and diagonally to the rear of the expected line of fall as Fig. R shown.

R-1	Felling Direction	R-2	Safety Retreat Path
-----	-------------------	-----	---------------------

- Before felling is started, consider the natural lean of the tree, the location of larger branches and the wind direction to judge which way the tree will fall.
- Remove dirt, stones, loose bark, nails, staples and wire from the tree.

Notching undercut

Make the notch 1/3 the diameter of the tree, perpendicular to the direction of falls as Fig. S shown. Make the lower horizontal notching cut first. This will help to avoid pinching either the saw chain or the guide bar when the second notch is being made.

S-1	Direction of Fall	S-3	Felling Back Cut
S-2	Notch	S-4	Hinge

Felling back cut

- Make the felling back cut at least 50 mm higher than the horizontal notching cut as Fig. S shown. Keep the felling back cut parallel to the horizontal notching cut. Make the felling back cut so enough wood is left to act as a hinge. The hinge wood keeps the tree from twisting and falling in the wrong direction. Do not cut through the hinge.

- As the felling gets close to the hinge, the tree should begin to fall. If there is any chance that the tree may not fall in desired direction or it may rock back and bind the saw chain, stop cutting before the felling back cut is complete and use wedges of wood, plastic or aluminium to open the cut and drop the tree along the desired line of fall.
- When the tree begins to fall remove the chain saw from the cut, stop the motor, put the chain saw down, then use the retreat path planned. Be alert for overhead limbs falling and watch your footing.

Limbing a tree

Limbing is removing the branches from a fallen tree. When limbing leave larger lower limbs to support the log off the ground. Remove the small limbs in one cut as Fig. T shown. Branches under tension should be cut from the bottom up to avoid binding the chain saw.

Bucking a log

Bucking is cutting a log into lengths. It is important to make sure your footing is firm and your weight is evenly distributed on both feet. When possible, the log should be raised and supported by the use of limbs, logs or chocks. Follow the simple directions for easy cutting.

- When the log is supported along its entire length as Fig. U1 shown, it is cut from the top (overbuck).
- When the log is supported on one end, as Fig. U2 shown, cut 1/3 the diameter from the underside (underbuck). Then make the finished cut by overbucking to meet the first cut.
- When the log is supported on both ends, as Fig. U3 shown, cut 1/3 the diameter from the top (overbuck). Then make the finished cut by underbucking the lower 2/3 to meet the first cut.
- When bucking on a slope always stand on the uphill side of the log, as Fig. V shown.
- When "cutting through", to maintain complete control release the cutting pressure near the end of the cut without relaxing your grip on the chain saw handles. Don't let the chain contact the ground. After completing the cut, wait for the saw chain to stop before you move the chain saw. Always stop the motor before moving from tree to tree.

MAINTENANCE

⚠ WARNING: When servicing, use only identical replacement parts. Use of any other parts may create a hazard or cause product damage. To ensure safety and reliability, all repairs should be performed by a qualified service technician.

⚠ WARNING: To avoid serious personal injury, always remove the battery pack from the product before inspecting, cleaning, or performing maintenance. A battery operated tool with the battery pack inserted is always on and can start accidentally.

⚠ WARNING: When cleaning the chain saw, DO NOT immerse it in water or other liquids.

⚠ WARNING: Do not at any time let brake fluids, petrol, petroleum-based products, penetrating oils, etc., come in contact with plastic parts. Chemicals can damage, weaken, or destroy plastic, which may result in serious personal injury.

CLEANING

- After each use, clean debris from the chain and guide bar with a soft brush. Wipe the chain saw surface with a clean cloth moistened with a mild soap solution.
- Remove the side cover, and then use a soft brush to remove debris from the guide bar, saw chain, sprocket and side cover.
- Always clean out wood chips, saw dust, and dirt from the guide bar groove when replacing the saw chain.

GUIDE BAR MAINTENANCE

When the guide bar shows signs of wear, disassemble it from the chain saw power head and reverse it for reassembly (Fig. W1). This way the wear will be distributed to maximize the guide bar life.

The bar should be cleaned every day of use and checked for wear and damage. Feathering or burring of the bar rails is a normal process of bar wear. Such faults should be smoothed with a file as soon as they occur. A bar with any of the following faults should be replaced.

- Wear inside the bar rails which permits the chain to lay over sideways.
- Bent guide bar.
- Cracked or broken rails.
- Spread rails.

In addition, the guide bar has a sprocket at its tip (Fig. W2). The sprocket must be lubricated weekly with a grease syringe to extend the guide bar life. Use a grease syringe to lubricate weekly with chain oil by means of the lubricating hole (Fig. W3). Turn the guide bar and check that the lubrication holes and chain groove are free from impurities.

W-1	Sprocket in Guide Bar Tip	W-2	Lubricating Hole
-----	---------------------------	-----	------------------

NOTICE: Use EGO authorized lubricants for best results.

TRANSPORTING AND STORING

Do not store or transport the chain saw when it is running. Always remove the battery pack before storing or transporting.

Always place the guide bar sheath on the guide bar and chain before storing or transporting the chain saw. Use caution to avoid the sharp teeth of the chain.

Clean the chain saw thoroughly before storing. Store the chain saw indoors, in a dry place that is locked and/or inaccessible to children.

Keep away from corrosive agents such as garden chemicals and de-icing salts.

PROTECTING THE ENVIRONMENT

Do not dispose of electrical equipment, used battery and charger into household waste!

Take this product to an authorized recycler and make it available for separate collection. Electric tools must be returned to an environmentally compatible recycling facility.

EN TROUBLESHOOTING

⚠ WARNING: Always protect your hands by wearing heavy gloves when performing any maintenance on the saw chain. Always remove the battery pack when servicing or transporting the chain saw.

PROBLEM	CAUSE	SOLUTION
Motor does not start.	<ul style="list-style-type: none"> ■ The battery pack is not attached to the chain saw. ■ No electrical contact between the saw and battery pack. ■ The battery pack charge is depleted. ■ The battery pack or chain saw is too hot. ■ Chain brake is engaged. ■ Debris in bar groove. ■ Debris in side cover. 	<ul style="list-style-type: none"> ■ Attach the battery pack to the chain saw. ■ Remove battery pack, check contacts and reinstall the battery pack. ■ Charge the battery pack. ■ Allow the battery pack or chain saw to cool until the temperature drops below 67°C. ■ Pull the chain-kickback brake paddle backward toward the front handle, arriving at the operating position. ■ Press the saw chain against the wood, move the chain saw back and forth to discharge the debris. ■ Remove battery pack, then remove side cover and clean out debris.
Chain saw stops running during working.	<ul style="list-style-type: none"> ■ The chain saw is overloaded. ■ The battery pack or chain saw is too hot. ■ Saw chain is bound in the wood. 	<ul style="list-style-type: none"> ■ Decrease the load. ■ Decrease the load. Allow the battery pack or chain saw to cool until the temperature drops below 67°C. ■ Release the trigger switch; remove the saw chain and guide bar from the wood, then restart the chain saw.
Motor runs, but chain does not rotate.	<ul style="list-style-type: none"> ■ Chain does not engage drive sprocket. 	<ul style="list-style-type: none"> ■ Reinstall the chain, ensuring that the drive links on the chain are fully seated on the sprocket.
Chain brake does not engage.	<ul style="list-style-type: none"> ■ Debris preventing full movement of the chain-kickback brake paddle. ■ Possible chain brake malfunction. 	<ul style="list-style-type: none"> ■ Clean debris from the external chain brake mechanism. ■ Contact EGO Customer Service for repair.

PROBLEM	CAUSE	SOLUTION
Chain saw does not cut properly.	<ul style="list-style-type: none"> ■ Insufficient chain tension. ■ Dull chain. ■ Chain installed backwards. ■ Worn chain. ■ Dry or excessively stretched chain. ■ Chain not in bar groove. 	<ul style="list-style-type: none"> ■ Readjust the chain tension, following the section: “ADJUSTING THE CHAIN TENSION”. ■ Sharpen the chain. ■ Reinstall the saw chain, following the section “ASSEMBLING/REPLACING THE BAR AND CHAIN”. ■ Replace the chain, following the section: “ASSEMBLING/REPLACING THE BAR AND CHAIN”. ■ Check the oil level. Refill the oil tank and choose a higher oil supply volume if necessary. ■ Reinstall the saw chain, following the section: “ASSEMBLING/REPLACING THE BAR AND CHAIN”.
Chain becomes loose or drops off the guide bar during normal use.	<ul style="list-style-type: none"> ■ The chain will become loose as the temperature of the chain increases during normal saw operation. ■ Chain does not engage drive sprocket. 	<ul style="list-style-type: none"> ■ Tighten the chain tension, following the section “ADJUSTING THE CHAIN TENSION”. ■ Reinstall the saw chain, following the section: “ASSEMBLING/REPLACING THE BAR AND CHAIN”.

WARRANTY

EGO WARRANTY POLICY

Please visit the website egopowerplus.eu for full terms and conditions of the EGO Warranty policy.

LESEN SIE ALLE ANWEISUNGEN!

DE



LESEN SIE DIE BETRIEBSANLEITUNG

! WARNUNG: Um die Sicherheit und Zuverlässigkeit zu gewährleisten, sollten alle Reparaturen nur von qualifizierten Servicetechnikern durchgeführt werden.

! WARNUNG: Vor der Benutzung des Geräts sollten Sie alle Sicherheitsanweisungen in dieser Bedienungsanleitung gelesen und verstanden haben. Das gilt auch für die Sicherheits- und Gefahrenzeichen wie „**VORSICHT**“, „**WARNUNG**“ und „**ACHTUNG**“. Die Nichtbeachtung der aufgeführten Anweisungen kann zu Stromschlägen, Bränden und/oder schweren Verletzungen führen.

WARNSYMBOL



Warnhinweis



Augenschutz tragen



Kopfschutz tragen



Vorsicht vor dem Rückstoß der Kettensäge und den Kontakt mit der Schienenspitze vermeiden.



Angaben zur Führungsschiene



Garantierter Schalleistungspegel. Geräuschemission an die Umgebung gemäß Richtlinie der Europäischen Gemeinschaft.



Dieses Produkt erfüllt die einschlägigen CE-Richtlinien.



Bluetooth®

mm Millimeter

V Spannung

IPX4 Schutz vor Spritzwasser

BEWAHREN SIE ALLE WARN- UND BEDIENHINWEISE FÜR NACHSCHLAGEZWECKE AUF.

WARNSYMBOL



! WARNUNG: Beim Betrieb von Elektrowerkzeugen besteht die Gefahr, dass Fremdkörper in Ihre Augen geschleudert werden und Sie dadurch schwerwiegende Augenschäden davontragen. Tragen Sie immer eine Schutzbrille, wenn möglich mit Seitenschutz oder, falls nötig, einen vollen Gesichtsschutz, bevor Sie Arbeiten mit dem Elektrowerkzeug verrichten. Wir empfehlen Ihnen, einen Gesichtsschutz über Ihrer eigenen Brille oder eine herkömmliche Schutzbrille mit Seitenschutz zu tragen.



Um das Verletzungsrisiko zu verringern, muss der Benutzer die Bedienungsanleitung vor der Benutzung des Gerätes gelesen und verstanden haben.



Gehörschutz tragen



Schutzhandschuhe tragen



Rückstoß von Schienenspitze



Kettensäge immer beidhändig führen



Elektrische Altgeräte dürfen nicht im Hausmüll entsorgt werden. Bringen Sie das Gerät zu einer offiziellen Recycling-Annahmestelle.



Dieses Produkt erfüllt die einschlägigen Vorschriften in GB.



Gleichstrom

n_0 Leerlaufdrehzahl

./min pro Minute

TECHNISCHE DATEN

Nennspannung	56 V	
Max. Kettengeschwindigkeit	25 m/s	
Kettenteilung	3/8" (9,5 mm)	
Kettengliedlänge	1,3 mm	
Länge der Führungsschiene	50 cm	
Sägekettentyp	AC2005	
Führungsschienentyp	AG2005	
Volumen Kettenöltank	250 ml	
Gewicht (ohne Akkupack, Sägekette, Führungsschiene, Seitenabdeckung, Öl und Kettenhülle)	3,9 kg	
Empfohlene Betriebstemperatur	-15°C-40°C	
Empfohlene Lagertemperatur	-20°C-70°C	
Empfohlene Ladetemperatur	5°C-40°C	
Gemessener Schalleistungspegel L_{WA}	103 dB(A) K=1,7 dB(A)	
Schalldruckpegel in Arbeitsposition L_{PA}	89 dB(A) K=3 dB(A)	
Garantierter Schalleistungspegel L_{WA} (gemäß 2000/14/EG)	105 dB(A)	
Vibration a_h	Vorderer Griff	4,69 m/s ² K=1,5 m/s ²
	Hinterer Griffbügel	4,24 m/s ² K=1,5 m/s ²

- Der angegebene Vibrationsgesamtwert wurde nach einem Standard-Prüfverfahren gemessen und kann zum Vergleich mit einem anderen Werkzeug herangezogen werden.
- Der angegebene Vibrationsgesamtwert kann auch zur vorläufigen Risikobewertung herangezogen werden.

HINWEIS: Die beim Einsatz des Elektrowerkzeugs entstehenden Istvibrationen können von dem angegebenen Wert abweichen. Zum Schutz des Benutzers sollten Handschuhe und ein Gehörschutz während des Geräteinsatzes getragen werden.

PACKLISTE (ABB. A1)

BESCHREIBUNG

AUFBAU (Abb. A1)

- Sägekette
- Prelldorne
- Kettenbremshebel
- Vorderer Griff
- LC-Display
- Drehzahlbalken
- Bluetooth-Symbol
- Scheinwerfer-Symbol
- Bremsen-Symbol
- Kraftstoffanzeige-Kreis
- Scheinwerfer/Bluetooth-Taste
- Kettendrehzahl-Taste
- Entriegelungsschalter
- Auslöseschalter
- Hinterer Griffbügel
- Akku-Entriegelungstaste
- Ölsichtfenster
- Öltankverschluss
- Führungsschiene
- Schmierloch
- Seitenabdeckung
- Muttern der Seitenabdeckung
- LED-Scheinwerfer
- Kettenspannungsschraube
- Doppelsteckschlüssel
- Kettenschutzhülle

MONTAGE

MONTIEREN/AUSWECHSELN DER SCHIENE UND DER KETTE

WARNUNG: Stellen Sie den Kettenbremshebel vor der Montage in die Bremsstellung.

- Legen Sie den Antriebskopf der Kettensäge auf die Seite. Die Seitenabdeckung sollte dabei nach oben zeigen (Ab. B).
- Entfernen Sie die Seitenabdeckung, indem Sie die beiden Sicherungsmuttern gegen den Uhrzeigersinn drehen.
- Drehen Sie die Kettenspannschraube gegen den Uhrzeigersinn, um die Kettenspannung zu lösen.
- Legen Sie die neue Sägekette in einer Schlaufe auf einer ebenen Fläche aus und beseitigen Sie etwaige Knicke (Abb. C).

DE

- Legen Sie die Kettenglieder in die Nut der Führungsschiene ein und verlegen Sie die Kette hinten an der Führungsschiene wieder zurück zur Schienenspitze (Abb. D).
- Halten Sie die Kette auf der Führungsschiene fest und legen Sie sie um das Zahnrad der Säge (Abb. E1).

B-1	Sicherungsmutter	D-2	Nut der Führungsschiene
B-2	Kettenspannungsschraube	E-1	Antriebszahnrad
D-1	Kettenglieder		

HINWEIS: Wenn Sie die Sägekette auf die Führungsschiene aufziehen, achten Sie darauf, dass nach der Montage der Führungsschiene an der Säge das Sägezahnmuster und der Drehrichtungspfeil am Gehäuse übereinstimmen. Wenn sie in entgegengesetzte Richtungen weisen, bringen Sie die Sägekette erneut auf der Führungsschiene an, wobei die Sägezähne in die gleiche Richtung zeigen (Abb. E2)

- Bringen Sie die Seitenabdeckung wieder am Kettensägegehäuse an und ziehen Sie die beiden Sicherungsmuttern fest.
- Drehen Sie die Kette von Hand, um zu prüfen, ob die Kette richtig montiert ist, ohne zu klemmen. Andernfalls muss die Kette erneut über die Schiene verlegt werden.

HINWEIS: Um die Lebensdauer der Führungsschiene zu verlängern, drehen Sie die Schiene gelegentlich um.

EINSTELLEN DER KETTENSPIGUNG

- Stellen Sie den Motor ab und entfernen Sie den Akku, bevor Sie die Kettenspannung einstellen. Drehen Sie die Kettenspannungsschraube im oder gegen den Uhrzeigersinn, um die Kettenspannung einzustellen (Abb. F), bis die Kette eng an der Führungsschiene anliegt und die Kettenglieder in der Führungsschienennut liegen.
- Eine kalte Kette ist korrekt gespannt, wenn kein Spiel an der Unterseite der Führungsschiene vorhanden ist und die Kette anliegt, sich jedoch manuell drehen lässt, ohne stecken zu bleiben. Die Kette muss immer neu gespannt werden, wenn die Abflachungen an den Antriebsgliedern nicht in der Nut der Schiene sitzen.
- Während des normalen Sägebetriebs erhöht sich die Temperatur der Kette. Bei einer korrekt erwärmten Kette hängen die Kettenglieder etwa 1,3 mm aus der Nut der Schiene heraus (Abb. G).

HINWEIS: Neue Ketten neigen dazu sich zu dehnen. Prüfen Sie deshalb die Kettenspannung regelmäßig und spannen Sie nach Bedarf nach.

HINWEIS: Eine Kette, die im warmen Zustand gespannt wurde, ist im erkalteten Zustand möglicherweise zu straff gespannt. Prüfen Sie vor dem nächsten Gebrauch die Spannung der kalten Kette.

BETRIEB

⚠️ WARNUNG: Auch wenn Sie sich mit dem Gerät auskennen, sollten Sie sich nicht zu einer gewissen Nachlässigkeit verleiten lassen. Denken Sie daran, dass ein kurzer Moment der Unachtsamkeit zu ernsthaften Verletzungen führen kann.

⚠️ WARNUNG: Verwenden Sie keine Anbauwerkzeuge oder Zubehörteile, die nicht vom Hersteller dieses Produkts empfohlen worden sind. Der Gebrauch von nicht empfohlenen Aufsätzen oder Zubehör kann zu schweren Verletzungen führen.

⚠️ WARNUNG: Um einen unbeabsichtigten Geräteanlauf bei der Montage von Teilen, bei Einstellarbeiten, beim Reinigen oder bei Nichtgebrauch zu verhindern, muss der Akku vom Gerät abgenommen werden. Andernfalls besteht schwere Verletzungsgefahr.

Inspizieren Sie das gesamte Produkt vor jeder Benutzung auf beschädigte, fehlende oder lockere Teile, wie z. B. Schrauben, Muttern, Stifte, Kappen usw. Alle Befestigungsmittel und Kappen festziehen und das Gerät erst betätigen, wenn alle beschädigten oder fehlenden Teile ersetzt wurden.

VERWENDUNGSZWECK

Sie können dieses Gerät zum einfachen Fällen, Entasten, Beschneiden und Sägen von Holzstämmen und Bäumen benutzen.

HINWEIS: Die Maschine darf nur für die vorgeschriebenen Zwecke verwendet werden. Jede andere Verwendung gilt als Zweckentfremdung.

EINFÜLLEN VON SCHIENEN- UND KETTENSCHMIERSTOFF

⚠️ WARNUNG: Rauchen Sie nicht und halten Sie Feuer oder Flammen vom Öl und der Kettensäge fern. Das Öl kann auslaufen und einen Brand verursachen.

HINWEIS: Beim Kauf ist die Kettensäge nicht mit Öl befüllt. Vor dem Gebrauch muss der Tank mit Öl befüllt werden. Während des Betriebs wird die Kette automatisch mit Kettenöl geschmiert.

- Legen Sie die Kettensäge auf die Seite. Der Tankverschluss sollte dabei nach oben zeigen.

- Säubern Sie den Öltankverschluss und den Bereich um den Verschluss, um sicherzustellen, dass kein Schmutz in den Öltank gelangen kann.
- Heben Sie die halbrunde Platte an und schrauben Sie den Öltankverschluss entgegen dem Uhrzeigersinn ab (Abb. H).
- Gießen Sie vorsichtig das Schienen- und Kettenöl in den Tank. Füllen Sie bis zur Unterseite des Einfüllstutzens Öl nach.
- Wischen Sie die Ölrreste ab und bringen Sie den Deckel wieder an.

HINWEIS: Überprüfen Sie den Ölstand häufig und füllen Sie nach, wenn der Ölstand unter die Mindestmarkierung sinkt. Nehmen Sie die Kettensäge niemals in Betrieb, wenn kein Öl sichtbar ist.

ANBRINGEN/ABNEHMEN DES AKKUS

Nur die in Abb. A2 aufgeführten EGO Akkus und Ladegeräte verwenden.

Vor dem ersten Gebrauch voll aufladen.

Anbringen

Lassen Sie die Rippen am Akkugehäuse mit den Öffnungen am Gerät fluchten und schieben Sie den Akku bis zum hörbaren Einrasten in das Gerät (Abb. I).

Abnehmen

Drücken Sie den Akku-Freigabeknopf und ziehen Sie den Akku heraus (Abb. J).

STARTEN/STOPPEN DER KETTENSÄGE

HINWEIS: Vor dem Einschalten der Kettensäge müssen Sie den Ölstand, die Sägezahnschärfe und die korrekte Funktion des Kettenbremshebels überprüfen. Darüber hinaus sind ein fester Stand und ein sicherer Abstand zum Boden wichtig.

Starten (Abb. K)

- Stellen Sie den Kettenbremshebel in Richtung des vorderen Griffs auf Betriebsstellung (Abb. K).
- Greifen Sie den vorderen Griff fest mit der linken Hand und den hinteren Griff mit der rechten Hand.

⚠️ WARNUNG: Um Verletzungen zu vermeiden, benutzen Sie die Kettensäge immer mit der rechten Hand am Griffbereich des hinteren Griffs (Abb. L).

- Halten Sie den Auslöser-Freigabeknopf mit dem Daumen Ihrer rechten Hand gedrückt; drücken Sie dann den Auslöseschalter mit den Fingern Ihrer rechten Hand, um die Säge zu starten (Abb. L).

L-1	Griffbereich
-----	--------------

- Lassen Sie den Auslöser-Freigabeknopf los und halten Sie den Auslöseschalter weiter gedrückt. Die

Säge läuft nun weiter.

- Je weiter der Auslöseschalter gedrückt wird, desto höher ist die Kettengeschwindigkeit. Die Geschwindigkeit sollte für die auszuführenden Arbeiten geeignet sein.

⚠️ WARNUNG: Versuchen Sie nicht, die Säge zu starten, wenn sich die Sägekette in einem Schnitt befindet.

Stoppen

- Ziehen Sie die Kettensäge aus dem Schnittbereich und lassen Sie dann den Auslöseschalter los, um die Kettensäge zu stoppen.
- Bewegen Sie den Kettenbremshebel nach vorn in die Bremsstellung, um die Kettenbremse zu aktivieren (Abb. K).

⚠️ WARNUNG: Bei Arbeitspausen und nach Abschluss der Arbeiten stets den Akku vom Gerät abnehmen.

GESCHWINDIGKEIT ÄNDERN (Abb. M)

Dieses Gerät verfügt über drei Geschwindigkeitsstufen. Jede Geschwindigkeitsstufe begrenzt die Höchstgeschwindigkeit der Kettensäge. Die Geschwindigkeitsstufe ändert sich mit jedem Drücken der Kettendrehzahl-Taste.

Die Drehzahlbalken auf dem LC-Display zeigen die aktuelle Geschwindigkeitsstufe an: ein Balken für niedrige Geschwindigkeit, zwei Balken für mittlere Geschwindigkeit und drei Balken für hohe Geschwindigkeit. Die niedrige Geschwindigkeitsstufe (ECO) ermöglicht eine bessere Kontrolle über das Gerät und die Betriebsdauer pro Aufladung verlängert sich.

M-1	Drehzahlbalken	M-5	Kraftstoffanzeige-Kreis
M-2	Bluetooth-Symbol	M-6	Scheinwerfer/Bluetooth-Taste
M-3	Scheinwerfer-Symbol	M-7	Kettendrehzahl-Taste
M-4	Bremsen-Symbol		

HINWEIS: Beim Einsatz eines EGO Akkupacks mit 2,5 Ah oder weniger steht nur der ECO-Modus zur Verfügung. Die hohe Geschwindigkeitsstufe kann bei Einsatz eines EGO Akkupacks mit weniger als 6,0 Ah nicht erreicht werden. Für ein Optimum an Leistung empfehlen wir EGO Akkupacks mit 6,0 Ah Kapazität oder höher (z. B. BA3360T).

THINWEIS: Die Drehzahl-Speicherfunktion der Maschine speichert die letzte Drehzahleinstellung und aktiviert sie beim nächsten Einschalten der Maschine.

THINWEIS: Das LC-Display leuchtet auf, wenn der Auslöseschalter gezogen oder die Kettendrehzahl-Taste oder die Scheinwerfer-/Bluetooth-Taste gedrückt wird. Es schaltet sich automatisch aus, wenn die Kettensäge etwa 30 Sekunden lang nicht benutzt wird.

LED-SCHEINWERFER (Abb. N)

Der LED-Scheinwerfer befindet sich an der Vorderseite des Kettensägegehäuses. Der Scheinwerfer sorgt für eine bessere Sicht und verfügt über 2 Helligkeitsstufen.

Um den Scheinwerfer einzuschalten, drücken Sie einmal auf die Scheinwerfer-/Bluetooth-Taste (Abb. M). Der Scheinwerfer schaltet sich mit geringer Helligkeit ein und das Symbol für geringe Helligkeit erscheint auf dem LC-Display. Drücken Sie die Scheinwerfer-/Bluetooth-Taste erneut, um auf die höchste Helligkeitsstufe umzuschalten; das Scheinwerfer-Symbol für hohe Helligkeit wird nun auf dem LC-Display angezeigt.

Um den Scheinwerfer auszuschalten, drücken Sie die Scheinwerfer-/Bluetooth-Taste ein drittes Mal; das Scheinwerfer-Symbol verschwindet vom LC-Display.

N-1	Scheinwerfer-Symbol für geringe Helligkeit	N-3	LED-Scheinwerfer
N-2	Scheinwerfer-Symbol für hohe Helligkeit		

OMNIDIREKTIONALE KETTENBREMSE (Abb. O1 und Abb. O2)

⚠️ WARNUNG: Die omnidirektionale Kettenbremse ist nicht als Ersatz für die herkömmliche Standard-Kettenbremse vorgesehen. Als Schutz vor Rückstößen sollte sich der Bediener während des Betriebs niemals allein auf diese Schutzvorrichtung verlassen. Befolgen Sie stets die Hinweise zur Verringerung von Rückstößen in dieser Betriebsanleitung.

Das Bremssymbol blinkt im LC-Display, sobald die omnidirektionale Kettenbremse einsetzt und die Säge stoppt (siehe Abb. M). Lassen Sie den Auslöseschalter los; entfernen Sie die Sägekette und Führungsschiene aus dem Holz und schalten Sie die Kettensäge wieder ein.

HINWEIS: Die Sensoren erkennen lediglich eine plötzliche Bewegung der Kette entlang der Führungsschiene (Abb. O1). Die Sensoren erkennen keine plötzliche Seitenbewegung der Kette (Abb. O2) (d. h. senkrecht zur Führungsschienenenebene).

KOMMUNIKATIONSTECHNOLOGIE

Für Informationen über unser gesamtes Angebot an verbundenen Produkten und Dienstleistungen, einschließlich Verbindungsanweisungen, scannen Sie bitte den QR-Code unten oder besuchen Sie www.egopowerplus.eu/connect.



FESTER HALT AN DEN GRIFFEN (Abb. P1)

- Mit rutschfesten Handschuhen sorgen Sie für maximalen Halt und Schutz.
- Legen Sie die Säge auf eine feste, ebene Fläche und halten Sie die Säge mit beiden Händen gut fest.
- Greifen Sie immer den vorderen Griff mit der linken Hand und den hinteren Griff mit der rechten Hand.
- Die Finger sollten den Griff umschließen und der Daumen sollte bis unter dem vorderen Griff anliegen.

⚠️ WARNUNG: Halten Sie das Gerät nie über Kreuz fest und vermeiden Sie Körperhaltungen, bei denen sich Ihr Körper oder Ihre Arme mit der Kettenlinie kreuzen.

⚠️ WARNUNG: Betätigen Sie den Auslöseschalter nicht mit der linken Hand und halten Sie den vorderen Griff mit Ihrer rechten Hand fest. Beim Arbeiten mit der Kettensäge dürfen sich keine Körperteile in der Kettenlinie befinden (Abb. P2).

RICHTIGE HALTUNG BEIM SÄGEN (Abb. Q)

- Beide Füße sollten auf festem Boden stehen und das Gewicht sollte gleichmäßig auf beide Beine verteilt sein.
- Der linke Arm sollte gerade und der Ellbogen durchgedrückt sein. Mit dieser Haltung können Sie den Kräften besser standhalten, die durch einen Rückschlag oder Rückstoß entstehen.
- Ihr Körper sollte sich immer links von der Kettenlinie befinden.

ANWEISUNGEN IN BEZUG AUF DIE RICHTIGE VORGEHENSWEISE BEIM FÄLLEN, ENTASTEN UND DURCHTRENNEN

⚠️ WARNUNG: Achten Sie immer auf einen sicheren Stand und halten Sie die Kettensäge mit beiden Händen fest, solange der Motor läuft.

⚠️ WARNUNG: Wenn die Sägekette während des Sägens stoppt, weil sie fest sitzt, lassen Sie den Auslöseschalter los. Ziehen Sie die Sägekette und Führungsschiene aus dem Holz und schalten Sie die Kettensäge wieder ein.

⚠️ WARNUNG: Ziehen Sie die Sägekette nicht mit der Hand, wenn Sie wegen Sägestaub blockiert. Wenn die Kettensäge versehentlich in Betrieb gesetzt wird, kann es zu ernsthaften Verletzungen kommen. Drücken Sie die Sägekette gegen das Holz und bewegen Sie die Kettensäge vor und zurück, um die Rückstände zu beseitigen. Entfernen Sie vor dem Reinigen immer den Akku. Tragen Sie robuste Schutzhandschuhe beim Umgang mit der Sägekette.

⚠️ WARNUNG: Starten Sie die Kettensäge niemals, wenn sie Kontakt mit dem Holz hat. Warten Sie immer zuerst, bis die Kettensäge ihre volle Geschwindigkeit erreicht hat, bevor Sie mit der Säge in das Holz sägen.

FÄLLEN EINES BAUMES

- Wenn zwei oder mehr Personen gleichzeitig ablängen und fällen, sollte zwischen der Fällarbeit und der Ablängarbeit ein Sicherheitsabstand eingehalten werden, der mindestens doppelt so groß ist wie die Höhe des zu fällenden Baumes. Bäume sollten so gefällt werden, dass keine Personen gefährdet werden, öffentliche Stromleitungen getroffen werden oder Sachschäden entstehen können. Wenn ein Baum mit einer öffentlichen Stromleitung in Berührung kommt, muss das Elektrizitätswerk sofort davon in Kenntnis gesetzt werden.
- Der Bediener der Kettensäge sollte sich auf der Bergseite des Geländes aufhalten, da der Baum nach dem Fällen wahrscheinlich bergab rollt oder rutscht.
- Vor Beginn der Sägearbeiten sollte ein Fluchtweg eingeplant und frei gehalten werden. Der Fluchtweg sollte hinter dem Baum schräg zu der erwarteten Fälllinie verlaufen (siehe Abb. R).

R-1	Fällrichtung	R-2	Sicherer Rückzugsweg
-----	--------------	-----	----------------------

- Achten Sie vor dem Fällen auf die natürliche Neigung des Baumes, die Lage größerer Äste und die Windrichtung, um zu beurteilen, in welche Richtung der Baum fallen wird.
- Beseitigen Sie Schmutz, Steine, lose Rinde, Nägel, Heftklammern und Drähte/Seile vom Baum.

Fällkerb-Unterschnitt

Sägen Sie eine Kerbe von einem Drittel des Stammdurchmessers senkrecht zur Fallrichtung (siehe Abb. S). Setzen Sie zuerst den unteren waagrechten Kerbschnitt. Dies hilft, das Einklemmen der Sägekette oder der Führungsschiene zu vermeiden, wenn die zweite Kerbe gesägt wird.

S-1	Fallrichtung	S-3	Fällschnitt
S-2	Kerbe	S-4	Scharnier

Fällschnitt

- Setzen Sie den Fällschnitt mindestens 50 mm oberhalb des waagrechten Fällkerbschnitts an (siehe Abb. S). Führen Sie den Fällschnitt parallel zum waagrechten Fällkerbschnitt. Setzen Sie den

Fällschnitt so, dass genug Holz übrig bleibt, über das der Baum wie bei einem Scharnier abknicken kann. Dieser Knickpunkt verhindert, dass sich der Baum dreht und in die falsche Richtung fällt. Nicht durch den Knickpunkt sägen.

- Der Baum beginnt zu fallen, je näher der Fällschnitt dem Knickpunkt kommt. Sollte die Gefahr bestehen, dass der Baum nicht in die gewünschte Richtung fällt oder rückwärts kippt und die Sägekette einklemmt, sägen Sie nicht weiter, bevor der Fällschnitt abgeschlossen ist. Verwenden Sie Keile aus Holz, Kunststoff oder Aluminium, um den Schnitt zu öffnen und den Baum entlang der gewünschten Linie zum Fallen zu bringen.
- Wenn der Baum zu fallen beginnt, ziehen Sie die Kettensäge aus dem Schnitt, stellen Sie den Motor ab, legen die Kettensäge ab und verlassen Sie den Bereich über den geplanten Fluchtweg. Achten Sie auf herunterfallende Äste und auf festen Untergrund.

Entasten eines Baums

Entasten bedeutet das Entfernen der Äste eines gefällten Baums. Beim Entasten werden die größeren Äste unter dem Baum gelassen, damit der Stamm über dem Boden abgestützt bleibt. Entfernen Sie die kleineren Äste in einem Schnitt (siehe Abb. T). Unter Spannung stehende Äste sollten von unten nach oben geschnitten werden, um ein Einklemmen der Kettensäge zu vermeiden.

Ablängen eines Stammes

Ablängen bedeutet das Durchtrennen eines Stammes in mehrere Teile. Dabei ist es besonders wichtig, dass Sie fest stehen und Ihr Gewicht gleichmäßig auf beide Füße verteilt ist. Wenn möglich, sollte der Stamm angehoben sein und mithilfe von Ästen, Stämmen oder Unterlegkeilen gestützt werden. Um die Sägearbeit zu erleichtern, sollte Sie diese einfachen Anweisungen befolgen.

- Wenn der Stamm über seine gesamte Länge gestützt wird (siehe Abb. U1), wird er von der Oberseite her angesägt (Ablängen von oben).
- Wenn der Stamm an einem Ende gestützt wird (siehe Abb. U2), sägen Sie ein Drittel des Durchmessers an der Unterseite (Ablängen von unten). Führen Sie dann den letzten Schnitt von oben durch den Stamm, bis er auf den ersten Schnitt trifft.
- Wenn der Stamm an beiden Enden gestützt wird (siehe Abb. U3), sägen Sie ein Drittel des Durchmessers auf der Oberseite (Ablängen von oben). Führen Sie dann den letzten Schnitt von unten durch 2/3 des Stammes, bis dieser auf den Schnitt trifft.
- Stehen Sie bei Ablängarbeiten an einem Hang immer bergauf vom Stamm (siehe Abb. V).
- Um die vollständige Kontrolle beim

„Durchsägen“ zu behalten, verringern Sie den Druck beim Sägen kurz vor dem Durchschneiden, ohne beim festen Halt an den Kettensägegriffen nachzugeben. Die Kette nicht den Boden berühren lassen. Warten Sie nach Fertigstellung des Schnitts, bis die Sägekette stillsteht, bevor Sie die Kettensäge bewegen. Stellen Sie stets den Motor ab, bevor Sie sich zum nächsten Baum bewegen.

WARTUNG

⚠️ WARNUNG: Bei der Wartung nur identische Ersatzteile verwenden. Die Verwendung anderer Teile kann Unfälle und Schäden am Gerät hervorrufen. Um die Sicherheit und Zuverlässigkeit zu gewährleisten, sollten alle Reparaturen nur von qualifizierten Servicetechnikern durchgeführt werden.

⚠️ WARNUNG: Um schwere Verletzungen zu vermeiden, entfernen Sie immer den Akku aus dem Produkt, bevor Sie das Gerät untersuchen, säubern oder Wartungsarbeiten vornehmen. Ein akkubetriebenes Werkzeug mit eingelegtem Akku ist immer einsatzbereit und kann versehentlich in Betrieb gesetzt werden.

⚠️ WARNUNG: Wenn Sie die Kettensäge reinigen, tauchen Sie diese NICHT in Wasser oder andere Flüssigkeiten.

⚠️ WARNUNG: Achten Sie immer darauf, dass Bremsflüssigkeit, Benzin, Mineralöl-Erzeugnisse, Kriechöle usw. nicht mit den Kunststoffteilen in Kontakt kommen. Die Chemikalien können die Kunststoffe angreifen, mechanisch schwächen oder zerstören, was zu schweren Verletzungen führen kann.

REINIGUNG

- Entfernen Sie nach jedem Gebrauch mithilfe einer weichen Bürste anhaftenden Schmutz von der Kette und Führungsschiene. Wischen Sie die Oberfläche der Kettensäge mit einem sauberen und mit milder Seifenlösung befeuchteten Tuch ab.
- Nehmen Sie die Seitenabdeckung ab und entfernen Sie dann mit einer weichen Bürste Ablagerungen von der Führungsschiene, Sägekette, vom Ritzel und der Seitenabdeckung.
- Reinigen Sie die Nut der Führungsschiene bei jedem Wechsel der Sägekette, um Holzspäne, Sägestaub und Schmutz zu beseitigen.

WARTUNG DER FÜHRUNGSSCHIENE

Falls die Führungsschiene Verschleißerscheinungen aufweist, montieren Sie sie vom Antriebskopf der Säge ab und bauen Sie sie umgedreht wieder ein (Abb. W1). Dadurch verteilt sich die Abnutzung und die Schiene hält länger.

Die Schiene sollte jeden Tag, an dem das Gerät gebraucht wurde, gereinigt und auf Verschleiß sowie Schäden untersucht werden. Scharfe Kanten oder Grat an den Schienenstegen sind normale Verschleißerscheinungen an der Schiene. Diese Fehlstellen sollten mit einer Feile geglättet werden, sobald sie sich bemerkbar machen. Eine Schiene mit einem der folgenden Mängel sollte ausgewechselt werden:

- Verschleiß in den Schienenstegen, wodurch sich die Kette seitlich legen kann.
- Verbogene Führungsschiene
- Gesprungene oder gebrochene Stege.
- Gespreizte Stege.

Darüber hinaus ist die Führungsschiene mit einem Zahnrad an der Spitze versehen (Abb. W2). Das Zahnrad muss wöchentlich mit einer Fettpresse geschmiert werden, um die Nutzungsdauer der Führungsschiene zu verlängern. Schmieren Sie mithilfe einer Fettpresse mit Kettenöl wöchentlich über das Schmierloch (Abb. W3). Wenden Sie die Führungsschiene und prüfen Sie, ob die Schmierlöcher und Kettennut frei von Verunreinigungen sind.

W-1	Zahnrad in der Führungsschienenspitze	W-2	Schmierloch
-----	---------------------------------------	-----	-------------

HINWEIS: Verwenden Sie für beste Ergebnisse die von EGO zugelassenen Schmiermittel.

TRANSPORT UND LAGERUNG

Eine laufende Kettensäge darf nicht verstaut oder transportiert werden. Entfernen Sie vor dem Lagern oder Transportieren immer den Akku.

Schieben Sie die Führungsschienen-Schutzhülle über die Führungsschiene und Kette, bevor Sie die Kettensäge einlagern oder transportieren. Nehmen Sie sich vor den scharfen Zähnen der Kette in Acht.

Reinigen Sie die Kettensäge gründlich, bevor Sie sie verstauen. Lagern Sie die Kettensäge im Haus an einem trockenen Ort, der abgeschlossen und/oder für Kinder nicht erreichbar ist.

Halten Sie sie von korrosiven Mitteln wie Gartenchemikalien und Streusalz fern.

SCHUTZ DER UMWELT



Elektrogeräte, alte Akkus und Ladegeräte dürfen nicht im Hausmüll entsorgt werden!

Das Gerät muss einer offiziellen Recycling-Sammelstelle zur getrennten Entsorgung zugeführt werden. Elektrowerkzeuge müssen bei einem umweltfreundlichen Recycling-Betrieb abgegeben werden.

STÖRUNGSBEHEBUNG

DE

⚠️ WARNUNG: Schützen Sie immer Ihre Hände, indem Sie robuste Handschuhe tragen, wenn Sie Wartungsarbeiten an der Sägekette durchführen. Entfernen Sie immer den Akku, wenn Sie die Kettensäge warten oder transportieren.

PROBLEM	URSACHE	LÖSUNG
Motor startet nicht.	<ul style="list-style-type: none"> ■ Der Akku ist nicht an der Kettensäge angeschlossen. ■ Es besteht kein elektrischer Kontakt zwischen Säge und Akkupack. ■ Der Akku ist entladen. ■ Der Akku oder die Kettensäge ist zu heiß. ■ Kettenbremse ist eingerückt. ■ Sägereste in der Schienennut ■ Sägereste in der Abdeckung 	<ul style="list-style-type: none"> ■ Akku an die Kettensäge anschließen ■ Akku abnehmen, Kontakte überprüfen und wieder anschließen. ■ Laden Sie den Akku auf. ■ Akku bzw. Kettensäge unter 67°C abkühlen lassen. ■ Ziehen Sie den Kettenbremshebel in Richtung des vorderen Griffs in Betriebsposition. ■ Drücken Sie die Sägekette gegen das Holz und bewegen Sie die Kettensäge vor und zurück, um die Rückstände zu beseitigen. ■ Entfernen Sie den Akku, nehmen Sie dann die Seitenabdeckung ab und entfernen Sie die Rückstände.
Kettensäge hält während des Sägens an..	<ul style="list-style-type: none"> ■ Die Kettensäge ist überlastet. ■ Der Akku oder die Kettensäge ist zu heiß. ■ Sägekette sitzt im Holz fest. 	<ul style="list-style-type: none"> ■ Verringern Sie die Belastung. ■ Verringern Sie die Belastung. Akku bzw. Kettensäge unter 67°C abkühlen lassen. ■ Lassen Sie den Auslöseschalter los; entfernen Sie die Sägekette und Führungsschiene aus dem Holz, starten Sie dann die Kettensäge erneut.
Motor läuft, aber die Kette dreht sich nicht.	<ul style="list-style-type: none"> ■ Kette greift nicht in das Antriebsritzel ein. 	<ul style="list-style-type: none"> ■ Montieren Sie die Kette erneut. Achten Sie dabei darauf, dass die Kettenglieder vollständig auf dem Kettenrad sitzen.
Kettenbremse rückt nicht ein	<ul style="list-style-type: none"> ■ Rückstände verhindern die vollständige Bewegung des Kettenbremshebels. ■ Mögliche Fehlfunktion der Kettenbremse 	<ul style="list-style-type: none"> ■ Beseitigen Sie die Schmutzrückstände außen an der Kettenbremse. ■ Wenden Sie sich zwecks Reparatur an den EGO-Kundendienst.

PROBLEM	URSACHE	LÖSUNG
Kettensäge sägt nicht richtig.	<ul style="list-style-type: none"> ■ Ungenügende Kettenspannung ■ Stumpfe Kette ■ Kette verkehrt herum installiert ■ Abgenutzte Kette ■ Trockene oder übermäßig gedehnte Kette ■ Kette nicht in der Nut der Führungsschiene. 	<ul style="list-style-type: none"> ■ Stellen Sie die Kettenspannung gemäß Abschnitt „EINSTELLEN DER KETTENSpannung“. ■ Schärfen Sie die Kette. ■ Montieren Sie die Sägekette wieder. beachten dazu den Abschnitt „MONTIEREN/AUSWECHSELN DER FÜHRUNGSSCHIENE UND DER KETTE“. ■ Wechseln Sie die Kette aus gemäß Abschnitt „MONTIEREN/AUSWECHSELN DER SCHIENE UND DER KETTE“. ■ Überprüfen Sie den Ölstand. Füllen Sie den Öltank nach und wählen Sie ggf. eine höhere Ölmenge. ■ Installieren Sie die Sägekette neu gemäß Abschnitt „MONTIEREN/AUSWECHSELN DER FÜHRUNGSSCHIENE UND DER KETTE“.
Die Kette wird locker oder fällt bei normalem Gebrauch von der Führungsschiene ab.	<ul style="list-style-type: none"> ■ Die Kette wird locker, da sich während des normalen Sägebetriebs die Temperatur der Kette erhöht. ■ Kette greift nicht in das Antriebsritzel ein. 	<ul style="list-style-type: none"> ■ Stellen Sie die Kettenspannung gemäß Abschnitt „EINSTELLEN DER KETTENSpannung“ ein. ■ Installieren Sie die Sägekette neu gemäß Abschnitt „MONTIEREN/AUSWECHSELN DER FÜHRUNGSSCHIENE UND DER KETTE“.

GARANTIE

EGO-GARANTIEBEDINGUNGEN

Sämtliche EGO-Garantiebedingungen finden Sie auf der Website egopowerplus.eu.

LISEZ TOUTES LES INSTRUCTIONS !



LISEZ LE MANUEL D'UTILISATION

FR

AVERTISSEMENT : Pour garantir la sécurité et la fiabilité, toutes les réparations doivent être effectuées par un réparateur qualifié.

AVERTISSEMENT : Lisez et comprenez impérativement toutes les consignes de sécurité de ce manuel d'utilisation, y compris les symboles de mise en garde de sécurité tels que « DANGER », « AVERTISSEMENT » et « ATTENTION » avant d'utiliser cet outil. Le non-respect de toutes les instructions énumérées ci-dessous peut entraîner un choc électrique, un incendie et / ou des blessures graves.

CONSERVEZ TOUS LES AVERTISSEMENTS ET CONSIGNES POUR POUVOIR VOUS Y REFERER ULTERIEUREMENT.

SYMBOLE DE SECURITE

AVERTISSEMENT : L'utilisation d'un outil électrique peut provoquer la projection d'objets étrangers dans vos yeux, ce qui peut entraîner des lésions oculaires graves. Avant de commencer à utiliser l'outil électrique, portez toujours un masque de sécurité ou des lunettes de sécurité avec des protections latérales et une visière complète si nécessaire. Nous vous recommandons de porter un masque de sécurité à vision panoramique par-dessus des lunettes de vue ou des lunettes de sécurité standards avec des protections latérales.

SYMBILES DE SÉCURITÉ



Alerte de sécurité



Porter une protection oculaire



Porter un casque de protection.



Attention au risque de rebond de la tronçonneuse, éviter d'attaquer le bois avec l'extrémité du guide-chaîne



Informations sur le guide-chaîne



Niveau de puissance acoustique garanti. Émission de bruit dans l'environnement conformément à la directive CE.



Ce produit est conforme aux directives CE applicables.



Bluetooth®

mm Millimètre

V Tension

IPX4 Protection contre les éclaboussures d'eau



Pour réduire le risque de blessures, l'utilisateur doit lire et comprendre le manuel d'utilisation avant d'utiliser ce produit.



Porter une protection auditive



Porter des gants protecteurs



Rebond de nez de guide-chaîne



Utiliser toujours la tronçonneuse en la maintenant avec les deux mains



Les produits électriques usagés ne doivent pas être jetés avec les ordures ménagères. Apportez-les dans un centre de recyclage agréé.



Ce produit est conforme à la législation britannique applicable.



Courant continu

n_v Régime à vide

./min Par minute

SPÉCIFICATIONS

Tension nominale	56 V	
Max. Vitesse de chaîne	25 m/s	
Pas de chaîne	3/8" (9,5 mm)	
Limiteur de profondeur	1,3 mm	
Longueur du guide-chaîne	50 cm	
Type de chaîne	AC2005	
Type de guide-chaîne	AG2005	
Capacité du réservoir d'huile de chaîne	250 ml	
Poids (sans batterie, chaîne, guide-chaîne, capot latéral, huile ni fourreau)	3,9 kg	
Température d'utilisation recommandée	-15°C-40°C	
Température de stockage recommandée	-20°C-70°C	
Température de charge recommandée	5°C-40°C	
Niveau de puissance acoustique mesuré L_{WA}	103 dB(A) K=1,7 dB(A)	
Niveau de pression acoustique à la position de fonctionnement L_{PA}	89 dB(A) K=3 dB(A)	
Niveau de puissance acoustique garanti L_{WA} (selon 2000/14/CE)	105 dB(A)	
Vibration a_h	Poignée avant	4,69 m/s ² K=1,5 m/s ²
	Poignée arrière	4,24 m/s ² K=1,5 m/s ²

- La valeur totale des vibrations indiquée a été mesurée selon une procédure conforme à une méthode de test standardisée et peut servir pour comparer différents outils.
- La valeur totale des vibrations déclarée peut également servir pour effectuer une évaluation préliminaire de l'exposition.

REMARQUE : Le niveau de vibrations lors de l'utilisation réelle de l'outil peut être différent de la valeur déclarée totale en fonction de la manière dont l'outil est utilisé ; Afin de protéger l'opérateur, l'utilisateur doit porter des gants et des protecteurs d'oreilles en conditions réelles d'utilisation.

CONTENU DE L'EMBALLAGE (FIG. A1)

DESCRIPTION

DESCRIPTION DE VOTRE TRONÇONNEUSE (Fig. A1)

1. Chaîne
2. Griffes
3. Poignée de frein de chaîne anti-rebond
4. Poignée avant
5. Écran LCD
6. Barres de vitesse
7. Icône Bluetooth
8. Icône de lampe avant
9. Icône de frein
10. Cercle de jaugeage du carburant
11. Bouton de lampe avant/Bluetooth
12. Bouton de vitesse de la chaîne
13. Bouton de déverrouillage
14. Interrupteur-gâchette
15. Poignée arrière
16. Bouton de déblocage de la batterie
17. Fenêtre d'observation du niveau d'huile
18. Bouchon du réservoir d'huile
19. Guide-chaîne
20. Trou de lubrification
21. Capot latéral
22. Écrous des capots latéraux
23. Lampes avant LED
24. Bouton de tensionnage de la chaîne
25. Clé à douille à double extrémité
26. Protège-guide

ASSEMBLAGE

ASSEMBLER/REPLACER LE GUIDE ET LA CHAÎNE

⚠ AVERTISSEMENT : Réglez la poignée de frein de chaîne anti-rebond sur la position de freinage avant l'assemblage.

1. Posez l'unité moteur de la tronçonneuse sur le côté avec son capot latéral vers le haut (Image B).
2. Retirez le capot latéral en tournant les deux écrous dans le sens inverse des aiguilles d'une montre.
3. Tournez le bouton de tensionnage de la chaîne dans le sens inverse des aiguilles d'une montre pour relâcher la tension de la chaîne.
4. Posez la chaîne en boucle sur une surface plane et redressez tous les maillons (Image C).
5. Insérez les maillons d'entraînement de la chaîne dans le rail du guide et faites une boucle avec la chaîne à l'arrière du guide (Image D).

FR

6. Maintenez la chaîne en position sur le guide et placez la boucle autour du pignon d'entraînement (Image E1).

FR

B-1	Écrous de blocage	D-2	Rail du guide
B-2	Bouton de tensionnage de la chaîne	E-1	Pignon d'entraînement
D-1	Maillons d'entraînement de la chaîne		

REMARQUE : Lorsque vous mettez la chaîne sur le guide-chaîne, assurez-vous, après avoir monté le guide-chaîne sur la tronçonneuse, que les gouges sont orientées dans le sens de rotation indiqué par la flèche sur le carter. Si tel n'est pas le cas, remontez la chaîne sur le guide-chaîne en veillant à ce que les gouges sont orientées dans le sens indiqué par la flèche (Image E2).

7. Remplacez le capot latéral sur le carter de la tronçonneuse et serrez à fond les deux écrous.
8. Faites tourner la chaîne à la main pour vérifier si la chaîne est correctement assemblée sans se coincer. Sinon, remontez la chaîne et le guide.

REMARQUE : Pour prolonger la durée de vie du guide, retournez-le occasionnellement.

RÉGLER LA TENSION DE LA CHAÎNE

- Éteignez le moteur et retirez la batterie de l'outil avant de régler la tension de la chaîne. Tournez le bouton de tensionnage de la chaîne dans le sens des aiguilles d'une montre ou dans le sens inverse pour régler la tension de la chaîne (Image F) jusqu'à ce que la chaîne soit bien calée contre le guide-chaîne, avec les maillons d'entraînement dans la rainure du guide-chaîne.
- Une chaîne froide est correctement tendue quand elle ne pend pas sous le guide et qu'elle est bien ajustée autour du guide tout en pouvant être tournée à la main sans coincer. La chaîne doit toujours être retendue si les parties plates des maillons d'entraînement sortent du rail du guide.
- Pendant l'utilisation normale, la température de la chaîne augmente. Les maillons d'entraînement d'une chaîne chaude correctement tendue pendent de 1,3 mm environ du rail du guide (Image G).

REMARQUE : Une chaîne neuve a tendance à s'allonger. Contrôlez fréquemment la tension de la chaîne et retendez-la si nécessaire.

REMARQUE : Si la tension de la chaîne est réglée quand elle est chaude, la tension risque de devenir trop importante quand la chaîne refroidit. Contrôlez la tension de la chaîne froide avant l'utilisation suivante.

FONCTIONNEMENT

⚠ AVERTISSEMENT : Veillez à ne pas devenir moins prudent(e) au fur et à mesure que vous vous familiarisez avec cet outil. Gardez à l'esprit qu'une fraction de seconde d'inattention peut suffire pour provoquer des blessures graves.

⚠ AVERTISSEMENT : N'utilisez aucun accessoire ou pièce non recommandé par le fabricant de ce produit. L'utilisation d'accessoires ou de pièces non recommandés peut provoquer des blessures corporelles graves.

⚠ AVERTISSEMENT : Pour prévenir un démarrage accidentel pouvant provoquer des blessures corporelles graves, veillez à ce que la batterie soit toujours retirée quand vous assemblez une pièce, faites un réglage, nettoyez et quand vous n'utilisez pas l'appareil.

Avant chaque utilisation, inspectez le produit complet à la recherche de pièces endommagées, manquantes ou desserrées telles que des vis, écrous, boulons, capuchons, etc. Serrez fermement toutes les fixations et capuchons et ne faites pas fonctionner ce produit tant que toutes les pièces manquantes ou endommagées n'ont pas été remplacées.

APPLICATION

Vous pouvez utiliser ce produit pour des travaux de base d'abattage, d'ébranchage, d'élagage et de coupe de bois de chauffage et d'arbres.

REMARQUE : La machine ne doit être utilisée que pour son usage prévu. Toute autre utilisation est considérée comme inappropriée.

AJOUTER DU LUBRIFIANT DE GUIDE ET DE CHAÎNE

⚠ AVERTISSEMENT : Ne fumez pas et n'approchez pas de flamme près de l'huile ou de la tronçonneuse. Il peut y avoir des coulures/projections d'huile qui peuvent provoquer un incendie.

REMARQUE : La tronçonneuse n'est pas remplie d'huile lors de son achat. Il faut impérativement remplir son réservoir d'huile avant de l'utiliser. La chaîne est automatiquement lubrifiée avec l'huile pour chaîne pendant l'utilisation.

1. Placez la tronçonneuse sur le côté avec le bouchon du réservoir vers le haut.
2. Nettoyez le bouchon du réservoir d'huile et la zone l'entourant pour éviter que des saletés ne tombent dans le réservoir d'huile.
3. Relevez la plaque semi-circulaire et tournez le bouchon du réservoir d'huile dans le sens antihoraire pour l'enlever (Image H).

4. Versez soigneusement l'huile à chaîne et guide-chaîne dans le réservoir. Remplissez le réservoir jusqu'au goulot de remplissage.
5. Essuyez l'huile en excès et refermez le bouchon.

REMARQUE : Vérifiez souvent le niveau d'huile et remplissez le réservoir quand son niveau descend en dessous du minimum. N'utilisez pas la scie à chaîne si le niveau d'huile n'est pas visible.

INSERTION / RETRAIT DE LA BATTERIE

Utilisez l'onduleur exclusivement les batteries et les chargeurs EGO listés à la Fig.A2.

Rechargez complètement la batterie avant la première utilisation.

Insertion

Alignez les arêtes de la batterie sur les rainures d'assemblage et poussez la batterie vers le bas jusqu'à entendre un déclic (Image I).

Retrait

Appuyez sur le bouton de déblocage de la batterie et retirez la batterie hors de l'outil (Image J).

DÉMARRER/ÉTEINDRE LA TRONÇONNEUSE

REMARQUE : Avant de démarrer la tronçonneuse, contrôlez son niveau d'huile, l'affûtage des gouges de la chaîne et le bon fonctionnement de la poignée de frein de chaîne. Vous devez aussi avoir des appuis des pieds équilibrés et être suffisamment éloigné du sol.

Démarrage de l'outil (Image K)

1. Tirez la poignée de frein de chaîne anti-rebond vers la poignée avant dans la position de travail (Image K).
2. Saisissez la poignée avant avec la main gauche et la poignée arrière avec la main droite.

⚠ AVERTISSEMENT : Pour éviter les blessures, utilisez toujours la tronçonneuse avec la main droite sur la zone de préhension de la poignée arrière (Image L).

3. Maintenez le bouton de blocage enfoncé avec le pouce de votre main droite, puis appuyez sur la gâchette avec les doigts de votre main droite pour faire démarrer la tronçonneuse (Image L).

L-1	Zone de préhension
-----	--------------------

4. Relâchez le bouton de déverrouillage et continuez d'appuyer sur la gâchette pour utiliser l'outil.
5. Plus vous enfoncez la gâchette, plus la vitesse augmente. Ajustez la vitesse en fonction de la tâche à accomplir.

⚠ AVERTISSEMENT : N'essayez pas de démarrer la tronçonneuse quand la chaîne est dans la coupe.

Arrêt

1. Pour arrêter la tronçonneuse, éloignez-la de l'aire de découpe et relâchez la gâchette.
2. Poussez la poignée de frein de chaîne anti-rebond vers l'avant dans la position de freinage pour engager le frein de chaîne (Image K).

⚠ AVERTISSEMENT : Retirez toujours la batterie de la machine pendant les pauses et après avoir terminé le travail.

CHANGEMENT DE MODE DE VITESSE (IMAGE M)

La machine dispose de trois modes de vitesse. Chaque mode de vitesse limite la vitesse maximale de la tronçonneuse. Le mode de vitesse change à chaque pression sur le bouton de vitesse de la chaîne.

Les barres de vitesse sur l'écran LCD indiquent le mode de vitesse actif : une barre pour une vitesse faible, deux barres pour une vitesse moyenne et trois barres pour une vitesse élevée. Le mode basse vitesse (ECO) permet de mieux contrôler la machine et d'augmenter l'autonomie par charge.

M-1	Barres de vitesse	M-5	Cercle de jaugeage du carburant
M-2	Icône Bluetooth	M-6	Bouton de lampe avant/Bluetooth
M-3	Icône de lampe avant	M-7	Bouton de vitesse de la chaîne
M-4	Icône de frein		

REMARQUE : Lorsque vous utilisez une batterie EGO d'intensité nominale de 2,5 Ah ou moins, seul le mode ECO est disponible. L'utilisation d'une batterie EGO de moins de 6,0 Ah ne vous permet pas d'atteindre une vitesse élevée. Pour des performances optimales, nous vous recommandons vivement d'utiliser des batteries EGO totalisant 6,0 Ah ou plus (par ex. BA3360T).

REMARQUE : La fonction de mémorisation de la vitesse garde en mémoire le dernier réglage de la vitesse et l'active lors de la prochaine mise en marche de la machine.

REMARQUE : L'écran LCD s'allume lorsque l'on appuie sur la gâchette, sur le bouton de vitesse ou sur le bouton de lampe avant/Bluetooth. Il s'éteint automatiquement après environ 30 secondes d'inactivité de la tronçonneuse.

LAMPE AVANT LED (Image N)

La lampe avant LED est située sur le devant du carter de la tronçonneuse. La lampe fournit un éclairage pour une meilleure visibilité et dispose de 2 niveaux de luminosité.

Pour allumer la lampe, appuyez une fois sur le bouton de lampe avant/Bluetooth (Image M). La lampe s'allume en mode basse luminosité et l'icône de basse luminosité apparaît sur l'écran LCD. Réappuyez sur le bouton de lampe avant/Bluetooth pour passer au niveau de luminosité élevé et l'icône

de haute luminosité s'affiche sur l'écran LCD.

Pour éteindre la lampe, appuyez une troisième fois sur le bouton de lampe avant/Bluetooth et l'icône de la lampe disparaît de l'écran LCD.

FR

N-1	Icône de faible luminosité de la lampe	N-3	LAMPES AVANT LED
N-2	Icône de haute luminosité de la lampe		

SYSTEME DE FREIN DE CHAÎNE OMNI-DIRECTIONNEL (Fig. O1 et O2)

AVERTISSEMENT : Le système de frein de chaîne omni-directionnel n'est pas prévu pour servir de remplacement au frein de chaîne standard/traditionnel. L'utilisateur ne doit jamais compter sur ce système lorsque la tronçonneuse est en fonctionnement pour se protéger contre les rebonds. Veuillez toujours suivre les consignes de sécurité concernant l'atténuation de l'effet rebond dans la rubrique d'avertissement du présent manuel.

Lorsque le système de frein de chaîne omni-directionnel est activé et qu'il arrête la tronçonneuse, l'icône de frein clignote sur l'écran LCD (Fig. M). Relâchez l'interrupteur-gâchette, retirez la chaîne et le guide hors du bois, puis redémarrez la tronçonneuse.

REMARQUE : Les capteurs ne détectent un mouvement soudain de la tronçonneuse que dans le plan du guide (fig. O1). Les capteurs ne détectent pas un mouvement soudain de la tronçonneuse sur le plan latéral (fig. O2) (c-à-d perpendiculairement au plan du guide).

TECHNOLOGIE DE COMMUNICATION

Pour plus d'informations sur notre gamme complète de produits et services connectés, y compris les instructions de connexion, veuillez scanner le code QR ci-dessous ou consultez www.egopowerplus.eu/connect.



PRISE ADÉQUATE DES POIGNÉES (Image P1)

- Portez des gants antidérapants afin de maximiser la prise et la protection.
- Avec la tronçonneuse posée sur une surface plane et rigide, saisissez-la fermement des deux mains.
- Saisissez toujours la poignée avant avec la main gauche et la poignée arrière avec la main droite.
- Les doigts doivent enserrer les poignées avec le pouce placé sous la poignée avant.

AVERTISSEMENT : N'utilisez jamais de prise inversée (les bras croisés), ou toute autre position qui placerait votre corps ou votre bras dans l'axe de la chaîne.

AVERTISSEMENT : Ne pressez pas la gâchette avec votre main gauche en tenant la poignée avant avec votre main droite. Ne placez jamais une partie de votre corps dans l'axe de la chaîne lorsque vous utilisez une tronçonneuse (Image P2).

POSTURE DE COUPE ADÉQUATE (Image Q)

- Les deux pieds doivent se trouver sur un sol ferme avec le poids également réparti sur les deux pieds.
- Le bras gauche doit être droit avec le coude bloqué. Cela aide à résister aux forces générées par un rebond.
- Votre corps doit toujours être positionné sur la gauche de l'alignement de la chaîne.

INSTRUCTIONS CONCERNANT LES TECHNIQUES APPROPRIÉES POUR L'ABATTAGE, L'ÉBRANCHAGE ET LES COUPES TRANSVERSALES BASIQUES.

AVERTISSEMENT : Ayez toujours des appuis des pieds sûrs et tenez toujours la tronçonneuse fermement à deux mains quand le moteur est en marche.

AVERTISSEMENT : Quand la chaîne est arrêtée par un pincement pendant la coupe, relâchez l'interrupteur-gâchette, retirez la chaîne et le guide hors du bois, puis redémarrez la tronçonneuse.

AVERTISSEMENT : Ne tirez pas la chaîne à la main quand elle est coincée par des sciures. Cela peut provoquer des blessures graves si la tronçonneuse redémarre accidentellement. Appuyez la chaîne contre le bois et déplacez la tronçonneuse d'avant en arrière pour enlever les débris. Retirez toujours la batterie avant une opération de nettoyage. Portez des gants protecteurs pour travaux lourds pour manipuler la chaîne.

AVERTISSEMENT : Ne démarrez jamais la tronçonneuse quand elle est en contact avec le bois. Attendez toujours que la chaîne ait atteint sa pleine vitesse avant de la mettre en contact avec le bois.

ABATTRE UN ARBRE

- Quand les opérations d'abattage et de débitage sont effectuées par plusieurs personnes en même temps, l'opération d'abattage doit être éloignée des opérations de débitage d'une distance d'au moins deux fois la hauteur de l'arbre à abattre. Les arbres ne doivent pas être abattus d'une manière pouvant mettre en danger une personne, percuter des lignes électriques ou provoquer des dommages matériels. Si l'arbre est en contact avec une ligne électrique, le fournisseur d'électricité doit en être informé immédiatement.
- L'opérateur de la tronçonneuse doit rester en amont sur la pente, car l'arbre peut rouler ou glisser vers le bas de la pente après avoir été abattu.
- Une voie d'issue doit être planifiée et dégagée autant que nécessaire avant de commencer les coupes. La voie d'issue doit se prolonger vers l'arrière et être diamétralement opposée à la ligne de chute prévue (Image R).

R-1	Direction d'abattage	R-2	Chemin de repli sécuritaire
-----	----------------------	-----	-----------------------------

- Avant de commencer l'opération d'abattage, prenez en compte l'inclinaison naturelle de l'arbre, l'emplacement des plus grandes branches et la direction du vent pour évaluer le sens de chute probable de l'arbre.
- Enlevez la terre, les morceaux d'écorce mal fixés, les pierres, les clous, les agrafes et les fils de fer de l'arbre.

Entaille inférieure

Effectuez une entaille sur 1/3 du diamètre de l'arbre, perpendiculairement au sens de la chute (Image S). Effectuez la coupe basse horizontale en premier. Cela aide à éviter le pincement de la chaîne ou du guide lors de la réalisation de la deuxième coupe oblique.

S-1	Sens de la chute	S-3	Trait d'abattage
S-2	Encoche	S-4	Charnière

Coupe arrière d'abattage

- Le trait d'abattage doit être situé à au moins 50 mm au-dessus de l'entaille horizontale (Image S). Effectuez la coupe arrière d'abattage parallèlement à la première coupe horizontale. Effectuez la coupe arrière d'abattage en laissant une partie suffisante du tronc non coupée pour servir de charnière. La charnière de bois a pour but d'éviter que l'arbre ne

pivote et ne tombe du mauvais côté. Ne coupez pas la partie du tronc servant de charnière.

- À mesure que la coupe se rapproche de la partie du tronc servant de charnière, l'arbre doit normalement commencer à tomber. S'il y a la moindre possibilité que l'arbre ne tombe pas dans la direction désirée ou qu'il bascule en arrière en bloquant la chaîne, stoppez la coupe arrière d'abattage avant de la terminer et utilisez des cales en bois, plastique ou aluminium pour ouvrir la coupe et faire tomber l'arbre dans le sens désiré.
- Quand l'arbre commence à tomber, retirez la tronçonneuse de la coupe, éteignez le moteur et posez la tronçonneuse, puis quittez la zone par la voie d'issue planifiée. Prenez garde à la chute de branches surplombantes et faites attention là où vous mettez les pieds.

Ébrancher un arbre

L'ébranchage consiste à couper les branches d'un arbre abattu. Pendant l'ébranchage, laissez les grosses branches inférieures pour qu'elles soutiennent le tronc au-dessus du sol. Retirez les petites branches en une seule coupe (Image T). Les branches sous tension doivent être coupées du bas vers le haut pour éviter que la chaîne et le guide-chaîne ne soient coincés.

Débiter un tronc

Le débitage consiste à découper un tronc en rondins. Il faut impérativement que vous ayez des appuis des pieds stables et que votre poids soit uniformément réparti sur vos deux pieds. Dans la mesure du possible, le tronc doit être surélevé et soutenu par des branches, des troncs ou des billots. Respectez les instructions simples facilitant la coupe.

- Si la grume est appuyée sur toute sa longueur, tronçonnez-la par le dessus (Image U1).
- Si la grume n'est soutenue que d'une extrémité (Image U2), coupez-en un tiers du diamètre par le dessous. Puis terminez en faisant une coupe par le dessus jusqu'à atteindre la première coupe.
- Si la grume est soutenue aux deux extrémités (Image U3), coupez-en un tiers du diamètre par le dessus. Puis terminez la coupe en effectuant une coupe par le dessous pour couper les 2/3 restants jusqu'à atteindre la première coupe.
- Lorsque vous tronçonnez sur une pente, placez-vous en amont de la grume (Image V).
- Pour maintenir un contrôle total lors d'une coupe de part en part, arrêtez d'exercer une pression quand vous approchez de la fin de la coupe sans relâcher votre prise sur les poignées de la

tronçonneuse. Veillez à ce que la chaîne n'entre pas en contact avec le sol. Une fois la coupe terminée, attendez l'arrêt complet de la chaîne avant de déplacer la tronçonneuse. Éteignez toujours le moteur avant de vous déplacer d'un arbre à l'autre.

ENTRETIEN

⚠ AVERTISSEMENT : L'outil ne doit être réparé qu'avec des pièces de rechange identiques. L'utilisation de toute autre pièce peut créer un danger ou détériorer l'outil. Pour garantir la sécurité et la fiabilité, toutes les réparations doivent être effectuées par un réparateur qualifié.

⚠ AVERTISSEMENT : Pour vous prémunir contre des blessures graves, retirez toujours la batterie de la tronçonneuse avant toute opération d'inspection, de nettoyage ou d'entretien. Un outil alimenté par batterie avec la batterie insérée est toujours sous tension et peut démarrer accidentellement.

⚠ AVERTISSEMENT : Lors du nettoyage de la tronçonneuse, NE L'IMMERGEZ PAS dans de l'eau ni dans aucun autre liquide.

⚠ AVERTISSEMENT : Veillez à ce que les pièces en plastique de l'outil n'entrent jamais en contact avec du liquide de frein, de l'essence, des produits à base de pétrole, du dégrissant, etc. Les produits chimiques peuvent endommager, fragiliser ou détruire le plastique, ce qui peut provoquer des blessures corporelles graves.

NETTOYAGE

- Après chaque utilisation, enlevez les débris de la chaîne et du guide avec une brosse souple. Essuyez la surface de la tronçonneuse avec un chiffon propre humidifié avec de l'eau et du savon doux.
- Retirez le capot latéral, puis enlevez les débris du guide, de la chaîne, du pignon d'entraînement et du capot latéral avec une brosse souple.
- Enlevez tous les copeaux de bois, les sciures et les saletés du rail du guide quand vous changez la chaîne.

ENTRETIEN DU GUIDE-CHAÎNE

Lorsque le guide-chaîne présente des signes d'usure, démontez-le de l'unité moteur de la tronçonneuse et retournez-le avant de le remonter (Image W1). Ceci permet de répartir l'usure pour une durée de vie maximale du guide-chaîne.

Le guide doit être nettoyé chaque jour d'utilisation et inspecté pour contrôler son usure et sa détérioration. L'apparition de bavures et l'amincissement du guide font partie du processus normal d'usure du guide. Ces défauts doivent être lissés avec une lime dès leur apparition.

Un guide présentant l'un des défauts suivants doit être changé.

- Usure interne du rail du guide permettant à la chaîne de se coucher sur le côté.
- Guide tordu.
- Rail fissuré ou cassé.
- Rail élargi.

De plus, le nez du guide comporte un pignon de renvoi (Image W2). Ce pignon doit être lubrifié toutes les semaines avec une seringue à graisse pour prolonger la durée de vie du guide. Au moyen de la seringue, injectez l'huile de la chaîne dans le trou de lubrification, une fois par semaine (Image W3). Retournez le guide et vérifiez que les trous de lubrification et le rail sont exempts de saletés.

W-1	Pignon de renvoi (dans le nez du guide)	W-2	Trou de lubrification
-----	--	-----	--------------------------

REMARQUE : Utilisez les lubrifiants autorisés par EGO pour obtenir les meilleurs résultats.

TRANSPORT ET RANGEMENT

Ne rangez pas et ne transportez pas la tronçonneuse quand elle est en marche. Retirez toujours la batterie de l'outil avant de ranger ou de transporter l'outil.

Recouvrez toujours le guide et la chaîne avec le protège-guide avant de ranger ou de transporter la tronçonneuse. Faites attention pour éviter qu'il ne soit endommagé par les gouges de la chaîne.

Nettoyez soigneusement la tronçonneuse avant de la ranger. Rangez la tronçonneuse en intérieur, dans un endroit sec verrouillé et/ou hors de portée des enfants.

Veillez à ce qu'il reste à l'écart de produits corrosifs, par exemple les produits chimiques de jardinage et les sels de déverglacage.

FR

PROTECTION DE L'ENVIRONNEMENT



Ne jetez pas les équipements électriques, les batteries et les chargeurs usagés avec les ordures ménagères !

Apportez ce produit chez un recycleur agréé et rendez-le disponible pour une collecte séparée. Les outils électriques doivent être amenés dans un centre de recyclage pour assurer le respect de l'environnement.

GUIDE DE DÉPANNAGE

⚠ AVERTISSEMENT : Protégez toujours vos mains en portant des gants pour travaux lourds pendant toutes les opérations d'entretien de la tronçonneuse. Retirez toujours la batterie pendant l'entretien ou le transport de la tronçonneuse.

FR

PROBLÈME	CAUSE	SOLUTION
Le moteur ne fonctionne pas.	<ul style="list-style-type: none"> ■ La batterie n'est pas insérée dans la tronçonneuse. ■ Il n'y a pas de contact électrique entre la tronçonneuse et la batterie. ■ La batterie est déchargée. ■ La batterie ou la tronçonneuse est trop chaude. ■ Le frein de chaîne est engagé. ■ Il y a des débris dans le rail du guide. ■ Débris à l'intérieur du capot. 	<ul style="list-style-type: none"> ■ Insérez la batterie dans la tronçonneuse. ■ Retirez la batterie, inspectez les contacts, puis réinsérez la batterie. ■ Rechargez la batterie. ■ Laissez la batterie ou la tronçonneuse refroidir jusqu'à ce que sa température devienne inférieure à 67°C. ■ Tirez la poignée de frein de chaîne en arrière vers la poignée avant jusqu'à la position de travail. ■ Appuyez la chaîne contre le bois et déplacez la tronçonneuse d'avant en arrière pour enlever les débris. ■ Retirez la batterie, puis retirez le capot latéral et enlevez les débris.
La tronçonneuse s'arrête en cours de fonctionnement.	<ul style="list-style-type: none"> ■ Le moteur est en surcharge. ■ La batterie ou la tronçonneuse est trop chaude. ■ La chaîne est coincée dans le bois. 	<ul style="list-style-type: none"> ■ Diminuez la charge. ■ Diminuez la charge. Laissez la batterie ou la tronçonneuse refroidir jusqu'à ce que sa température devienne inférieure à 67°C. ■ Relâchez l'interrupteur-gâchette, retirez la chaîne et le guide hors du bois, puis redémarrez la tronçonneuse.
Le moteur fonctionne, mais la chaîne ne tourne pas.	<ul style="list-style-type: none"> ■ La chaîne n'est pas engagée dans le pignon d'entraînement. 	<ul style="list-style-type: none"> ■ Réinstallez la chaîne et veillez à ce que ses maillons d'entraînement soient complètement engagés sur le pignon.
Le frein de chaîne ne s'enclenche pas.	<ul style="list-style-type: none"> ■ Des débris empêchent le mouvement complet du frein de chaîne. ■ Dysfonctionnement possible du frein de chaîne. 	<ul style="list-style-type: none"> ■ Enlevez les débris du mécanisme externe du frein de chaîne. ■ Contactez le service client EGO pour la réparation.

PROBLÈME	CAUSE	SOLUTION
La tronçonneuse ne coupe pas bien.	<ul style="list-style-type: none"> ■ La chaîne n'est pas assez tendue. ■ La chaîne est émoussée. ■ La chaîne a été assemblée à l'envers. ■ La chaîne est usée. ■ La chaîne est sèche ou excessivement tendue. ■ La chaîne n'est pas dans le rail du guide. 	<ul style="list-style-type: none"> ■ Réajustez la tension de la chaîne en consultant la section : « RÉGLER LA TENSION DE LA CHAÎNE ». ■ Aiguissez la chaîne. ■ Réassemblez la chaîne en procédant comme indiqué dans la rubrique « ASSEMBLER/REPLACER LE GUIDE ET LA CHAÎNE ». ■ Remplacez la chaîne en respectant les instructions du chapitre « ASSEMBLER/REPLACER LE GUIDE ET LA CHAÎNE ». ■ Contrôlez le niveau d'huile. Remplissez le réservoir d'huile et choisissez un volume d'huile plus élevé si nécessaire. ■ Réinstallez la chaîne en respectant les instructions du chapitre « ASSEMBLER/REPLACER LE GUIDE ET LA CHAÎNE ».
La chaîne est lâche ou ne reste pas sur le guide lors d'une utilisation normale.	<ul style="list-style-type: none"> ■ Lors d'une utilisation normale, la chaîne devient lâche avec l'augmentation de la température. ■ La chaîne n'est pas engagée dans le pignon d'entraînement. 	<ul style="list-style-type: none"> ■ Augmentez la tension de la chaîne en procédant comme indiqué dans la rubrique « RÉGLER LA TENSION DE LA CHAÎNE ». ■ Réinstallez la chaîne en respectant les instructions du chapitre « ASSEMBLER/REPLACER LE GUIDE ET LA CHAÎNE ».

GARANTIE

POLITIQUE DE GARANTIE EGO

Rendez-vous sur le site web egopowerplus.eu pour consulter l'intégralité des conditions de la politique de garantie EGO.

¡LEA TODAS LAS INSTRUCCIONES!



¡LEA TODAS LAS INSTRUCCIONES!

ES

⚠ ADVERTENCIA: Para garantizar la seguridad y fiabilidad de la herramienta, las reparaciones debe realizarlas únicamente un técnico cualificado.

⚠ ADVERTENCIA: Antes de utilizar esta herramienta, asegúrese de haber leído y entendido perfectamente todas las instrucciones que aparecen en este manual del usuario, incluidos todos los símbolos de aviso sobre seguridad, como «PELIGRO», «ADVERTENCIA» y «PRECAUCIÓN». Si no se observan todas las instrucciones que se indican a continuación existe riesgo de incendio, electrocución y lesiones graves.

CONSERVE TODAS LAS INSTRUCCIONES Y ADVERTENCIAS PARA PODER CONSULTARLAS EN EL FUTURO.

SÍMBOLO DE SEGURIDAD

⚠ ADVERTENCIA: Cuando se utilizan herramientas eléctricas, es posible que salgan despedidos objetos que podrían causar lesiones oculares graves. Antes de empezar a usar herramientas eléctricas, póngase siempre gafas de seguridad, gafas con cristales anti-impacto que cuenten con pantallas de protección lateral, o bien una máscara facial que proteja completamente la cara. Recomendamos usar una máscara de seguridad de amplia visión que pueda utilizarse encima de gafas graduadas, o bien gafas normales de seguridad equipadas con pantallas laterales.

SÍMBOLOS DE SEGURIDAD



Aviso de seguridad



Utilizar protección ocular



Utilizar protección para la cabeza



Tener en cuenta en retroceso de la motosierra y evitar el contacto con la punta de la espada



Observe la información referente a la espada



Nivel de potencia acústica garantizado. La emisión de ruido al medio ambiente cumple la directiva de la Comunidad Europea.



Este producto está en conformidad con las directivas de la CE aplicables.



Bluetooth®

mm Milímetro

V Tensión

IPX4 Protección contra salpicaduras de agua



Para reducir el riesgo de lesiones, el usuario debe leer y comprender el manual del usuario antes de utilizar este producto.



Utilizar protección auditiva



Utilizar guantes de protección



Retroceso por contacto de la punta de la espada



Usar siempre la motosierra con las dos manos



Los productos eléctricos no deben eliminarse con la basura doméstica. Lívelos a un centro de reciclaje autorizado.



Este producto está en conformidad con la legislación aplicable del Reino Unido.



Corriente continua

n_0 Velocidad sin carga

./min Por minuto

ESPECIFICACIONES

Tensión nominal	56 V	
Máx. Velocidad de la cadena	25 m/s	
Paso de cadena	3/8" (9,5 mm)	
Calibre de la cadena	1,3 mm	
Longitud de la espada	50 cm	
Tipo de cadena de la motosierra	AC2005	
Tipo de espada	AG2005	
Capacidad del depósito de aceite de la cadena	250 ml	
Peso (sin batería, cadena de sierra, espada, cubierta lateral, aceite y funda de cadena)	3,9 kg	
Temperatura de funcionamiento recomendada	de -15°C a 40°C	
Temperatura de almacenamiento recomendada	de -20°C a 70°C	
Temperatura de carga recomendada	de 5°C a 40°C	
Nivel de potencia acústica medido L_{WA}	103 dB(A) K=1,7 dB(A)	
Nivel de presión acústica medido en la posición del usuario L_{PA}	89 dB(A) K=3 dB(A)	
Nivel de potencia acústica garantizado L_{WA} (de acuerdo con la directiva 2000/14/CE)	105 dB(A)	
Nivel de vibraciones a_h	Empuñadura delantera	4,69 m/s ² K=1,5 m/s ²
	Empuñadura trasera	4,24 m/s ² K=1,5 m/s ²

- El valor de vibración total ha sido medido de acuerdo con el método de prueba estándar y se puede utilizar para comparar herramientas.
- El valor total de vibración declarado se puede usar además en una evaluación preliminar del grado de exposición.

AVISO: Las vibraciones generadas durante el uso real de la herramienta eléctrica pueden diferir del valor declarado en

función de la manera en que se utilice. Como protección, el usuario debería utilizar guantes y protectores auditivos en condiciones reales de uso.

LISTA DE CONTENIDO (FIG. A1)

DESCRIPCIÓN

FAMILIARÍCESE CON SU MOTOSIERRA (fig. A1)

- Cadena de la sierra
- Espigas del parachoques
- Palanca de freno de retroceso de la cadena
- Empuñadura delantera
- Pantalla LCD
- Barras de velocidad
- Icono Bluetooth
- Icono del faro
- Icono de freno
- Círculo indicador de energía
- Botón Faro/Bluetooth
- Botón de velocidad de la cadena
- Botón de desbloqueo
- Gatillo interruptor
- Empuñadura trasera
- Botón de liberación de la batería
- Ventana de inspección de aceite
- Tapón del depósito de aceite
- Espada
- Orificio de lubricación
- Tapa lateral
- Tuercas de la tapa lateral
- Faro tipo LED
- Perno de tensado de la cadena
- Llave de vaso de doble extremo
- Funda de la espada

MONTAJE

MONTAJE Y SUSTITUCIÓN DE LA ESPADA Y LA CADENA

⚠ ADVERTENCIA: Ajuste la palanca del freno de retroceso de la cadena a la posición de frenado antes del montaje.

- Ponga de lado el cabezal de la motosierra, con la tapa lateral hacia arriba (fig. B).
- Retire la tapa lateral girando las dos contratuercas en sentido antihorario.
- Gire el perno de tensado de la cadena en sentido antihorario para aflojar la tensión de la cadena.
- Coloque la cadena cerrada de motosierra sobre una superficie plana y enderece cualquier doblez (fig. C).

- Coloque los eslabones de arrastre de la cadena en el carril de la espada, y haga un bucle con la cadena en la parte trasera de la espada (fig. D).
- Sujete la cadena en su sitio en la espada y pase el bucle alrededor del piñón de la sierra (fig. E1).

B-1	Contratuercas	D-2	Carril de la espada
B-2	Perno de tensado de la cadena	E-1	Piñón de arrastre
D-1	Eslabones de arrastre de la cadena		

AVISO: Cuando enrolle la cadena en la espada, asegúrese de que, después de montar la espada en la sierra, coincidan el patrón de corte y la flecha de sentido de rotación de la carcasa. Si están orientadas en direcciones opuestas, vuelva a montar la cadena de la sierra en la espada, con los elementos de corte orientados en la misma dirección (fig. E2).

- Vuelva a colocar la cubierta lateral en la carcasa de la motosierra y apriete completamente las dos contratuercas.
- Gire la cadena con la mano para comprobar si está bien montada y no se atasca. De lo contrario, vuelva a montar la cadena y la espada.

AVISO: Para prolongar la vida útil de la espada, gírela de vez en cuando.

CÓMO AJUSTAR DE LA TENSIÓN DE LA CADENA

- Pare el motor y quite la batería antes de ajustar la tensión de la cadena. Gire el perno de tensado de la cadena en sentido horario o antihorario para ajustar la tensión de la cadena (fig. F) hasta que la cadena quede bien asentada contra la espada con los eslabones de arrastre en la ranura de la espada.
- Una cadena fría estará correctamente tensada cuando no haya holgura en la parte inferior de la espada y la cadena quede ajustada en el carril, pero pueda seguir girándose a mano sin atorarse. La cadena debe volver a tensarse cada vez que las caras planas de los eslabones de arrastre no se sienten en el carril de la espada.
- La temperatura de la cadena aumenta durante el uso normal de la sierra. Los eslabones de una cadena caliente correctamente tensada colgarán aproximadamente 1,3 mm del carril de la espada (fig. G).

AVISO: Las nuevas cadenas tienden a estirarse al cabo de cierto tiempo. Compruebe la tensión de la cadena con frecuencia y ténsela cuando sea necesario.

AVISO: Tensar una cadena mientras está caliente puede hacer que quede demasiado tensada una vez que se haya enfriado. Compruebe la tensión en frío antes de su próxima utilización.

FUNCIONAMIENTO

⚠ ADVERTENCIA: No permita que el hecho de estar familiarizado con el producto le haga descuidarse. Recuerde que cualquier distracción de una fracción de segundo es suficiente para provocar lesiones graves.

⚠ ADVERTENCIA: No utilice piezas o accesorios no recomendados por el fabricante de este producto. La utilización de piezas o accesorios no recomendados puede provocar lesiones graves.

⚠ ADVERTENCIA: Para evitar cualquier puesta en marcha accidental que pudiera causar lesiones físicas graves, asegúrese siempre de quitar la batería de la herramienta antes de proceder al montaje de cualquier pieza, de hacer ajustes o de limpiar la herramienta, así como cuando no la utilice.

Antes de cada uso, examine todo el producto para ver si hay piezas dañadas, extraviadas o sueltas, como tornillos, tuercas, pernos, tapones, etc. Apriete bien todas las sujeciones y los tapones y no ponga en marcha el producto hasta haber reemplazado todas las piezas que falten o que estén dañadas.

UTILIZACIÓN

Podrá utilizar este producto para operaciones básicas de la tala, desrame, poda, corte de leña y árboles.

AVISO: La máquina debe utilizarse únicamente para el fin previsto. Cualquier otro uso se considerará uso indebido.

LLENAR CON LUBRICANTE PARA ESPADA Y CADENA

⚠ ADVERTENCIA: No fume ni acerque llamas vivas ni chispas cerca del aceite o la motosierra. El aceite podría derramarse y provocar un incendio.

TAVISO: La motosierra no se suministra llena de aceite. Es esencial llenar de aceite el depósito antes de utilizarla. La cadena se lubrica de forma automática con aceite para cadenas durante el funcionamiento.

- Ponga de lado la motosierra, con el tapón del depósito hacia arriba.
- Limpie el tapón del depósito de aceite y la zona a su alrededor para asegurarse de que no penetre suciedad en el depósito.

- Levante la placa semicircular y quite el tapón del depósito de aceite girándolo en sentido antihorario (fig. H).
- Con cuidado, vierta aceite para cadenas y espadas en el depósito. Llene el depósito hasta alcanzar la parte inferior de la boca de llenado.
- Limpie con un paño el exceso de aceite y vuelva a poner el tapón.

AVISO: Compruebe con frecuencia el nivel de aceite y rellénelo cuando esté por debajo de la línea del mínimo. Nunca utilice la motosierra si no puede verse aceite por la mirilla.

UNINSTALAR/QUITAR LA BATERÍA

Utilice únicamente los modelos de baterías y cargadores de EGO indicados en la fig. A2.

Cargue totalmente la batería antes de usarla por primera vez.

Instalación

Alinee las nervaduras de la batería con las ranuras de montaje, e introduzca la batería presionándola hacia abajo hasta oír un «clic» (fig. I).

Retirada

Pulse el botón de liberación de la batería y saque la batería tirando de ella (fig. J).

PUESTA EN MARCHA/PARADA DE LA MOTOSIERRA

AVISO: Antes de poner en marcha la motosierra, compruebe el nivel de aceite, el afilado de los dientes de la cadena y el funcionamiento correcto de la palanca de freno de retroceso de la cadena. Además, debe mantener un buen equilibrio de los pies y una distancia al suelo adecuada.

Puesta en marcha (fig. K)

- Tire de la palanca del freno de retroceso de la cadena hacia la empuñadura delantera, hasta la posición de funcionamiento (fig. K).
- Sujete firmemente la empuñadura delantera con la mano izquierda y la empuñadura trasera con la mano derecha.

⚠ ADVERTENCIA: Para evitar lesiones, utilice siempre la motosierra con la mano derecha agarrando la zona de agarre de la empuñadura trasera (fig. L).

- Mantenga pulsado el botón de desbloqueo con el pulgar de su mano derecha y, a continuación, apriete el gatillo interruptor con los dedos de su mano derecha para poner en marcha la motosierra (fig. L).

L-1	Zona de agarre
-----	----------------

- Suelte el botón de desbloqueo y continúe apretando el gatillo interruptor para seguir utilizando la sierra de manera continua.
- Cuanto más se presione el gatillo, mayor será la velocidad de la cadena. Ajuste la velocidad en función de la tarea que vaya a realizar.

⚠ ADVERTENCIA: No intente poner en marcha la motosierra si la cadena está insertada en un corte.

Parada

- Aleje la motosierra de la zona de corte y, a continuación, suelte el gatillo para detener la motosierra.
- Empuje la palanca del freno de retroceso de la cadena hacia adelante hasta su posición accionada para activar el freno de cadena (fig. K).

⚠ ADVERTENCIA: Asegúrese siempre de quitar la batería de la máquina durante cualquier pausa de trabajo y cuando haya finalizado la tarea.

CAMBIO DEL MODO DE VELOCIDAD (fig. M)

Esta máquina dispone de tres modos de velocidad. Cada modo de velocidad limita la velocidad máxima de la motosierra. El modo de velocidad cambiará con cada pulsación del botón de velocidad de la cadena.

Las barras de velocidad de la pantalla LCD mostrarán el modo de velocidad activo: una barra para velocidad baja, dos barras para velocidad media y tres barras para velocidad alta. El modo de baja velocidad (ECO) proporciona un mejor control de la máquina y un mayor tiempo de funcionamiento por carga.

M-1	Barras de velocidad	M-5	Círculo indicador de energía
M-2	Icono Bluetooth	M-6	Botón Faro/Bluetooth
M-3	Icono del faro	M-7	Botón de velocidad de la cadena
M-4	Icono de freno		

NOTA: Si se utiliza una batería EGO con un valor nominal de 2,5 Ah o menos, solo está disponible el modo ECO. Y si se utiliza una batería EGO con un valor nominal menor que 6,0 Ah no se podrá alcanzar una velocidad alta. Para obtener un rendimiento óptimo, recomendamos encarecidamente usar baterías EGO de 6,0 Ah (por ejemplo, BA3360T) o más.

NOTA: La función de memoria de velocidad de la máquina recordará el último ajuste de velocidad y lo activará la próxima vez que se encienda la máquina.

NOTA: La pantalla LCD se enciende cuando se aprieta el gatillo o cuando se pulsa el botón de velocidad o el botón Faro/Bluetooth. Se apagará automáticamente después de

unos 30 segundos de inactividad de la motosierra.

FARO LED (fig. N)

El faro LED está situado en la parte delantera de la carcasa de la motosierra. El faro proporciona iluminación para aumentar la visibilidad y cuenta con 2 niveles de brillo.

ES

Para encender el faro, pulse una vez el botón Faro/Bluetooth (fig. M). El faro se encenderá en el nivel de brillo bajo y el icono de faro de brillo bajo aparecerá en la pantalla LCD. Pulse de nuevo el botón Faro/ Bluetooth para cambiar al nivel de brillo alto y el icono del faro de brillo alto aparecerá en la pantalla LCD.

Para apagar el faro, pulse el botón Faro/Bluetooth por tercera vez y el icono del faro desaparecerá de la pantalla LCD.

N-1	Icono del faro de bajo brillo	N-3	Faro tipo LED
N-2	Icono del faro de alto brillo		

SISTEMA DE FRENO DE LA CADENA OMIDIRECCIONAL (fig. O1 y fig. O2)

ADVERTENCIA: el sistema de freno de la cadena omnidireccional no está previsto como sustituto del freno de cadena estándar o tradicional. El usuario no debería confiar nunca en esta función durante el funcionamiento de la motosierra como protección contra el retroceso. Siga siempre las instrucciones de seguridad relativas a la mitigación del retroceso, que se encuentran en el apartado de advertencias de este manual.

Cuando el sistema de freno de la cadena omnidireccional está activado y detiene la sierra, el símbolo del freno parpadeará en la pantalla LCD (fig. M). Suelte el gatillo interruptor, retire la espada y la cadena del corte en la madera y vuelva a poner en marcha la motosierra.

NOTA: Los sensores solo detectan el movimiento repentino de la sierra en el plano de la espada (fig. O1). Los sensores no detectan el movimiento repentino de la sierra hacia los lados (fig. O2) (por ejemplo, perpendicular al plano de la espada).

TECNOLOGÍA DE COMUNICACIÓN

Para obtener información sobre nuestra gama completa de productos y servicios conectados, incluidas las instrucciones de conexión, escanee el código QR que aparece a continuación o visite www.egopowerplus.eu/connect.



SUJECIÓN CORRECTA DE LAS EMPUÑADURAS (fig. P1)

- Utilice guantes antideslizantes para un mayor agarre y protección.
- Con la motosierra colocada sobre una superficie firme y plana, sujétela firmemente con ambas manos.
- Sujete siempre la empuñadura delantera con la mano izquierda y la empuñadura trasera con la mano derecha.
- Los dedos deberán envolver la empuñadura, con el pulgar plegado debajo de la empuñadura delantera.

ADVERTENCIA: Nunca sujete la motosierra con las manos colocadas al revés de lo indicado (como si fuera zurdo) ni en cualquier otra postura que pudiera colocar su cuerpo o brazo en la trayectoria de la línea de corte de la cadena.

ADVERTENCIA: No accione el gatillo interruptor con la mano izquierda y sujete la empuñadura delantera con la mano derecha. No deje nunca que ninguna parte de su cuerpo quede en la trayectoria de la línea de corte de la cadena cuando use una motosierra (fig. P2).

POSTURA ADECUADA PARA CORTAR (fig. Q)

- Ambos pies deberán estar bien apoyados en suelo firme, con el peso repartido uniformemente entre ellos.
- El brazo izquierdo deberá estar extendido, con el codo bloqueado en posición. Esta postura contribuirá a contrarrestar las fuerzas generadas por el retroceso.
- Su cuerpo deberá quedar siempre a la izquierda de la línea de corte de la cadena.

INSTRUCCIONES RELATIVAS A LAS TÉCNICAS BÁSICAS ADECUADAS PARA TALA, DESRAME Y TROZADA

ADVERTENCIA: Asegúrese siempre de mantener un buen equilibrio y sostener la motosierra firmemente con ambas manos mientras su motor esté en marcha.

ADVERTENCIA: Si la cadena se detiene porque se queda trabada durante el corte, suelte el gatillo interruptor, y saque la espada y la cadena de la ranura de corte antes de

volver a poner en marcha la motosierra.

⚠ ADVERTENCIA: No tire de la cadena con la mano cuando esté bloqueada con serrín. Podrían producirse lesiones graves si la motosierra llegara a ponerse en marcha de manera fortuita. Presione la cadena contra la madera y desplace la motosierra hacia adelante y hacia atrás para descargar los residuos. Quite siempre la batería antes de limpiar la herramienta. Utilice guantes gruesos de protección cuando manipule la cadena.

⚠ ADVERTENCIA: Nunca ponga en marcha la motosierra mientras está en contacto con la madera. Espere siempre a que la motosierra alcance sus revoluciones máximas antes de acercar la cadena a la madera.

TALA DE ÁRBOLES

- Cuando las operaciones de tala y fragmentación se lleven a cabo entre dos o más personas de forma simultánea, la operación de tala deberá efectuarse alejada de la operación de fragmentación, a una distancia equivalente a al menos dos veces la altura del árbol que se está talando. Los árboles no deberán talarse de manera que puedan suponer un peligro para cualquier persona, golpear un cable eléctrico o causar daños materiales. Si el árbol llegara a tocar cables del tendido eléctrico, deberá avisarse inmediatamente a la empresa de distribución eléctrica.
- Al talar un árbol en terreno inclinado, el usuario de la motosierra deberá situarse en la zona más elevada de la pendiente, ya que el árbol tenderá a rodar o deslizarse cuesta abajo una vez talado.
- Hay que prever una ruta de escape y despejarla en caso necesario antes de empezar a cortar. La ruta de escape deberá prolongarse hacia atrás y en diagonal con respecto a la línea de caída prevista, como se muestra en la fig. R.

R-1	Dirección de tala	R-2	Ruta de escape de seguridad
-----	-------------------	-----	-----------------------------

- Antes de iniciar la tala, tenga en cuenta la inclinación natural del árbol, la ubicación de las ramas más grandes y la dirección del viento, para determinar la manera en que el árbol va a caer.
- Quite la suciedad, las piedras, la corteza suelta, los clavos, grapas y alambres que pueda haber en el árbol.

Corte direccional

Haga el corte direccional hasta una profundidad de 1/3 del diámetro del árbol y perpendicular a la dirección de caída según se muestra en la fig. S. Haga primero el corte direccional horizontal inferior. Esto ayudará a evitar que la

cadena o espada se traben en el corte al efectuar el segundo corte.

S-1	Dirección de la caída	S-3	Corte de tala
S-2	Hendidura	S-4	Bisagra

Corte de tala

- Haga el corte de tala al menos 50 mm más alto que el corte direccional horizontal, como se muestra en la fig. S. Mantenga el corte de tala paralelo con respecto al corte direccional horizontal. Haga el corte de tala a una profundidad tal que quede suficiente madera para actuar a modo de bisagra. La madera de la bisagra sujetará el árbol evitando que se tuerza y caiga en la dirección equivocada. No corte a través de la bisagra.
- A medida que el corte de tala se acerca a la bisagra, el árbol deberá iniciar su caída. Si hay alguna posibilidad de que el árbol no vaya a caer en la dirección deseada o pueda inclinarse hacia atrás y trabar la cadena, interrumpa el corte de tala antes de completarlo y utilice cuñas de derribo de madera, plástico o aluminio para abrir el corte y obligar a que el árbol caiga a lo largo de la trayectoria de caída deseada.
- Cuando el árbol comience a caer, retire la motosierra del corte, apague el motor, deposite la motosierra en el suelo y utilice la ruta de escape prevista. Esté atento a las ramas que puedan caer y procure mantener el equilibrio.

Desrame de árboles

El desrame consiste en eliminar las ramas un árbol caído. Cuando lleve a cabo el desrame, deje las ramas inferiores más gruesas, de manera que soporten al tronco y no esté descansando sobre el suelo. Retire las ramas más pequeñas de una sola pasada, tal como se muestra en la fig. T. Las ramas que están en tensión deberán cortarse desde abajo hacia arriba, para evitar que la motosierra se trabe.

Fragmentación de troncos

La fragmentación de troncos consiste en cortar un árbol ya derribado en tramos más cortos. Es importante asegurarse de mantener un buen equilibrio y de repartir el peso uniformemente entre ambos pies. Cuando sea posible, deberá elevarse el tronco y apoyarlo sobre ramas, tocones o calzos. Siga las instrucciones básicas indicadas a continuación para efectuar cortes de manera fácil.

- Cuando el tronco esté apoyado en toda su longitud, como se muestra en la fig. U1, deberá cortarse desde arriba (fragmentación por arriba).
- Cuando el tronco esté apoyado únicamente

en un extremo, como se muestra en la fig. U2, corte desde la parte inferior (fragmentación por abajo) hasta una profundidad de 1/3 de su diámetro. Finalice efectuando un corte desde arriba hasta alcanzar el primer corte.

ES

- Cuando el tronco esté apoyado en ambos extremos, como se muestra en la fig. U3, corte desde la parte superior (fragmentación por arriba) hasta una profundidad de 1/3 de su diámetro. Finalice efectuando un corte desde abajo hasta una profundidad de 2/3 del diámetro y alcanzar el primer corte.
- Al fragmentar troncos en una pendiente, colóquese siempre en el lado más elevado de la misma, como se muestra en la fig. V.
- Cuando corte a través del tronco, para mantener un control total, relaje la presión de corte cerca del final de corte sin reducir la firmeza de agarre de las empuñaduras de la motosierra. No deje que la cadena llegue a tocar el suelo. Una vez completado el corte, espere a que la cadena se haya detenido antes de mover la motosierra. Apague siempre el motor antes de pasar de un árbol a otro.

MANTENIMIENTO

⚠ ADVERTENCIA: Cuando repare la herramienta, utilice solo piezas idénticas a las originales. La utilización de otras piezas podría suponer un peligro o causar daños en el producto. Para garantizar la seguridad y fiabilidad de la herramienta, las reparaciones debe realizarlas únicamente un técnico cualificado.

⚠ ADVERTENCIA: Para evitar lesiones físicas graves, quite siempre la batería del producto antes de proceder a examinarlo, limpiarlo o llevar a cabo cualquier tarea de mantenimiento. Una herramienta eléctrica que tenga instalada la batería siempre estará bajo tensión y podrá ponerse en marcha accidentalmente.

⚠ ADVERTENCIA: Al limpiar la motosierra, NO la sumerja en agua ni en ningún otro líquido.

⚠ ADVERTENCIA: No deje nunca que las piezas de plástico entren en contacto con líquido de frenos, gasolina, productos derivados del petróleo, aceites penetrantes, etc. Los productos químicos podrían dañar, debilitar o destruir el plástico, con el consiguiente riesgo de provocar lesiones graves.

LIMPIEZA

- Después de cada uso, limpie cualquier residuo o acumulación de material de la cadena y la espada utilizando un cepillo suave. Limpie la superficie de la motosierra con un paño limpio, humedecido con una solución de agua y detergente suave.
- Quite la tapa lateral y, a continuación,

utilice un cepillo suave para eliminar residuos y acumulaciones de material de la espada, la cadena, el piñón y la tapa lateral.

- Limpie siempre el carril de la espada de cualquier acumulación de virutas de madera, serrín y suciedad cuando proceda a sustituir la cadena.

MANTENIMIENTO DE LA ESPADA

Cuando observe signos de desgaste en la espada, desmóntela del cabezal de la motosierra y vuelva a montarla en posición invertida (fig. W1). De este modo, el desgaste se repartirá y se maximizará la vida útil de la espada.

La espada deberá limpiarse tras cada día de utilización y examinarse por si presentase desgaste o daños. Los rebordes o rebabas presentes en el carril de la espada son un proceso normal de desgaste de la espada. Dichas anomalías deberán alisarse con una lima en cuanto se produzcan. Una espada que muestre cualquiera de las siguientes anomalías deberá sustituirse.

- Desgaste en el carril de la espada que permite a la cadena acostarse hacia los lados.
- Espada doblada o deformada.
- Carril con grietas o roturas.
- Carril ensanchado.

Además, la espada tiene un piñón en la punta (fig. W2). El piñón deberá lubricarse semanalmente utilizando una jeringa o pistola de engrase para así prolongar la vida útil de la espada. Utilice una jeringa o pistola de engrase para lubricar semanalmente el piñón con aceite para cadenas a través del orificio de lubricación (fig. W3). Gire la espada y compruebe que los orificios de lubricación y el carril de la cadena están libres de suciedad.

W-1	Piñón en la punta de la espada	W-2	Orificio de lubricación
-----	--------------------------------	-----	-------------------------

AVISO: Utilice lubricantes autorizados por EGO para obtener los mejores resultados.

TRANSPORTE Y ALMACENAMIENTO

No almacene ni transporte la motosierra mientras está funcionando. Quite siempre la batería antes de guardar o transportar la herramienta.

Coloque siempre el protector de espada en la cadena y la espada antes de guardar o transportar la motosierra. Tenga cuidado para evitar cortarse con los dientes afilados de la cadena.

Limpie a fondo la motosierra antes de guardarla. Guarde la motosierra en interiores, en un lugar seco, cerrado bajo llave o inaccesible para los niños.

Manténgalo apartado de agentes corrosivos, como productos químicos de jardinería y sal para deshielo.

ES

PROTECCIÓN DEL MEDIO AMBIENTE



¡No elimine aparatos eléctricos, baterías usadas ni cargadores de baterías junto con los desperdicios domésticos!

Lleve este producto a un punto de reciclaje autorizado y deposítelo por separado según corresponda. Las herramientas eléctricas se deben llevar a un punto de reciclaje con fin de proteger el medio ambiente.

SOLUCIÓN DE PROBLEMAS

⚠ ADVERTENCIA: Proteja siempre sus manos utilizando guantes gruesos cuando lleve a cabo cualquier operación de mantenimiento en la cadena de la motosierra. Quite siempre la batería antes de guardar o transportar la motosierra.

ES

PROBLEMA	CAUSA	SOLUCIÓN
El motor no arranca.	<ul style="list-style-type: none"> ■ La batería no está insertada correctamente en la motosierra. ■ No hay contacto eléctrico entre la batería y la sierra. ■ La carga de la batería está agotada. ■ La batería o la motosierra se han sobrecalentado. ■ Freno de cadena activado. ■ Residuos en el carril de la espada. ■ Escombros dentro de la cubierta. 	<ul style="list-style-type: none"> ■ Inserte la batería correctamente en la motosierra. ■ Quite la batería, compruebe los contactos eléctricos y vuelva a instalarla. ■ Cargue la batería. ■ Espere a que la batería o la motosierra se hayan enfriado lo suficiente hasta que su temperatura sea inferior a 67°C. ■ Tire hacia atrás de la palanca del freno de retroceso de la cadena hacia la empuñadura delantera, hasta la posición de funcionamiento. ■ Presione la cadena contra la madera y desplace la motosierra hacia adelante y hacia atrás para descargar los residuos. ■ Quite la batería y, a continuación, desmonte la tapa lateral y limpie los residuos.
La cadena se para durante el funcionamiento.	<ul style="list-style-type: none"> ■ La motosierra se ha sobrecargado. ■ La batería o la motosierra se han sobrecalentado. ■ Cadena clavada en la madera. 	<ul style="list-style-type: none"> ■ Reduzca la carga. ■ Reduzca la carga. Espere a que la batería o la motosierra se hayan enfriado lo suficiente hasta que su temperatura sea inferior a 67°C. ■ Suelte el gatillo interruptor, retire la espada y la cadena del corte en la madera y vuelva a poner en marcha la motosierra.
El motor funciona, pero la cadena no gira.	<ul style="list-style-type: none"> ■ La cadena no está engranada en el piñón de arrastre. 	<ul style="list-style-type: none"> ■ Vuelva a instalar la cadena, asegurándose de que los eslabones de arrastre de la cadena han engranado en los dientes del piñón.

PROBLEMA	CAUSA	SOLUCIÓN
El freno de cadena no se activa.	<ul style="list-style-type: none"> ■ Los residuos acumulados impiden el desplazamiento completo de la palanca del freno de retroceso de la cadena. ■ Posible avería del freno de cadena. 	<ul style="list-style-type: none"> ■ Limpie los residuos del mecanismo del freno de cadena exterior. ■ Póngase en contacto con el departamento de atención al cliente de EGO para solicitar una reparación.
La motosierra no corta correctamente.	<ul style="list-style-type: none"> ■ Cadena destensada. ■ Cadena embotada. ■ Cadena instalada al revés. ■ Cadena desgastada. ■ Cadena seca o excesivamente estirada. ■ La cadena no está bien asentada en el carril de la espada. 	<ul style="list-style-type: none"> ■ Vuelva a ajustar la tensión de la cadena según se indica en el apartado titulado «CÓMO AJUSTAR LA TENSIÓN DE LA CADENA». ■ Afíle la cadena. ■ Vuelva a instalar la cadena de la sierra, siguiendo el apartado «MONTAJE Y SUSTITUCIÓN DE LA ESPADA Y LA CADENA». ■ Sustituya la cadena según se indica en el apartado titulado «MONTAJE Y SUSTITUCIÓN DE LA ESPADA Y LA CADENA». ■ Compruebe el nivel de aceite. Rellene el depósito de aceite y elija un mayor volumen de suministro de aceite si es necesario. ■ Vuelva a instalar la cadena según se indica en el apartado titulado «MONTAJE Y SUSTITUCIÓN DE LA ESPADA Y LA CADENA».
La cadena se afloja o cuelga de la espada durante el uso normal.	<ul style="list-style-type: none"> ■ La cadena se afloja a medida que se calienta durante el uso normal de la sierra. ■ La cadena no está engranada en el piñón de arrastre. 	<ul style="list-style-type: none"> ■ Tense la cadena siguiendo las indicaciones del apartado «CÓMO AJUSTAR LA TENSIÓN DE LA CADENA». ■ Vuelva a instalar la cadena según se indica en el apartado titulado «MONTAJE Y SUSTITUCIÓN DE LA ESPADA Y LA CADENA».

GARANTÍA

POLÍTICA DE GARANTÍA DE EGO

Visite la página web egopowerplus.eu para conocer los términos y condiciones completos de la política de garantía de EGO.

LEIA TODAS AS INSTRUÇÕES!



LEIA O MANUAL DE INSTRUÇÕES

AVISO: Para garantir a segurança e bom funcionamento, todas as reparações deverão ser efetuadas por um técnico de reparação qualificado.

AVISO: Certifique-se de que lê e compreende todos os avisos de segurança neste manual do utilizador, incluindo todos os símbolos de alerta de segurança, como “PERIGO”, “AVISO” e “CUIDADO” antes de usar esta ferramenta. Não seguir todas as instruções apresentadas abaixo pode resultar em choque elétrico, incêndio e/ou ferimentos graves.

SÍMBOLOS DE SEGURANÇA



Alerta de segurança



Use proteção ocular.



Use proteção para a cabeça.



Tenha cuidado com os ressaltos da motosserra e evite contactar com a ponta da barra.



Informação da barra de orientação



Nível de potência do som garantido. Emissão de ruído para o ambiente de acordo com a diretiva da Comunidade Europeia.



Este produto encontra-se em conformidade com as diretivas CE aplicáveis.



Bluetooth®

mm Milímetro

V Voltagem

IPX4 Proteção contra salpicos

GUARDE TODOS OS AVISOS E INSTRUÇÕES PARA FUTURAS REFERÊNCIAS.

SÍMBOLO DE SEGURANÇA

AVISO: O funcionamento de qualquer ferramenta elétrica pode dar origem ao ressalto de quaisquer objetos estranhos que podem atingir os olhos, podendo dar origem a sérias lesões oculares. Antes de começar a utilizar a ferramenta elétrica, utilize sempre óculos de segurança com proteções laterais e uma proteção completa para a cara, quando necessário. Recomendamos Máscaras de Segurança com Visão Panorâmica por cima de óculos, ou óculos de segurança padrão com proteção lateral.



Para reduzir o risco de ferimentos, o utilizador tem de ler e compreender o manual do utilizador antes de utilizar este produto.



Use proteção auditiva.



Use luvas de proteção.



Ressalto da ponta da barra de orientação



Use sempre a motosserra com as duas mãos.



Os produtos elétricos residuais não deverão ser eliminados juntamente com o lixo doméstico comum. Entregue-os num centro de reciclagem autorizado.



Este produto encontra-se em conformidade com a legislação no Reino Unido.



Corrente direta

n_0

Velocidade Sem Carga

./min

Por minuto

CARACTERÍSTICAS TÉCNICAS

Voltagem nominal	56 V	
Máx. Velocidade da corrente	25 m/s	
Engate da corrente	3/8" (9,5 mm)	
Extremidade da corrente	1,3 mm	
Comprimento da barra de orientação	50 cm	
Tipo de corrente da serra	AC2005	
Tipo de barra de orientação	AG2005	
Capacidade do depósito do óleo da corrente	250 ml	
Peso (sem bateria, corrente da serra, barra de orientação, cobertura lateral, óleo e bainha da corrente)	3,9 kg	
Temperatura de funcionamento recomendada	-15°C-40°C	
Temperatura de armazenamento recomendada	-20°C-70°C	
Temperatura de carregamento recomendada	5°C-40°C	
Nível de potência do som medido L_{WA}	103 dB(A) K=1,7 dB(A)	
Nível de pressão do som na posição de trabalho L_{PA}	89 dB(A) K=3 dB(A)	
Nível de potência do som garantido L_{WA} (de acordo com a 2000/14/CE)	105 dB(A)	
Vibração a_n	Pega dianteira	4,69 m/s ² K=1,5 m/s ²
	Pega traseira	4,24 m/s ² K=1,5 m/s ²

- O valor total declarado da vibração foi medido de acordo com um método de teste padrão e pode ser usado para comparar duas ferramentas.
- O valor total declarado da vibração também pode ser usado numa avaliação preliminar da exposição.

AVISO: A emissão de vibrações durante a utilização da ferramenta elétrica pode diferir do valor declarado em que a ferramenta é usada. De modo a proteger o utilizador, este deverá usar luvas e proteção auditiva nas condições atuais

de utilização.

LISTA DE PEÇAS (IMAGEM A1)

DESCRIÇÃO

CONHEÇA A SUA MOTOSSERRA (Imagem A1)

1. Corrente da serra
2. Espigões de corte
3. Pá do travão de ressalto da corrente
4. Pega dianteira
5. Ecrã LCD
6. Barras da velocidade
7. Ícone de Bluetooth
8. Ícone da luz dianteira
9. Ícone do travão
10. Círculo do manómetro do combustível
11. Botão da luz dianteira/Bluetooth
12. Botão da velocidade da corrente
13. Botão de desbloqueio
14. Gatilho do interruptor
15. Pega traseira
16. Botão de libertação da bateria
17. Janela de inspeção do óleo
18. Tapa do depósito do óleo
19. Barra de orientação
20. Orifício de lubrificação
21. Cobertura lateral
22. Porcas da cobertura lateral
23. Luz dianteira LED
24. Parafuso de tensão da corrente
25. Chave sextavada de extremidade dupla
26. Bainha da corrente

PT

MONTAGEM

MONTAR/SUBSTITUIR A BARRA E A CORRENTE

AVISO: Ajuste a pá do travão de ressalto da corrente para a posição de travado antes da montagem.

1. Posicione a cabeça do motor da motosserra de lado com a cobertura lateral virada para cima (Imagem B).
2. Retire a cobertura lateral rodando as duas porcas de fixação no sentido inverso ao dos ponteiros do relógio.
3. Rode o parafuso de tensão da corrente no sentido inverso ao dos ponteiros do relógio para diminuir a tensão da corrente.
4. Coloque a corrente da serra num arco numa superfície plana e endireite quaisquer dobras (Imagem C).
5. Coloque os elos condutores da corrente na ranhura da barra de orientação e coloque a corrente em arco na parte traseira da barra de orientação (Imagem D).

6. Segure a corrente em posição na barra de orientação e coloque o arco à volta da roda dentada da serra (Imagem E1).

B-1	Porcas de fixação	D-2	Ranhura da barra de orientação
B-2	Parafuso de tensão da corrente	E-1	Roda dentada motriz
D-1	Elos condutores da corrente		

AVISO: Quando colocar a corrente da serra na barra de orientação, certifique-se de que, após montar a barra de orientação na serra, faz corresponder o padrão do cortador com a seta de direção de rotação na estrutura. Se ficarem em direções opostas, volte a montar a corrente da serra na barra de orientação com os cortadores virados na mesma direção (Imagem E2).

7. Volte a colocar a cobertura lateral na estrutura da motosserra e aperte por completo as duas porcas de fixação.
8. Rode a corrente com a mão para verificar se a corrente ficou corretamente montada sem dobras. Caso contrário, volte a montar a corrente e a barra.

AVISO: Para aumentar o tempo de vida útil da barra de orientação, inverta-a ocasionalmente.

AJUSTAR A TENSÃO DA CORRENTE

- Pare o motor e retire a bateria antes de ajustar a tensão da corrente. Rode o parafuso de tensão da corrente no sentido dos ponteiros do relógio, ou no sentido inverso ao dos ponteiros do relógio para ajustar a tensão da corrente (Imagem F) até que a corrente fique bem assente contra a barra de orientação com os elos condutores na ranhura da barra de orientação.
- Uma serra fria tem a tensão correta quando não houver folga na parte inferior da barra de orientação, a serra estiver justa, mas conseguir girá-la à mão sem prender. A corrente tem de ser apertada novamente quando a superfície achatada nos elos condutores não assentar na ranhura da barra.
- Durante o funcionamento normal da serra, a temperatura da corrente aumenta. Os elos condutores de uma corrente quente com a tensão correta ficam pendurados a cerca de 1,3 mm fora da ranhura da barra (Imagem G).

AVISO: Serras novas têm tendência a esticar. Verifique

frequentemente a tensão da serra e aperte sempre que necessário.

AVISO: Apertar uma serra enquanto esta estiver quente pode deixá-la demasiado apertada quando arrefecer. Verifique a "tensão a frio" antes da utilização seguinte.

FUNCIONAMENTO

AVISO: Não permita que a familiarização com este produto o torne descuidado. Lembre-se de que uma fração de segundo de desatenção é o suficiente para sofrer um ferimento sério.

AVISO: Não utilize quaisquer acessórios para além dos recomendados pelo fabricante deste produto. A utilização de acessórios que não sejam recomendados pode dar origem a ferimentos sérios.

AVISO: Para evitar a ligação acidental que pode provocar ferimentos pessoais graves, retire sempre a bateria da ferramenta quando montar as peças, fizer ajustes, proceder à limpeza ou quando não utilizar a ferramenta.

Antes de cada utilização, inspecione todo o produto quanto a peças danificadas, em falta ou soltas, como parafusos, porcas, tampas, etc. Aperte bem todos os fixadores e tampas e não utilize este produto até que todas as peças em falta ou danificadas sejam substituídas.

APLICAÇÃO

Pode usar este produto para o abate simples, corte de ramos, poda e corte de madeira e árvores.

AVISO: A máquina tem de ser usada apenas conforme descrito. Qualquer outra utilização será considerada má utilização.

ADICIONAR LUBRIFICANTE À BARRA E À SERRA

AVISO: Não fume nem aproxime chamas do óleo ou da motosserra. O óleo pode ser derramado e causar um incêndio.

AVISO: A motosserra não vem com óleo na altura da compra. É essencial abastecer com óleo antes da utilização. A corrente é lubrificada automaticamente com óleo da corrente durante o funcionamento.

1. Posicione a motosserra de lado com a tampa do depósito virada para cima.
2. Limpe a tampa do depósito do óleo e a área em redor desta, para se certificar de que não entra lixo no depósito do óleo.
3. Levante a placa semicircular e rode a tampa do

depósito do óleo no sentido inverso ao dos ponteiros do relógio para a retirar (Imagem H).

- Deite cuidadosamente o óleo da barra e da serra no depósito. Encha até ao fundo do pescoço de enchimento.
- Limpe o excesso de óleo e volte a colocar a tampa.

AVISO: Verifique frequentemente o nível do óleo e encha quando o nível descer abaixo da linha de mínimo. Nunca utilize a motosserra se o óleo não for visível.

FIXAR/RETIRAR A BATERIA

Utilize apenas com as baterias e carregadores da EGO listados na Imagem A2.

Carregue por completo antes da primeira utilização.

Para fixar

Alinhe as abas da bateria com as ranhuras de fixação e empurre a bateria para baixo até ouvir um “clique” (Imagem I).

Para retirar

Prima o botão de libertação da bateria e puxe a bateria para fora (Imagem J).

LIGAR/DESLIGAR A MOTOSSERRA

AVISO: Antes de ligar a motosserra, verifique o nível do óleo, se os dentes da serra estão afiados e se a pá do travão de ressalto está a funcionar corretamente. Adicionalmente, é necessário manter a distância correta do solo e uma base estável.

Iniciar (Imagem K)

- Puxe a pá do travão do ressalto da corrente na direção da pega dianteira para a posição de funcionamento (Imagem K).
- Segure bem a pega dianteira com a mão esquerda e a pega traseira com a mão direita.

AVISO: Para evitar ferimentos, use sempre a motosserra com a mão direita a segurar a área de prensão da pega traseira (Imagem L).

- Prima e mantenha premido o botão de desbloqueio com o polegar da sua mão direita e depois prima o interruptor do gatilho com os dedos da sua mão direita para ligar a motosserra (Imagem L).

L-1	Área de prensão
-----	-----------------

- Liberte o botão de desbloqueio e continue a premir o interruptor do gatilho para uma utilização prolongada.
- Quanto mais premir o interruptor do gatilho, maior é a velocidade. Ajuste a velocidade para se adequar à tarefa a ser efetuada.

AVISO: Não tente ligar a motosserra quando a corrente da serra estiver num corte.

Parar

- Afaste a motosserra da área de corte e liberte o interruptor do gatilho para parar a motosserra.
- Pressione a pá do travão do ressalto da corrente para a frente para a posição de travagem para ativar o travão da corrente (Imagem K).

AVISO: Retire sempre a bateria da máquina durante pausas de trabalho e após terminar o trabalho.

ALTERAR O MODO DE VELOCIDADE (Imagem M)

Esta máquina tem três modos de velocidade. Cada modo de velocidade limita a velocidade máxima da motosserra. O modo de velocidade muda com cada premir do botão da velocidade da corrente.

As barras da velocidade no ecrã LCD apresentam o modo de velocidade ativo: uma barra para baixa velocidade, duas barras para velocidade média e três barras para alta velocidade. O modo de baixa velocidade (ECO) fornece um melhor controlo da máquina e maior tempo de funcionamento por carga.

M-1	Barras da velocidade	M-5	Círculo do manómetro do combustível
M-2	Ícone de Bluetooth	M-6	Botão da luz dianteira/Bluetooth
M-3	Ícone da luz dianteira	M-7	Botão da velocidade da corrente
M-4	Ícone do travão		

NOTA: Quando usar a bateria EGO com 2.5Ah ou menos, apenas o modo ECO estará disponível. Usar a bateria EGO com menos de 6.0Ah não lhe permitirá atingir a alta velocidade. Para um melhor desempenho, recomendamos fortemente a utilização de baterias da EGO com 6.0Ah (ex.: BA3360T) ou mais.

NOTA: A função de memória da velocidade da máquina lembra-se a última velocidade e ativa-a da próxima vez que ligar a máquina.

NOTA: O ecrã LCD acende quando o interruptor do gatilho for pressionado ou quando o botão da velocidade ou o botão da luz dianteira/Bluetooth for pressionado. Desliga-se automaticamente passados cerca de 30 segundos de inatividade da motosserra.

LUZ DIANTEIRA LED (Imagem N)

A luz dianteira LED encontra-se na frente da estrutura da motosserra. A luz dianteira fornece iluminação para uma visibilidade acrescida, e tem 2 níveis de luminosidade.

Para ligar a luz dianteira, prima uma vez o botão da luz

dianteira/Bluetooth (Imagem M). A luz dianteira acende no nível de baixa luminosidade e o ícone da luz dianteira com baixa velocidade aparece no ecrã LCD. Prima de novo o botão da luz dianteira/Bluetooth para passar para o nível de alta luminosidade, e o ícone da luz dianteira com alta luminosidade aparece no ecrã LCD.

Para desligar a luz dianteira, prima o botão da luz dianteira/Bluetooth uma terceira vez, e o ícone da luz dianteira desaparece do ecrã LCD.

PT

N-1	Ícone da luz dianteira com baixa luminosidade	N-3	Luz dianteira LED
N-2	Ícone da luz dianteira com alta luminosidade		

SISTEMA OMNIDIRECIONAL DO TRAVÃO DA CORRENTE (Imagem O1 e Imagem O2)

AVISO: O sistema omnidirecional do travão da corrente não foi criado como substituto do travão da corrente padrão/tradicional. O utilizador nunca deverá confiar nesta funcionalidade durante o funcionamento da motosserra para se proteger de ressaltos. Siga sempre as instruções de segurança relacionadas com os ressaltos existentes na secção de avisos deste manual.

Quando o sistema omnidirecional do travão da corrente for ativado e parar a serra, o ícone do travão pisca no ecrã LCD (Imagem M). Liberte o interruptor do gatilho, retire a corrente da serra e a barra de orientação da madeira, depois volte a ligar a motosserra.

NOTA: Os sensores detetam apenas um movimento repentino da serra a nível da barra de orientação (Imagem O1). Os sensores não detetam qualquer movimento repentino da serra de lado (Imagem O2) (ou seja, perpendicular ao nível da barra de orientação).

TECNOLOGIA DE COMUNICAÇÃO

Para mais informações sobre a nossa gama completa de produtos e serviços conectados, incluindo instruções de conexão, leia o código QR apresentado abaixo, ou visite www.egopowerplus.eu/connect.



SEGURAR CORRETAMENTE AS PEGAS (Imagem P1)

- Use luvas antiderrapantes para um fixar e proteção máximos.
- Com a serra numa superfície firme e plana, segure firmemente a serra com ambas as mãos.

- Segure sempre a pega dianteira com a mão esquerda e a pega traseira com a mão direita.
- Os dedos deverão envolver a pega, com o polegar por baixo da pega dianteira.

AVISO: Nunca use uma pega para canhotos (mãos cruzadas) nem nunca coloque o seu corpo ou braço através da linha da corrente.

AVISO: Não opere o interruptor do gatilho com a mão esquerda nem segure a pega dianteira com a mão direita. Nunca permita que alguma parte do seu corpo esteja em linha com a corrente enquanto utiliza a motosserra (Imagem P2).

POSTURA ADEQUADA PARA CORTE (Imagem Q)

- Ambos os pés deverão estar em chão sólido, com o peso dividido uniformemente entre eles.
- O braço esquerdo deverá estar esticado, com o cotovelo apertado. Isto ajuda a aguentar as forças geradas pelo ressalto.
- O seu corpo deverá estar sempre do lado esquerdo da linha da corrente.

INSTRUÇÕES RELACIONADAS COM AS TÉCNICAS CORRETAS PARA CORTE-CRUZADO, CORTE DE RAMOS E ABATE BÁSICO

AVISO: Certifique-se sempre de que está estável e segure firmemente a motosserra com ambas as mãos quando o motor estiver a funcionar.

AVISO: Quando a corrente da serra parar por ter ficado presa durante o corte, deixe de premir o interruptor do gatilho. Retire a corrente da serra e a barra de orientação da madeira e volte a ligar a motosserra.

AVISO: Não puxe a corrente da serra com a mão quando estiver presa pela serradura. Podem ocorrer ferimentos sérios se a motosserra se ligar acidentalmente. Pressione a motosserra contra a madeira, mova-a para a frente e para trás para retirar os resíduos. Retire sempre a bateria antes de proceder à limpeza. Use luvas de proteção resistentes quando montar a corrente da serra.

AVISO: Nunca ligue a motosserra quando estiver em contacto com a madeira. Deixe a motosserra atingir a velocidade máxima antes de entrar em contacto com a madeira.

ABATE DE UMA ÁRVORE

- Quando operações de corte e abate estão a ser desempenhadas por duas ou mais pessoas ao mesmo tempo, a operação de abate deve ser separada da operação de corte por uma distância de, pelo menos, o dobro da altura da árvore para abate. As árvores não deverão ser abatidas de modo a colocar

peessoas em perigo, a bater em linhas utilitárias ou a causar danos patrimoniais. Se a árvore entrar em contacto com linhas utilitárias, a empresa utilitária deverá ser notificada imediatamente.

- O operador da motosserra deverá manter-se do lado superior do terreno, pois é provável que a árvore role pela colina abaixo mal seja cortada.
- Deverá planejar um caminho de fuga antes de começar os cortes. O caminho de fuga deverá estender-se para trás e na diagonal para trás da linha esperada do abate, conforme apresentado na Imagem R.

R-1	Direção da queda	R-2	Caminho seguro de fuga
-----	------------------	-----	------------------------

- Antes de iniciar o abate, considere a inclinação natural da árvore, a localização dos ramos de maior dimensão e a direção do vento para avaliar de que forma a árvore vai cair.
- Retire detritos, pedras, casca solta, pregos, agrafos e fios da árvore.

Corte de entalhe inferior

Faça o entalhe 1/3 do diâmetro da árvore, perpendicular à direção da queda, conforme indicado na Imagem S. Faça primeiro o entalhe horizontal inferior. Isto ajuda a evitar que a corrente da serra ou a barra de orientação fiquem presas quando efetuar o segundo entalhe.

S-1	Direção da queda	S-3	Corte traseiro de queda
S-2	Entalhe	S-4	Articulação

Corte traseiro de queda

- Faça o corte traseiro de queda a, pelo menos, 50 mm acima do corte de entalhe horizontal, conforme apresentado na Imagem S. Mantenha o corte traseiro de queda paralelo ao corte de entalhe horizontal. Faça o corte traseiro de queda de modo a deixar madeira suficiente para agir como articulação. A madeira que serve de articulação impede a árvore de torcer e cair na direção errada. Não corte a parte que serve de articulação.
- À medida que o corte de derrube se aproxima da articulação, a árvore deve começar a cair. Se houver a possibilidade de a árvore não cair na direção desejada ou oscilar para trás e prender a motosserra, pare o corte antes de terminar o corte traseiro de queda e use calços de madeira, plástico ou alumínio para abrir o corte e fazer a árvore cair ao

longo da linha desejada de queda.

- Quando a árvore começa a cair, retire a motosserra do corte, pare o motor, coloque a motosserra no chão e use o caminho de fuga, conforme planeado. Esteja atento a ramos por cima de si que estejam a cair, e mantenha uma base estável para os pés.

Corte de ramos de uma árvore

Deve cortar os ramos de uma árvore abatida. Quando cortar os ramos, deixe os ramos inferiores mais grossos para suportar o tronco do chão. Retire os ramos pequenos num corte, conforme apresentado na Imagem T. Os ramos sob tensão deverão ser cortados de baixo para cima, para evitar que a motosserra fique presa.

Cortar um tronco

Um tronco caído deverá ser cortado em pedaços. É importante certificar-se de que está bem apoiado e que o seu peso está bem distribuído em ambos os pés. Sempre que possível, o tronco deverá ser levantado e suportado, usando os ramos, troncos ou calços. Siga a direção simples para um corte fácil.

- Quando o tronco está suportado ao longo de todo o seu comprimento, conforme apresentado na Imagem U1, corte-o do topo (corte superior).
- Quando o tronco está suportado por uma extremidade, conforme apresentado na Imagem U2, corte 1/3 do diâmetro por baixo (corte inferior). A seguir, faça o corte final, fazendo o corte superior de encontro ao primeiro corte.
- Quando o tronco está suportado em ambas as extremidades, conforme apresentado na Imagem U3, corte 1/3 do diâmetro por cima (corte superior). A seguir, faça o corte final, fazendo o corte inferior 2/3 de encontro ao primeiro corte.
- Quando cortar um tronco numa encosta, fique sempre na parte superior do tronco, conforme apresentado na Imagem V.
- Quando "cortar tudo" para manter um controlo completo, liberte a pressão de corte perto da extremidade do corte sem deixar de segurar bem as pegadas da motosserra. Não permita que a corrente entre em contacto com o chão. Após completar o corte, espere que a corrente da serra pare por completo antes de mover a motosserra. Pare sempre o motor antes de passar para outra árvore.

MANUTENÇÃO

AVISO: Quando fizer reparações, utilize apenas peças de substituição idênticas. A utilização de outras peças pode

dar origem a perigos ou danos no produto. Para garantir a segurança e bom funcionamento, todas as reparações deverão ser efetuadas por um técnico de reparação qualificado.

⚠️ AVISO: Para evitar ferimentos sérios, retire sempre a bateria do produto antes de proceder à inspeção, limpeza ou manutenção. Uma ferramenta que funcione a bateria e que tenha a bateria inserida está sempre ligada e pode começar a funcionar acidentalmente.

⚠️ AVISO: Quando limpar a motosserra, NÃO a coloque dentro de água ou de outros líquidos.

⚠️ AVISO: Nunca permita que o líquido dos travões, gasolina, produtos à base de petróleo, óleos penetrantes, etc., entrem em contacto com as peças de plástico. Os químicos podem danificar, enfraquecer ou destruir o plástico, o que pode dar origem a ferimentos sérios.

LIMPEZA

- Após cada utilização, limpe os resíduos da corrente e barra de orientação com uma escova suave. Limpe a superfície da motosserra com um pano limpo embebido numa solução neutra de sabão.
- Retire a cobertura lateral e depois use uma escova suave para retirar os resíduos da barra de orientação, corrente da serra, roda dentada e cobertura lateral.
- Limpe sempre as lascas, serradura e sujidade da ranhura da barra de orientação quando voltar a colocar a corrente da serra.

MANUTENÇÃO DA BARRA DE ORIENTAÇÃO

Quando a barra de orientação apresentar sinais de desgaste, desmonte-a da cabeça do motor da motosserra e vire-a para a voltar a montar (Imagem W1). Nesse caso, irá redistribuir o desgaste, para um tempo máximo de vida da barra.

A barra deverá ser limpa todos os dias em que for utilizada e verificada quanto a desgaste ou danos. Empenos ou rebarbas das calhas da barra são um processo normal do desgaste da barra. Tais falhas deverão ser reparadas com recurso a uma lima, mal aconteçam. Uma barra com qualquer uma das seguintes falhas deverá ser substituída.

- Desgaste dentro das calhas da barra que permita à corrente ficar virada de lado.
- Barra de orientação dobrada.
- Calhas rachadas ou partidas.
- Calhas separadas.

Além disso, a barra de orientação tem uma roda dentada na ponta (Imagem W2). A roda dentada tem de ser lubrificada todas as semanas com uma seringa de lubrificação para aumentar o tempo de vida útil da barra de orientação. Utilize

uma seringa de lubrificação para lubrificar semanalmente com óleo de corrente através do orifício de lubrificação (Imagem W3). Vire a barra de orientação e certifique-se de que os orifícios de lubrificação e a ranhura da corrente não têm impurezas.

W-1	Roda dentada na ponta da barra de orientação	W-2	Orifício de lubrificação
-----	--	-----	--------------------------

AVISO: Use lubrificantes autorizados EGO para melhores resultados.

TRANSPORTE E ARMAZENAMENTO

Não guarde nem transporte a motosserra a funcionar. Retire sempre a bateria antes de guardar ou transportar.

Coloque sempre a cobertura da barra de orientação e corrente antes de guardar ou transportar a motosserra. Tenha cuidado para evitar os dentes afiados da corrente.

Limpe bem a motosserra antes de a guardar. Guarde a motosserra no interior, num local seco fechado e/ou inacessível às crianças.

Mantenha afastado de agentes corrosivos, como químicos de jardinagem e sais de degelo.

PROTEJA O AMBIENTE



Não elimine equipamento elétrico, bateria gasta nem carregador juntamente com o lixo doméstico comum!

Leve este produto a um centro de reciclagem autorizado para que possa haver uma separação das peças.

As ferramentas elétricas têm de ser devolvidas em instalações de reciclagem ambientalmente compatíveis.

RESOLUÇÃO DE PROBLEMAS

⚠️ AVISO: Proteja sempre as mãos usando luvas resistentes quando efetuar qualquer manutenção na corrente da serra. Retire sempre a bateria quando reparar ou transportar a motosserra.

PROBLEMA	CAUSA	SOLUÇÃO
O motor não liga.	<ul style="list-style-type: none"> ■ A bateria não foi colocada na motosserra. ■ Não existe contacto elétrico entre a motosserra e a bateria. ■ A bateria está gasta. ■ A bateria ou motosserra está muito quente. ■ O travão da corrente está ativado. ■ Existem resíduos na ranhura da barra. ■ Existem resíduos no interior da cobertura. 	<ul style="list-style-type: none"> ■ Fixe a bateria na motosserra. ■ Retire a bateria, verifique os contactos e volte a instalar a bateria. ■ Carregue a bateria. ■ Deixe a bateria ou a motosserra arrefecer até que a temperatura desça abaixo dos 67 °C. ■ Puxe a pá do travão do ressalto da corrente para trás na direção da pega dianteira para a posição de funcionamento. ■ Pressione a motosserra contra a madeira, mova-a para a frente e para trás para retirar os resíduos. ■ Retire a bateria, depois retire a cobertura lateral e limpe os resíduos.
A motosserra pára de funcionar durante o trabalho.	<ul style="list-style-type: none"> ■ A motosserra está sobrecarregada. ■ A bateria ou motosserra está muito quente. ■ A corrente da serra ficou presa na madeira. 	<ul style="list-style-type: none"> ■ Diminua a carga. ■ Diminua a carga. Deixe a bateria ou a motosserra arrefecer até que a temperatura desça abaixo dos 67 °C. ■ Liberte o interruptor do gatilho. Retire a corrente da serra e a barra de orientação da madeira, depois volte a ligar a motosserra.
O motor funciona, mas a corrente não roda.	<ul style="list-style-type: none"> ■ A corrente não encaixa na roda dentada motriz. 	<ul style="list-style-type: none"> ■ Volte a instalar a corrente, certificando-se de que os elos condutores na corrente estão completamente assentes na roda dentada.
O travão da corrente não funciona.	<ul style="list-style-type: none"> ■ Os resíduos impedem o movimento completo da pá do travão do ressalto da corrente. ■ Possível mau funcionamento do travão da corrente. 	<ul style="list-style-type: none"> ■ Limpe os resíduos do mecanismo externo do travão da corrente. ■ Contacte o serviço de apoio ao cliente da EGO para proceder à reparação.

PT

PROBLEMA	CAUSA	SOLUÇÃO
A motosserra não corta corretamente.	<ul style="list-style-type: none"> ■ Tensão da corrente insuficiente. ■ A corrente não está afiada. ■ A corrente foi instalada para trás. ■ Corrente gasta. ■ Corrente seca ou excessivamente esticada. ■ A corrente não se encontra na ranhura da barra. 	<ul style="list-style-type: none"> ■ Volte a ajustar a tensão da corrente, tendo em conta a secção: “AJUSTAR A TENSÃO DA CORRENTE”. ■ Afie a corrente. ■ Volte a colocar a corrente da serra, de acordo com a secção “MONTAR/SUBSTITUIR A BARRA E A CORRENTE”. ■ Substitua a corrente, tendo em conta a secção: “MONTAR/SUBSTITUIR A BARRA E A CORRENTE”. ■ Verifique o nível do óleo. Volte a encher o depósito do óleo com um volume superior, se necessário. ■ Volte a colocar a corrente da serra, tendo em conta a secção: “MONTAR/SUBSTITUIR A BARRA E A CORRENTE”.
A corrente fica solta ou descai da barra de orientação durante uma utilização normal.	<ul style="list-style-type: none"> ■ A corrente fica solta à medida que a temperatura da corrente aumenta durante um funcionamento normal da serra. ■ A corrente não encaixa na roda dentada motriz. 	<ul style="list-style-type: none"> ■ Aperte a tensão da corrente de acordo com a secção “AJUSTAR A TENSÃO DA CORRENTE”. ■ Volte a colocar a corrente da serra, tendo em conta a secção: “MONTAR/SUBSTITUIR A BARRA E A CORRENTE”.

GARANTIA

POLÍTICA DE GARANTIA EGO

Visite o website egopowerplus.eu para os termos e condições completos da política de garantia da EGO.

LEGGERE TUTTE LE ISTRUZIONI!



LEGGERE IL MANUALE DI ISTRUZIONI

AVVERTENZA! Per garantire sicurezza e affidabilità, tutte le operazioni di riparazione e sostituzione devono essere effettuate da un tecnico qualificato.

AVVERTENZA! Accertarsi di aver letto e compreso tutte le istruzioni di sicurezza in questo manuale, inclusi tutti i simboli di avvertenza come "PERICOLO", "AVVERTENZA" e "ATTENZIONE", prima di usare l'apparecchio. Il mancato rispetto di tutte le istruzioni elencate di seguito comporta il rischio di scossa elettrica, incendio e/o lesioni gravi.

CONSERVARE TUTTE LE AVVERTENZE E LE ISTRUZIONI PER FUTURO RIFERIMENTO.

SIMBOLI DI SICUREZZA

AVVERTENZA! L'uso di apparecchi elettrici può causare il lancio di oggetti estranei verso l'operatore, con il rischio di lesioni gravi agli occhi. Durante l'uso dell'apparecchio, indossare sempre occhiali protettivi o occhiali di sicurezza con protezioni laterali e, se necessario, una maschera facciale. Si raccomanda di indossare una maschera di sicurezza con ampio campo visivo sopra gli occhiali o occhiali di sicurezza standard con protezioni laterali.

IT

SIMBOLI DI SICUREZZA



Avvertenza di sicurezza



Indossare protezioni per gli occhi



Indossare protezioni per la testa



Prestare attenzione al rischio di contraccolpo ed evitare il contatto con la punta della barra guida.



Informazioni sulla barra guida



Livello di potenza sonora garantito Emissione acustica ambientale ai sensi della direttiva dell'Unione europea



Questo apparecchio è conforme alle direttive europee applicabili.



Bluetooth®

mm Millimetro

V Tensione

IPX4 Protezione da schizzi d'acqua



Per ridurre il rischio di infortuni, l'operatore deve leggere e comprendere tutte le istruzioni prima di usare questo prodotto.



Indossare protezioni per le orecchie



Indossare guanti protettivi



Contraccolpo della punta della barra guida



Usare la motosega sempre con due mani.



Gli apparecchi elettrici non devono essere smaltiti insieme ai rifiuti domestici. Portarli presso un centro di riciclaggio autorizzato.



Questo apparecchio è conforme alle direttive britanniche applicabili.



Corrente continua

n_0 Velocità a vuoto

./min Al minuto

NOTA: il marchio e i loghi Bluetooth® sono marchi commerciali di proprietà di Bluetooth SIG, inc. e il loro utilizzo è concesso in licenza a EGO.

SPECIFICHE TECNICHE

Tensione nominale	56 V	
Velocità max della catena	25 m/s	
Partitura della catena	3/8" (9,5 mm)	
Larghezza della scanalatura	1,3 mm	
Lunghezza della barra guida	50 cm	
Tipo di catena	AC2005	
Modello di barra guida	AG2005	
Capacità del serbatoio dell'olio	250 ml	
Peso (senza gruppo batteria, catena, barra guida, copertura laterale, olio e coprilama)	3,9 kg	
Temperatura di funzionamento raccomandata	-15°C-40°C	
Temperatura di conservazione raccomandata	-20°C-70°C	
Temperatura di ricarica raccomandata	5°C-40°C	
Livello di potenza sonora misurato L_{WA}	103 dB(A) K=1,7 dB(A)	
Livello di pressione sonora a livello dell'operatore L_{PA}	89 dB(A) K=3 dB(A)	
Livello di potenza sonora garantito L_{WA} (ai sensi di 2000/14/EC)	105 dB(A)	
Vibrazioni a_h	Impugnatura anteriore	4,69 m/s ² K=1,5 m/s ²
	Impugnatura posteriore	4,24 m/s ² K=1,5 m/s ²

- Il valore totale di emissione delle vibrazioni dichiarato è stato misurato con un metodo di valutazione standard e può essere utilizzato per confrontare l'apparecchio con altri prodotti analoghi.
- Il valore totale di emissione delle vibrazioni dichiarato può essere utilizzato anche per una valutazione preliminare dei livelli di esposizione.

NOTA: il valore di emissione delle vibrazioni durante l'uso effettivo dell'apparecchio può variare rispetto al valore totale dichiarato in base alla modalità di utilizzo dell'apparecchio. Per proteggersi, l'operatore deve indossare guanti e dispositivi di protezione per le orecchie in base alle condizioni di utilizzo effettive.

CONTENUTO DELL'IMBALLAGGIO (FIG. A1)

DESCRIZIONE

DESCRIZIONE DELLA MOTOSEGA (Fig. A1)

1. Catena
2. Spuntoni di appoggio
3. Leva del freno catena anti-contraccolpo
4. Impugnatura anteriore
5. Display LCD
6. Barre della velocità
7. Icona Bluetooth
8. Icona della luce anteriore
9. Icona del freno
10. Indicatore di carica
11. Pulsante della luce anteriore/Bluetooth
12. Pulsante della velocità della catena
13. Pulsante di sbloccaggio
14. Interruttore a grilletto
15. Impugnatura posteriore
16. Pulsante di rilascio della batteria
17. Finestra di ispezione dell'olio
18. Tappo del serbatoio dell'olio
19. Barra guida
20. Foro di lubrificazione
21. Copertura laterale
22. Dadi della copertura laterale
23. Luce anteriore
24. Bullone di tensione della catena
25. Chiave a bussola a doppia estremità
26. Coprilama

ASSEMBLAGGIO

ASSEMBLAGGIO/SOSTITUZIONE DI BARRA E CATENA

AVVERTENZA! Portare la leva del freno catena anti-contraccolpo in posizione di innescio prima dell'assemblaggio.

1. Posizionare la motosega su un lato, con la copertura laterale rivolta verso l'alto (Fig. B).
2. Rimuovere la copertura laterale ruotando i due dadi di bloccaggio in senso antiorario.
3. Ruotare il bullone di tensione della catena in senso antiorario per diminuire la tensione della catena.
4. Disporre la catena ad anello su una superficie piana, raddrizzando eventuali pieghe (Fig. C).
5. Posizionare le maglie di trascinamento nella scanalatura della barra guida e posizionare la catena in modo tale che formi un anello alla fine della barra guida (Fig. D).
6. Tenere la catena in posizione sulla barra guida e

posizionare l'anello intorno al pignone della motosega (Fig. E1).

B-1	Dadi di bloccaggio	D-2	Scanalatura della barra guida
B-2	Bullone di tensione della catena	E-1	Pignone
D-1	Maglie di trascinamento		

NOTA: durante l'avvolgimento della catena sulla barra guida, accertarsi che, dopo aver installato la barra guida sulla motosega, la direzione delle frecce sulla catena corrisponda alla direzione della freccia sull'unità motore. Se i denti sono orientati in direzione opposta, rimuovere la catena e avvolgerla intorno alla barra guida in modo tale che le frecce siano rivolte nella stessa direzione. (Fig. E2).

- Riposizionare la copertura laterale sulla motosega e serrare completamente i due dadi di bloccaggio.
- Ruotare la catena manualmente per assicurarsi che sia installata correttamente e non si inceppi. In caso contrario, reinstallare la barra e la catena.

NOTA: per estendere la durata di vita della barra guida, invertirla di tanto in tanto.

REGOLAZIONE DELLA TENSIONE DELLA CATENA

- Arrestare il motore e rimuovere il gruppo batteria prima di regolare la tensione della catena. Ruotare il bullone di tensione della catena in senso orario o antiorario (Fig. F) finché la catena non aderisce alla barra guida con le maglie di trascinamento nella scanalatura della barra.
- Una catena fredda è tesa correttamente quando la catena è aderente alla parte inferiore della barra, ma è possibile ruotarla a mano senza piegarla. È necessario regolare nuovamente la tensione della catena quando la parte superiore delle maglie di trascinamento non rimangono nella scanalatura della barra.
- Durante il normale funzionamento della motosega, la temperatura della catena aumenta. Le maglie di trascinamento di una catena calda tesa correttamente pendono di circa 1,3 mm dalla scanalatura della barra guida (Fig. G).

NOTA: le catene nuove tendono ad allungarsi; controllare la tensione della catena frequentemente.

NOTA: una catena che viene tesa mentre è calda può diventare troppo stretta quando si raffredda. Controllare la tensione a freddo prima del successivo utilizzo.

UTILIZZO

AVVERTENZA! La familiarità con questo apparecchio non deve rendere l'operatore disattento. Anche un solo momento di disattenzione comporta il rischio di lesioni gravi.

AVVERTENZA! Non usare accessori non raccomandati dal costruttore dell'apparecchio. L'uso di accessori non raccomandati comporta il rischio di lesioni gravi.

AVVERTENZA! Per evitare l'avvio accidentale e il conseguente rischio di lesioni gravi, rimuovere sempre il gruppo batteria dall'apparecchio durante l'assemblaggio dei componenti, le operazioni di regolazione e pulizia e quando non è in uso.

Prima di ogni utilizzo, ispezionare l'intero apparecchio per verificare che nessun elemento sia mancante e non siano presenti componenti danneggiati o allentati, ad esempio viti, bulloni, cappucci, ecc. Serrare saldamente tutti i dispositivi di fissaggio e non usare l'apparecchio finché tutti i componenti mancanti o danneggiati non vengono sostituiti.

DESTINAZIONE D'USO

Questo prodotto è destinato alle operazioni di abbattimento, diramatura, potatura e depezzatura di alberi e legname.

NOTA: usare l'apparecchio esclusivamente per gli scopi previsti. Altri utilizzi sono da considerarsi impropri.

AGGIUNTA DEL LUBRIFICANTE PER BARRA E CATENA

AVVERTENZA! Non fumare in prossimità dell'olio o della motosega e non avvicinare fonti di fuoco o fiamme. L'olio può fuoriuscire e causare un incendio.

NOTA: la motosega è priva di olio al momento dell'acquisto. È essenziale riempire il serbatoio con l'olio prima dell'uso. La catena viene automaticamente lubrificata con l'olio durante il funzionamento.

- Posizionare la motosega su un lato, con il tappo del serbatoio dell'olio rivolto in avanti.
- Pulire il tappo del serbatoio dell'olio e l'area circostante per evitare che la sporcizia penetri all'interno del serbatoio.
- Sollevarne la piastra semicircolare e ruotare il tappo del serbatoio dell'olio in senso antiorario per rimuoverlo (Fig. H).
- Versare con attenzione l'olio per barra e catena nel

serbatoio Riempirlo fino alla parte inferiore del collo di riempimento.

- Rimuovere eventuali eccedenze d'olio e riposizionare il tappo.

NOTA: controllare frequentemente l'olio e riempire il serbatoio quando il livello dell'olio è inferiore alla linea minima. Non usare la motosega se l'olio non è visibile.

IT INSTALLAZIONE/RIMOZIONE DEL GRUPPO BATTERIA

Usare esclusivamente i gruppi batteria e i caricabatteria EGO elencati in Fig. A2.

Ricaricare completamente la batteria prima del primo utilizzo.

Installazione

Allineare i rilievi sul gruppo batteria con le scanalature di fissaggio e premere il gruppo batteria fino al "clic" (Fig. I).

Rimozione

Premere il pulsante di rilascio della batteria ed estrarre il gruppo batteria (Fig. J).

AVVIO/ARRESTO DELLA MOTOSEGA

NOTA: prima di avviare la motosega, controllare il livello dell'olio, l'affilatura dei denti di taglio della catena e il corretto funzionamento della leva del freno catena. Assumere una posizione in equilibrio e osservare una corretta distanza dal terreno.

Avvio (Fig. K)

- Spingere la leva del freno catena anti-contraccolpo verso l'impugnatura anteriore in posizione operativa (Fig. K).
- Afferrare saldamente l'impugnatura anteriore con la mano sinistra e l'impugnatura posteriore con la mano destra.

AVVERTENZA! Per evitare il rischio di lesioni, usare la motosega afferrando l'area di presa dell'impugnatura posteriore con la mano destra (Fig. L).

- Per avviare la motosega, tenere premuto il pulsante di sbloccaggio con il pollice della mano destra, quindi premere l'interruttore a grilletto con le dita della mano destra (Fig. L).

L-1	Area di presa
-----	---------------

- Rilasciare il pulsante di sbloccaggio e continuare a premere l'interruttore per il funzionamento continuo.
- Maggiore è la pressione sull'interruttore, maggiore è la velocità della catena. Regolare la velocità in base al lavoro da svolgere.

AVVERTENZA! Non tentare di avviare la sega quando la catena è all'interno di un taglio.

Arresto

- Allontanare la motosega dall'area di taglio, quindi rilasciare l'interruttore a grilletto per arrestarla.
- Spingere la leva del freno catena anti-contraccolpo in avanti per innestare il freno catena (Fig. K).

AVVERTENZA! Rimuovere il gruppo batteria dall'apparecchio durante le pause e al termine del lavoro.

SELEZIONE DELLA VELOCITÀ (FIG. M)

L'apparecchio dispone di tre livelli di velocità. Ciascun livello limita la velocità massima della catena. La velocità cambierà a ogni pressione del pulsante della velocità della catena.

Le barre della velocità sul display LCD si accendono in base al livello di velocità corrente: una barra per la bassa velocità, due barre per la media velocità e tre barre per l'alta velocità. La bassa velocità (ECO) migliora il controllo dell'apparecchio e aumenta l'autonomia.

M-1	Barre della velocità	M-5	Indicatore di carica
M-2	Icona Bluetooth	M-6	Pulsante della luce anteriore/Bluetooth
M-3	Icona della luce anteriore	M-7	Pulsante della velocità della catena
M-4	Icona del freno		

NOTA: durante l'uso di gruppi batteria EGO di carica pari o inferiore a 2,5 Ah, solo la modalità ECO è disponibile. I gruppi batteria EGO di carica inferiore a 6,0 Ah non permettono di raggiungere la massima velocità. Per le migliori prestazioni, si raccomanda di usare gruppi batterie EGO da almeno 6,0 Ah (ad es. BA3360T).

NOTA: l'apparecchio memorizza l'ultimo livello di velocità selezionato e lo riattiverà al successivo riavvio.

NOTA: il display LCD si illumina alla pressione dell'interruttore a grilletto o del pulsante della luce anteriore/Bluetooth. Si spegnerà automaticamente dopo circa 30 secondi di inattività della motosega.

LUCE ANTERIORE (Fig. N)

La luce è situata sulla parte anteriore della motosega. La luce anteriore aumenta la visibilità ed è dotata di 2 livelli di luminosità.

Per accendere la luce anteriore, premere una volta il pulsante della luce anteriore/Bluetooth (Fig. M). La luce si accenderà a bassa luminosità, e sul display LCD apparirà l'icona della luce anteriore a bassa luminosità. Premere nuovamente il pulsante della luce anteriore/Bluetooth per aumentare la luminosità della luce; sul display LCD apparirà l'icona della luce anteriore ad alta luminosità.

Per spegnere la luce anteriore premere nuovamente il pulsante della luce anteriore/Bluetooth; l'icona della luce

anteriore scomparirà dal display LCD.

N-1	Icona della luce anteriore a bassa luminosità	N-3	Luce anteriore
N-2	Icona della luce anteriore ad alta luminosità		

FRENO CATENA OMNIDIREZIONALE (Fig. O1 e O2)

AVVERTENZA! Il freno catena omnidirezionale non è progettato per sostituire il freno catena standard/tradizionale. L'operatore non deve affidarsi a questa funzione durante l'uso della motosega per proteggersi contro il rischio di contraccolpo. Rispettare sempre le istruzioni per evitare il rischio di contraccolpo riportate nella sezione delle avvertenze di sicurezza di questo manuale.

Quando il freno catena omnidirezionale si attiva e arresta la motosega, l'icona del freno lampeggerà sul display LCD (Fig. M). Rilasciare l'interruttore a grilletto; rimuovere la catena e la barra guida dal legno, quindi riavviare la motosega.

NOTA: i sensori rilevano esclusivamente il movimento improvviso della motosega sul piano della barra guida (Fig. O1). I sensori non rilevano il movimento improvviso laterale della motosega, ovvero perpendicolare al piano della barra guida (Fig. O2).

TECNOLOGIA DI CONNESSIONE

Per maggiori informazioni sulla gamma completa dei prodotti e dei servizi connessi, comprese le istruzioni di connessione, scansionare il seguente codice QR o visitare il sito web www.egopowerplus.eu/connect.



PRESA CORRETTA SULLE IMPUGNATURE (Fig. P1)

- Indossare guanti antiscivolo per la massima aderenza e protezione.
- Con i piedi su una superficie solida e piana, impugnare saldamente la motosega con entrambe le mani.
- Afferrare saldamente l'impugnatura anteriore con la mano sinistra e l'impugnatura posteriore con la mano destra.
- Le dita devono avvolgere l'impugnatura, con il pollice al di sotto dell'impugnatura anteriore.

AVVERTENZA! Non usare mai una presa mancina (a mani invertite) e non assumere mai posizioni in cui il corpo o il braccio si trovano oltre la linea della catena.

AVVERTENZA! Non premere l'interruttore a grilletto con la mano sinistra e non tenere l'impugnatura anteriore con la mano destra. Non tenere alcuna parte del corpo lungo la linea della catena durante l'uso della motosega (Fig. P2).

POSIZIONE DI TAGLIO CORRETTA (Fig. Q)

- Entrambi i piedi devono poggiare su un terreno solido, con il peso distribuito uniformemente tra di essi.
- Il braccio sinistro deve essere teso, con il gomito bloccato per poter resistere alle forze generate dal contraccolpo.
- Il corpo deve sempre trovarsi a sinistra della linea della catena.

TECNICHE CORRETTE PER LE OPERAZIONI DI ABBATTIMENTO, DIRAMATURA E TAGLIO TRASVERSALE

AVVERTENZA! Mantenere una posizione in equilibrio e afferrare saldamente la motosega con entrambe le mani mentre il motore è in funzione.

AVVERTENZA! Se la catena della motosega si arresta durante il taglio perché si è inceppata, rilasciare l'interruttore a grilletto; rimuovere catena e barra guida dal legno, quindi riavviare la motosega.

AVVERTENZA! Non tirare la motosega con le mani quando è incastrata nella segatura. L'avvio accidentale della motosega comporta il rischio di lesioni gravi. Premere la motosega contro il legno e muoverla avanti e indietro per rimuovere i detriti. Rimuovere il gruppo batteria prima di pulirla. Indossare guanti di protezione durante la manipolazione della catena.

AVVERTENZA! Non avviare mai la motosega quando è a contatto con il legno. Attendere sempre che la motosega raggiunga la massima velocità prima di avvicinarla al legno.

ABBATTIMENTO DI UN ALBERO

- Se le operazioni di taglio a pezzi o abbattimento sono eseguite da due o più persone contemporaneamente, la distanza tra gli operatori che tagliano il legno e quelli che abbattano l'albero deve essere pari ad almeno due volte l'altezza dell'albero da abbattere. Gli alberi devono essere abbattuti in modo tale da evitare di causare pericolo per altre persone, colpire linee di alimentazione o provocare danni materiali. Se l'albero entra in contatto con una linea di alimentazione, informare immediatamente l'ente fornitore.
- Durante il taglio su terreni in pendenza, l'operatore deve posizionarsi sempre a monte dell'albero, poiché è probabile che l'albero rotoli o

scivoli in discesa dopo l'abbattimento.

- Prima di iniziare il taglio, individuare e predisporre una via di fuga. La via di fuga deve condurre nella direzione diagonalmente opposta alla linea di caduta prevista, come illustrato in Fig. R.

R-1	Direzione di abbattimento	R-2	Via di fuga sicura
-----	---------------------------	-----	--------------------

IT

- Per determinare la direzione di caduta dell'albero, prima dell'abbattimento è necessario valutare la pendenza naturale dell'albero, la posizione dei rami più grossi e la direzione del vento.
- Rimuovere dall'albero pietre, sporcizia, pezzi di corteccia, chiodi, graffette e cavi.

Taglio direzionale

Effettuare un intaglio pari a 1/3 del diametro dell'albero, perpendicolarmente alla direzione di caduta come illustrato in Fig. S. Praticare per primo l'intaglio inferiore orizzontale per evitare che la catena o la barra guida si inceppino durante l'esecuzione del secondo intaglio.

S-1	Direzione di caduta	S-3	Taglio di abbattimento
S-2	Intaglio	S-4	Cerniera

Taglio di abbattimento

- Praticare il taglio di abbattimento almeno 50 mm sopra l'intaglio direzionale orizzontale, come illustrato in Fig. S. Mantenere il taglio di abbattimento parallelo all'intaglio orizzontale. Effettuare il taglio lasciando una quantità di legno sufficiente affinché funga da cerniera. La cerniera impedisce all'albero di ruotare su se stesso e cadere nella direzione errata. Non tagliare la cerniera.
- Quando il taglio si avvicina alla cerniera, l'albero inizia a cadere. Se si teme che l'albero non cada nella direzione desiderata o che possa piegarsi all'indietro e bloccare la catena della motosega, interrompere il taglio di abbattimento e inserire cunei in legno, plastica o alluminio per aprire il taglio e dare all'albero la linea di caduta desiderata.
- Quando l'albero inizia a cadere, rimuovere la motosega dal taglio, arrestare il motore, posarla e abbandonare l'area di pericolo utilizzando la via di fuga programmata. Prestare attenzione ai rami che potrebbero cadere e a non inciampare.

Diramatura di un albero

La diramatura è il taglio dei rami di un albero abbattuto.

Durante la diramatura, lasciare i rami inferiori più grandi e utilizzarli per tenere il tronco sollevato dal terreno. Rimuovere i rami più piccoli con un taglio solo, come illustrato in Fig. T. I rami in tensione devono essere tagliati dal basso verso l'alto per evitare che la catena rimanga incastrata.

Depezzatura

La depezzatura consiste nel tagliare un tronco abbattuto in pezzi. È importante mantenere sempre il contatto con il terreno, con il peso distribuito su entrambi i piedi. Se possibile, il tronco deve essere rialzato e sostenuto da rami, ceppi o cunei. Per effettuare il taglio, procedere come descritto di seguito.

- Quando il tronco è sostenuto per tutta la sua lunghezza, come illustrato in figura U1, deve essere tagliato dall'alto (taglio superiore).
- Quando il tronco è sostenuto da una sola estremità, come illustrato in Fig. U2, tagliare 1/3 del diametro dal basso (taglio inferiore). Quindi effettuare il taglio finale partendo dall'alto, fino a incontrare il primo taglio.
- Quando il tronco è sostenuto da entrambe le estremità, come illustrato in Fig. U3, tagliare 1/3 del diametro dall'alto (taglio superiore). Quindi praticare il taglio finale tagliando i 2/3 inferiori per incontrare il primo taglio.
- Durante la depezzatura su terreni in pendenza, l'operatore deve posizionarsi sempre a monte del tronco, come illustrato in Fig. T.
- Per mantenere il controllo della motosega quando si taglia completamente un tronco, ridurre la pressione sull'apparecchio verso la fine del taglio senza allentare la presa sulle impugnature. Non lasciare che la catena entri a contatto con il terreno. Una volta completato il taglio, attendere che la catena si arresti prima di spostare la motosega. Arrestare sempre il motore prima di spostarsi da un albero all'altro.

MANUTENZIONE

AVVERTENZA! Per la riparazione dell'apparecchio, usare esclusivamente parti di ricambio identiche. L'uso di altri ricambi comporta situazioni pericolose o il rischio di danni al prodotto. Per garantire sicurezza e affidabilità, tutte le operazioni di riparazione e sostituzione devono essere effettuate da un tecnico qualificato.

AVVERTENZA! Per evitare il rischio di lesioni gravi, rimuovere sempre il gruppo batteria dall'apparecchio prima delle operazioni di ispezione, pulizia o manutenzione. Un apparecchio elettrico con il gruppo batteria inserito è sempre acceso e può avviarsi accidentalmente.

AVVERTENZA! Durante la pulizia della motosega, NON immergerla in acqua o altri liquidi.

AVVERTENZA! Impedire il contatto di liquido per freni, benzina, prodotti a base di petrolio, oli penetranti, ecc. con le parti in plastica. Le sostanze chimiche possono danneggiare, indebolire o distruggere la plastica, con il rischio di lesioni gravi.

PULIZIA

- Dopo ogni utilizzo, rimuovere i detriti dalla barra e dalla catena con una spazzola morbida. Pulire la superficie della motosega con un panno pulito inumidito con acqua saponata.
- Rimuovere la copertura laterale, quindi usare una spazzola morbida per rimuovere i detriti da barra guida, catena, pignone e copertura laterale.
- Rimuovere sempre eventuali frammenti di legno, segatura e sporizia dalla scanalatura della barra guida durante la sostituzione della catena.

MANUTENZIONE DELLA BARRA GUIDA

Quando la barra guida mostra segni di usura, rimuoverla dall'unità motore della motosega e riassemblarla invertita (Fig. W1), per distribuire uniformemente l'usura e prolungare la durata di vita della barra.

La barra deve essere pulita ogni giorno di utilizzo e ispezionata per verificare che non sia usurata o danneggiata. La sbavatura o la smussatura dei binari della barra è un normale processo dell'usura della barra. Tali difetti devono essere immediatamente corretti con una lima. Un barra con i difetti elencati di seguito deve essere sostituita.

- Usura all'interno dei binari della barra che mantengono la catena in posizione
- Barra guida piegata
- Binari incrinati o rotti
- Allargamento dei binari

Inoltre, la barra guida è dotata di un pignone sulla punta (Fig. W2). Il pignone deve essere lubrificato settimanalmente con un'apposita siringa per prolungare la durata di vita della barra guida. Usare una siringa per grasso per lubrificarlo settimanalmente con olio per catena attraverso il foro di lubrificazione (Fig. W3). Capovolgere la barra guida e controllare che i fori di lubrificazione e la scanalatura della barra siano privi di impurità.

W-1	Pignone nella punta della barra guida	W-2	Foro di lubrificazione
-----	---------------------------------------	-----	------------------------

NOTA: per le migliori prestazioni, usare olio autorizzato da EGO.

TRASPORTO E CONSERVAZIONE

Non conservare o trasportare la motosega quando è in funzione. Rimuovere sempre il gruppo batteria prima di riporla o trasportarla.

Installare sempre il coprilama a prima di riporre o trasportare la motosega. Prestare attenzione per evitare il contatto con i denti affilati della catena.

Pulire accuratamente la motosega prima di riporla. Conservare la motosega in interni, in un luogo asciutto, al chiuso e/o inaccessibile ai bambini

e al riparo da agenti corrosivi, ad esempio sostanze chimiche per il giardinaggio e sale per disgelo.

PROTEZIONE DELL'AMBIENTE



Non smaltire gli apparecchi elettrici, i caricabatteria e le batterie insieme ai rifiuti domestici.

Portare il prodotto presso un centro di riciclaggio autorizzato affinché venga raccolto separatamente. Gli apparecchi elettrici devono essere portati presso un centro di riciclaggio ecocompatibile.

IT

RISOLUZIONE DEI PROBLEMI

⚠ AVVERTENZA! Proteggere sempre le mani indossando guanti robusti durante qualsiasi operazione di manutenzione sulla motosega. Rimuovere sempre il gruppo batteria durante la riparazione o il trasporto della motosega.

IT

PROBLEMA	CAUSA	SOLUZIONE
Il motore non si avvia.	<ul style="list-style-type: none"> ■ Il gruppo batteria non è installato nella motosega. ■ Nessun contatto elettrico tra la motosega e il gruppo batteria. ■ Il gruppo batteria è scarico. ■ Il gruppo batteria o la motosega sono troppo caldi. ■ Il freno catena è innescato. ■ Presenza di detriti nella scanalatura della barra. ■ Presenza di detriti dietro la copertura. 	<ul style="list-style-type: none"> ■ Installare il gruppo batteria nella motosega. ■ Rimuovere il gruppo batteria, ispezionare i contatti e reinstallare il gruppo batteria. ■ Ricaricare il gruppo batteria. ■ Attendere che la temperatura del gruppo batteria o della motosega scenda al di sotto di 67°C. ■ Spingere la leva del freno catena verso l'impugnatura anteriore, in posizione operativa. ■ Premere la motosega contro il legno e muoverla avanti e indietro per rimuovere i detriti. ■ Rimuovere il gruppo batteria, quindi rimuovere la copertura laterale ed eliminare i detriti.
La motosega si arresta durante il funzionamento.	<ul style="list-style-type: none"> ■ La motosega è sovraccarica. ■ Il gruppo batteria o la motosega sono troppo caldi. ■ La catena è incastrata nel legno. 	<ul style="list-style-type: none"> ■ Diminuire il carico. ■ Diminuire il carico. Attendere che la temperatura del gruppo batteria o della motosega scenda al di sotto di 67°C. ■ Rilasciare l'interruttore a grilletto; rimuovere la catena e la barra guida dal legno, quindi riavviare la motosega.
Il motore funziona ma la catena non ruota.	<ul style="list-style-type: none"> ■ La catena non ingrana il pignone. 	<ul style="list-style-type: none"> ■ Reinstallare la catena, assicurandosi che le maglie di trascinamento sulla catena siano posizionate correttamente sul pignone.
Il freno catena non si innesca.	<ul style="list-style-type: none"> ■ I detriti impediscono il movimento completo della leva del freno catena. ■ Malfunzionamento del freno catena. 	<ul style="list-style-type: none"> ■ Rimuovere i detriti dal meccanismo esterno del freno catena. ■ Contattare il centro di assistenza EGO per la riparazione.

PROBLEMA	CAUSA	SOLUZIONE
La motosega non taglia correttamente.	<ul style="list-style-type: none"> ■ La tensione della catena è insufficiente. ■ La catena è smussata. ■ La catena è installata in senso inverso. ■ La catena è usurata. ■ La catena è secca o eccessivamente allungata. ■ La catena non è posizionata nella scanalatura della barra. 	<ul style="list-style-type: none"> ■ Regolare nuovamente la tensione della catena, come descritto alla sezione "REGOLAZIONE DELLA TENSIONE DELLA CATENA". ■ Affilare la catena. ■ Reinstallare la catena come descritto alla sezione "ASSEMBLAGGIO/ SOSTITUZIONE DI BARRA E CATENA". ■ Sostituire la catena, come descritto alla sezione "ASSEMBLAGGIO/ SOSTITUZIONE DI BARRA E CATENA". ■ Controllare il livello dell'olio. Riempire il serbatoio dell'olio e aumentare la quantità di olio. ■ Reinstallare la catena come descritto alla sezione "ASSEMBLAGGIO/ SOSTITUZIONE DI BARRA E CATENA".
La catena si allenta o cade dalla barra guida durante l'uso normale.	<ul style="list-style-type: none"> ■ La catena si allenta mano a mano che la sua temperatura aumenta durante l'uso normale della motosega. ■ La catena non ingrana il pignone. 	<ul style="list-style-type: none"> ■ Regolare la tensione della catena come descritto alla sezione "REGOLAZIONE DELLA TENSIONE DELLA CATENA". ■ Reinstallare la catena come descritto alla sezione "ASSEMBLAGGIO/ SOSTITUZIONE DI BARRA E CATENA".

IT

GARANZIA

CONDIZIONI DELLA GARANZIA EGO

Visitare il sito web egopowerplus.eu per consultare le condizioni complete della garanzia EGO.

LEES ALLE INSTRUCTIES!



LEES DE GEBRUIKSAANWIJZING

WAARSCHUWING: Laat alle reparaties uitvoeren door een vakbekwame reparateur om een continue veiligheid en betrouwbaarheid te waarborgen.

WAARSCHUWING: Lees en begrijp alle veiligheidsinstructies die in deze gebruiksaanwijzing staan vermeld, waaronder alle veiligheidssymbolen zoals "GEVAAR", "WAARSCHUWING", en "OPGELET" voordat u dit gereedschap in gebruik neemt. Het negeren van onderstaande instructies kan leiden tot een elektrische schok, brand en/of ernstig persoonlijk letsel.

NL

BEWAAR ALLE WAARSCHUWINGEN EN INSTRUCTIES VOOR TOEKOMSTIG GEBRUIK.

VEILIGHEIDSSYMBOL

WAARSCHUWING: Het gebruik van elektrische gereedschappen kan leiden tot het rondslingeren van (vreemde) objecten die in uw ogen kunnen terechtkomen. Dit kan leiden tot ernstig oogletsel. Wanneer u elektrische apparaten gebruikt, zorg er dan voor dat u altijd een veiligheidsbril (met zijschermen) of een gelaatsscherm draagt. We bevelen aan om een gelaatsscherm over uw bril of een standaard veiligheidsbril met zijschermen te gebruiken.

VEILIGHEIDSSYMBOLEN



Veiligheidswaarschuwing



Draag oogbescherming



Draag hoofdbescherming



Pas op voor de terugslag van de kettingzaag en voorkom contact met de punt van het zaagblad



Informatie over het zaagblad



Gewaarborgd geluidsvermogensniveau. Geluidsemissie voor de omgeving in overeenstemming met de richtlijnen van de Europese Unie.



Dit product is in overeenstemming met de EG-richtlijnen.



Bluetooth®

mm Millimeter

V Spanning

IPX4 Bescherming tegen water



De gebruiker dient de gebruiksaanwijzing voor het gebruik van dit product te lezen en te begrijpen om risico op letsel te beperken.



Draag gehoorbescherming



Draag beschermende handschoenen



Terugslag van de punt van het zaagblad



Gebruik de kettingzaag altijd met twee handen



Gooi elektrisch afval niet via het huishoudelijk afval weg. Breng het naar een geautoriseerd recyclingbedrijf.



Dit product is in overeenstemming met de toepasselijke richtlijnen van het VK.



Gelijkstroom

n_0 Snelheid zonder belasting

./min Per minuut

SPECIFICATIES

Nominale spanning	56 V	
Max. Kettingnelheid	25 m/s	
Kettingsteek	3/8" (9,5 mm)	
Kettingpeil	1,3 mm	
Lengte zaagblad	50 cm	
Zaag kettingtype	AC2005	
Zaagblad type	AG2005	
Kettingolie tankcapaciteit	250 ml	
Gewicht (zonder accu, zaagketting, zaagblad, zijkap, olie en kettingbeschermer)	3,9 kg	
Aanbevolen bedrijfstemperatuur	-15°C-40°C	
Aanbevolen opslagtemperatuur	-20°C-70°C	
Aanbevolen oplaadtemperatuur	5°C-40°C	
Gemeten geluidsniveau L_{WA}	103 dB(A) K=1,7 dB(A)	
Geluidsdruk niveau bij de werkpositie L_{PA}	89 dB(A) K=3 dB(A)	
Gewaarborgd geluidsvermogensniveau L_{WA} (in overeenstemming met 2000/14/EC)	105 dB(A)	
Trilling a_n	Voorste handgreep	4,69 m/s ² K=1,5 m/s ²
	Achterste handgreep	4,24 m/s ² K=1,5 m/s ²

- De opgegeven totale vibratiewaarde is gemeten volgens de standaard testmethode en kan worden gebruikt om het apparaat met een ander apparaat te vergelijken;
- De opgegeven totale vibratiewaarde kan tevens worden gebruikt in een voorafgaande beoordeling op blootstelling.

OPMERKING: De trillingsemmissie tijdens het werkelijk gebruik van het elektrisch gereedschap kan verschillen van de opgegeven totale waarde; Om de gebruiker te beschermen dient de gebruiker tijdens het gebruik handschoenen en gehoorbescherming te dragen.

INHOUD VAN DE VERPAKKING (AFB.A1)

BESCHRIJVING

KEN UW KETTINGZAAG (afb. A1)

- Zaagketting
- Afkortspikes
- Terugslagremhendel
- Voorste handgreep
- Lcd-scherm
- Snelheidsbalken
- Bluetooth-pictogram
- Lamp pictogram
- Rempictogram
- Brandstofmeter
- Knop koplamp/Bluetooth
- Knop voor kettingsnelheid
- Vergrendelknop
- Trekverschakelaar
- Achterste handgreep
- Accu-ontgrendelingsknop
- Oliepeil-inspectievenster
- Oliereservoirdop
- Zaagblad
- Smeeropening
- Zij-afdekking
- Zij-afdekking moeren
- Led werkklamp
- Kettingspanningspen
- Dopsleutel met twee uiteinden
- Kettingbescherming

MONTAGE

MONTEREN/VERVANGEN VAN HET ZAAGBLAD EN DE KETTING

⚠ WAARSCHUWING: Pas de terugslagremhendel van de ketting in de rempositie aan alvorens deze te monteren.

- Plaats de kettingzaag motorkop op de zijkant met de zijkant naar boven gericht (afb. B).
- Verwijder de zijklep door de twee borgmoeren linksom te draaien.
- Draai de kettingspanbout linksom om de kettingspanning los te maken.
- Plaats de zaagketting in een lus op de vlakke ondergrond en maak eventuele knikken recht (afb. C).
- Plaats de aandrijfschakels van de ketting in de groef van het zaagblad en laat de ketting in een lus naar de achterkant van het zaagblad lopen (afb. D).
- Houd de ketting op zijn plaats op het zaagblad en

plaats de lus rond het tandwiel van de zaag met paal (afb. E1).

B-1	Borgmoeren	D-2	Zaagbladgroef
B-2	Kettingspanningspen	E-1	Aandrijftandwiel
D-1	Aandrijfschakels van de ketting		

NL

OPMERKING: Wanneer de zaagketting op het zaagblad wordt gelust, moet ervoor worden gezorgd dat het zaagpatroon en de pijl voor de draairichting op de behuizing overeenkomen. Als ze in tegengestelde richting wijzen, monteer dan de zaagketting opnieuw op het zaagblad met de pijlen in dezelfde richting (afb. E2).

7. Plaats het zijpaneel terug op de motorzaagbehuizing en draai de twee borgmoeren volledig vast.
8. Draai de ketting met de hand om te controleren of de ketting goed vastzit zonder vast te klemmen. Anders moet u de ketting en het blad opnieuw monteren.

OPMERKING: Om de levensduur van het zaagblad te verlengen, dient u het zaagblad af en toe te draaien.

AANPASSEN VAN DE KETTINGSPANNING

- Stop de motor en verwijder het accupack voordat u de kettingspanning aanpast. Draai de kettingspanningsbout rechtsom of linksom om de kettingspanning in te stellen (Afb. F) totdat de ketting goed tegen het zaagblad zit met de aandrijfschakels in de groef van het zaagblad.
- Een koude ketting staat goed onder spanning als er geen sprake is van speling aan de onderkant van het zaagblad en als de ketting strak zit, maar zonder problemen met de hand gedraaid kan worden. De ketting moet opnieuw worden gespannen als vlakken van de schakels niet op de groef van het zaagblad zitten.
- Tijdens het normale zagen neemt de temperatuur van de ketting toe. De aandrijfschakels van een correct gespannen warme ketting hangen ongeveer 1,3 mm uit de groef van het zaagblad (afb. G).

OPMERKING: Nieuwe kettingen neigen te rekken; controleer de spanning van de ketting regelmatig en span hem indien nodig.

OPMERKING: Als de ketting wordt gespannen als hij warm is, kan hij te strak zitten als hij weer afkoelt. Controleer de koude spanning voor het volgende gebruik.

GEbruik

⚠ WAARSCHUWING: Vertrouwdheid kan leiden tot onvoorzichtigheid. Opgelet, één seconde van onoplettendheid kan ernstig letsel teweegbrengen.

⚠ WAARSCHUWING: Gebruik geen opzetstukken of toebehoren die niet door de fabrikant van dit product zijn aanbevolen. Het gebruik van niet aanbevolen opzetstukken of toebehoren kan leiden tot ernstig persoonlijk letsel.

⚠ WAARSCHUWING: Om het per ongeluk starten van het gereedschap, wat persoonlijk letsel kan veroorzaken, te voorkomen, dient u altijd het accupack uit het gereedschap te halen als u onderdelen monteert, instellingen uitvoert, het reinigt of als het niet in gebruik is.

Voor elk gebruik dient u het complete product op beschadigingen, ontbrekende of loszittende onderdelen zoals schroeven, moeren, bouten, doppen, etc. te controleren. Draai alle bevestigingen goed vast en gebruik dit product niet totdat alle missende of beschadigde onderdelen zijn vervangen.

TOEPASSING

U kunt dit product gebruiken voor het normale kappen, snoeien, opsnoeien en houtsnedes van hout en bomen.

OPMERKING: Het apparaat mag alleen voor het genoemde doel worden gebruikt. Ieder ander gebruik is in dit geval misbruik.

SMEERMIDDEL VAN HET ZAAGBLAD EN DE KETTING BIJVULLEN

⚠ WAARSCHUWING: Niet roken en geen vuur of vlammen in de buurt van de olie of de kettingzaag brengen. Olie kan lekken en brand veroorzaken.

OPMERKING: De kettingzaag is niet gevuld met olie op het moment van aankoop. Het is van essentieel belang dat de tank voor gebruik met olie wordt gevuld. De ketting wordt automatisch gesmeerd met kettingolie tijdens het gebruik.

1. Plaats de kettingzaag op de zijkant met de zijkant naar boven gericht.
2. Reinig de dop van de olietank rondom om ervoor te zorgen dat er geen vuil in de olietank valt.
3. Til de halfronde plaat op en draai de dop van het oliereservoir linksom eraf (afb. H).
4. Giet voorzichtig de olie voor het zaagblad en de ketting in de tank. Vul tot aan de onderkant van de vulhals.
5. Veeg overtollige olie weg en plaats de dop weer terug.

OPMERKING: Controleer het oliepeil regelmatig en vul bij wanneer het oliepeil onder het minimum is gedaald. Gebruik de kettingzaag nooit als er geen olie meer zichtbaar is.

HET ACCUPACK INSTALLEREN/VERWIJDEREN

Gebruik alleen met de in afb. A2 vermelde accupacks en opladers van EGO.

Voor de eerste ingebruikname volledig opladen.

Installeren

Breng de ribbels van de accu overeen met de montagesleuven en druk het accupack naar beneden totdat u “klik” hoort (afb. I).

Verwijderen

Druk de accu-ontgrendelingsknop naar beneden en trek het accupack eruit (afb. J).

DE KETTINGZAAG STARTEN/STOPPEN

OPMERKING: Voordat u de kettingzaag start, dient u het oliepijl, de scherpte van de tanden en de correct werkende terugslagremhendel te controleren. Bovendien dient u goed te staan en voor voldoende ruimte te zorgen.

Starten (afb. K)

1. Trek de terugslagremhendel van de ketting naar de voorste handgreep in de gebruikpositie (afb. K)
2. Pak altijd de voorste handgreep met de linkerhand en de achterste handgreep met de rechterhand vast.

WAARSCHUWING: Om letsel te voorkomen, moet u de motorzaag altijd met de rechterhand in de handgreep van de achterste handgreep gebruiken (Afb. L).

3. Druk de ontgrendelknop met de duim van uw rechterhand en houd hem ingedrukt. Druk vervolgens met de vingers van uw rechterhand op de drukschakelaar om de zaag te starten (afb. L).

L-1	Grijptanden
-----	-------------

4. Laat de ontgrendelknop los en houd de drukschakelaar ingedrukt voor continu gebruik.
5. Hoe verder de trekkerschakelaar ingedrukt wordt, hoe hoger de snelheid. Pas de snelheid aan de hand van de taak aan.

WAARSCHUWING: Probeer de zaag niet te starten als de zaag in een zaagsnede steekt.

Stoppen

1. Beweeg de kettingzaag weg van het zaaggebied en laat de drukschakelaar los om de kettingzaag te stoppen.
2. Druk de terugslagremhendel van de ketting naar voren naar de rempositie om de kettingrem te activeren (afb. K).

WAARSCHUWING: Haal altijd het accupack uit het apparaat wanneer u een pauze inlast of als u klaar bent met gebruik.

SNELHEIDSMODUS WIJZIGEN (afb. M)

Het apparaat heeft drie snelheidsmodi. Elke snelheidsmodus beperkt de maximumsnelheid van de kettingzaag. De snelheidsmodus verandert bij elke druk op de snelheidsmodusknop.

De snelheidsbalken op het lcd-scherm geven de actieve snelheidsmodus weer: één balk voor lage snelheid, twee balken voor gemiddelde snelheid en drie balken voor hoge snelheid. De lage snelheidsmodus (ECO) zorgt voor een betere controle van het apparaat en een langere gebruiksduur per acculading.

M-1	Snelheidsbalken	M-5	Brandstofmeter
M-2	Bluetooth-pictogram	M-6	Knop werkklamp/Bluetooth
M-3	Lamp pictogram	M-7	Knop voor kettingsnelheid
M-4	Rempictogram		

OPMERKING: Wanneer een EGO-accupack met een capaciteit van 2,5 Ah of lager wordt gebruikt, is alleen de ECO-modus beschikbaar. Het is niet mogelijk om de hoge snelheid te bereiken wanneer een EGO-accupack met een capaciteit van lager dan 6,0 Ah wordt gebruikt. Voor de beste prestaties raden wij het gebruik van EGO-accupacks aan met een capaciteit van 6,0 Ah (bijv. BA3360T) of meer.

OPMERKING: De snelheidsgeheugenfunctie van de machine onthoudt de laatste snelheidsinstelling en activeert deze de volgende keer dat de machine wordt ingeschakeld.

OPMERKING: Het lcd-scherm licht op wanneer de triggerschakelaar wordt overgehaald of wanneer de snelheidsknop of de Werkklamp/Bluetooth-knop wordt ingedrukt. Hij zal automatisch uitschakelen na ongeveer 30 seconden inactiviteit van de kettingzaag.

LED-WERKLAMP (afb. N)

De led-werkklamp bevindt zich aan de voorkant van de motorkop van de kettingzaag. De werkklamp biedt verlichting voor een betere zichtbaarheid en heeft 2 helderheidsniveaus.

Druk één keer op de knop Werkklamp/Bluetooth (afb. M) om de werkklamp in te schakelen. De werkklamp wordt ingeschakeld bij een lage helderheid en het pictogram voor de lage helderheid van de werkklamp verschijnt op het lcd-scherm. Druk nogmaals op de knop Werkklamp/Bluetooth om over te schakelen naar het hoge helderheidsniveau en het pictogram werkklamp hoge helderheid verschijnt op het lcd-scherm.

Om de werkklamp uit te schakelen, drukt u de derde keer op de Werkklamp/Bluetooth-knop en het Werkklamp pictogram

verdwijnt van het lcd-scherm.

N-1	Pictogram werkklamp lage helderheid	N-3	Led werkklamp
N-2	Pictogram werkklamp hoge helderheid		

OMNI-DIRECTIONEEL KETTINGREMSYSTEEM (Fig. 01 en Fig. 02)

WAARSCHUWING: het omni-directioneel kettingremsysteem is niet bestemd als vervanging van de standaard/traditionele kettingrem. De gebruiker mag tijdens de werking van de kettingzaag nooit alleen vertrouwen op deze functie als bescherming tegen terugslag. Volg altijd de veiligheidsvoorschriften inzake het beperken van terugslag die in de waarschuwingssectie van deze handleiding zijn vermeld.

Wanneer het omni-directioneel kettingremsysteem wordt geactiveerd en de zaag stopt, knippert het rempictogram op het LCD-scherm (Fig. M). Laat de drukschakelaar los, verwijder de zaagketting en het zaagblad uit het hout en start de kettingzaag vervolgens opnieuw.

OPMERKING: De sensoren detecteren alleen plotselinge bewegingen van de zaag in het vlak van het zaagblad (fig. 01). De sensoren detecteren geen plotselinge zijwaartse bewegingen van de zaag (fig. 02) (d.w.z. loodrecht op het vlak van het zaagblad).

COMMUNICATIETECHNOLOGIE

Voor informatie over ons volledige assortiment van verbonden producten en diensten, inclusief verbodingsinstructies, scant u de QR-code hieronder of bezoekt u www.egopowerplus.eu/connect.



CORRECTE GRIP OP DE HANDGREPEN (afb. P1)

- Draag anti-slip handschoenen voor een maximale grip en bescherming.
- Met de zaag op een stevige, vlakke ondergrond houdt u de zaag stevig met beide handen vast.
- Pak altijd de voorste handgreep met de linkerhand en de achterste handgreep met de rechterhand vast.
- De vingers dienen de handgreep te omsluiten, met de duim onder de voorste handgreep.

WAARSCHUWING: Gebruik nooit een linkshandige (gekruiste) greep, of een houding waarbij u uw lichaam of arm over de kettinglijn beweegt.

WAARSCHUWING: Druk de schakelaar niet met uw linkerhand en houd de voorste handgreep met uw rechterhand vast. Breng nooit een deel van uw lichaam in de kettinglijn terwijl de kettingzaag in gebruik is (afb. P2).

GOEDE ZAAGPOSITIE (afb. Q)

- Beide voeten moeten op een vaste ondergrond staan, het gewicht gelijkmatig verdeeld.
- De linkerarm moet recht zijn, met de elleboog vergrendeld. Dit helpt om de krachten van de terugslag te weerstaan.
- Uw lichaam moet zich altijd links van de zaaglijn bevinden.

INSTRUCTIES VOOR DE JUISTE TECHNIEK VOOR HET NORMALE KAPPEN, SNOEIEN, EN KRUISELINGS ZAGEN

WAARSCHUWING: Zorg altijd voor een veilige stand en houd de kettingzaag stevig met beide handen vast terwijl de motor draait.

WAARSCHUWING: Als de zaagketting is gestopt tijdens het zagen doordat hij klem zit, laat u de drukschakelaar los; verwijder de zaagketting en het zaagblad uit het hout, start de zaag vervolgens opnieuw.

WAARSCHUWING: Trek de zaagketting niet met de hand eruit als hij bedekt is door zaagsel. Ernstig letsel kan het gevolg zijn als de zaag per ongeluk weer start. Druk de zaagketting tegen het hout, beweeg de zaagketting heen en weer om het vuil te verwijderen. Verwijder altijd de accu voor het reinigen. Draag zware beschermende handschoenen als met de zaagketting werkt.

WAARSCHUWING: Start de kettingzaag nooit als deze contact heeft met het hout. Laat de kettingzaag eerst op snelheid komen voordat u de zaag in contact brengt met het hout.

EEN BOOM KAPPEN

- Als het zagen en kappen door twee of meer personen gelijktijdig wordt uitgevoerd, dient het kappen apart van het zagen plaats te vinden op een afstand van tenminste twee keer de hoogte van de boom die wordt gekapt. Bomen mogen niet worden gekapt als hierdoor gevaren voor personen ontstaan, een stroomleiding kan worden geraakt of eigendom kan worden beschadigd. Als de boom contact heeft met een stroomleiding, dient u direct contact op te nemen met de stroomleverancier.
- De bediener van de kettingzaag dient aan

de hogere zijde van het terrein te staan, aangezien de boom waarschijnlijk naar beneden rolt of glijdt als hij wordt gekapt.

- U dient altijd een vluchtweg te plannen en deze vrij te maken voordat u begint met zagen. De vluchtweg dient zich naar achteren en diagonaal ten opzichte van de verwachte vallijn te bevinden zoals weergegeven in afb. R.

R-1	Kaprichting	R-2	Veilige vluchtweg
-----	-------------	-----	-------------------

- Voordat u begint met kappen, dient u op de natuurlijke hoek van de boom, de locatie of grotere takken en de windrichting te kijken om te beoordelen in welke richting de boom zal vallen.
- Verwijder vuil, stenen, losse schors, spijkers, nietjes en draden van de boom.

Inkepen

Maak een inkeping 1/3 van de diameter van de boom, loodrecht op de valrichting, zoals te zien in afb. S. Zet eerst de lagere horizontale inkeping aan. Hierdoor wordt voorkomen dat de kettingzaag of het zaagblad vast komen te zitten als de tweede inkeping wordt gemaakt.

S-1	Richting van de val	S-3	Snoeisnede
S-2	Inkeping	S-4	Scharnier

Snoeisnede

- Maak de snoeisnede tenminste 50 mm hoger dan de horizontale inkeping zoals weergegeven in afb. S. Houd de snoeisnede parallel met de horizontale inkeping. Maak de snoeisnede zo dat er genoeg hout over is dat als scharnier kan fungeren. Het scharnierhout zorgt ervoor dat de boom niet draait en in de verkeerde richting valt. Zaag niet door het scharnier.
- Als de snoeisnede dicht bij het scharnier komt, moet de boom beginnen te vallen. Als er een mogelijkheid bestaat, dat de boom niet in de gewenste richting valt of als hij terug wiegt en de zaagketting vast haakt, dient u te stoppen met zagen voordat de snoeisnede compleet is en dient u gebruik te maken van houten, plastic of aluminium wiggen om de snede te openen en de boom in de gewenste richting te laten vallen.
- Als de boom begint te vallen dient u de zaag uit de snede te halen, de motor te stoppen, de zaag neer te leggen en de geplande vluchtweg te gebruiken. Wees alert voor takken die boven uw hoofd omlaag

kunnen vallen en pas op waar u loopt.

Een boom snoeien

Snoeien is het verwijderen van de takken van een omgehakte boom. Als u snoeit, dient u grotere, lager zittende takken aan de boom te laten zodat deze de boom op de grond kan steunen. Verwijder kleine takken in één beweging zoals weergegeven in afb. T. Takken onder spanning moeten van beneden naar boven worden gezaagd om te voorkomen dat de kettingzaag vast komt te zitten.

Zagen van een blok

Zagen van een blok is het zagen van een boomstam in kortere stukken. Het is belangrijk om ervoor te zorgen dat u stevig staat en uw gewicht gelijkmatig over beide voeten verdeelt. Indien mogelijk dient u de blok op hoogte te brengen door middel van blokken of stutten. Volg de eenvoudige aanwijzingen voor het eenvoudig zagen.

- Als het hout over de gehele lengte wordt ondersteund zoals weergegeven in afb. U1, dient u van boven te zagen (bovenzijde).
- Als het blok aan één uiteinde wordt ondersteund zoals weergegeven in afb. U2, zaagt u 1/3 diameter vanaf de onderkant (onderzijde). Rond de zaagsnede vervolgens af door van boven uit te zagen totdat u bij de eerste zaagsnede aankomt.
- Als het blok aan beide uiteinden wordt ondersteund zoals weergegeven in afb. U3, zaagt u 1/3 diameter vanaf de bovenkant (bovenzijde). Rond de zaagsnede vervolgens af door van beneden uit de onderste 2/3 van de zaagsnede te zagen totdat u bij de eerste zaagsnede aankomt.
- Als u op een helling zaagt, dient u altijd boven de blok te staan zoals weergegeven in afb. V.
- Als u "doorzaagt", dient u, om de volledige controle te behouden, de zaagdruk te verminderen aan het einde van de zaagsnede zonder uw greep van de kettingzaag handgrepen te verminderen. Laat de ketting geen contact met de grond maken. Nadat u klaar bent met zagen, wacht u totdat de kettingzaag tot stilstand komt voordat u de kettingzaag beweegt. Stop de motor altijd voordat u van boom naar boom gaat.

ONDERHOUD

⚠ WAARSCHUWING: Gebruik voor reparaties uitsluitend identieke reserve-onderdelen. Het gebruik van andere onderdelen kan gevaar opleveren of schade aan het product veroorzaken. Laat alle reparaties uitvoeren door een vakbekwame reparateur om een continue veiligheid en betrouwbaarheid te waarborgen.

⚠ WAARSCHUWING: Om ernstig persoonlijk letsel te

voorkomen, moet u de accu altijd uit het product verwijderen voordat u het inspecteert, schoonmaakt of onderhoud uitvoert. Een gereedschap met accu waar het accupack geplaatst is, is altijd aan en kan direct starten.

⚠ WAARSCHUWING: Als u de zaag reinigt, dompel hem dan NIET in water of andere vloeistoffen.

⚠ WAARSCHUWING: Zorg dat remvloeistoffen, benzine, producten op basis van aardolie, oliën, etc. op geen enkel moment met de kunststof onderdelen in aanraking komen. Chemicaliën kunnen de kunststof onderdelen beschadigen, verzwakken of vernietigen en ernstig persoonlijk letsel veroorzaken.

NL

REINIGING

- Na ieder gebruik dient u het vuil met een zachte borstel van de ketting en het zaagblad te verwijderen. Veeg het oppervlak van de kettingzaag schoon met een vochtige doek en een mild zeepsopje.
- Verwijder de zij-afdekking en gebruik een zachte borstel om het vuil van het zaagblad, zaagketting, het tandwiel en de zij-afdekking te verwijderen.
- Verwijder altijd houtsnippers, zaagsel en vuil van de groef van het zaagblad als u de zaagketting vervangt.

ZAGBLAD ONDERHOUD

Als het zaagblad tekenen van slijtage vertoont, demonteer het dan van de motorkop van de zaag en draai het om voor hernieuwde montage (afb. W1). Op deze manier wordt de slijtage verdeeld om de levensduur van het zaagblad te maximaliseren.

Het blad dient iedere dag van gebruik te worden gereinigd en op slijtage en beschadigingen te worden gecontroleerd. Vering of afbramen van de bladgeleiders is een normaal slijtageproces van het zaagblad. Dergelijke fouten dienen te worden verholpen met een vijl zodra deze de kop opsteken. Een blad met één van de volgende fouten dient te worden vervangen.

- Slijtage aan de binnenkant van de bladgeleiders waardoor de ketting over de zijkant kan lopen.
- Gebogen zaagblad.
- Gescheurde of gebroken geleiders.
- Uiteenstaande geleiders.

Bovendien heeft het zaagblad een tandwiel aan de punt (afb. W2). Het tandwiel moet op een wekelijkse basis worden gesmeerd met een vetspuit om de levensduur van het zaagblad te verlengen. Gebruik een vetspuit om op een wekelijkse basis met kettingolie te smeren door middel van de smeropening (afb. W3). Draai het zaagblad en controleer of de smeropeningen en de ketting groef vrij zijn van

verontreinigingen.

W-1	Tandwiel in de punt van het zaagblad	W-2	Smeropening
-----	--------------------------------------	-----	-------------

OPMERKING: Gebruik door EGO goedgekeurde smeermiddelen voor de beste resultaten.

TRANSPORT EN OPSLAG

Berg de kettingzaag nooit op en transporteer hem niet als hij aan staat. Verwijder altijd het accupack voor het opbergen of de transport.

Plaats altijd de bescherming op het zaagblad en de ketting voordat u de kettingzaag opslaat of transporteert. Let op voor de scherpe tanden van de ketting.

Maak de kettingzaag grondig schoon voordat u deze opbergt. Berg de kettingzaag binnenshuis op in een grote ruimte die voor kinderen gesloten en/of ontoegankelijk is.

Houd uit de buurt van corrosieve middelen, zoals tuinchemicaliën en strooizout.

HET MILIEU BESCHERMEN



Gooi geen elektrische apparatuur, gebruikte accu's en laders weg via het huishoudelijk afval!

Geef dit product af bij een geautoriseerd recyclingbedrijf en zorg dat het apart kan worden ingezameld. Elektrisch gereedschap moet worden afgegeven voor een milieuvriendelijke recycling.

PROBLEEMOPLOSSING

⚠ WAARSCHUWING: Bescherm altijd uw handen door zware handschoenen te dragen als u onderhoud aan de kettingzaag uitvoert. Verwijder altijd het accupack tijdens onderhoud of transport van de kettingzaag.

PROBLEEM	OORZAAK	OPLOSSING
De motor start niet.	<ul style="list-style-type: none"> ■ Het accupack is niet met de kettingzaag verbonden. ■ Er is geen elektrisch contact tussen de zaag en accu. ■ De accu is leeg. ■ Het accupack of de kettingzaag is te warm. ■ De kettingrem is geactiveerd. ■ Er bevindt zich vuil in de groef van het blad. ■ Er bevindt zich vuil in de afdekking. 	<ul style="list-style-type: none"> ■ Bevestig het accupack aan de kettingzaag. ■ Verwijder de accu, controleer de contacten en bevestig het accupack weer. ■ Laad het accupack op. ■ Laat het accupack of de kettingzaag afkoelen totdat de temperatuur lager dan 67°C is. ■ Trek de terugslagremhendel naar achteren naar de voorste handgreep tot in de gebruikpositie. ■ Druk de zaagketting tegen het hout, beweeg de zaagketting heen en weer om het vuil te verwijderen. ■ Verwijder het accupack, verwijder vervolgens de zij-afdekking en ontdoe hem van vuil.
De kettingzaag stopt met lopen tijdens het gebruik.	<ul style="list-style-type: none"> ■ De kettingzaag is overbelast. ■ Het accupack of de kettingzaag is te warm. ■ De zaagketting zit vast in het hout. 	<ul style="list-style-type: none"> ■ Verlaag de belasting. ■ Verlaag de belasting. Laat het accupack of de kettingzaag afkoelen totdat de temperatuur lager dan 67°C is. ■ Laat u de drukschakelaar los; verwijder de zaagketting en het zaagblad uit het hout, start de zaag vervolgens opnieuw.
De motor loopt, maar de ketting draait niet.	<ul style="list-style-type: none"> ■ De ketting heeft geen contact met het tandwiel. 	<ul style="list-style-type: none"> ■ Bevestig de ketting weer; zorg ervoor dat de aandrijfschakels van de ketting volledig over het tandwiel lopen.
De kettingrem wordt niet geactiveerd.	<ul style="list-style-type: none"> ■ Vuil voorkomt de volledige beweging van de terugslagremhendel ■ Mogelijke storing van de kettingrem. 	<ul style="list-style-type: none"> ■ Verwijder vuil van het externe kettingremmechanisme. ■ Neem contact op met de klantenservice van EGO in geval van reparaties.

PROBLEEM	OORZAAK	OPLOSSING
De kettingzaag zaagt niet goed.	<ul style="list-style-type: none"> ■ Onvoldoende kettingspanning. ■ Botte ketting. ■ De ketting is achterste voren bevestigd. ■ De ketting is versleten. ■ Droge of overmatig gerekte ketting. ■ De ketting loopt niet in de groef van het zaagblad. 	<ul style="list-style-type: none"> ■ Pas de kettingspanning aan; doe dit aan de hand van de volgende alinea: AANPASSEN VAN DE KETTINGSPANNING ■ Slijp de ketting. ■ Monteer de zaagketting weer, volg hiervoor de instructies in het gedeelte "MONTEREN/VERVANGEN VAN HET ZAAGBLAD EN DE KETTING." ■ Vervang de ketting; doe dit aan de hand van het volgende gedeelte: MONTEREN/VERVANGEN VAN HET ZAAGBLAD EN DE KETTING ■ Controleer het oliepeil. Vul de olietank bij en kies indien nodig een hoger olievolume. ■ Herstalleer de zaagketting; doe dit aan de hand van het volgende gedeelte: MONTEREN/VERVANGEN VAN HET ZAAGBLAD EN DE KETTING
De ketting raakt los of valt uit het zaagblad tijdens het normale gebruik.	<ul style="list-style-type: none"> ■ De ketting raakt los omdat de temperatuur van de ketting toeneemt tijdens het normale zaagproces. ■ De ketting heeft geen contact met het tandwiel. 	<ul style="list-style-type: none"> ■ Zorg voor de kettingspanning, volg hiervoor de instructies in AANPASSEN VAN DE KETTINGSPANNING ■ Herstalleer de zaagketting; doe dit aan de hand van het volgende gedeelte: MONTEREN/VERVANGEN VAN HET ZAAGBLAD EN DE KETTING

GARANTIE

EGO-GARANTIEBELEID

Bezoek alstublieft de website egopowerplus.eu voor de volledige voorwaarden van het EGO-garantiebeleid.

LÆS ALLE VEJLEDNINGERNE!



LÆS BRUGERVEJLEDNINGEN

ADVARSEL: For at sikre sikkerhed og pålidelighed, bør alle reparationer udføres af en kvalificeret servicetekniker.

ADVARSEL: Sørg for at læse og forstå alle sikkerhedsanvisninger i denne brugsanvisning, herunder alle sikkerhedssymboler, såsom "FARE", "ADVARSEL" og "FORSIGTIG", før du bruger dette værktøj. Hvis anvisningerne nedenfor ikke følges, kan det føre til elektrisk stød, brand og/eller alvorlig personskade.

GEM ALLE ADVARSLER OG INSTRUKTIONER TIL FREMTIDIG REFERENCE.

SIKKERHEDSSYMBOL

ADVARSEL: Når elværktøjer bruges, er der altid en risiko for at genstande slynges ind i øjnene, som kan føre til alvorlige øjenskader. Inden du begynder elværktøj drift, altid bære beskyttelsesbriller eller sikkerhedsbriller med side skjolde og en fuld ansigtsmaske når det er nødvendigt. Vi anbefaler en Wide Vision Safety Maske til brug over briller eller standard sikkerhedsbriller med sideskærme.

DK

SIKKERHEDSSYMBOLER



Sikkerhedsadvarsel



Bær beskyttelse-sbriller



Brug hovedbeskyttelse



Pas på tilbageslag fra motorsaven og undgå kontakt på spidsen af motorsaven



Oplysninger om savsværdet



Garanteret lydniveau. Støjemission til miljøet opfylder EF-direktivet.



Dette produkt er i overensstemmelse med gældende EU-direktiver.



Bluetooth®

mm Millimeter

V Spænding

IPX4 Beskyttelse mod vandsprøjt



For at reducere risikoen for skader, skal brugeren læse og forstå brugsanvisningen, før dette produkt tages i brug.



Brug høreværn



Brug beskyttelsehandsker



Spidsen af savsværdet kan slå tilbage



Motorsaven skal altid holdes med begge hænder



Elektriske affaldsprodukter må ikke bortskaffes sammen med husholdningsaffald. Tag det til en godkendt genbrugsplads.



Dette produkt er i overensstemmelse med lovgivningen i Storbritannien.



Jævnstrøm (DC)

n_0 Hastighed uden belastning

./min Per minut

BEMÆRK: Bluetooth®-mærket og -logoerne er registrerede varemærker tilhørende Bluetooth SIG, inc. og enhver brug af sådanne mærker af EGO er under licens.

SPECIFIKATIONER

Nominal spænding	56 V	
Maks. Kædehastighed	25 m/s	
Kædedeling	3/8" (9,5 mm)	
Kædemåler	1,3 mm	
Længde på sværdet	50 cm	
Savkædetype	AC2005	
Sværdtype	AG2005	
Kapacitet på oliebeholderen til kæden	250 ml	
Vægt (uden batteri, savkæde, styrestang, sidedæksel, olie og kædehylster)	3,9 kg	
Anbefalet driftstemperatur	-15°C-40°C	
Anbefalet opbevaringstemperatur	-20°C-70°C	
Anbefalet opladningstemperatur	5°C-40°C	
Målt lydeffektniveau L_{WA}	103 dB(A) K=1,7 dB(A)	
Lydtryk tæt ved arbejdspositionen L_{PA}	89 dB(A) K=3 dB(A)	
Garanteret lydeffekt L_{WA} (i henhold til 2000/14/EF)	105 dB(A)	
Vibration a_h	Forhåndtag	4,69 m/s ² K=1,5 m/s ²
	Baghåndtag	4,24 m/s ² K=1,5 m/s ²

- Den samlede erklærede vibrationsværdi er målt i overensstemmelse med en standard testmetoden, og den kan bruges til at sammenligne et værktøj med et andet;
- Den samlede angivne vibrationsværdi kan også bruges ved en foreløbig vurdering af eksponeringen.

BEMÆRK: Vibrationsemissionen ved faktisk brug af elværktøjet kan afvige fra den angivne værdi, hvor værktøjet bruges. For at beskytte brugeren, skal brugeren bruge handsker og høreværn i de faktiske brugsforhold.

LISTE OVER DELE (FIG. A1)

BESKRIVELSE

GØR DIG BEKENDT MED DIN MOTORSAV (fig. A1)

- Savkæde
- Pigge
- Bremsehåndtag ved tilbageslag
- Forhåndtag
- LCD-skærm
- Hastighedslinjer
- Bluetooth-ikon
- Forlygte-ikon
- Bremse-ikon
- Brændstofmåler
- Forlygte/Bluetooth-knap
- Kædehastighedsknap
- Låseknap
- Startknap
- Baghåndtag
- Knap til frigørelse af batteri
- Vindue til olietjek
- Låg til oliebeholder
- Savsværd
- Hul til smøring
- Sidebeslag
- Møtrikker til sidebeslag
- LED-forlygter
- Kædespændingsbolt
- Topnøgle med to ender
- Kædehylster

SAMLING

MONTERING/UDSKIFTNING AF SVÆRDET OG KÆDEN

⚠ ADVARSEL: Sæt kædebremsehåndtaget på bremset indstilling inden produktet samles.

- Læg motorhuset på siden med sidebeslaget vendt opad (fig. B).
- Fjern sidedækslet ved at dreje de to låsemøtrikker mod uret.
- Drej kædespændebolten mod uret for at løsne kædespændingen.
- Læg savkæden i en løkke på en plan flade, og ret alle knæk ud (fig. C).
- Sæt kæden på rillen på sværdet, og sørg for at kæden danner en løkke på bagsiden af sværdet (fig. D).
- Hold kæden på plads på sværdet, og sæt kædeløkken omkring savens tandhjul (fig. E1).

B-1	Låsemøtrikker	D-2	Rille på savsværdet
B-2	Kædespændingsbolt	E-1	Tandhjul
D-1	Kædeled		

BEMÆRK: Når du har sat styrestangen på saven, og du sætter savkæden på sværdet, skal du sørge for at den passer med skæremønstret og drejeretningspilen på kabinettet. Hvis de vender i modsatte retninger, skal du vende kæden om (fig. E2).

- Sæt sidedækslet på kabinettet, og spænd de to låsemøtrikker ordentligt.
- Drej kæden med hånden for at se, om er sat rigtigt på og at den ikke binder. Eller skal du samle kæde og sværdet igen.

BEMÆRK: For at forlænge savsværdets levetid, skal det regelmæssigt vendes om.

SÅDAN JUSTERES KÆDESTRAMNINGEN

- Stop motoren og tag batteripakken ud, inden kædestramningen justeres. Drej kædespændebolten med uret eller mod uret for at justere kædespændingen (fig. F), indtil kæden sidder tæt på sværdet med leddene i rillen på sværdet.
- En kold kæde er korrekt spændt, når den ikke hænger ned på undersiden af sværdet og den sidder fast, men stadig kan dreje rundt uden at binde. Kæden skal spændes når de flade dele på leddene ikke sidder i rillen på savsværdet.
- Under normalt brug af saven stiger kædens temperatur. Leddene på en korrekt spændt varm kæde skal hænge ca. 1,3 mm fra rillen på savsværdet (fig. G).

BEMÆRK: Nye kæder har tendens til at udvide sig. Tjek regelmæssigt kædestramningen og spænd kæden, hvis nødvendigt.

BEMÆRK: Hvis en kæde strammes, når den er varm, bliver den muligvis for stram, når den bliver kold. Kædens stramning skal tjekkes, når den er kold og inden efterfølgende brug.

BETJENING

⚠ ADVARSEL: Lad ikke fortrolighed med dette produkt gøre dig skodesløs. Husk på, at det kan føre til alvorlige skader, hvis du ikke er opmærksom i blot et sekund.

⚠ ADVARSEL: Anvend ikke tilbehør eller påmonteringer, der ikke anbefales af fabrikanten af dette

produkt. Brug af tilbehør eller påmonteringer, der ikke anbefales, kan forårsage alvorlig personskade.

⚠ ADVARSEL: For at forhindre, at apparatet startes ved et uheld, som kan føre til alvorlige personskader, skal batteripakken altid tages ud, når dele sættes på, motorsaven justeres og rengøres og når den ikke er i brug.

Før hver brug skal du undersøge hele produktet for skader, manglende eller løse dele, såsom skruer, møtrikker, bolte, hætter osv. Spænd omhyggeligt alle befæstelsesdele og hætter, og betjen ikke dette produkt, før alle manglende eller beskadigede dele er udskiftet.

BRUG

Dette produkt er beregnet til almindelig fældning, afkvistning, beskæring og savning af træstammer og træer.

BEMÆRK: Maskinen må kun bruges til dens tilsigtede formål. Enhver anden anvendelse anses for at være et tilfælde af misbrug.

SÅDAN PÅFYLDES OLIEBEHOLDEREN TIL SMØRING AF SAVSVARDET OG KÆDEN

⚠ ADVARSEL: Der må ikke rygges eller være åbne flammer i nærheden af olien eller motorsaven. Der kan spildes olie, der kan føre til brand.

BEMÆRK: Motorsav er ikke fyldt med olie, når den købes. Der skal fyldes olie på motorsaven inden brug. Kæden smøres automatisk med kædeolien, når saven bruges.

- Læg motorsaven på siden med låget til oliebeholderen vendt opad.
- Rengør låget til oliebeholderen og området omkring det for at sikre, at der ikke kommer snavs ind i oliebeholderen.
- Løft den halvrunde plade op og drej låget til oliebeholderen mod uret for at tage det af (fig. H).
- Hæld forsigtigt olien til sværd og kæde i beholderen. Fyld op til den nederste kant på halsen.
- Tør eventuelle olierester af, og sæt dækslet på igen.

BEMÆRK: Kontroller regelmæssigt olie niveauet, og fyld olie på, hvis niveauet falder under minimumslinjen. Motorsaven må aldrig bruges, hvis du ikke kan se noget olie.

PÅSÆTNING / AFTAGNING BATTERIPAKKEN

Produktet må kun bruges med EGO's batteripakker og opladere, der er anført i fig A2.

Lad batteriet helt op inden første brug.

Påsatning

DK

Flugt batteriets ribber med monteringsnoterne, og tryk batteriet ned, indtil du hører et "klik" (fig. I).

Aftagning

Tryk på knappen til batteriudløseren, og træk batteripakken ud (fig. J).

SÅDAN STARTES/STOPPES MOTORSAVEN

BEMÆRK: Inden motorsaven startes, skal den tjekkes for olie, tænderne på kæden skal tjekkes og bremsehåndtaget skal tjekkes. Du skal desuden have et godt fodfæste og holde en korrekt afstand fra jorden.

DK

Sådan startes produktet (fig. K)

1. Slå kædebremsehåndtaget til, ved at trække det mod det forreste håndtag (fig. K).
2. Tag ordentligt fast i det forreste håndtag med venstre hånd og i det bageste håndtag med højre hånd.

⚠ ADVARSEL: For at undgå skader skal motorsaven altid holdes på gribebladen på baghåndtaget med højre hånd (fig. L).

3. Hold låseknappen nede med tommelfingeren med din højre hånd. Tryk derefter på startknappen med fingrene på højre hånd for at starte saven (fig. L).

L-1	Gribeblade
-----	------------

4. Slip låseknappen, men hold fortsat startknappen nede, for at holde saven i gang.
5. Jo mere startknappen trykkes ned, jo hurtigere kører apparatet. Juster styrken i henhold til opgaven.

⚠ ADVARSEL: Motorsaven må ikke startes, hvis savkæden sidder i et træ.

Sådan stoppes produktet

1. Flyt motorsaven væk fra skæreo området, og slip derefter startknappen for at stoppe motorsaven.
2. Tryk kædebremsehåndtaget frem, for at bremse kæden (fig. K).

⚠ ADVARSEL: Tag altid batteripakken ud af maskinen, hvis du holder en pause og når du er færdig med arbejdet.

ÆNDRING AF HASTIGHEDSFUNKTIONEN (fig. M)

Denne maskine har tre hastighedsindstillinger. Hver hastighedsfunktion begrænser motorsavens maksimale hastighed. Hastighedsfunktionen skiftes hver gang, der trykkes på hastighedsknappen.

Hastighedslinjerne på LCD-skærmen viser den aktive hastighedsfunktion: Én linje er lav hastighed, to linjer er mellemhastighed og tre linjer er høj hastighed. På den lave hastighed (energisparende) har du bedre kontrol over maskinen, og den kan køre længere på hver opladning.

M-1	Hastighedslinjer	M-5	Brændstofmåler
-----	------------------	-----	----------------

M-2	Bluetooth-ikon	M-6	Forlygte/Bluetooth-knap
M-3	Forlygte-ikon	M-7	Kædehastighedsknap
M-4	Bremse-ikon		

BEMÆRK: Hvis en EGO-batteripakke på 2,5 Ah eller mindre bruges, er det kun energisparefunktionen, der kan bruges. Hvis en EGO-batteripakke på 6,0 Ah eller mindre bruges, er kan apparatet ikke køre på høj hastighed. For optimal drift, anbefales det at bruge EGO-batteripakker på mindst 6,0 Ah (f.eks. BA3360T).

BEMÆRK: Maskinens hastighedshukommelsesfunktion husker den sidste hastighedsindstilling, som maskinen står på, når den tændes igen.

BEMÆRK: LCD-skærmen lyser, når der trækkes på startknappen, eller når der trykkes på hastighedsknappen eller forlygten/Bluetooth-knappen. Motorsaven slukker automatisk efter ca. 30 sekunder uden brug.

LED-FORLYGTE (fig. N)

LED-forlygten sidder på forsiden af motorsavens kabinet. Forlygten giver bedre synlighed, og den har 2 lysstyrker.

For at tænde forlygten, skal du trykke på forlygte/Bluetooth-knappen (fig. M). Forlygten står på lav lysstyrke, når den tændes, og lav lysstyrke-ikonet vises på LCD-skærmen. Tryk på forlygte/Bluetooth-knappen igen for at skifte til høj lysstyrke, hvorefter høj lysstyrke-ikonet vises på LCD-skærmen.

For at slukke forlygten, skal du trykke på forlygte/Bluetooth-knappen en tredje gang, hvorefter forlygteikonet forsvinder på LCD-skærmen.

N-1	Ikon for lav lysstyrke på forlygten	N-3	LED-forlygter
N-2	Ikon for høj lysstyrke på forlygten		

RETNINGSUAFHÆNGIGT KÆDEBREMSESYSTEM (fig. 01 og fig. 02)

⚠ ADVARSEL: Det retningsuafhængige kædebremsesystem er ikke beregnet som en erstatning for en standard/almindelig kædebremse. Brugeren må aldrig bruge denne funktion til beskyttelse mod tilbageslag under brug af motorsaven. Følg altid sikkerhedsinstruktionerne om, hvordan du beskytter dig selv mod tilbageslag, som kan findes i advarselsafsnittet i denne vejledning.

Når det retningsuafhængige kædebremsesystem aktiveres og stopper saven, blinker bremseikonet på LCD-skærmen (fig. M). Slip startknappen. Tag savkæden og savsværdet ud af

træet. Start derefter motorsaven igen.

BEMÆRK: Sensorene registrerer kun pludselige op- og nedadgående bevægelser af savens sværd (fig. O1). Sensorene registrerer ikke nogen pludselig bevægelse fra side til side af savens sværd (fig. O2).

KOMMUNIKATIONSTEKNOLOGI

For yderligere oplysninger om hele udvalget af forbundne produkter og tjenester, herunder forbindelsesvejledninger, skal du scanne QR-koden nedenfor eller gå på www.egopowerplus.eu/connect.



SÅDAN HOLDER DU ORDENTLIGT PÅ HÅNDTAGENE (fig. P1)

- Brug skridsikre handsker, så du får et maksimalt greb og beskyttelse.
- Hold fast med begge hænder med saven på en stabil og flad overflade.
- Tag altid fast i det forreste håndtag med venstre hånd og i det bageste håndtag med højre hånd.
- Fingrene skal omringe håndtaget, med tommelfingeren under det forreste håndtag.

ADVARSEL: Brug aldrig et venstrehåndsgreb (kejtåndet). Og stå aldrig på måde, som ville placere din krop eller arm i savelinjen.

ADVARSEL: Brug ikke startknappen med din venstre hånd, og hold forhåndtaget med din højre hånd. Undgå altid, at kroppen befinder sig i kædelinjen, når du bruger en motorsav (fig. P2).

ORDENTLIG STILLING UNDER BRUG (fig. Q)

- Stå med begge ben fast på jorden, med din vægt fordelt jævnt på begge fødder.
- Venstre arm skal være lige, med albuen låst. Dette hjælper til at modstå kræfterne, der genereres ved et tilbageslag.
- Din krop skal altid være til venstre for savelinjen.

VEJLEDNING OM KORREKTE TEKNIKKER TIL GRUNDLÆGGENDE FÆLDNING, AFKVISTNING OG TVÆRGÅENDE SAVNING

ADVARSEL: Sørg altid for at du har et godt fodfæste, og hold ordentligt fast i motorsaven med begge hænder, når

den er i gang.

ADVARSEL: Hvis motorsaven kommer i klemme og stopper, skal du slippe startknappen, og tag derefter motorsaven ud af træet, inden den startes igen.

ADVARSEL: Træk ikke i savkæden med hånden, hvis den sidder fast. Dette kan føre til alvorlige skader, hvis motorsavet starter ved et uheld. Tryk motorsaven mod træet, og ryk den frem og tilbage, så skidtet kommer ud. Batteripakken skal altid tages ud, inden motorsaven rengøres. Brug kraftige beskyttelseshandsker, når du håndterer kædesaven.

ADVARSEL: Motorsaven må aldrig startes, når den er i kontakt med træ. Sørg altid for at motorsaven kører med fuld hastighed, inden du begynder at save.

DK

SÅDAN FÆLDES ET TRÆ

- Når to eller flere personer arbejder i samme område, hvor træ fældes og træstammer saves over, skal træet fældes mindst to træ-længder væk fra stedet, hvor bukkene bruges. Træer må ikke fældes på en måde, der bringer andre personer i fare, ramme elkabler eller på nogen måde skade ejendomme. Hvis træet rammer nogen elkabler, skal elselskabet straks underrettes.
- Brugeren af motorsaven skal stå på den øverste del af skråningen, da træet sandsynligvis ruller eller glider ned ad skråningen, når det fældes.
- Sørg for der er en fri gang, hvor man kan komme væk fra træet, inden træet fældes. Gangen skal være lige og gå i modsat retning af, hvor træet regnes med at falde, som vist i fig. R.

R-1	Fælderetning	R-2	Sikker gangsti
-----	--------------	-----	----------------

- Inden træet fældes, skal du se hvilken retning træet hælder til, hvor de større grene sidder på træet og i hvilken retning vinden blæser, så du kan vurdere, hvilken retning træet vil vælte i.
- Fjern jord, sten, løs bark, søm, hæfteklammer og kabler fra træet.

Udskæring ved undersnit

Lav en udskæring 1/3 ind i træstammen i retningen, som træet skal falde, som vist i fig. S. Lav først den nederste vandrette udskæring. Dette reducerer chancen for at savkæden eller sværdet sidder fast, når den anden udskæring laves.

S-1	Falderetning	S-3	Fældning med bagsnit
S-2	Udskæring	S-4	Hængsel

Fældning med bagsnit

- Lav fældesnippet mindst 50 mm over det vandrette udskæring, som vist i fig. S. Sørg for at fældesnippet er parallelt med den vandrette udskæring. Lav fældesnippet, så det resterende træ virker som et form for hængsel. Hængseltræet holder træet fra at dreje, og derved falde i den forkerte retning. Hængseltræet må ikke skæres over.
- Når fældningen kommer tæt på hængslet, begynder træet af falde. Hvis der er chance for, at træet ikke falder i den ønskede retning eller hvis det begynder at læne i den forkerte retning og fastklemmer saven, skal du holde op med at save. Brug i stedet for kiler af træ, plast eller aluminium til at åbne snittet, så træet begynder at hælde eller falder i den rigtige retning.
- Når træet begynder at falde, skal du tage motorsaven ud af snittet, stoppe den og sætte den på jorden. Gå derefter væk fra træet via den planlagte gang. Hold øje med det faldende træ, og hvor du går.

Afkvistning af træ

Afkvistning er når man saver grenene af det fældet træ. Når du afkvister, skal du efterlade større grene forveden, som kan holde stammen over jorden. Sav de små grene af i et snit, som vist på i fig. T. Grene, der er under spænd, skal saves over fra undersiden, så saven ikke kommer i klemme.

Opskæring af træstammer

Opskæring er når man saver en træstamme i stykker. Det er vigtigt at dit du har et godt fodfæste, og at din vægt er fordelt jævnt på begge fødder. Træstammen skal hæves og støttes, enten med bukke, andre træstammer eller træklodser, hvis muligt. Følg de enkle anvisninger for nem opskæring.

- Hvis hele træstammen er støttet, som vist på fig. U1, saves den først over i toppen.
- Hvis træstammen er støttet i den ene ende, som vist på fig. U2, skal du lave et snit ca. 1/3 ind i stammen fra undersiden. Sav derefter resten af stammen over fra oven, og ned til det første snit.
- Hvis træstammen er støttet i begge ender, som vist på fig. U3, skal du lave et snit ca. 1/3 ind i stammen fra oversiden. Sav derefter resten af stammens 2/3 over fra undersiden, og op til det første snit.
- Hvis træstammen saves over på en skråning, skal du altid højere op end træstammen, som vist i fig. V.

- Hvis stammen skal saves helt over på en gang, skal du trykke mindre, når stammen er ved at være savet over, uden at afslappe dit greb. Undgå, at kæden røre ved jorden. Når stammen er savet over, skal du vente indtil den er stoppet helt, inden den flyttes. Motoren skal altid stoppes, inden du går videre med næste træ.

VEDLIGEHOLDELSE

⚠ ADVARSEL: Ved service må der kun bruges originale reservedele. Brug af andre reservedele kan medføre fare eller forårsage skader på produktet. For at sikre sikkerhed og pålidelighed, bør alle reparationer udføres af en kvalificeret servicetekniker.

⚠ ADVARSEL: For at undgå alvorlige personskader, skal batteripakken altid tages ud af produktet inden det ses efter, rengøres eller vedligeholdes. Et batteridrevet værktøj med batteripakken i, er altid tændt og kan starte ved et uheld.

⚠ ADVARSEL: Motorsaven må IKKE nedsænkes i vand eller andre væsker, når den rengøres.

⚠ ADVARSEL: Plastikdelene må aldrig komme i kontakt med bremsevæske, benzin, petroleum-baserede produkter, gennemtrængende olie, osv. Kemikalier kan beskadige, svække og ødelægge plastik, hvilket kan føre til alvorlige personskader.

RENGØRING

- Efter hver brug, skal kæden og savsværdet rengøres for rester med en blød børste. Tør motorsavens overflade af med en ren klud, fugtet med en mild sæbeopløsning.
- Fjern sidebeslaget, og brug derefter en blød børste til at fjerne snavs fra sværdet, kæden, tandhjulet og sidebeslaget.
- Rengør altid rillen på savsværdet for træflis, savsmuld og skidt, inden savkæden sættes på.

VEDLIGEHOLDELSE AF SAVSVÆRDET

Når sværdet viser tegn på slid, skal det tages af motorhovedet og vendes om (fig. W1). På denne måde slides sværdet på begge sider, så det holder længere.

Sværdet skal rengøres hver dag efter brug, og ses efter for slid og skader. Udtydning og afgratning på rillen af sværdet er et normal tegn på slid. Sådanne fejl skal jævnes ud med en fil, så snart de opstår. Et sværd med en af følgende fejl, skal skiftes.

- Slid på indersiden af rillen på sværdet, som får kæden til at køre skævt.
- Et bøjet sværd.

- Revnede eller ødelagte riller.
- Udvidede riller.

Derudover har sværdet et tandhjul på spidsen (fig. W2). Tandhjulet skal smøres ugentligt med en fedtsprøjte, så dets levetid forlænges. Brug ugentligt en fedtsprøjte til at smøre med kædeolie via smøringshullet (fig. W3). Drej sværdet og sørg for at smørehulleme og kæderillen er fri for urenheder.

W-1	Tandhjul på spidsen af sværdet	W-2	Hul til smøring
-----	--------------------------------	-----	-----------------

BEMÆRK: For at opnå de bedste resultater, skal du smøremidler, der er godkendt af EGO.

TRANSPORT OG OPBEVARING

Motorsaven må ikke opbevares eller transporteres, når den kører. Batteripakken skal altid tages ud, inden motorsaven gemmes væk og transporteres.

Sæt altid skeden på sværdet og hylsteret på kæden, inden motorsaven gemmes væk eller transporteres. Vær forsigtig med ikke at røre de skarpe tænder på kæden.

Rengør motorsaven grundigt før opbevaring. Motorsaven skal opbevares indendørs på et tørt sted, der er låst og/eller utilgængelige for børn.

Holdes væk fra ætsende stoffer, såsom havekemikalier og vejsalt.

BESKYTTELSE AF MILJØET



Elektrisk udstyr, batteriplader og batterier må ikke smides ud sammen med almindelig husholdningsaffald!

Tag dette produkt til en autoriseret genbrugsplads, og sørg for at det sendes til genbrug. Elektriske værktøjer skal returneres til et miljøkompatibelt genvindingsanlæg.

FEJLFINDING

⚠ ADVARSEL: Beskyt altid dine hænder ved at bruge kraftige handsker, når du udfører vedligeholdelsesarbejde på savkæden. Batteripakken skal altid tages ud, hvis motorsaven skal repareres eller transporteres et andet sted hen.

DK

PROBLEM	ÅRSAG	LØSNING
Motoren kører ikke.	<ul style="list-style-type: none"> ■ Batteripakken er ikke sat i motorsaven. ■ Der er ingen elektrisk kontakt mellem saven og batteripakken. ■ Batteripakken er afladet. ■ Batteripakken eller motorsaven er for varm. ■ Kædebremser er aktiveret. ■ Skidt i rillen på savsværdet. ■ Skidt i sidebeslaget. 	<ul style="list-style-type: none"> ■ Sæt batteripakken i motorsaven. ■ Fjern batteriet, kontrollér kontakterne og sæt batteriet på igen. ■ Oplad batteripakken. ■ Lad batteripakken eller motorsaven køle ned, indtil temperaturen kommer under 67°C. ■ Træk kædebremshåndtaget tilbage mod det forreste håndtag, så det sidder i driftsindstillingen. ■ Tryk motorsaven mod træet, og ryk den frem og tilbage, så skidtet kommer ud. ■ Tag batteripakken ud, og tag derefter sidebeslaget af og rengør evt. skidt.
Motorsaven holder op med, at køre under arbejdet.	<ul style="list-style-type: none"> ■ Motorsaven overbelastet. ■ Batteripakken eller motorsaven er for varm. ■ Savkæden sidder fast i træet. 	<ul style="list-style-type: none"> ■ Reducer belastningen. ■ Reducer belastningen. Lad batteripakken eller motorsaven køle ned, indtil temperaturen kommer under 67°C. ■ Slip startknappen. Tag savkæden og savsværdet ud af træet. Start derefter motorsaven igen.
Motoren kører, men kæden kører ikke rundt.	<ul style="list-style-type: none"> ■ Kæden kører ikke på tandhjulet. 	<ul style="list-style-type: none"> ■ Sæt kæden på igen, og sørg for at leddene på kæden sidder ordentligt på tandhjulet.
Kædebremser aktiveres ikke.	<ul style="list-style-type: none"> ■ Snavs forhindrer kædebremsehåndtaget i at kunne bevæges ■ Mulig funktionsfejl på kædebremser. 	<ul style="list-style-type: none"> ■ Rengør for snavs på den eksterne kædebremsemekanisme. ■ Kontakt EGO's kundeservice for reparation.

PROBLEM	ÅRSAG	LØSNING
Motorsaven saver ikke ordentligt.	<ul style="list-style-type: none"> ■ Kæden er ikke strammet ordentligt. ■ Kæden er døv. ■ Kæden er sat omvendt på. ■ Kæden er slidt. ■ Kæden er tør eller sidder for stramt. ■ Kæder kører ikke i rillen på savsværdet. 	<ul style="list-style-type: none"> ■ Juster kædestramningen i henhold til vejledningerne i afsnittet: »SÅDAN JUSTERES KÆDESTRAMNINGEN«. ■ Slib kæden. ■ Sæt savkæden på igen som vist i afsnittet "MONTERING/UDSKIFTNING AF SVÆRDET OG KÆDEN". ■ Skift kæden i henhold til vejledningerne i afsnittet: »MONTERING/UDSKIFTNING AF SVÆRDET OG KÆDEN«. ■ Tjek olien. Fyld oliebeholderen op, og vælg en højere olieforsyning, hvis nødvendigt. ■ Sæt kæden på igen i henhold til vejledningerne i afsnittet: »MONTERING/UDSKIFTNING AF SVÆRDET OG KÆDEN«.
Kæden bliver løs eller falder af savsværdet under normal brug.	<ul style="list-style-type: none"> ■ Under normalt brug af saven stiger kædens temperatur, hvorefter den bliver løs. ■ Kæden kører ikke på tandhjulet. 	<ul style="list-style-type: none"> ■ Justér kædestramningen som beskrevet i afsnit "JUSTERING AF KÆDESTRAMNINGEN". ■ Sæt kæden på igen i henhold til vejledningerne i afsnittet: »MONTERING/UDSKIFTNING AF SVÆRDET OG KÆDEN«.

DK

GARANTI

EGO GARANTI POLITIK

Besøg venligst hjemmesiden egopowerplus.eu for fuldstændige vilkår og betingelser for EGO's garantipolitik.

LÄS IGENOM ALLA INSTRUKTIONER!



LÄS IGENOM BRUKSANVISNINGEN

⚠ VARNING: För att garantera en säker och pålitlig användning måste alla reparationer utföras av en kvalificerad servicetekniker.

⚠ VARNING: Var noga med att läsa igenom och förstå alla säkerhetsinstruktioner i denna bruksanvisning, inklusive alla varningssymboler såsom "FARA", "VARNING" och "FÖRSIKTIGHET" innan detta verktyg används. Underlåtenhet att läsa alla instruktioner som listas nedan kan resultera i elektrisk stöt, brand och/eller allvarlig personskada.

SE

SPARA ALLA VARNINGAR OCH INSTRUKTIONER FÖR FRAMTIDA REFERENS

SÄKERHETSSYMBOL

⚠ VARNING: Användning av något elverktyg kan resultera i att främmande föremål kastas in i dina ögon vilket kan resultera i allvarliga ögonskador. Innan elverktyget börjar användas skall alltid skyddsglasögon eller skyddsglasögon med sidoskydd och full ansiktsskydd användas när så behövs. Vi rekommenderar att en ansiktsmask med brett synfält används ovanpå glasögonen eller standard skyddsglasögon med sidoskydd.

SÄKERHETSSYMBOLER



Säkerhetslarm



Använd ögonskydd



Använd skyddshjälm



var medveten om kedjesågens rekyler och undvik kontakt med svärdets spets



Information om svärdet



Garanterad ljudeffektnivå. Bulleremissioner för omgivningen enligt EU-direktivet.



Denna produkt är i enlighet med gällande EG-direktiv.



Bluetooth®

mm Millimeter

V Spänning

IPX4 Skydd mot stänkande vatten



För att minska risker för skador måste användare läsa igenom och förstå bruksanvisningen innan denna produkt används.



Använd hörselskydd



Använd skyddshandskar



Svärd spetsrekyl



Använd alltid båda händerna när sågen används



Förbrukade elektriska produkter får inte kastas i hushållssoporna. Lämna in dem till en auktoriserad återvinningsstation.



Denna produkt uppfyller tillämpliga lagar i Storbritannien.



Likström

 n_0 Tomgångshastighet

./min Per minut

SPECIFIKATIONER

Märkspänning	56 V	
Max. Kedjehastighet	25 m/s	
Kedjedelning	3/8" (9,5 mm)	
Kedjemått	1,3 mm	
Svärdlängd	50 cm	
Sågkedjetyp	AC2005	
Svärdtyp	AG2005	
Kapacitet kedjeoljetank	250 ml	
Vikt (utan batteripaket, sågkedja, svärd, sidoskydd, olja och kedjehölje)	3,9 kg	
Rekommenderad drifttemperatur	-15°C-40°C	
Rekommenderad förvaringstemperatur	-20°C-70°C	
Rekommenderad laddningstemperatur	5°C-40°C	
Uppmätt ljudeffektnivå L_{WA}	103 dB(A) K=1,7 dB(A)	
Ljudtrycksnivå vid arbetspositionen L_{PA}	89 dB(A) K=3 dB(A)	
Garanterad ljudeffektnivå L_{WA} (enligt 2000/14/EC)	105 dB(A)	
Vibration a_n	Främre handtag	4,69 m/s ² K=1,5 m/s ²
	Bakre handtag	4,24 m/s ² K=1,5 m/s ²

- Det deklarerade totala vibrationsvärdet har uppmätts i enlighet med en standardtestmetod och kan användas för att jämföra ett verktyg med ett annat.
- Det deklarerade totala vibrationsvärdet kan också användas i en preliminär utvärdering av exponeringen.

UPPMÄRKSAMMA: Vibrationsutstrålningen under verklig användning av elverktyg kan skilja sig från det deklarerade värdet i vilken verktyget används. För att skydda användaren skall skyddshandskar och hörselskydd användas under faktiska användningsförhållandet.

FÖRPACKNINGSLISTA (BILD A1)

BESKRIVNING

LÄR KÄNNA DIN KEDJESÅG (Bild A1)

1. Sågkedja
2. Spikar för kapning
3. Bromspaddel för kedjerekyl
4. Främre handtag
5. LCD-skärm
6. Hastighetsbegränsare
7. Bluetooth-ikon
8. Strålkastarikon
9. Bromssymbol
10. Bränslemätarcirkel
11. Knapp för strålkastare/Bluetooth
12. Knapp för kedjehastighet
13. Startspärr
14. Avtryckare
15. Bakre handtag
16. Låsknapp för batteri
17. Oljeinspektionsfönster
18. Lock oljetank
19. Svärd
20. Smörjhål
21. Sidokåpa
22. Muttrar för sidokåpa
23. LED-strålkastare
24. Kedjespänningsbult
25. Dubbel hylsnyckel
26. Kedjeöverdrag

SE

MONTERING

MONTERING/BYTE AV SVÄRDET OCH KEDJAN

⚠ VARNING: Ändra bromspaddel för kedjerekyl till bromspositionen innan montering.

1. Placera kedjesågens drivenhet på sidan med sidans kåpa riktad uppåt (bild B).
2. Ta bort sidokåpan genom att vrida de två låsmuttrarna moturs.
3. Vrid kedjespänningsbulten moturs för att lossa kedjespänningen.
4. Lägg sågkedjan i en loop på en plan yta och rätta ut alla knutar (bild C).
5. Placera kedjedrivlänken på svärdspåren och gör en lopp med kedjan på baksidan av svärdet (bild D).
6. Håll kedjan i positionen på svärdet och placera loopen runt kuggen på sågen (bild E1).

B-1	Låsmutter	D-2	Svärdsspår
B-2	Kedjespänningsbult	E-1	Kedjekrans
D-1	Kedjedrivlänkar		

UPPMÄRKSAMMA: Vid upprullning av sågkedjan på svärdet ska du se till att svärdet efter montering på sågen överensstämmer med skärmönstret och pilen för rotationsriktningen på huset. Om de pekar åt olika håll monterar du tillbaka sågkedjan på svärdet så att knivarna pekar åt samma håll (bild E2).

- Sätt tillbaka sidokåpan på motorsågshuset och dra åt de två låsmuttrarna helt.
- Rotera kedjan för hand för att kontrollera att kedjan är korrekt monterad utan att den kärvar. I annat fall ska du montera tillbaka kedjan och stängen.

UPPMÄRKSAMMA: För att förlänga svärdets livslängd, vänd på svärdet emellanåt.

INSTÄLLNING AV KEDJESPÄNNINGEN

- Stanna motorn och ta bort batteripaketet innan kedjespänningen justeras. Vrid kedjespänningsbulten medurs eller moturs för att justera kedjespänningen (bild F) tills kedjan sitter tätt mot styrskenan med drivlänkarna i styrskenans spår.
- En kall kedja är korrekt spänd när det inte finns något nedhäng på undersidan av svärdet och kedjan sitter tätt men den kan vridas för hand utan att den kärvar. Kedjan måste spännas om närhelst klackarna på drivlänkarna inte sitter i svärdsspåren.
- Vid normala sågarbeten kommer temperaturen på kedjan att öka. Drivlänkarna på en korrekt spänd varm kedja kommer att hänga ungefär 1,3 mm utanför svärdsspåren (bild G).

UPPMÄRKSAMMA: Nya kedjor har en tendens att sträckas, kontrollera kedjespänningen regelbundet och spänn om så behövs.

NOTERA: En kedja som spänns när den är varm kommer att vara för tigt när den kyls. Kontrollera den kalla spänningen innan nästa användning.

DRIFT

⚠ VARNING: Bli inte vårdslös bara för att du är bekant med denna produkt. Kom ihåg att oaktsamhet under en bråkdel av en sekund är tillräcklig för att orsaka allvarliga skador.

⚠ VARNING: Använd inga andra tillsatser eller tillbehör än de som rekommenderas av tillverkaren av denna produkt. Användning av tillbehör eller tillsatser som inte rekommenderas kan resultera i allvarlig personskada.

⚠ VARNING: För att förhindra oavsiktlig start som kan orsaka allvarliga personskador skall alltid batteripaketet tas bort från verktyget när delar monteras, inställningar görs, vid rengöring eller när den inte används.

Inspektera hela produkten innan varje användning om där finns skador, saknade eller lösa delar såsom skruvar, muttrar, bultar, höljen etc. Dra åt alla fästelement och lock och använd inte denna produkt innan alla saknade eller skadade delar bytts ut.

ANVÄNDNING

Du kan använda denna produkt för att grundläggande fällning, kvistning, beskärning och träsågning av timmer och träd.

UPPMÄRKSAMMA: Maskinen får enbart användas för det föreskrivna ändamålet. All annan användning betraktas som missbruk.

FYLLA PÅ SVÄRD OCH KEDJA MED SMÖRJMEDEL

⚠ VARNING: Rök inte eller för eld eller öppna lågor i närheten av oljan eller kedjesågen. Oljan kan spillas och orsaka brand.

NOTERA: Kedjesågen är inte fylld med olja vid köpet. Det är väsentligt att fylla tanken med olja före användning. Kedjan smörjs automatiskt med kedjeolja under arbetet.

- Lägg kedjesågen på sidan med tanklocket riktad uppåt.
- Rengör oljebehållarens locket och området runt det för att säkerställa att smuts inte tränger in i oljebehållaren.
- Lyft upp den halvformade plattan och riktad uppåt och vrid oljelocket moturs för att ta bort det (bild H).
- Håll försiktigt i svärds- och kedjeoljan i tanken. Fyllt till underkanten på påfyllnadshalsen.
- Torka bort överbliven olja och sätt tillbaka locket.

NOTERA: Kontrollera oljenivån regelbundet och fyll på när oljenivån sjunker under minimilinjén. Använd aldrig kedjesågen om oljan inte är synlig.

FÄST/TA LOSS BATTERIPAKETET

Använd endast med EGOs batteripaket och laddare som listas i bild A2.

Ladda fullt innan första användning.

Fästa

Rikta in listerna på batteriet med monteringsspåren och tryck sedan ner batteripaketet tills du hör ett "klick" (bild I).

Ta bort

Tryck in frigöringsknappen för batteriet och dra sedan ut batteripaketet (bild J).

STARTA/STOPPA KEDJESÅGEN

UPPMÄRKSAMMA: Innan kedjesågen startas, kontrollera oljenivån, sågtändernas skärpa och att rekylbromspaddeln fungerar korrekt. Dessutom behövs ett stadigt fotfäste och korrekt avstånd från marken.

Starta (bild K)

1. Dra kedjans rekylbromspaddel mot fronthandtaget till driftläget (bild K).
2. Greppa ordentligt tag i det främre handtaget med vänster hand och det bakre handtaget med den högra handen.

⚠ VARNING: Undvik personskador genom att alltid använda motorsågen med höger hand i greppområdet på det bakre handtaget (fig. L).

3. Tryck ned och håll kvar låsknappen med tummen på högra handen, tryck sedan in avtryckaren med fingrarna på höger hand för att starta sågen (bild L).

L-1	Greppområde
-----	-------------

4. Släpp låsknappen och fortsätt att klämma in avtryckaren för fortsatt drift.
5. Ju längre avtryckaren trycks in, desto högre kedjehastighet. Ställ in hastigheten så den passar uppgiften.

⚠ VARNING: Försök inte att starta sågen om kedjesågen är i ett sågspår.

Stoppa

1. Flytta motorsågen bort från sågområdet och släpp sedan avtryckaren för att stoppa motorsågen.
2. Skjut kedjans rekylbromspaddel framåt till bromspositionen för att aktivera kedjebromsen (bild K).

⚠ VARNING: Ta alltid bort batteripaketet från maskinen vid arbetsavbrott och efter avslutat arbete.

ÄNDRING AV HASTIGHETSLÄGE (BILD M)

Maskinen har tre hastighetslägen. Varje hastighetsläge begränsar motorsågens maximala hastighet. Hastighetsläget ändras vid varje tryckning på knappen för kedjehastighet.

Hastighetsstaplarna på LCD-skärmen visar det aktiva hastighetsläget: en stapel för låg hastighet, två staplar för medelhög hastighet och tre staplar för hög hastighet.

Låghastighetsområdet (ECO) ger bättre kontroll över trimmern och längre drifttid per laddning.

M-1	Hastighetsbegränsare	M-5	Bränslemätarcirkel
M-2	Bluetooth-ikon	M-6	Knapp för strålkastare/Bluetooth
M-3	Strålkastarikon	M-7	Knapp för kedjehastighet
M-4	Bromssymbol		

NOTERA: När EGO batteripaket märkta 2,5Ah eller mindre används, är endast ECO-läget tillgängligt. Användning av EGO batteripaket märkta lägre än 6,0Ah kommer inte att låta dig nå hög hastighet. För bästa prestanda rekommenderas användning av EGO-batterier med 6,0Ah (t.ex., BA3360T) eller mer.

NOTERA: Maskinens hastighetsminnesfunktion kommer ihåg den senaste hastighetsinställningen och aktiverar den nästa gång maskinen slås på.

NOTERA: LCD-skärmen tänds när avtryckaren dras in eller när hastighetsknappen eller strålkastar-/Bluetooth-knappen trycks in. Den stängs av automatiskt efter ca 30 sekunders inaktivitet för motorsågen.

LED-STRÅLKASTARE (bild N)

LED-strålkastaren är placerad framtill på motorsågshuset. Strålkastaren ger belysning för ökad sikt och har 2 ljusstyrkenivåer.

Tänd strålkastaren genom att trycka en gång på strålkastar-/Bluetooth-knappen (bild M). Strålkastaren tänds med låg ljusstyrka och ikonen för strålkastare med låg ljusstyrka visas på LCD-skärmen. Tryck på strålkastar-/Bluetooth-knappen igen för att växla till hög ljusstyrka och strålkastarikonerna för hög ljusstyrka visas på LCD-skärmen.

Stänga av strålkastaren genom att trycka på strålkastar-/Bluetooth-knappen en tredje gång så försvinner strålkastarikonerna från LCD-skärmen.

N-1	Ikon för strålkastare med låg ljusstyrka	N-3	LED-strålkastare
N-2	Ikon för strålkastare med hög ljusstyrka		

RUNDSTRÅLANDE KEDJEBROMSSYSTEM (Bild O1 och O2)

⚠ VARNING: det rundstrålande kedjebromssystemet är inte avsett att fungera som ett substitut för standard/traditionell kedjebroms. Användare skall aldrig helt lita på att denna funktion under arbetet med kedjesågen skyddar

mot rekyl. Följ alltid säkerhetsinstruktionerna relaterat till mildrande av rekyl i varningssektionen i denna bruksanvisning.

När det rundstrålade kedjebromssystemet är aktiverat och stoppar sågen kommer bromsikonen att blinka på LCD-skärmen (bild M). Släpp avtryckaren, ta bort sågkedjan och svärdet från trä, starta sedan om kedjesågen.

NOTERA: Sensorerna kommer endast att detektera plötsliga rörelser i svärdets rörelseriktning (bild O1). Sensorerna kommer inte att detektera några plötsliga rörelser hos sågen i sidled (bild O2) (d.v.s. lodrät mot planet för svärdet).

KOMMUNIKATIONSTEKNOLOGI

För information om vårt kompletta utbud av anslutna produkter och tjänster, inklusive anslutningsinstruktioner, skanna QR-koden nedan eller besök www.egopowerplus.eu/connect.



KORREKT GREPP PÅ HANTAGEN (BILD P1)

- Använd halkfria handskar för maximalt grepp och skydd.
- Håll fast sågen med båda händerna på en fast och plan yta.
- Greppa alltid främre handtaget med vänster hand och det bakre handtaget med den högra handen.
- Fingrarna skall omsluta handtaget med tummen lindad under främre handtaget.

⚠ VARNING: Använd aldrig ett vänsterhandsgrepp (korsade händer) eller någon ställning som placerar kroppen eller armen över kedjelinjen.

⚠ VARNING: Hantera inte avtryckaren med vänster hand medan högra handen håller i främre handtaget. Låt aldrig någon del av kroppen befinna sig i kedjelinjen när kedjesågen används (bild P2).

KORREKT SÅGHÅLLNING (BILD Q)

- Båda fötterna skall stå på fast underlag med vikten jämnt fördelad mellan fötterna.
- Vänster arm skall vara rak med armbågen låst. Detta hjälper till att stå emot de krafter som genereras av en rekyl.
- Kroppen skall alltid vara till vänster om kedjelinjen.

INSTRUKTIONER OM KORREKT TEKNIK FÖR GRUNDLÄGGANDE FÄLLNING, KVISTNING OCH KAPNING.

⚠ VARNING: Var alltid uppmärksam på fötternas placering och håll kedjesågen fast med båda händerna medan motorn är igång.

⚠ VARNING: När sågkedjan stoppas på grund av att den kläms fast under kapningen, släpp avtryckaren, ta bort sågkedjan och svärdet från trädet och starta om kedjesågen.

⚠ VARNING: Dra inte sågkedjan med handen när den är sitter fast med sågspån. Allvarliga skador kan uppstå om kedjesågen startar oavsiktligt. Tryck kedjesågen mot trä, flytta kedjesågen fram och tillbaka för att lossa skräpet. Ta alltid bort batteripaketet innan rengöring. Använd kraftiga skyddshandskar när sågkedjan hanteras.

⚠ VARNING: Starta aldrig kedjesågen när den har kontakt med trä. Låt alltid kedjesågen nå full hastighet innan sågen placeras mot trä.

FÄLLA ETT TRÄD

- Vid kapnings- och fällningsarbeten utförs av två eller fler personer samtidigt, skall fällningsarbetet vara åtskilt från kapningsarbetet med minst två gånger höjden på det träd som fälls. Träd skall inte fällas på ett sådant sätt som kan utsätta någon person för fara, träffa någon luftledning eller skada egendom. Om trädet kommer i kontakt med någon luftledning skall företaget meddelas omedelbart.
- Kedjesågens användare skall stå på ovasidan i terrängen då trädet mest troligt kommer att rulla eller glida nedåt efter att det fällts.
- En reträttväg skall planeras och rensas om så behövs innan kapningen startas. Reträttvägen skall vara bakåt och diagonalt mot baksidan av den förväntade falllinjen såsom bild R visar.

R-1	Fällriktning	R-2	Säkerhetsreträttväg
-----	--------------	-----	---------------------

- Innan fällningen startar titta på den naturliga lutningen av trädet, placeringen av större grenar och vindriktningen för att avgöra åt vilket håll trädet kommer att falla.
- Ta bort smuts, stenar, lös bark, spikar, klamrar och ledningar från trädet.

Skärning underkapning

Gör skåran 1/3 av trädets diameter, i rätt vinkel mot riktning som trädet fälls såsom bild S visar. Gör den nedre horisontella skåran först. Detta hjälper till att undvika klämning av antingen sågkedjan eller svärdet när den andra skåran görs.

S-1	Fällriktning	S-3	Fällningskapning
S-2	Skåra	S-4	Gångjärn

Fällningskapning

- Gör fällningskapningen minst 50 mm högre än den horisontella skårsågningen såsom bild S visar. Håll fällningskapningen parallellt mot det horisontella skårsågningen. Gör fällningssågningen så långt så att tillräckligt med trä finns kvar att fungera som ett gångjärn. Gångjärnsträt förhindrar att trädet vrider sig och faller i fel riktning. Såga inte igenom gångjärnet.
- När fällskäret närmar sig gångjärnet börjar trädet att falla. Upphör omedelbart att såga innan fällningssnittet är klart om det finns risk för att trädet inte faller i önskad riktning eller risk för att trädet gungar och bryter av sågkedjan. Använd sedan kilar av trä, plast eller aluminium för att öppna fällningssnittet och fälla trädet i önskad fallinje.
- När trädet börjar att falla, ta bort kedjesågen från kapstället, stoppa motorn, lägg ned kedjesågen och använd den planerade reträttvägen. Var uppmärksam på grenar över huvudet och se upp med fotplaceringen.

Kvista ett träd

Kvistning är borttagning av grenar från ett träd som fällts. Vid kvistning lämna större kvistar för att stödja stocken från marken. Ta bort de mindre kvistarna i en kapning såsom bild T visar. Spända grenar ska skäras från undersidan och uppåt för att undvika att kedjan fastnar.

Kapa en stock

Kapning är att såga ett fällt träd i längder. Det är viktigt att se till att du har ett bra fotfäste och att vikten är jämnt fördelad på båda fötterna. När så är möjligt skall stocken lyftas och stödjäs med hjälp av grenar, kvistar eller klossar. Följ de enkla direktiven för enkel kapning.

- När en stock stöds längs dess hela längd såsom bild U1 visar, kapas den från ovsidan (överkapning).
- När stocken stöds i ena änden, såsom bild U2 visar, kapa 1/3 av diametern från undersidan (underkapning). Gör sedan den slutliga kapningen med överkapning för att möta den första sågningen.
- När stocken stöds i båda ändarna, såsom bild U3 visar, kapa 1/3 av diametern från ovsidan (överkapning). Gör sedan den slutliga kapningen med underkapning den nedre 2/3 för att möta den första sågningen.

- Vid kapning i en sluttning stå alltid ovanför stocken såsom bild V visar.
- Vid "genomkapning", för att bibehålla fullständig kontroll lossa på sågtrycket nära änden på sågningen utan att släppa greppet om kedjesågens handtag. Låt inte kedjan komma i kontakt med marken. När sågning är klar, vänta tills sågkedjan stannar innan du flyttar kedjesågen. Stoppa alltid motorn innan du flyttar mellan träden.

UNDERHÅLL

⚠ VARNING: Vid service ska enbart identiska utbyteskomponenter användas. Användning av andra delar kan skapa risker eller orsaka produktskador. För att garantera en säker och pålitlig användning måste alla reparationer utföras av en kvalificerad servicetekniker.

⚠ VARNING: Undvik allvarliga personskador genom att ta bort batteripaketet från produkten innan inspektion, rengöring eller underhåll utförs. Ett batteridrivet verktyg med batteripaketet isatt är alltid påslaget och kan starta oavsiktligt.

⚠ VARNING: Vid rengöring av kedjesågen, sänk INTE ned den i vatten eller annan vätska.

⚠ VARNING: Låt aldrig bromsvätska, bensin, petroleumbaserade produkter, penetrerande oljor etc. komma i kontakt med plastdelar. Kemikalier kan skada, försvaga eller förstöra plast vilket kan resultera i allvarliga personskador.

RENGÖRING

- Efter varje användning, ta bort skräp från kedjan och svärdet med en mjuk borste. Torka av kedjesågens yta med en ren trasa fuktad med en mild tvålösning.
- Ta bort sidokåpan och använd sedan en mjuk borste för att ta bort skräp från svärdet, sågkedjan, kedjehjulet och sidokåpan.
- Rensa alltid bort träspån, sågspån och smuts från svärdets spår när sågkedjan byts.

UNDERHÅLL AV SVÄRDET

När svärdet visar tecken på slitage, ska den demonteras från kedjesågens drivenhet och vändas för återmontering (bild W1). På detta sätt kommer slitaget att fördelas för att maximera svärdets livslängd.

Svärdet skall rengöras dagligen efter användning och kontrolleras om det är slitet. Skäggnings och gradning hos sågsvärdet är en normal process vid svärdsslitage. Sådana fel skall jämnas till med en fil så snart som de uppstår. Ett svärd med något av följande fel skall bytas ut.

- Slitage på insidan av svärdsspåren som låter kedjan glida över åt sidan.



- Böjt sågsvärd.
- Spräckta eller trasiga spår.
- Breddade spår.

Dessutom har svärdet en kugge på dess spets (bild W2). Kuggen måste smörjas veckovis med fettspruta för att öka svärdets livslängd. Använd en fettspruta för att smörja varje vecka med kedjeolja med hjälp av smörjhålet (bild W3). Vrid svärdet och kontrollera att smörjhålen och kedjespåret är fria från föroreningar.

W-1	Kedjekrans i svärdsspetsen	W-2	Smörjhål
-----	----------------------------	-----	----------

SE

UPPMÄRKSAMMA: Använd EGO- auktoriserade smörjmedel för bästa resultat.

TRANSPORT OCH FÖRVARING

Förvara inte eller transportera kedjesågen när den körs. Ta alltid bort batteripaketet innan förvaring och transport.

Placera alltid svärdsskyddet på svärdet och kedjan innan förvaring eller transport av kedjesågen. Var försiktig för att undvika de vassa tänderna på kedjan.

Rengör kedjesågen noga innan förvaring. Förvara kedjesågen inomhus på en torr plats som är låst och/eller oåtkomlig för barn.

Håll den undan från korrosiva medel såsom trädgårdskemikalier och avsnings salt.

SKYDDA MILJÖN



Kasta inte elektrisk utrustning, använt batteri och laddare i hushållssoporna!

Ta denna produkt till en auktoriserad återvinnare och gör den tillgänglig för separat insamling. Elektriska verktyg måste returneras till en miljöanpassad återvinningsanläggning.

FELSÖKNING

⚠ VARNING: Skydda alltid dina händer genom att använda kraftiga handskar när underhåll utförs på kedjesågen. Ta alltid bort batteripaketet vid service eller transport av kedjesågen.

PROBLEM	ORSAK	LÖSNING
<p>Motorn startar inte.</p>	<ul style="list-style-type: none"> ■ Batteripaketet är inte fastsatt på kedjesågen. ■ Ingen elektrisk kontakt mellan såg och batteripaket. ■ Batteripaketets laddning är slut. ■ Batteripaketet eller kedjesågen är för het. ■ Kedjebromsen är aktiverad. ■ Skräp i svärdsspåret. ■ Skräp i kåpan. 	<ul style="list-style-type: none"> ■ Sätt i batteriet i kedjesågen. ■ Ta bort batteripaketet, kontrollera kontaktarna och sätt tillbaka batteripaketet. ■ Ladda batteripaketet. ■ Låt batteripaketet eller kedjesågen svalna tills temperaturen sjunker under 67°C. ■ Dra kedjans rekylbromspaddel bakåt mot fronthandtaget tills driftläget nås. ■ Tryck kedjesågen mot trä, flytta kedjesågen fram och tillbaka för att lossa skräpet. ■ Ta bort batteripaketet, ta sedan bort sidokåpan och rensa bort skräpet.
<p>Kedjesågen stannar under arbetet.</p>	<ul style="list-style-type: none"> ■ Kedjesågen är överbelastad. ■ Batteripaketet eller kedjesågen är för het. ■ Sågkedjan är klämd i trä. 	<ul style="list-style-type: none"> ■ Minska belastningen. ■ Minska belastningen. Låt batteripaketet eller kedjesågen svalna tills temperaturen sjunker under 67°C. ■ Släpp avtryckaren, ta bort sågkedjan och svärdet från trä, starta sedan om kedjesågen.
<p>Motorn körs men kedjan roterar inte.</p>	<ul style="list-style-type: none"> ■ Kedjan kuggar inte in i kedjedrivhjulet. 	<ul style="list-style-type: none"> ■ Installera om kedjan, se till att drivlänkarna på kedjan är helt isatt i kedjedrivhjulet.
<p>Kedjebromsen aktiveras inte.</p>	<ul style="list-style-type: none"> ■ Skräp förhindrar fullständig rörelse hos kedjans rekylbromspaddel. ■ Möjligt funktionsfel hos kedjebromsen. 	<ul style="list-style-type: none"> ■ Rensa bort skräp från den externa kedjebromsmekanismen ■ Kontakta EGO kundtjänst för hjälp.

SE

PROBLEM	ORSAK	LÖSNING
Kedjesågen sågar inte korrekt.	<ul style="list-style-type: none"> ■ Otillräcklig kedjespänning. ■ Slö kedja. ■ Kedjan installerad baklänges. ■ Sliten kedja. ■ Torr eller kraftigt sträckt kedja. ■ Kedjan är inte i svärdsspåren. 	<ul style="list-style-type: none"> ■ Justera kedjespänningen enligt följ sektionen: "INSTÄLLNING AV KEDJESPÄNNINGEN". ■ Vässa kedjan. ■ För att montera tillbaka sågkedjan, följ avsnittet "MONTERA/BYTA UT SVÄRDET OCH KEDJA". ■ Byt kedjan enligt följ sektionen: "MONTERING/BYTE AV SVÄRDET OCH KEDJAN". ■ Kontrollera oljenivån. Fyll på oljetanken och välj en högre oljetillförselvolym om det behövs. ■ Installera om kedjesågen enligt följande sektion: "MONTERING/BYTE AV SVÄRDET OCH KEDJAN".
Kedjan blir lös och hoppar av svärdet vid normal användning.	<ul style="list-style-type: none"> ■ Kedjan kommer att bli lös då temperaturen på kedjan ökar under normalt sågarbete. ■ Kedjan kuggar inte in i kedjedrivhjulet. 	<ul style="list-style-type: none"> ■ Spänn kedjan genom att följa sektionen "INSTÄLLNING AV KEDJESPÄNNINGEN". ■ Installera om kedjesågen enligt följande sektion: "MONTERING/BYTE AV SVÄRDET OCH KEDJAN".

GARANTI

EGO GARANTIPOLICY

Besök webbsidan egopowerplus.eu för fullständiga villkor för EGO garantipolicy.

LUE KAIKKI OHJEET!



LUE KÄYTTÖOPAS

VAROITUS: Pätevän huoltoteknikon tulee suorittaa kaikki korjaukset, jotta voidaan taata tuotteen turvallinen ja luotettava käyttö.

VAROITUS: Lue ja ymmärrä tämän käyttöoppaan kaikki turvallisuusohjeet, mukaan lukien turvallisuusvaroitussymbolit, kuten "VAARA", "VAROITUS" ja "HUOMIO" ennen laitteen käyttämistä. Alla olevien ohjeiden noudattamatta jättäminen saattaa aiheuttaa sähköiskun, tulipalon ja/tai vakavan henkilövahingon.

SÄILYTÄ KAIKKI VAROITUKSET JA OHJEET MYÖHEMPÄÄ KÄYTTÖÄ VARTEN.

TURVALLISUUSSYMBOLI

VAROITUS: Minkä tahansa sähkötyökalun käyttö saattaa aiheuttaa vierasesineiden sinkoutumisen silmiin, mikä voi aiheuttaa vakavia silmävammoja. Käytä aina suojalaseja, joissa on sivusuojat, ja tarvittaessa koko kasvot peittävää suojaa, kun käytät sähkötyökaluja. Silmälasien päällä suosittelemme käytettäväksi suojamaskia, jossa on laaja näkökenttä, tai tavallisia suojalaseja, joissa on sivusuojat.

TURVALLISUUSSYMBOLIT



Turvallisuushälytys



Käytä silmäsuojaimia



Käytä suojakypärää



Varo moottorisahan takapotkua ja vältä kosketusta terälevyn kärkeen



Terälevyn tiedot



Taattu äänitehotaso. Melupäästöt ympäristöön Euroopan yhteisen direktiivin mukaiset.



Tämä tuote vastaa sovellettavia EU-direktiivejä.



Bluetooth®

mm Millimetri

V Jännite

IPX4 Suojaus roiskevedeltä



Käyttäjän on luettava ja ymmärrettävä käyttöopas ennen tämän laitteen käyttöä loukkaantumisvaaran vähentämiseksi.



Käytä kuulosuojaimia



Käytä suojakäsineitä



Terälevyn kärjen takapotku



Käytä moottorisahaa aina kahdella kädellä



Vanhoja sähkölaitteita ei saa hävittää kotitalousjätteen mukana. Vie laite valtuutettuun kierrätyslaitokseen.



Tämä tuote vastaa sovellettavaa UK-lainsäädäntää.



Tasavirta


n_0 Tyhjäkäyntinopeus

./min per minuutti

FI

HUOMAA: Bluetooth®-sanamerkki ja -logot ovat Bluetooth SIG, inc:n omistamia rekisteröityjä tavaramerkkejä, ja EGO käyttää niitä lisenssillä.

TEKNISET TIEDOT

Nimellisjännite	56 V 	
Maks. Ketjun nopeus	25 m/s	
Ketjujako	3/8" (9,5 mm)	
Ketjumittari	1,3 mm	
Terälevyn pituus	50 cm	
Teräketjun tyyppi	AC2005	
Terälevyn tyyppi	AG2005	
Ketjuöljysäiliön tilavuus	250 ml	
Paino (ilman akku, teräketjua, terälevyä, sivusuojusta, öljyä ja ketjunsuojusta)	3,9 kg	
Suosittelut käyttölämpötila	-15°C-40°C	
Suosittelut säilytyslämpötila	-20°C-70°C	
Suosittelut latauslämpötila	5°C-40°C	
Mitattu äänitehotaso L_{WA}	103 dB(A) K=1,7 dB(A)	
Äänenpaineen taso käyttäjän kohdalla L_{PA}	89 dB(A) K=3 dB(A)	
Taattu äänitehotaso L_{WA} (direktiivin 2000/14/EY mukaan)	105 dB(A)	
Tärinä a_h	Etukahva	4,69 m/s ² K=1,5 m/s ²
	Takakahva	4,24 m/s ² K=1,5 m/s ²

- Ilmoitettu tärinän kokonaispäästöarvo on mitattu standarditestausmenetelmän mukaisesti, ja sen avulla voidaan vertailla työkaluja keskenään;
- Ilmoitettua tärinän kokonaispäästöarvoa voidaan käyttää myös altistumisen alustavaan arviointiin.

HUOMAUTUS: Työkalun käytön aikana mitattu todellinen tärinäpäästöarvo voi poiketa ilmoitetusta kokonaispäästöarvosta työkalun käyttövastasta johtuen; käyttäjän suojaamiseksi tulee käyttää käsineitä ja kuulosuojaimia varsinaisissa käyttöolosuhteissa.

PAKKAUSLUETTELO (KUVA A1)

KUVAUS

TUNNE MOOTTORISAHASI (kuva A1)

1. Teräketju
2. Katkontapiikit
3. Ketjun takapotkun jarrukahva
4. Etukahva
5. LCD-näyttö
6. Nopeuspalkit
7. Bluetooth-kuvake
8. Etuvalokuvake
9. Jarrukuvake
10. Akkutehon ympyrä
11. Etuvalo/Bluetooth-painike
12. Ketjun nopeuspainike
13. Lukituksen vapautuspainike
14. Liipaisinkytkin
15. Takakahva
16. Akun vapautuspainike
17. Öljyntarkastusikkuna
18. Öljysäiliön korkki
19. Laippa
20. Voiteluaukko
21. Sivukansi
22. Sivukannen mutterit
23. LED-AJOVALO
24. Ketjun kiristyspultti
25. Kaksoiskantainen hylsyavain
26. Teräsuoja

KOKOAMINEN

TERÄLEVYN JA KETJUN KOKOAMINEN/VAIHTAMINEN

VAROITUS: Säädä ketjun takapotkun jarrukahva jarrutusasettoon ennen kokoamista.

1. Aseta moottorisahan akkupää kyhjelleen niin, että sivukansi osoittaa ylös (kuva B).
2. Poista sivukansi kääntämällä kahta lukkomutteria vastapäivään.
3. Löysää ketjun kireyttä kääntämällä ketjun kiristyspulttia vastapäivään.
4. Aseta teräketju silmukaksi tasaiselle alustalle ja oikaise mahdolliset kiertymät (kuva C).
5. Laita ketjun vetolenkit terälevyn uraan ja tee ketjusta silmukka terälevyn takaosaan (kuva D).
6. Pidä ketjua paikallaan terälevyssä ja aseta silmukka sahan ketjupyörän ympärille (kuva E1).

B-1	Lukkomutterit	D-2	Terälevyn ura
B-2	Ketjun kiristyspultti	E-1	Vetopyörä
D-1	Ketjun vetolenkit		

HUOMAUTUS: Kun pujotat sahan ketjua terälevyn päälle, varmista, että kun olet asentanut terälevyn sahaan, se vastaa kotelossa olevaa leikkuukuvion ja pyörimissuunnan nuolia. Jos ne osoittavat vastakkaisiin suuntiin, asenna teräketju uudelleen terälevyn päälle siten, että nuolet osoittavat samaan suuntaan (kuva E2).

- Aseta sivukansi takaisin moottorisahan koteloon ja kiristä kaksi lukkomutteria täysin.
- Pyöritä ketjua käsin tarkistaaksesi, että ketju on oikein asennettu eikä jää kiinni. Muutoin asenna ketju ja terälevy uudelleen.

HUOMAUTUS: Pidennä terälaipan käyttöikää kääntämällä se välillä ympäri.

KETJUN KIREYDEN SÄÄTÖ

- Sammuta moottori ja irrota akkuyksikkö ennen kuin säädät ketjun kireyttä. Käännä ketjun kiristyspulttia myötä- tai vastapäivään ketjun kireyden säätämiseksi (kuva F), kunnes ketju istuu tiukasti terälevyvä vasten vetolenkkien ollessa terälevyn urassa.
- Kylmä ketju on oikein kiristetty, kun ketju ei ole löysällä terälaipan alapuolella ja ketju on tiukka, mutta sitä voidaan kääntää käsin ongelmitta. Ketju on kiristettävä uudelleen aina silloin, kun liikeliihtinten tasanteet eivät osu terälevyn uraan.
- Ketjun lämpötila nousee normaalien sahausten aikana. Oikein kiristetyn lämpimän ketjun vetolenkit roikkuvat noin 1,3 mm terälevyn urasta (kuva G).

HUOMAUTUS: Uusilla ketjuilla on tapana venyä; tarkasta ketjünkireys säännöllisesti ja kiristä ketjua tarvittaessa.

HUOMAUTUS: Lämpimänä kiristetty ketju voi olla liian tiukka, kun se on jäähtynyt. Tarkasta kylmäkireys ennen seuraavaa käyttöä.

KÄYTTÖ

VAROITUS: Älä anna tämän laitteen tuttuuden tehdä sen käsittelystä huolimattomuutta. Muista, että sekunnin sadasosan huolimattomuus riittää vakavan vamman aiheutumiseen.

VAROITUS: Älä käytä lisälaitteita tai lisävarusteita, jos tämän tuotteen valmistaja ei ole suositellut niitä.

Tällaisten lisävarusteiden tai apuvälineiden käyttö saattaa aiheuttaa vakavia henkilövahinkoja.

VAROITUS: Poista akku työkalusta aina, kun kokoat osia, teet muutoksia tai puhdistat laitetta tai kun et käytä sitä. Näin varmistat, ettei laite käynnisty vahingossa eikä aiheuta vakavia henkilövahinkoja.

Ennen jokaista käyttökertaa tarkista laite kokonaisuudessaan vahingoittuneiden, puuttuvien tai löysin osien varalta (esim. mutterit, pultit, korkit yms.). Kiinnitä kaikki kiinnittimet ja korkit tiukasti äläkä käytä laitetta ennen kuin kaikki puuttuvat tai vahingoittuneet osat on vaihdettu.

KÄYTTÄMINEN

Voit käyttää tätä tuotetta tavalliseen puunkaatoon, oksien karsimiseen ja puiden leikkuuseen.

HUOMAUTUS: Koneetta saa käyttää vain sille määrättyyn tarkoitukseen. Kaikki muu käyttö katsotaan väärinkäytöksi.

TERÄLEVYN JA KETJUN VOITELUAINEN TÄYTTÖ

VAROITUS: Älä polta tai pidä tulita öljyn tai moottorisahan lähellä. Öljy voi läikkyä ja seurauksena voi olla tulipalo.

HUOMAUTUS: Moottorisahassa ei ole ostohetkellä öljyä. On tärkeää täyttää säiliö öljyllä ennen käyttöä. Ketjua voidellaan ketjuöljyllä automaattisesti käytön aikana.

- Aseta moottorisaha kyljelleen niin, että säiliön korkki osoittaa ylös.
- Puhdista öljysäiliön korkki ja sitä ympäröivä alue, jotta likaa ei pääse öljysäiliöön.
- Nosta puoliympyrän muotoinen levy ylös ja irrota öljysäiliön korkki kiertämällä sitä vastapäivään (kuva H).
- Kaada varovasti terälevy- ja ketjuöljyä säiliöön. Täytä täyttökauhan pohjaan saakka.
- Pyyhi ylimääräiset öljyt pois ja laita korkki paikoilleen.

HUOMAUTUS: Tarkista öljyn taso säännöllisesti ja täytä, jos öljyn taso on minimilinjalla alapuolella. Älä käytä moottorisahaa, jos öljyä ei enää näy.

AKUN LIITTÄMINEN/POISTAMINEN

Käytä vain EGO:n akkuja ja latureita, jotka on lueteltu kuvassa A2.

Lataa täyteen ennen ensimmäistä käyttökertaa.

Liittäminen

Aseta akun ulokkeet kiinnitysaukkoihin ja paina akkua alaspäin, kunnes kuulet "naksahduksen" (kuva I).

Poistaminen

Paina akun vapautuspainiketta ja vedä akku ulos (kuva J).

MOOTTORISAHAN KÄYNNISTÄMINEN/ SAMMUTTAMINEN

HUOMAUTUS: Ennen kuin käynnistät moottorisahan, tarkista öljytaso, sahan hampaiden terävyys ja takapotkun jarrukahvan toimivuus. Lisäksi tarvitsit tasapainoisen asennon ja riittävän etäisyyden maan ja moottorisahan välillä.

Käynnistäminen (kuva K).

1. Vedä ketjun takapotkun jarrukahva kohti etukahvaa toiminta-asentoon (kuva K).
2. Tartu etukahvaan tukevasti vasemmalla kädellä ja takakahvaan oikealla kädellä.

VAROITUS: Loukkaantumisen välttämiseksi käytä moottorisahaa aina oikealla kädellä tarttuen takakahvan tartunta-alueeseen (kuva L).

3. Pidä lukituksen vapautuspainiketta painettuna toisen käden peukalolla ja purista sitten liipaisinkytkintä sahan käynnistämiseksi (kuva L).

L-1	Tartunta-alue
-----	---------------

4. Vapauta lukituksen vapautuspainike ja jatka liipaisimen puristamista, jotta laite pysyy käynnissä.
5. Mitä pidemmälle liipaisinkytkin painetaan, sitä suurempi on ketjun nopeus. Säädä nopeus tehtävän työn mukaan.

VAROITUS: Älä yritä käynnistää sahaa, kun teräketju on leikkattavan asian keskellä.

Pysäyttäminen

1. Siirrä moottorisaha pois sahausalueelta ja vapauta sitten liipaisinkytkin moottorisahan pysäyttämiseksi.
2. Työnnä ketjun takapotkun jarrukahva eteenpäin jarrutusasentoon, niin ketjun jarru on käytössä (kuva K).

VAROITUS: Poista akku koneesta aina, kun pidät työstä taukoa ja kun lopetat työskentelyn.

NOPEUSTILAN MUUTTAMINEN (kuva M)

Tässä koneessa on kolme nopeustilaa. Jokainen nopeustila rajoittaa moottorisahan enimmäisnopeutta. Nopeustila vaihtuu jokaisella ketjun nopeuspainikkeen painalluksella.

LCD-näytön nopeuspalkit näyttävät aktiivisen nopeustilan: yksi palkki tarkoittaa alhaista nopeutta, kaksi palkkia keskinopeutta ja kolme palkkia korkeaa nopeutta. Alhainen nopeustila (ECO) mahdollistaa koneen paremman hallinnan ja pidemmän käyttöajan latausta kohden.

M-1	Nopeuspalkit	M-5	Akkutehon ympyrä
M-2	Bluetooth-kuvake	M-6	Etuvälo/Bluetooth-painike

M-3	Etuvälokuvake	M-7	Ketjun nopeuspainike
M-4	Jarrukuvake		

HUOMAA: Kun käytetään EGO-akkua, jonka nimellisarvo on 2,5 Ah tai vähemmän, vain ECO-tila on käytettävissä. Jos käytät nimellisarvoltaan alle 6,0 Ah:n EGO-akkua, et voi saavuttaa suurta nopeutta. Parhaan suoritusasteen saamiseksi suosittelemme käyttämään EGO-akkuja, jotka ovat vähintään 6,0 Ah (esim. BA3360T).

HUOMAA: Koneen nopeusmuistitoiminto muistaa viimeisimmän nopeusasetuksen, ja se otetaan käyttöön, kun kone käynnistetään seuraavan kerran.

HUOMAA: LCD-näyttö syttyy, kun laukaisukytkintä vedetään tai kun nopeuspainiketta tai etuvälo-/Bluetooth-painiketta painetaan. Se kytkeytyy automaattisesti pois päältä, kun moottorisaha on ollut käyttämättömänä noin 30 sekuntia.

LED-ETUVALO (kuva N)

LED-etuvälo sijaitsee moottorisahan kotelon etuosassa. Etuvälo tarjoaa valoa näkyvyyden parantamiseksi ja siinä on 2 kirkkautasoa.

Kytke etuvälo päälle painamalla kerran etuvälo-/Bluetooth-painiketta (kuva M). Etuvälo kytkeytyy päälle alhaisella kirkkautasolla ja LCD-näytössä näkyy alhaisen kirkkauden etuvälo kuvake. Paina etuvälo-/Bluetooth-painiketta uudelleen siirtyäksesi korkealle kirkkautasolle, LCD-näytössä näkyy korkealla kirkkauksella toimivan etuvälo kuvake.

Voit sammuttaa etuvälo painamalla etuvälo-/Bluetooth-painiketta kolmannen kerran, jolloin etuvälokuvake katoaa LCD-näytöstä.

N-1	Alhaisen kirkkauden etuvälo kuvake	N-3	LED-etuvälo
N-2	Korkean kirkkauden etuvälo kuvake		

MONISUUNTAINEN KETJUJARRUJÄRJESTELMÄ (kuva O1 ja kuva O2)

VAROITUS: Monisuuntaista ketjujarrujärjestelmää ei ole tarkoitettu korvaamaan tavallista/perinteistä ketjujarrua. Käyttäjä ei saa koskaan luottaa tähän ominaisuuteen takapotkun estämisessä moottorisahan käytön aikana. Noudata aina takapotkun vaimentamiseen liittyviä turvallisuusohjeita, jotka löytyvät tämän käyttöoppaan varoitusosasta.

Kun monisuuntainen ketjujarrujärjestelmä on aktivoitu, ja se pysäyttää sahan, jarrukuvake vilkkuu LCD-näytössä (kuva M). Irrota ote liipaisinkytkimestä, irrota teräketju ja terälevy puusta, käynnistä sitten moottorisaha uudelleen.

HUOMAA: Anturit tunnistavat sahan äkillisen liikkeen vain terälevyn tasolla (kuva O1). Anturit eivät tunnista mitään sahan äkillistä liikettä sivusuunnassa (kuva O2) (t.s. kohtisuoraan terälevyn tasoon nähden).

VIESTINTÄTEKNIikka

Jos haluat tietoja yhdistettyjen tuotteiden ja palveluiden koko valikoimasta, mukaan lukien yhdistämisohteet, skannaamalla alla oleva QR-koodi tai käy osoitteessa www.egopowerplus.eu/connect.



KUNNOLLINEN OTE KAHVOISTA (kuva P1)

- Käytä liukumisen estäviä käsiineitä, jotta saat parhaan mahdollisen otepitävyyden ja suojan.
- Pidä sahasta kiinni molemmin käsin, kun se on tukevalla, tasaisella alustalla.
- Tartu etukahvaan vasemmalla kädellä ja takakahvaan oikealla kädellä.
- Sormien tulisi kiertyä kahvan ympärille niin, että peukalo on kiertynyt etukahvan alle.

VAROITUS: Älä käytä vasenkätistä (ristikätistä) otetta tai asentoa, joka saattaisi asettaa kätesi tai kehosi teräketjun eteen.

VAROITUS: Älä käytä liipaisukytkintä vasemmalla kädelläsi ja pidä etukahvaa oikealla kädelläsi. Älä päästä mitään osaa kehostasi sahauslinjalle moottorisahalla työskentelyn aikana (kuva P2).

OIKEA SAHAUSASENTO (kuva Q)

- Molemmat jalat tukevasti maassa ja paino jakautuneena niille tasaisesti.
- Vasen käsi suorana ja kynärpää lukittuneena. Tämä auttaa kestäämään takapotkun aiheuttamia voimia.
- Vartalosi pitäisi olla aina teräketjun vasemmalla puolella.

YKSINKERTAISEN PUUNKAADON, KARSIMISEN JA RISTISAHAUksen OHJEET

VAROITUS: Seiso aina tasapainoisesti ja pidä moottorisahaa molemmilla käsillä, kun se on käynnissä.

VAROITUS: Kun moottorisaha sammuu, koska se juuttuu sahauskeskeiseen johonkin, irrota ote liipaisinkytkimestä; irrota teräketju ja terälevy puusta ja käynnistä moottorisaha uudelleen.

VAROITUS: Älä vedä teräketjua käsin, kun se sakkaa sahanpurun takia. Jos moottorisaha käynnistyy vahingossa, se saattaa aiheuttaa vakavan vamman. Paina teräketjua puuta vasten ja liikuta moottorisahaa eteen ja taakse irrottaaksesi irtoaineksen. Poista akku aina ennen puhdistusta. Käytä tukevia suojahansikkaita, kun käsittelet teräketjua.

VAROITUS: Älä ikinä käynnistä moottorisahaa, kun se koskettaa puuhun. Anna moottorisahan kiihtyä täyteen nopeuteensa ennen kuin käytät sitä puun sahaamiseen.

PUUN KAATAMINEN

- Kun puita karsitaan tai kaadetaan samanaikaisesti kahden tai useamman henkilön toimesta, vähimmäisetäisyys karsinta-alueen ja kaatopaikan välillä on vähintään kaksi kertaa puun pituus. Puita ei saa kaataa tavalla, joka saattaa aiheuttaa vaaraa ihmisille, osua sähkölinjaan tai aiheuttaa omaisuusvahinkoja. Jos puu kuitenkin osuu sähkölinjaan, ilmoita välittömästi sähköyhtiölle.
- Moottorisahan käyttäjän tulee seistä ylämäen puolella, sillä puu todennäköisesti kieriä tai valuu alamäkeen kaaduttuaan.
- Suunnittele ja tarvittaessa tyhjennä poistumisreitit valmiiksi ennen kuin alat sahata puuta. Poistumisreitit tulee ulottua arvioidun kaatosuunnan taakse vinosti, kuten näytetään kuvassa R.

R-1	Kaatosuunta	R-2	Turvallinen pakotie
-----	-------------	-----	---------------------

- Huomioi ennen kaatamisen aloittamista puun luonnollinen taipumissuunta, suurempien oksien sijainti ja tuulen suunta, jotta voit arvioida mihin suuntaan puu kaatuu.
- Poista lika, kivet, irtonainen kuoriossa, naulat, niitit ja rautalanka puusta.

Alempi lovi

Tee runkoon lovi, joka on 1/3 puun halkaisijasta ja on kohtisuoraan kaatumissuuntaan kuvan S osoittamalla tavalla. Sahaa ensin alempi vaakasuora lovi. Se auttaa välttämään teräketjun tai terälevyn puristuksiin jäämisen, kun toista lovea sahataan.

S-1	Kaatumissuunta	S-3	Kaatosahaus
S-2	Lovi	S-4	Sarana

Kaatosahaus

- Tee kaatosahaus ainakin 50 mm korkeammalle kuin vaakasuora lovi, kuten kuvassa

S näytetään. Tee kaatosahaus samansuuntaisesti vaakasuoran loven kanssa. Saha kaatosahaus niin, että jäljelle jää riittävästi puuta saranana toimimiseen. Sarana pitää huolta siitä, ettei puu käänny ja kaadu vääriin suuntaan. Älä sahaa läpi saranasta.

- Kun saha on lähellä saranaa, puun pitäisi alkaa kaatua. Jos on olemassa mahdollisuus, että puu ei kaadu haluttuun suuntaan tai että se saattaa kaatua kohti sahaa ja lukita teräketjun, lopeta sahaaminen ennen kuin kaatolovi on valmis ja käytä puisia, muovisia tai alumiinisia kiiloja pitämään lovi avonaisena. Kaada puu sitten haluttuun suuntaan.
- Kun puu alkaa kaatua, poista moottorisaha lovesta, sammuta moottori, laske moottorisaha alas ja käytä suunniteltua pakotietä. Varo ylhäältä putoavia oksia ja katso mihin astut.

FI

Puun karsiminen

Tässä yhteydessä puhutaan kaadetun puun oksien karsimisesta. Kun karsit oksia, jätä suuremmat alaokset tukemaan tukkia niin, että se pysyy irti maasta. Poista pienemmät oksat yhdellä sahauskella, kuten kuvassa T. Jännityksessä olevat oksat tulee sahata alhaalta ylös, jotta moottorisaha ei jää niihin kiinni.

Tukin pilkkominen

Tässä tarkoitetaan suuremman puun pilkkomista pienemmiksi paloiksi. On tärkeää, että asentosi on tasapainoinen ja painosi on tasaisesti molemmilla jaloilla. Mikäli mahdollista nosta runko irti maasta ja tue se oksien, pölkkyjen tai kiilojen avulla. Noudata yksinkertaisia ohjeita helppoon sahaamiseen.

- Kun tukki on tuettu koko pituudeltaan kuvan U1 osoittamalla tavalla, se sahataan ylhäältä (yläsahaus).
- Kun tukki on tuettu toisesta päästä kuvan U2 osoittamalla tavalla, sahaa halkaisijasta 1/3 alapuolelta (alasahaus). Saha sitten loput rungon yläpuolelta alemman sahauskohdalta.
- Kun tukki on tuettu molemmista päistä kuvan U3 osoittamalla tavalla, sahaa halkaisijasta 1/3 ylhäältä (yläsahaus). Saha sitten loppuun alapuolelta niin, että alemmat 2/3 kohtaavat ensimmäisen sahausloven.
- Kun pilkot rinteessä, seiso aina tukin yläpuolella rinteessä, kuten kuvassa V.
- Kun sahaat läpi, säilytä täydellinen hallinta vapauttamalla sahauspaine sahausloven loppuvaiheessa niin, ettei irrota otetta moottorisahan kahvoista. Älä anna ketjun osua maahan. Kun sahaus on valmis, odota, että moottorisaha sammuu ennen kuin siirrä sitä. Sammuta moottori aina ennen kuin siirryt toisen puun luo.

HUOLTAMINEN

VAROITUS: Käytä huollon yhteydessä vain identtisiä varaosia. Muiden osien käyttö saattaa aiheuttaa vaaran tai laitteen vaurioitumisen. Pätevän huoltoteknikon tulee suorittaa kaikki korjaukset, jotta voidaan taata tuotteen turvallinen ja luotettava käyttö.

VAROITUS: Vakavan henkilövamman välttämiseksi poista akku laitteesta, kun tarkistat laitetta, puhdistat sitä tai suoritat huolto- ja huoltotoimenpiteitä. Akkukäyttöinen laite, jossa on akku paikallaan, on aina päällä ja saattaa käynnistyä vahingossa.

VAROITUS: Kun puhdistat moottorisaha, ÄLÄ upota sitä veteen tai muihin nesteisiin.

VAROITUS: Älä anna jarrunesteiden, bensiinin, ruosteen irrotusainoiden tai muiden öljypohjaisten tuotteiden joutua kosketuksiin muoviosien kanssa. Kemikaalit saattavat vahingoittaa, heikentää tai tuhota muovia, mikä saattaa aiheuttaa vakavan henkilövamman.

PUHDISTAMINEN

- Puhdista irtoaines ketjusta ja terälevystä jokaisen käyttökerran jälkeen pehmeällä harjalla. Pyyhi moottorisahan pinta puhtaalla, miettoon saippualluokseen kostutetulla liinalla.
- Poista sivukansi ja käytä pehmeää harjaa poistamaan irtoaines terälevystä, teräketjusta, ketjupyörästä ja sivukannesta.
- Puhdista aina puulastut, sahanpuru ja lika terälevyn urasta, kun vaihdat teräketjun.

TERÄLEVYN KUNNOSSAPITO

Kun terälevyssä näkyy kulumisen merkkejä, irrota se moottorisahan akkupäädästä, käännä se ja kiinnitä takaisin (kuva W1). Tällä tavalla sen käyttöikä on mahdollisimman pitkä.

Terälevy tulee puhdistaa jokaisena käyttöpäivänä ja tarkistettava kulumisen ja vahingoittumisen varalta. Terälevyn kiskojen rispaantuminen tai epätasaisuus on tavallista terälevyn kulumista. Nämä viat voidaan korjata viialla heti niiden ilmestyessä. Terälevy, jossa on jokin seuraavista vioista, pitää vaihtaa.

- Kulumista terälevyn kiskojen sisäpuolella, jonka takia ketju voi olla liikkua sivuttain.
- Vääntynyt terälevy.
- Halkeilleet tai rikkinaiset kiskot.
- Levinneet kiskot.

Terälevyn kärjessä on myös kärkipyörä (kuva W2). Kärkipyörä on voideltava viikoittain rasvaruiskulla, jotta terälevyn käyttöikä pitenee. Käytä rasvaruiskua viikoittain ja voitele ketjuöljyllä voiteluaukon kautta (kuva W3). Käännä terälevy ja tarkista, että voitelurei'issä ja ketjun urassa ei ole epäpuhtauksia.

W-1	Terälevyn kärkipyörä	W-2	Voiteluaukko
-----	-------------------------	-----	--------------

HUOMAUTUS: Käytä EGO:n hyväksymiä voiteluaineita parhaan tuloksen saavuttamiseksi.

KULJETUS JA VARASTOINTI

Älä varastoi tai kuljeta moottorisahaa, kun se on käynnissä. Irrota aina akkuyksikkö ennen varastointia tai kuljetusta.

Laita aina terälevyn suojus terälevyn ja ketjun päälle ennen kuin varastoit tai kuljetat moottorisahaa. Varo ketjun teräviä hampaita.

Puhdista moottorisaha perusteellisesti ennen varastointia. Säilytä moottorisahaa sisällä kuivassa paikassa, johon lapset eivät pääse.

Pidä poissa syövyttävien aineiden, kuten puutarhakemikaalien ja jäänestosuolojen, läheltä.

FI

YMPÄRISTÖNSUOJELU



Älä hävitä sähkölaitteita, käytettyjä akkuja tai laturia kotitalousjätteen seassa!

Vie tämä tuote hyväksytyyn kierrätyspaikkaan tai anna se erilliseen keräilyyn. Sähkötyökalut tulee palauttaa asianmukaiseen ympäristöystävälliseen kierrätyslaitokseen.

VIANMÄÄRITYS

VAROITUS: Suojaa aina kätesi paksuilla käsineillä silloin, kun teet ylläpitotöitä sahan teräketjulle. Poista aina akku, kun huollat tai kuljetat moottorisaha.

ONGELMA	SYY	RATKAISU
FI Moottori ei käy	<ul style="list-style-type: none"> ■ Akkua ei ole liitetty moottorisahaan. ■ Sahan ja akun välillä ei ole sähköyhteyttä. ■ Akun varaus on tyhjentynyt. ■ Akku tai moottorisaha on ylikuumentunut. ■ Ketjujarru on käytössä. ■ Terälevyn urassa on irtoainesta. ■ Kannen sisäpuolella irtoainesta. 	<ul style="list-style-type: none"> ■ Liitä akku moottorisahaan. ■ Poista akku, tarkista koskettimet ja asenna akku uudelleen paikalleen. ■ Lataa akku. ■ Jäähdytä akkua tai moottorisahaa, kunnes sen lämpötila on alle 67°C. ■ Vedä ketjun takapotkun jarrukahva takaisin kohti etukahva toiminta-asentoon. ■ Paina teräketjua puuta vasten ja liikuta moottorisahaa eteen ja taakse irrottaaksesi irtoaineksen. ■ Poista akku, poista sivukansi ja puhdista irtoaines.
Moottorisaha lakkaa toimimasta käytön aikana.	<ul style="list-style-type: none"> ■ Moottorisaha on ylikuormittunut. ■ Akku tai moottorisaha on ylikuumentunut. ■ Teräketju on jäänyt puristuksiin puuhun. 	<ul style="list-style-type: none"> ■ Vähennä kuormitusta. ■ Vähennä kuormitusta. Jäähdytä akkua tai moottorisahaa, kunnes sen lämpötila on alle 67°C. ■ Irrota ote liipaisinkytkimestä; poista teräketju ja ohjausterälevy puusta ja käynnistä moottorisaha uudelleen.
Moottori käy, mutta ketju ei pyöri.	<ul style="list-style-type: none"> ■ Ketju ei kiinnity vetopyörään. 	<ul style="list-style-type: none"> ■ Asenna ketju uudelleen ja varmista, että ketjun vetolenkit ovat kunnolla vetopyörässä.
Ketjun jarru ei toimi.	<ul style="list-style-type: none"> ■ Irtoaines estää ketjun takapotkun jarrukahvan vapaan liikkeen. ■ Mahdollinen ketjujarrun vikatila. 	<ul style="list-style-type: none"> ■ Puhdista lika ulkoisesta ketjun jarrumekanismista. ■ Ota yhteyttä EGO:n asiakaspalveluun korjausta varten.

ONGELMA	SYY	RATKAISU
Moottorisaha ei sahaa kunnolla.	<ul style="list-style-type: none"> ■ Riittämätön ketjun kiristys. ■ Tylsä ketju. ■ Ketju asennettu väärin päin. ■ Kulunut ketju. ■ Kuiva tai liian kireä ketju. ■ Ketju ei ole terälevyn urassa. 	<ul style="list-style-type: none"> ■ Säädä ketjun kireyttä, kuten osiossa: "KETJUN KIREYDEN SÄÄTÖ". ■ Teroita ketju. ■ Asenna teräketju uudelleen osion "TERÄLEVYN JA KETJUN KOKOAMINEN/VAIHTAMINEN" mukaisesti. ■ Vaihda ketju, kuten osiossa: "TERÄLEVYN JA KETJUN KOKOAMINEN/VAIHTAMINEN". ■ Tarkista öljytilanne. Täytä öljysäiliö uudelleen ja valitse tarvittaessa suurempi öljynsyöttömäärä. ■ Asenna teräketju uudelleen, kuten osiossa: "TERÄLEVYN JA KETJUN KOKOAMINEN/VAIHTAMINEN".
Ketju löystyy tai putoaa terälevyiltä normaalin käytön aikana.	<ul style="list-style-type: none"> ■ Ketjun löystyy, koska ketjun lämpötila nousee normaalin sahauksen aikana. ■ Ketju ei kiinnity vetopyörään. 	<ul style="list-style-type: none"> ■ Säädä ketjun kireyttä, kuten osiossa "KETJUN KIREYDEN SÄÄTÄMINEN". ■ Asenna teräketju uudelleen, kuten osiossa: "TERÄLEVYN JA KETJUN KOKOAMINEN/VAIHTAMINEN".

TAKUU

EGON TAKUUEHDOT

Verkkosivustolta egopowerplus.eu löydät EGO:n takuukäytännön täydelliset ehdot.

LES ALLE INSTRUKSJONER!



LES BRUKERHÅNDBOKEN

⚠ ADVARSEL: For å sikre sikkerhet og pålitelighet bør alle reparasjoner utføres av en kvalifisert servicetekniker.

⚠ ADVARSEL: Sørg for å lese og forstå alle sikkerhetsinstruksjonene i denne brukerhåndboken, inkludert alle sikkerhetsvarselsymboler som "FARE", "ADVARSEL" og "FORSIKTIG" før du bruker dette verktøyet. Hvis du ikke følger alle instruksjonene nedenfor, kan det føre til elektrisk støt, brann og/eller alvorlig personskade.

LAGRE ALLE ADVARSLER OG INSTRUKSJONER FOR FREMTIDIG REFERANSE.

SIKKERHETSSYMBOL

⚠ ADVARSEL: Bruk av hvilke som helst elektroverktøy kan føre til at fremmedlegemer blir kastet mot øynene, noe som kan gi alvorlige øyeskader. Før du begynner å bruke elektroverktøyet, skal du alltid ta på vernebriller eller vernebriller med sidebeskyttelse, og en full ansiktsskjerm der det trengs. Vi anbefaler en Wide Vision Safety Mask til bruk over briller, eller standard vernebriller med sidebeskyttelse.

SIKKERHETSSYMBOLER

NO



Sikkerhetsvarsel



Bruk vernebriller



Bruk hodevern



Vær forsiktig med tilbakeslag av motorsagen og unngå kontakt med stangspissen



Informasjonen i guide bar



Garantert lydteknisk nivå. Støy i omgivelsene er i henhold til EUs direktiv.



Dette produktet er i samsvar med gjeldende EF-direktiver.



Bluetooth®

mm

Millimeter

V

Spenning

IPX4

Beskyttelse mot vannsprut



For at risikoen for personskader skal unngås må brukeren lese og forstå bruksanvisningen før produktet tas i bruk.



Bruk hørselvern



Bruk vernehansker



Tilbakeslag fra styrestangen



Bruk alltid motorsag med to hender



Elektriske produkter skal ikke kastes sammen med husholdningsavfallet. Send til en autorisert gjenvinner.



Dette produktet er i samsvar med gjeldende britisk lovgivning.



Likestrøm

n_0

Hastighet uten last

./min

Per minutt

SPESIFIKASJONER

Merkespenning	56 V	
Maks. Kjedehastighet	25 m/s	
Kjedevinkel	3/8" (9,5 mm)	
Kjedestørrelse	1,3 mm	
Styrestanglengde	50 cm	
Sagkjedetype	AC2005	
Styrestangtype	AG2005	
Kapasiteten til kjedeoljetanken	250 ml	
Vekt (uten batteripakke, sagkjede, styreskinnen, sidedeksel, olje og kjedekappe)	3,9 kg	
Anbefalt driftstemperatur	-15°C-40°C	
Anbefalt lagringstemperatur	-20°C-70°C	
Anbefalt ladetemperatur	5°C-40°C	
Målt lydeffektnivå L_{WA}	103 dB(A) K=1,7 dB(A)	
Lydtrykknivå ved arbeidsstilling L_{PA}	89 dB(A) K=3 dB(A)	
Garantert lydeffektnivå L_{WA} (iht. 2000/14/EF)	105 dB(A)	
Vibrasjon a_h	Fronthåndtak	4,69 m/s ² K=1,5 m/s ²
	Bakre håndtak	4,24 m/s ² K=1,5 m/s ²

- Den deklarererte totale vibrasjonsverdien er målt i samsvar med en standard testmetode og kan brukes til å sammenligne ett verktøy med et annet;
- Den deklarererte totale vibrasjonsverdien kan også brukes i en foreløpig vurdering av eksponering.

MERKNAD: Vibrasjonsutslippet under faktisk bruk av elektroverktøyet kan avvike fra den deklarererte verdien som verktøyet brukes i; For å beskytte brukeren, bør brukeren bruke hansker og hørselsvern under de faktiske bruksforholdene.

PAKKELISTE (FIG. A1)

BESKRIVELSE

KJENN MOTORSAGEN DIN (Fig. A1)

1. Sagkjede
2. Støttepigger
3. Kjedets bremsehåndtak for tilbakeslag
4. Fremre håndtak
5. LCD skjerm
6. Hastighetsskinner
7. Bluetooth-ikon
8. Frontlys-ikon
9. Bremsseikon
10. Sirkel for drivstoffmåler
11. Frontlys/Bluetooth-knapp
12. Kjedehastighetsknapp
13. Låseknapp
14. Utløserbryter
15. Bakre håndtak
16. Batteriutløserknapp
17. Inspeksjonsvindu for oljenivå
18. Oljetankklokke
19. Styrestang
20. Smørehull
21. Sidedeksel
22. Sidedekselmuttere
23. LED-frontlys
24. Mutter for kjedestramming
25. Skiftenøkkel med dobbelt ende
26. Kjedeslire

NO

MONTERING

MONTERING/BYTT AV STANG OG KJEDE

⚠ ADVARSEL: Juster kjedestøtbremsehåndtaket i bremsestilling før montering.

1. Plasser motorsagens motorhode på siden med sidedekselet vendt oppover (fig. B).
2. Fjern sidedekselet ved å vri de to låsemutterne mot klokken.
3. Vri kjedespenningsboltene mot klokken for å løsne kjedespenningen.
4. Legg sagkjedet i en løkke på en flat overflate og rett opp eventuelle knekk (fig. C).
5. Plasser kjettingdrevlenkene i svingesporet og gjør kjedet til en sløyfe bak på sværdet (fig. D).
6. Hold kjedet på plass på styrestangen og plasser løkken rundt tannhjul til sagen (fig. E1).

B-1	Låsemuttere	D-2	Styrestang Groove
B-2	Mutter for kjedestramming	E-1	Drivhjul
D-1	Kjededrifskoblinger		

LEGG MERKE TIL: Når du lager en sløyfe med sagkjedet på styrestangen, må du sørge for at kappemønsteret og rotasjonsretningspilen på huset samsvarer med kuttermønsteret og rotasjonsretningspilen på huset etter montering på sagen. Hvis de vender i motsatt retning, monterer du sagkjedet på styrestangen med kutterne vendt i samme retning (fig. E2).

7. Sett sidedekselet på motorsaghuset igjen og stram de to låsemutterne helt.
8. Roter kjedet for hånd for å sjekke om kjedet er riktig montert uten binding. Ellers sett sammen kjedet og sverdet.

LEGG MERKE TIL: For å utvide sverdetets levetid bør du innimellom snu det.

JUSTERE STRAMHETEN PÅ KJEDET

- Stopp motoren og ta ut batteripakken før du justerer kjedestrammingen. Vri kjedespenningsbolten med eller mot klokken for å justere kjedespenningen (fig. F) til kjedet sitter tett inntil styrestangen med drivlenkene i sporet på styrestangen.
- Et kaldt kjede er korrekt strammet når det ikke henger ned på undersiden av sverdet, og kjedet er tettstående, men det kan beveges for hånd uten oppbinding. Kjedet må etterstrammes når de flate delene av drevlenkene ikke sitter i sverdsporet.
- Under normal sagdrift vil temperaturen kjedet øke. Drivlenkene til en riktig strammet varm kjede vil henge ca. 1,3 mm ut av stangsporet (fig. G).

LEGG MERKE TIL: Nye kjeder pleier å strekke seg, så sjekk kjedestrammingen ofte og etterstram etter behov.

MERK: Et kjede som strammes mens det er varmt, kan bli for stramt når det er kaldt. Sjekk kaldspenningen før neste bruk.

OPERASJON

⚠ ADVARSEL: Ikke føl deg så trygg med dette verktøyet at du blir skjodesløs. Husk at et uforsiktig tiendedel av et sekund er nok til å forårsake alvorlige skader.

⚠ ADVARSEL: Ikke bruk tilbehør eller deler som ikke er anbefalt av produsenten av produktet. Bruk av tilbehør eller deler som ikke anbefales, kan medføre alvorlige personskader.

⚠ ADVARSEL: For å hindre utilsiktet start som kan føre til alvorlig personskade, skal batteripakken alltid tas ut av verktøyet når du monterer deler, gjør justeringer, utfører rengjøring, eller når verktøyet ikke er i bruk.

Før hver bruk skal hele produktet for inspiseres for skader, mangler eller løse deler, for eksempel skruer, muttere, bolter, heter, osv. Trekk til alle festene og hettene godt, og ikke bruk dette produktet før alle manglende eller skadede deler har blitt byttet.

APPLIKASJON

Du kan bruke dette produktet til grunnleggende felling, kvisting, beskjæring og hogst av trelast og trær.

LEGG MERKE TIL: Maskinen skal kun brukes til foreskrevne formål. Enhver annen bruk anses å være et tilfelle av misbruk.

PÅFYLLING AV SVERD- OG KJEDEOLJE

⚠ ADVARSEL: Ikke røyk eller ta med iid eller flammer i nærheten av olje eller motorsagen. Olje kan spilles og forårsake brann.

MERK: Motorsagen er ikke fylt med olje på kjøpstidspunktet. Det er svært viktig å fylle tanken med olje før bruk. Kjedet smøres automatisk med kjedeolje når sagen er i gang.

1. Plasser motorsagen på siden med tankhetten vendt oppover.
2. Rengjør oljetankhetten og området rundt for å sikre at det ikke kommer smuss inn i oljetanken.
3. Løft opp den halvsirkelformede platen og drei oljetankhetten mot klokken for å fjerne den (fig. H).
4. Hell forsiktig stangen og kjedeoljen i tanken. Fyll til bunnen av påfyllingshalsen.
5. Tørk av overflødig olje og sett på lokket igjen.

MERK: Sjekk oljenivået ofte og fyll når oljenivået faller under minimumslinjen. Bruk aldri motorsagen hvis oljen ikke er synlig.

FESTE/FRA BATTERIPAKKEN

Bruk kun med EGOs batteripakker og ladere oppført i Fig. A2.

NO

Lad helt opp før første gangs bruk.

Å feste

Juster batteririllene i forhold til monteringssporene, og trykk batteripakken ned til du hører et klikk (Fig. I).

Å løse

Trykk inn batteriutløserknappen og trekk batteripakken ut (fig. J).

START/STOPP AV MOTORSAGEN

LEGG MERKE TIL: Før du starter motorsagen, sjekkes oljenivået, deretter tennes skarphet og fungerende bremsehåndtak for tilbakeslag. Dessuten er balanserte fotteste og riktig avstand fra bakken helt nødvendig.

For å starte (fig. K)

1. Trekk kjedets bremsehåndtak for tilbakeslag mot fremre håndtak i driftsposisjon (fig. K).
2. Ta tak i det fremre håndtaket med venstre hånd og det bakre håndtaket med høyre hånd.

⚠ ADVARSEL: For å unngå skade, bruk alltid motorsagen med høyre hånd og ta tak i gripeområdet på det bakre håndtaket (fig. L).

3. Trykk på og hold inne låseknappen med tommelen på høyre hånd, og trykk deretter på avtrekksbryteren med fingrene på høyre hånd for å starte saken (fig. L).

L-1	Gripeområde
-----	-------------

4. Slipp låseknappen og fortsett å trykke på utløserbryteren for fortsatt drift.
5. Jo lenger utløserbryteren trykkes inn, jo høyere kjedehastighet. Juster hastigheten for å passe oppgaven.

⚠ ADVARSEL: Ikke forsøk å starte saken når sagkjedet er i et kutt.

Å stoppe

1. Flytt kjedesagen vekk fra skjæreområdet, og slipp deretter utløserbryteren for å stoppe kjedesagen.
2. Skyv bremsehåndtaket for kjedetilbakeslag fremover til bremseposisjonen for å koble inn kjedebremsen (fig. K).

⚠ ADVARSEL: Ta alltid ut batteripakken fra maskinen under arbeidspauser og etter endt arbeid.

ENDRE HASTIGHETSMODUS (FIG. M)

Denne maskinen har tre hastighetsmoduser. Hver hastighetsmodus begrenser motorsagens maksimale hastighet. Hastighetsmodusen endres ved hvert trykk på kjedehastighetsknappen.

Hastighetsskinnene på LCD-skjermen viser aktiv hastighetsmodus: en bar for lav hastighet, to stolper for middels hastighet og tre stolper for høy hastighet.

Lavhastighetsmodusen (ECO) gir bedre kontroll over maskinen og lengre driftstid per lading.

M-1	Hastighetsskinner	M-5	Sirkel for drivstoffmåler
M-2	Bluetooth-ikon	M-6	Frontlys/Bluetooth-knapp
M-3	Frontlys-ikon	M-7	Kjedehastighetsknapp
M-4	Bremseikon		

MERK: Når du bruker EGO-batteripakke vurdert til 2,5Ah eller mindre, er kun ECO-modus tilgjengelig. Og bruk av EGO-batteripakke vurdert til mindre enn 6,0 Ah vil ikke tillate deg å oppnå høy hastighet. For best ytelse anbefaler vi på det sterkeste bruk av EGO-batteripakker som er 6,0 Ah (f.eks. BA3360T) eller mer.

MERK: Maskinens hastighetsminnefunksjon husker den siste hastighetsinnstillingen og aktiverer den neste gang maskinen slås på.

MERK: LCD-skjermen lyser når utløserbryteren trekkes eller når hastighetsknappen eller frontlyset/Bluetooth-knappen trykkes ned. Den slås automatisk av etter ca. 30 sekunders inaktivitet i motorsagen.

LED-FRONTLYS (fig. N)

LED-frontlyset er plassert foran på motorsaghuset. Frontlyset gir belysning for økt synlighet og har 2 lysstyrkenivåer.

For å slå på frontlyset, trykk på frontlyset/Bluetooth-knappen (fig. M) en gang. Frontlyset slås på i lavt lysstyrkenivå, og frontlysetikonet med lav lysstyrke vises på LCD-skjermen. Trykk på frontlys/Bluetooth-knappen igjen for å bytte til høyt lysstyrkenivå, og frontlysetikonet med høy lysstyrke vises på LCD-skjermen.

For å slå av frontlyset, trykk på frontlyset/Bluetooth-knappen tredje gang, og frontlysetikonet forsvinner fra LCD-skjermen.

N-1	Ikon for frontlys med lav lysstyrke	N-3	LED-frontlys
N-2	Frontlysetikon med høy lysstyrke		

OMNI-RETNINGS KJEDEBREMSSYSTEM (Fig. 01 og Fig. 02)

⚠ ADVARSEL: Det rundstrålede kjedebremssystemet er ikke ment å fungere som en erstatning for standard/tradisjonell kjedebremse. Brukeren bør aldri stole på denne funksjonen under drift av motorsagen for å beskytte mot tilbakeslag. Følg alltid sikkerhetsinstruksjonene knyttet til tilbakeslagsreduksjon

NO

som finnes i advarseldelen i denne håndboken.

Når det rundstrålende kjedebremsesystemet er aktivert og stopper sagen, vil bremseikonet blinke på LCD-skjermen (fig. M). Slipp utløserbryteren, fjern sagkjedet og sverdet fra veden, og start så motorsagen på nytt.

MERK: Sensorene vil kun registrere plutselige bevegelser av sagen i sverdets plan (fig. O1). Sensorene vil ikke registrere noen brå bevegelse av sagen sidelengs (fig. O2) (dvs. vinkelrett på sverdets plan).

KOMMUNIKASJONSTEKNOLOGI

For informasjon om hele vårt utvalg av tilkoblede produkter og tjenester, inkludert tilkoblingsinstruksjoner, kan du skanne QR-koden nedenfor eller besøke www.egopowerplus.eu/connect.



NO

RIKTIG GREP PÅ HÅNDTAKENE (fig. P1)

- Bruk sklisikre hansker så du får best mulig grep og beskyttelse.
- Sett sagen på et fast, flatt underlag, og hold sagen fast med begge hender.
- Ta alltid tak i det fremre håndtaket med venstre hånd og det bakre håndtaket med høyre hånd.
- Fingrene skal omslutte håndtaket, med tommelen innpakket under det fremre håndtaket.

⚠ ADVARSEL: Bruk aldri et venstrehendt (krysshånds) grep eller noe holdning som vil plassere kroppen eller armen din over kjedelinjen.

⚠ ADVARSEL: Ikke bruk avtrekkeren med venstre hånd og hold det fremre håndtaket med høyre hånd. La aldri noen deler av kroppen din befinne seg i kjedehylster mens du bruker motorsagen (fig. P2).

RIKTIG SKJÆRESTILLING (fig. Q)

- Begge føttene skal være på fast grunn, med vekten jevnt fordelt mellom dem.
- Den venstre armen skal være rett, med albuen låst. Dette hjelper til med å motstå kreftene som genereres av tilbakeslag.
- Kroppen din skal alltid være til venstre for kjedelinjen.

ANVISNINGER OM RIKTIGE TEKNIKKER FOR GRUNNLEGGENDE FELLING, KVISTING, OG KAPPING

⚠ ADVARSEL: Alltid være sikker på fotfestet ditt, og hold motorsagen fast med begge hender mens motoren er i gang.

⚠ ADVARSEL: Når sagkjedet er stoppet på grunn av klemming under skjæring, slippes bryteren; fjern sagkjedet og sverdet fra treet, og start deretter motorsagen.

⚠ ADVARSEL: Ikke trekk sagkjedet med hånden når den er bundet opp av sagmugg. Alvorlig personskade kan oppstå hvis motorsagen starter ved et uhell. Trykk sagkjedet mot treet og flytt motorsagen frem og tilbake for løse rusket. Ta alltid ut batteripakken før rengjøring. Bruk tykke hansker når du håndterer sagkjedet.

⚠ ADVARSEL: Start aldri motorsagen når den er i kontakt med treverk. La alltid motorsagen nå full hastighet før du setter sagen mot treet.

FELLING AV TRÆR

- I kapping og hogst utført av to eller flere personer samtidig, skal fellingsoperasjonene skilles fra kappingen med en avstand på minst to ganger høyden av treet som felles. Trær skal ikke felles på en måte som kan være farlig for personer, som kan treffe strømledninger eller forårsake skader på eiendom. Hvis treet får kontakt med strømledninger, skal strømselskapet varsles umiddelbart.
- Motorsagsbrukeren skal stå på øvre side i terrenget, ettersom treet sannsynlig rulle eller sklir nedoverbakke etter at det er felt.
- En fluktrute skal planlegges og ryddes som nødvendig før sagingen startes. Rømningsveien skal strekke seg tilbake og diagonalt til baksiden av den forventede falllinjen som vist på figur R.

R-1	Fellingsretning	R-2	Trygg rømningsvei
-----	-----------------	-----	-------------------

- Før trefellingen startes må du vurdere den naturlige retningen som treet lener seg, plasseringen av større grener og vindretningen for å bedømme hvilken vei treet kommer til å falle.
- Fjern skitt, steiner, løs bark, spikre, stifter og ledninger fra treet

Styreskår

Gjør hakket 1/3 av diameteren på treet, vinkelrett på fallretningen som vist på figur S. Lag det nedre, horisontale

hakket først. Det bidrar til å unngå å klemme enten sagkjedet eller sverdet når det andre hakket sages.

S-1	Felleretning	S-3	Hovedskår
S-2	Innsnitt	S-4	Hengsel

Hovedskår

- Gjør fellings skjæret minst 50 mm høyere enn det horisontale hakkeskåret som vist på figur S. Hold hovedskåret parallelt med den horisontale delen av styreskåret. Sag ut hovedskåret slik at det er nok treverk igjen til å danne et hengsel. Hengseltreet gjør at treet ikke vrir seg og faller i feil retning. Ikke kutt gjennom hengselen.
- Etter hvert som felling kommer i nærheten av hengslet, bør treet begynne å falle. Hvis det er noen sjansen for at treet kan komme til å falle i feil retning eller at det kan vippe tilbake og klemme fast sagkjedet skal sagingen avsluttes før hovedskåret er fullført, og kiler av tre, plast eller aluminium skal brukes for å åpne skåret og felle treet langs den ønskede linjen.
- Når treet begynner å falle skal motorsagen fjernes fra kuttet, motoren stoppes, motorsagen settes ned, og deretter brukes fluktruten som plantag. Vær på vakt for overhengende grener som kan falle, og pass på fotfestet.

Kvisting av trær

Kvisting er å fjerne grenene fra et tre som har blitt felt. Under kvisting skal større nedre grener være igjen, for å støtte stammen opp fra bakken. Fjern de små lemmer i ett kutt som vist på figur T. Grener som står i spenn skal kappes fra bunnen og opp, for å unngå å oppbinding av motorsagen.

Kappe en stokk

Kapping er å kutte en stamme i lengder. Det er viktig å sørge for godt fotfeste, og at vekten er jevnt fordelt på begge føttene. Hvis mulig skal stammen heves og støttes med grener, stammer eller klosser. Følg de enkle instruksjonene for enkel saging.

- Når stokken støttes i hele sin lengde som vist på fig. U1, blir den kuttet fra toppen (overbuk).
- Når stokken er støttet i den ene enden, som vist på fig. U2, kuttet 1/3 diameteren fra undersiden (underbuk). Deretter gjøres det endelige kuttet med oversaging, til det første kuttet møtes.
- Når stokken er støttet i begge ender, som vist på fig. U3, kuttet 1/3 diameteren fra toppen (overbuk). Deretter gjøres det endelige kuttet med undersaging av de nedre 2/3, til det første kuttet møtes.

- Når du henger i en skråning, skal du alltid stå på oppoverbakke av stokken, som vist i fig. V.
- Når man «skjærer gjennom», slippes sagetrykket opp nær enden av kuttet for å beholde kontrollen, uten at man løsner grepet på håndtakene til motorsagen. Ikke la kjedet komme i kontakt med bakken. Etter endt saging må du vente på at sagkjedet stopper før du flytter på motorsagen. Stopp alltid motoren før du går fra tre til tre.

VEDLIKEHOLD

⚠ ADVARSEL: Når verktøyet trenger service, må bare identiske reservedeler benyttes. Bruk av andre deler kan skape fare eller forårsake produktskade. For å sikre trygg og pålitelig bruk må alle reparasjoner utføres av en kvalifisert fagperson.

⚠ ADVARSEL: For å unngå alvorlig personskade må du alltid fjerne batteriet fra produktet før du inspiserer, rengjør eller utfører vedlikehold. Et batteridrevet verktøy med batteripakken innsatt er alltid på, og kan starte ved et uhell.

⚠ ADVARSEL: Ved rengjøring av motorsagen skal den IKKE dyppes i vann eller andre væsker.

⚠ ADVARSEL: Ikke på noe tidspunkt skal bremsevæske, bensin, petroleum-baserte produkter, penetrerende oljer, osv. komme i kontakt med plastdeler. Kjemikalier kan skade, svekke eller ødelegge plastmaterialer, noe som kan føre til alvorlig personskade.

RENGJØRING

- Etter hver bruk fjernes rusk fra kjedet og sverdet med en myk børste. Tørk av motorsagens overflater med en ren klut, fuktet med mildt såpevann.
- Ta av sidedekselet, og bruk deretter en myk børste for å fjerne rusk fra sverdet, sagkjedet, drivhjul og sidedeksel.
- Fjern alltid treffiser, spon og rusk fra fordypningen til sagsverdet når du bytter kjede.

VEDLIKEHOLD AV STYREBAR

Når føringsstangen viser tegn på slitasje, demonter du den fra motorsagens motorhode og snur den for montering igjen (fig. W1). På denne måten fordeles slitasjen for å maksimere svingets levetid.

Stangen skal rengjøres hver bruksdag, og sjekkes for slitasje og skader. Uttoning eller gradering på sverdskindene er en normal slitasjeprosess på stangen. Slike feil skal jevnes med en fil så snart de oppstår. En stang med noen av følgende feil skal byttes ut.

- Slitasje inne i stangskinnene, som gjør at kjedet legger seg over sidelengs.

NO

- Bøyd stang.
- Sprukne eller ødelagte skinner.
- Spre sporene.

I tillegg har styret et tannhjul i spissen (fig. W2). Tannhjulet må smøres ukentlig med en fettsprøyte for å forlenge sverdets levetid. Bruk en fettsprøyte til å smøre ukentlig med kjedeolje ved hjelp av smørehullet (fig. W3). Snu sverdet og kontroller at smørehullene og kjedesporet er fri for urenheter.

W-1	Drivhjul i sverdspissen	W-2	Smørehull
-----	-------------------------	-----	-----------

LEGG MERKE TIL: Bruk EGO- autoriserte smøremidler for best resultat.

TRANSPORT OG LAGRING

Ikke oppbevar eller transporter motorsagen når den er i gang. Ta alltid ut batteriet før du lagrer eller transporterer den.

NO

Plasser alltid sverdskjeden over sverdet og kjedet før du lagrer eller transporterer motorsagen. Vær nøye med å unngå de skarpe tennene på kjedet.

Rengjør motorsagen grundig før oppbevaring. Oppbevar motorsagen innendørs, på et tørt sted som er låst, og/eller utilgjengelig for barn.

Holdes vekk fra etsende midler, for eksempel hagekjemikalier og avisingsalter.

BESKYTTE MILJØET



Elektrisk utstyr, brukte batterier og batteriladere må ikke kastes i husholdningsavfallet!

Ta med dette produktet til autorisert gjenvinning, og gjør det tilgjengelig for separat innsamling. Elektriske verktøy må returneres til et miljøvennlig gjenvinningsanlegg.

FEILSØKING

⚠ ADVARSEL: Beskytt alltid hendene med seg tunge hansker når du utfører vedlikehold på sagkjedet. Ta alltid ut batteripakken ved service på eller transport av motorsagen.

PROBLEM	ÅRSAK	LØSNING
Motoren starter ikke.	<ul style="list-style-type: none"> ■ Batteripakken er ikke festet til motorsagen. ■ Ingen elektrisk kontakt mellom sagen og batteripakken. ■ Batteripakkens ladning er oppbrukt. ■ Batteripakken eller motorsagen er for varm. ■ Kjedebremsen er aktivert. ■ Rusk i sverdsporet. ■ Rusk i sidedekselet. 	<ul style="list-style-type: none"> ■ Fest batteripakken til motorsagen. ■ Ta ut batteripakken, sjekk kontaktene og sett inn batteripakken på nytt. ■ Lad batteripakken. ■ La batteripakken eller sagen kjøle seg ned til temperaturen synker under 67°C. ■ Trekk i kjedets bremsehåndtak for tilbakeslag mot fremre håndtak i driftsposisjon, slik at du er i driftsposisjonen. ■ Trykk sagkjedet mot treet og flytt motorsagen frem og tilbake for løsne rusket. ■ Fjern batteripakken og sidedekselet, og rens ut rusk.
Motorsagen slutter å gå under drift.	<ul style="list-style-type: none"> ■ Motorsagen er overbelastet. ■ Batteripakken eller motorsagen er for varm. ■ Sagkjedet sitter fast i treet. 	<ul style="list-style-type: none"> ■ Reduser belastningen. ■ Reduser belastningen. La batteripakken eller sagen kjøle seg ned til temperaturen synker under 67°C. ■ Slipp bryteren; fjern sagkjedet og sverdet fra treet, og start deretter motorsagen igjen.
Motoren går, men kjedet går ikke rundt.	<ul style="list-style-type: none"> ■ Kjedet tar ikke tak i drivhjulet. 	<ul style="list-style-type: none"> ■ Sett kjedet på igjen, og forsikre deg om at kjedene på kjedet sitter helt på tannhjulet.
Kjedebremsen går ikke i inngrep.	<ul style="list-style-type: none"> ■ Rusk hindrer full bevegelighet av kjedets bremsehåndtak for tilbakeslag. ■ Mulig feil i kjedebremsen. 	<ul style="list-style-type: none"> ■ Rengjør rusk fra den eksterne kjedebremsemekanismen. ■ Kontakt EGOs kundeservice for å få hjelp.

NO

PROBLEM	ÅRSAK	LØSNING
Motorsagen sager ikke ordentlig.	<ul style="list-style-type: none"> ■ Utilstrekkelig kjedestramming. ■ Sløvt kjede. ■ Kjedet er installert baklengs. ■ Slitt kjede. ■ Tørt eller overstrukket kjede. ■ Kjedet er ikke i sverdsporet. 	<ul style="list-style-type: none"> ■ Juster kjedestrammingen, per avsnittet: “JUSTERE KJEDESPENNINGEN”. ■ Slip kjedet. ■ Installer kjedet på nytt, slå opp på “MONTERING/BYTT AV STANG OG KJEDE”. ■ Bytt kjedet ved å følge avsnittet: “MONTERING / UTSKIFTING AV STANGEN OG KJEDEN”. ■ Sjekk oljenivået. Fyll på oljetanken og velg et høyere oljetilførselsvolum om nødvendig. ■ Installerer sagkjedet, per seksjon: “MONTERING / UTSKIFTING AV STANGEN OG KJEDEN”.
Kjettingen løsner eller faller av styret under normal bruk.	<ul style="list-style-type: none"> ■ Kjedet vil løsne når temperaturen på kjedet øker under normal sagdrift. ■ Kjedet tar ikke tak i drivhjulet. 	<ul style="list-style-type: none"> ■ Stram kjedespenningen, etter avsnittet “JUSTERE KJETESPENNINGEN”. ■ Installerer sagkjedet, per seksjon: “MONTERING / UTSKIFTING AV STANGEN OG KJEDEN”.

NO

GARANTI

EGO GARANTIPOLITIKK

Besøk nettstedet egopowerplus.eu for fullstendige vilkår og betingelser for EGO-garantipolicyen.

ПРОЧИТАЙТЕ ВСЕ ИНСТРУКЦИИ!



ПРОЧИТАЙТЕ РУКОВОДСТВО ПОЛЬЗОВАТЕЛЯ

⚠ ПРЕДУПРЕЖДЕНИЕ. Для обеспечения безопасности и надежности устройства его ремонт должен выполнять квалифицированный специалист.

⚠ ПРЕДУПРЕЖДЕНИЕ. Перед использованием устройства внимательно прочитайте все инструкции в данном руководстве пользователя и ознакомьтесь с предупреждающими символами безопасности, такими как **ОПАСНОСТЬ, ПРЕДУПРЕЖДЕНИЕ и ВНИМАНИЕ.** Несоблюдение всех приведенных ниже инструкций может привести к поражению электрическим током, возникновению пожара и (или) получению серьезных травм.

СОХРАНИТЕ ВСЕ ПРЕДУПРЕЖДЕНИЯ И ИНСТРУКЦИИ ДЛЯ ИСПОЛЬЗОВАНИЯ В БУДУЩЕМ.

СИМВОЛЫ БЕЗОПАСНОСТИ

⚠ ПРЕДУПРЕЖДЕНИЕ. В результате работы электроинструмента в глаза могут попасть посторонние предметы, что приведет к серьезному повреждению глаз. Перед началом использования электроинструмента всегда надевайте защитную маску или защитные очки с боковыми щитками и полнопрофильную защитную маску (при необходимости). Поверх очков или стандартных защитных очков рекомендуется надевать безопасную маску с широким обзором.

ПРЕДУПРЕЖДАЮЩИЕ СИМВОЛЫ



Предупреждение об опасности



Используйте защитные очки.



Используйте защитный головной убор.



Остерегайтесь отдачи цепной пилы и не допускайте контакта с концом шины цепи.



Информация о шине.



Гарантированный уровень звуковой мощности. Уровень шума в окружающей среде в соответствии с директивой ЕС.



Соответствует основным требованиям стандартов безопасности Европейских директив.



Bluetooth®

мм Миллиметр

V Напряжение

IPX4 Защита от брызг воды



Чтобы уменьшить риск получения травм, перед использованием устройства необходимо прочитать и понять руководство по эксплуатации.



Используйте средства защиты органов слуха.



Используйте защитные перчатки.



Отдача кончика шины



Всегда держите цепную пилу двумя руками.



Неисправные электрические устройства нельзя выбрасывать вместе с бытовым мусором. Сдавайте их в авторизованные пункты сбора и утилизации.



Данное изделие соответствует действующему законодательству Великобритании.



Постоянный ток


n_s Скорость работы без нагрузки

об/мин Оборотов в минуту

RU

ПРИМЕЧАНИЕ. Словесный знак и логотип Bluetooth® являются зарегистрированными товарными знаками, принадлежащими Bluetooth SIG, Inc. и любое использование таких знаков компаниями EGO осуществляется на основании лицензии.

ТЕХНИЧЕСКИЕ ХАРАКТЕРИСТИКИ

Номинальное напряжение	56 В 	
Макс. скорость цепи	25 м/с	
Шаг цепи	3/8" (9,5 мм)	
Калибр цепи	1,3 мм	
Длина шины	50 см	
Тип пильной цепи	AC2005	
Тип шины	AG2005	
Объем масляного резервуара цепи	250 мл	
Масса (без аккумулятора, цепи, шины, боковой крышки, масла и чехла цепи)	3,9 кг	
Рекомендуемая рабочая температура	-15...40 °C	
Рекомендуемая температура хранения	-20...70 °C	
Рекомендуемая температура зарядки	5...40 °C	
Измеренный уровень звуковой мощности L_{WA}	103 дБ (А) K=1,7 дБ (А)	
Уровень звукового давления в рабочем состоянии L_{PA}	89 дБ (А) K=3 дБ (А)	
Гарантированный уровень звуковой мощности L_{WA} (в соответствии со стандартом 2000/14/ЕС)	105 дБ (А)	
Вибрация a_n	Передняя рукоятка	4,69 м/с ² K=1,5 м/с ²
	Задняя рукоятка	4,24 м/с ² K=1,5 м/с ²

- Указанное общее значение вибрации было определено с помощью стандартного теста и может быть использовано для сравнения разных инструментов.
- Указанное общее значение вибрации также может использоваться для предварительной оценки уровня воздействия.

ПРИМЕЧАНИЕ. Реальное вибрационное воздействие электроинструмента может отличаться от указанного в зависимости от способа использования. В целях безопасности оператор должен надевать перчатки и средства защиты органов слуха во время использования устройства.

КОМПЛЕКТ ПОСТАВКИ (РИС. А1)

ОПИСАНИЕ

ЗНАКОМСТВО С ЦЕПНОЙ ПИЛОЙ (Рис. А1)

1. Смазочное отверстие
2. Шина цепи
3. Пильная цепь
4. Крышка резервуара для масла
5. Ручка цепного тормоза
6. Передняя рукоятка
7. Кнопка фиксации аккумулятора
8. Кнопка блокировки
9. Курковый переключатель скорости
10. Электрические контакты
11. Выталкивающий механизм
12. Окошко индикации уровня масла
13. Задняя рукоятка
14. Светодиодная кнопка
15. Светодиодная подсветка
16. Упорные зубья
17. Регулятор натяжения цепи
18. Боковой кожух
19. Чехол цепи

ИНСТРУКЦИЯ

СБОРКА/ЗАМЕНА ШИНЫ И ЦЕПИ

⚠ ПРЕДУПРЕЖДЕНИЕ. Перед сборкой установите ручку цепного тормоза в положение торможения.

1. Положите силовой блок пилы на бок, боковым кожухом вверх (Рис. В).
2. Снимите боковую крышку, повернув две контргайки против часовой стрелки.
3. Чтобы ослабить цепь, поверните болт натяжения цепи против часовой стрелки.
4. Разложите пильную цепь петлей на плоской поверхности и распрямите все перегибы (Рис. С).
5. Поместите приводные звенья цепи в паз шины и оттяните цепь в задней части шины (Рис. D).
6. Удерживая цепь в одном положении на шине, поместите петлю на зубчатое колесо (Рис. E1).

В-1	Стопорные гайки	D-2	Паз шины цепи
В-2	Болт натяжения цепи	E-1	Зубчатое колесо

RU

D-1	Приводные звенья цепи		
-----	-----------------------	--	--

ПРИМЕЧАНИЕ. При установке цепи на шину и шины на пилу убедитесь, что форма зубьев и направление вращения цепи соответствуют маркировке на корпусе инструмента. Если направление не совпадает, заново установите пильную цепь на шину в соответствии с маркировкой на корпусе (Рис. E2).

- Установите боковую крышку на корпус инструмента и полностью затяните две стопорные гайки.
- Проверните цепь рукой. Правильно установленная цепь должна вращаться без заклинивания. В противном случае выполните сборку шины и цепи повторно.

ПРИМЕЧАНИЕ. Чтобы продлить срок службы шины, периодически переворачивайте ее.

РЕГУЛИРОВКА НАТЯЖЕНИЯ ЦЕПИ

- Перед регулировкой натяжения цепи остановите двигатель и извлеките аккумулятор. Поворачивайте болт натяжения цепи по часовой стрелке или против часовой стрелки, чтобы отрегулировать натяжение цепи (Рис. F), пока цепь надежно не натянется на шине таким образом, чтобы звенья цепи находились в пазу шины.
- Холодная цепь натянута правильно, если она не провисает под шиной и прилегает к ней, но при этом цепь можно беспрепятственно повернуть вручную. Натяжение цепи необходимо отрегулировать, если выступы на приводных звеньях не держатся в пазу шины.
- Во время нормальной работы цепь нагревается. Приводные звенья правильно натянутой цепи в нагретом состоянии выступают из паза шины примерно на 1,3 мм (Рис. G).

ПРИМЕЧАНИЕ. Новая цепь быстро растягивается. Проверяйте натяжение цепи чаще и подтягивайте ее по мере необходимости.

ПРИМЕЧАНИЕ. Если отрегулировать натяжение на горячей цепи, после охлаждения она может стать слишком тугой. Перед следующим использованием проверьте натяжение холодной цепи.

ИСПОЛЬЗОВАНИЕ

⚠ ПРЕДУПРЕЖДЕНИЕ. Не допускайте небрежности и беспечности при работе с устройством. Помните, что потери бдительности на долю секунды достаточно для получения серьезной травмы.

⚠ ПРЕДУПРЕЖДЕНИЕ. Не используйте насадки или дополнительные приспособления, не рекомендованные производителем устройства. Использование нереконструированных насадок и дополнительных приспособлений может привести к серьезным травмам.

⚠ ПРЕДУПРЕЖДЕНИЕ. Чтобы предотвратить случайное включение устройства и получение серьезной травмы, извлекайте аккумулятор перед выполнением сборки, регулировки и очистки, а также когда устройство не используется.

Перед каждым использованием полностью проверяйте устройство на наличие поврежденных, отсутствующих или плохо закрепленных частей, таких как винты, гайки, болты, заглушки и т. д. Надежно закрепите все фиксаторы и заглушки и не пользуйтесь устройством до тех пор, пока не будут заменены поврежденные или отсутствующие части.

ПРИМЕНЕНИЕ

Инструмент можно использовать для валки и обрезки деревьев, а также для распилки древесины.

ПРИМЕЧАНИЕ. Инструмент должен использоваться только по назначению. Любое другое использование, кроме упомянутого, считается ненадлежащим.

СМАЗКА ШИНЫ И ЦЕПИ

⚠ ПРЕДУПРЕЖДЕНИЕ. Не курите рядом с пилой и маслом. Не подносите их к источникам открытого пламени. Масло может пролиться, что приведет к пожару.

ПРИМЕЧАНИЕ. Пила не заправляется маслом на заводе. Перед использованием инструмента необходимо залить в него масло. Цепь автоматически смазывается маслом во время использования.

- Положите пилу набок, так чтобы крышка масляного резервуара оказалась сверху.
- Очистите крышку резервуара для масла и область вокруг нее, чтобы никакая грязь не попала внутрь резервуара.
- Поднимите полукруглую пластину и поверните крышку резервуара для масла против часовой стрелки, чтобы снять ее (Рис. H).

RU

- Аккуратно налейте масло в резервуар. Заполните резервуар до нижней части заливной горловины.
- Вытрите пролитое масло и закройте крышку.

ПРИМЕЧАНИЕ. Регулярно проверяйте уровень масла и доливайте его, если уровень опускается ниже минимальной отметки. Никогда не эксплуатируйте цепную пилу, если уровень масла не виден.

УСТАНОВКА И СНЯТИЕ АККУМУЛЯТОРА

Используйте только аккумуляторы и зарядные устройства EGO, указанные на Рис. A2.

Перед первым использованием полностью зарядите аккумулятор.

Установка

Совместите ребра аккумулятора с крепежными отверстиями и вставьте аккумулятор до щелчка (Рис. I).

Снятие

Нажмите кнопку фиксации аккумулятора и извлеките аккумулятор (Рис. J).

ЗАПУСК И ОСТАНОВКА ЦЕПНОЙ ПИЛЫ

ПРИМЕЧАНИЕ. Перед запуском пилы необходимо проверить уровень масла, остроту зубьев, а также правильность работы ручки тормоза. Кроме того, необходимо принять правильную стойку и удерживать инструмент на надлежащем расстоянии от земли.

Для начала (рис. К)

- Переведите ручку тормоза в рабочее положение, потянув ее в сторону передней рукоятки (Рис. К).
- Крепко беритесь за переднюю рукоятку левой рукой, а за заднюю — правой.

⚠ ПРЕДУПРЕЖДЕНИЕ. Во избежание травм всегда используйте цепную пилу, держа ее правой рукой за поверхность захвата задней рукоятки (Рис. L).

- Нажмите и удерживайте кнопку блокировки большим пальцем правой руки, затем зажмите остальные пальцами курок, чтобы включить инструмент (Рис. L).

L-1	Поверхность захвата
-----	---------------------

- Для продолжительной работы отпустите кнопку блокировки и продолжайте зажимать курок.
- Чем сильнее нажат курок, тем выше скорость цепи. Отрегулируйте скорость в соответствии с выполняемой задачей.

⚠ ПРЕДУПРЕЖДЕНИЕ. Не запускайте инструмент, когда цепь находится в распиле.

Остановка

- Уберите пилу подальше от зоны резания, а затем отпустите курок, чтобы остановить инструмент.
- Переместите ручку тормоза вперед, чтобы включить тормоз цепи (Рис. К).

⚠ ПРЕДУПРЕЖДЕНИЕ. Во время перерывов в работе и после ее окончания всегда извлекайте аккумулятор из устройства.

ИЗМЕНЕНИЕ РЕЖИМА СКОРОСТИ (Рис. М)

Устройство имеет три режима скорости. Каждый режим ограничивает максимальную скорость цепной пилы. Режим изменяется при каждом нажатии кнопки режима скорости.

Индикаторы скорости на ЖК-экране отображают активный режим скорости: один индикатор для низкой скорости, два для средней скорости и три для высокой скорости. Режим низкой скорости (ЕСО) обеспечивает лучший контроль над устройством и более длительное время работы без подзарядки.

M-1	Индикатор скорости	M-5	Указатель уровня заряда
M-2	Индикатор Bluetooth	M-6	Кнопка подсветки/Bluetooth
M-3	Индикатор подсветки	M-7	Кнопка режима скорости
M-4	Индикатор тормоза		

ПРИМЕЧАНИЕ. При использовании аккумулятора EGO емкостью 2,5 Ач и менее доступен только режим ЕСО. Использование аккумулятора EGO емкостью менее 6 Ач не позволит достичь высокой скорости.. Для достижения максимальной производительности настоятельно рекомендуется использовать аккумуляторы EGO емкостью 6 Ач (например, ВА3360Т) и более.

ПРИМЕЧАНИЕ. Функция памяти запоминает последнюю настройку скорости и активирует ее при следующем включении устройства.

ПРИМЕЧАНИЕ. ЖК-экран начинает светиться при нажатии на курок, при нажатии кнопки режима скорости или кнопки подсветки/Bluetooth. Экран автоматически

отключается приблизительно через 30 секунд отсутствия активности.

СВЕТОДИОДНАЯ ПОДСВЕТКА (Рис. N)

Светодиодная подсветка расположена спереди корпуса пилы. Она обеспечивает освещение для улучшения видимости и имеет 2 уровня яркости.

Чтобы включить подсветку, нажмите кнопку подсветки/Bluetooth (Рис. M) один раз. Подсветка включится с низким уровнем яркости, на ЖК-экране появится соответствующий индикатор. Нажмите кнопку подсветки/Bluetooth еще раз, чтобы переключиться на высокий уровень яркости. На ЖК-экране появится значок подсветки с высокой яркостью.

Чтобы выключить подсветку, нажмите кнопку подсветки/Bluetooth в третий раз. Индикатор подсветки исчезнет с ЖК-экрана.

N-1	Индикатор подсветки с низкой яркостью	N-3	Светодиодная подсветка
N-2	Индикатор подсветки с высокой яркостью		

ВСЕНАПРАВЛЕННАЯ СИСТЕМА ТОРМОЗА ЦЕПИ (Рис. O1 и Рис. O2)

⚠ ПРЕДУПРЕЖДЕНИЕ. Всенаправленная система тормоза цепи не предназначена для замены стандартного/традиционного цепного тормоза. При работе с цепной пилой пользователь никогда не должен полагаться на эту функцию для защиты от отдачи. Всегда следуйте указаниям по безопасности относительно предотвращения отдачи, приведенным в разделе предупреждений данного руководства.

Когда всенаправленная система тормоза цепи активируется и останавливает пилу, на ЖК-дисплее будет мигать значок тормоза (Рис. M). Отпустите курок, извлеките цепь и шину из заготовки, затем запустите пилу снова.

ПРИМЕЧАНИЕ. Датчики фиксируют только резкое перемещение пилы в плоскости шины (Рис. O1). Датчики не зафиксируют резкое перемещение пилы в сторону (Рис. O2) (т. е. перпендикулярно плоскости шины).

КОММУНИКАЦИОННЫЕ ТЕХНОЛОГИИ

Для получения информации о полном спектре наших подключенных продуктов и услуг, включая инструкции по подключению, отсканируйте QR-код ниже или посетите сайт www.egopowerplus.eu/connect.



ПРАВИЛЬНЫЙ ХВАТ (Рис. P1)

- Для обеспечения крепкого захвата и максимальной защиты наденьте нескользящие перчатки.
- Положите пилу на ровную прочную поверхность и крепко возьмитесь за нее обеими руками.
- Всегда беритесь за переднюю рукоятку левой рукой, а за заднюю — правой.
- Пальцы должны плотно охватывать рукоятку, причем большой палец должен быть под передней рукояткой.

⚠ ПРЕДУПРЕЖДЕНИЕ. Никогда не держитесь левой рукой за заднюю рукоятку и не работайте в положении, в котором тело или рука пересекают линию цепи.

⚠ ПРЕДУПРЕЖДЕНИЕ. Не нажимайте на курковый выключатель левой рукой и держитесь правой рукой за переднюю рукоятку. Никогда не допускайте, чтобы какая-либо часть вашего тела находилась на линии цепи во время работы бензопилой (Рис. P2).

ПРАВИЛЬНАЯ СТОЙКА (Рис. Q)

- Обе ноги должны стоять на твердой поверхности, масса тела должна быть равномерно распределена между ними.
- Левая рука должна быть прямой, локоть зафиксирован. Это поможет бороться с отдачей.
- Тело оператора должно находиться слева от линии цепи.

БАЗОВАЯ ТЕХНИКА ПРИ ВАЛКЕ И ОБРЕЗКЕ ДЕРЕВЬЕВ, А ТАКЖЕ ПРИ ПОПЕРЕЧНОЙ РАСПИЛОВКЕ

⚠ ПРЕДУПРЕЖДЕНИЕ. Во время работы следите за равновесием и всегда держите пилу обеими руками.

⚠ ПРЕДУПРЕЖДЕНИЕ. Если во время работы цепь остановилась из-за зажатия, отпустите курок и извлеките пилу из распила, а затем продолжайте работу.

⚠ ПРЕДУПРЕЖДЕНИЕ. Не тяните за пильную цепь руками, если она забилась опилками. Случайный запуск пилы может привести к серьезным травмам. Прижмите цепь к заготовке и перемещайте назад и вперед, чтобы удалить загрязнения. Перед очисткой инструмента обязательно извлекайте аккумулятор. При работе с цепью надевайте прочные защитные перчатки.

⚠ ПРЕДУПРЕЖДЕНИЕ. Не запускайте пилу, если цепь касается заготовки. Прежде чем начинать резать заготовку, дайте инструменту набрать полную скорость.

ВАЛКА ДЕРЕВЬЕВ

- Если несколько человек одновременно валят и распиливают деревья в одном месте, то валка должна выполняться отдельно от распиливания на расстоянии, которое по крайней мере вдвое превышает высоту спиливаемых деревьев. Спиливаемое дерево при падении не должно представлять угрозу для людей, коммуникационных линий и имущества. Если дерево повредит коммуникационную линию, об этом нужно немедленно сообщить в обслуживающую организацию.
- При работе на склоне оператор должен стоять выше дерева, так как спиленное дерево может покатиться вниз.
- Путь отхода должен быть спланирован и очищен от посторонних предметов перед началом работы. Путь отхода должен быть направлен по диагонали в сторону, противоположную предполагаемому направлению падения (см. Рис. R).

R-1	Направление падения	R-2	Безопасный путь отхода
-----	---------------------	-----	------------------------

- Перед валкой необходимо рассчитать, в какую сторону дерево будет падать, учитывая его естественный наклон, расположение крупных ветвей и направление ветра.
- Удалите с дерева грязь, камни, рыхлую кору, гвозди, скобы и провода.

Подпил

Сделайте подпил на 1/3 диаметра дерева перпендикулярно направлению падения, как показано на Рис. S. Сначала сделайте нижний горизонтальный подпил. Это поможет избежать защемления цепи пилы или шины во время выполнения второго подпила.

S-1	Направление падения	S-3	Задний пропил
S-2	Пропил	S-4	Ось

Задний пропил

- Выполните задний пропил как минимум на 50 мм выше горизонтального, как показано на Рис. S. Задний пропил должен быть параллелен горизонтальному подпилу. Выполняя задний пропил, оставьте достаточно дерева, чтобы оно работало как ось. Деревянная ось предохранит дерево от наклона и падения в неправильном направлении. Не распиливайте ось.
- При приближении заднего пропила к оси дерево должно начать падать. Если существует вероятность, что дерево может упасть в другом направлении или может наклониться и зацемить пилу, прекратите пилить, пока задний пропил еще не завершен, и используйте деревянные, пластиковые или алюминиевые клинья, чтобы открыть пропил и направить дерево по правильной траектории падения.
- Когда дерево начнет падать, уберите пилу из пропила, остановите двигатель и положите ее, а затем используйте запланированный путь отхода. Остерегайтесь падающих веток и смотрите под ноги.

Обрезка ветвей

Обрезка — это удаление веток со спиленного дерева. При обрезке оставьте большие нижние ветви, чтобы они поддерживали ствол дерева над землей. Спиливайте небольшие ветки одним движением, как показано на Рис. T. Распиливая ветви под нагрузкой, срежьте их последовательно, начиная с нижних, чтобы избежать застревания пилы.

Раскрыжка бревна

Раскрыжка — это распиливание бревен на части. При работе важно сохранять устойчивое положение и равномерно распределять вес тела на обе ноги. При возможности бревно должно поддерживаться козлами, другими бревнами или чурбанами. Для облегчения работы следуйте простым правилам.

- Если бревно поддерживается по все длине, как показано на Рис. U1, его необходимо распиливать сверху вниз.
- Если бревно поддерживается только с одной стороны, как показано на Рис. U2, его необходимо подпилить на 1/3 диаметра снизу. Затем распил завершается сверху.

- Если бревно поддерживается с обоих концов, как показано на Рис. U3, сделайте пропил глубиной в 1/3 диаметра сверху. Затем распил остальных 2/3 диаметра завершается снизу.
- При работе на склоне всегда стойте выше бревна, как показано на Рис. V.
- Чтобы сохранять полный контроль при сквозном пропилах, ослабьте давление резки ближе к концу пропила, не ослабляя хватку на рукоятках пилы. Не допускайте контакта цепи с землей. После завершения распила подождите, пока цепь остановится, прежде чем двигать пилу. Всегда выключайте пилу перед перемещением от одного дерева к другому.

ОБСЛУЖИВАНИЕ

⚠ ПРЕДУПРЕЖДЕНИЕ. При ремонте используйте только идентичные запасные части. Использование других запасных частей может привести к возникновению опасной ситуации или повреждению устройства. Для обеспечения безопасности и надежности устройства его ремонт должен выполнять квалифицированный специалист.

⚠ ПРЕДУПРЕЖДЕНИЕ. Во избежание серьезных травм всегда извлекайте из устройства аккумулятор перед осмотром, очисткой или обслуживанием. Электроинструмент с установленным аккумулятором всегда может случайно включиться.

⚠ ПРЕДУПРЕЖДЕНИЕ. При очистке пилы НЕ ПОГРУЖАЙТЕ ее в воду и другие жидкости.

⚠ ПРЕДУПРЕЖДЕНИЕ. Не допускайте попадания на пластиковые части тормозной жидкости, бензина, продуктов на нефтяной основе, пропитывающих масел и т. д. Химические вещества могут повредить, ослабить или разрушить пластик, что приведет к получению серьезных травм.

ОЧИСТКА

- После каждого использования очищайте цепь и шину мягкой щеткой. Очищайте поверхность пилы чистой тканью, смоченной в слабом мыльном растворе.
- Снимите боковой кожух и очистите шину, цепь, зубчатое колесо и кожух мягкой щеткой.
- При замене пильной цепи всегда очищайте паз шины цепи от щепок, опилок и загрязнений.

УХОД ЗА ШИНОЙ

Если шина имеет признаки износа, демонтируйте ее с силового блока, переверните и установите заново (Рис.

W1). Это позволит распределить износ таким образом, чтобы максимально продлить срок службы шины.

Шину необходимо очищать и проверять на наличие износа и повреждений каждый день после использования. Появление зазубрин и стружек на шине — нормальное явление, свидетельствующее о ее износе. Такие дефекты необходимо удалять напильником сразу же при их обнаружении. При наличии любого из перечисленных ниже дефектов шину необходимо заменить.

- Износ внутренней части шины, из-за которого цепь съезжает набок.
- Изгиб шины.
- Трещины или разрыв направляющих.
- Расширение направляющих.

Кроме того, на конце шины установлено зубчатое колесо (Рис. W2). Чтобы продлить срок службы шины, раз в неделю колесо необходимо смазывать из масленки. Смазывайте шину маслом для цепи раз в неделю, подавая его из масленки в смазочное отверстие (Рис. W3). Переверните шину и убедитесь, что смазочные отверстия и паз цепи не загрязнены.

W-1	Зубчатое колесо на конце шины	W-2	Смазочное отверстие
-----	-------------------------------	-----	---------------------

ПРИМЕЧАНИЕ. Для получения наилучших результатов используйте смазочные материалы, одобренные EGO.

ТРАНСПОРТИРОВКА И ХРАНЕНИЕ

Не убирайте на хранение и не переносите инструмент, когда он работает. Перед хранением и транспортировкой всегда извлекайте аккумулятор из устройства.

Перед транспортировкой или хранением инструмента всегда надевайте на цепь чехол. Будьте осторожны с острыми зубьями цепи.

Прежде чем убрать пилу на хранение, тщательно очистите ее. Храните пилу в надежном сухом помещении, недоступном для детей.

Храните вдали от источников коррозии, таких как садовые удобрения и техническая соль.

ОХРАНА ОКРУЖАЮЩЕЙ СРЕДЫ



Не выбрасывайте электроприборы, зарядные устройства и аккумуляторные батареи вместе с бытовыми отходами!

Отправьте данное изделие на переработку в специализированное предприятие или сдайте его для раздельного сбора.

Электроинструменты должны быть возвращены на перерабатывающее предприятие, не наносящее ущерба окружающей среде.

RU

УСТРАНЕНИЕ НЕПОЛАДОК

⚠ ПРЕДУПРЕЖДЕНИЕ. При выполнении любых работ по обслуживанию цепной пилы всегда надевайте прочные перчатки. Перед проведением обслуживания или транспортировкой устройства обязательно извлекайте аккумулятор.

ПРОБЛЕМА	ПРИЧИНА	РЕШЕНИЕ
Двигатель не запускается.	<ul style="list-style-type: none"> ■ В инструмент не установлена аккумуляторная батарея. ■ Нет электрического контакта между пилой и аккумулятором. ■ Аккумулятор разряжен. ■ Перегрев аккумуляторной батареи или пилы. ■ Сработал цепной тормоз. ■ В пазу шины скопился мусор. ■ Под боковой кожух набился мусор. 	<ul style="list-style-type: none"> ■ Установите аккумулятор в инструмент. ■ Извлеките аккумулятор, проверьте контакты и установите его снова. ■ Зарядите аккумулятор. ■ Подождите, пока аккумулятор или пила не остынут до 67°C. ■ Переведите ручку цепного тормоза в рабочее положение, потянув ее в сторону передней рукоятки. ■ Прижмите цепь к заготовке и перемещайте назад и вперед, чтобы удалить загрязнения. ■ Извлеките аккумулятор, затем снимите боковой кожух и удалите загрязнения.
Цепная пила останавливается во время работы.	<ul style="list-style-type: none"> ■ Пила перегружена. ■ Перегрев аккумуляторной батареи или пилы. ■ Цепь зажата в заготовке. 	<ul style="list-style-type: none"> ■ Уменьшите нагрузку. ■ Уменьшите нагрузку. Подождите, пока аккумулятор или пила не остынут до 67°C. ■ Отпустите курок-выключатель. Извлеките шину из заготовки и продолжайте работу.
Двигатель работает, но цепь не вращается.	<ul style="list-style-type: none"> ■ Цепь не зацепляется за зубчатое колесо. 	<ul style="list-style-type: none"> ■ Установите цепь заново и убедитесь, что приводные звенья надежно прилегают к зубчатому колесу.
Не срабатывает цепной тормоз.	<ul style="list-style-type: none"> ■ Ручка цепного тормоза не может свободно двигаться из-за мусора. ■ Тормозная система неисправна. 	<ul style="list-style-type: none"> ■ Удалите мусор снаружи механизма цепного тормоза. ■ Обратитесь в службу поддержки клиентов EGO для ремонта.

RU

ПРОБЛЕМА	ПРИЧИНА	РЕШЕНИЕ
<p>Пила не режет надлежащим образом.</p>	<ul style="list-style-type: none"> ■ Цепь плохо натянута. ■ Цепь затупилась. ■ Цепь установлена задом наперед. ■ Цепь изношена. ■ Цепь не смазывается или сильно растянулась. ■ Цепь вышла из паза в шине. 	<ul style="list-style-type: none"> ■ Отрегулируйте натяжение цепи. См. раздел РЕГУЛИРОВКА НАТЯЖЕНИЯ ЦЕПИ. ■ Заточите цепь. ■ Установите цепь заново. См. раздел СБОРКА/ЗАМЕНА ШИНЫ И ЦЕПИ. ■ Замените цепь. См. раздел СБОРКА/ЗАМЕНА ШИНЫ И ЦЕПИ. ■ Проверьте уровень масла. Заполните резервуар для масла и при необходимости увеличьте объем подачи масла. ■ Установите цепь заново. См. раздел СБОРКА/ЗАМЕНА ШИНЫ И ЦЕПИ.
<p>Цепь ослабевает или соскакивает с шины в процессе нормальной эксплуатации.</p>	<ul style="list-style-type: none"> ■ Цепь ослабевает по мере повышения температуры цепи при нормальной работе пилы. ■ Цепь не зацепляется за зубчатое колесо. 	<ul style="list-style-type: none"> ■ Отрегулируйте натяжение цепи. См. раздел РЕГУЛИРОВКА НАТЯЖЕНИЯ ЦЕПИ. ■ Установите цепь заново. См. раздел СБОРКА/ЗАМЕНА ШИНЫ И ЦЕПИ.

RU

ГАРАНТИЯ

ГАРАНТИЙНАЯ ПОЛИТИКА EGO

Посетите веб-сайт egopowerplus.eu, чтобы ознакомиться со всеми условиями и сроками гарантийной политики EGO.

PRZECZYTAJ WSZYSTKIE INSTRUKCJE!



PRZECZYTAJ INSTRUKCJĘ OBSŁUGI

⚠️ OSTRZEŻENIE: Aby zagwarantować bezpieczeństwo i niezawodność, wszystkie naprawy powinny być wykonywane przez wykwalifikowanych techników serwisu.

⚠️ OSTRZEŻENIE: Przed użyciem narzędzia należy koniecznie przeczytać ze zrozumieniem wszystkie instrukcje dotyczące bezpieczeństwa podane w podręczniku użytkownika, łącznie z wszystkimi symbolami ostrzegawczymi takimi jak „**NIEBEZPIECZEŃSTWO**”, „**OSTRZEŻENIE**” i „**OSTROŻNIE**”. Niestosowanie się do wszystkich podanych niżej instrukcji może doprowadzić do porażenia prądem, pożaru i/lub poważnych urazów ciała.

SYMBOLE BEZPIECZEŃSTWA



Ostrzeżenie dotyczące bezpieczeństwa



Noś okulary ochronne



Noś kask ochronny



Uwaga na możliwość odbicia pilarki; należy unikać kontaktu z czubkiem prowadnicy



Prowadnica - informacja



Gwarantowany poziom mocy akustycznej. Emisja hałasu do środowiska zgodnie z dyrektywą Wspólnoty Europejskiej.



Ten produkt jest zgodny z obowiązującymi dyrektywami WE.



Bluetooth®

mm Milimetr

B Napięcie

IPX4 Ochrona przed zachlapaniem wodą.

WSZYSTKIE OSTRZEŻENIA I INSTRUKCJE NALEŻY ZACHOWAĆ NA PRZYSZŁOŚĆ.

SYMBOL BEZPIECZEŃSTWA

⚠️ OSTRZEŻENIE: Praca elektronarzędziami może spowodować wyrzucenie ciał obcych w oczy użytkownika, co może doprowadzić do poważnych urazów oczu. Przed rozpoczęciem pracy elektronarzędziem należy zawsze założyć gogle ochronne lub okulary z osłonami bocznymi, a w stosownych przypadkach także pełną osłonę na twarz. Zalecamy nakładanie na zwykłe okulary maski zabezpieczającej o szerokim polu widzenia lub stosowanie standardowych okularów zabezpieczających z osłonami bocznymi.



Aby zmniejszyć ryzyko urazów, przed rozpoczęciem używania urządzenia, użytkownik musi przeczytać i zrozumieć instrukcję.



Noś ochronniki sluchu



Noś rękawice ochronne



Odbicie czubka prowadnicy



Pilarki należy zawsze używać oburącz



Zużytych wyrobów elektrycznych nie należy wyrzucać razem ze zwykłymi odpadami domowymi. Należy je oddać do autoryzowanego punktu recyklingu.



Produkt jest zgodny z dyrektywami obowiązującymi w Wielkiej Brytanii.



Prąd stały

n_0 Prędkość bez obciążenia

об/мин Na minutę

PL

UWAGA: Znak słowny i logo Bluetooth® są zastrzeżonymi znakami towarowymi firmy Bluetooth SIG, inc. a każde użycie w/w znaków przez firmę EGO odbywa się na podstawie licencji.

SPECYFIKACJA

Napięcie znamionowe	56 V	
Maks. Prędkość łańcucha	25 m/s	
Podziałka łańcucha	3/8" (9,5 mm)	
Grubość łańcucha	1,3 mm	
Długość prowadnicy	50 cm	
Rodzaj łańcucha tnącego	AC2005	
Rodzaj prowadnicy	AG2005	
Pojemność zbiornika na olej	250 ml	
Waga (bez akumulatora, łańcucha, prowadnicy, osłony bocznej, oleju i osłony na łańcuch)	3,9 kg	
Zalecana temperatura użytkowania	-15°C-40°C	
Zalecana temperatura przechowywania	-20°C-70°C	
Zalecana temperatura ładowania	5°C-40°C	
Zmierzony poziom mocy akustycznej L_{WA}	103 dB(A) K=1,7 dB(A)	
Poziom ciśnienia akustycznego w pozycji pracy L_{PA}	89 dB(A) K=3 dB(A)	
Gwarantowany poziom mocy akustycznej L_{WA} (zgodnie z dyrektywą 2000/14/WE)	105 dB(A)	
Drgania a_h	Uchwyt przedni	4.69 m/s ² K=1.5 m/s ²
	Uchwyt tylny	4.24 m/s ² K=1.5 m/s ²

- Deklarowana całkowita wartość drgań została zmierzona zgodnie ze standardowymi metodami testowania i może służyć do porównywania różnych narzędzi.
- Deklarowana całkowita wartość drgań może również służyć do wstępnej oceny narażenia na drgań.

UWAGA: Emisja drgań podczas rzeczywistego stosowania elektronarzędzia może się różnić od deklarowanej wartości, w której narzędzie jest używane. Aby się zabezpieczyć, w rzeczywistych warunkach użytkowania użytkownik powinien nosić rękawice i nauszники ochronne.

LISTA ELEMENTÓW W OPAKOWANIU (RYS. A1)

OPIS

ZAPOZNANIE SIĘ Z PILARKĄ (Rys. A1)

1. Łańcuch tnący
2. Ostrogi
3. Dźwignia hamulca łańcucha
4. Uchwyt przedni
5. Wyświetlacz LCD
6. Paski prędkości
7. Ikona Bluetooth
8. Ikona reflektora
9. Ikona hamulca
10. Okrągły wskaźnik naładowania
11. Przycisk reflektora/Bluetooth
12. Przycisk prędkości łańcucha
13. Przycisk odblokowujący
14. Włącznik spustowy
15. Uchwyt tylny
16. Przycisk odblokowujący akumulator
17. Okienko kontroli poziomu oleju
18. Zakrętka zbiornika oleju
19. Prowadnica
20. Otwór do smarowania
21. Pokrywa boczna
22. Nakrętka pokrywy bocznej
23. Reflektor LED
24. Śruba napinania łańcucha
25. Klucz nasadowy dwustronny
26. Osłona łańcucha

MONTAŻ

MONTAŻ/WYMIANA PROWADNICY I ŁAŃCUCHA

▲ OSTRZEŻENIE: Przed przystąpieniem do montażu należy ustawić w pozycji hamowania dźwignię hamulca łańcucha.

1. Położyć głowicę napędową pilarki na boku, pokrywą boczną skierowaną do góry (Rys. B).

- Odkręcić dwie nakrętki zabezpieczające w lewo (przeciwnie do kierunku ruchu wskazówek zegara), aby zdjąć pokrywę boczną.
- Przekręcić śrubę napinającą łańcuch w lewo (przeciwnie do kierunku ruchu wskazówek zegara), aby poluzować łańcuch.
- Położyć łańcuch pilarki w postaci pętli na płaskiej powierzchni i wyprostować wszelkie miejsca, które są splątane (Rys. C).
- Włożyć ogniwa przesuwające łańcuch do rowka prowadnicy w taki sposób, aby z tyłu prowadnicy utworzyć pętlę (Rys. D).
- Przytrzymać łańcuch w odpowiedniej pozycji na prowadnicy i nałożyć pętlę na zębatkę pilarki (Rys. E1).

B-1	Nakrętki zabezpieczające	D-2	Rowek prowadnicy
B-2	Śruba napinania łańcucha	E-1	Zębatka napędowa
D-1	Ogniwa przesuwające łańcuch		

UWAGA: Podczas zakładania łańcucha pilarki na prowadnicę należy upewnić się, że po zamontowaniu prowadnicy w pilarkę będzie ona zgodna ze strzałką kierunku obrotów na obudowie. Jeżeli ogniwa tnące są skierowane w przeciwnym kierunku, należy ponownie założyć łańcuch tnący na prowadnicę, ale tak, aby strzałki skierowane były w tym samym kierunku (Rys. E2).

- Założyć z powrotem pokrywę boczną i mocno zakręcić dwie nakrętki zabezpieczające.
- Przekręcić łańcuch ręcznie, aby sprawdzić, czy jest on prawidłowo założony i czy się nie zacina. Jeśli się zacina, łańcuch i prowadnicę należy założyć ponownie.

UWAGA: Aby wydłużyć czas używalności prowadnicy, należy ją od czasu do czasu obracać.

REGULACJA NAPIĘCIA ŁAŃCUCHA

- Przed regulacją napięcia łańcucha należy wyłączyć silnik i wyjąć akumulator. Przekręcić śrubę napinającą łańcuch w prawo lub w lewo, aby wyregulować napięcie łańcucha (Rys. F), aż łańcuch będzie ściśle przylegał do prowadnicy, a ogniwa napędowe znajdują się w rowku prowadnicy.
- Łańcuch jest poprawnie napięty, gdy nie ma luzu w dolnej części prowadnicy, łańcuch przylega do prowadnicy, ale można nim kręcić ręką i łańcuch nie

zacina się. Łańcuch musi zostać napięty ponownie, gdy płaskie części ogniw napędowych nie znajdują się w rowku prowadnicy.

- W czasie zwykłej pracy pilarką zwiększa się temperatura łańcucha. Ogniwa przesuwające łańcuch prawidłowo napiętego rozgrzanego łańcucha mają około 1,3 mm luzu poza rowkiem prowadnicy (Rys. G).

UWAGA: Nowy łańcuch ma tendencję do rozciągania się, należy więc często kontrolować jego naciągnięcie i regulować je odpowiednio do potrzeb.

UWAGA: Rozgrzany i naprężony łańcuch może być założony zbyt ciasno. Naprężenie zimnego łańcucha należy kontrolować przed każdym użyciem.

UŻYTKOWANIE

⚠ OSTRZEŻENIE: Nie wolno dopuść do tego, aby znajomość narzędzia doprowadziła do nieuwagi. Należy pamiętać, że do spowodowania poważnych obrażeń wystarczy zaledwie chwila nieuwagi.

⚠ OSTRZEŻENIE: Nie należy używać końcówek lub akcesoriów innych niż zalecane przez producenta produktu. Używanie końcówek lub akcesoriów innych niż zalecane może doprowadzić do poważnych obrażeń.

⚠ OSTRZEŻENIE: Aby zapobiec przypadkowemu włączeniu, które mogłoby spowodować ciężkie urazy, na czas mocowania części, regulacji, czyszczenia lub gdy narzędzie nie jest używane, z narzędzia należy zawsze wyjmować akumulator.

Przed każdym użyciem należy skontrolować cały produkt pod kątem uszkodzonych, brakujących lub obluźnianych części takich jak śruby, wkręty, nakrętki, nasadki itp. Wszystkie elementy połączeniowe i nasadki należy mocno dokręcić. Nie należy używać produktu zanim wszystkie brakujące lub uszkodzone części nie zostaną wymienione.

ZASTOSOWANIE

Tego narzędzia można używać do obalania, okrzesywania i piłowania drzew.

UWAGA: Maszyny należy używać tylko do celów zgodnych z przeznaczeniem. Wszelkie inne zastosowania uznaje się za niezgodne z przeznaczeniem.

SMAROWANIE PROWADNICY I ŁAŃCUCHA

⚠ OSTRZEŻENIE: W pobliżu oleju lub pilarki nie należy palić tytoniu ani zapalać ognia lub płomieni. Olej może się rozlać i spowodować pożar.

UWAGA: W momencie zakupu w pilarcze nie ma oleju. Bardzo ważne jest, aby przed użyciem wlać olej do zbiornika na olej. W czasie pracy łańcucha jest automatycznie smarowany olejem do łańcucha.

1. Położyć pilarkę na boku, wlewem zbiornika do góry.
2. Wyczyścić korek zbiornika oleju i miejsce wokół, aby do zbiornika oleju nie dostały się żadne nieczystości.
3. Podnieść półokrągłą płytę i odkręcić korek zbiornika oleju w lewo, aby go zdjąć (Rys. H).
4. Ostrożnie nalać do zbiornika oleju do smarowania prowadnicy i łańcucha. Napełnić zbiornik aż po dolną krawędź szyjki wlewu.
5. Wytrzeć nadmiar oleju i zakręcić korek.

UWAGA: Należy często sprawdzać poziom oleju i dolewać olej, gdy poziom spadnie poniżej linii minimum. Nigdy nie wolno używać pilarki, gdy nie widać oleju.

ZAKŁADANIE/WYJMOWANIE AKUMULATORA

Do urządzenia należy używać wyłącznie ładowarek i akumulatorów marki EGO wymienionych na Rys. A2.

PL

Naładować przed pierwszym użyciem.

Zakładanie

Należy dopasować żeberka akumulatora do szczelin mocujących i wsunąć akumulator do ładowarki aż da się słyszeć kliknięcie (Rys. I).

Wyjmowanie

Należy wcisnąć przycisk wyjmowania akumulatora i wysunąć akumulator (Rys. J).

WŁĄCZANIE/WYŁĄCZANIE PILARKI

UWAGA: Przed włączeniem pilarki należy sprawdzić poziom oleju, naostrzenie zębów tnących oraz właściwe działanie dźwigni hamulca łańcucha. Należy także zadbać o stabilność podłoża i wystarczającą odległość prowadnicy pilarki od podłoża.

Włączanie (Rys. K)

1. Pociągnąć dźwignię hamulca łańcucha do uchwytu przedniego, do pozycji roboczej (Rys. K)
2. Mocno chwycić przedni uchwyt lewą ręką, a tylny uchwyt prawą ręką.

⚠ OSTRZEŻENIE: Aby uniknąć obrażeń, pilarkę łańcuchową należy zawsze obsługiwać prawą ręką i chwycić za obszar uchwytu tylnego (Rys. L).

3. Kciukiem prawej ręki wcisnąć i przytrzymać przycisk odblokowujący, następnie nacisnąć palcami przelącznik spustowy, aby uruchomić pilarkę (Rys. L).

L-1	Uchwyt
-----	--------

4. Puścić przycisk odblokowujący, ale w dalszym ciągu wciskać spust, aby podtrzymać pracę narzędzia.
5. Im bardziej przelącznik spustowy jest wcisnięty, tym większa jest prędkość łańcucha. Prędkość należy ustawić odpowiednio do wykonywanej pracy.

⚠ OSTRZEŻENIE: Nie należy próbować włączać pilarki, gdy łańcuch tnący znajduje się w nacięciu.

Wyłączanie

1. Aby wyłączyć pilarkę, należy odsunąć ją od miejsca cięcia, a następnie puścić przelącznik spustowy.
2. Aby załączyć hamulec łańcucha, należy popchnąć dźwignię hamulca łańcucha do przodu w pozycję hamowania (Rys. K).

⚠ OSTRZEŻENIE: Na czas przerw w pracy i po zakończeniu pracy należy zawsze wyjmować akumulator z maszyny.

ZMIANA TRYBU PRĘDKOŚCI (Rys. M)

Maszyna posiada trzy tryby prędkości. Każdy tryb prędkości ogranicza maksymalną prędkość pilarki. Tryb prędkości będzie się zmieniał po każdym naciśnięciu przycisku prędkości łańcucha.

Paski prędkości na wyświetlaczu LCD będą wyświetlać włączony tryb prędkości: jeden pasek oznacza małą prędkość, dwa paski - średnią prędkość i trzy paski - dużą prędkość. Tryb małej prędkości (ECO) daje lepszą kontrolę nad maszyną i zapewnia dłuższy czas pracy na jednym naładowaniu.

M-1	Paski prędkości	M-5	Okrągły wskaźnik naładowania
M-2	Ikona Bluetooth	M-6	Przycisk reflektora/Bluetooth
M-3	Ikona reflektora	M-7	Przycisk prędkości łańcucha
M-4	Ikona hamulca		

UWAGA: W przypadku używania akumulatora EGO o pojemności znamionowej 2,5 Ah lub mniejszej, dostępny jest tylko tryb ECO. Używanie akumulatora EGO o pojemności mniejszej niż 6,0 Ah nie pozwala na osiągnięcie dużych prędkości. Aby uzyskać najlepsze wyniki, zdecydowanie zalecamy używanie akumulatora EGO o pojemności 6,0 Ah lub większej (np. BA3360T).

UWAGA: Funkcja pamięci prędkości urządzenia zapamiętuje ostatnie ustawienie prędkości i aktywuje je przy następnym włączeniu urządzenia.

UWAGA: Po pociągnięciu przełącznika spustowego lub po naciśnięciu przycisku prędkości lub przycisku reflektora/Bluetooth zapala się wyświetlacz LCD. Wyłączy się on automatycznie po około 30 sekundach bezczynności pilarki.

REFLEKTOR LED (Rys. N)

Reflektor LED znajduje się w przedniej części obudowy pilarki. Reflektor zapewnia oświetlenie zwiększające widoczność i posiada 2 poziomy jasności.

Aby włączyć reflektor, należy jeden raz nacisnąć przycisk reflektora/Bluetooth (Rys. M). Reflektor włączy się w trybie małej jasności, a na wyświetlaczu LCD pojawi się ikona małej jasności reflektora. Ponowne wciśnięcie przycisku reflektora/Bluetooth spowoduje przełączenie na wysoki poziom jasności, a na wyświetlaczu LCD pojawi się ikona wysokiej jasności reflektora.

Aby wyłączyć reflektor, wystarczy nacisnąć przycisk reflektora/Bluetooth po raz trzeci. Ikona reflektora zniknie z wyświetlacza LCD.

N-1	Ikona reflektora o małej jasności	N-3	Reflektor LED
N-2	Ikona reflektora o wysokiej jasności		

WIELOKIERUNKOWY SYSTEM HAMOWANIA ŁAŃCUCHA (Rys. O1 i Rys. O2)

⚠ OSTRZEŻENIE: Wielokierunkowy system hamowania łańcucha nie jest przeznaczony do używania jako zamiennik standardowego/tradycyjnego hamulca łańcucha. Podczas pracy pilarką użytkownik nigdy nie powinien polegać na działaniu tej funkcji w celu ochrony przed odbiciem. Należy zawsze postępować zgodnie z instrukcjami bezpieczeństwa dotyczącymi ograniczania odbicia, które podane są w części Ostrzeżenia w niniejszej instrukcji.

Gdy wielokierunkowy system hamowania łańcucha włączy się i zatrzyma pilarkę, na wyświetlaczu LCD będzie migać ikona hamulca (Rys. M). Puścić przełącznik spustowy; wyjąć łańcuch tnący i prowadnicę z drewna, a następnie ponownie włączyć pilarkę.

UWAGA: Czujniki wykryją tylko nagły ruch pily w płaszczyźnie prowadnicy (rys. O1). Czujniki nie wykryją nagłego ruchu pily na boki (rys. O2) (tj. prostopadłe do płaszczyzny prowadnicy).

TECHNOLOGIA ŁĄCZNOŚCI

Aby uzyskać informacje na temat pełnej oferty naszych produktów i usług łączących się bezprzewodowo, w tym instrukcje dotyczące podłączenia, wystarczy zeskanować poniższy kod QR lub odwiedzić stronę www.egopowerplus.eu/connect.



PRAWIDŁOWE TRZYMANIE UCHWYTÓW (Rys. P1)

- Aby zapewnić optymalne trzymanie i maksymalną ochronę, należy zakładać rękawice antypoślizgowe.
- Położyć pilarkę na twardym, płaskim podłożu i mocno ją chwycić obiema rękoma.
- Należy zawsze chwycić przedni uchwyt lewą ręką, a tylny uchwyt prawą ręką.
- Palce powinny obejmować uchwyt, a kciuk należy umieścić pod przednim uchwytem.

⚠ OSTRZEŻENIE: Nigdy nie należy chwycić odwrotnie (na krzyż) lub ustawiać się w pozycji, w której ciało lub ramię znajdowałoby się na linii łańcucha.

⚠ OSTRZEŻENIE: Nie należy obsługiwać włącznika spustowego lewą ręką i trzymać uchwytu przedniego prawą. Nigdy nie należy pozwalać, aby w czasie używania pilarki jakkolwiek część ciała znajdowała się na linii poruszania się łańcucha (Rys. P2).

PRAWIDŁOWA POSTAWA PODCZAS PIŁOWANIA (Rys. Q)

- Obiema stopami należy stanąć na pewnym podłożu, a ciężar ciała rozłożyć równomiernie na obie nogi.
- Lewa ręka powinna być wyprostowana w łokciu. Pomaga to wytrzymać siły powstające wskutek odbicia.
- Ciało użytkownika powinno się zawsze znajdować po lewej stronie linii wyznaczonej przez łańcuch.

INSTRUKCJE DOTYCZĄCE WŁAŚCIWEJ PODSTAWOWEJ TECHNIKI OBALANIA, OKRZESYWANIA I CIĘCIA

⚠ OSTRZEŻENIE: Po włączeniu silnika należy zawsze pilnować, aby stać na pewnym podłożu i pewnie trzymać pilarkę oburącz.

⚠ OSTRZEŻENIE: Gdy łańcuch tnący zatrzyma się wskutek zaklinowania się łańcucha podczas piłowania, należy puścić przełącznik spustowy, wyjąć łańcuch tnący i prowadnicę z drewna, a następnie ponownie włączyć pilarkę.

⚠ OSTRZEŻENIE: Gdy łańcuch tnący zapcha się wiórami, nie należy ciągnąć go ręką. Przypadkowe włączenie pilarki może doprowadzić do poważnych urazów. Docisnąc łańcuch tnący do drewna i przesuwając pilarkę do przodu i do tyłu, aby usunąć zanieczyszczenia. Przed czyszczeniem należy zawsze wyjąć akumulator. Podczas wykonywania czynności przy łańcuchu pilarki należy mieć założone grube rękawice ochronne.

⚠ OSTRZEŻENIE: Nigdy nie należy włączać pilarki, gdy dotyka ona drewna. Przed przyłożeniem pilarki do drewna należy zawsze pozwolić, aby silnik rozpedził się do swoich maksymalnych obrotów.

OBALANIE DRZEWA

- Podczas jednoczesnego wykonywania operacji obalania i cięcia na kawałki przez 2 osoby lub więcej, operacje obalania i piłowania na kawałki należy wykonywać w bezpiecznej odległości od siebie, tj. w odległości co najmniej dwukrotnej wysokości obalanego drzewa. Drzew nie wolno obalać w sposób, który zagrażałby jakimkolwiek osobom. Należy pilnować, aby drzewo nie spadło na linie wysokiego napięcia i aby upadające nie spowodowało innych strat materialnych. Jeżeli drzewo dotyka linii wysokiego napięcia, należy o tym natychmiast powiadomić firmę zarządzającą linią.
- Jeżeli obalane drzewo rośnie na zboczu, operator pilarki powinien stać powyżej drzewa, ponieważ po ścięciu drzewo prawdopodobnie potoczy się w dół.
- Przed rozpoczęciem piłowania należy zaplanować i oczyścić z przeszkód ścieżkę oddalania. Ścieżka oddalania powinna bieć ukośnie w tył względem oczekiwanej linii upadku drzewa, tak jak pokazano na Rys. R.

R-1	Kierunek obalania	R-2	Ścieżka oddalania
-----	-------------------	-----	-------------------

- Przed rozpoczęciem obalania należy zastanowić się nad naturalnym nachyleniem drzewa, położeniem większych konarów oraz kierunkiem wiatru. Czynniki te należy uwzględnić przy wyborze kierunku obalania.
- Z drzewa należy usunąć zanieczyszczenia, kamienie, luźną korę, gwoździe, kłamy i druty.

Rzaz podcinający

Rzaz należy wykonać na głębokość 1/3 średnicy drzewa, prostopadle do kierunku obalania, tak jak na Rys. S. Najpierw należy wykonać dolne nacięcie poziome. W ten sposób łańcuch i prowadnica pilarki nie będą się zakleszczały w nacięciu podczas wykonywania drugiego nacięcia.

S-1	Kierunek obalania	S-3	Rzaz ścinający
S-2	Karb	S-4	Zawias

Rzaz ścinający

- Rzaz ścinający należy wykonać co najmniej 50 mm wyżej niż poziomy rzaz podcinający, tak jak pokazano na Rys. S. Rzaz ścinający powinien być równoległy do poziomego rzazu podcinającego. Rzaz ścinający należy wykonać w taki sposób, aby zostawić dostatecznie dużą część drzewa, która spełni rolę zawiasy. Zawiasa zapobiega obróceniu się drzewa w czasie obalania oraz upadkowi w złym kierunku. Zawiasy nie należy więc przecinać.
- Gdy rzaz ścinający zbliży się do zawiasy, drzewo powinno zacząć upadać. Jeżeli istnieje ryzyko, że drzewo może упаść w złą stronę lub stoczyć się lub zakleszczyć łańcuch pilarki, należy przerwać piłowanie przed dokończeniem rzazu ścinającego oraz użyć klinów (drewnianych, plastikowych lub aluminiowych) w celu otwarcia nacięcia i obalania drzewa w zaplanowaną stronę.
- Gdy drzewo zacznie opadać należy wyjąć pilarkę z nacięcia, wyłączyć silnik, opuścić pilarkę w dół i wycofać się zaplanowaną ścieżką oddalania. Należy uważać na spadające gałęzie i nierówności podłoża.

Okrzesywanie drzewa

Okrzesywanie polega na obcinaniu gałęzi obalonego drzewa. Podczas okrzyszowania należy zostawić konary znajdujące się na dole i podtrzymujące pień nad ziemią. Małe gałęzie należy usuwać jednym cięciem, tak jak pokazano na Rys. T. Naprężone gałęzie należy przecinać od dołu w górę, tak aby uniknąć zakleszczenia się łańcucha.

Przecinanie kłód

Przecinanie kłód to cięcie obalonego pnia na kawałki. Ważne: operator powinien pilnować, aby stać na pewnym podłożu i równomiernie rozkładać swój ciężar na obu nogach. Jeśli to możliwe, kłodę należy unieść i oprzeć na innych kłodach, gałęziach lub klockach drewnianych. Aby cięcie odbyło się bezproblemowo, prosimy pamiętać o następujących prostych zaleceniach:

- Gdy kłoda jest podparta na całej długości, tak jak na Rys. U1, należy ją ciąć od góry (nacięcie).
- Gdy kłoda jest podparta na 1 końcu, tak jak na Rys. U2, należy najpierw naciąć ją od dołu na 1/3 średnicy (podcięcie). Następnie należy wykonać cięcie kończące od góry (nacięcie), do wcześniejszego podcięcia.
- Gdy kłoda jest podparta na obu końcach, tak jak na Rys. U3, należy najpierw naciąć ją od góry na 1/3 średnicy (nacięcie). Następnie wykonać cięcie kończące od dołu (podcięcie), na dolne 2/3 średnicy, do wcześniejszego nacięcia.
- Podczas przecinania kłód na zboczu należy zawsze stać powyżej kłody, tak jak na Rys. V.
- Podczas przecinania „do końca”, aby zachować pełną kontrolę, pod koniec cięcia należy zmniejszyć nacisk na ostrze, jednak bez poluzowania uchwytu pilarki. Nie należy dopuszczać do zetknięcia się łańcucha z ziemią. Po wykonaniu cięcia należy odczekać aż łańcuch pilarki zatrzyma się i dopiero potem przemieścić pilarkę. Przy przeniesieniu się od jednego drzewa do drugiego należy zawsze wyłączyć silnik.

KONSERWACJA

⚠ OSTRZEŻENIE: Do serwisowania należy używać wyłącznie części zamiennych identycznych z oryginalnymi. Używanie jakichkolwiek innych części stwarza ryzyko i może spowodować usterkę produktu. Aby zagwarantować bezpieczeństwo i niezawodność, wszystkie naprawy powinny być wykonywane przez wykwalifikowanych techników serwisu.

⚠ OSTRZEŻENIE: Aby uniknąć poważnych obrażeń ciała, na czas przeglądu, czyszczenia lub wykonywania prac konserwacyjnych należy zawsze wyjmować z produktu akumulator. Narzędzie akumulatorowe z włożonym akumulatorem może się zawsze przypadkowo włączyć.

⚠ OSTRZEŻENIE: Podczas czyszczenia pilarki, NIE WOLNO zanurzać jej w wodzie ani innych płynach.

⚠ OSTRZEŻENIE: Nigdy nie należy dopuszczać do zetknięcia się części plastikowych z substancjami takimi jak płyn hamulcowy, benzyna, produkty ropopochodne, oleje penetrujące itp. Substancje chemiczne mogą uszkodzić, osłabić lub zniszczyć plastik i spowodować poważne obrażenia ciała.

CZYSZCZENIE

- Po każdym użyciu należy miękką szcoteczką usunąć zanieczyszczenia z łańcucha i prowadnicy. Powierzchnię pilarki należy przetrzeć czystą szmatką zwilżoną roztworem delikatnego mydła.

- Zdjąć pokrywę boczną i miękką szcoteczką usunąć zanieczyszczenia z prowadnicy, łańcucha tnącego, zębątki i pokrywę boczną.
- Przy wymianie łańcucha tnącego należy zawsze usunąć z rowka prowadnicy drzazgi, wióry i zanieczyszczenia.

KONSERWACJA PROWADNICY

Gdy prowadnica wykazuje ślady zużycia, należy ją wymontować z głowicy napędowej pilarki, odwrócić i zamontować ponownie (Rys. W1). W ten sposób jej zużywanie się rozkłada się równomiernie, przez co czas użytkowania jest maksymalny.

Prowadnicę należy czyścić każdego dnia pracy, jednocześnie należy ją kontrolować pod kątem zużycia i uszkodzenia. Szczerbienie się lub powstawanie wżerów na prowadnicy jest normalnym procesem zużywania się. Tego typu defekty należy wygładzać pilnikiem natychmiast gdy się pojawiają. Prowadnicę z następującymi defektami należy wymienić:

- Zużycie od środka szyn prowadnicy, pozwalające łańcuchowi zsuwać się na boki.
- Wygięta prowadnica.
- Pęknięte lub uszkodzone szyny.
- Rozgięte szyny.

Ponadto, prowadnica ma na końcu zębątkę (Rys. W2). Zębątkę ta musi być co tydzień smarowana strzykawką olejową – przedłuży to czas użytkowania prowadnicy. Cotygodniowe smarowanie należy wykonywać przez wstrzykiwanie strzykawką olejową oleju do łańcuchów przez otwór do smarowania (Rys. W3). Przekreślić prowadnicę i sprawdzić, czy otwory do smarowania i rowek na łańcuch nie są zanieczyszczone.

W-1	Zębątkę na końcu prowadnicy	W-2	Otwór do smarowania
-----	-----------------------------	-----	---------------------

UWAGA: Aby uzyskać najlepsze wyniki, należy używać smarów zatwierdzonych przez firmę EGO.

TRANSPORT I PRZECHOWYWANIE

Pilarki nie należy chować ani transportować w czasie, gdy urządzenie pracuje. Przed schowaniem lub transportowaniem należy zawsze wyjąć akumulator.

Przed schowaniem lub transportowaniem pilarki należy zawsze założyć osłonę na prowadnicę. Prosimy zachować ostrożność, aby nie skaleczyć się zębami łańcucha.

Przed schowaniem pilarkę należy dokładnie wyczyścić. Pilarkę należy przechowywać w suchym pomieszczeniu zamkniętym i/lub niedostępnym dla dzieci.

Wyrób należy chronić przed żrącymi substancjami takimi jak chemia ogrodnicza i sól do usuwania lodu.

OCHRONA ŚRODOWISKA



Urządzeń elektrycznych, zużytych akumulatorów i ładowarki nie należy wyrzucać do zwykłych zmieszanych śmieci domowych!

Produkt należy oddać do zbiórki selektywnej w autoryzowanym punkcie recyklingu. Elektronarzędzia należy oddawać do przyjaznego dla środowiska zakładu recyklingu.

PL

ROZWIĄZYWANIE PROBLEMÓW

⚠ OSTRZEŻENIE: Należy zawsze chronić swoje dłonie i na czas wykonywania prac serwisowych przy pilarence zakładać grube rękawice. Na czas wykonywania czynności serwisowych oraz transportowania pilarki należy zawsze wyjmować akumulator.

PROBLEM	PRZYCZYNA	ROZWIĄZANIE
Silnik nie włącza się.	<ul style="list-style-type: none"> ■ Do pilarki nie włożono akumulatora. ■ Pilarka i akumulator nie kontaktują. ■ Akumulatora jest rozładowany. ■ Akumulator lub pilarka jest zbyt gorący/-a. ■ Zaciągnięty hamulec łańcucha. ■ Zanieczyszczenia w rowku przewodnicy. ■ Zanieczyszczenia wewnątrz osłony. 	<ul style="list-style-type: none"> ■ Włożyć akumulator do pilarki. ■ Wyjąć akumulator, sprawdzić styki i włożyć akumulator z powrotem. ■ Naładować akumulator. ■ Pozwolić, aby akumulator lub pilarka ostygły do temperatury poniżej 67°C. ■ Pociągnąć dźwignię hamulca łańcucha w tył do uchwytu przedniego, do pozycji roboczej. ■ Docisnąć łańcuch tnący do drewna i przesunąć pilarkę do przodu i do tyłu, aby usunąć zanieczyszczenia. ■ Wyjąć akumulator, następnie zdjąć pokrywę boczną i usunąć zanieczyszczenia.
Pilarka zatrzymuje się w czasie pracy.	<ul style="list-style-type: none"> ■ Pilarka jest przeciążona. ■ Akumulator lub pilarka jest zbyt gorący/-a. ■ Łańcuch tnący zaklinował się w drewnie. 	<ul style="list-style-type: none"> ■ Zmniejszyć obciążenie. ■ Zmniejszyć obciążenie. Pozwolić, aby akumulator lub pilarka ostygły do temperatury poniżej 67°C. ■ Puścić przelącznik spustowy; wyjąć łańcuch tnący i przewodnicę z drewna, następnie ponownie włączyć pilarkę.
Silnik pracuje, ale łańcuch nie kręci się.	<ul style="list-style-type: none"> ■ Łańcuch nie jest zaczepiony na zębatce napędowej. 	<ul style="list-style-type: none"> ■ Ponownie założyć łańcuch; dopilnować, aby ogniwa przesuwające łańcucha były całkowicie nałożone na zębatkę.
Nie włącza się hamulec łańcucha.	<ul style="list-style-type: none"> ■ Zanieczyszczenia uniemożliwiają pełne przestawienie dźwigni hamulca łańcucha. ■ Być może hamulec łańcucha nie działa prawidłowo. 	<ul style="list-style-type: none"> ■ Usunąć zanieczyszczenia z zewnętrznego mechanizmu hamulca łańcucha. ■ Skontaktować się z punktem obsługi klienta EGO w celu dokonania naprawy.

PL

PROBLEM	PRZYCZYNA	ROZWIĄZANIE
Pilarka nie tnie prawidłowo.	<ul style="list-style-type: none"> ■ Zbyt słabo naciągnięty łańcuch. ■ Tępy łańcuch. ■ Łańcuch założony do tyłu. ■ Zużyty łańcuch. ■ Suchy lub nadmiernie rozciągnięty łańcuch. ■ Łańcuch poza rowkiem prowadnicy. 	<ul style="list-style-type: none"> ■ Wyregulować napięcie łańcucha zgodnie z instrukcjami podanymi w części „REGULACJA NAPIĘCIA ŁAŃCUCHA”. ■ Naostrzyć łańcuch. ■ Ponownie założyć łańcuch zgodnie z instrukcjami podanymi w części „MONTAŻ/ WYMIANA PROWADNICY I ŁAŃCUCHA”. ■ Wymienić łańcuch zgodnie z instrukcjami podanymi w części „MONTAŻ/ WYMIANA PROWADNICY I ŁAŃCUCHA”. ■ Sprawdzić poziom oleju. Dolać oleju do zbiornika, w razie potrzeby ustawić wyższy poziom dozowania oleju. ■ Ponownie założyć łańcuch zgodnie z instrukcjami podanymi w części „MONTAŻ/ WYMIANA PROWADNICY I ŁAŃCUCHA”.
<div style="background-color: black; color: white; padding: 2px 5px; font-weight: bold;">PL</div> <p>W czasie zwykłego użytkowania, łańcuch poluzowuje się lub spada z prowadnicy.</p>	<ul style="list-style-type: none"> ■ W czasie zwykłej pracy pilarką łańcuch poluzowuje się i zwiększa się temperatura łańcucha. ■ Łańcuch nie jest zaczepony na zębatce napędowej. 	<ul style="list-style-type: none"> ■ Napiąć łańcuch zgodnie z instrukcjami podanymi w części „REGULACJA NAPIĘCIA ŁAŃCUCHA”. ■ Ponownie założyć łańcuch zgodnie z instrukcjami podanymi w części „MONTAŻ/ WYMIANA PROWADNICY I ŁAŃCUCHA”.

GWARANCJA

POLITYKA GWARANCYJNA EGO

W celu zapoznania się z wszystkimi warunkami polityki gwarancyjnej EGO prosimy wejść na stronę egopowerplus.eu.

PŘEČTĚTE SI VŠECHNY POKYNY!



PŘEČTĚTE SI NÁVOD K OBSLUZE

VAROVÁNÍ: Z důvodu zajištění bezpečnosti a spolehlivosti musí všechny opravy provádět kvalifikovaný servisní technik.

VAROVÁNÍ: Před použitím tohoto nářadí si přečtěte a seznamte se se všemi bezpečnostními pokyny uvedenými v tomto návodu k obsluze včetně veškerých výstražných symbolů jako např. „**NEBEZPEČÍ**“, „**VAROVÁNÍ**“ a „**UPOZORNĚNÍ**“. Nedodržení níže uvedených pokynů může mít za následek úraz elektrickým proudem, požár a/ nebo vážná zranění osob.

VŠECHNA VAROVÁNÍ A POKYNY USCHOVEJTE PRO BUDOUCÍ POUŽITÍ.

BEZPEČNOSTNÍ SYMBOL

VAROVÁNÍ: Při použití elektrického nářadí může dojít k vymrštění cizích těles do očí, což může způsobit jejich závažné poškození. Před použitím elektrického nářadí si vždy nasadte ochranné brýle, ochranné brýle s bočními kryty nebo v případě potřeby obličejový štít. Na brýle nebo standardní ochranné brýle s bočními kryty doporučujeme použít ochrannou masku.

BEZPEČNOSTNÍ SYMBOLY



Bezpečnostní upozornění



Používejte ochranu očí



Používejte ochranu hlavy



Dejte si pozor na zpětný ráz řetězové pily a vyvarujte se kontaktu s hrotem lišty



Informace o vodící liště



Garantovaná hladina akustického výkonu. Emise hluku do prostředí dle směrnice Evropského společenství.



Tento výrobek je v souladu s platnými směrnici ES.



Bluetooth®

mm Milimetr

V Napětí

IPX4 Ochrana před stříkající vodou



Z důvodu snížení nebezpečí úrazu si musí uživatel před použitím tohoto výrobku přečíst návod k obsluze a porozumět mu.



Používejte chrániče sluchu



Používejte ochranné rukavice



Zpětný ráz hrotu vodící lišty



Při práci s řetězovou pilou vždy používejte obě ruce



Odpadní elektrické výrobky se nesmí likvidovat s domovním odpadem. Odevzdejte je do autorizovaného recyklačního střediska.



Tento výrobek je v souladu s platnými předpisy ve Spojeném království.



Stojnosměrný proud

n_0 Rychlost při chodu naprázdno

./min Za minutu

GZ

POZNÁMKA: Slovní značka a loga Bluetooth® jsou registrované ochranné známky společnosti Bluetooth SIG, inc. a jakékoli použití těchto značek společnosti EGO je podmíněno licencí.

TECHNICKÉ ÚDAJE

Jmenovité napětí	56 B	
Max. Rychlost řetězu	25 m/c	
Rozteč řetězu	3/8" (9,5 mm)	
Měrka řetězu	1,3 mm	
Délka vodící lišty	50 cm	
Typ pilového řetězu	AC2005	
Typ vodící lišty	AG2005	
Objem olejové nádrže	250 ml	
Hmotnost (bez akumulátoru, řetězu pily, vodící lišty, bočního krytu, oleje a pláště řetězu)	3,9 kg	
Doporučená provozní teplota	-15°C-40°C	
Doporučená skladovací teplota	-20°C-70°C	
Doporučená teplota nabíjení	5°C-40°C	
Měřená hladina akustického výkonu L_{WA}	103 dB (A) K=1,7 dB (A)	
Hladina akustického tlaku v místě obsluhy L_{PA}	89 dB (A) K=3 dB (A)	
Zaručená hladina akustického výkonu L_{WA} (podle směrnice 2000/14/ES)	105 dB (A)	
Vibrace a_h	Přední rukojeť	4,69 m/c^2 K=1,5 m/c^2
	Zadní rukojeť	4,24 m/c^2 K=1,5 m/c^2

- Celková deklarovaná hodnota vibrací byla naměřena podle standardní zkušební metody a lze ji použít ke srovnání s jiným nářadím;
- Celkovou deklarovanou hodnotu vibrací lze použít také k předběžnému stanovení expozičních limitů.

POZNÁMKA: Emise vibrací při konkrétním použití elektrického nářadí se mohou lišit od deklarované hodnoty, při které se nářadí používá; z důvodu ochrany provozovatele by měl uživatel ve skutečných pracovních podmínkách nosit rukavice a chrániče sluchu.

OBSAH BALENÍ (OBR. A1)

POPIS

SEZNAMTE SE S VAŠÍ ŘETĚZOVOU PILOU (obr. A1)

1. Pilový řetěz
2. Opěrné hroty
3. Pádlo brzdy řetězu při zpětném rázu
4. Přední rukojeť
5. LCD obrazovka
6. Proužky rychlosti
7. Ikona Bluetooth
8. Ikona světlotometu
9. Ikona brzdy
10. Kruh palivoměru
11. Tlačítko světlotometu/Bluetooth
12. Tlačítko rychlosti řetězu
13. Blokovací tlačítko
14. Hlavní vypínač
15. Zadní rukojeť
16. Tlačítko pro uvolnění akumulátoru
17. Okénko pro kontrolu oleje
18. Uzávěr olejové nádrže
19. Vodící lišta
20. Mazací otvor
21. Boční kryt
22. Matice bočního krytu
23. LED světlotmet
24. Napínací šroub řetězu
25. Oboustranný nástřčný klíč
26. Kryt řetězu

MONTÁŽ

MONTÁŽ/VÝMĚNA LIŠTY A ŘETĚZU

VAROVÁNÍ: Před montáží nastavte pádlo brzdy řetězu při zpětném rázu do brzděné polohy.

1. Položte hnací jednotku řetězové pily na bok tak, aby boční kryt směřoval vzhůru (obr. B).
2. Boční kryt sejměte otočením dvou pojistných matic proti směru hodinových ručiček.
3. Otáčením napínacího šroubu řetězu proti směru hodinových ručiček uvolněte napnutí řetězu.
4. Pilový řetěz položte na rovný povrch a vyrovnejte případné ohyby (obr. C)

- Umístíte hnací články řetězu do drážky vodicí lišty a ze řetězu vytvoříte smýčku v zadní části vodicí lišty (obr. D).
- Držte řetěz v dané poloze na vodicí liště a nasadíte smýčku kolem řetězového kola pily (obr. E1).

B-1	Pojistné matice	D-2	Drážka vodicí lišty
B-2	Napínací šroub řetězu	E-1	Hnací kolo
D-1	Hnací články řetězu		

POZNÁMKA: Při nasazování řetězu pily na vodicí lištu dbejte na to, aby po nasazení vodicí lišty na pilu odpovídala řezacímu vzoru a šipce směru otáčení na krytu. Pokud směřují opačnými směry, namontujte pilový řetěz zpět na vodicí lištu tak, aby nože směřovaly stejným směrem (obr. E2).

- Nasadíte boční kryt na skříň řetězové pily a plně utáhnete dvě pojistné matice.
- Otáčejte řetězem ručně, abyste zkontrolovali, zda je řetěz správně sestaven bez vazby. Pokud ano, řetěz a lištu opět sestavte.

POZNÁMKA: Chcete-li prodloužit životnost vodicí lišty, občas ji obraťte.

NASTAVENÍ NAPNUTÍ ŘETĚZU

- Před nastavením napnutí řetězu vypněte motor a vyjměte akumulátor. Otáčením napínacího šroubu řetězu ve směru nebo proti směru hodinových ručiček nastavte napnutí řetězu (obr. F), dokud řetěz těsně nedosedne na vodicí lištu s hnacími články v drážce vodicí lišty.
- Studený řetěz je správně napnutý, pokud není na spodní straně vodicí lišty prověšený, přiléhá, ale lze jím volně otáčet rukou. Řetěz se musí znovu napnout vždy, když plošky hnacích článků nedosedají do drážky lišty.
- Při běžném provozu pily se teplota řetězu zvyšuje. Hnací články správně napnutého horkého řetězu budou viset přibližně 1,3 mm pod drážkou lišty (obr. G).

POZNÁMKA: Nové řetězy mají tendenci se natáhnout; napnutí řetězu pravidelně kontrolujte a podle potřeby napněte.

POZNÁMKA: Řetěz napnutý za horka může být

po vychladnutí příliš napnutý. Před dalším použitím zkontrolujte napnutí za studena.

OBSLUHA

VAROVÁNÍ: Dbejte na to, abyste po seznámení s výrobkem nepřestali být opatrní. Nezapomínejte, že stačí chvíle nepozornosti a může se stát vážný úraz.

VAROVÁNÍ: Nepoužívejte nástavce nebo příslušenství, které nedoporučuje výrobce tohoto výrobku. Použití nedoporučených nástavců a příslušenství může vést k vážnému úrazu.

VAROVÁNÍ: Pokud provádíte montáž dílů, úpravy, čištění, nebo výrobek nepoužíváte, vždy vyjměte akumulátor, aby nedošlo k neúmyslnému spuštění, které může způsobit vážný úraz.

Před každým použitím zkontrolujte celý výrobek, zda není poškozen, nechybí nebo nejsou uvolněné žádné díly, jako např. vruty, matice, šrouby, uzávěry atd. Pevně utáhněte všechny upevňovací prvky a uzávěry a výrobek nepoužívejte, dokud se nevymění všechny chybějící nebo poškozené díly.

POUŽITÍ

Tento výrobek lze použít k základnímu kácení, odvětňování, prořezávání a řezání řeziva a stromů.

POZNÁMKA: Stroj se smí používat pouze k vyhrazenému účelu. Jakékoliv jiné použití se považuje za zneužití.

DOPLŇOVÁNÍ MAZIVA LIŠTY A ŘETĚZU

VAROVÁNÍ: V blízkosti oleje nebo řetězové pily nekuřte ani nerozdělávejte oheň. Olej se může rozlít a způsobit požár.

POZNÁMKA: Při nákupu v řetězové pile není olej. Proto je před použitím nezbytné naplnit nádrž olejem. Pila se při práci automaticky maže řetězovým olejem.

- Položte řetězovou** pilu na bok tak, aby uzávěr nádrže směřoval nahoru.
- Vyčistěte víčko olejové nádrže a její okolí, aby se do olejové nádrže nedostaly žádné nečistoty.
- Zvedněte půlkruhovou destičku a otočte víčko olejové nádrže proti směru hodinových ručiček (obr. H) pro odšroubování.
- Opatrně nalijte řetězový olej do nádrže. Nádrž naplňte

GZ

až po spodní část plnicího hrdla.

5. Setřete přebytečný olej a našroubujte uzávěr.

POZNÁMKA: Často kontrolujte hladinu oleje a když hladina oleje klesne pod rysku minima, olej doplňte. Nikdy řetězovou pilu nepoužívejte, pokud není vidět olej.

INSTALACE/VYJMUTÍ AKUMULÁTORU

Používejte pouze s akumulátory a nabíječkami EGO uvedenými na obr. A2.

Před prvním použitím akumulátor plně nabijte.

Instalace

Srovnejte žebrování akumulátoru s instalačními drážkami a tlačte akumulátor dokud neuslyšíte „kliknutí“ (obr. I).

Vyjmutí

Stiskněte tlačítko pro uvolnění akumulátoru a vytáhněte jej (obr. J).

SPUŠTĚNÍ/VYPNUTÍ ŘETĚZOVÉ PILY

POZNÁMKA: Před spuštěním řetězové pily zkontrolujte hladinu oleje, ostrost zubů pily a správně fungující pádlo brzdy při zpětném rázu. Kromě toho je nezbytný vyvážený postoj a správná vzdálenost od země.

Spuštění (obr. K)

1. Zatahněte pádlo brzdy při zpětném rázu směrem k přední rukojeti do pracovní polohy (obr. K).
2. Pevně uchopte přední rukojeť levou rukou a zadní rukojeť pravou rukou.

VAROVÁNÍ: Abyste předešli zranění, vždy používejte řetězovou pilu tak, že pravou rukou uchopíte oblast uchopení zadní rukojeti (obr. L).

3. Palcem pravé ruky stiskněte a podržte tlačítko pro odblokování a potom prsty pravé ruky zmáčkněte spouštěcí spínač, abyste pilu spustili (obr. L).

L-1	Oblast uchopení
-----	-----------------

4. Uvolněte blokovací tlačítko, držte stlačený spínač a pokračujte v práci.
5. Čím více je spouštěcí spínač stlačen, tím vyšší je rychlost řetězu. Upravte rychlost tak, aby vyhovovala aktuálnímu úkolu.

VAROVÁNÍ: Nepokoušejte se pilu spouštět, pokud je pilový řetěz v řezu.

Zastavení

1. Přesuňte řetězovou pilu mimo oblast řezu a poté uvolněte spínač, abyste zastavili řetězovou pilu.
2. Zatlačte brzdu proti zpětnému rázu řetězu dopředu do polohy brzdy, abyste zapnuli brzdu řetězu (obr. K).

VAROVÁNÍ: Při přestávce a po skončení práce vždy vyjměte akumulátor ze stroje.

ZMĚNA RYCHLOSTNÍHO REŽIMU (obr. M)

Tento stroj má tři režimy rychlosti. Každý rychlostní režim omezuje maximální rychlost řetězové pily. Režim rychlosti se změní s každým stisknutím tlačítka rychlosti řetězu.

Na LCD displeji se zobrazí aktivní režim rychlosti: jeden proužek pro nízkou rychlost, dva proužky pro střední rychlost a tři proužky pro vysokou rychlost. Nízký rozsah otáček (ECO) poskytuje lepší ovládání stroje a delší provozní dobu na jedno nabití.

M-1	Proužky rychlosti	M-5	Kruh palivoměru
M-2	Ikona Bluetooth	M-6	Tlačítko světlometu/Bluetooth
M-3	Ikona světlometu	M-7	Tlačítko rychlosti řetězu
M-4	Ikona brzdy		

POZNÁMKA: Při použití akumulátoru EGO s kapacitou 2,5 Ah nebo nižší je k dispozici pouze režim ECO. Použití akumulátoru EGO s kapacitou nižší než 6,0 Ah vám neumožní dosáhnout vysoké rychlosti. Pro dosažení nejlepšího výkonu důrazně doporučujeme používat akumulátory EGO s kapacitou 6,0 Ah (např. BA3360T) nebo vyšší.

POZNÁMKA: Funkce paměti otáček stroje si zapamatuje poslední nastavení otáček a aktivuje je při příštím zapnutí stroje.

POZNÁMKA: Displej LCD se rozsvítí po stisknutí spínače spouště nebo po stisknutí tlačítka rychlosti nebo tlačítka světlometu/Bluetooth. Po přibližně 30 sekundách nečinnosti se řetězová pila automaticky vypne.

LED SVĚTLOMET (obr. N)

LED světlomet je umístěn v přední části krytu řetězové pily. Světlomet poskytuje osvětlení pro lepší viditelnost a má 2 úrovně jasu.

Chcete-li zapnout světlometry, stiskněte jednou tlačítko světlometu/Bluetooth (obr. M). Světlomet se zapne v nízkém stupni jasu a na displeji LCD se zobrazí ikona nízkého

jasu světlometu. Opětovným stisknutím tlačítka světlometů/Bluetooth přepněte na vysokou úroveň jasu a na displeji LCD se zobrazí ikona vysokého jasu světlometů.

Chcete-li světlometry vypnout, stiskněte potěti tlačítko světlometů/Bluetooth a ikona světlometů z displeje LCD zmizí.

N-1	Ikona nízkého jasu světlometů	N-3	LED světlomet
N-2	Ikona vysokého jasu světlometů		

OMNI-DIRECTIONAL CHAIN BRAKE SYSTEM (obr. O1 a obr. O2)

UPOZORNĚNÍ: Systém všesměrové řetězové brzdy není určen jako náhrada standardní/tradiční řetězové brzdy. Uživatel by se při práci s řetězovou pilou nikdy neměl spoléhat na tuto funkci ochrany proti zpětnému rázu. Vždy dodržujte bezpečnostní pokyny týkající se zmírnění zpětného rázu, které najdete ve výstražné části této příručky.

Když je aktivován všesměrový brzdový systém řetězu a zastaví pilu, blíká na LCD displeji ikona brzdy (obr. M). Uvolněte spínač, vyjměte pilový řetěz a vodící lištu ze dřeva, a pak řetězovou pilu restartujte.

POZNÁMKA: Senzory detekují pouze náhlý pohyb pily v rovině vodící lišty (obr. O1). Senzory nezaznamenají žádný náhlý pohyb pily do strany (obr. O2) (tj. kolmo k rovině vodící lišty).

KOMUNIKAČNÍ TECHNOLOGIE

Informace o kompletní nabídce připojených výrobků a služeb, včetně pokynů k připojení, najdete po naskenování QR kódu níže nebo na adrese www.egopowerplus.eu/connect.



SPRÁVNÉ UCHOPENÍ RUKOJETI (obr. P1)

- Pro dosažení maximální pevnosti úchopu a ochrany použijte protiskluzové rukavice.
- Na pevném a rovném povrchu držte pilu pevně oběma rukama.
- Vždy uchopte přední rukojeť levou rukou a zadní rukojeť pravou rukou.
- Prsty musí obepnout rukojeť s palcem sbaleným pod přední rukojeť.

VAROVÁNÍ: Nikdy nepoužívejte levoruký (překřížený) úchop nebo postoj, při kterém tělo nebo paže kříží dráhu řetězu.

VAROVÁNÍ: Spoušť nespouštějte levou rukou a přední rukojeť nedržte pravou rukou. Nikdy nedovolte, aby jakákoliv část vašeho těla byla při používání pily v linii jejího řezu (obr. P2).

SPRÁVNÝ POSTOJ PŘI ŘEZÁNÍ (obr. Q)

- Obě chodidla musí stát na pevné zemi s váhou rovnoměrně rozloženou.
- Levá paže musí být natažená se zafixovaným loktem. Pomáhá to odolávat silám generovaným zpětným rázem.
- Vaše tělo musí být vždy vlevo od dráhy řetězu.

POKYNY KE SPRÁVNÝM TECHNIKÁM PRO ZÁKLADNÍ KÁCENÍ, ODVĚTVOVÁNÍ A PROŘEZÁVÁNÍ

VAROVÁNÍ: Když je motor v chodu, vždy dbejte na pevný postoj a pevně držte řetězovou pilu oběma rukama.

VAROVÁNÍ: Pokud se pilový řetěz při řezání zastaví v důsledku sevření, uvolněte spínač; vyjměte pilový řetěz a vodící lištu ze dřeva, a pak řetězovou pilu restartujte.

VAROVÁNÍ: Netahejte za pilový řetěz rukou, pokud je zablokovaný pilinami. Hrozí riziko vážného úrazu, pokud se řetězová pila neúmyslně spustí. Zatlačte pilový řetěz proti dřevu a pohybujte řetězovou pilou tam a zpět, dokud se úlomky neuvolní. Před čištěním vždy vyjměte akumulátor. Při manipulaci s pilovým řetězem noste odolné ochranné rukavice.

VAROVÁNÍ: Nikdy řetězovou pilu nespouštějte, pokud je ve styku se dřevem. Než přiložíte řetězovou pilu ke dřevu, nechte ji roztočit na plné otáčky.

KÁCENÍ STROMU

- Pokud rozřezávání a kácení provádí dvě a více osob současně, musí být kácení oddělené od rozřezávání vzdáleností aspoň dvojnásobku výšky káceného stromu. Stromy se nesmí káčet způsobem, který by ohrozil některou z osob, zasáhl síťové vedení nebo způsobil škodu na majetku. Pokud přijde strom do styku se síťovým vedením, je třeba okamžitě informovat provozovatele.
- Obsluha řetězové pily musí stát na vyvýšené straně, jelikož je pravděpodobné, že se strom svalí nebo sesune po skácení směrem ze svahu.

GZ

- Před začátkem kácení se musí naplánovat a vyčistit úniková cesta podle potřeby. Úniková cesta musí směřovat vzad a příčně k předpokládané dráze dopadu, jak je znázorněno na obr. R.

R-1	Směr kácení	R-2	Bezpečná úniková cesta
-----	-------------	-----	------------------------

- Před začátkem kácení posuďte, kterým směrem strom spadne, a zohledněte přitom přirozený sklon stromu, umístění větších větví a směr větru.
- Ze stromu odstraňte nečistoty, kameny, uvolněnou kůru, hřebíky, sponky a dráty

Spodní zářez

Provedte zářez do 1/3 průměru stromu kolmo ke směru pádu, jak je znázorněno na obr. S. Nejprve provedte dolní vodorovný zářez. Pomůže vám to zabránit sevření pilového řetězu nebo vodící lišty při druhém zářezu.

S-1	Směr pádu	S-3	Hlavní řez
S-2	Zářez	S-4	Závěs

CZ

Hlavní řez

- Hlavní řez provedte aspoň o 50 mm výše než vodorovný zářez, jak je znázorněno na obr. S. Dbejte, aby byly hlavní řez rovnoběžný s vodorovným zářezem. Hlavní řez vedte tak, aby zůstal dostatek dřeva, které může sloužit jako závěs. Dřevěný závěs zabraňuje stromu, aby se při pádu zkroutil špatným směrem. Neřežte přes závěs.
- Když se hlavní zářez dostane do blízkosti závěsu, měl by strom začít padat. Pokud existuje možnost, že by strom nemusel spadnout v požadovaném směru, nebo by se mohl zakymáčet a zaklínit pilový řetěz, zastavte řezání dřív, než je hlavní řez dokončen a k rozevření řezu a poražení stromu v požadovaném směru použijte dřevěné, plastové nebo hliníkové klíny.
- Jakmile začne strom padat, vyjměte řetězovou pilu z řezu, vypněte motor, položte řetězovou pilu a použijte plánovanou únikovou cestu. Dávejte pozor na padající vrchní větev a sledujte cestu.

Odvětvování stromu

Odvětvování je odstraňování větví z padlého stromu. Při odvětvování ponechte větší spodní větev jako oporu kmene nad zemí. Malé větve odstraňte jedním řezem, jak

je znázorněno na obr. T. Větve pod napětím by se měly řezat zdola nahoru, aby nedošlo k zaklínění řetězové pily.

Rozřezávání kmene

Rozřezávání je řezání kmene do délek. Je třeba dbát, aby byl váš postoj pevný a váha rovnoměrně rozložena na obě nohy. Pokud lze, měl by být kmen zdvižený a podepřený s pomocí větví, kmenů nebo špalků. Dodržujte jednoduché pokyny pro snadné řezání.

- Když je strom podepřený po celé své délce, jak je znázorněno na obr. U1, řeže se od vrcholu (řezání shora).
- Pokud je strom podepřený na jednom konci, jak je znázorněno na obr. U2, nařízněte 1/3 průměru zespolu (řezání zdola). Pak proveďte závěrečný řez shora tak, aby se protal s prvním řezem.
- Pokud je strom podepřený na obou koncích, jak je znázorněno na obr. U3, nařízněte 1/3 průměru shora (řezání shora). Pak proveďte závěrečný řez zdola v dolních 2/3 tak, aby se protal s prvním řezem.
- Při rozřezávání ve svahu vždy stůjte na vyvýšené straně kmene, jak je znázorněno na obr. V.
- Abyste při „průřezu“ neztratili kontrolu, uvolněte před koncem řezný tlak, aniž byste uvolnili úchop rukojeti řetězové pily. Dbejte, aby se řetěz nedostal do styku se zemí. Než po dokončení řezu řetězovou pilu přesunete, počkejte, až se pilový řetěz zastaví. Před přesunem od jednoho stromu k druhému vždy vypněte motor.

ÚDRŽBA

VAROVÁNÍ: Při opravách používejte pouze originální náhradní díly. Použití jiných dílů může představovat riziko nebo může způsobit poškození výrobku. Z důvodu zajištění bezpečnosti a spolehlivosti musí všechny opravy provádět kvalifikovaný servisní technik.

VAROVÁNÍ: Aby nedošlo k vážnému úrazu, vždy vyjměte před kontrolou, čištěním nebo údržbou z výrobku akumulátor. Akumulátorové nářadí s vloženým akumulátorem je vždy zapnuté a může se neúmyslně spustit.

VAROVÁNÍ: Při čištění NEPONOŘUJTE řetězovou pilu do vody ani jiných kapalin.

VAROVÁNÍ: Dbejte, aby nikdy nedošlo ke styku plastových částí s brzdovými kapalinami, benzinem, ropnými produkty, penetračními oleji atd. Chemické látky mohou poškodit, zeslabit nebo poškodit plast, což může

vést k vážnému úrazu.

ČIŠTĚNÍ

- Po každém použití odstraňte nečistoty z řetězu a vodicí lišty měkkým kartáčem. Otřete povrch řetězové pily čistým hadrem navlhčeným ve slabém mýdlovém roztoku.
- Sejměte boční kryt, a pak použijte měkký kartáč k odstranění nečistot z vodicí lišty, pilového řetězu, řetězového kola a bočního krytu.
- Při výměně pilového řetězu vždy odstraňte z drážky vodicí lišty dřevěné štěpky, piliny a nečistoty.

ÚDRŽBA VODICÍ LIŠTY

Pokud vodicí lišta vykazuje známky opotřebení, demontujte ji z hnací jednotky řetězové pily, obraťte ji a namontujte zpět (obr. W1). Tím se rozloží opotřebení a maximalizuje životnost lišty.

Lištu čistěte každý den, kdy se používá, a kontrolujte její opotřebení a poškození. Zkosení nebo otřepy vodicích lišt jsou běžným procesem opotřebení lišty. Tyto závady odstraňte pilníkem, jakmile se objeví. Lištu, u které se projeví jedna z následujících poruch, musíte vyměnit.

- Opotřebení uvnitř vodicích kolejnic, které umožňuje řetězu posun do boku.
- Ohnutá vodicí lišta.
- Prasklé nebo zlomené kolejnice.
- Roztažené kolejnice.

Vodicí lišta má dále na hrotu řetězové kolo (obr. W2). Řetězové kolo se musí jednou týdně mazat mazací stříkačkou, aby se prodloužila životnost vodicí lišty. Jednou týdně použijte mazací stříkačku k mazání řetězovým olejem s pomocí mazacího otvoru (obr. W3). Otočte vodicí lištu a zkontrolujte, zda jsou mazací otvory a drážka řetězu čisté.

W-1	Řetězové kolo v hrotu vodicí lišty	W-2	Mazací otvor
-----	------------------------------------	-----	--------------

POZNÁMKA: Pro dosažení nejlepších výsledků použijte autorizovaná maziva EGO.

PŘEPRAVA A SKLADOVÁNÍ

Řetězovou pilu nepřpravujte ani neskladujte, když je motor v chodu. Před uskladněním nebo přepravou vždy vyjměte akumulátor.

Před uskladněním nebo přepravou řetězové pily vždy nasadte na vodicí lištu a řetěz kryt. Dávejte pozor na ostré zuby řetězu.

Před uskladněním řetězovou pilu řádně vyčistěte. Řetězovou pilu skladujte v interiéru, na suchém místě, které je zamknuté anebo je mimo dosah dětí.

Uchovávejte v bezpečné vzdálenosti od korozivních látek, jako jsou chemické látky a rozmrazovací soli.

OCHRANA ŽIVOTNÍHO PROSTŘEDÍ



Elektrické zařízení, použité akumulátory a nabíječku nevhazujte do domovního odpadu!

Předějte tento výrobek autorizované recyklační společnosti ke řídicímu sběru. Elektrické nářadí musí být vráceno do zařízení pro ekologickou recyklaci.

ODSTRAŇOVÁNÍ ZÁVAD

⚠ VAROVÁNÍ: Při údržbě pilového řetězu vždy chraňte ruce s pomocí pevných rukavic. Při servisu nebo přepravě řetězové pily vždy vyjměte akumulátor.

CZ

PROBLÉM	PŘÍČINA	ŘEŠENÍ
Motor neběží.	<ul style="list-style-type: none"> ■ K řetězové pile není připojen akumulátor. ■ Bez elektrického kontaktu mezi pilou a akumulátorem. ■ Akumulátor je vybitý. ■ Akumulátor nebo řetězová pila jsou příliš horké. ■ Je aktivní brzda řetězu. ■ Nečistoty v drážce lišty. ■ Nečistoty uvnitř krytu. 	<ul style="list-style-type: none"> ■ Nasadte akumulátor na řetězovou pilu. ■ Vyjměte akumulátor, zkontrolujte póly a znovu jej nainstalujte. ■ Nabijte akumulátor. ■ Nechejte akumulátor nebo řetězovou sekačku zchladnout, dokud teplota neklesne pod 67°C. ■ Zatáhněte pádlo brzdy řetězu při zpětném rázu zpět směrem k přední rukojeti do pracovní polohy. ■ Zatlačte pilový řetěz proti dřevu a pohybujte řetězovou pilou tam a zpět, dokud se úlomky neuvolní. ■ Vyjměte akumulátor, sejměte boční kryt a odstraňte nečistoty.
Během práce se řetězová pila zastaví.	<ul style="list-style-type: none"> ■ Řetězová pila je přetížená. ■ Akumulátor nebo řetězová pila jsou příliš horké. ■ Řetězová pila se zablokovala ve dřevě. 	<ul style="list-style-type: none"> ■ Snižte zatížení. ■ Snižte zatížení. Nechejte akumulátor nebo řetězovou sekačku zchladnout, dokud teplota neklesne pod 67°C. ■ Uvolněte spínač; vyjměte pilový řetěz a vodičí lištu ze dřeva, a pak řetězovou pilu restartujte.
Motor běží, ale řetěz se netočí.	<ul style="list-style-type: none"> ■ Řetěz není nasazený na hnacím řetězovém kole. 	<ul style="list-style-type: none"> ■ Řetěz znovu nainstalujte a dbejte, aby hnací články řetězu plně dosedly na řetězové kolo.
Brzda řetězu se neaktivuje.	<ul style="list-style-type: none"> ■ Nečistoty brání úplnému pohybu pádla brzdy řetězu při zpětném rázu. ■ Možné poruchy brzdy řetězu 	<ul style="list-style-type: none"> ■ Odstraňte nečistoty z externího mechanismu brzdy řetězu. ■ Pro pomoc kontaktujte zákaznický servis společnosti EGO.

PROBLÉM	PŘÍČINA	ŘEŠENÍ
Řetězová pila neřeže správně.	<ul style="list-style-type: none"> ■ Nedostatečně napnutý řetěz. ■ Tupý řetěz. ■ Obráceně instalovaný řetěz. ■ Opotřeбенý řetěz. ■ Suchý nebo příliš napnutý řetěz. ■ Řetěz mimo drážku lišty. 	<ul style="list-style-type: none"> ■ Znovu nastavte napnutí řetězu podle pokynů v části: „NASTAVENÍ NAPNUTÍ ŘETĚZU“ ■ Naostřete řetěz. ■ Znovu nainstalujte pilový řetěz podle části „MONTÁŽ/VÝMĚNA LIŠTY A ŘETĚZU“. ■ Řetěz vyměřte podle pokynů v části: „MONTÁŽ/VÝMĚNA LIŠTY A ŘETĚZU“ ■ Zkontrolujte hladinu oleje. Doplňte olejovou nádrž a v případě potřeby zvolte větší objem oleje. ■ Řetěz znovu nainstalujte podle pokynů v části: „MONTÁŽ/VÝMĚNA LIŠTY A ŘETĚZU“
Řetěz se při běžném používání povolí nebo spadne z vodící lišty.	<ul style="list-style-type: none"> ■ Řetěz se povoluje, jak se teplota řetězu zvyšuje během normálního provozu pily. ■ Řetěz není nasazený na hnacím řetězovém kole. 	<ul style="list-style-type: none"> ■ Napněte řetěz podle následující části „NASTAVENÍ NAPNUTÍ ŘETĚZU“. ■ Řetěz znovu nainstalujte podle pokynů v části: „MONTÁŽ/VÝMĚNA LIŠTY A ŘETĚZU“

ZÁRUKA

ZÁRUKA SPOLEČNOSTI EGO

Úplné záruční podmínky společnosti EGO naleznete na webové stránce egopowerplus.eu.

PREČÍTAJTE SI VŠETKY POKYNY!



PREČÍTAJTE SI NÁVOD NA OBSLUHU

VAROVANIE: Pre zaistenie bezpečnosti a spoľahlivosti je nevyhnutné, aby všetky opravy vykonával len kvalifikovaný servisný technik.

VAROVANIE: Pred použitím tohto nástroja si prečítajte a pochopte všetky bezpečnostné pokyny v tomto návode na obsluhu, vrátane všetkých bezpečnostných výstražných symbolov, ako sú „NEBEZPEČENSTVO“, „VAROVANIE“ a „UPOZORNENIE“. Nedodržanie nižšie uvedených pokynov môže mať za následok úraz elektrickým prúdom, požiar a/alebo vážne zranenie.

VŠETKY VAROVANIA A POKYNY SI PONECHAJTE PRE PRÍPADNÚ POTREBU V BUDÚCNOSTI.

BEZPEČNOSTNÝ SYMBOL

VAROVANIE: Prevádzka akéhokoľvek elektrického náradia môže viesť k vymršteniu cudzích predmetov do vašich očí, čo môže spôsobiť vážne poškodenie zraku. Predtým, než začnete používať elektrické náradie, si vždy nasadte ochranné okuliare alebo ochranné okuliare s postrannými krytmi a prípadne celotvárový štít. Odporúčame použiť bezpečnostnú masku so širokým priehľadom na okuliare alebo štandardné bezpečnostné okuliare s postrannými krytmi.

BEZPEČNOSTNÉ SYMBOLY



Bezpečnostné upozornenie



Používajte ochranu zraku.



Používajte ochranu hlavy.



Dajte pozor na spätný ráz reťazovej píly a vyvarujte sa kontaktu s hrotom lišty



Informácie o vodiacej lište



Garantovaná hladina akustického výkonu. Emisie hluku do prostredia podľa smernice Európskeho spoločenstva.



Tento výrobok je v súlade s platnými smernicami ES.



Bluetooth®

mm Milimeter

V Napätie

IPX4 Ochrana pred striekajúcou vodou



Ak chcete znížiť riziko zranenia, používateľ musí pred použitím tohto výrobku prečítať a pochopiť návod na obsluhu.



Používajte ochranu sluchu.



Používajte ochranné rukavice.



Spätný náraz špičky vodiacej lišty



Reťazovú pílu používajte vždy obojučne



Odpadové elektrické výrobky sa nesmú likvidovať spolu s domovým odpadom. Odovzdajte do autorizovaného recyklačného strediska.



Tento výrobok je v súlade s platnou legislatívou Spojeného kráľovstva.



Jednosmerný prúd

n_b

Rýchlosť bez zataženia

./min

Za minútu

SK

TECHNICKÉ ÚDAJE

Menovité napätie	56 B	
Max. Rýchlosť reťaze	25 m/c	
Výška reťaze	3/8" (9,5 mm)	
Meradlo reťaze	1,3 mm	
Dĺžka vodiacej lišty	50 cm	
Typ reťaze pily	AC2005	
Typ vodiacej lišty	AG2005	
Objem olejovej nádrže reťaze	250 ml	
Hmotnosť (bez akumulátora, reťaze pily, vodiacej lišty, bočného krytu, oleja a plášťa reťaze)	3,9 kg	
Odporúčaná prevádzková teplota	-15°C-40°C	
Odporúčaná skladovacia teplota	-20°C-70°C	
Odporúčaná teplota nabíjania	5°C-40°C	
Nameraná hladina akustického výkonu L_{WA}	103 dB (A) K=1,7 dB (A)	
Hladina akustického tlaku na mieste obsluhy L_{PA}	89 dB (A) K=3 dB (A)	
Garantovaná hladina akustického výkonu L_{WA} (podľa 2000/14/ES)	105 dB (A)	
Vibrácie a_h	Predná rukoვაť	4,69 m/c ² K=1,5 m/c ²
	Zadná rukoვაť	4,24 m/c ² K=1,5 m/c ²

- Deklarovaná celková hodnota vibrácií bola meraná v súlade so štandardnou skúšobnou metódou a môže sa použiť na vzájomné porovnanie jednotlivých náradí;
- Uvádzaná celková hodnota vibrácie sa môže použiť aj na predbežný odhad expozície.

POZNÁMKA: Emisia vibrácií pri skutočnom používaní náradia sa môže odlišovať od deklarovanej hodnoty, pri akej sa nástroj používa; za účelom ochrany obsluhy má používateľ v skutočných podmienkach použitia nosiť rukavice a ochranu sluchu.

OBSAH BALENIA (OBR. A1)

POPIS

SPOZNAJTE REŤAZOVÚ PÍLU (obr. A1)

1. Reťaz pily
2. Oporné hroty
3. Lopatka reťazovej brzdy
4. Predná rukoვაť
5. LCD obrazovka
6. Rýchlostné pružky
7. Ikona Bluetooth
8. Ikona svetlometu
9. Ikona brzdy
10. Kruh palivomeru
11. Tlačidlo svetlometu/Bluetooth
12. Tlačidlo rýchlosti reťaze
13. Zaisťovacie tlačidlo
14. Hlavný vypínač
15. Zadná rukoვაť
16. Tlačidlo uvoľnenia akumulátora
17. Okienko na kontrolu oleja
18. Veko olejovej nádrže
19. Vodiaca lišta
20. Otvor na mazanie
21. Bočný kryt
22. Matice bočného krytu
23. LED svetlomet
24. Napínacia skrutka reťaze
25. Obojstranný nástrčný kľúč
26. Kryt reťaze

SK

MONTÁŽ

MONTÁŽ/VÝMENA LIŠTY A REŤAZE

VAROVANIE: Pred montážou nastavte lopatku reťazovej brzdy do zabrzdenej polohy.

1. Hlavu reťazovej pily položte na bok bočným krytom smerom nahor (obr. B).
2. Odstráňte bočný kryt otočením dvoch poistných matic proti smeru hodinových ručičiek.
3. Otočením napínacej skrutky reťaze proti smeru hodinových ručičiek uvoľnite napnutie reťaze.
4. Položte pílovú reťaz do slučky na rovný povrch a vyrovnajte prípadné záhyby (obr. C).

- Umiestnite jednotlivé vodiace články reťaze do drážky vodiacej lišty a urobte slučku reťaze na zadnej strane vodiacej lišty (obr. D).
- Reťaz držte v polohe na vodiacej lište a umiestnite slučku okolo reťazového kolesa pily (obr. E1).

B-1	Zaisťovacie matice	D-2	Drážka vodiacej lišty
B-2	Napínacia skrutka reťaze	E-1	Hnacie ozubené koleso
D-1	Vodiace články reťaze		

POZNÁMKA: Pri nasadzovaní reťaze pily na vodiacu lištu sa uistite, že po namontovaní vodiacej lišty na pilu súhlasí rezací vzor a šípka smeru otáčania na kryte. Ak smerujú opačným smerom, namontujte reťaz pily na vodiacu lištu tak, aby zuby smerovali rovnakým smerom (obr. E2).

- Nasadte bočný kryt na skriňu reťazovej pily a úplne utiahnite dve poistné matice.
- Otočte reťaz ručne, aby ste skontrolovali, či je reťaz správne zostavená bez viaznutia. V opačnom prípade znova namontujte reťaz a lištu.

SK

POZNÁMKA: Ak chcete predĺžiť životnosť vodiacej lišty, občas ju obráťte.

NASTAVENIE NAPNUTIA REŤAZE

- Pred nastavovaním napnutia reťaze zastavte motor a vyberte akumulátor. Otáčaním napínacej skrutky reťaze v smere alebo proti smeru hodinových ručičiek nastavte napnutie reťaze (obr. F), kým reťaz tesne nedosadne na vodiacu lištu s vodiacimi článkami v drážke vodiacej lišty.
- Studená reťaz je správne napnutá, ak nie je na spodnej strane vodiacej lišty žiaden priestor a reťaz prilieha, ale zároveň sa otáča bez viaznutia. Reťaz sa musí napínať vždy, keď plošky vodiacich článkov nezapadajú do drážky lišty.
- Počas bežného používania pily sa zvyšuje teplota reťaze. Vodiace články správne napnutej teplej reťaze budú previsať približne 1,3 mm od vodiacej lišty (obr. G).

POZNÁMKA: Nové reťaze majú tendenciu sa natiahnuť; často kontrolujte napnutie reťaze a v prípade potreby ju napnite.

POZNÁMKA: Reťaz, ktorá bola napnutá za tepla, môže byť po ochladnutí príliš tesná. Pred ďalším použitím

skontrolujte napnutie reťaze za studena.

OBSLUHA

VAROVANIE: Nedovoľte, aby dlhodobá skúsenosť práce s týmto výrobkom spôsobila vašu neopatrnosť. Pamätajte na to, že aj chvíľková neopatrnosť stačí na to, aby spôsobila vážny úraz.

VAROVANIE: Nepoužívajte žiadne doplnky alebo príslušenstvo, ak ho neodporúča výrobca uvedeného výrobku. Používanie nástavcov alebo príslušenstva, ktoré nie je odporúčané, môže viesť k vážnemu zraneniu osôb.

VAROVANIE: Pri montáži dielov, zmene nastavenia, čistení a ak náradie nepoužívate, vždy vyberte akumulátor zo stroja, aby ste zabránili náhodnému spusteniu, ktoré by mohlo spôsobiť vážne zranenia.

Pred každým použitím skontrolujte, či na zariadení nie sú poškodené, chýbajúce alebo uvoľnené časti, napríklad skrutky, matice, závitky, uzávery, atď. Bezpečne utiahnite všetky upevňovacie prvky a uzávery a nepoužívajte tento výrobok, kým nebudú vymenené všetky chýbajúce alebo poškodené diely.

POUŽITIE

Tento výrobok môžete používať na jednoduché stínanie, osekávanie vetiev, prerezávanie a výrub reziva a stromov.

POZNÁMKA: Stroj sa smie používať iba na predpísané účely. Každé iné použitie sa považuje za prípad nevhodného použitia.

PLNENIE MAZIVA LIŠTY A REŤAZE

VAROVANIE: Nefajčite ani nepoužívajte oheň alebo plameň v blízkosti oleja alebo reťazovej pily. Olej sa môže rozliať a spôsobiť požiar.

POZNÁMKA: Pri kúpe nie je v reťazovej píle olej. Je nevyhnutné, aby ste pred použitím naplnili nádrž olejom. Reťaz je počas používania automaticky mazaná olejom.

- Reťazovú pilu položte na bok tak, aby uzáver nádrže smeroval nahor.
- Vyčistite veko olejovej nádrže a jej okolie, aby sa žiadna špina nedostala do olejovej nádrže.
- Zdvihnite polkruhový doštičku a otočením proti smeru hodinových ručičiek odstráňte uzáver olejovej nádrže (obr. H).
- Lištový a reťazový olej opatrne nalejte do nádrže. Naplňte po spodok plniaceho hrdla.
- Utrite prebytočný olej a znova nasadte uzáver.

POZNÁMKA: Hladinu oleja často kontrolujte a doplňujte, keď klesne pod minimálnu rysku. Nikdy nepoužívajte

motorovú pílu, ak nie je viditeľný olej.

PRIPOJENIE/ODPOJENIE AKUMULÁTORA

Používajte iba s akumulátormi EGO a nabíjačkami uvedenými na obr. A2.

Pred prvým použitím úplne nabite.

Pripojenie

Zarovnajte rebrá akumulátora s montážnymi otvormi a zatlačte akumulátor, kým nebudete počuť „cvaknutie“ (obr. I).

Odpojenie

Stlačte tlačidlo na uvoľnenie akumulátora a vytiahnite akumulátor (obr. J).

ZAPNUTIE/ZASTAVENIE REŤAZOVEJ PÍLY

POZNÁMKA: Pred spustením reťazovej píly skontrolujte hladinu oleja, ostrosť zubov píly a správne fungujúcu lopatku spätnej brzdy. Okrem toho je nevyhnutné udržiavať pevný postoj a správnu vzdialenosť od zeme.

Spustenie (obr. K)

1. Potiahnite lopatku reťazovej brzdy smerom k prednej rukoväti do prevádzkovej polohy (obr. K).
2. Pevne uchopte prednú rukoväť ľavou rukou a zadnú rukoväť pravou rukou.

VAROVANIE: Aby ste predišli poraneniu, reťazovú pílu vždy používajte pravou rukou, ktorá sa drží v oblasti uchopenia zadnej rukoväte (obr. L).

3. Stlačte a podržte zaistovacie tlačidlo palcom pravej ruky a potom stlačte hlavný spínač prstami pravej ruky, aby ste spustili pílu (obr. L).

L-1	Oblasť uchopenia
-----	------------------

4. Uvoľnite zaistovacie tlačidlo a stále držte stlačený hlavný vypínač pre pokračovanie v činnosti.
5. Čím viac je hlavný spínač stlačený, tým väčšia je rýchlosť reťaze. Nastavte rýchlosť tak, aby vyhovovala vykonávanej úlohe.

VAROVANIE: Nepokúšajte sa zapnúť pílu, keď je reťaz píly v reze.

Vypnutie

1. Odsuňte reťazovú pílu z oblasti rezania a potom uvoľnite hlavný spínač, aby ste zastavili reťazovú pílu.
2. Zatlačte lopatku reťazovej brzdy dopredu do polohy brzdy, aby sa aktivovala brzda reťaze (obr. K).

VAROVANIE: Počas pracovných prestávok a po ukončení práce vždy vyberte zo stroja akumulátor.

ZMENA REŽIMU RÝCHLOSTI (obr. M)

Tento stroj má tri režimy rýchlosti. Každý rýchlostný režim obmedzuje maximálnu rýchlosť reťazovej píly. Režim rýchlosti sa zmení pri každom stlačení tlačidla rýchlosti reťaze.

Na LCD obrazovke sa zobrazia rýchlostné pružky pre aktívny režim rýchlosti: jeden pružok pre nízku rýchlosť, dva pružky pre strednú rýchlosť a tri pružky pre vysokú rýchlosť. Režim nízkych otáčok (ECO) poskytuje lepšiu kontrolu nad strojom a dlhší prevádzkový čas na jedno nabitie.

M-1	Rýchlostné pružky	M-5	Kruh palivomeru
M-2	Ikona Bluetooth	M-6	Tlačidlo svetlometu/Bluetooth
M-3	Ikona svetlometu	M-7	Tlačidlo rýchlosti reťaze
M-4	Ikona brzdy		

POZNÁMKA: Pri použití akumulátora EGO s kapacitou 2,5 Ah alebo menej je k dispozícii iba režim ECO. A použitie akumulátora EGO s kapacitou menšou ako 6,0 Ah neumožní dosiahnuť vysokú rýchlosť. Pre najlepší výkon odporúčame používať akumulátory EGO s kapacitou 6,0 Ah (napr. BA3360T) alebo viac.

POZNÁMKA: Pamäťová funkcia rýchlosti stroja si zapamätá posledné nastavenie rýchlosti a aktivuje ho pri ďalšom zapnutí stroja.

POZNÁMKA: LCD obrazovka sa rozsvieti po stlačení hlavného spínača alebo po stlačení tlačidla rýchlosti alebo tlačidla svetlometu/Bluetooth. Automaticky sa vypne približne po 30 sekundách nečinnosti reťazovej píly.

LED SVETLOMET (obr. N)

LED svetlomet sa nachádza v prednej časti krytu reťazovej píly. Svetlomet poskytuje osvetlenie pre lepšiu viditeľnosť a má 2 úrovne jasu.

Ak chcete zapnúť svetlomet, stlačte jedenkrát tlačidlo svetlometu/Bluetooth (obr. M). Svetlomet sa zapne na nízkej úrovni jasu a na LCD obrazovke sa zobrazí ikona nízkeho jasu svetlometu. Opätovným stlačením tlačidla svetlometu/Bluetooth prepnete na vysokú úroveň jasu a na LCD obrazovke sa zobrazí ikona vysokého jasu svetlometu.

SK

Ak chcete vypnúť svetlomet, stlačte tlačidlo svetlometu/Bluetooth treťkrát a ikona svetlometu zmizne z obrazovky LCD.

N-1	Ikona nízkeho jasu svetlometu	N-3	LED svetlomet
N-2	Ikona vysokého jasu svetlometu		

VŠESMEROVÝ BRZDOVÝ SYSTÉM REŤAZE (obr. O1 a obr. O2)

VAROVANIE: Všetmerový brzdový systém reťaze nie je určený ako náhrada štandardnej/tradičnej brzdy reťaze. Používateľ by sa nikdy nemal spoliehať na túto funkciu počas prevádzky reťazovej píly na ochranu pred spätným nárazom. Vždy dodržiavajte bezpečnostné pokyny týkajúce sa zmiernenia spätného rázu, ktoré nájdete vo výstražnej časti tejto príručky.

Keď sa aktivuje systém všetmerovej brzdy reťaze a zastaví pílu, na LCD displeji bude blikať ikona brzdy (obr. M). Uvoľníte vypínač, vytiahnite reťaz píly a vodiacu lištu z dreva, potom reťazovú pílu znovu zapnite.

SK

POZNÁMKA: Snímače zaznamenajú iba náhly pohyb píly v rovine vodiacej lišty (obr. O1). Senzory nezaznamenajú žiadny náhly pohyb píly do strany (obr. O2) (t. j. kolmo na rovinu vodiacej lišty).

KOMUNIKAČNÁ TECHNOLÓGIA

Pre informácie o celej ponuke pripojených výrobkov a služieb vrátane pokynov na pripojenie naskenujte QR kód nižšie alebo navštívte stránku www.egopowerplus.eu/connect.



SPRÁVNE UCHOPENIE RUKOVÄTÍ (obr. P1)

- Používajte protišmykové rukavice s cieľom maximalizovať uchopenie a ochranu.
- Držte pílu pevne obomi rukami na pevnom a rovnom povrchu.
- Vždy uchopte prednú rukoväť ľavou rukou a zadnú rukoväť pravou rukou.
- Prsty by mali obopínať rukoväť s palcom pod prednou rukoväťou.

VAROVANIE: Nikdy používajte úchop ľavou rukou

(s prekriženými rukami) alebo akýkoľvek postoj, ktorý by posunul vaše telo alebo ruku do dráhy reťaze.

VAROVANIE: Nespúšťajte hlavný vypínač ľavou rukou, pričom pravou rukou držíte prednú rukoväť. Pri práci s reťazovou pilou nikdy nedovoľte, aby sa akákoľvek časť vášho tela nachádzala v dráhe reťaze (obr. P2).

SPRÁVNY POSTOJ PRI REZANÍ (obr. Q)

- Obe chodidlá musia byť na pevnej zemi s rovnomerne rozmiestnenou hmotnosťou.
- Ľavá ruka má byť vystretá a lakeť pevný. Pomáha to odolávať silám vytvoreným spätným rázom.
- Telo musí byť vždy na ľavej strane dráhy reťaze.

POKYNY TÝKAJÚCE SA SPRÁVNEJ TECHNIKY JEDNODUCHÉHO STÍNANIA, OSEKÁVANIA VETIEV A PREREZÁVANIA

VAROVANIE: Vždy sa uistite, že váš postoj je pevný a držte reťazovú pílu pevne obomi rukami, keď je motor zapnutý.

VAROVANIE: Keď sa reťazová píla zastaví kvôli zablokovaniu počas pílenia, uvoľníte páčku; vytiahnite reťazovú pílu a vodiacu lištu z dreva, potom reťazovú pílu znovu zapnite.

VAROVANIE: Neťahajte reťazovú pílu rukou, ak je obalená pilinami. Ak sa reťazová píla zapne náhodne, môže to viesť k vážnemu úrazu. Zatláčte reťazovú pílu proti drevu a zatráste pilou hore dolu, aby ste sa zbavili úlomkov. Pred čistením vždy vyberte akumulátor. Pri manipulácii s reťazou používajte pevné ochranné rukavice.

VAROVANIE: Nikdy nezapínajte reťazovú pílu, keď sa dotýka dreva. Reťazová píla musí dosiahnuť plnú rýchlosť pred jej použitím na pílenie dreva.

STÍNANIE STROMU

- Pri vykonávaní činností skracovania alebo stínania dvomi osobami naraz sa stínanie od skracovania musí vykonávať v minimálnej vzdialenosti dvakrát väčšej než je dĺžka stromu, ktorý mal byť sťať. Stromy nesmú byť odstraňované spôsobom, ktorý ohrozuje osoby, poškodzuje verejné rozvody alebo spôsobuje akúkoľvek škodu na majetku. V prípade, že sa strom dostal do kontaktu s verejnými rozvodmi, je nutné to ihneď oznámiť rozvodnej spoločnosti.
- Používateľ reťazovej píly má stáť na vrchnej strane terénu, keďže je pravdepodobné, že sa strom po

výrube bude guľkať alebo šmykať dolu kopcom.

- Pred začatím výrubov by mala byť naplánovaná a jasne stanovená úniková cesta. Úniková dráha by mala smerovať dozadu a šikmo dozadu od predpokladanej línie pádu, ako je znázornené na obrázku R.

R-1	Smer výrubu	R-2	Bezpečnostná ústupová cesta
-----	-------------	-----	-----------------------------

- Pred začatím výrubu zvážte prirodzený náklon stromu, umiestnenie väčších konárov a smer vetra s cieľom posúdiť, ako strom spadne.
- Zo stromu odstráňte špinu, kamene, uvoľnenú kôru, klince, skoby a drôty.

Predný spodný rez

Urobte zárez s priemerom 1/3 priemeru stromu, kolmo na smer pádu, ako je znázornené na obr. S. Najskôr urobte horizontálny predný spodný rez. Pomáha to predchádzať zovretiu reťaze alebo vodiacej lišty pri robení druhého rezu.

S-1	Smer pádu	S-3	Spätný rez pri výrube
S-2	Spodný rez	S-4	Nedorezok

Zadný horný rez

- Spätný rez pri výrube vykonajte minimálne o 50 mm vyššie, ako je vodorovný zárez, ako je znázornené na obr. S. Dbajte na to, aby bol zadný horný rez paralelný s horizontálnym predným spodným rezom. Urobte zadný horný rez tak, aby ste nechali dostatok dreva, ktoré bude fungovať ako nedorezok. Nedorezok zabraňuje tomu, aby sa strom stočil a spadol zlým smerom. Nepíľte nedorezok.
- Keď sa pri výrube dostanete do blízkosti nedorezku, strom by mal začať padať. Ak existuje možnosť, že strom nespadne v požadovanom smere, alebo rozkmitá reťazovú pílu, prestaňte píliť predtým, než dokončíte zadný horný rez a použite kliny z dreva, plastu alebo hliníka na to, aby ste otvorili výrez a zhodili strom v požadovanom smere pádu.
- Keď strom začne padať, odstráňte reťazovú pílu z výrezu, zastavte motor, odložte reťazovú pílu, potom použite plánovanú ústupovú cestu. Dávajte pozor na padajúce vetvy v úrovni nad hlavou a dbajte na správny postoj.

Odvetvovanie stromu

Odvetvovanie je odstraňovanie vetiev z vyrúbaného stromu. Pri odvetvovaní ponechajte väčšie spodné vetvy,

aby držali kmeň nad zemou. Malé končatiny odstráňte jedným rezom podľa obr. T. Napnuté vetvy píte zdola nahor, aby sa predišlo zablokovaniam reťazovej píly.

Skracovanie kmeňa

- Skracovanie je rozpílenie kmeňa na určité dĺžky. Je dôležité zabezpečiť pevný postoj a rovnomerné rozloženie hmotnosti na obe nohy. Pokiaľ je to možné, kmeň by mal byť zdvihnutý a podopieraný vetvami, brvnami alebo klátmi. Postupujte podľa jednoduchých pravidiel, ktoré uľahčujú pílenie.
 - Keď je kmeň podopretý po celej dĺžke, ako je znázornené na obr. U1, odreže sa zhora (vrchný rez).
 - Ak je kmeň podopretý na jednom konci, ako je znázornené na obr. U2, odrežte 1/3 priemeru zo spodnej strany (spodný rez). Potom urobte konečný rez zhora na ukončenie prvého rezu.
 - Ak je kmeň podopretý na oboch koncoch, ako je znázornené na obr. U3, odrežte 1/3 priemeru z hornej časti (vrchný rez). Potom dokončíte prvý rez spodným rezom do 2/3.
 - Pri pílení na svahu stojte vždy na hornej strane kmeňa, ako je znázornené na obr. V.

Pre udržanie úplnej kontroly počas „prerezávania“ uvoľnite tlak pílenia na konci rezu bez toho, aby ste uvoľnili uchopenie rukovätí reťazovej píly. Nenechajte reťaz dotknúť sa zeme. Po ukončení rezu počkajte, kým sa reťaz píly zastaví, a až potom môžete reťazovú pílu presúvať. Pred prechodom k ďalšiemu stromu vždy vypnite motor.

ŠÚDRŽBA

VAROVANIE: Pri servise používajte iba identické náhradné diely. Použitie iných častí môže vyvolať nebezpečenstvo, alebo spôsobiť poškodenie výrobku. Pre zaistenie bezpečnosti a spoľahlivosti je nevyhnutné, aby všetky opravy vykonával len kvalifikovaný servisný technik.

VAROVANIE: Aby ste predišli vážnemu zraneniu osôb, pred kontrolou, čistením alebo údržbou vždy vyberte akumulátor z výrobku. Akumulátorové náradie sa môže spustiť náhodne, ak je v ňom vložený akumulátor.

VAROVANIE: Pri čistení reťazovej píly ju NEPONÁRAJTE do vody ani do iných kvapalín.

VAROVANIE: Nikdy nedovoľte, aby brzdové kvapaliny, benzín, ropné výrobky, penetračné oleje atď. prišli do styku s plastovými časťami. Chemické látky môžu poškodiť, oslabiť alebo zničiť plast, čo môže viesť k vážnemu zraneniu.

ČISTENIE

SK

- Po každom použití odstráňte nečistoty z reťaze a vodiacej lišty použitím mäkkej kefy. Utrite povrch reťazovej píly čistou handričkou navlhčenou v slabom mydlovom roztoku.
- Zložte bočný kryt a potom použite mäkkú kefu na odstránenie nečistôt z vodiacej lišty, reťaze píly, ozubeného kolesa a bočného krytu.
- Pri výmene reťaze vždy odstráňte drevnú štiepku, piliny a nečistoty z drážky vodiacej lišty.

ÚDRŽBA VODIACEJ LIŠTY

Ak vodiaca lišta vykazuje známky opotrebovania, demontujte ju z motorovej hlavy reťazovej píly a pri opätovnej montáži ju obráťte (obr. W1). V takom prípade sa opotrebenie rozdelí rovnomerne pre maximálnu životnosť vodiacej lišty.

Lišta sa má čistiť po každom použití a je potrebné ju kontrolovať na známky opotrebovania a poškodenia. Otrepávanie alebo tvorenie drsných okrajov na kolajničkách lišty je normálnym procesom opotrebovania lišty. Tieto nedokonalosti treba vyhladiť pomocou pilníka hneď, ako sa objavia. Lištu, ktorá vykazuje nasledujúce nedostatky, je potrebné vymeniť.

- Opotrebovanie vo vnútri kolajnice lišty umožňuje, aby sa reťaz dostala cez bočné strany.
- Zohnutá vodiaca lišta.
- Prasknuté alebo zlomené kolajnice.
- Rozšírené kolajnice.

Navyše má vodiaca lišta na svojom hrote ozubené koleso (obr. W2). Ozubené koleso treba mazať raz za týždeň mazacou striekačkou, aby sa predĺžila životnosť vodiacej lišty. Pomocou mazacej striekačky týždenne premažte reťaz olejom cez mazací otvor (obr. W3). Otočte vodiacu lištu a skontrolujte, či sú mazacie otvory a drážka reťaze čisté.

W-1	Ozubené koliesko na hrote vodiacej lišty	W-2	Otvor na mazanie
-----	--	-----	------------------

POZNÁMKA: Na dosiahnutie najlepších výsledkov používajte autorizované mazivá EGO.

PREPRAVA A SKLADOVANIE

Reťazovú pílu neskladujte ani neprepravujte, ak je zapnutý motor. Pred skladovaním alebo prepravou vždy vyberte akumulátor.

Pred skladovaním alebo prepravou reťazovej píly umiest-

nite na vodiacu lištu kryt. Nedotýkajte sa ostrých zubov reťaze.

Pred skladovaním reťazovú pílu dôkladne vyčistite. Skladujte reťazovú pílu v interiéri, na suchom mieste, ktoré je uzamknuté a/alebo mimo dosahu detí.

Chráňte pred agresívnymi látkami, ako sú záhradné chemikálie a rozmrazovacie soli.

OCHRANA ŽIVOTNÉHO PROSTREDIA



Nevyhadzujte elektrické zariadenia, nabíjačku a použité akumulátory do domového odpadu!

Tento výrobok odnesť na autorizované recyklačné miesto a poskytnúť ho na separovaný zber. Elektrické náradie sa musí odovzdať do príslušného zariadenia na ekologicky šetrnú recykliáciu.

ODSTRAŇOVANIE PORÚCH

⚠ VAROVANIE: Pri údržbe reťazovej pily vždy používajte pevné rukavice, aby ste si chránili ruky. Pri údržbe alebo preprave reťazovej pily vždy vyťahnite akumulátor.

PROBLÉM	PRÍČINA	RIEŠENIE
Motor neštartuje.	<ul style="list-style-type: none"> ■ Akumulátor nie je pripojený k reťazovej pile. ■ Žiadny elektrický kontakt medzi pilou a akumulátorom. ■ Akumulátor je vybitý. ■ Akumulátor alebo reťazová píla sú príliš horúce. ■ Brzda reťaze je aktívna. ■ Špina v drážke lišty. ■ Zvyšky vo vnútri obalu. 	<ul style="list-style-type: none"> ■ Pripojte akumulátor k reťazovej pile. ■ Vyberte akumulátor, skontrolujte kontakty a akumulátor nainštalujte naspäť. ■ Nabite akumulátor. ■ Nechajte akumulátor alebo reťazovú pílu vychladnúť, až kým teplota neklesne pod 67°C. ■ Potiahnite lopatku reťazovej brzdy smerom dozadu k prednej rukoväti, čím sa dostanete do prevádzkovej polohy. ■ Zatláčajte reťazovú pílu proti drevu a zatrasťte pilou hore dolu, aby ste sa zbavili úlomkov. ■ Vyberte akumulátor, potom odstráňte bočný kryt a vyčistite špinu.
Reťazová píla sa zastaví počas práce.	<ul style="list-style-type: none"> ■ Reťazová píla je preťažená. ■ Akumulátor alebo reťazová píla sú príliš horúce. ■ Reťaz pily je zaseknutá v dreve. 	<ul style="list-style-type: none"> ■ Znížte zaťaženie. ■ Znížte zaťaženie. Nechajte akumulátor alebo reťazovú pílu vychladnúť, až kým teplota neklesne pod 67°C. ■ Uvoľnite vypínač; vyťahnite reťazovú pílu a vodiacu lištu z dreva, potom reťazovú pílu znovu zapnite.
Motor beží, ale reťaz sa neotáča.	<ul style="list-style-type: none"> ■ Reťaz nezapadá do ozubeného kolesa. 	<ul style="list-style-type: none"> ■ Znovu nainštalujte reťaz a uistite sa, že vodiace články na reťazi zapadajú do ozubeného kolesa.
Brzda reťaze nezaberá.	<ul style="list-style-type: none"> ■ Nečistoty brániace plnému pohybu lopatky reťazovej brzdy. ■ Možná chyba brzdy reťaze. 	<ul style="list-style-type: none"> ■ Očistite špinu z vonkajšieho brzdového mechanizmu reťaze. ■ Pre opravy kontaktujte zákaznický servis EGO.

SK

PROBLÉM	PRÍČINA	RIEŠENIE
Reťazová píla pili nedostatočne.	<ul style="list-style-type: none"> ■ Nedostatočné napnutie reťaze. ■ Tupá reťaz. ■ Reťaz je nainštalovaná naopak. ■ Opatrebovaná reťaz. ■ Suchá alebo príliš napnutá reťaz. ■ Reťaz nie je v drážke lišty. 	<ul style="list-style-type: none"> ■ Upravte dotiahnutie reťaze, postupujte podľa časti: „NASTAVENIE NAPNUTIA REŤAZE“. ■ Naostrite reťaz. ■ Znovu namontujte reťaz píly podľa kapitoly „MONTÁŽ/VÝMENA LIŠTY A REŤAZE“. ■ Vymeňte reťaz, postupujte podľa časti: „MONTÁŽ/VÝMENA LIŠTY A REŤAZE“. ■ Skontrolujte hladinu oleja. Doplňte olejovú nádrž a v prípade potreby zvolte väčší objem oleja. ■ Znovu nasadte reťaz, postupujte podľa časti: „MONTÁŽ/VÝMENA LIŠTY A REŤAZE“.
Reťaz sa pri bežnom používaní uvoľní alebo spadne z vodiacej lišty.	<ul style="list-style-type: none"> ■ Reťaz sa uvoľní, keď sa teplota reťaze zvýši počas normálnej prevádzky píly. ■ Reťaz nezapadá do ozubeného kolesa. 	<ul style="list-style-type: none"> ■ Napnite napnutie reťaze podľa kapitoly „NASTAVENIE NAPNUTIA REŤAZE“. ■ Znovu nasadte reťaz, postupujte podľa časti: „MONTÁŽ/VÝMENA LIŠTY A REŤAZE“.

SK ZÁRUKA

ZÁRUČNÁ POLITIKA EGO

Úplné znenie záručných podmienok EGO nájdete na webovej stránke egopowerplus.eu.

OLVASSA EL AZ ÖSSZES UTASÍTÁST!



OLVASSA EL A HASZNÁLATI ÚTMUTATÓT

▲ FIGYELMEZTETÉS: A biztonságosság és megbízhatóság biztosítása érdekében minden javítást szakképzett szerviztechnikusnak kell elvégeznie.

▲ FIGYELMEZTETÉS: A szerszám használata előtt feltétlenül olvassa el és értsze meg a jelen kezelési útmutatóban található valamennyi biztonsági utasítást, valamint a „VESZÉLY”, „FIGYELMEZTETÉS”, és „FIGYELEM” biztonsági figyelmeztető szimbólumokat is. Az alább felsorolt utasítások be nem tartása áramütést, tűzveszélyt és/vagy súlyos személyi sérülést idézhet elő.

BIZTONSÁGI SZIMBÓLUMOK



Biztonsági figyelmeztetés



Viseljen szemvédőt



Viseljen fejdédőt



Óvakodjon a láncfűrész visszarúgásától, és ügyeljen rá, hogy ne érjen hozzá a láncvezető csúcsához.



Információ a láncvezetőről



Garantált hanglejlesítményszint. Környezetre ható zajkibocsátás a Európai Közösség irányelve szerint.



A termék megfelel az érvényes EK irányelveknek.



Bluetooth®

mm Milliméter

V Feszültség

IPX4 Fröccsenő víz elleni védelem



A sérülések kockázatának csökkentése érdekében a használatnak a termék használata előtt el kell olvasnia és meg kell értenie a használati útmutatót.



Viseljen fülvédőt



Viseljen védőkesztyűt



Láncvezető hegy, visszarúgás



Mindig két kézzel használja a láncfűrész



Az elhasznált elektromos termékek nem helyezhetők a háztartási hulladékok közé. Vigye hivatalos újrahasznosító telephelyre.



Ez a termék megfelel az Egyesült Királyság hatályos jogszabályainak.



Egyenáram

n_0 Üresjárat fordulatszám

./perc Percenként

HU

MEGJEGYZÉS: A Bluetooth® szövegdjegy és logók a Bluetooth SIG, inc. bejegyzett védjegyei és az ilyen védjegyek EGO általi használata licenc alapján történik.

JELLEMZŐK

Névleges feszültség	56 V	
Max. Lán sebessége	25 m/s	
Lánc fogosztása	3/8" (9,5 mm)	
Lánc idom	1,3 mm	
Láncvezető hossza	50 cm	
Fűrészlánc típusa	AC2005	
Láncvezető típusa	AG2005	
Lánc olajtartály kapacitása	250 ml	
Súly (akkumulátor, fűrészlánc, vezető rúd, oldalsó burkolat, olaj és láncburkolat nélkül)	3,9 kg	
Javasolt üzemi hőmérséklet	-15°C - 40°C	
Javasolt tárolási hőmérséklet	-20°C - 70°C	
Javasolt töltési hőmérséklet	5°C - 40°C	
Mért hangteljesítményszint L_{WA}	103 dB(A) K=1,7 dB(A)	
Hangnyomásszint munkahelyzetben L_{PA}	89 dB(A) K=3 dB(A)	
Garantált hangteljesítményszint L_{WA} (a 2000/14/EK szerint)	105 dB(A)	
Vibráció a_h	Elülső fogantyú	4,69 m/s ² K=1,5 m/s ²
	Hátsó fogantyú	4,24 m/s ² K=1,5 m/s ²

- A névleges rezgési összérték mérése standard bevizsgálási módszerrel történt, és használatával a szerszámok egymással összehasonlíthatók.
- A névleges rezgési összérték a kockázat előzetes felméréséhez is felhasználható.

MEGJEGYZÉS: A rezgés-kibocsátás az elektromos szerszám aktuális használata közben eltérhet attól a névleges értéktől, amellyel a szerszámot használják: a kezelő védelme érdekében a használónak kesztyűt és hallásvédőt kell használnia működtetés közben.

A CSOMAG TARTALMA (A1 ÁBRA)

LEÍRÁS

ISMERJE MEG A LÁNCFÜRÉSzt (A1 ábra)

1. Fűrészlánc
2. Vágótüskék
3. Lánc visszarúgás elleni féklapát
4. Elülső fogantyú
5. LCD kijelző
6. Sebesség sávok
7. Bluetooth ikon
8. Lámpa ikon
9. Fék ikon
10. Üzemanyagmérő kör
11. Lámpa/Bluetooth gomb
12. Lán sebesség gomb
13. Reteszelő gomb
14. Indítókapcsoló
15. Hátsó fogantyú
16. Akkumulátor kioldógomb
17. Olajvizsgáló ablak
18. Olajtartály sapka
19. Láncvezető
20. Olajozó nyílás
21. Oldalsó burkolat
22. Oldalsó burkolat csavaranyái
23. LED lámpa
24. Láncfeszítő csavar
25. Kettős dugókulcs
26. Lánc tok

ÖSSZESZERELÉS

LÁNCVEZETŐ ÉS LÁNC ÖSSZESZERELÉSE/CSERÉJE

▲ FIGYELMEZTETÉS: Összeszerelés előtt állítsa a lánc visszarúgás elleni féklapát a fékező állásba.

1. Helyezze a láncfűrész fejet oldalára úgy, hogy az oldalsó burkolat felfelé nézzen (B ábra).
2. Vegye le az oldalsó burkolatot a két rögzítőanyagát az óramutató járásával ellentétes irányba elforgatva.
3. A láncfeszítő csavart az óramutató járásával ellentétes

- irányban elforgatva lazítsa meg a láncfeszességet.
- Helyezze a fűrészláncot hurok alakban sima felületre, és egyenesítse ki az esetleges megtöréseket (C ábra).
 - Helyezze a láncajtó szemeit a láncvezetőre, és maradjon egy láncchurok a láncvezető hátulján (D ábra).
 - Tartsa pozícióban a láncot a láncvezetőn, és helyezze a hurkot a fűrész lánckereke köré (E1 ábra).

B-1	Rögzítőanyák	D-2	Láncvezető horony
B-2	Láncfeszítő csavar	E-1	Hajtó lánckerék
D-1	Láncajtó szemek		

MEGJEGYZÉS: Amikor a fűrészláncot a láncvezetőre hurkolja, győződjön meg arról, hogy a láncvezető fűrészre történő felszerelése után egyezik-e a házon lévő vágási minta és forgásirány nyíl. Ha ellentétes irányba néznek, szerelje vissza a fűrészláncot a láncvezetőre úgy, hogy a nyílak ugyanabba az irányba nézzenek (E2 ábra)

- Helyezze vissza az oldalsó burkolatot a láncfűrészházra, és húzza meg teljesen a két rögzítőanyát.
- Forgassa el a láncot kézzel, hogy ellenőrizze, hogy a lánc megfelelően van-e összeszerelve, és nem tekeredett-e meg. Egyébként szerelje vissza a láncot és a láncvezetőt.

MEGJEGYZÉS: A láncvezető élettartamának meghosszabbítása érdekében alkalmanként fordítsa meg.

A LÁNC FESZESSÉG BEÁLLÍTÁSA

- Állítsa le a motort, és vegye le az akkumulátoregységet, mielőtt beállítja a lánc feszességét. A láncfeszítő csavart az óramutató járásával megegyező vagy ellentétes irányban elforgatva állítsa be a láncfeszességet (F ábra), amíg a lánc szorosan a láncvezetőhöz nem illeszkedik, és a láncajtó szemek nem kerülnek a láncvezető hornyába.
- A hideg lánc akkor van megfelelően megfeszítve, ha nem laza a láncvezető alsó részén, és a lánc illeszkedik, de kézzel forgatni lehet akadály nélkül. A láncot meg kell húzni, ha a láncajtó szemek nem illeszkednek a láncvezetőre.
- A fűrész normál használata közben a lánc hőmérséklete megnő. A megfelelően megfeszített meleg lánc láncajtó szemei körülbelül 1,3 mm-rel lógnak le a láncvezetőről (G ábra).

MEGJEGYZÉS: Az új láncok hajlamosak a nyúlásra; ellenőrizze a lánc feszességét, és a javasolt módon feszítse meg.

MEGJEGYZÉS: A lánc megfeszítése akkor, amikor meleg, túl szorossá válhat, amikor kihűlt. Ezért hidegen ellenőrizze a feszességet a következő használat előtt.

MŰKÖDTETÉS

⚠ FIGYELMEZTETÉS: Ügyeljen rá nehogy a termékkel szerzett jártassága miatt óvatlanná váljon. Emlékezzon arra, hogy a másodperc töredéke alatt történő óvatlanság súlyos sérülést okozhat.

⚠ FIGYELMEZTETÉS: Ne használjon a termék gyártója által nem javasolt tartozékokat. A nem javasolt tartozékok használata súlyos személyi sérülést okozhat.

⚠ FIGYELMEZTETÉS: A véletlenszerű indítás elkerülése érdekében, amely súlyos személyi sérülést okozhat, mindig vegye ki az akkumulátoregységet a szerszámból, amikor összeszereli az alkatrészeket, beállításokat, tisztítást végez, vagy amikor nem használja.

Minden használat előtt ellenőrizze a teljes terméket sérülések, hiányzó vagy laza alkatrészek, pl. csavarok, anyák, alátétek, sapkák stb. szempontjából. Biztonságosan húzzon meg minden rögzítőt és sapkát, és ne használja a terméket addig, amíg a sérült vagy hiányzó alkatrészeket ki nem cserélték.

ALKALMAZÁS

A terméket használhatja alapvető döntéshez, ágazáshoz, metszéshez, fűrészáruk és rönkfa vágásához.

MEGJEGYZÉS: A szerszámot kizárólag a meghatározott célokra használja. Bármilyen más használat helytelen használatnak minősül.

LÁNCVEZETŐ ÉS LÁNC KENŐANYAG

⚠ FIGYELMEZTETÉS: Ne dohányozzon, és ne legyen tűz vagy láng a láncfűrész közelében. Az olaj kifröccsenhet, és tüzet okozhat.

MEGJEGYZÉS: A láncfűrész a vásárláskor nincs feltöltve olajjal. Használat előtt fel kell tölteni a tartályt olajjal. A lánc működés közben automatikusan bekenésre kerül a láncolajjal.

- Helyezze a láncfűrész az oldalára úgy, hogy a tartálysapka felfelé nézzen.
- Ellenőrizze az olajtartály sapkát és a körülötte

HU

lévő területet, nehogy szennyeződés kerüljön az olajtartályba.

- Emelje fel a félkör alakú lemez, és az óramutató járásával ellentétes irányban elforgatva vegye le az olajtartály sapkáját (H ábra).
- Óvatosan öntse be a láncvezető- és láncolajat a tartályba. Töltse fel a betöltőnyak aljáig.
- A felesleges olajat törölje le, és helyezze vissza a sapkát.

MEGJEGYZÉS: Gyakran ellenőrizze az olajsintet, és töltsön utána olajat, ha az olajsint a minimum vonal alá csökken. Soha ne használja a láncfűrész, ha nem látható olaj.

AZ AKKUMULÁTOREGYSÉG BERAKÁSA/KIVÉTELE
Csak az A2 ábrán felsorolt EGO akkumulátoregységeket és töltőket használja.

Az első használat előtt teljesen tölts fel.

Csatlakoztatás

Illesze az akkumulátor bordázatát az akkumulátorban lévő szerelőnyílásokhoz, és nyomja le az akkumulátoregységet, amíg kattánást nem hall (I ábra).

Leválasztás

Oldja ki az akkumulátor kioldógombot, és húzza ki az akkumulátoregységet (J ábra).

A LÁNCFŰRÉSZ INDÍTÁSA/LEÁLLÍTÁSA

MEGJEGYZÉS: A láncfűrész elindítása előtt ellenőrizze az olajsintet, a fűrészfogak élességét és a visszarúgás elleni féklapát megfelelő működését. Ezenfelül vegyen fel kiegyensúlyozott testhelyzetet és kellő távolságot a talajhoz.

Indítás (K ábra)

- Húzza a visszarúgás elleni féklapátot az első fogantyú felé, hogy működési helyzetben legyen (K ábra).
- Az előlő fogantyút mindig a bal kezével, a hátsót pedig a jobb kezével fogja meg erősen.

FIGYELMEZTETÉS: A sérülések elkerülése érdekében a láncfűrész mindig úgy használja, hogy a jobb keze a hátsó fogantyú fogási területét fogja meg (L ábra).

- A jobb kéz hüvelykujjával nyomja meg és tartsa lenyomva a kioldógombot, majd jobb kéz ujjaiával nyomja össze a kioldó kapcsolót a fűrész elindításához (L ábra).

L-1	Fogási terület
-----	----------------

- Oldja ki a reteszelőgombot, és nyomja tovább az indítókapcsolót a folyamatos működéshez.
- Minél tovább nyomja a kioldó kapcsolót, annál nagyobb lesz a láncsebesség. A sebességet az aktuális feladat elvégzésének megfelelően állítsa be.

FIGYELMEZTETÉS: Ne próbálja meg elindítani a láncfűrész, ha a fűrészlánc bevágásban van.

Leállítás

- Vigye távolabb a láncfűrész a vágási területtől, majd engedje el a kioldó kapcsolót a láncfűrész leállításához.
- A láncfék lefékezéséhez tolja előre a visszarúgás elleni féklapátot a fékezési pozícióhoz (K ábra).

FIGYELMEZTETÉS: Mindig vegye ki az akkumulátoregységet a gépből, ha szünetet tart a munkában, vagy befejezte a munkát.

SEBESSÉGFOKOZAT VÁLTÁSA (M ábra)

A gép három sebességfokozattal rendelkezik. Minden sebességfokozat a láncfűrész maximális sebességét korlátozza. A sebességfokozat a sebességfokozat gombjának minden egyes megnyomásával változik.

Az LCD-képernyőn a sebességsávok jelzik az aktív sebességmódot: egy sáv az alacsony sebességet, két sáv a közepes sebességet és három sáv a nagy sebességet. Az alacsony sebességfokozatnál (ECO) jobban irányítható a gép, és hosszabb üzemidő marad töltésenként.

M-1	Sebesség sávok	M-5	Üzemanyagmérő kör
M-2	Bluetooth ikon	M-6	Lámpa/Bluetooth gomb
M-3	Lámpa ikon	M-7	Láncsebesség gomb
M-4	Fék ikon		

MEGJEGYZÉS: A 2,5 Ah vagy kisebb teljesítményű EGO akkumulátoregység használata esetén csak az ECO mód érhető el. A 6,0 Ah-nál kisebb teljesítményű EGO akkumulátoregység használata nem teszi lehetővé a nagyobb sebességek elérését. A lehető legnagyobb teljesítmény érdekében erősen ajánlatos 6,0 Ah (pl. BA3360T) vagy annál nagyobb teljesítményű EGO akkumulátoregységeket használni.

MEGJEGYZÉS: A gép sebességmemória funkciója megjegyzi a legutóbbi sebességeállítás, és a gép

következő bekapcsolások aktiválja azt.

MEGJEGYZÉS: Az LCD-képernyő világít, amikor a kioldó kapcsolót meghúzzák, vagy amikor a sebesség gombot vagy a lámpa/Bluetooth gombot megnyomják. A láncfűrész körülbelül 30 másodpercnyi inaktivitás után automatikusan kikapcsol.

LED lámpa (N ábra)

A LED lámpa a láncfűrészház elején van elhelyezve. A lámpa megvilágítást biztosít a jobb láthatóság érdekében, és 2 fényerősséggel rendelkezik.

A lámpa bekapcsolásához nyomja meg egyszer a lámpa/Bluetooth gombot (M ábra). A lámpa alacsony fényerősségen bekapcsol, és az LCD-képernyőn megjelenik az alacsony fényerősségű lámpa ikonja. Nyomja meg újra a lámpa/Bluetooth gombot a nagy fényerősszint bekapcsolásához, és a nagy fényerejű lámpa ikon jelenik meg az LCD-képernyőn.

A lámpa kikapcsolásához nyomja meg harmadszor a lámpa/Bluetooth gombot, és a lámpa ikon eltűnik az LCD-képernyőről.

N-1	Alacsony fényerejű lámpa ikon	N-3	LED lámpa
N-2	Nagy fényerejű lámpa ikon		

MINDEN IRÁNYÚ LÁNCFÉKRENDSZER (O1 ábra és O2 ábra)

FIGYELMEZTETÉS: A minden irányú láncfékrendszer nem helyettesítheti a standard/hagyományos láncféket. A láncfűrész használata közben a felhasználó soha nem támaszkodhat erre a funkcióra visszarúgás elleni védelemként. Mindig kövesse a kézikönyv figyelmeztető részében a visszarúgás mérséklésére vonatkozóan megadott biztonsági utasításokat.

Amikor a minden irányú láncfékrendszert működteti, és a fűrész leáll, a fék ikon villogni kezd az LCD-kijelzőn (M ábra). Engedje el az indítókapcsolót, vegye le a láncfűrész és a láncvezetőt a fáról, majd indítsa újra a láncfűrész.

MEGJEGYZÉS: Az érzékelők csak a láncvezető síkjában észlelik a fűrész hirtelen mozgását (O1 ábra). Az érzékelők nem észlelik a fűrész oldalirányú hirtelen mozgását (O2 ábra) (tehát a láncvezető síkjára merőlegesen).

KOMMUNIKÁCIÓS TECHNOLÓGIA

A csatlakoztatott termékek és szolgáltatások teljes választékáról, valamint a csatlakoztatási utasításokról az alábbi QR-kód beolvasásával vagy a www.egopowerplus.

eu/connect weboldalon tájékozódhat.



A FOGANTYÚK HELYES FOGÁSA (P1 ábra)

- Viseljen csúszásgátló kesztyűt a legjobb fogás és védelem érdekében.
- A láncfűrész legyen szilárd, sima felületen, és erősen fogja meg a láncfűrész két kézzel.
- Az elülső fogantyút mindig a bal kezével, a hátsót pedig a jobb kezével fogja.
- Az ujjai fogják körbe a fogantyút, a hüvelykujja az első fogantyú alatt legyen.

FIGYELMEZTETÉS: Soha ne használjon balkezes fogást (fordított fogás), és ne vegyen fel olyan testhelyzetet, amelyben láncfűrész a teste vagy a karja vonalában van.

FIGYELMEZTETÉS: Ne működtesse a sebességszabályozó kapcsolót a bal kezével, és miközben az elülső fogantyút a jobb kezével tartja. Sohase engedje, hogy bármely testrésze egy vonalban legyen a láncnal, amikor működteti a láncfűrész (P2 ábra).

MEGFELELŐ VÁGÁSI TESTTARTÁS (Q ábra)

- Mindkét lába legyen szilárd talajon, és a testsúlyja egyenletesen legyen a kettő között elosztva.
- A bal karja legyen egyenes, a könyöke kinyújtva. Ez segít ellenállni a visszarúgás által generált erőknél.
- A teste mindig legyen a láncfűrész vonalának bal oldalán.

ALAPVETŐ UTASÍTÁSOK A HELYES DÖNTÉSI, GALLYAZÁSI ÉS KERESZTVÁGÁSI TECHNIKÁKRA VONATKOZÓLAG

FIGYELMEZTETÉS: Mindig legyen biztos a testhelyzete, és a láncfűrész erősen tartsa két kézzel, amikor jár a motor.

FIGYELMEZTETÉS: Amikor a fűrészlánc vágás közben becsípődés miatt leáll, akkor engedje el a szabályozó kapcsolót, vegye le a fűrészláncot és a láncvezetőt a fáról, majd indítsa újra a láncfűrész.

FIGYELMEZTETÉS: Ne húzza a fűrészláncot kézzel, ha beakad a fűrészpor miatt. Ha a láncfűrész véletlenül

elindul, súlyos sérülést okozhat. Nyomja rá a fűrészláncot a fára, mozgassa a láncfűrész elöre és hátra, hogy megszabadítsa a szennyeződéstől. Tisztítás előtt mindig vegye ki az akkumulátoregységet Viseljen védőkesztyűt, amikor a fűrészláncot kezeli.

FIGYELMEZTETÉS: Soha ne indítsa el a láncfűrész, amikor a fához ér. A láncfűrész mindig érje el a teljes sebességet, mielőtt a láncfűrész a fához érinti.

FADÖNTÉS

- Ha az aprítási és döntési műveleteket két vagy annál több személy végzi egyidejűleg, a döntési műveletet legalább a döntendő fa magasságának kétszeres távolságában kell az aprítási művelettől elkülöníteni. Nem szabad olyan módon dönteni a fát, amely bármely személyt veszélyeztethet, közműveleteket találhat el, vagy vagyoni kárt okozhat. Ha a fa elektromos vezetékkel érintkezik, akkor a vállalatot azonnal értesíteni kell.
- A láncfűrész kezelőjének a terület hegymeneti részén kell maradnia, mert a döntés után a fa valószínűleg legurul vagy lecsúszik.
- A vágások megkezdése előtt tervezze meg, és szükség esetén tisztítsa meg a menekülési útvonalat. A menekülési útvonalat a várható fadőléstől hátrafelé és arra átlósan kell megtervezni, ahogy az R ábrán látható.

HU

R-1	Döntési irány	R-2	Biztonsági menekülési útvonal
-----	---------------	-----	-------------------------------

- A döntés megkezdése előtt vegye figyelembe a fa természetes dőlésirányát, a nagyobb ágak helyét és a szélirányt a fa dőlésének felmérésekor.
- Távolítsa el a szennyeződést, laza kérget, szegeket, kapcsokat és huzalokat a fáról.

Alsó bevágás

A dőlésirányra merőlegesen készítsen a fa átmérőjének 1/3-ig bevágást, ahogy az S ábrán látható. Először az alsó vízszintes bevágást készítse el. Ezzel segít megakadályozni a fűrészlánc vagy a láncvezető beszorulását a második bevágás készítésekor.

S-1	Dőlésirány	S-3	Hátdöntési vágás
S-2	Bevágás	S-4	Pánt

Hátradöntési vágás

- A vízszintes bevágásnál legalább 50 mm-rel magasabban készítsen hátradöntési vágást, ahogy az az S ábrán látható. Tartsa a hátradöntési vágást a vízszintes bevágással párhuzamosan. Úgy készítse el a hátradöntési bevágást, hogy elegendő fa maradjon, amely csuklóként tud működni. A csukló fa megakadályozza, hogy a fa rossz irányba tekeredjen, vagy dőljön. Ne vágja át a csuklót.
- A döntés közeledtével a csuklóhoz a fa dőlni kezd. Amennyiben bármilyen esélye van annak, hogy a fa nem a kívánt irányba fog dőlni, vagy visszapatthat, és beakaszthatja a fűrészláncot, állítsa le a vágást a visszadőlés befejeződése előtt, és fa, műanyag vagy alumínium ékkel nyissa meg a vágást, és engedje a fát a kívánt dőlési vonalba dőlni.
- Amikor a fa elkezd dőlni, vegye ki a láncfűrész a vágásból, állítsa le a motort, tegye le a láncfűrész, majd használja a megtervezett menekülési útvonalat. Álljon készen arra, hogy a feje feletti ágak leesnek, és ügyeljen a stabil álló helyzetre.

Gallyazás

Az ágazás során a ledől fáról kell eltávolítani az ágakat. Ágazáskor hagyja meg a nagyobb alsó ágakat, hogy azok eltartsák a fát a talajtól. Egy vágással távolítsa el a kisebb ágakat a T ábrán látható módon. A megfeszült ágakat lenről felfelé kell vágni, hogy elkerülje a láncfűrész beszorulását.

Fatörzsek aprítása

- Az aprítás során kisebb darabokra kell vágni a rönköket. Fontos a stabil álló helyzetről gondoskodni, és ügyeljen arra, hogy a testsúlya egyenletesen legyen megosztva a lábain. Amikor lehetséges, a rönkök ágak, rönkök vagy ékek használatával kell megemelni, és alátámasztani. Kövesse az egyszerű utasításokat a könnyű vágás érdekében.
- Amikor a rönk az U1 ábrán látható módon a teljes hosszán alá van támasztva, felülről végezze a vágást (fölvágás).
- Amikor a rönk az U2 ábrán látható módon az egyik végénél van alátámasztva, akkor alulról vágjon az átmérő 1/3-ig (alávágás). Ezután alulról fejezze be a felső vágást, amíg az első vágással nem találkozik.
- Amikor a rönk az U3 ábrán látható módon mindkét végénél alá van támasztva, akkor felülről vágjon az átmérő 1/3-ig (túlvágás) Ezután alulról fejezze be a vágást 2/3-ig, amíg az első vágással nem találkozik.

- Lejtőn történő méretre vágásnál mindig a rönk emelkedő oldalán kell állni a V ábrán látható módon.

„Átvágáskor”, a teljes irányítás fenntartása érdekében csökkentse a vágási nyomást a vágás vége felé, közben nem lazítva meg a láncfűrész fogantyúin a fogást. Ne engedje, hogy a lánc a talajjal érintkezzen. A vágás befejezése után várjon, amíg a fűrészlánc leáll, mielőtt elmozdítaná a láncfűrész részt. Mindig állítsa le a motort, amikor fától fáig halad.

KARBANTARTÁS

▲ FIGYELMEZTETÉS: Szervizeléskor csak azonos cserealkatrészeket használjon. Bármilyen más alkatrész használata veszélyt okozhat, vagy megrongálhatja a terméket. A biztonságosság és megbízhatóság biztosítása érdekében minden javítást szakképzett szerviztechnikusnak kell elvégeznie.

▲ FIGYELMEZTETÉS: A súlyos személyi sérülések elkerülése érdekében vegye ki az akkumulátoregységet a láncfűrészről ellenőrzés, tisztítás vagy karbantartás előtt. Az akkumulátorral működtetett szerszám mindig be van kapcsolva, ha az akkumulátor be van helyezve, és bármikor elindulhat véletlenszerűen.

▲ FIGYELMEZTETÉS: A láncfűrész tisztításakor NE merítse vízbe vagy más folyadékokba.

▲ FIGYELMEZTETÉS: Félolaj, üzemanyag, petroléum alapú termékek, behatoló olajok stb. soha ne érintkezzenek a műanyag alkatrészekkel. A vegyszerek megrongálhatják, gyengíthetik vagy megsemmisíthetik a műanyagot, ami súlyos személyi sérülést okozhat.

TISZTÍTÁS

- Minden használat után tisztítsa le a szennyeződést a láncról és a láncvezetőről egy puha kefével. Törölje le a láncfűrész felületét egy tiszta, kímélő szappanos oldattal megnedvesített ruhával.
- Vegye le az oldalsó burkolatot, majd egy puha kefével távolítsa el a szennyeződéseket a láncvezetőről, fűrészláncról, a lánckeréről és az oldalsó burkolatról.
- Mindig tisztítsa le a faforgácsokat, fűrészport és szennyeződést a láncvezető burkolatról, amikor kicseréli a fűrészláncot.

A LÁNCVEZETŐ KARBANTARTÁSA

Ha a láncvezető kopás jeleit mutatja, akkor szerelje le a láncfűrész fejről, és a visszaszereléshez fordítsa meg (W1 ábra). Ebben az esetben a láncvezető kopása megoszlik a maximális élettartam érdekében.

A láncvezetőt minden nap meg kell tisztítani, és ellenőrizni kell sérülések és kopás szempontjából. A láncvezető hornyok élezése és csiszolása normál folyamat a láncvezető kopása esetén. Az ilyen hibákat akkor kell lecsiszolni egy reszelővel, amikor jelentkeznek. A láncvezetőt a következő hibák esetén ki kell cserélni.

- Kopás a láncvezető síneken, ami lehetővé teszi, hogy a lánc az oldalára feküdjön.
- Elgöbült láncvezető.
- Megrepedt vagy törött sínek.
- Szétnyílt sínek.

Ezenkívül a láncvezető végén egy lánckerékkel is rendelkezik (W2 ábra). A lánckereket hetente be kell kenni zsírral fecskendővel a láncvezető élettartamának meghosszabbítása érdekében. Használjon zsírral fecskendőt, amikor hetente bekeni lánccolajjal az olajozó nyílás segítségével (W3 ábra). Fordítsa át a láncvezetőt, és ellenőrizze, hogy az olajozó nyílások és a láncvezető szennyezettek-e.

W-1	Lánckerek a láncvezető hegyben	W-2	Olajozó nyílás
-----	--------------------------------	-----	----------------

MEGJEGYZÉS: A lehető legjobb eredmény érdekében használjon EGO által engedélyezett kenőanyagokat.

SZÁLLÍTÁS ÉS TÁROLÁS

Működés közben ne szállítsa a láncfűrész. Tárolás vagy szállítás előtt mindig vegye ki az akkumulátoregységet.

Mindig helyezze a láncvezető tokot a láncvezetőre, mielőtt elteszi vagy szállítja a láncfűrész. Legyen elővigyázatos, ne érjen a lánc éles fogaihoz.

Tárolás előtt alaposan tisztítsa meg a láncfűrész. A láncfűrész beltéren, olyan száraz helyen tárolja, amely le van zárva, és/vagy amelyhez gyermekek nem tudnak hozzáférni.

Tartsa távol maró hatású szerek, például kerti vegyszerektől, és jégmentesítő sótól.

KÖRNYEZETVÉDELEM



Ne dobja az elektromos eszközt, az elhasznált akkumulátort és a töltőt a háztartási hulladékok közé!

Vigye hivatalos újrahasznosító telephelyre, és tegye hozzáférhetővé a szelektív gyűjtéshez. Az elektromos eszközöket megfelelő környezetbarát újrahasznosító üzembe kell vinni.

HU

HIBAELHÁRÍTÁS

▲ FIGYELMEZTETÉS: Mindig védje a kezét védőkesztyűvel, amikor karbantartást végez a fűrészláncon. Mindig vegye ki az akkumulátoregységet a láncfűrész szervizelése vagy szállítása közben.

PROBLÉMA	OK	MEGOLDÁS
A motor nem indul el.	<ul style="list-style-type: none"> ■ Az akkumulátoregység nincs csatlakoztatva a láncfűrészhez. ■ Nincs elektromos kapcsolat a láncfűrész és az akkumulátoregység között. ■ Az akkumulátoregység lemerült. ■ Az akkumulátoregység vagy láncfűrész túl forró. ■ A láncfék be van kapcsolva. ■ Szennyeződés van a láncvezetőn. ■ Szennyeződés van az oldalsó burkolaton. 	<ul style="list-style-type: none"> ■ Csatlakoztassa az akkumulátoregységet a láncfűrészhez. ■ Vegye ki az akkumulátoregységet, ellenőrizze a csatlakozásokat, és helyezze vissza az akkumulátoregységet. ■ Töltse fel az akkumulátoregységet. ■ Hagyja kihűlni az akkumulátoregységet vagy a láncfűrész 67°C alatti hőmérsékletre. ■ Húzza hátrafelé a visszarúgás elleni féklapátot az első fogantyú felé, hogy működési helyzetbe kerüljön. ■ Nyomja rá a fűrészláncot a fára, mozgassa a láncfűrész előre és hátra, hogy megszabadítsa a szennyeződéstől. ■ Vegye ki az akkumulátoregységet, majd vegye le az oldalsó burkolatot, és tisztítsa meg a szennyeződéstől.
A láncfűrész munka közben leáll.	<ul style="list-style-type: none"> ■ A láncfűrész túlterhelt. ■ Az akkumulátoregység vagy láncfűrész túl forró. ■ A fűrészlánc beakadt a fába. 	<ul style="list-style-type: none"> ■ Csökkentse a terhelést. ■ Csökkentse a terhelést. Hagyja kihűlni az akkumulátoregységet vagy a láncfűrész 67°C alatti hőmérsékletre. ■ Engedje el a ravasz; vegye le a láncfűrész és a láncvezetőt a fáról, majd indítsa újra a láncfűrész.
A motor jár, de a lánc nem forog.	<ul style="list-style-type: none"> ■ A lánc nem illeszkedik a lánckerékre. 	<ul style="list-style-type: none"> ■ Tegye vissza a láncot, és győződjön meg róla, hogy a lánc lánchajtó szemei teljesen felfekszenek-e a lánckeréken.
A láncfék nem kapcsolódik be.	<ul style="list-style-type: none"> ■ A szennyeződés megakadályozza a visszarúgás elleni féklapát teljes mozgását. ■ A láncfék esetleg meghibásodott. 	<ul style="list-style-type: none"> ■ Tisztítsa meg a szennyeződésektől a külső láncfék mechanizmust. ■ A javításhoz forduljon az EGO ügyfélszolgálatához.

HU

PROBLÉMA	OK	MEGOLDÁS
A láncfűrész nem megfelelően vág.	<ul style="list-style-type: none"> ■ Nem megfelelő láncfeszesség. ■ Tompa a lánc. ■ A lánc fordítva van felszerelve. ■ Elkopott a lánc. ■ Száraz vagy túlságosan megnyúlt a lánc. ■ A lánc nincs a láncvezetőn. 	<ul style="list-style-type: none"> ■ Állítsa be a láncfeszességet a következő fejezet szerint: „A LÁNCFESZESSÉG BEÁLLÍTÁSA” ■ Élezze meg a láncot. ■ Helyezze vissza a fűrészláncot a „LÁNCVEZETŐ ÉS LÁNC BESZERELÉSE/CSERÉJE” fejezetben leírt módon. ■ Helyezze vissza a láncot a következő fejezet szerint: „A LÁNCVEZETŐ ÉS A LÁNC BESZERELÉSE/CSERÉJE” ■ Ellenőrizze az olajsínt. Töltse újra az olajtartályt, és szükség esetén válasszon nagyobb olajmennyiséget. ■ Helyezze vissza a fűrészláncot a következő fejezet szerint: „A LÁNCVEZETŐ ÉS A LÁNC BESZERELÉSE/CSERÉJE”.
A lánc a normál használat során meglazul vagy leesik a láncvezetőről.	<ul style="list-style-type: none"> ■ Normál fűrészelés közben a lánc a hőmérséklet növekedés hatására meglazul. ■ A lánc nem illeszkedik a lánckerékre. 	<ul style="list-style-type: none"> ■ A lánc feszességének beállításához lásd „A LÁNCFESZESSÉG BEÁLLÍTÁSA” c. fejezetet. ■ Helyezze vissza a fűrészláncot a következő fejezet szerint: „A LÁNCVEZETŐ ÉS A LÁNC BESZERELÉSE/CSERÉJE”.

GARANCIA

HU

EGO GARANCIÁLIS FELTÉTELEK

Kérjük, látogasson el az egopowerplus.eu oldalra, ahol megtalálja a részletes EGO garanciális feltételeket.

CITIȚI TOATE INSTRUCȚIUNILE!



CITIȚI MANUALUL DE INSTRUCȚIUNI

⚠️ AVERTISMENT: Pentru siguranța și fiabilitatea produsului, toate reparațiile trebuie efectuate de către un tehnician de service autorizat.

⚠️ AVERTISMENT: Asigurați-vă că ați citit și înțelegiți toate instrucțiunile privind siguranța din acest Manual de utilizare, inclusiv toate simbolurile de alertă privind siguranța precum "PERICOL", "AVERTIZARE" și "ATENȚIE" înainte de a utiliza această sculă. Nerespectarea tuturor instrucțiunilor enumerate mai jos poate duce la electrocutare, incendiu și/sau vătămări corporale grave.

PĂSTRAȚI TOATE AVERTIZĂRILE ȘI INSTRUCȚIUNILE PENTRU CONSULTARE ULTERIOARĂ.

SIMBOLUL DE SECURITATE

⚠️ AVERTISMENT: Exploatarea oricăror scule electrice se poate solda cu ricoșarea de obiecte străine în ochii dumneavoastră, ceea ce se poate solda cu vătămarea gravă a ochilor. Înainte de a începe să utilizați scula electrică, echipați-vă întotdeauna cu ochelari de protecție cu apărători laterale și vizieră pentru față, atunci când este nevoie. Vă recomandăm să purtați o vizieră lată de protecție peste ochelarii de vedere sau ochelari de protecție standard cu apărători laterale.

SIMBOLURI PRIVIND SIGURANȚA



Alertă privind siguranța



Purtați echipament de protecție oculară



Purtați echipament de protecție a capului



Aveți grijă la reculul ferăstrău cu lanț și evitați contactul cu vârful barei.



Informația privind șina de ghidare



Nivel de putere acustică garantat. Emisii sonore în mediul înconjurător conform Directivei comunitare europene.



Acest produs este în conformitate cu directivele europene aplicabile.



Bluetooth®

mm Milimetru

V Tensiune

IPX4 Protecție împotriva stropilor de apă



Pentru a reduce riscul de vătămare, utilizatorul trebuie să citească și să înțeleagă manualul de instrucțiuni înainte de a utiliza acest produs.



Purtați echipament de protecție auditivă



Purtați mănuși de protecție



Recul vârf șină de ghidare



Folosiți întotdeauna ferăstrăul cu lanț cu două mâini



Deșeurile produselor electrice nu trebuie să fie eliminate împreună cu deșeurile menajere. Predați-le unui punct de reciclare autorizat.



Acest produs este în conformitate cu legislația aplicabilă din Marea Britanie.



Curent continuu

n_0 Turație de mers în gol

./min Pe minut

RO

SPECIFICAȚII

Tensiune nominală	56 V	
Max. Viteza Lanțului	25 m/s	
Pasul lanțului	3/8" (9,5 mm)	
Adâncime dinte lanț	1,3 mm	
Lungime șină de ghidare	50 cm	
Tip de lanț de ferăstrău	AC2005	
Tip șină de ghidare	AG2005	
Capacitate rezervor de ulei de lanț	250 ml	
Greutate (fără acumulator, lanț de fierăstrău, șina de ghidare, capac lateral, ulei și teacă de lanț)	3,9 kg	
Temperatură de funcționare recomandată	-15°C-40°C	
Temperatură de depozitare recomandată	-20°C-70°C	
Temperatura de încărcare recomandată	5°C-40°C	
Nivel de putere sonoră măsurată L_{WA}	103 dB(A) K=1,7 dB(A)	
Nivel de presiune sonoră în poziția operatorului L_{PA}	89 dB(A) K=3 dB(A)	
Nivel de putere acustică garantat L_{WA} : (conform 2000/14/CE)	105 dB(A)	
Vibrații a_h	Mâner frontal	4,69 m/s ² K=1,5 m/s ²
	Mâner posterior	4,24 m/s ² K=1,5 m/s ²

- Valoarea totală declarată a vibrațiilor a fost măsurată în conformitate cu o metodă standard de testare și poate fi utilizată pentru compararea sculelor între ele;
- Valoarea totală declarată poate fi utilizată în evaluarea preliminară a expunerii.

OBSERVAȚIE: Vibrațiile emise în timpul utilizării efective a sculei electrice pot diferi față de valoarea celor declarate pentru scula utilizată; Pentru protejerea operatorului, utilizatorul trebuie să poarte mănuși și protecții auditive în timpul utilizării efective a produsului.

LISTA COMPONENTELOR (FIG. A1)

DESCRIEREA

DESCRIEREA FERĂSTRĂULUI DUMNEAVOASTRĂ CU LANȚ (Fig. A1)

1. Lanț de ferăstrău
2. Gheară
3. Pedală de frână pentru reculul lanțului
4. Mâner frontal
5. Ecran LCD
6. Barele de viteză
7. Pictograma Bluetooth
8. Pictograma iluminator
9. Pictograma Frână
10. Cerc pentru indicatorul de combustibil
11. Butonul pentru iluminator/bluetooth
12. Butonul Viteză lanț
13. Buton de blocare
14. Trăgaci declanșator
15. Mâner posterior
16. Buton de eliberare a acumulatorului
17. Fereastră de inspecție a uleiului
18. Capac rezervor de ulei
19. Șină de ghidare
20. Orificiu de lubrifiere
21. Capac lateral
22. Piulițe pentru capacul lateral
23. Iluminator cu LED
24. Șurub de tensionare a lanțului
25. Cheie cu soclu cu două capete
26. Teacă pentru lanț

RO

ASAMBLARE

ASAMBLAREA/ÎNLOCUIREA ȘINEI DE GHIDARE ȘI A LANȚULUI

⚠ AVERTISMENT: Reglați paleta frânei pentru reculul lanțului în poziția de frânare, înainte de asamblare.

1. Poziționați blocul motor al ferăstrăului cu lanț pe o parte cu capacul lateral îndreptat în sus (Fig. B).
2. Îndepărtați capacul lateral prin rotirea celor două piulițe de blocare în sens invers acelor de ceasornic.

3. Rotiți șurubul de tensionare a lanțului în sens invers acelor de ceasornic pentru a slăbi tensiunea lanțului.
4. Așezați lanțul de ferăstrău într-o buclă pe o suprafață dreaptă și îndreptați orice răsuciri.
5. Amplasați verigile conductoare ale lanțului pe canelura șinei de ghidare și așezați lanțul pe șină, de-a lungul ei (Fig. D).
6. Mențineți lanțul poziționat pe șina de ghidare și amplasați bucla lanțului în jurul roții de lanț a ferăstrăului cu tijă (Fig. E1).

B-1	Piulițe de blocare	D-2	Canelură șină de ghidare
B-2	Șurub de tensionare a lanțului	E-1	Pinion de conducere
D-1	Verigi de transmisie lanț		

OBSERVAȚIE: Atunci când înfășurați lanțul ferăstrăului pe șina de ghidare, asigurați-vă că, după montarea șina de ghidare pe ferăstrău, se potrivește cu modelul de tăiere și săgeata direcției de rotație de pe carcasă. Dacă sunt în direcții opuse, reasamblați lanțul de ferăstrău pe șina de ghidare cu u tășurile orientate în aceeași direcție (Fig. E2).

7. Repoziționați capacul lateral pe carcasa ferăstrăului cu lanț și strângeți complet cele două piulițe de blocare.
8. Rotiți lanțul manual pentru a verifica dacă lanțul este asamblat corect fără legare. În caz contrar, reasamblați lanțul și șina.

OBSERVAȚIE: Pentru a prelungi durata de viață a șinei de ghidare, din când în când inverșați șina.

REGLAREA TENSIONĂRII LANȚULUI

- Înainte de a regla tensiunea lanțului, opriți motorul și îndepărtați setul de acumulatori. Rotiți șurubul de tensionare a lanțului în sensul acelor de ceasornic sau în sens invers pentru a regla tensiunea lanțului (Fig. F) până când lanțul se așează perfect pe șina de ghidare, cu verigile de transmisie în canelura șinei de ghidare.
- Un lanț rece este tensionat corect când nu atârna în partea inferioară a șinei de ghidare, iar lanțul este tensionat, dar poate fi deplasat cu mâna fără să se înțepenească. Lanțul trebuie retensionat de fiecare dată când plăcuțele de pe verigile de transmisie nu stau așezate în canelura șinei.
- În timpul operației de tăiere, temperatura

lanțului va crește. Verigile de transmisie a unui lanț cald tensionat corect vor atârna la aproximativ 1,3 mm în afara canelurii șinei (Fig. G).

OBSERVAȚIE: Lanțurile noi au tendința să se întindă; verificați frecvent tensiunea lanțului și tensionați în funcție de cum este nevoie.

OBSERVAȚIE: Un lanț tensionat cât timp este cald poate fi prea tensionat când este răcit. Verificați tensiunea la rece înaintea următoarei utilizări.

FUNCȚIONARE

AVERTISMENT: Nu permiteți ca familiarizarea cu acest produs să vă determine să fiți neatent. Amintiți-vă că o fracțiune de secundă de neatenție este suficientă pentru a provoca vătămări grave.

AVERTISMENT: Nu utilizați nicio componentă sau accesoriu care nu a fost recomandat de producătorul acestui produs. Utilizarea de accesorii nerecomandate se poate solda cu vătămări grave.

AVERTISMENT: Pentru a preveni pornirea accidentală care ar putea cauza vătămări personale grave, întotdeauna scoateți setul de acumulatori din sculă când asamblați componente, efectuați reglaje sau când produsul nu este utilizat.

Înainte de fiecare utilizări, inspectați întregul produs pentru depistarea defectelor, componentelor lipsă sau slăbite precum șuruburi, piulițe, bolțuri, capace etc. Strângeți bine toate elementele de prindere și capacele și nu utilizați acest produs dacă piesele lipsă sau defecte nu sunt înlocuite.

APLICARE

Puteți utiliza acest produs pentru doborârea simplă a copacilor, tăierea crengilor, curățarea copacilor și decuparea chereștelei și a copacilor.

OBSERVAȚIE: Mașina trebuie utilizată numai în scopul pentru care a fost proiectată. Orice altă utilizare este considerată a fi caz de utilizare necorespunzătoare.

UMPLEREA CU LUBRICANT DE ȘINĂ ȘI DE LANȚ

AVERTISMENT: Nu fumați și nu aduceți în apropierea uleiului sau a ferăstrăului cu lanț surse de foc sau flăcări. Uleiul se poate deversa și cauza un incendiu.

OBSERVAȚIE: În momentul cumpărării, ferăstrăul cu lanț nu este umplut cu ulei. Este esențial să umpleți rezervorul cu ulei înainte de utilizare. Lanțul este uns automat cu ulei

de lanț în timpul funcționării.

1. Poziționați ferăstrăul cu lanț pe partea cu u capacul rezervorului orientat în sus.
2. Curățați capacul rezervorului de ulei și zona din jurul acestuia pentru a vă asigura că nu cade murdărie în rezervorul de ulei.
3. Ridicați placa semicirculară și rotiți capacul rezervorului de ulei în sens invers acelor de ceasornic pentru a-l scoate (Fig. H).
4. Se toarnă cu atenție ulei pentru șina și lanț în rezervor. Umpleți până la partea de jos a gâtului de umplere.
5. Ștergeți uleiul în exces și repuneți capacul la loc.

OBSERVAȚIE: Verificați frecvent nivelul uleiului și umpleți-l atunci când nivelul uleiului scade sub linia minimă. Nu acționați niciodată ferăstrăul cu lanț dacă uleiul nu este vizibil.

ATAȘAREA/DETAȘAREA SETULUI DE ACUMULATORI

Utilizați numai seturile de acumulatori EGO și încărcătoarele prezentate în Fig. A2.

Încărcați acumulatorul complet înainte de prima utilizare.

Pentru atașare

Aliniați nervurile de pe acumulator cu fantele de montare și apăsați în jos setul de acumulatori până la auzul unui clic (Fig. I).

Pentru detașare

Apăsați butonul de detașare al setului de acumulatori și scoateți setul de acumulatori (Fig. J).

PORNIREA/OPRIREA FERĂSTRĂULUI CU LANȚ

OBSERVAȚIE: Înainte de pune în funcțiune ferăstrăul cu lanț, verificați nivelul uleiului, gradul de ascuțire al dinților de tăiere și asigurați-vă că mânerul frânei de recul funcționează corect. Pe lângă acestea, o poziționare echilibrată și o distanțare corectă de sol sunt necesare.

Pentru a porni (Fig. K)

1. Trageți paleta frânei pentru reculul lanțului înspre mânerul frontal în poziția de funcționare (Fig. K).
2. Apucați ferm mânerul frontal cu mâna stângă și mânerul posterior cu mâna dreaptă.

⚠️ AVERTISMENT: Pentru a evita rănirea, utilizați întotdeauna ferăstrăul cu lanț cu mâna dreaptă, apucând zona de prindere a mânerului din spate (Fig. L).

3. Apăsați și țineți apăsat butonul de blocare cu degetul

mare al mâinii drepte, apoi strângeți comutatorul de declanșare cu degetele mâinii drepte pentru a porni ferăstrăul (Fig. L).

L-1	Zona de prindere
-----	------------------

4. Eliberați butonul de siguranță și strângeți în continuare comutatorul de declanșare pentru funcționare continuă.
5. Cu cât comutatorul de declanșare este apăsat mai mult, cu atât viteza este mai mare. Reglați viteza pentru a se potrivi sarcinii de îndeplinit.

⚠️ AVERTISMENT: Nu încercați să porniți ferăstrăul când lanțul ferăstrăului este într-o tăietură.

Oprirea

1. Muțați ferăstrăul cu lanț departe de zona de tăiere, și apoi eliberați comutatorul de declanșare pentru a opri ferăstrăul cu lanț.
2. Împingeți paleta frânei pentru reculul lanțului înspre înainte înspre poziția de frânare pentru activarea frânei de lanț (Fig. K).

AVERTISMENT: Întotdeauna scoateți setul de acumulatori din mașină în timpul pauzelor de lucru și după terminarea lucrării.

SCHIMBAREA MODULUI DE VITEZĂ (Fig. M)

Acest aparat are trei moduri de viteză. Fiecare mod de viteză limitează viteza maximă a ferăstrăului cu lanț. Modul de viteză se va schimba la fiecare apăsare a butonului pentru modul de viteză.

Barele de viteză de pe ecranul LCD vor afișa modul de viteză activ: o bară pentru viteză mică, două bare pentru viteză medie și trei bare pentru viteză mare. Modul de viteză redusă (ECO) asigură un control mai bun al mașinii și un timp de funcționare mai lung la fiecare încărcare.

M-1	Barele de viteză	M-5	Cerc pentru indicatorul de combustibil
M-2	Pictograma Bluetooth	M-6	Butonul pentru iluminator/bluetooth
M-3	Pictograma iluminator	M-7	Butonul Viteză lanț
M-4	Pictograma Frână		

NOTĂ: Atunci când se utilizează un acumulator EGO de 2,5 Ah sau mai puțin, este disponibil doar modul ECO. Iar utilizarea unui pachet de baterii EGO cu o capacitate nominală mai mică de 6,0Ah nu vă va permite să atingeți o viteză mare. Pentru cele mai bune performanțe, vă

RO

recomandăm insistent să folosiți acumulatorii EGO de 6,0 Ah (de exemplu, BA3360T) sau mai mult.

NOTĂ: Funcția de memorare a vitezei mașinii va reține ultima setare a vitezei și o va activa data viitoare când mașina este pornită.

NOTĂ: Ecranul LCD se aprinde atunci când se apasă comutatorul de declanșare sau când este apăsat butonul de viteză sau butonul pentru iluminator/bluetooth. Acesta se va opri automat după aproximativ 30 de secunde de inactivitate a ferăstrăului cu lanț.

Iluminatorul cu LED (Fig. N)

Iluminatorul cu LED-uri este amplasat în partea din față a carcasei ferăstrăului cu lanț. Iluminatorul oferă lumină pentru o vizibilitate sporită și dispune de 2 niveluri de luminozitate.

Pentru a aprinde iluminatorul, apăsați o dată butonul iluminator /Bluetooth (Fig. M). Iluminatorul se va aprinde la nivelul de luminozitate redusă și pe ecranul LCD va apărea pictograma iluminatorului cu luminozitate redusă. Apăsați din nou butonul iluminator/Bluetooth pentru a trece la nivelul de luminozitate ridicată, iar pictograma iluminatorului de luminozitate ridicată va apărea pe ecranul LCD.

Pentru a opri farurile, apăsați butonul iluminator/Bluetooth a treia oară, iar pictograma iluminatorului va dispărea de pe ecranul LCD.

RO

N-1	Pictograma iluminator cu luminozitate scăzută	N-3	Iluminator cu LED
N-2	Pictograma iluminator de mare luminozitate		

SISTEM DE FRÂNARE CU LANȚĂ OMNI-DIRECȚIONALĂ (Fig. O1 și Fig. O2)

AVERTISMENT: Sistemul de frânare omnidirecțională a lanțului nu este destinat să acționeze ca un substitut al frânei de lanț standard/tradiționale. Utilizatorul nu trebuie să se bazeze niciodată pe această funcție în timpul funcționării ferăstrăului cu lanț pentru a se proteja împotriva reculului. Respectați întotdeauna instrucțiunile de siguranță referitoare la atenuarea reculului care se găsesc în secțiunea de avertizare din acest manual.

Când sistemul omnidirecțional de frânare a lanțului este activat și oprește ferăstrăul, pictograma frânei va clipi pe ecranul LCD (Fig. M). Eliberați comutatorul de declanșare, scoateți lanțul de ferăstrău și bara de ghidare din lemn, apoi reporniți ferăstrăul cu lanț.

NOTĂ: Senzorii vor detecta doar mișcarea bruscă a ferăstrăului în planul barei de ghidare (fig. O1). Senzorii

nu vor detecta nicio mișcare bruscă a ferăstrăului în lateral (fig. O2) (adică perpendicular pe planul barei de ghidare).

TEHNOLOGIA COMUNICĂRII

Pentru informații despre întreaga noastră gamă de produse și servicii conectate, inclusiv instrucțiuni de conectare, vă rugăm să scanați codul QR de mai jos sau să vizitați www.egopowerplus.eu/connect.



APUCAREA CORECTĂ A MÂNERELOR (Fig. P1)

- Purtați mănuși antiderapante pentru aderență maximă și protecție.
- Cu ferăstrăul așezat pe o suprafață fermă, dreaptă, apucați ferăstrăul cu ambele mâini.
- Întotdeauna apucați mânerul frontal cu mâna stângă și mânerul posterior cu mâna dreaptă.
- Degetele trebuie să cuprindă mânerul, cu degetul mare înfășurat sub mânerul frontal.

AVERTISMENT: Nu utilizați niciodată o poziție stângace (cu brațele încrucișate) sau orice altă poziție care v-ar poziționa corpul sau brațul peste linia lanțului.

AVERTISMENT: Nu acționați butonul de declanșare cu mâna stângă și țineți mânerul frontal cu mâna dreaptă. Nu permiteți niciodată unei părți a corpului să se situeze pe linia lanțului în timp ce acționați un ferăstrău cu lanț (Fig. P2).

POZIȚIE CORECTĂ DE TĂIERE (Fig. Q)

- Ambele picioare trebuie poziționate stabil pe teren ferm, cu greutatea distribuită uniform între ele.
- Brațul stâng trebuie să fie drept, cu cotul blocat. Această poziție ajută la suportarea forțelor generate de recul.
- Corpul dumneavoastră trebuie întotdeauna poziționat în stânga lanțului.

INSTRUCȚIUNI PRIVIND TEHNICILE CORECTE DE DOBORĂRE BAZICĂ A COPACILOR, DE CURĂȚARE A CRENGILOR ȘI DE TĂIERE A BUȘTENILOR

AVERTISMENT: Asigurați-vă întotdeauna că aveți

o poziție stabilă și țineți ferăstrăul cu fermitate cu ambele mâini în timp ce motorul funcționează.

⚠️ AVERTISMENT: Când ferăstrăul este oprit datorită blocării în timpul tăierii, eliberați trăgaciul declanșator; scoateți lanțul și șina de ghidare din lemn, după care reporniți ferăstrăul.

⚠️ AVERTISMENT: Nu scoateți lanțul cu mâinile când acesta este acoperit de rumeguș. Pot rezulta răni grave în cazul pomirii accidentale a ferăstrăului. Apăsați din nou ferăstrăul pe lemn, deplasați ferăstrăul cu lanț înainte și înapoi pentru îndepărtarea reziduurilor. Întotdeauna îndepărtați setul de acumulatori înainte de a curăța scula. Purtați mănuși de protecție super rezistente când manipulați lanțul ferăstrăului.

⚠️ AVERTISMENT: Nu porniți niciodată ferăstrăul când acesta este în contact cu lemnul. Întotdeauna așteptați ca ferăstrăul să atingă viteza maximă de funcționare înainte de a-l pune în contact cu lemnul.

DOBORÂREA UNUI COPAC

- Când operațiile de tăiere în bușteni și doborâre sunt executate de două sau mai multe persoane în același timp, operațiunile de doborâre ar trebui separate de cele de tăiere la o distanță de cel puțin dublă față de înălțimea copacului doborât. Copacii nu trebuie doborâți într-un mod care ar putea pune în pericol o altă persoană, doborât o linie de curent sau cauza pagube materiale. În cazul contactului unui copac cu vreo linie utilitară, furnizorul de utilități trebuie avertizat imediat.
- Operatorul ferăstrăului cu lanț trebuie să stea în partea superioară a pantei, întrucât copacul se poate rostogoli sau să alunece după ce este doborât.
- Trebuie planificat și curățat de obstacole n traseu de degajare după cum este necesar, înainte de a începe tăierea. Calea de evacuare ar trebui să se extindă înapoi și în diagonală spre spatele liniei de cădere așteptate, așa cum se arată în Fig. R.

R-1	Direcție de doborâre	R-2	Calea retragerii în siguranță
-----	----------------------	-----	-------------------------------

Înainte de a începe tăierea, țineți seama de înclinarea naturală a copacului, de amplasamentul crengilor mai mari și de direcția vântului pentru a aprecia direcția de cădere a copacului.

Îndepărtați murdăria, pietrele, coaja de copac dezlipită, ciulele, capsele și sârmele de pe copac.

Efectuarea unei creștături

Efectuați creștătura la 1/3 din diametrul copacului, perpendiculară pe direcția de cădere precum în ilustrația din Fig. S. Efectuați mai întâi o creștătură orizontală joasă. Creștătura va ajuta la prevenirea prinderii fie a lanțului, fie a șinei de ghidare când a două creștătură este executată.

S-1	Direcția căderii	S-3	Tăietură de doborâre
S-2	Creștătură	S-4	Muchie de basculare

Tăietură de doborâre

- Efectuați tăierea din spate cu cel puțin 50 mm mai mare decât tăierea orizontală, așa cum se arată în figura S. Păstrați tăietura dorsală paralelă cu creștătura orizontală. Efectuați tăietura dorsală astfel încât să rămână suficient de mult lemn care să acționeze ca muchie pentru basculare. Muchia de basculare va împiedica rotirea și căderea copacului în direcția greșită. Nu secționați complet muchia.
- Pe măsură ce tăietura se apropie de muchia lăsată pentru basculare, copacul ar trebui să înceapă să cadă. În cazul în care există și cea mai mică posibilitate ca arborele să nu cadă în direcția dorită sau să se balanseze și să prindă lanțul, opriți tăierea înainte de secționarea completă și utilizați pene de lemn, plastic sau aluminiu pentru a mări tăietura și a face copacul să cadă în direcția dorită.
- Când copacul începe să cadă, scoateți ferăstrăul cu lanț din tăietură, opriți motorul, așezați produsul pe jos și luați-o pe traseul de degajare plănuț. Atenție la crengile de deasupra ce pot să cadă și la unde pașiți.

Tăierea crengilor unui copac doborât

Tăierea crengilor unui copac doborât reprezintă îndepărtarea ramurilor acestuia. Când efectuați această operație, lăsați crengile mai mari inferioare să sprijine copacul de sol. Îndepărtați crengile mici dintr-o singură tăietură precum în Fig. T. Ramurile aflate sub tensiune trebuie tăiate de jos în sus pentru a evita îndoirea ferăstrăului cu lanț.

Tăierea în bușteni

- Tăierea în bușteni reprezintă secționarea copacului în lungimi stabilite. Este important să vă asigurați că picioarele sunt amplasate stabil și că greutatea corpului dumneavoastră este distribuită egal pe ambele picioare. Când este posibil, bușteanul trebuie ridicat și sprijinit cu ajutorul crengilor, a buștenilor sau a unor bucăți de lemn. Urmați aceste instrucțiuni simple pentru secționarea cât mai ușoară.

RO

- Când bușteanul este sprijinit pe întreaga lungime precum în Fig. U1, acesta trebuie secționat începând de sus (tăiere pe sus).
- Când bușteanul este sprijinit la un capăt, precum este ilustrat în Fig. U2, tăiați 1/3 din diametru pe dedesubt (tăiere pe sub). Apoi efectuați tăietura finală pe deasupra pentru a întâlni prima tăietură.
- Când bușteanul este sprijinit la ambele capete, precum în Fig. U3, tăiați 1/3 din diametru dinspre partea de sus a bușteanului (tăietura peste). Apoi efectuați tăietura finală pe dedesubt la 2/3 pentru a întâlni prima tăietură.
- Când tăiați un buștean pe o pantă, stați întotdeauna mai sus de buștean, așa cum este ilustrat în Fig.V

Când tăiați complet bușteanul, pentru a menține controlul integral, reduceți presiunea de tăiere aproape de sfârșitul tăieturii, fără a relaxa mâinile care sunt pe mânerul ferăstrăului. Nu lăsați lanțul să intre în contact cu solul. După terminarea tăierii, așteptați ca lanțul ferăstrăului să se oprească înainte de a deplasa ferăstrăul. Întotdeauna opriți motorul înainte de a vă deplasa de la un copac la altul.

ÎNȚREȚINEREA

⚠ AVERTISMENT: La depanare, utilizați numai piese de schimb identice. Utilizarea oricăror altor piese poate crea un pericol sau poate produce o deteriorare. Pentru siguranța și fiabilitatea produsului, toate reparațiile trebuie efectuate de către un tehnician de service autorizat.

⚠ AVERTISMENT: Pentru evitarea rănilor personale grave, îndepărtați întotdeauna setul de acumulatori din produs, înainte de a inspecta, efectua curățarea sau orice operație de întreținere. O sculă alimentată cu set de acumulatori instalat este întotdeauna pornită și poate demara accidental.

⚠ AVERTISMENT: Când curățați ferăstrăul, NU îl scufundați în apă sau în oricare alt lichid.

⚠ AVERTISMENT: Nu permiteți niciodată lichidelor de frână, benzinei, produselor petroliere, uleiurilor penetrante etc. să intre în contact cu piese din plastic. Substanțele chimice pot deteriora, pot slăbi sau pot distruge plasticul, ceea ce se poate solda cu vătămări grave.

CURĂȚARE

- După fiecare utilizare, îndepărtați reziduurile de pe lanț și de pe șina de ghidare cu ajutorul unei perii moi. Ștergeți suprafața ferăstrăului cu o cârpă curată,

umezită cu o soluție ce conține un detergent slab.

- Îndepărtați capacul lateral, după care utilizați o perie moale pentru îndepărtarea reziduurilor de pe șina de ghidare, lanț, roată dințată și capac lateral.
- Întotdeauna îndepărtați așchiile, rumegușul și murdăria de pe canelura șinei de ghidare când înlocuiți lanțul ferăstrăului.

ÎNȚREȚINEREA ȘINEI DE GHIDARE

Când șina de ghidare prezintă semne de uzură, dezamblați-o de la capul de forță al ferăstrăului cu lanț și inversați-o pentru reasamblare (Fig. W1). În acest fel uzura va fi distribuită pentru a maximiza durata de viață a șinei de ghidare.

Șina de ghidare trebuie curățată în fiecare zi de utilizare și verificată pentru depistarea uzurii. Așchiera sau bavurarea șinelor face parte din procesul normal de uzură al șinei. Astfel de defecte pot fi netezite cu o pilă imediat după ce au loc. O șină cu următoarele defecte trebuie înlocuită.

- Uzură în interiorul șinelor ce permite lanțului să stea în lateralul șinei.
- Șină de ghidare îndoită.
- Șine crăpate sau sparte.
- Șine întinse.

Suplimentar, șina de ghidare este echipată în vârf cu o roată dințată (Fig. W2). Roata dințată trebuie unsă săptămânal cu o seringă cu grăsime pentru a prelungi durata de viață a șinei. Utilizați o seringă pentru a unge zilnic cu ulei de lanț prin orificiul de lubrifiere (Fig. W3). Întoarceți șina de ghidare și asigurați-vă că orificiile de lubrifiere și canelurile lanțului nu sunt acoperite de impurități.

W-1	Roată de lanț în vârful șinei de ghidare	W-2	Orificiu de lubrifiere
-----	--	-----	------------------------

OBSERVAȚIE: Utilizați lubrifianți autorizați EGO pentru cele mai bune rezultate.

TRANSPORTAREA ȘI DEPOZITAREA

Nu depozitați sau transportați ferăstrăul cu lanț când acesta este în funcțiune. Întotdeauna îndepărtați setul de acumulatori înainte de a depozita sau transporta scula.

Întotdeauna plasați teaca de șină pe șina de ghidare și lanț înainte de a depozita sau transporta ferăstrăul. Fiți precaut pentru a evita dinții ascuțiți ai lanțului.

Curățați bine ferăstrăul înainte de a-l depozita. Depozitați ferăstrăul cu lanț în interior, într-un loc uscat care este închis cu cheia și/sau inaccesibil copiilor.

Țineți-l la distanță de agenți corozivi, precum substanțele chimice de grădină și sărurile de dezghețare.

PROTEJÂND MEDIUL ÎNCONJURĂTOR



Nu eliminați echipamentul electric, acumulatorul epuizat și încărcătorul de acumulator împreună cu deșeurile menajere!



Predați acest produs unui punct de reciclare autorizat sau puneți-l la dispoziția colectării separate. Sculele electrice trebuie returnate unui centru de reciclare ecologic.

RO

DEPANAREA

⚠️ AVERTISMENT: Întotdeauna protejați-vă mâinile purtând mănuși super rezistente când efectuați orice operație de întreținere a ferăstrăului cu lanț. Întotdeauna scoateți setul de acumulatori când efectuați operații de întreținere sau transportați ferăstrăul cu lanț.

PROBLEMĂ	CAUZĂ	SOLUȚIE
Motorul nu pornește.	<ul style="list-style-type: none"> ■ Setul de acumulatori nu este atașat la ferăstrăul cu lanț. ■ Nu există contact electric între ferăstrău și acumulator. ■ Încărcarea acumulatorului este epuizată. ■ Setul de acumulatori sau ferăstrăul sunt prea calde. ■ Frâna de lanț este activată. ■ Reziduuri în canelura șinei. ■ Reziduuri în interiorul capacul. 	<ul style="list-style-type: none"> ■ Atașați setul de acumulatori de ferăstrău. ■ Îndepărtați acumulatorul, verificați contactele și reinstalați acumulatorul. ■ Încărcați setul de acumulatori. ■ Lăsați setul de acumulatori sau ferăstrăul cu lanț să se răcească până când temperatura scade sub 67°C. ■ Trageți paleta frânei pentru reculul lanțului în spate, spre mânerul frontal în poziția de funcționare. ■ Apăsați din nou ferăstrăul pe lemn, deplasați ferăstrăul cu lanț înainte și înapoi pentru îndepărtarea reziduurilor. ■ Îndepărtați setul de acumulatori, după care detașați capacul lateral și curățați reziduurile.
Ferăstrăul cu lanț se oprește în timpul funcționării.	<ul style="list-style-type: none"> ■ Ferăstrăul cu lanț este suprasolicitat. ■ Setul de acumulatori sau ferăstrăul sunt prea calde. ■ Lanțul este prins în lemn. 	<ul style="list-style-type: none"> ■ Reduceți sarcina. ■ Reduceți sarcina. Lăsați setul de acumulatori sau ferăstrăul cu lanț să se răcească până când temperatura scade sub 67°C. ■ Eliberați trăgaciul declanșator; scoateți lanțul și șina de ghidare din lemn, după care reporniți ferăstrăul.
Motorul funcționează, dar lanțul nu se rotește.	<ul style="list-style-type: none"> ■ Lanțul nu anclanșează roata de lanț. 	<ul style="list-style-type: none"> ■ Repuneți lanțul la loc, asigurându-vă că verigile de transmisie de pe lanț sunt așezate complet pe pinion.
Frâna de lanț nu se activează.	<ul style="list-style-type: none"> ■ Resturi împiedică mișcarea completă a paletei frânei pentru reculul lanțului. ■ Este posibil ca frâna de lanț să nu funcționeze corect. 	<ul style="list-style-type: none"> ■ Curățați resturile de pe mecanismul extern al frânei lanțului. ■ Contactați Serviciul clienți EGO pentru reparații.

RO

PROBLEMĂ	CAUZĂ	SOLUȚIE
Ferăstrăul cu lanț nu taie corect.	<ul style="list-style-type: none"> ■ Tensiune lanț insuficientă. ■ Lanț tocit. ■ Lanț instalat pe dos. ■ Lanț uzat. ■ Lanț uscat sau întins excesiv. ■ Lanț neinstalat pe canelurile șinei. 	<ul style="list-style-type: none"> ■ Reglați tensiunea lanțului, urmând instrucțiunile din capitolul: „REGLAREA TENSIUNII LANȚULUI”. ■ Ascuți lanțul. ■ Repuneți la loc lanțul de ferăstrău urmând instrucțiunile din capitolul: „ASAMBLAREA/ ÎNLOCUIREA ȘINEI ȘI A LANȚULUI”. ■ Înlocuiți lanțul de ferăstrău, urmând instrucțiunile din capitolul: „ASAMBLAREA/ ÎNLOCUIREA ȘINEI DE GHIDARE ȘI A LANȚULUI”. ■ Verificați nivelul de ulei. Umpleți din nou rezervorul de ulei și alegeți un volum mai mare de alimentare cu ulei, dacă este necesar. ■ Repuneți la loc lanțul de ferăstrău urmând instrucțiunile din capitolul: „ASAMBLAREA/ ÎNLOCUIREA ȘINEI DE GHIDARE ȘI A LANȚULUI”.
Lanțul se desprinde sau cade de pe șina de ghidare în timpul utilizării normale.	<ul style="list-style-type: none"> ■ Lanțul se va slăbi pe măsură ce temperatura lanțului crește în timpul funcționării normale a ferăstrăului. ■ Lanțul nu anclanșează roata de lanț. 	<ul style="list-style-type: none"> ■ Tensionați lanțul, urmând secțiunea „REGLAREA TENSIUNII LANȚULUI”. ■ Repuneți la loc lanțul de ferăstrău urmând instrucțiunile din capitolul: „ASAMBLAREA/ ÎNLOCUIREA ȘINEI DE GHIDARE ȘI A LANȚULUI”.

RO

GARANȚIE

POLITICA PRIVIND GARANȚIA EGO

Vă rugăm să consultați site-ul egopowerplus.eu pentru termenii și condițiile complete ale politicii privind garanția EGO.

PREBERITE VSA NAVODILA!



PREBERITE PRIROČNIK Z NAVODILI ZA UPORABO

⚠ OPOZORILO: Za zagotovitev varnosti in zanesljivosti mora vsa popravila izvesti usposobljen servisni tehnik.

⚠ OPOZORILO: Pred uporabo tega orodja preberite in razumite vsa varnostna navodila v tem priročniku, vključno z vsemi varnostnimi opozorilnimi simboli, kot so »NEVARNOST«, »OPOZORILO« in »POZOR«. Zaradi neupoštevanja spodaj navedenih navodil lahko pride do električnega udara, požara in/ali resnih telesnih poškodb.

VSA OPOZORIILA IN NAVODILA SHRANITE ZA KASNEJŠO UPORABO.

VARNOSTNI SIMBOL

⚠ OPOZORILO: Delovanje katerega koli električnega orodja lahko povzroči metanje tujkov v vaše oči, kar lahko povzroči resne poškodbe očesa. Pred začetkom dela z električnim orodjem vedno nosite zaščitna očala ali varnostna očala s stranskimi zaščitami in po potrebi tudi ščit za celoten obraz. Priporočamo vam uporabo varnostne maske Wide Vision Safety Mask za uporabo preko očal ali standardnih varnostnih očal s stransko zaščito.

VARNOSTNI SIMBOLI



Varnostno opozorilo



Nosite zaščito za oči.



Nosite zaščito za glavo.



Pazite na povratni udarec verižne žage in se izogibajte stiku s konico žage



Informacije o vodilni palici.



Zagotovljena raven zvočne moči Emisije hrupa v okolico so v skladu z direktivo Evropske skupnosti.



Ta izdelek je skladen z veljavnimi direktivami ES.



Bluetooth®

mm Milimeter

V Napetost

IPX4 Zaščita pred pljuski vode



Za zmanjšanje nevarnosti telesnih poškodb je pomembno, da uporabnik pred uporabo tega izdelka prebere priročnik za uporabo in se z njim seznaní.



Nosite zaščito za ušesa



Nosite zaščitne rokavice



Povratni udarec konice meča



Verižno žago vedno uporabljajte z obema rokama



Odpadnih električnih izdelkov ne odlagajte med gospodinjstve odpadke. Odnosite jih v pooblaščen obrat za recikliranje.



Ta izdelek je skladen z veljavno zakonodajo VB.



Enosmerni tok

n_0 Hitrost brez obremenitve

./min Na minuto

SL

TEHNIČNI PODATKI

Nazivna napetost	56 V	
Najv. Hitrost verige	25 m/s	
Delitev verige	3/8" (9,5 mm)	
Širina utora	1,3 mm	
Dolžina meča	50 cm	
Vrsta rezalne verige	AC2005	
Vrsta meča	AG2005	
Volumen rezervoarja za olje verige	250 ml	
Teža (brez baterijskega sklopa, žagine verige, vodilne palice, stranskega pokrova, olja in plašča verige)	3,9 kg	
Priporočena obratovalna temperatura	Od - 15°C do 40°C	
Priporočena temperatura za shranjevanje	Od - 20°C do 70°C	
Priporočena temperatura polnjenja	Od 5°C do 40°C	
Izmerjena raven zvočne moči L_{WA}	103 dB (A) K=1,7 dB (A)	
Raven zvočnega tlaka v delovnem položaju L_{PA}	89 dB (A) K=3 dB (A)	
Zajamčena raven zvočnega tlaka L_{WA} (v skladu z direktivo 2000/14/ES)	105 dB (A)	
Vibration a_n	Sprednji ročaj	4,69 m/c^2 K=1,5 m/c^2
	Zadnji ročaj	4,24 m/c^2 K=1,5 m/c^2

- Nazivna skupna vrednost treslajev je bila izmerjena v skladu s standardno preskusno metodo in jo je mogoče uporabiti za primerjavo enega orodja z drugim.
- Nazivno skupno vrednost treslajev je mogoče uporabiti tudi za predhodno oceno izpostavljenosti.

OPOMBA: Oddajanje treslajev med dejansko uporabo električnega orodja se lahko razlikuje od nazivne vrednosti, v kateri se uporablja orodje. Upravljalavec se lahko zaščiti tako, da uporablja rokavice in nausnike, primerne dejanskim pogojem uporabe.

VSEBINA PAKETA (SLIKA A1)

OPIS

SPOZNAJTE SVOJO VERIŽNO ŽAGO (sl. A1)

1. Rezalna veriga
2. Zobniki za krojenje
3. Ročaj zavore verige ob povratnem udarcu
4. Sprednji ročaj
5. Zaslon LCD
6. Hitrostne palice
7. Ikona Bluetooth
8. Ikona žarometa
9. Ikona zavore
10. Krog merilnika goriva
11. Gumb za žaromet/Bluetooth
12. Gumb za hitrost verige
13. Gumb za odklepanje
14. Sprožilec stikala
15. Zadnji ročaj
16. Gumb za sprostitvev akumulatorja
17. Okence za preverjanje ravni olja
18. Pokrov rezervoarja za olje
19. Vodilo meča
20. Luknja za mazanje
21. Stranski pokrov
22. Matice stranskega pokrova
23. Žaromet LED
24. Sornik za napenjanje verige
25. Nasadni kličuč z dvojnimi koncem
26. Pokrov verige

SL

SESTAVLJANJE

NAMEŠČANJE/ZAMENJAVA MEČA IN VERIGE

⚠ OPOZORILO: Pred sestavljanjem nastavite ročaj zavore verige ob povratnem udarcu v zavorni položaj.

1. Pogonsko enoto verižne žage namestite na stran tako, da bo stranski pokrov obrnjen navzgor (sl. B).
2. Odstranite stranski pokrov, tako da zavrtite dve zaporni matici v nasprotni smeri urinega kazalca.
3. Vijak za napenjanje verige obrnite v nasprotni smeri

urinega kazalca, da sprostite napetost verige.

4. Rezano verigo v obliki zanke položite na ravno površino in okrepite vse vzle (sl. C).
5. Povezave pogona verige namestite v utor vodilne palice in na zadnji strani vodilne palice verigo oblikujte v zanko (sl. D).
6. Verigo držite v položaju na vodilu meča in zanko namestite okoli zobnika žage (sl. E1).

B-1	Zaklepna matica	D-2	Utor vodila meča
B-2	Sornik za napenjanje verige	E-1	Pogonski verižnik
D-1	Členi gonila		

OPOMBA: Ko zavijete verigo žage na vodilo meča, se prepričajte, da se po namestitvi vodila meča na žago ujemajo z vzorcem rezalnika in puščico smeri vrtenja na ohišju. Če sta obrnjena v nasprotno smer, ponovno namestite verigo žage na vodilo meča tako, da so rezalniki obrnjeni v isto smer (sl. E2).

7. Stranski pokrov ponovno namestite na ohišje verižne žage in popolnoma privijte obe zaporni matici.
8. Z roko zavrtite verigo, da preverite, ali je veriga pravilno sestavljena in se ne zaustavlja.. V nasprotnem primeru znova sestavite verigo in meč.

SL

OPOMBA: Za podaljšanje življenjske dobe vodilne palice jo občasno zasušite.

PRILAGAJANJE NAPETOSTI VERIGE

- Ustavite motor in odstranite baterijski sklop preden prilagodite napetost verige. Vijak za napenjanje verige obrnite v smeri urinega kazalca ali v nasprotni smeri urinega kazalca, da prilagodite napetost verige (sl. F) dokler se veriga ne nasloni na vodilo meča s pogonskimi povezavami v utoru vodila meča.
- Hladna veriga je pravilno napeta, ko na spodnji strani meča ni ohlapna in se prilaga, vendar jo je mogoče obrniti z roko brez zatikanja. Verigo je treba ponovno napeti, kadar ploskve na povezavah pogona niso v utoru vodilne palice.
- Med normalnim delovanjem žage bo temperatura žage narasla. Povezave pogona pravilno napete tople verige bodo iz utora vodilne palice gledale ven približno 1,3 mm (sl. G).

OPOMBA: Nove verige se rade raztegnejo, zato napetost

verige redno preverjajte in jo po potrebi prilagodite.

OPOMBA: Če verigo napnete ko je topla, bo morda prekratka ko se ohladi. Pred naslednjo uporabo preverite hladno napetost.

UPRAVLJANJE

⚠ OPOZORILO: Tudi če se dodobra seznanite s tem izdelkom, bodite pri ravnanju z njim pazljivi. Upoštevajte, da je samo delček sekunde nepazljivosti dovolj, da pride do hude telesne poškodbe.

⚠ OPOZORILO: Ne uporabljajte priključkov ali dodatkov, ki jih proizvajalec tega izdelka ne priporoča. Uporaba priključkov ali dodatkov, ki niso priporočeni, lahko povzroči hude telesne poškodbe.

⚠ OPOZORILO: Za preprečitev nenamernega zagona, ki bi lahko povzročil hudo telesno poškodbo, pri sestavljanju delov, prilagajanjem, čiščenjem in kadar orodje ni v uporabi, vedno odstranite baterijski sklop.

Pred vsako uporabo celoten izdelek pregledajte za poškodovane, manjkajoče ali zrahljanje dele, kot so vijaki, matice, pokrovi itd. Vsa zapirala in pokrove trdno privijte in izdelka ne uporabljajte dokler ne zamenjate manjkajočih ali poškodovanih delov.

UPORABA

Ta izdelek lahko uporabljate za osnovno podiranje dreves, kleščenje, obrezovanje in sečnjo lesa ter dreves.

OPOMBA: Stroj lahko uporabljate samo za predvideni namen. Kakršna koli druga uporaba se smatra za nepravilno uporabo.

POLNENJE MAZIVA ZA VODILNO PALICO IN VERIGO

⚠ OPOZORILO: Ne kadite in ne uporabljajte ognja ali plamenov v bližini olja ali verižne žage. Olje se lahko razlije in povzroči požar.

OPOMBA: Ob nakupu v verižni žagi ni olja. Izjemno pomembno je, da pred uporabo rezervoar napolnite z oljem. Med delovanjem je veriga samodejno namazana z oljem za verigo.

1. Verižno žago namestite na stran tako, da je pokrov rezervoarja obrnjen navzgor.
2. Očistite pokrov rezervoarja za olje in območje okoli njega, da preprečite vstop umazanije v rezervoar.
3. Priključek za višinski obrezovalnik položite v navpični

položaj in obračajte pokrov rezervoarja za olje v obratni smeri urinega kazalca, da ga odstranite (sl. H).

4. Previdno vlijte olje za vodila in verigo v rezervoar. Napolnite do dna polnilne odprtine rezervoarja.
5. Obrišite odvečno olje in zaprite pokrovček.

OPOMBA: Pogosto preverjajte nivo olja in ga napolnite, ko pade pod spodnjo črto. Verižne žage nikoli ne uporabljajte, če olje ni vidno.

PRIKLJUČITEV/ODKLOP BATERIJSKEGA SKLOPA

Uporabljajte samo z baterijskimi sklopi in polnilniki podjetja EGO, navedenimi na sliki A2.

Pred prvo uporabo baterijo popolnoma napolnite.

Napotki za priključitev

Rebra baterije poravnajte z režami za namestitve in baterijski sklop potisnite navzdol, da zaslišite »klik« (sl. I).

Napotki za odklop

Pritisnite gumb za sprostitev baterije in izvlecite baterijski sklop (sl. J).

ZAGON/ZAUSTAVITEV VERIŽNE ŽAGE

OPOMBA: Pred zagonom verižne žage preverite nivo olja, ostrost zob verige in pravilno delovanje ročaja zavore verige ob povratnem udarcu. Poleg tega sta potrebni uravnotežena opora in primerna razdalja od tal.

Zagon (sl. K)

1. Ročaj zavore verige ob povratnem udarcu potegnite proti srednjemu ročaju v položaj za delovanje (sl. K).
2. Srednji ročaj vedno čvrsto z levo roko, zadnjega pa z desno roko.

⚠ OPOZORILO: Da bi se izognili telesnim poškodbam, vedno uporabljajte verižno žago, tako da z desno roko primete območje prijema zadnjega ročaja (sl. L).

3. S palcem desne roke pritisnite in pridržite gumb za odklepanje, nato s prsti desne roke stisnite sprožilec stikala za zagon žage (sl. L).

L-1	Oprjemalno območje
-----	--------------------

4. Sprostite gumb za odklepanje in še naprej stiskajte sprožilec stikala za nadaljevanje delovanja.
5. Bolj ko je sprožilec stikala pritisnjen, večja je hitrost verige. Prilagodite hitrost trenutnemu opravilu.

⚠ OPOZORILO: Žage ne poskušajte zagnati, kadar je veriga v rezu.

Zaustavitev

1. Verižno žago premaknite stran od območja rezanja in nato spustite sprožilec stikala, da zaustavite višinski verižno žago.
2. Ročaj zavore verige ob povratnem udarcu potisnite naprej v zavorni položaj da aktivirate zavoro verige (sl. K).

⚠ OPOZORILO: Med delovnimi odmori in po končanem delu s stroja vedno odstranite baterijski sklop.

SPREMINJANJE NAČINA HITROSTI (sl. M)

Naprava ima tri načine hitrosti. Vsak način hitrosti omejuje največjo hitrost verižne žage. Način hitrosti se spremeni z vsakim pritiskom gumba za hitrost verige.

Hitrostne palice na LCD-zaslonu bodo prikazale način aktivne hitrosti: ena vrstica za nizko hitrost, dve palici za srednjo hitrost in tri palice za visoko hitrost. Način nizke hitrosti (ECO) omogoča boljši nadzor nad strojem in daljši čas delovanja na polnjenje.

M-1	Hitrostne palice	M-5	Krog merilnika goriva
M-2	Ikona Bluetooth	M-6	Gumb za žaromet/Bluetooth
M-3	Ikona žarometa	M-7	Gumb za hitrost verige
M-4	Ikona zavore		

OPOMBA: Pri uporabi baterijskega sklopa EGO z nazivno vrednostjo 2,5 Ah ali manj, je na voljo samo način EKO. Uporaba baterijskega sklopa EGO z nazivno vrednostjo manj kot 6,0 Ah vam ne bo omogočila doseganja visoke hitrosti. Za najboljšo zmogljivost priporočamo uporabo baterijskih sklopov EGO z vrednostjo 6,0 Ah (npr. BA3360T) ali več.

OPOMBA: Funkcija pomnilnika hitrosti naprave si bo zapomnila zadnjo nastavitve hitrosti in jo aktivirala naslednjič, ko bo naprava vklopljena.

OPOMBA: LCD-zaslon zasveti, ko potegnete sprožilno stikalo ali ko pritisnete gumb za hitrost ali gumb žaromet/Bluetooth. Samodejno se izklopi po približno 30 sekundah neaktivnosti verižne žage.

ŽAROMET LED (sl. N)

LED-žaromet je nameščen na sprednji strani ohišja verižne žage. Žaromet zagotavlja osvetlitev za večjo vidljivost in

ima 2 ravni svetlosti.

Če želite vklopiti žaromet, enkrat pritisnite gumb žaromet/Bluetooth (sl. M). Žaromet se bo vklopil pri nizki svetlosti, ikona žaromet/Bluetooth z nizko svetlost pa se bo prikazala na LCD-zaslonu. Ponovno pritisnite gumb žaromet/Bluetooth, da preklopite na visoko stopnjo svetlosti, na LCD-zaslonu pa se prikaže ikona žaromet visoke svetlosti.

Če želite izklopiti žaromet, tretjič pritisnite gumb žaromet/Bluetooth in ikona žaromet bo izginila z LCD-zaslona.

N-1	Ikona žarometov z nizko svetlostjo	N-3	Žaromet LED
N-2	Ikona žarometov z visoko svetlostjo		

VSESMERNI ZAVORNI SISTEM VERIGE (sl. O1 in sl. O2)

⚠ OPOZORILO: Vsesmerni zavorni sistem verige ni namenjen, da nadomesti standardno/tradicionalno zavoro verige. Med delovanjem verižne žage se uporabnik ne sme nikoli zanašati na to funkcijo, da se zaščiti pred povratnim udarom. Vedno upoštevajte varnostna navodila, povezana z zmanjševanjem tveganja za povratni udar, ki so na voljo v razdelku z opozorili v tem priročniku.

Ko se vsesmerni zavorni sistem verige aktivira in zaustavi žago, na LCD-zaslonu utripa ikona za zavoro (sl. M). Sprostite sprožilec stikala, odstranite verigo in vodilo meča iz lesa, nato verižno žago ponovno vključite.

SL

OPOMBA: Senzorji bodo zaznali nenadno premikanje žage v ravnini vodila meča (sl. O1). Senzorji ne bodo zaznali nenadnega premika žage na stran (sl. O2) (tj. pravokotno na ravnino vodila meča).

KOMUNIKACIJSKA TEHNOLOGIJA

Za informacije o naši celotni ponudbi povezanih izdelkov in storitev, vključno z navodili za povezavo, skenirajte kodo QR spodaj ali obiščite spletno mesto www.egopow-erplus.eu/connect.



PRIMEREN OPRIJEM NA ROČAJIH (sl. P1)

- Nosite nedrseče rokavice za najboljši oprijem in zaščito.
- Z žago na trdni in ravni površini jo trdno držite z obema rokama.
- Sprednji ročaj vedno primite z levo roko,

zadnjega pa z desno roko.

- Prsti morajo obkrožiti ročaj, palec pa mora biti ovit pod sprednjim ročajem.

OPOZORILO: nikoli ne uporabljajte levoročnega prijema (prekrižanih rok) ali položaja, ob katerem bi bila vaše telo ali roka preko linije verige.

OPOZORILO: sprožilca stikala ne upravljajte z levo roko in ne držite sprednjega ročaja z desno roko. Med upravljanjem verižne žage nikoli ne dovolite, da bi bil kateri koli del vašega telesa v liniji verige (sl. P2).

PRAVILEN POLOŽAJ ŽAGANJA (sl. Q)

- Obe stopali morata biti na trdni površini, teža pa mora biti enakomerno razporejena.
- Leva roka mora biti iztegnjena, komolec pa nepremičen. To pomaga pri zoperstavljanju sil, ki jih ustvari povratni udarec.
- Vaše telo mora biti vedno levo od verižne žage.

NAVODILA GLEDE PRIMERNIH TEHNIK OSNOVNEGA PODIRANJA, KLEŠČENJA IN IZDELAVE PRESEKA

OPOZORILO: Vedno poskrbite, da dobro stojite in da žago trdno držite v rokah, ko motor teče.

OPOZORILO: Ko se je veriga ustavila zaradi stiskanja med žaganjem, sprostite sprožilec stikala, odstranite verigo in vodilo meča iz lesa, nato verižno žago ponovno vključite.

OPOZORILO: Verige ne vlecite z roko, ki je omejena z žagovino. Če se verižna žaga naključno vključi, lahko pride do resnih poškodb. Verigo pritisnite ob les ter verižno žago premaknite naprej in nazaj, da izpraznite delce. Pred čiščenjem baterijski sklop vedno odstranite. Pri rokovanju z verigo nosite robustne zaščitne rokavice.

OPOZORILO: Če je verižna žaga v stiku z lesom, je nikoli ne vključite. Pred začetkom žaganja vedno dovolite da verižna žaga doseže polno hitrost.

PODIRANJE DREVES

- Če sta pri krojenju in podiranju dreves udeleženi dve osebi ali več hkrati, je treba podiranje dreves ločiti od krojenja vsaj v dvakratni razdalji višine drevesa, ki se ga podira. Dreves se ne sme podirati na kakršen koli način ki bi ogrožal katero koli osebo, ali tako da bi morda udarila oz. poškodovala daljnovode ali druge lastnine. Če drevo pride v stik z daljnovodom, je treba nemudoma obvestiti podjetje za oskrbo z energijo, ki ima ta daljnovod v lasti.

- Upravljaec mora stati v zgornjem delu terena, saj se bo drevo zvalilo ali zdrsnilo po hribu navzdol potem, ko ga boste podrl.
- Preden začnete z žaganjem, je treba načrtovati in izprazniti pot umika. Pot za pobeg mora biti na voljo v smeri nazaj in diagonalno stran od pričakovane linije padca drevesa, kot je prikazano na sliki R.

R-1	Smer sečnje	R-2	Varnostna pot za umik
-----	-------------	-----	-----------------------

- Preden začnete s podiranjem, preučite naraven nagib drevesa, položaj večjih vej in smer vetra ter tako ocenite, v katero smer naj bi drevo padlo.
- Iz drevesa odstranite umazanijo, kamne, ohlapno lubje, žeblje, sponke in žico.

Izdelava zaseka

Zarezo naredite do 1/3 premera drevesa, pravokotno na smer padca, kot prikazuje slika S. Najprej ustvarite spodnjo vodoravno zarezo. Tako se boste izognili ukleščanju verige ali meča žage pri ustvarjanju druge zareze.

S-1	Smer padca	S-3	Rez za podiranje
S-2	Zareza	S-4	Zgib

Rez za podiranje

- Zadnjo zarezo za podiranje naredite vsaj 50 mm višje od vodoravnega zaseka, kot je prikazano na sliki S. Zadnja zareza naj bo vzporedna spodnji. Zadnjo zarezo naredite tako, da ostane dovolj lesa, ki deluje kot sklep. Sklepni les omogoča, da se drevo ne zasuče in pade v napačno smer. Sklepa na prežagajte.
- Ko se zadnja zareza približuje sklepu, bi drevo moralo začeti padati. Če obstaja možnost, da drevo ne bo padlo v želeno smer ali se lahko nagne nazaj in uklešči verigo, prenehajte z žaganjem preden je zadnja zareza za podiranje končana in uporabite lesene, plastične ali aluminijaste zagozde, da odprete zarezo in da drevo pade v želeno smer.
- Ko drevo začne padati, iz zareze odstranite verižno žago, ustavite motor, žago odložite in uporabite načrtovano pot za umik. Pazite na padajoče veje nad vami ter na to, kod stopate.

Kleščanje drevesa

Kleščanje pomeni odstranjevanje vej s padlega drevesa. Pri kleščanju pustite daljše spodnje veje za podporo debela stran od tal. Manjše veje odstranite z enim rezom, kot je prikazano na sliki T. Veje pod pritiskom morate odžagati od spodnjega dela navzgor, da se izognete upogibanju

verižne žage.

Žaganje debela na hlode

- Krojenje pomeni žaganje debela na krajše kose. Pomembno je, da trdno stojite in da je vaša teža enakomerno razporejena na obe nogi. Če je mogoče, deblo dvignite in ga podprite z vejami, drugimi debli ali zagozdami. Sledite preprostim navodilom za enostavno žaganje.
- Ko je deblo podprto po celotni dolžini, kot prikazuje slika U1, ga odžagajte z zgornje strani.
- Ko je deblo podprto na eni strani, kot prikazuje slika U2, 1/3 premera odžagajte s spodnje strani. Nato rez dokončajte od zgoraj, tako da se reza srečata.
- Ko je deblo podprto na obeh straneh, kot prikazuje slika U3, 1/3 premera odžagajte z zgornje strani. Nato od spodaj zarezite še 2/3, tako da se reza srečata.
- Pri žaganju na pobočju vedno stojite na zgornji strani debela, kot je prikazano na sliki V.

Pri žaganju »skozi« za ohranitev popolnega nadzora sprostite pritisk žaganja ob koncu reza, vendar ne sprostite prijema na ročajih verižne žage. Pazite, da veriga ne pride v stik s tlemi. Po končanem žaganju počakajte, da se veriga ustavi, šele nato jo premaknite. Ko se pomikate od drevesa do drevesa, vedno ugasnite motor.

VZDRŽEVANJE

OPOZORILO: Za popravila uporabljajte samo identične nadomestne dele. Uporaba drugih delov je tvegana in lahko poškoduje izdelek. Za zagotovitev varnosti in zanesljivosti mora vsa popravila izvesti usposobljen servisni tehnik.

OPOZORILO: Da bi se izognili hudim telesnim poškodbam pred pregledom, čiščenjem ali vzdrževanjem iz izdelka vedno odstranite baterijski sklop. Baterijsko orodje, ki ima nameščen baterijski sklop, je vedno vključeno in se lahko samodejno vključi.

OPOZORILO: Pri čiščenju, verižne žage NE potopite v vodo ali druge tekočine.

OPOZORILO: Zavorna tekočina, gorivo, izdelki na bazi nafte, prodirajoče olje ipd. naj nikoli ne pridejo v stik s plastičnimi deli. Kemikalije lahko plastično poškodujejo, oslabijo ali uničijo, kar lahko privede do hudih poškodb.

ČIŠČENJE

SL

- Po vsaki uporabi, z mehko krtačo, z žage in vodilne palice odstranite delce. Površino verižne žage obrišite s čisto in vlažno krpo ter nekaj blage čistilne raztopine.
- Odstranite stranski pokrov, nato z mehko krtačo odstranite delce z vodila vodilne palice, verige, zobnika in stranskega pokrova.
- Pri čiščenju verige vedno očistite delce lesa, žagovino in umazanijo iz utora vodila vodilne palice.

VZDRŽEVANJE VODILA MEČA

Če je vodilna palica obrabljena, jo razstavite s pogonske enote verižne žage in jo obrnite ter ponovno sestavite (sl. W1). Na ta način se obraba porazdeli tako, da je življenjska doba vodilne palice čim daljša.

Vodilno palico je treba očistiti vsak dan uporabe in preveriti če ima kakršnekoli znake obrabe in poškodb. Na tirnicah meča se lahko pojavijo nitke oziroma igle, kar je normal proces obrabe. Takšne napake je treba zgladiti s pilo takoj ko se pojavijo. Vodilo meča s katero izmed naslednjih napak je treba zamenjati.

- Obraba znotraj tirnic vodilna meča, ki dovoljuje verigi da je nameščena preko stranic.
- Zvito vodilo meča.
- Počene tirnice.
- Razširjene tirnice.

Poleg tega ima vodilna palica zobnik na konici (sl. W2). Zobnik je treba tedensko mazati z mastjo iz brizgalka da bi podaljšali življenjsko dobo vodila meča Za tedensko mazanje z oljem uporabite brizgalko, da namažete luknjo za mazanje (slika W3). Vodilo meča obrnite in preverite, da v luknjah za mazanje in utoru verige ni nečistoč.

SL

W-1	Zobnik v konici vodilne palice	W-2	Luknja za mazanje
-----	--------------------------------	-----	-------------------

OPOMBA: Za najboljše rezultate uporabite maziva, odobrena EGO.

PREVOZ IN SHRANJEVANJE

Verižne žage ne prenašajte ali shranjujte kadar je v teku. Pred skladiščenjem ali prevozom vedno odstranite baterijski sklop.

Na vodilo vodilne palice in verigo pred skladiščenjem ali transportom verižne žage vedno namestite pokrov. Bodite previdni, da se izognete ostrim zobem verige.

Pred skladiščenjem verižno žago temeljito očistite. Verižno žago skladiščite v notranjem prostoru, ki je zaklenjen in/ali nedostopen otrokom.

Orodja ne shranjujte v bližini korozivnih sredstev, kot so

vrtno kemikalije in soli za topljenje ledu.

VAROVANJE OKOLJA



Električne opreme, rabljene baterije in polnilnika ne odvrzite med gospodinjske odpadke.

Izdelek odnesite na pooblaščen obrat za recikliranje in ga zavrzite ločeno.

Električna orodja je treba odnesti na obrat za recikliranje in ga reciklirati na okolju prijazen način.

ODPRAVLJANJE TEŽAV

⚠ OPOZORILO: Pri vzdrževanju verige dlani vedno zaščitite tako, da nosite robustne rokavice. Pri servisiranju ali transportu verižne žage vedno odstranite baterijski sklop.

TEŽAVA	VZROK	REŠITEV
Motorja ni mogoče zagnati.	<ul style="list-style-type: none"> ■ Baterijski sklop ni pritrjen na verižno žago. ■ Med žago in baterijskim sklopom ni električnega stika. ■ Baterijski sklop je izprazen. ■ Baterijski sklop ali verižna žaga je prevroča. ■ Zavora verige je aktivirana. ■ Delci v meču. ■ Delci v pokrovu. 	<ul style="list-style-type: none"> ■ Baterijski sklop pritržite na verižno žago. ■ Odstranite baterijski sklop, preverite kontakte in znova namestite baterijski sklop. ■ Napolnite baterijski sklop. ■ Baterijski sklop ali verižno žago ohladite do temperature, ki je nižja od 67°C. ■ Zadnji ročaj zavore verige ob povratnem udarcu potegnite proti sprednjemu ročaju v položaj za delovanje. ■ Verigo pritisnite ob les ter verižno žago premaknite naprej in nazaj, da izpraznite delce. ■ Odstranite baterijski sklop, nato odstranite stranski pokrov in očistite delce.
Verižna žaga se ustavi med delom.	<ul style="list-style-type: none"> ■ Verižna žaga je preobremenjena. ■ Baterijski sklop ali verižna žaga je prevroča. ■ Veriga je zataknjena v lesu. 	<ul style="list-style-type: none"> ■ Zmanjšajte obremenitev. ■ Zmanjšajte obremenitev. Baterijski sklop ali verižno žago ohladite do temperature, ki je nižja od 67°C. ■ Sprostite sprožilec stikala, odstranite verigo in meč iz lesa, nato verižno žago ponovno vključite.
Motor teče, vendar se veriga ne vrti.	<ul style="list-style-type: none"> ■ Veriga ne aktivira pogonskega zobnika. 	<ul style="list-style-type: none"> ■ Ponovno namestite verigo in zagotovite, da so pogonske povezave na verigi popolnoma nameščene na zobniku.
Zavora verige se ne aktivira.	<ul style="list-style-type: none"> ■ Delci preprečujejo popolno premikanje ročaja zavore verige ob povratnem udarcu. ■ Možna je okvara zavore verige. 	<ul style="list-style-type: none"> ■ Odstranite delce iz zunanjega mehanizma zavore verige. ■ Za popravilo se obrnite na podpora za kupce izdelkov EGO.

TEŽAVA	VZROK	REŠITEV
Verižna žaga ne žaga pravilno.	<ul style="list-style-type: none"> ■ Nezadostna napetost verige. ■ Topa veriga. ■ Veriga je nameščena v nasprotni smeri. ■ Obrabljena veriga. ■ Suha ali preveč raztegnjena veriga. ■ Veriga ni v toru vodilne palice. 	<ul style="list-style-type: none"> ■ Ponastavite napetost verige. Sledite navodilom v razdelku: PRILAGAJANJE NAPETOSTI VERIGE ■ Nabrusite verigo. ■ Znova namestite verižno žago v skladu z razdelkom „SESTAVLJANJE/ZAMENJAVA MEČA IN VERIGE“. ■ Zamenjajte verigo. Sledite navodilom v razdelku: NAMEŠČANJE/ZAMENJAVA MEČA IN VERIGE ■ Preverite nivo olja. Napolnite rezervoar za olje in po potrebi izberite višjo količino oskrbe z oljem. ■ Ponovno namestite verigo. Sledite navodilom v razdelku: NAMEŠČANJE/ZAMENJAVA MEČA IN VERIGE
Veriga se med običajno uporabo razrahlja ali pade z vodila.	<ul style="list-style-type: none"> ■ Med običajnem delovanjem žage narašča temperatura verige. ■ Veriga ne aktivira pogonskega zobnika. 	<ul style="list-style-type: none"> ■ Verigo napnite v skladu z navodili v razdelku „PRILAGAJANJE NAPETOSTI VERIGE“. ■ Ponovno namestite verigo. Sledite navodilom v razdelku: NAMEŠČANJE/ZAMENJAVA MEČA IN VERIGE

GARANCIJA

GARANCIJSKA POLITIKA DRUŽBE EGO

Za popolne pogoje garancijske politike družbe EGO obiščite spletno mesto egopowerplus.eu.

SL

PERSKAITYKITE VISAS INSTRUKCIJAS!



PERSKAITYKITE NAUDOJIMO INSTRUKCIJĄ

⚠️ ĮSPĖJIMAS: Norint užtikrinti saugumą ir patikimumą, visus remonto darbus turi atlikti kvalifikuotas techninės priežiūros specialistas.

⚠️ ĮSPĖJIMAS: Prieš pradėdami naudoti šį įrenginį, perskaitykite visus šioje naudojimo instrukcijoje pateiktus saugos nurodymus, taip pat susipažinkite su visais saugos įspėjamaisiais simboliais, tokiais kaip „PAVOJUS“, „ĮSPĖJIMAS“ ir „DĖMESIO“, ir įsitikinkite, ar juos supratote. Nesilaikant visų toliau išdėstytų nurodymų galima patirti elektros smūgį, sukelti gaisrą ir (ar) sunkiai susižaloti.

SAUGOS SIMBOLIAI



Įspėjimas dėl saugos



Užsidėti apsauginius akinius



Užsidėti galvos apsaugos priemonę



Saugotis grandininio pjūklo atatrakos ir sąlyčio su juostos viršūne



Informacija apie kreipiamąją juostą



Garantuojamas garso galios lygis. Triukšmo sklaida į aplinką atitinka Europos Bendrijos direktyvą.



Šis gaminytis atitinka taikomas EB direktyvas



Bluetooth®

mm

Milimetrai

V

Įtampa

IPX4

Apsauga nuo vandens pusrų

IŠSAUGOKITE VISAS INSTRUKCIJAS SU ĮSPĖJIMAIS, NES JŲ GALI PRIREIKTI ATEITYJE.

SAUGOS SIMBOLIAI



⚠️ ĮSPĖJIMAS: Bet koks elektrinis įrankis naudojimo metu gali išsviesti šiukšles, kurios gali pataikyti į akis ir sunkiai jas sužaloti. Prieš pradėdami naudoti elektrinį įrankį, visada užsidėkite apsauginius akinius arba apsauginius akinius su šonine apsauga ir, jei reikia, visą veidą dengiantį skydelį. Rekomenduojame naudoti platų matymo lauką užtikrinančią apsauginę kaukę, dedamą ant akinių, arba standartinius apsauginius akinius su šonine apsauga.



Kad sumažintų susižalojimo pavojų, prieš naudodamas šį gaminį naudotojas turi perskaityti naudotojo vadovą ir įsitikinti, kad jį suprato



Dėvėti klausos apsaugos priemones



Mūvėti apsaugines pirštines



Pjovimo juostos viršūnės atatranka



Grandininį pjūklą visada laikyti abiem rankomis



Netinkamus naudoti elektrinius įrankius draudžiama išmesti kartu su buitinėmis atliekomis. Pristatyti įgiailotam perdirbėjui.



Šis gaminytis atitinka taikomas JK direktyvas



Nuolatinė srovė

n_0

Sūtkiai be apkrovos

.../min.

Per minutę

LT

PASTABA: „Bluetooth®“ žodinis ženklas ir logotipai yra registruotieji prekių ženklai, priklausantys „Bluetooth SIG, inc.“, ir bet koks tokių ženklų naudojimas EGO yra su atitinkamu leidimu.

skleidžiamos vibracijos stiprumo vertė gali skirtis nuo nurodytos. Kad apsaugotų dirbdamas realiomis sąlygomis, naudotojas turi mūvėti pirštines ir naudoti klausos apsaugos priemones.

TECHNINIAI DUOMENYS

Vardinė įtampa	56 V	
Maks. grandinės greitis	25 m/c	
Grandinės žingsnis	3/8" (9,5 mm)	
Pjovimo gylio ribotuvus	1,3 mm	
Kreipiamosios juostos ilgis	50 cm	
Pjūklo grandinės tipas	AC2005	
Kreipiamosios juostos tipas	AG2005	
Grandinės alyvos bakelio talpa	250 ml	
Svoris (be sudėtinės baterijos, pjūklo grandinės, kreipiamosios juostos, šoninio dangtelio, alyvos ir grandinės užmovos)	3,9 kg	
Rekomenduojama darbo temperatūra	-15°C-40°C	
Rekomenduojama laikymo temperatūra	Nuo -20°C iki 70°C	
Rekomenduojama įkrovimo temperatūra	Nuo 5°C iki 40°C	
Išmatuotas garso galios lygis L_{WA}	103 dB(A) K=1,7 dB(A)	
Garso slėgio lygis darbinėje padėtyje L_{PA}	89 dB(A) K=3 dB(A)	
Garantuojamas garso galios lygis L_{WA} (pagal 2000/14/EB)	105 dB(A)	
Vibracija a_{tr}	Priekinė rankena	4,69 m/s ² K=1,5 m/s ²
	Galinė rankena	4,24 m/s ² K=1,5 m/s ²

- Nurodyta bendroji vibracijos vertė išmatuota taikant standartinį bandymo metodą, todėl pagal ją galima palyginti skirtingus įrankius.
- Nurodytą bendrąją vibracijos vertę taip pat galima naudoti pirminiam poveikio vertinimui.

PASTABA: Naudojant įrankį realiomis sąlygomis,

PAKUOTĖS TURINIO SĄRAŠAS (A1 PAV.)

APRAŠYMAS

GRANDININIO PJŪKLO DALYS (A1 pav.)

1. Pjūklo grandinė
2. Apsauginiai smaigai
3. Grandinės atatranks stabdymo mentė
4. Priekinė rankena
5. LCD ekranas
6. Greičio juostos
7. "Bluetooth" piktograma
8. Žibinto piktograma
9. Stabdžio piktograma
10. Įkrovos indikatoriaus žiedas
11. Žibinto / "Bluetooth" mygtukas
12. Grandinės greičio mygtukas
13. Blokuotės išjungimo mygtukas
14. Pagrindinis jungiklis
15. Galinė rankena
16. Baterijos atjungimo mygtukas
17. Alyvos patikros langelis
18. Alyvos bakelio dangtelis
19. Kreipiamoji juosta
20. Tepimo skylutė
21. Šoninis dangtelis
22. Šoninio dangtelio veržlės
23. LED darbinis žibintas
24. Grandinės įtempimo varžtas
25. Galinis veržliaraktis su dviem galvutėmis
26. Grandinės užmova

SURINKIMAS

KREIPIAMOSIOS JUOSTOS IR GRANDINĖS UŽDĖJIMAS IR KEITIMAS

ĮSPĖJIMAS: Prieš pradėdami surinkimą grandinės atatranks stabdymo mentė nustatykite į stabdymo padėtį.

1. Paguldykite grandininio pjūklo variklio bloką ant šono taip, kad šoninis dangtelis būtų viršuje (B pav.).
2. Nuimkite šoninį dangtelį, atsukdami dvi fiksavimo veržles prieš laikrodžio rodyklę.
3. Pasukite grandinės įtempimo varžtą prieš laikrodžio rodyklę, kad atlaisvintumėte grandinės įtempimą.
4. Paguldykite pjūklo grandinės kilpą ant lygaus paviršiaus ir ištiesinkite sulenktas vietas (C pav.).
5. Įstatykite grandininės varančiuosius narelius į kreipiamosios juostos griovelį, palikdami grandinės kilpą kreipiamosios juostos gale (D pav.).
6. Laikydami grandinę ant kreipiamosios juostos, uždėkite jos kilpą ant pjūklo žvaigždutės (E1 pav.).

B-1	Fiksavimo veržlės	D-2	Kreipiamosios juostos griovelis
B-2	Grandinės įtempimo varžtas	E-1	Varančioji žvaigždutė
D-1	Grandinės varantieji nareliai		

PASTABA: Pjūklo grandinę ant kreipiančiosios juostos uždėkite taip, kad, pritvirtinus kreipiamąją juostą prie pjūklo, pjoviklių judėjimo kryptis atitiktų grandinės sukimosi krypties rodyklę ant korpuso. Priešingu atveju iš naujo uždėkite pjūklo grandinę ant kreipiamosios juostos taip, kad grandinės sukimosi kryptis sutaptų su rodyklės kryptimi (E2 pav.).

7. Vėl uždėkite šoninį dangtelį ant grandininio pjūklo korpuso ir iki galo priveržkite abi fiksavimo veržles.
8. Pasukite grandinę ranka, kad patikrintumėte, ar ji tinkamai uždėta ir neklūna. Priešingu atveju iš naujo surinkite grandinę ir juostą.

PASTABA: Norėdami pailginti kreipiamosios juostos naudojimo trukmę, retkarčiais ją apverskite.

GRANDINĖS ĮTEMPIMO REGULIAVIMAS

- Prieš reguliuodami grandinės įtempimą išjunkite variklį ir išimkite sudėtinę bateriją. Reguluokite grandinės įtempimą sukdami grandinės įtempimo varžtą pagal arba prieš laikrodžio rodyklę (F pav.), kol grandinė gerai priglus prie kreipiamosios juostos, o varantieji nareliai atsidurs kreipiamosios juostos griovelyje.
- Atvėsusi grandinė yra tinkamai įtempta, kai nėra laisvumo kreipiamosios juostos apačioje ir kai grandinė gerai prigludusi, tačiau ją galima pasukti ranka ir ji nestringa. Jei varančiųjų narelių plokštumos neįstatytos į kreipiamosios juostos griovelį, grandinė

reikia įtempti iš naujo.

- Įprastai dirbant su pjūkle grandinė įkaista. Įkaitusios tinkamai įtemptos grandinės varantieji nareliai maždaug 1,3 mm išlenda iš kreipiamosios juostos griovelio (G pav.).

PASTABA: Naujos grandinės paprastai išsitempia. Dažnai tikrinkite grandinės įtempimą ir, jei reikia, įtempkite.

PASTABA: Jei įtempta įkaitusi grandinė, atvėsusi ji gali būti įtempta per stipriai. Prieš naudodami kitą kartą, patikrinkite atvėsusios grandinės įtempimą.

DARBAS

⚠ ĮSPĖJIMAS: Mokėjimas naudotis šiuo gaminiu nesuteikia teisės dirbti nerūpestingai. Atminkite, kad net akimirksniui atitraukę dėmesį galite sunkiai susižaloti.

⚠ ĮSPĖJIMAS: Nenaudokite jokių papildomų įtaisų ar priedų, kurių nerekomendavo šio įrankio gamintojas. Naudojant nerekomenduojamus papildomus įtaisus arba priedus, galima sunkiai susižaloti.

⚠ ĮSPĖJIMAS: Norėdami išvengti atsitiktinio paleidimo ir galimo sunkaus sužalojimo, visada išimkite sudėtinę bateriją iš įrankio, kai montuojate dalis, reguliuojate, valote arba įrankio nenaudojate.

Kaskart prieš naudodami gaminį nuodugnai jį patikrinkite, ar nesugadintas ir netrūksta ar neatsilaisvinusios dalys, pavyzdžiui, sraigčiai, veržlės, varžtai, dangteliai ir pan. Tvirtai priveržkite visas tvirtinimo detales ir dangtelius ir nenaudokite šio gaminio, kol nepakeisite visų trūkstančių ar sugadintų dalių.

PASKIRTIS

Šiuo gaminiu galima įprastai versti medžius, genėti stambias ir smulkias šakas, pjaustyti pjautinę medieną ir rąstus.

PASTABA: Įrenginį galima naudoti tik pagal numatytąją paskirtį. Bet koks kitas naudojimas laikomas netinkamu.

KREIPIAMOSIOS JUOSTOS IR GRANDINĖS ALYVOS ĮPYLIMAS

⚠ ĮSPĖJIMAS: Nerūkykite ir nenaudokite ugnies ar liepsnos arti alyvos arba grandininio pjūklo. Alyva gali išsilieti ir sukelti gaisrą.

PASTABA: Įsigytas naujas grandininis pjūklas neužpildytas alyva. Prieš naudodami pjūklą, bakelį būtina pripildyti alyvos. Dirbant grandinė automatiškai tepama grandinių alyva.

1. Paguldykite grandininį pjūklą ant šono taip, kad bakelio dangtelis būtų viršuje.
2. Kad į alyvos bakelį nepatektų nešvarumų, nuvalykite jo dangtelį ir plotą aplink dangtelį.
3. Pakelkite pusapvalę plokštelę ir, sukdami prieš laikrodžio rodyklę, nuimkite alyvos bakelio dangtelį (H pav.).
4. Atsargiai pripilkite kreipiamųjų juostų ir grandinių alyvos į bakelį. Pripilkite iki bakelio kakliuko apačios.
5. Nušluostykite alyvos perteklių ir užsukite dangtelį.

PASTABA: Dažnai tikrinkite alyvos lygį ir papildykite, kai jis nukrenta žemiau minimalaus kiekio linijos. Niekada nedirbkite grandininio pjūklu, jei lygio patikros langelyje alyvos nesimato.

SUDĖTINĖS BATERIJOS ĮSTATYMAS IR IŠĖMIMAS
Naudokite tik A2 pav. išvardintas EGO sudėtines baterijas ir įkroviklius.

Prieš bateriją naudodami pirmą kartą, visiškai ją įkraukite.

Įstatymas

Įtaikykite sudėtines baterijas iškyšas į tvirtinimo griovelius ir spauskite bateriją žemyn, kol išgirsite spragtelėjimą (I pav.).

Išėmimas

Paspauskite baterijos atjungimo mygtuką ir ištraukite bateriją (J pav.).

GRANDININIO PJŪKLO PALEIDIMAS IR SUSTABDYMAS

PASTABA: Prieš paleisdami grandininį pjūklą, patikrinkite alyvos lygį, grandinės dantukų aštrumą ir ar tinkamai veikia atatranks stabdymo mentė. Taip pat tvirtai atsistokite ir laikykite pjūklą tinkamame aukštyje virš žemės.

Paleidimas (K pav.)

1. Patraukite grandinės atatranks stabdymo mentę priekinės rankenos link, į darbinę padėtį (K pav.).
2. Kairiąja ranka tvirtai laikykite priekinę rankeną, o dešiniąja – galinę rankeną.

⚠️ ĮSPĖJIMAS: Kad išvengtumėte sužalojimų, visada grandininį pjūklą naudokite dešine ranka laikydami už galinės rankenos sugriebimo vietoje (L pav.).

3. Dešiniosios rankos nykščiu paspauskite ir laikykite nuspaudę blokuotės išjungimo mygtuką, o tuomet kitais tos pačios rankos pirštais nuspauskite pagrindinį jungiklį ir paleiskite pjūklą (L pav.).

L-1	Sugriebimo vieta
-----	------------------

4. Atleiskite blokuotės išjungimo mygtuką ir toliau laikykite nuspaudę pagrindinį jungiklį, kad įrankis nuolat veiktų.
5. Kuo stipriau spaudžiamas pagrindinis jungiklis, tuo didesnis grandinės sukimosi greitis. Nusistatykite savo užduočiai tinkamą greitį.

⚠️ ĮSPĖJIMAS: Nebandykite paleisti pjūklo, kai pjūklo grandinė įstatyta į įjovą.

Sustabdymas

1. Atitraukite grandininį pjūklą nuo pjovimo zonos ir atleiskite pagrindinį jungiklį, kad pjūklą sustabdytumėte.
2. Pastumkite grandinės atatranks stabdymo mentę pirmyn į stabdymo padėtį, kad įjungtumėte grandinės stabdį (K pav.).

⚠️ ĮSPĖJIMAS: Darydami pertraukas arba baigę dirbti, visada išimkite sudėtinę bateriją iš įrankio.

GREIČIO REŽIMO KEITIMAS (M pav.)

Įrankyje yra trys greičio režimai. Kiekvienas greičio režimas riboja didžiausią grandininio pjūklo greitį. Greičio režimas pasikeičia kiekvieną kartą spustelėjus grandinės greičio mygtuką.

Greičio juostos LCD ekrane rodo įjungtą greičio režimą: viena juosta – mažas greitis, dvi juostos – vidutinis greitis, trys juostos – didelis greitis. Pasirinkus mažą greitį (ECO) lengviau valdyti įrankį ir jis ilgiau dirba su viena įkrova.

M-1	Greičio juostos	M-5	Įkrovos indikatori- aus žiedas
M-2	"Bluetooth" piktograma	M-6	Žibinto / „Blue- tooth“ mygtukas
M-3	Žibinto piktogramą	M-7	Grandinės greičio mygtukas
M-4	Stabdžio piktogramą		

PASTABA: Kai naudojate iki 2,5 Ah talpos EGO sudėtinę bateriją, galite naudoti tik ECO režimą. Jei naudojate EGO sudėtinę bateriją, kurios talpa yra iki 6,0 Ah, didelio greičio negalite pasiekti. Kad įrankis kuo geriau veiktų, rekomenduojame naudoti ne mažesnės kaip 6,0 Ah talpos (pvz., BA3360T) EGO sudėtines baterijas.

PASTABA: Įrankio greičio atminties funkcija įsimena

paskutinę greičio nuostatą ir ją įjungia kitą kartą įrankį įjungus.

PASTABA: LCD ekranas išsibiebia paspaudus pagrindinį jungiklį arba greičio ar žibinto / „Bluetooth“ mygtuką. Jis automatiškai užgesa, jei grandininis pjūklas nenaudojamas maždaug 30 sekundžių.

LED DARBINIS ŽIBINTAS (N pav.)

LED darbinis žibintas yra grandininio pjūklo korpuso priekyje. Žibintas užtikrina geresnį matomumą ir jame yra 2 ryškumo lygiai.

Norėdami žibintą įjungti, vieną kartą spustelėkite žibinto / „Bluetooth“ mygtuką (M pav.). Žibintas įsijungs mažo ryškumo lygiu, o LCD ekrane atsiras mažo ryškumo žibinto piktograma. Dar kartą spustelėjus žibinto / „Bluetooth“ mygtuką, žibintas persijungs į didelio ryškumo lygį, o LCD ekrane atsiras didelio ryškumo žibinto piktograma.

Norėdami žibintą išjungti, spustelėkite žibinto / „Bluetooth“ mygtuką trečiąjį kartą, ir žibinto piktograma išnyks iš LCD ekrano.

N-1	Mažo ryškumo žibinto piktograma	N-3	LED darbinis žibintas
N-2	Didelio ryškumo žibinto piktograma		

BEKRYPTĖ GRANDINĖS STABDŽIO SISTEMA (O1 ir O2 pav.)

⚠️ ĮSPĖJIMAS: bekryptė grandinės stabdžio sistema nėra skirta standartiniam ar įprastiniam stabdžiui pakeisti. Naudotojas niekada neturi pasitikėti šia funkcija grandininio pjūklo darbo metu, kad ji gali apsaugoti nuo atatrakos. Visada vadovaukitės saugos instrukcijomis, susijusiomis su šiaime išpėjimų skyriuje nurodytomis apsaugos nuo atatrakos priemonėmis.

Kai bekryptė grandinės stabdžio sistema suveikia ir pjūklą sustabdo, LCD ekrane pradeda mirksėti stabdžio piktograma (M pav.). Atleiskite pagrindinį jungiklį, ištraukite grandinę ir kreipiamąją juostą iš medienos ir vėl paleiskite grandininį pjūklą.

PASTABA: Jutikliai netikėtą pjūklo judesį gali aptikti tik tuo atveju, jei pjūklas yra kreipiamosios juostos plokštumoje (O1 pav.). Jutikliai negali aptikti jokio staigaus pjūklo judesio į šonus (O2 pav.) (t. y. statmenai kreipiamosios juostos plokštumai).

RYŠIO TECHNOLOGIJA

Norėdami gauti informacijos apie visus mūsų prijungtinius gaminius ir paslaugas, įskaitant prijungimo instrukcijas, nuskaitykite toliau pateiktą QR kodą arba apsilankykite

svetainėje www.egopowerplus.eu/connect.



TINKAMAS RANKENŲ LAIKYMAS (P1 pav.)

- Mūvėkite neslidžias pirštines, užtikrinančias tvirtiausią sugriebimą ir apsaugą.
- Paguldę pjūklą ant tvirto ir lygaus paviršiaus, tvirtai jį suimkite abiem rankomis.
- Visada kairiąja ranka laikykite priekinę rankeną, o dešiniąja – galinę rankeną.
- Pirštai turi apimti rankeną. Priekinės rankenos apačioje turi būti nykštys.

⚠️ ĮSPĖJIMAS: Niekada nelaikykite pagrindinės rankenos kairiąja ranka (nesukryžiuokite rankų) ir nestovėkite taip, kad kūnas arba ranka kirstų grandinės plokštumą.

⚠️ ĮSPĖJIMAS: Greičio reguliavimo jungiklio nespauskite kaire ranka, o priekinės rankenos nelaikykite dešine ranka. Pjaudami grandininio pjūklu niekada nestovėkite taip, kad kūnas arba ranka kirstų grandinės plokštumą (P2 pav.).

TINKAMA STOVĖSENA PJAUNANT (Q pav.)

- Reikia abiem kojomis stovėti ant tvirto pagrindo ir tolygiai paskirstyti kūno svorį ant jų.
- Kairioji ranka turi būti ištiesta, o alkūnė turi būti fiksuotoje padėtyje. Tai padeda atlaikyti atatrakos sukuriamas jėgas.
- Kūnas visada turi būti grandinės plokštumos kairėje pusėje.

NURODYMAI DĖL TINKAMŲ METODŲ, TAIKYTINŲ ĮPRASTAI LEIDŽIANT MEDŽIUS, GENINT ŠAKAS IR DARANT SKERSINIUS PJŪVIUS

⚠️ ĮSPĖJIMAS: Kai variklis paleistas, visada tvirtai stovėkite ir laikykite pjūklą abiem rankomis.

⚠️ ĮSPĖJIMAS: Jei pjūklo grandinė sustoja dėl jos suspaudimo pjaunant, atleiskite jungiklį, ištraukite grandinę ir kreipiamąją juostą iš medienos ir po to vėl paleiskite grandininį pjūklą.

⚠️ ĮSPĖJIMAS: Jei pjūklo grandinė apsinėšę pjuvenomis, nebraidykite per ją ranka. Netikėtai pradėjęs veikti, grandininis pjūklas gali sunkiai sužaloti. Spauskite

pjūklo grandinę į medį ir stumdyskite pjūklą pirmyn bei atgal, kad pjūvenos pasišalintų. Visada išimkite akumuliatorių prieš valydami. Tvarkydami pjūklo grandinę, mūvėkite tvirtas apsaugines pirštines.

⚠️ ĮSPĖJIMAS: Niekada nebandykite paleisti grandininio pjūklo, kai jis liečia medieną. Prieš pradėdami pjauti medieną, visada palaukite, kol grandininis pjūklas pasieks didžiausią greitį.

MEDŽIO VERTIMAS

- Kai du arba daugiau žmonių vienu metu pjauna rąstus ir verčia medžius, medžių vertimo ir rąstų pjovimo vietas turi skirti atstumas, kuris yra bent du kartus didesnis už pjaunamo medžio aukštį. Medžių negalima versti taip, kad kiltų pavojus žmonėms, būtų kliudomos elektros perdavimo linijos arba daroma žala nuosavybei. Jei medis kliudė elektros perdavimo liniją, reikia nedelsiant informuoti elektros perdavimo sistemos operatorių.
- Grandininio pjūklo operatorius turi stovėti aukštesnėje reljefo vietoje, nes nuverstas medis dažniausiai nurieta arba nuslysta žemyn.
- Prieš pradėdami pjauti suplanuokite ir, jei reikia, išvalykite atsitraukimo kelią. Einant atsitraukimo keliu, turi būti įstrižai tolstama atgal nuo tikėtinos medžio vartimo krypties, kaip parodyta R pav.

R-1	Medžio vertimo kryptis	R-2	Saugus atsitraukimo kelias
-----	------------------------	-----	----------------------------

- Prieš pradėdami leisti medį, atsižvelkite į medžio pasyvumą, didesnių šakų augimo pusę ir vėjo kryptį, kad nuspręstumėte, į kurią pusę medis virs.
- Nuo medžio nuvalykite nešvarumus, pašalinkite akmenis, atsilupusią žievę, vėnis, kabes ir vielas.

Nukreipimo išpjova

Kaip parodyta S paveiksle, išpjaukite medžio vartimo krypties statmeną nukreipimo išpjovą, kurios gylis 1/3 medžio skersmens. Pirmiausiai išpjaukite apatinę horizontalią išpjovą. Ji padės išvengti pjūklo grandinės arba kreipiamosios juostos prispaudimo pjaunant antrąją išpjovą.

S-1	Vartimo kryptis	S-3	Galinė nuvertimo įpjova
S-2	Išpjova	S-4	Lankstas

Galinė nuvertimo įpjova

- Padarykite galinę nuvertimo įpjovą, kuri būtų bent 50 mm aukščiau nei horizontali išpjova, kaip parodyta S

paveiksle. Galinė nuvertimo įpjova turi būti lygiagreti su horizontalia išpjova. Galinę nuvertimo įpjovą padarykite tokio gylio, kad liktų pakankamai medienos, kuri atliktų lanksto funkciją. Lanksto funkciją atliekanti medžio dalis neleisdžia medžiui pasisukti ir virsti netinkama kryptimi. Neperpjaukite lanksto funkciją atliekančios dalies.

- Kai nuvertimo įpjova priartėja prie lanksto funkciją atliekančios dalies, medis turi pradėti virsti. Jei yra tikimybė, kad medis virs netinkama kryptimi arba pasvirs atgal ir prispaus pjūklo grandinę, nustokite daryti galinę nuvertimo įpjovą, mediniais, plastikiniais arba aliumininiais pleištais išplėskite įpjovą ir nuverskite medį reikiama kryptimi.
- Kai medis pradeda virsti, ištraukite grandininį pjūklą iš įpjovos, išjunkite variklį, padėkite grandininį pjūklą ir atsitraukite suplanuotu atsitraukimo keliu. Saugokitės krintančių viršutinių šakų ir žiūrėkite, kur žengiate.

Medžio nugėnėjimas

Medžio nugėnėjimas – tai šakų pašalinimas nuo nuversto medžio. Genėdami nenupjaukite didesnių apatinių šakų, kad jos laikytų kamieną virš žemės. Smulkias šakas nupjaukite vienu pjūviu, kaip parodyta T pav. Įtemptas šakas reikia pjauti iš apačios į viršų, kad jos neprispaustų grandininio pjūklo.

Rąsto pjovimas

- Rąsto pjovimas – tai rasto pjaustymas į atskirus gabalus. Svarbu įsitikinti, ar tvirtai stovite ir ar kūno svoris tolygiai paskirstytas ant abiejų kojų. Jei įmanoma, rąstą reikia pakelti ir atremti šakomis, rąstais arba trinkomis. Laikykitės paprastų nurodymų, kad būtų lengviau pjauti.
- Kai rąstas atremtas per visą ilgį, kaip parodyta U1 pav., jį reikia pjauti iš viršaus.
- Kai rąstas atremtas tik viename gale, kaip parodyta U2 pav., padarykite įpjovą iš apačios, kurios gylis 1/3 skersmens. Tada atlikite baigiamąjį pjūvį iš viršaus, kol pasieksite pirmąjį pjūvį.
- Kai rąstas atremtas abiejuose galuose, kaip parodyta U3 pav., padarykite įpjovą iš viršaus, kurios gylis 1/3 skersmens. Tada atlikite baigiamąjį pjūvį iš apačios (per likusį 2/3 skersmens), kol pasieksite pirmąjį pjūvį.
- Kai pjaunate nuožulnioje vietoje, visada stovėkite aukščiau, nei guli rąstas, kaip parodyta V pav.

Jei darydami pjūvį norite išlaikyti visišką kontrolę, pjūvio pabaigoje silpniau spauskite, tačiau tvirtai laikykite grandininio pjūklo rankenas. Neleiskite grandinei paliesti žemės. Kai nupjaunate, prieš patraukdami grandininį pjūklą

palaukite, kol pjūklo grandinė sustos. Visada išjunkite variklį prieš eidami prie kito medžio.

TECHNINĖ PRIEŽIŪRA

⚠️ ĮSPĖJIMAS: Vykdydami techninės priežiūros darbus, naudokite tik identiškas atsargines dalis. Naudojant bet kokias kitas dalis, gali kilti pavojus arba sugesti gaminys. Norint užtikrinti saugumą ir patikimumą, visus remonto darbus turi atlikti kvalifikuotas techninės priežiūros specialistas.

⚠️ ĮSPĖJIMAS: Visada išimkite sudėtinę bateriją iš gaminio prieš jį tikrindami, valydami arba prieš vykdydami jo techninės priežiūros darbus, kad išvengtumėte pavojaus sunkiai susižaloti. Akumuliatorinis įrankis su įdėta sudėtine baterija yra nuolat prijungtas prie maitinimo įtampos, todėl gali būti atsitiktinai paleistas.

⚠️ ĮSPĖJIMAS: Kai valote grandininį pjūklą, NEMERKITE jo į vandenį ar kitokį skystį.

⚠️ ĮSPĖJIMAS: Niekada neleiskite stabdžių skysčiams, benzinui, naftos produktams, skvarbiai alyvai ir panašioms medžiagoms patekti ant plastikinių dalių. Chemikalai gali sugadinti, susilpninti arba suardyti plastiką. Dėl to galite sunkiai susižaloti.

VALYMAS

- Kaskart po naudojimo minkštu šepetėliu nuvalykite nešvarumus nuo grandinės ir krepimosios juostos. Grandininio pjūklo paviršių valykite švaria šluoste, sudrėkinta mažos koncentracijos muilo tirpalu.
- Nuimkite šoninį gaubtą ir minkštu šepetėliu nuvalykite nešvarumus nuo krepimosios juostos, pjūklo grandinės, žvaigždutės ir šoninio gaubto.
- Keisdami pjūklo grandinę iš krepimosios juostos griovelio būtina išvalyti medienos skiedras, pjūvenas ir nešvarumus.

KREPIAMOSIOS JUOSTOS TECHNINĖ PRIEŽIŪRA

Kai ant krepimosios juostos pasirodo nudilimo požymiai, nuimkite ją nuo grandininio pjūklo variklio bloko ir vėl uždėkite apverstą (W1 pav.). Tokiu būdu ji tolygiau dils ir pailgės jos naudojimo trukmė.

Kiekvieną dieną, kai dirbate su įrankiu, reikia nuvalyti juostą ir patikrinti, ar ji nesudilusi ir nepažeista. Krepimosios juostos bėgelių šiaušimasis arba šerpetų atsiradimas juose yra normalūs juostos dilimo požymiai. Atsiradusius tokius nelygumus galima pašalinti su dilde. Krepiamąją juostą, kurioje yra toliau nurodytų defektų, reikia pakeisti:

- Išdilimas juostos bėgelyje, dėl kurio grandinė

pakrypsta.

- Įlenkta krepiamoji juosta.
- Įtrūkę arba sulūžę bėgeliai.
- Išsiplėtę bėgeliai.

Be to, krepimosios juostos viršūnėje yra žvaigždutė (W2 pav.). Žvaigždutę reikia kas savaitę sutepti tepimo švirkštu, kad prailgintumėte krepimosios juostos naudojimo trukmę. Kas savaitę tepimo švirkštą įleiskite grandinės alyvos į tepimo skylutę (W3 pav.). Pasukite krepiamąją juostą ir patikrinkite, ar tepimo skylutėse ir grandinės griovelyje nėra nešvarumų.

W-1	Žvaigždutė krepimosios juostos viršūnėje	W-2	Tepimo skylutė
-----	--	-----	----------------

PASTABA: Kad pasiektumėte geriausių rezultatų, naudokite EGO patvirtintus tepalus.

GABENIMAS IR LAIKYMAS

Nepalikite laikymo vietoje ir neneškite veikiančio grandininio pjūklo. Prieš padėdami į sandėlį arba gabendami būtina išimkite sudėtinę bateriją.

Visada uždėkite užmovą ant krepimosios juostos prieš palikdami grandininį pjūklą laikymo vietoje arba gabendami. Būkite atsargūs, kad nepaliesumėte aštrių grandinės dantukų.

Kruopščiai nuvalykite grandininį pjūklą prieš padėdami jį į sandėlį. Grandininį pjūklą laikykite patalpoje, kuri yra sausa, rakinama ir (ar) neprieinama vaikams.

Laikykite toliau nuo esdinančių medžiagų, pvz., sodo chemikalų ir ledo tirpdyimo druskų.

APLINKOS APSAUGA



Neišmeskite elektros įrangos, panaudotų baterijų ir įkroviklio kartu su būtinėmis atliekomis!

Šias atliekas reikia pristatyti į jų surinkimo vietą ar įgaliotam perdirbėjui. Elektrinius įrankius reikia grąžinti į tokių atliekų perdirbimo įmonę.

TRIKČIŲ ŠALINIMAS

⚠️ ĮSPĖJIMAS: Kai vykdomė grandininio pjūklo techninės priežiūros darbus, visada apsaugokite rankas, užsimaudami tvirtas pirštines. Visada išimkite sudėtinę bateriją, kai vykdomė grandininio pjūklo techninės priežiūros darbus arba jį gabenate.

PROBLEMA	PRIEŽASTIS	SPRENDIMAS
Neįsijungia variklis.	<ul style="list-style-type: none"> ■ Sudėtinė baterija neprijungta prie grandininio pjūklo. ■ Nėra elektrinio kontakto tarp pjūklo ir sudėtinės baterijos. ■ Sudėtinė baterija visiškai išsikrovusi. ■ Sudėtinė baterija arba grandininis pjūklas pernelyg įkaitę. ■ Įjungtas grandinės stabdys. ■ Nešvarumai kreipiamosios juostos griovelyje. ■ Nešvarumai už šoninio dangtelio. 	<ul style="list-style-type: none"> ■ Prijunkite sudėtinę bateriją prie grandininio pjūklo. ■ Išimkite sudėtinę bateriją, patikrinkite kontaktus ir vėl ją įstatykite. ■ Įkraukite sudėtinę bateriją. ■ Palaukite, kol sudėtinė baterija arba grandininis pjūklas atvės iki žemesnės nei 67°C temperatūros. ■ Patraukite grandinės atatrunkos stabdymo mentę atgal priekinės rankenos link į darbinę padėtį. ■ Spauskite pjūklo grandinę į medį ir stumdykite pjūklą pirmyn bei atgal, kad pjuvenos pasišalintų. ■ Išimkite sudėtinę bateriją, nuimkite šoninį dangtelį ir išvalykite nešvarumus.
Grandinė sustoja darbo metu.	<ul style="list-style-type: none"> ■ Grandininio pjūklo perkrova. ■ Sudėtinė baterija arba grandininis pjūklas pernelyg įkaitę. ■ Pjūklo grandinė įstrigo medienoje. 	<ul style="list-style-type: none"> ■ Sumažinkite apkrovą. ■ Sumažinkite apkrovą. Palaukite, kol sudėtinė baterija arba grandininis pjūklas atvės iki žemesnės nei 67°C temperatūros. ■ Atleiskite pagrindinį jungiklį, ištraukite grandinę ir pjovimo juostą iš medienos ir tuomet vėl paleiskite grandininį pjūklą.
Variklis veikia, tačiau grandinė nesisuka.	<ul style="list-style-type: none"> ■ Grandinė nesusikabina su varančiąja žvaigždute. 	<ul style="list-style-type: none"> ■ Iš naujo uždėkite grandinę ir įsitikinkite, ar grandinės varantieji nareliai tinkamai uždėti ant žvaigždutės.
Neįsijungia grandinės stabdys.	<ul style="list-style-type: none"> ■ Nešvarumai trukdo grandinės atatrunkos stabdymo mentei laisvai judėti. ■ Galimas grandinės stabdžio gedimas. 	<ul style="list-style-type: none"> ■ Nuvalykite nešvarumus nuo išorinio grandinės stabdžio mechanizmo. ■ Kreipkitės į „EGO“ klientų aptarnavimo tarnybą dėl remonto.

LT

PROBLEMA	PRIEŽASTIS	SPRENDIMAS
Grandininis pjūklas netinkamai pjauna.	<ul style="list-style-type: none"> ■ Nepakankamai įtempta grandinė. ■ Atšipusi grandinė. ■ Grandinė uždėta atvirkščiai. ■ Sudilusi grandinė. ■ Sausa arba per daug įtempta grandinė. ■ Grandinė neįstatyta į kreipiamosios juostos griovelį. 	<ul style="list-style-type: none"> ■ Iš naujo sureguliuokite įtempimą pagal nurodymus skyriuje „GRANDINĖS ĮTEMPIMO REGULIAVIMAS“. ■ Pagaląskite grandinę. ■ Pagal skyriuje „KREIPIAMOSIOS JUOSTOS IR GRANDINĖS UŽDĖJIMAS IR KEITIMAS“ pateiktus nurodymus vėl uždėkite pjūklą grandinę. ■ Pakeiskite grandinę pagal nurodymus skyriuje „KREIPIAMOSIOS JUOSTOS IR GRANDINĖS UŽDĖJIMAS IR KEITIMAS“. ■ Patikrinkite alyvos lygį. Pripildykite alyvos bakelį ir pasirinkite didesnį tiekiamos alyvos kiekį, jei reikia. ■ Iš naujo uždėkite pjūklą grandinę pagal nurodymus skyriuje „KREIPIAMOSIOS JUOSTOS IR GRANDINĖS UŽDĖJIMAS IR KEITIMAS“.
Įprasto darbo metu grandinė atsipalaiduoja ar nukrenta nuo kreipiamosios juostos.	<ul style="list-style-type: none"> ■ Įprastai dirbant su pjūklą, pakyla grandinės temperatūra ir ji išsitempia (atsipalaiduoja). ■ Grandinė nesusikabina su varančiąja žvaigždute. 	<ul style="list-style-type: none"> ■ Įtempkite grandinę pagal nurodymus skyriuje „GRANDINĖS ĮTEMPIMO REGULIAVIMAS“. ■ Iš naujo uždėkite pjūklą grandinę pagal nurodymus skyriuje „KREIPIAMOSIOS JUOSTOS IR GRANDINĖS UŽDĖJIMAS IR KEITIMAS“.

GARANTIJA

EGO GARANTIJOS TAISYKLĖS

Norėdami sužinoti visas EGO garantijos sąlygas ir nuostatas, apsilankykite interneto svetainėje adresu egopowerplus.eu.

LT

IZLASIET VISUS NORĀDĪJUMUS!



IZLASIET LIETOTĀJA ROKASGRĀMATU

⚠ BRĪDINĀJUMS! Lai garantētu drošu un uzticamu instrumenta darbību, visi remontdarbi jāveic kvalificētam servisa speciālistam.

⚠ BRĪDINĀJUMS! Pirms šī instrumenta lietošanas izlasiet un izprotiet visus šajā lietotāja rokasgrāmatā iekļautos drošības norādījumus, tostarp visus drošības brīdinājuma apzīmējumus, piemēram, „**BĪSTAMI!**”, „**BRĪDINĀJUMS!**” un „**UZMANĪBU!**”. Visu turpmāk uzskaitīto norādījumu neievērošana var izraisīt elektriskās strāvas triecienu, aizdegšanos un/vai smagu miesas bojājumus.

DROŠĪBAS APZĪMĒJUMI



Drošības brīdinājums



Lietot acu aizsarglīdzekļus



Valkāt galvas aizsarglīdzekļus



Uzmanieties no ķēdes zāģa radīta atsitiena un saskares ar slīdes galu



Informācija par vadotnes slīdi



Garantētais skaņas intensitātes līmenis. Trokšņa emisija vidē atbilstoši Eiropas Kopienas direktīvai.



Šis izstrādājums atbilst piemērojamām EK direktīvām.



Bluetooth®

mm Milimetry

V Spriegums

IPX4 Aizsardzība pret ūdens šļakatām

SAGLABĀJIET VISUS BRĪDINĀJUMUS UN INSTRUKCIJAS TURPMĀKAI ATSAUCEI.

DROŠĪBAS APZĪMĒJUMS

⚠ BRĪDINĀJUMS! Jebkura elektroinstrumenta lietošanas laikā acis var iekļūt svešķermeņi, kas var radīt smagu acu traumu. Pirms elektroinstrumenta ieslēgšanas vienmēr uzvelciet aizsargbrilles vai aizsargbrilles ar sānu aizsargiem un, ja nepieciešams, pilnu sejas aizsargmasku. Iesakām izmantot aizsargmasku ar plašu skata leņķi, ko uzvelk virs parastajām brillēm, vai arī standarta aizsargbrilles ar sānu aizsargiem.



Lai mazinātu traumu rašanās bīstamību, pirms šī izstrādājuma lietošanas tā lietotājam jāizlasa un jāizprot lietošanas rokasgrāmata.



Lietojiet dzirdes aizsarglīdzekļus



Valkājiet aizsargcimdus



Vadotnes slīdes gala atsitieni



Vienmēr turiet ķēdes zāģi ar abām rokām



Elektrisko izstrādājumu atkritumus nedrīkst izmest kopā ar sadzīves atkritumiem. Nogādāt uz pilnvarotu pārstrādes punktu.



Šis izstrādājums atbilst piemērojamajiem Apvienotās Karalistes tiesību aktiem.



Līdzstrāva

n_0 Apgriezienu skaits bez slodzes

/min. Minūtē

LV

SPECIFIKĀCIJAS

Nominālais spriegums	56 V	
Maks. Ķēdes ātrums	25 m/s	
Ķēdes solis	3/8" (9,5 mm)	
Ķēdes mērinstruments	1,3 mm	
Vadotnes sliedes garums	50 cm	
Zāģa ķēdes veids	AC2005	
Vadotnes sliedes veids	AG2005	
Ķēdes eļļas tvertnes ietilpība	250 ml	
Svars (bez akumulatoru bloka, zāģa ķēdes, vadotnes sliedes, sānu pārsega, eļļas un ķēdes pārsega)	3,9 kg	
Ieteicamā darba temperatūra	-15°C - 40°C	
Ieteicamā uzglabāšanas temperatūra	-20°C - 70°C	
Ieteicamā uzlādes temperatūra	5°C - 40°C	
Izmērītais skaņas intensitātes līmenis L_{WA}	103 dB(A) K=1,7 dB(A)	
Trokšņa spiediena līmenis operatora vietā L_{PA}	89 dB(A) K=3 dB(A)	
Garantētais skaņas intensitātes līmenis L_{WA} (saskaņā ar 2000/14/EK)	105 dB(A)	
Vibrācija a_h	Priekšējais rokturis	4,69 m/s ² K=1,5 m/s ²
	Aizmugurējais rokturis	4,24 m/s ² K=1,5 m/s ²

- Norādītā vibrāciju kopējā vērtība ir izmērīta saskaņā ar standartā pārbaudes metodi un var tikt izmantota, lai salīdzinātu vairākus instrumentus.
- Deklarēto vibrāciju emisijas vērtību var arī lietot iepriekšējai vibrāciju iedarbības novērtēšanai.

PIEZĪME! Vibrāciju emisijas faktiskajā elektroinstrumenta darbināšanas laikā var atšķirties no norādītās vērtības. Lai pasargātu operatoru, lietotājam jāvalkā cimdi un dzirdes aizsargdzekļi atbilstoši faktiskajiem darba apstākļiem.

IĒPAKOJUMA SATURA SARAKSTS (A1 ATT.)

APRAKSTS

PĀRZINIET SAVU ĶĒDES ZĀĢI (A1 att.)

1. Zāģa ķēde
2. Zāģēšanas balsteņi
3. Ķēdes atsietna bremzes lāpstiņa
4. Priekšējais rokturis
5. LCD ekrāns
6. Ātruma joslas
7. Bluetooth ikona
8. Priekšējās spuldzes ikona
9. Bremzes ikona
10. Degvielas mēritāja aplis
11. Priekšējās spuldzes/Bluetooth poga
12. Ķēdes ātruma pārslēgšanas poga
13. Bloķēšanas poga
14. Sprūda slēdzis
15. Aizmugurējais rokturis
16. Akumulatora atbrīvošanas poga
17. Eļļas pārbaudes logs
18. Eļļas tvertnes vāciņš
19. Vadsliede
20. Eļļošanas atvere
21. Sānu pārsegs
22. Sānu pārsega uzgriežņi
23. LED priekšējās spuldzes
24. Ķēdes sprieģošanas skrūve
25. Divgalu uzgriežņu atslēga
26. Ķēdes pārsegs

LV

MONTĀŽA

SLIEDES UN ĶĒDES UZSTĀDĪŠANA/NOMAIŅA

▲ BRĪDINĀJUMS! Pirms montāžas noregulējiet ķēdes atsietna bremzes lāpstiņu bremzēšanas stāvoklī.

1. Novietojiet ķēdes zāģa instrumentgalvu uz sāniem tā, lai sānu pārsegs būtu vērsts uz augšpusi (B att.).
2. Noņemiet sānu pārsegu, pagriežot abus fiksācijas uzgriežņus pretēji pulkstenrādītāja virzienam.
3. Lai atbrīvotu ķēdes sprieģojumu, pagrieziet ķēdes

spriegošanas skrūvi pretēji pulksteņrādītāja virzienam.

- Novietojiet zāga ķēdi cilpā uz līdzenas virsmas un iztaisnojiet visus mezglus (C att.).
- levietojiet ķēdes piedziņas locekļus vadotnes slīdes rievā un savienojiet ķēdi nepārtrauktā cilpā vadotnes slīdes aizmugurē (D att.).
- Pieturiet ķēdi uz vadotnes slīdes un uzlieciet cilpu apkārt zaru zāga ķēzratam (E1 attēls).

B-1	Fiksācijas uzgriežņi	D-2	Vadslīdes rievā
B-2	Ķēdes spriegošanas skrūve	E-1	Piedziņas ķēzrats
D-1	Ķēdes piedziņas posmi		

PIEZĪME! Uzliekot zāga ķēdi uz vadotnes slīdes, pārliedieties, ka pēc vadotnes slīdes uzstādīšanas uz zāga sakrīt griezēja un rotācijas virziena bultiņas uz korpusa. Ja tās ir vērstas pretējos virzienos, vēlreiz uzstādiet zāga ķēdi uz vadotnes slīdes tā, lai bultiņas būtu vērstas vienā virzienā (E2 att.).

- Uzlieciet atpakaļ sānu pārsegu uz ķēdes zāga korpusa un pievelciet abus fiksācijas uzgriežņus līdz galam.
- Pagrieziet ķēdi ar roku, lai pārbaudītu, vai ķēde ir pareizi salikta bez piestiprināšanas. Ja tas tā nav, vēlreiz samontējiet ķēdi un sliedi.

PIEZĪME! Lai paildzinātu vadotnes slīdes kalpošanas laiku, ik pa laikam apgrieziet sliedi otrādi.

LV

ĶĒDES SPRIEĢOJUMA REGULĒŠANA

- Pirms ķēdes spriegojuma regulēšanas apturiet zāga motoru un izņemiet akumulatora bloku. Lai noregulētu ķēdes spriegojumu (F att.), pagrieziet ķēdes spriegošanas skrūvi pulksteņrādītāja virzienā vai pretēji pulksteņrādītāja virzienam, līdz ķēde ir stingri nostiepta uz vadotnes slīdes un piedziņas posmi atrodas vadotnes slīdes rievā.
- Auksta ķēde ir pareizi nospriegotā tad, ja tā nenokarājas vadotnes slīdes apakšpusē un cieši pieguļ, taču to var kustināt ar roku bez saķeršanās. Ķēde jāpārspriego ik reizi, kad piedziņas locekļu plakanās virsmas neieguļ slīdes rievā.
- Parasti zāga darbības laikā ķēdes temperatūra palielinās. Pareizi nospriegotas uzsilušas ķēdes piedziņas locekļi karāsies aptuveni 1,3 mm ārpus slīdes rievās (G att.).

PIEZĪME! Jaunām ķēdēm ir tendence stiepties, tādēļ bieži

186

56 VOLTU LITIJA-JONU BEZVADU ĶĒDES ZĀĢIS — CS2000E

pārbaudiet to spriegojumu un, ja nepieciešams, atkārtoti nospriegojiet.

PIEZĪME! Ķēde, kura tika nospriegotā, kamēr tā bija silta, pēc atdzišanas var būt pārāk cieši savilkta. Pirms nākamās lietošanas reizes pārbaudiet aukstās ķēdes spriegojumu.

EKSPLUATĀCIJA

BRĪDINĀJUMS! Saglabājiet modrību visu griezējinstrumenta lietošanas laiku. Neaizmirstiet, ka pat mīrkilis neuzmanības var izraisīt nopietnu traumu.

BRĪDINĀJUMS! Nelietojiet palīgierīces vai piederumus, ko nav ieteicis šī produkta ražotājs. Šādu neapstiprinātu palīgierīču vai piederumu lietošana var radīt nopietnus ievainojumus.

BRĪDINĀJUMS! Lai novērstu nejašu ieslēgšanos, kas var radīt smagas traumas, saliekot instrumentu, kā arī veicot regulēšanas, tīrīšanas darbus vai, kad to nelietojat, vienmēr izņemiet no tā akumulatoru bloku.

Pirms katras lietošanas pārbaudiet visu ierīci, vai tā nav bojāta, vai tai nav trūkstošu vai atskrūvējušos daļu, piemēram, skrūves, uzgriežņi, bultskrūves, vāciņi utt. Stingri pievelciet visus stiprinājumus un vāciņus un nedarbiniet šo ierīci, līdz visas trūkstošās vai bojātās daļas nav nomainītas.

PIELIETOJUMS

Šo zāģi varat izmantot parastām koku gāšanas, atzarošanas, zaru apzāģēšanas, kā arī blūķu un koku sazāģēšanas darbībām.

PIEZĪME! Ierīci drīkst izmantot tikai aprakstītajam mērķim. Izmantošana jebkādā citā veidā ir uzskatāma par neatbilstošu.

SLĪDES UN ĶĒDES SMĒRVIELAS UZPILDĪŠANA

BRĪDINĀJUMS! Nesmēķējiet, kā arī nenovietojiet uguni vai atklātu liesmu eļļas vai ķēdes zāģa tuvumā. Eļļa var izšļakstīties un izraisīt ugunsgrēku.

PIEZĪME! Iegādes brīdī ķēdes zāģi nav iepildīta eļļa. Pirms lietošanas tvertnē noteikti ir jāiepilda eļļa. Darbības laikā ķēde tiek automātiski ieeļļota ar ķēdes eļļu.

- Novietojiet ķēdes zāģi uz sāniem tā, lai tvertnes vāciņš būtu vērsti uz augšu.
- Lai eļļas tvertnē neiekrīstu netīrumi, notīriet eļļas tvertnes vāciņu un vietu ap to.
- Paceliet pusapaļa plāksni taisni uz augšu un

pagrieziet eļļas tvertnes vāciņu pretēji pulksteņrādītāja kustības virzienam, lai to noņemtu (H att.).

- Uzmanīgi iepildiet sliedes un ķēdes eļļu tvertnē. Aizpildiet līdz aizpildīšanas kakliņa apakšējai daļai.
- Noslaukiet visu notecējušo eļļu un uzlieciet atpakaļ vāciņu.

PIEZĪME! Regulāri pārbaudiet eļļas līmeni un piepildiet, kad eļļas līmenis nokrītās zem minimālās atzīmes līnijas. Nekad nedarbiniet ķēdes zāģi, ja nav redzama eļļa.

AKUMULATORU BLOKA IEVIETOŠANA/IZŅEMŠANA
Izmantojiet kopā tikai ar A2 attēlā norādītajiem EGO akumulatoru blokiem un lādētājiem.

Pirms pirmās lietošanas reizes akumulators ir pilnībā jāuzlādē.

Piestiprināšana

Salāgojiet akumulatora izciļņus ar stiprinājuma rievām un iespiediet akumulatoru bloku, līdz ir dzirdama „klikšķa” skaņa (I att.).

Izņemšana

Nospiediet akumulatora atbrīvošanas pogu un izņemiet akumulatoru bloku (J att.).

ĶĒDES ZĀĢA IESLĒGŠANA/IZSLĒGŠANA

PIEZĪME! Pirms ķēdes zāģa ieslēgšanas pārbaudiet eļļas līmeni, zāģa zobu asumu un atsietena bremzes lāpstiņu darbību. Tāpat ievērojiet pareizu stāju un ieturiet atbilstošu attālumu no zemes.

Iedarbināšana (K att.)

- Pavelciet ķēdes atsietena bremzes lāpstiņu uz priekšējā roktura pusi līdz darba pozīcijai (K att.).
- Vienmēr satveriet priekšējo rokturi ar kreiso roku un aizmugurējā rokturi ar labo roku.

⚠ BRĪDINĀJUMS! Lai izvairītos no traumām, vienmēr turiet ķēdes zāģi ar labo roku, satverot aiz aizmugurējā roktura satvēriena daļas (L att.).

- Ar labās rokas īkšķi turiet nospiešanu bloķēšanas pogu un pēc tam ar labās rokas pirkstiem saspiediet sprūda slēdzi, lai iedarbinātu zāģi (L att.).

L-1	Satvēriena daļa
-----	-----------------

- Atbrīvojiet atbloķēšanas pogu un turpiniet spiest sprūda slēdzi, lai instruments darbotos nepārtraukti.
- Jo vairāk tiek nospiesti sprūda slēdzis, jo lielāks ir ķēdes ātrums. Pielāgojiet veicamajiem darbiem

nepieciešamo ātrumu.

⚠ BRĪDINĀJUMS! Nemēģiniet iedarbināt zāģi, kamēr tā ķēde atrodas griezumā.

Apturēšana

- Lai apturētu ķēdes zāģi, vispirms pārvietojiet to projām no griešanas zonas un pēc tam atlaidiet sprūda slēdzi.
- Pabīdīet ķēdes atsietena bremzes lāpstiņu uz priekšu līdz bremzēšanas stāvoklim, lai aktivizētu ķēdes bremzi (K att.).

⚠ BRĪDINĀJUMS! Vienmēr darba pārtraukumos un pēc darbu pabeigšanas izņemiet akumulatoru bloku no ierīces.

ĀTRUMA REŽĪMA MAIŅA (M att.)

Šai mašīnai ir trīs ātruma režīmi. Katrs ātruma režīms ierobežo ķēdes zāģa maksimālo ātrumu. Ātruma režīms mainās ar katru ātruma režīma pogas nospiešanas reizi.

Ātruma joslas LCD ekrānā parāda aktīvā ātruma režīmu: viena josla norāda zemu ātrumu, divas joslas vidēju ātrumu, bet trīs joslas lielu ātrumu. Zema ātruma režīms nodrošina labāku mašīnas vadību un ilgāku darbības laiku ar vienu uzlādes reizi.

M-1	Ātruma joslas	M-5	Degvielas mēritāja aplis
M-2	Bluetooth ikona	M-6	Priekšējās spuldzes/Bluetooth poga
M-3	Priekšējās spuldzes ikona	M-7	Ķēdes ātruma pārslēgšanas poga
M-4	Bremzes ikona		

PIEZĪME! Akumulatoru bloka EGO, kura nominālā jauda ir 2,5 Ah vai mazāka, izmantošanas laikā ir pieejams tikai ECO režīms. Savukārt, izmantojot akumulatoru bloku EGO, kura nominālā jauda ir zemāka par 6,0 Ah, nebūs iespējams sasniegt lielu ātrumu. Lai ierīce darbotos ar vislabāko veiktspēju, iesakām izmantot akumulatoru blokus EGO, kuru jauda ir 6,0 Ah (piemēram, BA3360T modeli) vai vairāk.

PIEZĪME! Zāģa ātruma atmiņas funkcija atcerēsies pēdējo ātruma iestatījumu un aktivizēs to nākamreiz, kad ieslēgsiet zāģi.

PIEZĪME! LCD ekrānā iedegas apgaismojums pēc sprūda slēdža atvilkšanas, ātruma pogas vai priekšējās spuldzes/Bluetooth pogas nospiešanas. Kad ķēdes zāģis nedarbojas, apgaismojums automātiski izslēdzas pēc aptuveni 30 sekundēm.

LED PRIEKŠĒJĀ SPULDZE (N att.)

LED priekšējā spuldze atrodas ķēdes zāga korpusa priekšpusē. Priekšējā spuldze nodrošina apgaismojumu, kas uzlabo redzamību, un tam ir 2 spilgtuma līmeņi.

Lai ieslēgtu priekšējo spuldzi, nospiediet vienu reizi priekšējās spuldzes/Bluetooth pogu (M att.). Priekšējā spuldze iedegsies, ja spilgtuma līmenis būs zems, un LCD ekrānā parādīsies zema spilgtuma līmeņa priekšējās spuldzes ikona. Vēlreiz nospiediet priekšējās spuldzes/Bluetooth pogu, lai ieslēgtu augstu spilgtuma līmeni; LCD ekrānā parādīsies augsta spilgtuma līmeņa priekšējās spuldzes ikona.

Lai izslēgtu priekšējo spuldzi, nospiediet priekšējās spuldzes/Bluetooth pogu trešo reizi, un LCD ekrānā vairs nebūs redzama priekšējās spuldzes ikona.

N-1	Zema spilgtuma līmeņa priekšējās spuldzes ikona	N-3	LED priekšējās spuldzes
N-2	Augsta spilgtuma līmeņa priekšējās spuldzes ikona		

VISVIRZIENU ĶĒDES BREMŽU SISTĒMA (O1 un O2 att.)

BRĪDINĀJUMS! Visvirzienu ķēdes bremžu sistēma nav paredzēta standarta/parasto ķēdes bremžu aizvietošanai. Ķēdes zāga darbības laikā lietotājs nekad nedrīkst palauties uz šo funkciju, lai nodrošinātu aizsardzību pret atsitienu. Vienmēr ievērojiet drošības norādījumus par atsitienu novēršanu, kas pieejami šīs rokasgrāmatas brīdinājumu sadaļā.

Ja ir aktivizējies visvirzienu ķēdes bremžu sistēma, kas ir apturējusi zāgi, LCD ekrānā mirgo bremžu ikona (M attēls). Atlaidiet sprūda slēdzi, izņemiet zāga ķēdi un vadotnes sliedi no kokmateriāla, un pēc tam no jauna iedarbiniet zāgi.

PIEZĪME! Sensori nosaka tikai pēkšņu zāga kustību vadotnes slīdes plaknē (O1 attēls). Sensori nenosaka pēkšņu zāga kustību uz sāniem (O2 attēls) (t.i., perpendikulāri vadotnes slīdes plaknei).

KOMUNIKĀCIJU TEHNOLOĢIJA

Lai iegūtu informāciju par mūsu savienojamo izstrādājumu un pakalpojumu pilnu klāstu, tostarp savienojuma izveides instrukcijas, lūdzam noskenēt tālāk norādīto QR kodu vai apmeklēt tīmekļa vietni www.egopowerplus.eu/connect.



PAREIZS ROKTURU SATVĒRIENS (P1 att.)

- Lai nodrošinātu maksimālu satvērienu un aizsardzību, valkājiet neslīdošus cimdus.
- Zāģim atrodieties uz stabilas, līdzenas virsmas, stingri satveriet to ar abām rokām.
- Vienmēr satveriet priekšējo rokturi ar kreiso roku un aizmugurējo rokturi ar labo roku.
- Pirkstiem jāaptver rokturis tā, lai tikšķis atrastos zem priekšējā roktura.

BRĪDINĀJUMS! Nekad neturiet zāģi satvērienā, kur vadošā ir kreisā roka (apgrieztais satvēriens), kā arī nestāviet tā, lai kāda jūsu ķermeņa daļa vai roka varētu atrasties virs ķēdes līnijas.

BRĪDINĀJUMS! Nespiediet sprūda slēdzi ar kreiso roku un turiet priekšējo rokturi ar labo roku. Darbojoties ar ķēdes zāģi, nekad neļaujiet nevienai ķermeņa daļai atrasties ķēdes līnijā (P2 att.).

PAREIZA STĀJA ZĀĢĒŠANAS LAIKĀ (Q att.)

- Abām kājām jāatrodas stabili uz zemes, svaram esot vienlīdzīgi izdalītam starp tām.
- Kreisajai rokai jābūt taisnai, elkonim nofiksētam. Tas palīdz izturēt atsitienu radītās ietekmes spēku.
- Jūsu ķermenim vienmēr jāatrodas ķēdes līnijas kreisajā pusē.

NORĀDĪJUMI ATTIECĪBĀ UZ PAREIZĀM KOKU GĀŠANAS, ATZAROŠANAS, ZARU APZĀĢĒŠANAS UN PĀRZĀĢĒŠANAS TEHNIKĀM

BRĪDINĀJUMS! Kad dzinējs darbojas, vienmēr pārliecinieties, ka stāvat pareizi un stingri turat zāģi ar abām rokām.

BRĪDINĀJUMS! Kad zāģēšanas laikā zāģa ķēde tiek apturēta saspiešanas dēļ, atlaidiet sprūda slēdzi, noņemiet zāģa ķēdi un vadotnes sliedi no koka un pēc tam no jauna ieslēdziet zāģi.

BRĪDINĀJUMS! Neraujiet zāģa ķēdi ar rokām, kad tajā ir ieķērušās zāģskaidas. Varat gūt nopietnus ievainojumus, ja ķēde sāk nejauši darboties. Piespiediet zāģa ķēdi pret koku, kustiniet ķēdes zāģi uz priekšu un aizmuguri, lai atbrīvotos no gruziem. Vienmēr pirms tīrīšanas izņemiet akumulatoru. Darbojoties ar zāģa ķēdi, valkājiet augstākās aizsardzības pakāpes cimdus.

BRĪDINĀJUMS! Nekad nedarbiniet ķēdes zāģi, ja tas ir saskarē ar koku. Pirms pietuviniet zāģi kokam ļaujiet tam

sasniegt pilnu ātrumu.

KOKA GĀŠANA

- Kad sagarumošanas un koka gāšanas darbus vienlaicīgi veic divi vai vairāk cilvēki, koka gāšanas darbi un sagarumošanas darbi jāveic divās dažādās vietās, kas viena no otras atrodas tādā attālumā, kas vienlīdzīgs divkāršam gāzamā koka garumam. Kokus nedrīkst gāzt veidā, kas apdraud citus cilvēkus, var pārtraukt elektropārvades līniju vai radīt īpašuma bojājumus. Ja tomēr koks saskaras ar elektropārvades līniju, nekavējoties par to jāpaziņo atbildīgajiem dienestiem.
- Ķēdes zāģa operatoram jāstāv kalnup vērstajā koka pusē, jo koks pēc nogāšanas visticamāk rīpos vai slīdēs lejup pa kalnu.
- Pirms zāģēšanas jāizplāno un jāattīra bēgšanas ceļš. Atkāpšanās ceļam ir jāsniedzas atpakaļ un pa diagonāli no sagaidāmās koka krišanas līnijas aizmugures, kā parādīts R attēlā.

R-1	Gāšanas virziens	R-2	Drošības atkāpšanās ceļš
-----	------------------	-----	--------------------------

- Pirms koka gāšanas darbu uzsākšanas ņemiet vērā dabisko koka liekšanās virzienu, lielāko zaru novietojumu un vēja virzienu, lai noteiktu koka krišanas virzienu.
- Noīriet no koka netīrumus, noņemiet nokarājošos mizu, naglas, skavas un stieples.

Robojošs aizzāģējums

Iezzāģējiet robu perpendikulāri koka krišanas virzienam līdz 1/3 no koka diametra, kā tas parādīts S attēlā. Vispirms veiciet apakšējo horizontālo robojošo iezzāģējumu. Tas palīdzēs novērst zāģa ķēdes vai vadotnes slīdes iespīšanās otrā roba iezzāģēšanas laikā.

S-1	Krišanas virziens	S-3	Gāšanas iezzāģējums pretējā koka pusē
S-2	Iedobums	S-4	Enģe

Gāšanas iezzāģējums pretējā koka pusē

- Veiciet gāšanas iezzāģējumu pretējā koka pusē vismaz 50 mm virs horizontālā robojošā iezzāģējuma, kā parādīts S attēlā. Gāšanas iezzāģējumu pretējā koka pusē saglabājiet paralēlu horizontālajam robojošajam iezzāģējumam. Gāšanas iezzāģējumu pretējā koka pusē veiciet tik dziļi, lai atlikušais koka daudzums varētu tikt izmantots kā enģe. Koka enģe novērs koka sagriešanas un krišanu nepareizajā virzienā. Neizzāģējiet cauri

enģei.

- Tiklīdz gāšanas darbības tiek veiktas tuvu pie enģes, kokam būtu jāstāv krist. Ja pastāv kaut mazākā iespēja, ka koks varētu nekrist paredzētajā virzienā vai tas varētu sašūpoties uz aizmuguri un iespiest zāģa ķēdi, pārtrauciet zāģēšanu pirms gāšanas iezzāģējums otrā koka pusē ir pabeigts un izmantojiet koka, plastmasa vai alumīnija ķēdi, lai atvērtu iezzāģējumu un nogāztu koku vēlamajā krišanas virzienā.
- Kad koks sāk krist, izņemiet ķēdes zāģi no iezzāģētās līnijas, apturiet motoru, nolieciet zāģi uz zemes un izmantojiet noteikto atkāpšanās plānu. Uzmanieties no krītošajiem zariem un skatieties, kur liekat kājas.

Koka atzarošana

Atzarošana ir zaru nozāģēšana nokritušam kokam. Veicot atzarošanu, atstājiet lielākos apakšējos zarus, lai tie noturētu koku virs zemes. Nozāģējiet mazākos zarus ar vienu piegājienu, kā tas parādīts T attēlā. Saliektie zari jāzāģē no apakšas uz augšu, lai izvairītos no ķēdes zāģa iespīšanas.

Baļķa sagarināšana

- Sagarināšana ir dēļa sazāģēšana garumos. Pirms sagarināšanas darbu veikšanas, svarīgi ir pārliecināties, ka stāvat stabili un jūsu svārs ir vienlīdzīgi izdalīts uz abām kājām. Kad iespējams, bluķis jāpaceļ uz augšu un jāatbalsta, izmantojot zarus, dēļus vai klucus. Ievērojiet vienkāršos virzienus vieglai zāģēšanai.
- Ja bluķis tiek atbalsfīts visā tā garumā, kā tas parādīts U1 attēlā, tas jāzāģē no augšpusē (augšējā garumošana).
- Ja tiek atbalsfīts tikai viens bluķa gals, kā tas parādīts U2 attēlā, no apakšpusē veiciet iegriezumu līdz 1/3 no diametra (apakšējā garumošana). Pēc tam pabeidziet griezumam, veicot augšējās garumošana kustību līdz pirmajam iezzāģējumam.
- Ja tiek balstīti abi bluķa gali, kā parādīts U3 attēlā, no augšpusē veiciet griezumam līdz 1/3 no diametra (augšējā garumošana). Pēc tam pabeidziet griezumam, veicot apakšējo garumošanu atlikušajās 2/3 līdz pirmajai griezumam vietai.
- Veicot garumošanu slīpumā, vienmēr stāviet tajā bluķa pusē, kas atrodas kalnup, kā tas parādīts V attēlā.

Zāģējot cauri, lai saglabātu pilnīgu kontroli, īsi pirms zāģēšanas darbības pabeigšanas samaziniet zāģēšanas spiedienu, neatslābinot ķēdes zāģa rokturu satvērienu. Neļaujiet ķēdei saskarties ar zemi. Kad pabeidzat zāģēšanu, pagaidiet, lai ķēde apstājas, pirms pārvietojat zāģi citur.

LV

Pārejot no viena koka uz citu, vienmēr apturiet motoru.

APKOPE

⚠ BRĪDINĀJUMS! Veicot apkopi, izmantojiet tikai identiskas rezerves daļas. Jebkuru citu daļu izmantošana var radīt apdraudējumu vai instrumenta bojājumus. Lai garantētu drošu un uzticamu instrumenta darbību, visi remontdarbi jāveic kvalificētam servisa speciālistam.

⚠ BRĪDINĀJUMS! Lai novērstu nopietnu traumu gūšanas risku, pirms ķēdes zāģa pārbaudīšanas, tīrīšanas vai apkopes darbu veikšanas izņemiet akumulatoru bloku. Ar akumulatoru darbināms instruments, kurā ir ievietots akumulatoru bloks, vienmēr ir ieslēgts un var nejauši sākt darboties.

⚠ BRĪDINĀJUMS! Tīrot ķēdes zāģi, NEIEMĒRCIET to ūdenī vai kādā citā šķidrumā.

⚠ BRĪDINĀJUMS! Nekad neļaujiet bremžu šķidrumiem, degvielai, uz naftu bāzētiem izstrādājumiem, iestrādēt eļļām u.tml. nonākt saskarē ar plastmasa daļām. Ķīmikālijas var sabojāt, pavājināt vai iznīcināt plastmasu, kā rezultātā varat gūt nopietnus ievainojumus.

TĪRĪŠANA

- Pēc katras lietošanas reizes ar mīkstu suku iztīriet no ķēdes un vadslīdes grūzus. Noslaukiet ķēdes zāģa virsmu ar tīru drānu, kas samitrināta ar maigu ziepju šķīdumu.
- Noņemiet sānu pārsegu un pēc tam ar mīkstu suku notīriet grūzus no vadotnes slīdes, zāģa ķēdes, ķēzrāta un sānu pārsega.
- Vienmēr, kad maināt zāģa ķēdi, iztīriet koka skaidas, zāģskaidas un netīrumus no vadotnes slīdes rievās.

VADSLĪDES APKOPE

Kad vadotnes slīdei rodas nodiluma pazīmes, demontējiet to no ķēdes zāģa instrumentgalvas, apgrieziet otrādi un uzlieciet atpakaļ (W1 att.). Šādā veidā nodilums tiks sadalīts, lai maksimāli palielinātu vadotnes slīdes kalpošanas laiku.

Katrā lietošanas dienā slīde jānotīra un jāpārbauda, vai nav redzamas nodiluma pazīmes un bojājumi. Slīdes līniju atstarpošanās un atskabargu veidošanās ir normāls slīdes nodilšanas process. Šādas nepilnības jānolīdzina ar vili tiklīdz tās tiek konstatētas. Slīdi, kurai ir kāds no šiem bojājumiem, jānomaina:

- nodilums slīdes līnijās, kuras ļauj uzlikt ķēdi sāniski;

- saliekta vadslīde;
- iekļūkušas vai saplīsušas slīdes līnijas;
- izpletušās slīdes līnijas.

Turklāt vadotnes slīdes galā ir ķēzrāts (W2 attēls). Šis ķēzrāts katru nedēļu jāieeļļo ar eļļas šļirci, lai pagarinātu vadotnes slīdes kalpošanas ilgumu. Izmantojot eļļas šļirci, iknedēļu veiciet ieeļļošanu ar ķēdes eļļu caur eļļošanas atveri (W3 att.). Pagrieziet vadotnes slīdi un pārliecinieties, vai eļļošanas atverēs un ķēdes rievā nav grūžu.

W-1	Ķēzrāts vadotnes slīdes galā	W-2	Eļļošanas atvere
-----	------------------------------	-----	------------------

PIEZĪME! Lai iegūtu vislabākos rezultātus, izmantojiet EGO apstiprinātās smērvielas.

TRANSPORTĒŠANA UN UZGLABĀŠANA

Neuzglabājiet vai netransportējiet ķēdes zāģi, kamēr tas darbojas. Vienmēr pirms novietošanas glabāšanā vai transportēšanas izņemiet akumulatoru.

Vienmēr pirms ķēdes zāģa novietošanas glabāšanā vai transportēšanas uzlieciet vadotnes slīdei un ķēdei vadotnes slīdes pārsegu. Rīkojieties uzmanīgi, lai izvairītos no asajiem ķēdes zobiem.

Pirms uzglabāšanas rūpīgi notīriet ķēdes zāģi. Uzglabājiet ķēdes zāģi iekštelpās, sausā un aizslēgtā vai bērniem nepieejamā vietā.

Sargājiet no kodīgām vielām, piemēram, dārzā lietojamajām ķīmikālijām un atledošanas sāls.

APKĀRTĒJĀS VIDES AIZSARDZĪBA



Neutilizējiet elektrisko aprīkojumu, izlietoto akumulatoru un lādētāju sadzīves atkritumos!

Nogādājiet šo produktu uz pilnvarotu pārstrādes punktu un sagatavojiet atkritumu šķirošanai. Elektriskos instrumentus jānogādā videi nekaitīgā pārstrādes rūpnīcā.

PROBLĒMU MEKLĒŠANA UN NOVĒRŠANA

⚠ BRĪDINĀJUMS! Vienmēr aizsargājiet savas rokas, valkājot biezus cimdus zāģa ķēdes apkopes darbu veikšanas laikā. Vienmēr pirms ķēdes zāģa apkopes darbu veikšanas vai transportēšanas izņemiet akumulatoru.

PROBLĒMA	CĒLONIS	RISINĀJUMS
Nedarbojas motors.	<ul style="list-style-type: none"> ■ Ķēdes zāģī nav ievietots akumulators. ■ Starp zāģi un akumulatoru bloku nav elektriskā savienojuma. ■ Akumulatoru bloks ir izlādējies. ■ Akumulators vai ķēdes zāģis ir pārāk karsts. ■ Ieslēgta ķēdes bremze. ■ Gruži sliedes rievā. ■ Gruži pārsegā. 	<ul style="list-style-type: none"> ■ Ievietojiet ķēdes zāģī akumulatoru. ■ Izņemiet akumulatoru bloku, pārbaudiet kontaktus un ievietojiet atpakaļ. ■ Uzlādējiet akumulatoru bloku. ■ Ļaujiet akumulatoram vai ķēdes zāģim atdzist līdz temperatūra nokrītas zemāk par 67°C. ■ Atvelciet ķēdes atsiena bremzes lāpstiņu priekšējā roktura virzienā darba stāvoklī. ■ Piespiediet zāģa ķēdi pret koku, kustiniet ķēdes zāģi uz priekšu un aizmuguri, lai atbrīvotos no gružiem. ■ Izņemiet akumulatoru, pēc tam noņemiet sānu pārsegu un izīriet gružus.
Zāģēšanas laikā laikā ķēdes zāģis pārstāj darboties.	<ul style="list-style-type: none"> ■ Ķēdes zāģa pārslodze. ■ Akumulators vai ķēdes zāģis ir pārāk karsts. ■ Kokā iestrēgusi zāģa ķēde. 	<ul style="list-style-type: none"> ■ Samaziniet slodzi. ■ Samaziniet slodzi. Ļaujiet akumulatoram vai ķēdes zāģim atdzist līdz temperatūra nokrītas zemāk par 67°C. ■ Atļaidiet sprūda slēdzi, noņemiet zāģa ķēdi un vadotnes joslu no koka un pēc tam no jauna ieslēdziet zāģi.
Motors darbojas, bet ķēde negriežas.	<ul style="list-style-type: none"> ■ Ķēde neiedarbina piedziņas ķēžratu. 	<ul style="list-style-type: none"> ■ Uzstādiet atpakaļ ķēdi, pārīlecinoties, ka ķēdes piedziņas posmi pilnībā atrodas uz ķēžrata.
Nedarbojas ķēdes bremze.	<ul style="list-style-type: none"> ■ Gruži kavē pilnīgu ķēdes atsiena bremzes lāpstiņas kustību. ■ Iespējami ķēdes bremzes darbības traucējumi. 	<ul style="list-style-type: none"> ■ Izīriet gružus no ārējā ķēdes bremzes mehānisma. ■ Ja nepieciešams veikt labošanas darbus, sazinieties ar EGO klientu apkalpošanas nodaļu.

PROBLĒMA	CĒĻONIS	RISINĀJUMS
<p>Ķēdes zāģis nezāģē pareizi.</p>	<ul style="list-style-type: none"> ■ Nepietiekams ķēdes spriegums. ■ Trula ķēde. ■ Ķēde uzstādīta uz otru pusi. ■ Nodilusi ķēde. ■ Sausa vai pārāk izstiepta ķēde. ■ Ķēde neatrodas sliedes rievā. 	<ul style="list-style-type: none"> ■ Atkārtoti noregulējiet ķēdes spriegojumu, kā aprakstīts nodaļā: „ĶĒDES SPRIEĢOJUMA REGULĒŠANA”. ■ Uzasiniet ķēdi. ■ Uzstādiet zāģa ķēdi, ievērojot nodaļā „SLIEDES UN ĶĒDES UZSTĀDĪŠANA/NOMAIŅA” sniegtās norādes. ■ Nomainiet ķēdi, kā aprakstīts nodaļā: „SLIEDES UN ĶĒDES UZSTĀDĪŠANA/NOMAIŅA”. ■ Pārbaudiet eļļas līmeni. Uzpildiet eļļas tvertni un, ja nepieciešams, izvēlieties lielāku eļļas pudeles apjomu. ■ Uzstādiet atpakaļ zāģa ķēdi, kā aprakstīts nodaļā: „SLIEDES UN ĶĒDES UZSTĀDĪŠANA/NOMAIŅA”.
<p>Normālas lietošanas laikā ķēde kļūst vaļīga vai nokrīt no vadotnes sliedes.</p>	<ul style="list-style-type: none"> ■ Ķēde kļūst vaļīga, palielinoties ķēdes temperatūrai parastas zāģa darbības laikā. ■ Ķēde neiedarbina piedziņas ķēžratu. 	<ul style="list-style-type: none"> ■ Noregulējiet ķēdes spriegojumu, ievērojot sadaļā „ĶĒDES SPRIEĢOJUMA REGULĒŠANA” sniegtās norādes. ■ Uzstādiet atpakaļ zāģa ķēdi, kā aprakstīts nodaļā: „SLIEDES UN ĶĒDES UZSTĀDĪŠANA/NOMAIŅA”.

GARANTĪJA

EGO GARANTĪJAS POLITIKA

Lūdzam apmeklēt tīmekļa vietni egopowerplus.eu, kur pieejama pilna EGO garantijas politikas noteikumu un nosacījumu versija.

LV

ΔΙΑΒΑΣΤΕ ΟΛΕΣ ΤΙΣ ΟΔΗΓΙΕΣ!



ΔΙΑΒΑΣΤΕ ΤΟ ΕΓΧΕΙΡΙΔΙΟ ΧΡΗΣΗΣ

⚠️ ΠΡΟΕΙΔΟΠΟΙΗΣΗ: Προκειμένου να διασφαλιστεί η ασφάλεια και η αξιοπιστία, όλες οι επισκευές πρέπει να διενεργούνται από εξειδικευμένο τεχνικό σέρβις.

⚠️ ΠΡΟΕΙΔΟΠΟΙΗΣΗ: Βεβαιωθείτε ότι έχετε διαβάσει και κατανοήσει όλες τις οδηγίες ασφάλειας στο παρόν εγχειρίδιο χρήσης, συμπεριλαμβανομένων όλων των συμβόλων ασφάλειας, όπως «**ΚΙΝΔΥΝΟΣ**», «**ΠΡΟΕΙΔΟΠΟΙΗΣΗ**» και «**ΠΡΟΣΟΧΗ**», προτού χρησιμοποιήσετε αυτό το ηλεκτρικό εργαλείο. Η μη τήρηση

όλων των παρακάτω οδηγιών μπορεί να οδηγήσει σε ηλεκτροπληξία, πυρκαγιά και/ή σοβαρό τραυματισμό.

ΦΥΛΑΞΤΕ ΟΛΕΣ ΤΙΣ ΠΡΟΕΙΔΟΠΟΙΗΣΕΙΣ ΚΑΙ ΤΙΣ ΟΔΗΓΙΕΣ ΓΙΑ ΜΕΛΛΟΝΤΙΚΗ ΑΝΑΦΟΡΑ.

ΣΥΜΒΟΛΟ ΑΣΦΑΛΕΙΑΣ

⚠️ ΠΡΟΕΙΔΟΠΟΙΗΣΗ: Η λειτουργία ηλεκτρικών εργαλείων μπορεί να προκαλέσει την εκτόξευση ξένων αντικειμένων στα μάτια σας, με αποτέλεσμα σοβαρό τραυματισμό. Προτού ξεκινήσετε τη χρήση του ηλεκτρικού εργαλείου, φοράτε πάντα προστατευτικά γυαλιά ή γυαλιά με πλευρική προστασία και, εφόσον απαιτείται, πλήρη προστατευτική προσωπίδα. Συνιστούμε μια προσωπίδα ασφαλείας ευρείας όρασης, για χρήση πάνω από γυαλιά ή τα συνήθη προστατευτικά γυαλιά με πλευρική προστασία.

ΣΥΜΒΟΛΑ ΑΣΦΑΛΕΙΑΣ



Προειδοποίηση ασφαλείας



Φοράτε προστατευτικά γυαλιά



Φοράτε προστασία για το κεφάλι



Λαμβάνετε υπόψη το οπισθολάκτισμα του αλυσοπριόνου και αποφεύγετε την επαφή με την ακμή οδηγητικής μπάρας



Πληροφορίες για την οδηγητική μπάρα



Εγγυημένη στάθμη ακουστικής ισχύος. Εκπομπές θορύβου στο περιβάλλον σύμφωνα με την οδηγία της Ευρωπαϊκής Ένωσης.



Αυτό το προϊόν συμμορφώνεται με τις εφαρμοστές οδηγίες της ΕΚ.



Bluetooth®

mm Χιλιστό

V Τάση

IPX4 Διαθέτει προστασία από πισίλισμα νερού



Προκειμένου να μειωθεί ο κίνδυνος τραυματισμού, ο χρήστης πρέπει να διαβάσει και να κατανοήσει το εγχειρίδιο χρήσης προτού να χρησιμοποιήσει αυτό το προϊόν.



Φοράτε προστατευτικά ακοής



Φοράτε προστατευτικά γάντια



Οπισθολάκτισμα ακμής οδηγητικής μπάρας



Χρησιμοποιείτε το αλυσοπρίονο πάντα και με τα δύο χέρια



Τα απόβλητα ειδών ηλεκτρικού και ηλεκτρονικού εξοπλισμού δεν πρέπει να απορρίπτονται στα οικιακά απορρίμματα. Πρέπει να παραδίδονται σε εξουσιοδοτημένη μονάδα ανακύκλωσης.



Αυτό το προϊόν συμμορφώνεται με την ισχύουσα νομοθεσία του Η.Β.



Συνεχές ρεύμα

n_0 Ταχύτητα χωρίς φορτίο

./min Ανά λεπτό

GR

ΣΗΜΕΙΩΣΗ: Το λεκτικό Bluetooth® και τα λογότυπα είναι σήματα κατατεθέντα που ανήκουν στην Bluetooth SIG, inc. και οποιαδήποτε χρήση αυτών των σημάτων από EGO γίνεται με άδεια.

ΤΕΧΝΙΚΕΣ ΠΡΟΔΙΑΓΡΑΦΕΣ

Ονομαστική τάση	56 V	
Μέγ. Ταχύτητα αλυσίδας	25 m/s	
Βήμα αλυσίδας	9,5 mm (3/8")	
Ένδειξη αλυσίδας	1,3 mm	
Μήκος οδηγητικής μπάρας	50 cm	
Τύπος αλυσίδας πριονιού	AC2005	
Τύπος οδηγητικής μπάρας	AG2005	
Χωρητικότητα ρεζερβουάρ λαδιού αλυσίδας	250 ml	
Βάρος (χωρίς συστοιχία μπαταριών, αλυσίδα, οδηγητική μπάρα, πλευρικό κάλυμμα, προστατευτικό λαδιού και αλυσίδας)	3,9 kg	
Συνιστώμενη θερμοκρασία λειτουργίας	-15°C - 40°C	
Συνιστώμενη θερμοκρασία αποθήκευσης	-20°C - 70°C	
Συνιστώμενη θερμοκρασία φόρτισης	5°C - 40°C	
Μετρούμενη στάθμη ακουστικής ισχύος L_{WA}	103 dB(A) K=1,7 dB(A)	
Στάθμη ηχητικής πίεσης στη θέση εργασίας L_{PA}	89 dB(A) K=3 dB(A)	
Εγγυημένη στάθμη ηχητικής ισχύος L_{WA} (κατά 2000/14/ΕΚ)	105 dB(A)	
Κραδασμοί a_h	Μπροστινή λαβή	4.69 m/s ² K=1.5 m/s ²
	Πίσω λαβή	4.24 m/s ² K=1.5 m/s ²

- Η δηλωθείσα συνολική τιμή κραδασμών έχει μετρηθεί σύμφωνα με πρότυπη μέθοδο δοκιμής και μπορεί να χρησιμοποιηθεί για τη σύγκριση ενός εργαλείου με κάποιο άλλο.
- Η δηλωθείσα συνολική τιμή κραδασμών μπορεί να χρησιμοποιηθεί, επίσης, σε προκαταρκτική αξιολόγηση έκθεσης.

ΣΗΜΕΙΩΣΗ: Η μετάδοσης της δόνησης κατά τη διάρκεια

της πραγματικής χρήσης του ηλεκτρικού εργαλείου μπορεί να διαφέρει από τη δηλωθείσα τιμή στην οποία χρησιμοποιείται το εργαλείο. Για την προστασία του χειριστή, πρέπει να χρησιμοποιούνται γάντια και ωτοασπίδες υπό πραγματικές συνθήκες χρήσης.

ΚΑΤΑΛΟΓΟΣ ΕΞΑΡΤΗΜΑΤΩΝ (ΕΙΚ. Α1)

ΠΕΡΙΓΡΑΦΗ

ΓΝΩΡΙΣΤΕ ΤΟ ΑΛΥΣΟΠΡΙΟΝΟ ΣΑΣ (Εικ. Α1)

1. Αλυσίδα πριονιού
2. Ακμές τεμαχισμού
3. Πτερύγιο φρένου οπισθολακτίσματος αλυσίδας
4. Μπροστινή λαβή
5. Οθόνη LCD
6. Μπάρες ταχύτητας
7. Εικονίδιο Bluetooth
8. Εικονίδιο προβολέα
9. Εικονίδιο φρένου
10. Στρογγυλός δείκτης στάθμης καυσίμου
11. Κουμπί προβολέα/Bluetooth
12. Κουμπί ταχύτητας αλυσίδας
13. Κουμπί απασφάλισης
14. Διακόπτης-σκανδάλη
15. Πίσω λαβή
16. Κουμπί αποδέσμευσης μπαταριών
17. Θυρίδα επιθεώρησης λαδιού
18. Καπάκι ρεζερβουάρ λαδιού
19. Οδηγητική μπάρα
20. Οπή λίπανσης
21. Πλευρικό κάλυμμα
22. Παξιμόδια πλευρικού καλύμματος
23. Προβολέας LED
24. Μπουλόνι τάνυσης αλυσίδας
25. Διπλό σωληνωτό κλειδί
26. Θήκη αλυσίδας

ΣΥΝΑΡΜΟΛΟΓΗΣΗ

ΣΥΝΑΡΜΟΛΟΓΗΣΗ/ΑΝΤΙΚΑΤΑΣΤΑΣΗ ΤΗΣ ΜΠΑΡΑΣ

GR

ΚΑΙ ΤΗΣ ΑΛΥΣΙΔΑΣ

▲ ΠΡΟΕΙΔΟΠΟΙΗΣΗ: Ρυθμίστε το πτερύγιο φρένου οπισθολακτίσματος αλυσίδας στη θέση φρεναρίσματος πριν από τη συναρμολόγηση.

1. Τοποθετήστε την κεφαλή ισχύος αλυσοπρίνου στα πλάγια με το πλαϊνό κάλυμμα να βλέπει προς τα επάνω (Εικ. Β).
2. Αφαιρέστε το πλευρικό κάλυμμα περιστρέφοντας τα δύο παξιμάδια ασφάλισης αριστερόστροφα.
3. Περιστρέψτε το μπουλόνι τάνυσης αλυσίδας αριστερόστροφα για να χαλαρώσετε την τάνυση της αλυσίδας.
4. Απλώστε την αλυσίδα αλυσοπρίνου σε μια θηλιά σε μια επίπεδη επιφάνεια και ισιώστε οποιοσδήποτε διπλώσεις (Εικ. C).
5. Τοποθετήστε τους συνδέσμους οδηγού αλυσίδας μέσα στην εγκοπή οδηγητικής μπάρας και κάντε θηλιά στην αλυσίδα στο πίσω μέρος της οδηγητικής μπάρας (Εικ. D).
6. Κρατήστε την αλυσίδα στην θέση της πάνω στην οδηγητική μπάρα και τοποθετήστε τη θηλιά γύρω από τον οδοντοτροχό του πριονιού (Εικ. E1).

B-1	Παξιμάδια κλειδώματος	D-2	Εγκοπή οδηγητικής μπάρας
B-2	Μπουλόνι τάνυσης αλυσίδας	E-1	Οδοντοτροχός οδηγησης
D-1	Σύνδεσμοι οδηγού αλυσίδας		

ΣΗΜΕΙΩΣΗ: Όταν τοποθετείτε την αλυσίδα επάνω στην οδηγητική μπάρα βεβαιώνεστε ότι αφότου τοποθετήσετε την οδηγητική μπάρα επάνω στο πριόνι, το μοτίβο κόφτη και η το βέλος κατεύθυνσης περιστροφής θα αντιστοιχεί στο περίβλημα. Εάν αυτά βλέπουν προς την αντίθετη κατεύθυνση, επανασυναρμολογήστε την αλυσίδα επάνω την οδηγητική μπάρα με τους κόφτες να κοιτάζουν στην ίδια κατεύθυνση (Εικ. E2).

7. Επανατοποθετήστε το πλευρικό κάλυμμα επάνω στο περίβλημα αλυσοπρίνου και σφίξτε καλά τα δύο παξιμάδια ασφάλισης.
8. Περιστρέψτε την αλυσίδα με το χέρι για να ελέγξετε εάν είναι σωστά συναρμολογημένη χωρίς να μαγκώνει. Στην αντίθετη περίπτωση, συναρμολογήστε εκ νέου την αλυσίδα και την μπάρα.

ΣΗΜΕΙΩΣΗ: Για να επιμηκύνετε τη διάρκεια ζωής της οδηγητικής μπάρας, αντιστρέψετε τακτικά την μπάρα.

ΡΥΘΜΙΣΗ ΤΗΣ ΤΑΝΥΣΗΣ ΑΛΥΣΙΔΑΣ

- Σβήστε τον κινητήρα και αφαιρέστε τη συστοιχία μπαταριών προτού να ρυθμίσετε την τάνυση αλυσίδας. Γυρίστε δεξιόστροφα ή αριστερόστροφα το μπουλόνι τάνυσης αλυσίδας για να προσαρμόσετε την τάνυση αλυσίδας (Εικ. F) μέχρι η αλυσίδα να εδράζεται καλά κόντρα στην οδηγητική μπάρα με τους συνδέσμους οδηγού στην εσοχή οδηγητικής μπάρας.
- Μια κρύα αλυσίδα τανύζεται σωστά όταν δεν υπάρχει τζόγος στην κάτω πλευρά της μπάρας οδηγησης και η αλυσίδα είναι σφιγμένη αλλά μπορεί να περιστραφεί με το χέρι χωρίς να μαγκώνει. Η αλυσίδα πρέπει να επαναταυσιέται όποτε τα επίπεδα μέρη στους συνδέσμους οδηγού δεν εδράζονται στην εσοχή μπάρας.
- Κατά την κανονική λειτουργία κοπής, η θερμοκρασία της αλυσίδας αυξάνεται. Οι σύνδεσμοι οδηγού μιας σωστά ταυσιμένης ζεστής αλυσίδας θα κρέμονται περίπου 1,3 mm έξω από την εγκοπή μπάρας (Εικ. G).

ΣΗΜΕΙΩΣΗ: Οι νέες αλυσίδες τείνουν να τεντώνονται. Ελέγχετε την τάνυση αλυσίδας τακτικά και τανύζετε κατόπιν απαίτησης.

ΣΗΜΕΙΩΣΗ: Μια αλυσίδα που τανύζεται ενώ είναι ζεστή, μπορεί όταν κρυώσει να είναι πολύ σφιχτή. Ελέγξτε την ψυχρή τάνυση της αλυσίδας πριν από την επόμενη χρήση.

ΛΕΙΤΟΥΡΓΙΑ

▲ ΠΡΟΕΙΔΟΠΟΙΗΣΗ: Η εξοικείωσή σας με αυτό το προϊόν δε θα πρέπει να σας κάνει λιγότερο προσεκτικούς. Θυμηθείτε πως ένα κλάσμα δευτερολέπτου απροσεξίας μπορεί να προκαλέσει σοβαρό τραυματισμό.

▲ ΠΡΟΕΙΔΟΠΟΙΗΣΗ: Μη χρησιμοποιείτε παρελκόμενα που δεν συνιστώνται από τον κατασκευαστή αυτού του προϊόντος. Η χρήση παρελκομένων ή εξαρτημάτων που δε συνιστώνται από τον κατασκευαστή, ενέχει τον κίνδυνο σοβαρού τραυματισμού.

▲ ΠΡΟΕΙΔΟΠΟΙΗΣΗ: Για να εμποδίσετε τυχαία εκκίνηση που θα μπορούσε να προκαλέσει σοβαρό ατομικό τραυματισμό, απομακρύνετε πάντα τη συστοιχία μπαταριών από το εργαλείο, όταν συναρμολογήτε εξαρτήματα, διεξάγετε ρυθμίσεις, καθαρισμό ή σε περίπτωση μη χρήσης.

Πριν από κάθε χρήση, ελέγχετε πλήρως το προϊόν για φθαρμένα, ελλιπή ή χαλαρά εξαρτήματα, όπως, βίδες, παξιμάδια, μπουλόνια, πώματα, κτλ. Συσφίξτε με ασφάλεια όλους τους σφιγκτήρες και τα πώματα και μη θέσετε σε

GR

λειτούργει το προϊόν προτού να αποκατασταθούν όλα τα ελλειπή ή φθαρμένα εξαρτήματα.

ΕΦΑΡΜΟΓΗ

Μπορείτε να χρησιμοποιήσετε αυτό το εργαλείο για βασικές εργασίες υλοτομίας, αποκλάδωσης, και κοπής ξύλων σε ξυλεία και δέντρα.

ΣΗΜΕΙΩΣΗ: Η μηχανή πρέπει να χρησιμοποιείται μόνο για την προβλεπόμενη χρήση. Οποιαδήποτε άλλη χρήση θα εκληφθεί ως καταχρηστική.

ΠΛΗΡΩΣΗ ΛΙΠΑΝΤΙΚΟΥ ΣΤΗ ΜΠΑΡΑ ΚΑΙ ΤΗΝ ΑΛΥΣΙΔΑ

⚠️ ΠΡΟΕΙΔΟΠΟΙΗΣΗ: Μην καπνίζετε ή επιτρέπετε να πλησιάζει φωτιά ή φλόγα κοντά σε λάδια ή στην αλυσίδα. Το λάδι μπορεί να διαρρεύσει και να προκληθεί πυρκαγιά.

ΣΗΜΕΙΩΣΗ: Το αλυσοπρίονο δεν έχει λάδι μέσα κατά την αγορά. Είναι απαραίτητο να γεμίσετε το ρεζερβουάρ με λάδι πριν από τη χρήση. Η αλυσίδα λιπαίνεται αυτόματα με λάδι αλυσίδας κατά τη λειτουργία.

1. Τοποθετήστε το αλυσοπρίονο στο πλάι του με το καπάκι ρεζερβουάρ να κοιτάζει προς τα επάνω..
2. Καθαρίστε το καπάκι του ρεζερβουάρ λαδιού και το χώρο γύρω από αυτό, ώστε να μην πέσουν ρύποι μέσα σε αυτό.
3. Ανασηκώστε την ημικυκλική πλάκα και περιστρέψτε το καπάκι του δοχείου λαδιού αριστερόστροφα για να το αφαιρέσετε (Εικ. Η).
4. Συμπληρώστε προσεκτικά το λάδι μπάρας και αλυσίδας στο ρεζερβουάρ. Γεμίστε μέχρι τη βάση του λαϊμού πλήρωσης.
5. Σκουπίστε το υπερβάλλον λάδι και επανατοποθετήστε το καπάκι.

ΣΗΜΕΙΩΣΗ: Ελέγχετε τακτικά τη στάθμη λαδιού και συμπληρώνετε λάδι όταν η στάθμη πέφτει κάτω από τη γραμμή της μέγιστης στάθμης. Μη χρησιμοποιείτε το αλυσοπρίονο εάν το λάδι δεν φαίνεται.

ΠΡΟΣΑΡΤΗΣΗ/ΑΠΟΜΑΚΡΥΝΣΗ ΤΗΣ ΣΥΣΤΟΙΧΙΑΣ ΜΠΑΤΑΡΙΩΝ

Χρησιμοποιείτε μόνο τις συστοιχίες μπαταριών και τους φορτιστές της EGO που αναφέρονται στην Εικ. Α2.

Φορτίστε πλήρως πριν από την πρώτη χρήση.

Προσάρτηση

Ευθυγραμμίστε τις νευρώσεις μπαταρίας με τις οπές τοποθέτησης και πιέστε τη συστοιχία μπαταριών κάτω, έως ότου να ακούσετε ένα «κλικ» (Εικ. Ι).

Αφαίρεση

Πιέστε το κουμπί αποδέσμευσης μπαταρίας και τραβήξτε έξω τη συστοιχία μπαταριών (Εικ. J).

ΕΝΕΡΓΟΠΟΙΗΣΗ/ΑΠΕΝΕΡΓΟΠΟΙΗΣΗ ΤΟΥ ΑΛΥΣΟΠΡΙΟΝΟΥ

ΣΗΜΕΙΩΣΗ: Προτού εκκινήσετε το αλυσοπρίονο, ελέγξτε τη στάθμη λαδιού, εάν οι οδοντώσεις αλυσίδας είναι αιχμηρές και εάν το περὺγιο φρένου οπισθολακτίσματος λειτουργεί σωστά. Επίσης πρέπει να στέκεστε ισορροπημένα και σε σωστή απόσταση από το έδαφος.

Ενεργοποίηση (Εικ. Κ)

1. Τραβήξτε το περὺγιο φρένου οπισθολακτίσματος αλυσίδας προς την μπροστινή λαβή στη θέση λειτουργίας (Εικ. Κ).
2. Πιάνετε πάντα σφιχτά την μπροστινή λαβή με το αριστερό χέρι και την πίσω λαβή με το δεξί χέρι.

⚠️ ΠΡΟΕΙΔΟΠΟΙΗΣΗ: Για να αποφύγετε τραυματισμούς, χρησιμοποιείτε πάντα το αλυσοπρίονο με το δεξί χέρι πιάνοντας στην περιοχή πιασίματος της πίσω λαβής (Εικ. L).

3. Πιέστε και κρατήστε πατημένο το κουμπί ασφάλισης με τον αντίχειρα του δεξιού σας χεριού, κατόπιν πιέστε το διακόπτη-σκανδάλη με τα δάχτυλα του δεξιού σας χεριού για να εκκινήσετε το πριόνι (Εικ. L).

L-1	Περιοχή λαβής
-----	---------------

4. Αποδεσμεύστε το κουμπί απασφάλισης και συνεχίστε να πιέζετε το διακόπτη σκανδάλης για συνεχή λειτουργία.
5. Όσο πιο πολύ πιέζεται ο διακόπτης-σκανδάλη, τόσο αυξάνεται η ταχύτητα. Ρυθμίστε την ταχύτητα ώστε να ανταποκρίνεται στην εν λόγω εργασία.

⚠️ ΠΡΟΕΙΔΟΠΟΙΗΣΗ: Μην προσπαθήσετε να εκκινήσετε το πριόνι όταν η αλυσίδα βρίσκεται σε μια κοπή.

Απενεργοποίηση

1. Απομακρύνετε το αλυσοπρίονο από την περιοχή κοπής και στη συνέχεια, αποδεσμεύστε το διακόπτη σκανδάλης για να απενεργοποιήσετε το αλυσοπρίονο.
2. Ωθήστε το περὺγιο φρένου οπισθολακτίσματος αλυσίδας προς τα εμπρός στη θέση φρένου για να εμπλέξετε το φρένο αλυσίδας (Εικ. Κ).

⚠️ ΠΡΟΕΙΔΟΠΟΙΗΣΗ: Αφαιρείτε πάντα τη συστοιχία μπαταριών από τη μηχανή κατά τη διάρκεια διαλειμμάτων

και μετά την ολοκλήρωση της εργασίας.

ΑΛΛΑΓΗ ΛΕΙΤΟΥΡΓΙΑΣ ΤΑΧΥΤΗΤΑΣ (Εικ. Μ)

Το παρόν μηχάνημα διαθέτει τρεις λειτουργίες ταχύτητας. Κάθε λειτουργία ταχύτητας περιορίζει τη μέγιστη ταχύτητα του αλυσοπριόνου. Η λειτουργία ταχύτητας αλλάζει με κάθε πάτημα του κουμπιού ταχύτητας αλυσίδας.

Οι μπάρες ταχύτητας στην οθόνη LCD προβάλλουν την ενεργή ταχύτητα λειτουργίας: μια μπάρα για χαμηλή ταχύτητα, δύο μπάρες για μεσαία ταχύτητα και τρεις μπάρες για υψηλή ταχύτητα. Η λειτουργία χαμηλής ταχύτητας (ECO) παρέχει καλύτερο έλεγχο της μηχανής και περισσότερο χρόνο λειτουργίας ανά φόρτιση.

M-1	Μπάρες ταχύτητας	M-5	Στρογγυλός δείκτης στάθμης καυσίμου
M-2	Εικονίδιο Bluetooth	M-6	Κουμπί προβολέα/Bluetooth
M-3	Εικονίδιο προβολέα	M-7	Κουμπί ταχύτητας αλυσίδας
M-4	Εικονίδιο φρένου		

ΣΗΜΕΙΩΣΗ: Όταν χρησιμοποιείτε συστοιχία μπαταριών της EGO έως 2,5 Ah, τότε είναι διαθέσιμη μόνο η λειτουργία ECO. Επίσης, η χρήση συστοιχίας μπαταριών της EGO κάτω των 6,0 Ah δεν επιτρέπει την ανάπτυξη υψηλής ταχύτητας. Για βέλτιστη απόδοση, συνιστούμε θερμά τη χρήση συστοιχιών μπαταριών της EGO τουλάχιστον 6,0 Ah (π.χ., BA3360T).

ΣΗΜΕΙΩΣΗ: Η λειτουργία μνήμης ταχύτητας της μηχανής θυμάται την τελευταία ρύθμιση ταχύτητας και την ενεργοποιεί την επόμενη φορά που ενεργοποιείται το μηχάνημα.

ΣΗΜΕΙΩΣΗ: Η οθόνη LCD ανάβει όταν τραβηχτεί ο διακόπτης-σκανδάλη ή όταν πατηθεί το κουμπί ταχύτητας ή το κουμπί προβολέα/Bluetooth. Απενεργοποιείται αυτόματα μετά από περίπου 30 δευτερόλεπτα αδράνειας του αλυσοπριόνου.

ΠΡΟΒΟΛΕΑΣ LED (Εικ. Ν)

Ο προβολέας LED βρίσκεται στο μπροστινό μέρος του περιβλήματος αλυσοπριόνου. Ο προβολέας παρέχει φωτισμό για αυξημένη ορατότητα και διαθέτει 2 επίπεδα φωτεινότητας.

Για να ανάψετε τον προβολέα, πατήστε το κουμπί προβολέα/Bluetooth (Εικ. Μ) μία φορά. Ο προβολέας θα ανάψει σε χαμηλή φωτεινότητα και θα εμφανιστεί το

εικονίδιο χαμηλής φωτεινότητας στην οθόνη LCD. Πιέστε εκ νέου το κουμπί προβολέα/Bluetooth για να μεταβείτε σε υψηλή φωτεινότητα και θα εμφανιστεί το εικονίδιο προβολέα υψηλής φωτεινότητας στην οθόνη LCD.

Για να απενεργοποιήσετε τον προβολέα, πατήστε το κουμπί προβολέα/Bluetooth για τρίτη φορά και το εικονίδιο του προβολέα θα εξαφανιστεί από την οθόνη LCD.

N-1	Εικονίδιο προβολέα χαμηλής φωτεινότητας	N-3	Προβολέας LED
N-2	Εικονίδιο προβολέα υψηλής φωτεινότητας		

ΠΑΓΚΑΤΕΥΘΥΝΤΙΚΟ ΣΥΣΤΗΜΑ ΠΕΔΗΣΗΣ ΑΛΥΣΙΔΑΣ (Εικ. Ο1 και Ο2)

⚠ ΠΡΟΕΙΔΟΠΟΙΗΣΗ: Το παγκατευθυντικό σύστημα πέδησης αλυσίδας δεν προορίζεται ως υποκατάστατο του τυπικού/παραδοσιακού φρένου αλυσίδας. Ο χρήστης δεν πρέπει να βασιστεί ποτέ σε αυτό το χαρακτηριστικό κατά τη διάρκεια λειτουργίας του αλυσοπριόνου όσον αφορά την προστασία από ανιλάκτιση. Τηρείτε πάντοτε τις οδηγίες αποφυγής της ανιλάκτισης που περιλαμβάνονται στην ενότητα προειδοποιήσεων του παρόντος εγχειριδίου.

Όταν ενεργοποιείται το παγκατευθυντικό σύστημα πέδησης αλυσίδας και σταματά η λειτουργία του αλυσοπριόνου, αναβοσβήνει στην οθόνη LCD το εικονίδιο φρένου. Αποδεσμεύστε το διακόπτη σκανδάλης, απομακρύνετε την αλυσίδα και την οδηγητική μπάρα από το ξύλο, και στη συνέχεια, επανεκκινήστε το αλυσοπριόνου.

ΣΗΜΕΙΩΣΗ: Οι αισθητήρες εντοπίζουν μόνο ξαφνική κίνηση του αλυσοπριόνου στο επίπεδο της οδηγητικής μπάρας (Εικ. Ο1). Οι αισθητήρες δεν εντοπίζουν καμία ξαφνική κίνηση του αλυσοπριόνου πλάγια (Εικ. Ο2) (δηλ. κάθετα στο επίπεδο της οδηγητικής μπάρας).

ΤΕΧΝΟΛΟΓΙΑ ΤΗΣ ΕΠΙΚΟΙΝΩΝΙΑΣ

Για περισσότερες πληροφορίες σχετικά με το πλήρες εύρος των συνδεδεμένων προϊόντων και υπηρεσιών μας, συμπεριλαμβανομένων των οδηγιών σύνδεσης, σαρώστε τον παρακάτω κωδικό QR ή μεταβείτε στη διεύθυνση www.egopowerplus.eu/connect.



ΣΩΣΤΟ ΠΙΑΣΙΜΟ ΤΩΝ ΛΑΒΩΝ (Εικ. Ρ1)

- Φοράτε αντιολισθητικά γάντια για μέγιστο κράτημα και προστασία.
- Με το αλυσοπριόνου σε μια σταθερή, επίπεδη

GR

επιφάνεια, κρατήστε το σφιχτά και με τα δύο χέρια.

- Πιάνετε πάντα την μπροστινή λαβή με το αριστερό χέρι και την πίσω λαβή με το δεξί χέρι.
- Τα δάχτυλα πρέπει περικλείουν τη χειρολαβή, με τον αντίχειρα τυλιγμένο κάτω από την μπροστινή χειρολαβή.

⚠️ ΠΡΟΕΙΔΟΠΟΙΗΣΗ: Ποτέ μη χρησιμοποιείτε αριστερό κράτημα (διασταύρωση χεριών) ή οτιδήποτε μπορεί να θέσει το σώμα ή το βραχίονά σας εγκάρσια της γραμμής κοπής της αλυσίδας.

⚠️ ΠΡΟΕΙΔΟΠΟΙΗΣΗ: Μη λειτουργείτε το διακόπτη-σκανδάλη με το αριστερό χέρι και κρατάτε την μπροστινή χειρολαβή με το δεξί χέρι. Φροντίστε ώστε κανένα μέρος του σώματός σας να μη βρίσκεται στη γραμμή κοπής της αλυσίδας κατά τη διάρκεια χρήσης του αλυσοπριόνου (Εικ. Ρ2).

ΣΩΣΤΗ ΘΕΣΗ ΚΟΠΗΣ (Εικ. Q)

- Και τα δύο πόδια πρέπει να βρίσκονται σε σταθερό έδαφος, με το βάρος ομοιόμορφα κατανεμημένο μεταξύ τους.
- Ο αριστερός βραχίονας πρέπει να είναι ίσιος, με τον αγκώνα σταθερό. Έτσι αντέχετε τις δυνάμεις που δημιουργούνται από οπισθολάκτισμα.
- Το σώμα σας πρέπει να βρίσκεται πάντα στα αριστερά της γραμμής αλυσίδας.

ΟΔΗΓΙΕΣ ΑΝΑΦΟΡΙΚΑ ΜΕ ΤΙΣ ΣΩΣΤΕΣ ΤΕΧΝΙΚΕΣ ΓΙΑ ΒΑΣΙΚΗ ΥΛΟΤΟΜΙΑ, ΑΠΟΚΛΑΔΩΣΗ ΚΑΙ ΕΓΚΑΡΣΙΑ ΚΟΠΗ

⚠️ ΠΡΟΕΙΔΟΠΟΙΗΣΗ: Βεβαιώστε πάντα ότι στέκεστε καλά και ότι κρατάτε το αλυσοπρίονο σφιχτά και με τα δύο χέρια, ενώ λειτουργεί το μοτέρ.

⚠️ ΠΡΟΕΙΔΟΠΟΙΗΣΗ: Όταν η αλυσίδα είναι σταματημένη λόγω μαγκώματος κατά την κοπή, αποδεσμεύστε το διακόπτη σκανδάλης. Απομακρύνετε την αλυσίδα και την οδηγητική μπάρα από το ξύλο, και στη συνέχεια, επανεκκινήστε το αλυσοπρίονο.

⚠️ ΠΡΟΕΙΔΟΠΟΙΗΣΗ: Μην τραβάτε την αλυσίδα με το χέρι όταν είναι δεσμευμένη με σκόνη πριονίσματος. Μπορεί να προκύψει σοβαρός τραυματισμός εάν το αλυσοπρίονο εκκινηθεί κατά τύχη. Πιέστε το αλυσοπρίονο προς το ξύλο, μετακινήστε το αλυσοπρίονο προς τα πίσω και εμπρός για να απομακρύνετε τα υπολείμματα. Απομακρύνετε πάντα τη μπαταρία πριν τον καθαρισμό. Φοράτε ανθεκτικά προστατευτικά γάντια όταν χειρίζεστε την αλυσίδα.

⚠️ ΠΡΟΕΙΔΟΠΟΙΗΣΗ: Ποτέ μην εκκινείτε το αλυσοπρίονο όταν βρίσκεται σε επαφή με το ξύλο. Αφήνετε πάντα το αλυσοπρίονο να φτάνει στην πλήρη ταχύτητα, προτού το ακουμπήσετε πάνω στο ξύλο.

ΚΟΠΗ ΔΕΝΤΡΟΥ

- Κατά τις λειτουργίες τεμαχισμού και κοπής από δύο ή περισσότερα άτομα ταυτόχρονα, η λειτουργία κοπής πρέπει να διαχωρίζεται από τη λειτουργία τεμαχισμού από μια απόσταση τουλάχιστον το διπλό ύψος του δέντρου που κόβεται. Τα δέντρα δεν πρέπει να κόβονται έτσι ώστε να θέτουν σε κίνδυνο οποιοδήποτε άτομο, να χτυπήσουν οποιοδήποτε αγωγό ή να προκαλέσουν ζημιές σε ιδιοκτησίες. Εάν ένα δέντρο έρθει σε επαφή με γραμμές τροφοδοσίας πρέπει να ειδοποιηθεί αμέσως η αντίστοιχη εταιρεία.
- Ο χειριστής του αλυσοπριόνου πρέπει να στέκεται στην ανωφερή πλευρά του εδάφους, γιατί το δέντρο μπορεί να κυλήσει ή να γλιστρήσει προς τα κάτω μετά την κοπή.
- Πριν ξεκινήσετε τις εργασίες κοπής πρέπει να σχεδιάσετε και να καθαρίσετε ένα διάδρομο διαφυγής σύμφωνα με τις ανάγκες. Η διαδρομή διαφυγής πρέπει να εκτείνεται προς τα πίσω και διαγώνια από την αναμενόμενη γραμμή πτώσης, όπως φαίνεται στην Εικ. R.

R-1	Κατεύθυνση κοπής	R-2	Διαδρομή υποχώρησης ασφάλειας
-----	------------------	-----	-------------------------------

- Προτού ξεκινήσει η κοπή, λάβετε υπόψη την φυσική κλίση του δέντρου, την τοποθεσία των μεγαλύτερων κλαδιών και την κατεύθυνση του ανέμου, ώστε να κρίνετε προς ποια κατεύθυνση θα πέσει το δέντρο.
- Αφαιρέστε ρύπους, πέτρες, χαλαρούς φλοιούς, καρφιά, συνδετήρες και σύρματα από το δέντρο.

ΕΓΚΟΠΗ ΤΟΜΗΣ ΡΙΨΗΣ

Κάντε την εντομή στο 1/3 της διαμέτρου του δέντρου, κάθετα προς την κατεύθυνση πτώσης, όπως φαίνεται στην Εικ. S. Κάντε πρώτα την κατώτερη οριζόντια κοπή εγκοπής. Έτσι θα αποφευχθεί μάγκωμα του αλυσοπριόνου ή της οδηγητικής μπάρας όταν γίνει η δεύτερη εντομή.

S-1	Κατεύθυνση πτώσης	S-3	Όπισθεν κοπή
S-2	Εγκοπή	S-4	Μεντεσές

Όπισθεν κοπή

- Κάντε την όπισθεν κοπή τουλάχιστον 50 mm ψηλότερα από την οριζόντια κοπή εντομής, όπως φαίνεται στην Εικ. S. Διατηρείτε την όπισθεν κοπή τουλάχιστον παράλληλη στην οριζόντια κοπή εντομής. Κάντε την όπισθεν κοπή έτσι ώστε να απομείνει επαρκές ξύλο για να λειτουργήσει ως άρθρωση. Το ξύλο που λειτουργεί έτσι εμποδίζει το δέντρο να περιστραφεί και να πέσει στην λάθος κατεύθυνση. Μην κόψετε μέσα από αυτήν την άρθρωση.
- Καθώς η κοπή πλησιάζει κοντά στην άρθρωση, το δέντρο θα ξεκινήσει να πέφτει. Εάν υπάρχει πιθανότητα το δέντρο να μην πέσει στην επιθυμητή κατεύθυνση ή να λικνιστεί πίσω και να σφηνώσει το αλυσοπρίονο, σταματήστε την κοπή προτού ολοκληρωθεί η όπισθεν κοπή και χρησιμοποιήστε σφήνες ξύλου, πλαστικού ή αλουμινίου για να ανοίξετε την κοπή ώστε να πέσει το δέντρο κατά μήκος της επιθυμητής γραμμής πτώσης.
- Όταν το δέντρο αρχίζει να πέφτει, απομακρύνετε το αλυσοπρίονο από την κοπή, σταματήστε τον κινητήρα, αποθέστε το μηχανήμα κάτω και κατόπιν χρησιμοποιήστε τη διαδρομή υποχώρησης όπως είχατε σχεδιάσει. Να προσέχετε για κλαδιά πιο ψηλά που ενδεχομένως πέφτουν και προσέχετε που πατάτε.

Αποκλάδωση δέντρου

Η αποκλάδωση απομακρύνει τα κλαδιά από ένα πεσμένο δέντρο. Κατά την αποκλάδωση αφήνετε τα μεγαλύτερα κλαδιά χαμηλά να υποστηρίζουν τον κορμό μακριά από το έδαφος. Απομακρύνετε τα μικρά κλαδιά με μια κοπή, όπως φαίνεται στην Εικ. T. Τα κλαδιά που βρίσκονται υπό πίεση πρέπει να κόβονται από κάτω προς τα πάνω, για να αποφευχθεί το μάγκωμα της αλυσίδας του πριονιού.

Τεμαχισμός κορμού

- Ο όρος αυτός αφορά το πριόνισμα ενός κορμού σε διάφορα μήκη. Είναι σημαντικό να πατάτε σταθερά και το βάρος σας να κατανέμεται ομοιόμορφα και στα δύο πόδια. Όταν είναι δυνατόν, ο κορμός πρέπει να ανυψώνεται και υποστηρίζεται με τη χρήση κλαδιών, κορμών ή σφηνών. Τηρείτε αυτές τις απλές οδηγίες για εύκολη κοπή.
- Όταν ο κορμός υποστηρίζεται σε όλο του το μήκος, όπως φαίνεται στην Εικ. U1, κόβεται από το επάνω μέρος (τεμαχισμός από πάνω προς τα κάτω).
- Όταν ο κορμός υποστηρίζεται στο ένα άκρο, όπως φαίνεται στην Εικ. U2, κόβετε το 1/3 διαμέτρου από την κάτω πλευρά (τεμαχισμός από κάτω προς τα πάνω). Κατόπιν κάντε την οριστική κοπή με τεμαχισμό από πάνω προς τα κάτω για να συναντήσετε

την πρώτη κοπή.

- Όταν ο κορμός υποστηρίζεται και στα δύο άκρα, όπως φαίνεται στην Εικ. U3, κόβετε το 1/3 της διαμέτρου από την άνω πλευρά (τεμαχισμός από πάνω προς τα κάτω). Κατόπιν κάντε την οριστική κοπή με τεμαχισμό από κάτω προς τα πάνω των κάτω 2/3 για να συναντήσετε την πρώτη κοπή.
- Όταν κόβετε ξύλα σε επικλινές έδαφος, να στέκεστε πάντα στην ανωφερή πλευρά του κορμού, όπως φαίνεται στην Εικ. V.

Όταν κόβετε στη μέση, για να διατηρήσετε τον πλήρη έλεγχο, αποδεσμεύστε την πίεση κοπής κοντά στο τέλος της κοπής, χωρίς να χαλαρώσετε τη λαβή σας στις χειρολαβές του αλυσοπρίονου. Μην αφήσετε την αλυσίδα να έρθει σε επαφή με το έδαφος. Αφού ολοκληρώσετε την κοπή, περιμένετε να σταματήσει το αλυσοπρίονο προτού μετακινήσετε. Απενεργοποιείτε πάντα τον κινητήρα προτού μετακινήσετε από δέντρο σε δέντρο.

ΣΥΝΤΗΡΗΣΗ

⚠️ ΠΡΟΕΙΔΟΠΟΙΗΣΗ: Κατά τη συντήρηση του εργαλείου, χρησιμοποιείτε μόνο όμοια ανταλλακτικά. Η χρήση οποιωνδήποτε άλλων εξαρτημάτων μπορεί να προκαλέσει κίνδυνο ή υλικές ζημιές. Προκειμένου να διασφαλιστεί η ασφάλεια και η αξιοπιστία, όλες οι επισκευές πρέπει να διενεργούνται από εξειδικευμένο τεχνικό σέρβις.

⚠️ ΠΡΟΕΙΔΟΠΟΙΗΣΗ: Για την αποφυγή σοβαρού ατομικού τραυματισμού, αφαιρείτε πάντα τη συστοιχία μπαταριών από το προϊόν προτού επιθεωρήσετε, καθαρίσετε ή διεξάγετε συντήρηση. Ένα εργαλείο που λειτουργεί με μπαταρία με εισηγμένη συστοιχία μπαταριών, είναι πάντα ενεργό και μπορεί να εκκινήσει τυχαία.

⚠️ ΠΡΟΕΙΔΟΠΟΙΗΣΗ: Όταν καθαρίζετε το αλυσοπρίονο, ΜΗΝ το βυθίζετε σε νερό ή άλλα υγρά.

⚠️ ΠΡΟΕΙΔΟΠΟΙΗΣΗ: Τα πλαστικά εξαρτήματα δεν πρέπει να έρθουν ποτέ σε επαφή με υγρά φρένων, βενζίνη, πετρελαϊκά προϊόντα, δεισδυτικά λάδια, κτλ. Τα χημικά μπορούν να φθείρουν, να λεπτύνουν ή να καταστρέψουν τα πλαστικά εξαρτήματα με κίνδυνο σοβαρού τραυματισμού.

ΚΑΘΑΡΙΣΜΟΣ

- Μετά από κάθε χρήση, καθαρίζετε τα υπολείμματα από την αλυσίδα και την οδηγητική μπάρα με μια μαλακή βούρτσα. Σκουπίζετε την επιφάνεια του αλυσοπρίονου με ένα καθαρό πανί βρεγμένο με ήπια σαπουνάδα.

GR

- Απομακρύνετε το πλαϊνό κάλυμμα και κατόπιν χρησιμοποιήστε μια μαλακιά βούρτσα για να απομακρύνετε υπολείμματα από την οδηγητική μπάρα, την αλυσίδα, τον οδοντωτό τροχό και το πλαϊνό κάλυμμα.
- Καθαρίζετε πάντα τα ροκανίδια, τη σκόνη πριονίσματος και τους ρύπους από την εγκοπή οδηγητικής μπάρας όταν αντικαθιστάτε την αλυσίδα.

ΣΥΝΤΗΡΗΣΗ ΟΔΗΓΗΤΙΚΗΣ ΜΠΑΡΑΣ

Όταν η οδηγητική μπάρα παρουσιάζει σημάδια φθοράς, αποσυναρμολογήστε την από την κεφαλή ισχύος του αλυσοπριονίου και αντιστρέψτε την για επανατοποθέτηση (Εικ. W1). Με αυτόν τον τρόπο η φθορά θα κατανεμηθεί ομοιόμορφα για μεγαλύτερη διάρκεια ζωής της μπάρας.

Η μπάρα πρέπει να καθαρίζεται κάθε ημέρα χρήσης και να ελέγχεται για φθορά και ζημιές. Σφηνώμα ή γρέζια στις ράγες μπάρας είναι φυσιολογικά σημάδια φθοράς της μπάρας. Τέτοια ίχνη πρέπει να λειαινούνται με μια λίμα μόλις εμφανιστούν. Μια μπάρα με κάποιο από τα ακόλουθα σημάδια πρέπει να αντικατασταθεί.

- Φθορά στο εσωτερικό των ραγιών μπάρας που επιτρέπει στην αλυσίδα να τρέχει λοξά.
- Λυγισμένη οδηγητική μπάρα.
- Ραγισμένες ή σπασμένες ράγες.
- Ανοιγμένες ράγες.

Επιπλέον η οδηγητική μπάρα έχει έναν οδοντωτό τροχό στην άκρη (Εικ. W2). Ο οδοντωτός τροχός πρέπει να λιπαίνεται κάθε εβδομάδα με μια σύριγγα με γράσο για την επιμήκυνση της διάρκειας ζωής της οδηγητικής μπάρας. Χρησιμοποιείτε σύριγγα με γράσο για την εβδομαδιαία λίπανση με λάδι αλυσίδας από την οπή λίπανσης (Εικ. W3). Γυρίστε την οδηγητική μπάρα και ελέγξτε εάν οι οπές λίπανσης και η εγκοπή αλυσίδας είναι ελεύθερες από ρύπους.

GR

W-1	Οδοντωτός τροχός στην ακμή οδηγητικής μπάρας	W-2	Οπή λίπανσης
-----	--	-----	--------------

ΣΗΜΕΙΩΣΗ: Χρησιμοποιήστε εξουσιοδοτημένα λιπαντικά της EGO για καλύτερα αποτελέσματα.

ΜΕΤΑΦΟΡΑ ΚΑΙ ΑΠΟΘΗΚΕΥΣΗ

Μην αποθηκεύετε ή μεταφέρετε το αλυσοπρίονο όταν λειτουργεί. Απομακρύνετε πάντα τη συστοιχία μπαταριών πριν την αποθήκευση ή τη μεταφορά.

Τοποθετείτε πάντα τη θήκη οδηγητικής μπάρας στην οδηγητική μπάρα και την αλυσίδα προτού αποθηκεύσετε ή μεταφέρετε το αλυσοπρίονο. Να είστε προσεκτικοί και να αποφεύγετε την αιχμηρή οδόντωση της αλυσίδας.

Καθαρίστε το αλυσοπρίονο επιμελώς πριν από την αποθήκευση. Αποθηκεύστε το αλυσοπρίονο σε εσωτερικό, στεγνό χώρο που κλειδώνει και όπου δεν πλησιάζουν παιδιά.

Να διατηρείται μακριά από διαβρωτικές ουσίες, όπως χημικές ουσίες και αποπαγωτικά άλατα κήπου.

ΠΡΟΣΤΑΣΙΑ ΤΟΥ ΠΕΡΙΒΑΛΛΟΝΤΟΣ



Μην απορρίπτετε ηλεκτρικό εξοπλισμό, παλιές μπαταρίες και φορτιστές στα οικιακά απορρίμματα!

Μεταφέρετε αυτό το προϊόν σε εξουσιοδοτημένο κέντρο ανακύκλωσης και παραδώστε το για ξεχωριστή συλλογή.

Τα ηλεκτρικά εργαλεία πρέπει να επιστρέφονται σε περιβαλλοντικά συμβατή μονάδα ανακύκλωσης.

ΑΝΤΙΜΕΤΩΠΙΣΗ ΠΡΟΒΛΗΜΑΤΩΝ

⚠️ ΠΡΟΕΙΔΟΠΟΙΗΣΗ: Προσέχετε πάντα τα χέρια σας φορώντας ανθεκτικά γάντια όταν διεξάγετε συντήρηση στο αλυσοπρίονο. Απομακρύνετε πάντα τη συστοιχία μπαταριών κατά τη συντήρηση ή μεταφορά του αλυσοπρίονου.

ΠΡΟΒΛΗΜΑ	ΑΙΤΙΑ	ΑΝΤΙΜΕΤΩΠΙΣΗ
Ο κινητήρας δεν ενεργοποιείται.	<ul style="list-style-type: none"> ■ Η συστοιχία μπαταριών δεν έχει προσαρτηθεί στο αλυσοπρίονο. ■ Δεν υπάρχει ηλεκτρική επαφή μεταξύ πριονιού και συστοιχίας μπαταριών. ■ Η συστοιχία μπαταριών έχει αδειάσει. ■ Η συστοιχία μπαταριών ή η αλυσίδα είναι υπερβολικά ζεστά. ■ Το φρένο αλυσίδας είναι σε κατάσταση εμπλοκής. ■ Υπολείμματα στην εγκοπή μπάρας. ■ Ρύποι μέσα στο κάλυμμα. 	<ul style="list-style-type: none"> ■ Τοποθετήστε τη συστοιχία μπαταριών στο αλυσοπρίονο. ■ Απομακρύνετε τη συστοιχία μπαταριών, ελέγξτε τις επαφές και εγκαταστήστε εκ νέου τη συστοιχία μπαταριών. ■ Φορτίστε τη συστοιχία μπαταριών. ■ Επιτρέψτε να κρυώσει η συστοιχία μπαταριών ή το αλυσοπρίονο, μέχρι η θερμοκρασία πέσει κάτω από τους 67°C. ■ Τραβήξτε το περύγιο φρένου οπισθολακτίσματος αλυσίδας προς τα πίσω προς την μπροστινή λαβή για να επιτύχετε τη θέση λειτουργίας. ■ Πιέστε το αλυσοπρίονο προς το ξύλο, μετακινήστε το αλυσοπρίονο προς τα πίσω και εμπρός για να απομακρύνετε τα υπολείμματα. ■ Απομακρύνετε τη συστοιχία μπαταριών, κατόπιν αφαιρέστε το πλαϊνό κάλυμμα και καθαρίστε τα υπολείμματα.
Το αλυσοπρίονο σταματά να λειτουργεί κατά την εργασία.	<ul style="list-style-type: none"> ■ Το αλυσοπρίονο έχει υπερφορτωθεί. ■ Η συστοιχία μπαταριών ή η αλυσίδα είναι υπερβολικά ζεστά. ■ Η αλυσίδα έχει μαγκώσει στο ξύλο. 	<ul style="list-style-type: none"> ■ Μειώστε το φορτίο. ■ Μειώστε το φορτίο. Επιτρέψτε να κρυώσει η συστοιχία μπαταριών ή το αλυσοπρίονο, μέχρι η θερμοκρασία πέσει κάτω από τους 67°C. ■ Αποδεσμεύστε το διακόπτη σκανδάλης. Απομακρύνετε την αλυσίδα και την οδηγητική μπάρα από το ξύλο, κατόπιν επανεκκινήστε το αλυσοπρίονο.
Ο κινητήρας λειτουργεί αλλά η αλυσίδα δεν περιστρέφεται.	<ul style="list-style-type: none"> ■ Η αλυσίδα δεν «πιάνει» τον οδοντωτό τροχό της οδηγητικής μπάρας. 	<ul style="list-style-type: none"> ■ Επανεγκαταστήστε την αλυσίδα, εξασφαλίζοντας ότι οι σύνδεσμοι αλυσίδας πάνω στην αλυσίδα εδράζονται πλήρως στον οδοντωτό τροχό.

GR

ΠΡΟΒΛΗΜΑ	ΑΙΤΙΑ	ΑΝΤΙΜΕΤΩΠΙΣΗ
Το φρένο αλυσίδας δεν πιάνει.	<ul style="list-style-type: none"> ■ Ρύποι εμποδίζουν την πλήρη κίνηση του πεπεργίου φρένου οπισθολακτίσματος αλυσίδας ■ Πιθανή δυσλειτουργία φρένου αλυσίδας 	<ul style="list-style-type: none"> ■ Καθαρίστε τα υπολείμματα από τον εξωτερικό μηχανισμό του φρένου αλυσίδας ■ Επικοινωνήστε με την εξυπηρέτηση πελατών της EGO για επισκευή.
Το αλυσοπρίονο δεν κόβει σωστά.	<ul style="list-style-type: none"> ■ Ανεπαρκής τάνυση αλυσίδας. ■ Στομωμένη αλυσίδα. ■ Η αλυσίδα έχει εγκατασταθεί αντίστροφα. ■ Φθαρμένη αλυσίδα. ■ Στεγνή ή υπερβολική τεντωμένη αλυσίδα. ■ Η αλυσίδα δε βρίσκεται στην εγκοπή μπάρας. 	<ul style="list-style-type: none"> ■ Επαναρυθμίστε την τάνυση αλυσίδας, ακολουθώντας το απόσπασμα: «ΡΥΘΜΙΣΗ ΤΗΣ ΤΑΝΥΣΗΣ ΑΛΥΣΙΔΑΣ» ■ Τροχήστε την αλυσίδα. ■ Επανεγκαταστήστε την αλυσίδα σύμφωνα με την ενότητα «ΣΥΝΑΡΜΟΛΟΓΗΣΗ/ΑΝΤΙΚΑΤΑΣΤΑΣΗ ΤΗΣ ΜΠΑΡΑΣ ΚΑΙ ΤΗΣ ΑΛΥΣΙΔΑΣ». ■ Αντικαταστήστε την αλυσίδα, ακολουθώντας το απόσπασμα: «ΣΥΝΑΡΜΟΛΟΓΗΣΗ/ΑΝΤΙΚΑΤΑΣΤΑΣΗ ΤΗΣ ΜΠΑΡΑΣ ΚΑΙ ΤΗΣ ΑΛΥΣΙΔΑΣ» ■ Ελέγξτε τη στάθμη λαδιού. Γεμίστε ξανά το ρεζερβουάρ λαδιού και επιλέξτε υψηλότερο όγκο παροχής λαδιού εφόσον απαιτείται. ■ Επανεγκαταστήστε την αλυσίδα, ακολουθώντας τις οδηγίες στο απόσπασμα: «ΣΥΝΑΡΜΟΛΟΓΗΣΗ/ΑΝΤΙΚΑΤΑΣΤΑΣΗ ΤΗΣ ΜΠΑΡΑΣ ΚΑΙ ΤΗΣ ΑΛΥΣΙΔΑΣ»
Η αλυσίδα χαλαρώνει ή πέφτει από την οδηγητική μπάρα κατά την κανονική χρήση.	<ul style="list-style-type: none"> ■ Η αλυσίδα χαλαρώνει καθώς η θερμοκρασία της αλυσίδας αυξάνεται κατά την κανονική λειτουργία του αλυσοπρίονου. ■ Η αλυσίδα δεν «πιάνει» τον οδοντωτό τροχό της οδηγητικής μπάρας. 	<ul style="list-style-type: none"> ■ Εντείνετε την τάνυση αλυσίδας σύμφωνα με την ενότητα «ΡΥΘΜΙΣΗ ΤΗΣ ΤΑΝΥΣΗΣ ΑΛΥΣΙΔΑΣ». ■ Επανεγκαταστήστε την αλυσίδα, ακολουθώντας τις οδηγίες στο απόσπασμα: «ΣΥΝΑΡΜΟΛΟΓΗΣΗ/ΑΝΤΙΚΑΤΑΣΤΑΣΗ ΤΗΣ ΜΠΑΡΑΣ ΚΑΙ ΤΗΣ ΑΛΥΣΙΔΑΣ»

GR

ΕΓΓΥΗΣΗ

ΠΟΛΙΤΙΚΗ ΕΓΓΥΗΣΗΣ EGO

Επισκεφθείτε την ιστοσελίδα egopowerplus.eu για όλους τους όρους και τις προϋποθέσεις της πολιτικής εγγύησης EGO.

TÜM TALİMATLARI OKUYUN!



KULLANIM KILAVUZUNU OKUYUN

UYARI: Emniyet ve güvenilirliği sağlamak için tüm tamir işleri yetkili bir servis teknisyeni tarafından yapılmalıdır.

UYARI: Bu aleti kullanmadan önce "TEHLİKE", "UYARI" ve "DİKKAT" gibi tüm güvenlik uyarı ve sembollerini içeren bu Kullanım Kılavuzundaki tüm güvenlik talimatlarını okuyup anladığınızdan emin olun. Aşağıdaki talimatların tamamına uyulmaması elektrik çarpması, yangın ve/veya ciddi yaralanma ile sonuçlanabilir.

GÜVENLİK SEMBOLLERİ



Güvenlik Uyarısı



Koruyucu Gözlük Takın



Koruyucu Kask Takın



Elektrikli testerenin geri tepmesine dikkat edin ve pala ucuyla temas etmekten kaçının



Pala hakkında bilgiler



Garanti edilen ses gücü seviyesidir. Avrupa Birliği Yönetmeliği'ne göre çevre gürültü emisyonu.



Bu ürün, yürürlükteki AB yönetmeliklerine uygundur.



Bluetooth®

mm Milimetre

V Voltaj

IPX4 Sıçrayan Suya Karşı Koruma



Yaralanma riskini azaltmak için kullanıcı bu ürünü kullanmadan önce kullanım kılavuzunu okuyup anlamalıdır.



Kulak Koruması Takın



Koruyucu Eldiven Takın



Pala Ucu Geri Teper



Elektrikli testereyi her zaman iki elinizle kullanın



Atık elektrikli ürünler, evsel atıklar ile birlikte bertaraf edilmemelidir. Yetkili bir geri dönüşüm merkezine teslim edilmelidir.



Bu ürün, yürürlükteki Birleşik Krallık yasalarına uygundur.



Doğru Akım


n_0 Yüksüz Hız

./dk. Dakika Başına

TR

NOT: Bluetooth® kelime işareti ve logoları, Bluetooth SIG, Inc. şirketinin tescilli ticari markalardır ve bu tür işaretlerin EGO tarafından her türlü kullanımı lisanslıdır.

TEKNİK ÖZELLİKLER

Nominal Voltaj	56 V 	
Maks. Zincir Hızı	25 m/s	
Zincir Adımı	3/8" (9,5 mm)	
Zincir Ölçüsü	1,3 mm	
Pala Uzunluğu	50 cm	
Zincir Tipi	AC2005	
Pala Tipi	AG2005	
Zincir Yağı Deposu Kapasitesi	250 ml	
Ağırlık (akü takımı, testere zinciri, pala, yan kapak, yağ ve zincir kapağı hariç)	3,9 kg	
Önerilen Çalışma Sıcaklığı	-15°C - 40°C	
Önerilen Depolama Sıcaklığı	-20°C - 70°C	
Önerilen Şarj Sıcaklığı	5°C - 40°C	
Ölçülen ses gücü seviyesi L_{WA}	103 dB(A) K=1,7 dB(A)	
Çalışma pozisyonundaki ses gücü seviyesi L_{PA}	89 dB(A) K=3 dB(A)	
Garanti edilen ses gücü seviyesi L_{WA} (2000/14/EC'ye göre)	105 dB(A)	
Titreşim a_n	Ön Tutma Sapı	4,69 m/sn ² K=1,5 m/sn ²
	Arka Tutma Sapı	4,24 m/sn ² K=1,5 m/sn ²

TR

- Beyan edilen toplam titreşim değeri, standart test yöntemine uygun olarak ölçülmüştür ve bir aleti diğer bir alet ile karşılaştırmak için kullanılabilir.
- Beyan edilen toplam titreşim değeri, maruz kalma seviyesinin ilk değerlendirmesi için kullanılabilir.

DİKKAT: Elektrikli aletin fiili kullanımı sırasında oluşan titreşim emisyonu değeri aletin kullanım şekline bağlı olarak beyan edilen değerden farklı olabilir. Operatör korunmak için fiili kullanım koşullarında eldiven ve kulak koruması takmalıdır.

AMBALAJ İÇERİĞİ (ŞEK. A1)

AÇIKLAMA

204

56 VOLT LİTYUM-İYON AKÜLÜ ELEKTRİKLİ TESTERE — CS2000E

ELEKTRİKLİ TESTERENİZİ TANIYIN (Şek. A1)

1. Testere Zinciri
2. Saplama Uçları
3. Zincir Geri Tepme Fren Kolu
4. Ön Tutma Sapı
5. LCD Ekran
6. Hız Çubukları
7. Bluetooth Simgesi
8. Lamba Simgesi
9. Fren Simgesi
10. Enerji Göstergesi Çemberi
11. Lamba/Bluetooth Düğmesi
12. Zincir Hız Düğmesi
13. Kilitleme Düğmesi
14. Tetik
15. Arka Tutma Sapı
16. Akü Çıkarma Düğmesi
17. Yağ Kontrolü Camı
18. Yağ Deposu Kapağı
19. Pala
20. Yağlama Deliği
21. Yan Kapak
22. Yan Kapak Somunları
23. LED Lamba
24. Zincir Germe Cıvatası
25. Çift Uçlu Lokma Anahtar
26. Zincir Kapağı

MONTAJ

PALA VE ZİNCİRİ TAKMA/DEĞİŞTİRME

⚠ UYARI: Montajdan önce zincir geri tepme fren kolunu fren konumuna getirin.

1. Elektrikli testerenin güç başlığını, yan kapağı yukarıya bakacak şekilde yan olarak yerleştirin (Şek. B).
2. İki kilit somununu saat yönünün tersine çevirerek yan kapağı çıkarın.
3. Zincir gerginliğini gevşetmek için zincir gerdirmeye cıvatasını saat yönünün tersine çevirin.
4. Testere zincirini halka halinde düz bir yüzey üzerine yerleştirin ve kıvrılmış yerleri düzeltin (Şek. C).
5. Zincir sürücüsü baklalarını pala oluğuna yerleştirin ve

zinciri palanın arkasında bir halka haline getirin (Şek. D).

- Zinciri pala üzerindeki konumunda tutun ve halkayı testere dişlisinin etrafına yerleştirin (Şek. E1).

B-1	Kilit Somunları	D-2	Pala Oluğu
B-2	Zincir Germe Cıvatası	E-1	Zincir Dişlisi
D-1	Zincir Sürücüsü Baklaları		

DİKKAT: Testere zincirini palaya geçirirken, palayı testereye monte ettikten sonra gövde üzerindeki kesici düzenin ve dönüş yönü okunun eşleştiğinden emin olun. Ters yönlere bakıyorlarsa kesiciler aynı yöne bakacak şekilde testere zincirini tekrar palaya monte edin (Fig. E2).

- Yan kapağı motorlu testere gövdesine yerleştirin ve iki kontra somunu tamamen sıkın.
- Zincirin sıkışmadan düzgün şekilde takılıp takılmadığını kontrol etmek için zinciri elle döndürün. Aksi halde zincir ve palayı yeniden birleştirin.

DİKKAT: Paların ömrünü uzatmak için palayı ara sıra ters çevirin.

ZİNCİR GERGINLIĞINI AYARLAMA

- Zincir gerginliğini ayarlamadan önce motoru durdurun ve aküyü çıkarın. Zincir gerginliğini ayarlamak için zincir, pala oluğundaki tahrik baklaları palaya sıkıca oturuncaya kadar zincir germe cıvatasını saat yönünde veya saat yönünün tersine çevirin (Şek. F).
- Soğuk bir zincir, palanın altında herhangi bir gevşeklik yoksa ve zincir tam oturmuş ancak kıvrılmadan elle çevrilebiliyorsa doğru gerginlikte demektir. Sürücü bağlantıları üzerindeki lamalar pala oluğuna oturmuyorsa, zincir yeniden gerilmesi gerekiyor demektir.
- Normal testere çalışması sırasında, zincirin sıcaklığı artar. Doğru gerginlikteki sıcak bir zincirin sürücü bağlantıları pala oluğundan yaklaşık 1,3 mm açıkta asılı durur (Şek. G).

DİKKAT: Yeni zincir esnemeye meyillidir; sık sık zincir gerginliğini kontrol edin ve gerekirse gerdirin.

DİKKAT: Normal sıcaklıkta gerdiren bir zincir soğuduğunda fazla gergin olabilir. Bir sonraki kullanımdan önce soğuk gerginliği kontrol edin.

ÇALIŞTIRMA

UYARI: Bu ürüne karşı edindiğiniz alışkanlığın sizi dikkatsiz yapmasına izin vermeyin. Bir anlık dikkatsizliğiniz ciddi yaralanmalara sebep olabileceğini unutmayın.

UYARI: Bu ürünün üreticisi tarafından önerilmeyen herhangi bir aparatı veya aksesuarı kullanmayın. Tavsiye edilmeyen aksesuarların veya aparatların kullanımı ciddi kişisel yaralanmalara sebep olabilir.

UYARI: Yanlışlıkla çalışarak ciddi yaralanmalara neden olmasını önlemek için parçaları monte ederken, yaparken, temizlikten önce ve ürün kullanımda değilken daima aküyü aletten çıkarın.

Her kullanımdan önce ürünü inceleyerek vida, somun, cıvata, kapak gibi parçaların hasarlı, eksik veya gevşek olup olmadığını kontrol edin. Tüm bağlantı parçalarını ve kapakları sağlam bir şekilde sıkın ve bu ürünü eksik veya hasarlı parçaların hepsini değiştirmeden çalıştırmayın.

UYGULAMA

Bu ürün temel ağaç kesimi, dal kesme, budama ile kereste ve ağaç kesme işleri için kullanılabilir.

DİKKAT: Bu makine sadece belirtilen kullanım amaçlarına uygun kullanılmalıdır. Diğer kullanım şekilleri hatalı kullanım olarak kabul edilir.

PALA VE ZİNCİR YAĞINI DOLDURMA

UYARI: Yağın veya elektrikli testerenin yakınında sigara içmeyin veya herhangi bir ateş veya alev kaynağını bunların yanına getirmeyin. Yağ sıçrayabilir ve yangına neden olabilir.

DİKKAT: Satın alındığında elektrikli testerede yağ bulunmaz. Kullanmadan önce deponun yağ ile doldurulması gerekir. Cihaz çalışırken zincir otomatik olarak yağlanır.

- Elektrikli testereyi, depo kapağı yukarıya bakacak şekilde yan olarak yerleştirin.
- Yağ deposu kapağı ile kapak çevresindeki alanı temizleyerek yağ deposuna herhangi bir pisliğin düşmediğinden emin olun.
- Yarım daire plakayı kaldırın ve yağ deposu kapağını saat yönünün tersine çevirerek çıkarın (Şek. H).
- Pala ve zincir yağını dikkatle depoya dökün. Doldurma ağzının altına kadar doldurun.
- Taşan yağ varsa silin ve kapağı yerine takın.

DİKKAT: Yağ seviyesini sık sık kontrol edin ve yağ

seviyesi minimum çizgisinin altına düştüğünde yağ doldurun. Yağ görünmüyorsa elektrikli testereyi hiçbir zaman çalıştırmayın.

AKÜYÜ TAKMA/ÇIKARMA

Sadece Şek. A2'de listelenen EGO marka aküleri ve şarj cihazlarını kullanın.

İlk kullanımdan önce tamamen şarj edin.

Takmak İçin

Akü dişleri ile montaj yuvalarını hizalayın ve bir "tık" sesi duyana kadar aküyü bastırın (Şek. I).

Çıkarmak İçin

Akü çıkarma düğmesine basın ve aküyü çekip çıkarın (Şek. J).

ELEKTRİKLİ TESTEREYİ ÇALIŞTIRMA/DURDURMA

DİKKAT: Elektrikli testereyi çalıştırmadan önce yağ seviyesini, testere dişlerinin keskinliğini ve geri tepme fren kolunun düzgün çalıştığını kontrol edin. Bunların yanı sıra, dengeli bir duruş ve yerden uygun bir mesafe sağlanması gerekir.

Çalıştırmak için (Şek. K)

1. Zincir geri tepme fren kolunu ön kola doğru iterek çalışma konumuna getirin (Şek. K).
2. Ön tutma kolunu sol elinizle ve arka tutma kolunu sağ elinizle sıkıca tutun.

UYARI: Yaralanmayı önlemek için elektrikli testereyi her zaman sağ elinizle arka tutma kolunun kavrama alanından tutarak kullanın (Şek. L).

3. Kilitleme düğmesini sağ elinizin baş parmağıyla basılı tutun ve ardından testereyi çalıştırmak için sağ elinizin parmaklarıyla tetiği sıkın (Şek. L).

TR

L-1 Kavrama Alanı

4. Kilitleme düğmesini bırakın ve sürekli kullanım için tetiğe basmaya devam edin.
5. Tetiğe ne kadar fazla basılırsa zincir hızı da o kadar artar. Yapacağınız işe uygun şekilde hızı ayarlayın.

UYARI: Testereyi bir kesimin içindeyken başlatmayın.

Durdurmak için

1. Elektrikli testereyi kesme alanından uzaklaştırın ve ardından elektrikli testereyi durdurmak için tetiği bırakın.
2. Zincir frenini devreye sokmak için zincir geri tepme

fren kolunu ileri doğru iterek fren konumuna getirin (Şek. K).

UYARI: Mola verdiğinizde ve işi bitirdikten sonra daima aküyü makineden çıkarın.

HIZ MODUNU DEĞİŞTİRME (Şek. M)

Bu makine üç hız moduna sahiptir. Her hız modu, elektrikli testerenin maksimum hızını sınırlar. Hız modu, zincir hızı düşmesine her basıldığında değişir.

LCD ekrandaki hız çubukları aktif hız modunu gösterir: düşük hız için bir çubuk, orta hız için iki çubuk ve yüksek hız için üç çubuk. Düşük hız modu (ECO), makinenin daha iyi kontrol edilmesini ve şarj başına daha uzun çalışma süresi sağlar.

M-1	Hız Çubukları	M-5	Enerji Göstergesi Çemberi
M-2	Bluetooth Simgesi	M-6	Lamba/Bluetooth Düğmesi
M-3	Lamba Simgesi	M-7	Zincir Hız Düğmesi
M-4	Fren Simgesi		

NOT: 2.5Ah veya daha düşük değerlerde EGO akü takımı kullanırken sadece ECO modu kullanılabilir. Ve 6.0Ah değerinden daha düşük EGO akü takımı kullanırken yüksek hızlara ulaşamazsınız. En iyi performans için 6.0Ah (BA3360T gibi) veya üzeri değerlerde EGO akü takımlarının kullanılmasını şiddetle öneririz.

NOT: Makinenin hız belleği işlevi, son hız ayarını hatırlar ve makinenin bir sonraki açılışında bunu etkinleştirir.

NOT: Tetik çekildiğinde veya hız düğmesine veya lamba/Bluetooth düğmesine basıldığında LCD ekran aydınlanır. Elektrikli testere yaklaşık 30 saniye kullanılmadığında otomatik olarak kapanır.

LED LAMBA (Şek. N)

LED lamba, elektrikli testere yuvasının ön tarafında bulunur. Lamba, daha fazla görüş için aydınlatma sağlar ve 2 parlaklık seviyesine sahiptir.

Lambayı açmak için lamba/Bluetooth düğmesine (Şek. M) bir kez basın. Lamba düşük parlaklık seviyesinde yanar ve LCD ekranda düşük parlaklıkta lamba simgesi görünür. Yüksek parlaklık seviyesine geçmek için lamba/Bluetooth düğmesine tekrar basın ve LCD ekranda yüksek parlaklıkta lamba simgesi görünür.

Lambayı kapatmak için lamba/Bluetooth düğmesine

üçüncü kez basın, lamba simgesi LCD ekrandan kaybolacaktır.

N-1	Düşük Parlaklıkta Lamba Simgesi	N-3	LED Lamba
N-2	Yüksek Parlaklıkta Lamba Simgesi		

OMNİ (HER YÖNE) ZİNCİR FRENİ SİSTEMİ (Şek. O1 ve Şek. O2)

⚠ UYARI: Omni (her yöne) zincir freni sistemi, standart/ geleneksel zincir freninin yerini almak üzere tasarlanmamıştır. Kullanıcı, testerenin çalışması sırasında geri tepmelere karşı korunmak için asla bu özelliğe güvenmemelidir. Bu kılavuzun uyarı bölümünde bulunan geri tepmeyi azaltma ile ilgili güvenlik talimatlarına her zaman uyun.

Omni (her yöne) zincir freni sistemi etkinleştirildiğinde ve testereyi durdurduğunda LCD ekrandaki fren simgesi yanıp sönecektir (Şek. M). Tetiği bırakın, testere zincirini ve palayı aşıptan çıkarın, ardından testereyi yeniden başlatın.

NOT: Sensörler sadece pala düzlemindeki ani testere hareketini algılar (şek. O1). Sensörler testerenin yanlara doğru ani hareketini algılamaz (şek. O2) (ör. pala düzlemine dik olan hareketler).

İLETİŞİM TEKNOLOJİSİ

Bağlantı talimatları dahil tüm bağlı ürün ve hizmet yelpazemizle ilgili bilgiler için lütfen aşağıdaki QR Kodunu tarayın veya www.egopowerplus.eu/connect adresini ziyaret edin.



TUTMA KOLLARINI DOĞRU TUTUŞ ŞEKLİ (Şek. P1)

- Maksimum düzeyde tutuş ve koruma için kaymayan eldiven takın.
- Testere sağlam, düz bir yüzey üzerindeyken testereyi her iki elinizle birden sağlam şekilde tutun.
- Daima ön kolu sol elinizle ve arka kolu sağ elinizle tutun.
- Baş parmağınızı ön tutma kolunun alt kısmına getirip parmaklarınızla tutma kolunu sıkıca kavramalısınız.

⚠ UYARI: Asla sol elinizle (çapraz tutuş) tutmayın veya vücudunuzu ya da kolunuzu zincir hattına sokacak bir

şekilde durmayın.

⚠ UYARI: Tetiği sol elinizle çalıştırmayın ve ön tutma kolunu sağ elinizle tutmayın. Elektrikli testereyi kullanırken asla vücudunuzun hiçbir bölümünü zincir hattına sokmayın (Şek. P2).

DOĞRU KESİM DURUŞU (Şek. Q)

- Her iki ayağınızı yere sağlam biçimde basmalı ve ağırlığınızı iki ayağınıza eşit olarak paylaştırmalısınız.
- Sol kolunuz düz, dirseğiniz kilitlenmiş olmalıdır. Bu, geri tepme sonucu oluşan kuvvetlere dayanmanıza yardımcı olur.
- Vücudunuz daima zincir hattının solunda olmalıdır.

DOĞRU AĞAÇ KESİMİ, DAL KESİMİ VE ENİNE KESİM TEKNİKLERİNE İLİŞKİN TALİMATLAR

⚠ UYARI: Daima bastığınız yerlerin sağlam olduğundan emin olun ve motor çalışırken testereyi her iki elinizle sağlam şekilde tutun.

⚠ UYARI: Kesim sırasında sıkışma nedeniyle testere zinciri durursa, tetik düğmesini bırakın; testere zincirini ve palayı aşıptan çıkarın, ardından testereyi yeniden başlatın.

⚠ UYARI: Testere tozu nedeniyle sıkışmış durumdaki testere zincirini elinizle çekmeyin. Testere kazara çalışırsa ciddi yaralanmaya neden olabilir. Testereyi aşıba doğru bastırın, testereyi ileri geri hareket ettirerek talaşın boşalmasını sağlayın. Cihazı temizlemeden önce daima aküyü çıkarın. Testerenin zincirine dokunacaksanız dayanıklı koruyucu eldiven giyin.

⚠ UYARI: Asla testereyi aşıba ile temas halindeyken çalıştırmayın. Testereyi aşıba dokundurmadan önce daima testere zincirinin tam hıza ulaşmasını bekleyin.

AĞAÇ KESİMİ

- Aynı anda iki veya daha fazla kişi tarafından ağaç kesme ve parçalama işlemleri yapılırken, ağaç kesme işlemi ile parçalama işlemi arasında en az kesilen ağacın yüksekliğinin iki katı kadar mesafe bırakılmalıdır. Kesilen ağaçlar bir insanı tehlikeye atacak, herhangi bir hizmet hattına çarpacak ya da mal hasarına neden olacak şekilde devrilmemelidir. Ağaç herhangi bir hizmet hattına temas ederse, derhal kamu hizmet kuruluşuna bilgi verilmelidir.
- Kesilen ağaçın devrildikten sonra yokuş aşağı yuvarlanma veya kayma ihtimali olduğundan, testere

operatörü arazinin yokuş yukarı kısmında durmalıdır.

- Kesim yapmaya başlamadan önce bir kaçış yolu planlanmalı ve gerektiği şekilde temizlenmelidir. Kaçış yolu Şek. R'de gösterildiği gibi hesaplanan düşme hattının arkasına doğru çapraz olarak uzamalıdır.

R-1	Devrilme Yönü	R-2	Güvenlik Kaçış Yolu
-----	---------------	-----	---------------------

- Ağaç kesme işlemi başlamadan önce, ağacın düşeceği yönü belirlemek için ağacın doğal eğimini, büyük dalların konumunu ve rüzgar yönünü göz önüne alın
- Kir, taş, gevşemiş kabuk, çivi, kanca ve teller ağaçtan çıkarılmalıdır.

Alt çentik kesimi

Şek. S'de gösterildiği gibi devrilme yönüne dik olarak, ağaç çapının 1/3'ü kadar bir çentik açın. İlk olarak alttaki yatay çentik açın. Bu sayede, ikinci çentik açılırken testere veya palanın sıkışması önlenmiş olur.

S-1	Düşme Yönü	S-3	Devirme Kesimi
S-2	Çentik	S-4	Mafsal

Devirme kesimi

- Devirme kesimini, Şek. S'de gösterildiği gibi yatay çentik kesiminden en az 50 mm daha yüksekte yapın. Devirme kesimini yatay çentik kesimine paralel olarak yapın. Devirme kesimini yaparken bir mafsal işlevi görece kadar yeterli ahşap kalmasını sağlayın. Mafsal, ağacın yanlış yönde dönmesini ve düşmesini önler. Mafsalı sonuna kadar kesmeyin.
- Devrilme kesimi mafsala yaklaştıkça ağaç düşmeye başlamalıdır. Ağacın istenilen yöne düşmemesi veya geriye doğru sallanması ve testere zincirini sıkıştırması ihtimali varsa, devirme kesimini tamamlamadan kesimi durdurun ve ağaç, plastik veya alüminyum takozlar kullanarak kesiyi açın ve ağacı istenilen düşme hattı yönüne düşürün.
- Ağaç düşmeye başladığında, testereyi kesikten çıkarın, motoru durdurun, testereyi yere bırakın ve ardından planlanan kaçış yolunu kullanın. Yukarıdan düşebilecek dallara karşı dikkatli olun ve bastığınız yere dikkat edin.

Ağacın budanması

Budama, devrilen bir ağacın dallarının kesilmesidir. Budama sırasında, kütüğü zeminden yukarıda tutmak için alttaki büyük dalları bırakın. Küçük dalları Şek. T'de

gösterilen şekilde bir defada kesin. Testerenin sıkışmasını önlemek için gerilim altındaki dallar aşağıdan yukarıya doğru kesilmelidir.

Kütük kesme

- Kütük kesme, bir kütüğü belirli uzunluklarda kesme işlemidir. Bastığınız yerin sağlam olduğundan emin olmanız ve ağırlığınızı her iki bacağına eşit olarak dağıtmanız önemlidir. Mümkünse, ağaç dalları, kütükler veya takozlar ile kütük havaya kaldırılmalı ve desteklenmelidir. Kolay kesim için temel yönergeleri izleyin.
- Kütük, Şek. U1'de gösterildiği gibi tüm uzunluğu boyunca destekleniyorsa üstten kesim yapın.
- Kütük, Şek. U2'de gösterildiği gibi tek bir uçtan destekleniyorsa çapın 1/3'ü kadar alttan kesim yapın. Ardından ilk kesikle buluşacak şekilde üstten kesim yaparak son kesiyi yapın.
- Kütük, Şek. U3'de gösterildiği gibi her iki uçtan destekleniyorsa çapın 1/3'ü kadar üstten kesim yapın. Ardından ilk kesikle buluşacak şekilde alttan 2/3'ü kadar kesim yaparak son kesiyi yapın.
- Eğimli arazide kesim yaparken, daima Şek. V'de gösterildiği gibi kütüğün yukarı kısmında durun.

"Boydan boya kesim" yaparken, tam kontrol sağlamak için testere kollarını sıkıca kavrayarak kesimin sonuna doğru kesim basıncını serbest bırakın. Zincirin zemine temas etmesine izin vermeyin. Kesimi tamamladıktan sonra, testereyi hareket ettirmeden önce zincirin durmasını bekleyin. Bir ağaçtan diğerine geçmeden önce daima motoru durdurun.

BAKIM

⚠ UYARI: Bakım yaparken sadece orijinal yedek parçaları kullanın. Diğer parçaların kullanılması tehlike oluşturabilir veya ürünün hasar görmesine neden olabilir. Emniyet ve güvenilirliği sağlamak için tüm tamir işleri yetkili bir servis teknisyeni tarafından yapılmalıdır.

⚠ UYARI: Ciddi yaralanmalardan kaçınmak için incelemeyin, temizlemeden veya bakım yapmadan önce her zaman akü takımını üründen çıkarın. Akü ile çalışan bir aletin aküsü takılıysa bu alet daima açık konumdadır ve kazara çalışabilir.

⚠ UYARI: Elektrikli testereyi temizlerken, su veya diğer sıvıların içine DALDIRMAYIN.

⚠ UYARI: Fren sıvıları, benzin, petrol bazlı ürünler, nüfuz eden yağlar gibi ürünlerin plastik parçalarla hiçbir zaman temas etmesine izin vermeyin. Kimyasal

maddeler plastik parçalara hasar verebilir, bu tür parçaları zayıflatabilir veya parçalayabilir ve bu durum ciddi yaralanmalara neden olabilir.

TEMİZLİK

- Her kullanımdan sonra yumuşak bir fırça ile zincir ve paladaki talaşları temizleyin. Elektrikli testerenin yüzeyini, yumuşak sabun solüsyonu ile nemlendirilmiş, temiz bir bezle silin.
- Yan kapağı çıkarın ve ardından yumuşak bir fırça kullanarak paladaki, zincirdeki, dişlerdeki ve yan kapaktaki talaşı temizleyin.
- Testerenin zincirini değiştirirken daima pala oluğundaki ahşap talaşlarını, tozu ve kirleri temizleyin.

PALANIN BAKIMI

Pala aşınma belirtileri gösterdiğinde, elektrikli testerenin güç başlığından sökünü ve yeniden takmak için ters çevirin (Şek. W1). Bu şekilde, palanın kullanım ömrünü en yükseğe çıkarmak için aşınma dağıtılır.

Pala kullanıldığı her gün temizlenmeli, aşınma ve hasara karşı kontrol edilmelidir. Pala raylarında çaplanma görülmesi, palanın aşınma sürecinde normaldir. Bu tür bozulmalar oluşur oluşmaz bir eğe ile düzeltilmelidir. Aşağıdaki bozukluklardan herhangi biri bulunan pala değiştirilmelidir.

- Pala raylarının içinde, zincirin yanlara doğru kaymasına neden olan aşınma.
- Eğik pala.
- Çatlak veya kırık raylar.
- Ayrık raylar.

Ayrıca palanın ucunda da bir dişli bulunmaktadır (Şek. W2). Palanın ömrünü uzatmak için, dişli bir yağ enjektörüyle haftada bir yağlanmalıdır. Bir yağ enjektörü kullanarak, yağ deliğinden zincir yağı ile haftada bir yağlayın (Şek. W3). Palayı çevirin ve yağlama delikleri ile zincir oluğunda kirlenme olup olmadığını kontrol edin.

W-1	Pala Ucundaki Dişli	W-2	Yağlama Deliği
-----	---------------------	-----	----------------

DİKKAT: En iyi sonuçlar için EGO onaylı yağlayıcıları kullanın.

TAŞIMA VE DEPOLAMA

Elektrikli testereyi çalışır durumdayken depolamayın veya taşımayın. Depolamadan veya taşımadan önce daima aküyü çıkarın.

Elektrikli testereyi taşımadan veya saklamadan önce daima pala ve zincirin üzerine pala kapağını takın. Zincirin keskin

dişlerine karşı dikkatli olun.

Elektrikli testereyi depolamadan önce tamamen temizleyin. Elektrikli testereyi kilitle ve/veya çocukların ulaşamayacağı, kapalı ve kuru bir yerde depolayın.

Bahçe kimyasalları ve buz eritici tuzlar gibi aşındırıcı maddelerden uzak tutun.

ÇEVRE KORUMASI



Elektrikli cihazları, kullanılmış aküleri ve şarj cihazını evsel atıklarla bertaraf etmeyin!

Bu ürünü yetkili bir geri dönüşüm merkezine götürün ve ayrı bir şekilde toplanmasını sağlayın. Elektrikli aletler çevreyle uyumlu bir geri dönüşüm tesisine götürülmelidir.

SORUN GİDERME

⚠ UYARI: Testere zinciri üzerinde herhangi bir bakım işlemi gerçekleştirirken daima dayanıklı eldivenler takarak ellerinizi koruyun. Elektrikli testereyi taşırken veya bakım/onarım yaparken daima aküyü çıkarın.

SORUN	NEDENİ	ÇÖZÜM
Motor çalışmıyor.	<ul style="list-style-type: none">■ Akü, elektrikli testereye takılı değildir.■ Testere ile akü takımı arasında elektrik teması yoktur.■ Akü takımının şarjı boşalmıştır.■ Akü veya elektrikli testere çok sıcaktır.■ Zincir freni devrededir.■ Pala oluşunda talaş artıkları vardır.■ Kapağın içinde artıklar vardır.	<ul style="list-style-type: none">■ Aküyü elektrikli testereye takın.■ Aküyü çıkarın, temas noktalarını kontrol edin ve aküyü yeniden takın.■ Akü takımını şarj edin.■ Akü veya testerenin 67°C'nin altına düşünceye kadar soğumasını bekleyin.■ Zincir geri tepme fren kolunu ön kola doğru geri iterek çalışma konumuna getirin.■ Testereyi aşıba doğru bastırın, testereyi ileri geri hareket ettirerek talaşın boşalmasını sağlayın.■ Aküyü çıkarın, ardından yan kapağı çıkarın ve talaş artıklarını temizleyin.
Elektrikli testere çalışma esnasında duruyor.	<ul style="list-style-type: none">■ Elektrikli testere aşırı yüklüdür.■ Akü veya elektrikli testere çok sıcaktır.■ Testere zinciri aşıba içerisinde sıkışmıştır.	<ul style="list-style-type: none">■ Yükü azaltın.■ Yükü azaltın. Akü veya testerenin 67°C'nin altına düşünceye kadar soğumasını bekleyin.■ Tetik düğmesini bırakın; testere zincirini ve palayı aşıba çıkarın, ardından testereyi yeniden başlatın.
Motor çalışıyor, ancak zincir dönmüyor.	<ul style="list-style-type: none">■ Zincir, sürücü dişlisine geçmemiştir.	<ul style="list-style-type: none">■ Zincir üzerindeki sürücü bağlantılarının tam olarak sürücü dişlisine oturduğundan emin olarak zinciri yeniden takın.
Zincir freni devreye girmiyor.	<ul style="list-style-type: none">■ Zincir geri tepme fren kolunun tam hareketi talaş artıkları tarafından engelleniyordur.■ Muhtemel zincir freni arızası.	<ul style="list-style-type: none">■ Dış zincir freni mekanizmasındaki talaş artıklarını temizleyin.■ Tamir için EGO Müşteri Hizmetleri ile irtibata geçin.

TR

SORUN	NEDENİ	ÇÖZÜM
Elektrikli testere düzgün kesmiyor.	<ul style="list-style-type: none">■ Yetersiz zincir gerginliği.■ Zincir körelmiştir.■ Zincir geriye doğru takılmıştır.■ Zincir aşınmıştır.■ Zincir kurumuş veya aşırı gerilmiştir.■ Zincir pala oluğu içerisinde değildir.	<ul style="list-style-type: none">■ Aşağıdaki bölüme uygun olarak zincir gerginliğini yeniden ayarlayın: "ZİNCİR GERGINLIĞINI AYARLAMA".■ Zinciri keskinleştirin.■ "PALA VE ZİNCİRİ TAKMA/DEĞİŞTİRME" bölümüne uygun olarak testere zincirini yeniden takın.■ Aşağıdaki bölüme uygun olarak zinciri değiştirin: "PALA VE ZİNCİRİ TAKMA/DEĞİŞTİRME".■ Yağ seviyesini kontrol edin. Yağ deposunu yeniden doldurun ve gerekirse daha yüksek bir yağ besleme hacmi seçin.■ Aşağıdaki bölüme uygun olarak zinciri yeniden takın: "PALA VE ZİNCİRİ TAKMA/DEĞİŞTİRME".
Normal kullanım sırasında zincir gevşiyor veya paladan düşüyor.	<ul style="list-style-type: none">■ Normal testere çalışması sırasında zincirin sıcaklığı arttıkça zincir gevşer.■ Zincir, sürücü dışlisine geçmemiştir.	<ul style="list-style-type: none">■ "ZİNCİR GERGINLIĞINI AYARLAMA" bölümüne uygun olarak zincir gerginliğini ayarlayın.■ Aşağıdaki bölüme uygun olarak zinciri yeniden takın: "PALA VE ZİNCİRİ TAKMA/DEĞİŞTİRME".

GARANTİ

EGO GARANTİ POLİTİKASI

EGO Garanti Politikasına ilişkin tüm hükümler ve koşullar için lütfen egopowerplus.eu adresindeki web sitesini ziyaret edin.

TR

LUGEGE LÄBI KÕIK JUHISED!



LUGEGE KASUTUSJUHENDIT

! HOIATUS! Turvalisuse ja vastupidavuse tagamiseks peab kõiki parandustööd läbi viima kvalifitseeritud hooldustehnik.

! HOIATUS! Enne käesoleva seadme kasutamist lugege kindlasti läbi ja tehke endale selgeks kõik kasutusjuhendis toodud ohutusjuhised, sh kõik ohutussümbolid, nagu „OHT,” „HOIATUS,” ja „ETTEVAATUST”. Kui allpool loetletud juhiseid ei järgita, võib tagajärjeks olla elektrilöökk, tulekahju ja/või rasked kehavigastused.

OHUTUSSÜMBOLID



Ohutusteade



Kandke kaitseprille



Kandke peakaitset



Pöörake tähelepanu kettsae tagasilöögile ja vältige kokkupuudet juhtlati otsaga



Teave juhtlati kohta



Garanteeritud helivõimsuse tase. Seadme müra keskkonnas on Euroopa Ühenduse direktiiviga vastavuses.



Toode vastab kohaldatavatele EÜ direktiividele.



Bluetooth®

mm Millimeeter

V Pinge

IPX4 Kaitse pritsmevee eest

SÄILITAGE HOIATUSED JA JUHISED HILISEMAKS KASUTUSEKS.

OHUTUSSÜMBOL

! HOIATUS! Mis tahes elektriliste tööriistade kasutamine võib põhjustada võõrkehade paiskumist silma, mis võib tekitada tõsiseid silmakahjustusi. Elektriliste tööriistade kasutamise ajal kandke alati kaitseprille või külgkaitsmetega kaitseprille ja vajadusel täielikku näokaitset. Soovitame kanda prillide peal laia vaatealaga kaitsemaski või standardseid külgkaitsmetega kaitseprille.



Vigastusohu vähendamiseks peab kasutaja enne toote kasutamist lugema kasutusjuhendit ja selle endale selgeks tegema.



Kasutage kuulmiskaitsevahendeid



Kandke kaitsekindaid



Juhtlati tipu tagasilöökk



Kasutage kettsaagi alati kahe käega



Elektriseadmete jäätmeid ei tohi visata olmejäätmete hulka. Viige volitatud taaskäitleja juurde.



Toode vastab kohaldatavatele Ühendkuningriigi õigusaktidele.



Alalisvool

n_0 Tühikäigu kiirus

./min Minutis

ET

TEHNILISED ANDMED

Nimipinge	56 V	
Max Ketki kiirus	25 m/s	
Ketisamm	3/8" (9,5 mm)	
Keti mõõdik	1,3 mm	
Juhtlati pikkus	50 cm	
Saeketi tüüp	AC2005	
Juhtlati tüüp	AG2005	
Keti õlipaagi maht	250 ml	
Kaal (ilma akuploki, saeketi, juhtlati, küljekatte, õli ja ketikaitsmeta)	3,9 kg	
Soovituslik töökeskkonna temperatuur	-15°C kuni 40°C	
Soovituslik hoiustamise temperatuur	-20°C kuni 70°C	
Soovitatav laadimistemperatuur	5°C kuni 40°C	
Mõõdetud helivõimsuse tase L_{WA}	103 dB(A) K=1,7 dB(A)	
Helirõhk seadme töösendis L_{PA}	89 dB(A) K=3 dB(A)	
Garanteeritud helivõimsuse tase L_{WA} (vastavalt direktiivile 2000/14/EÜ)	105 dB(A)	
Vibratsioon a_n	Eesmine käepide	4,69 m/s ² K=1,5 m/s ²
	Tagumine käepide	4,24 m/s ² K=1,5 m/s ²

- Esitatud vibratsioonitaseme näit on mõõdetud standardsete testmeetodite kohaselt ja seda võib kasutada erinevate tööriistade võrdlemiseks.
- Esitatud vibratsioonitaseme näitu võib kasutada ka alge kokkupuutehinna andmiseks.

MÄRKUS! Tegelikul kasutamisel tekib vibratsioonitase võib esitatust erineda; turvalisuse eesmärgil peaks seadme kasutaja tegelikes kasutustingimustes kandma kindaid ja kuulmiskaitsmeid.

PAKENDI LOEND (JONIS A1)

KIRJELDUS

TUNDKE OMA KETTSAAGI (joonis A1)

1. Saekett
2. Hambuline tugiraud
3. Keti tagasilöögiduri laba
4. Eesmine käepide
5. LCD-ekraan
6. Kiiruse tähisvöödid
7. Bluetoothi ikoon
8. Esitule ikoon
9. Piduri ikoon
10. Kütusenäidiku ring
11. Esitule-/Bluetoothihinupp
12. Keti kiiruse nupp
13. Lukustusnupp
14. Päästiküliti
15. Tagumine käepide
16. Akuvabastusnupp
17. Õlinivoo kontrollaken
18. Õlipaagi kork
19. Juhtlatt
20. Määrdeava
21. Küljekate
22. Küljekatte mutrid
23. LED-esituli
24. Keti pingutuspolti
25. Kahepoolne otsvõti
26. Keti kaitse

KOKKUPANEK

JUHTLATI JA KETI KOKKUPANEK/ VÄLJAVAHETAMINE

⚠ HOIATUS! Enne sae kokkupanekut seadke keti tagasilöögiduri laba pidurdusasendisse.

1. Pange kettsae toitepea külili nii, et küljekate jääks ülespoole (joonis B).
2. Eemaldage küljekate, keerates kahte lukustusmutrit vastupäeva.
3. Keti pinget lõdvendamiseks keerake keti pingutuspolti vastupäeva.
4. Seadke saekett siledal pinnal silmuseks ja tõmmake

ET

väänded jms sirgeks (joonis C).

5. Asetage keti veolülid juhtlati soonde ja lükake kett juhtlati tagaostast lati peale (joonis D).
6. Hoidke ketti juhtlatil paigal ja asetage silmus ümber sae ketiratta (joonis E1).

B-1	Lukustusmutrid	D-2	Juhtlati soon
B-2	Keti pingutuspolst	E-1	Ajami ketiratas
D-1	Keti veolülid		

MÄRKUS! Saeketti juhtlatile lükates veenduge, et pärast juhtlati saele paigaldamist oleksid löikehammade muster ja korpusel olev pöörlemissuuna nool samasuunalised. Kui need on suunatud vastassuundadesse, pange saekett uuesti juhtlatile nii, et löikehambad oleks noolega samas suunas (joonis E2).

7. Asetage küljekate kettsae korpusele tagasi ja pingutage kaks lukustusmutrit täiesti kinni.
8. Pöörake ketti käsitsi, et kontrollida, kas kett on korralikult paigaldatud ja ei kiilu kinni. Vastasel juhul pange kett ja latt uuesti kokku.

MÄRKUS! Juhtlati tööea pikendamiseks pöörake latt aeg-ajalt teistpidi.

KETI PINGE REGULEERIMINE

- Enne keti pinge reguleerimist seisake mootor ja eemaldage akuplokk. Pöörake keti pingutuspolsti päri- või vastupäeva, et reguleerida keti pinget (joonis F), kuni kett asetseb tihedalt vastu juhtlati nii, et veolülid on juhtlati soones.
- Külme kett on õigesti pinguldatud, kui juhtlati all pole lõtku ja kett on tihedalt ümber lati, aga seda saab käega ilma painutamata pöörata. Kui ketilülid lamedad osad ei ole lati soones, tuleb ketti pinguldada.
- Tavaliselt keti temperatuur töö käigus tõuseb. Õigesti pinguldatud sooja keti lülid on umbes 1,3 mm võrra juhtlati soonest väljas (joonis G).

MÄRKUS! Uued ketid venivad. Kontrollige keti pinguldust sageli ja pinguldage vastavalt vajadusele.

MÄRKUS! Soojalt pinguldatud kett võib jahtudes liiga pingul olla. Enne järgmist kasutuskorda kontrollige külma keti pinguldust.

SEADME KASUTAMINE

⚠ HOIATUS! Ärge muutuge toodet tundma õppides

214

56-VOLDISE LIITIUMIOONAKUGA JUHTMETA KETTSAAG — CS2000E

hooletuks. Pidage meeles, et raskeid vigastusi põhjustavaks õnnetuseks piisab ka sekundi murdosa pikkusest tähelepanematusesest.

⚠ HOIATUS! Ärge kasutage lisaseadmeid või -tarvikuid, mida selle toote valmistaja pole soovitanud. Mittesoovitulike lisaseadmete või -tarvikute kasutamine võib põhjustada raskeid kehavigastusi.

⚠ HOIATUS! Raskeid vigastusi põhjustada võiva juhusliku käivitumise vältimiseks eemaldage alati akuplokk enne masina kokkupanemist, reguleerimist, puhastamist või kui masin ei ole kasutuses.

Kontrollige enne iga kasutuskorda kogu toodet, et ei esineks kahjustunud, puuduvaid või lahtiisi osi, nt krube, mutreid, polte, korke vms. Kinnitage kõik kinnitused ja korgid ning ärge kasutage toodet, kuni kõik puuduvad või kahjustatud osad on välja vahetatud.

RAKENDUSALAD

Seda saagi võib kasutada puude langetamiseks, laasimiseks, kärpimiseks või tükeldamiseks.

MÄRKUS! Masinat tohib kasutada vaid käesolevas juhendis lubatud eesmärgil. Igasugust muud kasutust loetakse väärasutuseks.

LATI JA KETI MÄÄRDEAINE LISAMINE

⚠ HOIATUS! Ärge suitsetage ega tooge tuleallikaid õli ega sae lähedusse. Õli võib maha valguda ja tulekahju põhjustada.

MÄRKUS! Ostetud saag ei ole algselt õliga täidetud. Enne esmakasutust tuleb õlipaak kindlasti täita. Ketti õlitatakse töö käigus ketiõliga automaatselt.

1. Pange kettsaag küllili nii, et õlipaagi kork jääks ülespoole.
2. Puhastage õlipaagi kork ja selle ümbrus, et vältida mustuse õlipaaki sattumist.
3. Tõstke poolringikujulist plaati üles ja keerake õlipaagi korki selle eemaldamiseks vastupäeva (joonis H).
4. Kallake juhtlati ja keti õli ettevaatlikult paaki. Täitke paak kuni täitekaela alumise osani.
5. Pühkige ära üleliigne õli ja keerake kork tagasi.

MÄRKUS! Kontrollige õlitaset sageli ja kui õlitase langeb alla miinimumi, lisage õli. Ärge kunagi kasutage kettsaagi, kui õli ei ole nähtav.

AKUPLOKI PAIGALDAMINE/EEMALDAMINE

Kasutage ainult joonisel A2 esitatud EGO akuplokkide ja laaduritega.

Enne esmakasutamist laadige täielikult täis.

Paigaldamine

Joondage aku sakid paigaldussoontega ja suruge akuploki alla, kuni kuulete klõpsatust (joonis I).

Eemaldamine

Vajutage akuvabastusnuppu ja tõmmake akupakk välja (joonis J).

KETTSAE KÄIVITAMINE/SEISKAMINE

MÄRKUS! Enne kettsae käivitamist kontrollige õlitaset, saehammaste teravust ja tagasilöögiduri normipärast tööd. Lisaks tuleb töötada kindlal maapinnal ja piisaval kõrgusel maapinnast.

Käivitamine (joonis K)

1. Tõmmake keti tagasilöögiduri laba eesmise käepideme poole toosendis (joonis K).
2. Võtke vasaku käega eesmisest käepidemest ja parema käega tagumisest käepidemest kindlalt kinni.

⚠ HOIATUS! Vigastuste vältimiseks kasutage kettsaagi alati nii, et parem käsi hoiab tagumise käepideme haardealast kindlalt kinni (joonis L).

3. Vajutage parema käe pöidlaga lukustusnuppu ja hoidke seda all, seejärel vajutage parema käe sõrmedega päästikülilit, et saag käivitada (joonis L).

L-1	Haardeala
-----	-----------

4. Vabastage lukustusnupp ja töö jätkamiseks vajutage endiselt päästikülilit.
5. Mida tugevamalt päästikülilit vajutatakse, seda suurem on keti kiirus. Reguleerige kiirus parajasti tehtava töö jaoks sobivaks.

⚠ HOIATUS! Ärge üritage saagi käivitada, kui sae kett on lõike sees.

Seiskamine

1. Kettsae peatamiseks viige saag lõikealast eemale ja vabastage siis päästikülilit.
2. Ketipiduri aktiveerimiseks lükake keti tagasilöögiduri laba ettepoole pidurdusasendisse (joonis K).

⚠ HOIATUS! Tööpauside ajal ja pärast töö lõpetamist eemaldage masina küljest alati akuplokk.

KIIRUSREŽIIMI MUUTMINE (joonis M)

Sellel masinal on kolm kiirusrežiimi. Iga kiirusrežiim piirab

kettsae maksimaalset kiirust. Kiirusrežiim muutub iga kord, kui kiirusrežiimi nuppu vajutatakse.

Kiiruse tähisvöödid LCD-ekraanil näitavad aktiivset kiirusrežiimi: üks vööti madala kiiruse jaoks, kaks vööti keskmise kiiruse jaoks ja kolm vööti suure kiiruse jaoks. Väikese kiiruse režiim (ECO) tagab masina parema juhtimise ja pikema tööaja ühe laadimise kohta.

M-1	Kiiruse tähisvöödid	M-5	Kütusenäidiku ring
M-2	Bluetoothi ikoon	M-6	Esitule-/Bluetoothinupp
M-3	Esitule ikoon	M-7	Keti kiiruse nupp
M-4	Piduri ikoon		

MÄRKUS. Kui kasutate EGO akut, mille nimimaht on 2,5 Ah või vähem, on saadaval ainult ECO-režiim. Ja alla 6,0 Ah mahutavusega EGO aku kasutamine ei võimalda teil saavutada suurt kiirust. Parima jõudluse saavutamiseks soovitate kasutada EGO akusid, mille kogumaht on 6,0 Ah (nt BA3360T) või rohkem.

MÄRKUS. Masina kiiruse mälufunktsioon jätab meelde viimase kiirusseadistuse ja aktiveerib selle järgmisel masina sisselülitamisel.

MÄRKUS. LCD-ekraan aktiveerub päästiku vajutamisel, samuti keti kiiruse nupu või esitule-/Bluetoothinupu vajutamisel. See lülitub automaatselt välja, kui kettsaagi pole kasutatud umbes 30 sekundit.

LED-ESITULI (joonis N)

LED-esituli asub kettsae korpuse esiosas. Esituli annab valgust nähtavuse parandamiseks, tuld saab seadistada kahele ereduse tasemele.

Esitule sisselülitamiseks vajutage üks kord esitule-/Bluetoothinuppu (joonis M). Esituli lülitub sisse väikese eredusega ja LCD-ekraanil kuvatakse väikese eredusega esitule ikoon. Esitule suurele eredusele lülitamiseks vajutage uuesti esitule-/Bluetoothinuppu, LCD-ekraanil kuvatakse suure eredusega esitule ikoon.

Esitule väljalülitamiseks vajutage esitule-/Bluetoothinuppu kolmandat korda ja esitule ikoon kaob LCD-ekraanilt.

N-1	Väikese eredusega esitule ikoon	N-3	LED-esituli
N-2	Suure eredusega esitule ikoon		

ET

RINGSUUNALINE KETIPIDURITE SÜSTEEM (joonis O1 ja joonis O2)

⚠ HOIATUS. Ringsuunaline ketipidurite süsteem ei ole ette nähtud standardse/traditsioonilise ketipiduri asendamiseks. Kasutaja ei tohiks kunagi kettsae töötamise ajal tagasilöögi eest kaitsmiseks sellele funktsioonile loota. Järgige alati tagasilöögi leevendamisega seotud ohutusjuhiseid, mis on toodud selle juhendi hoiatusosas.

Kui ringsuunaline ketipidurite süsteem on aktiveeritud ja sae peatab, hakkab LCD-ekraanil vilkuma pidurite ikoon (joonis M). Vabastage päästik; eemaldage sae kett ja juhtlatt puidu küljest ning käivitage saag uuesti.

MÄRKUS. Andurid tuvastavad ainult sae äkilise liikumise juhtlati tasapinnas (joonis O1). Andurid ei tuvasta sae äkilist liikumist külgsuunas (joonis O2) (st juhtlati tasapinnaga risti).

SIDETEHNOLOGIA

Et saada teavet kogu meie ühilduvate toodete ja teenuste valiku (sealhulgas ühendamisjuhiste) kohta, skannige allpool olev QR-kood või külastage veebilehte www.egopowerplus.eu/connect.



KORREKTNE KÄEPIDEMETEST HOIDMISE VIIS (joonis P1)

- Võimalikult tugeva haarde ja turvalisuse tagamiseks kasutage libisemiskindlast materjalist kindaid.
- Asetage saag kindlale ja tugevale tasasele pinnale ning hoidke seda kahe käega.
- Võtke alati vasaku käega eesmisest käepidemest ja parema käega tagumisest.
- Asetage sõrmed ümber käepideme nii, et põial on eesmise käepideme all.

⚠ HOIATUS! Ärge kunagi töötage vasakukäelise haardega (käed risti) ega niisuguse hoiakuga, mille puhul teie keha või käsi jääb saeketi liikumistrajektorile.

⚠ HOIATUS! Ärge vajutage päästikut vasaku käega ega hoidke eesmist käepidet parema käega. Jälgige kettsae kasutamisel, et mitte ükski teie kehaosa ei jääks saeketi liikumistrajektorile (joonis P2).

ÕIGE TÖÖASEND (joonis Q)

- Mõlemad jalad tuleb toetada tugevale pinnale ja raskus

peab jalgade vahel ühtlaselt jagunema.

- Vasak käsi peab olema sirge ja küünarnukk fikseeritud. Nii suurendate tagasilöögiga tekkivate jõudude taluvust.
- Teie keha peaks alati olema ketist vasakul.

JUHISED ÕIGE METSARAIE-, LAASIMIS- JA JÄRKAMISTEHNKA RAKENDAMISEKS

⚠ HOIATUS! Seiske alati kindlal maapinnal ja hoidke töötavat saagi tugevalt kahe käega.

⚠ HOIATUS! Kui peatate sae, sest tunnete saagimise ajal kinni jäämist, vabastage päästiklüüti; eemaldage sae kett ja juhtlatt puidu küljest ning käivitage saag uuesti.

⚠ HOIATUS! Ärge tõmmake saepuru vahele kinni jäänud ketti käega. Juhuslikult käivitav saag võib põhjustada raskeid õnnetusi. Mustuse eemaldamiseks suruge sae kett vastu puitu ning liigutage saagi edasi-tagasi. Enne puhastamist eemaldage alati akuplokk. Sae käitamisel kandke alati tugevaid töökindaid.

⚠ HOIATUS! Ärge hoidke saagi käivitamise ajal puidu vastas. Ärge puudutage puitu kettsaega enne, kui saag on saavutanud maksimaalse töökiiruse.

PUU LANGETAMINE

- Kui puu järkamise ja langetamisega tegelevad korraga mitu inimest, peab langetamiskoht jääma järkamiskohast vähemalt kahekordse langetatava puu pikkuse kaugusele. Puude langetamisel ei tohi seada ohtu inimesi või kommunaalline ega põhjustada varalisi kahjusid. Kui puu siiski satub kontakti kommunaalliniiga, teavitage asjakohaseid asutusi viivitamatult.
- Künkal töötades peab sae kasutaja seisma puust kõrgemal, sest tõenäoliselt kukub või veereb langetatav puu künkast alla.
- Enne langetamist tuleks planeerida, millist eemaldumisteed saab vajadusel kasutada, ning vabastada see tee takistustest. Eemaldumistee peaks jääma tahapoole ja diagonaalselt eeldatavast kukkumissuunast vastupidisesse suunda, nagu on näidatud joonisel R.

R-1	Puulangetus-suund	R-2	Ohutu eemaldumistee
-----	-------------------	-----	---------------------

- Enne langetustööde alustamist võtke arvesse puu loomuliikku kallet, puu suuremate okste paiknemist ning tuule suunda ja arvestage selle järgi, kuhu poole puu võiks kukkuma hakata.

ET

- Eemaldage puult mustus, lahtine puukoor, naelad, klambrid ja traadid.

Altlõikega sälkamine

Tehke sälk 1/3 puu diameetri ulatuses langemissuunaga risti, nagu on näidatud joonisel S. Esmalt tehke alumine horisontaalne sälk. Nii väldite saeketi või juhtlati näpistamist teise sälgu tegemise ajal.

S-1	Langemissuund	S-3	Tagalõige langetamisel
S-2	Sälk	S-4	Hing

Tagalõige langetamine

- Tehke puu langetamisel tagalõige horisontaalsest sälgust vähemalt 50 mm kõrgemale, nagu on näidatud joonisel S. Jälgige, et tagalõige oleks eesmise horisontaalse sälguga paralleelne. Tehke tagalõige selliselt, et jääks alles piisav kogus puitu, mis toimiks hingena. Hingetükk hoiab ära puu keerdumise ning vales suunas kukkumise. Ärge lõigake hinge läbi.
- Kui jõuate langetamislõikega hinge lähedale, peaks puu kukkuma hakkama. Kui on väikenegi võimalus, et puu ei lange soovitud suunas või võib tagasi painduda ja sae keti kinnikiilumist põhjustada, katkestage saagimine enne, kui langetamise tagalõige on lõpetatud ja lõpetage langetustöö puidust, plastist või alumiiniumist kiilude abil, et suunata puu soovitud suunda.
- Kui puu hakkab langema, võtke kettsaag lõike seest ära, seisake mootor, pange saag maha ja eemaldage plaanitud rada mööda. Jälgige kukkuda võivaid oksa ja oma jalgeesist.

Laasimine

Laasimise käigus eemaldatakse kukkunud puu oksad. Laasimisel jätke alguses alles alumised jämedad oksad, mis hoiavad tüve maapinnast kõrgemal. Eemaldage väikesed oksad ühe lõikega, nagu on näidatud joonisel T. Ketsae kinnikiilumise vältimiseks tuleks pinge all olevaid oksa lõigata alt üles.

Palgi järkamine

- Järkamise korral lõigatakse palk juppideks. Selle töö puhul on oluline, et teie jalgealune oleks kindel ning keharaskus oleks jalgade vahel võrdselt jaotatud. Võimalusel tuleks langenud puu ots üles tõsta ja toetada okste, palkide või kiiludega. Järgige kerge lõikamise lihtsaid juhiseid.
- Kui palk on toetatud kogupikkuses, nagu on näidatud joonisel U1, alustatakse lõikamist ülalt (ülalt

järkamine).

- Kui palk on toetatud ühest otsast, nagu on näidatud joonisel U2, lõigake altpoolt 1/3 diameetri sügavuseni (alt järkamine). Seejärel tehke ülaltlõige kuni esimese lõikeni.
- Kui palk on toetatud mõlemast otsast, nagu on näidatud joonisel U3, lõigake ülaltpoolt 1/3 diameetri sügavuseni (ülalt järkamine). Seejärel tehke altlõige kuni esimese lõikeni.
- Künkal järkamisel seisake alati palgist kõrgemal, nagu on näidatud joonisel V.

Kontrolli säilitamiseks „läbi lõikamise“ vähendage survet lõike lõpuosas, lõdvendamata sealjuures kettsae käepidemete haaret. Vältige keti kontakti maapinnaga. Pärast lõike lõpetamist ja enne sae liigutamist oodake, kuni saekett seiskub. Ühe puu juurest teise juurde liikumiseks jätke saag alati seisma.

HOOLDUS

⚠ HOIATUS! Remontimisel kasutage vaid originaalvaruosi. Mis tahes muude osade kasutamine võib põhjustada ohtlikke olukordi või toodet vigastada. Turvalisuse ja vastupidavuse tagamiseks peab kõiki parandustöid läbi viima kvalifitseeritud hooldustehnik.

⚠ HOIATUS! Tõsiste kehavigastuste vältimiseks eemaldage enne masina kontrollimist, puhastamist ja hooldamist akuplokk alati masina küljest. Aku jõul töötav tööriist on ühendatud akuploki korral alati kasutusvalmis ja võib juhuslikult käivituda.

⚠ HOIATUS! Kettsae puhastamisel ÄRGE kastke seda vette ega ühegi teise vedeliku sisse.

⚠ HOIATUS! Ärge kunagi laske pidurivedelikel, bensiinil, nafta baasil toodetel, läbitungivatel õlidel jms puutuda kokku plastosadega. Kemikaalid võivad plasti vigastada, nõrgestada või hävitada, mille tulemusena võivad tekkida rasked kehavigastused.

PUHASTAMINE

- Pärast iga kasutuskorda puhastage kett ja juhtlatt pehme harjaga. Pühkige sae pind puhta, lahja seebilahusega niisutatud lapiga puhtaks.
- Eemaldage küljekate ja puhastage juhtlatt, sae kett, ketiratas ja küljekate pehme harjaga mustusest.
- Saeketi vahetamisel eemaldage juhtlati soonest alati puidutükid, saepuru ja mustus.

JUHTLATI HOOLDAMINE

Kui juhtlatti on kulunud, eemaldage see kettsae toitepea küljest ja pange see teistpidi tagasi (joonis W1). Nii saab kulumist jaotada ja seega latti eluiga maksimaalselt ära kasutada.

Latti tuleks igapäevaselt puhastada ning pärast puhastamist kontrollida, ega see kulunud või kahjustatud pole. Latti relsside narmastumine või karestumine on normaalne kulumisprotsess. Sellised vead tuleks ilmnemisel kohe viiliga siluda. Allpool mainitud vigadega latti tuleb välja vahetada.

- Latti relsside niisugune kulumine, mille tõttu võib kett küllili minna.
- Paindunud juhtlatti.
- Mõranenud või katkised relsid.
- Laiali vajunud relsid.

Lisaks asub juhtlatti tipu juures ketiratas (joonis W2). Juhtlatti tööea pikendamiseks tuleb ketiratast igal nädalal õlitada. Iganädalasel õlitamisel kasutage ketiõliga täidetud õlisüstalt ja sisestage õli läbi määrdeava (joonis W3). Pöörake juhtlatti ja veenduge, et määrdeavad ja keti soon oleks puhtad ja korras.

W-1	Juhtlatti tipu juures asuv ketiratas	W-2	Määrdeava
-----	--------------------------------------	-----	-----------

MÄRKUS! Parimate tulemuste saavutamiseks kasutage määrdeaineid, mille EGO on heaks kiitnud.

TRANSPORTIMINE JA HOIUSTAMINE

Ärge transportige ega hoiustage töötavat kettsaagi. Hooldamise ja transportimise ajaks eemaldage alati akuplokk.

Enne kettsae hoiustamist ja transportimist pange juhtlatti ja keti peale alati juhtlatti kaitse. Olge ettevaatlik ja vältige keti teravaid hambaid.

Enne hoiustamist puhastage saag hoolikalt. Hoidke saagi sisetingimustes, kuivas, lukustatud ja lastele kättesaamatus kohas.

ET

Hoidke seda eemal korrodeerivatest ainetest (nt aiakemikaalid ja jääsulatussoolad).

KESKKONNAKAITSE



Ärge visake elektriseadmeid, kasutatud akut ega laadurit olmeprügi hulka!

Viige toode volitatud taaskäitleja juurde ja võimaldage selle komponendid sorteerituna kõrvaldada. Elektritööriistad tuleb viia keskkonnakaitsenõudeid järgivasse jäätmekäitluskeskusesse.

TÖRKEOTSING

⚠ HOIATUS! Käte kaitsmiseks kandke saeketi hooldamisel alati tugevast materjalist kindaid. Ketsaehooldamise ja transportimise ajaks eemaldage alati akuplokk.

PROBLEEM	PÕHJUS	LAHENDUS
Mootor ei käivitu.	<ul style="list-style-type: none"> ■ Akuplokk pole saega ühendatud. ■ Sae ja akuploki vahel puudub elektriline ühendus. ■ Akuplokk on tühi. ■ Akuplokk või kettsaag on liiga kuum. ■ Ketipidur on aktiivne. ■ Juhtlati soones on mustust. ■ Katte sees on mustust. 	<ul style="list-style-type: none"> ■ Kinnitage akuplokk sae külge. ■ Eemaldage akuplokk, kontrollige ühendusi ja pange akuplokk tagasi. ■ Laadige akuplokki. ■ Jahutage akuplokki või kettsaagi, kuni temperatuur langeb alla 67°C. ■ Tõmmake keti tagasilöögiduri laba tagasi eesmise käepideme poole tööasendisse. ■ Mustuse eemaldamiseks suruge sae kett vastu puitu ning liigutage saagi edasi-tagasi. ■ Eemaldage akuplokk ning seejärel küljekate ja puhastage seade mustusest.
Kettsaag seiskub töö käigus.	<ul style="list-style-type: none"> ■ Kettsaag on ülekoormatud. ■ Akuplokk või kettsaag on liiga kuum. ■ Sae kett on puidu sisse kinni jäänud. 	<ul style="list-style-type: none"> ■ Vähendage koormust. ■ Vähendage koormust. Jahutage akuplokki või kettsaagi, kuni temperatuur langeb alla 67°C. ■ Vabastage päästik; eemaldage sae kett ja juhtlatt puidu küljest ning käivitage saag uuesti.
Mootor töötab, aga kett ei käi ringi.	<ul style="list-style-type: none"> ■ Kett ei haaku ketirattaga. 	<ul style="list-style-type: none"> ■ Paigaldage kett uuesti, jälgides, et kõik selle veolülid oleks korrektselt ketirattale paigutatud.
Ketipidur ei tööta.	<ul style="list-style-type: none"> ■ Mustus takistab keti tagasilöögiduri laba täies ulatuses liikumist. ■ Võimalik ketipiduri rike. 	<ul style="list-style-type: none"> ■ Eemaldage väliselt ketipidurilt mustus. ■ Küsige abi EGO hoolduskeskusest.

ET

PROBLEEM	PÕHJUS	LAHENDUS
Kettsaag ei löika korralikult.	<ul style="list-style-type: none"> ■ Ebapiisav keti pinge. ■ Lõtv kett. ■ Kett on paigaldatud tagurpidi. ■ Kulunud kett. ■ Kuiv või liigselt pinguldatud kett. ■ Kett pole lati hammastiku vahel. 	<ul style="list-style-type: none"> ■ Muutke keti pinguldatust vastavalt teabele alapunktis „KETI PINGE REGULEERIMINE“. ■ Teritage kett. ■ Paigaldage saekett tagasi, järgides juhiseid jaotises „JUHTLATI JA KETI KOKKUPANEK/VÄLJAVAHETAMINE“. ■ Asendage kett vastavalt juhiste jaotises „JUHTLATI JA KETI KOKKUPANEK/VÄLJAVAHETAMINE“. ■ Kontrollige õlitaset. Täitke õlipaak uuesti ja valige vajadusel suurem õlikogus. ■ Paigaldage saekett tagasi vastavalt juhiste jaotises „JUHTLATI JA KETI KOKKUPANEK/VÄLJAVAHETAMINE“.
Tavapärasel kasutusel tuleb kett lahti või kukub juhtlatilt ära.	<ul style="list-style-type: none"> ■ Tavaliselt keti temperatuur töö käigus tõuseb ja seetõttu tuleb kett lahti. ■ Kett ei haaku ketirattaga. 	<ul style="list-style-type: none"> ■ Pinguldage ketti, järgides juhiseid jaotises „KETI PINGE REGULEERIMINE“. ■ Paigaldage saekett tagasi vastavalt juhiste jaotises „JUHTLATI JA KETI KOKKUPANEK/VÄLJAVAHETAMINE“.

GARANTII

EGO GARANTIIPÕHIMÕTTED

Täielikud EGO garantiitingimused leiate veebilehelt egopowerplus.eu.

ET

ПРОЧИТАЙТЕ ВСІ ІНСТРУКЦІЇ!



ПРОЧИТАЙТЕ ПОСІБНИК З ЕКСПЛУАТАЦІЇ

⚠ ПОПЕРЕДЖЕННЯ. Для гарантування безпеки та надійності всі ремонтні роботи повинен проводити кваліфікований технічний спеціаліст.

⚠ ПОПЕРЕДЖЕННЯ. Перш ніж користуватися цим інструментом, обов'язково ознайомтеся з усіма інструкціями з безпеки, наведеними в цьому посібнику користувача, зокрема з усіма символами попереджень, такими як «**НЕБЕЗПЕКА**», «**ПОПЕРЕДЖЕННЯ**» та «**ЗАСТЕРЕЖЕННЯ**». Недотримання наведених нижче вказівок може спричинити ураження електричним струмом, пожежу та/або серйозні травми.

СИМВОЛИ, ЩО СТОСУЮТЬСЯ БЕЗПЕКИ



Попередження щодо безпеки



Надягайте засоби захисту очей



Надягайте засоби захисту голови



Остерігайтеся віддачі ланцюгової пили й уникайте контакту з кінцем шини.



Інформація про напрямну шину



Цей виріб відповідає чинним директивам ЄС.



Bluetooth®

мм Міліметр

V Напруга

IPX4 Захист від бризок води

ЗБЕРЕГАЙТЕ ВСІ ПОПЕРЕДЖЕННЯ ТА ІНСТРУКЦІЇ ДЛЯ ВИКОРИСТАННЯ В МАЙБУТЬОМУ.

СИМВОЛ БЕЗПЕКИ

⚠ ПОПЕРЕДЖЕННЯ. Використання будь-яких електроінструментів може призвести до потрапляння сторонніх предметів в очі, що може спричинити серйозне пошкодження очей. Перед початком експлуатації електроінструмента завжди надягайте закриті захисні окуляри або відкриті захисні окуляри з бічними щитами та, якщо потрібно, повнопрофільну захисну маску. Ми рекомендуємо захисну маску широкого розміру для використання поверх окулярів або стандартні відкриті захисні окуляри з бічними щитами.



Щоб зменшити ризик травми, користувач повинен ознайомитися з інструкцією користувача перед використанням цього виробу.



Надягайте засоби захисту органів слуху



Надягайте захисні рукавиці.



Завжди використовуйте ланцюгову пилу двома руками.



Відходи електричних виробів не слід викидати разом із побутовим сміттям. Зверніться до авторизованого пункту переробки.



Цей виріб відповідає чинному законодавству Великобританії.



Постійний струм


n_0 Швидкість холостого ходу

./хв На хвилину

ПРИМІТКА. Словесний знак і логотипи Bluetooth® є зареєстрованими товарними знаками Bluetooth SIG, Inc. та будь-яке використання таких знаків компанією EGO здійснюється за ліцензією.

UK

ТЕХНІЧНІ ХАРАКТЕРИСТИКИ

Номінальна напруга	56 В 	
Макс. Швидкість ланцюга	25 м/с	
Крок ланцюга	3/8" (9,5 мм)	
Калібр ланцюга	1,3 мм	
Довжина напрямної шини	50 см	
Тип пильного ланцюга	AC2005	
Тип напрямної шини	AG2005	
Об'єм оливного бачка ланцюга	250 мл	
Вага (без акумуляторної батареї, пильного ланцюга, напрямної шини, бічної кришки, мастила та кожуха ланцюга)	3,9 кг	
Діапазон рекомендованих робочих температур	-15°C–40°C	
Діапазон рекомендованих температур зберігання	-20°C–70°C	
Рекомендована температура під час заряджання	5°C–40°C	
Вимірний рівень звукової потужності L_{WA}	103 дБ (A) K=1,7 дБ (A)	
Рівень звукового тиску на робочому місці L_{PA}	89 дБ (A) K=3 дБ (A)	
Гарантований рівень звукової потужності L_{WA} (відповідно до 2000/14/EC)	105 дБ (A)	
Вібрація a_n	Передня ручка	4,69 м/с ² K=1,5 м/с ²
	Задня ручка	4,24 м/с ² K=1,5 м/с ²

UK

- Вказане загальне значення вібрації виміряне за стандартним методом тестування і може використовуватися для порівняння одного інструмента з іншим;
- Заявлене сумарне значення вібрації може також використовуватися для попередньої оцінки впливу.

ПРИМІТКА. Емісія вібрації під час фактичного використання електроінструмента може відрізнятися від заявленої величини, у якій використовується інструмент. Щоб захистити оператора, користувач

повинен одягати рукавички та захисні навушники в реальних умовах використання.

ПАКУВАЛЬНИЙ СПИСОК (РИС. А1)

ОПИС

ОЗНАЙОМЛЕННЯ З ЛАНЦЮГОВОЮ ПИЛОЮ (рис. А1)

1. Пилковий ланцюг
2. Упорні зубці
3. Важіль гальма віддачі ланцюга
4. Передня ручка
5. РК-екран
6. Смуги швидкості
7. Значок Bluetooth
8. Значок лампи
9. Значок гальма
10. Коло показчика рівня палива
11. Кнопка лампи/Bluetooth
12. Кнопка швидкості ланцюга
13. Кнопка блокування
14. Тригерний перемикач
15. Задня ручка
16. Кнопка звільнення батареї
17. Віконце для перевірки мастила
18. Кришка бачка для мастила
19. Пилкова шина
20. Змашувальний отвір
21. Бічна кришка
22. Гайки бічної кришки
23. Світлодіодна лампа
24. Болт натягу ланцюга
25. Двосторонній торцевий ключ
26. Кожух ланцюга

ЗБИРАННЯ

УСТАНОВЛЕННЯ/ЗАМІНА ШИНИ ТА ЛАНЦЮГА

▲ ПОПЕРЕДЖЕННЯ. Перед збиранням установіть важіль гальма віддачі ланцюга в положення гальмування.

1. Покладіть приводну головку ланцюгової пили набік бічною кришкою вгору (рис. B).
2. Зніміть бічну кришку, повернувши дві контргайки проти годинникової стрілки.
3. Поверніть болт натягу ланцюга проти годинникової стрілки, щоб послабити натяг ланцюга.
4. Розкладіть пильний ланцюг по колу на рівну поверхню і вирівняйте будь-які перекручування (рис. C).
5. Установіть приводні ланки ланцюга в паз напрямної шини та з'єднайте ланцюг колом ззаду напрямної шини (рис. D).
6. Тримайте ланцюг у положенні на напрямній шині та розташуйте петлю навколо зірочки пили (рис. E1).

B-1	Контргайки	D-2	Паз пилкової шини
B-2	Болт натягу ланцюга	E-1	Ведуча зірочка
D-1	Ланки приводного ланцюга		

ПРИМІТКА. Під час намотування пильного ланцюга на напрямну шину переконайтеся, що після встановлення напрямної шини на пилу вона збігається з малюнком ріжучого полотна та стрілкою напрямку обертання на корпусі. Якщо вони спрямовані в протилежні сторони, знову встановіть пильний ланцюг на напрямну шину так, щоб різці були спрямовані в одному напрямку (рис. E2).

7. Установіть бічну кришку на корпус ланцюгової пили та повністю затягніть дві контргайки.
8. Поверніть ланцюг вручну, щоб перевірити, чи ланцюг зібраний правильно, без заїдань. В іншому разі зберіть ланцюг і шину заново.

ПРИМІТКА. Щоб продовжити термін служби напрямної шини, іноді перевертайте шину.

РЕГУЛЮВАННЯ НАТЯГУ ЛАНЦЮГА

- Зупиніть мотор і вийміть акумулятор, перш ніж регулювати натяг ланцюга. Повертайте болт натягу ланцюга за годинниковою стрілкою або проти годинникової стрілки, щоб відрегулювати натяг ланцюга (рис. F), доки ланцюг не буде щільно прилягати до напрямної шини, а ведучі ланки не опиняться в пазу напрямної шини.

- Ланцюг натягнуто правильно, якщо немає провисання на нижній напрямній шині, ланцюг сидить щільно, але його можна повернути рукою без застрягання. Ланцюг необхідно натягувати щоразу, коли плоска поверхня на приводних ланках не сидить у пазу.
- Під час нормальної роботи пили температура ланцюга буде збільшуватися. Приводні ланки правильно натягнутого теплого ланцюга провисатимуть приблизно на 1,3 мм) з паса шини (рис. G).

ПРИМІТКА. Нові ланцюги мають тенденцію до розтягування. Часто перевіряйте натяг ланцюга в міру необхідності.

ПРИМІТКА. Ланцюг, натягнутий у теплу стані, може бути занадто тугим після охолодження. Перевірте холодний натяг перед наступним використанням.

ЕКСПЛУАТАЦІЯ

⚠ ПОПЕРЕДЖЕННЯ. Знання виробу не має робити вас недбалим. Пам'ятайте, що півсекунди неухважності досить для серйозної травми.

⚠ ПОПЕРЕДЖЕННЯ. Не використовуйте приладдя чи насадки, не рекомендовані виробником цього пристрою. Використання нерекomenованого приладдя чи насадок може призвести до серйозних травм.

⚠ ПОПЕРЕДЖЕННЯ. Щоб запобігти випадковому запуску, що може спричинити серйозні травми, завжди виймайте акумуляторну батарею з інструмента під час монтажу деталей, регулювання, очищення або коли він не використовується.

Перед кожним використанням перевіряйте весь виріб на предмет пошкоджень, відсутності або послаблення деталей, таких як гвинти, гайки, болти, кришки тощо. Закріпіть усі затискачі та ковпачки і не використовуйте цей прилад, доки не будуть замінені всі відсутні або пошкоджені деталі.

ЗАСТОСУВАННЯ

Ви можете використовувати цей виріб для базового зрубання дерев, обрізання сучків, різання деревини та обробки лісоматеріалів та дерев.

ПРИМІТКА. Цей інструмент має використовуватись тільки за призначенням. Будь-яке інше використання вважається випадком використання не за призначенням.

ДОДАВАННЯ МАСТИЛА ДЛЯ ШИНИ ТА ЛАНЦЮГА.

⚠ ПОПЕРЕДЖЕННЯ. Не паліть і не наближайте джерела вогню або полум'я до мастила чи ланцюгової пили. Мастило може розлитись і спричинити пожежу.

ПРИМІТКА. Ланцюгова пила не наповнена мастилом у момент покупки. Перед використанням необхідно заповнити бачок мастилом. Ланцюг автоматично змащується мастилом для ланцюга під час роботи.

1. Покладіть ланцюгову пилу набік кришкою бака догори.
2. Очистіть кришку бачка для мастила та ділянку навколо неї, щоб бруд не потрапив у бачок.
3. Підніміть напівкруглу пластину та поверніть кришку бачка для мастила проти годинникової стрілки, щоб зняти її (рис. Н).
4. Обережно наливайте мастило для шини і ланцюга. Заповніть до нижньої частини заливної горловини.
5. Протріть зайве мастило і встановіть на місце кришку.

ПРИМІТКА. Часто перевіряйте рівень мастила і доливайте, коли він опускається нижче мінімальної позначки. Ніколи не вмикайте ланцюгову пилу, якщо не видно мастила.

УСТАНОВЛЕННЯ І ВИДАЛЕННЯ АКУМУЛЯТОРА

Використовуйте лише акумулятори та зарядні пристрої EGO, перелічені на рис. А2.

Повністю зарядіть перед першим використанням.

Установлення

Вирівняйте виступи на акумуляторі з кріпильними отворами та натисніть на акумуляторну батарею, доки не почуєте «кляцання» (рис. І).

Видалення

Натисніть кнопку звільнення акумулятора та витягніть акумуляторну батарею (рис. J).

UK

ЗАПУСК/ЗУПИНКА ЛАНЦЮГОВОЇ ПИЛИ

ПРИМІТКА. Перед запуском ланцюгової пили перевірте рівень мастила, гостроту зубців та правильну роботу важеля гальма віддачі. Крім того, необхідно тримати рівновагу та належну відстань від землі.

Запуск (рис. К)

1. Потягніть ручку гальма віддачі в напрямку передньої рукоятки в робоче положення (рис. К)

2. Міцно тримайте передню ручку лівою рукою, а задню ручку – правою.

⚠ ПОПЕРЕДЖЕННЯ. Щоб уникнути травм, завжди використовуйте ланцюгову пилу, тримаючись правою рукою за область захвату задньої рукоятки (рис. L).

3. Натисніть і утримуйте кнопку блокування великим пальцем правої руки, потім натисніть пусковий перемикач пальцями правої руки, щоб запустити пилу (рис. L).

L-1	Область захвату
-----	-----------------

4. Відпустіть кнопку блокування та продовжуйте натискати пусковий перемикач для продовження роботи.
5. Що сильніше натиснуто тригерний перемикач, то більша швидкість ланцюга. Відрегулюйте швидкість відповідно до поставленого завдання.

⚠ ПОПЕРЕДЖЕННЯ. Не намагайтеся запустити пилу, коли ланцюг пили в пропилі.

Зупинка

1. Перемістіть ланцюгову пилу від зони різання, а потім відпустіть пусковий перемикач, щоб зупинити пилу.
2. Натисніть важіль гальма віддачі ланцюга вперед у положення гальмування, щоб задіяти гальмо ланцюга (рис. К).

⚠ ПОПЕРЕДЖЕННЯ. Завжди виймайте акумуляторну батарею з інструмента під час перерв у роботі та після закінчення роботи.

ЗМІНА РЕЖИМУ ШВИДКОСТІ (рис. М)

Цей інструмент має три режими швидкості. Кожен швидкісний режим обмежує максимальну швидкість ланцюгової пили. Режим швидкості змінюватиметься з кожним натисканням кнопки швидкості ланцюга.

Смуги швидкості на РК-екрані відобразатимуть активний режим швидкості: одна смуга для низької швидкості, дві смуги для середньої швидкості та три смуги для високої швидкості. Режим низької швидкості (ЕКО) забезпечує кращий контроль над інструментом та триваліший час роботи на одному заряді.

M-1	Смуги швидкості	M-5	Коло покажчика рівня палива
M-2	Значок Blue-tooth	M-6	Кнопка лампи/Bluetooth

M-3	Значок лампи	M-7	Кнопка швидкості ланцюга
M-4	Значок гальма		

ПРИМІТКА. У разі використання акумуляторної батареї EGO ємністю 2,5 А*год або менше доступний лише режим ECO. Використання акумуляторної батареї EGO ємністю менше 6,0 А*год не дасть вам змоги досягти високої швидкості. Для найкращої продуктивності ми наполегливо рекомендуємо використовувати акумуляторні батареї EGO ємністю 6,0 А*год (наприклад, ВА3360Т) або більше.

ПРИМІТКА. Функція пам'яті швидкості запам'ятовує останнє налаштування швидкості та активує його під час наступного ввімкнення машини.

ПРИМІТКА. РК-екран загоряється під час натискання на пусковий вимикач або на кнопку швидкості чи кнопку лампи/ Bluetooth. Він автоматично вимикається приблизно після 30 секунд бездіяльності ланцюгової пили.

СВІТЛОДІОДНА ЛАМПА (рис. N)

Світлодіодна лампа розташована в передній частині корпусу ланцюгової пили. Лампа забезпечує підсвічування для покращення видимості та має 2 рівні яскравості.

Щоб увімкнути лампу, один раз натисніть кнопку лампи/ Bluetooth (рис. M). Лампа ввімкнеться з низьким рівнем яскравості, а на РК-екрані з'явиться значок лампи з низьким рівнем яскравості. Натисніть кнопку лампи/ Bluetooth ще раз, щоб переключитися на високий рівень яскравості, і на РК-екрані з'явиться значок лампи з високим рівнем яскравості.

Щоб вимкнути лампу, натисніть кнопку лампи/Bluetooth утретє, і значок лампи зникне з РК-екрана.

N-1	Значок лампи з низьким рівнем яскравості	N-3	Світлодіодна лампа
N-2	Значок лампи з високим рівнем яскравості		

УСЕНАПРАВЛЕНА СИСТЕМА ГАЛЬМА ЛАНЦЮГА (рис. O1 і рис. O2)

▲ ПОПЕРЕДЖЕННЯ. Усенаправлена система гальма ланцюга не призначена для заміни стандартного/традиційного гальма ланцюга. Користувачеві ніколи не

слід покладатися на цю функцію для захисту від віддачі під час використання ланцюгової пили. Завжди дотримуйтесь інструкцій із безпеки щодо зменшення віддачі, які наведено в розділі попереджень цього посібника.

Коли всенаправлена система гальма ланцюга активується та зупиняє пилу, на РК-екрані блимає значок гальма (рис. M). Відпустіть тригерний перемикач; зніміть ланцюг пили та напрямну шину з дерева, а потім знову запустіть ланцюгову пилу.

ПРИМІТКА. Датчики фіксують лише раптовий рух пили в площині напрямної шини (рис. O1). Датчики не виявляють різкого руху пили вбік (рис. O2) (тобто перпендикулярно до площини напрямної шини).

КОМУНІКАЦІЙНА ТЕХНОЛОГІЯ

Для отримання інформації про весь спектр під'єднаних продуктів і послуг, зокрема інструкцій із підключення, відскануйте QR-код нижче або відвідайте сайт www.egopowerplus.eu/connect.



ПРАВИЛЬНЕ ТРИМАННЯ РУЧОК (рис. P1)

- Носіть нековзні рукавички для максимального зчеплення і захисту.
- Поклавши пилу на міцну, рівну поверхню, міцно тримайте її обома руками.
- Завжди тримайте передню ручку лівою рукою, а задню ручку – правою.
- Пальці мають охоплювати ручку, великий палець має бути під передньою рукою.

▲ ПОПЕРЕДЖЕННЯ. Ніколи не беріться лівою рукою за ручку (не перехресуйте руки) і не приймайте положення, при якому ваше тіло або рука перетинало б лінію ланцюга.

▲ ПОПЕРЕДЖЕННЯ. Не натискайте на пусковий перемикач лівою рукою і тримайтеся правою рукою за передню ручку. У жодному разі не допускайте, щоб будь-яка частина вашого тіла перебувала на лінії ланцюга під час роботи з ланцюговою пилою (рис. P2).

ПРАВИЛЬНА ПОСТАВА ДЛЯ РІЗАННЯ (рис. O)

- Обидві ноги мають бути на твердій поверхні, при чому вага має бути рівномірно розподілена між ними.

- Ліва рука має бути прямою, лікоть зафіксований. Це допомагає протистояти силам, утвореним віддачею.
- Ваше тіло завжди має бути ліворуч від лінії ланцюга.

ВКАЗІВКИ, ЩО СТОСУЮТЬСЯ НАЛЕЖНИХ ПРИЙОМІВ БАЗОВОГО ЗРУБУВАННЯ ДЕРЕВ, ОБРІЗАННЯ СУЧКІВ ТА НАСКРІЗНОГО РІЗАННЯ

⚠ ПОПЕРЕДЖЕННЯ. Завжди стійте на ногах упевнено і міцно тримайте ланцюгову пилу обома руками під час роботи мотора.

⚠ ПОПЕРЕДЖЕННЯ. Коли пильний ланцюг зупиняється через затискання під час різання, відпустіть тригерний вимикач; зніміть пильний ланцюг та напрямну шину з деревини, а потім знову запустіть ланцюгову пилу.

⚠ ПОПЕРЕДЖЕННЯ. Не тягніть ланцюгову пилу рукою, якщо в ній застрягла тирса. Якщо ланцюгова пила запускається випадково, це може призвести до серйозної травми. Притисніть пильний ланцюг до дерева, переміщуйте ланцюгову пилу назад і вперед, щоб скинути сміття. Завжди виймайте акумуляторну батарею перед чищенням. Під час роботи з ланцюгом використовуйте міцні захисні рукавички.

⚠ ПОПЕРЕДЖЕННЯ. Ніколи не запускайте ланцюгову пилу, коли вона контактує з деревиною. Завжди давайте ланцюговій пилі досягти повної швидкості, перш ніж застосовувати пилу до деревини.

ЗРУБУВАННЯ ДЕРЕВА

- Якщо розпилювання та вирубування виконуються двома або більше особами одночасно, то операція вирубування має виконуватись окремо від операції розпилювання на відстані, що відповідає принаймні подвійній висоті дерева, що вирубується. Дерева не можна вирубувати таким способом, який може загрожувати будь-якій особі, пошкодити будь-яку комунікаційну лінію або заподіяти майнову шкоду. Якщо дерево контактує з будь-якою комунікаційною лінією, про це слід негайно повідомити комунальну компанію.
- Оператор ланцюгової пили повинен стояти на схилі вище, оскільки дерево, імовірно, скотиться або сповзе вниз після вирубування.
- Слід запланувати та звільнити шлях евакуації, як це необхідно, перш ніж розпочинати

зрізання. Шлях евакуації має проходити назад і по діагоналі, позаду від очікуваної лінії падіння, як показано на рис. R.

R-1	Напрямок зрубівання	R-2	Шлях безпечного відступу
-----	---------------------	-----	--------------------------

- Перед початком вирубування розгляньте природний нахил дерева, розташування великих гілок і напрямком вітру, щоб визначити, яким чином дерево впаде.
- Приберіть із дерева бруд, камені, вільну кору, цвяхи, скоби та дріт.

Виконання надрізу

Зробіть проріз на 1/3 діаметра дерева, перпендикулярно напрямку падіння, як показано на рис. S. Спочатку зробіть вирізку нижньої горизонтальної виїмки. Це допоможе уникнути затискання ланцюга пили або напрямної штанги під час вирізання другої виїмки.

S-1	Напрямок падіння	S-3	Пропил із протилежної сторони зрубівання
S-2	Виріз	S-4	Шарнір

Пропил із протилежної сторони зрубівання

- Виконайте пропил із протилежної сторони зрубівання принаймні на 50 мм вище горизонтальної виїмки, як показано на рис. S. Пропил з протилежного боку має бути паралельний горизонтальній виїмці. Зробіть пропил з протилежного боку вирубування так, щоб деревина діяла як шарнір. Він не дає дереву скручуватися та падати в неправильному напрямку. Не прорізайте шарнір.
- Коли спилування наближається до шарніра, дерево має почати падати. Якщо є ймовірність, що дерево може впасти не в потрібному напрямку або може перехилитися назад і затиснути пильний ланцюг, припиніть різання до повного розрізання вирубки та використовуйте клини із дерева, пластику або алюмінію, щоб відкрити пропил і повалити дерево по потрібній лінії падіння.
- Коли дерево починає падати, припиніть ланцюгову пилу з пропили, зупиніть мотор, покладіть ланцюгову пилу, а потім відійдіть по запланованому шляху відступу. Будьте обережні, коли падають верхні гілки, і добре стійте на ногах.

Зрізання гілок із дерева

Ідеться про зрізання гілок із поваленого дерева. Під час зрізання гілок більші ніжні гілки мають підтримувати колоду над землею. Видаліть маленькі гілки одним зрізом, як показано на рис. Т. Гілки під напругою слід зрізати знизу вгору, щоб уникнути затискання ланцюгової пили.

Розпилювання колоди

- Розпилювання – це розрізання колоди в довжину. Важливо міцно стояти на ногах і рівномірно розподілити свою вагу на обох ногах. Коли це можливо, колода має бути піднята і спиратися на гілки, колоди або підпори. Дотримуйтеся простих вказівок для легкого розрізання.
- Коли колода спирається по всій довжині, як показано на рисунку U1, вона розрізається з верхньої частини (надпилювання).
- Коли колода спирається на одному кінці, як показано на рис. U2, проріжте 1/3 діаметра з нижньої сторони (підпилювання). Потім зробіть остаточний надріз для з'єднання з першим прорізом.
- Коли колода спирається на обидва кінці, як показано на рис. U3, проріжте 1/3 діаметра з верхньої сторони (надпилювання). Потім зробіть остаточний надріз, підпилявши решту 2/3 для з'єднання з першим прорізом.
- Під час розпилювання на схилі завжди стійте вище відносно колоди, як показано на рис. V.

Під час «прорізання», щоб підтримувати повний контроль, відпустіть тиск різання біля кінця прорізу, не послабляючи хват ручок ланцюгової пили. Не допускайте контакту ланцюга із землею. Після завершення пиляння зачекайте, доки пильний ланцюг не зупиниться, перш ніж перемістити ланцюгову пилу. Завжди зупиняйте мотор, перш ніж переходити від одного дерева до іншого.

ОБСЛУГОВУВАННЯ

⚠ ПОПЕРЕДЖЕННЯ. Використовуйте для технічного обслуговування лише ідентичні запчастини. Використання будь-яких інших частин створює небезпеку або може призвести до поломки виробу. Для гарантування безпеки та надійності всі ремонтні роботи повинен проводити кваліфікований технічний спеціаліст.

⚠ ПОПЕРЕДЖЕННЯ. Щоб уникнути серйозних травм, завжди виймайте акумуляторну батарею з виробу, перш ніж проводити огляд, чистити або

виконувати будь-яке технічне обслуговування. Акумуляторний інструмент із вставленим акумулятором завжди ввімкнений і може випадково запуститися.

⚠ ПОПЕРЕДЖЕННЯ. Під час чищення ланцюгової пили НЕ занурюйте її у воду чи інші рідини.

⚠ ПОПЕРЕДЖЕННЯ. Ніколи не допускайте контакту пластмасових частин із гальмівною рідиною, бензином, нафтопродуктами, проникаючими оліями і т. ін. Хімікати можуть пошкодити, ослабити або зруйнувати пластмасу, а це загрожує серйозними травмами.

ЧИЩЕННЯ

- Після кожного використання очистьте сміття з ланцюга та напрямної шини м'якою щіткою. Протріть поверхню ланцюгової пили чистою тканиною, змоченою м'яким розчином мила.
- Зніміть бічну кришку, а потім скористайтеся м'якою щіткою, щоб видалити сміття з напрямної шини, пильного ланцюга, зірочки та бічної кришки.
- Завжди вичищайте деревну стружку, пил і бруд із паза напрямної шини під час заміни пильного ланцюга.

ДОГЛЯД ЗА НАПРЯМНОЮ ШИНОЮ

Коли на напрямній шині з'являються ознаки зносу, зніміть її з приводної головки пили і переверніть її для повторного розбирання та збирання (рис. W1). Таким чином, знос буде розподілений, що продовжить термін служби напрямної шини.

Шину слід чистити кожен день після користування та перевіряти на предмет зносу та пошкодження. Утворення нальоту або задирок на рейках шини є нормальним процесом її зносу. Такі дефекти слід згладжувати напилком, щойно вони з'являться. Шину з будь-якими з наведених нижче дефектів слід замінити.

- Знос всередині рейок шини, що дає ланцюгу змогу лягати на бік.
- Зігнута напрямна шина
- Тріснуті або зламані рейки.
- Рейки, що розійшлися.

Крім того, напрямна шина має зірочку на кінці (рис. W2). Зірочку потрібно змащувати щотижня за допомогою масляного шприца, щоб продовжити термін служби напрямної шини. Використовуйте масляний шприц для щотижневого змащення маслом для ланцюга через змащувальний отвір (рис. W3). Поверніть напрямну шину та перевірте, чи в змащувальних отворах і пазах ланцюга немає забруднень.

W-1	Зірочка на кінці напрямної шини	W-2	Змащувальний отвір
-----	---------------------------------	-----	--------------------

ПРИМІТКА. Для досягнення найкращих результатів використовуйте мастила, схвалені EGO.

ТРАНСПОРТУВАННЯ ТА ЗБЕРІГАННЯ

Не зберігайте та не переміщуйте ланцюгову пилу, коли вона працює. Завжди виймайте акумуляторну батарею перед зберіганням або транспортуванням.

Завжди накладайте захисну оболонку на напрямну шину та ланцюг, перш ніж зберігати або транспортувати ланцюгову пилу. Будьте обережні, щоб уникати гострих зубців ланцюга.

Перед зберіганням слід ретельно очистити ланцюгову пилу. Зберігайте ланцюгову пилу в місці, недоступному для дітей.

Тримайте подалі корозійні агенти, такі як садові хімікати та солі проти ожеледі.

ЗАХИСТ ДОВКІЛЛЯ



Не викидайте електричне обладнання, акумулятор і зарядний пристрій у побутові відходи!

Віднесіть цей виріб авторизованому переробнику й надайте його для роздільного збирання.

Електроінструменти необхідно повернути в підприємство, що займається екологічно безпечною переробкою.

УСУНЕННЯ НЕСПРАВНОСТЕЙ

⚠ ПОПЕРЕДЖЕННЯ. Завжди захищайте руки, одягаючи міцні рукавички під час виконання будь-якого технічного обслуговування на пильних ланцюгах. Під час обслуговування або транспортування ланцюгової пили завжди виймайте акумуляторну батарею.

НЕСПРАВНІСТЬ	ПРИЧИНА	ВИРІШЕННЯ
Мотор не запускається.	<ul style="list-style-type: none"> ■ Акумуляторна батарея не приєднана до ланцюгової пили. ■ Немає електричного контакту між пилою та акумулятором. ■ Акумуляторна батарея розряджена. ■ Акумулятор або ланцюгова пила занадто гарячі. ■ Гальмо ланцюга задіяне. ■ Сміття в пазу. ■ Сміття в кришці. 	<ul style="list-style-type: none"> ■ Під'єднайте акумулятор до ланцюгової пили. ■ Вийміть акумуляторну батарею, перевірте контакти та знову встановіть акумуляторну батарею. ■ Зарядіть акумуляторну батарею. ■ Дайте акумуляторній батареї або ланцюговій пилі охолонути, доки температура не опуститься нижче 67°C. ■ Потягніть важіль гальма віддачі назад у напрямку передньої рукоятки в робоче положення. ■ Притисніть пильний ланцюг до дерева, переміщуйте ланцюгову пилу назад і вперед, щоб скинути сміття. ■ Вийміть акумуляторну батарею, потім зніміть бічну кришку та приберіть сміття.
Ланцюгова пила зупиняється під час роботи.	<ul style="list-style-type: none"> ■ Ланцюгова пила перевантажена. ■ Акумулятор або ланцюгова пила занадто гарячі. ■ Пильний ланцюг застряг у деревині. 	<ul style="list-style-type: none"> ■ Зменште навантаження. ■ Зменште навантаження. Дайте акумуляторній батареї або ланцюговій пилі охолонути, доки температура не опуститься нижче 67°C. ■ Відпустіть тригерний вимикач; зніміть пильний ланцюг і напрямну шину з дерева, а потім знову запустіть ланцюгову пилу.
Мотор працює, але ланцюг не обертається.	<ul style="list-style-type: none"> ■ Ланцюг не зачіпляє приводну зірочку. 	<ul style="list-style-type: none"> ■ Зніміть і встановіть на місце ланцюг, переконавшись, що приводні ланки ланцюга повністю розташовані на зірочці.
Гальмо ланцюга не спрацьовує.	<ul style="list-style-type: none"> ■ Сміття заважає повному руху важеля гальма віддачі ланцюга ■ Можлива несправність гальма ланцюга. 	<ul style="list-style-type: none"> ■ Приберіть сміття з механізму гальма зовнішнього ланцюга. ■ Зверніться до клієнтської служби EGO для ремонту.

UK

НЕСПРАВНІСТЬ	ПРИЧИНА	ВИРІШЕННЯ
Ланцюгова пила не ріже належним чином.	<ul style="list-style-type: none"> ■ Недостатній натяг ланцюга. ■ Тупий ланцюг. ■ Ланцюг установлено на впаки. ■ Зношений ланцюг. ■ Сухий або надмірно натягнутий ланцюг. ■ Ланцюг не в пазу шини. 	<ul style="list-style-type: none"> ■ Перевірте натяг ланцюга згідно з розділом: «РЕГУЛЮВАННЯ НАТЯГУ ЛАНЦЮГА». ■ Заточіть ланцюг. ■ Зніміть і встановіть на місце пильний ланцюг, як описано в розділі «УСТАНОВЛЕННЯ/ЗАМІНА ШИНИ ТА ЛАНЦЮГА». ■ Замініть ланцюг, дотримуючись вказівок у розділі: «УСТАНОВЛЕННЯ/ЗАМІНА ШИНИ ТА ЛАНЦЮГА». ■ Перевірте рівень мастила. Заповніть бачок для мастила й за необхідності виберіть більший об'єм подачі мастила. ■ Перевстановіть пильний ланцюг, дотримуючись вказівок у розділі: «УСТАНОВЛЕННЯ/ЗАМІНА ШИНИ ТА ЛАНЦЮГА».
Ланцюг послаблюється або падає з напрямної шини під час нормального використання.	<ul style="list-style-type: none"> ■ Ланцюг ослабне через підвищення його температури під час нормальної роботи пили. ■ Ланцюг не зачіпляє приводну зірочку. 	<ul style="list-style-type: none"> ■ Натягніть ланцюг, як описано в розділі «РЕГУЛЮВАННЯ НАТЯГУ ЛАНЦЮГА». ■ Перевстановіть пильний ланцюг, дотримуючись вказівок у розділі: «УСТАНОВЛЕННЯ/ЗАМІНА ШИНИ ТА ЛАНЦЮГА».

ГАРАНТІЯ

ПРАВИЛА ГАРАНТІЇ EGO

Відвідайте веб-сайт egopowerplus.eu для отримання повного тексту умов гарантійної політики EGO.

UK

ПРОЧЕТЕТЕ ВСИЧКИ ИНСТРУКЦИИ!



ПРОЧЕТЕТЕ РЪКОВОДСТВОТО НА ОПЕРАТОРА

⚠ ПРЕДУПРЕЖДЕНИЕ: За да осигурите безопасността и надеждността, всички поправки трябва да се извършват от квалифициран сервизен техник.

⚠ ПРЕДУПРЕЖДЕНИЕ: Уверете се, че сте прочели и осъзнали всички инструкции за безопасност в това Ръководство на оператора, включително всички известяващи символи за безопасност, като "ОПАСНОСТ", "ПРЕДУПРЕЖДЕНИЕ" и "ВНИМАНИЕ" преди да използвате този инструмент. Неспазването на всички инструкции изброени долу може да доведе до електрически удар, пожар и/или сериозно нараняване.

СИМВОЛИ ЗА БЕЗОПАСНОСТ



Сигнал за безопасност



Носете защита за очите



Носете защита за главата



Пазете се от откат на верижния трион и избягвайте контакт с върха на шината



Информация за водещата шина



Този продукт е в съответствие с приложимите директиви на ЕС.



Bluetooth®

мм Милиметър

V Напрежение

IPX4 Защита от водни пръски

ЗАПАЗЕТЕ ВСИЧКИ ПРЕДУПРЕЖДЕНИЯ И ИНСТРУКЦИИ ЗА БЪДЕЩА СПРАВКА.

СИМВОЛ ЗА БЕЗОПАСНОСТ



⚠ ПРЕДУПРЕЖДЕНИЕ: Експлоатацията на всички електрически инструменти, може да доведе до изхвърляне на чужди предмети към вашите очи, което може да доведе до сериозно нараняване на очите. Преди започване на работа с електрически инструмент, винаги носете предпазни очила със странична защита и визьор за цялото лице, когато е необходимо. Ние препоръчваме предпазна маска с широк визьор за употреба над очила или стандартни предпазни очила със странична защита.



За намаляване на опасността от нараняване, потребителят трябва да прочете и разбере ръководството на оператора преди използването на този продукт.



Носете защита за слуха



Носете защитни ръкавици



Винаги използвайте верижния трион с две ръце



Отпадъчните електрически продукти не трябва да бъдат изхвърляни заедно с домакинския отпадък. Отнесете го до упълномощено място за рециклиране.



Този продукт е в съответствие с приложимото законодателство на Великобритания.



Постоянен ток

n_0 Скорост без натоварване

.../мин В минута

БЕЛЕЖКА: Думата и логото Bluetooth® са регистрирани търговски марки, собственост на Bluetooth SIG, inc. и всяко използване на такива марки от EGO е по лиценз.

СПЕЦИФИКАЦИИ

Номинално напрежение	56 V	
Макс. Скорост на веригата	25 m/s	
Стъпка на веригата	3/8" (9,5mm)	
Измервателен уред за веригата	1,3 mm	
Дължина на водещата шина	50 cm	
Вид верига за трион	AC2005	
Вид на водещата шина	AG2005	
Обем на резервоара за верижно масло	250 ml	
Тегло (без акумулаторна батерия, верига на триона, водеща шина, страничен капак, масло и капак на веригата)	3,9 kg	
Препоръчителна работна температура	-15°C-40°C	
Препоръчителна температура на съхранение	-20°C-70°C	
Препоръчителна температура на зареждане	5°C-40°C	
Измерено ниво на сила на звука L_{WA}	103 dB(A) K=1,7 dB(A)	
Ниво на звуково налягане в работна позиция L_{PA}	89 dB dB(A) K=3 dB dB(A)	
Гарантирано ниво на сила на звука L_{WA} (съгласно 2000/14/ЕС)	105 dB dB(A)	
Вибрации a_n	Предна ръкохватка	4,69 м/сек ² K=1,5 м/сек ²
	Задна ръкохватка	4,24 м/сек ² K=1,5 м/сек ²

BG

- Декларираният общ размер на вибрации е измерен в съответствие със стандартния метод за тест и може да бъде използван за сравнение между два инструмента;
- Декларираният общ размер на вибрации може също така да бъде използван за предварителна оценка на влиянието.

БЕЛЕЖКА: Вибрационните емисии по време на действителната употреба на електрическия инструмент

може да се различава от декларираната стойност. С цел да се защити оператора, потребителят трябва да носи ръкавици и антифони в действителни условия на работа.

ОПАКОВЪЧЕН ЛИСТ (ФИГ. А1)

ОПИСАНИЕ

ЗАПОЗНАЙТЕ СЕ С ВАШИЯ ВЕРИЖЕН ТРИОН (Фиг. А1)

1. Верига за трион
2. Захващащи шипове
3. Спирачна накладка за откат на веригата
4. Предна ръкохватка
5. LCD екран
6. Ленти за скорост
7. Икона на Bluetooth
8. Икона на фара
9. Икона на спирачката
10. Измервателно кръгче за горивото
11. Бутон за фара/Bluetooth
12. Бутон за скоростта на веригата
13. Бутон за отключване
14. Спусък превключвател
15. Задна ръкохватка
16. Бутон за освобождаване на батерията
17. Прозорче за проверка на маслото
18. Капачка на резервоара за маслото
19. Водеща шина
20. Отвор за смазване
21. Страничен капак
22. Гайки на страничния капак
23. LED фар
24. Болт за обтягане на веригата
25. Двустранен обхващащ гаечен ключ
26. Капак на веригата

МОНТАЖ

СГЛОБЯВАНЕ/ПОДМЯНА НА ШИНАТА И ВЕРИГАТА

▲ ПРЕДУПРЕЖДЕНИЕ: Регулирайте спирачната накладка при откат на веригата в спирачна позиция преди монтаж.

1. Поставете захранващата глава на верижния трион на едната страна, като страничния капак сочи нагоре (фиг. В).
2. Отстранете страничния капак, като завъртите двете контрагайки обратно на часовниковата стрелка.
3. Завъртете болта за обтягане на веригата обратно на часовниковата стрелка, за да разхлабите обтягането на веригата.
4. Поставете веригата за трион в затворен кръг върху равна повърхност и изправете всички прегъвания (фиг. С).
5. Поставете задвижващите звена на веригата в жлеба на водещата шина и направете ухо на веригата в задната част на водещата шина (фиг. D).
6. Дръжте веригата на позиция във водещата шина и поставете ухото във верижното зъбно колело на триона (фиг. E1).

B-1	Контрагайки	D-2	Жлеб на водещата шина
B-2	Болт за обтягане на веригата	E-1	Задвижващо верижно зъбно колело
D-1	Задвижващи звена за веригата		

БЕЛЕЖКА: Когато завъртите веригата на триона върху водещата шина, уверете се, че след като монтирате водещата шина върху триона, символът на ножа съпада със стрелката за посока на въртене върху корпуса. Ако те са насочени в противоположни посоки, монтирайте отново веригата на триона върху водещата шина така, че символите да са насочени в същата посока (фиг. E2).

7. Поставете обратно страничния капак върху корпуса на верижния трион и затегнете напълно двете контрагайки.
8. Завъртете веригата на ръка, за да проверите дали веригата е правилно монтирана без триене. В противен случай монтирайте отново веригата и шината.

БЕЛЕЖКА: За да удължите живота на водещата шина понякога обръщайте шината.

РЕГУЛИРАНЕ НА ОБТЯГАНЕТО НА ВЕРИГАТА

- Спрете мотора и отстранете акумулаторната батерия, преди регулиране на обтягането на веригата. Завъртете болта за обтягането на веригата по посока на часовниковата стрелка или обратно на часовниковата стрелка, за да регулирате обтягането на веригата (фиг. F), докато веригата легне плътно към водещата шина със задвижващите звена в жлеба на водещата шина.
- Студена верига е правилно обтегната, когато няма провисване от долната страна на водещата шина и веригата е плътна, но може да бъде завъртяна с ръка без блокиране. Веригата трябва да бъде обтегната отново, когато плоскостите на зъбите не стоят в жлеба на шината.
- По време на нормална работа на триона, температурата на веригата ще се повиши. Зъбите на правилно обтегната топла верига ще висят приблизително 1,3 мм извън жлеба на шината (фиг. G).

БЕЛЕЖКА: Новите вериги имат свойството да се разтягат, проверявайте често обтягането и обтегнете ако е необходимо.

БЕЛЕЖКА: Верига, която е обтегната докато е топла, може да бъде твърде стегната при охлаждане. Проверете студеното обтягане преди следваща употреба.

ЕКСПЛОАТАЦИЯ

▲ ПРЕДУПРЕЖДЕНИЕ: Не позволявайте рутината с този продукт да ви направи непредпазливи. Запомнете, че невнимание за малка част от секундата е достатъчна за да нанесе сериозно нараняване.

▲ ПРЕДУПРЕЖДЕНИЕ: Не използвайте други приставки или аксесоари, които не са препоръчани от производителя на този продукт. Употребата на приставки или аксесоари, които не са препоръчани, може да доведе до сериозно нараняване.

▲ ПРЕДУПРЕЖДЕНИЕ: За да предотвратите случайно стартиране, което би могло да причини сериозно нараняване, винаги отстранявайте акумулаторния комплект от инструмента, когато монтирате части, извършвате настройки, почиствате или когато не се използва.

BG

Преди всяка употреба проверявайте целия продукт за повредени, липсващи или разхлабени части, като винтове, гайки, болтове, капачки и др. Затегнете сигурно всички закопчалки и капачки и не работете с този продукт, докато всички повредени или липсващи части не бъдат подменени.

ПРИЛОЖЕНИЕ

Може да използвате този продукт за базово сечене, кастрене, резитба и рязане на дървен материал от трупи и дървета.

БЕЛЕЖКА: Машината трябва да се използва само за предназначени цели. Всяка друга употреба се смята за случай на злоупотреба.

НАПЪЛНЕНЕ СМАЗКА ЗА ШИНАТА И ВЕРИГАТА

⚠ ПРЕДУПРЕЖДЕНИЕ: Не пушете или не носете огън или пламък в близост до маслото или до верижния трион. Маслото може да се разлее и да причини пожар.

БЕЛЕЖКА: Верижният трион не е напълнен с масло по времето на покупката. Изключително важно е да напълните резервоара с масло преди употреба. Веригата се смазва автоматично с верижно масло по време на работа.

1. Поставете верижния трион на едната страна с капачка на резервоара сочеца нагоре.
2. Почистете капачката на масления резервоар и зоната около него за да се уверите, че не попада мръсотия в масления резервоар.
3. Повдигнете полукръглата пластина и завъртете капачката на масления резервоар обратно на часовника за да я премахнете (фиг. Н).
4. Внимателно налейте верижното масло в резервоара. Напълнете до дъното на гърловината за пълнене.
5. Избършете излишното масло и поставете капачката.

BG

БЕЛЕЖКА: Проверявайте често нивото на маслото и доливайте, когато нивото на маслото падне под линията за минимум. Не работете никога с верижния трион, ако маслото не се вижда.

МОНТИРАНЕ/ИЗВАЖДАНЕ НА АКУМУЛАТОРНАТА БАТЕРИЯ

Използвайте единствено акумулаторни батерии EGO и зарядни устройства изброени във фиг. A2.

Заредете напълно преди първата употреба.

За да закрепите

Подравнете ребрата на акумулаторната батерия с монтажните жлебове и натиснете батерията надолу, докато чуе "щракване" (фиг. I).

За да извадите

Натиснете бутона за освобождаване на батерията и издърпайте акумулаторната батерия навън (фиг. J).

СТАРТИРАНЕ/СПИРАНЕ НА ВЕРИЖНИЯ ТРИОН

БЕЛЕЖКА: Преди стартиране на верижния трион проверете нивото на маслото, зъбите на триона за острота и правилната работа на спирачната накладка за откат. Освен това са необходими балансирана позиция на краката и правилно разстояние далеч от земята.

За да стартирате (фиг. К)

1. Издърпайте спирачната накладка за откат на веригата в посока на предната ръкохватка към работната позиция (фиг. К).
2. Хванете здраво предната ръкохватка с лявата ръка, а задната ръкохватка с дясната ръка.

⚠ ПРЕДУПРЕЖДЕНИЕ: За да избегнете нараняване, винаги използвайте верижния трион с дясната ръка, хващайки областта на захващане на задната ръкохватка (фиг. L).

3. Натиснете и задръжте бутона за отключване с палеца на дясната си ръка, след това натиснете спусъка превключвател с пръстите на дясната си ръка, за да стартирате триона (фиг. L).

L-1	Зона за захващане
-----	-------------------

4. Освободете бутона за отключване и продължете да стискате спусъка превключвател за продължителна работа.
5. Колкото по-натиснат е спусъкът превключвател, толкова по-голяма е скоростта на веригата. Регулирайте скоростта за да е подходяща за настоящата задача.

⚠ ПРЕДУПРЕЖДЕНИЕ: Не се опитвайте да стартирате триона, когато веригата на триона е в разрез.

За да спрете

1. Отдалечете верижния трион от зоната на рязане и след това освободете спусъка превключвател, за да спрете верижния трион.

2. Натиснете спирачната накладка за откат на веригата напред към позицията за спиране, за да активирате спирачката на веригата (фиг. К).

▲ ПРЕДУПРЕЖДЕНИЕ: Винаги изваждайте акумулаторната батерия от машината по време на работни прекъсвания и след завършване на работата.

ПРОМЯНА НА РЕЖИМА НА СКОРОСТТА (Фиг. М)

Машината разполага с три режима на скорост. Всеки режим на скорост ограничава максималната скорост на верижния трион. Режимът на скорост ще се променя с всяко натискане на бутона за скоростта на веригата.

Лентите за скоростта на LCD екрана ще показват активния режим на скорост: една лента за ниска скорост, две ленти за средна скорост и три ленти за висока скорост. Режимът за ниска скорост (ECO) осигурява по-добър контрол върху машината и по-дълго време за работа с едно зареждане.

M-1	Ленти за скорост	M-5	Измервателно кръгче за горивото
M-2	Икона на Bluetooth	M-6	Бутон за фара/Bluetooth
M-3	Икона на фара	M-7	Бутон за скоростта на веригата
M-4	Икона на спирачката		

БЕЛЕЖКА: Когато използвате акумулаторна батерия EGO с номинал 2,5 Ah или по-малко, възможен е само режим ECO. А употребата на акумулаторна батерия EGO с номинал по-малко от 6,0 Ah няма да ви позволи да достигнете максимална скорост. За най-добра производителност настойчиво препоръчваме използване на батерии EGO от 6,0 Ah (напр. BA3360T) или повече.

БЕЛЕЖКА: Функцията за памет на скоростта на машината ще запомни последната настройка на скоростта и ще я активира при следващото включване на машината.

БЕЛЕЖКА: LCD екранът светва при натискане на спусъка или при натискане на бутона за скорост или бутона за фара/Bluetooth. Той автоматично ще се изключи след приблизително 30 секунди бездействие на верижния трион.

LED ФАР (фиг. N)

LED фарът се намира в предната част на корпуса на верижния трион. Фарът осигурява осветление за по-голяма видимост и разполага с 2 нива на яркост.

За да включите фара, натиснете бутона за фара/Bluetooth (фиг. M) веднъж. Фарът ще се включи на ниско ниво на яркост и иконата на фара с ниска яркост ще се появи на LCD екрана. Натиснете отново бутона за фара/Bluetooth, за да превключите на високо ниво на яркост и иконата на фара с висока яркост ще се появи на LCD екрана.

За да изключите фара, натиснете бутона за фара/Bluetooth за трети път и иконата на фара ще изчезне от LCD екрана.

N-1	Икона на фара с ниска яркост	N-3	LED фар
N-2	Икона на фара с висока яркост		

МНОГОПОСОЧНА ВЕРИЖНА СПИРАЧНА СИСТЕМА (Фиг. O1 и Фиг. O2)

▲ ПРЕДУПРЕЖДЕНИЕ: Многопосочната верижна спирачна система не е предназначена да действа в замяна на стандартната/традиционната верижна спирачка. Потребителят не трябва да разчита на тази функция по време на работата на верижния трион, за да се предпази от откат. Винаги следвайте инструкциите за безопасност свързани с възникването на откат в предупредителния раздел на това ръководство.

Когато многопосочната спирачна система е активирана и спре триона, иконата на спирачката ще мига на LCD екрана (Фиг. M). Освободете спусъка, извадете веригата на триона и направляващата шина от дървото и рестартирайте верижния трион.

БЕЛЕЖКА: Сензорите ще доловят само внезапно движение на триона в равнината на водещата шина (фиг. O1). Сензорите няма да доловят никакво внезапно движение на страничните направляващи на триона (фиг. O2) (т.е. перпендикулярно на равнината на водещата шина).

КОМУНИКАЦИОННА ТЕХНОЛОГИЯ

За информация относно пълната ни гама от свързани продукти и услуги, включително инструкции за свързване, моля, сканирайте QR кода по-долу или посетете www.egopowerplus.eu/connect.



ПРАВИЛНО ЗАХВАЩАНЕ НА РЪКОХВАТКИТЕ (фиг. P1)

- Носете неплъзгащи се ръкавици за максимален захват и защита.
- При оставен трион на твърда, равна повърхност хванете триона здраво с двете ръце.
- Винаги хващайте предната ръкохватка с лявата ръка, а задната ръкохватка с дясната ръка.
- Пръстите трябва да обхванат ръкохватката, като палецът е обвит под предната ръкохватка.

⚠ ПРЕДУПРЕЖДЕНИЕ: Никога не използвайте захват за лява ръка (кръстосани ръце) или каквато и да е поза, която ще постави вашето тяло или ръка над линията на веригата.

⚠ ПРЕДУПРЕЖДЕНИЕ: Не работете с превключвателния спусък с лявата си ръка и дръжте предната ръкохватка с дясната си ръка. Не позволявайте никога част от тялото ви да е в линията на веригата, когато работите с верижния трион (Фиг. P2).

ПРАВИЛНА СТОЙКА ЗА РЯЗАНЕ (фиг. Q)

- Двата крака трябва да са на твърда земя, като теглото е равномерно разпределено между тях.
- Лявата ръка трябва да бъде права, като лакътят е заключен. Това позволява да се устои на силите генерирани при откат.
- Вашето тяло винаги трябва да бъде от ляво на линията на веригата.

ИНСТРУКЦИИ СВЪРЗАНИ С ПРАВИЛНИТЕ ТЕХНИКИ ЗА ОСНОВНО СЕЧЕНЕ, КАСТРЕНЕ И НАПРЕЧНО РЯЗАНЕ

⚠ ПРЕДУПРЕЖДЕНИЕ: Винаги бъдете сигурни за позицията на краката и дръжте верижния трион здраво с двете ръце, докато моторът все още се движи.

⚠ ПРЕДУПРЕЖДЕНИЕ: Когато верижният трион е спрял поради заклещване, по време на рязане, освободете спусъка, извадете веригата на триона и водещата шина от дървото и след това стартирайте отново верижния трион.

⚠ ПРЕДУПРЕЖДЕНИЕ: Не дърпайте веригата на триона с ръка, когато е залепнала от дървени стърготини. Може да доведе до сериозно нараняване ако верижният трион стартира инцидентно. Натиснете веригата на триона срещу дървото, преместете верижния трион напред и назад за да освободите отломките. Винаги изваждайте акумулаторната батерия преди почистване. Носете ръкавици за тежка употреба, когато боравите с веригата на триона.

⚠ ПРЕДУПРЕЖДЕНИЕ: Никога не стартирайте верижния трион, когато е в контакт с дървото. Винаги позволявайте верижният трион да достигне пълна скорост, преди да поставите триона върху дървото.

СЕЧЕНЕ НА ДЪРВО

- Когато се извършват дейности по бичене и сечене от двама или повече хора по едно и също време, операторът, който сече трябва да бъде отдалечен от операторът, който разбичва, на разстояние поне два пъти височината на дървото, което се сече. Дърветата не трябва да бъдат сечени, по начин, който застрашава някой човек, може да удари линия за комунални услуги или да причини щети по собствеността. Ако дървото направи контакт с някоя линия за комунални услуги, компанията трябва да бъде информирана незабавно.
- Операторът на триона трябва да стои от горната страна на терена, тъй като дървото е вероятно да се изтърколи или плъзне надолу по склона, след като е отсечено.
- Път за изход трябва да бъде планиран и почистен при необходимост, преди стартиране на рязането. Пътят за изход трябва да продължи назад и диагонално към задната страна на очакваната линия на падане, както е показано на фиг. R.

R-1	Посока на сеч	R-2	Път за безопасно оттегляне
-----	---------------	-----	----------------------------

- Преди започване на сечта обърнете внимание на естествения наклон на дървото, позицията на по-големите клони и посоката на вятъра, за да прецените на коя посока ще падне дървото.

BG

- Отстранете мръсотията, камъните, разлепената кора, пироните, скобите и жиците от дървото.

Издълбаване на подрязване

Направете прорез на 1/3 от диаметъра на дървото, перпендикулярен на посоката на падане, както е показано на фиг. S. Първи направете долен хоризонтален издълбаващ разрез. Това ще помогне да се избегне заципване на веригата на триона или на водещата шина, когато се направи вторият прорез.

S-1	Посока на падане	S-3	Заден сечащ разрез
S-2	Жлеб	S-4	Шарнир

Заден сечащ разрез

- Направете задния сечащ разрез поне на 50 mm по-високо от хоризонталния издълбаващ разрез, както е показано на фиг. S. Дръжте сечащия заден разрез успореден на хоризонталния издълбаващ разрез. Направете задния сечащ разрез, така че да остане достатъчно дърво, което да действа като шарнир. Шарнирната дървесина предпазва дървото от усукване и падане в грешна посока. Не режете през шарнира.
- Когато сеченето доближи до шарнира, дървото трябва да започне да пада. Ако има шанс дървото да не падне в желаната посока или ако може да се залюлее назад и да заципее веригата на триона, спрете рязането преди завършването на отсичащия заден разрез и използвайте клинове от дърво, пластмаса или алуминий, за да отворите разреза и да свалите дървото по желаната траектория на падане.
- Когато дървото започне да пада, извадете верижния трион от разреза, спрете мотора, оставете верижния трион на земята и използвайте планирания път за оттегляне. Внимавайте за падащи клони отгоре и гледайте къде ходите.

Кастрене на дърво

Кастренето е премахване на клоните от паднало дърво. Когато кастрите оставете по-големите долни клони за да поддържат трупата над земята. Премахнете малките клони с един разрез, както е показано на фиг. T. Клоните под напрежение трябва да бъдат рязани от долу нагоре, за да се избегне заципване на верижния трион.

Разбичване на трупа

- Разбичването е рязане на трупа по дължина. Важно е да се уверите, че стойката на краката е здрава и вашето тегло е равномерно разпределено между двата крака. Когато е възможно трупата трябва да бъде повдигната и поддържана, като се използват клоните, други трупи или клинове. Следвайте обикновени посоки за лесно рязане.
- Когато трупата е поддържана по цялата си дължина, както показва фиг. U1, тя се реже от горе (разбичване от върха).
- Когато трупата е поддържана от единия край, както показва фиг. U2, отрежете 1/3 от диаметъра от долната страна (разбичване от долу). След това направете окончателния разрез от горната страна, който да срещне първия разрез.
- Когато трупата е поддържана от двата края, както показва фиг. U3, отрежете 1/3 от диаметъра от горната страна (разбичване от горе). След това направете окончателния разрез от долните 2/3 с разбичване от долу, който да срещне първия разрез.
- Когато разбичвате под наклон, винаги стойте от високата страна на трупата, както е показано на фиг. V.

Когато "изрязвате", за да запазите пълен контрол, освободете натиска на рязане в близост до края на разреза, без да отпускате вашия захват на ръкохватките верижния трион. Не позволявайте на веригата да влезе в контакт със земята. След завършване на разреза изчакайте веригата на триона да спре, преди да преместите верижния трион. Винаги спирайте мотора, преди да се преместите от дърво на дърво.

ПОДДРЪЖКА

⚠ ПРЕДУПРЕЖДЕНИЕ: Когато обслужвате, използвайте само идентични резервни части. Употребата на каквито и да е други части може да създаде опасност или да предизвика повреда на продукта. За да осигурите безопасността и надеждността, всички поправки трябва да се извършват от квалифициран сервизен техник.

⚠ ПРЕДУПРЕЖДЕНИЕ: За да избегнете сериозно нараняване, винаги изваждайте акумулаторната батерия от продукта преди проверка, почистване или извършване на поддръжка. Инструментът захранван с батерия е винаги включен, когато батерията е поставена и може да стартира инцидентно.

⚠ ПРЕДУПРЕЖДЕНИЕ: Когато почиствате верижния трион HE го потапяйте във вода или други течности.

⚠ ПРЕДУПРЕЖДЕНИЕ: Никога не позволявайте спирачна течност, бензин, петролни продукти, проникващи масла и т.н. да влизат в контакт с пластмасовите части. Химикалите могат да повредят, отслабят или разрушат пластмаса, което може да доведе сериозно нараняване.

ПОЧИСТВАНЕ

- След всяка употреба почистете натрупванията от веригата и водещата шина с мека четка. Избършете повърхността на верижния трион с мека кърпа навлажнена с мек сапунен разтвор.
- Извадете капака на зъбното колело за веригата и след това използвайте мека четка за да отстраните натрупванията от водещата шина, веригата на триона, зъбното колело и страничния капак.
- Винаги почиствайте дървените стърготини, праха от рязане и мръсотията от жлеба на водещата шина, когато подменяте веригата на триона.

ПОДДРЪЖКА НА ВОДЕЩАТА ШИНА

Когато водещата шина покаже признаци на износване, демонтирайте я от захващащата глава на верижния трион и я обърнете за повторен монтаж (фиг. W1). По този начин износването ще бъде разпределено до удължаване до максимум на живота на водещата шина.

Шината трябва да бъде почиствана при всеки ден в употреба и да бъде проверявана за износване и повреди. Изтъняване или изстъргване на релсите на шината е нормален процес на износване на шината. Такива дефекти, трябва да бъдат загладени с пила веднага след като се случат. Шина с някой от следните дефекти трябва да бъде подменена.

- Износване от вътрешната страна на релсите на шината, което позволява на веригата да лежи на страни.
- Изкривена водеща шина.
- Напукани или счупени релси.
- Раздалечени релси.

В допълнение, водещата шина има верижно зъбно колело на върха си (фиг. W2). Зъбното колело трябва да бъде ежедневно смазвано с гресьорка за да се удължи живота на водещата шина. Използвайте

гресьорка за смазване всяка седмица с верижно масло в отвора за смазване (Фиг. W3). Завъртете водещата шина и проверете дали отворите за смазване и жлебът на веригата са чисти от мръсотията.

W-1	Смазване на зъбното колело във водещата шина	W-2	Отвор за смазване
-----	--	-----	-------------------

БЕЛЕЖКА: Използвайте одобрени от EGO смазочни материали за най-добри резултати.

ТРАНСПОРТИРАНЕ И СЪХРАНЕНИЕ

Не оставяйте или транспортирайте верижния трион, когато работи. Винаги изваждайте акумулаторната батерия преди съхранение или транспортиране.

Винаги поставяйте капака на водещата шина преди да съхранявате или транспортирате верижния трион. Бъдете внимателни за да избегнете остри зъби на веригата.

Почистете изцяло верижния трион преди съхраняване. Съхранете верижния трион на закрито, на сухо място, което е заключено и/или недостъпно за деца.

Пазете го от корозивни препарати като градински химикали и сол за обезледяване.

ОПАЗВАНЕ НА ОКОЛНАТА СРЕДА



Не изхвърляйте електрическо оборудване, използвана батерия или зарядно устройство в домакинския отпадък!

Отнесете продукта до упълномощена фирма за рециклиране и го предоставете за разделно събиране. Електрическите инструменти трябва да бъдат връщани в съоръжения за рециклиране съвместими с околната среда.

ОТСТРАНЯВАНЕ НА ПРОБЛЕМИ

⚠ ПРЕДУПРЕЖДЕНИЕ: Винаги защитавайте ръцете си, като носите ръкавици за тежка употреба, когато извършвате поддръжка на верижния трион. Винаги изваждайте батерията, когато обслужвате или транспортирате верижния трион..

ПРОБЛЕМ	ПРИЧИНА	РЕШЕНИЕ
Моторът не стартира.	<ul style="list-style-type: none"> ■ Акумулаторната батерия не е прикрепена към верижния трион. ■ Няма електрически контакт между триона и акумулаторната батерия. ■ Акумулаторната батерия е изтощена. ■ Акумулаторната батерия или верижният трион са твърде горещи. ■ Спирачката за веригата е активирана. ■ Отломки в жлеба на шината. ■ Отломки от вътрешната страна на капака. 	<ul style="list-style-type: none"> ■ Закрепете акумулаторната батерия към верижния трион. ■ Извадете акумулаторната батерия, проверете контактите и поставете ново акумулаторната батерия. ■ Заредете акумулаторната батерия. ■ Позволете на акумулаторната батерия или верижния трион да се охлади, докато температурата спадне под 67°C. ■ Издърпайте спирачната накладка за откат на веригата в посока на предната ръкохватка до работната позиция. ■ Натиснете веригата на триона срещу дървото, преместете верижния трион напред и назад за да освободите отломките. ■ Извадете батерията, след това извадете страничния капак и почистете отломките.
Верижният трион спира по време на работа.	<ul style="list-style-type: none"> ■ Верижният трион е претоварен. ■ Акумулаторната батерия или верижният трион са твърде горещи. ■ Веригата на триона е заседнала в дървото. 	<ul style="list-style-type: none"> ■ Намалете натоварването. ■ Намалете натоварването. Позволете на акумулаторната батерия или верижния трион да се охлади, докато температурата спадне под 67°C. ■ Освободете спусъка, извадете веригата на триона и направляващата шина от дървото и рестартирайте верижния трион.
Моторът работи, но веригата не се върти.	<ul style="list-style-type: none"> ■ Веригата не е зацепена във задвижващото зъбно колело. 	<ul style="list-style-type: none"> ■ Монтирайте повторно веригата, като се уверите, че задвижващите звена на веригата са напълно поставени върху верижното зъбно колело.

BG

ПРОБЛЕМ	ПРИЧИНА	РЕШЕНИЕ
Спирачката за веригата не се активира.	<ul style="list-style-type: none"> ■ Отпадъците пречат на пълното движение на спирачната накладка за откат на веригата. ■ Възможна неизправност на спирачката на веригата. 	<ul style="list-style-type: none"> ■ Почистете отпадъците от външния механизъм на спирачката на веригата. ■ Свържете се с обслужване на клиенти на EGO за ремонт.
Верижният трион не реже правилно.	<ul style="list-style-type: none"> ■ Недостатъчно обтягане на веригата. ■ Изтъпена верига. ■ Веригата е монтирана назад. ■ Износена верига. ■ Суха или прекалено разтеглена верига. ■ Веригата не е в жлеба на шината. 	<ul style="list-style-type: none"> ■ Настройте обтягането на веригата, като следвате раздел: „РЕГУЛИРАНЕ НА ОБТЯГАНЕТО НА ВЕРИГАТА“. ■ Заточете веригата. ■ Инсталирайте отново верижния трион като следвате раздела „МОНТАЖ/ЗАМЯНА НА ШИНАТА И ВЕРИГАТА“. ■ Подменете веригата на триона, като следвате раздел: „МОНТАЖ/ЗАМЯНА НА ШИНАТА И ВЕРИГАТА“. ■ Проверете нивото на маслото. Напълнете отново резервоара за масло и изберете по-голям обем на подаване на масло, ако е необходимо. ■ Монтирайте отново веригата на триона, като следвате раздел: „МОНТАЖ/ЗАМЯНА НА ШИНАТА И ВЕРИГАТА“.
Веригата се разхлабва или пада от водещата шина по време на нормална употреба.	<ul style="list-style-type: none"> ■ Веригата се разхлабва, тъй като по време на нормална работа на триона, температурата на веригата се повишава. ■ Веригата не е зацепена във задвижващото зъбно колело. 	<ul style="list-style-type: none"> ■ Увеличете обтягането на веригата, следвайки раздел „РЕГУЛИРАНЕ НА ОБТЯГАНЕТО НА ВЕРИГАТА“. ■ Монтирайте отново веригата на триона, като следвате раздел: „МОНТАЖ/ЗАМЯНА НА ШИНАТА И ВЕРИГАТА“.

ГАРАНЦИЯ

ГАРАНЦИОННА ПОЛИТИКА EGO

Моля, посетете уебсайта egopowerplus.eu за пълните срокове и условия по гаранционната политика на EGO.

PROČITAJTE UPUTE U CIJELOSTI!



PROČITAJTE PRIRUČNIK ZA RUKOVATELJE.

UPOZORENJE: Radi sigurnosti i pouzdanosti, sve popravke treba obavljati kvalificirani servisni tehničar.

UPOZORENJE: Prije korištenja ovog alata, s razumijevanjem pročitajte sve sigurnosne upute u ovom priručniku za rukovatelja, uključujući sve sigurnosne simbole kao što su „OPASNOST“, „UPOZORENJE“ i „OPREZ“. Zanemarivanje uputa navedenih u nastavku može rezultirati strujnim udarom, požarom i/ili teškim tjelesnim ozljedama.

SAČUVAJTE SVA UPOZORENJA I SVE UPUTE ZA BUDUĆE POTREBE.

SIMBOL SIGURNOSTI

UPOZORENJE: Rukovanje električnim alatima može rezultirati odbacivanjem stranih predmeta u oči, što opet može izazvati teške ozljede očiju. Pri radu s električnim alatom nosite zatvorene zaštitne naočale ili zaštitne naočale s bočnim štitnicima, a prema potrebi i štitnik za cijelo lice. Preporučujemo nošenje sigurnosne maske proizvođača Wide Vision preko naočala ili nošenje standardnih zaštitnih naočala s bočnim štitnicima.

SIMBOLI O SIGURNOSTI



Simbol upozorenja



Nosite zaštitu za oči.



Nosite zaštitu za glavu.



Vodite računa o povratnom udarcu lančane pile i izbjegavajte kontakt s vrhom vodilice



Podaci o vodilici



Ovaj proizvod je u skladu s važećim direktivama EU.



Bluetooth®

mm Milimetar

V Napon

IPX4 Zaštita od prskajuće vode.



Radi smanjenja opasnosti od ozljeda, prije uporabe ovog proizvoda korisnik treba s razumijevanjem pročitati ovaj korisnički priručnik.



Nosite zaštitu za sluh.



Nosite zaštitne rukavice



Lančanu pilu upotrebljavajte s dvije ruke



Otpadni električni proizvodi ne smiju se odlagati s otpadom iz kućanstva. Odnosite ih u ovlaštenu centar za recikliranje.



Ovaj proizvod je u skladu s važećim zakonodavstvom UK.



Istosmjerna struja

n_0 Brzina bez opterećenja

./min U minuti

NAPOMENA: Riječ i logotipi Bluetooth® registrirani su zaštitni znakovi u vlasništvu tvrtke Bluetooth SIG, inc. i svako korištenje takvih oznaka od strane EGO-a je pod licencom.

TEHNIČKI PODACI

Nazivni napon	56 V	
Maksimalno Brzina lanca	25 m/s	
Debljina lanca	3/8" (9,5mm)	
Debljina karike lanca	1,3 mm	
Duljina vodilice	50 cm	
Tip lanca pile	AC2005	
Tip vodilice	AG2005	
Zapremina spremnika ulja za lanac	250 ml	
Težina (bez baterijskog modula, lanca pile, vodilice, bočnog poklopca, ulja i zaštitne navlake za lanac)	3,9 kg	
Preporučena radna temperatura	-15°C - 40°C	
Preporučena temperatura skladištenja	-20°C - 70°C	
Preporučena temperatura punjenja	5°C - 40°C	
Izmjerena razina zvučne snage L_{WA}	103 dB(A) K=1,7 dB(A)	
Razina zvučnog tlaka ne mjestu rada L_{PA}	89 dB(A) K=3 dB(A)	
Zajamčena razina zvučne snage L_{WA} (sukladno Direktivi 2000/14/EZ)	105 dB(A)	
Vibracija a_n	Prednja drška	4,69 m/s ² K=1,5 m/s ²
	Stražnja drška	4,24 m/s ² K=1,5 m/s ²

- Deklarovana calkovita wartošč drgañ zostala zmierDeklarirane ukupne vrijednosti vibracija izmjerene su u skladu sa standardnom metodom ispitivanja i mogu se koristiti za usporedbu jednog alata s drugim.
- Deklarirane ukupne vrijednosti vibracija mogu se koristiti i u preliminarnoj procjeni izloženosti.

OBAVIJEST: Emisija vibracija tijekom aktualnog korištenja električnog alata može se razlikovati od deklarirane vrijednosti u kojoj se alat koristio; Radi zaštite rukovatelja korisnik treba nositi rukavice i štitnike za uši u aktualnim uvjetima korištenja.

OTPREMNICIA (SL. A1)

OPIS

UPOZNAJTE SE S LANČANOM PILOM (sl. A1)

1. Lanac pile
2. Zupci za piljenje
3. Ručica kočnice povratnog udarca lanca
4. Prednja drška
5. LCD zaslon
6. Crtice brzine
7. Bluetooth ikona
8. Ikona prednjeg svjetla
9. Ikona kočnice
10. Krug mjerača goriva
11. Gumb za prednje svjetlo/Bluetooth
12. Gumb brzine lanca
13. Gumb za deblokadu
14. Sklopka okidača
15. Stražnja drška
16. Gumb za oslobađanje baterije
17. Prozor za inspekciju ulja
18. Čep spremnika ulja
19. Vodilica
20. Otvor za podmazivanje
21. Bočni poklopac
22. Matice bočnog poklopca
23. PREDNJA LED SVJETLA
24. Vijak za zatezanje lanca
25. Dvostrani nasadni ključ
26. Zaštitna navlaka za lanac

SASTAVLJANJE

POSTAVLJANJE/ZAMJENA VODILICE I LANCA

▲ UPOZORENJE: Prije sastavljanja podesite ručicu kočnice povratnog udarca lanca u kočni položaj.

1. Pogonsku glavu lančane pile stavite na njezinu bočnu stranu tako da je bočni poklopac okrenut prema gore (sl. B).
2. Uklonite bočni poklopac okretanjem dvije sigurnosne matice uljevo.

3. Okrenite vijak za zatezanje lanca ulijevo za otpuštanje lanca.
4. Lanac pile položite kružno na ravnu površinu i ispravite eventualne pregibe (sl. C).
5. Stavite pogonske karike lanca u žlijeb vodilice i napravite omču na stražnjem dijelu vodilice (sl. D).
6. Držite lanac u položaju na vodilici i stavite petlju oko lančanika pile (sl. E1).

B-1	Siguriosne matice	D-2	Žlijeb vodilice
B-2	Vijak za zatezanje lanca	E-1	Pogonski lančanik
D-1	Pogonske karike lanca		

OBAVIJEST: Prilikom pričvršćivanja lanca pile na vodilicu, pazite da nakon postavljanja vodilice na pilu, odgovara uzorku rezača i strelici smjera rotacije na kućištu. Ako su okrenute u suprotnim smjerovima, ponovno sastavite lanac pile na vodilicu tako da rezači budu okrenuti u istom smjeru (sl. E2).

7. Vratite bočni poklopac na kućište lančane pile i potpuno zategnite dvije sigurnosne matice.
8. Okrećite lanac rukom kako biste provjerili je li lanac propisno montiran bez zapinjanja. U suprotnom ponovno postavite lanac i vodilicu.

OBAVIJEST: vodilicu povremeno okrenite radi produženja njezinog životnog vijeka.

PODEŠAVANJE ZATEGNUTOSTI LANCA

- Prije podešavanja zategnutosti lanca, zaustavite rad motora i izvadite baterijski modul. Okrenite vijak za zatezanje lanca ulijevo ili udesno za prilagođavanje zategnutosti lanca (sl. F), tako da lanac točno nalegne na vodilicu, a pogonske karike u žlijeb vodilice.
- Hladan lanac ispravno je zategnut kada nema progiba na donjoj strani vodilice i kada lanac naližeže uz mogućnost ručnog okretanja bez zastoja. Lanac je potrebno ponovno zategnuti kada zaravnjene površine na pogonskim karikama ne uliježu u žlijeb vodilice.
- Temperatura lanca će se povećati za vrijeme normalnog rada pile. Pogonske karike ispravno zategnutog toplog lanca visjet će oko 1,3 mm iz žlijeba vodilice (sl. G).

OBAVIJEST: novi lanci imaju tendenciju rastezanja.

Često provjeravajte zategnutost lanca i prema potrebi ga zategnite.

OBAVIJEST: lanac zategnut u toplom stanju može biti previše zategnut nakon hlađenja. Prije sljedeće uporabe povjerite zategnutost hladnog lanca.

RAD

⚠ UPOZORENJE: Nemojte biti nepažljivi zato što ste upoznati s načinom rada proizvoda. Zapamtite da je samo jedan djelić sekunde nepažnje dovoljan za nastanak tjelesne ozljede.

⚠ UPOZORENJE: Nemojte upotrebljavati priključke ili pribor koje nije preporučio proizvođač ovog proizvoda. Uporaba priključaka ili pribora koji nije preporučen može dovesti do ozbiljnih tjelesnih ozljeda.

⚠ UPOZORENJE: Kako biste spriječili slučajno pokretanje koje bi moglo prouzročiti teške tjelesne ozljede, prije montiranja dijelova, podešavanja, čišćenja ili nekorištenja, uklonite baterijski modul iz alata.

Prije svake upotrebe, pregledajte da na stroju nema oštećenih, nedostajućih ili olabavljenih dijelova kao što su vijci, matice i poklopci. Čvrsto pritegnite sve elemente za pričvršćenje i kapice i ne upotrebljavajte proizvod dok se svi dijelovi koji nedostaju ili oštećeni dijelovi, ne zamijene.

PRIMJENA

Ovaj proizvod možete upotrebljavati za osnovno obaranje stabala, orezivanje grana, obrezivanje i sječu rezane građe i drveća.

OBAVIJEST: Stroj se smije upotrebljavati samo za prethodno opisanu namjenu. Svaka druga uporaba smatrat će se nepropisnom uporabom.

PUNJENJE VODILICE I LANCA MAZIVOM

⚠ UPOZORENJE: Nemojte pušiti ili koristiti vatru ili plamen u blizini ulja ili lančane pile. Ulje može iscurjeti i izazvati požar.

OBAVIJEST: Lančana pila nije napunjena uljem u vrijeme kupnje. Spremnik je prije uporabe potrebno napuniti uljem. Tijekom rada lanac se automatski podmazuje uljem za lanac.

1. Postavite lančanu pilu na bočnu stranu s čepom spremnika okrenutim prema gore.
2. Očistite čep spremnika ulja i okolno područje kako u spremnik ulja ne bi dospjela nečistoća.

3. Podignite polukružnu ploču i okrenite čep spremnika ulja ulijevo kako biste ga uklonili (sl. H).
4. Pažljivo izlijte ulje za vodilicu i lanac u spremnik. Napunite do donjeg ruba vrata uljevnika.
5. Obrišite višak ulja i vratite čep.

OBAVIJEST: Često provjeravajte spremnik s uljem i napunite ga kada razina ulja padne ispod oznake za minimum. Nemojte upotrebljavati lančanu pilu ako se razina ulja ne vidi.

POSTAVLJANJE I UKLANJANJE BATERIJSKOG MODULA

Upotrebljavajte samo s baterijskim modulima i punjačima tvrtke EGO navedenima na sl. A2.

Baterijski modul potpuno napunite prije prve upotrebe.

Postavljanje

Poravnajte izbočenja baterije s montažnim utorima i utiskujte baterijski modul prema dolje dok ne začujete klik (sl. I).

Uklanjanje

Pritisnite gumb za oslobađanje baterije i izvucite baterijski modul (sl. J).

POKRETANJE/ZAUSTAVLJANJE LANČANE PILE

OBAVIJEST: Prije pokretanja lančane pile provjerite razinu ulja, naoštrenost zuba pile i ispravnost rada ručice kočnice povratnog udarca. Pored toga, održavajte stabilan položaj tijela i propisanu udaljenost od tla.

Pokretanje (sl. K)

1. Povucite ručicu kočnice povratnog udarca lanca prema prednjoj dršci u radni položaj (sl. K).
2. Čvrsto primite prednju dršku lijevom, a stražnju dršku desnom rukom.

UPOZORENJE: Kako biste izbjegli ozljede, koristite lančanu pilu tako da uvijek desnom rukom držite područje za držanje stražnje drške (sl. L).

3. Palcem desne ruke pritisnite gumb za deblokadu i držite ga pritisnutim, a zatim prstima desne ruke stisnite sklopku okidača za pokretanje pile (sl. L).

L-1	Područje za držanje
-----	---------------------

4. Otpustite gumb za deblokadu i nastavite stiskati okidač sklopke za kontinuirani rad.
5. Što je sklopka okidača više pritisnuta, to je brzina lanca veća. Prilagodite brzinu zadatku.

UPOZORENJE: Nemojte pokretati pilu kada se lanac pile nalazi u rezu.

Zaustavljanje

1. Premjestite lančanu pilu dalje od područja rezanja i zatim otpustite sklopku okidača da biste zaustavili lančanu pilu.
2. Gurnite ručicu kočnice povratnog udarca lanca prema naprijed u zakočeni položaj kako bi se aktivirala kočnica lanca (sl. K).

UPOZORENJE: Za vrijeme prekida rada i nakon završetka rada izvadite baterijski modul iz stroja.

PROMJENA NAČINA BRZINE (sl. M)

Stroj ima tri načina brzine za razne brzine. Svaki način brzine ograničava maksimalnu brzinu lančane pile. Svaki put kada pritisnete gumb brzine lanca, način brzine će se promijeniti.

Crtime brzine na LCD zaslonu prikazat će aktivni način brzine: jedna crtica za malu brzinu, dvije crtime za srednju brzinu i tri crtime za veliku brzinu. Način male brzine (ECO) omogućuje bolje upravljanje strojem i duže vrijeme rada po punjenju.

M-1	Crtime brzine	M-5	Krug mjerača goriva
M-2	Bluetooth ikona	M-6	Gumb za prednje svjetlo/Bluetooth
M-3	Ikona prednjeg svjetla	M-7	Gumb brzine lanca
M-4	Ikona kočnice		

NAPOMENA: Kada upotrebljavate EGO baterijski modul nazivnog kapaciteta 2,5 Ah i manje, bit će dostupan samo ECO način rada. Upotreba EGO baterijskog modula nazivnog kapaciteta manjeg od 6,0 Ah, visoka brzina neće se moći postići. Za najbolji radni učinak snažno preporučujemo upotrebu EGO baterijskih modula od 6,0 Ah ili više (npr., BA3360T).

NAPOMENA: Funkcija pamćenja brzine stroja zapamtit će posljednju postavku brzine i aktivirati je sljedeći put kada se stroj uključi.

NAPOMENA: LCD zaslon svijetli kada se povuče sklopka okidača ili kada se pritisne gumb brzine ili gumb za prednje svjetlo/Bluetooth. Automatski će se isključiti nakon približno 30 s neaktivnosti lančane pile.

PREDNJE LED SVJETLO (sl. N)

LED prednje svjetlo nalazi se u prednjem dijelu kućišta lančane pile. Prednje svjetlo daje osvjetljenje za veću vidljivost i ima 2 razine svjetline.

Za uključivanje prednjeg svjetla pritisnite gumb za prednje svjetlo/Bluetooth (sl. M). Prednje svjetlo će se uključiti pri niskoj razini svjetline i ikona prednjeg svjetla niske svjetline pojaviti će se na LCD zaslonu. Ponovno pritisnite gumb za prednje svjetlo/Bluetooth za prebacivanje na visoku razinu svjetline i ikona prednjeg svjetla visoke svjetline pojaviti će se na LCD zaslonu.

Za isključivanje prednjeg svjetla, pritisnite gumb za prednje svjetlo/Bluetooth treći put i ikona prednjeg svjetla će nestati s LCD zaslona.

N-1	Ikona prednjeg svjetla niske svjetline	N-3	PREDNJA LED SVJETLA
N-2	Ikona prednjeg svjetla visoke svjetline		

VIŠESMJERNI SUSTAV KOČENJA LANCA (sl. O1 i sl. O2)

UPOZORENJE: višesmjerni sustav kočenja lanca nije predviđen kao zamjena za standardno/klasično kočenje lanca. Korisnik se ne smije oslanjati na tu značajku za vrijeme rada s lančanom pilom radi zaštite od povratnog udarca. Slijedite upute za ublažavanje povratnog udarca koje se nalaze u odjeljku ovog priručnika s upozorenjima.

Kada se višesmjerni sustav kočenja lanca aktivira i zaustavi rad pile, na LCD zaslonu će treptati ikona kočnice (sl. M). Otpustite okidnu sklopku, uklonite lanac pile i vodilicu iz drveta i zatim ponovno pokrenite lančanu pilu.

NAPOMENA: Senzori će otkriti samo nagli pokret u ravnini vodilice (sl. O1). Senzori neće otkriti nagli pokret pile u bočnim smjerovima pile (sl. O2) (tj. okomito na ravninu vodilice).

TEHNOLOGIJA KOMUNIKACIJE

Za informacije o našoj cjelokupnoj ponudi povezanih proizvoda i usluga, uključujući upute za povezivanje, skenirajte QR kod u nastavku ili posjetite www.egopowerplus.eu/connect.



PROPISNO DRŽANJE ZA DRŠKE (sl. P1)

- Za maksimalni zahvat i zaštitu nosite neklizajuće rukavice.
- Pilu na čvrstoj, ravnoj površini držite čvrsto objema rukama.
- Prednji rukohvat prihvatite lijevom, a stražnji rukohvat desnom rukom.
- Prsti moraju okružiti dršku i palac mora biti podvinut ispod prednje drške.

UPOZORENJE: Ne koristite lijevoručni rukohvat (s križanjem ruku) ili bilo koji položaj u kojemu će tijelo ili ruka prijeći preko crte lanca.

UPOZORENJE: Nemojte pritiskati okidačku sklopku lijevom rukom i prednju dršku držite desnom rukom. Pazite da za vrijeme rada s pilom nijedan dio tijela ne dođe u pravac kretanja lanca (sl. P2).

PROPISNI POLOŽAJ ZA REZANJE (sl. Q)

- Oba stopala trebaju biti na čvrstom tlu uz tjelesnu masu ravnomjerno raspoređenu između njih.
- Lijeva ruka treba biti ispružena uz fiksirani lakat. Taj položaj će pomoći da se oduprete silama koje stvara povratni udar.
- Vaše tijelo uvijek mora biti s lijeve strane linije lanca.

UPUTE KOJE SE ODOSE NA PRAVILNE TEHNIKE RUŠENJA, REZANJA GRANA I POPREČNOG REZANJA

UPOZORENJE: Dok je motor u radu, zauzmite stabilan položaj tijela i lančanu pilu držite čvrsto s obje ruke.

UPOZORENJE: Kada se lanac pile zaustavi zbog zaglavlivanja tijekom postupka rezanja, otpustite okidnu sklopku, izvadite lanac pile i vodilicu iz drveta, a zatim ponovno pokrenite lančanu pilu.

UPOZORENJE: Ne povlačite lančanu pilu rukom kada je zaglavljena zbog plijevine. Ako se lančana pila pokrene iznenadno, moguće su ozbiljne ozljede. Pritisnite lanac pile o drvo, pomičite lančanu pilu natrag i naprijed kako biste uklonili naslage. Izvadite baterijski modul prije čišćenja. Nosite debele zaštitne rukavice kada rukujete s lančanom pilom.

UPOZORENJE: Nemojte nikad pokretati lančanu pilu kada je u kontaktu s drvom. Prije rezanja drva uvijek pričekajte da lančana pila dostigne punu brzinu.

OBARANJE STABLA

- Kod radova rezanja po duljini i obaranja stabla koje istovremeno obavljaju dvije osobe ili više osoba, radove obaranja stabla potrebno je razdvojiti od radova rezanja po duljini razdaljinom od najmanje dvije visine stabla koje se obara. Stabla se ne smiju obarati na način kojim će se ugroziti osobe, udariti u nadzemne vodove ili prouzročiti materijalnu štetu. Ako stabla dođu u kontakt s nadzemnim vodovima, odmah je potrebno obavijestiti odnosno poduzeće.
- Rukovatelj lančanom pilom treba stajati na uzvišenoj strani terena jer će se drvo nakon obaranja vjerojatno otkotrljati ili skliznuti nizbrdo.
- Prije početka postupka rezanja potrebno je isplanirati i prema potrebi očistiti putanju izvlačenja. Putanja izvlačenja treba se protezati natrag i dijagonalno prema stražnjem dijelu očekivanog pravca pada kako je prikazano na sl. R.

R-1	Smjer obaranja stabla	R-2	Put za sigurno izvlačenje
-----	-----------------------	-----	---------------------------

- Prije početka postupka obaranja stabla, za procjenu putanje pada stabla uzmite u obzir prirodnu nagnutost stabla, lokaciju većih grana i smjer vjetra.
- Sa stabla uklonite prjāvštinu, kamenje, odvojenu koru, čavle, spajalice i žicu.

Podrezivanje usjeka

Urežite 1/3 promjera stabla, okomito na smjer pada kao što je prikazano na sl. S. Najprije obavite niže vodoravno zarezivanje. Tako ćete lakše izbjeći priklještenje lančane pile ili vodilice pri izvođenju drugog usjeka.

S-1	Smjer pada	S-3	Rez obaranja
S-2	Žlijeb	S-4	Zglob

Rez obaranja

- Rez obaranja napravite najmanje 50 mm iznad vodoravnog zarezivanja kako je prikazano na sl. S. Rez obaranja održavajte paralelnim u odnosu na vodoravno zarezivanje. Rez obaranja napravite tako da ostane dovoljno drveta da djeluje kao zglob. Zglob onemogućuje zakretanje stabla i pad stabla u pogrešnom smjeru. Nemojte prerezati zglob.
- Kako se rezovi za obaranja približavaju zglobu, stablo treba početi da pada. Ako postoji mogućnost da drvo ne padne u željenom smjeru ili da se zaniže unatrag i blokira lanac pile, obustavite radove rezanja prije završetka reza obaranja i upotrijebite

klinove od drveta, plastike ili aluminija da otvorite rez i ispuštite stablo duž željene linije pada.

- Kada stablo počne da pada, uklonite lančanu pilu iz reza, zaustavite motor, odložite lančanu pilu, a zatim upotrijebite planiranu putanju za povlačenje. Pazite na grane iznad glave koje padaju i vodite računa o uporištu.

Odrezivanje grana stabla

Odrezivanje grana je uklanjanje grana s oborenog stabla. Prilikom odrezivanja grana ostavite veće niže grane kao pomoć za odizanje debla s tla. Uklanjajte manje grane jednim rezom kako je prikazano na sl. T. Napete grane potrebno je rezati odozdo prema gore kako bi se izbjegla blokada lančane pile.

Rezanje po duljini

- Rezanje po duljini je uzdužno rezanje debla. Važno je da osigurate čvrsto uporište i da tjelesna masa bude ravnomjerno raspoređena na oba stopala. Ako je moguće, deblo treba podići i poduprijeti pomoću grana, debla ili klinova. Pridržavajte se jednostavnih smjernica za lako rezanje.
- Kada je deblo oslonjeno cijelom duljinom kao na sl. U1, ono se razrezuje s gornje strane (piljenje s gornje strane).
- Kada je deblo oslonjeno na jednom kraju kao na sl. U2, zarezite 1/3 promjera s donje strane (piljenje s donje strane). Zatim obavite završni rez odozdo kako biste sastavili s prvim rezom.
- Kada je deblo oslonjeno na oba kraja kao na sl. U3, zarezite 1/3 promjera s gornje strane (piljenje s gornje strane). Zatim obavite završni rez odozdo na donjoj 2/3 kako biste sastavili s prvim rezom.
- Kada obavljate rezanje po duljini na nagibu, uvijek stojite na uzvišenoj strani od debla kako je prikazano na sl. V.

Kada "odrezujete", za održavanje kompletne kontrole rasteretite pritisak rezanja u blizini kraja reza bez popuštanja zahvata na rukohvatima lančane pile. Nemojte dopustiti da lanac dođe u kontakt s tlom. Nakon obavljenog reza, pričekajte da se lanac pile zaustavi prije premještanja lančane pile. Uvijek zaustavite motor prije premještanja s drveta na drvo.

ODRŽAVANJE

⚠ UPOZORENJE: Pri servisiranju koristite samo identične zamjenske dijelove. Korištenje drugih dijelova može izazvati opasnost ili prouzročiti oštećenje proizvoda. Radi sigurnosti i pouzdanosti, sve popravke treba obavljati

kvalificirani servisni tehničar.

⚠ UPOZORENJE: Radi izbjegavanja teških tjelesnih ozljeda, pri pregledu, čišćenju ili održavanju uvijek izvadite baterijski modul iz proizvoda. Alat s baterijskim modulom može se nehotično pokrenuti sam.

⚠ UPOZORENJE: Kada čistite lančanu pilu, NEMOJTE ju uranjati u vodu ili druge tekućine.

⚠ UPOZORENJE: Nemojte dopustiti da kočione tekućine, benzin, proizvodi na bazi nafte, prodiruća ulja i sl., dođu u doticaj s plastičnim dijelovima. Kemikalije mogu oštetiti, oslabiti ili uništiti plastiku što može rezultirati ozbiljnim tjelesnim ozljedama.

ČIŠĆENJE

- Nakon svake uporabe, mekanom četkom očistite naslage s lanca i vodilice. Površinu lančane pile obrišite čistom krpom navlaženom u blagoj sapunici.
- Uklonite bočni poklopac, a zatim mekanom četkom očistite naslage s vodilice, lanca pile, lančanika i bočnog poklopca.
- Pri zamjeni lanca pile iz žlijeba vodilice uvijek očistite drvo iverje, prašinu od pile i nečistoću.

ODRŽAVANJE VODILICE

Kada se na vodilici pojave znakovi istrošenosti, skinite je s pogonske glave lančane pile i okrenite je naopako za ponovno sastavljanje (sl. W1). Na taj način će se istrošenost raspodijeliti i produžiti će se radni vijek vodilice.

Vodilicu je potrebno čistiti svaki dan kada se upotrebljava i provjeriti na postojanje znakova istrošenosti i oštećenja. Stvaranje bridova ili neravnina na tračnicama vodilice je normalan proces trošenja vodilice. Takvi nedostaci mogu se izravnati turpijom čim se pojave. Vodilica s bilo kojim od sljedećih nedostataka mora se odmah zamijeniti.

- Istrošenost unutar vodilica koja omogućuje klizanje lanca po bočnim stranicama.
- Savijena vodilica.
- Napuknute ili polomljene vodilice.
- Raširene vodilice.

Pored toga, na vrhu vodilice nalazi se lančanik (sl. W2). Lančanik se mora podmazivati jednom tjedno s pomoću brizgaljke za mast je time se produžuje radni vijek vodilice. Pomoću brizgaljke za mast jednom tjedno obavite podmazivanje uljem kroz rupu za podmazivanje (sl. W3). Okrenite vodilicu i provjerite jesu li otvori za podmazivanje i žlijeb lanca zaprljani.

W-1	Lančanik na vrhu vodilice	W-2	Otvor za podmazivanje
-----	---------------------------	-----	-----------------------

OBAVIJEST: Za najbolje rezultate koristite EGO odobrena maziva.

TRANSPORT I SKLADIŠTENJE

Lančanu pilu nemojte skladištiti ili transportirati kada radi. Prije skladištenja ili transporta uvijek izvadite baterijski modul.

Prije skladištenja ili transporta lančane pile, na vodilicu i lanac uvijek stavite zaštitnu navlaku. Budite oprezni kako biste izbjegli oštre zube lanca.

Lančanu pilu dobro očistite prije skladištenja. Lančanu pilu pohranite na suhom mjestu koje je zaključano i nije dostupno djeci.

Držite dalje od korozivnih sredstava kao što su vrtno kemikalije i soli za odleđivanje.

ZAŠTITA OKOLIŠA



Električnu opremu, iskorištenu bateriju i punjač ne odlažite u otpad iz kućanstva!

Ovaj proizvod odnesite u ovlašteni centar za reciklažu i time omogućite odvojeno sakupljanje. Električne alate potrebno je vratiti u ekološki prihvatljiv pogon za reciklažu.

RJEŠAVANJE PROBLEMA

⚠ UPOZORENJE: Pri obavljanju bilo kakvih radova na održavanju lanca pile, zaštitite ruke debelim zaštitnim rukavicama. Izvadite baterijski modul prije servisiranja ili transporta lančane pile.

PROBLEM	UZROK	RJEŠENJE
Motor se ne pokreće.	<ul style="list-style-type: none"> ■ Baterijski modul nije pričvršćen na lančanu pilu. ■ Nema električnog kontakta između pile i baterijskog modula. ■ Baterijski modul je ispražnjen. ■ Baterijski modul ili pila su prevrući. ■ Kočnica lanca se aktivira. ■ Naslage u žlijebu vodilice. ■ Naslage u poklopcu. 	<ul style="list-style-type: none"> ■ Pričvrstite baterijski modul na lančanu pilu. ■ Izvadite baterijski modul, provjerite kontakte i ponovno stavite baterijski modul. ■ Napunite baterijski modul. ■ Pričekajte da se komplet baterija ili lančana pila ohlade na temperaturu ispod 67°C. ■ Ručicu kočnice povratnog udara lanca povucite natrag prema prednjoj dršci u radni položaj. ■ Pritisnite lanac pile o drvo, pomičite lančanu pilu natrag i naprijed kako biste uklonili naslage. ■ Uklonite baterijski modul, zatim skinite bočni poklopac i očistite naslage.
Lančana pila prestaje raditi tijekom rada.	<ul style="list-style-type: none"> ■ Lančana pila je preopterećena. ■ Baterijski modul ili pila su prevrući. ■ Lanac pile zaglavio se u drvu. 	<ul style="list-style-type: none"> ■ Smanjite opterećenje. ■ Smanjite opterećenje. Pričekajte da se komplet baterija ili lančana pila ohlade na temperaturu ispod 67°C. ■ Otpustite okidačku sklopku, izvucite lanac pile i vodilicu iz drveta, a zatim ponovno pokrenite lančanu pilu.
Motor radi, ali se lanac ne okreće.	<ul style="list-style-type: none"> ■ Lanac nije u zahvatu s pogonskim lančanikom. 	<ul style="list-style-type: none"> ■ Ponovno postavite lanac vodeći računa da pogonske karike na lancu potpuno naliježu na lančanik.
Kočnica lanca ne ulazi u zahvat	<ul style="list-style-type: none"> ■ Otpad onemogućuje puni hod ručice kočnice povratnog udara lanca. ■ Mogući kvar kočnice lanca. 	<ul style="list-style-type: none"> ■ Očistite otpad s vanjskog mehanizma kočnice lanca. ■ Za popravak se obratite centru korisničke službe proizvođača EGO.

PROBLEM	UZROK	RJEŠENJE
Lančana pila ne reže dobro.	<ul style="list-style-type: none"> ■ Lanac je nedovoljno zategnut. ■ Lanac je tup. ■ Lanac je postavljen naopako. ■ Lanac je istrošen. ■ Lanac je suh ili je previše rastegnut. ■ Lanac nije u žlijebu vodilice. 	<ul style="list-style-type: none"> ■ Ponovno podesite zategnutost lanca, pogledajte sljedeći odjeljak: „PODEŠAVANJE ZATEGNUTOSTI LANCA”. ■ Naoštrite rezne zube lanca. ■ Ponovno stavite lanac pile prema uputama iz odjeljka „SASTAVLJANJE/ZAMJENA VODILICE I LANCA”. ■ Zamijenite lanac, pogledajte sljedeći odjeljak: „SASTAVLJANJE/ZAMJENA VODILICE I LANCA”. ■ Provjerite razinu ulja. Ponovno napunite spremnik za ulje i po potrebi odaberite veću količinu ulja. ■ Zamijenite lanac pile, pogledajte sljedeći odjeljak: „SASTAVLJANJE/ZAMJENA VODILICE I LANCA”.
Lanac će se olabaviti ili spasti s vodilice za vrijeme normalne upotrebe.	<ul style="list-style-type: none"> ■ Lanac će se olabaviti jer se temperatura lanca povećava tijekom normalnog rada pile. ■ Lanac nije u zahvatu s pogonskim lančanikom. 	<ul style="list-style-type: none"> ■ Zategnite lanac prema uputama u odjeljku „PODEŠAVANJE ZATEGNUTOSTI LANCA”. ■ Zamijenite lanac pile, pogledajte sljedeći odjeljak: „SASTAVLJANJE/ZAMJENA VODILICE I LANCA”.

JAMSTVO

PRAVILA U VEZI JAMSTVA PROIZVOĐAČA EGO

Cjelokupne uvjete i odredbe pravila jamstva proizvođača EGO potražite na internetskoj stranici egopowerplus.eu.

სრულად გაეცანით ინსტრუქციას!



გაეცანით მომხმარებლის ინსტრუქციას

▲ გაფრთხილება: ხელსაწყოს უსაფრთხოდ და გამართულად მუშაობისთვის საჭიროა მისი ყველა შეკეთება და ნაწილის შეცვლა შესრულდეს კვალიფიციური ტექნიკოსების ტექნიკოსის მიერ.

▲ გაფრთხილება: მოწყობილობის გამოყენებამდე ყურადღებით გაეცანით აღნიშნულ სახელმძღვანელოში მოცემულ უსაფრთხოების წესებს, მათ შორის ყველა უსაფრთხოების სიმბოლოს, როგორცაა „საშიშროება“, „გაფრთხილება“ და „ყურადღება“. ქვემოთ ჩამოთვლილი მითითებების შეუსრულებლობამ შეიძლება გამოიწვიოს დენის დარტყმა, ხანძარი და/ან სხულის სერიოზული დაზიანება.

შეინახეთ ყველა მითითება და ინსტრუქცია სამომავლოდ გამოყენებისთვის.

უსაფრთხოების წესის სიმბოლოები



სიგნალი საფრთხის შესახებ



გაიკეთეთ თვალის დამცავი



გაიკეთეთ თავის დამცავი საშუალება



მოერიდეთ ჯაჭვური ხერხის უკუცემას და ძელის წვერთან კონტაქტს



ინფორმაცია მიმმართველ ძელზე



მოწყობილობა შეესაბამება EC-ის მოქმედ რეგულაციებს.

უსაფრთხოების სიმბოლოები

▲ გაფრთხილება: ელექტრო ხელსაწყოს გამოყენებისას შესაძლოა უცხო სხეულის თვალის მიდამოში მოხვედრა, რამაც შესაძლოა გამოიწვიოს თვალის მნიშვნელოვანი დაზიანება. ელექტრო ხელსაწყოს გამოყენებამდე აუცილებლად მოივრეთ უსაფრთხოების თვალსაფარი ან სათვალე სახის გვერდითა ნაწილების და მთლიანი სახის დამცავი ეკრანით, საჭიროების შემთხვევაში. ჩვენ რეკომენდაციას ვუწვევთ ფართო ხედვის უსაფრთხოების ნიღაბს სათვალეებთან ერთად ან სტანდარტულ გვერდითა დაცვის მქონე უსაფრთხოების სათვალეებთან ერთად გამოსაყენებლად.



დაზიანების რისკის შესამცირებლად, მომხმარებელმა უნდა წაიკითხოს და გაიგოს მოწყობილობის მუშაობის ინსტრუქცია, მის გამოყენებამდე.



გაიკეთეთ ყურების დამცავი



ჩაიკვიტეთ დამცავი ხელთათმანები



ყოველთვის გამოიყენეთ ჯაჭვური ხერხი ორი ხელით



ელექტრო პროდუქტის ნარჩენები არ გადაყარეთ საყოფაცხოვრებო ნარჩენებთან ერთად. წაიღეთ შესაბამის გადამამუშავებელ საწარმოში.



აღნიშნული პროდუქტი აკმაყოფილებს გაერთიანებული სამეფოს კანონმდებლობით დადგენილ მითხოვნებს.



Bluetooth®

მმ მილიმეტრი

V ძაბვა

IPX4 წყლის შეშუებებისგან დაცვა



მუდმივი დენი

L_p დაუტვირთავი სიჩქარე

.../წთ წუთში

შენიშვნა: Bluetooth® სიტყვის ნიშანი და ლოგოები რეგისტრირებული სავაჭრო ნიშნებია, რომლებიც Bluetooth SIG, inc. ეკუთვნის და EGO-ს მიერ ასეთი ნიშნების ნებისმიერი გამოყენება ლიცენზირებულია.

სპეციფიკაციები

ნომინალური ძაბვა	56 ვოლტი
მაქს. ჯაჭვის სიჩქარე	25 მ/წმ
ჯაჭვის ბიჯი	3/8" (9.5 მმ)
ჯაჭვის სისქე	1.3 მმ
მიმმართველი ძელის სიგრძე	50 სმ
ხერხის ჯაჭვის ტიპი	AC2005
ძელის ტიპი	AG2005
ჯაჭვის ზეთის საცავის მოცულობა	250 მლ
წონა (აკუმულატორის ბლოკის გარეშე, ხერხის ჯაჭვი, მიმმართველი ღერძი, გვერდითი საფარი, ზეთი და ჯაჭვის გარსი)	3.9 კგ
რეკომენდებული საექსპლუატაციო ტემპერატურა	-15°C-40°C
რეკომენდებული დასაწყობების ტემპერატურა	-20°C-70°C
რეკომენდებული დამუხტვის ტემპერატურა	5°C-40°C
გაზომილი ხმის სიმძლავრის დონე L_{WA}	103 დბ(A) K=1.7 დბ(A)
ბგერის წნევის დონე სამუშაო პოზიციაში L_{PA}	89 დბ(A) K=3 დბ(A)

გარანტირებული ხმის სიმძლავრის დონე L_{WA} (გაზომილი 2000/14/EC რეგულაციის მიხედვით)		105 დბ(A)
ვიბრაცია a_h	წინა სახელური	4.69 მ/წმ ² K=1.5 მ/წმ ²
	უკანა სახელური	4.24 მ/წმ ² K=1.5 მ/წმ ²

- მითითებული ვიბრაციის სრული სიდიდე გაზომილია სტანდარტული ტესტირების მეთოდის გამოყენებით და შესაძლოა გამოყენებულ იქნას ერთი მოწყობილობის მეორესთან შედარებისას;
- მითითებული ვიბრაციის სრული სიდიდე ასევე შესაძლოა გამოყენებულ იქნას ზემოქმედების წინასწარი შეფასებისას.

შენიშვნა: ელექტრო ხელსაწყოს ფაქტობრივი გამოყენებისას ვიბრაციის ემისია შესაძლოა განსხვავდებოდეს მითითებული სიდიდისგან; მომხმარებელმა მოწყობილობით სარგებლობისას საჭიროა გამოიყენოს ხელთათმანები და სმენის დამცავი საშუალებები.

შეფუთვის სია (ნახ. a1)

აღწერა

შეისწავლეთ თქვენი ჯაჭვური ხერხი (ნახ. a1)

1. ხერხის ჯაჭვი
2. ჯაჭვიანი ხერხის მაკომპენსირებელი კბილანები
3. ხერხის უკუცემის მუხრუჭის ლაფოტი
4. წინა სახელური
5. LCD ეკრანი
6. სიჩქარის პანელები
7. Bluetooth-ის ხატულა

KA

8. შუქვარის ხატულია
9. მუხრუჭის ხატულია
10. საწვავის მარკენგბლის წრე
11. ფარის/Bluetooth-ის ღილაკი
12. ჯაჭვის სიჩქარის ღილაკი
13. ჩამკეტი ღილაკი
14. ტრიგერული გადამრთველი
15. უკანა სახელური
16. აკუმულატორის მოხსნის ღილაკი
17. ზეთის შემოწმების ფანჯარა
18. ზეთის საცავის ხუფი
19. მიმმართველი ძელი
20. შესაზეთი ნასვერტი
21. გვერდითი ხუფი
22. გვერდითი ხუფის ქანჩები
23. LED პროექტორები
24. ჯაჭვის დამჭიმავი ჭანჭიკი
25. ორდაბოლოებიანი ჭრიალა ქანჩის გასაღები
26. ჯაჭვის შალითა

აწყობა

ძელის და ჯაჭვის აწყობის/გამოცვლის წესი

⚠ გაფრთხილება: აწყობამდე დაარეგულირეთ ჯაჭვის უკუცემის მუხრუჭის ფრთა და მუხრუჭების პოზიციამდე.

1. მოათავსეთ ჯაჭვური ხერხის ელექტრული თავი გვერდზე ისე, რომ გვერდითა ხუფი იყოს ზედა მხარეს (ნახ. B).
2. მოხსენით გვერდითა ხუფი გვერდითა ხუფის ორი ჩამკეტი ქანჩის საათის ისრის საწინააღმდეგო მიმართულებით დატრიალებით.
3. დაატრიალეთ ჯაჭვის დამჭიმავი ჭანჭიკი საათის ისრის საწინააღმდეგო მიმართულებით ჯაჭვის დაჭიმვის მოსაშვებად.
4. მოათავსეთ ხერხის ჯაჭვი მარყუჟისებრად ბრტყელ ზედაპირზე და გაასწორეთ ნებისმიერი გადახლართვა (ნახ. C).
5. მოათავსეთ ჯაჭვის მამომრავებელი რგოლები ძელის სიდრუემი და დარწმუნდით, რომ ჯაჭვი შემოეცლება ძელს უკანა მხრიდან (ნახ. D).
6. დაიჭირეთ ჯაჭვი ძელზე პოზიციამდე და ჩამოცვით მარყუჟი კბილანას გარშემო (ნახ. E1).

B-1	საკეტი ქანჩი	D-2	მიმმართველი ძელის სიდრუე
B-2	ჯაჭვის დამჭიმავი ჭანჭიკი	E-1	წამყვანი კბილანა
D-1	ჯაჭვური ამბრავის რგოლები		

შენიშვნა: როცა ხერხის ჯაჭვს მარყუჟისებრად წამოაცმევთ მიმმართველ ლერძზე, დარწმუნდით, რომ ხერხზე მიმმართველი ლერძის დამონტაჟების შემდეგ ის შეესაბამებოდეს ჭრის სახეს და ბრუნვის მიმართულების ისარს კორპუსზე. თუ ისინი საპირისპირო მიმართულებით არის მიმართული, ხელახლა ააწყვეთ ხერხის ჯაჭვი მიმმართველ ძელზე ისე, რომ საჭრელი დანები მიმართული იყოს იმავე მიმართულებით (სურ. E2).

7. შეცვალეთ გვერდითა ხუფი ხერხის ჯაჭვის კორპუსზე და მაგარად მოუჭირეთ ორ ჩამკეტი ჭანჭიკს.
8. დაატრიალეთ ჯაჭვი ხელით, რათა შეამოწმოთ, არის თუ არა სათანადოდ აწყობილი. წინააღმდეგ შემთხვევაში, ხელახლა ააწყვეთ ჯაჭვი და ძელი.

შენიშვნა: ძელის სიცოცხლის ხანგრძლიობის გასაზრდელად, ხანდახან მოატრიალეთ მისი დამაგრების მდებარეობა.

ჯაჭვის დაჭიმვის რეგულირება

- გააჩერეთ მოტორი და მოხსენით აკუმულატორი სანამ დაიწყებთ ჯაჭვის დაჭიმვის რეგულირებას. ჯაჭვის დაჭიმვა დაარეგულირეთ ჯაჭვის დამჭიმავი ხრახნის საათის ისრის მიმართულებით ან საწინააღმდეგო მიმართულებით დატრიალებით (ნახ. F), სანამ ჯაჭვი მჭიდროდ არ შემოეხვევა ძელს მამომრავებელი რგოლებით ძელის სიდრუემი.
- გრილი ჯაჭვი სწორადაა დაჭიმული თუ მოშვებული არაა ძელის ქვედა მხარეს და ძელს ჯაჭვი მჭიდროდ ეკვრის, თუმცა ამავე დროს შესაძლებელია ჯაჭვის ხელით დატრიალებაც. ჯაჭვის ხელახალი დაჭიმვა

KA

საკირო ხდება როდესაც მამოძრავებელი რგოლების ბრტყელი ნაწილი აღარ ჯდება ძელის სიღრმეში.

- ხერხის ჩვეულებრივი მოხმარებისას, ჯაჭვის ტემპერატურა მოიმატებს. სწორად დაჭიმული ჯაჭვის გამოთვარი რგოლები ძელის სიღრმედან ჩამოეციდება დაახლოებით 1.3 მმ-ით (ნახ. G).

შენიშვნა: ჩვეულებრივ ახალი ჯაჭვები იწელება დროთა განმავლობაში; შეამოწმეთ ჯაჭვის დაჭიმვის ხარისხი პერიოდულად და შესაბამისად დაარეგულირეთ ხოლმე.

შენიშვნა: თბილი დაჭიმული ჯაჭვი შესაძლოა გახდეს ზედმეტად დაჭიმული გაგრილების შემდეგ. შეამოწმეთ დაჭიმულობა გრილი ჯაჭვის შემთხვევაში ხელსაწყოს შემდეგ გამოყენებამდე.

ექსპლუატაცია

▲ გაფრთხილება: შეეცადეთ მსგავსი პროდუქტის გამოყენების გამოცდილებამ არ გამოიწვიოს თქვენი უგულისყურობა. დაიმასხვრეთ, რომ უგულისყურობამ წამის შეათედმიც კი შესაძლოა მოგატანოთ სერიოზული ზიანი.

▲ გაფრთხილება: არ გამოიყენოთ სხვა ნებისმიერი ნაწილი, რომელიც არაა რეკომენდირებული ამ მოწყობილობის მწარმოებლის მიერ. არარეკომენდირებული ნაწილის გამოყენებამ შესაძლოა მოგაყენოთ სერიოზული ზიანი.

▲ გაფრთხილება: უცაბედი ჩართვის გამოსარიცხად, რომელმაც შესაძლოა გამოიწვიოს სერიოზული პერსონალური ზიანი, ყოველთვის მოხსენით აკუმულატორი ხელსაწყოს, როდესაც ხდება მისი აწყობა, რეგულირება, წმენდა ან როდესაც არ ხდება ხელსაწყოს გამოყენება.

ყოველი გამოყენების წინ შეამოწმეთ მთლიანი პროდუქტი, ხომ არ არის დაზიანებული, დაკარგული ან მოშვებული მისი ნაწილები, როგორცაა ხრახნები, ქანჩები, ჭანჭიკები, ხუფები და ა.შ. მჭიდროდ დაუჭირეთ ყველა სამაგრი და ხუფი და არ ამუშაოთ ეს ხელსაწყო, სანამ ყველა დაკარგული ან დაზიანებული ნაწილი არ შეიცვლება.

გამოყენება

თქვენ შეგიძლიათ ამ ხელსაწყოს გამოყენება ხის მოჭრის, გასხვების, გასხვლის და ხეების და ხის მასალის გახერხვის მიზნით.

შენიშვნა: ხელსაწყოს გამოყენება შესაძლებელია მხოლოდ დანიშნულებისამებრ. სხვა ნებისმიერი სახით გამოყენება ჩაითვლება, როგორც არასწორი გამოყენების შემთხვევა.

ძელის და ჯაჭვის ზეთის ავსება.

გაფრთხილება: ნუ მოსწევთ ან მოიტანთ ნებისმიერ ცეცხლს ან ალს ზეთის ან ჯაჭვური ხერხის სიახლოვეს. ზეთი შესაძლოა დაიქცეს და გაჩნდეს ხანძარი.

შენიშვნა: ჯაჭვური ხერხი არ არის ზეთით სავსე შექმნის მომენტში. აუცილებელია ავზის შევსება ზეთით ხელსაწყოს გამოყენებამდე. ჯაჭვი ავტომატურად იძობება ზეთით მუშაობის პროცესში.

1. მოათავსეთ ჯაჭვური ხერხი გვერდზე ისე, რომ ავზის ხუფი იყოს ზეთით მიმართული.
2. გაწმინდეთ ზეთის საცავის ხუფი და მის გარშემო არსებული არე, რათა დარწმუნდეთ რომ საცავში არ მოხვდება ჭუჭყი.
3. ასწიეთ ნახევრად წრიული ფირფიტა და მოატრიალეთ ზეთის ავზის ხუფი საათის ისრის საწინააღმდეგო მიმართულებით მოსახსნელად (ნახ. H).
4. ფრთხილად ჩასახით ძელის და ჯაჭვის ზეთი საცავში. შეავსეთ ზეთით შემცვები ყელის ბოლომდე.
5. მოწმინდეთ ნარჩენი ზეთი და დაუჭირეთ ხუფი.

შენიშვნა: ხშირად შეამოწმეთ ზეთის დონე და შეავსეთ ის, როდესაც ზეთის დონე მინიმუმზე დაბა ჩამოვა. არასოდეს ჩართოთ ჯაჭვური ხერხი, თუ ზეთის დანახვა შეუძლებელია.

აკუმულატორის ჩამაგრება/მოხსნა

გამოიყენეთ მხოლოდ ნახ. A2-ში ჩამოთვლილი EGO-ს აკუმულატორის ბლოკები და დამტენები.

სრულად დატენით პირველად გამოყენებამდე.

დამაგრება

გაუსწორეთ აკუმულატორის სამაგრები ბუდის ნასერტეტებს და დააწექით აკუმულატორის ბლოკს, სანამ არ გაიგებთ „წკაპუნის“ ხმას (ნახ. I).

მოხსნა

დააჭირეთ აკუმულატორის გამშვებ დილაკს და ამოიღეთ აკუმულატორის ბლოკი (ნახ. J).

KA

ჯაჭვური ხერხის ჩართვა/გამორთვა

შენიშვნა: ჯაჭვური ხერხის ჩართვამდე შეამოწმეთ ზეთის დონე, ხერხის კბილები დაბლაგვებაზე და უკუღრმის მუხრუჭის ბერკეტი სწორად მუშაობაზე. ამასთან, იქონიეთ მყარი საყრდენი და მართებული დისტანცია მიწიდან.

დაწევა (ნახ. K)

1. მოჭაეთ ხერხის უკუღრმის მუხრუჭის სახელურს ხერხის წინა სახელურისკენ, რათა მოათავსოთ სამუშაო პოზიციაში (ნახ. K).
2. მაგრად ჩაჭიდეთ წინა სახელურს მარცხენა ხელი და უკანა სახელურს - მარჯვენა.

⚠ გაფრთხილება: ტრავმის თავიდან აცილების მიზნით, ყოველთვის გამოიყენეთ ჯაჭვის ხერხი მარჯვენა ხელით, ისე, რომ ხელი ჩასჭიდოთ უკანა სახელურს მოსაჭიდ არეში (ნახ. L).

3. დიდხანს დააწეით გამორთვის დილაკს თქვენი მარჯვენა ხელის ცერით, შემდეგ მარჯვენა ხელის თითებით მოუჭირეთ ჩამრთველს, რათა ჩართოთ ხერხი (ნახ. L).

L-1	მოჭერის ზონა
-----	--------------

4. ხელი გაუშვით განმბლოკავ დილაკს და გააგრძელეთ ტრიგერ ჩამრთველზე თითის დაჭერა მუშაობის გასაგრძელებლად.
5. რაც უფრო მეტად ხდება ტრიგერულ გადამრთველზე დაჭერა, მით უფრო მეტია ჯაჭვის სიჩქარე. დაარეგულირეთ სიჩქარე შესასრულებელი სამუშაოს მიხედვით.

⚠ გაფრთხილება: არ შეეცადოდ ხერხის ჩართვას, როდესაც ჯაჭვური ხერხი დარჩენილია ჭკდები.

გამორთვა

1. მოაშორეთ ჯაჭვიანი ხერხი ჭრის ზონას და შემდეგ აუშვით ტრიგერ ჩამრთველს, რათა გააჩეროთ ჯაჭვიანი ხერხი.
2. დააწეით ჯაჭვის უკუღრმის მუხრუჭის სახელურს წინ სამუხრუჭო პოზიციაში, რათა ჩართოთ ჯაჭვის მუხრუჭი (ნახ. K).

გაფრთხილება: ყოველთვის მოხსენით აკუმულატორი მონწყობილობას შესვენებისას ან სამუშაოს დამთავრებისთანავე.

სიჩქარის რეჟიმის შეცვლა (ნახ. M)

ამ მოწყობილობას გააჩნია სამი სიჩქარის რეჟიმი. თითოეული სიჩქარის რეჟიმი ზღუდავს ჯაჭვიანი ხერხის მაქსიმალურ

სიჩქარეს. ჯაჭვის სიჩქარის რეჟიმის დილაკზე თითოეული დაჭერისას, სიჩქარის რეჟიმი შეიცვლება.

სიჩქარის ზოლები თხევადრისტალურ ეკრანზე აჩვენებს სიჩქარის აქტიურ სტატუსს: ერთი ზოლი დაბალი სიჩქარის შემთხვევაში, ორი ზოლი საშუალო სიჩქარის დროს, სამი ზოლი მაღალი სიჩქარის შემთხვევაში. დაბალი სიჩქარის რეჟიმი (ECO) უზრუნველყოფს მანქანის უკეთეს კონტროლს და უფრო ხანგრძლივ სამუშაო დროს თითო დატენვაზე.

M-1	სიჩქარის პანელები	M-5	საწვავის მარკენების წრე
M-2	Bluetooth-ის ხატულა	M-6	ფარის/Bluetooth-ის დილაკი
M-3	შუქვარის ხატულა	M-7	ჯაჭვის სიჩქარის დილაკი
M-4	მუხრუჭის ხატულა		

შენიშვნა: 2.5 ა/სთ ან ნაკლები სიმძლავრის EGO აკუმულატორების ბლოკის გამოყენებისას ხელმისაწვდომია მხოლოდ ECO რეჟიმი. 6.0 ა/სთ-ზე ნაკლები სიმძლავრის EGO აკუმულატორის ბლოკის გამოყენება არ მოგვცემთ მაღალი სიჩქარის მიღწევის შესაძლებლობას. საუკეთესო შედეგებისთვის, რეკომენდებულია 6.0 ა/სთ ან მეტი სიმძლავრის (მაგ., BA3360T) EGO აკუმულატორების ბლოკის გამოყენება.

შენიშვნა: აპარატის სიჩქარის მუხსიერების ფუნქცია დაიმასხვრებს სიჩქარის ბოლო პარამეტრს და გააქტიურებს მას შემდეგ ჯერზე, როდესაც მანქანა ჩაირთვება.

შენიშვნა: LCD ეკრანი ანათებს ტრიგერის გადამრთველის გამორთვისას ან სიჩქარის დილაკის ან პროექტორის/Bluetooth-ის დილაკის დაჭერისას. ის ავტომატურად გამოირთვება ჯაჭვის ხერხის უმოქმედობის დაახლოებით 30 წამის შემდეგ.

LED პროექტორები (ნახ. N)

LED პროექტორები მოთავსებულია ჯაჭვური ხერხის კორპუსის წინ. ეს პროექტორი უზრუნველყოფს დამატებით განათებას ხილვადობის გაზრდის მიზნით და რეგულირებადია სიკაშკაშის 2 დონეზე.

პროექტორის ჩასართავად დააჭირეთ პროექტორის ღილაკს (სურ. M) ერთხელ. პროექტორები ჩაირთვება დაბალი სიკაშკაშის დონეზე და დაბალი სიკაშკაშის პროექტორის ხატულა გამოჩნდება LCD ეკრანზე. კვლავ დააჭირეთ პროექტორის/Bluetooth-ის ღილაკს მაღალი სიკაშკაშის დონეზე გადასასვლელად და მაღალი სიკაშკაშის პროექტორის ხატულა გამოჩნდება LCD ეკრანზე.

პროექტორის გამოსართავად დააჭირეთ პროექტორის/Bluetooth-ის ღილაკს მესამედ და პროექტორის ხატულა გაქრება LCD ეკრანიდან.

N-1	დაბალი სიკაშკაშის პროექტორის ხატულა	N-3	LED პროექტორები
N-2	მაღალი სიკაშკაშის პროექტორის ხატულა		

ყველა მხარეს მიმართული ჯაჭვური მუხრუჭის მქონე სისტემა (სურ. o1 და სურ. o2)

▲ გაფრთხილება: ყველა მხარეს მიმართული ჯაჭვური მუხრუჭის მქონე სისტემა არ არის გამიზნული იმისთვის, რომ იმოქმედოს სტანდარტული/ტრადიციული ჯაჭვური მუხრუჭის შემცვლელად. მომხმარებელი არასდროს უნდა დაეყრდნოს ამ ფუნქციას ჯაჭვიანი ხერხის მუშაობისას, რათა დაიცვას თავი უკუცემისგან. მუდამ დაიცავით უკუცემის შემსუბუქებასთან დაკავშირებული უსაფრთხოების ინსტრუქციები, რომელტაც იპოვით ამ სახელმძღვანელოს გაფრთხილებების ნაწილში.

როცა ყველა მხარეს მიმართული ჯაჭვური მუხრუჭის მქონე სისტემა გააქტიურებულია და გააცერებს ხერხს, lcd ეკრანზე ციმციმს დაიწყებს მუხრუჭის ხატულა (სურ. m). ხელი გაუშვით ჩამრთველ ტრიგერს, ამოიღეთ ხერხის ჯაჭვი და მიმართველი ძელი ხიდან და ხელახლა ჩართეთ ხერხი.

შენიშვნა: სენსორები გამოავლენენ მხოლოდ ხერხის უცაბედ მოძრაობას მიმართველი ძელის სიბრტყეზე (სურ. o1). სენსორები არ გამოავლენენ ხერხის უცაბედ მოძრაობას გვერდზე (სურ. o2) (ე.ი., მიმართველი ძელის სიბრტყის პერპენდიკულარულად).

საკომუნიკაციო ტექნოლოგიები

ჩვენი დაკავშირებული პროდუქტებისა და სერვისების სრული ასორტიმენტის შესახებ ინფორმაციისთვის, დაკავშირების ინსტრუქციების ჩათვლით, დაასკანირეთ ქვემოთ მოცემული QR კოდი ან ეწვიეთ ბმულს www.egopowerplus.eu/connect.



სწორად ჩაჭიდება სახელურებზე (ნახ.P1)

- ჩაიცვით მოცურების საწინააღმდეგო ხელთათმანები მაქსიმალური მოჭიდებისა და უსაფრთხოებისთვის.
- მყარ, ბრტყელ ზედაპირზე მოთავსებული ხერხი დაიჭირეთ მჭიდროდ ორივე ხელით.
- ყოველთვის ჩაჭიდეთ წინა სახელურს მარცხენა ხელი და უკანა სახელურს - მარჯვენა.
- თითები უნდა შემოეჭდოს სახელურს, ცერა თითი წინა სახელურის ქვედა მხარეს.

▲ გაფრთხილება: არასოდეს გამოიყენოთ მარცხენა-ხელის (გადანაცვლებული) დაჭერა ან ნებისმიერი სხვა პოზიცია, რომელიც მოაყოლებს თქვენს სხეულს ან მკლავს ჯაჭვის ხაზის გასწვრივ.

▲ გაფრთხილება: არ მოათავსოთ ტრიგერზე მარცხენა ხელი, ხოლო წინა სახელურზე კი - მარცხენა. არასოდეს დაუშვათ თქვენი სხეული რომელიმე ნაწილის ჯაჭვის ხაზის პირისპირ მოთავსება ხერხის გამოყენებისას (ნახ.P2).

ჭრის მართებული პოზიცია (ნახ.Q)

- ორივე ფეხი უნდა იდგეს მყარად მიწაზე, წონა მათზე თანაბრად გადანაწილებული უნდა იყოს.
- მარცხენა ხელი უნდა იყოს გამართული გამოილი იდაყვით. ეს გეხმარებათ გაუძლოთ უკუცემის დროს წარმოქმნილ ძალებს.
- თქვენი სხეული ყოველთვის უნდა იყოს ხერხის ხაზის მარცხენა მხარეს.

KA

მითითებები ხის მოჭრის, გასხვების და განვიჭრის სწორი ტექნიკის შესახებ

▲ გაფრთხილება: ყოველთვის დაწმუნდით თქვენს მყარ საყრდენზე და დაიჭირეთ ხერხი მჭიდროდ ორივე ხელით, როცა მოტორი მუშაობს.

▲ გაფრთხილება: როდესაც ხერხის ჯაჭვი ჩაიჭირება ხერხის პროცესში, ხელი გაუშვით ჩამრთველ ტრიგერს, ამოიღეთ ხერხის ჯაჭვი და ჯაჭვური ხერხი ხიდან და ხელახლა ჩართეთ იგი.

▲ გაფრთხილება: არ მოქაჩით ხერხის ჯაჭვი ხელით, როცა იგი გაჭედილია ნახერხის გამო. ჯაჭვური ხერხის უცაბედმა ჩართვამ შესაძლოა გამოიწვიოს სერიოზული ფიზიკური ზიანი. დაადეთ ხერხის ჯაჭვი ხეს, ამომრავეთ ხერხი წინ და უკან უცხო სხეულების მოსაცილებლად. ყოველთვის მოხსენით აუშულატორი გაწმენდამდე. ჩაიცვით დამცავი ხელთათმანები ჯაჭვური ხერხის გამოყენებისას.

▲ გაფრთხილება: არასოდეს ჩართოთ ჯაჭვური ხერხი, როცა ის ეხება ხეს. ყოველთვის მიეცით ჯაჭვურ ხერხს საშუალება მიადწიოს მაქსიმალურ სიჩქარეს მისით გახერხვის დაწყებამდე.

ხის მოჭრა

- როდესაც ხდება ხის მოჭრის და დახერხის პროცედურა ორი ან მეტი პირის მიერ ერთდროულად, დახერხის პროცედურა ხის მოჭრის პროცედურისგან უნდა იყოს დამორებული მოსახერხი ხის სიმაღლის ორმაგი მანძილით. ხე არ უნდა მოიჭრას ისეთი წესით, რომელიც საფრთხეს შეუქმნის სხვა პირს, დაეცემა გადამცემ ხაზს ან გამოიწვევს რაიმე ქონების დაზიანებას. თუ ხე შეეხება გადამცემ ხაზებს, დაუფონებლივ შეატყობინეთ მათზე პასუხისმგებელ კომპანიას.
- ჯაჭვური ხერხის ოპერატორი უნდა იდგეს მალღობზე, რადგან ხე სავარაუდოდ დაგორდება დაბლა მოჭრის შემდეგ.
- გასაქცევი გზა უნდა დაიგეგმოს და გაიწმინდოს დაბრკოლებებისგან ხის მოჭრის დაწყებამდე. გასაქცევი გზა უნდა გაგრძელდეს ხის დაცემის მოსალოდნელი მიმართულების უკან და დიაგონალურად, როგორც ნახ. R-ზე ნაჩვენებია.

R-1	ხის წაქცევის მიმართულება	R-2	უსაფრთხო გაქცევის მიმართულება
-----	--------------------------	-----	-------------------------------

- ხის მოჭრამდე გაითვალისწინეთ ხის ბუნებრივი დახრა, დიდი ტოტების მდებარეობა და ქარის მიმართულება რათა განსაზღვროთ რა მიმართულებით დაეცემა ხე.
- მოაცილეთ ხეს ქუჩები, მოშვებული მერქანი, ლურსმნები, ჭიკარტები და სადენები.

ქვედა ჭდის დადება

დაადეთ ხეს მისი დიამეტრის 1/3 სიღრმის ჭდე, წაქცევის მიმართულების პერპენდიკულარულად, როგორც ნახ. S-ზე ნაჩვენებია. ჯერ გააკეთეთ ქვედა ჰორიზონტალური ჭდე. ეს დაგეგმარებათ თავიდან აირიდოთ ხერხის ჯაჭვის ან ძელის ჩაყოლა, როდესაც გააკეთებთ მეორე ჭდეს.

S-1	დაცემის მიმართულება	S-3	ხის წაქცევის საპირისპირო განაკვეთი
S-2	ჭდე	S-4	სახსარი

ხის წაქცევის საპირისპირო განაკვეთი

- გააკეთეთ ხის უკან წაქცევის განაკვეთი მინიმუმ 50 მმ-ით მაღლა, ვიდრე ჰორიზონტალური ჭდე, როგორც ნახ. S-ზე ნაჩვენებია. გააკეთეთ ხის წაქცევის საპირისპირო განაკვეთი ჰორიზონტალური ჭდის პარალელურად. ისე გააკეთეთ ხის წაქცევის საპირისპირო განაკვეთი, რომ დარჩეს საკმარისი ხე შუაში სახსრად. დარჩენილი სახსარი იკავებს ხეს, რათა იგი არ დატრიალდეს და არ წაიქცეს არასწორი მიმართულებით. არ გაჭრათ სახსრის განივად.
- როდესაც ნაქდევები სახსართან ახლოს დაედება, ხე დაიწყებს დაცემას. თუ არსებობს იმის მანსი რომ ხე არ დაეცემა სასურველი მიმართულებით ან გამოქანდება უკან და ჩაითრევს ხერხის ჯაჭვს, გააჩერეთ ხერხის პროცესი ხის წაქცევის განაკვეთის დასრულებამდე და გამოიყენეთ ხის, პლასტმასის ან ალუმინის სოლები რათა გახსნათ განაკვეთი და წაქციოთ ხე სასურველი მიმართულებით.

KA

- როდესაც ხე დაიწყებს დაცემას, ამოიღეთ ხერხი განაკვეთიდან, გააჩერეთ მოტორი, დადეთ ხერხი და გამოეცალეთ წინასწარ დაგეგმილი გაქცევის მიმართულებით. უფრთხილდით ჩამოვადნილ ტოტებს და არ დაგიცდეთ ფეხი.

ხის გასხევა

გასხევა არის დაცემული ხის ტანიდან ტოტების მოცილება. გასხევისას დატოვებულ დიდი ქვედა ტოტები, რათა მიწიდან აწეული ძელი დაეყრდნოს მათ. მოაცილეთ მცირე ტოტები ერთი მოჭრით, როგორც ნახ. T-ზეა ნაჩვენები. დაჭიმული ტოტები უნდა მოიხერხოს ქვევიდან ზევით, რათა თავიდან აირიდოთ ჯაჭვური ხერხის გახლართვა.

მორის დახერხვა

დახერხვა ნიშნავს მორის სიგრძეში ნაწილებად დაყოფას. მნიშვნელოვანია დარწმუნდეთ, რომ თქვენი საყრდენი მყარია და თქვენი წონა ორივე ფეხზე თანაბრად არის გადანაწილებული. როდესაც შესაძლებელია მორი უნდა აიწიოს და გამაგრდეს ტოტებით, სხვა მორებით ან საყრდენი სოლებით. მისდით მარტივ მითითებებს ადგილი ხერხვისთვის.

- როცა მორს აქვს საყრდენი მისი მთლიანი სიგრძის გასწვრივ როგორც ნახ. U1-ზეა ნაჩვენები, იგი უნდა ჩამოიჭრას ზევიდან (ზედა განაკვეთი).
- როცა მორს აქვს საყრდენი ერთ ბოლოში როგორც ნახ. U2-ზეა ნაჩვენები, ჩამოჭრით დიამეტრის 1/3 ქვემოდან (ქვედა განაკვეთი). შემდეგ დაასრულეთ გახერხვა ზედა განაკვეთით, რომელიც შეერთდება პირველ ჭდესთან.
- როცა მორს აქვს საყრდენი ორივე ბოლოში როგორც ნახ. U3-ზეა ნაჩვენები, ჩამოჭრით დიამეტრის 1/3 ზემოდან (ზედა განაკვეთი). შემდეგ დაასრულეთ გახერხვა ქვედა განაკვეთით დიამეტრის 2/3-ზე, რომელიც შეერთდება პირველ ჭდესთან.
- როდესაც ხერხავთ დამრეცხვ, ყოველთვის იდექით მორის ფერდობის ზედა მხარეს, როგორც ნახ. V-ზეა ნაჩვენები.
- როდესაც „გამჭოლად ხერხავთ“, კონტროლის შესანარჩუნებლად აუშვით ხერხის დაწოლა გაჭრის ბოლოს ხერხის სახელურებზე მოჭიდების მოდუნების გარეშე. არ მისცეთ საშუალება ჯაჭვს შეეხოს მიწას. ხერხვის დასრულების შემდეგ,

დაელოდეთ ხერხის ჯაჭვის გაჩერებას, სანამ გამომძარავებთ ჯაჭვურ ხერხს. ყოველთვის გააჩერეთ მოტორი ხიდან ხეზე გადასვლისას.

მოვლა

▲ გაფრთხილება: ტექნიკური მომსახურებისას გამოიყენეთ მხოლოდ იდენტური სათადარიგო ნაწილები. სხვა ნებისმიერი ნაწილის გამოყენებამ შესაძლოა შექმნას საფრთხე ან გამოიწვიოს მოწყობილობის დაზიანება. მოწყობილობის უსაფრთხოდ და გამართულად მუშაობისთვის საჭიროა მისი ყველა შეკეთება და ნაწილის შეცვლა მოხდეს კვალიფიციური სერვისის ტექნიკოსის მიერ.

▲ გაფრთხილება: სერიოზული პერსონალური ზიანისგან თავის არიდების მიზნით ამოიღეთ აკუმულატორის ბლოკი ხელსაწყოდან მის დათვალიერებამდე, გაწმენდამდე ან ტექნომსახურებამდე. აკუმულატორზე მომუშავე ხელსაწყო მიმდგრებული აკუმულატორით ყოველთვის ჩართულია და შესაძლოა უცებ ჩაირთოს.

▲ გაფრთხილება: როდესაც წმენდთ ჯაჭვურ ხერხს, არ მოათავსოთ წყალში ან სხვა სითხეში.

▲ გაფრთხილება: არცერთ შემთხვევაში არ მისცეთ სატორმუზო სითხეს, ბენზინს, ნავთობის ბაზაზე დამზადებულ პროდუქტებს ან სხვა ძლიერი გამხსნელებს მოვიდნენ პლასტმასის ნაწილებთან კონტაქტში. ქიმიურმა ნაერთებმა შესაძლოა დააზიანოს, გაცვიოს და დაშალოს პლასტმასი, რამაც შეიძლება მოგაყენოთ სერიოზული პირადი ზიანი.

გაწმენდა

- ყოველი გამოყენების შემდეგ მოაცილეთ ნარჩენი ჯაჭვს და ძელს რბილი ფუნჯით. გადაწმინდეთ ჯაჭვური ხერხის ზედაპირი სუფთა, ნოტიო ქსოვილით და რბილი სარეცხი საშუალებით.
- მოხსენით გვერდითა ხუფი, შემდეგ გამოიყენეთ რბილი ფუნჯი რათა მოაცილოთ ნარჩენი ძელს, ხერხის ჯაჭვს, კბილანას და გვერდითა ხუფს.
- ყოველთვის ამოწმინდეთ ნაფოტები, ნახერხი და ჭუჭყი ძელის სიდრუედან როდესაც ცვლით ხერხის ჯაჭვს.

KA

მიმმართველი ძელის ტექნოსახურება

როდესაც ხერხის მიმმართველ ძელს დაეტყობა ცვეთის ნიშნები, მოხსენით ის ჯაჭვური ხერხის ელექტრულ თავს და მოაბრუნეთ ხელახალი აწყობისთვის (ნახ. W1). რის შედეგადაც ცვეთა გადანაწილდება მის სრულ არეზე და გაიზრდება მისი მუშა ციკლი.

ხერხის ძელი უნდა გაიწმინდოს ყოველ დღე სარგებლობისას და შემოწმდეს ცვეთასა და დაზიანებაზე. ხერხის ძელის რელსზე ცალმხრივი ცვეთა და უსწორმასწორობები არის ძელის ცვეთის ნორმალური პროცესი. მსგავსი ტიპის უსწორმასწორობები უნდა გაიქლიბოს მათი გამოჩენისთანავე. ქვევით ჩამოთვლილი პრობლემების მქონე ძელი უნდა შეიცვალოს.

- ძელის რელსების შიგნით არსებული ცვეთა, რომლის გამოც ჯაჭვი გვერდით გადაიხრება.
- გაღუნული მიმმართველი ძელი.
- გაზარდილი ან გატეხილი რელსები.
- გაშლილი რელსები.

ასევე, ხერხის მიმმართველ ძელს გააჩნია კბილანა მის წვერთან (ნახ. W2). კბილანის შეზეთვა საჭიროა ყოველკვირეულად ზეთის შპრიცის გამოყენებით, რათა გაზარდოთ ძელის საექსპლუატაციო ვადა. გამოიყენეთ ზეთის შპრიცი, რათა ყოველკვირეულად შეზეთოთ ჯაჭვის ზეთით შესაზეთი ნასვრეტის საშუალებით (ნახ. W3). მოატრიალეთ მიმმართველი ძელი და დარწმუნდით, რომ შესაზეთი ნასვრეტებსა და ძელის ღარში არაა უცხო სხეულები.

W-1	ძელის წვერში არსებული კბილანა	W-2	შესაზეთი ნასვრეტი
-----	-------------------------------	-----	-------------------

შენიშვნა: საუკეთესო შედეგისთვის გამოიყენეთ EGO ავტორიზებული საპოხი საშუალებები.

ტრანსპორტირება და შენახვა

არ შეინახოთ ან არ მოახდინოთ ჯაჭვური ხერხის ტრანსპორტირება ჩართულ მდგომარეობაში. ყოველთვის მოხსენით აკუმულატორი შენახვამდე ან ტრანსპორტირებამდე.

ყოველთვის გაუკეთეთ ძელის და ჯაჭვის შალითა ხერხს მის შენახვამდე ან ტრანსპორტირებამდე გამოიჩინეთ სიფრთხილე ჯაჭვის მჭრელ რგოლებთან მიმართებაში.

საგულდაგულოდ გაწმინდეთ ჯაჭვური ხერხი შენახვამდე. შეინახეთ ჯაჭვური ხერხი შენობაში მშრალ, დაკეტილ და/ან ბავშვებისთვის მიუწვდომელ ადგილას. მოაცილეთ კოროზიის გამომწვევი ნივთიერებები, როგორცაა სოფლის მეურნეობაში გამოყენებული ქიმიკატები და მოყინვის საწინააღმდეგო ტექნიკური მარილი.

გარემოს ცვა



არ მოათავსოთ ელექტრო მოწყობილობა, დამტენი და აკუმულატორი საყოფაცხოვრებო ნაგავში!

მიუტანეთ პროდუქტი ნარჩენების ავტორიზირებულ გადამამუშავებელს და უზრუნველყავით ასეთი ნარჩენის განცალკევებულად შეგროვება. ელექტრო ხელსაწყოები უნდა ჩაბარდეს ნარჩენების გადამამუშავებელ ობიექტს.

KA

დიაგნოსტიკა

▲ გაფრთხილება: ყოველთვის დაიცავით თქვენი ხელეები დამცავი ხელთათმანებით, როცა ხერხის ჯაჭვს უტარებთ ნებისმიერ სერვისს. ყოველთვის მოხსენით აკუმულატორი ჯაჭვურ ხერხს სერვისამდე ან ტრანსპორტირებამდე.

პრობლემა	მიზეზი	გადაჭრის გზა
მოტორი არ ირთვება.	<ul style="list-style-type: none"> აკუმულატორი არ არის შეერთებული ხერხზე. ხერხსა და აკუმულატორს ბლოკს შორის არ არის ელექტრო კონტაქტი. აკუმულატორის ბლოკი დაცლილია. აკუმულატორი ან ხერხი ზედმეტად გაცხელებულია. ჯაჭვის მუხრუჭი ჩართულია. ძელის სიდრუემი უცხო სხეულებია. ხუფის შიგნით ნამსხვრევებია. 	<ul style="list-style-type: none"> მიუერთეთ აკუმულატორი ჯაჭვურ ხერხს. მოხსენით აკუმულატორის ბლოკი, შეამოწმეთ კონტაქტები და კვლავ მოათავსეთ იგი უკან. დატენით აკუმულატორის ბლოკი. აცალეთ ჯაჭვურ ხერხს ან აკუმულატორს გაგრილება 67°C-ის ქვევით. მოქაჩეთ ჯაჭვის ხერხის უკუცემის მუხრუჭის სახელურს უკან ხერხის წინა სახელურისკენ, რათა მოათავსოთ სამუშაო პოზიციაში. დაადეთ ხერხის ჯაჭვი ხეს, ამომრავეთ ხერხი წინ და უკან უცხო სხეულების მოსაცილებლად. მოხსენით აკუმულატორი, შემდეგ მოუშვით გვერდითა ხუფი და გაწმინდეთ უცხო სხეულებისგან.
ჯაჭვური ხერხი ჩერდება მუშაობის პროცესში.	<ul style="list-style-type: none"> ხერხი გადატვირთულია. აკუმულატორი ან ხერხი ზედმეტად გაცხელებულია. ხერხის ჯაჭვი გაჭედილია ხეში. 	<ul style="list-style-type: none"> შეამცირეთ დატვირთვა. შეამცირეთ დატვირთვა. აცალეთ ჯაჭვურ ხერხს ან აკუმულატორს გაგრილება 67°C-ის ქვევით. ხელი გაუშვით ჩამრთველ ტრიგერს, ამოიღეთ ხერხის ჯაჭვი და ჯაჭვური ხერხი ხიდან და ხელახლა ჩართეთ ხერხი.
მოტორი ირთვება, მაგრამ ჯაჭვი არ მოძრაობს.	<ul style="list-style-type: none"> ჯაჭვი არ ატრიალებს მოძრავ კბილანას. 	<ul style="list-style-type: none"> თავიდან დაამონტაჟეთ ჯაჭვი, დარწმუნდით რომ ჯაჭვის მამოძრავებელი რგოლები სრულიად მორგებულია კბილანას.
ჯაჭვის მუხრუჭი არ ფუნქციონირებს.	<ul style="list-style-type: none"> ნამსხვრევები ხელს უშლის ხერხის უკუცემის მუხრუჭის სახელურს სრულ გადაადგილებას. შესაძლოა ჯაჭვის მუხრუჭის ფუნქციონირების დარღვევა. 	<ul style="list-style-type: none"> მოაცილეთ უცხო სხეულები ჯაჭვის მუხრუჭის მექანიზმს. მიმართეთ EGO-ს კლიენტთა მომსახურების ცენტრს შეკითხვებისთვის.

KA

პრობლემა	მიზეზი	გადაჭრის გზა
ჯაჭვური ხერხი არ ჭრის სათანადოდ.	<ul style="list-style-type: none"> ▪ არასაკმარისი ჯაჭვის დაჭიმულობა. ▪ ბლაგვი ჯაჭვი. ▪ ჯაჭვი უკულმა არის დაყენებული. ▪ გაცვეთილი ჯაჭვი. ▪ მშრალი ან ზედმეტად გაჭიმული ჯაჭვი. ▪ ჯაჭვი არ არის ძელის სიღრუეში. 	<ul style="list-style-type: none"> ▪ დაარეგულირეთ ჯაჭვის დაჭიმულობა, შემდეგი სექციის მიხედვით: "ჯაჭვის დაჭიმვის რეგულირება". ▪ გალესეთ ჯაჭვი. ▪ დაამონტაჟეთ ხერხის ჯაჭვი თავიდან, როგორც აღწერილია ნაწილში "ძელის და ჯაჭვის აწყობის/გამოცვლის წესი". ▪ გამოცვალეთ ჯაჭვი, შემდეგი სექციის მიხედვით: "ძელის და ჯაჭვის აწყობა/გამოცვლა". ▪ შეამოწმეთ ზეთის რაოდენობა. შეავსეთ ზეთის აგზი და, საჭიროების შემთხვევაში, აირჩიეთ ზეთის მიწოდების უფრო მაღალი მოცულობა. ▪ ხელახლა დაამონტაჟეთ ჯაჭვი, შემდეგი სექციის მიხედვით: "ძელის და ჯაჭვის აწყობა/გამოცვლა".
ჯაჭვი მოეშვა ან ვარდება მიმართველი ძლიდან სტანდარტული მოხმარებისას.	<ul style="list-style-type: none"> ▪ ჯაჭვი მოეშვა, როდესაც ხერხის ჩვეულებრივი მოხმარებისას ჯაჭვის ტემპერატურა მოიმატებს. ▪ ჯაჭვი არ ატრიალებს მოძრავ კბილანას. 	<ul style="list-style-type: none"> ▪ დაჭიმეთ ხერხის ჯაჭვი, როგორც აღწერილია ნაწილში "ჯაჭვის დაჭიმვის რეგულირება". ▪ ხელახლა დაამონტაჟეთ ჯაჭვი, შემდეგი სექციის მიხედვით: "ძელის და ჯაჭვის აწყობა/გამოცვლა".

გარანტია

ego-ს საგარანტიო პოლიტიკა

გთხოვთ, ეწვიოთ ვებ-გვერდს egopowerplus.eu, და გაეცნოთ EGO-ს საგარანტიო მომსახურების წესებს და პირობებს სრულად.

PROČITAJTE SVA UPUTSTVA!



**PROČITAJTE PRIRUČNIK ZA RUKOVA-
OCA**

⚠ UPOZORENJE: Da bi se osigurala sigurnost i pouzdanost, sve popravke treba da radi kvalifikovani servisni tehničar.

⚠ UPOZORENJE: Obavezno pročitajte i shvatite sva sigurnosna uputstva u ovom Priručniku za rukovaoca, obuhvatajući i sve simbole sigurnosnih upozorenja poput „OPASNOST“, „UPOZORENJE“ i „OPREZ“ pre korišćenja ovog alata. Nepridržavanje svih dolenađenih uputstava može da dovede do strujnog udara, požara i/ili ozbiljne telesne povrede.

SIGURNOSNI SIMBOLI



Sigurnosno upozorenje



Nosite zaštitu za oči



Nosite zaštitu za glavu



Čuvajte se povratnog udara motorne testere i izbegavajte kontakt sa vrhom vodilice



Informacije o vodilici



Ovaj proizvod je u skladu sa primenljivim Direktivama EU.



Bluetooth®

mm Milimetar

V Napon

IPX4 Zaštita od zapluskivanja vode

**SAČUVAJTE SVA UPOZORENJA I UPUTSTVA ZA
BUDUĆU UPOTREBU.**

SIGURNOSNI SIMBOL

⚠ UPOZORENJE: Rukovanje svakim električnim alatom može da dovede do izbacivanja stranih predmeta ka očima, što može da dovede do ozbiljnog oštećenja očiju. Pre započinjanja rada sa električnim alatom, uvek stavite sigurnosne naočare sa bočnim štitnicima ili po potrebi masku za celo lice. Preporučujemo nošenje bezbednosne maske proizvođača Wide Vision preko naočara ili nošenje standardnih zaštitnih naočara sa bočnim štitnicima.



Da bi smanjio rizik od povreda, korisnik pre korišćenja ovog proizvoda mora pročitati i shvatiti priručnik za rukovaoca.



Nosite zaštitu za uši



Nosite zaštitne rukavice



Uvek koristite motornu testeru sa dve ruke



Otpadni električni proizvodi ne smeju da se odlažu sa otpadom iz domaćinstva. Odnosite ih u ovlašćeni centar za reciklažu.



Ovaj proizvod je u skladu sa primenljivim zakonima UK.



Jednosmerna struja

n_0

Brzina bez opterećenja

./min

U minuti

NAPOMENA: Bluetooth® reč i logotipi su registrovani zaštitni znaci u vlasništvu Bluetooth SIG, inc. i svaka upotreba takvih oznaka od strane EGO je pod licencom.

SPECIFIKACIJE

Nazivna voltaža	56 V
Maks. Brzina lanca	25 m/s
Korak lanca	3/8" (9,5 mm)
Dubina lanca	1,3 mm
Dužina vodilice	50 cm
Tip lanca	AC2005
Tip vodilice	AG2005
Zapremina rezervoara za ulje	250 mL
Težina (bez baterije, lanca testere, vodilice, bočnog poklopca, ulja i navlake za lanac)	3,9 kg
Preporučena radna temperatura	Od -15°C do 40°C
Preporučena temperatura skladištenja	Od -20°C do 70°C
Preporučena temperatura punjenja	Od 5 do 40°C
Izmereni nivo zvučne snage L _{WA}	103 dB(A) K=1,7 dB(A)
Nivo zvučnog pritiska na mestu rada L _{PA}	89 dB(A) K=3 dB(A)
Garantovan nivo jačine zvuka L _{WA} (prema 2000/14/EC)	105 dB(A)
Vibracije a _h	Prednja drška 4,69 m/s ² K=1,5 m/s ²
	Zadnja drška 4,24 m/s ² K=1,5 m/s ²

- Deklarisana ukupna vrednost vibracije je izmerena u skladu sa standardnim metodom testiranja i može se koristiti za upoređivanje jednog alata sa drugim;
- Deklarisana ukupna vrednost vibracije može se koristiti i u preliminarnoj proceni izlaganja.

NAPOMENA: Emisija vibracija tokom stvarne upotrebe električnog alata može da se razlikuje od deklarisanе vrednosti u kojoj se alat koristi. Da bi se rukovalac zaštitio, korisnik bi trebalo da nosi rukavice i štitnike za uši u stvarnim uslovima korišćenja.

SR

POPIS PAKOVANJA (SLIKA A1)

OPIS

UPOZNAJTE SVOJU MOTORNU TESTERU (slika A1)

- Lanac
- Šiljci za sečenje na komade
- Lopatica kočnice povratnog udarca lanca
- Prednja drška
- LCD ekran
- Trake brzine
- Bluetooth ikonica
- Ikonica prednjeg svetla
- Ikonica kočnice
- Krug pokazivača goriva
- Dugme za prednje svetlo/Bluetooth
- Dugme za brzinu lanca
- Dugme za zaključavanje
- Okidač
- Zadnja drška
- Dugme za oslobađanje baterije
- Prozor za inspekciju ulja
- Kapica rezervoara za ulje
- Vodilica
- Rupica za podmazivanje
- Bočni poklopac
- Maticе bočnog poklopca
- LED prednje svetlo
- Zavrtnaj za zatezanje lanca
- Dvostrani nasadni ključ
- Navlaka za lanac

SASTAVLJANJE

SKLAPANJE/ZAMENJIVANJE VODILICE I LANCA

⚠ UPOZORENJE: Podesite lopaticu kočnice povratnog udarca lanca u zakočeni položaj pre sklapanja.

- Postavite pogonsku glavu motorne testere na bočnu stranu, sa bočnim poklopcem okrenutim nagore (slika B).
- Skinite bočni poklopac tako što ćete okrenuti dve matice za zaključavanje suprotno kazaljki na satu.

- Okrenite zavrtnj za zatezanje lanca suprotno kazaljki na satu da biste olabavili zategnutost lanca.
- Položite lanac testere u petlju na ravnu površinu i izravnajte sve vijuge (slika C).
- Stavite pogonske alke lanca u žleb na vodilici i napravite petlju od lanca na zadnjoj strani vodilice (slika D).
- Držite lanac na njegovom mestu na vodilici i stavite petlju oko lančanika na testeri (slika E1).

B-1	Matice za zaključavanje	D-2	Žleb vodilice
B-2	Zavrtnj za zatezanje lanca	E-1	Pogonski lančanik
D-1	Pogonske alke lanca		

NAPOMENA: Kad pravite petlju lanca testere na vodilici, vodite računa da, nakon montiranja vodilice na testeru, uparite crtež sekača i strelicu za smer rotacije na kućištu. Ako su okrenuti u suprotnim smerovima, ponovo sklopite lanac testere na vodilicu tako da sekači budu okrenuti u istom smeru (slika E2).

- Vratite bočni poklopac na kućište motorne testere i potpuno zategnite dve matice za zaključavanje.
- Okrenite lanac rukom da biste proverili da li je lanac pravilno sklopljen bez zaglavlivanja. U suprotnom, ponovo sklopite lanac i vodilicu.

NAPOMENA: Da biste produžili radni vek vodilice, povremeno je obrnite.

PODEŠAVANJE ZATEGNUTOSTI LANCA

- Zaustavite motor i izvadite bateriju pre podešavanja zategnutosti lanca. Okrenite zavrtnj za zatezanje lanca u smeru kazaljke na satu ili suprotno kazaljki na satu da biste podesili zategnutost lanca (slika F) sve dok lanac ne bude tesno stajao uz vodilicu sa pogonskim alkama u žlebu vodilice.
- Hladan lanac je pravilno zategnut kad nema labavosti na donjem delu vodilice a lanac je tesan ali se može okrenuti rukom bez zapinjanja. Lanac se mora ponovo zategnuti kad god ravni delovi pogonskih alki ne stoje u žlebu vodilice.
- Tokom normalnog rukovanja testerom, temperatura lanca će se povećati. Pogonske alke pravilno zategnutog zagrejanog lanca će visiti približno 1,3 mm izvan žleba vodilice (slika G).

NAPOMENA: Novi lanci imaju tendenciju rastezanja; često proveravajte zategnutost lanca i zatežite ga po potrebi.

NAPOMENA: Lanac koji zatežete dok je zagrejan može da bude suviše zategnut kad se ohladi. Proverite hladnu zategnutost pre sledeće upotrebe.

UKOVANJE

⚠ UPOZORENJE: Nemojte dozvoliti da vas poznavanje ovog proizvoda učini nemarnim. Imajte na umu da je za nanošenje teških povreda dovoljan samo delić sekunde nepažnje.

⚠ UPOZORENJE: Ne koristite nikakve dodatke ili pribor koje nije preporučio proizvođač ovog proizvoda. Upotreba dodataka ili pribora koji nisu preporučeni može da dovede do ozbiljne telesne povrede.

⚠ UPOZORENJE: Da biste sprečili nehotično pokretanje koje bi moglo izazvati ozbiljne telesne povrede, uvek uklonite bateriju iz alata kada sklapate delove, podešavate, čistite ili kad ga ne koristite.

Pre svake upotrebe pregledajte čitav proizvod radi oštećenih, nedostajućih ili labavih delova poput vijaka, navrtanja, zavrtnja, kapice itd. Čvrsto zategnite sve spojeve i kapice i ne rukujte ovih proizvodom dok svi nedostajući ili oštećeni delovi ne budu zamenjeni.

PRIMENA

Ovaj proizvod možete da koristite za osnovno obaranje stabala, sečenje grana, orezivanje i sečenje drveta.

NAPOMENA: Mašinu treba koristiti samo za propisanu svrhu. Svaka druga upotreba smatra se slučajem zloupotrebe.

SIPANJE MAZIVA ZA VODILICU I LANAC

⚠ UPOZORENJE: Nemojte pušiti ili približavati plamen ulju ili motornoj testeri. Ulje se može prosliti i izazvati požar.

NAPOMENA: U motornoj testeri nema ulja u vreme kupovine. Suštinski je važno napuniti rezervoar uljem pre upotrebe. Lanac se automatski podmazuje uljem tokom rada.

- Postavite motornu testeru na stranu, sa kapicom rezervoara okrenutom nagore.
- Očistite kapicu rezervoara za ulje i oblast oko nje da biste osigurali da nikakva prijavština ne upadne u rezervoar za ulje.

3. Podignite polukružnu ploču i okrenite kapicu rezervoara za ulje suprotno kazaljki na satu da biste je skinuli (slika H).
4. Pažljivo sipajte ulje za vodilicu i lanac u rezervoar. Napunite do donjeg dela grića.
5. Obrišite eventualni višak ulja i vratite poklopac.

NAPOMENA: Često proveravajte nivo ulja i dopunite kad nivo ulja padne ispod linije minimuma. Nikad ne rukujte motornom testerom ako ulje nije vidljivo.

POSTAVLJANJE/SKIDANJE BATERIJE

Upotrebljavajte samo baterije i punjače proizvođača EGO navedene na slici A2.

Baterije potpuno napunite pre prve upotrebe.

Postavljanje

Poravnajte rebra baterije sa prorezima za montiranje i pritisnite bateriju nadole dok ne čujete „škljoc“ (slika I).

Skidanje

Pritisnite dugme za oslobađanje baterije i izvucite bateriju (slika J).

POKRETANJE/ZAUSTAVLJANJE MOTORNE TESTERE

NAPOMENA: Pre pokretanja motorne testere, proverite nivo ulja, oštrinu zuba testere i pravilno funkcionisanje lopatice kočnice povratnog udarca. Osim toga, potrebno je i uravnoteženo uporište i pravilna udaljenost od tla.

Za pokretanje (slika K)

1. Povucite lopaticu kočnice povratnog udarca lanca prema prednjoj drški, u radni položaj (slika K).
2. Čvrsto uhvatite prednju dršku levom rukom a zadnju dršku desnom rukom.

UPOZORENJE: Da biste izbegli povrede, uvek koristite motornu testeru tako što ćete desnom rukom držati područje za hvatanje na zadnjoj drški (slika L).

3. Palcem desne ruke pritisnite i držite dugme za zaključavanje a zatim prstima desne ruke stisnite okidač da biste pokrenuli testeru (slika L).

L-1	Područje za hvatanje
-----	----------------------

4. Pustite dugme za zaključavanje i nastavite da pritisnete okidač za neprekidni rad.
5. Što je okidač pritisnut dalje, to je brzina lanca veća. Podesite brzinu tako da odgovara poslu koji obavljate.

UPOZORENJE: Ne pokušavajte da pokrenete testeru kad je lanac u rezu.

Za zaustavljanje

1. Odmaknite motornu testeru dalje od oblasti sečenja a zatim pustite okidač da biste zaustavili motornu testeru.
2. Gurnite lopaticu kočnice povratnog udarca lanca unapred u položaj kočenja da biste aktivirali kočnicu lanca (slika K).

UPOZORENJE: Uvek izvadite bateriju iz mašine tokom pauza u radu i posle završetka rada.

MENJANJE REŽIMA BRZINE (slika M)

Ova mašina ima tri režima brzine. Svaki režim brzine ograničava maksimalnu brzinu motorne testere. Režim brzine će se promeniti sa svakim pritiskom na dugme za brzinu lanca.

Trake brzine na LCD ekranu će prikazivati aktivni režim brzine: jedna traka za malu brzinu, dve trake za srednju brzinu i tri trake za veliku brzinu. Režim male brzine (EKO) omogućava bolju kontrolu nad mašinom i duže vreme rada po punjenju.

M-1	Trake brzine	M-5	Krug pokazivača goriva
M-2	Bluetooth ikonica	M-6	Dugme za prednje svetlo/Bluetooth
M-3	Ikonica prednjeg svetla	M-7	Dugme za brzinu lanca
M-4	Ikonica kočnice		

NAPOMENA: Kad koristite EGO bateriju označenu kao 2,5 Ah ili manje, dostupan je samo ECO režim. A korišćenje EGO baterije označene kao manje od 6,0 Ah vam neće omogućiti da ostvarite veliku brzinu. Za najbolje performanse izričito preporučujemo upotrebu EGO baterija koje su 6,0 Ah (npr. BA3360T) ili više.

NAPOMENA: Funkcija memorije brzine na mašini će zapamtiti poslednju postavku brzine i aktivirati je naredni put kad se mašina uključi.

NAPOMENA: LCD ekran se osvetljava kad se povuče okidač ili kad se pritisne dugme za brzinu ili dugme za prednje svetlo/Bluetooth. Automatski će se isključiti posle približno 30 sekundi neaktivnosti motorne testere.

LED PREDNJE SVETLO (slika N)

LED prednje svetlo se nalazi na prednjoj strani kućišta motorne testere. Prednje svetlo pruža osvetljenje radi veće vidljivosti i ima 2 nivoa osvetljenosti.

Da biste uključili prednje svetlo, pritisnite dugme za prednje svetlo/Bluetooth (slika M) jednom. Prednje svetlo će se uključiti na nižem nivou osvetljenosti a ikonica za manju osvetljenost prednjeg svetla će se pojaviti na LCD ekranu. Pritisnite dugme za prednje svetlo/Bluetooth ponovo da biste prešli na veći nivo osvetljenosti i ikonica za veću osvetljenost prednjeg svetla će se pojaviti na LCD ekranu.

Da biste isključili prednje svetlo, pritisnite dugme za prednje svetlo/Bluetooth po treći put i ikonica za prednje svetlo će nestati sa LCD ekrana.

N-1	Ikonica za manju osvetljenost prednjeg svetla	N-3	LED prednje svetlo
N-2	Ikonica za veću osvetljenost prednjeg svetla		

VIŠESMERNI SISTEM KOČNICA LANCA (slika O1 i slika O2)

UPOZORENJE: Višesmerni sistem kočnica lanca nije predviđen da bude zamena standardnoj/tradicionalnoj kočnici lanca. Korisnik nikad ne bi trebalo da se oslanja na ovu funkciju tokom rukovanja motornom testerom za zaštitu od povratnog udarca. Uvek pratite sigurnosna uputstva povezana sa ublažavanjem povratnog udarca koja se nalaze u odeljku upozorenja u ovom priručniku.

Kad se višesmerni sistem kočnica lanca aktivira i zaustavi testeru, ikonica kočnice će bljeskati na LCD ekranu (slika M). Pustite okidač, izvadite lanac i vodilicu testere iz drveta, a zatim ponovo pokrenite motornu testeru.

NAPOMENA: Senzori će detektovati samo iznenadno kretanje testere u ravni vodilice (slika O1). Senzori neće detektovati nikakvo iznenadno kretanje testere u stranu (slika O2) (tj. upravno na ravan vodilice).

KOMUNIKACIONA TEHNOLOGIJA

Za informacije o celoj paleti naših povezanih uređaja i usluga, obuhvatajući i uputstva za povezivanje, skenirajte QR kod ispod ili posetite www.egopowerplus.eu/connect.



PRAVILAN HVAT NA DRŠKAMA (slika P1)

- Nosite rukavice koje se ne klizu zbog maksimalnog hvata i zaštite.
- Dok je testera na čvrstoj, ravnoj površini, uhvatite je čvrsto sa obe ruke.
- Uvek hvatajte prednju dršku levom rukom a zadnju dršku desnom rukom.
- Prsti treba da obuhvate dršku a palac da se savije ispod prednje drške.

UPOZORENJE: Nikad ne koristite levoruki (ukršteni) hvat ili bilo koji stav koji bi postavio vaše telo ili ruku preko linije lanca.

UPOZORENJE: Ne rukujte okidačem pomoću leve ruke dok desnom rukom držite prednju dršku. Nikad ne dozvolite da vam bilo koji deo tela bude u liniji lanca dok rukujete motornom testerom (slika P2).

PRAVILAN STAV ZA SEČENJE (slika Q)

- Oba stopala treba da budu na čvrstom tlu, sa težinom ravnomerno raspoređenom na oba stopala.
- Leva ruka treba da bude ispružena a levi lakat ukočen. To pomaže da se oduprete silama koje stvara povratni udarac.
- Vaše telo uvek treba da bude sa leve strane linije lanca.

UPUTSTVA ZA PRAVILNU TEHNIKU OSNOVNOG OBARANJA STABALA, UKLANJANJA GRANA I POPREČNOG SEČENJA DRVETA

UPOZORENJE: Uvek imajte sigurno uporište i čvrsto držite motornu testeru sa obe ruke dok motor radi.

UPOZORENJE: Kad se lanac zaustavi zbog ukleštenja tokom sečenja, pustite okidač, izvadite lanac i vodilicu iz drveta, a zatim ponovo pokrenite motornu testeru.

UPOZORENJE: Ne vucite lanac rukom kad se zaglavi zbog piljevine. Može doći do ozbiljnih povreda ako se motorna testera nehотиčno pokrene. Pritisnite lanac na drvo i pomerajte motornu testeru unapred i unazad da biste uklonili prijavštinu. Uvek izvadite bateriju pre čišćenja. Nosite debele zaštitne rukavice kad rukujete lancem.

UPOZORENJE: Nikad ne pokrećite testeru kad je u kontaktu sa drvetoм. Uvek pustite da motorna testera dosegne punu brzinu pre no što je prinesete drvetoм.

OBARANJE DRVETA

- Kada operacije sečenja na komade i obaranja drveta rade dve ili više osoba u isto vreme, operaciju obaranja treba odvojiti od operacije sečenja na udaljenost od najmanje dvostruke visine drveta koje se obara. Drveće ne bi trebalo obarati na način koji bi ugrozio neku osobu, udario električni vod ili izazvao oštećenje imovine. Ako drvo ipak dođe u kontakt sa električnim vodom, odmah treba obavestiti elektrodistribuciju.
- Rukovalac motornom testerom treba da stoji na višoj strani tla jer će se drvo verovatno otkrotljati ili skliznuti nizbrdo nakon što bude oboreno.
- Put za izbegavanje pada drveta treba isplanirati i po potrebi raščistiti, pre no što započne sečenje. Put za izbegavanje pada drveta treba da se pruža unazad i dijagonalno, na suprotnoj strani drveta od očekivane linije pada, kako je prikazano na slici R.

R-1	Smer obaranja	R-2	Put za povlačenje u sigurnost
-----	---------------	-----	-------------------------------

- Pre no što započnete obaranje, uzмите u obzir prirodni nagib drveta, lokaciju većih grana i smer vetra da biste prosudili na koju stranu će drvo pasti.
- Uklonite zemlju, kamenje, labavu koru, eksere, staplere i žice sa drveta.

Pravljenje donjeg ureza

Napravite urez od 1/3 prečnika drveta, upravno na smer pada, kako je prikazano na slici S. Prvo napravite donji horizontalni rez. To će vam pomoći da izbegnete ukleštenje lanca ili vodilice kad budete pravili drugi rez.

S-1	Smer pada	S-3	Zadnji urez
S-2	Urez	S-4	Zglob

Zadnji urez

- Napravite zadnji urez najmanje 50 mm iznad horizontalnog donjeg ureza, kako je prikazano na slici S. Držite zadnji urez paralelnim sa horizontalnim donjim urezom. Napravite zadnji urez tako da ostane dovoljno drveta koje će se ponašati kao zglob. Zglob sprečava uvrtnje drveta i padanje u pogrešnom smeru. Ne secite kroz zglob.
- Kako se sečenje približava zglobu, drvo bi trebalo da počne da pada. Ako postoji ikakva šansa da drvo neće pasti u željenom smeru ili da će se zaljuljati unazad i pritisnuti lanac testere, prekinite sečenje pre nego što pravljenje zadnjeg ureza bude završeno i

koristite klinove od drveta, plastike ili aluminijuma za otvaranje reza i obaranje drveta u željenoj liniji pada.

- Kad drvo počne da pada, izvadite motornu testeru iz reza, zaustavite motor, spustite motornu testeru na tlo, a zatim krenite planiranim putem za povlačenje. Pazite na grane koje padaju odgore i gledajte gde stajete.

Sečenje grana

Sečenje grana je uklanjanje grana sa oborenog drveta. Kad sečete grane, ostavite veće donje grane da podupiru stablo iznad zemlje. Uklanjajte male grane jednim rezom, kako je prikazano na slici T. Grane pod tenzijom treba seći odole nagore da bi se izbeglo zaglavljivanje motorne testere.

Sečenje stabla na komade

- Sečenje na komade je sečenje oborenog stabla na manje komade. Važno je da vodite računa da vam uporište bude čvrsto i da vam težina bude ravnomerno raspoređena na obe noge. Kad god je to moguće, stablo treba podići i podupreti pomoću grana, panjeva ili klinova. Pratite ova jednostavna uputstva za lako sečenje.
- Kad je stablo poduprto celom dužinom, kako je prikazano na slici U1, seče se odgore.
- Kad je stablo poduprto na jednom kraju, kako je prikazano na slici U2, secite 1/3 prečnika od donje strane. Zatim napravite završni rez sečenjem odgore dok ne dođete do prvog reza.
- Kad je stablo poduprto na oba kraja, kako je prikazano na slici U3, secite 1/3 prečnika od gornje strane. Zatim napravite završni rez sečenjem odole donje 2/3 dok ne dođete do prvog reza.
- Kad sečete na nagibu, uvek stojte uzbrdo od stabla, kako je prikazano na slici V.

Kad „prosecate“, da biste zadržali potpunu kontrolu, smanjite pritisak sečenja pred kraj reza bez opuštanja hvata na drškama motorne testere. Ne dozvolite da lanac dođe u kontakt sa tlom. Nakon završavanja reza, sačekajte da se lanac zaustavi pre no što preместите motornu testeru. Uvek zaustavite motor pre prelaska sa jednog drveta na drugo.

ODRŽAVANJE

⚠ UPOZORENJE: Tokom servisiranja, koristite samo identične rezervne delove. Upotreba bilo kakvih drugih delova može da dovede do opasnosti ili da izazove oštećenje proizvoda. Da bi se osigurala sigurnost i pouzdanost, sve popravke treba da radi kvalifikovani servisni tehničar.

⚠ UPOZORENJE: Da biste izbegli ozbiljne telesne povrede, uvek izvadite bateriju iz proizvoda pre pregledanja, čišćenja ili održavanja. Alat na baterije u koji je stavljena baterija je uvek uključen i može nehotično da se pokrene.

⚠ UPOZORENJE: Kad čistite motornu testeru, NE potapajte je u vodu ili druge tečnosti.

⚠ UPOZORENJE: Nemojte ni u kom trenutku dozvoliti da kočiona tečnost, benzin, proizvodi na bazi benzina, penetraciono ulje itd. dođu u kontakt sa plastičnim delovima. Hemikalije mogu da oštete, oslabe ili unište plastiku, što može da dovede do ozbiljne telesne povrede.

ČIŠĆENJE

- Nakon svake upotrebe, očistite prjavištinu sa lanca i vodilice pomoću meke četke. Obrišite površinu motorne testere čistom krpom navlaženom rastvorom blagog sapuna.
- Skinite bočni poklopac a zatim mekom četkom uklonite prjavištinu sa vodilice, lanca, lančanika i bočnog poklopa.
- Uvek očistite iverje, piljevinu i zemlju iz žleba vodilice kad zamenjujete lanac.

ODRŽAVANJE VODILICE

Kad vodilica pokaže znake habanja, rasklopite je sa pogonske glave motorne testere i obrnite je radi ponovnog sklapanja (slika W1). Na taj način će habanje biti raspoređeno da bi se povećao radni vek vodilice.

Vodilicu treba čistiti svakog dana upotrebe i proveravati da li je pohabana i oštećena. Krivljenje ili deformisanje šina vodilice je normalan proces habanja vodilice. Takve nedostatke treba izravnati turpijom čim se pojave. Vodilicu sa bilo kojim od sledećih nedostataka treba zameniti.

- Habanje unutar šina vodilice koje omogućava lancu da leži bočno.
- Savijena vodilica.
- Napukle ili polomljene šine.
- Raširene šine.

Pored toga, vodilica ima lančanik na vrhu (slika W2).

Lančanik se mora svake nedelje podmazivati špricom za mazivo da bi se produžio radni vek vodilice. Koristite špic za mazivo da biste svake nedelje uljem za lanac podmazali kroz rupicu za podmazivanje (slika W3). Okrenite vodilicu i proverite da li u rupicama za podmazivanje i žlebu lanca ima nečistoća.

W-1	Lančanik u vrhu vodilice	W-2	Rupica za podmazivanje
-----	--------------------------	-----	------------------------

NAPOMENA: Koristite EGO odobrena maziva za najbolje rezultate.

TRANSPORTOVANJE I SKLADIŠTENJE

Ne skladištite ili transportujte motornu testeru dok radi. Uvek izvadite bateriju pre skladištenja ili transportovanja.

Uvek stavite navlaku za vodilicu na vodilicu i lanac pre skladištenja ili transportovanja motorne testere. Budite oprezni da biste izbegli oštre zube lanca.

Temeljno očistite motornu testeru pre no što je uskladištite. Skladištite motornu testeru u zatvorenom prostoru, na suvom mestu koje je zaključano i/ili nije dostupno deci.

Držite dalje od korozivnih sredstava poput baštenskih hemikalija i soli za odmrzavanje.

ZAŠTITA ŽIVOTNE SREDINE



Ne odlazite električnu opremu, potrošene baterije i punjače u kućni otpad!

Odnosite ovaj proizvod u ovlašćeni pogon za reciklažu ili ga odvojite od ostalog smeća radi zasebnog prikupljanja. Električni alati moraju se odneti u ekološki prihvatljiv pogon za reciklažu.

REŠAVANJE PROBLEMA

⚠ UPOZORENJE: Uvek zaštitite ruke tako što ćete nositi debele rukavice kad radite bilo kakvo održavanje na lancu. Uvek izvadite bateriju kad servisirate ili transportujete motornu testeru.

PROBLEM	UZROK	REŠENJE
Motor se ne pokreće.	<ul style="list-style-type: none"> ■ Baterija nije spojena na motornu testeru. ■ Nema električnog kontakta između testere i baterije. ■ Punjenje baterije je potrošeno. ■ Baterija ili motorna testera su prevrući. ■ Kočnica lanca je aktivirana. ■ Priljavština u žlebu vodilice. ■ Priljavština unutar poklopca. 	<ul style="list-style-type: none"> ■ Spojite bateriju na motornu testeru. ■ Izvadite bateriju, proverite kontakte i ponovo instalirajte bateriju. ■ Napunite bateriju. ■ Ostavite bateriju ili motornu testeru da se hlade dok temperatura ne padne ispod 67°C. ■ Povucite lopaticu kočnice povratnog udara lanca unazad prema prednjoj drški da bi došla u radni položaj. ■ Pritisnite lanac na drvo i pomerajte motornu testeru unapred i unazad da biste uklonili priljavštinu. ■ Izvadite bateriju a zatim skinite bočni poklopac i očistite priljavštinu.
Motorna testera prestaje da radi tokom rukovanja.	<ul style="list-style-type: none"> ■ Motorna testera je preopterećena. ■ Baterija ili motorna testera su prevrući. ■ Lanac testere je zaglavljen u drvetu. 	<ul style="list-style-type: none"> ■ Smanjite opterećenje. ■ Smanjite opterećenje. Ostavite bateriju ili motornu testeru da se hlade dok temperatura ne padne ispod 67°C. ■ Pustite okidač, izvadite lanac i vodilicu iz drveta, a zatim ponovo pokrenite motornu testeru.
Motor radi ali lanac se ne okreće.	<ul style="list-style-type: none"> ■ Lanac ne dodiruje pogonski lančanik. 	<ul style="list-style-type: none"> ■ Ponovo instalirajte lanac, vodeći računa da pogonske alke na lancu budu potpuno postavljene na lančanik.
Kočnica lanca se ne aktivira.	<ul style="list-style-type: none"> ■ Priljavština sprečava potpuno kretanje lopatice kočnice povratnog udara lanca ■ Moguć kvar kočnice lanca. 	<ul style="list-style-type: none"> ■ Očistite priljavštinu sa spoljašnjeg mehanizma kočnice lanca. ■ Obratite se EGO korisničkoj službi za popravku.

PROBLEM	UZROK	REŠENJE
Motorna testera ne seče pravilno.	<ul style="list-style-type: none"> ■ Nedovoljna zategnutost lanca. ■ Tup lanac. ■ Lanac instaliran unazad. ■ Pohaban lanac. ■ Suv ili prekomerno rastegnut lanac. ■ Lanac nije u žlebu vodilice. 	<ul style="list-style-type: none"> ■ Ponovo podesite zategnutost lanca, prateći odeljak: „PODEŠAVANJE ZATEGNUTOSTI LANCA“. ■ Naoštrite lanac. ■ Ponovo instalirajte lanac testere, prateći odeljak „SKLAPANJE/ZAMENJIVANJE VODILICE I LANCA“. ■ Zamenite lanac, prateći odeljak: „SKLAPANJE/ZAMENJIVANJE VODILICE I LANCA“. ■ Proverite nivo ulja. Dopunite rezervoar za ulje i izaberite veću zapreminu isporuke ulja ako je neophodno. ■ Ponovo instalirajte lanac, prateći odeljak: „SKLAPANJE/ZAMENJIVANJE VODILICE I LANCA“.
Lanac se olabavljuje ili spada sa vodilice tokom normalne upotrebe.	<ul style="list-style-type: none"> ■ Lanac će se olabaviti kako se temperatura lanca povećava tokom normalnog rukovanja testerom. ■ Lanac ne dodiruje pogonski lančanik. 	<ul style="list-style-type: none"> ■ Povećajte zategnutost lanca prateći odeljak „PODEŠAVANJE ZATEGNUTOSTI LANCA“. ■ Ponovo instalirajte lanac, prateći odeljak: „SKLAPANJE/ZAMENJIVANJE VODILICE I LANCA“.

GARANCIJA

EGO POLITIKA GARANCIJE

Posetite veb-lokaciju egopowerplus.eu za potpune uslove i odredbe EGO politike garancije.

PROČITAJTE UPUTSTVO U CIJELOSTI!



PROČITAJTE KORISNIČKI PRIRUČNIK

⚠ UPOZORENJE! Radi osiguranja sigurnosti i pouzdanosti, sve popravke treba obavljati kvalifikovani servisni tehničar.

⚠ UPOZORENJE! Prije upotrebe ovog alata pobrinite se da sva sigurnosna uputstva u ovom korisničkom priručniku, uključujući sve sigurnosne simbole kao što su "OPASNOST", "UPOZORENJE" i "OPREZ" pročitate s razumijevanjem. Zanemarivanje svih uputstava navedenih u nastavku može rezultirati strujnim udarom, požarom i/ili teškim tjelesnim povredama.

SAČUVAJTE SVA UPOZORENJA I UPUTSTVA ZA BUDUĆE POTREBE.

SIGURNOSNI SIMBOL

⚠ UPOZORENJE! Rukovanje električnim alatima može rezultirati odbacivanjem stranih predmeta u oči, što opet može izazvati teška oštećenja očiju. Prije početka rukovanja električnim alatom, uvijek nosite zatvorene zaštitne naočale ili zaštitne naočale s bočnim štitnicima, a prema potrebi i štitnik za cijelo lice. Preporučujemo nošenje sigurnosne maske proizvođača Wide Vision preko naočala ili nošenje standardnih zaštitnih naočala s bočnim štitnicima.

SIGURNOSNI SIMBOLI



Simbol upozorenja.



Nosite zaštitu za oči.



Nosite zaštitu za glavu



Pazite na povratni udar motorne žage i izbjegavajte kontakt s vrhom vodilice.



Informacije o vodilici



Ovaj proizvod je u skladu s primjenjivim direktivama EU.



Bluetooth®

mm Milimetar

V Napon

IPX4 Zaštita od prskajuće vode



Radi smanjenja opasnosti od povreda, prije upotrebe ovog proizvoda korisnik treba s razumijevanjem pročitati ovaj korisnički priručnik.



Nosite zaštitu za sluh.



Nosite zaštitne rukavice.



Motornu žagu uvijek upotrebljavajte s dvjema rukama.



Otpadni električni proizvodi ne smiju se odlagati s otpadom iz domaćinstva. Odnosite ih u ovlašten centar za reciklažu.



Ovaj proizvod je u skladu s važećim zakonodavstvom Velike Britanije.



Istosmjerna struja

n_0

Brzina vrtnje bez opterećenja

./min

U minuti

TEHNIČKI PODACI

Nazivni napon	56 V	
Maks. brzina lanca	25 m/s	
Korak lanca	3/8" (9,5 mm)	
Veličina karike lanca	1,3 mm	
Dužina vodilice	50 cm	
Tip lanca žage	AC2005	
Tip vodilice	AG2005	
Zapremina spremnika ulja za lanac	250 ml	
Masa (bez kompleta baterija, lanca žage, vodilice, bočnog poklopca, ulja i zaštitne navlake za lanac)	3,9 kg	
Preporučena radna temperatura	-15°C - 40°C	
Preporučena temperatura skladištenja	-20°C - 70°C	
Preporučena temperatura punjenja	5°C - 40°C	
Izmjereni nivo zvučne snage L_{WA}	103 dB(A) K=1,7 dB(A)	
Nivo zvučnog pritiska u radnom položaju L_{PA}	89 dB(A) K=3 dB(A)	
Zagarantovani nivo zvučne snage L_{WA} (u skladu s Direktivom 2000/14/EZ)	105 dB(A)	
Vibracije a_n	Prednji rukohvat	4,69 m/s ² K=1,5 m/s ²
	Stražnji rukohvat	4,24 m/s ² K=1,5 m/s ²

- Deklarisane ukupne vrijednosti vibracija izmjerene su u skladu sa standardnom metodom ispitivanja i mogu se primjenjivati za poređenje jednog alata s drugim.
- Deklarisane ukupne vrijednosti vibracija mogu se primjenjivati i u preliminarnoj procjeni izloženosti.

NAPOMENA! Emisija vibracija tokom aktualne upotrebe električnog alata može se razlikovati od deklarirane vrijednosti u kojoj se alat upotrebljavao; korisnik radi zaštite treba nositi rukavice i štitnike za uši u aktualnim uslovima upotrebe.

SADRŽAJ PAKOVANJA (SL. A1)

OPIS

UPOZNAJTE SVOJU MOTORNU ŽAGU (sl. A1)

1. Lanac žage
2. Odstojnici
3. Ručica kočnice lanca za povratni udar
4. Prednji rukohvat
5. LCD ekran
6. Indikatori brzine
7. Ikona Bluetooth
8. Ikona prednjeg svjetla
9. Ikona kočnice
10. Kružni mjerač goriva
11. Dugme za prednje svjetlo/Bluetooth
12. Dugme za brzinu lanca
13. Dugme za deblokadu
14. Okidni prekidač
15. Stražnji rukohvat
16. Dugme za oslobađanje baterije
17. Kontrolno okno za ulje
18. Čep spremnika ulja
19. Vodilica
20. Otvor za podmazivanje
21. Bočni poklopac
22. Matice bočnog poklopca
23. Prednje LED svjetlo
24. Matični vijak za zatezanje lanca
25. Dvostrani nasadni ključ
26. Zaštitna navlaka za lanac

SASTAVLJANJE

POSTAVLJANJE/ZAMJENA VODILICE I LANCA

⚠ UPOZORENJE! Prije sastavljanja namjestite ručicu kočnice lanca za povratni udar u položaj kočenja.

1. Pozicionirajte pogonsku glavu motorne žage na njezinu strani s bočnim poklopcem okrenutim prema gore (sl. B).
2. Okrenite dvije sigurnosne matice u smjeru suprotnom smjeru kretanja kazaljki na satu i uklonite bočni poklopac.

BS

3. Okrenite matični vijak za zatezanje lanca u smjeru suprotnom smjeru kretanja kazaljki na satu da otpustite zategnutost lanca.
4. Položite lanac žage u omči na ravnu površinu i ispravite eventualne pregibe (sl. C).
5. Stavite pogonske karike lanca u žlijeb vodilice tako da se na stražnjoj strani vodilice napravi omča (sl. D).
6. Držite lanac u položaju na vodilici i stavite omču oko lančanika žage (sl. E1).

B-1	Sigurnosne matice	D-2	Žlijeb vodilice
B-2	Matični vijak za zatezanje lanca	E-1	Pogonski lančanik
D-1	Pogonske karike lanca		

NAPOMENA! Kada postavljate lanac žage na vodilicu, vodite računa da se nakon postavljanja vodilice na žagu obrazac rezača i strelica smjera rotacije na kućištu podudaraju. Ako su usmjereni u suprotnim smjerovima, ponovo postavite lanac žage na vodilicu tako da rezači budu usmjereni u istom smjeru (sl. E2).

7. Ponovo stavite bočni poklopac na kućište motorne žage i potpuno pritegnite dvije sigurnosne matice.
8. Okrenite lanac rukom da provjerite je li pravilno postavljen bez zastoja. U suprotnom ponovo postavite lanac i vodilicu.

NAPOMENA! Vodilicu povremeno okrenite radi produženja njenog radnog vijeka.

PODEŠAVANJE ZATEGNUTOSTI LANCA

- Prije podešavanja zategnutosti lanca zaustavite motor i izvadite komplet baterija. Okrenite matični vijak za zatezanje lanca u smjeru kretanja kazaljki na satu ili u smjeru suprotnom smjeru kretanja kazaljki na satu da podesite zategnutost lanca (sl. F) tako da lanac čvrsto nalegne uz vodilicu s pogonskim karikama u žlijebu vodilice.
- Hladan lanac je ispravno zategnut kada nema progiba na donjoj strani vodilice i kada lanac naližeže uz mogućnost ručnog okretanja bez zastoja. Lanac je potrebno ponovo zategnuti kada zaravnjene površine na pogonskim karikama ne uliježu u žlijeb vodilice.
- Temperatura lanca povisuje se tokom normalnog rada žage. Pogonske karike ispravno zategnutog toplog lanca visit će oko 1,3 mm iz žlijeba vodilice (sl. G).

NAPOMENA! Novi lanci imaju tendenciju rastezanja. Često provjeravajte zategnutost lanca i prema potrebi ga zategnite.

NAPOMENA! Lanac zategnut u toplom stanju može biti previše zategnut nakon hlađenja. Prije sljedeće upotrebe povjerite zategnutost hladnog lanca.

RAD

⚠ UPOZORENJE! Nemojte dozvoliti da vas poznavanje ovog proizvoda učini nepažljivim. Imajte na umu da je za nanošenje teških povreda dovoljan samo djelić sekunde nepažnje.

⚠ UPOZORENJE! Nemojte upotrebljavati priključke ili pribor koje nije preporučio proizvođač ovog proizvoda. Upotreba nepreporučenih priključaka ili pribora može rezultirati teškim tjelesnim povredama.

⚠ UPOZORENJE! Radi sprečavanja iznenadnog pokretanja koje može uzrokovati teške tjelesne povrede, uvijek izvadite komplet baterija iz alata kada postavljate dijelove, obavljate radove podešavanja, čišćenja ili kada ne upotrebljavate alat.

Prije svake upotrebe pregledajte cijeli proizvod i provjerite ima li oštećenih dijelova, dijelova koji nedostaju ili otpuštenih dijelova, kao što su vijci, matice, osovine, kapice, itd. Dobro pritegnite sve pričvrstne elemente i kapice i nemojte upotrebljavati ovaj proizvod dok ne postavite sve dijelove koji nedostaju ili zamijenite sve oštećene dijelove.

PRIMJENA

Ovaj proizvod možete upotrebljavati za osnovno obaranje stabala, orezivanje grana, obrezivanje i sječu rezane građe i drveća.

NAPOMENA! Mašina se smije upotrebljavati samo za prethodno opisane namjene. Svaka druga upotreba smatra se nepropisnom upotrebom.

DOPUNA MAZIVA ZA VODILICU I LANAC

⚠ UPOZORENJE! Nemojte pušiti ili upotrebljavati vatru ili plamen u blizini ulja ili motorne žage. Ulje može iscuriti i izazvati požar.

NAPOMENA! Motorna žaga nije napunjena uljem u vrijeme kupovine. Prije upotrebe važno je da se spremnik napuni uljem. Tokom rada lanac se automatski podmazuje uljem za lanac.

1. Postavite motornu žagu na bočnu stranu tako da čep spremnika bude okrenut prema gore.

- Očistite čep spremnika ulja i okolno područje kako biste osigurali da u spremnik ulja ne upada nečistoća.
- Podignite polukružnu ploču i čep spremnika ulja okrenite u smjeru suprotnom smjeru kretanja kazaljki na satu da ga uklonite (sl. H).
- Pažljivo napunite spremnik uljem za vodilicu i lanac. Spremnik napunite do donje strane otvora za punjenje
- Obrišite višak ulja i ponovo stavite čep.

NAPOMENA! Često provjeravajte nivo ulja i dopunite ulje kada nivo ulja padne ispod oznake minimalnog nivoa. Nemojte nikada upotrebljavati motornu žagu ako ulje nije vidljivo.

POSTAVLJANJE/SKIDANJE KOMPLETA BATERIJA

Proizvod upotrebljavajte samo s EGO kompletima baterija i punjačima koji su navedeni na sl. A2.

Komplet baterija potpuno napunite prije prve upotrebe.

Postavljanje

Poravnajte kontakte baterije s montažnim utorima i pritišćite komplet baterija prema dolje dok ne začujete zvuk klikanja (sl. I).

Skidanje

Pritisnite dugme za oslobađanje baterije i izvucite komplet baterija (sl. J).

POKRETANJE/ZAUSTAVLJANJE MOTORNE ŽAGE

NAPOMENA! Prije pokretanja motorne žage provjerite nivo ulja, oštrinu zuba žage i propisnu funkciju ručice kočnice za povratni udar. Osim toga potrebni su stabilno uporište i propisna udaljenost od tla.

Pokretanje (sl. K)

- Ručicu kočnice lanca za povratni udar povucite prema prednjem rukohvatu u radni položaj (sl. K).
- Prednji rukohvat čvrsto prihvatite lijevom, a stražnji rukohvat desnom rukom.

UPOZORENJE! Kako biste izbjegli povrede, motornu žagu uvijek upotrebljavajte desnom rukom u području držanja stražnjeg rukohvata (sl. L).

- Palcem desne ruke pritisnite dugme za deblokadu i držite ga pritisnutim, a zatim za pokretanje motorne žage prstima desne ruke stisnite okidni prekidač (sl. L).

L-1	Područje držanja
-----	------------------

- Otpustite dugme za deblokadu i nastavite stiskati okidni prekidač za kontinuirani rad.

- Što je okidni prekidač više pritisnut, brzina lanca je veća. Prilagodite brzinu trenutnom zadatku.

UPOZORENJE! Nemojte pokušavati pokretati žagu kada lanac žage ostane u drvetu.

Zaustavljanje

- Odmaknite motornu žagu od područja rezanja, a zatim otpustite okidni prekidač da zaustavite motornu žagu.
- Gurnite ručicu kočnice lanca za povratni udar prema naprijed u položaj kočenja da aktivirate kočnicu lanca (sl. K).

UPOZORENJE! Komplet baterija uvijek izvadite iz mašine tokom pauza i nakon završetka radova.

PROMJENA REŽIMA BRZINE (sl. M)

Ova motorna žaga u ima tri režima brzine. Svaki režim brzine ograničava maksimalnu brzinu motorne žage. Režim brzine mijenja se svakim pritiskom na dugme za brzinu lanca.

Indikatori brzine na LCD ekranu će prikazati aktivni režim brzine: jedan indikator za nisku brzinu, dva indikatora za srednju brzinu i tri indikatora za visoku brzinu. Režim niske brzine (ECO) pruža bolju kontrolu nad mašinom i duže vrijeme rada po punjenju.

M-1	Indikatori brzine	M-5	Kružni mjerač goriva
M-2	Ikona Bluetooth	M-6	Dugme za prednje svjetlo/Bluetooth
M-3	Ikona prednjeg svjetla	M-7	Dugme za brzinu lanca
M-4	Ikona kočnice		

NAPOMENA! Kada koristite EGO bateriju od 2,5 Ah ili manje, dostupan je samo ECO način rada. A korištenje EGO baterije kapaciteta manjeg od 6,0 Ah neće vam omogućiti da postignete veliku brzinu. Za najbolji radni učinak preporučujemo upotrebu EGO baterija kapaciteta od 6,0 Ah ili više (npr. BA3360T)..

NAPOMENA! Funkcija memorisanja brzine mašine zapamtiti će prethodnu postavku brzine i aktivirati je pri sljedećem uključivanju mašine.

NAPOMENA! LCD ekran se uključuje kada se povuče okidni prekidač ili kada se pritisne dugme za brzinu ili dugme za prednje svjetlo/Bluetooth, a automatski se isključuje za oko 30 sekundi ako motorna žaga nije aktivna.

PREDNJE LED SVJETLO (sl. N)

Prednje LED svjetlo nalazi se na prednjoj strani kućišta motorne žage. Prednje svjetlo omogućuje osvjetljenje za povećanu vidljivost i ima 2 nivoa svjetline.

Za uključivanje prednjeg svjetla jednom pritisnite dugme za prednje svjetlo/Bluetooth (sl. M). Prednja svjetla će se uključiti na niskom nivou svjetline, a na LCD zaslonu će se pojaviti ikona niskog nivoa svjetline prednjih svjetala. Za prebacivanje na visoki nivo svjetline ponovo pritisnite dugme za prednje svjetlo/Bluetooth i na LCD zaslonu će se pojaviti ikona visokog nivoa svjetline prednjih svjetala.

Za isključivanje prednjeg svjetla treći put pritisnite dugme za prednje svjetlo/Bluetooth i ikona prednjeg svjetla će nestati s LCD zaslona.

N-1	Ikona niskog nivoa svjetline prednjeg svjetla	N-3	Prednje LED svjetlo
N-2	Ikona visokog nivoa svjetline prednjeg svjetla		

VIŠESMJERNI SUSTAV KOČNICE LANCA (SI. O1 i SI. O2)

UPOZORENJE: višesmjerni sustav kočnice lanca nije namijenjen da djeluje kao zamjena za standardnu/tradicionalnu kočnicu lanca. Korisnik se nikada ne bi trebao oslanjati na ovu funkciju tokom rada lančane pile radi zaštite od povratnog udara. Uvijek slijedite sigurnosna uputstva koja se odnose na ublažavanje povratnog udara koja se nalaze u odjeljku upozorenja ovog priručnika.

Kada se višesmjerni sustav kočnice lanca aktivira i zaustavi pilu, ikona kočnice će treperiti na LCD zaslonu (SI. M). Otpustite okidni prekidač, izvadite lanac pile i vodilicu iz drva, a zatim ponovo pokrenite motornu pilu.

NAPOMENA! Senzori će detektirati samo naglo kretanje pile u ravni vodilice (SI. O1). Senzori neće otkriti iznenadno bočno kretanje pile (SI. O2) (tj. okomito na ravni vodilice).

KOMUNIKACIJSKA TEHNOLOGIJA

Za informacije o cijelom nizu povezanih proizvoda i usluga, uključujući upute za povezivanje, skenirajte QR kod ispod ili posjetite www.egopowerplus.eu/connect.



BS

PROPISNO DRŽANJE ZA RUKOHVATA (sl. P1)

- Za maksimalni prihvat i zaštitu nosite neklizajuće rukavice.
- Žagu na čvrstoj, ravnoj površini držite čvrsto objema rukama.
- Prednji rukohvat uvijek prihvatite lijevom, a stražnji rukohvat desnom rukom.
- Prsti trebaju obuhvatiti rukohvat s palcem savijenim ispod prednjeg rukohvata.

UPOZORENJE! Nemojte nikada upotrebljavati lijevi (poprečni) prihvat niti položaj koji vaše tijelo ili ruku postavlja preko linije lanca.

UPOZORENJE! Nemojte rukovati okidnim prekidačem lijevom rukom i držati prednji rukohvat desnom rukom. Kada rukujete motornom žagom nemojte nikada dozvoliti da dio vašeg tijela bude u liniji lanca (sl. P2).

PROPISAN POLOŽAJ PRI REZANJU (sl. Q)

- Oba stopala trebaju biti na čvrstom tlu uz tjelesnu masu ravnomjerno raspoređenu između njih.
- Lijeva ruka treba biti ispružena uz fiksirani lakat. Taj položaj će pomoći da se oduprete silama koje stvara povratni udar.
- Vaše tijelo uvijek mora biti s lijeve strane linije lanca.

UPUTSTVA ZA PROPISNE TEHNIKE OSNOVNOG OBARANJA STABALA, OREZIVANJA GRANA I POPREČNOG REZANJA

UPOZORENJE! Uvijek osigurajte dobro uporište i čvrsto držite motornu žagu objema rukama dok motor radi.

UPOZORENJE! Kada se lanac žage zaustavi zbog zaglavlivanja tokom postupka rezanja, otpustite okidni prekidač, uklonite lanac žage i vodilicu iz drveta, a zatim ponovo pokrenite motornu žagu.

UPOZORENJE! Nemojte povlačiti lanac žage rukom kada je obuhvaćen piljevinom. Iznenadno pokretanje motorne žage može rezultirati teškim povredama. Za uklanjanje naslaga pritisnite lanac žage o drvo i pomičite motornu žagu prema nazad i naprijed. Prije čišćenja uvijek izvadite komplet baterija. Kada rukujete motornom žagom, uvijek nosite zaštitne rukavice za teške uslove rada.

UPOZORENJE! Nemojte nikada pokretati motornu žagu kada je u kontaktu s drvom. Prije rezanja drveta uvijek pričekajte da motorna žaga dostigne punu brzinu.

OBARANJE STABALA

- Kod radova rezanja po dužini i obaranja stabala koje istovremeno obavljaju dvije osobe ili više osoba, radove obaranja stabala potrebno je razdvojiti od radova rezanja po dužini razdaljinom od najmanje dvije visine stabla koje se obara. Stabla se ne smiju obarati na način kojim će se ugroziti osobe, udariti u opskrbnu mrežu ili uzrokovati materijalnu štetu. Ako stabla dođu u kontakt s opskrbnom mrežom, odmah je potrebno obavijestiti odnosno preduzeće.
- Rukovalac motornom žagom treba stajati na uzvišenoj strani terena jer će se drvo nakon obaranja vjerovatno otkotrljati ili skliznuti nizbrdo.
- Prije početka postupka rezanja potrebno je isplanirati i prema potrebi očistiti put za sklanjanje od padajućeg stabla. Put za sklanjanje od padajućeg stabla treba se protezati nazad i dijagonalno prema stražnjem dijelu očekivane linije pada kako je prikazano na sl. R.

R-1	Smjer obaranja stabla	R-2	Sigurna putanja za povlačenje
-----	-----------------------	-----	-------------------------------

- Prije početka postupka obaranja stabla, za procjenu putanje pada stabla uzmite u obzir prirodnu nagutost stabla, lokaciju većih grana i smjer vjetrova.
- Sa stabla uklonite prljavštinu, kamenje, odvojenu koru, eksere, spajalice i žicu.

Zarezivanje

Napravite urez 1/3 prečnika stabla, okomito naspram smjera pada kako je prikazano na sl. S. Najprije obavite niže vodoravno zarezivanje. To će pomoći u izbjegavanju zaglavljivanja lanca žage ili vodilice pri pravljenju drugog ureza.

S-1	Smjer pada	S-3	Rez obaranja
S-2	Urez	S-4	Zglob

Rez obaranja

- Rez obaranja napravite najmanje 50 mm više od vodoravnog zarezivanja kako je prikazano na sl. S. Rez obaranja održavajte paralelnim u odnosu na vodoravno zarezivanje. Rez obaranja napravite tako da ostane dovoljno drveta da djeluje kao zglob. Zglob sprečava zakretanje stabla i pad stabla u pogrešnom smjeru. Nemojte rezati kroz zglob.
- Kako se rezovi za obaranje približavaju zglobovima, stablo treba početi da pada. Ako postoji mogućnost da drvo ne padne u željenom smjeru ili da se zaniže unazad i blokira lanac žage, obustavite

radove rezanja prije završetka reza obaranja i upotrijebite klinove od drveta, plastike ili aluminijuma da otvorite rez i ispuštite stablo duž željene linije pada.

- Kada stablo počne da pada, uklonite motornu žagu iz reza, zaustavite motor, odložite motornu žagu, a zatim upotrijebite planiranu putanju za povlačenje. Pazite na grane iznad glave koje padaju i vodite računalo o uporištu.

Orezivanje grana stabla

Orezivanje grana je uklanjanje grana s oborenog stabla. Prilikom orezivanja grana ostavite veće niže grane kao pomoć za odizanje debla s tla. Male grane uklonite jednim rezom kako je prikazano na sl. T. Napete grane potrebno je rezati odozdo prema gore kako bi se izbjegla blokada motorne žage.

Rezanje po dužini

- Rezanje po dužini je uzdužno rezanje debla. Važno je da osigurate čvrsto uporište i da tjelesna masa bude ravnomjerno raspoređena na oba stopala. Ako je moguće, deblo treba podići i poduprijeti pomoću grana, debla ili klinova. Pridržavajte se jednostavnih smjernica za jednostavno rezanje.
- Kada je deblo poduprieto cijelom dužinom kako je prikazano na sl. U1, reže se s gornje strane (odozgo).
- Kada je deblo poduprieto na jednom kraju kako je prikazano na sl. U2, režite 1/3 prečnika debla s donje strane (odozdo). Zatim obavite završni rez odozgo kako biste sastavili s prvim rezom.
- Kada je deblo poduprieto na oba kraja kako je prikazano na sl. U3, režite 1/3 prečnika debla s gornje strane (odozgo). Zatim obavite završni rez odozdo na donjoj strani 2/3 kako biste sastavili s prvim rezom.
- Kada obavljate rezanje po dužini na nagibu, uvijek stojite na uzvišenoj strani od debla kako je prikazano na sl. V.

Kada "odrezujete", za održavanje kompletne kontrole rasteretite pritisak rezanja u blizini kraja reza bez popuštanja zahvata na rukohvatima motorne žage. Nemojte dozvoliti da lanac dođe u kontakt s tlom. Nakon obavljenog reza, pričekajte da se lanac žage zaustavi prije premještanja motorne žage. Uvijek zaustavite motor prije premještanja s drveta na drvo.

ODRŽAVANJE

⚠ UPOZORENJE! Kada obavljate radove servisiranja, upotrebljavajte samo identične zamjenske dijelove. Upotreba drugih dijelova može uzrokovati opasnost

BS

ili oštećenje proizvoda. Radi osiguranja sigurnosti i pouzdanosti, sve popravke treba obavljati kvalifikovani servisni tehničar.

⚠ UPOZORENJE! Radi izbjegavanja teških tjelesnih povreda, prije pregleda, čišćenja ili održavanja komplet baterija uvijek izvadite iz proizvoda. Alat na baterijski pogon s umetnutim kompletom baterija uvijek je uključen i može se iznenada pokrenuti.

⚠ UPOZORENJE! Kada čistite motornu žagu, NEMOJTE je uranjati u vodu ili druge tekućine.

⚠ UPOZORENJE! Nemojte nikada dozvoliti da kočione tekućine, benzin, proizvodi na bazi nafte, penetrirajuća ulja i sl., dođu u kontakt s plastičnim dijelovima. Hemikalije mogu oštetiti, oslabiti ili uništiti plastiku što može rezultirati teškim tjelesnim povredama.

ČIŠĆENJE

- Nakon svake upotrebe mekanom četkom očistite naslage s lanca i vodilice. Površinu motorne žage obrišite čistom krpom navlaženom u blagoj sapunici.
- Skinite bočni poklopac, a zatim mekanom četkom očistite naslage s vodilice, lanca žage, lančanika i bočnog poklopca.
- Pri zamjeni lanca žage, iz žlijeba vodilice uvijek očistite drveno iverje, prašinu od žage i prljavštinu.

ODRŽAVANJE VODILICE

Kada se na vodilici pojave znakovi istrošenosti, skinite je s pogonske glave motorne žage i okrenite je naopako za ponovno postavljanje (sl. W1). Na taj ćete način raspodijeliti trošenje radi maksimalnog radnog vijeka vodilice.

Vodilicu je potrebno čistiti svaki dan kada se upotrebljava i provjeriti na postojanje znakova istrošenosti i oštećenja. Stvaranje bridova ili neravnina na šinama vodilice je normalan proces trošenja vodilice. Takve nepravilnosti treba ublažiti turpijom čim se pojave. Vodilicu s bilo kojim od sljedećih nepravilnosti je potrebno zamijeniti.

- Istrošenost unutrašnje strane šina vodilice što omogućuje ležanje lanca sa strana.
- Savijena vodilica.
- Napuknute ili polomljene šine.
- Raširene šine.

Osim toga, vodilica na vrhu ima lančanik (sl. W2). Lančanik je potrebno sedmično podmazivati mazalicom radi produženja radnog vijeka vodilice. Za sedmično podmazivanje uljem za lanac putem otvora za podmazivanje upotreblja-

vajte mazalicu (sl. W3). Okrenite vodilicu i provjerite jesu li otvori za podmazivanje i žlijeb lanca očišćeni od nečistoća.

W-1	Lančanik na vrhu vodilice	W-2	Otvor za podmazivanje
-----	---------------------------	-----	-----------------------

NAPOMENA! Za najbolje rezultate upotrebljavajte maziva koja je odobrila kompanija EGO.

TRANSPORT I SKLADIŠTENJE

Motornu žagu nemojte skladištiti ili transportovati kada radi. Prije skladištenja ili transporta uvijek izvadite komplet baterija.

Prije skladištenja ili transporta motorne žage, na vodilicu i lanac uvijek stavite zaštitnu navlaku. Budite oprezni da izbjegnute oštre zube lanca.

Motornu žagu dobro očistite prije skladištenja. Motornu žagu skladištite u zatvorenim prostorima na suhom mjestu koje je zaključano i/ili nedostupno djeci.

Teleskopsku pogonsku šipku držite podalje od korozivnih sredstava kao što su vrtna hemijska sredstva i soli za odmrzavanje.

ZAŠTITA ŽIVOTNE SREDINE



Električnu opremu, iskorištenu bateriju i punjač ne odlažite u kućni otpad!

Ovaj proizvod odnesite u ovlaštenu centar za reciklažu i time omogućite odvojeno sakupljanje. Električne alate potrebno je vratiti u ekološki prihvatljiv pogon za reciklažu.

OTKLANJANJE PROBLEMA

⚠ UPOZORENJE! Kada obavljate radove održavanja na motornoj žagi, uvijek zaštitite ruke nošenjem debelih rukavica. Prije radova servisiranja ili transporta motorne žage uvijek izvadite komplet baterija.

PROBLEM	UZROK	RJEŠENJE
Motor se ne pokreće.	<ul style="list-style-type: none"> ■ Komplet baterija nije pričvršćen na motornu žagu. ■ Nema električnog kontakta između žage i kompleta baterija. ■ Komplet/i baterija je ispražnjen. ■ Komplet baterija je previše vruć ili motorna žaga je previše vruća. ■ Kočnica lanca se aktivira. ■ Naslage u žlijebu vodilice. ■ Naslage u poklopcu. 	<ul style="list-style-type: none"> ■ Pričvrstite komplet baterija na motornu žagu. ■ Izvadite komplet baterija, provjerite kontakte i ponovo stavite komplet baterija. ■ Napunite komplet baterija. ■ Pričekajte da se komplet baterija ili motorna žaga ohlade na temperaturu ispod 67°C. ■ Ručicu kočnice lanca za povratni udar povucite nazad prema prednjem rukohvatu u radni položaj. ■ Za uklanjanje naslaga pritisnite lanac žage o drvo i pomičite motornu žagu prema nazad i naprijed. ■ Izvadite komplet baterija, zatim skinite bočni poklopac i očistite naslage.
Motorna žaga prestaje raditi tokom rada.	<ul style="list-style-type: none"> ■ Motorna žaga je preopterećena. ■ Komplet baterija je previše vruć ili motorna žaga je previše vruća. ■ Lanac žage zaglavio se u drvetu. 	<ul style="list-style-type: none"> ■ Smanjite opterećenje. ■ Smanjite opterećenje. Pričekajte da se komplet baterija ili motorna žaga ohlade na temperaturu ispod 67°C. ■ Otpustite okidni prekidač, izvadite lanac žage i vodilicu iz drva, a zatim ponovo pokrenite motornu žagu.
Motor radi, ali lanac se ne okreće.	<ul style="list-style-type: none"> ■ Lanac ne zahvaća pogonski lančanik. 	<ul style="list-style-type: none"> ■ Ponovo postavite lanac vodeći računa da pogonske karike na lancu potpuno naliježu na lančanik.
Kočnica lanca se ne aktivira.	<ul style="list-style-type: none"> ■ Naslage sprečavaju puno kretanje ručice kočnice lanca za povratni udar. ■ Mogući kvar kočnice lanca. 	<ul style="list-style-type: none"> ■ Očistite naslage s vanjskog mehanizma kočnice lanca. ■ Za popravak se obratite centru korisničke službe proizvođača EGO.

PROBLEM	UZROK	RJEŠENJE
Motorna žaga ne reže ispravno.	<ul style="list-style-type: none"> ■ Lanac je nedovoljno zategnut. ■ Lanac je tup. ■ Lanac je postavljen naopako. ■ Lanac je istrošen. ■ Lanac je suh ili je previše rastegnut. ■ Lanac nije u žlijebu vodilice. 	<ul style="list-style-type: none"> ■ Ponovo podesite zategnutost lanca slijedeći uputstva iz odjeljka: "PODEŠAVANJE ZATEGNUTOSTI LANCA". ■ Naoštrite lanac. ■ Ponovo stavite lanac žage prema uputstvima iz odjeljka "POSTAVLJANJE/ZAMJENA VODILICE I LANCA". ■ Zamijenite lanac slijedeći uputstva iz odjeljka: "POSTAVLJANJE/ZAMJENA VODILICE I LANCA". ■ Provjerite nivo ulja. Dopunite spremnik ulja i prema potrebi odaberite veću dopremu ulja. ■ Ponovo stavite lanac žage slijedeći uputstva iz odjeljka: "POSTAVLJANJE/ZAMJENA VODILICE I LANCA".
Lanac postaje labav ili spada s vodilice tokom normalne upotrebe.	<ul style="list-style-type: none"> ■ Lanac postaje labav kako se temperatura lanca povisuje tokom normalnog rada žage. ■ Lanac ne zahvaća pogonski lančanik. 	<ul style="list-style-type: none"> ■ Lanac zategnite prema uputstvima iz poglavlja "PODEŠAVANJE ZATEGNUTOSTI LANCA". ■ Ponovo stavite lanac žage slijedeći uputstva iz odjeljka: "POSTAVLJANJE/ZAMJENA VODILICE I LANCA".

GARANCIJA

POLITIKA GARANCIJE PROIZVOĐAČA EGO

Za sve odredbe i uslove politike garancije proizvođača EGO posjetite internetsku stranicu egopowerplus.eu.

المشكلة	السبب	الحل
السلسلة تنفك أو تسقط عن قضيب التوجيه أثناء الاستخدام العادي.	■ أثناء التشغيل العادي للمنشار، ستتفك السلسلة بسبب ارتفاع درجة حرارة السلسلة. ■ السلسلة لا تقوم بتعشيق الترس المسنن للعمود.	■ اربط السلسلة لضبط شدها وفقاً للقسم "ضبط شد السلسلة". ■ أعد تركيب سلسلة المنشار وفقاً للقسم: "تجميع/ استبدال القضيب والسلسلة".

الضمان

سياسة ضمان EGO

تفضل بزيارة الموقع الإلكتروني egopowerplus.eu للتعرف على الشروط والأحكام الكاملة الخاصة بسياسة ضمان EGO.

استكشاف الأعطال وإصلاحها

المشكلة	السبب	الحل
لا يمكن بدء تشغيل المحرك.	<ul style="list-style-type: none"> مجموعة البطارية غير مركبة في المنشار السلسلي. لا يوجد اتصال كهربائي بين المنشار ومجموعة البطارية. نقد شحن مجموعة البطارية. مجموعة البطارية أو المنشار السلسلي ساخنان للغاية. لم يتم تعشيق فرملة السلسلة. هناك عوالق في تجويف القضيب. هناك عوالق داخل الغطاء. 	<ul style="list-style-type: none"> قم بتركيب مجموعة البطارية في المنشار السلسلي. اخلع مجموعة البطارية، وافحص التوصيلات، ثم أعد تركيب مجموعة البطارية. اشحن مجموعة البطارية. اترك مجموعة البطارية أو المنشار السلسلي يبردان إلى أن تهبط درجة الحرارة إلى ما دون 67 درجة مئوية. اسحب دواسة فرملة رد الفعل الارتدادي للسلسلة للخلف ناحية المقبض الأمامي إلى أن يصل إلى وضع التشغيل. اضغط على سلسلة المنشار ناحية الخشب، وحرك المنشار السلسلي للخلف وللأمام لإزالة العوالق. اخلع مجموعة البطارية، ثم اخلع الغطاء الجانبي وأزل العوالق.
المنشار السلسلي يتوقف عن العمل أثناء الاستخدام.	<ul style="list-style-type: none"> هناك حمل زائد على المنشار السلسلي. مجموعة البطارية أو المنشار السلسلي ساخنان للغاية. سلسلة المنشار متعثرة في الخشب. 	<ul style="list-style-type: none"> خفف الحمل. خفف الحمل. اترك مجموعة البطارية أو المنشار السلسلي يبردان إلى أن تهبط درجة الحرارة إلى ما دون ٧٦ درجة مئوية. رفع إصبعك عن المفتاح الزنبركي؛ واخلع سلسلة المنشار وقضيب التوجيه من الخشب، ثم أعد تشغيل المنشار السلسلي.
المحرك يدور، ولكن السلسلة لا تتور.	<ul style="list-style-type: none"> السلسلة لا تقوم بتعشيق الترس المسمن للعمود. 	<ul style="list-style-type: none"> أعد تركيب السلسلة، مع التأكد من استواء وصلات نقل الحركة بالسلسلة بأكملها على الترس المسمن.
لا يتم تعشيق فرملة السلسلة.	<ul style="list-style-type: none"> العوالق تمنع الحركة الكاملة لدواسة فرملة رد الفعل الارتدادي للسلسلة. خلل وظيفي محتمل في فرملة السلسلة. 	<ul style="list-style-type: none"> نظف العوالق عن الآلية الخارجية لفرملة السلسلة. تواصل مع قسم خدمة العملاء بشركة EGO لإصلاح العيب.
المنشار السلسلي لا يقطع بالشكل الصحيح.	<ul style="list-style-type: none"> شد السلسلة غير كافٍ. السلسلة غير حادة. تم تركيب السلسلة بشكل عكسي. السلسلة متناكلة. السلسلة جافة أو ممتددة بشكل زائد عن الحد. السلسلة ليست في تجويف القضيب. 	<ul style="list-style-type: none"> أعد ضبط شد السلسلة وفقاً للقسم: "ضبط شد السلسلة". اشحذ السلسلة. أعد تركيب سلسلة المنشار وفقاً للقسم "تجميع/استبدال القضيب والسلسلة". استبدل السلسلة وفقاً للقسم: "تجميع/استبدال القضيب والسلسلة". افحص مستوى الزيت. أعد ملء خزان الزيت، واختر حجم إمداد أعلى بالزيت إذا لزم الأمر. أعد تركيب سلسلة المنشار وفقاً للقسم: "تجميع/استبدال القضيب والسلسلة".

لتمديد عمر قضيب التوجيه. استخدم محققة التشحيم للتشحيم أسبوعيًا بزيت السلسلة عن طريق فتحة التزييت (الشكل W3). أدر قضيب التوجيه، وتحقق من خلو فتحات التزييت وتجوييف السلسلة من الشوائب.

فتحة التزييت	W-2	الترس المسنن في طرف قضيب التوجيه	W-1
--------------	-----	----------------------------------	-----

ملاحظة: استخدم مواد التزييت المعتمدة من EGO للحصول على أفضل النتائج.

النقل والتخزين

لا تقم بتخزين أو نقل المنشار السلسلي وهو يعمل. احرص دائمًا على خلع مجموعة البطارية قبل التخزين أو النقل.

احرص دائمًا على وضع غلاف قضيب التوجيه على قضيب التوجيه والسلسلة قبل تخزين المنشار السلسلي أو نقله. تعامل بحذر لتجنب الأسنان الحادة للسلسلة.

نظف المنشار السلسلي جيدًا قبل تخزينه. يكون تخزين المنشار السلسلي داخل المنزل في مكان جاف مغلق و/أو لا يمكن الوصول إليه من قبل الأطفال.

احتفظ بالمنتج بعيدًا عن المواد المسببة للتآكل مثل كيماويات الحديقة وملح إذابة الجليد.

حماية البيئة

لا تتخلص من المعدات الكهربائية أو البطارية المستهلكة أو الشاحن في النفايات المنزلية! بل توجه بهذا المنتج إلى مركز إعادة تدوير معتمد ليكون متاحًا للفرز بشكل منفرد. تجنب إعادة الآلات الكهربائية إلى مرفق إعادة تدوير صديق للبيئة.



■ عند "القطع عبر الزند"، فكي تحافظ على التحكم الكامل في المنشار، حرر ضغط القطع عند الاقتراب من نهاية القطع، ولكن دون إرخاء قبضتك عن مقابض المنشار السلسلي. لا تدخ السلسلة تلامس الأرض. بعد استكمال القطع، انتظر حتى توقف سلسلة المنشار قبل نقل المنشار السلسلي. احرص دائمًا على إيقاف المحرك قبل الانتقال من شجرة إلى أخرى.

الصيانة

⚠ **تحذير:** استخدم فقط قطع غيار أصلية عند إجراء أعمال الصيانة. لأن استخدام أي أجزاء أخرى قد ينشأ عنه خطر أو يتسبب في تعرض المنتج للتلف. لضمان السلامة والاعتمادية، يجب تنفيذ جميع أعمال الإصلاح من قبل فني خدمة مؤهل.

⚠ **تحذير:** لتجنب التعرض لإصابات خطيرة، احرص دائمًا على خلع مجموعة البطارية من الآلة قبل فحصها أو تنظيفها أو إجراء أي أعمال صيانة عليها. عندما تكون البطارية مركبة في الآلة العاملة بالبطارية، فإن الآلة تكون متصلة بالتيار وقد تعمل دون قصد.

⚠ **تحذير:** عند تنظيف المنشار السلسلي، لا تعمره في الماء أو أي سوائل أخرى.

⚠ **تحذير:** لا تسمح في أي وقت من الأوقات بملامسة سوائل الفرامل أو المواد البترولية أو المنتجات القائمة على البترول أو الزيت المتغلغل أو ما شابههم للأجزاء البلاستيكية من المنشار. لأن المواد الكيميائية قد تتسبب في تلف الأجزاء البلاستيكية أو ضعفها أو تدميرها، وهو ما قد يؤدي إلى وقوع إصابات خطيرة.

التنظيف

■ بعد كل استخدام، نظف العوالق عن السلسلة وقضيب التوجيه بفرشاة ناعمة. امسح سطح المنشار السلسلي بقطعة قماش نظيفة مبللة بمحلول صابون خفيف.

■ اخلع الغطاء الجانبي، ثم استخدم فرشاة ناعمة لإزالة العوالق عن قضيب التوجيه وسلسلة المنشار والترس المسنن والغطاء الجانبي.

■ احرص دائمًا على إزالة الرقاقات الخشبية، وغبار المنشار، والأوساخ عن تجوييف قضيب التوجيه أثناء استبدال سلسلة المنشار.

صيانة قضيب التوجيه

عند ظهور علامات تآكل على قضيب التوجيه، قم بفكّه من رأس طاقة المنشار السلسلي وإعادة تجميعه بشكل عكسي (الشكل W1). وسيؤدي ذلك إلى توزيع التآكل لتحقيق أقصى عمر للقضيب.

يجب تنظيف القضيب في كل يوم استخدام وفحصه بحثًا عن أي علامات للتآكل والتلف. تأكل أو ثقّب حواجز القضيب من المظاهر الطبيعية لتآكل القضيب. مثل تلك العيوب يجب تعميمها باستخدام مبرد بمجرد ظهورها. أي قضيب به العيوب التالية يجب استبداله.

■ تأكل داخل حواجز القضيب تسمح بارتقاء السلسلة للمسارات الجانبية.

■ انثناء قضيب التوجيه.

■ تشقق الحواجز أو انكسارها.

■ تمدد الحواجز.

بالإضافة إلى ذلك، فقضيب التوجيه به ترس مسنن عند طرفه (الشكل W2). يجب تشحيم الترس المسنن أسبوعيًا بمحققة تشحيم، وذلك

القطع الأخدودي المحدد لاتجاه السقوط

اصنع قطعاً أخدودياً بطول ٢/1 من قطر الشجرة، بحيث يكون عمودياً على اتجاه السقوط وفقاً لما هو موضح في الشكل S. اصنع القطع الأخدودي الأفقي الأدنى أو لاً. فهذا سيساعد في تجنب انحسار سلسلة المنشار أو قضيبة التوجيه عند عمل القطع الأخدودي الثاني.

S-1	اتجاه السقوط	S-3	قطع السقوط للخلف
S-2	حزوز	S-4	مفصلة

قطع السقوط للخلف

اصنع قطع السقوط للخلف بحيث يكون فوق القطع الأخدودي الأفقي بمسافة ٥.٥ م على النحو الموضح في الشكل S. اجعل قطع السقوط للخلف موازياً للقطع الأخدودي الأفقي. أثناء عمل قطع السقوط للخلف، اترك خشباً كافياً ليعمل كمفصلة المفصلة الخشبية تمنع التواء الشجرة وسقوطها في الاتجاه الخاطئ. لا ينبغي القطع عبر المفصلة الخشبية.

مع اقتراب قطع إسقاط الشجرة من المفصلة الخشبية، سنبداً الشجرة في السقوط. إذا كان هناك أي احتمال بسقوط الشجرة في غير الاتجاه المرغوب أو أنها قد ترتد وتنتهي سلسلة المنشار، قم بإيقاف القطع قبل اكتمال قطع السقوط للخلف واستخدم الأوتاد المصنوعة من الخشب أو البلاستيك أو الألمنيوم لفتح القطع وإسقاط الشجرة على طول خط السقوط المرغوب.

عندما تبدأ الشجرة في السقوط، اخلع المنشار السلسلي من القطع، وأوقف المحرك، وخفض المنشار السلسلي، ثم تحرك في مسار التراجع المخطط له. حاذر من أفرع الشجر العلوية وانتبه لموضع قدميك.

تقطيع أفرع شجرة

تقطيع الأفرع عبارة عن إزالة الأفرع الموجودة بشجرة ساقطة. عند التقطيع، اترك الأفرع الكبيرة الموجودة في الجانب السفلي كي تعمل على دعم الزند من الوقوع على الأرض. أزل الأفرع الصغيرة مرة واحدة على النحو الموضح في الشكل T. يجب قطع الأفرع الواقعة تحت ضغط من الأسفل لأعلى، وذلك لتجنب انثناء المنشار السلسلي.

تقطيع زند

تقطيع الزند عبارة عن تقطيع زند إلى قطع ذات أطوال محددة. من المهم التأكد من ثبات موضع قدميك، وتوزيع وزنك بالتساوي على كلتا قدميك. إن أمكن، يجب رفع الزند ودعسه عن طريق استخدام الأفرع أو الزنود أو الأوتاد. اتبع التعليمات البسيطة التالية لتنفيذ عملية القطع بسهولة.

عندما يكون الزند مدعوماً بطوله الكامل على النحو الموضح في الشكل U1، يكون القطع من أعلى (الجانب العلوي للزند). عندما يكون الزند مدعوماً من طرف واحد، على النحو الموضح في الشكل U2، اقطع 3/1 من قطره من أسفل (الجانب السفلي للزند). ثم استكمل القطع من أعلى إلى أن تلتقي بالقطع السفلي.

عندما يكون الزند مدعوماً من كلا الطرفين، على النحو الموضح في الشكل U3، اقطع 3/1 من قطره من أعلى (الجانب العلوي للزند). ثم استكمل القطع من أسفل بقطع الثلثين المتبقين إلى أن تلتقي بالقطع العلوي.

عند تقطيع الزند وأنت على منحدر، احرص دائماً على الوقوف على الجانب العلوي للزند، على النحو الموضح في الشكل V.

جزء من أجزاء جسمك في طريق حركة السلسلة أثناء تشغيل المنشار (الشكل P2).

وضع القطع السليم (الشكل O)

■ يجب أن تكون كلتا قدميك على أرض صلبة، مع توزيع الوزن عليهما بالتساوي.

■ يجب أن يكون الذراع الأيسر ممتداً على استقامته، والكوع ثابتاً. فهذا يساعد في مقاومة القوى الناشئة عن رد الفعل الارتدادي.

■ احرص دائماً على أن يكون جسمك على الجانب الأيسر لخط السلسلة.

التعليمات المتعلقة بالتقطيعات الملائمة لعمليات إسقاط الأشجار و قطع الفروع والقطع المستعرض.

⚠ **تحذير:** تحقق دائماً من موضع قدميك وامسك المنشار السلسلي بإحكام بكلتا يديك أثناء دوران المحرك.

⚠ **تحذير:** عند توقف سلسلة المنشار بسبب انحسارها أثناء القطع، ارفع إصبعك عن المفتاح الزنبركي، واخلع سلسلة المنشار وقضيبة التوجيه من الخشب، ثم أعد تشغيل المنشار السلسلي.

⚠ **تحذير:** لا تسحب سلسلة المنشار بيدك وهي مغطاة بالنشارة. فقد تتعرض لإصابات خطيرة إذا تم بدء تشغيل المنشار السلسلي دون قصد. اضغط على سلسلة المنشار ناحية الخشب، وحرك المنشار السلسلي للخلف وللأمام لإزالة العوالق. احرص دائماً على خلع مجموعة البطارية قبل التنظيف. احرص على ارتداء قفازات واقية قوية عند التعامل مع سلسلة المنشار.

⚠ **تحذير:** لا تقم أبداً ببدء تشغيل المنشار السلسلي أثناء ملامسته للخشب. احرص دائماً على ترك المنشار السلسلي يصل إلى سرعته الكاملة قبل وضع المنشار على الخشب.

إسقاط شجرة

■ أثناء تنفيذ أعمال تقطيع الزنود وإسقاط الأشجار بواسطة شخصين أو أكثر في نفس الوقت، يجب فصل عملية إسقاط الأشجار عن عملية تقطيع الزنود بمسافة لا تقل عن ضعف ارتفاع الشجرة التي يتم إسقاطها. يجب ألا يتم إسقاط الأشجار بطريقة قد تعرض أي شخص للخطر، أو تتسبب في الإضرار بأي خطوط مرافق، أو تعريض أي ممتلكات للتلف. إذا لامست الشجرة أي خط مرافق، يجب إبلاغ شركة المرافق المعنية على الفور.

■ يجب على مشغل المنشار السلسلي أن يقف على الجانب المرتفع من الأرض، لأن الشجرة ستميل في الغالب إلى الدحرجة أو السقوط نحو الجانب المنخفض من الأرض عند إسقاطها.

■ يجب تحديد مسار للهروب وتطهيره بحسب الضرورة قبل بدء عملية القطع. يجب أن يمتد مسار الهروب للخلف وبشكل مائل نحو الجانب الخلفي لخط السقوط المتوقع على النحو الموضح في الشكل R.

R-1	اتجاه القطع	R-2	مسار التراجع الأيمن
-----	-------------	-----	---------------------

■ قبل بدء إسقاط الشجرة، تحقق من الميل الطبيعي للشجرة، وموقع الفروع الأكبر، واتجاه الرياح لتحديد الاتجاه الذي ستقع ناحيته الشجرة.

■ تخلص من أي أساخ أو أحجار أو لحاء مفكوك أو مسامير أو متشابك أو أسلاك موجودة في الشجرة.

لإيقاف تشغيل المصباح الأمامي، اضغط على زر المصباح الأمامي/البلوتوث للمرة الثالثة، وستختفي أيقونة المصباح الأمامي من شاشة LCD.

المصباح الأمامي LED	N-3	أيقونة المصباح الأمامي منخفض السطوع	N-1
		أيقونة المصباح الأمامي عالي السطوع	N-2

نظام فرملة السلسلة متعدد الاتجاهات (الشكل O1 والشكل O2)

تحذير: نظام فرملة السلسلة متعدد الاتجاهات غير معد للاستخدام كبديل لفرملة السلسلة القياسية/التقليدية. يجب ألا يعتمد المستخدم مطلقاً على هذه الخاصية أثناء تشغيل المنشار السلسلي لكي يحمي نفسه من ارتداد المنشار. اتبع دائماً تعليمات السلامة المتعلقة بتخفيف حدة فعل المنشار الموجودة في قسم التحذير من هذا الدليل.

عند تفعيل نظام فرملة السلسلة متعدد الاتجاهات وإيقاف المنشار، ستومض أيقونة الفرملة في شاشة LCD (الشكل M). ارفع إصبعك عن المفتاح الزنبركي؛ واخلع سلسلة المنشار وقضيب التوجيه من الخشب، ثم أعد تشغيل المنشار السلسلي.

ملاحظة: ستترصد المستشعرات الحركة المفاجئة للمنشار في مستوى قضيب التوجيه (الشكل O1) فقط. لن ترصد المستشعرات أي حركة مفاجئة للمنشار على الجنب (الشكل O2) (أي، عمودياً على مستوى قضيب التوجيه).

تكنولوجيا الاتصالات

للتعرف على المعلومات الخاصة بالمجموعة الكاملة من المنتجات والخدمات القابلة للاتصال، بما في ذلك تعليمات تنفيذ الاتصال، يرجى مسح رمز الاستجابة السريعة (QR) أدناه أو تقصّل بزيارة الموقع الإلكتروني www.egopowerplus.eu/connect



الإمساك السليم بالمقبض (الشكل P1)

- احرص على ارتداء قفازات ممانعة للانزلاق لتحقيق أقصى قدر من الإمساك والحماية.
- بينما المنشار على سطح صلب مستوي، أمسك المنشار بإحكام بكلتا يديك.
- احرص دائماً على الإمساك بالمقبض الأمامي باليد اليسرى، والمقبض الخلفي باليد اليمنى.
- يجب أن تكون الأصابع محيطية بالمقبض، بحيث يكون الإبهام ملتقاً حول المقبض الأمامي.

تحذير: تجنب الإمساك بالمنشار بقبضة اليد اليسرى (مع تقابل اليدين)، أو اتخاذ أي وضع جسماني قد يجعل جسمك أو ذراعك مقابلاً لخط السلسلة.

تحذير: لا تقم بتشغيل المفتاح الزنبركي بيدك اليسرى، والإمساك بالمقبض الأمامي بيدك اليمنى. لا تسمح أبداً بتواجد أي

تحذير: لا تحاول بدء تشغيل المنشار بينما سلسلة المنشار يتم استخدامها في قطع قطعة ما.

للإيقاف

1. حرك المنشار السلسلي بعيداً عن أي منطقة قطع، وبعد ذلك حرر المفتاح الزنبركي لإيقاف تشغيل المنشار.
2. ارفع دواسة فرملة رد الفعل الارتدادي للسلسلة للأمام إلى وضع الفرملة لتعشيق فرملة السلسلة (الشكل K).

تحذير: احرص دائماً على خلع مجموعة البطارية من الآلة أثناء فترات الاستراحة وبعد الانتهاء من العمل.

تغيير وضع السرعة (الشكل M)

هذه الآلة مزودة بثلاثة أوضاع للسرعة. كل وضع سرعة يحد من السرعة القصوى للمنشار السلسلي. سيتغير وضع السرعة مع كل ضغط على زر سرعة السلسلة.

ستعرض أشرطة مستوى السرعة على شاشة LCD وضع السرعة النشط: شريط واحد للسرعة المنخفضة، وشريطان للسرعة المتوسطة، وثلاثة أشرطة للسرعة العالية. يقدم وضع السرعة المنخفضة (ECO) تحكماً أفضل في الآلة ووقت تشغيل أطول لكل شحنة.

M-1	أشرطة مستوى السرعة	M-5	دائرة مقياس الوقود
M-2	أيقونة البلوتوث	M-6	زر المصباح الأمامي/البلوتوث
M-3	أيقونة المصباح الأمامي	M-7	زر سرعة السلسلة
M-4	أيقونة الفرامل		

ملاحظة: عند استخدام مجموعة بطارية EGO بقدرة 5.2 أمبير في الساعة أو أقل، سيكون وضع ECO (اقتصادي) متاحاً فقط واستخدام مجموعة بطارية EGO بقدرة تقل عن 0.6 أمبير في الساعة لن يتيح لك إمكانية الوصول إلى سرعة عالية لتحقيق أفضل أداء، نوصي بشدة باستخدام مجموعات بطارية EGO بقدرة 0.6 أمبير في الساعة (على سبيل المثال، BA3360T) أو أكثر.

ملاحظة: ستندكر وظيفة ذاكرة السرعة بالآلة آخر ضبط للسرعة وتقوم بتفعيله في المرة التالية التي يتم فيها تشغيل الآلة.

ملاحظة: تضفي شاشة LCD عند الضغط على المفتاح الزنبركي أو عند الضغط على زر السرعة أو زر المصباح الأمامي/البلوتوث. سيتم إيقاف تشغيلها تلقائياً بعد حوالي 30 ثانية من عدم استخدام المنشار السلسلي.

المصباح الأمامي LED (الشكل N)

المصباح الأمامي LED موجود في مقدمة هيكل المنشار السلسلي. حيث يوفر المصباح الأمامي إضاءة لزيادة الرؤية، وبه مستويين من السطوع.

لتشغيل المصباح الأمامي، اضغط على زر المصباح الأمامي/البلوتوث (الشكل M) مرة واحدة. سيتم تشغيل المصباح الأمامي على مستوى السطوع المنخفض، وستظهر أيقونة المصباح الأمامي منخفض السطوع على شاشة LCD. اضغط على زر المصباح الأمامي/البلوتوث مرة أخرى للتبديل إلى مستوى السطوع العالي، وستظهر أيقونة المصباح الأمامي عالي السطوع على شاشة LCD.

ضبط شد السلسلة

- تلقائياً بزيت السلسلة أثناء التشغيل.
1. ضع المنشار السلسلي على جانبه بحيث يكون غطاء الخزان متجهاً لأعلى.
 2. نظف غطاء خزان الزيت والمنطقة المحيطة به لضمان عدم دخول أوساخ إلى داخل خزان الزيت.
 3. ارفع اللوح نصف المستدير وأدر غطاء خزان الزيت عكس اتجاه عقارب الساعة لخلعه (الشكل H).
 4. صب زيت القضيبي والسلسلة برفق في الخزان. املا حتى أسفل عنق الملاء.
 5. امسح أي كميات زائدة من الزيت، ثم أعد تركيب الغطاء.

ملاحظة: افحص مستوى الزيت بانتظام، وأعد الملاء عند هبوط مستوى الزيت إلى ما دون خط الحد الأدنى. لا تقم أبداً بتشغيل المنشار السلسلي إذا كان الزيت غير مرئي.

تركيب/خلع مجموعة البطارية

لا تستخدم الآلة إلا مع مجموعات بطارية وشواحن EGO المدرجة في الشكل A2.

اشحن البطارية بالكامل قبل الاستخدام لأول مرة.

للتثبيت

قم بمحاذاة دعامات البطارية مع فتحات التركيب، واضغط على مجموعة البطارية لأسفل إلى أن تسمع صوت "تقرة" (الشكل I).

للخلع

اضغط لأسفل على زر تحرير البطارية، واسحب مجموعة البطارية للخارج (الشكل J).

بدء تشغيل/إيقاف المنشار السلسلي

ملاحظة: قبل بدء تشغيل المنشار السلسلي، راجع مستوى الزيت، ومدى حدة أسنان المنشار، وأن دواصة فرملة رد الفعل الارتدادي تعمل كما ينبغي. إلى جانب ذلك، لا بد من التحقق من وفوقه مترناً وجود مسافة ملائمة بعيداً عن الأرض.

لبدء التشغيل (الشكل K)

1. اسحب دواصة فرملة رد الفعل الارتدادي للسلسلة ناحية المقبض الأمامي إلى وضع التشغيل (الشكل K).
2. أمسك المقبض الأمامي باليد اليسرى والمقبض الخلفي باليد اليمنى بإحكام.

- تحذير:** لتجنب وقوع إصابات، استخدم دائماً المنشار السلسلي بحيث تمسك اليد اليمنى بمنطقة الإمساك بالمقبض الخلفي (الشكل L).
3. اضغط مع التثبيت على زر القفل بإبهام يدك اليمنى، ثم اعصر المفاتيح الزنبركي بأصابع يدك اليمنى لتبدأ تشغيل المنشار (الشكل L).

- | | |
|-----|---------------|
| L-1 | منطقة الإمساك |
|-----|---------------|
4. حرر زر القفل، وواصل عصر المفاتيح الزنبركي للتشغيل المتواصل.
 5. كلما زاد الضغط على المفاتيح الزنبركي، زادت سرعة السلسلة. اضبط السرعة بحيث تلائم المهمة التي تقوم بها.

■ أوقف المحرك واخلع مجموعة البطارية قبل ضبط شد السلسلة. قم بتدوير برغي شد السلسلة في اتجاه عقارب الساعة أو عكس اتجاه عقارب الساعة لضبط شد السلسلة (الشكل F) إلى أن تستقر السلسلة بشكل متماسك على قضيب التوجيه مع وصلات نقل حركة السلسلة في تجويف قضيب التوجيه.

■ تكون السلسلة وهي باردة مشدودة كما ينبغي عند عدم وجود ارتخاء على الجانب السفلي لقضيب التوجيه، والسلسلة متماسكة، ولكن يمكن إدارتها باليد بدون معاوقة. تجب إعادة شد السلسلة في أي وقت لا تستقر فيه دواليب وصلات نقل حركة السلسلة على تجويف القضيبي.

■ أثناء التشغيل العادي للمنشار، سترتفع درجة حرارة السلسلة. وصلات نقل الحركة للسلسلة الدافئة مضبوطة الشد ستكون مرتخية بحوالي 1.3 مم خارج تجويف القضيبي (الشكل G).

ملاحظة: تميل السلاسل الجديدة إلى التمدد؛ وعليه راجع مستوى شد السلسلة بانتظام واضبطها بحسب الحاجة.

ملاحظة: السلسلة المشدودة وهي دافئة، قد تصبح مشدودة بشكل زائد عندما تبرد. راجع شد السلسلة وهي باردة قبل الاستخدام التالي.

التشغيل

تحذير: لا تسمح لاعتيادك على تشغيل هذا المنتج أن يجعلك مستهتراً عند التعامل معه. ولا تنس أن الاستهتار لجزء من الثانية كافٍ للتسبب في حدوث إصابات خطيرة.

تحذير: لا تستخدم أي مرفقات أو ملحقات سوى تلك الموصى بها من قبل الشركة الصانعة لهذا المنتج. لأن استخدام مرفقات أو ملحقات غير موصى بها قد يؤدي إلى وقوع إصابات شخصية خطيرة.

تحذير: لمنع بدء التشغيل غير المقصود، والذي قد يؤدي إلى وقوع إصابات شخصية خطيرة، احرص دائماً على خلع مجموعة البطارية من الآلة عند تجميع الأجزاء، أو عمل التعديلات، أو التنظيف، أو عند عدم الاستخدام.

قبل كل استخدام، افحص المنتج بأكمله بحثاً عن الأجزاء التالفة أو المفقودة أو المفككة، مثل المسامير الملولبة والصواميل والمسامير والأغطية وما شابه. اربط جميع عناصر التثبيت والأغطية بإحكام، ولا تقم بتشغيل هذا المنتج إلا بعد استبدال جميع الأجزاء المفقودة أو التالفة.

الاستخدامات

يمكنك استخدام هذا المنتج في عمليات إسقاط الأنجار، وقطع الفروع، والتقليم، وقطع الخشب المنشور وخشب الأشجار.

ملاحظة: يجب استخدام الآلة في الأغراض المحددة لها فقط. أي استخدام آخر يعد حالة من حالات سوء الاستخدام.

التعينة بزيت القضيبي والسلسلة

تحذير: ينبغي عدم التدخين أو جلب أي مصدر للنيرون أو أسنة اللهب بالقرب من الزيت أو المنشار السلسلي. قد ينسكب الزيت ويتسبب في نشوب حريق.

ملاحظة: المنشار السلسلي لا يكون مملوئاً بالزيت وقت الشراء. من الضروري تعبئة خزان الزيت قبل الاستخدام. يتم تزييت السلسلة

المواصفات

الجهد المقدر	56 فولت	
أقصى سرعة للسلسلة	25 م/ثانية	
المسافة بين أسنان السلسلة	3/8 بوصة (9.5 مم)	
مقياس السلسلة	1.3 مم	
طول قضيب التوجيه	50 مم	
نوع سلسلة المنشار	AC2005	
نوع قضيب التوجيه	AG2005	
سعة خزان زيت السلسلة	250 مل	
تسلسو، تجر، اطبلما نود نه) نزولاً عااطعلاو ،ميجوتلا بيجضقو ،راشتملا (تسلسلا فلاغو ،تيزلاو ،يبنجالا لهي صوملا ليغشتلا قرارح مجرد	3.9 كجم	
لهي صوملا نيزختلا قرارح مجرد	15- إلى 40 درجة مئوية	
لهي صوملا نيزختلا قرارح مجرد	20- إلى 70 درجة مئوية	
لهي صوملا نيزختلا قرارح مجرد	5 إلى 40 درجة مئوية	
مستوى قوة الصوت المقدر L_{WA}	103 ديسيبل (A)	
مستوى ضغط الصوت في وضع التشغيل L_{pA}	89 ديسيبل (A) 3=K ديسيبل (A)	
مستوى قوة الصوت المضمون L_{WA} (وفقاً للمعيار EC/2000/14)	105 ديسيبل (A)	
الاهتزاز a_{II}	المقبض الأمامي	4.69 م/ثانية ² 1.5 =K
	المقبض الخلفي	4.24 م/ثانية ² 1.5 =K

التجميع

تجميع/استبدال القضيب والسلسلة

تحذير: اضبط دواسة فرملة رد الفعل الارتدادي للسلسلة على وضع الفرملة قبل التجميع.

- ضع رأس طاقة المنشار السلسلي على جانبه بحيث يكون الغطاء الجانبي متجهاً لأعلى (الشكل B).
- اخلع الغطاء الجانبي عن طريق تدوير صامولتي القفل عكس اتجاه عقارب الساعة.
- أدر برغي شد السلسلة عكس اتجاه عقارب الساعة لخفض شد السلسلة.
- ضع سلسلة المنشار في عروة على سطح مستوي، وقم بتسوية أي انثناءات (الشكل C).
- ضع وصلات عمود السلسلة في تجويف قضيب التوجيه، وثبت السلسلة على الجانب الخلفي لقضيب التوجيه (الشكل D).
- أمسك السلسلة في موضعها على قضيب التوجيه، وضع العروة حول الترس المسنن للمنشار العمودي (الشكل E1).

B-1	صواميل القفل	D-2	تجويف قضيب التوجيه
B-2	برغي شد السلسلة	E-1	الترس المسنن للعمود
D-1	وصلات نقل حركة السلسلة		

- ملاحظة:** عند لف سلسلة المنشار على قضيب التوجيه، تأكد من توافق قضيب التوجيه مع نمط القاطع وسهم اتجاه الدوران على الهيكل، بعد تركيب قضيب التوجيه على المنشار. إذا كانوا في اتجاهات متعاكسة، أعد تجميع سلسلة المنشار على قضيب التوجيه بحيث تكون القواطع في نفس الاتجاه (الشكل E2).
- أعد تركيب الغطاء الجانبي على هيكل سلسلة المنشار، واربط صامولتي القفل بإحكام.
 - قم بتدوير السلسلة يدوياً للتحقق مما إذا كانت السلسلة مجمعة بشكل صحيح بدون وجود معوقات. وإلا، أعد تجميع السلسلة والقضيب.

ملاحظة: لتمديد حياة قضيب التوجيه، اعكس القضيب من وقت لآخر.

■ القيمة الكلية للاهتزاز الموضحة تم قياسها وفقاً لطريقة اختبار قياسية وقد تستخدم لمقارنة أداة بأخرى؛

■ كما يمكن استخدام القيمة الكلية للاهتزاز الموضحة في التقييم التمهيدي للتعرض.

ملاحظة: قد تختلف انبعاثات الاهتزاز أثناء الاستخدام الفعلي للألة العاملة بالطاقة عن القيمة المعلنة التي يتم استخدام الآلة فيها؛ ولحماية مشغل الآلة، ينبغي على المستخدم ارتداء قفازات وواقيات للأذن في ظروف الاستخدام الفعلية.

قائمة المحتويات (الشكل A1)

الوصف

تعرف على المنشار السلسلي (الشكل A1)

- سلسلة المنشار
- ننوعات تقطيع الزند
- دواسة فرملة رد الفعل الارتدادي للسلسلة
- المقبض الأمامي
- شاشة LCD
- أشرطة مستوى السرعة
- أيقونة البلوتوث
- أيقونة المصباح الأمامي
- أيقونة الفرامل
- دائرة مقياس الوقود
- زر المصباح الأمامي/البلوتوث

احتفظ بجميع التحذيرات والتعليمات للرجوع إليها في المستقبل.

رموز السلامة

تحذير: قد يؤدي تشغيل أي آلة عاملة بالطاقة إلى دخول أي أشياء غريبة في عينيك، وهو ما قد يؤدي إلى إلحاق أضرار خطيرة بالعين. قبل بدء تشغيل الآلة العاملة بالطاقة، احرص دائماً على ارتداء واقيات العينين أو نظارات حماية العينين ذات دروع جانبية، ودرع واقٍ لكامل الوجه عند اللزوم. توصي بارتداء قناع السلامة واسع الرؤية لاستخدامه فوق نظارات العين أو نظارات السلامة العادية ذات الدروع الجانبية.

اقرأ جميع التعليمات!



تحذير: لضمان السلامة والاعتمادية، يجب تنفيذ جميع أعمال الإصلاح من قبل فني خدمة مؤهل.

تحذير: احرص على قراءة وفهم جميع تعليمات السلامة في دليل التشغيل هذا، بما في ذلك جميع رموز تنبيهات السلامة، مثل "خطر"، و"تحذير"، وتبنيه قبل استخدام هذه الآلة. عدم اتباع جميع التعليمات الواردة أدناه قد يؤدي إلى حدوث صدمة كهربائية أو نشوب حريق أو التعرض للإصابة الشخصية، أحدها أو جميعها.

رموز السلامة

للحد من خطر الإصابة، يجب على المستخدم قراءة وفهم دليل التشغيل قبل استخدام هذا المنتج.



تنبيه سلامة



ارتد أدوات حماية الأذنين



ارتد أدوات حماية العينين



ارتد قفازات الحماية



ارتد أدوات حماية الرأس



احرص دائماً على استخدام المنشار السلسلي بكتنا بيديك



حاذر من رد الفعل الارتدادي للمنشار وتجنب ملامسة طرف القضيب



لا يجب التخلص من الأجهزة الكهربائية المستهلكة في النفايات المنزلية. توجه بالجهاز إلى مركز إعادة تدوير معتمد.



المعلومات عن قضيب التوجيه



هذا المنتج متوافق مع تشريعات المملكة المتحدة المعمول بها.



هذا المنتج متوافق مع توجيهات شهادة الجودة الأوروبية (CE) المعمول بها.



تيار مستمر



البلوتوث®



السرعة بدون حمل

n_0

مليمتر

mm

في الدقيقة

./min

الجهد الكهربى

V

الحماية من تناثر الماء

IPX4

ملاحظة: علامة كلمة Bluetooth® وشعاراتها علامات تجارية مسجلة مملوكة لشركة Bluetooth SIG, Inc، وأي استخدام لمثل تلك العلامات بواسطة شركة EGO تم بموجب ترخيص.

פטרון	סיבה	בעיה
<ul style="list-style-type: none"> ■ התאימו את מתח השרשרת, בהתאם לסעיף „התאמת מתח השרשרת” ■ התקינו מחדש את שרשרת המסור, כאשר את עוקבים אחר: „הרכבה/החלפה של המוט והשרשרת”. 	<ul style="list-style-type: none"> ■ השרשרת מתרופפת כאשר טמפרטורת המסור עולה, בעת פעולה רגילה של המסור. ■ השרשרת אינה מניעה את גלגל השיניים. 	<p>השרשרת נהיית רופפת ונופלת מעל המוט המנחה במהלך שימוש רגיל.</p>

אחריות

מדיניות האחריות של EGO

אנא בקרו באתר egopowerplus.eu עבור התנאים וההתניות השלמים של מדיניות האחריות של EGO.

איתור וטיפול בבעיות

בעיה	סיבה	פתרון
המנוע איננו מתחיל את פעולתו.	<ul style="list-style-type: none"> ■ מארז הסוללה איננו צמוד למסור החשמלי. ■ אין חיבור חשמלי בין המסור ומארז הסוללה. ■ טעינת מארז הסוללה ריקה. ■ מארז הסוללה או המסור החשמלי חמים מדי. ■ בולם השרשרת פועל. ■ פסולת בחריץ המוט. ■ אשפה במכסה הצדדי. 	<ul style="list-style-type: none"> ■ הצמידו את מארז הסוללה אל המסור החשמלי. ■ הסירו את מארז הסוללה, בדקו את החיבורים והתקינו מחדש את מארז הסוללה. ■ הטעינו את מארז הסוללה. ■ אפשרו למארז הסוללה או למסור החשמלי להתקרר עד לטמפרטורה של פחות מ-67°C. ■ משכו את דושת הבלימה לתגובה חזקה לאחר של השרשרת לאחור אל עבר הידית הקדמית כאשר אתם מגיעים אל עמדת ההפעלה. ■ לחצו על המסור החשמלי אל עבר העץ, הזיזו את המסור החשמלי קדימה ואחורה על מנת להיפטר מחלקי אשפה. ■ הסירו את מארז הסוללה, לאחר מכן הסירו את המכסה הצדדי ונקו את חלקי האשפה.
המסור החשמלי מפסיק את פעולתו בעת ההפעלה.	<ul style="list-style-type: none"> ■ ישנו עומס יתר של המסור החשמלי. ■ מארז הסוללה או המסור החשמלי חמים מדי. ■ המסור החשמלי קשור לעץ. 	<ul style="list-style-type: none"> ■ הורידו את העומס. ■ הורידו את העומס. אפשרו למארז הסוללה או למסור החשמלי להתקרר עד לטמפרטורה של פחות מ-71°C. ■ שחררו את מתג ההדק; הסירו את המסור החשמלי אות המוט המנחה מן העץ ולאחר מכן הפעילו מחדש את המסור החשמלי.
המנוע פועל אך השרשרת איננה מסתובבת.	<ul style="list-style-type: none"> ■ השרשרת אינה מניעה את גלגל השיניים. 	<ul style="list-style-type: none"> ■ התקינו מחדש את השרשרת, כאשר את מוודאים שקישורי ההנעה על השרשרת ישובים על גלגל השיניים.
בלם השרשרת איננו פועל.	<ul style="list-style-type: none"> ■ אשפה מונעת תנועה מלאה של דושת הבלימה לתגובה חזקה לאחר של השרשרת פועלה לא מתאימה אפשרית של בולם השרשרת. 	<ul style="list-style-type: none"> ■ נקו שאריות ממנגנון בולם השרשרת החיצוני. ■ צרו קשר עם מחלקת שירות הלקוחות של EGO לתיקונים.
המסור החשמלי איננו חותך כהלכה	<ul style="list-style-type: none"> ■ מתח שרשרת לא מספיק. ■ שרשרת קהה. ■ השרשרת מותקנת הפוך. ■ שרשרת עם סימני בלאי. ■ שרשרת יבשה או מתוחה מעל המידה. ■ השרשרת איננה בחריץ המוט. 	<ul style="list-style-type: none"> ■ כווננו מחדש את מתח השרשרת בהתאם לחלק: כווננו מתח השרשרת. ■ חדדו את השרשרת. ■ הרכיבו מחדש את שרשרת המסור, בהתאם לסעיף, הרכבת/החלפת המוט והשרשרת. ■ התקינו מחדש את השרשרת, כאשר את עוקבים אחר: הרכבה/החלפה של המוט והשרשרת. ■ בדקו את רמת השמן. מלאו מחדש את מכל השמן וברחו נפח אספקת שמן גבוה יותר במידת הצורך. ■ התקינו מחדש את שרשרת המסור, כאשר את עוקבים אחר: הרכבה/החלפה של המוט והשרשרת.



הגנה על הסביבה

אין לזרוק ציוד חשמלי, מטעני סוללות
וסוללות ביחד עם אשפה ביתית!
קחו מוצרים אלו למרכז מחזור מוסמך
ו-וודאו שהם זמינים לאיסוף נפרד. יש
להחזיר כלים חשמליים אל מתקן מחזור
המתאים לסביבה.



289

HE

- לאחר כל שימוש נקו את השאריות מן השרשרת והמוט המנחה עם מברשת רכה. נגבו את שטח שרשרת המסור על מטלית נקיה אשר הוטבלה בתמיסת סבון עדינה.
- הסירו את המכסה הצדדי ולאחר מכן השתמשו במברשת רכה על מנת להסיר שאריות מן המוט המנחה, שרשרת המסור והמכסה הצדדי.
- נקו תמיד שאריות ענפים ועץ, נסורת ולכלוך מחרץ המוט המנחה בעת החלפת שרשרת המסור.

תחזוקה של הפס המנחה

כאשר המוט המנחה מראה סימני בלאי, פרקו אותו מראש המתח של המסור החשמלי וסובבו אותו להרכבה מחדש (איור 1W). באופן זה הבלאי יתחלק כדי למקסם את חיי המוט המנחה.

יש לנקות את המוט בכל יום שימוש ולבדוק עליו סימני בלאי או נזק. רפידה או שרפה של מסילות המוט מהווים סימני בלאי נורמליים. כאשר אלו מתרחשים חש לשייף אותם בעזרת פצירה. יש להחליף מוט בעל אחד מן הליקויים הבאים.

- סימני בלאי בתוך מסילות המאפשר לשרשרת לעבור מעבר לצדדים.
- מוט מנחה מעוקל.
- מסילות סדוקות או שבורות.
- מסילות אשר התרחבו.

בנוסף, למוט המנחה ישנו גלגל שיניים בקצהו (איור 2 W). יש לשמן את גלגל השיניים מדי שבוע באמצעות מזרק חומר סיכה על מנת להאריך את חיי הפס המנחה. השתמשו במזרק שמן סיכה על מנת לשמן את השרשרת פעם בשבוע דרך חור השימון (איור W3). הפכו את הפס המנחה ובדקו שחורי השימון והשרשרת נקיים מחלקיקי אשפה.

W-1	המוט המנחה	גלגל שיניים בקצה המוט המנחה	W-2	חור שימון
-----	------------	-----------------------------	-----	-----------

הודעה: השתמשו בחומרי סיכה מורשים של OGE לקבלת התוצאות הטובות ביותר.

הובלה ואחסון

אל תאחסנו או תובילו את המסור החשמלי כאשר הוא פועל. הסירו תמיד את מארז הסוללה בעת אחסון או הובלה.

הניחו תמיד את נדן המוט המנחה על המוט המנחה והשרשרת לפני אחסון או הובלה של המסור החשמלי. היו זהירים והימנעו ממגע עם השיניים החדות של השרשרת.

נקו את המסור החשמלי ביסודיות לפני אחסונו. אחסו את המסור החשמלי בתוך הבית, במקום יבש אשר רחוק מהישג ידם של ילדים.

הרחיקו מחומרים הגורמים לקורוזיה כגון כימיקלים לגינה ומלחים מסירי קרח.

מתוחים מן החלק התחתון כלפי מעלה על מנת למנוע ליפוף של שרשרת המסור.

חלוקה של בול עץ

החלוקה היא חיתוך בול עץ לחלקי אורך. חשוב לוודא שהעמידה שלכם יציבה והמשקל מאוזן על שתי הרגליים. כאשר ניתן, יש להרים את בול העץ ולתמוך בו על ידי שימוש בענפים, בולי עץ אחרים או טריזים. עקבו אחר הוראות פשוטות לחיתוך קל.

- כאשר בול העץ נתמך לכל אורכו כמתואר באיור 1U, יש לחתוך אותו מן החלק העליון (חלוקה עליונה).
- כאשר בול העץ נתמך מצד אחד בלבד כמתואר באיור 2U, חתכו 3/1 מקוטר בול העץ מן החלק התחתון (חלוקה תחתונה). לאחר מכן בצעו חלוקה עליונה על מנת להפגיש בין החתכים.
- כאשר בול העץ נתמך משני הצדדים כמתואר באיור 3U, חתכו 3/1 מקוטר בול העץ מן החלק העליון (חלוקה עליונה). לאחר מכן בצעו את החיתוך הסופי על ידי ביצוע חלוקה תחתונה של 3/2 התחתונים על מנת להפגיש בין החתכים.
- בול ביצוע חלוקה על גבי מדרון, עמדו תמיד במעלה בעת העץ, כמתואר באיור V.
- בעת, חיתוך דרך, על מנת לשמור על שליטה מלאה, שחררו את לחץ החיתוך קרוב לסיום החתך מבלי להרגיע את האחיזה שלכם בידיות המסור החשמלי. אל תיתנו שרשרת לבוא במגע עם הקרקע. לאחר השלמת החתך, חכו ששרשרת המסור תעצור את פעולתה לפני הזזת המסור החשמלי. עצרו תמיד את המנוע כאשר אתם נעים מעץ לעץ.

תחזוקה

⚠ אזהרה: במקרה של עבודות תיקון, השתמשו רק בחלקי חילוף זהים. שימוש בחלקי חילוף אחרים עלול לגרום לסכנה או נזק למוצר. על מנת להבטיח בטיחות ואמינות, יש לבצע את כל התיקונים וההחלפות בעזרת טכנאי שירות מוסמך.

⚠ אזהרה: על מנת למנוע פציעות אישיות, הסירו תמיד את מארז הסוללה מן המוצר לפני כל בדיקה, ניקיון או ביצוע כל עבודת תחזוקה. כל המונע על ידי סוללות עם הסוללה מוחדרת הוא כלי שתמיד מוכן לפעולה והפעלה מקרית עלולה להתרחש.

⚠ אזהרה: בעת ניקיון המסור החשמלי, נא לא להטביל במים או בנוזלים אחרים.

⚠ אזהרה: לעולם אל תיתנו לנוזלי בלימה, בזזין, מוצרים מבוססי בזזין, שמנים וכו', לבוא במגע עם חלקי פלסטיק. חומרים כימיים עלולים להזיק, להחליש או להרוס את הפלסטיק והדבר עלול לגרום לפגיעה אישית חמורה.

ניקיון

אחיזה נכונה של הידיות (איור P1)

- לבשו כפפות לא מחליקות לאחיזה והגנה מקסימליות.
- כאשר המסור נמצא על משטח מוצק ושטוח, החזיקו את המסור בשתי הידיים.
- איחזו תמיד את הידית הקדמית עם היד השמאלית ואת הידית האחורית עם היד הימנית.
- על האצבעות להקיף את הידית, עם האגודל מלופף סביב הידית הקדמית.

או נזק עלול להיגרם לחוטי חשמל או לכל רכוש אחר. אם עץ בא במגע עם קווי מתח, יש להודיע על כך מיד לחברת החשמל.

- על מפעיל המסור החשמלי לעמוד בצד העליון של כל אזור חיתוך, בגלל שבוטל העץ עלול להתגלגל או לגלוש במורד מדרון לאחר כריתתו.
- יש לתכנן ולפנות נתיב בריחה כנדרש לפני התחלת החיתוך. על נתיב הבריחה להיות מורחב לאחור ובאלכסון מן הקו הצפוי של הנפילה כמתואר באיור R.

R-1	כיוון הכריתה	R-2	נתיב בריחה בטוח
-----	--------------	-----	-----------------

- לפני התחלת הכריתה, קחו בחשבון את ההטיה הטבעית של העץ, המיקום של ענפים גדולים יותר וכיוון הרוח על מנת להחליט לאיזה כיוון ייפול העץ.
- הסירו אבק, אבנים, קליפות עץ שנפלו, מסמרים, מהדקים וחוטאים מן העץ.

חתך תחתית עם קשרים

עשו את הקשר 3/1 מן הקוטר של העץ, במצב ניצב לכיוון הנפילה כמתואר באיור S. בצעו את חתך הקשר האופקי הנמוך יותר תחילה. הדבר יעזור למנוע צביטה של שרשרת המסור או של המוט המנחה כאשר מבצעים את הקשר השני.

S-1	כיוון הנפילה	S-3	חתך כריתה אחורית
S-2	חריץ	S-4	ציר

חתך כריתה אחורית

- בצעו את חתך הכריתה האחורית לפחות 05 מ"מ גבוה יותר מחתך הקשר האופקי הנמוך כמתואר באיור S. שימרו על חתך הכריתה האחורית במקביל לחתך הקשר האופקי. בצעו את חתך הכריתה האחורית כך שיישאר מספיק עץ על מנת שישמש כציר. עץ הציר שומר על העץ מלהתפתל וליפול בכיוון הלא נכון. אין לחתוך דרך הציר.
- ככל שהכריתה מתקרבת אל הציר, העץ אמור להתחיל את נפילתו. אם ישנו כל סיכוי שהעץ לא ייפול בכיוון הנכון או שהוא יחזור וילפף את שרשרת המסור, עצרו את החיתוך לפני השלמת חתך הכריתה האחורית והשתמשו בטרזיז עץ, פלסטיק או אלומיניום על מנת לפתוח את החתך ולהפיל את העץ לאורך קו הנפילה הרצוי.
- כאשר העץ מתחיל ליפול, הוציאו את המסור החשמלי מן החתך, הינחו אותו על הקרקע ולאחר מכן השתמשו בנתיב הבריחה המתוכנן. היו זהירים מפני ענפים נופלים והיטו את הקרקע עליה אתם דורכים.

שיסוע של עץ

שיסוע פירושו הסרת ענפים מעץ שנפל. בעת השיסוע השאירו ענפים נמוכים גדולים יותר על מנת לתמוך בהרמת בול העץ מן הקרקע. הסירו את הענפים הקטנים יותר בחתך אחד כמתואר באיור T. יש לחתוך ענפים

- ⚠ אזהרה:** לעולם אין לאחוז באחיזה הפוכה (ימין במקום שמאל), או בכל אחיזה אחרת אשר תעמיד את הידיים או את חלקי הגוף שלכם בקו השרשרת.
- ⚠ אזהרה:** אין להפעיל את מתג ההדק עם היד השמאלית שלכם ולאחוז את הידית הקדמית עם היד הימנית שלכם. לעולם אל תניחו לכל חלק של הגוף שלכם להיות בקו השרשרת בעת ההפעלה של המסור החשמלי (איור P2).

עמדת חיתוך מתאימה (איור Q)

- על שתי הרגליים להיות על קרקע מוצקה, כאשר המשקל מوزן על שתיהן.
- על הזרוע הימנית להיות ישרה, עם המרפק נעול. הדר עוזר לעמוד בפני הכוחות של התגובה החזקה לאחור.
- על הגוף שלכם להיות תמיד מן הצד השמאלי של המסור החשמלי.

הוראות בנוגע לטכניקות המתאימות לכריתה, שיסוע וחיתוך בהצלבה

- ⚠ אזהרה:** היו תמיד בטוחים בעמידה שלכם והחזיקו את המסור החשמלי בשתי הידיים בעת פעולת המנוע.
- ⚠ אזהרה:** כאשר שרשרת המסור נעצרת כתוצאה מצביטה בעת החיתוך, שחררו את מתג ההדק; הסירו את המסור החשמלי אות המוט המנחה מן העץ ולאחר מכן הפעילו מחדש את המסור החשמלי.
- ⚠ אזהרה:** אל תמשכו את שרשרת המסור בידיים שלכם כאשר נסורת תוחמת אותה. פציעה חמורה עלולה להתרחש אם המסור החשמלי יתחיל לפעול באופן מקרי. לחצו על המסור החשמלי אל עבר העץ, הזיזו את המסור החשמלי קדימה ואחורה על מנת להיפטר מחלקי אשפה. הסירו תמיד את מארז הסוללה לפני ניקיון. לבשו כפפות כבדות בעת הטיפול בשרשרת המסור.
- ⚠ אזהרה:** לעולם אין להפעיל את המסור החשמלי כאשר הוא נמצא במגע עם העץ. הרשו תמיד לשרשרת להגיע למהירות המרבית לפני הנחת המסור על העץ.

כריתה של עץ

- בעת ביצוע פעולות כריתה וחלוקה אשר מתבצעות על ידי שני אנשים בו זמנית, על פעולת הכריתה להיות נפרדת מפעולת ההרמה במרחק של לפחות שני אורכים של העץ אותו עומדים לכרות. אין לכרות עצים בכל דרך בה אנשים אחרים עומדים בסכנה

הערה: פונקציית זיכרון המהירות של המכונה תזכור את הגדרת המהירות האחרונה ותפעיל אותה בפעם הבאה שהמכונה תופעל.

הערה: מסך ה-LCD דולק כאשר לוחצים על מתג ההדק או כאשר לוחצים על לחצן המהירות או לחצן הפנס/Bluetooth. הוא יכבה אוטומטית לאחר כ-30 שניות של חוסר פעילות של מסור השרשרת.

פנס לד קדמי (איר N)

פנס הלד ממוקם בחלק הקדמי של ראש המתח של התא. הפנס מספק תאורה להגברת הראות וכולל 2 רמות בהירות.

כדי להדליק את הפנסים הקדמיים, לחצו על כפתור הפנס/Bluetooth (איר M) פעם אחת. הפנס יידלק ברמת בהירות נמוכה וסמל הפנס הקדמי בבהירות נמוכה יופיע על מסך ה-DCL. לחצו שוב על כפתור הפנס/Bluetooth כדי לעבור לרמת בהירות גבוהה וסמל הפנס הקדמי בבהירות גבוהה יופיע על מסך ה-LCD.

כדי לכבות את הפנס, לחצו על לחצן הפנס/Bluetooth בפעם השלישית וסמל הפנס ייעלם ממסך ה-LCD.

N-1	סמל פנס קדמי בהירות נמוכה	N-3	פנס לד קדמי
N-2	סמל פנס קדמי בהירות גבוהה		

מערכת בולם שרשרת רב כיווני (איר O1 ואיר O2)

אזהרה: מערכת בולם השרשרת הרב כיווני אינו מיועד לפעול כתחליף לבולם השרשרת הסטנדרטי/המסורתי. על המשתמש להימנע מלסמוך על תכונה זו במהלך הפעלת המסור החשמלי כדי להגן מפי הדף. יש לציית תמיד להוראות הבטיחות הקשורות להפחתת ההדף המופיעות בסעיף האזהרות במדריך זה.

כאשר מערכת בולם השרשרת הרב כיווני מופעל ועוצר את המסור, סמל הבלם יבהב על מסך ה-DCL (איר M). שחררו את מתג ההדק, הסירו את המסור החשמלי אות המוט המנחה מן העץ ולאחר מכן הפעילו מחדש את המסור החשמלי.

הערה: החיישן יזהה רק תנועה מיידית של המסור במישור של המוט המנחה (איר O1). חיישנים אלה לא יזהו כל תנועה פתאומית של המסור לצדדים (איר O2) (כלומר בניצב למישור של המוט המנחה).

טכנולוגיית תקשורת

למידע על המגוון המלא של המוצרים והשירותים המוצעים שלנו, כולל הוראות חיבור, אנא סרקו את קוד ה-RQ למטה או בקרו בכתובת www.egopowerplus.eu/connect



אזהרה: כדי למנוע פציעה, השתמש תמיד במסור השרשרת כאשר יד ימין אוחזת באזור האחיזה של הידית האחורית (איר L).

3. לחצו והחזיקו את כפתור הנעילה בעזרת האגודל של יד ימין ולאחר מכן לחצו על מתג ההדק בעזרת אצבעות היד הימנית שלכם על מנת להפעיל את המסור (איר L).

L-1	אזור אחיזה
-----	------------

4. שחררו את כפתור הנעילה והמשיכו ללחוץ על המתג להפעלה ממושכת.

5. ככל שמתג ההדק לוחץ יותר, כך מהירות השרשרת גדולה יותר. התאימו את המהירות כך שתתאים למשימה הנוכחית.

אזהרה: אל תנסו להפעיל את המסר כאשר המסור החשמלי כבר נמצא בפעולת חיתוך.

ליכוי

1. הרחיקו את מסור השרשרת מאזור החיתוך,

ולאחר מכן שחררו את מתג ההדק כדי להפסיק את פעולתו של מסור השרשרת.

2. דחפו את דוושת הבלימה לתגובה חזקה

לאחר של השרשרת לעמדת הבלימה על מנת להפעיל את בלם המסור (איר K).

אזהרה: הסירו תמיד את מארז הסוללה מן המכשיר בעת הפסקות ולאחר סיום העבודה.

שינוי מצב מהירות (איר M)

המכשיר כולל שלושה מצבי מהירות. כל מצב מהירות מגביל את המהירות המרבית של מסור השרשרת. מצב המהירות ישתנה עם כל לחיצה על לחצן המהירות השרשרת.

פסי המהירות במסך ה-LCD יציגו את מצב המהירות הפעיל: פס אחד למהירות נמוכה, שני פסים למהירות בינונית ושלושה פסים למהירות גבוהה. טווח המהירות הנמוך (ECO) מספק שליטה טובה יותר על המכשיר וזמן פעולה ארוך יותר עם כל טעינה.

M-1	סרגלי מהירות	M-5	מעגל מד דלק
M-2	אייקון htooteulB	M-6	לחצן פנס קדמי/ htooteulB
M-3	אייקון פנס קדמי	M-7	לחצן מהירות שרשרת
M-4	אייקון בלם		

הערה: כשמשתמשים במארז סוללת EGO המדורגת 2.5Ah או פחות, רק המצב ECO זמין. שימוש במארז הסוללה EGO המדורג פחות מ-6.0Ah לא יאפשר לכם להשיג מהירות גבוהה. לביצועים מיטביים, אנו ממליצים להשתמש במארזי סוללה EGO של 6.0Ah (כגון BA3360T), או יותר.

את שני אומי הנעילה עבור מתח השרשרת.

8. סובבו את השרשרת באופן ידני כדי לבדוק אם היא מורכבת כהלכה ללא כפיתה. אחרת, הרכיבו מחדש את השרשרת והמוט.

הודעה: על מנת להאריך את חיי המוט המנחה, הפכו אותו מעת לעת.

כוונון מתח השרשרת

- עצרו את המנוע והסירו את מארז הסוללה לפני כונון מתח השרשרת. סובב את בורג מתיחת השרשרת בכיוון השעון או נגד כיוון השעון כדי לכווון את מתח השרשרת (איור F) עד שהשרשרת מתיישבת בחוזקה כנגד המוט המנחה עם חלולית ההנעה בחריץ המוט המנחה.
- שרשרת קרה מתוחה כראוי כאשר אין שום חלק רפוי בחלק התחתון של המוט המנחה והשרשרת מהודקת, אך ניתן לטובב אותה ביד מבלי לגרום לליפוף. יש למתוח מחדש את השרשרת כאשר המשטחים על קישורי ההנעה אינם יושבים בתוך חריץ המוט.
- בעת פעולה רגילה של המסור, טמפרטורת המסור תעלה. קישורי ההנעה של שרשרת חמה המתוחה כהלכה יהיו תלויים בערך 3.1 מ"מ מחוץ לחריץ המוט (איור G).

הודעה: שרשראות חדשות נוטות להימתח; בדקו את מתח השרשרת בתדירות גבוהה ומתחו בעת הצורך.

הודעה: שרשרת אשר נמתחה בעודה חמה עלולה להיות מתוחה מדי כאשר היא נתקרת. בדקו את המתח הקר לפני השימוש.

הפעלה

⚠ אזהרה: אל תניח לעובדה שאתה מכיר את המוצר להפוך אותך לפחות זהיר. זכור שחוסר זהירות של שבריר אחד של שניה מספיק כדי לגרום לפציעה אישית חמורה.

⚠ אזהרה: אין לעשות שימוש בחיבורים או אביזרים אשר לא הומלצו על ידי יצרן מוצר זה. השימוש בחיבורים או אביזרים אשר לא הומלצו עלול לגרום לפציעה חמורה.

⚠ אזהרה: על מנת למנוע הפעלה מקרית אשר עלולה להוביל לפציעה אישית חמורה, הסירו תמיד את מארז הסוללה מן המכשיר בעת הרכבת חלקים, ביצוע התאמות, ניקיון או כאשר המכשיר איננו נמצא בשימוש. לפני כל שימוש, יש לבדוק את כל המוצר עבור חלקים ניזוקים, משוחררים או חסרים, כגון ברגים, אומים, בריחים, מכסים וכו'. הדקו בבטחה את כל האבזמים והמכסים ואל תפעילו את המוצר עד אשר חלקים חסרים או ניזוקים תוקנו או הוחלפו.

יישום

ניתן להשתמש במכשיר זה לכריתה בסיסית, שיסוע, גיזום וחייתך של עץ ועצים.

הודעה: יש להשתמש במכשיר רק עבור המטרות להן הוא יועד. כל שימוש אחר ייחשב לשימוש בלתי הולם.

מילוי ושימון השרשרת

⚠ אזהרה: נא לא לעשן או לגרום לאש או להבה ליד שמן המסור החשמלי. שמן שנשפך עלול לגרום לשרפה.

הודעה: בעת הרכישה המסור החשמלי איננו מלא בשמן. חשוב מאוד למלא את מיכל השמן לפני השימוש. השרשרת משומנת באופן אוטומטי עם שמן שרשרת בעת ההפעלה.

1. הניחו את המסור החשמלי על צידו כאשר מכסה המכל פונה כלפי מעלה.
2. נקו את מיכל השמן ואת האזור סביבו כדי להבטיח שלא ייכנס לכלוך לתוך מיכל השמן.
3. הרימו את הלוחית בצורת חצי עיגול וסובבו את מכסה מיכל השמן נגד כיוון השעון כדי להסירו (איור H).
4. מזגו בזהירות את שמן המוט והשרשרת לתוך המיכל. מלאו עד לחלק התחתון של צוואר המיכל.
5. נקו כל שמן אשר נשפך והניחו מחדש את המכסה.

הודעה: בדקו את מפלס השמן באופן קבוע ומלאו אותו כאשר מפלס השמן יורד אל מתחת לסימון קו המינימום. לעולם אל תפעילו את המסור החשמלי אם לא ניתן לראות את השמן.

הצמדה/הסרה של מארז הסוללה

יש להשתמש רק במארזי הסוללה והמטענים של EGO המפורטים באיור A2.

יש לבצע הטענה מלאה לפני השימוש הראשון.

על מנת להצמיד

יישרו את עורקי הסוללה עם חריצי ההרכבה ולחצו את מארז הסוללה כלפי מטה עד הישמע "קליק" (איור I).

הסרה

לחצו על כפתור שחרור הסוללה והוציאו את מארז הסוללה (איור J).

הפעלה/כיבוי של המסור החשמלי

הודעה: לפני הפעלה של המסור החשמלי, בדקו את רמת השמן, את חדות שיני השרשרת ועבודה מתאימה של דוושית הבלימה לתגובה חזקה לאחר. בנוסף, יש יצורך בעמידה מוצקה והמרחק מתאים מן הקרקע.

על מנת להתחיל (איור K)

1. משכו את דוושית בלם התגובה החזקה לאחר של השרשרת אל עבר הידית הקדמית אל עמדת ההפעלה (איור K).
2. איחזו בחוזקה את הידית הקדמית עם היד השמאלית ואת הידית האחורית עם היד הימנית.

מפרטים

9. אייקון בלם
10. מעגל מד דלק
11. לחצן פנס קדמי/Bluetooth
12. לחצן מהירות שרשרת
13. כפתור נעילה
14. מתג הדק
15. ידית אחורית
16. כפתור שחרור הסוללה
17. חלון לבדיקת שמן
18. מכסה מיכל שמן
19. מוט מנחה
20. חור שימון
21. מכסה צדדי
22. בורגי מכסה צדדי
23. פנס לד קדמי
24. בורג מתיחת שרשרת
25. מפתח ברגים עם גומחה בשני הקצוות
26. נדן שרשרת

56V	מתח מדורג
25 מ'שנייה	מקסימום מהירות שרשרת
3/8 אינץ' (9.5 מ"מ)	צובט שרשרת
1.3 מ"מ	מד שרשרת
50 ס"מ	אורך מוט מנחה
AC2005	סוג שרשרת מסור
AG2005	סוג מוט מנחה
250 מ"ל	קיבולת מיכל השמן של השרשרת
3.9 ק"ג	הללוס זראמ אלל) לקשמ יוסיכ, ונוכמ טומ, רוסומ תרשרש (תרשרש ודנו ומש, דצ
40°C עד -15°C	תצלמום הלעפה תרוטרפמט
70°C עד -20°C	תצלמום ווסחא תרוטרפמט
40°C עד 5°C	תצלמום הניעט תרוטרפמט
103 dB(A) K=1.7 dB(A)	רמת עוצמת קול נמדדת L_{WA}
89 dB(A) K=3 dB(A)	רמת לחץ קול בעמדת עבודה L_{PA}
105 dB(A)	רמת עוצמת קול מובטחת L_{WA} (נמדדת על פי 2000/14/EC)
4.69 מ'שנייה ² K=1.5 מ'שנייה ²	רטט a_h
4.24 מ'שנייה ² K=1.5 מ'שנייה ²	

הרכבה

הרכבה/החלפה של המוט והשרשרת

⚠ אזהרה: כווננו את דושת הבלימה לתגובה חזקה לאחור של השרשרת אל מצב הבלימה לפני ההרכבה.

1. הניחו את ראש המתח של המסור החשמלי על צידו כאשר המכסה הצדדי פונה כלפי מעלה (איור B).
2. הסירו את המכסה הצדדי על ידי סיבוב שני אומי הנעילה נגד כיוון השעון.
3. סובבו את בורג מתיחת השרשרת נגד כיוון השעון כדי לשחרר את מתח השרשרת.
4. הניחו את שרשרת המסור בלולאה על משטח שטוח ויישרו כל עיקול (איור C).
5. הניחו את קישורי ההנעה של השרשרת אל חריץ המוט המנחה ועשו מן השרשרת הלולאה בצידו האחורי של המוט המנחה (איור D).
6. החזיקו את השרשרת במקומה על גבי המוט המנחה ומקמו את הלולאה מסביב לגלגל השיניים של המסור (איור E1).

B-1	אומי נעילה	D-2	חריץ הפס המנחה
B-2	בורג מתיחת שרשרת	E-1	גלגל שיניים מניע
D-1	קישורי הנעת השרשרת		

הודעה: כאשר מעבירים את שרשרת המסור בלולאה אל המוט המנחה, וודאו כי לאחר הרכבת המוט המנחה על המסור אתם מתאמים את תבנית החותך ואת חץ כיוון הסיבוב על המארז. אם הם פונים בכיוונים מנוגדים, הרכיבו מחדש את שרשרת המסור על הפס המנחה כשהלהבים פונים לאותו כיוון (איור E2).

7. הניחו חזרה את המכסה הצדדי והדקו לגמרי

■ ערך הרטט הכללי המוצהר נמדד בהתאם לשיטת בדיקה סטנדרטית וניתן להשתמש בו על מנת להשוות ציוד אחד עם ציוד אחר;

■ ניתן להשתמש בערך הרטט הכללי המוצהר בהערכה ראשונית של חשיפה.

הודעה: פליטת הרטט בעת השימוש המעשי בכלי יכולה להיות שונה מן הערך המוצהר כאשר הכלי נמצא בשימוש; על מנת להגן על המפעיל, על המשתמש ללבוש כפפות ומגני אוזניים בעת השימוש למעשה.

רשימת אריזה (איור A1)

תיאור

הכירו את המסור החשמלי שלכם (איור A1)

1. שרשרת מסור
2. קוצים דוקרנים
3. דושת הבלימה לתגובה חזקה לאחור של השרשרת
4. ידית קדמית
5. מסך LCD
6. סרגלי מהירות
7. אייקון Bluetooth
8. אייקון פנס קדמי

אנא קראו את כל ההוראות!



אזהרה: כדי להבטיח בטיחות ואמינות, יש לבצע את כל התיקונים וההחלפות בעזרת טכנאי שירות מוסמך.

אזהרה: ודאו שאתם קוראים ומבינים את כל הוראות הבטיחות המופיעות במדריך זה למשתמש, כולל את כל סימני התראות הבטיחות כגון „סכנה“, „אזהרה“ ו-„זהירות“ לפני השימוש במכשיר זה. אי מילוי אחר כל ההוראות המופיעות למטה יכול לגרום להלם חשמלי, שרפה ו/או פציעות אישיות חמורות.

שימרו את כל האזהרות וההוראות לעיון עתידי.

סמל בטיחות

אזהרה: הפעלה של כלי עבודה חשמליים עלולה לגרום לעצמים זרים להיזרק אל תוך העיניים, דבר העלול לגרום לנזק חמור לעיניים. לפני ההפעלה של כלי עבודה חשמלי, ענדו תמיד משקפי מגן או משקפי בטיחות עם הגנה צדדית, ובעת הצורך, הגנה עבור כל הפנים. אנו ממליצים על שימוש במסכת בטיחות רחבה מעל למשקפי המגן או על שימוש במשקפי בטיחות עם הגנה צדדית.

סימני בטיחות

על מנת להפחית את הסיכון לפציעות, על המשתמש לקרוא ולהבין את המדריך למשתמש לפני השימוש במוצר זה.



התראת בטיחות



לבשו מגני אוזניים



לבשו מגני עיניים



לבשו כפפות מגן



לבשו מגני ראש



קצה מוט מנחה לתגובה חזקה לאחור



היהירה מתגובה חזקה לאחור של המסור החשמלי והימנעו ממגע עם קצה המוט



השתמשו תמיד במסור החשמלי בשתי הידיים



פרטי המוט המנחה



אין לזרוק מוצרים חשמליים עם האשפה הביתית. יש להביא את המכשיר למרכז מחזור מוסמך.



רמת עוצמת קול מובטחת. פליטת רעש אל הסביבה בהתאם לתקנת האיחוד האירופי.



מוצר זה תואם לחוקים הרלוונטיים בבריטניה.



מוצר זה תואם לתקנות ה-CE הרלוונטיות.



זרם ישיר



Bluetooth®



מהירות ללא עומס



מ"מ מילימטר



דקות/דקה



V וולט



IPX4 הגנה מפני התזת מים

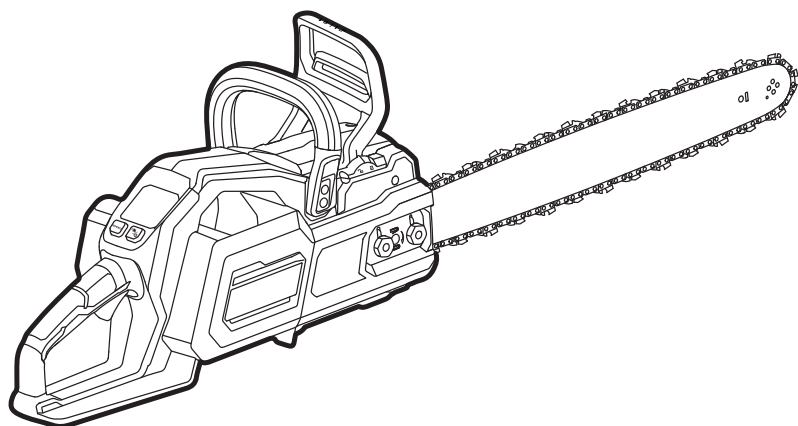
הערה: סימן המילים והלוגו של Bluetooth® הם סימנים מסחריים רשומים בבעלות Bluetooth SIG, Inc וכל שימוש בסימנים אלו על ידי EGO הוא תחת רישיון.

HE

295

EGO™

POWER⁺ CHAIN SAW



CS2000E

מסור חשמלי אלחוטי עם סוללת ליתיום-יון HE
56 וולט

منشار سلسلي لاسلكي ببطارية ليثيوم-أيون 56 فولت AR

