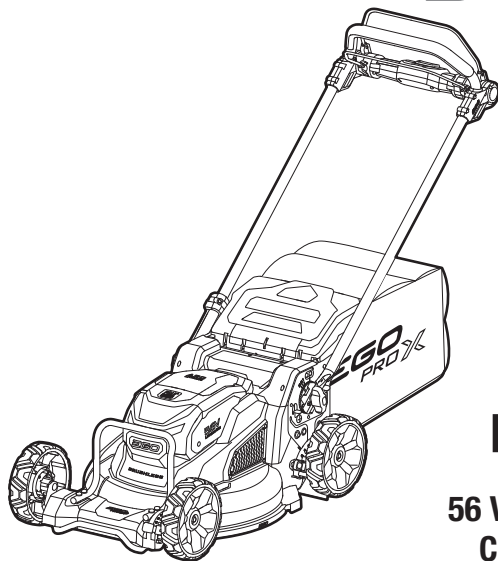


# EGO™

## PRO X

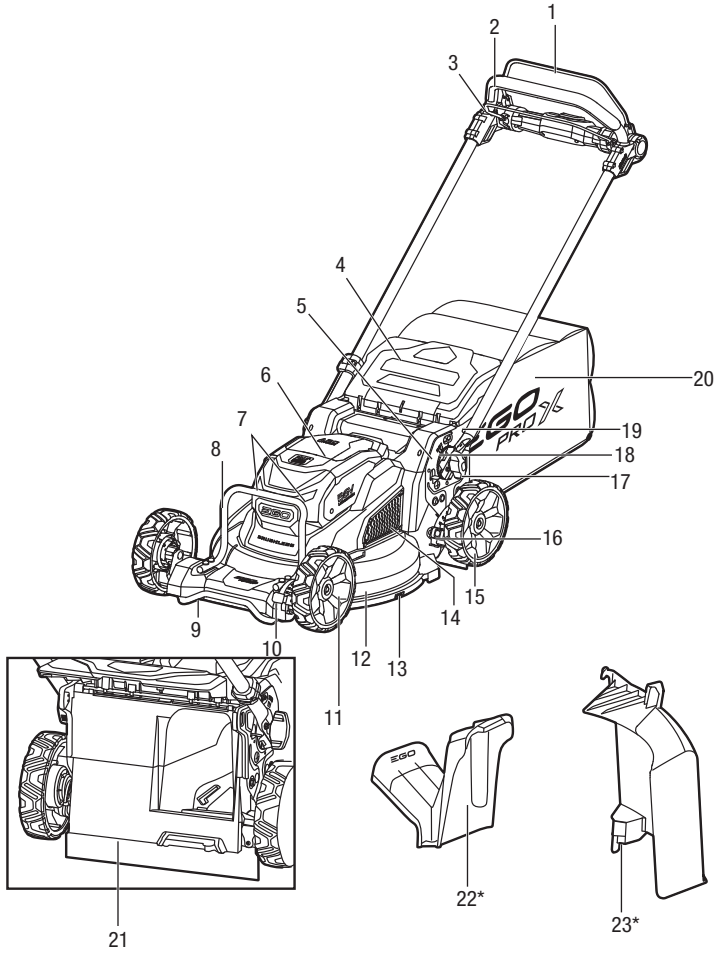


### LMX5300SP

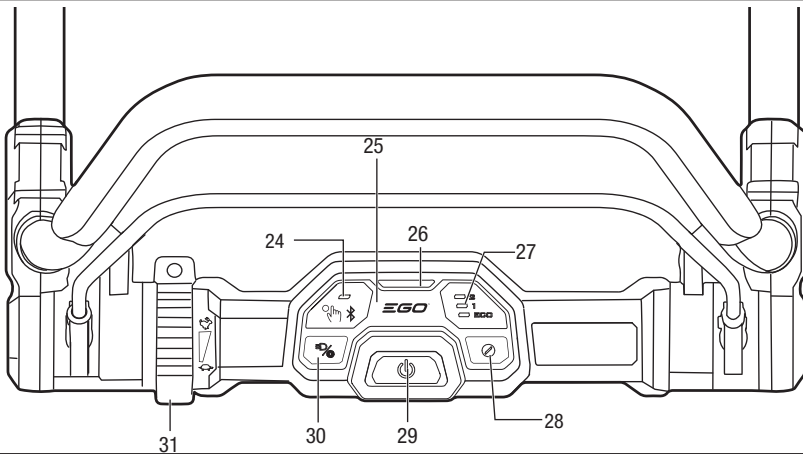
### 56 VOLT LITHIUM-ION CORDLESS MOWER

EN	56 Volt lithium-ion cordless mower	7	SK	56 voltová lítium-iónová akumulátorová kosačka	137
DE	Akku-rasenmäher (56 volt lithium-ionen)	16	HU	56 voltos vezeték nélküli lítium-ion fűnyíró	146
FR	Tondeuse à gazon sans fil lithium-ion 56 v	26	RO	Mașină de tuns iarba cu acumulator de litiu ion de 56 volți	155
ES	Cortacésped inalámbrico con batería de ion de litio de 56 voltios	36	SL	56-voltna litij-ionska brezžična kosilnica	164
PT	Máquina de cortar relva sem fios, com bateria de ião de lítio de 56 volts	46	LT	Belaidė vejapjovė su 56 voltų ličio jonų baterija	173
IT	Tosaerba a batteria li-ion 56 volt	55	LV	56 voltu litija jonu bezvadu zāles pļāvējs	182
NL	56 volt lithium-ion accu grasmaaier	64	GR	Ασύρματη χλοοκοπτική μηχανή ιστών λιθίου 56 volt	191
DK	Ledningsfri plæneklipper med 56 volt lithium-ion-batteri	73	TR	56 volt lityum-lyon kablosuz çim biçme makinesi	201
SE	56 volt litium-jon sladdlös gräsklippare	82	ET	56-voldise liitiumioonakuga juhtmeta niiduk	210
FI	56 voltin litium-ioniakulla toimiva ruohonleikkuri	91	UK	56-вольтна літій-іонна акумуляторна косарка	219
NO	56 volt lithium-ion batteredrevet klipper	100	BG	56 волта литиево-йонна безкабелна косачка	228
RU	Акумуляторная газонокосилка с литий-ионным аккумулятором 56 в	109	HR	56 voltna litij-ionska baterijska kosilica	238
PL	Kosiarka z akumulatorem litowo-jonowym 56 woltów	119	KA	56 ვოლტაიანი ლითიუმის-იონის უსადენო ძრავა	247
CZ	56voltová lithium-iónová akumulátorová sekačka	128	SR	Bežična kosilica sa litijum-jonskom baterijom od 56 volti	259
			BS	Akumulatorska kosilica s litij-ionskom baterijom od 56 v	268
			HE	מכסחה אלחוטית עם סוללת ליתיום-יון 56 וולט	295
			AR	الجَزَاة اللاسلكية العاملة بطارية ليثيومأيون 56 فولت	286

A1



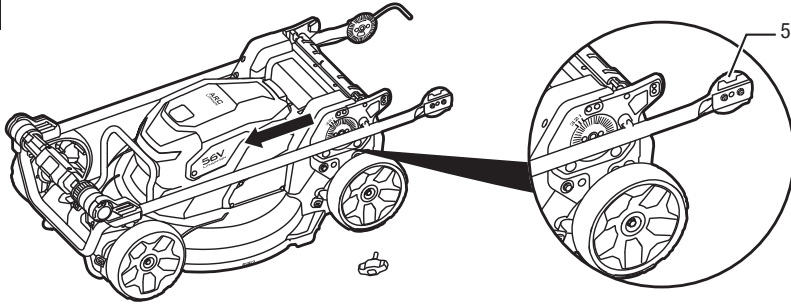
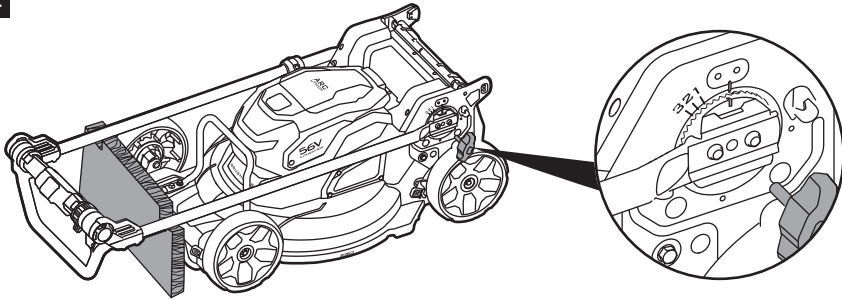
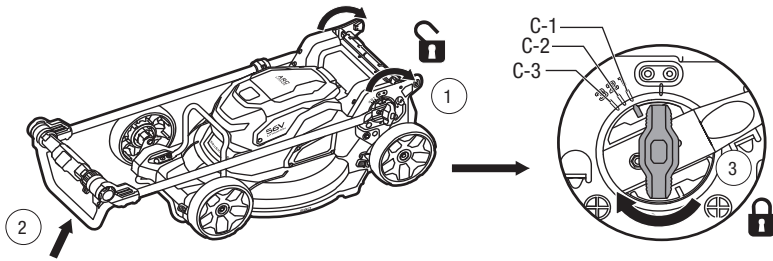
A2

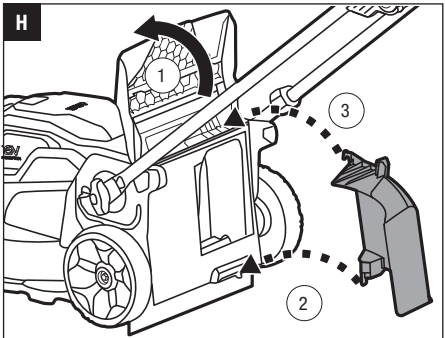
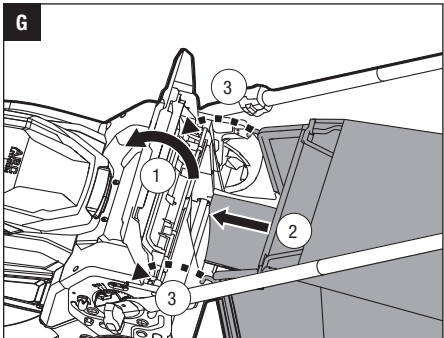
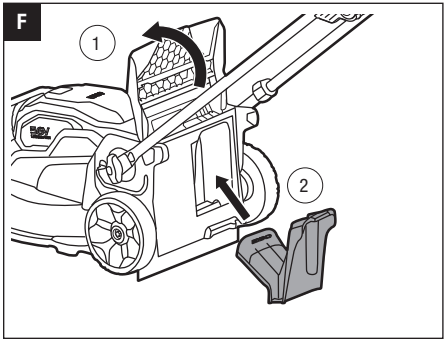
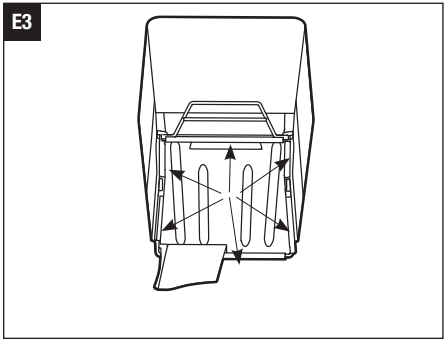
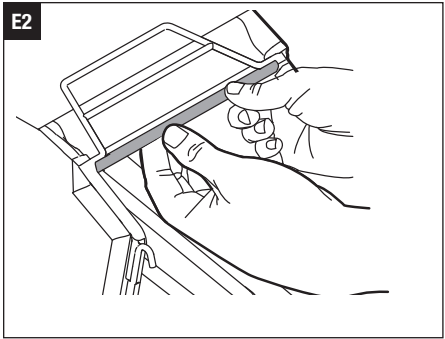
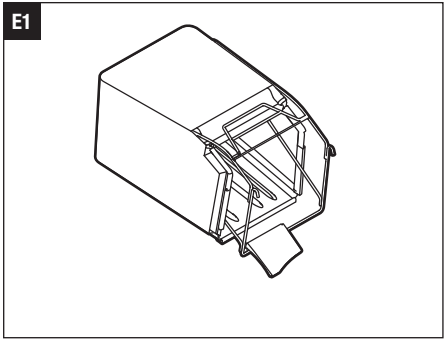
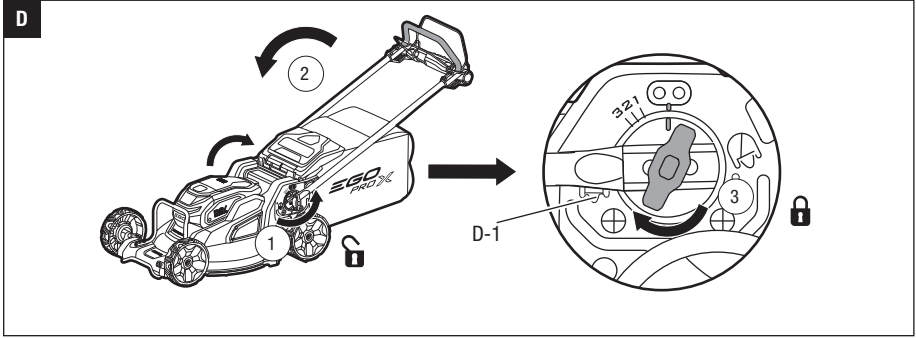


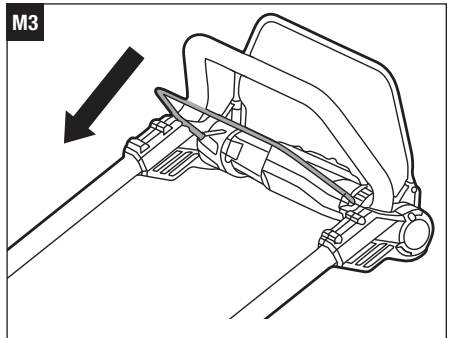
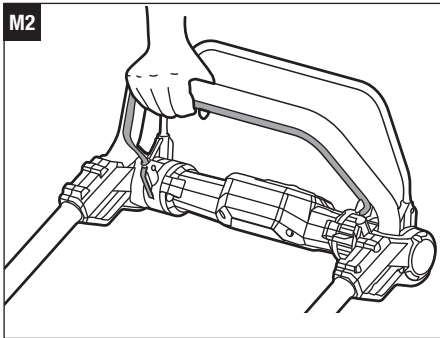
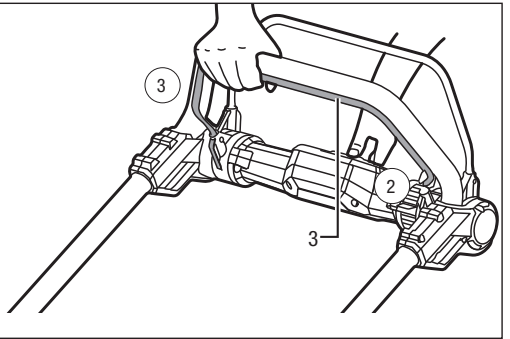
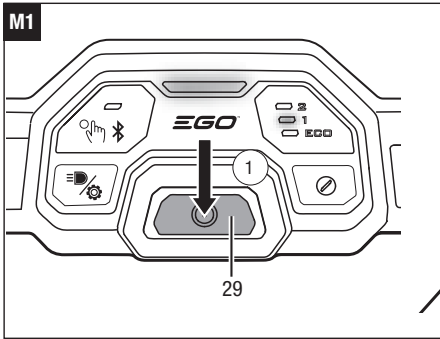
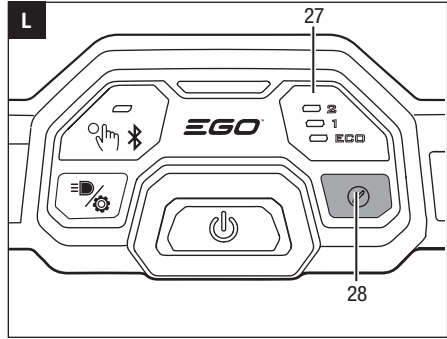
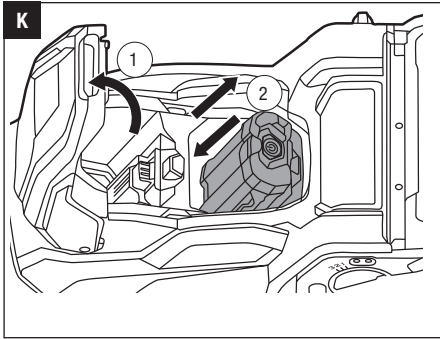
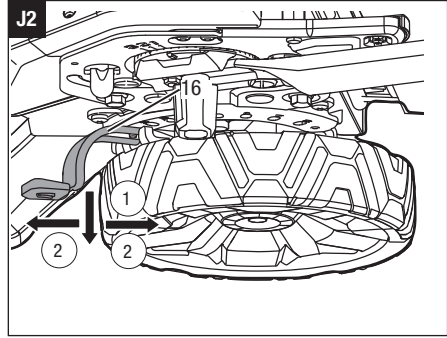
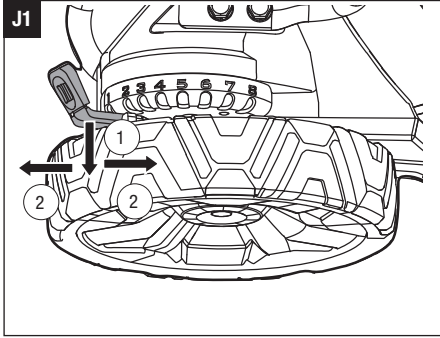
**A3**

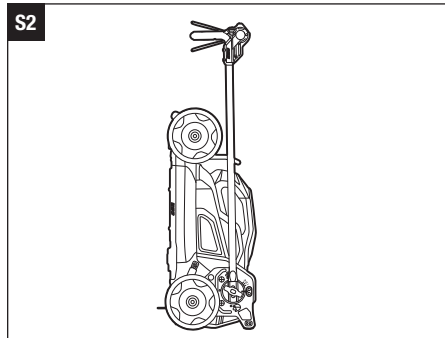
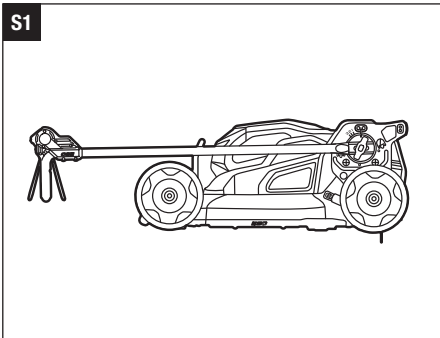
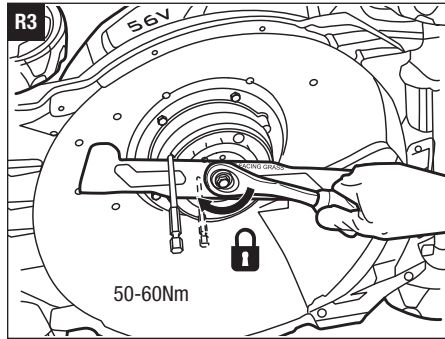
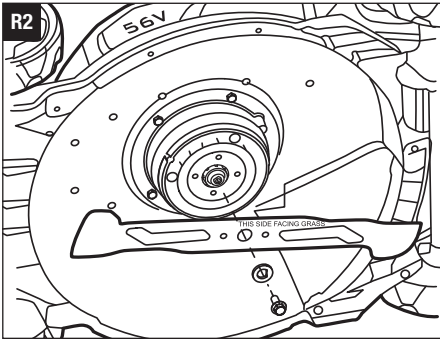
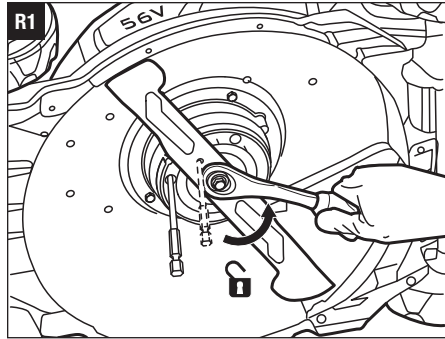
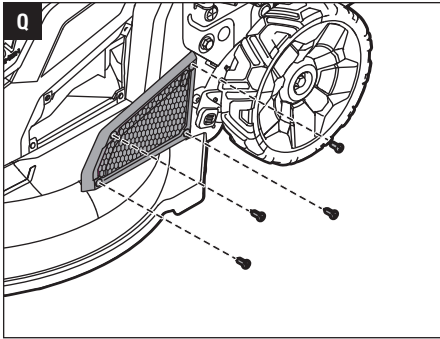
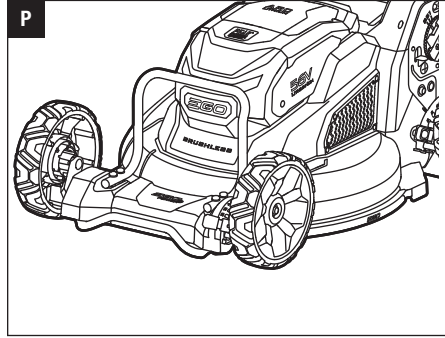
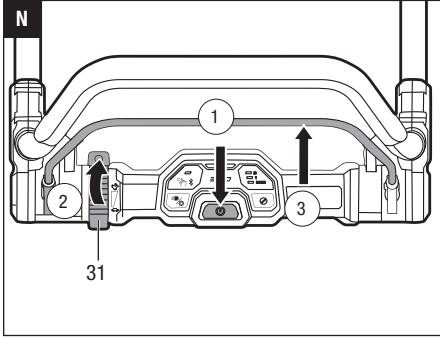
BA1400, BA2800,  
BA4200, BA1400T,  
BA2240T, BA2242T,  
BA2800T, BA3360T,  
BA4200T, BA5600T,  
BA6720T

CH2100E,  
CH3200E,  
CH5500E,  
CH7000E,  
CH7000E-T

**B1****B2****C**







## READ ALL INSTRUCTIONS!

**Intended use:** The product is intended for manual lawn mowing:

- Use only for mowing dry grass. Do not mow wet grass.
- Do not use it for any other purposes.

**⚠ WARNING:** Be sure to read and understand all safety instructions in this Operator's Manual, including all safety alert symbols such as "**DANGER**", "**WARNING**" and "**CAUTION**" before using this machine. Failure to follow all instructions listed below may result in electric shock, fire, and/or serious personal injury.

## SAFETY SYMBOLS



Safety Alert



To reduce the risk of injury, user must read and understand operator's manual before using this product.



Always wear hearing protection, safety goggles or safety glasses with side shields and a full face shield when operating this product.



Switch off and remove detachable battery pack (or disabling device) before adjusting or cleaning.



Beware of thrown objects – keep bystanders away.



Keep hands and feet away from the blades



Keep hand away



Do not stare at operating lamp.



Guaranteed sound power level.



This product is in accordance with applicable EC directives.



This product is in accordance with applicable UK legislation.



Waste electrical products should not be disposed of with household waste. Take to an authorized recycler.



Bluetooth®

V Volt

IPX5

Protection against water jets

cm Centimeter

mm

Millimeter

kg Kilogram



Direct Current

**NOTE:** The Bluetooth® word mark and logos are registered trademarks owned by Bluetooth SIG, inc. and any use of such marks by EGO is under license.

## SPECIFICATIONS

Voltage	56 V	
Blade Speed Mode	2	
	1	
	ECO	
Cutting-Height Positions	8	
Cutting-Height Setting	20 mm/31 mm/40 mm/ 51 mm/ 64 mm/78 mm/ 92 mm/105 mm	
Cutting Width	53 cm	
Grass Bag Volume	85 L	
Mower Weight (Without battery pack and grass bag)	46 kg	
Blade Model	AB5301	
Recommended Operating Temperature	0°C–40°C	
Recommended Storage Temperature	-20°C–70°C	
Measured sound power level $L_{WA}$	94 dB(A)	
	K=0.6 dB(A)	
Sound pressure level at operator's ear $L_{PA}$	83 dB(A)	
	K= 3 dB(A)	
Guaranteed sound power level $L_{WA}$ (measured according to 2000/14/EC)	95 dB(A)	
Valuation of vibration $a_h$ :	Left handle	0.39 m/s <sup>2</sup> K=1.5 m/s <sup>2</sup>
	Right handle	0.33 m/s <sup>2</sup> K=1.5 m/s <sup>2</sup>

- The declared vibration total value has been measured in accordance with a standard test method and may be used for comparing one machine with another;
- The declared vibration total value may also be used in a preliminary assessment of exposure.

**NOTICE:** The vibration emission during actual use of the machine can differ from the declared value in which the machine is used; In order to protect the operator, user should wear gloves and ear protectors in the actual conditions of use.

## PACKING LIST (FIG.A1 & A2)

PART NAME	QUANTITY
Lawn Mower	1
Grass Bag	1
Grass-bag Frame	1
Wing Bolt (factory-installed in the mower)	2
Operator's Manual	1

## DESCRIPTION

### KNOW YOUR MOWER (Fig. A1 & A2)

- Self-propel Trigger
  - Handle
  - Blade Rotation Trigger
  - Rear Discharge Door
  - Locking Gear
  - Battery Compartment Cover
  - LED Headlights
  - Middle Bumper (Lift Handle)
  - Front Bumper
  - Front Cutting-height Adjustment Lever
  - Front Wheel
  - Mower Deck
  - Side Shield
  - Air Intake
  - Rear Wheel
  - Rear Cutting-height Adjustment Lever
  - Wing Bolt
  - Handle Mounting Plate
  - Bracket
  - Grass Bag
  - Trailing Shield
  - Mulching Insert
  - \* Side Discharge Chute
  - Bluetooth® Indicator
  - Dashboard
  - Mower Status Indicator
  - Blade Speed Indicator
  - Blade Speed Mode Button
  - Power Button
  - LED Headlights Button(Bluetooth® Button)
  - Self-Propel Speed Dial
- \* SOLD SEPARATELY



## ASSEMBLY

**⚠ WARNING:** If any parts are damaged or missing, do not operate this product until the parts are replaced. Use of this product with damaged or missing parts could result in serious personal injury.

**⚠ WARNING:** To prevent accidental starting that could cause serious personal injury, always remove the battery pack(s) from the machine when assembling parts.

**⚠ WARNING:** Do not attempt to modify this machine or create accessories not recommended for use with this mower. Any such alteration or modification is misuse and could result in a hazardous condition leading to serious injury.

### UNPACKING

This product requires assembly.

- Remove all the accessories from the carton.

**⚠ CAUTION:** Heavy object. Two persons are required to lift the mower.

- One person should grasp the middle bumper/lift handle and the other person should grasp two wing bolts to carefully lift the mower out of the carton.

### INSTALLING THE HANDLE

The lawn mower is shipped with the handle partially assembled.

**⚠ WARNING:** Do not attempt to start the lawn mower until the handle is properly and securely installed and unfolded. Use caution to avoid pinching fingers and cable between the parts.

- Unscrew and put aside both wing bolts.
- Move the handle forward until the locking gear on the handle assembly is facing the gear on the mower (Fig. B1).
- Align the marks on the locking gear and handle mounting plate as shown in Fig. B2, then insert and finger-tighten the two wing bolts.

### UNFOLDING AND ADJUSTING THE HANDLE (FIG. C)

**⚠ WARNING:** Be sure not to pinch, kink or stress the cable when folding or unfolding the handle. Damaging the cable could impact the activation and operation of the lawn mower and result in an unsafe operating condition.

**⚠ WARNING:** Do not attempt to start the mower and self-propel system until the handle has been locked at one of the three preset operating positions (Upper Operating Position 3, Middle Operating Position 2, and Lower Operating Position 1).

- Loosen the wing bolts on both sides, ensure that the two gears are fully loose but NOT separated.
- Turn the handle upward until the arrow mark on the locking gear aligns with one of the three operating positions on the handle mounting plate.
- Tighten the two bolts, make sure the two gears are fully engaged and the handle is securely fixed.

C-1	Lower Operating Position 1
C-2	Middle Operating Position 2
C-3	Upper Operating Position 3

### FOLDING THE HANDLE (FIG. D)

**⚠ WARNING:** Be sure not to pinch, kink or stress the cable when folding or unfolding the handle. Damaging the cable could impact the activation and operation of the lawn mower and result in an unsafe operating condition.

- Loosen the wing bolts on both sides, ensure the two gears are fully loose but NOT separated.
- Turn the handle downward until the handle seats in the storage position.
- Align the arrow mark on the locking gear with the storage position mark on handle mounting plate.
- Tighten the two wing bolts, make sure the two gears are fully engaged and the handle is securely fixed.

D-1	Storage Position
-----	------------------

### ASSEMBLING THE GRASS BAG (FIG.E1, E2, E3)

Check the grass bag before assembling, to make sure that there is no damage.

Assemble the grass bag as illustrated.

### ATTACHING/REMOVING THE MULCHING INSERT (SOLD SEPARATELY)

Install the mulching insert into the mower as shown in Fig. F.

**⚠ DANGER:** The machine can throw grass clippings and other objects through an opening in the machine housing. Objects thrown with enough force could cause serious personal injury or death to you or to bystanders.

Never operate the mower without either the mulching insert, the grass bag, or the side-discharge chute properly installed.

**⚠ WARNING:** The mulching insert must be removed when installing the grass bag or side-discharge chute. The mulching insert must be re-installed when the grass bag (or side-discharge chute) is removed.

#### ATTACHING/REMOVING THE GRASS BAG

Install the grass bag into the mower as shown in Fig. G.

**⚠ WARNING:** Under normal usage, the grass bag material is subject to wear. To reduce the risk of injury, frequently inspect the grass bag and replace the bag if there are any signs of wear or deterioration. Use only grass bags manufactured for this mower.

**⚠ WARNING:** The grass bag must be removed in order to install and use the side-discharge chute or mulching insert.

#### ATTACHING/REMOVING THE SIDE-DISCHARGE CHUTE (SOLD SEPARATELY)

Install the side-discharge chute into the mower as shown in Fig. H.

**⚠ WARNING:** The side-discharge chute must be removed in order to install and use the grass bag or mulching insert.

#### CUTTING-HEIGHT ADJUSTMENT (FIG. J1 & J2)

**⚠ WARNING:** Keep your feet away from the deck when adjusting the cutting height.

The mower can be set to 8 cutting heights between 20 mm and 105 mm. A marking indicates the selected cutting height.

This mower allows you to adjust the cutting height of the front and the rear of the mower individually. Choose the proper cutting height according to the type and condition of the grass to be cut.

1. Switch off the lawn mower and wait for the cutting blade to come to a complete stop.
2. Remove the battery pack(s).
3. Pull the front or rear cutting height adjustment lever out of the detent and set it to the desired position.

#### ATTACHING/DETACHING THE BATTERY PACKS (FIG. K)

**NOTE:** Charge the battery pack before first use.

Use only with the battery packs and chargers listed in Fig A3.

**NOTE:** The mower has two active battery ports. It can operate using one or two battery packs.

##### ■ To Attach

1. Open the battery compartment cover and push the battery pack into the battery compartment until you hear a "click".
2. Repeat the process to install the second battery pack.

##### ■ To Detach

Depress the battery-release button in the battery compartment.

**NOTICE:** Make sure that the latch on the mower snaps into place and that the battery pack(s) is secured to the mower before starting operation.

#### SELECTING BLADE SPEED MODE (FIG. L)

- Mode 2 is high blade speed mode for high-lift performance to improve suction force and cutting performance.
- Mode 1 is the best balance between performance and runtime.
- ECO mode provides the lowest noise level and longest runtime from your battery pack(s).

**NOTE:** The default blade speed mode is mode 1.

#### COMMUNICATION TECHNOLOGY

For information on our full range of connected products and services, including connection instructions, please scan QR Code below or visit [www.egopowerplus.eu/connect](http://www.egopowerplus.eu/connect).



## OPERATION

The product may be used in rain.

### STARTING/STOPPING THE MOWER

**⚠ WARNING:** The operation of any lawn mower can result in foreign objects being thrown into your or others' eyes, which can damage eyes severely. Always wear safety glasses while operating the mower or while performing any adjustments or repairs on the mower.

**⚠ WARNING:** The blade will continue to rotate for a few seconds after the mower is turned off. Allow the motor/blade to stop rotating before starting it again. Do not rapidly turn the mower off and on.

**⚠ WARNING:** Stop the blade if the lawnmower has to be tilted for transportation when crossing surfaces other than grass and when transporting the lawnmower to and from the area to be mowed.

**⚠ WARNING:** Do not tilt the lawn mower when starting switching on the motor, except if the lawn mower has to be tilted for starting. In this case, do not tilt it more than absolutely necessary and lift only the part which is away from the operator.

Before using, always visually inspect to see that the blade and blade bolt are not worn or damaged. Replace worn or damaged blade and bolt in sets to preserve balance.

#### Check for blockage of the cutting blade

-To prevent blockage, keep the cutting blade and mower deck clean. Remove grass clippings, leaves, dirt and any other accumulated debris before and after each use.

- When blockage happens, stop the mower and remove the battery pack(s), then remove any build-up of grass and leaves on or around the drive shaft and motor fan. Wipe the mower clean with a damp cloth.

**⚠ CAUTION:** Do not attempt to override the operation of the power button and blade rotation trigger.

**NOTE:** The motor cannot be started unless the handle is locked at one of the three operating positions.

#### To start the mower (Fig. M1 & M2)

1. Attach the battery pack(s) to the mower and close the battery compartment cover.
2. Press the power button to illuminate the dashboard, and the mower status indicator along with the blade speed indicator **1** will light up.
3. Press the blade speed mode button to select the

desired speed.

4. Press and hold the power button.
5. With the power button pressed, pull the blade rotation trigger to meet the handle, and release the power button.

#### To stop the mower (Fig. M3)

1. Fully release the blade rotation trigger.
2. The electric brake in the Automatic Braking Mechanism will stop the blade rotation within 3 seconds of the blade rotation trigger release.

#### VARIABLE-SPEED SELF-PROPEL SYSTEM (FIG. N)

The mower is equipped with variable-speed, self-propel capability. This self-propel system is independent from the blade rotation.

**NOTE:** The self-propel system cannot be started unless the handle is locked into one of the three operating positions.

#### To operate the self-propel system without blade rotation

1. Press the power button to illuminate the dashboard.
2. Slightly rotate the self-propel speed-control knob forward until a click can be heard, then pull the self-propel trigger to meet the handle to start the self-propel function.

**To turn the self-propel off,** release the self-propel trigger.

#### LED HEADLIGHTS (FIG. P)

**To turn on the headlights,** press the headlights button. The headlights provide bright light in front of the mower.

**To turn off the headlights,** press the button again.

#### MOWER STATUS INDICATOR

The mower status indicator on the dashboard displays the working status of the mower.

Indicator	Description	Meaning	Action
	Solid green	Mower is working properly.	None required.
	Flashing green	The handle is not locked in operating position.	Stop the mower and make sure that the handle is locked in one of the operating positions.
	Flashing red	Low battery charge.	Stop the mower and charge the battery pack(s).
	Solid orange	Mower is overheated.	Release the blade rotation trigger, wait until the mower temperature drops below 80°C. See <b>"MOWER HIGH-TEMPERATURE PROTECTION"</b> below.
	Flashing orange	The mower is overloaded.	<ol style="list-style-type: none"> <li>1. Remove the battery pack(s), then check if grass has accumulated beneath the deck. Clean if necessary.</li> <li>2. Slow down your stride when cutting.</li> <li>3. Raise the cutting height.</li> <li>4. If above solutions do not work, please contact EGO Service Center.</li> </ol> See <b>"MOWER OVERLOAD PROTECTION"</b> below.
	Flashing red/green alternately	Mower electronics error.	Contact EGO Service Center.

#### MOWER HIGH-TEMPERATURE PROTECTION

If the mower temperature exceeds 90°C during operation, the temperature-protection circuit will immediately shut off the mower to prevent overheating damage.

The mower status indicator will glow solid orange. Release the blade rotation trigger and wait until the overheated mower cools down and the status indicator turns green, then restart the mower.

#### MOWER OVERLOAD PROTECTION

To prevent overload conditions, do not try to remove too much grass at one time. Slow down your stride or raise the cut height.

Your mower has built-in overload circuit protection. When the mower is overloaded, the motor will stop and the mower status indicator on the dashboard will flash orange.

## MAINTENANCE

**⚠ WARNING:** To avoid serious personal injury, always switch off the mower, remove the battery pack(s), and ensure that all moving parts have come to a complete standstill. before cleaning, performing any maintenance or transporting the mower.

**⚠ WARNING:** Stop the machine, and remove the battery packs to make sure that all moving parts have come to a complete stop after striking a foreign object and to inspect the machine for damage and make repairs before restarting and operating the machine.

**⚠ WARNING:** Stop the machine, and remove the battery packs to make sure that all moving parts have come to a complete stop, if the machine starts to vibrate abnormally, and then to immediately inspect for damage, replace or repair any damaged parts and to check for and tighten any loose parts.

**⚠ WARNING:** When servicing, use only identical replacement parts. Use of any other parts may create a hazard or cause product damage. To ensure safety and reliability, all repairs should be performed by a qualified service technician.

### CLEANING THE MOWER

The underside of mower deck should be cleaned after each use, as grass clippings, leaves, dirt and other debris will accumulate.

Remove any buildup of grass and leaves on or around the drive shaft and motor fan. Wipe the mower clean with a damp cloth.

### Cleaning the Air Intake (Fig. Q)

1. Remove the air intake net cover by removing the four screws.
2. Clean the inside of the air intake and net cover with compressed air.

### REPLACING THE BLADE (FIG. R1, R2, R3)

**⚠ WARNING:** Always remove the battery pack(s) and grass bag.

**⚠ WARNING:** Always wear protective gloves.

**NOTICE:** Thoroughly clean the drive shaft area and the underside of the machine before installing the blade.

1. Turn the mower upside down
2. Remove/install the blade with a torque wrench and two metal rods as aid as illustrated.
3. The printed blade side towards outside.

### STORING THE MOWER (FIG. S1 & S2)

1. Remove the battery pack(s) from the mower.
2. Empty the grass bag and clean the mower.
3. For saving substantial storage space fold the product handle and store the product as illustrated.

**NOTICE:** Ensure that the handle cord is not trapped when folding/unfolding the product handle (do not drop the handle).

4. Do not place other objects on top of the mower when stored

**⚠ WARNING:** If the mower tips over from the upright position, mower damage or personal injury may result. Always keep the mower stable and out of the reach of children when it is in the upright position. If possible, lay it flat for storage.

### PROTECTING THE ENVIRONMENT



Do not dispose of electrical appliances as unsorted municipal waste, use separate collection facilities.

Contact your local government for information regarding the collection systems available.

If electrical appliances are disposed of in landfills or dumps, hazardous substances can leak into the groundwater and get into the food chain, damaging your health and well-being.

**TROUBLESHOOTING**

PROBLEM	CAUSE	SOLUTION
The mower or self-propel function fails to start.	<ul style="list-style-type: none"> <li>■ The battery pack(s) charge is depleted.</li> </ul>	<ul style="list-style-type: none"> <li>■ Charge the battery pack.</li> </ul>
	<ul style="list-style-type: none"> <li>■ The battery pack(s) is not properly inserted into the battery compartment.</li> </ul>	<ul style="list-style-type: none"> <li>■ Insert the battery pack(s) into battery compartment until you hear a "click".</li> </ul>
	<ul style="list-style-type: none"> <li>■ The handle is not locked in an operating position and the mower status indicator flashes green.</li> </ul>	<ul style="list-style-type: none"> <li>■ Stop the mower and make sure that the handle is locked in one of the operating positions.</li> </ul>
	<ul style="list-style-type: none"> <li>■ The mower deck is clogged with grass and debris.</li> </ul>	<ul style="list-style-type: none"> <li>■ Clean the mower deck and ensure that the blade has freedom of movement</li> </ul>
The mower cuts unevenly.	<ul style="list-style-type: none"> <li>■ The blade is dull.</li> </ul>	<ul style="list-style-type: none"> <li>■ Sharpen or replace the blade.</li> </ul>
	<ul style="list-style-type: none"> <li>■ The grass-cutting height is not set properly.</li> </ul>	<ul style="list-style-type: none"> <li>■ Move the deck height to a higher setting.</li> </ul>
	<ul style="list-style-type: none"> <li>■ The blade is installed incorrectly.</li> </ul>	<ul style="list-style-type: none"> <li>■ Re-install the blade, following the section "<b>REPLACING THE BLADE</b>" in this manual.</li> </ul>
	<ul style="list-style-type: none"> <li>■ The blade speed mode is not set properly.</li> </ul>	<ul style="list-style-type: none"> <li>■ Select a proper blade speed mode.</li> </ul>
The mower does not mulch properly.	<ul style="list-style-type: none"> <li>■ Wet grass clippings are sticking to the underside of the deck.</li> </ul>	<ul style="list-style-type: none"> <li>■ Wait until the grass dries before mowing.</li> </ul>
	<ul style="list-style-type: none"> <li>■ The mower is set to cut too much grass at once.</li> </ul>	<ul style="list-style-type: none"> <li>■ Raise the deck to a higher cutting-height setting.</li> </ul>
	<ul style="list-style-type: none"> <li>■ The blade speed mode is not set properly.</li> </ul>	<ul style="list-style-type: none"> <li>■ Select a mode <b>1</b> or ECO blade speed mode.</li> </ul>

The mower unexpectedly stops while mowing.	<ul style="list-style-type: none"> <li>■ The battery pack(s) charge is depleted.</li> </ul>	<ul style="list-style-type: none"> <li>■ Charge the battery pack.</li> </ul>
	<ul style="list-style-type: none"> <li>■ Mower is overloaded and the mower status indicator flashes orange.</li> </ul>	<ul style="list-style-type: none"> <li>■ Check if grass has accumulated beneath the deck and clean if needed. Raise the cutting height or slow down the mowing.</li> </ul>
	<ul style="list-style-type: none"> <li>■ Mower deck is clogged with grass and debris.</li> </ul>	<ul style="list-style-type: none"> <li>■ Unclog the mower deck. Raise the cutting height and/or cut a narrower swath.</li> </ul>
	<ul style="list-style-type: none"> <li>■ The battery pack(s) or mower circuitry is too hot. If the battery pack is overheated the mower status indicator goes off. If the mower is overheated the mower status indicator glow solid orange.</li> </ul>	<ul style="list-style-type: none"> <li>■ Allow the battery pack(s) or mower to cool down.</li> </ul>
	<ul style="list-style-type: none"> <li>■ The blade speed mode is not set properly.</li> </ul>	<ul style="list-style-type: none"> <li>■ Clean the air intake, following the section "<b>Cleaning the Air Intake</b>".</li> <li>■ Select the blade speed to a lower setting.</li> </ul>
	<ul style="list-style-type: none"> <li>■ The mower electronics error and the mower status indicator flashes red/green alternately.</li> </ul>	<ul style="list-style-type: none"> <li>■ Contact EGO Service Center.</li> </ul>
There is excessive vibration.	<ul style="list-style-type: none"> <li>■ The cutting blade is loose.</li> </ul>	<ul style="list-style-type: none"> <li>■ Tighten the blade bolt.</li> </ul>
	<ul style="list-style-type: none"> <li>■ The cutting blade is unbalanced.</li> </ul>	<ul style="list-style-type: none"> <li>■ Contact the EGO Service Center.</li> </ul>
	<ul style="list-style-type: none"> <li>■ The cutting blade is bent.</li> </ul>	<ul style="list-style-type: none"> <li>■ Replace the blade.</li> </ul>
	<ul style="list-style-type: none"> <li>■ The motor shaft is bent.</li> </ul>	<ul style="list-style-type: none"> <li>■ Contact the EGO Service Center.</li> </ul>
	<ul style="list-style-type: none"> <li>■ The mower is set to cut too much grass at once.</li> </ul>	<ul style="list-style-type: none"> <li>■ Raise the deck to a higher cutting-height setting.</li> </ul>
	<ul style="list-style-type: none"> <li>■ The blade speed mode is not set properly.</li> </ul>	<ul style="list-style-type: none"> <li>■ Set the blade speed to a lower setting.</li> </ul>
The motor works but the blade doesn't cut the grass.	<ul style="list-style-type: none"> <li>■ The blade is not tightened to the required torque.</li> </ul>	<ul style="list-style-type: none"> <li>■ Re-tighten the blade. The recommended torque for the blade bolt is 50-60 Nm.</li> </ul>

## WARRANTY

### EGO WARRANTY POLICY

Please visit the website [egopowerplus.eu](http://egopowerplus.eu) for full terms and conditions of the EGO Warranty policy.

## DE LESEN SIE ALLE ANWEISUNGEN!

**Bestimmungsgemäße Verwendung:** Das Produkt ist für das manuelle Rasenmähen bestimmt:

- Nur zum Mähen von trockenem Gras verwenden. Mähen Sie kein nasses Gras.
- Verwenden Sie es zu keinem anderen Zweck.

**⚠️ WARNUNG:** Vor der Benutzung der Maschine sollten Sie alle Sicherheitsanweisungen in dieser Bedienungsanleitung gelesen und verstanden haben. Das gilt auch für die Hinweise „**GEFAHR**“, „**WARNUNG**“ und „**VORSICHT**“. Die Nichtbeachtung der aufgeführten Anweisungen kann zu Stromschlägen, Bränden und/oder schweren Verletzungen führen.

## WARNSYMBOL



Warnhinweis



Tragen Sie immer einen Gehörschutz, eine Schutzbrille, möglichst mit Seitenschutz, und einen Vollgesichtsschutz, wenn Sie mit diesem Gerät arbeiten.



Vorsicht vor weggeschleuderten Gegenständen - halten Sie Umstehende fern.



Hände fernhalten



Garantierter Schallleistungspegel.



Dieses Produkt erfüllt die einschlägigen Vorschriften in GB.



Bluetooth®

IPX5

Strahlwassergeschützt

mm

Millimeter



Gleichstrom



Um das Verletzungsrisiko zu verringern, muss der Benutzer die Bedienungsanleitung vor der Benutzung des Gerätes gelesen und verstanden haben.



Schalten Sie das Gerät aus und nehmen Sie den abnehmbaren Akku (oder die Sperrvorrichtung) ab, bevor Sie Einstellungen vornehmen oder das Gerät reinigen.



Hände und Füße von den Messern fernhalten



Nicht in die Betriebsleuchte blicken.



Dieses Produkt erfüllt die einschlägigen CE-Richtlinien.



Elektrische Altgeräte dürfen nicht im Hausmüll entsorgt werden. Bringen Sie das Gerät zu einem Wertstoffhof bzw. zu einer amtlichen Sammelstelle.

V Volt

cm Zentimeter

kg Kilogramm



## TECHNISCHE DATEN

Spannung	56 V	
Messergeschwindigkeitsmodus	2	
	1	
	ECO	
Schnitthöhenpositionen	8	
Schnitthöheneinstellung	20 mm/31 mm/40 mm/ 51 mm/ 64 mm/78 mm/ 92 mm/105 mm	
Schnittbreite	53 cm	
Volumen des Grasfangsacks	85 L	
Rasenmähergewicht (ohne Akku und mit Grasfangsack)	46 kg	
Messermodell	AB5301	
Empfohlene Betriebstemperatur	0°C–40°C	
Empfohlene Lagertemperatur	-20°C–70°C	
Gemessener Schalleistungspegel $L_{WA}$	94 dB(A)	
	K=0.6 dB(A)	
Schalldruckpegel am Ohr des Bedieners $L_{PA}$	83 dB(A)	
	K= 3 dB(A)	
Garantierter Schalleistungspegel $L_{WA}$ (gemäß Messung nach 2000/14/CE)speci	95 dB(A)	
Vibrationswert $a_{h,i}$ :	Linker Griffbügel	0.39 m/s <sup>2</sup> K=1.5 m/s <sup>2</sup>
	Rechter Griffbügel	0.33 m/s <sup>2</sup> K=1.5 m/s <sup>2</sup>

- Der angegebene Vibrationsgesamtwert wurde nach einem Standard-Prüfverfahren gemessen und kann zum Vergleich mit einer anderen Maschine herangezogen werden.
- Der angegebene Vibrationsgesamtwert kann auch zur vorläufigen Risikobewertung herangezogen werden.

**HINWEIS:** Die beim Einsatz der Maschine auftretenden Vibrationen können von dem angegebenen Wert abweichen. Zum Schutz des Bedieners sollten beim eigentlichen Einsatz der Maschine Handschuhe und ein Gehörschutz getragen werden.

## PACKLISTE (ABB. A1 & A2)

DE

BEZEICHNUNG DER TEILE	MENGE
Rasenmäher	1
Grasfangsack	1
Grasfangsack-Rahmen	1
Flügelschraube (werkseitig am Rasenmäher angebracht)	2
Bedienungsanleitung	1

## BESCHREIBUNG

### AUFBAU (Abb. A1 & A2)

- Ein-/Ausschalter für den Eigenantrieb
  - Griff
  - Auslöser für die Messerrotation
  - Hinterere Auswurfklappe
  - Verriegelung
  - Deckel des Akkufachs
  - LED-Scheinwerfer
  - Mittlere Stoßstange (Griff zum Anheben)
  - Vordere Stoßstange
  - Vorderer Schnitthöhenversteller
  - Vorderrad
  - Mähwerk
  - Seitliche Schutzabdeckung
  - Lufteinlass
  - Hinterrad
  - Hinterer Schnitthöhenversteller
  - Flügelschraube
  - Griffbügel-Montageplatte
  - Halterung
  - Grasfangsack
  - Hinterere Schutzverkleidung
  - Mulcheinsatz
  - Seitenauswurf
  - Bluetooth® Anzeige
  - Bedienfeld
  - Mähstatusanzeige
  - Messergeschwindigkeitsanzeige
  - Messergeschwindigkeits-Wahlschalter
  - Ein-/Aus-Taste
  - LED-Scheinwerfer-Taste (Bluetooth®-Taste)
  - Geschwindigkeitsregler für den Eigenantrieb
- \* SEPARAT ERHÄLTLICH

## MONTAGE

**⚠️ WARNUNG:** Gerät nicht in Betrieb setzen, wenn Teile schadhaf sind oder fehlen. Fehlende oder beschädigte

Teile zuerst ersetzen. Die Verwendung dieses Produkts mit beschädigten oder fehlenden Teilen kann zu schweren Verletzungen führen.

**⚠️ WARNUNG:** Um einen unbeabsichtigten Anlauf und dadurch hervorgerufene schwere Verletzungen zu verhindern, muss der(die) Akku(s) beim Montieren von Teilen immer zuerst von der Maschine abgenommen werden.

**⚠️ WARNUNG:** Versuchen Sie nicht, diese Maschine zu verändern oder Zubehörteile zu verwenden, die für den Einsatz mit diesem Rasenmäher nicht empfohlen werden. Jegliche solcher Änderungen oder Umbauten stellen einen unsachgemäßen Gebrauch dar und können zu gefährlichen Umständen führen, die schwere Verletzungen verursachen können.

### AUSPACKEN

Dieses Produkt muss zusammengebaut werden.

- Nehmen Sie das gesamte Zubehör aus dem Karton.

**⚠️ VORSICHT:** Gegenstand ist schwer. Zum Anheben des Rasenmähers sind zwei Personen erforderlich.

- Eine Person sollte den mittleren Stoßfänger/Griff zum Anheben und die andere Person die beiden Flügelschrauben ergreifen, um den Rasenmäher vorsichtig aus dem Karton zu heben.

### MONTAGE DES GRIFFS

Der Rasenmäher wird mit teilweise montiertem Griffbügel geliefert.

**⚠️ WARNUNG:** Versuchen Sie nicht, den Rasenmäher zu starten, bevor der Griffbügel richtig und sicher montiert und ausgeklappt ist. Seien Sie vorsichtig, damit Sie sich nicht die Finger und das Kabel zwischen den Teilen einklemmen.

1. Schrauben Sie die beiden Flügelschrauben ab und legen Sie sie beiseite.
2. Bewegen Sie den Griffbügel nach vorne, bis die Verriegelung am Bügel auf das Zahnrad am Rasenmäher ausgerichtet ist (Abb. B1).
3. Richten Sie die Markierungen an der Verriegelung und der Griffbügel-Montageplatte wie in Abb. B2 gezeigt aus, setzen Sie dann die beiden Flügelschrauben ein und ziehen Sie sie handfest an.

### AUSKLAPPEN UND EINSTELLEN DES GRIFFBÜGELS (ABB. C)

**⚠️ WARNUNG:** Achten Sie darauf, dass das Kabel beim

Ein- und Ausklappen des Griffbügels nicht gequetscht, geknickt oder belastet wird. Eine Beschädigung des Kabels könnte die Aktivierung und den Betrieb des Rasenmähers beeinträchtigen und zu einem unsicheren Betriebszustand führen.

**⚠️ WARNUNG:** Versuchen Sie nicht, den Rasenmäher zu starten, wenn der Griffbügel noch nicht in einer der drei voreingestellten Betriebsposition arretiert ist (obere Betriebsposition 3, mittlere Betriebsposition 2 oder untere Betriebsposition 1).

1. Lösen Sie die Flügelschrauben auf beiden Seiten und vergewissern Sie sich, dass die beiden Zahnräder vollständig gelöst, aber NICHT getrennt sind.
2. Drehen Sie den Griffbügel nach oben, bis die Pfeilmarkierung auf der Verriegelung mit einer der drei Betriebspositionen auf der Griffbügel-Montageplatte übereinstimmt.
3. Ziehen Sie die beiden Schrauben fest und vergewissern Sie sich, dass die beiden Zahnräder vollständig eingerastet sind und der Griffbügel sicher befestigt ist.

C-1	Untere Betriebsposition 1
C-2	Mittlere Betriebsposition 2
C-3	Obere Betriebsposition 3

### GRIFFBÜGEL EINKLAPPEN (ABB. D)

**⚠️ WARNUNG:** Achten Sie darauf, dass das Kabel beim Ein- und Ausklappen des Griffbügels nicht gequetscht, geknickt oder belastet wird. Eine Beschädigung des Kabels könnte die Aktivierung und den Betrieb des Rasenmähers beeinträchtigen und zu einem unsicheren Betriebszustand führen.

1. Lösen Sie die Flügelschrauben auf beiden Seiten und vergewissern Sie sich, dass die beiden Zahnräder vollständig gelöst, aber NICHT getrennt sind.
2. Drehen Sie den Griffbügel nach unten, bis er sich in der Lagerposition befindet.
3. Richten Sie die Pfeilmarkierung auf der Verriegelung mit der Markierung für die Lagerposition auf der Griffbügel-Montageplatte aus.
4. Ziehen Sie die beiden Flügelschrauben an und vergewissern Sie sich, dass die beiden Zahnräder vollständig eingerastet sind und der Griffbügel sicher befestigt ist.

D-1	Lagerposition
-----	---------------

### BEFESTIGEN DES GRASFANGSACKS (Abb. E1, E2, E3)

Prüfen Sie den Grasfangsack vor dem Befestigen, um

sicherzugehen, dass er nicht beschädigt ist.  
Befestigen Sie den Grasfangkorb wie abgebildet.

### Einsetzen/Entfernen des Mulcheinsatzes (Separat erhältlich)

Setzen Sie den Mulcheinsatz wie in Abb. F gezeigt in den Rasenmäher ein.

**⚠ VORSICHT:** Die Maschine kann Grasschnitt und andere Gegenstände durch eine Öffnung im Gerätegehäuse herausschleudern. Gegenstände, die mit ausreichender Wucht geschleudert werden, können Sie oder umstehende Personen schwer verletzen oder töten.

**Betreiben Sie den Rasenmäher niemals, ohne dass der Mulcheinsatz, der Grasfangsack oder der Seitenauswurfschacht ordnungsgemäß eingesetzt sind.**

**⚠ WARNUNG:** Der Mulcheinsatz muss entfernt werden, wenn der Grasfangsack oder der Seitenauswurfschacht eingesetzt werden. Der Mulcheinsatz muss wieder eingesetzt werden, wenn der Grasfangsack (oder der Seitenauswurfschacht) entfernt werden.

### Befestigen/Entfernen des Grasfangsacks

Befestigen Sie den Grasfangsack wie in Abb. G gezeigt am Rasenmäher.

**⚠ WARNUNG:** Bei normalem Gebrauch nutzt sich das Material des Sacks ab. Um die Verletzungsgefahr zu reduzieren, untersuchen Sie den Grasfangsack regelmäßig und ersetzen Sie den Sack, wenn Sie Anzeichen von Verschleiß entdecken. Verwenden Sie nur für diesen Rasenmäher hergestellte Grasfangsäcke.

**⚠ WARNUNG:** Der Grasfangsack muss entfernt werden, um den Seitenauswurfschacht oder den Mulcheinsatz anbringen und verwenden zu können.

### Einsetzen/Entfernen des Seitenauswurfschachts (Separat erhältlich)

Setzen Sie den Seitenauswurfschacht wie in Abb. H gezeigt in den Rasenmäher ein.

**⚠ WARNUNG:** Der Seitenauswurfschacht muss entfernt werden, um den Grasfangsack oder den Mulcheinsatz anbringen und verwenden zu können.

### Einstellen der Schnitthöhe (Abb. J1 & J2)

**⚠ WARNUNG:** Halten Sie Ihre Füße vom Mähwerk fern, wenn Sie die Schnitthöhe einstellen.

Der Rasenmäher kann auf acht Schnitthöhen zwischen 20 mm und 105 mm eingestellt werden. Eine Markierung zeigt die gewählte Schnitthöhe an.

Bei diesem Rasenmäher können Sie die Schnitthöhe vorne und hinten separat einstellen. Wählen Sie die Schnitthöhe, die der Art und dem Zustand des zu mähen- den Rasens entspricht.

1. Schalten Sie den Rasenmäher aus und warten Sie, bis das Messer zum Stillstand gekommen ist.
2. Nehmen Sie den(die) Akku(s) heraus.
3. Ziehen Sie den vorderen oder hinteren Schnitthöhenversteller aus der Arretierung und stellen Sie ihn in die gewünschte Position.

### Anbringen/Abnehmen der Akkus (Abb. K)

**ANMERKUNG:** Laden Sie den Akku vor dem ersten Gebrauch voll auf.

Nur die in Abb. A3 aufgeführten Akkus und Ladegeräte verwenden

**ANMERKUNG:** Der Rasenmäher hat zwei aktive Akkuanschlüsse. Es kann mit einem oder zwei Akkus betrieben werden.

#### ■ Anbringen

1. Öffnen Sie den Deckel des Akkufachs und schieben Sie den Akku in das Fach, bis Sie ein „Klicken“ hören.
2. Wiederholen Sie den Vorgang, um den zweiten Akku einzusetzen.

#### ■ Abnehmen

Die Entriegelungstaste am Akkufach drücken.

**HINWEIS:** Stellen Sie sicher, dass der Riegel am Rasenmäher einrastet und der(die) Akku(s) fest am Rasenmäher angeschlossen ist(sind), bevor Sie das Gerät in Betrieb setzen.

### Auswahl des Messergeschwindigkeitsmodus (Abb. L)

- Modus 2 ist der Modus mit hoher Messergeschwindigkeit für eine höhere Hubleistung zur Verbesserung der Saugkraft und der Schneidleistung.
- Modus 1 ist das beste Verhältnis zwischen Leistung und Laufzeit.
- Im ECO-Modus ist der Geräuschpegel am niedrigsten und die Akkulaufzeit am längsten.

**ANMERKUNG:** Der Standardmodus der Messergeschwindigkeit ist Modus 1.

## KOMMUNIKATIONSTECHNIK

Für Informationen oder unser gesamtes Angebot an verbundenen Produkten und Dienstleistungen, einschließlich Verbindungsanweisungen, scannen Sie bitte den QR-Code unten oder besuchen Sie [www.egopowerplus.eu/connect](http://www.egopowerplus.eu/connect).



## BETRIEB

Das Produkt kann im Regen benutzt werden.

### STARTEN/ANHALTEN DES RASENMÄHERS

**⚠️ WARNUNG:** Beim Betrieb des Rasenmähers besteht die Gefahr, dass Fremdkörper in die eigenen Augen oder in die Augen Dritter geschleudert werden. Die Augen können dadurch ernsthaft verletzt werden. Tragen Sie immer eine Schutzbrille, wenn Sie den Rasenmäher bedienen, einstellen oder reparieren.

**⚠️ WARNUNG:** Das Messer dreht sich nach dem Ausschalten des Rasenmähers noch einige Sekunden weiter. Warten Sie, bis der Motor/das Messer stillsteht, bevor Sie den Rasenmäher erneut starten. Schalten Sie den Rasenmäher nicht schnell hintereinander aus und ein.

**⚠️ WARNUNG:** Wenn der Rasenmäher beim Überqueren von anderen Flächen als Rasen schräg gestellt werden muss oder wenn der Rasenmäher vom und zum Mähbereich transportiert werden muss, stellen Sie den Mähantrieb ab.

**⚠️ WARNUNG:** Stellen Sie den Rasenmäher nicht schräg, wenn Sie den Motor einschalten; es sei denn, das Gerät muss zum Starten angeschrägt werden. In diesem Fall kippen Sie es nur so weit, wie es unbedingt erforderlich ist, und heben Sie nur die vom Benutzer abgewandte Seite hoch.

Führen Sie vor der Benutzung immer eine Sichtprüfung durch, um sicherzustellen, dass die Messer und Messerschraube nicht abgenutzt oder beschädigt sind. Tauschen Sie ein Messer oder eine Schraube, die abgenutzt oder beschädigt ist, immer komplett im Satz aus, um die Auswuchtung beizubehalten.

### Prüfen Sie, ob das Messer blockiert ist.

- Um Blockaden zu vermeiden, halten Sie das Mähmesser und das Mähwerk sauber. Entfernen Sie vor und nach jeder Benutzung Grasschnitt, Blätter, Schmutz und andere angesammelte Abfälle.
- Wenn eine Blockade auftritt, halten Sie den Rasenmäher an und entfernen Sie den(die) Akku(s). Entfernen Sie dann alle Gras- und Laubansammlungen auf oder um die Antriebswelle und den Motorlüfter. Wischen Sie den Rasenmäher mit einem feuchten Tuch ab.

**⚠️ VORSICHT:** Versuchen Sie nicht, die Funktion der Ein-/Aus-Taste und des Auslöser für die Messerrotation zu umgehen.

**ANMERKUNG:** Der Motor kann nur gestartet werden, wenn der Griffbügel in einer der drei Betriebspositionen verriegelt ist.

### Zum Starten des Rasenmähers (Abb. M1 & M2)

1. Befestigen Sie den(die) Akku(s) am Rasenmäher und schließen Sie den Deckel des Akkufachs.
2. Drücken Sie die Ein-/Aus-Taste, um das Bedienfeld zu aktivieren. Die Mähstatusanzeige sowie die Messergeschwindigkeitsanzeige **1** leuchten daraufhin auf.
3. Drücken Sie den Messergeschwindigkeits-Wählschalter, um die gewünschte Geschwindigkeit auszuwählen.
4. Halten Sie die Ein-/Aus-Taste gedrückt.
5. Ziehen Sie bei gedrückter Ein-/Aus-Taste den Auslöser für die Messerrotation an den Griffbügelrichtung und lassen Sie die Ein-/Aus-Taste los.

### Zum Anhalten des Rasenmähers (Abb. M3)

1. Lassen Sie den Auslöser für die Messerrotation los.
2. Die elektrische Bremse des automatischen Bremsmechanismus stoppt die Drehbewegung des Messers innerhalb von **drei** Sekunden, nachdem der Auslöser für die Messerrotation losgelassen wurde.

### EIGENANTRIEB MIT VARIABLER GSCHWINDIGKEIT (Abb. N)

Der Rasenmäher ist mit Eigenantrieb und variabler Geschwindigkeit ausgestattet. Dieses Eigenantriebssystem ist unabhängig von der Messerrotation.

**ANMERKUNG:** Das Eigenantriebssystem kann nur gestartet werden, wenn der Griffbügel in einer der drei Betriebspositionen verriegelt ist.

### Um das Eigenantriebssystem ohne Messerrotation zu betreiben

1. Drücken Sie die Ein-/Aus-Taste, um das Bedienfeld zu

aktivieren.

2. Drehen Sie den Geschwindigkeitsregler für den Eigenantrieb leicht nach vorne, bis ein Klicken zu hören ist, und ziehen Sie dann den Ein-/Ausschalter für den Eigenantrieb an den Griffbügel, um die Eigenantriebsfunktion zu starten.

**Zum Abstellen des Eigenantriebs** lassen Sie den Ein-/Ausschalter für den Eigenantriebshebel wieder los.

#### LED-SCHEINWERFER (Abb. P)

Drücken Sie **zum Einschalten** den Scheinwerferschalter. Der Bereich vor dem Rasenmäher wird von dem Scheinwerfer hell ausgeleuchtet.

**Zum Ausschalten** drücken Sie die Taste erneut.

#### MÄHSTATUSANZEIGE

Die Mähstatusanzeige auf dem Bedienfeld zeigt den Betriebsstatus des Rasenmähers an.

Anzeige	Beschreibung	Bedeutung	Abhilfe
	Grünes Dauerlicht	Der Rasenmäher funktioniert einwandfrei.	Keine erforderlich.
	Grün blinkend	Der Griffbügel ist nicht in einer der Betriebspositionen verriegelt.	Den Rasenmäher ausschalten und prüfen, ob der Griffbügel in einer der Betriebsposition verriegelt ist.
	Rot blinkend	Niedrige Batterieladung.	Rasenmäher abstellen und den(die) Akku(s) aufladen.
	Orange leuchtend	Der Rasenmäher ist überhitzt.	Auslöser für die Messerrotation loslassen und warten, bis die Temperatur des Rasenmähers unter 80 °C sinkt. Siehe „ <b>RASENMÄHER-ÜBERHITZUNGSSCHUTZ</b> “ weiter unten.
	Orange blinkend	Der Rasenmäher ist überlastet.	<ol style="list-style-type: none"> <li>1. Akku(s) entnehmen. Dann prüfen, ob sich Gras unter dem Mähwerk angesammelt hat. Falls erforderlich, das Mähwerk reinigen.</li> <li>2. Langsamer mähen.</li> <li>3. Schnitthöhe vergrößern.</li> <li>4. Wenn die oben genannten Lösungen den Fehler nicht beheben, wenden Sie sich bitte an den EGO-Kundendienst.</li> </ol> Siehe „ <b>RASENMÄHER-ÜBERLASTUNGSSCHUTZ</b> “ weiter unten.
	Abwechselnd rot/grün blinkend	Rasenmäherelektronik-Fehler.	Wenden Sie sich an den EGO-Kundenservice.

#### RASENMÄHER-ÜBERHITZUNGSSCHUTZ

Ist die Rasenmähermotortemperatur während des Betriebs höher als 90 °C, schaltet der elektronische Überhitzungsschutz den Rasenmäher sofort ab, um Schäden durch überhöhte Temperaturen zu verhindern.

Die Mähstatusanzeige leuchtet dann dauerhaft orange. Lassen Sie den Auslöser für die Messerrotation los und warten Sie, bis der überhitzte Rasenmäher sich abgekühlt hat und die Statusanzeige grün leuchtet, starten Sie dann den Rasenmäher neu.

## RASENMÄHER-ÜBERLASTSCHUTZ

Um Überlastungen zu vermeiden, nicht zu viel Rasen auf einmal mähen. Mähen Sie langsamer oder vergrößern Sie die Schnitthöhe.

Ihr Rasenmäher besitzt einen integrierten Überlastschutz. Wenn der Rasenmäher überlastet ist, stellt sich der Motor ab und die Mähstatusanzeige auf dem Bedienfeld blinkt orange.

## WARTUNG

**⚠️ WARNUNG:** Um schwere Verletzungen zu vermeiden, schalten Sie den Rasenmäher immer aus, nehmen Sie den(die) Akku(s) heraus und stellen Sie sicher, dass alle beweglichen Teile zum Stillstand gekommen sind, bevor Sie den Rasenmäher reinigen, warten oder transportieren.

**⚠️ WARNUNG:** Um sicherzustellen, dass alle beweglichen Teile nach dem Anschlagen an einen Fremdkörper vollständig zum Stillstand gekommen sind und um die Maschine auf Schäden zu überprüfen und sie zu reparieren, bevor Sie sie erneut einschalten und in Betrieb setzen, schalten Sie die Maschine aus und nehmen Sie den Akku heraus.

**⚠️ WARNUNG:** Um sicherzustellen, dass alle beweglichen Teile vollständig zum Stillstand gekommen sind, falls die Maschine anfängt, ungewöhnlich zu vibrieren, und um sie sofort auf Schäden zu untersuchen, die beschädigten Teile auszutauschen oder zu reparieren und gelöste Teile zu prüfen und nachzuziehen, schalten Sie die Maschine aus und entfernen Sie den Akku.

**⚠️ WARNUNG:** Verwenden Sie für die Wartung nur baugleiche Ersatzteile. Die Verwendung anderer Teile kann Unfälle und Schäden am Gerät hervorrufen. Um die Sicherheit und Zuverlässigkeit zu gewährleisten, sollten alle Reparaturen nur von qualifizierten Servicetechnikern durchgeführt werden.

## REINIGEN DES RASENMÄHERS

Die Unterseite des Mähwerks sollte nach jedem Gebrauch gereinigt werden, da dort Schnittgut, Blätter, Schmutz und andere Ablagerungen anhaften.

Beseitigen Sie größere Mengen Grasschnitt und Blätter an oder um die Antriebswelle herum sowie am Motorlüfter. Wischen Sie den Rasenmäher mit einem feuchten Tuch ab.

## Reinigen des Lufterlasses (Abb. Q)

1. Entfernen Sie die Netzabdeckung des Lufterlasses, indem Sie die vier Schrauben entfernen.
2. Reinigen Sie die Innenseite des Lufterlasses und der Netzabdeckung mit Druckluft.

## MESSERWECHSEL (Abb. R1, R2, R3)

**⚠️ WARNUNG:** Entfernen Sie vor dem Reinigen immer den(die) Akku(s) und den Grasfangsack.

**⚠️ WARNUNG:** Tragen Sie immer Schutzhandschuhe.

**HINWEIS:** Reinigen Sie den Bereich der Antriebswelle und die Unterseite der Maschine gründlich, bevor Sie das Messer anbringen.

1. Drehen Sie den Rasenmäher um.
2. Entfernen/montieren Sie das Messer wie abgebildet mit einem Drehmomentschlüssel und zwei Metallstäben als Hilfsmittel.
3. Die bedruckte Messerseite nach außen.

## LAGERN DES RASENMÄHERS (Abb. S1 & S2)

1. Nehmen Sie den(die) Akku(s) aus dem Rasenmäher.
2. Leeren Sie den Grasfangsack und reinigen Sie den Rasenmäher.
3. Um Platz zu sparen, klappen Sie den Griffbügel ein und lagern Sie das Produkt wie abgebildet.

**HINWEIS:** Vergewissern Sie sich, dass das Griffbügelkabel nicht eingeklemmt wird, wenn Sie den Griffbügel ein- oder ausklappen (lassen Sie den Griffbügel nicht fallen).

4. Beim Verstauen keine anderen Gegenstände auf den Rasenmäher stellen.

**⚠️ WARNUNG:** Wenn der Rasenmäher aus der aufrechten Position umfällt, kann es zu Beschädigungen am Rasenmäher oder Verletzungen kommen. Achten Sie stets darauf, dass der Rasenmäher nicht umfallen kann und außer Reichweite von Kindern ist, wenn er aufrecht gelagert wird. Sofern möglich, lagern Sie ihn flach aufliegend.

**SCHUTZ DER UMWELT****DE**

Entsorgen Sie elektrische Geräte nicht als unsortierten Restmüll, nutzen Sie separate Sammelstellen.

Informationen über die vor Ort angebotenen Sammelstellen erteilt die zuständige Gemeindestelle.

Wenn elektrische Geräte auf Deponien oder Schutthalden entsorgt werden, können gefährliche Stoffe in das Grundwasser sickern und in die Nahrungskette gelangen. Dadurch werden Ihre Gesundheit und Ihr Wohlbefinden beeinträchtigt.

**DE STÖRUNGSBEHEBUNG**

PROBLEM	URSACHE	LÖSUNG
Der Rasenmäher oder der Eigenantrieb startet nicht.	<ul style="list-style-type: none"> <li>Der(die) Akku(s) ist(sind) entladen.</li> </ul>	<ul style="list-style-type: none"> <li>Den Akku aufladen.</li> </ul>
	<ul style="list-style-type: none"> <li>Der(die) Akku(s) ist(sind) nicht richtig ins Akkufach eingesetzt worden.</li> </ul>	<ul style="list-style-type: none"> <li>Den(die) Akku(s) in das Akkufach schieben, bis sie hörbar einrasten.</li> </ul>
	<ul style="list-style-type: none"> <li>Der Griffbügel ist nicht in einer Betriebsposition verriegelt und die Mähstatusanzeige blinkt grün.</li> </ul>	<ul style="list-style-type: none"> <li>Den Rasenmäher ausschalten und prüfen, ob der Griffbügel in einer der Betriebsposition verriegelt ist.</li> </ul>
	<ul style="list-style-type: none"> <li>Das Mähwerk ist mit Grasschnitt und Ablagerungen verstopft.</li> </ul>	<ul style="list-style-type: none"> <li>Das Mähwerk reinigen und sicherstellen, dass sich das Messer frei bewegen kann.</li> </ul>
Der Rasenmäher mäht ungleichmäßig.	<ul style="list-style-type: none"> <li>Das Messer ist stumpf.</li> </ul>	<ul style="list-style-type: none"> <li>Messer schärfen oder ersetzen.</li> </ul>
	<ul style="list-style-type: none"> <li>Die Schnitthöhe ist nicht korrekt eingestellt.</li> </ul>	<ul style="list-style-type: none"> <li>Mähdeckhöhe auf eine höhere Position einstellen.</li> </ul>
	<ul style="list-style-type: none"> <li>Das Messer ist falsch installiert.</li> </ul>	<ul style="list-style-type: none"> <li>Das Messer wieder einsetzen und dabei den Anweisungen im Abschnitt „<b>MESSERWECHSEL</b>“ in dieser Anleitung folgen.</li> </ul>
	<ul style="list-style-type: none"> <li>Der Messergeschwindigkeitsmodus ist nicht richtig eingestellt.</li> </ul>	<ul style="list-style-type: none"> <li>Einen geeigneten Modus für die Messergeschwindigkeit wählen.</li> </ul>
Der Rasenmäher mulcht nicht richtig.	<ul style="list-style-type: none"> <li>An der Unterseite des Mähwerks haftet feuchtes Schnittgut.</li> </ul>	<ul style="list-style-type: none"> <li>Mit dem Mähen warten, bis der Rasen trocken ist.</li> </ul>
	<ul style="list-style-type: none"> <li>Der Rasenmäher ist so eingestellt, dass er eine zu große Menge Gras auf einmal mäht.</li> </ul>	<ul style="list-style-type: none"> <li>Das Mähwerk auf eine größere Schnitthöhe einstellen.</li> </ul>
	<ul style="list-style-type: none"> <li>Der Messergeschwindigkeitsmodus ist nicht richtig eingestellt.</li> </ul>	<ul style="list-style-type: none"> <li>Modus 1 oder den ECO-Messergeschwindigkeitsmodus wählen.</li> </ul>



Der Rasenmäher bleibt während des Mähens unerwartet stehen.	<ul style="list-style-type: none"> <li>Der(die) Akku(s) ist(sind) entladen.</li> </ul>	<ul style="list-style-type: none"> <li>Den Akku aufladen.</li> </ul>
	<ul style="list-style-type: none"> <li>Der Rasenmäher ist überlastet und die Mähstatusanzeige blinkt orange.</li> </ul>	<ul style="list-style-type: none"> <li>Prüfen, ob sich unter dem Mähdeck Gras angesammelt hat, und gegebenenfalls entfernen. Schnitthöhe vergrößern oder langsamer mähen.</li> </ul>
	<ul style="list-style-type: none"> <li>Das Mähwerk wird durch Grasschnitt und Ablagerungen blockiert.</li> </ul>	<ul style="list-style-type: none"> <li>Verstopfung am Mähwerk beseitigen. Eine größere Schnitthöhe einstellen und/oder einen schmaleren Streifen mähen.</li> </ul>
	<ul style="list-style-type: none"> <li>Der(die) Akku(s) oder die Rasenmäher-Schaltkreis ist(sind) zu heiß. Wenn der Akku überhitzt ist, erlischt die Mähstatusanzeige. Wenn der Rasenmäher überhitzt ist, leuchtet die Mähstatusanzeige dauerhaft orange.</li> </ul>	<ul style="list-style-type: none"> <li>Den(die) Akku(s) oder den Rasenmäher abkühlen lassen.</li> </ul>
		<ul style="list-style-type: none"> <li>Luft einlassen wie im Abschnitt „Reinigen des Lufteinlasses“ beschrieben reinigen.</li> </ul>
	<ul style="list-style-type: none"> <li>Der Messergeschwindigkeitsmodus ist nicht richtig eingestellt.</li> </ul>	<ul style="list-style-type: none"> <li>Messergeschwindigkeit auf eine niedrigere Stufe einstellen.</li> </ul>
	<ul style="list-style-type: none"> <li>Der Rasenmäherelektronik-Fehler und die Mähstatusanzeige blinken abwechselnd rot/grün.</li> </ul>	<ul style="list-style-type: none"> <li>Wenden Sie sich an den EGO-Kundenservice.</li> </ul>
Das Gerät vibriert extrem.	<ul style="list-style-type: none"> <li>Das Messer hat sich gelockert.</li> </ul>	<ul style="list-style-type: none"> <li>Die Schraube am Messer anziehen.</li> </ul>
	<ul style="list-style-type: none"> <li>Das Messer hat eine Unwucht.</li> </ul>	<ul style="list-style-type: none"> <li>Wenden Sie sich an das EGO Service Center.</li> </ul>
	<ul style="list-style-type: none"> <li>Das Messer ist verbogen.</li> </ul>	<ul style="list-style-type: none"> <li>Der Messer ersetzen.</li> </ul>
	<ul style="list-style-type: none"> <li>Die Motorwelle ist verbogen.</li> </ul>	<ul style="list-style-type: none"> <li>Wenden Sie sich an das EGO Service Center.</li> </ul>
	<ul style="list-style-type: none"> <li>Der Rasenmäher ist so eingestellt, dass er eine zu große Menge Gras auf einmal mäht.</li> </ul>	<ul style="list-style-type: none"> <li>Das Mähwerk auf eine größere Schnitthöhe einstellen.</li> </ul>
	<ul style="list-style-type: none"> <li>Der Messergeschwindigkeitsmodus ist nicht richtig eingestellt.</li> </ul>	<ul style="list-style-type: none"> <li>Die Messergeschwindigkeit auf eine niedrigere Stufe einstellen.</li> </ul>
Der Motor rotiert, aber das Messer schneidet das Gras nicht.	<ul style="list-style-type: none"> <li>Das Messer wurde nicht mit dem erforderlichen Drehmoment angezogen.</li> </ul>	<ul style="list-style-type: none"> <li>Das Messer fest anziehen. Das empfohlene Drehmoment für die Messerschraube liegt bei 50 bis 60 Nm.</li> </ul>

## GARANTIE

### EGO-GARANTIEBEDINGUNGEN

Sämtliche EGO-Garantiebedingungen finden Sie auf der Website [egopowerplus.eu](http://egopowerplus.eu).

## LISEZ TOUTES LES INSTRUCTIONS !

**FR**

**Domaine d'utilisation :** Le produit est destiné à la tonte manuelle du gazon :

- Utilisez uniquement pour tondre l'herbe sèche. Ne tondez pas l'herbe mouillée.
- Ne l'utilisez à aucune autre fin.

**⚠ AVERTISSEMENT :** Assurez-vous de lire et de comprendre toutes les consignes de sécurité de ce manuel d'utilisation, y compris les symboles d'alerte de sécurité tels que « **DANGER** », « **AVERTISSEMENT** » et « **ATTENTION** » avant d'utiliser cette machine. Le non-respect de toutes les instructions énumérées ci-dessous peut conduire à un choc électrique, un incendie et/ou des blessures graves.

## SYMBOLES DE SÉCURITÉ



Alerte de sécurité



Toujours porter une protection auditive, un masque de protection ou des lunettes de protection avec boucliers latéraux et un masque intégral lors de l'utilisation de ce produit.



Attention à la projection d'objets - garder les autres personnes éloignées.



Tenir les mains à l'écart



Niveau de puissance acoustique garanti.



Ce produit est conforme à la législation britannique applicable.



Bluetooth®

IPX5

Protection contre les jets d'eau

mm

Millimètre



Courant continu



Pour réduire le risque de blessures, l'utilisateur doit lire et comprendre le manuel d'utilisation avant d'utiliser ce produit.



Éteindre l'outil et retirer le bloc de batterie amovible (ou le dispositif coupe-circuit) avant d'effectuer un réglage ou un nettoyage.



Tenir les mains et les pieds à l'écart des lames



Ne pas fixer les phares en fonctionnement.



Ce produit est conforme aux directives CE applicables.



Les produits électriques usagés ne doivent pas être jetés avec les ordures ménagères. Les apporter dans un centre de recyclage agréé.

V

Volts

cm

Centimètre

kg

Kilogramme

## SPÉCIFICATIONS

Tension	56 V	
Mode de vitesse de la lame	2	
	1	
	ECO	
Positions de hauteur de coupe	8	
Réglage de la hauteur de coupe	20 mm/31 mm/40 mm/ 51 mm/ 64 mm/78 mm/ 92 mm/105 mm	
Largeur de coupe	53 cm	
Capacité du bac de ramassage	85 L	
Poids de la tondeuse (sans le bloc de batterie ni le bac de ramassage)	46 kg	
Modèle de lame	AB5301	
Température d'utilisation recommandée	0°C–40°C	
Température de rangement recommandée	-20°C–70°C	
Niveau de puissance acoustique mesuré $L_{WA}$	94 dB(A) K=0,6 dB(A)	
Niveau de pression acoustique au niveau des oreilles de l'opérateur $L_{TA}$	83 dB(A) K= 3 dB(A)	
Niveau de puissance acoustique garanti $L_{WA}$ (conformément à la norme 2000/14/CE)	95 dB(A)	
Niveau de vibration $a_h$ :	Poignée gauche	0,39 m/s <sup>2</sup> K=1,5 m/s <sup>2</sup>
	Poignée droite	0,33 m/s <sup>2</sup> K=1,5 m/s <sup>2</sup>

- La valeur totale des vibrations indiquée a été mesurée selon une procédure conforme à une méthode de test standardisée et peut servir pour comparer différentes machines.
- La valeur totale des vibrations déclarée peut également servir pour effectuer une évaluation préliminaire de l'exposition.

**REMARQUE :** Le niveau de vibrations lors de l'utilisation réelle de la machine peut être différent de la valeur déclarée totale en fonction de la manière dont la machine est utilisée ; Afin de protéger l'opérateur, l'utilisateur

doit porter des gants et des protections auditives en conditions réelles d'utilisation.

## CONTENU DE L'EMBALLAGE (FIG. A1 & A2)

NOM DES PIÈCES	QUANTITÉ
Tondeuse à gazon	1
Bac de ramassage	1
Cadre du bac de ramassage	1
Écrou à oreilles (installé en usine sur la tondeuse)	2
Manuel d'utilisation	1

## DESCRIPTION

### DESCRIPTION DE VOTRE TONDEUSE (Fig. A1 & A2)

- Gâchette d'autopropulsion
  - Poignée
  - Gâchette de rotation de la lame
  - Défecteur d'éjection arrière
  - Manette de blocage
  - Couvercle du compartiment de la batterie
  - Phares LED
  - Pare-chocs central (poignée de levage)
  - Pare-choc avant
  - Levier de réglage de la hauteur de coupe à l'avant
  - Roue avant
  - Plateau de la tondeuse
  - Bouclier latéral
  - Arrivée d'air
  - Roue arrière
  - Levier de réglage de la hauteur de coupe à l'arrière
  - Écrou à oreilles
  - Plaque de fixation du guidon
  - Patte
  - Bac de ramassage
  - Bouclier arrière
  - Insert pour mulching
  - Goulotte d'éjection latérale
  - Indicateur Bluetooth®
  - Tableau de bord
  - Indicateur de fonctionnement de la tondeuse
  - Indicateur de vitesse de lame
  - Bouton de mode de vitesse de la lame
  - Bouton de mise en marche
  - Bouton de phares LED (bouton Bluetooth®)
  - Molette de réglage de la vitesse d'autopropulsion
- \* VENDU SÉPARÉMENT

FR

## ASSEMBLAGE

**⚠ AVERTISSEMENT :** Si une ou plusieurs pièces sont manquantes ou endommagées, n'utilisez pas cet outil tant que toutes les pièces n'ont pas été remplacées. Utilisez cet outil avec des pièces endommagées ou manquantes peut provoquer des blessures corporelles graves.

**⚠ AVERTISSEMENT :** Pour éviter un démarrage accidentel pouvant provoquer des blessures graves, retirez toujours le(s) bloc(s) de batterie(s) de la machine avant d'assembler des pièces.

**⚠ AVERTISSEMENT :** N'essayez pas de modifier cette machine ni de créer des accessoires non recommandés pour une utilisation avec cette tondeuse. Toute altération ou modification de ce type constitue un usage inapproprié et peut entraîner une situation dangereuse susceptible de causer des blessures graves.

### DÉBALLAGE

Ce produit doit être assemblé.

- Retirez tous les accessoires du carton.

**⚠ ATTENTION :** Objet lourd. Deux personnes sont nécessaires pour soulever la tondeuse.

- Une personne doit saisir la poignée de levage/pare-choc central et l'autre personne doit saisir deux écrous à oreilles pour enlever soigneusement la tondeuse du carton.

### INSTALLATION DU GUIDON

La tondeuse à gazon est expédiée avec le guidon partiellement assemblé.

**⚠ AVERTISSEMENT :** N'essayez pas de démarrer la tondeuse à gazon tant que le guidon n'est pas correctement et solidement installé et déplié. Soyez prudent pour éviter de pincer vos doigts et le câble entre les pièces.

- Dévissez et mettez de côté les deux écrous à oreilles.
- Déplacez le guidon vers l'avant jusqu'à ce que la manette de blocage du guidon soit face à l'engrenage de la tondeuse (Fig. B1).
- Alignez les marques sur la manette de blocage et la plaque de fixation du guidon comme indiqué sur la Fig. B2, puis insérez et serrez à la main les deux écrous à oreilles.

### DÉPLIAGE ET RÉGLAGE DU GUIDON (Fig. C)

**⚠ AVERTISSEMENT :** Assurez-vous de ne pas pincer,

plier ou tirer le câble lorsque vous pliez ou dépliez le guidon. Endommager le câble pourrait avoir un impact sur le démarrage et le fonctionnement de la tondeuse à gazon et entraîner des conditions de fonctionnement dangereuses.

**⚠ AVERTISSEMENT :** N'essayez pas de démarrer la tondeuse et le système d'autopropulsion tant que son guidon n'est pas verrouillé dans l'une des trois positions d'utilisation prédéfinies (position d'utilisation haute **3**, position d'utilisation médiane **2**, et position d'utilisation basse **1**).

- Desserrez les écrous à oreilles des deux côtés, assurez-vous que les deux engrenages sont complètement desserrés mais PAS séparés.
- Tournez le guidon vers le haut jusqu'à ce que la flèche située sur la manette de blocage soit alignée avec l'une des trois positions de fonctionnement sur la plaque de fixation du guidon.
- Serrez les deux écrous, assurez-vous que les deux engrenages sont complètement engagés et que le guidon est solidement fixé.

C-1	Position d'utilisation basse 1
C-2	Position d'utilisation médiane 2
C-3	Position d'utilisation haute 3

### PLIAGE DU GUIDON (Fig. D)

**⚠ AVERTISSEMENT :** Assurez-vous de ne pas pincer, plier ou tirer le câble lorsque vous pliez ou dépliez le guidon. Endommager le câble pourrait avoir un impact sur le démarrage et le fonctionnement de la tondeuse à gazon et entraîner des conditions de fonctionnement dangereuses.

- Desserrez les écrous à oreilles des deux côtés, assurez-vous que les deux engrenages sont complètement desserrés mais PAS séparés.
- Tournez le guidon vers le bas jusqu'à ce qu'il soit en position de rangement.
- Alignez la flèche située sur la manette de blocage avec la marque de position de rangement située sur la plaque de fixation du guidon.
- Serrez les deux écrous à oreilles, assurez-vous que les deux engrenages sont complètement engagés et que le guidon est solidement fixé.

D-1	Position de rangement
-----	-----------------------

### ASSEMBLAGE DU BAC DE RAMASSAGE

(Fig. E1, E2, E3)

Vérifiez le bac de ramassage avant de l'assembler pour vous assurer qu'il n'est pas endommagé.

Assemblez le bac de ramassage comme illustré.

### INSTALLATION/RETRAIT DE L'INSERT POUR MULCHING

Installez l'insert pour mulching dans la tondeuse comme indiqué sur la Fig. F.

**⚠ DANGER : La machine peut projeter de l'herbe coupée et d'autres objets à travers une ouverture dans le carter de la machine. Les objets lancés avec suffisamment de force pourraient causer des blessures graves, voire la mort, à vous-même ou à des personnes se trouvant à proximité.**

N'utilisez jamais la tondeuse sans que l'insert pour mulching, le bac de ramassage ou la goulotte d'éjection latérale ne soient correctement installés.

**⚠ AVERTISSEMENT :** L'insert pour mulching doit être retiré lors de l'installation du bac de ramassage ou de la goulotte d'éjection latérale. L'insert pour mulching doit être réinstallé lorsque le bac de ramassage (ou la goulotte d'éjection latérale) est retiré.

### INSTALLATION/RETRAIT DU BAC DE RAMASSAGE

Installez le bac de ramassage dans la tondeuse comme indiqué sur la Fig. G.

**⚠ AVERTISSEMENT :** Dans des conditions d'utilisation normales, le matériau du bac s'use. Pour réduire le risque de blessure, vérifiez fréquemment l'assemblage du bac de ramassage et remplacez-le s'il présente des signes d'usure ou de détérioration. Utilisez seulement des bacs de ramassage fabriqués pour cette tondeuse.

**⚠ AVERTISSEMENT :** Le bac de ramassage doit être retiré afin d'installer et d'utiliser la goulotte d'éjection latérale ou l'insert pour mulching.

### INSTALLATION/RETRAIT DE LA GOULOTTE D'ÉJECTION LATÉRALE

Installez la goulotte d'éjection latérale dans la tondeuse comme indiqué sur la Fig. H.

**⚠ AVERTISSEMENT :** La goulotte d'éjection latérale doit être retirée pour pouvoir installer et utiliser le bac de ramassage ou l'insert pour mulching.

### RÉGLAGE DE LA HAUTEUR DE COUPE (Fig. J1 et J2)

**⚠ AVERTISSEMENT :** Tenez vos pieds éloignés du plateau lorsque vous réglez la hauteur de coupe.

La tondeuse peut être réglée sur 8 hauteurs de coupe différentes entre 20 mm et 105 mm. Un marquage indique la hauteur de coupe sélectionnée.

Cette tondeuse permet de régler individuellement la hauteur de coupe à l'avant et à l'arrière de la tondeuse. Réglez la hauteur de coupe appropriée en fonction du type et de l'état de votre gazon.

1. Éteignez la tondeuse à gazon et attendez que la lame de coupe s'arrête complètement.
2. Retirez le(s) bloc(s) de batterie(s).
3. Tirez le levier de réglage de la hauteur de coupe à l'avant ou à l'arrière hors du cran et réglez-le sur la position souhaitée.

### INSERTION/RETRAIT DES BLOCS DE BATTERIES (Fig. K)

**REMARQUE :** Rechargez le bloc de batterie avant la première utilisation.

Utilisez uniquement les blocs de batteries et les chargeurs listés en Fig. A3.

**REMARQUE :** La tondeuse dispose de deux ports de batterie actifs. Il peut fonctionner avec un ou deux blocs de batteries.

#### ■ Insertion

1. Ouvrez le couvercle du compartiment à batterie et poussez le bloc de batterie dans le compartiment à batterie jusqu'à ce que vous entendiez un « clic ».
2. Répétez le processus pour installer le deuxième bloc de batterie.

#### ■ Retrait

Appuyez sur le bouton de déverrouillage de la batterie dans le compartiment de la batterie.

**REMARQUE :** Avant d'utiliser la tondeuse, assurez-vous que le verrou de la tondeuse est enclenché et que le(s) bloc(s) de batterie(s) est(sont) bien fixé(s).

### SÉLECTION DU MODE DE VITESSE DE LA LAME (Fig. L)

- Le mode 2 est un mode de vitesse de la lame élevée pour des performances de levage élevées afin d'améliorer la force d'aspiration et les performances de coupe.
- Le mode 1 est le meilleur équilibre entre performances et temps de fonctionnement.

- Le mode **ECO** offre le niveau de bruit le plus bas et le temps de fonctionnement de votre (vos) bloc(s) de batterie(s) le plus long.

**REMARQUE :** Le mode de vitesse de la lame par défaut est le mode 1.

## TECHNOLOGIE DE LA COMMUNICATION

Pour plus d'informations sur notre gamme complète de produits et services connectés, y compris les instructions de connexion, veuillez scanner le code QR ci-dessous ou consultez [www.egopowerplus.eu/connect](http://www.egopowerplus.eu/connect).



## UTILISATION

Ce produit peut être utilisé sous la pluie.

### MISE EN MARCHÉ/ARRÊT DE LA TONDEUSE

**⚠ AVERTISSEMENT :** Pendant l'utilisation d'une tondeuse à gazon, des objets étrangers peuvent être projetés dans vos yeux ou dans les yeux d'autres personnes et provoquer des blessures oculaires graves. Portez toujours des lunettes de protection lorsque vous utilisez la tondeuse, ainsi que lors d'un réglage ou d'une réparation.

**⚠ AVERTISSEMENT :** La lame continuera à tourner pendant quelques secondes après l'arrêt de la tondeuse. Attendez que le moteur/la lame cessent de tourner avant de remettre la tondeuse en marche. N'arrêtez et ne redémarrez pas rapidement la tondeuse.

**⚠ AVERTISSEMENT :** Arrêtez la lame si la tondeuse doit être inclinée ou transportée sur des surfaces autres que de l'herbe et lors du transport de la tondeuse vers et depuis la zone à tondre.

**⚠ AVERTISSEMENT :** N'inclinez pas la tondeuse lors de la mise en marche du moteur, sauf si la tondeuse doit être inclinée pour le démarrage. Dans ce cas, ne l'inclinez pas plus que nécessaire et soulevez uniquement la partie la plus éloignée de l'opérateur.

Avant de l'utiliser, vérifiez toujours visuellement que la lame et le boulon de la lame ne sont pas usés ou endommagés. Afin de préserver l'équilibre de la tondeuse, changez toujours la lame et le boulon en même temps.

### Vérifiez que la lame de coupe n'est pas bloquée

- Pour éviter tout blocage, gardez la lame de coupe et le plateau de la tondeuse propres. Enlevez l'herbe coupée, les feuilles, la saleté et tout autre débris accumulé avant et après chaque utilisation.
- En cas de blocage, arrêtez la tondeuse et retirez le(s) bloc(s) de batterie(s), puis enlevez tous les amas d'herbe et de feuilles sur ou autour de l'arbre d'entraînement et du ventilateur du moteur. Essayez la tondeuse avec un chiffon humide pour la nettoyer.

**⚠ ATTENTION :** N'essayez pas de passer outre le fonctionnement du bouton de mise en marche et de la gâchette de rotation de la lame.

**REMARQUE :** Le moteur ne peut démarrer que si le guidon est verrouillé dans l'une des trois positions de fonctionnement.

### Pour démarrer la tondeuse (Fig. M1 & M2)

1. Installez le(s) bloc(s) de batterie dans la tondeuse et fermez le couvercle du compartiment de la batterie.
2. Appuyez sur le bouton de mise en marche pour éclairer le tableau de bord et l'indicateur de fonctionnement de la tondeuse ainsi que l'indicateur de vitesse de lame 1 s'allumeront.
3. Appuyez sur le bouton du mode de vitesse de la lame pour sélectionner la vitesse souhaitée.
4. Appuyez et maintenez le bouton de mise en marche.
5. Avec le bouton de mise en marche enfoncé, tirez la gâchette de rotation de la lame jusqu'à atteindre le guidon, puis relâchez le bouton de mise en marche.

### Pour arrêter la tondeuse (Fig. M3)

1. Relâchez complètement la gâchette de rotation de la lame.
2. Le frein électrique dans le mécanisme de freinage automatique arrête la rotation de la lame dans les 3 secondes après le relâchement de la gâchette de rotation de la lame.

### SYSTÈME D'AUTOPROPULSION À VITESSE VARIABLE (Fig. N)

La tondeuse est pourvue d'un système d'autopropulsion à vitesse variable. Ce système d'autopropulsion est indépendant de la rotation de la lame.

**REMARQUE :** Le système d'autopropulsion ne peut démarrer que si le guidon est verrouillé dans l'une des trois positions de fonctionnement.

**Pour faire fonctionner le système d'autopropulsion sans rotation de la lame**

1. Appuyez sur le bouton de mise en marche pour éclairer le tableau de bord.
2. Tournez légèrement le bouton de commande de la vitesse d'autopropulsion vers l'avant jusqu'à ce qu'un clic se fasse entendre, puis tirez la gâchette d'autopropulsion jusqu'au guidon afin d'activer la fonction d'autopropulsion.

Pour la désactiver, relâchez la gâchette d'autopropulsion.

**PHARES LED (Fig. P)**

**Pour allumer les phares**, appuyez sur le bouton des phares. Les phares éclairent l'avant de la tondeuse.

**Pour éteindre les phares**, réappuyez sur ce bouton.

**Indicateur de fonctionnement de la tondeuse**

L'indicateur de fonctionnement de la tondeuse sur le tableau de bord affiche l'état de fonctionnement de la tondeuse.

**FR**

Indicateur	Description	Signification	Action
	S'allume en vert	La tondeuse fonctionne correctement.	Aucune action requise.
	Clignote en vert	Le guidon n'est pas verrouillé dans l'une des positions de fonctionnement.	Éteignez la tondeuse et veillez à ce que le guidon soit verrouillé dans l'une des positions de fonctionnement.
	Clignote en rouge	Charge de batterie faible.	Éteignez la tondeuse et rechargez le(s) bloc(s) de batterie(s).
	S'allume en orange	La tondeuse est surchauffée.	Relâchez la gâchette de rotation de la lame, attendez que la température de la tondeuse descende en dessous de 80 °C. Voir « <b>PROTECTION CONTRE LA SURCHAUFFE DE LA TONDEUSE</b> » ci-dessous.
	Clignote en orange	La tondeuse est en surcharge.	<ol style="list-style-type: none"> <li>1. Retirez le(s) bloc(s) de batterie(s), puis vérifiez si de l'herbe s'est accumulée sous le plateau. Nettoyez si nécessaire.</li> <li>2. Ralentissez votre cadence de coupe.</li> <li>3. Augmentez la hauteur de coupe.</li> <li>4. Si les solutions ci-dessus ne fonctionnent pas, veuillez contacter le Service Client EGO.</li> </ol> <p>Voir « <b>PROTECTION CONTRE LES SURCHARGES DE LA TONDEUSE</b> » ci-dessous.</p>
	Clignote alternativement en rouge/vert	Autre erreur électronique.	Contactez le Service Client EGO.

## PROTECTION CONTRE LA SURCHAUFFE DE LA TONDEUSE

Si la température de la machine dépasse 90 °C pendant le fonctionnement, le circuit de protection de la température arrête immédiatement la tondeuse pour la protéger contre les dommages liés à une surchauffe.

L'indicateur de fonctionnement de la tondeuse s'allume en orange. Relâchez la gâchette de rotation de la lame et attendez que la tondeuse en surchauffe refroidisse et que l'indicateur de fonctionnement devienne vert, puis redémarrez la tondeuse.

## PROTECTION CONTRE LES SURCHARGES DE LA TONDEUSE

Pour éviter les surcharges, n'essayez pas de couper trop d'herbe en même temps. Diminuez votre cadence ou augmentez la hauteur de coupe.

Votre tondeuse est équipé d'un dispositif de protection intégré contre les surcharges. Si la tondeuse est en surcharge, son moteur s'arrête et son indicateur de fonctionnement clignote en orange.

## ENTRETIEN

**⚠ AVERTISSEMENT :** Pour éviter des blessures graves, éteignez toujours la tondeuse, retirez le(s) bloc(s) de batterie(s) et assurez-vous que toutes les pièces mobiles sont complètement à l'arrêt. avant de toute opération de nettoyage, d'entretien ou avant de transporter la tondeuse.

**⚠ AVERTISSEMENT :** Arrêtez la machine et retirez le(s) bloc(s) de batterie(s) pour vous assurer que toutes les pièces mobiles sont complètement à l'arrêt après avoir heurté un objet étranger, ainsi que pour vérifier que la machine n'est pas endommagée et effectuer les réparations nécessaires avant de la redémarrer et de l'utiliser.

**⚠ AVERTISSEMENT :** Arrêtez la machine et retirez le(s) bloc(s) de batterie(s) pour vous assurer que toutes les pièces mobiles se sont complètement arrêtées, si la machine commence à vibrer de manière anormale, vérifiez immédiatement si elle est endommagée, remplacez ou réparez les pièces endommagées et vérifiez et resserrez les pièces desserrées.

**⚠ AVERTISSEMENT :** La machine ne doit être réparée qu'avec des pièces de rechange identiques. L'utilisation de toute autre pièce peut présenter un danger ou détériorer le produit. Pour garantir la sécurité et la fiabilité, toutes les réparations doivent être effectuées par un réparateur qualifié.

## NETTOYAGE DE LA TONDEUSE

Le dessous du plateau de la tondeuse doit être nettoyé après chaque utilisation, car les herbes coupées, les feuilles, la saleté et les autres débris s'y accumulent.

Enlevez les feuilles et les herbes accumulées sur et autour de l'arbre d'entraînement et du ventilateur du moteur. Essuyez la tondeuse avec un chiffon humide pour la nettoyer.

### Nettoyage de l'entrée d'air (Fig. 0)

1. Retirez le couvercle du filet d'entrée d'air en retirant les quatre vis.
2. Nettoyez l'intérieur de l'entrée d'air et le couvercle du filet avec de l'air comprimé.

### REPLACEMENT DE LA LAME (Fig. R1, R2, R3)

**⚠ AVERTISSEMENT :** Retirez toujours le(s) bloc(s) de batterie(s) et le bac de ramassage.

**⚠ AVERTISSEMENT :** Portez toujours des gants de protection

**REMARQUE :** Nettoyez soigneusement la zone de l'arbre d'entraînement et le dessous de la machine avant d'installer la lame.

1. Retournez la tondeuse
2. Démontez/montez la lame de coupe à l'aide d'une clé dynamométrique et de deux tiges métalliques, comme indiqué sur l'image.
3. Le côté imprimé de la lame doit être orienté vers l'extérieur.

### RANGEMENT DE LA TONDEUSE (Fig. S1 & S2)

1. Retirez le(s) bloc(s) de batterie(s) de la tondeuse.
2. Videz le bac de ramassage et nettoyez la tondeuse.
3. Pour économiser un espace de rangement substantiel, pliez le guidon du produit et rangez le produit comme illustré.

**REMARQUE :** Assurez-vous que le câble du guidon n'est pas coincé lors du pliage/dépliage du guidon du produit (ne laissez pas tomber le guidon).

4. Ne placez pas d'autres objets sur la tondeuse lorsqu'elle est rangée

**⚠ AVERTISSEMENT :** Si la tondeuse se renverse à partir de la position verticale, cela pourrait l'endommager ou causer des blessures. Assurez-vous que la tondeuse est toujours stable et hors de portée des enfants lorsqu'elle est en position verticale. Si possible, rangez-la à plat à l'horizontale.



### PROTECTION DE L'ENVIRONNEMENT



Ne jetez pas les appareils électriques avec les déchets ménagers non triés, déposez-les dans des centres de collecte spécifiques.

Contactez votre mairie pour en savoir plus sur les systèmes de collecte disponibles.

Si les appareils électriques sont jetés dans des décharges ou des dépôts d'ordures, des substances dangereuses peuvent se répandre dans la nappe phréatique et rentrer dans la chaîne alimentaire, ce qui est néfaste pour votre santé et votre bien-être.

FR

## GUIDE DE DÉPANNAGE

**FR**

PROBLÈME	CAUSE	SOLUTION
La tondeuse ou la fonction d'autopropulsion ne démarre pas.	<ul style="list-style-type: none"> <li>Le(s) bloc(s) de batterie(s) est(sont) déchargé(s).</li> </ul>	<ul style="list-style-type: none"> <li>Rechargez le bloc de batterie.</li> </ul>
	<ul style="list-style-type: none"> <li>Le(s) bloc(s) de batterie(s) n'est(ne sont) pas correctement inséré(s) dans le compartiment de la batterie.</li> </ul>	<ul style="list-style-type: none"> <li>Insérez le(s) bloc(s) de batterie(s) dans le compartiment de la batterie jusqu'à entendre un « clic ».</li> </ul>
	<ul style="list-style-type: none"> <li>Le guidon n'est pas verrouillé dans une position de fonctionnement et l'indicateur de fonctionnement de la tondeuse clignote en vert.</li> </ul>	<ul style="list-style-type: none"> <li>Éteignez la tondeuse et veillez à ce que le guidon soit verrouillé dans l'une des positions de fonctionnement.</li> </ul>
	<ul style="list-style-type: none"> <li>Le plateau de coupe de la tondeuse est encrassé d'herbes et de débris.</li> </ul>	<ul style="list-style-type: none"> <li>Nettoyez le plateau de la tondeuse et assurez-vous que la lame peut bouger librement.</li> </ul>
La tondeuse coupe de façon inégale.	<ul style="list-style-type: none"> <li>La lame est émoussée.</li> </ul>	<ul style="list-style-type: none"> <li>Affûtez ou remplacez la lame.</li> </ul>
	<ul style="list-style-type: none"> <li>La hauteur de coupe n'est pas réglée correctement.</li> </ul>	<ul style="list-style-type: none"> <li>Déplacez la hauteur du plateau sur un réglage plus élevé.</li> </ul>
	<ul style="list-style-type: none"> <li>La lame est mal installée.</li> </ul>	<ul style="list-style-type: none"> <li>Réinstallez la lame en suivant la section « <b>REPLACEMENT DE LA LAME</b> » de ce manuel.</li> </ul>
	<ul style="list-style-type: none"> <li>Le mode de vitesse de la lame n'est pas réglé correctement.</li> </ul>	<ul style="list-style-type: none"> <li>Sélectionnez un mode de vitesse de la lame approprié.</li> </ul>
La tondeuse ne déchiquette pas correctement.	<ul style="list-style-type: none"> <li>Des brins d'herbe mouillés sont collés sous le plateau de coupe.</li> </ul>	<ul style="list-style-type: none"> <li>Attendez que l'herbe sèche avant de la tondre.</li> </ul>
	<ul style="list-style-type: none"> <li>La tondeuse est réglée pour couper trop d'herbe en une fois.</li> </ul>	<ul style="list-style-type: none"> <li>Augmentez la hauteur de coupe du plateau.</li> </ul>
	<ul style="list-style-type: none"> <li>Le mode de vitesse de la lame n'est pas réglé correctement.</li> </ul>	<ul style="list-style-type: none"> <li>Sélectionnez le mode de vitesse de la lame 1 ou ECO.</li> </ul>

La tondeuse s'arrête inopinément pendant la tonte.	<ul style="list-style-type: none"> <li>Le(s) bloc(s) de batterie(s) est(sont) déchargé(s).</li> </ul>	<ul style="list-style-type: none"> <li>Rechargez le bloc de batterie.</li> </ul>
	<ul style="list-style-type: none"> <li>La tondeuse est surchargée et l'indicateur de fonctionnement de la tondeuse clignote en orange.</li> </ul>	<ul style="list-style-type: none"> <li>Vérifiez si de l'herbe s'est accumulée sous le plateau et nettoyez si nécessaire. Augmentez la hauteur de coupe ou ralentissez le rythme de tonte.</li> </ul>
	<ul style="list-style-type: none"> <li>Le plateau de la tondeuse est encrassé d'herbes et de débris.</li> </ul>	<ul style="list-style-type: none"> <li>Désencrassez le plateau de la tondeuse. Relevez la hauteur de coupe et/ou coupez une bande plus étroite.</li> </ul>
	<ul style="list-style-type: none"> <li>Le(s) bloc(s) de batterie(s) ou les circuits de la tondeuse sont trop chauds. Si le bloc de batterie est en surchauffe, l'indicateur de fonctionnement de la tondeuse s'éteint. Si la tondeuse est en surchauffe, l'indicateur de fonctionnement de la tondeuse s'allume en orange.</li> </ul>	<ul style="list-style-type: none"> <li>Laissez le(s) bloc(s) de batterie ou la tondeuse refroidir.</li> <li>Nettoyer l'entrée d'air en suivant la section « <b>Nettoyage de l'entrée d'air</b> »</li> </ul>
	<ul style="list-style-type: none"> <li>Le mode de vitesse de la lame n'est pas réglé correctement.</li> </ul>	<ul style="list-style-type: none"> <li>Réglez la vitesse de la lame sur un réglage inférieur.</li> </ul>
	<ul style="list-style-type: none"> <li>Le voyant d'erreur électronique de la tondeuse et l'indicateur de fonctionnement de la tondeuse clignotent alternativement en rouge/vert.</li> </ul>	<ul style="list-style-type: none"> <li>Contactez le Service Client EGO.</li> </ul>
Il y a des vibrations excessives.	<ul style="list-style-type: none"> <li>La lame de coupe n'est pas bien serrée.</li> </ul>	<ul style="list-style-type: none"> <li>Serrez le boulon de la lame.</li> </ul>
	<ul style="list-style-type: none"> <li>La lame de coupe est déséquilibrée.</li> </ul>	<ul style="list-style-type: none"> <li>Contactez le centre de service EGO.</li> </ul>
	<ul style="list-style-type: none"> <li>La lame de coupe est tordue.</li> </ul>	<ul style="list-style-type: none"> <li>Remplacez la lame.</li> </ul>
	<ul style="list-style-type: none"> <li>L'axe du moteur est tordu.</li> </ul>	<ul style="list-style-type: none"> <li>Contactez le centre de service EGO.</li> </ul>
	<ul style="list-style-type: none"> <li>La tondeuse est réglée pour couper trop d'herbe en une fois.</li> </ul>	<ul style="list-style-type: none"> <li>Augmentez la hauteur de coupe du plateau.</li> </ul>
	<ul style="list-style-type: none"> <li>Le mode de vitesse de la lame n'est pas réglé correctement.</li> </ul>	<ul style="list-style-type: none"> <li>Réglez la vitesse de la lame à un réglage inférieur.</li> </ul>
Le moteur fonctionne mais la lame ne coupe pas l'herbe.	<ul style="list-style-type: none"> <li>La lame n'est pas serrée au couple requis.</li> </ul>	<ul style="list-style-type: none"> <li>Resserrez le boulon de la lame. Le couple recommandé pour le boulon de la lame est de 50-60 Nm.</li> </ul>

## GARANTIE

### POLITIQUE DE GARANTIE EGO

Rendez-vous sur le site web [egopowerplus.eu](http://egopowerplus.eu) pour consulter l'intégralité des conditions de la politique de garantie EGO.

## ¡LEA TODAS LAS INSTRUCCIONES!

**Uso previsto:** El producto está previsto para el corte manual del césped:

ES

- Utilizar sólo para cortar hierba seca. No cortar hierba mojada.
- No lo utilice para ningún otro propósito.

**⚠ ADVERTENCIA:** Asegúrese de haber leído y entendido perfectamente todas las instrucciones que aparecen en este manual del usuario, incluidos todos los símbolos de aviso sobre seguridad, como «**PELIGRO**», «**ADVERTENCIA**» y «**PRECAUCIÓN**» antes de utilizar esta máquina. Si no se observan todas las instrucciones que se indican a continuación existe riesgo de incendio, electrocución y lesiones graves.

## SÍMBOLOS DE SEGURIDAD



Aviso de seguridad



Utilice siempre protección auditiva, gafas de seguridad, gafas de seguridad con pantallas de protección lateral y una máscara facial completa cuando utilice este producto.



Tenga cuidado con los objetos que salen: mantenga alejadas a otras personas.



Mantenga las manos apartadas



Nivel de potencia acústica garantizado.



Este producto está en conformidad con la legislación aplicable del Reino Unido.



Bluetooth®

IPX5

Protección contra chorros de agua

mm

Milímetro



Corriente continua



Para reducir el riesgo de lesiones, el usuario debe leer y comprender el manual del usuario antes de utilizar este producto.



Desconecte la batería y quítela (o el dispositivo de bloqueo) antes de efectuar ajustes o limpiar la herramienta.



Mantenga las manos y los pies alejados de las cuchillas



No mire hacia la lámpara en funcionamiento.



Este producto está en conformidad con las directivas de la CE aplicables.



Los productos eléctricos no deben eliminarse con la basura doméstica. Lívelos a un centro de reciclaje autorizado.

V

Voltio

cm

Centímetro

kg

Kilogramo

## ESPECIFICACIONES

Tensión	56 V	
Modo de velocidad de la cuchilla	2	
	1	
	ECO	
Posiciones de altura de corte	8	
Ajuste de la altura de corte	20 mm/31 mm/40 mm/ 51 mm/ 64 mm/78 mm/ 92 mm/105 mm	
Anchura de corte	53 cm	
Capacidad de la bolsa colectora de hierba	85 L	
Peso del cortacésped (sin batería y bolsa colectora de hierba)	46 kg	
Modelo de cuchilla	AB5301	
Temperatura de funcionamiento recomendada	0 °C–40 °C	
Temperatura de almacenamiento recomendada	-20 °C–70 °C	
Nivel de potencia acústica medido $L_{WA}$	94 dB(A) K=0,6 dB(A)	
Nivel de presión acústica medido a la altura del oído del usuario $L_{PA}$	83 dB(A) K= 3 dB(A)	
Nivel de potencia acústica garantizado $L_{WA}$ (medido según 2000/14/CE)	95 dB(A)	
Evaluación de la vibración $a_{h,v}$ :	Empuñadura izquierda	0,39 m/s <sup>2</sup> K=1,5 m/s <sup>2</sup>
	Empuñadura derecha	0,33 m/s <sup>2</sup> K=1,5 m/s <sup>2</sup>

- El valor de vibración total ha sido medido de acuerdo con el método de prueba estándar y se puede utilizar para comparar máquinas.
- El valor total de vibración declarado se puede usar además en una evaluación preliminar del grado de exposición.

**AVISO:** Las vibraciones generadas durante el uso real de la máquina pueden diferir del valor declarado en función de la manera en que se utilice. Como protección, el usuario debería utilizar guantes y protectores auditivos en condiciones reales de uso.

## LISTA DE CONTENIDO (FIG. A1 Y A2)

NOMBRE DE LA PIEZA	CANTIDAD
Cortacésped	1
Bolsa colectora de hierba	1
Bastidor de la bolsa colectora de hierba	1
Tornillo de mariposa (instalado de fábrica en el cortacésped)	2
Manual del usuario	1

ES

## DESCRIPCIÓN

### FAMILIARÍCESE CON EL CORTACÉSPED (Fig. A1 y A2)

- Gatillo de autopropulsión
  - Asa
  - Gatillo de rotación de la cuchilla
  - Trampilla de descarga trasera
  - Engranaje de bloqueo
  - Tapa del compartimento de la batería
  - Faros LED
  - Parachoques central (empuñadura de elevación)
  - Parachoques delantero
  - Palanca de ajuste de la altura de corte delantera
  - Rueda delantera
  - Plataforma de corte
  - Escudo lateral
  - Entrada de aire
  - Rueda trasera
  - Palanca de ajuste de la altura de corte trasera
  - Tornillo de mariposa
  - Placa de montaje del manillar
  - SopORTE
  - Bolsa colectora de hierba
  - Faldón trasero
  - 22\*. Adaptador para triturado
  - 23\*. Tolda de descarga lateral
  24. Indicador de Bluetooth®
  - Panel de control
  - Indicador del estado del cortacésped
  - Indicador de la velocidad de la cuchilla
  - Botón de modo de velocidad de la cuchilla
  - Botón de encendido
  - Botón Faros LED (Botón Bluetooth®)
  - Selector rápido autopropulsado
- \* SE VENDE POR SEPARADO

## MONTAJE

**⚠ ADVERTENCIA:** Si alguna pieza falta o está rota, no utilice el producto hasta haber sustituido las piezas. Podrían producirse lesiones graves en caso de utilizar el producto si alguna de sus piezas falta o está dañada.

**⚠ ADVERTENCIA:** Para evitar una puesta en marcha accidental que podría causar lesiones graves, quite siempre la(s) batería(s) de la máquina antes de montar piezas.

**⚠ ADVERTENCIA:** No intente modificar esta máquina ni fabricar accesorios no recomendados para su uso en este cortacésped. Cualquier alteración o modificación se considerará como uso indebido y podría dar lugar a una situación peligrosa con el consiguiente riesgo de sufrir lesiones físicas de importancia.

### DESEMBALAJE

Este producto requiere montaje.

- Saque todos los accesorios de la caja.

**⚠ PRECAUCIÓN:** Objeto pesado. Se necesitan dos personas para levantar el cortacésped.

- Una persona debe agarrar el parachoques central/empuñadura de elevación y la otra persona debe agarrar los dos tornillos de mariposa para levantar con cuidado el cortacésped de la caja de cartón.

### INSTALACIÓN DEL MANILLAR

El cortacésped se envía con el manillar parcialmente montado.

**⚠ ADVERTENCIA:** No intente arrancar el cortacésped hasta que el manillar esté instalado y desplegado de forma correcta y segura. Tenga cuidado para evitar que los dedos o el cable queden atrapados entre las piezas.

1. Desenrosque y aparte los dos tornillos de mariposa.
2. Mueva el manillar hacia delante hasta que el engranaje de bloqueo del conjunto del manillar esté orientado hacia el engranaje del cortacésped (fig. B1).
3. Alinee las marcas en el engranaje de bloqueo y la placa de montaje del manillar como se muestra en la fig. B2 y, a continuación, inserte y apriete con los dedos los dos tornillos de mariposa.

### DESPLIEGUE Y AJUSTE DEL ASA (Fig. C)

**⚠ ADVERTENCIA:** Asegúrese de no pellizcar, doblar o tensar el cable al plegar o desplegar el manillar. Dañar el cable podría afectar a la activación y el funcionamiento del cortacésped y provocar un estado de funcionamiento inseguro.

**⚠ ADVERTENCIA:** No intente poner en marcha el cortacésped y el sistema de autopropulsión hasta que el manillar esté correctamente bloqueado en una de sus tres posiciones de uso predeterminadas (posición alta de funcionamiento 3, posición media de funcionamiento 2 y posición baja de funcionamiento 1).

1. Afloje los tornillos de mariposa de ambos lados, asegúrese de que los dos engranajes están completamente sueltos pero NO separados.
2. Gire el manillar hacia arriba hasta que la marca de flecha del engranaje de bloqueo se alinee con una de las tres posiciones de funcionamiento de la placa de montaje del manillar.
3. Apriete los dos tornillos, asegúrese de que los dos engranajes están completamente engranados y de que el manillar está bien fijado.

C-1	Posición de funcionamiento inferior 1
C-2	Posición operativa media 2
C-3	Posición de funcionamiento superior 3

### PLEGAR EL MANILLAR (Fig. D)

**⚠ ADVERTENCIA:** Asegúrese de no pellizcar, doblar o tensar el cable al plegar o desplegar el manillar. Dañar el cable podría afectar a la activación y el funcionamiento del cortacésped y provocar un estado de funcionamiento inseguro.

1. Afloje los tornillos de mariposa de ambos lados, asegúrese de que los dos engranajes están completamente sueltos pero NO separados.
2. Gire el manillar hacia abajo hasta que se asiente en la posición de almacenamiento.
3. Alinee la marca de flecha del engranaje de bloqueo con la marca de posición de almacenamiento de la placa de montaje del manillar.
4. Apriete los dos tornillos de mariposa, asegúrese de que los dos engranajes están completamente engranados y de que el manillar está bien fijado.

D-1	Posición de almacenamiento
-----	----------------------------

### MONTAJE DE LA BOLSA COLECTORA DE HIERBA (Fig. E1, E2, E3)

Examine la bolsa colectora de hierba antes de proceder a su montaje a fin de asegurarse de que no presenta daños.

Monte la colectora bolsa de hierba como se muestra en la ilustración.

### CÓMO COLOCAR O RETIRAR EL ADAPTADOR PARA TRITURADO (SE VENDE POR SEPARADO)

Instale el adaptador para triturado en el cortacésped como se muestra en la fig. F.

**⚠ PELIGRO:** La máquina puede arrojar recortes de hierba y otros objetos a través de una abertura en la carcasa de la máquina. Los objetos lanzados con fuerza suficiente pueden causarle lesiones graves o la muerte a usted o a otras personas.

No utilice nunca el cortacésped sin que estén correctamente instalados el accesorio de triturado, la bolsa colectora de hierba o la tolva de descarga lateral.

**⚠ ADVERTENCIA:** Al instalar la bolsa colectora de hierba o la tolva de descarga lateral, hay que quitar el accesorio para triturado. Hay que volver a instalar el accesorio para triturado cuando se quite la bolsa colectora de hierba (o la tolva de descarga lateral).

### CÓMO INSTALAR O RETIRAR LA BOLSA COLECTORA DE HIERBA

Instale la bolsa colectora de hierba en el cortacésped como se muestra en la fig. G.

**⚠ ADVERTENCIA:** En condiciones normales de uso, el material de la bolsa colectora de hierba se desgasta. Para reducir el riesgo de lesiones, examine con frecuencia la bolsa colectora de hierba y cámbiela si hay signos de desgaste o deterioro. Utilice únicamente bolsas colectoras fabricadas para este cortacésped.

**⚠ ADVERTENCIA:** Para instalar y utilizar la tolva de descarga lateral o el adaptador para triturado es necesario desmontar la bolsa colectora de hierba.

### CÓMO INSTALAR O RETIRAR LA TOLVA DE DESCARGA LATERAL (SE VENDE POR SEPARADO)

Instale la tolva de descarga lateral en el cortacésped como se muestra en la fig. H.

**⚠ ADVERTENCIA:** Para instalar y utilizar la bolsa colectora de hierba o el adaptador para triturado es necesario desmontar la tolva de descarga lateral.

### AJUSTE DE LA ALTURA DE CORTE (Fig. J1 y J2)

**⚠ ADVERTENCIA:** Mantenga los pies apartados de la plataforma de corte al ajustar la altura de corte.

El cortacésped podrá ajustarse a 8 alturas de corte diferentes: entre 20 mm y 105 mm. Una marca indica la altura de corte seleccionada.

Este cortacésped le permite ajustar la altura de corte de la parte delantera y trasera del cortacésped individualmente. Seleccione la altura de corte adecuada según el

tipo y estado de la hierba a cortar.

1. Apague el cortacésped y espere a que la cuchilla de corte se detenga por completo.
2. Quite la(s) batería(s).
3. Saque la palanca de ajuste de la altura de corte delantera o trasera del enclavamiento y colóquela en la posición deseada.

ES

### INSTALAR/QUITAR LAS BATERÍAS (Fig. K)

**NOTA:** Cargue la batería antes del primer uso.

Utilice únicamente las baterías y cargadores indicados en la fig. A3.

**NOTA:** El cortacésped tiene dos puertos de batería activos. Puede funcionar con una o dos baterías.

#### ■ Instalación

1. Abra la tapa del compartimento de las baterías e introduzca la batería en el compartimento hasta que oiga un «clic».
2. Repita el proceso para instalar la segunda batería.

#### ■ Retirada

Pulse el botón de liberación de la batería en el compartimento de la batería.

**AVISO:** Asegúrese de que la lengüeta del cortacésped enganche en su lugar y la(s) batería(s) esté(n) sujeta(s) en el cortacésped antes de ponerlo en marcha.

### SELECCIÓN DEL MODO DE VELOCIDAD DE LA CUCHILLA (Fig. L)

- El modo **2** es el modo de alta velocidad de la cuchilla para mejorar la fuerza de succión y el rendimiento de corte.
- El modo **1** es el mejor equilibrio entre rendimiento y tiempo de ejecución.
- El modo **ECO** proporciona el menor nivel de ruido y la mayor autonomía de la(s) batería(s).

**NOTA:** El modo predeterminado de velocidad de la cuchilla es el modo **1**.

### TECNOLOGÍA DE COMUNICACIÓN

Para obtener información sobre nuestra gama completa de productos y servicios conectados, incluidas las instrucciones de conexión, escanee el código QR que aparece a continuación o visite [www.egopowerplus.eu/connect](http://www.egopowerplus.eu/connect).



## FUNCIONAMIENTO

El producto puede utilizarse con lluvia.

ES

### PUESTA EN MARCHA Y PARADA DEL CORTACÉSPED

**⚠ ADVERTENCIA:** Es posible que, al utilizar el cortacésped, salgan despedidos objetos que podrían causar lesiones oculares graves al usuario y a otras personas. Por lo tanto, lleve siempre gafas de seguridad cuando utilice el cortacésped y cuando realice ajustes o reparaciones en el mismo.

**⚠ ADVERTENCIA:** La cuchilla continúa girando durante unos segundos después de haber apagado el cortacésped. Espere a que el motor o la cuchilla hayan dejado de girar antes de volver a poner en marcha el aparato. No encienda y apague rápidamente el cortacésped.

**⚠ ADVERTENCIA:** Pare la cuchilla en caso de que sea necesario inclinar el cortacésped para transportarlo, así como al atravesar superficies que no sean de hierba y al transportarlo hasta y desde su lugar de uso.

**⚠ ADVERTENCIA:** No incline el producto mientras arranca el motor, excepto si es necesario inclinarlo para el arranque. En ese caso, no incline la herramienta más de lo absolutamente necesario y eleve únicamente la parte que queda más alejada del usuario.

Antes de utilizar la máquina, compruebe siempre visualmente que la cuchilla y el perno de la cuchilla no estén desgastados ni dañados. Sustituya simultáneamente la cuchilla dañada o desgastada con su perno para mantener así el equilibrado correcto del conjunto.

#### Compruebe si la cuchilla está bloqueada

- Para evitar que se bloquee, mantenga limpias la cuchilla y la plataforma del cortacésped. Retire los recortes de césped, las hojas, la suciedad y cualquier otro residuo acumulado antes y después de cada uso.

- Cuando se produzca un bloqueo, pare el cortacésped y quite la(s) batería(s); a continuación, elimine cualquier acumulación de hierba y hojas sobre o alrededor del eje de transmisión y el ventilador del motor. Limpie el cortacésped con un paño húmedo.

**⚠ PRECAUCIÓN:** No intente anular el funcionamiento del botón de encendido y del gatillo de rotación de la cuchilla.

**NOTA:** El motor no puede arrancar a menos que el manillar esté bloqueado en una de las tres posiciones de funcionamiento.

Para arrancar el cortacésped (Fig. M1 y M2)

# 40

1. Coloque la(s) batería(s) en el cortacésped y cierre la tapa del compartimento de la batería.
2. Pulse el botón de encendido para iluminar el panel de mando, y se encenderá el indicador de estado del cortacésped junto con el indicador de velocidad de la cuchilla 1.
3. Pulse el botón de modo de velocidad de la cuchilla para seleccionar la velocidad que desee.
4. Mantenga pulsado el botón de encendido.
5. Con el botón de encendido pulsado, tire del gatillo de rotación de la cuchilla hasta que se encuentre con el manillar, y suelte el botón de encendido.

#### Para parar el cortacésped (Fig. M3)

1. Suelte completamente el gatillo de rotación de la cuchilla.
2. El freno eléctrico incorporado en el mecanismo automático de frenado detendrá la rotación de la cuchilla en el transcurso de 3 segundos después de soltar el gatillo de rotación de la cuchilla.

#### SISTEMA DE AUTOPROPULSIÓN DE VELOCIDAD VARIABLE (Fig. N)

El cortacésped está equipado con una función de autopropulsión de velocidad variable. Este sistema de autopropulsión es independiente de la rotación de la cuchilla.

**NOTA:** El sistema de autopropulsión no puede ponerse en marcha a menos que el manillar esté bloqueado en una de las tres posiciones de funcionamiento.

#### Para accionar el sistema de autopropulsión sin rotación de la cuchilla

1. Pulse el botón de encendido para iluminar el panel de control.
2. Gire ligeramente hacia delante el mando de control de la velocidad de la autopropulsión hasta que se oiga un clic y, a continuación, apriete el gatillo del autopropulsión hasta encontrar el manillar para iniciar la función de autopropulsión.

Para apagar la autopropulsión, suelte el gatillo de autopropulsión.

#### FAROS LED (Fig. P)

Para encender los faros, pulse el botón de los faros. Los faros proporcionan una luz intensa que alumbrará la zona situada delante del cortacésped.

Para apagar los faros, pulse de nuevo el botón.

#### INDICADOR DEL ESTADO DEL CORTACÉSPED

El indicador del estado del cortacésped en el panel de control muestra el estado de funcionamiento del cortacésped.



Indicador	Descripción	Significado	Acción
	Verde fijo	El cortacésped funciona correctamente.	No es necesaria ninguna acción.
	Parpadeando en verde	El manillar no está bloqueado en una posición de funcionamiento.	Pare el cortacésped y asegúrese de que el manillar está bloqueado en una de las posiciones de funcionamiento.
	Parpadeando en rojo	Batería baja.	Pare el cortacésped y cargue la(s) batería(s).
	Naranja fijo	El cortacésped se ha sobrecalentado.	Suelte el gatillo de rotación de la cuchilla y espere hasta que la temperatura del cortacésped descienda por debajo de 80 °C. Consulte « <b>PROTECCIÓN CONTRA SOBRECALENTAMIENTO DEL CORTACÉSPED</b> » a continuación.
	Parpadeando en naranja	El cortacésped se ha sobrecargado.	<ol style="list-style-type: none"> <li>1. Quite la(s) batería(s) y, a continuación, compruebe si se ha acumulado hierba debajo de la plataforma. Dado el caso, límpiela.</li> <li>2. Reduzca la longitud de zancada cuando corte.</li> <li>3. Eleve la altura de corte.</li> <li>4. Si las soluciones anteriores no funcionan, póngase en contacto con el servicio de asistencia técnica de EGO.</li> </ol> Consulte « <b>PROTECCIÓN CONTRA SOBRECARGA DEL CORTACÉSPED</b> » a continuación.
	Parpadeando alternativamente en rojo y verde	Error del sistema electrónico del cortacésped.	Póngase en contacto con el servicio de asistencia técnica de EGO

### PROTECCIÓN CONTRA ALTAS TEMPERATURAS

Si la temperatura del cortacésped supera los 90 °C durante el funcionamiento, el circuito de protección de temperatura apagará inmediatamente el cortacésped para evitar daños por sobrecalentamiento.

El indicador del estado del cortacésped se encenderá de color naranja fijo. Suelte el gatillo de rotación de la cuchilla y espere hasta que el cortacésped sobrecalentado se enfríe y el indicador del estado cambie a verde; a continuación, vuelva a arrancar el cortacésped.

### PROTECCIÓN CONTRA SOBRECARGA DEL CORTACÉSPED

Para evitar condiciones de sobrecarga, no trate de cortar demasiada cantidad de hierba de una sola pasada. Reduzca la velocidad de la zancada o aumente la altura de corte.

El cortacésped lleva incorporado un circuito de protección contra sobrecarga. Si el cortacésped se sobrecarga, el motor se parará y el indicador del estado del cortacésped en el panel de control parpadeará de color naranja.

## MANTENIMIENTO

ES

**⚠ ADVERTENCIA:** Para evitar lesiones personales graves, apague siempre el cortacésped, quite la(s) batería(s) y asegúrese de que todas las piezas móviles se han detenido por completo antes de limpiarlo, realizar cualquier tarea de mantenimiento o transportar el cortacésped.

**⚠ ADVERTENCIA:** Detenga la máquina y saque las baterías para asegurarse de que todas las piezas móviles se han detenido por completo después de golpear un objeto extraño, y para inspeccionar la máquina en busca de daños y realizar reparaciones antes de volver a arrancarla y ponerla en funcionamiento.

**⚠ ADVERTENCIA:** Si la máquina comienza a vibrar de forma anormal, detenga la máquina y saque las baterías para asegurarse de que todas las piezas móviles se han detenido por completo y, a continuación, inspeccione inmediatamente si hay daños, sustituya o repare las piezas dañadas y compruebe si hay piezas sueltas y apriételas.

**⚠ ADVERTENCIA:** Cuando repare el aparato, utilice solo piezas idénticas a las originales. La utilización de otras piezas podría suponer un peligro o causar daños en el producto. Para garantizar la seguridad y fiabilidad de la herramienta, las reparaciones debe realizarlas únicamente un técnico cualificado.

### LIMPIEZA DEL CORTACÉSPED

Deberá limpiarse la superficie inferior de la plataforma del cortacésped después de cada uso, ya que se acumulan recortes de hierba, hojas, suciedad y otros residuos.

Elimine cualquier acumulación de hierba y hojas encima o alrededor del eje de accionamiento y del ventilador del motor. Limpie el cortacésped con un paño húmedo.

### Limpieza de la entrada de aire (Fig. Q)

1. Retire la cubierta de rejilla de la entrada de aire, quitando los cuatro tornillos.
2. Limpie con aire comprimido el interior de la entrada de aire y la cubierta de rejilla.

### SUSTITUCIÓN DE LA CUCHILLA (Fig. R1, R2, R3)

**⚠ ADVERTENCIA:** Quite siempre la(s) batería(s) y la bolsa colectoras de hierba.

**⚠ ADVERTENCIA:** Utilice siempre guantes de protección.

**AVISO:** Limpie a fondo la zona del eje de transmisión y la parte inferior de la máquina antes de instalar la cuchilla.

1. Ponga el cortacésped boca abajo
2. Desmonte/instale la cuchilla con una llave dinamométrica y dos varillas metálicas como ayuda, como se muestra en la imagen.
3. El lado impreso de la cuchilla hacia el exterior

### ALMACENAMIENTO DEL CORTACÉSPED (Fig. S1 y S2)

1. Quite la(s) batería(s) del cortacésped.
2. Vacíe la bolsa colectoras de hierba y limpie el cortacésped.
3. Para ahorrar mucho espacio de almacenamiento, pliegue el manillar del producto y guárdelo como se muestra en la imagen.

**AVISO:** Asegúrese de que el cable del manillar no quede atrapado al plegar/ desplegar el manillar del producto (no deje caer el manillar).

4. No ponga otros objetos encima del cortacésped cuando esté guardado

**⚠ ADVERTENCIA:** Si el cortacésped se inclina desde la posición vertical, pueden producirse daños o lesiones. Mantenga siempre el cortacésped en una posición estable y fuera del alcance de niños cuando lo almacene verticalmente. Si es posible, almacénelo en posición horizontal.

### PROTECCIÓN DEL MEDIO AMBIENTE



No elimine los aparatos eléctricos como basura sin clasificar. Utilice las instalaciones de recogida de residuos específicas.

Póngase en contacto con su ayuntamiento para informarse acerca de los sistemas de recogida disponibles.

Si los aparatos eléctricos acabaran tirándose a vertederos o basureros, podrían desprender sustancias perjudiciales que llegarían a contaminar las capas freáticas y entrar en la cadena alimenticia, con el consecuente peligro para la salud y calidad de vida humana.

## SOLUCIÓN DE PROBLEMAS

PROBLEMA	CAUSA	SOLUCIÓN
El cortacésped o la función de autopropulsión no arrancan.	<ul style="list-style-type: none"> <li>La carga de la(s) batería(s) está agotada.</li> </ul>	<ul style="list-style-type: none"> <li>Cargue la batería.</li> </ul>
	<ul style="list-style-type: none"> <li>La(s) batería(s) no está(n) correctamente insertada(s) en el compartimento de las baterías.</li> </ul>	<ul style="list-style-type: none"> <li>Empuje la(s) batería(s) en el compartimento de la batería hasta que se oiga un «clic».</li> </ul>
	<ul style="list-style-type: none"> <li>El manillar no está bloqueado en una posición de funcionamiento y el indicador de estado del cortacésped parpadea en verde.</li> </ul>	<ul style="list-style-type: none"> <li>Pare el cortacésped y asegúrese de que el manillar está bloqueado en una de las posiciones de funcionamiento.</li> </ul>
	<ul style="list-style-type: none"> <li>La plataforma del cortacésped está obstruida con restos de hierba y suciedad.</li> </ul>	<ul style="list-style-type: none"> <li>Limpie la plataforma del cortacésped y asegúrese de que la cuchilla gira libremente.</li> </ul>
El cortacésped no corta de manera uniforme.	<ul style="list-style-type: none"> <li>La cuchilla está embotada.</li> </ul>	<ul style="list-style-type: none"> <li>Afile o sustituya la cuchilla.</li> </ul>
	<ul style="list-style-type: none"> <li>La altura de corte de hierba no está correctamente ajustada.</li> </ul>	<ul style="list-style-type: none"> <li>Mueva la altura de la plataforma a un ajuste más alto.</li> </ul>
	<ul style="list-style-type: none"> <li>La cuchilla está mal instalada.</li> </ul>	<ul style="list-style-type: none"> <li>Vuelva a instalar la cuchilla, siguiendo el apartado «<b>SUSTITUCIÓN DE LA CUCHILLA</b>» de este manual.</li> </ul>
	<ul style="list-style-type: none"> <li>El modo de velocidad de la cuchilla no está ajustado correctamente.</li> </ul>	<ul style="list-style-type: none"> <li>Seleccione un modo de velocidad de la cuchilla adecuado.</li> </ul>
El cortacésped no tritura correctamente la hierba.	<ul style="list-style-type: none"> <li>Hay recortes de hierba húmeda adheridos en la superficie inferior de la plataforma de corte.</li> </ul>	<ul style="list-style-type: none"> <li>Espere a que la hierba esté seca antes de cortar el césped.</li> </ul>
	<ul style="list-style-type: none"> <li>El cortacésped está ajustado para cortar una elevada cantidad de hierba en cada pasada.</li> </ul>	<ul style="list-style-type: none"> <li>Eleve la plataforma a una posición que permita una mayor altura de corte.</li> </ul>
	<ul style="list-style-type: none"> <li>El modo de velocidad de la cuchilla no está ajustado correctamente.</li> </ul>	<ul style="list-style-type: none"> <li>Seleccione el modo <b>1</b> o el modo <b>ECO</b> de velocidad de la cuchilla.</li> </ul>

ES

El cortacésped se para inesperadamente mientras corta.	<ul style="list-style-type: none"> <li>La carga de la(s) batería(s) está agotada.</li> </ul>	<ul style="list-style-type: none"> <li>Cargue la batería.</li> </ul>
	<ul style="list-style-type: none"> <li>El cortacésped está sobrecargado y el indicador del estado del cortacésped parpadea en naranja.</li> </ul>	<ul style="list-style-type: none"> <li>Compruebe si se ha acumulado hierba bajo la plataforma y límpiela si es necesario. Aumente la altura de corte o ralentece su ritmo al cortar la hierba.</li> </ul>
	<ul style="list-style-type: none"> <li>La plataforma del cortacésped está obstruida con restos de hierba y suciedad.</li> </ul>	<ul style="list-style-type: none"> <li>Retire cualquier acumulación de hierba o suciedad de la plataforma del cortacésped. Aumente la altura de corte y/o corte una hilera más estrecha.</li> </ul>
	<ul style="list-style-type: none"> <li>La(s) batería(s) o el circuito del cortacésped se han sobrecalentado. Si la batería está sobrecalentada, el indicador del estado del cortacésped se apaga. Si el cortacésped está sobrecalentado, el indicador del estado del cortacésped se enciende fijo de color naranja.</li> </ul>	<ul style="list-style-type: none"> <li>Deje que la(s) batería(s) o el cortacésped se enfríen.</li> </ul>
		<ul style="list-style-type: none"> <li>Limpie la entrada de aire, siguiendo el apartado «<b>Limpieza de la entrada de aire</b>».</li> </ul>
	<ul style="list-style-type: none"> <li>El modo de velocidad de la cuchilla no está ajustado correctamente.</li> </ul>	<ul style="list-style-type: none"> <li>Seleccione una velocidad más baja de la cuchilla.</li> </ul>
	<ul style="list-style-type: none"> <li>El error del sistema electrónico del cortacésped y el indicador del estado del cortacésped parpadean alternativamente en rojo/verde.</li> </ul>	<ul style="list-style-type: none"> <li>Póngase en contacto con el servicio de asistencia técnica de EGO</li> </ul>
La herramienta vibra en exceso.	<ul style="list-style-type: none"> <li>La cuchilla está suelta.</li> </ul>	<ul style="list-style-type: none"> <li>Apriete el tornillo de fijación de la cuchilla.</li> </ul>
	<ul style="list-style-type: none"> <li>La cuchilla está desequilibrada.</li> </ul>	<ul style="list-style-type: none"> <li>Póngase en contacto con el servicio de asistencia técnica de EGO.</li> </ul>
	<ul style="list-style-type: none"> <li>La cuchilla está doblada.</li> </ul>	<ul style="list-style-type: none"> <li>Sustituya la cuchilla por otra nueva.</li> </ul>
	<ul style="list-style-type: none"> <li>El eje del motor está doblado.</li> </ul>	<ul style="list-style-type: none"> <li>Póngase en contacto con el servicio de asistencia técnica de EGO.</li> </ul>
	<ul style="list-style-type: none"> <li>El cortacésped está ajustado para cortar una elevada cantidad de hierba en cada pasada.</li> </ul>	<ul style="list-style-type: none"> <li>Eleve la plataforma a una posición que permita una mayor altura de corte.</li> </ul>
	<ul style="list-style-type: none"> <li>El modo de velocidad de la cuchilla no está ajustado correctamente.</li> </ul>	<ul style="list-style-type: none"> <li>Ajuste una velocidad más baja de la cuchilla.</li> </ul>
El motor funciona pero la cuchilla no corta la hierba.	<ul style="list-style-type: none"> <li>La cuchilla no está apretada al par necesario.</li> </ul>	<ul style="list-style-type: none"> <li>Vuelva a apretar la cuchilla. El par de apriete recomendado para el tornillo de la cuchilla es de 50 a 60 Nm.</li> </ul>



---

## **GARANTÍA**

### **POLÍTICA DE GARANTÍA DE EGO**

Visite la página web [egopowerplus.eu](http://egopowerplus.eu) para conocer los términos y condiciones completos de la política de garantía de EGO.

**ES**

## LEIA TODAS AS INSTRUÇÕES!

**Utilização prevista:** O produto foi criado para cortar manualmente a relva:

- Use apenas para cortar relva seca. Não corte relva molhada.
- Não utilize o aparelho para outra finalidade.

**PT**

**AVISO:** Certifique-se de que lê e compreende todos os avisos de segurança neste manual do utilizador, incluindo todos os símbolos de alerta de segurança, como **“PERIGO”**, **“AVISO”** e **“CUIDADO”** antes de usar esta máquina. Não seguir todas as instruções apresentadas abaixo pode resultar em choque elétrico, incêndio e/ou ferimentos graves.

## SÍMBOLOS DE SEGURANÇA



Alerta de segurança



Use sempre proteção auditiva, óculos de segurança com proteção lateral e, se necessário, uma proteção completa do rosto, quando utilizar este produto.



Cuidado com os objetos ressaltados. Mantenha as outras pessoas afastadas.



Mantenha as mãos afastadas.



Nível de potência do som garantido.



Este produto encontra-se em conformidade com a legislação no Reino Unido.



Bluetooth®

IPX5

Proteção contra jatos de água

mm

Milímetro



Corrente direta



Para reduzir o risco de ferimentos, o utilizador tem de ler e compreender o manual do utilizador antes de utilizar este produto.



Desligue e retire a bateria (ou dispositivo de desativação) antes de efetuar quaisquer ajustes ou limpeza.



Mantenha as mãos e os pés afastados das lâminas.



Não olhe diretamente para a lâmpada em funcionamento.



Este produto encontra-se em conformidade com as diretivas CE aplicáveis.



Os produtos elétricos residuais não deverão ser eliminados juntamente com o lixo doméstico comum. Entregue-os num centro de reciclagem autorizado.

V

Volts

cm

Centímetro

kg

Quilograma

## CARACTERÍSTICAS TÉCNICAS

Voltagem	56 V	
Modo da velocidade da lâmina	2	
	1	
	ECO	
Posições da altura de corte	8	
Definição da altura de corte	20 mm/31 mm/40 mm/ 51 mm/ 64 mm/78 mm/ 92 mm/105 mm	
Largura de corte	53 cm	
Volume do saco de recolha da relva	85 L	
Peso da máquina de cortar relva (sem bateria e sem o saco de recolha da relva)	46 kg	
Modelo da lâmina	AB5301	
Temperatura de funcionamento recomendada	0 °C–40 °C	
Temperatura de armazenamento recomendada	-20 °C–70 °C	
Nível de potência do som medido $L_{WA}$	94 dB(A) K=0,6 dB(A)	
Nível da pressão do som no ouvido do operador $L_{PA}$	83 dB(A) K= 3 dB(A)	
Nível de potência acústica garantido $L_{WA}$ (medido de acordo com 2000/14/CE)	95 dB(A)	
Avaliação da vibração $a_{Hv}$ :	Pega esquerda	0,39 m/s <sup>2</sup> K=1,5 m/s <sup>2</sup>
	Pega direita	0,33 m/s <sup>2</sup> K=1,5 m/s <sup>2</sup>

- O valor total declarado da vibração foi medido de acordo com um método de teste padrão e pode ser usado para comparar duas máquinas.
- O valor total declarado da vibração também pode ser usado numa avaliação preliminar da exposição.

**AVISO:** A emissão de vibrações durante a utilização da máquina pode diferir do valor declarado em que a máquina é usada. De modo a proteger o utilizador, este deverá usar luvas e proteção auditiva nas condições atuais de utilização.

## LISTA DE PEÇAS (IMAGEM A1 E A2)

NOME DA PEÇA	QUANTIDADE
Máquina de Cortar Relva	1
Saco de recolha da relva	1
Estrutura do saco de recolha da relva	1
Parafuso de asas (instalado de fábrica na máquina de cortar relva)	2
Manual do utilizador	1

PT

## DESCRIÇÃO

### CONHEÇA A SUA MÁQUINA DE CORTAR RELVA (Imagem A1 e A2)

1. Gatilho impulsionado automaticamente
2. Pega
3. Gatilho de rotação da lâmina
4. Porta de descarga traseira
5. Carreto de fixação
6. Tapa do compartimento das pilhas
7. Luzes LED
8. Amortecedor intermédio (pega de elevação)
9. Amortecedor dianteiro
10. Alavanca de ajuste da altura de corte dianteiro
11. Roda dianteira
12. Base da máquina
13. Proteção lateral
14. Entrada do ar
15. Roda traseira
16. Alavanca de ajuste da altura de corte traseiro
17. Parafuso de asas
18. Placa de montagem da pega
19. Suporte
20. Saco de recolha da relva
21. Proteção posterior
- 22\*. Inserção de adubar
- 23\*. Saída lateral de descarga
24. Indicador Bluetooth®
25. Painel de instrumentos
26. Indicador do estado da máquina de cortar relva
27. Indicador da velocidade da lâmina

- 28. Botão do modo da velocidade da lâmina
- 29. Botão da alimentação
- 30. Botão das luzes LED (Botão Bluetooth®)
- 31. Discos da velocidade impulsionado automaticamente

\* VENDIDO SEPARADAMENTE

PT

## MONTAGEM

**⚠ AVISO:** Se houver peças danificadas ou em falta, não utilize o produto até ter substituído essas peças. Utilizar este produto com peças danificadas ou em falta pode dar origem a ferimentos sérios.

**⚠ AVISO:** Para evitar um arranque acidental que possa causar ferimentos sérios, retire sempre a bateria da máquina durante a montagem das peças.

**⚠ AVISO:** Não tente modificar esta máquina nem criar acessórios que não sejam recomendados para utilizar com esta máquina de cortar relva. Qualquer alteração ou modificação é considerada uma má utilização e pode dar origem a perigos, que podem levar a ferimentos sérios.

## DESEMPACOTAR

Este produto tem de ser montado.

- Retire todos os acessórios da caixa.

**⚠ CUIDADO:** Objeto pesado. São necessárias duas pessoas para levantar a máquina de cortar relva.

- Uma pessoa deverá segurar o amortecedor intermédio/pega de elevação e a outra pessoa deverá segurar os dois parafusos de asas para levantar cuidadosamente a máquina de cortar relva para fora da caixa.

## INSTALAR A PEGA

A máquina de cortar relva é fornecida com a pega parcialmente montada.

**⚠ AVISO:** Não tente ligar a máquina de cortar relva até que a pega esteja devidamente instalada e desdobrada. Tenha cuidado para evitar ficar com os dedos ou o cabo presos entre as peças.

1. Desenrosque e ponha de parte ambos os parafusos de asas.
2. Mova a pega para a frente até que o carroto de fixação no conjunto da pega fique virado para o carroto na máquina de cortar relva (Imagem B1).
3. Alinhe as marcas no carroto de fixação e placa de montagem da pega conforme apresentado na Imagem B2. Depois, insira e aperte à mão os dois parafusos de asas.

## DESDOBRAR E AJUSTAR A PEGA (Imagem C)

**⚠ AVISO:** Certifique-se de que não aperta, dobra nem coloca sob tensão o cabo quando dobrar ou desdobrar a pega. Danificar o cabo pode ter um impacto na ativação e utilização da máquina de cortar relva e dar origem a uma condição de funcionamento insegura.

**⚠ AVISO:** Não tente ligar a máquina de cortar relva nem o sistema autopropulsor até que a pega esteja bloqueada numa das três posições de funcionamento predefinidas (posição de funcionamento superior **3**, posição de funcionamento intermédia **2** e posição de funcionamento inferior **1**).

1. Desaperte os parafusos de asas em ambos os lados e certifique-se de que os dois carretos estão completamente soltos, mas **NÃO** separados.
2. Rode a pega para cima até que a marca da seta no carroto de fixação fique alinhada com uma das três posições de funcionamento na placa de montagem da pega.
3. Aperte os dois parafusos, certifique-se de que os dois carretos estão completamente encaixados e que a pega está bem fixada.

C-1	Posição de funcionamento inferior 1
C-2	Posição de funcionamento intermédia 2
C-3	Posição de funcionamento superior 3

## DOBRAR A PEGA (Imagem D)

**⚠ AVISO:** Certifique-se de que não aperta, dobra nem coloca sob tensão o cabo quando dobrar ou desdobrar a pega. Danificar o cabo pode ter um impacto na ativação e utilização da máquina de cortar relva e dar origem a uma condição de funcionamento insegura.

1. Desaperte os parafusos de asas em ambos os lados e certifique-se de que os dois carretos estão completamente soltos, mas **NÃO** separados.
2. Rode a pega para baixo até que a pega assente na posição de armazenamento.
3. Alinhe a marca da seta no carroto de fixação com a marca da posição de armazenamento na placa de montagem da pega.
4. Aperte os dois parafusos de asas, certifique-se de que os dois carretos estão completamente encaixados e que a pega está bem fixada.

D-1	Posição de armazenamento
-----	--------------------------



### **MONTAR O SACO DE RECOLHA DA RELVA (Imagem E1, E2, E3)**

Verifique o saco de recolha da relva antes da montagem. Certifique-se de que não tem danos.

Monte o saco de recolha da relva conforme ilustrado.

### **FIXAR/RETIRAR A INSERÇÃO DE ADUBAR (VENDIDA SEPARADAMENTE)**

Instale a inserção de adubar na máquina de cortar relva, conforme apresentado na Imagem F.

**⚠ PERIGO:** A máquina pode atirar relva cortada e outros objetos através de uma abertura na estrutura da máquina. Os objetos atirados com força suficiente podem causar ferimentos sérios ou morte ao utilizador ou a terceiros.

**Nunca utilize a máquina de cortar relva sem a inserção de adubar, o saco de recolha da relva ou a saída de descarga lateral devidamente instaladas.**

**⚠ AVISO:** A inserção de adubar tem de ser retirada quando instalar o saco de recolha da relva ou a saída de descarga lateral. A inserção de adubar tem de ser instalada novamente quando retirar o saco de recolha da relva ou a saída de descarga lateral.

### **FIXAR/RETIRAR O SACO DE RECOLHA DA RELVA**

Instale o saco de recolha da relva na máquina de cortar relva, conforme apresentado na Imagem G.

**⚠ AVISO:** Numa utilização normal, o material do saco de recolha da relva está sujeito a desgaste. Para reduzir o risco de ferimentos, inspecione frequentemente o saco de recolha da relva e substitua-o se houver sinais de desgaste ou de deterioração. Use apenas sacos de recolha da relva fabricados para esta máquina de cortar relva.

**⚠ AVISO:** O saco de recolha da relva tem de ser retirado para instalar e usar a saída de descarga lateral ou a inserção de adubar.

### **FIXAR/RETIRAR A SAÍDA DE DESCARGA LATERAL (VENDIDA SEPARADAMENTE)**

Instale a saída de descarga lateral na máquina de cortar relva, conforme apresentado na Imagem H.

**⚠ AVISO:** A saída de descarga lateral tem de ser retirada para instalar e usar o saco de recolha da relva ou a inserção de adubar.

### **AJUSTE DA ALTURA DE CORTE (Imagem J1 e J2)**

**⚠ AVISO:** Mantenha os pés afastados da plataforma quando ajustar a altura de corte.

A máquina de cortar relva pode ser definida para 8 alturas de corte, entre 20 mm e 105 mm. Uma marca indica a altura de corte selecionada.

Esta máquina de cortar relva permite-lhe ajustar a altura de corte de forma individual na parte dianteira e traseira. Escolha a altura de corte adequada de acordo com o tipo e condição da relva a ser cortada.

1. Desligue a máquina de cortar relva e espere que a lâmina de corte pare por completo.
2. Retire as baterias.
3. Puxe a alavanca de ajuste da altura de corte dianteiro e traseiro para fora da retenção, e coloque na posição desejada.

### **FIXAR/RETIRAR AS BATERIAS (Imagem K)**

**NOTA:** Carregue por completo a bateria antes da primeira utilização.

Utilize apenas com as baterias e carregadores listados na Imagem A3.

**NOTA:** A máquina de cortar relva tem duas portas ativas da bateria. Pode funcionar usando uma ou duas baterias.

#### ■ Para fixar

1. Abra a tampa do compartimento da bateria e pressione a bateria para o compartimento da bateria até ouvir um "clique".
2. Repita o processo para instalar a segunda bateria.

#### ■ Para retirar

Prima o botão de libertação da bateria no compartimento da bateria.

**AVISO:** Certifique-se de que a aba na máquina de cortar relva fica fixa, e que a bateria também fica fixa na máquina de cortar relva antes de começar a utilização.

### **SELECIONAR O MODO DA VELOCIDADE DA LÂMINA (Imagem L)**

- O modo **2** é o modo de alta velocidade da lâmina para um desempenho elevado, para melhorar a força de aspiração e desempenho de corte.
- O modo **1** é o melhor equilíbrio entre desempenho e tempo de funcionamento.
- O modo **ECO** fornece o nível de ruído mais baixo e maior tempo de funcionamento da bateria.

**NOTA:** O modo predefinido da velocidade da lâmina é o modo **1**.

## TECNOLOGIA DE COMUNICAÇÃO

Para mais informações sobre a nossa gama completa de produtos e serviços conectados, incluindo instruções de conexão, leia o código QR apresentado abaixo, ou visite [www.egopowerplus.eu/connect](http://www.egopowerplus.eu/connect).

PT



## FUNCIONAMENTO

O produto pode ser usado à chuva.

### LIGAR/DESLIGAR A MÁQUINA DE CORTAR RELVA

**⚠ AVISO:** O funcionamento de qualquer máquina de cortar relva pode dar origem ao ressalto de quaisquer objetos estranhos que podem ser atirados para os olhos, podendo dar origem a sérios ferimentos oculares. Use sempre óculos de segurança enquanto utiliza a máquina de cortar relva, ou enquanto efetua quaisquer ajustes ou reparações.

**⚠ AVISO:** A lâmina continua a rodar durante alguns segundos após a máquina de cortar relva ser desligada. Deixe o motor/lâmina pararem por completo antes de voltar a ligar. Não ligue e desligue rapidamente a máquina de cortar relva.

**⚠ AVISO:** Pare as lâminas caso a máquina de cortar relva seja inclinada para ser transportada quando passar por superfícies que não sejam relvadas e quando transportar a máquina de cortar relva de e para a área a ser cortada.

**⚠ AVISO:** Não incline a máquina de cortar relva quando ligar o motor, a não ser que a máquina tenha de ser inclinada para ligar. Neste caso, só deve ser inclinado o estritamente necessário e levantar apenas a parte que está afastada do operador.

Antes da utilização, inspecione sempre visualmente se a lâmina e o parafuso da lâmina não estão gastos ou danificados. Substitua parafusos e lâminas gastas ou danificadas e outros componentes em simultâneo, para preservar o equilíbrio.

### Verifique se existem bloqueios na lâmina de corte.

- Para evitar bloqueios, mantenha a lâmina de corte e a base da máquina de cortar relva limpas. Retire restos de relva, folhas, sujidade e outros detritos acumulados antes e após cada utilização.
- Quando acontecer um bloqueio, pare a máquina de cortar relva e retire a bateria. Depois, retire qualquer acumulação

de relva e folhas em redor do eixo condutor e ventoinha do motor. Limpe a máquina de cortar relva com um pano ligeiramente embebido em água.

**⚠ CUIDADO:** Não tente anular o funcionamento do botão da alimentação nem do gatilho de rotação da lâmina.

**NOTA:** O motor não liga, a não ser que a pega fique bloqueada numa das três posições de funcionamento.

### Ligar a sua máquina de cortar relva (Imagem M1 e M2)

1. Fixe a bateria na máquina de cortar relva e feche a tampa do compartimento da bateria.
2. Prima o botão da alimentação para acender o painel de instrumentos, e o indicador do estado da máquina de cortar relva, juntamente com o indicador da velocidade da lâmina **1** acendem.
3. Prima o botão do modo da velocidade da lâmina para selecionar a velocidade desejada.
4. Prima e mantenha premido o botão da alimentação.
5. Com o botão da alimentação premido, puxe o gatilho de rotação da lâmina para a pega e liberte o botão da alimentação.

### Parar a máquina de cortar relva (Imagem M3)

1. Liberte por completo o gatilho de rotação da lâmina.
2. O travão elétrico do mecanismo de travagem automática vai parar a rotação da lâmina no espaço de **3** segundos após libertar o gatilho de rotação da lâmina.

### SISTEMA AUTOPROPULSOR DE VELOCIDADE VARIÁVEL (Imagem N)

A máquina de cortar relva está equipada com capacidade de autopropulsor de velocidade variável. Este sistema autopropulsor é independente da rotação da lâmina.

**NOTA:** O sistema autopropulsor não liga, a não ser que a pega fique bloqueada numa das três posições de funcionamento.

### Para operar o sistema autopropulsor sem rotação da lâmina

1. Prima o botão da alimentação para ligar o painel de instrumentos.
2. Rode ligeiramente o manípulo de controlo da velocidade autopropulsor para a frente até ouvir um clique. Depois, puxe o gatilho autopropulsor para ir ao encontro da pega para ligar a função autopropulsora.

**Para desligar o sistema autopropulsor**, liberte o gatilho autopropulsor.

### LUZES LED (Imagem P)

**Para ligar as luzes**, prima o botão das luzes. As luzes fornecem iluminação na frente da máquina de cortar relva.

**Para desligar as luzes**, prima de novo o botão.

### INDICADOR DO ESTADO DA MÁQUINA DE CORTAR RELVA

O indicador do estado da máquina de cortar relva no painel de instrumentos apresenta o estado de funcionamento da máquina de cortar relva.

PT

Indicador	Descrição	Significado	Ação
	Verde contínuo	A máquina está a funcionar corretamente.	Não é necessária qualquer ação.
	Verde a piscar	A pega não está bloqueada na posição de funcionamento.	Pare a máquina de cortar relva e certifique-se de que a pega fica fixada numa das posições de funcionamento.
	Vermelho a piscar	Nível da carga da bateria baixo.	Pare a máquina de cortar relva e recarregue a bateria.
	Cor-de-laranja contínuo	A máquina de cortar relva sobaqueceu.	Liberte o gatilho de rotação da lâmina, espere que a temperatura da máquina de cortar relva desça abaixo dos 80 °C. Consulte <b>"PROTEÇÃO CONTRA ALTA TEMPERATURA DA MÁQUINA"</b> apresentado abaixo.
	Cor-de-laranja a piscar	A máquina de cortar relva está sobrecarregada.	<ol style="list-style-type: none"> <li>1. Retire a bateria, depois verifique e limpe a base, caso tenha erva por baixo. Limpe, se for necessário.</li> <li>2. Abrande o seu ritmo quando cortar.</li> <li>3. Aumente a altura de corte.</li> <li>4. Se as soluções apresentadas acima não funcionarem, contacte o centro de reparação da EGO.</li> </ol> Consulte <b>"PROTEÇÃO CONTRA SOBRECARGA DA MÁQUINA DE CORTAR RELVA"</b> apresentado abaixo.
	Vermelho/verde a piscar alternadamente	Erro eletrónico da máquina de cortar relva.	Contacte o centro de reparação da EGO.

### PROTEÇÃO CONTRA ALTA TEMPERATURA DA MÁQUINA DE CORTAR RELVA

Se a temperatura da máquina de cortar relva exceder os 90 °C durante o funcionamento, o circuito de proteção da temperatura desliga imediatamente a máquina de cortar relva para a proteger de danos devido ao sobaquecimento.

O indicador do estado da máquina de cortar relva acende a cor-de-laranja. Liberte o gatilho de rotação da lâmina e espere até que a máquina de cortar relva arrefeça e o in-

dicador do estado fique verde. Depois, reinicie a máquina de cortar relva.

### PROTEÇÃO CONTRA SOBRECARGAS DA MÁQUINA DE CORTAR RELVA

Para evitar condições de sobrecarga, não tente cortar demasiada relva de uma vez. Abrande o ritmo de corte ou aumente a altura de corte.

A sua máquina de cortar relva tem uma proteção incorporada no circuito contra sobrecargas. Quando a máquina

de cortar relva estiver sobrecarregada, o motor pára e o indicador do estado da máquina de cortar relva no painel de instrumentos pisca a cor-de-laranja.

## MANUTENÇÃO

PT

**AVISO:** Para evitar ferimentos sérios, desligue sempre a máquina de cortar relva, retire a bateria e certifique-se de que todas as peças móveis pararam por completo antes de proceder à limpeza, manutenção ou transporte da máquina de cortar relva.

**AVISO:** Pare a máquina e retire a bateria, para se certificar de que todas as peças móveis pararam por completo após ter batido num objeto. Inspeccione a máquina quanto a danos e faça as reparações necessárias antes de reiniciar e utilizar a máquina.

**AVISO:** Pare a máquina e retire a bateria, para se certificar de que todas as peças móveis pararam por completo. Se a máquina começar a vibrar anormalmente, inspeccione imediatamente se existem danos. Substitua ou repare quaisquer peças danificadas e verifique se existem peças desapertadas. Se tal for o caso, aperte-as.

**AVISO:** Quando fizer a manutenção, utilize peças de substituição idênticas. A utilização de outras peças pode constituir um perigo ou provocar danos no produto. Para garantir a segurança e bom funcionamento, todas as reparações deverão ser efetuadas por um técnico de reparação qualificado.

### LIMPAR A MÁQUINA DE CORTAR RELVA

A parte inferior da plataforma da máquina de cortar relva deverá ser limpa após cada utilização, pois os restos de relva, folhas, sujidade e outros resíduos acumulam-se.

Retire quaisquer restos de relva e de folhas do eixo condutor ou à volta deste e da ventoinha do motor. Limpe a máquina de cortar relva com um pano ligeiramente embebido em água.

### Limpeza da entrada de ar (Imagem Q)

1. Retire a cobertura da rede da entrada de ar retirando os quatro parafusos.
2. Limpe o interior da entrada de ar e a cobertura da rede com ar comprimido.

### SUBSTITUIÇÃO DA LÂMINA (Imagem R1, R2, R3)

**AVISO:** Retire sempre a bateria e o saco de recolha da relva.

**AVISO:** Use sempre luvas de proteção.

# 52

**AVISO:** Limpe bem a área do eixo condutor e a parte inferior da máquina antes de instalar a lâmina.

1. Vire a máquina de cortar relva ao contrário.
2. Retire/instale a lâmina com uma chave dinamométrica e duas hastes de metal para ajudar, conforme ilustrado.
3. O lado impresso da lâmina fica virado para fora.

### GUARDAR A MÁQUINA DE CORTAR RELVA (Imagem S1 e S2)

1. Retire a bateria da máquina de cortar relva.
2. Esvazie o saco de recolha da relva e limpe a máquina de cortar relva.
3. Para poupar espaço de arrumação substancial, dobre a pega do produto e guarde o produto conforme ilustrado.

**AVISO:** Certifique-se de que o fio da pega não fica preso quando dobrar e desdobrar a pega do produto (não deixe a pega cair).

4. Não coloque outros objetos em cima da máquina de cortar relva quando a guardar.

**AVISO:** Se a máquina de cortar relva começar a inclinar-se, isso pode dar origem a danos na máquina ou ferimentos. Mantenha sempre a máquina de cortar relva estável e fora do alcance de crianças quando estiver na vertical. Se possível, deite-a quando a guardar.

### PROTEJA O AMBIENTE



Não elimine aparelhos elétricos juntamente com o lixo doméstico comum. Utilize sistemas de recolha em separado para este tipo de produtos.

Contacte as autoridades locais para obter mais informações em relação aos sistemas de recolha disponíveis.

Se os aparelhos elétricos forem deitados para aterros ou lixeiras, podem derramar substâncias tóxicas para a terra, entrando na água e depois na cadeia alimentar, causando danos na sua saúde e no seu bem-estar.

## RESOLUÇÃO DE PROBLEMAS

PROBLEMA	CAUSA	SOLUÇÃO
A máquina de cortar relva ou a função autopropulsora não inicia.	<ul style="list-style-type: none"> <li>■ A bateria está gasta.</li> </ul>	<ul style="list-style-type: none"> <li>■ Carregue a bateria.</li> </ul>
	<ul style="list-style-type: none"> <li>■ A bateria não foi inserida corretamente no compartimento da bateria.</li> </ul>	<ul style="list-style-type: none"> <li>■ Insira a bateria no compartimento da bateria até ouvir um “clique”.</li> </ul>
	<ul style="list-style-type: none"> <li>■ A pega não está bloqueada numa das posições de funcionamento e o indicador do estado da máquina de cortar relva pisca a verde.</li> </ul>	<ul style="list-style-type: none"> <li>■ Pare a máquina de cortar relva e certifique-se de que a pega fica fixada numa das posições de funcionamento.</li> </ul>
	<ul style="list-style-type: none"> <li>■ A plataforma da máquina de cortar relva está obstruída com relva e detritos.</li> </ul>	<ul style="list-style-type: none"> <li>■ Limpe a plataforma da máquina de cortar relva e certifique-se de que a lâmina se move livremente.</li> </ul>
A máquina de cortar relva corta de um modo pouco uniforme.	<ul style="list-style-type: none"> <li>■ A lâmina não está afiada.</li> </ul>	<ul style="list-style-type: none"> <li>■ Afie ou substitua a lâmina.</li> </ul>
	<ul style="list-style-type: none"> <li>■ A altura de corte da relva não foi definida corretamente.</li> </ul>	<ul style="list-style-type: none"> <li>■ Mova a altura da plataforma para uma posição mais elevada.</li> </ul>
	<ul style="list-style-type: none"> <li>■ A lâmina foi instalada incorretamente.</li> </ul>	<ul style="list-style-type: none"> <li>■ Volte a instalar a lâmina, tendo em conta a secção <b>“SUBSTITUIÇÃO DA LÂMINA”</b> neste manual.</li> </ul>
	<ul style="list-style-type: none"> <li>■ O modo da velocidade da lâmina não foi definido corretamente.</li> </ul>	<ul style="list-style-type: none"> <li>■ Selecione um modo da velocidade da lâmina adequado.</li> </ul>
A máquina de cortar relva não aduba corretamente.	<ul style="list-style-type: none"> <li>■ Existe relva molhada colada na parte inferior.</li> </ul>	<ul style="list-style-type: none"> <li>■ Espere que a relva seque antes de cortar.</li> </ul>
	<ul style="list-style-type: none"> <li>■ A máquina de cortar relva foi configurada para cortar demasiada relva de uma vez.</li> </ul>	<ul style="list-style-type: none"> <li>■ Levante a plataforma para uma altura de corte superior.</li> </ul>
	<ul style="list-style-type: none"> <li>■ O modo da velocidade da lâmina não foi definido corretamente.</li> </ul>	<ul style="list-style-type: none"> <li>■ Selecione um modo <b>1</b> ou modo da velocidade da lâmina ECO.</li> </ul>

PT

A máquina de cortar relva pára enquanto corta relva.	<ul style="list-style-type: none"> <li>■ A bateria está gasta.</li> </ul>	<ul style="list-style-type: none"> <li>■ Carregue a bateria.</li> </ul>
	<ul style="list-style-type: none"> <li>■ A máquina de cortar relva está sobrecarregada e o indicador do estado da máquina de cortar relva pisca a cor-de-laranja.</li> </ul>	<ul style="list-style-type: none"> <li>■ Verifique se se acumulou relva por baixo da plataforma, e limpe, se necessário. Aumente a altura de corte ou abra o ritmo de corte.</li> </ul>
	<ul style="list-style-type: none"> <li>■ A plataforma da máquina de cortar relva está obstruída com relva e detritos.</li> </ul>	<ul style="list-style-type: none"> <li>■ Limpe a plataforma da máquina de cortar relva. Aumente a altura de corte e/ou corte uma faixa mais estreita.</li> </ul>
	<ul style="list-style-type: none"> <li>■ A bateria ou o circuito da máquina de cortar relva está demasiado quente. Se a bateria sobreaquecer, o indicador do estado da máquina de cortar relva desliga-se. Se a máquina de cortar relva sobreaquecer, o indicador do estado da máquina de cortar relva permanece ligado a cor-de-laranja.</li> </ul>	<ul style="list-style-type: none"> <li>■ Permita que a bateria ou a máquina de cortar relva arrefeça.</li> </ul>
	<ul style="list-style-type: none"> <li>■ O modo da velocidade da lâmina não foi definido corretamente.</li> </ul>	<ul style="list-style-type: none"> <li>■ Selecione uma velocidade mais baixa da lâmina.</li> </ul>
	<ul style="list-style-type: none"> <li>■ Erro eletrónico da máquina de cortar relva, e o indicador do estado da máquina de cortar relva pisca alternadamente a vermelho/verde.</li> </ul>	<ul style="list-style-type: none"> <li>■ Contacte o centro de reparação da EGO.</li> </ul>
Há vibração excessiva.	<ul style="list-style-type: none"> <li>■ A lâmina de corte está solta.</li> </ul>	<ul style="list-style-type: none"> <li>■ Aperte o parafuso da lâmina.</li> </ul>
	<ul style="list-style-type: none"> <li>■ A lâmina de corte está desequilibrada.</li> </ul>	<ul style="list-style-type: none"> <li>■ Contacte o centro de reparação da EGO.</li> </ul>
	<ul style="list-style-type: none"> <li>■ A lâmina de corte está dobrada.</li> </ul>	<ul style="list-style-type: none"> <li>■ Substitua a lâmina.</li> </ul>
	<ul style="list-style-type: none"> <li>■ O eixo do motor está dobrado.</li> </ul>	<ul style="list-style-type: none"> <li>■ Contacte o centro de reparação da EGO.</li> </ul>
	<ul style="list-style-type: none"> <li>■ A máquina de cortar relva foi configurada para cortar demasiada relva de uma vez.</li> </ul>	<ul style="list-style-type: none"> <li>■ Levante a plataforma para uma altura de corte superior.</li> </ul>
	<ul style="list-style-type: none"> <li>■ O modo da velocidade da lâmina não foi definido corretamente.</li> </ul>	<ul style="list-style-type: none"> <li>■ Selecione uma velocidade mais baixa da lâmina.</li> </ul>
O motor funciona, mas a lâmina não corta a relva.	<ul style="list-style-type: none"> <li>■ A lâmina não está apertada com o binário necessário.</li> </ul>	<ul style="list-style-type: none"> <li>■ Volte a apertar a lâmina. O binário recomendado para o parafuso da lâmina é de 50-60 Nm.</li> </ul>

## GARANTIA

### POLÍTICA DE GARANTIA EGO

Visite o website [egopowerplus.eu](http://egopowerplus.eu) para os termos e condições completos da política de garantia da EGO.

## LEGGERE TUTTE LE ISTRUZIONI!

**Destinazione d'uso:** questo prodotto è destinato esclusivamente al taglio di erba in ambito domestico.

- Usarlo esclusivamente per tagliare erba asciutta. Non usarlo per tagliare erba bagnata.

- Non usarlo per altri scopi.

**⚠ AVVERTENZA!** Accertarsi di aver letto e compreso tutte le istruzioni di sicurezza in questo manuale, inclusi tutti i simboli di avvertenza come **"PERICOLO"**, **"AVVERTENZA"** and **"ATTENZIONE"** prima di usare l'apparecchio. Il mancato rispetto delle istruzioni sotto riportate comporta il rischio di scossa elettrica, incendio e/o gravi infortuni.

IT

## SIMBOLI DI SICUREZZA



Avvertenza di sicurezza

Durante l'uso del prodotto, indossare sempre protezione per le orecchie e occhiali protettivi o occhiali di sicurezza con protezioni laterali e una maschera facciale.



Fare attenzione agli oggetti proiettati dall'apparecchio. Tenere a distanza le altre persone.



Tenere le mani a distanza.



Livello di potenza sonora garantito



Questo apparecchio è conforme alle direttive britanniche applicabili.



Bluetooth®

IPX5

Protezione contro i getti d'acqua

mm

Millimetro



Corrente continua



Per ridurre il rischio di infortuni, l'operatore deve leggere e comprendere tutte le istruzioni prima di usare questo prodotto.



Arrestare l'apparecchio e rimuovere il gruppo batteria (o il dispositivo di attivazione) prima di effettuare le operazioni di regolazione o pulizia.



Tenere mani e piedi a distanza dalle lame.



Non fissare la fonte luminosa.



Questo apparecchio è conforme alle direttive europee applicabili.



Gli apparecchi elettrici non devono essere smaltiti insieme ai rifiuti domestici. Portarli presso un centro di riciclaggio autorizzato.

V Volt

cm Centimetro

kg Chilogrammo

**NOTA:** il marchio e i loghi Bluetooth® sono marchi commerciali di proprietà di Bluetooth SIG, inc. e il loro utilizzo è concesso in licenza a EGO.

## SPECIFICHE TECNICHE

Tensione	56 V 	
Livelli di velocità della lama	2	
	1	
	ECO	
Livelli di altezza del taglio	8	
Altezze di taglio	20 mm/31 mm/40 mm/ 51 mm/ 64 mm/78 mm/ 92 mm/105 mm	
Ampiezza di taglio	53 cm	
Volume del contenitore dell'erba	85 L	
Peso del tosaerba (senza gruppo batteria e contenitore dell'erba)	46 kg	
Modello della lama	AB5301	
Temperatura di funzionamento raccomandata	Da 0°C a 40°C	
Temperatura di conservazione raccomandata	Da -20°C a 70°C	
Livello di potenza sonora misurato $L_{WA}$	94 dB(A) K=0,6 dB(A)	
Livello di pressione sonora a livello dell'orecchio dell'operatore $L_{PA}$	83 dB(A) K= 3 dB(A)	
Livello di potenza sonora garantito $L_{WA}$ (misurato conformemente a 2000/14/EC)	95 dB(A)	
Valore di emissione delle vibrazioni $a_h$	Impugnatura sinistra	0,39 m/s <sup>2</sup> K=1,5 m/s <sup>2</sup>
	Impugnatura destra	0,33 m/s <sup>2</sup> K=1,5 m/s <sup>2</sup>

- Il valore totale di emissione delle vibrazioni dichiarato è stato misurato con un metodo di valutazione standard e può essere utilizzato per confrontare l'apparecchio con altri prodotti analoghi.
- Il valore totale di emissione delle vibrazioni dichiarato può essere utilizzato anche per una valutazione preliminare dei livelli di esposizione.

**NOTA:** il valore di emissione delle vibrazioni durante l'uso effettivo dell'apparecchio può variare rispetto al valore totale dichiarato in base alla modalità di utilizzo dell'apparecchio. Per proteggersi, l'operatore deve

indossare guanti e dispositivi di protezione per le orecchie in base alle condizioni di utilizzo effettive.

## CONTENUTO DELL'IMBALLAGGIO (FIG. A1 E A2)

NOME PARTE	QUANTITÀ
Tosaerba	1
Contenitore dell'erba	1
Telaio del contenitore dell'erba	1
Bullone ad alette (pre-installato sul tosaerba)	2
Manuale di istruzioni	1

## DESCRIZIONE

### DESCRIZIONE DEL TOSAERBA (Fig. A1, A2)

- Barra di avanzamento automatico
- Impugnatura
- Barra di avvio della lama
- Sportello dello scarico posteriore
- Meccanismo di bloccaggio
- Coperchio del vano batteria
- Fanali LED
- Paraurti centrale (impugnatura di sollevamento)
- Paraurti anteriore
- Leva di regolazione dell'altezza di taglio anteriore
- Ruota anteriore
- Piatto di taglio
- Schermo laterale
- Apertura di ingresso dell'aria
- Ruota posteriore
- Leva di regolazione dell'altezza di taglio posteriore
- Bullone ad alette
- Piastra di fissaggio del manubrio
- Staffa di supporto
- Contenitore dell'erba
- Paraspruzzi posteriore
- \* Accessorio per pacciamatura
- \* Scivolo di scarico laterale



24. Indicatore Bluetooth®
  25. Pannello di controllo
  26. Indicatore dello stato del tosaerba
  27. Indicatore della velocità della lama
  28. Pulsante di regolazione della velocità della lama
  29. Pulsante di accensione
  30. Pulsante dei fanali LED (Pulsante Bluetooth®)
  31. Manopola della velocità di avanzamento automatico
- \* (VENDUTO SEPARATAMENTE)

## ASSEMBLAGGIO

**AVVERTENZA!** In caso di componenti danneggiati o mancanti, non usare l'apparecchio finché i componenti non vengono sostituiti. L'uso dell'apparecchio con componenti danneggiati o mancanti comporta il rischio di lesioni gravi.

**AVVERTENZA!** Per evitare l'avvio accidentale e il conseguente rischio di lesioni gravi, rimuovere sempre il gruppo batteria dall'apparecchio durante l'assemblaggio dei componenti.

**AVVERTENZA!** Non tentare di modificare l'apparecchio o creare accessori non raccomandati per l'uso con questo apparecchio. Tali alterazioni o modifiche costituiscono un uso improprio e comportano condizioni pericolose e il rischio di lesioni gravi.

## DISIMBALLAGGIO

Questo deve essere assemblato dall'utente.

- Estrarre tutto il contenuto dalla confezione.

**ATTENZIONE!** Oggetto pesante. Per sollevare il tosaerba sono necessarie due persone.

- Mentre una persona afferra il paraurti centrale (impugnatura di sollevamento), l'altra persona deve afferrare i due bulloni ad alette per estrarre il tosaerba dall'imballaggio.

## INSTALLAZIONE DEL MANUBRIO

Il tosaerba è consegnato con il manubrio parzialmente assemblato.

**AVVERTENZA!** Non tentare di avviare il tosaerba finché il manubrio non è installato correttamente e in posizione operativa. Prestare attenzione per evitare lo schiacciamento del cavo e delle dita tra le parti.

1. Svitare entrambi i bulloni ad alette e conservarli.
2. Spostare il manubrio in avanti finché la piastra

di bloccaggio sul manubrio non è rivolta verso il meccanismo di bloccaggio sul tosaerba (Fig. B1).

3. Allineare i simboli sul meccanismo di bloccaggio e sulla piastra di fissaggio del manubrio come illustrato in Fig. B2, quindi inserire i due bulloni ad alette e serrarli a mano.

## APERTURA E REGOLAZIONE DEL MANUBRIO (Fig. C)

**AVVERTENZA!** Assicurarsi di non schiacciare, torcere o tirare il cavo durante l'apertura o la chiusura del manubrio. Se il cavo è danneggiato, il tosaerba potrebbe non attivarsi né funzionare correttamente, con il rischio di situazioni pericolose.

**AVVERTENZA!** Non tentare di avviare il tosaerba e il sistema di avanzamento automatico finché il manubrio non è stato bloccato in una delle tre posizioni operative predefinite (posizione operativa superiore **3**, posizione operativa intermedia **2** o posizione operativa inferiore **1**).

1. Allentare i bulloni ad alette da entrambi i lati e assicurarsi che i due meccanismi di bloccaggio siano completamente allentati, ma **NON** separati.
2. Ruotare il manubrio verso l'alto finché l'indicatore sul meccanismo di bloccaggio non è allineata con uno dei simboli delle tre posizioni operative sulla piastra di fissaggio del manubrio.
3. Serrare i due bulloni e assicurarsi che i due meccanismi di bloccaggio siano serrati e che il manubrio sia fissato saldamente.

C-1	Posizione operativa inferiore 1
C-2	Posizione operativa intermedia 2
C-3	Posizione operativa superiore 3

## CHIUSURA DEL MANUBRIO (Fig. D)

**AVVERTENZA!** Assicurarsi di non schiacciare, torcere o tirare il cavo durante l'apertura o la chiusura del manubrio. Se il cavo è danneggiato, il tosaerba potrebbe non attivarsi né funzionare correttamente, con il rischio di situazioni pericolose.

1. Allentare i bulloni ad alette da entrambi i lati e assicurarsi che i due meccanismi di bloccaggio siano completamente allentati, ma **NON** separati.
2. Ruotare il manubrio verso il basso fino a portarlo in posizione di chiusura.
3. Allineare l'indicatore sul meccanismo di bloccaggio con il simbolo della posizione di chiusura sulla piastra di fissaggio del manubrio.

4. Serrare i due bulloni ad alette e assicurarsi che i due meccanismi di bloccaggio siano serrati e che il manubrio sia fissato saldamente.

D-1 Posizione di chiusura

## ASSEMBLAGGIO DEL CONTENITORE DELL'ERBA (Fig. E1, E2, E3)

Prima di assemblare il contenitore dell'erba, ispezionarlo per assicurarsi che non sia danneggiato.

Assemblare il contenitore dell'erba come illustrato.

## INSTALLAZIONE/RIMOZIONE DELL'ACCESSORIO PER PACCIAMATURA (VENDUTO SEPARATAMENTE)

Installare l'accessorio per pacciamatura come illustrato in Fig. F.

**⚠ PERICOLO!** Il tosaerba può lanciare residui di erba e altri oggetti attraverso un'apertura nell'involucro, se è presente. Gli oggetti lanciati con forza comportano il rischio di lesioni gravi o morte per l'operatore o le persone presenti.

**Non usare il tosaerba senza aver installato correttamente l'accessorio per pacciamatura, il contenitore dell'erba o lo scivolo di scarico laterale.**

**⚠ AVVERTENZA!** L'accessorio per pacciamatura deve essere rimosso per poter installare il contenitore dell'erba o lo scivolo di scarico laterale. L'accessorio per pacciamatura deve essere reinstallato dopo aver rimosso il contenitore dell'erba (o lo scivolo di scarico laterale).

## INSTALLAZIONE/RIMOZIONE DEL CONTENITORE DELL'ERBA

Installare il contenitore dell'erba come illustrato in Fig. G.

**⚠ AVVERTENZA!** In condizioni d'uso normali, il materiale del contenitore dell'erba è soggetto a usura. Per ridurre il rischio di lesioni, ispezionare frequentemente il contenitore dell'erba e sostituirlo se presenta segni di usura o deterioramento. Usare esclusivamente contenitori per l'erba progettati per questo tosaerba.

**⚠ AVVERTENZA!** Per installare e usare lo scivolo di scarico laterale o l'accessorio per pacciamatura è necessario rimuovere il contenitore dell'erba.

## INSTALLAZIONE/RIMOZIONE DELLO SCIVOLO DI SCARICO LATERALE (VENDUTO SEPARATAMENTE)

Installare lo scivolo di scarico laterale come illustrato in Fig. H.

**⚠ AVVERTENZA!** Per installare e usare il contenitore dell'erba o l'accessorio per pacciamatura è necessario rimuovere lo scivolo di scarico laterale.

## REGOLAZIONE DELL'ALTEZZA DI TAGLIO (Fig. J1, J2)

**⚠ AVVERTENZA!** Tenere i piedi distanti dal tosaerba durante la regolazione dell'altezza di taglio.

Il tosaerba è dotato di 8 altezze di taglio comprese tra 20 mm e 105 mm. Un simbolo indica l'altezza di taglio selezionata.

È possibile regolare in modo indipendente l'altezza di taglio della parte anteriore e della parte posteriore del tosaerba. Selezionare l'altezza di taglio più adatta al tipo e alle condizioni dell'erba.

1. Arrestare il tosaerba e attendere che la lama sia completamente ferma.
2. Rimuovere i gruppi batteria.
3. Tirare la leva di regolazione dell'altezza di taglio anteriore o posteriore per estrarla dalla tacca e portarla nella posizione desiderata.

## INSTALLAZIONE/RIMOZIONE DEI GRUPPI BATTERIA (Fig. K)

**NOTA:** ricaricare il gruppo batteria prima del primo utilizzo.

Usare esclusivamente i gruppi batteria e i caricabatteria elencati in Fig. A3.

**NOTA:** questo tosaerba è dotato di due prese attive per batteria e può essere alimentato da uno o due gruppi batteria.

### ■ Installazione

1. Aprire il coperchio del vano batteria e inserire il gruppo batteria nel vano fino a udire un "clic".
2. Ripetere l'operazione per installare il secondo gruppo batteria.

### ■ Rimozione

Premere il pulsante di rilascio della batteria nel vano batteria.

**NOTA:** accertarsi che il dispositivo di chiusura sul tosaerba si incastrì in posizione e che il gruppo batteria sia fissato al tosaerba prima di iniziare il lavoro.

## SELEZIONE DELLA VELOCITÀ DELLA LAMA (Fig. L)

- La modalità 2 corrisponde a un'alta velocità della lama e aumenta la forza di aspirazione e le prestazioni di taglio.

- La modalità **1** offre il migliore compromesso tra prestazioni e autonomia.
- La modalità **ECO** è ideale per ridurre la rumorosità e ottenere la massima autonomia dei gruppi batteri.

**NOTA:** la velocità della lama predefinita è la modalità **1**.

### TECNOLOGIA DI CONNESSIONE

Per maggiori informazioni sulla gamma completa dei prodotti e dei servizi connessi, comprese le istruzioni di connessione, scansionare il seguente codice QR o visitare il sito web [www.egopowerplus.eu/connect](http://www.egopowerplus.eu/connect).



### UTILIZZO

Il prodotto può essere usato sotto la pioggia.

### AVVIO/ARRESTO DEL TOSAERBA

**AVVERTENZA!** L'uso del tosaerba può causare il lancio di oggetti estranei verso l'operatore o altre persone, con il rischio di lesioni gravi agli occhi. Indossare sempre occhiali di sicurezza durante l'uso, la regolazione o la riparazione del tosaerba.

**AVVERTENZA!** La lama continua a ruotare per qualche secondo dopo l'arresto del tosaerba. Attendere che il motore/lama smetta di ruotare prima di riavviare il tosaerba. Non avviare e arrestare il tosaerba in rapida successione.

**AVVERTENZA!** Arrestare la lama se è necessario inclinare il tosaerba per attraversare superfici non erbose o durante il trasporto da/verso l'area di lavoro.

**AVVERTENZA!** Non inclinare il tosaerba durante l'avvio del motore, se non espressamente indicato. In tal caso, non inclinarlo più dello stretto necessario e sollevare solo la parte distante dall'operatore.

Prima dell'uso, ispezionare visivamente il tosaerba per verificare che la lama e il bullone della lama non siano usurati o danneggiati. Se la lama o il bullone sono usurati o danneggiati, sostituire sempre tutto il gruppo per mantenere il tosaerba bilanciato.

### Verificare che la lama non sia bloccata.

- Per evitare il rischio di bloccaggio, mantenere la lama e le superfici del tosaerba pulite. Rimuovere eventuali residui di erba, foglie, sporcizia e altri accumuli di detriti

prima e dopo ogni utilizzo.

- In caso di bloccaggio, arrestare il tosaerba e rimuovere i gruppi batteria, quindi rimuovere eventuali accumuli di erba e foglie sopra o intorno all'albero di trasmissione e alla ventola del motore. Pulire il tosaerba con un panno umido.

**ATTENZIONE!** Non tentare di disabilitare il funzionamento del pulsante di accensione e della barra di avvio della lama.

**NOTA:** il motore non può essere avviato se il manubrio non è bloccato in una delle tre posizioni operative.

### Avvio del tosaerba (Fig. M1, M2)

1. Inserire i gruppi batteria nel tosaerba e chiudere il coperchio del vano batteria.
2. Premere il pulsante di accensione per attivare il pannello di controllo; l'indicatore dello stato del tosaerba e l'indicatore della velocità della lama **1** si illumineranno.
3. Premere il pulsante di regolazione della velocità della lama per selezionare la velocità desiderata.
4. Tenere premuto il pulsante di accensione.
5. Tenendo premuto il pulsante di accensione, tirare la barra di avvio della lama verso l'impugnatura e rilasciare il pulsante di accensione.

### Arresto del tosaerba (Fig. M3)

1. Rilasciare completamente la barra di avvio della lama.
2. Il freno elettrico del meccanismo di freno automatico arresterà la rotazione della lama entro 3 secondi dal rilascio della barra di avvio della lama.

### SISTEMA DI AVANZAMENTO AUTOMATICO A VELOCITÀ VARIABILE (Fig. N)

Il tosaerba è dotato di un sistema di avanzamento automatico a velocità variabile. Il sistema di avanzamento automatico è indipendente dalla rotazione della lama.

**NOTA:** il sistema di avanzamento automatico non può essere attivato se il manubrio non è bloccato in una delle tre posizioni operative.

### Funzionamento del sistema di avanzamento automatico senza rotazione della lama

1. Premere il pulsante di accensione per attivare il pannello di controllo.
2. Ruotare leggermente la manopola di controllo della velocità di avanzamento automatico in avanti fino a udire un "clic", quindi tirare la barra di avanzamento automatico verso l'impugnatura per attivare la funzione di avanzamento automatico.

**Per disattivare il sistema di avanzamento automatico,** rilasciare la barra di avanzamento automatico.

**Per spegnere i fanali,** premere nuovamente il pulsante dei fanali.







## FANALI LED (Fig. P)

**Per accendere i fanali,** premere il pulsante dei fanali. I fanali illumineranno l'area di fronte al tosaerba.

## INDICATORE DELLO STATO DEL TOSAERBA

L'indicatore dello stato del tosaerba sul pannello di controllo segnala lo stato operativo del tosaerba.

IT

Indicatore	Descrizione	Significato	Operazione
	Verde fisso	Il tosaerba funziona correttamente.	Nessuna azione necessaria.
	Verde lampeggiante	Il manubrio non è bloccato in posizione operativa.	Arrestare il tosaerba e assicurarsi che il manubrio sia bloccato in una delle posizioni operative.
	Rosso lampeggiante	La batteria è quasi scarica.	Arrestare il tosaerba e ricaricare il gruppo batteria.
	Arancione fisso	Il tosaerba si è surriscaldato.	Rilasciare la barra di avvio della lama e attendere che la temperatura del tosaerba scenda al di sotto di 80°C. Consultare la sezione <b>PROTEZIONE CONTRO IL SURRISCALDAMENTO DEL TOSAERBA</b> .
	Arancione lampeggiante	Il tosaerba è sovraccarico.	<ol style="list-style-type: none"> <li>1. Rimuovere i gruppi batteria, quindi rimuovere l'eventuale accumulo di erba sul piatto di taglio. Pulirlo se necessario.</li> <li>2. Rallentare la velocità di avanzamento del tosaerba durante il taglio.</li> <li>3. Aumentare l'altezza di taglio.</li> <li>4. Se il problema persiste, contattare il centro di assistenza EGO.</li> </ol> Consultare la sezione <b>PROTEZIONE CONTRO IL SOVRACCARICO DEL TOSAERBA</b> .
	Verde e rosso lampeggianti alternativamente	Malfunzionamento dei componenti elettronici.	Contattare il centro di assistenza EGO.

## PROTEZIONE CONTRO IL SURRISCALDAMENTO DELLA BATTERIA

Se la temperatura del tosaerba supera i 90°C durante l'uso, il circuito di protezione arresterà immediatamente il tosaerba per evitare che subisca danni.

L'indicatore dello stato del tosaerba si accenderà di arancione. Rilasciare la barra di avvio della lama e attendere che il tosaerba si raffreddi. Quando l'indicatore diventa verde è possibile riavviare il tosaerba.

## PROTEZIONE CONTRO IL SOVRACCARICO

Per evitare danni causati da condizioni di sovraccarico, non tentare di tagliare troppa erba in una sola volta. Rallentare la velocità di avanzamento o aumentare l'altezza di taglio.

Il tosaerba è dotato di un circuito di protezione integrato contro il sovraccarico. Se il tosaerba è sovraccarico, il motore si arresterà e l'indicatore di stato sul tosaerba lampeggerà di arancione.

## MANUTENZIONE

**AVVERTENZA!** Per evitare il rischio di lesioni gravi, arrestare il tosaerba, rimuovere i gruppi batteria e assicurarsi che tutte le parti mobili siano completamente ferme prima di pulire o trasportare il tosaerba.

**AVVERTENZA!** Arrestare il tosaerba rimuovere i gruppi batteria e assicurarsi che le parti mobili siano completamente ferme dopo aver urtato un oggetto estraneo e prima di ispezionare e riparare il tosaerba.

**AVVERTENZA!** Se il tosaerba inizia a vibrare in modo anomalo, arrestarlo, rimuovere i gruppi batteria e assicurarsi che le parti mobili siano completamente ferme; quindi ispezionarlo immediatamente per assicurarsi che non sia danneggiato (in caso contrario, sostituire o riparare le parti danneggiate) e che nessun componente sia allentato (in caso contrario, serrarlo).

**AVVERTENZA!** Per la riparazione del tosaerba, usare esclusivamente parti di ricambio identiche. L'uso di altri ricambi comporta situazioni pericolose o il rischio di danni al tosaerba. Per garantire sicurezza e affidabilità, tutte le operazioni di riparazione e sostituzione devono essere effettuate da un tecnico qualificato.

### PULIZIA DEL TOSAERBA

Pulire la parte inferiore del piatto di taglio dopo ogni utilizzo per evitare l'accumulo di erba tagliata, foglie, sporcizia e altri detriti.

Rimuovere gli eventuali accumuli di erba e foglie sopra o intorno all'albero motore e alla ventola del motore. Pulire il tosaerba con un panno umido.

### Pulizia dell'apertura di ingresso dell'aria (Fig. Q)

1. Rimuovere la griglia di copertura dell'apertura di ingresso dell'aria svitando le quattro viti.
2. Pulire l'interno dell'apertura di ingresso dell'aria e la griglia di copertura con aria compressa.

### SOSTITUZIONE DELLA LAMA (Fig. R1, R2, R3)

**AVVERTENZA!** Rimuovere i gruppi batteria e il contenitore dell'erba.

**AVVERTENZA!** Indossare guanti protettivi.

**NOTA:** pulire accuratamente l'area dell'albero di trasmissione e la parte inferiore del tosaerba prima di installare la lama.

1. Capovolgere il tosaerba.

2. Rimuovere/installare la lama con una chiave dinamometrica, aiutandosi con due aste metalliche come illustrato.
3. Il lato stampato della lama deve essere rivolto verso l'esterno.

### TRASPORTO DEL TOSAERBA (Fig. S1, S2)

1. Rimuovere i gruppi batteria dal tosaerba.
2. Svuotare il contenitore dell'erba e pulire il tosaerba.
3. Per occupare meno spazio, piegare il manubrio e riporre il tosaerba nella posizione illustrata.

**NOTA:** assicurarsi che il cavo non rimanga impigliato durante l'apertura o la chiusura del manubrio (non far cadere il manubrio).

4. Non posizionare alcun oggetto sopra il tosaerba quando è riposto.

**AVVERTENZA!** Se il tosaerba si inclina quando è in posizione verticale può causare danni o lesioni. Stabilizzare sempre il tosaerba quando è in posizione verticale e tenerlo fuori dalla portata dei bambini. Se possibile, conservarlo in posizione piana.

### PROTEZIONE DELL'AMBIENTE



Non smaltire gli apparecchi elettrici insieme ai rifiuti indifferenziati, ma portarli presso gli appositi punti di raccolta.

Rivolgersi alle autorità locali per informazioni sui sistemi di raccolta disponibili.

Se gli apparecchi elettrici vengono gettati in discarica, le sostanze pericolose che contengono possono infiltrarsi nella falda freatica ed entrare nella catena alimentare, con un effetto nocivo sulla salute e il benessere.

## RISOLUZIONE DEI PROBLEMI

IT

PROBLEMA	CAUSA	SOLUZIONE
Il tosaerba o la funzione di avanzamento automatico non si avvia.	<ul style="list-style-type: none"> <li>■ I gruppi batteria sono scarichi.</li> </ul>	<ul style="list-style-type: none"> <li>■ Ricaricare il gruppo batteria.</li> </ul>
	<ul style="list-style-type: none"> <li>■ I gruppi batteria non sono installati correttamente nel vano batteria.</li> </ul>	<ul style="list-style-type: none"> <li>■ Inserire il gruppo batteria nel vano batteria fino a udire un "clic".</li> </ul>
	<ul style="list-style-type: none"> <li>■ Il manubrio non è bloccato in posizione operativa e l'indicatore dello stato del tosaerba lampeggia di verde.</li> </ul>	<ul style="list-style-type: none"> <li>■ Arrestare il tosaerba e assicurarsi che il manubrio sia bloccato in una delle posizioni operative.</li> </ul>
	<ul style="list-style-type: none"> <li>■ Il piatto di taglio è ostruito da erba e detriti.</li> </ul>	<ul style="list-style-type: none"> <li>■ Pulire il piatto di taglio e assicurarsi che la lama si muova liberamente.</li> </ul>
Il tosaerba non taglia in modo uniforme.	<ul style="list-style-type: none"> <li>■ La lama è smussata.</li> </ul>	<ul style="list-style-type: none"> <li>■ Affilare o sostituire la lama.</li> </ul>
	<ul style="list-style-type: none"> <li>■ L'altezza di taglio non è adeguata.</li> </ul>	<ul style="list-style-type: none"> <li>■ Aumentare l'altezza del piatto di taglio.</li> </ul>
	<ul style="list-style-type: none"> <li>■ La lama non è installata correttamente.</li> </ul>	<ul style="list-style-type: none"> <li>■ Riassemblare la lama seguendo le istruzioni alla sezione <b>SOSTITUZIONE DELLA LAMA</b> di questo manuale.</li> </ul>
	<ul style="list-style-type: none"> <li>■ La velocità della lama non è adeguata.</li> </ul>	<ul style="list-style-type: none"> <li>■ Selezionare una velocità della lama adeguata.</li> </ul>
Il tosaerba non esegue una corretta pacciamatura.	<ul style="list-style-type: none"> <li>■ Sulla parte inferiore del piatto di taglio rimangono incollati residui di erba bagnata.</li> </ul>	<ul style="list-style-type: none"> <li>■ Attendere che l'erba si asciughi prima di tagliarla.</li> </ul>
	<ul style="list-style-type: none"> <li>■ Il tosaerba è regolato per tagliare troppa erba in una sola passata.</li> </ul>	<ul style="list-style-type: none"> <li>■ Aumentare l'altezza di taglio.</li> </ul>
	<ul style="list-style-type: none"> <li>■ La velocità della lama non è adeguata.</li> </ul>	<ul style="list-style-type: none"> <li>■ Selezionare la modalità <b>1</b> o la modalità <b>ECO</b>.</li> </ul>

Il tosaerba si arresta improvvisamente durante l'uso.	<ul style="list-style-type: none"> <li>I gruppi batteria sono scarichi.</li> </ul>	<ul style="list-style-type: none"> <li>Ricaricare il gruppo batteria.</li> </ul>
	<ul style="list-style-type: none"> <li>Il tosaerba è sovraccarico e l'indicatore dello stato del tosaerba lampeggia di arancione.</li> </ul>	<ul style="list-style-type: none"> <li>Controllare se sul piatto di taglio sono presenti accumuli di erba e pulirlo se necessario. Aumentare l'altezza di taglio o rallentare l'avanzamento.</li> </ul>
	<ul style="list-style-type: none"> <li>Il piatto di taglio è ostruito da erba e detriti.</li> </ul>	<ul style="list-style-type: none"> <li>Pulire il piatto di taglio. Aumentare l'altezza di taglio e/o ridurre la quantità di erba tagliata.</li> </ul>
	<ul style="list-style-type: none"> <li>La temperatura dei gruppi batteria o dei circuiti elettronici è troppo elevata. Se il gruppo batteria è surriscaldato, l'indicatore dello stato del tosaerba si spegne. Se il tosaerba è surriscaldato, l'indicatore dello stato del tosaerba rimane acceso di arancione.</li> </ul>	<ul style="list-style-type: none"> <li>Attendere che i gruppi batteria e il tosaerba si raffreddino.</li> </ul>
		<ul style="list-style-type: none"> <li>Pulire l'apertura di ingresso dell'aria come descritto alla sezione <b>Pulizia dell'apertura di ingresso dell'aria</b>.</li> </ul>
	<ul style="list-style-type: none"> <li>La velocità della lama non è adeguata.</li> </ul>	<ul style="list-style-type: none"> <li>Ridurre la velocità della lama.</li> </ul>
	<ul style="list-style-type: none"> <li>Malfunzionamento dei componenti elettronici; l'indicatore dello stato del tosaerba lampeggia alternativamente di rosso e di verde.</li> </ul>	<ul style="list-style-type: none"> <li>Contattare il centro di assistenza EGO.</li> </ul>
Vibrazioni eccessive.	<ul style="list-style-type: none"> <li>La lama è allentata.</li> </ul>	<ul style="list-style-type: none"> <li>Serrare il bullone della lama.</li> </ul>
	<ul style="list-style-type: none"> <li>La lama non è bilanciata.</li> </ul>	<ul style="list-style-type: none"> <li>Contattare il centro di assistenza EGO.</li> </ul>
	<ul style="list-style-type: none"> <li>La lama è piegata.</li> </ul>	<ul style="list-style-type: none"> <li>Sostituire la lama.</li> </ul>
	<ul style="list-style-type: none"> <li>L'albero motore è piegato.</li> </ul>	<ul style="list-style-type: none"> <li>Contattare il centro di assistenza EGO.</li> </ul>
	<ul style="list-style-type: none"> <li>Il tosaerba è regolato per tagliare troppa erba in una sola passata.</li> </ul>	<ul style="list-style-type: none"> <li>Aumentare l'altezza di taglio.</li> </ul>
	<ul style="list-style-type: none"> <li>La velocità della lama non è adeguata.</li> </ul>	<ul style="list-style-type: none"> <li>Ridurre la velocità della lama.</li> </ul>
Il motore funziona ma la lama non taglia l'erba.	<ul style="list-style-type: none"> <li>Il bullone della lama non è stato serrato con la coppia di serraggio raccomandata.</li> </ul>	<ul style="list-style-type: none"> <li>Serrare la lama. La coppia di serraggio raccomandata per il bullone della lama è 50-60 Nm.</li> </ul>

## GARANZIA

### CONDIZIONI DELLA GARANZIA EGO

Visitare il sito web [egopowerplus.eu](http://egopowerplus.eu) per consultare le condizioni complete della garanzia EGO.

## LEES ALLE INSTRUCTIES!

**Beoogd gebruik:** Het product is bedoeld voor handmatig grasmaaien:

- Alleen gebruiken voor het maaien van droog gras. Maai geen nat gras.
- Gebruik het niet voor andere doeleinden.

**⚠ WAARSCHUWING:** Lees en begrijp alle veiligheidsinstructies die in deze gebruiksaanwijzing staan vermeld, waaronder alle veiligheidssymbolen zoals „**GEVAAR**“, „**WAARSCHUWING**“, en „**OPGELET**“ voordat u deze machine in gebruik neemt. Het negeren van onderstaande instructies kan leiden tot een elektrische schok, brand en/of ernstig persoonlijk letsel.

NL

## VEILIGHEIDSSYMBOLEN



Veiligheidswaarschuwing



Draag altijd gehoorbescherming, een veiligheidsbril met zijkusschermen en een gelaatsscherm als u dit product gebruikt.



Pas op voor weggeslingerde voorwerpen - houd omstanders uit de buurt.



Houd uw voeten uit de buurt.



Gewaarborgd geluidsvermogensniveau.



Dit product is in overeenstemming met de toepasselijke richtlijnen van het VK.



Bluetooth®

IPX5

Bescherming tegen waterstralen

mm

Millimeter



Gelijkstroom



De gebruiker dient de gebruiksaanwijzing voor het gebruik van dit product te lezen en te begrijpen om risico op letsel te beperken.



Apparaat uitschakelen en accupack ontkoppelen (of schakel het apparaat uit) voordat u instellingen uitvoert of het apparaat reinigt.



Houd handen en voeten uit de buurt van de messen



Kijk niet in de lamp.



Dit product is in overeenstemming met de EG-richtlijnen.



Gooi elektrisch afval niet via het huishoudelijk afval weg. Breng het naar een geautoriseerd recyclingbedrijf.

V

Volt

cm

Centimeter

kg

Kilogram



## SPECIFICATIES

Spanning	56 V	
Messnelheidsmodus	2	
	1	
	ECO	
Maaihoogte standen	8	
Maaihoogte instellingen	20 mm/31 mm/40 mm/ 51 mm/ 64 mm/78 mm/ 92 mm/105 mm	
Maai breedte	53 cm	
Inhoud van de opvangzak	85 L	
Gewicht grasmaaier (zonder accupack en opvangzak)	46 kg	
Messenmodel	AB5301	
Aanbevolen bedrijfstemperatuur	0°C–40°C	
Aanbevolen opslagtemperatuur	-20°C–70°C	
Gemeten geluidsvermogensniveau $L_{WA}$	94 dB(A) K=0,6 dB(A)	
Geluidsdruk niveau bij het oor van de gebruiker $L_{PA}$	83 dB(A) K= 3 dB(A)	
Gegarandeerd geluidsvermogensniveau $L_{WA}$ (gemeten volgens 2000/14/EG)	95 dB(A)	
Inschatting van de vibratie $a_h$ :	Linker handvat	0,39 m/s <sup>2</sup> K=1,5 m/s <sup>2</sup>
	Rechter handvat	0,33 m/s <sup>2</sup> K=1,5 m/s <sup>2</sup>

- De opgegeven totale vibratiewaarde is gemeten volgens de standaard testmethode en kan worden gebruikt om de machine met een andere machine te vergelijken.
- De opgegeven totale vibratiewaarde kan tevens worden gebruikt in een voorafgaande beoordeling op blootstelling.

**OPMERKING:** De trillingsemisatie tijdens het werkelijk gebruik van de machine kan verschillen van de gebruikte machine. Om de gebruiker te beschermen dient de gebruiker tijdens het gebruik handschoenen en gehoorbescherming te dragen.

## INHOUD VAN DE VERPAKKING (AFB. A1 & A2)

NAAM VAN HET ONDERDEEL	AANTAL
Grasmaaier	1
Opvangzak	1
Frame met grasopvangzak	1
Vleugelbout (in de fabriek in de maaier geïnstalleerd)	2
Gebruiksaanwijzing	1

NL

## BESCHRIJVING

### KEN UW GRASMAAIER (Afb. A1 & A2)

- Schakelaar voor zelfaandrijving
  - Handgreep
  - Mesrotatiehendel
  - Achterklep
  - Vergrendeling
  - Klep voor accupackvak
  - Led-koplampen
  - Middelste bumper (Draaggreep)
  - Voorbumper
  - Voorste hendel voor het instellen van de maaihoogte
  - Voorwiel
  - Grasmaaierafdekking
  - Zijscherm
  - Luchtinlaat
  - Achterwiel
  - Achterste hendel voor het instellen van de maaihoogte
  - Vleugelmoer
  - Bevestigingsplaat voor handgreep
  - Beugel
  - Opvangzak
  - Sleepscherm
  - Mulch-invoer
  - Zijkoker
  - Bluetooth®-controlelampje
  - Dashboard
  - Grasmaaier-statusindicator
  - Messnelheidsindicator
  - Messnelheidsmodus-knop
  - Aan/uit-knop
  - LED-koplampen-knop (Bluetooth® -knop)
  - Rijsnelheidsregelaar
- \* APART VERKRIJGBAAR

## MONTAGE

**⚠ WAARSCHUWING:** Als er onderdelen beschadigd zijn of ontbreken, gebruik dit product niet totdat alle onderdelen vervangen of aanwezig zijn. Dit product gebruiken met beschadigde of ontbrekende onderdelen kan ernstig persoonlijk letsel veroorzaken.

**⚠ WAARSCHUWING:** Om het toevallig starten van de machine, dat ernstig persoonlijk letsel kan veroorzaken, te voorkomen, verwijder altijd het/de accupack(s) uit de machine voordat u onderdelen monteert.

**⚠ WAARSCHUWING:** Probeer niet om deze machine aan te passen of accessoires te maken die niet voor gebruik met deze grasmachine zijn aanbevolen. Een dergelijke aanpassing of wijziging is verkeerd en kan leiden tot gevaar en een ernstig letsel.

### UITPAKKEN

Dit product dient in elkaar te worden gezet.

- Haal alle accessoires uit de doos.

**⚠ OPGELET:** Zwaar voorwerp. Er zijn twee personen nodig om de maaier op te tillen.

- Een persoon pakt de middelste bumper/draaggreep vast en de andere persoon pakt de twee vleugelbouten vast om de grasmaaier voorzichtig uit de doos te tillen.

### DE HANDGREEP INSTALLEREN

De grasmaaier wordt geleverd met de handgreep gedeeltelijk gemonteerd.

**⚠ WAARSCHUWING:** Probeer de grasmaaier niet te starten voordat de handgreep goed en stevig is bevestigd en uitgeklaapt. Wees voorzichtig om beknelling van de vingers en kabels tussen de onderdelen te voorkomen.

1. Draai beide vleugelbouten los en leg ze opzij.
2. Breng de handgreep naar voren totdat de vergrendeling op de handgreep naar het tandwiel van de grasmaaier is gericht (Afb. B1).
3. Breng de markeringen op de vergrendeling en de bevestigingsplaat van de handgreep op één lijn zoals weergegeven in Afb. B2. Breng vervolgens de twee vleugelbouten aan en draai ze met de hand vast.

### DE HANDGREEP UITVOUWEN EN AANPASSEN (Afb. C)

**⚠ WAARSCHUWING:** Zorg ervoor dat de kabel niet bekneld raakt, knikt of belast wordt wanneer u de handgreep in- of uitvouwt. Beschadiging van de kabel kan een impact hebben op de activering en werking van de grasmaaier en tot een onveilige bedrijfsstoestand leiden.

**⚠ WAARSCHUWING:** Probeer de grasmaaier en het zelfaandrijvingsysteem niet te starten totdat het handvat in één van de vooraf ingestelde bedieningsposities wordt vergrendeld (Bovenste bedieningspositie **3**, middelste bedieningspositie **2** en onderste bedieningspositie **1**).

1. Draai de vleugelbouten aan beide zijden los, zorg ervoor dat de twee tandwielen volledig los maar NIET gescheiden zijn.
2. Draai de handgreep omhoog totdat de pijl op het vergrendeling met één van de drie bedieningsposities op de bevestigingsplaat van de handgreep is uitgelijnd.
3. Draai de twee bouten vast, zorg ervoor dat de twee versnellingen volledig zijn ingeschakeld en dat de handgreep stevig vastzit.

C-1	Onderste bedieningspositie 1
C-2	Middelste bedieningspositie 2
C-3	Bovenste bedieningspositie 3

### DE HANDGREEP DICHTVOUWEN (Afb. D)

**⚠ WAARSCHUWING:** Zorg ervoor dat de kabel niet bekneld raakt, knikt of belast wordt wanneer u de handgreep in- of uitvouwt. Beschadiging van de kabel kan een impact hebben op de activering en werking van de grasmaaier en tot een onveilige bedrijfsstoestand leiden.

1. Draai de vleugelbouten aan beide zijden los, zorg ervoor dat de twee tandwielen volledig los zitten maar NIET van elkaar gescheiden zijn.
2. Draai de handgreep naar beneden totdat de handgreep zich in de opslagpositie bevindt
3. Breng de pijlmarkering op de vergrendeling op één lijn met de opslagpositiemarkering op de bevestigingsplaat van de handgreep.
4. Draai de twee vleugelbouten vast. Zorg ervoor dat de handgreep stevig in de twee tandwielen vastzit.

D-1	Opslagpositie
-----	---------------

### DE GRASOPVANGZAK IN ELKAAR ZETTEN (Afb. E1, E2, E3)

Controleer de grasopvangzak voor de montage om er zeker van te zijn dat deze niet is beschadigd.

Zet de grasopvangzak in elkaar zoals afgebeeld.

### HET MULCH-INVOER BEVESTIGEN/VERWIJDEREN (AFZONDERLIJK VERKRIJGBAAR)

Installeer de mulch-invoer in de grasmaaier zoals weergegeven in Afb. F.

**⚠ GEVAAR:** De machine kan gemaaid gras en andere objecten door een opening in de machinebehuizing gooien. Objecten die met voldoende kracht worden gegooid, kunnen ernstig persoonlijk letsel of de dood veroorzaken bij u of de omstanders.

Gebruik de grasmaaier nooit zonder dat de mulch-invoer, de grasopvangzak of de zijkoker juist zijn geïnstalleerd.

**⚠ WAARSCHUWING:** Bij het installeren van de grasopvangzak of de zijkoker moet de mulch-invoer worden verwijderd. De mulch-invoer moet opnieuw worden geïnstalleerd wanneer de grasopvangzak (of zijkoker) wordt verwijderd.

#### DE GRASOPVANGZAK BEVESTIGEN/VERWIJDEREN

Installeer de grasopvangzak in de grasmaaier zoals weergegeven in Afb. G.

**⚠ WAARSCHUWING:** Bij normaal gebruik is de grasopvangzak onderhevig aan slijtage. Om het risico op letsel te beperken, dient u de montage van de grasopvangzak regelmatig te controleren en deze te vervangen indien u slijtage of schade vaststelt. Gebruik uitsluitend opvangzakken die zijn gemaakt voor deze grasmaaier.

**⚠ WAARSCHUWING:** De grasopvangzak moet worden verwijderd om de zijkoker of de mulch-invoer te kunnen installeren en gebruiken.

#### DE ZIJKOKER BEVESTIGEN/VERWIJDEREN (AFZONDERLIJK VERKRIJGBAAR)

Installeer de zijkoker in de grasmaaier zoals weergegeven in Afb. H.

**⚠ WAARSCHUWING:** De zijkoker moet worden verwijderd om de grasopvangzak of de mulch-invoer te kunnen installeren en gebruiken.

#### DE MAAIHOOGTE INSTELLEN (Afb. J1 & J2)

**⚠ WAARSCHUWING:** Houd uw voeten uit de buurt van de afdekking terwijl u de maaihogte instelt.

De grasmaaier kan in 8 verschillende hoogtes tussen 20 mm en 105 mm worden ingesteld. Een markering geeft de geselecteerde maaihogte aan.

Deze grasmaaier maakt het mogelijk om de maaihogte van de voor- en achterkant van de grasmaaier individueel in te stellen. Kies de juiste maaihogte aan de hand van het soort te maaien gras en de toestand ervan.

1. Zet de grasmaaier uit en wacht totdat het mes tot een volledige stilstand is gekomen.
2. Verwijder het/de accupack/s.
3. Trek de hendel voor het instellen van de maaihogte aan de voor- of achterkant uit de borgpen en zet deze in de gewenste positie.

#### HET ACCUPACK INSTALLEREN/VERWIJDEREN (Afb. K)

**OPMERKING:** Laad het accupack voor ingebruikname volledig op.

Gebruik alleen met in afb. A3 vermelde accupacks en opladers

**OPMERKING:** De grasmaaier heeft twee actieve accupoorten. Deze kan op een of twee accupacks werken.

##### ■ Bevestigen

1. Open de klep en duw het accupack in het accupackvak totdat er een 'klik' wordt gehoord.
2. Herhaal de procedure om het tweede accupack te installeren.

##### ■ Verwijderen

Druk op de ontgrendelingsknop in het accupackvak.

**OPMERKING:** Zorg dat de vergrendeling op de grasmaaier op zijn plaats klikt en het accupack stevig aan het grasmaaier is vastgemaakt voordat u begint te maaien.

#### DE SNELHEIDSMODUS VAN HET MES SELECTEREN (Afb. L)

- Modus 2 is de hoge messnelheidsmodus voor hoge hefprestaties om de zuigkracht en snijprestaties te verbeteren.
- Modus 1 is het beste evenwicht tussen prestaties en werkingstijd.
- De ECO-modus biedt het laagste geluidsniveau en de langste gebruiksduur van uw accupack(s).

**OPMERKING:** De standaard messnelheidsmodus is modus 1.

#### COMMUNICATIETECHNOLOGIE

Voor informatie over ons volledig assortiment van verbonden producten en diensten, waaronder de verbodingsinstructies, scan de QR-code hieronder of ga naar [www.egopowerplus.eu/connect](http://www.egopowerplus.eu/connect).



## GEBRUIK

Het product kan in de regen worden gebruikt.

### STARTEN/STOPPEN VAN DE GRASMAAIER

**⚠ WAARSCHUWING:** De werking van elke grasmaaier kan leiden tot het rondslingeren van vreemde objecten die in uw of andermans ogen kunnen terechtkomen. Dit kan leiden tot ernstig oogletsel. Draag altijd een veiligheidsbril tijdens het gebruik van de maaier of tijdens het uitvoeren van aanpassingen of reparaties aan de maaier.

**⚠ WAARSCHUWING:** Het mes roteert nog enkele seconden nadat de grasmaaier is uitgeschakeld. Laat de motor/het mes eerst tot stilstand komen voordat u hem weer start. Start en stop de grasmaaier niet te vaak vlak achter elkaar.

**⚠ WAARSCHUWING:** Stop het mes als de grasmaaier gekanteld wordt voor transport over andere oppervlakten dan gras en als u de grasmaaier van en naar het gazon brengt waar u wilt maaien.

**⚠ WAARSCHUWING:** Kantel de grasmaaier niet wanneer u de motor inschakelt, behalve als de grasmaaier gekanteld moet worden om te starten. In dit geval dient u het gereedschap niet meer dan nodig te kantelen en alleen het gedeelte te kantelen, dat het verest weg is van de bediener.

Controleer voor gebruik altijd of het mes en de mesbout niet versleten of beschadigd zijn. Vervang versleten of beschadigde messen en moeren als set om de balans te behouden.

### Controleer op blokkering van het mes

- Om blokkering te voorkomen, houd het mes en de grasmaaierafdekking schoon. Verwijder gemaaid gras, bladeren, vuil en ander opgehoopt vuil voor en na elk gebruik.

- Wanneer er een blokkering optreedt, stop de grasmaaier, verwijder het/de accupack(s) en verwijder vervolgens eventuele ophoping van gras en bladeren op of rond de aandrijfjas en de motorventilator. Maak de grasmaaier schoon met een vochtige doek.

**⚠ OPGELET:** Probeer de werking van de aan/uit-knop en het draaien van het mes niet te omzeilen.

**OPMERKING:** De motor kan alleen worden gestart wanneer de hendel op een van de drie werkingsposities is vastgezet.

### De grasmaaier starten (Afb. M1 & M2)

1. Sluit het/de accupack(s) aan op de grasmaaier en sluit de klep van het accupackvak.
2. Druk op de aan/uit-knop om het dashboard op te lichten en de grasmaaier-statusindicator en de messnelheidsindicator **1** branden.
3. Druk op de messnelheidsmodus-knop om de gewenste snelheid te selecteren.
4. Houd de aan/uit-knop ingedrukt.
5. Terwijl de aan/uit-knop is ingedrukt, trek de mesrotatiehendel naar u toe en laat de aan/uit-knop los

### De maaier stoppen (Afb. M3)

1. Laat de mesrotatiehendel volledig los.
2. De elektrische rem in het automatisch remmechanisme zal de mesrotatie binnen 3 seconden na het loslaten van de mesrotatiehendel stoppen.

### VARIABLE SNELHEID VOOR HET ZELFAANGEDREVEN SYSTEEM (Afb. N)

De grasmaaier is voorzien van een zelfaandrijvingssysteem met variabele snelheid. Dit zelfaandrijvingssysteem werkt onafhankelijk van de mesrotatie.

**OPMERKING:** Het zelfaandrijvingssysteem kan alleen worden gestart als de handgreep in een van de drie werkingsposities vastzit.

### Het zelfaandrijvingssysteem zonder mesrotatie gebruiken

1. Druk op de aan/uit-knop om het dashboard te verlichten.
2. Draai de rijsnelheidsregelaar lichtjes naar voren totdat er een klik wordt gehoord en trek de schakelaar voor zelfaandrijving vervolgens richting de handgreep om de zelfaandrijvingsfunctie te starten.

**Om het zelfaandrijvingssysteem uit te schakelen,** laat de schakelaar voor zelfaandrijving los.

### LED-KOPLAMPEN (Afb. P)

**Om de koplampen aan te zetten,** druk op de koplampen-knop. De koplampen zorgen voor fel licht aan de voorkant van de maaier.

**Om de koplampen uit te zetten,** druk opnieuw op de knop.

### GRASMAAIER-STATUSINDICATOR

De grasmaaier-statusindicator op het dashboard geeft de werkstatus van de grasmaaier weer.

Indicator	Beschrijving	Betekenis	Actie
	Groen brandend	Grasmaaier werkt naar behoren.	Geen actie vereist.
	Groen knipperend	De handgreep is niet in een werkingspositie vastgezet.	Stop de grasmaaier en zorg ervoor dat de handgreep in een van de werkingsposities vastzit.
	Rood knipperend	Laag accuniveau.	Stop de grasmaaier en laad het/de accupack(s) op.
	Oranje brandend	De grasmaaier is oververhit.	Laat de mesrotatiehendel los en wacht totdat de temperatuur van de grasmaaier lager dan 80 °C is. Zie <b>'BEVEILIGING TEGEN TE HOGE TEMPERATUUR VAN GRASMAAIER'</b> hieronder.
	Oranje knipperend	De grasmaaier is overbelast.	<ol style="list-style-type: none"> <li>1. Verwijder eerst het/de accupack(s) en controleer of er gras onder het afdekking is opgehoopt. Maak indien nodig schoon.</li> <li>2. Ga trager tijdens het maaien.</li> <li>3. Verhoog de maaihoogte.</li> <li>4. Als bovenstaande oplossingen niet werken, neem dan contact op met het EGO Service Center.</li> </ol> Zie <b>'BEVEILIGING TEGEN OVERBELASTING VAN GRASMAAIER'</b> hieronder.
	Rood/groen afwisselend knipperend	Storing in de elektronica van de grasmaaier.	Neem contact op met het EGO Service Center.

#### BEVEILIGING TEGEN TE HOGE TEMPERATUUR VAN GRASMAAIER

Als de temperatuur van de grasmaaier tijdens de werking hoger dan 90°C is, zal de temperatuurbeveiliging de grasmaaier uitschakelen om schade door oververhitting te voorkomen.

De grasmaaier-statusindicator brandt continu oranje. Laat de mesrotatiehendel los en wacht totdat de oververhitte maaier is afgekoeld en de statusindicator groen wordt. Schakel de grasmaaier vervolgens opnieuw in.

#### BEVEILIGING TEGEN OVERBELASTING VAN GRASMAAIER

Om overbelasting te voorkomen, dient u niet te veel gras in één keer te maaien. Ga trager of verhoog de maaihoogte.

Uw grasmaaier heeft een geïntegreerde beveiliging tegen overbelasting. Als de grasmaaier overbelast raakt, gaat de motor uit en knippert de grasmaaier-statusindicator op het dashboard oranje.

## ONDERHOUD

**⚠ WAARSCHUWING:** Om ernstig persoonlijk letsel te voorkomen, dient u altijd de grasmaaier uit te schakelen, het/de accupack(s) te verwijderen en ervoor te zorgen dat alle bewegende delen volledig tot stilstand zijn gekomen voordat u de grasmaaier reinigt, onderhoudt of vervoert.

**⚠ WAARSCHUWING:** Stop de machine en verwijder het/de accupack(s) om er zeker van te zijn dat alle bewegende delen volledig tot stilstand zijn gekomen na het raken van een vreemd voorwerp, om de machine te inspecteren op schade en reparaties uit te voeren voordat u de machine opnieuw start en gebruikt.

**⚠ WAARSCHUWING:** Stop de machine en verwijder het/de accupack(s) om te controleren of alle bewegende delen volledig tot stilstand zijn gekomen, als de machine abnormaal begint te trillen en controleer de machine onmiddellijk op schade. Vervang of repareer beschadigde onderdelen en controleer op losse onderdelen en draai deze vast.

**⚠ WAARSCHUWING:** Gebruik tijdens reparaties uitsluitend identieke reserve-onderdelen. Het gebruik van andere onderdelen kan gevaar opleveren of schade aan het product veroorzaken. Laat alle reparaties uitvoeren door een vakbekwame reparateur om een continue veiligheid en betrouwbaarheid te waarborgen.

### DE GRASMAAIER SCHOONMAKEN

De onderkant van de grasmaaierafdekking dient na elk gebruik te worden gereinigd aangezien gras, bladeren, verontreinigingen of andere rommel zich hier ophoopt.

Verwijder alle opeenhopingen van gras en bladeren op of rond de aandrijfjas en de motorventilator. Maak de grasmaaier schoon met een vochtige doek.

### De luchtinlaat reinigen (Afb. Q)

1. Verwijder het rooster van de luchtinlaat door de vier schroeven los te draaien.
2. Reinig de binnenkant van de luchtinlaat en het rooster met perslucht.

### HET MES VERVANGEN (Afb. R1, R2, R3)

**⚠ WAARSCHUWING:** Verwijder altijd het/de accupack(s) en de grasopvangzak.

**⚠ WAARSCHUWING:** Draag altijd beschermende handschoenen.

**OPMERKING:** Maak de aandrijfjas en de onderkant van de machine grondig schoon voordat u het mes monteert.

1. Zet de grasmaaier ondersteboven
2. Verwijder/installeer het mes met een momentsleutel en twee metalen staven als steun, zoals weergegeven.
3. De bedrukte zijde van het mes naar buiten gericht.

### DE GRASMAAIER OPBERGEN (Afb. S1 & S2)

1. Haal het/de accupack(s) uit de grasmaaier.
2. Maak de grasopvangzak leeg en maak de maaier schoon.
3. Om aanzienlijke opslagruimte te besparen, vouw de handgreep van het product dicht en berg het product op zoals weergegeven.

**OPMERKING:** Zorg ervoor dat het snoer van de handgreep niet bekneeld raakt wanneer u de handgreep van het product open- of dichtvouwt (laat de handgreep niet vallen).

4. Plaats geen andere objecten boven op de grasmaaier bij opslag

**⚠ WAARSCHUWING:** Als de grasmaaier kantelt vanuit de rechtopstaande positie, kan dit leiden tot schade of persoonlijk letsel. Houd de grasmaaier altijd stabiel en buiten het bereik van kinderen als deze rechtop staat. Indien mogelijk dient u hem neer te leggen tijdens het opbergen.

### HET MILIEU BESCHERMEN



Voer elektrische apparaten niet via het huisvuil af, maar maak gebruik van de afzonderlijke inzamelingspunten.

Neem contact op met uw lokale overheid voor informatie over de beschikbare inzamelingsystemen.

Als elektrische apparaten op een vuilstort of vuilnisbelt terecht komen, kunnen gevaarlijke stoffen in het grondwater lekken en in de voedselketen komen wat schadelijk is voor uw gezondheid en welzijn.

## PROBLEEMOPLOSSING

PROBLEEM	OORZAAK	OPLOSSING
De grasmaaier of zelfaandrijvingsfunctie start niet.	<ul style="list-style-type: none"> <li>Het/de accupack(s) is/zijn leeg.</li> </ul>	<ul style="list-style-type: none"> <li>Laad het accupack op.</li> </ul>
	<ul style="list-style-type: none"> <li>Het/de accupack(s) is/zijn niet goed in het accupackvak geplaatst.</li> </ul>	<ul style="list-style-type: none"> <li>Duw het/de accupack(s) in het accupackvak totdat u een "klik" hoort.</li> </ul>
	<ul style="list-style-type: none"> <li>De handgreep zit niet vast in een werkingspositie en de grasmaaier-statusindicator knippert groen.</li> </ul>	<ul style="list-style-type: none"> <li>Stop de grasmaaier en zorg ervoor dat de handgreep in een van de werkingsposities vastzit.</li> </ul>
	<ul style="list-style-type: none"> <li>De grasmaaierafdekking is verstopt door gras en vuil.</li> </ul>	<ul style="list-style-type: none"> <li>Reinig de grasmaaierafdekking en controleer of het mes vrij kan bewegen.</li> </ul>
De grasmaaier maait ongelijk.	<ul style="list-style-type: none"> <li>Het mes is bot.</li> </ul>	<ul style="list-style-type: none"> <li>Slijp of vervang het mes.</li> </ul>
	<ul style="list-style-type: none"> <li>De maaihoogte is niet goed ingesteld.</li> </ul>	<ul style="list-style-type: none"> <li>Verplaats de hoogte van de afdekking naar een hogere instelling.</li> </ul>
	<ul style="list-style-type: none"> <li>Het mes is verkeerd geïnstalleerd.</li> </ul>	<ul style="list-style-type: none"> <li>Installeer het mes opnieuw volgens de sectie <b>„HET MES VERVANGEN“</b> in deze handleiding.</li> </ul>
	<ul style="list-style-type: none"> <li>De messnelheidsmodus is niet goed ingesteld.</li> </ul>	<ul style="list-style-type: none"> <li>Selecteer een geschikte messnelheidsmodus.</li> </ul>
De grasmaaier mulcht niet goed.	<ul style="list-style-type: none"> <li>Nat gemaaid gras blijft aan de onderkant van het dek plakken.</li> </ul>	<ul style="list-style-type: none"> <li>Wacht totdat het gras droog is voordat u het maait.</li> </ul>
	<ul style="list-style-type: none"> <li>De grasmaaier is zo ingesteld dat hij te veel gras in een keer moet maaien.</li> </ul>	<ul style="list-style-type: none"> <li>Beweeg de afdekking omhoog om een hogere maaihoogte in te stellen.</li> </ul>
	<ul style="list-style-type: none"> <li>De messnelheidsmodus is niet goed ingesteld.</li> </ul>	<ul style="list-style-type: none"> <li>Selecteer modus 1 of de ECO-messnelheidsmodus.</li> </ul>

NL

De grasmaaier stopt onverwachts tijdens het maaien.	<ul style="list-style-type: none"> <li>■ Het/de accupack(s) is/zijn leeg.</li> </ul>	<ul style="list-style-type: none"> <li>■ Laad het accupack op.</li> </ul>
	<ul style="list-style-type: none"> <li>■ De grasmaaier is overbelast en de grasmaaier-statusindicator knippert oranje.</li> </ul>	<ul style="list-style-type: none"> <li>■ Controleer of er zich gras onder de afdekking heeft opgehoopt en maak het indien nodig schoon. Verhoog de maaihoogte of maai langzamer.</li> </ul>
	<ul style="list-style-type: none"> <li>■ Grasmaaierafdekking is verstopt door gras en vuil.</li> </ul>	<ul style="list-style-type: none"> <li>■ Reinig de grasmaaierafdekking. Verhoog de maaihoogte en/of maai een smallere strook.</li> </ul>
	<ul style="list-style-type: none"> <li>■ Het/de accupack(s) of het circuit van de grasmaaier is/zijn te warm. Als het accupack oververhit raakt, dooft de grasmaaier-statusindicator. Als de grasmaaier oververhit raakt, brandt de grasmaaier-statusindicator continu oranje.</li> </ul>	<ul style="list-style-type: none"> <li>■ Laat het/de accupack(s) of grasmaaier afkoelen</li> <li>■ Reinig de luchtinlaat volgens de sectie <b>'De luchtinlaat reinigen'</b></li> </ul>
	<ul style="list-style-type: none"> <li>■ De messnelheidsmodus is niet goed ingesteld.</li> </ul>	<ul style="list-style-type: none"> <li>■ Stel de messnelheid op een lagere instelling in.</li> </ul>
	<ul style="list-style-type: none"> <li>■ Storing in de elektronica van de grasmaaier en de grasmaaier-statusindicator knippert afwisselend rood en groen.</li> </ul>	<ul style="list-style-type: none"> <li>■ Neem contact op met het EGO Service Center.</li> </ul>
	Er is sprake van excessieve trillingen.	<ul style="list-style-type: none"> <li>■ Het mes zit los.</li> </ul>
<ul style="list-style-type: none"> <li>■ Het mes is niet in balans.</li> </ul>		<ul style="list-style-type: none"> <li>■ Neem contact op met het EGO Service Center.</li> </ul>
<ul style="list-style-type: none"> <li>■ Het mes is verbogen.</li> </ul>		<ul style="list-style-type: none"> <li>■ Vervang het mes.</li> </ul>
<ul style="list-style-type: none"> <li>■ De motoras is verbogen.</li> </ul>		<ul style="list-style-type: none"> <li>■ Neem contact op met het EGO Service Center.</li> </ul>
<ul style="list-style-type: none"> <li>■ De grasmaaier is zo ingesteld dat hij te veel gras in een keer moet maaien.</li> </ul>		<ul style="list-style-type: none"> <li>■ Beweeg de afdekking omhoog om een hogere maaihoogte in te stellen.</li> </ul>
<ul style="list-style-type: none"> <li>■ De messnelheidsmodus is niet goed ingesteld.</li> </ul>		<ul style="list-style-type: none"> <li>■ Stel de snelheid van het mes in op een lagere instelling.</li> </ul>
De motor werkt maar het mes maait het gras niet	<ul style="list-style-type: none"> <li>■ Het mes niet tot het vereiste aandraaimoment vastgedraaid.</li> </ul>	<ul style="list-style-type: none"> <li>■ Draai het mes opnieuw vast. Het aanbevolen aanhaalmoment voor de bout van het mes is 50-60 Nm.</li> </ul>

## GARANTIE

### EGO-GARANTIEBELEID

Ga naar de website [egopowerplus.eu](http://egopowerplus.eu) voor de volledige algemene voorwaarden van het EGO-garantiebeleid.



## LÆS ALLE VEJLEDNINGERNE!

**Tiltænkt formål:** Produktet er beregnet til manuel græsslåning:

- Produktet må kun bruges til klipping af tørt græs. Produktet må ikke klippe vådt græs.
- Produktet må ikke bruges til andre formål.

**ADVARSEL:** Sørg for at læse og forstå alle sikkerhedsanvisninger i denne brugsanvisning, herunder alle sikkerhedssymboler, såsom **“FARE”** **“ADVARSEL”** og **“FORSIGTIG”**, før du bruger dette værktøj. Hvis anvisningerne nedenfor ikke følges, kan det føre til elektrisk stød, brand og/eller alvorlig personskade.

## SIKKERHEDSSYMBOLER

DK



Sikkerhedsadvarsel



Brug altid høreværn og beskyttelsesbriller eller sikkerhedsbriller med side skjolde og en fuld ansigtsskærm, når du betjener dette produkt.



Pas på slyngende genstande - hold andre personer på afstand.



Hold hænderne væk



Garanteret lydniveau.



Dette produkt er i overensstemmelse med lovgivningen i Storbritannien.



Bluetooth®

IPX5

Beskyttelse mod vandstråler

mm

Millimeter



Jævnstrøm (DC)



For at reducere risikoen for skader, skal brugeren læse og forstå brugsanvisningen, før dette produkt tages i brug.



Sluk apparatet og tag batteripakken ud (eller den afbrydende enhed), inden apparatet justeres eller rengøres.



Hold hænder og fødder væk fra klingerne



Undgå, at kikke ind i betjeningslampen.



Dette produkt er i overensstemmelse med gældende EU-direktiver.



Elektriske affaldsprodukter må ikke bortskaffes sammen med husholdningsaffald. Bring det til en godkendt genbrugsplads.

V Volt

cm Centimeter

kg Kg

**BEMÆRK:** Bluetooth®-mærket og -logoerne er registrerede varemærker tilhørende Bluetooth SIG, inc. og enhver brug af sådanne mærker af EGO er under licens.

## SPECIFIKATIONER

Spænding	56 V	
Klinge­hastighedsfunktion	2	
	1	
Klippe­højdeindstillinger	ECO	
Indstilling af klippe­højde	8	
	20 mm/31 mm/40 mm/ 51 mm/ 64 mm/78 mm/ 92 mm/105 mm	
Klippe­bredde	53 cm	
Græs­beholderens kapacitet	85 L	
Plæne­klipperens vægt (uden batteripakke og græs­beholder)	46 kg	
Klingemodell	AB5301	
Anbefalet driftstemperatur	0°C–40°C	
Anbefalet opbevarings­temperatur	-20°C–70°C	
Målt lydeffektniveau $L_{WA}$	94 dB(A)	K=0.6 dB(A)
Lydtryk ved brugerens øre $L_{PA}$	83 dB(A)	K= 3 dB(A)
Garanteret lydeffektniveau $L_{WA}$ (målt i henhold til 2000/14 / EF)	95 dB(A)	
Vibrationsværdi $a_{ri}$ :	Venstre håndtag	0.39 m/s <sup>2</sup> K=1.5 m/s <sup>2</sup>
	Højre håndtag	0.33 m/s <sup>2</sup> K=1.5 m/s <sup>2</sup>

- Den samlede erklærede vibrationsværdi er målt i overensstemmelse med en standard testmetoden, og den kan bruges til at sammenligne en maskine med en anden.
- Den samlede angivne vibrationsværdi kan også bruges ved en foreløbig vurdering af eksponeringen.

**BEMÆRK:** Vibrationsemissionen ved faktisk brug af maskinen kan afvige fra den angivne værdi, hvor maskinen bruges. For at beskytte brugeren, skal brugeren bruge handsker og hørevarn i de faktiske brugsforhold.

## LISTE OVER DELE (FIG. A1 & A2)

NAVN PÅ DELEN	ANTAL
Plæneklipper	1
Græsbeholder	1
Ramme til græsbeholderen	1
Vingemøtrik (sat på plæneklipperen på fabrikken)	2
Brugervejledning	1

## BESKRIVELSE

### GØR DIG BEKENDT MED DIN PLÆNEKLIPPER (Fig. A1 & A2)

- Håndtag til den selvkørende funktion
  - Håndtag
  - Håndtag til start af klingens
  - Låge til udstødningen på bagsiden
  - Låsegear
  - Dæksel til batterirummet
  - Forlygter
  - Kofanger i midten (løftehåndtag)
  - Kofanger foran
  - Indstillingshåndtag til klippe­højde på forsiden
  - Forhjul
  - Plæneklipperdæk
  - Sideskærm
  - Luftindtag
  - Baghjul
  - Indstillingshåndtag til klippe­højde på bagsiden
  - Vinge­bolt
  - Håndtagets monteringsplade
  - Beslag
  - Græs­beholder
  - Bagskærm
  - Tildækningsindsats
  - Sideudstødning
  - Bluetooth®-indikator
  - Dashboard
  - Plæneklipperens statusindikator
  - Klinge­hastighed-indikator
  - Knap til valg af klingens hastighed
  - Tænd/sluk-knap
  - Knap til LED-forlygter (Bluetooth®-knap)
  - Hastighedsknop til den selvkørende funktionen
- \* SÆLGES SEPARAT

## SAMLING

**⚠ ADVARSEL:** Hvis der er dele, der er beskadigede eller mangler, anvendes apparatet ikke, før delene er udskiftet. Brug af dette produkt med beskadigede eller manglende dele kan medføre alvorlig personskade.

**⚠ ADVARSEL:** For at forebygge utilsigtet start, der kan forårsage alvorlige personskader, skal batteripakkerne altid tages ud af maskinen, når delene sættes på.

**⚠ ADVARSEL:** Forsøg ikke at ændre dette maskine eller fremstille tilbehør, der ikke anbefales til brug med denne plæneklipper. Enhver sådan ændring eller modifikation er misbrug og kan resultere i en farlig situation og føre til alvorlige personskader.

### UDPAKNING

Dette produkt skal samles.

- Tag alt tilbehør ud af kassen.

**⚠ FORSIGTIG:** Tung genstand. Der skal to personer til at løfte plæneklipperen.

- Den ene person skal tage fat i den midterste kofanger/løftehåndtag, og den anden person skal tage fat i to vingebolte og forsigtigt løfte plæneklipperen ud af kassen.

### MONTERING AF HÅNDTAGET

Plæneklipperen leveres med håndtaget delvist monteret.

**⚠ ADVARSEL:** Plæneklipperen må ikke startes, før håndtaget er sat rigtigt på og foldet ud. Pas på med ikke at få fingrene eller kablerne i klemme mellem delene.

1. Skru begge vingebolte af og læg dem til side.
2. Flyt håndtaget fremad, indtil låsegearet på håndtaget vender mod gearet på plæneklipperen (fig. B1).
3. Sørg for at mærkerne på låsegearet og håndtagets monteringsplade er ud for hinanden, som vist i fig. B2. Sæt derefter de to vingebolte på og stram dem med fingrene.

### SÅDAN UDFOLDES OG JUSTERES HÅNDTAGET (Fig. C)

**⚠ ADVARSEL:** Hold håndtaget foldes ud og sammen, skal du undgå at klemme, knække eller belaste kablet. Hvis kablet beskadiges kan det påvirke aktiveringen og driften af plæneklipperen, og det kan gøre plæneklipperen farlig at bruge.

**⚠ ADVARSEL:** Plæneklipperen og den selvkørende funktion må ikke startes, før håndtaget er låst fast på en af de tre forudindstillede driftsindstillinger (øvre

driftsindstilling 3, midterste driftsindstilling 2 eller nedre driftsindstilling 1).

1. Løsn vingeboltene på begge sider. Sørg for at de to løsnes helt gear, men de må IKKE adskilles.
2. Drej håndtaget opad, indtil pilen på låsegearet er på ud for en af de tre driftsindstillinger på håndtagets monteringsplade.
3. Spænd de to bolte. Sørg for at de to gear kobles helt sammen, og at håndtaget spændes ordentligt fast.

C-1	Nedre driftsindstilling 1
C-2	Midterste driftsindstilling 2
C-3	Øvre driftsindstilling 3

DK

### SÅDAN FOLDES HÅNDTAGET SAMMEN (Fig. D)

**⚠ ADVARSEL:** Hold håndtaget foldes ud og sammen, skal du undgå at klemme, knække eller belaste kablet. Hvis kablet beskadiges kan det påvirke aktiveringen og driften af plæneklipperen, og det kan gøre plæneklipperen farlig at bruge.

1. Løsn vingeboltene på begge sider. Sørg for at de to løsnes helt gear, men de må IKKE adskilles.
2. Drej håndtaget nedad, indtil det er i opbevaringsindstillingen.
3. Sørg for at pilen på låsegearet er ud for opbevaringsmærket på håndtagets monteringsplade.
4. Spænd de to vingebolte. Sørg for at de to gear kobles helt sammen, og at håndtaget spændes ordentligt fast.

D-1	Opbevaringsindstilling
-----	------------------------

### MONTERING AF GRÆSBEHOLDEREN (Fig. E1, E2, E3)

Se græsbeholderen efter for skader, før du sætter den på.

Sæt græsbeholderen på, som vist på billedet.

### MONTERING/FJERNELSE AF TILDÆKNINGSINDSATSEN (SÆLGES SEPARAT)

Sæt tildækningsindsatsen på plæneklipperen som vist i fig. F.

**⚠ FARE:** Maskinen kan slynge græs og andre genstande gennem en åbning i maskinkabinettet. Genstande, der slynges med nok kraft, kan forårsage alvorlige personskader eller kan endda være livsfarligt for dig og personer i nærheden.

Plæneklipperen må aldrig bruges, før tildækningsindsatsen, græsbeholderen og sideudstødningen er sat rigtigt på.

**⚠ ADVARSEL:** Tildækningsindsatsen skal først tages af, før græsbeholderen eller sideudstødningen sættes på. Hvis græsbeholderen eller sideudstødningen tages af, skal tildækningsindsatsen sættes på igen.

## MONTERING/FJERNELSE AF GRÆSBEHOLDEREN

Sæt græsbeholderen på plæneklipperen som vist i fig. G.

**⚠ ADVARSEL:** Græsbeholderen slides ved normal brug. For at reducere risikoen for skader, skal græsbeholderen regelmæssigt ses efter for skader, og skift evt. dele der viser tegn på slid eller forringelse. Brug kun græsbeholdere, der er beregnet til denne plæneklipper.

**⚠ ADVARSEL:** Græsposen skal tages af, før sideudstødningen eller tildækningsindsatsen kan sættes på og bruges.

## MONTERING/FJERNELSE AF SIDEUDSTØDNINGEN (SÆLGES SEPARAT)

Sæt sideudstødningen på plæneklipperen som vist i fig. H.

**⚠ ADVARSEL:** Sideudstødningen skal tages af, før græsposen eller tildækningsindsatsen kan sættes på og bruges.

## JUSTERING AF KLIPPEHØJDEN (Fig. J1 & J2)

**⚠ ADVARSEL:** Hold dine fødder fra dækket, når klippehøjden indstilles.

Plæneklipperen kan sættes på 8 forskellige klippehøjder. 20 mm og 105 mm. Et mærke viser den valgte klippehøjde.

På denne plæneklipper er det muligt, at justere klippehøjden på forsiden og bagsiden af plæneklipperen. Vælg den rigtige klippehøjde i henhold til græsset type og forhold.

1. Sluk plæneklipperen, og vent indtil klingens er stoppet helt.
2. Tag batteripakkerne ud.
3. Træk det forreste eller bageste håndtag til justering af klippehøjden ud af rillen, og sæt det på den ønskede indstilling.

## MONTERING/FJERNELSE AF BATTERIPAKKERNE (Fig. K)

**BEMÆRK:** Oplad batteripakken før første brug.

Produktet må kun bruges med batteripakkerne og opladere, der står på listen i fig. A3.

**BEMÆRK:** Plæneklipperen har to aktive batterirum.

Plæneklipperen kan bruges med en eller to batteripakker.

### ■ Montering

1. Åbn dækslet til batterirummet, og tryk batteripakken ind i batterirummet, indtil du hører et »klik«.
2. Den anden batteripakke sættes i på samme måde.

### ■ Fjernelse

Tryk på udløserknappen til batteriet i batterirummet.

**BEMÆRK:** Sørg for at låsen på plæneklipperen låses på plads, og at batteripakkerne sidder ordentligt fast i plæneklipperen, inden den tages i brug.

## VALG AF KLINGENS HASTIGHEDSFUNKTION (Fig. L)

- På funktion **2** kører klingens på en høj hastighed for at forbedre sugekraften og klippingen.
- Funktion **1** er den bedste balance mellem ydeevne og driftstid.
- **Energisparefunktionen** har det laveste støjniveau og den længste driftstid.

**BEMÆRK:** Klingens standard hastighedsfunktion er **1**.

## KOMMUNIKATIONSTEKNOLOGI

For yderligere oplysninger og for at se hele udvalget af forbundne produkter og tjenester, herunder forbindelsesvejledninger, skal du scanne QR-koden nedenfor eller gå på [www.egopowerplus.eu/connect](http://www.egopowerplus.eu/connect).



## BETJENING

Dette produkt kan bruges i regn.

## SÅDAN STARTES/STOPPES PLÆNEKLIPPEREN

**⚠ ADVARSEL:** Alle plæneklippere kan ske at udstøde genstande, der kan ramme brugerens eller andres øjne, som kan føre til alvorlige øjenskader. Brug altid beskyttelsesbriller når plæneklipperen bruges, og hvis den skal justeres eller repareres.

**⚠ ADVARSEL:** Klingens bliver ved med at dreje rundt i et par sekunder efter apparatet slukkes. Lad motoren/klingen standse helt, inden apparatet startes igen. Plæneklipperen må ikke tændes umiddelbart efter den slukkes.

**⚠ ADVARSEL:** Stop klingen, hvis plæneklipperen skal vippes for at køre over andre overflader end græs, og når den flyttes til og fra området, der skal klippes.

**⚠ ADVARSEL:** Plæneklipperen må ikke vippes, når den kører, medmindre den skal vippes for at starte. I dette tilfælde må apparatet ikke vippes mere end absolut nødvendigt, og løft kun den del, der er væk fra brugeren. Før plæneklipperen bruges, skal du altid se klingen og klingeboltene efter for slid og skader. Udskift slidte eller beskadigede klinger og bolte i sæt, så balancen bevares.

### Se, om skæreklingen er blokeret

- For at undgå blokering, skal du holde klippeklingen og klippedækket rent. Fjern græs, blade, jord og andet ophobet skidt før og efter hver brug.
- Hvis der opstår en blokering, skal du stoppe plæneklipperen og tage batterierne ud. Fjern derefter ophobningen af græs og blade på eller omkring drivakslen og motorventilatoren. Tør plæneklipperen ren med en fugtig klud.

**⚠ FORSIGTIG:** Tænd/sluk-knappen og håndtaget til start af klingens skal altid bruges.

**BEMÆRK:** Motoren kan ikke startes, medmindre håndtaget er låst fast i en af de tre driftsindstillinger.

### Sådan startes plæneklipperen (Fig. M1 & M2)

1. Sæt batteripakkerne i plæneklipperen, og luk dækslet til batterirummet.
2. Tryk på tænd/sluk-knappen, hvorefter instrumentbrættet, plæneklipperens statusindikator og klingens hastighed **1** lyser.
3. Tryk på knappen til klingens hastighedsfunktion for at vælge den ønskede hastighed.
4. Hold tænd/sluk-knappen nede.
5. Når du trykker på tænd/sluk-knappen, skal du trække håndtaget til start af klingens mod håndtaget, og slippe tænd/sluk-knappen.

### Sådan stoppes plæneklipperen (Fig. M3)

1. Slip håndtaget til start af klingens.
2. Den elektriske bremse i den automatiske bremsemekanisme stopper klingens inden for 3 sekunder efter håndtaget til start af klingens slippes.

### SELVKØRENDE SYSTEM MED FORSKELLIGE HASTIGHEDER (Fig. N)

Plæneklipperen er udstyret med et selvkørende system, der kan køre med forskellige hastigheder. Dette

selvkørende system afhænger ikke af, om klingens drejer.

**BEMÆRK:** Det selvkørende system kan ikke startes, før håndtaget låses fast i en af de tre driftsindstillinger.

### Sådan bruges det selvkørende system uden at klingens drejer

1. Tryk på tænd/sluk-knappen for at tænde lyset i instrumentbrættet.
2. Drej hastighedsknappen til den selvkørende funktionen en smule fremad, indtil du hører et klik. Træk derefter håndtaget til den selvkørende funktion mod håndtaget for at starte den selvkørende funktion.

**For at slå den selvkørende funktion fra,** skal du frigive håndtaget til den selvkørende funktion.

### LED-FORLYGTER (Fig. P)

**For at tænde forlygterne,** skal du trykke på knappen til forlygter. Forlygterne giver et skarpt lys foran plæneklipperen.

**For at slukke forlygterne,** skal du trykke på knappen igen.

### PLÆNEKLIPPERENS STATUSINDIKATOR

Plæneklipperens statusindikator på instrumentbrættet viser plæneklipperens driftsstatus.

DK

Indikator	Beskrivelse	Betydning	Handling
	Lyser grøn	Plæneklipper virker ordentligt.	Ikke påkrævet.
	Blinker grønt	Håndtaget er ikke indstillet på en driftsindstilling.	Stop plæneklipperne og sørg for, at håndtaget er låst i en af driftsindstillinger.
	Blinker rødt	Batteriet er lavt på strøm.	Stop plæneklipperen, og oplad batteripakkerne.
	Lyser orange	Plæneklipperen er overophedet.	Slip håndtaget til start af klingens, og vent indtil plæneklipperens temperatur falder til under 80 °C. Se afsnittene <b>“BESKYTTELSE MOD OVEROPHEDNING AF PLÆNEKLIPPEREN”</b> nedenfor.
	Blinker orange	Plæneklipperen er overbelastet.	<ol style="list-style-type: none"> <li>1. Tag batteripakkerne ud, og se derefter om græs har samlet sig under dækket. Rengør, hvis nødvendigt.</li> <li>2. Kør langsommere med plæneklipperen.</li> <li>3. Hæv klippehøjden.</li> <li>4. Hvis ovenstående løsninger ikke virker, bedes du kontakte EGO's servicecenter.</li> </ol> Se afsnittet <b>“BESKYTTELSE MOD OVERBELASTNING”</b> nedenfor.
	Blinker rødt/grønt skiftevis	Elektronik fejl i plæneklipperen.	Kontakt EGO's servicecenter.

#### BESKYTTELSE MOD OVEROPHEDNING AF PLÆNEKLIPPEREN

Hvis plæneklipperens temperatur kommer over 90°C under drift, slukker beskyttelsesfunktionen straks plæneklipperen, så den beskyttes mod overophedning.

Plæneklipperens statusindikator lyser orange. Slip håndtaget til start af klingens, og vent indtil den overophedede plæneklipper er kølet ned, og statusindikatoren bliver grøn. Herefter kan du starte plæneklipperen igen.

#### BESKYTTELSE MOD OVERBELASTNING

For at forhindre skader på grund af overbelastning, skal du undgå at klippe for meget græs på én gang. Sænk farten eller hæv klippehøjden.

Din plæneklipper har en indbygget beskyttelsesfunktion mod overbelastning af kredsløbet. Hvis plæneklipperen overbelastes, stopper motoren og klippe-statusindikatoren på instrumentbrættet begynder at blinke orange.

## VEDLIGEHOLDELSE

**⚠ ADVARSEL:** For at undgå alvorlige personskader, skal du altid slukke plæneklipperen, tage batteripakkerne ud og sørge for at alle bevægelige dele er stoppet helt, før rengøring, vedligeholdelse eller transport af plæneklipperen.

**⚠ ADVARSEL:** Hvis du rammer et fremmedlegeme, skal du stoppe maskinen og tag batteripakkerne ud, så du er sikker på at alle bevægelige dele er stoppet helt. Se derefter maskinen efter for skader og foretage reparationer, før maskinen tages i brug igen.

**⚠ ADVARSEL:** Hvis maskinen begynder at vibrere unormalt, skal du stoppe maskinen og tage batteripakkerne ud, så du er sikker på at alle bevægelige dele er stoppet helt. Se derefter maskinen efter for skader, og udskift eller reparer beskadigede dele. Kontroller også maskinen for løse dele og stram eventuelle løse dele.

**⚠ ADVARSEL:** Ved service må der kun bruges originale reservedele. Brug af andre reservedele kan medføre fare eller forårsage skader på produktet. For at sikre sikkerhed og pålidelighed, bør alle reparationer udføres af en kvalificeret servicetekniker.

### SÅDAN RENGØRES PLÆNEKLIPPEREN

Undersiden af plæneklipperdækket skal rengøres efter hver brug, da græs, blade, jord og andet snavs kan samle sig.

Fjern eventuelt ophobning af græs og blade på eller omkring drivakslen og motorfladen. Tør plæneklipperen ren med en fugtig klud.

### Rengøring af luftindtaget (Fig. Q)

1. Fjern dækslet til luftindtag ved at fjerne de fire skruer.
2. Rengør indersiden af luftindtaget og netdækslet med trykluft.

### UDSKIFTNING AF KLINGEN (Fig. R1, R2, R3)

**⚠ ADVARSEL:** Fjern altid batteripakkerne og græsbeholderen.

**⚠ ADVARSEL:** Brug altid beskyttelseshandsker.

**BEMÆRK:** Rengør området omkring drivakslen og undersiden af maskinen grundigt, før du sætter klingens på.

1. Vend plæneklipperen om på hovedet.

2. Klingens skal monteres/afmonteres med en momentnøgle og to metalstænger, som vist på billedet.
3. Siden på klingens med tryk på skal vende mod ydersiden

### OPBEVARING AF PLÆNEKLIPPEREN (Fig. S1 & S2)

1. Tag batteripakkerne ud af plæneklipperen.
2. Tøm græsbeholderen, og rengør plæneklipperen.
3. For at spare plads, skal du folde produktindtaget sammen og opbevares produktet, som vist på billedet.

**BEMÆRK:** Sørg for at ledningen til håndtaget ikke kommer i klemme, når håndtaget foldes sammen og foldes ud (undgå, at tabe håndtaget).

4. Der må ikke placeres andre genstande oven på plæneklipperen, når den opbevares

**⚠ ADVARSEL:** Hvis plæneklipperen vælter, når den står på højkant, kan den beskadiges eller forårsage personskader. Plæneklipperen skal altid holdes stabil og utilgængeligt for børn, når den står på højkant. Læg plæneklipperen ned, når den skal opbevares, hvis muligt.

### BESKYTTELSE AF MILJØET



Elektriske apparater må ikke bortskaffes som usorteret kommunalt affald. De skal bortskaffes på genbrugspladser.

Kontakt de lokale myndigheder for oplysninger vedrørende mulige indsamlingssystemer.

Hvis elektriske apparater smides på lossepladsen eller affaldsdeponier, kan der sive giftige stoffer ned i grundvandet og komme ud i fødekæden og gøre skade på menneskers sundhed og velfærd.

DK

## FEJLFINDING

DK

PROBLEM	ÅRSAG	LØSNING
Plæneklipperen eller den selvkørende funktioner starter ikke.	<ul style="list-style-type: none"> <li>▪ Batteripakkerne er afladet.</li> </ul>	<ul style="list-style-type: none"> <li>▪ Oplad batteripakken.</li> </ul>
	<ul style="list-style-type: none"> <li>▪ Batteripakkerne er ikke sat rigtigt i batterirummet.</li> </ul>	<ul style="list-style-type: none"> <li>▪ Sæt batteripakken ind i batterirummet, indtil du hører et "klik".</li> </ul>
	<ul style="list-style-type: none"> <li>▪ Håndtaget er ikke låst i en driftsindstilling, og plæneklipperens statusindikator blinker grønt.</li> </ul>	<ul style="list-style-type: none"> <li>▪ Stop plæneklipperen og sørg for, at håndtaget er låst i en af driftsindstillinger.</li> </ul>
	<ul style="list-style-type: none"> <li>▪ Dækket er tilstoppet med græs og snavs.</li> </ul>	<ul style="list-style-type: none"> <li>▪ Rengør plæneklipperdækket, og sørg for at klingerne kan dreje rundt uden modstand.</li> </ul>
Plæneklipperen klipper ujævnt	<ul style="list-style-type: none"> <li>▪ Klinge er døv.</li> </ul>	<ul style="list-style-type: none"> <li>▪ Slib eller skift klingerne.</li> </ul>
	<ul style="list-style-type: none"> <li>▪ Klippehøjden er ikke indstillet rigtigt.</li> </ul>	<ul style="list-style-type: none"> <li>▪ Sæt dækhøjden på en højere indstilling.</li> </ul>
	<ul style="list-style-type: none"> <li>▪ Klinge er sat forkert på.</li> </ul>	<ul style="list-style-type: none"> <li>▪ Sæt klingerne på igen, som beskrevet i afsnittet <b>"UDSKIFTNING AF KLINGEN"</b> i denne brugsvejledning.</li> </ul>
	<ul style="list-style-type: none"> <li>▪ Klingens hastighedsfunktion er indstillet forkert.</li> </ul>	<ul style="list-style-type: none"> <li>▪ Vælg en passende klingehastighedsfunktion.</li> </ul>
Plæneklipperen klipper ikke græsset ordentligt.	<ul style="list-style-type: none"> <li>▪ En samling af vådt græs sidder fast på undersiden af dækket.</li> </ul>	<ul style="list-style-type: none"> <li>▪ Vent med at slå græsset indtil det er tørt.</li> </ul>
	<ul style="list-style-type: none"> <li>▪ Plæneklipperen er indstillet til at klippe for meget græs på én gang.</li> </ul>	<ul style="list-style-type: none"> <li>▪ Hæv dækket til en højere klippehøjde.</li> </ul>
	<ul style="list-style-type: none"> <li>▪ Klingens hastighedsfunktion er indstillet forkert.</li> </ul>	<ul style="list-style-type: none"> <li>▪ Sæt klingens hastighed på funktion <b>1</b> eller på den energisparende funktion.</li> </ul>



Plæneklipperen stopper pludselig, når den klipper.	<ul style="list-style-type: none"> <li>■ Batteripakkerne er afladet.</li> </ul>	<ul style="list-style-type: none"> <li>■ Oplad batteripakken.</li> </ul>
	<ul style="list-style-type: none"> <li>■ Plæneklipperen er overbelastet, og plæneklipperens statusindikator blinker orange.</li> </ul>	<ul style="list-style-type: none"> <li>■ Se, om græs har samlet sig under dækket, og rengør dækkets underside, hvis nødvendigt. Hæv klippehøjden, eller kør langsommere, når du slår græsset.</li> </ul>
	<ul style="list-style-type: none"> <li>■ Plæneklipperdækket er tilstoppet med græs og snavs.</li> </ul>	<ul style="list-style-type: none"> <li>■ Rengør plæneklipperdækket. Hæv klippehøjden, eller klip i smallere linjer.</li> </ul>
	<ul style="list-style-type: none"> <li>■ Batteripakkerne eller plæneklipperens kredsløb er for varmt. Hvis batteripakkerne er overophedet, slukker plæneklipperens statusindikator. Hvis plæneklipperen overophedes, lyser plæneklipperens statusindikator orange.</li> </ul>	<ul style="list-style-type: none"> <li>■ Lad batteripakken eller plæneklipperen køle ned.</li> </ul>
		<ul style="list-style-type: none"> <li>■ Rengør luftindtaget, som beskrevet i afsnittet "<b>Rengøring af luftindtaget</b>".</li> </ul>
	<ul style="list-style-type: none"> <li>■ Klingens hastighedsfunktion er indstillet forkert.</li> </ul>	<ul style="list-style-type: none"> <li>■ Sæt klingens hastighed på en lavere indstilling.</li> </ul>
	<ul style="list-style-type: none"> <li>■ Fejlen i plæneklipperens elektronik, og plæneklipperens statusindikator blinker skiftevis rød/grøn.</li> </ul>	<ul style="list-style-type: none"> <li>■ Kontakt EGO's servicecenter.</li> </ul>
Plæneklipper vibrerer meget.	<ul style="list-style-type: none"> <li>■ Klinge sidder løs.</li> </ul>	<ul style="list-style-type: none"> <li>■ Stramme bolten på klingene.</li> </ul>
	<ul style="list-style-type: none"> <li>■ Klinge er ubalanceret.</li> </ul>	<ul style="list-style-type: none"> <li>■ Kontakt EGO-servicecenteret.</li> </ul>
	<ul style="list-style-type: none"> <li>■ Klinge er bøjet.</li> </ul>	<ul style="list-style-type: none"> <li>■ Skift klingene.</li> </ul>
	<ul style="list-style-type: none"> <li>■ Motorakslen er bøjet.</li> </ul>	<ul style="list-style-type: none"> <li>■ Kontakt EGO-servicecenteret.</li> </ul>
	<ul style="list-style-type: none"> <li>■ Plæneklipperen er indstillet til at klippe for meget græs på én gang.</li> </ul>	<ul style="list-style-type: none"> <li>■ Hæv dækket til en højere klippehøjde.</li> </ul>
	<ul style="list-style-type: none"> <li>■ Klingens hastighedsfunktion er indstillet forkert.</li> </ul>	<ul style="list-style-type: none"> <li>■ Sæt klingens hastighed på en lavere indstilling.</li> </ul>
Motoren kører, men klinger slår ikke græsset.	<ul style="list-style-type: none"> <li>■ Klinge er ikke spændt til det påkrævede moment.</li> </ul>	<ul style="list-style-type: none"> <li>■ Stram klingebolten igen. Det anbefalede drejningsmoment til klingebolten er 50-60 Nm.</li> </ul>

**DK**

## GARANTI

### EGO GARANTI POLITIK

Besøg venligst hjemmesiden [egopowerplus.eu](http://egopowerplus.eu) for fuldstændige vilkår og betingelser for EGO's garantipolitik.

## LÄS IGENOM ALLA INSTRUKTIONER!

**Avsedd användning:** Produkten är avsedd för manuell gräsklippning:

- Använd endast för klippning av torrt gräs. Klipp inte vått gräs.
- Använd den inte för andra ändamål.

**⚠ VARNING:** Var noga med att läsa igenom och förstå alla säkerhetsinstruktioner i denna bruksanvisning, inklusive alla varningssymboler såsom **"FARA"**, **"VARNING"** och **"ÖFÖRSIKTIGHET"** innan denna maskin används. Underlåtenhet att läsa alla instruktioner som listas nedan kan resultera i elektrisk stöt, brand och/eller allvarlig personskada.

## SÄKERHETSSYMBOLER

SE



Säkerhetslarm



Använd alltid hörselskydd, skyddsglasögon eller säkerhetsglasögon med sidoskydd och en full ansiktsmask när denna produkt används.



Akta dig för ivägslungade objekt - håll åskådare på avstånd.



Håll undan händerna



Garanterad ljudeffektnivå.



Denna produkt uppfyller tillämpliga lagar i Storbritannien.



Bluetooth®

IPX5 Skydd mot vattenstrålar

mm Millimeter

☰ Likström



För att minska risker för skador måste användare läsa igenom och förstå bruksanvisningen innan denna produkt används.



Stäng av och ta bort löstagbara batteripaketet (eller avaktivera enheten) innan inställning eller rengöring.



Håll händer och fötter borta från knivarna



Stirra inte in i arbetslampan.



Denna produkt är i enlighet med gällande EG-direktiv.



Förbrukade elektriska produkter får inte kastas i hushållssoporna. Lämnas in till en auktoriserad återvinningsstation.

V Volt

cm Centimeter

kg Kilogram

## SPECIFIKATIONER

Spänning	56 V	
Bladets hastighetsläge	2	
	1	
	ECO	
Klipphöjdslägen	8	
Inställning klipp höjd	20 mm/31 mm/40 mm/ 51 mm/ 64 mm/78 mm/ 92 mm/105 mm	
Klippbredd	53 cm	
Volym gräsupsamlare	85 L	
Gräsklipparens vikt (utan batteripaket och grässäck)	46 kg	
Knivmodell	AB5301	
Rekommenderad drift- temperatur	0°C–40°C	
Rekommenderad förvar- ingstemperatur	-20°C–70°C	
Uppmätt ljudeffektnivå $L_{WA}$	94 dB(A) K=0.6 dB(A)	
Ljudtrycksnivå vid oper- atörens öra $L_{PA}$	83 dB(A) K= 3 dB(A)	
Garanterad ljudtrycksnivå $L_{WA}$ (uppmätt enligt 2000/14/EG)	95 dB(A)	
Värdering av vibration $a_n$ :	Vänster handtag	0.39 m/s <sup>2</sup> K=1.5 m/s <sup>2</sup>
	Höger handtag	0.33 m/s <sup>2</sup> K=1.5 m/s <sup>2</sup>

- Det deklarerade totalvärdet för vibrationer har uppmätts i enlighet med en standardprovningmetod och kan användas för att jämföra en maskin med en annan.
- Det deklarerade totala vibrationsvärdet kan också användas i en preliminär utvärdering av exponeringen.

**UPPMÄRKSAMMA:** Vibrationsutstrålningen under verklig användning av elverktyg kan skilja sig från det deklarerade värdet i vilken verktyget används. För att skydda användaren skall skyddshandskar och hörselskydd användas under faktiska användningsförhållandet.

## FÖRPACKNINGSLISTA (BILD A1 OCH A2)

ARTIKELNAMN	KVANTITET
Gräsklippare	1
Grässäck	1
Gräsbehållarram	1
Wing Bolt (fabriksinstallerad i gräsklipparen)	2
Bruksanvisning	1

## BESKRIVNING

### LÄR KÄNNA DIN GRÄSKLIPPARE (bild A1 och A2)

1. Självdrivande systemets avtryckare
  2. Handtag
  3. Reglage för bladrotation
  4. Bakre utkastarlucka
  5. Låsväxel
  6. Lock till batterifack
  7. LED-strålkastare
  8. Mellanstötfångare (lyfthandtag)
  9. Främre stötfångare
  10. Inställningsspak främre klipp höjd
  11. Framhjul
  12. Gräsklippardäck
  13. Sidoskydd
  14. Luftintag
  15. Bakhjul
  16. Inställningsspak bakre klipp höjd
  17. Vingbult
  18. Hantag monteringsplatta
  19. Konsol
  20. Grässäck
  21. Frihängande skydd
  - 22\*. Mulchinsats
  - 23\*. Sidoutkastare
  24. Bluetooth®-indikator
  25. Instrumentpanel
  26. Statusindikator gräsklippare
  27. Indikatorer bladhastighet
  28. Knapp för bladhastighetsläge
  29. Strömknapp
  30. Knapp för LED-strålkastare (Bluetooth® -knapp)
  31. Självgående snabbuppringning
- \* SÄLJS SEPARAT

SE

## MONTERING

**⚠ VARNING:** Om någon del är skadad eller saknas skall inte denna produkt användas innan delarna ersatts. Användning av denna produkt om den är skadad eller saknar delar kan resultera i allvarliga personskador.

**⚠ VARNING:** För att förhindra oavsiktlig start som kan orsaka allvarliga personskador skall alltid batteripaketet tas bort från verktyget innan delar monteras.

**⚠ VARNING:** Försök inte att modifiera denna produkt eller skapa tillbehör som inte rekommenderas för användning med denna gräsklippare. Alla sådana ändringar eller modifikationer är felaktig användning och resulterar i farliga förhållanden som kan leda till allvarliga skador..

SE

### UPPACKNING

Denna produkt kräver montering.

- Ta bort alla tillbehör från kartongen.

**⚠ FÖRSIKTIGHET:** Tungt föremål. Två personer krävs för att lyfta gräsklipparen.

- En person ska ta tag i den mellersta stötfångaren/lyftbandet och den andra personen ska ta tag i två vingbultar för att försiktigt lyfta gräsklipparen ur kartongen.

### INSTALLERA HANDTAGET

Gräsklipparen levereras med handtaget delvis monterat.

**⚠ VARNING:** Försök inte starta gräsklipparen förrän handtaget är ordentligt och säkert installerat och utfällt. Var försiktig för att undvika att klämma fingrar och kabel mellan delarna.

1. Skruva loss och lägg båda vingbultarna åt sidan.
2. Flytta handtaget framåt tills låsväxeln på handtagsenheten är vänd mot växeln på gräsklipparen (bild B1).
3. Rikta in märkena på låsväxeln och handtagets monteringsplatta som visas i bild B2, dra sedan åt de två vingbultarna med fingrarna.

### VIKNING OCH JUSTERING AV HANDTAGET (Bild C)

**⚠ VARNING:** Var noga med att inte klämma, slå knut på eller spänna kabeln när du faller eller faller ut handtaget. Att skada kabeln kan påverka aktiveringen och driften av gräsklipparen och resultera i ett osäkert driftförhållande.

**⚠ VARNING:** Försök inte att starta gräsklipparen innan handtaget låsts i en av de tre förinställda driftpositionerna (övre driftposition 3, mellersta driftpositionen 2 eller nedre driftposition 1).

1. Lossa vingbultarna på båda sidor, se till att de två låsväxlarna är helt lösa men INTE separerade.
2. Vrid handtaget uppåt tills pilmarkeringen på låsväxeln är i linje med ett av de tre manöverlägena på handtagets monteringsplatta.
3. Dra åt de två bultarna, se till att de två låsväxlarna är helt inkopplade och att handtaget är ordentligt fastsatt.

C-1	Nedre driftposition 1
C-2	Mellersta driftposition 2
C-3	Övre driftläge 3

### VIKA HANDTAGET (Bild D)

**⚠ VARNING:** Var noga med att inte klämma, slå knut på eller spänna kabeln när du faller eller faller ut handtaget. Att skada kabeln kan påverka aktiveringen och driften av gräsklipparen och resultera i ett osäkert driftförhållande.

1. Lossa vingbultarna på båda sidor, se till att de två låsväxlarna är helt lösa men INTE separerade.
2. Vrid handtaget nedåt tills handtaget sitter i förvaringsläget.
3. Rikta in pilmarkeringen på låsväxeln med förvaringspositionsmärket på handtagets monteringsplatta.
4. Dra åt de två vingbultarna, se till att de två låsväxlarna är helt inkopplade och att handtaget är ordentligt fastsatt.

D-1	Lagringsposition
-----	------------------

### MONTERING AV GRÄSPÅSEN (Bild E1, E2, E3)

Kontrollera gräspåsen innan du monterar, för att se till att det inte finns några skador.

Montera gräspåsen enligt illustrationen.

### FÄSTA/TA BORT MULCHINSATSEN (SÄLJS SEPARAT)

Montera mulchinsatsen i gräsklipparen som visas i bild F.

**FARA:** Maskinen kan kasta gräsklipp och andra föremål genom en öppning i maskinhöljet. Föremål som kastas med tillräcklig kraft kan orsaka allvarliga personskador eller dödsfall för dig eller åskådare.

Använd aldrig gräsklipparen utan att vare sig mulchinsatsen, gräspåsen eller sidoutladdningsrännan är korrekt installerad.

**⚠ VARNING:** Mulchinsatsen måste tas bort när du installerar gräspåsen eller sidoutladdningsrännan. Mulchinsatsen måste installeras om när gräspåsen (eller sidoutmatningsrännan) tas bort.

### FÄSTA/TA BORT GRÄSBEHÅLLAREN

Montera gräspåsen i gräsklipparen som visas i bild G.

**⚠ VARNING:** Vid normal användning kommer uppsamlarens material att slitas. För att minska risken för skador, inspektera behållarmontaget och byt om det finns tecken på slitage eller förlitning. Använd endast gräsuppsamlaren som tillverkats för denna gräsklippare.

**⚠ VARNING:** Gräspåsen måste tas bort för att installera och använda sidoutladdningsrännan eller mulchinsatsen.

### FÄSTA/TA BORT SIDOUTLADDNINGSRÄNNAN (SÅLJS SEPARAT)

Installera sidoutladdningsrännan i gräsklipparen som visas i bild H.

**⚠ VARNING:** Sidoutladdningsrännan måste tas bort för att installera och använda gräspåsen eller mulchinsatsen.

### INSTÄLLNINGSSPAK KLIPPHÖJD (Bild J1 och J2)

**⚠ VARNING:** Håll fötter undan från däckat när höjden ställs in.

Gräsklipparen kan ställas in på 8 klipphöjder mellan 20 mm och 105 mm. En markering anger den valda klipphöjden.

Med den här gräsklipparen kan du justera klipphöjden på fram- och baksidan av gräsklipparen individuellt. Välj korrekt klipphöjd enligt typ och förhållandet hos gräset som skall klippas.

1. Stäng av gräsklipparen och vänta tills klippbladet stannar helt.
2. Ta bort batteripaketet
3. Dra den främre eller bakre klipphöjjusteringsspaken ut ur spärrhaken och ställ in den i önskat läge.

### FÄST/TA LOSS BATTERIPAKETET (Bild K)

**NOTERA:** Ladda batteriet före första användning.

Använd endast med de batteripaket och laddare som listas i bild A3:

**NOTERA:** Gräsklipparen har två aktiva batteriportar. Den

kan användas med ett eller två batteripaket.

#### ■ Fästa

1. Öppna batterifackets lock och tryck in batteripaketet i batterifacket tills du hör ett "klick".
2. Upprepa processen för att installera det andra batteripaketet.

#### ■ Ta bort

Tryck ned batterilåsknappen i batterifacket.

**UPPMÄRKSAMMA:** Se till att haken på gräsklipparen snäpper på plats och att batteripaketet sitter fast i gräsklipparen innan arbetet påbörjas.

### VÄLJA BLADETS HASTIGHETSLÄGE (Bild L)

- Läge 2 är högt bladshastighetsläge för höga lyftprestanda för att förbättra sugkraften och klippprestanda.
- Läge 1 är den bästa balansen mellan prestanda och körtid.
- ECO-läget ger den lägsta ljudnivån och den längsta körtiden från dina batteripaket.

**NOTERA:** Standardläget för bladshastighet är läge 1.

### KOMMUNIKATIONSTEKNIK

För information eller vårt kompletta utbud av anslutna produkter och tjänster, inklusive anslutningsinstruktioner, skanna QR-koden nedan eller besök [www.egopowerplus.eu/connect](http://www.egopowerplus.eu/connect).



### DRIFT

Produkten kan användas i regn.

### STARTA/STOPPA GRÄSKLIPPAREN

**⚠ VARNING:** Användning av något gräsklippare kan resultera i att främmande föremål kastas in i dina ögon vilket kan resultera i allvarliga ögonskador. Använd alltid skyddsglasögon när du använder gräsklipparen eller när du utför justeringar eller reparationer på gräsklipparen.

**⚠ VARNING:** Kniven fortsätter att rotera i några sekunder efter det att gräsklipparen stängts av. Låt motorn/kniven slut rotera innan den „slås på“ igen. Växla inte snabbt mellan på och av.

SE

**⚠ VARNING:** Stoppa kniven om gräsklipparen ska lutas för transport när andra ytor än gräs korsas och när apparaten transporteras från ett område till ett annat som ska klippas.

**⚠ VARNING:** Tippa inte gräsklipparen när motorn startas, förutom om gräsklipparen måste tippas för att starta. I detta fall luta inte mer än nödvändigt och lyft endast den del som är längst bort från användaren.

Före användning, kontrollera alltid visuellt före användning att klingan och klingbulten inte är slitna eller skadade. Byt ut slitna eller skadade klippblad och bultar i set för att bibehålla balansen.

SE

### Kontrollera om klippbladet är blockerat

- För att förhindra blockering, håll klippbladet och klippaggregatet rena. Ta bort gräsklipp, löv, smuts och allt annat skräp före och efter varje användning.

- När en blockering inträffar, stoppa gräsklipparen och ta bort batteripaketet, ta sedan bort all ansamling av gräs och löv på eller runt drivaxeln och motorfläkten. Torka rent gräsklipparen med en fuktig trasa.

**⚠ FÖRSIKTIGHET:** Försök inte åsidosätta driften av strömbrytaren och bladrotationsavtryckaren.

**NOTERA:** Motorn kan inte startas om inte handtaget är låst i ett av de tre driftlägena.

### För att starta gräsklipparen (bild M1 och M2)

1. Fäst batteripaketet på gräsklipparen och stäng luckan till batterifacket.
2. Tryck på strömbrytaren för att belysa instrumentbrädan, och gräsklipparens statusindikator tillsammans med bladhastighetsindikatorn **1** tänds.
3. Tryck på knappen för bladhastighetsläge för att välja önskad hastighet.
4. Tryck på och håll kvar strömbrytaren.
5. Med strömbrytaren intryckt, dra i bladrotationsavtryckaren för att möta handtaget och släpp strömbrytaren.

### För att stoppa gräsklipparen (bild M3)

1. Släpp bladets rotationsutlösare helt.
2. Den elektriska bromsen i den automatiska bromsmekanismen kommer att stoppa knivens rotation inom tre sekunder efter att bågkopplaren släppts.

### SJÄLVGÅENDE SYSTEM MED VARIABEL HASTIGHET (Bild N)

Gräsklippare är utrustad med variabel självdrivande hastighet. Detta självgående system är oberoende av bladrotationen.

**NOTERA:** Det självgående systemet kan inte startas om inte handtaget är låst i ett av de tre arbetslägen.

### För att driva det självgående systemet utan bladrotation

1. Tryck på strömbrytaren för att belysa instrumentbrädan.
2. Vrid den självgående hastighetskontrollknappen något framåt tills ett klick hörs, dra sedan den självgående avtryckaren för att möta handtaget för att starta självgående funktion.

**För att stänga av självdrivande systemet,** släpp självgående avtryckaren.

### LEDSTRÅLKASTARE (bild P)

**För att tända strålkastarna,** trycker du på strålkastarknappen. Strålkastarna ger starkt ljus framför gräsklipparen.

Tryck en gång till på knappen **för att släcka strålkastarna.**

### STATUSINDIKATOR GRÄSKLIPPARE

Gräsklipparens statusindikator på instrumentbrädan visar gräsklipparens arbetsstatus.

Indikator	Beskrivning	Innebörd	Åtgärd
	Fast grön	Gräsklipparen fungerar som den ska.	Ingen krävs.
	Blinkar grönt	Handtaget är inte låst i en driftposition.	Stoppa gräsklipparen och se till att handtaget är låst i ett av arbetslägen.
	Blinkar rött	Låg batteriladdning.	Stoppa gräsklipparen och ladda batteripaketet (batterierna).
	Fast orange	Gräsklipparen är överhettad.	Släpp bladrotationsavtryckaren, vänta tills gräsklipparens temperatur sjunker under 80 °C. Se "MASKINSKYDD VID HÖG TEMPERATUR" nedan.
	Blinkar orange	Gräsklipparen är överbelastad.	<ol style="list-style-type: none"> <li>1. Ta bort batteripaketet och kontrollera sedan om gräset har samlats under däck. Rengör vid behov.</li> <li>2. Sakta ner ditt steg när du klipper.</li> <li>3. Öka klipphöjden.</li> <li>4. Om ovanstående lösningar inte fungerar, vänligen kontakta EGO Service Center.</li> </ol> Se "ÖVERBELASTNINGSSKYDD FÖR GRÄSKLIPPARE" nedan.
	Blinkar växelvis röd/grön	Klipparens elektronikfel.	Kontakta EGO Service Center.

**SE**

### SKYDD HÖG BATTERITEMPERATUR

Om maskinens temperatur överstiger 90 °C under drift, kommer temperaturskyddskretsen omedelbart att stänga av maskinen för att skydda mot överhettningsskador.

Gräsklipparens statusindikator lyser fast orange. Släpp bladrotationsavtryckaren och vänta tills den överhettade gräsklipparen svalnar och statusindikatorn blir grön och starta sedan om gräsklipparen.

### GRÄSKLIPPARE ÖVERBELASTNINGSSKYDD

För att förhindra överbelastning, försök att inte klippa för mycket gräs på en gång. Sakta ner ditt steg eller öka klipphöjden.

Din gräsklippare har ett inbyggt kretsskydd mot överbelastning. När gräsklipparen är överbelastad kommer motorn att stoppa och gräsklipparens statusindikatorn kommer att blinka orange.

## UNDERHÅLL

**⚠ VARNING:** För att undvika allvarliga personskador, stäng alltid av gräsklipparen, ta bort batteripaketet och se till att alla rörliga delar har stannat helt, innan du rengör, utför underhåll eller transporterar gräsklipparen.

**⚠ VARNING:** Stoppa maskinen och ta ur batteripaketet för att säkerställa att alla rörliga delar har stannat helt efter att ha träffat ett främmande föremål, och för att inspektera maskinen för skador och utföra reparationer innan maskinen startas om och används.

SE

**⚠ VARNING:** Stoppa maskinen och avlägsna batteripaketet för att säkerställa att alla rörliga delar har stannat helt, om maskinen börjar vibrera onormalt, och sedan omedelbart inspektera för skador, byt ut eller reparera alla skadade delar och kontrollera för och dra åt alla lösa delar.

**⚠ VARNING:** Vid service ska enbart identiska utbyteskomponenter användas. Användning av andra delar kan skapa risker eller orsaka produktskador. För att garantera en säker och pålitlig användning måste alla reparationer utföras av en kvalificerad servicetekniker.

## RENGÖRING AV GRÄSKLIPPAREN

Undersidan av gräsklippardäcket skall rengöras efter varje användning efter som gräsklipp, löv, smuts och annat skräp kommer att ackumuleras.

Ta bort allt uppsamlat gräs på och runt drivaxeln och motorfläkten. Torka rent gräsklipparen med en fuktig trasa.

### Rengöring av luftintaget (bild Q)

1. Ta bort luftintagnätet genom att ta bort de fyra skruvarna.
2. Rengör insidan av luftintaget och nätlocket med tryckluft.

### BYTA UT KLIPPBLADET (bild R1, R2, R3)

**⚠ VARNING:** Ta alltid bort batteripaketet och gräspåsen.

**⚠ VARNING:** Använd alltid skyddshandskar.

**UPPMÄRKSAMMA:** Rengör drivaxelområdet och maskinens undersida noggrant innan du installerar bladet.

1. Vänd gräsklipparen upp och ner
2. Ta bort/montera bladet med en momentnyckel och två metallstänger som hjälp enligt illustrationen.

3. Den tryckta bladsidan mot utsidan.

### FÖRVARING AV GRÄSKLIPPAREN S1 & S2)

1. Ta bort batteripaketet från gräsklipparen.
2. Töm gräspåsen och rengör gräsklipparen.
3. För att spara betydande lagringsutrymme vika produkthandtaget och förvara produkten som illustrerat.

**UPPMÄRKSAMMA:** Se till att handtagssladden inte fastnar när du fäll/fäller ut produkthandtaget (tappa inte handtaget).

4. Placera inte andra föremål ovanpå gräsklipparen när den förvaras

**⚠ VARNING:** Om gräsklipparen tippar över från upprätt position kan gräsklipparen eller personer skadas. Ha alltid gräsklipparen stabilt placerad och utom räckhåll för barn när den är i upprätt position. Om möjligt, lägg den plant vid förvaring.

### SKYDDA MILJÖN



Kassera inte elektriska apparater som osorterat kommunalt avfall, lämna in till närmaste återvinningsstation.

Kontakta de lokala myndigheterna för information beträffande tillgängliga insamlingssystem.

Om elektriska apparater kasseras på avfallsupplag eller soptippar kan farliga ämnen läcka ut i grundvattnet och tränga in i livsmedelskedjan och skada din hälsa och välbefinnande.



## FELSÖKNING

PROBLEM	ORSAK	LÖSNING
Gräsklipparen eller självgående funktionen misslyckas med att starta.	<ul style="list-style-type: none"> <li>▪ Batteripaketets laddning är slut.</li> </ul>	<ul style="list-style-type: none"> <li>▪ Ladda batteripaketet.</li> </ul>
	<ul style="list-style-type: none"> <li>▪ Batteripaketet är inte ordentligt isatt i batterifacket.</li> </ul>	<ul style="list-style-type: none"> <li>▪ Sätt i batteripaketet i batterifacket tills du hör ett „klick“.</li> </ul>
	<ul style="list-style-type: none"> <li>▪ Handtaget är inte låst i arbetsläge och gräsklipparen statusindikator blinkar grönt.</li> </ul>	<ul style="list-style-type: none"> <li>▪ Stoppa gräsklipparen och se till att handtaget är låst i ett av arbetslägen.</li> </ul>
	<ul style="list-style-type: none"> <li>▪ Gräsklippardäcket är igensatt med gräs och skräp.</li> </ul>	<ul style="list-style-type: none"> <li>▪ Rengör klippdäcket och se till att bladet har fri rörlighet</li> </ul>
Gräsklipparen skär ojämnt.	<ul style="list-style-type: none"> <li>▪ Kniven är slö.</li> </ul>	<ul style="list-style-type: none"> <li>▪ Slipa eller byt kniven.</li> </ul>
	<ul style="list-style-type: none"> <li>▪ Klipphöjden är inte korrekt inställd.</li> </ul>	<ul style="list-style-type: none"> <li>▪ Flytta däckets höjd till en högre inställning.</li> </ul>
	<ul style="list-style-type: none"> <li>▪ Bladet är felaktigt installerat.</li> </ul>	<ul style="list-style-type: none"> <li>▪ Sätt tillbaka bladet genom att följa avsnittet "<b>BYTA UT BLADET</b>" i den här handboken.</li> </ul>
	<ul style="list-style-type: none"> <li>▪ Bladhastighetsläget är inte korrekt inställt.</li> </ul>	<ul style="list-style-type: none"> <li>▪ Välj ett korrekt bladhastighetsläge.</li> </ul>
Gräsklipparen finfördelar inte ordentligt.	<ul style="list-style-type: none"> <li>▪ Vått gräs har fastnat på undersidan av däcket.</li> </ul>	<ul style="list-style-type: none"> <li>▪ Vänta tills gräset torkar innan klippning.</li> </ul>
	<ul style="list-style-type: none"> <li>▪ Gräsklipparen är inställd att klippa för mycket gräs i taget.</li> </ul>	<ul style="list-style-type: none"> <li>▪ Höj däcket till en högre klipphöjd.</li> </ul>
	<ul style="list-style-type: none"> <li>▪ Bladhastighetsläget är inte korrekt inställt.</li> </ul>	<ul style="list-style-type: none"> <li>▪ Välj läge <b>1</b> eller ECO-bladhastighetsläge.</li> </ul>

SE

Gräsklipparen stannar oväntat under klippning.	<ul style="list-style-type: none"> <li>■ Batteripaketets laddning är slut.</li> </ul>	<ul style="list-style-type: none"> <li>■ Ladda batteripaketet.</li> </ul>
	<ul style="list-style-type: none"> <li>■ Gräsklipparen är överbelastad och gräsklipparens statusindikator blinkar orange.</li> </ul>	<ul style="list-style-type: none"> <li>■ Kontrollera om gräs har samlats under däckets och rengör vid behov. Öka klipphöjden eller sakta ned klippningen.</li> </ul>
	<ul style="list-style-type: none"> <li>■ Gräsklippardäcket är igensatt med gräs och skräp.</li> </ul>	<ul style="list-style-type: none"> <li>■ Rensa gräsklippardäcket. Höj klipphöjden och/eller klipp en smalare sträng.</li> </ul>
	<ul style="list-style-type: none"> <li>■ Batteripaketet eller gräsklipparkretsarna är för varma. Om batteriet är överhettat slocknar gräsklipparens statusindikator. Om gräsklipparen är överhettad lyser gräsklipparens statusindikator fast orange.</li> </ul>	<ul style="list-style-type: none"> <li>■ Låt batteripaketet eller gräsklipparen svalna.</li> </ul>
	<ul style="list-style-type: none"> <li>■ Bladhastighetsläget är inte korrekt inställt.</li> </ul>	<ul style="list-style-type: none"> <li>■ Välj bladhastigheten till en lägre inställning.</li> </ul>
<ul style="list-style-type: none"> <li>■ Klipparens elektronikfel och gräsklipparens statusindikator blinkar röd/grönt växelsvis.</li> </ul>	<ul style="list-style-type: none"> <li>■ Kontakta EGO Service Center.</li> </ul>	
Det förkommer kraftiga vibrationer.	<ul style="list-style-type: none"> <li>■ Klippkniven är lös.</li> </ul>	<ul style="list-style-type: none"> <li>■ Dra åt alla knivbultar.</li> </ul>
	<ul style="list-style-type: none"> <li>■ Klippkniven är i obalans.</li> </ul>	<ul style="list-style-type: none"> <li>■ Kontakta EGO Servicecenter.</li> </ul>
	<ul style="list-style-type: none"> <li>■ Klippkniven är böjd.</li> </ul>	<ul style="list-style-type: none"> <li>■ Byt kniven.</li> </ul>
	<ul style="list-style-type: none"> <li>■ Motoraxeln är böjd.</li> </ul>	<ul style="list-style-type: none"> <li>■ Kontakta EGO Servicecenter.</li> </ul>
	<ul style="list-style-type: none"> <li>■ Gräsklipparen är inställd att klippa för mycket gräs i taget.</li> </ul>	<ul style="list-style-type: none"> <li>■ Höj däckets till en högre klipphöjd.</li> </ul>
	<ul style="list-style-type: none"> <li>■ Bladhastighetsläget är inte korrekt inställt.</li> </ul>	<ul style="list-style-type: none"> <li>■ Ställ in bladhastigheten till en lägre inställning.</li> </ul>
Motorn fungerar men bladet klipper inte gräset	<ul style="list-style-type: none"> <li>■ Bladet är inte åtdragen med erforderligt vridmoment.</li> </ul>	<ul style="list-style-type: none"> <li>■ Dra åt bladet igen. Det rekommenderade vridmomentet för bladbulen är 50-60 Nm.</li> </ul>

## GARANTI

### EGO GARANTIPOLICY

Besök webbsidan [egopowerplus.eu](http://egopowerplus.eu) för fullständiga villkor för EGO garantipolicy.

## LUE KAIKKI OHJEET!

**Käyttötarkoitus:** Tuote on tarkoitettu manuaaliseen ruohonleikkuuseen:

- Käytä vain kuivan ruohon leikkaamiseen. Älä leikkaa märkää ruohoa.
- Älä käytä sitä mihinkään muuhun tarkoitukseen.

**VAROITUS:** Lue ja ymmärrä tämän käyttöoppaan kaikki turvallisuusohjeet, mukaan lukien turvallisuusvaroitusymbolit, kuten "VAARA", "VAROITUS" ja "HUOMIO" ennen koneen käyttämistä. Alla olevien ohjeiden noudattamatta jättäminen saattaa aiheuttaa sähköiskun, tulipalon ja/tai vakavan henkilövahingon.

## TURVALLISUUSYMBOLIT



Turvallisuushälytys



Käytä aina kuulosuojaimia, suojalaseja tai sivusuojallisia suojalaseja ja koko kasvot peittävää suojaa, kun käytät laitetta.



Varo sinkoutuvia kohteita – pidä sivulliset loitolla.



Pidä kädet etäällä



Taattu äänitehotaso.



Tämä tuote vastaa sovellettavaa UK-lainsäädäntöä.



Bluetooth®

IPX5

Suojaus vesisuihkuja vastaan

mm

Millimetri



Tasavirta



Käyttäjän on luettava ja ymmärrettävä käyttöopas ennen tämän laitteen käyttöä loukkaantumisvaaran vähentämiseksi.



Kytke virta pois ja poista irrotettava akku (tai estolaite) ennen kuin säädät tai puhdistat laitetta.



Pidä kädet ja jalat etäällä teristä



Älä tuijota käyttövaloa.



Tämä tuote vastaa sovellettavia EU-direktiivejä.



Vanhoja sähkölaitteita ei saa hävittää kotitalousjätteen mukana. Vie laite valtuutettuun kierrätyslaitokseen.

V

Voltti

cm

Senttimetri


kg

Kilogramma

FI

**HUOMAA:** Bluetooth®-sanamerkki ja -logot ovat Bluetooth SIG, inc:n omistamia rekisteröityjä tavaramerkkejä, ja EGO käyttää niitä lisenssillä.

## TEKNISET TIEDOT

Jännite	56 V 	
Terän nopeustila	2	
	1	
	ECO	
Leikkuukorkeuden asennot	8	
Leikkuukorkeuden asetus	20 mm/31 mm/40 mm/ 51 mm/ 64 mm/78 mm/ 92 mm/105 mm	
Leikkuuleveys	53 cm	
Ruohopussin tilavuus	85 L	
Ruohonleikkurin paino (ilman akkua ja ruohopussia)	46 kg	
Terämalli	AB5301	
Suositteltu käyttölämpötila	0°C–40°C	
Suositteltu säilytyslämpötila	-20°C–70°C	
Mitattu äänitehotaso $L_{WA}$	94 dB(A) K=0.6 dB(A)	
Äänenpaineen taso käyttäjän korvien tasolla $L_{PA}$	83 dB(A) K= 3 dB(A)	
Taattu äänentehotaso $L_{WA}$ (mitattu 2000/14/EY mukaisesti)	95 dB(A)	
Tärinäarvo $a_{h1}$ :	Vasen kahva	0.39 m/s <sup>2</sup> K=1.5 m/s <sup>2</sup>
	Oikea kahva	0.33 m/s <sup>2</sup> K=1.5 m/s <sup>2</sup>

- Ilmoitettu tärinän kokonaispäästöarvo on mitattu vakiotestausten menetelmän mukaisesti ja sitä voidaan käyttää koneiden keskinäiseen vertailuun.
- Ilmoitettua tärinän kokonaispäästöarvoa voidaan käyttää myös altistumisen alustavaan arviointiin.

**HUOMAUTUS:** Koneen käytön aikana mitattu todellinen tärinäpäästöarvo voi poiketa ilmoitetusta kokonaispäästöarvosta koneen käyttötavasta johtuen; käyttäjän suojaamiseksi tulee käyttää käsinettä ja kuulosuojaimia todellisissa käyttöolosuhteissa.

## PAKKAUSLUETTELO (KUVAT A1 JA A2)

OSAN NIMI	MÄÄRÄ
Ruohonleikkuri	1
Ruohopussi	1
Ruohopussin kehikko	1
Siipiruuvi (tehtaalla asennettu ruohonleikkuriin)	2
Käyttöopas	1

## KUVAUS

### TUNNE RUOHONLEIKKURISI (kuvat A1 ja A2)

1. Itsevetotilipaisin
  2. Kahva
  3. Terän pyörimisliipaisin
  4. Takana oleva poistoluukku
  5. Lukitusvaihe
  6. Akkulokeron kansi
  7. LED-ajovalot
  8. Keskipuskuri (nostokahva)
  9. Etupuskuri
  10. Etuleikkuukorkeuden säätövipu
  11. Etupyörä
  12. Ruohonleikkurin kansi
  13. Sivusuojuus
  14. Ilmanotto
  15. Takapyörä
  16. Takaleikkuukorkeuden säätövipu
  17. Siipiruuvi
  18. Kahvan kiinnityslevy
  19. Kannake
  20. Ruohopussi
  21. Lokasuoja
  - 22\*. Silppurioasa
  - 23\*. Sivupoistokouru
  24. Bluetooth®-merkkivalo
  25. Hallintänäkymä
  26. Ruohonleikkurin tilan merkkivalo
  27. Terien nopeuden merkkivalo
  28. Terän nopeustilapainike
  29. Virtapainike
  30. LED-etuvalojen painike (Bluetooth®-painike)
  31. Itsevetonopeuden säädin
- \* MYYDÄÄN ERIKSEEN

## KOKOAMINEN

**VAROITUS:** Jos jokin osa on vahingoittunut tai puuttuu, älä käytä tuotetta ennen kuin osat on vaihdettu. Tuotteen käyttö violtuneilla tai puuttuvilla osilla voi aiheuttaa vakavan henkilövahingon.

**VAROITUS:** Poista akku (akut) koneesta aina, kun kokoat osia. Näin varmistat, ettei laite käynnisty vahingossa eikä aiheuta vakavia henkilövahinkoja.

**VAROITUS:** Älä yritä muuttaa tätä konetta tai käyttää siinä lisävarusteita, joita ei ole suunniteltu käytettäväksi tämän ruohonleikkurin kanssa. Kaikenlainen muuttaminen tai muuntelu on vääriinkäyttöä, ja voi aiheuttaa vaaratilanteen, joka johtaa vakaviin henkilövahinkoihin.

### PAKKAUKSEN PURKAMINEN

Tuote vaatii kokoamisen.

- Poista kaikki lisävarusteet pakkauksesta.

**HUOMIO:** Painava laite. Ruohonleikkurin nostaminen vaatii kaksi henkilöä.

- Toisen henkilön tulee tarttua keskipuskuriin/nostokahvaan ja toisen henkilön tulee tarttua kahteen siipiruuviin nostaakseen ruohonleikkurin varovasti ulos laatikosta.

### KAHAVAN ASENTAMINEN

Ruohonleikkuri toimitetaan kahvan ollessa osittain koottuna.

**VAROITUS:** Älä yritä käynnistää ruohonleikkuria, ennen kuin kahva on asennettu oikein ja tukevasti ja taitettu auki. Ole varovainen välttääksesi sormien ja kaapelin puristumisen osien väliin.

1. Irrota molemmat siipiruuvit ja aseta ne sivuun odottamaan.
2. Siirrä kahvaa eteenpäin, kunnes kahvakokoonpanon lukitusvaihe on ruohonleikkurin hammaspyörän kohdalla (B1).
3. Kohdistaa lukitusvaihteen ja kahvan kiinnityslevyn merkit kuvan B2 mukaisesti, aseta sitten kaksi siipiruuvia paikoilleen ja kiristä sormikireyteen.

### KAHAVAN AVAAMINEN JA SÄÄTÄMINEN (Kuva C)

**VAROITUS:** Varmista, ettei kaapeli puristu, taitu tai jännity, kun taitat kahvan kokoon tai avaat sen. Kaapelin vaurioituminen voi vaikuttaa ruohonleikkurin käynnistämiseen ja toimintaan ja johtaa vaaralliseen käyttötilaan.

**VAROITUS:** Älä yritä käynnistää ruohonleikkuria ja itsevetojärjestelmää ennen kuin kahva on lukittu johonkin

esiasetetuista käyttöasennosta (ylempi käyttöasento 3, keskitasen käyttöasento 2 ja alempi käyttöasento 1).

1. Löysää siipipultit molemmilta puolilta ja varmista, että molemmat hammaspyörät ovat täysin löysällä, mutta EI irrallaan.
2. Käännä kahvaa ylöspäin, kunnes lukitusvaihteen nuolimerkki kohdistuu johonkin kahvan kiinnityslevyn kolmesta käyttöasennosta.
3. Kiristä kaksi pulttia, varmista, että molemmat hammaspyörät ovat täysin kiinni ja kahva on kiinnitetty kunnolla.

C-1	Alempi käyttöasento 1
C-2	Keskitasen käyttöasento 2
C-3	Ylempi käyttöasento 3

FI

### KAHAVAN TAITTAMINEN (Kuva D)

**VAROITUS:** Varmista, ettei kaapeli puristu, taitu tai jännity, kun taitat kahvan kokoon tai avaat sen. Kaapelin vaurioituminen voi vaikuttaa ruohonleikkurin käynnistämiseen ja toimintaan ja johtaa vaaralliseen käyttötilaan.

1. Löysää siipipultit molemmilta puolilta ja varmista, että molemmat hammaspyörät ovat täysin löysällä, mutta EI irrallaan.
2. Käännä kahvaa alas, kunnes kahva asettuu säilytysasentoon.
3. Kohdistaa lukitusvaihteen nuolimerkki kahvan kiinnityslevyn säilytysasennon merkkiin.
4. Kiristä kaksi siipipulttia, varmista, että kaksi hammaspyörää ovat täysin kiinni ja kahva on kiinnitetty kunnolla.

D-1	Säilytysasento
-----	----------------

### RUOHOPUSSIN KOKOAMINEN (Kuvat E1, E2, E3)

Tarkista ruohopussi ennen kokoamista varmistaaksesi, ettei siinä ole vaurioita.

Kokoa ruohopussi kuvan mukaisesti.

### SILPPURIOSAN (MYYDÄÄN ERIKSEEN) KIINNITTÄMINEN/POISTAMINEN

Asenna silppuriosa ruohonleikkuriin kuvan F mukaisesti.

**VAARA:** Kone voi heittää ruohonleikkujätteitä ja muita esineitä koneen kotelossa olevan aukon läpi. Riittävällä voimalla heitetty esineet voivat aiheuttaa sinulle tai sivullisille vakavia henkilövahinkoja tai kuoleman.

**Älä koskaan käytä ruohonleikkuria ilman, että silppuriosa, ruohopussi tai sivupoistokouru on asennettu oikein.**

**VAROITUS:** Silppuriosa on poistettava, kun asennat ruohonleikkuriin ruohopussin tai sivupurkauskourun. Silppuriosa on asennettava uudelleen, kun ruohopussi (tai sivupoistokouru) on poistettu.

## RUOHOPUSSIN KIINNITTÄMINEN/IRROTTAMINEN

Asenna ruohopussi ruohonleikkuriin kuvan G mukaisesti.

**VAROITUS:** Normaalkäytössä ruohopussin materiaali kuuluu. Loukkaantumisvaaran vähentämiseksi tarkista ruohopussi säännöllisesti ja vaihda se, jos huomaat kulumista tai heikentymistä. Käytä vain tälle ruohonleikkurille valmistettuja ruohopusseja.

**VAROITUS:** Ruohopussi on poistettava sivupoistokourun tai silppuriosan asentamiseksi ja käyttämiseksi.

## SIVUPOISTOKOURUN (MYYDÄÄN ERIKSEEN) KIINNITTÄMINEN/POISTAMINEN

Asenna sivupoistokouru ruohonleikkuriin kuvan H mukaisesti.

**VAROITUS:** Sivupoistokouru on poistettava, jotta ruohopussi tai silppuriosa voidaan asentaa ja niitä käyttää.

## LEIKKUUKORKEUDEN SÄÄTÖ (Kuva J1 & J2)

**VAROITUS:** Pidä jalkasi poissa kannelta, kun säädät leikkuukorkeutta.

Ruohonleikkuri voidaan asettaa 8 leikkuukorkeuteen välille 20 mm ja 105 mm. Merkintä osoittaa valitun leikkuukorkeuden.

Tämä ruohonleikkuri mahdollistaa leikkuukorkeuden säätämisen edessä ja takana erikseen. Valitse sopiva leikkuukorkeus leikkattavan ruohon tyyppiin ja leikkuuolosuhteiden mukaan.

1. Sammuta ruohonleikkuri ja odota, että leikkuuterä pysähtyy kokonaan.
2. Poista akku (akut).
3. Vedä etu- tai takaosan leikkuukorkeuden säätövipu ulos lukituksesta ja aseta se haluttuun asentoon.

## AKKUJEN LIITTÄMINEN/IRROTTAMINEN (Kuva K)

**HUOMAA:** Lataa akku täysin ennen käyttökertaa.

Käytä vain kuvassa A3 lueteltujen akkujen ja latureiden kanssa.

**HUOMAA:** Ruohonleikkurissa on kaksi aktiivista akkupaikkaa. Se voi toimia yhdellä tai kahdella akulla.

### Liittäminen

1. Avaa akkulokeron kansi ja työnnä akku akkukoteloon, kunnes kuulet napsahduksen.
2. Toista prosessi toisen akun asentamiseksi.

### Poistaminen

Paina akkulokerossa olevaa akun vapautuspainiketta ja vedä akku ulos.

**HUOMAUTUS:** Varmista, että ruohonleikkurin salpa napsahtaa paikalleen, ja että akku on turvallisesti kiinni ruohonleikkurissa ennen aloitettua käyttöä.

## TERÄN NOPEUSTILAN VALITSEMINEN (Kuva L)

- Tila 2 on nopein terän nopeustiloista korkean nostokyvyn saavuttamiseksi imuvoiman ja leikkuutehon parantamiseksi.
- Tila 1 on paras tasapaino suorituskyvyn ja käyttöajan välillä.
- ECO-tila tarjoaa alhaisimman melutason ja pisimmän käyttöajan akulla.

**HUOMAA:** Terän oletusnopeustila on tila 1.

## VIESTINTÄTEKNIikka

Jos haluat tietoja yhdistettyjen tuotteiden ja palveluiden koko valikoimasta, mukaan lukien yhdistämisohteet, skannaa alla oleva QR-koodi tai käy osoitteessa [www.egopowerplus.eu/connect](http://www.egopowerplus.eu/connect).



## KÄYTTÖ

Tuotetta voi käyttää sateessa.

## LEIKKURIN KÄYNNISTÄMINEN/SAMMUTTAMINEN

**VAROITUS:** Minkä tahansa ruohonleikkurin käyttö saattaa aiheuttaa vierasesineiden sinkoutumisen käyttäjän tai sivullisten silmiin, mikä voi aiheuttaa vakavia silmävammoja. Käytä aina suojalaseja, kun käytät ruohonleikkuria, tai kun säädät tai korjaat sitä.

**VAROITUS:** Terä pyörii vielä muutaman sekunnin ajan senkin jälkeen, kun ruohonleikkuri on sammutettu. Anna moottorin/terän pysähtyä ennen kuin käynnistät

sen uudelleen. Älä sammuta ja käynnistä ruohonleikkuria nopeasti peräjälkeen.

**VAROITUS:** Pysäytä terät, jos ruohonleikkuria on kallistettava ylittäessäsi muita pintoja kuin ruohoa, ja kun kuljetat ruohonleikkuria leikattavalle alueelle ja siltä pois.

**VAROITUS:** Älä kallista ruohonleikkuria, kun käynnistät moottorin, paitsi jos ruohonleikkuria on kallistettava käynnistämistä varten. Siinä tapauksessa kallista laitetta vain sen verran kuin on pakko, ja nosta vain sitä osaa, joka on kaukana käyttäjästä.

Tarkista aina ennen käyttöä silmämääräisesti, etteivät terä ja terän pultti ole kuluneet tai vaurioituneet. Vaihda kulunut tai vaurioitunut terä ja pultti sarjoina, jotta tasapaino säilyy.

#### Tarkista, onko leikkuuterä tukkeutunut

- Pidä leikkuuterä ja ruohonleikkurin kansi puhtaina tukkeutumisten estämiseksi. Poista ruohonleikkujätteet, lehdet, lika ja muut kertyneet roskat ennen ja jälkeen jokaisen käyttökerran.
- Kun tukkeutuminen tapahtuu, pysäytä ruohonleikkuri ja irrota akku (akut) ja poista ruoho- ja lehtikerääntymät vetoakselilta ja moottorin tuulettimelta tai niiden ympäriltä. Puhdista ruohonleikkuri pyyhkimällä kostealla liinalla.

**HUOMIO:** Älä yritä ohittaa virtapainikkeen ja terän pyörimisliipaisimen toimintaa.

**HUOMAA:** Moottoria ei voida käynnistää, ellei kahva ole lukittu johonkin kolmesta käyttöasennosta.

#### Ruohonleikkurin käynnistäminen (kuvat M1 ja M2)

1. Kiinnitä akku (akut) ruohonleikkuriin ja sulje akkulokeron kansi.
2. Valaise kojelautaa painamalla virtapainiketta, ja ruohonleikkurin tilan merkkivalo ja terän nopeuden merkkivalo 1 syttyvät.
3. Valitse haluamasi nopeus painamalla terän nopeustilapainiketta.
4. Pidä virtapainiketta painettuna.
5. Kun pidät virtapainiketta painettuna, vedä terän pyörimisliipaisin kahvaan ja vapauta virtapainike.

#### Ruohonleikkurin pysäyttäminen (kuva M3)

1. Vapauta terän pyörimisliipaisin kokonaan.
2. Sähköinen jarru automaattisessa jarrumekanismissa pysäyttää terän pyörimisen 3 sekunnin kuluessa terän pyörimisliipaisimen vapauttamisesta.

#### VAIHELEVANOPEUKSINEN ITSEVETOJÄRJESTELMÄ (Kuva N)

Leikkurissa on vaihtelevanopeuksinen itseveto-ominaisuus. Tämä itsevetojärjestelmä on riippumaton terän pyörimisestä.

**HUOMAA:** Itsevetojärjestelmää ei voida käynnistää, ellei kahva ole lukittu johonkin kolmesta käyttöasennosta.

#### Itsevetojärjestelmän käyttäminen ilman terän pyörimistä

1. Valaise kojelautaa painamalla virtapainiketta.
2. Kierrä itsevetonopeuden säätönuppia hieman eteenpäin, kunnes kuuluu napsahdus, vedä sitten itsevetoliipaisin kiinni kahvaan käynnistääksesi itsevetotoiminnon.

Itseveto pysähtyy, kun vapautat itsevetoliipaisimen.







#### LED-ETUVALOT (Kuva P)

**Kytke etuvalot päälle** painamalla etuvalojen painiketta. Etuvalot tuottavat kirkkaan valon ruohonleikkurin eteen.

**Sammuta etuvalot** painamalla painiketta uudelleen.

#### RUOHONLEIKKURIN TILAN MERKKIVALO

Kojelaudan leikkurin tilan merkkivalo näyttää leikkurin käyttötilan.

Merkkivalo	Kuvaus	Merkitys	Toimenpide
	Palaa vihreänä	Ruohonleikkuri toimii oikein.	Ei tarvita mitään.
	Viikkuu vihreänä	Kahvaa ei ole lukittu käyttöasentoon.	Pysäytä ruohonleikkuri ja varmista, että kahva on lukittu johonkin käyttöasennoista.
	Viikkuu punaisena	Alhainen akun varaustaso.	Pysäytä ruohonleikkuri ja lataa akku (akut).
	Palaa oranssina	Ruohonleikkuri on ylikuumentunut.	Vapauta terän pyörimisliipaisin, odota, kunnes ruohonleikkurin lämpötila laskee alle 80 °C. Katso alta <b>"RUOHONLEIKKURIN YLIKUUMENEMISSUOJAUS"</b> .
	Viikkuu oranssina	Ruohonleikkuri on ylikuormittunut	<ol style="list-style-type: none"> <li>1. Poista ensin akku (akut) ja tarkista ja puhdista sitten ruoho, jota voi olla kertynyt kannen alle. Puhdista tarvittaessa.</li> <li>2. Hidasta askelia, kun leikkaat ruohoa.</li> <li>3. Nosta leikkuukorkeutta.</li> <li>4. Jos edellä mainitut ratkaisut eivät toimi, ota yhteyttä EGO-huoltoiliikkeeseen.</li> </ol> Katso <b>"RUOHONLEIKKURIN YLIKUORMITUSSUOJAUS"</b> alta.
	Viikkuu vuorotellen punaisena ja vihreänä	Ruohonleikkurin elektroniikkavirhe.	Ota yhteys EGO-huoltoiliikkeeseen.

FI

## KONEEN YLIKUUMENEMISSUOJAUS

Jos ruohonleikkurin lämpötila ylittää 90 °C käytön aikana, lämpötilasuojaopiiri sammuttaa ruohonleikkurin välittömästi estääkseen ylikuumenemisvauriot.

Ruohonleikkurin tilan merkkivalo palaa oranssina. Vapauta terän pyörimisliipaisin ja odota, kunnes ylikuumentunut ruohonleikkuri jäähtyy ja tilan merkkivalo muuttuu vihreäksi, ja käynnistä sitten ruohonleikkuri uudelleen.

## RUOHONLEIKKURIN YLIKUORMITUSSUOJAUS

Ylikuormituksen välttämiseksi vältä liian suurten ruohikkoalueiden leikkaamista kerralla. Hidasta askelia tai nosta leikkuukorkeutta.

Ruohonleikkurissa on sisäänrakennettu ylikuormitus suojaus. Kun ruohonleikkuri on ylikuormittunut, moottori sammuu ja ruohonleikkurin tilan merkkivalo kojelaudassa vilkkuu oranssina.



## HUOLTAMINEN

**VAROITUS:** Vakavien henkilövahinkojen välttämiseksi sammuta ruohonleikkuri aina, poista akku (akut) ja varmista, että kaikki liikkuvat osat ovat pysähtyneet. ennen puhdistamista, huoltojen suorittamista tai ruohonleikkurin kuljettamista.

**VAROITUS:** Pysäytä kone ja irrota akku (akut) varmistaaksesi, että kaikki liikkuvat osat ovat pysähtyneet täysin vieraaseen esineeseen törmäämisen jälkeen ja tarkistaaksesi koneen vaurioiden varalta ja tehdäkseen korjauksia ennen koneen uudelleen käynnistämistä ja käyttämistä.

**VAROITUS:** Pysäytä kone ja irrota akut varmistaaksesi, että kaikki liikkuvat osat ovat pysähtyneet kokonaan, jos kone alkaa täristä epänormaalisti, ja tarkista kone välittömästi vaurioiden varalta, vaihda tai korjaa vaurioituneet osat sekä tarkista ja kiristä mahdolliset löystyneet osat.

**VAROITUS:** Käytä huollon yhteydessä vain identtisiä varaosia. Muiden osien käyttö saattaa aiheuttaa vaaran tai laitteen vaurioitumisen. Pätevän huoltoteknikon tulee suorittaa kaikki korjaukset, jotta voidaan taata tuotteen turvallinen ja luotettava käyttö.

### LEIKKURIN PUHDISTUS

Ruohonleikkurin kannen alapuoli tulee puhdistaa jokaisen käyttökerran jälkeen, sillä ruoho, lehdet, lika ja muu irtaines kertyvät sinne.

Poista kaikki kertynyt ruoho ja lehdet vetoakselin ympäriltä ja moottorin tuulettimesta. Puhdista ruohonleikkuri pyyhkimällä kostealla liinalla.

### Ilmanottoaukon puhdistaminen (kuva Q)

1. Irrota ilmanottoaukon verkkokansi poistamalla neljä ruuvia.
2. Puhdista ilmanottoaukon sisäpuoli ja verkkokansi paineilmalla.

### TERÄN VAIHTAMINEN (Kuvat R1, R2, R3)

**VAROITUS:** Poista akku (akut) ja ruohopussi aina ennen puhdistusta.

**VAROITUS:** Käytä aina suojakäsineitä.

**HUOMAUTUS:** Puhdista vetoakselin alue ja koneen alapuoli huolellisesti ennen terän asentamista.

1. Käännä ruohonleikkuri ylösalaisin.

2. Irrota/asenna leikkuterä momenttivaimella ja kahdella metallitangolla kuvassa esitetyllä tavalla.
3. Painettu teränpuoli ulospäin.

### RUOHONLEIKKURIN VARASTOIMINEN (Kuva S1 ja S2)

1. Poista akku (akut) ruohonleikkurista.
2. Tyhjennä ruohopussi ja puhdista ruohonleikkuri.
3. Säästä huomattavasti säilytystilaa, kun taitat tuotteen kahvan ja säilytät tuotetta kuten kuvassa.

**HUOMAUTUS:** Varmista, ettei kahvan johto jää jumiin, kun taitat työkalun kahvaa kokoon tai auki (älä pudota kahvaa).

4. Älä sijoita muita esineitä ruohonleikkurin päälle varastoinnin aikana

**VAROITUS:** Jos ruohonleikkuri kaatuu pystyasennosta, ruohonleikkuri saattaa vahingoittaa tai se saattaa aiheuttaa henkilövahingon. Pidä ruohonleikkuri aina vakaana ja poissa lasten ulottuvilta, kun se on pystyasennossa. Mikäli mahdollista, varasto se litteänä.

### YMPÄRISTÖNSUOJELU



Älä hävitä sähkölaitteita lajittelemattomana talousjätteenä, käytä erillisiä keräilypisteitä.

Kysy tarkemmat tiedot jätteidenkeräysohjeista paikallisilta viranomaisilta.

Jos sähkölaitteita viedään kaatopaikalle, pohjaveteen saattaa vuotaa vaarallisia aineita ja päätyä sitä kautta ruokaketjuun. Tämä vahingoittaa terveystäsi ja hyvinvointiasi.

## VIANMÄÄRITYS

ONGELMA	SYY	RATKAISU
Ruohonleikkuri tai itseve-toiminto ei käynnisty.	<ul style="list-style-type: none"> <li>■ Akun (akkujen) varaus on tyhjentynyt.</li> </ul>	<ul style="list-style-type: none"> <li>■ Lataa akku.</li> </ul>
	<ul style="list-style-type: none"> <li>■ Akkua (akkuja) ei ole asetettu oikein akkulokeroon.</li> </ul>	<ul style="list-style-type: none"> <li>■ Paina akkua (akkuja) akkulokeroon, kunnes kuulet ”napsahduksen”.</li> </ul>
	<ul style="list-style-type: none"> <li>■ Kahvaa ei ole lukittu käyttöasentoon ja ruohonleikkurin tilan merkkivalo vilkkuu vihreänä.</li> </ul>	<ul style="list-style-type: none"> <li>■ Pysäytä ruohonleikkuri ja varmista, että kahva on lukittu johonkin käyttöasentoista.</li> </ul>
	<ul style="list-style-type: none"> <li>■ Ruohonleikkurin kansi on täynnä ruohoa ja irtoainesta.</li> </ul>	<ul style="list-style-type: none"> <li>■ Puhdista ruohonleikkurin kansi, ja varmista, että terä liikkuu vapaasti</li> </ul>
Ruohonleikkuri leikkaa epätasaisesti.	<ul style="list-style-type: none"> <li>■ Terä on tylsä.</li> </ul>	<ul style="list-style-type: none"> <li>■ Teroita tai vaihda terä.</li> </ul>
	<ul style="list-style-type: none"> <li>■ Ruohon leikkuukorkeutta ei ole asetettu oikein.</li> </ul>	<ul style="list-style-type: none"> <li>■ Siirrä kannen korkeus korkeampaan asetukseen.</li> </ul>
	<ul style="list-style-type: none"> <li>■ Terä on asennettu väärin.</li> </ul>	<ul style="list-style-type: none"> <li>■ Asenna terä uudelleen tämän käyttöoppaan ”<b>TERÄN VAIHTAMINEN</b>” -osion mukaisesti.</li> </ul>
	<ul style="list-style-type: none"> <li>■ Terän nopeustilaa ei ole asetettu oikein.</li> </ul>	<ul style="list-style-type: none"> <li>■ Valitse oikea terän nopeustila.</li> </ul>
Ruohonleikkuri ei silppua kunnolla.	<ul style="list-style-type: none"> <li>■ Märät ruohopalat juuttuvat kannen alapuolelle.</li> </ul>	<ul style="list-style-type: none"> <li>■ Odota, että ruoho kuivuu, ennen kuin jatkat leikkaamista.</li> </ul>
	<ul style="list-style-type: none"> <li>■ Ruohonleikkuri on asetettu leikkaamaan liikaa ruohoa kerralla.</li> </ul>	<ul style="list-style-type: none"> <li>■ Nosta kansi korkeampaan leikkuukorkeusasetukseen.</li> </ul>
	<ul style="list-style-type: none"> <li>■ Terän nopeustilaa ei ole asetettu oikein.</li> </ul>	<ul style="list-style-type: none"> <li>■ Valitse tila <b>1</b> tai terän ECO-nopeustila.</li> </ul>

FI

Ruohonleikkuri pysähtyy odottamatta leikkuun aikana.	<ul style="list-style-type: none"> <li>■ Akun (akkujen) varaus on tyhjentynyt.</li> </ul>	<ul style="list-style-type: none"> <li>■ Lataa akku.</li> </ul>
	<ul style="list-style-type: none"> <li>■ Ruohonleikkuri on ylikuormitettu ja ruohonleikkurin tilan merkkivalo vilkkuu oranssina.</li> </ul>	<ul style="list-style-type: none"> <li>■ Tarkista, onko kannen alle kertynyt ruohoa, ja puhdista tarvittaessa. Vaihda leikkauskorkeutta tai hidasta leikkausvauhtia.</li> </ul>
	<ul style="list-style-type: none"> <li>■ Ruohonleikkurin kansi on täynnä ruohoa ja irtainesta.</li> </ul>	<ul style="list-style-type: none"> <li>■ Poista tukokset ruohonleikkurin kannesta. Nosta leikkuukorkeutta ja/tai leikkaa ohut kaistale.</li> </ul>
	<ul style="list-style-type: none"> <li>■ Akku (akut) tai ruohonleikkurin piiri on liian kuuma. Jos akku on ylikuumentunut, ruohonleikkurin tilan merkkivalo sammuu. Jos ruohonleikkuri on ylikuumentunut, ruohonleikkurin tilan merkkivalo palaa oranssina.</li> </ul>	<ul style="list-style-type: none"> <li>■ Anna akun (akkujen) tai ruohonleikkurin jäähtyä.</li> </ul>
	<ul style="list-style-type: none"> <li>■ Terän nopeustilaa ei ole asetettu oikein.</li> </ul>	<ul style="list-style-type: none"> <li>■ Puhdista ilmanottoaukko kohdan "<b>Ilmanottoaukon puhdistaminen</b>" mukaan</li> <li>■ Valitse terän nopeudeksi hitaampi asetus.</li> </ul>
	<ul style="list-style-type: none"> <li>■ Ruohonleikkurin elektroniikkavirhe ja ruohonleikkurin tilan merkkivalo vilkkuu vuorotellen punaisena/vihreänä.</li> </ul>	<ul style="list-style-type: none"> <li>■ Ota yhteys EGO-huoltoliikkeeseen.</li> </ul>
Liiallista tärinää.	<ul style="list-style-type: none"> <li>■ Leikkausterä on löysä.</li> </ul>	<ul style="list-style-type: none"> <li>■ Kiristä terän pultti.</li> </ul>
	<ul style="list-style-type: none"> <li>■ Leikkausterä on epätasapainossa.</li> </ul>	<ul style="list-style-type: none"> <li>■ Ota yhteyttä EGO-huoltoliikkeeseen.</li> </ul>
	<ul style="list-style-type: none"> <li>■ Leikkausterä on taipunut.</li> </ul>	<ul style="list-style-type: none"> <li>■ Vaihda terä.</li> </ul>
	<ul style="list-style-type: none"> <li>■ Moottorin akseli on taipunut.</li> </ul>	<ul style="list-style-type: none"> <li>■ Ota yhteyttä EGO-huoltoliikkeeseen.</li> </ul>
	<ul style="list-style-type: none"> <li>■ Ruohonleikkuri on asetettu leikkaamaan liikaa ruohoa kerralla.</li> </ul>	<ul style="list-style-type: none"> <li>■ Nosta kansi korkeampaan leikkuukorkeusasetukseen.</li> </ul>
	<ul style="list-style-type: none"> <li>■ Terän nopeustilaa ei ole asetettu oikein.</li> </ul>	<ul style="list-style-type: none"> <li>■ Aseta terän nopeus hitaampaan asetukseen.</li> </ul>
Moottori toimii, mutta terä ei leikkaa ruohoa.	<ul style="list-style-type: none"> <li>■ Terää ei ole kiristetty vaadittuun vääntömomenttiin.</li> </ul>	<ul style="list-style-type: none"> <li>■ Kiristä terä uudelleen. Suositeltu momentti terän pultille on 50–60 Nm.</li> </ul>

**FI**

## TAKUU

### EGON TAKUUEHDOT

Verkkosivustolta [egopowerplus.eu](http://egopowerplus.eu) löydät EGO:n takuukäytännön täydelliset ehdot.

## LES ALLE INSTRUKSJONER!

**Tiltenkt bruk** Produktet er beregnet for manuell gressklipping:

- Bruk kun til klipping av tørt gress. Ikke klipp vått gress.
- Ikke bruk den til andre formål.

**⚠ ADVARSEL:** Sørg for å lese og forstå alle sikkerhetsinstruksjonene i denne brukerhåndboken, inkludert alle sikkerhetsvarselsymboler som «**FARE**», «**ADVARSEL**» og «**FORSIKTIG**» før du bruker denne maskinen. Hvis du ikke følger alle instruksjonene nedenfor, kan det føre til elektrisk støt, brann og/eller alvorlig personskade.

## SIKKERHETSSYMBOLER



Sikkerhetsvarsel



Bruk alltid hørselsvern, vernebriller eller vernebriller med sideskjermer og hel ansiktsskjerm når du bruker dette produktet.



Pass på gjenstander som kastes – hold tilskuere unna.



Hold hånden unna



Garantert lydeffektnivå.



Dette produktet er i samsvar med gjeldende britisk lovgivning.



Bluetooth®

IPX5

Beskyttelse mot vannstråler

mm

Millimeter



Likestrøm



For at risikoen for personskader skal unngås må brukeren lese og forstå bruksanvisningen før produktet tas i bruk.



Slå av og fjern den avtagbare batteripakken (eller deaktiver enheten) før justering eller rengjøring.



Hold hender og føtter unna knivene



Ikke stirr på driftslampen.



Dette produktet er i samsvar med gjeldende EF-direktiver.



Elektrisk avfall skal ikke kastes sammen med husholdningsavfall. Innlever ved en godkjent gjenvinningsstasjon.

V

Volt

cm

Centimeter

kg

Kilogram

## SPESIFIKASJONER

Spenning	56 V	
Bladhastighetsmodus	2	
	1	
	ECO	
Klippehøydeposisjoner	8	
Innstilling av klippehøyde	20 mm/31 mm/40 mm/ 51 mm/ 64 mm/78 mm/ 92 mm/105 mm	
Klippebredde	53 cm	
Volum av gresspose	85 L	
Klippervekt (uten batteri-pakke og gresspose)	46 kg	
Bladmodell	AB5301	
Anbefalt driftstemperatur	0°C–40°C	
Anbefalt lagringstemperatur	-20°C–70°C	
Målt lydeffektnivå $L_{WA}$	94 dB(A) K=0.6 dB(A)	
Lydtryknivå ved operatørens øre $L_{PA}$	83 dB(A) K= 3 dB(A)	
Garantert lydeffektnivå $L_{WA}$ (målt i henhold til 2000/14/EF)	95 dB(A)	
Verdsettelse av vibrasjon $a_h$ :	Venstre håndtak	0.39 m/s <sup>2</sup> K=1.5 m/s <sup>2</sup>
	Høyre håndtak	0.33 m/s <sup>2</sup> K=1.5 m/s <sup>2</sup>

- Den deklarerte totalverdien for vibrasjoner er målt i henhold til en standard testmetode og kan brukes til å sammenligne en maskin med en annen.
- Den oppgitte vibrasjonstotalverdien kan også brukes i en foreløpig vurdering av eksponering.

**LEGG MERKE TIL:** Vibrasjonsutslippet under faktisk bruk av maskinen kan avvike fra den deklarerte verdien som maskinen brukes i; For å beskytte operatøren bør brukeren bruke hansker og hørselvern under de faktiske bruksforholdene.

## PAKKELISTE (FIG.A1 & A2)

DELNAVN	ANTALL
Gressklipper	1
Gresspose	1
Ramme for gresspose	1
Vingebolt (fabrikkinstallert i klipperen)	2
Brukerhåndbok	1

## BESKRIVELSE

### KJENN KLIPPEREN DIN (Fig. A1 & A2)

- Propellutløserhåndtak
  - Håndtak
  - Utløser for bladrotasjon
  - Bakre utkastluke
  - Låseutstyr
  - Deksel til batterirom
  - LED-frontlykter
  - Midterste støtfanger (løftehåndtak)
  - Fremre foring
  - Spak for klippehøydejustering
  - Forhjul
  - Klippeenhet
  - Skjold
  - Luftinntak
  - Bakhjul
  - Spak for klippehøydejustering
  - Vingebolt
  - Håndtak monteringsplate
  - Konsoll
  - Gresspose
  - Etterslepene skjerm
  - Bioklipp-innsats
  - Sideutløpsrenne
  - Bluetooth®-indikator
  - Dashbord
  - Klipperstatusindikator
  - Bladehastighetsindikator
  - Knapp for bladhastighetsmodus
  - På-knapp
  - LED-frontlysknapp (Bluetooth-knapp®)
  - Selvgående hastighetskontrollknapp
- \* SELGES SEPARAT

NO

## MONTERING

**⚠ ADVARSEL:** Hvis noen av delene er skadet eller mangler, må du ikke bruke dette produktet før delene er byttet. Bruk av dette produktet dersom deler er skadet eller mangler, kan føre til alvorlige personskader.

**⚠ ADVARSEL:** For å forhindre utilsiktet start som kan forårsake alvorlig personskade, må du alltid fjerne batteripakken fra maskinen når du monterer deler.

**⚠ ADVARSEL:** Ikke prøv å tilpasse produktet eller lage tilbehør som ikke er anbefalt for bruk med dette produktet. Enhver slik endring eller modifisering er misbruk og kan føre til en farlig tilstand som kan føre til personskade.

### NO

#### UTPAKKING

Dette produktet krever montering.

- Fjern alt tilbehør fra esken.

**⚠ FORSIKTIGHET:** Tung gjenstand. To personer er pålagt å løfte gressklipperen.

- En person skal ta tak i den midterste støtfangeren / løftehåndtaket, og den andre personen skal ta tak i to vingebolter for å løfte gressklipperen forsiktig ut av kartongen.

#### INSTALLERING AV HÅNDTAKET

Gressklipperen leveres med håndtaket delvis montert.

**⚠ ADVARSEL:** Ikke prøv å starte gressklipperen før håndtaket er ordentlig og sikkert installert og utfoldet. Vær forsiktig for å unngå å klemme fingre og kabel mellom delene.

1. Skru av og legg til side begge vingeboltene.
2. Flytt håndtaket fremover til låsehjulet på håndtaket er vendt mot giret på gressklipperen (fig. B1).
3. Juster merkene på låseutstyret og håndtakets monteringsplate som vist på fig. B2, sett deretter inn og fingerstram de to vingeboltene.

#### BRETTE UT OG JUSTERE HÅNDTAKET (Fig. C)

**⚠ ADVARSEL:** Pass på at du ikke klemmer, knekker eller stresser kabelen når du bretter eller bretter ut håndtaket. Skade på kabelen kan påvirke aktiveringen og driften av gressklipperen og føre til usikre driftsforhold.

**⚠ ADVARSEL:** Ikke forsøk å starte klipperen og selvdriftssystemet før håndtaket er låst i en av de tre forhåndsinstallerte driftsposisjonene (øvre driftsposisjon 3,

midtre driftsposisjon 2 og nedre driftsposisjon 1).

1. Løsne vingeboltene på begge sider, sørg for at de to girene er helt løse, men IKKE atskilt.
2. Vri håndtaket oppover til pilmerket på låseutstyret er på linje med en av de tre betjeningsposisjonene på håndtakets monteringsplate.
3. Stram de to boltene, sørg for at de to girene er helt engasjert og at håndtaket er ordentlig festet.

C-1	Nedre driftsposisjon 1
C-2	Midtre driftsposisjon 2
C-3	Øvre driftsposisjon 3

#### Å FOLDE HÅNDTAKET (Fig. D)

**⚠ ADVARSEL:** Pass på at du ikke klemmer, knekker eller stresser kabelen når du bretter eller bretter ut håndtaket. Skade på kabelen kan påvirke aktiveringen og driften av gressklipperen og føre til usikre driftsforhold.

1. Løsne vingeboltene på begge sider, sørg for at de to girene er helt løse, men IKKE atskilt.
2. Vri håndtaket nedover til håndtaket sitter i oppbevaringsstilling.
3. Juster pilmerket på låseutstyret med lagringsposisjonsmerket på håndtakets monteringsplate.
4. Stram de to vingeboltene, sørg for at de to girene er helt engasjert og at håndtaket er ordentlig festet.

D-1	Låst posisjon for oppbevaring
-----	-------------------------------

#### ASSEMBLING THE GRASS BAG (Fig. E1, E2, E3)

Sjekk gressposen før montering, for å forsikre deg om at det ikke er noen skade.

Monter gressposen som vist.

#### FESTE/FJERNE MULCHINNSATSEN (SELGES SEPARAT)

Monter mulchinnsatsen i gressklipperen som vist på fig. F.

**⚠ FARE:** Maskinen kan kaste gressklipp og andre gjenstander gjennom en åpning i maskinhuset. Gjenstander som kastes med nok kraft kan forårsake alvorlig personskade eller død for deg eller tilskuere.

**Bruk aldri gressklipperen uten at enten mulchinnsatsen, gressposen eller sideutløpsjakten er riktig installert.**

**⚠ ADVARSEL:** Mulchinnsatsen må fjernes når du installerer gressposen eller sideutløpsruten.

Mulchinnnsatsen må installeres på nytt når gressposen (eller sideutløpsrenna) fjernes.

### FESTE/FJERNE GRESSPOSEN

Monter gressposen i gressklipperen som vist på fig. G.

**⚠ ADVARSEL:** Ved normal bruk, blir pose materialet utsatt for slitasje. For å redusere risikoen for skader, skal oppsamleren inspiseres ofte for å se om det finnes tegn på slitasje eller skade. Bruk kun gressoppsamleren som er produsert for denne klipperen.

**⚠ ADVARSEL:** Gressposen må fjernes for å installere og bruke sideutløpsruten eller mulchinnnsatsen.

### FESTE/FJERNE SIDEUTKASTET (SELGES SEPARAT)

Monter sideutkastet i gressklipperen som vist på fig. H.

**⚠ ADVARSEL:** Sideutløpsruten må fjernes for å installere og bruke gressposen eller mulchinnnsatsen.

### KLIPPTEHØYDEJUSTERING (Fig. J1 & J2)

**⚠ ADVARSEL:** Hold føttene unna dekket når du justerer høyden.

Klipperen kan stilles inn til 8 klippehøyder. 20 mm og 105 mm. En markering angir valgt klippehøyde.

Denne gressklipperen lar deg justere klippehøyden foran og bak på gressklipperen individuelt. Velg riktig klippehøyde i henhold til typen gress og forholdene i gresset.

1. Slå av gressklipperen og vent til klippebladet stopper helt.
2. Fjern batteripakken(e).
3. Trekk den fremre eller bakre klippehøydejusteringsspen ut av avskrekkeren og sett den i ønsket posisjon.

### FESTE/FRA BATTERIPAKKENE (Fig. K)

**MERK:** Lad batteripakken helt opp før første gangs bruk.

Bruk bare sammen med batteriene og ladere som er oppført i fig. A3.

**MERK:** Gressklipperen har to aktive batteriporter. Den kan operere med en eller to batteripakker.

#### ■ Å feste

1. Åpne batteridekselet og skyv batteripakken inn i batterirommet til du hører et „klikk“.
2. Gjenta prosessen for å installere det andre batteriet.

#### ■ Å løsne

Trykk inn batteriutløserknappen i batterirommet.

**LEGG MERKE TIL:** Sørg for at låsen på klipperen klikker på plass og at batteripakken er festet til klipperen før du begynner.

### VELGE BLADHASTIGHETSMODUS (Fig. L)

- Mode 2 er høy bladhastighetsmodus for høytløftende ytelse for å forbedre sugkraften og skjæreytelsen.
- Mode 1 er den beste balansen mellom ytelse og kjøretid.
- ECO-modus gir det laveste støynivået og lengst driftstid fra batteripakken(e).

**MERK:** Standard bladhastighetsmodus er modus 1.

### KOMMUNIKASJONSTEKNOLOGI

For informasjon eller hele vårt utvalg av tilkoblede produkter og tjenester, inkludert tilkoblingsinstruksjoner, kan du skanne QR-koden nedenfor eller besøke [www.egopowerplus.eu/connect](http://www.egopowerplus.eu/connect).



## OPERASJON

Produktet kan brukes i regn.

### START/STOPP AV KLIPPEREN

**⚠ ADVARSEL:** Driften av enhver gressklipper kan resultere i at fremmedlegemer blir kastet mot dine eller andres øyne, noe som kan skade øynene alvorlig. Bruk alltid vernebriller når du bruker gressklipperen, eller mens du utfører justeringer eller reparasjoner på den.

**⚠ ADVARSEL:** Bladet vil fortsette å rotere i noen sekunder etter at klipperen slås av. La motoren/bladet slutte å rotere før du starter klipperen på nytt. Ikke slå klipperen raskt av og på.

**⚠ ADVARSEL:** Stopp bladet hvis gressklipperen må vippe for transport når du krysser andre flater enn gress og når du transporterer gressklipperen til og fra området som skal klippes.

**⚠ ADVARSEL:** Ikke vipp gressklipperen når du starter å slå på motoren, bortsett fra hvis gressklipperen må vippe for å starte. I dette tilfellet må du ikke vippe den

NO

mer enn absolutt nødvendig og løft kun den delen som er borte fra operatøren.

Før bruk, inspisér alltid visuelt for å se at bladet og blad-bolten ikke er slitt eller skadet. Bytt ut slitt eller skadet blad og bolt inn settene for å bevare balansen.

### Se etter blokkering av skjærebladet

- For å unngå blokkering, hold klippebladet og klippeaggregatet rene. Fjern gressklipp, løv, skitt og annet oppsamlet rusk før og etter hver bruk.
- Når blokkering skjer, stopper du klipperen og fjerner batteripakken(e), og fjern deretter eventuell oppsamling av gress og løv på eller rundt drivakselen og motorviften. Tørk klipperen ren med en fuktig klut.

**⚠ FORSIKTIGHET:** Ikke forsøk å overstyre driften av strømknappen og bladrotasjonsutløseren.

**NO**

**MERK:** Motoren kan ikke startes med mindre håndtaket er låst i en av de tre driftsposisjonene.

### For å starte gressklipperen (Fig. M1 & M2)

1. Fest batteripakken(e) til gressklipperen og lukk batteridekselet.
2. Trykk på av/på-knappen for å lyse opp dashbordet, og klipperens statusindikator sammen med bladhastighetsindikatoren 1 lyser.
3. Trykk på knappen for bladhastighetsmodus for å velge ønsket hastighet.
4. Trykk og hold inne strømknappen.
5. Når sikkerhetsknappen er nede, trekker du kausjonsbryteren oppover for å møte håndtaket og slipp sikkerhetsknappen.

### Slik stopper du gressklipperen (Fig. M3)

1. Slipp innmaterutløseren helt.
2. Den elektriske bremsen i den automatiske bremsemekanismen vil stoppe bladrotasjonen innen 3 sekunder etter at dødmannsknappen slippes.

### VARIABLE-SPEED SELF-PROPEL SYSTEM (Fig. N)

Klipperen er utstyrt med variabel hastighet, selvgående evne. Dette selvgående systemet er uavhengig av bladrotasjonen.

**MERK:** Selvgående systemet kan ikke startes med mindre håndtaket er låst i en av de tre driftsposisjonene.

### For å betjene selvgående systemet uten bladrotasjon

1. Trykk på strømknappen for å belyse dashbordet.

2. Drei den selvgående hastighetskontrollknappen litt fremover til et klikk kan høres, og trekk deretter den selvgående utløseren for å møte håndtaket for å starte selvdrivfunksjonen.

**For å slå selvgangssystemet av,** utløs selvgangsutløseren.

### LED-LYKTER (Fig. P)

**For å slå på frontlysene,** trykk på hovedlysknappen (Fig. R). Frontlysene gir kraftig lys foran kjettingsagen.

**For å slå av frontlysene,** trykk på knappen igjen.

### KLIPPERSTATUSINDIKATOR

Indikatoren for klipperens status på dashbordet viser gressklipperens arbeidsstatus.



Indikator	Beskrivelse	Betydning	Handling
	Solid grønn	Gressklipperen fungerer som den skal.	Ingen nødvendig.
	Blinker grønt	Håndtaket er ikke låst i driftsstilling.	Stopp klipperen og sørg for at håndtaket er låst i driftsstilling.
	Blinker rødt	Lavt batterinivå.	Stopp klipperen og lad batteripakken.
	Solid oransje	Gressklipperen er overopphetet.	Slipp avtrekkeren for bladrotasjon, vent til gressklippertemperaturen synker under 80°C. Se „ <b>KLIPPER HØYTEMPERATURBESKYTTELSE</b> “ nedenfor.
	Blinkende oransje	Klipperen er overbelastet.	<ol style="list-style-type: none"> <li>1. Fjern batteripakken(e), og sjekk deretter om gresset har samlet seg under dekket. Rengjør om nødvendig.</li> <li>2. Senk tempoet når du klipper.</li> <li>3. Hev klippehøyden på dekket.</li> <li>4. Hvis løsningene ovenfor ikke fungerer, kan du kontakte EGO servicesenter.</li> </ol> Se <b>“OVERBELASTNINGSVERN PÅ KLIPPEREN”</b> nedenfor
	Blinker vekselvis rødt/grønt	Annen elektronikkfeil.	Kontakt EGO-servicesenteret

**NO**

### KLIPPER HØYTEMPERATURBESKYTTELSE

Hvis maskinens temperatur overstiger 90°C under drift, vil temperaturbeskyttelseskreten umiddelbart slå av maskinen for å forhindre overopphetingsskader.

Batteristatusindikatoren vil lyse oransje. Slipp utløseren for bladrotasjonen og vent til den overopphetede gressklipperen er avkjølt og statusindikatoren blir grønn, og start deretter gressklipperen på nytt.

### KLIPPERS OVERBELASTNINGSBESKYTTELSE

For å unngå overbelastning, skal man ikke prøve å flytte for mye gress på en gang. Senk klippetempoet eller hev klippehøyden.

Gressklipperen har innebygget overbelastningsvern. Når klipperen er overbelastet, stopper motoren og indikatoren for slåmaskinens status på klipperen blinker oransje.

## VEDLIKEHOLD

**⚠ ADVARSEL:** For å unngå alvorlig personskade må du alltid slå av gressklipperen, fjerne batteripakken(e) og sørge for at alle bevegelige deler har stoppet helt, før rengjøring, vedlikehold eller transport av gressklipperen.

**⚠ ADVARSEL:** Stopp maskinen og fjern batteripakken for å sikre at alle bevegelige deler har stoppet helt etter å ha truffet et fremmedlegeme, og for å inspisere maskinen for skade og foreta reparasjoner før du starter og bruker maskinen på nytt.

**⚠ ADVARSEL:** Stopp maskinen og ta ut batteripakken for å forsikre deg om at alle bevegelige deler har stoppet helt, hvis maskinen begynner å vibrere unormalt, og deretter umiddelbart inspisere for skade, bytte ut eller reparere eventuelle skadede deler og for å se etter og stram eventuelle løse deler.

**⚠ ADVARSEL:** Bruk bare identiske reservedeler ved service. Bruk av andre deler kan skape fare eller forårsake produktskade. For å sikre sikkerhet og pålitelighet bør alle reparasjoner utføres av en kvalifisert servicetekniker.

## RENGJØRING AV KLIPPEREN

Undersiden av klippeaggregatet skal rengjøres etter hver bruk, der gressrester, blader, skitt og annet rusk samler seg.

Fjern eventuell oppsamling av gress og løv på eller rundt drivakselen og motorviften. Tørk klipperen ren med en fuktig klut.

## Rengjøring av luftinntaket (Fig. Q)

1. Fjern luftinntaksnettdekslet ved å fjerne de fire skruene.
2. Rengjør innsiden av luftinntaket og nettdekslet med trykkluft.

## BYTTING AV BLAD (Fig. R1, R2, R3)

**⚠ ADVARSEL:** Fjern alltid batteripakken(e) og gressposen.

**⚠ ADVARSEL:** Bruk alltid vernehansker.

**LEGG MERKE TIL:** Rengjør drivakselområdet og undersiden av maskinen grundig før du monterer kniven.

1. snu klipperen opp ned
2. fjern/monter skjærebladet med en momentnøkkel og to metallstenger som hjelp som illustrert
3. den trykte bladsiden mot utsiden

## OPPBEVARING AV KLIPPEREN (Fig. S1 & S2)

1. Fjern batteripakken fra klipperen.
2. Tøm gressposen og rengjør gressklipperen.
3. For å spare mye lagringsplass, brett produktåndtaket og oppbevar produktet som vist.

**LEGG MERKE TIL:** sørg for at håndtakssnoren ikke kommer i klem når du folder/folder ut verktøyåndtaket (ikke slipp håndtaket)

4. ikke plasser andre gjenstander oppå klipperen når den er lagret

**⚠ ADVARSEL:** Hvis klipperen begynner å velte fra oppreist stilling, kan klipperen få skader eller det kan føre til personskader. Hold alltid klipperen stabil og utilgjengelig for barn når den er i oppreist stilling. Hvis mulig, legg den flatt ved lagring.

## BESKYTTE MILJØET



Ikke kast elektriske apparater som usortert kommunalt avfall, bruk separate innsamlingsanlegg.

Kontakt din lokale myndighet for informasjon om tilgjengelige innsamlingssystemer.

Hvis elektriske apparater kastes på søppelfyllinger eller søppelfyllinger, kan farlige stoffer lekke ut i grunnvannet og komme inn i næringskjeden, noe som kan skade helse og velvære.

NO

## FEILSØKING

PROBLEM	ÅRSAK	LØSNING
Gressklipperen eller selvgående funksjonen starter ikke.	<ul style="list-style-type: none"> <li>■ Batteripakkens ladning er oppbrukt.</li> </ul>	<ul style="list-style-type: none"> <li>■ Lad batteripakken.</li> </ul>
	<ul style="list-style-type: none"> <li>■ Batteripakken(e) er ikke riktig satt inn i batterirommet.</li> </ul>	<ul style="list-style-type: none"> <li>■ Skyv batteripakken inn i batterirommet til du hører et «klikk».</li> </ul>
	<ul style="list-style-type: none"> <li>■ Håndtaket er ikke låst i betjeningsstilling, og statusindikatoren for klipperen blinker grønt.</li> </ul>	<ul style="list-style-type: none"> <li>■ Stopp klipperen og sørg for at håndtaket er låst i driftsstilling.</li> </ul>
	<ul style="list-style-type: none"> <li>■ Klippeenheten er tett med gress og rusk.</li> </ul>	<ul style="list-style-type: none"> <li>■ Rengjør klipperaggregatet og sørg for at bladet har bevegelsesfrihet.</li> </ul>
Gressklipperen kutter ujevnt.	<ul style="list-style-type: none"> <li>■ Bladet er sløvt.</li> </ul>	<ul style="list-style-type: none"> <li>■ Skjerp eller bytt bladet.</li> </ul>
	<ul style="list-style-type: none"> <li>■ Klippehøyden er ikke riktig innstilt.</li> </ul>	<ul style="list-style-type: none"> <li>■ Flytt dekkhøyden til en høyere innstilling.</li> </ul>
	<ul style="list-style-type: none"> <li>■ Kappskiven er feil installert.</li> </ul>	<ul style="list-style-type: none"> <li>■ Sett sammen bladet igjen, følg avsnittet „<b>INSTALLERE BLADET</b>“ i denne håndboken.</li> </ul>
	<ul style="list-style-type: none"> <li>■ Bladhastighetsmodusen er ikke riktig innstilt.</li> </ul>	<ul style="list-style-type: none"> <li>■ Velg riktig bladhastighetsmodus.</li> </ul>
Slåmaskinen klipper ikke ordentlig.	<ul style="list-style-type: none"> <li>■ Våt gressklipp fester seg til undersiden av dekket.</li> </ul>	<ul style="list-style-type: none"> <li>■ Vent til gresset tørker før du klipper.</li> </ul>
	<ul style="list-style-type: none"> <li>■ Klipperen er satt til å klippe for mye gress på en gang.</li> </ul>	<ul style="list-style-type: none"> <li>■ Hev klippeaggregatet til en høyere klippehøydeinnstilling.</li> </ul>
	<ul style="list-style-type: none"> <li>■ Bladhastighetsmodusen er ikke riktig innstilt.</li> </ul>	<ul style="list-style-type: none"> <li>■ Velg bladhastighetsmodus for type 1 eller ECO.</li> </ul>

NO

NO

Gressklipperen stopper uventet under klipping.	<ul style="list-style-type: none"> <li>■ Batteripakkens ladning er oppbrukt.</li> </ul>	<ul style="list-style-type: none"> <li>■ Lad batteripakken.</li> </ul>
	<ul style="list-style-type: none"> <li>■ Gressklipperen er overbelastet, og statusindikatoren for klipperen blinker oransje.</li> </ul>	<ul style="list-style-type: none"> <li>■ Sjekk om gresset har samlet seg under dekk og rengjør om nødvendig. Hev klippehøyden eller klipp saktere.</li> </ul>
	<ul style="list-style-type: none"> <li>■ Klippeaggregatet er tilstoppet med gress og rusk.</li> </ul>	<ul style="list-style-type: none"> <li>■ Frigjør klippeaggregatet. Hev klippehøyden og/eller klipp et smalere skår.</li> </ul>
	<ul style="list-style-type: none"> <li>■ Batteriet eller klipperens kretser er for varme. Hvis batteripakken er overopphetet, går klipperens statusindikator av. Hvis gressklipperen er overopphetet, lyser gressklipperens statusindikator oransje.</li> </ul>	<ul style="list-style-type: none"> <li>■ La batteripakken(e) eller gressklipperen avkjøles.</li> </ul>
	<ul style="list-style-type: none"> <li>■ Bladhastighetsmodusen er ikke riktig innstilt.</li> </ul>	<ul style="list-style-type: none"> <li>■ Velg bladhastigheten til en lavere innstilling.</li> </ul>
<ul style="list-style-type: none"> <li>■ Feilen i klipperens elektronikk og statusindikatoren for gressklipperen blinker vekselvis rødt/grønt.</li> </ul>	<ul style="list-style-type: none"> <li>■ Kontakt EGO-servicesenteret</li> </ul>	
Det er overdreven vibrasjon.	<ul style="list-style-type: none"> <li>■ Skjærebladet er løst.</li> </ul>	<ul style="list-style-type: none"> <li>■ Stram bladbolten.</li> </ul>
	<ul style="list-style-type: none"> <li>■ Kappeskiven er ubalansert.</li> </ul>	<ul style="list-style-type: none"> <li>■ Kontakt EGO servicesenter.</li> </ul>
	<ul style="list-style-type: none"> <li>■ Kuttebladet er bøyd.</li> </ul>	<ul style="list-style-type: none"> <li>■ Skift ut bladet.</li> </ul>
	<ul style="list-style-type: none"> <li>■ Motorakselen er bøyd.</li> </ul>	<ul style="list-style-type: none"> <li>■ Kontakt EGO servicesenter.</li> </ul>
	<ul style="list-style-type: none"> <li>■ Klipperen er satt til å klippe for mye gress på en gang.</li> </ul>	<ul style="list-style-type: none"> <li>■ Hev klippeaggregatet til en høyere klippehøydeinnstilling.</li> </ul>
<ul style="list-style-type: none"> <li>■ Bladhastighetsmodusen er ikke riktig innstilt.</li> </ul>	<ul style="list-style-type: none"> <li>■ Sett bladhastigheten til en lavere innstilling.</li> </ul>	
Motoren fungerer, men bladet klipper ikke gresset	<ul style="list-style-type: none"> <li>■ Bladbolten er ikke strammet til nødvendig moment.</li> </ul>	<ul style="list-style-type: none"> <li>■ Stram bladbolten. anbefalt dreiemoment for bladbolten er 50-60 Nm.</li> </ul>

## GARANTI

### EGO GARANTIPOLITIKK

Besøk nettstedet [egopowerplus.eu](http://egopowerplus.eu) for fullstendige vilkår og betingelser for EGO-garantipolicyen.

## ПРОЧИТАЙТЕ ВСЕ ИНСТРУКЦИИ!

**Область применения:** устройство предназначено для ручной стрижки травы.

- Используйте только для скашивания сухой травы. Не косите мокрую траву.
- Не используйте устройство для других целей.

**⚠ ПРЕДУПРЕЖДЕНИЕ.** Перед использованием устройства внимательно прочитайте все инструкции в данном руководстве пользователя и ознакомьтесь с предупреждающими символами безопасности, такими как **ОПАСНОСТЬ**, **ПРЕДУПРЕЖДЕНИЕ** и **ВНИМАНИЕ**. Несоблюдение всех приведенных ниже инструкций может привести к поражению электрическим током, возникновению пожара и (или) получению серьезных травм.

## СИМВОЛЫ БЕЗОПАСНОСТИ



Предупреждение об опасности

При работе с данным устройством всегда используйте средства защиты органов слуха, защиту для глаз или защитные очки с боковыми щитками и полнопрофильную защитную маску.



Остерегайтесь отбрасываемых объектов. Не позволяйте посторонним находиться поблизости.



Держите руки подальше.



Гарантированный уровень звуковой мощности.



Данное изделие соответствует действующему законодательству Великобритании.



Bluetooth®

IPX5 Защита от струй воды

mm Миллиметр

⎓ Постоянный ток



Чтобы уменьшить риск получения травм, перед использованием устройства необходимо прочитать и понять руководство по эксплуатации.



Перед настройкой или очисткой устройства выключите его и извлеките аккумулятор (или отключающее устройство).



Держите руки и ноги подальше от режущих элементов.



Не смотрите непосредственно на включенную лампу.



Соответствует основным требованиям стандартов безопасности Европейских директив.



Неисправные электрические устройства нельзя выбрасывать вместе с бытовым мусором. Сдавайте их в авторизованные пункты сбора и утилизации.

V Вольт

cm Сантиметр

kg Килограмм

RU

**ПРИМЕЧАНИЕ.** Словесный знак и логотип Bluetooth® являются зарегистрированными товарными знаками, принадлежащими Bluetooth SIG, Inc. и любое использование таких знаков компанией EGO осуществляется на основании лицензии.

## ТЕХНИЧЕСКИЕ ХАРАКТЕРИСТИКИ

Напряжение	56 В	
Режим скорости вращения режущего элемента	2	
	1	
	ЭКО	
Положения высоты скашивания	8	
Значения высоты скашивания	20 мм/31 мм/40 мм/51 мм/64 мм/78 мм/92 мм/105 мм	
Ширина скашивания	53 см	
Объем травосборника	85 л	
Масса газонокосилки (без аккумулятора и травосборника)	46 кг	
Модель режущего элемента	AB5301	
Рекомендуемая рабочая температура	От 0°C до 40°C	
Рекомендуемая температура хранения	От -20°C до 70°C	
Измеренный уровень звуковой мощности $L_{WA}$	94 дБ (А) K= 0.6 дБ (А)	
Уровень звукового давления на уши оператора $L_{PA}$	83 дБ (А) K= 3 дБ (А)	
Гарантированный уровень звуковой мощности $L_{WA}$ (измерен в соответствии с 2000/14/ЕС)	95 дБ (А)	
Значение вибрации $a_h$	Левая рукоятка	0.39 м/с <sup>2</sup> K=1.5 м/с <sup>2</sup>
	Правая рукоятка	0.33 м/с <sup>2</sup> K=1.5 м/с <sup>2</sup>

- Указанное общее значение вибрации было определено с помощью стандартного теста и может быть использовано для сравнения разных устройств.
- Указанное общее значение вибрации также может использоваться для предварительной оценки уровня воздействия.

**ПРИМЕЧАНИЕ.** Реальное вибрационное воздействие устройства может отличаться от указанного в

зависимости от способа использования. В целях безопасности оператор должен надевать перчатки и средства защиты органов слуха во время использования устройства.

## КОМПЛЕКТ ПОСТАВКИ (РИС. А1 И А2)

НАЗВАНИЕ ДЕТАЛИ	КОЛИЧЕСТВО
Газонокосилка	1
Травосборник	1
Каркас травосборника	1
Барашковый болт (устанавливается на заводе)	2
Руководство по эксплуатации	1

## ОПИСАНИЕ

### ЧАСТИ ГАЗОНОКОСИЛКИ (Рис. А1 и А2)

1. Рычаг активации самоходной функции
2. Рукоятка
3. Рычаг управления вращением режущих элементов
4. Дверца заднего разгрузочного отверстия
5. Стопорный механизм
6. Крышка аккумуляторного отсека
7. Светодиодные фары
8. Средний бампер (рукоятка для транспортировки)
9. Передний бампер
10. Передний рычаг регулировки высоты скашивания
11. Переднее колесо
12. Платформа газонокосилки
13. Боковой щиток
14. Воздухозаборник
15. Заднее колесо
16. Задний рычаг регулировки высоты скашивания
17. Барашковый болт
18. Монтажная пластина рукоятки
19. Кронштейн
20. Травосборник
21. Задний щиток
- 22\*. Вставка для приготовления мульчи
- 23\*. Боковой разгрузочный желоб
24. Индикатор Bluetooth®
25. Приборная панель
26. Индикатор состояния косилки
27. Индикатор скорости работы режущего элемента
28. Кнопка режима скорости вращения режущего элемента

- 29. Кнопка питания
  - 30. Кнопка светодиодных фар (кнопка Bluetooth®)
  - 31. Регулятор скорости самоходного режима
- \* ПРОДАЕТСЯ ОТДЕЛЬНО

## СБОРКА

**⚠ ПРЕДУПРЕЖДЕНИЕ.** Если какие-либо части повреждены или отсутствуют, не используйте устройство, пока они не будут установлены. Использование устройства в случае повреждения или отсутствия частей может привести к получению серьезной травмы.

**⚠ ПРЕДУПРЕЖДЕНИЕ.** Чтобы предотвратить случайное включение устройства и получение серьезной травмы, перед сборкой извлеките аккумулятор(ы).

**⚠ ПРЕДУПРЕЖДЕНИЕ.** Не пытайтесь изменить конструкцию газонокосилки или создать не рекомендованные для нее дополнительные приспособления. Подобное изменение считается ненадлежащим использованием и способствует возникновению опасной ситуации, которая приведет к серьезной травме.

## РАСПАКОВКА

Данное устройство требует сборки.

- Извлеките все части из упаковки.

**⚠ ВНИМАНИЕ!** Тяжелый предмет. Для подъема газонокосилки требуются два человека.

- Один человек должен взяться за средний бампер (рукоятку для транспортировки), а другой — за два барашковых болта, чтобы аккуратно извлечь газонокосилку из упаковки.

## УСТАНОВКА РУКОЯТКИ

Газонокосилка поставляется с частично собранной рукояткой.

**⚠ ПРЕДУПРЕЖДЕНИЕ.** Не пытайтесь запустить газонокосилку, пока рукоятка не будет правильно и надежно установлена и разложена. Соблюдайте осторожность, чтобы не защемить пальцы и кабель между деталями.

1. Открутите и извлеките оба барашковых болта.
2. Переместите рукоятку вперед так, чтобы стопорный механизм на рукоятке был направлен в сторону шестерни на косилке (Рис. В1).

3. Совместите метки на стопорном механизме и монтажной пластине рукоятки, как показано на Рис. В2, затем вставьте и закрутите пальцами два барашковых болта.

## РАСКЛАДЫВАНИЕ И РЕГУЛИРОВКА РУКОЯТКИ (РИС. С)

**⚠ ПРЕДУПРЕЖДЕНИЕ.** При складывании или раскладывании рукоятки следите за тем, чтобы не защемить, не перегнуть и не растянуть кабель. Повреждение кабеля может повлиять на включение и работу газонокосилки и привести к небезопасным условиям эксплуатации.

**⚠ ПРЕДУПРЕЖДЕНИЕ.** Не запускайте устройство и самоходную функцию, если рукоятка не зафиксирована в одном из трех рабочих положений (верхнем 3, среднем 2 или нижнем 1).

1. Ослабьте барашковые болты с обеих сторон. Убедитесь, что обе шестерни полностью ослаблены, но НЕ разделены.
2. Поворачивайте рукоятку вверх до тех пор, пока стрелка на стопорном механизме не совпадет с одним из трех рабочих положений на монтажной пластине рукоятки.
3. Затяните оба болта и убедитесь, что две шестерни полностью зацеплены, а рукоятка надежно зафиксирована.

C-1	Нижнее рабочее положение 1
C-2	Среднее рабочее положение 2
C-3	Верхнее рабочее положение 3

## СКЛАДЫВАНИЕ РУКОЯТКИ (РИС. D)

**⚠ ПРЕДУПРЕЖДЕНИЕ.** При складывании или раскладывании рукоятки следите за тем, чтобы не защемить, не перегнуть и не растянуть кабель. Повреждение кабеля может повлиять на включение и работу газонокосилки и привести к небезопасным условиям эксплуатации.

1. Ослабьте барашковые болты с обеих сторон. Убедитесь, что обе шестерни полностью ослаблены, но НЕ разделены.
2. Поверните рукоятку вниз, чтобы она переместилась в положение для хранения.
3. Совместите стрелку на стопорном механизме с отметкой положения для хранения на монтажной пластине рукоятки.

RU

4. Затяните оба барашковых болта и убедитесь, что две шестерни полностью зацеплены, а рукоятка надежно зафиксирована.

D-1 Положение хранения

## СБОРКА ТРАВΟΣБОРНИКА (РИС. E1, E2, E3)

Перед сборкой проверьте травосборник и убедитесь в отсутствии повреждений.

Соберите травосборник, как показано на рисунке.

## УСТАНОВКА И ИЗВЛЕЧЕНИЕ ВСТАВКИ ДЛЯ ПРИГОТОВЛЕНИЯ МУЛЬЧИ (ПРОДАЕТСЯ ОТДЕЛЬНО)

Установите вставку для приготовления мульчи в газонокосилку, как показано на Рис. F.

**⚠ ОПАСНО! Косилка может выбрасывать скошенную траву и другие предметы через отверстие в корпусе. Отброшенные с достаточной силой объекты могут нанести серьезные травмы или привести к смерти оператора или посторонних лиц.**

Никогда не эксплуатируйте косилку без правильно установленных вставки для приготовления мульчи, травосборника и бокового разгрузочного желоба.

**⚠ ПРЕДУПРЕЖДЕНИЕ.** При установке травосборника или бокового разгрузочного желоба необходимо снять вставку для приготовления мульчи. При снятии травосборника (или бокового разгрузочного желоба) необходимо снова установить вставку для приготовления мульчи.

## УСТАНОВКА И ИЗВЛЕЧЕНИЕ ТРАВΟΣБОРНИКА

Установите травосборник в газонокосилку, как показано на Рис. G.

**⚠ ПРЕДУПРЕЖДЕНИЕ.** В процессе нормального использования материал, из которого изготовлен травосборник, изнашивается. Для снижения риска получения травм регулярно проверяйте состояние травосборника. При обнаружении признаков износа замените его. Используйте только травосборники, предназначенные для данной газонокосилки.

**⚠ ПРЕДУПРЕЖДЕНИЕ.** Для установки и использования бокового разгрузочного желоба или вставки для приготовления мульчи необходимо снять травосборник.

## УСТАНОВКА И ИЗВЛЕЧЕНИЕ БОКОВОГО РАЗГРУЗОЧНОГО ЖЕЛОБА (ПРОДАЕТСЯ ОТДЕЛЬНО)

Установите боковой разгрузочный желоб в газонокосилку, как показано на Рис. H.

**⚠ ПРЕДУПРЕЖДЕНИЕ.** Для установки и использования травосборника или вставки для приготовления мульчи необходимо снять боковой разгрузочный желоб.

## РЕГУЛИРОВАНИЕ ВЫСОТЫ СКАШИВАНИЯ (РИС. J1 И J2)

**⚠ ПРЕДУПРЕЖДЕНИЕ.** Не подставляйте ноги под платформу во время регулировки высоты скашивания.

Можно выбрать один из 8 вариантов высоты скашивания между 20 мм и 105 мм. Маркировка указывает выбранную высоту скашивания.

Конструкция устройства позволяет регулировать высоту скашивания передней и задней части газонокосилки по отдельности. Выбирайте высоту скашивания исходя из типа и состояния травы.

1. Выключите газонокосилку и дождитесь полной остановки режущего элемента.
2. Извлеките аккумулятор(-ы).
3. Вытяните передний или задний рычаг регулировки высоты скашивания из фиксатора и установите его в нужное положение.

## УСТАНОВКА И СНЯТИЕ АККУМУЛЯТОРА (РИС. K)

**ПРИМЕЧАНИЕ.** Перед первым использованием зарядите аккумулятор.

Используйте только аккумуляторы и зарядные устройства, указанные на Рис. A3.

**ПРИМЕЧАНИЕ.** Газонокосилка имеет два активных отсека для аккумуляторов. Она может работать от одного или двух аккумуляторов.

### ■ Установка

1. Откройте крышку батарейного отсека и вставьте аккумулятор до щелчка.
2. Повторите ту же процедуру для установки второго аккумулятора.

### ■ Извлечение

Нажмите кнопку фиксации аккумулятора в отсеке.

**ПРИМЕЧАНИЕ.** Перед началом работы убедитесь, что фиксатор защелкнулся на месте и аккумуляторы надежно закреплены.

RU



## ВЫБОР РЕЖИМА СКОРОСТИ ВРАЩЕНИЯ РЕЖУЩЕГО ЭЛЕМЕНТА (РИС. L)

- Режим 2 — это режим высокой скорости вращения режущего элемента для повышения мощности всасывания и производительности резки.
- Режим 1 — оптимальный баланс между производительностью и временем работы.
- Режим ECO обеспечивает самый низкий уровень шума и максимальное время работы от аккумулятора.

**ПРИМЕЧАНИЕ.** Режимом по умолчанию является режим 1.

## КОММУНИКАЦИОННЫЕ ТЕХНОЛОГИИ

Для получения информации и полного списка наших продуктов и услуг, включая инструкции по подключению, отсканируйте QR-код ниже или посетите сайт [www.egopowerplus.eu/connect](http://www.egopowerplus.eu/connect).



## ИСПОЛЬЗОВАНИЕ

Изделие можно использовать во время дождя.

### ЗАПУСК И ОСТАНОВКА ГАЗОКОСИЛКИ

**⚠ ПРЕДУПРЕЖДЕНИЕ.** В результате работы газонокосилки в глаза могут попасть посторонние предметы, что приведет к серьезному повреждению глаз. Перед использованием устройства, а также для проведения регулировки или ремонта обязательно надевайте защитные очки.

**⚠ ПРЕДУПРЕЖДЕНИЕ.** Режущий элемент продолжает вращаться в течение нескольких секунд после выключения газонокосилки. Прежде чем снова включать устройство, дождитесь остановки двигателя и режущего элемента. Не включайте устройство сразу после выключения.

**⚠ ПРЕДУПРЕЖДЕНИЕ.** Чтобы наклонить устройство для транспортировки через нетравянистый участок, а также для транспортировки на участок для обработки и с него, остановите вращающиеся лезвия.

**⚠ ПРЕДУПРЕЖДЕНИЕ.** Не наклоняйте газонокосилку при запуске двигателя, за исключением

случаев, когда газонокосилка должна быть наклонена для запуска. В этом случае наклоняйте устройство в сторону от себя и не выше, чем требуется.

Перед использованием всегда визуально проверяйте режущий элемент и его болт на предмет износа и повреждений. Заменяйте изношенные и поврежденные режущие элементы и болты сразу комплектом, чтобы не нарушать балансировку.

### Проверьте, не засорился ли режущий элемент.

-Для предотвращения засорения следите за чистотой режущего элемента и платформы косилки. Убирайте скошенную траву, листья, грязь и любой другой накопившийся мусор до и после каждого использования.

-При засорении остановите газонокосилку и извлеките аккумулятор, затем удалите скопления травы и листьев с приводного вала и вентилятора двигателя. Протрите газонокосилку на чисто влажной тканью.

**⚠ ВНИМАНИЕ!** Не вмешайтесь в работу кнопки питания и рычага управления вращением режущих элементов.

**ПРИМЕЧАНИЕ.** Двигатель не может быть запущен, пока рукоятка не заблокирована в одном из трех рабочих положений.

### Запуск газонокосилки (Рис. M1 и M2)

1. Установите аккумулятор(-ы) в газонокосилку и закройте крышку аккумуляторного отсека.
2. Нажмите кнопку питания, чтобы включить приборную панель. Будут светиться индикатор состояния косилки и индикатор скорости работы режущего элемента 1.
3. Нажмите кнопку режима скорости вращения режущего элемента и выберите желаемую скорость.
4. Нажмите и удерживайте кнопку питания.
5. Удерживая кнопку питания, потяните рычаг управления вращением режущих элементов по направлению к рукоятке, затем отпустите кнопку питания.

### Остановка газонокосилки (Рис. M3)

1. Полностью отпустите рычаг управления вращением режущих элементов.
2. Электрический тормоз автоматического тормозного механизма остановит вращение режущего элемента в течение 3 секунд после отпускания рычага управления вращением режущих элементов.

## СИСТЕМА РЕГУЛИРОВКИ СКОРОСТИ ДЛЯ САМОХОДНОГО РЕЖИМА (РИС. N)

Косилка оборудована системой регулировки скорости для самоходного режима. Эта система не зависит от вращения режущего элемента.

**ПРИМЕЧАНИЕ.** Самоходный режим не может использоваться, пока рукоятка не заблокирована в одном из трех рабочих положений.

### Использование самоходной функции без вращения режущего элемента

1. Нажмите кнопку питания, чтобы включить приборную панель.
2. Слегка поверните регулятор скорости самоходной

функции вперед до щелчка, затем потяните рычаг активации самоходной функции по направлению к рукоятке, чтобы включить самоходную функцию.

**Чтобы выключить самоходную функцию,** отпустите рычаг активации самоходной функции.

## СВЕТОДИОДНЫЕ ФАРЫ (РИС. P)

**Чтобы включить фары,** нажмите кнопку светодиодных фар. Фары ярко освещают пространство перед газонокосилкой.

**Чтобы выключить фары,** нажмите кнопку еще раз.

## ИНДИКАТОР СОСТОЯНИЯ КОСИЛКИ

Индикатор состояния косилки на приборной панели отображает рабочее состояние косилки.

RU

Индикатор	Описание	Значение	Действие
	Светится зеленым	Газонокосилка работает нормально.	Не требуется.
	Мигает зеленым	Рукоятка не зафиксирована в рабочем положении.	Остановите газонокосилку и убедитесь, что рукоятка зафиксирована в рабочем положении.
	Мигает красным	Низкий уровень заряда аккумулятора.	Остановите газонокосилку и зарядите аккумулятор(ы).
	Светится оранжевым	Газонокосилка перегрелась.	Отпустите рычаг управления вращением режущих элементов и дождитесь, пока температура косилки не упадет ниже 80°C. См. раздел <b>ЗАЩИТА ГАЗОНОКОСИЛКИ ОТ ПЕРЕГРЕВА.</b>
	Мигает оранжевым	Газонокосилка перегружена.	<ol style="list-style-type: none"> <li>1. Извлеките аккумулятор(ы) и проверьте, не скопилась ли трава под платформой. При необходимости очистите.</li> <li>2. Замедлите скорость движения газонокосилки.</li> <li>3. Увеличьте высоту скашивания.</li> <li>4. Если это не помогло, обратитесь в сервисный центр EGO.</li> </ol> См. раздел <b>ЗАЩИТА ГАЗОНОКОСИЛКИ ОТ ПЕРЕГРУЗКИ.</b>
	Попеременно мигает красным и зеленым	Ошибка электроники газонокосилки.	Обратитесь в сервисный центр EGO.

### ЗАЩИТА ГАЗОНОКОСИЛКИ ОТ ПЕРЕГРЕВА

Если во время работы температура газонокосилки превышает 90°C, система защиты немедленно отключает ее для защиты от повреждения.

Индикатор состояния газонокосилки будет светиться оранжевым. Отпустите рычаг управления вращением режущих элементов и подождите, пока газонокосилка остынет и индикатор состояния станет зеленым, затем перезапустите устройство.

### ЗАЩИТА ГАЗОНОКОСИЛКИ ОТ ПЕРЕГРУЗКИ

Для защиты устройства от перегрузки старайтесь не скашивать очень много травы за один проход. Замедлите скорость движения и увеличьте высоту скашивания.

Газонокосилка оборудована встроенной системой защиты электрических компонентов от перегрузки. В случае перегрузки двигатель останавливается, а индикатор состояния газонокосилки на приборной панели мигает оранжевым светом.

## ОБСЛУЖИВАНИЕ

**⚠ ПРЕДУПРЕЖДЕНИЕ.** Во избежание серьезных травм перед очисткой, выполнением любого технического обслуживания или транспортировкой необходимо выключить газонокосилку, извлечь аккумулятор(ы) и убедиться, что все движущиеся части полностью остановились.

**⚠ ПРЕДУПРЕЖДЕНИЕ.** После столкновения с посторонним предметом остановите устройство и извлеките аккумулятор(ы), чтобы убедиться, что все движущиеся части полностью остановились. Перед повторным запуском и эксплуатацией осмотрите устройство на наличие повреждений и при необходимости отремонтируйте.

**⚠ ПРЕДУПРЕЖДЕНИЕ.** В случае чрезмерной вибрации устройства остановите его и извлеките аккумулятор(ы), чтобы убедиться, что все движущиеся части полностью остановились. Затем немедленно осмотрите устройство на наличие повреждений, замените или отремонтируйте поврежденные части, проверьте и затяните все ослабленные детали.

**⚠ ПРЕДУПРЕЖДЕНИЕ.** При ремонте используйте только идентичные запасные части. Использование других запасных частей может привести к возникновению опасной ситуации или повреждению устройства. Для обеспечения безопасности и надежности устройства его ремонт должен выполнять квалифицированный специалист.

### ОЧИСТКА ГАЗОНОКОСИЛКИ

Нижнюю поверхность платформы газонокосилки необходимо очищать после каждого использования, так как там скапливаются обрезки травы, листья и другой мусор.

Удалите все накопившиеся отложения травы и листьев с приводного вала и вентилятора двигателя. Протирайте газонокосилку начисто влажной тканью.

#### Очистка воздухозаборника (Рис. Q)

1. Открутите четыре винта и снимите сетчатую крышку воздухозаборника.
2. Очистите внутреннюю часть воздухозаборника и сетчатой крышки сжатым воздухом.

### ЗАМЕНА РЕЖУЩЕГО ЭЛЕМЕНТА (РИС. R1, R2, R3)

**⚠ ПРЕДУПРЕЖДЕНИЕ.** Обязательно извлеките аккумулятор(-ы) и травосборник.

**⚠ ПРЕДУПРЕЖДЕНИЕ.** Всегда используйте защитные перчатки.

**ПРИМЕЧАНИЕ.** Перед установкой режущего элемента тщательно очистите приводной вал и нижнюю часть косилки..

1. Переверните газонокосилку вверх дном.
2. Снимите или установите режущий элемент с помощью динамометрического ключа и двух металлических стержней, как показано на рисунке.
3. Сторона режущего элемента с маркировкой направлена наружу.

### ХРАНЕНИЕ ГАЗОНОКОСИЛКИ (РИС. S1 И S2)

1. Извлеките аккумулятор(ы) из устройства.
2. Опорожните травосборник и очистите косилку.
3. Для экономии места при хранении сложите рукоятку и храните газонокосилку, как показано на рисунке.

**ПРИМЕЧАНИЕ.** При складывании и раскладывании рукоятки инструмента постарайтесь не допустить защемления удлинительного кабеля (не бросайте рукоятку).

4. Не кладите на газонокосилку другие предметы при хранении.

**⚠ ПРЕДУПРЕЖДЕНИЕ.** Если вертикально стоящее устройство наклоняется, оно может упасть. Это может привести к получению травм и поломке газонокосилки. При вертикальном размещении следите за тем, чтобы устройство находилось в устойчивом положении и было недоступно для детей. По возможности старайтесь хранить устройство в горизонтальном положении.

## ОХРАНА ОКРУЖАЮЩЕЙ СРЕДЫ



Не выбрасывайте электроприборы вместе с неотсортированными городскими отходами; пользуйтесь специальными пунктами сбора вторсырья.

Для получения информации о доступных пунктах сбора вторсырья свяжитесь с представителями местных органов власти.

При утилизации электрических устройств на свалках в подземные воды могут просочиться опасные вещества, которые затем попадут в пищевую цепь и приведут к общему ухудшению здоровья и благополучия.

RU

## УСТРАНЕНИЕ НЕПОЛАДОК

ПРОБЛЕМА	ПРИЧИНА	РЕШЕНИЕ
Газонокосилка или самоходная функция не запускается.	■ Аккумулятор(ы) разряжен(ы).	■ Зарядите аккумулятор(ы).
	■ Аккумулятор(ы) неправильно установлен(ы) в отсек.	■ Вставьте аккумулятор(ы) в отсек до щелчка.
	■ Рукоятка не зафиксирована в рабочем положении, а индикатор состояния косилки мигает зеленым.	■ Остановите газонокосилку и убедитесь, что рукоятка зафиксирована в рабочем положении.
	■ Платформа косилки забита травой и мусором.	■ Очистите платформу устройства и убедитесь, что режущий элемент свободно перемещается
Газонокосилка срезает траву неравномерно.	■ Режущий элемент не сбалансирован.	■ Заточите или замените режущий элемент.
	■ Неправильно установлена высота скашивания.	■ Установите платформу в более высокое положение.
	■ Режущий элемент установлен неправильно.	■ Переустановите режущий элемент, как описано в разделе <b>ЗАМЕНА РЕЖУЩЕГО ЭЛЕМЕНТА</b> настоящего руководства.
	■ Неправильно установлен режим скорости вращения режущего элемента.	■ Выберите подходящий режим скорости вращения режущего элемента.
Газонокосилка не делает мульчу должным образом.	■ На внутреннюю поверхность платформы налипла срезанная трава.	■ Перед скашиванием дождитесь высыхания травы.
	■ Газонокосилка отрегулирована так, что срезает слишком много травы за один заход.	■ Поднимите платформу повыше.
	■ Неправильно установлен режим скорости вращения режущего элемента.	■ Выберите режим скорости вращения режущего элемента 1 или ECO.

RU

Газонокосилка неожиданно останавливается во время работы.	<ul style="list-style-type: none"> <li>■ Аккумулятор(ы) разряжен(ы).</li> </ul>	<ul style="list-style-type: none"> <li>■ Зарядите аккумулятор(ы).</li> </ul>
	<ul style="list-style-type: none"> <li>■ Газонокосилка перегружена, индикатор состояния косилки мигает оранжевым.</li> </ul>	<ul style="list-style-type: none"> <li>■ Проверьте, не скопилась ли трава под платформой, и при необходимости уберите ее. Увеличьте высоту скашивания или снизьте скорость работы.</li> </ul>
	<ul style="list-style-type: none"> <li>■ Платформа газонокосилки забита травой и мусором.</li> </ul>	<ul style="list-style-type: none"> <li>■ Очистите платформу газонокосилки. Увеличьте высоту скашивания и (или) скашивайте более узкую полосу травы.</li> </ul>
	<ul style="list-style-type: none"> <li>■ Перегрев аккумулятора или электрических цепей устройства. При перегреве аккумулятора индикатор состояния газонокосилки гаснет. Если газонокосилка перегрета, индикатор состояния светится оранжевым.</li> </ul>	<ul style="list-style-type: none"> <li>■ Дайте аккумулятору или газонокосилке остыть.</li> </ul>
		<ul style="list-style-type: none"> <li>■ Очистите воздухозаборник в соответствии с инструкциями в разделе <b>Очистка воздухозаборника</b>.</li> </ul>
	<ul style="list-style-type: none"> <li>■ Неправильно установлен режим скорости вращения режущего элемента.</li> </ul>	<ul style="list-style-type: none"> <li>■ Выберите меньшее значение скорости вращения режущего элемента.</li> </ul>
<ul style="list-style-type: none"> <li>■ Ошибка в электронике газонокосилки, индикатор состояния попеременно мигает красным и зеленым.</li> </ul>	<ul style="list-style-type: none"> <li>■ Обратитесь в сервисный центр EGO.</li> </ul>	
Устройство сильно вибрирует.	<ul style="list-style-type: none"> <li>■ Ослаблено крепление режущего элемента.</li> </ul>	<ul style="list-style-type: none"> <li>■ Затяните болт крепления режущего элемента.</li> </ul>
	<ul style="list-style-type: none"> <li>■ Режущий элемент разбалансирован.</li> </ul>	<ul style="list-style-type: none"> <li>■ Обратитесь в сервисный центр EGO.</li> </ul>
	<ul style="list-style-type: none"> <li>■ Режущий элемент погнут.</li> </ul>	<ul style="list-style-type: none"> <li>■ Замените режущий элемент.</li> </ul>
	<ul style="list-style-type: none"> <li>■ Вал двигателя погнут.</li> </ul>	<ul style="list-style-type: none"> <li>■ Обратитесь в сервисный центр EGO.</li> </ul>
	<ul style="list-style-type: none"> <li>■ Газонокосилка отрегулирована так, что срезает слишком много травы за один заход.</li> </ul>	<ul style="list-style-type: none"> <li>■ Поднимите платформу повыше.</li> </ul>
Мотор работает, но режущий элемент не косит траву.	<ul style="list-style-type: none"> <li>■ Неправильно установлен режим скорости вращения режущего элемента.</li> </ul>	<ul style="list-style-type: none"> <li>■ Установите меньшее значение скорости вращения режущего элемента.</li> </ul>
	<ul style="list-style-type: none"> <li>■ Режущий элемент не затянут с необходимым моментом.</li> </ul>	<ul style="list-style-type: none"> <li>■ Затяните режущий элемент. Рекомендуемый крутящий момент затяжки болта режущего элемента составляет 50–60 Нм.</li> </ul>

## ГАРАНТИЯ

### ГАРАНТИЙНАЯ ПОЛИТИКА EGO

Посетите веб-сайт [egopowerplus.eu](http://egopowerplus.eu), чтобы ознакомиться со всеми условиями и сроками гарантийной политики EGO.

## PRZECZYTAJ WSZYSTKIE INSTRUKCJE!

**Przeznaczenie:** Produkt jest przeznaczony do ręcznego koszenia trawy:

- Narzędzia należy używać tylko do koszenia suchej trawy. Nie należy kosić mokrej trawy.
- Nie używać do innych celów.

**! OSTRZEŻENIE:** Przed użyciem maszyny należy koniecznie przeczytać ze zrozumieniem wszystkie instrukcje dotyczące bezpieczeństwa podane w podręczniku użytkownika, łącznie z wszystkimi ostrzeżeniami oznaczonymi symbolami ostrzegawczymi takimi jak „**NIEBEZPIECZEŃSTWO**”, „**OSTRZEŻENIE**” i „**UWAGA**”. Niestosowanie się do wszystkich podanych niżej instrukcji może doprowadzić do porażenia prądem, pożaru i/lub poważnych urazów ciała.

## SYMBOLE BEZPIECZEŃSTWA



Ostrzeżenie dotyczące bezpieczeństwa



Podczas używania produktu należy zawsze nosić gogle ochronne lub okulary ochronne z osłonami bocznymi, a także pełną osłonę na twarz.



Uwaga na przedmioty wyrzucane w powietrze – osoby postronne należy trzymać z daleka.



Nie zbliżać dłoni



Gwarantowany poziom mocy akustycznej.



Produkt jest zgodny z dyrektywami obowiązującymi w Wielkiej Brytanii.



Bluetooth®

IPX5

Ochrona przed strumieniami wody

mm

Milimetr



Prąd stały



Aby zmniejszyć ryzyko urazów, przed rozpoczęciem używania urządzenia, użytkownik musi przeczytać i zrozumieć instrukcję.



Przed regulacją lub czyszczeniem należy wyłączyć urządzenie i wyjąć wymienny akumulator (lub moduł wyłączający).



Ręce i stopy należy trzymać z dala od ostrzy



Nie należy wpatrywać się we włączoną lampę.



Ten produkt jest zgodny z obowiązującymi dyrektywami WE.



Zużytych wyrobów elektrycznych nie należy wyrzucać razem ze zwykłymi odpadami domowymi. Należy je oddać do autoryzowanego punktu recyklingu.

V

Wolt

cm

Centymetr

kg

Kilogram

PL

**UWAGA:** Znak słowny i logo Bluetooth® są zastrzeżonymi znakami towarowymi firmy Bluetooth SIG, inc. a każde użycie w/w znaków przez firmę EGO odbywa się na podstawie licencji.

## SPECYFIKACJA

Napięcie	56 V	
Tryb prędkości ostrza	2	
	1	
	ECO	
Liczba pozycji wysokości koszenia	8	
Ustawienia wysokości koszenia	20 mm/31 mm/40 mm/ 51 mm/ 64 mm/78 mm/ 92 mm/105 mm	
Szerokość koszenia	53 cm	
Pojemność pojemnika na trawę	85 L	
Ciężar kosiarki (bez akumulatora i pojemnika na trawę)	46 kg	
Model ostrza	AB5301	
Zalecana temperatura użytkowania	0°C–40°C	
Zalecana temperatura przechowywania	-20°C–70°C	
Zmierzony poziom mocy akustycznej $L_{WA}$	94 dB(A) K=0.6 dB(A)	
Poziom ciśnienia akustycznego na wysokości ucha operatora $L_{PA}$	83 dB(A) K= 3 dB(A)	
Gwarantowany poziom mocy akustycznej $L_{WA}$ (zmierzony zgodnie z dyrektywą 2000/14/WE)	95 dB(A)	
Szacunkowe drgania $a_h$ :	Uchwyt lewy	0.39 m/s <sup>2</sup> K=1.5 m/s <sup>2</sup>
	Uchwyt prawy	0.33 m/s <sup>2</sup> K=1.5 m/s <sup>2</sup>

- Deklarowana całkowita wartość drgań została zmierzona zgodnie ze standardowymi metodami testowania i może służyć do porównywania różnych maszyn.
- Deklarowana całkowita wartość drgań może również służyć do wstępnej oceny narażenia na drgań.

**UWAGA:** Emisja drgań podczas rzeczywistego użytkowania maszyny może różnić się od deklarowanej wartości, w której maszyna jest używana. Aby się zabezpieczyć, w rzeczywistych warunkach użytkowania użytkownik powinien nosić rękawice i nauszniki ochronne.

## LISTA ELEMENTÓW W OPAKOWANIU (RYS. A1 I A2)

NAZWA CZĘŚCI	ILOŚĆ
Kosiarka do trawy	1
Pojemnik na trawę	1
Rama pojemnika na trawę	1
Śruba motylkowa (montowana fabrycznie w kosiarce)	2
Instrukcja obsługi	1

## OPIS

### ZAPOZNANIE SIĘ Z KOSIARKĄ (Rys. A1 i A2)

1. Dźwignia napędu
  2. Uchwyt
  3. Dźwignia pracy ostrza
  4. Tylna kłapa wyrzutu trawy
  5. Zębatka blokująca
  6. Pokrywa komory akumulatora
  7. Światła LED
  8. Zderzak środkowy (uchwyty do podnoszenia)
  9. Zderzak przedni
  10. Dźwignia regulacji wysokości koszenia z przodu
  11. Koło przednie
  12. Podwozie kosiarki
  13. Osłona boczna
  14. Wlot powietrza
  15. Koło tylne
  16. Dźwignia regulacji wysokości koszenia z tyłu
  17. Śruba motylkowa
  18. Płyta montażowa uchwytu
  19. Wspornik
  20. Pojemnik na trawę
  21. Osłona tylna
  - 22\*. Wkładka do mulczowania
  - 23\*. Nakładka do wyrzutu bocznego
  24. Kontrolka Bluetooth®
  25. Panel sterowania
  26. Kontrolka stanu kosiarki
  27. Wskaźnik prędkości ostrza
  28. Przycisk trybu prędkości ostrza
  29. Przycisk zasilania
  30. Przycisk świateł LED (przycisk Bluetooth®)
  31. Pokrętko prędkości napędu
- \* W OSOBNEJ SPRZEDAŻY



## MONTAŻ

**⚠ OSTRZEŻENIE:** W przypadku braku lub uszkodzenia którejs z części nie należy uruchamiać urządzenia aż do momentu wymiany lub naprawy części. Używanie urządzenia z uszkodzonymi częściami lub gdy którejs z części brakuje może doprowadzić do poważnych urazów ciała.

**⚠ OSTRZEŻENIE:** Aby zapobiec przypadkowemu włączeniu, które mogłoby spowodować urazy ciała, na czas mocowania części należy zawsze wyjmować z maszyny akumulator(y).

**⚠ OSTRZEŻENIE:** Nie należy próbować dokonywać w maszynie przeróbek ani tworzyć akcesoriów, które nie są zalecane do używania w tej kosiarce. Wszelkie tego typu zmiany lub przeróbki są niedozwolone i mogą prowadzić do niebezpiecznych sytuacji i poważnych urazów.

### ROZPAKOWANIE

Produkt wymaga złożenia.

- Należy wyjąć z kartonu wszystkie akcesoria.

**⚠ OSTROŻNIE:** Ciężki przedmiot. Do podnoszenia kosiarki potrzebne są dwie osoby.

- Aby ostrożnie podnieść i wyjąć kosiarkę z kartonu, jedna osoba powinna chwycić za zderzak środkowy/uchwyt do podnoszenia, a druga za dwie śruby motylkowe.

### MONTAŻ UCHWYTU

Kosiarka jest dostarczana z częściowo złożonym uchwytem.

**⚠ OSTRZEŻENIE:** Nie należy próbować uruchamiać kosiarki, dopóki uchwyt nie zostanie prawidłowo i bezpiecznie zamontowany i rozłożony. Aby nie dopuścić do przytrzaśnięcia palców i kabla między częściami, należy zachować ostrożność.

1. Odkręcić i odłożyć na bok obie śruby motylkowe.
2. Przesunąć uchwyt do przodu, aż zębatka blokująca na zespole uchwytu znajdzie się naprzeciw zębataki na kosiarce (Rys. B1).
3. Dopasować do siebie oznaczenia na zębatce blokującej i płycie montażowej uchwytu, tak jak pokazano na Rys. B2, a następnie włożyć i dokręcić palcami dwie śruby motylkowe.

### ROZKŁADANIE I REGULACJA UCHWYTU (RYS. C)

**⚠ OSTRZEŻENIE:** Podczas składania i rozkładania

uchwytu należy uważać, aby nie ścisnąć, nie załamać ani nie naprężyć przewodu. Uszkodzenie przewodu może wpłynąć na włączenie się kosiarki i rozpoczęcie pracy, co prowadzi do niebezpiecznych sytuacji.

**⚠ OSTRZEŻENIE:** Nie należy próbować włączać kosiarki i jej układu napędowego, jeśli uchwyt nie jest zablokowany w jednej z trzech pozycji pracy (górna pozycja robocza 3, środkowa pozycja robocza 2 lub dolna pozycja robocza 1).

1. Poluzować śruby motylkowe po obu stronach. Upewnić się, że obie zębataki są całkowicie poluzowane, ale NIE rozdzielone.
2. Obrócić uchwyt w górę, tak aż strzałka na zębatce blokującej zrówna się z jedną z trzech pozycji roboczych na płycie montażowej uchwytu.
3. Dokręcić dwie śruby; upewnić się, że obie zębataki są w pełni zablokowane, a uchwyt jest bezpiecznie zamocowany.

C-1	Dolna pozycja robocza 1
C-2	Śródkowa pozycja robocza 2
C-3	Górna pozycja robocza 3

PL

### SKŁADANIE UCHWYTU (RYS. D)

**⚠ OSTRZEŻENIE:** Podczas składania i rozkładania uchwytu należy uważać, aby nie ścisnąć, nie załamać ani nie naprężyć przewodu. Uszkodzenie przewodu może wpłynąć na włączenie się kosiarki i rozpoczęcie pracy, co prowadzi do niebezpiecznych sytuacji.

1. Poluzować śruby motylkowe po obu stronach. Upewnić się, że obie zębataki są całkowicie poluzowane, ale NIE są rozdzielone.
2. Obrócić uchwyt w dół, aż znajdzie się w pozycji przechowywania.
3. Wyrównać oznaczenie strzałki na zębatce blokującej z oznaczeniem pozycji przechowywania na płycie montażowej uchwytu.
4. Dokręcić dwie śruby motylkowe; upewnić się, że obie zębataki są w pełni zablokowane, a uchwyt jest bezpiecznie zablokowany.

D-1	Pozycja przechowywania
-----	------------------------

### MONTAŻ POJEMNIKA NA TRAWĘ (RYS. E1, E2, E3)

Przed zamontowaniem należy sprawdzić, czy pojemnik na trawę nie jest uszkodzony.

Pojemnik na trawę zakłada się tak jak pokazano na ilustracji.

## ZAKŁADANIE/ZDEJMOWANIE WKŁADKI DO MULCZOWANIA (SPRZEDAWANEJ OSOBNO)

Wkładkę do mulczowania zakłada się w kosiarce tak jak pokazano na Rys. F.

**⚠ NIEBEZPIECZEŃSTWO:** Maszyna może wyrzucić ścinki trawy i inne przedmioty przez otwór w swojej obudowie. Przedmioty wyrzucone z wystarczająco dużą siłą mogą spowodować poważne obrażenia ciała lub śmierć użytkownika lub osób postronnych.

Nigdy nie należy używać kosiarki bez zamontowania we właściwy sposób wkładki do mulczowania, pojemnika na trawę lub nakładki do wyrzutu bocznego.

**⚠ OSTRZEŻENIE:** Jeśli montowany jest pojemnik na trawę lub nakładka do wyrzutu bocznego należy wyjąć wkładkę do mulczowania. Gdy pojemnik na trawę (lub nakładka do wyrzutu bocznego) zostaną zdemonstrowane, należy ponownie zamontować wkładkę do mulczowania.

PL

## ZAKŁADANIE/ZDEJMOWANIE POJEMNIKA NA TRAWĘ

Pojemnik na trawę zakłada się w kosiarce tak jak pokazano na Rys. G.

**⚠ OSTRZEŻENIE:** Materiał, z którego wykonany jest pojemnik na trawę podlega zużyciu nawet przy normalnym użytkowaniu. Aby zmniejszyć ryzyko obrażeń, należy często kontrolować jego zamocowanie. W przypadku stwierdzenia oznak zużycia lub pogorszenia stanu pojemnika, pojemnik należy wymienić. Należy używać tylko pojemników na trawę dedykowanych do tego modelu kosiarki.

**⚠ OSTRZEŻENIE:** Aby zainstalować i używać nakładki do wyrzutu bocznego lub wkładki do mulczowania, należy zdjąć pojemnik na trawę.

## ZAKŁADANIE/ZDEJMOWANIE NAKŁADKI DO WYRZUTU BOCZNEGO (SPRZEDAWANEJ OSOBNO)

Nakładkę do wyrzutu bocznego zakłada się w kosiarce tak jak pokazano na Rys. H.

**⚠ OSTRZEŻENIE:** Aby zainstalować i używać pojemnika na trawę lub wkładki do mulczowania, należy zdjąć nakładkę do wyrzutu bocznego.

## REGULACJA WYSOKOŚCI CIĘCIA (RYS. J1 & J2)

**⚠ OSTRZEŻENIE:** Podczas ustawiania wysokości koszenia nie należy zbliżać stóp do podwozia.

Kosiarkę można ustawić w 8 wysokościach koszenia, od 20 mm do 105 mm. Wybrana wysokość koszenia jest zaznaczona oznaczeniem.

Kosiarka umożliwia indywidualną regulację wysokości koszenia z przodu i z tyłu. Wysokość koszenia należy wybrać w zależności od rodzaju koszonej trawy i warunków.

1. Wyłączyć kosiarkę i poczekać, aż ostrze tnące całkowicie się zatrzyma.
2. Wyjąć akumulator(y).
3. Wysunąć przednią lub tylną dźwignię regulacji wysokości koszenia z blokady i ustawić ją w żądanej pozycji.

## ZAKŁADANIE/WYJMOWANIE AKUMULATORA (RYS. K)

**UWAGA:** Przed pierwszym użyciem należy całkowicie naładować akumulator.

W urządzeniu należy używać wyłącznie akumulatorów i ładowarek podanych na Rys. A3.

**UWAGA:** Kosiarka posiada dwa aktywne gniazda na akumulator. Urządzenie może pracować bądź na jednym bądź na dwóch akumulatorach.

### ■ Zakładanie

1. Otworzyć pokrywę komory akumulatorów i wcisnąć akumulator do komory akumulatora tak, aby dało się słyszeć kliknięcie.
2. Aby założyć drugi akumulator, wystarczy powtórzyć powyższą procedurę.

### ■ Wyjmowanie

Należy wcisnąć przycisk zwalnający akumulator w komorze akumulatora.

**UWAGA:** Przed rozpoczęciem pracy należy upewnić się, że zatrzaśk na kosiarce zablokował się we właściwej pozycji i że akumulator(y) jest/są dobrze zamocowany/e w kosiarce.

## WYBÓR TRYBU PRĘDKOŚCI OSTRZA (RYS. L)

- Tryb 2 to tryb dużej prędkości ostrza zapewniający wysoką wydajność podnoszenia, a przez to poprawę siły zasysania i wydajności cięcia.
- Tryb 1 to optymalny kompromis między wydajnością a czasem działania.
- Tryb ECO to tryb zapewniający najniższy poziom hałasu i najdłuższy czas działania akumulatora/ów.

**UWAGA:** Domyślnym trybem prędkości ostrza jest tryb 1.

## TECHNOLOGIA ŁĄCZNOŚCI

Aby uzyskać informacje na temat pełnej oferty naszych produktów i usług łączących się bezprzewodowo, w tym instrukcje dotyczące podłączania, wystarczy zeskanować poniższy kod QR lub odwiedzić stronę [www.egopowerplus.eu/connect](http://www.egopowerplus.eu/connect).



## UŻYTKOWANIE

Produkt może być używany podczas deszczu.

### WŁĄCZANIE/WYŁĄCZANIE KOSIARKI

**⚠️ OSTRZEŻENIE:** Używanie kosiarek do trawy może spowodować dostanie się obcych przedmiotów do oczu, co może spowodować poważne obrażenia oczu. Podczas użytkowania, regulowania lub naprawiania kosiarki należy zawsze nosić okulary ochronne.

**⚠️ OSTRZEŻENIE:** Przez kilka sekund po wyłączeniu kosiarki ostrze nadal się porusza. Przed ponownym włączeniem należy odczekać, aż silnik/ostrze przestaną się kręcić. Nie należy wyłączać i włączać kosiarki w krótkich odstępach czasu.

**⚠️ OSTRZEŻENIE:** Jeżeli kosiarkę trzeba przechylić na potrzeby transportu podczas pokonywania powierzchni innych niż trawa oraz podczas transportowania kosiarki w miejsce koszenia i z powrotem, ostrze należy zatrzymać.

**⚠️ OSTRZEŻENIE:** O ile nie jest to konieczne do włączenia kosiarki, nie należy przechylać kosiarki podczas włączania silnika. Jeśli jednak jest to potrzebne, urządzenie nie należy przechylać bardziej niż jest to absolutnie niezbędne. Należy wtedy podnosić tylko część znajdującą się z dala od operatora.

Przed użyciem należy zawsze sprawdzić wzrokowo, czy ostrze i śruba ostrza nie są zużyte lub uszkodzone. Aby zachować równowagę, zużyte lub uszkodzone ostrze i śrubę należy wymieniać jako komplet.

### Sprawdzanie, czy ostrze tnące nie zablokowało się

- Aby zapobiec zablokowaniu, należy dbać o czystość ostrza tnącego i podwozia kosiarki. Przed i po każdym użyciu należy usuwać ścinki trawy, liście, brud i wszelkie inne nagromadzone zanieczyszczenia.

- Jeśli dojdzie do zablokowania ostrza, należy zatrzymać kosiarkę i wyjąć akumulator, a następnie usunąć wszelką nagromadzoną trawę i liście na lub wokół wału napędowego i wentylatora silnika. Kosiarkę należy wytrzeć do czysta wilgotną szmatką.

**⚠️ OSTROŻNIE:** Nie należy próbować zmieniać działania przycisku zasilania lub dźwigni pracy ostrza.

**UWAGA:** Bez zablokowania uchwytu w jednej z trzech pozycji roboczych silnik nie włączy się.

### Włączanie kosiarki (Rys. M1 i M2)

1. Podłączyć akumulator(y) do kosiarki i zamknąć pokrywę komory akumulatorów.
2. Nacisnąć przycisk zasilania, aby podświetlić panel sterowania. Zaświeci się kontrolka stanu kosiarki i wskaźnik prędkości ostrza 1.
3. Nacisnąć przycisk trybu prędkości ostrza, aby wybrać żądaną prędkość.
4. Nacisnąć i przytrzymać przycisk zasilania.
5. Przy wciśniętym przycisku zasilania pociągnąć dźwignię pracy ostrza i docisnąć ją do uchwytu, a następnie puścić przycisk zasilania.

### Wyłączanie kosiarki (Rys. M3)

1. Całkowicie puścić dźwignię pracy ostrza.
2. Hamulec elektryczny w mechanizmie automatycznego hamowania zatrzyma ostrze w ciągu 3 sekund od puszczenia dźwigni.

### UKŁAD NAPĘDU SAMOBIEŻNEGO O ZMIENNEJ PRĘDKOŚCI (RYS. N)

Kosiarka jest wyposażona w funkcję samoczynnego napędu o zmiennej prędkości. Powyższy napęd działa niezależnie od obrotów ostrza.

**UWAGA:** Jeśli uchwyt nie zostanie zablokowany w jednej z trzech pozycji roboczych, napęd się nie włączy.

### Włączanie napędu samobieżnego bez pracy ostrza

1. Nacisnąć przycisk zasilania, aby podświetlić panel sterowania.
2. Lekko przekręcić do przodu pokrętko regulacji prędkości napędu, aż da się słyszeć kliknięcie, następnie przyciągnąć dźwignię napędu do uchwytu, aby uruchomić funkcję napędu.

**Aby wyłączyć napęd,** wystarczy puścić dźwignię napędu.

### ŚWIATŁA LED (RYS. P)

**Aby włączyć światła,** należy nacisnąć przycisk świateł. Światła zapewniają jasne oświetlenie strefy z przodu kosiarki.

**Aby wyłączyć światła,** wystarczy ponownie nacisnąć przycisk.

### KONTROLKA STANU KOSIARKI

Kontrolka stanu kosiarki na panelu sterowania pokazuje stan działania kosiarki.

PL

Wskaźnik	Opis	Znaczenie	Działanie
	Świeci na zielono	Kosiarka działa prawidłowo.	Nie jest wymagane żadne działanie.
	Miga na zielono	Uchwyt nie jest zablokowany w pozycji roboczej.	Wyłączyć kosiarkę i upewnić się, że uchwyt jest zablokowany w jednej z pozycji roboczych.
	Miga na czerwono	Niski poziom naładowania baterii.	Wyłączyć kosiarkę i naładować akumulator.
	Świeci na pomarańczowo	Kosiarka jest przegrzana.	Puścić dźwignię pracy ostrza i poczekać, aż temperatura kosiarki spadnie poniżej 80°C. Patrz część „ZABEZPIECZENIE KOSIARKI PRZED WYSOKĄ TEMPERATURĄ” poniżej.
	Miga na pomarańczowo	Kosiarka jest przeciążona.	<ol style="list-style-type: none"> <li>1. Najpierw wyjąć akumulator(y), a potem sprawdzić, czy pod podwoziem nie nagromadziła się trawa; jeżeli tak, to należy ją usunąć. W razie potrzeby wyczyścić.</li> <li>2. Podczas koszenia należy poruszać się wolniej.</li> <li>3. Zwiększyć wysokość koszenia.</li> <li>4. Jeśli powyższe rozwiązania nie działają, należy skontaktować się z centrum serwisowym EGO.</li> </ol> Patrz część „ZABEZPIECZENIE PRZECIWPRECIĄŻENIOWE KOSIARKI” poniżej.
	Miga na przemian na czerwono i zielono	Błąd elektroniki kosiarki.	Skontaktować się z centrum serwisowym EGO.

PL

#### ZABEZPIECZENIE KOSIARKI PRZED WYSOKĄ TEMPERATURĄ

Jeśli temperatura kosiarki przekroczy podczas pracy 90°C, obwód zabezpieczający przed przegrzaniem natychmiast wyłączy maszynę, aby uchronić ją przed uszkodzeniem wskutek przegrzania.

Kontrolka stanu kosiarki będzie świecić światłem ciągłym na pomarańczowo. Puścić dźwignię pracy ostrza i poczekać, aż przegrzana kosiarka ostygnie, a kontrolka stanu zmieni kolor na zielony; następnie ponownie włączyć kosiarkę.

#### ZABEZPIECZENIE PRZECIWPRECIĄŻENIOWE KOSIARKI

Aby zapobiec przeciążeniu, nie należy za jednym razem kosić zbyt dużej ilości trawy. Należy zmniejszyć prędkość poruszania się lub zwiększyć wysokość koszenia.

Kosiarka posiada wbudowane zabezpieczenie zapobiegające przeciążeniu systemu. Gdy kosiarka jest przeciążona, wyłącza się silnik, a kontrolka stanu na kosiarce na panelu sterowania zaczyna migać na pomarańczowo.

## KONSERWACJA

**⚠ OSTRZEŻENIE:** Aby uniknąć poważnych obrażeń ciała, przed czyszczeniem, konserwacją lub transportem kosiarki należy zawsze wyłączyć kosiarkę, wyjąć akumulator(y) i upewnić się, że wszystkie ruchome części zostały całkowicie zatrzymane.

**⚠ OSTRZEŻENIE:** Po uderzeniu w przeszkodę należy zatrzymać maszynę i wyjąć z niej akumulator, aby mieć pewność, że wszystkie poruszające się części całkowicie się zatrzymały. Należy sprawdzić, czy maszyna nie jest uszkodzona, a w razie potrzeby przed jej ponownym włączeniem i użyciem należy dokonać naprawy.

**⚠ OSTRZEŻENIE:** Jeśli maszyna znacznie nietypowo drgać, należy ją zatrzymać i wyjąć z niej akumulator, aby mieć pewność, że wszystkie poruszające się części całkowicie się zatrzymały. Następnie należy natychmiast przeprowadzić kontrolę pod kątem uszkodzeń. Wszystkie uszkodzone części wymienić lub naprawić. Należy też sprawdzić, czy w maszynie nie poluzowały się jakieś części i w razie potrzeby dokręcić je.

**⚠ OSTRZEŻENIE:** Do serwisowania należy używać wyłącznie części zamiennych identycznych z oryginalnymi. Używanie jakichkolwiek innych części stwarza ryzyko i może spowodować usterkę produktu. Aby zagwarantować bezpieczeństwo i niezawodność, wszystkie naprawy powinny być wykonywane przez wykwalifikowanych techników serwisu.

### CZYSZCZENIE KOSIARKI

Po każdym użyciu należy wyczyścić kosiarkę od spodu, ponieważ w podwoziu zbierają się trawa, liście i zanieczyszczenia.

Wszelkie nagromadzone ścinki trawy i liści wokół wału napędowego i wentylatora silnika należy usunąć. Kosiarkę należy wytrzeć do czysta wilgotną szmatką.

### Czyszczenie wlotu powietrza (Rys. Q)

1. Odkręcić cztery śruby i zdjąć kratkę zakrywającą wlot powietrza.
2. Wyczyścić wnętrze wlotu powietrza i kratkę sprężonym powietrzem.

### WYMIANA OSTRZA (RYS. R1, R2, R3)

**⚠ OSTRZEŻENIE:** Należy zawsze wyjąć akumulator(y) i zdjąć pojemnik na trawę.

**⚠ OSTRZEŻENIE:** Należy zawsze nosić rękawice ochronne.

**UWAGA:** Przed zamontowaniem ostrza należy dokładnie oczyścić okolice wału napędowego i spód maszyny.

1. Odwrócić kosiarkę do góry nogami.
2. Za pomocą klucza dynamometrycznego i dwóch metalowych prętów służących do pomocy, zdjąć/zamontować ostrze tnące, tak jak pokazano na ilustracji.
3. Strona ostrza z nadrukiem ma być skierowana na zewnątrz.

### PRZECHOWYWANIE KOSIARKI (RYS. S1 & S2)

1. Wyjąć akumulator(y) z kosiarki.
2. Opróżnić pojemnik na trawę i wyczyścić kosiarkę.
3. Aby zaoszczędzić sporo miejsca, uchwyt produktu można złożyć i przechowywać go w sposób pokazany na ilustracji.

**UWAGA:** Prosimy dopilnować, aby podczas składania/rozkładania uchwytu produktu nie została przytrzaśnięta linka uchwytu (uchwytu nie należy upuszczać).

4. Jeśli kosiarka nie jest używana, nie należy stawiać na niej innych przedmiotów.

**⚠ OSTRZEŻENIE:** Przewrócenie się kosiarki ustawionej w pozycji pionowej grozi jej uszkodzeniem i może doprowadzić do urazów. Gdy kosiarka jest przechowywana w pozycji pionowej, musi być zawsze ustawiona stabilnie i w miejscu niedostępnym dla dzieci. W miarę możliwości należy ją przechowywać w pozycji poziomej.

### OCHRONA ŚRODOWISKA



Urządzeń elektrycznych nie należy wyrzucać razem z nieposortowanymi odpadami komunalnymi, należy korzystać z oddzielnych punktów zbierania odpadów.

Więcej informacji o dostępnych systemach zbiórki można uzyskać od władz lokalnych.

Wyrzucanie urządzeń elektrycznych na wysypisko grozi wyciekami niebezpiecznych substancji do wód gruntowych i przedostaniem się ich do łańcucha pokarmowego, ze szkodą dla zdrowia i jakości życia użytkownika.

## ROZWIĄZYWANIE PROBLEMÓW

PROBLEM	PRZYCZYNA	ROZWIĄZANIE
Nie można uruchomić kosiarki lub napędu.	<ul style="list-style-type: none"> <li>▪ Rozładowany/e akumulator(y).</li> </ul>	<ul style="list-style-type: none"> <li>▪ Naładować akumulator.</li> </ul>
	<ul style="list-style-type: none"> <li>▪ Akumulator(y) w komorze akumulatorów nie jest/są prawidłowo założony/e.</li> </ul>	<ul style="list-style-type: none"> <li>▪ Wsunąć akumulator(y) do komory akumulatora tak, aby dało się słyszeć „kliknięcie”.</li> </ul>
	<ul style="list-style-type: none"> <li>▪ Uchwyt nie jest zablokowany w pozycji roboczej, a kontrolka stanu kosiarki miga na zielono.</li> </ul>	<ul style="list-style-type: none"> <li>▪ Wyłączyć kosiarkę i upewnić się, że uchwyt jest zablokowany w jednej z pozycji roboczych.</li> </ul>
	<ul style="list-style-type: none"> <li>▪ Podwozie kosiarki jest zapchane trawą i zanieczyszczeniami.</li> </ul>	<ul style="list-style-type: none"> <li>▪ Wyczyścić podwozie kosiarki i upewnić się, że ostrze może się swobodnie poruszać.</li> </ul>
Kosiarka kosi nierówno.	<ul style="list-style-type: none"> <li>▪ Tępe ostrze.</li> </ul>	<ul style="list-style-type: none"> <li>▪ Naostrzyć lub wymienić ostrze.</li> </ul>
	<ul style="list-style-type: none"> <li>▪ Niewłaściwie ustawiona wysokość koszenia trawy.</li> </ul>	<ul style="list-style-type: none"> <li>▪ Ustawić podwozie na wyższą wysokość.</li> </ul>
	<ul style="list-style-type: none"> <li>▪ Ostrze jest nieprawidłowo zainstalowane.</li> </ul>	<ul style="list-style-type: none"> <li>▪ Zamontować ostrze zgodnie z opisem podanym w części „<b>WYMIANA OSTRZA</b>” w niniejszej instrukcji.</li> </ul>
	<ul style="list-style-type: none"> <li>▪ Tryb prędkości ostrza nie jest ustawiony prawidłowo.</li> </ul>	<ul style="list-style-type: none"> <li>▪ Wybrać odpowiedni tryb prędkości ostrza.</li> </ul>
Kosiarka niewłaściwie mulczyje.	<ul style="list-style-type: none"> <li>▪ Pod podwoziem przykleja się skoszona mokra trawa.</li> </ul>	<ul style="list-style-type: none"> <li>▪ Przed koszeniem odczekać, aż trawa podeschnie.</li> </ul>
	<ul style="list-style-type: none"> <li>▪ Kosiarka jest ustawiona na koszenie zbyt dużej ilości trawy za jednym razem.</li> </ul>	<ul style="list-style-type: none"> <li>▪ Ustawić podwozie na większą wysokość koszenia.</li> </ul>
	<ul style="list-style-type: none"> <li>▪ Tryb prędkości ostrza nie jest ustawiony prawidłowo.</li> </ul>	<ul style="list-style-type: none"> <li>▪ Wybrać tryb prędkości ostrza 1 lub ECO.</li> </ul>

PL

Kosiarka niespodziewanie wyłącza się podczas koszenia.	<ul style="list-style-type: none"> <li>■ Rozładowany/e akumulator(y).</li> </ul>	<ul style="list-style-type: none"> <li>■ Naładować akumulator.</li> </ul>
	<ul style="list-style-type: none"> <li>■ Kosiarka jest przeciążona, a kontrolka stanu kosiarki miga na pomarańczowo.</li> </ul>	<ul style="list-style-type: none"> <li>■ Sprawdzić, czy pod podwoziem nie nagromadziła się trawa i w razie potrzeby usunąć ją. Zwiększyć wysokość koszenia lub zmniejszyć prędkość koszenia.</li> </ul>
	<ul style="list-style-type: none"> <li>■ Podwozie kosiarki jest zapchane trawą i zanieczyszczeniami.</li> </ul>	<ul style="list-style-type: none"> <li>■ Usunąć z podwozia kosiarki nagromadzoną pod nim trawę. Zwiększyć wysokość koszenia i/lub kosić węższy pas trawy.</li> </ul>
	<ul style="list-style-type: none"> <li>■ Akumulator(y) lub instalacja elektryczna kosiarki są przegrzane. Jeśli akumulator jest przegrzany, kontrolka stanu kosiarki zgaśnie. Jeśli kosiarka jest przegrzana, kontrolka stanu kosiarki będzie świecić światłem ciągłym na pomarańczowo.</li> </ul>	<ul style="list-style-type: none"> <li>■ Pozwolić akumulatorowi/om ostygnąć.</li> <li>■ Wyczyścić wlot powietrza, zgodnie z opisem podanym w części „Czyszczenie wlotu powietrza”.</li> </ul>
	<ul style="list-style-type: none"> <li>■ Tryb prędkości ostrza nie jest ustawiony prawidłowo.</li> </ul>	<ul style="list-style-type: none"> <li>■ Wybrać niższe ustawienie prędkości ostrza.</li> </ul>
	<ul style="list-style-type: none"> <li>■ W przypadku usterki elektroniki kosiarki, kontrolka stanu kosiarki będzie migać na przemian na czerwono i zielono.</li> </ul>	<ul style="list-style-type: none"> <li>■ Skontaktować się z centrum serwisowym EGO.</li> </ul>
Nadmierne drgania.	<ul style="list-style-type: none"> <li>■ Obluzowane ostrze tnące.</li> </ul>	<ul style="list-style-type: none"> <li>■ Przykręcić śrubę ostrza.</li> </ul>
	<ul style="list-style-type: none"> <li>■ Ostrze tnące jest niewyważone.</li> </ul>	<ul style="list-style-type: none"> <li>■ Skontaktować się z centrum serwisowym EGO.</li> </ul>
	<ul style="list-style-type: none"> <li>■ Ostrze tnące jest skrzywione.</li> </ul>	<ul style="list-style-type: none"> <li>■ Wymienić ostrze.</li> </ul>
	<ul style="list-style-type: none"> <li>■ Wygięty wał silnika.</li> </ul>	<ul style="list-style-type: none"> <li>■ Skontaktować się z centrum serwisowym EGO.</li> </ul>
	<ul style="list-style-type: none"> <li>■ Kosiarka jest ustawiona na koszenie zbyt dużej ilości trawy za jednym razem.</li> </ul>	<ul style="list-style-type: none"> <li>■ Ustawić podwozie na większą wysokość koszenia.</li> </ul>
	<ul style="list-style-type: none"> <li>■ Tryb prędkości ostrza nie jest ustawiony prawidłowo.</li> </ul>	<ul style="list-style-type: none"> <li>■ Ustawić niższe ustawienie prędkości ostrza.</li> </ul>
Silnik pracuje, ale ostrze nie kosi trawy.	<ul style="list-style-type: none"> <li>■ Ostrze nie zostało dokręcone wymaganym momentem dokręcania.</li> </ul>	<ul style="list-style-type: none"> <li>■ Dokręcić ostrze. Zalecany moment dokręcania śruby ostrza wynosi 50-60 Nm.</li> </ul>

## GWARANCJA

### POLITYKA GWARANCYJNA EGO

W celu zapoznania się z wszystkimi warunkami polityki gwarancyjnej EGO prosimy wejść na stronę [egopowerplus.eu](http://egopowerplus.eu).

## PŘEČTĚTE SI VŠECHNY POKYNY!

**Zamýšlené použití:** Výrobek je určen pro ruční sekání trávniku:

- Používejte pouze pro sekání suché trávy. Nesekejte mokrou trávu.
- Nepoužívejte ji k jiným účelům.

**VAROVÁNÍ:** Před použitím tohoto stroje si přečtěte a porozumějte všem bezpečnostním pokynům v tomto návodu k obsluze, včetně všech bezpečnostních výstražných symbolů, jako jsou „**NEBEZPEČÍ**“, „**VAROVÁNÍ**“ a „**UPOZORNĚNÍ**“. Nedodržení níže uvedených pokynů může mít za následek úraz elektrickým proudem, požár a/nebo vážná zranění osob.

## BEZPEČNOSTNÍ SYMBOLY



Bezpečnostní upozornění



Při používání tohoto výrobku vždy noste ochranu sluchu, ochranné brýle, ochranné brýle s bočními kryty nebo celoobličejový štít.



Pozor na odmrštěné předměty! Nedovolte jiným osobám, aby se přibližovaly.



Udržujte ruce v bezpečné vzdálenosti



Garantovaná hladina akustického výkonu.



Tento výrobek je v souladu s platnými předpisy ve Spojeném království.



Bluetooth®

IPX5

Ochrana proti proudu vody

mm

Milimetr



Stejnoseměrný proud



Z důvodu snížení nebezpečí úrazu si musí uživatel před použitím tohoto výrobku přečíst návod k obsluze a porozumět mu.



Před nastavením nebo čištěním sekačky vypněte a vyjměte vyjímatelný akumulátor (nebo blokovací zařízení).



Udržujte ruce a nohy v dostatečné vzdálenosti od nožů



Neďivejte se upřeně na provozní kontrolku.



Tento výrobek je v souladu s platnými směrnici ES.



Odpadní elektrické výrobky se nesmí likvidovat s domovním odpadem. Odevzdejte je do autorizovaného recyklačního střediska.

V

Volt

cm

Centimetr

kg

Kilogram



## TECHNICKÉ ÚDAJE

Napětí	56 V	
Režim rychlosti nože	2	
	1	
	ECO	
Polohy výšky sekání	8	
Nastavení výšky sekání	20 mm/31 mm/40 mm/ 51 mm/ 64 mm/78 mm/ 92 mm/105 mm	
Šířka sekání	53 cm	
Objem vaku na trávu	85 L	
Hmotnost sekačky (bez akumulátoru a vaku na trávu)	46 kg	
Model nože	AB5301	
Doporučená provozní teplota	0°C–40°C	
Doporučená skladovací teplota	-20°C–70°C	
Měřená hladina akustického výkonu $L_{WA}$	94 dB(A)	$K=0.6$ dB(A)
Hladina akustického tlaku na sluch obsluhy $L_{PA}$	83 dB(A)	$K= 3$ dB(A)
Zaručená úroveň akustického výkonu $L_{WA}$ (měřeno podle směrnice 2000/14/ES)	95 dB(A)	
Hodnota vibrací $a_h$ :	Levá rukojeť	0.39 m/s <sup>2</sup> $K=1.5$ m/s <sup>2</sup>
	Pravá rukojeť	0.33 m/s <sup>2</sup> $K=1.5$ m/s <sup>2</sup>

- Celková deklarovaná hodnota vibrací byla naměřena podle standardní zkušební metody a lze ji použít ke srovnání s jiným strojem.
- Celkovou deklarovanou hodnotu vibrací lze použít také k předběžnému stanovení expozičních limitů.

**POZNÁMKA:** Emise vibrací při konkrétním použití stroje se mohou lišit od deklarované hodnoty, při které se stroj používá; z důvodu ochrany provozovatele by měl uživatel ve skutečných pracovních podmínkách nosit rukavice a chrániče sluchu.

## OBSAH BALENÍ (OBR. A1 A A2)

NÁZEV DÍLU	MNOŽSTVÍ
Sekačka na trávu	1
Vak na trávu	1
Rám vaku na trávu	1
Křídlový šroub (instalovaný v sekačce z výroby)	2
Návod k obsluze	1

## POPIS

### SEZNAMTE SE S VAŠÍ SEKAČKOU (obr. A1 a A2)

1. Spoušť pojezdu
2. Rukojeť
3. Spoušť otáčení nože
4. Zadní výstupní dvířka
5. Zajišťovací kolo
6. Kryt bateriového prostoru
7. LED světlomety
8. Prostřední nárazník (zvedací rukojeť)
9. Přední nárazník
10. Přední páčka nastavení výšky sekání
11. Přední kolo
12. Šasi sekačky
13. Boční štít
14. Přívod vzduchu
15. Zadní kolo
16. Zadní páčka nastavení výšky sekání
17. Křídlový šroub
18. Montážní deska rukojeti
19. Držák
20. Vak na trávu
21. Zadní štít
- 22\*. Mulčovací vložka
- 23\*. Boční výstupní žlab
24. Kontrolka Bluetooth®
25. Palubní deska
26. Kontrolka stavu sekačky
27. Ukazatel rychlosti nože
28. Tlačítko režimu rychlosti nože
29. Hlavní vypínač
30. Tlačítko LED světlometů (tlačítko Bluetooth®)
31. Volič rychlosti pojezdu

\* (PRODÁVÁ SE SAMOSTATNĚ)

## MONTÁŽ

**⚠ VAROVÁNÍ:** Pokud jsou některé díly poškozené, nebo chybí, nepoužívejte výrobek, dokud se díly nevymění. Použití tohoto výrobku s poškozenými nebo chybějícími díly může vést k vážnému úrazu.

**⚠ VAROVÁNÍ:** Pokud provádíte montáž dílů, vždy vyjměte akumulátor(y) ze stroje, aby nedošlo k neúmyslnému spuštění, které může způsobit vážný úraz.

**⚠ VAROVÁNÍ:** Nepokoušejte se výrobek upravovat ani vytvářet příslušenství, které se k tomuto výrobku nedoporučuje. Každá taková změna nebo úprava znamená nesprávné použití a může vést k nebezpečné situaci s následným vážným zraněním.

### VYBALENÍ

Tento výrobek vyžaduje montáž.

- Vyjměte z krabice veškeré příslušenství.

**⚠ UPOZORNĚNÍ:** Těžký předmět. Ke zvedání sekačky jsou zapotřebí dvě osoby.

- Jedna osoba uchopí prostřední nárazník/zvedací rukojeť, druhá osoba uchopí dva křídlové šrouby a oba opatrně vyzvednou sekačku z krabice.

### INSTALACE RUKOJETI

Sekačka na trávu je dodávána s částečně smontovanou rukojetí.

**⚠ VAROVÁNÍ:** Nepokoušejte se sekačku spustit, dokud není rukojeť správně a bezpečně nainstalovaná a rozložena. Postupujte opatrně, abyste se vyhnuli sevření prstů a kabelu mezi díly.

1. Odšroubujte a odložte oba křídlové šrouby.
2. Posuňte rukojeť dopředu, dokud zajišťovací kolo na sestavě rukojeti nenastaví proti ozubenému kolu na sekačce (obr. B1).
3. Zarovnejte značky na zajišťovacím kole a na montážní desce rukojeti, jak je znázorněno na obr. B2, poté zasuňte a prstem utáhněte oba křídlové šrouby.

### ROZLOŽENÍ A NASTAVENÍ RUKOJETI (OBR. C)

**⚠ VAROVÁNÍ:** Dbejte na to, abyste při skládání nebo rozkládání rukojeti neskřípnuli, nezalomili ani nadměrně nenamáhalí kabel. Poškození kabelu by mohlo ovlivnit aktivaci a provoz sekačky a vést k nebezpečnému provoznímu stavu.

**⚠ VAROVÁNÍ:** Nepokoušejte se spouštět sekačku a pojezdový systém, dokud není rukojeť zajištěna v jedné ze tří

předem nastavených provozních poloh (horní pracovní poloha 3, střední pracovní poloha 2 a dolní pracovní poloha 1).

1. Povolte šrouby křídla na obou stranách, ujistěte se, že obě ozubená kola jsou zcela volná, nikoli však oddělená.
2. Otočte rukojeť nahoru, dokud se značka šipky na zajišťovacím kole nezarovná s jednou ze tří pracovních poloh na montážní desce rukojeti.
3. Utáhněte dva šrouby, ujistěte se, že jsou obě ozubená kola plně v záběru a rukojeť je bezpečně upevněna.

C-1	Dolní pracovní poloha 1
C-2	Střední pracovní poloha 2
C-3	Horní pracovní poloha 3

### SLOŽENÍ RUKOJETI (OBR. D)

**⚠ VAROVÁNÍ:** Dbejte na to, abyste při skládání nebo rozkládání rukojeti neskřípnuli, nezalomili ani nadměrně nenamáhalí kabel. Poškození kabelu by mohlo ovlivnit aktivaci a provoz sekačky a vést k nebezpečnému provoznímu stavu.

1. Povolte křídlové šrouby na obou stranách, ujistěte se, že obě ozubená kola jsou zcela volná, nikoli však oddělená.
2. Natáčejte rukojeť směrem dolů, dokud se rukojeť neusadí v poloze pro uložení.
3. Zarovnejte značku šipky na zajišťovacím kole se značkou polohy pro uložení na montážní desce rukojeti.
4. Utáhněte dva křídlové šrouby, ujistěte se, že jsou obě ozubená kola plně v záběru a rukojeť je bezpečně upevněna.

D-1	Skladovací poloha
-----	-------------------

### MONTÁŽ VAKU NA TRÁVU (OBR. E1, E2, E3)

Před montáží zkontrolujte vak na trávu, abyste se ujistili, že není poškozený.

Sestavte vak na trávu podle vyobrazení.

### PŘÍPEVNĚNÍ/ODEBRÁNÍ MULČOVACÍ VLOŽKY (PRODÁVÁ SE SAMOSTATNĚ)

Nainstalujte mulčovací vložku do sekačky, jak ukazuje obr. F.

**⚠ NEBEZPEČÍ:** Stroj může vyhazovat posekanou trávu a jiné předměty otvorem v krytu stroje. Předměty vyhazované dostatečnou silou mohou způsobit vážné zranění nebo usmrcení vám nebo jiným osobám v okolí.

**Nikdy nepoužívejte sekačku bez správně namontované mulčovací vložky, vaku na trávu nebo bočního výpustního žlabu.**

**VAROVÁNÍ:** Mulčovací vložka musí být odstraněna při instalaci vaku na trávu nebo bočního výpustního žlabu. Mulčovací vložka musí být znovu nainstalována po vyjmutí vaku na trávu (nebo bočního výpustního žlabu).

#### NASAZENÍ/ODEBRÁNÍ VAKU NA TRÁVU

Namontujte vak na trávu do sekačky, jak ukazuje obr. G.

**VAROVÁNÍ:** Při běžném použití se materiál vaku opotřebává. Pro snížení rizika úrazu pravidelně kontrolujte vak na trávu a v případě známek opotřebení nebo poškození vak vyměňte. Používejte pouze vaky na trávu vyrobené pro tuto sekačku.

**VAROVÁNÍ:** Vak na trávu musí být odstraněn, aby bylo možné nainstalovat a použít boční výpustní žlab nebo mulčovací vložku.

#### PŘÍPEVNĚNÍ/ODEBRÁNÍ BOČNÍHO VÝPUSTNÍHO ŽLABU (PRODÁVÁ SE SAMOSTATNĚ)

Namontujte boční výpustní žlab do sekačky, jak ukazuje obr. H.

**VAROVÁNÍ:** Boční výpustní žlab musí být odstraněn, aby bylo možné nainstalovat a používat vak na trávu nebo mulčovací vložku.

#### NASTAVENÍ VÝŠKY SEKÁNÍ (OBR. J1 a J2)

**VAROVÁNÍ:** Při nastavování výšky stůjte nohama vždy v bezpečné vzdálenosti od šasi.

Sekačku lze nastavit na 8 výšek sekání. 20 mm a 105 mm. Značka označuje zvolenou výšku sekání.

Tato sekačka umožňuje individuálně nastavit výšku sekání přední a zadní části sekačky. Vyberte správnou výšku sekání podle typu a stavu sečené trávy.

1. Vypněte sekačku na trávu a počkejte, až se řezací nůž úplně zastaví.
2. Vyjměte akumulátor(y).
3. Vytáhněte přední nebo zadní páčku nastavení výšky sekání ze zarážky a nastavte ji do požadované polohy.

#### INSTALACE/VYJMUTÍ AKUMULÁTORŮ (OBR. K)

**POZNÁMKA:** Před prvním použitím akumulátor plně nabijte.

Používejte pouze akumulátory a nabíječky uvedené na obr. A3.

**POZNÁMKA:** Sekačka má dva aktivní bateriové porty. Může pracovat s jedním nebo dvěma akumulátory.

#### ■ Instalace

1. Otevřete kryt prostoru pro akumulátor a zatlačte akumulátor do prostoru pro akumulátor, dokud neuslyšíte „cvaknutí“.
2. Opakujte postup pro instalaci druhého akumulátoru.

#### ■ Vyjmutí

Stiskněte tlačítko pro uvolnění akumulátoru v prostoru pro akumulátor.

**POZNÁMKA:** Dbejte, aby západka na sekačce zapadla na místo a akumulátor(y) byl(y) před spuštěním připevněn(y) k sekačce.

#### VOLBA REŽIMU OTÁČEK NOŽE (OBR. L)

- Režim **2** je režim vysoké rychlosti nože s vysokým zdvihovým výkonem pro lepší sací sílu a výkonnější sekání.
- Režim **1** se vyznačuje vyváženým poměrem mezi výkonem a dobou provozu.
- Režim **ECO** poskytuje nejnižší úroveň hluku a nejdelší dobu chodu akumulátoru.

**POZNÁMKA:** Výchozí režim rychlosti nože je režim **1**.

#### KOMUNIKAČNÍ TECHNOLOGIE

Informace o kompletní nabídce připojovaných výrobků a o službách, včetně pokynů pro připojení, najdete po naskenování QR kódu níže nebo na adrese [www.egopowerplus.eu/connect](http://www.egopowerplus.eu/connect).



## OBSLUHA

Výrobek lze používat za deště.

### SPUŠTĚNÍ/VYPNUTÍ SEKAČKY

**⚠ VAROVÁNÍ:** Při použití sekačky na trávu může dojít k vymrštění cizích těles do očí, což může způsobit jejich závažné poškození. Při práci se sekačkou nebo při úpravách a opravách vždy noste ochranné brýle.

**⚠ VAROVÁNÍ:** Nůž se bude otáčet ještě několik sekund po vypnutí sekačky. Před dalším spuštěním nechejte motor/nůž, aby se zastavily. Sekačku se nesnažte rychle vypnout a zapnout.

**⚠ VAROVÁNÍ:** Zastavte nůž, pokud se musí sekačka naklonit z důvodu přepravy při přejiždění jiných než travnatých povrchů a při přepravě sekačky na a z prostoru, kde se má sekat tráva.

**⚠ VAROVÁNÍ:** Při zapínání motoru sekačku nenaklánějte, s výjimkou případů, kdy je nutné sekačku naklonit pro spuštění. V takovém případě jej nenaklánějte více, než je nezbytně nutné, a zdvihněte pouze jednu část, která je vzdálenější od obsluhy.

Před použitím vždy vizuálně zkontrolujte, zda není nůž a šroub nože opotřebený nebo poškozený. Opotřebené nebo poškozené nože a šrouby vyměňujte spolu z důvodu zachování rovnováhy.

### Zkontrolujte, zda se žací čepel nezablokovala.

- Abyste zabránili zablokování, udržujte žací nůž a šasi v čistotě. Před každým použitím a po něm odstraňte posekanou trávu, listí, nečistoty a další nahromaděné zbytky.

- Když dojde k zablokování, zastavte sekačku a vyjměte akumulátor(y), odstraňte nános trávy a listí z hnacího hřídele, z jeho okolí a z rotoru motoru. Sekačku otřete čistým a vlhkým hadrem.

**⚠ UPOZORNĚNÍ:** Nepokoušejte se přemostit funkci tlačítka napájení a spouště otáčení nože.

**POZNÁMKA:** Motor nelze nastartovat, pokud není rukojeť zajištěna v jedné ze tří pracovních poloh.

### Nastartování sekačky (obr. M1 a M2)

1. Připevněte akumulátor(y) k sekačce a zavřete kryt prostoru pro akumulátory.
2. Stisknutím tlačítka napájení rozsvítíte palubní desku a rozsvítí se indikátor stavu sekačky spolu s ukazatelem rychlosti nože 1.
3. Stisknutím tlačítka režimu rychlosti nože vyberte

požadovanou rychlost.

4. Stiskněte a podržte tlačítko napájení.
5. Se stisknutým tlačítkem napájení zatáhněte za spoušť otáčení nože tak, aby se přiblížila k rukojeti, a uvolněte tlačítko napájení.

### Zastavení sekačky (obr. M3)

1. Uvolněte úplně spoušť otáčení nože.
2. Elektrická brzda v automatickém brzdovém mechanismu zastaví rotaci nože během 3 sekund od uvolnění spouště otáčení nože.

### SYSTÉM POJEZDU S VARIABILNÍ RYCHLOSTÍ (OBR. N)

Sekačka je vybavena funkcí pojezdu s variabilní rychlostí. Tento pojezdový systém je nezávislý na otáčení nože.

**POZNÁMKA:** Pojezdový systém nelze spustit, pokud není rukojeť zajištěna v jedné ze tří pracovních poloh.

### Ovládání pojezdového systému bez otáčení nože

1. Stisknutím tlačítka napájení rozsvítíte palubní desku.
2. Mírně otočte knoflíkem regulace rychlosti pojezdu směrem dopředu, dokud neuslyšíte cvaknutí, a poté zatáhněte za spoušť pojezdu tak, aby se přiblížila k rukojeti a spustila se funkce pojezdu.

**Pokud chcete pojezd zastavit,** uvolněte spoušť pojezdu.

### LED SVĚTLOMETY (OBR. P)

**Chcete-li zapnout světlomety,** stiskněte tlačítko světlomety. Světlomety poskytují jasné světlo před sekačkou.

**Chcete-li světlomety vypnout,** stiskněte tlačítko znovu.

### INDIKÁTOR STAVU SEKAČKY

Indikátor stavu sekačky na palubní desce zobrazuje provozní stav sekačky.

Indikátor	Popis	Význam	Kroky
	Svítilí zelená	Sekačka funguje správně.	Nevyžaduje se.
	Blikající zelená	Rukojeť není zajištěna v pracovní poloze.	Vypněte sekačku a ujistěte se, že je rukojeť zajištěna v jedné z pracovních poloh.
	Blikající červeně	Nízká úroveň nabití akumulátoru.	Zastavte sekačku a nabijte akumulátor(y).
	Plně oranžová	Sekačka je přehřátá.	Uvolněte spoušť otáčení nože a počkejte, až teplota sekačky klesne pod 80°C. Viz níže „ <b>OCHRANA SEKAČKY PŘED PŘEHŘÁTÍM</b> “.
	Blikající oranžová	Sekačka je přetížená.	<ol style="list-style-type: none"> <li>1. Nejprve vyjměte akumulátor(y), pak zkontrolujte a případně odstraňte trávu, která se nahromadila pod šasi. V případě potřeby vyčistěte.</li> <li>2. Zpomalte krok při sekání.</li> <li>3. Nastavte větší výšku sekání.</li> <li>4. Pokud výše uvedená řešení nepomáhají, obraťte se na servisní středisko EGO.</li> </ol> <p>Viz níže „<b>OCHRANA SEKAČKY PROTI PŘETÍŽENÍ</b>“.</p>
	Bliká střídavě červeně a zeleně	Chyba elektroniky sekačky.	Obraťte se na servisní středisko EGO.

#### OCHRANA SEKAČKY PŘED PŘEHŘÁTÍM

Pokud teplota stroje během provozu překročí 90°C, obvod teplotní ochrany stroj okamžitě vypne, aby nedošlo k poškození přehřátím.

Indikátor stavu sekačky bude svítit oranžově. Uvolněte spoušť otáčení nože a počkejte, až přehřátá sekačka vychladne a indikátor stavu se rozsvítí zeleně, poté sekačku znovu nastartujte.

#### OCHRANA SEKAČKY PROTI PŘETÍŽENÍ

Aby nedošlo k přetížení, nepokoušejte se sekat příliš velké množství trávy najednou. Zpomalte krok nebo zvyšte výšku řezu.

Vaše sekačka je vybavena vestavěnou ochranou proti přetížení. Pokud dojde k přetížení sekačky, motor se zastaví a kontrolka stavu sekačky začne blikat oranžově.

## ÚDRŽBA

**⚠ VAROVÁNÍ:** Abyste zamezili vážnému zranění osob, vždy před čištěním, prováděním jakékoli údržby nebo před přepravou sekačky vypněte sekačku, vyjměte akumulátor(y) a ujistěte se, že všechny pohyblivé části zcela zastavily.

**⚠ VAROVÁNÍ:** Zastavte stroj a vyjměte akumulátory, abyste se ujistili, že se všechny pohyblivé části po nárazu do cizího předmětu zcela zastavily, a abyste před opětovným spuštěním a provozem stroje zkontrolovali, zda není poškozen, a provedli opravy.

**⚠ VAROVÁNÍ:** Pokud stroj začne abnormálně vibrovat, zastavte stroj a vyjměte akumulátory, abyste se ujistili, že se všechny pohyblivé části zcela zastavily, a poté ihned zkontrolujte, zda stroj není poškozen, vyměňte nebo opravte poškozené díly a zkontrolujte a utáhněte všechny uvolněné díly.

**⚠ VAROVÁNÍ:** Při opravách používejte pouze originální náhradní díly. Použití jiných dílů může představovat riziko nebo může způsobit poškození výrobku. Z důvodu zajištění bezpečnosti a spolehlivosti musí všechny opravy provádět kvalifikovaný servisní technik.

### ČIŠTĚNÍ SEKAČKY

Spodní část šasi sekačky čistěte po každém použití, jelikož dochází k hromadění posekané trávy, listí, hlíny a dalších nečistot.

Odstraňte nános trávy a listí z hnacího hřídele, z jeho okolí a z rotoru motoru. Sekačku otřete čistým a vlhkým hadrem.

### Čištění přívodu vzduchu (obr. C)

1. Sejměte krycí sítku přívodu vzduchu odstraněním čtyř šroubů.
2. Vyčistěte vnitřek přívodu vzduchu a kryt sítě stlačeným vzduchem.

### VÝMĚNA ČEPELE (OBR. R1, R2, R3)

**⚠ VAROVÁNÍ:** Vždy vyjměte akumulátor(y) a vak na trávu.

**⚠ VAROVÁNÍ:** Vždy noste ochranné rukavice.

**POZNÁMKA:** Před instalací nože důkladně vyčistěte oblast hnacího hřídele a spodní stranu stroje.

1. Otočte sekačku vzhůru nohama.
2. Sejměte/nainstalujte žací nůž pomocí momentového klíče a dvou kovových tyčí podle vyobrazení.
3. Potištěnou stranou čepele směrem ven.

### USKLADNĚNÍ SEKAČKY (OBR. S1 a S2)

1. Vyjměte akumulátor(y) ze sekačky.
2. Vyprázdněte vak na trávu a vyčistěte sekačku.
3. Chcete-li ušetřit místo, složte rukojeť a uložte výrobek podle vyobrazení.

**POZNÁMKA:** Ujistěte se, že kabel rukojeti se při skládání/rozkládání rukojeti výrobku nezachytil (rukojeť nepouštějte).

4. Při uskladnění nepokládejte na sekačku jiné předměty.

**⚠ VAROVÁNÍ:** Pokud se sekačka převrhne ze svislé polohy, může dojít k jejímu poškození nebo úrazu. Pokud je sekačka ve svislé poloze, udržujte její stabilitu a skladujte ji mimo dosah dětí. Pokud je to možné, skladujte ji ve vodorovné poloze.

### OCHRANA ŽIVOTNÍHO PROSTŘEDÍ



Nevyhazujte elektrické spotřebiče jako netříděný komunální odpad, použijte oddělené sběrné zařízení.

Informace o dostupných systémech sběru odpadu získáte u místních orgánů.

Pokud se elektrická zařízení likvidují na zavážkách nebo skládkách, mohou do podzemní vody proniknout nebezpečné látky, dostat se do potravního řetězce a poškodit tak vaše zdraví a zdravotní stav.

## ODSTRAŇOVÁNÍ ZÁVAD

PROBLÉM	PŘÍČINA	ŘEŠENÍ
Sekačku nebo funkci pojezdu se nepodaří spustit.	<ul style="list-style-type: none"> <li>■ Akumulátor(y) je/Jsou vybitý/é.</li> </ul>	<ul style="list-style-type: none"> <li>■ Nabijte akumulátor.</li> </ul>
	<ul style="list-style-type: none"> <li>■ Akumulátor(y) není/hejsou správně nainstalován(y) v prostoru pro akumulátor.</li> </ul>	<ul style="list-style-type: none"> <li>■ Zasuňte akumulátor(y) do prostoru pro akumulátor, dokud neuslyšíte „cvaknutí“.</li> </ul>
	<ul style="list-style-type: none"> <li>■ Rukojeť není zajištěna v pracovní poloze a indikátor stavu sekačky bliká zeleně.</li> </ul>	<ul style="list-style-type: none"> <li>■ Vypněte sekačku a ujistěte se, že je rukojeť zajištěna v jedné z pracovních poloh.</li> </ul>
	<ul style="list-style-type: none"> <li>■ Šasi sekačky je zanesené trávou a nečistotami.</li> </ul>	<ul style="list-style-type: none"> <li>■ Vyčistěte šasi sekačky a zkontrolujte, zda se může nůž volně otáčet.</li> </ul>
Sekačka řeže nerovnoměrně.	<ul style="list-style-type: none"> <li>■ Nůž je tupý.</li> </ul>	<ul style="list-style-type: none"> <li>■ Nabruste nebo vyměňte nůž.</li> </ul>
	<ul style="list-style-type: none"> <li>■ Výška sekání není správně nastavená.</li> </ul>	<ul style="list-style-type: none"> <li>■ Posuňte výšku šasi do vyššího nastavení.</li> </ul>
	<ul style="list-style-type: none"> <li>■ Čepel je nesprávně nainstalována.</li> </ul>	<ul style="list-style-type: none"> <li>■ Nůž znovu nainstalujte podle pokynů v části „VÝMĚNA NOŽE“ v tomto návodu.</li> </ul>
	<ul style="list-style-type: none"> <li>■ Režim rychlosti nože není správně nastaven.</li> </ul>	<ul style="list-style-type: none"> <li>■ Vyberte správný režim rychlosti nože.</li> </ul>
Sekačka špatně mulčuje.	<ul style="list-style-type: none"> <li>■ Na spodní straně šasi se usazuje posekaná tráva.</li> </ul>	<ul style="list-style-type: none"> <li>■ Počkejte, až tráva před sekáním uschne.</li> </ul>
	<ul style="list-style-type: none"> <li>■ Sekačka je nastavená tak, aby sekala příliš velké množství trávy najednou.</li> </ul>	<ul style="list-style-type: none"> <li>■ Nastavte šasi na větší výšku sekání.</li> </ul>
	<ul style="list-style-type: none"> <li>■ Režim rychlosti nože není správně nastaven.</li> </ul>	<ul style="list-style-type: none"> <li>■ Vyberte režim 1 nebo režim rychlosti kotouče ECO.</li> </ul>

CZ

Sekačka se při sečení nečekaně zastaví.	<ul style="list-style-type: none"> <li>■ Akumulátor(y) je/Jsou vybitý/é.</li> </ul>	<ul style="list-style-type: none"> <li>■ Nabijte akumulátor.</li> </ul>
	<ul style="list-style-type: none"> <li>■ Sekačka je přetížená a indikátor stavu sekačky bliká oranžově.</li> </ul>	<ul style="list-style-type: none"> <li>■ Zkontrolujte, zda se pod šasi nenahromadila tráva a v případě potřeby ji očistěte. Nastavte větší výšku sekání nebo zpomalte sekání.</li> </ul>
	<ul style="list-style-type: none"> <li>■ Šasi sekačky je zanesené trávou a nečistotami.</li> </ul>	<ul style="list-style-type: none"> <li>■ Vyčistěte šasi sekačky. Nastavte větší výšku sekání anebo sekejte užší pás.</li> </ul>
	<ul style="list-style-type: none"> <li>■ Napájecí sada (akumulátory) nebo obvody sekačky jsou příliš horké. Pokud je akumulátor přehřátý, indikátor stavu sekačky zhasne. Pokud je sekačka přehřátá, indikátor stavu sekačky svítí oranžově.</li> </ul>	<ul style="list-style-type: none"> <li>■ Nechte akumulátor(y) nebo sekačku vychladnout.</li> <li>■ Vyčistěte přívod vzduchu podle části „Čištění přívodu vzduchu“.</li> </ul>
	<ul style="list-style-type: none"> <li>■ Režim rychlosti nože není správně nastaven.</li> </ul>	<ul style="list-style-type: none"> <li>■ Zvolte nižší nastavení rychlosti nože.</li> </ul>
	<ul style="list-style-type: none"> <li>■ Chyba elektroniky sekačky a indikátor stavu sekačky střídavě bliká červeně/zeleně.</li> </ul>	<ul style="list-style-type: none"> <li>■ Obratě se na servisní středisko EGO.</li> </ul>
Sekačka vydává nadměrné vibrace.	<ul style="list-style-type: none"> <li>■ Žací nůž je uvolněný.</li> </ul>	<ul style="list-style-type: none"> <li>■ Dotáhněte šroub nože.</li> </ul>
	<ul style="list-style-type: none"> <li>■ Žací nůž je nevyvážený.</li> </ul>	<ul style="list-style-type: none"> <li>■ Obratě se na servisní středisko EGO.</li> </ul>
	<ul style="list-style-type: none"> <li>■ Žací nůž je ohnutý.</li> </ul>	<ul style="list-style-type: none"> <li>■ Vyměňte nůž.</li> </ul>
	<ul style="list-style-type: none"> <li>■ Hřídel motoru je ohnutý.</li> </ul>	<ul style="list-style-type: none"> <li>■ Obratě se na servisní středisko EGO.</li> </ul>
	<ul style="list-style-type: none"> <li>■ Sekačka je nastavená tak, aby sekala příliš velké množství trávy najednou.</li> </ul>	<ul style="list-style-type: none"> <li>■ Nastavte šasi na větší výšku sekání.</li> </ul>
	<ul style="list-style-type: none"> <li>■ Režim rychlosti nože není správně nastaven.</li> </ul>	<ul style="list-style-type: none"> <li>■ Nastavte rychlost nože na nižší nastavení.</li> </ul>
Motor funguje, ale čepel neseká trávu.	<ul style="list-style-type: none"> <li>■ Nůž není utažen požadovaným momentem.</li> </ul>	<ul style="list-style-type: none"> <li>■ Znovu utáhněte čepel. Doporučený krouticí moment pro šroub nože je 50–60 Nm.</li> </ul>

CZ

## ZÁRUKA

### ZÁRUČNÍ PODMÍNKY SPOLEČNOSTI EGO

Úplné záruční podmínky společnosti EGO naleznete na webových stránkách [egopowerplus.eu](http://egopowerplus.eu).



## PREČÍTAJTE SI VŠETKY POKYNY!

**Zamýšľané použitie:** Výrobok je určený na ručné kosenie trávniká:

- Používajte len na kosenie suchej trávy. Nekoste mokrá trávu.
- Zariadenie nepoužívajte na iné účely.

**! VAROVANIE:** Pred použitím tohto stroja si nezapadnite prečítať všetky bezpečnostné pokyny v tomto návode na obsluhu, vrátane všetkých bezpečnostných výstražných symbolov, ako sú „**NEBEZPEČENSTVO**“, „**VAROVANIE**“ a „**UPOZORNENIE**“. Nedodržanie nižšie uvedených pokynov môže mať za následok úraz elektrickým prúdom, požiar a/alebo vážne zranenie.

## BEZPEČNOSTNÉ SYMBOLY



Bezpečnostné upozornenie



Pri práci s týmto výrobkom vždy nosite ochranu sluchu, ochranné okuliare alebo ochranné okuliare s postrannými krytmi a celotvárový štít.



Pozor na vymrštené predmety. Nedovoľte ľuďom stáť v blízkosti.



Dodržujte bezpečnú vzdialenosť rúk



Garantovaná hladina akustického výkonu.



Tento výrobok je v súlade s platnou legislatívou Spojeného kráľovstva.



Bluetooth®

IPX5

Ochrana pred prúdom vody

mm

Milimeter



Jednosmerný prúd



Ak chcete znížiť riziko zranenia, používateľ musí pred použitím tohto výrobku prečítať a pochopiť návod na obsluhu.



Pred zmenou nastavení alebo čistením stroja ho vypnite a odstráňte odnímateľný akumulátor (alebo blokovacie zariadenie).



Ruky a nohy držte ďalej od čepeli



Nepozerajte sa do prevádzkového svetla.



Tento výrobok je v súlade s platnými smernicami ES.



Odpadové elektrické výrobky sa nesmú likvidovať spolu s domovým odpadom. Odovzdajte do autorizovaného recyklačného strediska.

V Volt

cm Centimeter

kg Kilogram

SK

**POZNÁMKA:** Slovná značka a logá Bluetooth® sú registrované ochranné známky, ktoré vlastní spoločnosť Bluetooth SIG, inc., a akékoľvek použitie týchto značiek spoločnosťou EGO je na základe licencie.

## TECHNICKÉ ÚDAJE

Napätie	56 V	
Režim rýchlosti čepele	2	
	1	
	ECO	
Polohy výšky kosenia	8	
Nastavenie výšky rezu	20 mm/31 mm/40 mm/ 51 mm/ 64 mm/78 mm/ 92 mm/105 mm	
Rezná šírka	53 cm	
Objem zberného vaku	85 L	
Hmotnosť kosačky (bez akumulátora a zberného vaku)	46 kg	
Model čepele	AB5301	
Odporúčaná prevádzková teplota	0°C–40°C	
Odporúčaná skladovacia teplota	-20°C–70°C	
Nameraná hladina akustického výkonu $L_{WA}$	94 dB(A) K=0.6 dB(A)	
Hladina akustického tlaku na uši obsluhy $L_{PA}$	83 dB(A) K= 3 dB(A)	
Garantovaná hladina akustického výkonu $L_{WA}$ (merané podľa 2000/14/ES)	95 dB(A)	
Ohodnotenie vibrácií $a_v$ :	Lavá rukoväť	0.39 m/s <sup>2</sup> K=1.5 m/s <sup>2</sup>
	Pravá rukoväť	0.33 m/s <sup>2</sup> K=1.5 m/s <sup>2</sup>

- Deklarovaná celková hodnota vibrácií bola meraná v súlade so štandardnou skúšobnou metódou a môže sa použiť na vzájomné porovnanie jednotlivých strojov.
- Uvádzaná celková hodnota vibrácie sa môže použiť aj na predbežný odhad expozície.

**POZNÁMKA:** Emisia vibrácií pri skutočnom používaní stroja sa môže odlišovať od deklarovanej hodnoty, pri akej sa stroj používa; za účelom ochrany obsluhy má používateľ v skutočných podmienkach použitia nosiť rukavice a ochranu sluchu.

## OBSAH BALENIA (OBR. A1 A A2)

NÁZOV DIELU	MNOŽSTVO
Kosačka na trávnu	1
Zberný vak	1
Konštrukcia zberného vaku	1
Krídlová skrutka (namontovaná v kosačke z výroby)	2
Návod na obsluhu	1

## POPIS

### ZOZNÁMTE SA S VAŠOU KOSAČKOU (obr. A1 a A2)

1. Samohybný spúšťač
  2. Rukoväť
  3. Spúšťač otáčania čepele
  4. Zadné dvierka výsypky
  5. Uzamykacia skrutka
  6. Kryt priestoru pre batérie
  7. LED svetlomety
  8. Stredný nárazník (zdvíhacia rukoväť)
  9. Predný nárazník
  10. Páka nastavenia prednej výšky kosenia
  11. Predné koleso
  12. Spodná strana kosačky
  13. Bočný štít
  14. Prívod vzduchu
  15. Zadné koleso
  16. Páka nastavenia zadnej výšky kosenia
  17. Krídlová skrutka
  18. Montážna doska rukoväte
  19. Držiak
  20. Zberný vak
  21. Tieniaci štít
  - 22\*. Mulčovacia vložka
  - 23\*. Bočná výsypka
  24. Bluetooth® kontrolka
  25. Prístrojová doska
  26. Indikátor stavu kosačky
  27. Indikátor rýchlosti čepele
  28. Tlačidlo režimu rýchlosti čepele
  29. Hlavný vypínač
  30. Tlačidlo LED svetlomietov (tlačidlo Bluetooth®)
  31. Gombík regulácie rýchlosti samohybného pohonu
- \* PREDÁVA SA SAMOSTATNE

## MONTÁŽ

**VAROVANIE:** Ak akýkoľvek diel chýba, alebo je poškodený, nepoužívajte tento výrobok, kým nie sú vymenené diely. Ak používate tento výrobok s poškodenými alebo chýbajúcimi časťami, môže dôjsť k vážnemu zraneniu.

**VAROVANIE:** Pri montáži dielov vždy vyberte akumulátor zo stroja, aby ste zabránili náhodnému spusteniu, ktoré by mohlo spôsobiť vážne zranenia.

**VAROVANIE:** Nepokúšajte sa upravovať tento výrobok alebo vytvoriť príslušenstvo, ktoré nie je odporúčané na použitie s touto kosačkou. Každá takáto zmena alebo úprava je zneužitím a môže viesť k nebezpečnému stavu spôsobujúcemu vážne poranenie.

### ROZBALENIE

Tento výrobok vyžaduje montáž.

- Vyberte všetko príslušenstvo z kartónu.

**UPOZORNENIE:** Ťažký predmet. Na zdvihnutie kosačky sú potrebné dve osoby.

- Jedna osoba musí uchopiť stredný nárazník/zdvíhaciu rukoväť a druhá osoba musí uchopiť dve krídlové skrutky. Následne opatrne zdvihnú kosačku z kartónu.

### INŠTALÁCIA RUKOVÄTE

Kosačka sa dodáva s čiastočne zmontovanou rukoväťou.

**VAROVANIE:** Kosačku sa nepokúšajte spustiť, kým nie je riadne a bezpečne nainštalovaná a rozložená rukoväť. Dbajte na opatnosť, aby ste sa vyhli pritlačeniu prstov a kábla medzi dielmi.

1. Odskrutkujte a odložte obidve krídlové skrutky.
2. Rukoväť posúvajte dopredu, kým blokovacie ozubené koleso na zostave rukoväte nebude smerovať k ozubenému kolesu na kosačke (obr. B1).
3. Zarovnajete značky na blokovacom zariadení a montážnej doske rukoväte, ako je znázornené na obr. B2, potom vložte a prstami utiahnite dve krídlové skrutky.

### ROZLOŽENIE A NASTAVENIE RUKOVÄTE (OBR. C)

**VAROVANIE:** Dbajte na to, aby ste kábel pri skladaní alebo rozkladaní rukoväte nestlačili, neprehýbali a nezaťažovali. Poškodenie kábla by mohlo mať vplyv na aktiváciu a prevádzku kosačky a viesť k nebezpečnému prevádzkovému stavu.

**VAROVANIE:** Nepokúšajte sa zapnúť kosačku,

kým nebude rukoväť zablokovaná v jednej z troch prednastavených prevádzkových polôh (hornej prevádzkovej polohy 3, strednej prevádzkovej polohy 2 alebo dolnej prevádzkovej polohy 1).

1. Uvoľnite krídlové skrutky na oboch stranách, uistite sa, že sú obe ozubené kolesá úplne uvoľnené, ale NIE oddelené.
2. Otáčajte rukoväťou smerom nahor, kým sa značka šípky na blokovacom zariadení nezohoduje s jednou z troch pracovných polôh na montážnej doske rukoväte.
3. Uťahnite dve skrutky, pričom sa uistite, že sú obe kolieska úplne zaaretované a rukoväť je bezpečne upevnená.

C-1	Dolná prevádzková poloha 1
C-2	Stredná prevádzková poloha 2
C-3	Horná prevádzková poloha 3

### SKLOPENIE RUKOVÄTE (OBR. D)

**VAROVANIE:** Dbajte na to, aby ste kábel pri skladaní alebo rozkladaní rukoväte nestlačili, neprehýbali a nezaťažovali. Poškodenie kábla by mohlo mať vplyv na aktiváciu a prevádzku kosačky a viesť k nebezpečnému prevádzkovému stavu.

1. Uvoľnite krídlové skrutky na oboch stranách, pričom sa uistite, že sú obe ozubené kolesá úplne uvoľnené, ale NIE oddelené.
2. Otáčajte rukoväťou smerom nadol, kým sa rukoväť neusadí do úložnej polohy.
3. Zarovnajete značku šípky na blokovacom zariadení so značkou úložnej polohy na montážnej doske rukoväte.
4. Uťahnite dve krídlové skrutky. Skontrolujte, či sú obidve ozubené kolieska úplne zaaretované a či je rukoväť bezpečne upevnená.

D-1	Skladovacia poloha
-----	--------------------

### MONTÁŽ VAKU NA TRÁVU (OBR. E1, E2, E3)

Pred zostavením skontrolujte, či nie je vak na trávu poškodený.

Vak na trávu zostavte podľa obrázka.

### NASADENIE/ODSTRÁNENIE MULČOVACEJ VLOŽKY (PREDÁVA SA SAMOSTATNE)

Vložte mulčovaciu vložku do kosačky podľa obr. F.

**NEBEZPEČENSTVO:** Stroj môže vyhadzovať pokosenú trávu a iné predmety cez otvor v kryte stroja. Predmety vrhané s dostatočnou silou môžu spôsobiť vážne zranenie alebo smrť vám alebo okolostojacim osobám.

SK

**Kosačku nikdy nepoužívajte bez správne nainštalovanej mulčovacej vložky, vaku na trávnu alebo bočného vyhadzovacieho žľabu.**

**VAROVANIE:** Pri inštalácii vaku na trávnu alebo žľabu na bočné vyhadzovanie sa musí mulčovacia vložka vybrať. Mulčovacia vložka sa musí po vybratí vaku na trávnu (alebo bočného vyhadzovacieho žľabu) znovu nainštalovať.

## PRIPOJENIE/ODPOJENIE VAKU NA TRÁVNU

Vak na trávnu nainštalujte do kosačky tak, ako je znázornené na obrázku G.

**VAROVANIE:** Pri bežnom používaní podlieha vak na trávnu opotrebovaniu. Vak na trávnu často kontrolujte a vymeňte ho v prípade, že objavíte známky opotrebovania alebo poškodenia, čím znížite riziko poranenia. Používajte iba vsaky na trávnu vyrobené pre tento typ kosačky.

**VAROVANIE:** Aby bolo možné nainštalovať a používať žľab na bočné vyhadzovanie alebo mulčovaciu vložku, je potrebné zložiť vak na trávnu.

## NASADENIE/ODSTRÁNENIE ŽĽABU NA BOČNÉ VYHADZOVANIE (PREDÁVA SA SAMOSTATNE)

Nainštalujte žľab na bočné vyhadzovanie do kosačky podľa obr. H.

**VAROVANIE:** Na inštaláciu a používanie vaku na trávnu alebo mulčovacej vložky je potrebné odstrániť žľab na bočné vyhadzovanie.

## NASTAVENIE VÝŠKY KOSENIA (OBR. J1 a J2)

**VAROVANIE:** Dbajte na to, aby boli vaše nohy v bezpečnej vzdialenosti od spodnej strany kosačky pri nastavovaní jej výšky.

Kosačku je možné nastaviť do 8 výšok kosenia. 20 mm a 105 mm. Označenie označuje zvolenú výšku rezu.

Táto kosačka umožňuje individuálne nastavenie výšky kosenia prednej a zadnej časti kosačky. Vyberte si správnu výšku kosenia podľa typu a stavu trávy.

1. Vypnite kosačku a počkajte, kým sa žací nôž úplne zastaví.
2. Vyberte akumulátory.
3. Vytiahnite páčku nastavenia výšky kosenia vpred alebo vzadu zo západky a nastavte ju do požadovanej polohy.

## PRIPOJENIE/ODPOJENIE AKUMULÁTORA (OBR. K)

**POZNÁMKA:** Pred prvým použitím akumulátor úplne nabite.

Používajte iba s akumulátormi a nabíjačkami, ktoré sú uvedené na obr. A3.

**POZNÁMKA:** Kosačka má dva aktívne porty batérie. Môže fungovať na jednu alebo dve batérie.

### ■ Pripojenie

1. Zatlačte akumulátor do priestoru pre akumulátor, až kým nebudete počuť „kliknutie“.
2. Opakujte postup pri zakladaní druhého akumulátora.

### ■ Odpojenie

Stlačte tlačidlo na uvoľnenie akumulátora z priestoru pre akumulátor.

**POZNÁMKA:** Pred použitím sa uistite, že západka na kosačke zapadla na svoje miesto a že akumulátor je pripevnený ku kosačke.

## VÝBER RÝCHLOSTI OTÁČOK ČEPELE (OBR. L)

- Režim 2 je režim vysokých otáčok žacej čepele spojený s vysokým zdvihovým výkonom na zlepšenie sacej sily a rezného výkonu.
- Režim 1 predstavuje najlepšiu rovnováhu medzi výkonom a prevádzkovou dobou.
- Režim ECO zabezpečuje najnižšiu hladinu hluku a najdlhší čas prevádzky z batérií.

**POZNÁMKA:** Predvolený režim rýchlosti lopatiek je režim 1.

## KOMUNIKAČNÁ TECHNOLOGIA

Ak chcete získať informácie alebo sa oboznámiť s celou škálou pripojených výrobkov a služieb vrátane pokynov na pripojenie, naskenujte QR kód nižšie alebo navštívte stránku [www.egopowerplus.eu/connect](http://www.egopowerplus.eu/connect).



## OBSLUHA

Výrobok sa môže používať v daždi.

### SPUSTENIE/ZASTAVENIE KOSAČKY

**VAROVANIE:** Používanie akejkoľvek kosačky môže spôsobiť vymrštenie cudzích predmetov do očí, čo môže mať za následok vážne poškodenie zraku. Počas prevádzky, nastavovania alebo opravy kosačky vždy používajte ochranné okuliare.

**VAROVANIE:** Nôž sa bude ešte naďalej točiť počas niekoľkých sekúnd aj po vypnutí kosačky. Pred opätovným spustením nechajte motor/nôž úplne zastaviť. Nezapínajte a nevypínajte kosačku v rýchlom slede za sebou.

**VAROVANIE:** Zastavte čepeľ, ak chcete kosačku nakloniť kvôli preprave pri prechádzaní iných povrchov než trávy a pri preprave kosačky z a do oblastí, ktorá sa má kosiť.

**VAROVANIE:** Pri štartovaní zapínania motora kosačku nenakláňajte, okrem prípadu, keď sa musí kosačka na spustenie nakloniť. V tom prípade ho nenakláňajte viac, než je nevyhnutné a zodvihnite iba časť, ktorá je ďalej od používateľa.

Pred použitím vždy vizuálne skontrolujte, či čepeľ a skrutka čepele nie sú opotrebované alebo poškodené. Vymeňte opotrebované alebo poškodené čepele a skrutky naraz, aby ste zachovali rovnováhu.

### Skontrolujte, či nie je zablokovaná čepeľ

- Aby ste predišli zablokovaniu, udržiajte záciu čepeľ a kosačku čisté. Pred a po každom použití odstráňte pokosenú trávu, lístie, špinu a akékoľvek iné nahromadené nečistoty.

- Keď dôjde k zablokovaniu, zastavte kosačku a vyberte akumulátory, potom odstráňte nahromadenú trávu a lístie na hriadeľ a ventilátore motora alebo okolo nich. Poutierajte kosačku dočista vlhkou handričkou.

**UPOZORNENIE:** Nepokúšajte sa obchádzať činnosť tlačidla napájania a spúšťača otáčania žacieho noža.

**POZNÁMKA:** Motor nie je možné spustiť, pokiaľ nebude rukoväť zablokovaná v jednej z troch prevádzkových polôh.

### Spustenie kosačky (Obr. M1 a M2)

1. Pripojte akumulátor (akumulátory) do kosačky a zatvorte kryt batérie.
2. Stlačením tlačidla napájania rozsvietite prístrojovú dosku. Rozsvieti sa indikátor stavu kosačky spolu s

indikátorom rýchlosti žacieho noža 1.

3. Stlačením tlačidla režimu otáčok noža vyberte požadovanú rýchlosť.
4. Stlačte a podržte tlačidlo napájania.
5. So stlačeným tlačidlom napájania potiahnite spúšť otáčania žacieho noža tak, aby sa stretol s rukoväťou, a uvoľníte tlačidlo napájania.

### Zastavenie kosačky (obr. M3)

1. Úplne uvoľníte spínač otáčania žacieho noža.
2. Elektrická brzda automatického brzdneho mechanizmu zastaví otáčanie žacieho noža do 3 sekúnd po uvoľnení pákového prepínača.

### SAMOHYBNÝ SYSTÉM S PREMENLIVOU RÝCHLOSŤOU (OBR. N)

Kosačka je vybavená samohybným pohonom s premenlivou rýchlosťou. Tento samohybný systém je nezávislý od otáčania lopatiek.

**POZNÁMKA:** Samohybný systém nie je možné spustiť, pokiaľ nie je rukoväť zablokovaná v jednej z troch prevádzkových polôh.

### Ovládanie samohybného systému bez otáčania lopatiek

1. Stlačením tlačidla napájania rozsvietite prístrojovú dosku.
2. Mierny otáčajte gombíkom regulácie rýchlosti samočinného pohonu dopredu, kým sa neozve cvaknutie. Potom potiahnite spúšťač samočinného pohonu tak, aby sa spojil s rukoväťou, čím sa spustí funkcia samočinného pohonu.

**Na vypnutie spúšťač** samohybného pohybu uvoľníte.

### LED SVETLOMETY (OBR. P)

**Na zapnutie svetiel** stlačte ich tlačidlo. Vďaka svetlometom dochádza k jasnému osvetleniu oblasti pred kosačkou.

**Na ich vypnutie** znova stlačte tlačidlo.

### INDIKÁTOR STAVU KOSAČKY

Indikátor stavu kosačky na prístrojovej doske zobrazuje pracovný stav kosačky.

SK

Indikátor	Popis	Význam	Akcia
	Svietiaca zelená	Kosačka pracuje správne.	Nevyžaduje sa.
	Bliká zelená	Rukoväť nie je upevnená do prevádzkovej polohy.	Zastavte kosačku a skontrolujte, či je rukoväť zaistená v jednej z prevádzkových polôh.
	Bliká červená	Nízka úroveň nabitia akumulátora.	Zastavte kosačku a nabite akumulátor (akumulátory).
	Svieti oranžová	Kosačka je prehriata.	Uvoľnite spúšťač otáčania žacieho noža a počkajte, kým teplota kosačky neklesne pod 80 °C. Prečítajte si časť „ <b>OCHRANA KOSAČKY PRED PREHRIATÍM</b> “.
	Bliká oranžová	Kosačka je preťažená.	<ol style="list-style-type: none"> <li>1. Vyberte akumulátor(y) a potom skontrolujte, či sa pod plošinou nenahromadila tráva. V prípade potreby vyčistite.</li> <li>2. Spomalte krok pri kosení.</li> <li>3. Zvýšte výšku kosenia.</li> <li>4. Ak uvedené riešenia nefungujú, obráťte sa na servisné stredisko EGO.</li> </ol> Prečítajte si časť „ <b>OCHRANA KOSAČKY PRED PREHRIATÍM</b> “.
	Striedavé blikanie červenej a zelenej	Chyba elektroniky kosačky.	Kontaktujte servisné stredisko EGO.

**SK**

#### OCHRANA KOSAČKY PRED PREHRIATÍM

Ak teplota stroja počas prevádzky prekročí 90 °C, obvod teplotnej ochrany okamžite vypne stroj pred poškodením spôsobeným prehriatím.

Indikátor stavu kosačky bude svietiť na oranžovo. Uvoľnite spúšťač otáčania žacieho noža a počkajte, kým sa prehriata kosačka neochladí a indikátor stavu sa nezmení na zelenú. Kosačku potom možno znova spustiť.

#### OCHRANA PROTI PREŤAŽENIU KOSAČKY

Aby nedošlo k poškodeniu v dôsledku preťaženia, snažte sa nekosiť príliš veľa trávy naraz. Spomalte krok alebo zvýšte výšku kosenia.

Kosačka má vstavanú ochranu proti preťaženiu obvodu. Keď je kosačka preťažaná, motor sa zastaví a kontrolka napájania na kosačke bude blikať oranžovo.

## ÚDRŽBA

**VAROVANIE:** Aby ste predišli vážnemu zraneniu osôb, kosačku vždy vypnite, vyberte akumulátor(-y) a uistite sa, že sa všetky pohyblivé časti úplne zastavili. pred čistením, vykonávaním akejkoľvek údržby alebo prepravou kosačky.

**VAROVANIE:** Zastavte stroj a vyberte akumulátor, aby ste sa uistili, že všetky pohyblivé časti sa po náraze do cudzieho predmetu úplne zastavili, a aby ste pred opätovným spustením a prevádzkou stroja skontrolovali, či nie je poškodený, a vykonajte opravy.

**VAROVANIE:** Zastavte stroj a vyberte akumulátor, aby ste sa uistili, že sa všetky pohyblivé časti úplne zastavili, ak stroj začne abnormálne vibrovať. Následne okamžite skontrolujte, či nie je poškodený, vymeňte alebo opravte akékoľvek poškodené diely a skontrolujte a utiahnite všetky uvoľnené časti.

**VAROVANIE:** Pri údržbe používajte iba originálne náhradné diely. Použitie iných súčastí môže vyvolať nebezpečenstvo, alebo spôsobiť poškodenie výrobku. Pre zaistenie bezpečnosti a spoľahlivosti je nevyhnutné, aby všetky opravy vykonával len kvalifikovaný servisný technik.

### ČISTENIE KOSAČKY

Spodnú stranu konštrukcie kosačky je potrebné čistiť po každom použití, aby ste zabránili hromadeniu pokosenej trávy, lístia, hliny a iných nečistôt.

Odstráňte všetku nahromadenú trávu a listy na, prípadne okolo hnacieho hriadeľa a ventilátora motora. Poutierajte kosačku dočista vlhkou handričkou.

### Čistenie nasávania vzduchu (obr. Q)

1. Odstráňte kryt siete na prívod vzduchu odskrutkovaním štyroch skrutiek.
2. Stlačeným vzduchom vyčistite vnútornú stranu krytu prívodu vzduchu a siete.

### VÝMENA ŽACIEHO NOŽA (OBR. R1, R2, R3)

**VAROVANIE:** Pred čistením vždy vyberte akumulátor (akumulátory) a vak na trávu.

**VAROVANIE:** Vždy používajte ochranné rukavice.

**POZNÁMKA:** Pred inštaláciou žacieho noža dôkladne očistite oblasť hnacieho hriadeľa a spodnú časť stroja.

1. Otočte kosačku hore nohami.
2. Vyberte/namontujte žací nôž pomocou momentového kľúča a dvoch kovových tyčí podľa obrázka.

3. Potlačená strana žacieho noža smeruje von.

### USKLADNENIE KOSAČKY (OBR. S1 A S2)

1. Vyberte akumulátor (akumulátory) z kosačky.
2. Vyprázdnite vak na trávu a vyčistite kosačku.
3. V záujme šetrenia miesta sklopte produktovú rukoväť a uskladnite ho podľa znázornenia na obrázka.

**POZNÁMKA:** Dbajte na to, aby sa pri skladaní/rozkladaní rukoväte výrobku nezachytila jej kábel (rukoväť nepúšťajte).

4. Pri skladovaní kosačku nekladte na iné predmety.

**VAROVANIE:** Ak sa kosačka začne preklápať zo zvislej polohy, môže dôjsť k jej poškodeniu či zraneniu osôb. Dávajte pozor na to, aby bola kosačka stabilná a mimo dosahu detí, ak je vo zvislej polohe. Pokiaľ je možné, skladujte ju nalezato.

### OCHRANA ŽIVOTNÉHO PROSTREDIA



Nevyhadzujte elektrické spotrebiče ako netriedený komunálny odpad, použité oddelené zberné zariadenia.

Obráťte sa na vaše miestne zastupiteľstvo pre informácie týkajúce sa dostupných systémov triedeného zberu odpadu.

AK sú elektrické spotrebiče likvidované na neorganizovaných skládkach alebo smetiskách, môžu nebezpečné látky unikať do podzemných vôd, dostať sa do potravinového reťazca a poškodzovať zdravie.

**SK**

## ODSTRAŇOVANIE PORÚCH

PROBLÉM	PRÍČINA	RIEŠENIE
Kosačka alebo funkcia samohybného pohonu sa nespustí.	<ul style="list-style-type: none"> <li>■ Vybitý akumulátor (akumulátory).</li> </ul>	<ul style="list-style-type: none"> <li>■ Nabite akumulátor.</li> </ul>
	<ul style="list-style-type: none"> <li>■ Nesprávne založený akumulátor (akumulátory) do priestoru na akumulátory.</li> </ul>	<ul style="list-style-type: none"> <li>■ Zatlačte akumulátor (akumulátory) do priestoru na akumulátor, až kým nebudete počuť „kliknutie“.</li> </ul>
	<ul style="list-style-type: none"> <li>■ Rukoväť nie je zaistená v pracovnej polohe a indikátor stavu kosačky bliká na zeleno.</li> </ul>	<ul style="list-style-type: none"> <li>■ Zastavte kosačku a skontrolujte, či je rukoväť zaistená v jednej z prevádzkových polôh.</li> </ul>
	<ul style="list-style-type: none"> <li>■ Spodná strana kosačky je upchatá trávou a nečistotami.</li> </ul>	<ul style="list-style-type: none"> <li>■ Vyčistite spodnú stranu kosačky a uistite sa, že sa žací nôž voľne pohybuje.</li> </ul>
Kosačka kosi nerovnomerne.	<ul style="list-style-type: none"> <li>■ Nôž je tupý.</li> </ul>	<ul style="list-style-type: none"> <li>■ Naostrite alebo vymeňte nôž.</li> </ul>
	<ul style="list-style-type: none"> <li>■ Výška kosenia trávy nie je správne nastavená.</li> </ul>	<ul style="list-style-type: none"> <li>■ Nastavte výšku platformy na vyššiu hodnotu.</li> </ul>
	<ul style="list-style-type: none"> <li>■ Žací nôž nie je správne nainštalovaný.</li> </ul>	<ul style="list-style-type: none"> <li>■ Znovu nasadte žací nôž podľa časti „VÝMENA ŽACIEHO NOŽA“ tohto návodu.</li> </ul>
	<ul style="list-style-type: none"> <li>■ Režim otáčok žacieho noža nie je správne nastavený.</li> </ul>	<ul style="list-style-type: none"> <li>■ Zvoľte správny režim otáčok žacieho noža.</li> </ul>
Kosačka nemulčuje správne.	<ul style="list-style-type: none"> <li>■ Mokré odrezky trávy sú prilepené na spodnej strane žacieho ústrojenstva.</li> </ul>	<ul style="list-style-type: none"> <li>■ Pred kosením nechajte trávu vyschnúť.</li> </ul>
	<ul style="list-style-type: none"> <li>■ Kosačka je nastavená na kosenie príliš veľkého množstva trávy naraz.</li> </ul>	<ul style="list-style-type: none"> <li>■ Zdvihnite spodnú stranu pre nastavenie vyššej výšky kosenia.</li> </ul>
	<ul style="list-style-type: none"> <li>■ Režim otáčok žacieho noža nie je správne nastavený.</li> </ul>	<ul style="list-style-type: none"> <li>■ Zvoľte režim 1 alebo režim otáčok žacieho noža ECO.</li> </ul>

SK



Kosačka sa počas kosenia neočakávane zastaví.	<ul style="list-style-type: none"> <li>■ Vybitý akumulátor (akumulátory).</li> </ul>	<ul style="list-style-type: none"> <li>■ Nabite akumulátor.</li> </ul>
	<ul style="list-style-type: none"> <li>■ Kosačka je preťažená a indikátor stavu kosačky bliká na oranžovo.</li> </ul>	<ul style="list-style-type: none"> <li>■ Skontrolujte, či sa pod plošinou nenahromadila tráva, a v prípade potreby ju vyčistite. Zvýšte výšku kosenia alebo spomalte kosenie.</li> </ul>
	<ul style="list-style-type: none"> <li>■ Spodná strana kosačky je upchatá trávou a nečistotami.</li> </ul>	<ul style="list-style-type: none"> <li>■ Vyčistite spodnú stranu kosačky. Nastavte vyššiu výšku kosenia alebo koste úzky pás trávy.</li> </ul>
	<ul style="list-style-type: none"> <li>■ Obvody akumulátora (akumulátorov) alebo kosačky sú príliš horúce. Ak dôjde k prehriatiu akumulátora (akumulátorov), indikátor stavu kosačky zhasne. Po prehriati kosačky sa indikátor stavu kosačky rozsvieti na oranžovo.</li> </ul>	<ul style="list-style-type: none"> <li>■ Akumulátor (akumulátory) alebo kosačku nechajte vychladnúť.</li> </ul>
	<ul style="list-style-type: none"> <li>■ Režim otáčok žacieho noža nie je správne nastavený.</li> </ul>	<ul style="list-style-type: none"> <li>■ V súlade s pokynmi v časti „Čistenie nasávaním vzduchu“ vyčistite prívod vzduchu.</li> </ul>
	<ul style="list-style-type: none"> <li>■ Chyba elektroniky kosačky a indikátor stavu kosačky bliká striedavo červeno/zeleno.</li> </ul>	<ul style="list-style-type: none"> <li>■ Zvoľte nižšiu rýchlosť otáčok žacieho noža.</li> <li>■ Kontaktujte servisné stredisko EGO.</li> </ul>
Sú prítomné nadmerné vibrácie.	<ul style="list-style-type: none"> <li>■ Rezná čepeľ nôž je uvoľnená.</li> </ul>	<ul style="list-style-type: none"> <li>■ Uťahnite skrutku noža.</li> </ul>
	<ul style="list-style-type: none"> <li>■ Rezný nôž je nevyvážený.</li> </ul>	<ul style="list-style-type: none"> <li>■ Kontaktujte servisné stredisko EGO.</li> </ul>
	<ul style="list-style-type: none"> <li>■ Rezný nôž je ohnutý.</li> </ul>	<ul style="list-style-type: none"> <li>■ Vymeňte nôž.</li> </ul>
	<ul style="list-style-type: none"> <li>■ Hriadeľ motora je ohnutý.</li> </ul>	<ul style="list-style-type: none"> <li>■ Kontaktujte servisné stredisko EGO.</li> </ul>
	<ul style="list-style-type: none"> <li>■ Kosačka je nastavená na kosenie príliš veľkého množstva trávy naraz.</li> </ul>	<ul style="list-style-type: none"> <li>■ Zdvihnite spodnú stranu pre nastavenie vyššej výšky kosenia.</li> </ul>
	<ul style="list-style-type: none"> <li>■ Režim otáčok žacieho noža nie je správne nastavený.</li> </ul>	<ul style="list-style-type: none"> <li>■ Nastavte nižšiu rýchlosť otáčok žacieho noža.</li> </ul>
Motor funguje, ale nôž nekosi trávu.	<ul style="list-style-type: none"> <li>■ Žací nôž nie je utiahnutý požadovaným momentom.</li> </ul>	<ul style="list-style-type: none"> <li>■ Opätovne utiahnite čepeľ. Odporúčaný moment pre skrutku čepele je 50 – 60 Nm.</li> </ul>

**SK**

## ZÁRUKA

### ZÁRUKNÁ POLITIKA EGO

Úplné znenie záručných podmienok EGO nájdete na webovej stránke [egopowerplus.eu](http://egopowerplus.eu).

## OLVASSA EL AZ ÖSSZES UTASÍTÁST!

**Rendeltetészerű használat:** A termék manuális fűnyírásra szolgál:

- Csak száraz fű nyírására használja. Ne nyírjon nedves fűvet.
- Ne használja más célokra.

**▲ FIGYELMEZTETÉS:** A gép használata előtt feltétlenül olvassa el és értse meg a jelen kezelési útmutatóban található valamennyi biztonsági utasítást, valamint a „VESZÉLY”, „FIGYELMEZTETÉS” és „FIGYELEM” biztonsági figyelmeztető szimbólumokat is. Az alább felsorolt utasítások be nem tartása áramütést, tűzveszélyt és/vagy súlyos személyi sérülést idézhet elő.

## BIZTONSÁGI SZIMBÓLUMOK



Biztonsági figyelmeztetés



Mindig viseljen hallásvédelmet, védőszemüveget vagy oldalsó védőlemezrel ellátott védőszemüveget és teljes védőálarcot a termék működtetése közben.



Ügyeljen a repülő tárgyakra; tartsa távol a nézelődőket.



Tartsa távol a kezét



Garantált hangteljesítményszint.



Ez a termék megfelel az Egyesült Királyság hatályos jogszabályainak.



Bluetooth®

IPX5

Vízugár elleni védelem

mm

Milliméter



Egyenáram



A sérülések kockázatának csökkentése érdekében használónak a termék használata előtt el kell olvasnia és meg kell értenie a használati útmutatót.



Beállítás vagy tisztítás előtt kapcsolja ki a gépet, és vegye ki a kivehető akkumulátoregységet (vagy helyezze üzemem kívül a gépet).



Tartsa távol kezét és lábát a késektől



Ne nézzen a bekapcsolt lámpába.



A termék megfelel az érvényes EK irányelveknek.



Az elhasznált elektromos termékek nem helyezhetők a háztartási hulladékok közé. Vigye hivatalos újrahasznosító telephelyre.

V

Volt

cm

centiméter

kg

Kilogramm

**MEGJEGYZÉS:** A Bluetooth® szövegdjegy és logók a Bluetooth SIG, inc. bejegyzett védjegyei és az ilyen védjegyek EGO általi használata licenc alapján történik.

## JELLEMZŐK

Feszültség	56 V	
Késsebesség mód	2	
	1	ECO
Vágási magasság pozíciók	8	
Vágási magasság beállítása	20 mm/31 mm/40 mm/ 51 mm/ 64 mm/78 mm/ 92 mm/105 mm	
Vágásszélesség	53 cm	
Fűgyűjtő zsák térfogata	85 L	
Fűnyíró súlya (Az akkumulátoregység és a fűgyűjtő zsák nélkül)	46 kg	
Penge modell	AB5301	
Javasolt üzemi hőmérséklet	0°C–40°C	
Javasolt tárolási hőmérséklet	-20°C–70°C	
Mért hangteljesítményszint $L_{WA}$	94 dB(A) K= 0.6 dB(A)	
Hangnyomásszint a kezelő fülénél $L_{PA}$	83 dB(A) K= 3 dB(A)	
Garantált hangteljesítményszint $L_{WA}$ (a 2000/14/EK szerint mérve)	95 dB(A)	
Vibráció értéke $a_{h1}$ :	Bal oldali fogantyú	0.39 m/s <sup>2</sup> K=1.5 m/s <sup>2</sup>
	Jobb oldali fogantyú	0.33 m/s <sup>2</sup> K=1.5 m/s <sup>2</sup>

- A névleges rezgési összérték mérése standard bevizsgálási módszerrel történt, és használatával a gépek egymással összehasonlíthatók.
- A névleges rezgési összérték a kockázat előzetes felméréséhez is felhasználható.

**MEGJEGYZÉS:** A rezgés-kibocsátás a gép aktuális használata közben eltérhet attól a névleges értéktől, amellyel a gépet használják: a kezelő védelme érdekében a felhasználónak kesztyűt és fülvédőt kell használnia a tényleges használati körülmények mellett.

## A CSOMAG TARTALMA (A1 ÉS A2 ÁBRA)

ALKATRÉSZ NEVE	MENNYISÉG
Fűnyíró	1
Fűgyűjtő zsák	1
Fűgyűjtő zsák keret	1
Szárnyas csavar (gyárilag a fűnyíróba szerelve)	2
Használati útmutató	1

## LEÍRÁS

### ISMERJE MEG FŰNYÍRÓJÁT (A1 és A2 ábra)

1. Önjáró kapcsoló
2. Fogantyú
3. Késforgás kapcsoló
4. Hátsó fűgyűjtő ajtó
5. Reteszelőszerkezet
6. Akkumulátor tartó fedél
7. LED fényszórók
8. Középső ütköző (emelőkar)
9. Első ütköző
10. Első vágási magasság beállító kar
11. Elülső kerék
12. Fűnyíró fedél
13. Oldalsó védőlemez
14. Levegőbemenet
15. Hátsó kerék
16. Hátsó vágási magasság beállító kar
17. Szárnyas anya
18. Kar rögzítőlemez
19. Tartó
20. Fűgyűjtő zsák
21. Védőlemez
- 22\* Talajfedő betét
- 23\* Oldalsó fűgyűjtő rekesz
24. Bluetooth® jelző
25. Műszerfal
26. Fűnyíró állapotjelző
27. Késsebesség jelző
28. Késsebesség mód gomb
29. Főkapcsoló gomb
30. LED fényszóró gomb (Bluetooth® gomb)
31. Önjáró sebességszabályozó tárcsa

\* KÜLÖN KAPHATÓ

HU

## ÖSSZESZERELÉS

**⚠ FIGYELMEZTETÉS:** Ha bármely alkatrész sérült vagy hiányzik, akkor addig ne használja a terméket, amíg az alkatrész(ek) cseréje meg nem történik. Sérült vagy hiányzó alkatrészekkel történő használat súlyos személyi sérülést okozhat.

**⚠ FIGYELMEZTETÉS:** Az akár súlyos személyi sérülést okozó véletlenszerű indítás elkerülése érdekében mindig vegye ki az akkumulátoregysége(ke)t a gépből, amikor összeszereli az alkatrészeket.

**⚠ FIGYELMEZTETÉS:** Ne próbálja megváltoztatni a terméket, és ne készítsen hozzá tartozékokat, amelyek használata nem javasolt ehhez a géphez. Bármilyen módosítás vagy változtatás helytelen használatnak minősül, és veszélyes feltételeket teremthet, amely személyi sérüléssel végződhet.

### KICSOMAGOLÁS

A termék összeszerelést igényel.

- Vegye ki az összes tartozékot a kartondobozból.

**⚠ VIGYÁZAT:** Nehéz tárgy. A fűnyíró felemeléséhez két személyre van szükség.

- Az egyik személynek meg kell fognia a középső ütközőt/emelőkart, a másik személynek pedig a két szárnyas csavart, hogy óvatosan kiemelje a fűnyírórt a kartondobozból.

### A KAR FELSZERELÉSE

A fűnyírórt részben összeszerelt karral szállítják.

**⚠ FIGYELMEZTETÉS:** Ne próbálja meg elindítani a fűnyírórt, amíg a kar nincs megfelelően és biztonságosan felszerelve és kihajtva. Legyen óvatos, hogy elkerülje az ujjak és a kábel beszorulását az alkatrészek közé.

1. Csavarja ki és tegye félre mindkét szárnyas csavart.
2. Mozgassa előre a kart, amíg a karegységen lévő reteszelőszerkezet a fűnyíró fogaskerékkel szemben nem helyezkedik el (B1 ábra).
3. Igazítsa egymáshoz a reteszelőszerkezeten és a kar rögzítőlemezen lévő jeleket a B2. ábrán látható módon, majd helyezze be és húzza meg ujjal a két szárnyas csavart.

### A KAR KIHAJTÁSA ÉS BEÁLLÍTÁSA (C ÁBRA)

**⚠ FIGYELMEZTETÉS:** Ügyeljen arra, hogy a kar össze- és kihajtásakor ne csípje össze, ne gyűrje meg és ne feszítse meg a kábelt. A kábel sérülése hatással lehet a

fűnyíró aktiválására és működésére, és nem biztonságos üzemállapotot eredményezhet.

**⚠ FIGYELMEZTETÉS:** Ne próbálja meg beindítani a fűnyírórt és az önjáró rendszert, amíg a kar a három előre beállított működési pozíció közül az egyikben nincs rögzítve (felső működési pozíció 3, középső működési pozíció 2 és alsó működési pozíció 1).

1. Lazítsa meg a szárnyas csavarokat mindkét oldalon, és győződjön meg arról, hogy a két fogaskerék teljesen meglazult, de NEM vált szét.
2. Fordítsa a kart felfelé, amíg a reteszelőszerkezeten lévő nyíljelzés egybe nem esik a kar rögzítőlemezen lévő három működési pozíció egyikével.
3. Húzza meg a két csavart, győződjön meg arról, hogy a két fogaskerék teljesen kapaszkodik, és a kar biztonságosan rögzítve van.

C-1	Alsó működési pozíció 1
C-2	Középső működési pozíció 2
C-3	Felső működési pozíció 3

### A KAR BEHAJTÁSA (D ÁBRA)

**⚠ FIGYELMEZTETÉS:** Ügyeljen arra, hogy a kar össze- és kihajtásakor ne csípje össze, ne gyűrje meg és ne feszítse meg a kábelt. A kábel sérülése hatással lehet a fűnyíró aktiválására és működésére, és nem biztonságos üzemállapotot eredményezhet.

1. Lazítsa meg a szárnyas csavarokat mindkét oldalon, és győződjön meg arról, hogy a két fogaskerék teljesen meglazult, de NEM vált szét.
2. Fordítsa a kart lefelé, amíg a kar a tárolási pozícióba nem kerül.
3. Igazítsa a reteszelőszerkezeten lévő nyíljelzést a kar rögzítőlemezen lévő tárolási pozíciójelzéshez.
4. Húzza meg a két szárnyas csavart, győződjön meg arról, hogy a két fogaskerék teljesen kapaszkodik, és a kar biztonságosan rögzítve van.

D-1	Tárolási pozíció
-----	------------------

### A FÜGYŰJTŐ ZSÁK ÖSSZESZERELÉSE (E1, E2, E3 ÁBRA)

Összeszerelés előtt ellenőrizze a fűgyűjtő zsákok, hogy nincs-e rajta sérülés.

Szerelje össze a fűzsákokat az ábrának megfelelően.

HU

## A MULCSOZÓBETÉT FELSZERELÉSE/LEVÉTELE (KÜLÖN MEGVÁSÁROLHATÓ)

Szerelje be a mulcsozóbetétet a fűnyíróba az F ábrán látható módon.

**▲ VESZÉLY:** A gép a fűnyesedéket és egyéb tárgyakat a gépházon lévő nyíláson keresztül tudja kidobni. Az elég nagy erővel kidobott tárgyak súlyos személyi sérülést vagy halált okozhatnak Önnek vagy a közelben állóknak.

**Soha ne működtesse a fűnyírót a mulcsozóbetét, a fűgyűjtő zsák vagy az oldalsó ürítő csatorna megfelelő felszerelése nélkül.**

**▲ FIGYELMEZTETÉS:** A fűgyűjtő zsák vagy az oldalsó ürítő csatorna felszerelésekor a mulcsozóbetétet el kell távolítani. Vissza kell szerelni a mulcsozóbetétet, amikor a fűzsákot (vagy az oldalsó ürítő csatornát) eltávolítja.

## FŰGYŰJTŐ ZSÁK CSATLAKOZTATÁSA/LEVÉTELE

Szerelje be a fűzsákot a fűnyíróba a G ábrán látható módon.

**▲ FIGYELMEZTETÉS:** Normál használat esetén a fűzsák anyaga elhasználódik. A sérülések kockázatának csökkentése érdekében gyakran ellenőrizze a fűzsákot, és cserélje ki, ha kopás vagy állagromlás jeleit észleli. Csak az ehhez a fűnyíróhoz gyártott fűgyűjtő zsákot használja.

**▲ FIGYELMEZTETÉS:** A fűzsákot el kell távolítani az oldalsó ürítő csatorna vagy a mulcsozóbetét felszereléséhez és használatához.

## OLDALSÓ ÜRÍTŐ CSATORNA FELSZERELÉSE/ELTÁVOLÍTÁSA (KÜLÖN KAPHATÓ)

Szerelje be az oldalsó ürítő csatornát a fűnyíróba a H ábrán látható módon.

**▲ FIGYELMEZTETÉS:** A fűzsák vagy a mulcsozóbetét felszereléséhez és használatához az oldalsó ürítő csatornát el kell távolítani.

## VÁGÁSI MAGASSÁG BEÁLLÍTÁSA ( J1 ÉS J2 ÁBRA)

**▲ FIGYELMEZTETÉS:** Tartsa távol a lábát a burkolattól, amikor beállítja a magasságot.

A fűnyíró 8 vágási magasságra állítható. 20 mm és 105 mm. Jelölés jelzi a kiválasztott vágási magasságot.

Ez a fűnyíró lehetővé teszi, hogy a fűnyíró elülső és hátsó vágási magasságát külön-külön állítsa be. A megfelelő vágási magasságot a vágandó fű típusától és állapotától függően válassza ki.

1. Kapcsolja ki a fűnyírót, és várja meg, amíg a vágókés teljesen meg nem áll.

2. Vegye ki az akkumulátoregysége(ke)t.
3. Húzza ki az első vagy hátsó vágási magasság állító kart a reteszelésből, és állítsa a kívánt pozícióba.

## AZ AKKUMULÁTOREGYSÉG(EK) BERAKÁSA/ KIVÉTELE (K ÁBRA)

**MEGJEGYZÉS:** Az első használat előtt teljesen töltsse fel az akkumulátoregységet.

Csak az A3 ábrán felsorolt akkumulátoregységeket és töltőket használja.

**MEGJEGYZÉS:** A fűnyíró két aktív akkumulátor-csatlakozóval rendelkezik. Egy vagy két akkumulátoregységgel működhet.

### ■ Csatlakoztatás

1. Nyissa ki az akkumulátortartó fedelét, és tolja be az akkumulátoregységet az akkumulátortartóba, amíg „kattanást” nem hall.
2. Ismétlje meg a folyamatot a második akkumulátoregység beszereléséhez.

### ■ Leválasztás

Nyomja meg az akkumulátor kioldógombot az akkumulátortartó rekeszen.

**MEGJEGYZÉS:** Ellenőrizze, hogy a zár a fűnyírón a helyére kattant-e, és hogy az akkumulátoregység(ek) a fűnyírón rögzítve van(nak)-e, mielőtt működtetni kezdené.

## A KÉSSÉBESSÉG MÓD KIVÁLASZTÁSA (L ÁBRA)

- A 2. mód a nagy késsebességű mód a nagy emelési teljesítményhez, amellyel javítható a szívóerő és a vágási teljesítmény.
- Az 1. mód a legjobb egyensúlyt jelenti a teljesítmény és az üzemidő között.
- Az ECO mód biztosítja a legalacsonyabb zajszintet és a leghosszabb üzemidőt az akkumulátoregység(ek)ről.

**MEGJEGYZÉS:** Az alapértelmezett késsebesség mód az 1. mód.

## KOMMUNIKÁCIÓS TECHNOLOGIA

A csatlakoztatott termékek és szolgáltatások teljes választékáról, valamint a csatlakoztatási utasításokról az alábbi QR-kód beolvasásával vagy a [www.egopowerplus.eu/connect](http://www.egopowerplus.eu/connect) weboldalon tájékozódhat.



## HASZNÁLAT

A termék esőben is használható.

### A FŰNYÍRÓ INDÍTÁSA/LEÁLLÍTÁSA

**⚠ FIGYELMEZTETÉS:** Bármely fűnyíró működtetése azzal járhat, hogy idegen tárgyak mások szemébe kerülnek, amely súlyos szemsérüléseket okozhat. Mindig viseljen védőszemüveget a fűnyíró működtetése, vagy beállítások és javítások végzése közben.

**⚠ FIGYELMEZTETÉS:** A penge még egy kis ideig forog a fűnyíró kikapcsolása után. Hagyja, hogy a motor/penge leálljon, mielőtt újra elindítja. Ne kapcsolgassa gyorsan ki és be a fűnyírót.

**⚠ FIGYELMEZTETÉS:** Állítsa le a pengét, ha a fűnyírót meg kell dönteni szállításhoz, mert nem füves területen kell füves területre átvinni, vagy onnan visszahozni.

**⚠ FIGYELMEZTETÉS:** Ne döntse meg a fűnyírót a motor bekapcsolásakor, kivéve, ha meg kell dönteni az indításhoz. Ebben az esetben, ne döntse meg jobban, mint amennyire szükséges, és csak a felhasználótól távolabb lévő részt emelje meg.

Használat előtt mindig ellenőrizze szemrevételezéssel, hogy a penge és a pengecsavar nem kopott vagy sérült-e. Készletek formájában cserélje a kopott pengét és csavart az egyensúly fenntartása érdekében.

### Ellenőrizze, hogy a vágókés nem tömődött-e el

- Az elakadás megelőzése érdekében tartsa tisztán a vágókést és a fűnyíró burkolatát. Minden használat előtt és után távolítsa el a levágott fűvet, leveleket, szennyeződésekét és minden egyéb felgyülemlett lerakódást.

- Ha eltömődik, állítsa le a fűnyírót, és vegye ki az akkumulátoregység(ek)et, majd távolítsa el a hajtótengelyen és a motor ventilátorán vagy azok körül összegyűlt fűvet és leveleket. Majd törölje tisztára a fűnyírót egy nedves ruhával.

**⚠ VIGYÁZAT:** Ne próbálja meg felülbírálni a bekapcsológomb és a késforgás kapcsolójának működését.

**MEGJEGYZÉS:** A motor csak akkor indítható el, ha a kar a három működési pozíció egyikében van rögzítve.

### A fűnyíró elindítása (M1 és M2 ábra)

1. Csatlakoztassa az akkumulátoregység(ek)et a fűnyíróhoz, és zárja be az akkumulátortartó fedelét.

2. Nyomja meg a bekapcsológombot a műszerfal megvilágításához, és a fűnyíró állapotjelzője, valamint a késsebesség jelző 1 kigyullad.
3. A kívánt sebesség kiválasztásához nyomja meg a késsebesség mód gombot.
4. Nyomja meg és tartsa lenyomva a bekapcsológombot.
5. A bekapcsológomb lenyomott állapotában húzza ki a késforgás kapcsolót a karhoz, és engedje fel a bekapcsológombot.

### A fűnyíró leállítása (M3 ábra)

1. Teljesen oldja ki a késforgás kapcsolót.
2. Az automatikus fékező mechanizmusban lévő elektromos fék a fogantyú kapcsoló elengedése után 3 másodpercen belül leállítja a kés forgását.

### ÁLLÍTHATÓ SEBESSÉGŰ ÖNJÁRÓ RENDSZER (N ÁBRA)

A fűnyíró állítható sebességű önjáró lehetőséggel van felszerelve. Ez az önjáró rendszer független a kés forgásától.

**MEGJEGYZÉS:** Az önjáró rendszer csak akkor indítható el, ha a kar a három működési pozíció egyikében van rögzítve.

### Az önjáró rendszer működtetése a kés forgása nélkül

1. Nyomja meg a bekapcsológombot a műszerfal megvilágításához.
2. Az önjáró sebességszabályozó gombot forgassa kissé előre, amíg kattánás nem hallható, majd az önjáró funkció elindításához húzza az önjáró kapcsolót a karhoz.

**Az önjáró rendszer kikapcsolásához** engedje fel az önjáró kapcsolót.

### LED FÉNYSZÓRÓK (P ÁBRA)

**A fényszórók bekapcsolásához** nyomja meg a fényszórók gombot. A fényszórók erős megvilágítást biztosítanak a fűnyíró előtt.

**A fényszórók kikapcsolásához** nyomja meg újra a gombot.

### FŰNYÍRÓ ÁLLAPOTJELZŐ

A műszerfalon lévő fűnyíró állapotjelző a fűnyíró munkaállapotát mutatja.

Jelző	Leírás	Jelentés	Művelet
	Folyamatos zöld	A fűnyíró megfelelően működik	Nincs szükség semmilyen műveletre.
	Villogó zöld	A kar nincs működési pozícióban rögzítve.	Állítsa le a fűnyírót, és gondoskodjon arról, hogy a kar az egyik működési pozícióban legyen rögzítve.
	Pirosan villog	Alacsony akkumulátor töltöttség.	Állítsa le a fűnyírót, és töltsse fel az akkumulátoregység(ek)et.
	Folyamatosan narancssárga	A fűnyíró túlmelegedett.	Engedje el a késforgás kapcsolóját, várjon, amíg a fűnyíró hőmérséklete 80 °C alá csökken. Lásd alább a „ <b>FŰNYÍRÓ MAGAS HŐMÉRSÉKLET ELLENI VÉDELME</b> ” részt.
	Narancssárgán villog	A fűnyíró túlterhelt.	<ol style="list-style-type: none"> <li>1. Vegye ki az akkumulátoregység(ek)et, majd ellenőrizze, hogy nem gyűlt-e fel fű a burkolat alatt. Szükség esetén tisztítsa meg.</li> <li>2. Fűnyíráskor csökkentse a lépésütemét.</li> <li>3. Emelje meg a vágási magasságot.</li> <li>4. Ha a fenti megoldások nem működnek, kérjük, forduljon az EGO szervizközponthoz.</li> </ol> Lásd alábbiakban a „ <b>FŰNYÍRÓ TÚLTERHELÉS ELLENI VÉDELME</b> ” részt.
	Felváltva pirosan/zölden villog	Motor elektronikai hiba.	Vegye fel a kapcsolatot az EGO szervizközponttal.

### FŰNYÍRÓ TÚLMELEGEDÉS ELLENI VÉDELME

Ha a fűnyíró hőmérséklete működés közben meghaladja a 90 °C-ot, a túlmelegedés elleni védelmi áramkör azonnal leállítja a fűnyírót, hogy védje a túlmelegedés okozta károsodástól.

A fűnyíró állapotjelzője folyamatosan narancssárgán világít. Engedje el a késforgás kapcsolóját, és várja meg, amíg a túlhevült fűnyíró le nem hűl, és az állapotjelző zöldre nem vált, majd indítsa újra a fűnyírót.

### FŰNYÍRÓ TÚLTERHELÉS ELLENI VÉDELME

A túlterhelés elkerülése érdekében ne próbáljon meg egyszerre túl sok fűvet nyírni. Lassítsa le a lépésütemét, vagy emelje meg a vágási magasságot.

A fűnyíró beépített túlterhelés elleni védelemmel rendelkezik. Ha a fűnyíró túlterhelt, akkor a motor leáll,

és a fűnyíró állapotjelző narancssárga színben villog a műszerfalon.

## KARBANTARTÁS

**⚠ FIGYELMEZTETÉS:** A súlyos személyi sérülések elkerülése érdekében mindig kapcsolja ki a fűnyírót, vegye ki az akkumulátoregység(ek)et, és győződjön meg arról, hogy minden mozgó alkatrész teljesen megállt, mielőtt a fűnyírót tisztítja, karbantartást végez rajta, vagy szállítja.

**⚠ FIGYELMEZTETÉS:** Állítsa le a gépet, vegye ki az akkumulátoregységeket, és győződjön meg arról, hogy minden mozgó alkatrész teljesen megállt, miután idegen tárgynak ütközött, ellenőrizze a gép esetleges sérüléseit, és végezze el a javításokat, mielőtt újraindítja és működteti a gépet.

**▲ FIGYELMEZTETÉS:** Állítsa le a gépet, vegye ki az akkumulátoregységeket, és győződjön meg arról, hogy minden mozgó alkatrész teljesen megállt, ha a gép rendellenesen vibrálni kezd, majd azonnal vizsgálja meg a sérüléseket, cserélje ki vagy javítsa meg a sérült alkatrészeket, ellenőrizze és húzza meg a meglazult alkatrészeket.

**▲ FIGYELMEZTETÉS:** Javitáskor használjon azonos pótalkatrészeket. Más alkatrészek használata veszélyt okozhat, vagy megrongálhatja a terméket. A biztonságosság és megbízhatóság biztosítása érdekében minden javítást szakképzett szerviztechnikusnak kell elvégeznie.

## A FŰNYÍRÓ TISZTÍTÁSA

A fűnyíró burkolat alját minden használat után meg kell tisztítani, mivel egyébként a lenyírt fű, levelek, szennyeződések és más hulladékok felgyülemlenek.

Távolítsa el a hajtótengelyen és a motorventilátoron, illetve a körülöttük lerakódott fűvet és leveleket. Majd törölje tisztára a fűnyírót egy nedves ruhával.

## A légbeömlő tisztítása (Q ábra)

1. A négy csavar eltávolításával távolítsa el a légbeömlő hálós fedelét.
2. Sűrített levegővel tisztítsa meg a légbeömlő és a hálós fedél belsejét.

## A KÉS CSERÉJE ( R1, R2, R3 ÁBRA)

**▲ FIGYELMEZTETÉS:** Mindig távolítsa el az akkumulátoregysége(ke)t és a fűzsákokat.

**▲ FIGYELMEZTETÉS:** Mindig viseljen védőkesztyűt.

**MEGJEGYZÉS:** A kés felszerelése előtt alaposan tisztítsa meg a hajtótengely területét és a gép alját.

1. Fordítsa fel a fűnyírót
2. Távolítsa el/szerelje fel a kést nyomatékulcs és két fémrúd segítségével az ábrán látható módon.
3. A kés nyomtatott oldala kifelé nézzen.

## A FŰNYÍRÓ TÁROLÁSA ( S1 ÉS S2 ÁBRA)

1. Vegye ki az akkumulátoregység(ek)et a fűnyíróból.
2. Üritse ki a fűzsákokat, és tisztítsa meg a fűnyírót.
3. A jelentős tárolási hely megtakarítása érdekében hajtsa össze a termék karját, és tárolja a terméket az ábrán látható módon.

**MEGJEGYZÉS:** Ügyeljen arra, hogy a kar kábele ne akadjon be a kar behajtásakor/kihajtásakor (ne ejtse le a kart).

4. Tároláskor ne helyezzen a fűnyíróra más tárgyakat

**▲ FIGYELMEZTETÉS:** Ha a fűnyíró eldől függőleges helyzetből, akkor a fűnyíró megrongálódhat, vagy személyi sérülést okozhat. Mindig tartsa stabilan a fűnyírót, és gyermekektől elzárva, ha függőleges helyzetben van. Ha lehetséges, laposan tárolja.

## KÖRNYEZETVÉDELEM



Ne dobja ki az elektromos készülékeket a szelektálatlan háztartási hulladékkal együtt, szelektív hulladékgyűjtő helyeken helyezze el ezeket.

Forduljon a helyi önkormányzathoz a rendelkezésre álló gyűjtőhelyekkel kapcsolatos információért.

Ha az elektromos berendezések hulladéklerakóban vagy szeméttelpeken ártalmatlanítják, olyan veszélyes anyagok kerülhetnek belőlük a talajvízbe, majd onnan a táplálkozási láncba, amelyek veszélyeztetik az egészséget és az emberi jólétet.



## HIBAELHÁRÍTÁS

PROBLÉMA	OK	MEGOLDÁS
A fűnyíró vagy az önjáró funkció nem indul el.	<ul style="list-style-type: none"> <li>Az akkumulátoregység(ek) lemerült(ek).</li> </ul>	<ul style="list-style-type: none"> <li>Töltse fel az akkumulátoregységet.</li> </ul>
	<ul style="list-style-type: none"> <li>Az akkumulátoregység(ek) nincs(ek) megfelelően behelyezve az akkumulátortartóba.</li> </ul>	<ul style="list-style-type: none"> <li>Tolja az akkumulátoregység(ek)et az akkumulátortartóba, amíg kattánást nem hall.</li> </ul>
	<ul style="list-style-type: none"> <li>A kar nincs üzemi helyzetben rögzítve, és a fűnyíró állapotjelzője zöld színnel villog.</li> </ul>	<ul style="list-style-type: none"> <li>Állítsa le a fűnyírót, és gondoskodjon arról, hogy a kar az egyik működési pozícióban legyen rögzítve.</li> </ul>
	<ul style="list-style-type: none"> <li>A fűnyíró eltömődött fűvel vagy hulladékkal.</li> </ul>	<ul style="list-style-type: none"> <li>Tisztítsa meg a fűnyíró burkolatát, és ellenőrizze, hogy a kés szabadon tud mozogni.</li> </ul>
A fűnyíró egyetlenül vág.	<ul style="list-style-type: none"> <li>A penge tompa.</li> </ul>	<ul style="list-style-type: none"> <li>Élezze meg, vagy cserélje ki a kést.</li> </ul>
	<ul style="list-style-type: none"> <li>A fűvágási magasság nincs megfelelően beállítva.</li> </ul>	<ul style="list-style-type: none"> <li>Állítsa magasabbra a burkolat magasságát.</li> </ul>
	<ul style="list-style-type: none"> <li>A kés helytelenül van beszerelve.</li> </ul>	<ul style="list-style-type: none"> <li>A kés visszaszereléséhez nézze meg a „<b>A KÉS CSERÉJE</b>” fejezetet a jelen használati útmutatóban.</li> </ul>
	<ul style="list-style-type: none"> <li>A késsebesség mód nincs megfelelően beállítva.</li> </ul>	<ul style="list-style-type: none"> <li>Válassza ki a megfelelő késsebesség módot.</li> </ul>
A fűnyíró nem megfelelően aprít.	<ul style="list-style-type: none"> <li>Nedves lenyírt fű ragadt a burkolat aljára.</li> </ul>	<ul style="list-style-type: none"> <li>Fűnyírás előtt várjon, amíg a fű megszárad.</li> </ul>
	<ul style="list-style-type: none"> <li>A fűnyíró úgy van beállítva, hogy egyszerre túl sok fűvet nyírjon.</li> </ul>	<ul style="list-style-type: none"> <li>Emelje magasabb vágási magasságba.</li> </ul>
	<ul style="list-style-type: none"> <li>A késsebesség mód nincs megfelelően beállítva.</li> </ul>	<ul style="list-style-type: none"> <li>Válassza ki az <b>1-es</b> vagy az <b>ECO</b> késsebesség módot.</li> </ul>

HU

A fűnyíró vágás közben váratlanul leáll.	<ul style="list-style-type: none"> <li>■ Az akkumulátoregység(ek) lemerült(ek).</li> </ul>	<ul style="list-style-type: none"> <li>■ Töltse fel az akkumulátoregységet.</li> </ul>
	<ul style="list-style-type: none"> <li>■ A fűnyíró túlterhelt, és a fűnyíró állapotjelzője narancssárgán villog.</li> </ul>	<ul style="list-style-type: none"> <li>■ Ellenőrizze, hogy a burkolat alatt nem gyűlt-e fel fű, és szükség esetén tisztítsa meg. Emelje a vágásmagasságot, vagy lassítsa a fűnyírást.</li> </ul>
	<ul style="list-style-type: none"> <li>■ A fűnyíró eltömődött fűvel vagy hulladékkal.</li> </ul>	<ul style="list-style-type: none"> <li>■ Tisztítsa meg a fűnyíró burkolatot. Emelje a vágásmagasságot, és/vagy keskeny sávot nyírjon.</li> </ul>
	<ul style="list-style-type: none"> <li>■ Az akkumulátoregység(ek) vagy a fűnyíró áramköre túl forró. Ha az akkumulátoregység túlmelegszik, a fűnyíró állapotjelzője kialszik. Ha a fűnyíró túlmelegedett, a fűnyíró állapotjelzője narancssárgán világít.</li> </ul>	<ul style="list-style-type: none"> <li>■ Hagyja, hogy az akkumulátoregység(ek) vagy a fűnyíró lehűljön.</li> </ul>
	<ul style="list-style-type: none"> <li>■ A késsebesség mód nincs megfelelően beállítva.</li> </ul>	<ul style="list-style-type: none"> <li>■ Tisztítsa meg a légbemlőt a „<b>Légbemlő tisztítása</b>” című szakasz szerint.</li> </ul>
	<ul style="list-style-type: none"> <li>■ A fűnyíró elektronikai hibája, és a fűnyíró állapotjelzője felváltva piros/zöld színnel villog.</li> </ul>	<ul style="list-style-type: none"> <li>■ Állítsa a kés sebességét alacsonyabbra.</li> <li>■ Vegye fel a kapcsolatot az EGO szervizközponttal</li> </ul>
Túlzott vibráció.	<ul style="list-style-type: none"> <li>■ A vágókés laza.</li> </ul>	<ul style="list-style-type: none"> <li>■ Húzza meg a penge csavarját.</li> </ul>
	<ul style="list-style-type: none"> <li>■ A vágókés kiegyensúlyozatlan.</li> </ul>	<ul style="list-style-type: none"> <li>■ Vegye fel a kapcsolatot az EGO szervizközponttal.</li> </ul>
	<ul style="list-style-type: none"> <li>■ A vágókés hajlott.</li> </ul>	<ul style="list-style-type: none"> <li>■ Cserélje ki a kést.</li> </ul>
	<ul style="list-style-type: none"> <li>■ A motor tengely hajlott.</li> </ul>	<ul style="list-style-type: none"> <li>■ Vegye fel a kapcsolatot az EGO szervizközponttal.</li> </ul>
	<ul style="list-style-type: none"> <li>■ A fűnyíró úgy van beállítva, hogy egyszerre túl sok fűvet nyírjon.</li> </ul>	<ul style="list-style-type: none"> <li>■ Emelje magasabb vágási magasságba.</li> </ul>
	<ul style="list-style-type: none"> <li>■ A késsebesség mód nincs megfelelően beállítva.</li> </ul>	<ul style="list-style-type: none"> <li>■ Állítsa a kés sebességét alacsonyabb fokozatra.</li> </ul>
A motor működik, de a kés nem vágja a fűvet.	<ul style="list-style-type: none"> <li>■ A kés nincs a szükséges nyomattékkal meghúzva.</li> </ul>	<ul style="list-style-type: none"> <li>■ Húzza meg a kést. A kés csavar ajánlott nyomatéka 50–60 Nm.</li> </ul>

HU

## GARANCIA

### EGO GARANCIÁLIS FELTÉTELEK

Kérjük, látogasson el az [egopowerplus.eu](http://egopowerplus.eu) oldalra, ahol megtalálja a részletes EGO garanciális feltételeket.

## CITIȚI TOATE INSTRUCȚIUNILE!

**Utilizarea în scopul destinat:** Produsul este destinat tunderii manuale a gazonului:

- Utilizați numai pentru tunderea ierbii uscate. Nu tăiați iarba umedă.
- Nu utilizați în alte scopuri.

**⚠️ AVERTISMENT:** Asigurați-vă că ați citit și înțelegiți toate instrucțiunile privind siguranța din acest Manual de utilizare, inclusiv toate simbolurile de alertă privind siguranța precum „PERICOL”, „AVERTISMENT” și „ATENȚIE” înainte de a utiliza această mașină. Nerespectarea tuturor instrucțiunilor enumerate mai jos poate duce la electrocutare, incendiu și/sau vătămări corporale grave.

## SIMBOLURI PRIVIND SIGURANȚA



Alertă privind siguranța



Purtați întotdeauna protecție pentru auz, protecție pentru ochi sau ochelari de protecție cu protecție laterală și o mască de protecție pentru întreaga față atunci când utilizați acest produs.



Atenție la obiectele aruncate - țineți trecătorii departe.



Țineți mâinile la distanță



Nivel de putere acustică garantat.



Acest produs este în conformitate cu legislația aplicabilă din Marea Britanie.



Bluetooth®

IPX5

Protecție împotriva jeturilor de apă

mm

Milimetru



Curent continuu



Pentru a reduce riscul de vătămare, utilizatorul trebuie să citească și să înțeleagă manualul de instrucțiuni înainte de a utiliza acest produs.



Opriiți și îndepărtați setul de acumulatori (sau dispozitivul de dezactivare) înainte de a regla sau curăța.



Țineți mâinile și picioarele departe de lame



Nu priviți direct în lampă în funcționare.



Acest produs este în conformitate cu directivele europene aplicabile.



Deșeurile produselor electrice nu trebuie să fie eliminate împreună cu deșeurile menajere. Predați-le unui punct de reciclare autorizat.

V Volt

cm Centimetru

kg Kilograme

RO

**NOTĂ:** Marca verbală și logo-urile Bluetooth® sunt mărci comerciale înregistrate deținute de Bluetooth SIG, inc. și orice utilizare a acestor mărci de către EGO este sub licență.

## SPECIFICAȚII

Tensiune	56 V	
Modul de viteză a lamei	2	
	1	
	ECO	
Poziții înălțime de tăiere	8	
Setarea înălțimii de tăiere	20 mm/31 mm/40 mm/ 51 mm/ 64 mm/78 mm/ 92 mm/105 mm	
Lățime de tăiere	53 cm	
Voluim colector de iarbă	85 L	
Greutatea mașinii de tuns iarbă (Fără setul de acumulatori și sacul colector de iarbă)	46 kg	
Model lamă	AB5301	
Temperatură de funcționare recomandată	0°C–40°C	
Temperatură de depozitare recomandată	-20°C–70°C	
Nivel de putere sonoră măsurată $L_{WA}$	94 dB(A) K= 0.6 dB(A)	
Nivel de presiune acustică la urechea operatorului $L_{PA}$	83 dB(A) K= 3 dB(A)	
Nivel de putere sonoră garantat $L_{WA}$ (măsurat în conformitate cu 2000/14/CE)	95 dB(A)	
Valoarea vibrațiilor $a_n$ :	Mâner stânga	0.39 m/s <sup>2</sup> K=1.5 m/s <sup>2</sup>
	Mâner dreapta	0.33 m/s <sup>2</sup> K=1.5 m/s <sup>2</sup>

- Valoarea totală declarată a vibrațiilor a fost măsurată în conformitate cu o metodă standard de testare și poate fi utilizată pentru compararea mașinilor între ele.
- Valoarea totală declarată poate fi utilizată în evaluarea preliminară a expunerii.

**OBSERVAȚIE:** Vibrațiile emise în timpul utilizării efective a mașini electrice pot diferi față de valoarea celor declarate pentru scula utilizată; Pentru protejerea operatorului, utilizatorul trebuie să poarte mănuși și protecții auditive în timpul utilizării efective a produsului.

## LISTA COMPONENTELOR (FIG.A1 & A2)

DENUMIREA PIESELOR	CANTITATE
Mașină de tuns iarbă	1
Sac colector de iarbă	1
Cadru pentru sacul colector de iarbă	1
Șurub fluture (instalat din fabrică în mașina de tuns iarbă)	2
Manual de utilizare	1

## DESCRIEREA

### CUNOAȘTEȚI-VĂ MAȘINA DE TUNS IARBA (Fig. A1 & A2)

1. Declanșator pentru autopropulsare
  2. Mâner
  3. Declanșator de rotire a lamei
  4. Ușă de evacuare posterioară
  5. Angrenaj de blocare
  6. Capacul compartimentului bateriei
  7. Faruri cu LED
  8. Bara de protecție din mijloc (mâner de ridicare)
  9. Bara de protecție față
  10. Manetă de reglare a înălțimii de tăiere față
  11. Roată frontală
  12. Carcasă mașină de tuns iarbă
  13. Scut lateral
  14. Orificiul de admisie aer
  15. Roată posterioară
  16. Manetă de reglare a înălțimii de tăiere spate
  17. Bolț fluture
  18. Placa de montare a mânerului
  19. Suport de fixare
  20. Sac colector de iarbă
  21. Scut tractat
  - 22\*. Priză de tocarea resturi vegetale
  - 23\*. Jgheab de evacuare laterală
  24. Indicator Bluetooth®
  25. Tabloul de comandă
  26. Indicator de stare a mașinii de tuns iarbă
  27. Indicator de viteză a lamei
  28. Butonul pentru modul de viteză a lamei
  29. Buton de alimentare
  30. Buton faruri LED (buton Bluetooth®)
  31. Cadranel de autopropulsare
- \* VÂNDUT SEPARAT

## ASAMBLARE

**⚠️ AVERTISMENT:** Dacă unele piese sunt deteriorate sau lipsesc, nu utilizați acest produs până la înlocuirea pieselor. Utilizarea acestui produs cu piese deteriorate sau lipsă s-ar putea solda cu vătămări grave.

**⚠️ AVERTISMENT:** Pentru a preveni pomirea accidentală care ar putea cauza vătămări personale grave, întotdeauna scoateți setul de acumulatori din mașină când asamblați componente.

**⚠️ AVERTISMENT:** Nu încercați să modificați acest produs sau să creați accesorii nerecomandate pentru a fi utilizate cu această mașină. Orice astfel de modificare sau schimbare reprezintă o utilizare necorespunzătoare și se poate solda cu condiții periculoase care pot conduce la posibile vătămări.

### DESPACHETAREA

Acest produs necesită asamblare.

- Scoateți toate accesoriile din cutie.

**⚠️ ATENȚIE:** Obiect greu. Două persoane trebuie să ridice mașina de tuns iarba.

- O persoană ar trebui să apuce bara de protecție din mijloc / mânerul de ridicare, iar cealaltă persoană ar trebui să apuce de cele două șuruburi fluture pentru a ridica cu atenție mașina de tuns iarba din cutie.

### INSTALAREA MÂNERULUI

Mașina de tuns iarba este livrată cu mânerul parțial asamblat.

**⚠️ AVERTISMENT:** Nu încercați să porniți mașina de tuns iarba până când mânerul nu este instalat și desfăcut corect și sigur. Aveți grijă pentru a evita ciupirea degetelor și a cablului între piese.

1. Deșurubați și puneți deoparte ambele șuruburi fluture.
2. Deplasați mânerul înainte până când angrenajul de blocare de pe ansamblul mânerului este orientat spre angrenajul de pe mașina de tuns iarba (fig. B1).
3. Aliniați marcajele de pe angrenajul de blocare și placa de montare a mânerului așa cum se arată în Fig. B2, apoi introduceți și strângeți cu degetul cele două șuruburi fluture.

### DEPLIEREA ȘI REGLAREA MÂNERULUI (FIG. C)

**⚠️ AVERTISMENT:** Asigurați-vă că nu prindeți, îndoiți sau presați cablul atunci când pliați sau depliați mânerul. Deteriorarea cablului ar putea afecta activarea și funcționarea mașinii de tuns iarba și ar putea duce la o stare de funcționare nesigură.

**⚠️ AVERTISMENT:** Nu încercați să porniți mașina de tuns iarba dacă mânerul nu este blocat într-una dintre pozițiile de funcționare presetate (Poziția de funcționare superioară 3, poziția de funcționare medie 2 și poziția de funcționare inferioară 1).

1. Slăbiți șuruburile fluture de pe ambele părți, asigurați-vă că cele două angrenaje sunt complet slăbite, dar NU separate.
2. Rotiți mânerul în sus până când marcajul săgeată de pe angrenajul de blocare se aliniază cu una dintre cele trei poziții de funcționare de pe placa de montare a mânerului.
3. Strângeți cele două șuruburi, asigurați-vă că cele două angrenaje sunt complet cuplate și că mânerul este bine fixat.

C-1	Poziție inferioară de funcționare 1
C-2	Poziție mijlocie de funcționare 2
C-3	Poziție superioară de funcționare 3

### PLIEREA MÂNERULUI (FIG. D)

**⚠️ AVERTISMENT:** Asigurați-vă că nu prindeți, îndoiți sau presați cablul atunci când pliați sau depliați mânerul. Deteriorarea cablului ar putea afecta activarea și funcționarea mașinii de tuns iarba și ar putea duce la o stare de funcționare nesigură.

1. Slăbiți șuruburile fluture de pe ambele părți, asigurați-vă că cele două angrenaje sunt complet slăbite, dar NU separate.
2. Rotiți mânerul în jos până când mânerul se așează în poziția de depozitare.
3. Aliniați marcajul săgeată de pe angrenajul de blocare cu marcajul poziției de depozitare de pe placa de montare a mânerului.
4. Strângeți cele două șuruburi fluture, asigurați-vă că cele două angrenaje sunt complet cuplate și că mânerul este bine fixat.

D-1	Poziția de depozitare
-----	-----------------------

### ASAMBLAREA SACULUI DE IARBĂ (FIG.E1, E2, E3)

Verificați sacul colector de iarbă înainte de asamblare, pentru a vă asigura că nu există deteriorări.

Asamblați sacul de iarbă așa cum este ilustrat.

### ATAȘAREA/ÎNDEPĂRTAREA INSERTIEI DE MĂRUNȚIRE (SE VINDE SEPARAT)

Instalați insertia de mărunțire în mașina de tuns iarba așa cum se arată în Fig. F.

RO

**⚠ PERICOL:** Mașina poate arunca resturi de iarbă și alte obiecte printr-o deschidere din carcasa mașinii. Obiectele aruncate cu suficientă forță ar putea provoca vătămări corporale grave sau moartea dumneavoastră sau a trecătorilor.

Nu acționați niciodată mașina de tuns iarba fără instalarea corectă a inserției de mărunțire, a sacului colector de iarbă sau a jgheabului cu descărcare laterală.

**⚠ AVERTISMENT:** Inserția de mărunțire trebuie îndepărtată atunci când se instalează sacul de iarbă sau jgheabul de descărcare laterală. Inserția de mărunțire trebuie reinstalată atunci când sacul de iarbă (sau jgheabul cu descărcare laterală) este îndepărtat.

## ATAȘAREA/DETAȘAREA SACULUI COLECTOR DE IARBĂ

Instalați sacul de iarbă în mașina de tuns iarba așa cum se arată în Fig. G.

**⚠ AVERTISMENT:** În condiții normale de utilizare, materialul sacului colector de iarbă este supus uzurii. Pentru a reduce riscul de accidentare, verificați frecvent sacul colector și înlocuiți dacă prezintă semne de uzură sau de deteriorare. Utilizați numai colectoare de iarbă fabricate pentru această mașină de tuns iarba.

**⚠ AVERTISMENT:** Sacul colector de iarbă trebuie îndepărtat pentru a instala și utiliza jgheabul cu descărcare laterală sau inserția de mărunțire.

## ATAȘAREA/DETAȘAREA JGHEABULUI CU DESCĂRCARE LATERALĂ (VÂNDUT SEPARAT)

Instalați jgheabul cu descărcare laterală în mașina de tuns iarba așa cum se arată în Fig. H.

**⚠ AVERTISMENT:** Jgheabul cu descărcare laterală trebuie îndepărtat pentru a instala și utiliza sacul de iarbă sau inserția de mărunțire.

## REGLAREA ÎNĂLȚIMII DE TĂIERE (FIG. J1 & J2)

**⚠ AVERTISMENT:** Păstrați-vă picioarele la distanță de punte când reglați înălțimea mașinii.

Mașina de tuns iarba poate fi setată la 8 înălțimi de tăiere între 20 mm și 105 mm. Un marcaj indică înălțimea de tăiere selectată.

Această mașină de tuns iarba vă permite să reglați individual înălțimea de tăiere a părții frontale și posterioare a mașinii de tuns iarba. Alegeți înălțimea de tăiere corectă, în conformitate cu tipurile și starea ierbii.

1. Opriti mașina de tuns iarba și așteptați ca lama de tăiere să se oprească complet.
2. Îndepărtați setul de acumulatori.
3. Trageți maneta de reglare a înălțimii de tăiere din față sau din spate din detentor și reglați-o în poziția dorită.

## ATAȘAREA/DETAȘAREA SETULUI DE ACUMULATORI (FIG. K)

**NOTĂ:** Încărcați complet setul de acumulatori înaintea primei utilizări.

Utilizați numai seturile de acumulatori și încărcătoarele din fig. A3.

**NOTĂ:** Mașina de tuns iarba are două porturi active pentru acumulatori. Poate funcționa folosind unul sau două pachete de acumulatori.

### ■ Pentru atașare

1. Deschideți capacul compartimentului pentru baterii și împingeți acumulatorul în compartimentul pentru baterii până când auziți un „clic”.
2. Repetați procesul pentru a instala al doilea acumulator.

### ■ Pentru detașare

Apăsăți pe butonul de detașare a setului de acumulatori din compartimentul acestuia.

**OBSERVAȚIE:** Înainte de a începe utilizarea, asigurați-vă că opritorul de pe acumulator intră în locaș cu un zgomot sec, iar acumulatorul este fixat în mașina de tuns.

## SELECTAREA MODULUI DE VITEZĂ A LAMEI (FIG. L)

- Modul 2 este modul de viteză mare a lamei pentru performanțe ridicate de ridicare pentru a îmbunătăți forța de aspirație și performanța de tăiere.
- Modul 1 este cel mai bun echilibru între performanță și timpul de rulare.
- Modul ECO oferă cel mai scăzut nivel de zgomot și cea mai lungă durată de funcționare a acumulatorului (acumulatorilor).

**NOTĂ:** Modul implicit de viteză a lamei este modul 1.

## TEHNOLOGIA COMUNICĂRII

Pentru informații despre întreaga noastră gamă de produse și servicii conectate, inclusiv instrucțiuni de conectare, vă rugăm să scanați codul QR de mai jos sau să vizitați [www.egopowerplus.eu/connect](http://www.egopowerplus.eu/connect).



## FUNȚIONARE

Produsul poate fi utilizat pe timp de ploaie.

### PORNIREA/OPRIREA MAȘINII DE TUNS IARBA

**⚠️ AVERTISMENT:** Operarea oricăror scule electrice poate rezulta în proiectarea înspre ochii dumneavoastră sau a altor persoane a unor obiecte străine, ceea ce poate duce la vătămări grave ale ochilor. Purtați întotdeauna ochelari de protecție în timp ce folosiți mașina de tuns iarba sau când efectuați reglaje sau reparații la aceasta.

**⚠️ AVERTISMENT:** Lama continuă să se rotească câteva secunde după oprirea mașinii de tuns. Lăsați motorul/lama să se oprească din rotație înainte de repornire. Nu porniți și opriți rapid mașina de tuns.

**⚠️ AVERTISMENT:** Opriți lama dacă mașina de tuns iarba trebuie înclinată pentru transport când traversează alte suprafețe decât iarba și când transportați mașina de tuns iarba spre și dinspre zona de tuns.

**⚠️ AVERTISMENT:** Nu înclinați mașina de tuns iarba la pornirea motorului, cu excepția cazului în care mașina de tuns iarba trebuie să fie înclinată pentru pornire. În acest caz, nu înclinați mai mult decât este absolut necesar și ridicați numai partea care este la distanță de operator.

Înainte de utilizare, efectuați întotdeauna o inspecție vizuală pentru a vă asigura că lama și șurubul lamei nu sunt uzate sau deteriorate. Înlocuiți lama uzată sau deteriorată și șuruburile în seturi, pentru a păstra echilibrul.

### Verificați dacă lama de tăiere este blocată

- Pentru a preveni blocarea, păstrați lama de tăiere și punții mașinii de tuns iarbă curate. Îndepărtați iarba tăiată, frunzele, murdăria și orice alte resturi acumulate înainte și după fiecare utilizare.

- Când apare blocarea, opriți mașina de tuns iarbă și scoateți acumulatorul, apoi îndepărtați orice acumulare de iarbă și frunze de pe sau în jurul arborelui de antrenare și al ventilatorului motorului. Curățați mașina de tuns ștergând-o cu o cârpă ușor umezită.

**⚠️ ATENȚIE:** Nu încercați să suprascrieți funcționarea butonului de alimentare și a declanșatorului de rotire a lamei.

**NOTĂ:** Motorul nu poate fi pornit decât dacă mânerul este blocat la una dintre cele trei poziții de funcționare.

### Pentru a porni mașina de tuns iarba (Fig. M1 și M2)

1. Atașați acumulatorul (bateriile) la mașina de tuns iarba

și închideți capacul compartimentului bateriei.

2. Apăsăți butonul de alimentare pentru a ilumina tabloul de comandă și indicatorul de stare a mașinii de tuns iarba împreună cu indicatorul de viteză a lamei 1 se vor aprinde.
3. Apăsăți butonul modului de viteză a lamei pentru a selecta viteza dorită.
4. Apăsăți și mențineți apăsat butonul de alimentare.
5. Cu butonul de alimentare apăsat, trageți declanșatorul de rotire a lamei pentru a întâlni mânerul și eliberați butonul de alimentare.

### Pentru a opri mașina de tuns iarba (Fig. M3)

1. Eliberați complet declanșatorul de rotire a lamei.
2. Frâna electrică a mecanismului automat de frânare va opri rotirea lamei în 3 secunde de la eliberarea manetei declanșatorului de rotire a lamei.

### SISTEMUL CU AUTOPROPULSARE ȘI VITEZĂ VARIABILĂ (FIG. N)

Mașina de tuns iarba este prevăzută cu viteză variabilă, cu autopropulsie. Acest sistem de autopropulsare este independent de rotația lamei.

**NOTĂ:** Sistemul de autopropulsare nu poate fi pornit decât dacă mânerul este blocat într-una din cele trei poziții de funcționare.

### Pentru a acționa sistemul de autopropulsie fără rotația lamei

1. Apăsăți butonul de alimentare pentru a ilumina tabloul de comandă.
2. Rotiți ușor în față butonul de control al vitezei cu autopropulsare până când se aude un clic, apoi trageți declanșatorul de autopropulsare pentru a întâlni mânerul pentru a porni funcția de autopropulsare.

**Pentru a opri autopropulsarea,** eliberați declanșatorul de autopropulsare.

### FARURI CU LED (FIG. P)







**Pentru a aprinde farurile,** apăsați butonul farurilor. Farul furnizează o lumină strălucitoare în fața mașinii de tuns iarba.

**Pentru a stinge farurile,** apăsați din nou butonul.

### INDICATOR DE STARE A MAȘINII DE TUNS IARBA

Indicatorul de stare a mașinii de tuns iarba de pe tabloul de comandă afișează starea de funcționare a mașinii de tuns iarba.

RO

Indicator	Descriere	Semnificație	Acțiune
	Verde continuu	Mașina de tuns iarbă funcționează corect	Nu este necesară niciuna.
	Verde intermitent	Mânerul nu este blocat într-o poziție de funcționare.	Opriti mașina de tuns iarbă și asigurați-vă că mânerul este blocat într-o poziție de funcționare.
	Roșu intermitent	Nivel scăzut de încărcare a bateriei.	Opriti mașina de tuns iarbă și încărcați acumulatorul (acumulatorii).
	Portocaliu continuu	Mașina de tuns iarbă este supra-încălzită.	Eliberați declanșatorul de rotire a lamei, așteptați până când temperatura mașinii de tuns iarbă scade sub 80°C. Consultați „PROTECȚIE ÎMPOTRIVA TEMPERATURII RIDICATE A MAȘINII DE TUNS IARBA” de mai jos.
	Portocaliu intermitent	Mașina de tuns iarbă este supraîncărcată.	<ol style="list-style-type: none"> <li>1. Scoateți acumulatorul (bateriile), apoi verificați dacă s-a acumulat iarbă sub punte. Curățați dacă este necesar.</li> <li>2. Încetiniți ritmul când tăiați iarbă.</li> <li>3. Ridicați înălțimea de tăiere.</li> <li>4. Dacă soluțiile de mai sus nu funcționează, vă rugăm să contactați centrul de service EGO.</li> </ol> <p>Consultați „PROTECȚIE ÎMPOTRIVA SUPRASARCINII MAȘINII DE TUNS IARBA” de mai jos.</p>
	Intermitent alternativ roșu/verde	Eroare electronică a mașinii de tuns iarbă.	Conectați centrul de service EGO.

RO

## PROTECȚIE ÎMPOTRIVA TEMPERATURII RIDICATE A MAȘINII DE TUNS IARBA

Dacă temperatura mașinii depășește 90°C în timpul funcționării, circuitul de protecție a temperaturii va opri imediat mașina pentru a preveni deteriorarea prin supraîncălzire.

Indicatorul de stare a mașinii de tuns iarbă se va aprinde în portocaliu continuu. Eliberați declanșatorul de rotire a lamei și așteptați până când mașina de tuns iarbă supra-încălzită se răcește și indicatorul de stare devine verde, apoi reporniți mașina de tuns iarbă.

## PROTECȚIE ÎMPOTRIVA SUPRASARCINII MAȘINII DE TUNS IARBA

Pentru prevenirea suprasolicității, nu încercați să tundeți prea multă iarbă odată. Încetiniți pasul sau ridicați înălțimea de tăiere.

Mașina dumneavoastră de tuns iarbă este echipată cu un circuit de protecție la suprasarcină. Când mașina este suprasolicitată, motorul se va opri și indicatorul de stare de pe tabloul de comandă va lumina portocaliu intermitent.



## ÎNȚREȚINEREA

**⚠️ AVERTISMENT:** Pentru a evita vătămări corporale grave, opriți întotdeauna mașina de tuns iarba, scoateți acumulatorul (acumulatorii) și asigurați-vă că toate piesele în mișcare s-au oprit complet. Înainte de a curăța, de a efectua orice operație de întreținere sau de a transporta mașina de tuns iarba

**⚠️ AVERTISMENT:** Opriți mașina și scoateți acumulatorul pentru a vă asigura că toate piesele în mișcare s-au oprit complet după lovirea unui obiect străin și pentru a inspecta mașina pentru deteriorări și pentru a efectua reparații înainte de a reporni și a utiliza mașina.

**⚠️ AVERTISMENT:** Opriți mașina și scoateți acumulatorul pentru a vă asigura că toate piesele în mișcare s-au oprit complet, dacă mașina începe să vibreze anormal, apoi pentru a verifica imediat dacă nu sunt deteriorate, înlocuiți sau reparați orice piesă deteriorată și pentru a verifica și strângeți orice piese slăbite.

**⚠️ AVERTISMENT:** La depanare, utilizați numai piese de schimb identice. Utilizarea oricărui altor piese poate crea un pericol sau poate produce o deteriorare. Pentru siguranța și fiabilitatea produsului, toate reparațiile trebuie efectuate de către un tehnician de service autorizat.

### CURĂȚAREA MAȘINII DE TUNS IARBA

Dedesubtul punții mașinii de tuns iarbă trebuie curățat după fiecare utilizare, pentru a preveni acumularea de iarbă tăiată, frunze, murdărie sau alte resturi.

Îndepărtați orice depuneri de iarbă sau frunze de pe sau din jurul axului transmisiei și al ventilatorului motorului. Curățați mașina de tuns ștergând-o cu o cârpă ușor umezită.

#### Curățarea orificiului de admisie aer (Fig. Q)

1. Scoateți capacul orificiului de admisie a aerului prin îndepărtarea celor patru șuruburi.
2. Curățați interiorul orificiului de admisie a aerului și capacul net cu aer comprimat.

### ÎNLOCUIREA LAMEI (FIG. R1, R2, R3)

**⚠️ AVERTISMENT:** Scoateți întotdeauna acumulatorul (acumulatorii) și sacul de iarbă.

**⚠️ AVERTISMENT:** Purtați întotdeauna mănuși de protecție.

**OBSERVAȚIE:** Curățați temeinic zona axului de transmisie și partea inferioară a mașinii înainte de a instala lama.

1. Întoarceți mașina de tuns iarba cu susul în jos
2. Scoateți/instalați lama cu ajutorul unei chei dinamometrice și a două tije metalice ca ajutor, așa cum este ilustrat.
3. Partea imprimată a lamei este îndreptată spre exterior.

### DEPOZITAREA MAȘINII DE TUNS IARBĂ (FIG. S1 & S2)

1. Scoateți acumulatorul (acumulatorii) din mașina de tuns iarba.
2. Goliți sacul de iarbă și curățați mașina de tuns iarba.
3. Pentru a economisi spațiu de depozitare substanțial, pliați mânerul produsului și depozitați produsul așa cum este ilustrat.

**OBSERVAȚIE:** Asigurați-vă că, cablul mânerului nu este prins atunci când pliați/desfaceți mânerul produsului (nu scăpați mânerul).

4. Nu așezați obiecte pe mașina de tuns iarba pe durata depozitării

**⚠️ AVERTISMENT:** Dacă mașina de tuns se răstoarnă din poziția verticală, poate cauza avarierea mașinii sau rănirea persoanelor. Păstrați întotdeauna mașina de tuns stabilă și inaccesibilă copiilor când este depozitată în poziție verticală. Dacă este posibil, depozitați-o orizontal.



### PROTEJÂND MEDIUL ÎNCONJURĂTOR

Nu eliminați aparatele electrocasnice ca deșeu municipal nesortat, utilizați centrele de colectare separată.

Contactați autoritățile locale pentru informații privind sistemele disponibile de colectare.

Dacă aparatele electrocasnice sunt eliminate la groapa de gunoi sau la haldă, se pot scurge substanțe periculoase în pânza freatică și acestea pot intra în lanțul trofic, afectându-vă sănătatea și bunăstarea.

RO

## DEPANAREA

PROBLEMĂ	CAUZĂ	SOLUȚIE
Mașina de tuns iarba sau funcția de auto-propulsie nu reușește să pornească.	<ul style="list-style-type: none"> <li>■ Încărcarea acumulatorului (acumulatorilor) este epuizată.</li> </ul>	<ul style="list-style-type: none"> <li>■ Încărcați setul de acumulatori.</li> </ul>
	<ul style="list-style-type: none"> <li>■ Acumulatorul (acumulatorilor) nu este (sunt) introdus( introduși) corespunzător în compartimentul pentru baterii.</li> </ul>	<ul style="list-style-type: none"> <li>■ Introduceți acumulatorul (acumulatorii) în compartimentul pentru baterii până când auziți un „clic”.</li> </ul>
	<ul style="list-style-type: none"> <li>■ Mânerul nu este blocat într-o poziție de funcționare și indicatorul de stare a mașinii de tuns iarba clipește verde.</li> </ul>	<ul style="list-style-type: none"> <li>■ Opriți mașina de tuns iarbă și asigurați-vă că mânerul este blocat într-o poziție de funcționare.</li> </ul>
	<ul style="list-style-type: none"> <li>■ Puntea mașina de tuns iarbă este înfundată cu iarbă și resturi.</li> </ul>	<ul style="list-style-type: none"> <li>■ Curățați puntea mașinii de tuns iarba și asigurați-vă că lama are libertate de mișcare</li> </ul>
Mașina de tuns iarbă nu tunde uniform.	<ul style="list-style-type: none"> <li>■ Lama este tocită.</li> </ul>	<ul style="list-style-type: none"> <li>■ Ascuțiți sau înlocuiți lama.</li> </ul>
	<ul style="list-style-type: none"> <li>■ Înălțimea de tăiere nu este setată corect.</li> </ul>	<ul style="list-style-type: none"> <li>■ Mutați înălțimea punții la o setare mai mare.</li> </ul>
	<ul style="list-style-type: none"> <li>■ Lama este instalată incorect.</li> </ul>	<ul style="list-style-type: none"> <li>■ Reasamblați lama, urmând instrucțiunile din capitolul “ÎNLOCUIREA LAMEI” din acest manual.</li> </ul>
	<ul style="list-style-type: none"> <li>■ Modul de viteză a lamei nu este setat corect.</li> </ul>	<ul style="list-style-type: none"> <li>■ Selectați un mod adecvat de viteză a lamei.</li> </ul>
Mașina de tuns iarba nu mărunțește corect.	<ul style="list-style-type: none"> <li>■ Resturile de iarbă tăiată udă se lipesc de dedesubtul carcasei.</li> </ul>	<ul style="list-style-type: none"> <li>■ Așteptați să se usuce iarba înainte de a tunde.</li> </ul>
	<ul style="list-style-type: none"> <li>■ Mașina de tuns iarbă este setată să taie prea multă iarbă odată.</li> </ul>	<ul style="list-style-type: none"> <li>■ Ridicați carcasa mașinii la o înălțime mai mare de tăiere.</li> </ul>
	<ul style="list-style-type: none"> <li>■ Modul de viteză a lamei nu este setat corect.</li> </ul>	<ul style="list-style-type: none"> <li>■ Selectați un mod 1 sau un mod de viteză a lamei ECO.</li> </ul>

RO

Mașina de tuns iarba se oprește în mod neașteptat în timpul cositului.	<ul style="list-style-type: none"> <li>■ Încărcarea acumulatorului (acumulatorilor) este epuizată.</li> </ul>	<ul style="list-style-type: none"> <li>■ Încărcați setul de acumulatori.</li> </ul>
	<ul style="list-style-type: none"> <li>■ Mașina de tuns iarba este supraîncăcată și indicatorul de stare a mașinii de tuns iarba clipește portocaliu.</li> </ul>	<ul style="list-style-type: none"> <li>■ Verificați dacă iarba s-a acumulat sub punte și curățați-o dacă este necesar. Ridicați înălțimea de tăiere sau încetiniți tunsul ierbii.</li> </ul>
	<ul style="list-style-type: none"> <li>■ Puntea mașina de tuns iarbă este înfundată cu iarbă și resturi.</li> </ul>	<ul style="list-style-type: none"> <li>■ Desfundați carcasa mașinii de tuns iarbă. Ridicați înălțimea de tăiere și/ sau tăiați o bandă mai îngustă.</li> </ul>
	<ul style="list-style-type: none"> <li>■ Acumulatorul (acumulatorii) sau circuitele mașinii de tuns iarba sunt prea fierbinți. Dacă acumulatorul este supraîncălzit, indicatorul de stare a mașinii de tuns iarba se stinge. Dacă mașina de tuns iarba este supra-încălzită, indicatorul de stare a mașinii de tuns iarba luminează portocaliu continuu.</li> </ul>	<ul style="list-style-type: none"> <li>■ Lăsați acumulatorul (acumulatorii) sau mașina de tuns iarba să se răcească.</li> <li>■ Curățați orificiul de admisie a aerului, urmând secțiunea „<b>Curățarea orificiului de admisie aer</b>”</li> </ul>
	<ul style="list-style-type: none"> <li>■ Modul de viteză a lamei nu este setat corect.</li> </ul>	<ul style="list-style-type: none"> <li>■ Selectați viteza lamei la o setare mai mică.</li> </ul>
	<ul style="list-style-type: none"> <li>■ Eroarea electronică a mașinii de tuns iarba și indicatorul de stare a mașinii de tuns iarba clipește alternativ roșu/verde.</li> </ul>	<ul style="list-style-type: none"> <li>■ Conectați centrul de service EGO.</li> </ul>
Există vibrații excesive.	<ul style="list-style-type: none"> <li>■ Lama de tăiere este slăbită.</li> </ul>	<ul style="list-style-type: none"> <li>■ Strângeți bolțul lamei.</li> </ul>
	<ul style="list-style-type: none"> <li>■ Lama de tăiere este dezechilibrată.</li> </ul>	<ul style="list-style-type: none"> <li>■ Contactați centrul de service EGO.</li> </ul>
	<ul style="list-style-type: none"> <li>■ Lama de tăiere este îndoită.</li> </ul>	<ul style="list-style-type: none"> <li>■ Înlocuiți lama.</li> </ul>
	<ul style="list-style-type: none"> <li>■ Axul motorului este îndoit.</li> </ul>	<ul style="list-style-type: none"> <li>■ Contactați centrul de service EGO.</li> </ul>
	<ul style="list-style-type: none"> <li>■ Mașina de tuns iarbă este setată să taie prea multă iarbă odată.</li> </ul>	<ul style="list-style-type: none"> <li>■ Ridicați puntea mașinii la o înălțime mai mare de tăiere.</li> </ul>
	<ul style="list-style-type: none"> <li>■ Modul de viteză a lamei nu este setat corect.</li> </ul>	<ul style="list-style-type: none"> <li>■ Setați viteza lamei la o setare mai mică.</li> </ul>
Motorul merge dar lama nu taie iarba.	<ul style="list-style-type: none"> <li>■ Lama nu este strânsă la cuplul necesar.</li> </ul>	<ul style="list-style-type: none"> <li>■ Strângeți din nou lama. Cuplul recomandat pentru șurubul lamei este de 50-60 Nm.</li> </ul>

**RO**

## GARANȚIE

### POLITICA PRIVIND GARANȚIA EGO

Vă rugăm să consultați site-ul [egopowerplus.eu](http://egopowerplus.eu) pentru termenii și condițiile complete ale politicii privind garanția EGO.

## PREBERITE VSA NAVODILA!

**Predvidena uporaba:** Izdelek je namenjen ročni košnji trave:

- Uporabljajte samo za košnjo suhe trave. Ne kosite mokre trave.
- Ne uporabljajte za druge namene.

**⚠ OPOZORILO:** Pred uporabo tega orodja preberite in poskrbite, da boste razumeli vsa varnostna navodila v tem priročniku, vključno z vsemi varnostnimi opozorilnimi simboli, kot so **"NEVARNOST"**, **"OPOZORILO"** in **"POZOR"**. Zaradi neupoštevanja spodaj navedenih navodil lahko pride do električnega udara, požara in/ali resnih telesnih poškodb.

## VARNOSTNI SIMBOLI



Varnostno opozorilo



Pri upravljanju tega izdelka vedno nosite zaščito za sluh, zaščitna očala ali varnostna očala s stransko zaščito in zaščito za celoten obraz.



Pazite na vržene predmete, mimoidoči naj bodo varno oddaljeni.



Roke držite stran.



Zagotovljena raven zvočne moči

SL



Ta izdelek je skladen z veljavno zakonodajo VB.



Bluetooth®

IPX5 Zaščita pred vodnimi curki

mm Milimeter

Enosmerni tok



Za zmanjšanje nevarnosti telesnih poškodb je pomembno, da uporabnik pred uporabo tega izdelka prebere priročnik za uporabo in se z njim seznaní.



Izklopite in odstranite baterijski sklop (napravo za ustavljanje) pred prilagajanjem ali čiščenjem.



Roke in noge vedno držite stran od rezil.



Ne zrite v sijalko za prikaz delovanja.



Ta izdelek je skladen z veljavnimi direktivami ES.



Odpadnih električnih izdelkov ne odlagajte med gospodinjske odpadke. Odnosite jih na pooblaščen obrat za recikliranje.

V Volt

cm Centimeter

kg Kilogram

## TEHNIČNI PODATKI

Napetost	56 V	
Način hitrosti rezila	2	
	1	
	ECO	
Položaji višine košnje	8	
Nastavitev višine košnje	20 mm/31 mm/40 mm/ 51 mm/ 64 mm/78 mm/ 92 mm/105 mm	
Širina košnje	53 cm	
Prostornina vreče za travo	85 L	
Teža kosilnice (brez baterijskega sklopa in vreče za travo)	46 kg	
Model rezila	AB5301	
Priporočena obratovalna temperatura	0°C–40°C	
Priporočena temperatura za shranjevanje	-20°C–70°C	
Izmerjena raven zvočne moči $L_{WA}$	94 dB(A) K= 0.6 dB(A)	
Raven zvočnega tlaka v ušesu upravljavca $L_{PA}$	83 dB(A) K= 3 dB(A)	
Zagotovljena raven zvočnega tlaka $L_{WA}$ (izmerjena v skladu z Direktivo 2000/14/ES)	95 dB(A)	
Vrednotenje oddajanja vibracij $a_h$ :	Levi ročaj	0.39 m/s <sup>2</sup> K=1.5 m/s <sup>2</sup>
	Desni ročaj	0.33 m/s <sup>2</sup> K=1.5 m/s <sup>2</sup>

- Nazivna skupna vrednost tresljajev je bila izmerjena v skladu s standardno preskusno metodo in jo je mogoče uporabiti za primerjavo enega stroja z drugim.
- Nazivno skupno vrednost tresljajev je mogoče uporabiti tudi za predhodno oceno izpostavljenosti.

**OPOMBA:** Oddajanje tresljajev med dejansko uporabo stroja se lahko razlikuje od nazivne vrednosti, v kateri se uporablja stroj. Upravljaec se lahko zaščiti tako, da uporablja rokavice in naušnike, primerne dejanskim pogojem uporabe.

## VSEBINA PAKETA (SL. A1 IN A2)

IME DELA	KOLIČINA
Kosilnica	1
Vreča za travo	1
Okvir vreče za travo	1
Krilni vijak (tovarniško vgrajen v kosilnico)	2
Priročnik za uporabo	1

## OPIS

### SPOZNAJTE KOSILNICO (SLIKA A1 IN A2)

- Sprožilec samohodnega sistema
  - Ročaj
  - Sprožilec vrtenja rezila
  - Zadnja vrata za izmet
  - Gumb za zaklep
  - Pokrov prostora za baterije
  - LED žarometi
  - Srednji odbijač (dvižna ročica)
  - Sprednji odbijač
  - Vzvod za prilagajanje višine košnje
  - Sprednje kolo
  - Pokrov kosilnice
  - Stranski ščit
  - Zajem zraka
  - Zadnje kolo
  - Vzvod za prilagajanje višine košnje
  - Krilni vijak
  - Montažna plošča ročaja
  - Nosilec
  - Vreča za travo
  - Zadnji ščitnik
  - \* Vložek za mulčenje
  - \* Žleb za stransko praznjenje
  - Indikator Bluetooth®
  - Armatura plošča
  - Indikator stanja kosilnice
  - Indikator hitrosti rezila
  - Gumb za način hitrosti rezila
  - Gumb za vklop/izklop
  - Gumb za LED žaromete (gumb Bluetooth®)
  - Gumb za hitro izbiro samopogona
- \* NAPRODAJ LOČENO

SL

## SESTAVLJANJE

**⚠ OPOZORILO:** Če so deli poškodovani ali manjkajo, orodja ne uporabljajte, dokler ne zamenjate delov. Če ta izdelek uporabljate s poškodovanimi ali manjkajočimi deli, lahko pride do hudih telesnih poškodb.

**⚠ OPOZORILO:** Pri nameščanju delov vedno odstranite baterijo, da preprečite nenamerni zagon, ki bi lahko povzročil resno telesno poškodbo.

**⚠ OPOZORILO:** Tega izdelka ne spreminjajte in ne izdelujte dodatkov, ki niso priporočeni za uporabo s to napravo. Vsako takšno spreminjanje naprave je zloraba in lahko privede do tveganj, ta pa do potencialnih telesnih poškodb.

### ODSTRANJEVANJE EMBALAŽE

Ta izdelek je treba sestaviti.

- Iz škatle vzemite vso dodatno opremo.

**⚠ POZOR:** Težek predmet. Kosilnico morata dvigniti dve osebi.

- Ena oseba mora prijeti srednji odbijač/dvižni ročaj, druga oseba pa mora prijeti za dva krilna vijaka, da kosilnico previdno dvigneta iz škatle.

### NAMESTITEV ROČAJA

Kosilnica je odpremljena z delno sestavljenim ročajem.

**⚠ OPOZORILO:** Kosilnice ne poskušajte zagnati, dokler ročaj ni pravilno in varno nameščen in raztegnjen. Bodite previdni, da preprečite stiskanje prstov in kablov med deli.

1. Odvijte in odmaknite oba krilna vijaka.
2. Ročico pomaknite naprej, dokler zaklepna prestava na sklopu ročaja ni obrnjena proti prestavi na kosilnici (slika B1).
3. Oznake na zaklepni prestavi poravnajte in premaknite montažno ploščo ročaja, kot je prikazano na sliki B2, nato vstavite in s prsti privijte oba krilna vijaka.

### ODVIJANJE IN NASTAVLJANJE ROČAJA (SLIKA C)

**⚠ OPOZORILO:** Pazite, da ne stisnete, prekinite ali obremenite kabla, ko zložite ali raztegnete ročaj. Poškodba kabla lahko vpliva na aktiviranje in delovanje kosilnice ter povzroči nevarno delovanje.

**⚠ OPOZORILO:** Ne poskušajte prižgati kosilnice in samopogonskega sistema, dokler ročaj ni zaklenjen na enem izmed treh vnaprej nastavljenih položajev delovanja

(zgornji položaj delovanja 3, srednji položaj delovanja 2, in spodnji položaj delovanja 1).

1. Odvijte krilna vijaka na obeh straneh in zagotovite, da sta prestavi popolnoma ohlapni, vendar NE ločeni.
2. Ročico obračajte navzgor, dokler se puščična oznaka na zaklepni prestavi ne poravnava z enim izmed treh položajev delovanja na montažni plošči ročaja.
3. Zategnite oba vijaka in se prepričajte, da sta obe prestavi popolnoma delujoči in da je ročaj varno pritrjen.

C-1	Spodnji položaj delovanja 1
C-2	Srednji položaj delovanja 2
C-3	Zgornji položaj delovanja 3

### ZLAGANJE ROČAJA (SLIKA D)

**⚠ OPOZORILO:** Pazite, da ne stisnete, prekinite ali obremenite kabla, ko zložite ali raztegnete ročaj. Poškodba kabla lahko vpliva na aktiviranje in delovanje kosilnice ter povzroči nevarno delovanje.

1. Odvijte krilna vijaka na obeh straneh in zagotovite, da sta obe prestavi popolnoma ohlapni, vendar NE ločeni.
2. Ročico obrnite navzdol, dokler ročaj ne sedi v položaju za shranjevanje.
3. Puščično oznako na zaklepni prestavi poravnajte z oznako položaja za shranjevanje na montažni plošči ročaja.
4. Zategnite oba krilna vijaka in se prepričajte, da sta prestavi popolnoma vklopljeni in da je ročaj varno pritrjen.

D-1	Položaj za shranjevanje
-----	-------------------------

### SESTAVLJANJE VREČKE ZA TRAVO (SLIKA E1, E2, E3)

Pred montažo preverite vrečko za travo, da se prepričate, da na njej ni poškodb.

Sestavite vrečko za travo, kot je prikazano na sliki.

### PRITRJEVANJE/ODSTRANJEVANJE VLOŽKA ZA MULČENJE (NAPRODAJ LOČENO)

V kosilnico namestite vložek za mulčenje, kot je prikazano na sliki F.

**⚠ NEVARNOST:** Stroj lahko skozi odprtino v ohišju stroja vrže izrezke trave in druge predmete. Predmeti, vrženi z dovolj sile, lahko povzročijo resne telesne poškodbe ali smrt vam ali drugim navzočim.

SL

Kosilnice nikoli ne upravljajte brez pravilno nameščenega vložka za zastirko, vrečke za travo ali bočnega izpusta.

**⚠ OPOZORILO:** Vložek za mulčenje je treba odstraniti pri namestitvi vrečke za travo ali žleb za bočno praznjenje. Vložek za mulčenje je treba ponovno namestiti, ko odstranite vrečo za travo (ali žleb za bočno praznjenje).

### NAMEŠČANJE/ODSTRANJEVANJE VREČE ZA TRAVO

V kosilnico namestite vrečko za travo, kot je prikazano na sliki. G.

**⚠ OPOZORILO:** Pri običajni uporabi se material vreče za travo obrablja. Da bi zmanjšali tveganje za poškodbe, redno preverjajte sklop vreče za travo in jo zamenjajte, če se na njej pojavijo znaki obrabe. Uporabljajte samo vreče za travo, izdelane za to kosilnico.

**⚠ OPOZORILO:** Vrečo za travo je treba odstraniti, preden namestite in uporabite žleb za bočno praznjenje ali vložek za mulčenje.

### PRITRDITEV/ODSTRANJEVANJE ŽLEBA ZA BOČNO PRAZNIENJE (NAPRODAJ LOČENO)

V kosilnico namestite žleb za bočno praznjenje, kot je prikazano na sliki. H.

**⚠ OPOZORILO:** Žleb za bočno praznjenje je treba odstraniti, da se lahko namesti in uporabi vreča za travo ali vložek za mulčenje.

### NASTAVITEV VIŠINE KOŠNJE (SLIKA J1 IN J2)

**⚠ OPOZORILO:** Pri prilagajanju višine držite stopala stran od pokrova.

Kosilnico lahko nastavite na 8 višin košnje od 20 mm do 105 mm. Oznaka označuje izbrano višino košnje.

Ta kosilnica vam omogoča, da individualno prilagodite višino košnje sprednjega in zadnjega dela kosilnice. Izberite primerno višino košnje glede na vrsto in stanje trave, ki jo boste kosili.

1. Izklopite kosilnico in počakajte, da se rezilo popolnoma ustavi.
2. Odstranite baterijske sklope.
3. Izvlecite sprednjo ali zadnjo ročico za nastavev višine košnje iz zatikala in jo nastavite na zeleni položaj.

### PRITRDITEV/ODSTRANJEVANJE BATERIJSKIH SKLOPOV (SL K)

**OPOMBA:** Pred prvo uporabo popolnoma napolnite baterijski sklop.

Napravo uporabljajte le z baterijskimi sklopi in polnilniki, navedenimi na sl. A3

**OPOMBA:** Kosilnica ima dva aktivna vhoda za polnjenje baterije. Deluje lahko z eno ali dvema baterijskima sklopoma.

#### ■ Napotki za priključitev

1. Odprite pokrov predala za baterije in vanj potisnite paket baterij, dokler ne zaslišite klika.
2. Ponovite postopek za namestitev drugega baterijskega sklopa.

#### ■ Napotki za odklop

V prostoru za baterije pritisnite gumb za sprostitvev baterije.

**OPOMBA:** Pred začetkom delovanja se prepričajte, da se zapih na kosilnici zaskoči na svoje mesto in da so baterijski sklopi pritrjeni na kosilnico.

### IZBIRA NAČINA HITROSTI REZILA (SLIKA L)

- Način 2 je način visoke hitrosti rezila za visoko zmogljivost dviga za izboljšanje sesalne sile in učinkovitosti rezanja.
- Način 1 je najboljše ravnovesje med zmogljivostjo in časom izvajanja.
- Način ECO zagotavlja najnižjo raven hrupa in najdaljši čas delovanja baterijskih sklopov.

**OPOMBA:** Privzeti način hitrosti rezila je način 1.

### KOMUNIKACIJSKA TEHNOLOGIJA

Za informacije ali našo celotno ponudbo povezanih izdelkov in storitev, vključno z navodili za povezavo, skenirajte kodo QR spodaj ali obiščite spletno mesto [www.egopowerplus.eu/connect](http://www.egopowerplus.eu/connect).



## UPRAVLJANJE

Izdelek se lahko uporablja v dežju.

### ZAGON/ZAUSTAVITEV KOSILNICE

**⚠ OPOZORILO:** Delovanje katere koli kosilnice lahko povzroči metanje tujkov v vaše oči, kar lahko povzroči resne poškodbe očesa. Pri upravljanju kosilnice, izvajanju nastavitvev ali popraviljanju nastavitvev vedno nosite zaščitna očala.

**⚠ OPOZORILO:** Po izključitvi kosilnice se bo rezilo še nekaj sekund vrtelo. Pred ponovnim zagonom pustite, da se motor/rezilo ustavi. Kosilnice ne vključujte in izključujte hitro.

**⚠ OPOZORILO:** Ustavite rezilo, če je treba kosilnico nagniti za transport preko površin, ki niso trava, in pri transportu kosilnice na in z območja košnje.

**⚠ OPOZORILO:** Pri zagonu motorja ne nagibajte kosilnice, razen če je kosilnico treba nagniti za zagon. V tem primeru je ne nagnite bolj kot je nujno potrebno in dvignite samo del, ki je odmaknjen od upravljavca.

Pred uporabo vedno vizualno preverite, da rezilo in vijak rezila nista obrabljena ali poškodovana. Obrabljeno ali poškodovano rezilo in vijak zamenjajte hkrati, da ohranite uravnoteženost naprave.

### Preverite, ali je rezilo zamašeno.

- Da preprečite nastanek blokade, vzdržujte čistočo rezila in zgornjega dela kosilnice. Pred in po vsaki uporabi odstranite pokošeno travo, listje, umazanijo in druge nakopičene ostanke.

- Ko pride do blokade, zaustavite kosilnico in odstranite baterijo ali baterijski sklop, nato pa odstranite vso nakopičeno travo in listje na ali okoli pogonske gredi in ventilatorja motorja. Kosilnico obrišite z vlažno krpo.

**⚠ POZOR:** Ne poskušajte zaobiti delovanja gumba za vklop in sprožilca vrtenja rezila.

**OPOMBA:** Motorja ni mogoče zagnati, če ročaj ni zaklenjen na enem od treh položajev za delovanje.

### Za zagon kosilnice (slika M1 in M2)

1. Baterijske sklope pritrdite na kosilnico in zaprite pokrov prostora za baterije.
2. Pritisnite gumb za vklop, da osvetlite armaturno ploščo, in indikator stanja kosilnice skupaj z indikatorjem **hitrosti rezila 1** bo zasvetil.

3. Pritisnite gumb za način hitrosti rezila, da izberete želeno hitrost.
4. Pritisnite in pridržite gumb za vklop.
5. Ko pritisnete gumb za vklop, povlecite sprožilec vrtenja rezila, da se srečate z ročico, in spustite gumb za vklop.

### Za zaustavitev kosilnice (slika M3)

1. Popolnoma sprostite sprožilec vrtenja rezila.
2. Električna zavora v avtomatskem zavornem mehanizmu bo rezilo ustavila v 3 sekundah po sprostitvi vzvoda varnostnega stikala.

### SAMOHODNI SISTEM S SPREMENLJIVO HITROSTJO (SLIKA N)

Kosilnica je opremljena s sposobnostjo samohodnega delovanja s spremenljivo hitrostjo. Ta samohodni sistem je neodvisen od vrtenja rezila.

**OPOMBA:** Samohodnega sistema ni mogoče zagnati, če ročaj ni zaklenjen v enega od treh položajev delovanja.

### Za upravljanje samohodnega sistema brez vrtenja rezila

1. Pritisnite gumb za vklop/izklop, da osvetlite armaturno ploščo.
2. Gumb za nadzor hitrosti samodejnega pogona rahlo zavrtite naprej, dokler ne zaslišite klika, nato povlecite samopogonski sprožilec, da se srečate z ročajem, da zaženete funkcijo samodejnega pogona.

**Za izklop samohodnega sistema** sprostite sprožilec samohodnega sistema.

### ŽAROMETI LED (SLIKA P)

**Za vklop žarometov** pritisnite gumb za žaromete. Žarometi razsvetlujejo območje pred kosilnico.

**Za izklop žarometov** znova pritisnite gumb.

### INDIKATOR STANJA KOSILNICE

Indikator stanja kosilnice na armaturni plošči prikazuje delovno stanje kosilnice.



Indikator	Opis	Pomen	Dejanje
	Sveti zeleno	Kosilnica deluje pravilno.	Ni zahtevano.
	Utripa zeleno	Ročaj ni zaklenjen v delovnem položaju.	Zaustavite kosilnico in se pripravite, da je ročaj zaklenjen v enem izmed delovnih položajev.
	Utripa rdeče	Nizka raven napolnjenosti baterije.	Ustavite kosilnico in napolnite baterijski sklop.
	Sveti oranžno	Kosilnica je pregreta.	Spustite sprožilec vrtenja rezila in počakajte, da temperatura kosilnice pade pod 80 °C. Glejte razdelek "ZAŠČITA NAPRAVE PRED VISOKO TEMPERATURO" spodaj.
	Utripa oranžno	Kosilnica je preobremenjena.	<ol style="list-style-type: none"> <li>1. Odstranite baterije in preverite, ali se je pod pokrovom nabrala trava. Po potrebi očistite.</li> <li>2. Upočasnite korak pri rezanju.</li> <li>3. Dvignite višino rezanja.</li> <li>4. Če zgornje rešitve ne delujejo, se obrnite EGO servisni center.</li> </ol> Glejte razdelek »ZAŠČITA KOSILNICE PRED PREOBREMENITVIJO« spodaj.
	Izmenično utripa rdeča/zelena	Napaka elektronike kosilnice.	Stopite v stik servisnim centrom EGO.

**SL**

### ZAŠČITA KOSILNICE PRED VISOKO TEMPERATURO

Če temperatura stroja med delovanjem preseže 90 °C, bo temperaturno zaščitno vezje takoj izklopilo stroj, da ga zaščiti pred poškodbami zaradi pregrevanja.

Indikator stanja baterije bo svetil oranžno. Spustite sprožilec vrtenja rezila in počakajte, da se pregreta kosilnica ohladi in indikator stanja postane zelen, nato pa znova zaženite kosilnico.

### ZAŠČITA PRED PREOBREMENITVIJO KOSILNICE

Da preprečite preobremenitev, ne poskušajte pokositi preveč trave naenkrat. Upočasnite korak ali povišajte višino reza.

Kosilnica ima vgrajeno zaščitno vezje pred preobremenitvijo. Ko je kosilnica preobremenjena, se bo motor zaustavil, indikator stanja kosilnice na armaturni plošči pa bo utripal oranžno.

## VZDRŽEVANJE

**⚠ OPOZORILO:** Da bi se izognili resnim telesnim poškodbam, pred čiščenjem, izvajanjem kakršnega koli vzdrževanja ali prevozom kosilnice vedno izklopite kosilnico, odstranite baterijski sklop in se prepričajte, da so vsi gibljivi deli popolnoma zaustavljeni.

**⚠ OPOZORILO:** Po udarcu ob tujek ustavite stroj in odstranite baterijski sklop, da se prepričate, da so se vsi gibljivi deli popolnoma zaustavili, nato pregledajte stroj za poškodbe in opravite popravila, preden stroj znova zaženete in uporabite.

**⚠ OPOZORILO:** Zaustavite stroj in odstranite baterijski sklop, da se prepričate, da so se vsi gibljivi deli popolnoma ustavili, če stroj začne nenormalno vibrirati, nato pa nemudoma preverite za morebitne poškodbe, zamenjajte ali popravite morebitne poškodovane dele ter preverite in pričvrstite vse ohlapne dele.

**⚠ OPOZORILO:** Za popravila uporabljajte samo identične nadomestne dele. Uporaba drugih delov je tvegana in lahko poškoduje izdelek. Za zagotovitev varnosti in zanesljivosti mora vsa popravila izvesti usposobljen servisni tehnik.

### ČIŠČENJE KOSILNICE

Spodnjo stran pokrova kosilnice morate očistiti po vsaki uporabi, saj se tam nabirajo ostanki trave, listje, umazanija in drugi delci.

Odstranite ostanke trave in listja na in okoli ventilatorja motorja. Kosilnico obrišite z vlažno krpo.

### Čiščenje dovoda zraka (slika Q)

1. Odstranite pokrov mreže za dovod zraka tako, da odstranite štiri vijake.
2. Notranjost dovoda zraka in mrežni pokrov očistite s stisnjenim zrakom.

### MENJAVA REZILA (SLIKA R1, R2, R3)

**⚠ OPOZORILO:** Pred čiščenjem vedno odstranite baterijski sklop in vrečo za travo.

**⚠ OPOZORILO:** Vedno nosite zaščitne rokavice.

**OPOMBA:** Pred namestitvijo rezila temeljito očistite območje pogonske gredi in spodnjo stran stroja.

1. Kosilnico obrnite z zgornjim delom navzdol.

2. Rezilo odstranite/namestite z momentnim ključem in s pomočjo dveh kovinskih palic, kot je prikazano na sliki.
3. Natisnjena stran rezila obrnjena navzven.

### SHRANJEVANJE KOSILNICE (SLIKA S1 in S2)

1. Iz kosilnice odstranite baterijski sklop.
2. Izpraznite vrečo za travo in očistite kosilnico.
3. Da bi prihranili več prostora za shranjevanje, zložite ročaj izdelka in napravo shranite, kot je prikazano.

**OPOMBA:** Prepričajte se, da se kabel ročaja ne ujame, ko zložite/raztegnete ročaj izdelka (ročaja ne spuščajte).

4. Med shranjevanjem na kosilnico ne polagajte drugih predmetov.

**⚠ OPOZORILO:** Če se kosilnica prevrne iz pokončnega položaja, lahko pride do poškodb kosilnice ali telesnih poškodb. Ko je kosilnica v pokončnem položaju, poskrbite, da bo stabilna in izven dosega otrok. Če je mogoče, jo shranjujte v ležečem položaju.

### VAROVANJE OKOLJA



Električnih naprav ne odlagajte med mešane gospodinjne odpadke, ampak jih oddajte na ustrezno zbirno mesto za odlaganje odpadkov.

Za informacije o razpoložljivih sistemih za zbiranje se obrnite na lokalno upravo.

Če električne naprave odvržete na smetišča, lahko nevarne snovi pronicajo v podtalnico in tako pridejo v prehranjevalno verigo, s čimer ogrozijo vaše zdravje in dobro počutje.

## ODPRAVLJANJE TEŽAV

TEŽAVA	VZROK	REŠITEV
Kosilnica ali funkcija za samodejni pogon se ne zažene.	<ul style="list-style-type: none"> <li>■ Baterijski sklop je izprazen.</li> </ul>	<ul style="list-style-type: none"> <li>■ Napolnite baterijski sklop.</li> </ul>
	<ul style="list-style-type: none"> <li>■ Baterijski sklopi niso pravilno vstavljeni v prostor za baterije.</li> </ul>	<ul style="list-style-type: none"> <li>■ Baterijski sklop potisnite v prostor za baterijski akumulator, dokler ne zaslišite klika.</li> </ul>
	<ul style="list-style-type: none"> <li>■ Ročaj ni zaklenjen v delovnem položaju in indikator stanja kosilnice utripa zeleno.</li> </ul>	<ul style="list-style-type: none"> <li>■ Zaustavite kosilnico in se prepričajte, da je ročaj zaklenjen v enem izmed delovnih položajev.</li> </ul>
	<ul style="list-style-type: none"> <li>■ Pokrov kosilnice je zamašen s travo in delci.</li> </ul>	<ul style="list-style-type: none"> <li>■ Očistite pokrov kosilnice in se prepričajte, da ima rezilo prostor za premikanje.</li> </ul>
Kosilnica ne kosi enakomerno.	<ul style="list-style-type: none"> <li>■ Rezilo je topo.</li> </ul>	<ul style="list-style-type: none"> <li>■ Naostrite ali zamenjajte rezilo.</li> </ul>
	<ul style="list-style-type: none"> <li>■ Višina košnje ni pravilno nastavljena.</li> </ul>	<ul style="list-style-type: none"> <li>■ Premaknite višino pokrova na višjo nastavitev.</li> </ul>
	<ul style="list-style-type: none"> <li>■ Rezilo ni pravilno nameščeno.</li> </ul>	<ul style="list-style-type: none"> <li>■ Ponovno namestite rezilo, pri tem pa sledite navodilom v razdelku »<b>NAMEŠČANJE REZILA</b>« v tem priročniku.</li> </ul>
	<ul style="list-style-type: none"> <li>■ Način hitrosti rezila ni pravilno nastavljen.</li> </ul>	<ul style="list-style-type: none"> <li>■ Izberite ustrezen način hitrosti rezila.</li> </ul>
Kosilnica ne mulči pravilno.	<ul style="list-style-type: none"> <li>■ Drobcji mokre trave so se nalepili na spodnjo stran pokrova.</li> </ul>	<ul style="list-style-type: none"> <li>■ Pred košenjem počakajte, da se trava posuši.</li> </ul>
	<ul style="list-style-type: none"> <li>■ Kosilnica je nastavljena tako, da kosi preveč trave naenkrat.</li> </ul>	<ul style="list-style-type: none"> <li>■ Pokrov dvignite na višjo nastavitev košnje.</li> </ul>
	<ul style="list-style-type: none"> <li>■ Način hitrosti rezila ni pravilno nastavljen.</li> </ul>	<ul style="list-style-type: none"> <li>■ Izberite način <b>hitrosti 1</b> ali ECO rezilo.</li> </ul>

SL

Kosilnica se med košnjo nepričakovano ustavi.	<ul style="list-style-type: none"> <li>■ Baterijski sklop je izprazenjen.</li> </ul>	<ul style="list-style-type: none"> <li>■ Napolnite baterijski sklop.</li> </ul>
	<ul style="list-style-type: none"> <li>■ Kosilnica je preobremenjena in indikator stanja kosilnice utripa oranžno.</li> </ul>	<ul style="list-style-type: none"> <li>■ Preverite, ali se je pod pokrovom nabrala trava, in po potrebi očistite. Zvišajte višino košnje ali upočasnite košnjo.</li> </ul>
	<ul style="list-style-type: none"> <li>■ Pokrov kosilnice je zamašen s travo in delci.</li> </ul>	<ul style="list-style-type: none"> <li>■ Očistite pokrov kosilnice. Zvišajte višino košnje in/ali kosite ozko območje.</li> </ul>
	<ul style="list-style-type: none"> <li>■ Baterija ali vezje kosilnice je prevroče. Če je baterija pregreta, se indikator stanja kosilnice izklopi. Če se kosilnica pregreje, indikator stanja kosilnice sveti oranžno.</li> </ul>	<ul style="list-style-type: none"> <li>■ Počakajte, da se baterija ali kosilnica ohladi.</li> </ul>
	<ul style="list-style-type: none"> <li>■ Način hitrosti rezila ni pravilno nastavljen.</li> </ul>	<ul style="list-style-type: none"> <li>■ Očistite dovod zraka, tako da sledite navodilom v razdelku „<b>Čiščenje dovoda zraka</b>“</li> <li>■ Izberite hitrost rezila na nižjo nastavev.</li> </ul>
	<ul style="list-style-type: none"> <li>■ Napaka elektronike kosilnice in indikator stanja kosilnice izmenično utripa rdeče/zeleno.</li> </ul>	<ul style="list-style-type: none"> <li>■ Stopite v stik servisnim centrom EGO.</li> </ul>
Prihaja do pretiranih vibracij.	<ul style="list-style-type: none"> <li>■ Rezilo je zrahljano.</li> </ul>	<ul style="list-style-type: none"> <li>■ Privijte vijak rezila.</li> </ul>
	<ul style="list-style-type: none"> <li>■ Rezilo ni uravnovešeno.</li> </ul>	<ul style="list-style-type: none"> <li>■ Obrnite se na servisni center EGO.</li> </ul>
	<ul style="list-style-type: none"> <li>■ Rezilo je upognjeno.</li> </ul>	<ul style="list-style-type: none"> <li>■ Zamenjajte rezilo.</li> </ul>
	<ul style="list-style-type: none"> <li>■ Gred motorja je upognjena.</li> </ul>	<ul style="list-style-type: none"> <li>■ Obrnite se na servisni center EGO.</li> </ul>
	<ul style="list-style-type: none"> <li>■ Kosilnica je nastavljena tako, da kosi preveč trave naenkrat.</li> </ul>	<ul style="list-style-type: none"> <li>■ Pokrov dvignite na višjo nastavev košnje.</li> </ul>
<ul style="list-style-type: none"> <li>■ Način hitrosti rezila ni pravilno nastavljen.</li> </ul>	<ul style="list-style-type: none"> <li>■ Nastavite hitrost rezila na nižjo nastavev.</li> </ul>	
Motor deluje, vendar rezilo ne kosi trave.	<ul style="list-style-type: none"> <li>■ Vijak rezila ni privit na zahtevani navor.</li> </ul>	<ul style="list-style-type: none"> <li>■ Ponovno privijte rezilo. Priporočen navor za vijak rezila je med 50 in 60 Nm.</li> </ul>

SL

## GARANCIJA

### GARANCIJSKA POLITIKA DRUŽBE EGO

Za popolne pogoje garancijske politike družbe EGO obiščite spletno mesto [egopowerplus.eu](http://egopowerplus.eu).

## PERSKAITYKITE VISAS INSTRUKCIJAS!

**Paskirtis:** Gaminys yra skirtas vejai pjauti rankiniu būdu:

- Naudoti tik sausai žolei pjauti. Nėpjauti šlapios žolės.
- Nenaudoti jokiam kitam tikslui.

**⚠️ ĮSPĖJIMAS:** Prieš pradėdami naudoti šį įrenginį, perskaitykite visus šiame naudotojo vadove pateiktus saugos nurodymus, įskaitant visus saugos įspėjamaisiais simboliais, tokiais kaip „PAVOJUS“, „ISPĖJIMAS“ ir „DĖMESIO“, pažymėtus nurodymus, bei įsitikinkite, kad juos supratote. Nesilaikant visų toliau išdėstytų nurodymų galima patirti elektros smūgį, sukelti gaisrą ir (ar) sunkiai susižaloti.

## SAUGOS SIMBOLIAI



Įspėjimas dėl saugos



Dirbant su šiuo gaminiu visada naudoti klausos apsaugos priemones, apsauginius akinius ar apsauginius akinius su šonine apsauga arba visą veidą dengiantį skydelį.



Saugotis išsviestų daiktų – neleisti artintis pašaliniais asmenims.



Nekišti rankų



Garantuojamas garso galios lygis.



Šis gaminys atitinka taikomas JK direktyvas.



Bluetooth®

IPX5

Apsauga nuo vandens srovų

mm

Milimetrai



Nuolatinė srovė



Kad sumažintų susižalojimo pavojų, prieš naudodamas šį gaminį naudotojas turi perskaityti naudotojo vadovą ir įsitikinti, kad jį suprato



Išjungti įrenginį ir išimti atjungiamą sudėtinę bateriją (arba išjungimo įtaisą) prieš reguliuojant ar valant.



Nekišti rankų ir kojų prie peilių.



Įdėmiai nežiūrėti į šviečiantį žibintą.



Šis gaminys atitinka taikomas EB direktyvas.



Netinkamus naudoti elektrinius įrankius draudžiama išmesti kartu su buitinėmis atliekomis. Perduoti įgaliotam perdirbėjui.

V Voltai

cm Centimetrai

kg Kilogramai

LT

**PASTABA:** „Bluetooth®“ žodinis ženklas ir logotipai yra registruotieji prekių ženklai, priklausantys „Bluetooth SIG, inc.“, ir bet koks tokių ženklų naudojimas EGO yra su atitinkamu leidimu.

## TECHNINIAI DUOMENYS

Įtampa	56 V	
Peilio sukimosi greičio režimas	2	
	1	
	ECO	
Pjovimo aukščio padėtys	8	
Pjovimo aukščio nuostatos	20 mm/31 mm/40 mm/ 51 mm/ 64 mm/78 mm/ 92 mm/105 mm	
Pjovimo plotis	53 cm	
Žolės rinktuvo tūris	85 L	
Vejapjovės svoris (be sudėtinės baterijos ir žolės rinktuvo)	46 kg	
Peilio modelis	AB5301	
Rekomenduojama darbo temperatūra	0°C–40°C	
Rekomenduojama laikymo temperatūra	-20°C–70°C	
Išmatuotas garso galios lygis $L_{WA}$	94 dB(A) K= 0.6 dB(A)	
Garso slėgio lygis ties naudotojo ausimi $L_{PA}$	83 dB(A) K= 3 dB(A)	
Garantuojamas garso galios lygis $L_{WA}$ (išmatuotas pagal 2000/14/EB)	95 dB(A)	
Vibracijos vertė $a_n$ :	Kairioji rankena	0.39 m/s <sup>2</sup> K=1.5 m/s <sup>2</sup>
	Dešinioji rankena	0.33 m/s <sup>2</sup> K=1.5 m/s <sup>2</sup>

- Nurodyta bendroji vibracijos vertė išmatuota taikant standartinį bandymo metodą, todėl pagal ją galima palyginti skirtingus įrenginius.
- Nurodytą bendrąją vibracijos vertę taip pat galima naudoti pirminiam poveikio vertinimui.

**PASTABA:** Naudojant įrenginį realiomis sąlygomis, skleidžiamos vibracijos stiprumo vertė gali skirtis nuo nurodytos. Kad apsaugotų dirbdamas realiomis sąlygomis, naudotojas turi mūvėti pirštines ir naudoti klausos apsaugos priemones.

## PAKUOTĖS TURINIO SĄRAŠAS (A1 IR A2 PAV.)

DALIES PAVADINIMAS	KIEKIS
Vejapjovė	1
Žolės rinktuvas	1
Žolės rinktuvo rėmas	1
Sparnuotasis varžtas (įmontuotas gamykloje)	2
Operatoriaus vadovas	1

## APRAŠYMAS

### VEJAPJOVĖS DALYS (A1 ir A2 pav.)

- Savosios eigos svirtis
  - Rankena
  - Peilio sukimosi svirtis
  - Galinės išmetimo angos dangtis
  - Fiksavimo įtaisas
  - Baterijų skyriaus dangtelis
  - LED priekiniai žibintai
  - Vidurinis buferis (pakėlimo rankena)
  - Priekinis buferis
  - Priekinė pjovimo aukščio reguliavimo svirtis
  - Priekinis ratas
  - Vejapjovės pjovimo platforma
  - Šoninis apsauginis gaubtas
  - Oro įtraukimo anga
  - Galinis ratas
  - Galinė pjovimo aukščio reguliavimo svirtis
  - Sparnuotasis varžtas
  - Rankenos tvirtinimo plokštelė
  - Laikiklis
  - Žolės rinktuvas
  - Galinis skydelis
  - Mulčiavimo įdėklas
  - Šoninio išmetimo įtaisas
  - „Bluetooth®“ indikatorius
  - Prietaisų skydelis
  - Vejapjovės būsenos indikatorius
  - Peilio sukimosi greičio indikatorius
  - Peilio sukimosi greičio režimo mygtukas
  - Maitinimo mygtukas
  - LED priekinių žibintų mygtukas („Bluetooth®“ mygtukas)
  - Savosios eigos greičio reguliavimo rankenėlė
- \* ĮSIGIJAMA ATSKIRAI

LT

## SURINKIMAS

**⚠️ ĮSPĖJIMAS:** Jei kurios nors dalys pažeistos arba jų nėra, nenaudokite šio gaminio tol, kol tos dalys nebus pakeistos. Naudojant gaminį su pažeistomis dalimis arba kai jų trūksta, galima sunkiai susižaloti.

**⚠️ ĮSPĖJIMAS:** Kad išvengtumėte atsitiktinio įrenginio paleidimo ir galimo sunkaus sužalojimo, prieš surinkdami įrenginio dalis visada iš jo išimkite sudėtinę bateriją (-as).

**⚠️ ĮSPĖJIMAS:** Nebandykite keisti šio įrenginio konstrukcijos arba naudoti priedus, kurie nėra rekomenduojami naudoti su šiuo įrenginiu. Visi tokie pakeitimai ir modifikacijos laikomi netinkamu naudojimui. Jie gali lemti pavojingas aplinkybes, dėl kurių galima susižaloti.

### IŠPAKAVIMAS

Šį gaminį reikia surinkti.

- Išimkite iš dėžės visas dalis.

**⚠️ DĖMESIO:** Sunkus daiktas. Vejapjovei pakelti reikia dviejų asmenų.

- Vienas asmuo turi paimti už vidurinio buferio (pakėlimo rankenos), o kitas – už abiejų sparnuotųjų varžtų, ir atsargiai iškelti vejapjovę iš dėžės.

### RANKENOS TVIRTINIMAS

Vejapjovę pristatoma su iš dalies surinkta rankena.

**⚠️ ĮSPĖJIMAS:** Nebandykite paleisti vejapjovės, kol rankena nėra tinkamai ir saugiai atlenkta ir pritvirtinta. Būkite atsargūs, kad tarp dalių neprispaustumėte pirštų ir troso.

1. Atsukite ir pasidėkite šalia abu sparnuotuosius varžtus.
2. Stumkite rankeną į priekį, kol rankenos fiksavimo įtaisas atsidurs ant vejapjovės rankenos tvirtinimo plokštelės (B1 pav.).
3. Sulygiuokite fiksavimo įtaisą su rankenos tvirtinimo plokštele, kaip parodyta B2 pav., ir įstatę priveržkite abu sparnuotuosius varžtus.

### RANKENOS ATLENKIMAS IR REGULIAVIMAS C PAV.)

**⚠️ ĮSPĖJIMAS:** Atlenkdami ir užlenkdami rankeną neprispauskite, nesulenkite ir neištempkite trosu. Pažeistas trosas gali turėti įtakos vejapjovės paleidimui ir darbui, todėl gali susidaryti nesaugios darbo sąlygos.

**⚠️ ĮSPĖJIMAS:** Nebandykite paleisti vejapjovės, kol rankena neužfiksuota vienoje iš trijų numatytųjų darbinio padėčių (viršutinėje darbinėje padėtyje 3, vidurinėje darbinėje padėtyje 2 ar apatinėje darbinėje padėtyje 1).

1. Atlaisvinkite sparnuotuosius varžtus abiejose pusėse taip, kad abu fiksavimo įtaisai atsikabintų, tačiau neatsiskirtų nuo tvirtinimo plokštelių.
2. Kelkite rankeną aukštyn, kol rodyklės ženklas ant fiksavimo įtaiso sutaps su viena iš trijų darbinio padėčių ant rankenos tvirtinimo plokštelių.
3. Priveržkite abu varžtus taip, kad abu fiksavimo įtaisai užsifiksuotų ir rankena patikimai prisitvirtintų.

C-1	Apatinė darbinė padėtis 1
C-2	Vidurinė darbinė padėtis 2
C-3	Viršutinė darbinė padėtis 3

### RANKENOS NULENKIMAS D PAV.)

**⚠️ ĮSPĖJIMAS:** Atlenkdami ir užlenkdami rankeną neprispauskite, nesulenkite ir neištempkite trosu. Pažeistas trosas gali turėti įtakos vejapjovės paleidimui ir darbui, todėl gali susidaryti nesaugios darbo sąlygos.

1. Atlaisvinkite sparnuotuosius varžtus abiejose pusėse taip, kad abu fiksavimo įtaisai atsikabintų, tačiau neatsiskirtų nuo tvirtinimo plokštelių.
2. Lenkite rankeną žemyn, kol ji atsidurs laikymo padėtyje.
3. Sulygiuokite rodyklės ženklą ant fiksavimo įtaiso su laikymo padėties ženklu ant rankenos tvirtinimo plokštelių.
4. Priveržkite abu varžtus taip, kad abu fiksavimo įtaisai užsifiksuotų ir rankena patikimai prisitvirtintų.

D-1	Laikymo padėtis
-----	-----------------

### ŽOLĖS RINKTUVO SURINKIMAS (E1, E2, E3 PAV.)

Prieš surinkdami žolės rinktuvą patikrinkite, ar jis nepažeistas. Žolės rinktuvą surinkite, kaip parodyta paveikslėliuose.

### MULČIAVIMO ĮDĖKLO (ĮSIGIJAMAS ATSKIRAI) TVIRTINIMAS IR NUĖMIMAS

Įstatykite mulčiavimo įdėklą į vejapjovę, kaip parodyta F pav.

**⚠️ PAVOJUS:** Įrenginys gali išmesti žolės nuopjovas ir kitas šiukšles pro vejapjovės korpuse esančią angą. Pakankamai stipriai išsviestos šiukšlės gali sunkiai ar net mirtinai sužaloti jus arba pašalinius asmenis.

LT

**Niekada nedirbkite su vejjapjove be tinkamai pritvirtinto mulčiavimo įdėklo, žolės rinktuvo arba šoninio išmetimo įtaiso.**

**⚠️ ĮSPĖJIMAS:** Pritvirtinus žolės rinktuvą arba šoninio išmetimo įtaisą, mulčiavimo įdėklą reikia nuimti. Nuėmus žolės rinktuvą (arba šoninio išmetimo įtaisą), mulčiavimo įdėklą reikia vėl įstatyti.

## ŽOLĖS RINKTUVO TVIRTINIMAS IR NUĖMIMAS

Žolės rinktuvą prie vejjapjovės prikabinkite, kaip parodyta G pav.

**⚠️ ĮSPĖJIMAS:** Įprastai naudojant žolės rinktuvo medžiaga dėvisi. Kad sumažėtų pavojus susižaloti, žolės rinktuvą dažnai tikrinkite ir pakeiskite atsiradus susidėvėjimo požymiams. Naudokite tik šiai vejjapjovei pagamintus žolės rinktuvus.

**⚠️ ĮSPĖJIMAS:** Norint pritvirtinti ir naudoti šoninio išmetimo įtaisą arba mulčiavimo įdėklą, žolės rinktuvą reikia nuimti.

## ŠONINIO IŠMETIMO ĮTAISO (ĮSIGIJAMAS ATSKIRAI) TVIRTINIMAS IR NUĖMIMAS

Šoninio išmetimo įtaisą prie vejjapjovės pritvirtinkite, kaip parodyta H pav.

**⚠️ ĮSPĖJIMAS:** Norint pritvirtinti ir naudoti žolės rinktuvą arba mulčiavimo įdėklą, šoninio išmetimo įtaisą reikia nuimti.

LT

## PJOVIMO AUKŠČIO REGULIAVIMAS J1 ir J2 PAV.)

**⚠️ ĮSPĖJIMAS:** Kai reguliuojate pjovimo aukštį, neikiškite kojų prie pjovimo platformos.

Vejjapjovėje galima nustatyti 8 pjovimo aukščius nuo 20 mm iki 105 mm. Pasirinktą pjovimo aukštį rodo žymė.

Šioje vejjapjovėje galima atskirai reguliuoti pjovimo aukštį priekyje ir gale. Pasirinkite tinkamą pjovimo aukštį, atsižvelgdami į pjaunamos žolės tipą ir būklę.

1. Išjunkite vejjapjovę ir palaukite, kol pjovimo peilis visiškai sustos.
2. Išimkite akumuliatorių (-ius).
3. Atkabinkite priekinę arba galinę pjovimo aukščio reguliavimo svirtį iš įrantos ir nustatykite į norimą padėtį.

## SUDĖTINIŲ BATERIJŲ ĮSTATYMAS IR IŠĖMIMAS (K (PAV.))

**PASTABA:** Prieš naudodami sudėtinę bateriją pirmą kartą iki galo ją įkraukite.

# 176

BELAIDĖ VEJJAPJOVĖ SU 56 VOLTŲ LIČIO JONŲ BATERIJA — LMX5300SP

Naudokite A3 pav. nurodytas sudėtines baterijas ir įkroviklius.

**PASTABA:** Vejjapjovėje yra du baterijų lizdai. Ji gali veikti su viena arba dviem sudėtinėmis baterijomis.

### ■ Įstatymas

1. Atidarykite baterijų skyriaus dangtelį ir stumkite sudėtinę bateriją į baterijų skyrių tol, kol išgirsite spragtelėjimą.
2. Pakartokite šią procedūrą, jei norite įstatyti antrąją sudėtinę bateriją.

### ■ Išėmimas

Paspauskite baterijos atjungimo mygtuką baterijų skyriuje

**PASTABA:** Prieš pradėdami dirbti įsitinkinkite, ar vejjapjovės fiksatorius užsifiksavo savo vietoje ir ar sudėtinė baterija (-os) tinkamai įstatytos.

## PEILIO GREIČIO REŽIMO PASIRINKIMAS L PAV.)

- 2 režimas yra didelio peilio greičio režimas, skirtas žolės nuopjovoms aukštai pakelti, kad padidėtų siurbimo jėga ir pjovimo našumas.
- 1 režimas užtikrina geriausią našumo ir veikimo laiko santykį.
- ECO režimas užtikrina mažiausią triukšmo lygį ir ilgiausią sudėtinės baterijos (-ų) veikimo laiką.

**PASTABA:** Numatytasis peilio greičio režimas yra 1.

## RYŠIO TECHNOLOGIJA

Norėdami gauti informacijos apie visus mūsų prijungtinius gaminius ir paslaugas, įskaitant prijungimo instrukcijas, nuskaitykite toliau pateiktą QR kodą arba apsilankykite svetainėje [www.egopowerplus.eu/connect](http://www.egopowerplus.eu/connect).



EGO



## DARBAS

Šį gaminį galima naudoti lyjant lietuviškai.

### VEJAPJOVĖS PALEIDIMAS IR SUSTABDYMAS

**⚠️ ĮSPĖJIMAS:** Dirbant su bet kokia veļapjovę, į jūų ar kitų asmenų akis gali būti išsviestos ir patekti šiukšlės, taip sunkiai sužalodamos. Visada užsidėkite apsauginius akinius, kai dirbate su veļapjovę, ją reguliuojate arba remontuojate.

**⚠️ ĮSPĖJIMAS:** Išjungus veļapjovę, peilis dar kelias sekundes sukasi. Prieš dar kartą ją paleisdami, palaukite, kol variklis (peilis) nustos sukintis. Išjungę nebandykite iš karto įjungti veļapjovę.

**⚠️ ĮSPĖJIMAS:** Sustabdykite peilį, kai veļapjovę reikia pakreipti, kad būtų galima perstumti per paviršių, ant kurio neauga žolė, ir kai stumiate veļapjovę į vietą, kurioje įjausite veļą, arba iš jos.

**⚠️ ĮSPĖJIMAS:** Įjungdami variklį veļapjovę nekreipkite ant šono, išskyrus tuos atvejus, kai veļapjovę reikia pakreipti norint ją paleisti. Minėtuju atveju pakelkite tik tiek, kiek tikrai reikia, ir kelkite tik tą dalį, kuri yra priešingoje pusėje nei operatorius.

Prieš naudodami visada vizualiai patikrinkite, ar peilis ir peilio varžtas nesudilę ar nepažeisti. Susidėvėjusį arba pažeistą peilį ir varžtus keiskite kaip rinkinį, kad išlaikytumėte subalansavimą.

### Pjovimo peilio įstrigimo tikrinimas

– Siekiant išvengti įstrigimo, peilis ir veļapjovė turi būti švarūs. Prieš ir po kiekvieno naudojimo pašalinkite žolės nuopjovas, lapus, nešvarumus ir visas kitas susikaupusias šiukšles.

– Veļapjovę užsikimšus ją sustabdykite ir išimkite sudėtinę bateriją (-as), po to pašalinkite visą susikaupusią žolę ir lapus nuo varančiojo veleno ir variklio ventilatoriaus. Drėgną skudurėliu veļapjovę švariai nuvalykite.

**⚠️ DĖMESIO:** Nebandykite pakeisti maitinimo mygtuko ir peilio sukimosi svirties prijungimo schemų.

**PASTABA:** Variklio negalima paleisti, kol rankena nėra užfiksuota vienoje iš trijų darbinų padėčių.

### Veļapjovę paleidimas (M1 ir M2 pav.)

1. Įstatykite į veļapjovę sudėtinę bateriją (-as) ir uždarykite baterijų skyriaus dangtelį.

2. Paspauskite maitinimo mygtuką, kad nušvistų prietaisų skydelis; tuo pat metu užsidega ir būsenos indikatorius bei peilio sukimosi greičio indikatorius 1.
3. Paspauskite peilio sukimosi greičio režimo mygtuką, kad pasirinktumėte norimą greitį.
4. Paspauskite ir laikykite nuspaudę maitinimo mygtuką.
5. Laikydami nuspaudę maitinimo mygtuką, pritraukite peilio sukimosi svirtį prie rankenos, o po to atleiskite maitinimo mygtuką.

### Veļapjovę sustabdymas (M3 pav.)

1. Visiškai atleiskite peilio sukimosi svirtį.
2. Atleidus peilio sukimosi svirtį, automatinio stabdymo mechanizmo elektrinis stabdys per 3 sekundes sustabdo besisukančią peilį.

### REGULIUOJAMO GREIČIO SAVOSIOS EIGOS SISTEMA N PAV.)

Veļapjovėje įrengta reguliuojamo greičio savosios eigos sistema. Ši savosios eigos sistema veikia nepriklausomai nuo peilio sukimosi.

**PASTABA:** Savosios eigos sistemos negalima paleisti, kol rankena nėra užfiksuota vienoje iš trijų darbinų padėčių.

### Savosios eigos sistemos įjungimas nepaleidžiant peilio variklio

1. Paspauskite maitinimo mygtuką, kad nušvistų prietaisų skydelis.
2. Atsargiai sukite savosios eigos greičio reguliavimo rankenėlę į priekį, kol pasigirs spragtelėjimas, ir tuomet pritraukite savosios eigos svirtį prie rankenos, kad pradėtų veikti savosios eigos funkcija.

**Jei norite išjungti judėjimą savąja eiga,** atleiskite savosios eigos svirtį.

### LED PRIEKINIAI ŽIBINTAI P PAV.)

**Norėdami įjungti priekinius žibintus,** paspauskite priekinių žibintų mygtuką. Priekiniai žibintai ryškia šviesa apšviečia zoną veļapjovę priekyje.

**Norėdami išjungti priekinius žibintus,** paspauskite mygtuką dar kartą.

### VEJAPJOVĖS BŪSENOS INDIKATORIUS

Veļapjovę būsenos indikatorius prietaisų skydelyje rodo veļapjovę darbinę būseną.

LT

Indikatorius	Aprašymas	Reikšmė	Veiksmas
	Dega žalias	Vejapjovė veikia tinkamai.	Nieko daryti nereikia.
	Mirksi žalias	Rankena neužfiksuota darbinėje padėtyje.	Sustabdykite vejapjovę ir patikrinkite, ar rankena užfiksuota vienoje iš darbinių padėčių.
	Mirksi raudonas	Žema baterijos įkrova.	Sustabdykite vejapjovę ir įkraukite sudėtinę bateriją (-as).
	Dega oranžinis	Vejapjovė perkaito.	Atleiskite peilio sukimosi svirtį ir palaukite, kol vejapjovės temperatūra nukris žemiau 80 °C. Žr. toliau „ <b>VEJAPJOVĖS APSAUGA NUO PERKAITIMO</b> “.
	Mirksi oranžinis	Per didelė vejapjovės apkrova.	<ol style="list-style-type: none"> <li>1. Išimkite sudėtinę bateriją (-as) ir patikrinkite, ar po pjovimo platforma neprisikaupė žolės. Išvalykite, jei reikia.</li> <li>2. Pjaudami sulėtinkite žingsnį.</li> <li>3. Padidinkite pjovimo aukštį.</li> <li>4. Jei pirmiau nurodyti sprendimai nepaveda, prašome kreiptis į EGO techninės priežiūros centrą.</li> </ol> Žr. toliau „ <b>VEJAPJOVĖS APSAUGA NUO PERKROVOS</b> “.
	Mirksi pakaitomis raudonas ir žalias	Vejapjovės elektronikos klaida.	Kreipkitės į EGO techninės priežiūros centrą.

**LT**

#### VEJAPJOVĖS APSAUGA NUO PERKAITIMO

Jei darbo metu vejapjovės temperatūra viršija 90 °C, apsaugos nuo aukštos temperatūros grandinė vejapjovę iš karto išjungia, kad apsaugotų nuo sugadinimo perkaitus.

Vejapjovės būsenos indikatorius nuolat dega oranžine spalva. Atleiskite peilio sukimosi svirtį ir palaukite, kol perkaitusi vejapjovė atvės ir būsenos indikatorius spalva pasikeis į žalią – tuomet vejapjovę paleiskite iš naujo.

#### VEJAPJOVĖS APSAUGA NUO PERKROVOS

Kad išvengtumėte perkrovos, nebandykite vienu kartu nupjauti pernelyg daug žolės. Sulėtinkite žingsnį arba padidinkite pjovimo aukštį.

Vejapjovėje įrengta apsaugos nuo perkrovos grandinė. Vejapjovės apkrovai pernelyg išaugus, variklis sustabdomas, o vejapjovės būsenos indikatorius prietaisų skydelyje mirksi oranžine spalva.

## TECHNINĖ PRIEŽIŪRA

**⚠️ ĮSPĖJIMAS:** Kad nepatirtumėte sunkios traumos, prieš vejapjovės valymą, techninės priežiūros darbų vykdymą ar pervežimą vejapjovę visada išjunkite, išimkite sudėtinę bateriją (-as) ir įsitinkinkite, kad visos judamos dalys visiškai sustoję.

**⚠️ ĮSPĖJIMAS:** Atsitraukę į kokią nors kliūtį sustabdykite įrenginį ir išimkite sudėtinę bateriją, kad įsitikintumėte, jog visos judančios dalys visiškai sustoję. Prieš vėl paleisdami ir dirbdami su įrenginiu jį apžiūrėkite, ar jis nepažeistas, ir suremontuokite, jei reikia.

**⚠️ ĮSPĖJIMAS:** Jei įrenginys pradėjo neįprastai vibruoti, sustabdykite įrenginį ir išimkite sudėtinę bateriją, kad įsitikintumėte, jog visos judančios dalys visiškai sustoję. Nedelsdami patikrinkite, ar įrenginys nepažeistas, ir sugadintas dalis pakeiskite arba suremontuokite; patikrinkite, ar nėra atsilaisvusių dalių, ir jas priveržkite.

**⚠️ ĮSPĖJIMAS:** Vykdydami techninės priežiūros darbus, naudokite tik identiškas atsargines dalis. Naudodami bet kokias kitas dalis galite sukelti pavojų arba sugadinti gaminį. Kad būtų užtikrintas saugumas ir patikimumas, visus remonto darbus turi atlikti kvalifikuotas techninės priežiūros specialistas.

### VEJAPJOVĖS VALYMAS

Kaskart panaudojus vejapjovę, reikia nuvalyti pjovimo platformos apačią, nes joje kaupiasi nupjauta žolė, lapai, nešvarumai ir kitos apnašos.

Nuvalykite ant varančiojo veleno ir variklio ventiliatorius susikaupusią žolę bei lapus. Drėgnu skudurėliu vejapjovę švariai nuvalykite.

### Oro įsiurbimo angos valymas (Q pav.)

1. Nuimkite oro įsiurbimo tinklelio dangtelį, atsukdami keturis varžtus.
2. Išvalykite oro įsiurbimo angos vidų ir tinklelio dangtelį suslėgtuoju oru.

### PEILIO KEITIMAS R1, R2, R3 PAV.)

**⚠️ ĮSPĖJIMAS:** Visada išimkite sudėtinę bateriją (-as) ir nuimkite žolės rinktuvą.

**⚠️ ĮSPĖJIMAS:** Visada mūvėkite apsaugines pirštines.

**PASTABA:** Prieš tvirtindami peilį kruopščiai nuvalykite vietą aplink varantįjį veleną ir įrenginio apačią.

1. Apverskite vejapjovę.
2. Nuimkite ar pritvirtinkite peilį naudodami dinamometrinių veržliaraktį ir du metalinius strypelius, kaip parodyta paveikslėliuose.
3. Peilio pusė su užrašu turi būti nukreipta į išorę.

### VEJAPJOVĖS SANDĖLIAVIMAS S1 ir S2 PAV.)

1. Išimkite sudėtinę bateriją (-as) iš vejapjovės.
2. Ištuštinkite žolės rinktuvą ir vejapjovę nuvalykite.
3. Kad sutaupytumėte vietos, nulenkite gaminio rankeną ir laikykite gaminį taip, kaip parodyta paveikslėlyje.

**PASTABA:** Sulenkdami arba atlenkdami gaminio rankeną, neprispauskite rankenos trosu (neleiskite rankenai laisvai nukristi).

4. Nedėkite ant vejapjovės viršaus jokių kitų daiktų.

**⚠️ ĮSPĖJIMAS:** Vejapjovėi nuvirtus iš vertikalios padėties, gali būti sugadinta vejapjovė arba sužalotas žmogus. Jei vejapjovę laikote vertikaloje padėtyje, užtikrinkite jos stabilumą ir neprieinamumą vaikams. Jei įmanoma, laikykite pastatytą ant žemės.

### APLINKOS APSAUGA



Elektrinių įrankių negalima išmesti kartu su nerūšiuotomis buitinėmis atliekomis: juos reikia pristatyti į atitinkamus surinkimo punktus.

Informaciją apie galimas surinkimo sistemas galite gauti iš vietos valdžios įstaigos.

Jei elektriniai prietaisai išmetami į užkasamuosius arba atvirouosius sąvartynus, kenksmingos medžiagos gali prisisunkti iki gruntinio vandens, patekti į mitybos grandinę ir pakenkti jūsų sveikatai bei gerovei.

LT

## TRIKČIŲ ŠALINIMAS

PROBLEMA	PRIEŽASTIS	SPRENDIMAS
Nepavyksta įjungti vežapjovės ar savosios eigos funkcijos.	<ul style="list-style-type: none"> <li>■ Sudėtinė baterija (-os) visiškai išsikrovę.</li> </ul>	<ul style="list-style-type: none"> <li>■ Įkraukite sudėtinę bateriją.</li> </ul>
	<ul style="list-style-type: none"> <li>■ Sudėtinė baterija (-os) netinkamai įstatytos į baterijų skyrių.</li> </ul>	<ul style="list-style-type: none"> <li>■ Stumkite sudėtinę bateriją (-as) į baterijos skyrių, kol išgirsite spragtelėjimą.</li> </ul>
	<ul style="list-style-type: none"> <li>■ Rankena neužfiksuota darbinėje padėtyje ir mirksi žalias vežapjovės būsenos indikatorius.</li> </ul>	<ul style="list-style-type: none"> <li>■ Sustabdykite vežapjovę ir patikrinkite, ar rankena užfiksuota vienoje iš darbinių padėčių.</li> </ul>
	<ul style="list-style-type: none"> <li>■ Vežapjovės pjovimo platformą užkimšo žolė ir šiukšlės.</li> </ul>	<ul style="list-style-type: none"> <li>■ Išvalykite vežapjovės pjovimo platformą ir patikrinkite, ar peilis gali laisvai sukstis.</li> </ul>
Vežapjovė pjauna netolygiai.	<ul style="list-style-type: none"> <li>■ Atšipęs peilis.</li> </ul>	<ul style="list-style-type: none"> <li>■ Pagaląskite arba pakeiskite peilį.</li> </ul>
	<ul style="list-style-type: none"> <li>■ Netinkamai nustatytas žolės pjovimo aukštis.</li> </ul>	<ul style="list-style-type: none"> <li>■ Pakelkite pjovimo platformą į didesnę aukštį.</li> </ul>
	<ul style="list-style-type: none"> <li>■ Netinkamai pritvirtintas peilis.</li> </ul>	<ul style="list-style-type: none"> <li>■ Iš naujo pritvirtinkite peilį, vadovaudamiesi nurodymais šio vadovo skyriuje „PEILIO KEITIMAS“.</li> </ul>
	<ul style="list-style-type: none"> <li>■ Netinkamai nustatytas peilio greičio režimas.</li> </ul>	<ul style="list-style-type: none"> <li>■ Pasirinkite tinkamą peilio greičio režimą.</li> </ul>
Vežapjovė netinkamai mulčiuoja.	<ul style="list-style-type: none"> <li>■ Nupjauta šlapia žolė prikimba pjovimo platformos apačioje.</li> </ul>	<ul style="list-style-type: none"> <li>■ Prieš pjudami veją palaukite, kol žolė išdžius.</li> </ul>
	<ul style="list-style-type: none"> <li>■ Traktoriukas nustatytas iš karto pjauti per daug žolės.</li> </ul>	<ul style="list-style-type: none"> <li>■ Pakelkite pjovimo platformą, nustatydami didesnę pjovimo aukštį.</li> </ul>
	<ul style="list-style-type: none"> <li>■ Netinkamai nustatytas peilio greičio režimas.</li> </ul>	<ul style="list-style-type: none"> <li>■ Pasirinkite 1 arba ECO peilio greičio režimą.</li> </ul>

LT

Pjovimo metu vejapjovė netikėtai sustoja.	<ul style="list-style-type: none"> <li>■ Sudėtinė baterija (-os) visiškai išsikrovę.</li> </ul>	<ul style="list-style-type: none"> <li>■ Įkraukite sudėtinę bateriją.</li> </ul>
	<ul style="list-style-type: none"> <li>■ Vejapjovė pernelyg apkrauta ir mirksi oranžinis vejapjovės būsenos indikatorius.</li> </ul>	<ul style="list-style-type: none"> <li>■ Patikrinkite, ar pjovimo platformos neužkimšo žolė, ir, jei reikia, išvalykite. Padidinkite pjovimo aukštį arba lėčiau pjaukite veją.</li> </ul>
	<ul style="list-style-type: none"> <li>■ Žolė ir šiukšlės užkimšo vejapjovės pjovimo platformą.</li> </ul>	<ul style="list-style-type: none"> <li>■ Pašalinkite vejapjovės pjovimo platformoje susidariusį kamštį. Padidinkite pjovimo aukštį ir (ar) pjaukite siauresnę juostą.</li> </ul>
	<ul style="list-style-type: none"> <li>■ Sudėtinė baterija (-os) ar vejapjovės elektroninės grandinės pernelyg įkaitusios. Jei perkaitusi sudėtinė baterija, vejapjovės būsenos indikatorius užgęsta. Jei perkaitusi vejapjovė, vejapjovės būsenos indikatorius šviečia oranžine spalva.</li> </ul>	<ul style="list-style-type: none"> <li>■ Palaukite, kol sudėtinė baterija (-os) ar vejapjovė atvės.</li> <li>■ Išvalykite oro įsiurbimo angą, vadovaudamiesi nurodymais skyriuje „Oro įsiurbimo angos valymas“.</li> </ul>
	<ul style="list-style-type: none"> <li>■ Netinkamai nustatytas peilio greičio režimas.</li> </ul>	<ul style="list-style-type: none"> <li>■ Pasirinkite mažesnį peilio sukimosi greitį.</li> </ul>
	<ul style="list-style-type: none"> <li>■ Vejapjovės elektronikos klaida ir vejapjovės būsenos indikatorius pakaitomis mirksi raudona ir žalia spalva.</li> </ul>	<ul style="list-style-type: none"> <li>■ Kreipkitės į EGO techninės priežiūros centrą.</li> </ul>
Pernelyg didelė vibracija.	<ul style="list-style-type: none"> <li>■ Atsilaisvinęs pjovimo peilis.</li> </ul>	<ul style="list-style-type: none"> <li>■ Priveržkite peilio varžtą.</li> </ul>
	<ul style="list-style-type: none"> <li>■ Nesubalansuotas pjovimo peilis.</li> </ul>	<ul style="list-style-type: none"> <li>■ Kreipkitės į EGO techninės priežiūros centrą.</li> </ul>
	<ul style="list-style-type: none"> <li>■ Sulinkęs pjovimo peilis.</li> </ul>	<ul style="list-style-type: none"> <li>■ Pakeiskite peilį.</li> </ul>
	<ul style="list-style-type: none"> <li>■ Įlenktas variklio velenas.</li> </ul>	<ul style="list-style-type: none"> <li>■ Kreipkitės į EGO techninės priežiūros centrą.</li> </ul>
	<ul style="list-style-type: none"> <li>■ Vejapjovė nustatyta iš karto pjauti per daug žolės.</li> </ul>	<ul style="list-style-type: none"> <li>■ Pakelkite pjovimo platformą, nustatydami didesnį pjovimo aukštį.</li> </ul>
	<ul style="list-style-type: none"> <li>■ Netinkamai nustatytas peilio greičio režimas.</li> </ul>	<ul style="list-style-type: none"> <li>■ Nustatykite mažesnį peilio greitį.</li> </ul>
Variklis veikia, tačiau peilis žolės nepjauna.	<ul style="list-style-type: none"> <li>■ Peilio varžtas nepriveržtas reikiama jėga.</li> </ul>	<ul style="list-style-type: none"> <li>■ Priveržkite peilį. Rekomenduojama peilio varžto priveržimo jėga yra 50–60 Nm.</li> </ul>

**LT**

## GARANTIJA

### EGO GARANTIJOS TAISYKLĖS

Norėdami sužinoti visas EGO garantijos sąlygas ir nuostatas, apsilankykite interneto svetainėje adresu [egopowerplus.eu](http://egopowerplus.eu)

## IZLASIET VISUS NORĀDĪJUMUS!

**Paredzētā lietošana:** Izstrādājums ir paredzēts manuālai zāliena pļaušanai:

- Izmantot tikai sausas zāles pļaušanai. Neplaut slapju zāli.
- Nelietot mērķiem, kam tas nav paredzēts.

**⚠ BRĪDINĀJUMS!** Pirms šī zāles pļāvēja lietošanas izlasiet un izprotiet visus šajā lietotāja rokasgrāmatā iekļautos drošības norādījumus, tostarp visus drošības brīdinājuma apzīmējumus, piemēram, „**BĪSTAMI!**”, „**BRĪDINĀJUMS!**” un „**UZMANĪBU!**”. Visu turpmāk uzskaitīto norādījumu neievērošana var izraisīt elektriskās strāvas triecienu, aizdegšanos un/ vai smagus miesas bojājumus.

## DROŠĪBAS SIMBOLI



Drošības brīdinājums



Šī izstrādājuma darbināšanas laikā vienmēr valkājiet dzirdes aizsarglīdzekļus, aizsargbrilles vai aizsargbrilles ar sānu aizsargiem un pilnu sejas aizsargmasku.



Uzmanieties no atsveistiem priekšmetiem -neļaujiet tuvoties nepiederošām personām.



Turēt rokas atstātus



Garantētais skaņas intensitātes līmenis.



Lai mazinātu traumu rašanās bīstamību, pirms šī izstrādājuma lietošanas tā lietotājam jāizlasa un jāizprot lietošanas rokasgrāmata.



Pirms regulēšanas vai tīrīšanas darbu veikšanas akumulatoru bloks (vai izslēgšanas ietaise) ir jāizslēdz un jāizņem.



Neturiet plaukstus un pēdas asmeņu tuvumā



Neskatīties tieši darba lampā.



Šis izstrādājums atbilst piemērojamām EK direktīvām.



Elektrisko izstrādājumu atkritumus nedrīkst izmest kopā ar sadzīves atkritumiem. Nogādāt uz pilnvarotu pārstrādes punktu.

LV



Šis izstrādājums atbilst piemērojamiem Apvienotās Karalistes tiesību aktiem.



Bluetooth®

IPX5

Aizsardzība pret ūdens strūkļām

mm

Milimetrs



Līdzstrāva

V

Volti

cm

Centimetrs

kg

Kilograms

**PIEZĪME!** Bluetooth® vārdiskā preču zīme un logotips ir „Bluetooth SIG, Inc.” piederošas reģistrētas preču zīmes, un šādu preču zīmju lietošana, ko jebkāda veidā izmanto „EGO”, ir saskaņā ar licenci.

## SPECIFIKĀCIJAS

Spriegums	56 V	
Asmens ātruma izvēles režīms	2	
	1	
	ECO	
Plāušanas augstuma pozīcijas	8	
Plāušanas augstuma iestatīšana	20 mm/31 mm/40 mm/ 51 mm/ 64 mm/78 mm/ 92 mm/105 mm	
Plāušanas platums	53 cm	
Zāles savācējmaisa tilpums	85 L	
Zāles plāvēja svars (bez akumulatoru bloka un zāles savācējmaisa)	46 kg	
Asmens modelis	AB5301	
Ieteicamā darba temperatūra	0°C–40°C	
Ieteicamā uzglabāšanas temperatūra	-20°C–70°C	
Izmēritais skaņas intensitātes līmenis $L_{WA}$	94 dB(A) K= 0.6 dB(A)	
Trokšņa spiediena līmenis pie lietotāja auss $L_{PA}$	83 dB(A) K= 3 dB(A)	
Garantētais skaņas intensitātes līmenis $L_{WA}$ (mērīts saskaņā ar 2000/14/EK)	95 dB(A)	
Vibrācijas ietekmes novērtējums $a_{Hv}$ :	Kreisais rokturis	0.39 m/s <sup>2</sup> K=1.5 m/s <sup>2</sup>
	Labais rokturis	0.33 m/s <sup>2</sup> K=1.5 m/s <sup>2</sup>

- Deklarētās vibrāciju emisijas kopējās vērtības ir izmērītas saskaņā ar standarta pārbaudes metodi, un vērtības var izmantot vienas mašīnas salīdzināšanai ar citu.
- Deklarēto vibrāciju emisijas vērtību var arī lietot iepriekšējai vibrāciju iedarbības novērtēšanai.

**PIEZĪME!** Vibrāciju emisijas faktiskajā iekārtas lietošanas laikā var atšķirties no deklarētās vērtības. Lai pasargātu operatoru, lietotājam jāvalkā cimdi un dzirdes aizsarglīdzekļi atbilstoši faktiskajiem darba apstākļiem.

## IEPAKOJUMA SATURA SARAKSTS (A1 UN A2 ATT.)

DAĻAS NOSAUKUMS	SKAITS
Zāles plāvējs	1
Zāles savācējmaiss	1
Zāles savācējmaisa rāmis	1
Spārnu skrūve (uzstādīta zāles plāvējam)	2
Lietotāja rokasgrāmata	1

## APRAKSTS

### PĀRZINIET SAVU ZĀLES PLĀVĒJU (A1 un A2 att.)

1. Pašgājēja sprūda slēdzis
2. Rokturis
3. Asmens rotācijas pārslēgšanas slēdzis
4. Aizmugures izlādes durtnas
5. Bloķēšanas mehānisms
6. Akumulatoru nodalījuma vāciņš
7. LED priekšējās gaismas
8. Vidējais amortizators (pacelšanas rokturis)
9. Priekšējais bamperis
10. Priekšējā plāušanas augstuma regulēšanas svira
11. Priekšējais ritenis
12. Plāušanas bloks
13. Sānu aizsargs
14. Gaisa ieplūde
15. Aizmugurējais ritenis
16. Aizmugurējā plāušanas augstuma regulēšanas svira
17. Spārnu skrūve
18. Roktura uzstādīšanas plāksne
19. Kronšteins
20. Zāles savācējmaiss
21. Piekabināms aizsargs
- 22\*. Mulčošanas ieliktnis
- 23\*. Sānu izlādes tekne
24. Bluetooth® indikators
25. Informācijas panelis
26. Zāles plāvēja statusa indikators
27. Asmens rotācijas ātruma indikators
28. Asmens ātruma izvēles režīma pogas
29. Barošanas poga
30. LED lukturu poga (Bluetooth® poga)
31. Pašgājēja funkcijas ātruma regulēšanas poga

\* IEGĀDĀJAMS ATSEVIŠĶĪ!

LV

## MONTĀŽA

**⚠ BRĪDINĀJUMS!** Ja kāda daļa ir bojāta vai trūkst, nedarbiniet šo izstrādājumu, kamēr nav nomainīta bojātā daļa. Darbinot šo izstrādājumu ar bojātām vai trūkstošām daļām, varat gūt smagus miesas bojājumus.

**⚠ BRĪDINĀJUMS!** Lai nepieļautu nejašu mašīnas ieslēgšanos, kas var radīt smagas traumas, to saliekot, vienmēr izņemiet no tās akumulatoru bloku.

**⚠ BRĪDINĀJUMS!** Nemēģiniet pārveidot šo mašīnu vai izveidot piederumus, kas nav ieteicami lietošanai kopā ar šo zāles plāvēju. Jebkādi šādi uzlabojumi vai pārveidojumi uzskatāmi par neatbilstošu lietošanu un var radīt bīstamus apstākļus, kas var izraisīt miesas bojājumus.

### IZPAKOŠANA

Šis instruments ir jāsamontē.

- Izņemiet no kartona kastes visus piederumus.

**⚠ UZMANĪBU!** Smags priekšmets. Zāles plāvēja paceļšanai ir nepieciešamas divas personas.

- Lai uzmanīgi izceltu zāles plāvēju no kastes, vienai personai ir jāsatver vidējais amortizators/paceļamais rokturis, bet otrai - abas spārnu skrūves.

### ROKTURA UZSTĀDĪŠANA

Zāles plāvējam piegādes brīdī ir daļēji uzstādīts rokturis.

**⚠ BRĪDINĀJUMS!** Nemēģiniet iedarbināt zāles plāvēju, kamēr rokturis nav pareizi un stingri uzstādīts un nolocīts. Rīkojieties piesardzīgi, lai izvairītos no pirkstu un kabeļa saspiešanas starp detaļām.

1. Atskrūvējiet un nolieciet malā abas spārnu skrūves.
2. Pārvietojiet rokturi uz priekšu, līdz roktura bloķēšanas zobrats ir pavērsts pret zāles plāvēja zobratu (B1. attēls).
3. Salāgojiet atzīmes uz bloķēšanas mehānisma un roktura uzstādīšanas plāksnes, kā tas parādīts B2 attēlā, pēc tam ievietojiet un ar pirkstu pievelciet abas spārnu skrūves.

### ROKTURA ATLOCĪŠANA UN REGULĒŠANA ( C att.)

**⚠ BRĪDINĀJUMS!** Pārliedzieties, ka, salokot vai atlokot rokturi, kabelis netiek saspīests, sapīts vai nostiepts. Kabeļa bojājumi var ietekmēt zāles plāvēja aktivizēšanu un darbību, kas var izraisīt nedrošu darba stāvokli.

**⚠ BRĪDINĀJUMS!** Nedarbiniet zāles plāvēju un

pašgājēja sistēmu, kamēr rokturis nav nofiksēts kādā no trim iepriekš iestatītajām darbības pozīcijām (augšējā darbības pozīcijā 3, vidējā darbības pozīcijā 2 vai apakšējā darbības pozīcijā 1).

1. Atskrūvējiet spārnu skrūves abās pusēs, pārliedzieties, ka abi zobрати ir pilnībā atskrūvēti, bet NE atdalīti.
2. Pagrieziet rokturi uz augšu, līdz buļņins atzīme uz bloķēšanas mehānisma sakrīt ar vienu no trim darba pozīcijām uz roktura uzstādīšanas plāksnes.
3. Pieskrūvējiet abas skrūves, pārliedzieties, ka abi zobрати ir pilnībā pievilkti un rokturis ir droši nostiprināts.

C-1	Apakšējā darbības pozīcija 1
C-2	Vidējā darbības pozīcija 2
C-3	Augšējā darbības pozīcija 3

### ROKTURA LOCĪŠANA ( D att.)

**⚠ BRĪDINĀJUMS!** Pārliedzieties, ka, salokot vai atlokot rokturi, kabelis netiek saspīests, sapīts vai nostiepts. Kabeļa bojājumi var ietekmēt zāles plāvēja aktivizēšanu un darbību, kas var izraisīt nedrošu darba stāvokli.

1. Atskrūvējiet spārnu skrūves abās pusēs, pārliedzieties, ka abi zobрати ir pilnībā atskrūvēti, bet NE atdalīti.
2. Pagrieziet rokturi uz leju, līdz tas atrodas uzglabāšanas pozīcijā.
3. Salāgojiet bultas atzīmi uz bloķēšanas mehānisma ar uzglabāšanas pozīcijas atzīmi uz roktura uzstādīšanas plāksnes.
4. Pieskrūvējiet abas spārnu skrūves, pārliedzieties, ka abi zobрати ir pilnībā pieskrūvēti un rokturis ir droši nostiprināts.

D-1	Uzglabāšanas pozīcija
-----	-----------------------

### ZĀLES SAVĀCĒJMAISA UZSTĀDĪŠANA (E1, E2, E3 ATT.)

Pirms zāles savācējmaisa uzstādīšanas pārbaudiet to, lai pārliedzinātos, ka tas nav bojāts.

Uzstādiet zāles savācējmaisu tā, kā tas parādīts attēlā.

### MULČOŠANAS IELIKTŅA PIESTIPRINĀŠANA/ NOŅEMŠANA (PĀRDOD ATSEVIŠĶI)

Uzstādiet mulčēšanas ieliktni zāles plāvējam tā, kā tas parādīts F attēlā.



**▲ BĪSTAMI!** Mašīna var izviest nopļauto zāli un citus priekšmetus caur mašīnas korpusa atveri. Ar pietiekami stipru spēku izviesītie priekšmeti var radīt nopietnus miesas bojājumus vai pat izraisīt jums vai apkārtnējiem cilvēkiem nāves iestāšanos.

Nekad nelietojiet zāles plāvēju, ja nav pareizi uzstādīts mulčēšanas ieliktnis, zāles savācējmais vai sānu izlādes tekne.

**▲ BRĪDINĀJUMS!** Pirms zāles savācējmaisa vai sānu izlādes teknes piestiprināšanas izņemiet no zāles plāvēja iepriekš ievietotu mulčēšanas ieliktni. Kad zāles savācējmais tiek izņemts, ievietojiet atpakā mulčēšanas ieliktni.

### ZĀLES SAVĀCĒJMAISA PIESTIPRINĀŠANA/NOŅEMŠANA

Uzstādiet zāles savācējmaisu zāles plāvējam tā, kā tas ir parādīts G attēlā.

**▲ BRĪDINĀJUMS!** Normālos lietošanas apstākļos zāles savācējgroza materiāls nodilst. Lai samazinātu traumu gūšanas risku, regulāri pārbaudiet, kādā stāvoklī ir savācējmais, un nomainiet, ja radušās nodiluma vai nolietojuma pazīmes. Izmantojiet tikai šim zāles plāvējam paredzētu zāles savācējmaisu.

**▲ BRĪDINĀJUMS!** Lai uzstādītu un izmantotu sānu izlādes tekni vai mulčēšanas ieliktni, zāles savācējmais ir jāizņem.

### SĀNU IZLĀDES TEKNES PIESTIPRINĀŠANA/NOŅEMŠANA (IEGĀDĀJAMA ATSEVIŠĶI)

Uzstādiet sānu izlādes tekni zāles plāvējam tā, kā tas ir parādīts H attēlā.

**▲ BRĪDINĀJUMS!** Lai uzstādītu un izmantotu zāles savācējmaisu vai mulčēšanas ieliktni, sānu izlādes tekne ir jāizņem.

### PLĀUŠANAS AUGSTUMA REGULĒŠANA ( J1 un J2 ATT.)

**▲ BRĪDINĀJUMS!** Pļaušanas augstuma regulēšanas laikā kājām jāatrodas drošā attālumā no pļaušanas bloka.

Zāles plāvējam var iestatīt 8 pļaušanas augstumus 20 mm un 105 mm robežās. Marķējums norāda izvēlēto pļaušanas augstumu.

Ar šo zāles plāvēju var atsevišķi noregulēt pļaušanas augstumu zāles plāvēja priekšpusē un aizmugurē. Izvēlieties pļaujamās zāles veidam un apstākļiem atbilstošu pļaušanas augstumu.

1. Izslēdziet zāles plāvēju un pagaidiet, līdz griežējasmens pilnībā apstājas.
2. Izņemiet akumulatoru bloku(-us).

3. Izvelciet priekšējo vai aizmugurējo pļaušanas augstuma regulēšanas sviru no fiksatora un iestatiet vēlamajā pozīcijā.

### AKUMULATORU BLOKA IEVIETOŠANA/IZŅEMŠANA ( K ATT.)

**PIEZĪME!** Pirms pirmās lietošanas reizes uzlādējiet akumulatoru bloku pilnībā.

Izmantojiet tikai A3 attēlā uzskaitītos akumulatoru blokus un lādētājus.

**PIEZĪME!** Zāles plāvējam ir divas aktīvas akumulatora pieslēgvietas. To var darbināt ar vienu vai diviem akumulatoru blokien.

#### ■ Ievietošana

1. Atveriet akumulatoru bloka nodalījuma vāciņu un iebīdīet akumulatoru bloku nodalījumā, līdz ir dzirdama „klikšķa” skaņa.
2. Tādā pašā veidā ievietojiet arī otro akumulatoru bloku.

#### ■ Izņemšana

Nospiediet akumulatora nodalījumā akumulatora atbrīvošanas pogu.

**PIEZĪME!** Pirms darba sākšanas pārliecinieties, vai ir nofiksējies zāles plāvēja slēgmehānisms un akumulatoru bloks(-i).

### ASMENS ĀTRUMA IZVĒLES REŽĪMA ATLASE ( L ATT.)

- 2. režīms ir augsta asmens ātruma režīms, kas nodrošina augstu veiktspēju ar lielāku iesūkšanas spēku un pļaušanas veiktspēju.
- 1. režīms nodrošina vislabāko līdzsvaru starp veiktspēju un darbības laiku.
- ECO režīms nodrošina viszemāko trokšņa līmeni un visilgāko akumulatoru bloka(-u) darbības laiku.

**PIEZĪME!** Noklusējuma asmens ātruma izvēles režīms ir 1. režīms.

### KOMUNIKĀCIJAS TEHNOLOĢIJA

Lai iegūtu informāciju vai saņemtu mūsu savienojamo izstrādājumu un pakalpojumu pilnu klāstu, tostarp savienojuma izveides instrukcijas, lūdzam noskenēt tālāk norādīto QR kodu vai apmeklēt tīmekļa vietni [www.egopowerplus.eu/connect](http://www.egopowerplus.eu/connect).



## EKSPLUATĀCIJA

Produktu var lietot lietus laikā.

### ZĀLES PĻĀVĒJA IEDARBINĀŠANA/APTURĒŠANA

**⚠ BRĪDINĀJUMS!** Jebkura zāles pļāvēja darbība var izraisīt svešķermeņu iesviešanu acīs jums vai kādam citam, kas var radīt nopietnus acu bojājumus. Strādājot ar zāles pļāvēju vai veicot jebkādu regulēšanas vai remonta darbus, vienmēr valkājiet aizsargbrilles.

**⚠ BRĪDINĀJUMS!** Pēc zāles pļāvēja izslēgšanas asmens turpinās rotēt vēl dažas sekundes. Pirms vēlreiz iedarbināt pļaujmašīnu, pagaidiet, kamēr apstājas motors/asmens. Neslēdziet pļaujmašīnu pārāk ātri.

**⚠ BRĪDINĀJUMS!** Apturiet asmeni, ja zāles pļāvējs ir jāsasver transportēšanai, šķērsojot citas virsmas, kur nav zāles, un transportējot zāles pļāvēju uz pļaujamo teritoriju vai no tās.

**⚠ BRĪDINĀJUMS!** Nesasveriet zāles pļāvēju tā iedarbināšanas un motora ieslēgšanas laikā, izņemot gadījumus, ja zāles pļāvējs ir jāsasver, lai iedarbinātu. Šādā gadījumā nesasveriet pļaujmašīnu vairāk nekā tas ir absolūti nepieciešams, un paceliet tikai to daļu, kas atrodas tālāk no operatora.

Pirms lietošanas vienmēr apskatiet, vai asmens un asmens bulskrūve nav nodilusi vai bojāta. Nomainiet nodilušo vai bojāto asmeni un bulskrūvi vienlaicīgi, lai saglabātu daļu līdzsvaru.

### Pārbaudiet, vai nav nosprostojušies griezējasmens

- Lai novērstu aizsprostojumu rašanos, uzturiet griezējasmēni un zāles pļāvēja bloku tīrus. Pirms un pēc katras lietošanas reizes iztīriet no pļāuto zāli, lapas, netīrumus un citus uzkrātos grūžus.

- Nosprostojuša gadījumā apturiet zāles pļāvēju un izņemiet akumulatoru bloku(-s), pēc tam iztīriet visu zāli un lapas, kas sakrājušās uz piedziņas vārpstas, motora ventilatora vai ap to. Noslaukiet zāles pļāvēju ar mitru lupatiņu.

**⚠ UZMANĪBU!** Nemēģiniet mainīt barošanas pogas un asmens rotācijas pārslēgšanas slēdža darbību.

**PIEZĪME!** Motoru nevar iedarbināt, ja rokturis nav nobloķēts kādā no trim darbības stāvokļiem.

### Zāles pļāvēja iedarbināšana (M1 un M2 att.)

1. Ievietojiet akumulatoru bloku(-us) zāles pļāvējā un aizveriet akumulatoru nodalījuma vāciņu.

2. Nospiediet barošanas pogu, lai izgaismotos informācijas panelis, un iedegties zāles pļāvēja statusa indikators un rotācijas ātruma slēdzis 1.
3. Nospiediet asmens ātruma izvēles režīma pogu, lai izvēlētos vēlamo ātrumu.
4. Nospiediet un pieturiet barošanas pogu.
5. Nospiežot barošanas pogu, pavelciet asmens rotācijas pārslēgšanas slēdzi līdz rokturim un atlaidiet barošanas pogu.

### Zāles pļāvēja apturēšana (M3 att.)

1. Pilnībā atlaidiet asmens rotācijas pārslēgšanas slēdzi.
2. Elektriskā bremze automātiskajā bremžu mehānismā apstādina asmens griešanos 3 sekunžu laikā pēc asmens rotācijas pārslēgšanas slēdža atlaišanas.

### PAŠGĀJĒJA SISTĒMA AR MAINĀMU DARBĪBAS ĀTRUMU ( N )

Zāles pļāvējs ir aprīkots ar pašgājēja sistēmu, kurai ir maināms darbības ātrums. Šī pašgājēja sistēma darbojas neatkarīgi no asmens rotācijas.

**PIEZĪME!** Pašgājēja sistēmu nevar iedarbināt, ja rokturis nav nofiksēts kādā no trim darbības stāvokļiem.

### Pašgājēja sistēmas darbināšana bez asmens rotācijas

1. Nospiediet barošanas pogu, lai izgaismotu informācijas paneli.
2. Nedaudz pagrieziet pašgājēja ātruma regulēšanas pogu uz priekšu, līdz ir dzirdama „klikšķa” skaņa, pēc tam pavelciet pašgājēja sprūda slēdzi, lai sasniegtu rokturi un iedarbinātu pašgājēja funkciju.

**Lai izslēgtu pašgājēja sistēmu, atlaidiet pašgājēja sprūda slēdzi.**

### LED PRIEKŠĒJIE LUKTURI ( P ATT.)

**Lai ieslēgtu priekšējos lukturus,** nospiediet priekšējo lukturu pogu. Priekšējie lukturi zāles pļāvēja priekšpusē spīd spilgtā gaismā.

**Lai izslēgtu priekšējos lukturus,** vēlreiz nospiediet pogu.

### ZĀLES PĻĀVĒJA STATUSA INDIKATORS

Zāles pļāvēja statusa indikators informācijas panelī parāda zāles pļāvēja darbības stāvokli.

LV

Indikators	Apraksts	Nozīme	Rīcība
	Deg nepārtraukta zaļā gaisma	Zāles plāvējs darbojas pareizi.	Nav nepieciešama.
	Mirgo zaļā gaisma	Rokturis nav nofiksēts darbības stāvoklī.	Apturiet zāles plāvēju un pārlicinieties, vai rokturis ir nofiksēts kādā no darbības stāvokļiem.
	Mirgo sarkanā gaisma	Zems akumulatora uzlādes līmenis.	Apturiet zāles plāvēju un izņemiet akumulatoru bloku(-us).
	Deg nepārtraukta oranžā gaisma	Pārkarsis zāles plāvējs.	Atlaidiet asmens rotācijas pārslēgšanas slēdzi, pagaidiet, līdz zāles plāvēja temperatūra nokrīt zem 80 °C. Skatīt zemāk sadaļu <b>„AIZSARDZĪBA PRET ZĀLES PLĀVĒJA PĀRKARŠANU”</b> .
	Mirgo oranžā gaisma	Zāles plāvēja pārslodze.	<ol style="list-style-type: none"> <li>1. Izņemiet akumulatoru bloku(-us), pēc tam pārbaudiet, vai zem plāušanas bloka nav sakrājušies zāle. Vajadzības gadījumā iztīriet.</li> <li>2. Plāušanas laikā ejiet lēnāk.</li> <li>3. Paceliet plāušanas augstumu.</li> <li>4. Ja iepriekš minētie risinājumi nedarbojas, sazinieties ar EGO apkalpošanas centru.</li> </ol> Skatīt zemāk sadaļu <b>“PLĀVĒJA PĀRSLODZES AIZSARDZĪBA”</b> .
	Pārmaiņus mirgo zaļā un sarkanā gaisma	Zāles plāvējam radusies elektronikas kļūda.	Sazinieties ar EGO apkalpošanas centru.

**LV**

### AIZSARDZĪBA PRET ZĀLES PLĀVĒJA PĀRKARŠANU

Ja darbības laikā zāles plāvēja temperatūra pārsniedz 90 °C, pārkaršanas aizsardzības ķēde nekavējoties izslēdz zāles plāvēju, lai pasargātu no pārkaršanas radītiem bojājumiem.

Zāles plāvēja statusa indikators nepārtraukti degs oranžā krāsā. Atlaidiet asmens rotācijas pārslēgšanas slēdzi un pagaidiet, līdz pārkaršas zāles plāvējs atdziest un statusa indikators iedegas zaļā krāsā, pēc tam vēlreiz iedarbiniet zāles plāvēju.

### PLĀVĒJA PĀRSLODZES AIZSARDZĪBA

Lai novērstu pārslodzi, centieties neplaut pārāk daudz zāles ar vienu piegājieni. Ejiet lēnāk vai paceliet plāušanas augstumu.

Zāles plāvējam ir iebūvēta pārslodzes ķēdes aizsardzības sistēma. Ja zāles plāvēja darbībā tiek konstatēta pārslodze, motors apstāsies, un zāles plāvēja statusa indikators informācijas panelī sāks mirgot oranžā krāsā.

## APKOPE

**⚠ BRĪDINĀJUMS!** Lai izvairītos no nopietnu traumu gūšanas, vienmēr izslēdziet zāles plāvēju pirms tā tīrīšanas un apkopes darbu veikšanas vai transportēšanas, un izņemiet akumulatoru bloku(-us), pārliecinoties, ka visas kustīgās daļas ir pilnībā apstājušās.

**⚠ BRĪDINĀJUMS!** Apturiet mašīnu un izņemiet akumulatoru blokus, lai pārliecinātos, ka visas kustīgās daļas ir pilnībā apstājušās pēc trieciena ar svešķermeni, un pārbaudītu, vai mašīna nav bojāta, un veiktu remontdarbus pirms mašīnas atkārtotas iedarbināšanas un ekspluatācijas.

**⚠ BRĪDINĀJUMS!** Ja mašīna sāk neparasti vibrēt, apturiet to un izņemiet akumulatoru bloku, lai pārliecinātos, ka visas kustīgās daļas ir pilnībā apstājušās, un pēc tam nekavējoties pārbaudiet, vai tai nav radušies bojājumi, nomainiet vai salabojiet visas bojātās daļas, kā arī pārbaudiet un pieskrūvējiet visas atskrūvējušās daļas.

**⚠ BRĪDINĀJUMS!** Veicot ierīces apkopi, izmantojiet tikai identiskas rezerves daļas. Jebkuru citu daļu izmantošana var radīt apdraudējumu vai instrumenta bojājumus. Lai garantētu drošu un uzticamu instrumenta darbību, visi remontdarbi jāveic kvalificētam servisa speciālistam.

## PLĀVĒJA TĪRĪŠANA

Zāles plāvēja plaušanas bloka apakšdaļa ir jānotīra pēc katras lietošanas reizes, jo zem tās uzkrājas zāles atgriezumī, lapas, dubļi un citi netīrumi.

LV

Iztīriet sakrājušos zāli un lapas no piedziņas vārpstas vai ap to un no motora ventilatora. Noslaukiet zāles plāvēju ar mitru lupatiņu.

## Gaisa iepļūdes atveres tīrīšana (Q attēls)

1. Noņemiet gaisa iepļūdes tīkliņa vāku, atskrūvējot visas četras skrūves.
2. Ar saspiesto gaisu izpūtiet gaisa iepļūdes atveres un tīkliņa vāku no iekšpusēs.

## ASMENS NOMAĪŅA ( R1, R2, R3 att.)

**⚠ BRĪDINĀJUMS!** Vienmēr pirms tīrīšanas izņemiet akumulatoru bloku(-s) un zāles savācējmaisu.

**⚠ BRĪDINĀJUMS!** Vienmēr valkājiet aizsargcimdus.

**PIEZĪME!** Pirms asmens uzstādīšanas rūpīgi notīriet vietu ap piedziņas vārpstu un mašīnas apakšējo daļu.

1. Apgrieziet zāles plāvēju otrādi
2. Noņemiet/uzstādiat griezējasmēni ar griezes momenta atslēgu un diviem metāla stieņiem kā palīgglīdzekli, kā tas parādīts attēlā.
3. Apdrukātajai asmens pusei jāatrodas virzienā uz ārpusi.

## ZĀLES PLĀVĒJA UZGLABĀŠANA ( S1 un S2 att.)

1. Izņemiet no zāles plāvēja akumulatoru bloku(-us).
2. Iztukšojiet zāles savācējmaisu un iztīriet zāles plāvēju.
3. Lai ietaupītu ievērojamu vietu uzglabāšanai, nolokiet izstrādājuma rokturi un uzglabājiet izstrādājumu tā, kā tas ir parādīts attēlā.

**PIEZĪME!** Nolokot/atlokot mašīnas rokturi, pārliecinieties, vai nav iesprūdis vads (nenometiet rokturi).

4. Uzglabāšanas laikā nenovietojiet uz zāles plāvēja nekādus citus objektus

**⚠ BRĪDINĀJUMS!** Ja zāles plāvējs apgāžas no vertikālā stāvokļa, tas var sabojāties vai arī izraisīt miesas bojājumus. Vienmēr uzglabājiet zāles plāvēju stabilā un bērniem nepieejamā vietā, ja tas atrodas vertikālā stāvoklī. Ja iespējams, uzglabājiet to horizontālā stāvoklī.

## APKĀRTĒJĀS VIDES AIZSARDZĪBA



Neatbrīvojieties no elektriskajām ierīcēm kopā ar nešķīrotajiem sadzīves atkritumiem, nogādājiet tās uz atsevišķiem savākšanas punktiem.

Sazinieties ar vietējo pašvaldības iestādi, lai iegūtu informāciju par pieejamām savākšanas sistēmām.

Ja elektroierīces tiek izmestas atkritumu poligonos vai izgāztuvēs, gruntsūdenī var iekļūt bīstamas vielas, piesārņojot barības ķēdi, kaitējot veselībai un labklājībai.

## KĻŪDU NOVĒRŠANA

PROBLĒMA	CĒLONIS	RISINĀJUMS
Zāles plāvēja vai pašgājēja funkciju neizdodas iedarbināt.	<ul style="list-style-type: none"> <li>■ Akumulatoru bloks(-i) ir izlādējies(-ušies).</li> </ul>	<ul style="list-style-type: none"> <li>■ Uzlādējiet akumulatoru bloku.</li> </ul>
	<ul style="list-style-type: none"> <li>■ Akumulatoru bloks(-i) nav pareizi ievietots(-i) akumulatora nodalījumā.</li> </ul>	<ul style="list-style-type: none"> <li>■ Ievietojiet akumulatoru bloku(-us) akumulatora nodalījumā, to piespiežot, līdz izdzirdat „klikšķa” skaņu.</li> </ul>
	<ul style="list-style-type: none"> <li>■ Rokturis nav bloķēts darbības stāvoklī, un zāles plāvēja statusa indikators mirgo zaļā krāsā.</li> </ul>	<ul style="list-style-type: none"> <li>■ Apturiet zāles plāvēju un pārliedzinieties, vai rokturis ir nofiksēts kādā no darbības stāvokļiem.</li> </ul>
	<ul style="list-style-type: none"> <li>■ Pļaušanas bloks ir aizsērējis ar zāli un gružiem.</li> </ul>	<ul style="list-style-type: none"> <li>■ Notīriet zāles plāvēja pļaušanas bloku un pārliedzinieties, vai asmens var brīvi kustēties</li> </ul>
Zāles plāvējs nepļauj nevienmērīgi.	<ul style="list-style-type: none"> <li>■ Asmens kļuvis neass.</li> </ul>	<ul style="list-style-type: none"> <li>■ Uzasiniet vai nomainiet asmeni.</li> </ul>
	<ul style="list-style-type: none"> <li>■ Nav pareizi uzstādīts zāles pļaušanas augstums.</li> </ul>	<ul style="list-style-type: none"> <li>■ Paceliet pļaušanas augstumu augstāk.</li> </ul>
	<ul style="list-style-type: none"> <li>■ Asmens ir nepareizi uzstādīts.</li> </ul>	<ul style="list-style-type: none"> <li>■ Uzstādiet atpakaļ asmeni, kā tas ir norādīts šīs rokasgrāmatas nodaļā „<b>ASMENS NOMAIŅA</b>”.</li> </ul>
	<ul style="list-style-type: none"> <li>■ Nav pareizi iestatīts asmens ātruma izvēles režīms.</li> </ul>	<ul style="list-style-type: none"> <li>■ Izvēlieties piemērotu asmens ātruma izvēles režīmu.</li> </ul>
Zāles plāvējs nemulčē pareizi.	<ul style="list-style-type: none"> <li>■ Slapjā, nopļautā zāle līp klāt zem pļaušanas bloka.</li> </ul>	<ul style="list-style-type: none"> <li>■ Pagaidiet, kamēr nožūst zāle, un tikai tad sāciet pļaut.</li> </ul>
	<ul style="list-style-type: none"> <li>■ Pļāvējs ir iestatīts tā, lai tas ar vienu piegājieni nopļautu daudz zāles.</li> </ul>	<ul style="list-style-type: none"> <li>■ Paceliet pļaušanas bloku augstākā pļaušanas augstumā.</li> </ul>
	<ul style="list-style-type: none"> <li>■ Nav pareizi iestatīts asmens ātruma izvēles režīms.</li> </ul>	<ul style="list-style-type: none"> <li>■ Izvēlieties 1 vai ECO asmens ātruma izvēles režīmu.</li> </ul>

**LV**

Pļaušanas laikā zāles plāvējs negaidīti apstājas.	<ul style="list-style-type: none"> <li>■ Akumulatoru bloks(-i) ir izlādējies(-ušies).</li> </ul>	<ul style="list-style-type: none"> <li>■ Uzlādējiet akumulatoru bloku.</li> </ul>
	<ul style="list-style-type: none"> <li>■ Zāles plāvējs ir pārslogots, un zāles plāvēja statusa indikators mirgo oranžā krāsā.</li> </ul>	<ul style="list-style-type: none"> <li>■ Pārbaudiet, vai zem pļaušanas bloka nav sakrājušies zāle, un, ja nepieciešams, iztīriet to. Paceliet uz augšu pļaušanas augstumu vai samaziniet pļaušanas ātrumu.</li> </ul>
	<ul style="list-style-type: none"> <li>■ Pļaušanas bloks ir aizsērējis ar zāli un gruziem.</li> </ul>	<ul style="list-style-type: none"> <li>■ Iztīriet pļaušanas bloku. Paceliet uz augšu pļaušanas augstumu un/vai pļaujiet šaurās strēlēs.</li> </ul>
	<ul style="list-style-type: none"> <li>■ Akumulatoru bloks(-i) vai zāles plāvējs ir pārāk stipri uzkaršis. Ja akumulatoru bloks pārkarst, zāles plāvēja statusa indikatora gaismā nodziest. Ja zāles plāvējs pārkarst, zāles plāvēja statusa indikators deg oranžā krāsā.</li> </ul>	<ul style="list-style-type: none"> <li>■ Ļaujiet akumulatoru blokam(-iem) atdzist.</li> <li>■ Iztīriet gaisa ieplūdes atveri, ievērojot sadaļā „<b>Gaisa ieplūdes atveres tīrīšana</b>” sniegtos norādījumus.</li> </ul>
	<ul style="list-style-type: none"> <li>■ Nav pareizi iestatīts asmens ātruma izvēles režīms.</li> </ul>	<ul style="list-style-type: none"> <li>■ Izvēlieties mazāku asmens rotācijas ātrumu.</li> </ul>
	<ul style="list-style-type: none"> <li>■ Zāles plāvēja elektronikas kļūdas un zāles plāvēja statusa indikators pārmaiņus mirgo sarkanā/zaļā krāsā.</li> </ul>	<ul style="list-style-type: none"> <li>■ Sazinieties ar EGO apkalpošanas centru.</li> </ul>
Pārāk liela vibrācija.	<ul style="list-style-type: none"> <li>■ Pārāk vaļīgs griezējasmens.</li> </ul>	<ul style="list-style-type: none"> <li>■ Pievelciet asmens bultskrūvi.</li> </ul>
	<ul style="list-style-type: none"> <li>■ Nav sabalansēts griezējasmens.</li> </ul>	<ul style="list-style-type: none"> <li>■ Sazinieties ar EGO apkalpošanas centru.</li> </ul>
	<ul style="list-style-type: none"> <li>■ Saliekts griezējasmens.</li> </ul>	<ul style="list-style-type: none"> <li>■ Nomainiet asmeni.</li> </ul>
	<ul style="list-style-type: none"> <li>■ Saliekta motora vārpsta.</li> </ul>	<ul style="list-style-type: none"> <li>■ Sazinieties ar EGO apkalpošanas centru.</li> </ul>
	<ul style="list-style-type: none"> <li>■ Plāvējs ir iestatīts tā, lai tas ar vienu piegājieni nopļautu daudz zāles.</li> </ul>	<ul style="list-style-type: none"> <li>■ Paceliet pļaušanas bloku augstākā pļaušanas augstumā.</li> </ul>
	<ul style="list-style-type: none"> <li>■ Nav pareizi iestatīts asmens ātruma izvēles režīms.</li> </ul>	<ul style="list-style-type: none"> <li>■ Izvēlieties mazāku asmens rotācijas ātrumu.</li> </ul>
Motors darbojas, bet asmens negriež zāli.	<ul style="list-style-type: none"> <li>■ Asmens skrūve nav pievilka līdz vajadzīgajam griezes momentam.</li> </ul>	<ul style="list-style-type: none"> <li>■ Vēlreiz pieskrūvējiet asmens skrūvi. Ieteicamais griezes moments asmens skrūves pievilšanai ir 50-60 Nm.</li> </ul>

LV

## GARANTĪJA

### EGO GARANTĪJAS POLITIKA

Lūdzam apmeklēt tīmekļa vietni [egopowerplus.eu](http://egopowerplus.eu), kur pieejama pilna EGO garantijas politikas noteikumu un nosacījumu versija.

## ΔΙΑΒΑΣΤΕ ΟΛΕΣ ΤΙΣ ΟΔΗΓΙΕΣ!

**Προβλεπόμενη χρήση:** Το προϊόν προορίζεται για χειροκίνητο κούρεμα του γκαζόν:

- Χρησιμοποιείτε το μόνο για το κούρεμα ξερού γρασιδιού. Μην κουρεύετε βρεγμένο γρασίδι.
- Μην το χρησιμοποιείτε για οποιονδήποτε άλλο σκοπό.

**⚠️ ΠΡΟΕΙΔΟΠΟΙΗΣΗ:** Βεβαιωθείτε ότι έχετε διαβάσει και κατανοήσει όλες τις οδηγίες ασφάλειας στο παρόν εγχειρίδιο χρήσης, συμπεριλαμβανομένων όλων των συμβόλων ασφάλειας, όπως «**ΚΙΝΔΥΝΟΣ**», «**ΠΡΟΕΙΔΟΠΟΙΗΣΗ**» και «**ΠΡΟΣΟΧΗ**», προτού να χρησιμοποιήσετε αυτή τη μηχανή. Η μη τήρηση όλων των παρακάτω οδηγιών μπορεί να οδηγήσει σε ηλεκτροπληξία, πυρκαγιά και/ή σοβαρό τραυματισμό.

## ΣΥΜΒΟΛΑ ΑΣΦΑΛΕΙΑΣ



Προειδοποίηση ασφαλείας

Φοράτε πάντοτε ωτοπροστασία, προστατευτικά γυαλιά ή γυαλιά ασφαλείας με πλευρική προστασία και πλήρη προστατευτική προσωπίδα κατά τη χρήση αυτού του προϊόντος.



Προσοχή σε αντικείμενα που πετάγονται - κρατήστε τους παρευρισκόμενους μακριά.



Διατηρείτε τα χέρια σας μακριά



Εγγυημένη στάθμη ακουστικής ισχύος.



Αυτό το προϊόν συμμορφώνεται με την ισχύουσα νομοθεσία του Η.Β.



Bluetooth®

IPX5

Προστατευόμενο από πίδακες νερού χαμηλής πίεσης από οποιαδήποτε κατεύθυνση

mm

Χιλιοστό



Συνεχές ρεύμα



Προκειμένου να μειωθεί ο κίνδυνος τραυματισμού, ο χρήστης πρέπει να διαβάσει και να κατανοήσει το εγχειρίδιο χρήσης προτού να χρησιμοποιήσει αυτό το προϊόν.



Απενεργοποιήστε και απομακρύνετε την αποσπώμενη συστοιχία μπαταριών (ή τη συσκευή απενεργοποίησης) πριν από ρυθμίσεις ή καθαρισμό.



Διατηρείτε πάντοτε τα χέρια και τα πόδια μακριά από τις λεπίδες



Μην κοιτάτε απευθείας μέσα στη λάμπα λειτουργίας.



Αυτό το προϊόν συμμορφώνεται με τις εφαρμοστέες οδηγίες της ΕΚ.



Τα απόβλητα ειδών ηλεκτρικού και ηλεκτρονικού εξοπλισμού δεν πρέπει να απορρίπτονται στα οικιακά απορρίμματα. Παραδώστε τα σε εξουσιοδοτημένη μονάδα ανακύκλωσης.

V

Βολτ

cm

Εκατοστό

kg

Κιλό

GR

**ΣΗΜΕΙΩΣΗ:** Το λεπτικό Bluetooth® και τα λογότυπα είναι σήματα κατατεθέντα που ανήκουν στην Bluetooth SIG, inc. και οποιαδήποτε χρήση αυτών των σημάτων από EGO γίνεται με άδεια.

## ΤΕΧΝΙΚΕΣ ΠΡΟΔΙΑΓΡΑΦΕΣ

Τάση	56 V	
Λειτουργία ταχύτητας λεπίδας	2	
	1	
	ECO	
Θέσεις ύψους κοπής	8	
Ρύθμιση ύψους κοπής	20 mm/31 mm/40 mm/ 51 mm/ 64 mm/78 mm/ 92 mm/105 mm	
Πλάτος κοπής	53 cm	
Χωρητικότητα σάκου συλλογής γρασιδιού	85 L	
Βάρος χλοοκοπτικής μηχανής (χωρίς τη συστοιχία μπαταριών και το σάκο συλλογής γρασιδιού)	46 kg	
Μοντέλο λεπίδας	AB5301	
Συνιστώμενη θερμοκρασία λειτουργίας	0°C–40°C	
Συνιστώμενη θερμοκρασία αποθήκευσης	-20°C–70°C	
Μετρημένη στάθμη ηχητικής ισχύος $L_{WA}$	94 dB(A)	$K= 0.6$ dB(A)
Στάθμη ηχητικής πίεσης στο αυτί του χειριστή $L_{PA}$	83 dB(A)	$K= 3$ dB(A)
Εγγυημένο επίπεδο ισχύος ήχου $L_{WA}$ (μέτρηση κατά 2000/14/EK)	95 dB(A)	
Αξιολόγηση δονήσεων $a_{h,r}$ :	Αριστερή χειρολαβή	0.39 m/s <sup>2</sup> $K=1.5$ m/s <sup>2</sup>
	Δεξιά χειρολαβή	0.33 m/s <sup>2</sup> $K=1.5$ m/s <sup>2</sup>

- Η δηλωθείσα συνολική τιμή κραδασμών έχει μετρηθεί σύμφωνα με πρότυπη μέθοδο δοκιμής και μπορεί να χρησιμοποιηθεί για τη σύγκριση ενός μηχανήματος με άλλο.
- Η δηλωθείσα συνολική τιμή κραδασμών μπορεί να χρησιμοποιηθεί, επίσης, σε προκαταρκτική αξιολόγηση έκθεσης.

**ΣΗΜΕΙΩΣΗ:** Η μετάδοση της δόνησης κατά τη διάρκεια

της πραγματικής χρήσης του μηχανήματος μπορεί να διαφέρει από τη δηλωθείσα τιμή, στην οποία χρησιμοποιείται το μηχανήμα. Για την προστασία του χειριστή, υπό πραγματικές συνθήκες χρήσης πρέπει να χρησιμοποιούνται γάντια και ωτοασπίδες.

## ΚΑΤΑΛΟΓΟΣ ΣΥΣΚΕΥΑΣΙΑΣ (ΕΙΚ. A1 & A2)

ΟΝΟΜΑ ΕΞΑΡΤΗΜΑΤΟΣ	ΠΟΣΟΤΗΤΑ
Χλοοκοπτική μηχανή	1
Σάκος συλλογής γρασιδιού	1
Πλαίσιο σάκου συλλογής γρασιδιού	1
Πεταλούδα (εργοστασιακά τοποθετημένη στην χλοοκοπτική μηχανή)	2
Εγχειρίδιο χρήσης	1

## ΠΕΡΙΓΡΑΦΗ

### ΓΝΩΡΙΣΤΕ ΤΗΝ ΧΛΟΟΚΟΠΤΙΚΗ ΣΑΣ ΜΗΧΑΝΗ (Εικ. A1 & A2)

1. Σκανδάλη αυτοκίνησης
2. Λαβή
3. Σκανδάλη περιστροφής λεπίδας
4. Πίσω θύρα απόρριψης
5. Γρανάζι ασφάλισης
6. Κάλυμμα θήκης μπαταριών
7. Προβολείς LED
8. Μεσαίος προφυλακτήρας (αριστερή λαβή)
9. Μπροστινός προφυλακτήρας
10. Μπροστινός μοχλός ρύθμισης ύψους κοπής
11. Μπροστινός τροχός
12. Βάση χλοοκοπτικής μηχανής
13. Πλαϊνό προστατευτικό
14. Είσοδος αέρα
15. Πίσω τροχός
16. Πίσω μοχλός ρύθμισης ύψους κοπής
17. Πεταλούδα
18. Πλάκα τοποθέτησης λαβής
19. Συγκρατητής
20. Σάκος συλλογής γρασιδιού
21. Πίσω προστατευτικό
- 22\*. Ένθεμα κάλυψης εδάφους
- 23\*. Χοάνη πλευρικής εξαγωγής
24. Ένδειξη Bluetooth®
25. Ταμπλό
26. Ένδειξη κατάστασης χλοοκοπτικού

GR



27. Ένδειξη ταχύτητας λεπίδας
  28. Κουμπί λειτουργίας ταχύτητας λεπίδας
  29. Κουμπί ενεργοποίησης/απενεργοποίησης
  30. Κουμπί προβολών LED (κουμπί Bluetooth®)
  31. Επιλογέας ταχύτητας αυτοπροώθησης
- \* ΠΩΛΕΙΤΑΙ ΧΩΡΙΣΤΑ

## ΣΥΝΑΡΜΟΛΟΓΗΣΗ

**⚠ ΠΡΟΕΙΔΟΠΟΙΗΣΗ:** Σε περίπτωση που κάποια από τα εξαρτήματα έχουν υποστεί ζημιά ή λείπουν, μη χρησιμοποιήσετε το προϊόν, μέχρι να αντικατασταθούν. Η χρήση αυτού του προϊόντος με φθαρμένα ή ελλιπή εξαρτήματα μπορεί να έχει ως αποτέλεσμα σοβαρό τραυματισμό.

**⚠ ΠΡΟΕΙΔΟΠΟΙΗΣΗ:** Για να εμποδίσετε τυχαία εκκίνηση που θα μπορούσε να προκαλέσει σοβαρό τραυματισμό, απομακρύνετε πάντα τη συστοιχία μπαταριών από το μηχάνημα όταν συναρμολογείτε εξαρτήματα.

**⚠ ΠΡΟΕΙΔΟΠΟΙΗΣΗ:** Μην επιχειρήσετε να τροποποιήσετε αυτό το μηχάνημα ή να δημιουργήσετε εξαρτήματα που δεν συνιστώνται για χρήση με αυτή την χλοοκοπτική μηχανή. Οιαδήποτε μετατροπή ή αλλαγή αποτελεί εσφαλμένη χρήση και μπορεί να οδηγήσει σε επικίνδυνη κατάσταση με αποτέλεσμα σοβαρό τραυματισμό.

### ΑΠΟΣΥΣΚΕΥΑΣΙΑ

Αυτό το προϊόν απαιτεί συναρμολόγηση.

- Αφαιρέστε όλα τα αξεσουάρ από το χαρτοκιβώτιο.

**⚠ ΠΡΟΣΟΧΗ:** Βαρύ αντικείμενο. Για την ανύψωση της χλοοκοπτικής μηχανής απαιτούνται δύο άτομα.

- Το ένα άτομο πρέπει να πιάσει τον μεσαίο προφυλακτήρα/τη λαβή ανύψωσης και το άλλο πρέπει να πιάσει τις δύο πεταλούδες ώστε να σηκώσει προσεκτικά την χλοοκοπτική μηχανή από το χαρτοκιβώτιο.

### ΕΓΚΑΤΑΣΤΑΣΗ ΤΗΣ ΛΑΒΗΣ

Η χλοοκοπτική μηχανή αποστέλλεται με τη λαβή μερικώς συναρμολογημένη.

**⚠ ΠΡΟΕΙΔΟΠΟΙΗΣΗ:** Μην επιχειρήσετε να εκκινήσετε την χλοοκοπτική μηχανή μέχρι να τοποθετηθεί και να ξεδιπλωθεί σωστά και με ασφάλεια η λαβή. Να είστε προσεκτικοί ώστε να αποφεύγετε μάγκωμα των δαχτύλων και του καλωδίου ανάμεσα στα εξαρτήματα.

1. Ξεβιδώστε και βάλτε στην άκρη τις δύο πεταλούδες.

2. Μετακινήστε τη χειρολαβή προς τα εμπρός μέχρι το γρανάζι ασφάλισης στο συγκρότημα της χειρολαβής να κοιτάξει προς το γρανάζι στην χλοοκοπτική μηχανή (Εικ. Β1).
3. Ευθυγραμμίστε τις σημάνσεις στο γρανάζι ασφάλισης και στην πλάκα τοποθέτησης λαβής όπως φαίνεται στην Εικ. Β2, κατόπιν εισαγάγετε και σφίξτε με τα δάχτυλα τις δύο πεταλούδες.

### ΞΕΔΙΠΛΩΜΑ ΚΑΙ ΡΥΘΜΙΣΗ ΤΗΣ ΛΑΒΗΣ (ΕΙΚ. C)

**⚠ ΠΡΟΕΙΔΟΠΟΙΗΣΗ:** Βεβαιωθείτε ότι δεν θα μαγκώσετε, λυγίσετε ή τεντώσετε το καλώδιο κατά το δίπλωμα ή ξεδίπλωμα της λαβής. Πρόκληση ζημιάς στο καλώδιο μπορεί να επηρεάσει την ενεργοποίηση και τη λειτουργία της χλοοκοπτικής μηχανής και να προκαλέσει μη ασφαλή κατάσταση λειτουργίας.

**⚠ ΠΡΟΕΙΔΟΠΟΙΗΣΗ:** Μην επιχειρήσετε να εκκινήσετε τη χλοοκοπτική μηχανή και το σύστημα αυτοπροώθησης μέχρι η λαβή να ασφαλίσει σε μια από τις τρεις προρυθμισμένες θέσεις λειτουργίας (Επάνω θέση λειτουργίας 3, μεσαία θέση λειτουργίας 2 και κάτω θέση λειτουργίας 1).

1. Χαλαρώστε τα μπουλόνια και στις δύο πλευρές εξασφαλίζοντας ότι τα δύο γρανάζια είναι εντελώς λασκαρισμένα αλλά ΟΧΙ διαχωρισμένα.
2. Γυρίστε τη λαβή προς τα πάνω μέχρι η σήμανση βέλους στο γρανάζι ασφάλισης να ευθυγραμμιστεί με τη μια από τις τρεις θέσεις λειτουργίας στην πλάκα τοποθέτησης λαβής.
3. Σφίξτε τα δύο μπουλόνια, βεβαιωθείτε ότι τα δύο γρανάζια είναι σε πλήρη εμπλοκή και η λαβή είναι στερεωμένη με ασφάλεια.

C-1	Κάτω θέση λειτουργίας 1
C-2	Μεσαία θέση λειτουργίας 2
C-3	Επάνω θέση λειτουργίας 3

GR

### ΔΙΠΛΩΜΑ ΤΗΣ ΛΑΒΗΣ (ΕΙΚ. D)

**⚠ ΠΡΟΕΙΔΟΠΟΙΗΣΗ:** Βεβαιωθείτε ότι δεν θα μαγκώσετε, λυγίσετε ή τεντώσετε το καλώδιο κατά το δίπλωμα ή ξεδίπλωμα της λαβής. Πρόκληση ζημιάς στο καλώδιο μπορεί να επηρεάσει την ενεργοποίηση και τη λειτουργία της χλοοκοπτικής μηχανής και να προκαλέσει μη ασφαλή κατάσταση λειτουργίας.

1. Λασκάρτε τα μπουλόνια και στις δύο πλευρές, εξασφαλίζοντας ότι τα δύο γρανάζια είναι εντελώς λασκαρισμένα αλλά ΟΧΙ διαχωρισμένα.
2. Γυρίστε τη λαβή προς τα κάτω μέχρι η λαβή να εδράζεται στη θέση αποθήκευσης.

3. Ευθυγραμμίστε τη σήμανση βέλους στο γρανάζι ασφαλίσης με τη σήμανση θέσης αποθήκευσης επάνω στην πλάκα τοποθέτησης λαβής.
4. Σφίξτε τις δύο πεταλούδες, εξασφαλίστε ότι τα δύο γρανάζια έχουν εμπλακεί πλήρως και η λαβή έχει στερεωθεί με ασφάλεια.

D-1 Θέση αποθήκευσης

## ΣΥΝΑΡΜΟΛΟΓΗΣΗ ΤΟΥ ΣΑΚΟΥ ΣΥΛΛΟΓΗΣ ΓΡΑΣΙΔΙΟΥ (ΕΙΚ. Ε1, Ε2, Ε3)

Ελέγξτε το σάκο συλλογής γρασιδιού πριν τη συναρμολόγηση ώστε να εξασφαλίσετε ότι δεν υπάρχουν ζημιές.

Συναρμολογήστε τον σάκο συλλογής γρασιδιού όπως απεικονίζεται.

## ΠΡΟΣΑΡΤΗΣΗ/ΑΦΑΙΡΕΣΗ ΤΟΥ ΕΝΘΕΜΑΤΟΣ ΚΑΛΥΨΗΣ ΕΔΑΦΟΥΣ (ΠΩΛΕΙΤΑΙ ΞΕΧΩΡΙΣΤΑ)

Τοποθετήστε το ένθεμα κάλυψης εδάφους μέσα στην χλοοκοπτική μηχανή όπως απεικονίζεται στην Εικ. F.

**⚠️ ΚΙΝΔΥΝΟΣ:** Το μηχάνημα μπορεί να πετάει κομμένο γρασίδι και άλλα αντικείμενα μέσα από ένα άνοιγμα στο περίβλημα μηχανής. Αντικείμενα που πετάνονται με αρκετή δύναμη μπορούν να προκαλέσουν σοβαρό ατομικό τραυματισμό ή θάνατο σε εσάς ή στους παρευρισκόμενους.

Ποτέ μη χρησιμοποιείτε τη χλοοκοπτική μηχανή χωρίς να έχει τοποθετηθεί σωστά το ένθεμα κάλυψης εδάφους, ο σάκος συλλογής γρασιδιού ή η πλαϊνή χοάνη αποβολής.

**⚠️ ΠΡΟΕΙΔΟΠΟΙΗΣΗ:** Το ένθεμα κάλυψης εδάφους πρέπει να απομακρύνεται όταν εγκαθιστάτε τον σάκο συλλογής γρασιδιού ή την πλαϊνή χοάνη αποβολής. Το ένθεμα κάλυψης εδάφους πρέπει να επανεγκαθίσταται όταν ο σάκος συλλογής γρασιδιού (ή η πλαϊνή χοάνη αποβολής) απομακρύνεται.

## ΠΡΟΣΑΡΤΗΣΗ/ΑΦΑΙΡΕΣΗ ΣΑΚΟΥ ΣΥΛΛΟΓΗΣ ΓΡΑΣΙΔΙΟΥ

Τοποθετήστε το σάκο συλλογής γρασιδιού μέσα στην χλοοκοπτική μηχανή όπως φαίνεται στην Εικ. G.

**⚠️ ΠΡΟΕΙΔΟΠΟΙΗΣΗ:** Υπό φυσιολογική χρήση το υλικό σάκου γρασιδιού υπόκειται σε φθορά. Για να μειώσετε τον κίνδυνο τραυματισμού, ελέγχετε τακτικά τον σάκο συλλογής και αντικαθιστάτε τον εάν βλέπετε ίχνη φθοράς ή αλλοιώσεων. Χρησιμοποιείτε μόνο σάκους γρασιδιού που έχουν κατασκευαστεί για τη συγκεκριμένη χλοοκοπτική μηχανή.

**⚠️ ΠΡΟΕΙΔΟΠΟΙΗΣΗ:** Ο σάκος συλλογής γρασιδιού πρέπει να απομακρύνεται για την εγκατάσταση και χρήση της πλαϊνής χοάνης γρασιδιού ή του ενθέματος κάλυψης εδάφους.

## ΠΡΟΣΑΡΤΗΣΗ/ΑΦΑΙΡΕΣΗ ΤΗΣ ΠΛΑΙΝΗΣ ΧΟΑΝΗΣ ΑΠΟΒΟΛΗΣ (ΠΩΛΕΙΤΑΙ ΞΕΧΩΡΙΣΤΑ)

Τοποθετήστε την πλαϊνή χοάνη αποβολής μέσα στην χλοοκοπτική μηχανή όπως φαίνεται στην Εικ. Η.

**⚠️ ΠΡΟΕΙΔΟΠΟΙΗΣΗ:** Η πλαϊνή χοάνη αποβολής πρέπει να απομακρύνεται για την δυνατότητα εγκατάστασης και χρήσης του σάκου συλλογής γρασιδιού ή του ενθέματος κάλυψης εδάφους.

## ΡΥΘΜΙΣΗ ΥΨΟΥΣ ΚΟΠΗΣ (ΕΙΚ. J1 & J2)

**⚠️ ΠΡΟΕΙΔΟΠΟΙΗΣΗ:** Διατηρείτε τα πόδια σας μακριά από το ντεκ όταν ρυθμίζετε το ύψος της.

Η χλοοκοπτική μηχανή μπορεί να ρυθμιστεί σε 8 ύψη κοπής, μεταξύ 20 mm και 105 mm. Μια σήμανση υποδεικνύει το επιλεγμένο ύψος κοπής.

Αυτή η χλοοκοπτική μηχανή σας επιτρέπει να ρυθμίζετε το ύψος κοπής μπροστά και πίσω στην μηχανή, ξεχωριστά. Επιλέξτε το σωστό ύψος κοπής ανάλογα με το είδος και τις συνθήκες του γρασιδιού που πρέπει να κοπεί.

1. Απενεργοποιήστε τη χλοοκοπτική μηχανή και περιμένετε να σταματήσει εντελώς η λεπίδα κοπής.
2. Αφαιρέστε τη συστοιχία μπαταριών (ή τις συστοιχίες μπαταριών).
3. Τραβήξτε τον μπροστινό ή τον πίσω μοχλό ρύθμισης του ύψους κοπής έξω από την εγκοπή και ρυθμίστε τον στην επιθυμητή θέση.

## ΠΡΟΣΑΡΤΗΣΗ/ΑΠΟΜΑΚΡΥΝΣΗ ΤΗΣ ΣΥΣΤΟΙΧΙΑΣ ΜΠΑΤΑΡΙΩΝ (ΕΙΚ. K)

**ΣΗΜΕΙΩΣΗ:** Φορτίστε τη συστοιχία μπαταριών πριν την πρώτη χρήση.

Να το χρησιμοποιείτε μόνο με τις συστοιχίες μπαταριών και τους φορτιστές που παρατίθενται στην Εικ. A3.

**ΣΗΜΕΙΩΣΗ:** Η χλοοκοπτική μηχανή διαθέτει δύο ενεργές υποδοχές μπαταρίας. Μπορεί να λειτουργήσει με τη χρήση μιας ή δύο συστοιχιών μπαταριών.

### ■ Προσάρτηση

1. Ανοίξτε το κάλυμμα της θήκης μπαταριών και ωθήστε τη συστοιχία μπαταριών μέσα στη θήκη μπαταρίας μέχρι να ακούσετε έναν ήχο «κλικ».
2. Επαναλάβετε τη διαδικασία για να τοποθετήσετε τη δεύτερη συστοιχία μπαταριών.

GR

#### ■ Αφαίρεση

Πιέστε το κουμπί αποδέσμευσης της συστοιχίας μπαταριών στη θήκη μπαταρίας.

**ΣΗΜΕΙΩΣΗ:** Βεβαιωθείτε ότι το μάνταλο στην χλοοκοπτική μηχανή κουμπώνει στη θέση του και ότι η(οι) συστοιχία(ες) μπαταριών ασφαλίζει(ουν) στη μηχανή, προτού να εκκινήσετε τη λειτουργία.

#### ΕΠΙΛΟΓΗ ΛΕΙΤΟΥΡΓΙΑΣ ΤΑΧΥΤΗΤΑΣ ΛΕΠΙΔΑΣ (ΕΙΚ. L)

- Η λειτουργία 2 είναι η λειτουργία υψηλής ταχύτητας λεπίδας για απόδοση υψηλής ανύψωσης για τη βελτίωση της δύναμης αναρρόφησης και της απόδοσης κοπής.
- Η λειτουργία 1 είναι η καλύτερη ισορροπία μεταξύ απόδοσης και χρόνου λειτουργίας.
- Η λειτουργία EGO παρέχει το χαμηλότερο επίπεδο θορύβου και τον μεγαλύτερο χρόνο λειτουργίας από την(τις) συστοιχία(ες) μπαταριών σας.

**ΣΗΜΕΙΩΣΗ:** Η προεπιλεγμένη λειτουργία ταχύτητας λεπίδας είναι η λειτουργία 1.

#### ΤΕΧΝΟΛΟΓΙΑ ΕΠΙΚΟΙΝΩΝΙΑΣ

Για περισσότερες πληροφορίες σχετικά με το πλήρες εύρος των συνδεδεμένων προϊόντων και υπηρεσιών μας, συμπεριλαμβανομένων των οδηγιών σύνδεσης, σαρώστε τον παρακάτω κωδικό QR ή μεταβείτε στη διεύθυνση [www.egopowerplus.eu/connect](http://www.egopowerplus.eu/connect).



## ΛΕΙΤΟΥΡΓΙΑ

Το προϊόν μπορεί να χρησιμοποιηθεί στη βροχή.

#### ΕΝΕΡΓΟΠΟΙΗΣΗ/ΑΠΕΝΕΡΓΟΠΟΙΗΣΗ ΤΗΣ ΧΛΟΟΚΟΠΤΙΚΗΣ ΜΗΧΑΝΗΣ

**▲ ΠΡΟΕΙΔΟΠΟΙΗΣΗ:** Η λειτουργία οποιουδήποτε χλοοκοπτικού μηχανήματος μπορεί να επιφέρει εκτόξευση ξένων αντικειμένων στα δικά σας μάτια ή σε άλλων ανθρώπων, με συνέπεια σοβαρή βλάβη σε αυτά. Φοράτε πάντα γυαλιά ασφαλείας όταν χειρίζεστε την χλοοκοπτική μηχανή ή όταν διεξάγετε οποιεσδήποτε ρυθμίσεις ή επισκευές σε αυτήν.

**▲ ΠΡΟΕΙΔΟΠΟΙΗΣΗ:** Η λεπίδα συνεχίζει να περιστρέφεται για μερικά δευτερόλεπτα μετά την απενεργοποίηση της χλοοκοπτικής μηχανής. Περιμένετε μέχρι να σταματήσει η περιστροφή του κινητήρα / της λεπίδας, πριν από την επανεκκίνηση. Μην απενεργοποιείτε

και ενεργοποιείτε γρήγορα τη χλοοκοπτική μηχανή.

**▲ ΠΡΟΕΙΔΟΠΟΙΗΣΗ:** Ακίνητοποιείτε τη λεπίδα εάν χρειαστεί να γείρετε τη χλοοκοπτική μηχανή για να τη μεταφέρετε, όταν διασχίζετε επιφάνειες χωρίς γρασίδι, και όταν μεταφέρετε τη χλοοκοπτική μηχανή προς και από την περιοχή κουρέματος.

**▲ ΠΡΟΕΙΔΟΠΟΙΗΣΗ:** Μην κρατάτε τη χλοοκοπτική μηχανή υπό κλίση κατά την ενεργοποίηση του κινητήρα, εκτός εάν αυτή πρέπει να έχει κλίση για την εκκίνηση. Σε αυτήν την περίπτωση, μην τη γέρνετε περισσότερο απ' όσο είναι απολύτως απαραίτητο και ανασηκώνετε μόνο το τμήμα που βρίσκεται μακριά από τον χειριστή.

Πριν από τη χρήση, ελέγχετε πάντοτε μήπως η λεπίδα και το μπουλόνι λεπίδας έχουν υποστεί φθορά ή βλάβη. Σε περίπτωση φθοράς ή κατεστραμμένης λεπίδας, αντικαθιστάτε και τις βίδες ταυτόχρονα, ώστε να διατηρείται η ισορροπία.

#### Ελέγχετε για τυχόν εμπλοκή της λεπίδας

- Για να αποφεύγετε εμπλοκές, διατηρείτε τη λεπίδα κοπής και το ντεκ της χλοοκοπτικής μηχανής καθαρά. Απομακρύνετε τα υπολείμματα γρασιδιού, τα φύλλα, τη βρωμιά και οποιαδήποτε άλλα συσσωρευμένα υπολείμματα πριν και μετά από κάθε χρήση.

- Σε περίπτωση εμπλοκής, απενεργοποιήστε την χλοοκοπτική μηχανή και αφαιρέστε τη συστοιχία (ή τις συστοιχίες) μπαταριών. Στη συνέχεια, αφαιρέστε τυχόν συσσωρευμένο γρασίδι και φύλλα από πάνω ή γύρω από τον άξονα μετάδοσης κίνησης και τον ανεμιστήρα του κινητήρα. Σκουπίστε τη χλοοκοπτική μηχανή με νυπό πανί.

**▲ ΠΡΟΣΟΧΗ:** Μην επιχειρήσετε να παρακάμψετε τη λειτουργία του κουμπιού λειτουργίας και της σκανδάλης περιστροφής της λεπίδας.

**ΣΗΜΕΙΩΣΗ:** Ο κινητήρας δεν μπορεί να εκκινήθει παρά μόνο εάν η λαβή είναι ασφαλισμένη σε μία από τις τρεις θέσεις λειτουργίας.

GR

#### Εκκίνηση της χλοοκοπτικής μηχανής (Εικ. M1 & M2)

1. Τοποθετήστε την(τις) συστοιχία(ες) μπαταριών στην χλοοκοπτική μηχανή και κλείστε το κάλυμμα της θήκης μπαταριών.
2. Πατήστε το κουμπί λειτουργίας ώστε να ανάψει το ταμπλό και η ένδειξη κατάσταση της χλοοκοπτικής μηχανής. Μαζί πρέπει να ανάψει και η ένδειξη ταχύτητας λεπίδας 1.
3. Πατήστε το κουμπί λειτουργίας ταχύτητας λεπίδας για να επιλέξετε την επιθυμητή ταχύτητα.
4. Πατήστε παρατεταμένα το κουμπί λειτουργίας.
5. Με πατημένο το κουμπί λειτουργίας, τραβήξτε τη σκανδάλη περιστροφής της λεπίδας ώστε να συναντήσετε τη λαβή και αφήστε το κουμπί λειτουργίας.

## Σταμάτημα της χλοοκοπτικής μηχανής (Εικ. Μ3)

1. Απελευθερώστε πλήρως τη σκανδάλη περιστροφής της λεπίδας.
2. Το ηλεκτρικό φρένο στον αυτόματο μηχανισμό φρεναρίσματος θα σταματήσει την περιστροφή λεπίδας εντός 3 δευτερολέπτων από την αποδέσμευση της σκανδάλης περιστροφής λεπίδας.

## ΑΥΤΟΚΙΝΟΥΜΕΝΟ ΣΥΣΤΗΜΑ ΜΕΤΑΒΛΗΤΗΣ ΤΑΧΥΤΗΤΑΣ (ΕΙΚ. Ν)

Η χλοοκοπτική μηχανή είναι εξοπλισμένη με τη δυνατότητα ενός αυτοκινούμενου συστήματος μεταβλητής ταχύτητας. Αυτό το αυτοκινούμενο σύστημα εξαρτάται από την περιστροφή της λεπίδας.

**ΣΗΜΕΙΩΣΗ:** Το αυτοκινούμενο σύστημα δεν μπορεί να εκκινηθεί παρά μόνο εάν η λαβή έχει ασφαλίσει σε μια από τις τρεις θέσεις λειτουργίας.

## Για να λειτουργήσει το αυτοκινούμενο σύστημα χωρίς περιστροφή της λεπίδας

1. Πατήστε το κουμπί λειτουργίας για να ανάψει το ταμπλό.

2. Περιστρέψτε ελαφρά το κουμπί ελέγχου ταχύτητα του αυτοκινούμενου συστήματος προς τα εμπρός μέχρι να ηχήσει ένα κλικ, κατόπιν τραβήξτε τη σκανδάλη αυτοκινούμενου συστήματος ώστε να εμπλακεί η λαβή και να εκκινηθεί η λειτουργία αυτοκινούμενου συστήματος.

**Για να κλείσετε το αυτοκινούμενο σύστημα,** αποδεσμεύστε την σκανδάλη αυτοκινούμενου συστήματος.






## ΠΡΟΒΟΛΕΙΣ LED (Εικ. Ρ)

**Για να ανάψετε τους προβολείς,** πατήστε το κουμπί προβολών. Οι προβολείς παρέχουν δυνατό φως στο μπροστινό μέρος της χλοοκοπτικής μηχανής.

**Για να απενεργοποιήσετε τους προβολείς,** πατήστε ξανά το ίδιο κουμπί.

## ΕΝΔΕΙΞΗ ΚΑΤΑΣΤΑΣΗΣ ΤΗΣ ΧΛΟΟΚΟΠΤΙΚΗΣ ΜΗΧΑΝΗΣ

Η ένδειξη κατάστασης της χλοοκοπτικής μηχανής Η ένδειξη κατάστασης της χλοοκοπτικής μηχανής στο ταμπλό προβάλλει την κατάσταση λειτουργίας της χλοοκοπτικής μηχανής.

Ένδειξη	Περιγραφή	Επεξήγηση	Ενέργεια
	Μόνιμα πράσινη	Η χλοοκοπτική μηχανή λειτουργεί σωστά	Δεν απαιτείται κάποια ενέργεια.
	Αναβοσβήνει πράσινη	Η χειρολαβή δεν έχει ασφαλίσει στη θέση λειτουργίας.	Σταματήστε την χλοοκοπτική μηχανή και βεβαιωθείτε ότι η χειρολαβή έχει ασφαλίσει σε κάποια από τις θέσεις λειτουργίας.
	Αναβοσβήνει κόκκινη	Χαμηλή στάθμη φόρτισης της μπαταρίας.	Σταματήστε τη χλοοκοπτική μηχανή και φορτίστε τη(τις) συστοιχία(ες) μπαταριών.
	Ανάβει σταθερά πορτοκαλί	Η χλοοκοπτική μηχανή έχει υπερθερμανθεί.	Απελευθερώστε τη σκανδάλη περιστροφής λεπίδας, περιμένετε μέχρι η θερμοκρασία χλοοκοπτικής μηχανής πέσει κάτω από τους 80 °C. Βλέπε « <b>ΠΡΟΣΤΑΣΙΑ ΤΗΣ ΧΛΟΟΚΟΠΤΙΚΗΣ ΜΗΧΑΝΗΣ ΑΠΟ ΤΗΝ ΥΨΗΛΗ ΘΕΡΜΟΚΡΑΣΙΑ</b> » κατωτέρω.
	Αναβοσβήνει πορτοκαλί	Η χλοοκοπτική μηχανή έχει υπερφορτωθεί.	<ol style="list-style-type: none"> <li>1. Απομακρύνετε τη(τις) συστοιχία(ες) μπαταριών, κατόπιν ελέγξτε εάν έχει συσσωρευτεί γρασίδι κάτω από το ντεκ. Καθαρίστε εάν είναι απαραίτητο.</li> <li>2. Κατά την κοπή επιβραδύνετε τον βηματισμό σας.</li> <li>3. Αυξήστε το ύψος κοπής.</li> <li>4. Εάν οι παραπάνω λύσεις δεν έχουν αποτέλεσμα, επικοινωνήστε με το Κέντρο Εξυπηρέτησης EGO.</li> </ol> <p>Βλέπε «<b>ΠΡΟΣΤΑΣΙΑ ΤΗΣ ΧΛΟΟΚΟΠΤΙΚΗΣ ΜΗΧΑΝΗΣ ΑΠΟ ΥΠΕΡΦΟΡΤΩΣΗ</b>» παρακάτω.</p>

	<p>Αναβοσβήνει εναλλάξ κόκκινο/ πράσινο</p>	<p>Η χλοοκοπτική μηχανή έχει ηλεκτρονική βλάβη.</p>	<p>Επικοινωνήστε με το κέντρο σέρβις της EGO.</p>
--	---	---	---

## ΠΡΟΣΤΑΣΙΑ ΤΗΣ ΧΛΟΟΚΟΠΤΙΚΗΣ ΜΗΧΑΝΗΣ ΑΠΟ ΥΨΗΛΗ ΘΕΡΜΟΚΡΑΣΙΑ

Εάν η θερμοκρασία της χλοοκοπτικής μηχανής υπερβεί τους 90 °C κατά τη διάρκεια της λειτουργίας, το κύκλωμα προστασίας από υπερθέρμανση θα απενεργοποιήσει αμέσως το χλοοκοπτικό μηχανήμα για την προστασία από ζημιές λόγω υπερθέρμανσης.

Η ένδειξη κατάστασης της χλοοκοπτικής μηχανής θα ανάβει σταθερά πορτοκαλί. Απελευθερώστε τη σκανδάλη περιστροφής λεπίδας και περιμένετε μέχρι η υπερθερμασμένη χλοοκοπτική μηχανή να κρυώσει και η ένδειξη κατάστασης να γίνει πράσινη, κατόπιν επανεκκινήστε την χλοοκοπτική μηχανή.

## ΠΡΟΣΤΑΣΙΑ ΥΠΕΡΦΟΡΤΩΣΗΣ ΤΗΣ ΧΛΟΟΚΟΠΤΙΚΗΣ ΜΗΧΑΝΗΣ

Για να αποτρέψετε συνθήκες υπερφόρτωσης, μην προσπαθείτε να απομακρύνετε υπερβολικά πολύ γρασίδι τη φορά. Επιβραδύνετε τον βηματισμό σας ή αυξήστε το ύψος κοπής.

Η χλοοκοπτική μηχανή διαθέτει μια ενσωματωμένη προστασία κυκλώματος από υπερφόρτωση. Όταν η χλοοκοπτική μηχανή υπερφορτωθεί, ο κινητήρας θα σταματήσει και η ένδειξη κατάστασης της μηχανής στο ταμπλό θα αναβοσβήνει πορτοκαλί.

## ΣΥΝΤΗΡΗΣΗ

**⚠ ΠΡΟΕΙΔΟΠΟΙΗΣΗ:** Προς αποφυγή σοβαρού ατομικού τραυματισμού πάντα απενεργοποιείτε το χλοοκοπτικό μηχανήμα, απομακρύνετε τη(τις) συστοιχία(ες) μπαταριών και εξασφαλίζετε ότι τα κινούμενα μέρη έχουν σταματήσει εντελώς προτού διεξάγετε οιοσδήποτε εργασίες καθαρισμού, συντήρησης ή προτού μεταφέρετε το μηχανήμα.

**⚠ ΠΡΟΕΙΔΟΠΟΙΗΣΗ:** Σταματήστε το μηχανήμα και απομακρύνετε τη συστοιχία μπαταριών ώστε να εξασφαλίσετε ότι τα κινούμενα μέρη έχουν σταματήσει εντελώς αφότου χτυπήσετε ένα ξένο αντικείμενο και για να επιθεωρήσετε το μηχανήμα για ζημιές και πραγματοποιήσετε επισκευές προτού επανεκκινήσετε και θέσετε σε λειτουργία του μηχανήμα.

**⚠ ΠΡΟΕΙΔΟΠΟΙΗΣΗ:** Σβήστε τη μηχανή και αφαιρέστε τη συστοιχία μπαταριών για να διασφαλίσετε

ότι όλα τα κινούμενα μέρη έχουν ακινητοποιηθεί πλήρως, εάν η μηχανή αρχίσει να δονείται ασυνήθιστα. Αμέσως μετά, ελέγξτε για τυχόν ζημιές, αντικαταστήστε ή επισκευάστε τυχόν κατεστραμμένα μέρη και ελέγξτε και συσφίξτε τυχόν χαλαρά μέρη.

**⚠ ΠΡΟΕΙΔΟΠΟΙΗΣΗ:** Κατά τη συντήρηση, χρησιμοποιείτε μόνο όμοια ανταλλακτικά. Η χρήση οποιωνδήποτε άλλων εξαρτημάτων μπορεί να προκαλέσει κίνδυνο ή υλικές ζημιές. Προκειμένου να διασφαλιστεί η ασφάλεια και η αξιοπιστία, όλες οι επισκευές πρέπει να διεκτελούνται από εξειδικευμένο τεχνικό σέρβις.

## ΚΑΘΑΡΙΣΜΟΣ ΤΗΣ ΧΛΟΟΚΟΠΤΙΚΗΣ ΜΟΝΑΔΑΣ

Η κάτω πλευρά της βάσης της χλοοκοπτικής μηχανής πρέπει να καθαρίζεται μετά από κάθε χρήση, καθώς συσσωρεύονται κομμάτια γρασιδιού, φύλλα, βρομιές και άλλα υπολείμματα.

Απομακρύνετε οποιαδήποτε συσσωρευση γρασιδιού και φύλλων επάνω ή γύρω από τον άξονα κίνησης και τον ανεμιστήρα του κινητήρα. Σκουπίξτε τη χλοοκοπτική μηχανή με νωπό πανί.

## Καθαρισμός της εισόδου αέρα (Εικ. Q)

1. Αφαιρέστε το κάλυμμα του πλέγματος εισόδου αέρα αφαιρώντας τις τέσσερις βίδες.
2. Καθαρίστε το εσωτερικό της εισόδου αέρα και το κάλυμμα του πλέγματος με πεπιεσμένο αέρα.

## ΑΝΤΙΚΑΤΑΣΤΑΣΗ ΤΗΣ ΛΕΠΙΔΑΣ (ΕΙΚ. R1, R2, R3)

**⚠ ΠΡΟΕΙΔΟΠΟΙΗΣΗ:** Απομακρύνετε πάντα τη(τις) συστοιχία(ες) μπαταριών και τον σάκο συλλογής γρασιδιού.

**⚠ ΠΡΟΕΙΔΟΠΟΙΗΣΗ:** Φοράτε πάντα προστατευτικά γάντια.

**ΣΗΜΕΙΩΣΗ:** Καθαρίζετε σχολαστικά την περιοχή άξονα κίνησης και την κάτω πλευρά του μηχανήματος προτού τοποθετήσετε την λεπίδα.

1. Αναποδογυρίστε την χλοοκοπτική μηχανή.
2. Αφαιρέστε/Εγκαταστήστε τη λεπίδα με ένα μηχανικό κλειδί ακριβείας και δύο μεταλλικές ράβδους ως βοήθεια, σύμφωνα με την απεικόνιση.
3. Η τυπωμένη πλευρά της λεπίδας πρέπει να κοιτάζει προς τα έξω.

## ΑΠΟΘΗΚΕΥΣΗ ΤΗΣ ΧΛΟΟΚΟΠΤΙΚΗΣ ΜΗΧΑΝΗΣ (ΕΙΚ. S1 & S2)

1. Απομακρύνετε τη(τις) συστοιχία(ες) μπαταριών από τη χλοοκοπτική μηχανή.
2. Αδειάστε το σάκο συλλογής γρασιδιού και καθαρίστε τη χλοοκοπτική μηχανή.
3. Για σημαντική εξοικονόμηση αποθηκευτικού χώρου, διπλώστε τη λαβή του προϊόντος και αποθηκεύστε το προϊόν όπως απεικονίζεται.

**ΣΗΜΕΙΩΣΗ:** Εξασφαλίστε ότι δεν μαγκώνεται το καλώδιο λαβής κατά το δίπλωμα/ξεδίπλωμα της λαβής προϊόντος (προσοχή μην σας πέσει η λαβή).

4. Μην τοποθετείτε άλλα αντικείμενα επάνω στην χλοοκοπτική μηχανή κατά την αποθήκευση

**⚠ ΠΡΟΕΙΔΟΠΟΙΗΣΗ:** Εάν η χλοοκοπτική μηχανή ανατραπεί από την όρθια θέση, μπορεί να προκληθεί ζημιά σε αυτήν ή τραυματισμός. Διατηρείτε πάντα τη χλοοκοπτική μηχανή σταθερή και μακριά από τα παιδιά, όταν αυτή βρίσκεται σε όρθια θέση. Εάν είναι δυνατόν, τοποθετήστε την οριζόντια κατά την αποθήκευση.

## ΠΡΟΣΤΑΣΙΑ ΤΟΥ ΠΕΡΙΒΑΛΛΟΝΤΟΣ



Οι ηλεκτρικές συσκευές δεν πρέπει να απορρίπτονται ως σύμμεικτα αστικά απορρίμματα. Χρησιμοποιείτε ξεχωριστές εγκαταστάσεις συλλογής απορριμμάτων.

Επικοινωνήστε με το δήμο σας για να μάθετε πληροφορίες για τα διαθέσιμα συστήματα συλλογής.

Εάν οι ηλεκτρικές συσκευές απορριφθούν στην ύπαιθρο ή σε χλωματερές, τότε είναι πιθανό να διαρρεύσουν επικίνδυνες ουσίες στα υπόγεια ύδατα, με αποτέλεσμα να περάσουν στην τροφική αλυσίδα, προκαλώντας ζημιές στην υγεία και την φυσική σας κατάσταση.

## ΑΝΤΙΜΕΤΩΠΙΣΗ ΠΡΟΒΛΗΜΑΤΩΝ

ΠΡΟΒΛΗΜΑ	ΑΙΤΙΑ	ΑΝΤΙΜΕΤΩΠΙΣΗ
Το χλοοκοπτικό μηχανήμα ή η λειτουργία αυτοκίνησης δεν εκκινούνται.	<ul style="list-style-type: none"> <li>■ Η (Οι) συστοιχία(ες) μπαταριών έχει(έχουν) αδειάσει.</li> </ul>	<ul style="list-style-type: none"> <li>■ Φορτίστε τη συστοιχία μπαταριών.</li> </ul>
	<ul style="list-style-type: none"> <li>■ Η (Οι) συστοιχία(ες) μπαταριών δεν έχει(έχουν) εισαχθεί στη θήκη μπαταρίας.</li> </ul>	<ul style="list-style-type: none"> <li>■ Εισαγάγετε τη συστοιχία μπαταριών στη θήκη μπαταρίας, μέχρι να ακουστεί ο χαρακτηριστικός ήχος «κλικ».</li> </ul>
	<ul style="list-style-type: none"> <li>■ Η λαβή δεν έχει ασφαλίσει σε θέση λειτουργίας και η ένδειξη κατάστασης του χλοοκοπτικού μηχανήματος αναβοσβήνει με πράσινο χρώμα.</li> </ul>	<ul style="list-style-type: none"> <li>■ Σταματήστε την χλοοκοπτική μηχανή και βεβαιωθείτε ότι η χειρολαβή έχει ασφαλίσει σε κάποια από τις θέσεις λειτουργίας.</li> </ul>
	<ul style="list-style-type: none"> <li>■ Το πλαίσιο κοπής του χλοοκοπτικού έχει φράξει με γρασίδι και υπολείμματα.</li> </ul>	<ul style="list-style-type: none"> <li>■ Καθαρίστε το ντεκ της χλοοκοπτικής μηχανής και βεβαιωθείτε ότι η λεπίδα κινείται ελεύθερα</li> </ul>
Το χλοοκοπτικό μηχανήμα κόβει ανομοιόμορφα.	<ul style="list-style-type: none"> <li>■ Η λεπίδα είναι στομωμένη.</li> </ul>	<ul style="list-style-type: none"> <li>■ Τροχήστε ή αντικαταστήστε τη λεπίδα.</li> </ul>
	<ul style="list-style-type: none"> <li>■ Το ύψος κοπής γρασιδιού δεν έχει ρυθμιστεί σωστά.</li> </ul>	<ul style="list-style-type: none"> <li>■ Αλλάξτε τη ρύθμιση ύψους ντεκ σε υψηλότερη.</li> </ul>
	<ul style="list-style-type: none"> <li>■ Η λεπίδα έχει τοποθετηθεί με λάθος τρόπο.</li> </ul>	<ul style="list-style-type: none"> <li>■ Επανατοποθετήστε τη λεπίδα, τηρώντας τα αναφερόμενα στην ενότητα «<b>ΑΝΤΙΚΑΤΑΣΤΑΣΗ ΤΗΣ ΛΕΠΙΔΑΣ</b>» του παρόντος εγχειριδίου.</li> </ul>
	<ul style="list-style-type: none"> <li>■ Η λειτουργία ταχύτητας λεπίδας δεν έχει ρυθμιστεί σωστά.</li> </ul>	<ul style="list-style-type: none"> <li>■ Επιλέξτε την κατάλληλη λειτουργία ταχύτητας λεπίδας.</li> </ul>
Το χλοοκοπτικό δεν πραγματοποιεί σωστή κάλυψη εδάφους.	<ul style="list-style-type: none"> <li>■ Υγρό κομμένο γρασίδι κολλάει στο κάτω μέρος του πλαισίου κοπής.</li> </ul>	<ul style="list-style-type: none"> <li>■ Περιμένετε να στεγνώσει το γρασίδι προτού το κόψετε.</li> </ul>
	<ul style="list-style-type: none"> <li>■ Το χλοοκοπτικό έχει ρυθμιστεί να κόβει υπερβολικά πολύ γρασίδι μονομιάς.</li> </ul>	<ul style="list-style-type: none"> <li>■ Σηκώστε τη βάση σε υψηλότερη ρύθμιση ύψους κοπής.</li> </ul>
	<ul style="list-style-type: none"> <li>■ Η λειτουργία ταχύτητας λεπίδας δεν έχει ρυθμιστεί σωστά.</li> </ul>	<ul style="list-style-type: none"> <li>■ Επιλέξτε τη λειτουργία 1 ή τη λειτουργία ταχύτητας λεπίδας ECO.</li> </ul>

**GR**

Το χλοοκοπτικό μηχανήμα σταματάει απροσδόκητα κατά τη διάρκεια της κοπής.	<ul style="list-style-type: none"> <li>■ Η (Οι) συστοιχία(ες) μπαταριών έχει(έχουν) αδειάσει.</li> </ul>	<ul style="list-style-type: none"> <li>■ Φορτίστε τη συστοιχία μπαταριών.</li> </ul>
	<ul style="list-style-type: none"> <li>■ Το χλοοκοπτικό μηχανήμα έχει υπερφορτωθεί και η ένδειξη κατάστασης χλοοκοπτικού μηχανήματος αναβοσβήνει πορτοκαλί.</li> </ul>	<ul style="list-style-type: none"> <li>■ Ελέγξτε αν έχει συσσωρευτεί γρασίδι κάτω από το ντεκ και καθαρίστε αν χρειάζεται. Αυξήστε το ύψος κοπής ή επιβραδύνετε την κοπή.</li> </ul>
	<ul style="list-style-type: none"> <li>■ Η βάση της χλοοκοπτικής μηχανής έχει φράξει με γρασίδι και υπολείμματα.</li> </ul>	<ul style="list-style-type: none"> <li>■ Απομακρύνετε το μπλοκάρισμα στη βάση της χλοοκοπτικής μηχανής. Αυξήστε το ύψος κοπής ή δημιουργήστε ένα πιο στενό μονοπάτι.</li> </ul>
	<ul style="list-style-type: none"> <li>■ Το κύκλωμα της συστοιχίας μπαταριών ή της χλοοκοπτικής μηχανής είναι υπερβολικά ζεστό. Εάν η συστοιχία μπαταριών έχει υπερθερμανθεί, η ένδειξη κατάστασης του χλοοκοπτικού μηχανήματος σβήνει. Εάν το χλοοκοπτικό μηχανήμα υπερθερμανθεί, η ένδειξη κατάστασης του χλοοκοπτικού μηχανήματος ανάβει σταθερά με πορτοκαλί χρώμα.</li> </ul>	<ul style="list-style-type: none"> <li>■ Επιτρέψτε η(οι) συστοιχία(ες) μπαταριών ή το χλοοκοπτικό μηχανήμα να κρυώσει.</li> </ul>
		<ul style="list-style-type: none"> <li>■ Καθαρίστε την είσοδο αέρα, τηρώντας τα αναφερόμενα στην ενότητα «Καθαρισμός της εισόδου αέρα».</li> </ul>
	<ul style="list-style-type: none"> <li>■ Η λειτουργία ταχύτητας λεπίδας δεν έχει ρυθμιστεί σωστά.</li> </ul>	<ul style="list-style-type: none"> <li>■ Επιλέξτε χαμηλότερη ρύθμιση για την ταχύτητα της λεπίδας.</li> </ul>
	<ul style="list-style-type: none"> <li>■ Αναβοσβήνουν με κόκκινο/πράσινο χρώμα διαδοχικά το σφάλμα ηλεκτρονικού συστήματος του χλοοκοπτικού μηχανήματος και η ένδειξη κατάστασής του.</li> </ul>	<ul style="list-style-type: none"> <li>■ Επικοινωνήστε με το κέντρο σέρβις της EGO.</li> </ul>
Παρατηρούνται υπερβολικοί κραδασμοί.	<ul style="list-style-type: none"> <li>■ Η Λεπίδα κοπής είναι λασκαρισμένη.</li> </ul>	<ul style="list-style-type: none"> <li>■ Συσφίξτε το μπουλόνι λεπίδας.</li> </ul>
	<ul style="list-style-type: none"> <li>■ Η Λεπίδα κοπής δεν έχει ισορροπία.</li> </ul>	<ul style="list-style-type: none"> <li>■ Επικοινωνήστε με το Κέντρο Εξυπηρέτησης EGO.</li> </ul>
	<ul style="list-style-type: none"> <li>■ Η Λεπίδα κοπής έχει λυγίσει.</li> </ul>	<ul style="list-style-type: none"> <li>■ Αντικαταστήστε τη λεπίδα.</li> </ul>
	<ul style="list-style-type: none"> <li>■ Ο άξονας κινητήρα έχει λυγίσει.</li> </ul>	<ul style="list-style-type: none"> <li>■ Επικοινωνήστε με το Κέντρο Εξυπηρέτησης EGO.</li> </ul>
	<ul style="list-style-type: none"> <li>■ Το χλοοκοπτικό έχει ρυθμιστεί να κόβει υπερβολικά πολύ γρασίδι μονομιάς.</li> </ul>	<ul style="list-style-type: none"> <li>■ Σηκώστε τη βάση σε υψηλότερη ρύθμιση ύψους κοπής.</li> </ul>
	<ul style="list-style-type: none"> <li>■ Η λειτουργία ταχύτητας λεπίδας δεν έχει ρυθμιστεί σωστά.</li> </ul>	<ul style="list-style-type: none"> <li>■ Ρυθμίστε χαμηλότερη ρύθμιση για την ταχύτητα της λεπίδας.</li> </ul>
Ο κινητήρας λειτουργεί, αλλά η λεπίδα δεν κόβει το γρασίδι.	<ul style="list-style-type: none"> <li>■ Η Λεπίδα δεν έχει σφικτεί με την απαιτούμενη ροπή.</li> </ul>	<ul style="list-style-type: none"> <li>■ Σφίξτε εκ νέου τη λεπίδα. Η συνιστώμενη ροπή για το μπουλόνι λεπίδας είναι 50-60 Nm.</li> </ul>

**GR**

## ΕΓΓΥΗΣΗ

### ΠΟΛΙΤΙΚΗ ΕΓΓΥΗΣΗΣ EGO

Επισκεφθείτε την ιστοσελίδα [egopowerplus.eu](http://egopowerplus.eu) για όλους τους όρους και τις προϋποθέσεις της πολιτικής εγγύησης EGO.



## TÜM TALİMATLARI OKUYUN!

**Kullanım amacı:** Bu ürün manuel olarak çim biçmek üzere tasarlanmıştır.

- Yalnızca kuru çimleri biçmek için kullanın. Islak çimleri biçmeyin.
- Başka amaçlarla kullanmayın.

**⚠ UYARI:** Bu makineyi kullanmadan önce "TEHLİKE", "UYARI" ve "DİKKAT" gibi tüm güvenlikle ilgili uyarı sembollerini içeren bu Kullanım Kılavuzundaki tüm güvenlik talimatlarını okuyup anladığınızdan emin olun. Aşağıdaki talimatların tamamına uyulmaması elektrik çarpması, yangın ve/veya ciddi yaralanma ile sonuçlanabilir.

## GÜVENLİK SEMBOLLERİ



Güvenlik Uyarısı



Bu ürünü çalıştırırken daima işitme koruması, güvenlik gözlüğü veya yan siperleri olan koruyucu gözlük ya da tam yüz maskesi kullanın.



Fırlayan nesnelere dikkat edin, çevredekileri uzak tutun.



Ellerinizi uzak tutun



Garanti edilen ses gücü seviyesidir.



Bu ürün, yürürlükteki Birleşik Krallık yasalarına uygundur.



Bluetooth®



Su jetlerine karşı koruma



Milimetre



Doğru Akım



Yaralanma riskini azaltmak için kullanıcı bu ürünü kullanmadan önce kullanım kılavuzunu okuyup anlamalıdır.



Ayar veya temizlik işlemi öncesinde makineyi kapatın ve çıkarılabilir akü takımını (veya devre dışı bırakma cihazını) sökün.



Ellerinizi ve ayaklarınızı bıçaklardan uzak tutun



Çalışan lambaya bakmayınız.



Bu ürün, yürürlükteki AB yönetmeliklerine uygundur.



Atık elektrikli ürünler, evsel atıklar ile birlikte bertaraf edilmemelidir. Yetkili bir geri dönüşüm merkezine teslim edilmelidir.

V Volt


cm Santimetre

kg Kilogram

TR

**NOT:** Bluetooth® kelime işareti ve logoları, Bluetooth SIG, Inc. şirketinin tescilli ticari markalardır ve bu tür işaretlerin EGO tarafından her türlü kullanımı lisanslıdır.

## TEKNİK ÖZELLİKLER

Voltaj	56 V 	
Bıçak Hızı Modu	2	
	1	
	ECO	
Kesme Yüksekliği Konumları	8	
Kesme Yüksekliği Ayarı	20 mm/31 mm/40 mm/ 51 mm/ 64 mm/78 mm/ 92 mm/105 mm	
Kesme Genişliği	53 cm	
Çim Torbası Hacmi	85 L	
Çim Biçme Makinesinin Ağırlığı (Akü ve çim torbası olmadan)	46 kg	
Bıçak Modeli	AB5301	
Önerilen Çalışma Sıcaklığı	0°C–40°C	
Önerilen Depolama Sıcaklığı	-20°C–70°C	
Ölçülen ses gücü seviyesi $L_{WA}$	94 dB(A) K= 0,6 dB(A)	
Kullanıcının kulağındaki ses gücü seviyesi $L_{PA}$	83 dB(A) K= 3 dB(A)	
Garanti edilen ses gücü seviyesi $L_{WA}$ (2000/14/EC uyarınca ölçülen)	95 dB(A)	
Titreşim değeri $a_h$ :	Sol tutma kolu	0,39 m/s <sup>2</sup> K=1,5 m/s <sup>2</sup>
	Sağ tutma kolu	0,33 m/s <sup>2</sup> K=1,5 m/s <sup>2</sup>

TR

- Beyan edilen toplam titreşim değeri, standart test yöntemine uygun olarak ölçülmüştür ve bir makineyi diğer bir makine ile karşılaştırmak için kullanılabilir.
- Beyan edilen toplam titreşim değeri, maruz kalma seviyesinin ilk değerlendirmesi için de kullanılabilir.

**DİKKAT:** Makinenin fiili kullanımı sırasında oluşan titreşim emisyonu değeri makinenin kullanım şekline bağlı olarak beyan edilen değerden farklı olabilir. Operatör korunmak için fiili kullanım koşullarında eldiven ve kulak koruması takmalıdır.

## AMBALAJ İÇERİĞİ (ŞEK. A1 VE A2)

PARÇA ADI	MİKTAR
Çim Biçme Makinesi	1
Çim Torbası	1
Çim Torbası Çerçevesi	1
Kelebek Cıvata (çim makinesine fabrikada takılmıştır)	2
Kullanım Kılavuzu	1

## AÇIKLAMA

### ÇİM BİÇME MAKİNESİNİZİ TANIYIN (Şek. A1 ve A2)

- Otomatik Tahrik Tetiği
  - Tutma kolu
  - Bıçak Dönüşü Tetiği
  - Arka Boşaltma Kapağı
  - Kilitleme Dişlisi
  - Akü Bölmesi Kapağı
  - LED Farlar
  - Orta Tampon (Kaldırma Kolu)
  - Ön Tampon
  - Ön Kesme Yüksekliği Ayar Kolu
  - Ön Tekerlek
  - Biçme Haznesi
  - Yan Siper
  - Hava Girişi
  - Arka Tekerlek
  - Arka Kesme Yüksekliği Ayar Kolu
  - Kelebek Cıvata
  - Tutma Kolu Montaj Plakası
  - Braket
  - Çim Torbası
  - Arka Siper
  - Malçlama Parçası
  - Yan Boşaltma Kanalı
  - Bluetooth® Göstergesi
  - Gösterge Paneli
  - Çim Biçme Makinesi Durum Göstergesi
  - Bıçak Hızı Göstergesi
  - Bıçak Hızı Modu Düğmesi
  - Güç Düğmesi
  - LED Far Düğmesi (Bluetooth® Düğmesi)
  - Otomatik Tahrikli Hız Kadranı
- \* AYRI SATILIR

## MONTAJ

**⚠ UYARI:** Hasarlı veya eksik parça varsa bu parçalar değiştirilinceye kadar ürünü çalıştırmayın. Bu ürünün hasarlı veya eksik parçalar ile kullanılması ciddi yaralanmalara yol açabilir.

**⚠ UYARI:** Ciddi yaralanmalara neden olabilen yanlışlıkla çalışmayı önlemek için parçaları monte ederken akü takım(lar)ını mutlaka makineden çıkarın.

**⚠ UYARI:** Bu makine üzerinde değişiklik yapmaya veya bu çim biçme makinesi ile kullanılması önerilmeyen aksesuarlar oluşturmaya çalışmayın. Bu tür değişiklikler veya modifikasyonlar hatalı kullanımdır ve ciddi yaralanmalara neden olabilecek tehlikeli durumlara yol açabilir.

### AMBALAJIN AÇILMASI

Bu ürün montaj gerektirir.

- Tüm aksesuarları kartondan çıkarın.

**⚠ İKAZ:** Ağır nesne. Çim biçme makinesini kaldırmak için iki kişi gerekir.

- Çim biçme makinesini kartondan dikkatlice kaldırmak için bir kişi orta tamponu/kaldırma kolunu tutmalı ve diğer kişi iki kelebek civatayı tutmalıdır.

### TUTMA KOLUNU TAKMA

Çim biçme makinesi, tutma kolu kısmen monte edilmiş halde gönderilir.

**⚠ UYARI:** Tutma kolu düzgün ve güvenli bir şekilde takılıp açılmadan çim biçme makinesini çalıştırmayı denemeyin. Parçaların arasına parmaklarınızı ve kabloyu sıkıştırmamak için dikkatli olun.

1. Her iki kelebek civatayı sökün ve bir kenara koyun.
2. Tutma kolu tertibatı üzerindeki kilitleme dişlisi çim biçme makinesindeki dişliye bakana kadar kolu ileri doğru hareket ettirin (Şek. B1).
3. Kilitleme dişlisi ve tutma kolu montaj plakası üzerindeki işaretleri Şek. B2'de gösterildiği gibi hizalayın, ardından iki kelebek civatayı takın ve elinizle sıkın.

### TUTMA KOLUNU AÇMA VE AYARLAMA (ŞEK. C)

**⚠ UYARI:** Tutma kolunu katlarken veya açarken kabloyu sıkıştırmadığınızdan, bükmediğinizden veya zorlamadığınızdan emin olun. Kablonun hasar görmesi, çim biçme makinesinin etkinleştirilmesini ve çalıştırılmasını etkileyebilir ve güvenli olmayan çalışma koşullarına neden olabilir.

**⚠ UYARI:** Tutma kolu ön ayarlı üç çalışma konumundan birine (Üst Çalıştırma Konumu (3), Orta Çalıştırma Konumu (2) ve Alt Çalıştırma Konumu (1)) kilitlenene kadar çim biçme makinesini ve otomatik tahrik sistemini çalıştırmayın.

1. Her iki taraftaki kelebek civataları gevşetin, iki dişlinin tamamen gevşek olduğundan ancak AYRILMADIĞINDAN emin olun.
2. Kilitleme dişlisindeki ok işareti, tutma kolu montaj plakasındaki üç çalışma konumundan biriyle aynı hizaya gelene kadar tutma kolunu yukarı doğru çevirin.
3. İki civatayı sıkın, iki dişlinin tamamen birbirine geçtiğinden ve tutma kolunun güvenli bir şekilde sabitlendiğinden emin olun.

C-1	Alt Çalışma Konumu 1
C-2	Orta Çalışma Konumu 2
C-3	Üst Çalışma Konumu 3

### TUTMA KOLUNU KATLAMA (ŞEK. D)

**⚠ UYARI:** Tutma kolunu katlarken veya açarken kabloyu sıkıştırmadığınızdan, bükmediğinizden veya zorlamadığınızdan emin olun. Kablonun hasar görmesi, çim biçme makinesinin etkinleştirilmesini ve çalıştırılmasını etkileyebilir ve güvenli olmayan çalışma koşullarına neden olabilir.

1. Her iki taraftaki kelebek civataları gevşetin, iki dişlinin tamamen gevşek olduğundan ancak AYRILMADIĞINDAN emin olun.
2. Tutma kolu depolama konumuna oturuncaya kadar kolu aşağı doğru çevirin.
3. Kilitleme dişlisi üzerindeki ok işaretini, tutma kolu montaj plakası üzerindeki depolama konumu işaretleriyle hizalayın.
4. İki kelebek civatayı sıkın, iki dişlinin tamamen birbirine geçtiğinden ve tutma kolunun güvenli bir şekilde sabitlendiğinden emin olun.

D-1	Depolama Konumu
-----	-----------------

### ÇİM TORBASININ MONTAJI (ŞEK. E1, E2, E3)

Montajdan önce çim torbasını kontrol ederek hasar olmadığından emin olun.

Çim torbasını şekilde gösterildiği gibi monte edin.

TR

## MALÇLAMA PARÇASINI TAKMA/ÇIKARMA (AYRICA SATILIR)

Malçlama parçasını çim biçme makinesine Şek. F'de gösterildiği gibi takın.

**⚠ TEHLİKE:** Makine, makine gövdesindeki bir açıklıktan çim kırıntılarını ve diğer nesnelere fırlatabilir. Yeterli kuvvetle fırlatılan nesnelere sizin veya çevredükilerin ciddi şekilde yaralanmasına veya ölümüne neden olabilir.

Çim biçme makinesini asla malçlama parçası, çim torbası veya yan boşaltma kanalı düzgün şekilde takılmadan çalıştırmayın.

**⚠ UYARI:** Çim torbasını veya yan boşaltma kanalını takarken malçlama parçası çıkarılmaldır. Çim torbası (veya yan boşaltma kanalı) çıkarıldığında malçlama parçasının yeniden takılması gerekir.

## ÇİM TORBASINI TAKMA/ÇIKARMA

Çim torbasını Şek. G'de gösterildiği gibi çim biçme makinesine takın.

**⚠ UYARI:** Normal kullanım koşullarında çim torbasının malzemesi aşınabilir. Yaralanma riskini azaltmak için çim torbasını sık sık inceleyin ve herhangi bir aşınma veya bozulma belirtisi varsa torbayı değiştirin. Sadece bu çim biçme makinesi için üretilmiş olan çim torbalarını kullanın.

**⚠ UYARI:** Yan boşaltma kanalını veya malçlama parçasını takmak ve kullanmak için çim torbasının çıkarılması gerekir.

## YAN BOŞALTIMA KANALINI TAKMA/ÇIKARMA (AYRI SATILIR)

Yandan boşaltma kanalını çim biçme makinesine Şek. H'de gösterildiği gibi takın.

**⚠ UYARI:** Çim torbasını veya malçlama parçasını takmak ve kullanmak için yan boşaltma kanalının çıkarılması gerekir.

## KESME YÜKSEKLİĞİNİ AYARLAMA (ŞEK. J1 ve J2)

**⚠ UYARI:** Kesme yüksekliğini ayarlarken ayaklarınızı biçme haznesinden uzak tutun.

Biçme makinesi 8 kesme yüksekliğine 20 mm ve 105 mm arasında ayarlanabilir. Seçilen kesme yüksekliğini gösteren bir işaret vardır.

Bu çim biçme makinesi, çim biçme makinesinin ön ve arka kısmının kesme yüksekliğini ayrı ayrı ayarlamanıza olanak tanır. Kesilecek çimin türüne ve durumuna göre uygun

kesme yüksekliğini seçin.

1. Çim biçme makinesini kapatın ve kesme bıçağının tamamen durmasını bekleyin.
2. Akü takım(lar)ını çıkarın.
3. Ön veya arka kesme yüksekliği ayar kolunu mandaldan dışarı çekin ve istediğiniz konuma ayarlayın.

## AKÜ TAKIMLARINI TAKMA/ÇIKARMA (ŞEK. K)

**NOT:** İlk kullanımdan önce akü takımını şarj edin.

Sadece Şek. A3'te listelenen akü takımlarını ve şarj cihazlarını kullanın.

**NOT:** Çim biçme makinesinde iki aktif akü bağlantı noktası vardır. Bir veya iki akü takımı kullanarak çalıştırılabilir.

### ■ Takmak İçin

1. Akü bölmesi kapağını açın ve akü takımını bir "klik" sesi duyuncaya kadar akü bölmesinin içine doğru itin.
2. İkinci akü takımını takmak için işlemi tekrarlayın.

### ■ Çıkarmak İçin

Akü yuvasındaki akü çıkarma düğmesine basın.

**DİKKAT:** Kullanmaya başlamadan önce çim biçme makinesi üzerindeki mandalın kilitlenmeye başladığından ve akünün makineye sağlam bir şekilde takıldığından emin olun.

## BIÇAK HIZI MODUNU SEÇME (ŞEK. L)

- Mod 2, emme kuvvetini ve kesme performansını iyileştirmek üzere yüksek kaldırma performansına yönelik yüksek bıçak hızı modudur.
- Mod 1, performans ve çalışma süresi arasında en iyi dengeyi sağlar.
- ECO modu, akü takımlarınızdan en düşük gürlütle seviyesini ve en uzun çalışma süresini sağlar.

**NOT:** Varsayılan bıçak hızı modu, mod 1'dir.

## İLETİŞİM TEKNOLOJİSİ

Bağlantı talimatları dahil tüm bağlı ürün ve hizmetlerimiz hakkında bilgi almak için lütfen aşağıdaki QR Kodunu tarayın veya [www.egopowerplus.eu/connect](http://www.egopowerplus.eu/connect) adresini ziyaret edin.



## ÇALIŞTIRMA

Ürün yağmurda kullanılabilir.

### ÇİM BİÇME MAKİNESİNİ ÇALIŞTIRMA/DURDURMA

**⚠ UYARI:** Bir çim biçme makinesinin kullanımı yabancı nesnelerin gözlerinize fırlatılması sonucunu doğurabilir, bu da gözlerde ciddi hasara yol açabilir. Çim biçme makinesini kullanırken ve çim biçme makinesinde bir ayar veya onarım işlemi gerçekleştirirken daima göz koruması veya koruyucu gözlük kullanın.

**⚠ UYARI:** Çim biçme makinesi kapatıldıktan sonra bıçak birkaç saniye daha dönmeye devam eder. Yeniden çalıştırmadan önce motorun/bıçağın dönmemesinin durmasını bekleyin. Çim biçme makinesini hızlı bir şekilde açıp kapatmayın.

**⚠ UYARI:** Çim biçme makinesini çim olmayan bir alandan geçirmek için yatırıp çekerken ve çim biçilecek alana getirip götürürken bıçağı durdurun.

**⚠ UYARI:** Çim biçme makinesinin çalıştırılması için eğilmesi gerektiği durumlar dışında motoru çalıştırırken çim biçme makinesini eğmeyin. Ürünün yana yatırılması gerekirse, yatırma işlemini sadece gerektiği kadar ve operatöre uzak olan taraftan yapın.

Kullanmadan önce bıçağın ve bıçak civatasının aşınmamış veya hasar görmemiş olduğunu anlamak için her zaman görsel olarak kontrol edin. Dengeyi korumak için aşınmış veya hasar görmüş bıçak ve civataları setler halinde değiştirin.

### Kesme bıçağında tıkanma olup olmadığını kontrol edin

- Tıkanmayı önlemek için kesme bıçağını ve biçme haznesini temiz tutun. Her kullanımdan önce ve sonra çim kırpıntılarını, yaprakları, kiri ve birikmiş diğer kalıntıları temizleyin.

- Tıkanma olduğunda, çim biçme makinesini durdurun ve akü takım(lar)ını çıkarın, ardından tahrik mili ve motor fanı üzerinde veya çevresinde biriken çim ve yaprakları temizleyin. Çim biçme makinesini nemli bir bezle temizleyin.

**⚠ İKAZ:** Güç düğmesinin ve bıçak dönüşü tetiğinin çalışmasını geçersiz kılmaya çalışmayın.

**NOT:** Tutma kolu üç çalışma konumundan birinde kilitlenmedikçe motor çalıştırılmaz.

### Çim biçme makinesini çalıştırmak için (Şek. M1 ve M2)

1. Akü takım(lar)ını çim biçme makinesine takın ve akü bölümü kapağını kapatın.
2. Gösterge panelini aydınlatmak için güç düğmesine basın, çim biçme makinesi durum göstergesi ve bıçak hızı göstergesi (1) yanacaktır.
3. İstenilen hızı seçmek için bıçak hızı modu düğmesine basın.
4. Güç düğmesini basılı tutun.
5. Güç düğmesi basılıyken, bıçak dönüş tetiğini tutma koluyla buluşacak şekilde çekin ve güç düğmesini bırakın.

### Çim biçme makinesini durdurmak için (Şek. M3)

1. Bıçak dönüşü tetiğini tamamen bırakın.
2. Otomatik Fren Mekanizmasındaki elektrikli fren, bıçak dönüş tetiği bırakıldıktan sonra 3 saniye içinde bıçak dönüşünü durdurur.

### DEĞİŞKEN HIZLI OTOMATİK TAHRİK SİSTEMİ (ŞEK. N)

Çim biçme makinesi değişken hızlı otomatik tahrik özelliğine sahiptir. Bu otomatik tahrik sistemi bıçağın dönüşünden bağımsızdır.

**NOT:** Tutma kolu üç çalışma konumundan birine kilitlenmedikçe otomatik tahrik sistemi çalıştırılmaz.

### Otomatik tahrik sistemini bıçak dönüşü olmadan çalıştırmak için

1. Gösterge panelini aydınlatmak için güç düğmesine basın.
2. Otomatik tahrikli hız kontrol topuzunu bir tık sesi duyulana kadar hafifçe ileri doğru çevirin, ardından otomatik tahrik işlevini başlatmak için otomatik tahrik tetiğini tutma koluyla buluşacak şekilde çekin.

**Otomatik tahriki kapatmak için,** otomatik tahrik tetiğini bırakın.

### LED FARLAR (ŞEK. P)







**Farları açmak için** far düğmesine basın. Farlar çim biçme makinesinin önüne parlak ışık sağlar.

**Farları kapatmak için** düğmeye tekrar basın.

### ÇİM BİÇME MAKİNESİ DURUM GÖSTERGESİ

Gösterge panelindeki çim biçme makinesi durum göstergesi, çim biçme makinesinin çalışma durumunu gösterir.

TR

Gösterge	Açıklama	Anlamı	Eylem
	Sabit yeşil	Bıçme makinesi düzgün çalışıyor.	Gerekli değil.
	Yanıp sönen yeşil	Kol çalışma konumunda kilitletili değil.	Çim bıçme makinesini durdurun ve tutma kolunun çalışma konumlarından birine kilitletiğinden emin olun.
	Yanıp sönen kırmızı	Akü şarj seviyesi düşüktür.	Çim bıçme makinesini durdurun ve akü takım(lar)ını şarj edin.
	Düz turuncu	Bıçme makinesi aşırı ısınmış.	Bıçak dönüşü tetiğini bırakın, çim bıçme makinesinin sıcaklığı 80°C'nin altına düşene kadar bekleyin. Aşağıdaki " <b>ÇİM BİÇME MAKİNESİ YÜKSEK SICAKLIK KORUMASI</b> " bölümüne bakın.
	Yanıp sönen turuncu	Çim bıçme makinesi aşırı yüklenmiştir.	<ol style="list-style-type: none"> <li>1. Önce akü takım(lar)ını çıkarın, ardından bıçme haznesinin altında çim birikip birikmediğini kontrol edin. Gerekirse temizleyin.</li> <li>2. Çim biçerken adımlarınızı yavaşlatın.</li> <li>3. Kesme yüksekliğini yükseltin.</li> <li>4. Yukarıdaki çözümler işe yaramazsa lütfen EGO Hizmet Merkeziyle iletişime geçin.</li> </ol> Aşağıdaki " <b>ÇİM BİÇME MAKİNESİ AŞIRI YÜK KORUMASI</b> " bölümüne bakın.
	Sırasıyla kırmızı/yeşil yanıp sönen	Bıçme makinesi elektronik hatası.	EGO servis merkeziyle iletişime geçin.

## ÇİM BİÇME MAKİNESİ YÜKSEK SICAKLIK KORUMASI

TR

Çalışma sırasında çim bıçme makinesinin sıcaklığı 90°C'yi aşarsa, sıcaklık koruma devresi çim bıçme makinesini aşırı ısınma hasarına karşı korumak için hemen kapatır.

Çim bıçme makinesi durum göstergesi sabit turuncu renkte yanar. Bıçak dönüşü tetiğini bırakın ve aşırı ısınan çim bıçme makinesi soğuyana ve durum göstergesi yeşile dönene kadar bekleyin, ardından çim bıçme makinesini yeniden başlatın.

## ÇİM BİÇME MAKİNESİ AŞIRI YÜK KORUMASI

Aşırı yük oluşmasını önlemek için, bir defada çok fazla çim biçmeye çalışmayın. Adımınızı yavaşlatın veya kesme yüksekliğini artırın.

Çim bıçme makinesinde dahili aşırı yük devre koruması mevcuttur. Çim bıçme makinesi aşırı yüklenildiğinde, motor durur ve gösterge paneli üzerindeki çim bıçme makinesi durum göstergesi turuncu renkte yanıp söner.

## BAKIM

**⚠ UYARI:** Çim biçme makinesini temizlemeden, herhangi bir bakım yapmadan veya taşımadan önce ciddi yaralanmaları önlemek için daima çim biçme makinesini kapatın, akü takım(lar)ını çıkarın ve tüm hareketli parçaların tamamen durduğundan emin olun.

**⚠ UYARI:** Yabancı bir cisme çarptıktan sonra tüm hareketli parçaların tamamen durduğundan emin olmak ve makineyi yeniden başlatmadan ve çalıştırmadan önce makinede hasar olup olmadığını kontrol etmek ve onarımları yapmak için makineyi durdurun ve akü takımlarını çıkarın.

**⚠ UYARI:** Makine anormal şekilde titremeye başlarsa, tüm hareketli parçaların tamamen durduğundan emin olmak için makineyi durdurun ve ardından derhal hasar kontrolü yapmak, hasarlı parçaları değiştirmek veya onarmak ve gevşek parçaları kontrol etmek ve sıkamak için akü takımlarını çıkarın.

**⚠ UYARI:** Bakım yaparken sadece orijinal yedek parçaları kullanın. Başka parçaların kullanılması tehlike oluşturabilir veya ürünün hasar görmesine neden olabilir. Emniyet ve güvenilirliği sağlamak için tüm tamir işleri yetkili bir servis teknisyeni tarafından yapılmalıdır.

### ÇİM BİÇME MAKİNESİNİN TEMİZLENMESİ

Biçme haznesinin alt kısmı her kullanımdan sonra temizlenerek çim kırpıntıları, yaprak, pislik veya diğer maddelerin birikmesi önlenmelidir.

Tahrik milinin ve motor fanının üzerinde veya etrafında biriken çimleri ve yaprakları temizleyin. Çim biçme makinesini nemli bir bezle temizleyin.

### Hava Girişini Temizleme (Şek. Q)

1. Dört vidayı sökerek hava girişi filtresinin kapağını çıkarın.
2. Hava girişinin ve filtre kapağının içini basınçlı havayla temizleyin.

### BİÇAĞI DEĞİŞTİRME (ŞEK. R1, R2, R3)

**⚠ UYARI:** Akü takım(lar)ını ve çim torbasını her zaman çıkarın.

**⚠ UYARI:** Daima koruyucu eldiven giyin.

**DİKKAT:** Bıçağı takmadan önce tahrik mili alanını ve makinenin alt tarafını iyice temizleyin.

1. Çim biçme makinesini ters çevirin
2. Bıçağı bir tork anahtar ve iki metal çubukla şekilde gösterildiği gibi çıkarın/takın.
3. Baskılı bıçak tarafı dışa doğrudur.

### ÇİM BİÇME MAKİNESİNİ DEPOLAMA (ŞEK. S1 ve S2)

1. Akü takım(lar)ını çim biçme makinesinden çıkarın.
2. Çim torbasını boşaltın ve çim biçme makinesini temizleyin.
3. Depolama alanından önemli ölçüde tasarruf etmek için ürünün tutma kolunu katlayın ve ürünü gösterildiği gibi depolayın.

**DİKKAT:** Ürünün tutma kolunu katlarken/açarken tutma kolu kablosunun dolaşmadığından emin olun (tutma kolunu indirmeyin).

4. Depolama sırasında çim biçme makinesinin üzerine başka eşyalar koymayın

**⚠ UYARI:** Dik konumdaki çim biçme makinesi devrilirse, makine hasarına ve kişisel yaralanmaya neden olabilir. Çim biçme makinesi dik konumdayken daima dengede ve çocukların ulaşamayacağı bir konumda olmasını sağlayın. Mümkünse, yassı olarak yatırarak saklayın.

### ÇEVRE KORUMASI



Elektrikli cihazları ev atıklarıyla birlikte atmayın, ayrı toplama tesislerini kullanın.

Mevcut toplama sistemleri ile ilgili bilgi almak için yerel idare ile irtibata geçin.

Elektrikli cihazlar katı atık sahaları veya çöp toplama alanlarına atılırsa, yer altı sularına ve besin zincirine tehlikeli maddeler sızabilir, bu da sağlığınızın bozulmasına yol açabilir.

## SORUN GİDERME

SORUN	NEDENİ	ÇÖZÜM
Çim biçme makinesi veya otomatik tahrik işlevi başlatılmıyor.	■ Akü takım(lar)ının şarjı boşalmıştır.	■ Akü takımını şarj edin.
	■ Akü takım(lar)ı akü bölmesine düzgün takılmamıştır.	■ Akü takım(lar)ını bir "klik" sesi duyana kadar akü bölümüne yerleştirin.
	■ Tutma kolu çalıştırma konumunda kilitli değildir ve çim biçme makinesi durum göstergesi yeşil renkte yanıp sönüyordur.	■ Çim biçme makinesini durdurun ve tutma kolunun çalışma konumlarından birine kilitlendiğinden emin olun.
	■ Çim biçme makinesinin biçme haznesi çim ve artık maddeler nedeniyle tıkanmıştır.	■ Biçme haznesini temizleyin ve bıçakların serbestçe hareket ettiğinden emin olun.
Çim biçme makinesi eşit boyda kesim yapmıyor.	■ Bıçak körelmiştir.	■ Bıçağı bileyin veya değiştirin.
	■ Çim kesme yüksekliği doğru ayarlanmamıştır.	■ Biçme haznesi yüksekliğini daha yüksek bir ayara getirin.
	■ Bıçak yanlış takılmıştır.	■ Bu kılavuzdaki " <b>BIÇAĞI DEĞİŞTİRME</b> " bölümüne göre bıçağı takın.
	■ Bıçak hızı modu düzgün ayarlanmamıştır.	■ Uygun bir bıçak hızı modu seçin.
Çim biçme makinesi düzgün malçlama yapmıyor.	■ Islak çim kırpıntıları biçme haznesinin altına yapışmıştır.	■ Çim biçmeye başlamadan önce çimlerin kurumasını bekleyin.
	■ Çim biçme makinesi, bir defada çok fazla çim kesecek şekilde ayarlanmıştır.	■ Biçme haznesini daha yüksek bir kesim yüksekliği ayarına getirin.
	■ Bıçak hızı modu düzgün ayarlanmamıştır.	■ Mod 1'i veya ECO bıçak hızı modunu seçin.



Biçme sırasında çim biçme makinesi beklenmedik şekilde duruyor.	<ul style="list-style-type: none"> <li>■ Akü takım(lar)ının şarjı boşalmıştır.</li> </ul>	<ul style="list-style-type: none"> <li>■ Akü takımını şarj edin.</li> </ul>
	<ul style="list-style-type: none"> <li>■ Çim biçme makinesi aşırı yükli'dür ve çim biçme makinesi durum göstergesi turuncu renkte yanıp sönüyordur.</li> </ul>	<ul style="list-style-type: none"> <li>■ Biçme haznesinin altında çim birikip birikmediğini kontrol edin ve gerekiyorsa temizleyin. Kesim yüksekliğini artırın veya çim biçme hızını yavaşlatın.</li> </ul>
	<ul style="list-style-type: none"> <li>■ Çim biçme makinesinin biçme haznesi çim ve artık maddeler nedeniyle tıkanmıştır.</li> </ul>	<ul style="list-style-type: none"> <li>■ Biçme haznesindeki tıkanıklığı giderin. Kesme yüksekliğini yükseltin ve/veya daha dar bir biçme alanı kesin.</li> </ul>
	<ul style="list-style-type: none"> <li>■ Akü takım(lar)ı veya çim biçme makinesi devresi çok sıcaktır. Akü takımını aşırı ısınırca çim biçme makinesinin durum göstergesi kapanır. Çim biçme makinesi aşırı ısınırca çim biçme makinesi durum göstergesi sabit turuncu renkte yanar.</li> </ul>	<ul style="list-style-type: none"> <li>■ Akü takım(lar)ının veya çim biçme makinesinin soğumasını bekleyin.</li> </ul>
	<ul style="list-style-type: none"> <li>■ Bıçak hızı modu düzgün ayarlanmamıştır.</li> </ul>	<ul style="list-style-type: none"> <li>■ "Hava Girişini Temizleme" bölümünü takip ederek hava girişini temizleyin</li> </ul>
	<ul style="list-style-type: none"> <li>■ Bıçak hızı modu düzgün ayarlanmamıştır.</li> </ul>	<ul style="list-style-type: none"> <li>■ Bıçak hızını daha düşük bir ayara seçin.</li> </ul>
	<ul style="list-style-type: none"> <li>■ Çim biçme makinesinde elektronik hatası vardır ve çim biçme makinesi durum göstergesi dönüşümlü olarak kırmızı/yeşil yanıp sönüyordur.</li> </ul>	<ul style="list-style-type: none"> <li>■ EGO servis merkeziyle iletişime geçin.</li> </ul>
Aşırı titreşim var.	<ul style="list-style-type: none"> <li>■ Kesme bıçağı gevşektir.</li> </ul>	<ul style="list-style-type: none"> <li>■ Bıçak civatasını sıkın.</li> </ul>
	<ul style="list-style-type: none"> <li>■ Kesme bıçağı dengesizdir.</li> </ul>	<ul style="list-style-type: none"> <li>■ EGO Servis Merkeziyle iletişime geçin.</li> </ul>
	<ul style="list-style-type: none"> <li>■ Kesme bıçağı bükülmüştür.</li> </ul>	<ul style="list-style-type: none"> <li>■ Bıçağı değiştirin.</li> </ul>
	<ul style="list-style-type: none"> <li>■ Motor mili bükülmüştür.</li> </ul>	<ul style="list-style-type: none"> <li>■ EGO Servis Merkeziyle iletişime geçin.</li> </ul>
	<ul style="list-style-type: none"> <li>■ Çim biçme makinesi, bir defada çok fazla çim kesecek şekilde ayarlanmıştır.</li> </ul>	<ul style="list-style-type: none"> <li>■ Biçme haznesini daha yüksek bir kesim yüksekliği ayarına getirin.</li> </ul>
	<ul style="list-style-type: none"> <li>■ Bıçak hızı modu düzgün ayarlanmamıştır.</li> </ul>	<ul style="list-style-type: none"> <li>■ Bıçak hızını daha düşük bir ayara ayarlayın.</li> </ul>
Motor çalışıyor ancak bıçak çimleri kesmiyor.	<ul style="list-style-type: none"> <li>■ Bıçak gerekli torka sıkılmamıştır.</li> </ul>	<ul style="list-style-type: none"> <li>■ Bıçağı tekrar sıkın. Bıçak civatası için önerilen tork 50-60 Nm'dir.</li> </ul>

**TR**

## GARANTİ

### EGO GARANTİ POLİTİKASI

EGO Garanti Politikasına ilişkin tüm hükümler ve koşullar için lütfen [egopowerplus.eu](http://egopowerplus.eu) adresindeki web sitesini ziyaret edin.

## LUGEGE LÄBI KÕIK JUHISED!

**Sihotstarve** Toode on ette nähtud käsitsi muru niitmiseks:

- Kasutage ainult kuiva muru niitmiseks. Ärge niitke märga muru.
- Ärge kasutage seda muudel eesmärkidel.

**⚠ HOIATUS!** Enne käesoleva masina kasutamist lugege kindlasti läbi ja tehke endale selgeks kõik kasutusjuhendis toodud ohutusjuhised, sh kõik ohutussümbolid, nagu „OHT“, „HOIATUS“ ja „ETTEVAATUST“. Kui allpool loetletud juhiseid ei järgita, võib tagajärjeks olla elektrilööök, tulekahju ja/või rasked kehavigastused.

## OHUTUSSÜMBOLID



Ohutusteade



Kandke selle toote kasutamise ajal alati kaitseprille või külgkaitsetega kaitseprille ja täielikku näokaitset.



Hoiduge viskuvate esemete eest, hoidke kõrvalseisjatest ohutusse kaugusesse.



Hoidke käed eemal



Garanteeritud helivõimsuse tase.



Toode vastab kohaldatavatele Ühendkuningriigi õigusaktidele.



Bluetooth®

**ET**

IPX5 Kaitse veejuga eest

mm Millimeeter

Alalisvool



Vigastusohu vähendamiseks peab kasutaja enne toote kasutamist lugema kasutusjuhendit ja selle endale selgeks tegema.



Enne seadme reguleerimist või puhastamist lülitage välja ja eemaldage akuplokk (või blokeerimisseeade).



Hoidke käed ja jalad teradest eemal



Ärge vaadake töötava tule suunas.



Toode vastab kohaldatavatele EÜ direktiividele.



Elektriseadmete jäätmeid ei tohi visata olmejäätmete hulka. Viige volitatud taaskäitleja juurde.

V Volti

cm Sentimeeter

kg Kilogramm

## TEHNILISED ANDMED

Pinge	56 V	
Tera kiirusrežiim	2	
	1	
	ECO	
Lõikekõrguse valikud	8	
Lõikekõrguse seadistus	20 mm/31 mm/40 mm/ 51 mm/ 64 mm/78 mm/ 92 mm/105 mm	
Lõikelaius	53 cm	
Murukoti maht	85 L	
Niiduki kaal (ilma akuploki ja murukotita)	46 kg	
Tera mudel	AB5301	
Soovituslik töökeskkonna temperatuur	0°C–40°C	
Soovituslik hoiustamise temperatuur	-20°C–70°C	
Mõõdetud helivõimsuse tase $L_{WA}$	94 dB(A) K= 0,6 dB(A)	
Helirõhk seadme operaatori kõrva juures $L_{PA}$	83 dB(A) K= 3 dB(A)	
Garanteeritud helivõimsuse tase $L_{WA}$ (mõõdetud vastavalt standardile 2000/14/EÜ)	95 dB(A)	
Vibratsiooni $a_n$ mõõtmine:	Vasakpoolne käepide	0,39 m/s <sup>2</sup> K=1,5 m/s <sup>2</sup>
	Parempoolne käepide	0,33 m/s <sup>2</sup> K=1,5 m/s <sup>2</sup>

- Esitatud vibratsioonitaseme näit on mõõdetud standardsete testmeetodite kohaselt ja seda võib kasutada erinevate masinate võrdlemiseks.
- Esitatud vibratsioonitaseme näitu võib kasutada ka alge kokkupuutehinna andmiseks.

**MÄRKUS!** Tegelikul kasutamisel tekib vibratsioonitase võib esitatust erineda; turvalisuse eesmärgil peaks masina kasutaja kandma tegelikes kasutustingimustes kindaid ja kuulmiskaitsmeid.

## PAKENDI LOEND (Joonis A1 ja A2)

OSA NIMI	KOGUS
Muruniiduk	1
Murukott	1
Murukoti raam	1
Liblikpolt (niidukile tehases paigaldatud)	2
Kasutusjuhend	1

## KIRJELDUS

### TUNNE OMA NIIDUKIT (joonis A1 ja A2)

1. Iseliikuva süsteemi päästik
  2. Käepide
  3. Tera pöörlemise päästik
  4. Tagumine väljutusava
  5. Lukustusmehhanism
  6. Akupesaka kate
  7. LED-esituled
  8. Keskmine kaitseraud (töstekäepide)
  9. Esistange
  10. Eesmise lõikekõrguse reguleerimisnupp
  11. Esiratas
  12. Muruniiduki alus
  13. Küljekaitse
  14. Õhu sissevõtuava
  15. Tagaratas
  16. Tagumise lõikekõrguse reguleerimisnupp
  17. Liblikpolt
  18. Käepideme kinnitusplaat
  19. Klamber
  20. Murukott
  21. Tagumine kaitsekilp
  - 22\*. Multšimisava
  - 23\*. Külmine väljutusrenn
  24. Bluetooth®-i märgutuli
  25. Armatuurilaud
  26. Niiduki oleku märgutuli
  27. Terakiiruse märgutuli
  28. Terakiiruse režiiminupp
  29. Toitennupp
  30. LED-esituled nupp (Bluetooth®-nupp)
  31. Iseliikumise kiiruse reguleerimisnupp
- \* MÜÜAKSE ERALDI

ET

## KOKKUPANEK

**⚠ HOIATUS!** Kui mõni osa on kahjustatud või puudub, ärge kasutage toodet enne, kui see osa on parandatud. Kasutades kahjustatud või vajalike komponentideta seadet, võite saada raskeid vigastusi.

**⚠ HOIATUS!** Raskeid vigastusi põhjustada võiva juhusliku käivitamise vältimiseks eemaldage masina osade kokkupaneu ajaks alati akuplokk (akuplokid).

**⚠ HOIATUS!** Ärge üritage masinat ümber ehitada ega kasutada tarvikuid, mis pole mõeldud selle niidukiga koos kasutamiseks. Kõik niisugused muudatused loetakse väärasutuseks ja need võivad põhjustada ohtlikke olukordi, mis võivad lõppeda raskete vigastustega.

### LAHTIPAKKIMINE

See seade nõuab kokkupanekut.

- Eemaldage karbist kõik tarvikud.

**⚠ ETTEVAATUST!** Raske ese. Niiduki tõstmiseks on vaja kahte inimest.

- Üks inimene peaks haarama keskmisest kaitserauast/ tõstekäepidemest ja teine inimene kahest liblikpoldist, et niiduk ettevaatlikult kastist välja tõsta.

### KÄEPIDEME PAIGALDAMINE

Muruniiduk tarnitakse osaliselt paigaldatud käepidemega.

**⚠ HOIATUS!** Ärge proovige muruniidukit käivitada enne, kui käepide on korralikult ja kindlalt paigaldatud ning lahti volditud. Olge ettevaatlik, et vältida sõrmede ja kaabli muljumist osade vahele.

1. Keerake mõlemad liblikpoldid lahti ja pange kõrvale.
2. Liigutage käepidet ettepoole, kuni käepidemekoostu lukustusmehhanism on suunatud niiduki hammasratta vastu (joonis B1).
3. Joondage lukustusmehhanismi ja käepideme kinnitusplaadi märgid, nagu näidatud joonisel B2, seejärel sisestage ja pingutage sõrmega kaks liblikpolti.

### KÄEPIDEME LAHTIVOLTIMINE JA REGULEERIMINE (JONIS C)

**⚠ HOIATUS!** Käepideme voltimisel või lahtivoltimisel olge ettevaatlik, et kaablit mitte pigistada, murda ega pingutada. Kaabli kahjustamine võib mõjutada muruniiduki aktiveerimist ja tööd ning põhjustada ebatavalise tööolukorra.

**⚠ HOIATUS!** Ärge proovige niidukit ja iseliikumissüsteemi käivitada enne, kui käepide on lukustatud ühte kolmest eelseadistatud tööasendist (ülemine tööasend 3, keskmine tööasend 2 ja alumine tööasend 1).

1. Lõdvendage mõlema külje liblikpolte, veenduge, et kaks hammasrattast oleksid täielikult lahti, kuid MITTE üksteisest eraldatud.
2. Pöörake käepidet ülespoole, kuni noolemärk lukustusmehhanismil ühtib ühega käepideme kinnitusplaadi kolmest tööasendist.
3. Pingutage kaht polti, veenduge, et kaks käiku on täielikult sisse lülitatud ja käepide on kindlalt fikseeritud.

C-1	Alumine tööasend 1
C-2	Keskmine tööasend 2
C-3	Ülemine tööasend 3

### KÄEPIDEME KOKKUVOLTIMINE (JONIS D)

**⚠ HOIATUS!** Käepideme voltimisel või lahtivoltimisel olge ettevaatlik, et kaablit mitte pigistada, murda ega pingutada. Kaabli kahjustamine võib mõjutada muruniiduki aktiveerimist ja tööd ning põhjustada ebatavalise tööolukorra.

1. Lõdvendage mõlema külje liblikpolte, veenduge, et kaks hammasrattast on täielikult lahti, kuid MITTE üksteisest eraldunud.
2. Pöörake käepidet allapoole, kuni käepide on hoiustamisasendis.
3. Joondage lukustusmehhanismil olev noolemärk käepideme kinnitusplaadil oleva hoiustamisasendi märgiga.
4. Pingutage kaht liblikpolti, veenduge, et kaks käiku on täielikult sisse lülitatud ja käepide on kindlalt fikseeritud.

D-1	Hoiustamisasend
-----	-----------------

### MURUKOTI PAIGALDAMINE (JONIS E1, E2, E3)

Enne kokkupanemist kontrollige murukotti, et veenduda, et sellel pole kahjustusi.

Pange murukott kokku, nagu joonisel näidatud.

### MULTSİMISAVA (MÜÜGLI ERALDI) KINNITAMINE/ EEMALDAMINE

Paigaldage multsımisava niidukisse, nagu on näidatud joonisel F.

**⚠ OHT!** Masin võib niidetud muru ja muid esemeid visata läbi masina korpuses oleva ava. Piisava jõuga visatud esemed võivad teile või kõrvalseisjatele põhjustada tõsiseid kehavigastusi või surma.

Ärge kunagi kasutage niidukit, kui multšimisava, murukott või külmine väljutusrenn pole korralikult paigaldatud.

**⚠ HOIATUS!** Enne murukoti niiduki külge paigaldamist eemaldage multšimisava või külmine väljutusrenn. Kui murukott (või külmine väljutusrenn) on eemaldatud, tuleb multšimisava uuesti paigaldada.

### KOGUMISKOTI KINNITAMINE/EEMALDAMINE

Paigaldage murukott niidukisse, nagu näidatud joonisel G.

**⚠ HOIATUS!** Tavakasutuse käigus murukoti materjal kulub. Vigastusohu vähendamiseks kontrollige murukotti pidevalt ja kulumise või kahjustuste tuvastamisel vahetage kott välja. Kasutage ainult selle niiduki jaoks toodetud murukotte.

**⚠ HOIATUS!** Murukott tuleb eemaldada, et paigaldada ja kasutada külmist väljutusrenni või multšimisava.

### KÜLGMISE VÄLJUTUSRENNI (MÜÜGIL ERALDI) PAIGALDAMINE/EEMALDAMINE

Paigaldage külmine väljutusrenn niidukisse, nagu on näidatud joonisel H.

**⚠ HOIATUS!** Murukoti või multšimisava paigaldamiseks ja kasutamiseks tuleb külmine väljutusrenn eemaldada.

### LÕIKEKÕRGUSE REGULEERIMINE (JONIS J1 JA J2)

**⚠ HOIATUS!** Hoidke jalad niiduki alusest lõikekõrguse muutmise ajal eemal.

Niiduki saab seadistada 8 lõikekõrguse vahemikus 20 mm ja 105 mm. Märgistus näitab valitud lõikekõrgust.

See niiduk võimaldab teil niiduki esi- ja tagaosa lõikekõrgust eraldi reguleerida. Valige muru tüübile ja seisukorrale vastav lõikekõrgus.

1. Lülitage muruniiduk välja ja oodake, kuni lõiketera täielikult seiskub.
2. Eemaldage akuplokk (akuplokid)!
3. Tõmmake eesmine või tagumine lõikekõrguse reguleerimise hoob fiksaatorist välja ja seadke see soovitud asendisse.

### AKUPLOKKIDE PAIGALDAMINE/EEMALDAMINE (Joonis K)

**MÄRKUS.** Laadike akuplokk enne esimest kasutuskorda täis.

Kasutage ainult joonisel A3 esitatud akuplokke ja laadureid.

**MÄRKUS.** Niidukil on kaks aktiivset akuporti. See võib töötada ühe või kahe akuplokiga.

#### ■ Paigaldamine

1. Avage akupesaga kate ja lükake aku akupesasse, kuni kuulete klõpsatust.
2. Korrake protsessi teise akuploki paigaldamiseks.

#### ■ Eemaldamine

Vajutage akupesas olevat akuvabastusnuppu.

**MÄRKUS!** Jälgige, et niidukil olev riiv klõpsaks kohale ja et akuplokk (akuplokid) oleks(id) kindlalt fikseeritud asendis, enne kui tööd alustate.

### TERA KIIRUSE REŽIIMI VALIMINE (JONIS L)

- Režiim 2 on tera suure kiirusega režiim suure tõstevõime saavutamiseks, et parandada imemisjõudu ja löikejõudlust.
- Režiim 1 on parim tasakaal jõudluse ja käitusaja vahel.
- ECO- režiim tagab madalaima mürataseme ja teie akuploki (akuplokkide) pikima tööaja.

**MÄRKUS.** Tera kiiruse vaikerežiim on režiim 1.

### SIDETEHNOLOOGIA

Et saada teavet või tutvuda kogu meie ühendatud toodete ja teenuste valikuga (sealhulgas ühendamisjuhistega), skannige allpool olev QR-kood või külastage veebilehte [www.egopowerplus.eu/connect](http://www.egopowerplus.eu/connect).



## KASUTAMINE

Toodet võib kasutada vihmast.

### NIIDUKI KÄIVITAMINE/PEATAMINE

**⚠ HOIATUS!** Kõigi muruniidukite kasutamisel on oht, et teie või kellegi teise silma paiskub võõrkehi, mis võivad põhjustada tõsiseid silmakahjustusi. Kandke niiduki kasutamisel või remontimisel/reguleerimisel alati kaitseprille.

**⚠ HOIATUS!** Pärast niiduki välja lülitamist pöörleb tera veel mõne sekundi. Laske mootoril/teral pöörlemine lõpetada, enne kui seadet uuesti käivitada püüate. Ärge lülitage niidukit kiiresti sisse/välja.

**⚠ HOIATUS!** Peatage tera, kui muruniidukit tuleb transportimiseks kallutada, kui ületate muud ala kui muru ja kui transpordite muruniidukit niidetavale alale ja sealt tagasi.

**⚠ HOIATUS!** Ärge kallutage muruniidukit mootori sisselülitamisel, välja arvatud juhul, kui muruniidukit tuleb käivitamiseks kallutada. Sellisel juhul ärge kallutage seadet rohkem kui hädavajalik ja tõstke ainult seadme operaatorist kõige kaugemale jäävat osa.

Enne kasutamist kontrollige alati visuaalselt, et tera ja tera polt ei oleks kulunud ega kahjustatud. Ühtlase töötulemuse huvides vahetage terasid ja polte alati komplektina.

### Kontrollige lõiketerade blokeerumist.

- Blokeerumise vältimiseks hoidke lõiketera ja lõiketerade kate puhtad. Eemaldage rohulõiked, lehed, mustus ja muu kogunenud praht enne ja pärast iga kasutamist.

- Kui lõiketera blokeerub, peatage niiduk ja eemaldage akuplokk/akuplokid, seejärel eemaldage mistahes muru ja lehed veovõllist ja mootori ventilaatorist või nende ümber. Pühkige niiduk niiske lapiga puhtaks.

**ET**

**⚠ ETTEVAATUST!** Ärge püüdke alistada toitenupu ja tera pöörlemise päästiku tööd.

**MÄRKUS.** Mootorit ei saa käivitada, kui käepide ei ole lukustatud ühte kolmest tööasendist.

### Niiduki käivitamine (joonis M1 ja M2)

1. Kinnitage akuplokk niiduki külge ja sulgege akupesa kate.
2. Vajutage armatuurilaua valgustamiseks toitenupu ja niiduki olekuinäidik koos tera kiiruse indikaatoriga 1 süttib.

3. Soovitud kiiruse valimiseks vajutage tera kiiruse režiiminuppu.
4. Vajutage ja hoidke toitenupu all.
5. Kui toitenupp on alla vajutatud, tõmmake tera pöörlemise päästikut käepidemega kokku ja vabastage toitenupp.

### Niiduki peatamine (joonis M3)

1. Laske tera pöörlemise päästik lahti.
2. Automaatse pidurdusmehhanismi elektriline pidur peatab tera pöörlemise 3 sekundi jooksul pärast tera pöörlemise päästiku vabastamist.

### MUUDETAVA KIIRUSEGA ISELIIKUMISSÜSTEEM (JOONIS N)

Niidukil on muudetava kiirusega iseliikumissüsteem. See iseliikumissüsteem on laba pöörlemisest sõltumatu.

**MÄRKUS.** Iseliikumissüsteemi ei saa käivitada, kui käepide ei ole lukustatud ühte kolmest tööasendist.

### Iseliikumissüsteemi kasutamiseks ilma tera pöörlemiseta

1. Vajutage armatuurilaua valgustamiseks toitenupu.
2. Pöörake iseliikumise kiiruse reguleerimisnuppu veidi ettepoole, kuni on kuulda klõpsatust, seejärel tõmmake iseliikumise päästikut käepidemega kokku, et käivitada iseliikumisfunktsioon.

Seejärel laske iseliikumissüsteemi väljalülitamiseks päästiku ots lahti.

### LED-ESITULED (joonis P)

**Esitulede sisselülitamiseks** vajutage esitulede nuppu. Esituled tagavad ereda valguse niiduki ees.

**Esitulede väljalülitamiseks** vajutage uuesti nuppu.

### NIIDUKI OLEKU MÄRGUTULI

Armatuurilaulal olev niiduki oleku märgutuli näitab niiduki tööolekut.

Märgutuli	Kirjeldus	Tähendus	Toiming
	Pidev roheline.	Niiduk töötab korralikult.	Pole vaja midagi teha.
	Vilkuv roheline	Käepide pole tööasendisse lukustatud.	Seisake niiduk ja veenduge, et käepide on lukustatud ühte tööasenditest.
	Vilkuv punane	Madal aku laetuse tase.	Seisake niiduk ja vahetage akuplokk (akuplokid).
	Pidev oranž	Niiduk on ülekuumenenud.	Vabastage tera pöörlemise päästik ja oodake, kuni niiduki temperatuur langeb alla 80 °C. Vt allpool jaotist „ <b>MASINA KAITSE KÕRGE TEMPERAATUURI EEST</b> “.
	Vilkuv oranž	Niiduk on ülekoormatud.	<ol style="list-style-type: none"> <li>1. Esmalt eemaldage akuplokk (akuplokid), seejärel kontrollige, kas seadme alla on kogunenud niidetud rohtu ja vajadusel eemaldage see. Vajadusel puhastage.</li> <li>2. Aeglustage niitmisel sammu.</li> <li>3. Suurendage lõikekõrgust.</li> <li>4. Kui ülaltoodud lahendused ei tööta, võtke ühendust EGO teeninduskeskusega.</li> </ol> Vt allpool jaotist „ <b>NIIDUKI ÜLEKOORMUSE KAITSE</b> “ .
	Punane ja roheline tuli vilguvad vaheldumisi	Niiduki elektroonikavead.	Võtke ühendust EGO hoolduskeskusega

#### NIIDUKI KÕRGE TEMPERAATUURI KAITSE

Kui niiduki temperatuur ületab töötamise ajal 90 °C, lülitab temperatuurikaitseahel niiduki kohe välja, et vältida ülekuumenemiskahjustusi.

Niiduki oleku märgutuli põleb ühtlaselt oranžilt. Vabastage tera pöörlemise päästik ja oodake, kuni ülekuumenenud niiduk jahtub ja oleku märgutuli muutub roheliseks, seejärel taaskäivitage niiduk.

#### NIIDUKI ÜLEKOORMUSE KAITSE

Ülekoormuse ennetamiseks ärge üritage niita korraga liiga suurt kogust. Aeglustage oma sammu või tõstke lõikekõrgust.

Niidukil on sisseehitatud ülekoormuse kaitse. Ülekoormuse korral mootor seiskub ja niiduki oleku märgutuli armatuurilaulal vilgub oranžilt.

ET

## OOLDUS

**⚠ HOIATUS!** Tõsiste kehavigastuste vältimiseks lülitage niiduk enne puhastamist, hooldust või transportimist alati välja, eemaldage akuplokk (akuplokid) ja veenduge, et kõik liikuvad osad on täielikult seiskunud.

**⚠ HOIATUS!** Peatage masin ja eemaldage aku, veendumaks et kõik liikuvad osad on pärast võõrkehaga kokkupõrget täielikult seiskunud, ning enne masina taaskäivitamist ja kasutamist kontrollige masinat kahjustuste suhtes ja tehke vajalikud remonditoimingud.

**⚠ HOIATUS!** Peatage masin ja eemaldage akuplokkid, veendumaks et kõik liikuvad osad on pärast võõrkehaga kokkupõrget täielikult seiskunud, kui masin hakkab ebanormaalselt vibreerima, seejärel kontrollige kohe kahjustusi, asendage või parandage kõik kahjustatud osad ning kontrollige ja pingutage lahtised osad.

**⚠ HOIATUS!** Hooldusel ja remontimisel kasutage vaid originaalvaruosi. Mis tahes muude osade kasutamine võib põhjustada ohtlike olukordi või seadet vigastada. Turvalisuse ja vastupidavuse tagamiseks peab kõiki parandustöid läbi viima kvalifitseeritud hooldustehnik.

### NIIDUKI PUHASTAMINE

Niiduki alumist osa tuleks pärast iga kasutuskorda sinna kogunenud rohulibledest, lehtedest, porist ja muust prahist puhastada.

Eemaldage niiduki mootori kate peale ja ümber kogunenud muru. Pühkige niiduk niiske lapiga puhtaks.

### Õhu sisselaskeava puhastamine (joonis Q)

1. Eemaldage õhu sisselaskevõrgu kate, eemaldades neli kruvi.
2. Puhastage õhu sisselaskeava ja võrgukaane sisemus suruõhuga.

ET

### TERA ASENDAMINE (JONIS R1, R2, R3)

**⚠ HOIATUS!** Eemaldage alati akuplokk (akuplokid) ja murukott.

**⚠ HOIATUS!** Kandke alati kaitsekindaid.

**MÄRKUS!** Enne tera paigaldamist puhastage põhjalikult veovõlli piirkond ja masina alumine külg.

1. Pöörake niiduk tagurpidi
2. Eemaldage/paigaldage lõiketera dünamomeetrilise võtme ja kahe metallvarda abil, nagu on näidatud joonisel.

3. Tera märgistatud külg peab jääma väljapoole.

### NIIDUKI HOUSTAMINE (JONIS S1 JA S2)

1. Ühendage akuplokk (akuplokid) niiduki küljest lahti.
2. Tühjendage murukott ja puhastage niiduk.
3. Olulise hoiustamisruumi säästmiseks voltige toote käepide kokku ja hoiustage toodet nagu näidatud.

**MÄRKUS!** Käepideme üles- ja allaliigutamisel veenduge, et käepideme juhe ei jää kinni (ärge kukutage käepidet maha).

4. Ärge asetage niiduki peale hoiustamise ajal muid esemeid.

**HOIATUS!** Kui niiduk hakkab püstisest asendist ära vajuma, võivad sellega kaasned niiduki kahjustumine või inimestele põhjustatud vigastused. Hoidke püstises asendis hoiustatud niidukit alati kindlal maapinnal ja lastele kättesaamatus kohas. Võimalusel hoiustage niidukit tasapinnaliselt.

### KESKKONNAKAITSE



Elektriseadmeid ei tohi visata sorteerimata olmeprügi hulka; selliseid jäätmeid tuleb koguda eraldi.

Olemasolevate kogumissüsteemide kohta saate teavet kohalikust omavalitsusest.

Kui elektriseadmed maetakse maa sisse või viiakse prügimäele, võivad ohtlikud ained põhjavette lekkida ja toiduahelasse sattuda ning teie tervist ja heaolu kahjustada.



## TÖRKEOTSING

PROBLEEM	PÕHJUS	LAHENDUS
Niiduk või iseliikumis-funktsioon ei käivitu.	<ul style="list-style-type: none"> <li>■ Akuplokk (akuplokid) on tühi (tühjad).</li> </ul>	<ul style="list-style-type: none"> <li>■ Laadige akuplokki.</li> </ul>
	<ul style="list-style-type: none"> <li>■ Akuplokk (akuplokid) ei ole akupessa nõuetekohaselt sisestatud.</li> </ul>	<ul style="list-style-type: none"> <li>■ Sisestage akuplokk (akuplokid) akupesasse, kuni kuulete klõpsatust.</li> </ul>
	<ul style="list-style-type: none"> <li>■ Käepide ei ole tööasendisse lukustatud ja niiduki oleku märgutuli vilgub roheliselt.</li> </ul>	<ul style="list-style-type: none"> <li>■ Seisake niiduk ja veenduge, et käepide on lukustatud ühte tööasenditest.</li> </ul>
	<ul style="list-style-type: none"> <li>■ Muruniiduki alla on kogunenud liiga palju muru ja prahti.</li> </ul>	<ul style="list-style-type: none"> <li>■ Puhastage niiduki alus ja veenduge, et tera saab vabalt liikuda.</li> </ul>
Niiduk lõikab ebaühtlaselt.	<ul style="list-style-type: none"> <li>■ Tera on nüri.</li> </ul>	<ul style="list-style-type: none"> <li>■ Teritage tera või vahetage see välja.</li> </ul>
	<ul style="list-style-type: none"> <li>■ Muru lõikekõrgus pole korrektselt seadistatud.</li> </ul>	<ul style="list-style-type: none"> <li>■ Liigutage seadme kõrgus kõrgemale seadistusele.</li> </ul>
	<ul style="list-style-type: none"> <li>■ Tera on valesti paigaldatud.</li> </ul>	<ul style="list-style-type: none"> <li>■ Paigaldage tera tagasi, järgides käesoleva juhendi jaotises „<b>TERA ASENDAMINE</b>“ antud juhiseid.</li> </ul>
	<ul style="list-style-type: none"> <li>■ Tera kiiruse režiim ei ole õigesti seadistatud.</li> </ul>	<ul style="list-style-type: none"> <li>■ Valige õige tera kiiruse režiim.</li> </ul>
Niiduk ei multši korralikult.	<ul style="list-style-type: none"> <li>■ Märja muru tükid jäävad muruniiduki aluse külge kinni.</li> </ul>	<ul style="list-style-type: none"> <li>■ Enne niitmist oodake, et muru kuivaks.</li> </ul>
	<ul style="list-style-type: none"> <li>■ Niiduk on seadistatud nii, et korraga lõigatakse liiga palju muru.</li> </ul>	<ul style="list-style-type: none"> <li>■ Tõstke alust kõrgemale, et niita kõrgemalt.</li> </ul>
	<ul style="list-style-type: none"> <li>■ Tera kiiruse režiim ei ole õigesti seadistatud.</li> </ul>	<ul style="list-style-type: none"> <li>■ Valige režiim 1 või ECO tera kiiruse režiim.</li> </ul>

Niiduk peatub niitmise ajal ootamatult.	<ul style="list-style-type: none"> <li>■ Akuplokk (akuplokkid) on tühi (tühjad).</li> </ul>	<ul style="list-style-type: none"> <li>■ Laadige akuplokki.</li> </ul>
	<ul style="list-style-type: none"> <li>■ Niiduk on ülekoormatud ja niiduki oleku märgutuli vilgub oranžilt.</li> </ul>	<ul style="list-style-type: none"> <li>■ Kontrollige, kas seadme alla on kogunenud muru ja vajadusel puhastage. Suurendage lõikekõrgust või niitke aeglasemalt.</li> </ul>
	<ul style="list-style-type: none"> <li>■ Muruniiduki alla on kogunenud liiga palju muru ja prahti.</li> </ul>	<ul style="list-style-type: none"> <li>■ Eemaldage niiduki alla kogunenud mass. Suurendage lõikekõrgust või niitke kitsamat riba.</li> </ul>
	<ul style="list-style-type: none"> <li>■ Akuplokk (akuplokkid) või niiduki voluring on liiga kuum(ad). Kui akuplokk on ülekuumenenud, siis niiduki oleku märgutuli kustub. Kui niiduk on ülekuumenenud, põleb niiduki oleku märgutuli ühtlaselt oranžilt.</li> </ul>	<ul style="list-style-type: none"> <li>■ Laske akuplokil (akuplokkidel) jahtuda.</li> </ul>
	<ul style="list-style-type: none"> <li>■ Tera kiiruse režiim ei ole õigesti seadistatud.</li> </ul>	<ul style="list-style-type: none"> <li>■ Puhastage õhu sisselaskeava, järgides jaotist „<b>Õhu sisselaskeava puhastamine</b>“</li> <li>■ Seadke lõiketera kiirus madalamale seadistusele.</li> </ul>
	<ul style="list-style-type: none"> <li>■ Niiduki elektroonika veatuli ja niiduki oleku märgutuli vilguvad vaheldumisi punaselt/roheliselt.</li> </ul>	<ul style="list-style-type: none"> <li>■ Võtke ühendust EGO hoolduskeskusega</li> </ul>
Esineb liigset vibratsiooni.	<ul style="list-style-type: none"> <li>■ Lõiketera on lahti.</li> </ul>	<ul style="list-style-type: none"> <li>■ Keerake tera polt tugevamalt kinni.</li> </ul>
	<ul style="list-style-type: none"> <li>■ Lõiketera on tasakaalustamata.</li> </ul>	<ul style="list-style-type: none"> <li>■ Võtke ühendust EGO teeninduskeskusega.</li> </ul>
	<ul style="list-style-type: none"> <li>■ Lõiketera on väändunud.</li> </ul>	<ul style="list-style-type: none"> <li>■ Vahetage tera.</li> </ul>
	<ul style="list-style-type: none"> <li>■ Mootorivõll on paindunud.</li> </ul>	<ul style="list-style-type: none"> <li>■ Võtke ühendust EGO teeninduskeskusega.</li> </ul>
	<ul style="list-style-type: none"> <li>■ Niiduk on seadistatud nii, et korraka lõigatakse liiga palju muru.</li> </ul>	<ul style="list-style-type: none"> <li>■ Tõstke alust kõrgemale, et niita kõrgemalt.</li> </ul>
	<ul style="list-style-type: none"> <li>■ Tera kiiruse režiim ei ole õigesti seadistatud.</li> </ul>	<ul style="list-style-type: none"> <li>■ Seadke lõiketera kiirus madalamale seadistusele.</li> </ul>
Mootor töötab, kuid tera ei lõika muru.	<ul style="list-style-type: none"> <li>■ Tera ei ole pingutatud nõutava pöördemomendiga.</li> </ul>	<ul style="list-style-type: none"> <li>■ Keerake tera tugevamalt kinni. Tera poldi soovitatav pöördemoment on 50-60 Nm.</li> </ul>

**ET**

## GARANTII

### EGO GARANTIIPÕHIMÕTTED

Täielikud EGO garantiitingimused leiate veebilehelt [egopowerplus.eu](http://egopowerplus.eu).

## ПРОЧИТАЙТЕ ВСІ ІНСТРУКЦІЇ!

**Призначення.** Виріб призначений для косіння газонів уручну.

- Використовувати тільки для косіння сухої трави. Не косіть мокру траву.

- Не використовуйте її для інших цілей.

**⚠ ПОПЕРЕДЖЕННЯ.** Перш ніж користуватися цією машиною, обов'язково ознайомтеся з усіма інструкціями з безпеки, наведеними в цьому посібнику користувача, зокрема з усіма символами попереджень, такими як «**НЕБЕЗПЕКА**», «**ПОПЕРЕДЖЕННЯ**» та «**ЗАСТЕРЕЖЕННЯ**». Недотримання наведених нижче вказівок може спричинити ураження електричним струмом, пожежу та/або серйозні травми.

## СИМВОЛИ, ЩО СТОСУЮТЬСЯ БЕЗПЕКИ



Попередження щодо безпеки



Щоб зменшити ризик травми, користувач повинен ознайомитися з інструкцією користувача перед використанням цього виробу.



Працюючи з цим виробом, завжди носіть засоби захисту органів слуху та закриті захисні окуляри чи відкриті захисні окуляри з бічними щитками або повнопрофільну захисну маску.



Перед регулюванням або чищенням вимкніть та вийміть знімний акумулятор (або пристрій відключення).



Стережіться відкинутих предметів – не підпускайте сторонніх.



Тримайте руки та ноги подалі від лез



Тримайте руку подалі



Не дивіться на лампу, що працює.



Гарантований рівень звукової потужності.



Цей виріб відповідає чинним директивам ЄС.



Цей виріб відповідає чинному законодавству Великобританії.



Відходи електричних виробів не слід викидати разом із побутовим сміттям. Зверніться до авторизованого пункту переробки.



Bluetooth®

V Вольти

IPX5 Захист від струменів води

cm Сантиметр

mm Міліметр

kg Кілограми

⎓ Постійний струм

**UK**

**ПРИМІТКА.** Словесний знак і логотипи Bluetooth® є зареєстрованими товарними знаками Bluetooth SIG, Inc. та будь-яке використання таких знаків компанією EGO здійснюється за ліцензією.

## ТЕХНІЧНІ ХАРАКТЕРИСТИКИ

Напруга	56 В	
Режим швидкості леза	2	
	1	
	ECO	
Положення висоти зрізання	8	
Налаштування висоти різання	20 мм/31 мм/40 мм/51 мм/64 мм/78 мм/92 мм/105 мм	
Ширина різання	53 см	
Об'єм мішка для трави	85 л	
Вага косарки (без акумуляторної батареї та мішка для трави)	46 кг	
Модель леза	AB5301	
Діапазон рекомендованих робочих температур	0°C–40°C	
Діапазон рекомендованих температур зберігання	-20°C–70°C	
Вимірний рівень звукової потужності $L_{WA}$	94 дБ(A) K= 0,6 дБ(A)	
Рівень звукового тиску на місці вуха оператора $L_{PA}$	83 дБ(A) K= 3 дБ(A)	
Гарантований рівень звукової потужності $L_{WA}$ (відповідно до стандарту 2000/14/EC)	95 дБ(A)	
Оцінка вібрації $a_{r1}$ :	Ліва ручка	0,39 м/с <sup>2</sup> K=1,5 м/с <sup>2</sup>
	Права ручка	0,33 м/с <sup>2</sup> K=1,5 м/с <sup>2</sup>

### UK

- Вказане загальне значення вібрації виміряне за стандартним методом тестування та може використовуватися для порівняння однією машиною з іншою.
- Заявлене сумарне значення вібрації може також використовуватись для попередньої оцінки впливу.

**ПРИМІТКА.** Емісія вібрації під час фактичного використання машини може відрізнятися від заявленої величини, у якій використовується машина. Щоб захистити оператора, користувач повинен одягати

рукавички та захисні навушники в реальних умовах використання.

## ПАКУВАЛЬНИЙ СПИСОК (РИС. A1 I A2)

НАЗВА ДЕТАЛІ	КІЛЬКІСТЬ
Газонокосарка	1
Мішок для трави	1
Каркас мішка для трави	1
Болт-баранець (установлений на косарці з заводу)	2
Посібник користувача	1

## ОПИС

### ОЗНАЙОМЛЕННЯ З ГАЗОНОКОСАРКОЮ (рис. A1 i A2)

1. Тригер самохідної системи
2. Ручка
3. Тригер обертання леза
4. Задні випускні дверцята
5. Блокувальний механізм
6. Кришка батарейного відсіку
7. Світлодіодні фари
8. Середній бампер (ручка підйому)
9. Передній бампер
10. Передній важіль регулювання висоти різання
11. Переднє колесо
12. Дека косарки
13. Боковий щиток
14. Отвір для входу повітря
15. Заднє колесо
16. Задній важіль регулювання висоти різання
17. Болт-баранець
18. Монтажна пластина ручки
19. Кронштейн
20. Мішок для трави
21. Задній щит
- 22\*. Насадка для мульчування
- 23\*. Бічний випускний жолоб
24. Індикатор Bluetooth®
25. Приладна панель
26. Індикатор стану косарки
27. Індикатор швидкості лез
28. Кнопка перемикачання швидкості обертання леза
29. Кнопка живлення
30. Кнопка світлодіодних фар (кнопка Bluetooth®)

31. Ручка регулювання швидкості самохідної системи  
\* ПРОДАЄТЬСЯ ОКРЕМО

## ЗБИРАННЯ

**⚠ ПОПЕРЕДЖЕННЯ.** Якщо якісь частини пошкоджені або відсутні, не користуйтеся цим інструментом, доки вони не будуть замінені. Використання цього виробу з пошкодженими або відсутніми деталями може призвести до серйозних травм.

**⚠ ПОПЕРЕДЖЕННЯ.** Щоб запобігти випадковому запуску, що може спричинити серйозні травми, завжди виймайте акумулятор(и) з машини під час монтажу деталей.

**⚠ ПОПЕРЕДЖЕННЯ.** Не намагайтеся вдосконалити цю машину або застосувати приладдя, не рекомендоване для цієї косарки. Кожна така зміна чи переробка є фактом неправильного користування, створює небезпечні умови, що призводять до серйозних травм.

## РОЗПАКУВАННЯ

Цей виріб необхідно зібрати.

- Вийміть усі аксесуари з коробки.

**⚠ ЗАСТЕРЕЖЕННЯ.** Важкий предмет. Для підйому косарки потрібні дві людини.

- Одна людина має взятися за середній бампер/ручку підйому, а інша – за два болти-баранці, щоб обережно підняти косарку з коробки.

## УСТАНОВЛЕННЯ РУЧКИ

Газонокосарка поставляється з частково зібраною ручкою.

**⚠ ПОПЕРЕДЖЕННЯ.** Не намагайтеся запустити газонокосарку, доки ручка не буде належним чином і надійно встановлена та розкладена. Будьте обережні, щоб уникнути защемлення пальців і кабелю між деталями.

1. Відкрутіть і відкладіть обидва болти-баранці.
2. Перемістіть ручку вперед, доки блокувальний механізм на вузлі ручки не буде спрямований на шестірню на косарці (рис. В1).
3. Сумістіть мітки на блокувальному механізмі та монтажній пластині ручки, як показано на рис. В2, потім вставте і затягніть вручну два болти-баранці.

## РОЗКЛАДАННЯ ТА РЕГУЛЮВАННЯ РУЧКИ (РИС. С)

**⚠ ПОПЕРЕДЖЕННЯ.** Не перетискайте, не перегинайте й не навантажуйте кабель під час складання та розкладання ручки. Пошкодження кабелю може вплинути на ввімкнення та роботу газонокосарки і призвести до небезпечних умов експлуатації.

**⚠ ПОПЕРЕДЖЕННЯ.** Не намагайтеся запустити косарку та самохідну систему, доки ручка не буде зафіксована в одному з трьох попередньо встановлених робочих положень (верхнє робоче положення 3, середнє робоче положення 2 та нижнє робоче положення 1).

1. Ослабте болти-баранці з обох боків, переконайтеся, що обидві шестірні повністю ослаблені, але НЕ від'єднані.
2. Повертайте ручку вгору, доки стрілка на блокувальному механізмі не збігатиметься з одним із трьох робочих положень на монтажній пластині ручки.
3. Затягніть два болти, переконайтеся, що обидві шестерні повністю зачеплені, а ручка надійно зафіксована.

C-1	Нижнє робоче положення 1
C-2	Середнє робоче положення 2
C-3	Верхнє робоче положення 3

## СКЛАДАННЯ РУЧКИ (РИС. D)

**⚠ ПОПЕРЕДЖЕННЯ.** Не перетискайте, не перегинайте й не навантажуйте кабель під час складання та розкладання ручки. Пошкодження кабелю може вплинути на ввімкнення та роботу газонокосарки і призвести до небезпечних умов експлуатації.

1. Ослабте болти-баранці з обох боків, переконайтеся, що обидві шестерні повністю ослаблені, але НЕ від'єднані.
2. Повертайте ручку вниз, доки вона не займе положення для зберігання.
3. Вирівняйте позначку зі стрілкою на блокувальному механізмі з позначкою положення зберігання на монтажній пластині ручки.
4. Затягніть два болти-баранці, переконайтеся, що обидві шестерні повністю зачеплені, а ручка надійно зафіксована.

D-1	Положення для зберігання
-----	--------------------------

UK

## УСТАНОВЛЕННЯ МІШКА ДЛЯ ТРАВИ (РИС. E1, E2, E3)

Перед установленням перевірте мішок для трави, щоб переконатись у відсутності пошкоджень.

Установіть мішок для трави, як показано на рисунку.

## УСТАНОВЛЕННЯ/ЗНЯТТЯ НАСАДКИ ДЛЯ МУЛЬЧУВАННЯ (ПРОДАЄТЬСЯ ОКРЕМО)

Установіть насадку для мульчування в косарку, як показано на рис. F.

**⚠ НЕБЕЗПЕКА.** Машина може викидати скошену траву та інші предмети через отвір у корпусі машини. Предмети, відкинуті з достатньою силою, можуть заподіяти серйозні травми або смерть вам або стороннім особам.

Ніколи не використовуйте косарку без належним чином установленої насадки для мульчування, мішка для трави або бічного випускного жолоба.

**⚠ ПОПЕРЕДЖЕННЯ.** Під час установлення мішка для трави або бічного випускного жолоба насадку для мульчування необхідно зняти. Після зняття мішка для трави (або бічного випускного жолоба) необхідно знову встановити насадку для мульчування.

## ПРИКРІПЛЕННЯ/ЗНЯТТЯ МІШКА ДЛЯ ТРАВИ

Установіть мішок для трави в косарку, як показано на рис. G.

**⚠ ПОПЕРЕДЖЕННЯ.** У звичайних умовах експлуатації матеріал мішка для трави може зношуватися. Щоб зменшити ризик виникнення травми, часто перевіряйте мішок для трави та замініть, якщо є ознаки зносу або пошкодження. Використовуйте лише мішки для трави, виготовлені для цієї косарки.

**⚠ ПОПЕРЕДЖЕННЯ.** Мішок для трави необхідно зняти, щоб установити та використовувати бічний випускний жолоб або насадку для мульчування.

UK

## УСТАНОВЛЕННЯ/ЗНЯТТЯ БІЧНОГО ВИПУСКНОГО ЖОЛОБА (ПРОДАЄТЬСЯ ОКРЕМО)

Установіть бічний випускний жолоб у косарку, як показано на рис. H.

**⚠ ПОПЕРЕДЖЕННЯ.** Для встановлення та використання мішка для трави або насадки для мульчування необхідно зняти бічний випускний жолоб.

## РЕГУЛЮВАННЯ ВИСОТИ РІЗАННЯ (РИС. J1 і J2)

**⚠ ПОПЕРЕДЖЕННЯ.** Під час регулювання висоти

різання тримайте ноги подалі від деки.

Косарку можна налаштувати на 8 рівнів висоти різання в діапазоні від 20 мм до 105 мм. Маркування вказує на вибрану висоту різання.

Ця косарка дає змогу регулювати висоту різання передньої та задньої частини косарки окремо. Виберіть правильну висоту різання відповідно до типу та стану трави, яку слід скошити.

1. Вимкніть газонокосарку та дочекайтеся повної зупинки леза.
2. Вийміть акумулятор(и).
3. Витягніть передній або задній важіль регулювання висоти різання з фіксатора та встановіть його в потрібне положення.

## УСТАНОВЛЕННЯ І ЗНЯТТЯ АКУМУЛЯТОРІВ (РИС. K)

**ПРИМІТКА.** Зарядіть акумулятор перед першим використанням.

Використовуйте лише акумулятори та зарядні пристрої, перелічені на рис. A3.

**ПРИМІТКА.** Косарка має два активні акумуляторні порти. Вона може працювати від одного або двох акумуляторів.

### ■ Установлення

1. Відкрийте кришку батарейного відсіку та вставте акумулятор у відсік, доки не почуєте «кляцання».
2. Повторіть процедуру для встановлення другого акумулятора.

### ■ Видалення

Натисніть кнопку звільнення батареї в батарейному відсіку.

**ПРИМІТКА.** Перед використанням переконайтеся, що защіпка на косарці стала на місце і акумулятор(и) надійно прикріплені(-і) до косарки.

## ВИБІР РЕЖИМУ ШВИДКОСТІ ОБЕРТАННЯ ЛЕЗА (РИС. L)

- Режим 2 – це режим високої швидкості обертання леза, що забезпечує високу продуктивність підйому для збільшення сили всмоктування та продуктивності різання.
- Режим 1 – найкращий баланс між продуктивністю та часом роботи.
- Режим ECO забезпечує найнижчий рівень шуму та найдовший час роботи від акумулятора(-ів).

**ПРИМІТКА.** Режим швидкості леза за замовчуванням – режим 1.

### КОМУНІКАЦІЙНА ТЕХНОЛОГІЯ

Для отримання інформації про повний спектр під'єднаних продуктів і послуг, зокрема інструкцій із підключення, відскануйте QR-код нижче або відвідайте сайт [www.egopowerplus.eu/connect](http://www.egopowerplus.eu/connect).



## ЕКСПЛУАТАЦІЯ

Виріб можна використовувати під дощем.

### ЗАПУСК/ЗУПИНКА КОСАРКИ

**⚠ ПОПЕРЕДЖЕННЯ.** Використання газонокосарки може призвести до потрапляння сторонніх предметів в очі, що може спричинити серйозне пошкодження очей. Завжди носіть захисні окуляри під час роботи косарки або під час виконання будь-яких регулювань чи ремонту косарки.

**⚠ ПОПЕРЕДЖЕННЯ.** Ніж продовжуватиме обертатись протягом кількох секунд після вимкнення косарки. Дайте мотору/лезу зупинити обертання, перш ніж запустити його знову. Не вимикайте і не вмикайте косарку швидко.

**⚠ ПОПЕРЕДЖЕННЯ.** Зупиніть лезо, якщо пристрій газонокосарку нахилити для транспортування, перетинаючи інші поверхні, крім трави, а також транспортуючи газонокосарку на ділянку для косіння та з цієї ділянки.

**⚠ ПОПЕРЕДЖЕННЯ.** Не нахильте газонокосарку під час увімкнення мотора, за винятком випадків, коли газонокосарка має бути нахилена для запуску. У цьому випадку не можна нахилити більше, ніж це абсолютно необхідно, і піднімати тільки віддалену від оператора частину.

Перед використанням завжди візуально оглядайте лезо та болт леза, щоб переконатися, що вони не зношені й не пошкоджені. Замінійте зношені або пошкоджені леза та болти комплектом для збереження балансу.

### Перевірте, чи лезо не заблоковано.

- Щоб уникнути засмічення, тримайте в чистоті лезо та деку газонокосарки. Видаляйте обрізки трави, листя, бруд і будь-яке інше сміття, що скупчилося, до і після кожного використання.

- У разі засмічення зупиніть газонокосарку та вийміть акумулятор(и), а потім видаліть траву та листя на приводному валу і вентиляторі мотора або навколо них. Протирайте косарку вологою тканиною.

**⚠ ЗАСТЕРЕЖЕННЯ.** Не намагайтеся обійти роботу кнопки живлення та тригера обертання леза.

**ПРИМІТКА.** Мотор не може бути запущений, якщо ручка не зафіксована в одному з трьох робочих положень.

### Запуск косарки (рис. M1 і M2)

1. Установіть акумулятор(и) в газонокосарку та закрийте кришку батарейного відсіку.
2. Натисніть кнопку живлення, щоб увімкнути приладну панель, загориться індикатор стану косарки разом з індикатором швидкості леза 1.
3. Натисніть кнопку режиму швидкості леза, щоб вибрати потрібну швидкість.
4. Натисніть і утримуйте кнопку живлення.
5. Утримуючи кнопку живлення натиснутою, потягніть тригер обертання леза до ручки та відпустіть кнопку живлення.

### Зупинка косарки (рис. M3)

1. Повністю відпустіть тригер обертання леза.
2. Електричне гальмо в механізмі автоматичного гальмування зупинить обертання леза протягом 3 секунд після того, як тригер обертання леза відпущено.

### САМОХІДНА СИСТЕМА ЗІ ЗМІННОЮ ШВИДКІСТЮ (РИС. N)

Косарка обладнана самохідною системою зі змінною швидкістю. Ця самохідна система не залежить від обертання леза.

**ПРИМІТКА.** Самохідна система не може бути запущена, якщо ручка не зафіксована в одному з трьох робочих положень.

### Робота самохідної системи без обертання леза

1. Натисніть кнопку живлення, щоб підсвітити приладну панель.
2. Злегка поверніть ручку регулювання швидкості самохідного руху вперед, доки не почувете клацання, а потім потягніть тригер самохідного руху до упору до ручки, щоб увімкнути функцію самохідного руху.

UK

**Щоб вимкнути самохідну систему**, відпустіть тригер самохідної системи.

косаркою.







**Щоб вимкнути фари**, натисніть кнопку ще раз.

## СВІТЛОДІОДНІ ФАРИ (РИС. Р)

**Щоб увімкнути фари**, натисніть кнопку фар. Фари забезпечують яскраве освітлення ділянки перед

## ІНДИКАТОР СТАНУ КОСАРКИ

Індикатор стану косарки на приладній панелі відображає робочий стан косарки.

Індикатор	Опис	Значення	Дія
	Косарка працює належним чином.	Косарка працює належним чином.	Не потрібно виконувати жодних дій.
	Ручка не заблокована в робочому положенні.	Ручка не заблокована в робочому положенні.	Зупиніть газонокосарку та переконайтеся, що ручка зафіксована в робочому положенні.
	Низький заряд акумулятора.	Низький заряд акумулятора.	Вимкніть косарку і зарядіть акумулятор(и).
	Косарка перегрілася.	Косарка перегрілася.	Відпустіть тригер обертання леза, зачекайте, доки температура газонокосарки опуститься нижче 80°C. Див. розділ « <b>ЗАХИСТ КОСАРКИ ВІД ВИСОКИХ ТЕМПЕРАТУР</b> » нижче.
	Косарка перевантажена.	Косарка перевантажена.	<ol style="list-style-type: none"> <li>1. Вийміть акумулятор(и), а потім перевірте, чи не накопичилася трава під декою. Почистьте за необхідності.</li> <li>2. Сповільніть крок під час косіння.</li> <li>3. Збільште висоту зрізання.</li> <li>4. Якщо наведені вище рішення не допомогли, зверніться до сервісного центру EGO.</li> </ol> Див. розділ « <b>ЗАХИСТ КОСАРКИ ВІД ПЕРЕВАНТАЖЕННЯ</b> » нижче
	Помилка електроніки газонокосарки.	Помилка електроніки газонокосарки.	Зверніться до сервісного центру EGO.

UK

## ЗАХИСТ КОСАРКИ ВІД ВИСОКИХ ТЕМПЕРАТУР

Якщо температура косарки перевищуватиме 90°C під час роботи, схема захисту від перегріву негайно вимкне косарку для запобігання пошкодженню внаслідок перегріву.

Індикатор стану косарки світитиметься оранжевим кольором. Відпустіть тригер обертання леза та зачекайте, доки перегріта косарка охолоне, а індикатор стану стане зеленим, після чого перезапустіть косарку.

## ЗАХИСТ КОСАРКИ ВІД ПЕРЕВАНТАЖЕННЯ

Щоб запобігти перевантаженню, не намагайтесь одночасно видаляти занадто багато трави. Уповільніть крок або збільште висоту різання.

Ваша косарка має вбудований захист контуру від перевантаження. Коли косарка перевантажена, мотор зупиняється, а індикатор стану косарки на панелі блимає оранжевим.



## ОБСЛУГОВУВАННЯ

**⚠ ПОПЕРЕДЖЕННЯ.** Щоб уникнути серйозних травм, завжди вимикайте косарку, виймайте акумулятор(и) і переконайтеся, що всі рухомі частини повністю зупинилися перед чищенням, виконанням будь-якого технічного обслуговування або транспортуванням косарки.

**⚠ ПОПЕРЕДЖЕННЯ.** Зупиніть машину та вийміть акумуляторну батарею, щоб переконаватися, що всі рухомі частини повністю зупинилися після удару об сторонній предмет, а також оглянути машину на наявність пошкоджень і виконати ремонт перед тим, як перезапустити та експлуатувати машину.

**⚠ ПОПЕРЕДЖЕННЯ.** Зупиніть машину та вийміть акумуляторну батарею, щоб переконаватися, що всі рухомі частини повністю зупинилися, якщо машина починає вібрувати ненормально, а потім негайно перевірте її на наявність пошкоджень, замініть або відремонтуйте пошкоджені деталі, а також перевірте й затягніть будь-які ослаблені деталі.

**⚠ ПОПЕРЕДЖЕННЯ.** Використовуйте для технічного обслуговування лише ідентичні запчастини. Використання будь-яких інших частин створює небезпеку або може призвести до поломки виробу. Для гарантування безпеки та надійності всі ремонтні роботи повинен проводити кваліфікований технічний спеціаліст.

### ЧИЩЕННЯ КОСАРКИ

Після кожного використання слід очистити нижню частину деки газонокосарки в міру накопичення трави, листя, бруду або іншого сміття.

Видаліть накопичену траву та листя на приводному валу або навколо нього та вентилятори мотора. Протирайте косарку вологою тканиною.

### Очищення отвору для входу повітря (рис. Q)

1. Зніміть сітчасту кришку отвору для входу повітря, відкрутивши чотири гвинти.
2. Очистьте внутрішню частину повітрязабірника та сітчасту кришку стисненим повітрям.

### ЗАМІНА ЛЕЗА (РИС. R1, R2, R3)

**⚠ ПОПЕРЕДЖЕННЯ.** Завжди виймайте акумулятор(и) та мішок для трави.

**⚠ ПОПЕРЕДЖЕННЯ.** Завжди надягайте захисні рукавиці.

**ПРИМІТКА.** Перед установленням леза ретельно очистьте область приводного вала та нижню частину машини.

1. Переверніть косарку догори дном
2. Зніміть/установіть лезо за допомогою динамометричного ключа та двох металевих стрижнів, як показано на рисунку.
3. Надрукованою стороною леза назовні.

### ЗБЕРІГАННЯ КОСАРКИ (РИС. S1 і S2)

1. Вийміть акумулятор(и) з косарки.
2. Випорожніть мішок для трави й очистьте косарку.
3. Щоб заощадити місце для зберігання, складіть ручку виробу та зберігайте його, як показано на рисунку.

**ПРИМІТКА.** Переконайтеся, що шнур ручки не затиснутий під час складання/розкладання ручки виробу (не кидайте ручку).

4. Під час зберігання не ставте на косарку інші предмети

**ПОПЕРЕДЖЕННЯ.** Якщо косарка перевертається з вертикального положення, це може спричинити пошкодження косарки або травмування. Косарка завжди має стояти надійно та бути недоступною для дітей, коли вона перебуває у вертикальному положенні. Якщо це можливо, покладіть її в горизонтальне положення для зберігання.

### ЗАХИСТ ДОВКІЛЛЯ



Не викидайте електричні пристрої разом із несорттованими побутовими відходами. Використовуйте для цього пункти роздільного збирання.

Для отримання інформації стосовно наявних систем збирання відходів зверніться до органів місцевої влади.

Якщо електричний пристрій утилізується на сміттєзвалищі, небезпечні речовини можуть вилетіти в ґрунтові води та потрапити в харчовий ланцюг, що може зашкодити вашому здоров'ю та самопочуттю.

UK

## УСУНЕННЯ НЕСПРАВНОСТЕЙ

НЕСПРАВНІСТЬ	ПРИЧИНА	ВИРІШЕННЯ
Не вдається запустити косарку або функцію самохідного руху.	<ul style="list-style-type: none"> <li>■ Акумулятор(и) розряджено.</li> </ul>	<ul style="list-style-type: none"> <li>■ Зарядіть акумуляторну батарею.</li> </ul>
	<ul style="list-style-type: none"> <li>■ Акумулятор(и) не вставлений(-і) належним чином у батарейний відсік.</li> </ul>	<ul style="list-style-type: none"> <li>■ Вставте акумулятор(и) в батарейний відсік, доки не почуєте «кляцання».</li> </ul>
	<ul style="list-style-type: none"> <li>■ Ручка не зафіксована в робочому положенні, а індикатор стану косарки блимає зеленим кольором.</li> </ul>	<ul style="list-style-type: none"> <li>■ Зупиніть газонокосарку та переконайтеся, що ручка зафіксована в робочому положенні.</li> </ul>
	<ul style="list-style-type: none"> <li>■ Дека косарки забита травою та сміттям.</li> </ul>	<ul style="list-style-type: none"> <li>■ Очистьте деку косарки та переконайтеся, що лезо має свободу руху.</li> </ul>
Косарка косить нерівномірно.	<ul style="list-style-type: none"> <li>■ Лезо затупилося.</li> </ul>	<ul style="list-style-type: none"> <li>■ Заточіть або замініть лезо.</li> </ul>
	<ul style="list-style-type: none"> <li>■ Висота зрізання трави не встановлена належним чином.</li> </ul>	<ul style="list-style-type: none"> <li>■ Збільште висоту деки.</li> </ul>
	<ul style="list-style-type: none"> <li>■ Лезо встановлено неправильно.</li> </ul>	<ul style="list-style-type: none"> <li>■ Установіть лезо, дотримуючись вказівок у розділі «ЗАМІНА ЛЕЗА» цього посібника.</li> </ul>
	<ul style="list-style-type: none"> <li>■ Режим швидкості леза встановлено неправильно.</li> </ul>	<ul style="list-style-type: none"> <li>■ Виберіть відповідний режим швидкості леза.</li> </ul>
Косарка не мульчує правильно.	<ul style="list-style-type: none"> <li>■ Обрізки мокрої трави приклеюються до нижньої поверхні деки.</li> </ul>	<ul style="list-style-type: none"> <li>■ Зачекайте, доки трава не висохне, перед косінням.</li> </ul>
	<ul style="list-style-type: none"> <li>■ Косарка встановлена для зрізання занадто великої кількості трави за раз.</li> </ul>	<ul style="list-style-type: none"> <li>■ Підніміть деку, щоб установити вищу висоту зрізання.</li> </ul>
	<ul style="list-style-type: none"> <li>■ Режим швидкості леза встановлено неправильно.</li> </ul>	<ul style="list-style-type: none"> <li>■ Виберіть режим 1 або режим швидкості леза ECO.</li> </ul>

UK

Косарка несподівано зупиняється під час косіння.	<ul style="list-style-type: none"> <li>■ Акумулятор(и) розряджено.</li> </ul>	<ul style="list-style-type: none"> <li>■ Зарядіть акумуляторну батарею.</li> </ul>
	<ul style="list-style-type: none"> <li>■ Косарка перевантажена, і індикатор стану косарки блимає помаранчевим кольором.</li> </ul>	<ul style="list-style-type: none"> <li>■ Перевірте, чи не накопичилася трава під декою, і за потреби почистіть її. Підніміть висоту різання або сповільніть косіння.</li> </ul>
	<ul style="list-style-type: none"> <li>■ Дека косарки забита травою та сміттям.</li> </ul>	<ul style="list-style-type: none"> <li>■ Очистьте деку косарки. Підніміть висоту різання або косіть вузькою смугою.</li> </ul>
	<ul style="list-style-type: none"> <li>■ Акумулятор(и) або схема косарки занадто гарячі. Якщо акумуляторна батарея перегріта, індикатор стану газонокосарки вимикається. Якщо косарка перегріта, індикатор стану косарки світиться оранжевим кольором.</li> </ul>	<ul style="list-style-type: none"> <li>■ Дайте акумуляторну(-ам) або газонокосарці охолонути.</li> <li>■ Очистьте мішок для трави, дотримуючись вказівок у розділі «<b>Очищення отвору для входу повітря</b>»</li> </ul>
	<ul style="list-style-type: none"> <li>■ Режим швидкості леза встановлено неправильно.</li> </ul>	<ul style="list-style-type: none"> <li>■ Виберіть меншу швидкість обертання леза.</li> </ul>
	<ul style="list-style-type: none"> <li>■ Помилка електроніки косарки, і індикатор стану косарки по черзі блимає червоним/зеленим кольором.</li> </ul>	<ul style="list-style-type: none"> <li>■ Зверніться до сервісного центру EGO.</li> </ul>
Надмірна вібрація.	<ul style="list-style-type: none"> <li>■ Ріжуче лезо не закріплено.</li> </ul>	<ul style="list-style-type: none"> <li>■ Затягніть болт леза.</li> </ul>
	<ul style="list-style-type: none"> <li>■ Ріжуче лезо незбалансоване.</li> </ul>	<ul style="list-style-type: none"> <li>■ Зверніться до сервісного центру EGO.</li> </ul>
	<ul style="list-style-type: none"> <li>■ Ріжуче лезо зігнуто.</li> </ul>	<ul style="list-style-type: none"> <li>■ Замініть лезо.</li> </ul>
	<ul style="list-style-type: none"> <li>■ Вал мотора зігнуто.</li> </ul>	<ul style="list-style-type: none"> <li>■ Зверніться до сервісного центру EGO.</li> </ul>
	<ul style="list-style-type: none"> <li>■ Косарка встановлена для зрізання занадто великої кількості трави за раз.</li> </ul>	<ul style="list-style-type: none"> <li>■ Підніміть деку, щоб установити вищу висоту зрізання.</li> </ul>
	<ul style="list-style-type: none"> <li>■ Режим швидкості леза встановлено неправильно.</li> </ul>	<ul style="list-style-type: none"> <li>■ Установіть меншу швидкість обертання леза.</li> </ul>
Мотор працює, але лезо не косить траву.	<ul style="list-style-type: none"> <li>■ Лезо не затягнуто з необхідним моментом.</li> </ul>	<ul style="list-style-type: none"> <li>■ Знову затягніть лезо. Рекомендований крутний момент для болта леза становить 50–60 Н·м.</li> </ul>

## ГАРАНТІЯ

### ПРАВИЛА ГАРАНТІЇ EGO

Відвідайте веб-сайт [egopowerplus.eu](http://egopowerplus.eu) для отримання повного тексту умов гарантійної політики EGO.

## ПРОЧЕТЕТЕ ВСИЧКИ ИНСТРУКЦИИ!

**Употреба по предназначение:** Продуктът е предназначен за ръчно косене на трева:

- Използвайте само за косене на суха трева. Не косете мокра трева.
- Не го използвайте за други цели.

**⚠ ПРЕДУПРЕЖДЕНИЕ:** Уверете се, че сте прочели и осъзнали всички инструкции за безопасност в това Ръководство на оператора, включително всички известяващи символи за безопасност, като **“ОПАСНОСТ”**, **“ПРЕДУПРЕЖДЕНИЕ”** и **“ВНИМАНИЕ”** преди да използвате тази машина. Неспазването на всички инструкции изброени долу може да доведе до електрически удар, пожар и/или сериозно нараняване.

## СИМВОЛИ ЗА БЕЗОПАСНОСТ



Сигнал за безопасност



Винаги носете защита за ушите, предпазни очила със странична защита и предпазен щит за цялото лице, когато работите с този продукт.



Пазете се от изхвърлени предмети - дръжте минувачите настрана.



Дръжте ръцете си далеч



Гарантирано ниво на мощност на звука.



Този продукт е в съответствие с приложимото законодателство на Великобритания.



Bluetooth®

IPX5

Защита срещу водни струи

mm

Милиметър



Постоянен ток



За намаляване на опасността от нараняване, потребителят трябва да прочете и разбере ръководството на оператора преди използването на този продукт.



Изключете и извадете разглобяемата батерия (или активиращото устройство) преди регулиране и почистване.



Дръжте ръцете и краката си далеч от остриетата



Не гледайте работната лампа.



Този продукт е в съответствие с приложимите директиви на ЕС.



Отпадъчните електрически продукти не трябва да бъдат изхвърляни заедно с домакинския отпадък. Отнесете го до упълномощено място за рециклиране.

V

Волт

cm

Сантиметър

kg

Килограм

BG

## СПЕЦИФИКАЦИИ

Напрежение	56 V	
Режим на скоростта на острието	2	
	1	
	ECO	
Позиции на височина на рязане	8	
Настройка на височината на рязане	20 мм/31 мм/40 мм/51 мм/ 64 мм/78 мм/92 мм/105 мм	
Ширина на рязане	53 cm	
Обем на торбата за трева	85 л	
Тегло на косачката (без акумулаторна батерия и торба за трева)	46 kg	
Модел на ножа	AB5301	
Препоръчителна работна температура	0°C–40°C	
Препоръчителна температура на съхранение	-20°C–70°C	
Измерено ниво на сила на звука $L_{WA}$	94 dB(A) K= 0,6 dB(A)	
Ниво на звуково налягане при ухото на оператора $L_{PA}$	83 dB(A) K= 3 dB(A)	
Гарантирано ниво на сила на звука $L_{WA}$ (измерено съгласно 2000/14/EC)	95 dB(A)	
Оценка на вибрации $a_{h,v}$ :	Лява ръкохватка	0,39 m/s <sup>2</sup> K=1,5 m/s <sup>2</sup>
	Дясна ръкохватка	0,33 m/s <sup>2</sup> K=1,5 m/s <sup>2</sup>

- Декларираният общ размер на вибрации е измерен в съответствие със стандартния метод за тест и може да бъде използван за сравнение между две машини;
- Декларираният общ размер на вибрации може също така да бъде използван за предварителна оценка на влиянието.

**БЕЛЕЖКА:** Вибрационните емисии по време на действителната употреба на машината може да се

различава от декларираната стойност. С цел да се защити оператора, потребителят трябва да носи ръкавици и антифони в действителни условия на работа.

## ОПАКОВЪЧЕН ЛИСТ (ФИГ. A1 И A2)

ИМЕ НА ЧАСТ	БРОЙ
Косачка за трева	1
Торба за трева	1
Рамка на торбата за трева	1
Крилчият болт (фабрично монтиран в косачката)	2
Ръководство на оператора	1

## ОПИСАНИЕ

### ОПОЗНАЙТЕ ВАШАТА КОСАЧКА (Фиг. A1 и A2)

1. Спусък за самостоятелно задвижване
2. Ръкохватка
3. Спусък за въртене на острието
4. Задна изпускателна врата
5. Заклучваща предавка
6. Капак на отделението за батериите
7. LED фарове
8. Средна броня (ръкохватка за повдигане)
9. Предна броня
10. Преден лост за регулиране на височината на рязане
11. Предно колело
12. Платформа на косачката
13. Страничен щит
14. Вход за въздух
15. Задно колело
16. Заден лост за регулиране на височината на рязане
17. Крилчат болт
18. Монтажна плоча на ръкохватката
19. Конзола
20. Торба за трева
21. Заден щит
- 22\*. Вложка за торене
- 23\*. Страничен отвеждащ улей
24. Bluetooth® индикатор
25. Информационно табло
26. Индикатор на статуса на косачката
27. Индикатор на скоростта на ножа
28. Бутон за режим на скоростта на острието

- 29. Бутон за електрозахранване
- 30. Бутон за LED фарове (бутон Bluetooth®)
- 31. Регулатор за скоростта на самостоятелното задвижване

\* ПРОДАВА СЕ ОТДЕЛНО

## МОНТАЖ

**▲ ПРЕДУПРЕЖДЕНИЕ:** Ако някои от частите са повредени или липсват, не работете с този продукт, докато частите не се подменят. Използването на този продукт с повредени или липсващи части може да доведе до сериозно лично нараняване.

**▲ ПРЕДУПРЕЖДЕНИЕ:** За да предотвратите случайно стартиране, което може да причини сериозно нараняване винаги изваждайте акумулаторната батерия от машината, когато сглобявате частите.

**▲ ПРЕДУПРЕЖДЕНИЕ:** Не се опитвайте да модифицирате тази машина или да създадете аксесоари, които не се препоръчват за употреба с тази косачка. Всяка такава промяна или модификация е злоупотреба и може да доведе до опасни условия с последици от сериозни наранявания.

## РАЗОПАКОВАНЕ

Този продукт изисква сглобяване.

- Извадете всички аксесоари от кашона.

**▲ ВНИМАНИЕ:** Тежък предмет. Необходими са двама души, за да повдигнат косачката.

- Единият човек трябва да хване средната броня/ръкохватката за повдигане, а другият - двата крилчати болта, за да повдигне внимателно косачката от кашона.

## МОНТИРАНЕ НА РЪКОХВАТКАТА

Косачката за трева се доставя с частично сглобена ръкохватка.

**▲ ПРЕДУПРЕЖДЕНИЕ:** Не се опитвайте да стартирате косачката, докато ръкохватката не е правилно и сигурно монтирана и разгъната. Бъдете внимателни, за да избегнете притискане на пръстите и кабела между частите.

1. Отвийте и оставете настрана двата крилчати болта.
2. Преместете ръкохватката напред, докато блокиращата предавка на възела на ръкохватката се обърне към предавката на косачката (фиг. B1).
3. Подравнете маркировките на заключващия механизъм и монтажната плоча на ръкохватката, както е показано на фиг. B2, след което поставете и затегнете с пръсти двата крилчати болта.

## РАЗГЪВАНЕ И РЕГУЛИРАНЕ НА РЪКОХВАТКАТА (ФИГ. C)

**▲ ПРЕДУПРЕЖДЕНИЕ:** Внимавайте да не притискате, прегъвате или напрягате кабела, когато съввате или разгъвате ръкохватката. Повреждането на кабела може да повлияе на активирането и работата на косачката и да доведе до опасни условия на работа.

**▲ ПРЕДУПРЕЖДЕНИЕ:** Не се опитвайте да стартирате косачката и системата за самозадвижване, докато ръкохватката не бъде заключена в едно от трите предварително зададени работни положения (горно работно положение 3, средно работно положение 2 и долно работно положение 1).

1. Разхлабете крилчатите болтове от двете страни, уверете се, че двете зъбни колела са напълно освободени, но НЕ са разделени.
2. Завъртете ръкохватката нагоре, докато маркировката на стрелката върху заключващия механизъм съвпадне с една от трите работни позиции върху монтажната плоча на ръкохватката.
3. Затегнете двата болта, уверете се, че двете зъбни колела са напълно задействани и ръкохватката е здраво фиксирана.

C-1	Долна работна позиция 1
C-2	Средна оперативна позиция 2
C-3	Горна работна позиция 3

## СГЪВАНЕ НА РЪКОХВАТКАТА (ФИГ. D)

**▲ ПРЕДУПРЕЖДЕНИЕ:** Внимавайте да не притискате, прегъвате или напрягате кабела, когато съввате или разгъвате ръкохватката. Повреждането на кабела може да повлияе на активирането и работата на косачката и да доведе до опасни условия на работа.

1. Разхлабете крилчатите болтове от двете страни, уверете се, че двете зъбни колела са напълно освободени, но НЕ са разделени.
2. Завъртете ръкохватката надолу, докато ръкохватката заеме позиция за съхранение.
3. Изравнете маркировката на стрелката върху заключващия механизъм с маркировката за позиция за съхранение върху монтажната плоча на ръкохватката.
4. Затегнете двата крилчати болта, уверете се, че двете зъбни колела са напълно задействани и ръкохватката е здраво фиксирана.

D-1	Позиция за съхранение
-----	-----------------------

## СГЛОБЯВАНЕ НА ТОРБАТА ЗА ТРЕВА (ФИГ. Е1, Е2, Е3)

Преди сглобяването проверете торбата за трева, за да се уверите, че няма повреди.

Сглобете торбата за трева, както е показано на илюстрацията.

## МОНТИРАНЕ/ДЕМОНТИРАНЕ НА ВЛОЖКАТА ЗА ТОРЕНЕ (ПРОДАВА СЕ ОТДЕЛНО)

Монтирайте вложката за торене в косачката, както е показано на фигура F.

**▲ ОПАСНОСТ:** Машината може да изхвърля окосената трева и други предмети през отвор в корпуса на машината. Предмети, изхвърлени с достатъчна сила, могат да причинят сериозни телесни повреди или смърт на вас или на случайни минавачи.

Никога не работете с косачката без правилно монтирани вложка за торене, торба за трева или улей за странично изхвърляне.

**▲ ПРЕДУПРЕЖДЕНИЕ:** Извадете вложка за торене преди да закрепите торбата за трева към косачката. Вложката за торене трябва да се монтира отново, когато торбата за трева (или улей за странично изхвърляне) са демонтирани.

## ЗАКРЕПВАНЕ/ИЗВАЖДАНЕ НА ТОРБАТА ЗА ТРЕВА

Поставете торбата за трева в косачката, както е показано на фигура G.

**▲ ПРЕДУПРЕЖДЕНИЕ:** При нормална употреба материалът на торбата за трева е предмет на износване. За да намалите риска от нараняване, често проверявайте торбата за трева и подменете торбата, ако има признаци на износване или лошо състояние. Използвайте само торби за трева произведени за тази косачка.

**▲ ПРЕДУПРЕЖДЕНИЕ:** Торбата за трева трябва да се извади, за да се монтира и използва улей за странично изхвърляне или вложка за торене.

## ЗАКРЕПВАНЕ / ИЗВАЖДАНЕ НА СТРАНИЧНИЯ ОТВЕЖДАЩ УЛЕЙ (ПРОДАВА СЕ ОТДЕЛНО)

Монтирайте страничния отвеждащ улей в косачката, както е показано на фигура H.

**▲ ПРЕДУПРЕЖДЕНИЕ:** Страничният отвеждащ улей трябва да се демонтира, за да се монтира и използва торбата за трева или вложката за торене.

## РЕГУЛИРАНЕ НА ВИСОЧИНАТА НА РЯЗАНЕ (ФИГ. J1 и J2)

**▲ ПРЕДУПРЕЖДЕНИЕ:** Дръжте краката си на разстояние от платформата, когато регулирате височината на рязане.

Косачката може да бъде настроена на 8 височини на рязане между 20 mm и 105 mm. Маркировка показва избраната височина на рязане.

Тази косачка ви позволява да регулирате височината на рязане на предната и задната част на косачката поотделно. Изберете правилната височина на рязане, в съответствие с вида и състоянието на тревата, която ще се коси.

1. Изключете косачката и изчакайте режещото острие да спре напълно.
2. Премахнете акумулаторната(ите) батерия(и).
3. Издърпайте лоста за регулиране на височината на рязане отпред или отзад и го поставете в желаната позиция.

## МОНТИРАНЕ/ИЗВАЖДАНЕ НА АКУМУЛАТОРНИТЕ БАТЕРИИ (ФИГ. K)

**БЕЛЕЖКА:** Заредете акумулаторната батерия преди първата употреба.

Използвайте само с акумулаторни батерии и зарядни устройства изброени на Фиг. A3.

**БЕЛЕЖКА:** Косачката има два активни порта за батерии. Тя може да работи с една или две акумулаторни батерии.

### ■ За да закрепите

1. Отворете капака на отделението за батерии и вкарайте батерията в отделението за батерии, докато чуете „щракване“.
2. Повторете процедурата, за да инсталирате втората акумулаторна батерия.

### ■ За да извадите

Натиснете бутона за освобождаване на батерията в отделението на батерията.

**БЕЛЕЖКА:** Уверете се, че резето на косачката щраква на мястото си и батерията(ите) е осигурена в косачката преди стартиране на работа.

## ИЗБОР НА РЕЖИМ НА СКОРОСТТА НА ОСТРИЕТО (ФИГ. L)

- Режим 2 е режим на висока скорост на острието за висока производителност, за да се подобри силата на засмукване и ефективността на рязане.

- Режим 1 е най-добрият баланс между производителност и време на работа.
- Режимът ECO осигурява най-ниско ниво на шум и най-дълго време на работа на батерията(ите).

**БЕЛЕЖКА:** По подразбиране режимът на скоростта на острието е режим 1.

## КОМУНИКАЦИОННА ТЕХНОЛОГИЯ

За информация относно пълната ни гама от свързани продукти и услуги, включително инструкции за свързване, моля, сканирайте QR кода по-долу или посетете [www.egopowerplus.eu/connect](http://www.egopowerplus.eu/connect).



## ЕКСПЛОАТАЦИЯ

Продуктът може да бъде използван в дъжд.

### СТАРТИРАНЕ / СПИРАНЕ НА КОСАЧКАТА

**▲ ПРЕДУПРЕЖДЕНИЕ:** Експлоатацията на всяка косачка за трева, може да доведе до изхвърляне на чужди предмети към вашите очи или към очите на други, което може да доведе до сериозни очни наранявания. Винаги носете предпазни очила, докато работите с косачката или докато извършвате настройки или ремонт по нея.

**▲ ПРЕДУПРЕЖДЕНИЕ:** Ножът ще продължи да се върти за няколко секунди, след като косачката е изключена. Оставете моторът / ножът да спрат да се въртят, преди да я стартирате отново. Не включвайте и изключвайте бързо косачката.

**▲ ПРЕДУПРЕЖДЕНИЕ:** Спрете ножа, ако косачката трябва да бъде наклонена за транспортиране, когато пресичате повърхности различни от трева и когато транспортирате косачката до и от зоната на косене.

**▲ ПРЕДУПРЕЖДЕНИЕ:** Не наклоняйте косачката при стартиране на двигателя, освен ако косачката трябва да бъде наклонена за стартиране. В този случай не го наклоняйте повече от колкото е абсолютно необходимо и поддигнете само частта, която е далеч от оператора.

Преди употреба винаги проверявайте визуално, за да видите дали острието и болтът на острието не са износени или повредени. Подменяйте износените

остриета и болтове в комплект за да съхраните баланса.

### Проверете за блокиране на режещия нож

- За да предотвратите блокиране, поддържайте режещото острие и платформата на косачката чисти. Отстранявайте окосената трева, листата, мърсотията и всякакви други натрупани отпадъци преди и след всяка употреба.

- Когато възникне запушване, спрете косачката и извадете батерията(ите), след това отстранете всяко натрупване на трева и листа върху или около задвижващия вал и вентилатора на двигателя. Почистете, забърсвайки косачката с влажна кърпа.

**▲ ВНИМАНИЕ:** Не се опитвайте да променят действието на бутона за включване и на спусъка за въртене на острието.

**БЕЛЕЖКА:** Двигателят не може да бъде стартиран, ако ръкохватката не е заключена в едно от трите работни положения.

### Стартиране на косачката (фиг. M1 и M2)

1. Прикрепете акумулаторната(те) батерия(и) към косачката и затворете капака на отделението за батерии.
2. Натиснете бутона за захранване, за да светне таблото, и индикаторът за състоянието на косачката заедно с индикатора за скоростта на острието 1 ще светнат.
3. Натиснете бутона за режим на скоростта на острието, за да изберете желаната скорост.
4. Натиснете и задръжте бутона за захранване.
5. При натиснат бутон за захранване издърпайте спусъка за въртене на острието, за да се срещне с ръкохватката, и освободете бутона за захранване.

### Спиране на косачката (фиг. M3)

1. Освободете изцяло спусъка за въртене на острието.
2. Електрическата спирачка, в автоматичния спирачен механизъм, ще спре въртенето на острието в рамките на 3 секунди от освобождаването на спусъка за въртене на острието.

### САМОСТОЯТЕЛНА ЗАДВИЖВАЩА СИСТЕМА С ПРОМЕНЛИВА СКОРОСТ (ФИГ. N)

Косачка е оборудвана с възможности за променлива скорост самостоятелната задвижваща система. Тази



самостоятелна задвижваща система е независима от въртенето на острието.

**БЕЛЕЖКА:** Самостоятелната задвижваща система не може да бъде стартирана, ако ръкохватката не е заключена в едно от трите работни положения.

**За да работите със самостоятелната задвижваща система без въртене на ножа**

1. Натиснете бутон за захранване, за да осветите таблото.
2. Леко завъртете копчето за управление на скоростта на самостоятелно задвижване напред, докато се чуе щракване, след което издърпайте спусъка на самостоятелното задвижване, за да

срещнете ръкохватката и да стартирате функцията на самостоятелното задвижване.

**За да изключите самостоятелното задвижване,** освободете спусъка за самостоятелно задвижване.

**LED ФАРОВЕ (ФИГ. P)**

**За да включите фаровете,** натиснете бутона за фаровете (фиг. R). Фаровете осигуряват ярка светлина пред косачката.

**За да изключите фаровете,** натиснете отново бутона.

**ИНДИКАТОР ЗА СЪСТОЯНИЕТО НА КОСАЧКАТА**

Индикаторът за състоянието на косачката на арматурното табло показва работното състояние на косачката.

Индикатор	Описание	Значение	Действие
	Постоянно зелено	Косачката работи правилно.	Не е необходимо.
	Мигащо зелено	Ръкохватката не е заключена в работно положение.	Спрете косачката и се уверете, че ръкохватката е заключена в едно от работните положения.
	Мигащо червено	Нисък заряд на батерията.	Спрете косачката и заредете акумулаторната(ите) батерия(и).
	Постоянно оранжево	Косачката е прегоряла.	Освободете спусъка за въртене на острието и изчакайте, докато температурата на косачката падне под 80 °C. Вижте „ЗАЩИТА НА КОСАЧКАТА ОТ ВИСОКА ТЕМПЕРАТУРА“ по-долу.
	Мигащо оранжево	Косачката е претоварена.	<ol style="list-style-type: none"> <li>1. Извадете батерията(ите), след което проверете дали не се е натрупала трева под платформата. Почистете, ако е необходимо.</li> <li>2. Забавете своята крачка, когато косите.</li> <li>3. Увеличете височината на рязане.</li> <li>4. Ако горните решения не помогнат, свържете се със сервизния център на EGO.</li> </ol> <p>Вижте „ЗАЩИТА ОТ ПРЕТОВАРВАНЕ НА КОСАЧКАТА“ по-долу.</p>
	Мига в червено/зелено последователно	Грешка в електрониката на косачката.	Свържете се със сервизния център на EGO.

## ЗАЩИТА ОТ ВИСОКА ТЕМПЕРАТУРА НА КОСАЧКАТА

Ако температурата на косачката надвиши 90°C по време на работа, веригата за температурна защита незабавно ще изключи косачката за предотвратяване на повреда от прегряване.

Индикаторът за състоянието на косачката ще свети постоянно в оранжево. Освободете спуська за въртене на острието и изчакайте, докато прегрялата косачка се охлади и индикаторът за състоянието стане зелен, след което рестартирайте косачката.

## ЗАЩИТА ОТ ПРЕТОВАРВАНЕ НА КОСАЧКАТА

За да предотвратите условия на претоварване, не се опитвайте да режете твърде много трева на веднъж. Намалете скоростта или увеличете височината на рязане.

Вашата косачка има вградена защитна верига за претоварване. Когато косачката е претоварена, моторът ще спре и индикаторът за статуса на косачката на арматурното табло ще мига в оранжево.

## ПОДДРЪЖКА

**▲ ПРЕДУПРЕЖДЕНИЕ:** За да избегнете сериозни наранявания, винаги изключвайте косачката, изваждайте акумулаторната(ите) батерия(и) и се уверявайте, че всички движещи се части са напълно спрели, преди да почиствате, извършвате каквато и да е поддръжка или транспортирате косачката.

**▲ ПРЕДУПРЕЖДЕНИЕ:** Спрете машината и извадете батерията, за да се уверите, че всички движещи се части са спрели напълно след удар с чужд предмет, и да проверите машината за повреди и да направите ремонт, преди да рестартирате и работите с машината.

**▲ ПРЕДУПРЕЖДЕНИЕ:** Спрете машината и извадете батерията, за да се уверите, че всички движещи се части са спрели напълно, ако машината започне да вибрира необичайно, а след това незабавно да проверите за повреди, да замените или поправите повредените части и да проверите и затегнете всички разхлабени части.

**▲ ПРЕДУПРЕЖДЕНИЕ:** Когато обслужвате, използвайте само идентични резервни части. Употребата на каквито и да е други части може да създаде опасност или да предизвика повреда на продукта. За да осигурите безопасността и надеждността, всички поправки трябва да се извършват от квалифициран сервизен техник.

## ПОЧИСТВАНЕ НА КОСАЧКАТА

Долната страна на платформата на косачката трябва да бъде почиствана след всяка употреба, тъй като ще се натрупат отрязъци от трева, листа, мръсотия и други отпадъци.

Извадете всяко натрупване на трева и листа по или около задвижващия вал и вентилатора на мотора. Почистете, забърсвайки косачката с влажна кърпа.

### Почистване на входа за въздух (фиг. Q)

1. Свалете мрежестия капак на отвора за въздух, като отстраните четирите винта.
2. Почистете вътрешността на входа за въздух и мрежестия капак със състен въздух.

## СМЯНА НА ОСТРИЕТО (ФИГ. R1, R2, R3)

**▲ ПРЕДУПРЕЖДЕНИЕ:** Винаги изваждайте акумулаторната(ите) батерия(и) и торбата за трева.

**▲ ПРЕДУПРЕЖДЕНИЕ:** Винаги носете защитни ръкавици.

**БЕЛЕЖКА:** Преди да монтирате острието, почистете добре областта на задвижващия вал и долната част на машината.

1. Обърнете косачката с горната страна надолу
2. Демонтирайте/монтирайте острието с помощта на динамометричен ключ и две метални пръчки като помощно средство, както е показано на илюстрацията.
3. Отпечатаната страна на острието трябва да е обърната навън.

## СЪХРАНЯВАНЕ НА КОСАЧКАТА (ФИГ. S1 и S2)

1. Извадете акумулаторната(ите) батерия(и) от косачката.
2. Изпразнете торбата за трева и почистете косачката.
3. За да спестите значително място за съхранение, съгнете ръкохватката на продукта и го съхранявайте, както е показано на илюстрацията.

**БЕЛЕЖКА:** Уверете се, че кабелът на ръкохватката не е захванат при съгване/разгъване на ръкохватката на продукта (не изпускате ръкохватката).

4. Не поставяйте други предмети върху косачката, когато я съхранявате

**ПРЕДУПРЕЖДЕНИЕ:** Падане на косачката от изправена позиция може да доведе до повреда на косачката или нараняване на човек. Винаги дръжте косачката стабилна и извън достъпа на деца, когато е в изправена позиция. Ако е възможно поставете я легнала за съхранение.

#### ОПАЗВАНЕ НА ОКОЛНАТА СРЕДА



Не изхвърляйте електрическо оборудване с общия боклук от домакинството, използвайте отделни сметосъбиращи съоръжения. Свържете се с местните власти за информацията относно наличните системи за събиране на отпадъци.

Ако се изхвърлят електрически уреди в сметища или буница, опасни вещества могат да изтекат в подпочвените води и да попаднат в хранителната верига, като увредят вашето здраве и благосъстояние.

## ОТСТРАНЯВАНЕ НА ПРОБЛЕМИ

ПРОБЛЕМ	ПРИЧИНА	РЕШЕНИЕ
Косачката или функцията за самозадвижване не успява да стартира.	<ul style="list-style-type: none"> <li>■ Аккумуляторната(ите) батерия(и) е изтощена.</li> </ul>	<ul style="list-style-type: none"> <li>■ Заредете аккумуляторната батерия.</li> </ul>
	<ul style="list-style-type: none"> <li>■ Аккумуляторната(ите) батерия(и) не е поставена правилно в отделението за батериите.</li> </ul>	<ul style="list-style-type: none"> <li>■ Вмъкнете аккумуляторната(ите) батерия(и) в отделението на батериите, докато не чуете „щрак“.</li> </ul>
	<ul style="list-style-type: none"> <li>■ Ръкохватката не е заключена в работно положение и индикаторът за състоянието на косачката мига в зелено.</li> </ul>	<ul style="list-style-type: none"> <li>■ Спрете косачката и се уверете, че ръкохватката е заключена в едно от работните положения.</li> </ul>
	<ul style="list-style-type: none"> <li>■ Платформата на косачката е запушена с трева и отпадъци.</li> </ul>	<ul style="list-style-type: none"> <li>■ Почистете платформата на косачката и се уверете, че острието се движи свободно.</li> </ul>
Косачката реже неравно	<ul style="list-style-type: none"> <li>■ Ножът е затъпен.</li> </ul>	<ul style="list-style-type: none"> <li>■ Заточете и подменете острието.</li> </ul>
	<ul style="list-style-type: none"> <li>■ Височината за косене на тревата е не е настроена правилно.</li> </ul>	<ul style="list-style-type: none"> <li>■ Преместете височината на платформата на по-висока настройка.</li> </ul>
	<ul style="list-style-type: none"> <li>■ Острието е монтирано неправилно.</li> </ul>	<ul style="list-style-type: none"> <li>■ Монтирайте отново острието като следвате раздел „<b>МОНТИРАНЕ НА ОСТРИЕТО</b>“ в това ръководство.</li> </ul>
	<ul style="list-style-type: none"> <li>■ Режимът на скоростта на острието не е настроен правилно.</li> </ul>	<ul style="list-style-type: none"> <li>■ Изберете подходящ режим на скоростта на острието.</li> </ul>
Косачката не тори правилно.	<ul style="list-style-type: none"> <li>■ Отрязъци мокра трева са залепнали за долната част на платформата.</li> </ul>	<ul style="list-style-type: none"> <li>■ Изчакайте докато тревата се изсуши преди косене.</li> </ul>
	<ul style="list-style-type: none"> <li>■ Косачката е настроена да реже твърде много трева наведнъж.</li> </ul>	<ul style="list-style-type: none"> <li>■ Повдигнете платформата на по-висока височина на рязане.</li> </ul>
	<ul style="list-style-type: none"> <li>■ Режимът на скоростта на острието не е настроен правилно.</li> </ul>	<ul style="list-style-type: none"> <li>■ Изберете режим 1 или режим на скоростта на острието ECO.</li> </ul>

Косачката спира неочаквано по време на косене.	<ul style="list-style-type: none"> <li>■ Акумулаторната(ите) батерия(и) е изтощена.</li> </ul>	<ul style="list-style-type: none"> <li>■ Заредете акумулаторната батерия.</li> </ul>
	<ul style="list-style-type: none"> <li>■ Косачката е претоварена и индикаторът за състоянието на косачката мига в оранжево.</li> </ul>	<ul style="list-style-type: none"> <li>■ Проверете дали под платформата не се е натрупала трева и я почистете, ако е необходимо. Повдигнете височината на рязане или забавете косенето.</li> </ul>
	<ul style="list-style-type: none"> <li>■ Платформата на косачката е запушена с трева и отпадъци.</li> </ul>	<ul style="list-style-type: none"> <li>■ Отпушете платформата на косачката. Повдигнете височината на рязане и/или косете по-тесен откос.</li> </ul>
	<ul style="list-style-type: none"> <li>■ Акумулаторната(ите) батерия(и) или електронните компоненти на косачката са твърде горещи. Ако акумулаторната батерия е прегоряла, индикаторът за състоянието на косачката изгасва. Ако косачката е прегоряла, индикаторът за състоянието на косачката свети в оранжево.</li> </ul>	<ul style="list-style-type: none"> <li>■ Оставете акумулаторната(ите) батерия(и) или косачката да изстинат.</li> <li>■ Почистете входа за въздух, като следвате раздел „Почистяване на входа за въздух“.</li> </ul>
	<ul style="list-style-type: none"> <li>■ Режимът на скоростта на острието не е настроен правилно.</li> </ul>	<ul style="list-style-type: none"> <li>■ Изберете по-ниска скорост на острието.</li> </ul>
	<ul style="list-style-type: none"> <li>■ Грешката в електрониката на косачката и индикаторът за състоянието на косачката мигат последователно в червено/зелено.</li> </ul>	<ul style="list-style-type: none"> <li>■ Свържете се със сервизния център на EGO.</li> </ul>
Има прекалено силни вибрации.	<ul style="list-style-type: none"> <li>■ Ножът за рязане е разхлабен.</li> </ul>	<ul style="list-style-type: none"> <li>■ Затегнете болта на ножа.</li> </ul>
	<ul style="list-style-type: none"> <li>■ Ножът за рязане е разбалансиран.</li> </ul>	<ul style="list-style-type: none"> <li>■ Свържете се със сервизния център на EGO.</li> </ul>
	<ul style="list-style-type: none"> <li>■ Ножът за рязане е изкривен.</li> </ul>	<ul style="list-style-type: none"> <li>■ Подменете острието.</li> </ul>
	<ul style="list-style-type: none"> <li>■ Валът на мотора е изкривен.</li> </ul>	<ul style="list-style-type: none"> <li>■ Свържете се със сервизния център на EGO.</li> </ul>
	<ul style="list-style-type: none"> <li>■ Косачката е настроена да реже твърде много трева наведнъж.</li> </ul>	<ul style="list-style-type: none"> <li>■ Повдигнете платформата на по-висока височина на рязане.</li> </ul>
	<ul style="list-style-type: none"> <li>■ Режимът на скоростта на острието не е настроен правилно.</li> </ul>	<ul style="list-style-type: none"> <li>■ Настройте скоростта на острието на по-ниска стойност.</li> </ul>
Двигателят работи, но острието не реже тревата	<ul style="list-style-type: none"> <li>■ Острието не е затегнато до необходимия въртящ момент.</li> </ul>	<ul style="list-style-type: none"> <li>■ Затегнете отново острието. Препоръчителният въртящ момент на затягане за болта на острието е 50-60 Nm.</li> </ul>

## ГАРАНЦИЯ

### ГАРАНЦИОННА ПОЛИТИКА EGO

Моля, посетете уебсайта [egopowerplus.eu](http://egopowerplus.eu) за пълните срокове и условия по гаранционната политика на EGO.

## PROČITAJTE UPUTE U CIJELOSTI!

**Namjena:** Proizvod je namijenjen za ručnu košnju travnjaka:

- Upotrebljavajte samo za košnju suhe trave. Nemojte kositi mokru travu.
- Nemojte ga upotrebljavati za druge svrhe.

**⚠ UPOZORENJE:** Prije upotrebe stroja sve upute u ovom korisničkom priručniku, uključujući sve sigurnosne simbole kao što su „OPASNOST“, „UPOZORENJE“ i „OPREZ“ pročitajte s razumijevanjem. Zanemarivanje uputa navedenih u nastavku može rezultirati strujnim udarom, požarom i/ili teškim tjelesnim ozljedama.

## SIGURNOSNI SIMBOLI



Simbol upozorenja



Kada rukujete ovim proizvodom, nosite zaštitu za sluh i zatvorene zaštitne naočale ili zaštitne naočale s bočnim štiznicima i štiznik za cijelo lice.



Čuvajte se bačenih predmeta - držite promatrače podalje.



Držite ruke na udaljenosti



Zajamčena razina snage zvuka.



Ovaj proizvod je u skladu s važećim zakonodavstvom UK.



Bluetooth®

IPX5 Zaštita od mlaza vode

mm Milimetar

Istosmjerna struja



Radi smanjenja opasnosti od ozljeda, prije uporabe ovog proizvoda korisnik treba s razumijevanjem pročitati ovaj korisnički priručnik.



Isključite i uklonite odvojivi baterijski modul (ili napravu za onemogućavanje) prije podešavanja ili čišćenja.



Ruke i stopala držite dalje od noževa.



Nemojte gledati u otvorenu lampu.



Ovaj proizvod je u skladu s važećim direktivama EU.



Otpadni električni proizvodi ne smiju se odlagati s otpadom iz kućanstva. Odnosite ih u ovlašteni centar za recikliranje.

V Volt

cm Centimetar

kg Kilogram

## TEHNIČKI PODACI

Napon	56 V	
Način brzine noža	2	
	1	
	ECO	
Položaji visine otkosa	8	
Postavka visine otkosa	20 mm/31 mm/40 mm/ 51 mm/ 64 mm/78 mm/ 92 mm/105 mm	
Širina otkosa	53 cm	
Volumen vreće za travu	85 L	
Težina kosilice (bez baterijskog modula i vreće za travu)	46 kg	
Model noža	AB5301	
Preporučena radna temperatura	0°C–40°C	
Preporučena temperatura skladištenja	-20°C–70°C	
Izmjerena razina zvučne snage $L_{WA}$	94 dB(A) K= 0,6 dB(A)	
Razina zvučnog tlaka kod uha rukovatelja $L_{PA}$	83 dB(A) K= 3 dB(A)	
Zajamčena razina zvučne snage $L_{WA}$ (izmjereno u skladu s 2000/14/EZ)	95 dB(A)	
Procjena vibracija $a_r$ :	Lijeva drška	0,39 m/s <sup>2</sup> K=1,5 m/s <sup>2</sup>
	Desna drška	0,33 m/s <sup>2</sup> K=1,5 m/s <sup>2</sup>

- Deklarirane ukupne vrijednosti vibracija izmjerene su u skladu sa standardnom metodom ispitivanja i mogu se koristiti za usporedbu jednog stroja s drugim.
- Deklarirane ukupne vrijednosti vibracija mogu se koristiti i u preliminarnoj procjeni izloženosti.

**OBAVIJEST:** Emisija vibracija tijekom stvarnog korištenja stroja može se razlikovati od deklarirane vrijednosti u kojoj se stroj koristio; Radi zaštite rukovatelja, korisnik mora nositi rukavice i štittike za uši u stvarnim uvjetima korištenja.

## OTPREMNICA (SL. A1 I A2)

NAZIV DIJELA	KOLIČINA
Kosilica	1
Vreća za travu	1
Okvir vreće za travu	1
Krilni vijak (tvornički ugrađen u kosilicu)	2
Priručnik za rukovatelje	1

## OPIS

### UPOZNAJTE KOSILICU (sl. A1 i A2)

- Okidač samostalnog pogona
  - Ručka
  - Okidač rotacije noža
  - Vratašca stražnjeg ispusta
  - Zupčanik za zaključavanje
  - Poklopac pretinca za baterije
  - Prednja LED svjetla
  - Srednji odbojnik (ručka za podizanje)
  - Prednji odbojnik
  - Prednja ručica za podešavanje visine rezanja
  - Prednji kotač
  - Trup kosilice
  - Bočni štittik
  - Ulazni otvor za zrak
  - Stražnji kotač
  - Stražnja ručica za podešavanje visine rezanja
  - Krilni vijak
  - Ploča za montažu ručke
  - Nosač
  - Vreća za travu
  - Stražnji štittik
  - Umetak za kompostiranje
  - Bočni izlazni nastavak
  - Bluetooth® indikator
  - Nadzorna ploča
  - Indikator stanja kosilice
  - Indikator brzine noža
  - Gumb načina brzine noža
  - Gumb napajanja
  - Gumb prednjih LED svjetala (Bluetooth® gumb)
  - Regulator brzine samostalnog pogona
- \* PRODAJE SE ZASEBNO

## SASTAVLJANJE

**⚠ UPOZORENJE:** Ako je bilo koji dio oštećen ili ako nedostaje, nemojte upotrebljavati ovaj proizvod dok se ne zamijene dijelovi. Upotreba ovog proizvoda oštećenih dijelova ili dijelova koji nedostaju može rezultirati teškim tjelesnim ozljedama.

**⚠ UPOZORENJE:** Kako biste spriječili slučajno pokretanje koje može prouzročiti teške tjelesne ozljede, baterijski modul uklonite iz stroja kada sastavljate dijelove.

**⚠ UPOZORENJE:** Ne pokušavajte obavljati preinake na ovom stroju ili raditi pribor koji nije preporučeno za uporabu s ovom kosilicom. Sve takve izmjene ili preinake predstavljaju nepropisnu uporabu i mogu rezultirati opasnim stanjima koja mogu dovesti do teških ozljeda.

### RASPAKIRAVANJE

Ovaj proizvod zahtijeva sastavljanje.

- Uklonite sav pribor iz kartona.

**⚠ OPREZ!** Težak predmet. Za podizanje kosilice potrebne su dvije osobe.

- Jedna osoba treba uhvatiti srednji odbojnik/ručku za podizanje, a druga osoba treba uhvatiti dva krilna vijka kako bi pažljivo podigli kosilicu iz kartona.

### POSTAVLJANJE RUČKE

Kosilica se isporučuje s djelomično sastavljenom ručkom.

**⚠ UPOZORENJE:** Ne pokušavajte pokrenuti kosilicu dok ručka ne bude pravilno i sigurno postavljena i rasklopljena. Budite oprezni kako biste izbjegli priklještenje prstiju i kabela između dijelova.

1. Odmignite i stavite sa strane oba krilna vijka.
2. Pomaknite ručku prema naprijed tako da zupčanik za zaključavanje na sklopu ručke bude okrenut prema zupčaniku na kosilici (sl. B1).
3. Poravnajte oznake na zupčaniku za zaključavanje i ploči za montažu ručke kao što je prikazano na sl. B2, zatim umetnite i prstima zategnite dva krilna vijka.

### RASKLAPANJE I PODEŠAVANJE RUČKE (SL. C)

**⚠ UPOZORENJE:** Pazite da ne priklješтите, savijete ili opteretite kabel prilikom sklapanja ili rasklapanja ručke. Oštećenje kabela može utjecati na aktivaciju i rad kosilice i dovesti do nesigurnog radnog stanja.

**⚠ UPOZORENJE:** Ne pokušavajte pokrenuti kosilicu i sustav samostalnog pogona dok ručka ne bude zaključana

na jednom od tri unaprijed postavljena radna položaja (Gornji radni položaj 3, Srednji radni položaj 2 i Donji radni položaj 1).

1. Otpustite krilne vijke s obje strane, osigurajte da su dva zupčanika potpuno otpuštena, ali NE odvojena.
2. Okrenite ručku prema gore tako da se oznaka strelice na zupčaniku za zaključavanje poravnava s jednim od tri radna položaja na ploči za montažu ručke.
3. Zategnite dva vijka, provjerite jesu li dva zupčanika potpuno prikopčana i je li ručka sigurno učvršćena.

C-1	Donji radni položaj 1
C-2	Srednji radni položaj 2
C-3	Gornji radni položaj 3

### PREKLAPANJE RUČKE (SL. D)

**⚠ UPOZORENJE:** Pazite da ne priklješтите, savijete ili opteretite kabel prilikom sklapanja ili rasklapanja ručke. Oštećenje kabela može utjecati na aktivaciju i rad kosilice i dovesti do nesigurnog radnog stanja.

1. Otpustite krilne vijke s obje strane, osigurajte da su dva zupčanika potpuno otpuštena, ali NE odvojena.
2. Okrenite ručku prema dolje tako da sjedne u položaj za skladištenje.
3. Poravnajte oznaku strelice na zupčaniku za zaključavanje s oznakom položaja za skladištenje na ploči za montažu ručke.
4. Zategnite dva krilna vijka, provjerite jesu li dva zupčanika potpuno prikopčana i je li ručka sigurno učvršćena.

D-1	Položaj za skladištenje
-----	-------------------------

### SASTAVLJANJE VREĆE ZA TRAVU (SL. E1, E2, E3)

Prije sastavljanja provjerite vreću za travu kako biste bili sigurni da nema oštećenja.

Montirajte vreću za travu kako je prikazano na slici.

### PRIČVRŠĆIVANJE/UKLANJANJE UMETKA ZA KOMPOSTIRANJE (PRODAJE SE ZASEBNO)

Postavite umetak za kompostiranje u kosilicu kao što je prikazano na sl. F.

**⚠ OPASNOST:** Stroj može baciti isječke trave i druge predmete kroz otvor u kućištu stroja. Predmeti bačeni s dovoljno sile mogu uzrokovati teške tjelesne ozljede ili smrt vama ili promatračima.

Nemojte upotrebljavati kosilicu bez umetka za kompostiranje, vreće za travu ili bočnog izlaznog nastavka.



**⚠ UPOZORENJE:** Umetak za kompostiranje mora se ukloniti prije postavljanja vreće za travu ili bočnog izlaznog nastavka. Umetak za kompostiranje mora se ponovno postaviti kad se ukloni vreća za travu ili bočni izlazni nastavak.

#### POSTAVLJANJE/UKLANJANJE VREĆE ZA TRAVU

Postavite vreću za travu u kosilicu kao što je prikazano na sl. G.

**⚠ UPOZORENJE:** Materijal vreće za travu se troši u normalnim uvjetima korištenja. Kako biste smanjili opasnost od ozljeđivanja, često pregledavajte vreću za travu i zamijenite ju ako primijetite znakove istrošenosti ili oštećenja. Koristite samo vreće za travu proizvedene za ovu kosilicu.

**⚠ UPOZORENJE:** Vreća za travu mora se ukloniti kako bi se postavio i koristio bočni izlazni nastavak ili umetak za kompostiranje.

#### PRIČVRŠČIVANJE/UKLANJANJE BOČNOG IZLAZNOG NASTAVKA (PRODAJE SE ZASEBNO)

Postavite bočni izlazni nastavak u kosilicu kao što je prikazano na sl. H.

**⚠ UPOZORENJE:** Bočni izlazni nastavak mora se ukloniti kako bi se postavila i koristila vreća za travu ili umetak za kompostiranje.

#### PODEŠAVANJE VISINE REZANJA (SL. J1 & J2)

**⚠ UPOZORENJE:** Odmaknite stopala od trupa za vrijeme podešavanja visine.

Kosilica se može postaviti na 8 visina rezanja između 20 mm i 105 mm. Oznaka označava odabranu visinu rezanja.

Ova kosilica omogućuje pojedinačno podešavanje visine rezanja prednje i stražnje strane kosilice. Odaberite odgovarajuću visinu, ovisno o vrsti i stanju trave koju treba rezati.

1. Isključite kosilicu i pričekajte da se rezni nož potpuno zaustavi.
2. Uklonite baterijske module.
3. Izvucite prednju ili stražnju ručicu za podešavanje visine rezanja iz držača i postavite je u željeni položaj.

#### PRIČVRŠČIVANJE/UKLANJANJE BATERIJSKIH MODULA (SL. K)

**NAPOMENA:** Baterijski modul napunite prije prve uporabe.

Upotrebljavajte samo s baterijskim modulima i punjačima koji su navedeni na Sl. A3.

**NAPOMENA:** Kosilica ima dva aktivna priključka za baterije. Može raditi s jednom ili dvije baterije.

#### ■ Postavljanje

1. Otvorite poklopac pretinca za baterije i pritisnite baterijski modul u pretinac za baterije tako da sjedne na svoje mjesto.
2. Ponovite postupak za postavljanje drugog baterijskog modula.

#### ■ Uklanjanje

Pritisnite gumb za oslobađanje baterije u baterijskom pretincu.

**OBAVIJEST:** Prije početka rada pobrinite se da zasun na kosilici sjedne na mjesto te da su baterijski moduli pričvršćeni u kosilici.

#### ODABIR NAČINA BRZINE NOŽA (SL. L)

- Način 2 način je velike brzine noža za visoke performanse podizanja za poboljšanje sile usisa i performansi rezanja.
- Način 1 pruža najbolju ravnotežu između performansi i vremena rada.
- ECO način pruža najnižu razinu buke i najduže vrijeme rada iz baterijskih modula.

**NAPOMENA:** Zadani način brzine noža je način 1.

#### TEHNOLOGIJA KOMUNIKACIJE

Za informacije o našoj cjelokupnoj ponudi povezanih proizvoda i usluga, uključujući upute za povezivanje, skenirajte QR kod u nastavku ili posjetite [www.egopowerplus.eu/connect](http://www.egopowerplus.eu/connect).



## RAD

Proizvod se smije upotrebljavati na kiši.

### POKRETANJE/ZAUSTAVLJANJE KOSILICE

**⚠ UPOZORENJE:** Rukovanje bilo kojom kosilicom može rezultirati odbacivanjem stranih predmeta u oči, što opet može izazvati teška oštećenja očiju. Nosite sigurnosne naočale kada rukujete kosilicom ili za vrijeme podešavanja ili izvođenja popravaka na kosilici.

**⚠ UPOZORENJE:** Nož će se nastaviti okretati nekoliko sekundi nakon isključivanja kosilice. Pričekajte da se motor/nož prestane okretati prije ponovnog uključivanja. Nemojte naglo isključiti pa uključiti kosilicu.

**⚠ UPOZORENJE:** Zaustavite nož ako je potrebno nagnuti kosilicu zbog transporta, kada prelazite preko površina koje nisu travnate i prilikom prenošenja kosilice na ili s mjesta košnje.

**⚠ UPOZORENJE:** Nemojte naginjati kosilicu prilikom pokretanja i uključivanja motora, osim kada se kosilica mora nagnuti za pokretanje. U tom slučaju nemojte je naginjati preko potrebne mjere i podignite samo dio koji je udaljen od rukovatelja.

Prije upotrebe vizualno pregledajte da nož i vijak noža nisu istrošeni ili oštećeni. Zamijenite istrošene ili oštećene noževe i vijke u kompletima kako biste očuvali ravnotežu.

### Provjerite da rezni nož nije blokiran

- Kako biste spriječili blokadu, održavajte rezni nož i trup kosilice čistima. Uklonite pokošenu travu, lišće, prljavštinu i sve ostale nakupljene ostatke prije i nakon svake uporabe.

- Kada dođe do blokade, zaustavite kosilicu i izvadite baterijske module i zatim uklonite sve naslage trave i lišća na ili oko pogonske osovine i ventilatora motora. Kosilicu obrišite vlažnom krpom.

**⚠ OPREZ!** Ne pokušavajte zaobići funkciju rada gumba napajanja i okidača rotacije noža.

**NAPOMENA:** Motor se ne može pokrenuti ako ručka nije zaključana na jednom od tri radna položaja.

### Pokretanje kosilice (sl. M1 i M2)

1. Pričvrstite baterijske module na kosilicu i zatvorite poklopac pretinca za baterije.
2. Pritisnite gumb napajanja da biste uključili nadzornu ploču i zasvijetliti će indikator stanja kosilice zajedno s indikatorom brzine noža 1.

3. Pritisnite gumb načina brzine noža za odabir željene brzine.
4. Pritisnite i držite gumb napajanja.
5. S pritisnutim gumbom napajanja povucite okidač rotacije noža do ručke i otpustite gumb napajanja.

### Zaustavljanje kosilice (Sl. M3)

1. Potpuno otpustite okidač rotacije noža.
2. Električna kočnica u mehanizmu automatskog kočenja će zaustaviti okretanje noža u roku 3 sekunde od otpuštanja okidača rotacije noža.

### SUSTAV SAMOSTALNOG POGONA PROMJENJIVE BRZINE (SL. N)

Kosilica je opremljena samostalnim pogonom s promjenjivom brzinom. Ovaj sustav sa samostalnim pogonom neovisan je o rotaciji noža.

**NAPOMENA:** Sustav sa samostalnim pogonom ne može se pokrenuti ako ručka nije zaključana u jedan od tri radna položaja.

### Za korištenje sustava sa samostalnim pogonom bez okretanja noža

1. Pritisnite gumb napajanja da biste uključili nadzornu ploču.
2. Lagano okrenite gumb za upravljanje brzinom samostalnog pogona prema naprijed tako da se začuje zvuk prisjedanja na mjesto, a zatim povucite okidač samostalnog pogona do ručke za pokretanje funkcije samostalnog pogona.

**Ako želite isključiti samostalni pogon,** otpustite okidač samostalnog pogona.

### PREDNJA LED SVJETLA (SL. P)

**Za uključivanje prednjih svjetala** pritisnite gumb za prednja svjetla. Prednja svjetla pružaju jaku svjetlost ispred kosilice.

**Za isključivanje prednjih svjetala** ponovno pritisnite gumb.

### INDIKATOR STANJA KOSILICE

Indikator stanja kosilice na nadzornoj ploči prikazuje radno stanje kosilice.

Indikator	Opis	Značenje	Radnja
	Stalno svijetli zeleno	Kosilica radi ispravno.	Nije potrebna.
	Trepće zeleno	Ručka nije zaključana u radnom položaju.	Zaustavite kosilicu i provjerite je li ručka zaključana u jednom od radnih položaja.
	Trepće crveno	Niska razina napunjenosti baterije.	Zaustavite kosilicu i napunite baterijske module.
	Stalno svijetli narančasto	Kosilica se pregrijava.	Otpustite okidač rotacije noža, pričekajte da temperatura kosilice padne ispod 80°C. Pogledajte „ <b>ZAŠTITA KOSILICE OD VISOKE TEMPERATURE</b> “ u nastavku.
	Trepće narančasto	Kosilica je preopterećena.	<ol style="list-style-type: none"> <li>Izvadite baterijske module, a zatim provjerite je li se trava nakupila ispod trupa. Očistite ako je potrebno.</li> <li>Usporite tempo prilikom košenja.</li> <li>Podignite visinu košnje.</li> <li>Ako gore navedena rješenja ne funkcioniraju, obratite se servisnom centru tvrtke EGO.</li> </ol> Pogledajte „ <b>ZAŠTITA KOSILICE OD PREOPTEREĆENJA</b> “ u nastavku.
	Naizmjenice trepće crveno/zeleno	Greška elektronike kosilice.	Obratite se servisnom centru tvrtke EGO.

#### ZAŠTITA KOSILICE OD VISOKE TEMPERATURE

Ako temperatura kosilice prelazi 90°C tijekom rada, krug zaštite od temperature odmah će isključiti kosilicu, za zaštitu od oštećenja od pregrijavanja.

Indikator stanja kosilice svijetliti će narančasto. Otpustite okidač rotacije noža i pričekajte da se pregrijana kosilica ohladi i indikator stanja postane zelen, a zatim ponovno pokrenite kosilicu.

#### ZAŠTITA KOSILICE OD PREOPTEREĆENJA

Kako ne bi došlo do preopterećenja, nemojte uklanjati preveliku količinu trave u jednom prolazu. Usporite hodanje ili povećajte visinu otkosa.

Kosilica ima ugrađenu zaštitu kruga od preopterećenja. U slučaju preopterećenja kosilice, motor će se zaustaviti, a indikator stanja kosilice na nadzornoj ploči će treptati narančasto.

## ODRŽAVANJE

**⚠ UPOZORENJE:** Da biste izbjegli teške tjelesne ozljede, isključite kosilicu, izvadite baterijske module i osigurajte da su svi pokretni dijelovi potpuno zaustavljeni prije čišćenja, obavljanja bilo kakvog održavanja ili transporta kosilice.

**⚠ UPOZORENJE:** Zaustavite stroj i izvadite baterijske module kako biste bili sigurni da su se svi pokretni dijelovi potpuno zaustavili nakon udara u strani predmet te provjerite ima li na stroju oštećenja i izvršite popravke prije ponovnog pokretanja i rada stroja.

**⚠ UPOZORENJE:** Zaustavite stroj i izvadite baterijske module kako biste bili sigurni da su se svi pokretni dijelovi potpuno zaustavili, ako stroj počne neuobičajeno vibrirati odmah pregledajte ima li oštećenja, zamijenite ili popravite sve oštećene dijelove i provjerite i zategnite sve labave dijelove.

**⚠ UPOZORENJE:** Pri servisiranju koristite samo identične zamjenske dijelove. Upotreba drugih dijelova može izazvati opasnost ili prouzročiti oštećenje proizvoda. Radi sigurnosti i pouzdanosti, sve popravke treba obavljati kvalificirani servisni tehničar.

### ČIŠĆENJE KOSILICE

Donju stranu trupa kosilice potrebno je očistiti nakon svake upotrebe kako biste spriječili nakupljanje komadića trave, lišća, prljavštine ili drugih tvari.

Uklonite naslage trave i lišća na i oko pogonske osovine i ventilatora motora. Kosilicu obrišite vlažnom krpom.

### Čišćenje ulaznog otvora za zrak (SL. Q)

1. Uklonite mrežni poklopac ulaznog otvora za zrak uklanjanjem četiri vijka.
2. Očistite unutrašnjost ulaznog otvora za zrak i mrežni poklopac komprimiranim zrakom.

### ZAMJENA NOŽA (SL. R1, R2, R3)

**⚠ UPOZORENJE:** Izvadite baterijske module i vreću za travu.

**⚠ UPOZORENJE:** Nosite zaštitne rukavice.

**⚠ OBAVIJEST:** Prije ugradnje noža temeljito očistite područje pogonske osovine i donju stranu stroja.

1. Okrenite kosilicu naopako

2. Uklonite/postavite nož pomoću moment ključa i dvije metalne šipke kako je prikazano na slici.
3. Otisnutu stranu noža prema van.

### SKLADIŠTENJE KOSILICE (SL. S1 & S2)

1. Uklonite baterijske module iz kosilice.
2. Ispraznite vreću za travu i očistite kosilicu.
3. Da biste znatno uštedjeli na prostoru za skladištenje, preklopite ručku proizvoda i odložite proizvod kako je prikazano na slici.

**⚠ OBAVIJEST:** Pazite da ne zahvatite kabel ručke pri preklapanju/rasklapanju ručke proizvoda (pazite da vam ručka ne padne).

4. Kada je kosilica uskladištena, nemojte na nju stavljati druge predmete

**⚠ UPOZORENJE:** Ako se kosilica prevrne iz uspravnog položaja, može doći do oštećenja ili ozljeda osoba u blizini. Kosilicu u uspravan položaj postavite tako da bude stabilna i izvan dohvata djece. Ako je moguće, položite ju tijekom skladištenja.

### ZAŠTITA OKOLIŠA



Električne uređaje nemojte zbrinjavati s nerazvrstanim komunalnim otpadom, koristite se posebnim spremnicima.

Informacije o dostupnim sustavima prikupljanja otpada za recikliranje potražite u lokalnom komunalnom poduzeću.

Ako se električni uređaji odlažu na odlagališta otpada ili deponije, opasne tvari mogu isteći u podzemne vode i dospjeti u lanac ishrane, nanoseći tako štetu vašem zdravlju i blagostanju.

## OTKLANJANJE SMETNJI

PROBLEM	UZROK	RJEŠENJE
Funkcija kosilice ili samostalnog pogona se ne pokreće.	<ul style="list-style-type: none"> <li>■ Baterijski moduli su ispražnjeni.</li> </ul>	<ul style="list-style-type: none"> <li>■ Napunite baterijski modul.</li> </ul>
	<ul style="list-style-type: none"> <li>■ Baterijski moduli nisu pravilno umetnuti u pretinac za baterije.</li> </ul>	<ul style="list-style-type: none"> <li>■ Umetnite baterijske module u pretinac za baterije tako da se začuje zvuk prisjedanja na mjesto.</li> </ul>
	<ul style="list-style-type: none"> <li>■ Ručka nije zaključana u radnom položaju, a indikator stanja kosilice trepće zeleno.</li> </ul>	<ul style="list-style-type: none"> <li>■ Zaustavite kosilicu i provjerite je li ručka zaključana u jednom od radnih položaja.</li> </ul>
	<ul style="list-style-type: none"> <li>■ Trup kosilice je začepljen travom i ostalim nečistoćama.</li> </ul>	<ul style="list-style-type: none"> <li>■ Očistite trup kosilice i osigurajte dovoljno mjesta za pomicanje noža</li> </ul>
Rez kosilice je neravan.	<ul style="list-style-type: none"> <li>■ Nož je tup.</li> </ul>	<ul style="list-style-type: none"> <li>■ Naoštrite ili zamijenite nož.</li> </ul>
	<ul style="list-style-type: none"> <li>■ Visina otkosa nije propisno podešena.</li> </ul>	<ul style="list-style-type: none"> <li>■ Podignite visinu trupa na višu postavku.</li> </ul>
	<ul style="list-style-type: none"> <li>■ Nož je nepravilno postavljen.</li> </ul>	<ul style="list-style-type: none"> <li>■ Ponovno postavite nož prema uputama u odjeljku „<b>ZAMJENA NOŽA</b>“ u ovom priručniku.</li> </ul>
	<ul style="list-style-type: none"> <li>■ Način brzine noža nije ispravno postavljen.</li> </ul>	<ul style="list-style-type: none"> <li>■ Odaberite odgovarajući način brzine noža.</li> </ul>
Kosilica ne malčira kako treba.	<ul style="list-style-type: none"> <li>■ Mokri komadići trave zalijepljeni su za podnožje trupa.</li> </ul>	<ul style="list-style-type: none"> <li>■ Pričekajte da se trava osuši, zatim nastavite s košnjom.</li> </ul>
	<ul style="list-style-type: none"> <li>■ Kosilica je postavljena za košnju prevelike količine trave odjednom.</li> </ul>	<ul style="list-style-type: none"> <li>■ Podignite platformu na veću postavku visine otkosa.</li> </ul>
	<ul style="list-style-type: none"> <li>■ Način brzine noža nije ispravno postavljen.</li> </ul>	<ul style="list-style-type: none"> <li>■ Za način brzine noža odaberite 1 ili ECO.</li> </ul>

Kosilica se neočekivano zaustavlja tijekom košnje.	<ul style="list-style-type: none"> <li>■ Baterijski moduli su ispražnjeni.</li> </ul>	<ul style="list-style-type: none"> <li>■ Napunite baterijski modul.</li> </ul>
	<ul style="list-style-type: none"> <li>■ Kosilica je preopterećena, a indikator stanja kosilice trepće narančasto.</li> </ul>	<ul style="list-style-type: none"> <li>■ Provjerite je li se trava nakupila ispod trupa i po potrebi očistite. Povećajte visinu otkosa ili usporite košnju.</li> </ul>
	<ul style="list-style-type: none"> <li>■ Trup kosilice je začepljen travom i ostalim nečistoćama.</li> </ul>	<ul style="list-style-type: none"> <li>■ Očistite trup kosilice. Povećajte visinu otkosa i/ili napravite uži otkos.</li> </ul>
	<ul style="list-style-type: none"> <li>■ Baterijski moduli ili sklopovlje kosilice su prevrući. Ako je baterijski modul pregrijan, indikator stanja kosilice se isključuje. Ako je kosilica pregrijana, indikator stanja kosilice svijetli narančasto.</li> </ul>	<ul style="list-style-type: none"> <li>■ Pričekajte da se baterijski moduli ili kosilica ohlade.</li> </ul>
	<ul style="list-style-type: none"> <li>■ Način brzine noža nije ispravno postavljen.</li> </ul>	<ul style="list-style-type: none"> <li>■ Odaberite nižu postavku brzine noža.</li> </ul>
	<ul style="list-style-type: none"> <li>■ Greška elektronike kosilice i indikator stanja kosilice naizmjenično trepće crveno/zeleno.</li> </ul>	<ul style="list-style-type: none"> <li>■ Obratite se servisnom centru tvrtke EGO.</li> </ul>
Javljaju se prekomjerne vibracije.	<ul style="list-style-type: none"> <li>■ Rezni nož je olabavljen.</li> </ul>	<ul style="list-style-type: none"> <li>■ Stegnite vijak noža.</li> </ul>
	<ul style="list-style-type: none"> <li>■ Rezni nož nije balansiran.</li> </ul>	<ul style="list-style-type: none"> <li>■ Obratite se servisnom centru tvrtke EGO.</li> </ul>
	<ul style="list-style-type: none"> <li>■ Rezni nož je savijen.</li> </ul>	<ul style="list-style-type: none"> <li>■ Zamijenite nož.</li> </ul>
	<ul style="list-style-type: none"> <li>■ Vratilo motora je savijeno.</li> </ul>	<ul style="list-style-type: none"> <li>■ Obratite se servisnom centru tvrtke EGO.</li> </ul>
	<ul style="list-style-type: none"> <li>■ Kosilica je postavljena za košnju prevelike količine trave odjednom.</li> </ul>	<ul style="list-style-type: none"> <li>■ Podignite platformu na veću postavku visine otkosa.</li> </ul>
	<ul style="list-style-type: none"> <li>■ Način brzine noža nije ispravno postavljen.</li> </ul>	<ul style="list-style-type: none"> <li>■ Postavite nižu postavku brzine noža.</li> </ul>
Motor radi, ali nož ne kosi travu.	<ul style="list-style-type: none"> <li>■ Nož nije zategnut na potreban okretni moment.</li> </ul>	<ul style="list-style-type: none"> <li>■ Ponovno zategnite nož. Preporučeni moment za vijak noža je 50-60 Nm.</li> </ul>

## JAMSTVO

### PRAVILA U VEZI JAMSTVA PROIZVOĐAČA EGO

Cjelokupne uvjete i odredbe pravila jamstva proizvođača EGO potražite na internetskoj stranici [egopowerplus.eu](http://egopowerplus.eu).



## წაიკითხეთ მთლიანი ინსტრუქცია!

**მიზნობრივი გამოყენება:** პროდუქტი განკუთვნილია გაზონის ხელით გასათიბად:

- გამოიყენეთ მხოლოდ მშრალი ბალახის გასათიბად. არ მოთიბოთ სველი ბალახი.

- ნუ გამოიყენებთ მას ნებისმიერი სხვა მიზნით.

**⚠ გაფრთხილება:** მანქანის გამოყენებამდე წაიკითხეთ და გაეცანით ყველა უსაფრთხოების წესს, რომელიც მოცემულია მომხმარებლის ამ სახელმძღვანელოში, მათ შორის ყველა უსაფრთხოების სიგნალის სიმბოლო, როგორცაა „საშიშროება“, „გაფრთხილება“ და „ყურადღება“. ქვემოთ ჩამოთვლილი მითითებების შეუსრულებლობამ შეიძლება გამოიწვიოს დენის დარტყმა, ხანძარი და/ან სხეულის სერიოზული დაზიანება.

## უსაფრთხოების სიმბოლოები



სიგნალი საფრთხის შესახებ



ამ პროდუქტით სარგებლობისას ყოველთვის ატარეთ სმენის დამცავი, უსაფრთხოების თვალსაფარი ან გვერდითა ეკრანების მქონე უსაფრთხოების სათვალე და მთლიანი სახის ფარი.



მოერიდეთ გამოტყორცნილ საგნებს - მოაშორეთ ახლოს მდგომი პირები.



მოარიდეთ ხელები



გარანტირებული ხმის სიმძლავრის დონე.



აღნიშნული პროდუქტი აკმაყოფილებს გაერთიანებული სამეფოს კანონმდებლობით დადგენილ მოთხოვნებს.



Bluetooth®

IPX5

წყლის ჭავლისგან დაცვა

mm

მილიმეტრი



მუდმივი დენი



დაზიანების რისკის შესამცირებლად, მომხმარებელმა უნდა წაიკითხოს და გაიგოს მოწყობილობის მუშაობის ინსტრუქცია, მის გამოყენებამდე.



გათიშეთ და მოხსენით აკუმულატორი (ან ამომრთველი) ხელსაწყოს მის რეგულირებამდე ან გაწმენდამდე.



მოარიდეთ ხელები და ფეხები მჭრელ პირებს



არ უყუროთ ლამფას, როცა მუშაობს.



მოწყობილობა შეესაბამება EC-ის მოქმედ რეგულაციებს.



ელექტრული ხელსაწყობის უტილიზაცია არ უნდა მოხდეს საყოფაცხოვრებო ნარჩენებთან ერთად. წალკით ხელსაწყო ავტორიზებულ ნარჩენების გადამამუშავებელთან.

V

ვოლტი

cm

სანტიმეტრი

kg

კილოგრამი

KA



**შენიშვნა:** Bluetooth® სიტყვის ნიშანი და ლოგოები რეგისტრირებული სავაჭრო ნიშნებია, რომლებიც Bluetooth SIG, inc. ეკუთვნის და EGO-ს მიერ ასეთი ნიშნების ნებისმიერი გამოყენება ლიცენზირებულია.

## სპეციფიკაციები

ძაბვა	56 ვოლტი	
მჭრელი პირის სიჩქარის რეჟიმი	2	
	1	
	ECO	
ჭრის სიმაღლის პოზიციები	8	
ჭრის სიმაღლის პარამეტრები	20 მმ/31 მმ/40 მმ/51 მმ/64 მმ/78 მმ/92 მმ/105 მმ	
ჭრის სიგანე	53 სმ	
ბალახის ტომრის მოცულობა	85 ლ	
გაზონსაკრეჭის წონა (აკუმულატორისა და ბალახის ტომრის გარეშე)	46 კგ	
დანის მოდელი	AB5301	
რეკომენდებული საექსპლუატაციო ტემპერატურა	0°C–40°C	
რეკომენდებული დასაწყობების ტემპერატურა	-20°C–70°C	
გაზომილი ხმის სიმძლავრის დონე $L_{WA}$	94 დბ(A) K= 0,6 დბ(A)	
ბგერის წნევის დონე მომხმარებლის ყურზე $L_{PA}$	83 დბ(A) K= 3 დბ(A)	
გარანტირებული ხმის სიმძლავრის დონე $L_{WA}$ (გაზომილი 2000/14/EC რეგულაციის მიხედვით)	95 დბ(A)	
ვიბრაციის შეფასება $a_{h,v}$ :	მარცხენა სახელური	0,39 მ/წმ <sup>2</sup> K=1,5 მ/წმ <sup>2</sup>
	მარჯვენა სახელური	0,33 მ/წმ <sup>2</sup> K=1,5 მ/წმ <sup>2</sup>

- მითითებული ვიბრაციის სრული სიდიდე

გაზომილია სტანდარტული ტესტირების მეთოდის გამოყენებით და შესაძლოა გამოყენებულ იქნას ერთი მოწყობილობის მეორესთან შედარებისას;

- მითითებული ვიბრაციის სრული სიდიდე ასევე შესაძლოა გამოყენებულ იქნას ზემოქმედების წინასწარი შეფასებისას.

**შენიშვნა:** ელექტრო ხელსაწყო ფაქტობრივი გამოყენებისას ვიბრაციის ემისია შესაძლოა განსხვავდებოდეს მითითებული სიდიდისგან; ოპერატორის დაცვის მიზნით, მომხმარებელმა მოწყობილობით სარგებლობისას საჭიროა გამოიყენოს ხელთათმანები და სმენის დამცავი.

## შეფუთვის სია (ნახ. a1 და a2)

ნაწილის დასახელება	რაოდენობა
გაზონის საკრეჭი	1
ბალახის ტომარა	1
ბალახის ტომრის ჩარჩო	1
ქაჩყურაიანი ხრახნი (ქარხნულად დამონტაჟებულია გაზონის საკრეჭში)	2
მომხმარებლის სახელმძღვანელო	1

## აღწერა

შეისწავლეთ თქვენი გაზონის საკრეჭი (ნახ. A1 და A2)

1. თვითმომრავი ცელი
2. სახელური
3. მჭრელი პირის ბრუნვის ტრიგერი
4. უკანა გამშვები კარი
5. ბლოკირების მექანიზმი

KA

248

56 ვოლტიანი ლითიუმის-იონის უსადენო ძრავა — LMX5300SP



6. აკუმულატორის ნაკვეთურის საფარი
  7. LED წინა ფარები
  8. შუა ბამპერი (ამწე სახელური)
  9. წინა ბამპერი
  10. ჭრის სიმაღლის რეგულირების წინა ბერკეტი
  11. წინა ბორბალი
  12. გაზონსაკრეჭის დასადები
  13. გვერდითა ფარი
  14. შემსრუტავი საპაერო
  15. უკანა ბორბალი
  16. ჭრის სიმაღლის რეგულირების უკანა ბერკეტი
  17. ფრთიანი ჭანჭიკი
  18. სახელურის სამონტაჟო ფირფიტა
  19. საბჯენი
  20. ბალახის ტომარა
  21. დამცავი ნაწიბური
  - 22\*. მულჩირება
  - 23\*. გვერდითი დაცლის დარი
  24. Bluetooth® ინდიკატორი
  25. დაფა
  26. ბალახის საკრეჭი მანქანის სტატუსის ინდიკატორი
  27. მჭრელი პირების ბრუნვის სიჩქარის მაჩვენებელი
  28. საჭრელი პირის სიჩქარის რეჟიმის ღილაკი
  29. ჩამრთველი ღილაკი
  30. LED ფარების ღილაკი (Bluetooth® ღილაკი)
  31. თვით-სვლის მექანიზმის სიჩქარის ციფერბლატი
- \* იყიდება ცალკე

## ნაკრები

**▲ გაფრთხილება:** თუ რომელიმე ნაწილი დაზიანებულია ან დაკარგულია, არ ისარგებლოთ მოწყობილობით, სანამ ყველა ნაწილი არ გამოიცვლება. დაზიანებული ან დაკარგული ნაწილების მქონე მოწყობილობით სარგებლობას შესაძლოა მოჰყვეს სერიოზული ზიანი.

**▲ გაფრთხილება:** უცაბედი ჩართვის გამოსარიცხად, რომელმაც შესაძლოა გამოიწვიოს სერიოზული პერსონალური ზიანი, ყოველთვის მოხსენით აკუმულატორის

ბლოკი მოწყობილობას, როდესაც ხდება მისი ნაწილების აწყობა.

**▲ გაფრთხილება:** არ სცადოთ ამ ხელსაწყოს გადაკეთება ან ისეთი აქსესუარების შექმნა, რომლებიც არაა რეკომენდებული ამ მანქანისთვის. ნებისმიერი მსგავსი ცვლილება ან მოდიფიკაცია არის ხელსაწყოს არასათანადო გამოყენება და შესაძლოა წარმოქმნას სახიფათო მდგომარეობა, რომელმაც შეიძლება მოგაყენოთ სერიოზული ზიანი.

## შეფუთვიდან ამოღება

ეს ხელსაწყო საჭიროებს აწყობას.

- ამოიღეთ ყველა აქსესუარი მუყაოს კოლოფიდან.

**ყურადღება:** მიმე საგანი. გაზონის საკრეჭის ასაწევად საჭიროა ორი ადამიანი.

- ერთმა ადამიანმა უნდა დაიჭიროს შუა ბამპერი/ამწე სახელური, მეორემ კი ორი ფრთიანი ჭანჭიკი, რათა ფრთხილად ამოიღოს გაზონის საკრეჭი მუყაოს ყუთიდან.

## სახელურის დამონტაჟება

გაზონის საკრეჭი იგზავნება ნაწილობრივ აწყობილი სახელურით.

**▲ გაფრთხილება:** არ შეეცადოთ გაზონის საკრეჭის ჩართვას სანამ სახელურს სწორად და უსაფრთხოდ არ დაამონტაჟებთ და არ გახსნით. ფრთხილად იყავით, რათა თავიდან აიცილოთ თითების და კაბელის ნაწილებს შორის მოყოლა.

1. მოხსენით და გვერდზე დადეთ ორივე ფრთიანი ჭანჭიკი.
2. გადაწიეთ სახელური წინ სანამ სახელურზე არსებული ჩამკეტი მექანიზმი არ იქნება გაზონის საკრეჭის ამძრავიკენ მიმართული (ნახ. B1).
3. გაასწორეთ ნიშნები ჩამკეტ მექანიზმზე და სახელურის სამონტაჟო ფირფიტაზე, როგორც ნაჩვენებია ნახ. B2-ზე, შემდეგ ჩასვით და თითით მოუჭიროთ ორ ფრთიანი ჭანჭიკს.

## სახელურის გახსნა და გასწორება (ნახ. C)

**▲ გაფრთხილება:** სახელურის დაკეცვის ან გაშლისას დარწმუნდით, რომ არ ხდება კაბელის მოყოლა, გადაკეცვა ან დაჭრა. კაბელის დაზიანებამ შეიძლება გავლენა მოახდინოს გაზონის საკრეჭის გააქტიურებასა

KA

და მუშაობაზე და გამოიწვიოს სახიფათო სამუშაო მდგომარეობა.

**გაფრთხილება:** ნუ შეეცდებით აამუშაოთ გაზონის საკრეკი და თვით-ამოძრავების სისტემა, სანამ სახელური ჩაკეტილია წინასწარ დაყენებული სამი სამუშაო პოზიციიდან ერთერთში (ზედა სამუშაო პოზიცია 3, შუა სამუშაო პოზიცია 2 და ქვედა სამუშაო პოზიცია 1).

1. მოუშვით ფრთიან ჭანჭიკებს ორივე მხარეს, დარწმუნდით, რომ ორი ამძრავი მთლიანად მოშვებულია, მაგრამ არ არის გამოცალკავებული.
2. აწიეთ სახელური ზემოთ, სანამ ჩამკეტ მექანიზმზე არსებული ისრის ნიშანი არ გაუსწორდება სახელურის სამონტაჟო ფირფიტაზე არსებული სამი ოპერაციული პოზიციიდან ერთ-ერთს.
3. მოუჭირეთ ორი ჭანჭიკს, დარწმუნდით, რომ ორი ამძრავი სრულად არის ჩართული და სახელური საიმედოდ არის დამაგრებული.

C-1	ქვედა სამუშაო პოზიცია 1
C-2	შუა სამუშაო პოზიცია 2
C-3	ზედა სამუშაო პოზიცია 3

## სახელურების დაკეცვა (ნახ. D)

**გაფრთხილება:** სახელურის დაკეცვის ან გაშლისას დარწმუნდით, რომ არ ხდება კაბელის მოყოლა, გადაკეცვა ან დაჭერა. კაბელის დაზიანებამ შეიძლება გავლენა მოახდინოს გაზონის საკრეკის გააქტიურებასა და მუშაობაზე და გამოიწვიოს სახიფათო სამუშაო მდგომარეობა.

1. მოუშვით ფრთიან ჭანჭიკებს ორივე მხრიდან, დარწმუნდით, რომ ორი ამძრავი მთლიანად მოშვებულია, მაგრამ არ არის განცალკავებული.
2. მიმართეთ სახელური ქვემოთ, სანამ სახელური არ ჩაჯდება შენახვის მდგომარეობაში.
3. გაუსწორეთ ისრის ნიშანი ჩამკეტ მექანიზმზე არსებულ შენახვის პოზიციის ნიშანს, რომელიც სახელურის სამონტაჟო ფირფიტაზეა.
4. მოუჭირეთ ორ ფრთიან ჭანჭიკს, დარწმუნდით, რომ ორი ამძრავი სრულად არის ჩართული და სახელური საიმედოდ არის დამაგრებული.

D-1 შენახვის პოზიცია

## ბალახის ტომრის აწყობა (ნახ.E1, E2, E3)

აწყობამდე შეამოწმეთ ბალახის ტომარა, რათა დარწმუნდეთ, რომ დაზიანება არ არის.

ააწყვეთ ბალახის ჩანთა, როგორც ილუსტრაციაზეა ნაჩვენები.

## მულჩინგის ჩანართის დამაგრება/მოხსნა, (იყიდება ცალკე)

დამონტაჟეთ მულჩირების ჩანართი გაზონის საკრეკში, როგორც ნაჩვენებია F ნახატზე.

**▲ საშიშროება:** მანქანას შეუძლია გამოყაროს ბალახის წანაჭრები და სხვა საგნები მანქანის კორპუსის ღიობიდან. მღიერად გამოტყორცნილმა საგნებმა შეიძლება გამოიწვიოს თქვენი ან გარშემო მყოფების სერიოზული დაზიანება ან სიკვდილი.

არასოდეს აშუშაოთ გაზონის საკრეკი მულჩირების ჩანართის, ბალახის ტომრის ან გვერდითი დაცვის ღარის სათანადოდ დაყენების გარეშე.

**▲ გაფრთხილება:** მოხსენით წინასწარ დამაგრებული მულჩირების ჩანართი ბალახის ჩანთის ან გვერდითა დაცვის ღარის დამაგრებამდე. მულჩირების ჩანართი უნდა დამონტაჟდეს ხელახლა, როდესაც ბალახის ჩანთა (ან გვერდითი დაცვის ღარი) მოხსნილია.

## ბალახის ჩანთის მიმაგრება/მოხსნა

დამონტაჟეთ ბალახის ტომარა გაზონის საკრეკზე, როგორც ნაჩვენებია G სურათზე.

**▲ გაფრთხილება:** ნორმალური გამოყენებისას, ბალახის ჩანთის მასალა ექვემდებარება ცვეთას. დაზიანების რისკის შესამცირებლად, ხშირად შეამოწმეთ ბალახის ჩანთის მთლიანობა და გამოცვალეთ ჩანთა, თუ ნახავთ ცვეთის ან დაზიანების ნიშნებს. გამოიყენეთ მხოლოდ ბალახის ჩანთები, რომლებიც წარმოებულია ამ გაზონსაკრეკისთვის.

**▲ გაფრთხილება:** ბალახის ტომარა უნდა მოხსნას გვერდითი დასაცვლი ღარის ან მულჩირების ჩანართის დასაყენებლად და გამოსაყენებლად.

### გვერდითა დაცვის ღარის დამაგრება/მოხსნა (იყიდება ცალკე)

დამონტაჟეთ გვერდითი დასაცვლელი ღარი გაზონსაკრეჭზე, როგორც ნაჩვენებია ნახ. 11-ში.

**▲ გაფრთხილება:** ბალახის ტომრის ან მულჩირების ჩანართის დასაყენებლად და გამოსაყენებლად უნდა მოიხსნას გვერდითი დასაცვლელი ღარი.

### ჭრის სიმაღლის რეგულირება (ნახ. j1 & j2)

**▲ გაფრთხილება:** მოაშორეთ ფეხები დასადებს ჭრის სიმაღლის რეგულირებისას.

გაზონის საკრეჭის დაყენება შესაძლებელია ჭრის 8 სიმაღლეზე 20 მმ და 105 მმ-ს შორის. მარკირება მიუთითებს არჩეულ ჭრის სიმაღლეზე.

ამ გაზონის საკრეჭზე შესაძლებელია გაზონის საკრეჭის წინა და უკანა მხარეებზე ჭრის სიმაღლის ინდივიდუალურად დაარეგულირება. აირჩიეთ სწორი ჭრის სიმაღლე, მოსაჭრელი ბალახის ტიპისა და მდგომარეობის მიხედვით.

1. გამორთეთ გაზონის საკრეჭი და დაელოდეთ საჭრელი პირის სრულ გაჩერებას.
2. მოხსენით აკუმულატორის ბლოკი.
3. ამოიღეთ წინა ან უკანა ჭრის სიმაღლის რეგულირების ბერკეტი საკეტიდან და დააყენეთ სასურველ მდგომარეობაში.

### აკუმულატორის ბლოკის დამაგრება/მოხსნა (სურ. K)

**შენიშვნა:** დატენით აკუმულატორის ბლოკი პირველ ჯერზე სარგებლობამდე.

გამოიყენეთ მხოლოდ ის აკუმულატორის ბლოკები და დამტენები, რომლებიც მითითებულია სურ. a3-ში

**შენიშვნა:** გაზონის საკრეჭს აქვს ორი აქტიური აკუმულატორის პორტი. მას შეუძლია იმუშაოს ერთი ან ორი აკუმულატორის ბლოკით.

#### ■ დამაგრება

1. გახსენით აკუმულატორის განყოფილების საფარი და ჩასვით და დააჭირეთ აკუმულატორის ბლოკი განყოფილებაში, სანამ არ გაიგებთ „დაწკაპუნების“ ხმას.
2. გაიმეორეთ პროცესი მეორე აკუმულატორის ბლოკის დასამონტაჟებლად.

#### ■ მოხსნა

დააჭირეთ ბატარეის მოხსნის ლილავს ბატარეის ნაკვეთურში.

**შენიშვნა:** ექსპლუატაციის დაწყებამდე დარწმუნდით, რომ გაზონის საკრეჭზე არსებული ჩამკეტი ჯდება თავის ადგილას და რომ აკუმულატორის ბლოკი დამაგრებულია გაზონის საკრეჭზე.

### დანის სიჩქარის რეჟიმის არჩევა (ნახ. L)

- რეჟიმი 2 არის დანის მაღალი სიჩქარის რეჟიმი მაღლა ასაწევად, შეწოვის ძალისა და ჭრის მუშაობის გასაუმჯობესებლად.
- რეჟიმი 1 არის საუკეთესო ბალანსი მუშაობასა და მუშაობის დროს შორის.
- **ECO** რეჟიმი უზრუნველყოფს თქვენი აკუმულატორის ბლოკ(ებ)ის ყველაზე დაბალ ხმაურის დონეს და ხანგრძლივ მუშაობას.

**შენიშვნა:** დანის სიჩქარის ნაგულისხმევი რეჟიმი არის რეჟიმი 1.

### საკომუნიკაციო ტექნოლოგია

ინფორმაციისთვის ან დაკავშირებული პროდუქტებისა და სერვისების სრული ასორტიმენტის სანახავად, დაკავშირების ინსტრუქციების ჩათვლით, დაასკანირეთ ქვემოთ მოცემული QR კოდი ან ეწვიეთ ბმულს [www.egopowerplus.eu/connect](http://www.egopowerplus.eu/connect).



### ექსპლუატაცია

პროდუქტის გამოყენება შესაძლებელია წვიმაში

### გაზონის საკრეჭის ფუნქციონირების დაწყება/ შეჩერება

**▲ გაფრთხილება:** ნებისმიერმა გაზონის საკრეჭის ექსპლუატაციამ შეიძლება გამოიწვიოს უცხო ობიექტების თქვენს თვალეზში მოხვედრა, რამაც შეიძლება მალიან დააზიანოს თვალები. ყოველთვის გეკეთოთ უსაფრთხოების სათვალეები

KA

გაზონის საკრეჭთან მუშაობის დროს ან მისი ნებისმიერი რეგულირების ან შეკეთების დროს.

**▲ გაფრთხილება:** დანა გააგრძელებს ბრუნვას რამდენიმე წამის შემდეგ, როდესაც გაზონის საკრეჭი გამორთვება. დაელოდეთ ელექტროძრავის/დანის გაჩერებას, სანამ თავიდან ამუშავებთ მას. სწრაფად არ ჩართოთ და გამორთოთ გაზონის საკრეჭი.

**▲ გაფრთხილება:** შეაჩერეთ დან(ებ)ი, თუ საჭიროა გაზონის საკრეჭის გადახრა მისი ტრანსპორტირებისას, როდესაც გადაკვეთავთ რაიმე ზედაპირს ბალახის გარდა და როდესაც მოწყობილობა გადაგაქვთ მოსათიბ ტერიტორიაზე ან იქიდან.

**▲ გაფრთხილება:** არ გადახაროთ მოწყობილობა, როდესაც ძრავს რთავთ, გარდა იმ შემთხვევებისა, როდესაც საჭიროა გაზონის საკრეჭის გადახრა მის ასამუშავებლად. ამ შემთხვევაშიც არ გადახაროთ ხელსაწყო იმაზე მეტად, ვიდრე აბსოლუტურად საჭიროა და აწიეთ მხოლოდ მომხმარებლისგან მოშორებით მყოფი ნაწილი.

გამოყენებამდე ყოველთვის ვიზუალურად შეამოწმეთ ხელსაწყო, რათა ნახოთ, რომ დანა, დანის ჭანჭიკი არ არის გაცვეთილი ან დაზიანებული. შეცვალეთ გაცვეთილი ან დაზიანებული დანა და ჭანჭიკები ერთად, რათა დაიცვათ ბალანსი.

### შეამოწმეთ საჭრელი დანის დაბლოკვა

-დაბლოკვის თავიდან ასაცილებლად, დაიცავით გაზონის საკრეჭი დანის და პლატფორმის სისუფთავე. ამოიღეთ ბალახის ნარჩენები, ფოთლები, ჭუჭყი და სხვა დაგროვილი ნარჩენები ყოველი გამოყენების წინ და შემდეგ.

-დაბლოკვის შემთხვევაში, შეაჩერეთ გაზონის საკრეჭი და ამოიღეთ აკუმულატორის ბლოკ(ებ)ი, შემდეგ მოაშორეთ ბალახის და ფოთლების ნარჩენები ღერძს და ძრავის ვენტილატორს. გაწმინდეთ გაზონის საკრეჭი ნოტიო ქსოვილით.

**▲ ყურადღება:** არ შეეცადოთ ელექტრო კვების ღილაკისა და საჭრელი დანის ბრუნვის ბერკეტის მუშაობის შენაცვლებას.

KA

**შენიშვნა:** ძრავის ამუშავება შეუძლებელია, სანამ სახელური ჩაკეტილია სამი სამუშაო პოზიციიდან ერთ-ერთში.

### გაზონის საკრეჭი მანქანის ჩართვა (ნახ. M1 და M2)

1. ჩასვით აკუმულატორის ბლოკ(ებ)ი გაზონის საკრეჭში და დახურეთ აკუმულატორის განყოფილების საფარი.
2. დააჭირეთ ჩართვის ღილაკს დაფის გასანათებლად და გაზონის საკრეჭის სტატუსის ინდიკატორი და დანის სიჩქარის ინდიკატორი 1 განანათებს.
3. დააჭირეთ დანის სიჩქარის რეჟიმის ღილაკს სასურველი სიჩქარის ასარჩევად.
4. დააჭირეთ და დააყოვნეთ თითო ჩართვის ღილაკზე.
5. ჩართვის ღილაკიდან ხელის აუღებლად, მოქანეთ საჭრელი დანის ბრუნვის ტრიგერი სახელურის გასათანაბრებლად და აუშვით ხელი ჩამრთველი ღილაკიდან.

### გაზონის საკრეჭის გაჩერება (ნახ. M3)

1. სრულიად გაუშვით ხელი საჭრელი დანის ბრუნვის ჩამრთველს.
2. ელექტრო მუხრუჭი ავტომატური მუხრუჭის მექანიზმში გააჩერებს დანის ბრუნვას საჭრელი დანის ბრუნვის ჩამრთველზე ხელის აშვებიდან 3 წამში.

### ცვალეზადი სიჩქარის თვით-სვლის სისტემა (სურ. N)

გაზონის საკრეჭი ადჭურვილია ცვლადი სიჩქარის მქონე თვით-სვლის მექანიზმით. ეს თვით-სვლის სისტემა არ არის დამოკიდებული დანის ბრუნვაზე.

**შენიშვნა:** თვით-სვლის სისტემის ამუშავება შეუძლებელია, სანამ ის ჩაკეტილია სამი სამუშაო პოზიციიდან ერთ-ერთში.

### თვით-სვლის სისტემის მუშაობა დანის ბრუნვის გარეშე

1. პანელის გასანათებლად დააჭირეთ დენის ჩართვის ღილაკს.
2. ოდნავ მოატრიალეთ თვით-სვლის სიჩქარის კონტროლის ღილაკი წინ, სანამ დაწკაპუნების ხმას არ გაიგებთ, შემდეგ მოწიეთ თვით-სვლის ჩამახი სახელურთან დასაკავშირებლად თვით-სვლის ფუნქციის ასამუშავებლად.

**თვით-სვლის გამოსართველად** აუშვით თითი თვით-სვლის ბერკეტიდან.

### შუქდიოდური ფარები (ნახ. P)

**ფარების ჩასართავად** დააჭირეთ ფარების ღილაკს. პროექტორები ანათებენ კამკაშა სინათლით გაზონის საკრეჭის წინ.

ფარების გამოსართველად კვლავ დააჭირეთ ღილაკს.

**გაზონის საკრეჭი მანქანის სტატუსის ინდიკატორი**

გაზონის საკრეჭის სტატუსის ინდიკატორი პანელზე აჩვენებს საკრეჭის მუშაობის სტატუსს.

ინდიკატორი	აღწერა	მნიშვნელობა	მოქმედება
	მუქი მწვანე	გაზონის საკრეჭი სათანადოდ მუშაობს.	საჭირო არ არის.
	მოციმციმე მწვანე შუქი	სახელური არ არის ჩაკეტილი სამუშაო პოზიციაში.	გააჩერეთ გაზონის საკრეჭი და დარწმუნდით, რომ სახელური ჩაკეტილია სამუშაო პოზიციაში.
	მოციმციმე წითელი შუქი	დამჯდარი აკუმულატორის დამუხტვა.	გააჩერეთ გაზონის საკრეჭი და დატენეთ აკუმულატორის ბლოკ(ებ)ი.
	მუქი ნარინჯისფერი შუქი	გაზონის საკრეჭი მანქანა გადახურებულია.	აუშვით ხელი დანის ბრუნვის ჩამრთველს, დაელოდეთ, სანამ გაზონის საკრეჭის ტემპერატურა 80°C-ზე დაბლა დაეცემა. იხილეთ „გაზონის საკრეჭის დაცვა მაღალი ტემპერატურისგან“ ქვემოთ.
	მოციმციმე ნარინჯისფერი შუქი	გაზონის საკრეჭი მანქანა გადატვირთულია.	<ol style="list-style-type: none"> <li>1. მოხსენით აკუმულატორის ბლოკ(ებ)ი, შემდეგ შეამოწმეთ, ხომ არ დაგროვდა ბალახი დასადების ქვეშ. საჭიროების შემთხვევაში გაწმინდეთ.</li> <li>2. კრეჭვისას, შეანელოთ ტემპი.</li> <li>3. გაზარდეთ ჭრის სიმაღლე.</li> <li>4. თუ ზემოთ მითითებული საშუალებები არ უშველის, მიმართეთ EGO-ს კლიენტთა მომსახურების ცენტრს.</li> </ol> <p>იხილეთ ქვემოთ „გაზონის საკრეჭის ზედმეტად დატვირთვისგან დაცვა“.</p>
	მონაცვლეობით მოციმციმე წითელი/მწვანე შუქი	გაზონის საკრეჭის ელექტრო შეცდომა.	დაუკავშირდით EGO-ს მომსახურების ცენტრს.

**KA**

## გაზონის საკრეჭის დაცვა მაღალი ტემპერატურისგან

თუ გაზონის საკრეჭის ტემპერატურა 90°C-ს გადააჭარბებს მუშაობის პროცესში, ტემპერატურის დამცავი სისტემა მაშინვე გამორთავს მოწყობილობას გადახურებით გამოწვეული ზიანის თავიდან აცილების მიზნით.

გაზონის საკრეჭის სტატუსის ინდიკატორი განათდება ნარინჯისფრად. გამორთეთ დანის ბრუნვის ტრიგერი და დალოდეთ, სანამ გადახურებული მოწყობილობა არ გაცივდება და სტატუსის ინდიკატორი გაშვანდება, შემდეგ გადატვირთეთ მანქანა.

## გაზონის საკრეჭის ზედმეტად დატვირთვისგან დაცვა

ზედმეტად დატვირთვის თავიდან ასაცილებლად, არ გაკრიჭოთ ერთაშადა დიდი რაოდენობის ბალახი. შეამცირეთ თქვენი ტემპი ან აჩიეთ ჭრის სიმაღლე.

გაზონის საკრეჭში არის ჩამონტაჟებული სათიბი მანქანის ზედმეტად დატვირთვისგან დაცვის მექანიზმი. როდესაც გაზონის საკრეჭი გადატვირთულია, ძრავა გაჩერდება და გაზონის საკრეჭის სტატუსის ინდიკატორი გაანათებს ნარინჯისფრად.

## ტექნიკური მომსახურება

**▲ გაფრთხილება:** გაწმენდამდე, ნებისმიერი სახის ტექ. მომსახურებისას ან ტრანსპორტირებისას სერიოზული დაზიანების თავიდან ასაცილებლად, ყოველთვის გამორთეთ გაზონის საკრეჭი, ამოიღეთ აკუმულატორის ბლოკ(ებ)ი და დარწმუნდით, რომ ყველა მოძრავი ნაწილი სრულად გაჩერებულია.

**▲ გაფრთხილება:** უცხო საგანზე დარტყმის შემდეგ გააჩერეთ მოწყობილობა და ამოიღეთ აკუმულატორის ბლოკი, რათა დარწმუნდეთ, რომ ყველა მოძრავი ნაწილი მთლიანად გაჩერდა და შეამოწმეთ, ხომ არ არის მოწყობილობა დაზიანებული და შეაკეთეთ მოწყობილობის გადატვირთვამდე და ამუშავებამდე.

**▲ გაფრთხილება:** გააჩერეთ მოწყობილობა და ამოიღეთ აკუმულატორის ბლოკი, რათა დარწმუნდეთ, რომ ყველა მოძრავი ნაწილი მთლიანად გაჩერდა, თუ მოწყობილობა

დაიწყებს უჩვეულო ვიბრაციას. შემდეგ დაუყოვნებლივ შეამოწმეთ დაზიანება, შეცვალეთ ან შეაკეთეთ დაზიანებული ნაწილები და შეამოწმეთ და მოუჭირეთ მოშვებულ ნაწილებს.

**▲ გაფრთხილება:** შეკეთებისას გამოიყენეთ მხოლოდ იდენტური სათადარიგო ნაწილები. ნებისმიერი სხვა ნაწილის გამოყენებამ შეიძლება წარმოქმნას საფრთხე ან გამოიწვიოს პროდუქტის დაზიანება. ხელსაწყოს უსაფრთხოდ და გამართულად მუშაობისთვის საჭიროა მისი ყველა შეკეთება და ნაწილის შეცვლა შესრულდეს კვალიფიციური ტექნომსახურების ტექნიკოსის მიერ.

## ხელსაწყოს გაწმენდის წესი

გაზონის საკრეჭის დასადების ქვედა ნაწილი უნდა გასუფთავდეს ყოველი გამოყენების შემდეგ, რადგანაც ხდება მოჭრილი ბალახების, ფოთლებისა და სხვა ნარჩენების დაგროვება. მოაშორეთ დაგროვილი ბალახის და ფოთლების ნარჩენები ღერძს და ძრავის ვენტილატორს. გაწმინდეთ გაზონის საკრეჭი ნოტიო ქსოვილით.

## ჰაერის მიმღების გაწმენდა (ნახ. Q)

1. ამოიღეთ ჰაერის მიმღები ბადის საფარი ოთხი ხრახნის ამოღებით.
2. გაწმინდეთ ჰაერის მიმღების შიდა მხარე და ბადის საფარი შეკუმშული ჰაერით.

## დანის შეცვლა (ნახ. R1, R2, R3)

**▲ გაფრთხილება:** ყოველთვის მოხსენით აკუმულატორის ბლოკ(ებ)ი და ბალახის ჩანთა.

**▲ გაფრთხილება:** მუდამ ატარეთ დამცავი ხელთათმანები.

**შენიშვნა:** დანის დამონტაჟებამდე კარგად გაასუფთავეთ წამყვანი ლილვის არე და აპარატის ქვედა მხარე.

1. ამოატრიალეთ გაზონის საკრეჭი თავდაყირა
2. ამოიღეთ/დამონტაჟეთ ქანჩის გასაღებით და ორი ლითონის ღეროთი, როგორც ილუსტრაციაზეა ნაჩვენები.
3. ნაბეჭდიანი დანის მხარე უნდა იყოს მიმართული გარეთ.

## გაზონის საკრეჭის შენახვის წესი S1 და S2)

1. მოხსენით აკუმულატორის ბლოკ(ებ)ი გაზონის საკრეჭიდან.
2. დაცალეთ ბალახის ტომარა და

KA

- გაასუფთავეთ გაზონის საკრეჭი.
3. შენახვის მნიშვნელოვანი სივრცის დაზოგვის მიზნით, დაკვეთეთ პროდუქტის სახელური და შეინახეთ პროდუქტი ილუსტრაციაში მითითებული სახით.

**შენიშვნა:** პროდუქტის სახელურის დაკვეცვის/ გახსნისას, დარწმუნდით, რომ სახელურის კაბელი არ არის ჩაკეტილი (არ დააგდოთ სახელური).

4. არ მოათავსოთ სხვა საგნები გაზონის საკრეჭზე შენახვისას

**⚠ გაფრთხილება:** თუ გაზონის საკრეჭი ვერტიკალური პოზიციიდან გადმოიხრება, ის შესაძლოა დაზიანდეს ან მოგაყენოთ პირადი დაზიანება. ყოველთვის შეინახეთ გაზონის საკრეჭი ბავშვებისთვის მიუწვდომელ, სტაბილურ ადგილას, როდესაც ის ვერტიკალურად არის მოთავსებული. შეძლებისდაგვარად, შენახვისას მოათავსეთ ჰორიზონტალურ მდგომარეობაში.

#### გარემოს ცავა



ელექტრო ხელსაწყოების უტილიზაცია არ უნდა მოხდეს არასორტირებულ მუნიციპალურ ნარჩენებთან ერთად, გამოიყენეთ სპეციალური ჩაბარების პუნქტები.

მიმართეთ ადგილობრივი თვითმმართველობის ორგანოებს, რათა მოიძიოთ ინფორმაცია ნარჩენების უტილიზაციის სისტემებთან დაკავშირებით.

ელექტრო მოწყობილობების ნაგავსაყრელზე მოთავსებისას სახიფათო ნარჩენებმა შესაძლოა გაჟონოს გრუნტის წყლებში და მოხვდეს საკვებ ჯაჭვში, რამაც შესაძლოა დააზიანოს თქვენი ჯანმრთელობა და კეთილდღეობა.

## გაუმართაობის დიაგნოსტიკა

პრობლემა	მიზეზი	პრობლემის მოგვარება
გაზონის საკრეჭი ან თვით-ცლის ფუნქცია ვერ ამოქმედდება.	<ul style="list-style-type: none"> <li>აკუმულატორის ბლოკის დამუხტვა დაცლილია.</li> </ul>	<ul style="list-style-type: none"> <li>დატენეთ აკუმულატორის ბლოკი.</li> </ul>
	<ul style="list-style-type: none"> <li>აკუმულატორის ბლოკი არ დევს აკუმულატორის ნაკვეთურში სათანადოდ.</li> </ul>	<ul style="list-style-type: none"> <li>ჩასვით აკუმულატორის ბლოკ(ებ)ი აკუმულატორის ნაკვეთურში, სანამ არ გაიგებთ "დაწკაპუნების" ხმას.</li> </ul>
	<ul style="list-style-type: none"> <li>სახელური არ არის ჩაკეტილი სამუშაო პოზიციაში და საკრეჭის სტატუსი ანათებს მწვანედ.</li> </ul>	<ul style="list-style-type: none"> <li>გააჩერეთ გაზონის საკრეჭი და დარწმუნდით, რომ სახელური ჩაკეტილია სამუშაო პოზიციაში.</li> </ul>
	<ul style="list-style-type: none"> <li>გაზონის საკრეჭი მანქანის ქვედა ნაწილი გაჭედილია ბალახითა და ნარჩენებით.</li> </ul>	<ul style="list-style-type: none"> <li>გაწმინდეთ გაზონის საკრეჭის ქვედა ნაწილი და და დარწმუნდით, რომ დანა თავისუფლად მოძრაობს.</li> </ul>
გაზონის საკრეჭი უსწორმასწოროდ ჭრის.	<ul style="list-style-type: none"> <li>დანა ბლაგვია.</li> </ul>	<ul style="list-style-type: none"> <li>გაღესეთ ან შეცვალეთ დანა.</li> </ul>
	<ul style="list-style-type: none"> <li>ბალახის ჭრის სიმაღლე არ არის სწორად დაყენებული.</li> </ul>	<ul style="list-style-type: none"> <li>გადაიყვანეთ ქვედა ნაწილის სიმაღლე უფრო მაღალ პარამეტრზე.</li> </ul>
	<ul style="list-style-type: none"> <li>დანა არასწორადაა დამონტაჟებული.</li> </ul>	<ul style="list-style-type: none"> <li>ხელახლა დაამაგრეთ დანა, მიყევით მომხმარებლის ინსტრუქციას ნაწილში „დანის გამოცვლა“.</li> </ul>
	<ul style="list-style-type: none"> <li>დანის სიჩქარის რეჟიმი არ არის სწორად დაყენებული.</li> </ul>	<ul style="list-style-type: none"> <li>აირჩიეთ დანის სიჩქარის შესაბამისი რეჟიმი.</li> </ul>
გაზონის საკრეჭი მანქანა სწორად არ აკეთებს მულჩირებას.	<ul style="list-style-type: none"> <li>სველი ბალახის ნარჩენები მიწეპებულია ქვედა ნაწილზე უკანა მხრიდან.</li> </ul>	<ul style="list-style-type: none"> <li>დაელოდეთ სანამ ბალახი გაშრება მოთიბვამდე.</li> </ul>
	<ul style="list-style-type: none"> <li>გაზონის საკრეჭი მანქანა მომართულია, მოჭრას ერთბაშად ძალიან ბევრი ბალახი.</li> </ul>	<ul style="list-style-type: none"> <li>აწიეთ პლატფორმა ჭრის მაღალ სიმაღლეზე დასაყენებლად.</li> </ul>
	<ul style="list-style-type: none"> <li>დანის სიჩქარის რეჟიმი არ არის სწორად დაყენებული.</li> </ul>	<ul style="list-style-type: none"> <li>აირჩიეთ რეჟიმი 1 ან დანის ECO სიჩქარის რეჟიმი.</li> </ul>

KA



<p>გაზონის საკრეჭი მოულოდნელად ჩერდება კრეჭვის დროს.</p>	<ul style="list-style-type: none"> <li>■ აკუმულატორის ბლოკის დამუხტვა დაცლილია.</li> </ul>	<ul style="list-style-type: none"> <li>■ დატენეთ აკუმულატორის ბლოკი.</li> </ul>
	<ul style="list-style-type: none"> <li>■ გაზონის საკრეჭი გადატვირთულია და გაზონის საკრეჭის სტატუსის ინდიკატორი ციმციმებს ნარინჯისფრად.</li> </ul>	<ul style="list-style-type: none"> <li>■ შემოწმეთ, დაგროვდა თუ არა ბალახი ქვედა ნაწილის ქვეშ და გაწმინდეთ საჭიროების შემთხვევაში. აწიეთ ჭრის სიმაღლე ან შეამცირეთ ჭრის ტემპი.</li> </ul>
	<ul style="list-style-type: none"> <li>■ გაზონის საკრეჭის ქვედა ნაწილი გადაჭედულია ბალახით და ნარჩენებით.</li> </ul>	<ul style="list-style-type: none"> <li>■ გაათავისუფლეთ სათიბის ქვედა ნაწილი. გაზარდეთ ჭრის სიმაღლე და/ან გათიბეთ ვიწრო ზოლად.</li> </ul>
	<ul style="list-style-type: none"> <li>■ აკუმულატორის ბლოკ(ებ)ის ან გაზონის საკრეჭის ელექტრო სქემა ზედმეტად გაცხელებულია. თუ აკუმულატორის ბლოკი გადახურებულია, გაზონის საკრეჭის სტატუსის ინდიკატორი გამორთვება. თუ გაზონის საკრეჭი ზედმეტად გაცხელებულია, გაზონის საკრეჭის სტატუსის ინდიკატორი ანათებს ნარინჯისფრად.</li> </ul>	<ul style="list-style-type: none"> <li>■ მიეცით აკუმულატორს ბლოკ(ებ)ს ან გაზონის საკრეჭს გაგრილების საშუალება.</li> <li>■ გაასუფთავეთ ჰაერის მიმღები "ჰაერმიმღების გაწმენდა" ნაწილის შესაბამისად</li> </ul>
	<ul style="list-style-type: none"> <li>■ დანის სიჩქარის რეჟიმი არ არის სწორად დაყენებული.</li> </ul>	<ul style="list-style-type: none"> <li>■ აირჩიეთ დანის სიჩქარე უფრო დაბალ პარამეტრზე.</li> </ul>
	<ul style="list-style-type: none"> <li>■ გაზონის საკრეჭის ელექტრონიკის შეცდომა და გაზონის საკრეჭის სტატუსის ინდიკატორი მონაცვლეობით ანათებს წითლად/ მწვანედ.</li> </ul>	<ul style="list-style-type: none"> <li>■ დაუკავშირდით EGO-ს მომსახურების ცენტრს.</li> </ul>
<p>ექვს გადაჭარბებულ ვიზრაცია.</p>	<ul style="list-style-type: none"> <li>■ დანა არის მოშვებული.</li> </ul>	<ul style="list-style-type: none"> <li>■ მოუჭირეთ დანის ჭანჭიკი.</li> </ul>
	<ul style="list-style-type: none"> <li>■ დანა არ არის კარგად დაფიქსირებული.</li> </ul>	<ul style="list-style-type: none"> <li>■ დაუკავშირდით EGO სერვის ცენტრს.</li> </ul>
	<ul style="list-style-type: none"> <li>■ დანა გადახრილია.</li> </ul>	<ul style="list-style-type: none"> <li>■ შეცვალეთ დანა.</li> </ul>
	<ul style="list-style-type: none"> <li>■ ძრავის ღერძი გადახრილია.</li> </ul>	<ul style="list-style-type: none"> <li>■ დაუკავშირდით EGO სერვის ცენტრს.</li> </ul>
	<ul style="list-style-type: none"> <li>■ გაზონის საკრეჭი მანქანა მომართულია, მოჭრას ერთბაშად მალაინ ბევრი ბალახი.</li> </ul>	<ul style="list-style-type: none"> <li>■ აწიეთ პლატფორმა ჭრის მაღალ სიმაღლეზე დასაყენებლად.</li> </ul>
	<ul style="list-style-type: none"> <li>■ დანის სიჩქარის რეჟიმი არ არის სწორად დაყენებული.</li> </ul>	<ul style="list-style-type: none"> <li>■ დააყენეთ დანის სიჩქარე უფრო დაბალ პარამეტრზე.</li> </ul>

**KA**



<p>ძრავა მუშაობს, მაგრამ დანა არ ჭრის ბალახს.</p>	<ul style="list-style-type: none"><li>▪ საჭრელი დანა არ არის სათანადოდ მოჭერილი.</li></ul>	<ul style="list-style-type: none"><li>▪ ხელახლა მოუჭირეთ დანის ჭანჭიკი. დანის ჭანჭიკისთვის რეკომენდებული ბრუნვის მომენტი არის 50-60 წმ.</li></ul>
---	--	---

## გარანტია

### EGO-ს გარანტიის მომსახურების წესი

გთხოვთ, ეწვიოთ ვებ-გვერდს [egopowerplus.eu](http://egopowerplus.eu), და გაეცნოთ EGO-ს საგარანტიო მომსახურების წესებს და პირობებს სრულად.

KA

258

56 ვოლტაანი ლითიუმის-იონის უსადენო ძრავა — LMX5300SP

## PROČITAJTE SVA UPUTSTVA!

**Predviđena upotreba:** Proizvod je namenjen za ručno košenje travnjaka:

- Koristite samo za košenje suve trave. Ne kosite mokru travu.
- Ne koristite ni za kakve druge svrhe.

**! UPOZORENJE:** Obavezno pročitajte i shvatite sva sigurnosna uputstva u ovom Priručniku za rukovaoca, obuhvatajući i sve simbole sigurnosnih upozorenja poput „OPASNOST“, „UPOZORENJE“ i „OPREZ“ pre korišćenja ove mašine. Nepridržavanje svih dole navedenih uputstava može da dovede do strujnog udara, požara i/ili ozbiljne telesne povrede.

## SIGURNOSNI SIMBOLI



Sigurnosno upozorenje



Uvek nosite zaštitu sluha, sigurnosne naočare sa bočnim štitičnicima i masku za celo lice kad rukujete ovim proizvodom.



Čuvajte se izbačenih predmeta - držite prolaznike podalje.



Držite šake podalje



Garantovani nivo zvučne snage.



Ovaj proizvod je u skladu sa primenljivim zakonima UK.



Bluetooth®

IPX5

Zaštita od mlazova vode

mm

Milimetar



Jednosmerna struja



Da bi smanjio rizik od povreda, korisnik pre korišćenja ovog proizvoda mora pročitati i shvatiti priručnik za rukovaoca.



Isključite mašinu i uklonite odvojivu bateriju (ili blokadu) pre podešavanja ili čišćenja.



Držite šake i stopala dalje od sečiva.



Nemojte gledati u uključenu lampu.



Ovaj proizvod je u skladu sa primenljivim Direktivama EU.



Otpadni električni proizvodi ne smeju da se odlažu sa otpadom iz domaćinstva. Odnosite ih u ovlašćeni pogon za reciklažu.

V Volt

cm Centimetar

kg Kilogram

**NAPOMENA:** Bluetooth® reč i logotipi su registrovani zaštitni znaci u vlasništvu Bluetooth SIG, inc. i svaka upotreba takvih oznaka od strane EGO je pod licencom.

SR

## SPECIFIKACIJE

Napon	56 V	
Režim brzine sečiva	2	
	1	
	ECO	
Položaji visine košenja	8	
Postavke visine košenja	20 mm/31 mm/40 mm/ 51 mm/ 64 mm/78 mm/ 92 mm/105 mm	
Širina košenja	53 cm	
Zapremina vreće za travu	85 L	
Težina kosilice (bez baterije i vreće za travu)	46 kg	
Model noža	AB5301	
Preporučena radna temperatura	0°C–40°C	
Preporučena temperatura skladištenja	-20°C–70°C	
Izmereni nivo zvučne snage $L_{WA}$	94 dB(A) K= 0,6 dB(A)	
Nivo zvučnog pritiska na uhu rukovaoca $L_{PA}$	83 dB(A) K= 3 dB(A)	
Garantovani nivo zvučne snage $L_{WA}$ (izmereno u skladu sa Direktivom 2000/14/EZ)	95 dB(A)	
Procena vibracije $a_n$ :	Leva drška	0,39 m/s <sup>2</sup> K=1,5 m/s <sup>2</sup>
	Desna drška	0,33 m/s <sup>2</sup> K=1,5 m/s <sup>2</sup>

- Deklarisana ukupna vrednost vibracije je izmerena u skladu sa standardnim metodom testiranja i može se koristiti za upoređivanje jedne mašine sa drugom.
- Deklarisana ukupna vrednost vibracije može se koristiti i u preliminarnoj proceni izlaganja.

**OBAVEŠTENJE:** Emisija vibracija tokom aktuelne upotrebe mašine može da se razlikuje od deklarisanе vrednosti u kojoj se mašina upotrebljavala. Korisnik radi zaštite treba da nosi rukavice i štitnike za uši u aktuelnim uslovima upotrebe.

**SR**

## POPIS PAKOVANJA (SLIKA A1 I A2)

NAZIV DELA	KOLIČINA
Kosilica za travu	1
Vreća za travu	1
Okvir vreće za travu	1
Leptir vijak (fabrički instaliran na kosilicu)	2
Priručnik za rukovaoca	1

## OPIS

### UPOZNAJTE SVOJU KOSILICU (slika A1 i A2)

- Okidač sopstvenog pogona
  - Ručka
  - Okidač rotacije sečiva
  - Zadnja izlazna vrata
  - Zupčanik za zaključavanje
  - Poklopac odeljka za bateriju
  - LED prednja svetla
  - Srednji branik (drška za podizanje)
  - Prednji branik
  - Prednja poluga za podešavanje visine košenja
  - Prednji točak
  - Ploča kosilice
  - Bočni štitnik
  - Ulaz vazduha
  - Zadnji točak
  - Zadnja poluga za podešavanje visine košenja
  - Leptir vijak
  - Ploča za montažu ručke
  - Držač
  - Vreća za travu
  - Zadnji štitnik
  - Umetak za seckanje
  - Bočni izlazni otvor
  - Bluetooth® indikator
  - Kontrolna tabla
  - Indikator statusa kosilice
  - Indikator brzine sečiva
  - Dugme za režim brzine sečiva
  - Dugme napajanja
  - Dugme za LED prednja svetla (Bluetooth® dugme)
  - Dugme za brzinu sopstvenog pogona
- \* PRODAJE SE ODVOJENO

## SASTAVLJANJE

**⚠ UPOZORENJE:** Ako su neki delovi oštećeni ili nedostaju, nemojte koristiti ovaj proizvod dok delovi ne budu zamenjeni. Korišćenje ovog proizvoda sa oštećenim ili nedostajućim delovima može dovesti do ozbiljnih telesnih povreda.

**⚠ UPOZORENJE:** Da biste sprečili nehotično pokretanje koje bi moglo izazvati ozbiljne telesne povrede, uvek uklonite baterije iz mašine kad sklapate delove.

**⚠ UPOZORENJE:** Ne pokušavajte da modifikujete ovu mašinu ili da pravite dodatke koji nisu preporučeni za korišćenje sa ovom kosilicom. Svaka takva promena ili modifikacija je zloupotreba i može dovesti do opasnih uslova koji dovode do ozbiljnih povreda.

### RASPAKIVANJE

Ovaj proizvod zahteva sklapanje.

- Izvadite sav pribor iz kutije.

**⚠ OPREZ:** Težak predmet. Dve osobe su potrebne za podizanje kosilice.

- Jedna osoba treba da uhvati srednji brank/dršku za podizanje a druga osoba treba da uhvati dva leptrir vijka da bi pažljivo podigle kosilicu iz kutije.

### INSTALIRANJE RUČKE

Kosilica za travu se isporučuje sa ručkom delimično sklopljenom.

**⚠ UPOZORENJE:** Ne pokušavajte da pokrenete kosilicu za travu dok ručka ne bude pravilno i čvrsto instalirana i otklopljena. Budite oprezni da biste izbegli ukleštenje prstiju i kabl između delova.

1. Odvrnite oba leptrir vijka i stavite ih sa strane.
2. Pomerite ručku unapred dok zupčanik za zaključavanje na sklopu ručke ne bude okrenut ka zupčaniku na kosilici (slika B1).
3. Poravnajte oznake na zupčaniku za zaključavanje i ploči za montažu ručke kako je prikazano na slici B2, potom umetnite i ručno zategnite dva leptrir vijka.

### OTKLAPANJE I PODEŠAVANJE RUČKE (SLIKA C)

**⚠ UPOZORENJE:** Vodite računa da ne uštinite, uvrnete ili stresirate kabl kad otklapate ili zaklapate ručku. Oštećenje kabl može uticati na aktiviranje i rukovanje kosilicom za travu i dovesti do nebezbednih uslova rukovanja.

**⚠ UPOZORENJE:** Ne pokušavajte da pokrenete kosilicu i sistem sopstvenog pogona dok ručka ne bude zaključana u jednom od tri unapred podešena radna položaja (gornji radni položaj 3, srednji radni položaj 2 i donji radni položaj 1).

1. Olabavite leptrir vijke sa obe strane, osiguravajući da dva zupčanika budu potpuno labava ali NE odvojena.
2. Okrenite ručku nagore dok se oznaka strelice na zupčaniku za zaključavanje ne poravna sa jednim od tri radna položaja na ploči za montažu ručke.
3. Zategnite dva vijka, vodeći računa da dva zupčanika budu potpuno angažovana i da ručka bude čvrsto fiksirana.

C-1	Donji radni položaj 1
C-2	Srednji radni položaj 2
C-3	Gornji radni položaj 3

### PREKLAPANJE RUČKE (SLIKA D)

**⚠ UPOZORENJE:** Vodite računa da ne uštinite, uvrnete ili stresirate kabl kad otklapate ili zaklapate ručku. Oštećenje kabl može uticati na aktiviranje i rukovanje kosilicom za travu i dovesti do nebezbednih uslova rukovanja.

1. Olabavite leptrir vijke sa obe strane, osiguravajući da dva zupčanika budu potpuno labava ali NE odvojena.
2. Okrenite ručku nadole dok se ne nađe u položaju za skladištenje.
3. Poravnajte oznaku strelice na zupčaniku za zaključavanje sa oznakom položaja za skladištenje na ploči za montažu ručke.
4. Zategnite dva leptrir vijka, vodeći računa da dva zupčanika budu potpuno angažovana i da ručka bude čvrsto fiksirana.

D-1	Položaj za skladištenje
-----	-------------------------

### SKLAPANJE VREĆE ZA TRAVU (SLIKA E1, E2, E3)

Proverite vreću za travu pre sklapanja, da biste se uverili da nema oštećenja.

Sklopite vreću za travu prema ilustracijama.

### MONTIRANJE/SKIDANJE UMETKA ZA SECKANJE (PRODAJE SE ZASEBNO)

Instalirajte umetak za seckanje na kosilicu kako je prikazano na slici F.

**SR**

**⚠ OPASNOST:** Mašina može da izbaci odsečenu travu i druge predmete kroz otvor u kućištu mašine. Predmeti izbačeni sa dovoljno sile mogu da izazovu ozbiljne telesne povrede ili smrt vas ili prolaznike.

Nikad ne rukujte kosilicom bez pravilno instaliranog umetka za seckanje, vreće za travu ili bočnog izlaznog otvora.

**⚠ UPOZORENJE:** Umetak za seckanje se mora ukloniti kad se instalira vreća za travu ili bočni izlazni otvor. Umetak za seckanje se mora ponovo instalirati kad se ukloni vreća za travu (ili bočni izlazni otvor).

### MONTIRANJE/SKIDANJE VREĆE ZA TRAVU

Instalirajte vreću za travu na kosilicu kako je prikazano na slici G.

**⚠ UPOZORENJE:** U normalnoj upotrebi, materijal vreće za travu je podložan habanju. Da bi se smanjio rizik od povreda, često pregledajte vreću za travu i zamenite vreću ako postoje znaci habanja ili propadanja. Koristite isključivo vreće za travu proizvedene za ovu kosilicu.

**⚠ UPOZORENJE:** Vreća za travu se mora ukloniti da bi se instalirao i koristio bočni izlazni otvor ili umetak za seckanje.

### PRIČVRŠĆIVANJE/UKLANJANJE BOČNOG IZLAZNOG OTVORA (PRODAJE SE ZASEBNO)

Instalirajte bočni izlazni otvor na kosilicu kako je prikazano na slici H.

**⚠ UPOZORENJE:** Bočni izlazni otvor se mora ukloniti da bi se instalirala i koristila vreća za travu ili umetak za seckanje.

### PODEŠAVANJE VISINE KOŠENJA (SLIKA J1 i J2)

**⚠ UPOZORENJE:** Držite stopala dalje od ploče kad podešavate visinu košenja.

Kosilica može biti podešena na 8 visina košenja između 20 mm i 105 mm. Oznaka pokazuje izabranu visinu košenja.

Ova kosilica vam omogućava da podešite visinu košenja pojedinačno za prednji i zadnji deo kosilice. Izaberite odgovarajuću visinu košenja prema tipu i stanju trave koju ćete kositi.

1. Isključite kosilicu za travu i sačekajte da se nož za sečenje potpuno zaustavi.
2. Izvadite baterije.
3. Izvucite prednju ili zadnju polugu za podešavanje visine košenja iz blokade i postavite je u željeni položaj.

### SPAJANJE/ODVAJANJE BATERIJA (SLIKA K)

**NAPOMENA:** Napunite bateriju pre prve upotrebe.

Koristite samo sa baterijama i punjačima navedenim na slici A3.

**NAPOMENA:** Kosilica ima dva aktivna porta za baterije. Može da radi koristeći jednu ili dve baterije.

#### ■ Postavljanje

1. Otvorite poklopac odeljka za baterije i gurnite bateriju u odeljak za bateriju dok ne čujete „škljoc“.
2. Ponovite proces da biste instalirali drugu bateriju.

#### ■ Skidanje

Pritisnite dugme za otpuštanje baterije u odeljku za bateriju.

**OBAVEŠTENJE:** Vodite računa da reza na kosilici škljocne na svoje mesto i da baterije budu pričvršćene na kosilicu pre započinjanja rada.

### BIRANJE REŽIMA BRZINE SEČIVA (SLIKA L)

- Režim 2 je režim velike brzine sečiva za učinak visokog izbacivanja da bi se poboljšala sila usisavanja i učinak košenja.
- Režim 1 je najbolja ravnoteža između učinka i vremena rada.
- Režim ECO pruža najniži nivo buke i najduže vreme rada baterija.

**NAPOMENA:** Podrazumevani režim brzine sečiva je režim 1.

### KOMUNIKACIONA TEHNOLOGIJA

Za informacije o celoj paleti naših povezanih uređaja i usluga, obuhvatajući i uputstva za povezivanje, skenirajte QR kod ispod ili posetite [www.egopowerplus.eu/connect](http://www.egopowerplus.eu/connect).



## RUKOVANJE

Proizvod se može koristiti po kiši.

### POKRETANJE/ZAUSTAVLJANJE KOSILICE

**⚠ UPOZORENJE:** Rukovanje svakom kosilicom za travu može da dovede do izbacivanja stranih predmeta ka vašim ili tuđim očima, što može ozbiljno da ošteti oči. Uvek nosite zaštitne naočare za vreme rukovanja kosilicom, ili za vreme svih podešavanja ili popravki na kosilici.

**⚠ UPOZORENJE:** Nož će nastaviti da se okreće nekoliko sekundi nakon isključivanja kosilice. Sačekajte da motor/nož prestane da se okreće pre no što je ponovo pokrenete. Nemojte brzo uključivati i isključivati kosilicu.

**⚠ UPOZORENJE:** Zaustavite sečivo ako treba da nagnete kosilicu za travu radi transporta kad prelazite preko površina koje nisu travnate i kad transportujete kosilicu za travu do površine koju ćete kositi i od nje.

**⚠ UPOZORENJE:** Ne nagnite kosilicu za travu dok počinjete uključivanje motora, osim ako kosilica za travu mora biti nagnuta za pokretanje. U tom slučaju, ne nagnite više nego što je apsolutno neophodno i podignite samo onaj deo koji je dalje od rukovaoca.

Pre korišćenja, uvek vizuelno pregledajte mašinu da biste proverili da li su sečivo i zavrtnj sečiva pohabani ili oštećeni. Zamenite pohabano ili oštećeno sečivo i zavrtnj u kompletu da biste očuvali balans.

### Proverite da li je sečivo blokirano

- Da biste sprečili blokadu, održavajte sečivo i platformu kosilice čistima. Uklonite pokošenu travu, lišće, zemlju i svu ostalu nagomilanu prijavštinu pre i posle svake upotrebe.

- Kad dođe do blokade, zaustavite kosilicu i izvadite bateriju (baterije) a zatim uklonite svu nagomilanu travu i lišće na pogonskom vratilu i ventilatoru motora i oko njih. Obrišite kosilicu vlažnom krpom.

**⚠ OPREZ:** Ne pokušavajte da zaobidete funkciju dugmeta napajanja i okidača rotacije sečiva.

**NAPOMENA:** Motor se ne može pokrenuti ako ručka nije zaključana u jednom od tri radna položaja.

### Za pokretanje kosilice (slika M1 i M2)

1. Spojite baterije na kosilicu i zatvorite poklopac odeljka za baterije.
2. Pritisnite dugme napajanja da bi se kontrolna tabla osvetlila pa će se indikator statusa kosilice zajedno sa indikatorom brzine sečiva 1 osvetliti.

3. Pritisnite dugme za režim brzine sečiva da biste izabrali željenu brzinu.
4. Pritisnite i držite dugme napajanja.
5. Dok je dugme napajanja pritisnuto, povucite okidač rotacije sečiva dok ne dođe do drške, pa pustite dugme napajanja.

### Za zaustavljanje kosilice (slika M3)

1. Potpuno pustite okidač rotacije sečiva.
2. Električna kočnica u automatskom kočionom mehanizmu će zaustaviti okretanje noža u roku od 3 sekunde od puštanja okidača rotacije sečiva.

### SISTEM SOPSTVENOG POGONA SA VARIJABILNOM BRZINOM (SLIKA N)

Kosilica je opremljena mogućnošću sopstvenog pogona sa varijabilnom brzinom. Ovaj sistem sopstvenog pogona je nezavisan od rotacije sečiva.

**NAPOMENA:** Sistem sopstvenog pogona se ne može pokrenuti ako ručka nije zaključana u jednom od tri radna položaja.

### Za rukovanje sistemom sopstvenog pogona bez rotacije noža

1. Pritisnite dugme napajanja da bi se osvetlila kontrolna tabla.
2. Blago okrenite dugme za kontrolu brzine sopstvenog pogona unapred dok ne čujete škljoc, zatim povucite okidač sopstvenog pogona dok ne dođe do ručke da biste pokrenuli funkciju sopstvenog pogona.

**Za isključivanje sopstvenog pogona,** pustite okidač sopstvenog pogona.







### LED PREDNJA SVETLA (SLIKA P)

**Da uključite prednja svetla,** pritisnite dugme za prednja svetla. Prednja svetla daju jarku svetlost ispred kosilice.

**Da biste isključili prednja svetla,** pritisnite dugme ponovo.

### INDIKATOR STATUSA KOSILICE

Indikator statusa kosilice na kontrolnoj tabli prikazuje radni status kosilice.

Indikator	Opis	Značenje	Akcija
	Neprekidno zeleno	Kosilica radi pravilno.	Nije potrebna.
	Bljaska zeleno	Ručka nije zaključana u radnom položaju.	Zaustavite kosilicu i proverite da li je ručka zaključana u jednom od radnih položaja.
	Bljaska crveno	Niska napunjenost baterije.	Zaustavite kosilicu i napunite baterije.
	Neprekidno narandžasto	Kosilica je pregrejana.	Pustite okidač rotacije sečiva, sačekajte dok temperatura kosilice ne padne ispod 80°C. Pogledajte „ <b>ZAŠTITA KOSILICE OD VISOKE TEMPERATURE</b> “ ispod.
	Bljaska narandžasto	Kosilica je preopterećena.	<ol style="list-style-type: none"> <li>1. Izvadite baterije, potom proverite da li se trava nakupila ispod ploče. Očistite ako je neophodno.</li> <li>2. Usporite korak kad kosite.</li> <li>3. Povećajte visinu košenja.</li> <li>4. Ako gornja rešenja ne uspeju, obratite se EGO servisnom centru.</li> </ol> Pogledajte „ <b>ZAŠTITA OD PREOPTEREĆENJA KOSILICE</b> “ ispod.
	Naizmenično bljeska crveno/zeleno	Greška elektronike kosilice.	Obratite se EGO servisnom centru.

## ZAŠTITA KOSILICE OD VISOKE TEMPERATURE

Ako temperatura kosilice pređe 90°C tokom rada, strujno kolo zaštite od temperature odmah će isključiti kosilicu da bi sprečilo oštećenje od pregrevanja.

Indikator statusa kosilice će svetleti neprekidno narandžasto. Pustite okidač rotacije sečiva i sačekajte da se pregrejana kosilica ohladi i indikator statusa postane zelen a zatim ponovo pokrenite kosilicu.

## ZAŠTITA OD PREOPTEREĆENJA KOSILICE

Da biste sprečili uslove preopterećenja, ne pokušavajte da pokosite suviše trave odjednom. Usporite korak ili povećajte visinu košenja.

Kosilica ima ugrađeni osigurač za zaštitu od preopterećenja. Kad je kosilica preopterećena, motor će se zaustaviti a indikator statusa kosilice na kontrolnoj tabli će bljeskati narandžasto.



## ODRŽAVANJE

**⚠ UPOZORENJE:** Da biste izbegli ozbiljne telesne povrede, uvek isključite kosilicu, izvadite baterije i uverite se da su se svi pokretni delovi potpuno zaustavili pre čišćenja, radova održavanja ili transportovanja kosilice.

**⚠ UPOZORENJE:** Zaustavite mašinu i izvadite baterije da biste osigurali da su se svi pokretni delovi potpuno zaustavili posle nailaženja na strani predmet i da biste pregledali da li na mašini ima oštećenja i popravili ih pre ponovnog pokretanja mašine i rukovanja njom.

**⚠ UPOZORENJE:** Zaustavite mašinu i izvadite baterije da biste osigurali da su se svi pokretni delovi potpuno zaustavili ako mašina počne abnormalno da vibrira i da biste odmah zatim pregledali da li ima oštećenja, zamenili ili popravili sve oštećene delove i da biste proverili da li ima labavih delova i zategnuli ih.

**⚠ UPOZORENJE:** Tokom servisiranja, koristite samo identične rezervne delove. Upotreba bilo kakvih drugih delova može da dovede do opasnosti ili da izazove oštećenje proizvoda. Da bi se osigurala sigurnost i pouzdanost, sve popravke treba da radi kvalifikovani servisni tehničar.

### ČIŠĆENJE KOSILICE

Donju stranu ploče kosilice treba očistiti posle svake upotrebe, jer će se pokošena trava, lišće, zemlja i druga prljavština nagomilati.

Uklonite svu travu i lišće nagomilane na pogonskoj osovinu i ventilatoru motora ili oko njih. Obrišite kosilicu vlažnom krpom.

### Čišćenje ulaza vazduha (slika Q)

1. Uklonite mrežasti poklopac ulaza vazduha tako što ćete ukloniti četiri vijka.
2. Očistite unutrašnjost ulaza vazduha i mrežasti poklopac komprimovanim vazduhom.

### ZAMENA NOŽA (SLIKA R1, R2, R3)

**⚠ UPOZORENJE:** Uvek uklonite baterije i vreću za travu.

**⚠ UPOZORENJE:** Uvek nosite zaštitne rukavice.

**OBAVEŠTENJE:** Temeljno očistite oblast pogonskog vratila i donji deo mašine pre instaliranja sečiva.

1. Okrenite kosilicu naopačke
2. Skinite/instalirajte sečivo pomoću moment ključa i dve metalne šipke kako je ilustrovano.

3. Štampana strana sečiva ide prema spolja.

### SKLADIŠTENJE KOSILICE (SLIKA S1 i S2)

1. Izvadite baterije iz kosilice.
2. Ispraznite vreću za travu i očistite kosilicu.
3. Da biste značajno uštedeli prostor za skladištenje, preklopite dršku proizvoda i skladištite proizvod kako je ilustrovano.

**OBAVEŠTENJE:** Osigurajte da kabl drške ne bude uklešten kad preklapate/otklapate dršku proizvoda (nemojte ispustiti dršku).

4. Tokom skladištenja, na kosilicu nemojte stavljati druge predmete

**UPOZORENJE:** Ako se kosilica prevrne iz uspravnog položaja, može doći do oštećenja kosilice ili telesne povrede. Kosilica uvek treba da bude stabilna i van domašaja dece kad je u uspravnom položaju. Ako je moguće, položite je vodoravno tokom skladištenja.

### ZAŠTITA ŽIVOTNE SREDINE



Ne odlažite električne uređaje kao nesortirani komunalni otpad, koristite specijalizovana mesta za prikupljanje otpada.

Obratite se lokalnoj upravi za informacije o dostupnim sistemima prikupljanja otpada.

Ako se električni aparati odlažu na deponije ili đubrišta, opasne supstance mogu da iscuru u podzemne vode i dospeju u lanac ishrane, nanoseći štetu vašem zdravlju i dobrobiti.

## REŠAVANJE PROBLEMA

PROBLEM	UZROK	REŠENJE
Kosilica ili funkcija sopstvenog pogona neće da se pokrenu.	<ul style="list-style-type: none"> <li>■ Punjenje baterija je potrošeno.</li> </ul>	<ul style="list-style-type: none"> <li>■ Napunite bateriju.</li> </ul>
	<ul style="list-style-type: none"> <li>■ Baterije nisu pravilno umetnute u odeljak za baterije.</li> </ul>	<ul style="list-style-type: none"> <li>■ Umetnite baterije u odeljak za baterije dok ne čujete „škljoc“.</li> </ul>
	<ul style="list-style-type: none"> <li>■ Ručka nije zaključana u radnom položaju i indikator statusa kosilice bljeska zeleno.</li> </ul>	<ul style="list-style-type: none"> <li>■ Zaustavite kosilicu i proverite da li je ručka zaključana u jednom od radnih položaja.</li> </ul>
	<ul style="list-style-type: none"> <li>■ Platforma kosilice je zapušena travom i prijavštinom.</li> </ul>	<ul style="list-style-type: none"> <li>■ Očistite ploču kosilice i osigurajte da nož može slobodno da se kreće</li> </ul>
Kosilica nejednako kosi.	<ul style="list-style-type: none"> <li>■ Nož je tup.</li> </ul>	<ul style="list-style-type: none"> <li>■ Naoštrite ili zamenite nož.</li> </ul>
	<ul style="list-style-type: none"> <li>■ Visina košenja trave nije pravilno postavljena.</li> </ul>	<ul style="list-style-type: none"> <li>■ Pomerite visinu ploče na višu postavku.</li> </ul>
	<ul style="list-style-type: none"> <li>■ Nož je nepravilno instaliran.</li> </ul>	<ul style="list-style-type: none"> <li>■ Ponovo instalirajte nož, prateći odeljak „ZAMENA NOŽA“ u ovom priručniku.</li> </ul>
	<ul style="list-style-type: none"> <li>■ Režim brzine sečiva nije pravilno postavljen.</li> </ul>	<ul style="list-style-type: none"> <li>■ Izaberite odgovarajući režim brzine sečiva.</li> </ul>
Kosilica ne malčira pravilno.	<ul style="list-style-type: none"> <li>■ Mokra pokošena trava se lepi za donju stranu platforme.</li> </ul>	<ul style="list-style-type: none"> <li>■ Sačekajte da se trava osuši pre košenja.</li> </ul>
	<ul style="list-style-type: none"> <li>■ Kosilica je postavljena da kosi suviše trave odjednom.</li> </ul>	<ul style="list-style-type: none"> <li>■ Podignite ploču na višu postavku visine košenja.</li> </ul>
	<ul style="list-style-type: none"> <li>■ Režim brzine sečiva nije pravilno postavljen.</li> </ul>	<ul style="list-style-type: none"> <li>■ Izaberite režim 1 ili ECO režim brzine noža.</li> </ul>
Kosilica neočekivano staje tokom košenja.	<ul style="list-style-type: none"> <li>■ Punjenje baterija je potrošeno.</li> </ul>	<ul style="list-style-type: none"> <li>■ Napunite bateriju.</li> </ul>
	<ul style="list-style-type: none"> <li>■ Kosilica je preopterećena i indikator statusa kosilice bljeska narandžasto.</li> </ul>	<ul style="list-style-type: none"> <li>■ Proverite da li se trava nakupila ispod ploče i očistite ako je potrebno. Povećajte visinu košenja ili usporite košenje.</li> </ul>
	<ul style="list-style-type: none"> <li>■ Ploča kosilice je zapušena travom i prijavštinom.</li> </ul>	<ul style="list-style-type: none"> <li>■ Otpušite ploču kosilice. Povećajte visinu košenja i/ili kosite uže otkose.</li> </ul>
	<ul style="list-style-type: none"> <li>■ Strujna kola baterija ili kosilice su prevruća. Ako je baterija pregrejana, indikator statusa kosilice se isključuje. Ako je kosilica pregrejana, indikator statusa kosilice svetli neprekidno narandžasto.</li> </ul>	<ul style="list-style-type: none"> <li>■ Ostavite baterije ili kosilicu da se ohlade.</li> </ul>
	<ul style="list-style-type: none"> <li>■ Režim brzine sečiva nije pravilno postavljen.</li> </ul>	<ul style="list-style-type: none"> <li>■ Očistite ulaz vazduha prateći odeljak „Čišćenje ulaza vazduha“</li> </ul>
	<ul style="list-style-type: none"> <li>■ Režim brzine sečiva nije pravilno postavljen.</li> </ul>	<ul style="list-style-type: none"> <li>■ Izaberite brzinu sečiva na nižoj postavci.</li> </ul>
<ul style="list-style-type: none"> <li>■ Greška elektronike kosilice i indikator statusa kosilice bljeskaju naizmenično crveno/zeleno.</li> </ul>	<ul style="list-style-type: none"> <li>■ Obratite se EGO servisnom centru.</li> </ul>	

Dolazi do prekomernih vibracija.	■ Nož kosilice je labav.	■ Zategnite zavrtnaj noža.
	■ Nož kosilice nije izbalansiran.	■ Obratite se EGO servisnom centru.
	■ Nož kosilice je savijen.	■ Zamenite nož.
	■ Osovina motora je savijena.	■ Obratite se EGO servisnom centru.
	■ Kosilica je postavljena da kosi suviše trave odjednom.	■ Podignite ploču na višu postavku visine košenja.
	■ Režim brzine sečiva nije pravilno postavljen.	■ Postavite brzinu sečiva na nižu postavku.
Motor radi ali sečivo ne kosi travu.	■ Sečivo nije zategnuto na potrebni obrtni moment.	■ Ponovo zategnite sečivo. Preporučeni obrtni moment za zavrtnaj noža je 50-60 Nm.

## GARANCIJA

### EGO POLITIKA GARANCIJE

Posetite veb-lokaciju [egopowerplus.eu](http://egopowerplus.eu) za potpune uslove i odredbe EGO politike garancije.

## PROČITAJTE UPUTSTVO U CIJELOSTI!

**Predviđena upotreba:** Proizvod je namijenjen ručnoj košnji travnjaka:

- Upotrebljavajte ga samo za košnju suhe trave. Nemojte kositi mokru travu.
- Nemojte ga upotrebljavati za druge svrhe.

**⚠ UPOZORENJE!** Prije upotrebe ove mašine pobrinite se da sva sigurnosna uputstva u ovom korisničkom priručniku, uključujući sve sigurnosne simbole kao što su **"OPASNOST," "UPOZORENJE"** i **"OPREZ"** pročitate s razumijevanjem. Zanemarivanje svih uputstava navedenih u nastavku može rezultirati strujnim udarom, požarom i/ili teškim tjelesnim povredama.

## SIGURNOSNI SIMBOLI



Simbol upozorenja.



Radi smanjenja opasnosti od povreda, prije upotrebe ovog proizvoda korisnik treba s razumijevanjem pročitati ovaj korisnički priručnik.



Kada upotrebljavate ovaj proizvod, uvijek nosite zaštitu za sluh, zatvorene zaštitne naočale ili zaštitne naočale s bočnim štitnicima i štitnik za cijelo lice.



Prije radova podešavanja ili čišćenja isključite odvojivi komplet baterija (ili uređaj za deaktivaciju) i izvadite ga.



Čuvajte se odbačenih predmeta – udaljite prisutne osobe.



Ruke i stopala držite podalje od noževa.



Ruke držite na udaljenosti.



Nemojte zuriti u radnu lampu.



Zagarantovani nivo zvučne snage.



Ovaj proizvod je u skladu s primjenjivim direktivama EU.



Ovaj proizvod je u skladu s važećim zakonodavstvom Velike Britanije.



Otpadni električni proizvodi ne smiju se odlagati s otpadom iz domaćinstva. Odnosite ih u ovlašteni centar za reciklažu.



Bluetooth®

V Volt

IPX5 Zaštita od vodenih mlazova

cm Centimetar

mm Milimetar

kg Kilogram

☰ Istosmjerna struja

**NAPOMENA!** Riječ i logotipi Bluetooth® su registrovani zaštitni znakovi u vlasništvu kompanije Bluetooth SIG, inc. i kao takve ih upotrebljava kompanija EGO pod licencom.

BS

## TEHNIČKI PODACI

Napon	56 V	
Režim brzine noža	2	
	1	
	ECO	
Položaji visine rezanja	8	
Postavke visine rezanja	20 mm/31 mm/40 mm/ 51 mm/ 64 mm/78 mm/ 92 mm/105 mm	
Širina rezanja	53 cm	
Zapremina vreće za travu	85 L	
Masa kosilice (bez kompleta baterija i vreće za travu)	46 kg	
Model noža	AB5301	
Preporučena radna temperatura	0°C–40°C	
Preporučena temperatura skladištenja	-20°C–70°C	
Izmjereni nivo zvučne snage $L_{WA}$	94 dB(A)	$K=0,6$ dB(A)
Nivo zvučnog pritiska kod uha rukovaoca $L_{PA}$	83 dB(A)	$K=3$ dB(A)
Zagarantovani nivo zvučne snage $L_{WA}$ (izmjereno u skladu s Direktivom 2000/14/EZ)	95 dB(A)	
Procjena vibracija $a_{hV}$ :	Lijevi rukohvat	0,39 m/s <sup>2</sup> $K=1,5$ m/s <sup>2</sup>
	Desni rukohvat	0,33 m/s <sup>2</sup> $K=1,5$ m/s <sup>2</sup>

- Deklarisane ukupne vrijednosti vibracija izmjerene su u skladu sa standardnom metodom ispitivanja i mogu se primjenjivati za poredenje jedne mašine s drugom.
- Deklarisane ukupne vrijednosti vibracija mogu se primjenjivati i u preliminarnoj procjeni izloženosti.

**NAPOMENA!** Emisija vibracija tokom aktualne upotrebe mašine može se razlikovati od deklarirane vrijednosti u kojoj se mašina upotrebljavala. Korisnik radi zaštite treba nositi rukavice i štitnike za uši u aktualnim uslovima upotrebe.

## SADRŽAJ PAKOVANJA (SL. A1 | A2)

NAZIV DIJELA	KOLIČINA
Kosilica za travnjak	1
Vreća za travu	1
Okvir vreće za travu	1
Krilni matični vijak (tvornički ugrađen u kosilicu)	2
Korisnički priručnik	1

## OPIS

### UPOZNAJTE SVOJU KOSILICU (sl. A1 i A2)

- Okidač samostalnog pogona
- Rukohvat
- Okidač rotacije noža
- Zaklopka stražnjeg izlaznog otvora
- Mehanizam za zavravljivanje
- Poklopac pretinca za baterije
- Prednja LED svjetla
- Srednji odbojnik (ručka za podizanje)
- Prednji odbojnik
- Prednja ručica za podešavanje visine rezanja
- Prednji točak
- Trup kosilice
- Bočni štitnik
- Ulazni otvor za zrak
- Stražnji točak
- Stražnja ručica za podešavanje visine rezanja
- Krilni matični vijak
- Montažna ploča rukohvata
- Držač
- Vreća za travu
- Stražnji štitnik
- Nastavak za malčiranje
- Bočni izlazni otvor
- Bluetooth® indikator
- Kontrolna ploča
- Indikator stanja kosilice
- Indikator brzine noža
- Dugme za režim brzine noža
- Dugme napajanja
- Dugme za prednja LED svjetla (Bluetooth® dugme)
- Okretno dugme za regulaciju brzine samostalnog pogona

\* PRODAJE SE ZASEBNO.

BS

## SASTAVLJANJE

**⚠ UPOZORENJE!** Ako je bilo koji dio oštećen ili ako nedostaje, nemojte upotrebljavati ovaj proizvod dok ne zamijenite dijelove. Upotreba ovog proizvoda oštećenih dijelova ili dijelova koji nedostaju može rezultirati teškim tjelesnim povredama.

**⚠ UPOZORENJE!** Radi sprečavanja iznenadnog pokretanja koje može uzrokovati teške tjelesne povrede, uvijek izvadite komplet/e baterija iz mašine kada sastavljate dijelove.

**⚠ UPOZORENJE!** Nemojte pokušavati da modifikujete ovu mašinu ili da pravite dodatnu opremu koja nije preporučena za upotrebu s ovom kosilicom. Sve takve izmjene ili modifikacije predstavljaju nepropisnu upotrebu i mogu rezultirati opasnim stanjima koja mogu dovesti do teških povreda.

### OTPAKIVANJE

Ovaj proizvod je potrebno sastaviti.

- Izvadite svu dodatnu opremu iz kartonske ambalaže.

**⚠ OPREZ!** Proizvod je težak. Za dizanje kosilice potrebne su dvije osobe.

- Za pažljivo dizanje kosilice iz kartonske ambalaže, jedna osoba treba uhvatiti srednji odbojnik/ručku za podizanje, a druga osoba dva krilna matična vijka.

### POSTAVLJANJE RUKOHVATA

Kosilica za travnjak se isporučuje s djelimično sastavljenim rukohvatom.

**⚠ UPOZORENJE!** Nemojte pokušavati da pokrenete kosilicu dok rukohvat ne bude propisno i sigurno postavljen i rasklopljen. Pazite da ne priklještite prste i kablove između dijelova.

1. Odmignite oba krilna matična vijka i stavite ih sa strane.
2. Pomaknite rukohvat prema naprijed dok mehanizam za završavanje na sklopu rukohvata ne bude okrenut prema zupčaniku na kosilici (sl. B1).
3. Poravnajte oznake na mehanizmu za završavanje i montažnoj ploči rukohvata kako je prikazano na sl. B2, a zatim umetnite dva krilna matična vijka i pritegnite ih rukom.

### RASKLAPANJE I PODEŠAVANJE RUKOHVATA (SL. C)

**⚠ UPOZORENJE!** Prilikom sklapanja ili rasklapanja rukohvata vodite računa da ne priklještite, savijete ili

zategnete kabel. Oštećenje kabela može utjecati na aktivaciju i rad kosilice za travnjak i rezultirati nesigurnim radnim stanjem.

**⚠ UPOZORENJE!** Kosilicu i sistem samostalnog pogona nemojte pokušavati pokrenuti dok je rukohvat završen u jednom od tri prethodno postavljena radna položaja (gornji radni položaj 3, srednji radni položaj 2 i donji radni položaj 1).

1. Otpustite krilne matične vijke s obje strane i uvjerite se da su dva zupčanika potpuno otpuštena, ali NE i odvojena.
2. Zakrenite rukohvat prema gore tako da oznaka strelice na mehanizmu za zaključavanje bude u ravni s jednim od tri radna položaja na montažnoj ploči rukohvata.
3. Pritegnite dva matična vijka i pritom vodite računa da dva zupčanika budu potpuno zahvaćena, a rukohvat bude čvrsto pričvršćen.

C-1	Donji radni položaj 1
C-2	Srednji radni položaj 2
C-3	Gornji radni položaj 3

### SKLAPANJE RUKOHVATA (SL. D)

**⚠ UPOZORENJE!** Prilikom sklapanja ili rasklapanja rukohvata vodite računa da ne priklještite, savijete ili zategnete kabel. Oštećenje kabela može utjecati na aktivaciju i rad kosilice za travnjak i rezultirati nesigurnim radnim stanjem.

1. Otpustite krilne matične vijke s obje strane i uvjerite se da su dva zupčanika potpuno otpuštena, ali NE i odvojena.
2. Zakrenite rukohvat prema dolje tako da ulegne u položaj za skladištenje.
3. Poravnajte oznaku strelice na mehanizmu za završavanje s oznakom položaja na montažnoj ploči rukohvata.
4. Pritegnite dva krilna matična vijka i pritom vodite računa da dva zupčanika budu potpuno zahvaćena, a rukohvat bude čvrsto pričvršćen.

D-1	Položaj za skladištenje
-----	-------------------------

### MONTAŽA VREĆE ZA TRAVU (SL. E1, E2, E3)

Prije montaže provjerite je li vreća za travu oštećena.

Vreću za travu montirajte kako je prikazano na sl. C.

### POSTAVLJANJE/UKLANJANJE NASTAVKA ZA MALČIRANJE (PRODAJE SE ZASEBNO)

Nastavak za malčiranje postavite u kosilicu kako je prikazano na sl. F.

**⚠ OPASNOST!** Mašina može izbaciti pokošenu travu i druge predmete kroz otvor na kućištu mašine. Predmeti izbačeni dovoljnom snagom mogu uzrokovati teške tjelesne povrede ili smrt vama ili prisutnim osobama.

Kosilicu nemojte nikada upotrebljavati bez pravilno postavljenog nastavka za malčiranje, vreće za travu ili bočnog izlaznog otvora.

**⚠ UPOZORENJE!** Nastavak za malčiranje mora se ukloniti prilikom postavljanja vreće za travu ili bočnog izlaznog otvora. Nastavak za malčiranje potrebno je ponovo postaviti kada se ukloni vreća za travu (ili bočni izlazni otvor).

#### POSTAVLJANJE/UKLANJANJE VREĆE ZA TRAVU

Vreću za travu postavite u kosilicu kako je prikazano na sl. G.

**⚠ UPOZORENJE!** Uz normalnu upotrebu, materijal vreće za travu podložan je habanju. Kako biste smanjili rizik od povreda, redovno pregledavajte vreću za travu i zamijenite je ako na njoj postoje znakovi istrošenosti ili dotrajalosti. Upotrebljavajte samo vreće za travu proizvedene za ovu kosilicu.

**⚠ UPOZORENJE!** Za postavljanje i upotrebu bočnog izlaznog otvora ili nastavka za malčiranje, vreću za travu treba ukloniti.

#### POSTAVLJANJE/UKLANJANJE BOČNOG IZLAZNOG OTVORA (PRODAJE SE ZASEBNO)

Bočni izlazni otvor postavite u kosilicu kako je prikazano na sl. H.

**⚠ UPOZORENJE!** Za postavljanje i upotrebu vreće za travu ili nastavka za malčiranje, bočni izlazni otvor treba ukloniti.

#### PODEŠAVANJE VISINE REZANJA (SL. J1 i J2)

**⚠ UPOZORENJE!** Prilikom podešavanja visine rezanja držite stopala podalje od trupa kosilice.

Kosilica se može podesiti na 8 visina rezanja između 20 mm i 105 mm. Oznaka označava odabranu visinu rezanja.

S ovom kosilicom možete zasebno prilagoditi visinu rezanja za prednji i stražnji dio kosilice. Odaberite ispravnu visinu rezanja u skladu s vrstom i stanjem trave koju želite pokositi.

1. Isključite kosilicu i pričekajte da se rezni nož potpuno zaustavi.

2. Izvadite komplet/e baterija.
3. Povucite prednju ili stražnju ručicu za podešavanje visine rezanja iz položaja i postavite je u željeni položaj.

#### POSTAVLJANJE/SKIDANJE KOMPLETA BATERIJA (SL. K)

**NAPOMENA!** Komplet baterija napunite prije prve upotrebe.

Proizvod upotrebljavajte samo s kompletima baterija i punjačima koji su navedeni na sl. A3.

**NAPOMENA!** Kosilica ima dva aktivna priključka za baterije. Kosilica može raditi s jednim kompletom baterija ili dva kompleta baterija.

##### ■ Postavljanje

1. Otvorite poklopac pretinca za baterije i komplet baterija gurajte u pretinac za baterije dok ne začujete zvuk "klikanja".
2. Ponovite postupak za postavljanje drugog kompleta baterija.

##### ■ Skidanje

Pritisnite dugme za oslobađanje baterije u pretincu za baterije.

**NAPOMENA!** Prije početka rada uvjerite se da je zasun na kosilici ulegao u svoje mjesto i da je/su komplet/i baterija pričvršćen/i na kosilici.

#### ODABIR REŽIMA BRZINE NOŽA (SL. L)

- Režim rada 2 je režim rada velike brzine noža za veliku snagu podizanja radi poboljšanja snage usisavanja i rezanja.
- Režim rada 1 je najbolja ravnoteža između performansi i vremena rada.
- ECO režim rada osigurava najniži nivo buke i najduže vrijeme rada kompleta baterija.

**NAPOMENA!** Zadani režim brzine noža je režim rada 1.

#### KOMUNIKACIJSKA TEHNOLOGIJA

Za informacije o našoj cjelokupnoj ponudi povezanih proizvoda i usluga, uključujući upute za povezivanje, skenirajte QR kod u nastavku ili posjetite internetsku stranicu [www.egopowerplus.eu/connect](http://www.egopowerplus.eu/connect).



## RAD

Proizvod se može upotrebljavati na kiši.

### POKRETANJE/ZAUSTAVLJANJE KOSILICE

**⚠ UPOZORENJE!** Pri rukovanju bilo kojom kosilicom za travnjak može doći do odbacivanja stranih predmeta u vaše oči ili oči drugih osoba, što može rezultirati teškim oštećenjem očiju. Uvijek nosite sigurnosne naočale kada rukujete kosilicom ili kada obavljate podešavanje ili popravke na kosilici.

**⚠ UPOZORENJE!** Nož će se nastaviti okretati nekoliko sekundi nakon isključivanja kosilice. Pričekajte da se motor/nož prestane okretati prije ponovnog pokretanja. Kosilicu nemojte naglo isključiti pa uključiti.

**⚠ UPOZORENJE!** Zaustavite nož ako je kosilicu za travnjak potrebno nagnuti radi premještanja pri prelasku preko površina koje nisu trava i pri premještanju na područje i s područja koje treba pokositi.

**⚠ UPOZORENJE!** Nemojte nagnjati kosilicu prilikom pokretanja motora, osim ako se kosilica mora nagnjati radi pokretanja. U tom slučaju proizvod nemojte nagnjati više nego što je potrebno i podignite samo onaj dio koji je podalje od rukovaoca.

Prije upotrebe uvijek vizuelno pregledajte jesu li nož i matični vijak noža istrošeni ili oštećeni. Zamijenite istrošeni ili oštećeni nož i matični vijak u setovima kako biste održali ravnotežu.

### Provjera blokade reznog noža

- Kako biste izbjegli blokadu, rezni nož i trup kosilice održavajte čistima. Prije i nakon svake upotrebe uklonite pokošenu travu, lišće, prljavštinu i druge nakupljene naslage.

- Ako dođe do blokade, zaustavite kosilicu i izvadite komplet/e baterija. Zatim uklonite nakupine trave i lišća na pogonskoj osovinu ili oko pogonske osovine i ventilatora motora. Kosilicu čistite vlažnom krpom.

**⚠ OPREZ!** Nemojte pokušavati da premostite rad dugmeta napajanja i okidača rotacije noža.

**NAPOMENA!** Motor se može pokrenuti samo kada je rukohvat završen u jednom od tri radna položaja.

### Pokretanje kosilice (sl. M1 i M2)

1. Pričvrstite komplet/e baterija na kosilicu i zatvorite poklopac pretinca za baterije.

2. Pritisnite dugme napajanja da osvijetlite kontrolnu ploču. Uključit će se indikator stanja kosilice i indikator brzine noža 1.
3. Pritisnite dugme za režim brzine noža da odaberete željenu brzinu.
4. Pritisnite dugme napajanja i držite ga pritisnutim.
5. Dok dugme napajanja držite pritisnutim, povucite okidač rotacije noža na rukohvat i otpustite dugme napajanja.

### Zaustavljanje kosilice (sl. M3)

1. Potpuno otpustite okidač rotacije noža.
2. Električna kočnica u mehanizmu automatskog kočenja zaustavit će rotaciju noža u roku 3 sekunde po otpuštanju okidača rotacije noža.

### SISTEM SAMOSTALNOG POGONA S VARIJABILNOM BRZINOM (SL. N)

Kosilica je opremljena funkcijom samostalnog pogona s varijabilnom brzinom. Ovaj sistem samostalnog pogona je nezavisan od rotacije noža.

**NAPOMENA!** Sistem samostalnog pogona se može pokrenuti samo kada je rukohvat završen u jednom od tri radna položaja.

### Rad sistema samostalnog pogona bez rotacije noža

1. Za osvijetljenje kontrolne ploče pritisnite dugme napajanja.
2. Lagano okrećite regulator brzine sistema samostalnog pogona prema naprijed dok ne začujete zvuk klikanja, a zatim povucite okidač samostalnog pogona na rukohvat da pokrenete funkciju samostalnog pogona.

**Za isključivanje sistema samostalnog pogona** otpustite okidač samostalnog pogona.

### PREDNJA LED SVJETLA (SL. P)

**Za uključivanje prednjih svjetala** pritisnite dugme za prednja svjetla. Prednja svjetla osvijetljavaju područje ispred kosilice.

**Za isključivanje prednjih svjetala** ponovo pritisnite dugme.

### INDIKATOR STANJA KOSILICE

Indikator stanja kosilice na kontrolnoj ploči prikazuje radno stanje kosilice.



Indikator	Opis	Značenje	Radnja
	Svijetli zeleno.	Kosilica radi propisno.	Nije potrebna.
	Treperi zeleno.	Rukohvat nije zabravljen u radnom položaju.	Zaustavite kosilicu i provjerite je li rukohvat zabravljen u jednom od radnih položaja.
	Treperi crveno.	Nizak nivo napunjenosti baterije.	Zaustavite kosilicu i napunite komplet/e baterije.
	Svijetli narandžasto.	Kosilica se pregrijava.	Otpustite okidač rotacije noža, pričekajte dok temperatura kosilice ne padne ispod 80°C. Pogledajte odjeljak „ <b>ZAŠTITA KOSILICE OD VISOKIH TEMPERATURA</b> “ u nastavku.
	Treperi narandžasto.	Kosilica je preopterećena.	<ol style="list-style-type: none"> <li>Izvadite komplet/e baterija, a zatim provjerite je li se ispod trupa nakupila trava. Očistite ako je potrebno.</li> <li>Prilikom košnje usporite tempo hodanja.</li> <li>Povečajte visinu košnje.</li> <li>Ako prethodno navedenim rješenjima niste riješili problem, obratite se servisnom centru proizvođača EGO.</li> </ol> Pogledajte odjeljak „ <b>ZAŠTITA OD PREOPTEREĆENJA KOSILICE</b> “ u nastavku.
	Naizmjenično treperi crveno/zeleno.	Greške elektronike kosilice.	Obratite se servisnom centru proizvođača EGO.

#### ZAŠTITA KOSILICE O VISOKIH TEMPERATURA

Ako temperatura kosilice tokom rada prekorači 90 °C, temperaturni zaštitni krug odmah će isključiti kosilicu da je zaštiti od oštećenja uslijed pregrijavanja.

Indikator stanja kosilice svijetlit će narandžasto. Otpustite okidač rotacije noža i pričekajte da se pregrijana kosilica ohladi i indikator statusa postane zelen, a zatim ponovo pokrenite kosilicu.

#### ZAŠTITA OD PREOPTEREĆENJA KOSILICE

Radi sprečavanja preopterećenja, nemojte pokušavati odjednom uklanjati preveliku količinu trave. Usporite tempo hodanja ili povećajte visinu košnje.

Kosilica ima ugrađenu zaštitu od preopterećenja. Kada je kosilica preopterećena, motor se zaustavlja, a indikator stanja kosilice na kontrolnoj ploči treperi narandžasto.

## ODRŽAVANJE

**⚠ UPOZORENJE!** Radi izbjegavanja teških tjelesnih povreda, uvijek isključite kosilicu, izvadite komplet/e baterija i uvjerite se da su svi pokretni dijelovi potpuno zaustavili prije čišćenja, održavanja ili transporta kosilice.

**⚠ UPOZORENJE!** Zaustavite mašinu i izvadite kompletne baterija kako biste bili sigurni da su se svi pokretni dijelovi potpuno zaustavili nakon udarca u strani predmet te kako biste pregledali i popravili mašinu zbog oštećenja prije ponovnog pokretanja i upotrebe mašine.

**⚠ UPOZORENJE!** Ako mašina počne neobičajeno vibrirati, zaustavite je, izvadite kompletne baterija i uvjerite se da su se svi pokretni dijelovi potpuno zaustavili, a zatim odmah pregledajte ima li oštećenja, zamijenite ili popravite oštećene dijelove, provjerite jesu li otpušteni i pritegnite otpuštene dijelove.

**⚠ UPOZORENJE!** Kada obavljate radove servisiranja, upotrebljavajte samo identične zamjenske dijelove. Upotreba drugih dijelova može uzrokovati opasnost ili oštećenje proizvoda. Radi osiguranja sigurnosti i pouzdanosti, sve popravke treba obavljati kvalifikovani servisni tehničar.

### ČIŠĆENJE KOSILICE

Donju stranu trupa kosilice potrebno je očistiti nakon svake upotrebe kako bi se spriječilo nakupljanje komadića trave, lišća, prljavštine ili drugih naslaga.

Uklonite naslage trave i lišće s ili oko pogonske osovine i ventilatora motora. Kosilicu čistite vlažnom krpom.

### Čišćenje ulaznog otvora za zrak (sl. Q)

1. Uklonite četiri vijka i skinite mrežasti poklopac ulaznog otvora za zrak.
2. Unutrašnjost ulaznog otvora za zrak i mrežasti poklopac očistite komprimiranim zrakom.

### ZAMJENA NOŽA (SL. R1, R2, R3)

**⚠ UPOZORENJE!** Uvijek uklonite komplet/e baterija i vreću za travu.

**⚠ UPOZORENJE!** Uvijek nosite zaštitne rukavice.

**NAPOMENA!** Prije postavljanja noža dobro očistite područje pogonske osovine i donju stranu mašine.

1. Okrenite kosilicu naopačke.

2. Za uklanjanje/postavljanje noža upotrebljavajte moment ključ i dvije metalne šipke kako je prikazano na slici.

3. Otnisuta strana noža je okrenuta prema van.

### SKLADIŠTENJE KOSILICE (SL. S1 i S2)

1. Uklonite komplet/e baterija iz kosilice.
2. Ispraznite vreću za travu i očistite kosilicu.
3. Za uštedu prostora sklopite rukohvat proizvoda i skladištite proizvod kako je prikazano na slici.

**NAPOMENA!** Prilikom sklapanja/rasklapanja rukohvata proizvoda vodite računa da ne priključite kabel (nemojte ispuštiti rukohvat).

4. Nemojte stavljati druge predmete na kosilicu dok je u skladištu.

**UPOZORENJE!** Ako se kosilica prevrne iz uspravnog položaja, može doći do oštećenja kosilice ili tjelesnih povreda. Kada je kosilica u uspravnom položaju, uvijek je držite stabilnom i izvan dohvata djece. Kosilicu po mogućnosti skladištite u položenom položaju.

### ZAŠTITA ŽIVOTNE SREDINE



Električne uređaje nemojte zbrinjivati kao nesortirani komunalni otpad nego se koristite zasebnim mjestima za sakupljanje takve vrste otpada.

Za informacije o dostupnim sistemima prikupljanja otpada obratite se lokalnoj nadležnoj službi.

Ako se električni uređaji odlažu na odlagališta otpada ili deponije, opasne tvari mogu iscuriti u podzemne vode i dospjeti u lanac ishrane i negativno uticati na zdravlje i dobrobit ljudi.

## OTKLANJANJE PROBLEMA

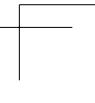
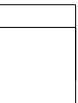
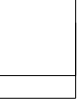
PROBLEM	UZROK	RJEŠENJE
Kosilicu ili funkciju samostalnog pogona nije moguće pokrenuti.	<ul style="list-style-type: none"> <li>▪ Komplet/i baterija je/su ispražnjen/i.</li> </ul>	<ul style="list-style-type: none"> <li>▪ Napunite komplet baterija.</li> </ul>
	<ul style="list-style-type: none"> <li>▪ Komplet/i baterija nije/nisu propisno umetnut/i u pretinac za baterije.</li> </ul>	<ul style="list-style-type: none"> <li>▪ Umetnite komplet/e baterija u pretinac za baterije tako da čujete zvuk klikanja.</li> </ul>
	<ul style="list-style-type: none"> <li>▪ Rukohvat nije zabavljen u radnom položaju i indikator stanja kosilice treperi zeleno.</li> </ul>	<ul style="list-style-type: none"> <li>▪ Zaustavite kosilicu i provjerite je li rukohvat zabavljen u jednom od radnih položaja.</li> </ul>
	<ul style="list-style-type: none"> <li>▪ Trup kosilice je začepljen travom i naslagama.</li> </ul>	<ul style="list-style-type: none"> <li>▪ Očistite trup kosilice i vodite računa da se nož može slobodno kretati.</li> </ul>
Kosilica kosi neravnomjerno.	<ul style="list-style-type: none"> <li>▪ Nož je tup.</li> </ul>	<ul style="list-style-type: none"> <li>▪ Naoštrite ili zamijenite nož.</li> </ul>
	<ul style="list-style-type: none"> <li>▪ Visina rezanja trave nije pravilno postavljena.</li> </ul>	<ul style="list-style-type: none"> <li>▪ Pomaknite visinu trupa na višu postavku.</li> </ul>
	<ul style="list-style-type: none"> <li>▪ Nož je postavljen nepravilno.</li> </ul>	<ul style="list-style-type: none"> <li>▪ Ponovo postavite nož prema uputstvima u odjeljku „ZAMJENA NOŽA“ u ovom priručniku.</li> </ul>
	<ul style="list-style-type: none"> <li>▪ Režim brzine noža nije pravilno postavljen.</li> </ul>	<ul style="list-style-type: none"> <li>▪ Odaberite odgovarajući režim brzine noža.</li> </ul>
Kosilica ne malčira pravilno.	<ul style="list-style-type: none"> <li>▪ Mokri komadići trave lijepe se za donju stranu trupa.</li> </ul>	<ul style="list-style-type: none"> <li>▪ Prije košnje pričekajte da se trava posuši.</li> </ul>
	<ul style="list-style-type: none"> <li>▪ Kosilica je postavljena za košnju prevelike količine trave odjednom.</li> </ul>	<ul style="list-style-type: none"> <li>▪ Podignite trup na veću postavku visine rezanja.</li> </ul>
	<ul style="list-style-type: none"> <li>▪ Režim brzine noža nije pravilno postavljen.</li> </ul>	<ul style="list-style-type: none"> <li>▪ Odaberite režim rada 1 ili ECO režim brzine noža.</li> </ul>

Kosilica se neočekivano zaustavlja tokom košnje.	<ul style="list-style-type: none"> <li>▪ Komplet/i baterija je/su ispražnjen/i.</li> </ul>	<ul style="list-style-type: none"> <li>▪ Napunite komplet baterija.</li> </ul>
	<ul style="list-style-type: none"> <li>▪ Kosilica je preopterećena i indikator stanja kosilice treperi narandžasto.</li> </ul>	<ul style="list-style-type: none"> <li>▪ Provjerite je li se ispod trupa nakupila trava i prema potrebi očistite trup. Povećajte visinu rezanja ili usporite košnju.</li> </ul>
	<ul style="list-style-type: none"> <li>▪ Trup kosilice je začepljen travom i naslagama.</li> </ul>	<ul style="list-style-type: none"> <li>▪ Očistite trup kosilice od naslaga. Povećajte visinu rezanja i/ili pravite uske otkose.</li> </ul>
	<ul style="list-style-type: none"> <li>▪ Komplet/i baterija je/su previše vruć/i ili je krug kosilice previše vruć. Ako je komplet baterija je pregrijan, indikator stanja kosilice se isključuje. Ako se kosilica se pregrijava, indikator stanja kosilice svijetli narandžasto.</li> </ul>	<ul style="list-style-type: none"> <li>▪ Pričekajte da se komplet/i baterija ili kosilica ohlade.</li> </ul>
	<ul style="list-style-type: none"> <li>▪ Režim brzine noža nije pravilno postavljen.</li> </ul>	<ul style="list-style-type: none"> <li>▪ Očistite ulazni otvor za zrak prema uputstvima iz odjeljka „Čišćenje ulaznog otvora za zrak“.</li> </ul>
	<ul style="list-style-type: none"> <li>▪ Greška elektronike kosilice i indikator stanja kosilice naizmjenično treperi crveno/zeleno.</li> </ul>	<ul style="list-style-type: none"> <li>▪ Odaberite brzinu noža na nižoj postavci.</li> </ul>
	<ul style="list-style-type: none"> <li>▪ Greška elektronike kosilice i indikator stanja kosilice naizmjenično treperi crveno/zeleno.</li> </ul>	<ul style="list-style-type: none"> <li>▪ Obratite se servisnom centru proizvođača EGO.</li> </ul>
Pojavljuju se prevelike vibracije.	<ul style="list-style-type: none"> <li>▪ Rezni nož je olabavljen.</li> </ul>	<ul style="list-style-type: none"> <li>▪ Pritegnite matični vijak noža.</li> </ul>
	<ul style="list-style-type: none"> <li>▪ Rezni nož nije balansiran.</li> </ul>	<ul style="list-style-type: none"> <li>▪ Obratite servisnom centru proizvođača EGO.</li> </ul>
	<ul style="list-style-type: none"> <li>▪ Rezni nož je savijen.</li> </ul>	<ul style="list-style-type: none"> <li>▪ Zamijenite nož.</li> </ul>
	<ul style="list-style-type: none"> <li>▪ Osovina motora je savijena.</li> </ul>	<ul style="list-style-type: none"> <li>▪ Obratite servisnom centru proizvođača EGO.</li> </ul>
	<ul style="list-style-type: none"> <li>▪ Kosilica je postavljena za košnju prevelike količine trave odjednom.</li> </ul>	<ul style="list-style-type: none"> <li>▪ Podignite trup na veću postavku visine rezanja.</li> </ul>
	<ul style="list-style-type: none"> <li>▪ Režim brzine noža nije pravilno postavljen.</li> </ul>	<ul style="list-style-type: none"> <li>▪ Postavite brzinu noža na nižu postavku.</li> </ul>
Motor radi, ali nož ne kosi travu.	<ul style="list-style-type: none"> <li>▪ Nož nije pritegnut odgovarajućim momentom pritezanja.</li> </ul>	<ul style="list-style-type: none"> <li>▪ Ponovo pritegnite nož. Preporučeni moment pritezanja za matični vijak noža je 50–60 Nm.</li> </ul>

## GARANCIJA

### POLITIKA GARANCIJE PROIZVOĐAČA EGO

Za sve odredbe i uslove politike garancije proizvođača EGO posjetite internetsku stranicu [egopowerplus.eu](http://egopowerplus.eu).



المشكلة	السبب	الحل
الجزازة تتوقف أثناء الجز بشكل غير متوقع.	■ نفذ شحن مجموعة (مجموعات) البطارية.	■ اشحن مجموعة البطارية.
	■ هناك حمل زائد على الجزازة ومؤشر حالة الجزازة يومض باللون البرتقالي.	■ تحقق مما إذا كانت الحشائش قد تراكمت أسفل أرضية الجزازة ونظفها إذا لزم الأمر. اضبط ارتفاع الجزّ على وضع أعلى أو قم بالجزّ بوتيرة أبطأ.
	■ هناك عشب وعوالق تعيق حركة أرضية الجزّازة.	■ تخلص مما يعيق أرضية الجزازة. اضبط ارتفاع الجز على وضع أعلى، أو قم بجعل عرض الجز أضيق.
	■ هناك ارتفاع زائد في حرارة مجموعة (مجموعات) البطارية أو الدائرة الكهربائية للجزازة. في حالة ارتفاع درجة حرارة مجموعة البطارية، ينطفئ مؤشر حالة الجزازة. في حالة ارتفاع درجة حرارة الجزازة، يضيء مؤشر حالة الجزازة باللون البرتقالي الثابت.	■ اترك مجموعة (مجموعات) البطارية أو الجزازة إلى أن تبرد.
	■ لم يتم ضبط وضع سرعة الشفرة بشكل صحيح.	■ قم بتنظيف مدخل الهواء باتباع قسم "تنظيف مدخل الهواء"
	■ يومض مؤشر وجود خطأ في إلكترونيات الجزازة ومؤشر حالة الجزازة باللون الأحمر/الأخضر بالتناوب.	■ حدد سرعة الشفرة على ضبط أدنى.
هناك اهتزازات زائدة.	■ شفرة الجز مفكوكة.	■ اربط مسمار الشفرة جيدًا.
	■ شفرة الجز غير متزنة.	■ تواصل مع مركز الصيانة بشركة EGO.
	■ شفرة الجز مثبتة.	■ استبدل الشفرة.
	■ عمود تدوير المحرك مثني.	■ تواصل مع مركز الصيانة بشركة EGO.
	■ تم ضبط الجزازة لجز كمية زائدة من العشب مرة واحدة.	■ ارفع أرضية الجزازة إلى وضع ضبط ارتفاع أعلى للجز.
المحرك يعمل ولكن الشفرة لا تجز العشب.	■ لم يتم ضبط وضع سرعة الشفرة بشكل صحيح.	■ اضبط سرعة الشفرة على ضبط أدنى.
	■ لم يتم ربط الشفرة بالعزم المطلوب.	■ أعد ربط الشفرة. العزم الموصى به لربط مسمار الشفرة هو 50-60 نيوتن متر.

## الضمان

### سياسة ضمان EGO

تفضل بزيارة الموقع الإلكتروني [egopowerplus.eu](http://egopowerplus.eu) للتعرف على الشروط والأحكام الكاملة الخاصة بسياسة ضمان EGO.

## استكشاف الأعطال وإصلاحها

المشكلة	السبب	الحل
فشل بدء تشغيل وظيفة الجازاة أو الدفع الذاتي.	■ نفذ شحن مجموعة (مجموعات) البطارية.	■ اشحن مجموعة البطارية.
	■ لم يتم تركيب مجموعة (مجموعات) البطارية بشكل صحيح في حجيرة البطارية.	■ أدخل مجموعة (مجموعات) البطارية في حجيرة البطارية إلى أن تسمع صوت "نقرة".
	■ المقبض غير مقفل في وضع التشغيل ويومض مؤشر حالة الجازاة باللون الأخضر.	■ أوقف الجازاة وتأكد من قفل المقبض في أحد أوضاع التشغيل.
الجازاة تجز العشب بشكل غير متساوي.	■ هناك عشب وعوالق تعيق حركة أرضية الجازاة.	■ نظف أرضية الجازاة، وتأكد من أن الشفرة تتحرك بحرية.
	■ الشفرة غير حادة.	■ قم بشحذ الشفرة أو استبدالها.
الجازاة تجز العشب بشكل غير متساوي.	■ لم يتم ضبط ارتفاع جز العشب بشكل صحيح.	■ اضبط ارتفاع أرضية الجازاة على ارتفاع عالٍ.
	■ تم تركيب الشفرة بشكل غير صحيح.	■ ركب الشفرة، وذلك باتباع قسم "استبدال الشفرة" من هذا الدليل.
	■ لم يتم ضبط وضع سرعة الشفرة بشكل صحيح.	■ حدد وضع سرعة الشفرة المناسب.
لا تقوم الجازاة بتوزيع العشب المجزوز على الأرض بشكل صحيح.	■ هناك قصاصات عشب رطب عالقة على الجانب السفلي لأرضية الجازاة.	■ انتظر حتى جفاف الحشائش قبل جزها.
	■ تم ضبط الجازاة لجز كمية زائدة من العشب مرة واحدة.	■ ارفع أرضية الجازاة إلى وضع ضبط ارتفاع أعلى للجز.
	■ لم يتم ضبط وضع سرعة الشفرة بشكل صحيح.	■ حدد الوضع 1 أو وضع سرعة الشفرة ECO (اقتصادي).

**تنبيه:** تأكد من عدم انحسار سلك (التمديد) أثناء طي/فرد مقبض المنتج (لا تترك المقبض يسقط على الأرض).

4. لا تضع أي أغراض أخرى فوق الجازاة أثناء تخزينها

**تحذير:** إذا انقلبت الجازاة من وضع الوقوف منتصب، فقد تتعرض الجازاة للتلف مع حدوث إصابات شخصية. احرص دائماً على ثبات الجازاة وبعيداً عن متناول أيدي الأطفال عندما تكون في وضع الوقوف منتصب. إن أمكن، فقم بإمالتها إلى الوضع المسطح لتخزينها.

### حماية البيئة



لا تتخلص من الأجهزة الكهربائية ككفاية غير مفروزة، بل توجه بها إلى مرافق جمع وفصل النفايات.

تواصل مع الجهات الحكومية المحلية للتعرف على المعلومات المتعلقة بأنظمة جمع النفايات المتاحة.

إذا تم التخلص من الأجهزة الكهربائية في أكوام القمامة أو مقلب النفايات، قد تتسرب مواد خطيرة في المياه الجوفية وتصل إلى السلسلة الغذائية، وهو ما يضر بالصحة والعافية.

**تحذير:** أوقف الآلة واخلع مجموعات البطارية للتأكد من توقف جميع الأجزاء المتحركة تماماً بعد اصطدامها بجسم غريب، ولفحص الآلة بحثاً عن أي علامات للتلف وقم بإجراء الإصلاحات قبل إعادة تشغيل الآلة واستخدامها.

**تحذير:** أوقف الآلة واخلع مجموعات البطارية للتأكد من توقف جميع الأجزاء المتحركة تماماً إذا بدأت الآلة في الإهتزاز بشكل غير طبيعي، وبعد ذلك قم على الفور بالفحص بحثاً عن أي علامات للتلف، واستبدل أي جزء تالفة أو أصلحها، وتحقق من وجود أي أجزاء مفكوكة وأربطها.

**تحذير:** استخدم فقط قطع غيار أصلية عند إجراء أعمال الصيانة. لأن استخدام أي أجزاء أخرى قد ينشأ عنه خطر أو يتسبب في تعرض المنتج للتلف. لضمان السلامة والاعتمادية، يجب تنفيذ جميع أعمال الإصلاح من قبل فني خدمة مؤهل.

### تنظيف الجازاة

يجب تنظيف الجانب السفلي من أرضية الجازاة بعد كل استخدام، لأن قصاصات العشب، والأوساخ، والعوائق الأخرى قد تتراكم. تخلص من أي تراكم للعشب وأوراق الشجر على عمود التدوير أو حوله، وعلى مروحة المحرك. امسح الجازاة لتنظيفها باستخدام منشفة مبللة.

### تنظيف مدخل الهواء (الشكل Q)

1. اخلع الغطاء الشبكي لمدخل الهواء عن طريق فك المسامير الأربعة.
2. قم بتنظيف الجزء الداخلي من مدخل الهواء والغطاء الشبكي بالهواء المضغوط.

### استبدال الشفرة (الشكل R1, R2, R3)

**تحذير:** قم دائماً بخلع مجموعة (مجموعات) البطارية وحقيبة العشب.

**تحذير:** احرص دائماً على ارتداء قفازات الحماية.

**تنبيه:** نظف منطقة عمود التدوير والجانب السفلي من الآلة جيداً قبل تركيب الشفرة.

1. اقلب الجازاة رأساً على عقب.
2. قم بخلع/تركيب الشفرة بمفتاح عزم وقضيبين معدنيين كأدوات مساعدة كما هو موضح في الشكل.
3. جانب الشفرة المطبوع عليه يكون للخارج.

### تخزين الجازاة (الشكل S1 و S2)

1. اخلع مجموعة (مجموعات) البطارية من الجازاة.
2. أفرغ حقيبة العشب ونظف الجازاة.
3. اطو مقبض المنتج لتوفير مساحة كبيرة للتخزين، ثم قم بتخزين المنتج كما هو موضح في الشكل.



المؤشر	الوصف	المعنى	الإجراء
	أخضر ثابت	الجزازة تعمل كما ينبغي.	لا شيء مطلوب.
	يومض باللون الأخضر	المقبض غير مضبوط على أحد أوضاع التشغيل.	أوقف الجزازة وتأكد من قفل المقبض في أحد أوضاع التشغيل.
	يومض باللون الأحمر	شحن البطارية منخفض.	أوقف الجزازة واشحن مجموعة (مجموعات) البطارية.
	برتقالي ثابت	الجزازة ساخنة بشكل زائد.	حرر مفتاح دوران الشفرة، وانتظر إلى أن تنخفض درجة حرارة الجزازة إلى أقل من 80 درجة مئوية. راجع قسم "حماية الجزازة ضد الارتفاع الزائد في درجة الحرارة" أدناه.
	برتقالي وامض	هناك حمل زائد على الجزازة.	1. قم بخلع مجموعة (مجموعات) البطارية، ثم افحص المنتج إذا كان هناك عشب متراكم أسفل أرضية الجزازة. نظفها إذا لزم الأمر. 2. أبطئ وتيرتك عند الجزر. 3. ارفع ارتفاع الجزر. 4. إذا لم تفلح الحلول أعلاه، يُرجى التواصل مع مركز الصيانة بشركة EGO. راجع قسم "حماية الجزازة ضد الحمل الزائد" أدناه.
	وميض بالتبادل بين اللونين الأحمر والأخضر	خطأ في أحد المكونات الإلكترونية للجزازة.	تواصل مع مركز الصيانة بشركة EGO.

### الحماية ضد الارتفاع الزائد في درجة حرارة الجزازة

إذا تخطت درجة حرارة الجزازة 90 درجة مئوية أثناء التشغيل، سنقوم دائرة الحماية ضد ارتفاع درجة الحرارة بفصل الجزازة على الفور لمنع التلف بفعل الحرارة الزائدة.

سيضيء مؤشر حالة الجزازة باللون البرتقالي الثابت. حرر مفتاح دوران الشفرة وانتظر إلى أن تبرد الجزازة الساخنة ويتحول مؤشر الحالة إلى اللون الأخضر، ثم أعد تشغيل الجزازة.

### حماية الجزازة ضد الحمل الزائد

لمنع حالات الحمل الزائد، لا تحاول إزالة الكثير من العشب في وقت واحد. أبطئ من وتيرتك أو اضبط ارتفاع الجزر على وضع أعلى.

جزازتك مزودة بدائرة حماية داخلية ضد الحمل الزائد. عند تعرض الجزازة لحمل زائد، سيتوقف المحرك ويومض مؤشر حالة الجزازة الموجود بلوحة أدوات التحكم.

## الصيانة

**⚠ تحذير:** لتجنب الإصابة البدنية الخطيرة، قم دائمًا بإيقاف تشغيل الجزازة واخلع مجموعة (مجموعات) البطارية والتأكد من توقف جميع الأجزاء المتحركة تمامًا قبل التنظيف أو إجراء أي صيانة على الجزازة أو نقلها.

## الكشافات الأمامية LED (الشكل P)

لتنشغيل الكشافات الأمامية، اضغط على زر الكشافات. تقدم الكشافات الأمامية ضوءاً ساطعاً أمام الجازاة.  
لإيقاف تشغيل الكشافات الأمامية، اضغط على الزر مرة أخرى.

## مؤشر حالة الجازاة

يعرض مؤشر حالة الجازاة الموجود بلوحة أدوات التحكم حالة عمل الجازاة.

## تحقق من وجود ما يعيق شفرة الجز

– لمنع الانسداد، حافظ على نظافة شفرة الجز وسطح الجازاة. قم بإزالة قصاصات العشب والأوراق والأوساخ وأي عوالق متراكمة أخرى قبل كل استخدام وبعده.

– عند حدوث الانسداد، أوقف الجازاة واحل مجموعة (مجموعات) البطارية، ثم قم بإزالة أي تراكم للحشائش والأوراق على عمود الإدارة أو حوله، وعلى مروحة المحرك. امسح الجازاة لتنظيفها باستخدام منشفة مبللة.

**⚠ تنبيه:** لا تحاول تجاوز إجراءات تشغيل زر الطاقة ومفتاح دوران الشفرة.

**ملاحظة:** لا يمكن بدء تشغيل المحرك إلا إذا تم قفل المقبض في أحد أوضاع التشغيل الثلاثة.

## لبدء تشغيل الجازاة (الشكل M1 و M2)

1. قم بتكيب مجموعة (مجموعات) البطارية في الجازاة وأغلق غطاء حجرة البطارية.
2. اضغط على زر الطاقة لإضاءة لوحة أدوات التحكم ومؤشر حالة الجازاة، بالإضافة إلى مؤشر سرعة الشفرة 1.
3. اضغط على زر وضع سرعة الشفرة لتحديد السرعة المطلوبة.
4. اضغط مع التثبيت على زر الطاقة.
5. أثناء الضغط على زر الطاقة، اسحب مفتاح دوران الشفرة إلى أن يلتقي بالمقبض، وحرر زر الطاقة.

## لإيقاف الجازاة (الشكل M3)

1. حرر مفتاح دوران الشفرة بالكامل.
2. ستقوم الفرملة الكهربائية الموجودة في آلية الفرملة الأوتوماتيكية بإيقاف الشفرة عن الدوران خلال 3 ثوانٍ من تحرير مفتاح دوران الشفرة.

## نظام الدفع الذاتي ذو السرعة المتغيرة (الشكل N)

الجازاة مجهزة بنظام الدفع الذاتي ذي السرعة المتغيرة. النظام ذاتي الدفع هذا مستقل عن نظام دوران الشفرة.

**ملاحظة:** لا يمكن بدء تشغيل النظام ذاتي الدفع إلا إذا تم قفل المقبض في أحد أوضاع التشغيل الثلاثة.

## لتشغيل النظام ذاتي الدفع من دون نظام دوران الشفرة

1. اضغط على زر الطاقة لإضاءة لوحة أدوات التحكم.
2. قم بتدوير بكرة التحكم في السرعة ذاتية الدفع قليلاً للأمام إلى أن تسمع صوت نقر، ثم اسحب زناد الدفع الذاتي إلى أن يلتقي بالمقبض لبدء تشغيل وظيفة الدفع الذاتي. لإيقاف النظام ذاتي الدفع، حرر الزناد ذاتي الدفع.

## تحديد وضع سرعة الشفرة (الشكل L)

- الوضع 2 هو وضع سرعة الشفرة العالية لأداء الجز المرتفع لتحسين قوة الشفط وأداء الجز.
  - الوضع 1 هو أفضل توازن بين الأداء ووقت التشغيل.
  - يوفر الوضع ECO (اقتصادي) أقل مستوى ضوضاء وأطول وقت تشغيل من مجموعة (مجموعات) البطارية الخاصة بك.
- ملاحظة:** وضع سرعة الشفرة الافتراضي هو الوضع 1.

## تكنولوجيا الاتصالات

للتعرف على المعلومات الخاصة بالمجموعة الكاملة من المنتجات والخدمات القابلة للاتصال، بما في ذلك تعليمات تنفيذ الاتصال، يرجى مسح رمز الاستجابة السريعة (QR) أدناه أو تفضل بزيارة الموقع الإلكتروني [www.egopowerplus.eu/connect](http://www.egopowerplus.eu/connect).



## التشغيل

يمكن استخدام هذا المنتج تحت الأمطار.

## تشغيل/إيقاف الجزارة

**تحذير:** قد يؤدي تشغيل أي جزارة حشائش إلى تطاير الأشياء الغريبة تجاه عينيك أو أعين الآخرين، وهو ما قد يتسبب في إلحاق أضرار خطيرة بالعينين. احرص دائماً على ارتداء نظارات حماية أثناء تشغيل الجزارة، أو أثناء إجراء أي تعديلات أو إصلاحات عليها.

**تحذير:** تستمر الشفرة في الدوران لعدة ثوانٍ بعد إطفاء الجزارة. اترك المحرك/الشفرة يتوقف عن الدوران قبل بدء التشغيل مرة أخرى. لا تقم بإطفاء الجزارة وتشغيلها بسرعة.

**تحذير:** قم بإيقاف الشفرة إذا كان من اللازم إمالة جزارة الحشائش لنقلها عند عبور أسطح ليس بها عشب، وعند نقل الجزارة من منطقة العمل واليها.

**تحذير:** لا تقم بإمالة جزارة الحشائش عند بدء تشغيل المحرك، إلا إذا كان من اللازم إمالة جزارة الحشائش لبدء تشغيلها. في هذه الحالة، لا تقم بإمالاته أكثر من الضروري وارف فقط الجزء البعيد عن المستخدم.

قبل الاستخدام، احرص دائماً على فحص الآلة بعينيك للتأكد من عدم تآكل أو تلف الشفرة أو المسمار الملولب الخاص بالشفرة. استبدل الشفرة والمسمار المتآكلين أو التالفين بمجموعات كاملة للمحافظة على توازن الآلة.

**تحذير:** في ظل الاستخدام العادي، تتعرض مادة تصنيع حقيبة العشب للتآكل. للحد من خطر التعرض لإصابات، افحص حقيبة العشب بانتظام واستبدلها إذا كانت هناك أي علامات على التآكل أو التدهور في الأداء. استخدم حقايب العشب التي تم تصنيعها خصيصاً لهذه الجزارة فقط.

**تحذير:** يجب خلع حقيبة العشب من أجل تركيب أنبوب التفريغ الجانبي أو وصلة توزيع العشب المجزوز واستخدامها.

## تركيب/إزالة أنبوب التفريغ الجانبي (يتم بيعها بشكل منفصل)

قم بتركيب أنبوب التفريغ الجانبي في الجزارة على النحو الموضح في الشكل H.

**تحذير:** يجب خلع أنبوب التفريغ الجانبي من أجل تركيب حقيبة العشب أو وصلة توزيع العشب المجزوز واستخدامها.

## ضبط ارتفاع الجز (الشكل J1 و J2)

**تحذير:** احتفظ بأقدامك بعيداً عن أرضية الآلة عند ضبط ارتفاع الجز.

يمكن ضبط الجزارة على 8 ارتفاعات مختلفة للجز ما بين 20 مم إلى 105 مم. تشير العلامة إلى ارتفاع الجز المحدد.

تتيح لك هذه الجزارة ضبط ارتفاع الجز للجزارة الأمامية والخلفية بشكل منفصل. اختر ارتفاع الجز المناسب وفقاً لنوع العشب المراد جزه وحالته.

1. أوقف تشغيل جزارة الحشائش وانتظر حتى توقف شفرة القطع تماماً.
2. اخلع مجموعة (مجموعات) البطارية.
3. اسحب ذراع ضبط ارتفاع الجز الأمامي أو الخلفي للخارج من التجويف واضبطه على الوضع المرغوب.

## تركيب/خلع مجموعات البطارية (الشكل K)

**ملاحظة:** اشحن مجموعة البطارية قبل الاستخدام.

لا تستخدم الآلة إلا مع مجموعات البطارية والشواحن المدرجة في الشكل A3.

**ملاحظة:** تحتوي الجزارة على منفذين نشطين للبطارية. يمكن تشغيل الجزارة باستخدام مجموعة بطارية واحدة أو مجموعتين.

## ■ للتركيب

1. افتح غطاء حجيرة البطارية، وادفع مجموعة البطارية في حجيرة البطارية إلى أن تسمع صوت "نقرة".
2. كرر العملية لتركيب مجموعة البطارية الثانية.

## ■ للخلع

اضغط لأسفل على زر تحرير البطارية الموجود في حجيرة البطارية.

**تنبيه:** تأكد من انغلاق اللسان الموجود بالجزارة في مكانه الصحيح، وأن مجموعة (مجموعات) البطارية محكمة التثبيت بشكل آمن في الجزارة قبل بدء التشغيل.

3. قم بربط المسامير، وتأكد من تعشيق التعشيقين بالكامل، ومن تثبيت المقبض بشكل آمن.

C-1	وضع التشغيل السفلي 1
C-2	وضع التشغيل الأوسط 2
C-3	وضع التشغيل العلوي 3

### طلي المقبض (الشكل D)

**تحذير:** تأكد من عدم انحسار الكابل أو انثناءه أو الضغط عليه عند طلي المقبض أو فك طيه. قد يؤثر تلف الكابل على تفعيل جزارة الحشائش وتشغيلها، وقد يؤدي إلى ظروف تشغيل غير آمنة.

1. قم بفك المسامير المجنحة على كلا الجانبين، وتأكد من أن التعشيقين مفكوكتان تمامًا ولكن غير منفصلتين.
2. أدر المقبض لأسفل إلى أن يستقر المقبض في وضع التخزين.
3. قم بمحاذاة علامة السهم الموجودة على تعشيقة القفل مع علامة موضع التخزين الموجودة على لوح تركيب المقبض.
4. قم بربط المسامير المجنحين، وتأكد من تعشيق التعشيقين بالكامل، ومن تثبيت المقبض بشكل آمن.

D-1	زيرختلا عضو
-----	-------------

### تجميع حقيبة العشب (الأشكال E1 و E2 و E3)

افحص حقيبة العشب قبل التجميع للتأكد من عدم تعرضها للتلف. قم بتجميع حقيبة العشب على النحو الموضح في الأشكال.

### تركيب/إزالة وصلة توزيع العشب المجزوز (يتم بيعها بشكل منفصل)

قم بتركيب وصلة توزيع العشب المجزوز في الجزارة على النحو الموضح في الشكل F.

**خطر:** قد تتطاير من الآلة قصاصات العشب والأشياء الأخرى عبر الفتحة الموجودة في هيكل الآلة. قد تتسبب الأشياء التي تتطاير بقوة كافية في حدوث إصابة بدنية خطيرة أو الوفاة لك أو للمراقبين.

لا تقم مطلقاً بتشغيل الجزارة من دون تركيب وصلة توزيع العشب المجزوز أو حقيبة العشب أو أنبوب التفريغ الجانبي بشكل صحيح.

**تحذير:** يجب خلع وصلة توزيع العشب المجزوز عند تركيب حقيبة العشب أو أنبوب التفريغ الجانبي. يجب إعادة تركيب وصلة توزيع العشب المجزوز عند خلع حقيبة العشب (أو أنبوب التفريغ الجانبي).

### تركيب/إزالة حقيبة العشب

قم بتركيب حقيبة العشب في الجزارة على النحو الموضح في الشكل G.

## التجميع

**تحذير:** إذا حدث تلف أو فقد في أي أجزاء، لا تقم بتشغيل هذا المنتج إلا بعد استبدال الأجزاء. استخدام هذا المنتج مع وجود أجزاء تالفة أو مفقود قد يؤدي إلى وقوع إصابات شخصية خطيرة.

**تحذير:** لمنع بدء التشغيل غير المقصود، والذي قد يؤدي إلى وقوع إصابات شخصية خطيرة، احرص دائماً على خلع مجموعة (مجموعات) البطارية من الآلة عند تجميع الأجزاء.

**تحذير:** لا تحاول إجراء أي تعديلات على هذه الآلة أو ابتداء ملحقات غير موصى بها للاستخدام مع هذه الجزارة. أي تغيير أو تعديل من هذا النوع يعتبر سوء استخدام، وقد يؤدي إلى وضع خطير قد يتسبب في وقوع إصابات خطيرة.

### فك التعليف

هذا المنتج يحتاج إلى التجميع.

■ أخرج جميع الملحقات من العبوة الكرتونية.

**تحذير:** غرض ثقيل. يجب أن يوجد شخصان لرفع الجزارة.

■ يجب أن يمسك أحد الشخصين بالمعد الأوسط/مقبض الرفع، ويجب على الشخص الآخر أن يمسك بالمسامير المجنحة لرفع الجزارة برفق من العبوة الكرتونية.

### تركيب المقبض

يتم شحن جزارة الحشائش مع تجميع المقبض جزئياً.

**تحذير:** لا تحاول تشغيل جزارة الحشائش إلا بعد تركيب المقبض وفتح طيه بشكل صحيح وآمن. كن حذراً لتجنب انحسار الأصابع والكابل بين الأجزاء.

1. قم بفك المسامير المجنحة وضعها جانباً.
2. حرك المقبض للأمام إلى أن تصبح تعشيقة القفل الموجودة في مجموعة المقبض مواجهة لتعشيقة الجزارة (الشكل B1).
3. قم بمحاذاة العلامات الموجودة بتعشيقة القفل ولوح تركيب المقبض كما هو موضح في الشكل B2، ثم أدخل المسامير المجنحين وأحكم ربطهما بإصبعك.

### فك طلي المقبض وضبطه (الشكل C)

**تحذير:** تأكد من عدم انحسار الكابل أو انثناءه أو الضغط عليه عند طلي المقبض أو فك طيه. قد يؤثر تلف الكابل على تفعيل جزارة الحشائش وتشغيلها، وقد يؤدي إلى ظروف تشغيل غير آمنة.

**تحذير:** لا تحاول بدء تشغيل النظام ذاتي الدفع للجزارة إلا بعد قفل المقبض على وضع من أوضاع التشغيل الثلاثة سابقة الضبط (وضع التشغيل العلوي 3، ووضع التشغيل الأوسط 2، ووضع التشغيل السفلي 1).

1. قم بفك المسامير المجنحة على كلا الجانبين، وتأكد من أن التعشيقين مفكوكتان تماماً ولكن غير منفصلتين.
2. اقلب المقبض لأعلى إلى أن تتم محاذاة علامة السهم الموجودة على تعشيقة القفل مع أحد أوضاع التشغيل الثلاثة الموجودة على لوح تركيب المقبض.

**قائمة المحتويات  
(الشكلان A1 وA2)**

الكمية	اسم القطعة
1	جزارة الحشائش
1	حقيبة العشب
1	إطار حقيبة العشب
2	مسمار مجنح (تم تركيبه في الجزارة من قبل المصنع)
1	دليل التشغيل

**الوصف**
**تعرف على الجزارة (الشكل A1 وA2)**

1. زناد الدفع الذاتي
  2. المقبض
  3. مفتاح دوران الشفرة
  4. باب التفريغ الخلفي
  5. تعشيقية القفل
  6. غطاء حجيرة البطارية
  7. كشافات أمامية LED
  8. المصد الأوسط (مقبض الرفع)
  9. المصد الأمامي
  10. ذراع ضبط ارتفاع الجزر الأمامي
  11. العجلة الأمامية
  12. أرضية الجزارة
  13. الواقي الجانبي
  14. مدخل الهواء
  15. العجلة الخلفية
  16. ذراع ضبط ارتفاع الجزر الخلفي
  17. مسمار مجنح
  18. لوح تركيب المقبض
  19. دعامة
  20. حقيبة العشب
  21. وافي المخلفات
  22. وصلة توزيع العشب المجزوز
  23. أنبوب التفريغ الجانبي
  24. مؤشر البلوتوث®
  25. لوحة التحكم
  26. مؤشر حالة الجزارة
  27. مؤشر سرعة الشفرة
  28. زر وضع سرعة الشفرة
  29. زر الطاقة
  30. زر الكشافات الأمامية LED (زر البلوتوث®)
  31. بكرة التحكم في السرعة ذاتية الدفع
- \* يُباع بشكل منفصل

56 فولت	الجهد الكهربائي
2	وضع سرعة الشفرة
1	وضع سرعة الشفرة
ECO (اقتصادي)	أوضاع ضبط طول الجزر
8	أوضاع ضبط طول الجزر
20 مم/31 مم/40 مم/ 51 مم/64 مم/78 مم/ 92 مم/105 مم	ضبط طول الجزر
53 سم	عرض الجزر
85 لترًا	حجم حقيبة العشب
46 كجم	وزن الجزارة (بدون مجموعة البطارية وحقيبة العشب)
AB5301	طرز الشفرة
0 إلى 40 درجة مئوية	درجة حرارة التشغيل الموصى بها
20- إلى 70 درجة مئوية	درجة حرارة التخزين الموصى بها
94 ديسيبل(أ)	مستوى قوة الصوت المقدر $L_{WA}$
0.6 =K ديسيبل(أ)	مستوى ضغط الصوت عند أذن مشغل الآلة $L_{PA}$
83 ديسيبل(أ)	مستوى قوة الصوت المضمن $L_{WA}$ (تم قياسه وفقًا للمعيار 2000/14/EC)
3 =K ديسيبل(أ)	القيمة المقدره للاهتزاز $a_{ff}$
95 ديسيبل(أ)	القيمة المقدره للاهتزاز $a_{ff}$
0.39 م/ثانية <sup>2</sup> / م 1.5=K	المقبض الأيسر
0.33 م/ثانية <sup>2</sup> / م 1.5=K	المقبض الأيمن

- تم قياس القيمة الكلية للاهتزاز الموضحة وفقًا لطريقة اختبار قياسية وقد تستخدم لمقارنة آلة بأخرى.
- كما يمكن استخدام القيمة الكلية للاهتزاز الموضحة في التقييم التمهيدي للتعرض.

**تنبيه:** قد تختلف انبعاثات الاهتزاز أثناء الاستخدام الفعلي للآلة عن القيمة المعلنة التي يتم استخدام الآلة فيها؛ ولحماية مشغل الآلة، ينبغي على المستخدم ارتداء قفازات وواقيات للأذن في ظروف الاستخدام الفعلية.

## اقرأ جميع التعليمات!

**الغرض المحدد للاستخدام:** المنتج معد لجز العشب يدويًا:

- استخدم الجزازة في جز العشب الجاف فقط. ولا تستخدمها في جز العشب الرطب.
- ولا تستخدمها لأي أغراض أخرى.

**⚠ تحذير:** احرص على قراءة وفهم جميع تعليمات السلامة في دليل التشغيل هذا، بما في ذلك جميع رموز تنبيهات السلامة، مثل "خطر"، و"تحذير"، و"تنبيه" قبل استخدام هذه الآلة. عدم اتباع جميع التعليمات الواردة أدناه قد يؤدي إلى حدوث صدمة كهربائية أو نشوب حريق أو التعرض للإصابة الشخصية، أحدها أو جميعها.

## رموز السلامة

للحد من خطر الإصابة، يجب على المستخدم قراءة وفهم دليل التشغيل قبل استخدام هذا المنتج.



تنبيه سلامة



أطفئ الآلة وأخلع مجموعة البطارية القابلة للخلع (أو جهاز التباطيل) قبل إجراء عمليات التعديل أو التنظيف.



احرص دائمًا على ارتداء أدوات حماية الأذنين، ونظارات الحماية المزودة بواقبات على الجانبين، وبنينغي ارتداء واقٍ لكامل الوجه أثناء تشغيل هذا المنتج.



أبق يدك وقدميك بعيدًا عن الشفرات



احذر الأشياء المتطايرة ح أبق المراقبتين بعيدًا عن نطاق عمل الآلة.



لا تحمق في لمبة التشغيل.



أبق يدك بعيدًا



هذا المنتج متوافق مع توجيهات شهادة الجودة الأوروبية (CE) المعمول بها.



مستوى قوة الصوت المضمون.



لا يجب التخلص من الأجهزة الكهربائية المستهلكة في النفايات المنزلية. توجه بالجهاز إلى مركز إعادة تدوير معتمد.



هذا المنتج متوافق مع تشريعات المملكة المتحدة المعمول بها.



فولت V

البلوتوث®



سنتمتر cm

الحماية ضد نغثات الماء IPX5

كيلوجرام kg

مليمتر mm

تيار مستمر



**ملاحظة:** علامة كلمة Bluetooth® وشعاراتها علامات تجارية مسجلة مملوكة لشركة Bluetooth SIG, Inc، وأي استخدام لمثل تلك العلامات بواسطة شركة EGO تم بموجب ترخيص.

בעיה	סיבה	פתרון
מכסחת הדשא נעצרת באופן בלתי צפוי בזמן הכיסוח.	<ul style="list-style-type: none"> <li>■ טעינת מארזי/י הסוללה ריקה.</li> </ul>	<ul style="list-style-type: none"> <li>■ הטעינו את מארז הסוללה.</li> </ul>
	<ul style="list-style-type: none"> <li>■ מכסחת הדשא עמוסה יתר על המידה ומחונן מצב המכסחה מהבהב בכתום.</li> </ul>	<ul style="list-style-type: none"> <li>■ בדקו אם הצטבר דשא מתחת למשטח ונקו לפי הצורך.</li> <li>■ הגביהו את גובה החיתוך או כסחו לאט יותר.</li> </ul>
	<ul style="list-style-type: none"> <li>■ ישנה הצטברות של דשא ואשפה על משטח המכסחה.</li> </ul>	<ul style="list-style-type: none"> <li>■ הסירו הצטברויות ממשטח המכסחה. הגביהו את גובה החיתוך ו/או כסחו ברצועה צרה יותר.</li> </ul>
	<ul style="list-style-type: none"> <li>■ מעגלי מארזי/י הסוללה או המכסחה חמים מדי. אם ישנו חימום יתר במארז הסוללה מחונן מצב המכסחה ייכבה. אם מכסחת הדשא מחוממת יתר על המידה, מחונן מצב המכסחה זוהר בכתום מלא.</li> </ul>	<ul style="list-style-type: none"> <li>■ אפשרו למארז הסוללה או למכסחה להתקרר.</li> </ul>
	<ul style="list-style-type: none"> <li>■ מצב מהירות הלהב אינו מוגדר כראוי.</li> </ul>	<ul style="list-style-type: none"> <li>■ נקו את כניסת האוויר, בהתאם לסעיף "ניקוי כניסת האוויר"</li> </ul>
	<ul style="list-style-type: none"> <li>■ שגיאת האלקטרוניקה של מכסחת הדשא ומחונן מצב המכסחה מהבהבים באדום/ירוק לסירוגין.</li> </ul>	<ul style="list-style-type: none"> <li>■ בחרו את מהירות הלהב להגדרה נמוכה יותר.</li> </ul>
ישנו יתר רטט.	<ul style="list-style-type: none"> <li>■ להב החיתוך משוחרר.</li> </ul>	<ul style="list-style-type: none"> <li>■ הדקו את בריח הלהב.</li> </ul>
	<ul style="list-style-type: none"> <li>■ להב החיתוך איננו מאוזן.</li> </ul>	<ul style="list-style-type: none"> <li>■ צרו קשר עם מרכז השירות של EGO.</li> </ul>
	<ul style="list-style-type: none"> <li>■ להב החיתוך עקום.</li> </ul>	<ul style="list-style-type: none"> <li>■ החליפו את הלהב.</li> </ul>
	<ul style="list-style-type: none"> <li>■ פיר המנוע עקום.</li> </ul>	<ul style="list-style-type: none"> <li>■ צרו קשר עם מרכז השירות של EGO.</li> </ul>
	<ul style="list-style-type: none"> <li>■ המכסחה הוגדרה לחיתוך כמות גדולה מדי של דשא בבת אחת.</li> </ul>	<ul style="list-style-type: none"> <li>■ הרימו את המשטח לגובה חיתוך גבוה יותר.</li> </ul>
	<ul style="list-style-type: none"> <li>■ מצב מהירות הלהב אינו מוגדר כראוי.</li> </ul>	<ul style="list-style-type: none"> <li>■ הגדירו את מהירות הלהב להגדרה נמוכה יותר.</li> </ul>
המנוע פועל אבל הלהב לא חותך את הדשא.	<ul style="list-style-type: none"> <li>■ בורג הלהב אינו מהודק למומנט הנדרש.</li> </ul>	<ul style="list-style-type: none"> <li>■ הדקו מחדש את בריח הלהב. המומנט המומלץ לבריח הלהב הוא 50-60 ניוטון מטר.</li> </ul>

## אחריות

### מדיניות האחריות של EGO

ניתן לבקר באתר [egopowerplus.eu](http://egopowerplus.eu) כדי לעיין בתנאים וההתניות המלאים של מדיניות האחריות של EGO.

## איתור וטיפול בבעיות

בעיה	סיבה	פתרון
כשל בהפעלת מכסחת הדשא או פונקציית ההנעה העצמית.	<ul style="list-style-type: none"> <li>טעינת מארז/י הסוללה ריקה.</li> </ul>	<ul style="list-style-type: none"> <li>הטעינו את מארז הסוללה.</li> </ul>
	<ul style="list-style-type: none"> <li>מארז/י הסוללה אינו/ם מוכנס/ים כראוי לתא הסוללה.</li> </ul>	<ul style="list-style-type: none"> <li>דחפו את מארז/י הסוללה אל תא הסוללה עד אשר יישמע „קליק“.</li> </ul>
	<ul style="list-style-type: none"> <li>הידית אינה נעולה במצב פעולה ומחונן מצב מכסחת הדשא מהבהב בירוק.</li> </ul>	<ul style="list-style-type: none"> <li>כבו את המכסחה וודאו שהידית נעולה באחד ממצבי הפעלה.</li> </ul>
	<ul style="list-style-type: none"> <li>ישנה הצטברות של דשא ואשפה על משטח המכסחה.</li> </ul>	<ul style="list-style-type: none"> <li>נקו את משטח המכסחה, וודאו שללהב ישנו חופש תנועה</li> </ul>
המכסחה איננה מכסחת באופן אחיד.	<ul style="list-style-type: none"> <li>הלהב איננו חד.</li> </ul>	<ul style="list-style-type: none"> <li>חדדו או החליפו את הלהב.</li> </ul>
	<ul style="list-style-type: none"> <li>גובה החיתוך לא נקבע כהלכה.</li> </ul>	<ul style="list-style-type: none"> <li>הזיזו את גובה המשטח להגדרה גבוהה יותר.</li> </ul>
	<ul style="list-style-type: none"> <li>הלהב מותקן באופן שגוי.</li> </ul>	<ul style="list-style-type: none"> <li>התקינו מחדש את הלהב, בהתאם לסעיף "החלפת הלהב" במדריך זה.</li> </ul>
המכסחה איננה מבצעת מלצי'נג באופן ראוי.	<ul style="list-style-type: none"> <li>מצב מהירות הלהב אינו מוגדר כראוי.</li> </ul>	<ul style="list-style-type: none"> <li>בחרו מצב מהירות להב מתאימים.</li> </ul>
	<ul style="list-style-type: none"> <li>ישנה הצטברות של חתיכות דשא רטוב בחלק התחתון של המשטח.</li> </ul>	<ul style="list-style-type: none"> <li>חכו עד אשר הדשא מתייבש לפני הכיסוח.</li> </ul>
	<ul style="list-style-type: none"> <li>המכסחה הוגדרה לחתוך כמות גדולה מדי של דשא בבת אחת.</li> </ul>	<ul style="list-style-type: none"> <li>הרימו את המשטח לגובה חיתוך גבוה יותר.</li> </ul>
	<ul style="list-style-type: none"> <li>מצב מהירות הלהב אינו מוגדר כראוי.</li> </ul>	<ul style="list-style-type: none"> <li>בחרו מצב 1 או מצב מהירות להב ECO.</li> </ul>



## תחזוקה

### אחסון המכסחה (איור S1 ו-S2)

1. הסירו את מארזי/ הסוללה מן המכסחה.
  2. רוקנו את שקית הדשא ונקו את מכסחת הדשא.
  3. על מנת לחסוך בשטח אחסון יש לקפל את ידית המוצר ולאחסן את המוצר כפי שמודגם באיור.
- הודעה:** וודאו שכבל הידית אינו לכוד בעת קיפול/שחרור ידית המוצר (אל תפילו את הידית).
4. אל תניחו חפצים אחרים על גבי המכסחה בעת האחסון
- אזהרה:** אם המכסחה מתחילה ליפול מן העמדה האנכית שלה, הדבר עלול לגרום לנזק למכסחה או לפגיעה אישית. שימרו תמיד על יציבות המכסחה והרחק מהישג ידם של ילדים כאשר היא בעמדה אנכית. אם אפשר, אחסנו במצב שטוח.



### הגנה על הסביבה

אל תזרקו מכשירים חשמליים כחלק מאשפה ביתית, השתמשו בהתקני איסוף נפרדים.

צרו קשר עם משרדים הממשלה המקומיים עבור מידע על מערכות האיסוף הזמינות.

אם ציוד חשמלי נזרק ביחד עם אשפה ביתית או במזבלה, חומרים מסוכנים עלולים לנזול אל האדמה ולהפוך לחלק משרשרת המזון, דבר העלול לגרום לנזק לבריאות ולרווחה שלכם.

**אזהרה:** על מנת למנוע פגיעות אישיות, כבו תמיד את המכסחה, הסירו את מארזי/ הסוללה וודאו שכל החלקים הנעים הגיעו לעצירה מלאה לפני ניקוי או ביצוע כל עבודת תחזוקה או הובלה של המכסחה.

**אזהרה:** עצרו את המכשיר והסירו את מארזי הסוללה כדי לוודא שכל החלקים הנעים נעצרו לחלוטין במקרה שפגעתם בחפץ זר, וכדי לבדוק ולאתר את הנזק או לבצע תיקונים לפני הפעלה מחדש של המכשיר.

**אזהרה:** עצרו את המכשיר והסירו את מארזי הסוללה כדי לוודא שכל החלקים הנעים נעצרו לחלוטין במקרה שבו המכשיר התחיל לרטוט בצורה חריגה וכדי לבדוק אם אירע נזק ואם יש צורך להחליף או לתקן חלקים פגומים או להדק רכיבים רופפים.

**אזהרה:** במקרה של עבודות תיקון, השתמשו רק בחלקי חילוף זהים. שימוש בחלקי חילוף אחרים עלול לגרום לסכנה או נזק למוצר. כדי להבטיח בטיחות ואמינות, יש לבצע את כל התיקונים וההחלפות בעזרת טכנאי שירות מוסמך.

### ניקיון המכסחה

יש לנקות את החלק התחתון של משטח המכסחה לאחר כל שימוש, בגלל שחלקי דשא, עלים, לכלוך וחלקי אשפה אחרים יצטברו.

הסירו כל דשא או עלים שהצטברו מעל או מסביב לפיר ההנעה ומאוורר המנוע. נקו את המכסחה בעזרת מטלית לחה.

### ניקוי כניסת האוויר (איור Q)

1. הסירו את כיסוי רשת כניסת האוויר על ידי הסרת ארבעת הברגים.
2. נקו את החלק הפנימי של כניסת האוויר ואת כיסוי הרשת באמצעות אוויר דחוס.

### החלפת הלהב (איור R1, R2, R3)

**אזהרה:** הסירו תמיד את מארזי/ הסוללה ואת שק הדשא.

**אזהרה:** לבשו תמיד כפפות מגן.

**הודעה:** נקו היטב את אזור פיר ההנעה ואת החלק התחתון של המכשיר לפני התקנת הלהב.

1. הפכו את המכסחה
2. הסירו/התקינו את הלהב עם מפתח מומנט ושני מוטות מתכת לסיוע כמו באיור.
3. צד הלהב המודפס כלפי חוץ.

מחונן	תיאור	פירוש	פעולה
	אור ירוק יציב	המכסחה עובדת כראוי.	לא נחוצה.
	אור ירוק מהבהב	הידית אינה נעולה במצב הפעלה.	כבו את המכסחה וודאו שהידית נעולה באחד ממצבי הפעלה.
	אור אדום מהבהב	טעינת סוללה נמוכה.	כבו את המכסחה והטעינו את מארזי/ הסוללה.
	אור כתום יציב	ישנו חימום יתר במכסחה.	שחררו את הדק סיבוב הלהב, המתניו עד שטמפרטורת מכסחת הדשא תרד מתחת ל-80°C. ראו "הגנה מפני טמפרטורה גבוהה במכסחה" להלן.
	אור כתום מהבהב	ישנו עומס יתר במכסחה.	<ol style="list-style-type: none"> <li>הסירו תחילה את מארז הסוללה ולאחר מכן בדקו ונקו את הדשא שהצטבר מתחת למשטח. נקו לפי הצורך.</li> <li>האטו את הקצב שלכם בעת החיתוך.</li> <li>הרימו את גובה החיתוך.</li> <li>אם הפתרונות לעיל אינם פועלים, אנא צרו קשר עם מרכז השירות EGO.</li> </ol> ראו להלן "הגנה על המכסחה מפני עומס יתר".
	אור אדום/ ירוק מהבהבים לסירוגין	שגיאת אלקטרוניקה במכסחה.	צרו קשר עם מרכז השירות של EGO.

### הגנה על המכסחה מפני עומס יתר

כדי למנוע תנאי עומס יתר, אל תנסו להסיר כמות גדולה של דשא בבת אחת. הפחיתו את קצב הכיסוח שלכם או הגביהו את גובה החיתוך.

למכסחה ישנו מעגל הגנה מובנה מפני עומס יתר. כאשר ישנו עומס יתר של המכסחה, המנוע ייעצר ומחונן הסטטוס של המכסחה שעל לוח המחווים יהבהב בצבע הכתום.

### הגנה על המכסחה מפני טמפרטורה גבוהה

אם טמפרטורת המכשיר עולה מעל 90°C בעת ההפעלה, מעגל הגנת הטמפרטורה יכבה מיד את המכסחה כדי למנוע נזקי חימום יתר.

מחונן מצב הסוללה יזהר בצבע כתום רציף. שחררו את הדק סיבוב הלהב והמתניו עד שמכסחת הדשא שהתחממה יתר על המידה תתקרר ומחונן המצב יהפוך לירוק, ואז הפעילו מחדש את מכסחת הדשא.



- המחוננים, ומחונן מצב מכסחת הדשא יחד עם מחונן מהירות הלהב 1 יידלקו.
- לחצו על לחצן מצב מהירות הלהב כדי לבחור את המהירות הרצויה.
  - לחצו והחזיקו את לחצן ההפעלה.
  - כשלחצן ההפעלה לחוץ, משכו את הדק סיבוב הלהב כל שייגע בידית ושחררו את לחצן ההפעלה.

### להפסקת פעולת המכסחה (איור M3)

- שחררו לגמרי את הדק סיבוב הלהב.
- המעצור החשמלי במנגנון העצירה האוטומטית יעצור את סיבוב הלהב בתוך 3 שניות משחרור הדק סיבוב הלהב.

### מערכת הנעה עצמית בעלת מהירויות שונות (איור N)

המכסחה מצוידת ביכולת הנעה עצמית בעלת מהירויות שונות. מערכת הנעה עצמית זו אינה תלויה בסיבוב הלהב.

**הערה:** לא ניתן להפעיל את מערכת הנעה העצמית אלא אם כן הידית נעולה באחד משלושת מצבי ההפעלה.

### להפעלת מערכת ההנעה העצמית ללא סיבוב להב

- לחצו על לחצן ההפעלה כדי להאיר את לוח המחוננים.
- סובבו מעט את ידית בקרת המהירות בעלת ההנעה העצמית קדימה עד שניתן יהיה לשמוע קליק, ולאחר מכן משכו את הדק ההנעה העצמית כך שיפגוש את הידית כדי להפעיל את פונקציית ההנעה העצמית.

**על מנת לכבות את ההנעה העצמית,** שחררו את הדק ההנעה העצמית.

### פנסי לד קדמיים (איור P)

**כדי להדליק את הפנסים הקדמיים,** לחצו על לחצן הפנסים הקדמיים. הפנסים הקדמיים יספקו אור בהיר בחלק הקדמי של מכסחת הדשא.

**כדי לכבות את הפנסים הקדמיים,** לחצו שוב על הכפתור.

### מחונן מצב המכסחה

מחונן מצב מכסחת הדשא בלוח המחוננים מציג את מצב העבודה של מכסחת הדשא.

## הפעלה

ניתן להשתמש במוצר בגשם.

### הפעלה/כיבוי של המכסחה

**⚠ אזהרה:** הפעלה של כל מכסחת דשא עלולה לגרום לעצמים זרים להיזרק אל תוך העיניים, דבר העלול לגרום לנזק חמור לעיניים. ענדו תמיד משקפי מגן בעת הפעלה מכסחת הדשא או בעת ביצוע כל כיוונן או תיקון בה.

**⚠ אזהרה:** הלהב ימשיך להסתובב לכמה שניות לאחר כיבוי המכסחה. אפשרו למנוע/להב להגיע לעצירה מלאה לפני הפעלתם מחדש. אל תפעילו ותכבו את המכסחה במהירות.

**⚠ אזהרה:** יש לעצור את הלהבים בעת הטיית המכשיר והובלתו על פני משטחים שאינם דשא ובעת הובלת המכשיר אל ומהאזור שברצונכם לכסח.

**⚠ אזהרה:** אין להטות את מכסחת הדשא בעת הפעלת המנוע, אלא אם יש צורך להטות את מכסחת הדשא לשם התנעה. במקרה זה, אל תטו את המכשיר מעבר למידת הצורך והרימו רק את הצד אשר לא נמצא ליד המפעיל.

לפני השימוש, בדקו תמיד שאין סימני בלאי או נזקים על גבי הלהבים ובורגי הלהבים. החליפו הלהבים או ברגים בלויים או פגומים בסטים על מנת לשמור על איון.

### בדקו אם יש חסימה של להב החיתוך

– כדי למנוע חסימה, יש לשמור על להב החיתוך וסיפון המכסחה נקיים. הסירו גזרי דשא, עלים, לכלוך וכל פסולת אחרת שהצטברה לפני ואחרי כל שימוש.

– כאשר מתרחשת חסימה, עצרו את המכסחה והסירו את מארזי/הסוללה, לאחר מכן הסירו כל דשא או עלים שהצטברו מעל או מסביב לפיר ההנעה ומאוורר המנוע. נקו את המכסחה בעזרת מטלית לחה.

**⚠ זהירות:** אל תנסו לעקוף את פעולת לחצן ההפעלה והדק סיבוב הלהב.

**הערה:** לא ניתן להתניע את המנוע אלא אם כן הידית נעולה באחת משלוש עמדות ההפעלה.

### להפעלת המכסחה (איור M1-M2)

- חברו את מארזי/הסוללה למכסחת הדשא וסגרו את מכסה תא הסוללה.
- לחצו על לחצן ההפעלה כדי להאיר את לוח

## הצמדה/הסרה של מארז הסוללה (איור K)

**הערה:** לפני השימוש בו בפעם הראשונה, הטיעו לגמרי את מארז הסוללה.

השתמשו רק במארזי הסוללה ובמטענים הרשומים באיור A3.

**הערה:** למכסחת הדשא שתי יציאות סוללה פעילות. המכסחה יכולה לפעול עם מארז סוללה אחד או שתיים.

### ■ על מנת להצמיד

1. פתחו את מכה מארז הסוללה ודחפו את מארז הסוללה אל תא הסוללה עד אשר ישמע "קליק".
2. חזרו על התהליך להתקנת מארז הסוללה השני.

### ■ הסרה

לחצו על כפתור שחרור הסוללה בתא הסוללה.

**הודעה:** וודאו שבריך המכסחה נכנס למקומו ושמארז/ הסוללה מחובר/ים כהלכה אל המכסחה לפני התחלת ההפעלה.

## בחירת מצב מהירות להב (איור L)

- מצב 2 הוא מצב מהירות להב גבוהה לביצועי הרמה גבוהה לשיפור כוח היניקה וביצועי החיתוך.
- מצב 1 הוא האיזון הטוב ביותר בין ביצועים לזמן הפעלה.
- מצב ECO מספק את רמת הרעש הנמוכה ביותר ואת זמן הפעולה הארוך ביותר מארזי הסוללות.

**הערה:** מצב מהירות הלהב המוגדר כברירת מחדל הוא מצב 1.

## טכנולוגיית תקשורת

למידע על המגוון המלא של המוצרים והשירותים המחוברים שלנו, כולל הוראות חיבור, אנא סרקו את קוד ה-QR למטה או בקרו בכתובת [www.egopowerplus.eu/connect](http://www.egopowerplus.eu/connect)

**מספיק עלולים לגרום לפגיעה גופנית חמורה או למוות לכם או לעוברי אורח.**

**לעולם אל תפעילו את מכסחת הדשא מבלי להתקין כראוי את תוספת הכיסוי, את שק הדשא, או את צינור הפליטה הצדדי.**

**⚠ אזהרה:** יש להסיר תמיד את תוספת הכיסוי לפני התקנת שק הדשא או צינור הפליטה הצדדי. יש להתקין מחדש את תוספת הכיסוי כאשר מסירים את שק הדשא (או את צינור הפליטה הצדדי).

## הצמדת/הסרת שק הדשא

התקינו את שקית הדשא במכסחת הדשא כפי שמוצג באיור G.

**⚠ אזהרה:** תחת תנאי שימוש נורמליים, חומר שק הדשא יתבלה עם הזמן. על מנת להפחית את הסיכון לפציעות, בדקו את שק הדשא בתדירות גבוהה והחליפו אותו אם ישנם סימנים של בלאי או נזקים. השתמשו רק בשקים המיוצרים עבור מכסחה זו.

**⚠ אזהרה:** יש להסיר את שק הדשא על מנת להתקין ולהשתמש בצינור הפליטה הצדדי או בתוספת הכיסוי.

## הצמדת/הסרת צינור הפליטה הצדדי (נמכר בנפרד)

התקינו את צינור הפליטה הצדדי בתוך מכסחת הדשא כפי שמוצג באיור H.

**⚠ אזהרה:** יש להסיר את צינור הפליטה הצדדי על מנת להתקין ולהשתמש בשק הדשא או בתוספת הכיסוי.

## כיוונון גובה חיתוך (איור J1 ו-J2)

**⚠ אזהרה:** שימרו על רגליכם הרחק מן המשטח בעת כיוונון גובהו.

ניתן לכוונון את המכסחה ל-8 גבהי חיתוך בין 20 מ"מ ו-105 מ"מ. סימון מצייין את גובה החיתוך שנבחר.

מכסחת דשא זו מאפשרת לכם להתאים את גובה החיתוך של החלק הקדמי והאחורי של מכסחת הדשא בנפרד. בחרו את גובה החיתוך המתאים בהתאם לסוג הדשא ולתנאיו.

1. כבו את מכסחת הדשא והמתינו עד שלהב החיתוך ייעצר לחלוטין.
2. הסירו את ערכ(ו)ת הסוללה.
3. משכו את ידית כונון גובה החיתוך הקדמית או האחורית ממעצור התנועה לאחור והציבו אותה במצב הרצוי.

## הרכבה

**⚠ אזהרה:** אל תנסו להפעיל את המכסחה ואת מערכת ההנעה העצמית לפני נעילת הידית באחת משלוש עמדות ההפעלה המוגדרות מראש (עמדת הפעלה עליונה 3, עמדת הפעלה אמצעית 2 ועמדת הפעלה תחתונה 1).

1. שחררו את ברגי הכנפיים משני הצדדים, ודאו ששני גלגלי השיניים רופפים לחלוטין אך אינם מופרדים.
2. סובבו את הידית כלפי מעלה עד שסימן החץ על גלגל השיניים הנועל יתיישר עם אחת משלוש עמדות ההפעלה בלוח ההרכבה של הידית.
3. הדקו את שני הברגים, ודאו ששני ההילוכים מחוברים במלואם והידית קבועה היטב.

C-1	מצב הפעלה תחתון 1
C-2	מצב הפעלה אמצעי 2
C-3	מצב הפעלה עליון 3

### קיפול הידית (איור D)

**⚠ אזהרה:** הקפידו לא לצבטו, לעקם או ללחוץ על הכבל בעת קיפול או פתיחת הידית. פגיעה בכבל עלולה להשפיע על ההפעלה והפעולה של מכסחת הדשא ולגרום למצב הפעלה לא בטוח.

1. שחררו את בורגי הכנפיים משני הצדדים, ודאו ששני גלגלי השיניים רופפים לחלוטין אך אינם מופרדים.
2. סובבו את הידית כלפי מעלה עד שהידית מתיישבת במצב אחסון.
3. ישרו את סימן החץ על גלגל השיניים הנועל עם סימן מיקום האחסון בלוח ההרכבה של הידית.
4. הדקו את שני בורגי הכנפיים, ודאו ששני גלגלי השיניים מחוברים במלואם והידית קבועה היטב.

D-1	מיקום אחסון
-----	-------------

### הרכבת שק הדשא (איור E1, E2, E3)

בדקו את שק הדשא לפני ההרכבה, כדי לוודא שאין נזק. הרכיבו את שק הדשא כפי שמאוייר.

### הצמדת/הסרת תוספת הכיסוי (נמכרת בנפרד)

התקינו את תוספת הכיסוי בתוך מכסחת הדשא כפי שמוצג באיור F.

**⚠ סכנה:** המכשיר יכול לזרוק גזירי דשא וחפצים אחרים דרך פתח בבית המכונה. חפצים שנזרקים בכוח

**⚠ אזהרה:** אם ישנם חלקים ניזוקים או חסרים, אל תפעילו את המכשיר עד אשר חלקים אלו יוחלפו. שימוש במכשיר זה עם חלקים פגומים או חסרים עלול לגרום לפציעה אישית חמורה.

**⚠ אזהרה:** על מנת למנוע הפעלה מקרית אשר עלולה להוביל לפציעה אישית חמורה, הסירו תמיד את מארזי/הסוללה מן המכשיר בעת הרכבת חלקים.

**⚠ אזהרה:** אל תנסו לשנות את המוצר או ליצור אביזרים אשר אינם מומלצים לשימוש ביחד עם מכסחת הדשא. כל שינוי או הוספה כאלה מהווים שימוש לא נכון ועלול לגרום לתנאים מסוכנים אשר יובילו לפציעה אישית חמורה.

### הוצאה מן הארצות

מוצר זה דורש הרכבה.

■ הוציאו את כל האביזרים מהקרטון.

**⚠ זהירות:** עצם כבד שני אנשים נדרשים להרמת מכסחת הדשא.

■ אדם אחד צריך לתפוס את הפגוש האמצעי/ידית ההרמה והאדם השני צריך לתפוס שני ברגי כנף כדי להוציא בזהירות את מכסחת הדשא מהקרטון.

### התקנת הידית

מכסחת הדשא נשלחת כשהידית מורכבת חלקית.

**⚠ אזהרה:** אין לנסות להפעיל את מכסחת הדשא עד שהידית מותקנת ונפתחת כראוי ובבטחה. יש לנקוט משנה זהירות כדי להימנע מצביטת אצבעות וכבל בין החלקים.

1. פתחו את הברגים והניחו בצד את שני ברגי הכנפיים.
2. הזיזו את הידית קדימה עד שגלגל השיניים הנועל במכלול הידית יפנה אל גלגל השיניים שעל מכסחת הדשא (איור B1).
3. ישרו את הסימנים על גלגל השיניים הנעילה וידית ההרכבה כפי שמוצג באיור B2, ולאחר מכן הכניסו והדקו את שני ברגי הכנפיים.

### פתיחה והתאמה של הידית (איור C)

**⚠ אזהרה:** הקפידו לא לצבטו, לעקם או ללחוץ על הכבל בעת קיפול או פתיחת הידית. פגיעה בכבל עלולה להשפיע על ההפעלה והפעולה של מכסחת הדשא ולגרום למצב הפעלה לא בטוח.

## רשימת אריזה (איור 1A ו-2A)

שם חלק	כמות
מכסחת דשא	1
שק דשא	1
מסגרת שק דשא	1
בורג כנף (מותקן במפעל במכסחת הדשא)	2
מדריך למפעיל	1

## מפרטים

וולט	56V	
מצב מהירות להב	2	
	1	
	ECO	
עמדות גובה חיתוך	8	
הגדרת גובה חיתוך	20 מ"מ / 31 מ"מ / 40 מ"מ / 51 מ"מ / 64 מ"מ / 78 מ"מ / 92 מ"מ / 105 מ"מ	
רוחב חיתוך	53 ס"מ	
נפח שק דשא	85 ליטר	
משקל מכסחה (ללא מארז סוללה ושק דשא)	46 ק"ג	
דגם להב	AB5301	
טמפרטורת הפעלה מומלצת	0°C עד 40°C	
טמפרטורת אחסון מומלצת	-20°C עד 70°C	
עוצמת קול נמדדת	94 dB(A)	
$L_{WA}$ level	0,6 =K dB(A)	
רמת לחץ קול באוזן המפעיל	83 dB(A)	
$L_{PA}$	3 =K dB(A)	
צליל מובטח	95 dB(A)	
רמת הספק $L_{WA}$ (נמדדת לפי 2000/14/EC)		
הערכת רטט $a_n$	ידיית שמאלית	0,39 מ"שנייה <sup>2</sup> / 1,5=K מ"שנייה <sup>2</sup>
	ידיית ימנית	0,33 מ"שנייה <sup>2</sup> / 1,5=K מ"שנייה <sup>2</sup>

## תיאור

### הכירו את מכסחת הדשא שלכם (איור A1 ו-A2)

- מתג הנעה עצמית
  - ידית
  - הדק סיבוב להב
  - דלת פריקה אחורית
  - ציוד נעילה
  - מכסה תא הסוללה
  - פנסי לד
  - פגוש אמצעי (ידיית הרמה)
  - פגוש קדמי
  - דוושת כיוון גובה חיתוך קדמית
  - גלגל קדמי
  - משטח מכסחה
  - מגן צד
  - פתח כניסת האוויר
  - גלגל אחורי
  - דוושת כיוון גובה חיתוך אחורית
  - ברייח כנף
  - לוחית הרכבת הידית
  - מסגרת
  - שק דשא
  - מגן נתיב
  - תוספת כיסוי
  - אשד לפריקה צדדית
  - מחווון Bluetooth®
  - לוח המחווים
  - אינדיקטור סטטוס עבור המכסחה
  - אינדיקטור להב
  - לחצן מצב מהירות להב
  - כפתור הפעלה
  - לחצן פנסי LED קדמיים (לחצן Bluetooth®)
  - חוגת מהירות הנעה העצמית
- \* נמכרת בנפרד

■ ערך הרטט הכללי המוצהר נמדד בהתאם לשיטת בדיקה סטנדרטית וניתן להשתמש בו כדי להשוות בין מכונות;

■ ניתן להשתמש בערך הרטט הכללי המוצהר בהערכה ראשונית של חשיפה.

הודעה: פליטת הרטט בעת השימוש המעשי במכשיר יכולה להיות שונה מן הערך המוצהר כאשר המכשיר נמצא בשימוש; כדי להגן על המפעיל, על המשתמש לבלוש כפפות ומגני אוזניים בעת השימוש למעשה.

## אנא קראו את כל ההוראות!

**שימוש מיועד:** המוצר מיועד לכיסוח דשא ידני:

- יש להשתמש רק לכיסוח דשא יבש. אין לכסח דשא רטוב.
- אל תשתמשו במכשיר לכל מטרה אחרת.

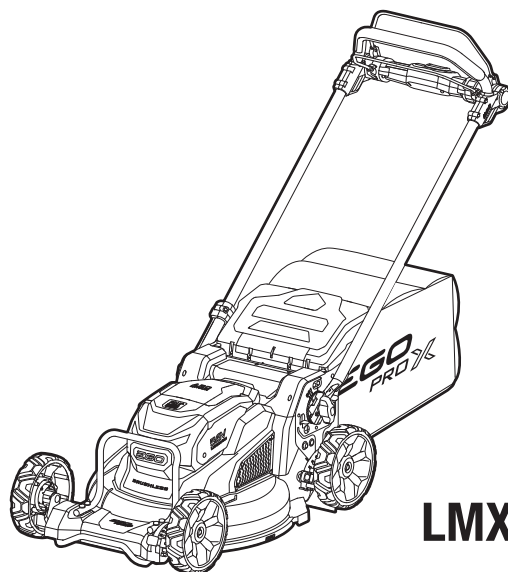
**⚠ אזהרה:** ודאו שאתם קוראים ומבינים את כל ההוראות הבטיחות המופיעות במדריך זה למשתמש, כולל כל סימני התראות הבטיחות כגון „סכנה“, „אזהרה“ ו”זהירות“ לפני השימוש במכשיר. אי מילוי אחר כל ההוראות המופיעות למטה יכול לגרום להלם חשמלי, שרפה ו/או פציעות אישיות חמורות.

### סמלי בטיחות

<p>על מנת להפחית את הסיכון לפציעות, על המשתמש לקרוא ולהבין את המדריך למשתמש לפני השימוש במוצר זה.</p>		<p>התראת בטיחות</p>	
<p>כבו והסירו את מארז הסוללה (או את מכשיר הנטרול) לפני כל התאמה או ניקיון.</p>		<p>יש לחבוש תמיד מגני אוזניים ומשקפי מגן או משקפי בטיחות בעלי הגנה צדדית, ובעת הצורך, מגן פנים מלא, בעת הפעלת מוצר זה.</p>	
<p>יש להרחיק את הידיים והרגליים מהלהבים</p>		<p>הזהרה מחפצים מושלכים - הרחיקו עוברי אורח.</p>	
<p>אין להביט ישירות על נורת ההפעלה.</p>		<p>שמרו על הידיים והרגליים במרחק בטוח</p>	
<p>מוצר זה תואם לתקנות ה-CE הרלוונטיות.</p>		<p>רמת עוצמת קול מובטחת.</p>	
<p>אין להשליך מוצרים חשמליים ביחד עם אשפה ביתית. הביאו את המכשיר למרכז מחזור מוסמך.</p>		<p>מוצר זה תואם לחוקים הרלוונטיים בבריטניה.</p>	
<p>V וולט</p>		<p>Bluetooth®</p>	
<p>cm סנטימטר</p>		<p>IPX5 הגנה מפני זרנוקי מים</p>	
<p>kg קילוגרם</p>		<p>m מילימטר</p>	
		<p>זרם ישיר</p>	

**הערה:** סימן המילים והלוגו של Bluetooth® הם סימנים מסחריים רשומים בבעלות Bluetooth SIG, inc וכל שימוש בסימנים אלו על ידי EGO הוא תחת רישיון.

# EGO™ PRO X



**LMX5300SP**

HE מכסחה אלחוטית עם סוללת ליתיום-יון 56 וולט  
AR جزارة لاسلكية ببطارية ليثيوم-أيون 56 فولت

